

Western Electric Company

No. 101-A AMPLIFIER

COMMERCIAL PRODUCTS
APPARATUS REFERENCE SHEET

| |
|-----------|
| NO 1-7 |
| AMPLIFIER |
| 101A |

3-1-37

EQUIPMENT CHARACTERISTICS

USE - - - - - Used to drive 1 or 2 100B Amplifiers. Cannot be used by itself because of lack of means for plate power delay.

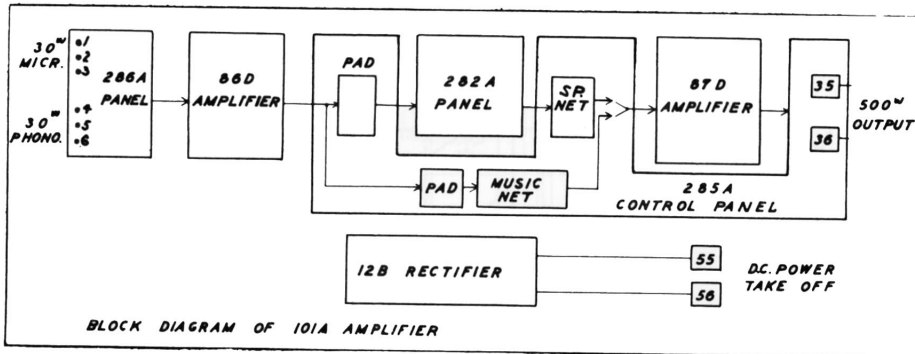
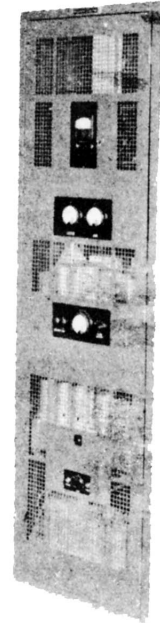
WEIGHT - - - - - 480 lbs.

SIZE - - - - - 72" x 23" x 15-1/4"

| | |
|------------------------------|---------------|
| APPARATUS - 286A Input Panel | 282A Panel |
| 86D Amplifier | 87D Amplifier |
| 285A Control Panel | 12B Rectifier |

Wiring Diagram ESR-621388

Schematic ESIX-345008



ELECTRICAL CHARACTERISTICS

GAIN - - - - - Approximately 105 db

OPERATES FROM - - - - - 30 ω Microphone or Phonograph

INTERNAL INPUT IMPEDANCE - - - 40 ohms

OPERATES INTO - - - - - 500 ohms

INTERNAL OUTPUT IMPEDANCE - - - 1/4.4 of Load Impedance

OUTPUT POWER - - - - - 50 Watts

OUTPUT NOISE - - - - - Approx.-20 on speech without Volume Compressor
Approx.-10 on speech with Volume Compressor

POWER SUPPLY - - - - - 115 Volts, 50-60", Single Phase 7.5 Amperes

GAIN CONTROL - - - - - 40db, 3db Steps

POWER TAKE-OFF - - - - - 52 Volts, 2 Amperes D.C.

