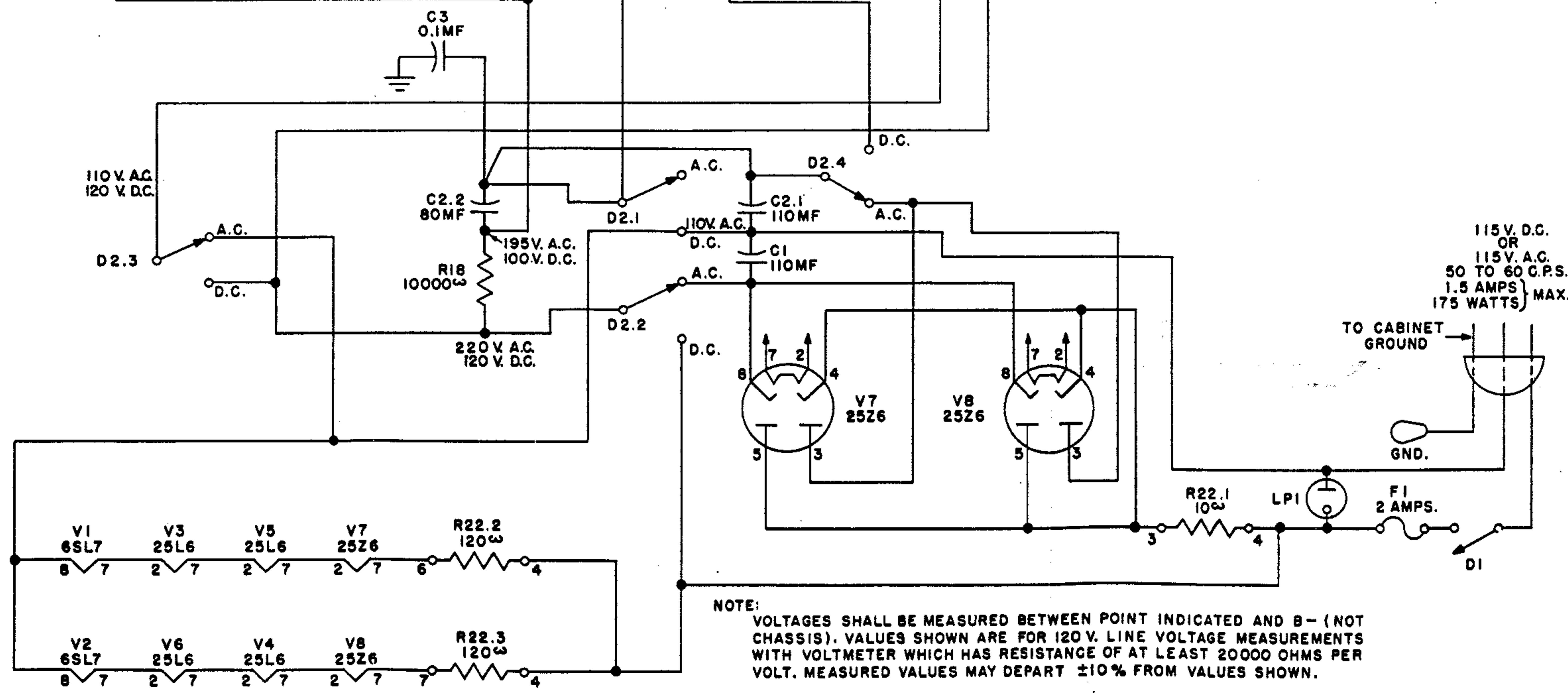


NOMINAL LOAD	LOAD RANGE	STRAP	OUTPUT TERMINALS
A.C. SUPPLY			
4Ω	2 TO 6		1, 2
8Ω	4 TO 12		2, 3
24Ω	12 TO 36		1, 3
250Ω	125 TO 375	4-6, 5-7	4, 7
1000Ω	500 TO 1500	5-6	4, 7
70 VOLTS		3-4-6, 5-7	1, 7
D.C. SUPPLY			
1.5Ω	1.0 TO 2.5		1, 2
3Ω	2.0 TO 4.5		2, 3
8Ω	6 TO 14		1, 3
100Ω	60 TO 150	4-6, 5-7	4, 7
400Ω	250 TO 600	5-6	4, 7
70 VOLTS		3-4, 5-6	1, 7

INPUT CONNECTIONS		
NOMINAL SOURCE	RANGE	INPUT CONNECTIONS
150Ω	75 TO 300	2, 3
600Ω	300 TO 1200	2, 4
600Ω BRIDGING	0 TO 10000	1, 5



NOTE:
 VOLTAGES SHALL BE MEASURED BETWEEN POINT INDICATED AND B- (NOT CHASSIS). VALUES SHOWN ARE FOR 120 V. LINE VOLTAGE MEASUREMENTS WITH VOLTMETER WHICH HAS RESISTANCE OF AT LEAST 20000 OHMS PER VOLT. MEASURED VALUES MAY DEPART ±10% FROM VALUES SHOWN.

Fig. 3-140A Amplifier Schematic