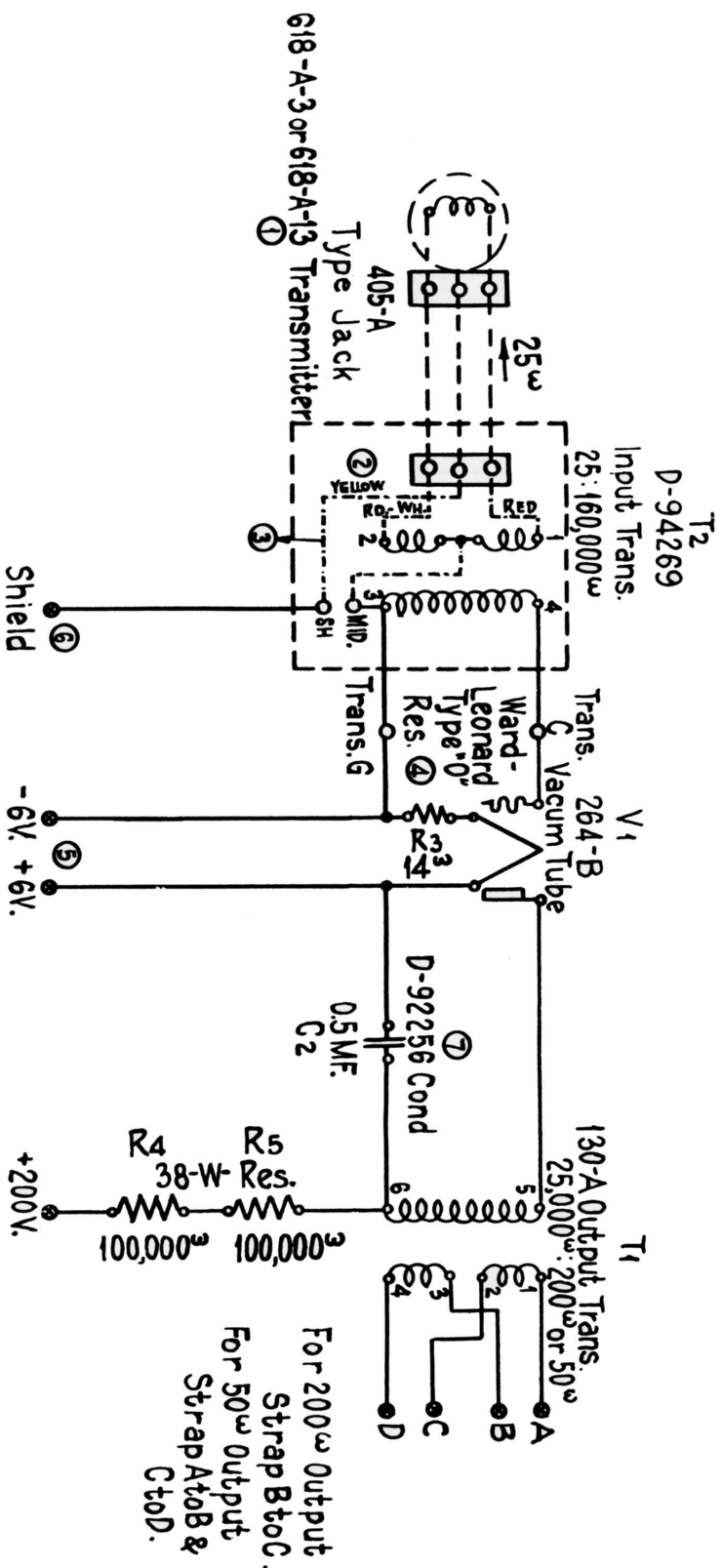


No.47-A AMPLIFIER

BELL TELEPHONE LABORATORIES
INCORPORATED

SCHEMATIC CIRCUIT DIAGRAM OF CONVERTED 47-A AMPLIFIER
FOR USE WITH 618-A-3 OR 618-A-13 TRANSMITTER

910-1922
8-10-32
ISSUE: 1 I.K.
2-6-34
ISSUE: 2 R.J.T.



- ① The 405-A Jack is an integral part of the 618-A-3 Transmitter, and the 405-A-13 Jack is an integral part of the 618-A-13 Transmitter.
- ② The D-94535 Plug is an integral part of the D-94269 Input Transformer.
- ③ Lines shown thus-----are internal transformer connections.
- ④ Ward-Leonard 14" Type "0" Resistance to be equipped with Radio Terminals.
- ⑤ The negative terminal of the 200 Volt Battery may be connected to either the negative or positive terminal of the 6 Volt Battery, and the common conn. should be grounded.
- ⑥ The shield terminal on the amplifier should be connected to the shield of the five conductor (Battery and Output) cord, and the shield grounded only at the 6 Volt Battery.
- ⑦ D-92256 Cond. supersedes D-86779 0.4 MF. Cond. employed in early shop production 47-A Amplifiers.