

Western Electric Company

No. 70-A AMPLIFIER

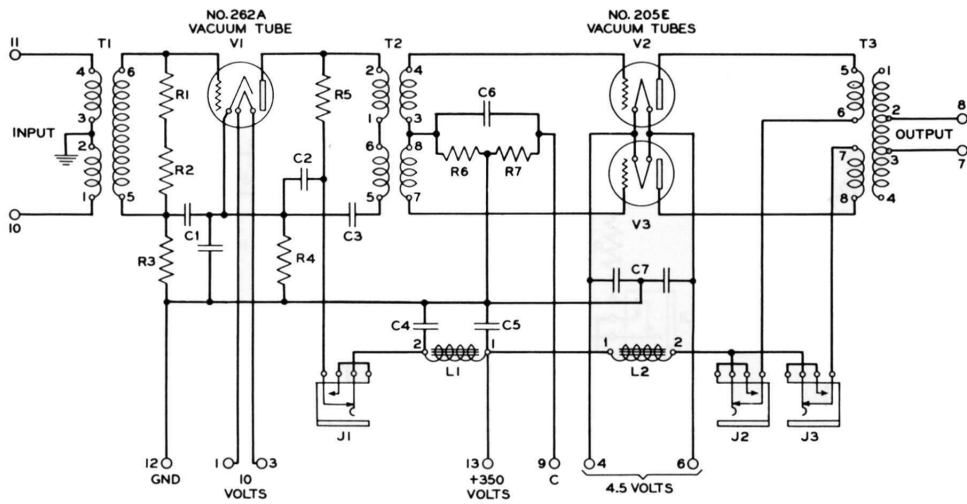
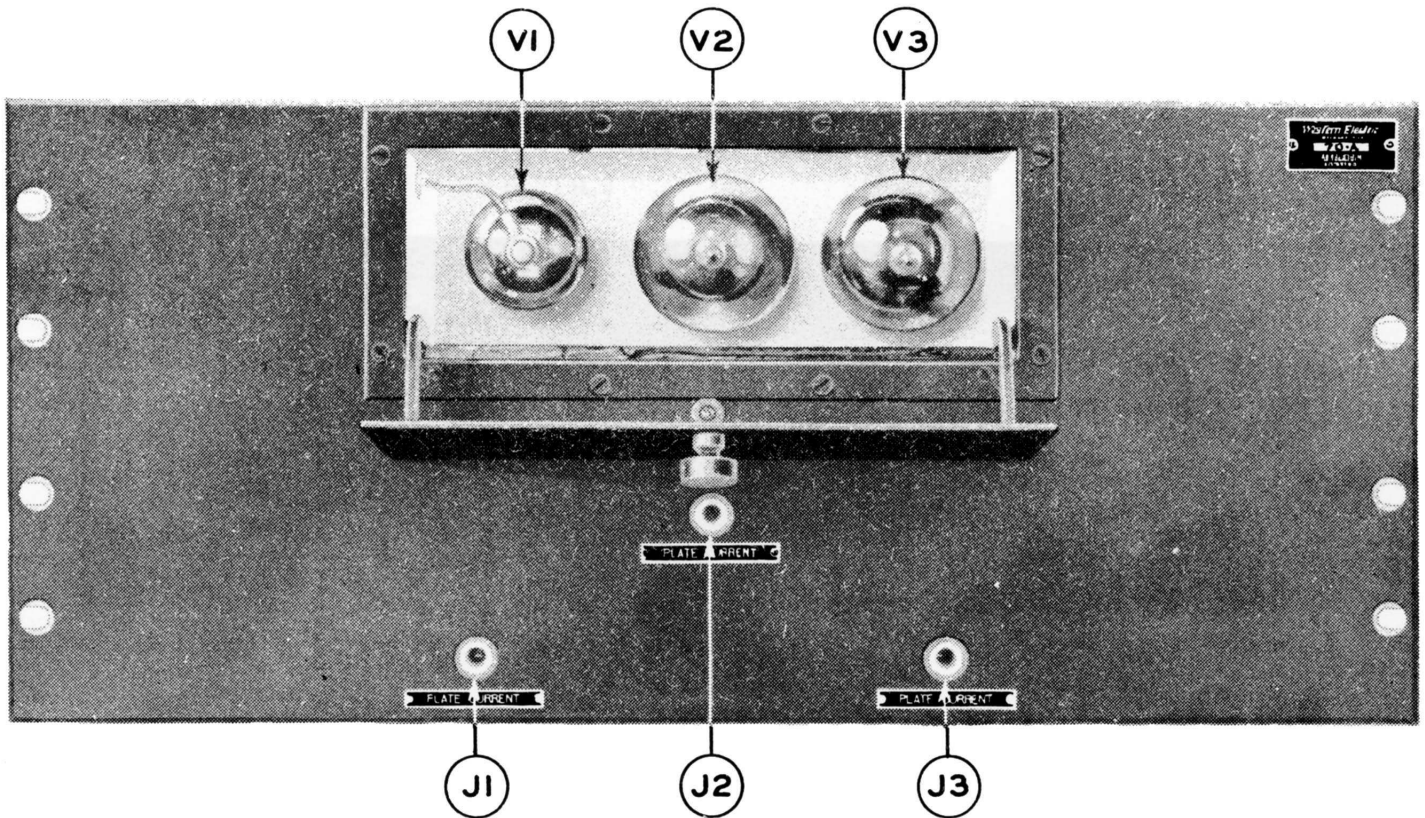


Fig. 1—Schematic Diagram of No. 70A Amplifier

TERMINAL NUMBERS AND CONNECTIONS FOR NO. 70A AMPLIFIER

Terminal Numbers	External Connection
1 and 3	10 volts AC
2	Not used
4 and 6	4.5 volts AC
5	Not used
7 and 8	Output
9	Center tap of 4.5-volt-AC source
10 and 11	Input
12	Negative—350 volts DC, Center tap of 10-volt-AC source; and Ground
13	