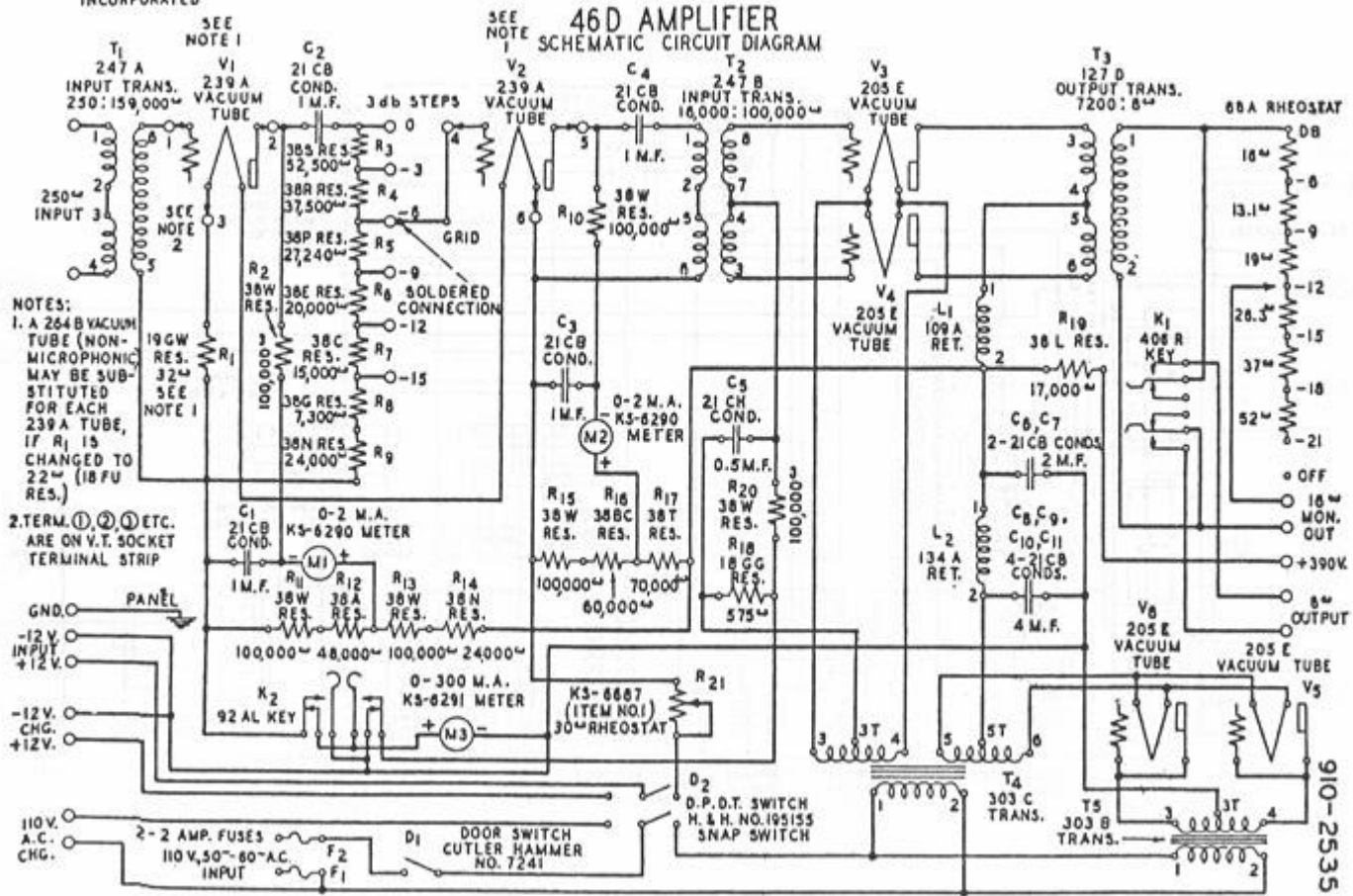


BELL TELEPHONE LABORATORIES  
INCORPORATED

### 46D AMPLIFIER SCHEMATIC CIRCUIT DIAGRAM



910-2535