

# Wharfedale

## SERVICE MANUAL

### Hi-Fi LOUDSPEAKER

#### MODEL PC10+DX SUROUND

PC10+DX

#### ★ TABLE OF CONTENTS

---

PECIFICATIONS-----	2
SCHEMATIC DIAGRAM-----	3
ASSEMBLY PART LIST-----	4
ELECTRONICS PARTS LIST-----	5

---

## ★ SPECIFICATION

---

Amplifier Power	100 watts
Input Sensitivity	250mv
Crossover Range	35-85Hz
Frequency Response	30-95Hz
LF Response(Fb)	45Hz
Maximun SPL(ref 1m)	108db
Weight	14.62Kg
Dimensions Overall(H*W*D)	385*335*360(mm)

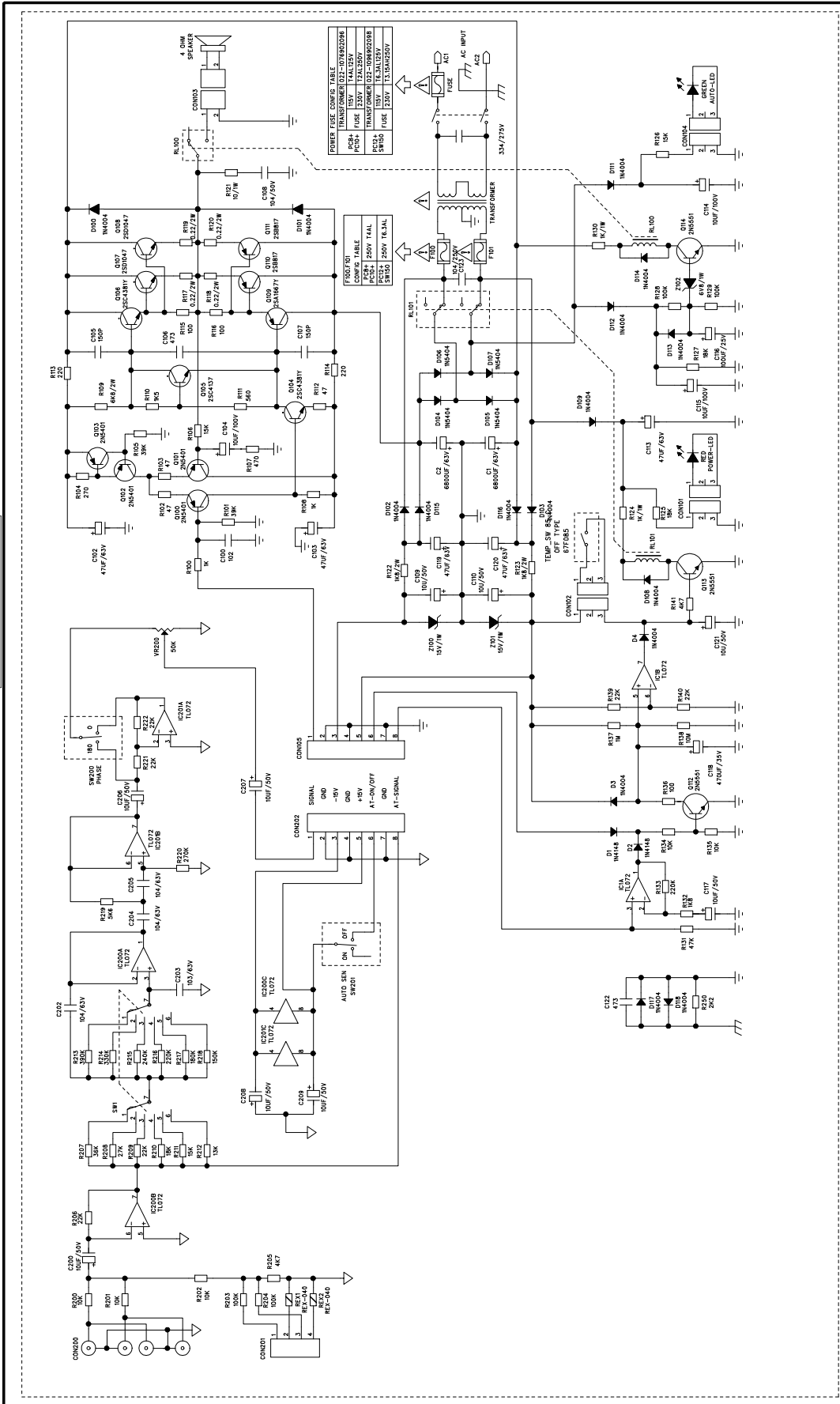
---

**PC10+DX**

# SCHEMATIC DIAGRAM

C-293A05.SCH-1 - Sat Aug 07 09:46:16 2004

**PC10+DX**



**POWER FUSE CONFIG TABLE**

TRANSFORMER (22-10VA/0.250A)	PC24	FUSE 13.5V 12AL250V
PC24	FUSE 13.5V 12AL250V	
TRANSFORMER (22-10VA/0.250A)	PC23	FUSE 13.5V 12AL250V
PC23	FUSE 13.5V 12AL250V	
TRANSFORMER (22-10VA/0.250A)	PC22	FUSE 13.5V 12AL250V
PC22	FUSE 13.5V 12AL250V	

**COMPONENT TABLE**

IC20A	TL072	250V 7E3AL
IC20B	TL072	250V 7E3AL
IC20C	TL072	250V 7E3AL
IC20D	TL072	250V 7E3AL

SANECORE MUSIC INSTR. CO., LTD	
TITLE: PC84-104-124-SW150 SCHEMATIC	MODEL: C-293.293.294.341 C-293A05
DWG: Y.Q.J	DATE: 04.5.21
CHK:	DATE:
APP:	DATE:

▲ Adjacent to the relevant component denoting specific component shall be replaced only by the component specified in the circuit for safety reasons.

Note: Damage requiring service, using this product form the well outlet and refer servicing to qualified service personnel. This product is not intended for use in hazardous locations. Only qualified service personnel should be authorized to perform repairs. Unauthorized substitutions may result in fire, electric shock or other hazards. Upon completion of any service or repairs. This product, ask the service technician to perform safety checks to determine that the product is in proper operating condition.

★ ASSEMBLY PARTS LIST

R/N	P/N	PART NAME	DESCRIPTION	QUA
1	409-2105300000	CARTON BOX		1
2	406-1701641311	BUBBLE CORNER		8
3	401-2035000003	BUBBLE CUSHION		2
4	344-2105303001	PC10+DX CABINET		1
5	ZD-22800-01	WOOFER		1
6	ZC-34700-05	AMPLIFIER		1
7	226-0500218511	PLASTIC FEET		4
8	233-1611000701	CUBE		1
9	240-0264232900	PLASTIC PANEL		1
10	217-2366000001	LOGO PLATE		1
11	215-1158000001	KNOB		2
12	557-4001258061A	SCREWS	4.0-25 PA HOB	12
13	557-4001208061A	SCREWS	4.0*25 DA HOB	10

PC10+DX

★ ELECTRONICS PARTS LIST

PC10+DX

R/N	P/N	PART NAME	DESCRIPTION	QUA	PLACE
	088-1293001300	INPUT PCB		1	
1	053-1293002113	PCB BOARD		1	
2	001-4702203010	RESISTOR	4.7K 1/8W F	1	R205
3	001-1003203010	RESISTOR	10K 1/8W F	3	R200.201.202
4	001-3603103050	RESISTOR	36K 1/8W 5%	1	R207
5	001-2703203010	RESISTOR	27K 1/8W F	1	R208
6	001-2203203010	RESISTOR	22K 1/8W F	4	R206.209.221.222
7	001-1803203010	RESISTOR	18K 1/8W F	1	R210
8	001-1503203010	RESISTOR	15K 1/8W F	1	R211
9	001-1303203010	RESISTOR	13K 1/8W F	1	R212
10	001-5602203010	RESISTOR	5.6Kohm 1/8W F	1	R219
11	001-1004203010	RESISTOR	100K 1/8W F	2	R203.204
12	001-3904203010	RESISTOR	390Kohm 1/8W F	1	R213
13	001-3304203010	RESISTOR	330K 1/8W F	1	R214
14	001-2404203010	RESISTOR	240K1/8W	1	R215
15	001-2204203010	RESISTOR	220K 1/8W 1%	1	R216
16	001-1804203010	RESISTOR	180K 1/8W F	1	R217
17	001-1504203010	RESISTOR	150K 1/8W F	1	R218
18	001-2704103050	RESISTOR	270K 1/8W J	1	R220
19	006-1004051163	CAPACITOR	SM10uF 50V 20	5	C200.206.207.208.209
20	013-1040210801	CAPACITOR	104/63V	3	C202.204.205
21	013-1030210501	CAPACITOR	103 63V 5%	1	C203
22	017-0650000000	IC	TL072(CN)	2	IC200A/B/C.201A/B/C
23	020-5052120425	POTENTIOMETERS	16K 12D0025-50KA	1	VR200
24	089-0500000012	SWITCH	SS-22F20-G12	2	SW200.201
25	051-3300000000	JACK	4PIN PCB JK040	1	CON200
26	079-0401000000	FUSE	PTC RXE040	2	REX1.REX2
27	097-0701200000	SWITCH	SR2512-0206-26F1A-C	1	SW102
28	056-4108220000	JACK	JS-1135-08	1	CON202
29	056-4104220000	JACK	JS-1135-04	1	CON201
	088-1293001000	AMP PCB		1	
1	053-1293002110	PCB BOARD		1	

★ ELECTRONICS PARTS LIST

PC10+DX

2	001-0229308050	RESISTOR	0.22ohm 2	4	R117.118.119.120
3	001-1000307050	RESISTOR	10ohm 1W	1	R121
4	001-2201205010	RESISTOR	220ohm 1/4W F	2	R113.114
5	001-2701205010	RESISTOR	270ohm 1/4W F	3	R102.103.112
6	001-1802205010	RESISTOR	1.8K 1/4W F	4	R115.116.132.136
7	001-4701205010	RESISTOR	470ohm 1/4W F	2	R104.107
8	001-5601205010	RESISTOR	560ohm 1/4W F	1	R111
9	001-1002205010	RESISTOR	1K 1/4W F	2	R100.108
10	001-1002307050	RESISTOR	1K 1W J	2	R124.130
11	001-1502205010	RESISTOR	1.5K 1/4W F	1	R110
12	001-1802308050	RESISTOR	1.8K 2W	2	R122.123
13	001-4702205010	RESISTOR	4.7K 1/4W F	1	R141
14	001-6802308050	RESISTOR	6.8K 2W	1	R109
15	001-1003205010	RESISTOR	10K 1/4W F	2	R134.135
16	001-1503205010	RESISTOR	15K 1/4W F	2	R106.126
17	001-1803205010	RESISTOR	18K 1/4W F	2	R125.127
18	001-2203205010	RESISTOR	22K 1/4W F	2	R139.140
19	001-3903205010	RESISTOR	39K 1/4W F	2	R101.105
20	001-4703205010	RESISTOR	47K 1/4W F	1	R131
21	001-1004205010	RESISTOR	100K 1/4W F	2	R128.129
22	001-2204205010	RESISTOR	220K 1/4W F	1	R133
23	001-1005205010	RESISTOR	1M 1/4W F	1	R137
24	001-1006205010	RESISTOR	10M 1/4W F	1	R138
25	008-1512050004	CAPACITOR	151/500V 10%	2	C105.107
26	008-1002005015	CAPACITOR	1NF-50V-10%	1	C100
27	006-1014051144	CAPACITOR	100uF 25V 2	1	C116
28	014-1040100001	CAPACITOR	CL11 100NF/50V	1	C108.
29	014-1040400004	CAPACITOR	0.1UF/250V	1	C123
30	013-4730210801	CAPACITOR	47NF/63V	2	C106 122
31	006-1004051163	CAPACITOR	SM10uF 50V 20	4	C109.110.117.121
32	006-1004061193	CAPACITOR	10uF 100V UL	3	C104.114.115
33	006-4701081573	CAPACITOR	47uF 63V 10%	5	C102.103.113.119.120
34	006-4714102154	CAPACITOR	470uF 35V 2	1	C118



# ELECTRONICS PARTS LIST

PC10+DX

35	067-2204004000	DIODE	IN4004	16	D3.4.100-103.108.109.111-116 117 118
36	067-1104148000	DIODE	IN4148	2	D1.D2
37	067-2205404000	DIODE	IN5404	4	D104.105.106.107
38	067-3304744000	DIODE	IN4744A 15V-1W	2	Z100.101
39	067-3304736000	DIODE	IN4736 6V8	1	Z102
40	018-0302690113	AUDION	2SC2690	1	Q105
41	018-0304381111	AUDION	2SC4381Y	2	Q104.106
42	018-2905401115	AUDION	2N5401 TO-92	4	Q100.101.102.103
43	018-0200817116	AUDION	2SB817 TO-3P	2	Q107.108
44	018-0101667111	AUDION	2SA1667Y TO-220	1	Q109
45	018-0401047116	AUDION	2SD1047 TO-3P	2	Q110.111
46	018-2905551115	AUDION	2N5551 TO-92	3	Q112.113.114
47	017-0650000000	IC	TL072(CN)	1	IC1A
48	024-2240101012	RELAY	JH32F-024-HS 24V	1	RL100
49	024-2240501006	RELAY	OMI-SS-224 24V	1	RL101
50	031-2200512121	FUSE	50T040H	2	F100.101
51	050-0100070211	BRACKET	FUC-2	4	F100.101
52	056-4108220000	JACK	JS-1135-08	1	CON100
53	056-4103220000	JACK	JS-1135-03	3	CON101.104 102
54	056-0102224400	JACK	JS3962-2P-WAFER	1	CON103
55	001-2202205010	RESISTOR	2.2K 1/4W F	1	R250
56	019-0311022001	LED	234HD RED	1	POWER-LED
57	019-0522122000	LED	GREEN 333GD/E-A	1	AUTD-LED
58	031-2200507122	FUSE	TSD 2A/250V	1	
59	050-0111070111	BRACKET	R3-11 5*20	1	
60	022-1076902096	TRANSFORMER		1	
61	055-1308160133	LINE		1	
62	055-1304120333	LINE		1	
63	055-1303600333	LINE		1	
64	055-1303180533	LINE		1	

★ ELECTRONICS PARTS LIST

---

65	060-0180151004	LINE		2	
66	060-0200120000	LEAD		1	
67	060-0180120300	LINE		1	
68	060-0180150000	LEAD		1	
69	044-0500000000	JACK	SS-7B-10-4.8	1	
70	041-2043000000	POWER SWTICH	R130-22C-11P	1	

PC10+DX