

Wharfedale

Pro

Service Manual :

PM-600

Professional Audio Mixers

PM-600

Table of Contents:

1.Specifications.....	2
2.Assembly parts list.....	3
3.Electronic parts list.....	4
4.Schematic Diagram.....	8

1. SPECIFICATIONS

INPUTS	
BALANCED MIC	5
LINE CHANNELS	6
INPUT IMPEDANCE	
LOW Z(BALANCED)	2KOHMS
LINE	16KOHMS
MAIN OUT	UNBA.TRS
FREQUENCY RESPONSE	20TO25KHz
MAXIMUM CHANNEL GAIN	
LOW Z(BALANCED)	40dB
LINE	20dB
MAXIMUM INPUT LEVEL	
LOE Z(MIC)	0dB
LINE	20dB
MAXIMUM OUTPUT LEVEL	
MAIN	18dBv
RECORD OUT	5dBv
MASTER EQ	
HI EQ	12Khz 12dB
MID EQ	1KHz 12dB
LOW EQ	80Hz 12dB
PROTECTION	THERMAL/LOAD
MASTER SECTION	
BUILT IN DIGITAL EFFECT	YES
THD	LESS THAN 0.1%
CHANNEL EQUALISATION	
LOW EQ	100Hz ±12dB
HI EQ	8KHz ±12dB
POWER CONSUMPTION	230 WATTS
POWER REQUIREMENTS	330WATTS
WEIGHT	11.48KG/PCS
DIMENSIONS(H*W*D)	475*241*188

PM-600

2.ASSEMBLY PART LIST

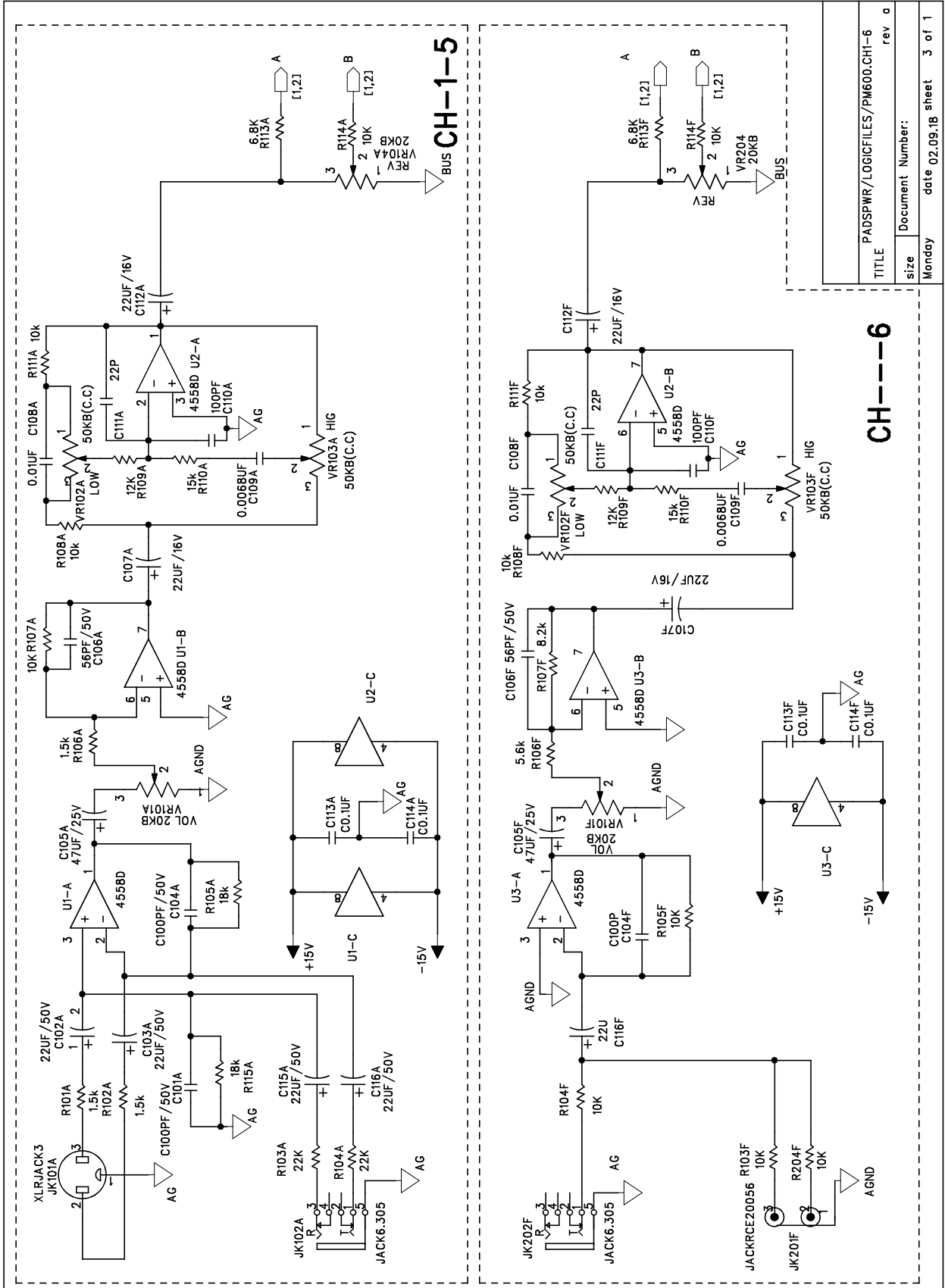
R/N	P/N	PART NAME	DESCRIPTION	QUA
1	088-1247000000	MAIN P.C.B		1
2	088-1247000300	AMP P.C.B		1
3	088-1245003800	IMPROT P.C.B		1
4	022-1076902156	TRANSFORMER		1
5	215-1247000011	KNOB	ASHEN	15
6	215-1247000022	KNOB	REN	8
7	215-1247000033	KNOB	SAHEN	8
8	309-1247000001	MAIN FRAME		1
9	310-1069010001	METAL GRILLE		1
10	524-3022080811A	SCREWS	SK(+) ³ *8MC HBZn	3
11	524-3003080811A	SCREWS	SK(+) ³ *8DA HBZn	12
12	537-4001120801A	SCREWS	MP(+) ⁴ *12MC BZn	8
13	500-4070320800A	NUT		5
14	344-1247000001	CABINET		1
15	350-1200180000	HANDLE		1
16	226-3800601111	RUBBER FEET		4
17	541-4001240801A	SCREWS	MO(+) ⁴ *24 MF OB	2
18	541-4001300801A	SCREWS	MO(+) ⁴ *30 MF OB	8
19	553-3002127061A	SCREWS	WT(+) ³ *12 DA HOB	4
20	553-4001208061A	SCREWS	WT(+) ⁴ *20 DA HOB	4
21	553-4002168061A	SCREWS	WT(+) ⁴ *16 DA HOB	32

PM-600

3.ELECTRONIC PARTS LIST

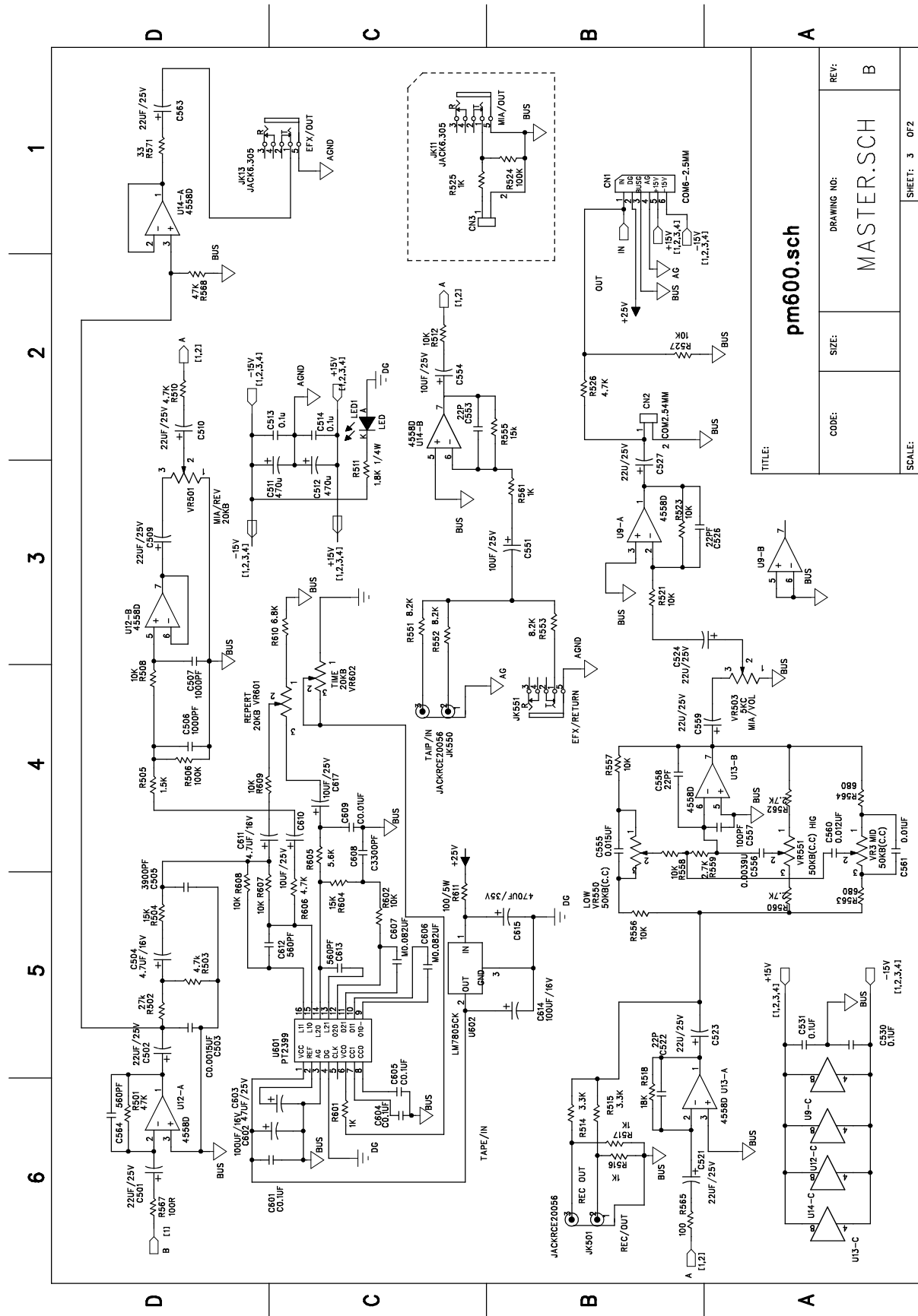
R/N	P/N	PART NAME	DESCRIPTION	QUA
1	088-1247000000	MAIN P.C.B		1
2	088-1247000300	AMP P.C.B		1
3	088-1247003800	IMPROT P.C.B		1
4	017-0150000000	IC	PT2399	1
5	017-0160000000	IC	NJM4558D	14
6	017-0950000000	IC	HPC7805H LM7805CK NEC TO-220	1
7	020-2032111115	POTENTIOMETER	S.ROT/VR 20KB 30MM P	10
8	020-5022127315	POTENTIOMETER	L=30mm EVU J84 F3053Y	6
9	020-5032111115	POTENTIOMETER	S.ROT/VR 50KB 30MM P	15
10	017-0190000000	IC	L7815CV+15 OUT	1
11	017-1830000000	IC	L7915CV-15V OUT	1
12	306-1001100004	RADIATOR	(C001J27M)	2
13	306-1180000001	RADIATOR	C18004M	1
14	041-2013000000	SWITCH	R130-22C-11P	
15	018-0903200115	AUDION	KTC3200	3
16	018-0901027115	AUDION	KTC1027	1
17	018-0903198115	AUDION	KTC3198	1
18	018-0904370111	AUDION	KTC4370	1
19	018-0303856116	AUDION	2SC3856	2
20	018-0701268115	AUDION	KTA1268	3
21	018-0701023115	AUDION	KTA1023	2
22	018-0701659111	AUDION	KTA1659	1
23	018-0101492116	AUDION	2SA1492	2
24	022-1076902156	TRANSFORMER		1
25	050-0111070111	FUSE	R3-11 5*20 UL	1
26	083-0080000000	ELECTRIC FAN		1

4. SCHEMATIC DIAGRAM



PM-600

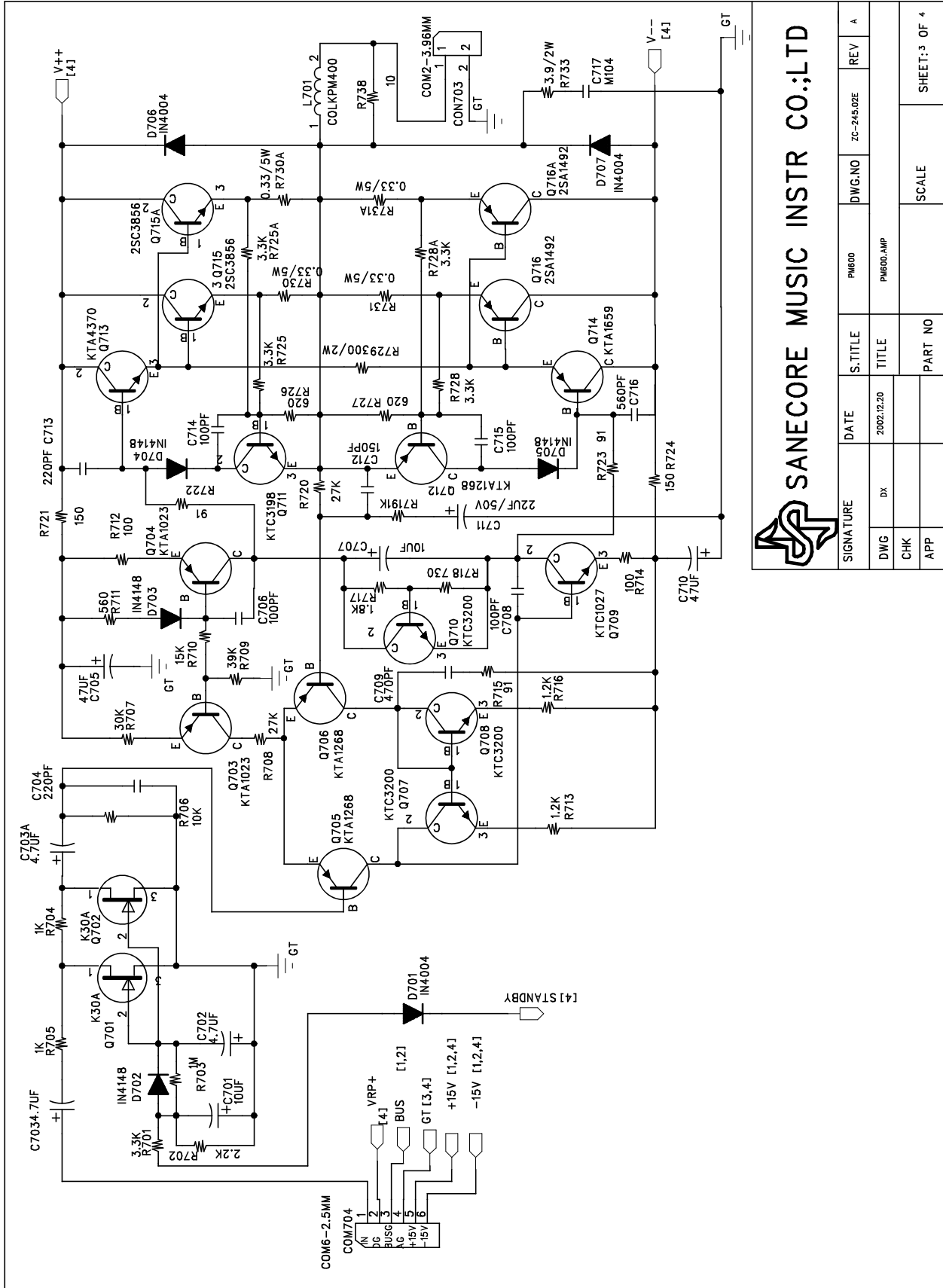
4. SCHEMATIC DIAGRAM



TITLE:	pm600.sch	
CODE:	SIZE:	DRAWING NO:
		MASTER.SCH
SCALE:		REV: B
		SHEET: 3 OF 2

PM-600

4. SCHEMATIC DIAGRAM

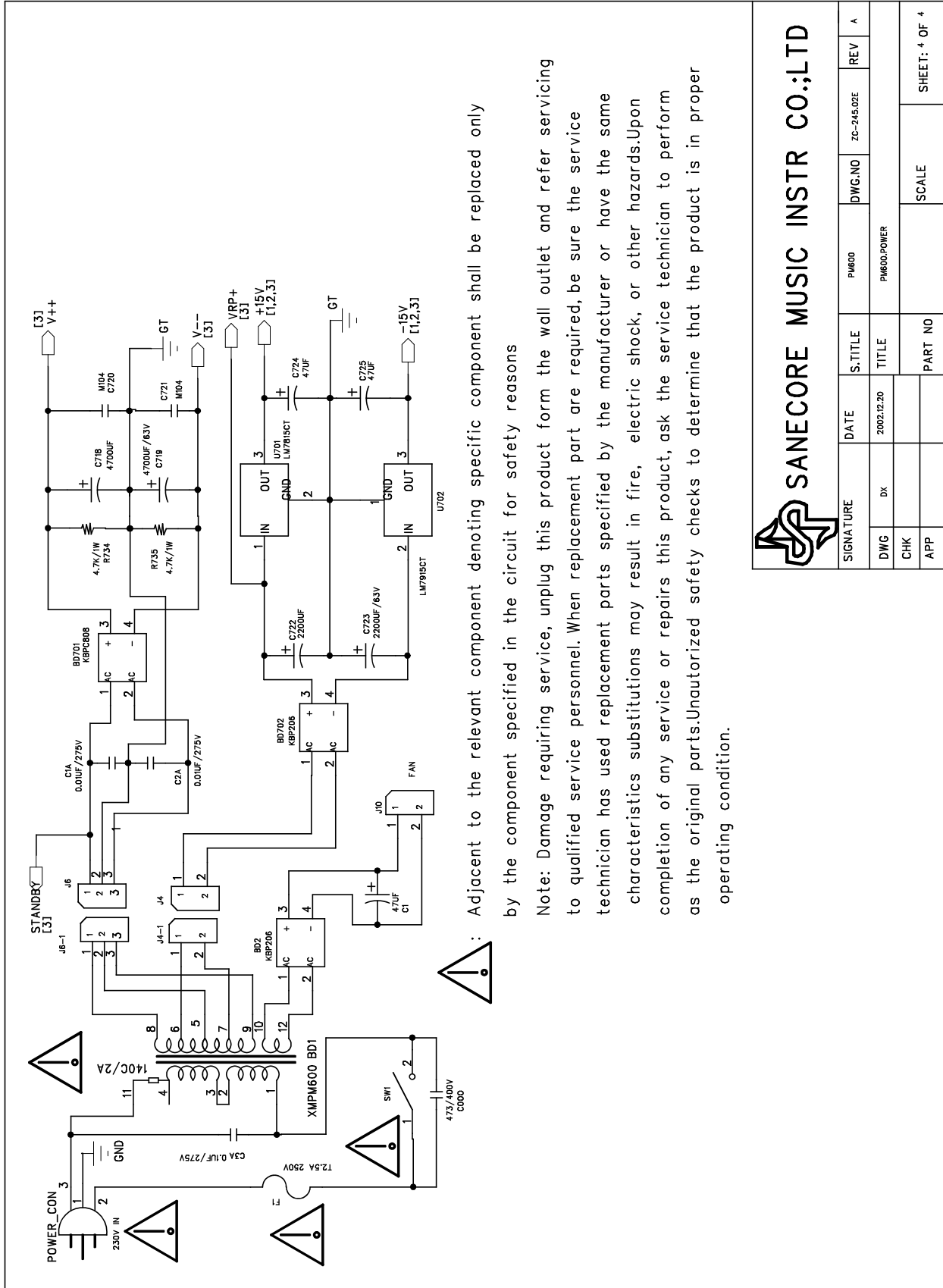


SANECORE MUSIC INSTR CO.;LTD

SIGNATURE	DATE	S.TITLE	PM600	DWG.NO	ZC-245.02E	REV	A
DWG	DK	2002.12.20	TITLE	PM600.AMP			
CHK							
APP							
						SCALE	SHEET: 3 OF 4

PM-600

4. SCHEMATIC DIAGRAM



∞

⚠ : Adjacent to the relevant component denoting specific component shall be replaced only by the component specified in the circuit for safety reasons

Note: Damage requiring service, unplug this product from the wall outlet and refer servicing to qualified service personnel. When replacement part are required, be sure the service technician has used replacement parts specified by the manufacturer or have the same characteristics substitutions may result in fire, electric shock, or other hazards. Upon completion of any service or repairs this product, ask the service technician to perform as the original parts. Unauthorized safety checks to determine that the product is in proper operating condition.

SANECORE MUSIC INSTR CO.,LTD

SIGNATURE		DATE	S. TITLE	PM600	DWG. NO	ZC-24-5.02E	REV	A
DWG	DX	2002.12.20	TITLE	PM600.POWER				
CHK			PART NO	SCALE				
APP				SHEET: 4 OF 4				