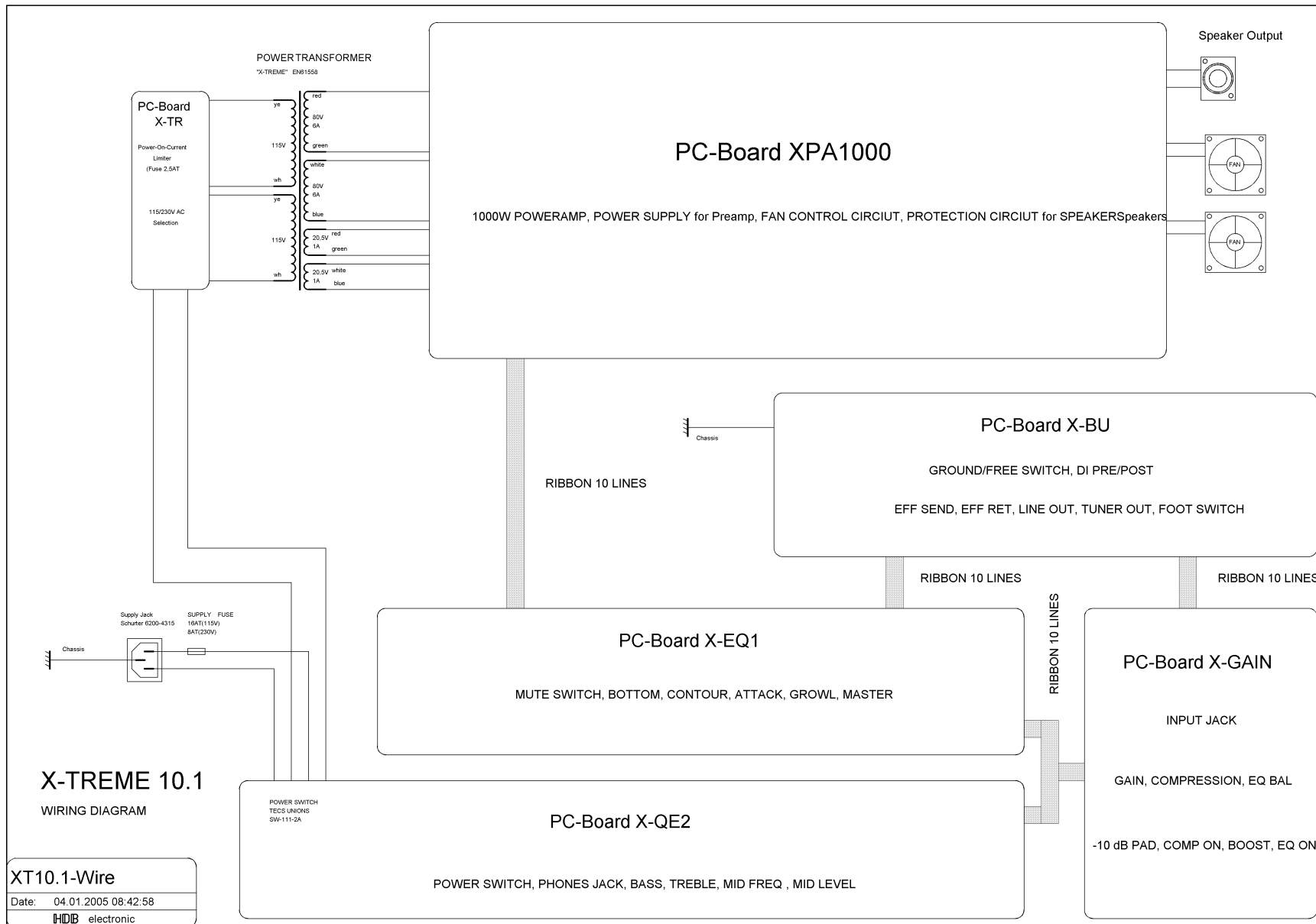
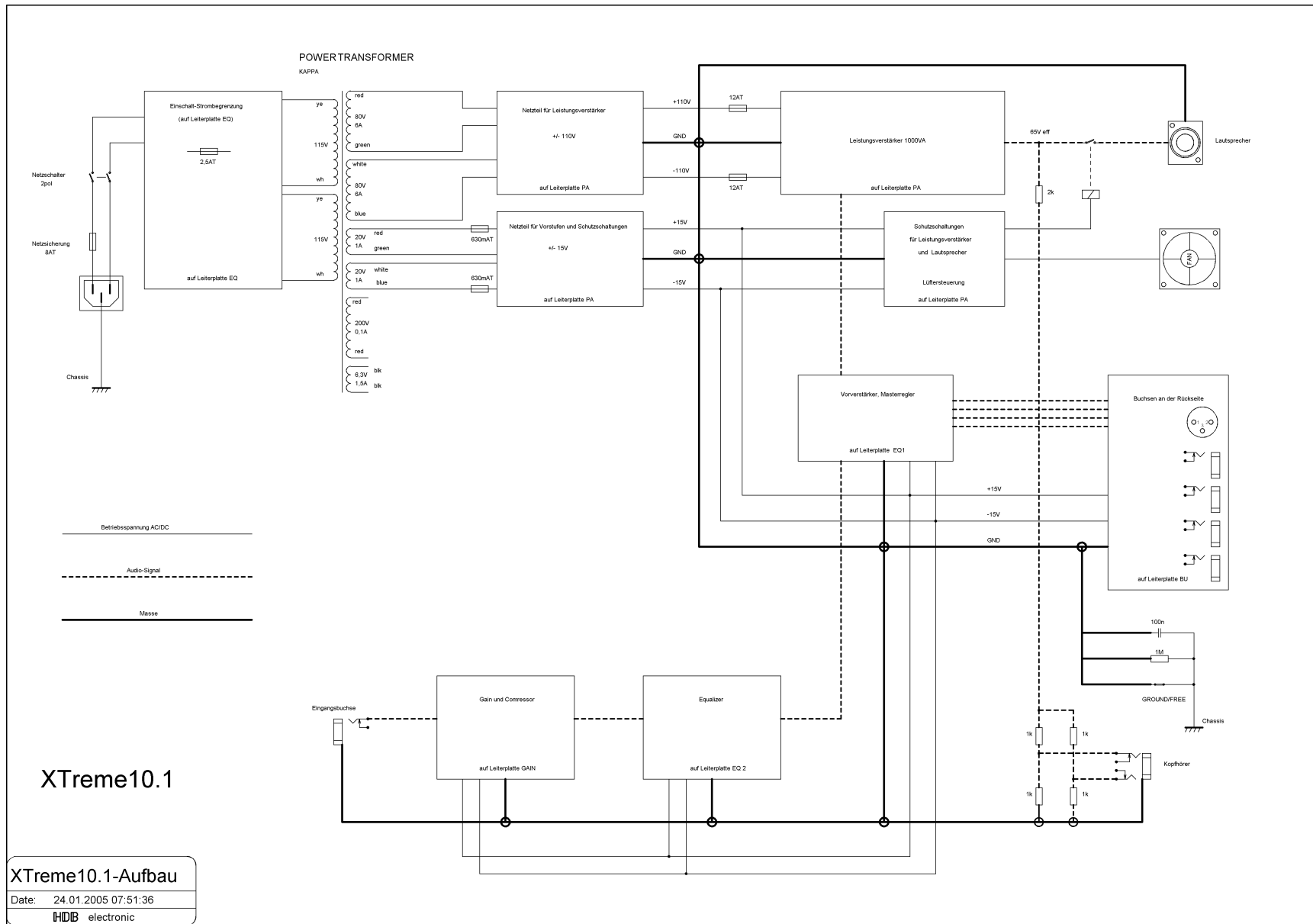
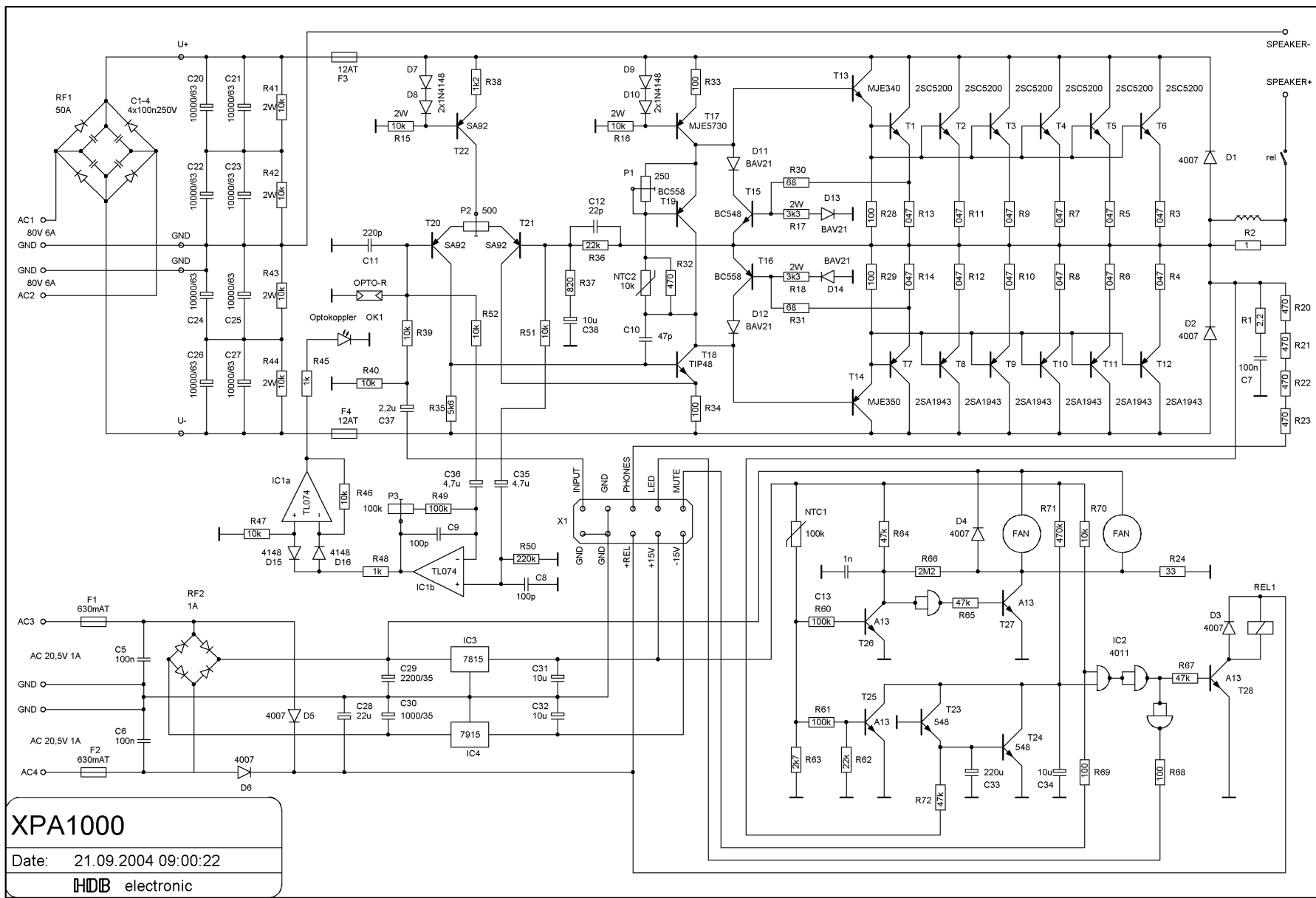


XT10.1-Schema
Date: 04.01.2005 08:28:21
HDB electronic







XPA1000

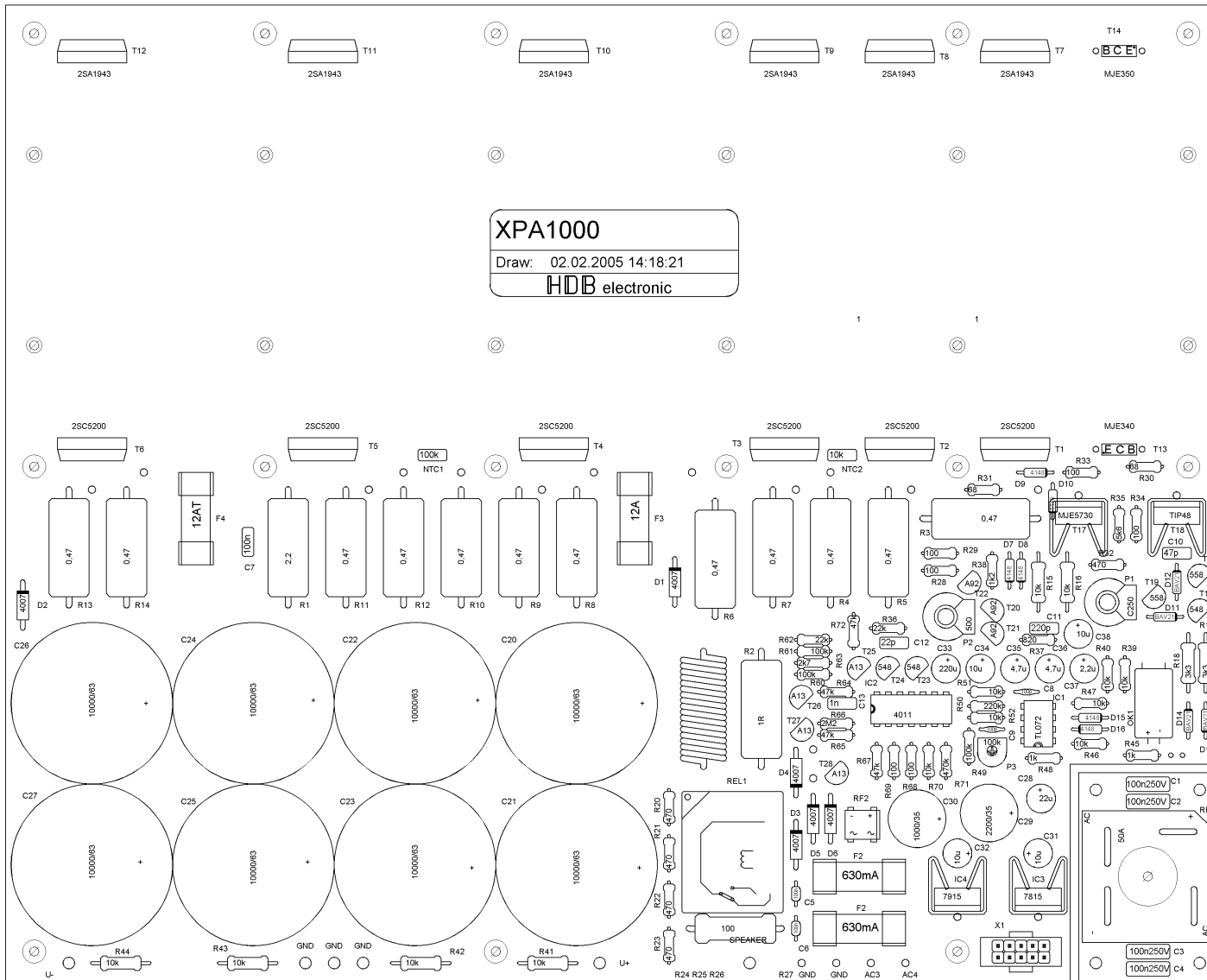
Date: 21.09.2004 09:00:22

HDB electronic

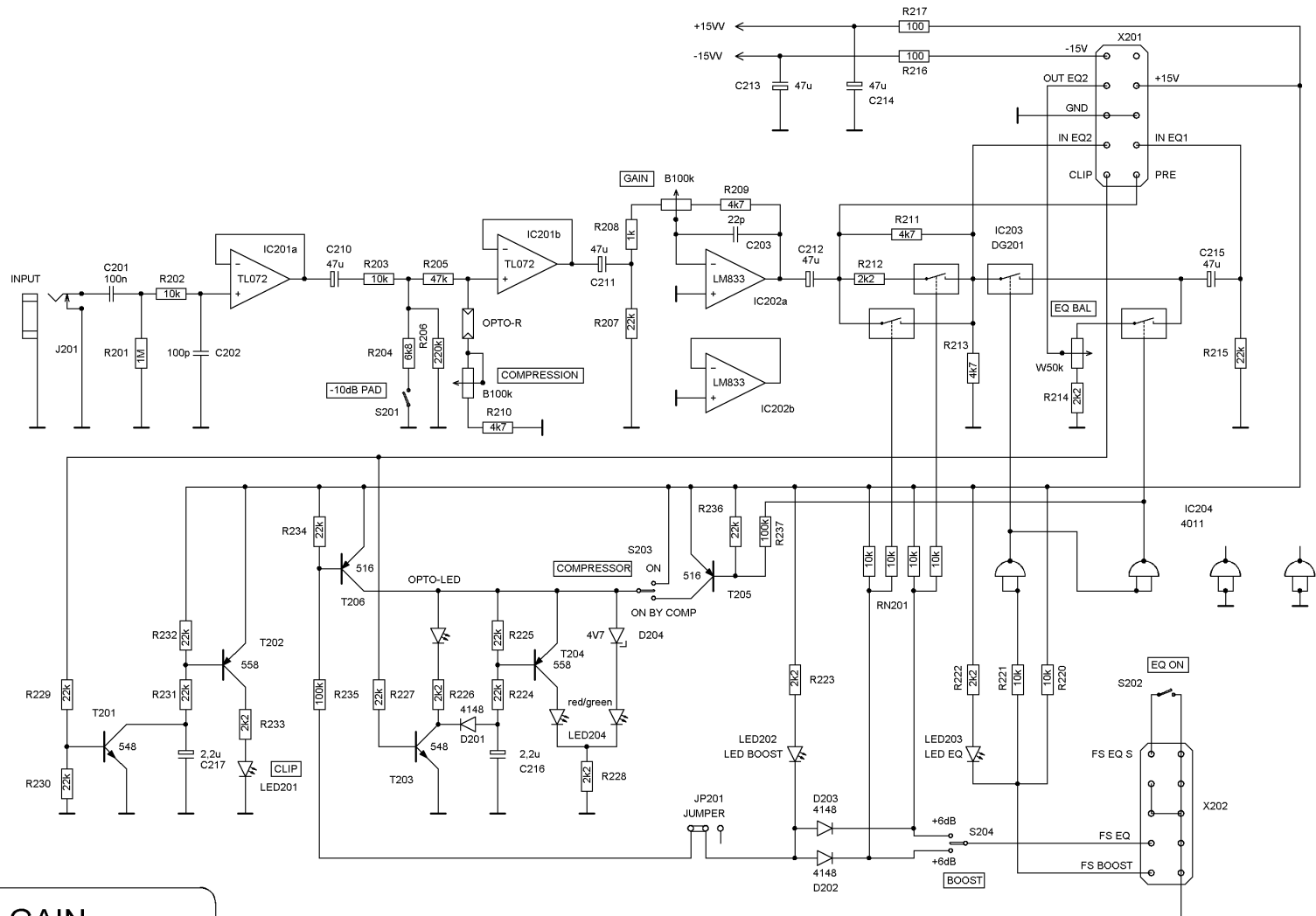
XPA1000

Draw: 02.02.2005 14:18:21

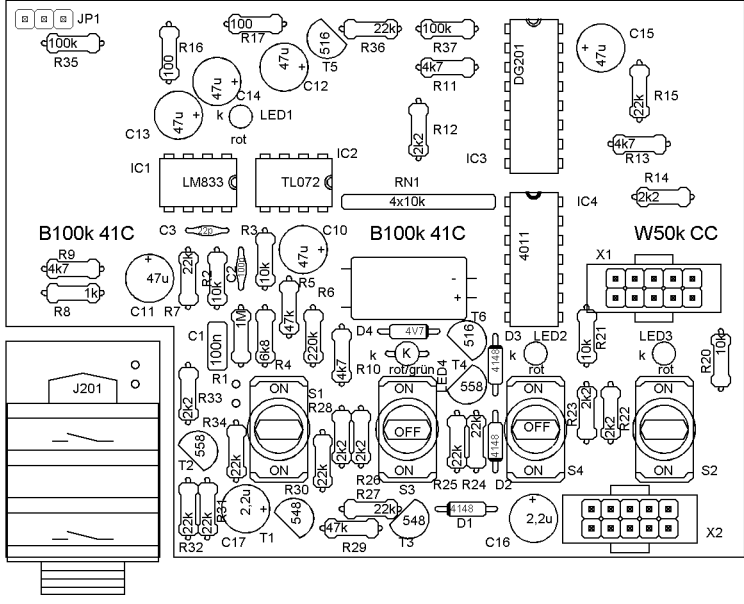
HDB electronic



15V
15V
REL
PHONES
REL
GND
GND
IN



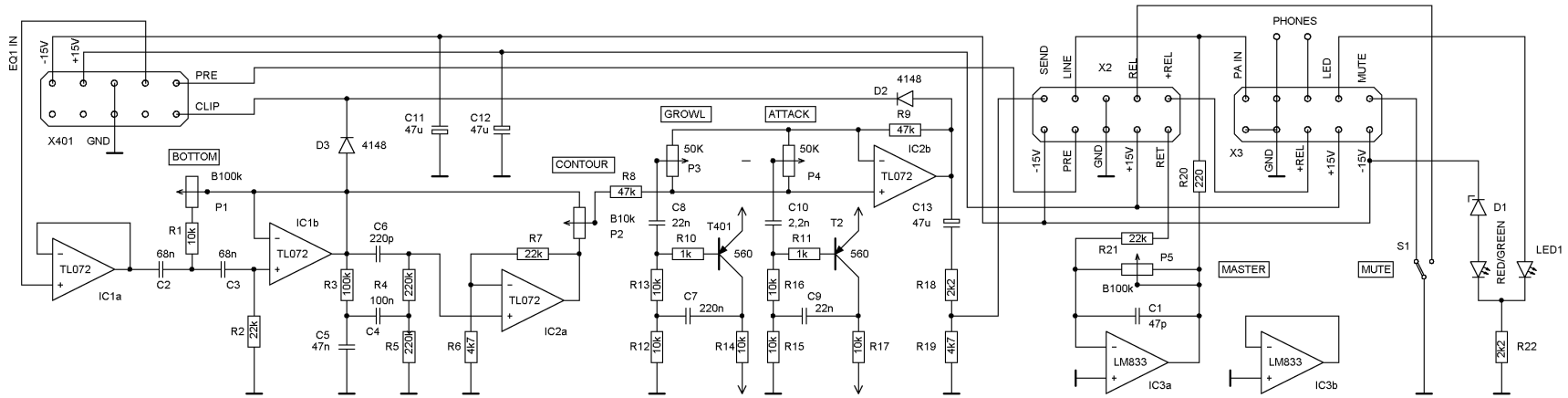
XT10.1-GAIN
 Date: 05.01.2004 15:56:07
 HDB electronic



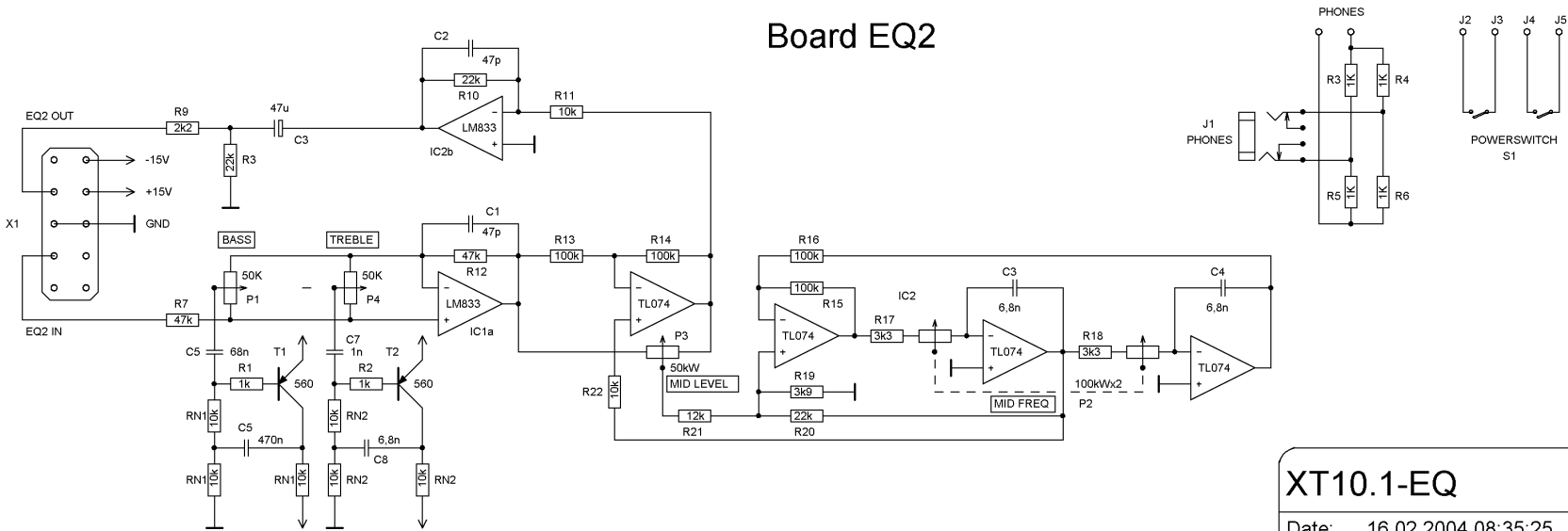
XT10.1-GAIN

Draw: 02.02.2005 14:25:00

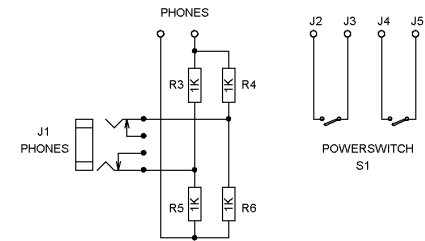
HDB electronic



Board EQ1



Board EQ2



XT10.1-EQ

Date: 16.02.2004 08:35:25

HDB electronic

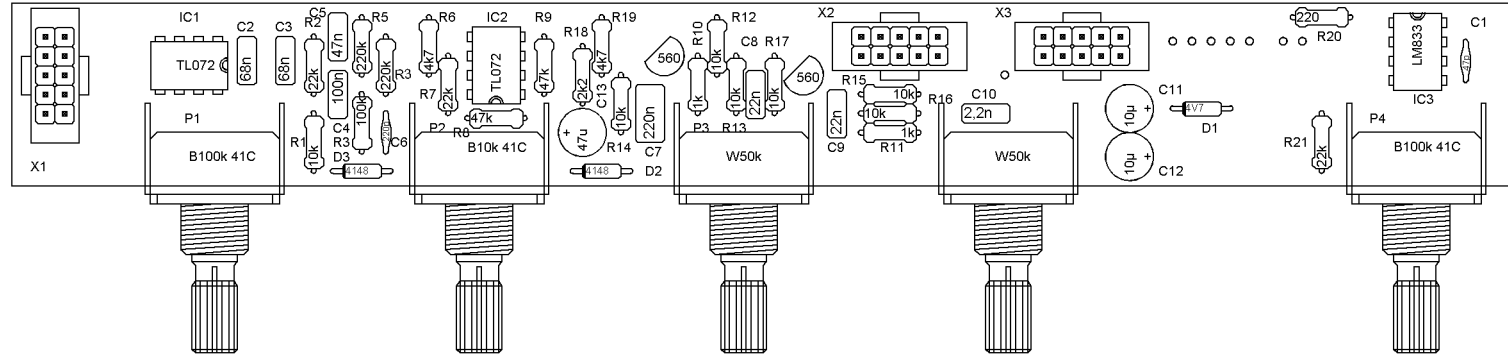
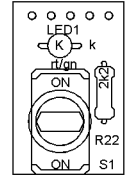
XT10.1-EQ1

Draw: 02.02.2005 14:24:12

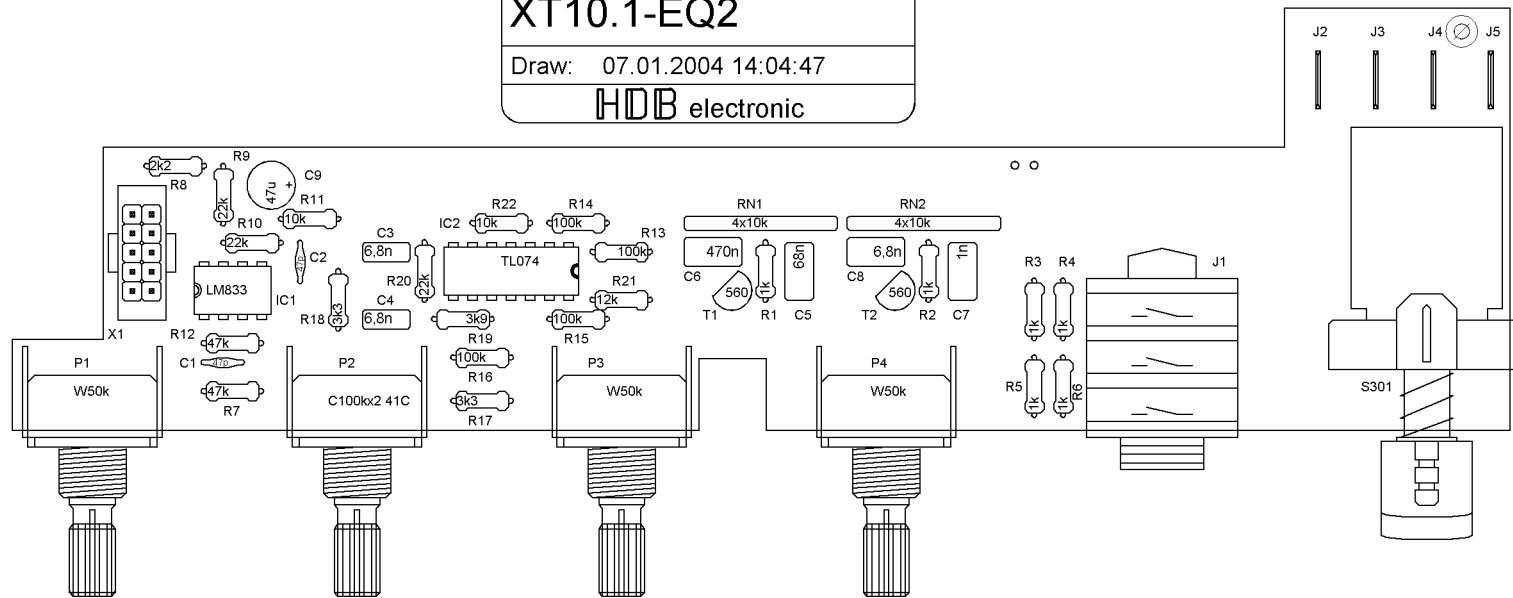
HDB electronic

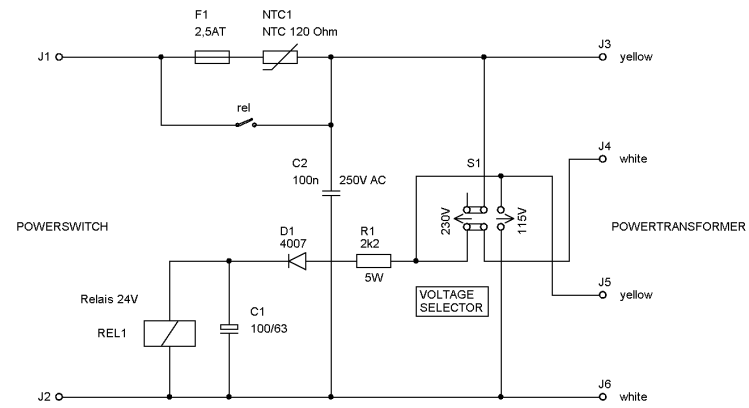
-15V
 OUTU +15V
 GND GND
 INU INO
 CLIP PRE

SEND LINE OUT
 PRE GND GND
 -15V REL
 reL+



XT10.1-EQ2
 Draw: 07.01.2004 14:04:47
HDB electronic





XT10.1-TR

Date: 08.09.2004 10:17:01

HDB electronic

XT10.1-TR

Draw: 03.09.2004 07:11:44

HDB electronic

