

Main Circuit Board (1)

6V5

7h HXX

B	A
OFF	OFF
ON	ON

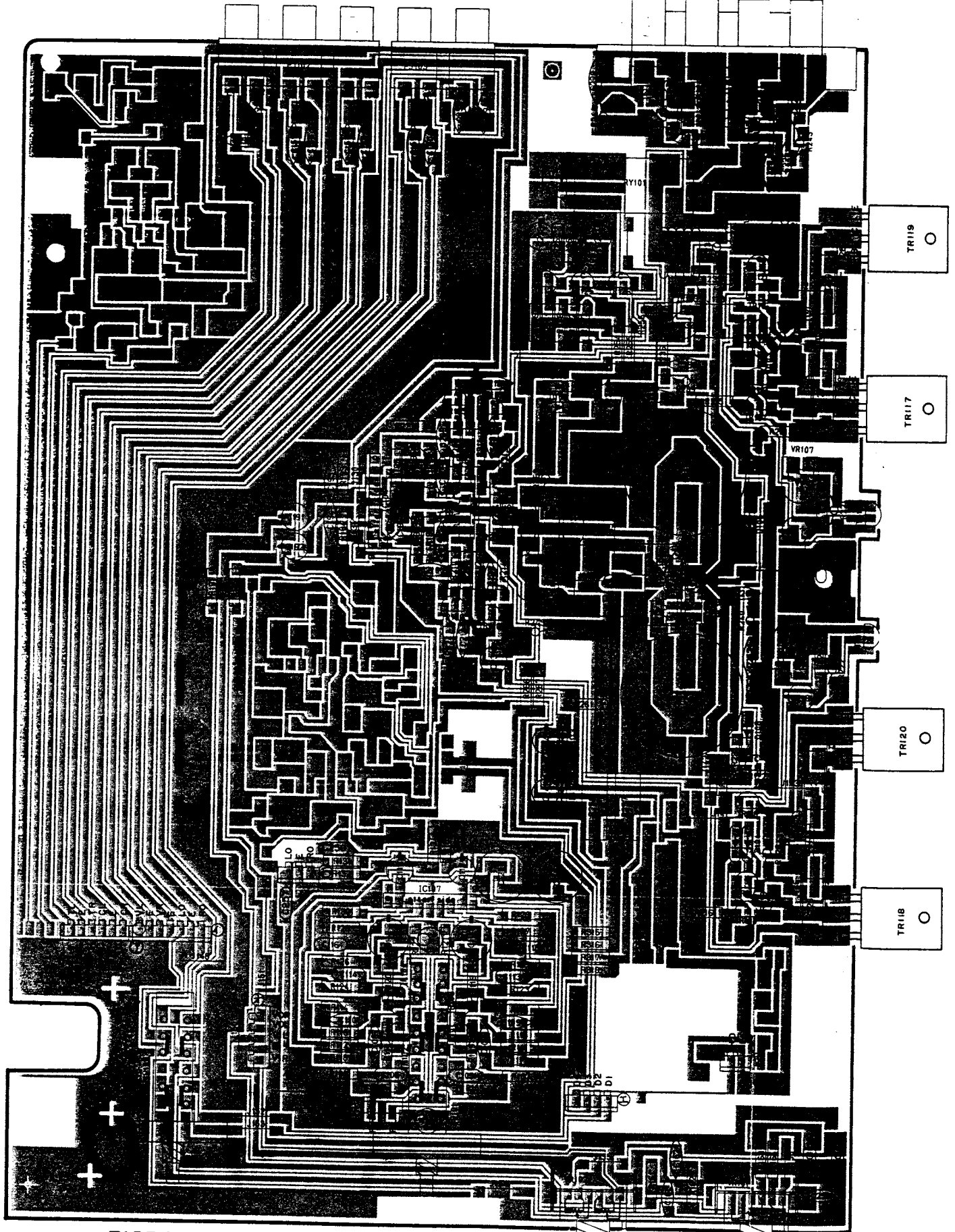
INPUT

TUNER	CD	VIDEO	TAPE	REC
		/AUX	PB	OUT

SPEAKERS

R	L
---	---

⊕ ⊖ ⊖ ⊕



to MA

to MAIN (8)

TAPE MONITOR
ON/OFF

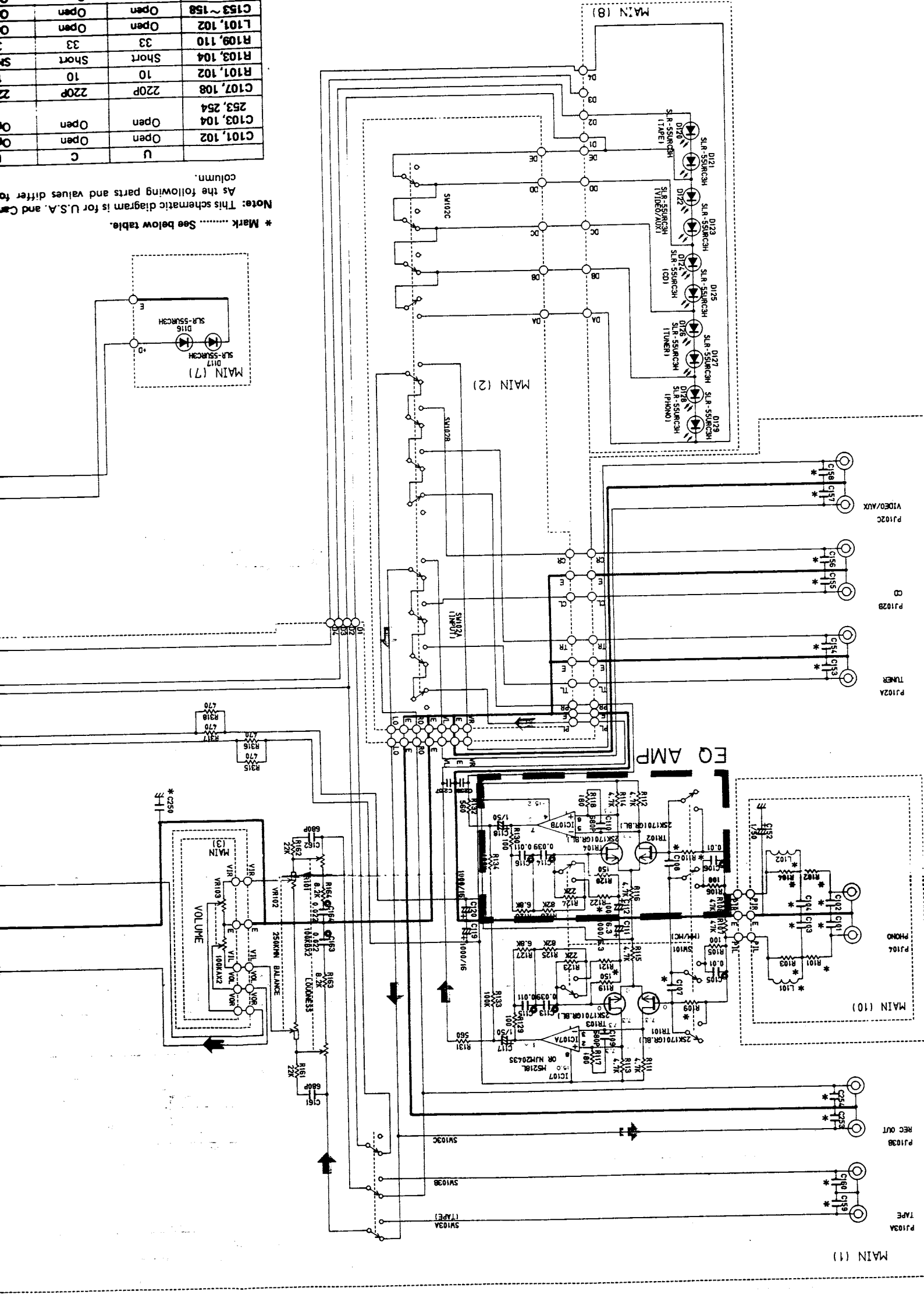
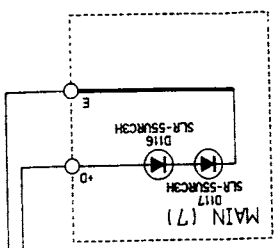
PHONO
■ MM
— MC

BALANCE

LOUDNESS

C153 ~158	Open	C
L101, 102	Open	U
R109, 110	33	Open
R103, 104	Short	Open
R101, 102	10	Open
C107, 108	220P	Open
Z53, 254	220P	Open
C103, 104	Open	Open
C101, 102	Open	Open

* Mark See below table.
 As the following parts and values differ to U.S.A. and Canada.
 Note: This schematic diagram is for U.S.A. and Canada.



MAIN (1)

P103A TAPE

P103B REC OUT

MAIN (10)

P104 PHONO

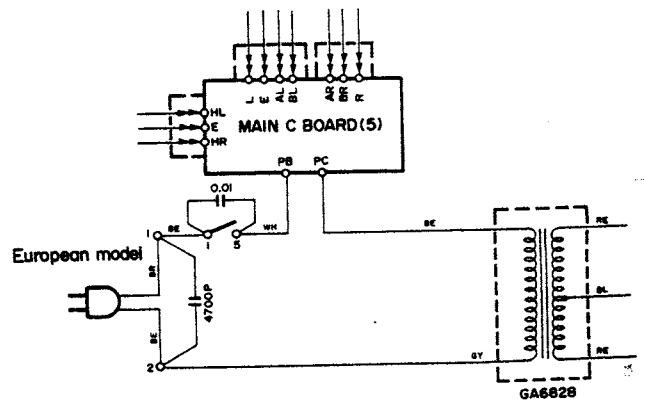
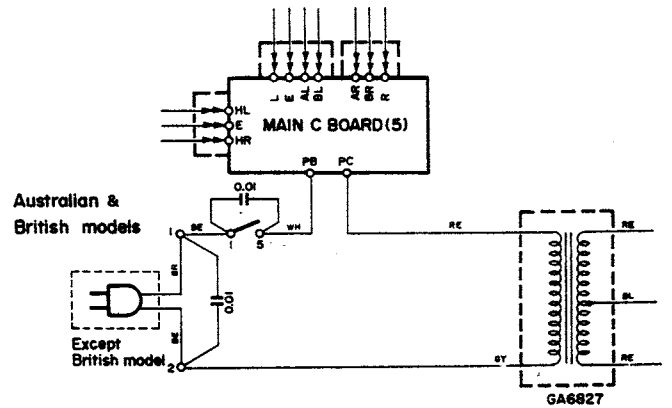
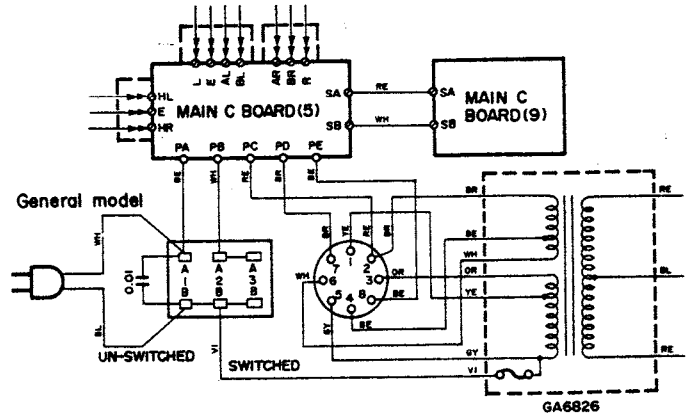
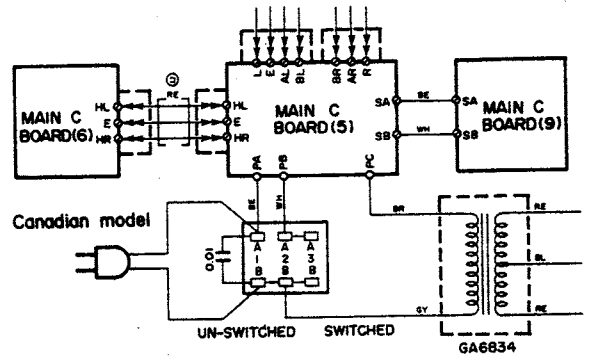
P102A TUNER

P102B C

P102C VIDEO/AUX

• WIRE COLOR ABBREVIATIONS

- BL ▶ Black VI ▶ Violet
- BR ▶ Brown GY ▶ Gray
- RE ▶ Red WH ▶ White
- OR ▶ Orange GG ▶ Light Green
- YE ▶ Yellow SB ▶ Light Blue
- GR ▶ Green PK ▶ Pink
- BE ▶ Blue

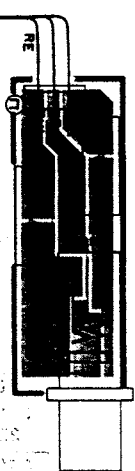


Board (10)

to MAIN (1)

Main Circuit Board (6)

MAIN (5)

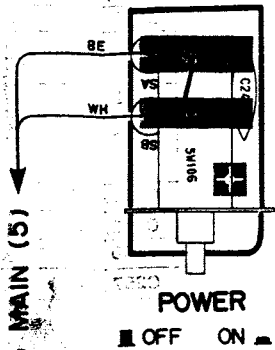


PHONES

VOLTAGE SELECTOR

Voltage	Terminal No.	Terminal No.
110V	5-4	2-1
120V	6-5	3-2
220V	7-1	8-4
240V	7-6	8-3

Main Circuit Board (9)
... R, U, C models only



POWER

OFF ON

to MAIN (5)

BE
WH
SB
VS

PRINTED CIRCUIT BOARD (Pattern side)

Note: As the following parts and values differ for model, please refer to the corresponding column.
 文字面: Letter side

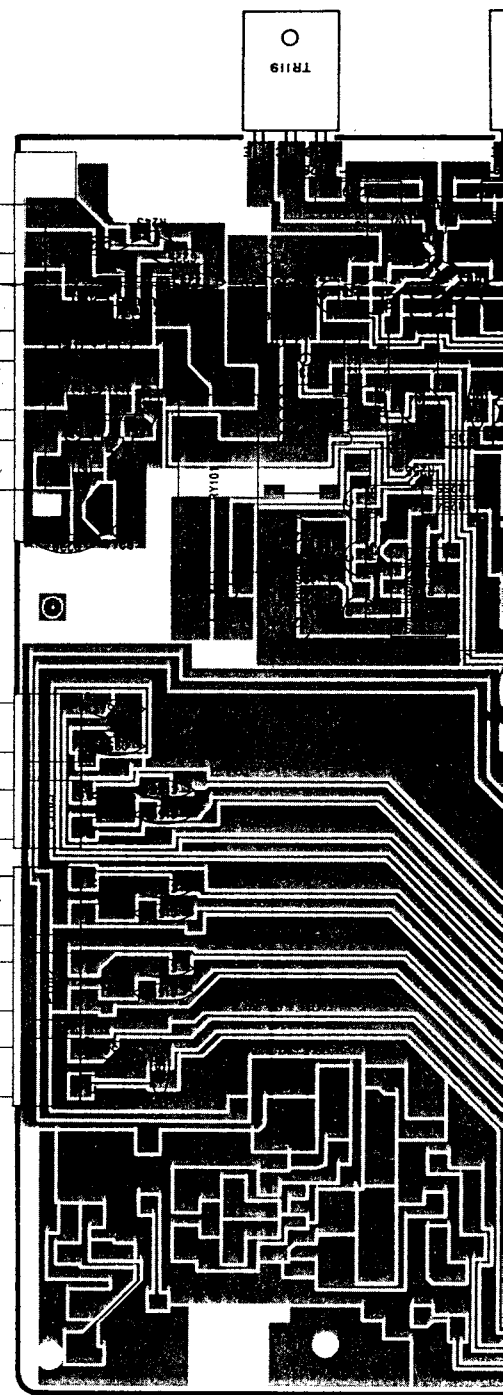
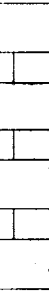
	U	C	R	A, B	G
C101, 102	Open	Open	Open	Open	100P
C103, 104 253, 254	Open	Open	Open	Open	270P
C107, 108	220P	220P	220P	220P	150P
R101, 102	10	10	10	10	33
R103, 104	Short	Short	Short	Short	560
R109, 110	33	33	33	33	2.2k
L101, 102	Open	Open	Open	Open	15μH
C153 ~ 158	Open	Open	Open	Open	220P
C221 ~ 224	Open	Open	Open	Open	4700P
C225 ~ 230	Open	Open	Open	Open	0.022
R243, 244	Open	Open	Open	Open	4.7
C235, 236	Open	Open	Open	Open	Ⓟ 0.047/100
C237	0.01/500	0.01/500	0.01/500	0.01/500	Open
Main (9)	Set	Set	Set	Non Set	Non Set
F101	5.0A 250V	5.0A 250V	T5.0A 250V	T2.0A 250V	T2.0A 250V
F102	Open	Open	T2.5A 250V	Open	Open
D111	4D4B41, RB402 or S4VB20	RB402	4D4B41, RB402 or S4VB20	4D4B41, RB402 or S4VB20	4D4B41, RB402 or S4VB20
R121, 122	10	10	10	10	8.2
C159, 160	Open	Open	Open	Open	560P
C250	Open	Open	Open	Open	3300P
C257, 258	Open	Open	Open	Open	Ⓟ 3300P

Main Circuit Board (1)

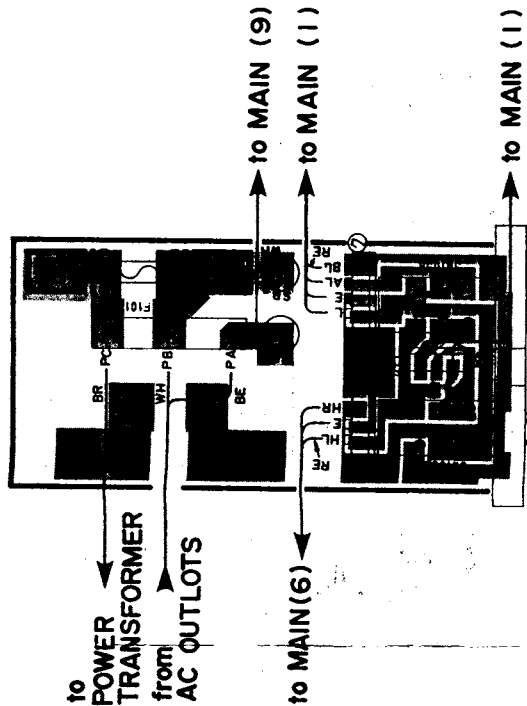
bys

INPUT
TUNER CD VIDEO TAPE REC
/AUX PB OUT

SPEAKERS
R L



U, C models



to POWER TRANSFORMER
from AC OUTLOTS

to MAIN (6)

to MAIN (9)

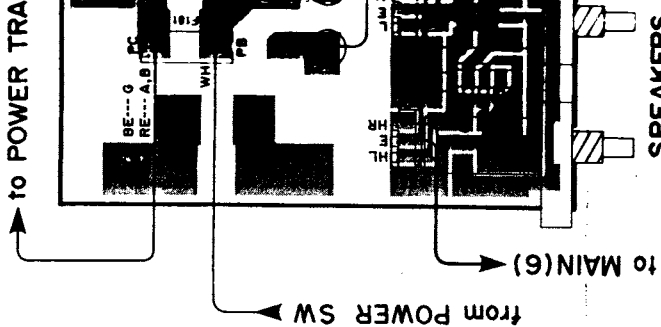
to MAIN (1)

to MAIN (1)

SPEAKERS
B A
OFF ON
OFF ON

7h HXX

Main Circuit Board (5)
A, G, B models

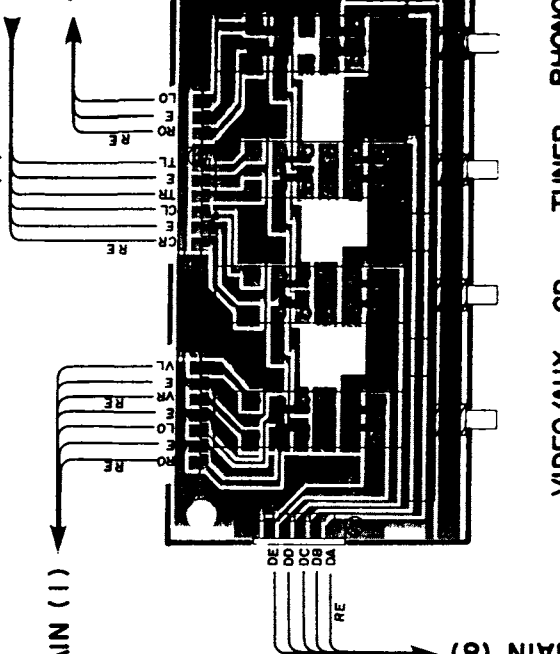


to POWER TRA

to MAIN (6)

SPEAKERS
B A
OFF ON
OFF ON

Main Circuit Board (2)



to MAIN (1)

to MAIN (8)