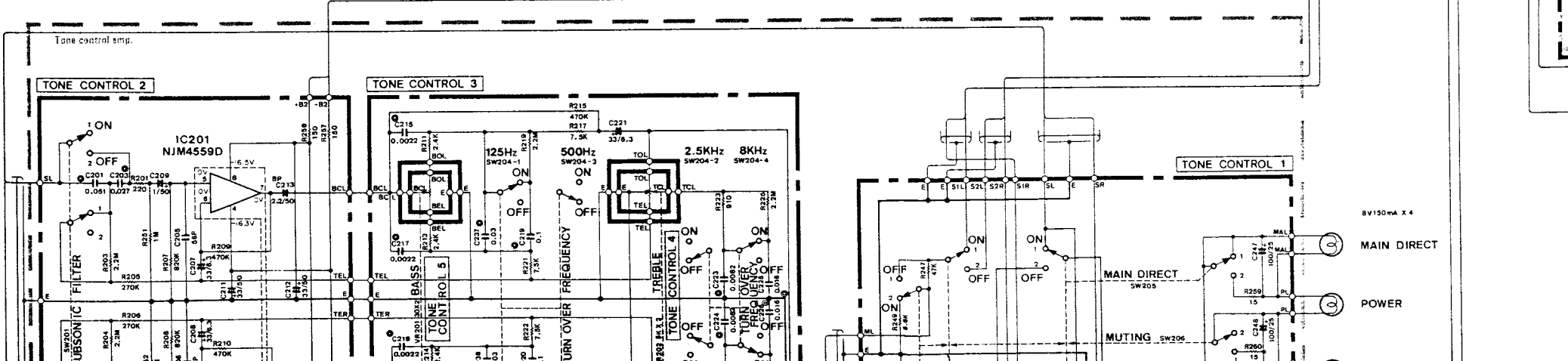
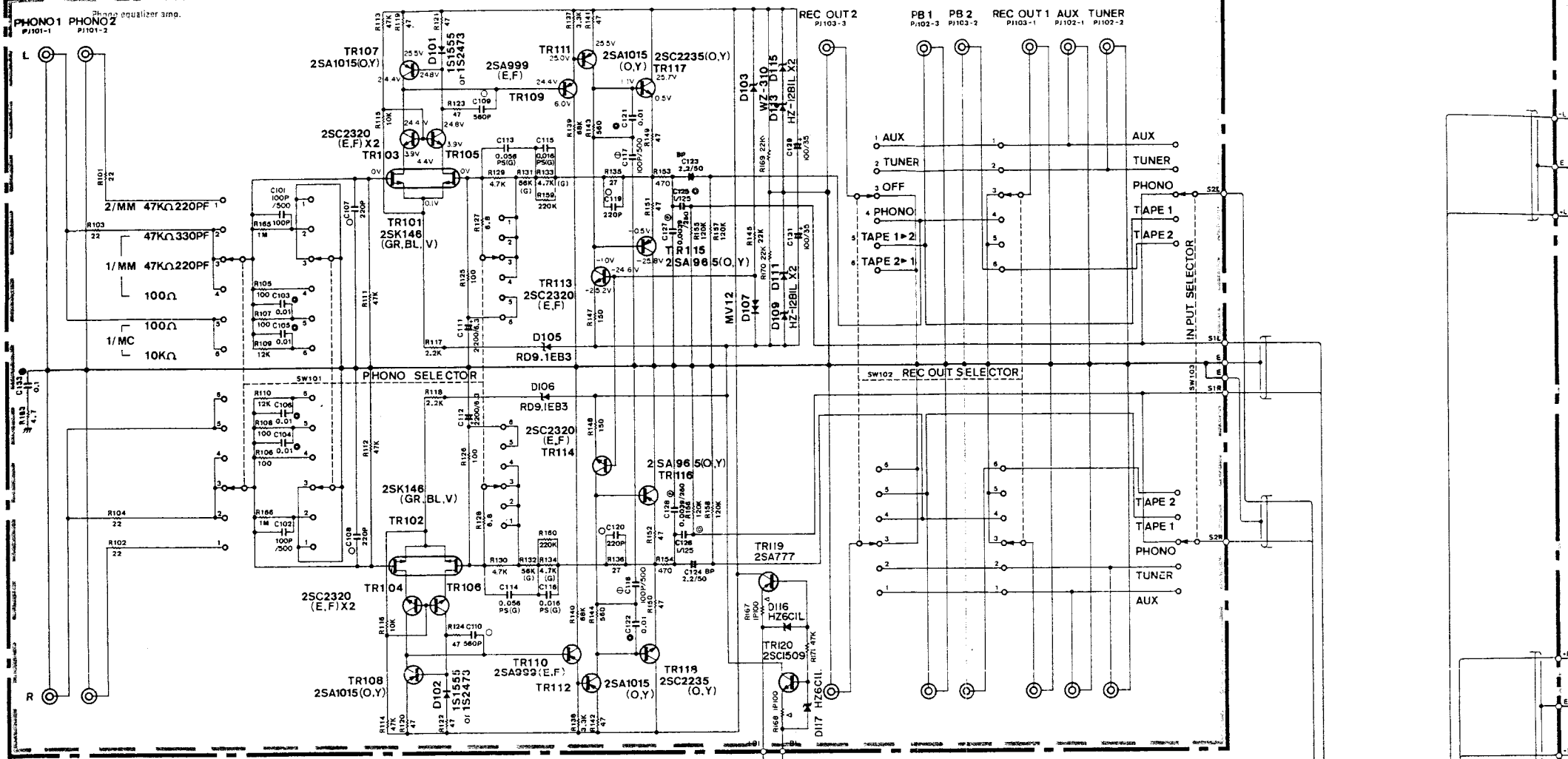
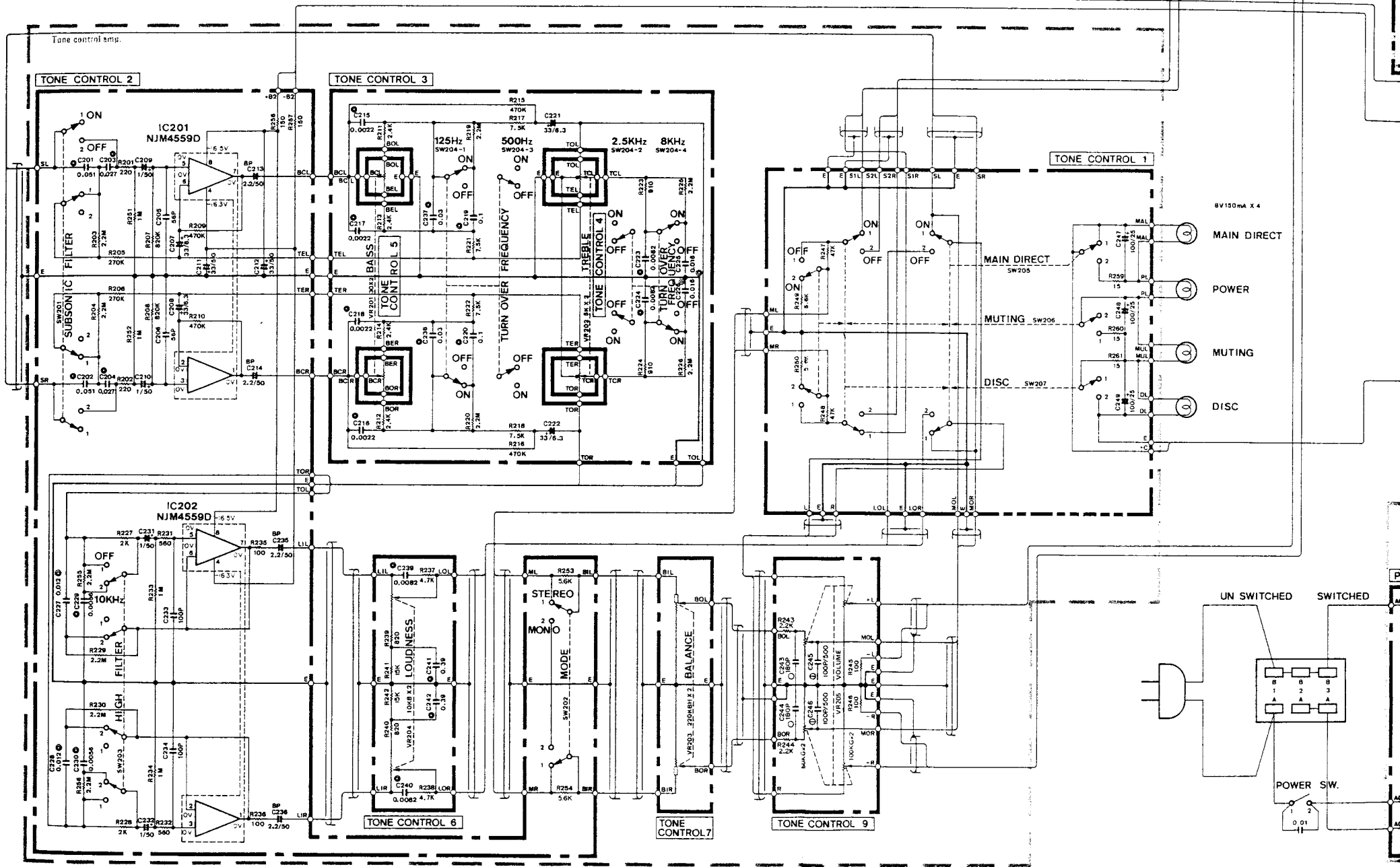


1
2
3
4
5



8V150 MA X 4
MAIN DIRECT
POWER



TLP508

S1WB

4D4B41

SLR-34UR

MV12

Diode

Thyristor

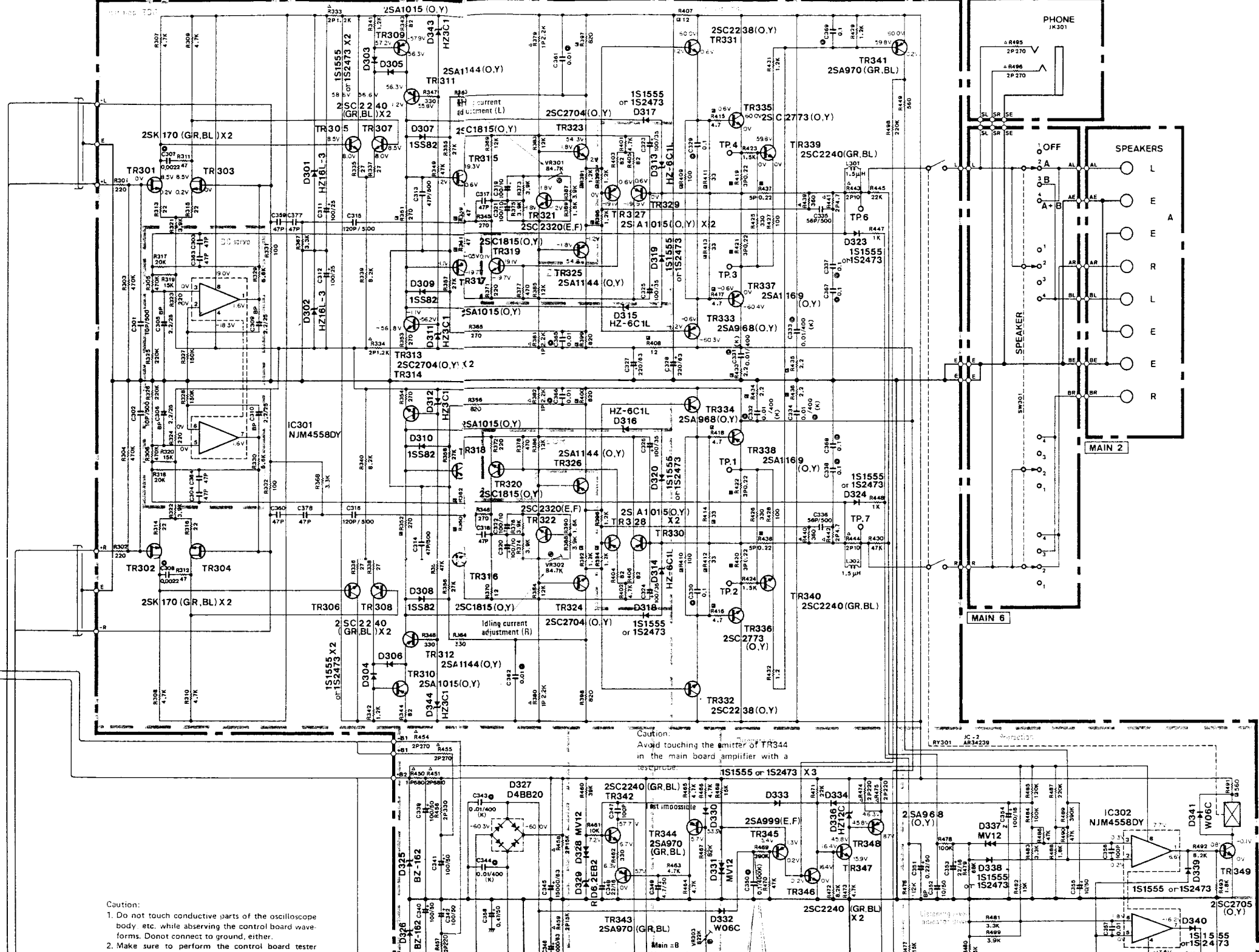
SM0R5G

AC16DGM-L

A, U, S, W Model

PRIMARY CIRCUIT 3

PRIMARY CIRCUIT 1



- Caution:
1. Do not touch conductive parts of the oscilloscope body etc. while observing the control board waveforms. Don't connect to ground, either.
 2. Make sure to perform the control board tester check within the range of the voltage tester.

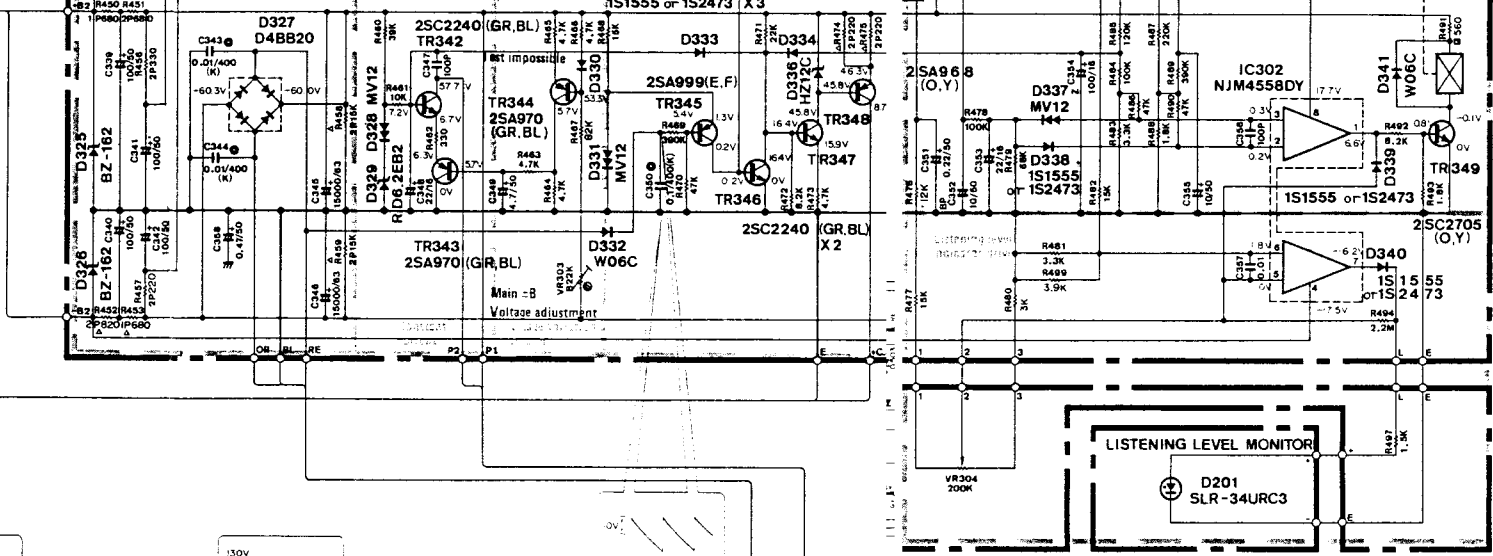
Caution:
Avoid touching the emitter of TR344 in the main board amplifier with a test probe.

RY301 AC-22
AB3429

IRECT

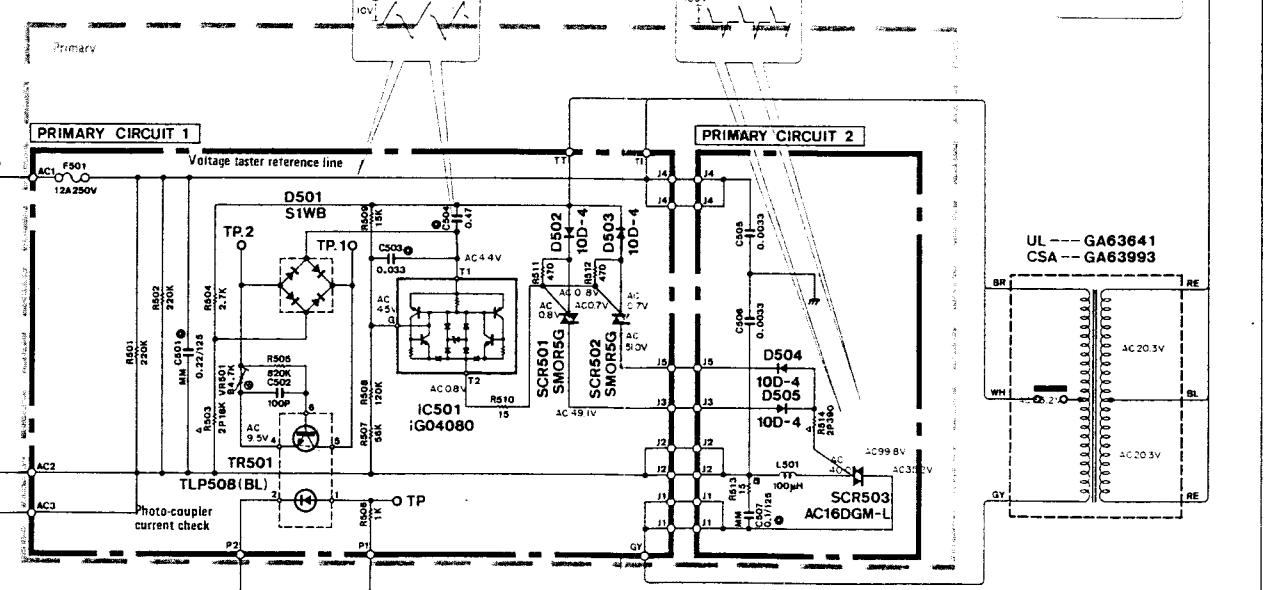
Caution:

1. Do not touch conductive parts of the oscilloscope body, etc. while observing the control board waveforms. Do not connect to ground, either.
2. Make sure to perform the control board tester check within the range of the voltage tester reference line.
3. To check the Triac, confirm the waveform at both sides of R515 (3P 1.2 k-ohms). The waveforms should match the diagram.



SWITCHED

POWER SW.



UL --- GA63841
CSA --- GA63993

CAPACITOR

SYMBOL	PARTS NAME
NO MARK	CERAMIC CAPACITOR
⊙	POLYESTER FILM CAPACITOR
○	POLYSTYRENE FILM CAPACITOR
⊖	MICA CAPACITOR
⊕	POLYPROPYLENE CAPACITOR
PS	P. S. CAPACITOR
NO MARK	ELECTROLYTIC CAPACITOR

RESISTOR

SYMBOL	PARTS NAME
NO MARK	CARBON FILM RESISTOR
△	METAL FILM RESISTOR
▲	METAL OXIDE FILM RESISTOR
■	FIRE PROOF CARBON FILM RESISTOR
■	METAL PLATE RESISTOR
□	CEMENT MOLDED RESISTOR
⊕	SEMI VARIABLE RESISTOR

