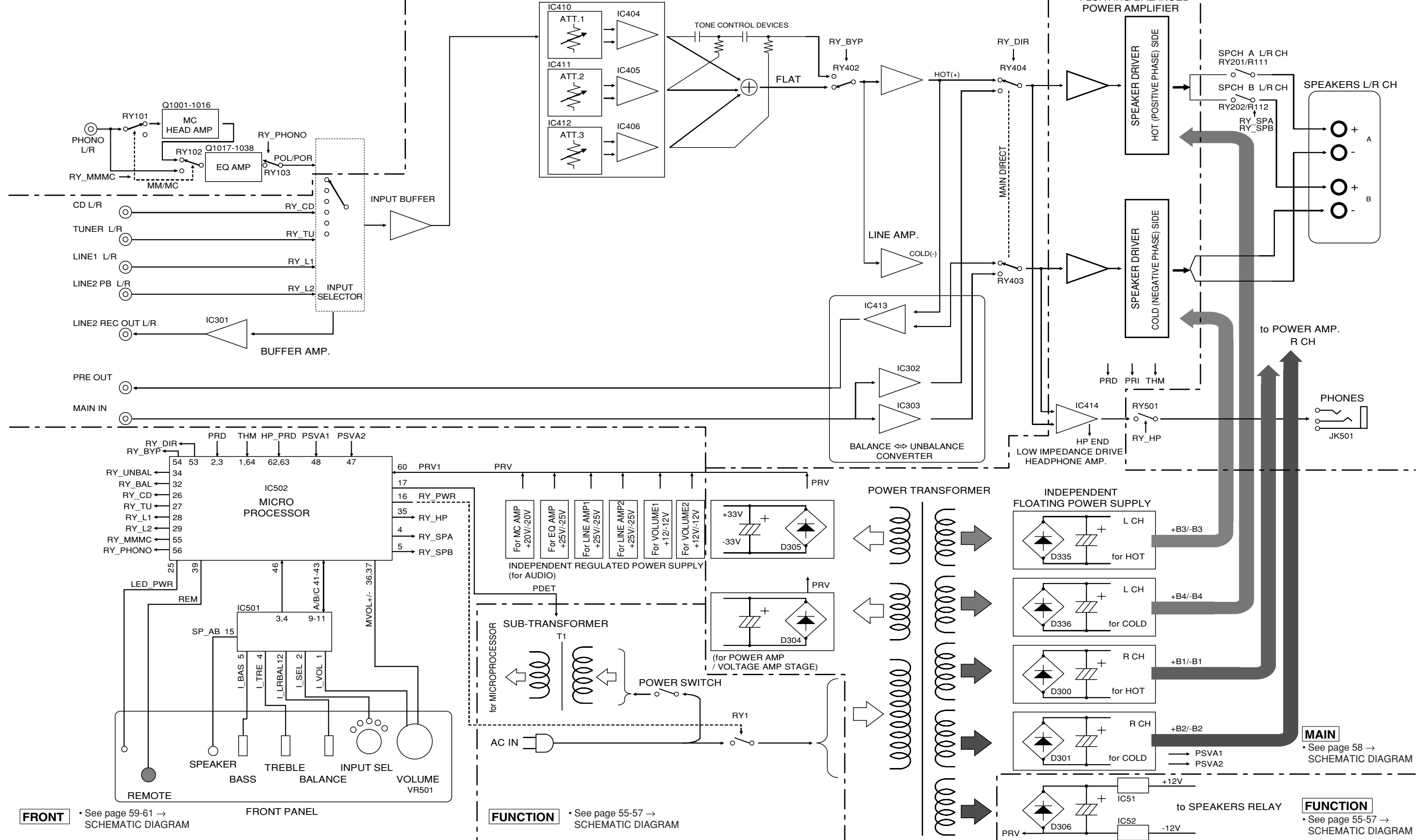


# BLOCK DIAGRAM

**FRONT** • See page 59-61 → SCHEMATIC DIAGRAM

**FUNCTION** • See page 55-57 → SCHEMATIC DIAGRAM

**FRONT** • See page 59-61 → SCHEMATIC DIAGRAM



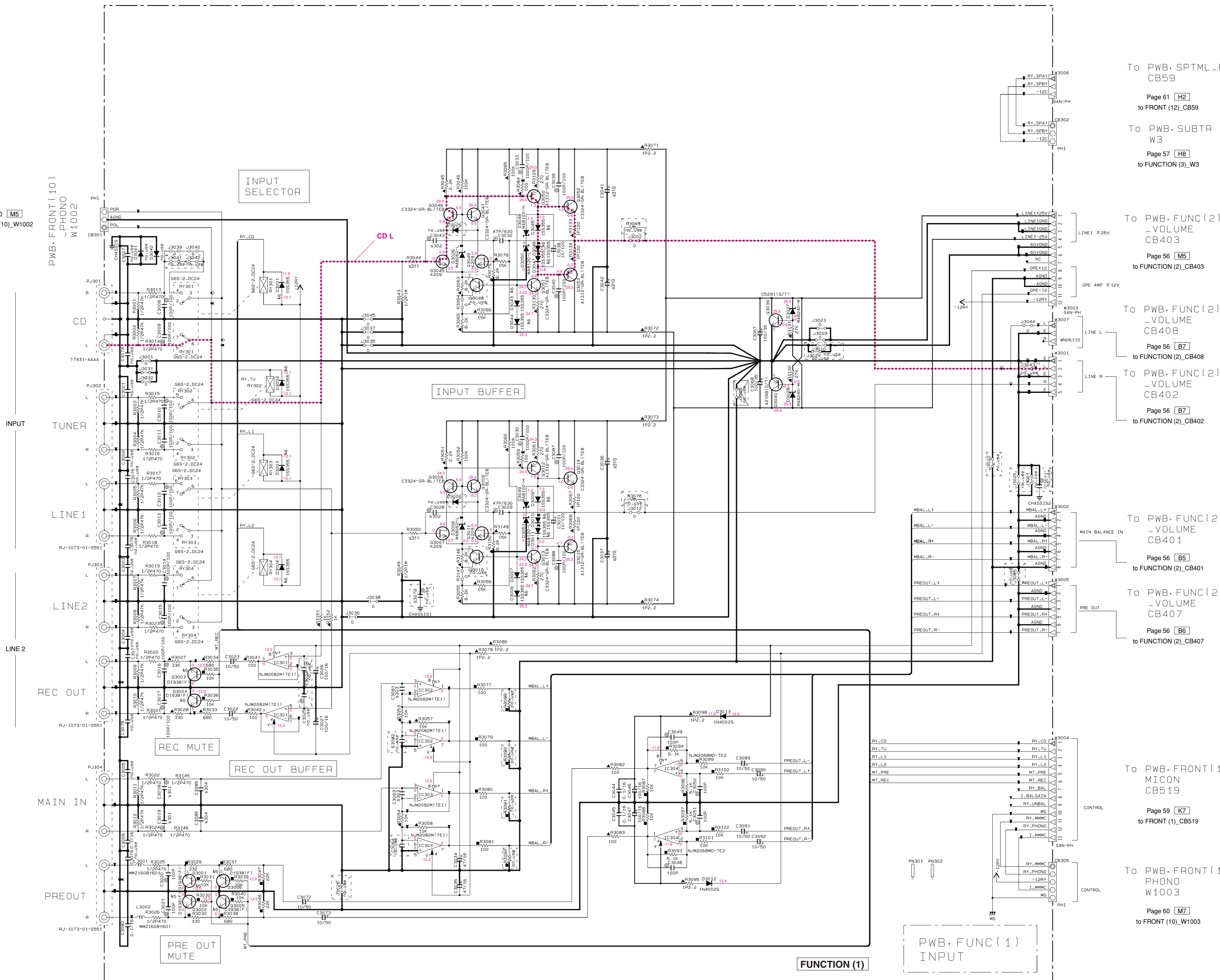
**FRONT** • See page 59-61 → SCHEMATIC DIAGRAM

**FUNCTION** • See page 55-57 → SCHEMATIC DIAGRAM

**MAIN** • See page 58 → SCHEMATIC DIAGRAM

**FUNCTION** • See page 55-57 → SCHEMATIC DIAGRAM

SCHEMATIC DIAGRAMS  
FUNCTION 1/3



RESISTOR

REMARKS	PARTS NAME
NO MARK	CARBON FILM RESISTOR (P=5)
□	CARBON FILM RESISTOR (P=10)
△	METAL OXIDE FILM RESISTOR
▲	METAL FILM RESISTOR
⊠	METAL PLATE RESISTOR
■	FIRE PROOF CARBON FILM RESISTOR
□	CEMENT MOLDED RESISTOR
⊙	SEMI VARIABLE RESISTOR
■	CHIP RESISTOR

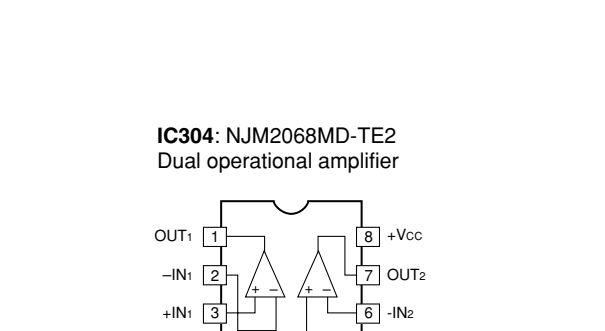
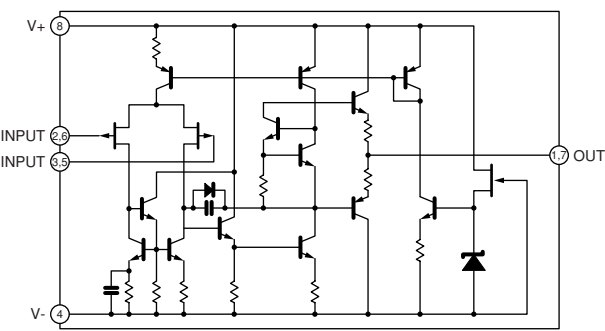
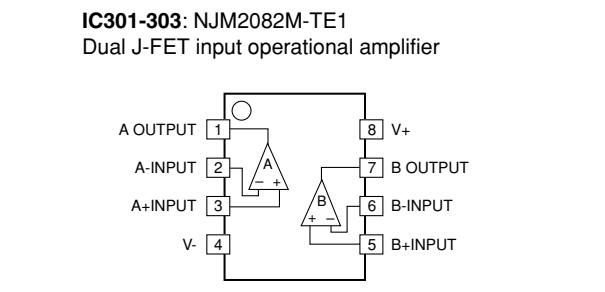
CAPACITOR

REMARKS	PARTS NAME
NO MARK	ELECTROLYTIC CAPACITOR
⊗	TANTALUM CAPACITOR
NO MARK	CERAMIC CAPACITOR
●	CERAMIC TUBULAR CAPACITOR
⊙	POLYESTER FILM CAPACITOR
⊖	POLYSTYRENE FILM CAPACITOR
⊕	MICA CAPACITOR
⊙	POLYPROPYLENE FILM CAPACITOR
●	SEMICONDUCTIVE CERAMIC CAPACITOR

Interchangeable Parts at Manufacture-Stage

Mark	Reference Parts Number	Parts Name
k1	02-4-7	25C2412K(O/R/S) 250060MR/LQ (O/R/S) KTC39755-V-GR-Rtk/P
k2	01-144-147-4052-4053	DT1444KA KRC1045-Rtk/P
k3	0145-146	DT1444KA KRA1045-Rtk/P
k4	04002-4008	25A1037AK(O/R/S) KTA15045-V-GR-Rtk/P
k5	03001-3006	25D1938IF(S-T) 25C33261A(B) 25C55381A(B) 25D27041K1
k6	01-4-6-10-12-3001-3004 3007-3011-3043-3047 4009-4017-4021 4024-4026-4033-4034 4037-4038-4043-4044 4047-4048-4053-4056	IS5355 MA2J1100L 25C55381A(B) KDS160-Rtk/P

NOTICE (mode1)  
 (J) ..... JAPAN  
 (U) ..... U.S.A  
 (C) ..... CANADA  
 (R) ..... GENERAL  
 (T) ..... CHINA  
 (K) ..... KOREA  
 (A) ..... AUSTRALIA  
 (B) ..... BRITISH  
 (E) ..... EUROPE  
 (L) ..... SINGAPORE  
 (S) ..... SOUTH EUROPE  
 (V) ..... TAIWAN  
 (F) ..... RUSSIAN



★ All voltages are measured with a 10MΩ/V DC electronic voltmeter.  
 ★ Components having special characteristics are marked with a triangle and must be replaced with parts having specifications equal to those originally installed.  
 ★ Schematic diagram is subject to change without notice.  
 ● 電圧は、内部抵抗10MΩの電圧計で測定したものです。  
 ● 印のある部品は、安全性確保部品を示しています。部品の交換が必要な場合、パーツリストに記載されている部品を使用してください。  
 ● 本回路図は標準回路図です。改良のため予告なく変更することがございます。

1  
2  
3  
4  
5  
6  
7  
8  
9  
10

Page 60 [M5] to FRONT (10)\_W1002

To PWB. SPTML\_R CB59  
Page 61 [H2] to FRONT (12)\_CB59

To PWB. SUBTR W3  
Page 57 [H8] to FUNCTION (3)\_W3

To PWB. FUNC (2) \_VOLUME CB403  
Page 56 [M5] to FUNCTION (2)\_CB403

To PWB. FUNC (2) \_VOLUME CB408  
Page 56 [B7] to FUNCTION (2)\_CB408

To PWB. FUNC (2) \_VOLUME CB402  
Page 56 [B7] to FUNCTION (2)\_CB402

To PWB. FUNC (2) \_VOLUME CB401  
Page 56 [B5] to FUNCTION (2)\_CB401

To PWB. FUNC (2) \_VOLUME CB407  
Page 56 [B6] to FUNCTION (2)\_CB407

To PWB. FRONT (1) MICON CB519  
Page 59 [K7] to FRONT (1)\_CB519

To PWB. FRONT (10) PHONO W1003  
Page 60 [M7] to FRONT (10)\_W1003

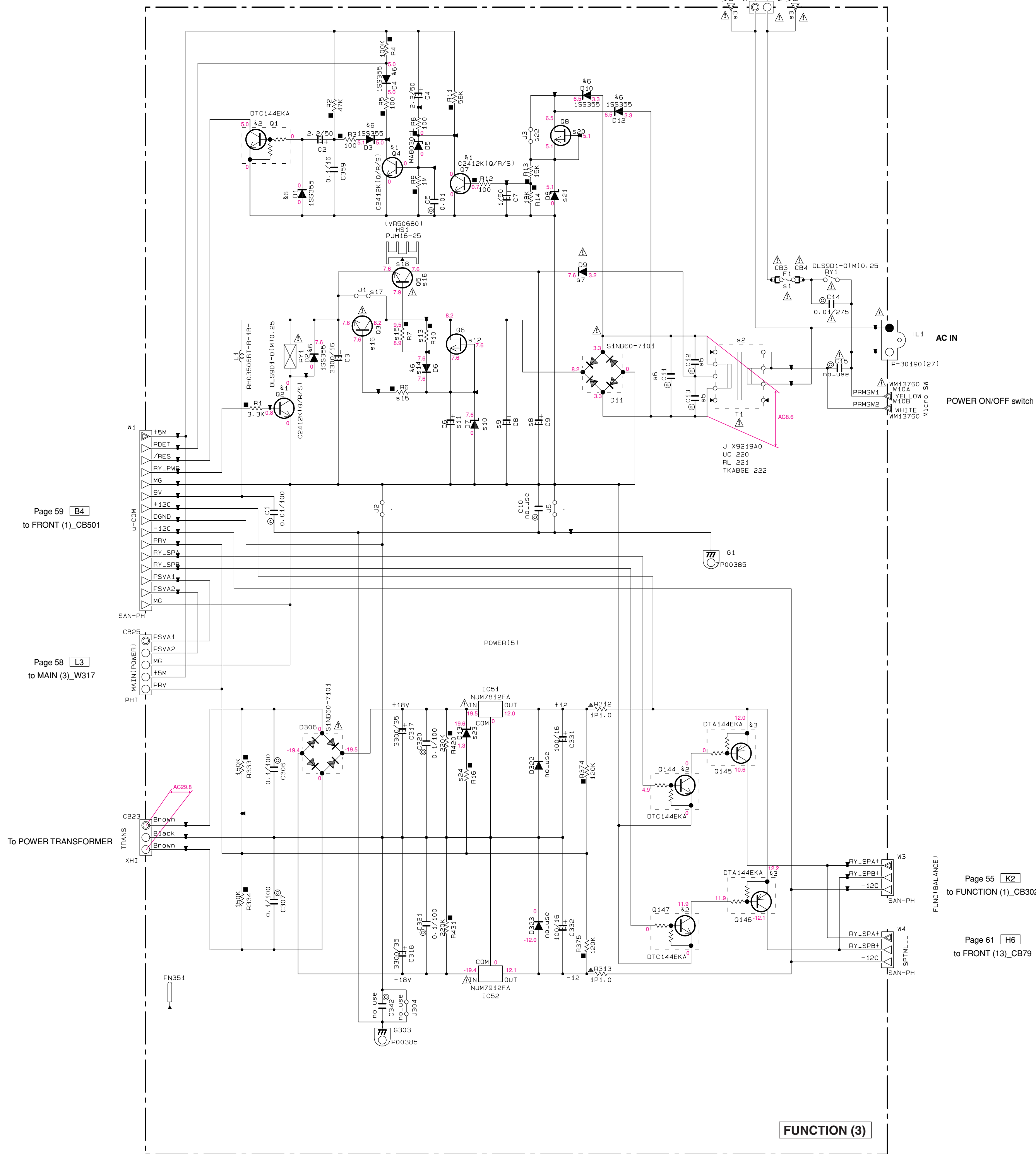
FUNCTION (1)

PWB. FUNC (1) INPUT



FUNCTION 3/3

Page 61 [D9] to FRONT (14)\_W8A, W8B (R, L models) To POWER TRANSFORMER (U, C, T, K, A, B, G, J models)



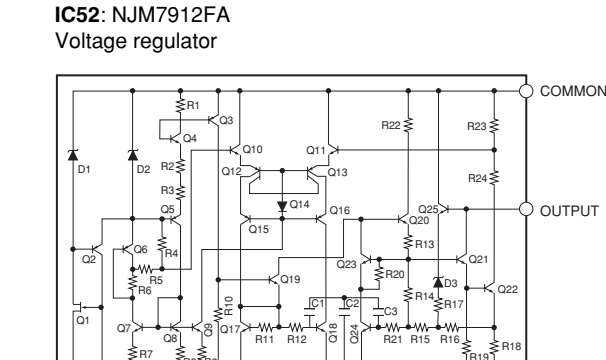
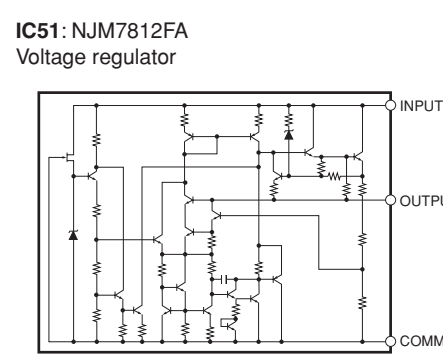
Destination Part List table with columns for part numbers (sxx), locations (LOC), and various model variants (J, UC, RL, TK, A, B, G).

Page 59 [B4] to FRONT (1)\_CB501

Page 58 [L3] to MAIN (3)\_W317

Page 55 [K2] to FUNCTION (1)\_CB302

Page 61 [H6] to FRONT (13)\_CB79



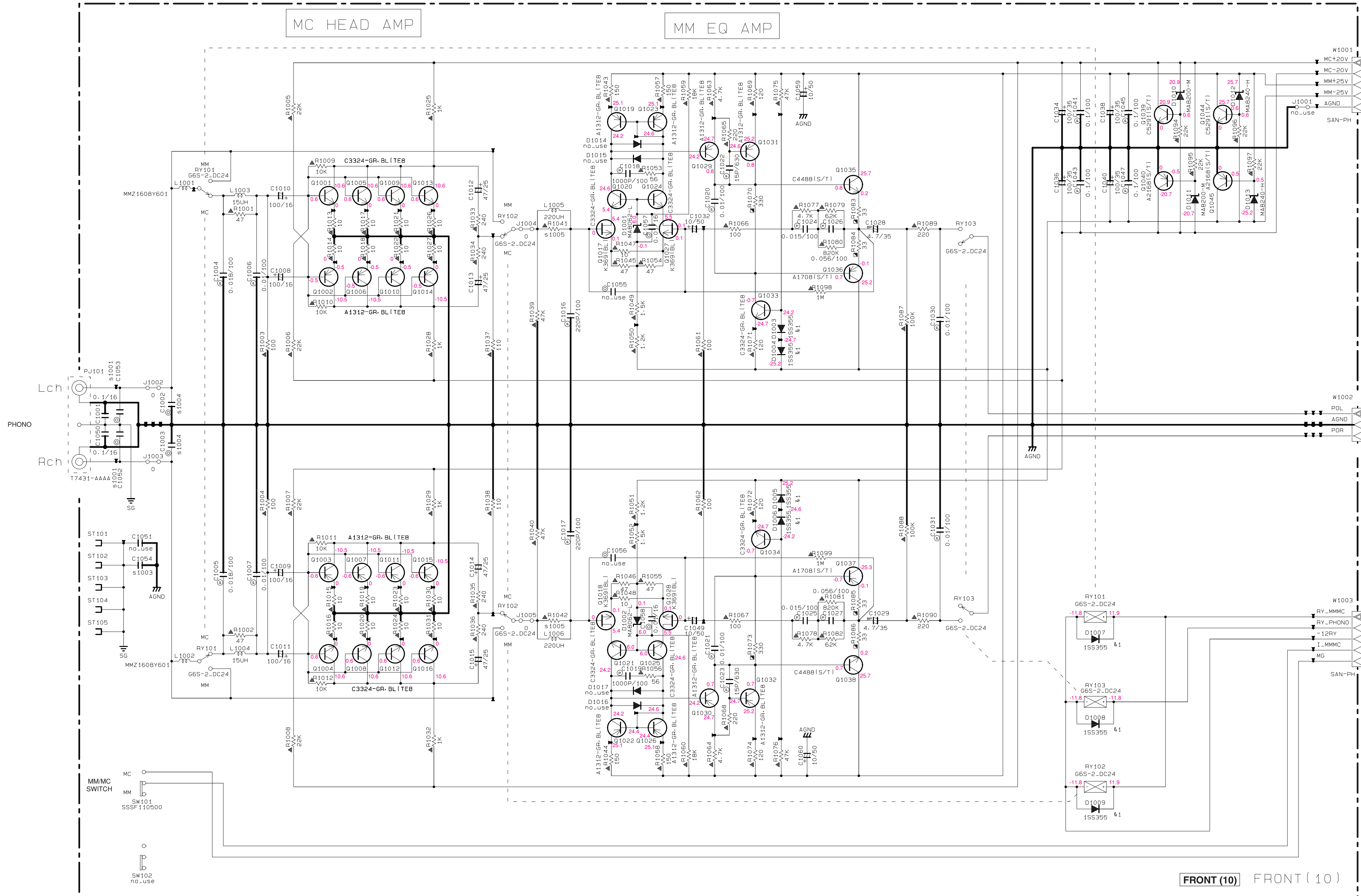
RESISTOR and CAPACITOR parts list with columns for remarks, parts name, and values.

NOTICE (note1) listing regional codes: J (JAPAN), U (U.S.A.), C (CANADA), R (GENERAL), I (CHINA), K (KOREA), A (AUSTRALIA), B (BRITISH), G (EUROPE), L (SINGAPORE), E (SOUTH EUROPE), V (TAIWAN), F (RUSSIAN).

Notes regarding voltage measurements and component specifications, including a warning about safety-critical parts.







Page 61 **G3**  
to FRONT (11)\_CB27

Page 55 **B3**  
to FUNCTION (1)\_CB301

Page 55 **K9**  
to FUNCTION (1)\_CB305

FRONT (10) FRONT (10)

REMARKS	PARTS NAME
NO MARK	CARBON FILM RESISTOR (P=5)
☒	CARBON FILM RESISTOR (P=10)
△	METAL OXIDE FILM RESISTOR
⊠	METAL FILM RESISTOR
⊞	METAL PLATE RESISTOR
⊞	FIRE PROOF CARBON FILM RESISTOR
⊞	CEMENT MOLDED RESISTOR
⊞	SEMI VARIABLE RESISTOR
■	CHIP RESISTOR

REMARKS	PARTS NAME
NO MARK	ELECTROLYTIC CAPACITOR
⊗	TANTALUM CAPACITOR
NO MARK	CERAMIC CAPACITOR
●	CERAMIC TUBULAR CAPACITOR
⊙	POLYESTER FILM CAPACITOR
○	POLYSTYRENE FILM CAPACITOR
⊖	MICA CAPACITOR
⊕	POLYPROPYLENE FILM CAPACITOR
⊕	SEMICONDUCTIVE CERAMIC CAPACITOR
⊕	POLYPHENYLENE SULFIDE FILM CAPACITOR

NOTICE (model)  
 (J)..... JAPAN  
 (U)..... U. S. A  
 (C)..... CANADA  
 (R)..... GENERAL  
 (T)..... CHINA  
 (K)..... KOREA  
 (A)..... AUSTRALIA  
 (B)..... BRITISH  
 (G)..... EUROPE  
 (L)..... SINGAPORE  
 (E)..... SOUTH EUROPE  
 (V)..... TAIWAN  
 (F)..... RUSSIAN

Interchangeable Parts at Manufacture-Stage

Mark	Reference Parts Number	Parts Name
&1	D1003-1009	1SS355 MA2J110GL KDS160-RTK/P

★ All voltages are measured with a 10MΩ/V DC electronic voltmeter.  
 ★ Components having special characteristics are marked with a triangle and must be replaced with parts having specifications equal to those originally installed.  
 ★ Schematic diagram is subject to change without notice.

● 電圧は、内部抵抗10MΩの電圧計で測定したものです。  
 ● !印のある部品は、安全性確保部品を示しています。部品の交換が必要な場合、パーツリストに記載されている部品を使用してください。  
 ● 本回路図は標準回路図です。改良のため予告なく変更することがございます。

