

COMPACT COMPONENT SYSTEM AST-C30/C10

SERVICE MANUAL

AST-C30/C10

IMPORTANT NOTICE

This manual has been provided for the use of authorized Yamaha Retailers and their service personnel. It has been assumed that basic service procedures inherent to the industry, and more specifically Yamaha Products, are already known and understood by the users, and have therefore not been restated.

WARNING: Failure to follow appropriate service and safety procedures when servicing this product may result in personal injury, destruction of expensive components and failure of the product to perform as specified. For these reasons, we advise all Yamaha product owners that all service required should be performed by an authorized Yamaha Retailer or the appointed service representative.

IMPORTANT: The presentation or sale of this manual to any individual or firm does not constitute authorization, certification or recognition of any applicable technical capabilities, or establish a principle-agent relationship of any form.

The data provided is believed to be accurate and applicable to the unit(s) indicated on the cover. The research, engineering, and service departments of Yamaha are continually striving to improve Yamaha products. Modifications are, therefore, inevitable and specifications are subject to change without notice or obligation to retrofit. Should any discrepancy appear to exist, please contact the distributor's Service Division.

WARNING: Static discharges can destroy expensive components. Discharge any static electricity your body may have accumulated by grounding yourself to the ground buss in the unit (heavy gauge black wires connect to this buss).

IMPORTANT: Turn the unit OFF during disassembly and parts replacement. Recheck all work before you apply power to the unit.

■ CONTENTS

TO SERVICE PERSONNEL	1 ~ 2	DISPLAY DATA	44 ~ 45
PANEL CONTROL	3 ~ 4	INTERCONNECT WIRING DIAGRAM	46 ~ 47
SPECIFICATIONS	5	PRINTED CIRCUIT BOARD	48 ~ 75
INTERNAL VIEW	6	SCHEMATIC DIAGRAM	76 ~ 89
DISASSEMBLY PROCEDURES	7 ~ 9	PARTS LIST	90 ~ 137
ADJUSTMENTS	10 ~ 15	REMOTE CONTROL TRANSMITTER	138
TROUBLE SHOOTING	16 ~ 17	AST-SC30	139 ~ 141
BLOCK DIAGRAM	18 ~ 22	AST-SC10	142
IC DATA	23 ~ 43		

100273

YAMAHA

YAMAHA CORPORATION
P.O. Box 1, Hamamatsu, Japan

3.6K-839  Printed in Japan '89.8

TO SERVICE PERSONNEL

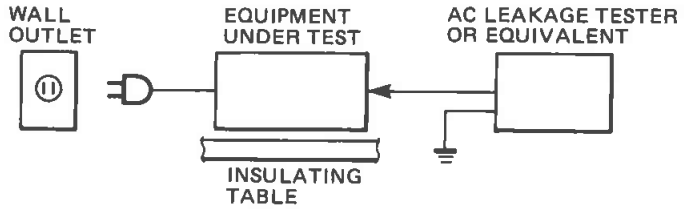
1. Critical Components Information.

Components having special characteristics are marked and must be replaced with parts having specifications equal to those originally installed.

2. Leakage Current Measurement (For 120V Model Only).

When service has been completed, it is imperative that you verify that all exposed conductive surfaces are properly insulated from supply circuits.

- Meter impedance should be equivalent to 1500 ohm shunted by 0.15 μ F.
- Leakage current must not exceed 0.5mA.
- Be sure to test for leakage with the AC plug in both polarities.



U U.S.A. model

B U.K. model

C Canadian model

H European (except German and Italian models)

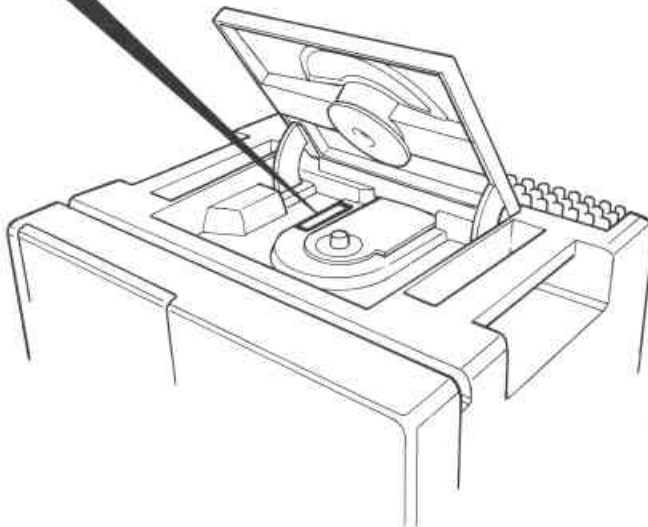
R Regular model

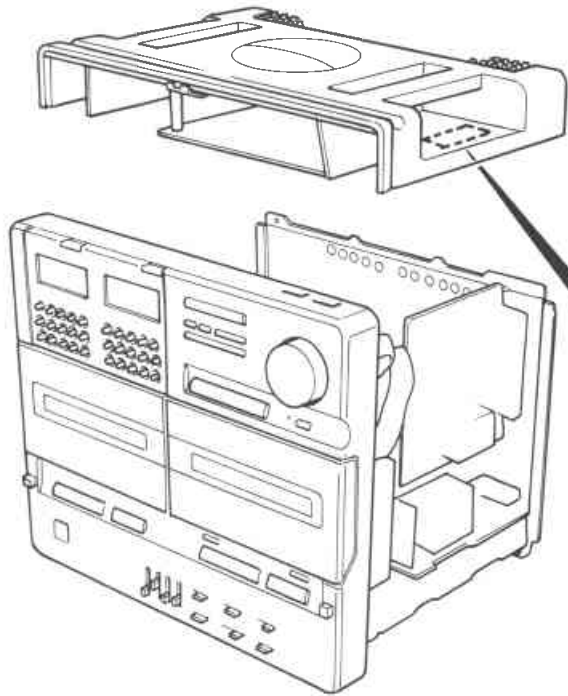
W German and Italian models

A Australian model

CAUTION-USE OF CONTROLS, ADJUSTMENTS, OR PERFORMANCE OF PROCEDURES OTHER THAN THOSE SPECIFIED HEREIN, MAY RESULT IN HAZARDOUS RADIATION EXPOSURE.

NEVER TOUCH THE LENS.
DIE LINSE NICHT BERÜHREN.
NE JAMAIS TOUCHER L'OBJECTIF.





W, H models

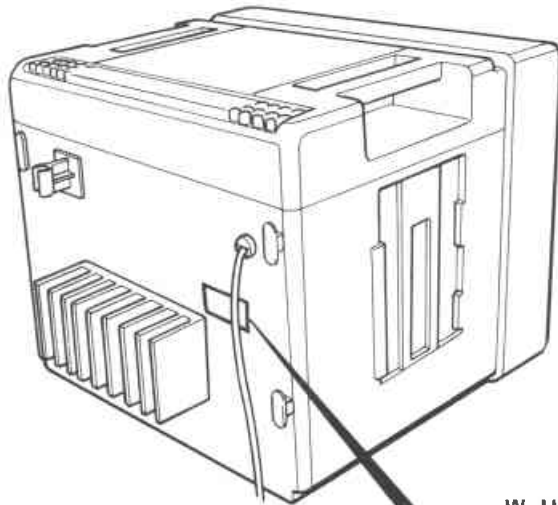
**CAUTION: INVISIBLE LASER RADIATION
WHEN OPEN AND INTERLOCKS DEFEATED.
AVOID EXPOSURE TO BEAM**

**ADVARSEL: USYNLIG LASERSTRÅLING
VED ÅBNING NÅR SIKKERHEDSAFBRYDERE
ER UDE AF FUNKTION. UNDGÅ
UDSÆTTELSE FOR STRÅLING**



B model

CAUTION
INVISIBLE LASER RADIATION.
AVOID EXPOSURE TO BEAM.



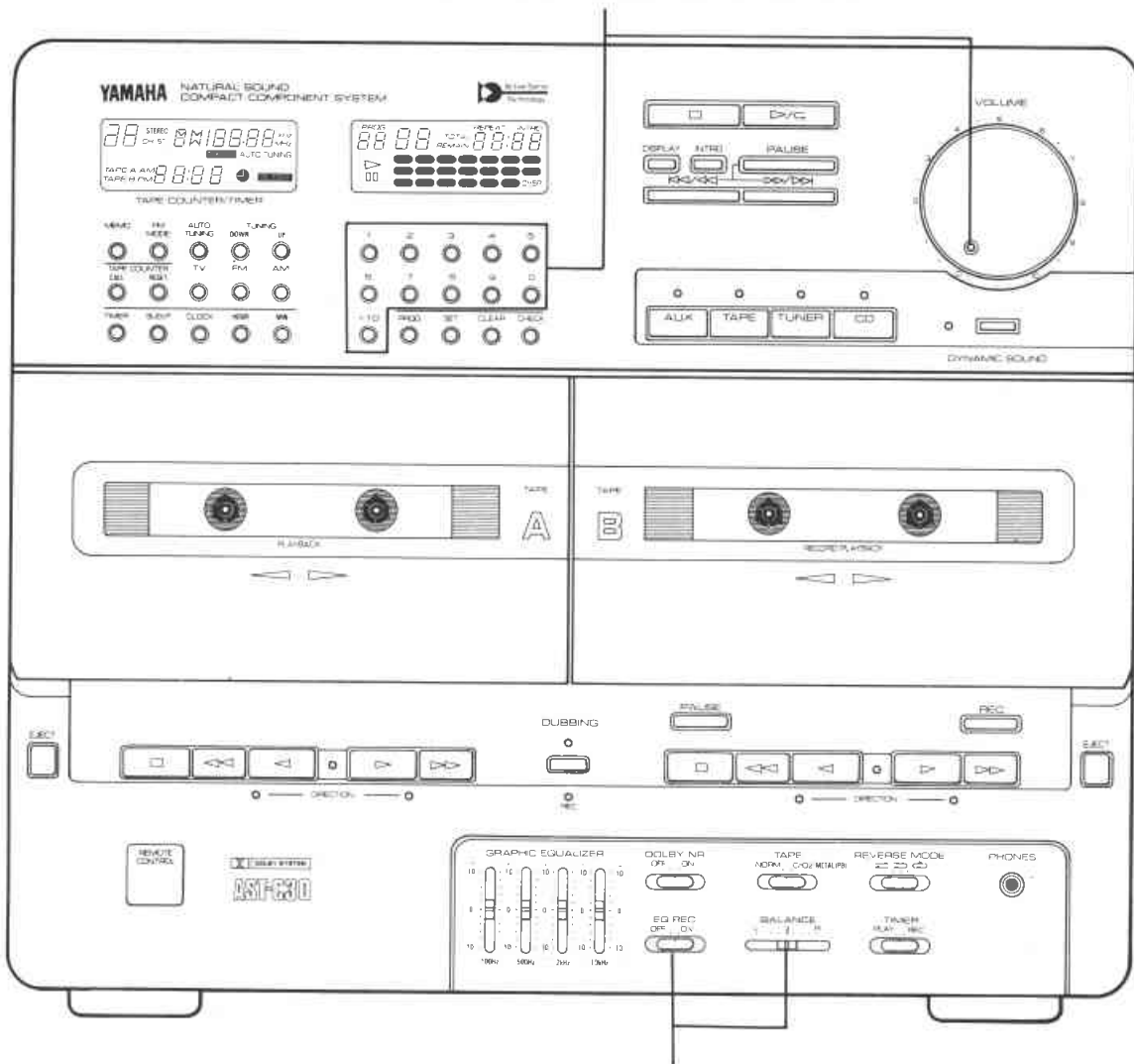
W, H, B models

**CLASS 1
LASER PRODUCT
APPAREIL A
LASER DE CLASSE 1**

PANEL CONTROL

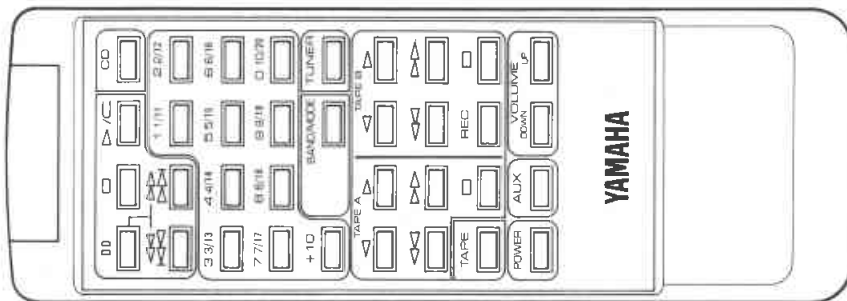
• Front Panel

Only AST-C30 has Direct Program Selector Button and Volume Indicator but not AST-C10

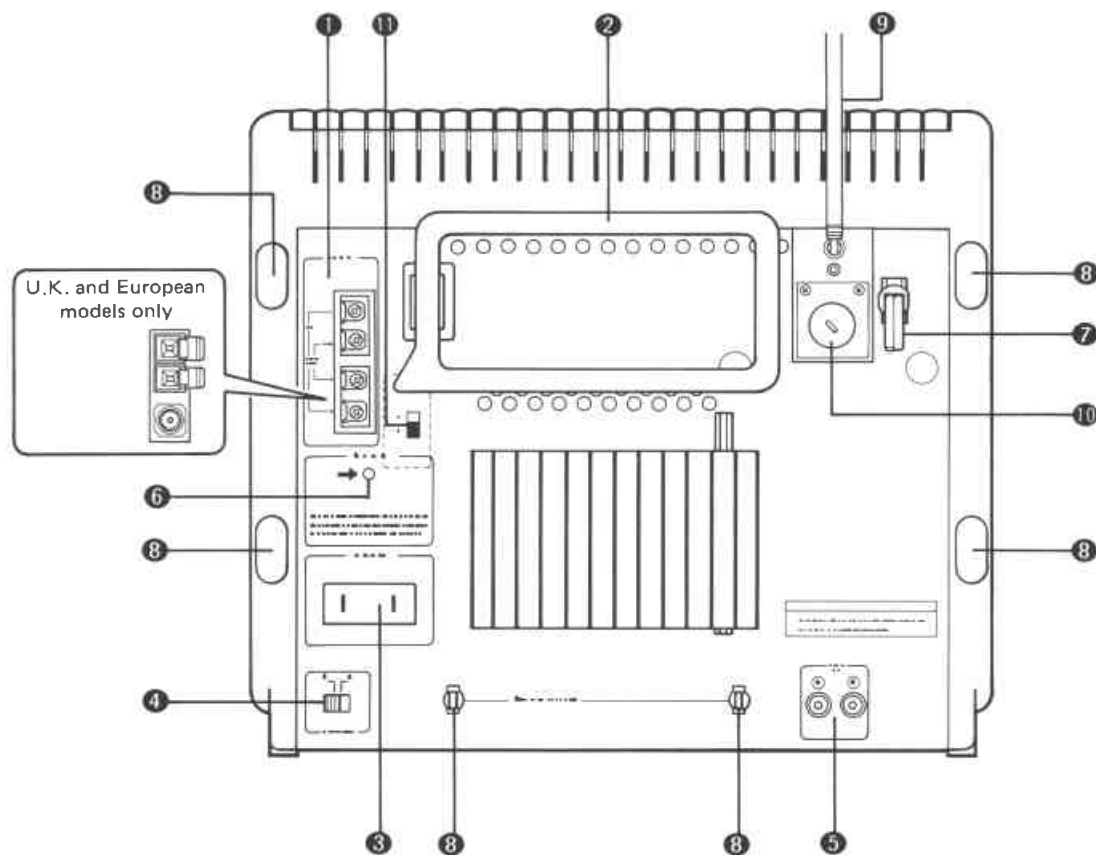


Only AST-C30 has EQ REC switch and BALANCE control but not AST-C10

• Remote Control Transmitter



- Rear Panel



1 Antenna terminals

AM (or MW/LW: U.K. and European models only) terminal
 Ground terminal
 FM75Ω terminal: U.K. and European models only
 FM300Ω terminal: U.S.A, Canadian, Australia and Regular models only

2 Loop antenna

3 Speaker terminals

4 BEAT CANCEL switch

5 AUX input terminal

6 Memory reset button

To erase the entire contents of the memory or if the display is not operating properly, unplug the unit's AC power cord and hold down this button for approximately one minute.

7 AC power cord

8 Brackets for excess speaker cable

9 Rod Antenna

(except German, Italian and Regular models)

10 Voltage selector (Regular models only)

11 AM frequency selector switch (Regular models only)

SPECIFICATIONS

AMPLIFIER SECTION:

Rated output power (1kHz, 6 ohms, 0.5% THD)
 ★ AST-C30/☆ AST-C10 24W x 2
 Total harmonic distortion
 (15W, 6 ohms, 1 kHz) 0.06%
 Input sensitivity (AUX) 250mV
 Dynamic sound 100Hz/ + 5dB
 10kHz/ + 3dB
 Headphone output
 (16 ohms, 40Hz ~ 20kHz, - 3dB) 300mV

GRAPHIC EQUALIZER

Center frequencies 100Hz, 500Hz, 2kHz, 10kHz
 Adjustable range ± 8dB

TUNER/TIMER SECTION:

Tuning frequency range
 FM section 87.5MHz ~ 108MHz
 AM or MW section
 U.S.A and Canadian models 530kHz ~ 1720kHz
 U.K. and European models 522kHz ~ 1620kHz
 Regular models 531kHz ~ 1602kHz
 (9kHz step)
 530kHz ~ 1620kHz
 (10kHz step)
 Australian models 531kHz ~ 1602kHz
 LW section
 (U.K. and European models) 153kHz ~ 281kHz
 Auto tuning 153kHz ~ 279kHz
 Timer PLAY/REC once per day, 60 minutes.
 Sleep 3 hours 45 minutes max.

CASSETTE DECK SECTION:

Recording/playback frequency response
 (chrome tape) 40Hz ~ 16kHz, ± 3dB
 Signal to noise ratio (DOLBY B ON) 65dB
 Wow and flutter ± 0.08% (W.R.M.S)

CD PLAYER SECTION:

Dynamic range 88dB
 Signal to noise ratio 90dB
 Filter 16 bit digital filter
 + 3rd order active filter.
 Distortion (1kHz) 0.09%

SPEAKER SYSTEM:

Type
 ★ AST-C30 2way, AS type,
 magnetically shielded.
 ☆ AST-C10 Full-range AS Type
 Speaker units
 ★ AST-C30
 Woofer 12cm polypropylene
 cone type (JA1227)
 Tweeter 2cm soft dome type (JA05B1)
 Crossover frequency 4kHz
 ☆ AST-C10 12cm polypropylen
 cone type (JA1268)
 Efficiency 87dB/W/m
 Frequency response
 ★ AST-C30 35Hz ~ 20kHz
 ☆ AST-C10 40Hz ~ 18kHz

GENERAL:

Power supply voltage
 U.S.A and Canadian models AC120V, 60Hz
 European models AC220V, 50Hz
 U.K. and Australian models AC240V, 50Hz
 Regular models AC110/120/220/240V, 50/60Hz

Power consumption

U.S.A models 95W
 Canadian models 145W
 European models 250W
 U.K. and Australian models 250W
 Regular models 250W

Dimensions (W x H x D)

Main unit ★ AST-C30/☆ AST-C10
 U.S.A, Canadian and Regular models
 300 x 268 x 294mm
 (11-13/16" x 10-9/16" x 11-9/16")

U.K., European and Australian models
 300 x 268 x 299mm
 (11-13/16" x 10-9/16" x 11-3/4")

Speaker (single) ★ AST-C30 324 x 232 x 232mm
 (12-3/4" x 9-1/8" x 9-1/8")
 ☆ AST-C10 150 x 217.5 x 242mm
 (5-7/8" x 8-9/16" x 9-1/2")

Weight

Main unit ★ AST-C30/☆ AST-C10 7.5kg (16 lbs 8 oz)
 Speaker (single) ★ AST-C30 4.3kg (9 lbs 7 oz)
 ☆ AST-C10 2.3kg (5 lbs 1 oz)

ACCESSORIES:

(Included with the ★ AST-C30/☆ AST-C10)
 ★ ☆ Remote control (VH34720) 1 pc.
 ★ ☆ AAA batteries (UM-4) 2 pcs.
 ★ ☆ AM Loop antenna 1 pc.
 ★ ☆ FM Wire antenna (Regular, German and
 Italian models only) 1 pc.
 ★ ☆ Rod Antenna (U.S.A, Canadian, Australian,
 U.K. and European-except German and
 Italian-models only) 1 pc.
 ★ ☆ Antenna holder (-ditto-) 1 pc.
 ★ ☆ Screws (-ditto-) 3 pcs.
 ★ ☆ Connection wire (-ditto-) 1 pc.
 ★ ☆ Converter plug (U.K. and European
 models only) 1 pc.
 ★ ☆ Speaker cables (with connectors) 2 pcs.

(Included with the ☆ AST-C10 only)

☆ Speaker attachment fittings 2 pcs.
 ☆ Screws 4 pcs.

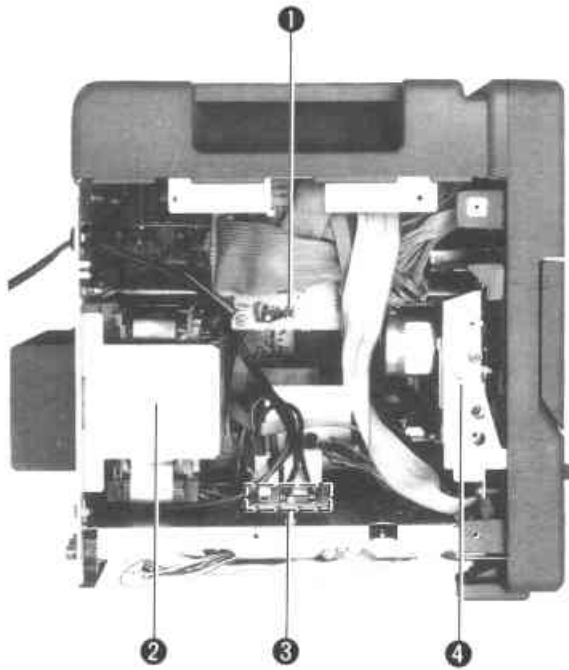
**Specifications are subject to change without notice.*

DOLBY SYSTEM®

Dolby and the double D mark are trademarks of Dolby Laboratories Licensing Corp. Dolby noise reduction system manufactured under license from Dolby Laboratories Licensing Corp.

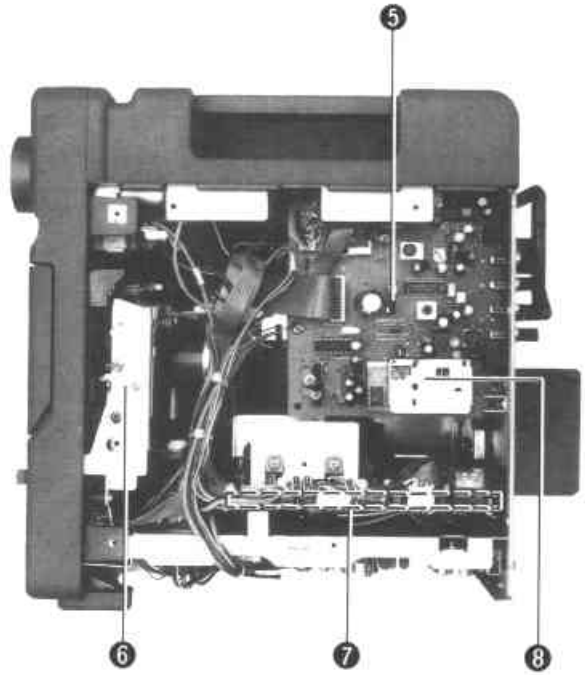
INTERNAL VIEW

LEFT SIDE



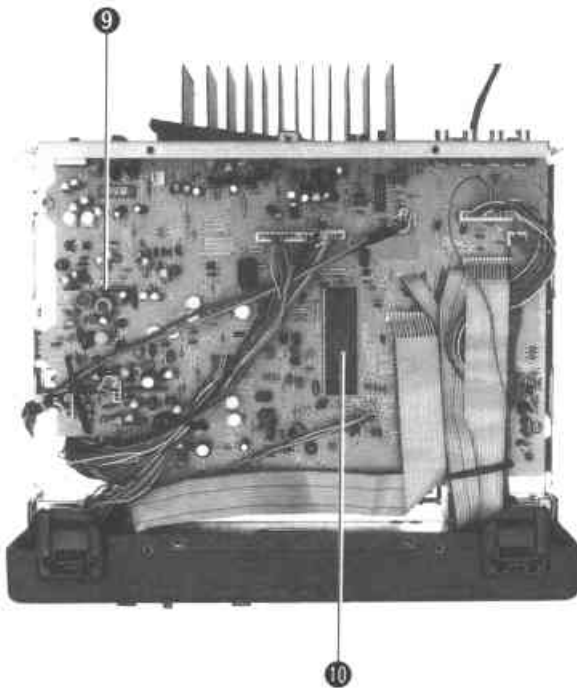
- ① LCD CIRCUIT BOARD
(Control Section)
- ② POWER TRANSFORMER
- ③ LCD CIRCUIT BOARD
(Line Filter Section)
- ④ CASSETTE MECHANICAL UNIT (TAPE A)
(Lever not included)

RIGHT SIDE



- ⑤ TUNER CIRCUIT BOARD
- ⑥ CASSETTE MECHANICAL UNIT (TAPE B)
(Lever not included)
- ⑦ POWER AMPLIFIER CIRCUIT BOARD
- ⑧ FRONT END PACK

BOTTOM SIDE



- ⑨ DECK CIRCUIT BOARD
(Main Section)
- ⑩ IC401: 8 bit μ -COM
(Tape Mechanism Control)

DISASSEMBLY PROCEDURES

1. Removal of Side Panel and Bottom Plate

- a. Remove 12 screws (X16 3x8) and 2 screws (X18 3x12) and then remove side panels R and L. (Fig. 1)

* With the side panel R removed, it is possible to adjust the tuner section.

- b. Remove 4 screws (L31 3x4) and then remove the bottom plate. (Fig. 2)

* Then it is possible to adjust the deck section.

2. Removal of Top Cabinet

- a. Remove 2 screws (X16 3x8). (Fig. 3)

- b. Lift the rear end of the top cabinet and slide it toward the rear. At this time, disconnect the connector connected to the CD servo circuit board.

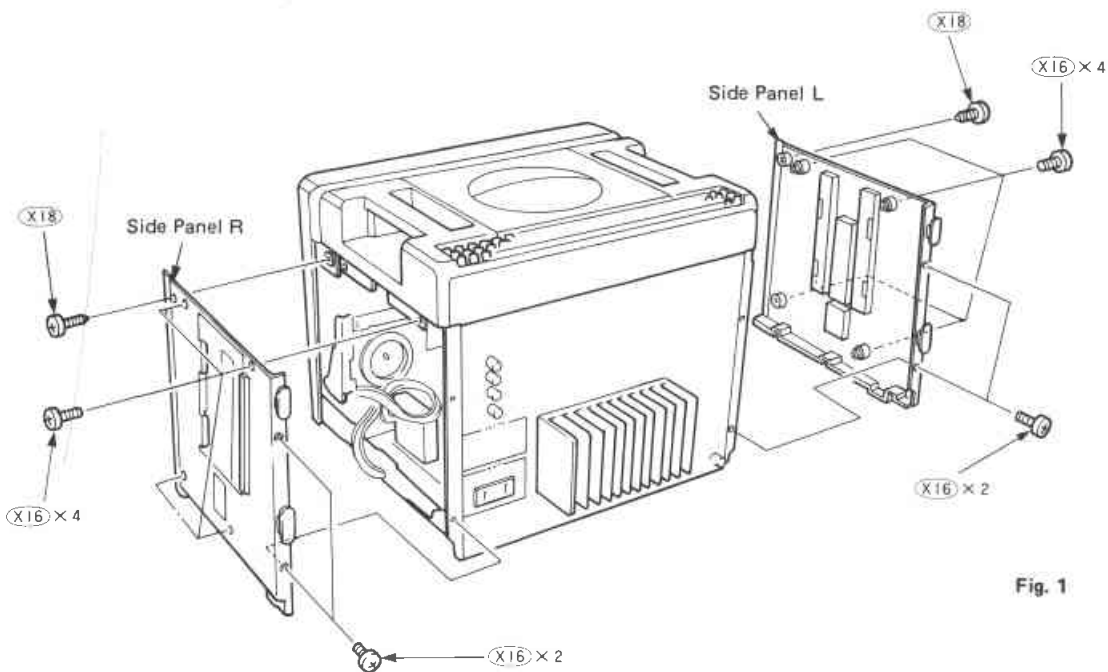


Fig. 1

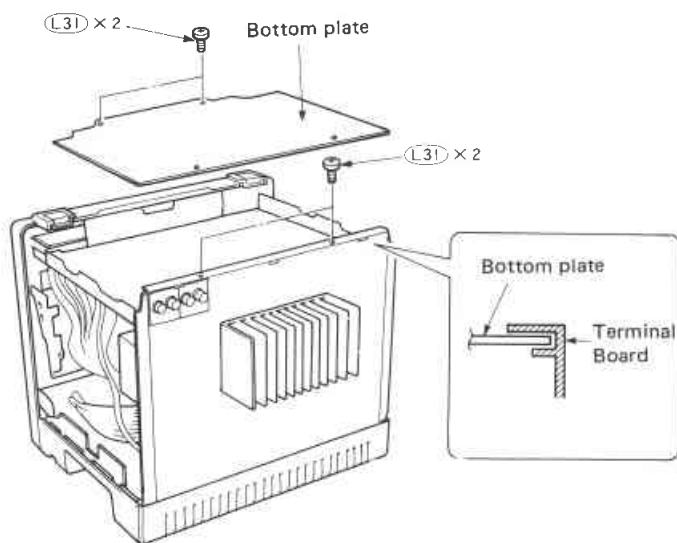


Fig. 2

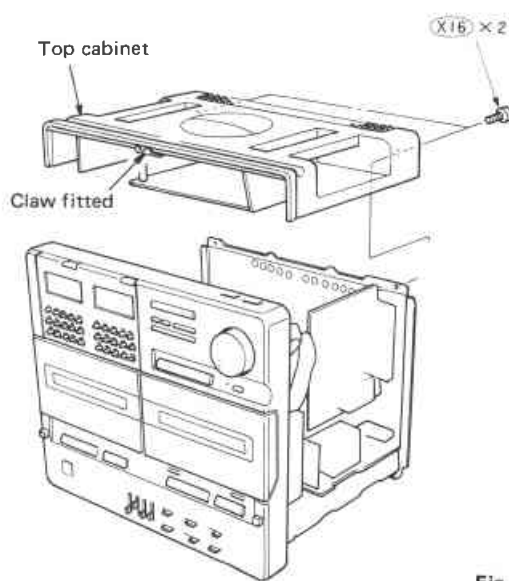


Fig. 3

3. Removal of CD Mechanical Unit

- a. Remove 5 screws (X5 3x8) and then remove the CD servo circuit board and the cover switch circuit board. At this time, disconnect the connector. (Fig. 4)
- b. Remove 4 special screws with washer (L29) and then remove the CD mechanical unit. (Fig. 4)

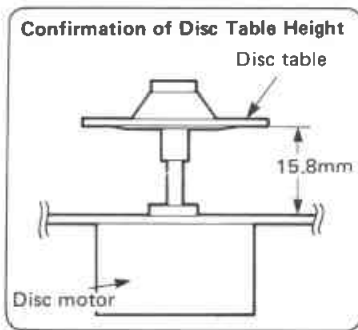
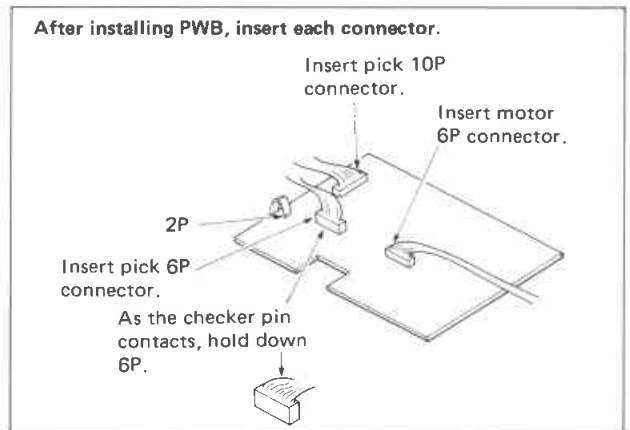
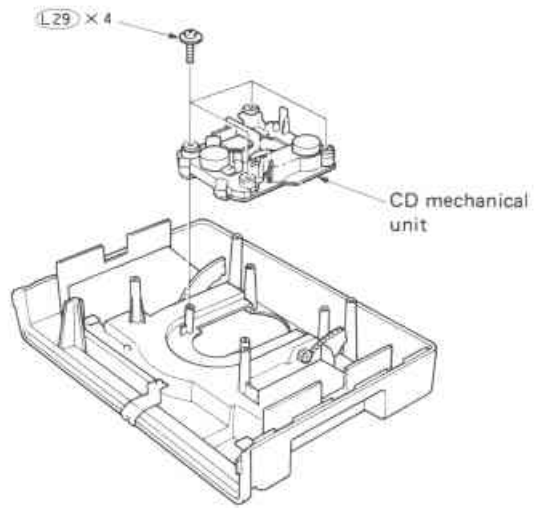
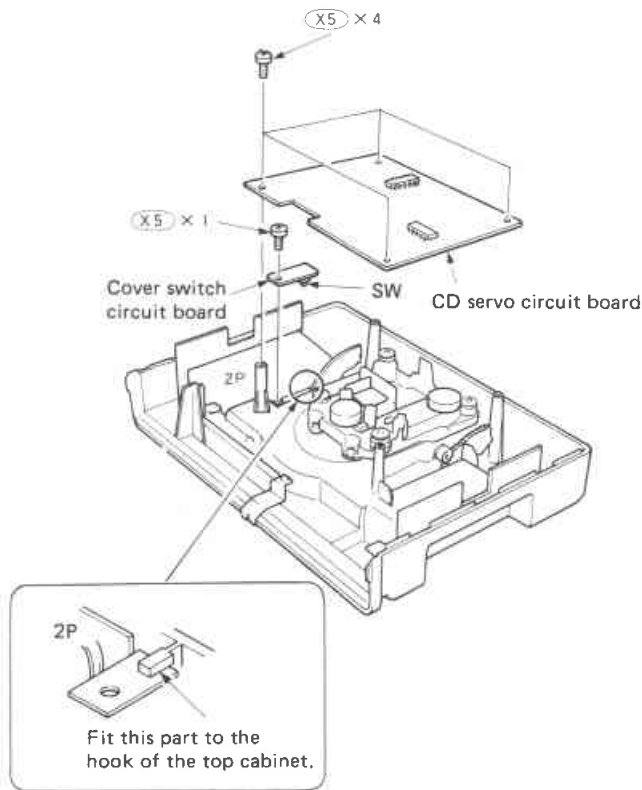


Fig. 4

4. Removal of Center Chassis

- a. Remove 2 screws (L31 3x6) fixing the terminal board and the center chassis. (Fig. 5)
 - b. Remove 1 screw (X11 3x6) fixing the tuner circuit board and the center chassis. (Fig. 5)
 - c. Remove 2 screws (X11 3x6) fixing the LCD circuit board (control section) and the center chassis.
 - d. Remove 2 screws (X6 3x10) and 1 screw (X7 3x8) both fixing the front part and the center chassis and then remove the center chassis. (Fig. 5)
- * Then it is possible to check the power circuit board.

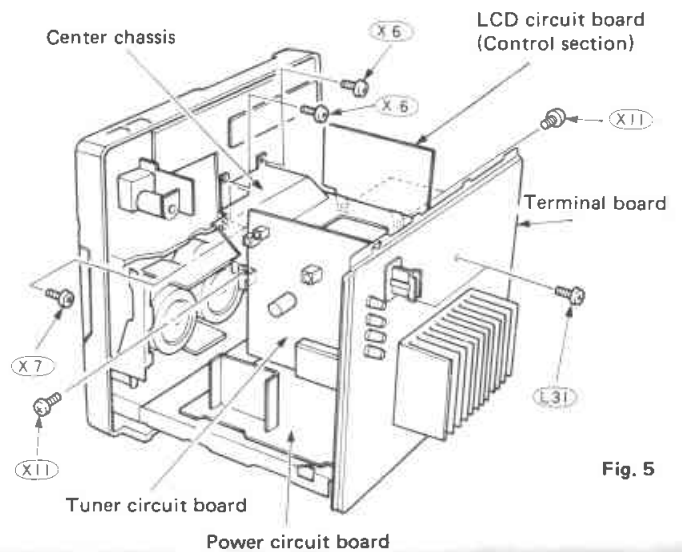


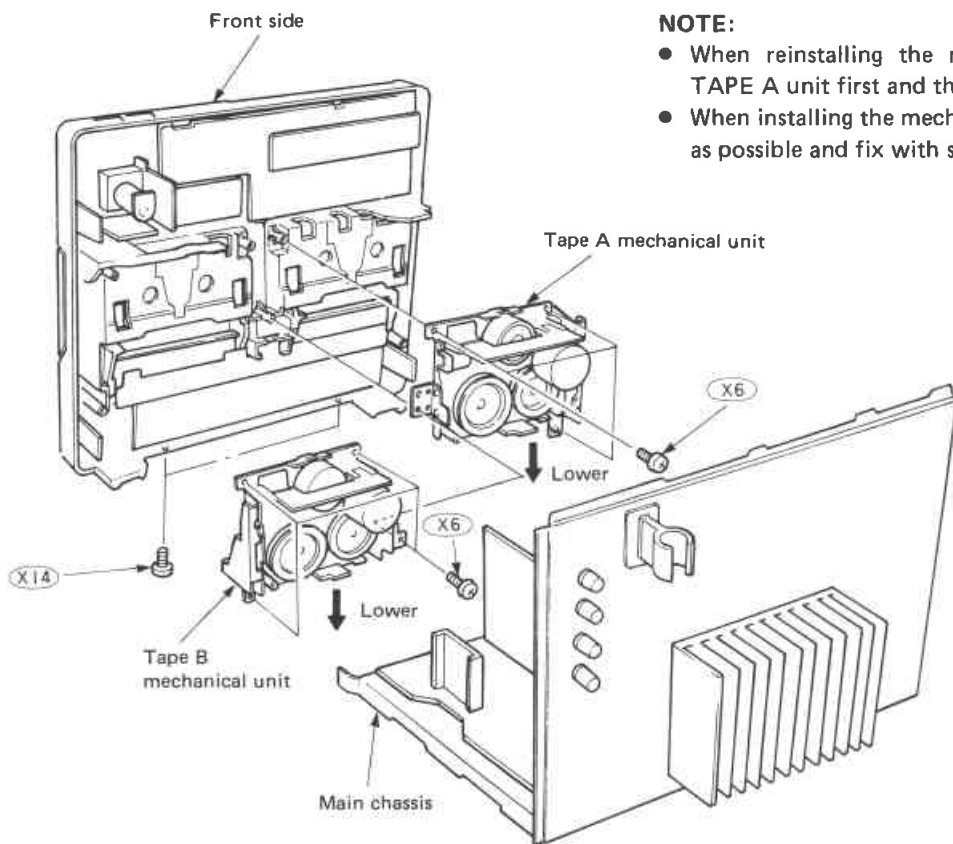
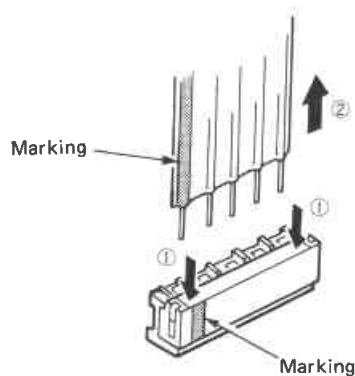
Fig. 5

5. Removal of Cassette Mechanical Unit

- a. Remove 2 screws (X14 3x6) fixing the front part and main chassis. (Fig. 6)
- b. Before disconnecting the connectors, attach a tack index to each connector and socket so that they will be connected correctly in reassembly. Then disconnect connectors as necessary and separate the front part and main chassis gradually.
- c. Remove 7 screws (X6 3x10) and then remove the cassette mechanical unit gradually. (Fig. 6)

NOTE: Disconnection of flat wire

- * Before disconnecting the flat wire, provide marking as shown in the figure so that they can be reconnected in proper direction. Pull out the flat wire while pushing the connector.



NOTE:

- When reinstalling the mechanical units, install the TAPE A unit first and then TAPE B unit.
- When installing the mechanical unit, position it as low as possible and fix with screws.

Fig. 6

AST-C30/C10

ADJUSTMENTS

TUNER SECTION . . . U, C models

fL: Low-range frequency
fH: High range frequency

• AM IF/RF

Signal generator: 400 Hz, 30% AM modulated

Test Stage	Frequency	Frequency Display	Setting/ Adjusting Parts	Instrument Connection
IF	450 kHz	1,620 kHz	T201	*1
Band Coverage	—	530 kHz	T206 (fL): 1.1 ± 0.05V	*2
Tracking	600 kHz	600 kHz	T204 (fL)	*1
	1,400 kHz	1,400 kHz	TC201 (fH)	

*1, Input: Antenna
Output: Pin 12 of IC201

*2, Input: Antenna
Output: Collector of Q212

• FM

Note:

- 1: Description of the "FM IF Adjustment: is not carried on this Manual. It is because the IF coil in the FM front end section has been best adjusted in the factory so that its further adjustment is not needed at the field. When replacing the FM front end assembly, no adjustment is needed either.
- 2: The parts in the FM front end section are prepared in a complete unit, so you can't obtain each part individually.

• Detection/Distortion

Signal generator: 1 kHz, 75 kHz dev., FM modulated

Frequency	Frequency Display	Adjusting Parts	Instrument Connection
99.00 MHz	99.00 MHz	T202	Input: Antenna Output: TP201
99.00 MHz (60 dB)	99.00 MHz	T203*	Input: Antenna Output: Speaker Terminal

* Adjust the T202 so that voltmeter reads 0 ± 50 mV.

• FM Auto Stop Level

Signal generator: 1 kHz, 75 kHz dev., FM modulated

Frequency	Frequency Display	Adjusting Parts	Instrument Connection
99.00 MHz (27 dB)	99.00 MHz	VR202	Input: Antenna Output: Speaker Terminal

* Adjust so that an output signal appears.

TUNER

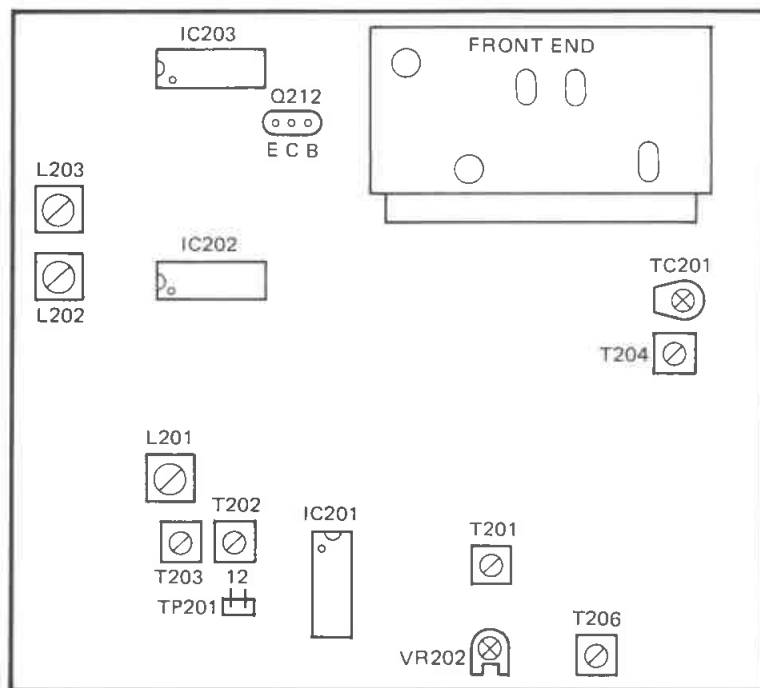


Figure 7 ADJUSTMENT POINTS

TUNER SECTION . . . H, B, W models

fL : Low-range frequency
fH : High range frequency

• AM IF/RF

Signal generator: 400 Hz, 30%, AM modulated

Test Stage	Frequency	Frequency Display	Setting/ Adjusting Parts	Instrument Connection
IF	450 kHz	1,620 kHz	T201	*1
MW Band Coverage	—	522 kHz	T206 (fL): 1.1 ± 0.1V	*2
MW Tracking	603 kHz	603 kHz	T204 (fL)	*1
	1,404 kHz	1,404 kHz	TC201 (fH)	
LW Band Coverage	—	153 kHz	T207 (fL): 1.5 ± 0.1V	*2
LW Tracking	162 kHz	162 kHz	T205 (fL)	*1
	261 kHz	261 kHz	TC202 (fH)	

*1, Input: Antenna
Output: Pin 12 of IC201

*2, Input: Antenna
Output: Collector of Q212

• FM

Note:

- 1: Description of the "FM IF Adjustment: is not carried on this Manual. It is because the IF coil in the FM front end section has been best adjusted in the factory so that its further adjustment is not needed at the field. When replacing the FM front end assembly, no adjustment is needed either.
- 2: The parts in the FM front end section are prepared in a complete unit, so you can't obtain each part individually.

• Detection/Distortion

Signal generator: 1 kHz, 40 kHz dev., FM modulated

Frequency	Frequency Display	Adjusting Parts	Instrument Connection
99.00 MHz	99.00 MHz	T202	Input: Antenna Output: TP201
99.00 MHz (60 dB)	99.00 MHz	T203*	Input: Antenna Output: Speaker Terminal

* Adjust the T202 so that voltmeter reads 0 ± 50 mV.

• FM Auto Stop Level

Signal generator: 1 kHz, 40 kHz dev., FM modulated

Frequency	Frequency Display	Adjusting Parts	Instrument Connection
99.00 MHz (27 dB)	99.00 MHz	VR202	Input: Antenna Output: Speaker Terminal

* Adjust so that an output signal appears.

• Muting Width

Signal generator: 1 kHz, 40 kHz dev., FM modulated

Frequency	Frequency Display	Adjusting Parts	Instrument Connection
99.027 MHz (60 dB)	99.00 MHz	VR201	Input: Antenna Output: Speaker Terminal

* Adjust so that an output signal disappears.

TUNER

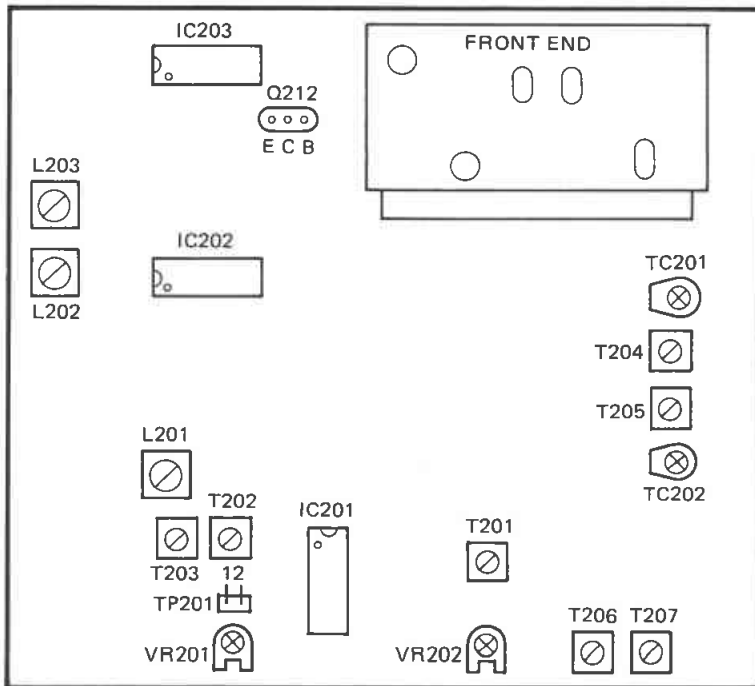


Figure 8 ADJUSTMENT POINTS

TUNER SECTION . . . R, A models

fL: Low-range frequency
fH: High range frequency

• **AM IF/RF**

Signal generator: 400 Hz, 30%, AM modulated

Test Stage	Frequency	Frequency Display	Setting/ Adjusting Parts	Instrument Connection
IF	450 kHz	1,620 kHz	T201	*1
Band Coverage	—	531 kHz	T206 (fL): 1.1 ± 0.05V	*2
Tracking	603 kHz	603 kHz	T204 (fL)	*1
	1,404 kHz	1,404 kHz	TC201 (fH)	

*1, Input: Antenna
Output: Pin 12 of IC201

*2, Input: Antenna
Output: Collector of Q212

• **FM**

Note:

- 1: Description of the "FM IF Adjustment: is not carried on this Manual. It is because the IF coil in the FM front end section has been best adjusted in the factory so that its further adjustment is not needed at the field. When replacing the FM front end assembly, no adjustment is needed either.
- 2: The parts in the FM front end section are prepared in a complete unit, so you can't obtain each part individually.

• **Detection/Distortion**

Signal generator: 1 kHz, 40 kHz dev., FM modulated

Frequency	Frequency Display	Adjusting Parts	Instrument Connection
99.00 MHz	99.00 MHz	T202	Input: Antenna Output: TP201
99.00 MHz (60 dB)	99.00 MHz	T203*	Input: Antenna Output: Speaker Terminal

* Adjust the T202 so that voltmeter reads 0 ± 50 mV.

• **FM Auto Stop Level**

Signal generator: 1 kHz, 40 kHz dev., FM modulated

Frequency	Frequency Display	Adjusting Parts	Instrument Connection
99.00 MHz (27 dB)	99.00 MHz	VR202	Input: Antenna Output: Speaker Terminal

* Adjust so that an output signal appears.

• **Muting Width**

J Detect

Signal generator: 1 kHz, 40 kHz dev., FM modulated

Frequency	Frequency Display	Adjusting Parts	Instrument Connection
99.027 MHz (60 dB)	99.00 MHz	VR201	Input: Antenna Output: Speaker Terminal

* Adjust so that an output signal disappears.

TUNER

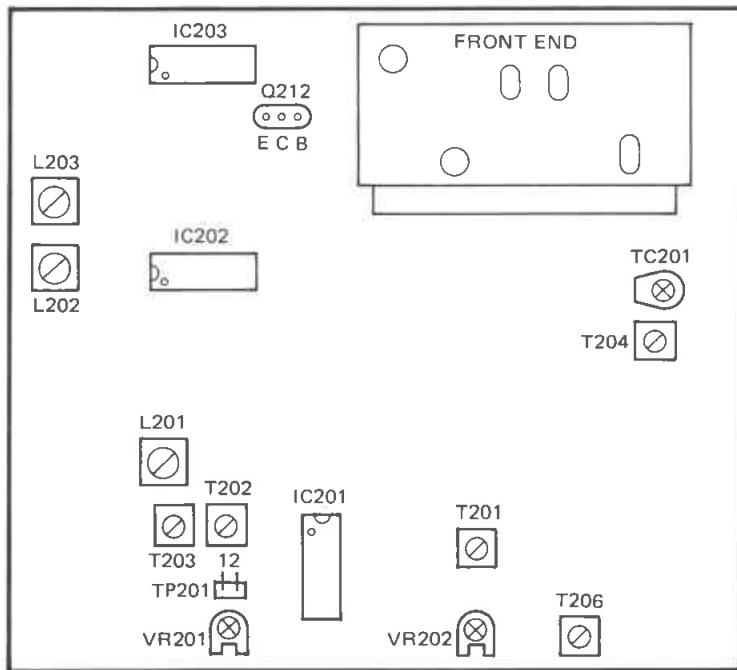


Figure 9 ADJUSTMENT POINTS

MECHANISM SECTION

• Driving Force check

Torque Meter	Specified value
Play: TW-2412	Over 180 g

• Torque Check

Torque Meter	Specified value	
	Tape 1	Tape 2
Play: TW-2111	30 to 70 g.cm	30 to 70 g.cm
Reverse play: TW-2121	30 to 70 g.cm	30 to 70 g.cm
Fast forward: TW-2231	90 to 180 g.cm	90 to 180 g.cm
Rewind: TW-2231	85 to 180 g.cm	90 to 180 g.cm

• Head Azimuth

Test Tape	Instrument Connection
MTT-114	Speaker terminal

• Tape Speed

	Test Tape	Adjusting Point	Specified value	Instrument Connection
Normal speed	MTT-111	VR401 VR403	3,000 ± 30 Hz	Speaker terminal

TAPE SECTION

Position of each switch or control

Volume	Max
Balance	Center
Graphic equalizer	Center
Function	Tape

• Bias Oscillation Frequency check

Specified value
95 kHz ± 5 kHz

• Erase Current check

	Specified value
CrO ₂ (Resistor for measurement: 1Ω)	Over 165 mV

• Playback Amplifier Sensitivity check

Test Tape	Adjusting Point	Specified value	Instrument Connection
MTT-150	TAPE A L: VR101 R: VR102 TAPE B L: VR103 R: VR104	650 mV ± 1 dB	L: TP101, ① R: TP101, ③

• Record/Playback Sensitivity check

Test Tape	Adjusting Point	Specified value	Instrument Connection
Non-recorded tape (MTT-502) 315 Hz, -30 dB (1V = 0 dB)	L: VR301 R: VR302	Playback the normal tape recorded and adjust the semi-variable resistor so that the output voltage is the same in record and playback modes. (0 dB ± 1 dB)	L: TP101, ① R: TP101, ③

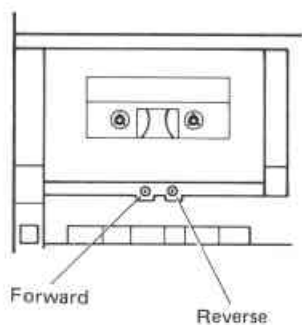


Figure 10 AZIMUTH POINTS

MAIN

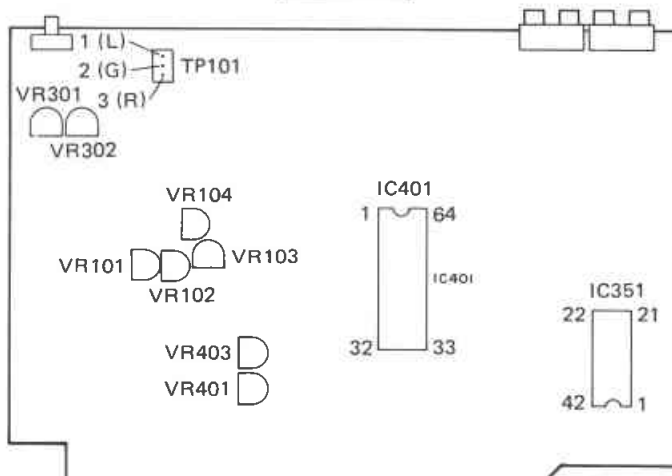


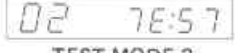





Figure 11 ADJUSTMENT POINTS

CD SECTION

1. Preparations Before Adjustment

Test mode setting

Test mode	Setting method	Remarks	Display
Test mode 0	Set FUNCTION switch to "CD" while pressing INTRO and $\triangleright\triangleright/\triangleleft\triangleleft$ buttons simultaneously.	All segments light for 2 seconds and the test mode 0 is displayed.	 TEST MODE 0
Test mode 1	Push PLAY button once in the test mode 0 state. (1st push)	Laser lights.	 TEST MODE 1
Test mode 2	Push PLAY button once in the test mode 1 state. (2nd push)	Focus starts. (Servo ON)	 TEST MODE 2
Test mode 3	Push PLAY button once in the test mode 2 state. (3rd push)	Disc turns. (Spin servo ON) (Disc used)	 TEST MODE 3
Test mode 4	Push PLAY button once in the test mode 3 state. (4th push)	Tracking servo ON (Disc used)	 TEST MODE 4
Test mode 5	Push PLAY button once in the test mode 4 state. (5th push)	Track No. and time are displayed. (Disc used)	 TEST MODE 5

Beyond the test mode 5, whatever keyed in will not be accepted even when PLAY button is pushed. (6th push).

* The test mode is not available unless CD cover switch SW881 is ON.

Button operation while in test mode

- When the STOP button is pressed, every operation stops. Then the pick-up head does not slide and the test mode 0 is displayed.
- While $\triangleright\triangleright/\triangleleft\triangleleft$ (Forward) or $\triangleleft\triangleleft/\triangleright\triangleright$ (Reverse) button is pressed, the pick-up head moves from inside to outside or from outside to inside.
 - This operation can be done whether the DC is being played or at a stop.
 - The test mode display remains unchanged during this operation.
The pick-up head is moved from outside to inside and stops when the pick-up IN switch turns ON. (At the same time, the test mode becomes 0.)
- Pressing the DISPLAY button when the test mode is 4 or 5 sets to the test mode 3 again. Pressing the DISPLAY button in any other mode is ineffective.
- Pressing the PAUSE button in the test mode 0 sets to the play mode (equivalent to the test mode 5).

NOTE:

- Operation of any other button than the above can not be accepted.
- The LCD of the music calender section stays ON throughout the test mode.
- Operation must be done with all the connectors connected.

2. Servo Unit Adjustment

- Be sure to set all the pre-sat potentiometers to the mechanical center position.

Adjustment item	Adjusted at	Set value/adjustment method	Measuring instrument connected to
● Set to the TEST MODE 0 (and move the pick-up head to the center position).			
Focus offset Adjustment	VR700	DC 0V	Pin 1 and Pin 2 of CNP700
Tracking offset Adjustment	VR710	DC 0V	Pin 3 and Pin 4 of CNP700
Set to the TEST MODE 1 (and make sure that the laser lights).			
After loading the disc, set to the TEST MODE 2. (Check to make sure that the focus servo is ON. In this state, the disc does not turn and whizzing sound is produced.)			
● Set to the TEST MODE 3 (The spin servo turns ON and the disc turns).			
Tracking error balance Adjustment	VR1	*1 (Fig. 12-1)	Pin 3 [TE] (Hot side of oscilloprobe) and Pin 8 [1/2Vcc] (Ground side of oscilloprobe) of TP751
● Set to the TEST MODE 4 (Tracking servo turns ON).			
HF signal waveform verification	---	Amplitude 1.35 ~ 2.0 Vp-p (Fig. 12-2)	Pin 1 and Pin 2 (Ground) of TP751
FOCUS gain Adjustment	VR751	Adjust so that the same waveform is obtained at CH1 and CH2 *2	Pin 6 (CH1) and Pin 7 (CH2) of TP751 and Ground (Junction circuit used)
Tracking gain Adjustment	VR750	Adjust so that the same waveform is obtained at CH1 and CH2 *	Pin 4 (CH1) and Pin 5 (CH2) of TP751 and Ground (Junction circuit used)
Verify the HF signal waveform again.			
● Set to the TEST MODE 5 (and check that the track No. and time are displayed).			

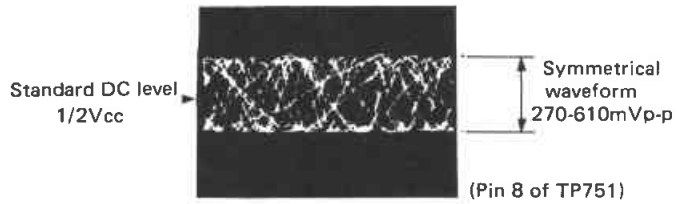


Fig. 12-1

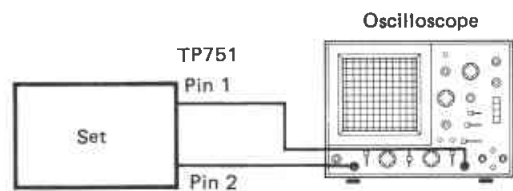
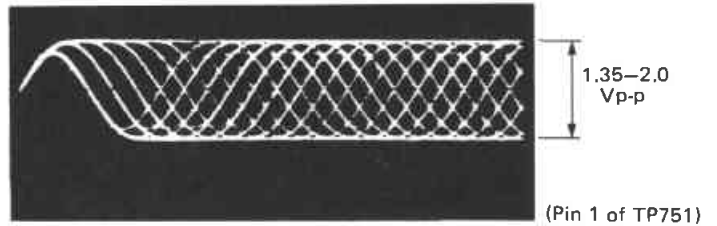


Fig. 12-2 HF signal waveform

- *1: Adjust so that the waveform becomes symmetrical above and below the standard DC level which is 1/2Vcc as shown in Fig. 12-1. (Amplitude: 270-610mVp-p)
- *2: Input oscillation frequency: 1.3kHz, 350mVrms

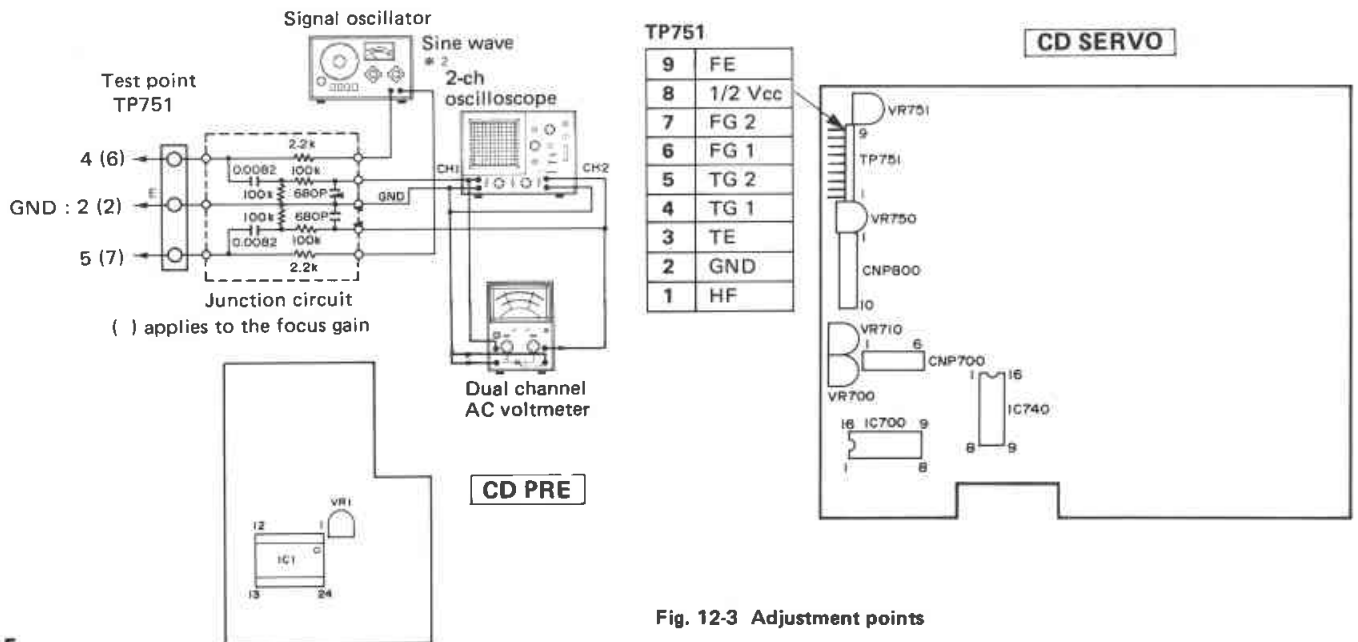
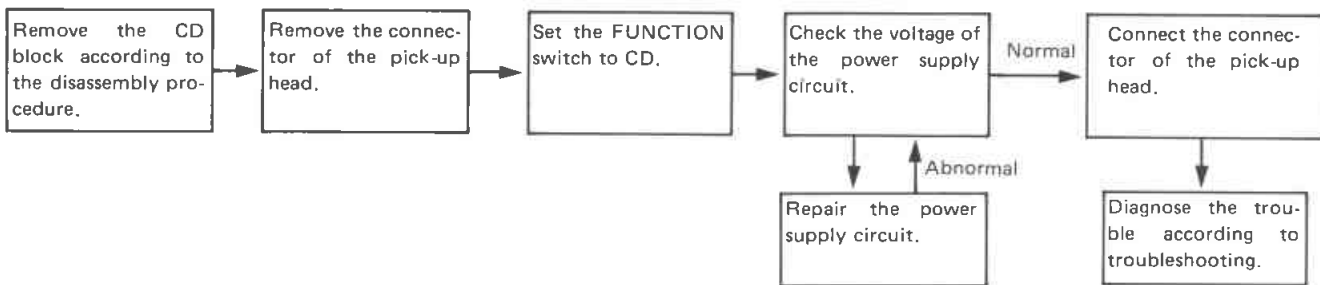


Fig. 12-3 Adjustment points

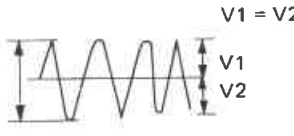
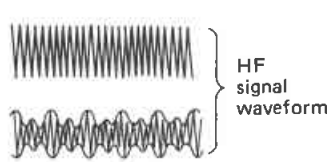
■TROUBLE SHOOTING (CD SECTION)

Carry out the following procedure according to the flow chart to prevent the pick-up head from being damaged due to the power supply trouble.

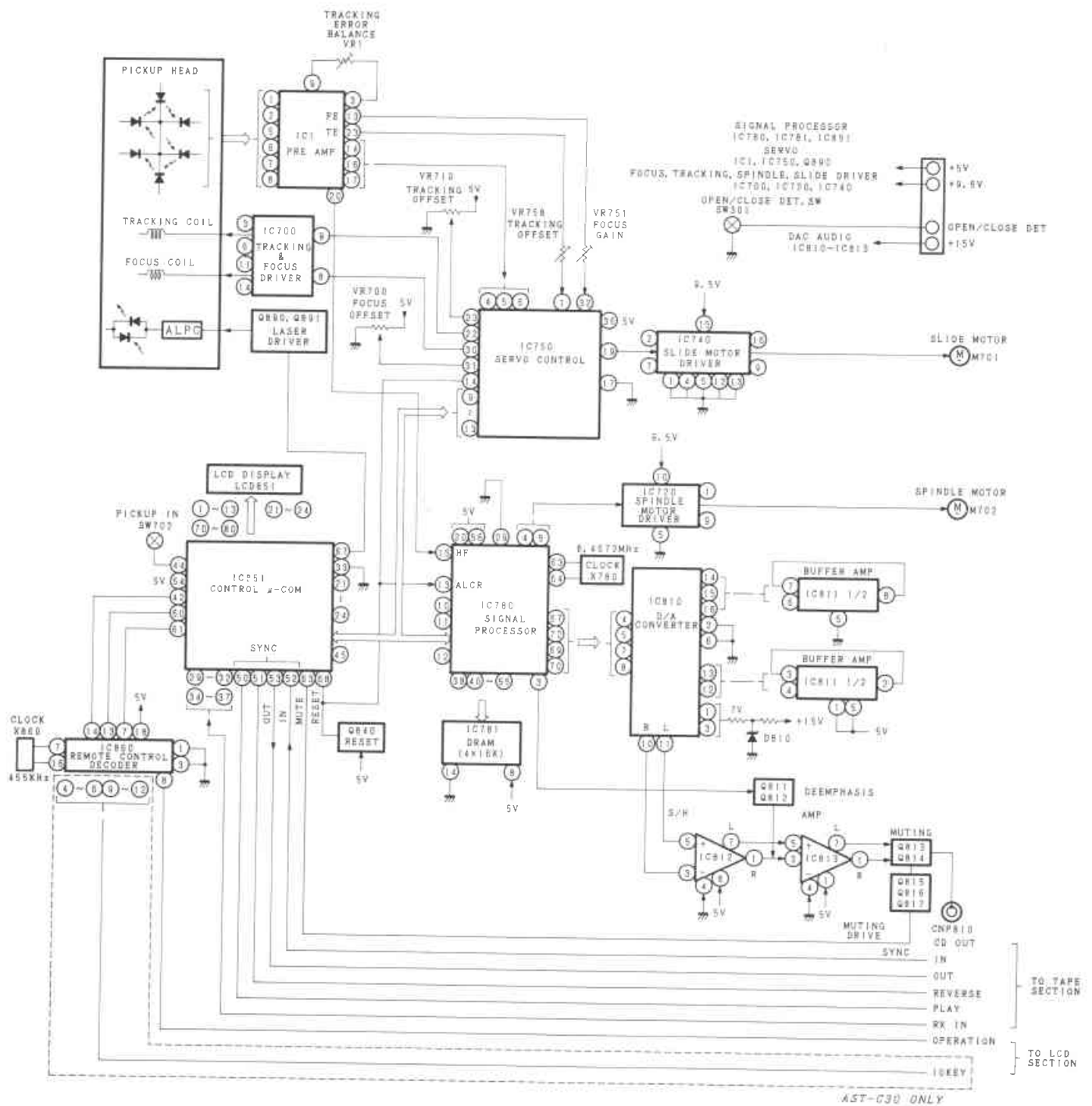


AST-C30/C10

SYMPTOM	CHECK POINT	CORRECTION
<p>CD is not played even when PLAY button is pressed.</p>	<p>Set so that the CD cover ON/OFF switch is ON.</p> <p>Set the control microcomputer to the test mode and check without loading a disc.</p> <p>↓</p> <p>Set to the test mode 1 by pressing the PLAY button and move the pick-up head to the center of the disc by pressing the >>/>> button or <</<< button.</p> <p>↓</p> <p>Is there a red light in the lens at the center of the pick-up head? (Be sure to place tracing paper for this check.) (Do not look into the lens directly, or your eyes will be affected.)</p> <p style="text-align: right;">NO →</p> <p style="text-align: center;">↓ YES</p> <p>Set to the test mode 2 by pressing the PLAY button again.</p> <p>↓</p> <p>Does the lens move up and down?</p> <p style="text-align: right;">NO →</p> <p style="text-align: center;">↓</p> <p>Does the focus servo operate when a disc is loaded?</p> <p style="text-align: right;">NO →</p> <p style="text-align: center;">↓ YES</p> <p>Set to the test mode 3 by pressing the PLAY button again.</p> <p>↓</p>	<p>TEST MODE setting: Set the FUNCTION switch to CD while pressing INTRO and >>/>> buttons simultaneously. (For the details of the test mode, refer to the description on the circuit adjustment in CD section.)</p> <ul style="list-style-type: none"> ● Pin 67 of IC851 : Low level (IC851 defective or connection line faulty.) ● Pin 67 of IC851 : High level (If Q890 and Q891 are in good condition, the pick-up head defective.) <ul style="list-style-type: none"> ● Is a focus search signal output from pin 3 and pin 6 of IC700? YES : Pick-up head defective or connection faulty. NO : Check IC700. ● Is a focus search signal output from pin 30 of IC750? NO : Check IC750. <ul style="list-style-type: none"> ● Pin 14 of IC1 : Low level (abnormal) Check IC1. ● Pin 14 of IC1 : High level (normal) Check IC750.

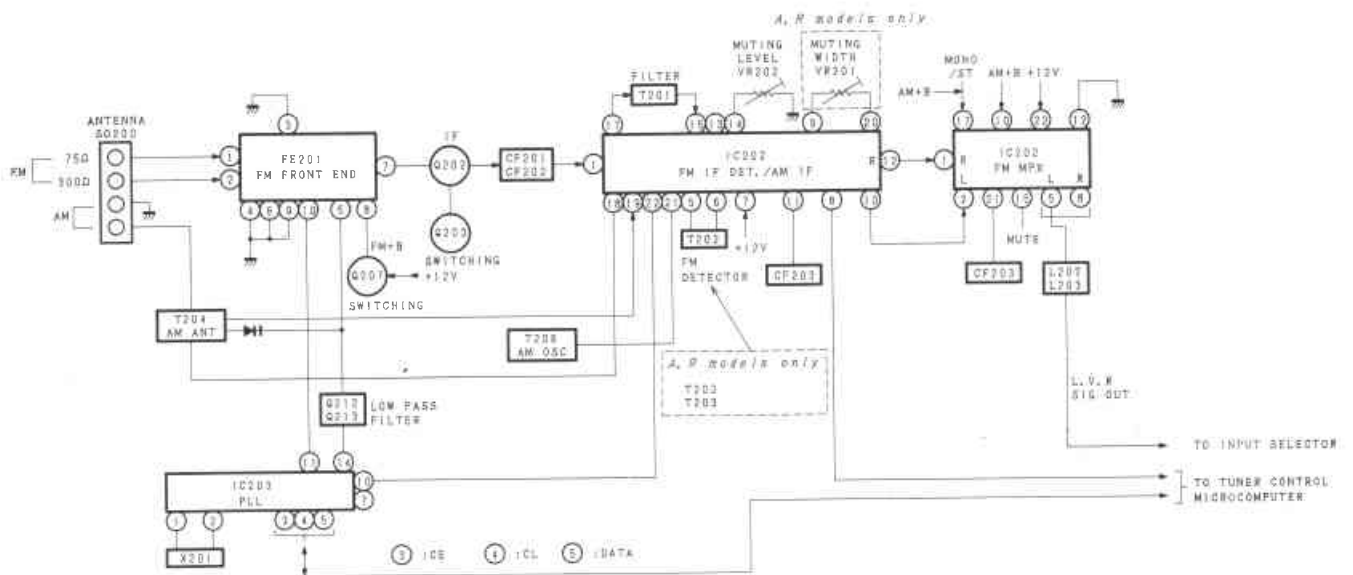
SYMPTOM	CHECK POINT	CORRECTION
	<p>Does the spin motor run? NO →</p> <p style="text-align:center">↓ YES</p> <p>Is a tracking error signal output properly at pin 3 of TP751? (The error signal should be symmetrical above and below 1/2 Vcc standard.) NO →</p> <p style="text-align:center">↓ YES</p> <div style="text-align:center">  <p>(Normal) $V1 = V2$ 1/2 Vcc</p> </div> <p>Set to the test mode 4 by pressing the PLAY button again.</p> <p>Is HF signal output at pin 1 of TP751? NO →</p> <p style="text-align:center">↓ YES</p> <p>Is the tracking servo circuit in good condition? NO →</p> <p style="text-align:center">↓ YES</p> <div style="text-align:center">  <p>Normal } HF signal waveform Abnormal }</p> </div> <p>Is a disc time information displayed when the PLAY button is pressed again? NO →</p> <p style="text-align:center">↓ YES</p> <p>Is the pick-up head shifted when \lll/\lll button or \ggg/\ggg button is pressed? NO →</p> <p style="text-align:center">↓ YES</p> <p>Is initializing operation executed when the power switch is turned OFF once and then ON? NO →</p> <p style="text-align:center">↓ YES</p> <p>Is the pick-up head shifted at about 10 track pitch near the beginning of the number when APSS search is used? NO →</p> <p style="text-align:center">↓ YES</p> <p>Is playback available? NO →</p> <p style="text-align:center">↓ YES</p> <p style="text-align:center">END</p>	<ul style="list-style-type: none"> ● Is a drive signal output from pin 4 (PWM1) and pin 5 (PWM2) of IC780? NO : IC780 defective. YES : Check around IC720. ● Check IC1. ● Adjust tracking error balance. ● Check IC1. ● Check connection of the connector for the pick-up head. ● Check pin 22 (tracking signal) of IC750. ● Check pin 11 and pin 14 of IC700. ● Check the signal connection line between IC780 and IC851. ● Is a feed signal output from pin 19 of IC750? NO : IC750 defective. YES : Check IC740. ● Check inner circumference of the disc for scratch, etc. and replace if any. ● Carry out tracking offset adjustment and tracking gain adjustment. ● Check the audio circuit.

CD SECTION

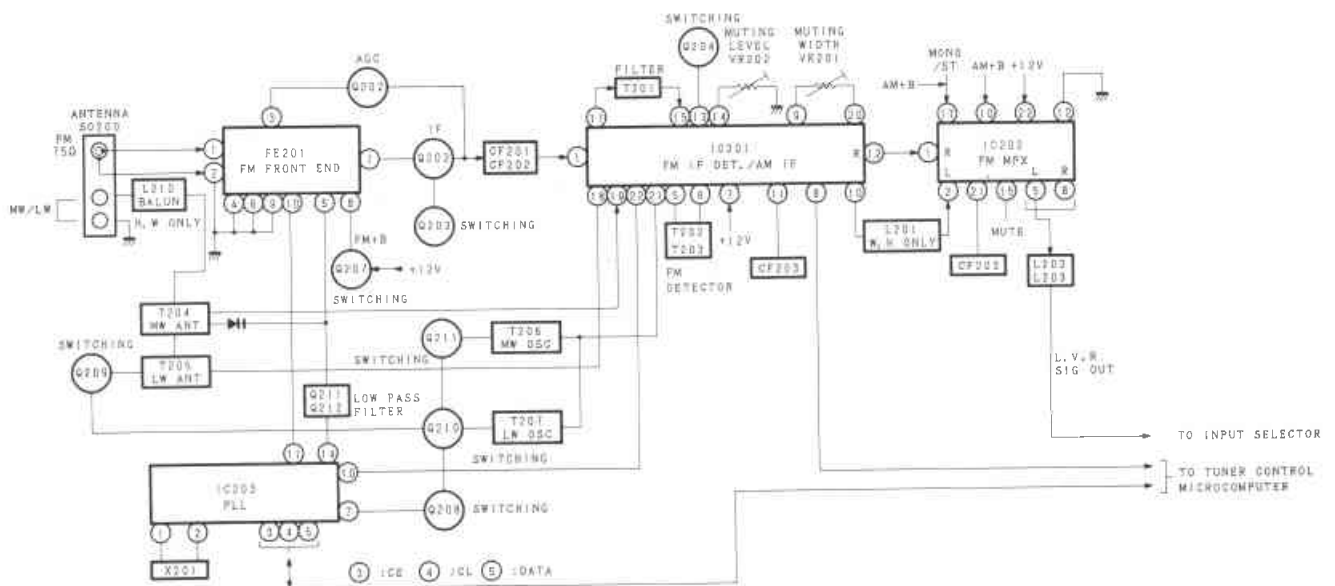


TUNER SECTION

• U, C, R, A models

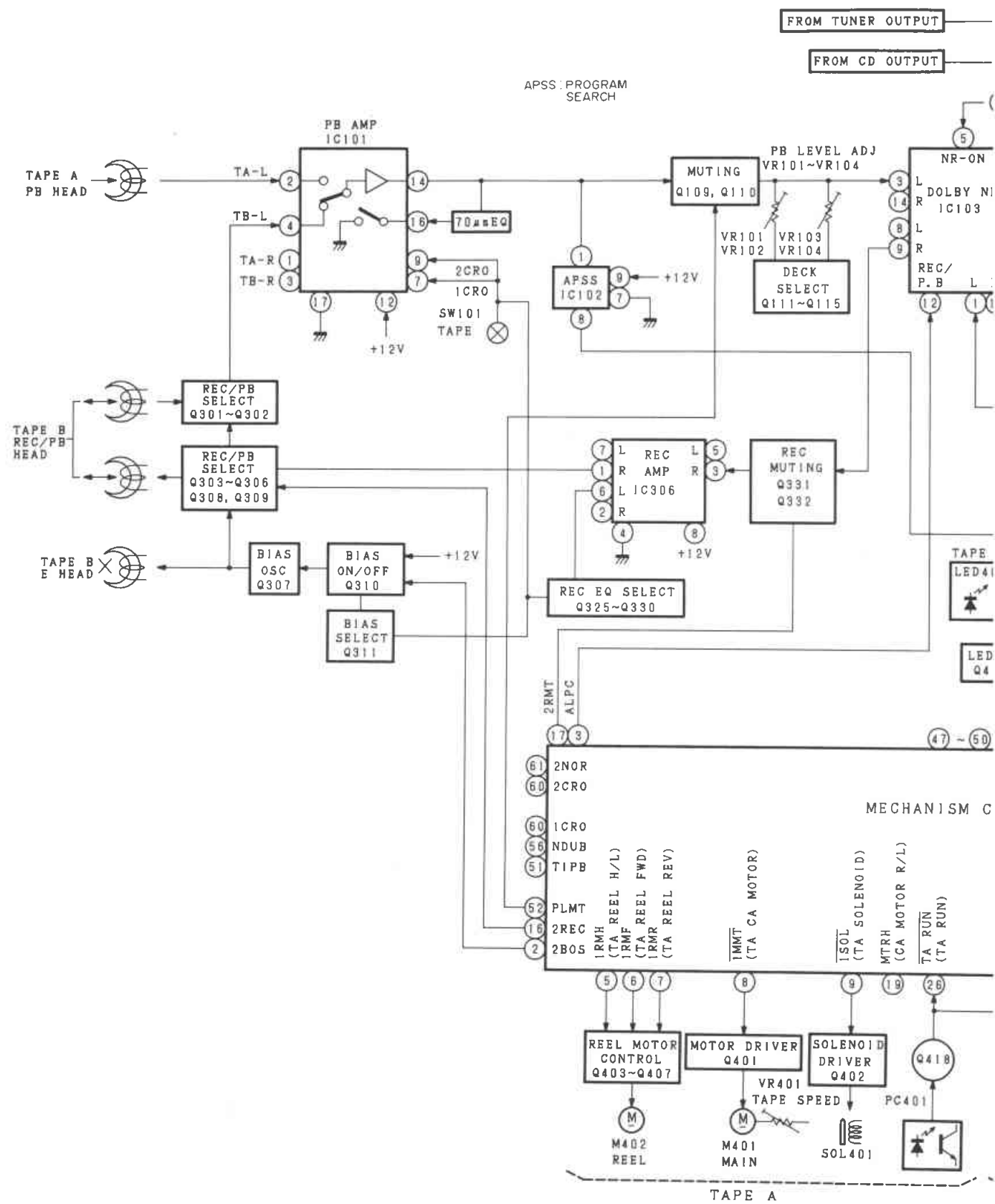


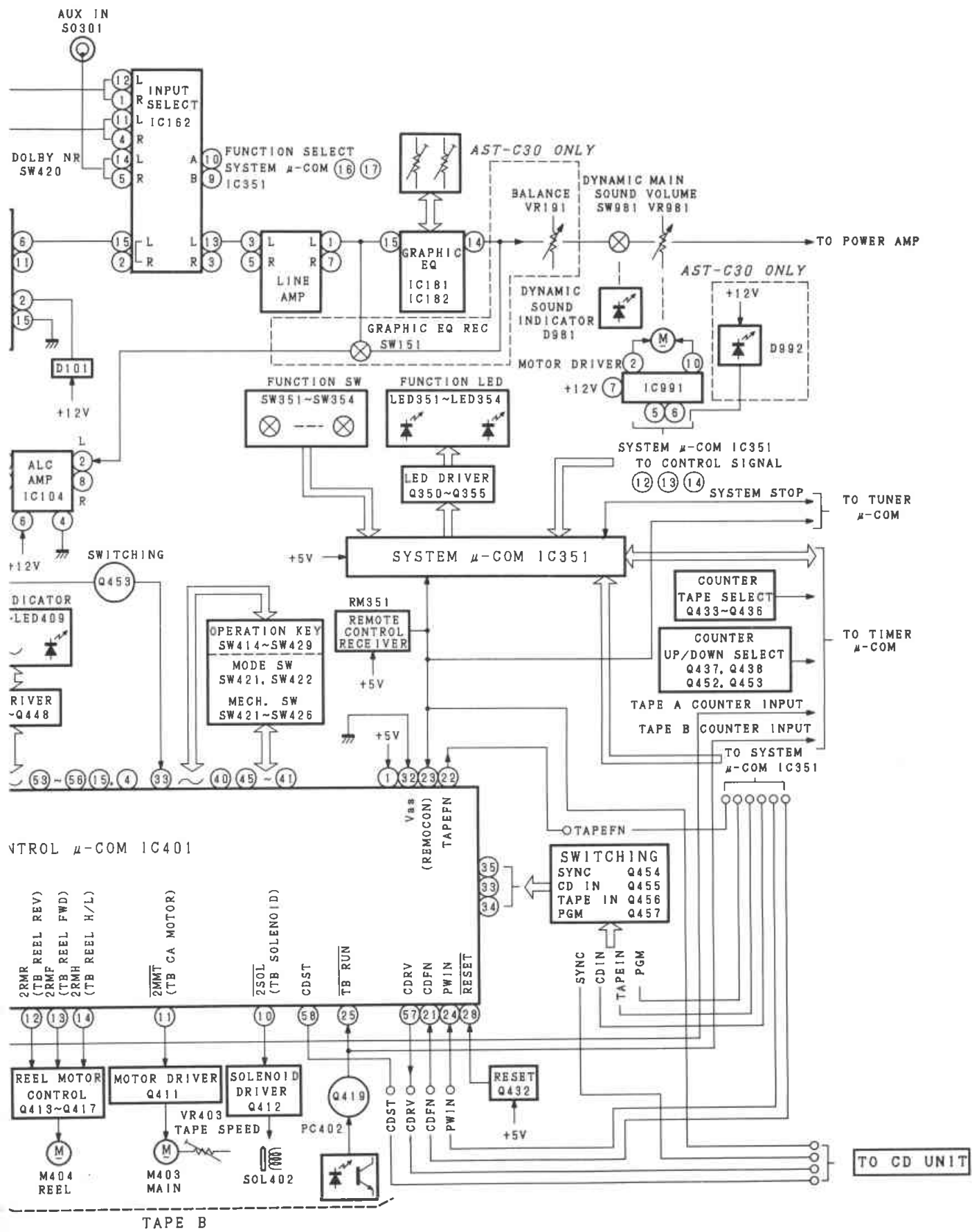
• B, W, H models



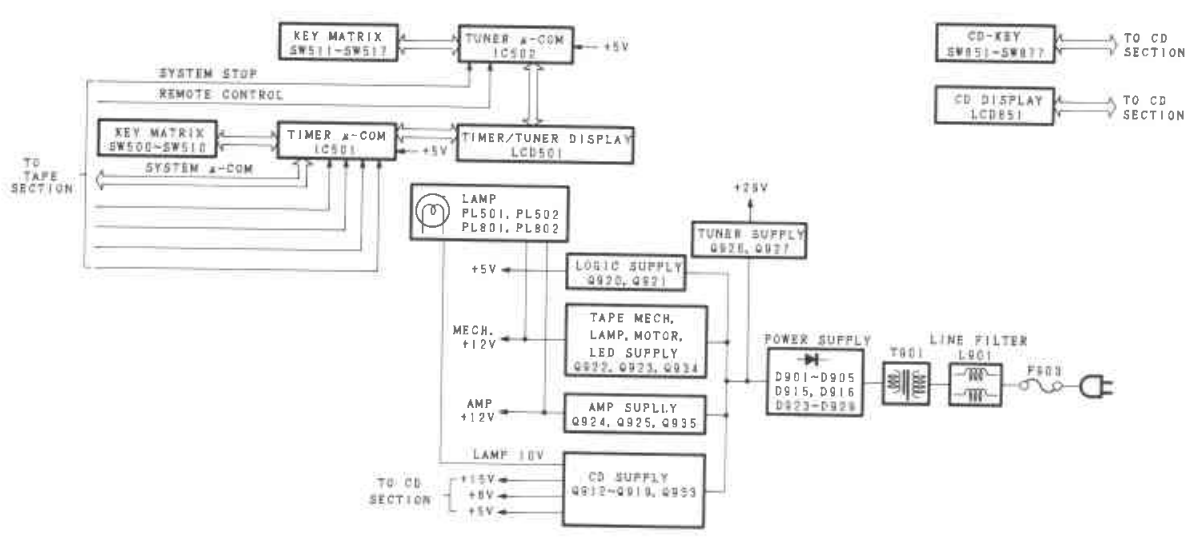
■ BLOCK DIAGRAM

TAPE SECTION

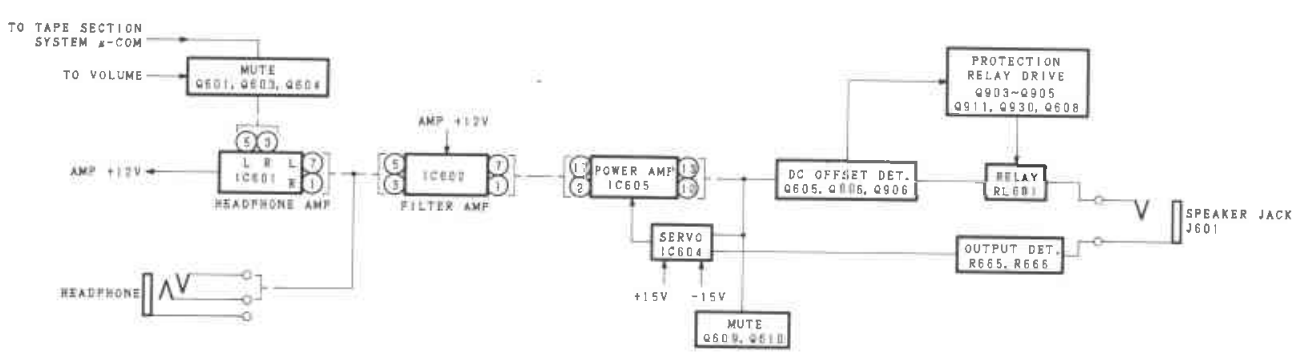




DISPLAY SECTION



POWER SECTION

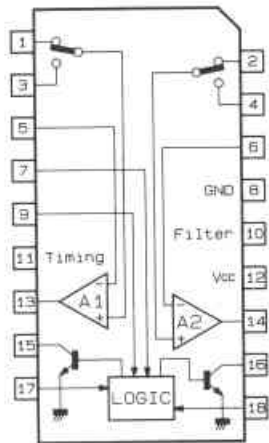


AST-C30/C10

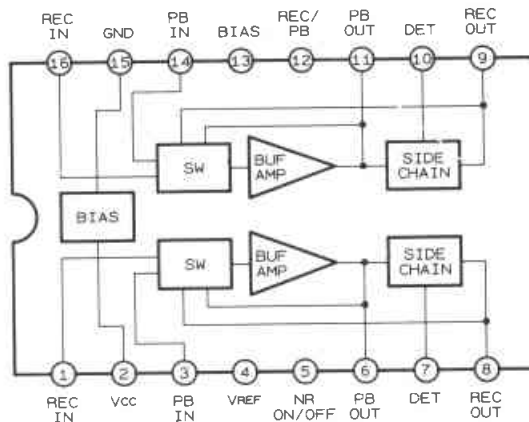
IC DATA

AST-C30/C10

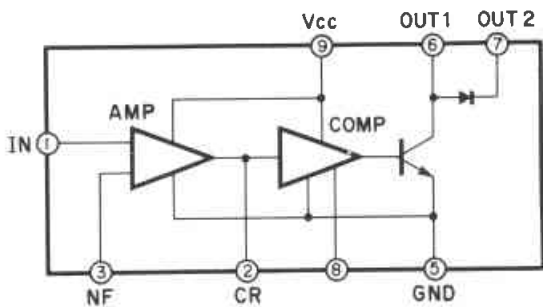
BA3416BL (IC101)
Dual Playback Preamplifier



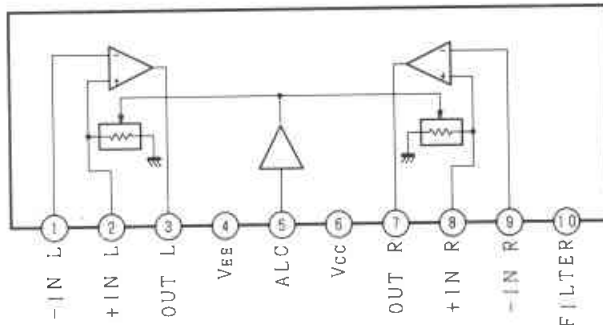
HA12136 (IC103)
Dolby



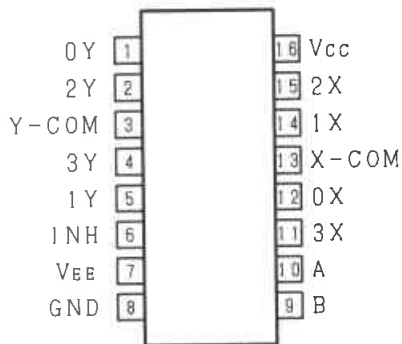
LA2000 (IC102)
Audio Level Sensor



M51544AL (IC104)
Dual Preamplifier with ALL

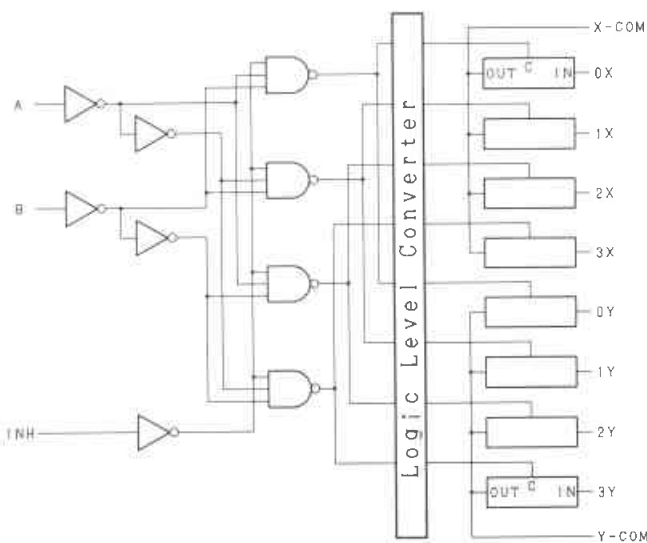


TC74HC4052AF (IC162)
Dual 4-Channel Analog Multiplexer/Demultiplexer

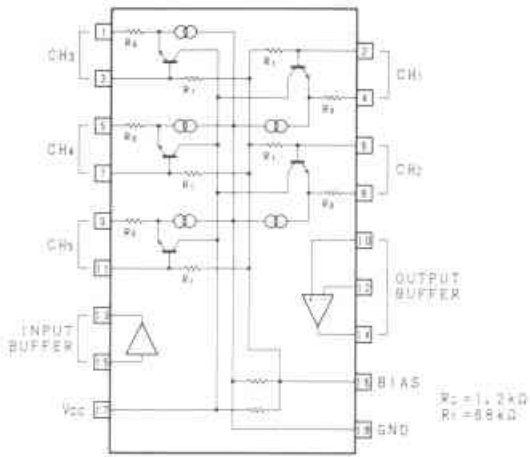


CONTROL INPUTS				"ON" CHANNEL		
INHIBIT	C*	B	A	HC4051A	HC4052A	HC4053A
L	L	L	L	0	0X, 0Y	0X, 0Y, 0Z
L	L	L	H	1	1X, 1Y	1X, 0Y, 0Z
L	L	H	L	2	2X, 2Y	0X, 1Y, 0Z
L	L	H	H	3	3X, 3Y	1X, 1Y, 0Z
L	H	L	L	4	---	0X, 0Y, 1Z
L	H	L	H	5	---	1X, 0Y, 1Z
L	H	H	L	6	---	0X, 1Y, 1Z
L	H	H	H	7	---	1X, 1Y, 1Z
H	X	X	X	NONE	NONE	NONE

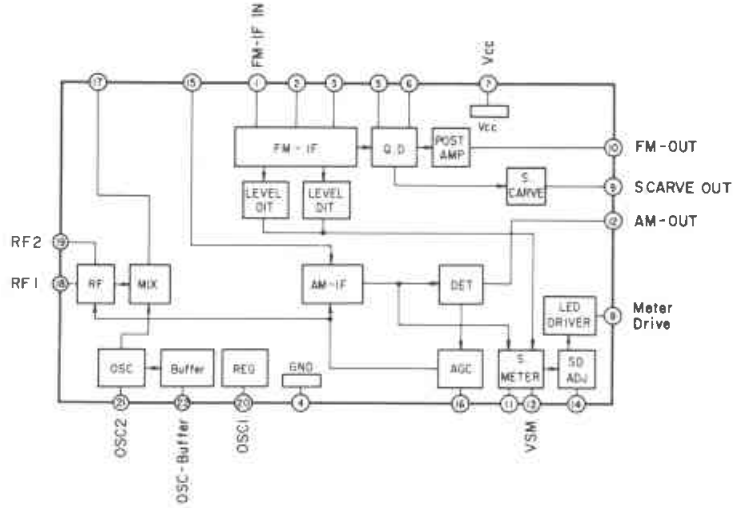
X : DON'T CARE
* : Except HC4052A



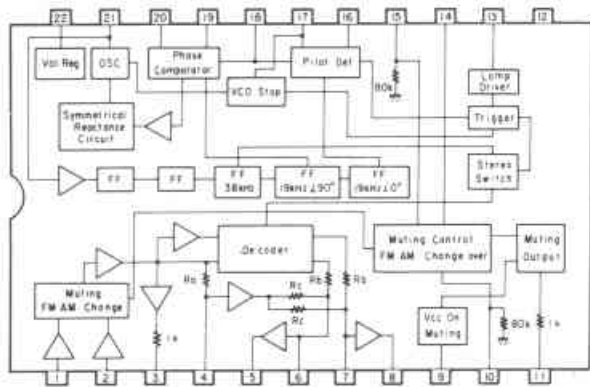
BA3812L (IC181, 182)
5-Point Graphic Equalizer



LA1265 (IC201)
FM/AM IF

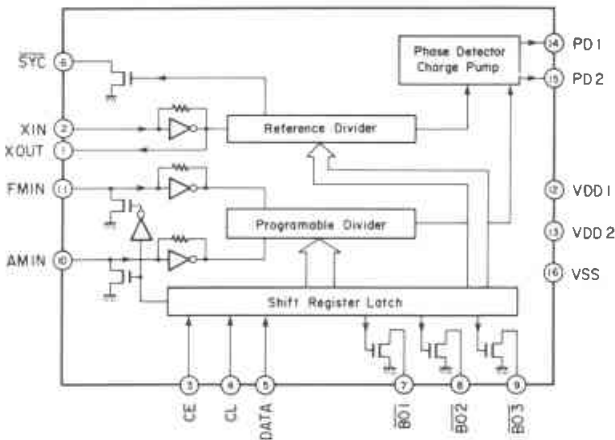


LA3401 (IC202)
MPX

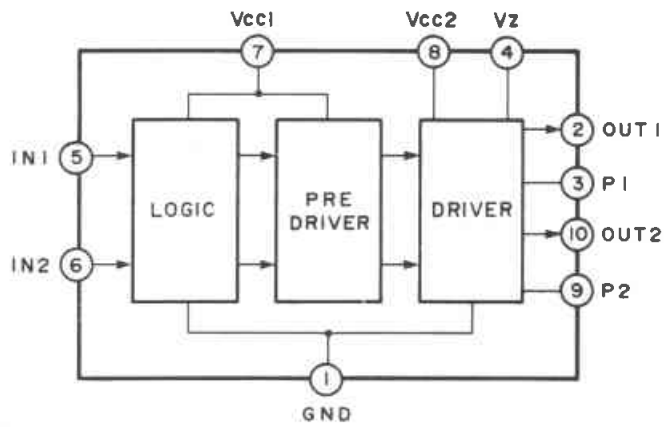


Pin No.	Function
1	Input (AM)
2	Input (FM)
3	Composite Amp Output
4	Separation Adj
5	Post Amp Output
6	Post Amp Input
7	Post Amp Input
8	Post Amp Output
9	Muting ON (Vcc)
10	AM/FM Select
11	Muting Output
12	GND
13	Stereo Indicator
14	Mute Select
15	Muting
16	Pilot Detector Filter
17	Pilot Detector Filter, VCO Stop
18	PLL Input
19	Loop Filter
20	Loop Filter
21	OSC
22	Vcc

LM7001 (IC203)
PLL

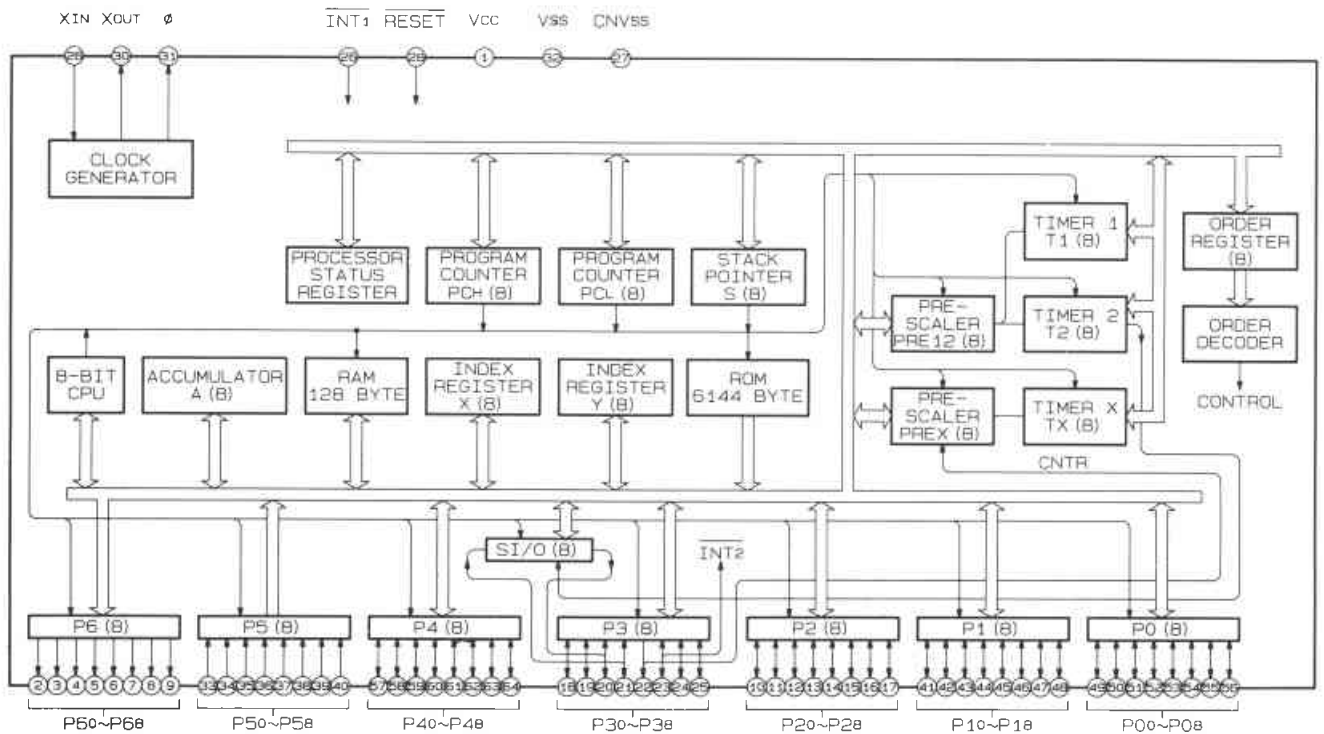
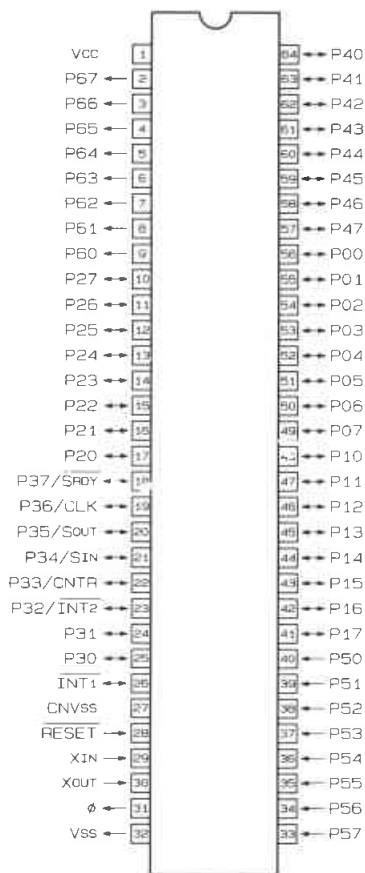


LB1641 (IC991)
Motor Driver



RH-IX1645AF (IC401)
8-Bit μ -COM for Tape Mechanism Control

AST-C30/C10



Pin No.	Pin Name	Description	I/O	Function
1	Vcc			+5V
2	P67	2BOS	O	TAPE B bias OSC
3	P66	ALCP	O	Dolby encode/decode select
4	P65	1PLY	O	TAPE A PLAY indicator
5	P64	1RMH	O	TAPE A reel motor (High speed)
6	P63	1RMF	O	TAPE A reel motor (FF)
7	P62	1RMR	O	TAPE A reel motor (REW)
8	P61	1MMT	O	TAPE A main motor
9	P60	1SOL	O	TAPE A solenoid
10	P27	2SOL	O	TAPE B solenoid
11	P26	2MMT	O	TAPE B main motor
12	P25	2RMR	O	TAPE B reel motor (REW)
13	P24	2RMF	O	TAPE B reel motor (FF)
14	P23	2RMH	O	TAPE B reel motor (High speed)
15	P22	2PLY	O	TAPE B PLAY indicator
16	P21	2REC	O	TAPE B REC indicator and bias
17	P20	2RMT	O	TAPE B REC mute
18	P37	SLH	O	N.C.
19	P36	MTRH	O	N.C.
20	P35	ALCP	O	N.C.
21	P34	CDFN	O	Function switch, CD
22	P33	TAPE	O	Function switch, TAPE
23	P32	REMT	I	Remote control data
24	P31	PWIN	I	POWER ON/OFF (ON : H, OFF : L)
25	P30	2RUN	I	TAPE B run pulse
26	INT1	1RUN	I	TAPE A run pulse
27	CNV _{ss}			GND
28	RESET		I	Reset
29	XIN			Clock (4 MHz)
30	XOUT			
31	φ			N.C.
32	V _{ss}			GND
33	P57	S18	I	Key input line
34	P56	S17	I	
35	P55	S16	I	
36	P54	S15	I	
37	P53	S14	I	
38	P52	S13	I	
39	P51	S12	I	
40	P50	S11	I	
41	P17	SO6	O	Key scan line
42	P16	SO5	O	
43	P15	SO4	O	
44	P14	SO3	O	
45	P13	SO2	O	
46	P12	SO1	O	
47	P11	2BWD	O	TAPE B BWD indicator (ON : L, OFF : H)
48	P10	2FWD	O	TAPE B FWD indicator (ON : L, OFF : H)
49	P07	1BWD	O	TAPE A BWD indicator (ON : L, OFF : H)
50	P06	1FWD	O	TAPE A FWD indicator (ON : L, OFF : H)
51	P05	T1PB	O	PB amp selector (TAPE A : H, TAPE B : L)
52	P04	PLMT	O	TAPE PLAY mute (ON : H, OFF : L)
53	P03	CDED	O	N.C.
54	P02	RELY	O	
55	P01	HDUB	O	
56	P00	NDUB	O	DUBBING indicator
57	P47	CDRV	O	CD replay
58	P46	CDST	O	CD start
59	P45	2BOS	O	N.C.
60	P44	2CRO	O	
61	P43	2MTL	O	
62	P42	1NOR	O	
63	P41	1CRO	O	
64	P40	1MTL	O	

• KEY MATRIX

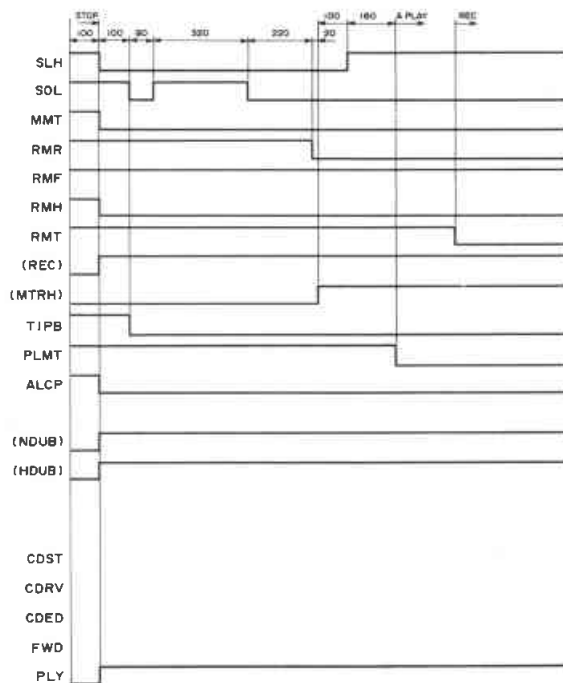
Input Output	P50	P51	P52	P53	P54	P55	P56	P57
P15	T1 BWD	T1 STP	T1 FWD	T1 FBW	T1 PAS	T1 FFW	T1 REC	T1 SPC
P16	T2 BWD	T2 STP	T2 FWD	T2 FBW	T2 PAS	T2 FFW	T2 REC	T2 SPC
P17	S-ED	P-ED	R-RC	P-RC	N-DB	H-DB		
P12	T1 DIR	T1 CST	T1 AFP	T1 BFP	T1 CRO	T1 MTL	SYNC	APSS
P13	T2 DIR	T2 CST	T2 AFP	T2 BFP	T2 CRO	T2 MTL	TAPE	CDIN
P14	I WAY	LOOP	ITO 2	IRO 2	PGM 1	PGM 2		

} Lock key

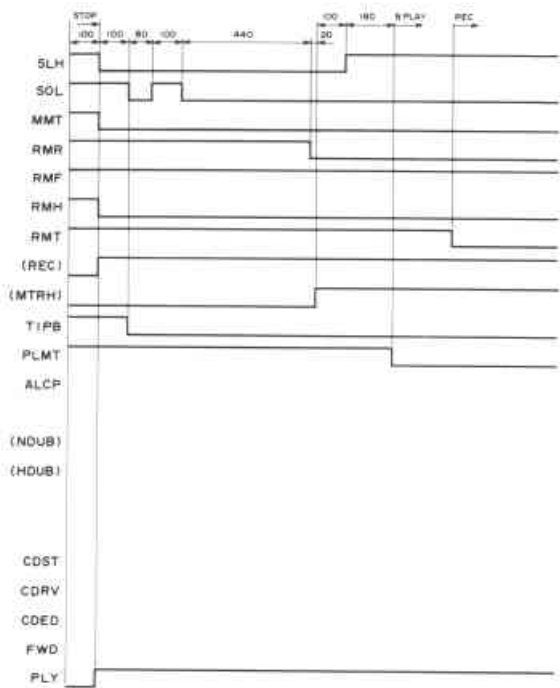
T1 Tape END sensor input to INT1
 T2 Tape END sensor input to P30
 All contribute to eliminate chattering of 10ms.
 *T1 : TAPE A
 T2 : TAPE B

• TAPE Mechanical unit timing chart

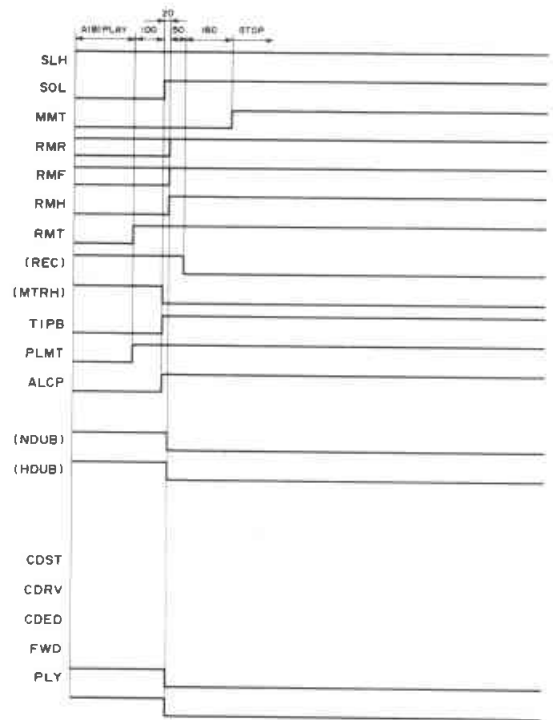
STOP → A PLAY (FORWARD)



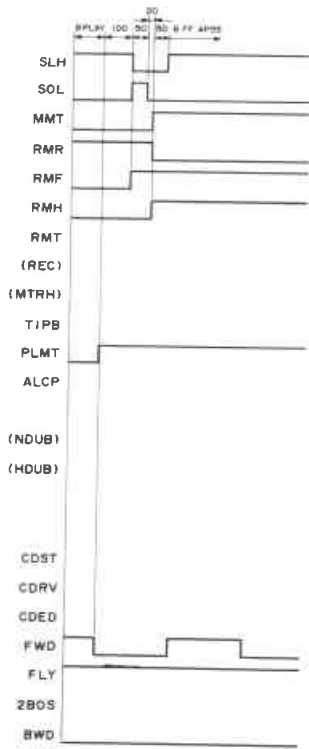
STOP → B PLAY (REVERSE)



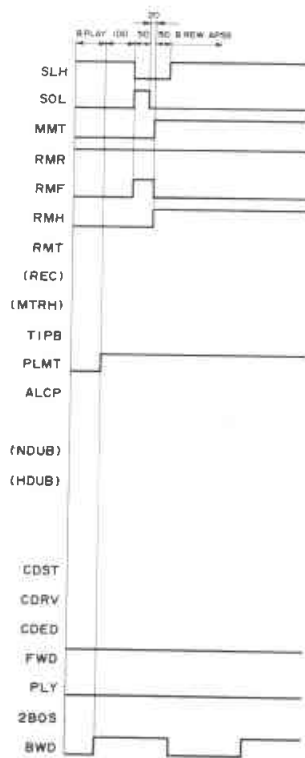
PLAY → STOP



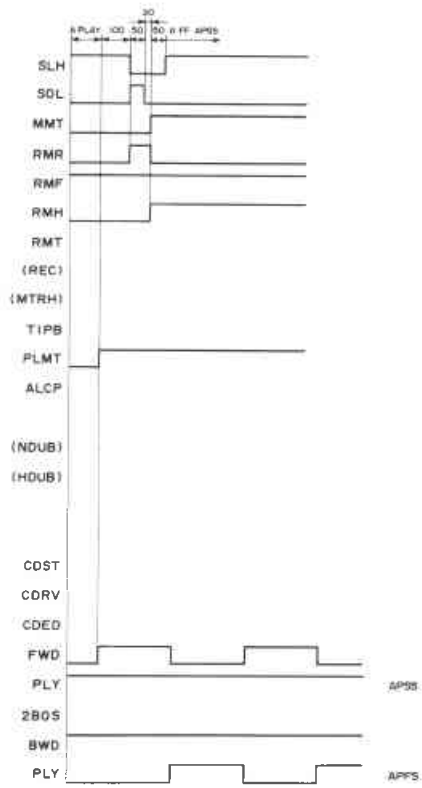
B PLAY → B FF APSS



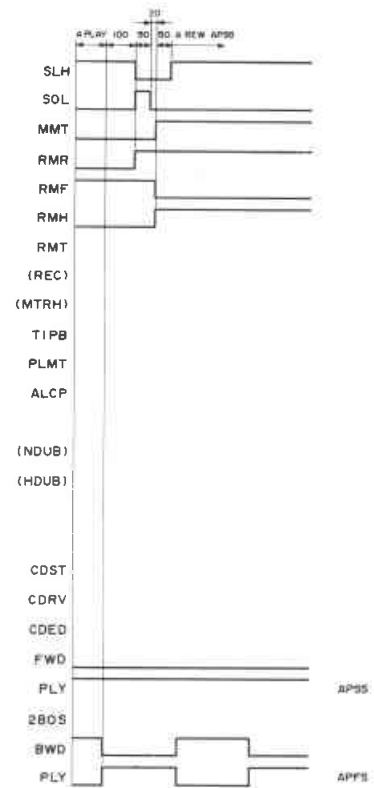
B PLAY → B REW APSS



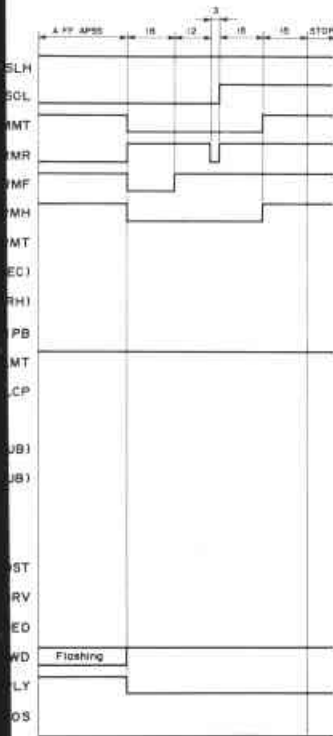
A PLAY → A FF APSS



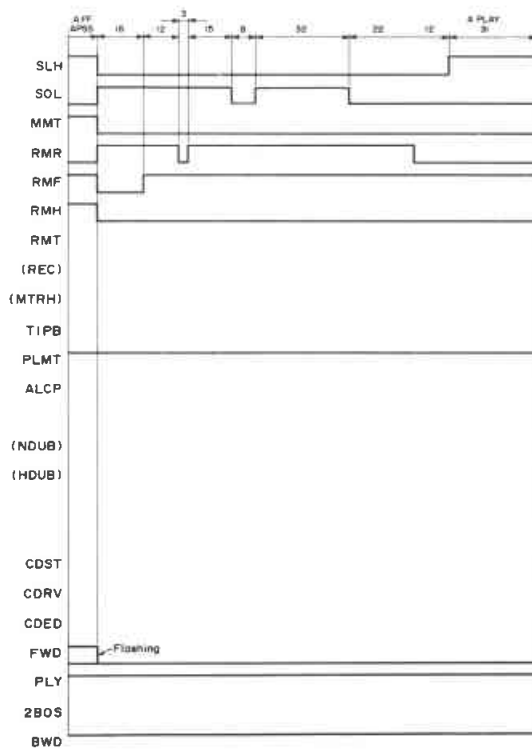
A PLAY → A REW APSS



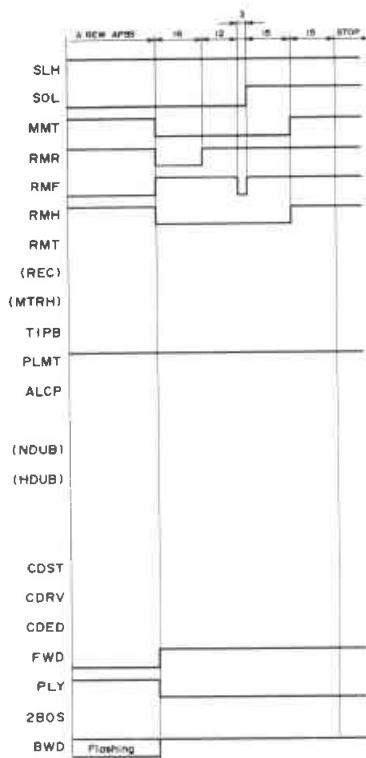
A FF APSS → STOP



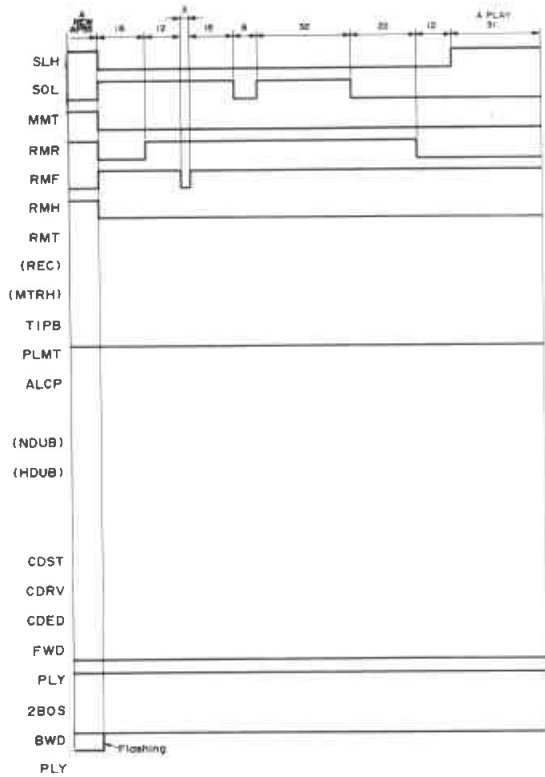
A FF APSS → A PLAY



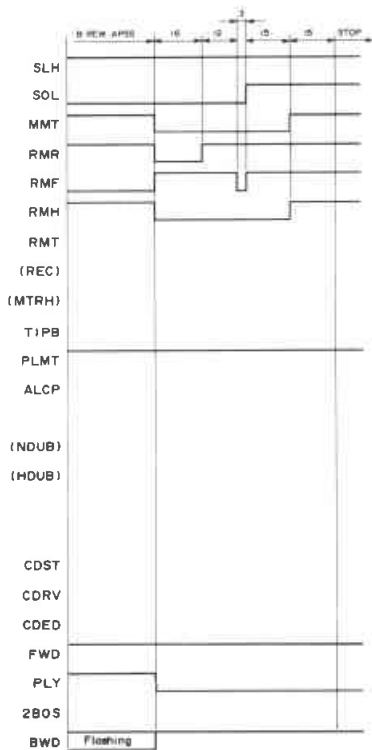
A REW APSS → STOP



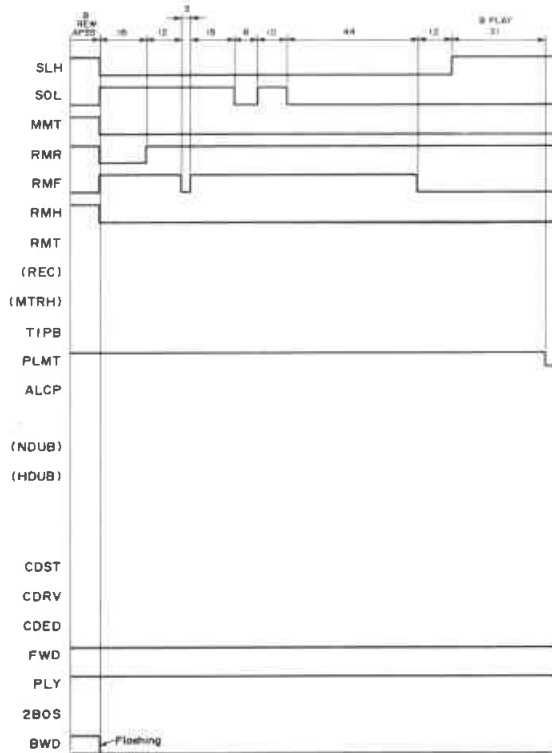
A REW APSS → A PLAY



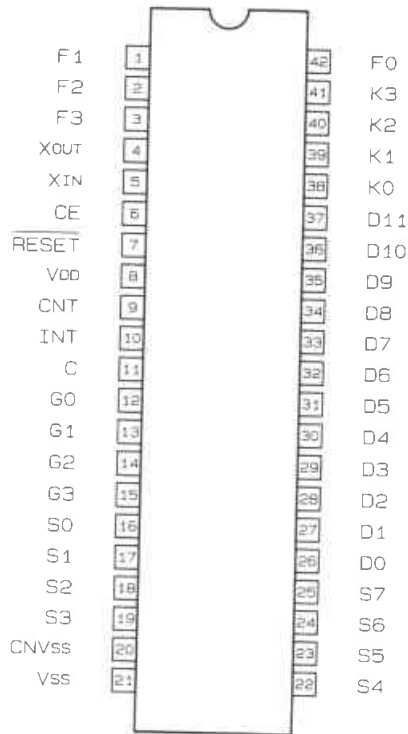
B REW APSS → STOP



B REW APSS → B PLAY



RH-IX1656AF (IC351)
4-Bit μ -COM for System Control



* 1

FUNCTION	A	B
TUNER	0	0
AUX	1	0
TAPE	0	1
CD	1	1

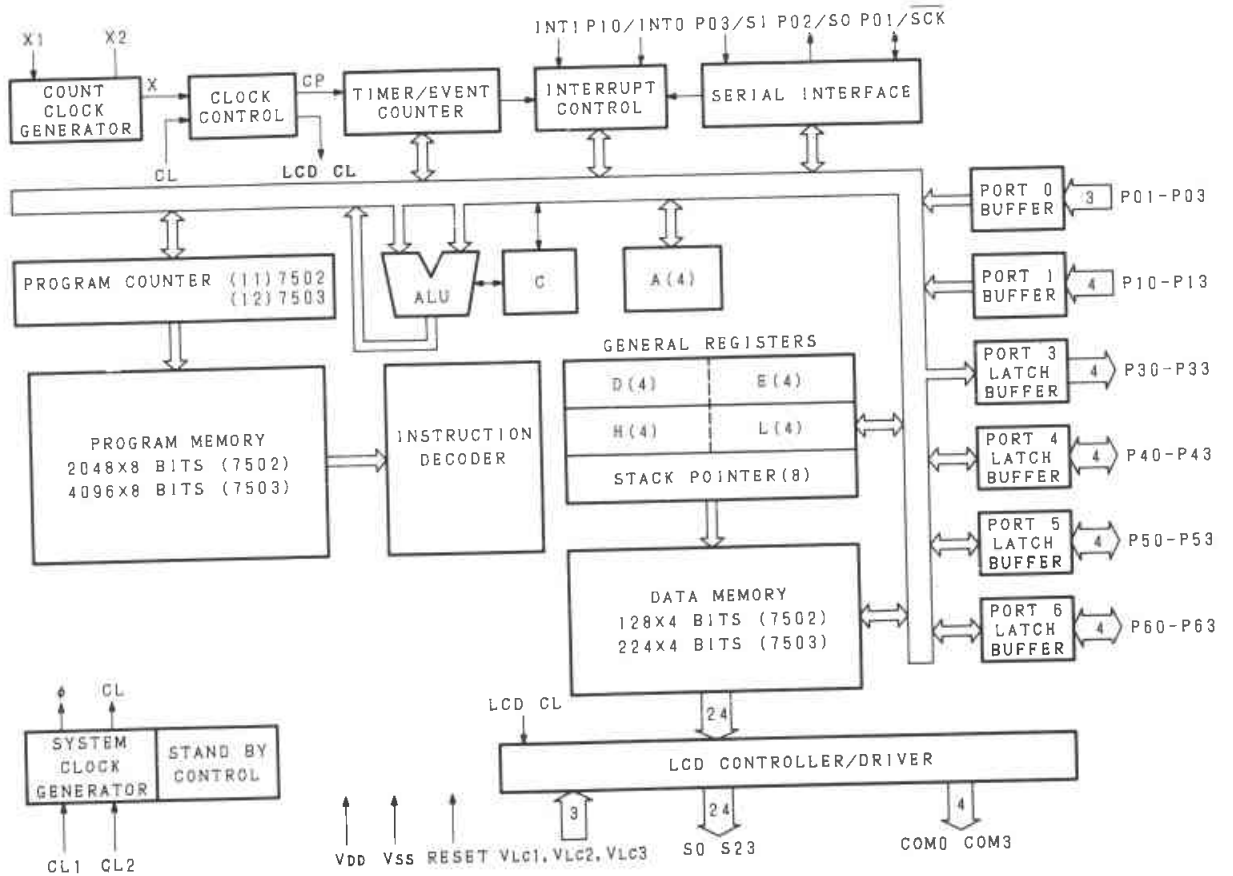
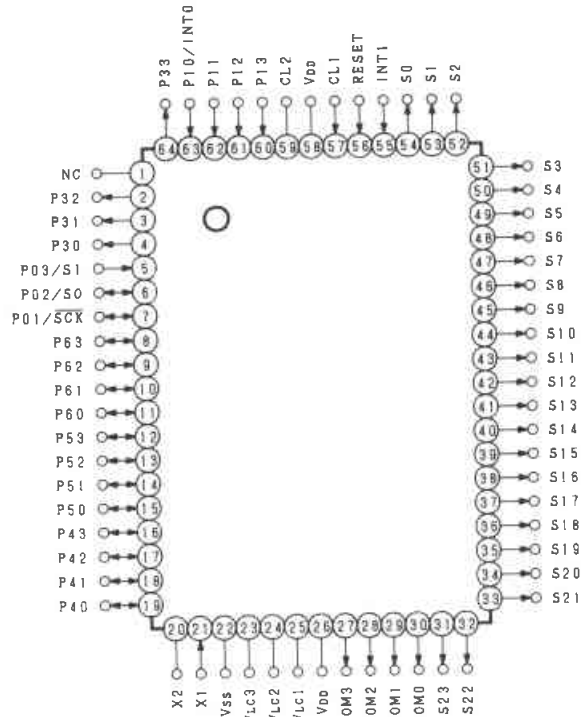
Pin No.	Pin name	Function name	I/O	Function
1	F ₁		O	KEY scan output
2	F ₂		O	
3	F ₃		O	
4	XOUT			Clock (2 MHz)
5	XIN			
6	CE		I	GND
7	RESET		I	Reset input
8	VDD			5V
9	CNTR			Open
10	INT	SIN	I	Remote control signal input
11	C			Open
12	G ₀	V UP	O	Volume UP : H
13	G ₁	V DOWN	O	Volume DOWN : H
14	G ₂	VLD	O	Volume LED (Flash : 5 Hz pulse, ON : L, OFF : H)
15	G ₃	MUTE	O	Mute (ON : L, OFF : H)
16	S ₀	A	O	*1 Function select
17	S ₁	B	O	
18	S ₂	INH	O	Open
19	S ₃	PICT	O	
20	CNVss			GND
21	Vss			

Pin No.	Pin name	Function name	I/O	Function
42	F ₀		O	Open
41	K ₃		I	Key input (FUNCTION)
40	K ₂		I	
39	K ₁		I	
38	K ₀	PWIN	I	Timer microcomputer power ON (ON : H, OFF : L)
37	D ₁₁	SYNC	I	CD FUNCTION IN
36	D ₁₀	DUB	I	TAPE FUNCTION IN
35	D ₉	SRND	O	Open
34	D ₈	SBAS	O	
33	D ₇	SIN	I	Remote control signal input
32	D ₆	TUNE	O	Function output (ON : L, OFF : H)
31	D ₅	TAPE	O	
30	D ₄	DT	O	Open
29	D ₃	VTR	O	
28	D ₂	AUX	O	Function output (ON : L, OFF : H)
27	D ₁	CD	O	
26	D ₀	VD	O	Open
25	S ₇	DRDT	O	
24	S ₆	DRCD	O	
23	S ₅	PW	O	Remote control power signal output (Pulse 200 mS : L)
22	S ₄	PWC	O	Power control (ON : H, OFF : L)

RH-IX1472AF (IC501)
4-Bit μ -COM for Timer Control

RH-IX1646AF (IC502)
4-Bit μ -COM for Tuner Control

AST-C30/C10



● IC501 Clock/Counter control microcomputer

Pin No.	Pin name	I/O	Function
1	NC		Open
2	P32(TIMER)	O	Timer ON output : H
3	P31(SLEEP)	O	Sleep ON output : H
4	P30 (ON)	O	Power ON output : H
5	P30/S1(FWD)	I	FWD indicator input (FWD : H, REV : L)
6	P02/S0(PLY)	I	PLAY indicator input (PLAY : H)
7	P01/SCK(POWER)	I	POWER ON signal input (ON : H)
8	P63(DSP2)	I	TAPE B indicator input (TAPE B : H)
9	P62(DSP1)	I	TAPE A indicator input (TAPE A : H)
10	P62(FWD2)	I	Counter B input (UP : H, DOWN : L)
11	P60(FWD1)	I	Counter A input (UP : H, DOWN : L)
12	P53		Open
13-15	P52-50	O	KEY scan output
16-19	P43-40	I	KEY input
20,21	X2, X1		Count clock (32, 768 kHz)
22	Vss		GND
23-25	VLC3-1	I	Power input for LDC
26	VDD		+5V
27	COM3		Open
28-30	COM2-0	O	Common signal for LCD
31-38	S23-16		Open
39-54	S15-0		Connected to LCD
55	INT1(RUN2)	I	TAPE B rotation pulse input
56	RESET	I	Reset input
57	CL1		System clock
58	VDD		+5V
59	CL2		System clock
60	P13(SEL1)	I	Clock display mode *1 setting
61	P12(SEL2)	I	
62	P11		Open
63	P10/INTO(RUN1)	I	TAPE A rotation pulse input
64	P33	O	Open

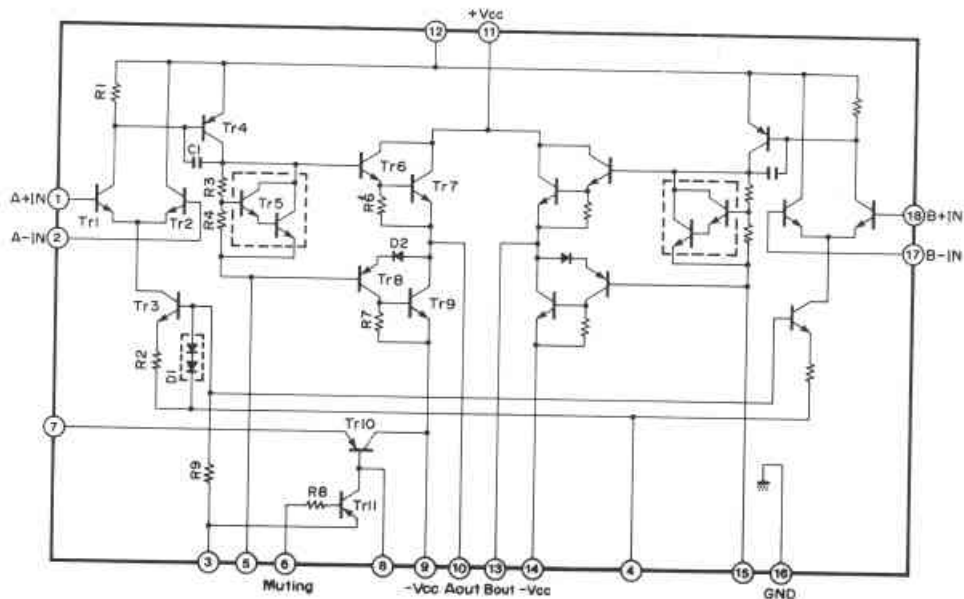
*1

SEL 1	SEL 2	Clock display mode	
L	L	0 o'clock display	Colon flashing
H	L	12 o'clock display	No colon flashing
L	H	24 o'clock display	No colon flashing
H	H	24 o'clock display	Colon flashing

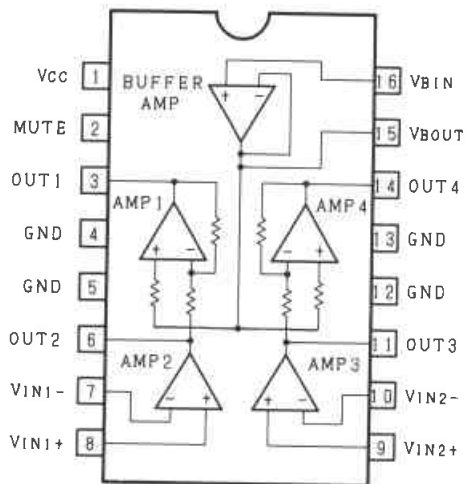
● IC502 Tuner control microcomputer

Pin No.	Name	I/O	Function
1	NC	—	Not used
2	P32	O	Key matrix output
3	P31	O	Key matrix output
4	P30	O	Key matrix output
5	P03/SI	I	Key matrix output
6	P02/SO	I	Key matrix input
7	P01/SCK	I	Key matrix input
8	P63	I	IF count stop signal input
9	P62	O	CE output to PLL
10	P61	O	DATA output to PLL
11	P60	O	CLOCK output to PLL
12	P53	I	IF count start signal input
13	P52	I	FM stereo signal input
14	P51	I	SD signal input
15	P50	I	System stop
16	P43	O	Count start output
17	P42	O	FM monaural/stereo signal output H: FM stereo L: FM monaural
18	P41	O	Muting signal output
19	P40	O	LCD ON/OFF output
20	X2	O	Not used. Open.
21	X1	I	Not used Connect to Vss.
22	Vss	—	Ground
23	VLC3	I	Power supply input for LCD
24	VLC2	I	Power supply input for LCD
25	VLC1	I	Power supply input for LCD
26	VDD	—	Connect to power supply
27	COM3	O	Not used. Open.
28	COM2	O	Remote control signal output for LCD
29	COM1	O	Remote control signal output for LCD
30	COM0	O	Remote control signal output for LCD
31-54	S23-S0	O	LCD segment output
55	INT1	I	Remote control input
56	RESET	I	Reset input
57	CL1	I	System clock input
58	VDD	—	Connect to power supply
59	CL2	O	System clock output
60	P13	I	Key strobe input
61	P12	I	Key strobe input
62	P11	I	Key strobe input
63	P10	I	Stop mode signal input
64	P33	O	Key matrix output

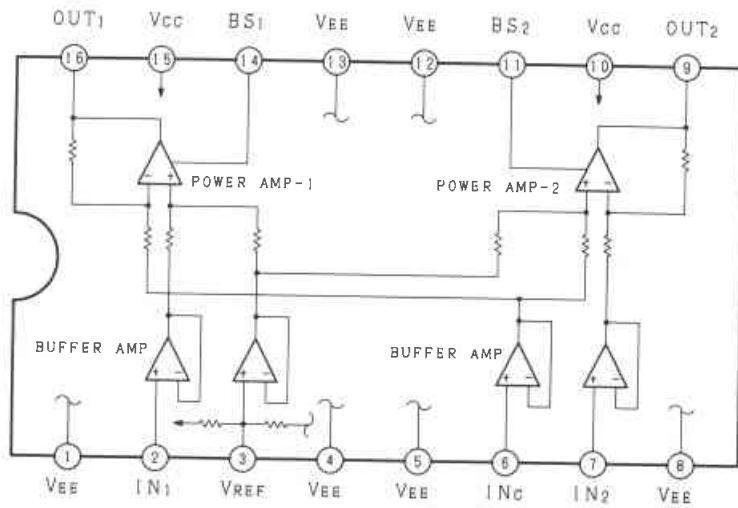
STK4142II(IC605)
AF Power Amp



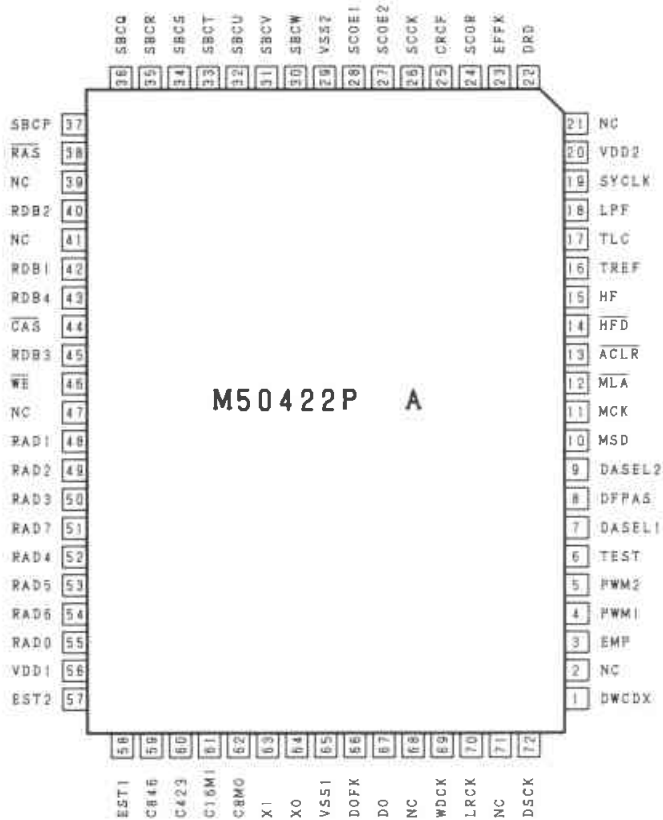
LA6530 (IC700)
Tracking & Focus Driver



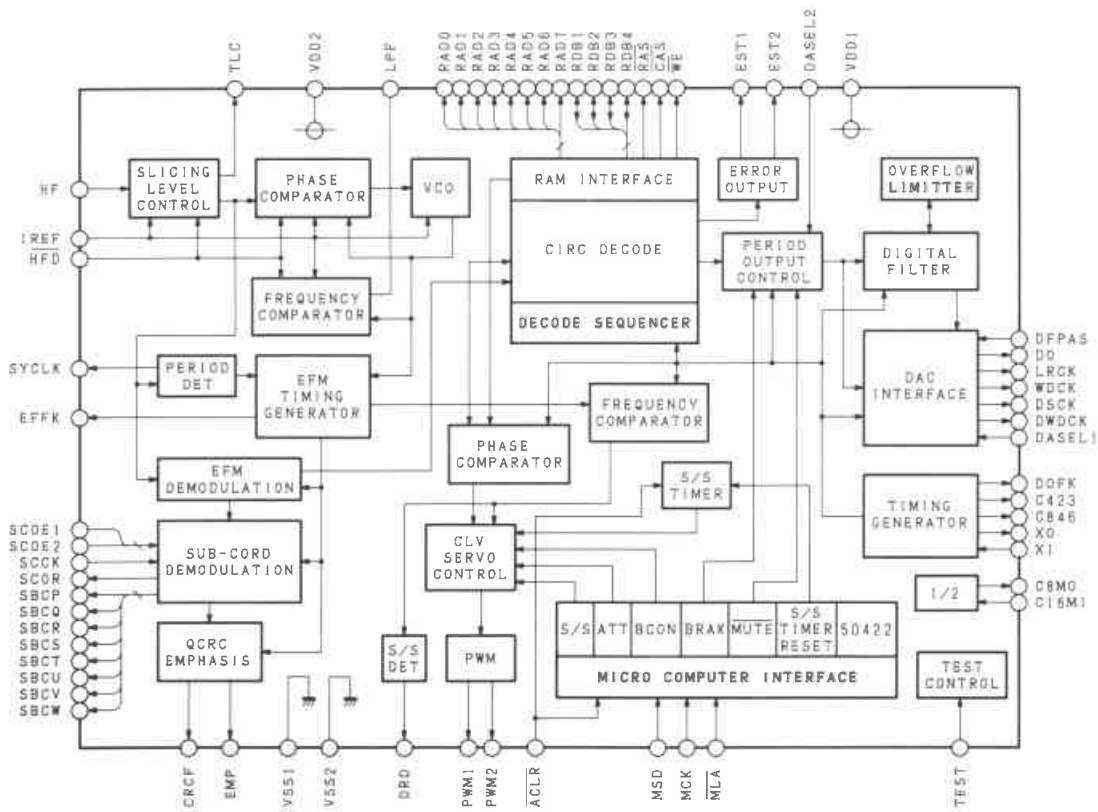
TA8102P-2 (IC740)
Slide Driver



M50422P (IC780)
Signal Processor



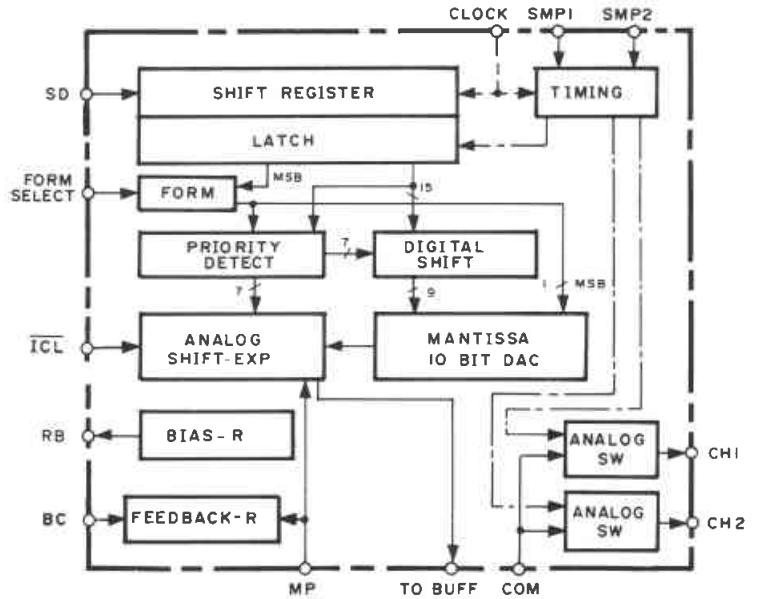
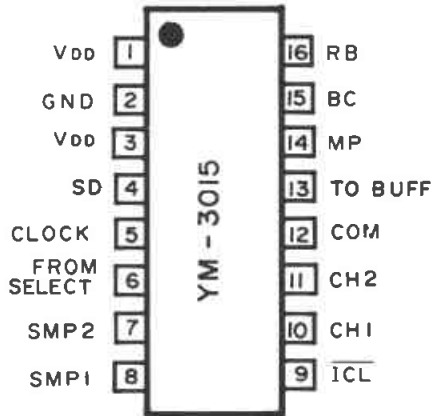
AST-C30/C10



Pin No.	Name	I/O	Function
1	DWDCK	O	D/A converter mode 3-word clock.
3	EMP	O	Emphasis code output. With emphasis = "1"
4	PWM1	O	Disc motor drive PWM output 1. -
5	PWM2	O	Disc motor drive PWM output 2. +
6	TEST	I	Test mode select input. Normal playback = "0"
7	DASEL1	I	D/A interface control input 1.
8	DFPAS	I	Digital filter control input. Digital filter pass = "1"
9	DASEL2	I	D/A interface control input 2.
10	MSD	I	Microcomputer interface serial data input.
11	MCK	I	Microcomputer interface shift clock input.
12	MLA	I	Microcomputer interface data latch clock input.
13	ACLR	I	Microcomputer interface register clear input. Clear = "0" MUTE, S/S, BCON = "0"
14	HFD	I	Playback signal missing signal input.
15	HF	I	Playback signal input.
16	IREF	I	Detection/PLL circuit standard current input.
17	TLC	O	Slice level control output.
18	LPF	I/O	PLL loop filter connection terminal.
19	SYCLK	O	Frame synchronous state output. When synchronizing = "1"
20	VDD2	I	Detection/PLL circuit power supply specially for analog section. 5V
22	DRD	O	Low disc rotation state output.
23	EFFK	O	EFM frame clock output. Duty = 50%
24	SCOR	O	Subcode synchronous signal output. S0 + S1
25	CRCF	O	Subcode Q CRC check bundling output. CRCOK = "1"
26	SCCK	I	Shift clock input for subcode serial output.
27	SCOE2	I	Subcode parallel output P-Sch enable input. "0" : high impedance.
28	SCOE1	I	Subcode parallel output T-Wch enable input. "0" : high impedance.
29	VSS2	I	GND. Same potential as VSS1.
30	SBCW	O	Subcode Wch output.
31	SBCV	O	Subcode Vch output.
32	SBCU	O	Subcode Uch output.
33	SBCT	O	Subcode Tch output.
34	SBCS	O	Subcode Sch output.
35	SBCR	O	Subcode Rch output.
36	SBCQ	O	Subcode Qch output.
37	SBCP	O	Subcode Pch output.
38	RAS	O	Row address strobe signal output.
40	RDB2	I/O	External memory data input/output 2.
42	RDB1	I/O	External memory data input/output 1.
43	RDB4	I/O	External memory data input/output 4.
44	CAS	O	Column address strobe signal output.
45	RDB3	I/O	External memory data input/output 3.
46	WE	O	Write enable signal output.
48	RAD1	O	External memory address output 1.
49	RAD2	O	External memory address output 2.
50	RAD3	O	External memory address output 3.

YM3015 (IC810)
D/A Converter

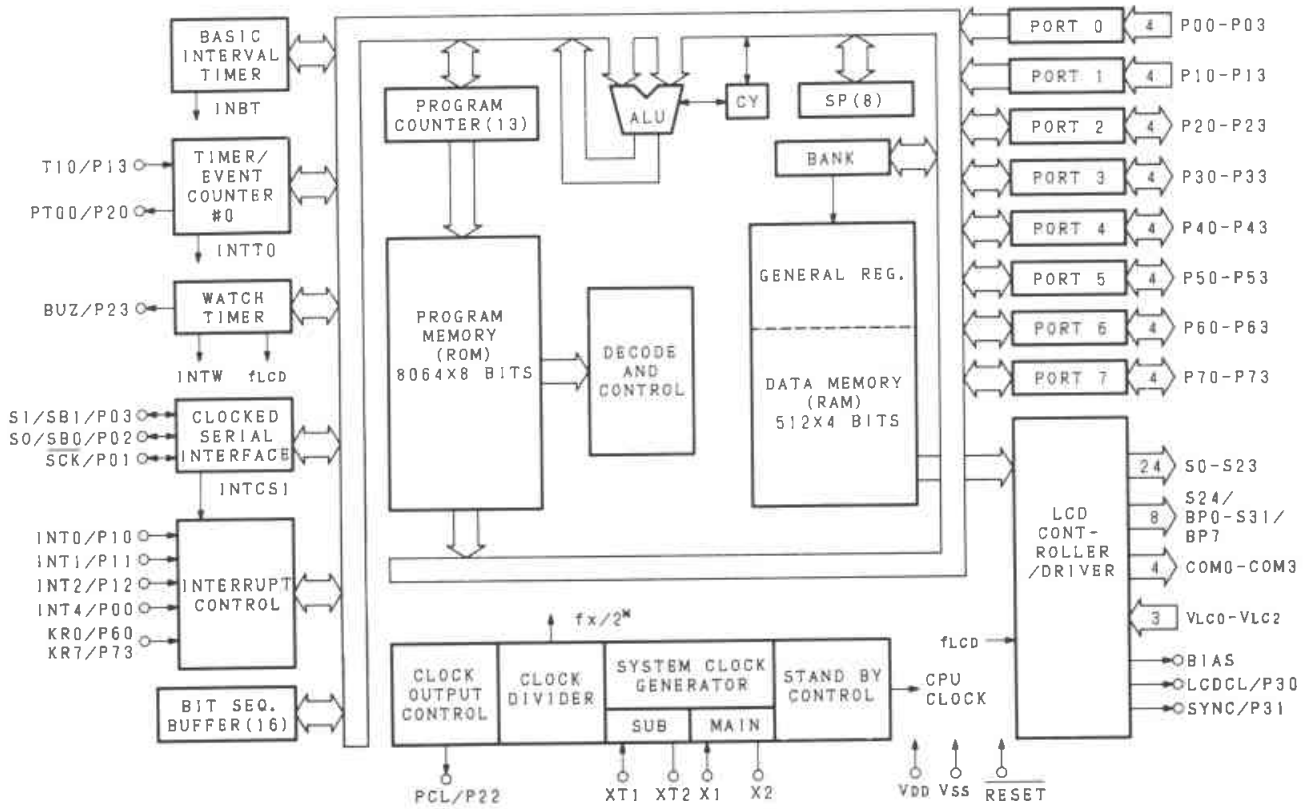
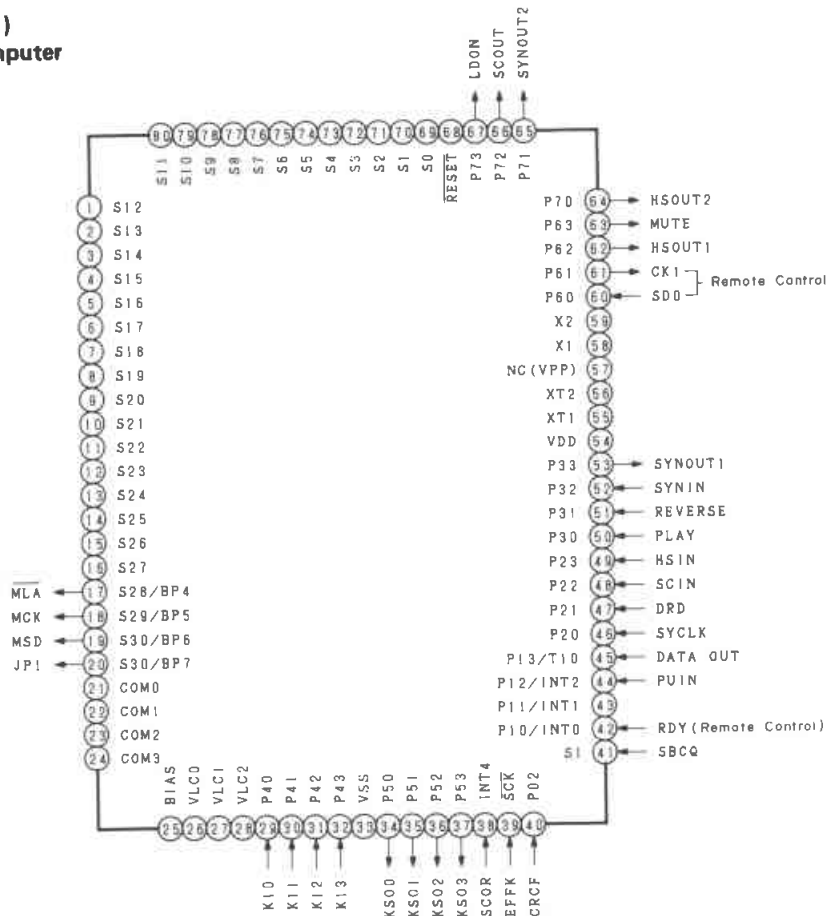
AST-C30/C10



Pin No.	Signature	Description
1	VDD	High electric potential side standard power source.
2	VSS	Low electric potential side power source (GND).
3	VDD	High electric potential side standard power source.
4	SD	Serial input of digital signal to be converted.
5	CLOCK	Clock to operate shift register and timing generator ($\phi 4$).
6	FORM SELECT	Capable of processing binary input format at "1" and 2's complement input format at "0".
7	SMP2	Interval "1" becomes sampling time for CH2.
8	SMP1	Interval "1" becomes sampling time for CH1. The internal signal for latching serial data is produced by using SMP 1 and SMP 2 fall.
9	ICL	"1" - normal operation, "0" - output under -36dB regardless of the signal SD.
10	VOUT CH1	Sample hold analog switch output for CH1.
11	VOUT CH2	Sample hold analog switch output for CH2.
12	COM	Common input to analog switches for CH1 and CH2.
13	To BUFF	DAC analog output, input to the buffer operational amplifier.
14	MP	Exponential analog shift is carried out with the electric potential applied to the MP as a standard. Normally it is biased to the $1/2 VDD$.
15	BC	Included between this terminal and 14 pin is a resistor which cancels an error caused by the input bias current of the buffer operational amplifier. It is recommended to add phase compensation capacity C_c externally. As shown in the standard circuit example, it can be used with or without being connected with 14 pin.
16	RB	Internally generated highly accurate $1/2 VDD$ voltage comes out through this pin and it is applied to 14 pin by way of the buffer operational amplifier.

**RH-IX1617AF (IC851)
CD System Micro Computer**

AST-C30/C10



● INPUT/OUTPUT PORT

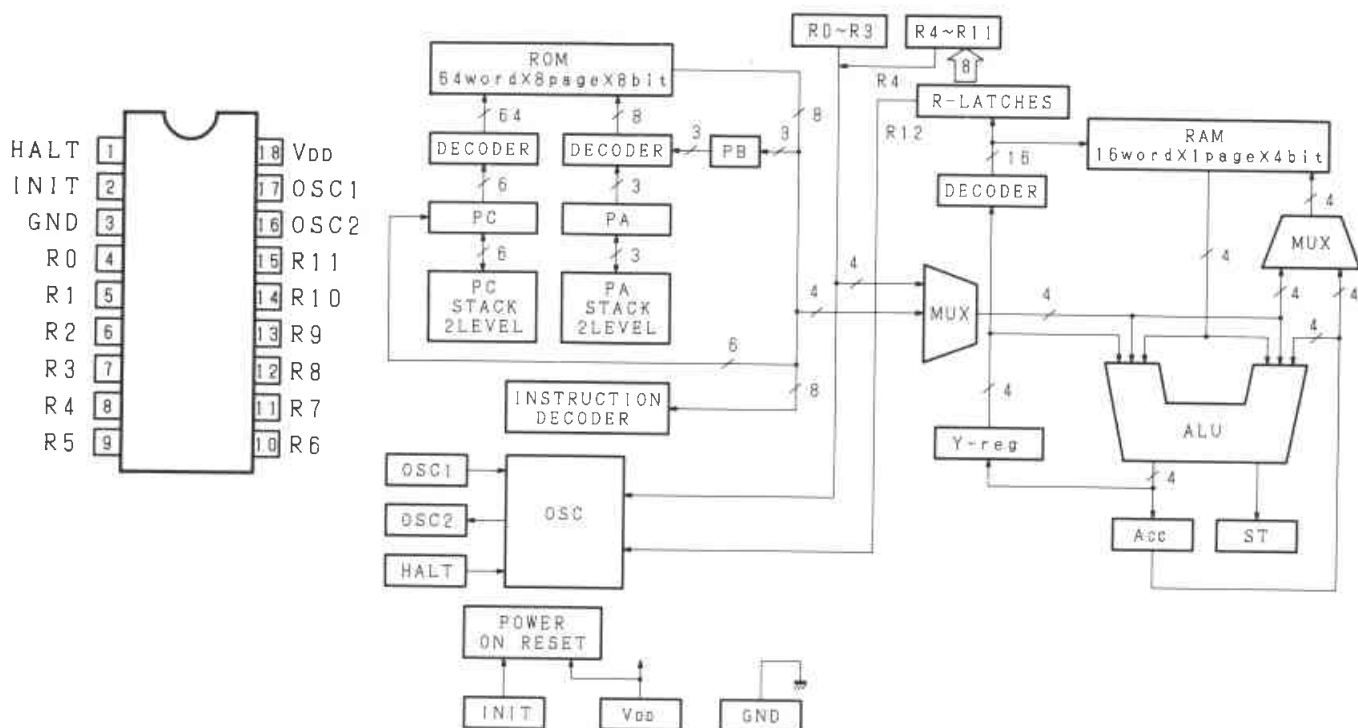
Name	I/O	Pin name	Pin No.	Function
● CD Synchronize : Controls the tape mechanical unit according to CD operation.				
SYN IN	I	P32	52	When tape mechanical unit is recording : L When tape mechanical unit is not recording : H
SYN OUT1	O	P33	53	When SYN IN is H : H When SYN IN is L : H during playing L other than during playing
SYN OUT2	O	P70	65	When SYN IN is H : L When SYN IN is L : L during playing H other than during playing
● Mechanism reverse signal : Detects when the tape mechanical unit is reversing while dubbing.				
REVERSE	I	P31	51	Usually (A side) : L When reversing (B side) : H
Pick position input : Switch input to detect the pick-up head position.				
PU IN	I	P12	44	When the pick-up head is at the innermost circle : L When the pick-up head is not at the innermost circle : H
● Muting : Output to control audio signal muting.				
MUTE	O	P63	63	When mute is OFF (during playing or manual searching) : H When mute is ON (during not playing or manual searching) : L
● Timer start play : Input to judge power ON by timer.				
PLAY	I	P30	50	When power turned ON in normal way : H When power turned ON by timer : L
● Servo control : Servo control by synchronous signal check.				
SN IN	I	P22	48	When synchronous signal enters properly : H When synchronous signal fails to enter properly : L
SC OUT	O	P72	66	Servo operation prohibit signal
● Laser control : Control of pick-up head laser diode.				
LD ON	O	P73	67	When laser diode is ON : H When laser diode is OFF : L
● Key scan : Key input detection.				
KSO0	O	P50	34	Key scan output (Scan port : L)
KSO1	O	P51	35	Key scan output (Scan port : L)
KSO2	O	P52	36	Key scan output (Scan port : L)
KSO3	O	P53	37	Key scan output (Scan port : L)
K10	I	P40	29	Key scan input (At key input : L)
K11	I	P41	30	Key scan input (At key input : L)
K12	I	P42	31	Key scan input (At key input : L)
K13	I	P43	32	Key scan input (At key input : L)
● Data command send : Control of servo LSI (serial data).				
MSD	O	BP6	19	Serial data (LSB first)
MCK	O	BP5	18	Clock for serial data synchronizing (rise)
MLA	O	BP4	17	Serial data latch signal (rise)
● Jump control : Direct control of jump pulse.				
JP1	O	BP7	20	Usually : H When reversing jump pulse directly : L
● Subcode Q data read : Reading of disc information signal (subcode Q data).				
EFFK	I	SCK	39	Synchronous clock of subcode Q data (7.35 kHz)
SCOR	I	SCOR	38	Frame synchronization of subcode Q data (75 Hz)
SBCQ	I	SI	41	Subcode Q data input
CRCF	I	P02	40	When the data is correct according to Q data CRC check flag : H When incorrect : L
● Frame synchronous detect : Correct/incorrect check of frame synchronous signal.				
SYCLK	I	P20	46	When synchronous signal is entered properly : H When not entered properly : L
● Disc rotation speed reduction signal : Speed reduction signal of disc rotation linear speed (for brake control).				
DRD	I	P21	47	Usually : L When 35.5% lower than the steady linear speed : H
● Servo information signal : FOCUS OK or TC (track count) signal input.				
DATA OUT	I	P13	45	1. When FOCUS OK in FOCUS check : H When NG : L 2. TC count pulse

Name	I/O	Pin name	Pin No.	Function
● Remote control receive : Data line for remote control reception.				
RDY	I	INTO	42	READY signal
CKI	O	P61	61	Synchronous clock for reception (Data request)
SDO	I	P60	60	Remote control receiving data input
● High-speed dubbing information signal.				
HS-IN	I	P23	49	Usually : H At high speed : L
HS-OUT1	O	P62	62	Usually at output to mechanical microcomputer : L At high speed : H
HS-OUT2	O	P70	64	Usually : L At high speed : H

Pin No.	Pin name	Function
1-13	S12-S24	For LCD segment
21-24	COM0-COM3	For LCD common
33	VSS	Ground terminal
54	VDD	5V terminal
55	XT1	GND
57	NC(Vpp)	5V
58	X1	For system clock oscillation
59	X2	For system clock oscillation
68	RESET	When resetting : L
70-80	S1-S11	For LCD segment

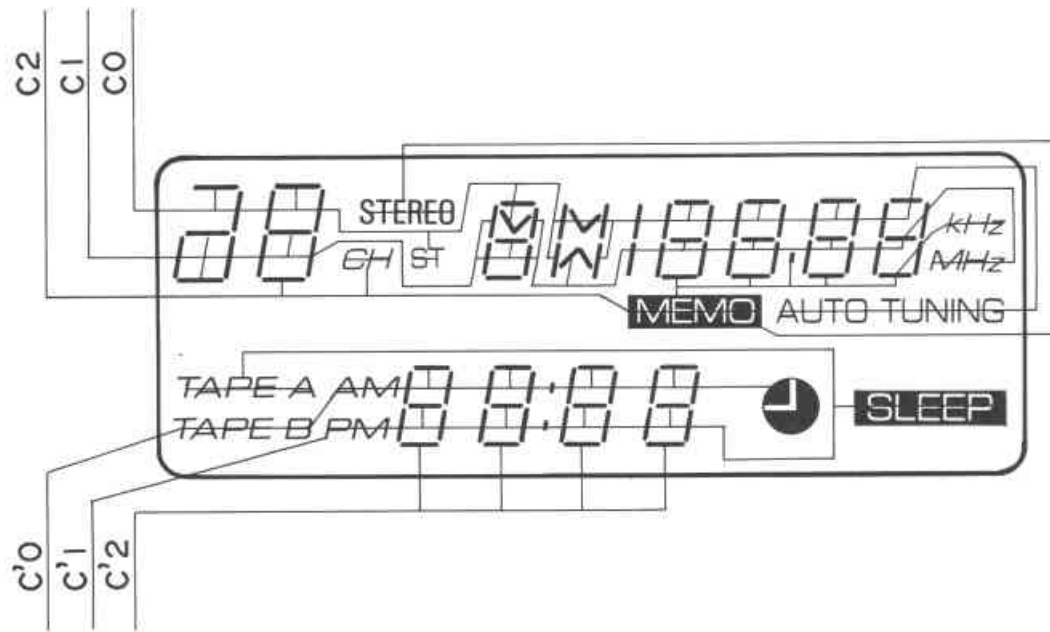
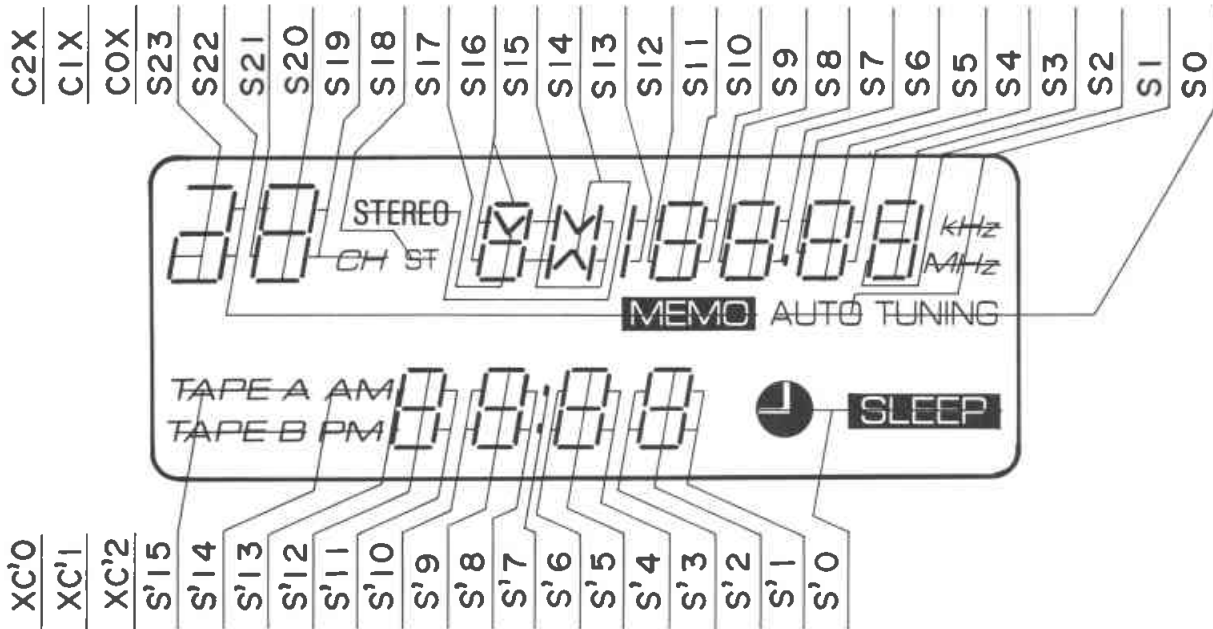
BU3528 (IC860)
10 key • Remote Decoder

AST-C30/C10



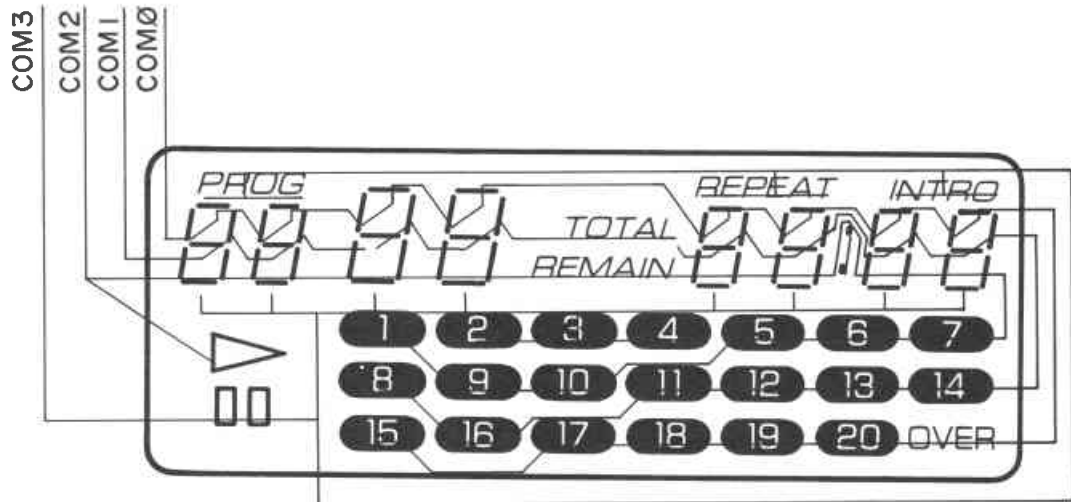
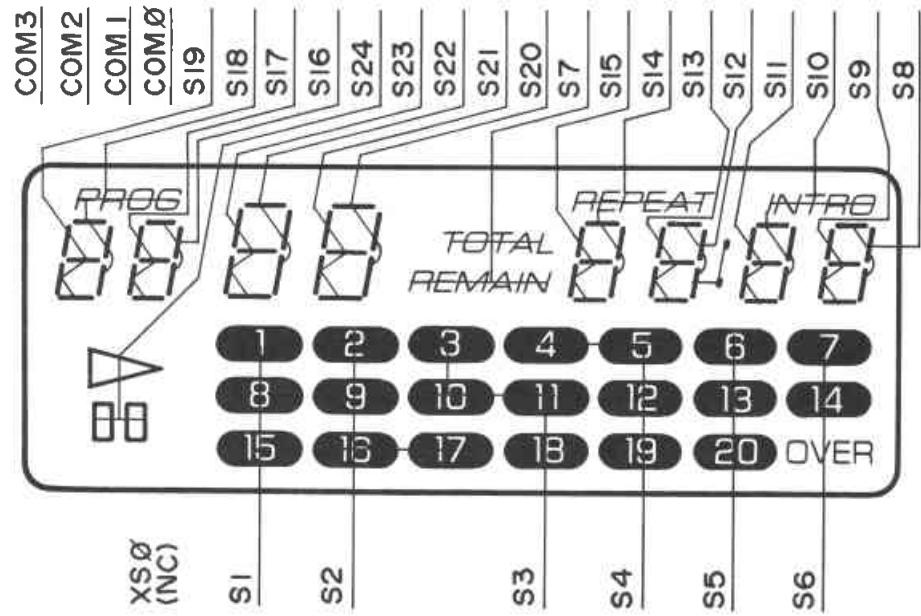
Pin No.	Pin name	Function	Remarks
1	HALT	Operation stop control input	Connected to ground
2	INIT	Initial signal input	
3	GND	GND	
4	KI0	Key scan input 0	
5	KI1	Key scan input 1	
6	KI2	Key scan input 2	
7	EXCK	External clock input	
8	RXIN	Remote control signal input 0	
9	KO0	Key scan output 0	
10	KO1	Key scan output 1	
11	KO2	Key scan output 2	
12	KO3	Key scan output 3	
13	SDO	Serial data output	
14	RDY	Ready signal output	
15	N.U.	Not used	
16	OSC2	Output for oscillation	
17	OSC1	Input for oscillation	
18	VDD	Power supply (5V)	

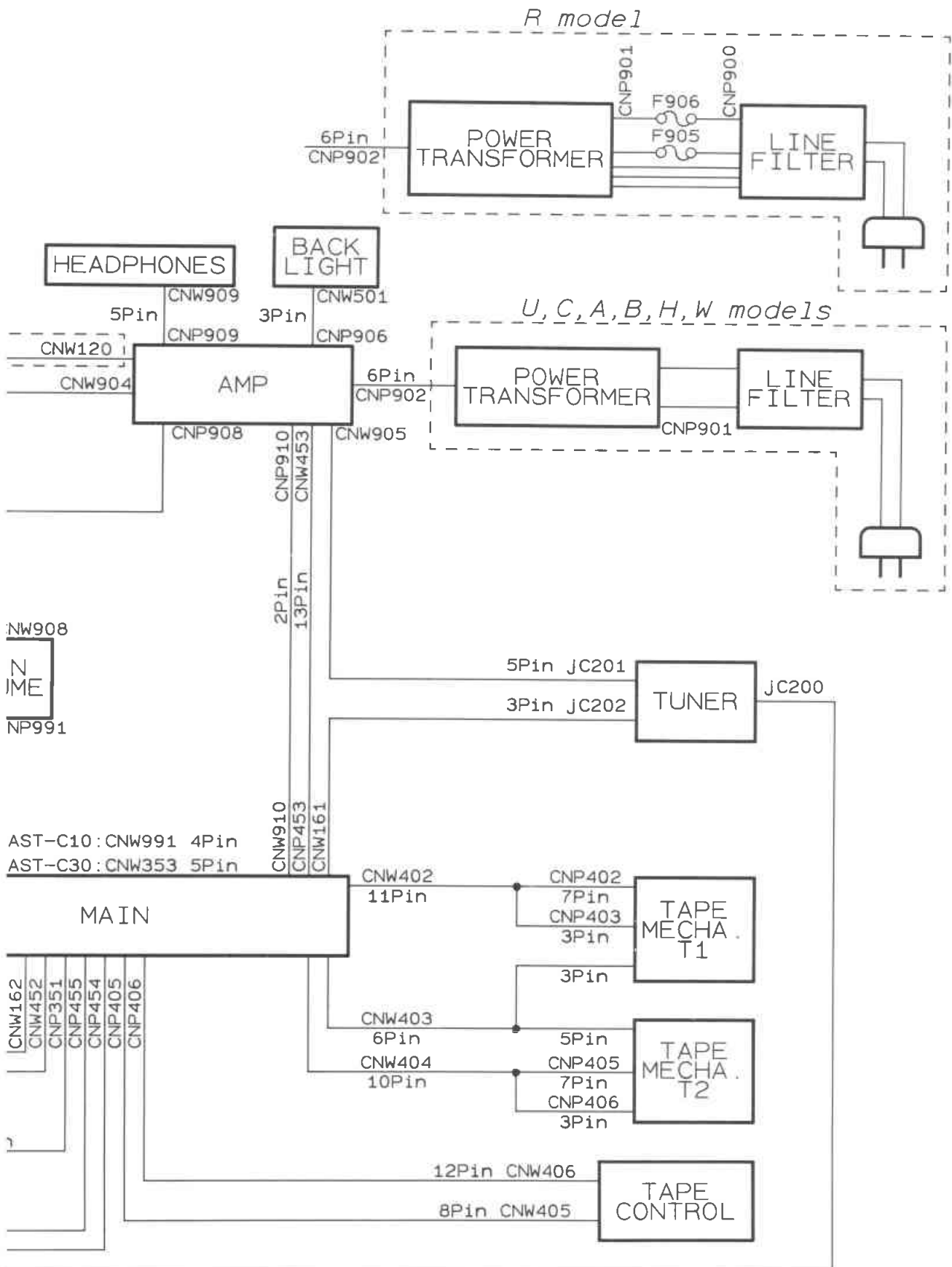
■ DISPLAY DATA



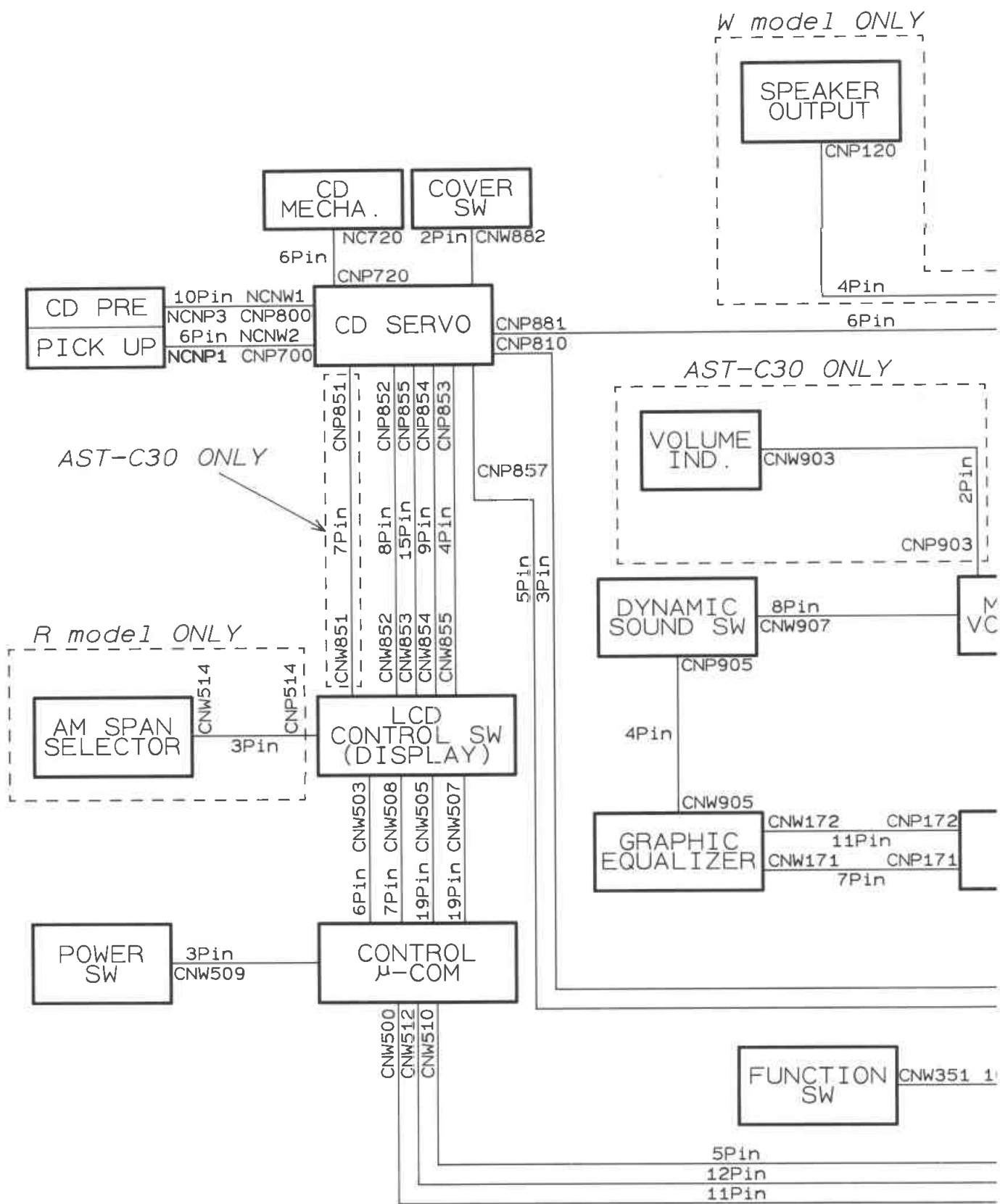
AST-C30/C10

AST-C30/C10





INTERCONNECT WIRING DIAGRAM



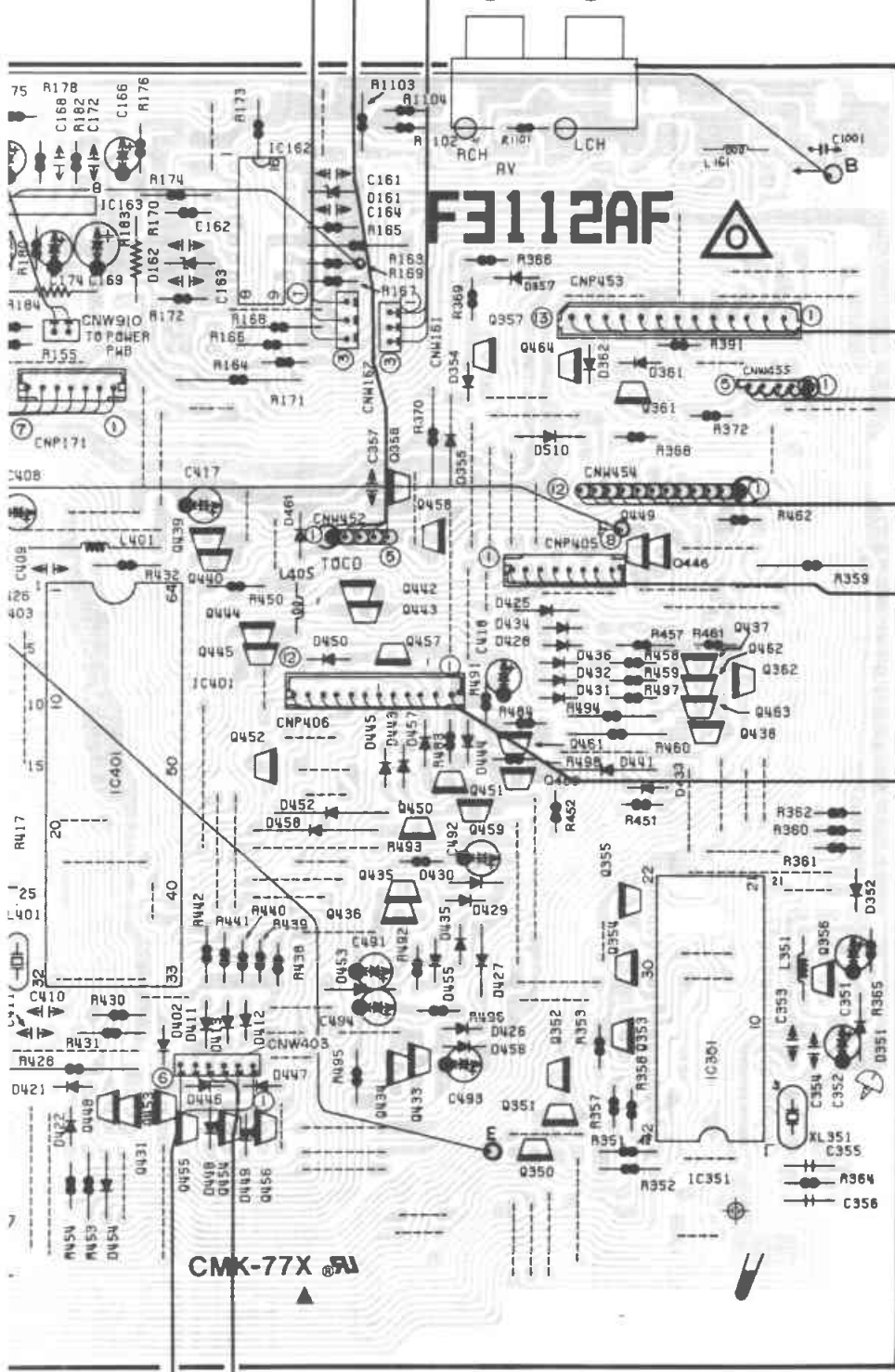
boardW model

FROM: CD SERVO
TO: CD SERVO

FROM: TUNER

AUX IN

(R) (L)



F3112AF

CMK-77X

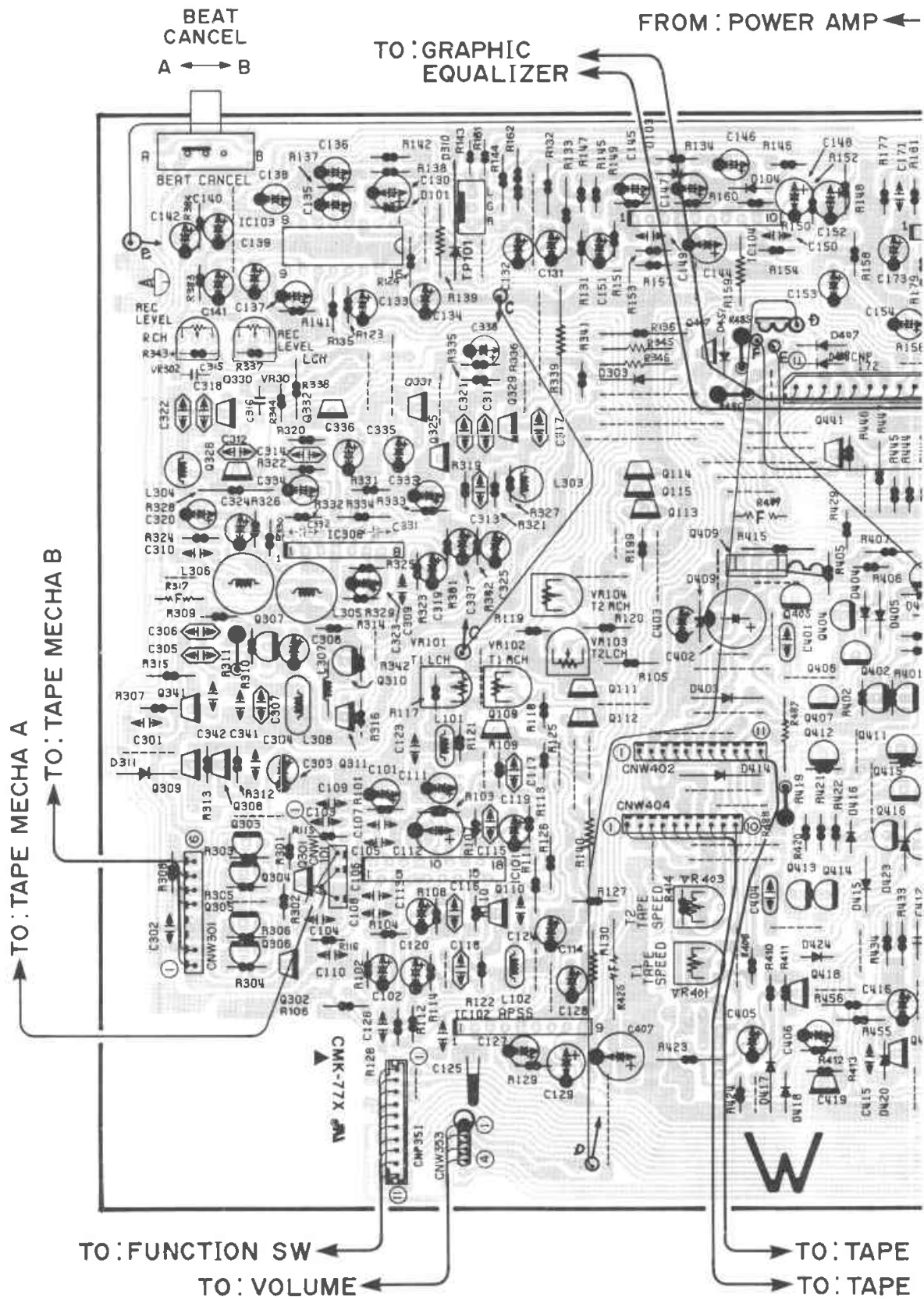
TO: POWER AMP
TO: CONTROL μ-COM

TO: TAPE CONTROL

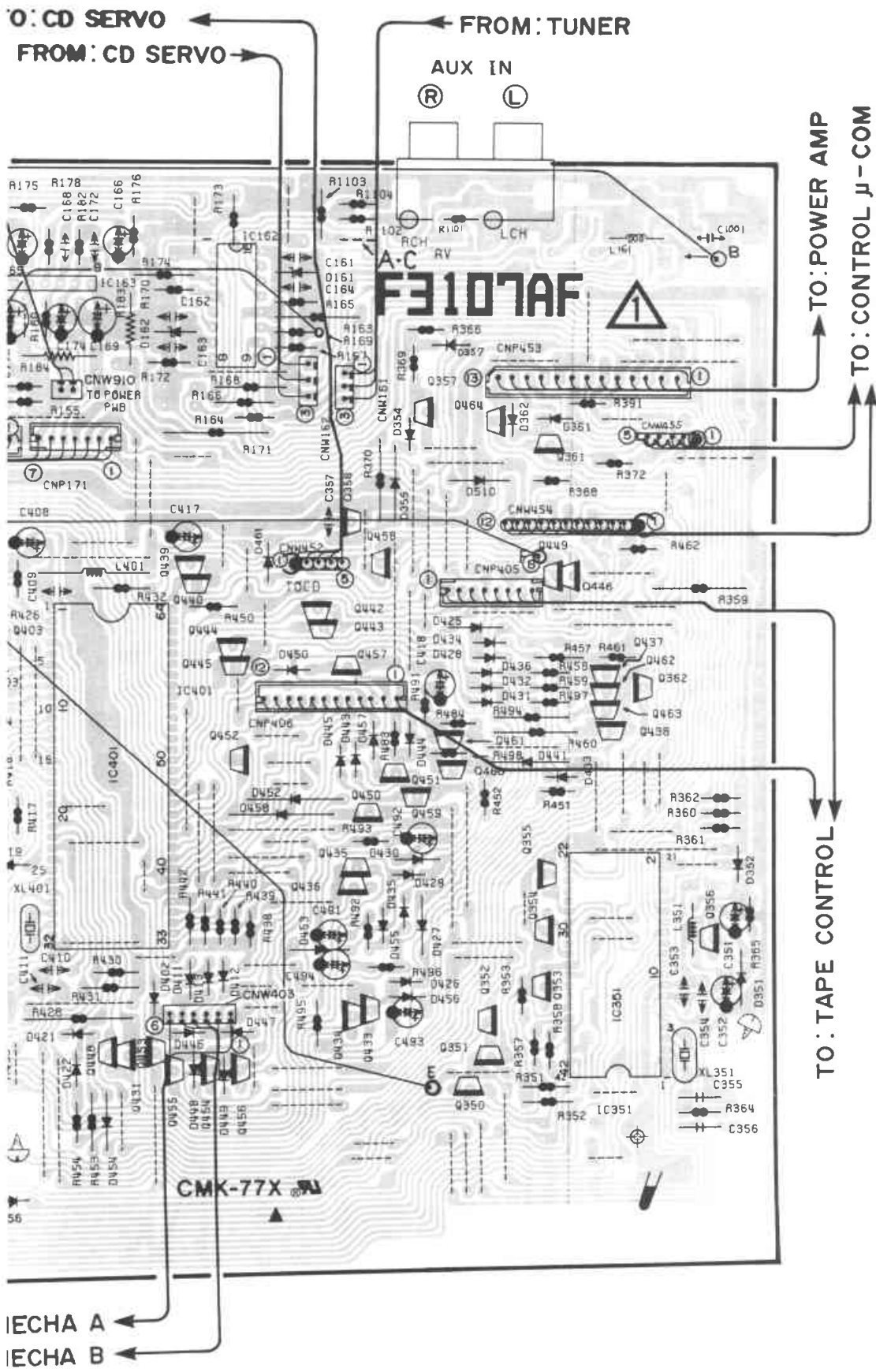
CHA A
CHA B

PRINTED CIRCUIT BOARD (Parts side)

MAIN Circuit

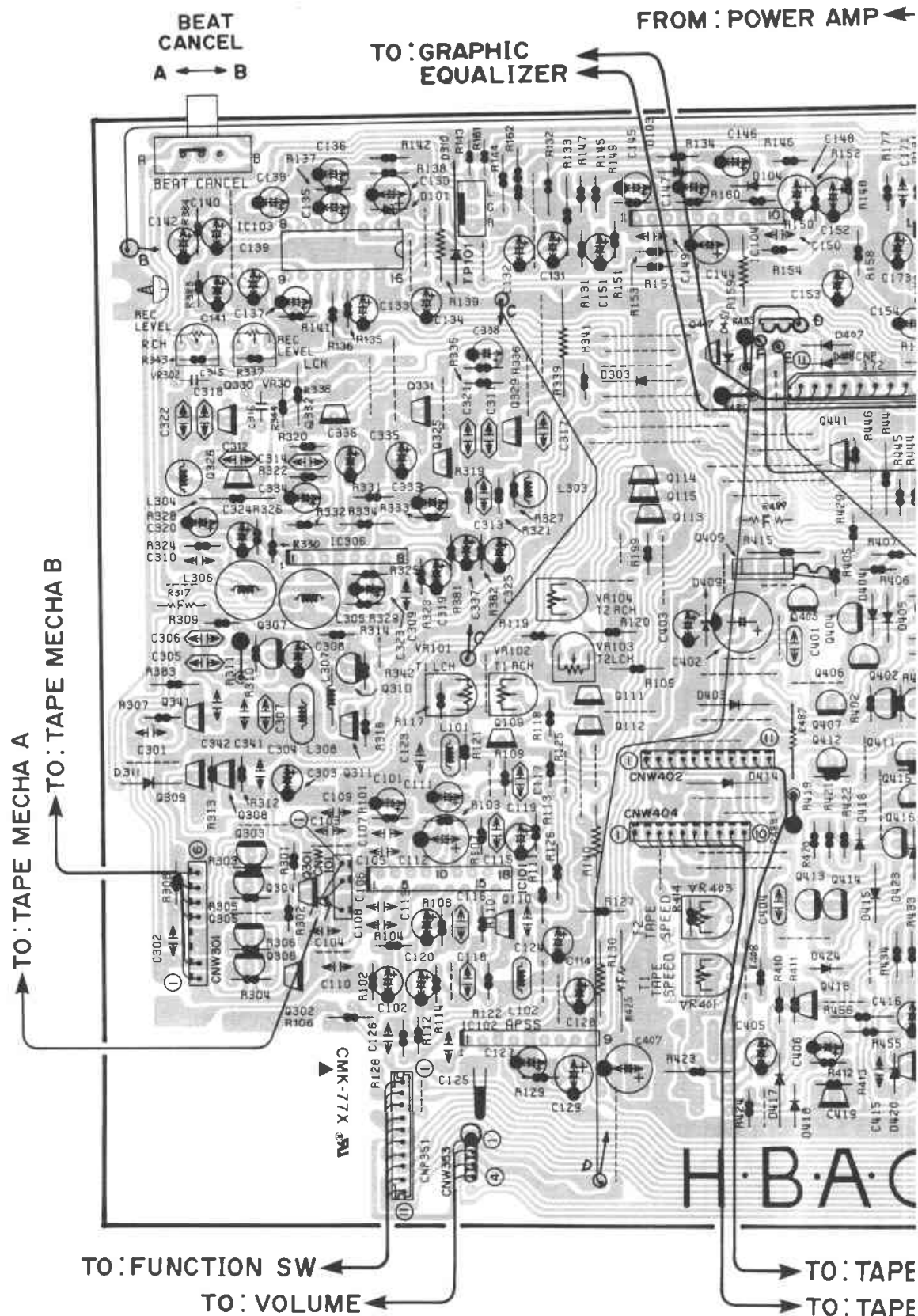


....C, A, B, H models



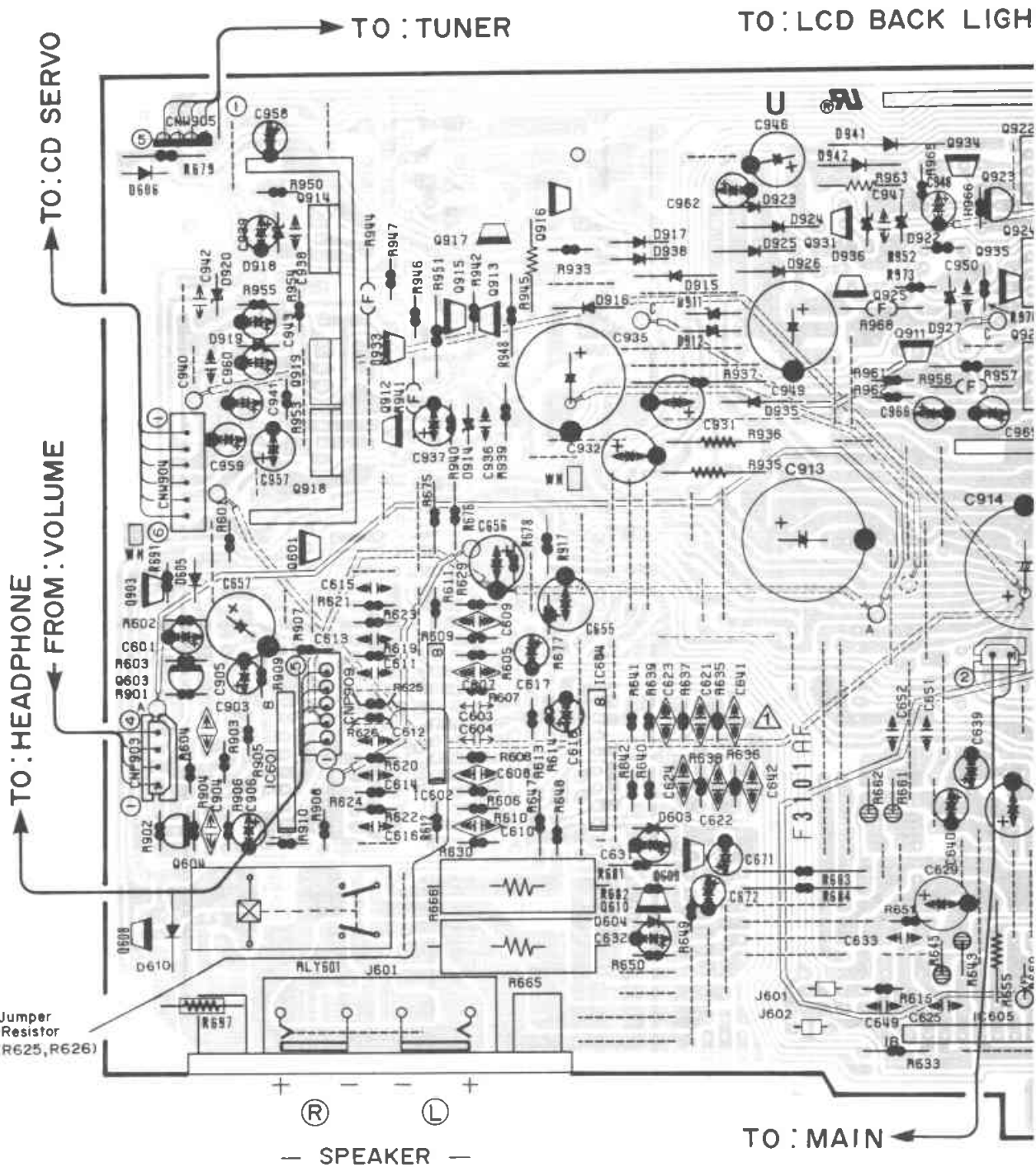
PRINTED CIRCUIT BOARD (Parts side)

MAIN Circuit Board



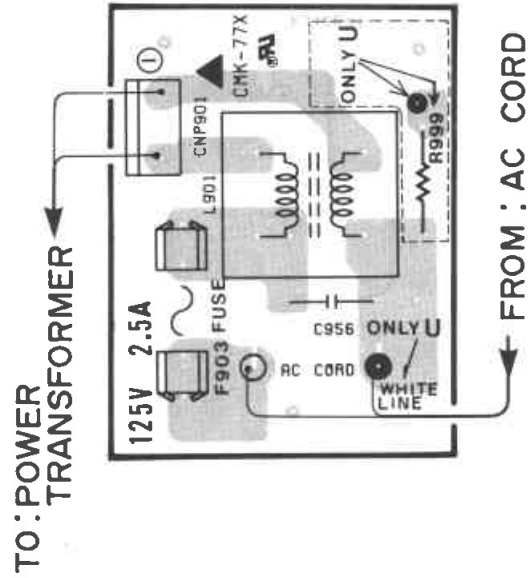
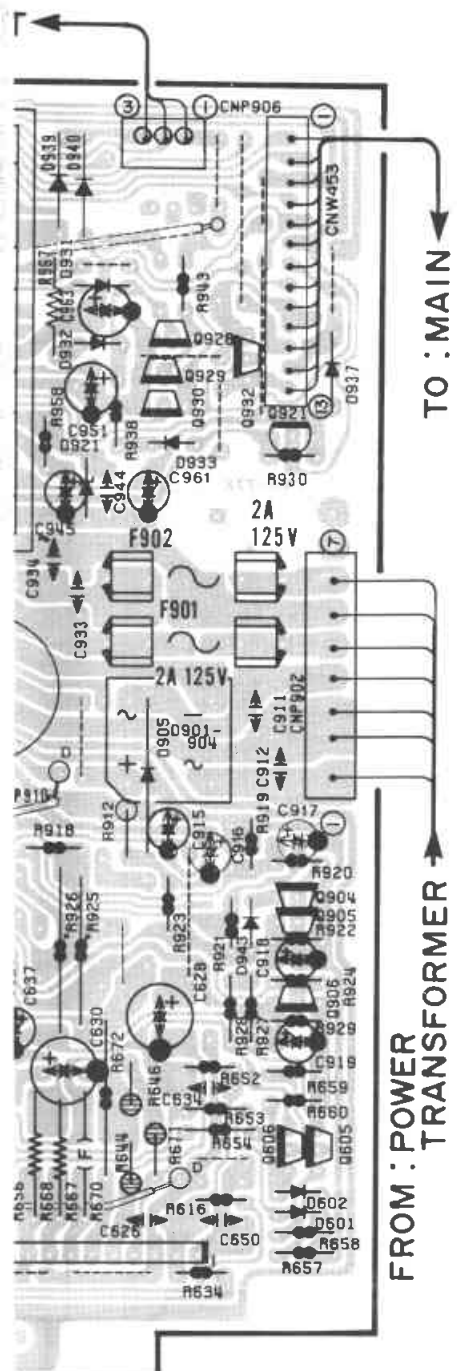
PRINTED CIRCUIT BOARD (Parts side)

POWER AMP Circuit BoardU model



AST-C10U... Jumper
AST-C30U... Resistor
(R625, R626)

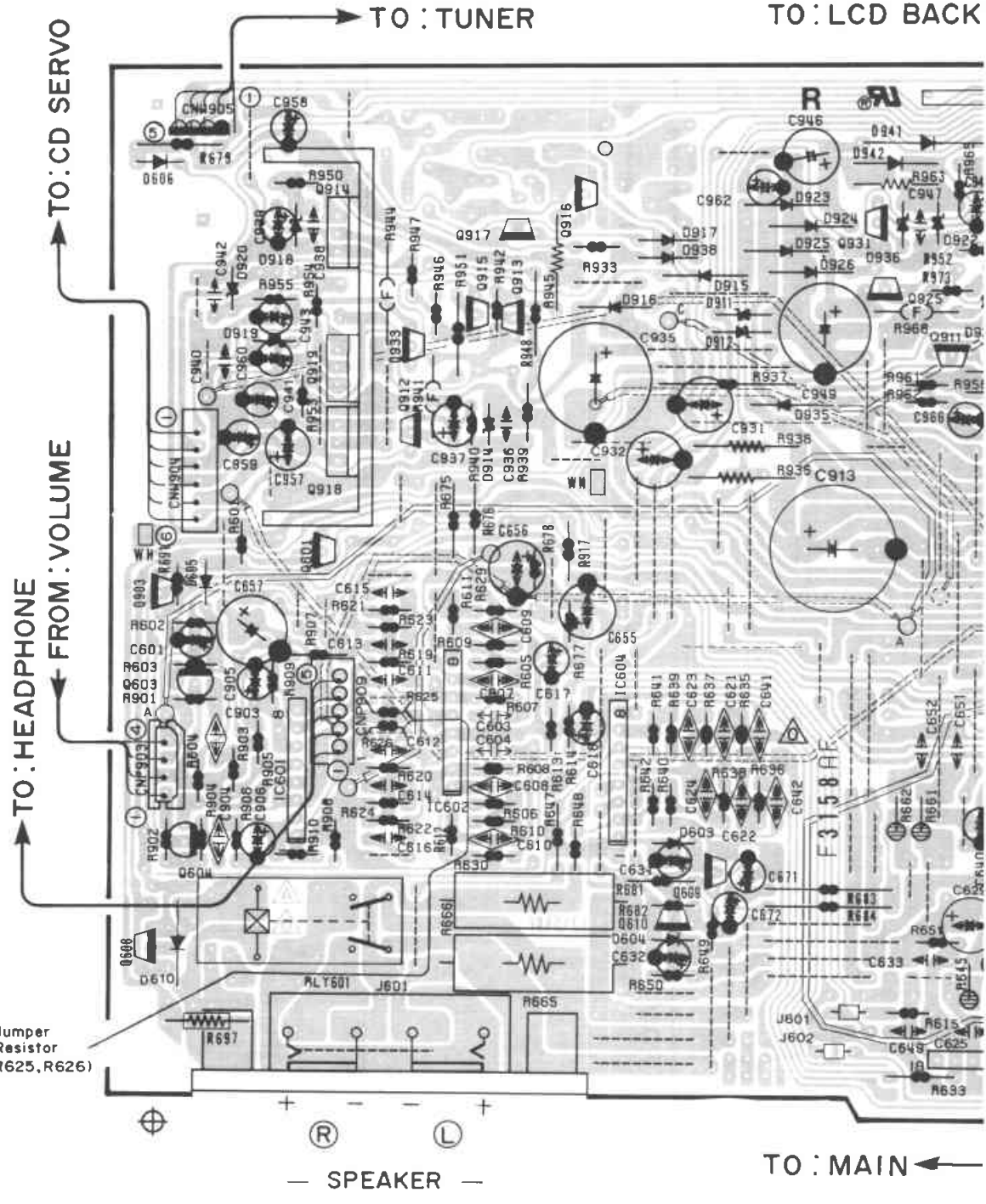
LINE FILTER Circuit BoardU, C models



■ PRINTED CIRCUIT BOARD (Parts side)

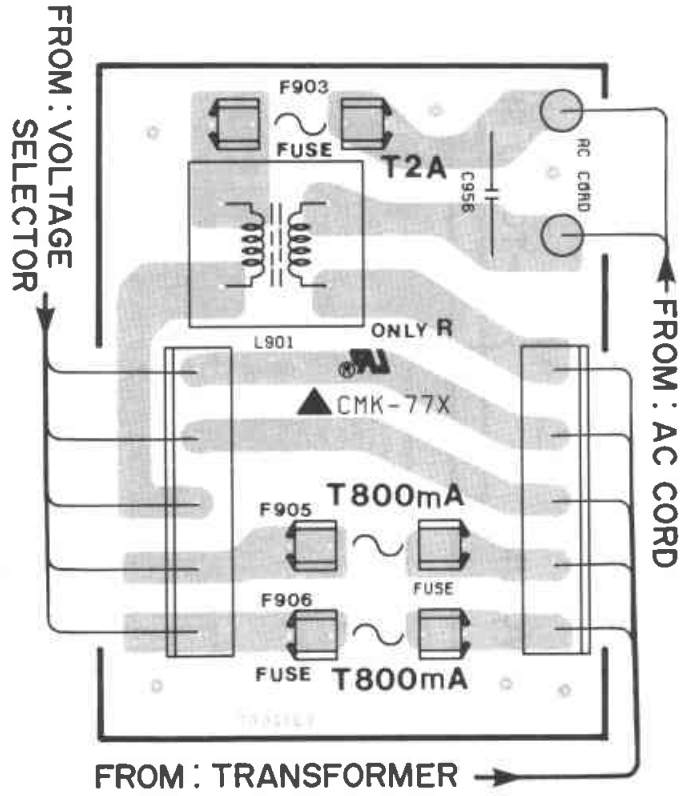
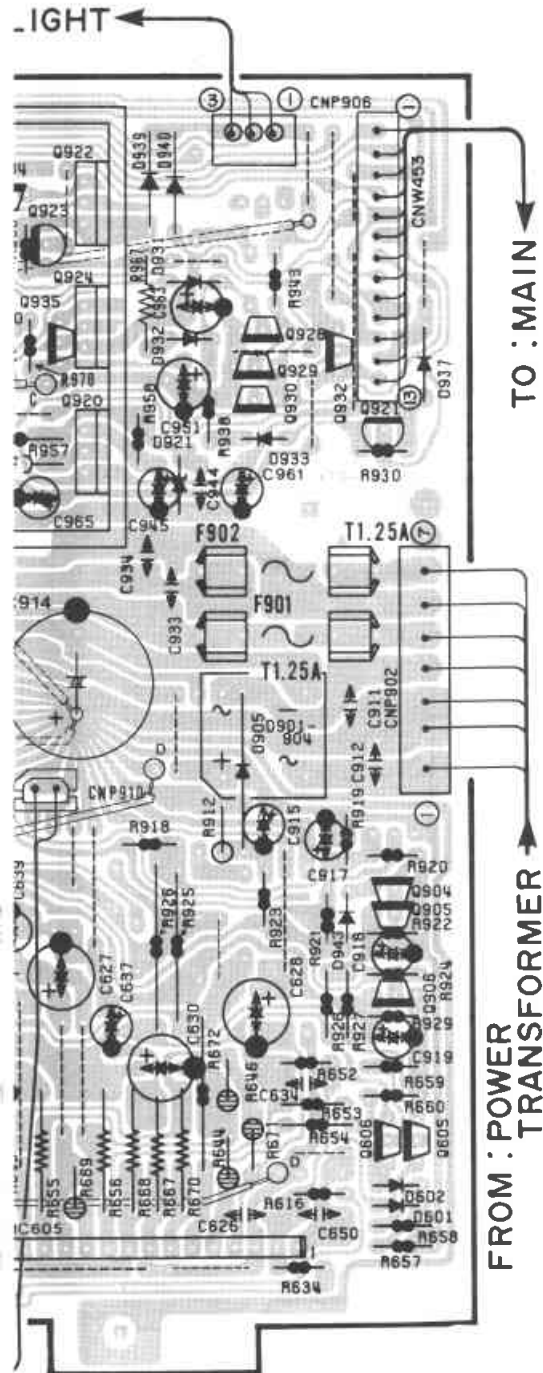
POWER AMP Circuit BoardR model

1
2
3
4
5
6



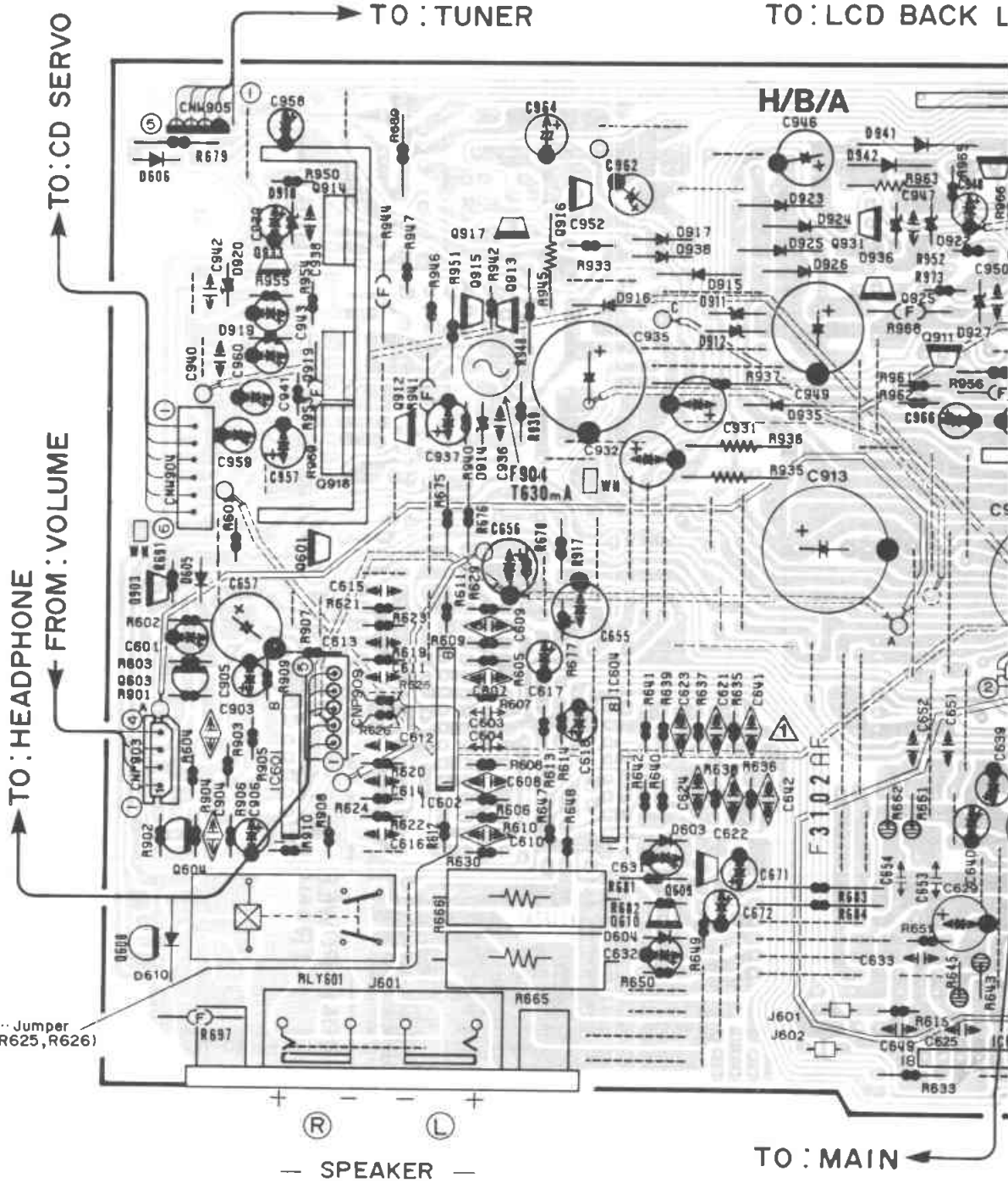
AST-C10R... Jumper
AST-C30R... Resistor
(R625, R626)

LINE FILTER Circuit BoardR model



PRINTED CIRCUIT BOARD (Parts side)

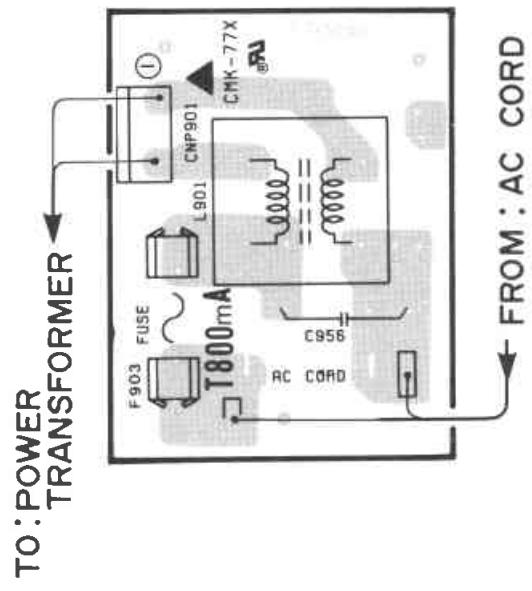
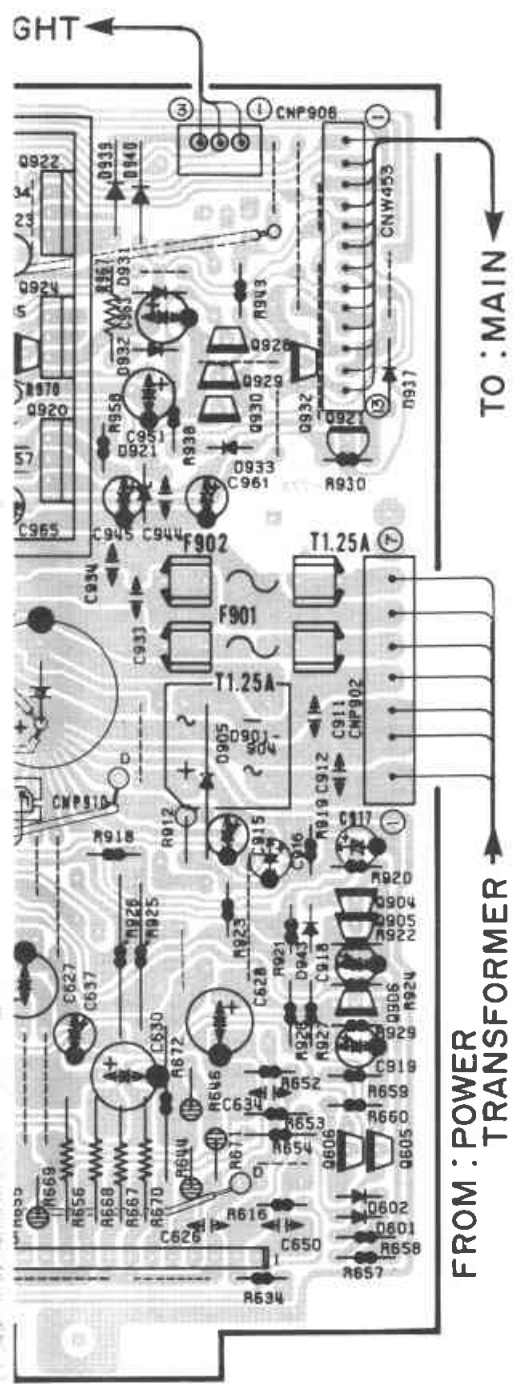
POWER AMP Circuit BoardA, B,



AST-C10H, C10B, C10A... Jumper
AST-C30H... Resistor (R625, R626)

models

LINE FILTER Circuit BoardA, B, H, W models



PRINTED CIRCUIT BOARD (Parts side)

POWER AMP Circuit Bo

1

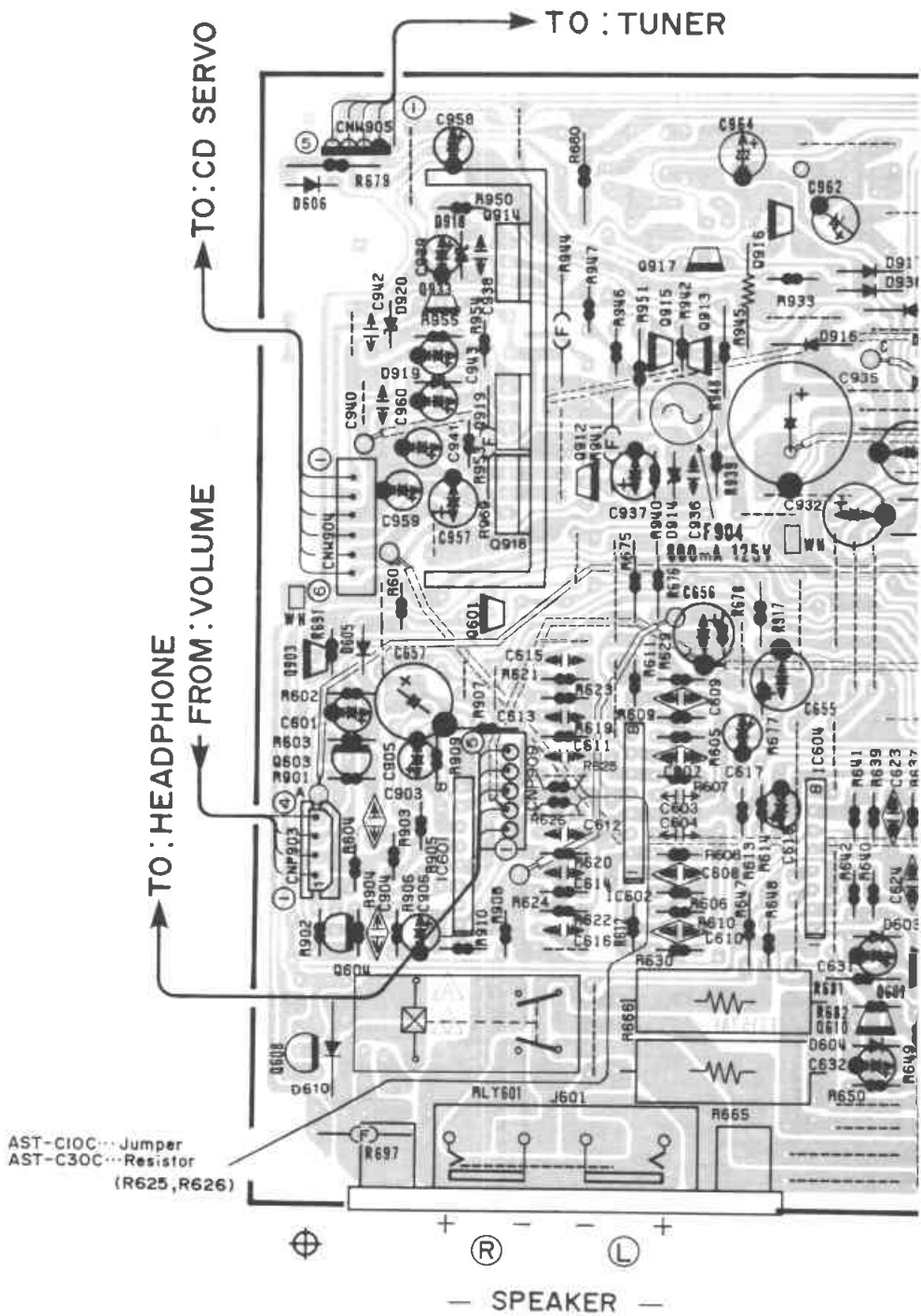
2

3

4

5

6



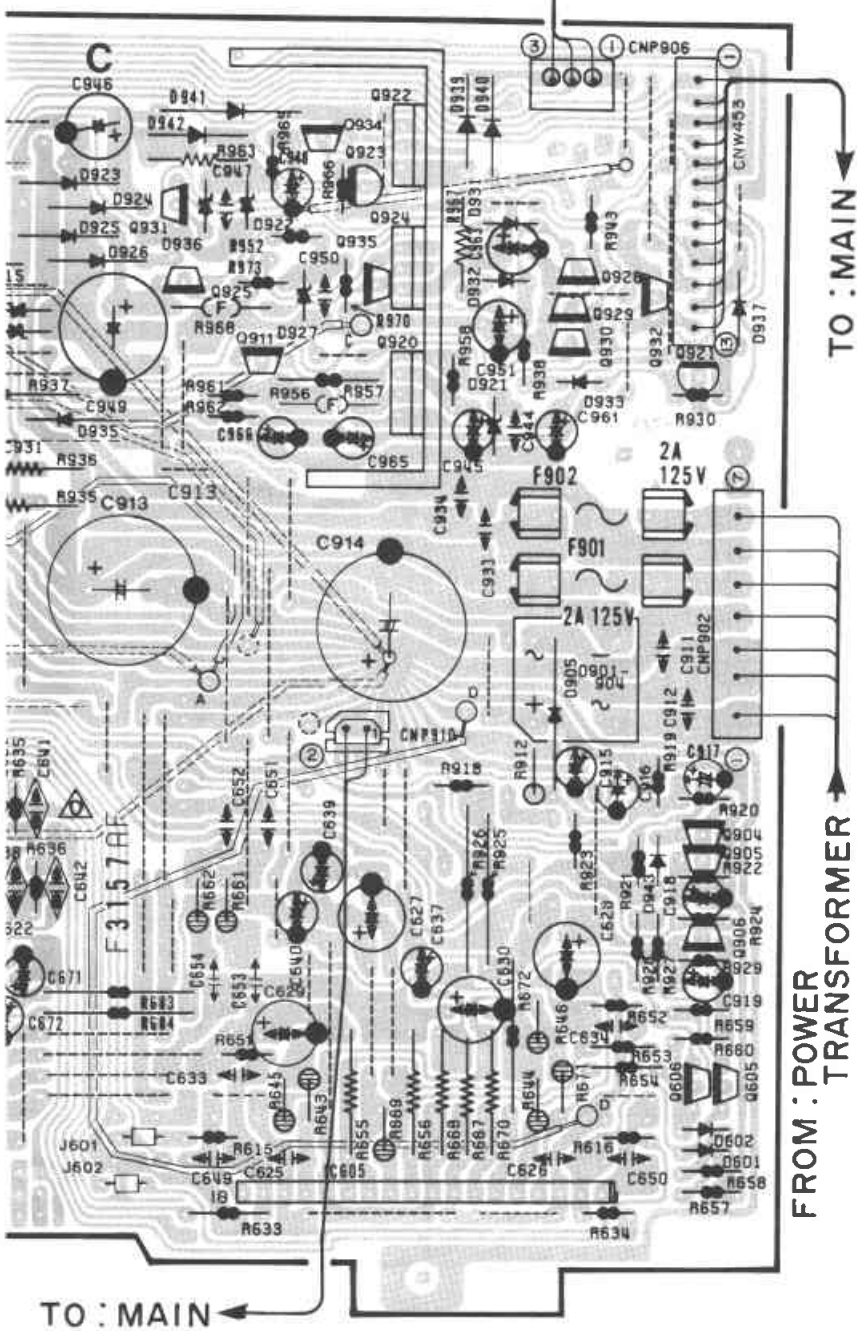
rdC model

TO : LCD BACK LIGHT

TO : MAIN

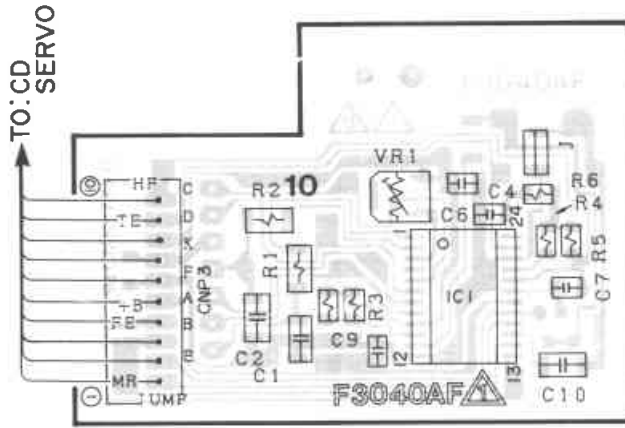
FROM : POWER TRANSFORMER

TO : MAIN

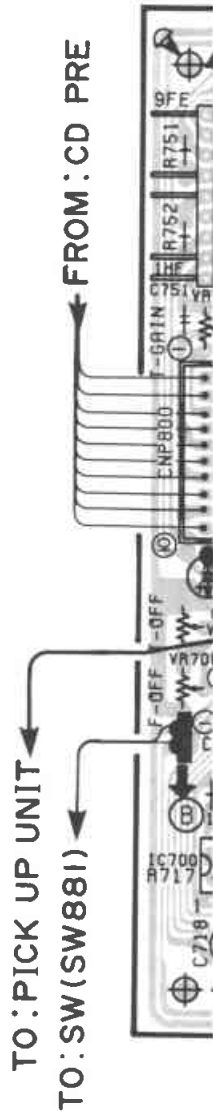


PRINTED CIRCUIT BOARD (Parts side)

CD PRE Circuit Board

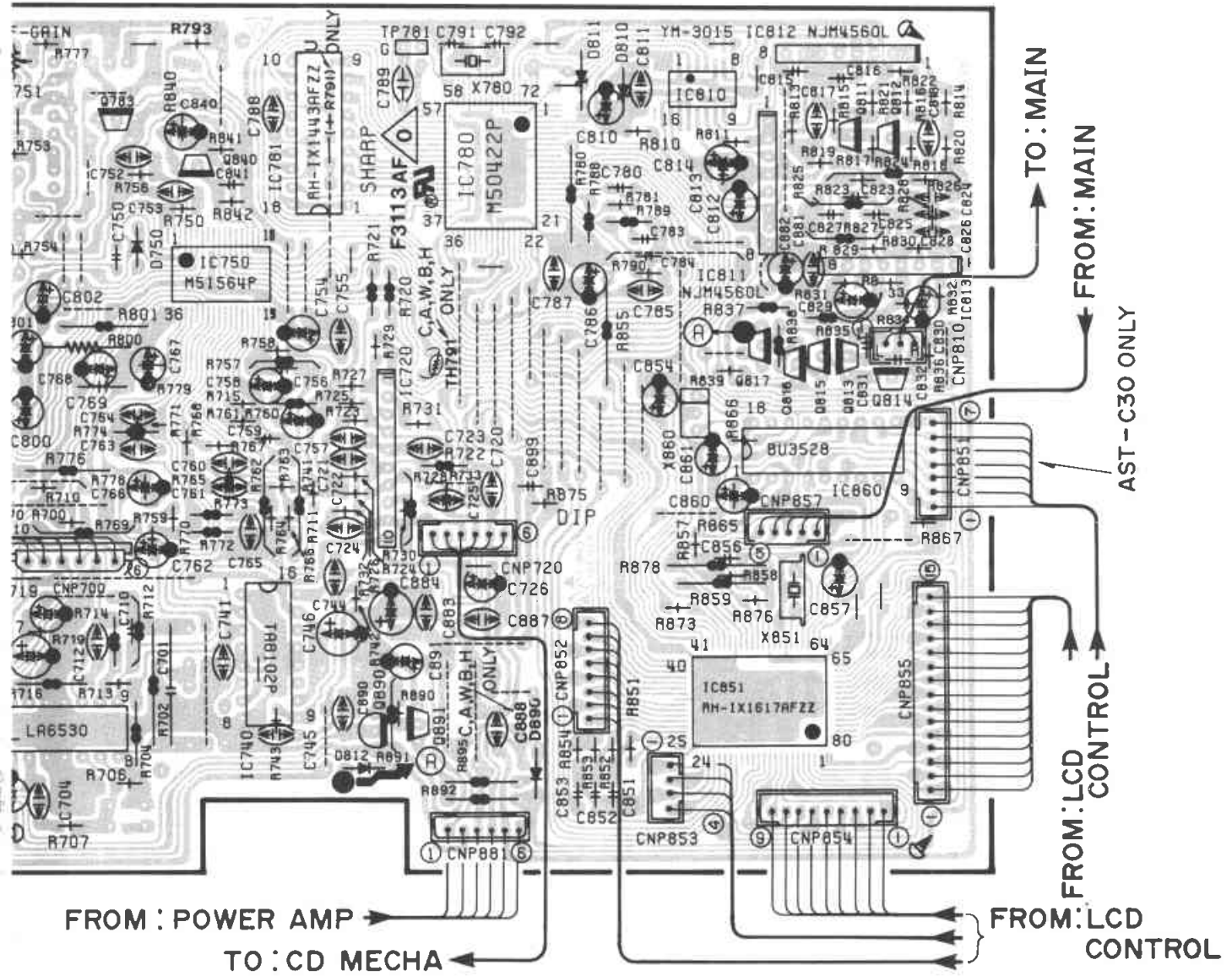


CD SW Circuit Board



1
2
3
4
5
6

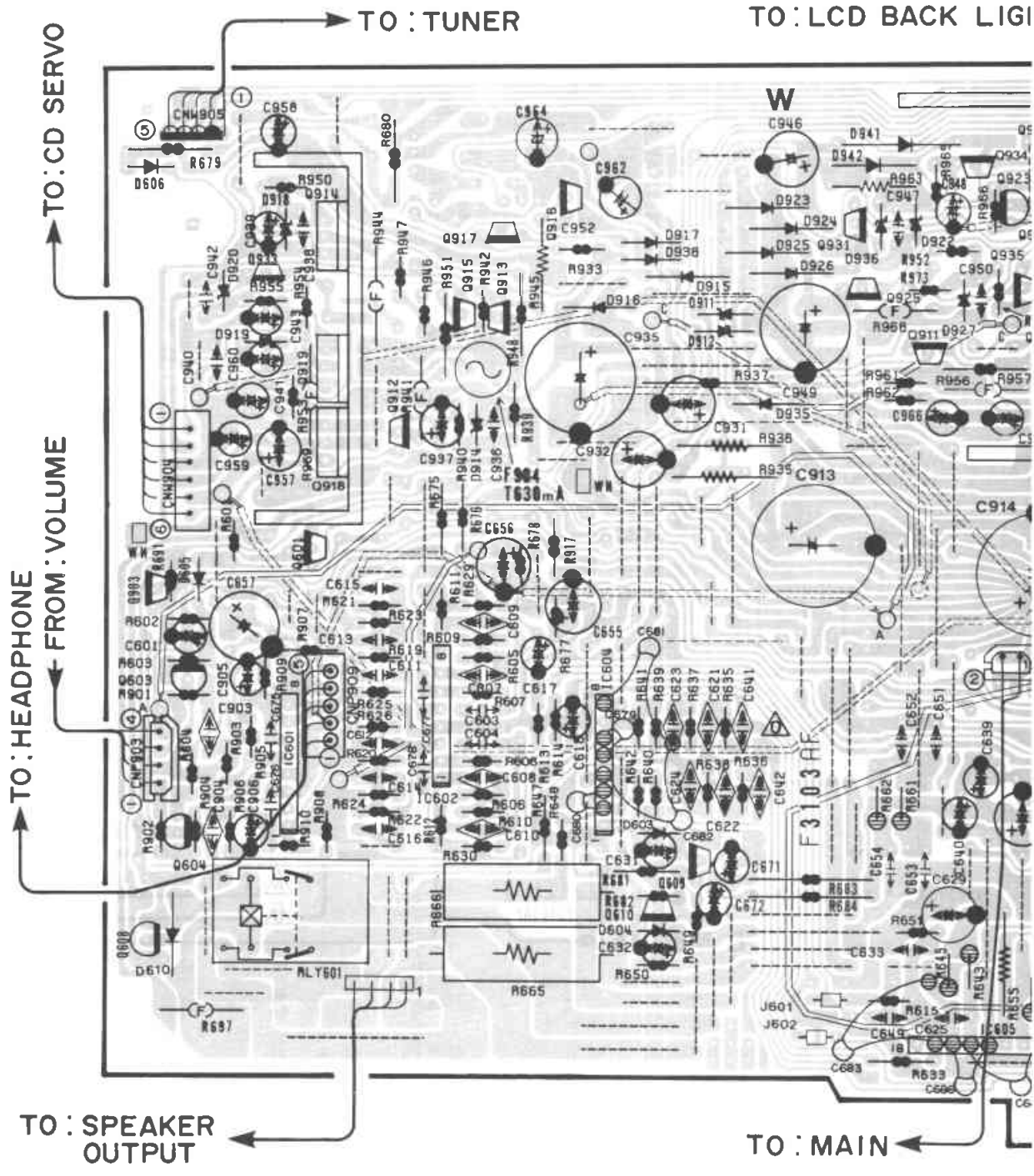
CD SERVO Circuit Board



■ PRINTED CIRCUIT BOARD (Parts side)

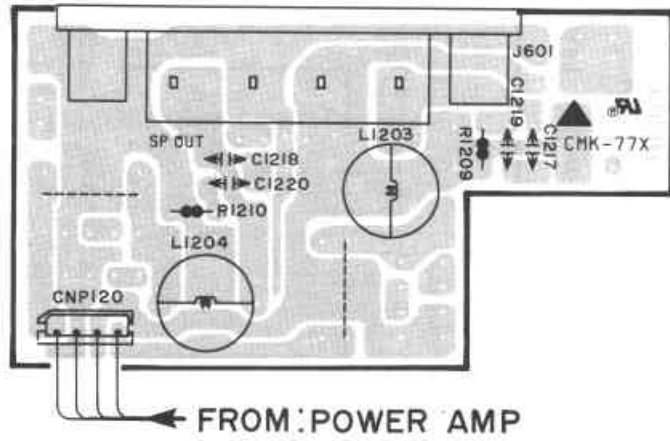
POWER AMP Circuit BoardW model

1
2
3
4
5
6



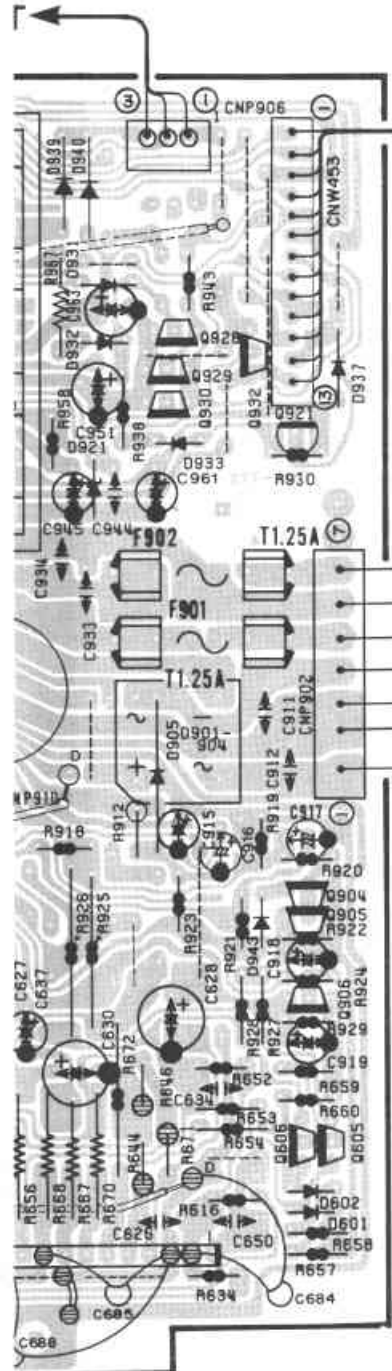
SPEAKER OUT Circuit BoardW model

SPEAKERS
+ (R) - - (L) +



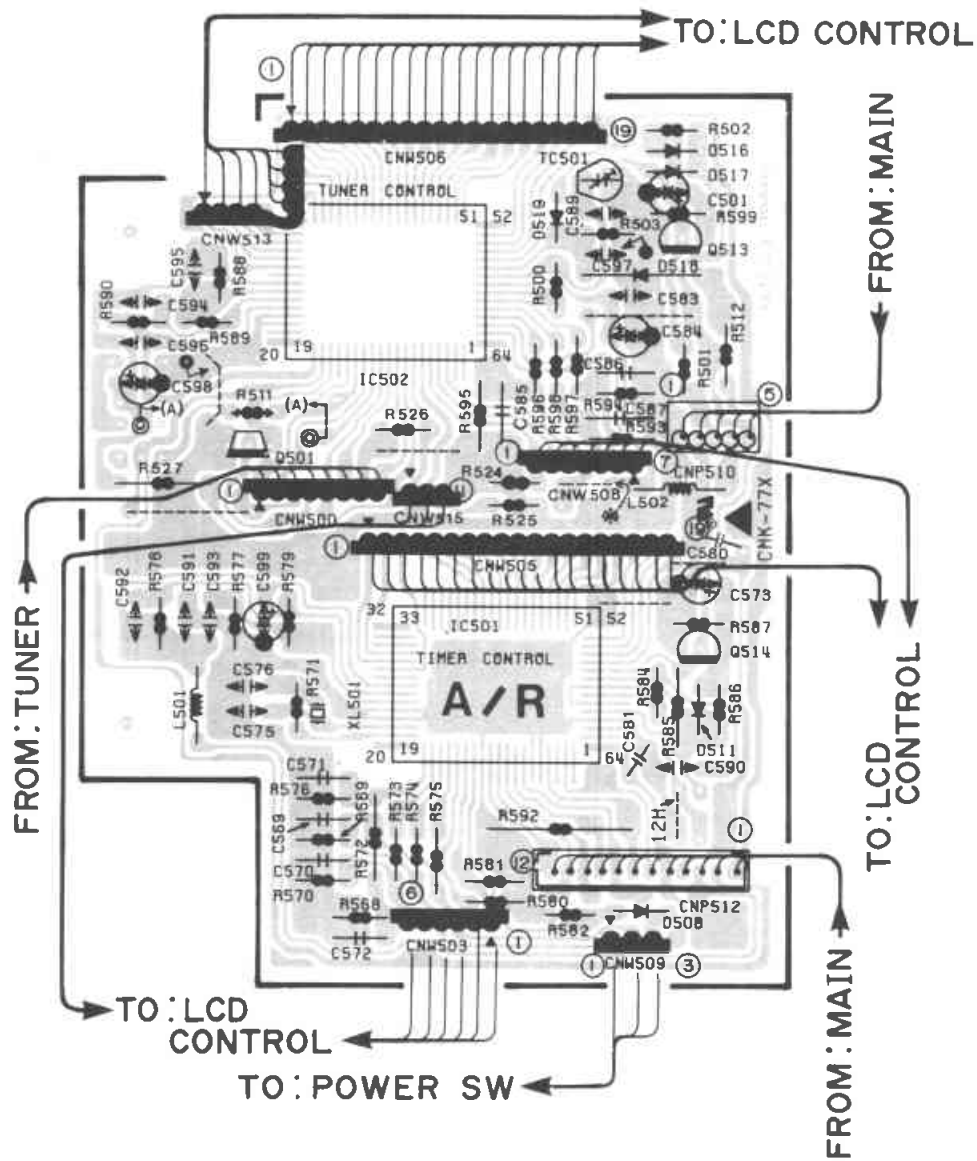
TO : MAIN

FROM : POWER TRANSFORMER

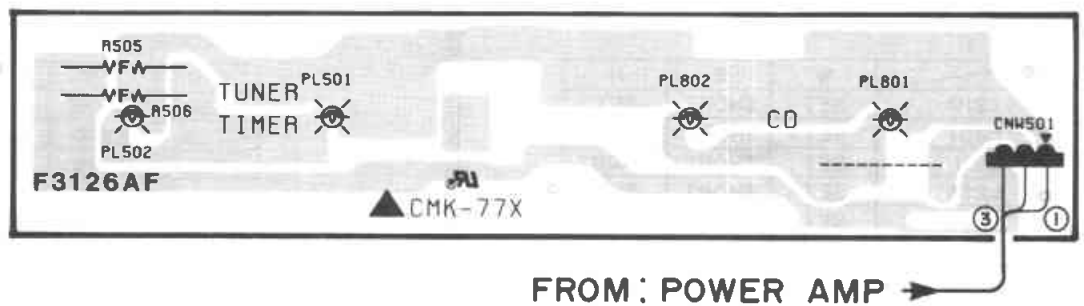


PRINTED CIRCUIT BOARD (Parts side)

CONTROL μ -COM Circuit Board

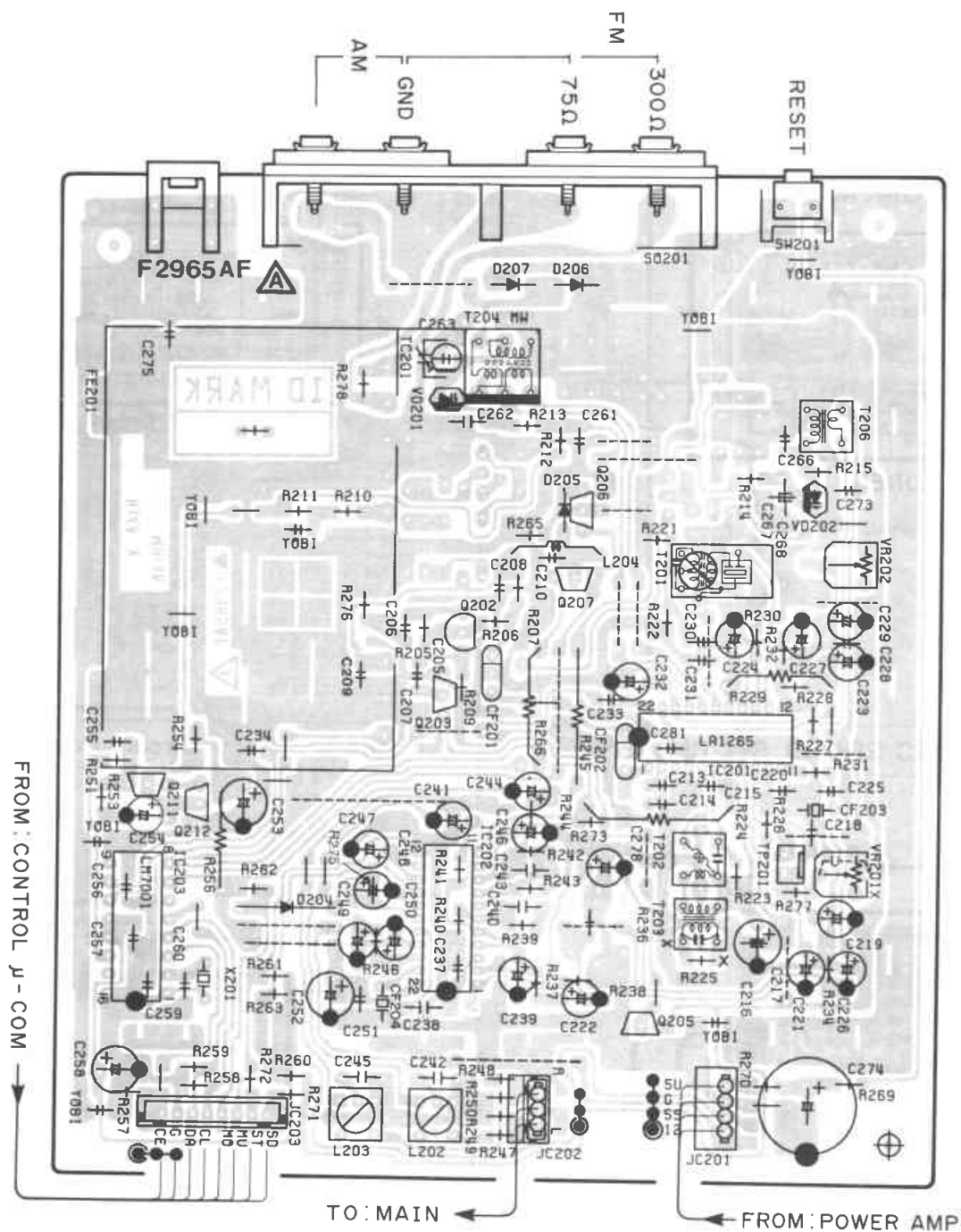


LCD BACK LIGHT Circuit Board



PRINTED CIRCUIT BOARD (Parts side)

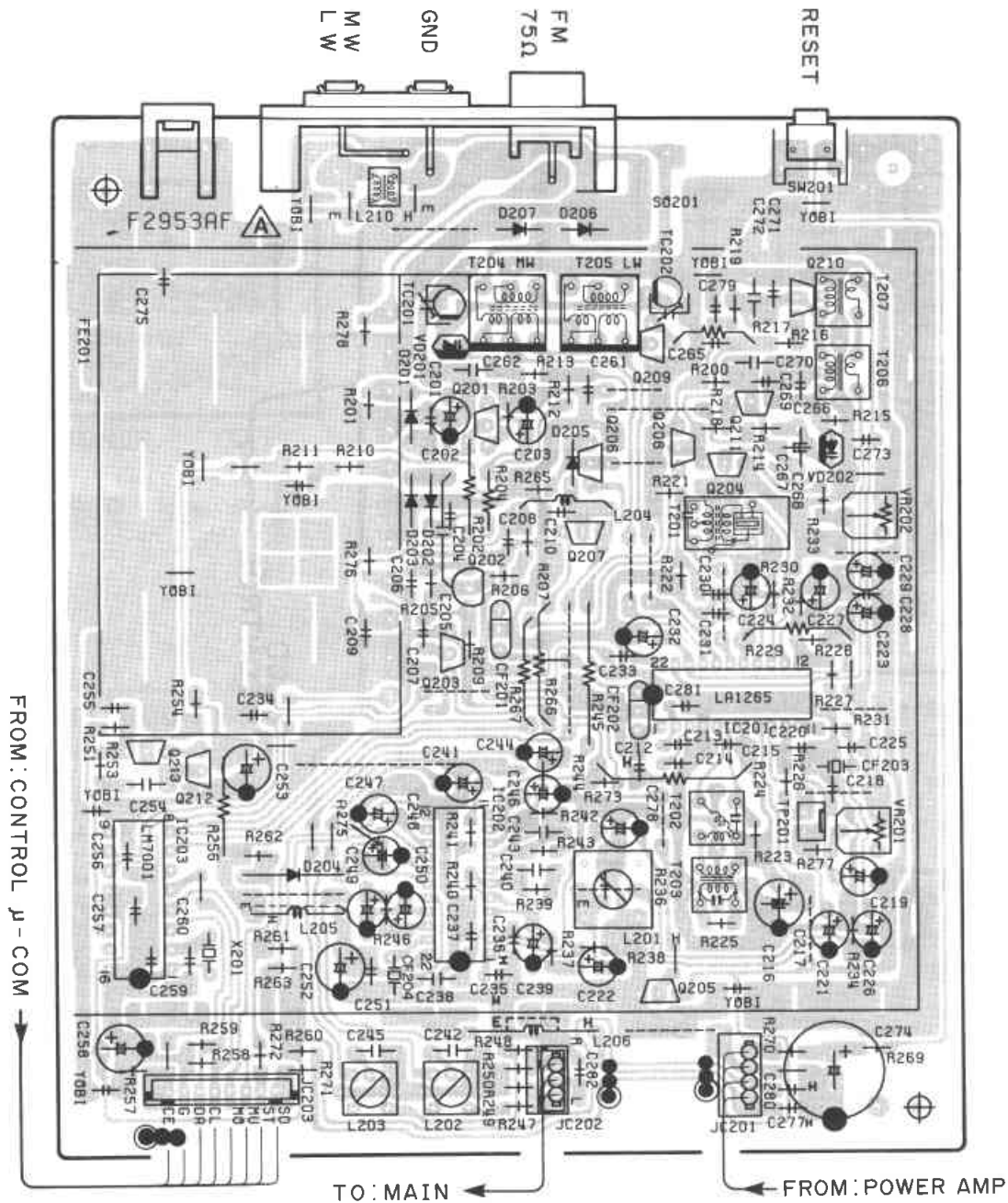
TUNER Circuit BoardU, C, R models



NOTE)

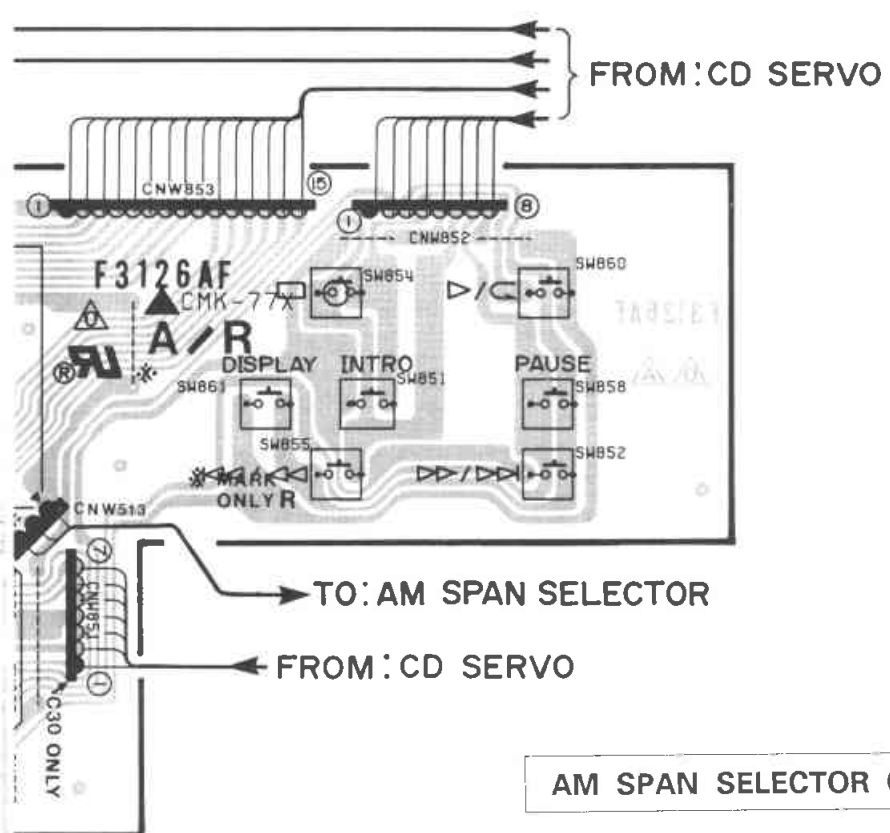
	U, C	R, A
VR201	SHORT	SET
T203	OPEN	SET
R225	OPEN	SET

TUNER Circuit BoardA, B, H, W models



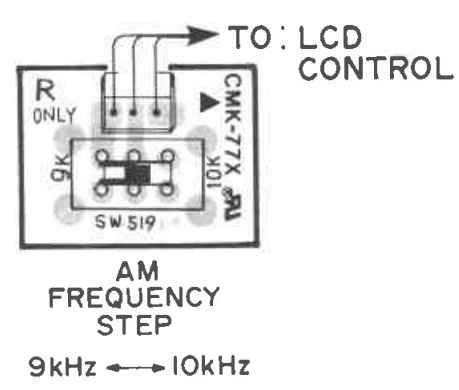
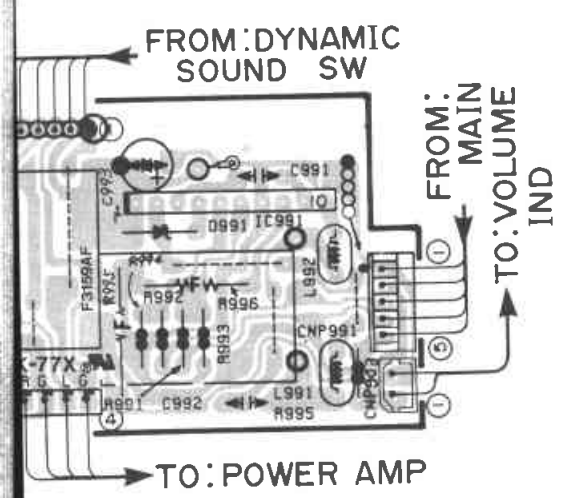
NOTE)

	W	B	H
L210	SET	SHORT	SET
L201	SET	SHORT	SET
L211	SET	SHORT	SHORT
L205	SET	SHORT	SET
L206	SET	SHORT	SET
C212	33P	OPEN	33P
C235	68P	OPEN	68P
C236	22P	OPEN	22P
C277,280,282	0,022	OPEN	0,022

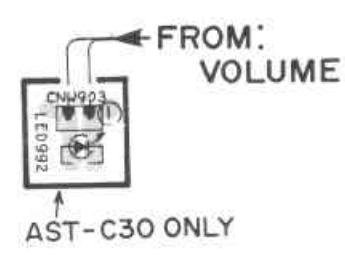


AM SPAN SELECTOR Circuit BoardR model only

VOLUME IND Circuit BoardAST-C30



VOLUME IND Circuit Board



■ PRINTED CIRCUIT BOARD (Parts side)

1

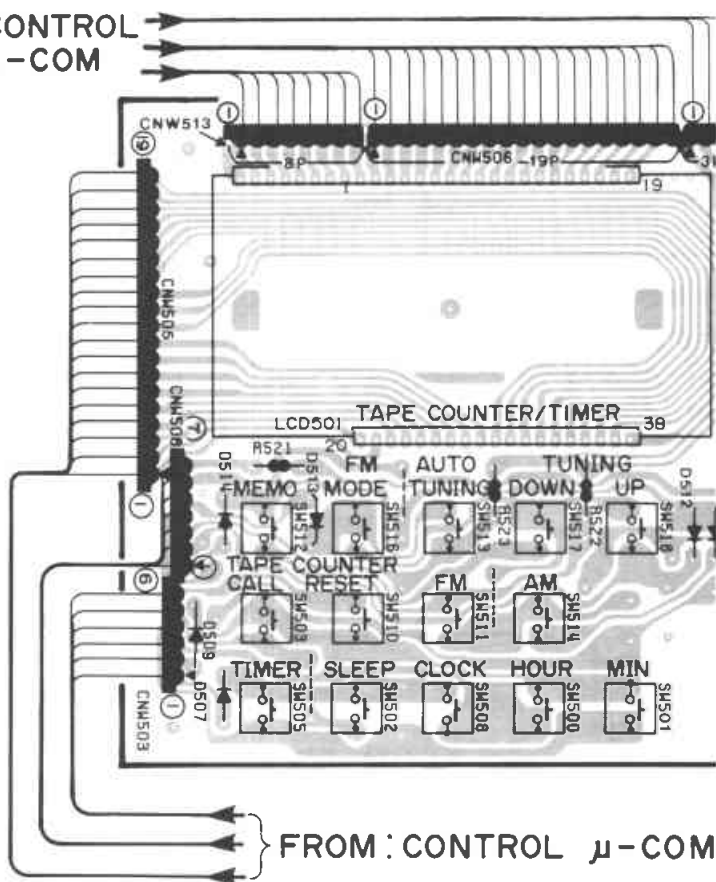
FROM : CONTROL μ -COM

LCD CONTROL SW Circuit Board

.....U, C models

2

3



FROM : CONTROL μ -COM

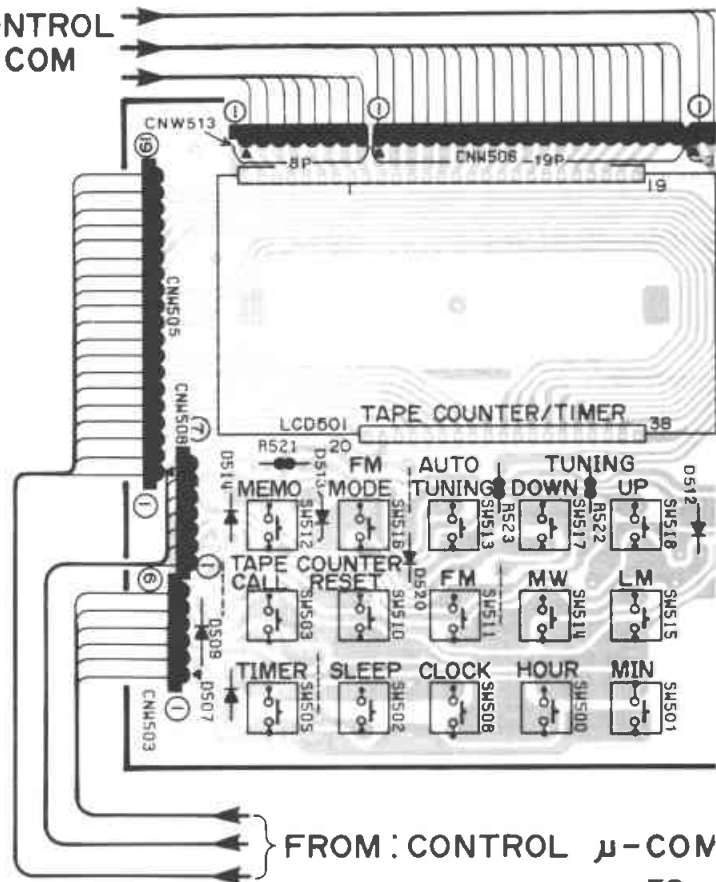
4

LCD CONTROL SW Circuit Board

.....B, H, W models

5

FROM : CONTROL μ -COM



FROM : CONTROL μ -COM

6

■ SCHEMATIC DIAGRAM (Tuner Section...U, C, R, A models)

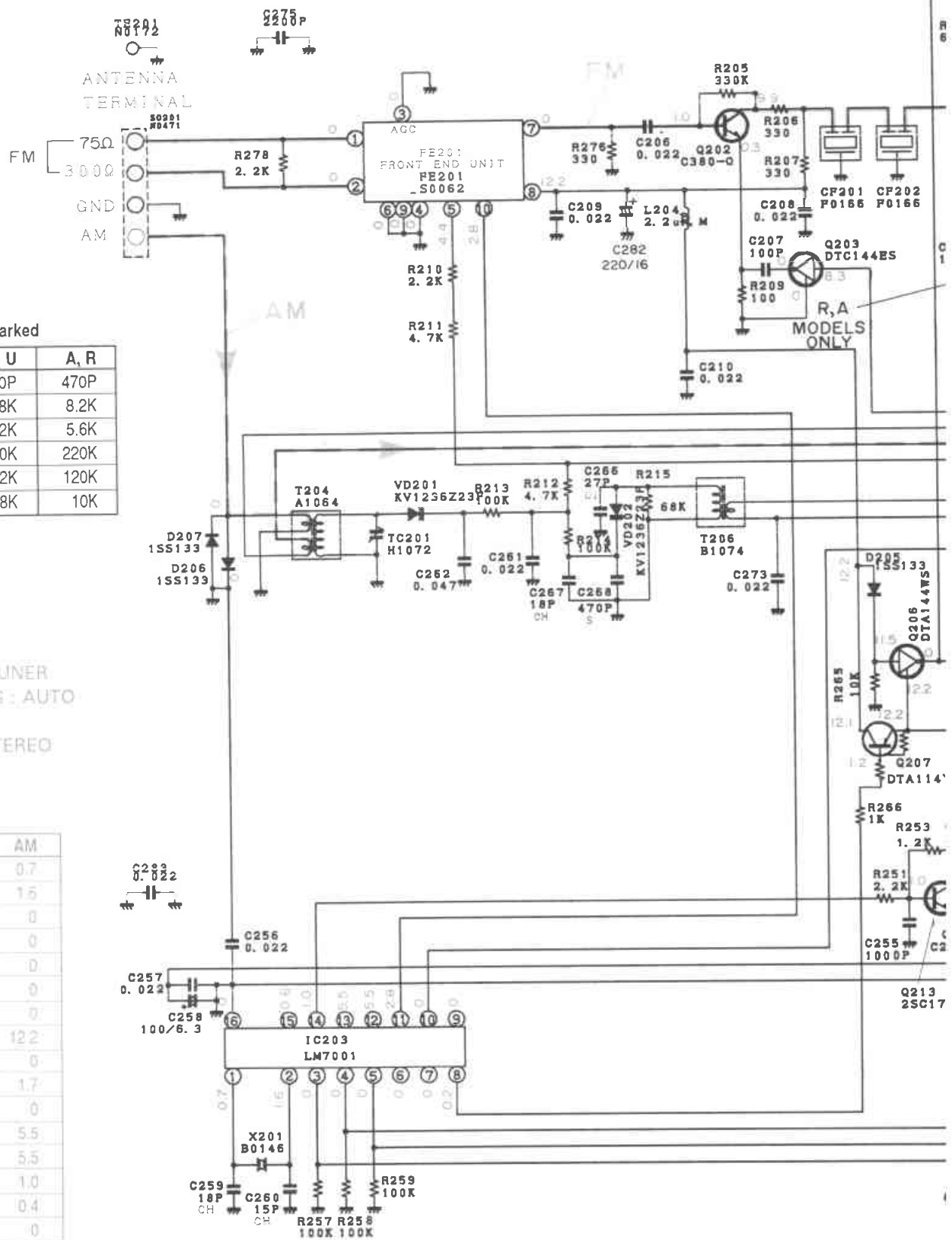
NOTE) : Marked

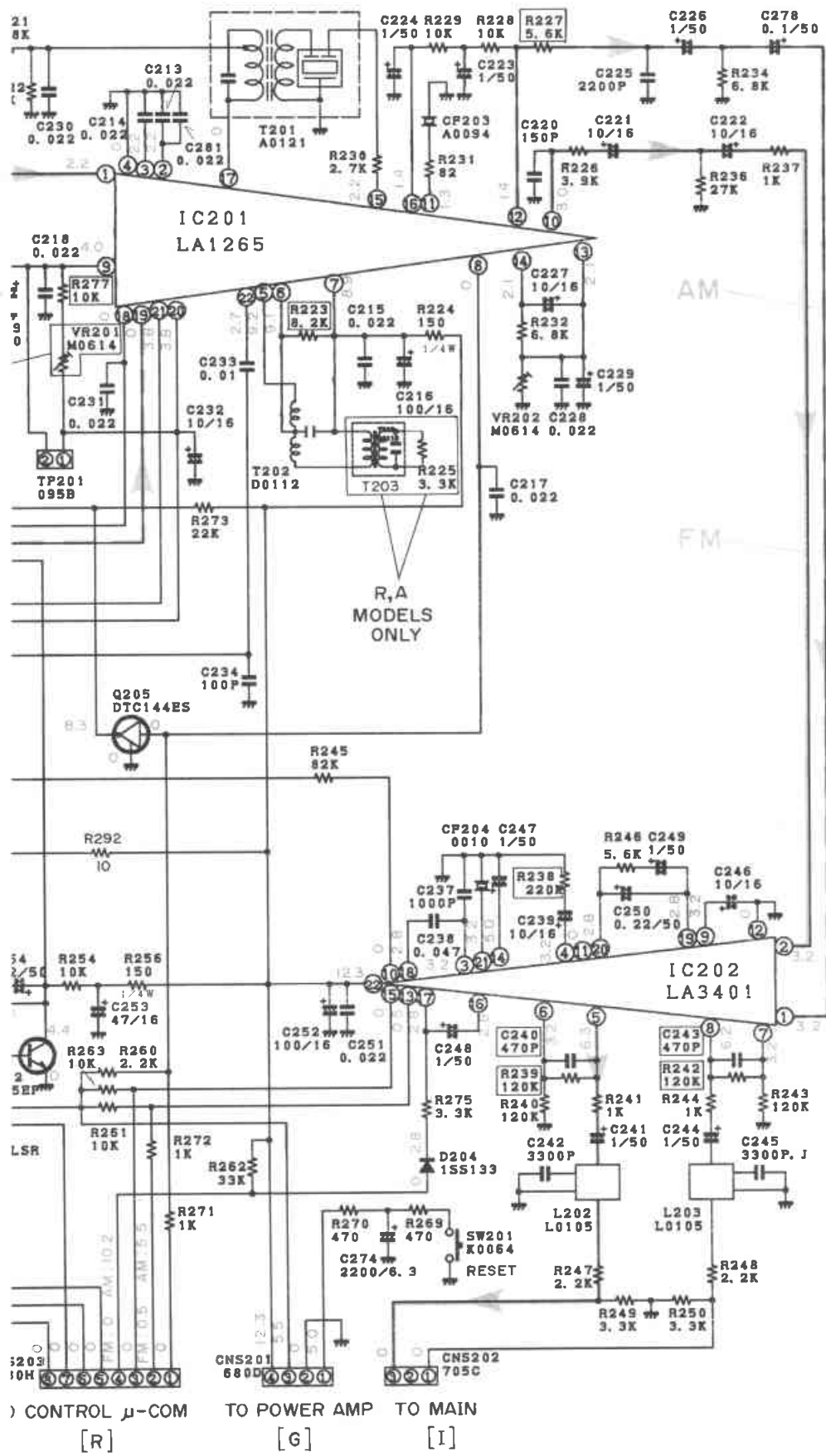
	C, U	A, R
C240, 243	1000P	470P
R223	6.8K	8.2K
R227	2.2K	5.6K
R238	100K	220K
R239, 242	82K	120K
R277	18K	10K

FUNCTION : TUNER
 AUTO TUNING : AUTO
 BAND : FM
 FM MODE : STEREO

IC203

	FM	AM
1	0.7	0.7
2	1.6	1.5
3	0	0
4	0	0
5	0	0
6	0	0
7	0	0
8	0.2	12.2
9	0	0
10	0	1.7
11	2.8	0
12	5.5	5.5
13	5.5	5.5
14	0.1	1.0
15	0.6	0.4
16	0	0



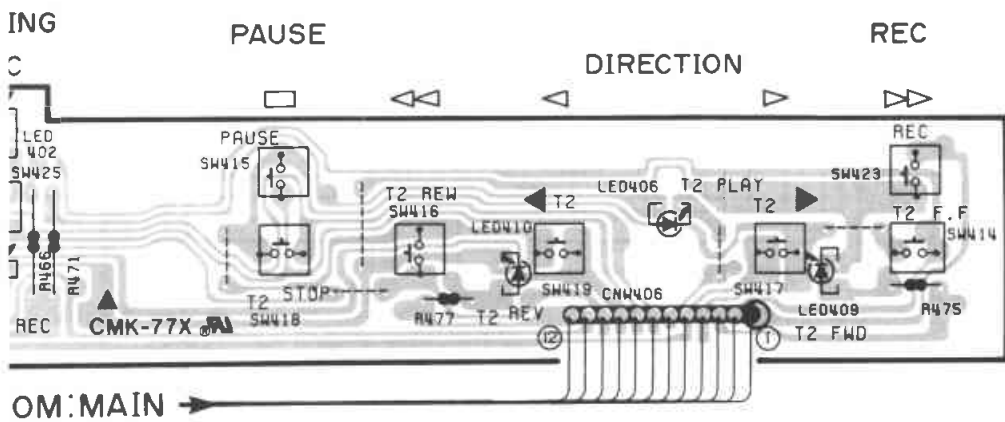
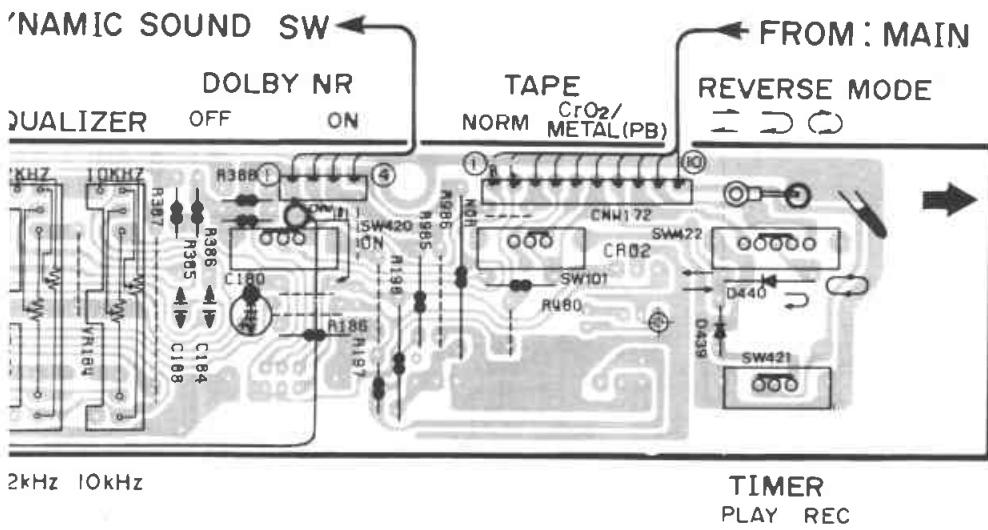
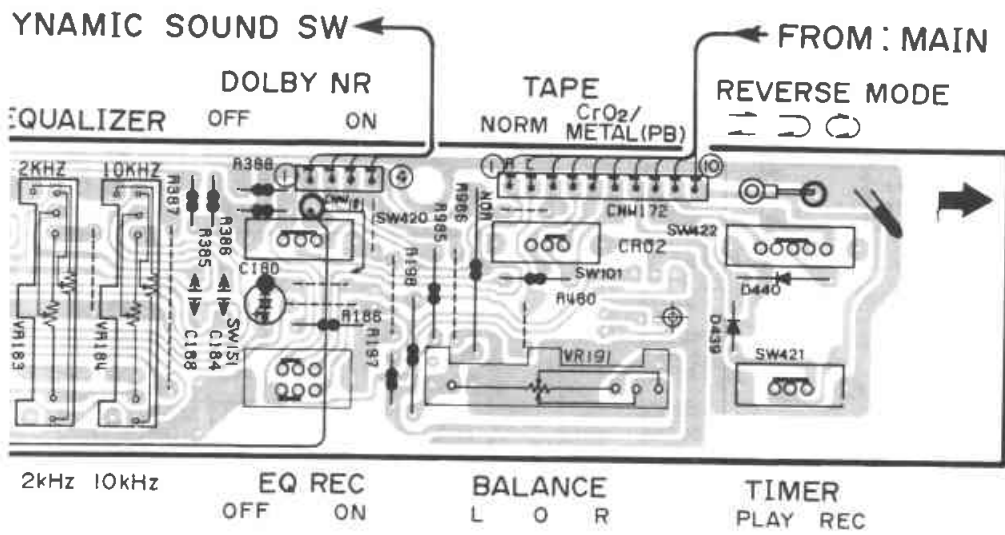


IC201

	FM	AM
1	22	11
2	22	11
3	22	11
4	0	0
5	92	92
6	91	92
7	89	92
8	0	0
9	40	34
10	30	30
11	13	13
12	14	16
13	21	15
14	21	0
15	22	11
16	14	17
17	0	93
18	0	20
19	0	20
20	38	36
21	38	36
22	27	15

IC202

	FM	AM
1	32	32
2	32	32
3	32	32
4	32	32
5	63	63
6	32	32
7	32	32
8	62	63
9	32	32
10	0	63
11	0	0
12	0	0
13	05	55
14	50	0
15	0	0
16	28	28
17	28	96
18	28	52
19	28	28
20	28	79
21	32	20
22	123	123

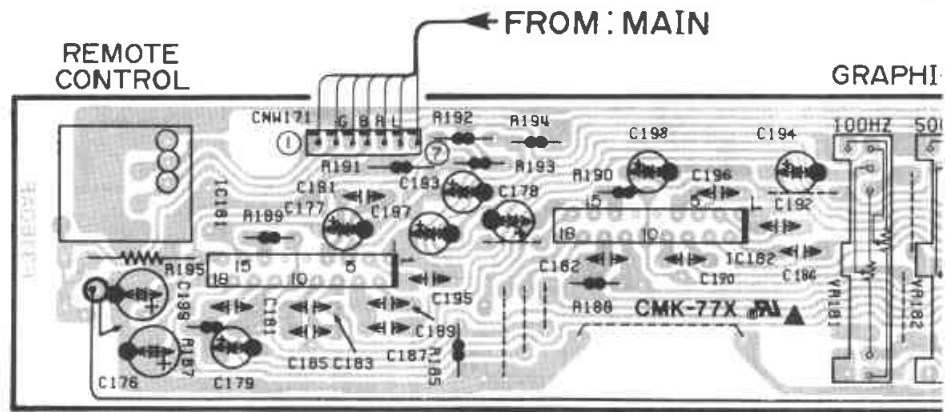


■ PRINTED CIRCUIT BOARD (Parts side)

1

GRAPHIC EQUALIZER Circuit BoardAST-C30

TO

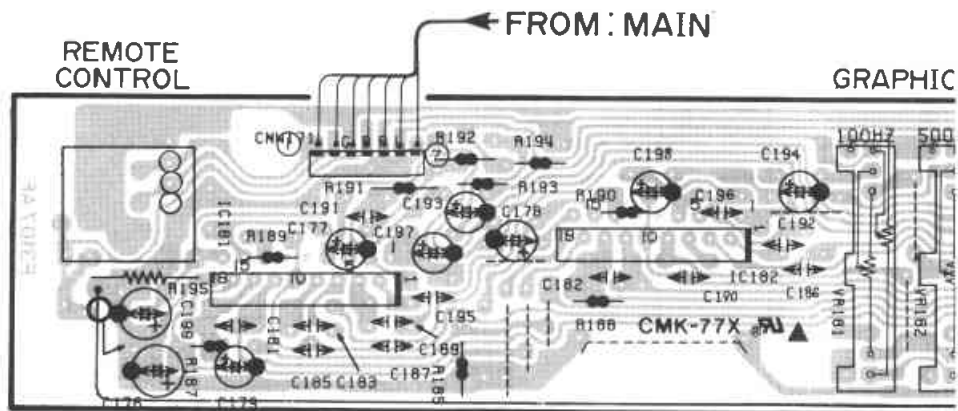


100Hz 50

2

GRAPHIC EQUALIZER Circuit BoardAST-C10

TO



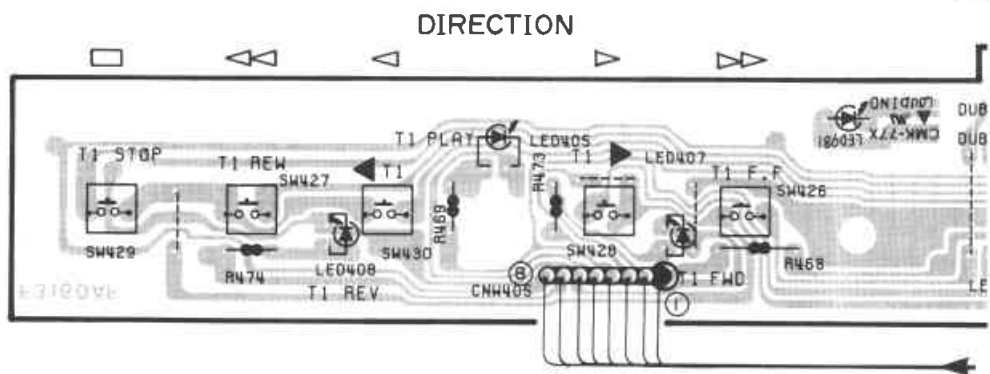
100Hz 500

3

4

TAPE CONTROL Circuit Board

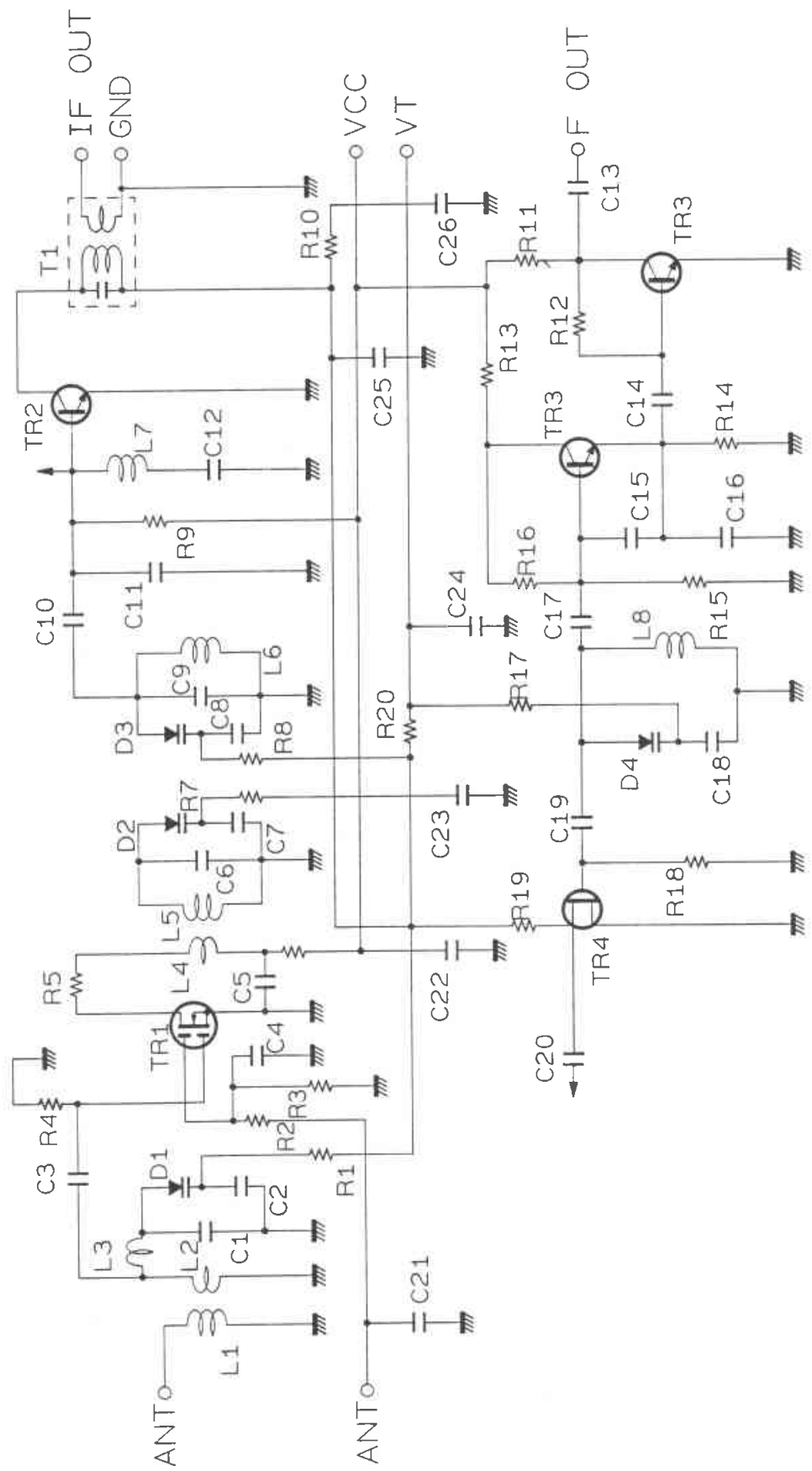
DU



5

6

• B, W, H models



■ SCHEMATIC DIAGRAM (Tuner Section...B, H, W models)

1

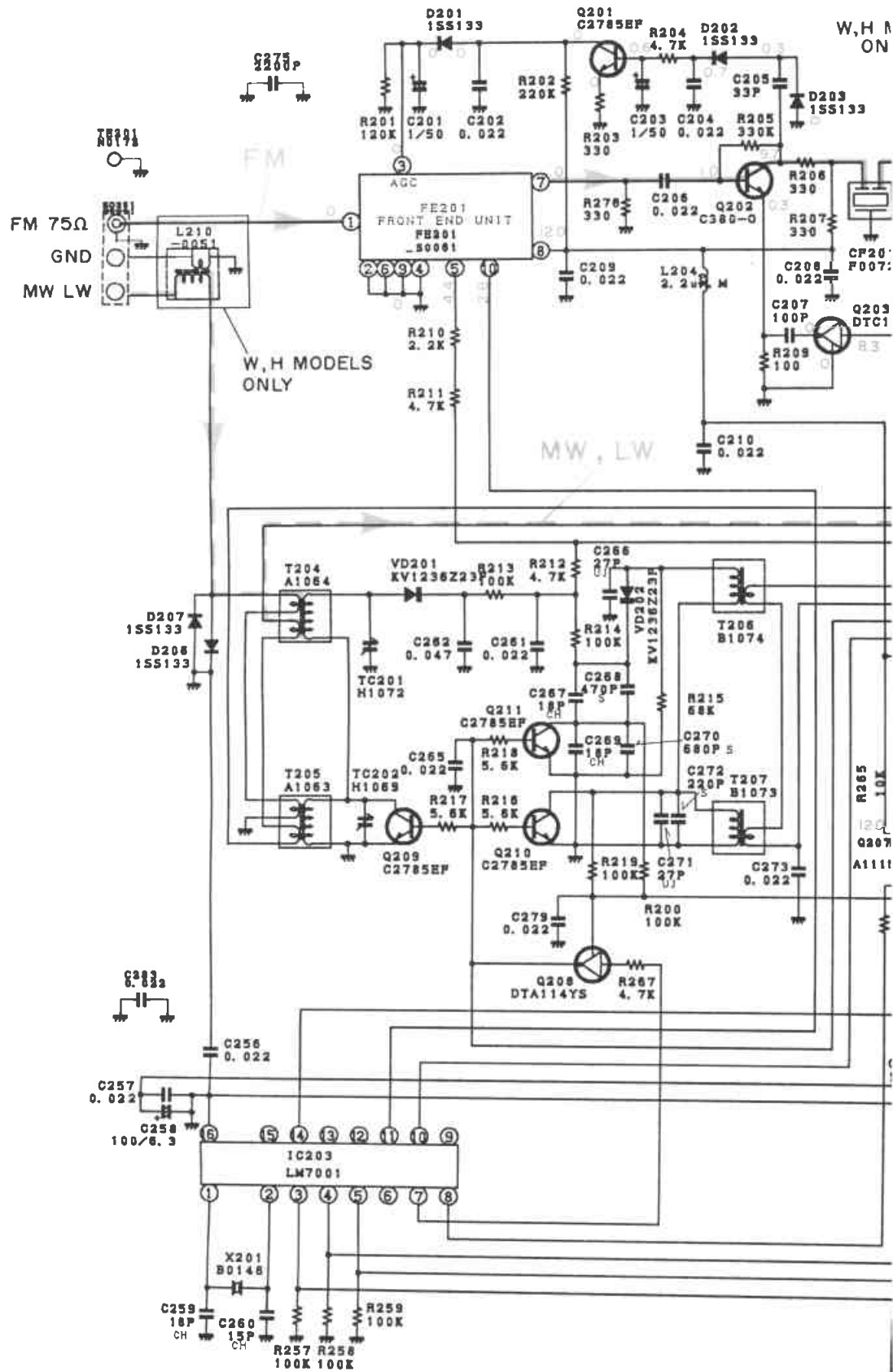
2

3

4

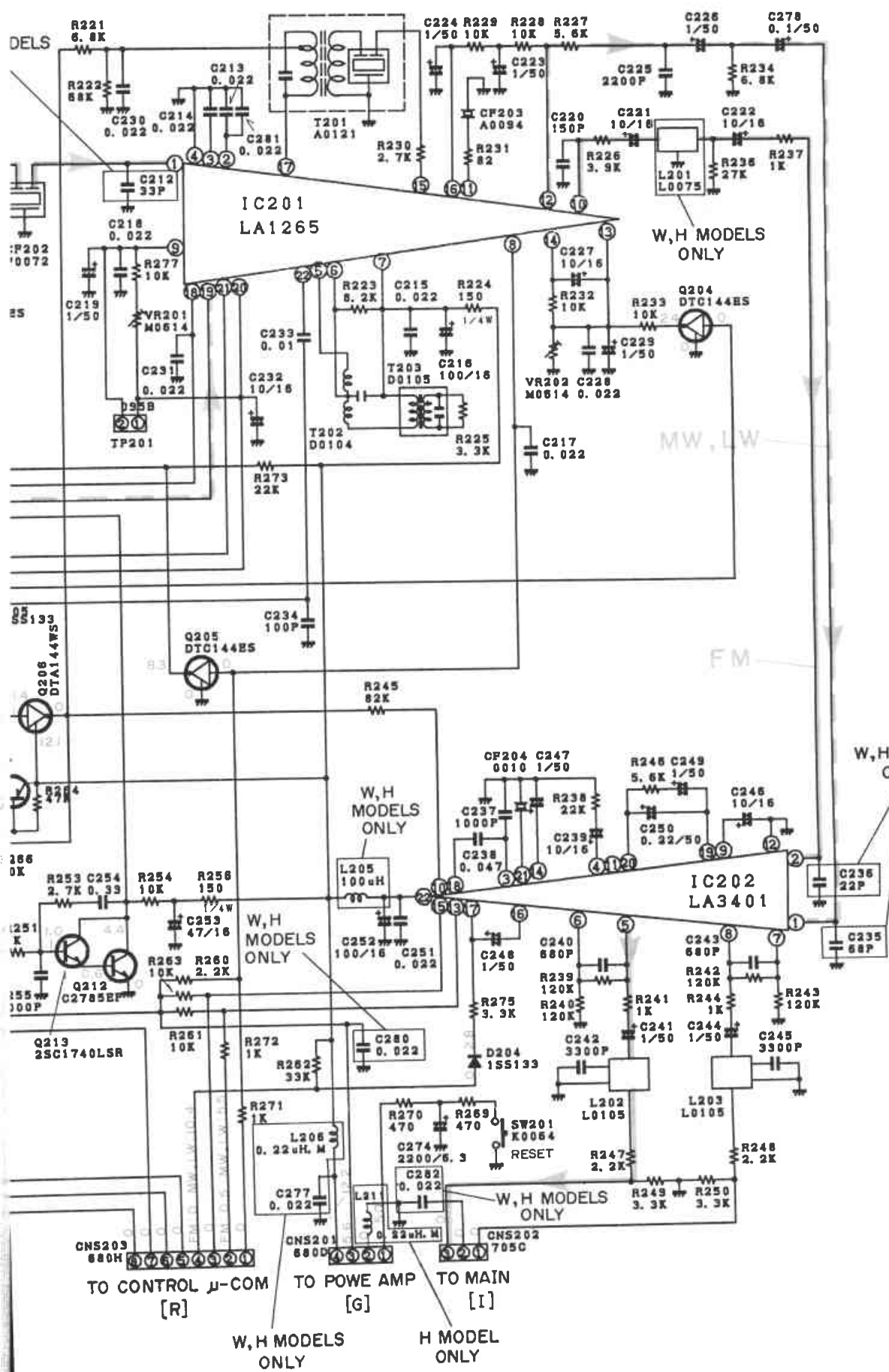
5

6



W, H M
ON

R265
10K
Q207
A1111



2

3

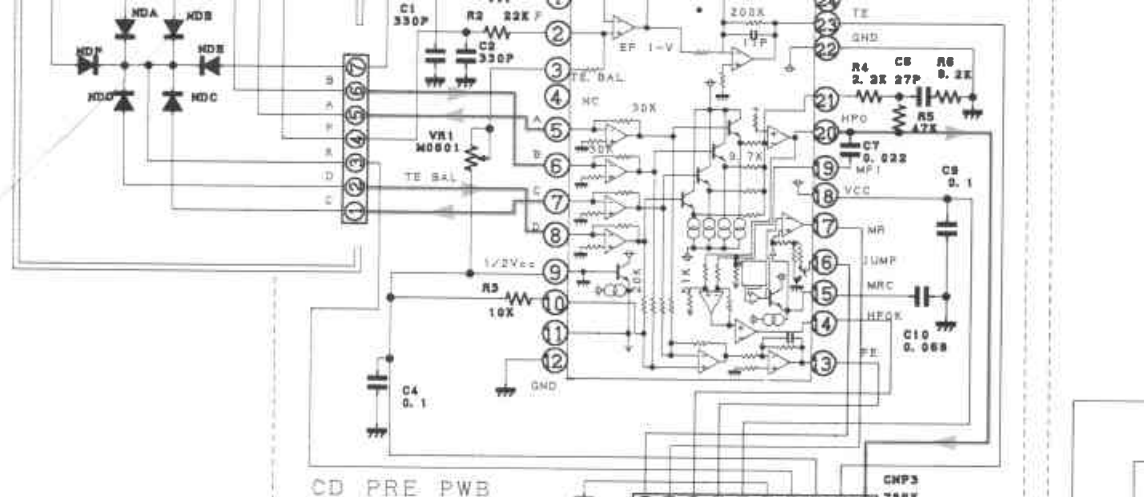
4

5

6

7

8



CD PRE PWB

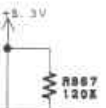
CD SERVO PWB

From DECK PWB

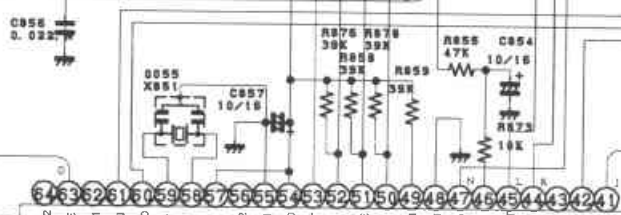
[M]



CNP857 705E

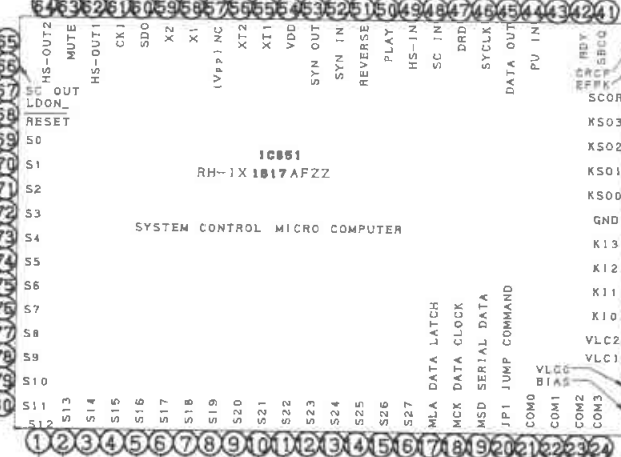


SYSTEM RESET



IC861 RH-1X 1817AFZZ

SYSTEM CONTROL MICRO COMPUTER



CNP855 705Q

CNP854 705J

CNP853 705D

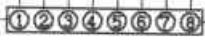
CNP852 705K

CNP851 705G

15PIN

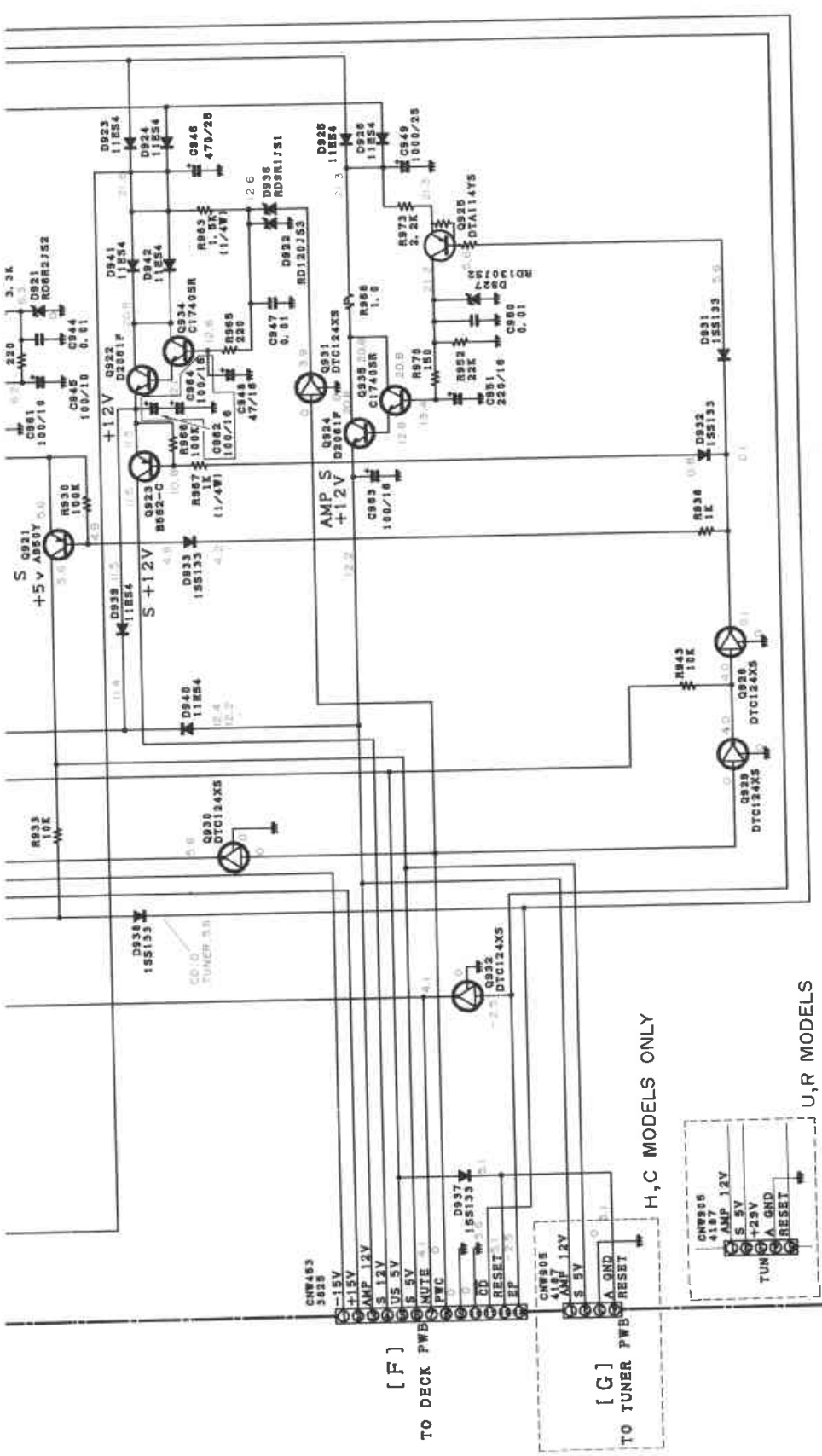
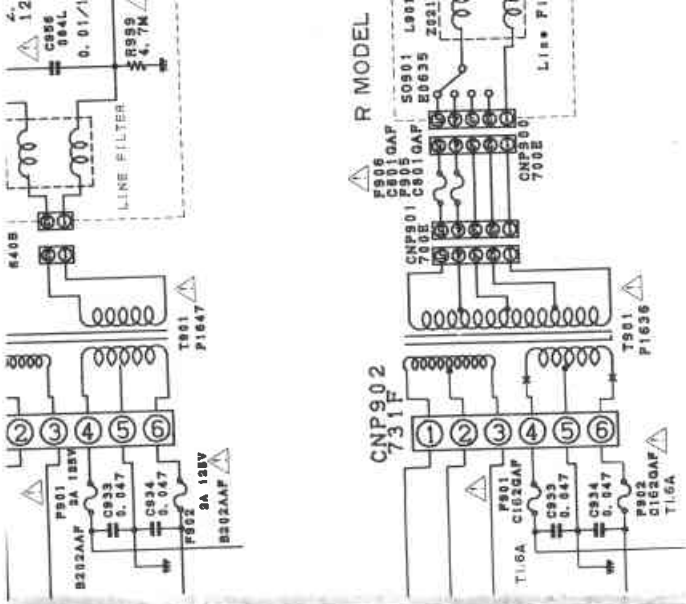
8PIN

4PIN



[Q] [P] [O] From LCD PWB

[N] From LCD PWB From LCD



[F]

TO DECK PWB

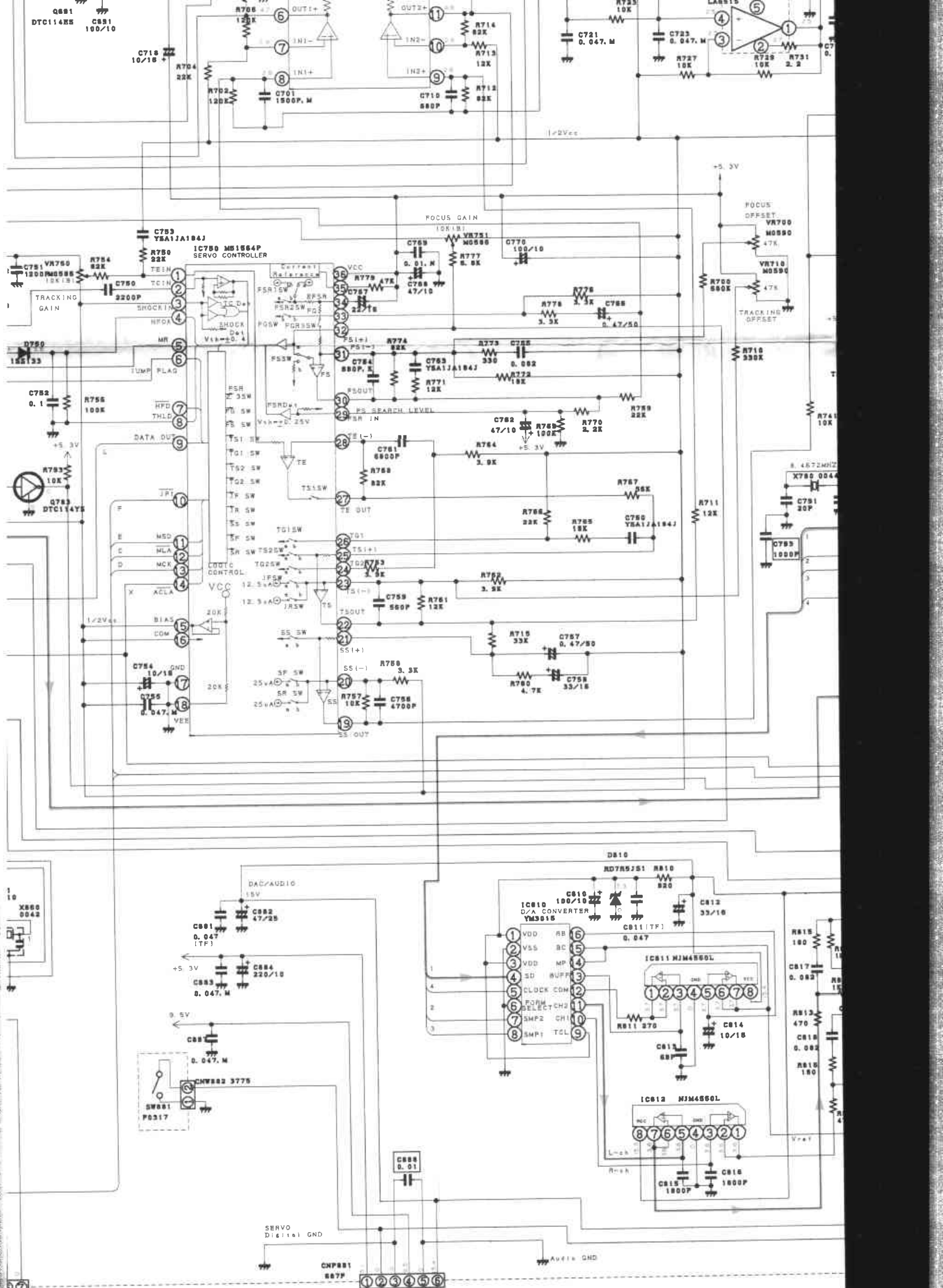
[G]

TO TUNER PWB

H,C MODELS ONLY

U,R MODELS

* All voltages are measured with a 10MΩ/DC electric volt meter.
 * Components having special characteristics are marked \triangle and must be replaced with parts having specifications equal to those originally installed.
 * Schematic diagram is subject to change without notice.



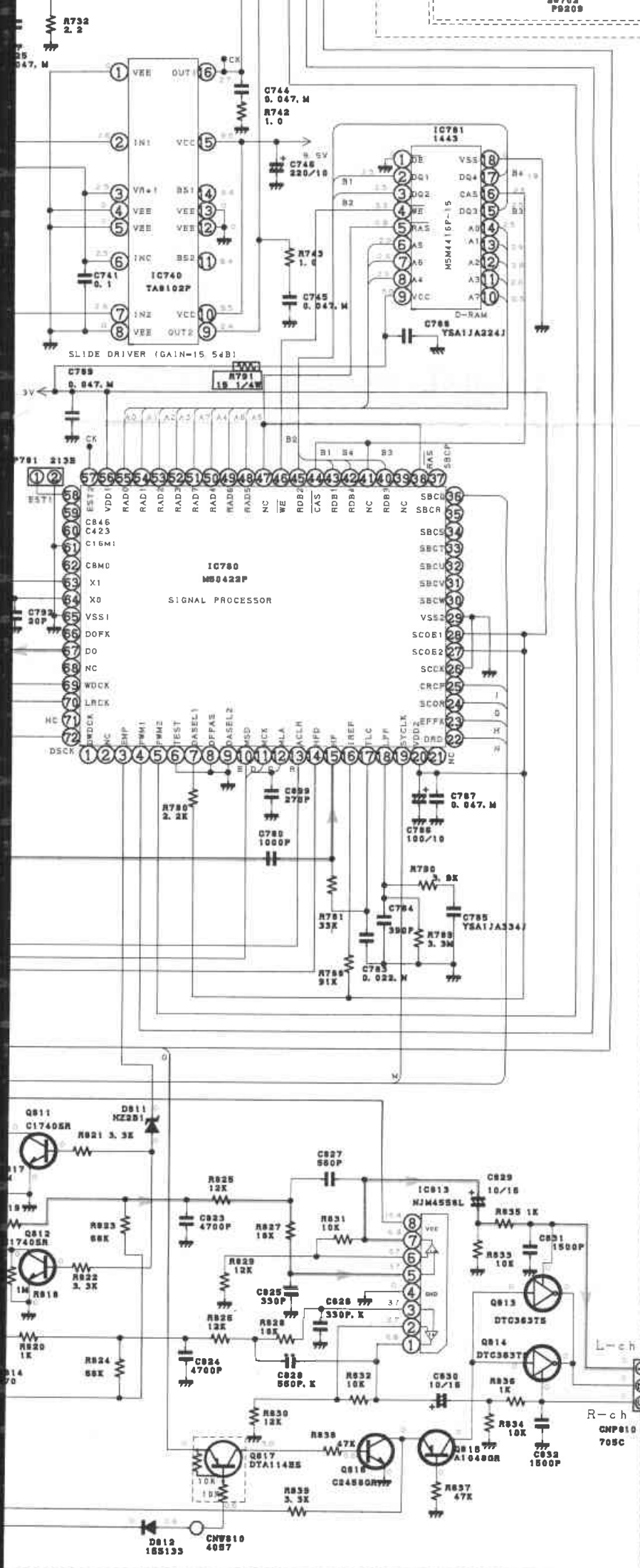
30 ONLY



PWB

[D] From POWER PWB

CD SECT



FUNCTION CD
PLAY MODE

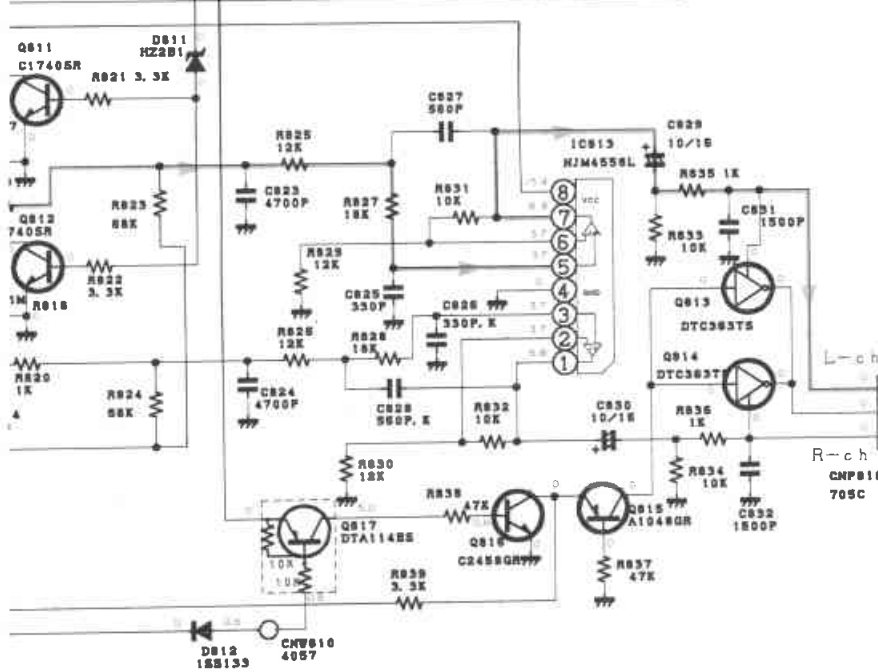
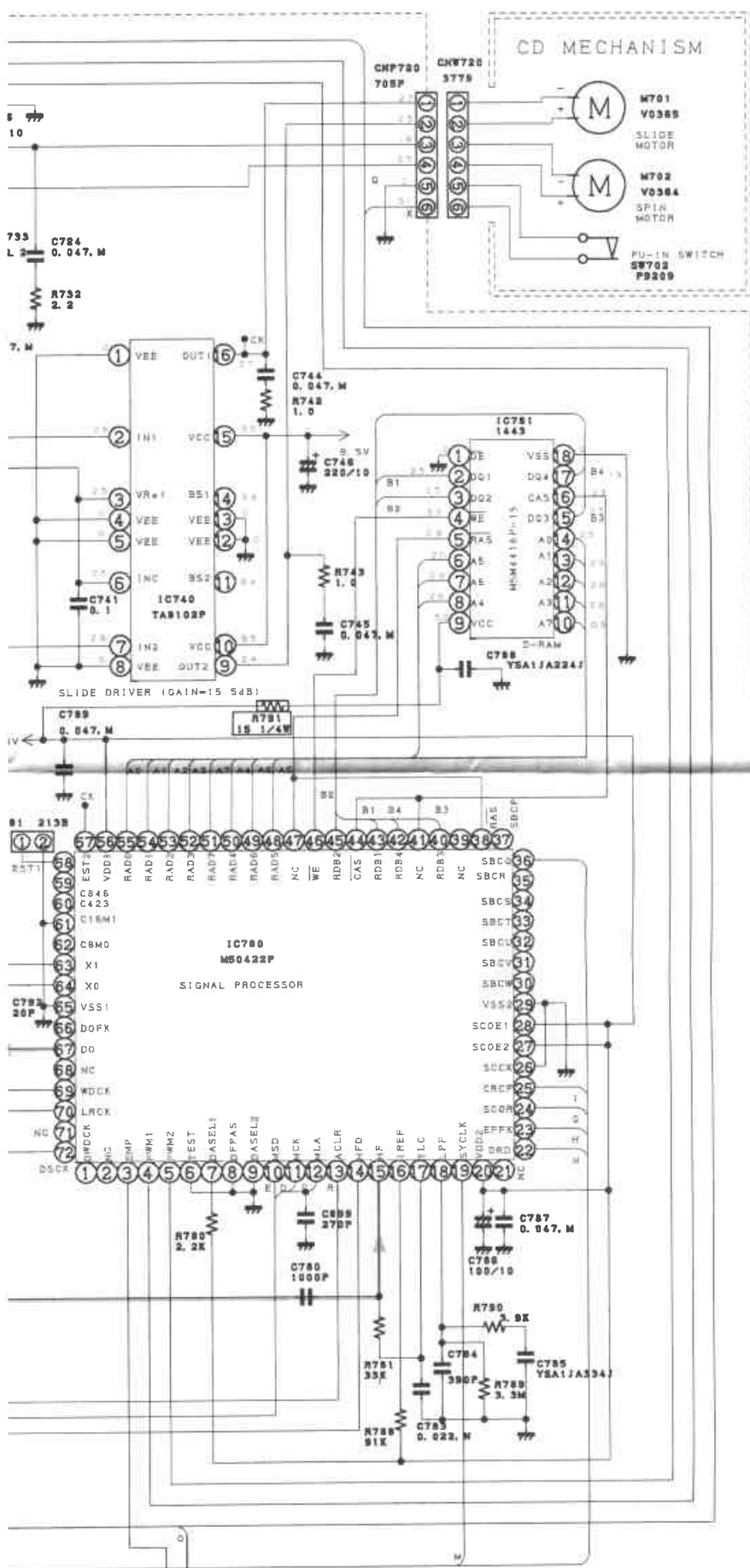
← [H]
From
DECK PWB

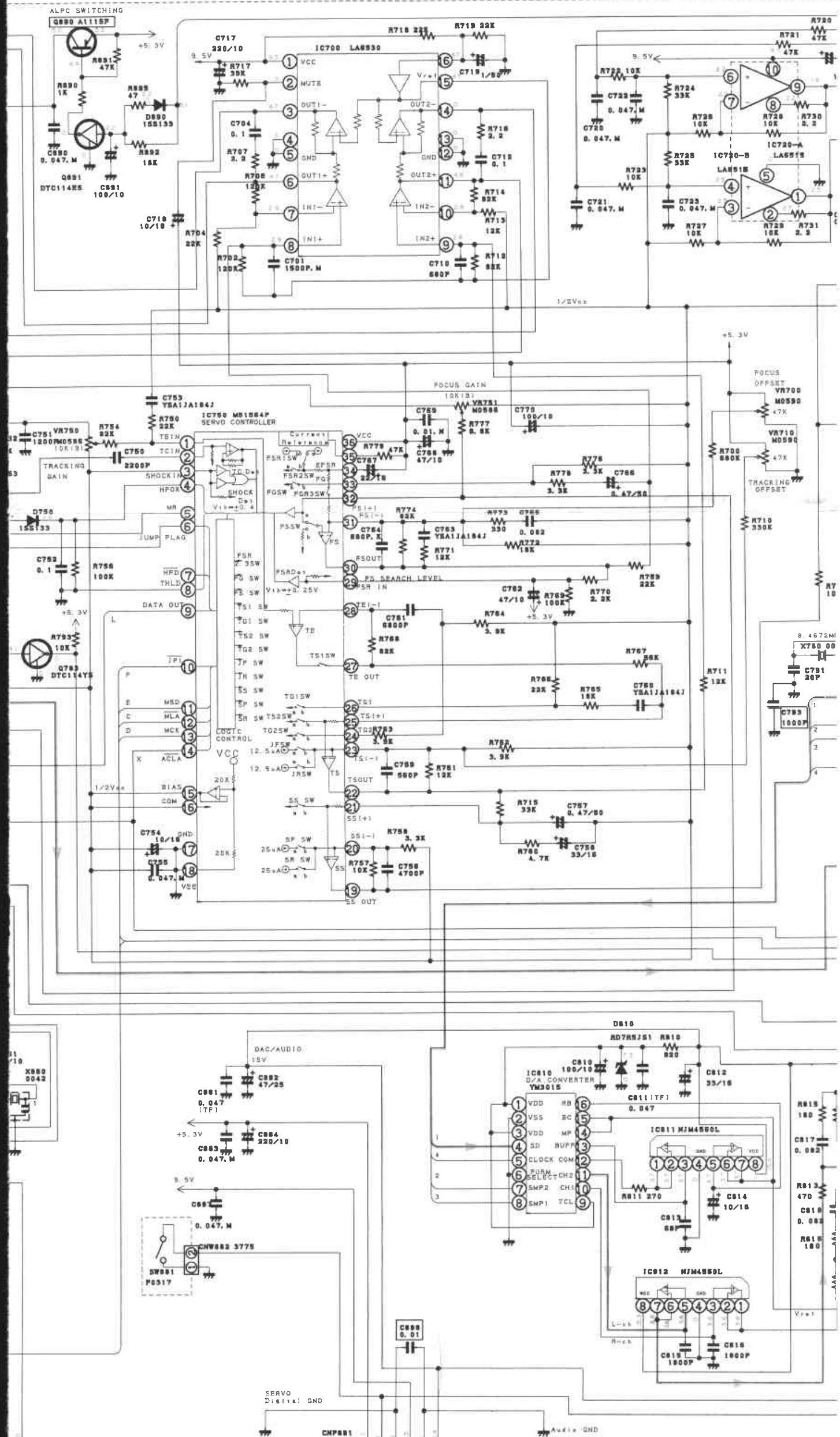
NOTE) □: Marked

	U	R	C, H, A, B, W
C793	1000P	OPEN	1000P
C888	0.01	OPEN	0.01
R791	3.9	3.9	15 1/4W (F)
Q890	2SB561C	2SB561C	2SA1115F

ION

* All voltages are measured with a 10MΩ/DC electric volt meter.
 * Components having special characteristics are marked Δ and must be replaced with parts having specifications equal to those originally installed.
 * Schematic diagram is subject to change without notice.



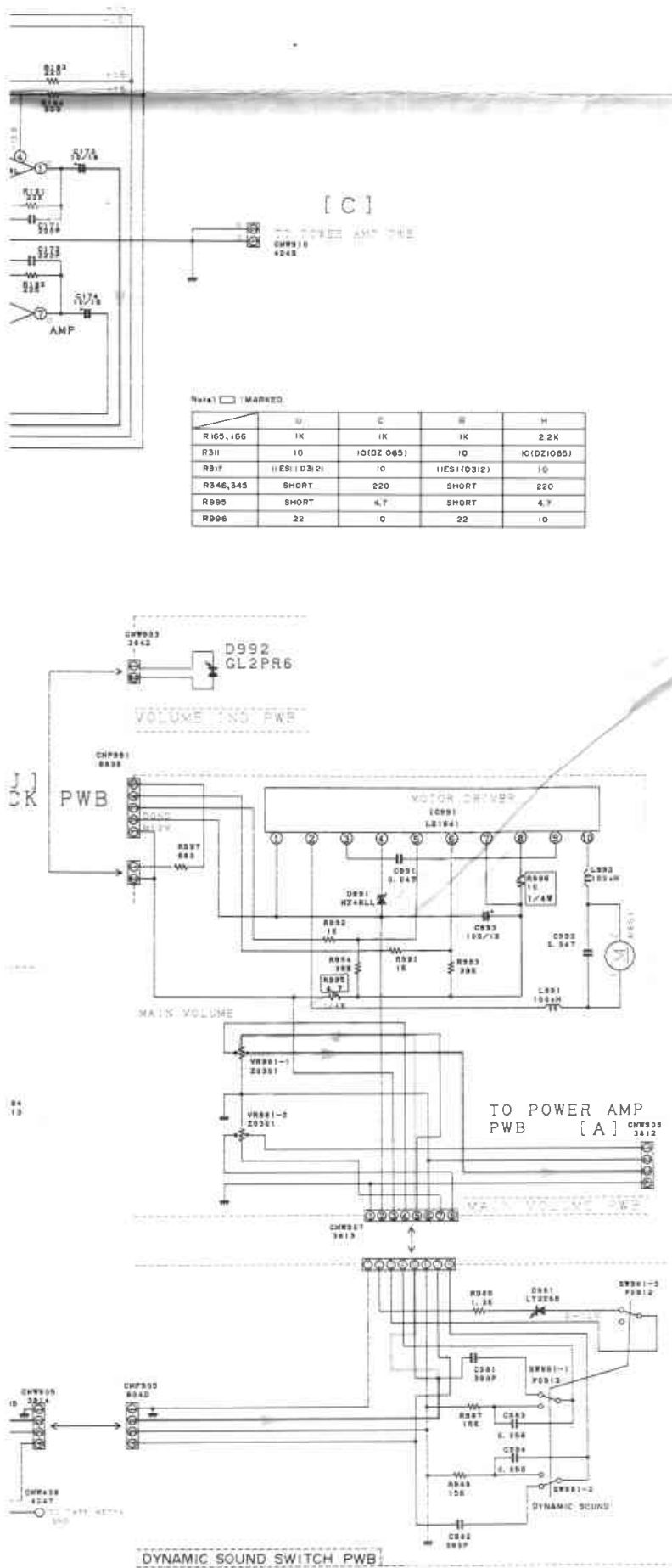


X880 0042

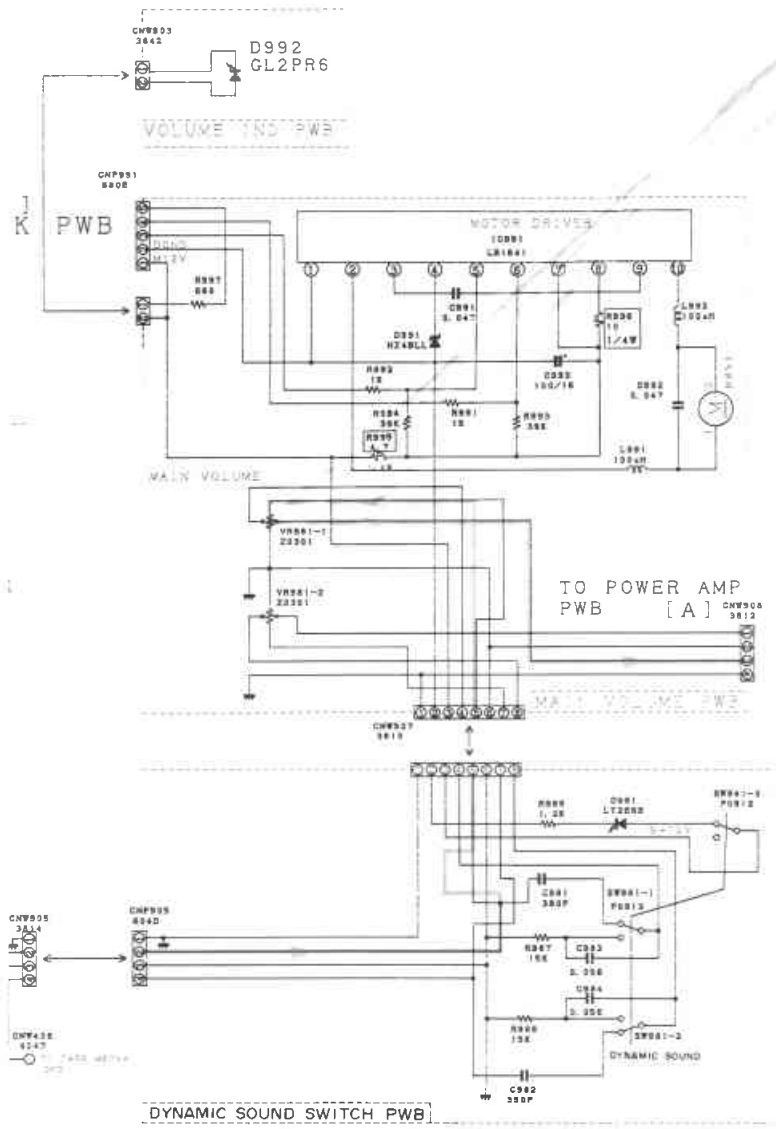
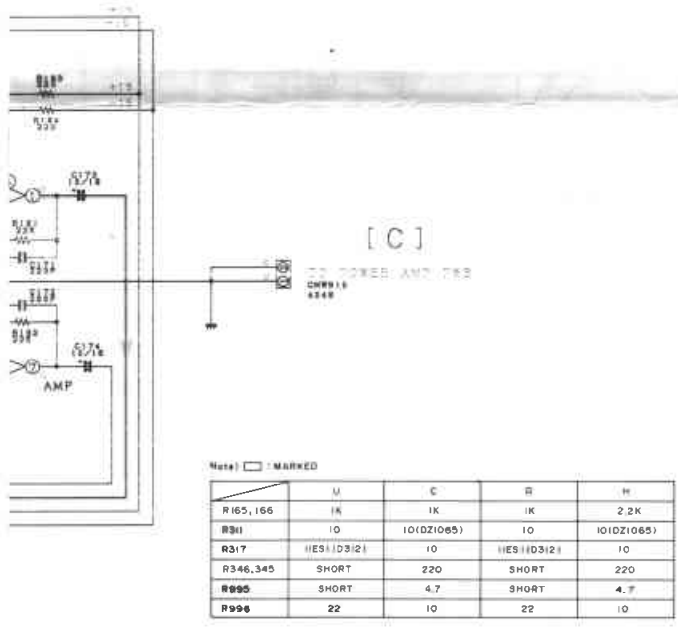
8 4672M
X780 00
C751 20P
C753 1000P

SERVO Digital GND
CNP801 RATE

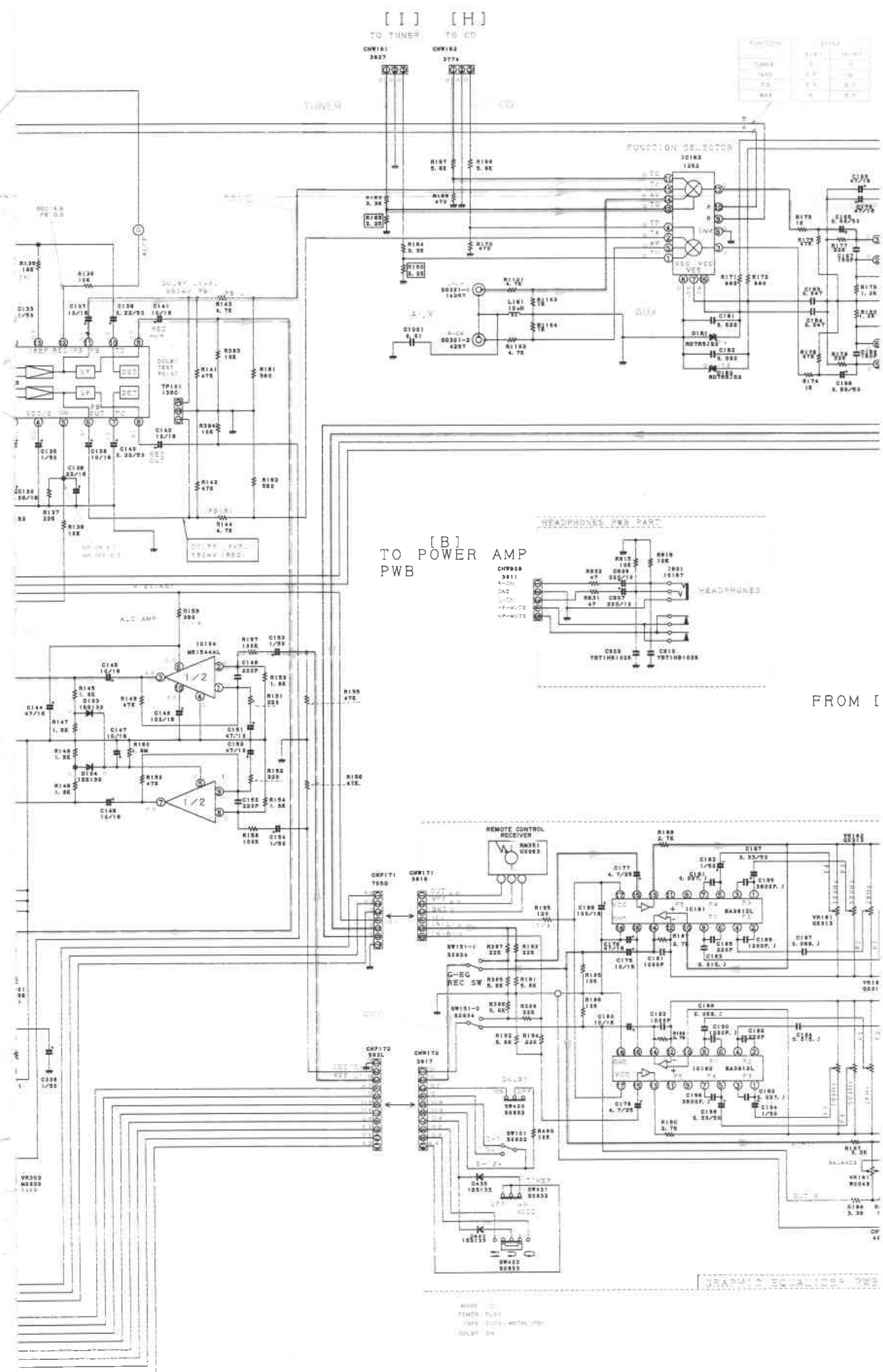
Audio GND



* All voltages are measured with a 10MΩ/DC electric volt meter.
 * Components having special characteristics are marked and must be replaced with parts having specifications equal to those originally installed.
 * Schematic diagram is subject to change without notice.



* All voltages are measured with a 10MΩ/DC electric volt meter.
 * Components having special characteristics are marked Δ and must be replaced with parts having specifications equal to those originally installed.
 * Schematic diagram is subject to change without notice.

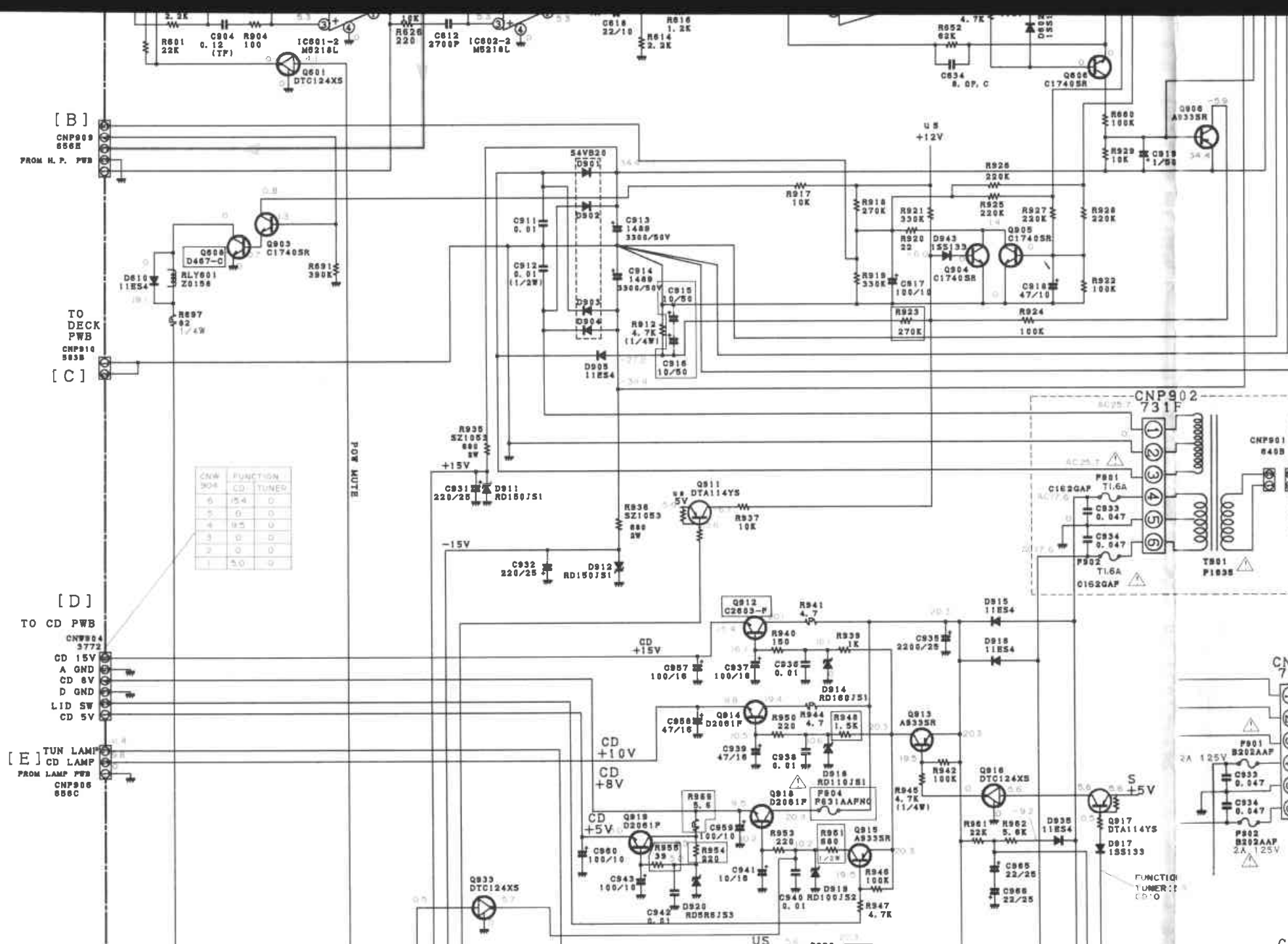


[B]
TO POWER AMP
PWB

FROM I

GRAPHIC EQUALIZER PWB

NOTE:
TEMP. PLOT
PARTS LIST
SHEET 104



[B]
CNP909
856Z
FROM H. P. PWB

TO DECK
PWB
CNP910
593B
[C]

[D]
TO CD PWB
CNP904
377Z
CD 15V
A GND
CD 6V
D GND
LID SW
CD 5V

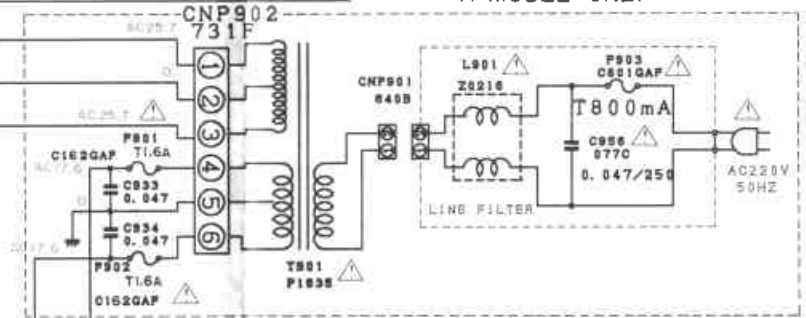
[E]
TUN LAMP
CD LAMP
FROM LAMP PWB
CNP906
856C

CNP 904	FUNCTION
6	CD TUNER
5	0 0
4	0 0
3	0 0
2	0 0
1	0 0

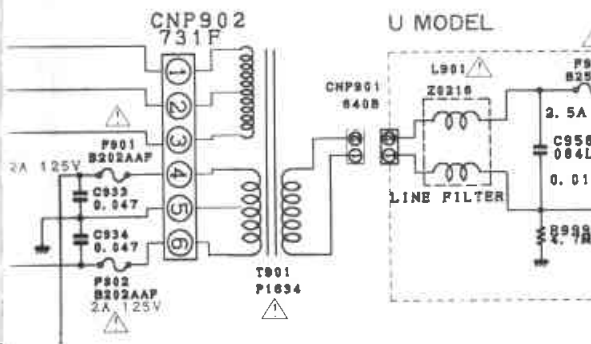
Note) MARKED

	U	C
F904	SHORT	K901AAFNX (800mA)
R679	10C	47
R680	SHORT	47
R923	270K	270K
R948	3.3K	1.5K
R951	1.5K	680
R954	1K	220
R955	150	39
R956	1.0	15
R969	SHORT	5.6
C653, 654	SHORT	0.047(TF)
C915	10/50	10/50
C916	10/50	10/50
C962	47/16	100/16
C964	SHORT	100/16
Q608	25C2603G	25D467C
Q912	25C1740SR	25C2603F

H MODEL ONLY

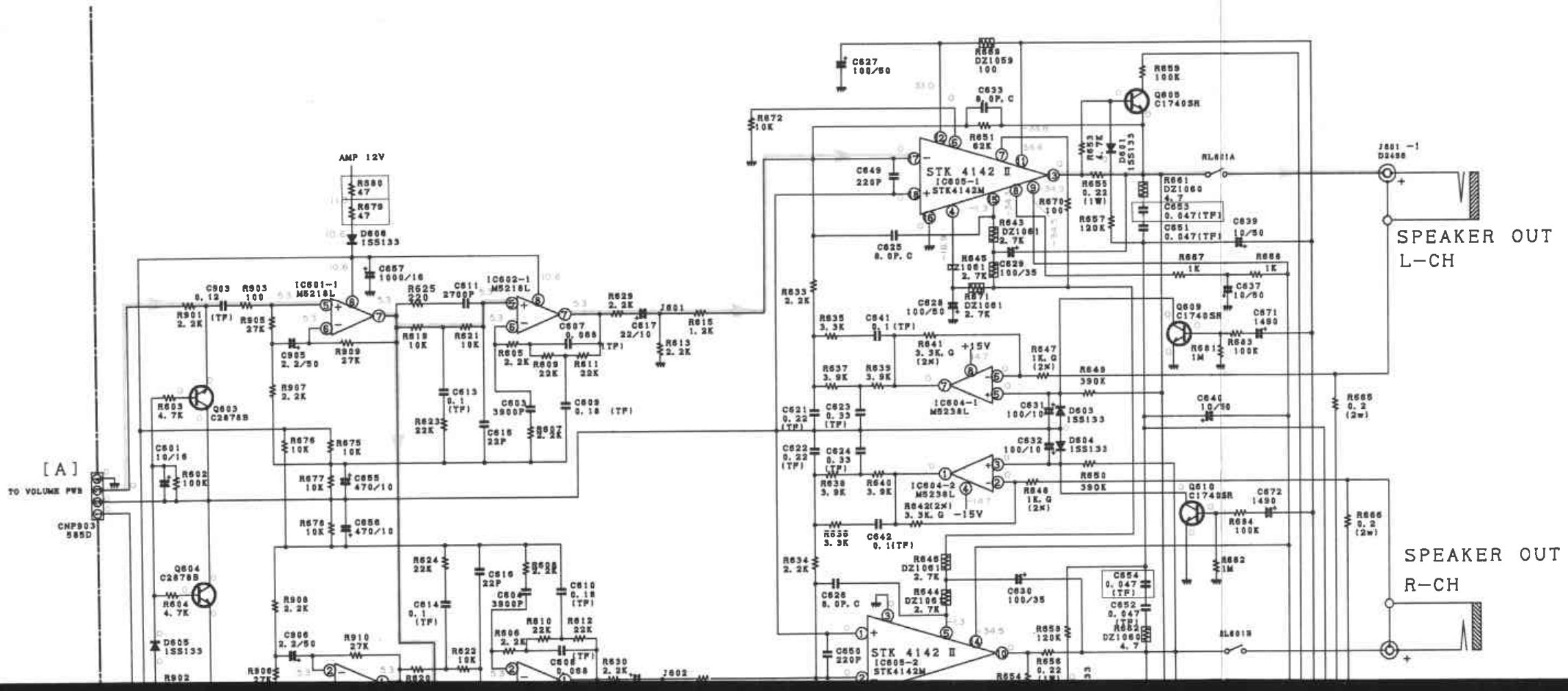


U MODEL

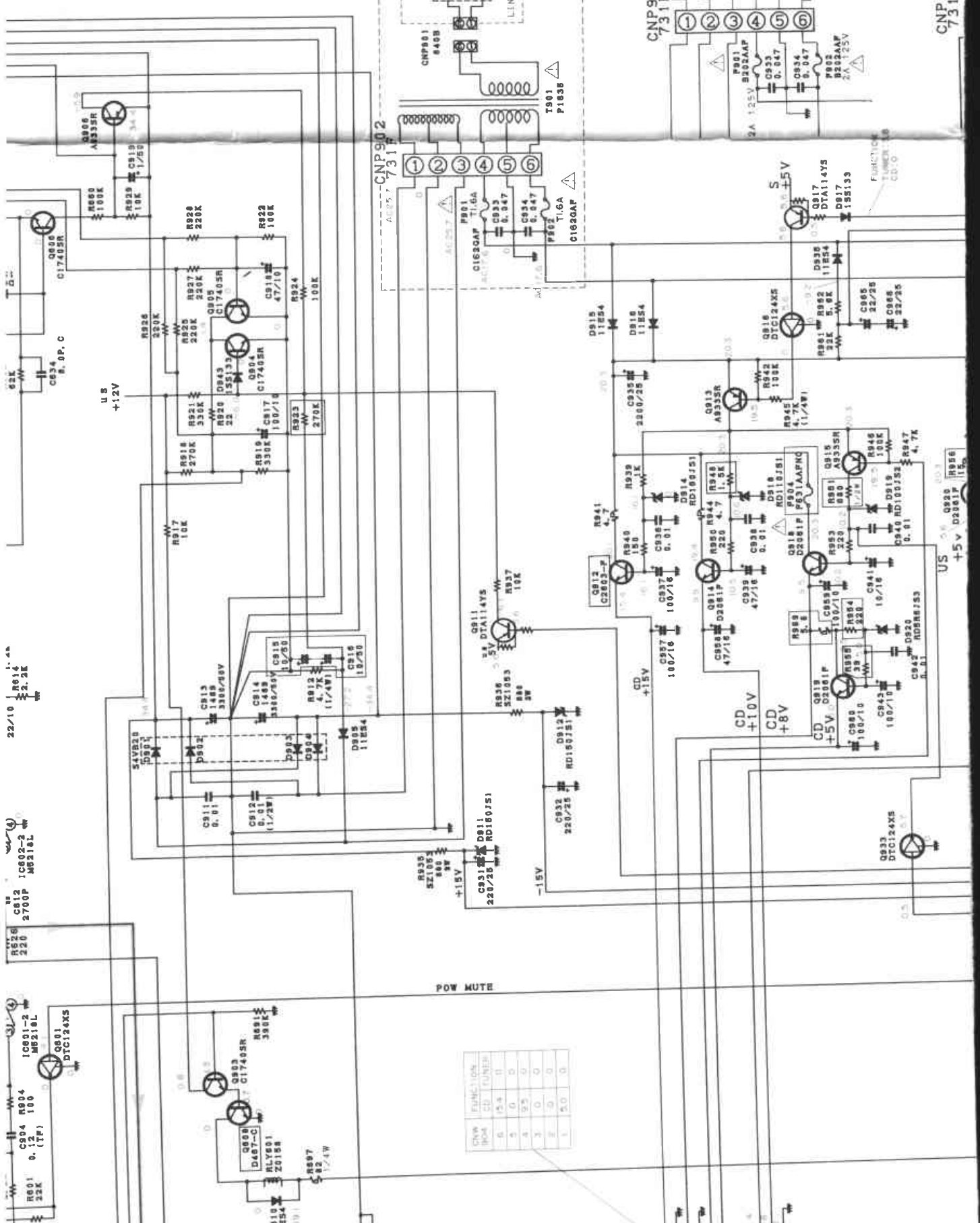


CNP902

C MODEL



F904	U	C	R	H
F904	SHORT	K80IAFNK (800mA)	SHORT	F63IAFNC
R679	100	47	100	47
R680	SHORT	47	SHORT	47
R923	270K	270K	330K	270K
R948	3.3K	1.5K	3.3K	1.5K
R951	1.5K	680	1.5K	680
R954	1K	220	1K	220
R955	150	39	150	39
R956	10	15	10	15
R969	SHORT	56	SHORT	0.047(TF)
C653, 654	SHORT	0.047(TF)	SHORT	0.047(TF)
C915	10/50	10/50	4.7/50	10/50
C916	10/80	10/80	SHORT	10/50
C962	47/16	100/16	47/16	100/16
C964	SHORT	100/16	SHORT	100/16
Q608	25C2603G	2SD467C	25C2603G	2SD467C
Q912	25C1740SR	25C2603F	25C1740SR	25C2603F



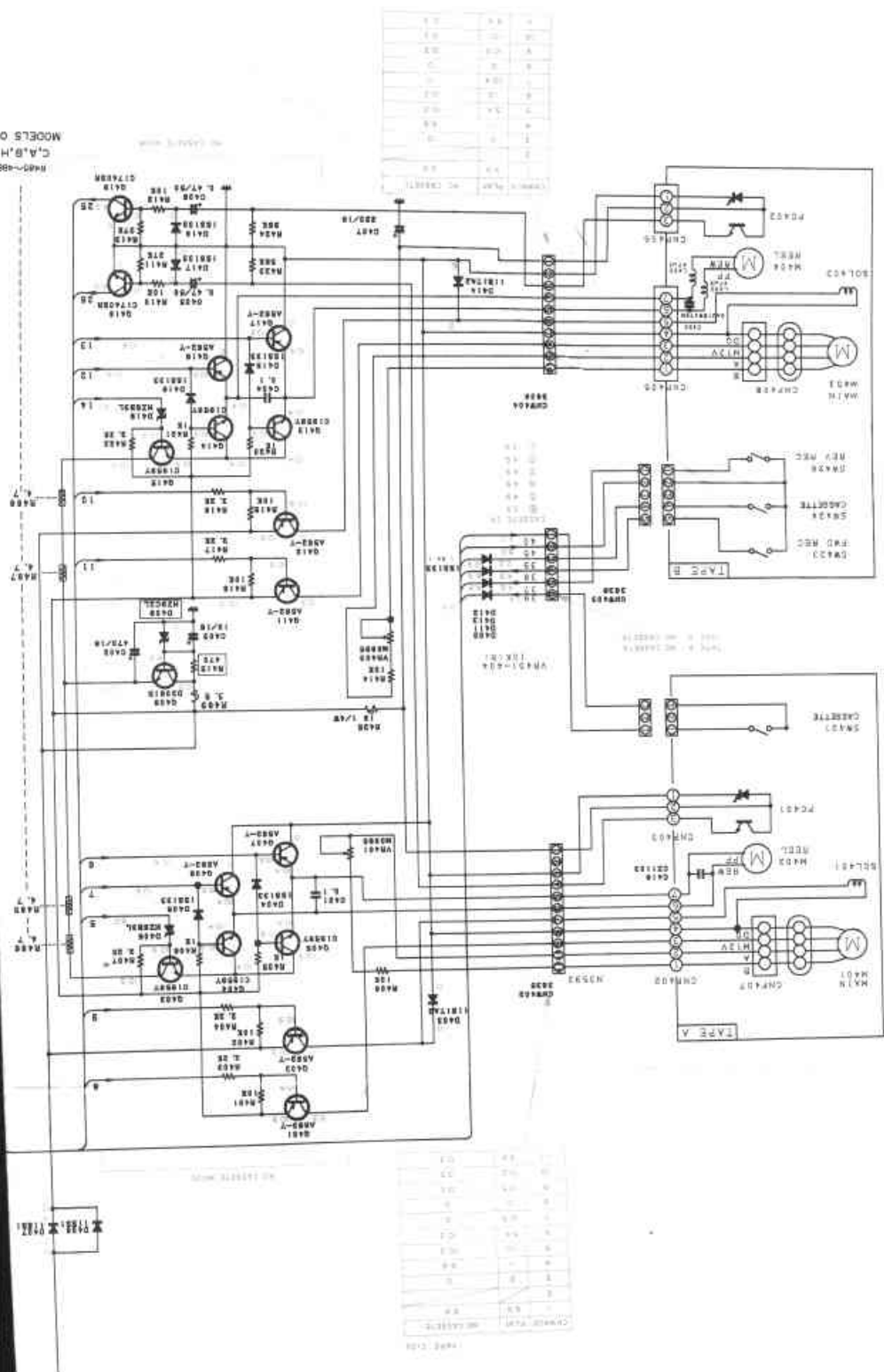
H MODEL ONLY

U MODEL

C MODEL

SWA	FUNCTION
1	CD TUNER
2	CD TUNER
3	CD TUNER
4	CD TUNER
5	CD TUNER
6	CD TUNER
7	CD TUNER
8	CD TUNER
9	CD TUNER
10	CD TUNER
11	CD TUNER
12	CD TUNER
13	CD TUNER
14	CD TUNER
15	CD TUNER
16	CD TUNER
17	CD TUNER
18	CD TUNER
19	CD TUNER
20	CD TUNER
21	CD TUNER
22	CD TUNER
23	CD TUNER
24	CD TUNER
25	CD TUNER
26	CD TUNER
27	CD TUNER
28	CD TUNER
29	CD TUNER
30	CD TUNER
31	CD TUNER
32	CD TUNER
33	CD TUNER
34	CD TUNER
35	CD TUNER
36	CD TUNER
37	CD TUNER
38	CD TUNER
39	CD TUNER
40	CD TUNER
41	CD TUNER
42	CD TUNER
43	CD TUNER
44	CD TUNER
45	CD TUNER
46	CD TUNER
47	CD TUNER
48	CD TUNER
49	CD TUNER
50	CD TUNER
51	CD TUNER
52	CD TUNER
53	CD TUNER
54	CD TUNER
55	CD TUNER
56	CD TUNER
57	CD TUNER
58	CD TUNER
59	CD TUNER
60	CD TUNER
61	CD TUNER
62	CD TUNER
63	CD TUNER
64	CD TUNER
65	CD TUNER
66	CD TUNER
67	CD TUNER
68	CD TUNER
69	CD TUNER
70	CD TUNER
71	CD TUNER
72	CD TUNER
73	CD TUNER
74	CD TUNER
75	CD TUNER
76	CD TUNER
77	CD TUNER
78	CD TUNER
79	CD TUNER
80	CD TUNER
81	CD TUNER
82	CD TUNER
83	CD TUNER
84	CD TUNER
85	CD TUNER
86	CD TUNER
87	CD TUNER
88	CD TUNER
89	CD TUNER
90	CD TUNER
91	CD TUNER
92	CD TUNER
93	CD TUNER
94	CD TUNER
95	CD TUNER
96	CD TUNER
97	CD TUNER
98	CD TUNER
99	CD TUNER
100	CD TUNER

SCHEMATIC DIAGRAM (Tape Control Section)



Model	U.B.	H.W.B.C.A.
Part No.	H2951L	H2952L
Part No.	680	470

7

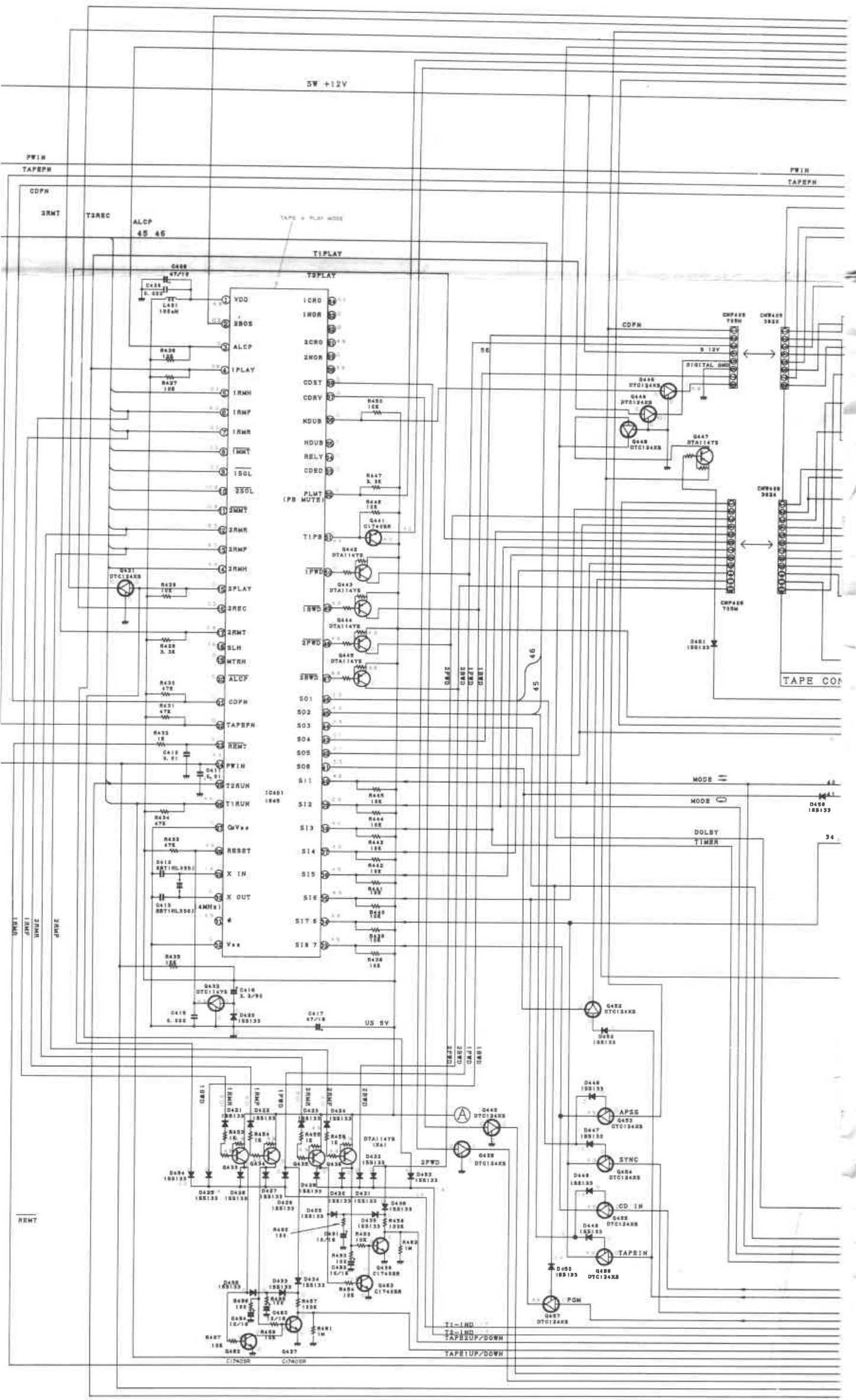
6

5

4

3

1



SCHEMATIC DIAGRAM (Tape Control Section)

1

3

4

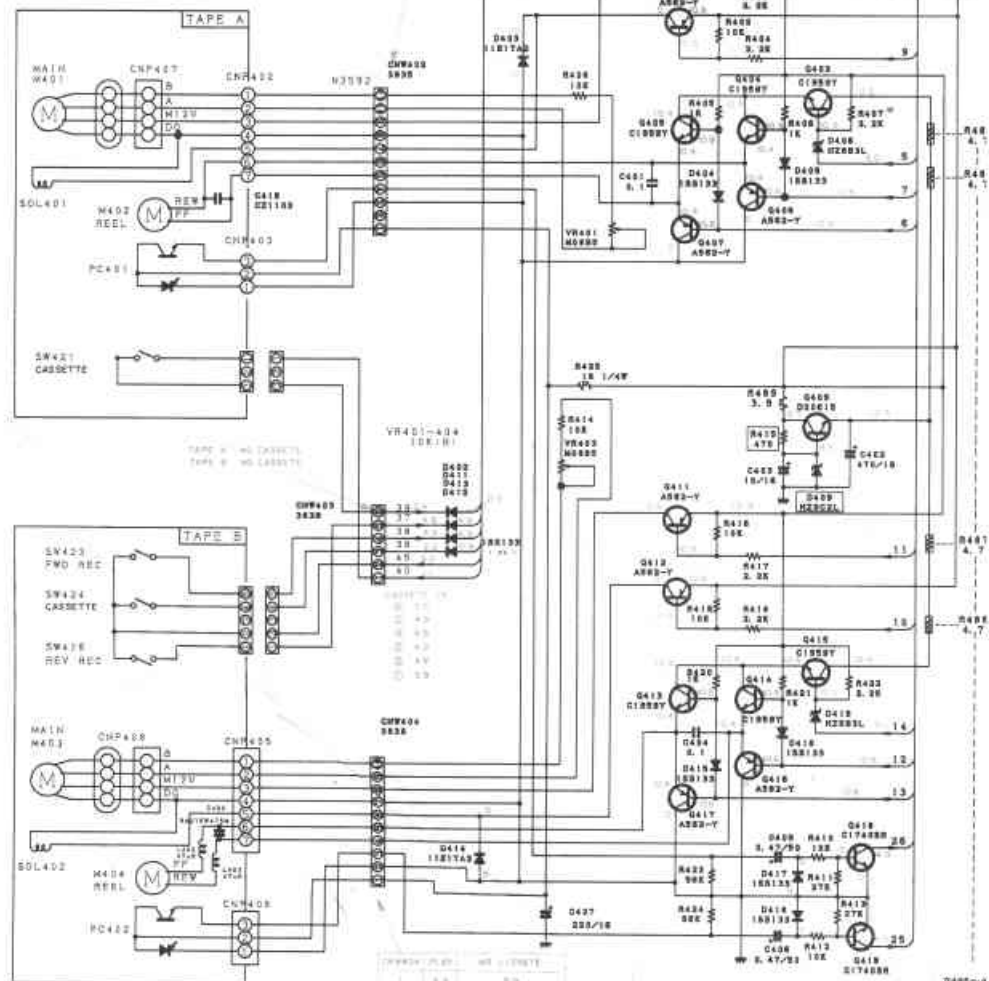
5

6

7

TAPE 000

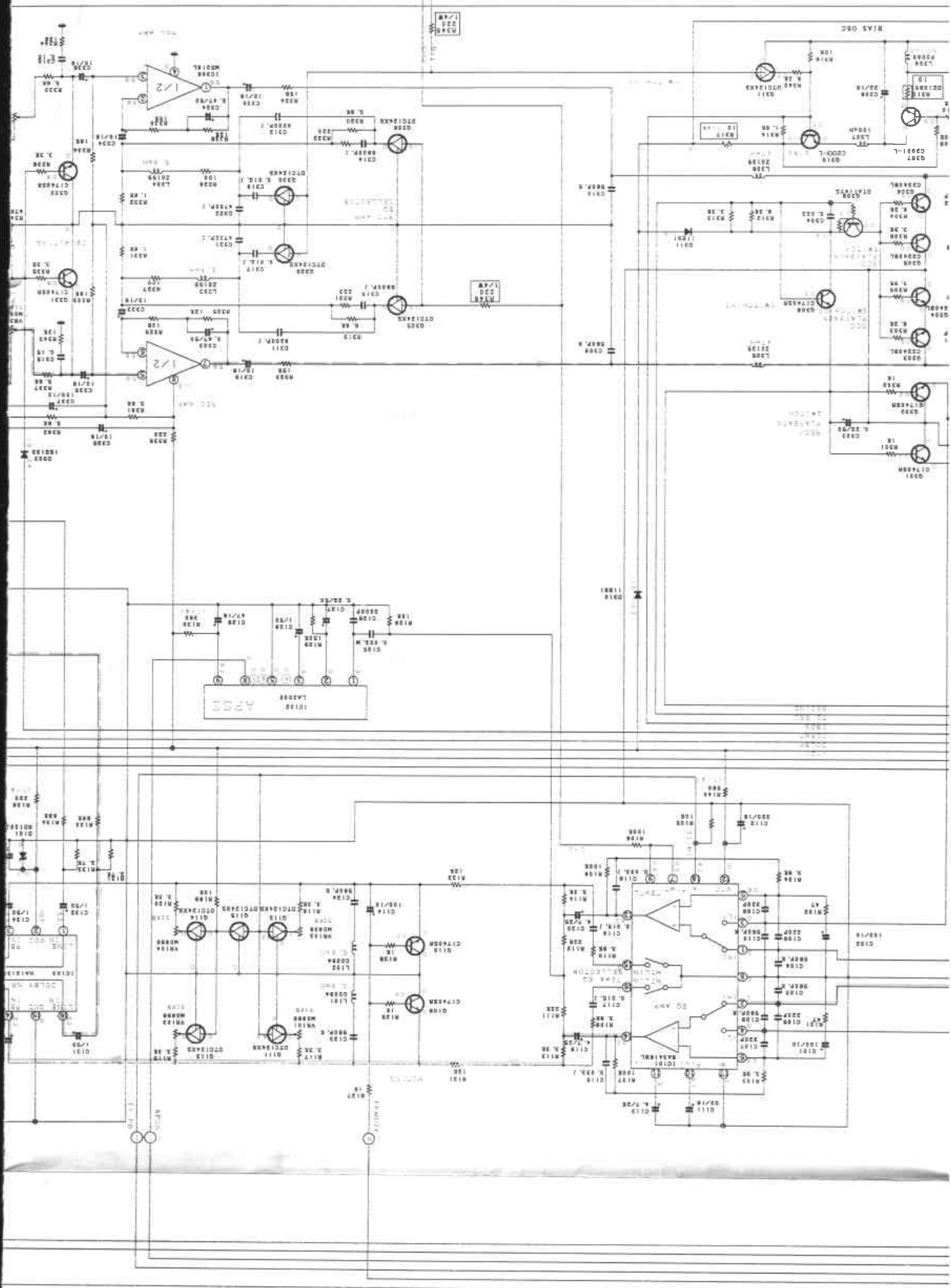
CHANGE PLUG	RESISTANCE
1	0.0
2	0.0
3	0.0
4	0.0
5	1.0
6	2.0
7	5.0
8	10.0
9	20.0
10	50.0
11	100.0



Note: MARKED

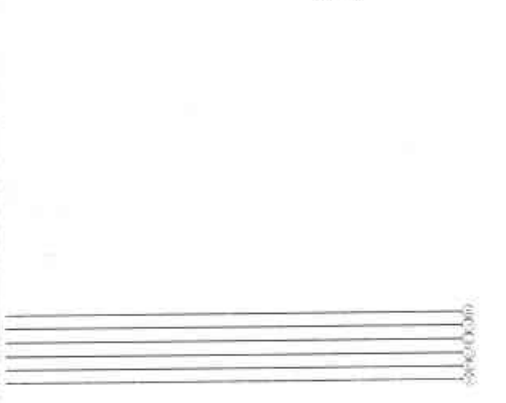
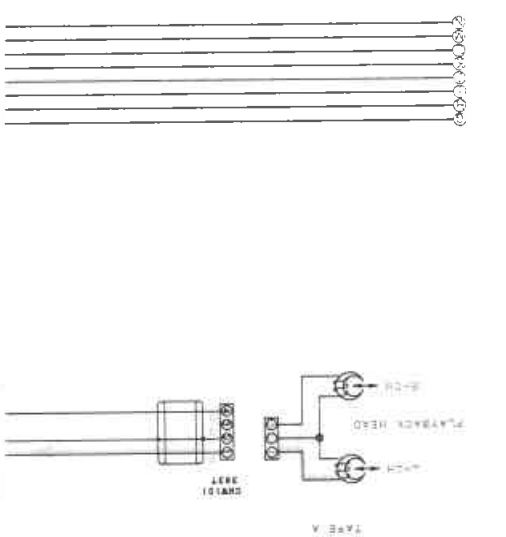
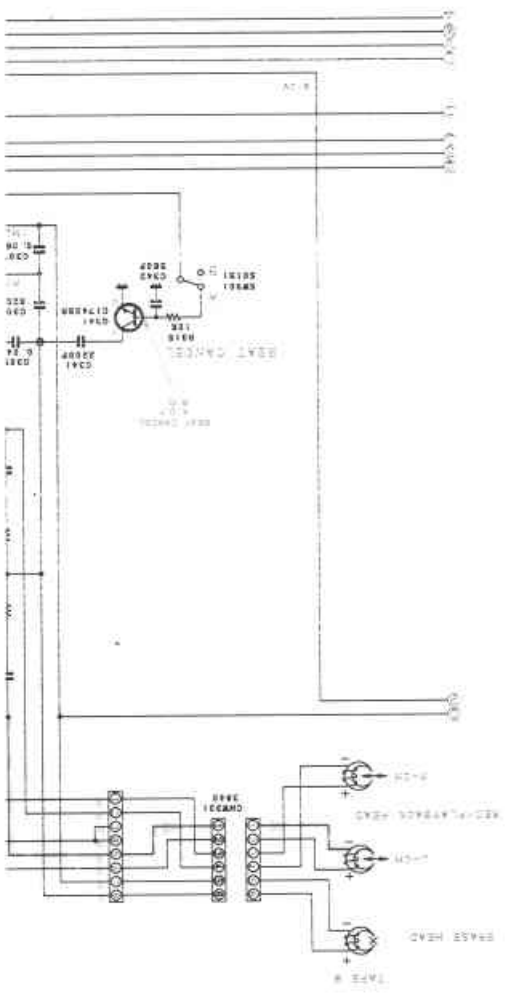
	U, R	H, W, B, C, A
D409	HZ991L	HZ9C2L
R415	680	*70

D485-4
C, A, B,
MODELS



■ SCHEMATIC DIAGRAM (AST-C30: Tape & Amp)

AST-C30/C10



7

6

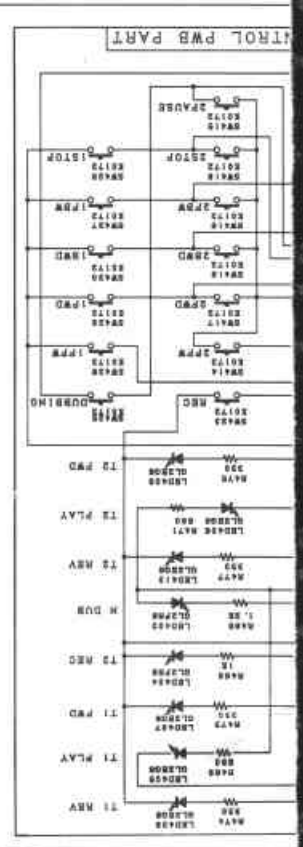
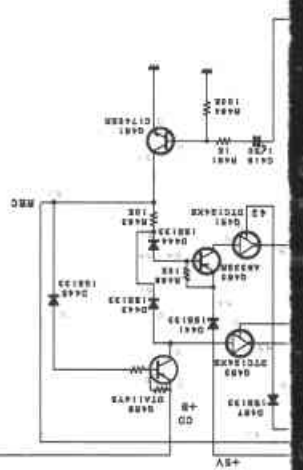
5

4

3

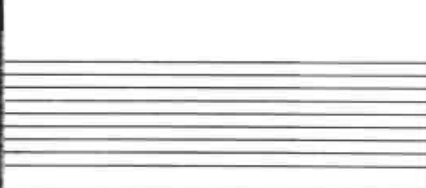
2

1

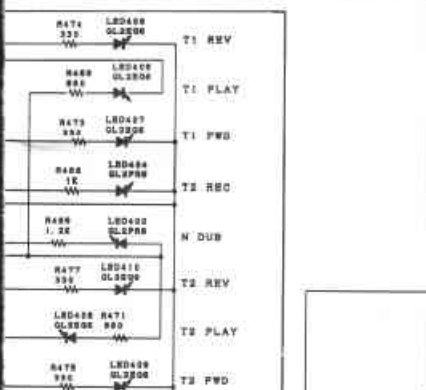
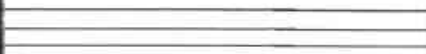


AST-C30/C10

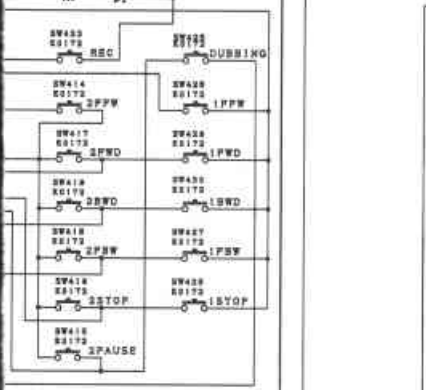
■ SCHEMATIC DIAGRAM (AST-C30: Tape & Am



1



2

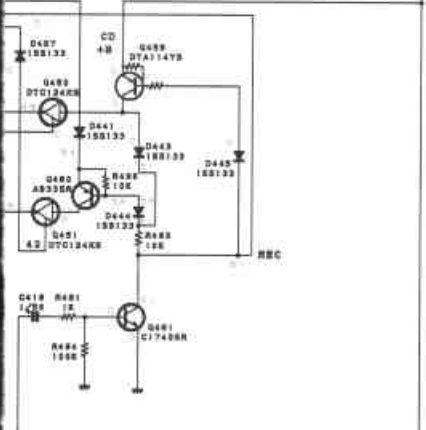


3

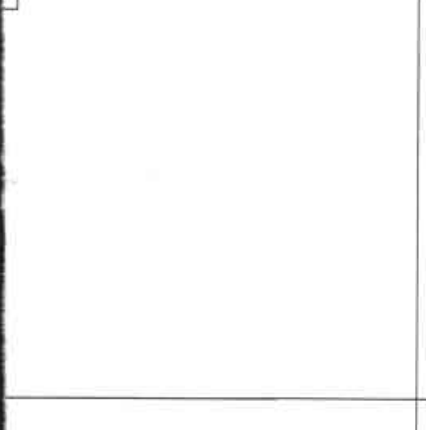


CONTROL PWB PART

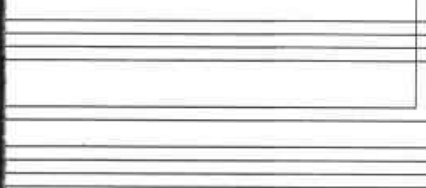
4



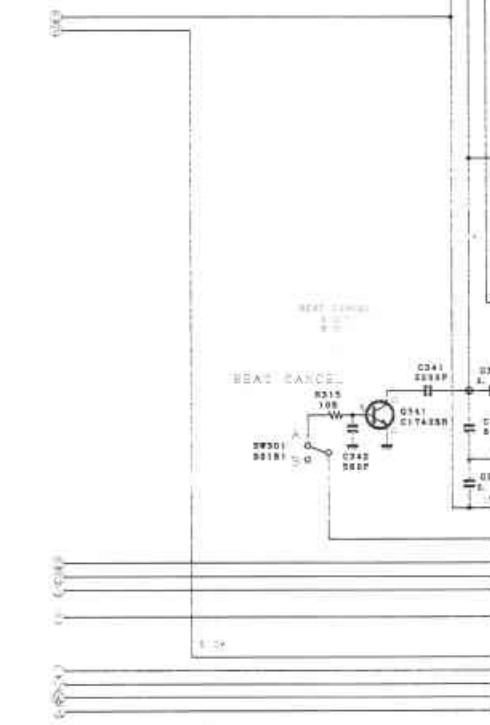
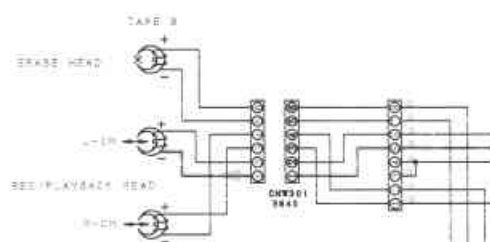
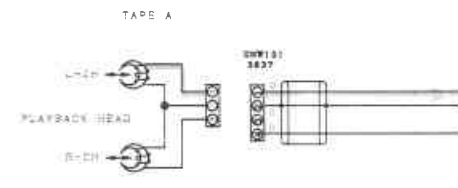
5

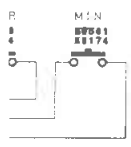
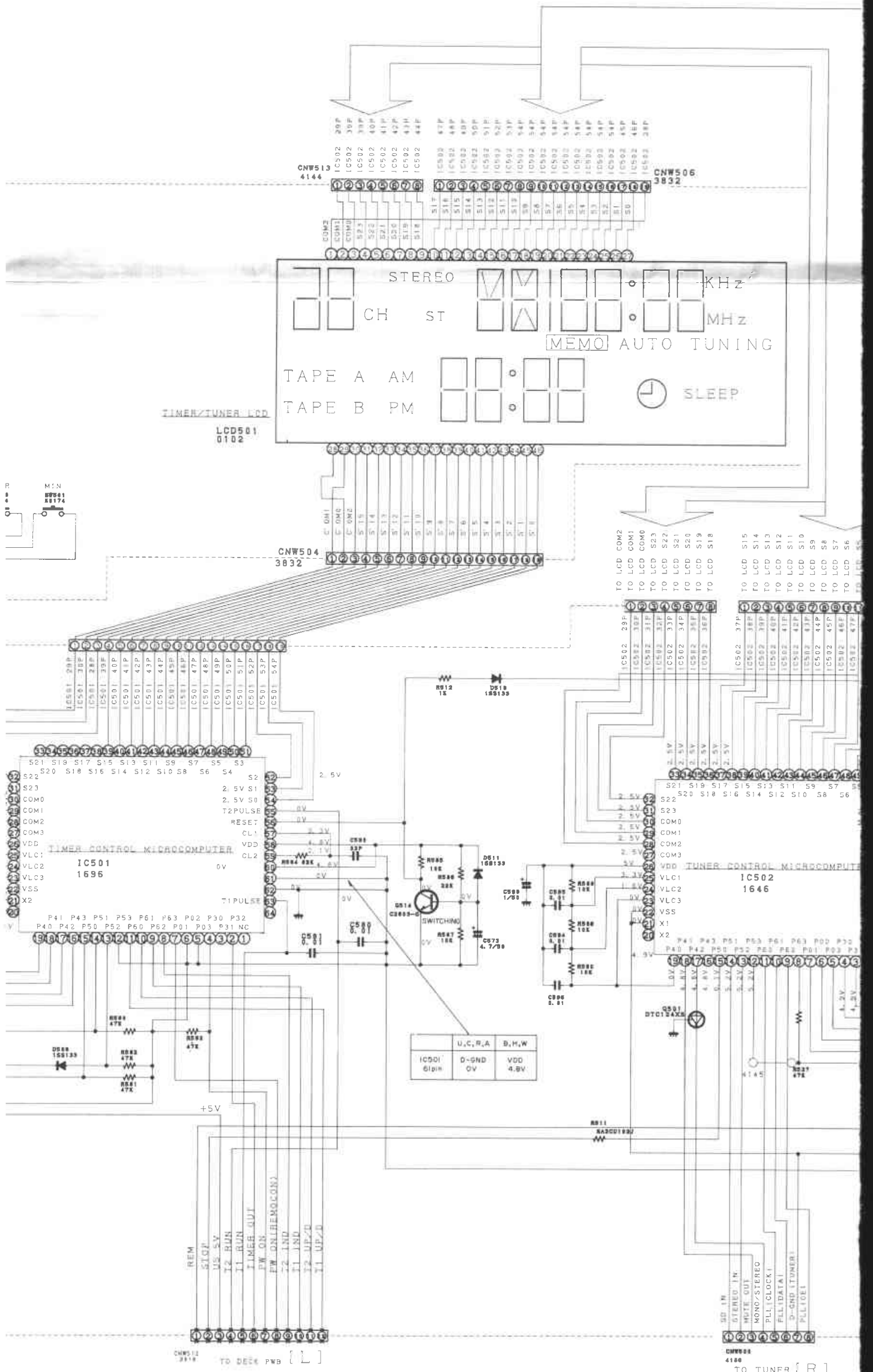


6



7





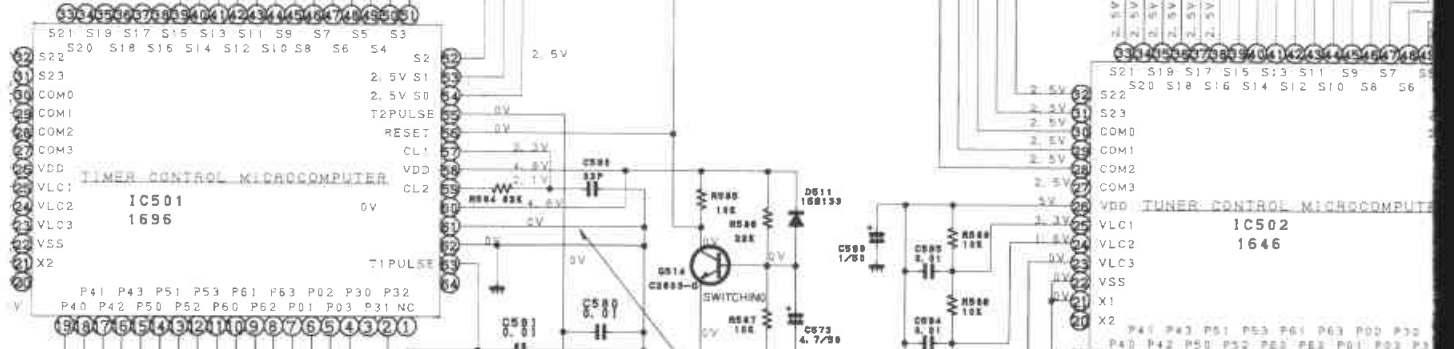
TIMER/TUNER LCD
LCD501
0102

CNWS11
3814 TO DECK PWB [L]

CNWS08
4180 TO TUNER [R]

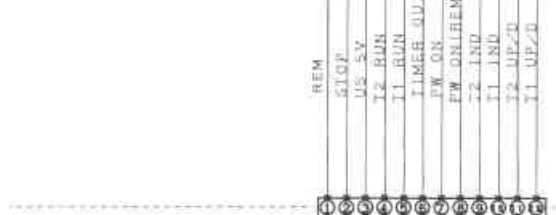
IC501	U,C,R,A	D,H,W
010H	0-SND	VDD 4.5V

SD, SW
STEREO IN
MUTE OUT
MONO/STEREO
PLL CLOCK I
PLL/DATA I
D-SND ITUNER I
PLL/DET I



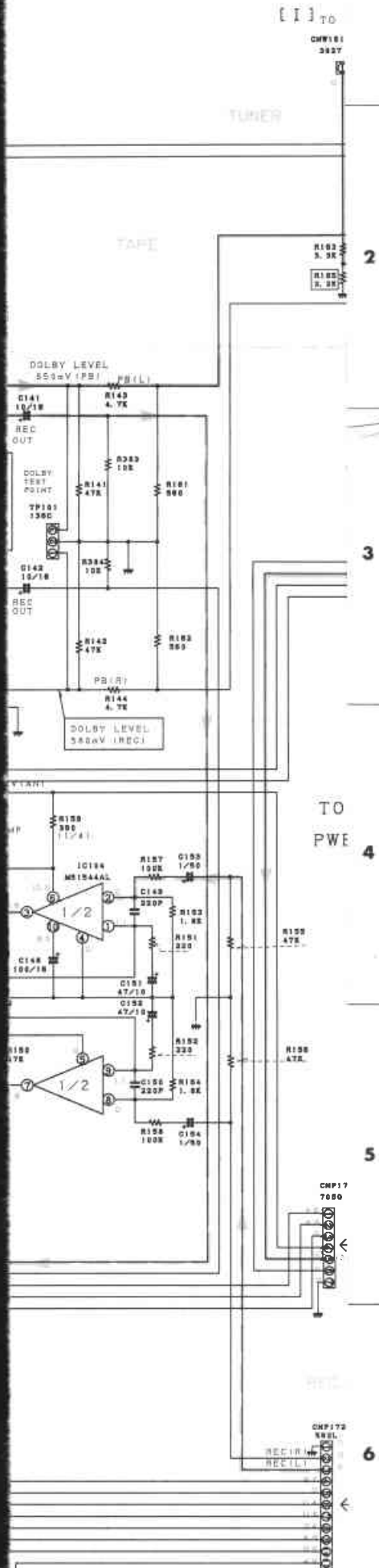
TIMER CONTROL MICROCOMPUTER
IC501
1696

TUNER CONTROL MICROCOMPUTER
IC502
1646

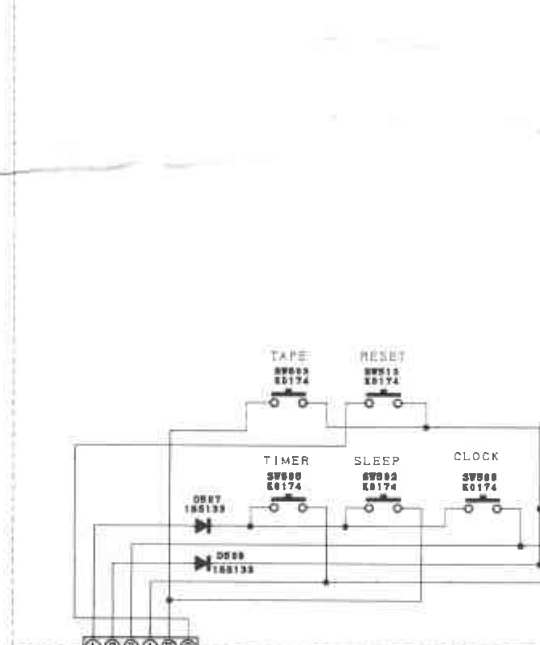


SD, SW
STEREO IN
MUTE OUT
MONO/STEREO
PLL CLOCK I
PLL/DATA I
D-SND ITUNER I
PLL/DET I

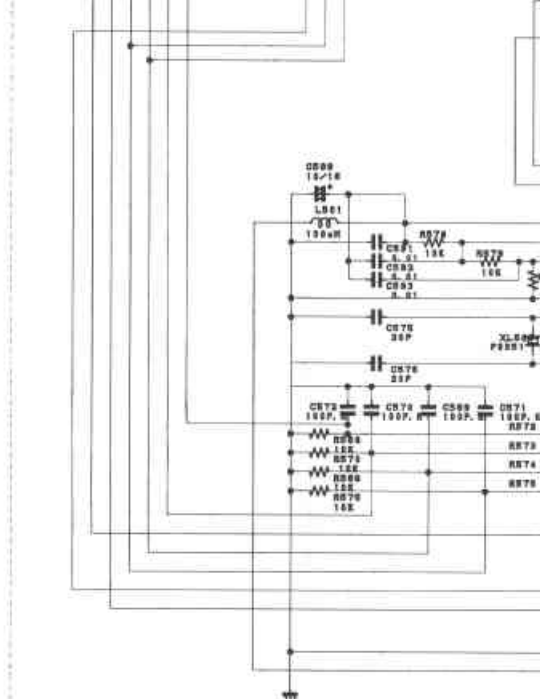
SCHEMATIC DIAGRAM (Display Control Section)



LCD CONTROL SWITCH PART



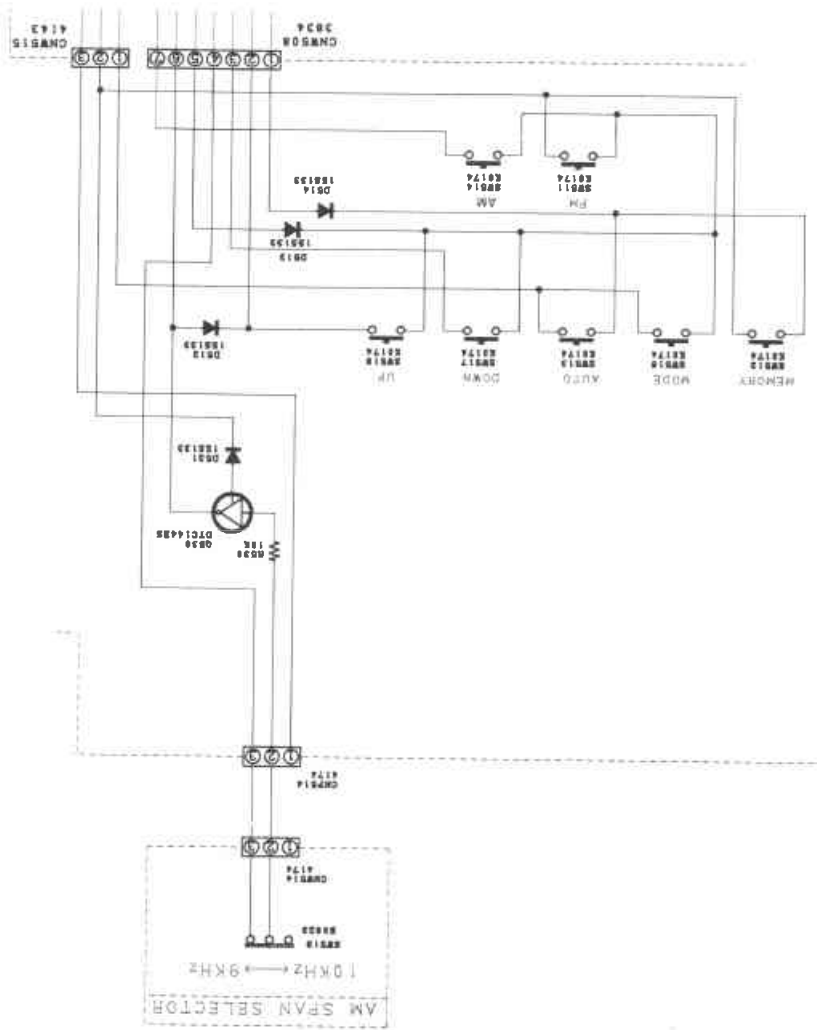
POWER SWITCH



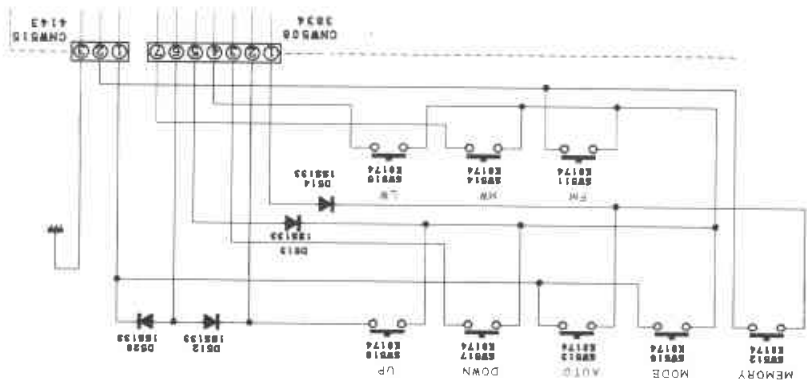
CONTROL MUCON PART



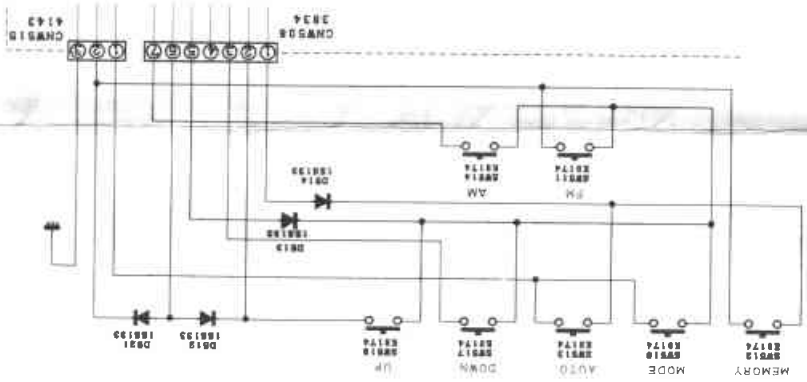
* All voltages are measured with a 10M Ω /DC electric volt meter.
 * Components having special characteristics are marked ∇ and must be replaced with parts having specifications equal to those originally installed.
 * Schematic diagram is subject to change without notice.



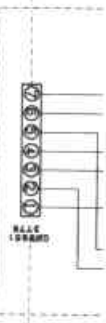
R MODEL

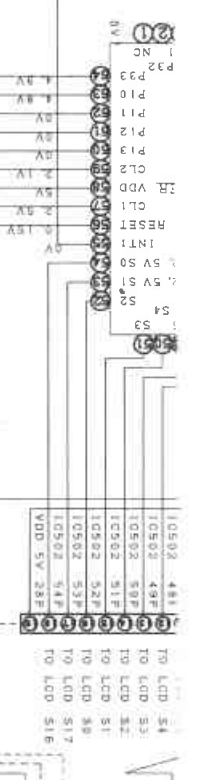
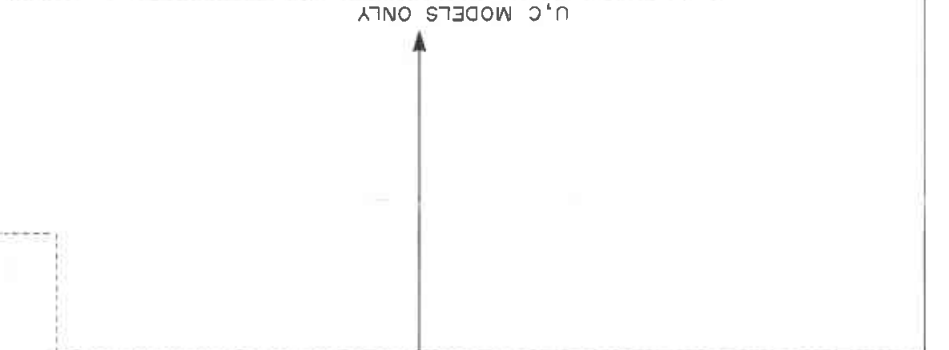
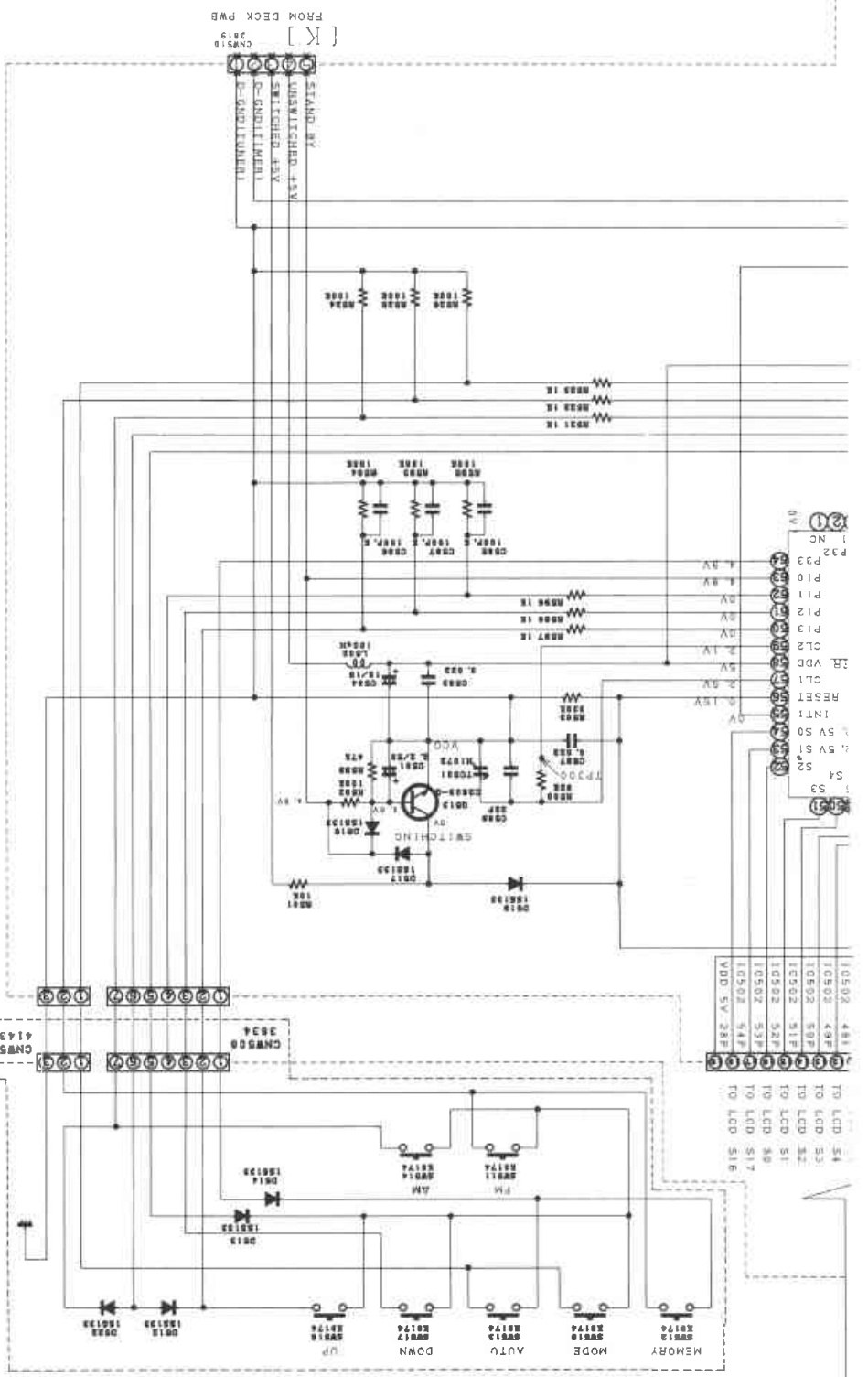
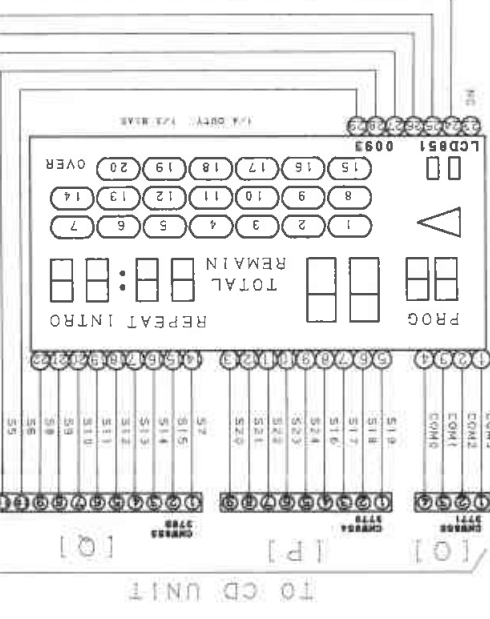
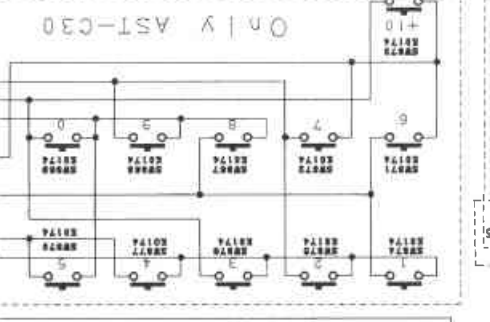
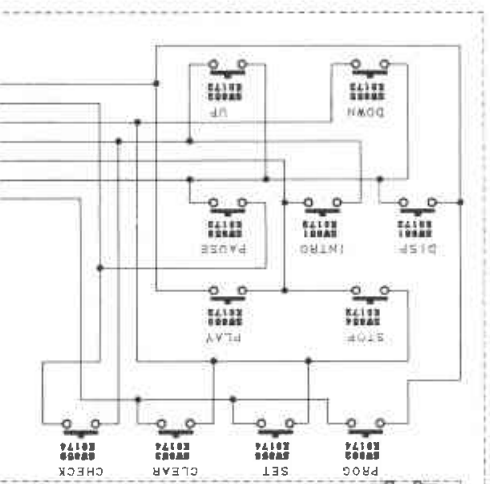
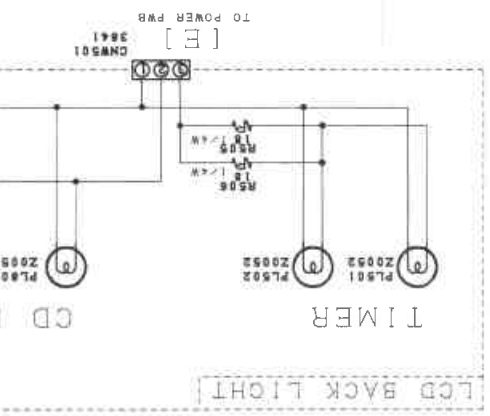


B,H,W MODELS

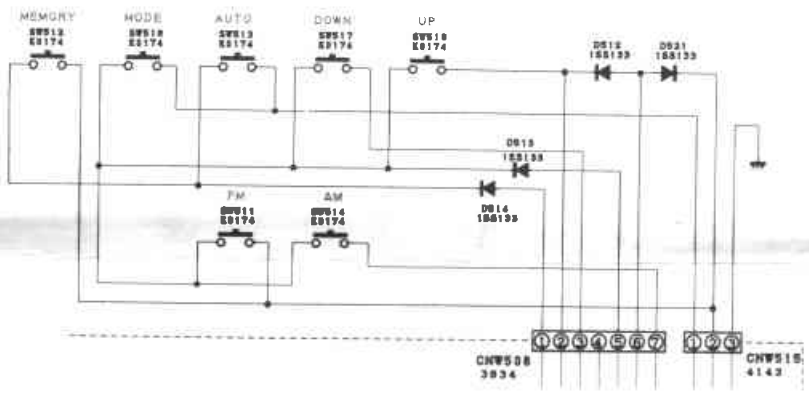


A MODEL

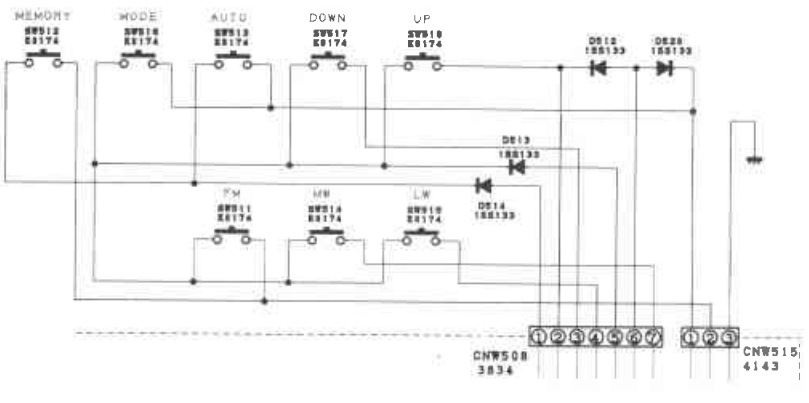




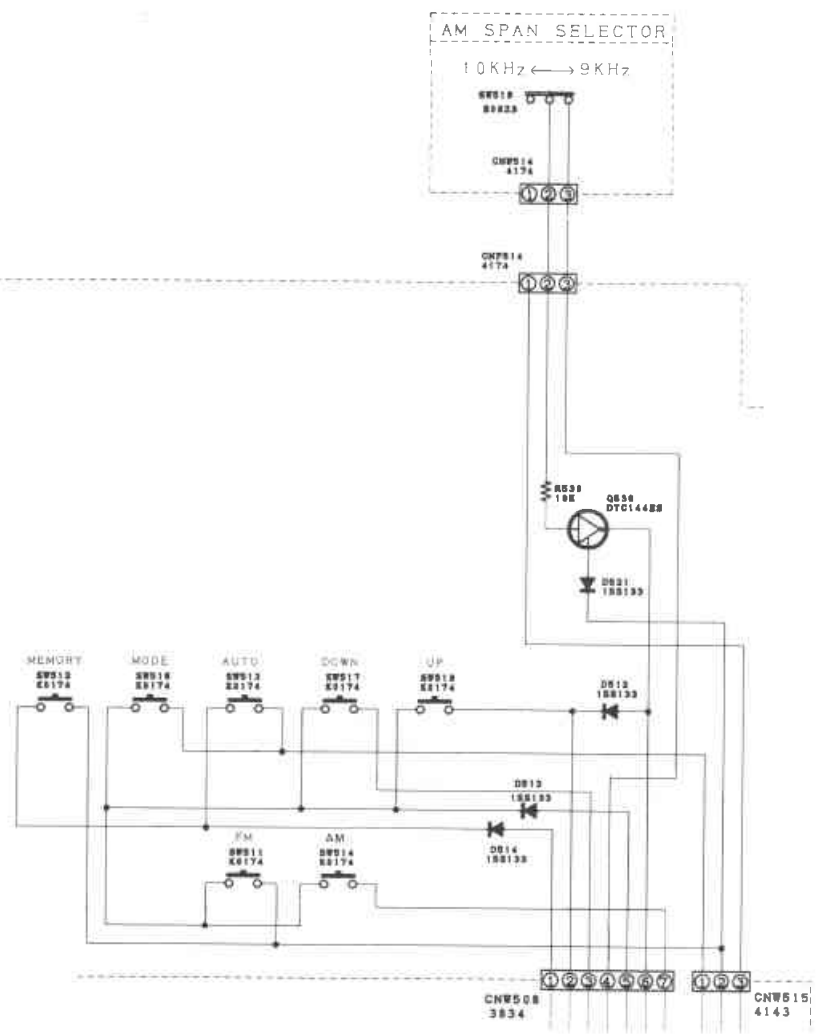
A MODEL



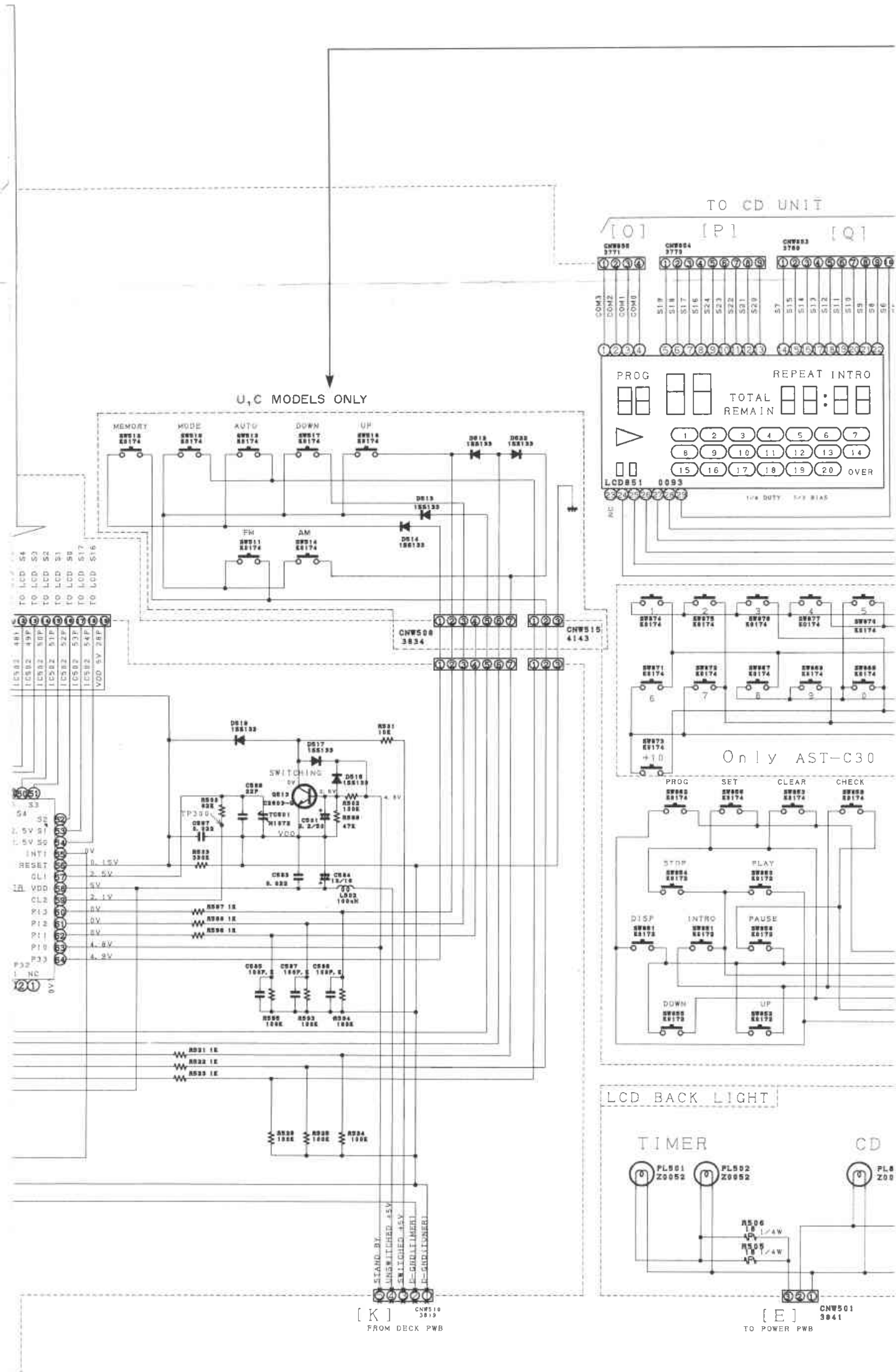
B, H, W MODELS



R MODEL

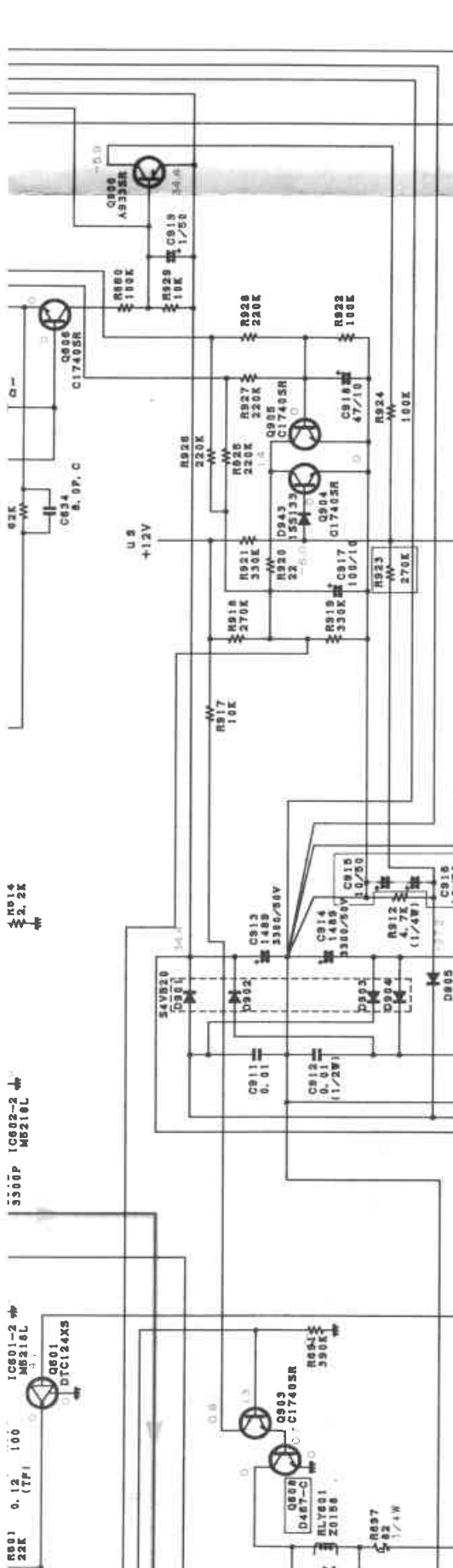


* All voltages are measured with a 10MΩ/DC electric volt meter.
 * Components having special characteristics are marked and must be replaced with parts having specifications equal to those originally installed.
 * Schematic diagram is subject to change without notice.

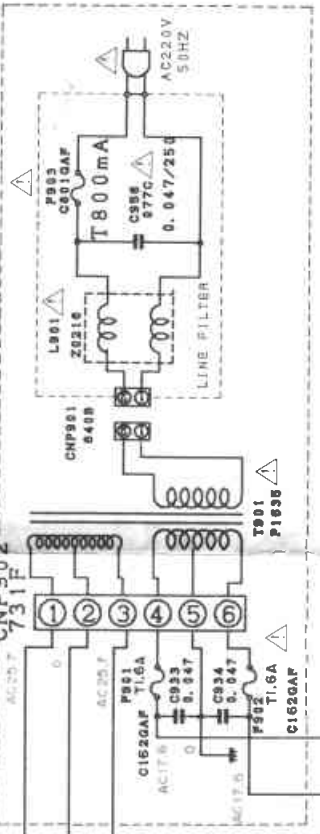


Model)

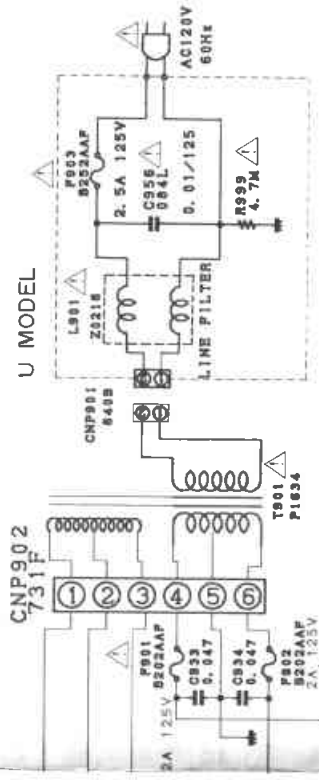
	U	C	R	A, B, H
F904	SHORT	R801AAFNC (800mIA)	SHORT	F631AAFNC
R679	10C	47	10C	47
R680	SHORT	47	SHORT	47
R923	270K	270K	330K	270K
R948	3.3K	1.5K	3.3K	1.5K
R951	1.5K	680	1.5K	680
R954	1K	220	1K	220
R955	1.50	39	1.50	39
R956	1.0	15	1.0	15
R969	SHORT	5.6	SHORT	5.6
C663, 654	SHORT	0.047(1F)	SHORT	0.047(1F)
C915	10/50	10/50	4.7/50	10/50
C916	10/50	10/50	SHORT	10/50
C962	47/16	100/16	47/16	100/16
C964	SHORT	100/16	SHORT	100/16
Q608	25C2603G	25D467C	25C2603G	25D467C
Q912	25C1740SR	25C2603F	25C1740SR	25C2603F



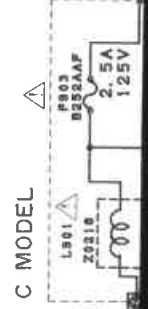
H MODEL ONLY



U MODEL

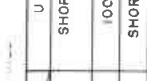
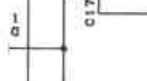
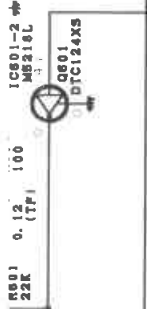


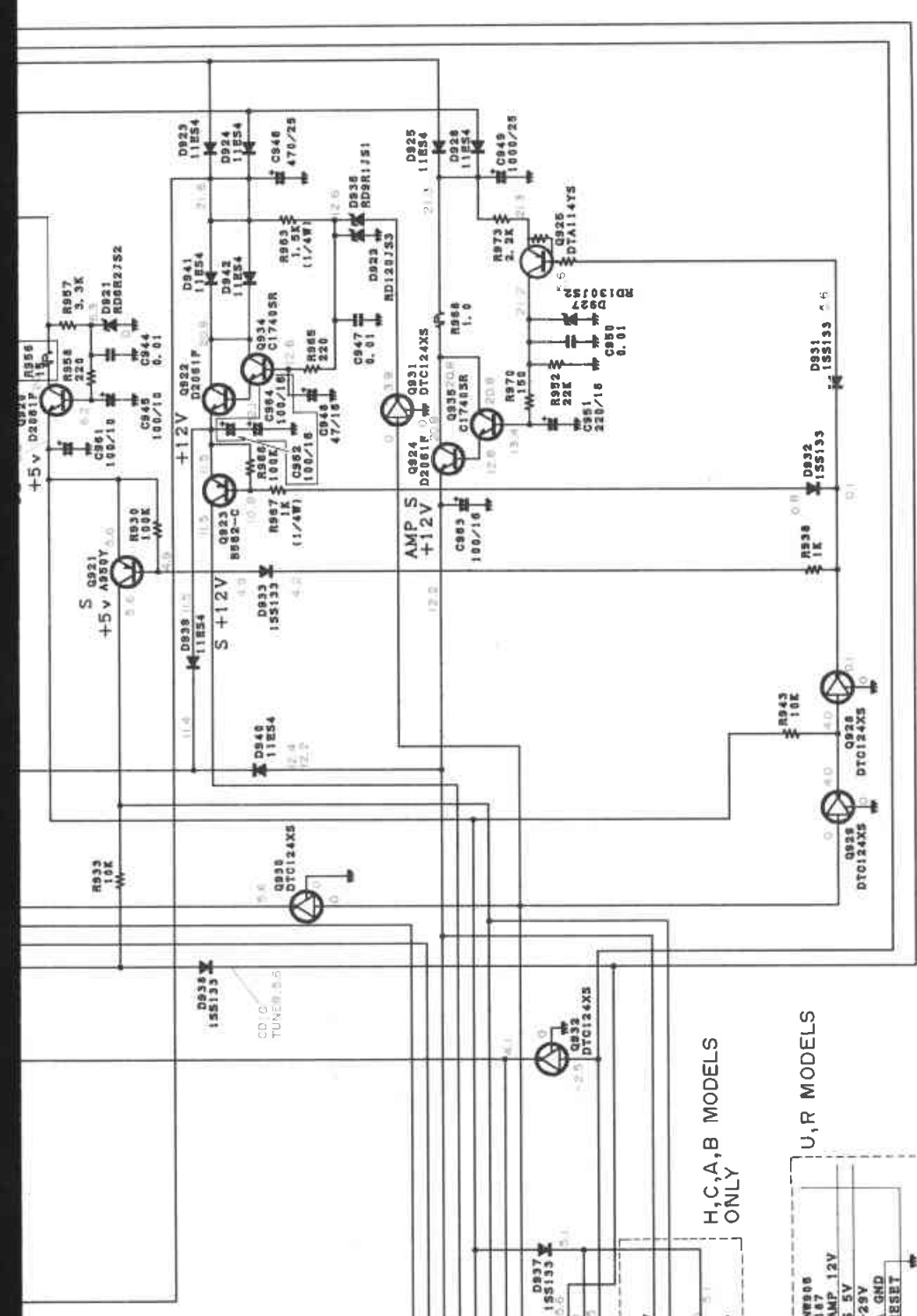
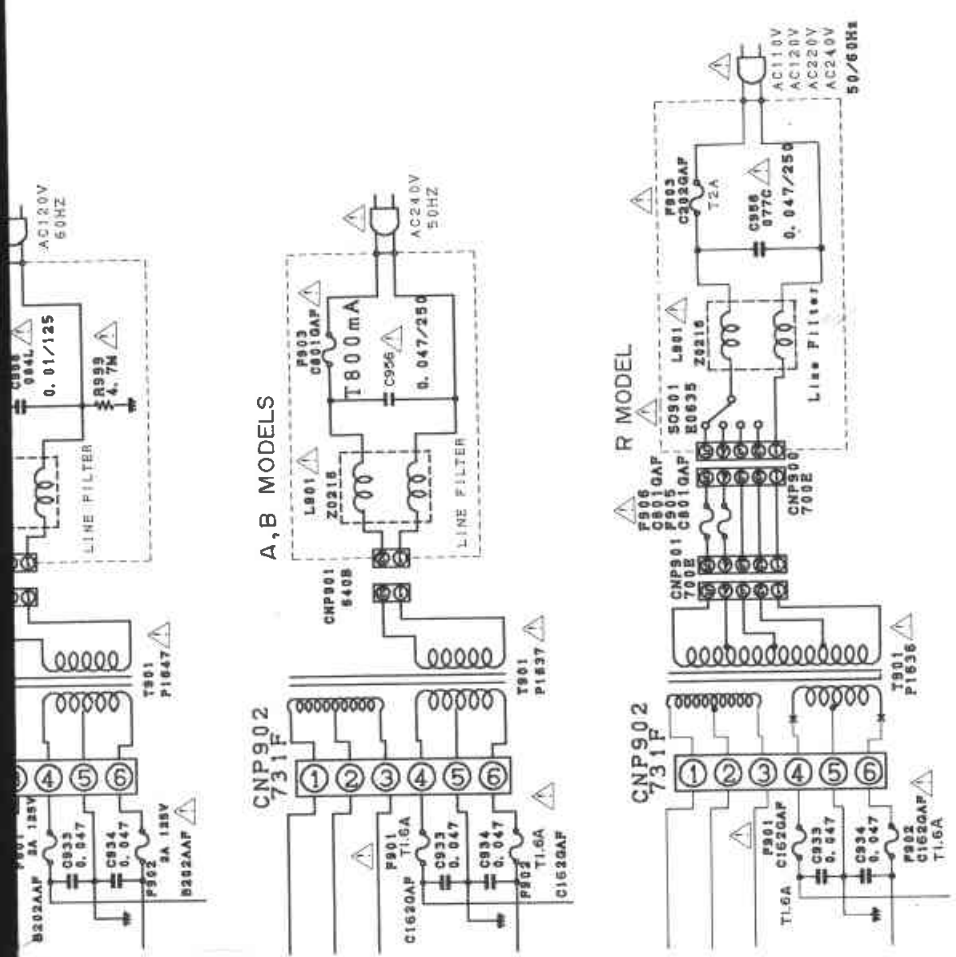
C MODEL



Q/W	FUNCTION
6	CD TUNER
5	D
4	D
3	D
2	D
1	3.0 D

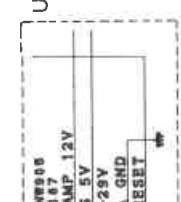
POW MUTE



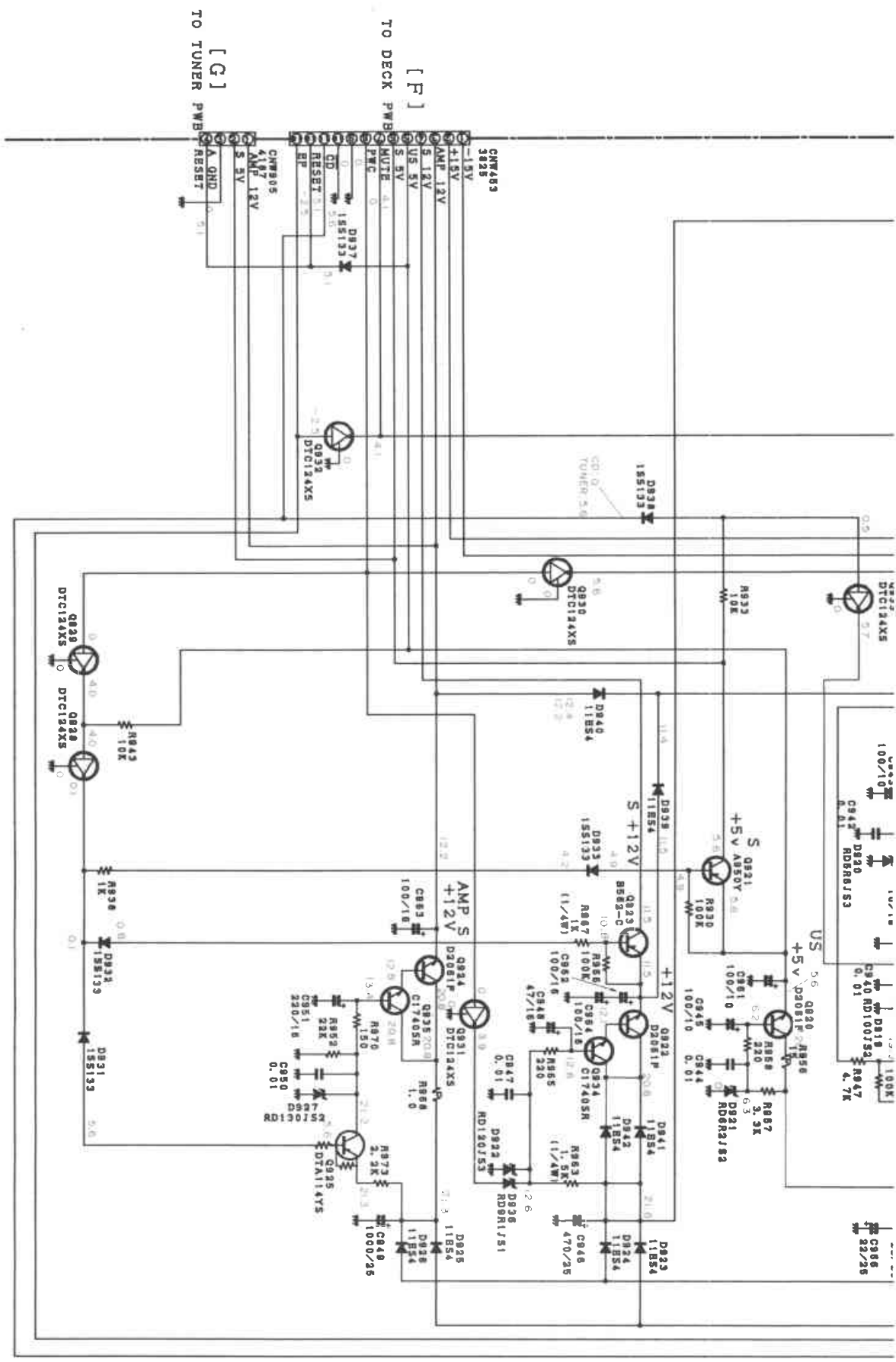


H,C,A,B MODELS ONLY

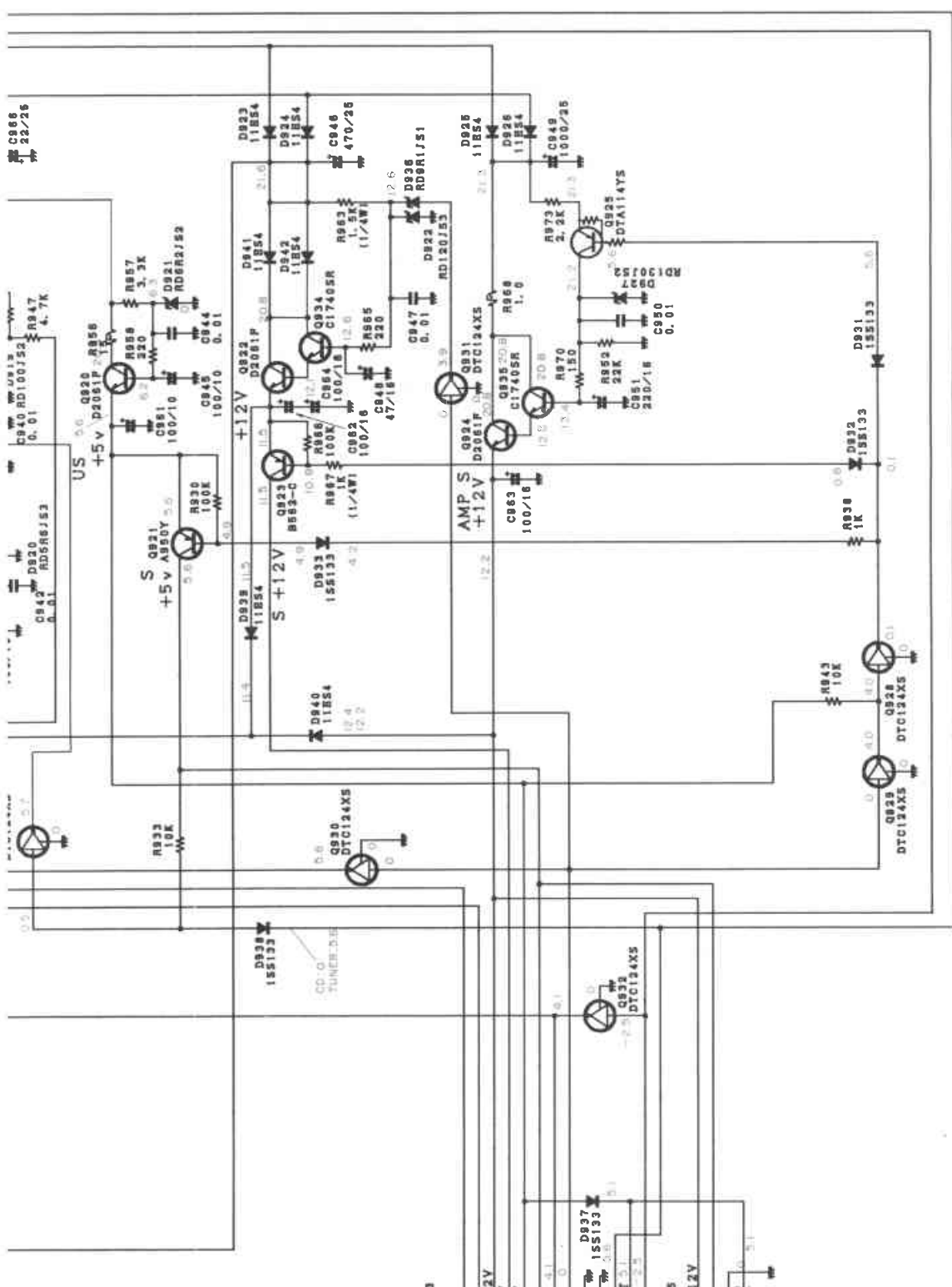
U,R MODELS



CHW206
4167
AMP. 12V
S 5V
+25V
A.GND
RESET



* All voltages are measured with a 10MS/D.C electric volt meter.
 * Components having special characteristics are marked with a triangle and must be replaced with parts having specifications equal to those originally installed.
 * Schematic diagram is subject to change without notice.



US 22/26

11854

53

12V

1V

0.1

0.01

0.05

0.1

0.01

0.05

0.1

0.01

0.05

0.1

0.01

0.05

0.1

0.01

0.05

0.1

0.01

0.05

0.1

0.01

0.05

0.1

0.01

0.05

0.1

0.01

0.05

0.1

0.01

0.05

0.1

05

12V

1V

0.1

0.01

0.05

0.1

0.01

0.05

0.1

0.01

0.05

0.1

0.01

0.05

0.1

0.01

0.05

0.1

0.01

0.05

0.1

0.01

0.05

0.1

0.01

0.05

0.1

0.01

0.05

0.1

0.01

0.05

0.1

05

12V

1V

0.1

0.01

0.05

0.1

0.01

0.05

0.1

0.01

0.05

0.1

0.01

0.05

0.1

0.01

0.05

0.1

0.01

0.05

0.1

0.01

0.05

0.1

0.01

0.05

0.1

0.01

0.05

0.1

0.01

0.05

0.1

05

12V

1V

0.1

0.01

0.05

0.1

0.01

0.05

0.1

0.01

0.05

0.1

0.01

0.05

0.1

0.01

0.05

0.1

0.01

0.05

0.1

0.01

0.05

0.1

0.01

0.05

0.1

0.01

0.05

0.1

0.01

0.05

0.1

05

12V

1V

0.1

0.01

0.05

0.1

0.01

0.05

0.1

0.01

0.05

0.1

0.01

0.05

0.1

0.01

0.05

0.1

0.01

0.05

0.1

0.01

0.05

0.1

0.01

0.05

0.1

0.01

0.05

0.1

0.01

0.05

0.1

05

12V

1V

0.1

0.01

0.05

0.1

0.01

0.05

0.1

0.01

0.05

0.1

0.01

0.05

0.1

0.01

0.05

0.1

0.01

0.05

0.1

0.01

0.05

0.1

0.01

0.05

0.1

0.01

0.05

0.1

0.01

0.05

0.1

05

12V

1V

0.1

0.01

0.05

0.1

0.01

0.05

0.1

0.01

0.05

0.1

0.01

0.05

0.1

0.01

0.05

0.1

0.01

0.05

0.1

0.01

0.05

0.1

0.01

0.05

0.1

0.01

0.05

0.1

0.01

0.05

0.1

05

12V

1V

0.1

0.01

0.05

0.1

0.01

0.05

0.1

0.01

0.05

0.1

0.01

0.05

0.1

0.01

0.05

0.1

0.01

0.05

0.1

0.01

0.05

0.1

0.01

0.05

0.1

0.01

0.05

0.1

0.01

0.05

0.1

05

12V

1V

0.1

0.01

0.05

0.1

0.01

0.05

0.1

0.01

0.05

0.1

0.01

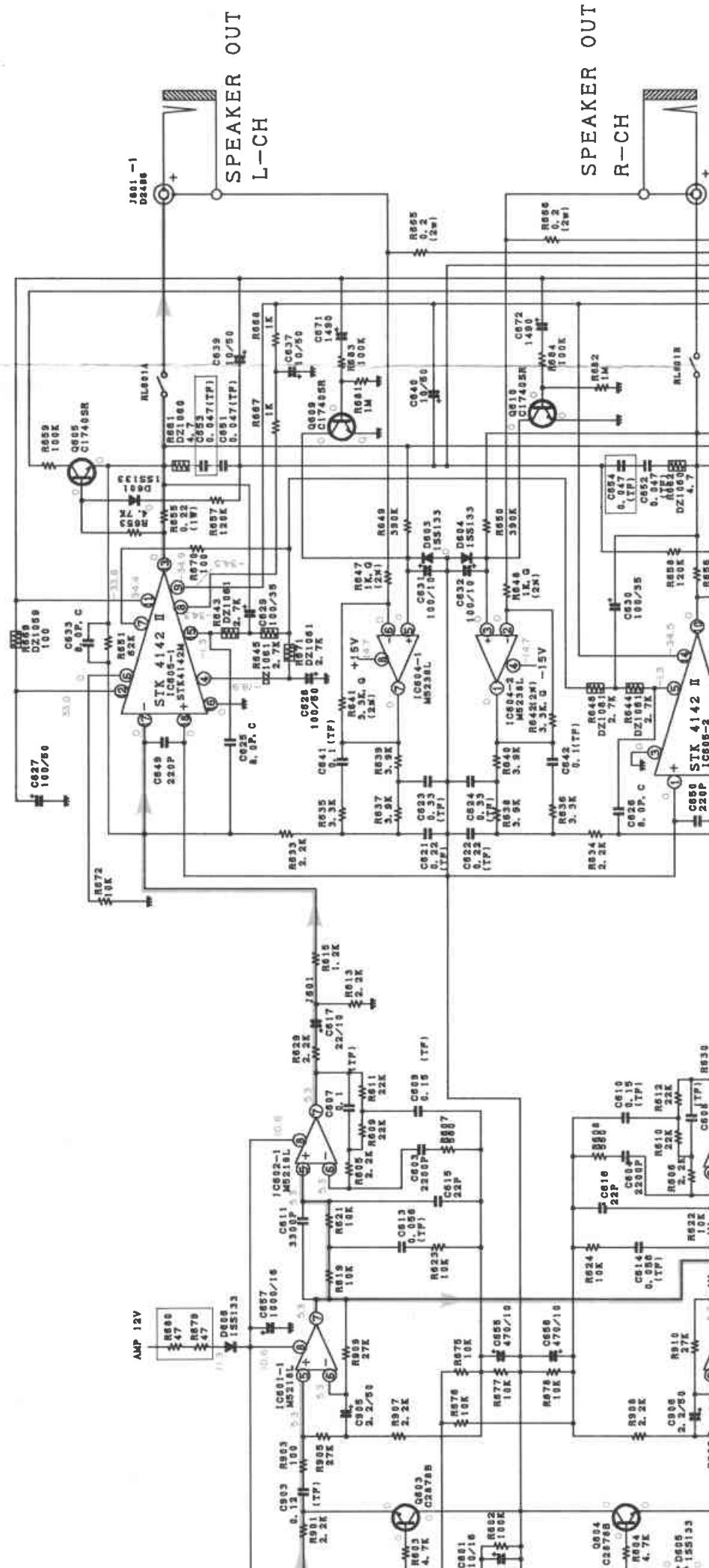
0.05

0.1

0.01

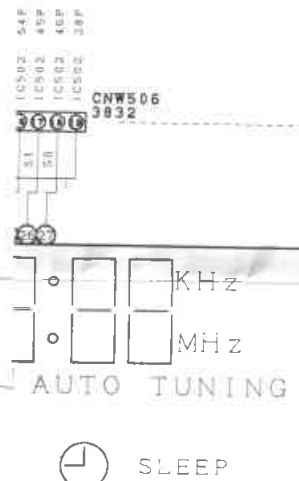
■ SCHEMATIC DIAGRAM (AST-C10: Power Amp Section...Except W

1
2
3
4
5
6
7



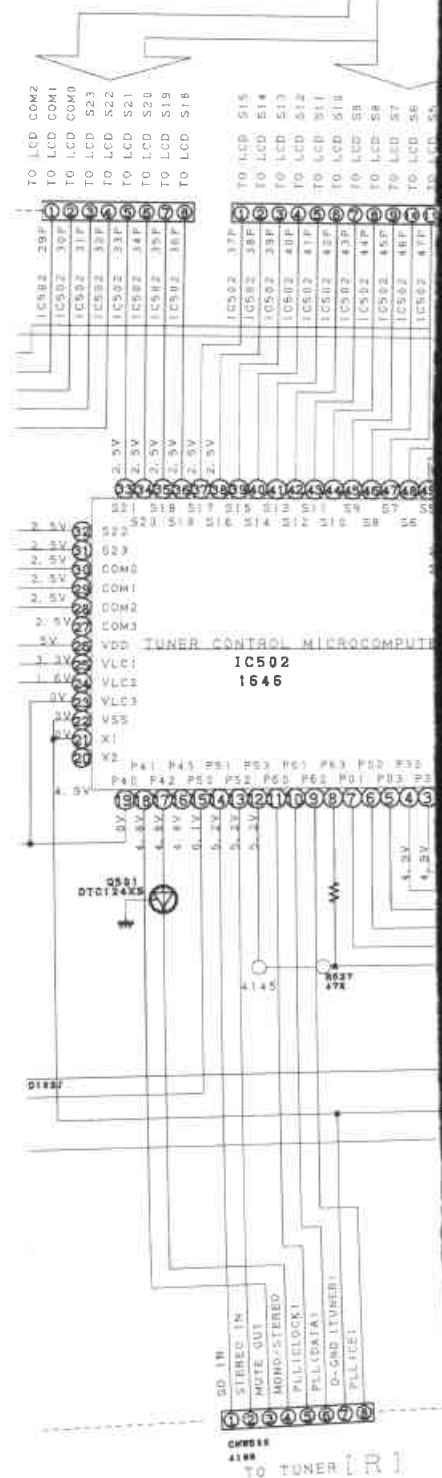
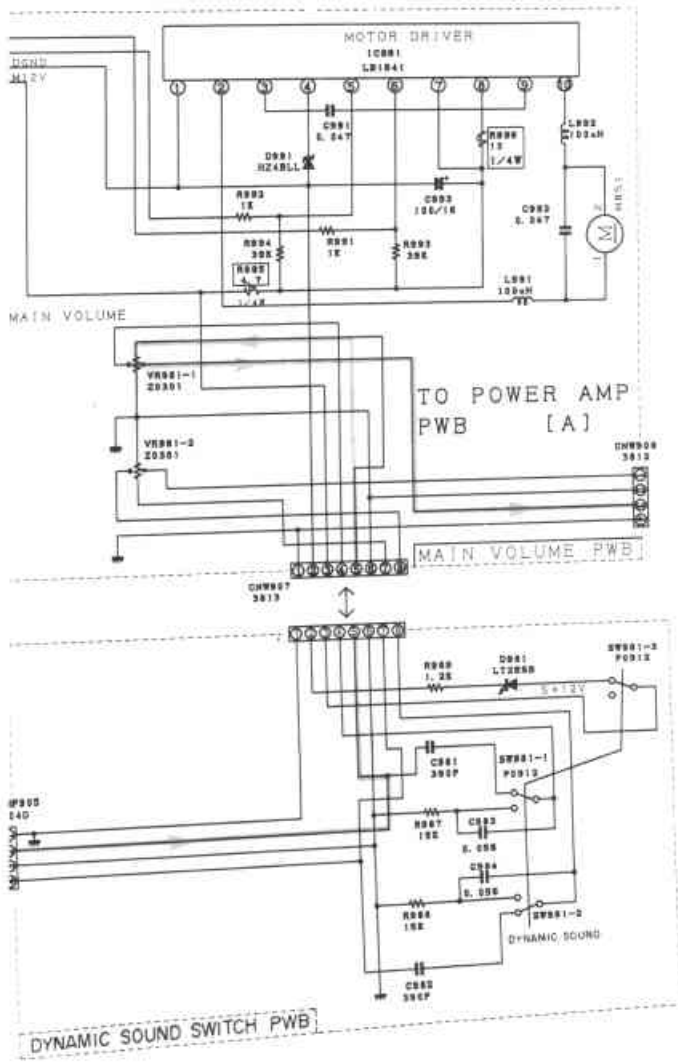
[C]

TO POWER AMP PWB
CNW516 4908

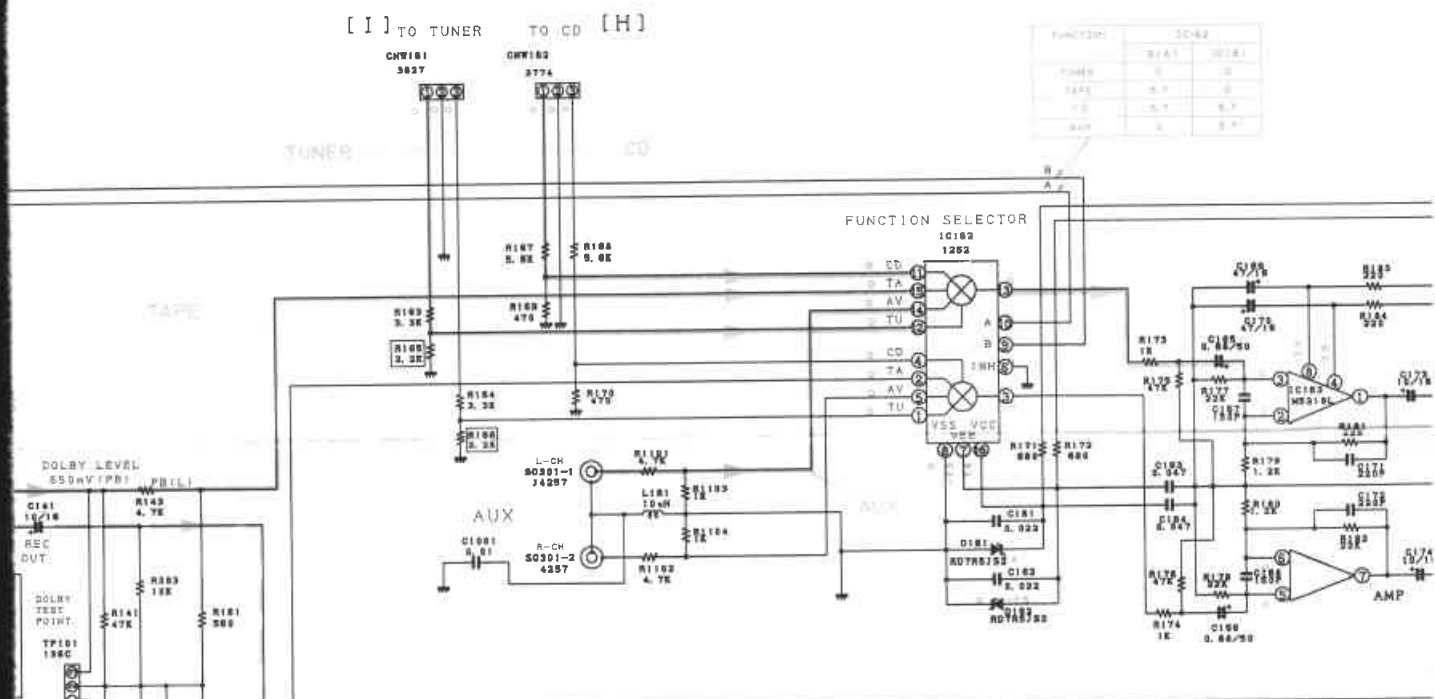


Note) MARKED

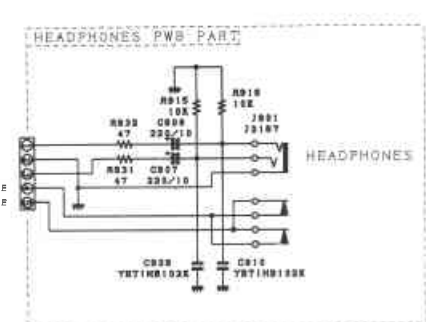
	U,R	C,A	H,B	W
R165,166	1K	1K	2.2K	2.2K
R203,304	8.2K	8.2K	8.2K	3.9K
R311	10	10(DZ1065)	10(DZ1065)	10(DZ1065)
R317	10S(0312)	10	10	10
R346,345	SHORT	220	220	220
R995	SHORT	4.7	4.7	4.7
R996	22	10	10	10
C121,122 143	OPEN	OPEN	OPEN	0.022



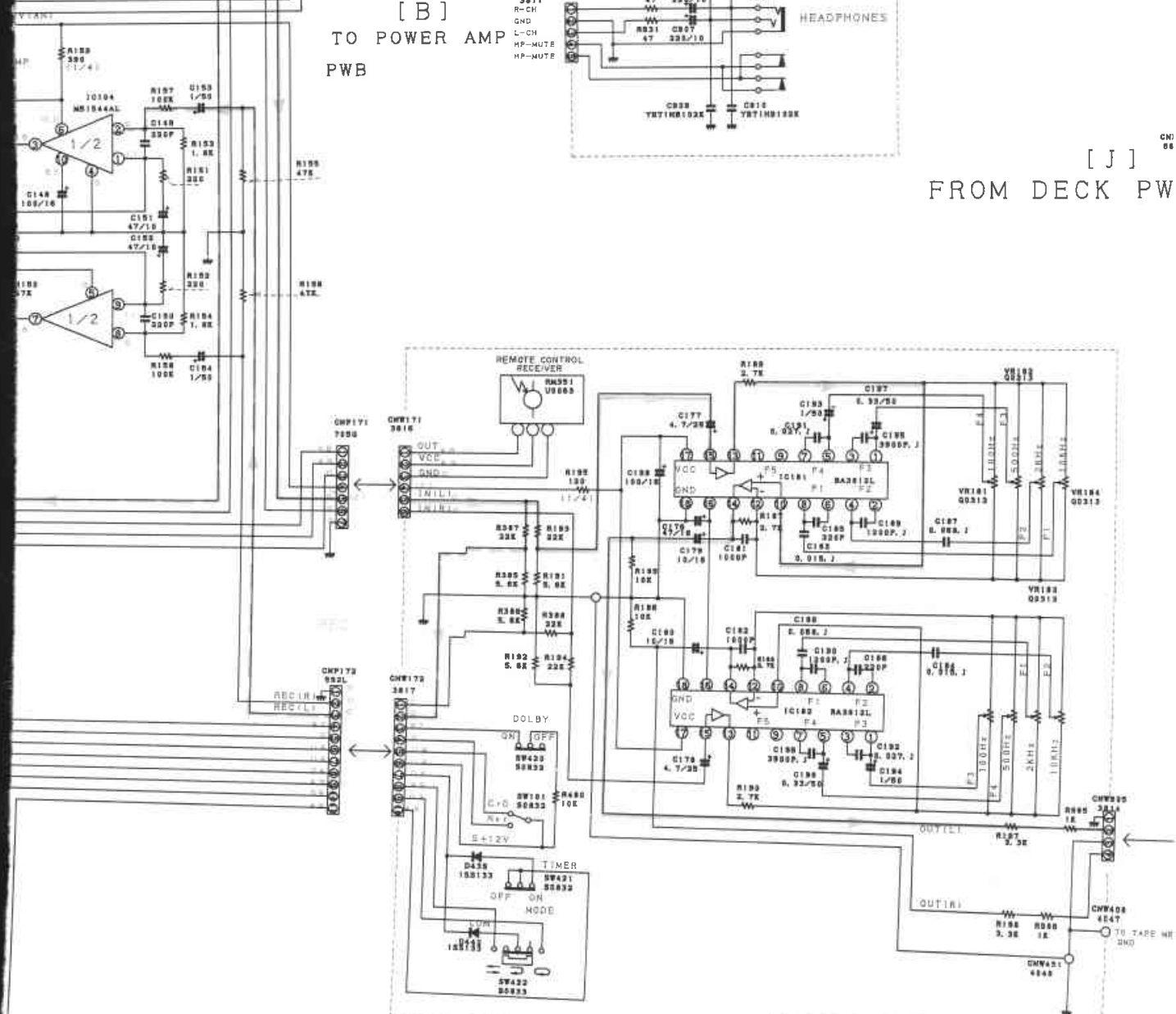
* All voltages are measured with a 10MΩ/DC electric volt meter. Components having special characteristics are marked with a triangle and components with parts having specifications equal to those without notice.



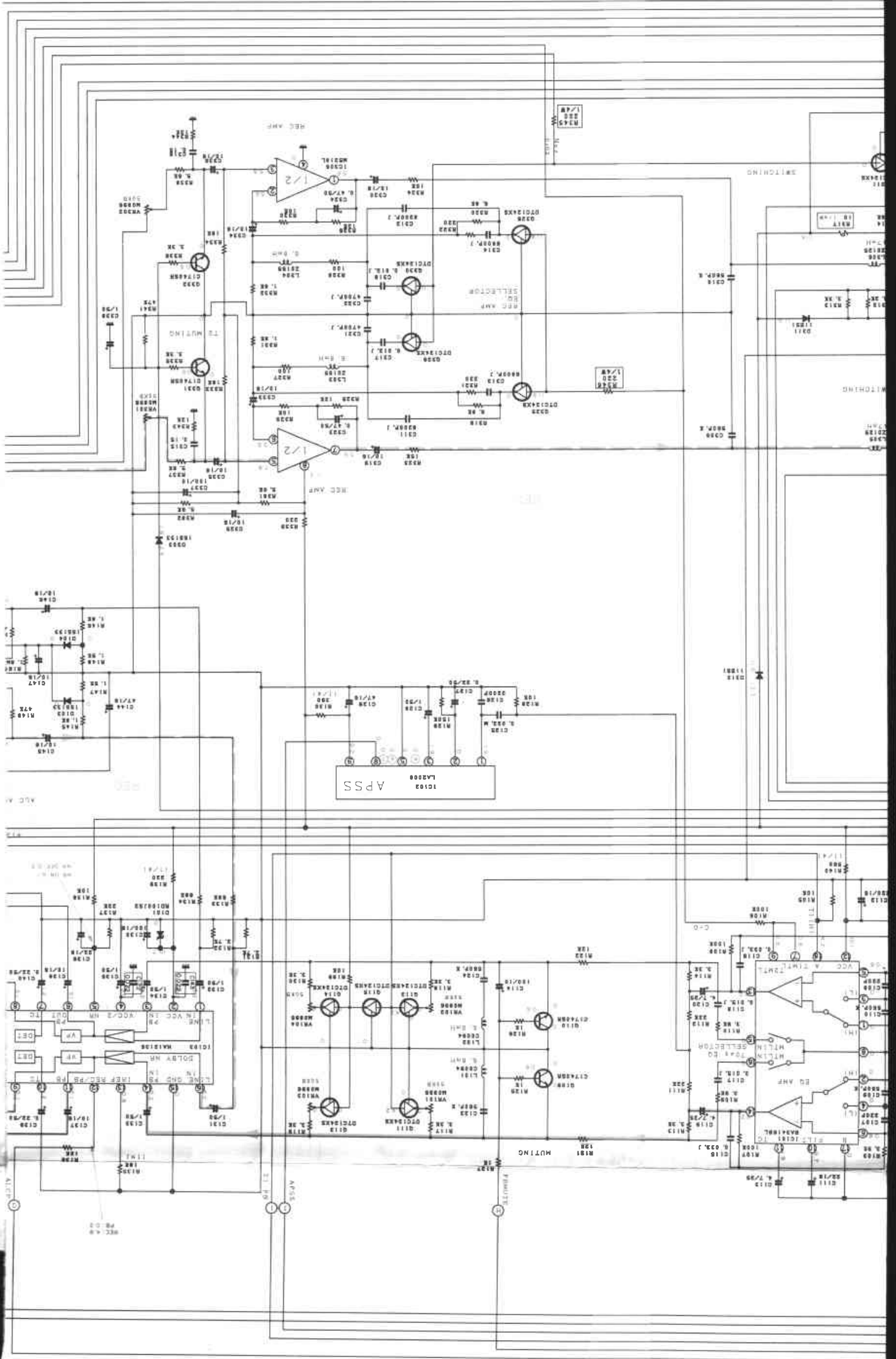
[B] TO POWER AMP PWB

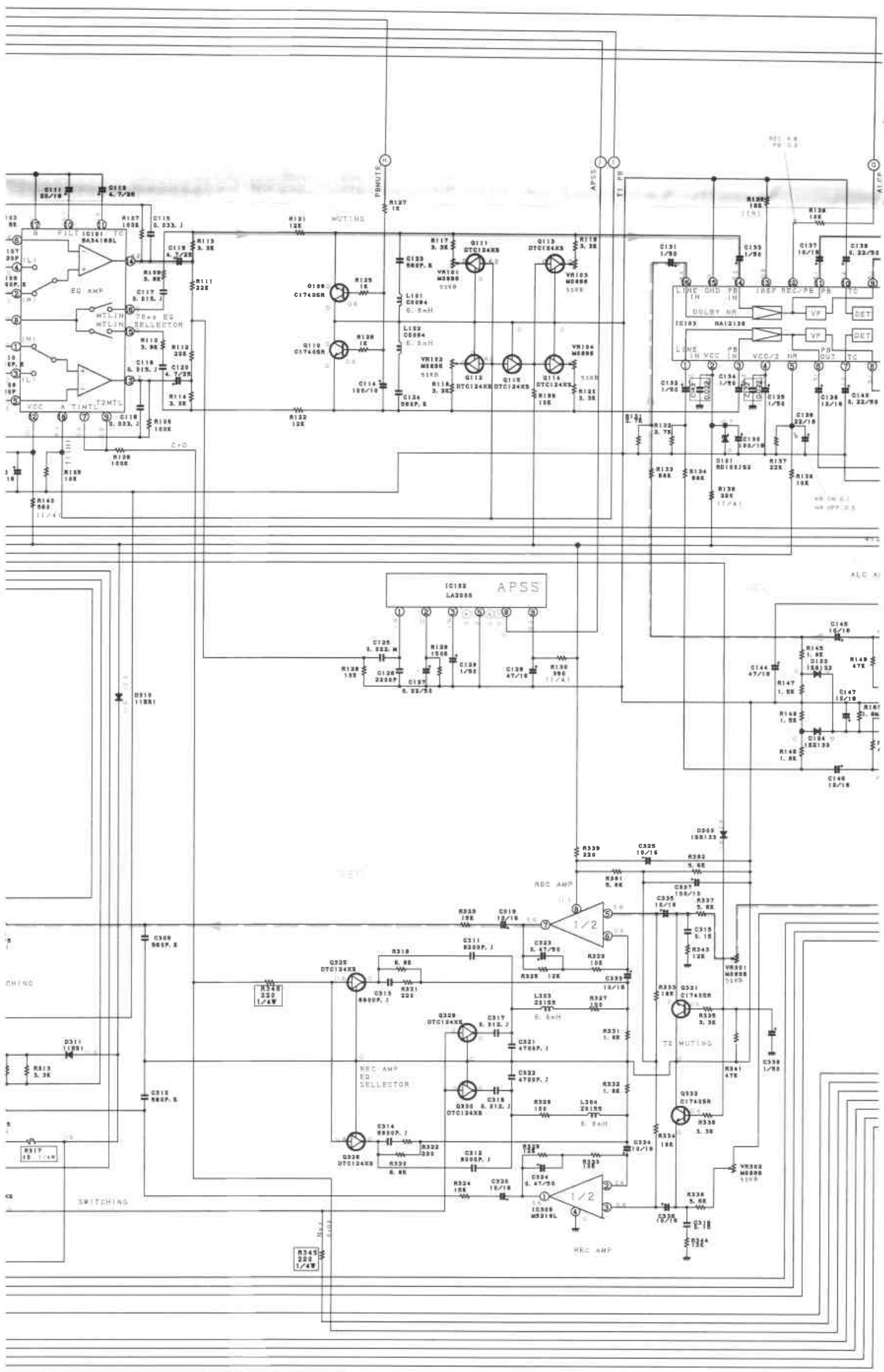


[J] FROM DECK PW



W000 2
 2249 10K
 TAPE C010 (MATERIAL)
 DOLBY 04





■ SCHEMATIC DIAGRAM (AST-C10: Tape & Amp Section)

1

2

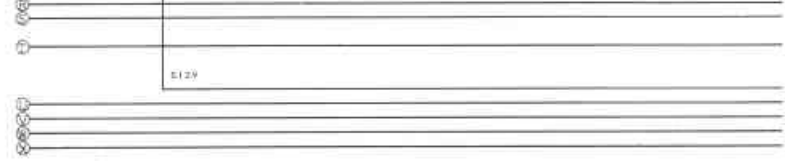
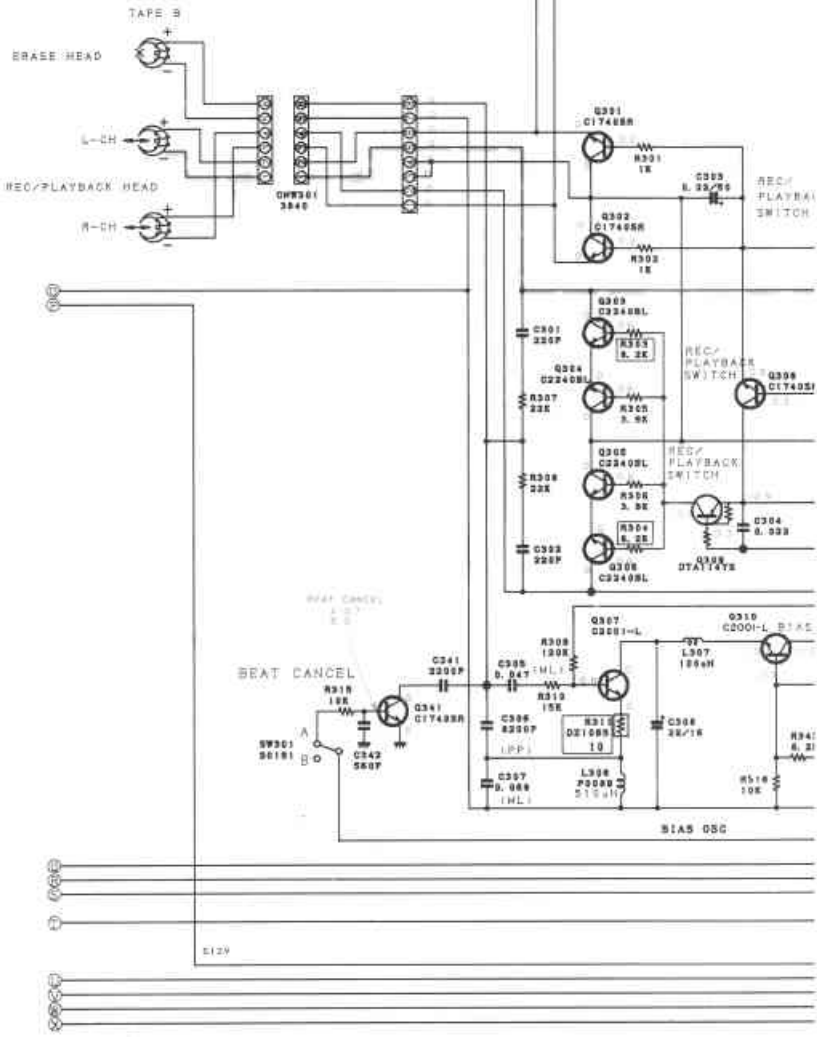
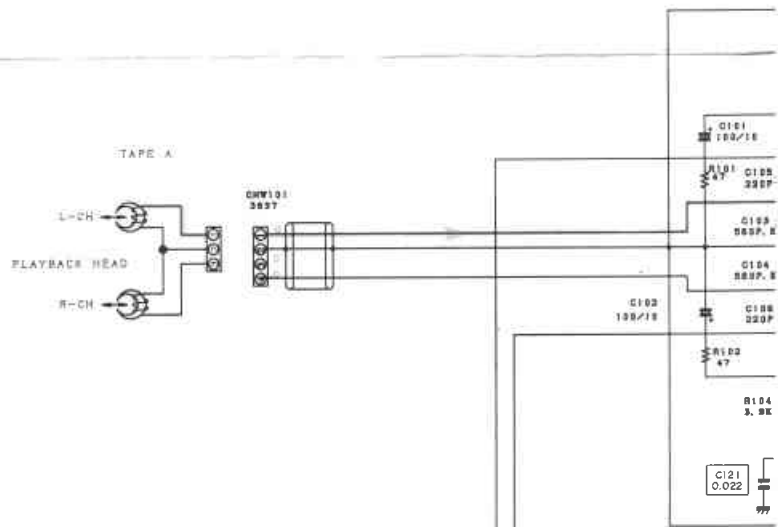
3

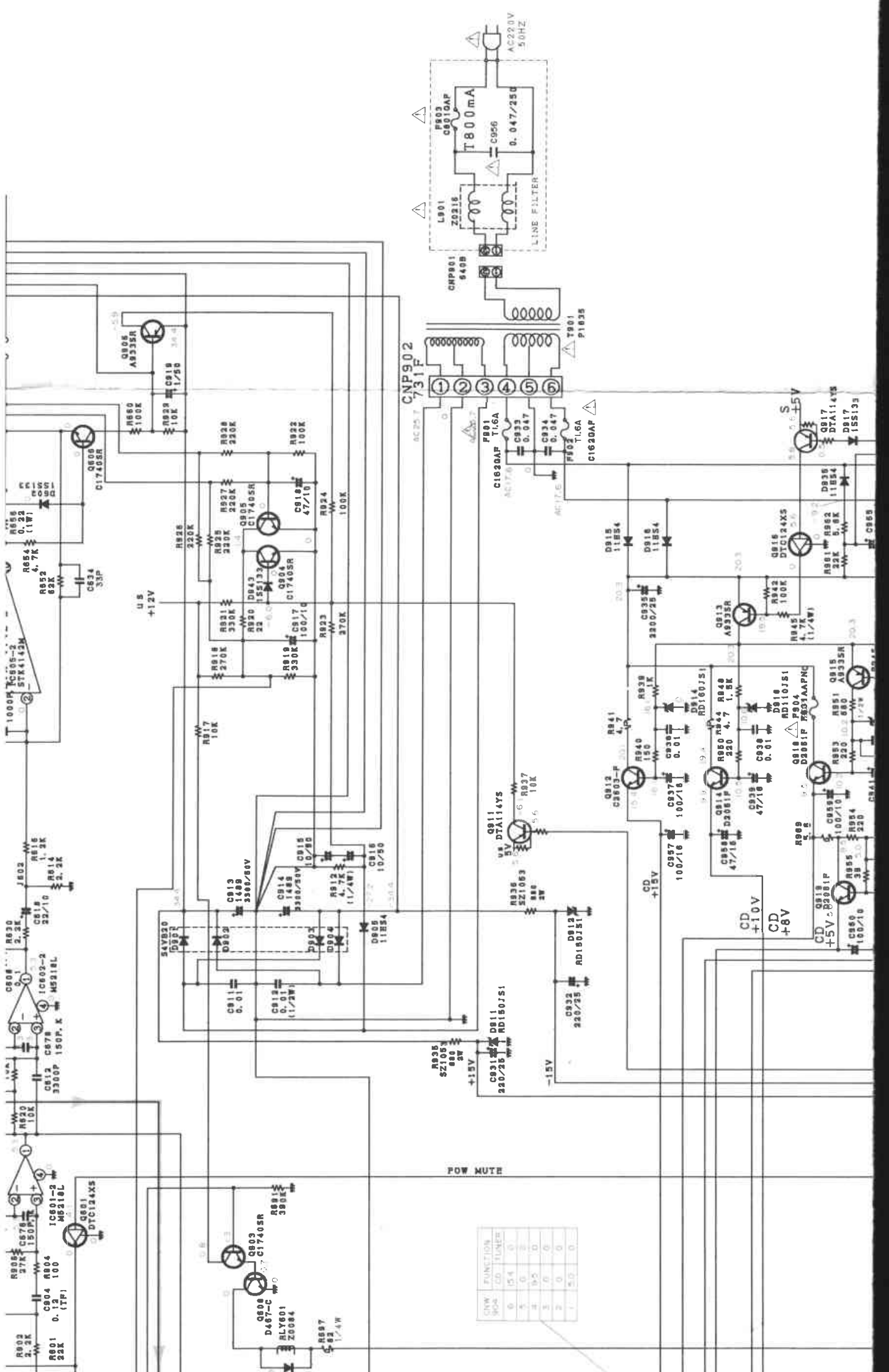
4

5

6

7

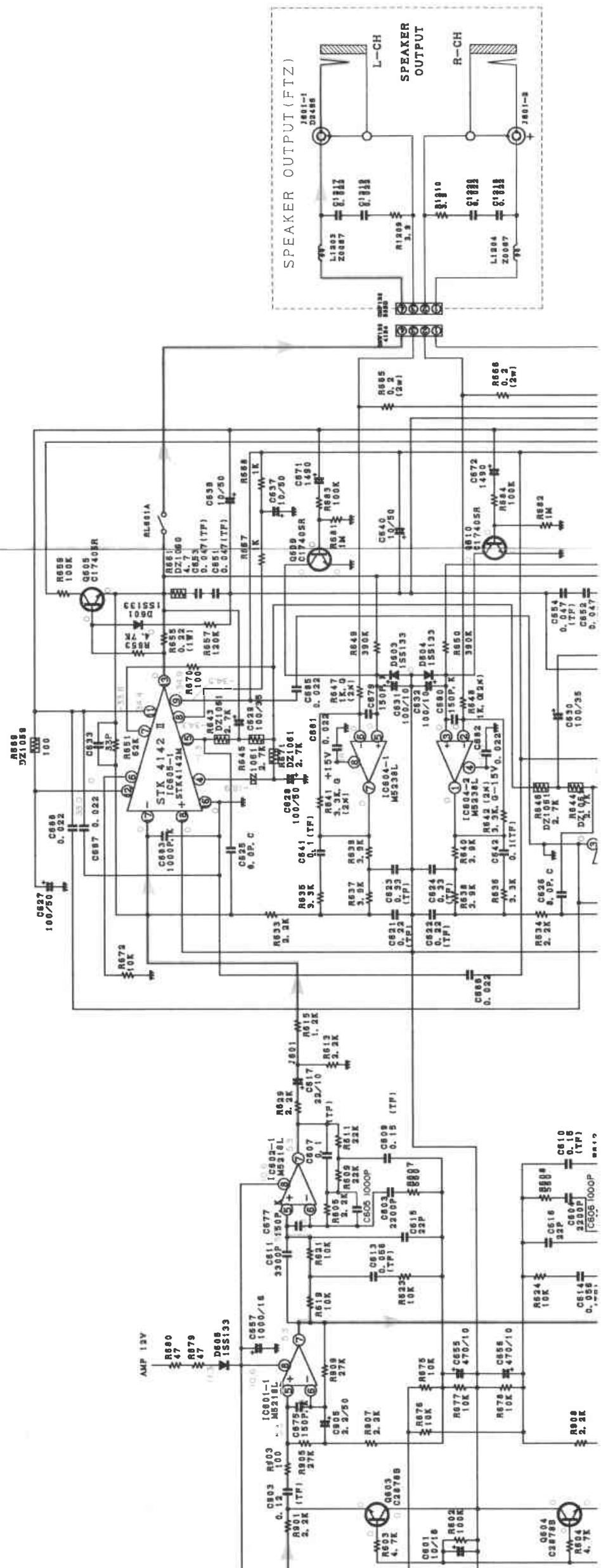




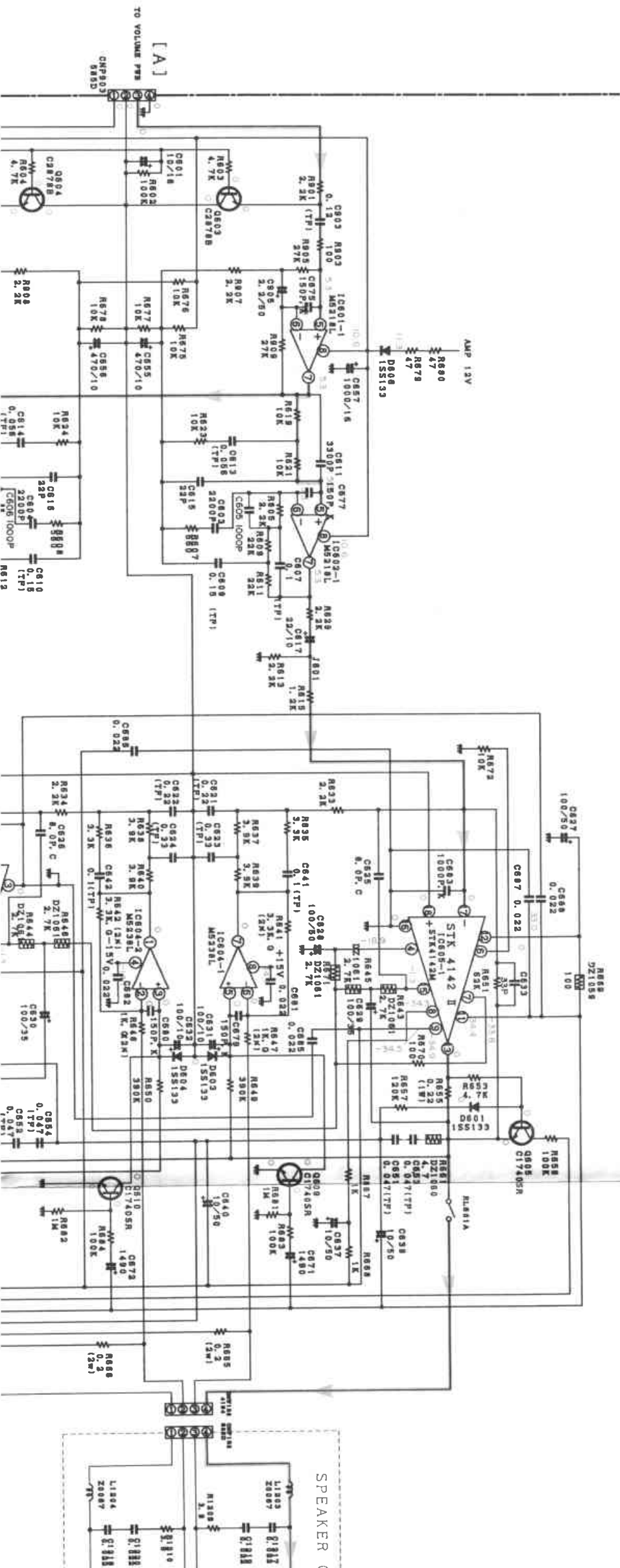
CNT	FUNCTION
0	CD TUNER
1	0
2	0
3	0
4	0
5	0
6	0
7	0
8	0
9	0

SCHEMATIC DIAGRAM (AST-C10: Power Amp Section...W model of

1
2
3
4
5
6
7



8 7 6 5 4 3 2



PARTS LIST

■ WARNING

Components having special characteristics are marked Δ and must be replaced with parts having specifications equal to those originally installed.

AST-C30/C10

■ ELECTRICAL PARTS

Ref.	Part No.	Description	部品名	MDL Market	Remarks
* C1	FX604320	Chip Ceramic Cap.	330pF/50V	チップセラコン	1205930141
* C2	FX604320	"	330pF/50V	"	1205930141
* C4	FX604330	"	0.1uF/25V	"	1305950273
* C6	FX604340	"	27pF/50V	"	1305930540
* C7	FX604350	"	0.022uF/50V	"	1305950293
* C9	FX604330	"	0.1uF/25V	"	1305950273
* C10	FX604360	"	0.068uF/25V	"	1425950033
C101	UJ128100	Electrolytic Cap.	100uF/10V	ケミコン	1165900141
C102	UJ128100	"	100uF/10V	"	1165900141
C103	FG112560	Ceramic Cap.	560pF/50V	セラコン	1305950153
C104	FG112560	"	560pF/50V	"	1305950153
C105	FG212220	"	220pF/50V	"	1305930038
C106	FG212220	"	220pF/50V	"	1305930038
C107	FG212220	"	220pF/50V	"	1305930038
C108	FG212220	"	220pF/50V	"	1305930038
C109	FG112560	"	560pF/50V	"	1305950153
C110	FG112560	"	560pF/50V	"	1305950153
C111	UJ137220	Electrolytic Cap.	22uF/16V	ケミコン	1155900065
C112	UJ138220	"	220uF/16V	"	1305900438
C113	UJ146470	"	4.7uF/25V	"	1255900062
C114	UJ128100	"	100uF/10V	"	1165900141
* C115	FX604370	Ceramic Cap	0.033uF/25V	セラコン	1205900088
* C116	FX604370	"	0.033uF/25V	"	1205900088
C117	FG244150	"	0.015uF/50V	"	1205900090
C118	FG244150	"	0.015uF/50V	"	1205900090
C119	UJ146470	Electrolytic Cap.	4.7uF/25V	ケミコン	1255900062
C120	UJ146470	"	4.7uF/25V	"	1255900062
C121	FG244220	Ceramic Cap.	0.022uF/50V	セラコン	C10 W 1105950034
C122	FG244220	"	0.022uF/50V	"	1105950034
C123	FG112560	"	560pF/50V	"	1305950153
C124	FG112560	"	560pF/50V	"	1305950153
C125	FG244220	"	0.022uF/50V	"	1115900184
C126	FG413220	"	2200pF/50V	"	1425910005
C127	UJ165220	Electrolytic Cap.	0.22uF/50V	ケミコン	1125900249
C128	UJ166100	"	1uF/50V	"	1165900153
C129	UJ137470	"	47uF/16V	"	1125900226
C130	UJ138100	"	100uF/16V	"	1135900106
C131	UJ166100	"	1uF/50V	"	1165900153
C132	UJ166100	"	1uF/50V	"	1165900153
C133	UJ166100	"	1uF/50V	"	1165900153
C134	UJ166100	"	1uF/50V	"	1165900153
C135	UJ166100	"	1uF/50V	"	1165900153
C136	UJ137220	"	22uF/16V	"	1155900065
C137	UJ137100	"	10uF/16V	"	1165900160
C138	UJ137100	"	10uF/16V	"	1165900160
C139	UJ165220	"	0.22uF/50V	"	1125900249
C140	UJ165220	"	0.22uF/50V	"	1125900249
C141	UJ137100	"	10uF/16V	"	1165900160
C142	UJ137100	"	10uF/16V	"	1165900160
C143	FG244220	Ceramic Cap.	0.022uF/50V	セラコン	C10 W 1105950034
C144	UJ137470	Electrolytic Cap.	47uF/16V	ケミコン	1125900226
C145	UJ137100	"	10uF/16V	"	1165900160
C146	UJ137100	"	10uF/16V	"	1165900160
C147	UJ137100	"	10uF/16V	"	1165900160
C148	UJ138100	"	100uF/16V	"	1135900106
C149	FG212220	Ceramic Cap.	220pF/50V	セラコン	1305930038
C150	FG212220	"	220pF/50V	"	1305930038
C151	UJ127470	Electrolytic Cap.	47uF/10V	ケミコン	1165900158
C152	UJ127470	"	47uF/10V	"	1165900158
C153	UJ166100	"	1uF/50V	"	1165900153
C154	UJ166100	"	1uF/50V	"	1165900153
C161	FG244220	Ceramic Cap.	0.022uF/50V	セラコン	1205950007
C162	FG244220	"	0.022uF/50V	"	1205950007
C163	FG244470	"	0.047uF/50V	"	1205950008
C164	FG244470	"	0.047uF/50V	"	1205950008

AST-C30/C10

Ref.	Part No.	Description	部 品 名	MDL Market	Remarks
* C165	FX604380	Electrolytic Cap.	0.68uF/50V	ケミコン	1165900167
* C166	FX604380	"	0.68uF/50V	"	1165900167
C167	FG212150	Ceramic Cap.	150pF/50V	セラコン	1125930039
C168	FG212150	"	150pF/50V	"	1125930039
C169	UJ137470	Electrolytic Cap.	47uF/16V	ケミコン	1125900226
C170	UJ137470	"	47uF/16V	"	1125900226
C171	FG212220	Ceramic Cap.	220pF/50V	セラコン	1305930038
C172	FG212220	"	220pF/50V	"	1305930038
C173	UJ137100	Electrolytic Cap.	10uF/16V	ケミコン	1165900160
C174	UJ137100	"	10uF/16V	"	1165900160
C176	UJ137470	"	47uF/16V	"	1125900226
C177	UJ146470	"	4.7uF/25V	"	1255900062
C178	UJ146470	"	4.7uF/25V	"	1255900062
C179	UJ137100	"	10uF/16V	"	1165900160
C180	UJ137100	"	10uF/16V	"	1165900160
C181	FG213100	Ceramic Cap.	1000pF/50V	セラコン	1425910003
C182	FG213100	"	1000pF/50V	"	1425910003
C183	FG244150	"	0.015uF/50V	"	1205900090
C184	FG244150	"	0.015uF/50V	"	1205900090
C185	FG212220	"	220pF/50V	"	1305930038
C186	FG212220	"	220pF/50V	"	1305930038
C187	FT464680	"	0.068uF/50V	"	1165900142
C188	FT464680	"	0.068uF/50V	"	1165900142
C189	FG713120	"	1200pF/50V	"	1115900150
C190	FG713120	"	1200pF/50V	"	1115900150
C191	FT464270	"	0.027uF/50V	"	1205900091
C192	FT464270	"	0.027uF/50V	"	1205900091
C193	UJ166100	Electrolytic Cap.	1uF/50V	ケミコン	1165900153
C194	UJ166100	"	1uF/50V	"	1165900153
C195	FG713390	Ceramic Cap.	3900pF/50V	セラコン	1165900117
C196	FG713390	"	3900pF/50V	"	1165900117
C197	UJ165330	Electrolytic Cap.	0.33uF/50V	ケミコン	1165900163
C198	UJ165330	"	0.33uF/50V	"	1165900163
C199	UJ138100	"	100uF/16V	"	1135900106
C201	UJ166100	"	1uF/50V	"	C30 H 1165900153
"	UJ166100	"	1uF/50V	"	C10 HWB 1165900153
C202	FG244220	Ceramic Cap.	0.022uF/50V	セラコン	C30 H 1305900689
"	FG244220	"	0.022uF/50V	"	C10 HWB 1305900689
C203	UJ166100	Electrolytic Cap.	1uF/50V	ケミコン	C30 H 1165900153
"	UJ166100	"	1uF/50V	"	C10 HWB 1165900153
C204	FG244220	Ceramic Cap.	0.022uF/50V	セラコン	C30 H 1305900689
"	FG244220	"	0.022uF/50V	"	C10 HWB 1305900689
C205	FG211330	"	33pF/50V	"	C30 H 1115930019
"	FG211330	"	33pF/50V	"	C10 HWB 1115930019
C206	FG244220	"	0.022uF/50V	"	1305900689
C207	FG212100	"	100pF/50V	"	1305950320
C208	FG244220	"	0.022uF/50V	"	1305900689
C209	FG244220	"	0.022uF/50V	"	1305900689
C210	FG244220	"	0.022uF/50V	"	1305900689
C212	FG211330	"	33pF/50V	"	C30 H 1305930532
"	FG211330	"	33pF/50V	"	C10 HW 1305930532
C213	FG244220	"	0.022uF/50V	"	1305900689
C214	FG244220	"	0.022uF/50V	"	1305900689
C215	FG244220	"	0.022uF/50V	"	1305900689
C216	UJ138100	Electrolytic Cap.	100uF/16V	ケミコン	1135900106
C217	FG244220	Ceramic Cap.	0.022uF/50V	セラコン	1305900689
C218	FG244220	"	0.022uF/50V	"	1305900689
C219	UJ166100	Electrolytic Cap.	1uF/50V	ケミコン	1165900153
C220	FG212150	Ceramic Cap.	150pF/50V	セラコン	VCKYMN1HB151K
C221	UJ137100	Electrolytic Cap.	10uF/16V	ケミコン	1165900160
C222	UJ137100	"	10uF/16V	"	1165900160
C223	UJ166100	"	1uF/50V	"	1165900153
C224	UJ166100	"	1uF/50V	"	1165900153
C225	FG413220	Ceramic Cap.	2200pF/50V	セラコン	1305900685
C226	UJ166100	Electrolytic Cap.	1uF/50V	ケミコン	1165900153

Ref.	Part No.	Description		部品名	MDL Market	Remarks
C227	UJ137100	Electrolytic Cap.	10uF/16V	ケミコン		1165900160
C228	FG244220	Ceramic Cap.	0.022uF/50V	セラコン		1305900689
C229	UJ166100	Electrolytic Cap.	1uF/50V	ケミコン		1165900153
C230	FG244220	Ceramic Cap.	0.022uF/50V	セラコン		1305900689
C231	FG244220	"	0.022uF/50V	"		1305900689
C232	UJ137100	Electrolytic Cap.	10uF/16V	ケミコン		1165900160
C233	FG244100	Ceramic Cap.	0.01uF/50V	セラコン		1305900681
C234	FG212100	"	100pF/50V	"		1305950320
C235	FG211680	"	68pF/50V	"	C30 H	1305930524
"	FG211680	"	68pF/50V	"	C10 HW	1305930524
C236	FG211220	"	22pF/50V	"	C30 H	1105930256
"	FG211220	"	22pF/50V	"	C10 HW	1105930256
C237	FG213100	"	1000pF/50V	"		1305950295
C238	FG244470	"	0.047uF/50V	"		1305900648
C239	UJ137100	Electrolytic Cap.	10uF/16V	ケミコン		1165900160
C240	FG112560	Ceramic Cap.	560pF	セラコン	C30 H	1205900126
"	FG213100	"	1000pF/50V	"	C30 CU	1125900161
"	FG212470	"	470pF	"	C30 R	1105900256
"	FG112560	"	560pF	"	C10 H	1205900126
"	FG212680	"	680pF	"	C10 W	1255900080
"	FG212470	"	470pF	"	C10 BAR	1105900256
"	FG213100	"	1000pF/50V	"	C10 CU	1125900161
C241	UJ166100	Electrolytic Cap.	1uF/50V	ケミコン		1165900153
C242	FG413330	Ceramic Cap.	3300pF/50V	セラコン		1165900176
C243	FG112560	"	560pF	"	C30 H	1205900126
"	FG213100	"	1000pF/50V	"	C30 CU	1125900161
"	FG212470	"	470pF	"	C30 R	1105900256
"	FG112560	"	560pF	"	C10 H	1205900126
"	FG212680	"	680pF	"	C10 W	1255900080
"	FG212470	"	470pF	"	C10 BAR	1105900256
"	FG213100	"	1000pF/50V	"	C10 CU	1125900161
C244	UJ166100	Electrolytic Cap.	1uF/50V	ケミコン		1165900153
C245	FG413330	Ceramic Cap.	3300pF/50V	セラコン		1165900176
C246	UJ137100	Electrolytic Cap.	10uF/16V	ケミコン		1165900160
C247	UJ166100	"	1uF/50V	"		1165900153
C248	UJ166100	"	1uF/50V	"		1165900153
C249	UJ166100	"	1uF/50V	"		1165900153
C250	UJ165220	"	0.22uF/50V	"		1125900249
C251	FG244220	Ceramic Cap.	0.022uF/50V	セラコン		1305900689
C252	UJ138100	Electrolytic Cap.	100uF/16V	ケミコン		1135900106
C253	UJ137471	"	47uF/16V	"		1125900226
C254	FG245330	Ceramic Cap.	0.33uF/50V	セラコン	C30 H	1205910011
"	UJ166220	Electrolytic Cap.	2.2uF/50V	ケミコン	C30 CUR	1255900081
"	FG245330	Ceramic Cap.	0.33uF/50V	セラコン	C10 HWB	1205910011
"	UJ166220	Electrolytic Cap.	2.2uF/50V	ケミコン	C10 CAUR	1255900081
C255	FG213100	Ceramic Cap.	1000pF/50V	セラコン		1305950295
C256	FG244220	"	0.022uF/50V	"		1305900689
C257	FG244220	"	0.022uF/50V	"		1305900689
C258	UJ118100	Electrolytic Cap.	100uF/6.3V	ケミコン		1135900105
C259	FG211180	Ceramic Cap.	18pF/50V	セラコン		1105930241
C260	FG211150	"	15pF/50V	"		1105930235
C261	FG244420	"	0.022uF/50V	"		1305900689
C262	FG244470	"	0.047uF/50V	"		1205950008
C265	FG244220	"	0.022uF/50V	"	C30 H	1305900689
"	FG244220	"	0.022uF/50V	"	C10 HWB	1305900689
C266	FG211270	"	27pF/50V	"		1105930258
C267	FG211180	"	18pF/50V	"		1105930241
C268	FX604390	Styrol Cap.	470pF/50V	スチコン		1305960021
C269	FG211180	Ceramic Cap.	18pF/50V	セラコン	C30 H	1105930241
"	FG211180	"	18pF/50V	"	C10 HWB	1105930241
C270	FD112680	Styrol Cap.	680pF/50V	スチコン	C30 H	1135960009
"	FD112680	"	680pF/50V	"	C10 HWB	1135960009
C271	FG211270	Ceramic Cap.	27pF/50V	セラコン	C30 H	1105930258
"	FG211270	"	27pF/50V	"	C10 HWB	1105930258
C272	FE112220	Styrol Cap.	220pF/50V	スチコン	C30 H	1205960034

Ref.	Part No.	Description		部品名	MDL Market	Remarks
C272	FE112220	Styrol Cap.	220pF/50V	スチコン	C10 HWB	1205960034
C273	FG244220	Ceramic Cap.	0.022uF/50V	セラコン		1305900689
C274	UJ129220	Electrolytic Cap.	2200uF/10V	ケミコン		1125900263
C275	FG413220	Ceramic Cap.	2200pF/50V	セラコン		1305900685
C277	FG244220	"	0.022uF/50V	"	C30 H	1305900689
"	FG244220	"	0.022uF/50V	"	C10 HW	1305900689
C278	UJ165100	Electrolytic Cap.	0.1uF/50V	ケミコン		1165900152
C279	FG244220	Ceramic Cap.	0.022uF/50V	セラコン	C30 H	1305900689
"	FG244220	"	0.022uF/50V	"	C10 HWB	1305900689
C280	FG244220	"	0.022uF/50V	"	C30 H	1305900689
"	FG244220	"	0.022uF/50V	"	C10 HW	1305900689
C281	FG244220	"	0.022uF/50V	"		1305900689
C282	FG244220	"	0.022uF/50V	"	C30 H	1305900689
"	UJ138220	Electrolytic Cap.	220uF/16V	ケミコン	C30 CUR	RC-GZS227AF1C
"	FG244220	Ceramic Cap.	0.022uF/50V	セラコン	C10 HW	1305900689
"	UJ138220	Electrolytic Cap.	220uF/16V	ケミコン	C10 CAUR	RC-GZS227AF1C
C283	FG244220	Ceramic Cap.	0.022uF/50V	セラコン		1305900689
C301	FG212220	"	220pF/50V	"		1305930038
C302	FG212220	"	220pF/50V	"		1305930038
C303	UJ165220	Electrolytic Cap.	0.22uF/50V	ケミコン		1125900249
C304	FA154220	Mylar Cap.	0.022uF/50V	マイラーコン		1205960031
C305	FA154470	"	0.047uF/50V	"		1255900096
C306	FG713820	Polypropylene Cap.	8200pF/50V	ホ*リア*ロコン		1305960072
C307	FA154680	Mylar Cap.	0.068uF/50V	マイラーコン		1255900080
C308	UJ137220	Electrolytic Cap.	22uF/16V	ケミコン		1155900065
C309	FG112560	Ceramic Cap.	560pF/50V	セラコン		1305950153
C310	FG112560	"	560pF/50V	"		1305950153
C311	FG713820	"	8200pF/50V	"		1205900104
C312	FG713820	"	8200pF/50V	"		1205900104
C313	FG243680	"	6800pF/50V	"		1305900312
C314	FG243680	"	6800pF/50V	"		1305900312
C315	FT465150	Polypropylene Cap.	0.15uF/50V	ホ*リア*ロコン		1255910005
C316	FT465150	"	0.15uF/50V	"		1255910005
C317	FT464100	Ceramic Cap.	0.012uF/50V	セラコン		1125900162
C318	FT464100	"	0.012uF/50V	"		1125900162
C319	UJ137100	Electrolytic Cap.	10uF/16V	ケミコン		1165900160
C320	UJ137100	"	10uF/16V	"		1165900160
C321	FG443470	Ceramic Cap.	4700pF/50V	セラコン		1205900093
C322	FG443470	"	4700pF/50V	"		1205900093
C323	UJ165470	Electrolytic Cap.	0.47uF/50V	ケミコン		1255900061
C324	UJ165470	"	0.47uF/50V	"		1255900061
C325	UJ137100	"	10uF/16V	"		1165900160
C333	UJ137100	"	10uF/16V	"		1165900160
C334	UJ137100	"	10uF/16V	"		1165900160
C335	UJ137100	"	10uF/16V	"		1165900160
C336	UJ137100	"	10uF/16V	"		1165900160
C337	UJ128100	"	100uF/10V	"		1165900141
C338	UJ166100	"	1uF/50V	"		1165900153
C341	FG413220	Ceramic Cap.	2200pF/50V	セラコン		1305950101
C342	FG212560	"	560pF/50V	"		1305950147
C351	UJ166220	Electrolytic Cap.	2.2uF/50V	ケミコン		1255900081
C352	UJ137100	"	10uF/16V	"		1165900160
C353	FG244220	Ceramic Cap.	0.022uF/50V	セラコン		1205950007
C354	FG244220	"	0.022uF/50V	"		1205950007
C355	FG211330	"	33pF/50V	"		1115930019
C356	FG211330	"	33pF/50V	"		1115930019
C357	FG245100	"	0.01uF/50V	"		1205950010
C401	FA155100	Mylar Cap.	0.1uF/50V	マイラーコン		1255900079
C402	UJ138470	Electrolytic Cap.	470uF/16V	ケミコン		1165900139
C403	UJ137100	"	10uF/16V	"		1165900160
C404	FA155100	Mylar Cap.	0.1uF/50V	マイラーコン		1255900079
C405	UJ165470	Electrolytic Cap.	0.47uF/50V	ケミコン		1255900061
C406	UJ165470	"	0.47uF/50V	"		1255900061
C407	UJ138220	"	220uF/16V	"		1305900438
C408	UJ127470	"	47uF/10V	"		1165900158

Ref.	Part No.	Description	部品名	MDL	Market	Remarks
C409	FG244220	Ceramic Cap.	0.022uF/50V	セラコン		1205950007
C410	FG244100	"	0.01uF/50V	"		1205950010
C411	FG244100	"	0.01uF/50V	"		1205950010
C412	FG211330	"	33pF/50V	"		1115930019
C413	FG211330	"	33pF/50V	"		1115930019
C415	FG244220	"	0.022uF/50V	"		1205950007
C416	UJ166220	Electrolytic Cap.	2.2uF/50V	ケミコン		1255900081
C417	UJ137470	"	47uF/16V	"		1125900226
C418	UJ166100	"	1uF/50V	"		1165900153
C491	UJ137100	"	10uF/16V	"		1165900160
C492	UJ137100	"	10uF/16V	"		1165900160
C493	UJ137100	"	10uF/16V	"		1165900160
C494	UJ137100	"	10uF/16V	"		1165900160
C501	UJ166220	"	2.2uF/50V	"		1255900081
C569	FG212100	Ceramic Cap.	100pF/50V	セラコン		1305950158
C570	FG212100	"	100pF/50V	"		1305950158
C571	FG212100	"	100pF/50V	"		1305950158
C572	FG212100	"	100pF/50V	"		1305950158
C573	UJ166470	Electrolytic Cap.	4.7uF/50V	ケミコン		1165900157
C575	FG211200	Ceramic Cap.	20pF/50V	セラコン		1305930286
C576	FG211200	"	20pF/50V	"		1305930286
C580	FG244100	"	0.01 u F/50V	"		1205950011
C581	FG244100	"	0.01uF/50V	"		1205950011
C583	FG244220	"	0.022uF/50V	"		1205950007
C584	UJ137100	Electrolytic Cap.	10uF/16V	ケミコン		1165900160
C585	FG212100	Ceramic Cap.	100pF/50V	セラコン		1305950158
C586	FG212100	"	100pF/50V	"		1305950158
C587	FG212100	"	100pF/50V	"		1305950158
C589	FG211220	"	22pF/50V	"		1125930024
C590	FG211330	"	33pF/50V	"		1305930041
C591	FG244100	"	0.01uF/50V	"		1205950010
C592	FG244100	"	0.01uF/50V	"		1205950010
C593	FG244100	"	0.01uF/50V	"		1205950010
C594	FG244100	"	0.01uF/50V	"		1205950010
C595	FG244100	"	0.01uF/50V	"		1205950010
C596	FG244100	"	0.01uF/50V	"		1205950010
C597	FG244220	"	0.022uF/50V	"		1205950007
C598	UJ166100	Electrolytic Cap.	1uF/50V	ケミコン		1165900153
C599	UJ137100	"	10uF/16V	"		1165900160
C601	UJ137100	"	10uF/16V	"		1165900160
C603	FG713270	Ceramic Cap.	2700pF	セラコン	C30	RC-QZA272AFYJT
"	FG713220	"	2200pF	"	C10	1205960052
C604	FG713270	"	2700pF	"	C30	RC-QZA272AFYJ1
"	FG713220	"	2200pF	"	C10	1205960052
C605	FG713100	"	1000pF	"	C10 W	RC-QZA102AFYJT
C606	FG713100	"	1000pF	"	C10 W	RC-QZA102AFYJT
C607	FT464680	Polypropylene Cap.	0.068uF/50V	ホ° リフ° ロコン	C30	1305910012
"	FT465100	"	0.1uF/50V	"	C10	1305910006
C608	FT464680	"	0.068uF/50V	"	C30	1305910012
"	FT465100	"	0.1uF/50V	"	C10	1305910006
C609	FT465180	"	0.18uF/50V	"	C30	1165910008
"	FT465150	"	0.15uF/50V	"	C10	1255910005
C610	FT465180	"	0.18uF/50V	"	C30	1165910008
"	FT465150	"	0.15uF/50V	"	C10	1255910005
C611	FA155270	Mylar Cap.	2700pF/50V	マイラ-コン	C30	1105960133
"	FA153330	"	3300pF/50V	"	C10	1205960051
C612	FA155270	"	2700pF/50V	"	C30	1105960133
"	FA153330	"	3300pF/50V	"	C10	1205960051
C613	FT465100	Polypropylene Cap.	0.1uF/50V	ホ° リフ° ロコン	C30	1305910006
"	FT464560	"	0.056uF/50V	"	C10	1105910032
C614	FT465100	"	0.1uF/50V	"	C30	1305910006
"	FT464560	"	0.056uF/50V	"	C10	1105910032
C615	FG211220	Ceramic Cap.	22pF/50V	セラコン		1205930038
C616	FG211220	"	22pF/50V	"		1205930038
C617	U1327220	Electrolytic Cap.	22uF/10V	ケミコン		1205900145

Ref.	Part No.	Description		部品名	MDL Market	Remarks
C618	UI327220	Electrolytic Cap.	22uF/10V	ケミコン		1205900145
C621	FT465220	Polypropylene Cap.	0.22uF/50V	ホ*リア*ロコン		1255910008
C622	FT465220	"	0.22uF/50V	"		1255910008
C623	FT465330	"	0.33uF/50V	"		1305910015
C624	FT465330	"	0.33uF/50V	"		1305910015
C625	FG210800	Ceramic Cap.	8pF/50V	セラコン		1205930041
C626	FG210800	"	8pF/50V	"		1205930041
C627	UJ168100	Electrolytic Cap.	100uF/50V	ケミコン		1135900113
C628	UJ168100	"	100uF/50V	"		1135900113
C629	UJ158100	"	100uF/35V	"		1125900225
C630	UJ158100	"	100uF/35V	"		1125900225
C631	UJ128100	"	100uF/10V	"		1165900141
C632	UJ128100	"	100uF/10V	"		1165900141
C633	FG210800	Ceramic Cap.	8pF/50V	セラコン	C30	1205930041
"	FG210800	"	8pF/50V	"	C10 HBCAUR	1205930041
"	FG211330	"	33pF/50V	"	C10 W	1305930041
C634	FG210800	"	8pF/50V	"	C30	1205930041
"	FG210800	"	8pF/50V	"	C10 HBCAUR	1205930041
"	FG211330	"	33pF/50V	"	C10 W	1305930041
C637	UJ167100	Electrolytic Cap.	10uF/50V	ケミコン		1125900251
C639	UJ167100	"	10uF/50V	"		1125900251
C640	UJ167100	"	10uF/50V	"		1125900251
C641	FT465100	Polypropylene Cap.	0.1uF/50V	ホ*リア*ロコン		1305910006
C642	FT465100	"	0.1uF/50V	"		1305910006
C649	FG212220	Ceramic Cap.	220pF/50V	セラコン		1305930038
C650	FG212220	"	220pF/50V	"		1305930038
C651	FT464470	Polypropylene Cap.	0.047uF/50V	ホ*リア*ロコン		1305910009
C652	FT464470	"	0.047uF/50V	"		1305910009
C653	FT464470	"	0.047uF/50V	"	C30 HC	1305910009
"	FT464470	"	0.047uF/50V	"	C10 HWBCA	1305910009
C654	FT464470	"	0.047uF/50V	"	C30 HC	1305910009
"	FT464470	"	0.047uF/50V	"	C10 HWBCA	1305910009
C655	UJ128470	Electrolytic Cap.	470uF/10V	ケミコン		1105900176
C656	UJ128470	"	470uF/10V	"		1105900176
C657	UJ139100	"	1000uF/16V	"		1305900482
C671	UJ167330	"	33uF/50V	"		1125900271
C672	UJ167330	"	33uF/50V	"		1125900271
C675	FG212150	Ceramic Cap.	150pF/50V	セラコン	C10 W	1105950077
C676	FG212150	"	150pF/50V	"	C10 W	1305950333
C677	FG212150	"	150pF/50V	"	C10 W	1105950077
C678	FG212150	"	150pF/50V	"	C10 W	1105950077
C679	FG212150	"	150pF/50V	"	C10 W	1305950023
C680	FG212150	"	150pF/50V	"	C10 W	1305950023
C681	FG244220	"	0.022uF/50V	"	C10 W	1105950034
C682	FG244220	"	0.022uF/50V	"	C10 W	1105950034
C683	FG213100	"	1000pF/50V	"	C10 W	1305950025
C684	FG213100	"	1000pF/50V	"	C10 W	1305950025
C685	FG244220	"	0.022uF/50V	"	C10 W	1105950034
C686	FG244220	"	0.022uF/50V	"	C10 W	1105950034
C687	FG244220	"	0.022uF/50V	"	C10 W	1105950034
C688	FG244220	"	0.022uF/50V	"	C10 W	1105950034
C701	FG213150	"	1500pF/50V	"		1105900182
C704	FG245100	"	0.1uF/50V	"		1425900032
C710	FG212680	"	680pF/50V	"		1305950303
C712	FG245100	"	0.1uF/50V	"		1425900032
C717	UJ128220	Electrolytic Cap.	220uF/10V	ケミコン		1305900437
C718	UJ137100	"	10uF/16V	"		1165900160
C719	UJ166100	"	1uF/50V	"		1165900153
C720	FG244470	Ceramic Cap.	0.047uF/50V	セラコン		1115900253
C721	FG244470	"	0.047uF/50V	"		1115900253
C722	FG244470	"	0.047uF/50V	"		1115900253
C723	FG244470	"	0.047uF/50V	"		1115900253
C724	FG244470	"	0.047uF/50V	"		1115900253
C725	FG244470	"	0.047uF/50V	"		1115900253
C726	UJ128100	Electrolytic Cap.	100uF/10V	ケミコン		1165900141

Ref.	Part No.	Description	部品名	MDL Market	Remarks
C741	FG245100	Ceramic Cap.	0.1uF/50V	セラコン	1425900032
C744	FG244470	"	0.047uF/50V	"	1115900253
C745	FG244470	"	0.047uF/50V	"	1115900253
C746	UJ128220	Electrolytic Cap.	220uF/10V	ケミコン	1305900437
C750	FG413220	Ceramic Cap.	2200pF/50V	セラコン	1305900685
C751	FG713120	"	1200pF/50V	"	1305907070
C752	FG245100	"	0.1uF/50V	"	1425900032
C753	FX604400	Mylar Cap.	0.18uF/63V	マイラーコン	1205910005
C754	UJ137100	Electrolytic Cap.	10uF/16V	ケミコン	1165900160
C755	FG244470	Ceramic Cap.	0.047uF/50V	セラコン	1115900253
C756	FG713470	"	4700pF/50V	"	1305900678
C757	UJ165470	Electrolytic Cap.	0.47uF/50V	ケミコン	1255900061
C758	UJ137330	"	33uF/16V	"	1165900164
C759	FG112560	Ceramic Cap.	560pF/50V	セラコン	1305950302
C760	FX604400	Mylar Cap.	0.18uF/63V	マイラーコン	1205910005
C761	FG243680	Ceramic Cap.	6800pF/50V	セラコン	1425900067
C762	UJ127470	Electrolytic Cap.	47uF/10V	ケミコン	1165900158
C763	FX604400	Mylar Cap.	0.18uF/63V	マイラーコン	1205910005
C764	FG212680	Ceramic Cap.	680pF/50V	セラコン	1305950116
C765	FX604440	"	0.082uF/16V	"	1305900688
C766	UJ165470	Electrolytic Cap.	0.47uF/50V	ケミコン	1255900061
C767	UJ137220	"	22uF/16V	"	1155900065
C768	UJ127470	"	47uF/10V	"	1165900158
C769	FG444100	Ceramic Cap.	0.01uF/50V	セラコン	1015900044
C770	UJ128100	"	100uF/10V	"	1165900141
C780	FG213100	"	1000pF/50V	"	1305950295
C783	FG244220	"	0.022uF/50V	"	1305900673
C784	FG212390	"	390pF/50V	"	1305950300
C785	FX604410	Mylar Cap.	0.33uF/63V	マイラーコン	1305910028
C786	UJ128100	Electrolytic Cap.	100uF/10V	ケミコン	1165900141
C787	FG444470	Ceramic Cap.	0.047uF/50V	セラコン	1115900253
C788	FX604420	Mylar Cap.	0.22uF/63V	マイラーコン	1305910027
C789	FG444470	Ceramic Cap.	0.047uF/16V	セラコン	1115900253
C791	FG211200	"	20pF/50V	"	1305930523
C792	FG211200	"	20pF/50V	"	1305930523
C793	FG713100	"	1000pF/50V	"	C30 HCU 1425910003
	FG713100	"	1000pF/50V	"	C10 HWBCAU 1425910003
C800	UJ128100	Electrolytic Cap.	100uF/10V	ケミコン	1165900141
C801	UJ137100	"	10uF/16V	"	1165900160
C802	UJ128100	"	100uF/10V	"	1165900141
C810	UJ128100	"	100uF/10V	"	1165900141
C811	FT464470	Polypropylene Cap.	0.047uF/50V	ホ*リア*ロコン	1305910009
C812	UJ137330	Electrolytic Cap.	33uF/16V	ケミコン	1165900164
C813	FG211680	Ceramic Cap.	68pF/50V	セラコン	1305930524
C814	UJ137100	Electrolytic Cap.	10uF/16V	ケミコン	1165900160
C815	FG713180	Ceramic Cap.	1800pF/16V	セラコン	1305900675
C816	FG713180	"	1800pF/16V	"	1305900675
C817	FX604440	"	0.082uF/16V	"	1305900688
C818	FX604440	"	0.082uF/16V	"	1305900688
C823	FG713470	"	4700pF/50V	"	1305900678
C824	FG713470	"	4700pF/50V	"	1425900056
C825	FG212330	"	330pF/50V	"	1305950299
C826	FG212330	"	330pF/50V	"	1305950148
C827	FG112560	"	560pF/50V	"	1305950302
C828	FG112560	"	560pF/50V	"	1305950153
C829	UJ137100	Electrolytic Cap.	10uF/16V	ケミコン	1165900160
C830	UJ137100	"	10uF/16V	"	1165900160
C831	FG713150	Ceramic Cap.	1500pF/50V	セラコン	1305900674
C832	FG713150	"	1500pF/50V	"	1305900674
C840	UJ146470	Electrolytic Cap.	4.7uF/25V	ケミコン	1255900062
C841	FG444100	Ceramic Cap.	0.01uF/50V	セラコン	1305900718
C851	FG444100	"	0.01uF/50V	"	1305900718
C852	FG444100	"	0.01uF/50V	"	1305900718
C853	FG444100	"	0.01uF/50V	"	1305900718
C854	UJ137100	Electrolytic Cap.	10uF/16V	ケミコン	1165900160

Ref.	Part No.	Description	部品名	MDL Market	Remarks
C856	FG244220	Ceramic Cap.	0.022uF/50V		セラコン 1305900673
C857	UJ137100	Electrolytic Cap.	10uF/16V		ケミコン 1165900160
C860	UJ127470	"	47uF/10V		" 1165900158
C861	UJ127470	"	47uF/10V		" 1165900158
C881	FT464470	Polypropylene Cap.	0.047uF/50V		ホ・リフ* ロコン 1305910009
C882	UJ147470	Electrolytic Cap.	47uF/25V		ケミコン 1255900063
C883	FG444470	Ceramic Cap.	0.047uF/50V		セラコン 1115900253
C884	UJ128220	Electrolytic Cap.	220uF/10V		ケミコン 1305900437
C887	FG444470	Ceramic Cap.	0.047uF/50V		セラコン 1115900253
C888	FG245100	"	0.01uF/50V		" 1205950010
"	FG245100	"	0.01uF/50V		" 1205950010
C890	FG444470	"	0.047uF/50V		" 1115900253
C891	UJ128100	Electrolytic Cap.	100uF/10V		ケミコン 1165900141
C899	FG212270	Ceramic Cap.	270pF/50V		セラコン 1305950298
* C903	FX604430	Mylar Cap.	0.12uF/50V		マイラーコン 1105910027
* C904	FX604430	"	0.12uF/50V		" 1105910027
C905	UJ166220	Electrolytic Cap.	2.2uF/50V		ケミコン 1255900081
C906	UJ166220	"	2.2uF/50V		" 1255900081
C907	UJ128220	"	220uF/10V		" 1305900437
C908	UJ128220	"	220uF/10V		" 1255900098
C909	FG213100	Ceramic Cap.	1000pF/50V		セラコン 1015950013
C910	FG213100	"	1000pF/50V		" 1015950013
C911	FG245100	"	0.01uF/50V		" 1205950010
C912	FG245100	"	0.01uF/50V		" 1205950010
* C913	FX604490	Electrolytic Cap.	3300uF/50V		ケミコン 1205900168
* C914	FX604490	"	3300uF/50V		" 1205900168
C915	UJ167100	"	10uF/50V		" 1125900251
"	UJ166470	"	4.7uF/50V		" 1165900157
"	UJ167100	"	10uF/50V		" 1125900251
"	UJ166470	"	4.7uF/50V		" 1165900157
C916	UJ167100	"	10uF/50V		" 1125900251
"	UJ167100	"	10uF/50V		" 1125900251
C917	UJ128100	"	100uF/10V		" 1165900141
C918	UJ127470	"	47uF/10V		" 1165900158
C919	UJ166100	"	1uF/50V		" 1165900153
C931	UJ148220	"	220uF/25V		" 1305900431
C932	UJ148220	"	220uF/25V		" 1305900431
C933	FG244470	Ceramic Cap.	0.047uF/50V		セラコン 1205950008
C934	FG244470	"	0.047uF/50V		" 1205950008
C935	UJ139220	Electrolytic Cap.	2200uF/25V		ケミコン 1305900435
C936	FG244100	Ceramic Cap.	0.01uF/50V		セラコン 1205950010
C937	UJ138100	Electrolytic Cap.	100uF/16V		ケミコン 1135900106
C938	FG244100	Ceramic Cap.	0.01uF/50V		セラコン 1205950010
C939	UJ137470	Electrolytic Cap.	47uF/16V		ケミコン 1125900226
C940	FG244100	Ceramic Cap.	0.01uF/50V		セラコン 1205950010
C941	UJ137100	Electrolytic Cap.	10uF/16V		ケミコン 1165900160
C942	FG244100	Ceramic Cap.	0.01uF/50V		セラコン 1205950010
C943	UJ128100	Electrolytic Cap.	100uF/10V		ケミコン 1165900141
C944	FG244100	Ceramic Cap.	0.01uF/50V		セラコン 1205950010
C945	UJ128100	Electrolytic Cap.	100uF/10V		ケミコン 1165900141
C946	UJ148470	"	470uF/25V		" 1155900064
C947	FG244100	Ceramic Cap.	0.01uF/50V		セラコン 1205950010
C948	UJ137470	Electrolytic Cap.	47uF/16V		ケミコン 1125900226
C949	UJ149100	"	1000uF/25V		" 1135900110
C950	FG244100	Ceramic Cap.	0.01uF/50V		セラコン 1205950010
C951	UJ138220	Electrolytic Cap.	220uF/16V		ケミコン 1305900438
* C956	FX604630	Ceramic Cap.	0.047uF/250V		セラコン C30 HR 1125900222
* "	FX604640	"	0.01uF/125V		" C30 CU RC-FZ084LAFZZ
* "	FX604630	"	0.047uF/250V		" C10 HWBAR 1125900222
* "	FX604640	"	0.01uF/125V		" C10 CU RC-FZ084LAFZZ
C957	UJ138100	Electrolytic Cap.	100uF/16V		ケミコン 1135900106
C958	UJ137470	"	47uF/16V		" 1125900226
C959	UJ128100	"	100uF/10V		" 1165900141
C960	UJ128100	"	100uF/10V		" 1165900141
C961	UJ128100	"	100uF/10V		" 1165900141

Ref.	Part No.	Description		部品名	MDL Market	Remarks
C962	UJ138100	Electrolytic Cap.	100uF/16V	ケミコン	C30 HC	1305900540
"	UJ137470	"	47uF/16V	"	C30 UR	1125900226
"	UJ138100	"	100uF/16V	"	C10 HWBCA	1305900540
"	UJ137470	"	47uF/16V	"	C10 UR	1125900226
C963	UJ138100	"	100uF/16V	"		1135900106
C964	UJ138100	"	100uF/16V	"	C30 HC	1135900106
"	UJ138100	"	100uF/16V	"	C10 HWBCA	1135900106
C965	UJ147220	"	22uF/25V	"		1205900145
C966	UJ147220	"	22uF/25V	"		1205900145
C981	FG212390	Ceramic Cap.	390pF/50V	セラコン		1135930015
C982	FG212390	"	390pF/50V	"		1135930015
C983	FG244560	"	0.056uF/50V	"		1425900124
C984	FG244560	"	0.056uF/16V	"		1425900124
C991	FG244470	"	0.047uF/50V	"		1205950008
C992	FG244470	"	0.047uF/50V	"		1205950008
C993	UJ138100	Electrolytic Cap.	100uF/16V	ケミコン		1135900106
C1001	FG244100	Ceramic Cap.	0.01uF/50V	セラコン		1205950010
C1217	FG244220	"	0.022uF/50V	"	C10 W	1205950007
C1218	FG244220	"	0.022uF/50V	"	C10 W	1205950007
C1219	FG244220	"	0.022uF/50V	"	C10 W	1205950007
C1220	FG244220	"	0.022uF/50V	"	C10 W	1205950007

Ref.	Part No.	Description		部品名	MDL Market	Remarks
* R1	HX603250	Chip Carbon Resistor	22k Ω (1/8W)	チップ抵抗		1115810276
* R2	HX603250	"	22k Ω (1/8W)	"		1115810276
* R3	HX603260	"	10k Ω (1/10W)	"		1305810599
* R4	HX603270	"	2.2k Ω (1/10W)	"		1305810609
* R5	HX603280	"	47k Ω (1/10W)	"		1305810615
* R6	HX603290	"	8.2k Ω (1/10W)	"		1305810619
R101	HF854470	Carbon Resistor	47 Ω (1/6W)	カーボン抵抗		1135810095
R102	HF854470	"	47 Ω (1/6W)	"		1135810095
R103	HF856390	"	3.9k Ω (1/6W)	"		1125810237
R104	HF856390	"	3.9k Ω (1/6W)	"		1125810237
R105	HF857100	"	10k Ω (1/6W)	"		1135810073
R106	HF858100	"	100k Ω (1/6W)	"		1135810074
R107	HF858100	"	100k Ω (1/6W)	"		1135810074
R108	HF858100	"	100k Ω (1/6W)	"		1135810074
R109	HF856390	"	3.9k Ω (1/6W)	"		1125810237
R110	HF856390	"	3.9k Ω (1/6W)	"		1125810237
R111	HF857220	"	22k Ω (1/6W)	"		1135810087
R112	HF857220	"	22k Ω (1/6W)	"		1135810087
R113	HF856330	"	3.3k Ω (1/6W)	"		1135810093
R114	HF856330	"	3.3k Ω (1/6W)	"		1135810093
R115	HF856100	"	1.0k Ω (1/6W)	"	C10 W	1155810024
R116	HF856100	"	1.0k Ω (1/6W)	"	C10 W	1155810024
R117	HF856330	"	3.3k Ω (1/6W)	"		1135810093
R118	HF856330	"	3.3k Ω (1/6W)	"		1135810093
R119	HF856330	"	3.3k Ω (1/6W)	"		1135810093
R120	HF856330	"	3.3k Ω (1/6W)	"		1135810093
R121	HF857120	"	12k Ω (1/6W)	"		1135810077
R122	HF857120	"	12k Ω (1/6W)	"		1135810077
R123	HF856100	"	1.0k Ω (1/6W)	"	C10 W	1135810072
R124	HF856100	"	1.0k Ω (1/6W)	"	C10 W	1135810072
R125	HF856100	"	1.0k Ω (1/6W)	"		1135810072
R126	HF856100	"	1.0k Ω (1/6W)	"		1135810072
R127	HF856100	"	1.0k Ω (1/6W)	"		1135810072
R128	HF857100	"	10k Ω (1/6W)	"		1135810073
R129	HF858150	"	150k Ω (1/6W)	"		1135810081
R130	HJ355390	"	390 Ω (1/4W)	"		1105810335
R131	HF856270	"	2.7k Ω (1/6W)	"		1135810089
R132	HF856270	"	2.7k Ω (1/6W)	"		1135810089
R133	HF857680	"	68k Ω (1/6W)	"		1135810106
R134	HF857680	"	68k Ω (1/6W)	"		1135810106
R135	HF857180	"	18k Ω (1/6W)	"		1135810083
R136	HF857100	"	10k Ω (1/6W)	"		1135810073
R137	HF857220	"	22k Ω (1/6W)	"		1135810087
R138	HF857100	"	10k Ω (1/6W)	"		1135810073
R139	HJ355220	"	220 Ω (1/4W)	"		1105810320
R140	HJ355560	"	560 Ω (1/4W)	"		1105810345
R141	HF857470	"	47k Ω (1/6W)	"		1125810240
R142	HF857470	"	47k Ω (1/6W)	"		1125810240
R143	HF856470	"	4.7k Ω (1/6W)	"		1135810097
R144	HF856470	"	4.7k Ω (1/6W)	"		1135810097
R145	HF856180	"	1.8k Ω (1/6W)	"		1165810130
R146	HF856180	"	1.8k Ω (1/6W)	"		1165810130
R147	HF856150	"	1.5k Ω (1/6W)	"		1135810079
R148	HF856150	"	1.5k Ω (1/6W)	"		1135810079
R149	HF857470	"	47k Ω (1/6W)	"		1125810240
R150	HF857470	"	47k Ω (1/6W)	"		1125810240
R151	HF855220	"	220 Ω (1/6W)	"		1135810085
R152	HF855220	"	220 Ω (1/6W)	"		1135810085
R153	HF856180	"	1.8k Ω (1/6W)	"		1165810130
R154	HF856180	"	1.8k Ω (1/6W)	"		1165810130
R155	HF857470	"	47k Ω (1/6W)	"		1125810240
R156	HF857470	"	47k Ω (1/6W)	"		1125810240
R157	HF858100	"	100k Ω (1/6W)	"		1135810074
R158	HF858100	"	100k Ω (1/6W)	"		1135810074
R159	HJ355390	"	390 Ω (1/4W)	"		1105810335

Ref.	Part No.	Description	部品名	MDL	Market	Remarks
R160	HF859180	Carbon Resistor	1.8M Ω (1/6W)	カーボン抵抗		1255810052
R161	HF855560	"	560 Ω (1/6W)	"		1135810100
R162	HF855560	"	560 Ω (1/6W)	"		1135810100
R163	HF856330	"	3.3k Ω (1/6W)	"		1135810093
R164	HF856330	"	3.3k Ω (1/6W)	"		1135810093
R165	HF856220	"	2.2k Ω (1/6W)	"	C30 H	1135810086
"	HF856100	"	1.0k Ω (1/6W)	"	C30 CUR	1135810072
"	HF856220	"	2.2k Ω (1/6W)	"	C10 HWB	1135810086
"	HF856120	"	1.2k Ω (1/6W)	"	C10 CAUR	1135810076
R166	HF856220	"	2.2k Ω (1/6W)	"	C30 H	1135810086
"	HF856100	"	1.0k Ω (1/6W)	"	C30 CUR	1135810072
"	HF856220	"	2.2k Ω (1/6W)	"	C10 HWB	1135810086
"	HF856120	"	1.2k Ω (1/6W)	"	C10 CAUR	1135810076
R167	HF856560	"	5.6k Ω (1/6W)	"		1135810101
R168	HF856560	"	5.6k Ω (1/6W)	"		1135810101
R169	HF855470	"	470 Ω (1/6W)	"		1135810096
R170	HF855470	"	470 Ω (1/6W)	"		1135810096
R171	HF855680	"	680 Ω (1/6W)	"		1135810105
R172	HF855680	"	680 Ω (1/6W)	"		1135810105
R173	HF856100	"	1.0k Ω (1/6W)	"		1135810072
R174	HF856100	"	1.0k Ω (1/6W)	"		1135810072
R175	HF857470	"	47k Ω (1/6W)	"		1125810240
R176	HF857470	"	47k Ω (1/6W)	"		1125810240
R177	HF857220	"	22k Ω (1/6W)	"		1135810087
R178	HF857220	"	22k Ω (1/6W)	"		1135810087
R179	HF856120	"	1.2k Ω (1/6W)	"		1135810076
R180	HF856120	"	1.2k Ω (1/6W)	"		1135810076
R181	HF857220	"	22k Ω (1/6W)	"		1135810087
R182	HF857220	"	22k Ω (1/6W)	"		1135810087
R183	HJ355220	"	220 Ω (1/4W)	"		1105810320
R184	HJ355220	"	220 Ω (1/4W)	"		1105810320
R185	HF857100	"	10k Ω (1/6W)	"		1135810073
R186	HF857100	"	10k Ω (1/6W)	"		1135810073
R187	HF856270	"	2.7k Ω (1/6W)	"		1135810089
R188	HF856270	"	2.7k Ω (1/6W)	"		1135810089
R189	HF856270	"	2.7k Ω (1/6W)	"		1135810089
R190	HF856270	"	2.7k Ω (1/6W)	"		1135810089
R191	HF856560	"	5.6k Ω (1/6W)	"		1135810101
R192	HF856560	"	5.6k Ω (1/6W)	"		1135810101
R193	HF857220	"	22k Ω (1/6W)	"		1135810087
R194	HF857220	"	22k Ω (1/6W)	"		1135810087
R195	HJ355120	"	120 Ω (1/4W)	"		1105810308
R197	HF856330	"	3.3k Ω (1/6W)	"		1135810093
R198	HF856330	"	3.3k Ω (1/6W)	"		1135810093
R199	HF857100	"	10k Ω (1/6W)	"		1135810073
R200	HF858100	"	100k Ω (1/8W)	"	C30 H	1305810851
"	HF858100	"	100k Ω (1/8W)	"	C10 HWB	1305810851
R201	HF858120	"	120k Ω (1/8W)	"	C30 H	1305810855
"	HF858120	"	120k Ω (1/8W)	"	C10 HWB	1305810855
R202	HU578220	Metal Film Resistor	220k Ω (1/6W)	金属被膜抵抗	C30 H	1255810062
"	HU578220	"	220k Ω (1/6W)	"	C10 HWB	1255810062
R203	HF855330	Carbon Resistor	330 Ω (1/8W)	カーボン抵抗	C30 H	1305810842
"	HF855330	"	330 Ω (1/8W)	"	C10 HWB	1305810842
R204	HU576470	Metal Film Resistor	4.7k Ω (1/6W)	金属被膜抵抗	C30 H	1255810064
"	HU576470	"	4.7k Ω (1/6W)	"	C10 HWB	1255810064
R205	HF858330	Carbon Resistor	330k Ω (1/8W)	カーボン抵抗		1305810874
R206	HF855330	"	330 Ω (1/8W)	"		1305810842
R207	HF855330	"	330 Ω (1/8W)	"		1305810842
R209	HF855100	"	100 Ω (1/8W)	"		1305810848
R210	HF856220	"	2.2k Ω (1/8W)	"		1305810867
R211	HF856470	"	4.7k Ω (1/8W)	"		1305810878
R212	HF856470	"	4.7k Ω (1/8W)	"		1305810878
R213	HF858100	"	100k Ω (1/8W)	"		1305810851
R214	HF858100	"	100k Ω (1/8W)	"		1305810851
R215	HF857680	"	68k Ω (1/8W)	"		1305810887

Ref.	Part No.	Description	部品名	MDL Market	Remarks
R216	HF856560	Carbon Resistor	5.6k Ω (1/8W)	カーボン抵抗	C30 H 1305810883
"	HF856560	"	5.6k Ω (1/8W)	"	C10 HWB 1305810883
R217	HF856560	"	5.6k Ω (1/6W)	"	C30 H 1135810101
"	HF856560	"	5.6k Ω (1/6W)	"	C10 HWB 1135810101
R218	HF856560	"	5.6k Ω (1/8W)	"	C30 H 1305810883
"	HF856560	"	5.6k Ω (1/8W)	"	C10 HWB 1305810883
R219	HF858100	"	100k Ω (1/8W)	"	C30 H 1305810851
"	HF858100	"	100k Ω (1/8W)	"	C10 HWB 1305810851
R221	HF856680	"	6.8k Ω (1/8W)	"	1305810886
R222	HF857680	"	68k Ω (1/8W)	"	1305810887
R223	HF856820	"	8.2k Ω (1/8W)	"	C30 HR 1305810889
"	HF856680	"	6.8k Ω (1/8W)	"	C30 CU 1305810886
"	HF856820	"	8.2k Ω (1/8W)	"	C10 HWBAR 1305810889
"	HF856680	"	6.8k Ω (1/8W)	"	C10 CU 1305810886
R224	HJ355150	"	150 Ω (1/4W)	"	1105810312
R225	HF856330	"	3.3k Ω (1/8W)	"	C30 HR 1305810872
"	HF856330	"	3.3k Ω (1/8W)	"	C10 HWBAR 1305810872
R226	HF856390	"	3.9k Ω (1/8W)	"	1305810875
R227	HF856560	"	5.6k Ω (1/8W)	"	C30 HR 1305810883
"	HF856220	"	2.2k Ω (1/8W)	"	C30 CU 1305810867
"	HF856560	"	5.6k Ω (1/8W)	"	C10 HWBAR 1305810883
"	HF856220	"	2.2k Ω (1/8W)	"	C10 CU 1305810867
R228	HF857100	"	10k Ω (1/8W)	"	1305810850
R229	HU577100	Metal Film Resistor	10k Ω (1/6W)	金属被膜抵抗	1255810055
R230	HF856270	Carbon Resistor	2.7k Ω (1/8W)	カーボン抵抗	1305810870
R231	HF854820	"	82 Ω (1/8W)	"	1305810903
R232	HF857100	"	10k Ω (1/8W)	"	C30 H 1305810850
"	HF856680	"	6.8k Ω (1/8W)	"	C30 CUR 1305810886
"	HF857100	"	10k Ω (1/8W)	"	C10 HWB 1305810850
"	HF856680	"	6.8k Ω (1/8W)	"	C10 CAUR 1305810886
R233	HF857100	"	10k Ω (1/8W)	"	C30 H 1305810850
"	HF857100	"	10k Ω (1/8W)	"	C10 HWB 1305810850
R234	HF856680	"	6.8k Ω (1/8W)	"	1305810886
R236	HF857270	"	27k Ω (1/8W)	"	1305810871
R237	HF856100	"	1.0k Ω (1/8W)	"	1305810849
R238	HF857220	"	22k Ω (1/8W)	"	C30 H 1305810868
"	HF858100	"	100k Ω (1/8W)	"	C30 CU 1305810851
"	HF858220	"	220k Ω (1/8W)	"	C30 R 1305810869
"	HF857220	"	22k Ω (1/8W)	"	C10 HWB 1305810868
"	HF858100	"	100k Ω (1/8W)	"	C10 CU 1305810851
"	HF858220	"	220k Ω (1/8W)	"	C10 AR 1305810869
R239	HF858120	"	120k Ω (1/8W)	"	C30 HR 1305810855
"	HF857820	"	82k Ω (1/8W)	"	C30 CU 1305810890
"	HF858120	"	120k Ω (1/8W)	"	C10 HWBAR 1305810855
"	HF857820	"	82k Ω (1/8W)	"	C10 CU 1305810890
R240	HF858120	"	120k Ω (1/8W)	"	1305810855
R241	HF856100	"	1.0k Ω (1/8W)	"	1305810849
R242	HF858120	"	120k Ω (1/8W)	"	C30 HR 1305810855
"	HF857820	"	82k Ω (1/8W)	"	C30 CU 1305810890
"	HF858120	"	120k Ω (1/8W)	"	C10 HWBAR 1305810855
"	HF857820	"	82k Ω (1/8W)	"	C10 CU 1305810890
R243	HF858120	"	120k Ω (1/8W)	"	1305810855
R244	HF856100	"	1.0k Ω (1/8W)	"	1305810849
R245	HU577820	Metal Film Resistor	82k Ω (1/6W)	金属被膜抵抗	1255810101
R246	HF856560	Carbon Resistor	5.6k Ω (1/8W)	カーボン抵抗	1305810883
R247	HF856220	"	2.2k Ω (1/8W)	"	1305810867
R248	HF856220	"	2.2k Ω (1/8W)	"	1305810867
R249	HF856330	"	3.3k Ω (1/8W)	"	1305810872
R250	HF856330	"	3.3k Ω (1/8W)	"	1305810872
R251	HF856100	"	1.0k Ω (1/8W)	"	C30 H 1305810849
"	HF856220	"	2.2k Ω (1/8W)	"	C30 CUR 1305810867
"	HF856100	"	1.0k Ω (1/8W)	"	C10 HWB 1305810849
"	HF856220	"	2.2k Ω (1/8W)	"	C10 CAUR 1305810867
R253	HF856270	"	2.7k Ω (1/8W)	"	C30 H 1305810870
"	HF856120	"	1.2k Ω (1/8W)	"	C30 CUR 1305810837

Ref.	Part No.	Description		部品名	MDL Market	Remarks
R253	HF856270	Carbon Resistor	2.7k Ω (1/8W)	カーボン抵抗	C10 HWB	1305810870
"	HF856120	"	1.2k Ω (1/8W)	"	C10 CAUR	1305810837
R254	HF857100	"	10k Ω (1/8W)	"	"	1305810850
R256	HJ355150	"	150 Ω (1/4W)	"	"	1105810312
R257	HF858100	"	100k Ω (1/8W)	"	"	1305810851
R258	HF858100	"	100k Ω (1/8W)	"	"	1305810851
R259	HF858100	"	100k Ω (1/8W)	"	"	1305810851
R260	HF856220	"	2.2k Ω (1/8W)	"	"	1305810867
R261	HF857100	"	10k Ω (1/8W)	"	"	1305810850
R262	HF857330	"	33k Ω (1/8W)	"	"	1305810873
R263	HF857100	"	10k Ω (1/8W)	"	"	1305810850
R264	HF857470	"	47k Ω (1/6W)	"	C30 H	1125810240
"	HF857470	"	47k Ω (1/6W)	"	C10 HWB	1125810240
R265	HF857100	"	10k Ω (1/8W)	"	"	1305810850
R266	HU577100	Metal Film Resistor	10k Ω (1/6W)	金属被膜抵抗	C30 H	1255810055
"	HU576100	"	1.0k Ω (1/6W)	"	C30 CUR	1255810054
"	HU577100	"	10k Ω (1/6W)	"	C10 HWB	1255810055
"	HU576100	"	1.0k Ω (1/6W)	"	C10 CAUR	1255810054
R267	HU576470	"	4.7k Ω (1/6W)	"	C30 H	1255810064
"	HU576470	"	4.7k Ω (1/6W)	"	C10 HWB	1255810064
R269	HF855470	Carbon Resistor	470 Ω (1/8W)	カーボン抵抗	"	1305810877
R270	HF855470	"	470 Ω (1/8W)	"	"	1305810877
R271	HF856100	"	1.0k Ω (1/8W)	"	"	1305810849
R272	HF856100	"	1.0k Ω (1/8W)	"	"	1305810849
R273	HF857220	"	22k Ω (1/8W)	"	"	1305810868
R275	HF856330	"	3.3k Ω (1/8W)	"	"	1305810872
R276	HF855330	"	330 Ω (1/8W)	"	"	1305810842
R277	HF857100	"	10k Ω (1/8W)	"	C30 HR	1305810850
"	HF857180	"	18k Ω (1/8W)	"	C30 CU	1305810862
"	HF857100	"	10k Ω (1/8W)	"	C10 HWBAR	1305810850
"	HF857180	"	18k Ω (1/8W)	"	C10 CU	1305810862
R278	HF856220	"	2.2k Ω (1/8W)	"	C30 CUR	1305810867
"	HF856220	"	2.2k Ω (1/8W)	"	C10 CAUR	1305810867
R292	HU574100	Metal Film Resistor	10 Ω (1/6W)	金属被膜抵抗	C30 CUR	VRN-RT2CK100JT
"	HU574100	"	10 Ω (1/6W)	"	C10 CAUR	VRN-RT2CK100JT
R301	HF856100	Carbon Resistor	1.0k Ω (1/6W)	カーボン抵抗	"	1135810072
R302	HF856100	"	1.0k Ω (1/6W)	"	"	1135810072
R303	HF856820	"	8.2k Ω (1/6W)	"	C30	1135810109
"	HF856820	"	8.2k Ω (1/6W)	"	C10 HBCAUR	1135810109
"	HF856390	"	3.9k Ω (1/6W)	"	C10 W	1125810237
R304	HF856820	"	8.2k Ω (1/6W)	"	C30	1135810109
"	HF856820	"	8.2k Ω (1/6W)	"	C10 HBCAUR	1135810109
"	HF856390	"	3.9k Ω (1/6W)	"	C10 W	1125810237
R305	HF856390	"	3.9k Ω (1/6W)	"	"	1125810237
R306	HF856390	"	3.9k Ω (1/6W)	"	"	1125810237
R307	HF857220	"	22k Ω (1/6W)	"	"	1135810087
R308	HF857220	"	22k Ω (1/6W)	"	"	1135810087
R309	HF858120	"	120k Ω (1/6W)	"	"	1135810078
R310	HF857150	"	15k Ω (1/6W)	"	"	1135810080
R311	HW394100	Fusible Resistor	10 Ω	ヒューズ抵抗	C30 HC	1205800021
"	HF854100	Carbon Resistor	10 Ω (1/6W)	カーボン抵抗	C30 UR	1135810070
"	HW394100	Fusible Resistor	10 Ω	ヒューズ抵抗	C10 HWBCA	1205800021
"	HF854100	Carbon Resistor	10 Ω (1/6W)	カーボン抵抗	C10 UR	1135810070
R312	HF856820	"	8.2k Ω (1/6W)	"	"	1135810109
R313	HF856330	"	3.3k Ω (1/6W)	"	"	1135810093
R314	HF856180	"	1.8k Ω (1/6W)	"	"	1165810130
R315	HF857100	"	10k Ω (1/6W)	"	"	1135810073
R316	HF857100	"	10k Ω (1/6W)	"	"	1135810073
R317	HW394100	Fusible Resistor	10 Ω (1/4W)	ヒューズ抵抗	C30 HC	1305810388
"	HW394100	"	10 Ω (1/4W)	"	C10 HWBCA	1305810388
R319	HF856680	Carbon Resistor	6.8k Ω (1/6W)	カーボン抵抗	"	1165810132
R320	HF856680	"	6.8k Ω (1/6W)	"	"	1165810132
R321	HF855220	"	220 Ω (1/6W)	"	"	1135810085
R322	HF855220	"	220 Ω (1/6W)	"	"	1135810085
R323	HF857150	"	15k Ω (1/6W)	"	"	1135810080

Ref.	Part No.	Description	部品名	MDL Market	Remarks
R324	HF857150	Carbon Resistor	15k Ω (1/6W)		1135810080
R325	HF857120	"	12k Ω (1/6W)		1135810077
R326	HF857120	"	12k Ω (1/6W)		1135810077
R327	HF855100	"	100 Ω (1/6W)		1135810071
R328	HF855100	"	100 Ω (1/6W)		1135810071
R329	HF857100	"	10k Ω (1/6W)		1135810073
R330	HF857100	"	10k Ω (1/6W)		1135810073
R331	HF856180	"	1.8k Ω (1/6W)		1165810130
R332	HF856180	"	1.8k Ω (1/6W)		1165810130
R333	HF857180	"	18k Ω (1/6W)		1135810083
R334	HF857180	"	18k Ω (1/6W)		1135810083
R335	HF856330	"	3.3k Ω (1/6W)		1135810093
R336	HF856330	"	3.3k Ω (1/6W)		1135810093
R337	HF856560	"	5.6k Ω (1/6W)		1135810101
R338	HF856560	"	5.6k Ω (1/6W)		1135810101
R339	HJ355220	"	220 Ω (1/4W)		1105810320
R341	HF857470	"	47k Ω (1/6W)		1125810240
R342	HF856820	"	8.2k Ω (1/6W)		1135810109
R343	HF857120	"	12k Ω (1/6W)		1135810077
R344	HF857120	"	12k Ω (1/6W)		1135810077
R345	HJ355220	"	220 Ω (1/4W)		1105810320
"	HJ355220	"	220 Ω (1/4W)	C30 HC	1105810320
R346	HJ355220	"	220 Ω (1/4W)	C10 HWBC	1105810320
"	HJ355220	"	220 Ω (1/4W)	C30 HC	1105810320
"	HJ355220	"	220 Ω (1/4W)	C10 HWBC	1105810320
R351	HF857470	"	47k Ω (1/6W)		1125810240
R352	HF857470	"	47k Ω (1/6W)		1125810240
R353	HF857470	"	47k Ω (1/6W)		1125810240
R354	HF856100	"	1.0k Ω (1/6W)		1135810072
R355	HF856100	"	1.0k Ω (1/6W)		1135810072
R356	HF856100	"	1.0k Ω (1/6W)		1135810072
R357	HF856100	"	1.0k Ω (1/6W)		1135810072
R358	HF856100	"	1.0k Ω (1/6W)		1135810072
R359	HF857100	"	10k Ω (1/6W)		1135810073
R360	HF857470	"	47k Ω (1/6W)		1125810240
R361	HF856680	"	6.8k Ω (1/6W)		1165810132
R362	HF857100	"	10k Ω (1/6W)		1135810073
R364	HF859100	"	1.0M Ω (1/6W)		1135810075
R365	HF857100	"	10k Ω (1/6W)		1135810073
R366	HF856270	"	2.7k Ω (1/6W)		1135810089
R367	HF856100	"	1.0k Ω (1/6W)		1135810072
R368	HF856100	"	1.0k Ω (1/6W)		1135810072
R369	HF857470	"	47k Ω (1/6W)		1125810240
R370	HF857470	"	47k Ω (1/6W)		1125810240
R372	HF857100	"	10k Ω (1/6W)		1135810073
R381	HF856560	"	5.6k Ω (1/6W)		1135810101
R382	HF856560	"	5.6k Ω (1/6W)		1135810101
R383	HF857100	"	10k Ω (1/6W)		1135810073
R384	HF857100	"	10k Ω (1/6W)		1135810073
R385	HF856560	"	5.6k Ω (1/6W)		1135810101
R386	HF856560	"	5.6k Ω (1/6W)		1135810101
R387	HF857220	"	22k Ω (1/6W)		1135810087
R388	HF857220	"	22k Ω (1/6W)		1135810087
R391	HF857100	"	10k Ω (1/6W)		1135810073
R401	HF857100	"	10k Ω (1/6W)		1135810073
R402	HF857100	"	10k Ω (1/6W)		1135810073
R403	HF856220	"	2.2k Ω (1/6W)		1135810086
R404	HF856220	"	2.2k Ω (1/6W)		1135810086
R405	HF856330	"	3.3k Ω (1/6W)		1135810093
R406	HF856330	"	3.3k Ω (1/6W)		1135810093
R407	HF856220	"	2.2k Ω (1/6W)		1135810086
R408	HF857100	"	10k Ω (1/6W)		1135810073
R410	HF857100	"	10k Ω (1/6W)		1135810073
R411	HF857270	"	27k Ω (1/6W)		1135810090
R412	HF857100	"	10k Ω (1/6W)		1135810073
R413	HF857270	"	27k Ω (1/6W)		1135810090

Ref.	Part No.	Description		部品名	MDL Market	Remarks
R414	HF857100	Carbon Resistor	10k Ω (1/6W)	カーボン抵抗		1135810073
R415	HF855470	"	470 Ω (1/6W)	"	C30 HC	1135810096
R415	HF855680	"	680 Ω (1/6W)	"	C30 UR	1135810105
"	HF855470	"	470 Ω (1/6W)	"	C10 HWBCA	1135810096
"	HF855680	"	680 Ω (1/6W)	"	C10 UR	1135810105
R416	HF857100	"	10k Ω (1/6W)	"		1135810073
R417	HF856220	"	2.2k Ω (1/6W)	"		1135810086
R418	HF856220	"	2.2k Ω (1/6W)	"		1135810086
R419	HF857100	"	10k Ω (1/6W)	"		1135810073
R420	HF856330	"	3.3k Ω (1/6W)	"		1135810093
R421	HF856330	"	3.3k Ω (1/6W)	"		1135810093
R422	HF856220	"	2.2k Ω (1/6W)	"		1135810086
R423	HF857560	"	56k Ω (1/6W)	"		1135810102
R424	HF857560	"	56k Ω (1/6W)	"		1135810102
* R425	HX601300	Fusible Resistor	18 Ω (1/4W)	ヒューズ抵抗	C30 HC	1205810111
"	HU574180	Metal Film Resistor	18 Ω (1/6W)	金属被膜抵抗	C30 UR	1305810899
"	HX601300	Fusible Resistor	18 Ω (1/4W)	ヒューズ抵抗	C10 HWBCA	1205810111
"	HU574180	Metal Film Resistor	18 Ω (1/6W)	金属被膜抵抗	C10 UR	1305810899
R426	HF857100	Carbon Resistor	10k Ω (1/6W)	カーボン抵抗		1135810073
R427	HF857100	"	10k Ω (1/6W)	"		1135810073
R428	HF857100	"	10k Ω (1/6W)	"		1135810073
R429	HF856330	"	3.3k Ω (1/6W)	"		1135810093
R430	HF857470	"	47k Ω (1/6W)	"		1125810240
R431	HF857470	"	47k Ω (1/6W)	"		1125810240
R432	HF856100	"	1.0k Ω (1/6W)	"		1135810072
R433	HF857470	"	47k Ω (1/6W)	"		1125810240
R434	HF857470	"	47k Ω (1/6W)	"		1125810240
R435	HF857100	"	10k Ω (1/6W)	"		1135810073
R438	HF857100	"	10k Ω (1/6W)	"		1135810073
R439	HF857100	"	10k Ω (1/6W)	"		1135810073
R440	HF857100	"	10k Ω (1/6W)	"		1135810073
R441	HF857100	"	10k Ω (1/6W)	"		1135810073
R442	HF857100	"	10k Ω (1/6W)	"		1135810073
R443	HF857100	"	10k Ω (1/6W)	"		1135810073
R444	HF857100	"	10k Ω (1/6W)	"		1135810073
R445	HF857100	"	10k Ω (1/6W)	"		1135810073
R446	HF857100	"	10k Ω (1/6W)	"		1135810073
R447	HF856330	"	3.3k Ω (1/6W)	"		1135810093
R450	HF857100	"	10k Ω (1/6W)	"		1135810073
R451	HF859220	"	2.2M Ω (1/6W)	"		1305810507
R452	HF859220	"	2.2M Ω (1/6W)	"		1305810507
R453	HF856100	"	1.0k Ω (1/6W)	"		1135810072
R454	HF856100	"	1.0k Ω (1/6W)	"		1135810072
R455	HF856100	"	1.0k Ω (1/6W)	"		1135810072
R456	HF856100	"	1.0k Ω (1/6W)	"		1135810072
R457	HF858100	"	100k Ω (1/6W)	"		1135810074
R458	HF858100	"	100k Ω (1/6W)	"		1135810074
R459	HF857100	"	10k Ω (1/6W)	"		1135810073
R460	HF857100	"	10k Ω (1/6W)	"		1135810073
R461	HF859100	"	1.0M Ω (1/6W)	"		1135810075
R462	HF859100	"	1.0M Ω (1/6W)	"		1135810075
R466	HF856120	"	1.2k Ω (1/6W)	"		1135810076
R468	HF856100	"	1.0k Ω (1/6W)	"		1135810072
R469	HF855680	"	680 Ω (1/6W)	"		1135810105
R471	HF855680	"	680 Ω (1/6W)	"		1135810105
R473	HF855330	"	330 Ω (1/6W)	"		1135810092
R474	HF855330	"	330 Ω (1/6W)	"		1135810092
R475	HF855330	"	330 Ω (1/6W)	"		1135810092
R477	HF855330	"	330 Ω (1/6W)	"		1135810092
R480	HF857100	"	10k Ω (1/6W)	"		1135810073
R483	HF857100	"	10k Ω (1/6W)	"		1135810073
R484	HF858100	"	100k Ω (1/6W)	"		1135810074
R485	HJ353470	"	4.7 Ω (1/4W)	"	C30 HC	1205800015
"	HJ353470	"	4.7 Ω (1/4W)	"	C10 HWB	1205800015
"	HJ353470	"	4.7 Ω (1/4W)	"	C10 CA	1205810005

Ref.	Part No.	Description		部品名	MDL Market	Remarks
R486	HJ353470	Carbon Resistor	4.7 Ω (1/4W)	カーボン抵抗	C30 HC	1205800015
"	HJ353470	"	4.7 Ω (1/4W)	"	C10 HWB	1205800015
"	HJ353470	"	4.7 Ω (1/4W)	"	C10 CA	1205810005
R487	HJ353470	"	4.7 Ω (1/4W)	"	C30 HC	1205810005
"	HJ353470	"	4.7 Ω (1/4W)	"	C10 HWBCA	1205810005
R488	HJ353470	"	4.7 Ω (1/4W)	"	C30 HC	1205800015
"	HJ353470	"	4.7 Ω (1/4W)	"	C10 HWB	1205800015
"	HJ353470	"	4.7 Ω (1/4W)	"	C10 CA	1205810005
R489	HX600030	Fusible Resistor	3.9 Ω (1/4W)	ヒューズ抵抗	C30 HC	1305810626
"	HX600030	"	3.9 Ω (1/4W)	"	C10 HWBCA	1305810626
R491	HF856100	Carbon Resistor	1.0k Ω (1/6W)	カーボン抵抗		1135810072
R492	HF855100	"	100 Ω (1/6W)	"		1135810071
R493	HF855100	"	100 Ω (1/6W)	"		1135810071
R494	HF857100	"	10k Ω (1/6W)	"		1135810073
R495	HF855100	"	100 Ω (1/6W)	"		1135810071
R496	HF855100	"	100 Ω (1/6W)	"		1135810073
R497	HF857100	"	10k Ω (1/6W)	"		1135810073
R498	HF857100	"	10k Ω (1/6W)	"		1135810110
R500	HF857820	"	82k Ω (1/6W)	"		1135810073
R501	HF857100	"	10k Ω (1/6W)	"		1135810074
R502	HF858100	"	100k Ω (1/6W)	"		1165810139
R503	HF858330	"	330k Ω (1/6W)	"		1205810111
R505	HX601300	Fusible Resistor	18 Ω (1/4W)	ヒューズ抵抗	C30 HCU	1165810120
"	HJ354180	Carbon Resistor	18 Ω (1/4W)	カーボン抵抗	C30 R	1205810111
"	HX601300	Fusible Resistor	18 Ω (1/4W)	ヒューズ抵抗	C10 HWBCAU	1205810111
"	HJ354180	Carbon Resistor	18 Ω (1/4W)	カーボン抵抗	C10 R	1165810120
R506	HX601300	Fusible Resistor	18 Ω (1/4W)	ヒューズ抵抗	C30 HCU	1205810111
"	HJ354180	Carbon Resistor	18 Ω (1/4W)	カーボン抵抗	C30 R	1165810120
"	HX601300	Fusible Resistor	18 Ω (1/4W)	ヒューズ抵抗	C10 HWBCAU	1205810111
"	HJ354180	Carbon Resistor	18 Ω (1/4W)	カーボン抵抗	C10 R	1165810120
R511	HF856100	"	1.0k Ω (1/6W)	"		1135810024
R512	HF856100	"	1.0k Ω (1/6W)	"		1135810072
R521	HF856100	"	1.0k Ω (1/6W)	"		1135810072
R522	HF856100	"	1.0k Ω (1/6W)	"		1135810072
R523	HF856100	"	1.0k Ω (1/6W)	"		1135810072
R524	HF858100	"	100k Ω (1/6W)	"		1135810074
R525	HF858100	"	100k Ω (1/6W)	"		1135810074
R526	HF858100	"	100k Ω (1/6W)	"		1135810074
R527	HF857470	"	47k Ω (1/6W)	"		1125810240
R530	HF857100	"	10k Ω (1/6W)	"	C30 R	1135810073
"	HF857100	"	10k Ω (1/6W)	"	C10 R	1135810073
R568	HF857100	"	10k Ω (1/6W)	"		1135810073
R569	HF857100	"	10k Ω (1/6W)	"		1135810073
R570	HF857100	"	10k Ω (1/6W)	"		1135810073
R571	HF858220	"	220k Ω (1/6W)	"		1135810088
R572	HF856100	"	1.0k Ω (1/6W)	"		1135810072
R573	HF856100	"	1.0k Ω (1/6W)	"		1135810072
R574	HF856100	"	1.0k Ω (1/6W)	"		1135810072
R575	HF856100	"	1.0k Ω (1/6W)	"		1135810072
R576	HF857100	"	10k Ω (1/6W)	"		1135810073
R577	HF857100	"	10k Ω (1/6W)	"		1135810073
R578	HF857100	"	10k Ω (1/6W)	"		1135810073
R579	HF857100	"	10k Ω (1/6W)	"		1125810240
R580	HF857470	"	47k Ω (1/6W)	"		1125810240
R581	HF857470	"	47k Ω (1/6W)	"		1125810240
R582	HF857470	"	47k Ω (1/6W)	"		1135810110
R584	HF857820	"	82k Ω (1/6W)	"		1135810073
R585	HF857100	"	10k Ω (1/6W)	"		1135810087
R586	HF857220	"	22k Ω (1/6W)	"		1135810073
R587	HF857100	"	10k Ω (1/6W)	"		1135810073
R588	HF857100	"	10k Ω (1/6W)	"		1135810073
R589	HF857100	"	10k Ω (1/6W)	"		1135810073
R590	HF857100	"	10k Ω (1/6W)	"		1125810240
R592	HF857470	"	47k Ω (1/6W)	"		1135810074
R593	HF858100	"	100k Ω (1/6W)	"		1135810074

Ref.	Part No.	Description	部品名	MDL Market	Remarks
R594	HF858100	Carbon Resistor	100k Ω (1/6W)	カーボン抵抗	1135810074
R595	HF858100	"	100k Ω (1/6W)	"	1135810074
R596	HF856100	"	1.0k Ω (1/6W)	"	1135810072
R597	HF856100	"	1.0k Ω (1/6W)	"	1135810072
R598	HF856100	"	1.0k Ω (1/6W)	"	1135810072
R599	HF857470	"	47k Ω (1/6W)	"	1125810240
R601	HF857220	"	22k Ω (1/6W)	"	1135810087
R602	HF858100	"	100k Ω (1/6W)	"	1135810074
R603	HF856470	"	4.7k Ω (1/6W)	"	1135810097
R604	HF856470	"	4.7k Ω (1/6W)	"	1135810097
R605	HF856220	"	2.2k Ω (1/6W)	"	1135810086
R606	HF856220	"	2.2k Ω (1/6W)	"	1135810086
R607	HF856220	"	2.2k Ω (1/6W)	"	C30 1135810086
"	HF855560	"	560 Ω (1/6W)	"	C10 1135810100
R608	HF856220	"	2.2k Ω (1/6W)	"	C30 1135810086
"	HF855560	"	560 Ω (1/6W)	"	C10 1135810100
R609	HF857220	"	22k Ω (1/6W)	"	1135810087
R610	HF857220	"	22k Ω (1/6W)	"	1135810087
R611	HF857220	"	22k Ω (1/6W)	"	1135810087
R612	HF857220	"	22k Ω (1/6W)	"	1135810087
R613	HF856220	"	2.2k Ω (1/6W)	"	1135810086
R614	HF856220	"	2.2k Ω (1/6W)	"	1135810086
R615	HF856120	"	1.2k Ω (1/6W)	"	1135810076
R616	HF856120	"	1.2k Ω (1/6W)	"	1135810076
R619	HF857100	"	10k Ω (1/6W)	"	1135810073
R620	HF857100	"	10k Ω (1/6W)	"	1135810073
R621	HF857100	"	10k Ω (1/6W)	"	1135810073
R622	HF857100	"	10k Ω (1/6W)	"	1135810073
R623	HF857220	"	22k Ω (1/6W)	"	C30 1135810087
"	HF857100	"	10k Ω (1/6W)	"	C10 1135810073
R624	HF857220	"	22k Ω (1/6W)	"	C30 1135810087
"	HF857100	"	10k Ω (1/6W)	"	C10 1135810073
R625	HF855220	"	220 Ω (1/6W)	"	C30 1135810085
R626	HF855220	"	220 Ω (1/6W)	"	C30 1135810085
R629	HF856220	"	2.2k Ω (1/6W)	"	1135810086
R630	HF856220	"	2.2k Ω (1/6W)	"	1135810086
R633	HF856220	"	2.2k Ω (1/6W)	"	1135810086
R634	HF856220	"	2.2k Ω (1/6W)	"	1135810086
R635	HF856330	"	3.3k Ω (1/6W)	"	1135810093
R636	HF856330	"	3.3k Ω (1/6W)	"	1135810093
R637	HF856390	"	3.9k Ω (1/6W)	"	1125810237
R638	HF856390	"	3.9k Ω (1/6W)	"	1125810237
R639	HF856390	"	3.9k Ω (1/6W)	"	1125810237
R640	HF856390	"	3.9k Ω (1/6W)	"	1125810237
R641	HF856330	"	3.3k Ω (1/6W)	"	1135810093
R642	HF856330	"	3.3k Ω (1/6W)	"	1135810093
R643	HJ356270	"	2.7k Ω (1/4W)	"	1205800016
R644	HJ356270	"	2.7k Ω (1/4W)	"	1205800016
R645	HJ356270	"	2.7k Ω (1/4W)	"	1205800016
R646	HJ356270	"	2.7k Ω (1/4W)	"	1205800016
R647	HF856100	"	1.0k Ω (1/6W)	"	1205810214
R648	HF856100	"	1.0k Ω (1/6W)	"	1205810214
R649	HF858390	"	390k Ω (1/6W)	"	1125810239
R650	HF858390	"	390k Ω (1/6W)	"	1125810239
R651	HF857620	"	62k Ω (1/6W)	"	1205810217
R652	HF857620	"	62k Ω (1/6W)	"	1205810217
R653	HF856470	"	4.7k Ω (1/6W)	"	1135810097
R654	HF856470	"	4.7k Ω (1/6W)	"	1135810097
R655	HL322220	Meta) Oxide Film Resistor	0.22 Ω (2W)	酸化抵抗	1205810213
R656	HL322220	"	0.22 Ω (2W)	"	1205810213
R657	HF858120	Carbon Resistor	120k Ω (1/6W)	カーボン抵抗	1135810078
R658	HF858120	"	120k Ω (1/6W)	"	1135810078
R659	HF858100	"	100k Ω (1/6W)	"	1135810074
R660	HF858100	"	100k Ω (1/6W)	"	1135810074
R661	HJ353470	"	4.7 Ω (1/4W)	"	1205800015

Ref.	Part No.	Description	部品名	MDL Market	Remarks
R662	HJ353470	Carbon Resistor	カーボン抵抗		1205800015
* R665	HX603300	Cement Resistor	セメント抵抗		1205820004
* R666	HX603300	"	"		1205820004
R667	HJ356100	Carbon Resistor	カーボン抵抗		1105810303
R668	HJ356100	"	"		1105810303
R669	HJ355100	"	"	C30 HCR	1205800014
"	HW795100	Fusible Resistor	ヒューズ抵抗	C30 U	1125810214
"	HJ355100	Carbon Resistor	カーボン抵抗	C10 HWBCAR	1205800014
"	HW795100	Fusible Resistor	ヒューズ抵抗	C10 U	1125810214
"	HJ355100	Carbon Resistor	カーボン抵抗	C10 R	1205800014
R670	HJ355100	"	"	C30 HCR	1105810302
"	HW795100	Fusible Resistor	ヒューズ抵抗	C30 U	1125810214
"	HJ355100	Carbon Resistor	カーボン抵抗	C10 HWBCAR	1105810302
"	HW795100	Fusible Resistor	ヒューズ抵抗	C10 U	1125810214
"	HJ355100	Carbon Resistor	カーボン抵抗	C10 R	1105810302
R671	HJ356270	"	"		1205800016
R672	HF857100	"	"		1135810073
R675	HF857100	"	"		1135810073
R676	HF857100	"	"		1135810073
R677	HF857100	"	"		1135810073
R678	HF857100	"	"		1135810073
R679	HF854470	"	"	C30 HC	1135810095
"	HF855100	"	"	C30 UR	1135810071
"	HF854470	"	"	C10 HWBCA	1135810095
"	HF855100	"	"	C10 UR	1135810071
R680	HF854470	"	"	C30 HC	1135810095
"	HF854470	"	"	C10 HWBCA	1135810095
R681	HF859100	"	"		1135810075
R682	HF859100	"	"		1135810075
R683	HF858100	"	"		1135810074
R684	HF858100	"	"		1125810239
R691	HF858390	"	"		1205810218
R697	HW594820	Fusible Resistor	ヒューズ抵抗	C30 HC	1205800018
"	HW594820	"	"	C30 UR	1205800018
"	HW594820	"	"	C10 HWBCA	1205810218
"	HW594820	"	"	C10 UR	1205800018
R700	HF858680	Carbon Resistor	カーボン抵抗		1305810888
R702	HU578120	Metal Film Resistor	金属被膜抵抗		1125810316
R704	HU577220	"	"		1255810061
R706	HF858120	Carbon Resistor	カーボン抵抗		1305810855
R707	HF853220	"	"		1305810841
R710	HF858330	"	"		1305810874
R711	HU577120	Metal Film Resistor	金属被膜抵抗		1255810074
R712	HU577820	"	"		1255810101
R713	HF857120	Carbon Resistor	カーボン抵抗		1305810854
R714	HU577820	Metal Film Resistor	金属被膜抵抗		1255810101
R715	HF857330	Carbon Resistor	カーボン抵抗		1305810873
R716	HF853220	"	"		1255810014
R717	HF857390	"	"		1305810844
R718	HF857220	"	"		1305810868
R719	HF857220	"	"		1305810868
R720	HU577470	Metal Film Resistor	金属被膜抵抗		1255810065
R721	HU577470	"	"		1255810065
R722	HU577100	"	"		1255810055
R723	HF857100	Carbon Resistor	カーボン抵抗		1305810850
R724	HF857330	"	"		1305810873
R725	HF857330	"	"		1305810873
R726	HF857100	"	"		1305810850
R727	HF857100	"	"		1305810850
R728	HU577100	Metal Film Resistor	金属被膜抵抗		1255810055
R729	HF857100	Carbon Resistor	カーボン抵抗		1305810850
R730	HF856220	"	"		1305810841
R731	HF856220	"	"		1305810841
R732	HF856220	"	"		1305810841
R733	HF856220	"	"		1305810841

Ref.	Part No.	Description		部品名	MDL Market	Remarks
R741	HF857100	Carbon Resistor	10k Ω (1/8W)	カーボン抵抗		
R742	HF853100	"	1.0 Ω (1/8W)	"		1305810850
R743	HF853100	"	1.0 Ω (1/8W)	"		1305810864
R750	HF857220	"	22k Ω (1/8W)	"		1305810864
R751	HF856100	"	1.0k Ω (1/8W)	"		1305810868
						1305810849
R752	HF857120	"	12k Ω (1/8W)	"		
R753	HF856100	"	1.0k Ω (1/8W)	"		1305810854
R754	HF854820	"	82k Ω (1/8W)	"		1305810849
R756	HF858100	"	100k Ω (1/8W)	"		1305810890
R757	HU577100	Metal Film Resistor	10k Ω (1/6W)	金属被膜抵抗		1305810851
						1255810055
R758	HF856330	Carbon Resistor	3.3k Ω (1/8W)	カーボン抵抗		
R759	HF857220	"	22k Ω (1/8W)	"		1305810872
R760	HU576470	Metal Film Resistor	4.7k Ω (1/6W)	金属被膜抵抗		1305810868
R761	HF857120	Carbon Resistor	12k Ω (1/8W)	カーボン抵抗		1255810064
R762	HU576390	Metal Film Resistor	3.9k Ω (1/6W)	金属被膜抵抗		1305810854
						1255810082
R763	HF856390	Carbon Resistor	3.9k Ω (1/8W)	カーボン抵抗		
R764	HF856390	"	3.9k Ω (1/8W)	"		1305810875
R765	HF857180	"	18k Ω (1/8W)	"		1305810875
R766	HF857220	"	22k Ω (1/8W)	"		1305810862
R767	HF857560	"	56k Ω (1/8W)	"		1305810868
						1305810884
R768	HF857820	"	82k Ω (1/8W)	"		
R769	HU078100	Metal Film Resistor	100k Ω (1/6W)	金属被膜抵抗		1305810890
R770	HF853220	Carbon Resistor	2.2k Ω (1/8W)	カーボン抵抗		1255810260
R771	HF857120	"	12k Ω (1/8W)	"		1305810867
R772	HU577180	Metal Film Resistor	18k Ω (1/6W)	金属被膜抵抗		1305810854
						1255810058
R773	HU575330	"	330 Ω (1/6W)	"		
R774	HU577820	"	82k Ω (1/6W)	"		1255810094
R776	HU576330	"	3.3k Ω (1/6W)	"		1255810101
R777	HF856680	Carbon Resistor	6.8k Ω (1/8W)	カーボン抵抗		1255810081
R778	HF856330	"	3.3k Ω (1/8W)	"		1305810886
						1305810872
R779	HF857470	"	47k Ω (1/8W)	"		
R780	HU576220	Metal Film Resistor	2.2k Ω (1/6W)	金属被膜抵抗		1305810879
R781	HF857330	Carbon Resistor	33k Ω (1/8W)	カーボン抵抗		1255810060
R788	HF857910	"	91k Ω (1/6W)	"		1305810873
R789	HF859330	"	3.3M Ω (1/6W)	"		1165810155
						1125810248
R790	HF856390	"	3.9k Ω (1/8W)	"		
* R791	HX600170	Fusible Resistor	15 Ω (1/4W)	ヒューズ抵抗	C30 HC	1305810875
* "	HX603310	Carbon Resistor	3.9 Ω (1/8W)	カーボン抵抗	C30 UR	1205800020
* "	HX600170	Fusible Resistor	15 Ω (1/4W)	ヒューズ抵抗	C10 HWBCA	1305810905
* "	HX603310	Carbon Resistor	3.9 Ω (1/8W)	カーボン抵抗	C10 UR	1205800020
						1305810905
R793	HF857100	"	10k Ω (1/8W)	"		
R800	HW593470	Fusible Resistor	4.7 Ω (1/4W)	ヒューズ抵抗	C30 HC	1305810850
"	HW593470	"	4.7 Ω (1/4W)	"	C30 UR	VRN-RT2CK4R7F7
"	HW593470	"	4.7 Ω (1/4W)	"	C10 HWBCA	1305810413
"	HW593470	"	4.7 Ω (1/4W)	"	C10 UR	VRN-RT2CK4R7F7
						1305810413
R801	HU575100	Metal Film Resistor	100 Ω (1/6W)	金属被膜抵抗		
R810	HF855820	Carbon Resistor	820 Ω (1/8W)	カーボン抵抗		1255810093
R811	HF855270	"	270 Ω (1/8W)	"		1305810846
R813	HF855470	"	470 Ω (1/8W)	"		1305810840
R814	HF855470	"	470 Ω (1/8W)	"		1305810877
						1305810877
R815	HF855180	"	180 Ω (1/8W)	"		
R816	HF855180	"	180 Ω (1/8W)	"		1305810860
R817	HF859100	"	1.0M Ω (1/8W)	"		1305810860
R818	HF859100	"	1.0M Ω (1/8W)	"		1305810852
R819	HF856100	"	1.0k Ω (1/8W)	"		1305810852
						1305810849
R820	HF856100	"	1.0k Ω (1/8W)	"		
R821	HF856330	"	3.3k Ω (1/8W)	"		1305810849
R822	HF856330	"	3.3k Ω (1/8W)	"		1305810872
R823	HF857680	"	68k Ω (1/8W)	"		1305810872
R824	HU577680	Metal Film Resistor	68k Ω (1/6W)	金属被膜抵抗		1305810887
						1255810092
R825	HU577120	"	12k Ω (1/6W)	"		
R826	HF857120	Carbon Resistor	12k Ω (1/8W)	カーボン抵抗		1255810074
R827	HU577180	Metal Film Resistor	18k Ω (1/6W)	金属被膜抵抗		1305810854
R828	HF857180	Carbon Resistor	18k Ω (1/8W)	カーボン抵抗		1255810058
R829	HF857120	"	12k Ω (1/8W)	"		1305810862
						1305810854

Ref.	Part No.	Description	部品名	MDL Market	Remarks
R830	HF857120	Carbon Resistor	12kΩ (1/8W)	カーボン抵抗	1305810854
R831	HF857100	"	10kΩ (1/8W)	"	1305810850
R832	HF857100	"	10kΩ (1/8W)	"	1305810850
R833	HF857100	"	10kΩ (1/8W)	"	1305810850
R834	HF857100	"	10kΩ (1/8W)	"	1305810850
R835	HU576100	Metal Film Resistor	1.0kΩ (1/6W)	金属被膜抵抗	1255810054
R836	HF856100	Carbon Resistor	1.0kΩ (1/8W)	カーボン抵抗	1305810849
R837	HU577470	Metal Film Resistor	47kΩ (1/6W)	金属被膜抵抗	1255810065
R838	HU577470	"	47kΩ (1/6W)	"	1255810065
R839	HF856330	Carbon Resistor	3.3kΩ (1/8W)	カーボン抵抗	1305810872
R840	HF857100	"	10kΩ (1/8W)	"	1305810850
R841	HF857470	"	47kΩ (1/8W)	"	1305810879
R842	HF858100	"	100kΩ (1/8W)	"	1305810851
R851	HF858100	"	100Ω (1/8W)	"	1305810848
R852	HF857220	"	22kΩ (1/8W)	"	1305810868
R853	HF857220	"	22kΩ (1/8W)	"	1305810868
R854	HF857220	"	22kΩ (1/8W)	"	1305810868
R855	HU577470	Metal Film Resistor	47kΩ (1/6W)	金属被膜抵抗	1255810065
R857	HF856100	Carbon Resistor	1.0kΩ (1/8W)	カーボン抵抗	1305810849
R858	HF857390	"	39kΩ (1/8W)	"	1305810844
R859	HU577390	Metal Film Resistor	39kΩ (1/6W)	金属被膜抵抗	1255810090
R865	HF857100	Carbon Resistor	10kΩ (1/8W)	カーボン抵抗	1305810850
R866	HF856180	"	1.8kΩ (1/8W)	"	1305810861
R867	HF858120	"	120kΩ (1/8W)	"	1305810855
R873	HF857100	"	10kΩ (1/8W)	"	1305810850
R875	HF857470	"	47kΩ (1/8W)	"	1305810879
R876	HF857390	"	39kΩ (1/8W)	"	1305810844
R878	HU577390	Metal Film Resistor	39kΩ (1/6W)	金属被膜抵抗	1255810090
R890	HF856100	Carbon Resistor	1.0kΩ (1/8W)	カーボン抵抗	1305810849
R891	HU577470	Metal Film Resistor	47kΩ (1/6W)	金属被膜抵抗	1255810065
R892	HF857180	"	18kΩ (1/6W)	"	1255810058
R895	HU574470	"	47Ω (1/6W)	"	1255810102
R901	HF856220	Carbon Resistor	2.2kΩ (1/6W)	カーボン抵抗	1135810086
R902	HF856220	"	2.2kΩ (1/6W)	"	1135810086
R903	HF855100	"	100Ω (1/6W)	"	1135810071
R904	HF855100	"	100Ω (1/6W)	"	1135810090
R905	HF857270	"	27kΩ (1/6W)	"	1135810090
R906	HF857270	"	27kΩ (1/6W)	"	1135810090
R907	HF856220	"	2.2kΩ (1/6W)	"	1135810086
R908	HF856220	"	2.2kΩ (1/6W)	"	1135810086
R909	HF857270	"	27kΩ (1/6W)	"	1135810090
R910	HF857270	"	27kΩ (1/6W)	"	1135810090
R912	HJ356470	"	4.7kΩ (1/4W)	"	1105810342
R915	HF857100	"	10kΩ (1/6W)	"	1135810073
R916	HF857100	"	10kΩ (1/6W)	"	1135810073
R917	HF857100	"	10kΩ (1/6W)	"	1135810073
R918	HF858270	"	270kΩ (1/6W)	"	1135810091
R919	HF858330	"	330kΩ (1/6W)	"	1165810139
R920	HJ354220	"	22Ω (1/4W)	"	1105810319
R921	HF858330	"	330kΩ (1/6W)	"	1165810139
R922	HF858100	"	100kΩ (1/6W)	"	1135810074
R923	HF858270	"	270kΩ (1/6W)	"	1135810091
"	HF858330	"	330kΩ (1/6W)	"	C30 HCU 1165810139
"	HF858270	"	270kΩ (1/6W)	"	C30 R 1135810091
"	HF858330	"	330kΩ (1/6W)	"	C10 HWBCAU C10 R 1165810139
R924	HF858100	"	100kΩ (1/6W)	"	1135810074
R925	HF858220	"	220kΩ (1/6W)	"	1135810088
R926	HF858220	"	220kΩ (1/6W)	"	1135810088
R927	HF858220	"	220kΩ (1/6W)	"	1135810088
R928	HF858220	"	220kΩ (1/6W)	"	1135810088
R929	HF857100	"	10kΩ (1/6W)	"	1135810073
R930	HF858100	"	100kΩ (1/6W)	"	1135810074
R931	HF854470	"	47Ω (1/6W)	"	1135810095
R932	HF854470	"	47Ω (1/6W)	"	1135810095
R933	HF857100	"	10kΩ (1/6W)	"	1135810073

Ref.	Part No.	Description	部品名	MDL Market	Remarks
R935	HL325680	Metal Oxide Film Resistor	680 Ω (2W)		1205800017
R936	HL325680	"	680 Ω (2W)		1205800017
R937	HF857100	Carbon Resistor	10k Ω (1/6W)		1135810073
R938	HF856100	"	1.0k Ω (1/6W)		1135810072
R939	HF856100	"	1.0k Ω (1/6W)		1135810072
R940	HF855150	"	150 Ω (1/6W)		1165810137
R941	HW593470	Fusible Resistor	4.7 Ω (1/4W)		1305810835
R942	HF858100	Carbon Resistor	100k Ω (1/6W)		1135810074
R943	HF857100	"	10k Ω (1/6W)		1135810073
R944	HW593470	Fusible Resistor	4.7 Ω (1/4W)		1305810835
R945	HJ356470	Carbon Resistor	4.7k Ω (1/4W)		1105810342
R946	HF858100	"	100k Ω (1/6W)		1135810074
R947	HF856470	"	4.7k Ω (1/6W)		1135810097
R948	HF856150	"	1.5k Ω (1/6W)	C30 HC	1135810079
"	HF856330	"	3.3k Ω (1/6W)	C30 UR	1135810093
"	HF856150	"	1.5k Ω (1/6W)	C10 HWBCA	1135810079
"	HF856330	"	3.3k Ω (1/6W)	C10 UR	1135810093
R950	HF855220	"	220 Ω (1/6W)		1135810085
R951	HX601220	"	680 Ω (1/2W)	C30 HC	1105810538
"	HF856150	"	1.5k Ω (1/6W)	C30 UR	1135810079
"	HX601220	"	680 Ω (1/2W)	C10 HWBCA	1105810538
"	HF856150	"	1.5k Ω (1/6W)	C10 UR	1135810079
R952	HF857220	"	22k Ω (1/6W)		1135810087
R953	HF855220	"	220 Ω (1/6W)		1135810085
R954	HF855220	"	220 Ω (1/6W)	C30 HC	1135810085
"	HF856100	"	1.0k Ω (1/6W)	C30 UR	1135810072
"	HF855220	"	220 Ω (1/6W)	C10 HWBCA	1135810085
"	HF856100	"	1.0k Ω (1/6W)	C10 UR	1135810072
R955	HF854390	"	39 Ω (1/6W)	C30 HC	1165810142
"	HF855150	"	150 Ω (1/6W)	C30 UR	1165810137
"	HF854390	"	39 Ω (1/6W)	C10 HWBCA	1165810142
"	HF855150	"	150 Ω (1/6W)	C10 UR	1165810137
* R956	HX600170	Fusible Resistor	15 Ω (1/4W)		1305810463
"	HX601200	"	1.0 Ω (1/4W)	C30 UR	1255810085
"	HX600170	"	15 Ω (1/4W)	C10 HWBCA	1305810463
"	HX601200	"	1.0 Ω (1/4W)	C10 UR	1255810085
R957	HF856330	Carbon Resistor	3.3k Ω (1/6W)		1135810093
R958	HF855220	"	220 Ω (1/6W)		1135810085
R961	HF857220	"	22k Ω (1/6W)		1135810087
R962	HF856560	"	5.6k Ω (1/6W)		1135810101
R963	HJ356150	"	1.5k Ω (1/4W)		1105810313
R965	HF855220	"	220 Ω (1/6W)		1135810085
R966	HF858100	"	100k Ω (1/6W)		1135810074
R967	HJ356100	"	1.0k Ω (1/4W)		1105810303
* R968	HX601200	Fusible Resistor	1.0 Ω (1/4W)		1255810085
"	HX600140	"	5.6 Ω (1/4W)	C30 HC	1305810511
"	HX600140	"	5.6 Ω (1/4W)	C10 HWBCA	1305810511
R970	HF855150	Carbon Resistor	150 Ω (1/6W)		1165810137
R973	HF856220	"	2.2k Ω (1/6W)		1135810086
R985	HF856100	"	1.0k Ω (1/6W)		1135810072
R986	HF856100	"	1.0k Ω (1/6W)		1135810072
R987	HF857150	"	15k Ω (1/6W)		1135810080
R988	HF857150	"	15k Ω (1/6W)		1135810080
R989	HF856120	"	1.2k Ω (1/6W)		1135810076
R991	HF856100	"	1.0k Ω (1/6W)		1135810072
R992	HF856100	"	1.0k Ω (1/6W)		1135810072
R993	HF857390	"	39k Ω (1/6W)		1125810238
R994	HF857390	"	39k Ω (1/6W)		1125810238
R995	HW593470	Fusible Resistor	4.7 Ω (1/4W)		1305810413
"	HF855680	Carbon Resistor	680 Ω (1/6W)		1135810105
"	HW593470	Fusible Resistor	4.7 Ω (1/4W)		1305810413
R996	HJ354100	Carbon Resistor	10 Ω (1/4W)		1305810388
"	HJ354220	"	22 Ω (1/4W)		1105810319
"	HJ354100	"	10 Ω (1/4W)		1305810388
"	HJ354220	"	22 Ω (1/4W)		1105810319

Ref.	Part No.	Description	部品名	MDL Market	Remarks
R997	HF855680	Carbon Resistor	680 Ω (1/6W)	カーボン抵抗	C30 HC 1135810105
R999	HG103470	"	4.7M Ω (1/2W)	"	C30 CU 1125810274
"	HG103470	"	4.7M Ω (1/2W)	"	C10 CU 1125810274
R1101	HF856470	"	4.7k Ω (1/6W)	"	1135810097
R1102	HF856470	"	4.7k Ω (1/6W)	"	1135810097
R1103	HF856100	"	1.0k Ω (1/6W)	"	1135810072
R1104	HF856100	"	1.0k Ω (1/6W)	"	1135810072
R1209	HF853390	"	3.9 Ω (1/6W)	"	C10 W VRD-ST2CD3R9J
R1210	HF853390	"	3.9 Ω (1/6W)	"	C10 W VRD-ST2CD3R9J
* L101	GX603370	Coil	6.8mH	コイル	1306140201
* L102	GX603370	"	6.8mH	"	1306140201
* L161	GX603380	"	10uH	"	1305850003
* L201	GX603610	Filter		フィルター	C30 H 1206210010
* "	GX603610	"		"	C10 HW 1206210010
* L202	GX603220	Low Pass Filter		ローパスフィルター	1256140011
* L203	GX603220	"		"	1256140011
* L204	GX603620	Coil		コイル	1105850008
* L205	GX603400	"	100uH	"	C30 H 1305850009
* "	GX603400	"	100uH	"	C10 HW 1305850009
* L206	GX603630	"	0.22uH	"	C30 H 1105850031
* "	GX603630	"	0.22uH	"	C10 HW 1105850031
* L210	GX603640	"		"	C30 H 1106050001
* "	GX603640	"		"	C10 HW 1106050001
* L211	GX603630	"	0.22uH	"	C10 W 1105850031
* L303	GX603250	"	6.8mH	"	C30 1166140089
* "	GX603250	"	6.8mH	"	C10 HB 1166140089
* "	GX603650	"	6.8mH	"	C10 WCAUR 1105850038
* L304	GX603250	"	6.8mH	"	C30 1166140089
* "	GX603250	"	6.8mH	"	C10 HB 1166140089
* "	GX603650	"	6.8mH	"	C10 WCAUR 1105850038
* L305	GX603240	"	47mH	"	1106140060
* L306	GX603240	"	47mH	"	1106140060
* L307	GX603400	"	100uH	"	1305850009
* L308	GX603210	Bias OSC	510uH	バイアスOSC	1166140060
* L351	GX603400	Coil	100uH	コイル	1305850009
* L401	GX603400	"	100uH	"	1305850009
* L405	XX633800	"	1mH	"	C30 H 1155850001
* "	XX633800	"	1mH	"	C10 HWB 1155850001
* L501	GX603400	"	100uH	"	1305850009
* L502	GX603400	"	100uH	"	1305850009
* L901	GX603260	Line Filter		ラインフィルター	1106140093
* L991	GX603420	Coil	100uH	コイル	1205850011
* L992	GX603420	"	100uH	"	1205850011
* L1203	GX603660	"	1.2uH	"	C10 W 1126140028
* L1204	GX603660	"	1.2uH	"	C10 W 1126140028

Ref.	Part No.	Description	部品名	MDL Market	Remarks
* D101	IX614790	Zener Diode	RD100JS2		1125710079
D103	IF003450	Diode	1SS133		1105700045
D104	IF003450	"	1SS133		1105700045
* D161	IX614800	Zener Diode	RD7R5JS2		1255710004
* D162	IX614800	"	RD7R5JS2		1255710004
D201	IF003450	Diode	1SS133	C30 H	1105700045
"	IF003450	"	1SS133	C10 HWB	1105700045
D202	IF003450	"	1SS133	C30 H	1105700045
"	IF003450	"	1SS133	C10 HWB	1105700045
D203	IF003450	"	1SS133	C30 H	1105700045
"	IF003450	"	1SS133	C10 HWB	1105700045
D204	IF003450	"	1SS133	"	1105700045
D205	IF003450	"	1SS133	"	1105700045
D206	IF003450	"	1SS133	"	1105700045
D207	IF003450	"	1SS133	"	1105700045
D303	IF003450	"	1SS133	"	1105700045
* D310	IX614950	"	11ES1	"	1305700227
* D311	IX614950	"	11ES1	"	1305700227
* D312	IX614950	"	11ES1	C30 UR	1305700227
* "	IX614950	"	11ES1	C10 UR	1305700227
D351	IF003450	"	1SS133	"	1105700045
D352	IF003450	"	1SS133	"	1105700045
D354	IF003450	"	1SS133	"	1105700045
D355	IF003450	"	1SS133	"	1105700045
D356	IF003450	"	1SS133	"	1105700045
D357	IF003450	"	1SS133	"	1105700045
D361	IF003450	"	1SS133	"	1105700045
D362	IF003450	"	1SS133	"	1105700045
D402	IF003450	"	1SS133	"	1105700045
* D403	IX614960	"	11E1TA2	"	1155700049
D404	IF003450	"	1SS133	"	1105700045
D405	IF003450	"	1SS133	"	1105700045
* D406	IX614810	Zener Diode	HZ6B3L		1205710053
* D407	IX614950	Diode	11ES1		1305700227
* D408	IX614950	"	11ES1		1305700227
* D409	IX615650	Zener Diode	HZ9C2L	C30 HC	1305710039
* "	IX614820	"	HZ9B1L	C30 UR	1305710086
* "	IX615650	"	HZ9C2L	C10 HWBCA	1305710039
* "	IX614820	"	HZ9B1L	C10 UR	1305710086
D411	IF003450	Diode	1SS133		1105700045
D412	IF003450	"	1SS133		1105700045
D413	IF003450	"	1SS133		1105700045
* D414	IX614960	"	11E1TA2		1155700049
D415	IF003450	"	1SS133		1105700045
D416	IF003450	"	1SS133		1105700045
D417	IF003450	"	1SS133		1105700045
D418	IF003450	"	1SS133		1105700045
* D419	IX614810	Zener Diode	HZ6B3L		1205710053
D420	IF003450	Diode	1SS133		1105700045
D421	IF003450	"	1SS133		1105700045
D422	IF003450	"	1SS133		1105700045
D423	IF003450	"	1SS133		1105700045
D424	IF003450	"	1SS133		1105700045
D425	IF003450	"	1SS133		1105700045
D426	IF003450	"	1SS133		1105700045
D427	IF003450	"	1SS133		1105700045
D428	IF003450	"	1SS133		1105700045
D429	IF003450	"	1SS133		1105700045
D430	IF003450	"	1SS133		1105700045
D431	IF003450	"	1SS133		1105700045
D432	IF003450	"	1SS133		1105700045
D433	IF003450	"	1SS133		1105700045
D434	IF003450	"	1SS133		1105700045
D435	IF003450	"	1SS133		1105700045
D436	IF003450	"	1SS133		1105700045

AST-C30/C10

Ref.	Part No.	Description	部品名	MDL Market	Remarks	
D439	IF003450	Diode	1SS133		ダイオード	1105700045
D440	IF003450	"	1SS133		"	1105700045
D441	IF003450	"	1SS133		"	1105700045
D443	IF003450	"	1SS133		"	1105700045
D444	IF003450	"	1SS133		"	1105700045
D445	IF003450	"	1SS133		"	1105700045
D446	IF003450	"	1SS133		"	1105700045
D447	IF003450	"	1SS133		"	1105700045
D448	IF003450	"	1SS133		"	1105700045
D449	IF003450	"	1SS133		"	1105700045
D450	IF003450	"	1SS133		"	1105700045
D451	IF003450	"	1SS133		"	1105700045
D452	IF003450	"	1SS133		"	1105700045
D453	IF003450	"	1SS133		"	1105700045
D454	IF003450	"	1SS133		"	1105700045
D455	IF003450	"	1SS133		"	1105700045
D456	IF003450	"	1SS133		"	1105700045
D457	IF003450	"	1SS133		"	1105700045
D458	IF003450	"	1SS133		"	1105700045
D461	IF003450	"	1SS133		"	1105700045
D507	IF003450	"	1SS133		"	1105700045
D508	IF003450	"	1SS133		"	1105700045
D509	IF003450	"	1SS133		"	1105700045
D510	IF003450	"	1SS133		"	1105700045
D511	IF003450	"	1SS133		"	1105700045
D512	IF003450	"	1SS133		"	1105700045
D513	IF003450	"	1SS133		"	1105700045
D514	IF003450	"	1SS133		"	1105700045
D516	IF003450	"	1SS133		"	1105700045
D517	IF003450	"	1SS133		"	1105700045
D518	IF003450	"	1SS133		"	1105700045
D519	IF003450	"	1SS133		"	1105700045
D520	IF003450	"	1SS133		"	1105700045
"	IF003450	"	1SS133		"	1105700045
D521	IF003450	"	1SS133		"	1105700045
"	IF003450	"	1SS133		"	1105700045
D522	IF003450	"	1SS133		"	1105700045
"	IF003450	"	1SS133		"	1105700045
D601	IF003450	"	1SS133		"	1105700045
D602	IF003450	"	1SS133		"	1105700045
D603	IF003450	"	1SS133		"	1105700045
D604	IF003450	"	1SS133		"	1105700045
D605	IF003450	"	1SS133		"	1105700045
D606	IF003450	"	1SS133		"	1105700045
* D610	IX614980	"	11ES4		"	1305700240
D750	IF003450	"	1SS133		"	1105700045
* D810	IX614800	Zener Diode	RD7R5JS2		ツェナーダイオード	1305710106
* D811	IX614840	"	HZ2B1		"	1315710006
D812	IF003450	Diode	1SS133		ダイオード	1105700045
D890	IF003450	"	1SS133		"	1105700045
* D901	IX604440	"	S4VB20		"	1125700070
* D902	IX604440	"	S4VB20		"	1125700070
* D903	IX604440	"	S4VB20		"	1125700070
* D904	IX604440	"	S4VB20		"	1125700070
* D905	IX614980	"	11ES4		"	1305700240
* D911	IX614850	Zener Diode	RD150JS1		ツェナーダイオード	1135710022
* D912	IX614850	"	RD150JS1		"	1135710022
* D914	IX614860	"	RD160JS1		"	1125710078
* D915	IX614980	Diode	11ES4		ダイオード	1305700240
* D916	IX614980	"	11ES4		"	1305700240
D917	IF003450	"	1SS133		"	1105700045
* D918	IX614870	Zener Diode	RD110JS1		ツェナーダイオード	1135710028
* D919	IX614790	"	RD100JS2		"	1125710079
* D920	IX614880	"	RD5R6JS1		"	1305710123
* D921	IX614890	"	RD6R2JS2		"	1135710025

Ref.	Part No.	Description	部品名	MDL Market	Remarks
* D922	IX614900	Zener Diode	RD120JS3		1105710027
* D923	IX614980	Diode	11ES4	ツェナーダイオード	1305700240
* D924	IX614980	"	11ES4	"	1305700240
* D925	IX614980	"	11ES4	"	1305700240
* D926	IX614980	"	11ES4	"	1305700240
* D927	IX614910	Zener Diode	RD130JS2	ツェナーダイオード	1125710062
D931	IF003450	Diode	1SS133	ダイオード	1105700045
D932	IF003450	"	1SS133	"	1105700045
D933	IF003450	"	1SS133	"	1105700045
* D935	IX614980	"	11ES4	"	1305700240
* D936	IX614930	Zener Diode	RD9R1JS1	ツェナーダイオード	1255710017
D937	IF003450	Diode	1SS133	ダイオード	1105700045
D938	IF003450	"	1SS133	"	1105700045
* D939	IX614980	"	11ES4	"	1305700240
* D940	IX614980	"	11ES4	"	1305700240
* D941	IX614980	"	11ES4	"	1305700240
* D942	IX614980	"	11ES4	"	1305700240
D943	IF003450	"	1SS133	"	1105700045
* D991	IX614940	Zener Diode	HZ4BLL	ツェナーダイオード	1185710001

Ref.	Part No.	Description	部品名	MDL Market	Remarks
* Q109	IX613930	Transistor	2SC1740SR		1165760118
* Q110	IX613930	"	2SC1740SR		1165760118
* Q111	IX614730	"	DTC124XS		1305760433
* Q112	IX614730	"	DTC124XS		1305760433
* Q113	IX614730	"	DTC124XS		1305760433
* Q114	IX614730	"	DTC124XS		1305760433
* Q115	IX614730	"	DTC124XS		1305760433
* Q201	IX601530	"	2SC2785EF	C30 H	1165760098
* "	IX601530	"	2SC2785EF	C10 HWB	1165760098
* Q202	IX602450	"	2SC380-O		1205760003
* Q203	IX607690	"	DTC144ES		1425760021
* Q204	IX607690	"	DTC144ES	C30 H	1425760021
* "	IX607690	"	DTC144ES	C10 HWB	1425760021
* Q205	IX607690	"	DTC144ES		1425760021
* Q206	IX615630	"	DTA144WS		1105760141
* Q207	IX604210	"	2SA1115F	C30 H	1115760058
* "	IX615430	"	DTA114YS	C30 CUR	1105760113
* "	IX604210	"	2SA1115F	C10 HWB	1115760058
* "	IX615430	"	DTA114YS	C10 CAUR	1105760113
* Q208	IX615430	"	DTA114YS	C30 H	1105760113
* "	IX615430	"	DTA114YS	C10 HWB	1105760113
* Q209	IX601530	"	2SC2785EF	C30 H	1165760098
* "	IX601530	"	2SC2785EF	C10 HWB	1165760098
* Q210	IX601530	"	2SC2785EF	C30 H	1165760098
* "	IX601530	"	2SC2785EF	C10 HWB	1165760098
* Q211	IX601530	"	2SC2785EF	C30 H	1165760098
* "	IX601530	"	2SC2785EF	C10 HWB	1165760098
* Q212	IX601530	"	2SC2785EF		1165760098
* Q213	IC990190	"	2SC1740LS		1305760405
Q301	IC990190	"	2SC1740SR		1165760118
Q302	IC990190	"	2SC1740SR		1165760118
Q303	IC224010	"	2SC2240BL		1165760052
Q304	IC224010	"	2SC2240BL		1165760052
Q305	IC224010	"	2SC2240BL		1165760052
Q306	IC224010	"	2SC2240BL		1165760052
* Q307	IX607170	"	2SC2001-L		1165760114
Q308	IC990190	"	2SC1740SR		1165760118
* Q309	IX615430	"	DTA114YS		1105760113
* Q310	IX607170	"	2SC2001-L		1165760114
* Q311	IX614730	"	DTC124XS		1305760433
* Q325	IX614730	"	DTC124XS		1305760433
* Q326	IX614730	"	DTC124XS		1305760433
* Q329	IX614730	"	DTC124XS		1305760433
* Q330	IX614730	"	DTC124XS		1305760433
* Q331	IX613930	"	2SC1740SR		1165760118
* Q332	IX613930	"	2SC1740SR		1165760118
* Q341	IX613930	"	2SC1740SR		1165760118
* Q350	IX614730	"	DTC124XS		1305760433
* Q351	IX614730	"	DTC124XS		1305760433
* Q352	IX614730	"	DTC124XS		1305760433
* Q353	IX615430	"	DTA114YS		1105760113
* Q354	IX615430	"	DTA114YS		1105760113
* Q355	IX615430	"	DTA114YS		1105760113
* Q356	IX614730	"	DTC124XS		1305760433
* Q357	IX614730	"	DTC124XS		1305760433
* Q358	IX614730	"	DTC124XS		1305760433
* Q361	IX614730	"	DTC124XS		1305760433
* Q362	IX614730	"	DTC124XS		1305760433
* Q401	IX614740	"	2SA562-Y		1165760020
* Q402	IX614740	"	2SA562-Y		1165760020
* Q403	IX614750	"	2SC1959Y		1115760042
* Q404	IX614750	"	2SC1959Y		1115760042
* Q405	IX614750	"	2SC1959Y		1115760042
* Q406	IX614740	"	2SA562-Y		1165760020
* Q407	IX614740	"	2SA562-Y		1165760020

Ref.	Part No.	Description	部品名	MDL Market	Remarks
* Q409	IX614690	Transistor	2SD2061E		
* Q411	IX614740	"	2SA562-Y	トランジスタ	1305760458
* Q412	IX614740	"	2SA562-Y	"	1165760020
* Q413	IX614750	"	2SC1959Y	"	1165760020
* Q414	IX614750	"	2SC1959Y	"	1115760042
					1115760042
* Q415	IX614750	"	2SC1959Y	"	
* Q416	IX614740	"	2SA562-Y	"	1115760042
* Q417	IX614740	"	2SA562-Y	"	1165760020
* Q418	IX613930	"	2SC1740SR	"	1165760020
* Q419	IX613930	"	2SC1740SR	"	1165760118
					1165760118
* Q431	IX614730	"	DTC124XS	"	
* Q432	IX607160	"	DTC114YS	"	1305760433
* Q433	IX615430	"	DTA114YS	"	1105760107
* Q434	IX615430	"	DTA114YS	"	1105760113
* Q435	IX615430	"	DTA114YS	"	1105760113
					1105760113
* Q436	IX615430	"	DTA114YS	"	
* Q437	IX613930	"	2SC1740SR	"	1105760113
* Q438	IX613930	"	2SC1740SR	"	1165760118
* Q439	IX614730	"	DTC124XS	"	1165760118
* Q440	IX614730	"	DTC124XS	"	1305760433
					1305760433
Q441	IC990190	"	2SC1740SR	"	
* Q442	IX615430	"	DTA114YS	"	1165760118
* Q443	IX615430	"	DTA114YS	"	1105760113
* Q444	IX615430	"	DTA114YS	"	1105760113
* Q445	IX615430	"	DTA114YS	"	1105760113
					1105760113
* Q446	IX614730	"	DTC124XS	"	
* Q447	IX615430	"	DTA114YS	"	1305760433
* Q448	IX614730	"	DTC124XS	"	1105760113
* Q449	IX614730	"	DTC124XS	"	1305760433
* Q450	IX614730	"	DTC124XS	"	1305760433
					1305760433
* Q451	IX614730	"	DTC124XS	"	
* Q452	IX614730	"	DTC124XS	"	1305760433
* Q453	IX614730	"	DTC124XS	"	1305760433
* Q454	IX614730	"	DTC124XS	"	1305760433
* Q455	IX614730	"	DTC124XS	"	1305760433
					1305760433
* Q456	IX614730	"	DTC124XS	"	
* Q457	IX614730	"	DTC124XS	"	1305760433
* Q458	IX614730	"	DTC124XS	"	1305760433
* Q459	IX615430	"	DTA114YS	"	1305760433
* Q460	IX607180	"	2SA933SR	"	1105760113
					1105760106
* Q461	IX613930	"	2SC1740SR	"	
* Q462	IX613930	"	2SC1740SR	"	1165760118
* Q463	IX613930	"	2SC1740SR	"	1165760118
* Q464	IX614730	"	DTC124XS	"	1165760118
* Q501	IX614730	"	DTC124XS	"	1305760433
					1305760433
* Q513	IX600590	"	2SC2603-G	"	
* Q514	IX600590	"	2SC2603-G	"	1305760292
* Q530	IX607690	"	DTC144ES	"	1305760292
* "	IX607690	"	DTC144ES	"	C30 R 1425760021
* Q601	IX614730	"	DTC124XS	"	C10 R 1425760021
					1305760433
* Q603	IX600890	"	2SC2878B	"	
* Q604	IX600890	"	2SC2878B	"	1165760096
* Q605	IX613930	"	2SC1740SR	"	1165760096
* Q606	IX613930	"	2SC1740SR	"	1165760118
* Q608	IX600590	"	2SC2603-G	"	1165760118
					C30 UR 1305760292
* "	IX615640	"	2SD467-C	"	
* "	IX615640	"	2SD467-C	"	C30 HC 1305760106
* "	IX600590	"	2SC2603-G	"	C10 HWBCA 1305760106
* Q609	IX613930	"	2SC1740SR	"	C10 UR 1305760292
* Q610	IX613930	"	2SC1740SR	"	1165760118
					1165760118
* Q783	IX607160	"	DTC114YS	"	
* Q811	IX613930	"	2SC1740SR	"	1105760107
* Q812	IX613930	"	2SC1740SR	"	1165760118
* Q813	IX614700	"	DTC363TS	"	1165760118
* Q814	IX614700	"	DTC363TS	"	1305760452
					1305760452

Ref.	Part No.	Description	部品名	MDL Market	Remarks
* Q815	IX608250	Transistor	2SA1048GR		1305760348
* Q816	IX609070	"	2SC2468GR		1305760304
* Q817	IX607610	"	DTA114BS		1125760283
* Q840	IX608250	"	2SA1048GR		1305760348
* Q890	IX604210	"	2SA1115F	C30 HC	1115760058
* "	IX614680	"	2SB561-C	C30 UR	1305760034
* "	IX604210	"	2SA1115F	C10 HWBCA	1115760058
* "	IX614680	"	2SB561-C	C10 UR	1305760034
* Q891	IX615440	"	DTC114ES		1425760022
* Q903	IX613930	"	2SC1740SR		1165760118
* Q904	IX613930	"	2SC1740SR		1165760118
* Q905	IX613930	"	2SC1740SR		1165760118
* Q906	IX607180	"	2SA933SR		1105760106
* Q911	IX607160	"	DTA114YS		1105760113
* Q912	IX609820	"	2SC2603-F	C30 HC	1115760049
* "	IX613930	"	2SC1740SR	C30 UR	1165760118
* "	IX609820	"	2SC2603-F	C10 HWBCA	1115760049
* "	IX613930	"	2SC1740SR	C10 UR	1165760118
* Q913	IX607180	"	2SA933SR		1105760106
* Q914	IX614760	"	2SD2061F		1105760125
* Q915	IX607180	"	2SA933SR		1105760106
* Q916	IX614730	"	DTC124XS		1305760433
* Q917	IX615430	"	DTA114YS		1105760113
* Q918	IX614760	"	2SD2061F		1105760125
* Q919	IX614760	"	2SD2061F		1105760125
* Q920	IX614760	"	2SD2061F		1105760125
* Q921	IA095000	"	2SA950Y		1425760025
* Q922	IX614760	"	2SD2061F		1105760125
* Q923	IX614780	"	2SB562-C		1025760055
* Q924	IX614760	"	2SD2061F		1105760125
* Q925	IX615340	"	DTA114YS		1105760113
* Q928	IX614730	"	DTC124XS		1305760433
* Q929	IX614730	"	DTC124XS		1305760433
* Q930	IX614730	"	DTC124XS		1305760433
* Q931	IX614730	"	DTC124XS		1305760433
* Q932	IX614730	"	DTC124XS		1305760433
* Q933	IX614730	"	DTC124XS		1305760433
* Q934	IX613930	"	2SC1740SR		1165760118
* Q935	IX613930	"	2SC1740SR		1165760118

Ref.	Part No.	Description	部品名	MDL Market	Remarks
* IC1	IX615000	IC	M51598FP	IC	1205730172
* IC101	XB687001	//	BA3416BL	//	1125730186
* IC102	IX601790	//	LA2000	//	1165730151
* IC103	IX614510	//	HA12136	//	1105730237
* IC104	IX607110	//	M51544AL	//	1305730228
* IC162	IX550610	//	TC4052	//	1255730106
IC163	IG058210	//	M5218L	//	1125730091
* IC181	IX607120	//	BA3812L	//	1105730107
* IC182	IX607120	//	BA3812L	//	1105730107
IC201	IG158200	//	LA1265	//	1125730164
IC202	IG158100	//	LA3401	//	1135730091
IC203	IG158400	//	LM7001	//	1105730169
IC306	IG058210	//	M5218L	//	1125730091
* IC351	IX615010	//	IX1656AF	//	1205730169
* IC401	IX615020	//	IX1645AF	//	1205730168
* IC501	IX615030	//	IX1696AF	//	1105730154
* IC502	IX615620	//	IX1646AF	//	1105730267
IC601	IG058210	//	M5218L	//	1125730091
IC602	IG058210	//	M5218L	//	1125730091
* IC604	XB248001	//	M5238L	//	1255730175
* IC605	IX615050	//	STK4142 II	//	1125730183
* IC700	IX614550	//	LA6630	//	1205730171
* IC720	IX614540	//	LA6515	//	1305730412
* IC740	IX614630	//	TA8102P	//	1305730355
* IC750	IX614600	//	M51564P	//	1305730351
* IC780	IX614590	//	M50422P	//	1305730350
* IC781	XA690001	//	IX1443AF	//	1305730347
* IC810	IX614640	//	YM3015	//	1305730344
* IC811	IX614620	//	NJM4560L	//	1205730174
* IC812	IX614620	//	NJM4560L	//	1205730174
* IC813	IX614610	//	NJM4558L	//	1205730173
* IC851	IX614460	//	IX1695AF	//	1305730464
* IC860	IX614500	//	BU3528	//	1205730170
* IC991	IX614570	//	LB1641	//	1105730171

AST-C30/C10

Ref.	Part No.	Description		部品名	MDL Market	Remarks
* CF201	GX603670	FM IF		FM IF	C30 H	1136210024
* "	GX603680	"		"	C30 CUR	1106210034
* "	GX603670	"		"	C10 HWB	1136201124
* "	GX603680	"		"	C10 CAUR	1106210034
* CF202	GX603670	"		"	C30 H	1136210024
* "	GX603680	"		"	C30 CUR	1106210034
* "	GX603670	"		"	C10 HWB	1136210024
* "	GX603680	"		"	C10 CAUR	1106210034
* CF203	GX603270	Auto Stop OSC		オートストップ* OSC		1136210035
* CF204	QX600370	Ceramic Resonator	456kHz	セラミック振動子		1126160005
* CNP3	LX602660	Plug	1.5mm 10P	プラグ*		1205100149
* CNP120	LX602860	Wiretrap	4P	ワイヤートラップ*	C10 W	1205100093
* CNP171	LX602670	Plug	2.0mm 7P	プラグ*		1105100309
* CNP172	LX602680	"	2.5mm 11P	"		1305100165
* CNP351	LX602690	"	2.0mm 10P	"		1105100284
* CNP405	LX602700	"	2.0mm 8P	"		1425100118
* CNP406	LX602710	"	2.0mm 12P	"		1425100095
* CNP453	LX602720	"	2.5mm 13P	"		1105100174
* CNP510	LX602730	Wiretrap	5P	ワイヤートラップ*		1255100118
* CNP512	LX602710	Plug	2.0mm 12P	プラグ*		1425100095
* CNP514	LX603300	Wiretrap	3P	ワイヤートラップ*	C30 R	1305100358
* "	LX603300	"	3P	"	C10 R	1305100358
* CNP700	LX602740	Plug	2.5mm 6P	プラグ*		1205100140
* CNP720	LX602750	"	2.0mm 6P	"		1255100145
* CNP800	LX602690	"	2.0mm 10P	"		1105100284
* CNP810	LX602760	"	2.0mm 3P	"		1105100305
* CNP851	LX602670	"	2.0mm 7P	"	C30	1105100309
* CNP852	LX602700	"	2.0mm 8P	"		1425100118
* CNP853	LX602770	"	2.0mm 4P	"		1305100366
* CNP854	LX602780	"	2.0mm 9P	"		1425100092
* CNP855	LX602790	"	2.0mm 15P	"		1105100325
* CNP857	LX603260	"	2.0mm 5P	"		1255100144
* CNP881	LX602800	"	2.0mm 6P	"		1105100253
* CNP900	LX603310	"	7.9mm 5P	"	C30 R	1305100339
* "	LX603310	"	7.9mm 5P	"	C10 R	1305100339
* CNP901	LX602810	"	7.5mm 2P	"	C30	1165100285
* "	LX602810	"	7.5mm 2P	"	C10 HWBCAU	1165100285
* "	LX603310	"	7.9mm 5P	"	C10 R	1305100339
* CNP902	LX602820	"	4.0mm 6P	"		1105100326
* CNP903	LX602830	"	2.5mm 2P	"		1165100181
* CNP905	LX602840	"	2.5mm 4P	"		1305100198
* CNP906	LX602850	Wiretrap	3P	ワイヤートラップ*		1165100348
* CNP908	LX602860	"	4P	"		1205100093
* CNP909	LX602870	"	5P	"		1305100270
* CNP910	LX602880	"	2P	"		1205100093
* CNP991	LX602730	"	5P	"	C30	1255100118
* "	LX603320	"	"	"	C10	1255100120
* CNS201	LX603320	Wiretrap	4P	ワイヤートラップ*		1255100120
* CNS202	LX602760	Plug	2.0mm 3P	プラグ*		1105100305
* CNS203	LX603330	Wiretrap	8P	ワイヤートラップ*		1105100275
* CNW1	MX601220	Connector Unit	10P	コネクタユニット		1205120365
* CNW2	MX601230	"	6P	"		1205120375
* CNW5	MX601860	Lead Wire		リードワイヤ-		1205120413
* CNW7	MX601870	"		"		1205120415
* CNW8	MX601880	Ground Wire		アースワイヤ-		1205120416
* CNW9	MX601890	Lead Wire		リードワイヤ-		1205120417
* CNW10	MX601900	"		"		1205120427
* CNW11	MX601910	Flat Wire	2P	フラットワイヤ-	C30 HC	1205120438
* "	MX601910	"	2P	"	C10 HWBCA	1205120438
* CNW12	MX601920	Lead Wire		リードワイヤ-		1205120435
* CNW13	MX601930	"		"		1205120436
* CNW14	MX601940	Ground Wire		アースワイヤ-	C30 CU	1205120433

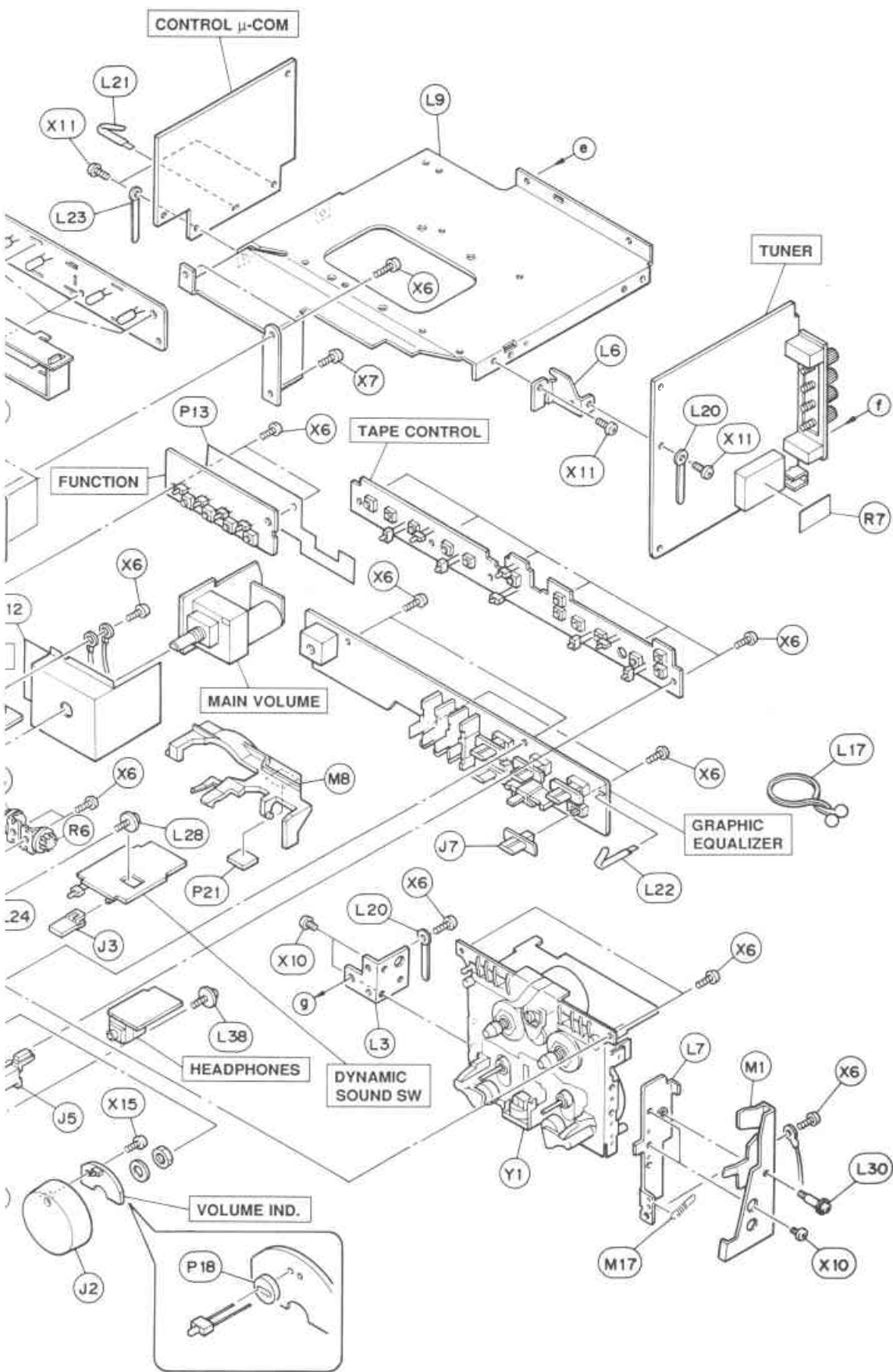
Ref.	Part No.	Description	部品名	MDL Market	Remarks
* CNW14	MX601940	Ground Wire	アースワイヤ-	C10 CU	1205120433
* CNW15	MX601950	Lead Wire	リードワイヤ-	C30 U	1205120437
* "	MX601950	"	"	C10 U	1205120437
* CNW101	MX601240	Connector Unit	コネクタユニット(T1 HEAD)		1205120410
* CNW120	MX601960	"	"	C10 W	1205120440
* CNW161	MX601250	"	"		1205120391
* CNW162	MX601260	"	" (TUNER SIGNAL)		1205120371
* CNW171	MX601270	"	" (CD SIGNAL)		1205120382
* CNW172	MX601280	"	" (G-EQ-MAIN)		1205120383
* CNW181	MX601290	"	" (")		1205120380
"	MX601290	"	" (G-EQ-DYNAMIC SW	C30	1205120380
"	MX601430	"	" (")	C10 HWBUR	1205120385
* CNW301	MX601300	"	" (")	C10 CA	1205120404
* CNW351	MX601310	"	" (T2 HEAD)		1205120386
* CNW353	MX601320	"	" (MAIN-FUNCTION)		1205120381
"	MX601970	"	" (")	C30	1205120428
* CNW402	MX601330	"	" (")	C10	1205120399
* CNW403	MX601340	"	" (T1 MECHA)		1205120403
* CNW404	MX601350	"	" (MECHA)		1205120402
* CNW405	MX601360	"	" (T2 MECHA)		1205120387
"	MX601360	"	" (MAIN-MECHA SW)		1205120388
* CNW406	MX601370	"	" (")		1205120409
* CNW408	MX601380	"	" (MECHA-GND)		1205120410
* CNW451	MX601390	"	" (G-EQ GND)		1205120370
* CNW452	MX601400	"	" (CD CONTROL)		1205120389
* CNW453	MX601410	"	" (MAIN-POWER)		1205120384
* CNW454	MX601420	"	" (MAIN-TIMER)		1205120385
* CNW455	MX601430	"	" (MAIN-CONTROL)		1205120431
* CNW500	MX601980	"	" (CONTROL-TUNER)		1205120405
* CNW501	MX601450	"	" (POWER-LAMP)		1205120395
* CNW503	MX601460	"	" (CONTROL-LCD)		1205120396
* CNW505	MX601470	"	" (")		1205120396
* CNW506	MX601470	"	" (")		1205120398
* CNW508	MX601480	"	" (")		1205120408
* CNW509	MX601490	"	" (CONTROL-TIM SW)		1205120426
* CNW513	MX601990	"	" (LCD-PWB)		1205120421
* CNW514	MX602000	"	" (SPAN SELECTOR)	C30 R	1205120421
* "	MX602000	"	" (")	C10 R	1205120425
* CNW515	MX602010	"	" (LCD-PWB)		1205120376
* CNW720	MX601500	CD Mecha Motor Wire	CDメカモーターワイヤ-		1205120412
* CNW810	MX601510	Connector Unit	コネクタユニット		1205120373
* CNW851	MX601530	"	" (CD-10KEY)	C30	1205120374
* CNW852	MX601540	"	" (CD-CD SW)		1205120366
* CNW853	MX601550	"	" (CD-LCD)		1205120367
* CNW854	MX601560	"	" (")		1205120368
* CNW855	MX601570	"	" (")		1205120372
* CNW882	MX601580	"	"		1205120406
* CNW903	CX608590	"	" (VOL INDICATOR)	C30	1205120369
* CNW904	MX601590	"	" (CD BATT)		1205120432
* CNW905	MX602020	"	" (POWER-TUNER)		1205120379
* CNW907	MX601610	"	" (VOL-DYNAMIC SW)		1205120378
* CNW908	MX601620	"	" (VOLUME-POWER)		1205120377
* CNW909	MX601630	"	" (POWER-H. PHONE)		1205120411
* CNW910	MX601640	"	" (MAIN-POWER GND)		1125150105
* F901	KX602250	Fuse	T1.6A	ヒューズ	C30 HR
* "	KX602160	"	2A 125V	"	C30 CU
* "	KX602250	"	T1.6A	"	C10 HWBAR
* "	KX602160	"	2A 125V	"	C10 CU
* F902	KX602250	"	T1.6A	"	C30 HR
* "	KX602160	"	2A 125V	"	C30 CU
* "	KX602250	"	T1.6A	"	C10 HWBAR
* "	KX602160	"	2A 125V	"	C10 CU
* F903	KX602170	"	T800mA	"	C30 H
* "	KX602180	"	2.5A 125V	"	C30 CU
* "	KX602190	"	T2A	"	C30 R

AST-C30/C10

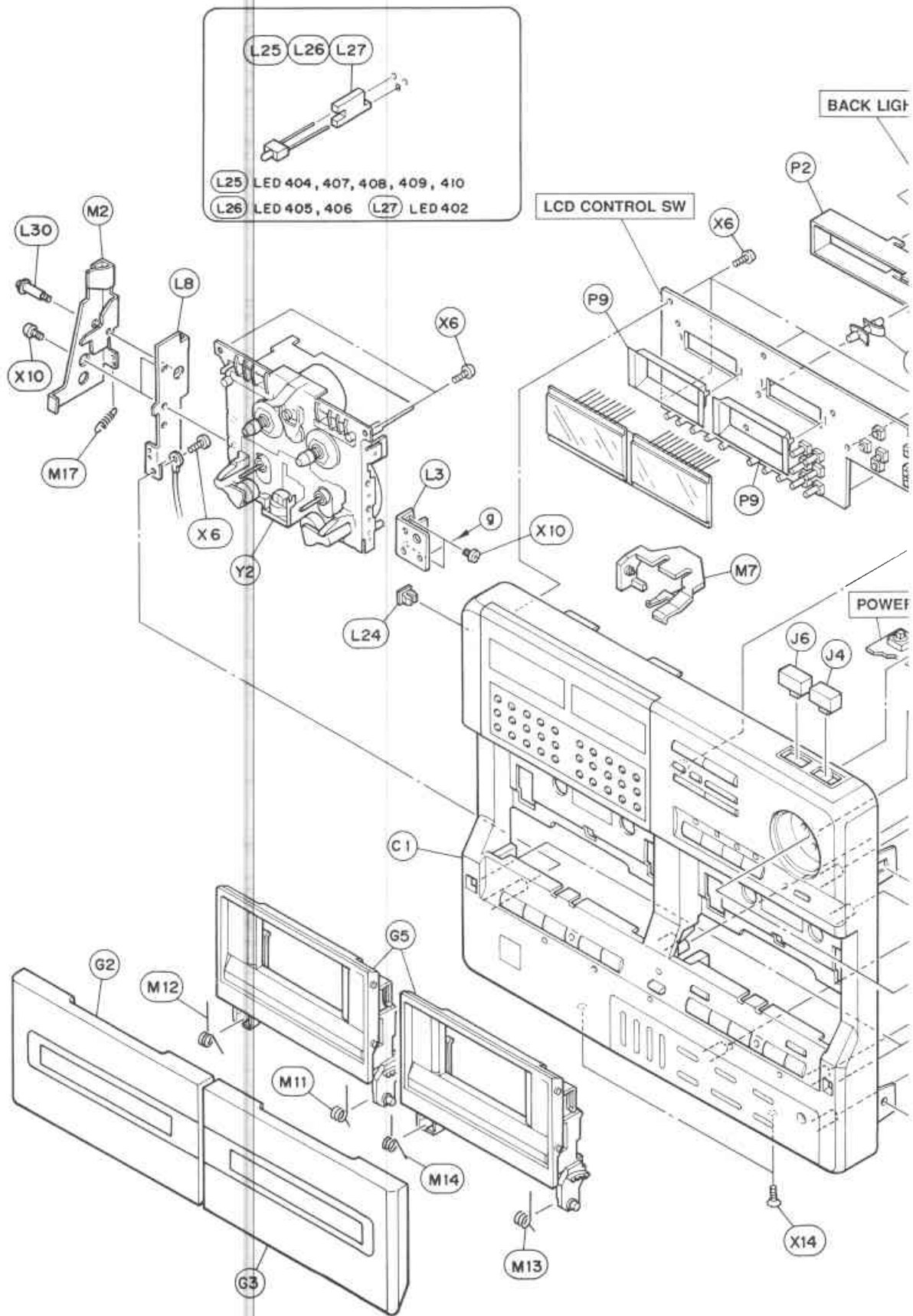
Ref.	Part No.	Description	部品名	MDL Market	Remarks
* F903	KX602170	Fuse	T800mA	C10 HWBA	1165150028
* "	KX602180	"	2.5A 125V	C10 CU	1125150096
* "	KX602190	"	T2A	C10 R	1125150103
* F904	KX602200	"	"	C30 H	1205150047
* "	KX602210	"	T800mA	C30 C	1305150065
* "	KX602200	"	"	C10 HWBA	1205150047
* "	KX602210	"	T800mA	C10 C	1305150065
* F905	KX602170	"	T800mA	C30 R	1165150028
* "	KX602170	"	T800mA	C10 R	1165150028
* F906	KX602170	"	T800mA	C30 R	1165150028
* "	KX602170	"	T800mA	C10 R	1165150028
* FE201	PX600680	Front End	フロントエンド	C30 H	1125500003
* "	PX600690	"	"	C30 CUR	1125500004
* "	PX600680	"	"	C10 HWB	1125500003
* "	PX600690	"	"	C10 CAUR	1125500004
* FHL901	LX602640	Fuse Holder	ヒューズホルダー	C30	1105160009
* "	LX602940	"	"	C10	1105160008
* FHL902	LX602640	"	"	C30	1105160009
* "	LX602940	"	"	C10	1105160008
* FHL903	LX602640	"	"	C30	1105160009
* "	LX602940	"	"	C10	1105160008
* FHL904	LX602640	"	"	C30	1105160009
* "	LX602940	"	"	C10	1105160008
* FHL905	LX602640	"	"	C30	1105160009
* "	LX602940	"	"	C10	1105160008
* FHL906	LX602640	"	"	C30	1105160009
* "	LX602940	"	"	C10	1105160008
* FHL907	LX602640	"	"	C30 R	1105160009
* "	LX602940	"	"	C10 R	1105160008
* FHL908	LX602640	"	"	C30 R	1105160009
* "	LX602940	"	"	C10 R	1105160008
* FHL909	LX602640	"	"	C30 R	1105160009
* "	LX602940	"	"	C10 R	1105160008
* FHL910	LX602640	"	"	C30 R	1105160009
* "	LX602940	"	"	C10 R	1105160008
* J601	LX602890	EXT SP Jack	EXP SPジャック		1305170075
* J901	LX602610	Headphone Jack	ヘッドフォンジャック		1305170468
* JMP601	LX603340	RAD Jumper	ジャンパー線		1115810275
* JMP602	LX603340	"	"		1115810275
* LCD501	PX600700	LCD	LCD(TUNER)		1205640009
* LCD851	PX600530	"	" (CD)		1205640007
* LED351	PX600560	Indicator	インジケータ(TUNER)		1205740054
* LED352	PX600560	"	" (TAPE)		1205740054
* LED353	PX600560	"	" (AUX)		1205740054
* LED354	PX600560	"	" (CD)		1205740054
* LED402	IX614660	"	" (DUBBING)		1425740022
* LED404	IX614660	"	" (REC)		1425740022
* LED405	IX614650	"	" (TAPE A PLAY)		1425740020
* LED406	IX614650	"	" (TAPE B PLAY)		1425740020
* LED407	IX614650	"	" (TAPE A FWD)		1425740020
* LED408	IX614650	"	" (TAPE A REV)		1425740020
* LED409	IX614650	"	" (TAPE B FWD)		1425740020
* LED410	IX614650	"	" (TAPE B REV)		1425740020
* LED981	PX600560	"	" (DYNAMIC SOUND)		1205740054
* LED992	IX614660	"	" (VOL)	C30	1425740022
* M701	JX600400	Motor Ass'y (Slide)	モーター-Ass'y(スライド)		1256300113
* M702	JX600390	" (Spin)	" (スピン)		1306300376

Ref.	Part No.	Description	部品名	MDL Market	Remarks
* PL501	JX600380	Back Light Lamp	バックライトランプ*		1316260004
* PL502	JX600380	"	"		1316260004
* PL801	JX600380	"	"		1316260004
* PL802	JX600380	"	"		1316260004
* RLY601	KX602220	Speaker Relay	スピーカーリレー	C30	1206370005
* "	KX602220	"	"	C10 HBCAUR	1206370005
* "	KX602040	"	"	C10 W	1126370019
* RM351	NX604170	Remote Sensor	リモートセンサー		1106390002
* SO201	LX603350	ANT Terminal	アンテナターミナル	C30 H	1125320066
* "	LX603360	"	"	C30 CUR	1135320016
* "	LX603350	"	"	C10 HWB	1125320066
* "	LX603360	"	"	C10 CAUR	1135320016
* SO301	LX602620	Jack	ジャック(AUX IN)		1105270077
* SO901	KX602230	AC Voltage Selector	電圧切替器	C30 R	1205270038
* "	KX602230	"	"	C10 R	1205270038
* SW101	KX601970	Switch	スイッチ(TAPE SELECT)		1205300286
* SW151	KX601990	"	" (GEQ REC)	C30	1205300288
* SW201	KX601930	"	" (TUNER RESET)		1305300614
* SW301	KX601960	"	" (BEAT CANCEL)		1305300295
* SW351	KX601940	"	" (CD FUNCTION)		1305301178
* SW352	KX601940	"	" (AUX FUNCTION)		1305301178
* SW353	KX601940	"	" (TAPE FUNCTION)		1305301178
* SW354	KX601940	"	" (TUNER FUNCTION)		1305301178
* SW414	KX601940	"	" (TAPE B FF)		1305301178
* SW415	KX601940	"	" (TAPE B PAUSE)		1305301178
* SW416	KX601940	"	" (TAPE B REW)		1305301178
* SW417	KX601940	"	" (TAPE B FWD)		1305301178
* SW418	KX601940	"	" (TAPE B STOP)		1305301178
* SW419	KX601940	"	" (TAPE B REV)		1305301178
* SW420	KX601970	"	" (DOLBY)		1205300286
* SW421	KX601970	"	" (TIMER REC)		1205300286
* SW422	KX601970	"	" (REVERSE MODE)		1205300286
* SW423	KX601940	"	" (REC)		1305301178
* SW425	KX601940	"	" (DUBBING)		1305301178
* SW426	KX601940	"	" (TAPE A FF)		1305301178
* SW427	KX601940	"	" (TAPE A REW)		1305301178
* SW428	KX601940	"	" (TAPE A FWD)		1305301178
* SW429	KX601940	"	" (TAPE A STOP)		1305301178
* SW430	KX601940	"	" (TAPE A REV)		1305301178
* SW500	KX602050	"	" (CLOCK HOUR)		1105300369
* SW501	KX602050	"	" (CLOCK MIN.)		1105300369
* SW502	KX602050	"	" (SLEEP)		1105300369
* SW503	KX602050	"	" (COUNTER CALL)		1105300369
* SW505	KX602050	"	" (TIMER)		1105300369
* SW506	KX601920	"	" (TIMER SET)		1205300092
* SW508	KX602050	"	" (CLOCK)		1105300369
* SW509	KX601920	"	" (POWER)		1205300092
* SW510	KX602050	"	" (COUNTER RESET)		1105300369
* SW511	KX602050	"	" (FM BAND SELECT)		1105300369
* SW512	KX602050	"	" (TUNER MEMORY)		1105300369
* SW513	KX602050	"	" (AUTO SCAN)		1105300369
* SW514	KX602050	"	" (AM BAND SELECT)		1105300369
* SW515	KX602050	"	" (LW BAND SELECT)	C30 H	1105300369
* "	KX602050	"	" (" ")	C10 HWB	1105300369
* SW516	KX602050	"	" (MODE SELECT)		1105300369
* SW517	KX602050	"	" (TUNING DOWN)		1105300369
* SW518	KX602050	"	" (TUNING UP)		1105300369
* SW519	KX602240	"	" (AM SPAN SELECT)	C30 R	1105300403
"	KX602240	"	" (" ")	C10 R	1105300403
* SW702	KX602060	"	" (PU-IN)		1305301156
* SW851	KX601940	"	" (CD INTRO)		1305301178

Ref.	Part No.	Description	部品名	MDL Market	Remarks
* SW852	KX601940	Switch	スイッチ (CD UP)		1305301178
* SW853	KX602050	"	" (CD CLEAR)		1105300369
* SW854	KX601940	"	" (CD STOP)		1305301178
* SW855	KX601940	"	" (CD DOWN)		1305301178
* SW856	KX602050	"	" (CD PROGRAM SET)		1105300369
* SW858	KX601940	"	" (CD PAUSE)		1305301178
* SW859	KX602050	"	" (CD CHECK)		1105300369
* SW860	KX601940	"	" (CD PLAY)		1305301178
* SW861	KX601940	"	" (CD DISPLAY)		1305301178
* SW862	KX602050	"	" (CD PROGRAM)		1105300369
* SW867	KX602050	"	" (CD 10KEY 8)	C30	1105300369
* SW868	KX602050	"	" (CD 10KEY 9)	C30	1105300369
* SW869	KX602050	"	" (CD 10KEY 0)	C30	1105300369
* SW870	KX602050	"	" (CD 10KEY 5)	C30	1105300369
* SW871	KX602050	"	" (CD 10KEY 6)	C30	1105300369
* SW872	KX602050	"	" (CD 10KEY 7)	C30	1105300369
* SW873	KX602050	"	" (CD 10KEY +10)	C30	1105300369
* SW874	KX602050	"	" (CD 10KEY 1)	C30	1105300369
* SW875	KX602050	"	" (CD 10KEY 2)	C30	1105300369
* SW876	KX602050	"	" (CD 10KEY 3)	C30	1105300369
* SW877	KX602050	"	" (CD 10KEY 4)	C30	1105300369
* SW881	KX602060	"	" (CD LID)		1305301156
* SW981	KX601950	"	" (DYNAMIC SOUND)		1205300285
* T201	GX603280	AM IF	AM IF		1126210019
* T202	GX603690	Coil	コイル	C30 H	RCILD0104AFZZ
* "	GX603700	"	"	C30 CU	1126080011
* "	GX603710	"	"	C30 R	1106080016
* "	GX603690	"	"	C10 HWB	RCILD0104AFZZ
* "	GX603700	"	"	C10 CU	1126080011
* "	GX603710	"	"	C10 AR	1106080016
* T203	GX603720	"	"	C30 H	RCILD0105AFZZ
* "	GX603730	"	"	C30 R	1106080017
* "	GX603720	"	"	C10 HWB	RCILD0105AFZZ
* "	GX603730	"	"	C10 AR	1106080017
* T204	GX603740	Antenna,MW	MWアンテナ		1106060094
* T205	GX603750	Antenna,LW	LWアンテナ	C30 H	1106060093
* "	GX603750	"	"	C10 HWB	1106060093
* T206	GX603760	OSC,MW	MW OSC		1106070081
* T207	GX603770	OSC,LW	LW OSC	C30 H	1106070080
* "	GX603770	"	"	C10 HWB	1106070080
* T901	GX603780	Power Transformer	電源トランス	C30 H	1206540148
* "	GX603790	"	"	C30 C	1206540153
* "	GX603800	"	"	C30 U	1206540151
* "	GX603810	"	"	C30 R	1206540147
* "	GX603780	"	"	C10 HW	1206540148
* "	GX603820	"	"	C10 BA	1206540149
* "	GX603790	"	"	C10 C	1206540153
* "	GX603800	"	"	C10 U	1206540151
* "	GX603810	"	"	C10 R	1206540147
* TC201	GX603300	Trimmer Cap	トリマーコン		1136450012
* TC202	GX603830	"	"	C30 H	1306450027
* "	GX603830	"	"	C10 HWB	1306450027
* TC501	GX603300	"	"		1136450012
* TE201	LX603370	Terminal,GND	アース端子		1105320053
* TP101	LX602920	Test Point	テストポイント (DOLBY)		1115100004
* TP201	XX653090	Plug	プラグ	2.5mm 2P	1305100003
* TP751	LX602930	Test Point	テストポイント (CD)	9P	1305100385
* TP781	LX602650	"	" (CD)	2P	1105100110
* VD201	FX604650	Vari-Cap.	バリコン		1105700058
* VD202	FX604650	"	"		1105700058



■EXPLODED VIEW (Front side)



Ref.	Part No.	Description	部品名	MDL	Market	Remarks
*	NX604130	Cassette Mechanism	TAPE A			CMAY2Z319A
*	NX604140	"	TAPE B			CMAY2Z320A
*	NX604150	CD Mechanism			HWBCAR	1201830004
*	NX605490	"			U	KRPLE0064AF30
*	CX608760	Pick Cover				1303230324
*	MX601210	CD Mecha Motor Wire				1205120376
*	NX604320	CD Pre Circuit Board	CDメカモーターワイヤ			1205210180
*	NX605100	CD Servo Circuit B. Ass'y	CDフﾟリシート	C30	HC	1206850303
*	NX605390	"	CDサーボシートAss'y	C30	U	1206850304
*	NX605410	"	"	C30	R	1206850305
*	NX605090	"	"	C10	HBCA	1206850299
*	NX605420	"	"	C10	W	1206850302
*	NX605430	"	"	C10	U	1206850300
*	NX605400	"	"	C10	R	1206850301
*	NX605110	Deck Circuit Board Ass'y	デッキシートAss'y	C30	H	1206850339
*	NX605440	"	"	C30	C	1206850340
*	NX605120	"	"	C30	U	1206850341
*	NX605450	"	"	C30	R	1206850342
*	NX605130	"	"	C10	HBC	1206850334
*	NX605140	"	"	C10	W	1206850338
*	NX605460	"	"	C10	A	1206850335
*	NX605150	"	"	C10	U	1206850336
*	NX605470	"	"	C10	R	1206850337
*	NX605160	Power Circuit Board Ass'y	パワーシートAss'y	C30	H	1206850313
*	NX605170	"	"	C30	C	1206850308
*	NX605180	"	"	C30	U	1206850315
*	NX605190	"	"	C30	R	1206850316
*	NX605200	"	"	C10	HBA	1206850307
*	NX605210	"	"	C10	W	1206850311
*	NX605220	"	"	C10	C	1206850308
*	NX605290	"	"	C10	U	1206850309
*	NX605300	"	"	C10	R	1206850310
*	NX605230	LCD Circuit Board Ass'y	LCDシートAss'y	C30	H	1206850318
*	NX605310	"	"	C30	C	1206850325
*	NX605240	"	"	C30	U	1206850326
*	NX605250	"	"	C30	R	1206850327
*	NX605230	"	"	C10	HB	1206850318
*	NX605330	"	"	C10	C	1206850320
*	NX605340	"	"	C10	A	1206850319
*	NX605320	"	"	C10	U	1206850321
*	NX605350	"	"	C10	R	1206850322
*	NX605500	"	"	C10	W	1206850323
*	PX600510	Pick Up Unit	ピックアップユニット		HWBCAR	1206170029
*	PX600720	"	"		U	RCTR8123AFZZ
*	LX603380	Lug	ラグ	C30	HR	1205200022
*	LX603380	"	"	C10	HWBAR	1205200022
*	LX603390	MLF Jumper	MLFジャンパー			1305810847
*	NX605260	Tuner Circuit Board Ass'y	チューナーシートAss'y	C30	H	1206850328
*	NX605480	"	"	C30	CUR	1206850331
*	NX605260	"	"	C10	H	1206850328
*	NX605370	"	"	C10	W	1206850332
*	NX605360	"	"	C10	B	1206850330
*	NX605480	"	"	C10	CUR	1206850331
*	NX605380	"	"	C10	A	1206850329

Ref.	Part No.	Description	部品名	MDL Market	Remarks
* VR1	HX603320	Pre-Set Potentiometer	10k Ω (B)		1306700519
* VR101	HX603330	"	50k Ω (B)		1256700075
* VR102	HX603330	"	50k Ω (B)		1256700075
* VR103	HX603330	"	50k Ω (B)		1256700075
* VR104	HX603330	"	50k Ω (B)		1256700075
* VR181	HX603210	Potentiometer	100k Ω (B)		1206700177
* VR182	HX603210	"	100k Ω (B)		1206700177
* VR183	HX603210	"	100k Ω (B)		1206700177
* VR184	HX603210	"	100k Ω (B)		1206700177
* VR191	HX603340	"	100k Ω (B)	C30	1206700178
* VR201	HX603360	Pre-Set Potentiometer	50k Ω (B)		1106700204
* "	HX603360	"	50k Ω (B)	C30 HR	1106700204
* VR202	HX603360	"	50k Ω (B)	C10 HWBAR	1106700204
* VR301	HX603330	"	50k Ω (B)		1256700075
* VR302	HX603330	"	50k Ω (B)		1256700075
* VR401	HX603370	"	10k Ω (B)		1256700074
* VR403	HX603370	"	10k Ω (B)		1256700074
* VR700	HX603380	"	47k Ω (B)		1256700068
* VR710	HX603380	"	47k Ω (B)		1256700068
* VR750	HX603390	"	10k Ω (B)		1256700064
* VR751	HX603390	"	10k Ω (B)		1256700064
* VR981	HX603220	Potentiometer	100k Ω (B)		1206700179
* "	HX603410	" ,Rotary Type	100k Ω	C30 C10	1206700181
* X201	QX600300	Resonator	7.2MHz		1106160005
* X780	QX600310	Ceramic Resonator	8.4672MHz (CD S.P)		1305790001
* X851	QX600320	"	4.194MHz (CD DISP)		1305790004
* X860	QX600330	"	455kHz (CD DECODER)		1305790003
* XI.351	QX600290	Resonator	2.0MHz		1305790005
* XI.401	QX600280	"	4.0MHz		1125790001
* XI.501	QX600340	"	32.768KHz		1116160002

1 ■ EXPLODED VIEW (Top side)

2

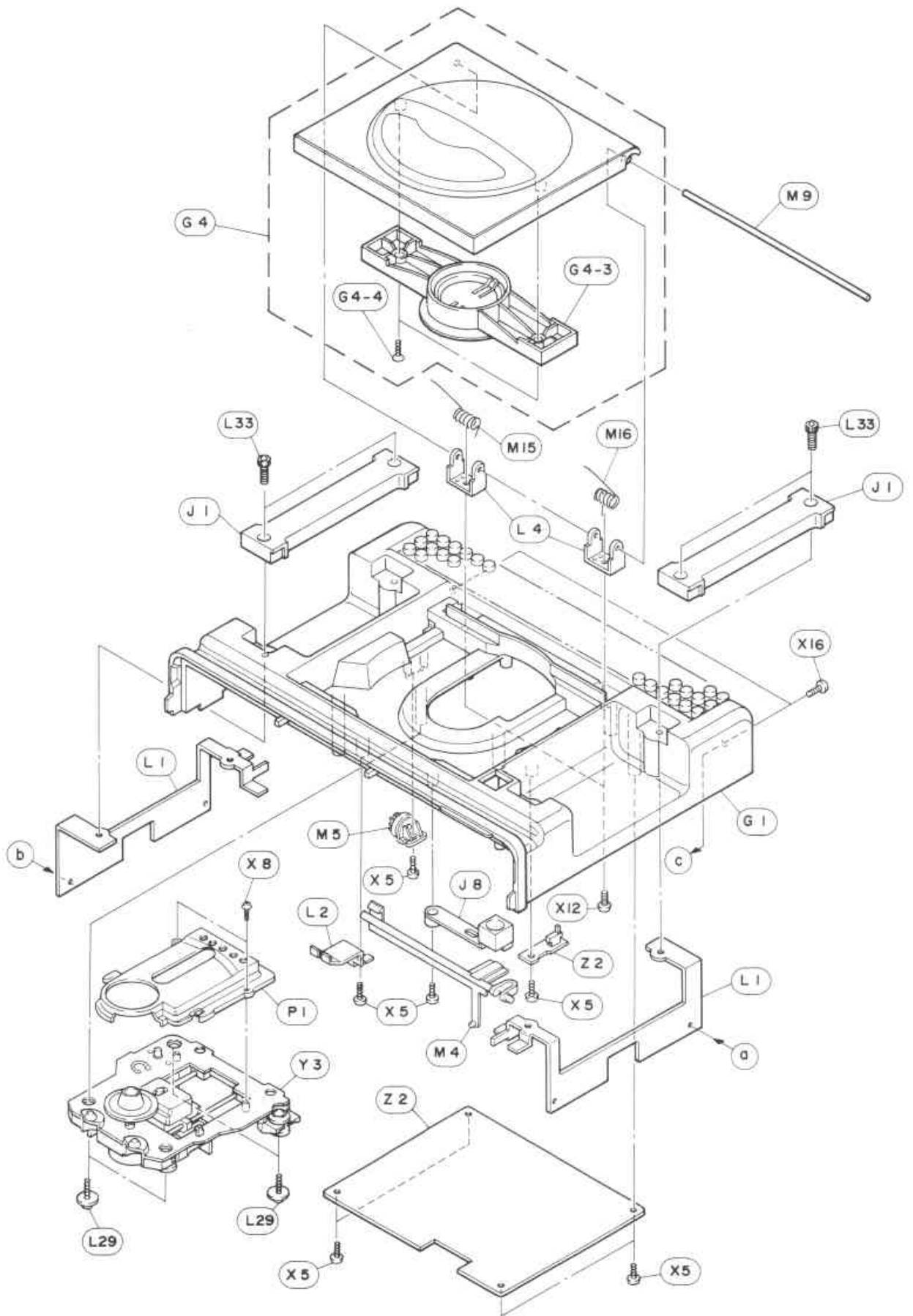
3

4

5

6

7



MECHANISM PARTS

Ref.	Part No.	Description		部品名	MDL Market	Remarks
* C1	NX605270	Front Panel Unit Ass'y		前面パネルサビヒス品	C30 H	1201580263
* "	NX605280	"		"	C30 CUR	1201580264
* "	NX605520	"		"	C10 HWB	1201580265
* "	NX605510	"		"	C10 CAUR	1201580266
* G1	NX604070	Top Cabinet		トップキャビネット		1201050005
* G2	CX608290	Lid Ass'y	TAPE A	カセット蓋カバー組品(A)		1201100137
* G3	CX608300	"	TAPE B	" (B)		1201100138
* G4	NX604180	CD Cover Ass'y		CD蓋組品		1201170171
* G4-3	NX604190	Weight Ass'y		ウェイト組品		1203230107
* G4-4	EO326086	Flat Head Tapping Screw	2.6x8 FCRM3-BL	皿タッピングネジ		1309701510
* G5	CX608310	Cassette Holder		カセットホルダー		1161170119
* G6	AX607000	Rear Panel		端子板	C30 H	1201170187
* "	AX607010	"		"	C30 C	1201170186
* "	AX607020	"		"	C30 U	1201170189
* "	AX607030	"		"	C30 R	1201170118
* "	AX607040	"		"	C10 H	1201170176
* "	AX607050	"		"	C10 W	1201172164
* "	AX607060	"		"	C10 B	1201170177
* "	AX607070	"		"	C10 C	1201170184
* "	AX607080	"		"	C10 A	1201170178
* "	AX607090	"		"	C10 U	1201170182
* "	AX607100	"		"	C10 R	1201170175
* G7	CX608610	Bottom Cover		底板		1201170169
* G8	CX609160	Side Panel (L)		サイドパネル(L)	C30	1201200065
* "	CX608620	"		"	C10	1201200062
* G9	CX609170	Side Panel (R)		サイドパネル(R)	C30	1201200066
* "	CX608630	"		"	C10	1201200063
* J1	CX608340	Handle		ハンドル		1201720005
* J2	CX608350	Knob, Volume		ボリュームツマミ	C30	1201740370
* "	CX609140	"		"	C10	1201740385
* J3	CX608640	Knob		ラウトネツツマミ		1161740806
* J4	CX608370	" ,Power		電源ツツマミ		1201740371
* J5	CX608380	Button, Eject		カセット取出しボタン		1201740372
* J6	CX608390	" ,Timer		タイマーボタン		1201740373
* J7	CX608400	Slide Knob (B)		スライドツツマミ(B)		1201740381
* J8	CX608460	Knob, CD Eject		CD EJECTツツマミ		1201740379
* L1	AX605520	Angle, Handle		ハンドル固定金具		1202000626
* L2	AX605530	Lock Lever Angle, CD		CDロックレバー固定金具		1202000617
* L3	AX605660	Angle, Mechanism		メカ取付金具		1202000622
* L4	AX605540	" ,Lod		ロット支持アングル		1202000619
* L5	AX605670	" ,IC		IC押えアングル		1102000601
* L6	AX607110	Angle, Tuner PCB		チューナー基板取付金具		1202000629
* L7	AX605550	Eject Angle (B)		カセット取出し金具(B)		1202000623
* L8	AX605560	" (A)		" (A)		1202000624
* L9	AX607120	Center Angle		センターアングル		1202000631
* L10	CX610630	Cord Stopper		ACコードフッシング	HWBR	1162040034
* "	CX610640	"		"	CU	LBSHC0004AFZZ
* "	CX610650	"		"	A	LBSHC0007AFZZ
* L13	AX607130	Main Chassis		メインシャーシ		1202070074
* L14	CX608770	Holder, ANT		ANT用ホルダー		1102140183
* L17	CX608780	Lead Holder		線処理用ホルダー		1302140144
* L18	CX608790	Wire Holder		ワイヤーホルダー		1102140177
* L19	CX608800	"		"		1202140264
* L20	CX608810	"	25mm	"		1202140129
* L21	CX608820	Clip	50mm	コーキングクリップ		1302140444
* L22	CX608830	"	30mm	"		1302140380
* L23	CX608840	Wire Holder	35mm	ワイヤーホルダー		1132140007
* L24	CX608850	Spacer		ネジ受けスペーサ		1102140178
* L25	CX608860	LED Holder (A)		LEDホルダー(A)		1202140261
* L26	CX608870	" (B)		" (B)		1202140262
* L27	CX608880	" (C)		" (C)		1202140263
* L28	AX605700	Screw with Washer	3x6.5 (φ14) ZMC2-Y	ワッシャー付ビス		1109700177
* L29	AX605710	"	2.6 (φ13) ZMC2-Y	"		1309701711
* L30	AX605720	Special Screw	3x12 ZMC2-Y	段付ビス		1109700223
* L31	E1330066	Binding Head Tapping Screw	3x6 FCRM3-BL	バインドタッピングネジ		1129700044

■ EXPLODED VIEW (Rear side)

1

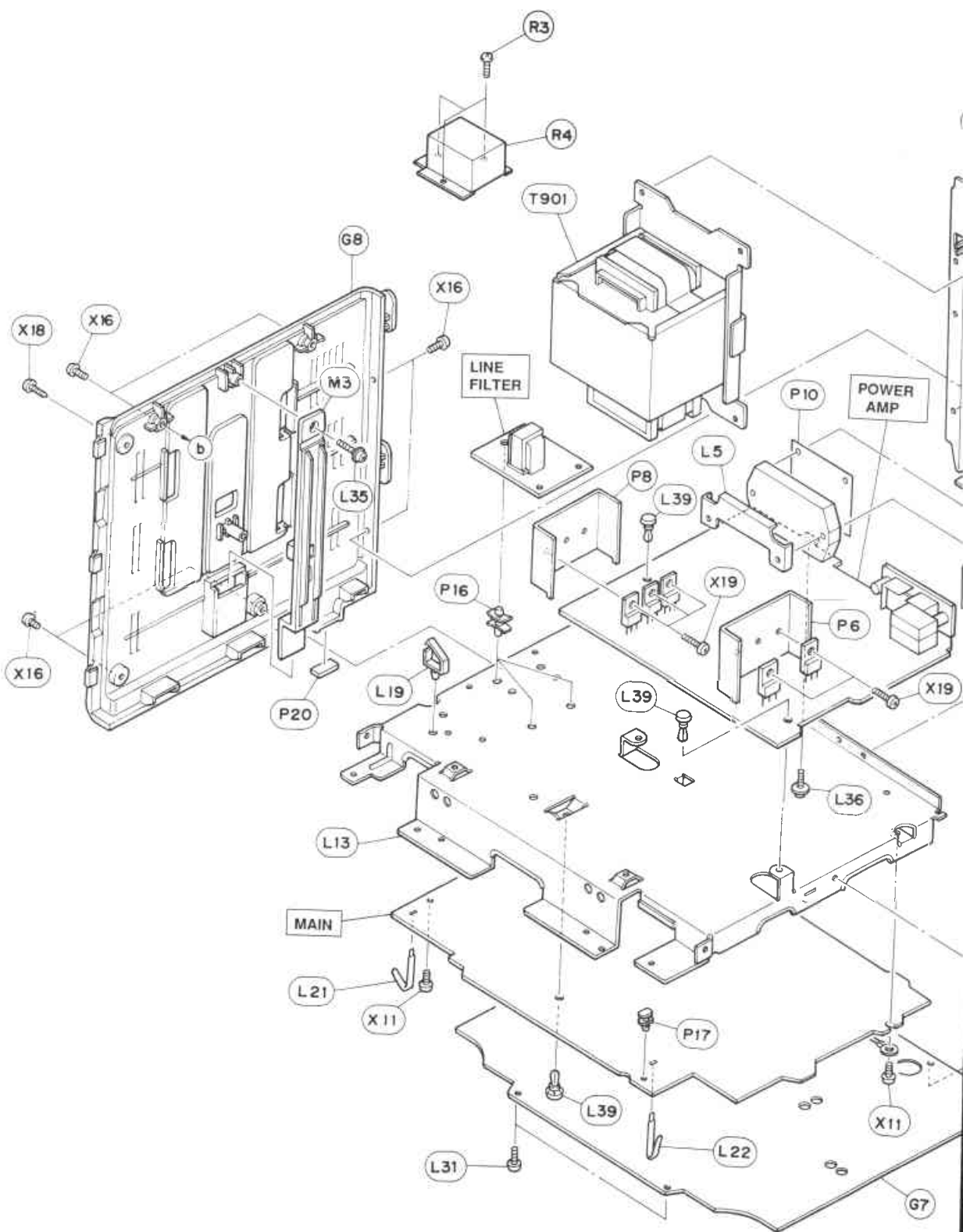
2

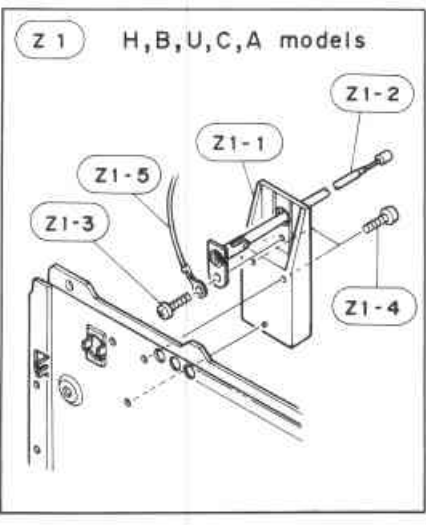
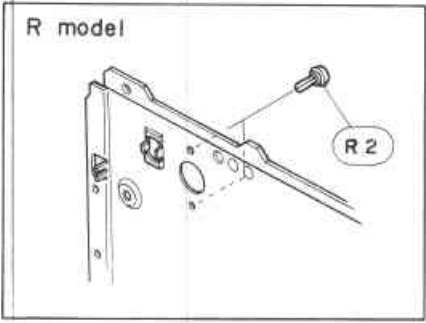
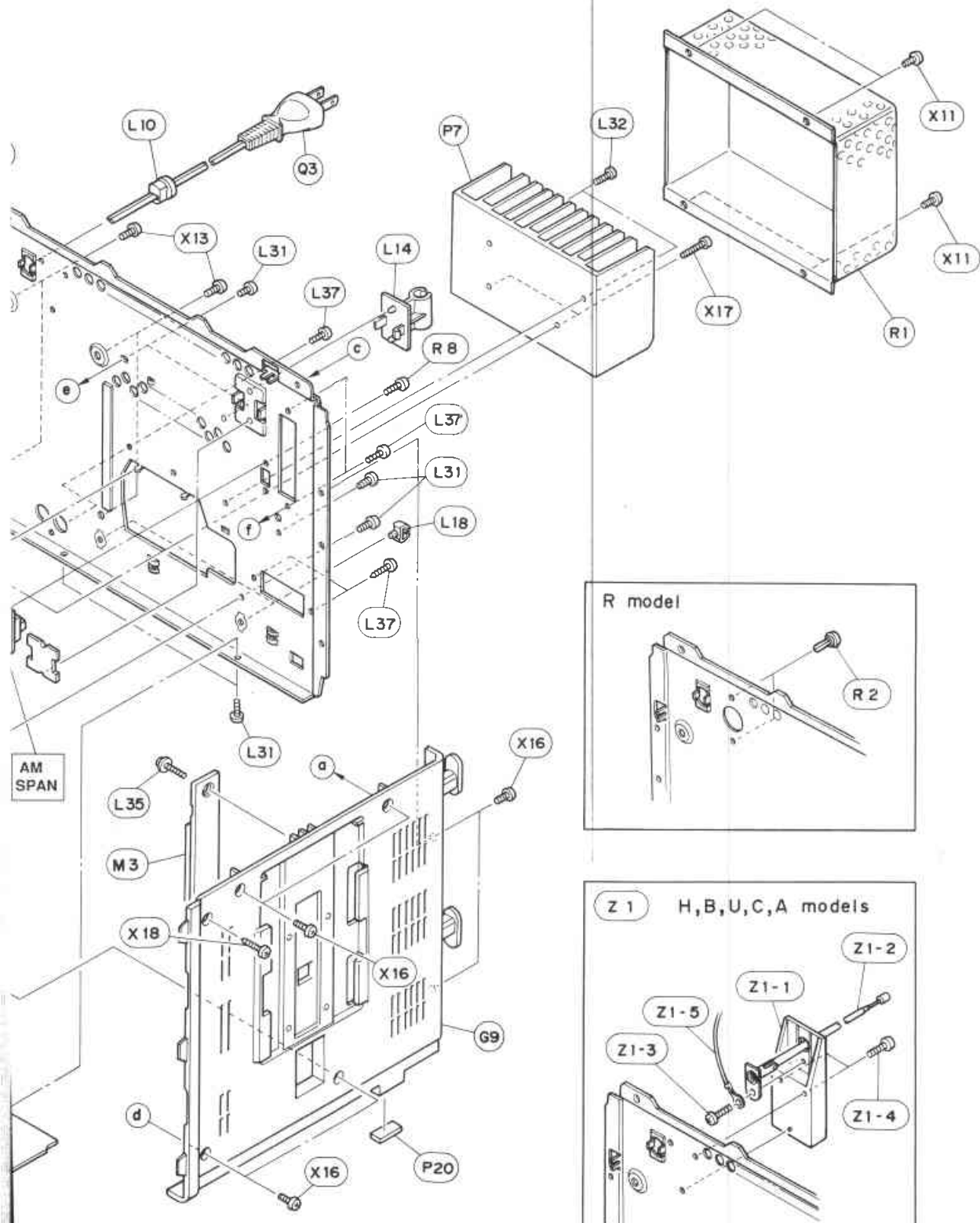
3

4

5

6





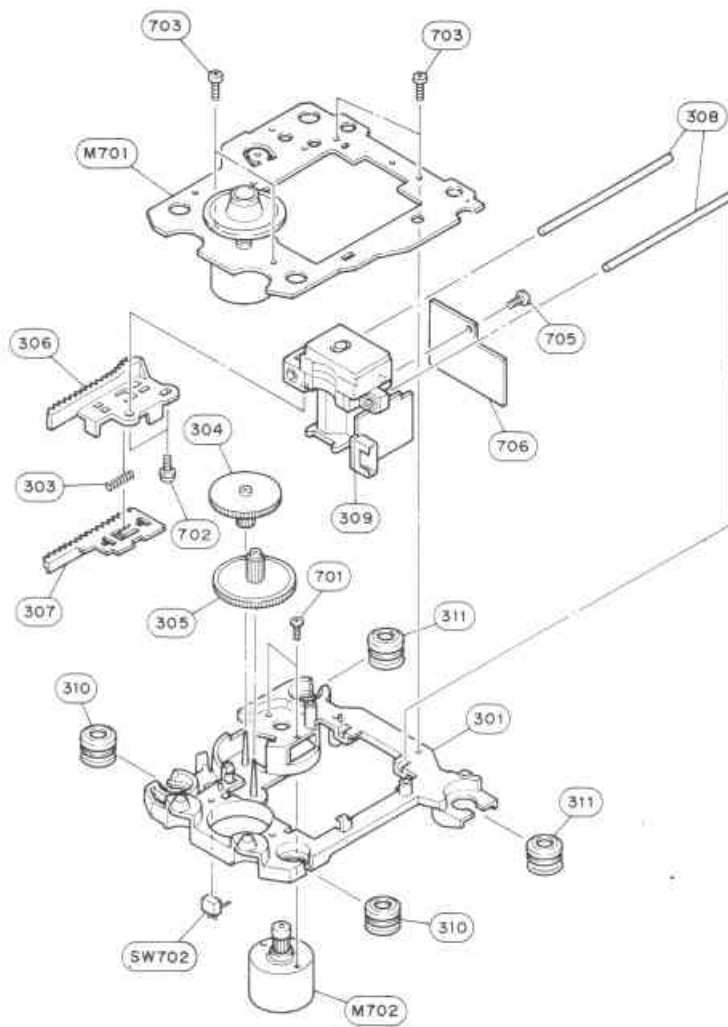
Ref.	Part No.	Description	部品名	MDL Market	Remarks
L32	ED326086	Binding Head Screw	2.6x8 FCRM3-BL		1109700484
* L33	AX605780	Hexagon Socket Bolt	4x14 FCRM3-BL		1209700351
* L35	EX600090	Screw with Washer	3x8(φ8) FCRM3-BL	C10	1129700040
* L36	AX605790	Screw with Spring Washer	3x9(φ8) ZMC2-Y		1129700037
L37	E1330086	Binding Head Tapping Screw	3x8 FCRM3-BL		1129700053
* L38	AX605800	Screw with Washer	3x7(φ12) ZMC2-Y		1309700569
* L39	CX608940	Plastic Rivet	ワッシャー付ビス		1209700004
* M1	CX608500	Eject Lever (A)	カセット取出しレバー(A)		1202480325
* M2	CX608510	" (B)	" (B)		1202480326
* M3	CX608520	Lock Lever,SP	SPロックレバー	C10	1102480417
* M4	CX608950	" ,CD	CDロックレバー		1302481709
* M5	CX608960	Damper	ダンパー		1202500019
* M7	CX608530	Cover Lock Plate (A)	カセット蓋ロック板(A)		1102480417
* M8	CX608540	" (B)	" (B)		1202520006
* M9	CX608970	Lod	ロット		1302550052
* M11	AX607140	Cover Up Spring,A (R)	C蓋UPバネA(R)		1202580396
* M12	AX607150	" (L)	" (L)		1202580397
* M13	AX607160	Cover Up Spring,B (R)	C蓋UPバネB(R)		1202580398
* M14	AX607170	" (L)	" (L)		1202580399
* M15	AX605810	Cover Up Spring (L)	C蓋UPバネ(L)		1202580391
* M16	AX605820	" (R)	" (R)		1202580392
* M17	AX605830	Eject Lever Spring	イジェクトレバーバネ		1202580393
* P1	CX608980	Cover,Mechanism	CDメカカバー		1303230324
* P2	CX608990	" ,Lamp	ランプカバー		1203230108
* P6	BX601270	Heat Sink	放熱板		1253970008
* "	BX601490	"	"	C30 HR	1203970071
* P7	BX601500	"	メイン放熱板	HWBA	1203970074
* "	BX601510	"	"	CU	1203970073
* "	BX601280	"	"	R	1203970070
* P8	BX601290	"	放熱板		1203970071
* P9	CX609000	Angle,LCD	LCD照明アングル		1204300015
* P10	BX601240	Sheet	放熱シート		1104030105
* P12	CX609010	Shield Plate,Volume	ボリュームシールド板		1204080094
* P13	CX609020	" ,Function	ファンクションシールド板		1204080092
* P15	CX609030	Holder,PCB	基板ホルダー		1204130130
* P16	CX609040	"	"	U	1254130034
* P17	CX609050	Spacer,PCB	基板スペーサー		1254130035
* P18	CX609060	" ,LED	ボリュームLEDスペーサー	C30	1104130154
* P19	CX609070	Shield Plate (A)	メカシールド板(A)		1204080095
* P20	CX609080	Felt	脚フェルト		1203400032
* P21	CX609090	Spacer (B),Lock Plate	カセット蓋ロック板Bスペーサー		1204130132
* Q3	MX602040	Power Cord	電源コード	HWB	1165000002
* "	MX602050	"	"	CU	1165000036
* "	MX602060	"	"	A	1165000019
* "	MX602070	"	"	R	1105000018
* R1	CX610660	Cover	放熱板カバー	HWBA	1101100321
* R2	CX610670	Plastic Rivet	プラスチックリベット	R	1109700448
* R3	CX610680	"	絶縁COV用リベット	U	1129700120
* R4	CX610690	Insulation Fiber	絶縁ファイバー	U	1203230110
* R5	CX610700	Damper,A	ダンパー(A)		1202500021
* R6	CX610710	" ,B	" (B)		1202500022
* R7	BX601520	Shield Plate	チューナーシールド板	HW	1204030078
R8	ED326046	Binding Head Screw	ハインド小ネジ	R	XBPSF26P04000
X5	E1030086	Binding Head Tapping Screw	ハインドタッピングネジ		1109700468
X6	E1030106	"	"		1109700466
X7	E1330086	"	"		1129700131
X8	EJ020086	Pan Head Tapping Screw	ナットタッピングネジ		XEPSD20P08000
X10	ED030056	Binding Head Screw	ハインド小ネジ		1159700130
X11	ED030066	"	"		1309700104
X12	ED030086	"	"		1209700037
X13	ED340086	"	"		1169700038
X14	EB330066	Flat Head Screw	皿小ネジ		1259700114
X15	E1026080	Binding Head Tapping Screw	ハインドタッピングネジ	C30	1309700221
X16	E1330086	"	"		1169700163
X17	E1326166	"	"		1109700527

Ref.	Part No.	Description	部品名	MDL	Market	Remarks
X18	EH330120	Truss Head Tapping Screw	3x12 FCRM3-BL			1169700146
X19	E1030106	Binding Head Tapping Screw	3x10 ZMC2-Y			1309700099
* Y1	NX604140	Cassette Mechanism	TAPE B (ALPS)			CMAY2Z320A
* Y2	NX604130	"	TAPE A (ALPS)			CMAY2Z319A
* Y3	NX604150	CD Mechanism	" PB			1201830004
			CDメカ		HWBCAR	
* "	NX605490	"	"			
* T901	GX603780	Power Transformer	"		U	KRPLE0064AF30
* "	GX603820	"	電源トランス		HW	1206540148
* "	GX603790	"	"		BA	1206540149
* "	GX603800	"	"		C	1206540153
			"		U	1206540151
* "	GX603810	"	"		R	1206540147

Accessories			付属品			
* Z1-1	CX610620	Antenna Holder	アンテナホルダー			1202140226
* Z1-2	GX603520	Rod Antenna	ロッドアンテナ			1305030108
* Z1-3	AX606990	Binding Head Tapping Screw	3x10 FCRM3-BL			1109700466
Z1-4	EI330086	"	3x8 FCRM3-BL			1129700131
* Z1-5	MX602090	Connecting Lead	ホルダー-止め用ネジ			1205120424
* "	MX602030	"	アンテナリード線		HB	1205120418
			"		CAU	
* "	MX601200	FM Lead Antenna	FMリードアンテナ		WB	1105040004
* "	MX602080	AM Loop Antenna	AMループアンテナ		HWB	1105020006
* "	MX601190	"	"		CAUR	1105020004
* "	LX603400	Converter Plug	変換プラグ		HWB	1105240044
* "	PX600710	Remote Control Unit Dry Cell	リモコン 単4乾電池			1206380009
		UM4				

AST-C30/C10

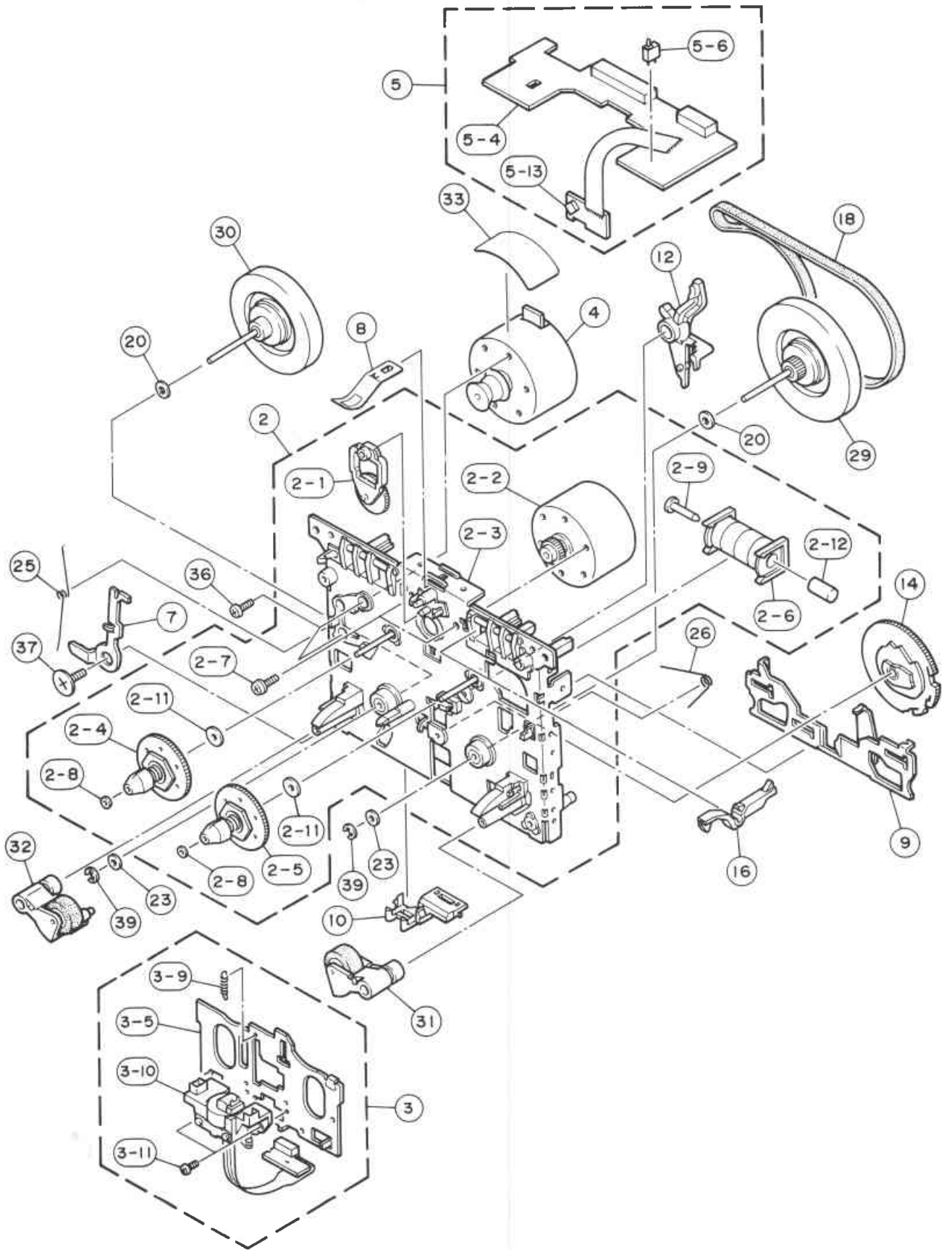
EXPLODED VIEW (CD section)



Ref.	Part No.	Description	部品名	Market	Remarks
*	NX604150	CD Mechanism	CDメカ	ABCIRW	1201830004
*	NX605490	"	"	U	KRPLE0064AF30
*	301	NX604370 Chassis Ass'y	シャーシ完成品		1252070092
*	303	AX605730 Spring,Rack	ハネ/ラック		1252580244
*	304	CX608890 Gear	ギヤ/中間小		1252810074
*	305	CX608900 Gear,Drive	ギヤ/駆動		1252810075
*	306	CX608910 Gear,Rack	ギヤ/ラック		1302810225
*	307	CX608920 "	"		1302810079
*	308	BX601260 Shaft,Guide	軸/ガイド		1252900092
*	309	PX600510 Pick Up Unit	ピックアップユニット	ABCIRW	1206170029
*	"	PX600720 "	"	U	RCTRH8123AFZZ
*	310	CX608930 Cushion	クッション/防振		1203260084
*	311	CX608930 "	"		1203260085
*	701	AX605740 Pan Head Screw	ナヘ小ネジ		1309700243
*	702	AX605750 Screw with Spring Washer	スプリングワッシャー付ネジ		1169700032
*	703	AX605760 Pan Head Tapping Screw	ナヘタッピングネジ		1309701589
*	705	AX605770 Flat Head Tapping Screw	皿タッピングネジ		1209700350
*	706	PX600470 CD Pre Circuit Board	CDプリ基板完成品		1206850273
*	M701	JX600400 Motor Ass'y (Slide)	モーターAss'y(スライド)		1256300113
*	M702	JX600390 " (Spin)	" (スピーン)		1306300376
*	SW702	KX602070 Switch	スイッチ		

1 ■ EXPLODED VIEW (TAPE A)

2
3
4
5
6
7



EXPLODED VIEW (TAPE B)

1

2

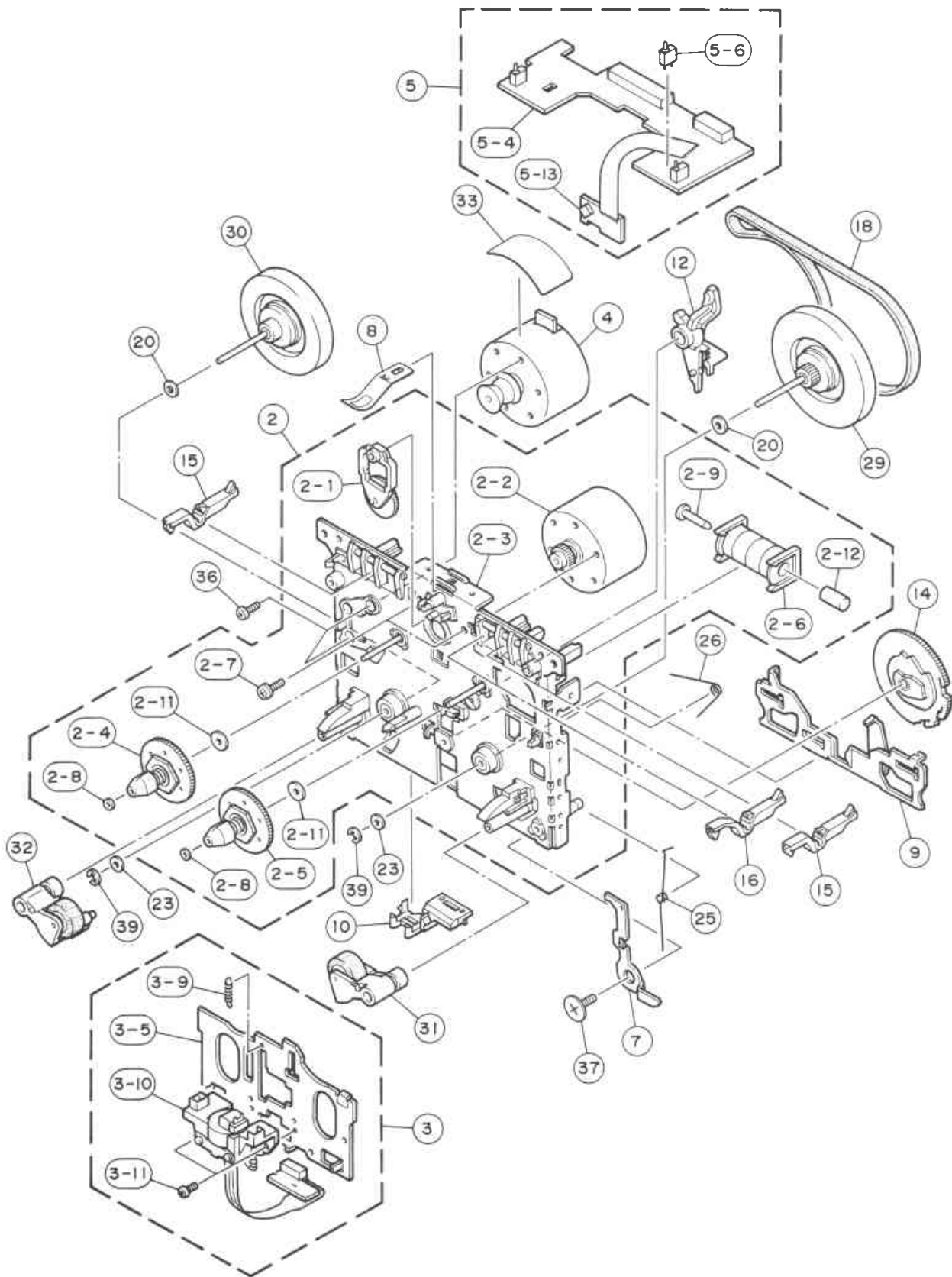
3

4

5

6

7



AST-C30/C10

MECHANISM PARTS (TAPE A · TAPE B)

AST-C30/C10

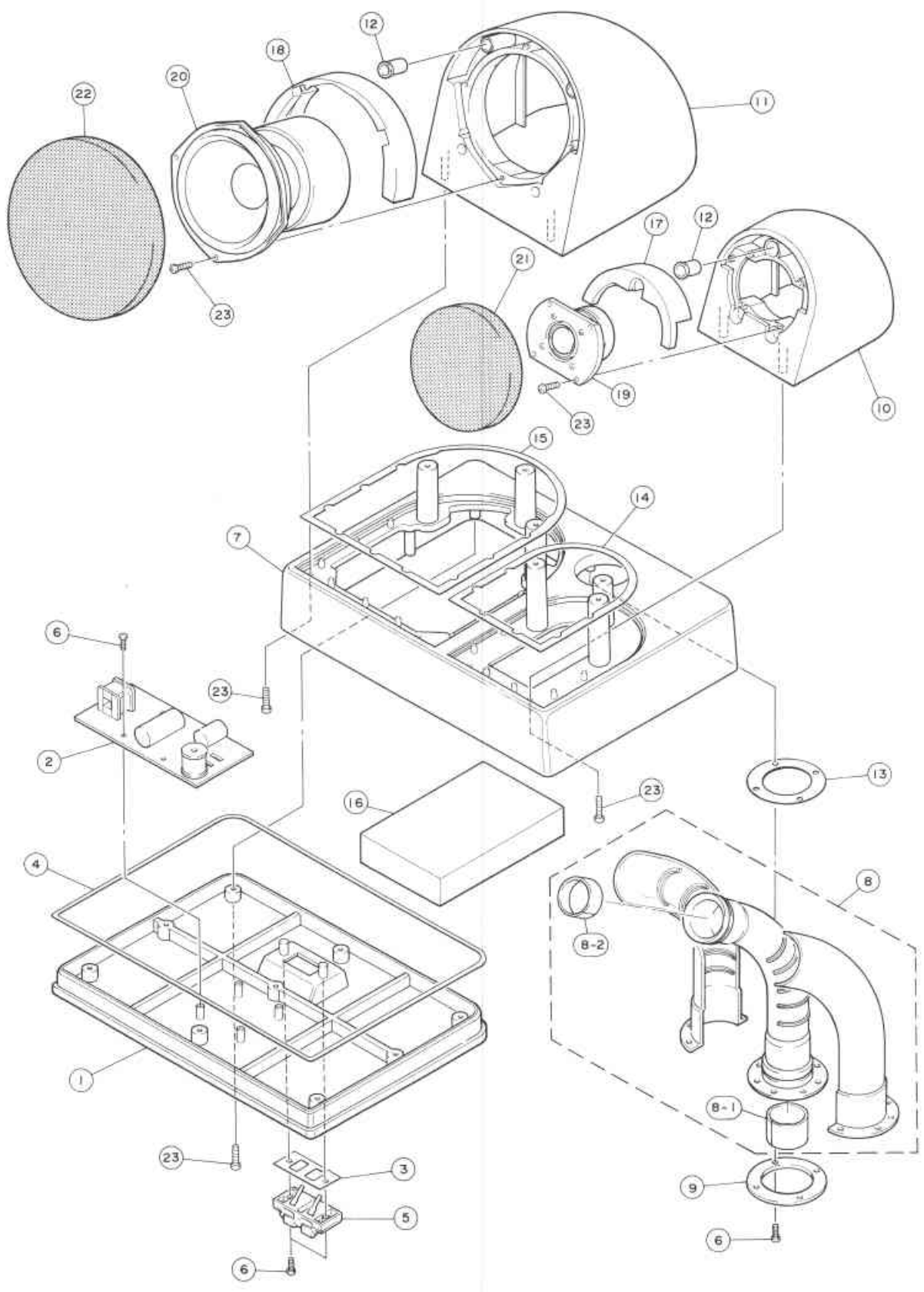
Ref.	Part No.	Description		部品名	Market	Remarks
*	NX604140	Cassette Mechanism	TAPE B (ALPS)	カセットメカ R/P		CMAY2Z320A
*	NX604130	"	TAPE A (ALPS)	" PB		CMAY2Z319A
*	2	Chassis Block		シャーシブロック		F511-445
*	2-1	Idler Block		アイドラーブロック		F517-049
*	2-2	Motor Reel Block		モーターリールブロック		F564-288
*	2-3	Chassis Base Block		シャーシベースブロック		F612-146
*	2-4	Reel Base Block	REW	リールベースブロック		F623-040
*	2-5	"	FF	"		F623-127
*	2-6	Solenoid Block		ソレノイドブロック		F765-263
*	2-7	Pan Head Screw	2.6x6 ZMC2-Y	ナット小ネジ		FG156-11
*	2-8	Washer		ホリワッシャー		FJ111-17
*	2-9	Plunger		プランジャー		FL39K-12
*	2-11	Washer	2.1x0.25T	ホリワッシャー		UJ12V-11
*	2-12	Iron Core		固定鉄芯		FL39H-12A
*	3	Plate Head Block	TAPE B	プレートヘッドブロック		F513-470
*	"	NX604260	TAPE A	"		F513-471
*	3-5	Head Base		ヘッドベース		FC52E-34
*	3-9	Head Base Spring		ヘッドベース		FK26N-14
*	3-10	Rotary Head Ass'y	TAPE B	回転ヘッド Ass'y		FU18V-51A
*	"	GX603360	TAPE A	"		FU19H-51A
*	3-11	Pan Head Tapping Screw	2x5 ZMC2-Y	ナットタッピングネジ		KG194-35
*	4	Motor Reel Block		モーターリールブロック		F564-256
*	5	PCB Control Block	TAPE B	コントロールシートブロック		F567-241
*	"	NX604280	TAPE A	"		F567-242
*	5-4	PCB Base Block		シートベースブロック		F743-066
*	5-6	Push Switch		プッシュスイッチ		UE16E-11
*	5-13	Photo Interrupter	GP2S04B	フォトインタラプター		AZ15S-00
*	7	Eject Arm (R)	TAPE B	EJECT 防止アーム (R)		FC39M-63
*	"	CX608670	TAPE A	" (L)		FC39L-63
*	9	Slide Plate		スライド板		FC52F-13
*	10	Lead Holder		リートホルダー		FD45H-12
*	12	Play Arm		プレイアーム		FD45G-12
*	14	Cam Gear (3R)		カムギヤ (3R)		FD45B-13
*	15	REC Detector Lever	TAPE B	REC 検知レバー		FD44T-13
*	16	PACK Detector Lever		PACK 検知レバー		FD44Y-12
*	18	Main Belt		メインベルト		FF17G-21
*	20	Washer	2.6x0.25	ホリワッシャー		FJ111-30
*	23	"	2.6x0.5	"		FJ111-14
*	25	Eject Spring (R)	TAPE B	EJECT 防止 SP (R)		FK28L-15
*	"	AX605630	TAPE A	" (L)		FK28M-15
*	26	Slide Spring		スライド SP		FK28R-11
*	29	Flywheel Ass'y	φ 2.2	Ass'y F/W		FR22D-11
*	30	"	φ 2.0	"		FR22E-13
*	31	Pinch Roller Ass'y (R)		ピンチローラー Ass'y (R)		FR20L-21
*	32	"		" (L)		FR20M-21
*	33	Label		ラベル		KT111-12
*	36	Screw with Washer	2.6x5	ワッシャー付ネジ		FG114-14
*	37	Special Screw		段付ネジ		UG15S-11
*	39	E-Ring		Eリング		UG13U-15

AST-C30/C10

AST-SC30

■ EXPLODED VIEW

1
2
3
4
5
6
7



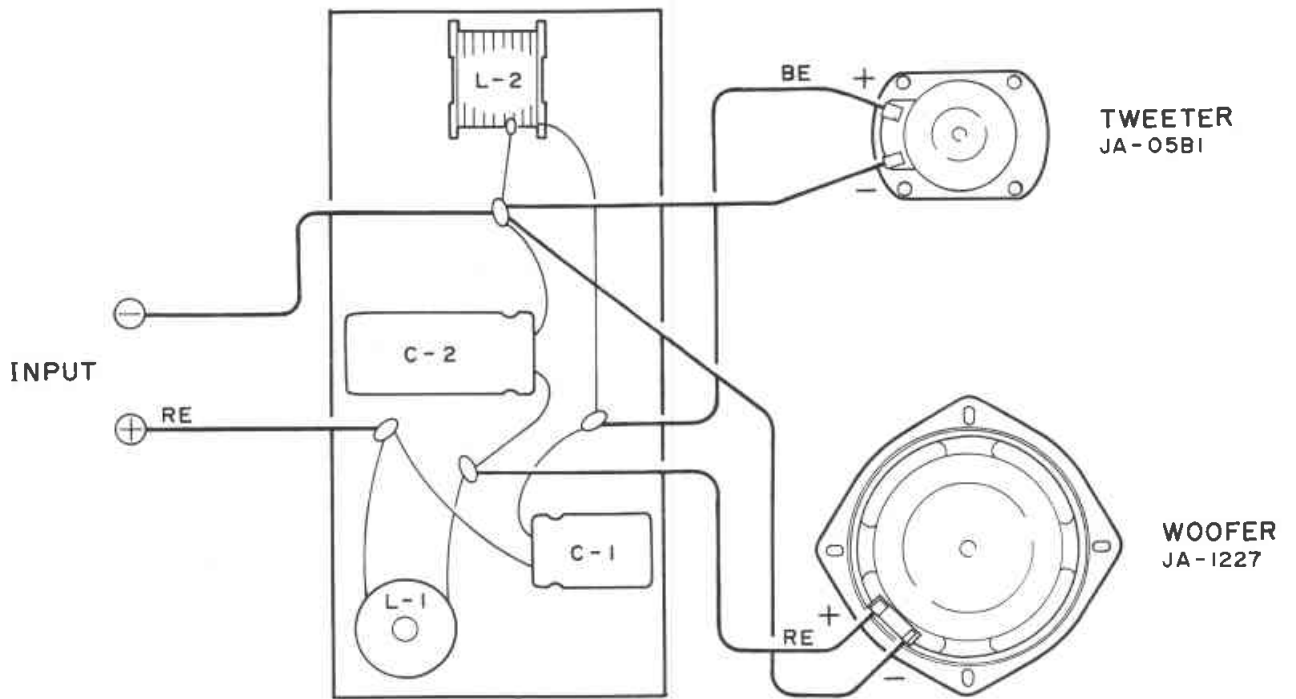
■ PARTS LIST

AST-C30/C10

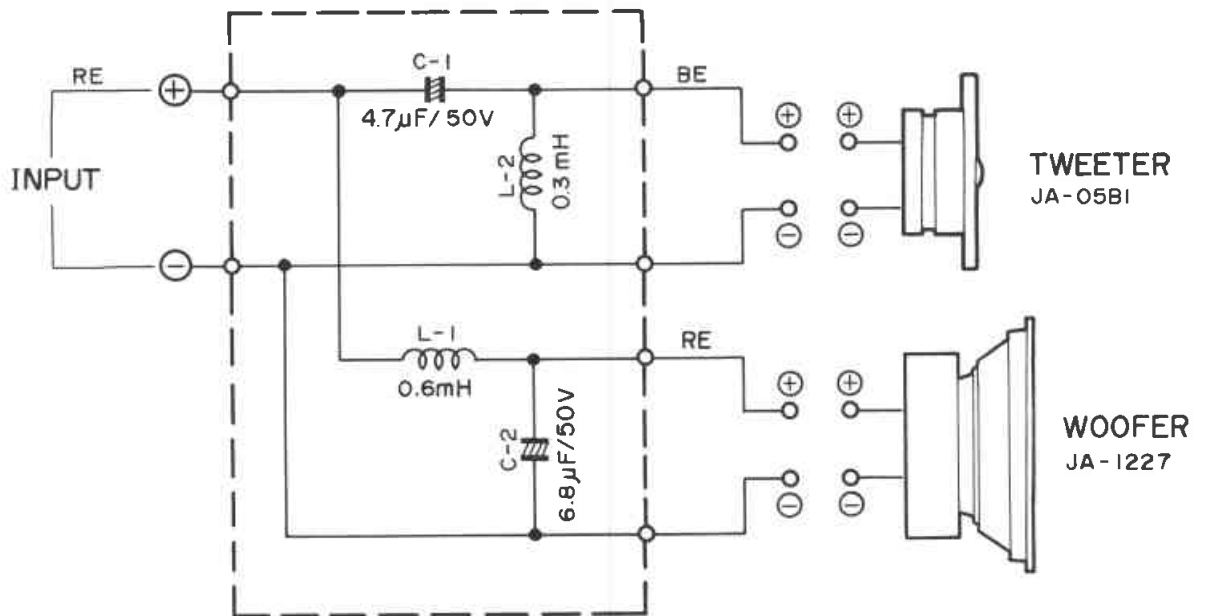
Ref. No.	Part No.	Description	部 品 名	Remarks	Common Model	Markets	ランク
※ 1	VH 41 71 00	Bottom Cover	ボトムカバー				
※ 2	VH 61 39 00	Network Ass'y	ネットワーク Ass'y			J,C,R,H	
※ //	VH 64 92 00	//	//			U	
※ 3	VH 57 41 00	Packing, TE	パッキン T E				
※ 4	VH 50 61 00	//, Bot	// B O T				
5	LA 00 34 70	Terminal Plate	ターミナルプレート				
6	EI 33 01 26	Binding Head Tapping Screw	3×12 FCRM3-BI	バインドタッピングネジ	PACK		
※ 7	VH 41 67 00	Speaker Cabinet, A30	S P キャビネット A 3 0	A			
※ //	VH 41 68 00	//, B30	// B 3 0	B			
※ 8	VH 59 70 00	Port Unit, SC30	ポートユニット S C 3 0			J,C,R,H	
※ //	VH 88 98 00	//	//			U	
※ 8-1	VH 50 56 00	Port Felt (I)	ポートフェルト I				
※ 8-2	VH 50 57 00	// (O)	// O				
※ 9	VH 41 72 00	Port Holder	ポートホルダー				
※ 10	VH 41 70 00	Cabinet, TW	キャビネット T W				
※ 11	VH 41 69 00	//, W	// W				
12	CB 60 52 50	Holder	PK-8A	ホルダー			
※ 13	VH 57 40 00	Packing, Port	パッキンポート				
※ 14	VH 50 59 00	Packing, Cabinet TW	パッキン T W キャビ				
※ 15	VH 50 60 00	Packing, Cabinet W	パッキン W キャビ				
※ 16	VH 76 38 00	Sheet	エステルウールシート 30				
※ 17	VH 76 39 00	Rubber Packing, TW	ゴムパッキン T W			J,C,R,H	
※ //	VH 88 96 00	//	//			U	
※ 18	VH 76 40 00	Rubber Packing, W	ゴムパッキン W			J,C,R,H	
※ //	VH 88 97 00	//	//			U	
※ 19	XG 42 6A 00	Speaker	JA05B1	スピーカ	Tweeter		
※ 20	XG 51 0A 00	//	JA1227	//	Woofe		
※ 21	VH 50 52 00	Net Unit, TW		ネットユニット T W		J,C,R,H	
※ //	VH 88 70 00	//		//		U	
※ 22	VH 50 51 00	Net Unit, W		ネットユニット W		J,C,R,H	
※ //	VH 88 71 00	//		//		U	
23	EI 34 01 66	Binding Head Tapping Screw	4×16 FCRM3-BI	バインドタッピングネジ	PACK		
		Accessories		付 属 品			
※	VH 59 72 00	Speaker Cord Ass'y		スピーカコード Ass'y		J,C,R,H	
※	VH 63 26 00	//		//		U	
		Network Electrical Part		ネットワーク電気部品			
	VD 05 05 00	Electrolytic Cap	4.7μF 50V	B P コ ン C1			
	VA 80 68 00	//	6.8μF 50V	// C2			

※New Parts (新規部品) NR

■ NETWORK WIRING



■ NETWORK CIRCUIT DIAGRAM

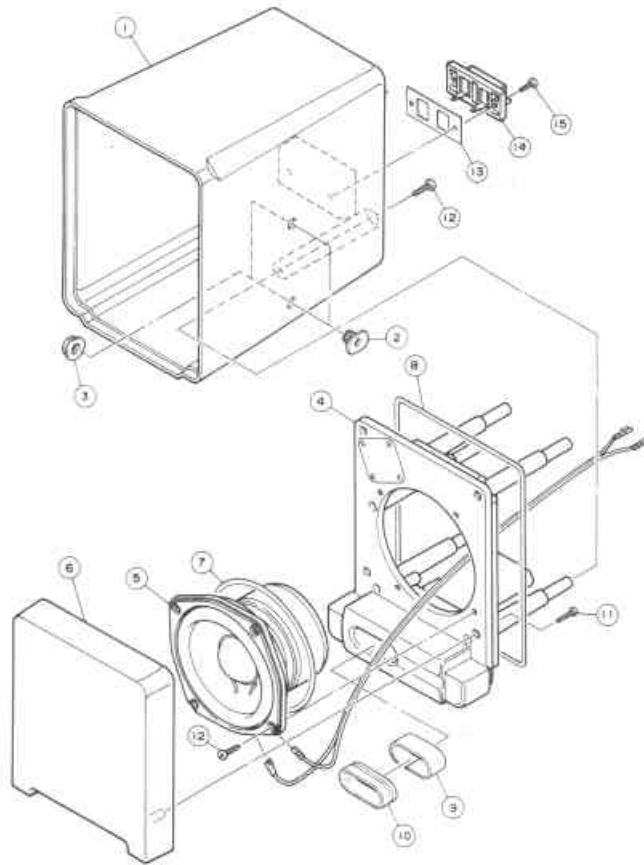


AST-C30/C10

AST-SC10

AST-C30/C10

EXPLODED VIEW



AST-C30/C10

PARTS LIST

Ref. No.	Part No.	Description	部 品 名	Remarks	Common Model	Markets	ランク
※ 1	VH 23 24 00	Speaker Cabinet, L	S P キャビネット L				
※ //	VH 23 25 00	// R	// R				
※ 2	VH 34 74 00	Angle	取 付 金 具				
※ 3	VH 34 75 00	Nut	座 付 ナ ッ ト				
※ 4	VH 23 19 00	Baffle Panel, L	バ ッ フ ル パ ネ ル L				
※ //	VH 23 23 00	// R	// R				
※ 5	XG 24 4A 00	Speaker	JAI268	ス ピ ー カ			
※ 6	VH 23 28 00	Netflame Unit	ネ ッ ト フ レ ー ム ユ ニ ッ ト				
※ 7	VH 23 30 00	Packing	パ ッ キ ン W				
※ 8	VH 34 76 00	//	// P				
※ 9	VH 34 73 00	Felt	フ ェ ル ト S P				
※ 10	VH 23 48 00	Port Ring	ポ ー ト リ ン グ				
11	Ei 32 61 66	Binding Head Tapping Screw	2.6×16FCRM3-BL	バ イ ン ド タ ッ ピ ン グ ネ ジ	PACK		
12	Ei 34 01 66	//	4×16 FCRM3-BL	//	PACK		
13	VH 23 31 00	Packing	パ ッ キ ン T E				
14	LA 00 34 70	Terminal Plate	ターミナルプレート				
15	Ei 33 01 26	Binding Head Tapping Screw	3×12 FCRM3-BL	バ イ ン ド タ ッ ピ ン グ ネ ジ	PACK		
		Accessories	付 属 品				
	ED 35 01 06	Binding Head Screw	5×10 FCRM3-BL	バ イ ン ド 小 ネ ジ	PACK		
※	VH 34 79 00	Speaker Cord Ass'y	ス ピ ー カ コ ー ド Ass'y			J,C,R,A,B,H,W	
※	VH 63 27 00	//	//			U	
※	VH 23 27 00	Speaker Holder	ス ピ ー カ ホ ル ダ ー				

※New Parts (新規部品) NR

AST-C30/C10

AST-C30/C10

YAMAHA
