

MICRO COMPONENT SYSTEM MCR-Nx70/MCR-Nx70D INTEGRATED AMPLIFIER A-U670/A-670/A-U671 SPEAKERS NS-BP401/NS-BP301

SERVICE MANUAL

This service manual is for the A-670/A-U670/A-U671/NS-BP401/NS-BP301. For service manual of the CD-NT670/CD-NT670D, please refer to the following publication numbers:

CD-NT670/CD-NT670D: **101353**

Note: When accepting a repair order from the user, it is recommended to receive the A-670/A-U670 and CD-NT670/CD-NT670D as a set for the repair work.

IMPORTANT NOTICE

This manual has been provided for the use of authorized Yamaha Retailers and their service personnel.

It has been assumed that basic service procedures inherent to the industry, and more specifically Yamaha Products, are already known and understood by the users, and have therefore not been restated.

WARNING: Failure to follow appropriate service and safety procedures when servicing this product may result in personal injury, destruction of expensive components, and failure of the product to perform as specified. For these reasons, we advise all Yamaha product owners that any service required should be performed by an authorized Yamaha Retailer or the appointed service representative.

IMPORTANT: The presentation or sale of this manual to any individual or firm does not constitute authorization, certification or recognition of any applicable technical capabilities, or establish a principle-agent relationship of any form.

The data provided is believed to be accurate and applicable to the unit(s) indicated on the cover. The research, engineering, and service departments of Yamaha are continually striving to improve Yamaha products. Modifications are, therefore, inevitable and specifications are subject to change without notice or obligation to retrofit. Should any discrepancy appear to exist, please contact the distributor's Service Division.

WARNING: Static discharges can destroy expensive components. Discharge any static electricity your body may have accumulated by grounding yourself to the ground buss in the unit (heavy gauge black wires connect to this buss).

IMPORTANT: Turn the unit OFF during disassembly and part replacement. Recheck all work before you apply power to the unit.

CONTENTS

TO SERVICE PERSONNEL	2	IC DATA	28
SYSTEM COMPOSITION / システム構成	3	PIN CONNECTION DIAGRAMS	31
FRONT PANELS	5	BLOCK DIAGRAM	33
REAR PANELS	7	WIRING DIAGRAMS	34
REMOTE CONTROL PANEL	12	PRINTED CIRCUIT BOARDS	36
SPECIFICATIONS / 参考仕様	12	SCHEMATIC DIAGRAMS	41
INTERNAL VIEW	15	REPLACEMENT PARTS LIST	45
SERVICE PRECAUTIONS / サービス時の注意事項	16	REMOTE CONTROL	68
DISASSEMBLY PROCEDURES / 分解手順	17		
SELF-DIAGNOSTIC FUNCTION / ダイアグ (自己診断機能)	19		

101356

Copyright (c) Yamaha Corporation All rights reserved.
This manual is copyrighted by Yamaha and may not be copied or
redistributed either in print or electronically without permission.



YAMAHA CORPORATION
P.O.Box 1, Hamamatsu, Japan

'16.04

■ TO SERVICE PERSONNEL

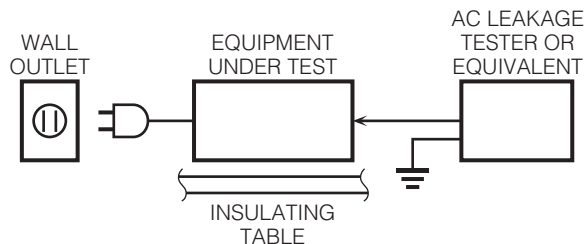
1. Critical Components Information

Components having special characteristics are marked Δ and must be replaced with parts having specifications equal to those originally installed.

2. Leakage Current Measurement (For 120V Models Only)

When service has been completed, it is imperative to verify that all exposed conductive surfaces are properly insulated from supply circuits.

- Meter impedance should be equivalent to 1500 ohms shunted by 0.15 μ F.



- Leakage current must not exceed 0.5mA.
- Be sure to test for leakage with the AC plug in both polarities.

CALIFORNIA PROPOSITION 65 WARNING

This product contains chemicals known to the State of California to cause cancer, or birth defects or other reproductive harm.

DO NOT PLACE SOLDER, ELECTRICAL/ELECTRONIC OR PLASTIC COMPONENTS IN YOUR MOUTH FOR ANY REASON WHAT SO EVER!

Avoid prolonged, unprotected contact between solder and your skin! When soldering, do not inhale solder fumes or expose eyes to solder/flux vapor!

If you come in contact with solder or components located inside the enclosure of this product, wash your hands before handling food.

About lead free solder / 無鉛ハンダについて

All of the P.C.B.s installed in this unit and solder joints are soldered using the lead free solder.

Among some types of lead free solder currently available, it is recommended to use one of the following types for the repair work.

- Sn + Ag + Cu (tin + silver + copper)
- Sn + Cu (tin + copper)
- Sn + Zn + Bi (tin + zinc + bismuth)

Caution:

As the melting point temperature of the lead free solder is about 30°C to 40°C (50°F to 70°F) higher than that of the lead solder, be sure to use a soldering iron suitable to each solder.

本機に搭載されているすべての基板およびハンダ付けによる接合部は無鉛ハンダでハンダ付けされています。

無鉛ハンダにはいくつかの種類がありますが、修理時には下記のような無鉛ハンダの使用を推奨します。

- Sn+Ag+Cu (錫 + 銀 + 銅)
- Sn+Cu (錫 + 銅)
- Sn+Zn+Bi (錫 + 亜鉛 + ビスマス)

注意：

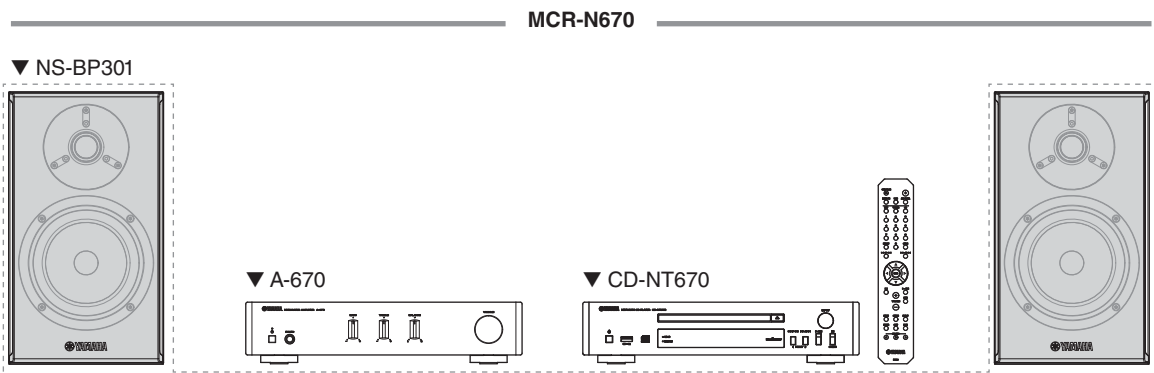
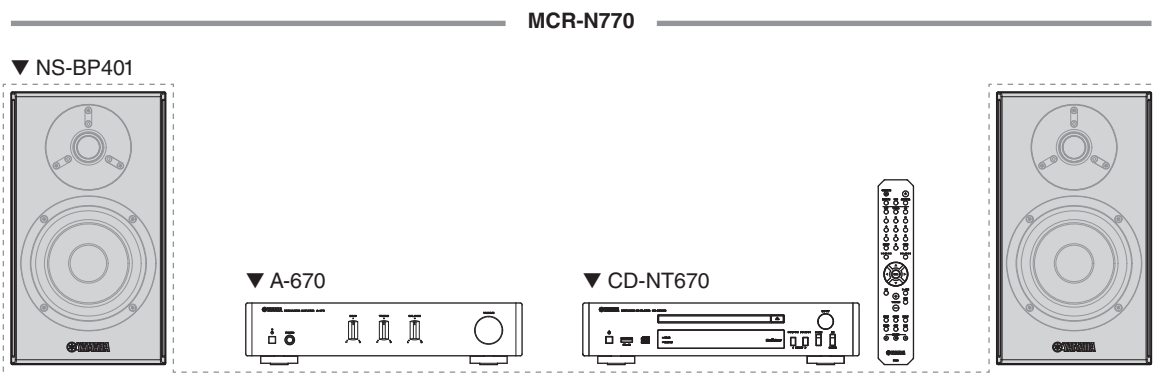
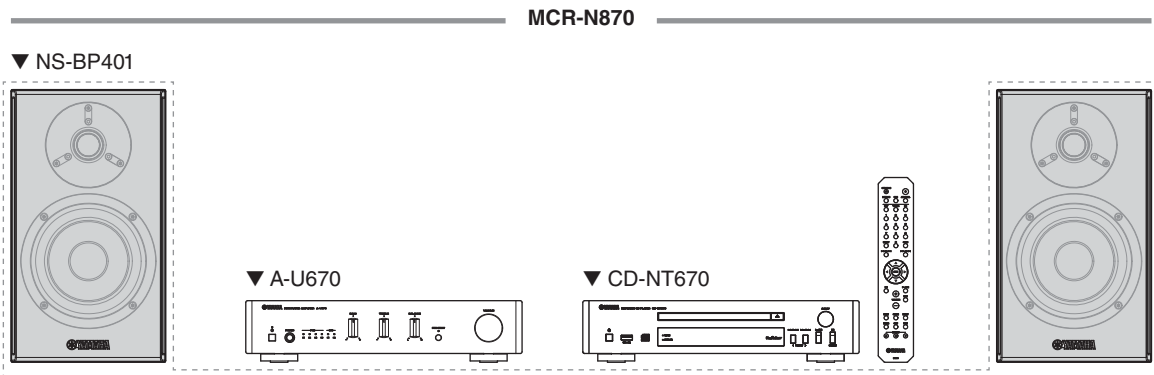
無鉛ハンダの融点温度は通常の鉛入りハンダに比べ 30 ~ 40°C程度高くなっていますので、それぞれのハンダに合ったハンダごてをご使用ください。

SYSTEM COMPOSITION / システム構成

The MCR-N870 consists of the A-U670, CD-NT670 and NS-BP401.

The MCR-N770 consists of the A-670, CD-NT670 and NS-BP401.

The MCR-N670 consists of the A-670, CD-NT670 and NS-BP301.



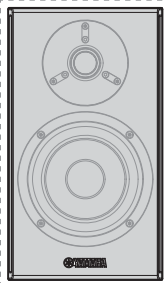
The MCR-N870D consists of the A-U670, CD-NT670D and NS-BP401.

The MCR-N770D consists of the A-670, CD-NT670D and NS-BP401.

The MCR-N670D consists of the A-670, CD-NT670D and NS-BP301.

MCR-N870D

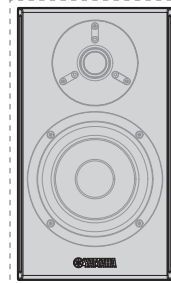
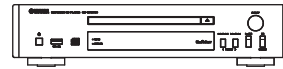
▼ NS-BP401



▼ A-U670

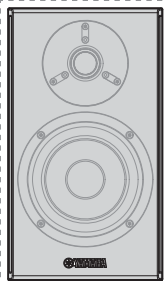


▼ CD-NT670D



MCR-N770D

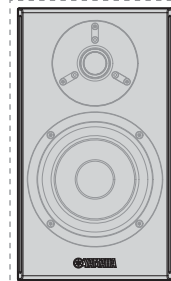
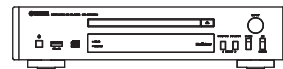
▼ NS-BP401



▼ A-670

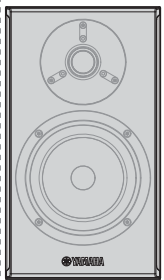


▼ CD-NT670D

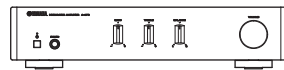


MCR-N670D

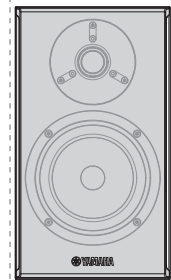
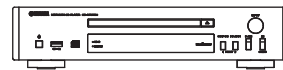
▼ NS-BP301



▼ A-670



▼ CD-NT670D



▼ A-U671

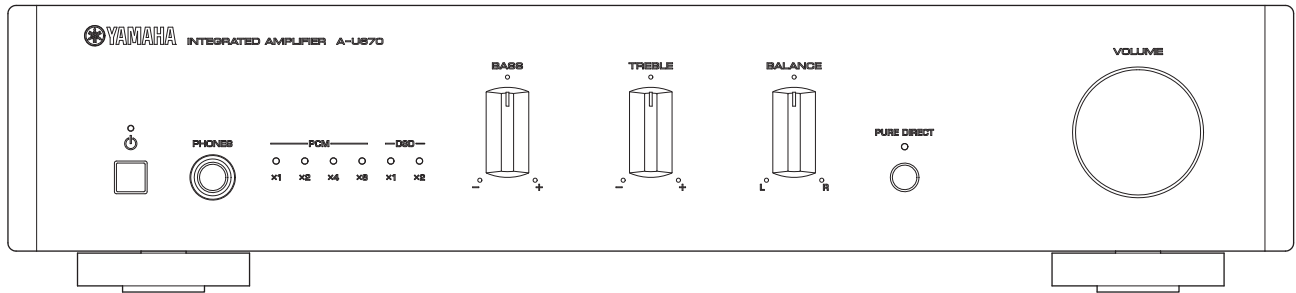


A-U670/A-670/A-U671/
NS-BP401/NS-BP301

FRONT PANELS

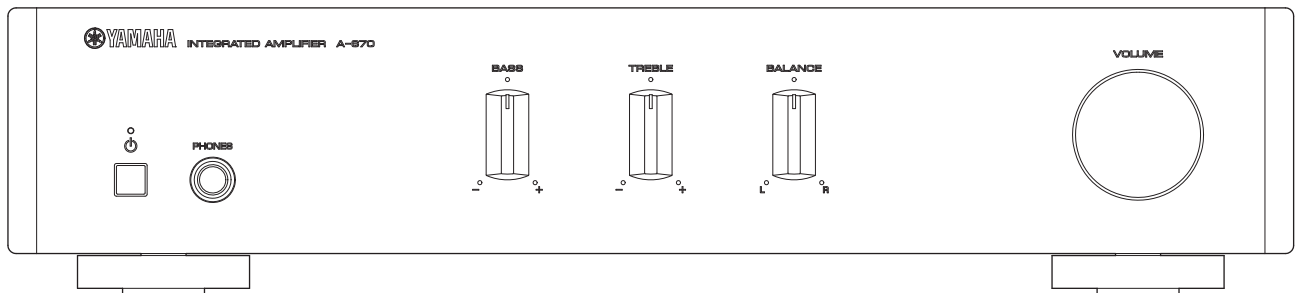
A-U670

A-U670 (K, B, G, L, V models)



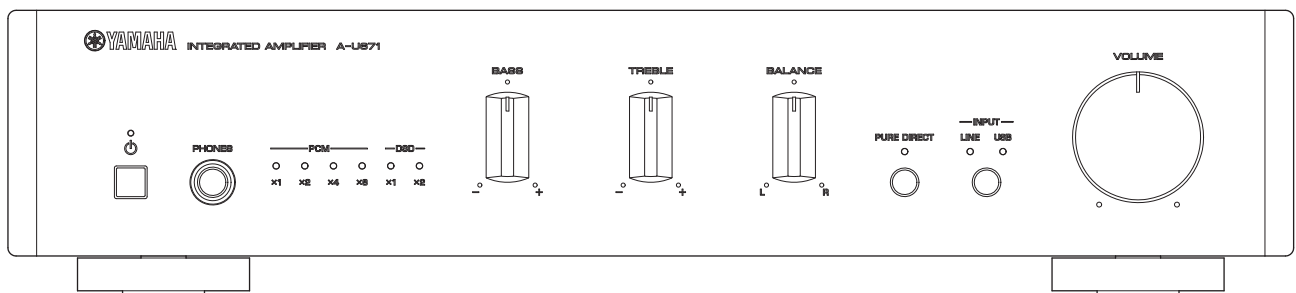
A-670

A-670 (U, T, K, A, B, G, L, V models)



A-U671

A-U671 (U, T, K, A, B, G, L, J models)



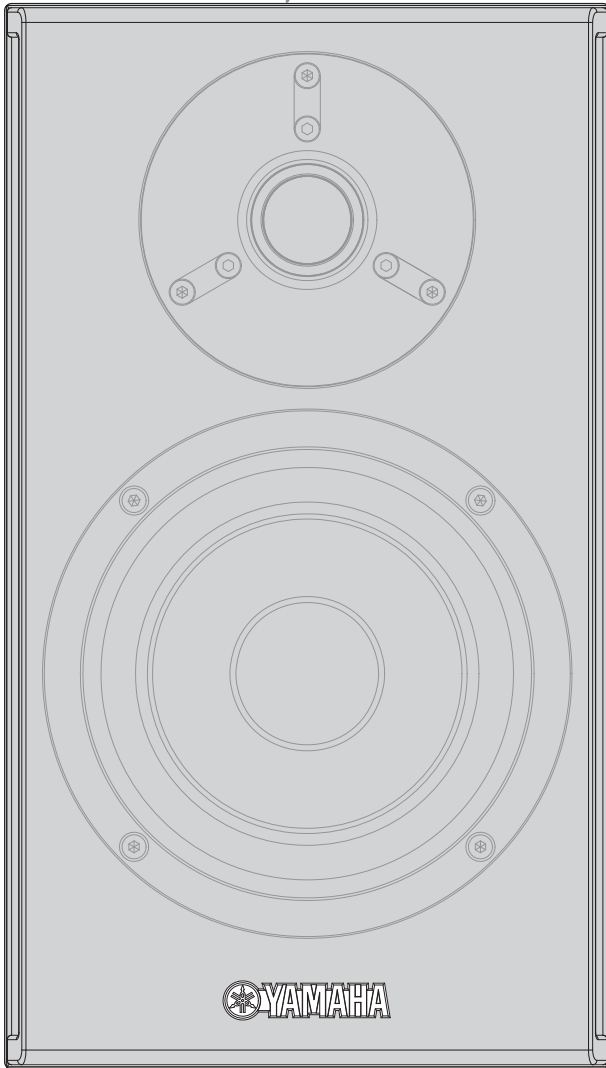
NS-BP401

NS-BP401

Label

G model

For USA Customers only/Pour clients aux États-Unis seulement :
Complies with California 83120.2(a) phase 2 /
Conforme à California 83120.2 (a) phase 2
Type: MDF, PB /panneau de fibres à densité moyenne, panneau de fibres
Fabricator/Sous-traitant : 0000036
CARB contact/Contact CARB (Conseil des ressources aériennes de Californie) :
Yamaha Corporation of America (714)522-8011
Date: _____



NS-BP301

NS-BP301

Label

G model

For USA Customers only/Pour clients aux États-Unis seulement :
Complies with California 83120.2(a) phase 2 /
Conforme à California 83120.2 (a) phase 2
Type: MDF, PB /panneau de fibres à densité moyenne, panneau de fibres
Fabricator/Sous-traitant : 0000036
CARB contact/Contact CARB (Conseil des ressources aériennes de Californie) :
Yamaha Corporation of America (714)522-8011
Date: _____

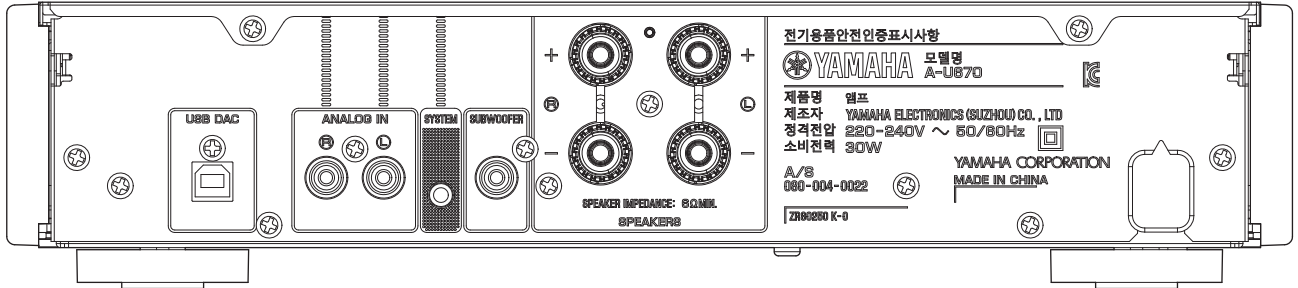


A-U670/A-670/A-U671/
NS-BP401/NS-BP301

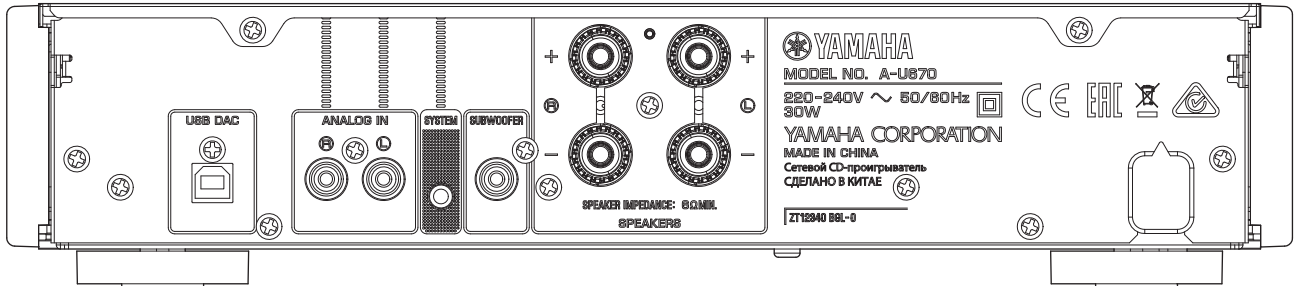
REAR PANELS

A-U670

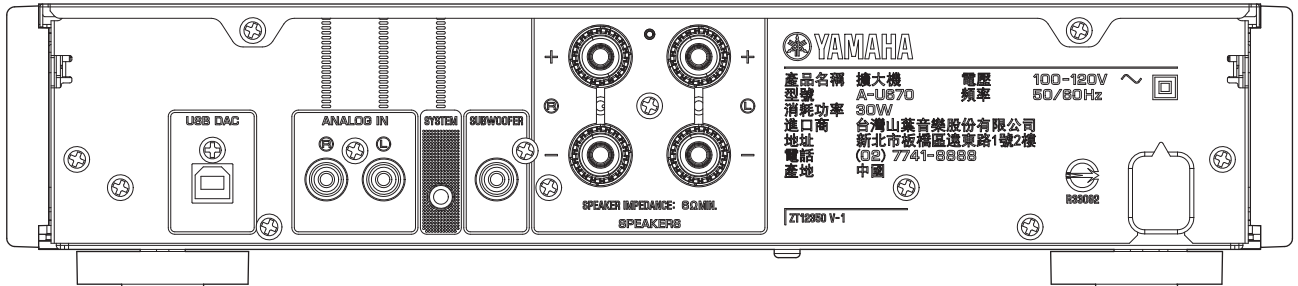
A-U670 (K model)



A-U670 (B, G, L models)

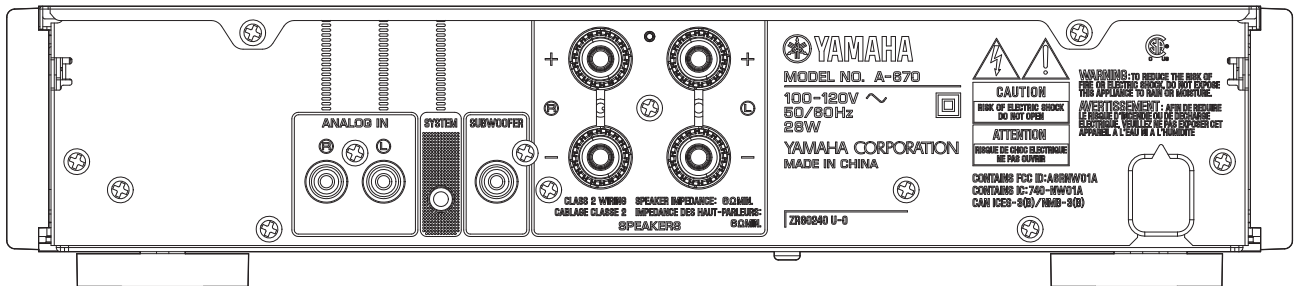


A-U670 (V model)

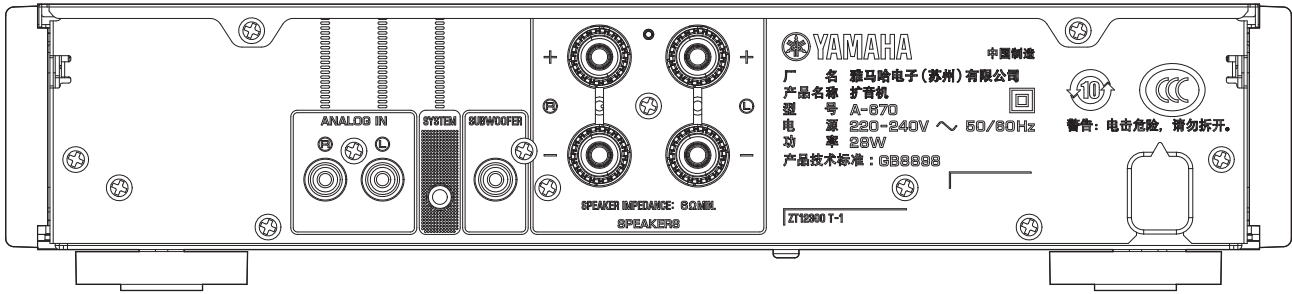


A-670

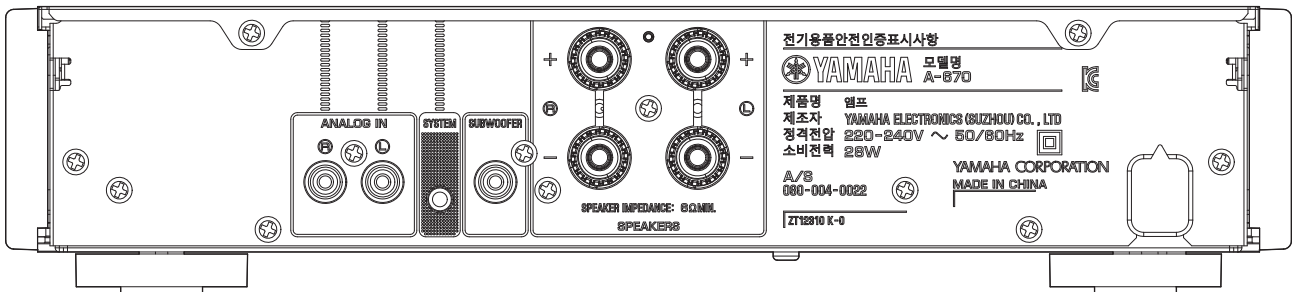
A-670 (U model)



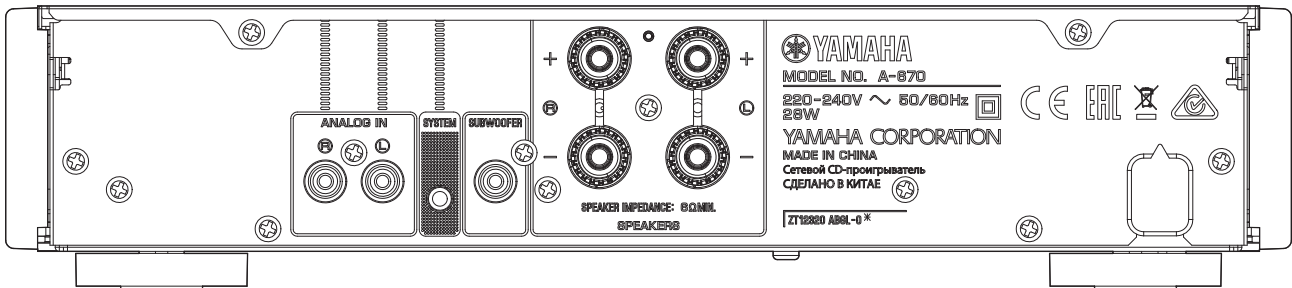
A-670 (T model)



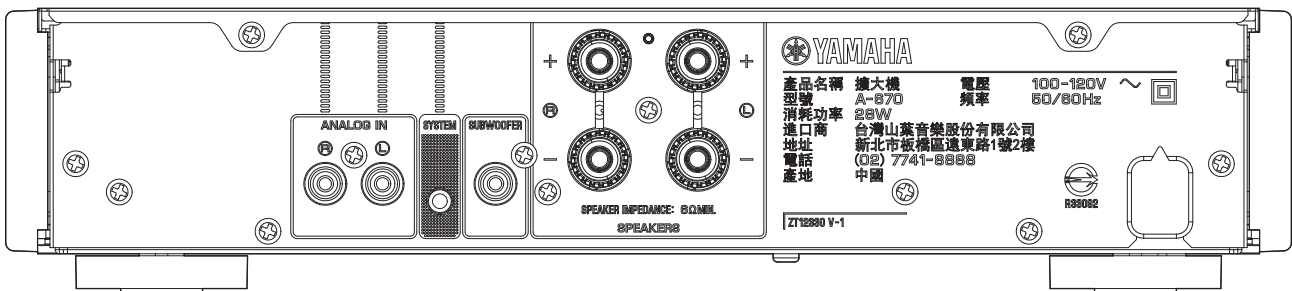
A-670 (K model)



A-670 (A, B, G, L models)



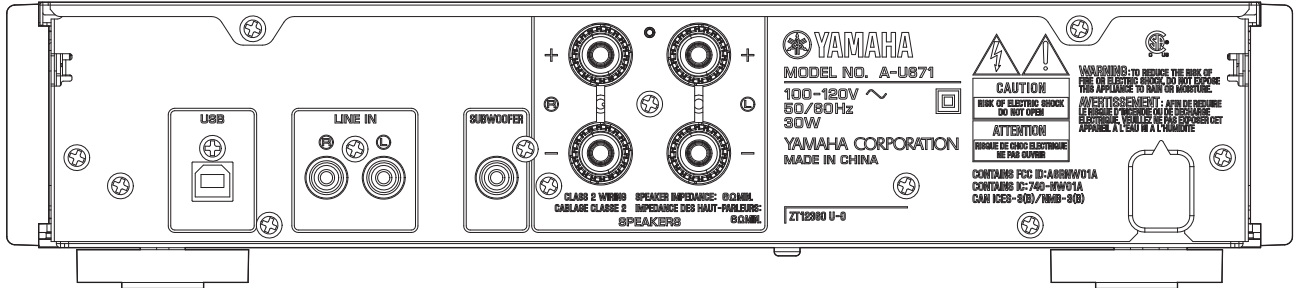
A-670 (V model)



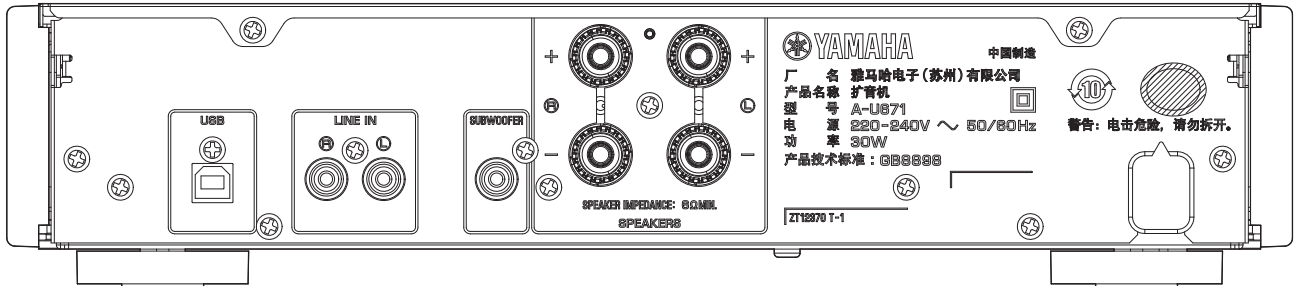
A-U670/A-670/A-U671/NS-BP401/NS-BP301

A-U671

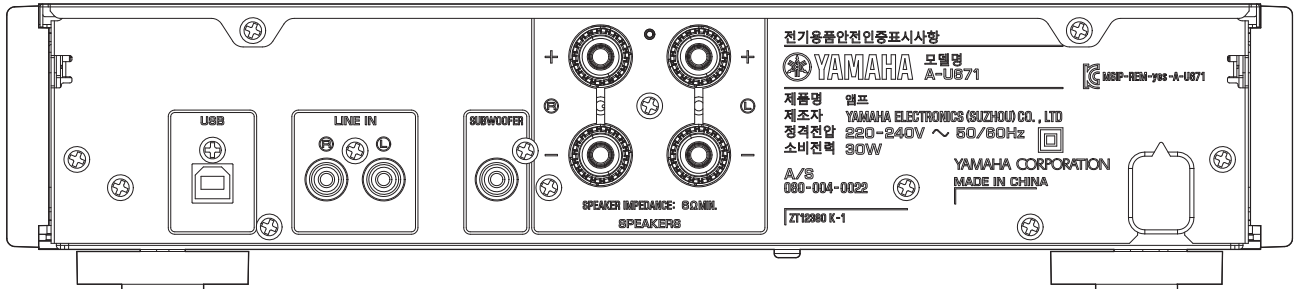
A-U671 (U model)



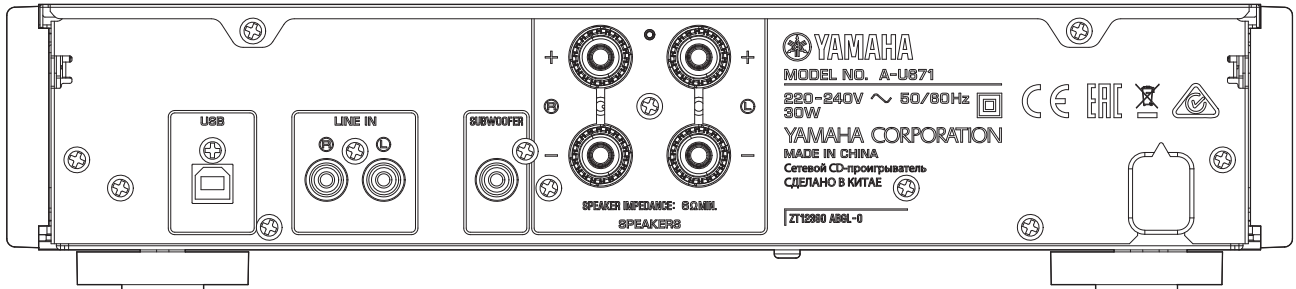
A-U671 (T model)



A-U671 (K model)

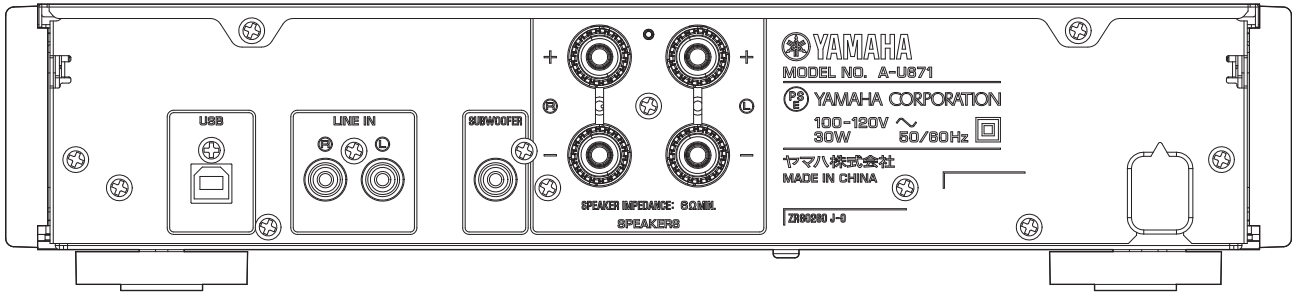


A-U671 (A, B, G, L models)



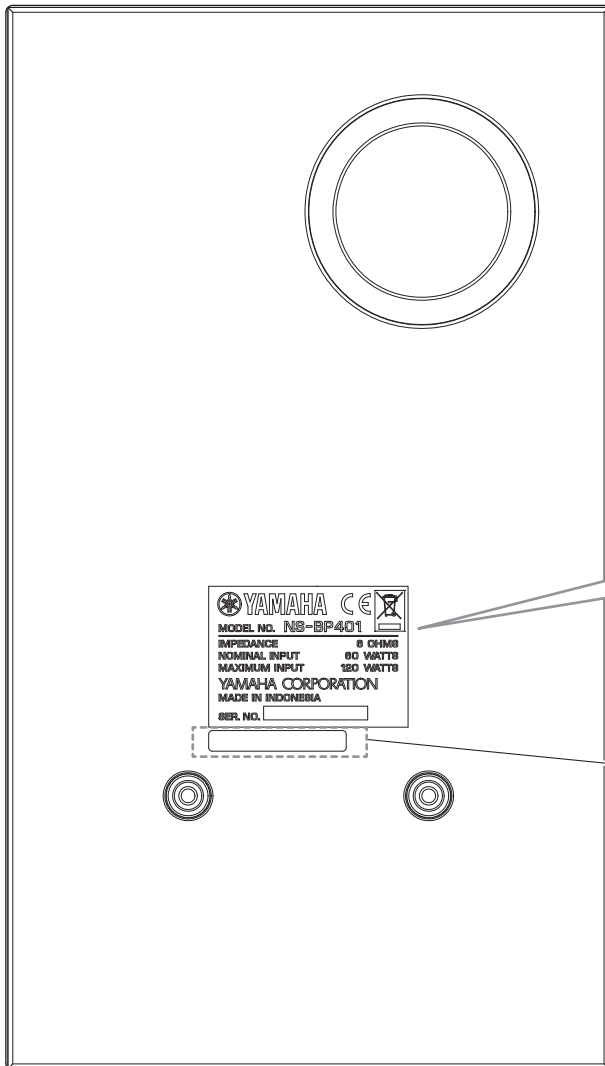
A-U670/A-670/A-U671/
NS-BP401/NS-BP301

A-U671 (J model)



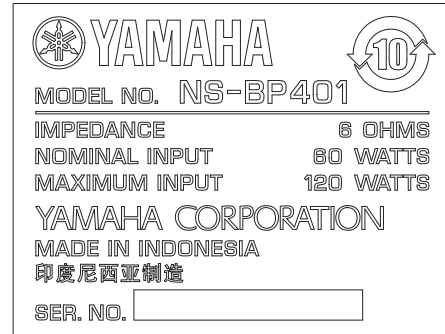
NS-BP401

NS-BP401

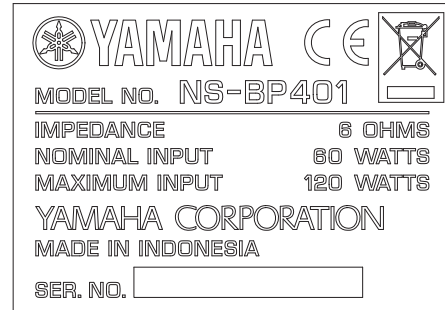


Labels

T model



G, J models

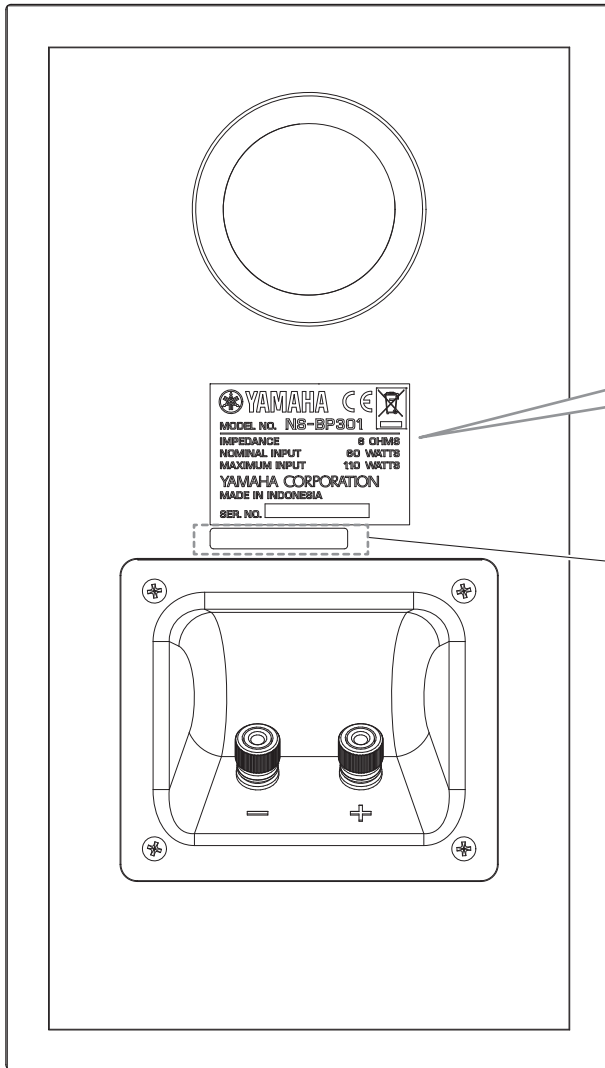


T model

A-U670/A-670/A-U671/
NS-BP401/NS-BP301

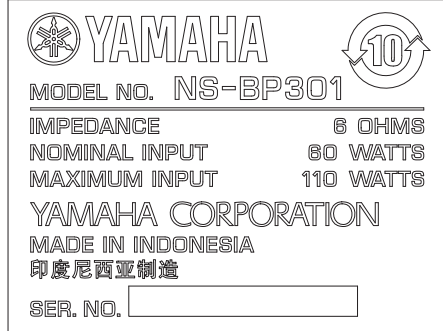
NS-BP301

NS-BP301



Labels

T model

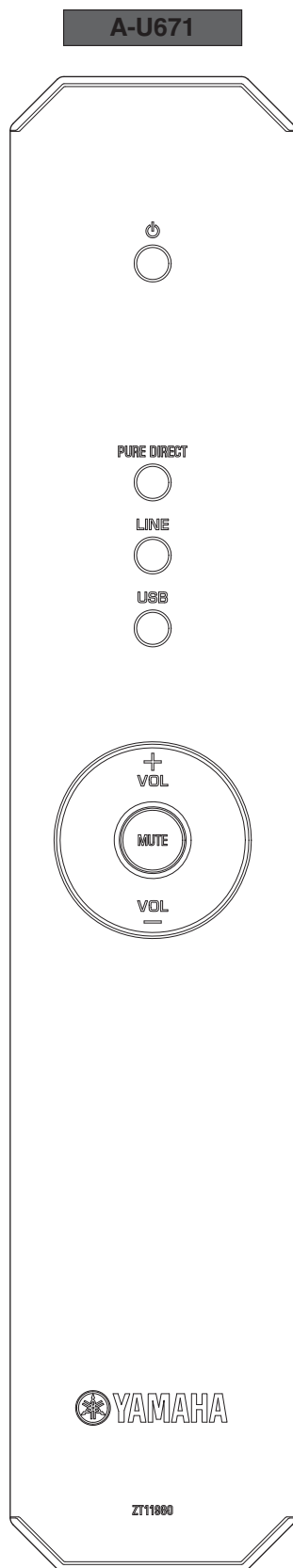


T model

G, J models



■ REMOTE CONTROL PANEL



This remote control is for the A-U671.
このリモコンは A-U671 用です。

■ SPECIFICATIONS / 参考仕様

A-U670

A-670

A-U671

■ Audio Section / オーディオ部

AUX IN (ANALOG)

Input Connector / 入力端子

RCA jack

Input Sensitivity/Input Impedance /
入力感度/入力インピーダンス

230 mV / 47 k-ohms

Maximum Input Signal / 最大許容入力

Analog input 2.8 V

USB IN (DIGITAL) [A-U670/A-U671]

Input Connector / 入力端子

Type B, support USB 2.0

Support Audio Sample Rate / 対応サンプリング周波数

384/352.8/192/176.4/96/88.2/48/44.1 kHz

Support PCM Word Depths / 対応ビット長

16/24/32 bits

Support DSD / 対応 DSD

2.8224/5.6448 MHz

SPEAKER OUT

Maximum Output Power / 最大出力 (6 ohms, 1 kHz, 10 % THD)

A-U670/A-U671 70 W + 70 W

A-670 65 W + 65 W

Minimum RMS Output Power / 定格出力

(6 ohms, 1 kHz, 0.9 % THD)

A-U670/A-U671 60 W + 60 W

A-670 55 W + 55 W

Frequency Response / 周波数特性 (10 Hz to 40 kHz)

0 ±3 dB

Residual Noise / 残留ノイズ (IHF-A Network)

230 µV

Total Harmonic Distortion / 全高調波歪率 (1 kHz, 30 W/6 ohms)

0.05 % or less

Signal to Noise Ratio / 信号対雑音比 (IHF-A Network)

95 dB

Channel Separation / チャンネルセパレーション

(Input 5.1 k-ohms shorted)

1 kHz 70 dB or more

HEADPHONE OUT

Output Connector / 出力端子

STEREO L/R Phone jack

Output Level/Output Impedance / 出力電圧/出力インピーダンス
(32 ohms, 1 kHz, 230 mV / input)

500 mV / 24 ohms

SUBWOOFER OUT

Output Connector / 出力端子

RCA jack

Output Level/Output Impedance / 出力電圧/出力インピーダンス
(1 kHz, 230 mV / input)

2.0 V / 1 k-ohms

NS-BP401

NS-BP301

■ General / 総合

Power Supply / 電源電圧

U, V, J models	AC 100–120 V, 50/60 Hz
T, K, A, B, G, L model	AC 220–240 V, 50/60 Hz

Power Consumption / 消費電力

A-U670/A-U671	30 W
A-670	28 W

System Off Consumption / システムオフ時消費電力

A-U670/A-670	0.5 W
* with system connection/without system connection	
A-U671	0.5 W

Dimensions (W x H x D) / 寸法 (幅×高さ×奥行き)

	314 x 70 x 342 mm (12-3/8" x 2-3/4" x 13-1/2")
--	--

Weight / 質量

	3.3 kg (7.3 lbs.)
--	-------------------

Finish / 仕上げ

[A-U670]	
K, B, G, L, V models	Silver color
K, B, G, L, V models	Black color
[A-670]	
U, T, K, A, B, G, L, V models	Silver color
U, T, K, A, B, G, L, V models	Black color
[A-U671]	
U, T, K, A, B, G, L, J models	Silver color
U, T, K, A, B, G, L, J models	Black color

Accessories / 付属品

[A-U670/A-670]	
System connection cable (2P, 500 mm)	x 1
[A-U671]	
Remote control	x 1
Battery (R6, AA, UM-3)	x 2

U U.S.A. model
 C Canadian model
 T Chinese model
 K Korean model
 A Australian model

B British model
 G European model
 L Singapore model
 V Taiwan model
 J Japanese model

■ Speaker Section / スピーカー部

Type / 形式	2-way bass reflex speaker system Non-magnetic shielding type 2 ウェイ・バスレフ 非防磁型
-----------	---

Driver / スピーカーユニット

Woofer	13 cm (5-1/8") cone type x 1
Tweeter	3 cm (1-1/8") soft dome type x 1

Frequency Response / 再生周波数帯域

NS-BP401	.50 Hz to 40 kHz (-10 dB) to 100 kHz (-30 dB)
NS-BP301	.55 Hz to 40 kHz (-10 dB) to 100 kHz (-30 dB)

Impedance / インピーダンス

	6 ohms
--	--------

Nominal Input / 許容入力

	60 W
--	------

Maximum Input / 最大入力

NS-BP401	120 W
NS-BP301	110 W

Sensitivity / 出力音圧レベル

	.85 dB / 2.83 V/m
--	-------------------

Crossover Frequency / クロスオーバー周波数

NS-BP401	3 kHz
NS-BP301	4 kHz

Input Terminal / 入力端子

	Screw/Banana type
--	-------------------

Dimensions (W x H x D) / 寸法 (幅×高さ×奥行き)

NS-BP401	176 x 310 x 327 mm (6-7/8" x 12-1/4" x 12-7/8")
NS-BP301	176 x 310 x 297 mm (6-7/8" x 12-1/4" x 11-5/8")

Weight / 質量

NS-BP401	5.9 kg (13 lbs.)
NS-BP301	4.6 kg (10.1 lbs.)

Finish / 仕上げ

T, G, J models	Piano Black color (PN)
----------------	------------------------

Accessories / 付属品

Speaker cable (2 m)	x 2
Leg	x 8

* The number of accessories is per 2 pieces of NS-BP401 or NS-BP301.

※ 付属品の数量は、NS-BP401 または NS-BP301 の 2 台分です。

* Specifications are subject to change without notice.

※ 参考仕様および外観は、製品の改良のため予告なく変更することがあります。

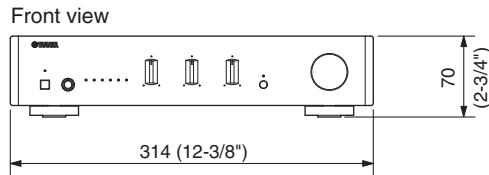
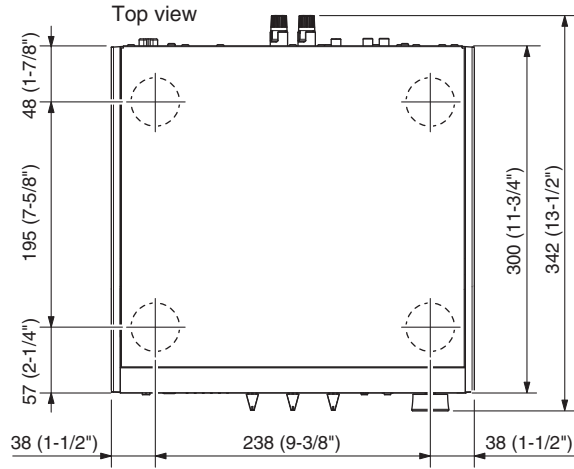
T Chinese model
 G European model

J Japanese model

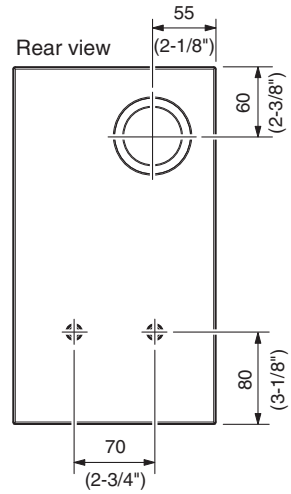
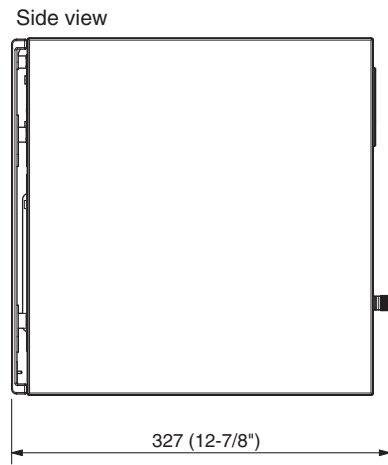
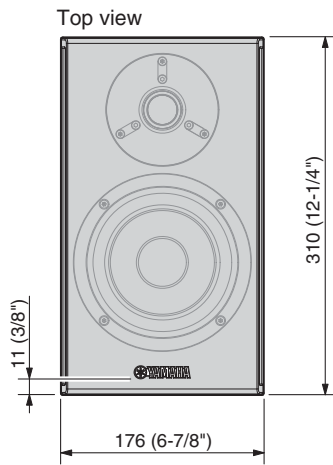
• DIMENSIONS / 寸法図

A-U670/A-670/A-U671

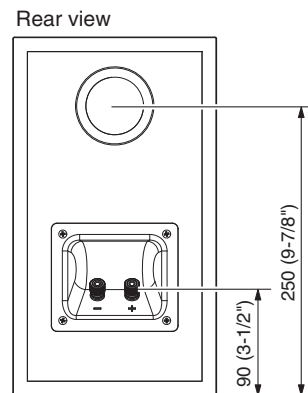
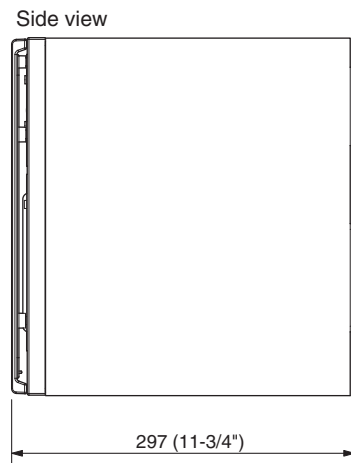
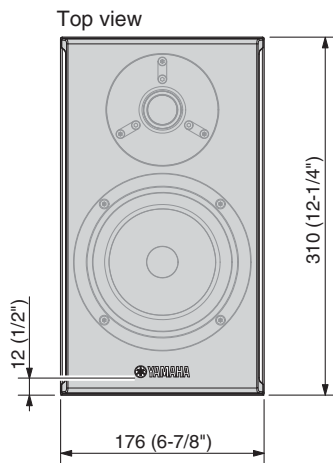
Unit: mm (inch)
単位: mm (インチ)



NS-BP401



NS-BP301

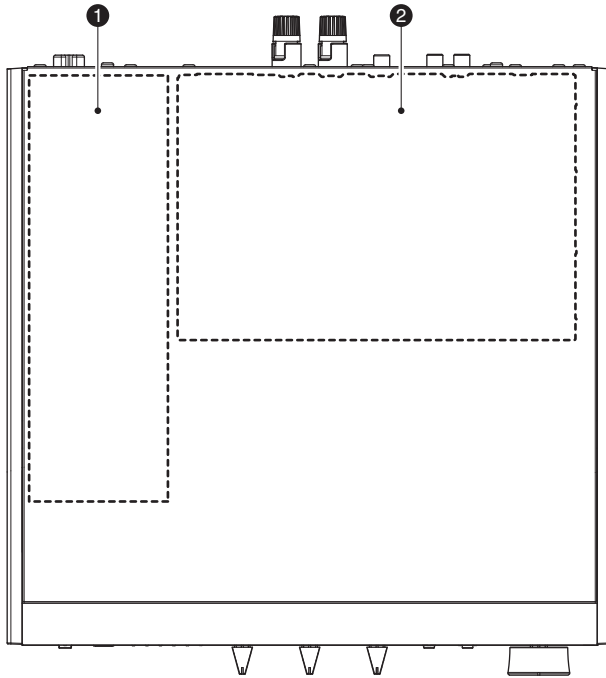


A-U670/A-670/A-U671/
NS-BP401/NS-BP301

INTERNAL VIEW

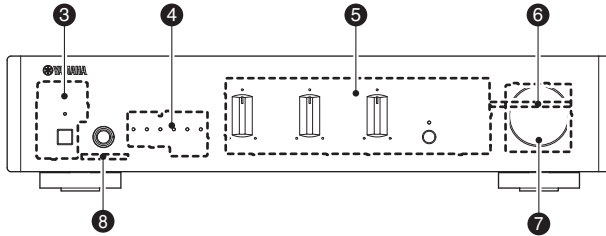
A-U670/A-670/A-U671

Top view



- ① POWER SUPPLY MODULE
- ② MAIN (1) P.C.B.
- ③ MAIN (3) P.C.B.
- ④ MAIN (4) P.C.B. (A-U670/A-U671)
- ⑤ MAIN (2) P.C.B.
- ⑥ VOLUME P.C.B. (A-U671)
- ⑦ MAIN (5) P.C.B. (A-U670/A-670)
- ⑧ MAIN (6) P.C.B.

Front view



A-U670/A-670/A-U671/
NS-BP401/NS-BP301

■ SERVICE PRECAUTIONS / サービス時の注意事項

Safety measures

- Some internal parts in this product contain high voltages and are dangerous.
Be sure to take safety measures during servicing, such as wearing insulating gloves.
- Note that the capacitors indicated below are dangerous even after the power is turned off because an electric charge remains and a high voltage continues to exist there.
Before starting any repair work, connect a discharging resistor (5 k-ohms/10 W) to the terminals of each capacitor indicated below to discharge electricity.
The time required for discharging is about 30 seconds per each.

C307 and C308 on MAIN (1) P.C.B.

For details, refer to "PRINTED CIRCUIT BOARDS".

Precaution for handling measuring instrument

Since the speaker output of this unit is BTL connected, the ground side of the measuring instrument to be connected to the speaker terminal MUST be kept in floating condition.

安全対策

- この製品の内部には高電圧部分があり危険です。修理の際は、絶縁性の手袋を使用するなどの安全対策を行ってください。
- 下記のコンデンサには電源を OFF にした後も電荷が残り、高電圧が維持されており危険です。修理作業前に放電用抵抗 (5 k Ω /10 W) を下記の各コンデンサの端子間に接続して放電してください。放電所用時間は各々約 30 秒間です。

MAIN (1) P.C.B. の C307、C308

詳しくは "PRINTED CIRCUIT BOARDS" を参照してください。

計測機器取り扱い上の注意

本機のスピーカー出力は BTL 接続となっていますので、スピーカー端子に接続する計測器のアース側はフローティング状態に保つ必要があります。

■ DISASSEMBLY PROCEDURES / 分解手順

(Remove parts in the order as numbered.)
Disconnect the power cable from the AC outlet.

Disassembly procedures of the A-U670, A-670 and A-U671 are almost the same. For that reason, we explain disassembly procedure of the A-U671 as a representative here.

1. Removal of Top Cover (Fig. 1)

- a. Remove 2 screws (①).
- b. Remove the top cover.

2. Removal of Side Panel L and Side Panel R (Fig. 1)

- a. Remove 5 screws (②) and 5 screws (③).
- b. Remove the side panel L and side panel R.

3. Removal of Front Panel Assembly (Fig. 1)

- a. Remove 4 screws (④), screw (⑤), screw (⑥) and 3 screws (⑦).
- b. Remove CB302, CB305, CB306 and CB801.
- c. Remove the front panel assembly.

(番号順に部品を取り外してください。)
AC電源コンセントから、電源コードを抜いてください。

A-U670、A-670、A-U671の分解手順はほぼ同じです。そのため、ここでは代表としてA-U671の分解手順で説明します。

1. トップカバーの外し方 (Fig. 1)

- a. ①のネジ2本を外します。
- b. トップカバーを外します。

2. サイドパネルL、サイドパネルRの外し方 (Fig. 1)

- a. ②のネジ5本、③のネジ5本を外します。
- b. サイドパネルL、サイドパネルRを外します。

3. フロントパネル Ass'yの外し方 (Fig. 1)

- a. ④のネジ4本、⑤のネジ1本、⑥のネジ1本、⑦のネジ3本を外します。
- b. CB302、CB305、CB306、CB801を外します。
- c. フロントパネル Ass'yを外します。

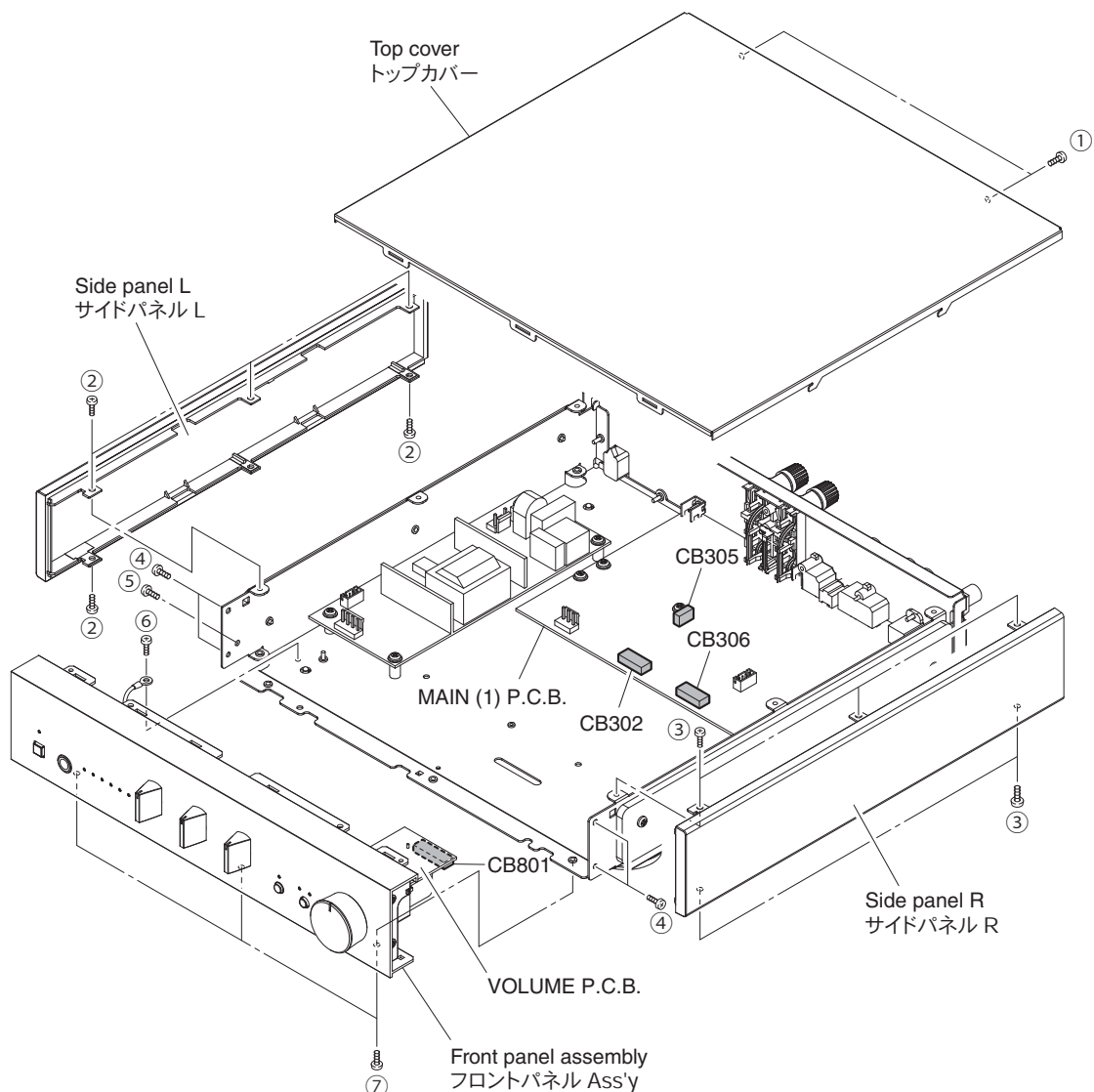


Fig. 1

4. Removal of Power Supply Module (Fig. 2)

- a. Remove 4 screws (⑧).
- b. Remove CON1-CON3.
- c. Remove the power supply module.

4. 電源モジュールの外し方 (Fig. 2)

- a. ⑧のネジ4本を外します。
- b. CON1～CON3を外します。
- c. 電源モジュールを外します。

5. Removal of MAIN (1) P.C.B. (Fig. 2)

- a. Remove 2 screws (⑨) and 2 screws (⑩). (Fig. 2)
- b. Remove screw (⑪) A-U670/A-U671 and 6 screws (⑫). (Fig. 3)
- c. Remove the MAIN (1) P.C.B. (Fig. 2)

5. MAIN (1) P.C.B.の外し方

- a. ⑨のネジ2本、⑩のネジ2本を外します。(Fig. 2)
- b. ⑪のネジ1本、⑫のネジ6本を外します。(Fig. 3)
- c. MAIN (1) P.C.B.を外します。(Fig. 2)

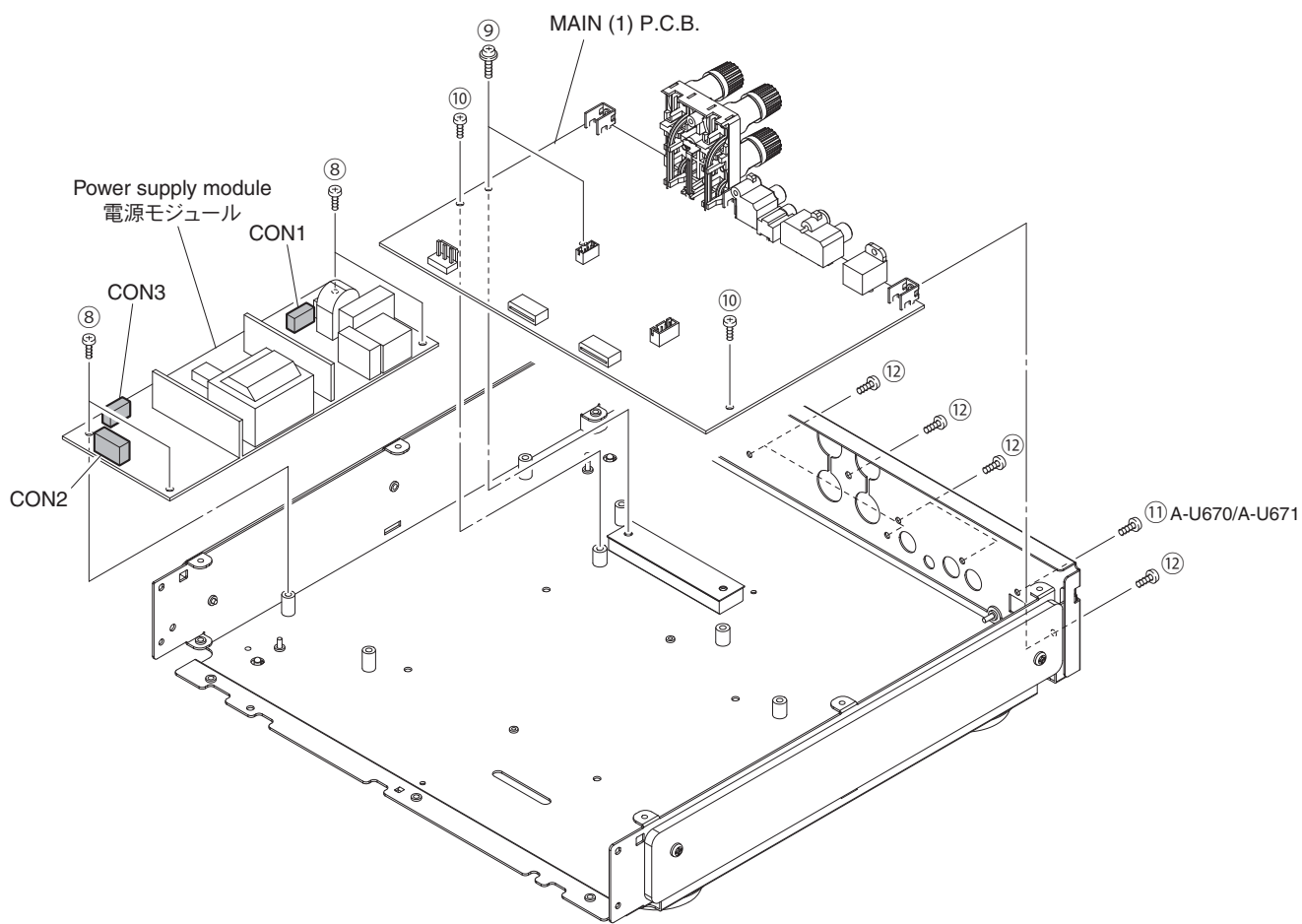


Fig. 2

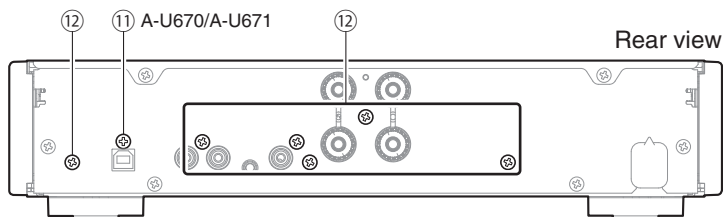


Fig. 3

■ SELF-DIAGNOSTIC FUNCTION / ダイアグ（自己診断機能）

A-U670/A-670:

To activate the self-diagnostic function, prepare CD-NT670/CD-NT670D.

CD-NT670/CD-NT670D is necessary to have the self-diagnostic function menu of A-670/A-U670 displayed on the display unit of CD-NT670/CD-NT670D.

Connect A-U670/A-670 and CD-NT670/CD-NT670D using the system connection cable.

A-U671:

It is possible to have the self-diagnostic function menu displayed by using the indicator of this unit.

A-U671 :

ダイアグメニューを本機のインジケーターを使って表示することができます。

This unit has self-diagnostic functions that are intended for inspection, measurement and location of faulty point.

Listed in the table below are self-diagnostic function menu items.

Note: Some of the menu items listed below may not apply to the models covered in this service manual.

本機には、検査、測定、不良個所の発見を目的にしたダイアグ（自己診断機能）があります。

下表はダイアグメニュー一覧です。

注意：以下のメニュー項目の一部は、このサービスマニュアルに記載されているモデルに適用されない場合があります。

NO.	MENU	NO.	MENU
1	MAIN VERSION CHECK	5	USB INPUT CHECK (A-U670/A-U671) (Not for service / サービスでは使用しません)
2	USB VERSION CHECK (A-U670/A-U671)	6	HISTORY OF PROTECTION
3	INDICATOR CHECK (A-U670/A-U671)	7	SET TO FACTORY DEFAULT CONDITION
4	AUX INPUT CHECK (Not for service / サービスでは使用しません)		

● Preparation (A-U670/A-670)

Note:

To check the self-diagnostic function menu of A-U670/A-670, prepare the system connection cable (which is supplied with CD-NT670/CD-NT670D and A-U670/A-670).

Use the display unit of CD-NT670/CD-NT670D to have the self-diagnostic function menu displayed.

Activate the self-diagnostic function of CD-NT670/CD-NT670D before activating the self-diagnostic function of A-U670/A-670.

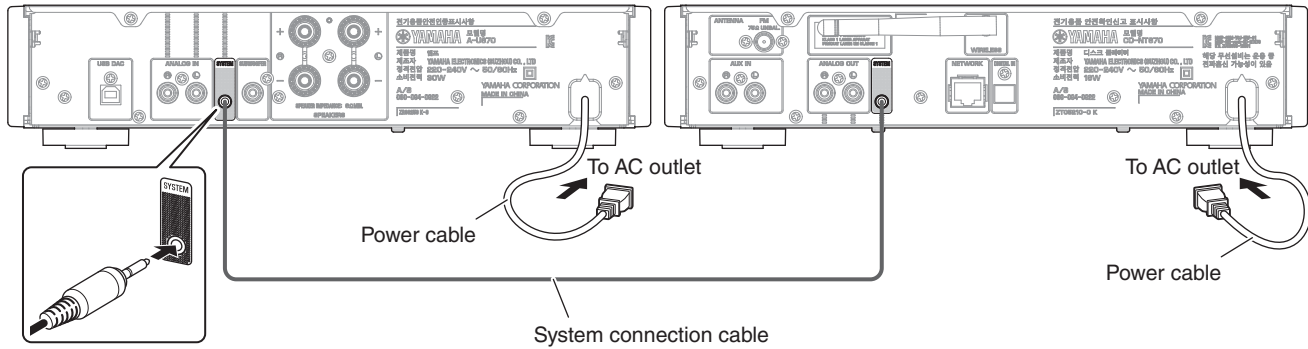
For the details, refer to Service Manual of CD-NT670/CD-NT670D.

1. Connect the system terminals of A-U670/A-670 and CD-NT670/CD-NT670D by using the system connection cable.
2. Connect the power cable of A-U670/A-670, CD-NT670/CD-NT670D to the AC outlet.

Rear view

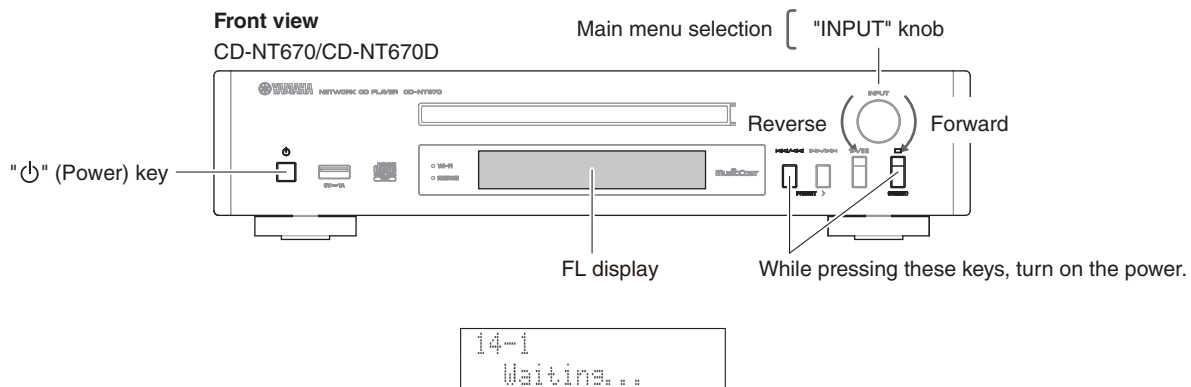
A-U670/A-670

CD-NT670/CD-NT670D




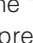
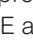
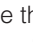

3. While pressing the "◀◀/▶▶" and "■" (stop) keys of CD-NT670/CD-NT670D, press the "⏻" (Power) key to turn on the power and release the 2 keys.
The self-diagnostic function mode is activated.
4. Using the INPUT knob of CD-NT670/CD-NT670D, select the self-diagnostic function menu 14-1.
Then, "14-1. Waiting..." is displayed.

Keys of CD-NT670/CD-NT670D


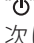
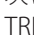
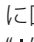



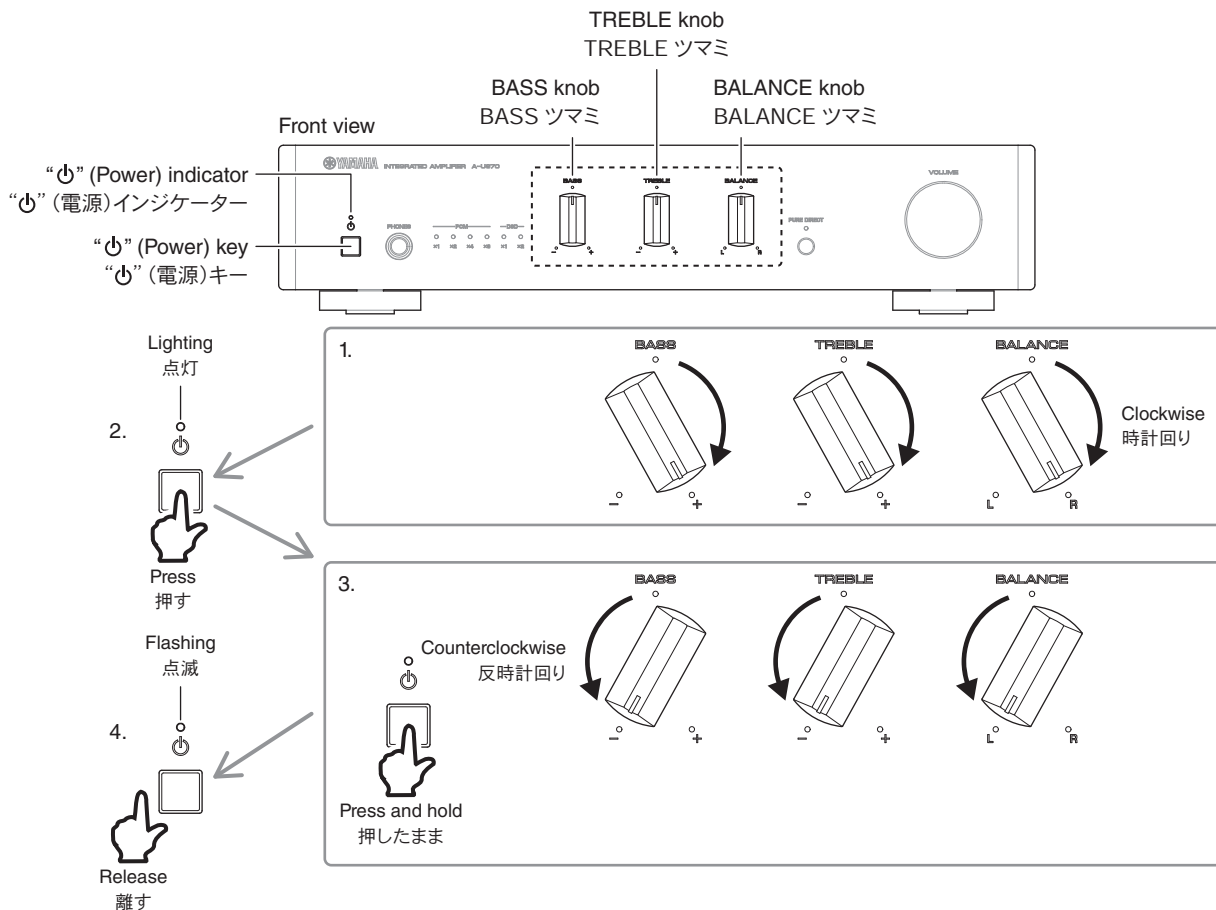
5. Activate the self-diagnostic function of A-U670/A-670.
(For the method to activate the self-diagnostic function of A-U670/A-670, refer to the next page.)

● Starting Self-Diagnostic Function

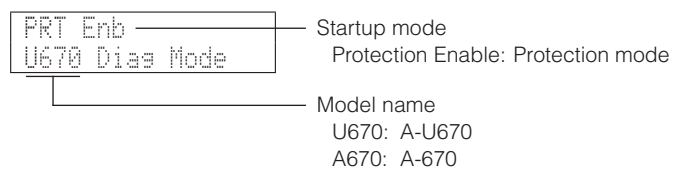
1. Turn the BASS, TREBLE and BALANCE knobs fully clockwise.
2. Press the “” (Power) key to turn on the power. Then the “” (Power) indicator will turn on.
3. While pressing the “” (Power) key, turn the BASS, TREBLE and BALANCE knobs fully counterclockwise.
4. Release the “” (Power) key. Then the “” (Power) indicator will flash and the self-diagnostic function will be activated.

● ダイアグの起動

1. BASS ツマミ、TREBLE ツマミ、および BALANCE ツマミを右いっぱいに戻します。
2. “” (電源) キーを押して電源を入れます。“” (電源) インジケータが点灯します。
3. 次に “” (電源) キーを押しながら、BASS ツマミ、TREBLE ツマミ、および BALANCE ツマミを左いっぱいに戻します。
4. “” (電源) キーを放します。“” (電源) インジケータが点滅し、ダイアグが起動します。



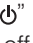
CD-NT670/CD-NT670D display



● Canceling Self-Diagnostic Function

Before canceling self-diagnostic function, execute setting for “7. SET TO FACTORY DEFAULT CONDITION” menu (Back-up data initialized).


* To Keep the user memory, do not make setting.

Press the power key for 2 seconds or longer, and the “” (Power) indicator will turn off and the power will be shut off.

● ダイアグの解除

ダイアグを解除する前に、“7. SET TO FACTORY DEFAULT CONDITION” メニュー (バックアップデータの初期化) の設定をします。

※ ユーザーメモリーを保持したい場合は、設定をしないでください。

電源キーを2秒以上押しと、“” (電源) インジケータが消灯して電源が切れます。

● Operation procedure of Self-Diagnostic Function Menu

● ダイアグメニューの操作

A-U670/A-670

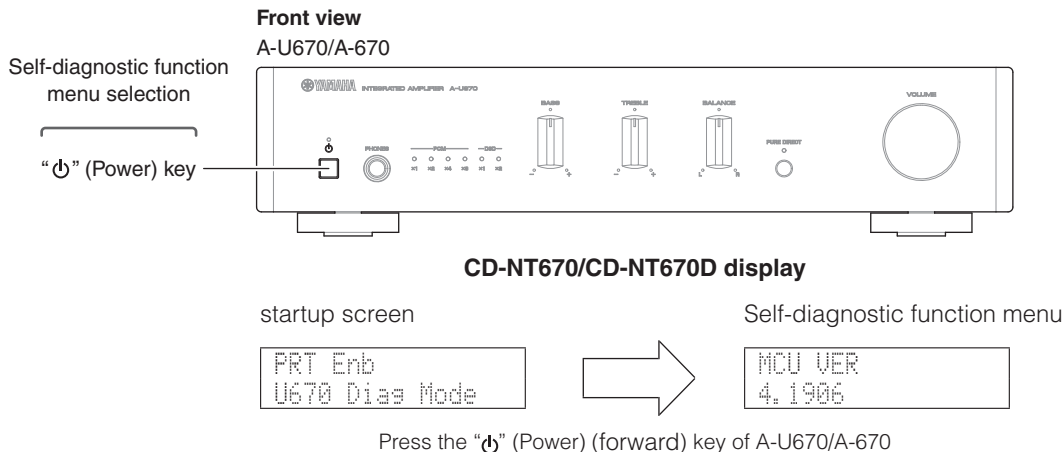
Selection of self-diagnostic function menu:

Select the menu by using the “⏻” (Power) (forward) key of A-U670/A-670.

Display of self-diagnostic function menu:

The self-diagnostic function menu is displayed on the display unit of CD-NT670/CD-NT670D. First, the self-diagnostic function start-up screen appears as shown below.

Press the “⏻” (Power) (forward) key of A-U670/A-670, and the self-diagnostic function menu “1. MAIN VERSION CHECK” is displayed.



A-U671

Selection of main menu:

Select the menu by using the “⏻” (Power) (forward) key of A-U671.

Selection of sub menu/parameter:

Select the sub menu/parameter by pressing the “INPUT” key.

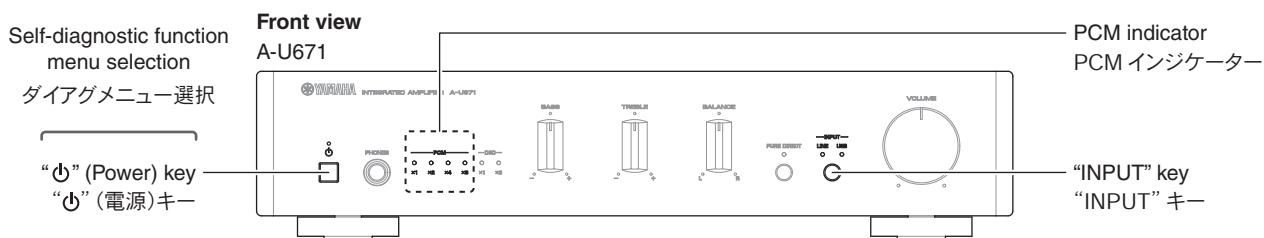
A-U671

メインメニューの選択：

A-U671 の “⏻” (電源) (順送り) キーで選択します。

サブメニュー／パラメーターの選択

“INPUT” キーを押して選択します。



The main menu number is indicated on the PCM indicator of A-U671.

メインメニュー番号は A-U671 の PCM インジケーターを使って表示されます。

Menu number indicated by PCM indicator / PCMインジケーターによるメニュー番号表示

PCM indicator PCM インジケーター				Menu number メニュー番号	PCM indicator PCM インジケーター				Menu number メニュー番号
Lit: ●, Off: ○ / 点灯: ●, 消灯: ○					Lit: ●, Off: ○ / 点灯: ●, 消灯: ○				
x1	x2	x4	x8		x1	x2	x4	x8	
●	○	○	○	1	●	○	○	○	5 (1 + 4 = 5)
○	●	○	○	2	○	●	○	○	6 (2 + 4 = 6)
●	●	○	○	3 (1 + 2 = 3)	●	●	○	○	7 (1 + 2 + 4 = 7)
○	○	●	○	4					

* When the self-diagnostic function is activated, all indicators remain off. When the “⏻” (Power) (forward) key of A-U671 is pressed, the self-diagnostic function menu 1. will be selected and PCMx1 indicator will turn on.

※ ダイアグ起動時はすべてのインジケーターが消灯しています。A-U671 の “⏻” (電源) (順送り) キーを押すとダイアグメニュー 1. が選択されて PCMx1 インジケーターが点灯します。

A-U670

A-670

● Details of Self-Diagnostic Function menu

1. MAIN VERSION CHECK

The firmware version of the main microprocessor (IC304) is displayed.

CD-NT670/CD-NT670D display

```
MCU VER
4.1906
```

2. USB VERSION CHECK (A-U670)

The firmware version of the USB microprocessor (IC602) is displayed.

CD-NT670/CD-NT670D display

```
USB VER
1.11
```

3. INDICATOR CHECK (A-U670)

The indicator of A-U670 is checked for the ON/OFF function.
Each indicator flashes alternately.

CD-NT670/CD-NT670D display

```
LED CHK
```

4. AUX INPUT CHECK

Not for service.

CD-NT670/CD-NT670D display

```
AUD CHK
Line Vol:61
```

5. USB INPUT CHECK (A-U670)

Not for service.

CD-NT670/CD-NT670D display

```
AUD CHK
Usb Vol:61
```


6. HISTORY OF PROTECTION

The protection history is displayed.

CD-NT670/CD-NT670D display

```
PRT ERR
xxx
```

7. SET TO FACTORY DEFAULT CONDITION

The setting is initialized to the factory default condition.
After selecting this menu, press the “” (Power) key continuously for 2 seconds to turn off the power.
Then initialization will be reserved.

* Actual initialization is executed when the power is turned on next.

CD-NT670/CD-NT670D display

```
FACTORY
Ple Power Off...
```

A-U671

● **Details of Self-Diagnostic Function menu**

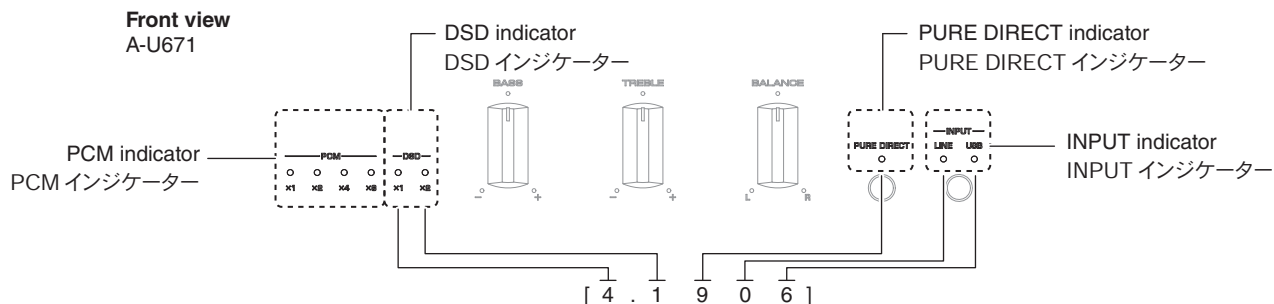
1. MAIN VERSION CHECK

The firmware version of the main microprocessor (IC304) is displayed.
 The value appears on the PCM indicator of A-U671 and the digit appears on the DSD, PURE DIRECT, INPUT indicator of A-U671.
 When the "INPUT" key of A-U671 is pressed, the digit of the firmware version will change.
 When the "INPUT" key of A-U671 is pressed after the 5th digit display, the digit display will change to the 1st digit.

● **ダイアグメニュー詳細**

1. MAIN VERSION CHECK

メインマイコン (IC304) のファームウェアバージョンが表示されます。
 A-U671 の PCM インジケータを使って値を表示します。A-U671 の DSD、PURE DIRECT、INPUT インジケータを使って桁を表示します。
 A-U671 の "INPUT" キーを押すとファームウェアバージョンの桁が切り替わります。
 5 桁目を表示した後、A-U671 の "INPUT" キーを押すと 1 桁目に戻ります。



Digit display on DSD, PURE DIRECT, INPUT indicator
 DSD、PURE DIRECT、INPUT インジケータによる桁の表示

Value indicated by PCM indicator
PCM インジケータによる値の表示

PCM indicator PCM インジケータ				Version value バージョン値
Lit: ●, Off: ○ / 点灯: ●, 消灯: ○				
x1	x2	x4	x8	
●	○	○	○	1
○	●	○	○	2
●	●	○	○	3 (1 + 2 = 3)
○	○	●	○	4
●	○	●	○	5 (1 + 4 = 5)
○	●	●	○	6 (2 + 4 = 6)
●	●	●	○	7 (1 + 2 + 4 = 7)
○	○	○	●	8
●	○	○	●	9 (1 + 8 = 9)

Example) When the firmware version is [V4.1906]
例) ファームウェアバージョンが [V4.1906] の場合

PCM indicator PCM インジケータ				DSD indicator DSD インジケータ		PURE DIRECT indicator PURE DIRECT インジケータ	INPUT indicator INPUT インジケータ		Firmware version ファームウェアバージョン
Lit: ●, Off: ○ / 点灯: ●, 消灯: ○				x1	x2	PURE DIRECT	LINE	USB	
x1	x2	x4	x8	x1	x2				
○	○	●	○	●	○	○	○	○	4
●	○	○	○	○	●	○	○	○	1
●	○	○	●	○	○	●	○	○	9
○	○	○	○	○	○	○	●	○	0
○	●	●	○	○	○	○	○	●	6

A-U670/A-670/A-U671/NS-BP401/NS-BP301

2. USB VERSION CHECK

The firmware version of the USB microprocessor (IC602) is displayed.

The value appears on the PCM indicator of A-U671 and the digit appears on the DSD, PURE DIRECT indicator of A-U671.

When the "INPUT" key of A-U671 is pressed, the digit of the firmware version will change.

When the "INPUT" key of A-U671 is pressed after the 3rd digit display, the digit display will change to the 1st digit.

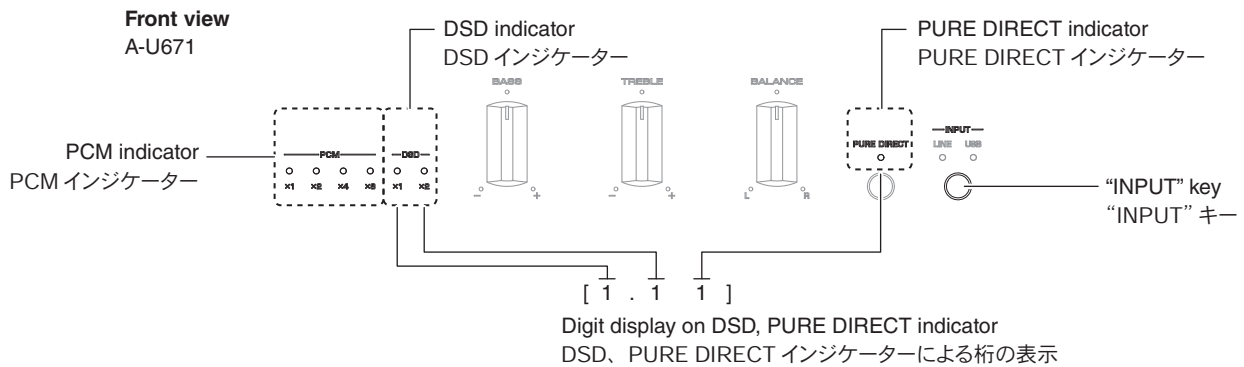
2. USB VERSION CHECK

USB マイコン (IC602) のファームウェアバージョンが表示されます。

A-U671 の PCM インジケータを使って値を表示します。A-U671 の DSD、PURE DIRECT インジケータを使って桁を表示します。

A-U671 の "INPUT" キーを押すとファームウェアバージョンの桁が切り替わります。

3 桁目を表示した後、A-U671 の "INPUT" キーを押すと 1 桁目に戻ります。



Value indicated by PCM indicator PCM インジケータによる値の表示

PCM indicator PCM インジケータ				Version value バージョン値
Lit: ☀, Off: ● / 点灯: ☀、消灯: ●				
x1	x2	x4	x8	
☀	●	●	●	1
●	☀	●	●	2
☀	☀	●	●	3 (1 + 2 = 3)
●	●	☀	●	4
☀	●	☀	●	5 (1 + 4 = 5)
●	☀	☀	●	6 (2 + 4 = 6)
☀	☀	☀	●	7 (1 + 2 + 4 = 7)
●	●	●	☀	8
☀	●	●	☀	9 (1 + 8 = 9)

Example) When the firmware version is [V1.11]

例) ファームウェアバージョンが [V1.11] の場合

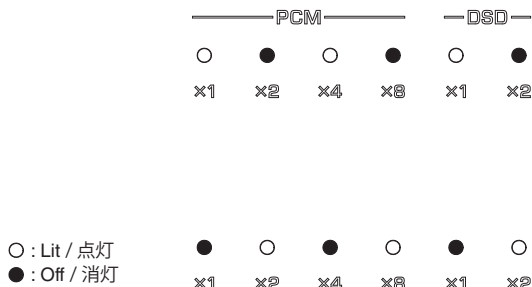
PCM indicator PCM インジケータ				DSD indicator DSD インジケータ		PURE DIRECT indicator PURE DIRECT インジケータ	Firmware version ファームウェアバージョン
Lit: ☀, Off: ● / 点灯: ☀、消灯: ●				x1	x2	PURE DIRECT	
x1	x2	x4	x8				
☀	●	●	●	☀	●	●	1
☀	●	●	●	●	☀	●	1
☀	●	●	●	●	●	☀	1

A-U670/A-670/A-U671/NS-BP401/NS-BP301

3. INDICATOR CHECK

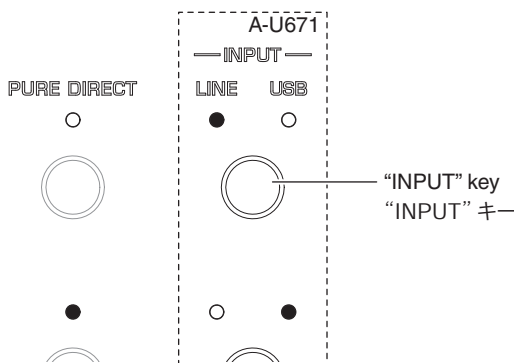
The indicator of A-U671 is checked for the ON/OFF function.
When the "INPUT" key of A-U671 is pressed, each indicator flashes alternately.

Front view
A-U670/A-U671



3. INDICATOR CHECK

A-U671 のインジケータの点灯 / 消灯をチェックします。
A-U671 の "INPUT" キーを押すと、各インジケータが交互に点滅します。



4. AUX INPUT CHECK

Not for service.

4. AUX INPUT CHECK

サービスでは使用しません。

5. USB INPUT CHECK

Not for service.

5. USB INPUT CHECK

サービスでは使用しません。

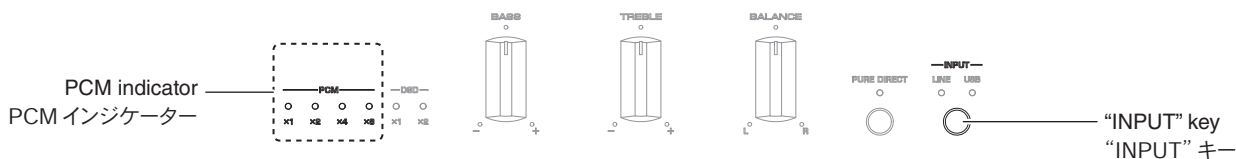
6. HISTORY OF PROTECTION

The protection history is displayed on the PCM indicator of A-U671. Press the "INPUT" key of A-U671 to have it displayed.

6. HISTORY OF PROTECTION

A-U671 の PCM インジケータを使ってプロテクション履歴が表示されます。A-U671 の "INPUT" キーを押すとプロテクション履歴が表示されます。

Front view
A-U671



Protection history indicated by PCM indicator PCM インジケータによるプロテクション履歴の表示

PCM indicator PCM インジケータ				Types of protection function プロテクションの種類	Types of protection error detect プロテクション異常検出先
Lit: ☀, Off: ● / 点灯: ☀, 消灯: ●					
x1	x2	x4	x8		
☀	●	●	●	PS1	Power supply voltage (+B) / 電源電圧 (+B)
●	☀	●	●	PS2	Power supply voltage (±7A, +5V) / 電源電圧 (± 7A、+5V)
☀	☀	●	●	AMP	Digital amplifier IC (IC309) / Digital amplifier IC (IC309)
●	●	☀	●	SPDC	Speaker output DC / スピーカー出力 DC
●	●	●	●	NONE	No protection / プロテクションなし

7. SET TO FACTORY DEFAULT CONDITION

The setting is initialized to the factory default condition. Press the "INPUT" key of A-U671 to set to the initialization reserved mode. The power indicator flashes.

After setting to the initialization mode, press the "⏻" (Power) key continuously for 2 seconds to turn off the power. Then initialization will be reserved. The actual initialization will be executed when the power is turned on the next time. When initialization is not needed, press the power key to advance to the self-diagnostic function menu 1.

7. SET TO FACTORY DEFAULT CONDITION

工場出荷時の設定に初期化します。

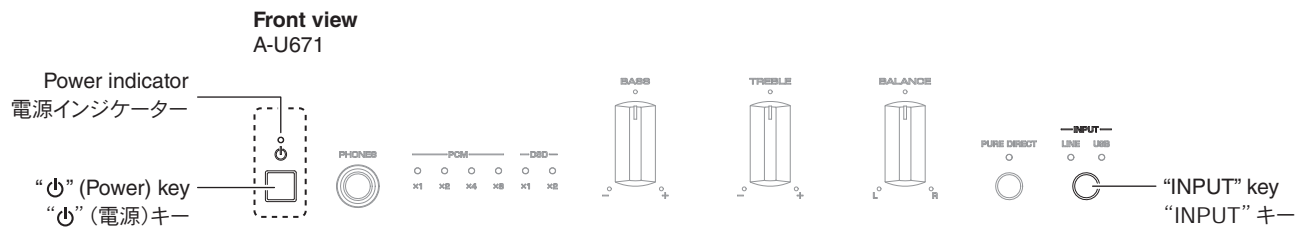
A-U671 の "INPUT" キーを押すと初期化の予約モードに入ります。

電源インジケータが点滅します。

初期化モードに入った後、"⏻" (電源) キーを 2 秒間押し続けて電源を切ります。初期化が予約されます。

実際に初期化されるのは、次回の電源投入時です。

初期化しない場合は、電源キーを押して次のダイアグメニュー 1. へ進めてください。

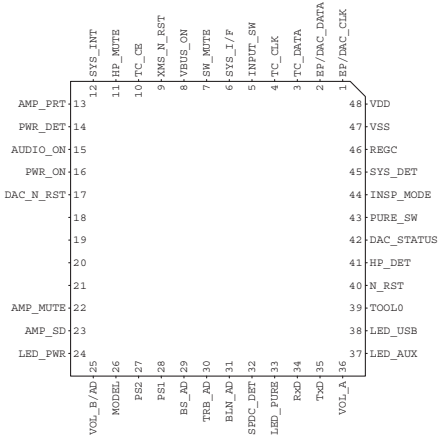
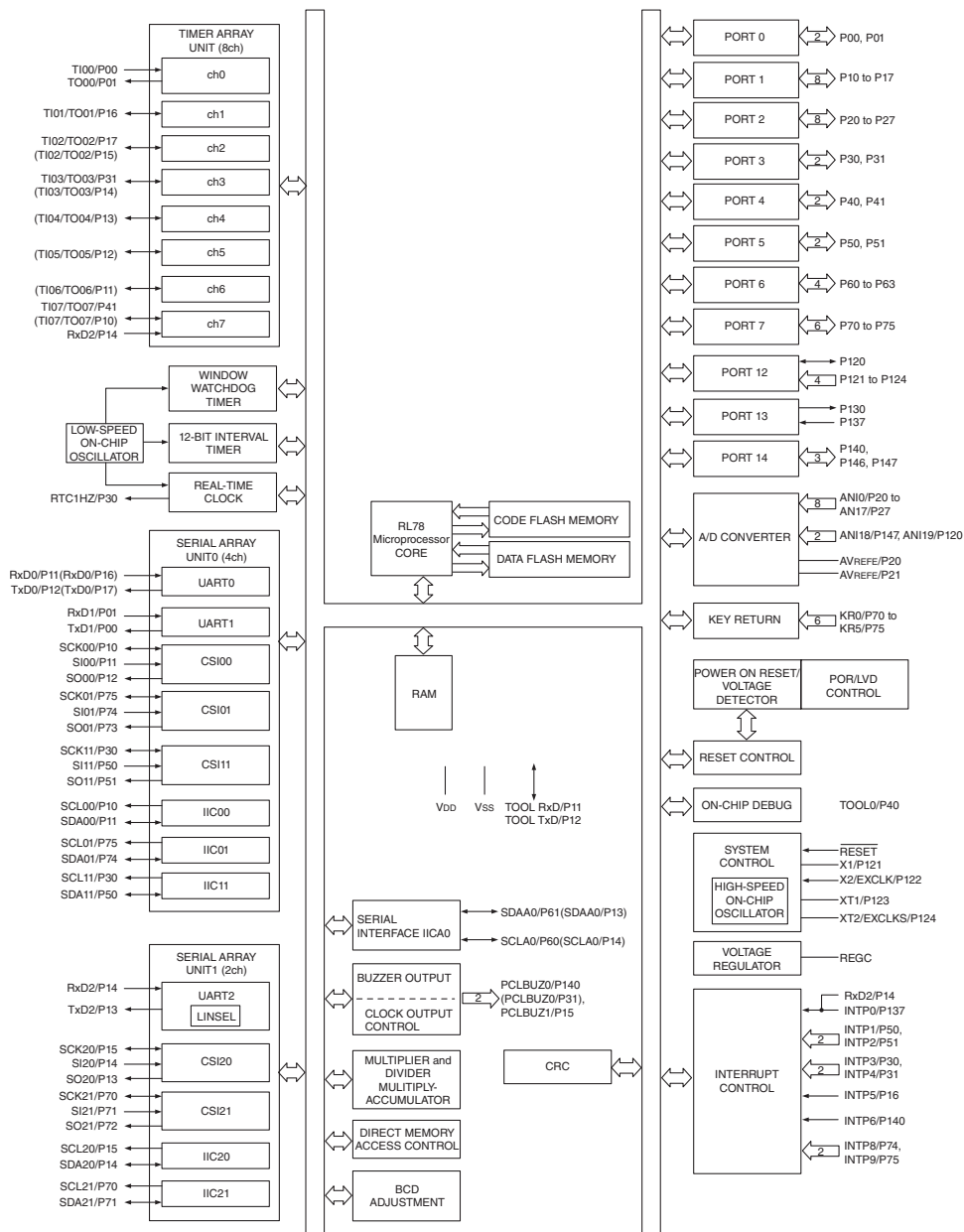


IC DATA

IC304: R5F101GEAFB#V0 (MAIN (1) P.C.B.)

Microprocessor

* No replacement part available. / サービス部品供給なし



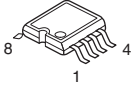
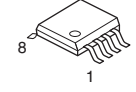
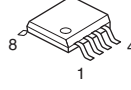
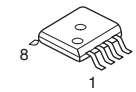
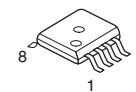
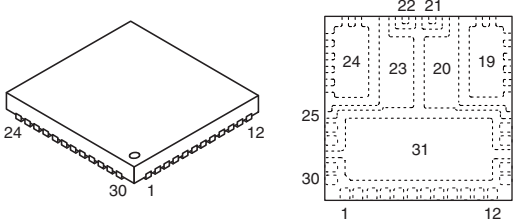
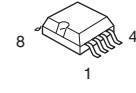
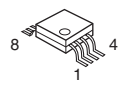
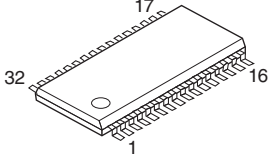
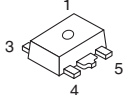
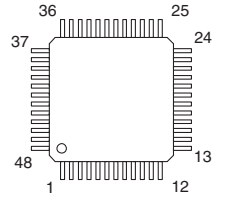
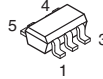
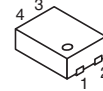
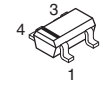
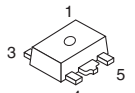
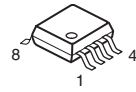
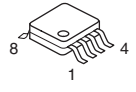
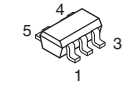
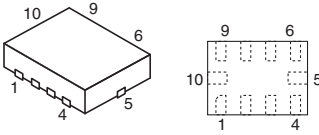
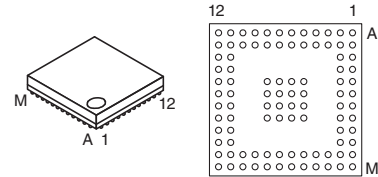
A-U670/A-670/A-U671/NS-BP401/NS-BP301

Pin No.	Port Name	Function Name (P.C.B.)	I/O	Detail of Function
1	P60/SCLA0	EP/DAC_CLK	I/O	EEPROM/DAC I2C I/F / Clock input/output of IICA0
2	P61/SDAA0	EP/DAC_DATA	I/O	EEPROM/DAC I2C I/F / Serial data input/output of IICA0
3	P62	TC_DATA	O	Tone control/volume IC serial I/F / Serial data output of CSI21
4	P63	TC_CLK	O	Tone control/volume IC serial I/F / Clock output of CSI21
5	P31/TI03/TO03/INTP4	INPUT_SW	I	SYSTEM cable detection (A-U670/A-670) / INPUT select SW (A-U671) External interrupt input (A-U670/A-670) / Ordinary port (A-U671)
6	P75/KR5/INTP9/_SCK01/SCL01	SYS_I/F	O	XMOS REQUEST signal
7	P74/KR4/INTP8/SI01/SDA01	SW_MUTE	O	SW mute / MUTE (High) when HP is inserted and cancelled (Low) when not inserted
8	P73/KR3/SO01	VBUS_ON	O	VBUS input SW
9	P72/KR2/SO21	XMS_N_RST	O	XMOS reset
10	P71/KR1/SI21/SDA21	TC_CE	O	Tone control / volume IC CE
11	P70/KR0/_SCK21/SCL21	HP_MUTE	O	HP mute control / Cancelled (Low) when HP is inserted and MUTE (High) when not inserted
12	P30/INTP3/RTC1HZ/_SCK11/ SCL11	SYS_INT	I	System control interrupt (A-U670/A-670) / For remote control reception (A-U671) External interrupt input
13	P50/INTP1/SI11/SDA11	AMP_PRT	I	Amplifier protection / External interrupt input
14	P51/INTP2/SO11	PWR_DET	I	Power source (AC) detection / External interrupt input
15	P17/TI02/TO02/TXD0	AUDIO_ON	O	Audio circuit power ON
16	P16/TI01/TO01/INTP5/RXD0	PWR_ON	I	POWER ON key / External interrupt input
17	P15/PCLBUZ1/_SCK20/SCL20	DAC_N_RST	O	DAC reset
18	P14/RxD2/SI20/SDA20		I	SYS control I/F / Serial data input of UART2
19	P13/TxD2/SO20/TI04/TO04		O	SYSTEM control I/F / Serial data output of UART2
20	P12/SO00/TxD0/TOOLTxD/ TI05/TO05		O	XMOS UART I/F / Serial data output of UART0
21	P11/SI00/RxD0/TOOLRxD/ SDA00/TI06/TO06		I	XMOS UART I/F / Serial data input of UART0
22	P10/_SCK00/SCL00	AMP_MUTE	O	Pre-amplifier mute / MUTE (High) when HP is inserted and cancelled (Low) when not inserted
23	P146	AMP_SD	O	Amplifier shut-down
24	P147/ANI18	LED_PWR	O	POWER LED control
25	P27/ANI7	VOL_B/AD	I	When rotary EC is used: Volume control down (Rotary: Analog input of A/D converter) When resistor volume is used: A/D (Resistor: Usual input) for volume control
26	P26/ANI6	MODEL	I	Model discrimination
27	P25/ANI5	PS2	I	Power source protection monitor / Analog input of A/D converter
28	P24/ANI4	PS1	I	Power source protection monitor / Analog input of A/D converter
29	P23/ANI3	BS_AD	I	A/D for BASS control / Analog input of A/D converter
30	P22/ANI2	TRB_AD	I	A/D for TREBLE control / Analog input of A/D converter
31	P21/ANI1/AVREFM	BLN_AD	I	A/D for BALANCE control / Analog input of A/D converter
32	P20/ANI0/AVREFP	SPDC_DET	I	Speaker output DC protection monitor
33	P130	LED_PURE	O	PURE DIRECT ON LED

Pin No.	Port Name	Function Name (P.C.B.)	I/O	Detail of Function
34	P01/TO00/RxD1	RxD	I	For microprocessor debugging / Serial data input of UART1
35	P00/TI00/TxD1	TxD	O	For microprocessor debugging / Serial data output of UART1
36	P140/PCLBUZ0/INTP6	VOL_A	I	When rotary EC is used: Volume control UP When resistor volume is used: Unused
37	P120/ANI19	LED_AUX	O	AUX input LED
38	P41/TI07/TO07	LED_USB	O	USB input LED
39	P40/TOOL0	TOOL0	I/O	Microprocessor firm writing terminal Flash memory programmer / data input/output for debugger
40	_RESET	N_RST	I	External reset input
41	P124/XT2/EXCLKS	HP_DET	I	HP insertion detected
42	P123/XT1	DAC_STATUS	I	DAC state notified
43	P137/INTP0	PURE_SW	I	PURE DIRECT switch
44	P122/X2/EXCLK	INSP_MODE	I	P.C.B. test mode entry
45	P121/X1		I	
46	REGC	REGC	-	Output stable capacity of regulator for internal operation connected
47	VSS	VSS	-	Ground potential of all terminals
48	VDD	VDD	-	Regular power source for all terminal0

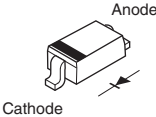
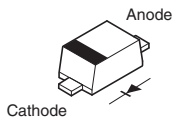
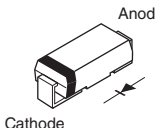
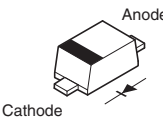
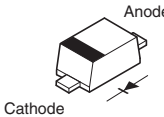
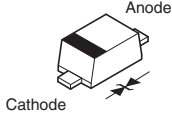
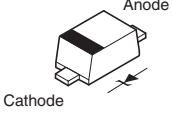
PIN CONNECTION DIAGRAMS

• ICs

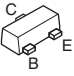
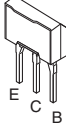
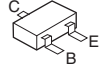
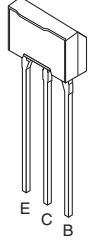
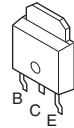
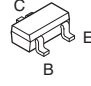
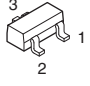

<p>BA15218F OP AMP</p> 	<p>BD9328FJ</p> 	<p>BD9876AEFJ-E2</p> 	<p>BH6578FVM-TR</p> 	<p>BR24G01FVM-3GTR</p> 
<p>IR4302MTRPBF</p> 		<p>NE5532DR</p> 	<p>NJM2904V NJM5532M-D</p> 	<p>NJW1194V</p> 
<p>R1154H001C-T1-F</p> 	<p>R5F101GEAFB#V0</p> 	<p>R3116N271A-TR-F</p> 	<p>R5527K001D-TR LOAD</p> 	<p>RP130Q331D-TR-F RP130Q131D-TR-FE</p> 
<p>RP170H331B-T1-FE</p> 	<p>S25FL116K0XMF1010</p> 	<p>SN74LVC2G157DCTR</p> 	<p>TC7SH125FU</p> 	
<p>TS3USB221ARSER</p> 		<p>XS1-U6A-64-FB96-C5</p> 		

A-U670/A-670/A-U671/
NS-BP401/NS-BP301

• Diodes

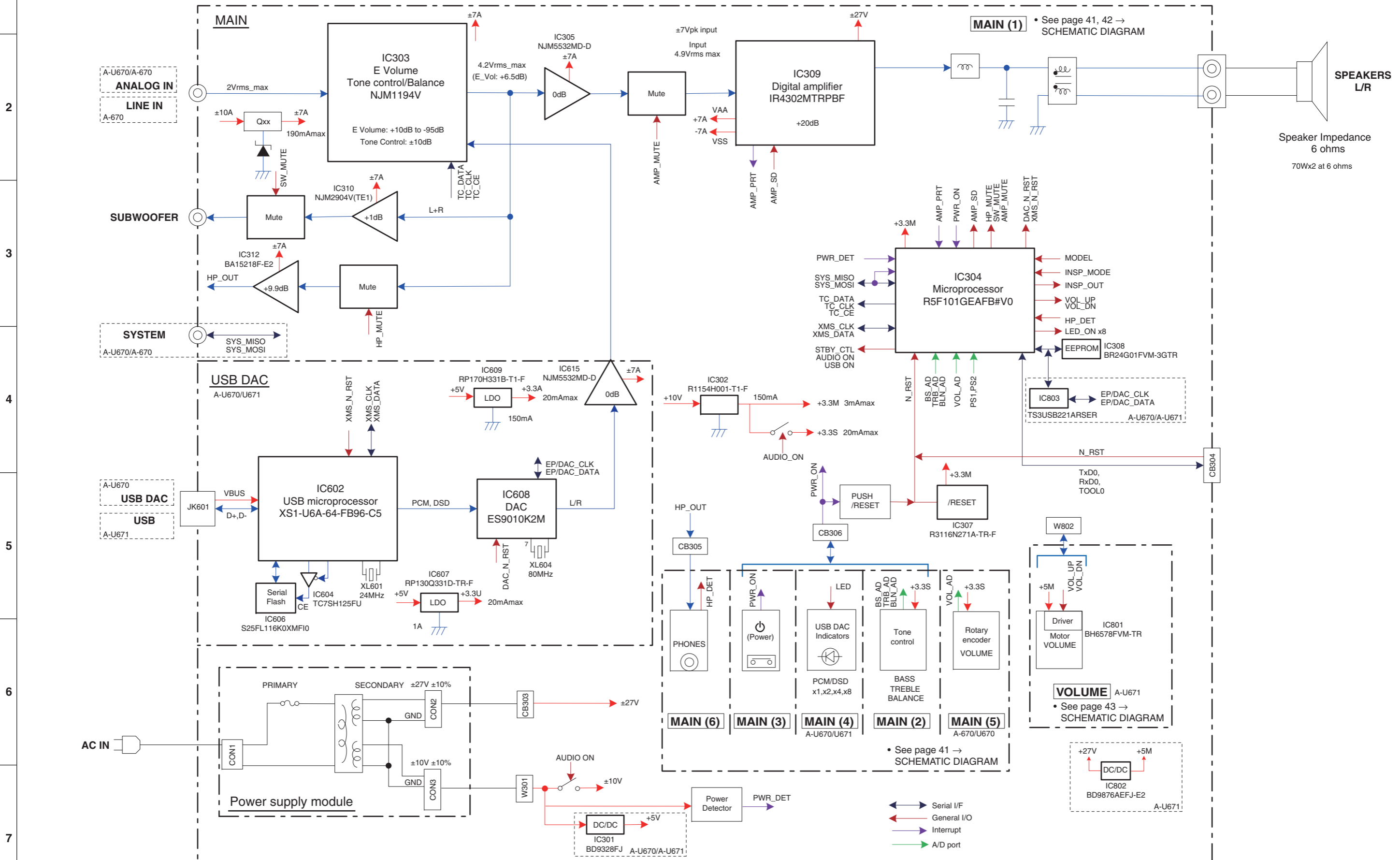
1SS352 TE 	1SS355VMTE-17 	RB051L-40 	RB501VM-40TE-17 	RF081M2STR TE 
RSB6.8S 6.8V 	UDZV7.5B 			

• Transistors

2SA1037K 	2SA1770S/T-AN 	2SC2412K 	2SC4614S/T-AN 	2SD1918 QR TP 	2SD2704 K 
DTA124EUAT106 DTC114EKA DTC124EKA 	KRA304-RTK/P 				

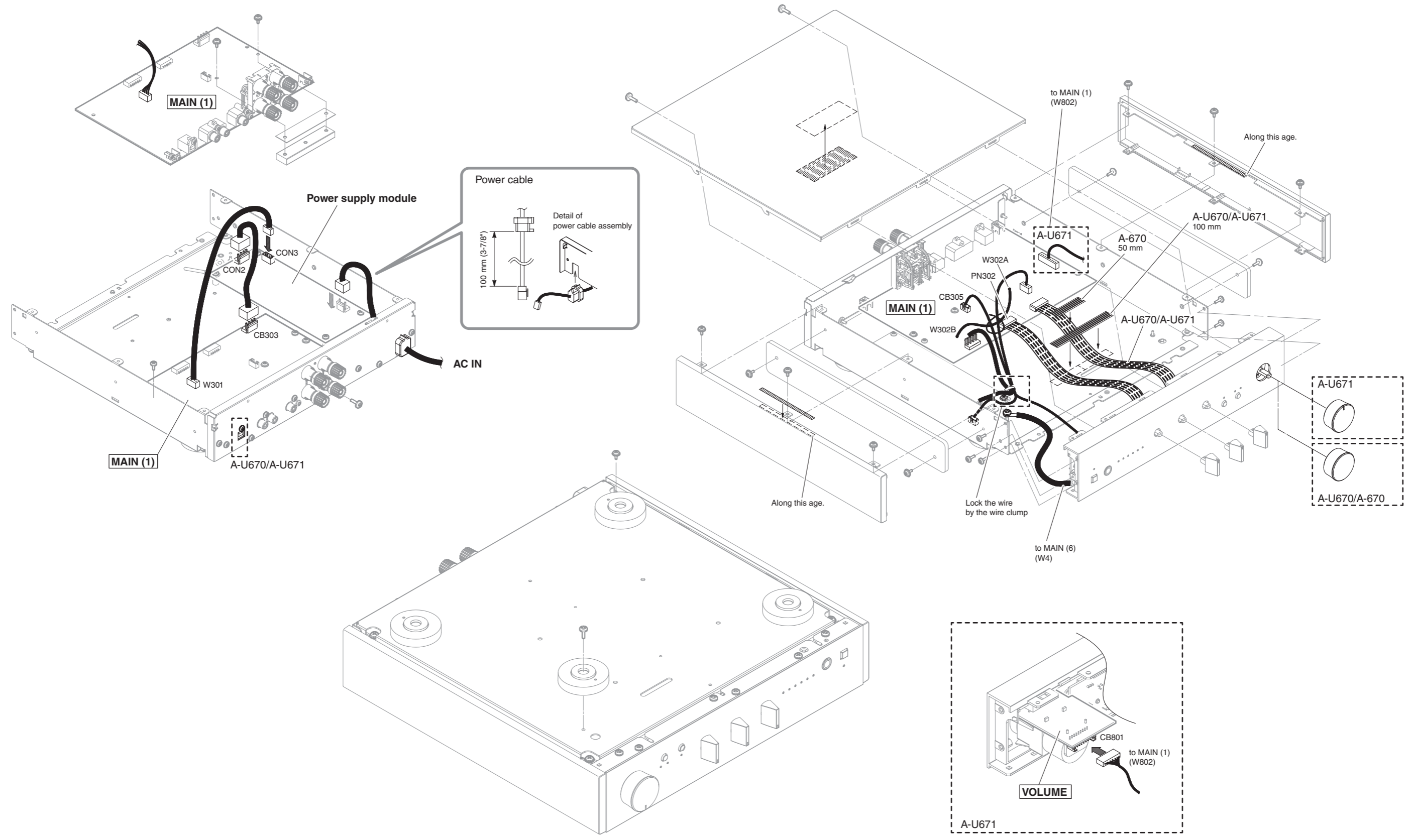
A-U670/A-670/A-U671/
NS-BP401/NS-BP301

1 ■ BLOCK DIAGRAM

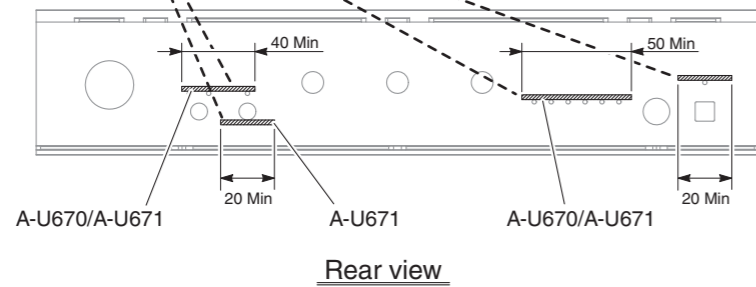
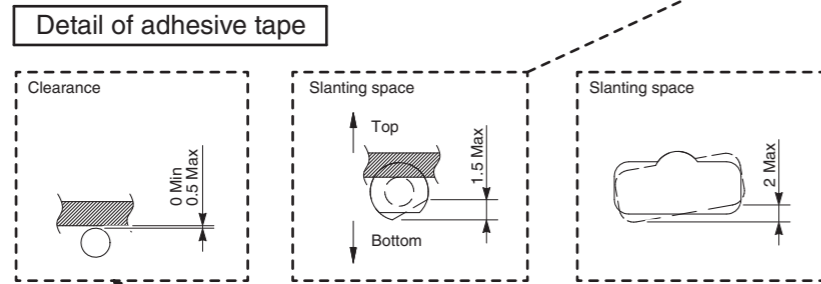
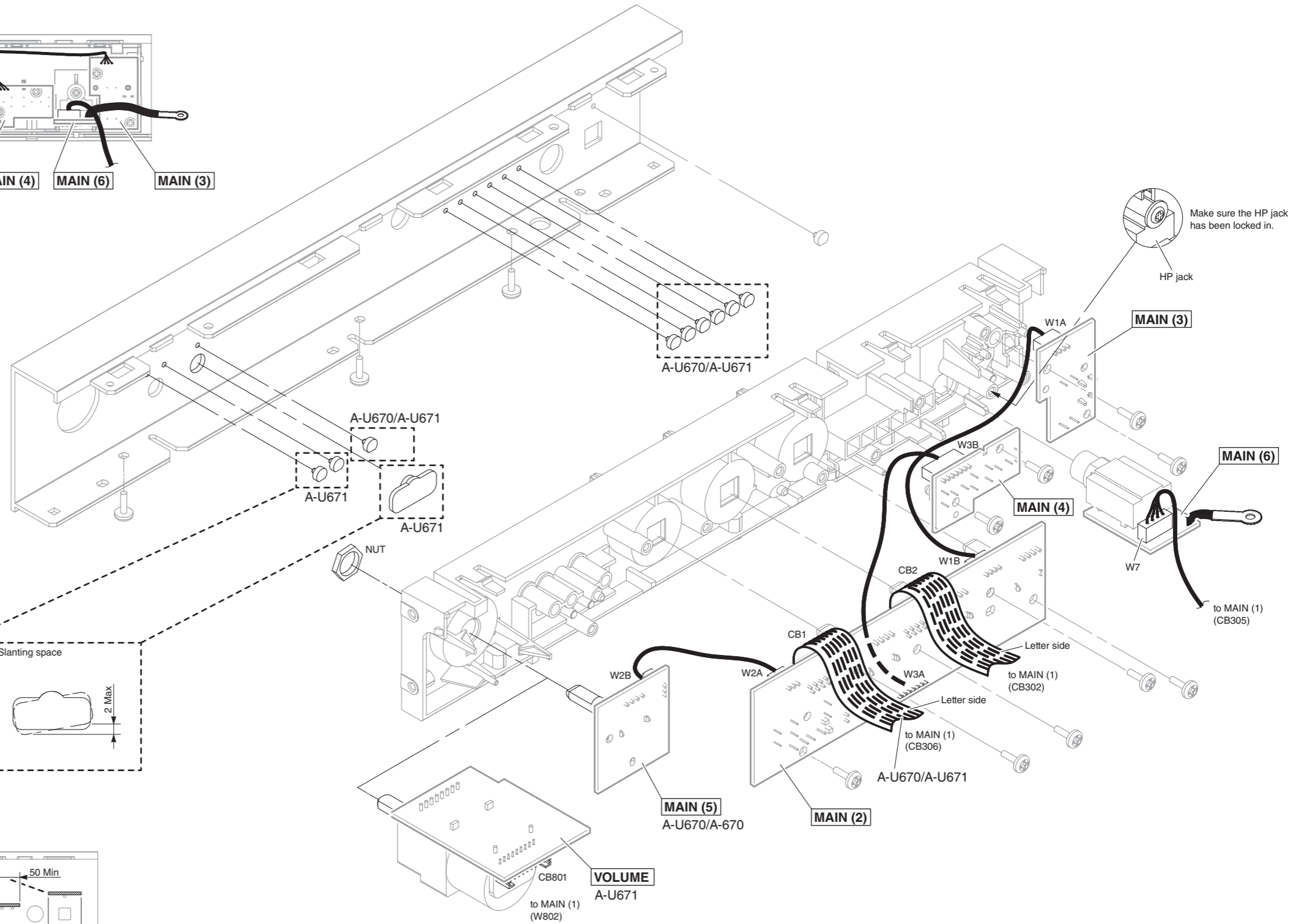
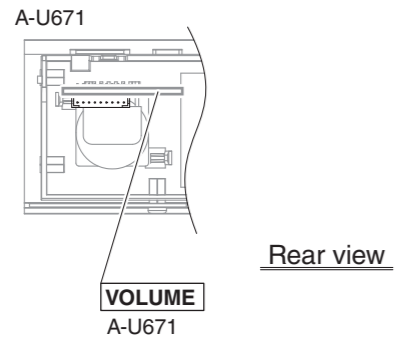
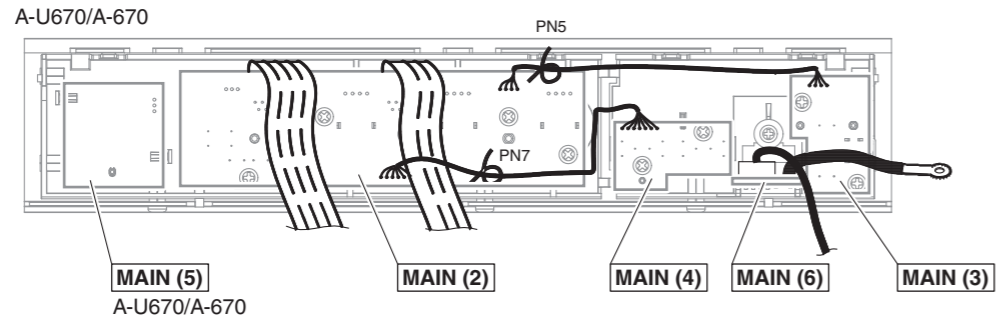


WIRING DIAGRAMS

- OVERALL ASSEMBLY



FRONT ASSEMBLY



PRINTED CIRCUIT BOARDS

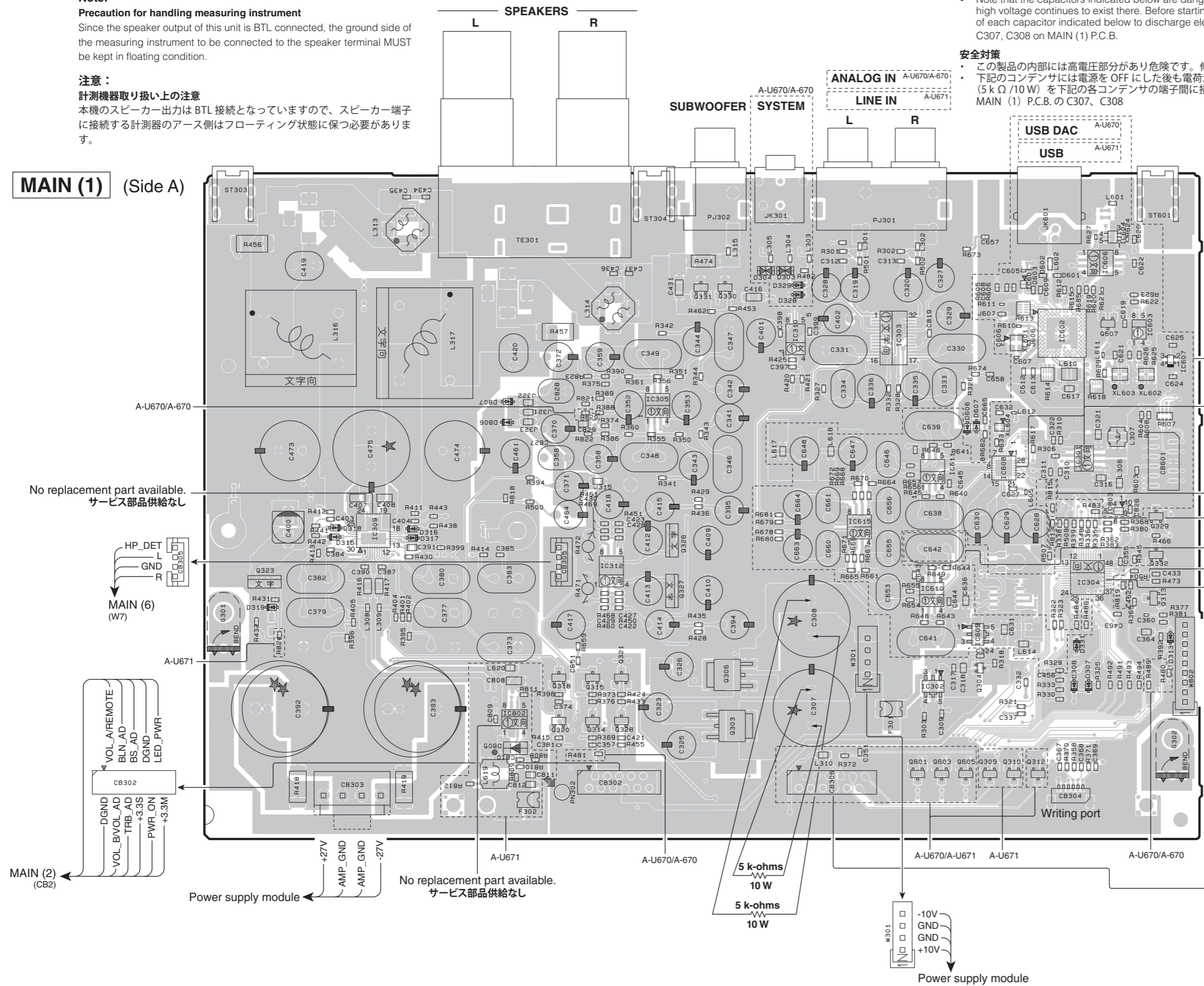
Note:
Precaution for handling measuring instrument

Since the speaker output of this unit is BTL connected, the ground side of the measuring instrument to be connected to the speaker terminal MUST be kept in floating condition.

注意:
計測機器取り扱い上の注意

本機のスピーカー出力はBTL接続となっていますので、スピーカー端子に接続する計測器のアース側はフローティング状態に保つ必要があります。

MAIN (1) (Side A)



Safety measures

- Some internal parts in this product contain high voltages and are dangerous. Be sure to take safety measures during servicing, such as wearing insulating gloves.
- Note that the capacitors indicated below are dangerous even after the power is turned off because an electric charge remains and a high voltage continues to exist there. Before starting any repair work, connect a discharging resistor (5 k-ohms/10 W) to the terminals of each capacitor indicated below to discharge electricity. The time required for discharging is about 30 seconds per each. C307, C308 on MAIN (1) P.C.B.

安全対策

- この製品の内部には高電圧部分があり危険です。修理の際は、絶縁性の手袋を使用するなどの安全対策を行ってください。
- 下記のコンデンサには電源をOFFにした後も電荷が残り、高電圧が維持されており危険です。修理作業前に放電用抵抗 (5 kΩ / 10 W) を下記の各コンデンサの端子間に接続して放電してください。放電所用時間は各々約 30 秒間です。MAIN (1) P.C.B. の C307、C308

• Semiconductor Location

Ref no.	Location	Ref no.	Location
D303	F3	IC606	H3
D304	F3	IC607	H3
D307	G5	IC608	G4
D308	G5	IC609	G5
D313	H5	IC610	G5
D315	C4	IC611	G4
D316	C4	IC615	F4
D317	C4	IC802	D6
D318	C4	IC803	H4
D319	C5	Q303	E6
D328	F3	Q304	G5
D329	F3	Q306	E5
D331	G5	Q309	G6
D601	G3	Q310	G6
D602	G3	Q312	G6
D603	G3	Q313	H5
D606	G4	Q314	D6
D607	G4	Q315	D5
D805	D6	Q318	D5
D806	D4	Q320	D6
D807	D4	Q321	E5
IC301	G4	Q323	B5
IC302	G5	Q326	E4
IC303	F3	Q327	E5
IC304	G5	Q328	E6
IC305	E4	Q329	H4
IC309	C4	Q330	E3
IC310	F3	Q331	E3
IC312	E5	Q332	H5
IC601	G3	Q601	F6
IC602	G3	Q603	G6
IC603	H3	Q605	G6
IC604	H3	Q607	H3

A-U670/A-U671
 No replacement part available.
 サービス部品供給なし
 (For factory)
 A-U670/A-670
 A-U671
 A-U670
 A-U670/A-670
 No replacement part available.
 サービス部品供給なし

VOL-AD
 +3.3S
 DGND
 VOLUME-DN
 VOLUME-UP
 VRG
 AMP_GND
 +5M
 +5M

VOLUME
 (CB801) A-U671

DSDx1_LED
 +3.3S
 PCMx4_LED
 PCMx4_LED
 PCMx2_LED
 +5V
 INPUT_SW
 LED_PURE
 LED_AUX

MAIN (2)
 (CB2)
 VOL_A/REMOTE
 BLN_AD
 BS_AD
 TRB_AD
 +3.3S
 PWF_ON
 +3.3M
 DGND

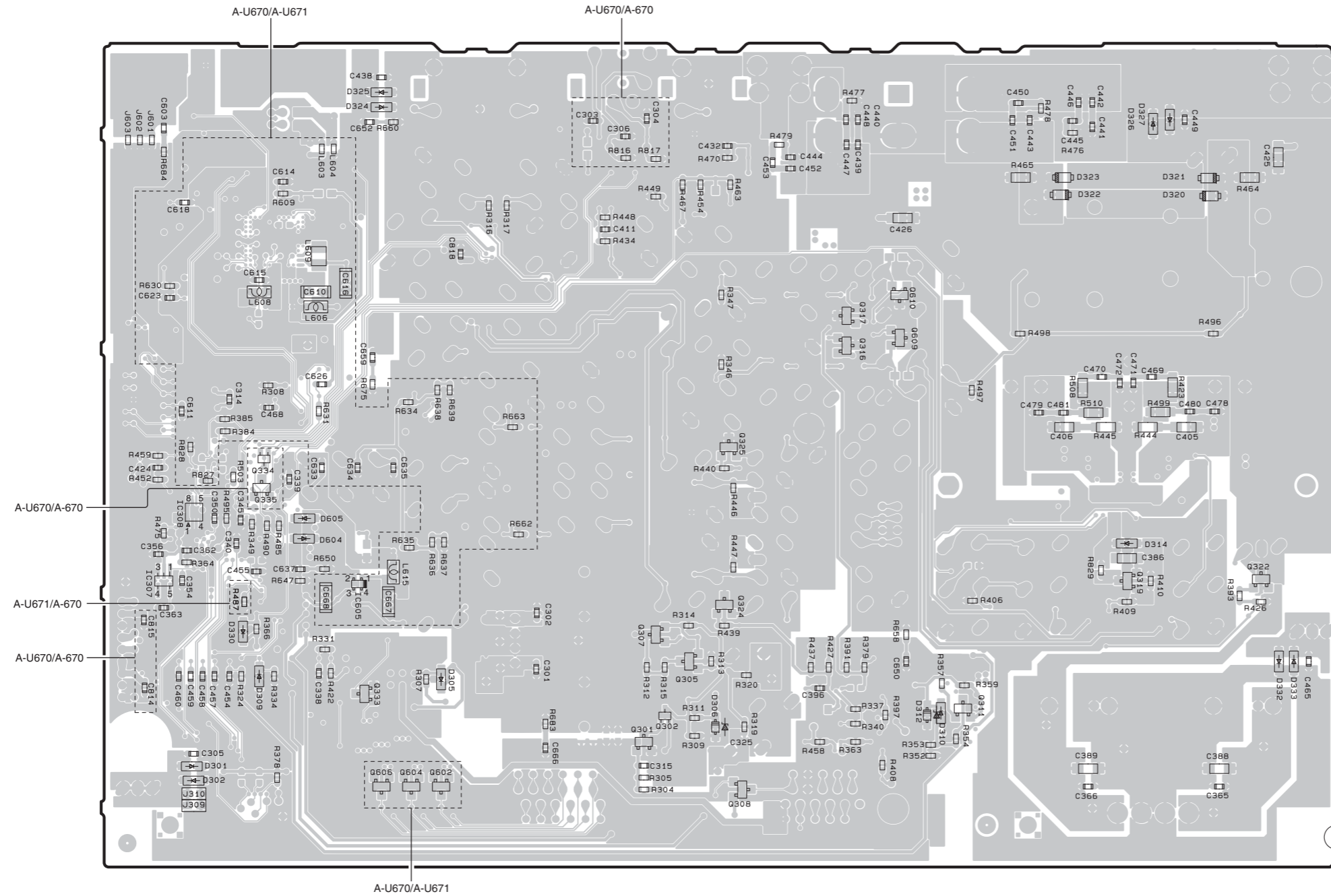
Power supply module
 +27V
 AMP_GND
 AMP_GND
 -27V

No replacement part available.
 サービス部品供給なし
 5 k-ohms
 10 W
 5 k-ohms
 10 W

Power supply module
 -10V
 GND
 GND
 +10V

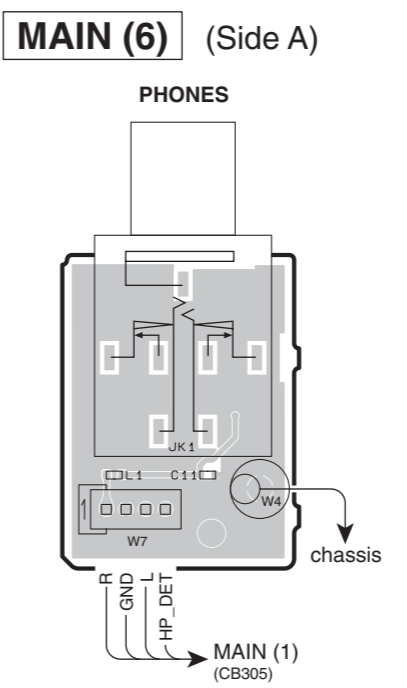
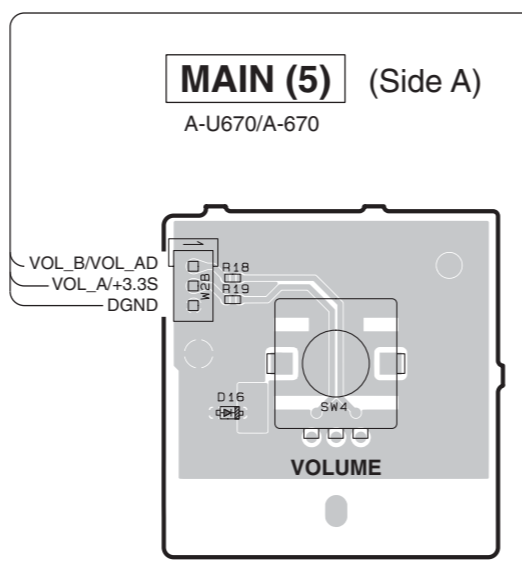
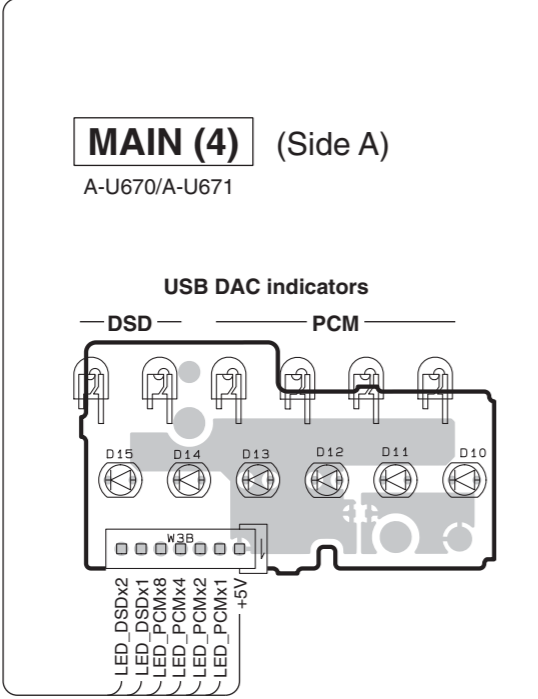
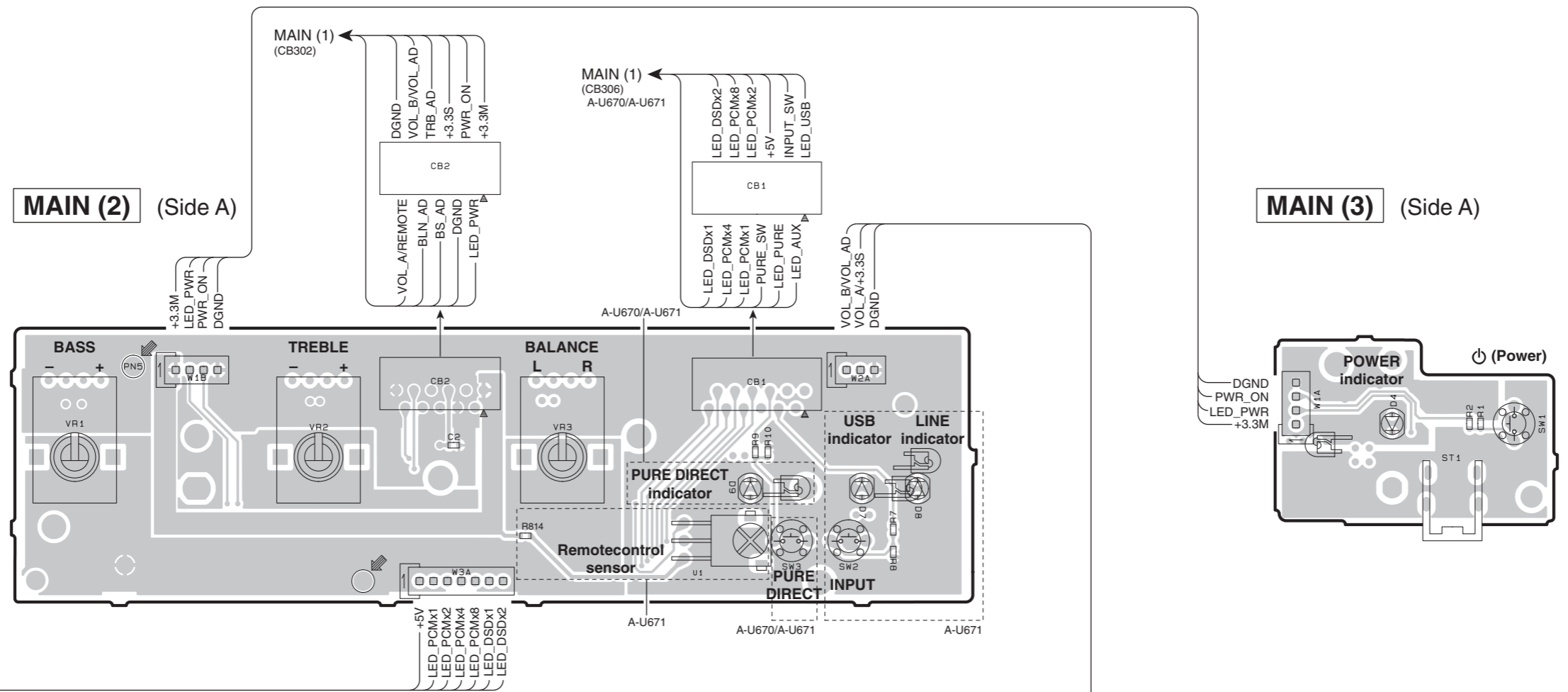
MAIN (2)
 (CB1) A-U670/A-U671

MAIN (1) (Side B)



• Semiconductor Location

Ref no.	Location	Ref no.	Location
D301	B6	IC308	B5
D302	B6	IC605	C5
D305	C5	Q301	D6
D306	E6	Q302	D6
D309	B5	Q305	D5
D310	F6	Q307	D5
D312	F6	Q308	E6
D314	G5	Q311	F6
D320	G3	Q316	E4
D321	G3	Q317	E4
D322	F3	Q319	G5
D323	F3	Q322	G5
D324	C3	Q324	E5
D325	C2	Q325	E4
D326	G3	Q333	C5
D327	G3	Q334	B4
D330	B5	Q335	B4
D332	G5	Q602	C6
D333	G5	Q604	C6
D604	C5	Q606	C6
D605	C5	Q609	E4
IC307	B5	Q610	E3

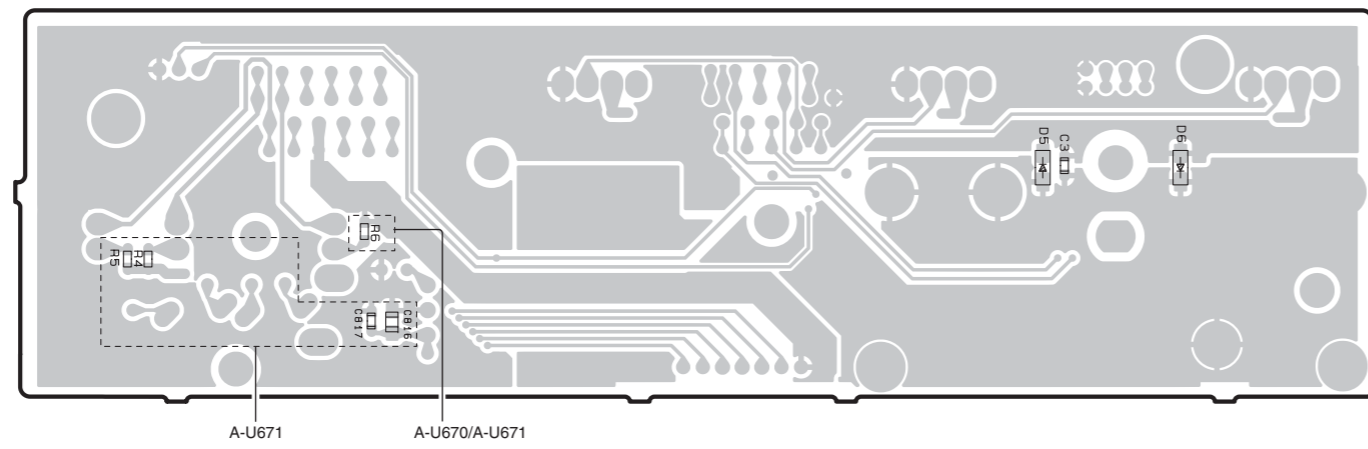


• Semiconductor Location

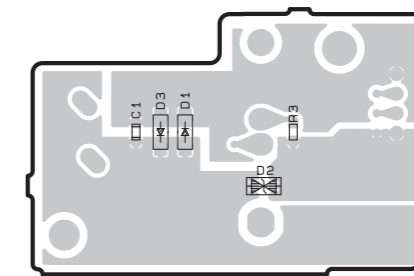
Ref no.	Location
D4	I3
D7	F4
D8	F4
D9	F4
D10	C6
D11	C6
D12	C6
D13	C6
D14	C6
D15	B6
D16	E6

1
2
3
4
5
6
7

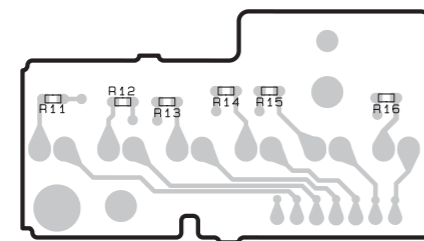
MAIN (2) (Side B)



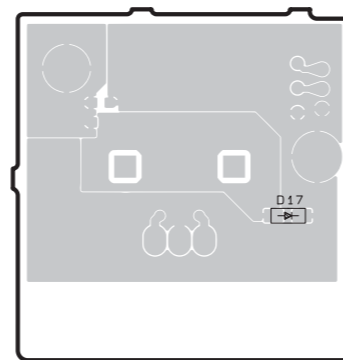
MAIN (3) (Side B)



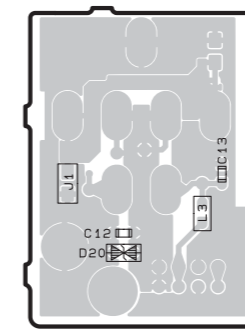
MAIN (4) (Side B)
A-U670/A-U671



MAIN (5) (Side B)
A-U670/A-670



MAIN (6) (Side B)

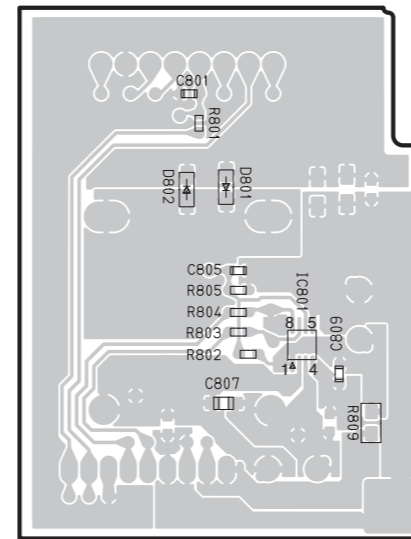
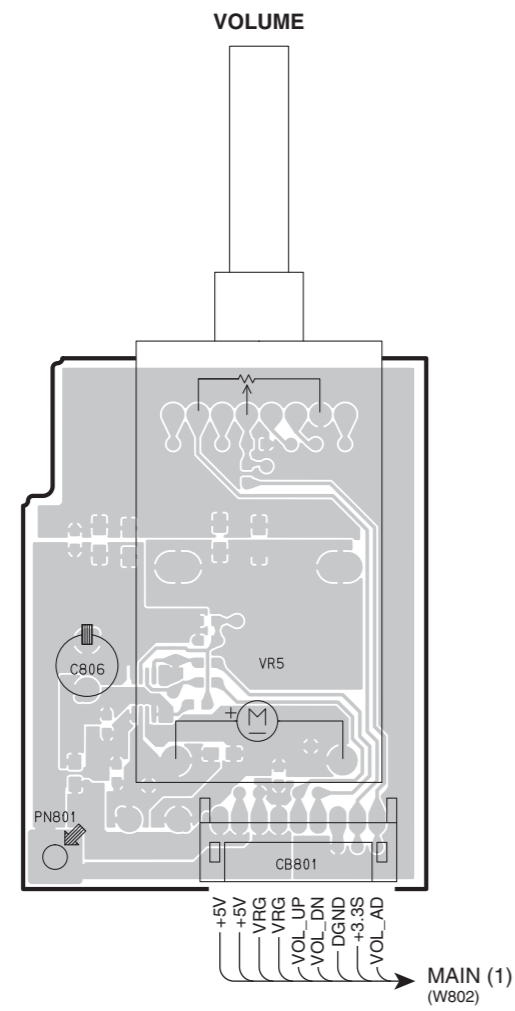


• Semiconductor Location

Ref no.	Location
D1	H3
D2	H3
D3	H3
D5	E3
D6	E3
D17	E6
D20	G7

VOLUME (Side A)

VOLUME (Side B)



• Semiconductor Location

Ref no.	Location
D801	F4
D802	F4
IC801	F4

SCHEMATIC DIAGRAMS
MAIN 1/2

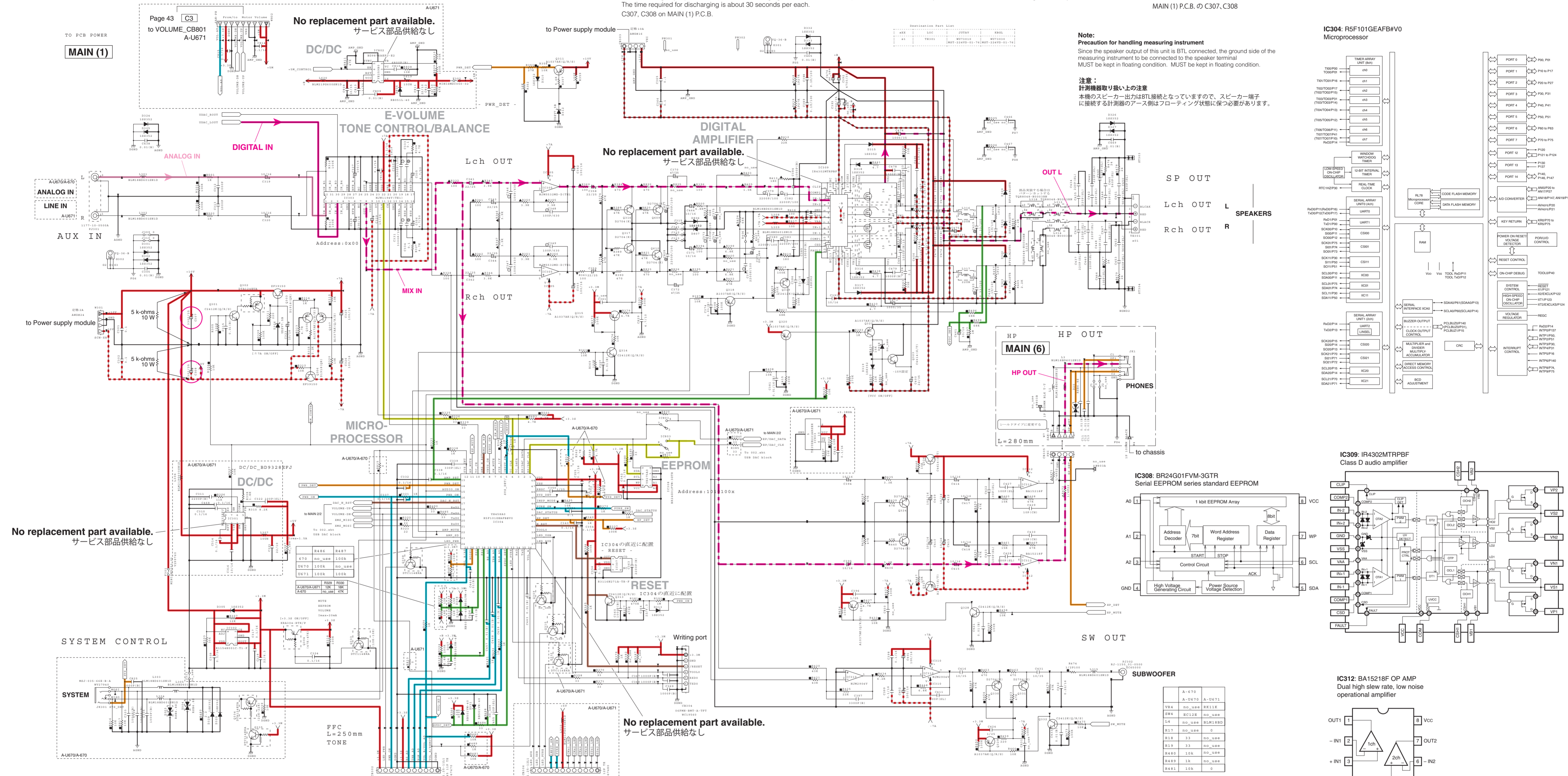
A-U670/A-670/A-U671/NS-BP401/NS-BP301

Notes)
Safety measures
Some internal parts in this product contain high voltages and are dangerous. Be sure to take safety measures during servicing, such as wearing insulating gloves.
Note that the capacitors indicated below are dangerous even after the power is turned off because an electric charge remains and a high voltage continues to exist there.
Before starting any repair work, connect a discharging resistor (5 k-ohms/10 W) to the terminals of each capacitor indicated below to discharge electricity.
The time required for discharging is about 30 seconds per each.
C307, C308 on MAIN (1) P.C.B.

注意)
安全対策
この製品の内部には高電圧部分があり危険です。修理の際は、絶縁性の手袋を使用するなどの安全対策を行ってください。
下記のコンデンサには電源を OFF にした後も電荷が残り、高電圧が維持されており危険です。修理作業前に放電用抵抗(5 kΩ/10 W)を下記の各コンデンサの端子間に接続して放電してください。放電所用時間は各々約 30 秒間です。
MAIN (1) P.C.B. の C307, C308

Note:
Precaution for handling measuring instrument
Since the speaker output of this unit is BTL connected, the ground side of the measuring instrument to be connected to the speaker terminal MUST be kept in floating condition.

注意:
計測機器取り扱い上の注意
本機のスピーカー出力はBTL接続となっておりますので、スピーカー端子に接続する計測器のアース側はフローティング状態に保つ必要があります。



No replacement part available.
サービス部品供給なし

No replacement part available.
サービス部品供給なし

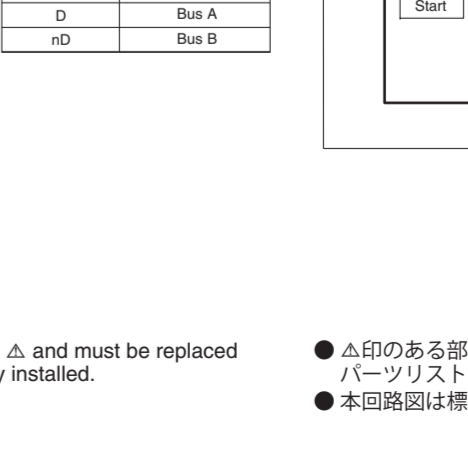
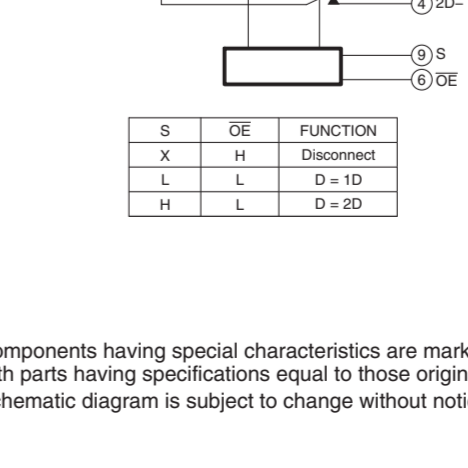
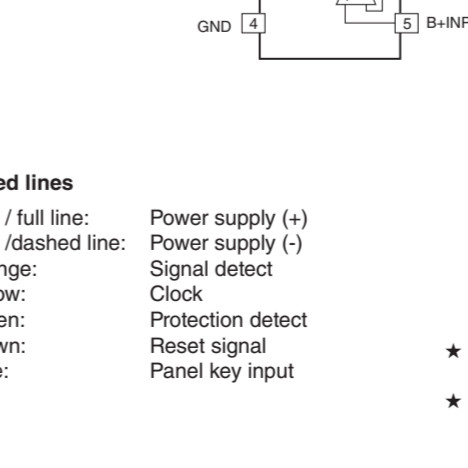
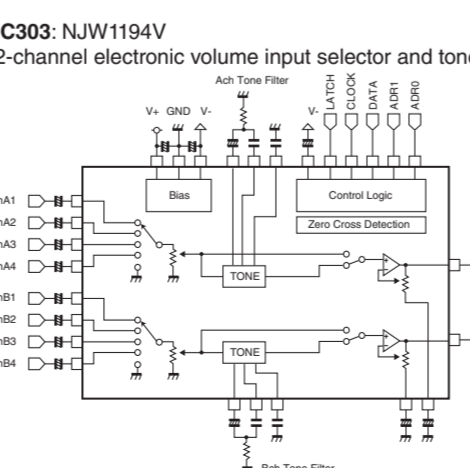
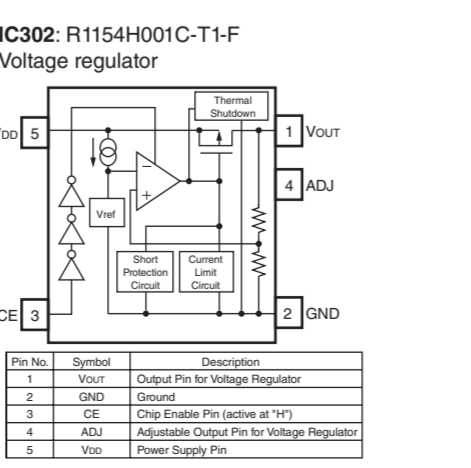
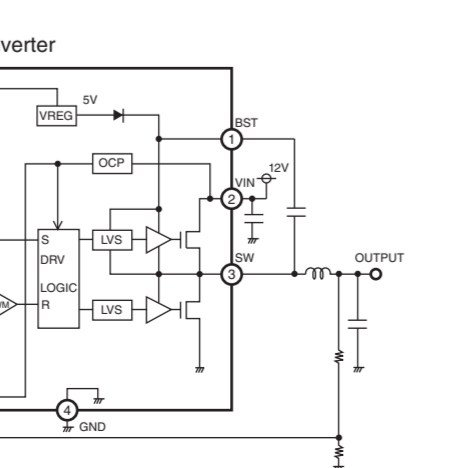
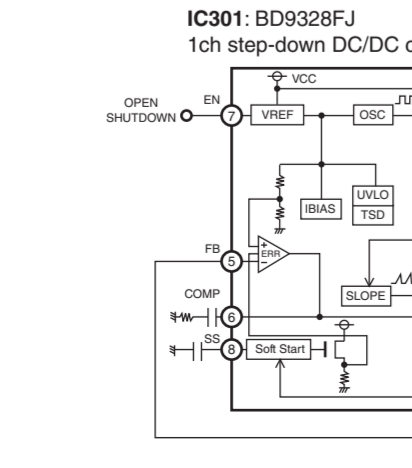
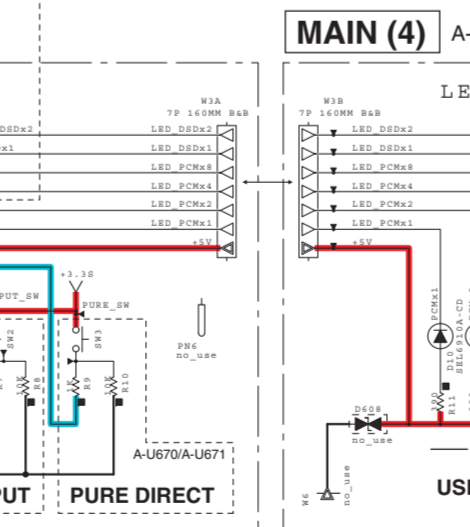
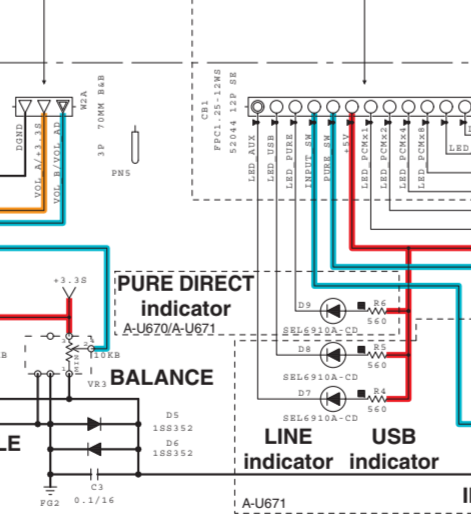
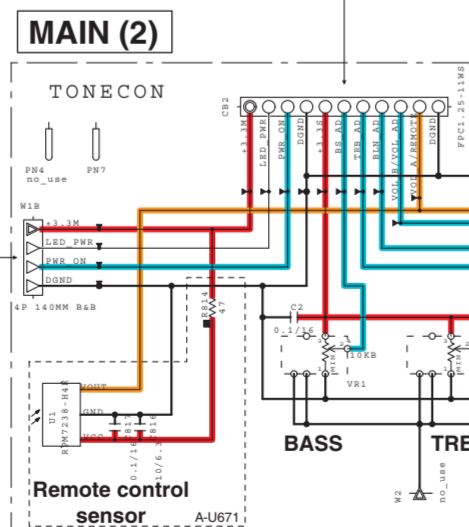
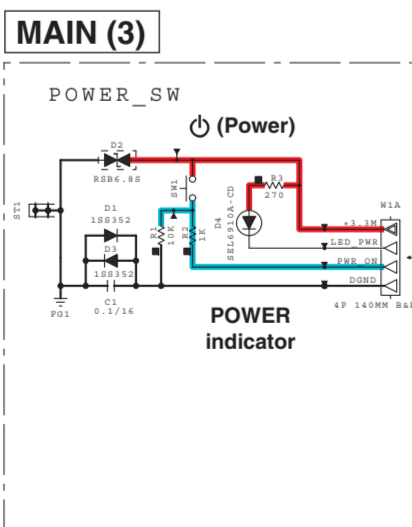
Reference: 1-100

REMARKS	PARTS NAME
NO MARK	CARBON FILM RESISTOR (P-1)
△	CARBON FILM RESISTOR (P-10)
▲	METAL OXIDE FILM RESISTOR
▲	METAL FILM RESISTOR
▲	METAL GLAZE FILM RESISTOR
▲	FILM PROOF CARBON FILM RESISTOR
▲	CEMENT MOLDED RESISTOR
▲	WIRE VARIABLE RESISTOR
▲	CHIP RESISTOR

REMARKS	PARTS NAME
NO MARK	ELECTROLYTIC CAPACITOR
NO MARK	TANTALUM CAPACITOR
▲	CERAMIC TROPALAN CAPACITOR
▲	POLYESTER FILM CAPACITOR
▲	RICH CAPACITOR
▲	POLYPROPYLENE FILM CAPACITOR
▲	SELF-HEATING ELECTRIC CAPACITOR
▲	POLYPROPYLENE ELECTRIC FILM CAPACITOR

NOTICE (note1)

Code	Country
(j)	JAPAN
(k)	U.S.A.
(c)	CANADA
(f)	GERMANY
(g)	FRANCE
(h)	ITALY
(i)	NETHERLANDS
(l)	SPAIN
(m)	SWITZERLAND
(n)	UNITED KINGDOM
(o)	EUROPE
(p)	RUSSIAN
(q)	INDIA
(r)	CHINA
(s)	HONG KONG
(t)	TAIWAN
(u)	AMERICA
(v)	BRAZIL
(w)	OTHER



Details of colored lines
Red / full line: Power supply (+)
Red / dashed line: Power supply (-)
Orange: Signal detect
Yellow: Clock
Green: Protection detect
Brown: Reset signal
Blue: Panel key input

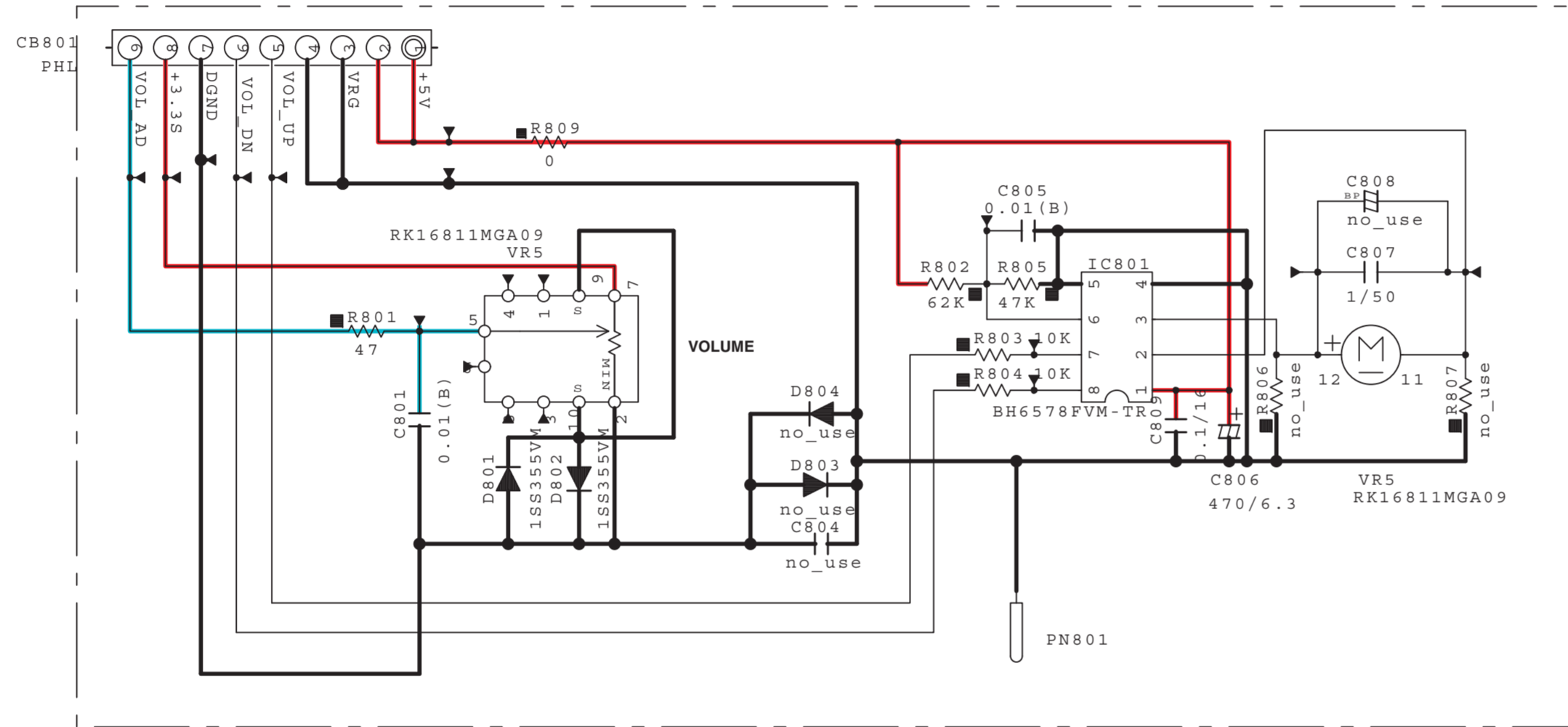
★ Components having special characteristics are marked Δ and must be replaced with parts having specifications equal to those originally installed.
★ Schematic diagram is subject to change without notice.

● Δ印のある部品は、安全性確保部品を示しています。部品の交換が必要な場合、パーツリストに記載されている部品を使用してください。
● 本回路図は標準回路図です。改良のため予告なく変更することがあります。

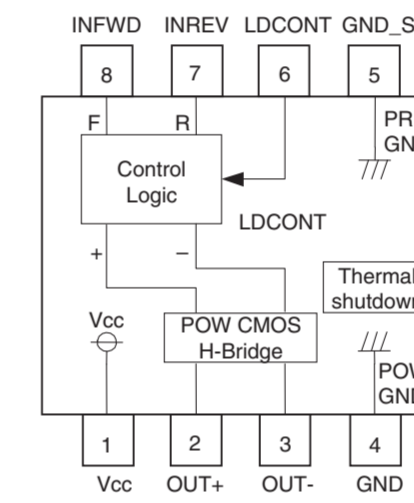
VOLUME

A-U671

Page 41 [E1]
to MAIN (1)_W802



IC801: BH6578FVM-TR
0.5A or less reversible motor drivers



REMARKS	PARTS NAME
NO MARK	CARBON FILM RESISTOR (P=5)
□	CARBON FILM RESISTOR (P=10)
△	METAL OXIDE FILM RESISTOR
▲	METAL FILM RESISTOR
⊠	METAL PLATE RESISTOR
⊞	FIRE PROOF CARBON FILM RESISTOR
□	CEMENT MOLDED RESISTOR
⊙	SEMI VARIABLE RESISTOR
■	CHIP RESISTOR

REMARKS	PARTS NAME
NO MARK	ELECTROLYTIC CAPACITOR
⊗	TANTALUM CAPACITOR
NO MARK	CERAMIC CAPACITOR
⊙	CERAMIC TUBULAR CAPACITOR
⊚	POLYESTER FILM CAPACITOR
⊖	POLYSTYRENE FILM CAPACITOR
⊕	MICA CAPACITOR
⊙	POLYPROPYLENE FILM CAPACITOR
⊚	SEMICONDUCTIVE CERAMIC CAPACITOR
⊖	POLYPHENYLENE SULFIDE FILM CAPACITOR

NOTICE (model)

- (J)..... JAPAN
- (U)..... U.S.A
- (C)..... CANADA
- (R)..... GENERAL
- (T)..... CHINA
- (K)..... KOREA
- (A)..... AUSTRALIA
- (B)..... BRITISH
- (G)..... EUROPE
- (L)..... SINGAPORE
- (E)..... SOUTH EUROPE
- (V)..... TAIWAN
- (F)..... RUSSIAN
- (P)..... LATIN AMERICA
- (S)..... BRAZIL
- (H)..... THAI

Details of colored lines

- Red / full line: Power supply (+)
- Red /dashed line: Power supply (-)
- Orange: Signal detect
- Yellow: Clock
- Green: Protection detect
- Brown: Reset signal
- Blue: Panel key input

★ Components having special characteristics are marked △ and must be replaced with parts having specifications equal to those originally installed.
★ Schematic diagram is subject to change without notice.

● △印のある部品は、安全性確保部品を示しています。部品の交換が必要な場合、パーツリストに記載されている部品を使用してください。
● 本回路図は標準回路図です。改良のため予告なく変更することがあります。

■ REPLACEMENT PARTS LIST

● ELECTRICAL COMPONENT PARTS

WARNING

- Components having special characteristics are marked Δ and must be replaced with parts having specifications equal to those originally installed.
- Δ 印のある部分は、安全確保部品を示しています。部品の交換が必要な場合、パーツリストに記載されている部品を使用してください。

ABBREVIATIONS IN THIS LIST ARE AS FOLLOWS:

C.A.EL.CHP	: CHIP ALUMI.ELECTROLYTIC CAP	LED.CHP	: CHIP LED
C.CE	: CERAMIC CAP	LED.DSPLY	: LED DISPLAY
C.CE.ARRAY	: CERAMIC CAP ARRAY	LED.INFRD	: LED,INFRARED
C.CE.CHP	: CHIP CERAMIC CAP	PHOT.CPL	: PHOTO COUPLER
C.CE.M.CHP	: CHIP MULTILAYER CERAMIC CAP	PHOT.INTR	: PHOTO INTERRUPTER
C.CE.SAFTY	: RECOGNIZED CERAMIC CAP	PHOT.RFLCT	: PHOTO REFLECTOR
C.CE.TUBLR	: CERAMIC TUBULAR CAP	PHOT.TR	: PHOTO TRANSISTOR
C.CE.SMI	: SEMI CONDUCTIVE CERAMIC CAP	PIN.TEST	: PIN, TEST POINT
C.EL	: ELECTROLYTIC CAP	PTC.THERM	: POSITIVE TEMPERATURE COEFFICIENT THERMISTOR
C.EL.BP	: BIPOLAR ELECTROLYTIC CAP	R.ANTI.SURGE	: FIXED ANTI SURGE RESISTOR
C.EL.CHP	: CHIP ELECTROLYTIC CAP	R.ARRAY	: RESISTOR ARRAY
C.MICA	: MICA CAP	R.CAR.	: CARBON RESISTOR
C.ML.FLM	: MULTILAYER FILM CAP	R.CAR.CHP	: CHIP RESISTOR
C.MP	: METALLIZED POLYESTER FILM CAP	R.CAR.FP	: FLAME PROOF CARBON RESISTOR
C.MYLAR	: MYLAR FILM CAP	R.CEMENT	: CEMENT RESISTOR
C.MYLAR.ML	: MULTILAYER MYLAR FILM CAP	R.CHP	: CHIP RESISTOR
C.NIOB.OXD	: NIOBIUM OXIDE CAP	R.FUS	: FUSIBLE RESISTOR
C.PAPER	: PAPER CAPACITOR	R.MTL.CHP	: CHIP METAL FILM RESISTOR
C.PLS	: POLYSTYRENE FILM CAP	R.MTL.FLM	: METAL FILM RESISTOR
C.PML	: POLYMER MULTI-LAYER CAPACITOR	R.MTL.OXD	: METAL OXIDE FILM RESISTOR
C.POL	: POLYESTER FILM CAP	R.MTL.PLAT	: METAL PLATE RESISTOR
C.PP	: POLYPROPYLENE FILM CAP	RSNR.CE	: CERAMIC RESONATOR
C.PP.CHP	: CHIP POLYPROPYLENE FILM CAP	RSNR.CRYS	: CRYSTAL RESONATOR
C.TNTL	: TANTALIUM CAP	SCR.BND.HD	: BIND HEAD B-TIGHT SCREW
C.TNTL.CHP	: CHIP TANTALIUM CAP	SCR.TERM	: SCREW TERMINAL
C.TRIM	: TRIMMER CAP	SCR.TR	: SCREW,TRANSISTOR
CN	: CONNECTOR	SURG.PRTCT	: SURGE PROTECTOR
CN.BS.PIN	: CONNECTOR,BASE PIN	SUPRT.PCB	: P.C.B. SUPPORT
CN.CANNON	: CONNECTOR,CANNON	SW.LEVER	: LEVER SWITCH
CN.DIN	: CONNECTOR,DIN	SW.MICRO	: MICRO SWITCH
CN.FLAT	: CONNECTOR,FLAT CABLE	SW.LEAF	: LEAF SWITCH
CN.FFC	: CONNECTOR,FLEXIBLE FLAT CABLE	SW.PUSH	: PUSH SWITCH
CN.HDMI	: HDMI CONNECTOR	SW.RT	: ROTARY SWITCH
CN.PHOTO.R	: PHOTO FIBER SENSOR,RECEIVED	SW.RT.ENC	: ROTARY ENCODER
CN.PHOTO.T	: PHOTO FIBER SENSOR,TRANSMITTED	SW.RT.MTR	: ROTARY SWITCH WITH MOTOR
D.SCHOTTKY	: SCHOTTKY BARRIER DIODE	SW.SLIDE	: SLIDE SWITCH
DIODE.ARRAY	: DIODE ARRAY	SW.TACT	: TACT SWITCH
DIODE.BRG	: DIODE BRIDGE	TERM.SP	: SPEAKER TERMINAL
DIODE.CHP	: CHIP DIODE	TERM.WRAP	: WRAPPING TERMINAL
DIODE.VAR	: VARACTOR DIODE	THRMST.CHP	: CHIP THERMISTOR
DIODE.ZENR	: ZENER DIODE	TR	: TRANSISTOR
DIODE.Z.CHP	: CHIP ZENER DIODE	TR.CHP	: CHIP TRANSISTOR
DIODE.PHOT	: PHOTO DIODE	TR.DGT	: DIGITAL TRANSISTOR
FER.BEAD	: FERRITE BEADS	TR.DGT.CHP	: CHIP DIGITAL TRANSISTOR
FER.CORE	: FERRITE CORE	TR.PAIR	: PAIR TRANSISTOR
FET.CHP	: CHIP FET	TRANS	: TRANSFORMER
FL.DSPLY	: FLUORESCENT DISPLAY	TRANS.PULS	: PULSE TRANSFORMER
FLTR.CE	: CERAMIC FILTER	TRANS.PWR	: POWER TRANSFORMER
FLTR.COMB	: COMB FILTER MODULE	VARISTOR.C	: CHIP VARISTOR
FLTR.LC.RF	: LC FILTER,EMI	VOLT.SELCT	: VOLTAGE SELECTOR
FUSE.CHP	: CHIP FUSE	VR	: ROTARY POTENTIOMETER
GND.MTL	: GROUND PLATE	VR.MTR	: POTENTIOMETER WITH MOTOR
GND.TERM	: GROUND TERMINAL	VR.SLIDE	: SLIDE POTENTIOMETER
JUMPER.CN	: JUMPER CONNECTOR	VR.SW	: POTENTIOMETER WITH SWITCH
JUMPER.TST	: JUMPER,TEST POINT	VR.TRIM	: TRIMMER POTENTIOMETER
L.DTCT	: LIGHT DETECTING MODULE		

A-U670

MAIN

Ref No.	Part No.	Description	Markets
*	ZS622600	P. C. B.	MAIN KBGL
*	ZS622700	P. C. B.	MAIN V
* CB1	VN066501	CN. BS. PIN	12P
* CB2	VQ044501	CN. BS. PIN	11P
* CB302	VM859501	CN. BS. PIN	11P
* CB303	LB932042	CN. BS. PIN	4P
* CB304	WC195601	CN	6P TE FMN
* CB305	VB390002	CN. BS. PIN	4P
* CB306	VQ047301	CN. BS. PIN	12P
* CB601	WR756801	CN. BS. PIN	11P FMN TE
C1-3	US035101	C. CE. CHP	0. 1uF 16V B
C11-13	US064102	C. CE. CHP	0. 01uF 50V B
* C301-302	WU447002	C. CE. CHP	0. 1uF 50V K
C303-304	US063101	C. CE. CHP	1000pF 50V B
C305	US064102	C. CE. CHP	0. 01uF 50V B
C306	US063101	C. CE. CHP	1000pF 50V B
* C307-308	URO49331	C. EL	3300uF 25V
C309-310	US035101	C. CE. CHP	0. 1uF 16V B
C311	US063222	C. CE. CHP	2200pF 50V B
* C312-313	US163101	C. CE. CHP	1000pF 50V
C314	US035101	C. CE. CHP	0. 1uF 16V B
C315	US064102	C. CE. CHP	0. 01uF 50V B
* C316	WK004402	C. CE. M. CHP	10uF 16V
C317	US035101	C. CE. CHP	0. 1uF 16V B
C318	WJ344402	C. CE. CHP	22uF 6. 3V
* C319-320	UU237101	C. EL	10uF 16V
* C321	ZF613102	C. CE. CHP	22uF 10V
C322	US062101	C. CE. CHP	100pF 50V B
* C323	UR237101	C. EL	10uF 16V
C324	US035101	C. CE. CHP	0. 1uF 16V B
* C325-326	URO38101	C. EL	100uF 16V
* C327-328	UR238101	C. EL	100uF 16V
* C329	UU247101	C. EL	10uF 25V
* C330-331	WE102301	C. PP	3300pF 100V J
C332	US035101	C. CE. CHP	0. 1uF 16V B
* C333-334	VE326002	C. MYLAR	0. 1uF 50V
* C335-336	UR266471	C. EL	4. 7uF 50V
C337-338	US035101	C. CE. CHP	0. 1uF 16V B
* C339	US062332	C. CE. CHP	330pF 50V B
C340	US035101	C. CE. CHP	0. 1uF 16V B
* C341-344	UR247221	C. EL	22uF 25V
* C345	WU447002	C. CE. CHP	0. 1uF 50V K
* C346-349	WE100501	C. PP	100pF 630V K
C350	US046102	C. CE. CHP	1uF 25V
* C351	WU447002	C. CE. CHP	0. 1uF 50V K
* C352-353	UU238101	C. EL	100uF 16V
C354-356	US035101	C. CE. CHP	0. 1uF 16V B
C357	US064102	C. CE. CHP	0. 01uF 50V B
* C358-359	UR347220	C. EL	22uF 25V
C360	US663101	C. CE. CHP	1000pF 50V
C362	US035101	C. CE. CHP	0. 1uF 16V B
C363	US063222	C. CE. CHP	2200pF 50V B
C364	WD758102	C. CE. CHP	22uF 6. 3V
* C365-366	WU447002	C. CE. CHP	0. 1uF 50V K
C367-369	US063101	C. CE. CHP	1000pF 50V B
* C370	UU247471	C. EL	47uF 25V
* C371	UR237101	C. EL	10uF 16V

* New Parts

Ref No.	Part No.	Description	Markets
* C372	UU247471	C. EL	47uF 25V
* C373	WE102301	C. PP	3300pF 100V J
C374	US064102	C. CE. CHP	0. 01uF 50V B
* C377	WE102101	C. PP	2200pF 100V J
* C379-380	WE102101	C. PP	2200pF 100V J
C381	US634101	C. CE. CHP	0. 01uF 16V
* C382-383	WE102101	C. PP	2200pF 100V J
C384-385	US063101	C. CE. CHP	1000pF 50V B
* C386	WK003601	C. CE. M. CHP	22uF 16V
C387	WJ881200	C. CE. CHP	1uF 16V
* C388-389	VZ420802	C. CE. M. CHP	0. 1uF 100V
C390	WJ881200	C. CE. CHP	1uF 16V
C391	ZA584600	C. CE. M. CHP	10uF 16V
* C392-393	ZS877200	C. EL	4700uF 35V
* C394-395	UR237101	C. EL	10uF 16V
C396	US046102	C. CE. CHP	1uF 25V
* C397	US063331	C. CE. CHP	3300pF 50V B
C398-399	US035101	C. CE. CHP	0. 1uF 16V B
* C400	UF057221	C. EL. CHP	22uF 35V
* C401-402	UR238101	C. EL	100uF 16V
* C403-404	WU447002	C. CE. CHP	0. 1uF 50V K
* C405-408	VZ420802	C. CE. M. CHP	0. 1uF 100V
* C409-410	UR838103	C. EL	100uF 16V
C411	US062101	C. CE. CHP	100pF 50V B
* C412-415	UR237101	C. EL	10uF 16V
* C416	ZG844402	C. CE. M. CHP	10uF 35V
* C417-418	UR237101	C. EL	10uF 16V
* C419-420	ZK352500	C. POL. MTL	0. 33uF 100V
C421	US064102	C. CE. CHP	0. 01uF 50V B
C422-423	US062101	C. CE. CHP	100pF 50V B
C424	US046102	C. CE. CHP	1uF 25V
* C425-426	VZ420802	C. CE. M. CHP	0. 1uF 100V
C427-428	US062101	C. CE. CHP	100pF 50V B
* C429-430	US061101	C. CE. CHP	10pF 50V B
* C431	ZG844402	C. CE. M. CHP	10uF 35V
* C432	WG427601	C. CE. M. CHP	0. 22uF 16V
C433	US064102	C. CE. CHP	0. 01uF 50V B
* C434-437	US062222	C. CE. CHP	220pF 50V B
C438	US064102	C. CE. CHP	0. 01uF 50V B
* C439-442	US062222	C. CE. CHP	220pF 50V B
C443-444	US062101	C. CE. CHP	100pF 50V B
* C445-448	US062561	C. CE. CHP	560pF 50V B
C449	US064102	C. CE. CHP	0. 01uF 50V B
* C450-453	US062561	C. CE. CHP	560pF 50V B
C454	US064102	C. CE. CHP	0. 01uF 50V B
C455	US062101	C. CE. CHP	100pF 50V B
C456-460	US064102	C. CE. CHP	0. 01uF 50V B
* C461	UR837331	C. EL	33uF 16V
C462	US035101	C. CE. CHP	0. 1uF 16V B
C463	US064102	C. CE. CHP	0. 01uF 50V B
* C464	UR237101	C. EL	10uF 16V
C465	US064102	C. CE. CHP	0. 01uF 50V B
C468	US035101	C. CE. CHP	0. 1uF 16V B
C469-472	US063101	C. CE. CHP	1000pF 50V B
* C473-474	ZS825400	C. EL	1000uF 35V
* C475	ZR062600	C. EL	2200uF 35V
C478-481	US063101	C. CE. CHP	1000pF 50V B

* New Parts

A-U670/A-670/A-U671/NS-BP401/NS-BP301

A-U670

MAIN

Ref No.	Part No.	Description	Markets	Ref No.	Part No.	Description	Markets
C603	US064102	C. CE. CHP	0.01uF 50V B	D320-323	ZA147600	DIODE	RF081M2STR TE
C605	ZG726702	C. CE. CHP	1uF 6.3V	* D324-329	ZP358602	DIODE	1SS352 TE
* C606-607	US660701	C. CE. CHP	7pF 50V	* D330-331	ZQ873502	D. SCHOTTKY	RB501VM-40TE-17
C608	US064102	C. CE. CHP	0.01uF 50V B	* D332-333	ZP358602	DIODE	1SS352 TE
C609	WV169101	C. CE. CHP	2.2uF 10V	* D601-603	WE674802	VARISTOR. C	AVRL161A1R1NTB
C610	WS661201	C. CE. M. CHP	4.7uF 10V	* D604-607	ZP358602	DIODE	1SS352 TE
C611-613	US035101	C. CE. CHP	0.1uF 16V B	* D806-807	ZP358602	DIODE	1SS352 TE
C614	US064102	C. CE. CHP	0.01uF 50V B	* F301	V2997601	SW. POLY	SMDCO50-02
C615	US035101	C. CE. CHP	0.1uF 16V B	* G301-302	ZJ282300	TERM. GND	M3.5 YQ-36-B
C616-617	WJ344402	C. CE. CHP	22uF 6.3V	IC302	YA160A01	IC	R1154H001C-T1-F
C618	US064102	C. CE. CHP	0.01uF 50V B	* IC303	X8355A01	IC	NJW1194
C619-620	US035101	C. CE. CHP	0.1uF 16V B	* IC305	X9127A01	IC	NJM5532M-D
C621	US064102	C. CE. CHP	0.01uF 50V B	* IC307	YC109A02	IC	R3116N271A-TR-F
C622	US035101	C. CE. CHP	0.1uF 16V B	* IC308	YH275A00	IC	BR24G01FVM-3GTR
C623	US064102	C. CE. CHP	0.01uF 50V B	* IC309	YF175A00	IC	1R4302MTRPBF
C624-625	US046102	C. CE. CHP	1uF 25V	* IC310	XR532A01	IC	NJM2904V (TE1) DUAL
C626-627	US035101	C. CE. CHP	0.1uF 16V B	* IC312	XS377A01	IC	BA15218F OP AMP
* C628	UR837471	C. EL	47uF 16V	* IC601	YF849A02	IC	R5527K001D-TR LOAD
* C629-630	UR866101	C. EL	1uF 50V	* IC603	X8730A02	IC	SN74LVC2G157DCTR
C631	WD758301	C. CE. CHP	10uF 10V	* IC604	X8378A02	IC	TC7SH125FU (TE85L, F
C632	US064102	C. CE. CHP	0.01uF 50V B	* IC605	YG499A02	IC	RP130Q131D-TR-FE
C633-635	US035101	C. CE. CHP	0.1uF 16V B	* IC606	YH514B00	IC. MEMOMRY	S25FL116K0XMF1010 (written)
C636	WD758301	C. CE. CHP	10uF 10V	* IC607	YC288A01	IC	RP130Q331D-TR-F
C637	US064102	C. CE. CHP	0.01uF 50V B	* IC609	YF016A02	IC	RP170H331B-T1-FE
* C638-639	WE100501	C. PP	100pF 630V K	* IC610-611	X9127A01	IC	NJM5532M-D
* C641-642	WE100501	C. PP	100pF 630V K	* IC615	X9127A01	IC	NJM5532M-D
C643-646	US035101	C. CE. CHP	0.1uF 16V B	* IC803	YE234A01	IC	TS3USB221ARSER
* C647-648	UR838103	C. EL	100uF 16V	J601-603	RD350002	R. CHP	0Ω 1/16W J
C650-652	US064102	C. CE. CHP	0.01uF 50V B	* J606	RD450003	R. CHP	0Ω 1/16W J
* C653-654	ZK674000	C. MYLAR	1500pF 100V	J607	RD350002	R. CHP	0Ω 1/16W J
* C655-656	ZK673100	C. MYLAR	270pF 100V	* JK1	ZS296400	JACK. PHONE	JY-6355#04-070G
C657-659	US064102	C. CE. CHP	0.01uF 50V B	* JK301	WV279400	JACK. MINI	MSJ-035-66E-B-GILT
* C660-661	ZK673100	C. MYLAR	270pF 100V	* JK601	V7808902	CN. USB	UBB 4P SE
* C663-664	UR237101	C. EL	10uF 16V	* L313-314	ZF924900	FILTER	TQR8048-N0003RN2-R
C665-666	US064102	C. CE. CHP	0.01uF 50V B	* PJ301	ZS601100	JACK. PIN	2P WH/RD AU RJ-117
* C667-668	WG888302	C. CE. M. CHP	10uF 6.3V	* PJ302	ZC650001	JACK. PIN	1P RJ-1150 01-0500
C818-819	US035101	C. CE. CHP	0.1uF 16V B	* Q301	VV556403	TR	2SC2412K Q, R, S
C825	US063101	C. CE. CHP	1000pF 50V B	* Q302	VQ993301	TR. DGT. CHP	DTA124EUAT106
C826	US135101	C. CE. CHP	0.1uF 16V	* Q303	ZF391500	TR. CHP	2SD1918 QR TP
C827-828	ZD515100	C. MYLAR	1000pF 63V	* Q304	WY029602	TR. DGT	KRA304-RTK/P
C829	WS661201	C. CE. M. CHP	4.7uF 10V	* Q305	VV556502	TR	2SA1037K Q, R, S
* D1	ZP358602	DIODE	1SS352 TE	* Q306	ZF391500	TR. CHP	2SD1918 QR TP
D2	WC413301	DIODE. ZENR	RSB6.8S 6.8V	* Q307	VV556502	TR	2SA1037K Q, R, S
* D3	ZP358602	DIODE	1SS352 TE	* Q308	VV655402	TR. DGT	DTC114EKA
* D4	WA467801	LED	SEL6910A-CD	* Q311	VV556502	TR	2SA1037K Q, R, S
* D5-6	ZP358602	DIODE	1SS352 TE	* Q312	VV655402	TR. DGT	DTC114EKA
* D9-15	WA467801	LED	SEL6910A-CD	* Q313-314	VV556403	TR	2SC2412K Q, R, S
* D16-17	ZP358602	DIODE	1SS352 TE	* Q315	VV556502	TR	2SA1037K Q, R, S
D20	WC413301	DIODE. ZENR	RSB6.8S 6.8V	* Q316-317	WC883403	TR	2SD2704 K
* D301-302	ZP358602	DIODE	1SS352 TE	* Q318	VV556502	TR	2SA1037K Q, R, S
D303-304	WC413301	DIODE. ZENR	RSB6.8S 6.8V	* Q319	VV556403	TR	2SC2412K Q, R, S
* D305	ZP358602	DIODE	1SS352 TE	* Q320-322	VV556502	TR	2SA1037K Q, R, S
* D306	WY163601	DIODE. ZENR	UDZV7.5B	* Q323	V4096101	TR	2SC4614 S, T
* D307-309	ZQ873502	D. SCHOTTKY	RB501VM-40TE-17	* Q324-325	WC883403	TR	2SD2704 K
* D310	ZP358602	DIODE	1SS352 TE	* Q326	V4096101	TR	2SC4614 S, T
* D312	WY163601	DIODE. ZENR	UDZV7.5B	* Q327	V4096001	TR	2SA1770 S, T
* D313-319	ZP358602	DIODE	1SS352 TE	* Q328	VV556403	TR	2SC2412K Q, R, S

* New Parts

* New Parts

A-U670

MAIN

Ref No.	Part No.	Description	Markets
* Q329	VV556502	TR 2SA1037K Q, R, S	
* Q330-331	WC883403	TR 2SD2704 K	
* Q332	VV556403	TR 2SC2412K Q, R, S	
* Q333	VV655402	TR. DGT DTC114EKA	
* Q334	VQ993301	TR. DGT. CHP DTA124EUAT106	
* Q335	VV655402	TR. DGT DTC114EKA	
* Q601-606	VV655402	TR. DGT DTC114EKA	
* Q607	VV655502	TR. DGT DTC124EKA	
* Q609-610	WC883403	TR 2SD2704 K	
R1	RD357101	R. CHP 10KΩ 1/16W J	
R2	RD356102	R. CHP 1KΩ 1/16W J	
* R3	RD355272	R. CHP 270Ω 1/16W J	
R6	RD355562	R. CHP 560Ω 1/16W J	
R9	RD356102	R. CHP 1KΩ 1/16W J	
R10	RD357101	R. CHP 10KΩ 1/16W J	
* R11-16	RD355392	R. CHP 390Ω 1/16W J	
R18-19	RD354331	R. CHP 33Ω 1/16W J	
R301-302	RD358101	R. CHP 100KΩ 1/16W J	
* R303	RF457333	R. CHP 33KΩ 1/16W F	
R304	RD357101	R. CHP 10KΩ 1/16W J	
R305	RD358101	R. CHP 100KΩ 1/16W J	
* R306	RF457111	R. CHP 11KΩ 1/16W F	
* R307	RF457121	R. CHP 12KΩ 1/16W F	
* R308	RF456182	R. CHP 1.8KΩ 1/16W F	
R309	RD358101	R. CHP 100KΩ 1/16W J	
* R310	RF456822	R. CHP 8.2KΩ 1/16W F	
* R311	RD355223	R. CHP 220Ω 1/16W J	
R312	RD357101	R. CHP 10KΩ 1/16W J	
R313	RD356471	R. CHP 4.7KΩ 1/16W J	
R314	RD356102	R. CHP 1KΩ 1/16W J	
* R315	RD356222	R. CHP 2.2KΩ 1/16W J	
* R316-317	RF458101	R. CHP 100KΩ 1/16W F	
R318	RD358101	R. CHP 100KΩ 1/16W J	
R319-320	RD357101	R. CHP 10KΩ 1/16W J	
R321	RD356102	R. CHP 1KΩ 1/16W J	
R322-323	RD354222	R. CHP 22Ω 1/16W J	
R324	RD358101	R. CHP 100KΩ 1/16W J	
R325	RD356681	R. CHP 6.8KΩ 1/16W J	
R326-327	RD356471	R. CHP 4.7KΩ 1/16W J	
* R328	RF355102	R. MTL. CHP 100Ω 1/16W D	
R329	RD357121	R. CHP 12KΩ 1/16W J	
* R330	RD357182	R. CHP 18KΩ 1/16W J	
R331	RD356102	R. CHP 1KΩ 1/16W J	
* R332	RF355102	R. MTL. CHP 100Ω 1/16W D	
* R333	RD357152	R. CHP 15KΩ 1/16W J	
R334	RD357121	R. CHP 12KΩ 1/16W J	
R335-336	RD354331	R. CHP 33Ω 1/16W J	
R337	RD358101	R. CHP 100KΩ 1/16W J	
R338	RD356102	R. CHP 1KΩ 1/16W J	
R339	RD354331	R. CHP 33Ω 1/16W J	
R340	RD356102	R. CHP 1KΩ 1/16W J	
* R341-342	RF355102	R. MTL. CHP 100Ω 1/16W D	
* R343-344	RF356392	R. MTL. CHP 3.9KΩ 1/16W D	
R345	RD356102	R. CHP 1KΩ 1/16W J	
* R346-347	RF356392	R. MTL. CHP 3.9KΩ 1/16W D	
R348-349	RD356102	R. CHP 1KΩ 1/16W J	
* R350-351	RF356392	R. MTL. CHP 3.9KΩ 1/16W D	

* New Parts

Ref No.	Part No.	Description	Markets
* R352	RD357162	R. CHP 16KΩ 1/16W J	
* R353	RD357272	R. CHP 27KΩ 1/16W J	
R354	RD357101	R. CHP 10KΩ 1/16W J	
* R355-356	RF356392	R. MTL. CHP 3.9KΩ 1/16W D	
R357	RD356561	R. CHP 5.6KΩ 1/16W J	
R358	RD354331	R. CHP 33Ω 1/16W J	
R359	RD358101	R. CHP 100KΩ 1/16W J	
* R360-361	RF355102	R. MTL. CHP 100Ω 1/16W D	
R362	RD356471	R. CHP 4.7KΩ 1/16W J	
R363	RD357101	R. CHP 10KΩ 1/16W J	
R364	RD358101	R. CHP 100KΩ 1/16W J	
R365	RD356102	R. CHP 1KΩ 1/16W J	
* R366	RF457333	R. CHP 33KΩ 1/16W F	
R368	RD356471	R. CHP 4.7KΩ 1/16W J	
R369	RD358101	R. CHP 100KΩ 1/16W J	
R370-371	RD354331	R. CHP 33Ω 1/16W J	
R372	RD356102	R. CHP 1KΩ 1/16W J	
R373	RD358101	R. CHP 100KΩ 1/16W J	
* R374-375	RF357472	R. MTL. CHP 47KΩ 1/16W D	
R376	RD357101	R. CHP 10KΩ 1/16W J	
* R377	RD358472	R. CHP 470KΩ 1/16W J	
R378	RD356102	R. CHP 1KΩ 1/16W J	
R379	RD356471	R. CHP 4.7KΩ 1/16W J	
R380	RD354331	R. CHP 33Ω 1/16W J	
* R381	RD358472	R. CHP 470KΩ 1/16W J	
R383-385	RD354331	R. CHP 33Ω 1/16W J	
* R386	RF355471	R. MTL. CHP 470Ω 1/16W D	
R388-389	RD357471	R. CHP 47KΩ 1/16W J	
* R390	RF355471	R. MTL. CHP 470Ω 1/16W D	
R391	RD358101	R. CHP 100KΩ 1/16W J	
R392	RD359102	R. CHP 1MΩ 1/16W J	
R393	RD356102	R. CHP 1KΩ 1/16W J	
* R394-396	RF355102	R. MTL. CHP 100Ω 1/16W D	
R397	RD357101	R. CHP 10KΩ 1/16W J	
R398	RD358101	R. CHP 100KΩ 1/16W J	
* R399	RF356682	R. MTL. CHP 6.8KΩ 1/16W D	
* R401	RF356682	R. MTL. CHP 6.8KΩ 1/16W D	
* R402	RF357472	R. MTL. CHP 47KΩ 1/16W D	
* R404	RF357682	R. MTL. CHP 68KΩ 1/16W D	
* R405	RF356102	R. MTL. CHP 1.0KΩ 1/16W D	
R406	RD350002	R. CHP 0Ω 1/16W J	
R408	RD357101	R. CHP 10KΩ 1/16W J	
R409-410	RD358101	R. CHP 100KΩ 1/16W J	
* R411	RF357682	R. MTL. CHP 68KΩ 1/16W D	
* R412	RF357222	R. MTL. CHP 22KΩ 1/16W D	
* R413-414	RF355182	R. MTL. CHP 180Ω 1/16W D	
R415	RD358101	R. CHP 100KΩ 1/16W J	
* R416-417	RD155102	R. CAR. CHP 100Ω 1/4W	
* R418-419	ZH078801	R. CAR. CHP 27KΩ 1W	
* R420-421	RD357431	R. CHP 43KΩ 1/16W J	
R422	RD357101	R. CHP 10KΩ 1/16W J	
* R423	RD154151	R. CHP 15Ω 1/4W J	
R424	RD358101	R. CHP 100KΩ 1/16W J	
R425	RD357221	R. CHP 22KΩ 1/16W J	
* R426	RD358271	R. CHP 270KΩ 1/16W J	
R427	RD356471	R. CHP 4.7KΩ 1/16W J	
R428-429	RD357471	R. CHP 47KΩ 1/16W J	

* New Parts

A-U670/A-670/A-U671/NS-BP401/NS-BP301

A-U670

MAIN

Ref No.	Part No.	Description	Markets
* R430	RD353471	R. CHP 4. 7Ω 1/16W J	
* R431	RD357152	R. CHP 15KΩ 1/16W J	
R432	RD357121	R. CHP 12KΩ 1/16W J	
R433	RD357101	R. CHP 10KΩ 1/16W J	
* R434	RD356621	R. CHP 6. 2KΩ 1/16W J	
* R435-436	RF456332	R. CHP 3. 3KΩ 1/16W F	
R437	RD358101	R. CHP 100KΩ 1/16W J	
* R438	RD353471	R. CHP 4. 7Ω 1/16W J	
R439-440	RD357471	R. CHP 47KΩ 1/16W J	
* R441	RD353471	R. CHP 4. 7Ω 1/16W J	
* R442-443	RD357332	R. CHP 33KΩ 1/16W J	
* R444-445	RD153101	R. CAR. CHP 1Ω 1/4W	
R446-447	RD357101	R. CHP 10KΩ 1/16W J	
R448	RD356681	R. CHP 6. 8KΩ 1/16W J	
R449	RD357471	R. CHP 47KΩ 1/16W J	
* R450-451	RF457472	R. CHP 47KΩ 1/16W F	
R452	RD358101	R. CHP 100KΩ 1/16W J	
R453	RD355471	R. CHP 470Ω 1/16W J	
R454	RD357471	R. CHP 47KΩ 1/16W J	
R455	RD358101	R. CHP 100KΩ 1/16W J	
* R456-457	WH158701	R. CHP 10Ω 1W J	
R458	RD357101	R. CHP 10KΩ 1/16W J	
* R459	RD355223	R. CHP 220Ω 1/16W J	
* R460-461	RF457152	R. CHP 15KΩ 1/16W F	
R462	RD355471	R. CHP 470Ω 1/16W J	
R463	RD357471	R. CHP 47KΩ 1/16W J	
* R464-465	RD156221	R. CAR. CHP 2. 2KΩ 1/4W	
R466	RD357101	R. CHP 10KΩ 1/16W J	
R467	RD358101	R. CHP 100KΩ 1/16W J	
* R468-469	RF457472	R. CHP 47KΩ 1/16W F	
R470	RD357471	R. CHP 47KΩ 1/16W J	
* R471-472	WZ678100	R. MTL. OXD 22Ω 1/4W	
R473	RD358101	R. CHP 100KΩ 1/16W J	
* R474	VK641801	R. CHP 100Ω 1/2W	
R475	RD357101	R. CHP 10KΩ 1/16W J	
* R476-479	RD354241	R. CHP 24Ω 1/16W J	
R480-481	RD357101	R. CHP 10KΩ 1/16W J	
* R482	RD353223	R. CHP 2. 2Ω 1/16W J	
R483	RD356471	R. CHP 4. 7KΩ 1/16W J	
R484-485	RD354331	R. CHP 33Ω 1/16W J	
R486	RD358101	R. CHP 100KΩ 1/16W J	
R489	RD356102	R. CHP 1KΩ 1/16W J	
R490	RD354331	R. CHP 33Ω 1/16W J	
R491-494	RD356102	R. CHP 1KΩ 1/16W J	
R495	RD357101	R. CHP 10KΩ 1/16W J	
R496	RF457681	R. CHP 68KΩ 1/16W F	
R497	RD359102	R. CHP 1MΩ 1/16W J	
R498	RF457681	R. CHP 68KΩ 1/16W F	
* R499	RD154151	R. CHP 15Ω 1/4W J	
* R500	RF356682	R. MTL. CHP 6. 8KΩ 1/16W D	
R501-502	RD356102	R. CHP 1KΩ 1/16W J	
R503	RD356471	R. CHP 4. 7KΩ 1/16W J	
R504	RD358101	R. CHP 100KΩ 1/16W J	
R507	RD357101	R. CHP 10KΩ 1/16W J	
* R508	RD154151	R. CHP 15Ω 1/4W J	
R509	RD357101	R. CHP 10KΩ 1/16W J	
* R510	RD154151	R. CHP 15Ω 1/4W J	

* New Parts

Ref No.	Part No.	Description	Markets
R603-605	RD356102	R. CHP 1KΩ 1/16W J	
R606	RD358101	R. CHP 100KΩ 1/16W J	
R608	RD357101	R. CHP 10KΩ 1/16W J	
R609	RD356102	R. CHP 1KΩ 1/16W J	
* R610	RD459102	R. CHP 1MΩ 1/16W J	
* R611	RD458102	R. CHP 100KΩ 1/16W	
R612	RD358101	R. CHP 100KΩ 1/16W J	
* R615	RD458102	R. CHP 100KΩ 1/16W	
R617	RD355102	R. CHP 100Ω 1/16W J	
R619-620	RD355102	R. CHP 100Ω 1/16W J	
R621	RD457101	R. CHP 10KΩ 1/16W J	
R622	RD356102	R. CHP 1KΩ 1/16W J	
R623	RD355102	R. CHP 100Ω 1/16W J	
R624	RD457101	R. CHP 10KΩ 1/16W J	
* R625-626	RF454472	R. CHP 47Ω 1/16W F	
R627	RD457101	R. CHP 10KΩ 1/16W J	
R629	RF457103	R. CHP 10KΩ 1/16W F	
R630-631	RD356102	R. CHP 1KΩ 1/16W J	
R633	RD354471	R. CHP 47Ω 1/16W J	
* R634-635	RF357102	R. MTL. CHP 10KΩ 1/16W D	
* R636	RF356562	R. MTL. CHP 5. 6KΩ 1/16W D	
* R637	RF355752	R. MTL. CHP 750Ω 1/16W D	
* R638	RF356562	R. MTL. CHP 5. 6KΩ 1/16W D	
* R639	RF355752	R. MTL. CHP 750Ω 1/16W D	
* R640-641	RF355102	R. MTL. CHP 100Ω 1/16W D	
* R643-644	RF355102	R. MTL. CHP 100Ω 1/16W D	
* R645-646	RF356222	R. MTL. CHP 2. 2KΩ 1/16W D	
* R647	RD353223	R. CHP 2. 2Ω 1/16W J	
* R648-649	RF356222	R. MTL. CHP 2. 2KΩ 1/16W D	
* R650	RD353223	R. CHP 2. 2Ω 1/16W J	
* R654-657	RF356392	R. MTL. CHP 3. 9KΩ 1/16W D	
* R658-660	RD353223	R. CHP 2. 2Ω 1/16W J	
* R661	RF356392	R. MTL. CHP 3. 9KΩ 1/16W D	
* R662-663	RF354102	R. MTL. CHP 10Ω 1/16W D	
* R664-665	RF356392	R. MTL. CHP 3. 9KΩ 1/16W D	
* R666-669	RF355222	R. MTL. CHP 220Ω 1/16W D	
* R670	RF356392	R. MTL. CHP 3. 9KΩ 1/16W D	
* R671-672	RF354102	R. MTL. CHP 10Ω 1/16W D	
* R673-675	RD353223	R. CHP 2. 2Ω 1/16W J	
R678-679	RD357471	R. CHP 47KΩ 1/16W J	
* R680-681	RD355223	R. CHP 220Ω 1/16W J	
* R682-684	RD353223	R. CHP 2. 2Ω 1/16W J	
R685	RD354331	R. CHP 33Ω 1/16W J	
R815	RD350002	R. CHP 0Ω 1/16W J	
R816-817	RD357101	R. CHP 10KΩ 1/16W J	
* R818	RF357682	R. MTL. CHP 68KΩ 1/16W D	
R819	RD350002	R. CHP 0Ω 1/16W J	
R820-821	RD357471	R. CHP 47KΩ 1/16W J	
* R822-823	RF355471	R. MTL. CHP 470Ω 1/16W D	
R827-828	RD357101	R. CHP 10KΩ 1/16W J	
R829	RD355102	R. CHP 100Ω 1/16W J	
* SW1	WD483102	SW. TACT SKRGAAD010	
* SW3	WD483102	SW. TACT SKRGAAD010	
* SW4	ZR146700	SW. RT. ENC EC12E2430803	
* TE301	WU730301	TERM. SP 4P MST-224VD-01-76	KBGL
* TE301	WU730101	TERM. SP 4P MST-224VD-01-76	V
* VR1-3	ZR727900	VR. ROTARY B 10K RK11K1140D42	

* New Parts

A-U670/A-670/A-U671/
NS-BP401/NS-BP301

A-U670

A-670

MAIN

Ref No.	Part No.	Description	Markets
* XL601	WJ081302	RSNR. CRYSTAL	
* XL602	WH714202	RESONATOR	
* XL603	WN517402	RESONATOR	
* XL604	ZN785002	RESONATOR	

Ref No.	Part No.	Description	Markets
*	ZS622500	P. C. B.	MAIN UTAV
*	ZS622400	P. C. B.	MAIN KBGL
* CB2	VQ044501	CN. BS. PIN	11P
* CB302	VM859501	CN. BS. PIN	11P
* CB303	LB932042	CN. BS. PIN	4P
* CB304	WC195601	CN	6P TE FMN
* CB305	VB390002	CN. BS. PIN	4P
	C1-3	US035101	C. CE. CHP 0.1uF 16V B
	C11-13	US064102	C. CE. CHP 0.01uF 50V B
*	C301-302	WU447002	C. CE. CHP 0.1uF 50V K
	C303-304	US063101	C. CE. CHP 1000pF 50V B
	C305	US064102	C. CE. CHP 0.01uF 50V B
	C306	US063101	C. CE. CHP 1000pF 50V B
*	C307-308	UR049331	C. EL 3300uF 25V
	C309	US035101	C. CE. CHP 0.1uF 16V B
*	C312-313	US163101	C. CE. CHP 1000pF 50V
	C315	US064102	C. CE. CHP 0.01uF 50V B
	C317	US035101	C. CE. CHP 0.1uF 16V B
	C318	WJ344402	C. CE. CHP 22uF 6.3V
*	C319-320	UU237101	C. EL 10uF 16V
*	C323	UR237101	C. EL 10uF 16V
	C324	US035101	C. CE. CHP 0.1uF 16V B
*	C325-326	UR038101	C. EL 100uF 16V
*	C327-328	UR238101	C. EL 100uF 16V
*	C329	UU247101	C. EL 10uF 25V
*	C330-331	WE102301	C. PP 3300pF 100V J
	C332	US035101	C. CE. CHP 0.1uF 16V B
*	C333-334	VE326002	C. MYLAR 0.1uF 50V
*	C335-336	UR266471	C. EL 4.7uF 50V
	C337-338	US035101	C. CE. CHP 0.1uF 16V B
*	C339	US062332	C. CE. CHP 330pF 50V B
	C340	US035101	C. CE. CHP 0.1uF 16V B
*	C341-344	UR247221	C. EL 22uF 25V
*	C345	WU447002	C. CE. CHP 0.1uF 50V K
*	C346-349	WE100501	C. PP 100pF 630V K
	C350	US046102	C. CE. CHP 1uF 25V
*	C351	WU447002	C. CE. CHP 0.1uF 50V K
*	C352-353	UU238101	C. EL 100uF 16V
	C354-356	US035101	C. CE. CHP 0.1uF 16V B
	C357	US064102	C. CE. CHP 0.01uF 50V B
*	C358-359	UR347220	C. EL 22uF 25V
	C360	US663101	C. CE. CHP 1000pF 50V
	C362	US035101	C. CE. CHP 0.1uF 16V B
	C363	US063222	C. CE. CHP 2200pF 50V B
	C364	WD758102	C. CE. CHP 22uF 6.3V
*	C365-366	WU447002	C. CE. CHP 0.1uF 50V K
	C367-369	US063101	C. CE. CHP 1000pF 50V B
*	C370	UU247471	C. EL 47uF 25V
*	C371	UR237101	C. EL 10uF 16V
*	C372	UU247471	C. EL 47uF 25V
*	C373	WE102301	C. PP 3300pF 100V J
	C374	US064102	C. CE. CHP 0.01uF 50V B
*	C377	WE102101	C. PP 2200pF 100V J
*	C379-380	WE102101	C. PP 2200pF 100V J
	C381	US634101	C. CE. CHP 0.01uF 16V
*	C382-383	WE102101	C. PP 2200pF 100V J
	C384-385	US063101	C. CE. CHP 1000pF 50V B

* New Parts

* New Parts

A-U670/A-670/A-U671/
NS-BP401/NS-BP301

A-670

MAIN

Ref No.	Part No.	Description	Markets
* C386	WK003601	C. CE. M. CHP	22uF 16V
C387	WJ881200	C. CE. CHP	1uF 16V
* C388-389	VZ420802	C. CE. M. CHP	0. 1uF 100V
C390	WJ881200	C. CE. CHP	1uF 16V
C391	ZA584600	C. CE. M. CHP	10uF 16V
* C392-393	ZS877200	C. EL	4700uF 35V
* C394-395	UR237101	C. EL	10uF 16V
C396	US046102	C. CE. CHP	1uF 25V
* C397	US063331	C. CE. CHP	3300pF 50V B
C398-399	US035101	C. CE. CHP	0. 1uF 16V B
* C400	UF057221	C. EL. CHP	22uF 35V
* C401-402	UR238101	C. EL	100uF 16V
* C403-404	WU447002	C. CE. CHP	0. 1uF 50V K
* C405-408	VZ420802	C. CE. M. CHP	0. 1uF 100V
* C409-410	UR838103	C. EL	100uF 16V
C411	US062101	C. CE. CHP	100pF 50V B
* C412-415	UR237101	C. EL	10uF 16V
* C416	ZG844402	C. CE. M. CHP	10uF 35V
* C417-418	UR237101	C. EL	10uF 16V
* C419-420	ZK352500	C. POL. MTL	0. 33uF 100V
C421	US064102	C. CE. CHP	0. 01uF 50V B
C422-423	US062101	C. CE. CHP	100pF 50V B
C424	US046102	C. CE. CHP	1uF 25V
* C425-426	VZ420802	C. CE. M. CHP	0. 1uF 100V
C427-428	US062101	C. CE. CHP	100pF 50V B
* C429-430	US061101	C. CE. CHP	10pF 50V B
* C431	ZG844402	C. CE. M. CHP	10uF 35V
* C432	WG427601	C. CE. M. CHP	0. 22uF 16V
C433	US064102	C. CE. CHP	0. 01uF 50V B
* C434-437	US062222	C. CE. CHP	220pF 50V B
C438	US064102	C. CE. CHP	0. 01uF 50V B
* C439-442	US062222	C. CE. CHP	220pF 50V B
C443-444	US062101	C. CE. CHP	100pF 50V B
* C445-448	US062561	C. CE. CHP	560pF 50V B
C449	US064102	C. CE. CHP	0. 01uF 50V B
* C450-453	US062561	C. CE. CHP	560pF 50V B
C454	US064102	C. CE. CHP	0. 01uF 50V B
C455	US062101	C. CE. CHP	100pF 50V B
C456-460	US064102	C. CE. CHP	0. 01uF 50V B
* C461	UR837331	C. EL	33uF 16V
C462	US035101	C. CE. CHP	0. 1uF 16V B
C463	US064102	C. CE. CHP	0. 01uF 50V B
* C464	UR237101	C. EL	10uF 16V
C465	US064102	C. CE. CHP	0. 01uF 50V B
C469-472	US063101	C. CE. CHP	1000pF 50V B
* C473-474	ZS825400	C. EL	1000uF 35V
* C475	ZR062600	C. EL	2200uF 35V
C478-481	US063101	C. CE. CHP	1000pF 50V B
C603	US064102	C. CE. CHP	0. 01uF 50V B
C637	US064102	C. CE. CHP	0. 01uF 50V B
C650-652	US064102	C. CE. CHP	0. 01uF 50V B
C657-659	US064102	C. CE. CHP	0. 01uF 50V B
C665-666	US064102	C. CE. CHP	0. 01uF 50V B
C818-819	US035101	C. CE. CHP	0. 1uF 16V B
C825	US063101	C. CE. CHP	1000pF 50V B
C827-828	ZD515100	C. MYLAR	1000pF 63V
C829	WS661201	C. CE. M. CHP	4. 7uF 10V

* New Parts

Ref No.	Part No.	Description	Markets
* D1	ZP358602	DIODE	1SS352 TE
D2	WC413301	DIODE. ZENR	RSB6. 8S 6. 8V
* D3	ZP358602	DIODE	1SS352 TE
* D4	WA467801	LED	SEL6910A-CD
* D5-6	ZP358602	DIODE	1SS352 TE
* D16-17	ZP358602	DIODE	1SS352 TE
D20	WC413301	DIODE. ZENR	RSB6. 8S 6. 8V
* D301-302	ZP358602	DIODE	1SS352 TE
D303-304	WC413301	DIODE. ZENR	RSB6. 8S 6. 8V
* D305	ZP358602	DIODE	1SS352 TE
* D306	WY163601	DIODE. ZENR	UDZV7. 5B
* D307-309	ZQ873502	D. SCHOTTKY	RB501VM-40TE-17
* D310	ZP358602	DIODE	1SS352 TE
* D312	WY163601	DIODE. ZENR	UDZV7. 5B
* D313-319	ZP358602	DIODE	1SS352 TE
D320-323	ZA147600	DIODE	RF081M2STR TE
* D324-329	ZP358602	DIODE	1SS352 TE
* D330-331	ZQ873502	D. SCHOTTKY	RB501VM-40TE-17
* D332-333	ZP358602	DIODE	1SS352 TE
* D604-607	ZP358602	DIODE	1SS352 TE
* D806-807	ZP358602	DIODE	1SS352 TE
* F301	V2997601	SW. POLY	SMDCO50-02
* G301-302	ZJ282300	TERM. GND	M3. 5 YQ-36-B
IC302	YA160A01	IC	R1154H001C-T1-F
* IC303	X8355A01	IC	NJW1194
* IC305	X9127A01	IC	NJM5532M-D
* IC307	YC109A02	IC	R3116N271A-TR-F
* IC308	YH275A00	IC	BR24G01FVM-3GTR
* IC309	YF175A00	IC	1R4302MTRPBF
* IC310	XR532A01	IC	NJM2904V (TE1) DUAL
* IC312	XS377A01	IC	BA15218F OP AMP
J601-603	RD350002	R. CHP	0Ω 1/16W J
* JK1	ZS296400	JACK. PHONE	JY-6355#04-070G
JK301	WV279400	JACK. MINI	MSJ-035-66E-B-GILT
* L313-314	ZF924900	FILTER	TQR8048-N0003RN2-R
* PJ301	ZS601100	JACK. PIN	2P WH/RD AU RJ-117
* PJ302	ZC650001	JACK. PIN	1P RJ-1150 01-0500
* Q301	VV556403	TR	2SC2412K Q, R, S
* Q302	VQ993301	TR. DGT. CHP	DTA124EUAT106
* Q303	ZF391500	TR. CHP	2SD1918 QR TP
* Q304	WY029602	TR. DGT	KRA304-RTK/P
* Q305	VV556502	TR	2SA1037K Q, R, S
* Q306	ZF391500	TR. CHP	2SD1918 QR TP
* Q307	VV556502	TR	2SA1037K Q, R, S
* Q308	VV655402	TR. DGT	DTC114EKA
* Q311	VV556502	TR	2SA1037K Q, R, S
* Q313-314	VV556403	TR	2SC2412K Q, R, S
* Q315	VV556502	TR	2SA1037K Q, R, S
* Q316-317	WC883403	TR	2SD2704 K
* Q318	VV556502	TR	2SA1037K Q, R, S
* Q319	VV556403	TR	2SC2412K Q, R, S
* Q320-322	VV556502	TR	2SA1037K Q, R, S
* Q323	V4096101	TR	2SC4614 S, T
* Q324-325	WC883403	TR	2SD2704 K
* Q326	V4096101	TR	2SC4614 S, T
* Q327	V4096001	TR	2SA1770 S, T
* Q328	VV556403	TR	2SC2412K Q, R, S

* New Parts

A-670

MAIN

Ref No.	Part No.	Description	Markets
* Q329	VV556502	TR 2SA1037K Q, R, S	
* Q330-331	WC883403	TR 2SD2704 K	
* Q332	VV556403	TR 2SC2412K Q, R, S	
* Q333	VV655402	TR. DGT DTC114EKA	
* Q334	VQ993301	TR. DGT. CHP DTA124EUAT106	
* Q335	VV655402	TR. DGT DTC114EKA	
* Q609-610	WC883403	TR 2SD2704 K	
R1	RD357101	R. CHP 10KΩ 1/16W J	
R2	RD356102	R. CHP 1KΩ 1/16W J	
* R3	RD355272	R. CHP 270Ω 1/16W J	
R18-19	RD354331	R. CHP 33Ω 1/16W J	
R301-302	RD358101	R. CHP 100KΩ 1/16W J	
* R303	RF457333	R. CHP 33KΩ 1/16W F	
R304	RD357101	R. CHP 10KΩ 1/16W J	
R305	RD358101	R. CHP 100KΩ 1/16W J	
* R307	RF457121	R. CHP 12KΩ 1/16W F	
R309	RD358101	R. CHP 100KΩ 1/16W J	
* R311	RD355223	R. CHP 220Ω 1/16W J	
R312	RD357101	R. CHP 10KΩ 1/16W J	
R313	RD356471	R. CHP 4.7KΩ 1/16W J	
R314	RD356102	R. CHP 1KΩ 1/16W J	
* R315	RD356222	R. CHP 2.2KΩ 1/16W J	
* R316-317	RF458101	R. CHP 100KΩ 1/16W F	
R318	RD358101	R. CHP 100KΩ 1/16W J	
R319-320	RD357101	R. CHP 10KΩ 1/16W J	
R321	RD356102	R. CHP 1KΩ 1/16W J	
R322-323	RD354222	R. CHP 22Ω 1/16W J	
R324	RD358101	R. CHP 100KΩ 1/16W J	
R325	RD356681	R. CHP 6.8KΩ 1/16W J	
R326-327	RD356471	R. CHP 4.7KΩ 1/16W J	
* R328	RF355102	R. MTL. CHP 100Ω 1/16W D	
R330	RD357471	R. CHP 47KΩ 1/16W J	
R331	RD356102	R. CHP 1KΩ 1/16W J	
* R332	RF355102	R. MTL. CHP 100Ω 1/16W D	
* R333	RD357152	R. CHP 15KΩ 1/16W J	
R334	RD357121	R. CHP 12KΩ 1/16W J	
R335-336	RD354331	R. CHP 33Ω 1/16W J	
R337	RD358101	R. CHP 100KΩ 1/16W J	
R338	RD356102	R. CHP 1KΩ 1/16W J	
R339	RD354331	R. CHP 33Ω 1/16W J	
R340	RD356102	R. CHP 1KΩ 1/16W J	
* R341-342	RF355102	R. MTL. CHP 100Ω 1/16W D	
* R343-344	RF356392	R. MTL. CHP 3.9KΩ 1/16W D	
R345	RD356102	R. CHP 1KΩ 1/16W J	
* R346-347	RF356392	R. MTL. CHP 3.9KΩ 1/16W D	
R348-349	RD356102	R. CHP 1KΩ 1/16W J	
* R350-351	RF356392	R. MTL. CHP 3.9KΩ 1/16W D	
* R352	RD357162	R. CHP 16KΩ 1/16W J	
* R353	RD357272	R. CHP 27KΩ 1/16W J	
R354	RD357101	R. CHP 10KΩ 1/16W J	
* R355-356	RF356392	R. MTL. CHP 3.9KΩ 1/16W D	
R357	RD356561	R. CHP 5.6KΩ 1/16W J	
R358	RD354331	R. CHP 33Ω 1/16W J	
R359	RD358101	R. CHP 100KΩ 1/16W J	
* R360-361	RF355102	R. MTL. CHP 100Ω 1/16W D	
R362	RD356471	R. CHP 4.7KΩ 1/16W J	
R363	RD357101	R. CHP 10KΩ 1/16W J	

* New Parts

Ref No.	Part No.	Description	Markets
R364	RD358101	R. CHP 100KΩ 1/16W J	
R365	RD356102	R. CHP 1KΩ 1/16W J	
* R366	RF457333	R. CHP 33KΩ 1/16W F	
R368	RD356471	R. CHP 4.7KΩ 1/16W J	
R369	RD358101	R. CHP 100KΩ 1/16W J	
R370-371	RD354331	R. CHP 33Ω 1/16W J	
R372	RD356102	R. CHP 1KΩ 1/16W J	
R373	RD358101	R. CHP 100KΩ 1/16W J	
* R374-375	RF357472	R. MTL. CHP 47KΩ 1/16W D	
R376	RD357101	R. CHP 10KΩ 1/16W J	
* R377	RD358472	R. CHP 470KΩ 1/16W J	
R378	RD356102	R. CHP 1KΩ 1/16W J	
R379	RD356471	R. CHP 4.7KΩ 1/16W J	
R380	RD354331	R. CHP 33Ω 1/16W J	
* R381	RD358472	R. CHP 470KΩ 1/16W J	
R383	RD354331	R. CHP 33Ω 1/16W J	
* R386	RF355471	R. MTL. CHP 470Ω 1/16W D	
R388-389	RD357471	R. CHP 47KΩ 1/16W J	
* R390	RF355471	R. MTL. CHP 470Ω 1/16W D	
R391	RD358101	R. CHP 100KΩ 1/16W J	
R392	RD359102	R. CHP 1MΩ 1/16W J	
R393	RD356102	R. CHP 1KΩ 1/16W J	
* R394-396	RF355102	R. MTL. CHP 100Ω 1/16W D	
R397	RD357101	R. CHP 10KΩ 1/16W J	
R398	RD358101	R. CHP 100KΩ 1/16W J	
* R399	RF356682	R. MTL. CHP 6.8KΩ 1/16W D	
* R401	RF356682	R. MTL. CHP 6.8KΩ 1/16W D	
* R402	RF357472	R. MTL. CHP 47KΩ 1/16W D	
* R404	RF357682	R. MTL. CHP 68KΩ 1/16W D	
* R405	RF356102	R. MTL. CHP 1.0KΩ 1/16W D	
R406	RD350002	R. CHP 0Ω 1/16W J	
R408	RD357101	R. CHP 10KΩ 1/16W J	
R409-410	RD358101	R. CHP 100KΩ 1/16W J	
* R411	RF357682	R. MTL. CHP 68KΩ 1/16W D	
* R412	RF357222	R. MTL. CHP 22KΩ 1/16W D	
* R413-414	RF355182	R. MTL. CHP 180Ω 1/16W D	
R415	RD358101	R. CHP 100KΩ 1/16W J	
* R416-417	RD155102	R. CAR. CHP 100Ω 1/4W	
* R418-419	ZH078801	R. CAR. CHP 27KΩ 1W	
* R420-421	RD357431	R. CHP 43KΩ 1/16W J	
R422	RD357101	R. CHP 10KΩ 1/16W J	
* R423	RD154151	R. CHP 15Ω 1/4W J	
R424	RD358101	R. CHP 100KΩ 1/16W J	
R425	RD357221	R. CHP 22KΩ 1/16W J	
* R426	RD358271	R. CHP 270KΩ 1/16W J	
R427	RD356471	R. CHP 4.7KΩ 1/16W J	
R428-429	RD357471	R. CHP 47KΩ 1/16W J	
* R430	RD353471	R. CHP 4.7Ω 1/16W J	
* R431	RD357152	R. CHP 15KΩ 1/16W J	
R432	RD357121	R. CHP 12KΩ 1/16W J	
R433	RD357101	R. CHP 10KΩ 1/16W J	
* R434	RD356621	R. CHP 6.2KΩ 1/16W J	
* R435-436	RF456332	R. CHP 3.3KΩ 1/16W F	
R437	RD358101	R. CHP 100KΩ 1/16W J	
* R438	RD353471	R. CHP 4.7Ω 1/16W J	
R439-440	RD357471	R. CHP 47KΩ 1/16W J	
* R441	RD353471	R. CHP 4.7Ω 1/16W J	

* New Parts

A-U670/A-670/A-U671/NS-BP401/NS-BP301

A-670

MAIN

Ref No.	Part No.	Description	Markets
* R442-443	RD357332	R. CHP 33K Ω 1/16W J	
* R444-445	RD153101	R. CAR. CHP 1 Ω 1/4W	
R446-447	RD357101	R. CHP 10K Ω 1/16W J	
R448	RD356681	R. CHP 6. 8K Ω 1/16W J	
R449	RD357471	R. CHP 47K Ω 1/16W J	
* R450-451	RF457472	R. CHP 47K Ω 1/16W F	
R452	RD358101	R. CHP 100K Ω 1/16W J	
R453	RD355471	R. CHP 470 Ω 1/16W J	
R454	RD357471	R. CHP 47K Ω 1/16W J	
R455	RD358101	R. CHP 100K Ω 1/16W J	
* R456-457	WH158701	R. CHP 10 Ω 1W J	
R458	RD357101	R. CHP 10K Ω 1/16W J	
* R459	RD355223	R. CHP 220 Ω 1/16W J	
* R460-461	RF457152	R. CHP 15K Ω 1/16W F	
R462	RD355471	R. CHP 470 Ω 1/16W J	
R463	RD357471	R. CHP 47K Ω 1/16W J	
* R464-465	RD156221	R. CAR. CHP 2. 2K Ω 1/4W	
R466	RD357101	R. CHP 10K Ω 1/16W J	
R467	RD358101	R. CHP 100K Ω 1/16W J	
* R468-469	RF457472	R. CHP 47K Ω 1/16W F	
R470	RD357471	R. CHP 47K Ω 1/16W J	
* R471-472	WZ678100	R. MTL. OXD 22 Ω 1/4W	
R473	RD358101	R. CHP 100K Ω 1/16W J	
* R474	VK641801	R. CHP 100 Ω 1/2W	
R475	RD357101	R. CHP 10K Ω 1/16W J	
* R476-479	RD354241	R. CHP 24 Ω 1/16W J	
R480-481	RD357101	R. CHP 10K Ω 1/16W J	
* R482	RD353223	R. CHP 2. 2 Ω 1/16W J	
R483	RD356471	R. CHP 4. 7K Ω 1/16W J	
R484-485	RD354331	R. CHP 33 Ω 1/16W J	
R487	RD358101	R. CHP 100K Ω 1/16W J	
R489	RD356102	R. CHP 1K Ω 1/16W J	
R490	RD354331	R. CHP 33 Ω 1/16W J	
R491-494	RD356102	R. CHP 1K Ω 1/16W J	
R495	RD357101	R. CHP 10K Ω 1/16W J	
R496	RF457681	R. CHP 68K Ω 1/16W F	
R497	RD359102	R. CHP 1M Ω 1/16W J	
R498	RF457681	R. CHP 68K Ω 1/16W F	
* R499	RD154151	R. CHP 15 Ω 1/4W J	
* R500	RF356682	R. MTL. CHP 6. 8K Ω 1/16W D	
R501-502	RD356102	R. CHP 1K Ω 1/16W J	
R503	RD356471	R. CHP 4. 7K Ω 1/16W J	
R504	RD358101	R. CHP 100K Ω 1/16W J	
* R508	RD154151	R. CHP 15 Ω 1/4W J	
R509	RD357101	R. CHP 10K Ω 1/16W J	
* R510	RD154151	R. CHP 15 Ω 1/4W J	
* R647	RD353223	R. CHP 2. 2 Ω 1/16W J	
* R650	RD353223	R. CHP 2. 2 Ω 1/16W J	
* R658-660	RD353223	R. CHP 2. 2 Ω 1/16W J	
* R673-675	RD353223	R. CHP 2. 2 Ω 1/16W J	
* R682-684	RD353223	R. CHP 2. 2 Ω 1/16W J	
R815	RD350002	R. CHP 0 Ω 1/16W J	
R816-817	RD357101	R. CHP 10K Ω 1/16W J	
* R818	RF357682	R. MTL. CHP 68K Ω 1/16W D	
R819	RD350002	R. CHP 0 Ω 1/16W J	
R820-821	RD357471	R. CHP 47K Ω 1/16W J	
* R822-823	RF355471	R. MTL. CHP 470 Ω 1/16W D	

* New Parts

Ref No.	Part No.	Description	Markets
R829	RD355102	R. CHP 100 Ω 1/16W J	
* SW1	WD483102	SW. TACT SKRGAAD010	
* SW4	ZR146700	SW. RT. ENC EC12E2430803	
* TE301	WU730101	TERM. SP 4P MST-224VD-01-76	UTAV
* TE301	WU730301	TERM. SP 4P MST-224VD-01-76	KBGL
* VR1-3	ZR727900	VR. ROTARY B 10K RK11K1140D42	

* New Parts

A-U670/A-670/A-U671/
NS-BP401/NS-BP301

MAIN

Ref No.	Part No.	Description	Remarks	Markets	部 品 名	
*	ZS622900	P. C. B.	MAIN	A-U671	JUTA	P C B M A I N
*	ZS622800	P. C. B.	MAIN	A-U671	KBGL	P C B M A I N
* CB1	VN066501	CN. BS. PIN	12P	A-U671		コネクタ
* CB2	VQ044501	CN. BS. PIN	11P	A-U671		コネクタ
* CB302	VM859501	CN. BS. PIN	11P	A-U671		コネクタ
* CB303	LB932042	CN. BS. PIN	4P	A-U671		コネクタ
* CB304	WC195601	CN	6P TE FMN	A-U671		FMNコネクタ
* CB305	VB390002	CN. BS. PIN	4P	A-U671		コネクタ
* CB306	VQ047301	CN. BS. PIN	12P	A-U671		コネクタ
* CB601	WR756801	CN. BS. PIN	11P FMN TE	A-U671		FFCコネクタ
C1-3	US035101	C. CE. CHP	0. 1uF 16V B	A-U671		チップセラコン
C11-13	US064102	C. CE. CHP	0. 01uF 50V B	A-U671		チップセラコン
* C301-302	WU447002	C. CE. CHP	0. 1uF 50V K	A-U671		チップセラコン
C305	US064102	C. CE. CHP	0. 01uF 50V B	A-U671		チップセラコン
* C307-308	URO49331	C. EL	3300uF 25V	A-U671		ケミコン
C309-310	US035101	C. CE. CHP	0. 1uF 16V B	A-U671		チップセラコン
C311	US063222	C. CE. CHP	2200pF 50V B	A-U671		チップセラコン
* C312-313	US163101	C. CE. CHP	1000pF 50V	A-U671		チップセラコン
C314	US035101	C. CE. CHP	0. 1uF 16V B	A-U671		チップセラコン
C315	US064102	C. CE. CHP	0. 01uF 50V B	A-U671		チップセラコン
* C316	WK004402	C. CE. M. CHP	10uF 16V	A-U671		チップ積層セラコン
C317	US035101	C. CE. CHP	0. 1uF 16V B	A-U671		チップセラコン
C318	WJ344402	C. CE. CHP	22uF 6. 3V	A-U671		チップセラコン
* C319-320	UU237101	C. EL	10uF 16V	A-U671		ケミコン
* C321	ZF613102	C. CE. CHP	22uF 10V	A-U671		チップセラコン
C322	US062101	C. CE. CHP	100pF 50V B	A-U671		チップセラコン
* C323	UR237101	C. EL	10uF 16V	A-U671		ケミコン
C324	US035101	C. CE. CHP	0. 1uF 16V B	A-U671		チップセラコン
* C325-326	URO38101	C. EL	100uF 16V	A-U671		ケミコン
* C327-328	UR238101	C. EL	100uF 16V	A-U671		ケミコン
* C329	UU247101	C. EL	10uF 25V	A-U671		ケミコン
* C330-331	WE102301	C. PP	3300pF 100V J	A-U671		PPコン
C332	US035101	C. CE. CHP	0. 1uF 16V B	A-U671		チップセラコン
* C333-334	VE326002	C. MYLAR	0. 1uF 50V	A-U671		マイラーコン
* C335-336	UR266471	C. EL	4. 7uF 50V	A-U671		ケミコン
C337-338	US035101	C. CE. CHP	0. 1uF 16V B	A-U671		チップセラコン
* C339	US062332	C. CE. CHP	330pF 50V B	A-U671		チップセラコン
C340	US035101	C. CE. CHP	0. 1uF 16V B	A-U671		チップセラコン
* C341-344	UR247221	C. EL	22uF 25V	A-U671		ケミコン
* C345	WU447002	C. CE. CHP	0. 1uF 50V K	A-U671		チップセラコン
* C346-349	WE100501	C. PP	100pF 630V K	A-U671		PPコン
C350	US046102	C. CE. CHP	1uF 25V	A-U671		チップセラコン
* C351	WU447002	C. CE. CHP	0. 1uF 50V K	A-U671		チップセラコン
* C352-353	UU238101	C. EL	100uF 16V	A-U671		ケミコン
C354-356	US035101	C. CE. CHP	0. 1uF 16V B	A-U671		チップセラコン
C357	US064102	C. CE. CHP	0. 01uF 50V B	A-U671		チップセラコン
* C358-359	UR347220	C. EL	22uF 25V	A-U671		ケミコン
C360	US663101	C. CE. CHP	1000pF 50V	A-U671		チップセラコン
C362	US035101	C. CE. CHP	0. 1uF 16V B	A-U671		チップセラコン
C363	US063222	C. CE. CHP	2200pF 50V B	A-U671		チップセラコン
C364	WD758102	C. CE. CHP	22uF 6. 3V	A-U671		チップセラコン
* C365-366	WU447002	C. CE. CHP	0. 1uF 50V K	A-U671		チップセラコン
C367-369	US063101	C. CE. CHP	1000pF 50V B	A-U671		チップセラコン
* C370	UU247471	C. EL	47uF 25V	A-U671		ケミコン
* C371	UR237101	C. EL	10uF 16V	A-U671		ケミコン
* C372	UU247471	C. EL	47uF 25V	A-U671		ケミコン
* C373	WE102301	C. PP	3300pF 100V J	A-U671		PPコン

* New Parts / 新規部品

A-U671

MAIN

Ref No.	Part No.	Description	Remarks	Markets	部 品 名
C374	US064102	C. GE. CHP	0. 01uF 50V B	A-U671	チップセラコン
* C377	WE102101	C. PP	2200pF 100V J	A-U671	PPコン
* C379-380	WE102101	C. PP	2200pF 100V J	A-U671	PPコン
C381	US634101	C. GE. CHP	0. 01uF 16V	A-U671	チップセラコン
* C382-383	WE102101	C. PP	2200pF 100V J	A-U671	PPコン
C384-385	US063101	C. GE. CHP	1000pF 50V B	A-U671	チップセラコン
* C386	WK003601	C. GE. M. CHP	22uF 16V	A-U671	チップ積層セラコン
C387	WJ881200	C. GE. CHP	1uF 16V	A-U671	チップセラコン
* C388-389	VZ420802	C. GE. M. CHP	0. 1uF 100V	A-U671	チップ積層セラコン
C390	WJ881200	C. GE. CHP	1uF 16V	A-U671	チップセラコン
C391	ZA584600	C. GE. M. CHP	10uF 16V	A-U671	チップ積層セラコン
* C392-393	ZS877200	C. EL	4700uF 35V	A-U671	ケミコン
* C394-395	UR237101	C. EL	10uF 16V	A-U671	ケミコン
C396	US046102	C. GE. CHP	1uF 25V	A-U671	チップセラコン
* C397	US063331	C. GE. CHP	3300pF 50V B	A-U671	チップセラコン
C398-399	US035101	C. GE. CHP	0. 1uF 16V B	A-U671	チップセラコン
* C400	UF057221	C. EL. CHP	22uF 35V	A-U671	チップケミコン
* C401-402	UR238101	C. EL	100uF 16V	A-U671	ケミコン
* C403-404	WU447002	C. GE. CHP	0. 1uF 50V K	A-U671	チップセラコン
* C405-408	VZ420802	C. GE. M. CHP	0. 1uF 100V	A-U671	チップ積層セラコン
* C409-410	UR838103	C. EL	100uF 16V	A-U671	ケミコン
C411	US062101	C. GE. CHP	100pF 50V B	A-U671	チップセラコン
* C412-415	UR237101	C. EL	10uF 16V	A-U671	ケミコン
* C416	ZG844402	C. GE. M. CHP	10uF 35V	A-U671	チップ積層セラコン
* C417-418	UR237101	C. EL	10uF 16V	A-U671	ケミコン
* C419-420	ZK352500	C. POL. MTL	0. 33uF 100V	A-U671	メタライズドポリコン
C421	US064102	C. GE. CHP	0. 01uF 50V B	A-U671	チップセラコン
C422-423	US062101	C. GE. CHP	100pF 50V B	A-U671	チップセラコン
C424	US046102	C. GE. CHP	1uF 25V	A-U671	チップセラコン
* C425-426	VZ420802	C. GE. M. CHP	0. 1uF 100V	A-U671	チップ積層セラコン
C427-428	US062101	C. GE. CHP	100pF 50V B	A-U671	チップセラコン
* C429-430	US061101	C. GE. CHP	10pF 50V B	A-U671	チップセラコン
* C431	ZG844402	C. GE. M. CHP	10uF 35V	A-U671	チップ積層セラコン
* C432	WG427601	C. GE. M. CHP	0. 22uF 16V	A-U671	チップ積層セラコン
C433	US064102	C. GE. CHP	0. 01uF 50V B	A-U671	チップセラコン
* C434-437	US062222	C. GE. CHP	220pF 50V B	A-U671	チップセラコン
C438	US064102	C. GE. CHP	0. 01uF 50V B	A-U671	チップセラコン
* C439-442	US062222	C. GE. CHP	220pF 50V B	A-U671	チップセラコン
C443-444	US062101	C. GE. CHP	100pF 50V B	A-U671	チップセラコン
* C445-448	US062561	C. GE. CHP	560pF 50V B	A-U671	チップセラコン
C449	US064102	C. GE. CHP	0. 01uF 50V B	A-U671	チップセラコン
* C450-453	US062561	C. GE. CHP	560pF 50V B	A-U671	チップセラコン
C454	US064102	C. GE. CHP	0. 01uF 50V B	A-U671	チップセラコン
C455	US062101	C. GE. CHP	100pF 50V B	A-U671	チップセラコン
C456-460	US064102	C. GE. CHP	0. 01uF 50V B	A-U671	チップセラコン
* C461	UR837331	C. EL	33uF 16V	A-U671	ケミコン
C463	US064102	C. GE. CHP	0. 01uF 50V B	A-U671	チップセラコン
* C464	UR237101	C. EL	10uF 16V	A-U671	ケミコン
C465	US064102	C. GE. CHP	0. 01uF 50V B	A-U671	チップセラコン
C468	US035101	C. GE. CHP	0. 1uF 16V B	A-U671	チップセラコン
C469-472	US063101	C. GE. CHP	1000pF 50V B	A-U671	チップセラコン
* C473-474	ZS825400	C. EL	1000uF 35V	A-U671	ケミコン
* C475	ZR062600	C. EL	2200uF 35V	A-U671	ケミコン
C478-481	US063101	C. GE. CHP	1000pF 50V B	A-U671	チップセラコン
C603	US064102	C. GE. CHP	0. 01uF 50V B	A-U671	チップセラコン
C605	ZG726702	C. GE. CHP	1uF 6. 3V	A-U671	チップセラコン
* C606-607	US660701	C. GE. CHP	7pF 50V	A-U671	チップセラコン

* New Parts / 新規部品

Ref No.	Part No.	Description	Remarks	Markets	部 品 名
C608	US064102	C. CE. CHP	0. 01uF 50V B	A-U671	チップセラコン
C609	WV169101	C. CE. CHP	2. 2uF 10V	A-U671	チップセラコン
C610	WS661201	C. CE. M. CHP	4. 7uF 10V	A-U671	チップ積層セラコン
C611-613	US035101	C. CE. CHP	0. 1uF 16V B	A-U671	チップセラコン
C614	US064102	C. CE. CHP	0. 01uF 50V B	A-U671	チップセラコン
C615	US035101	C. CE. CHP	0. 1uF 16V B	A-U671	チップセラコン
C616-617	WJ344402	C. CE. CHP	22uF 6. 3V	A-U671	チップセラコン
C618	US064102	C. CE. CHP	0. 01uF 50V B	A-U671	チップセラコン
C619-620	US035101	C. CE. CHP	0. 1uF 16V B	A-U671	チップセラコン
C621	US064102	C. CE. CHP	0. 01uF 50V B	A-U671	チップセラコン
C622	US035101	C. CE. CHP	0. 1uF 16V B	A-U671	チップセラコン
C623	US064102	C. CE. CHP	0. 01uF 50V B	A-U671	チップセラコン
C624-625	US046102	C. CE. CHP	1uF 25V	A-U671	チップセラコン
C626-627	US035101	C. CE. CHP	0. 1uF 16V B	A-U671	チップセラコン
* C628	UR837471	C. EL	47uF 16V	A-U671	ケミコン
* C629-630	UR866101	C. EL	1uF 50V	A-U671	ケミコン
C631	WD758301	C. CE. CHP	10uF 10V	A-U671	チップセラコン
C632	US064102	C. CE. CHP	0. 01uF 50V B	A-U671	チップセラコン
C633-635	US035101	C. CE. CHP	0. 1uF 16V B	A-U671	チップセラコン
C636	WD758301	C. CE. CHP	10uF 10V	A-U671	チップセラコン
C637	US064102	C. CE. CHP	0. 01uF 50V B	A-U671	チップセラコン
* C638-639	WE100501	C. PP	100pF 630V K	A-U671	PPコン
* C641-642	WE100501	C. PP	100pF 630V K	A-U671	PPコン
C643-646	US035101	C. CE. CHP	0. 1uF 16V B	A-U671	チップセラコン
* C647-648	UR838103	C. EL	100uF 16V	A-U671	ケミコン
C650-652	US064102	C. CE. CHP	0. 01uF 50V B	A-U671	チップセラコン
* C653-654	ZK674000	C. MYLAR	1500pF 100V	A-U671	マイラーコン
* C655-656	ZK673100	C. MYLAR	270pF 100V	A-U671	マイラーコン
C657-659	US064102	C. CE. CHP	0. 01uF 50V B	A-U671	チップセラコン
* C660-661	ZK673100	C. MYLAR	270pF 100V	A-U671	マイラーコン
* C663-664	UR237101	C. EL	10uF 16V	A-U671	ケミコン
C665-666	US064102	C. CE. CHP	0. 01uF 50V B	A-U671	チップセラコン
* C667-668	WG888302	C. CE. M. CHP	10uF 6. 3V	A-U671	チップ積層セラコン
* C808	ZG844402	C. CE. M. CHP	10uF 35V	A-U671	チップ積層セラコン
C809	US064102	C. CE. CHP	0. 01uF 50V B	A-U671	チップセラコン
* C810	US063682	C. CE. CHP	6800pF 50V B	A-U671	チップセラコン
* C811-812	ZF613102	C. CE. CHP	22uF 10V	A-U671	チップセラコン
C814-815	US035101	C. CE. CHP	0. 1uF 16V B	A-U671	チップセラコン
* C816	WG888302	C. CE. M. CHP	10uF 6. 3V	A-U671	チップ積層セラコン
C817	US135101	C. CE. CHP	0. 1uF 16V	A-U671	チップセラコン
C818-819	US035101	C. CE. CHP	0. 1uF 16V B	A-U671	チップセラコン
C826	US135101	C. CE. CHP	0. 1uF 16V	A-U671	チップセラコン
C827-828	ZD515100	C. MYLAR	1000pF 63V	A-U671	マイラーコン
C829	WS661201	C. CE. M. CHP	4. 7uF 10V	A-U671	チップ積層セラコン
* D1	ZP358602	DIODE	1SS352 TE	A-U671	ダイオード
D2	WC413301	DIODE. ZENR	RSB6. 8S 6. 8V	A-U671	ツェナーダイオード
* D3	ZP358602	DIODE	1SS352 TE	A-U671	ダイオード
* D4	WA467801	LED	SEL6910A-CD	A-U671	LED
* D5-6	ZP358602	DIODE	1SS352 TE	A-U671	ダイオード
* D7-15	WA467801	LED	SEL6910A-CD	A-U671	LED
D20	WC413301	DIODE. ZENR	RSB6. 8S 6. 8V	A-U671	ツェナーダイオード
* D301-302	ZP358602	DIODE	1SS352 TE	A-U671	ダイオード
* D305	ZP358602	DIODE	1SS352 TE	A-U671	ダイオード
* D306	WY163601	DIODE. ZENR	UDZV7. 5B	A-U671	ツェナーダイオード
* D307-309	ZQ873502	D. SCHOTTKY	RB501VM-40TE-17	A-U671	ショットキーダイオード
* D310	ZP358602	DIODE	1SS352 TE	A-U671	ダイオード
* D312	WY163601	DIODE. ZENR	UDZV7. 5B	A-U671	ツェナーダイオード

* New Parts / 新規部品

A-U671

MAIN

Ref No.	Part No.	Description	Remarks	Markets	部 品 名
* D313-319	ZP358602	DIODE	1SS352 TE	A-U671	ダイオード
D320-323	ZA147600	DIODE	RF081M2STR TE	A-U671	ダイオード
* D324-327	ZP358602	DIODE	1SS352 TE	A-U671	ダイオード
* D330-331	ZQ873502	D. SCHOTTKY	RB501VM-40TE-17	A-U671	ショットキーダイオード
* D332-333	ZP358602	DIODE	1SS352 TE	A-U671	ダイオード
* D601-603	WE674802	VARISTOR. C	AVRL161A1R1NTB	A-U671	チップバリスタ
* D604-607	ZP358602	DIODE	1SS352 TE	A-U671	ダイオード
* D805	V6267601	DIODE	RB051L-40	A-U671	ダイオード
* D806-807	ZP358602	DIODE	1SS352 TE	A-U671	ダイオード
* F301-302	V2997601	SW. POLY	SMDC050-02	A-U671	ポリスイッチ
* G301-302	ZJ282300	TERM. GND	M3.5 YQ-36-B	A-U671	アース端子
IC302	YA160A01	IC	R1154H001C-T1-F	A-U671	電源 I C
* IC303	X8355A01	IC	NJW1194	A-U671	I C アナログ
* IC305	X9127A01	IC	NJM5532M-D	A-U671	アンプ I C
* IC307	YC109A02	IC	R3116N271A-TR-F	A-U671	電源 I C
* IC308	YH275A00	IC	BR24G01FVM-3GTR	A-U671	メモリ I C
* IC309	YF175A00	IC	IR4302MTRPBF	A-U671	I C
* IC310	XR532A01	IC	NJM2904V (TE1) DUAL	A-U671	アンプ I C
* IC312	XS377A01	IC	BA15218F OP AMP	A-U671	アンプ I C
* IC601	YF849A02	IC	R5527K001D-TR LOAD	A-U671	電源 I C
* IC603	X8730A02	IC	SN74LVC2G157DCTR	A-U671	ロジック I C
* IC604	X8378A02	IC	TC7SH125FU (TE85L, F	A-U671	ロジック I C
* IC605	YG499A02	IC	RP130Q131D-TR-FE	A-U671	電源 I C
* IC606	YH514B00	IC. MEMOMRY	S25FL116K0XMF I010	A-U671 written	書込済メモリ I C
* IC607	YC288A01	IC	RP130Q331D-TR-F	A-U671	電源 I C
* IC609	YF016A02	IC	RP170H331B-T1-FE	A-U671	電源 I C
* IC610-611	X9127A01	IC	NJM5532M-D	A-U671	アンプ I C
* IC615	X9127A01	IC	NJM5532M-D	A-U671	アンプ I C
* IC803	YE234A01	IC	TS3USB221ARSER	A-U671	ロジック I C
J601-603	RD350002	R. CHP	0Ω 1/16W J	A-U671	チップ抵抗
* J606	RD450003	R. CHP	0Ω 1/16W J	A-U671	チップ抵抗
J607	RD350002	R. CHP	0Ω 1/16W J	A-U671	チップ抵抗
* JK1	ZS296400	JACK. PHONE	JY-6355#04-070G	A-U671	PHONEジャック
* JK601	V7808902	CN. USB	UBB 4P SE	A-U671	USBジャック
* L313-314	ZF924900	FILTER	TQR8048-N0003RN2-R	A-U671	コモンモードフィルタ
* PJ301	ZS601100	JACK. PIN	2P WH/RD AU RJ-117	A-U671	ピンジャック
* PJ302	ZC650001	JACK. PIN	1P RJ-1150 01-0500	A-U671	ピンジャック
* Q301	VV556403	TR	2SC2412K Q, R, S	A-U671	トランジスタ
* Q302	VQ993301	TR. DGT. CHP	DTA124EUAT106	A-U671	デジトラ チップ
* Q303	ZF391500	TR. CHP	2SD1918 QR TP	A-U671	チップトランジスタ
* Q304	WY029602	TR. DGT	KRA304-RTK/P	A-U671	デジタルトランジスタ
* Q305	VV556502	TR	2SA1037K Q, R, S	A-U671	トランジスタ
* Q306	ZF391500	TR. CHP	2SD1918 QR TP	A-U671	チップトランジスタ
* Q307	VV556502	TR	2SA1037K Q, R, S	A-U671	トランジスタ
* Q308-310	VV655402	TR. DGT	DTC114EKA	A-U671	デジタルトランジスタ
* Q311	VV556502	TR	2SA1037K Q, R, S	A-U671	トランジスタ
* Q312	VV655402	TR. DGT	DTC114EKA	A-U671	デジタルトランジスタ
* Q313-314	VV556403	TR	2SC2412K Q, R, S	A-U671	トランジスタ
* Q315	VV556502	TR	2SA1037K Q, R, S	A-U671	トランジスタ
* Q316-317	WC883403	TR	2SD2704 K	A-U671	トランジスタ
* Q318	VV556502	TR	2SA1037K Q, R, S	A-U671	トランジスタ
* Q319	VV556403	TR	2SC2412K Q, R, S	A-U671	トランジスタ
* Q320-322	VV556502	TR	2SA1037K Q, R, S	A-U671	トランジスタ
* Q323	V4096101	TR	2SC4614 S, T	A-U671	トランジスタ
* Q324-325	WC883403	TR	2SD2704 K	A-U671	トランジスタ
* Q326	V4096101	TR	2SC4614 S, T	A-U671	トランジスタ
* Q327	V4096001	TR	2SA1770 S, T	A-U671	トランジスタ

* New Parts / 新規部品

A-U671

MAIN

Ref No.	Part No.	Description	Remarks	Markets	部 品 名
* Q328	VV556403	TR	2SC2412K Q, R, S	A-U671	トランジスタ
* Q329	VV556502	TR	2SA1037K Q, R, S	A-U671	トランジスタ
* Q330-331	WC883403	TR	2SD2704 K	A-U671	トランジスタ
* Q332	VV556403	TR	2SC2412K Q, R, S	A-U671	トランジスタ
* Q333	VV655402	TR. DGT	DTC114EKA	A-U671	デジタルトランジスタ
* Q601-606	VV655402	TR. DGT	DTC114EKA	A-U671	デジタルトランジスタ
* Q607	VV655502	TR. DGT	DTC124EKA	A-U671	デジタルトランジスタ
* Q609-610	WC883403	TR	2SD2704 K	A-U671	トランジスタ
R1	RD357101	R. CHP	10KΩ 1/16W J	A-U671	チップ抵抗
R2	RD356102	R. CHP	1KΩ 1/16W J	A-U671	チップ抵抗
* R3	RD355272	R. CHP	270Ω 1/16W J	A-U671	チップ抵抗
R4-6	RD355562	R. CHP	560Ω 1/16W J	A-U671	チップ抵抗
R7	RD356102	R. CHP	1KΩ 1/16W J	A-U671	チップ抵抗
R8	RD357101	R. CHP	10KΩ 1/16W J	A-U671	チップ抵抗
* R11-16	RD355392	R. CHP	390Ω 1/16W J	A-U671	チップ抵抗
R301-302	RD358101	R. CHP	100KΩ 1/16W J	A-U671	チップ抵抗
* R303	RF457333	R. CHP	33KΩ 1/16W F	A-U671	チップ抵抗
R304	RD357101	R. CHP	10KΩ 1/16W J	A-U671	チップ抵抗
R305	RD358101	R. CHP	100KΩ 1/16W J	A-U671	チップ抵抗
* R306	RF457111	R. CHP	11KΩ 1/16W F	A-U671	チップ抵抗
* R307	RF457121	R. CHP	12KΩ 1/16W F	A-U671	チップ抵抗
* R308	RF456182	R. CHP	1.8KΩ 1/16W F	A-U671	チップ抵抗
R309	RD358101	R. CHP	100KΩ 1/16W J	A-U671	チップ抵抗
* R310	RF456822	R. CHP	8.2KΩ 1/16W F	A-U671	チップ抵抗
* R311	RD355223	R. CHP	220Ω 1/16W J	A-U671	チップ抵抗
R312	RD357101	R. CHP	10KΩ 1/16W J	A-U671	チップ抵抗
R313	RD356471	R. CHP	4.7KΩ 1/16W J	A-U671	チップ抵抗
R314	RD356102	R. CHP	1KΩ 1/16W J	A-U671	チップ抵抗
* R315	RD356222	R. CHP	2.2KΩ 1/16W J	A-U671	チップ抵抗
* R316-317	RF458101	R. CHP	100KΩ 1/16W F	A-U671	チップ抵抗
R318	RD358101	R. CHP	100KΩ 1/16W J	A-U671	チップ抵抗
R319-320	RD357101	R. CHP	10KΩ 1/16W J	A-U671	チップ抵抗
R321	RD356102	R. CHP	1KΩ 1/16W J	A-U671	チップ抵抗
R322-323	RD354222	R. CHP	22Ω 1/16W J	A-U671	チップ抵抗
R324	RD358101	R. CHP	100KΩ 1/16W J	A-U671	チップ抵抗
R325	RD356681	R. CHP	6.8KΩ 1/16W J	A-U671	チップ抵抗
R326-327	RD356471	R. CHP	4.7KΩ 1/16W J	A-U671	チップ抵抗
* R328	RF355102	R. MTL. CHP	100Ω 1/16W D	A-U671	チップ金属被膜抵抗
R329	RD357121	R. CHP	12KΩ 1/16W J	A-U671	チップ抵抗
* R330	RD357182	R. CHP	18KΩ 1/16W J	A-U671	チップ抵抗
R331	RD356102	R. CHP	1KΩ 1/16W J	A-U671	チップ抵抗
* R332	RF355102	R. MTL. CHP	100Ω 1/16W D	A-U671	チップ金属被膜抵抗
* R333	RD357152	R. CHP	15KΩ 1/16W J	A-U671	チップ抵抗
R334	RD357121	R. CHP	12KΩ 1/16W J	A-U671	チップ抵抗
R335-336	RD354331	R. CHP	33Ω 1/16W J	A-U671	チップ抵抗
R337	RD358101	R. CHP	100KΩ 1/16W J	A-U671	チップ抵抗
R338	RD356102	R. CHP	1KΩ 1/16W J	A-U671	チップ抵抗
R339	RD354331	R. CHP	33Ω 1/16W J	A-U671	チップ抵抗
R340	RD356102	R. CHP	1KΩ 1/16W J	A-U671	チップ抵抗
* R341-342	RF355102	R. MTL. CHP	100Ω 1/16W D	A-U671	チップ金属被膜抵抗
* R343-344	RF356392	R. MTL. CHP	3.9KΩ 1/16W D	A-U671	チップ金属被膜抵抗
R345	RD356102	R. CHP	1KΩ 1/16W J	A-U671	チップ抵抗
* R346-347	RF356392	R. MTL. CHP	3.9KΩ 1/16W D	A-U671	チップ金属被膜抵抗
R348-349	RD356102	R. CHP	1KΩ 1/16W J	A-U671	チップ抵抗
* R350-351	RF356392	R. MTL. CHP	3.9KΩ 1/16W D	A-U671	チップ金属被膜抵抗
* R352	RD357162	R. CHP	16KΩ 1/16W J	A-U671	チップ抵抗
* R353	RD357272	R. CHP	27KΩ 1/16W J	A-U671	チップ抵抗

* New Parts / 新規部品

A-U670/A-670/A-U671/
NS-BP401/NS-BP301

A-U671

MAIN

Ref No.	Part No.	Description	Remarks	Markets	部 品 名	
R354	RD357101	R. CHP	10K Ω	1/16W J	A-U671	チップ抵抗
* R355-356	RF356392	R. MTL. CHP	3. 9K Ω	1/16W D	A-U671	チップ金属被膜抵抗
R357	RD356561	R. CHP	5. 6K Ω	1/16W J	A-U671	チップ抵抗
R358	RD354331	R. CHP	33 Ω	1/16W J	A-U671	チップ抵抗
R359	RD358101	R. CHP	100K Ω	1/16W J	A-U671	チップ抵抗
* R360-361	RF355102	R. MTL. CHP	100 Ω	1/16W D	A-U671	チップ金属被膜抵抗
R362	RD356471	R. CHP	4. 7K Ω	1/16W J	A-U671	チップ抵抗
R363	RD357101	R. CHP	10K Ω	1/16W J	A-U671	チップ抵抗
R364	RD358101	R. CHP	100K Ω	1/16W J	A-U671	チップ抵抗
R365	RD356102	R. CHP	1K Ω	1/16W J	A-U671	チップ抵抗
* R366	RF457333	R. CHP	33K Ω	1/16W F	A-U671	チップ抵抗
R368	RD356471	R. CHP	4. 7K Ω	1/16W J	A-U671	チップ抵抗
R369	RD358101	R. CHP	100K Ω	1/16W J	A-U671	チップ抵抗
R370-371	RD354331	R. CHP	33 Ω	1/16W J	A-U671	チップ抵抗
R372	RD356102	R. CHP	1K Ω	1/16W J	A-U671	チップ抵抗
R373	RD358101	R. CHP	100K Ω	1/16W J	A-U671	チップ抵抗
* R374-375	RF357472	R. MTL. CHP	47K Ω	1/16W D	A-U671	チップ金属被膜抵抗
R376	RD357101	R. CHP	10K Ω	1/16W J	A-U671	チップ抵抗
* R377	RD358472	R. CHP	470K Ω	1/16W J	A-U671	チップ抵抗
R378	RD356102	R. CHP	1K Ω	1/16W J	A-U671	チップ抵抗
R379	RD356471	R. CHP	4. 7K Ω	1/16W J	A-U671	チップ抵抗
R380	RD354331	R. CHP	33 Ω	1/16W J	A-U671	チップ抵抗
* R381	RD358472	R. CHP	470K Ω	1/16W J	A-U671	チップ抵抗
R383-385	RD354331	R. CHP	33 Ω	1/16W J	A-U671	チップ抵抗
* R386	RF355471	R. MTL. CHP	470 Ω	1/16W D	A-U671	チップ金属被膜抵抗
R388-389	RD357471	R. CHP	47K Ω	1/16W J	A-U671	チップ抵抗
* R390	RF355471	R. MTL. CHP	470 Ω	1/16W D	A-U671	チップ金属被膜抵抗
R391	RD358101	R. CHP	100K Ω	1/16W J	A-U671	チップ抵抗
R392	RD359102	R. CHP	1M Ω	1/16W J	A-U671	チップ抵抗
R393	RD356102	R. CHP	1K Ω	1/16W J	A-U671	チップ抵抗
* R394-396	RF355102	R. MTL. CHP	100 Ω	1/16W D	A-U671	チップ金属被膜抵抗
R397	RD357101	R. CHP	10K Ω	1/16W J	A-U671	チップ抵抗
R398	RD358101	R. CHP	100K Ω	1/16W J	A-U671	チップ抵抗
* R399	RF356682	R. MTL. CHP	6. 8K Ω	1/16W D	A-U671	チップ金属被膜抵抗
* R401	RF356682	R. MTL. CHP	6. 8K Ω	1/16W D	A-U671	チップ金属被膜抵抗
* R402	RF357472	R. MTL. CHP	47K Ω	1/16W D	A-U671	チップ金属被膜抵抗
* R404	RF357682	R. MTL. CHP	68K Ω	1/16W D	A-U671	チップ金属被膜抵抗
* R405	RF356102	R. MTL. CHP	1. 0K Ω	1/16W D	A-U671	チップ金属被膜抵抗
R406	RD350002	R. CHP	0 Ω	1/16W J	A-U671	チップ抵抗
R408	RD357101	R. CHP	10K Ω	1/16W J	A-U671	チップ抵抗
R409-410	RD358101	R. CHP	100K Ω	1/16W J	A-U671	チップ抵抗
* R411	RF357682	R. MTL. CHP	68K Ω	1/16W D	A-U671	チップ金属被膜抵抗
* R412	RF357222	R. MTL. CHP	22K Ω	1/16W D	A-U671	チップ金属被膜抵抗
* R413-414	RF355182	R. MTL. CHP	180 Ω	1/16W D	A-U671	チップ金属被膜抵抗
R415	RD358101	R. CHP	100K Ω	1/16W J	A-U671	チップ抵抗
* R416-417	RD155102	R. CAR. CHP	100 Ω	1/4W	A-U671	チップ抵抗
* R418-419	ZH078801	R. CAR. CHP	27K Ω	1W	A-U671	チップ抵抗
* R420-421	RD357431	R. CHP	43K Ω	1/16W J	A-U671	チップ抵抗
R422	RD357101	R. CHP	10K Ω	1/16W J	A-U671	チップ抵抗
* R423	RD154151	R. CHP	15 Ω	1/4W J	A-U671	チップ抵抗
R424	RD358101	R. CHP	100K Ω	1/16W J	A-U671	チップ抵抗
R425	RD357221	R. CHP	22K Ω	1/16W J	A-U671	チップ抵抗
* R426	RD358271	R. CHP	270K Ω	1/16W J	A-U671	チップ抵抗
R427	RD356471	R. CHP	4. 7K Ω	1/16W J	A-U671	チップ抵抗
R428-429	RD357471	R. CHP	47K Ω	1/16W J	A-U671	チップ抵抗
* R430	RD353471	R. CHP	4. 7 Ω	1/16W J	A-U671	チップ抵抗
* R431	RD357152	R. CHP	15K Ω	1/16W J	A-U671	チップ抵抗

* New Parts / 新規部品

MAIN

Ref No.	Part No.	Description	Remarks	Markets	部 品 名
R432	RD357121	R. CHP	12K Ω 1/16W J	A-U671	チップ抵抗
R433	RD357101	R. CHP	10K Ω 1/16W J	A-U671	チップ抵抗
* R434	RD356621	R. CHP	6.2K Ω 1/16W J	A-U671	チップ抵抗
* R435-436	RF456332	R. CHP	3.3K Ω 1/16W F	A-U671	チップ抵抗
R437	RD358101	R. CHP	100K Ω 1/16W J	A-U671	チップ抵抗
* R438	RD353471	R. CHP	4.7 Ω 1/16W J	A-U671	チップ抵抗
R439-440	RD357471	R. CHP	47K Ω 1/16W J	A-U671	チップ抵抗
* R441	RD353471	R. CHP	4.7 Ω 1/16W J	A-U671	チップ抵抗
* R442-443	RD357332	R. CHP	33K Ω 1/16W J	A-U671	チップ抵抗
* R444-445	RD153101	R. CAR. CHP	1 Ω 1/4W	A-U671	チップ抵抗
R446-447	RD357101	R. CHP	10K Ω 1/16W J	A-U671	チップ抵抗
R448	RD356681	R. CHP	6.8K Ω 1/16W J	A-U671	チップ抵抗
R449	RD357471	R. CHP	47K Ω 1/16W J	A-U671	チップ抵抗
* R450-451	RF457472	R. CHP	47K Ω 1/16W F	A-U671	チップ抵抗
R452	RD358101	R. CHP	100K Ω 1/16W J	A-U671	チップ抵抗
R453	RD355471	R. CHP	470 Ω 1/16W J	A-U671	チップ抵抗
R454	RD357471	R. CHP	47K Ω 1/16W J	A-U671	チップ抵抗
R455	RD358101	R. CHP	100K Ω 1/16W J	A-U671	チップ抵抗
* R456-457	WH158701	R. CHP	10 Ω 1W J	A-U671	チップ抵抗
R458	RD357101	R. CHP	10K Ω 1/16W J	A-U671	チップ抵抗
* R459	RD355223	R. CHP	220 Ω 1/16W J	A-U671	チップ抵抗
* R460-461	RF457152	R. CHP	15K Ω 1/16W F	A-U671	チップ抵抗
R462	RD355471	R. CHP	470 Ω 1/16W J	A-U671	チップ抵抗
R463	RD357471	R. CHP	47K Ω 1/16W J	A-U671	チップ抵抗
* R464-465	RD156221	R. CAR. CHP	2.2K Ω 1/4W	A-U671	チップ抵抗
R466	RD357101	R. CHP	10K Ω 1/16W J	A-U671	チップ抵抗
R467	RD358101	R. CHP	100K Ω 1/16W J	A-U671	チップ抵抗
* R468-469	RF457472	R. CHP	47K Ω 1/16W F	A-U671	チップ抵抗
R470	RD357471	R. CHP	47K Ω 1/16W J	A-U671	チップ抵抗
* R471-472	WZ678100	R. MTL. OXD	22 Ω 1/4W	A-U671	酸化金属被膜抵抗
R473	RD358101	R. CHP	100K Ω 1/16W J	A-U671	チップ抵抗
* R474	VK641801	R. CHP	100 Ω 1/2W	A-U671	チップ抵抗
R475	RD357101	R. CHP	10K Ω 1/16W J	A-U671	チップ抵抗
* R476-479	RD354241	R. CHP	24 Ω 1/16W J	A-U671	チップ抵抗
R483	RD356471	R. CHP	4.7K Ω 1/16W J	A-U671	チップ抵抗
R484-485	RD354331	R. CHP	33 Ω 1/16W J	A-U671	チップ抵抗
R486-487	RD358101	R. CHP	100K Ω 1/16W J	A-U671	チップ抵抗
R490	RD354331	R. CHP	33 Ω 1/16W J	A-U671	チップ抵抗
R491-494	RD356102	R. CHP	1K Ω 1/16W J	A-U671	チップ抵抗
R495	RD357101	R. CHP	10K Ω 1/16W J	A-U671	チップ抵抗
R496	RF457681	R. CHP	68K Ω 1/16W F	A-U671	チップ抵抗
R497	RD359102	R. CHP	1M Ω 1/16W J	A-U671	チップ抵抗
R498	RF457681	R. CHP	68K Ω 1/16W F	A-U671	チップ抵抗
* R499	RD154151	R. CHP	15 Ω 1/4W J	A-U671	チップ抵抗
* R500	RF356682	R. MTL. CHP	6.8K Ω 1/16W D	A-U671	チップ金属被膜抵抗
R501-502	RD356102	R. CHP	1K Ω 1/16W J	A-U671	チップ抵抗
R503	RD356471	R. CHP	4.7K Ω 1/16W J	A-U671	チップ抵抗
R507	RD357101	R. CHP	10K Ω 1/16W J	A-U671	チップ抵抗
* R508	RD154151	R. CHP	15 Ω 1/4W J	A-U671	チップ抵抗
* R510	RD154151	R. CHP	15 Ω 1/4W J	A-U671	チップ抵抗
R603-605	RD356102	R. CHP	1K Ω 1/16W J	A-U671	チップ抵抗
R606	RD358101	R. CHP	100K Ω 1/16W J	A-U671	チップ抵抗
R608	RD357101	R. CHP	10K Ω 1/16W J	A-U671	チップ抵抗
R609	RD356102	R. CHP	1K Ω 1/16W J	A-U671	チップ抵抗
* R610	RD459102	R. CHP	1M Ω 1/16W J	A-U671	チップ抵抗
* R611	RD458102	R. CHP	100K Ω 1/16W	A-U671	チップ抵抗
R612	RD358101	R. CHP	100K Ω 1/16W J	A-U671	チップ抵抗

* New Parts / 新規部品

A-U671

MAIN

Ref No.	Part No.	Description	Remarks	Markets	部 品 名
* R615	RD458102	R. CHP	100K Ω 1/16W	A-U671	チップ抵抗
R617	RD355102	R. CHP	100 Ω 1/16W J	A-U671	チップ抵抗
R619-620	RD355102	R. CHP	100 Ω 1/16W J	A-U671	チップ抵抗
R621	RD457101	R. CHP	10K Ω 1/16W J	A-U671	チップ抵抗
R622	RD356102	R. CHP	1K Ω 1/16W J	A-U671	チップ抵抗
R623	RD355102	R. CHP	100 Ω 1/16W J	A-U671	チップ抵抗
R624	RD457101	R. CHP	10K Ω 1/16W J	A-U671	チップ抵抗
* R625-626	RF454472	R. CHP	47 Ω 1/16W F	A-U671	チップ抵抗
R627	RD457101	R. CHP	10K Ω 1/16W J	A-U671	チップ抵抗
R629	RF457103	R. CHP	10K Ω 1/16W F	A-U671	チップ抵抗
R630-631	RD356102	R. CHP	1K Ω 1/16W J	A-U671	チップ抵抗
R633	RD354471	R. CHP	47 Ω 1/16W J	A-U671	チップ抵抗
* R634-635	RF357102	R. MTL. CHP	10K Ω 1/16W D	A-U671	チップ金属被膜抵抗
* R636	RF356562	R. MTL. CHP	5. 6K Ω 1/16W D	A-U671	チップ金属被膜抵抗
* R637	RF355752	R. MTL. CHP	750 Ω 1/16W D	A-U671	チップ金属被膜抵抗
* R638	RF356562	R. MTL. CHP	5. 6K Ω 1/16W D	A-U671	チップ金属被膜抵抗
* R639	RF355752	R. MTL. CHP	750 Ω 1/16W D	A-U671	チップ金属被膜抵抗
* R640-641	RF355102	R. MTL. CHP	100 Ω 1/16W D	A-U671	チップ金属被膜抵抗
* R643-644	RF355102	R. MTL. CHP	100 Ω 1/16W D	A-U671	チップ金属被膜抵抗
* R645-646	RF356222	R. MTL. CHP	2. 2K Ω 1/16W D	A-U671	チップ金属被膜抵抗
* R647	RD353223	R. CHP	2. 2 Ω 1/16W J	A-U671	チップ抵抗
* R648-649	RF356222	R. MTL. CHP	2. 2K Ω 1/16W D	A-U671	チップ金属被膜抵抗
* R650	RD353223	R. CHP	2. 2 Ω 1/16W J	A-U671	チップ抵抗
* R654-657	RF356392	R. MTL. CHP	3. 9K Ω 1/16W D	A-U671	チップ金属被膜抵抗
* R658-660	RD353223	R. CHP	2. 2 Ω 1/16W J	A-U671	チップ抵抗
* R661	RF356392	R. MTL. CHP	3. 9K Ω 1/16W D	A-U671	チップ金属被膜抵抗
* R662-663	RF354102	R. MTL. CHP	10 Ω 1/16W D	A-U671	チップ金属被膜抵抗
* R664-665	RF356392	R. MTL. CHP	3. 9K Ω 1/16W D	A-U671	チップ金属被膜抵抗
* R666-669	RF355222	R. MTL. CHP	220 Ω 1/16W D	A-U671	チップ金属被膜抵抗
* R670	RF356392	R. MTL. CHP	3. 9K Ω 1/16W D	A-U671	チップ金属被膜抵抗
* R671-672	RF354102	R. MTL. CHP	10 Ω 1/16W D	A-U671	チップ金属被膜抵抗
* R673-675	RD353223	R. CHP	2. 2 Ω 1/16W J	A-U671	チップ抵抗
R678-679	RD357471	R. CHP	47K Ω 1/16W J	A-U671	チップ抵抗
* R680-681	RD355223	R. CHP	220 Ω 1/16W J	A-U671	チップ抵抗
* R682-684	RD353223	R. CHP	2. 2 Ω 1/16W J	A-U671	チップ抵抗
R685	RD354331	R. CHP	33 Ω 1/16W J	A-U671	チップ抵抗
R808	RF457103	R. CHP	10K Ω 1/16W F	A-U671	チップ抵抗
* R809	RF458121	R. CHP	120K Ω 1/16W F	A-U671	チップ抵抗
* R810	RF457302	R. CHP	30K Ω 1/16W F	A-U671	チップ抵抗
R811-812	RD357471	R. CHP	47K Ω 1/16W J	A-U671	チップ抵抗
R813	RD350002	R. CHP	0 Ω 1/16W J	A-U671	チップ抵抗
R814	RD354471	R. CHP	47 Ω 1/16W J	A-U671	チップ抵抗
* R818	RF357682	R. MTL. CHP	68K Ω 1/16W D	A-U671	チップ金属被膜抵抗
R821	RD357471	R. CHP	47K Ω 1/16W J	A-U671	チップ抵抗
* R822-823	RF355471	R. MTL. CHP	470 Ω 1/16W D	A-U671	チップ金属被膜抵抗
R827-828	RD357101	R. CHP	10K Ω 1/16W J	A-U671	チップ抵抗
R829	RD355102	R. CHP	100 Ω 1/16W J	A-U671	チップ抵抗
* SW1-2	WD483102	SW. TACT	SKRGAAD010	A-U671	タクトスイッチ
* TE301	WU730101	TERM. SP	4P MST-224VD-01-76	A-U671	スピーカー端子
* TE301	WU730301	TERM. SP	4P MST-224VD-01-76	A-U671	スピーカー端子
* U1	ZT054600	L. DTCT	RPM7238-H4R	A-U671	リモコン受光ユニット
* VR1-3	ZR727900	VR. ROTARY	B 10K RK11K1140D42	A-U671	ロータリーボリューム
* XL601	WJ081302	RSNR. CRYST	24MHz DSX321G	A-U671	水晶振動子
* XL602	WH714202	RESONATOR	24. 576MHz DS0321SR	A-U671	水晶発振器
* XL603	WN517402	RESONATOR	22. 5792MHz DS0321S	A-U671	水晶発振器
* XL604	ZN785002	RESONATOR	80MHz DS0211AH	A-U671	水晶発振器

* New Parts / 新規部品

A-U671

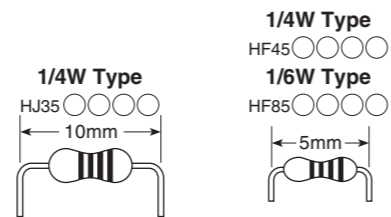
VOLUME

Ref No.	Part No.	Description	Remarks	Markets	部 品 名
*	ZT075600	P. C. B.	VOLUME	A-U671	PCB VOLUME
* CB801	VB858801	CN. BS. PIN	9P	A-U671	コネクター
C801	US064102	C. CE. CHP	0.01uF 50V B	A-U671	チップセラコン
C805	US064102	C. CE. CHP	0.01uF 50V B	A-U671	チップセラコン
* C806	UR818471	C. EL	470uF 6.3V	A-U671	ケミコン
* C807	WN987602	C. CE. M. CHP	1uF 50V	A-U671	チップ積層セラコン
C809	US035101	C. CE. CHP	0.1uF 16V B	A-U671	チップセラコン
D801-802	WW783901	DIODE	1SS355VM	A-U671	ダイオード
* IC801	YD292A01	IC	BH6578FVM-TR	A-U671	アンプ I C
R801	RD354471	R. CHP	47Ω 1/16W J	A-U671	チップ抵抗
* R802	RD357621	R. CHP	62KΩ 1/16W J	A-U671	チップ抵抗
R803-804	RD357101	R. CHP	10KΩ 1/16W J	A-U671	チップ抵抗
R805	RD357471	R. CHP	47KΩ 1/16W J	A-U671	チップ抵抗
* VR5	ZN318601	VR. SW	RK16811MGA09	A-U671	モーター駆動ボリューム

* New Parts / 新規部品

Carbon Resistors

Value	1/4W Type Part No.	1/6W Type Part No.	Value	1/4W Type Part No.	1/6W Type Part No.
1.0 Ω	HJ35 3100	HF85 3100	11 kΩ	HF45 7110	HF45 7110
1.8 Ω	HJ35 3180	*	12 kΩ	HJ35 7120	HF85 7120
2.2 Ω	HJ35 3220	HF85 3220	13 kΩ	HF45 7130	HF45 7130
3.3 Ω	HJ35 3330	HF85 3330	15 kΩ	HF45 7150	HF45 7150
4.7 Ω	HJ35 3470	HF85 3470	18 kΩ	HF45 7180	HF45 7180
5.6 Ω	HJ35 3560	HF85 3560	22 kΩ	HF45 7220	HF45 7220
10 Ω	HF45 4100	HF45 4100	24 kΩ	HF45 7240	HF45 7240
15 Ω	HJ35 4150	HF85 4150	27 kΩ	HJ35 7270	HF85 7270
22 Ω	HF45 4220	HF45 4220	30 kΩ	HF45 7300	HF45 7300
27 Ω	HJ35 4270	HF85 4270	33 kΩ	HF45 7330	HF45 7330
33 Ω	HF45 4330	HF45 4330	36 kΩ	HF45 7360	HF45 7360
39 Ω	HJ35 4470	HF85 4390	39 kΩ	HF45 7390	HF45 7390
47 Ω	HF45 4470	HF45 4470	47 kΩ	HF45 7470	HF45 7470
56 Ω	HF45 4560	HF45 4560	51 kΩ	HF45 7510	HF45 7510
68 Ω	HF45 4680	HF45 4680	56 kΩ	HF45 7560	HF45 7560
75 Ω	HF45 4750	HF45 4750	62 kΩ	HF45 7620	HF45 7620
82 Ω	HF45 4820	HF45 4820	68 kΩ	HF45 7680	HF45 7680
91 Ω	HF45 4910	HF45 4910	82 kΩ	HF45 7820	HF45 7820
100 Ω	HF45 5100	HF45 5100	91 kΩ	HF45 7910	HF45 7910
110 Ω	HJ35 5110	HF85 5110	100 kΩ	HF45 8100	HF45 8100
120 Ω	HF45 5120	HF45 5120	110 kΩ	HF45 8110	HF45 8110
150 Ω	HF45 5150	HF45 5150	120 kΩ	HF45 8120	HF45 8120
160 Ω	HJ35 5160	*	130 kΩ	HF45 8130	*
180 Ω	HF45 5180	HF45 5180	150 kΩ	HF45 8150	HF45 8150
200 Ω	HF45 5200	HF45 5200	180 kΩ	HF45 8180	HF45 8180
220 Ω	HF45 5220	HF45 5220	220 kΩ	HJ35 8220	HF85 8220
270 Ω	HF45 5270	HF45 5270	270 kΩ	HF45 8270	HF45 8270
330 Ω	HF45 5330	HF45 5330	300 kΩ	HF45 8300	HF45 8300
390 Ω	HF45 5390	HF45 5390	330 kΩ	HF45 8330	HF45 8330
430 Ω	HF45 5430	HF45 5430	390 kΩ	HJ35 8390	HF85 8390
470 Ω	HF45 5470	HF45 5470	470 kΩ	HF45 8470	HF45 8470
510 Ω	HF45 5510	HF45 5510	560 kΩ	HJ35 8560	HF85 8560
560 Ω	HF45 5560	HF45 5560	680 kΩ	HJ35 8680	HF85 8680
680 Ω	HF45 5680	HF45 5680	820 kΩ	HJ35 8820	HF85 8820
820 Ω	HF45 5820	HF45 5820	1.0 MΩ	HF45 9100	HF45 9100
910 Ω	HF45 5910	HF45 5910	1.2 MΩ	HJ35 9120	*
1.0 kΩ	HF45 6100	HF45 6100	1.5 MΩ	HJ35 9150	HF85 9150
1.2 kΩ	HF45 6120	HF45 6120	1.8 MΩ	HJ35 9180	HF85 9180
1.5 kΩ	HF45 6150	HF45 6150	2.2 MΩ	HJ35 9220	HF85 9220
1.8 kΩ	HF45 6180	HF45 6180	3.3 MΩ	HJ35 9330	HF85 9330
2.0 kΩ	HJ35 6200	HF85 6200	3.9 MΩ	HJ35 9390	*
2.2 kΩ	HF45 6220	HF45 6220	4.7 MΩ	HJ35 9470	HF85 9470
2.4 kΩ	HJ35 6240	HF85 6240			
2.7 kΩ	HF45 6270	HF45 6270			
3.0 kΩ	HF45 6300	HF45 6300			
3.3 kΩ	HF45 6330	HF45 6330			
3.6 kΩ	HJ35 6360	HF85 6360			
3.9 kΩ	HF45 6390	HF45 6390			
4.7 kΩ	HF45 6470	HF45 6470			
5.1 kΩ	HF45 6510	HF45 6510			
5.6 kΩ	HF45 6560	HF45 6560			
6.8 kΩ	HF45 6680	HF45 6680			
8.2 kΩ	HF45 6820	HF45 6820			
9.1 kΩ	HF45 6910	HF45 6910			
10 kΩ	HF45 7100	HF45 7100			



* : Not available

A-U670

A-670

A-U671

Ref No.	Part No.	Description	Remarks	Markets	部 品 名
* 1-2	ZT075600	P. C. B. ASSEMBLY	VOLUME	A-U671	PCB VOLUME
* 1-5	ZT073900	FLEXIBLE FLAT CABLE	11P 210mm P=1.25		カード電線
* 1-6	ZT075300	FLEXIBLE FLAT CABLE	12P 210mm P=1.25	A-U670/A-U671	カード電線
* 1-11	ZR701000	FRONT PANEL		SI A-U670	フロントパネル
* 1-11	ZR700800	FRONT PANEL		SI A-670	フロントパネル
* 1-11	ZR802700	FRONT PANEL		SI A-U671	フロントパネル
* 1-11	ZR701100	FRONT PANEL		BL A-U670	フロントパネル
* 1-11	ZR700900	FRONT PANEL		BL A-670	フロントパネル
* 1-11	ZR802800	FRONT PANEL		BL A-U671	フロントパネル
* 1-14	ZR805000	SUB-PANEL		SI A-U670	サブパネル
* 1-14	ZR703800	SUB-PANEL		SI A-670	サブパネル
* 1-14	ZS030700	SUB-PANEL		SI A-U671	サブパネル
* 1-14	ZR805100	SUB-PANEL		BL A-U670	サブパネル
* 1-14	ZR704500	SUB-PANEL		BL A-670	サブパネル
* 1-14	ZS030800	SUB-PANEL		BL A-U671	サブパネル
* 1-20	ZS030900	LED LENS			LEDレンズ
* 1-21	ZT012500	LENS		SI A-U671	レンズ
* 1-21	ZT058400	LENS		BL A-U671	レンズ
1-42	WZ696100	PW HEAD P-TIGHT SCREW	3x8-10 MFZN2B3		PWヘッドPタイトネジ
1-51	WE774801	BIND HEAD P-TIGHT SCREW	3x8 MFZN2W3		バインドPタイトネジ
* 2	ZS622900	P. C. B. ASSEMBLY	MAIN	A-U671	JUTA PCB MAIN
* 2	ZS622500	P. C. B. ASSEMBLY	MAIN	A-670	UTAV PCB MAIN
* 2	ZS622600	P. C. B. ASSEMBLY	MAIN	A-U670	KBGL PCB MAIN
* 2	ZS622400	P. C. B. ASSEMBLY	MAIN	A-670	KBGL PCB MAIN
* 2	ZS622800	P. C. B. ASSEMBLY	MAIN	A-U671	KBGL PCB MAIN
* 2	ZS622700	P. C. B. ASSEMBLY	MAIN	A-U670	V PCB MAIN
△ * 5	YH674A00	POWER SUPPLY MODULE	AY088P-4HF02		JUV 電源モジュール
△ * 5	YH673A00	POWER SUPPLY MODULE	AY088P-4HF01		TKABGL 電源モジュール
* 6	WZ527201	POWER CABLE	1.8m		J 電源コード
* 6	WY040901	POWER CABLE	1.8m		U 電源コード
* 6	WY042601	POWER CABLE	1.8m		T 電源コード
* 6	WY042401	POWER CABLE	1.8m		K 電源コード
* 6	WY042101	POWER CABLE	1.8m		A 電源コード
* 6	WY041101	POWER CABLE	1.8m		B 電源コード
* 6	WY041701	POWER CABLE	1.8m		GL 電源コード
* 6	ZR156301	POWER CABLE	1.8m		V 電源コード
* 21	ZR704600	TOP COVER		SI	トップカバー
* 21	ZR704700	TOP COVER		BL	トップカバー
* 23	ZR802600	REAR PANEL		A-U671	J リアパネル
* 23	ZR802400	REAR PANEL		A-670	U リアパネル
* 23	ZT123600	REAR PANEL		A-U671	U リアパネル
* 23	ZT123000	REAR PANEL		A-670	T リアパネル
* 23	ZT123700	REAR PANEL		A-U671	T リアパネル
* 23	ZR802500	REAR PANEL		A-U670	K リアパネル

* New Parts / 新規部品

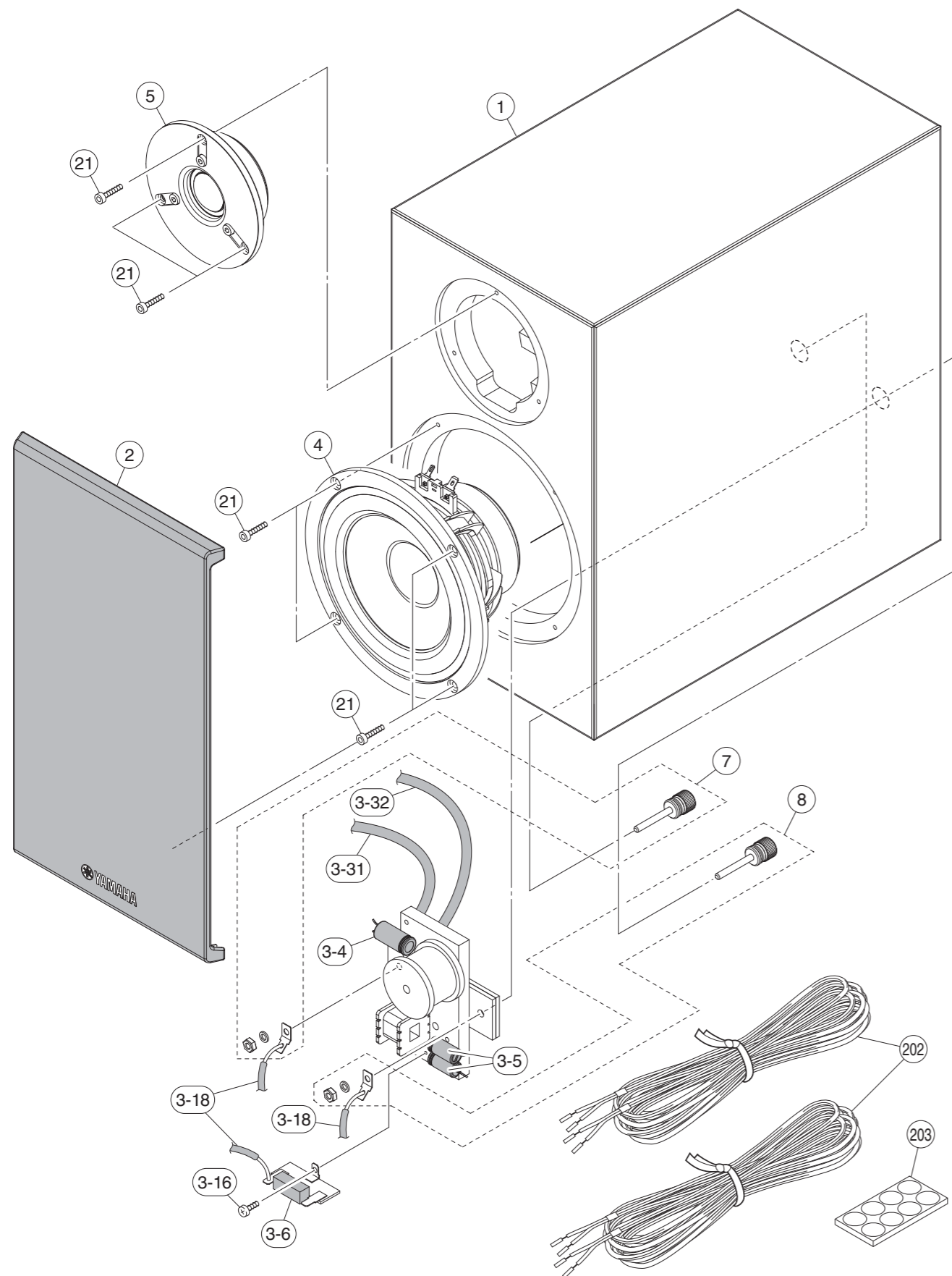
Finish / 仕上げ SI: Silver color, BL: Black color

Ref No.	Part No.	Description	Remarks	Markets	部 品 名
* 23	ZT123100	REAR PANEL		A-670	K リアパネル
* 23	ZT123800	REAR PANEL		A-U671	K リアパネル
* 23	ZT123200	REAR PANEL		A-670	ABGL リアパネル
* 23	ZT123900	REAR PANEL		A-U671	ABGL リアパネル
* 23	ZT123400	REAR PANEL		A-U670	BGL リアパネル
* 23	ZT123500	REAR PANEL		A-U670	V リアパネル
* 23	ZT123300	REAR PANEL		A-670	V リアパネル
* 30	ZT325600	SIDE PANEL L	Black		サイドパネルL
* 31	ZR704800	SIDE PANEL R	Black		サイドパネルR
* 32	ZS025300	LEG	D42 H10		レッグ
* 36	ZS028500	KNOB	VOLUME	SI A-U670/A-670	ツマミ
* 36	ZS028700	KNOB	VOLUME, SLIT	SI A-U671	ツマミ
* 36	ZS028600	KNOB	VOLUME	BL A-U670/A-670	ツマミ
* 36	ZS028800	KNOB	VOLUME, SLIT	BL A-U671	ツマミ
* 37	ZR702800	KNOB	TONE CONTROL	SI	ツマミ
* 37	ZR702900	KNOB	TONE CONTROL	BL	ツマミ
* 38	V2438702	CORD STOPPER	10P1		コードストッパー
* 40	ZR824600	RADIATION SHEET			放熱シート
52	WE774302	BIND HEAD B-TIGHT SCREW	3x8 MFZN2W3		バインドBタイトネジ
* 53	WE774102	BIND HEAD BONDING B-T. SCREW	3x8 MFZN2B3		ボンディングBタイトネジ
54	WG680300	PAN HEAD SCREW	3x6 MFZN2B3		ナベ小ネジ
55	WF002600	PW HEAD B-TIGHT SCREW	3x8 MFZN2W3		PWヘッドBタイトネジ
56	ZN160800	BIND HEAD S-TIGHT SCREW	3x6 MFZN2W3	A-U670/A-U671	バインドSタイトネジ
57	WE774801	BIND HEAD P-TIGHT SCREW	3x8 MFZN2W3		バインドPタイトネジ
65	ZN430300	PACKING	3x65		パッキン
* 66	ZT715700	DAMPER	30x7x2		ダンパー
		ACCESSORIES			付属品
* 200	ZT119800	REMOTE CONTROL		A-U671	リモコン
200-1	AAX87780	BATTERY COVER	LIGHT GRAY	A-U671	電池蓋
* 202	ZP266500	SYSTEM CONNECTION CABLE	2P 500mm 1pc	A-U670/A-670	システム接続ケーブル
		BATTERY	R6, AA, UM-3 2pcs		単3乾電池

* New Parts / 新規部品

Finish / 仕上げ SI: Silver color, BL: Black color

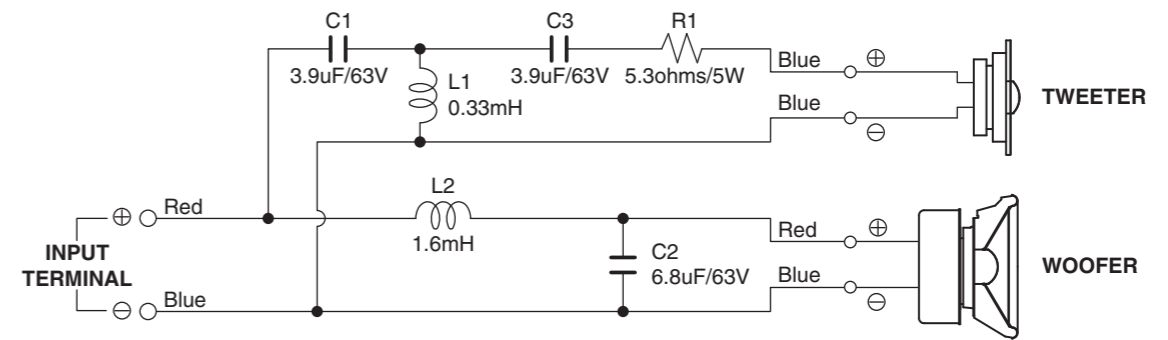
• OVERALL ASSEMBLY



Ref No.	Part No.	Description	Remarks	Markets	部品名
* 1	ZS184300	CABINET ASSEMBLY	Piano black	with PORT	キャビネットA s s ' y
* 2	ZS182600	FRONT GRILLE ASSEMBLY			フロントグリルA s s ' y
3-4	WP588000	BIPOLAR ELECTROLYTIC CAPACITOR	6.8uF 63V BP	C2	バイポーラケミコン
3-5	WP587700	BIPOLAR ELECTROLYTIC CAPACITOR	3.9uF 63V BP	C1, C3	バイポーラケミコン
3-6	ZT352500	CEMENT RESISTOR	5.3Ω 5W	R1	セメント抵抗
3-16	WF450301	BIND HEAD TAPPING SCREW	3x8 MFZN2W3		バインドタッピングネジ
3-18	WF752200	INSULATOR	50x20x1		インシュレータ
* 3-31	ZT781900	PACKING	20x390x1		パッキン
* 3-32	ZT782000	PACKING	20x330x1		パッキン
* 4	YH358A00	DRIVER WOOFER	13cm 6Ω	JA-13B4	スピーカーユニット
* 5	YH355A00	DRIVER TWEETER	2.5cm 6Ω	JA-05K7	スピーカーユニット
7	WQ486800	TERMINAL	RED L30 S85J	BANANA D3.8mm, CABLE D5mm	ターミナル
8	WQ487100	TERMINAL	BLACK L30 S85J	BANANA D3.8mm, CABLE D5mm	ターミナル
21	V7275700	HEX. SOCKET HEAD TAPPING SCREW	4x20 MFN133		六角穴付きタッピングネジ
		ACCESSORIES			付属品
202	WQ483900	SPEAKER CABLE	2m 1pc		スピーカーコード
* 203	ZT490100	NON-SKID PAD	D16 T12 8pcs/set		滑り止めパッド

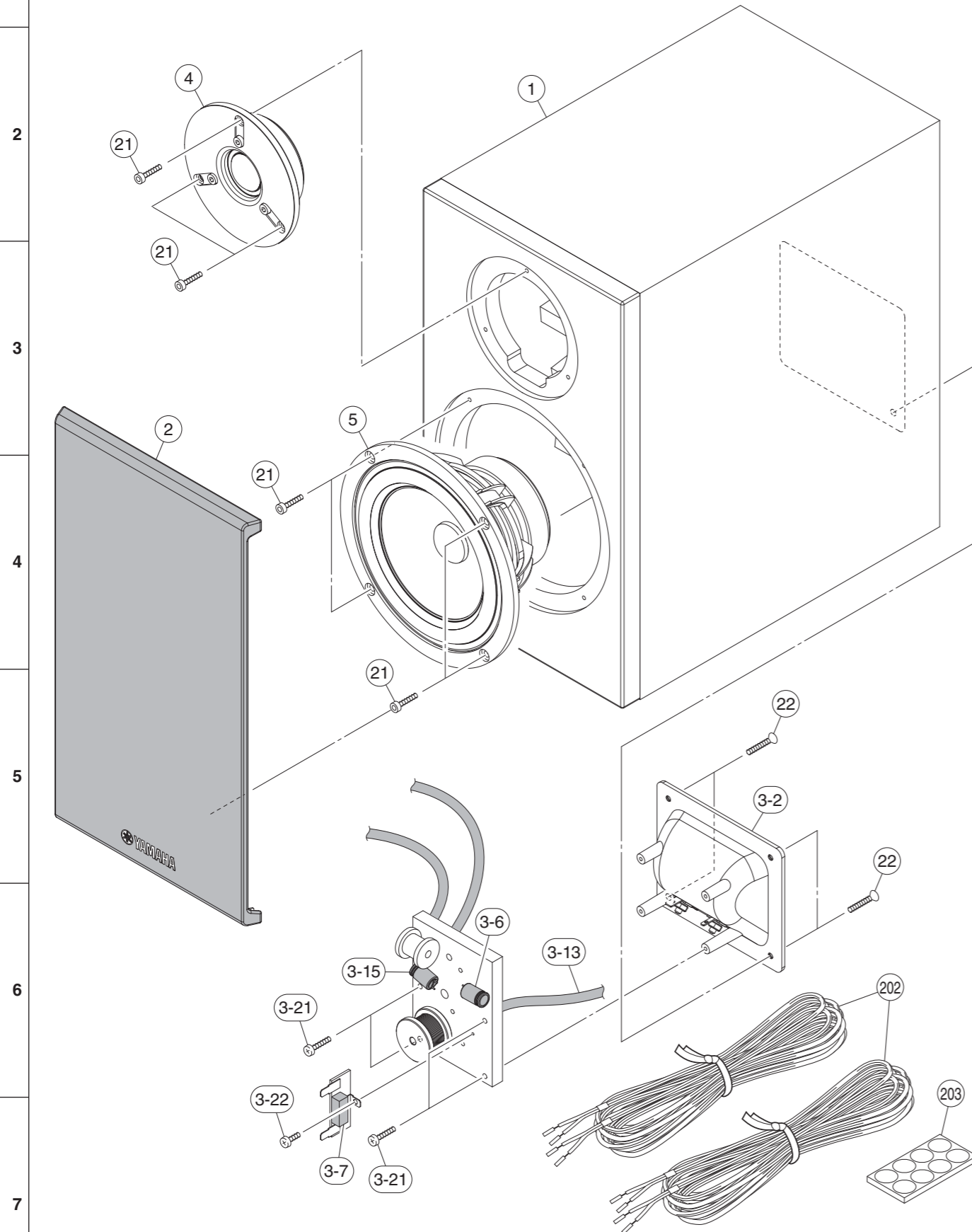
* New Parts / 新規部品

• NETWORK CIRCUIT DIAGRAM



NS-BP301

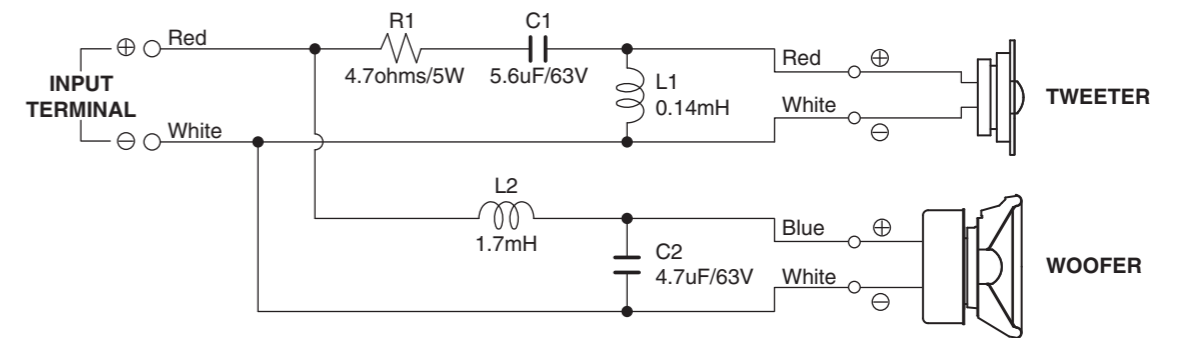
• OVERALL ASSEMBLY



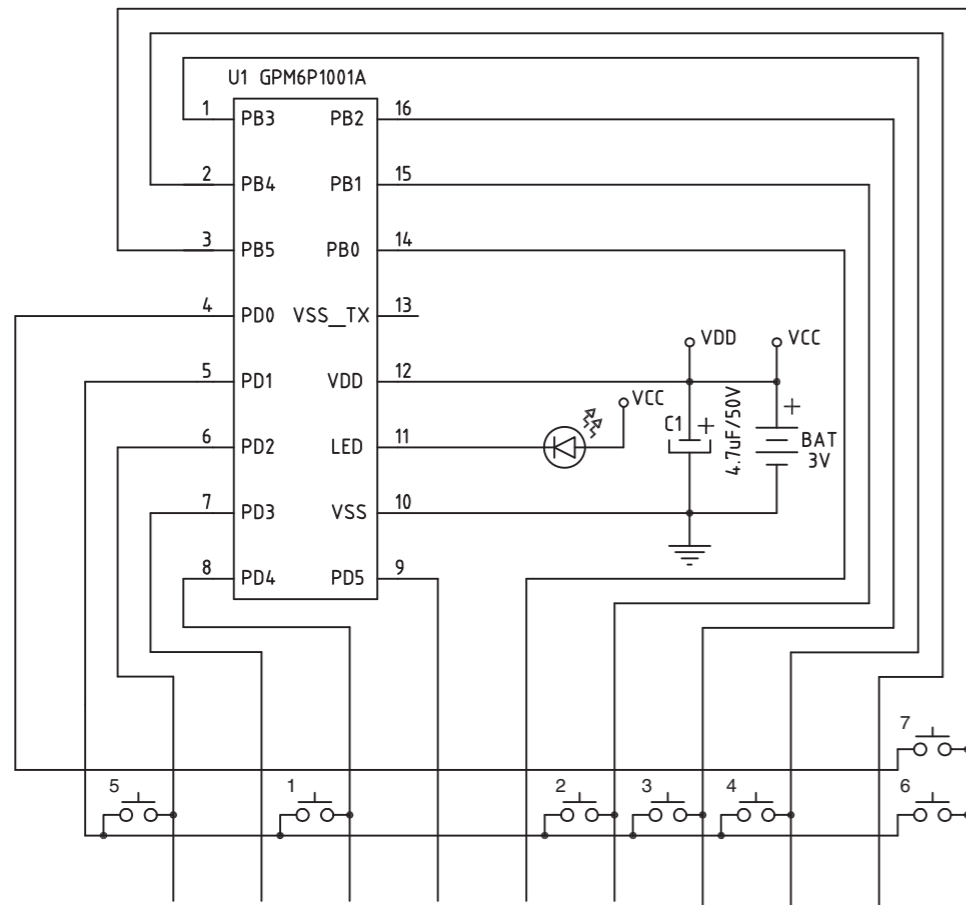
Ref No.	Part No.	Description	Remarks	Markets	部品名
* 1	ZS182300	CABINET ASSEMBLY	Piano black	with PORT	キャビネット Ass'y
* 2	ZS182600	FRONT GRILLE ASSEMBLY			フロントグリル Ass'y
3-2	WV138400	SPEAKER TERMINAL	2P	BANANA D3.8mm CABLE D3.8mm	スピーカータミナル
3-6	WP587900	BIPOLAR ELECTROLYTIC CAPACITOR	5.6uF 63V BP	C-1	バイポーラケミコン
3-7	WJ918100	CEMENT RESISTOR	4.7Ω 5W J	R-1	セメント抵抗
3-13	WG305600	PACKING	80X30		パッキン
3-15	WP587801	BIPOLAR ELECTROLYTIC CAPACITOR	4.7uF 63V BP	C-2	バイポーラケミコン
3-21	WE973000	BIND HEAD P-TIGHT SCREW	3x16 MFZN2W3		バインドPタイトネジ
3-22	WF450301	BIND HEAD TAPPING SCREW	3x8 MFZN2W3		バインドタッピングネジ
* 4	YH355A00	DRIVER TWEETER	2.5cm 6Ω	JA-05K7	スピーカユニット
* 5	YH356A00	DRIVER WOOFER	13cm 6Ω	JA-13B3	スピーカユニット
21	V7275700	HEX. SOCKET HEAD TAPPING SCREW	4x20 MFN133		六角穴付きタッピングネジ
22	WE963200	FLAT HEAD WOOD SCREW	3.5x20 MFZN2B3		皿木ネジ
		ACCESSORIES			付属品
202	WQ102500	SPEAKER CABLE	2m 1pc		スピーカケーブル
* 203	ZT490100	NON-SKID PAD	D16 T12 8pcs/set		滑り止めパッド

* New Parts / 新規部品

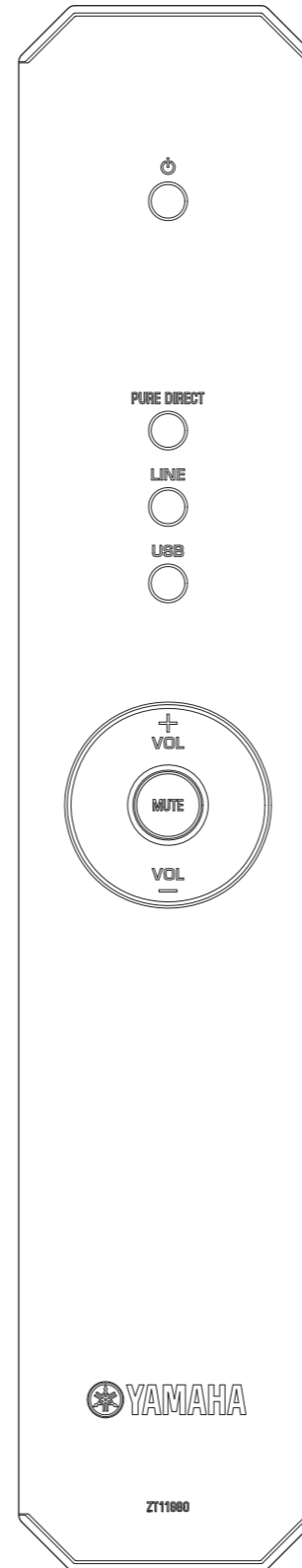
• NETWORK CIRCUIT DIAGRAM



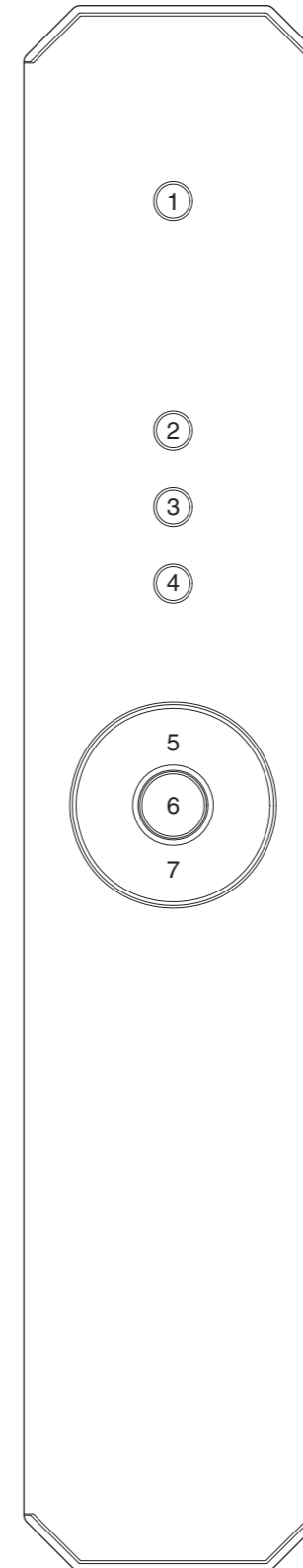
**REMOTE CONTROL
SCHEMATIC DIAGRAM**



PANEL



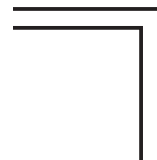
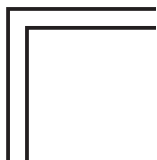
KEY LAYOUT



KEY CODE

Key No.	Key Name	Customer Code	Data Code
1	⏻ (Power)	7887	0FF0
2	PURE DIRECT	7887	50AF
3	LINE	7887	2AD5
4	USB	7887	29D6
5	VOL+	7887	1EE1
6	MUTE	7887	9C63
7	VOL-	7887	1FE0

MEMO



A-U670/A-670/A-U671/
NS-BP401/NS-BP301



**A-U670/A-670/A-U671/
NS-BP401/NS-BP301**

