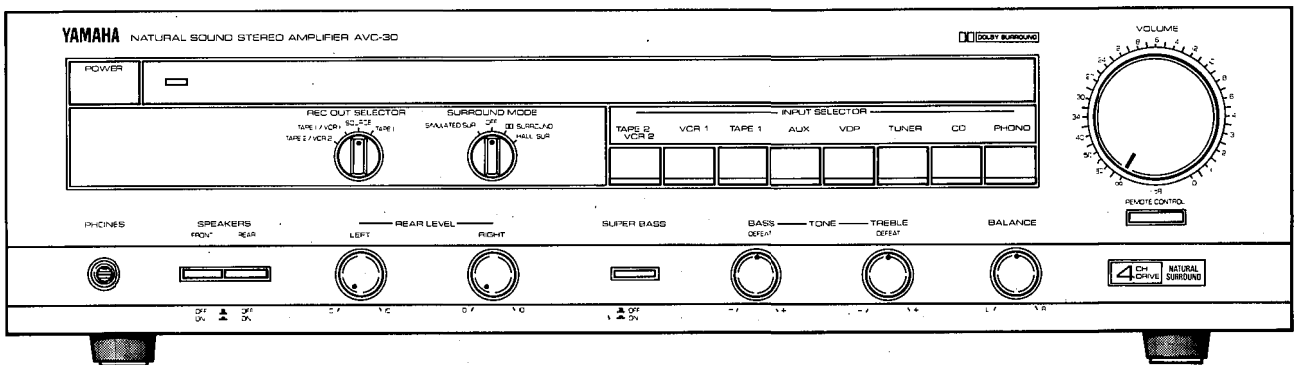


STEREO AV AMPLIFIER AVC-30/30U/AV-34

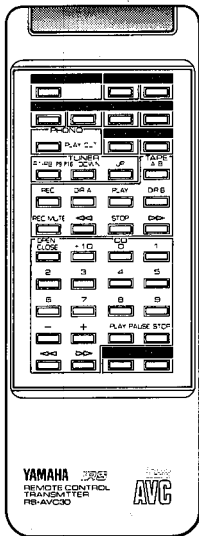
AVC-30/30U/
AV-34

SERVICE MANUAL

● AVC-30



● RS-AVC30



IMPORTANT NOTICE

This manual has been provided for the use of authorized Yamaha Retailers and their service personnel. It has been assumed that basic service procedures inherent to the industry, and more specifically Yamaha Products, are already known and understood by the users, and have therefore not been restated.

WARNING: Failure to follow appropriate service and safety procedures when servicing this product may result in personal injury, destruction of expensive components and failure of the product to perform as specified. For these reasons, we advise all Yamaha product owners that all service required should be performed by an authorized Yamaha Retailer or the appointed service representative.

IMPORTANT: The presentation or sale of this manual to any individual or firm does not constitute authorization, certification or recognition of any applicable technical capabilities, or establish a principle-agent relationship of any form.

The data provided is believed to be accurate and applicable to the unit(s) indicated on the cover. The research, engineering, and service departments of Yamaha are continually striving to improve Yamaha products. Modifications are, therefore, inevitable and specifications are subject to change without notice or obligation to retrofit. Should any discrepancy appear to exist, please contact the distributor's Service Division.

WARNING: Static discharges can destroy expensive components. Discharge any static electricity your body may have accumulated by grounding yourself to the ground buss in the unit (heavy gauge black wires connect to this buss).

IMPORTANT: Turn the unit OFF during disassembly and parts replacement. Recheck all work before you apply power to the unit.

■ CONTENTS

TO SERVICE PERSONNEL	1	ADJUSTMENTS	6
FRONT PANELS	1	IC BLOCK	7 ~ 9
REAR PANELS	2/3	PRINTED CIRCUIT BOARD	10 ~ 14
SPECIFICATIONS	4	WIRING	15
BLOCK DIAGRAM	5	SCHEMATIC DIAGRAM	16/17
INTERNAL VIEW	5	RS-AVC30 REMOTE CONTROL TRANSMITTER ..	18
DISASSEMBLY PROCEDURES	6	PARTS LIST	19 ~ 29

100122

SINCE 1887



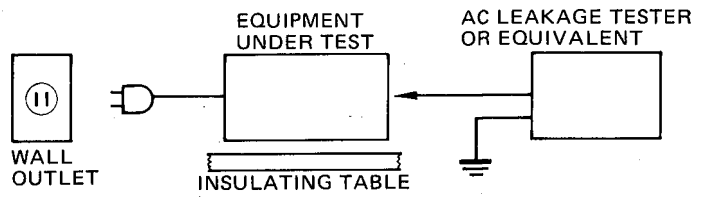
YAMAHA

NIPPON GAKKI CO., LTD. HAMAMATSU, JAPAN

3.3K-881 ☐ © Printed in Japan '87.2

TO SERVICE PERSONNEL

- Critical Components Information.**
Components having special characteristics are marked Δ and must be replaced with parts having specifications equal to those originally installed.
 - Leakage Current Measurement (For 120V Model Only).**
When service has been completed, it is imperative that you verify that all exposed conductive surfaces are properly insulated from supply circuits.
- Meter impedance should be equivalent to 1500 ohm shunted by 0.15 μ F.
 - Leakage current must not exceed 0.5mA.
 - Be sure to test for leakage with the AC plug in both polarities.

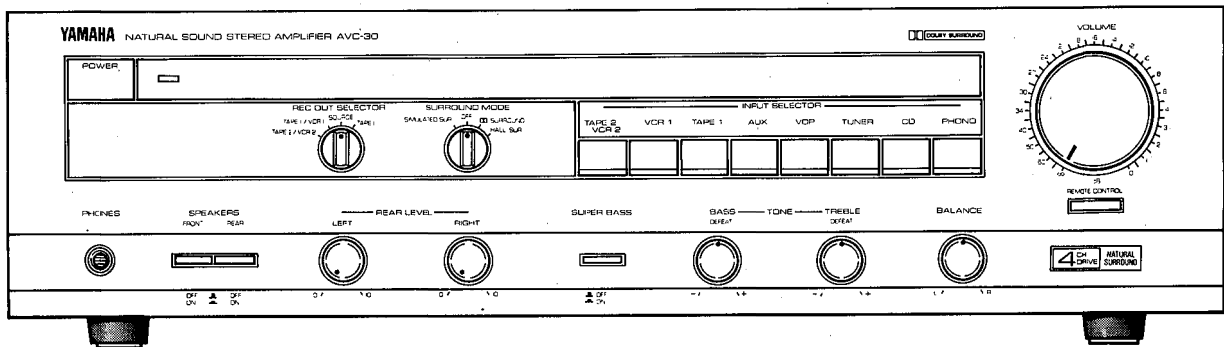


■ POLARIZATION (U, C models only)

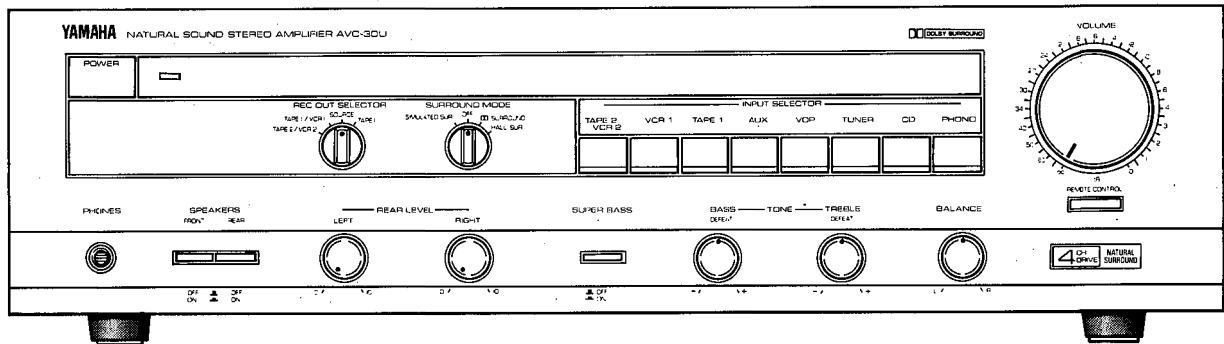
This tuner product is equipped with a polarized alternating-current line plug (a plug having one blade wider than the other). This plug will fit into the power outlet only one way. This is a safety feature.

FRONT PANELS

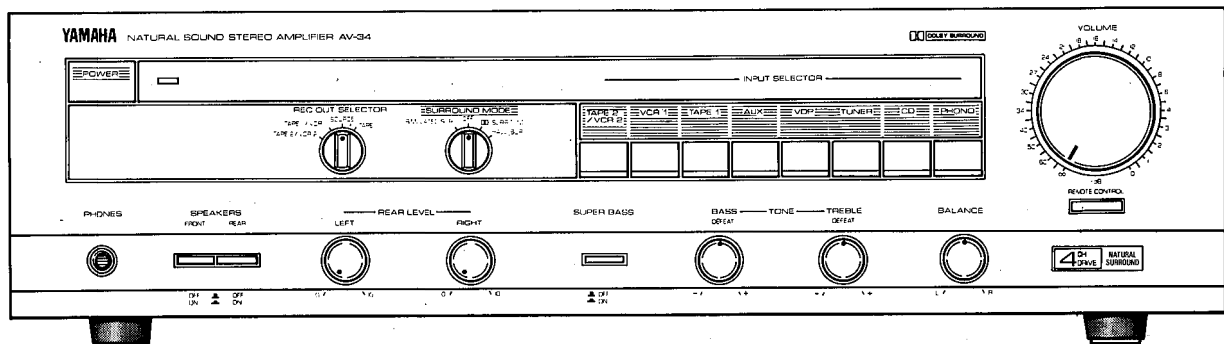
● AVC-30



● AVC-30U

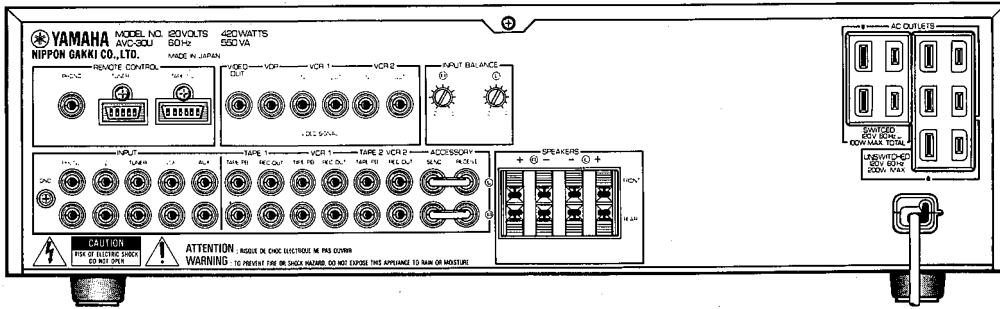


● AV-34

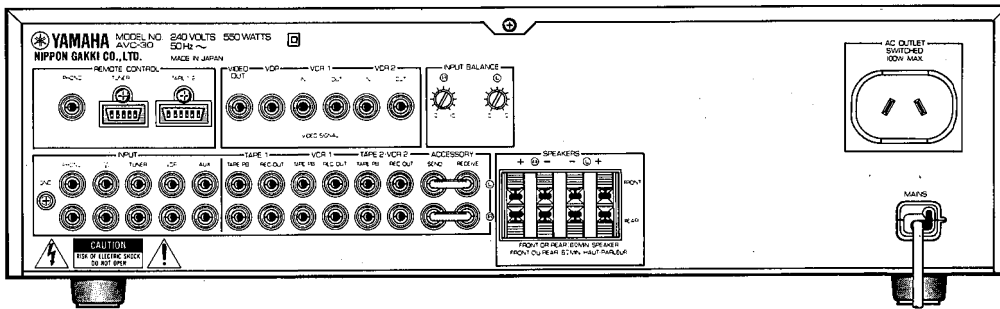


REAR PANELS (AVC-30/30U)

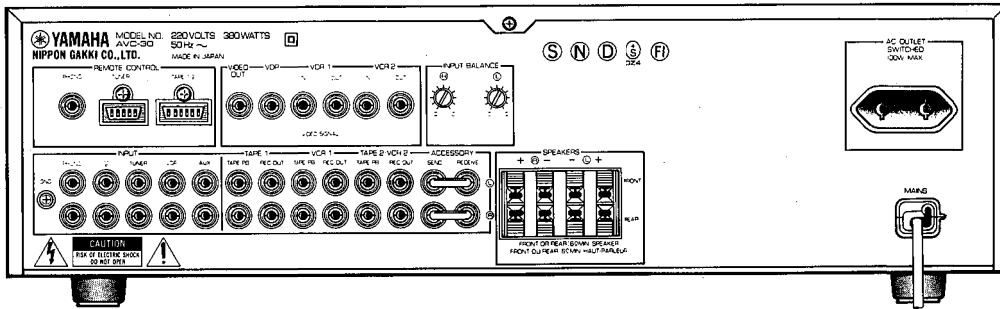
▼ U, C models



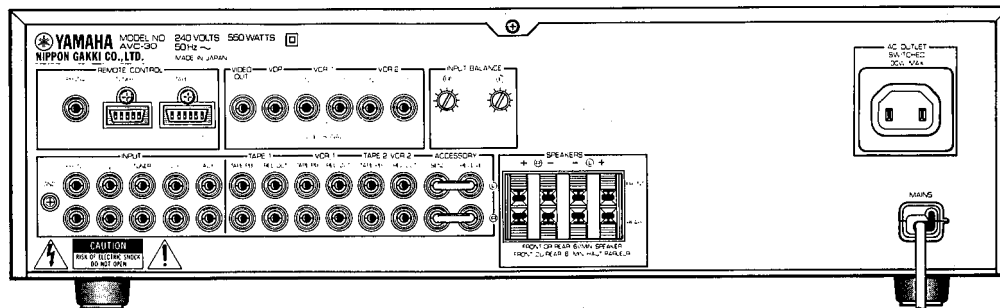
▼ A model



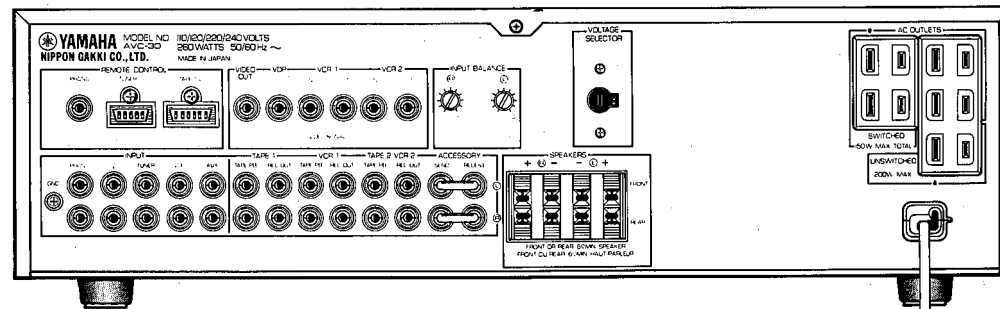
▼ G model



▼ B model



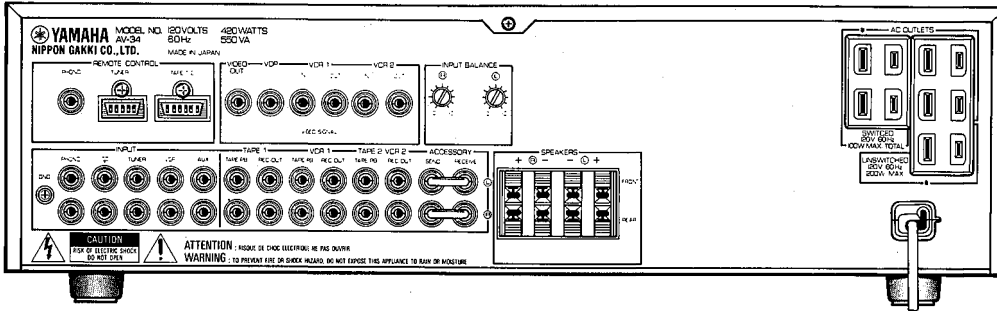
▼ R model



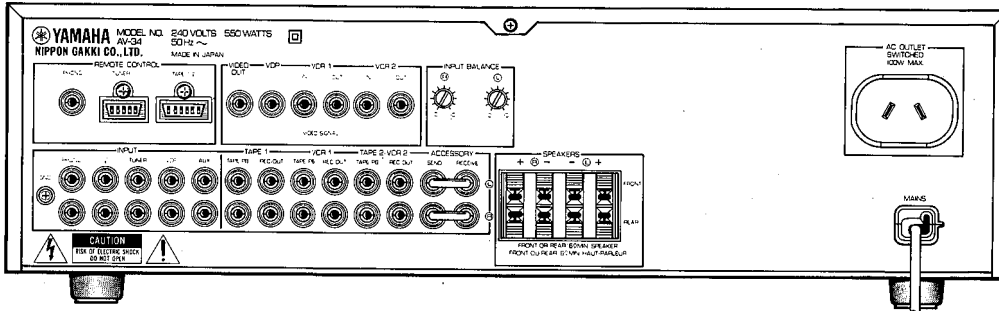
AVC-30/30U / AV-34

REAR PANELS (AV-34)

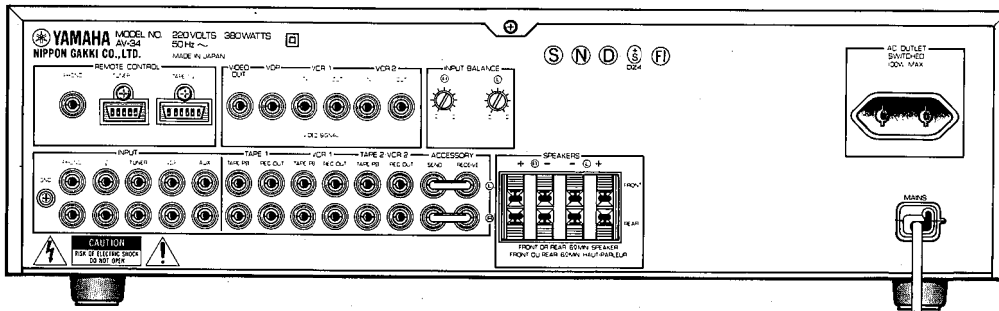
U, C models



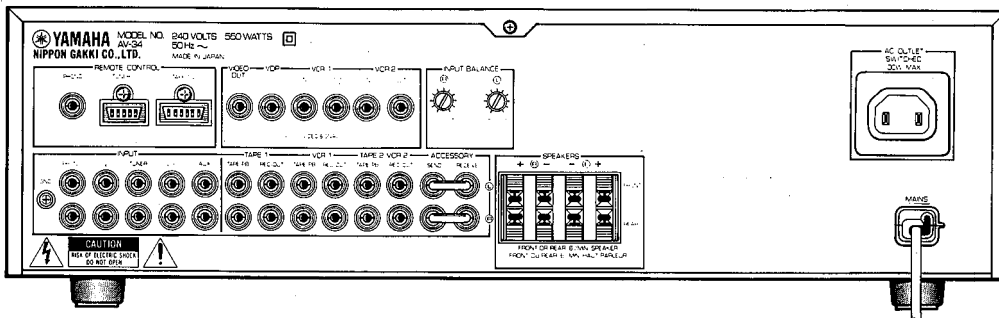
A model



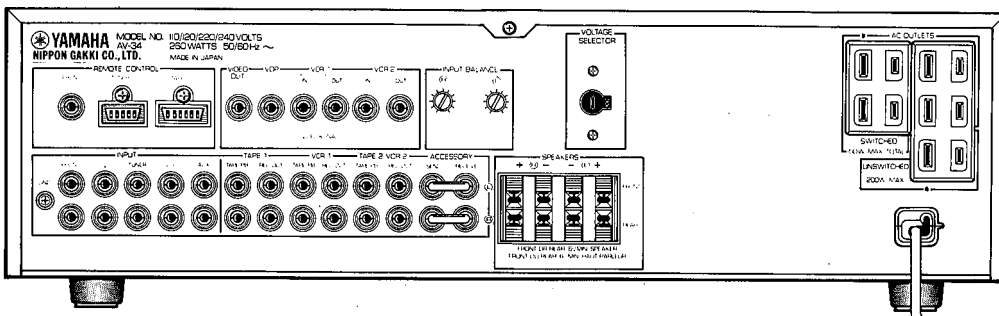
G model



B model



R model



AVC-30/30U/
AV-34

■ SPECIFICATIONS

■ AUDIO SECTION

Minimum RMS Output Power per Channel	
8 ohms, FRONT 20Hz to 20kHz, 0.05% THD	100W (Except Europe model) 80W (Europe model)
8 ohms, REAR 1kHz, 0.5% THD	20W (SIMULATED SURROUND or NATURAL SURROUND)
Damping Factor (8 ohms, 1kHz)	50
Input Sensitivity/Impedance	
PHONO MM	2.5mV/47 k-ohms
VIDEO	1Vp-p/75 ohms
CD/TAPE/TUNER/AUX/ VDP/VCR/ACCESSORY	150mV/47 k-ohms
Maximum Input Level (1kHz, 0.01% THD)	
PHONO MM	130mV
Output Level/Impedance	
REC OUT	150mV/470 ohms
VIDEO	1Vp-p/75 ohms
Headphone Jack Rated Output/Impedance	
8 ohms, 0.05% THD	0.8V/270 ohms
Frequency Response (20Hz to 20kHz)	
CD/TAPE/TUNER/AUX/ VDP/VCR/ACCESSORY	0 ± 0.5dB
RIAA Equalization Deviation	
PHONO MM	±0.5dB
Total Harmonic Distortion (20Hz to 20kHz)	
PHONO MM (3V)	0.008%
CD/TAPE/TUNER to SP OUT (50W/8 ohms)	0.05%
Signal to Noise Ratio (IHF-A Network)	
PHONO MM (5mV Input Shorted)	80dB
CD/TAPE/TUNER/AUX/ VDP/VCR/ACCESSORY (Shorted)	100dB
Residual Noise (IHF-A Network)	
	150µV
Channel Separation (1kHz, Vol. -30dB)	
PHONO MM Input Shorted	60dB
CD/TAPE/TUNER/AUX/ VDP/VCR/ACCESSORY Input 5.1k-ohms Terminated	60dB
Tone Control Characteristics	
BASS	
boost/cut	±10dB (50Hz)
turnover frequency	350Hz
TREBLE	
boost/cut	±10dB (20kHz)
turnover frequency	3.5kHz
BASS EXTENTION	75Hz + 7dB

■ GENERAL

Power Supply	
Europe Model	220V, 50Hz
General Model	110/120/220/240V, 50/60Hz
U.K. and Australia Models	240V, 50Hz
U.S.A. and Canadian Models	120V, 60Hz
Power Consumption	
Europe Model	380W
General Model	260W
U.K. and Australia Models	260W
U.S.A. and Canadian Models	420W (550 VA)
AC Outlets	
Switched x 4	150W max. (Total) (General model) 100W max. (Total) (U.S.A., Canada, Europe, U.K. and Australia models)
Unswitched x 1	200W max. (U.S.A., General and Canada models)
Dimensions (W x H x D)	
	435 x 123.6 x 314.5 mm (17-1/8" x 4-7/8" x 12-3/8")
Weight	
	10.2 kg (22 lbs. 8 oz.)
Accessories	
	Remote control cable (mini-plug) x 1
	Remote control cable (5-pin) x 1
	Remote control cable (6-pin) x 1
	Remote control transmitter (RS-AVC30) x 1
	Battery (size "AA", R06) x 2

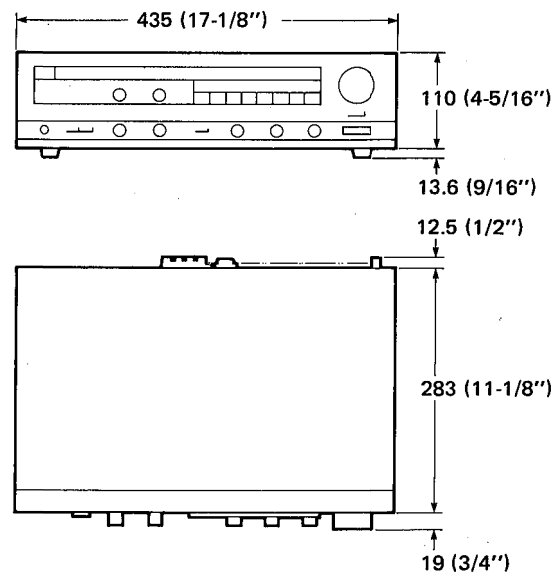
Specifications subject to change without notice.

- (U) U.S.A. model
- (C) Canadian model
- (A) Australian model
- (G) European model
- (B) U.K. model
- (R) General model

□ □ DOLBY SURROUND

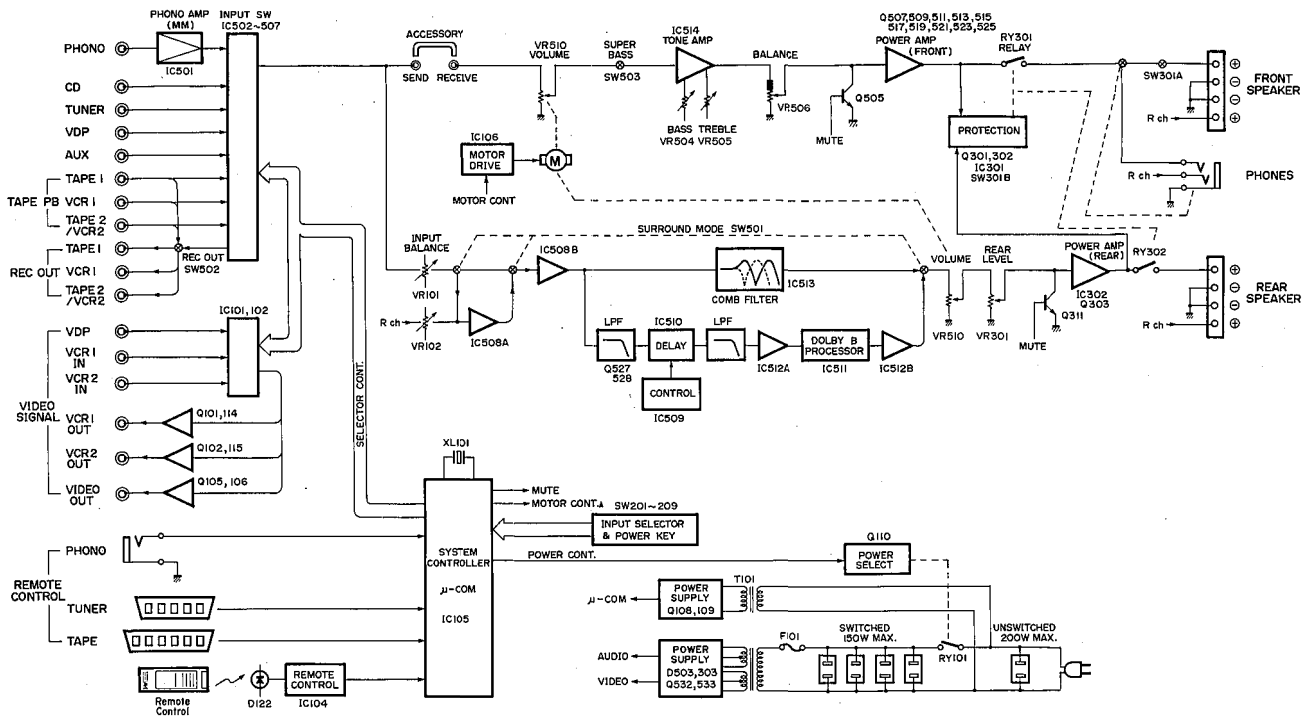
Manufactured under license from Dolby Laboratories Licensing Corporation. Additionally licensed under one or more of the following patents: U.S. numbers 3,632,886, 3,746,792, and 3,959,590, Canada numbers 1,004,603 and 1,037,877. "Dolby" and the double-D symbol are trademarks of Dolby Laboratories Licensing Corporation.

● DIMENSIONS

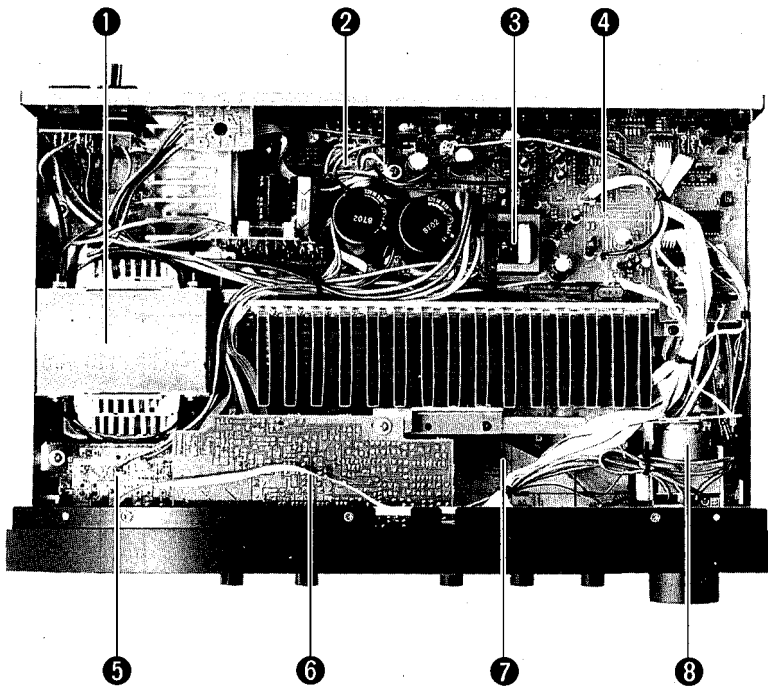


Unit : mm (inch)

BLOCK DIAGRAM



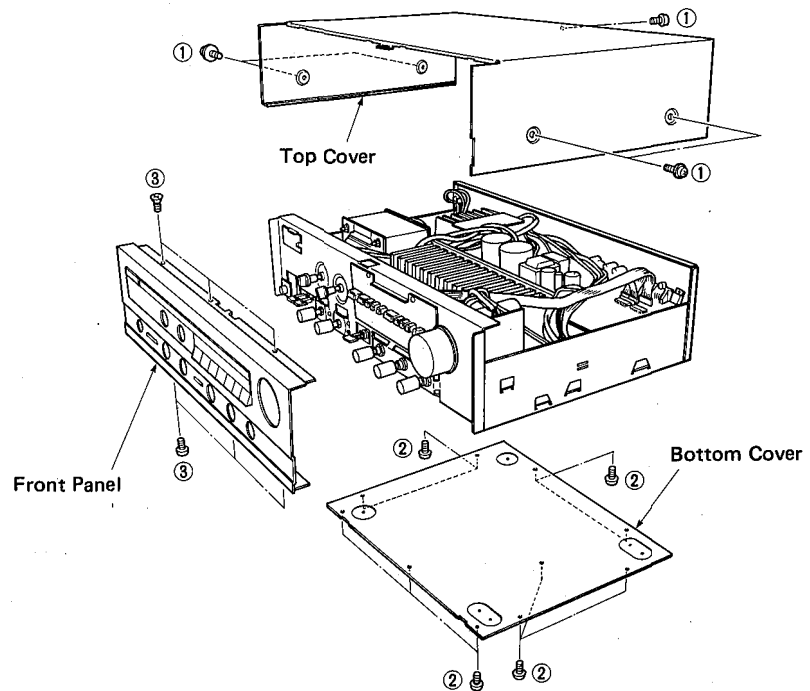
INTERNAL VIEW



- ① POWER TRANSFORMER (Main)
R model: XC683001
U model: XC684001
A, B models: XC685001
G model: XC686001
C model: XC687001
- ② MAIN CIRCUIT BOARD (1)
- ③ POWER TRANSFORMER (Sub)
R model: XC082001
U, C models: XC083001
A, G, B models: XC084001
- ④ μ-COM CIRCUIT BOARD (1)
- ⑤ μ-COM CIRCUIT BOARD (3)
- ⑥ MAIN CIRCUIT BOARD (3)
- ⑦ MAIN CIRCUIT BOARD (2)
- ⑧ MOTOR VOLUME

DISASSEMBLY PROCEDURES

1. Removal of Top Cover
Remove 5 screws (①).
2. Removal of Bottom Cover
Remove 10 screws (②).
3. Remove of Front Panel
Remove 6 screws (③).



ADJUSTMENTS

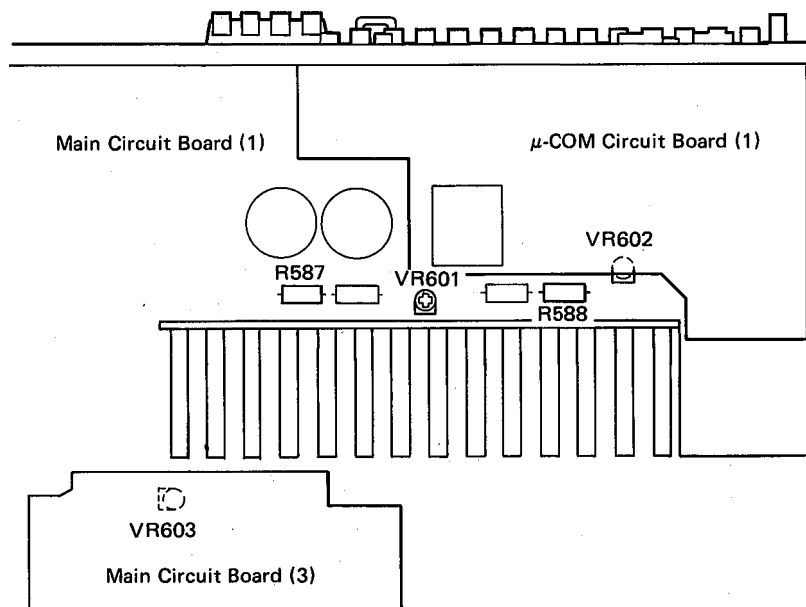
● Idling Adjustment

To stabilize operation of the amplifier, turn ON the power in the no-signal state and wait for two minutes before the adjustment.

Adjust VR601 (Lch) and VR602 (Rch) so that the voltage at both R587 (Lch) and R588 (Rch) becomes DC3mV to 4mV.

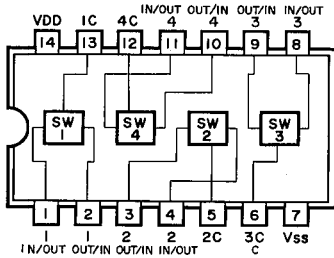
● Dolby Surround Distortion Factor Adjustment

With INPUT BALANCE and VOLUME set to their maximum, apply a 1kHz, 150mV signal. Adjust REAR LEVEL so that 1.5V REAR output is obtained, then adjust VR603 so that the distortion factor of the REAR output becomes less than 1%.

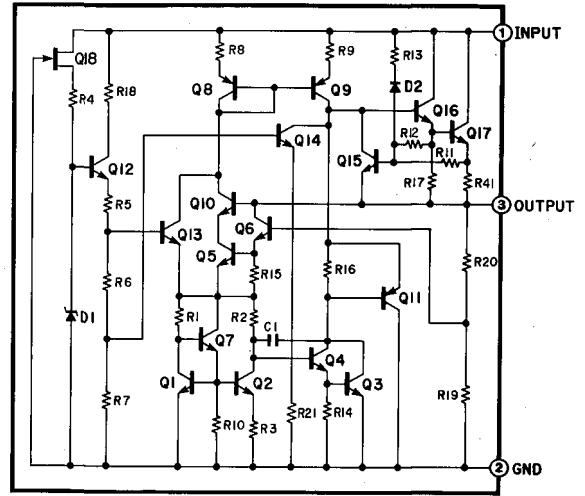


IC BLOCK

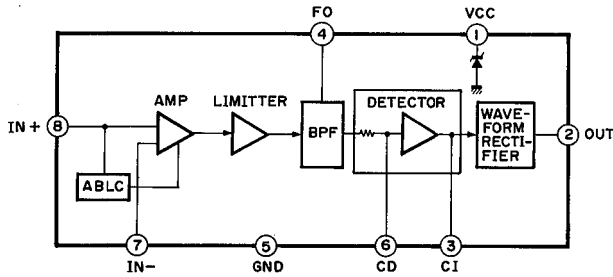
IC101, 102: TC4066P or LC4066B
IC502 ~ 507: LC4966
(Quad Bilateral Switch)



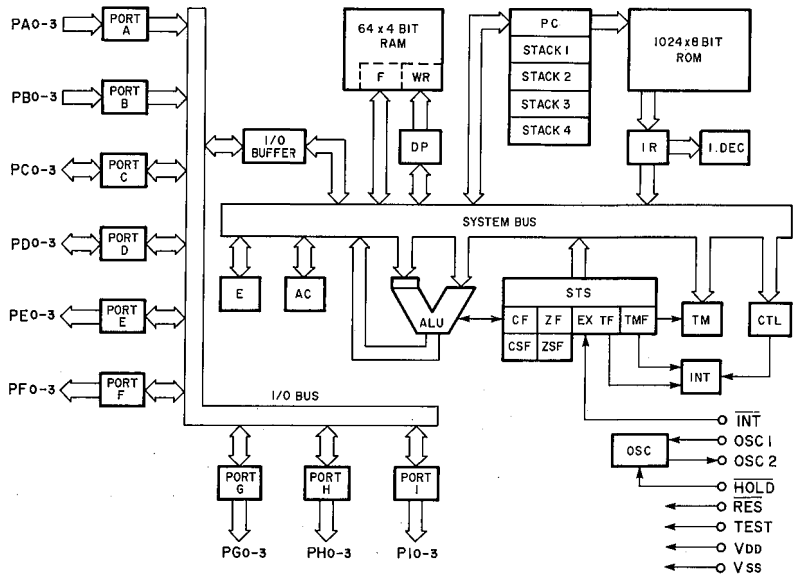
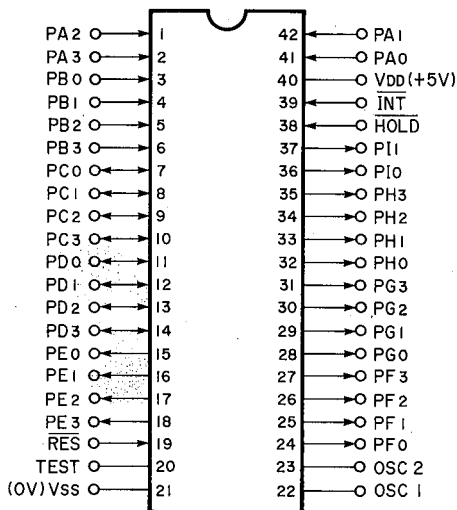
IC103: NJM78M08A
(Regulator)



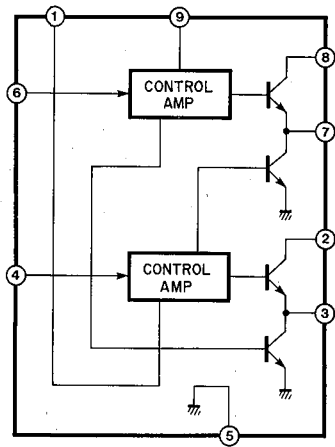
IC104: μ PC1490HA
(Infrared Ray Remote Control Receiving System)



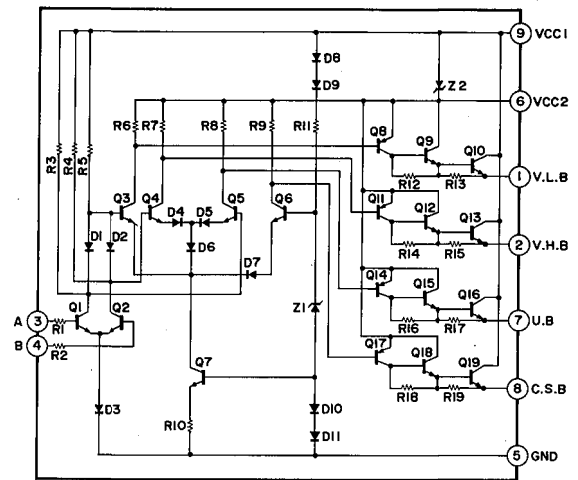
IC105: LC6505C
(4 bit μ -COM)



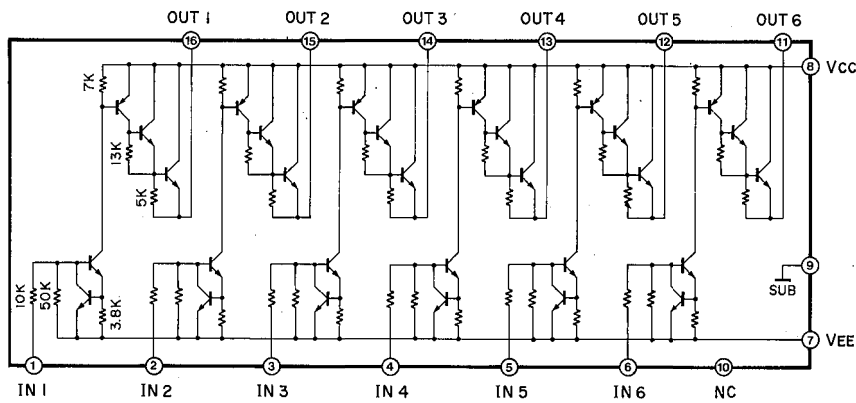
IC106: M54542 (Motor Driver)



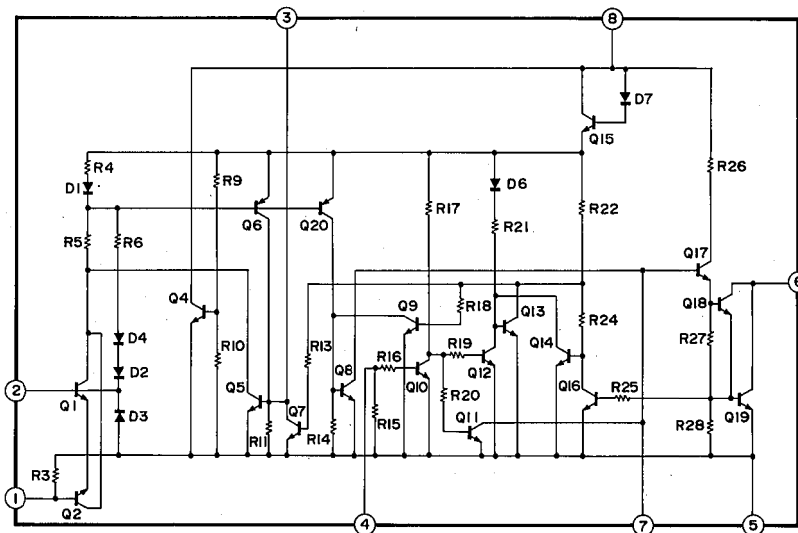
IC107: LA7910 (Band Switch)



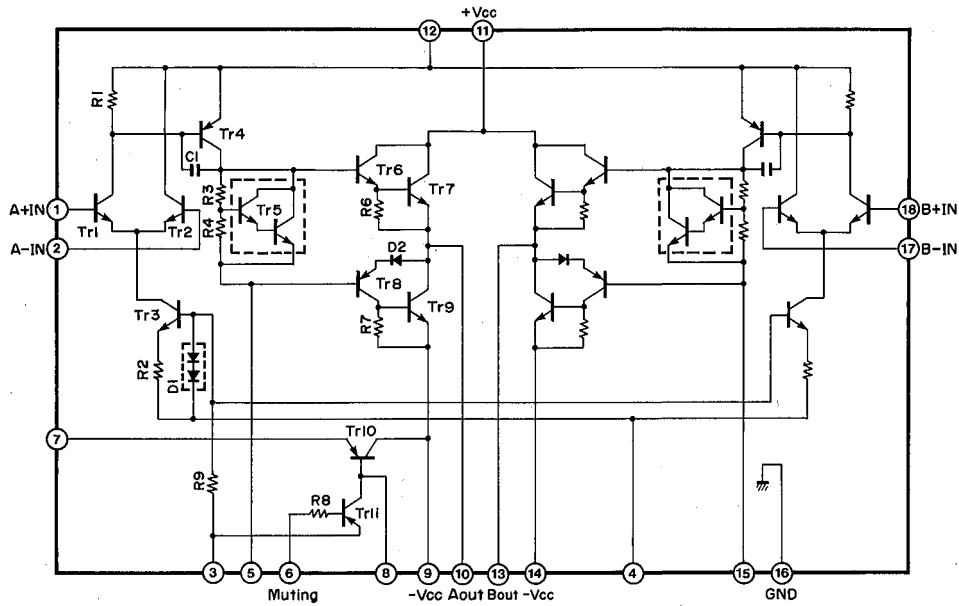
IC108, 109: LB1294 (LED Driver)



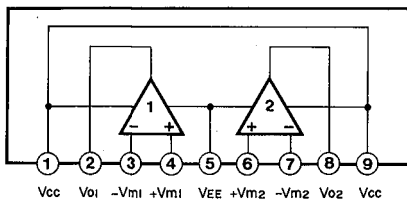
IC301: μ PC1237H (Relay Driver)



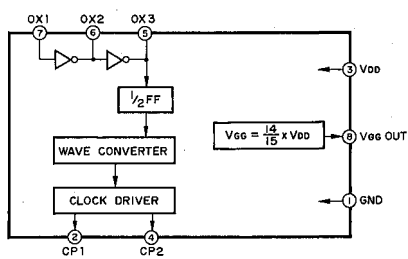
IC302: STK4141II (Power Amp)



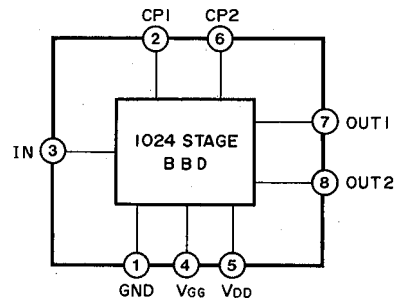
IC501, 508: μ PC4570HA
IC512, 513: NJM4558S
IC514: NJM2041S
(Dual Ope-amp)



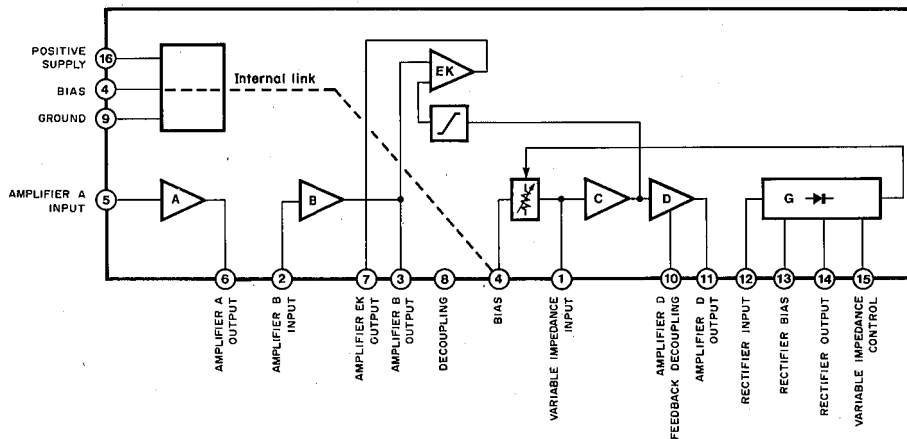
IC509: MN3101
(Delay Time Controller)



IC510: MN3007Y
(Delay)



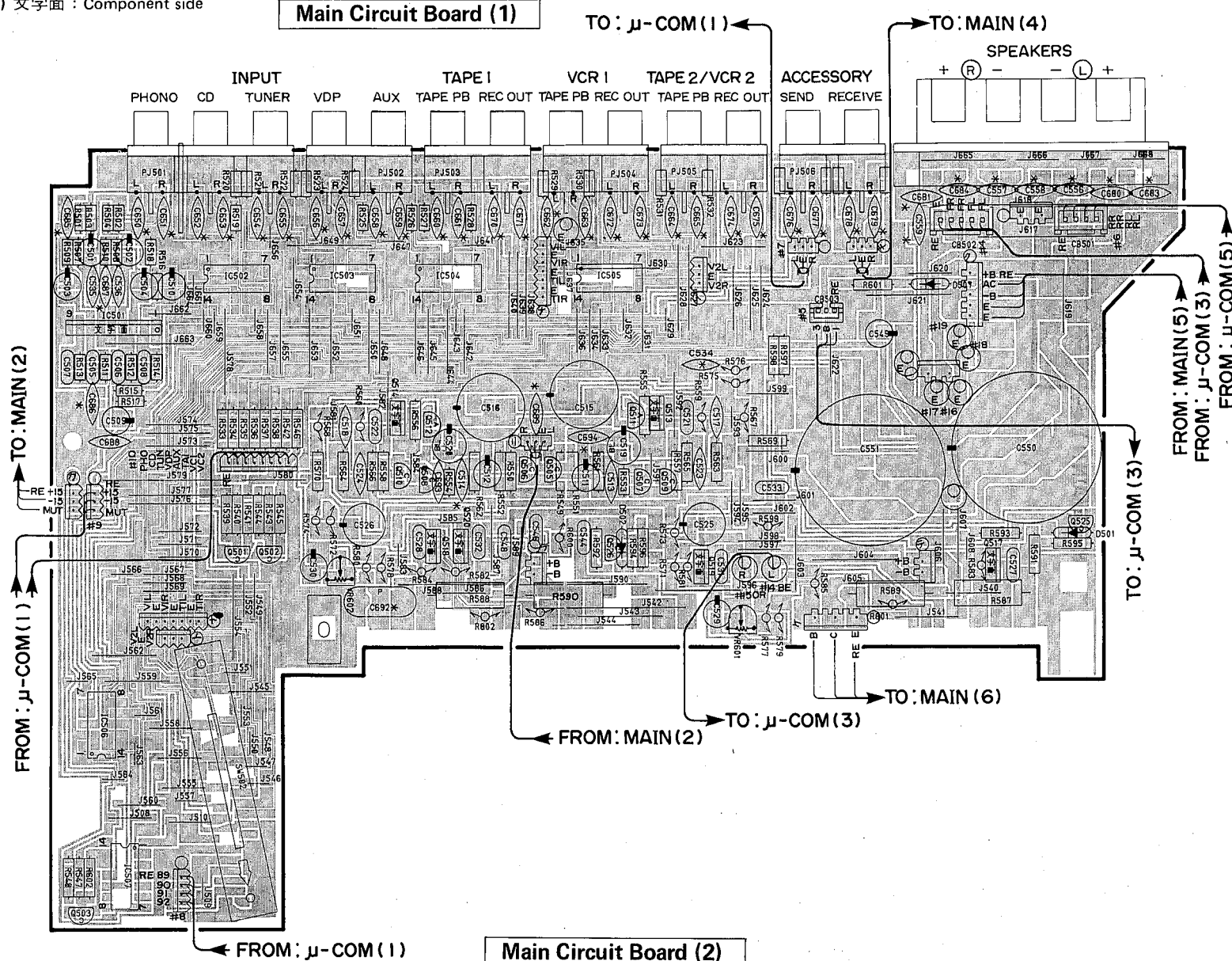
IC511: LM1112CN
(Dolby B-Type Noise Reduction Processor)



PRINTED CIRCUIT BOARD (Pattern side)

Note) 文字面 : Component side

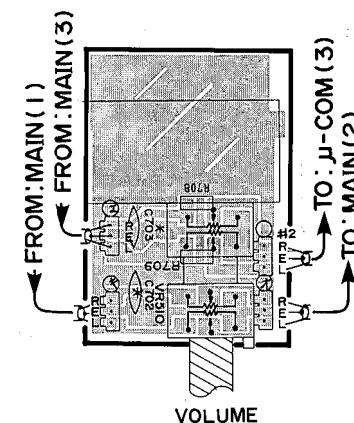
Main Circuit Board (1)



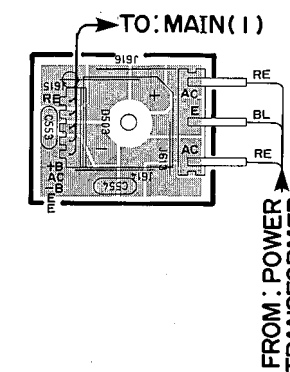
Note) * marked

	J, R, U, A, C, B	G
C534, 556 ~ 559	OPEN	0.1/25
C652 ~ 665, 670 ~ 679	OPEN	470P
C650, 651	OPEN	100P
R710 ~ 713	SHORT	2.2K
C680, 681, 683, 684	OPEN	0.033
C687 ~ 691	OPEN	0.1/25
C685, 686, 702, 703	OPEN	0.022
C692	OPEN	0.047/100
C693, 694	OPEN	220P

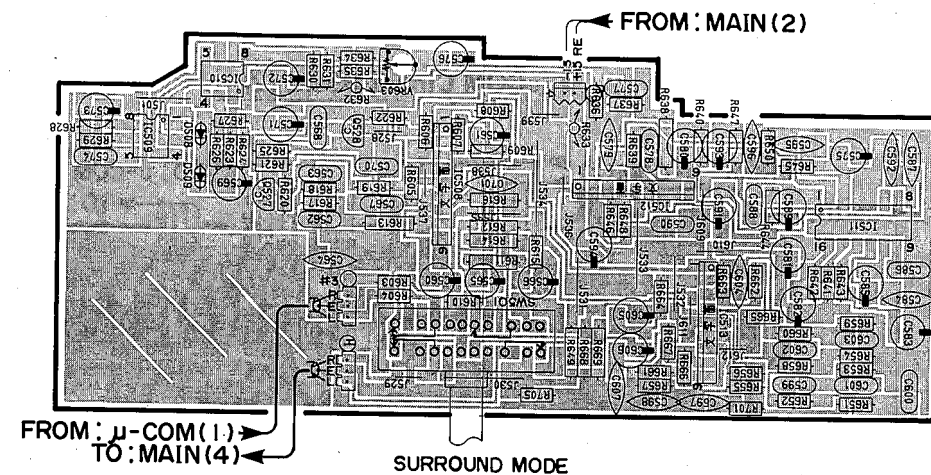
Main Circuit Board (4)



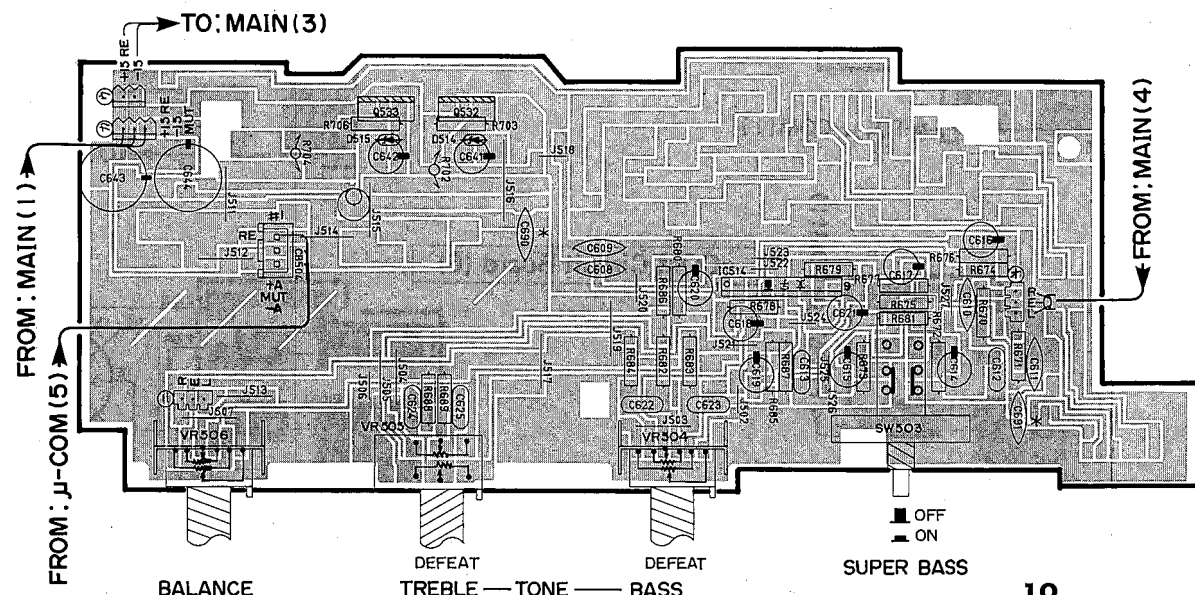
Main Circuit Board (5)



Main Circuit Board (3)



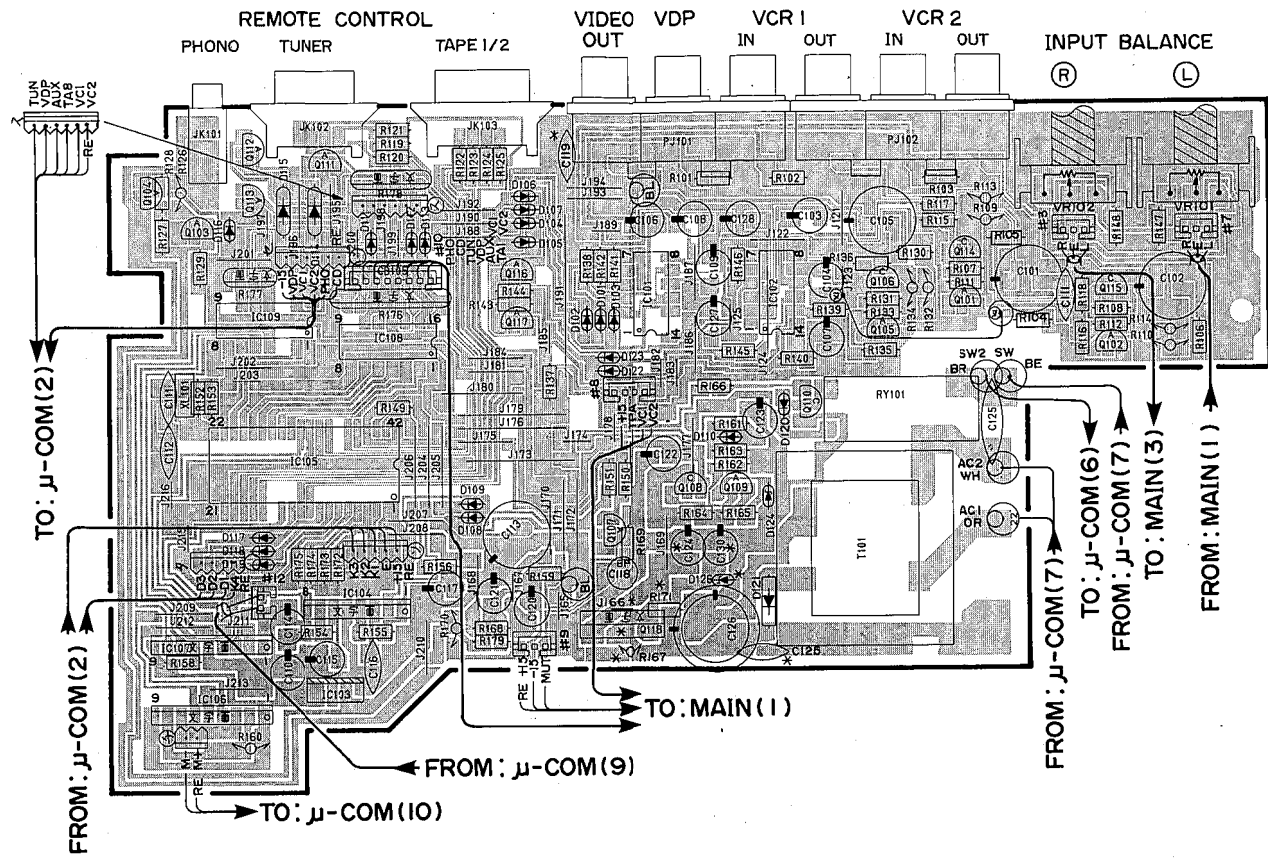
Main Circuit Board (2)



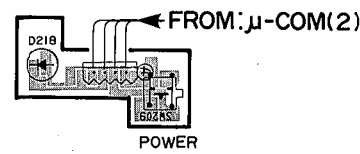
PRINTED CIRCUIT BOARD (Pattern side)

Note) 文字面 : Component side

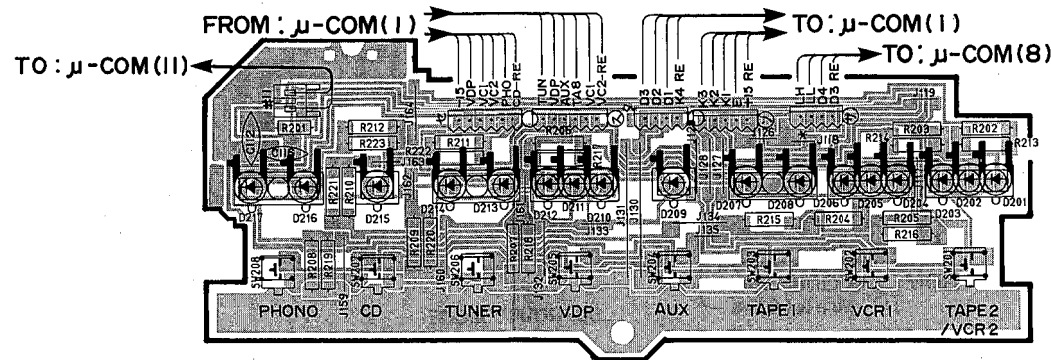
μCOM Circuit Board (1)



μCOM Circuit Board (8)



μCOM Circuit Board (2)

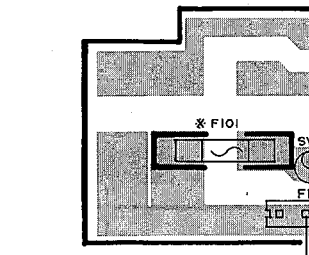


Note) * marked

	J	R	U, C	A, B	G
R171	OPEN	18K	OPEN	OPEN	OPEN
R167	OPEN	OPEN	OPEN	1.2K	1.2K
J166	SHORT	OPEN	SHORT	SHORT	SHORT
Q118	OPEN	2SD1090	OPEN	OPEN	OPEN
C124	OPEN	10/16	OPEN	OPEN	OPEN
C130	OPEN	47/16	OPEN	OPEN	OPEN
D126	OPEN	MTZ12B	OPEN	OPEN	OPEN
J118	OPEN	OPEN	OPEN	SHORT	SHORT
F102	OPEN	T3.5A 250V	OPEN	OPEN	OPEN
F101	T7.0A 250V	T7.0A 250V	7A 125V	T3.15A 250V	T3.15A 250V
F301, 302	T6.0A 250V	T6.0A 250V	6A 125V	T6.3A 250V	T6.3A 250V
C119, 303, 307	OPEN	OPEN	OPEN	OPEN	0.01
C125	OPEN	OPEN	OPEN	OPEN	0.022
J217	OPEN	OPEN	OPEN	OPEN	SHORT

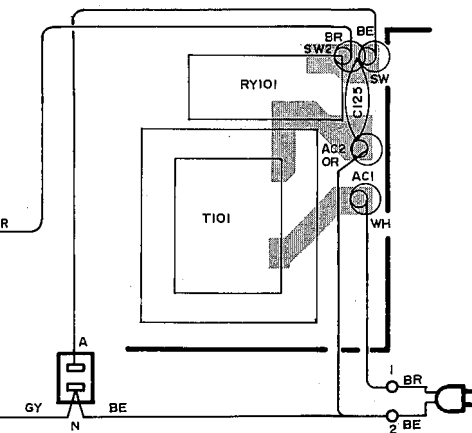
A.G.B MODELS

μCOM Circuit Board (6)

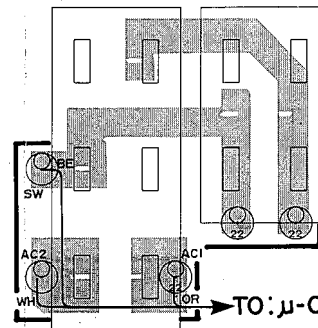


TO: POWER TRANSFORMER

μCOM Circuit Board (1)

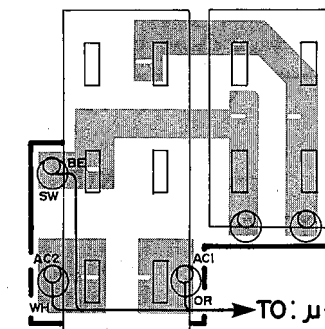


J.U.C MODELS



TO: μ-COM(1)

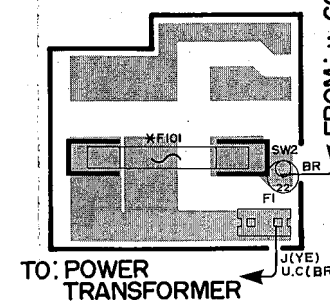
R MODEL



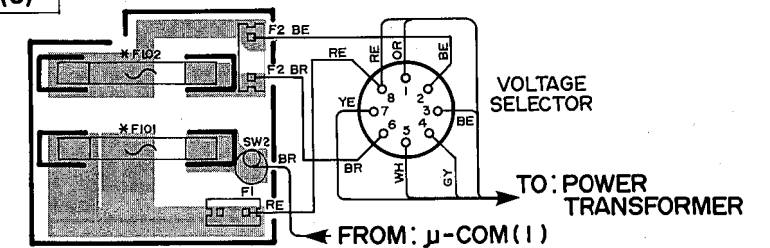
TO: μ-COM(1)

μCOM Circuit Board (7)

μCOM Circuit Board (6)



TO: POWER TRANSFORMER



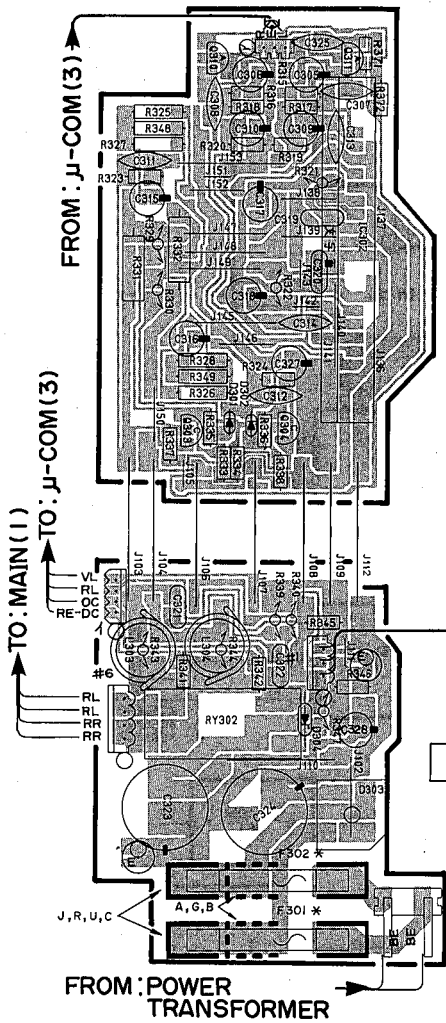
VOLTAGE SELECTOR

TO: POWER TRANSFORMER

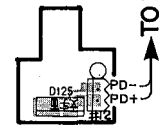
1
2
3
4
5
6
7

PRINTED CIRCUIT BOARD (Pattern side)

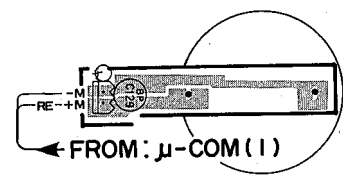
μCOM Circuit Board (4)



μCOM Circuit Board (9)

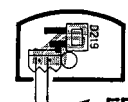


μCOM Circuit Board (10)

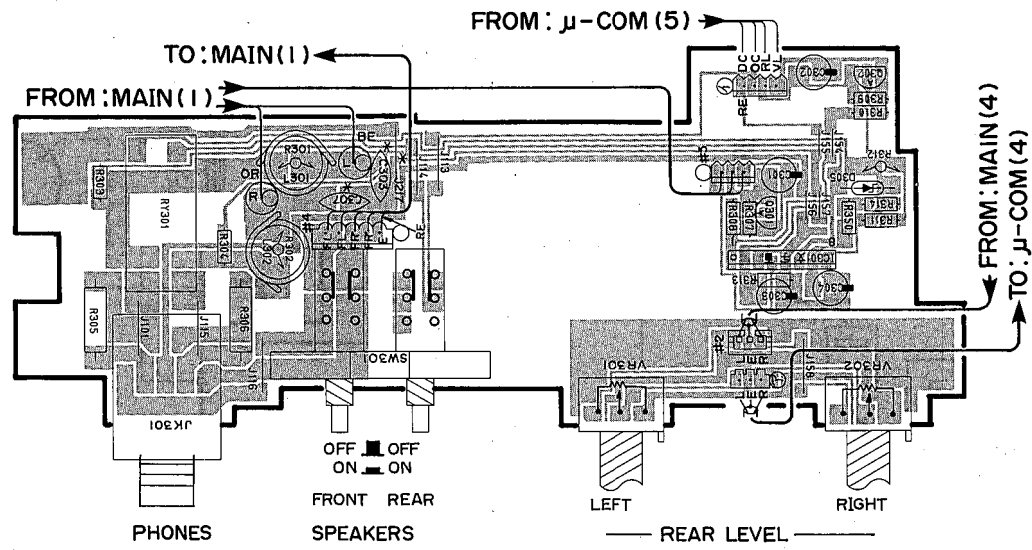


μCOM Circuit Board (5)

μCOM Circuit Board (11)



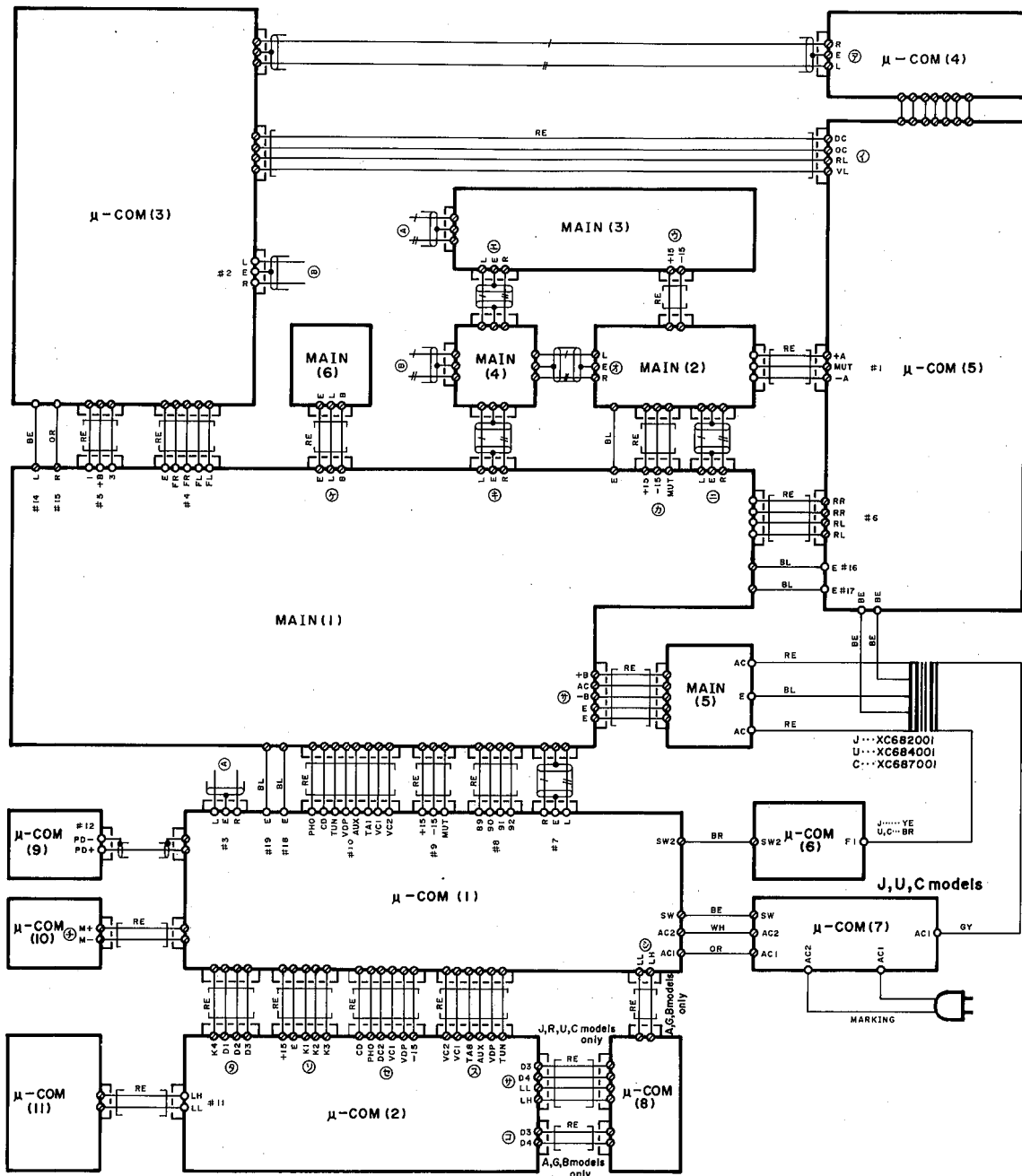
μCOM Circuit Board (3)



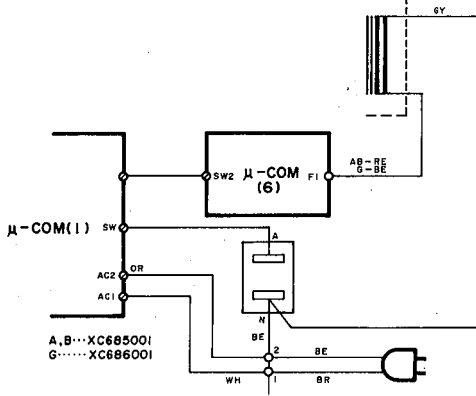
AVC-30/30U/
AV-34

WIRING

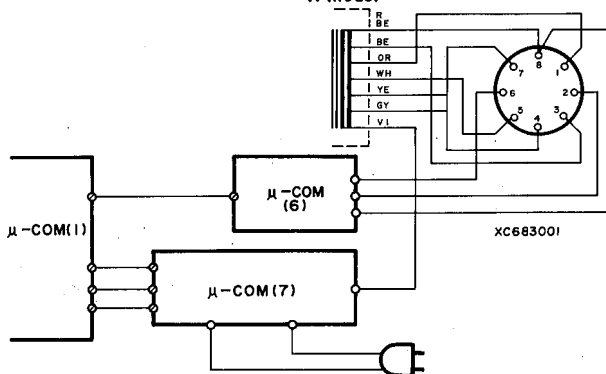
AVC-30/30U/
AV-34



A, G, B models

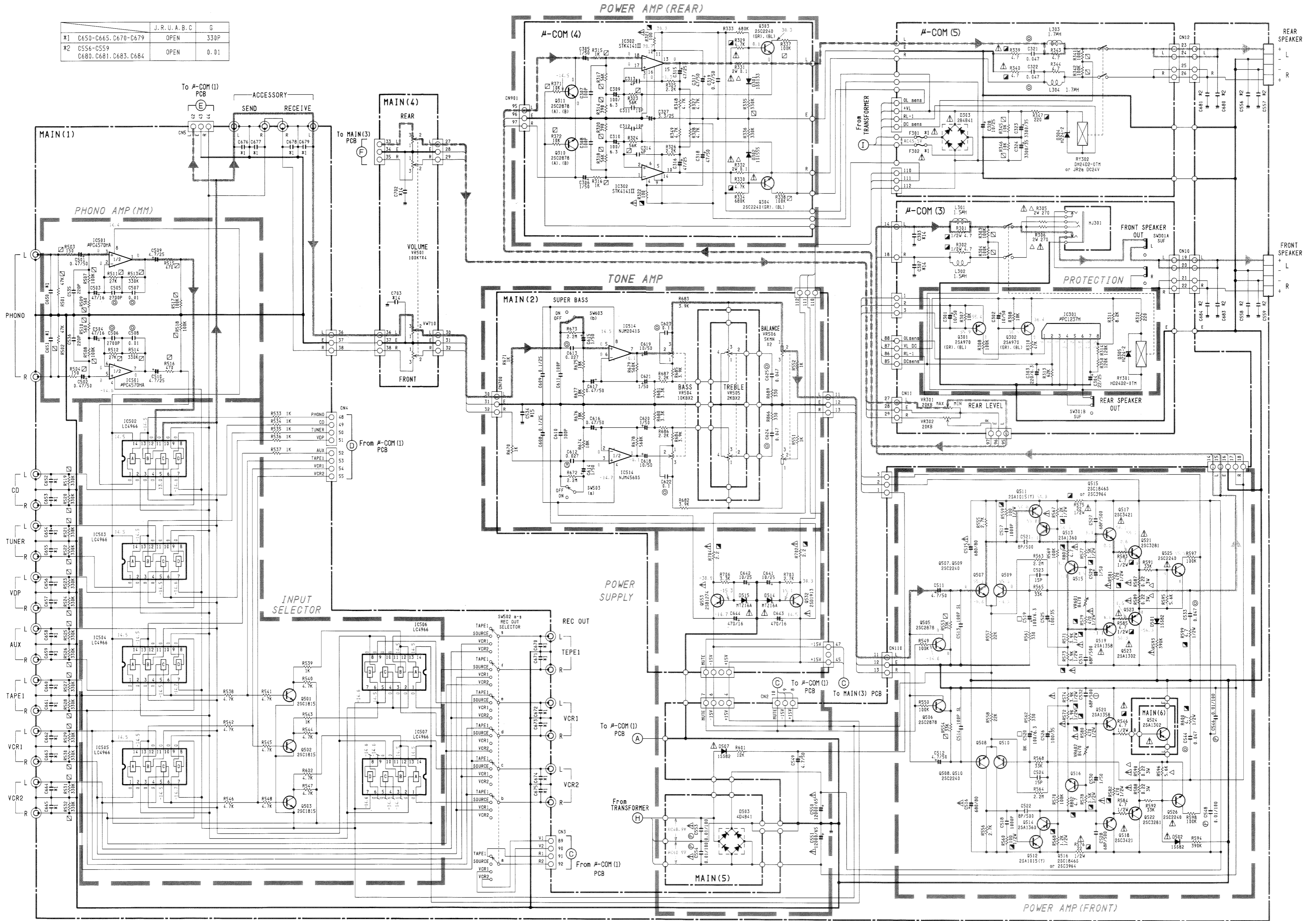


R model



SCHEMATIC DIAGRAM (1/2)

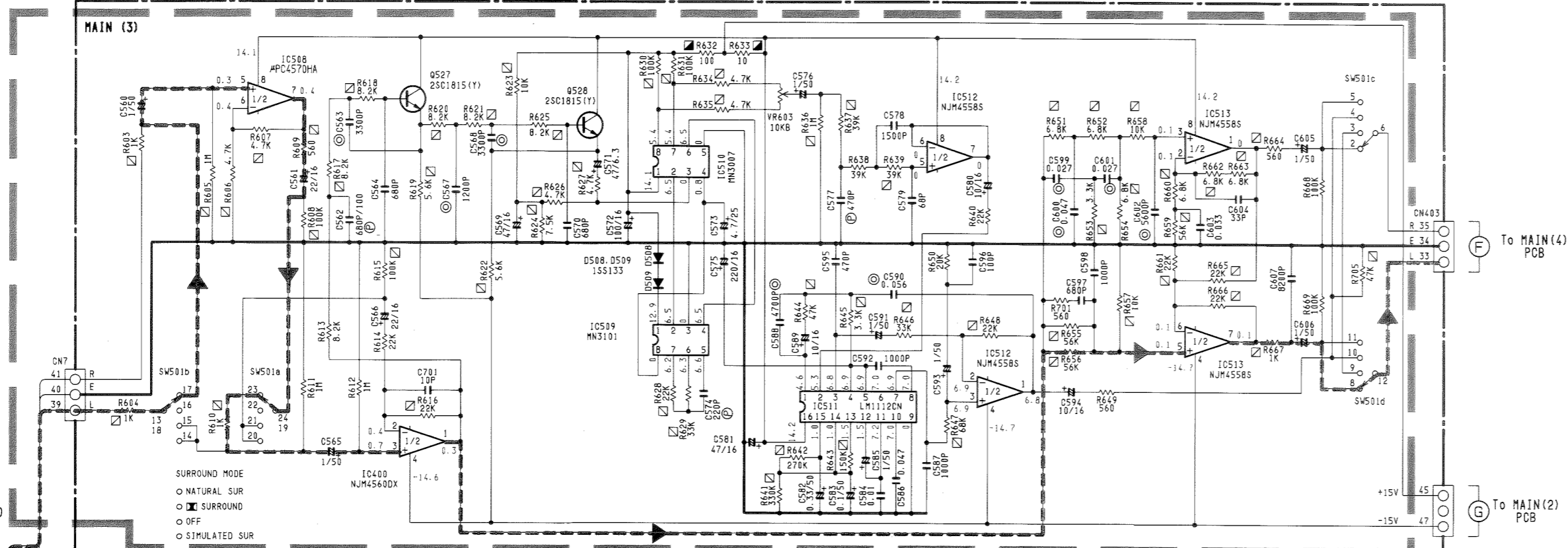
	J.R.U.A.B.C	G
*1	C650-C665, C670-C679	OPEN 330P
*2	C556-C559, C680, C681, C683, C684	OPEN 0.01



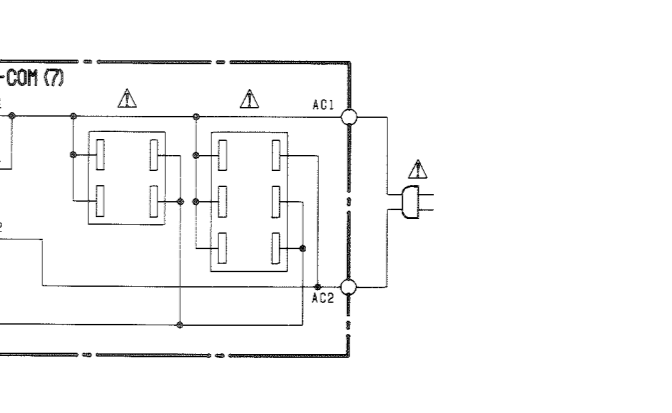
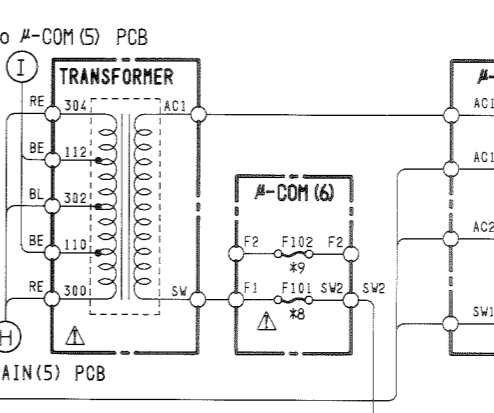
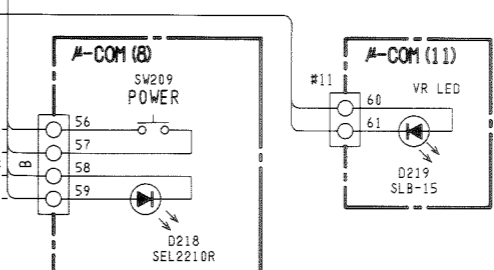
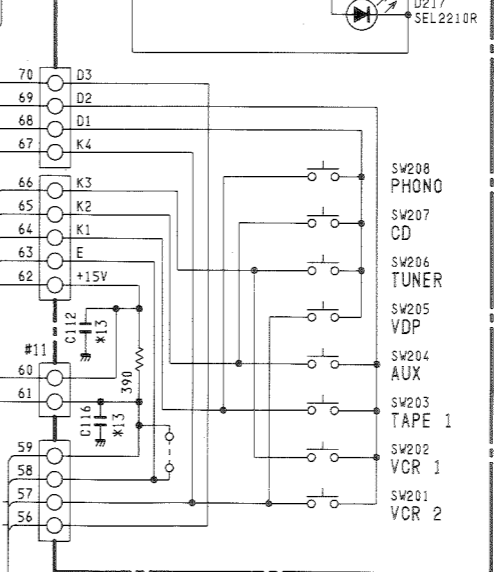
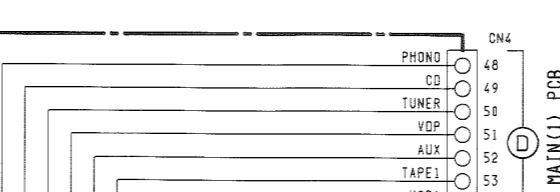
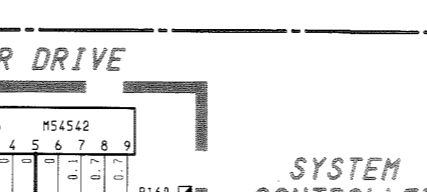
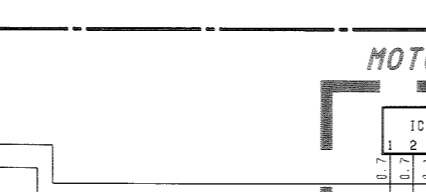
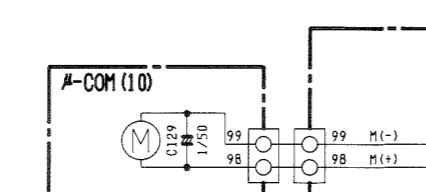
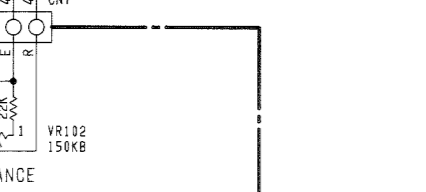
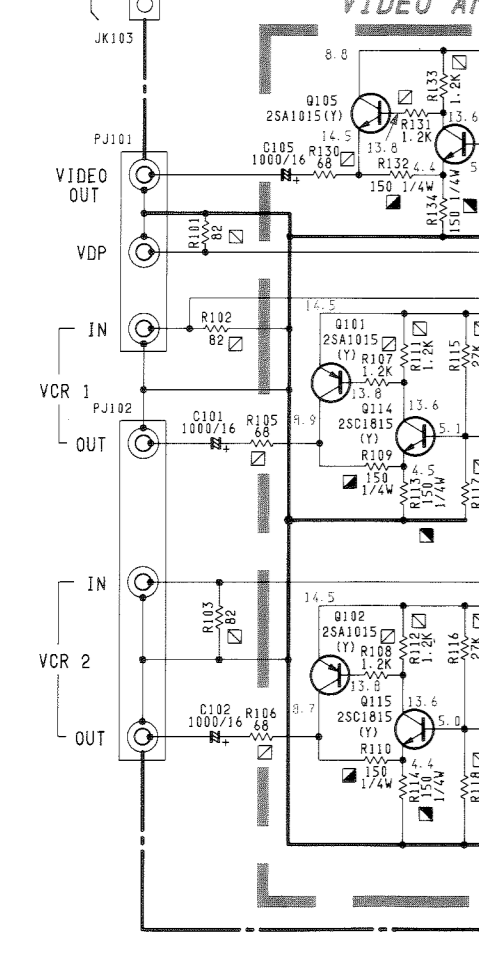
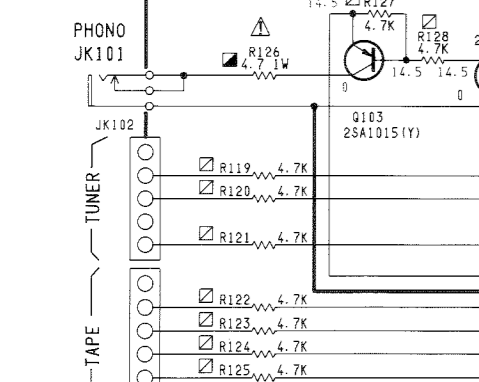
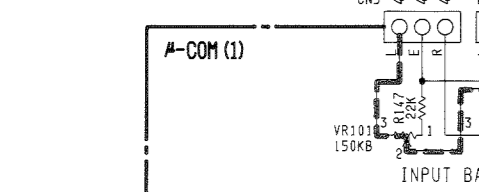
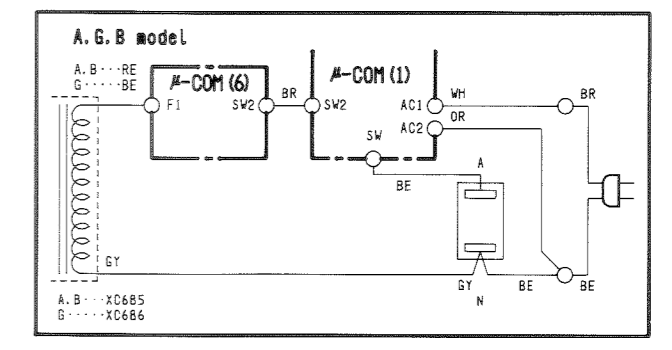
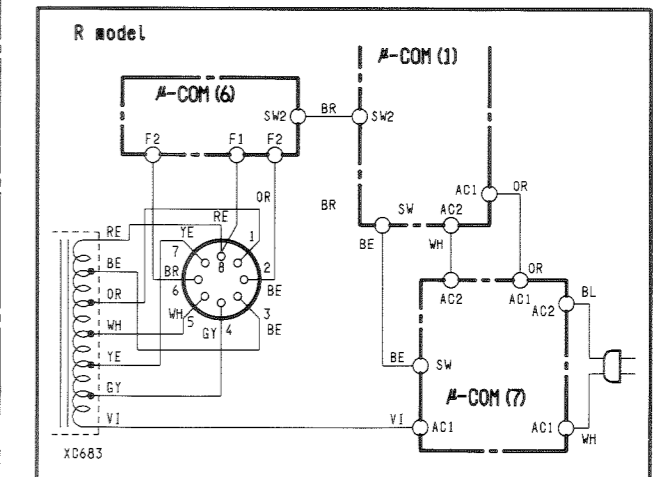
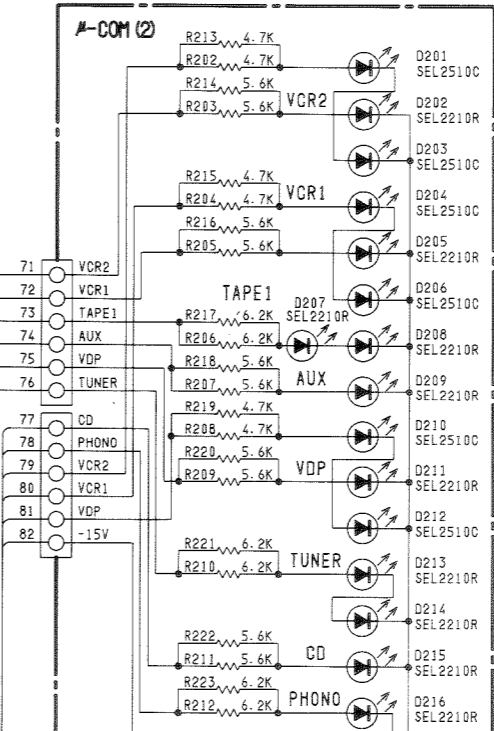
* All voltages are measured with a 10MΩ/DC electric volt meter.
 * Components having special characteristics are marked with a triangle symbol and must be replaced with parts having specifications equal to those originally installed.
 * Schematic diagram is subject to change without notice.

SCHEMATIC DIAGRAM (2/2)

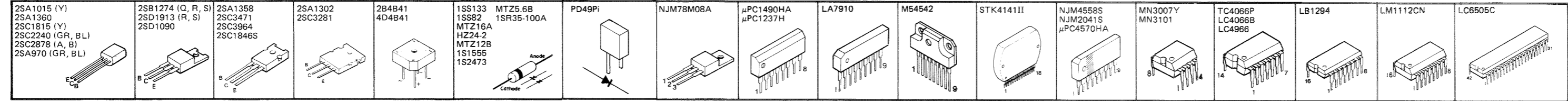
SURROUND PROCESSOR



	R	J	U.C	A, B	G
#1	D126	470/63	470/25		
#2	R167	OPEN		1.2K	
#3	R171	10K	OPEN		
#4	C130	47/16	OPEN		
#5	D123	HZ12A3	OPEN		
#6	Q118	2SD1090	SHORT		
#7	C124	10/16	OPEN		
#8	F101	T7.0A 250V		7A 125V	13.15A 250V
#9	F102	T3.5A 250V	OPEN		
#10	T101	XC082	XC542	XC083	XC084
#11	J201	OPEN		SHORT	
#12	B			A	
#13	C112, 114, 125	OPEN			0.222
#14	C119, 303, 307, 702, 703	OPEN			0.01
#15	C534	OPEN			0.1/25



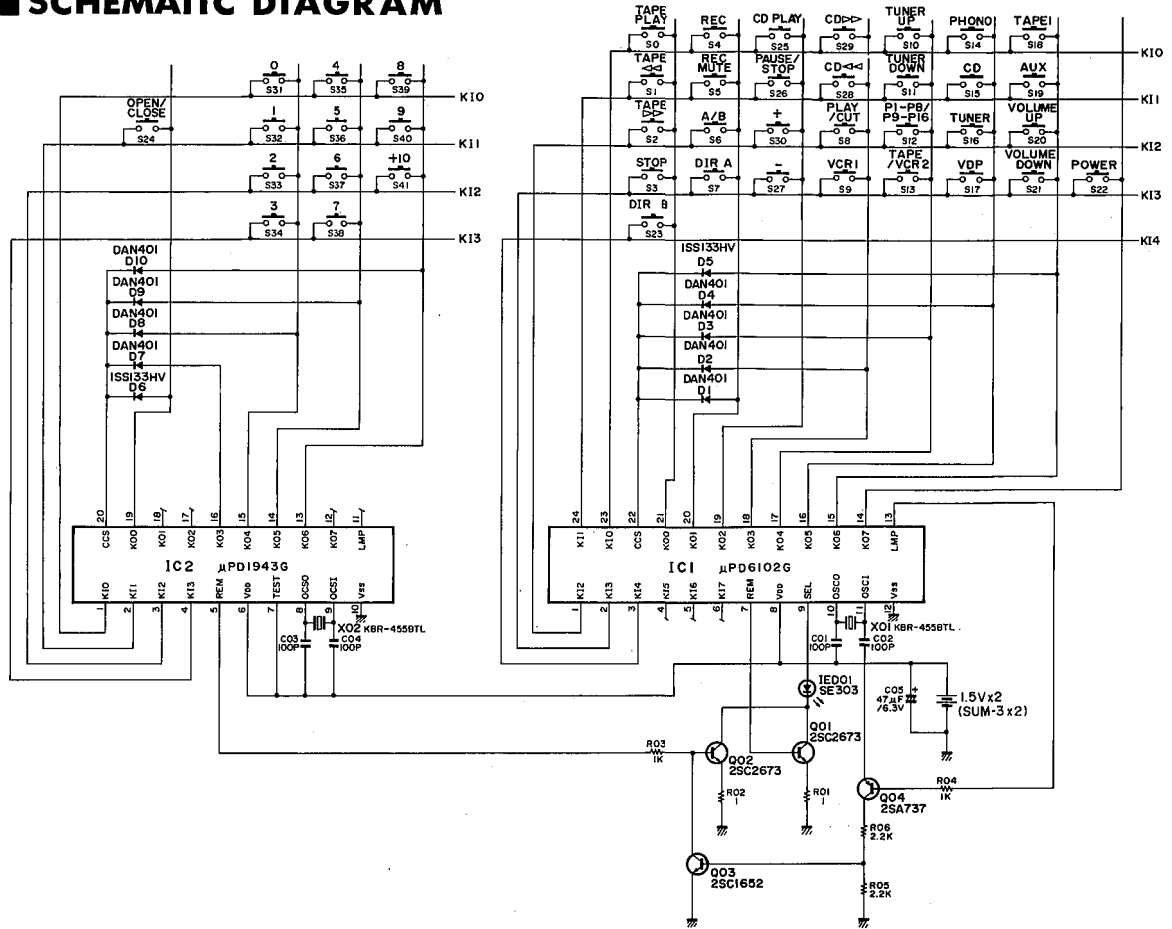
PIN CONNECTION DIAGRAM OF TRANSISTORS, DIODES AND ICs.



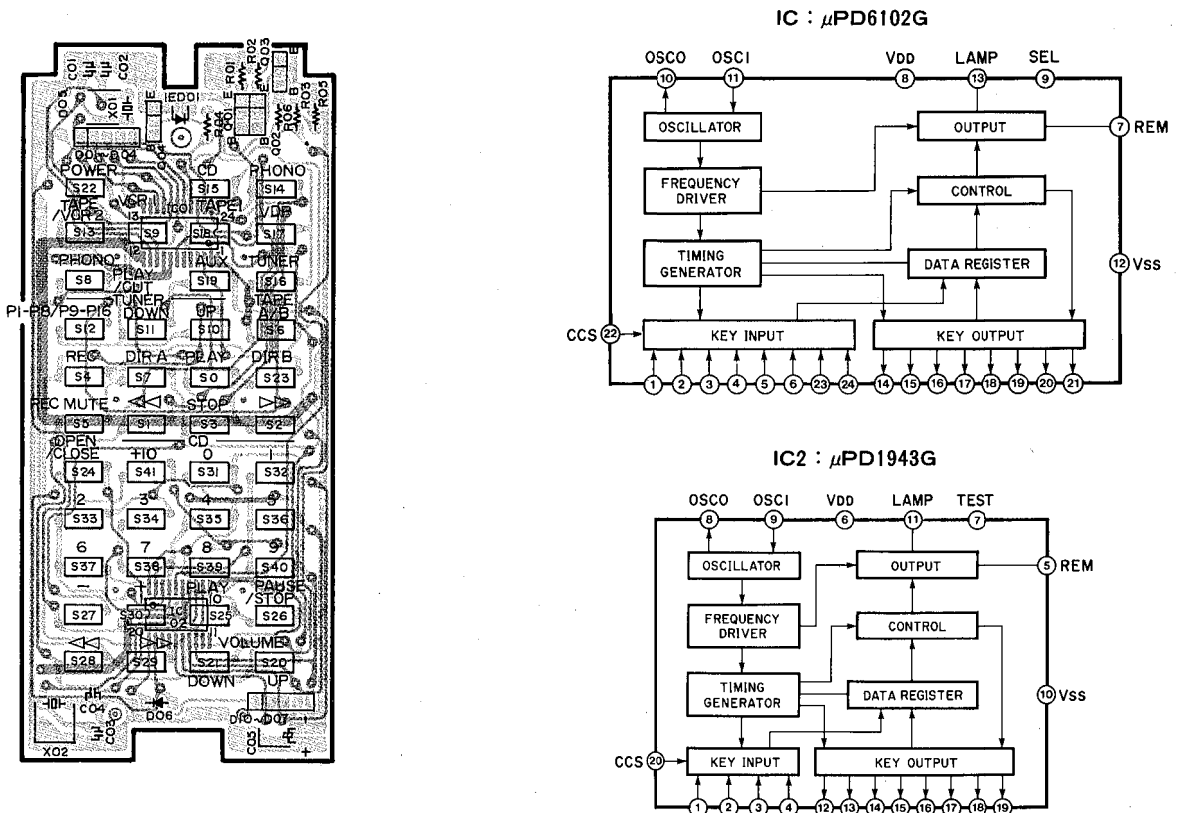
All voltages are measured with a 10MΩ/DC electric volt meter.
Components having special characteristics are marked Δ and must be replaced with parts having specifications equal to those originally installed.
Schematic diagram is subject to change without notice.

RS-AVC30 REMOTE CONTROL TRANSMITTER

SCHEMATIC DIAGRAM



PRINTED CIRCUIT BOARD (Pattern side)



AVC-30/30U/
AV-34

PARTS LIST

ELECTRICAL PARTS

WARNING

Components having special characteristics are marked Δ and must be replaced with parts having specifications equal to those originally installed.

• Carbon resistors (1/6W or 1/4W) are not included in the ELECTRICAL PARTS list. For the parts No. of the carbon resistor, refer to p. 29.

Ref. No.	Part No.	Description	部 品 名	Remarks	Common Model	Markets	ランク
※	NA 09 46 60	Main Circuit Board	メ イン シ ー ト			J,R,U,A,C,B	
※	NA 09 46 70	"	"			G	
	FG 21 11 00	Ceramic Cap.	セ ラ コ ン	C701			
	FG 21 11 50	"	"	C523, 524			
	FG 21 13 30	"	"	C604			
	FG 21 16 80	"	"	C579			
	FG 21 21 00	"	"	C513, 514, 596, 610, 611			
	FG 21 22 20	"	"	C535, 536		J,R,U,A,C,B	
	FG 21 23 30	"	"	"		G	
	FG 21 22 20	"	"	C693, 694		G	
	FG 21 21 00	"	"	C650, 651		G	
	FG 21 24 70	"	"	C652~665, 670~679		G	
	FG 21 24 70	"	"	C595			
	FG 21 26 80	"	"	C564, 570, 597			
	FG 21 31 00	"	"	C517, 518, 587, 592, 598			
	FG 71 38 20	"	"	C607			
	FG 44 41 00	"	"	C584			
	FG 44 42 20	"	"	C685, 686, 702, 703		G	
	FG 74 43 30	"	"	C680, 681, 683, 384		G	
	FU 35 08 00	Mica Cap.	マ イ カ コ ン	C521, 522			
	FU 35 16 80	"	"	C527, 528, 531, 532			
	VC 40 70 00	Electrolytic Cap.	ブ ロ ッ ク ケ ミ コ ン	C550, 551			
	FZ 00 41 30	Semiconductive Ceramic Cap.	半 導 体 セ ラ コ ン	C608, 609			
	FZ 00 41 30	"	"	C534, 556~559, 687~691		G	
	FZ 00 54 10	Electrolytic Cap.	ブ ラ ッ ク ゲ ー ト コ ン	C519, 520			
	FA 15 31 20	Mylar Cap.	マ イ ラ ー コ ン	C567			
	FA 15 31 50	"	"	C578			
	FA 15 32 70	"	"	C505, 506			
	FA 15 33 30	"	"	C563, 568			
	FA 15 34 70	"	"	C588			
	FA 15 35 60	"	"	C602			
	FA 15 41 00	"	"	C507, 508			
	FA 15 42 70	"	"	C599, 601, 612, 613			
	FA 15 43 30	"	"	C603			
	FA 15 44 70	"	"	C533, 544, 586, 600, 624, 625			
	FA 15 45 60	"	"	C590			
	FA 15 51 00	"	"	C622, 623			
	UJ 11 74 70	Electrolytic Cap.	ケ ミ コ ン	C571			
	UJ 13 71 00	"	"	C580, 589, 594			
	UJ 13 72 20	"	"	C561, 566			
	UJ 13 74 70	"	"	C503, 504, 569, 581			
	UJ 13 81 00	"	"	C572			
	UJ 13 82 20	"	"	C575			
	UJ 14 64 70	"	"	C509, 510, 573			
	UJ 14 71 00	"	"	C641, 642			
	UJ 16 51 00	"	"	C583			
	UJ 16 53 30	"	"	C582			
	UJ 16 54 70	"	"	C501, 502, 616, 617			
	UJ 16 61 00	"	"	C529, 530, 560, 565, 576, 585, 591, 593, 605, 606, 614, 615, 620, 621			
	UJ 16 64 70	"	"	C511, 512, 549			
	UJ 16 71 00	"	"	C618, 619			
	UW 83 84 70	"	"	C643, 644			
	UW 85 81 00	"	"	C525, 526			

※New Parts (新規部品)

AVC-30/30U/AV-34

Ref. No.	Part No.	Description	部 品 名	Remarks	Common Model	Markets	ランク
	UW 88 86 80	Electrolytic Cap.	680 μ F 80V	ケ ミ コ ン	C515,516		
	UT 45 22 20	Polypropylene Film Cap.	220pF 100V	ポ リ プ ロ コ ン	C574		
	UT 45 24 70	//	470pF 100V	//	C577		
	UT 45 26 80	//	680pF 100V	//	C562		
	UT 45 41 00	//	0.01 μ F 100V	//	C546,548,553,554		
	UT 45 44 70	//	0.047 μ F 100V	//	C692	G	
	HJ 35 53 30	Carbon Resistor	330 Ω 1/4W	カ ー ボ ン 抵 抗	R561,562,688,689		
	HJ 35 55 60	//	560 Ω 1/4W	//	R649		
	HJ 35 61 00	//	1k Ω 1/4W	//	R533~537,539,543, 549~552,670,671		
	HJ 35 62 20	//	2.2k Ω 1/4W	//	R686,687		
	HJ 35 62 70	//	2.7k Ω 1/4W	//	R555,556,703		
	HJ 35 63 30	//	3.3k Ω 1/4W	//	R680,681,706		
	HJ 35 63 90	//	3.9k Ω 1/4W	//	R682~685		
	HJ 35 64 70	//	4.7k Ω 1/4W	//	R538,540~542, 544~548,602		
	HJ 35 65 60	//	5.6k Ω 1/4W	//	R595,596		
	HJ 35 68 20	//	8.2k Ω 1/4W	//	R613		
	HJ 35 71 20	//	12k Ω 1/4W	//	R601		
	HJ 35 71 80	//	18k Ω 1/4W	//	R674~677		
	HJ 35 72 20	//	22k Ω 1/4W	//	R557,558,614,616		
	HJ 35 73 30	//	33k Ω 1/4W	//	R565,566,591,592		
	HJ 35 73 90	//	39k Ω 1/4W	//	R638		
	HJ 35 81 00	//	100k Ω 1/4W	//	R569,570,597,598,668,669		
	HJ 35 83 90	//	390k Ω 1/4W	//	R593,594		
	HJ 35 85 60	//	560k Ω 1/4W	//	R678,679		
	HJ 35 91 00	//	1M Ω 1/4W	//	R611,612		
	HJ 35 92 20	//	2.2M Ω 1/4W	//	R563,564,672,673		
	HV 45 32 20	Flame Proof Carbon Resistor	2.2 Ω 1/4W	不 燃 化 カ ー ボ ン 抵 抗	R702,704		
	HV 45 34 70	//	4.7 Ω 1/4W	//	R583~586,599,600, 801,802		
	HV 45 41 00	//	10 Ω 1/4W	//	R633		
	HV 45 42 20	//	22 Ω 1/4W	//	R575,576		
	HV 45 51 00	//	100 Ω 1/4W	//	R559,560,632		
	HV 45 54 70	//	470 Ω 1/4W	//	R579~582		
	HV 45 61 20	//	1.2k Ω 1/4W	//	R567,568		
	HV 45 62 20	//	2.2k Ω 1/4W	//	R577,578		
	HV 45 63 90	//	3.9k Ω 1/4W	//	R571~574		
	HL 93 22 20	Metal Oxide Film Resistor	0.22 Ω 3W	酸 金 抵 抗	R587~590		
	VB 86 10 00	Pre-Set Potentiometer	B470 Ω	半 固 定 抵 抗	VR601,602		
	VB 86 12 00	//	B2.2k Ω	//	VR603		
※	VD 69 11 00	Potentiometer	100KY \times 4	モ ー タ ー 付 ボ リ ュ ー ム	VR510		
※	VD 27 09 00	//	2KB \times 2	可 変 抵 抗 器	VR505		
※	VD 27 10 00	//	5KMN	//	VR506		
※	VD 27 11 00	//	10KB \times 2	//	VR504		
	IA 10 15 21	Transistor	2SA1015(Y)	ト ラ ン ジ ス タ	Q511,512		
	IA 13 60 00	//	2SA1360	//	Q513,514		
	VC 61 40 00	//	2SB1274(Q,R,S)	//	Q533		
	IC 18 15 20	//	2SC1815(Y)	//	Q501~503,527,528		
	IC 22 40 20	//	2SC2240(GR,BL)	//	Q507~510,525,526		
	IX 60 42 00	//	2SC2878(A,B)	//	Q505,506		
	VC 40 79 00	//	2SD1913(R,S)	//	Q532		
	IX 60 85 10	//	2SA1358	//	Q519,520		

※New Parts (新規部品)

AVC-30/30U/AV-34

AVC-30/30U/
AV-34

Ref. No.	Part No.	Description	部 品 名	Remarks	Common Model	Markets	ランク
	iX 60 85 20	Transistor	2SC3421	ト ラ ン ジ ス タ	Q517,518		
	iF 00 34 50	Diode	ISS133	ダ イ オ ー ド	D508,509		
	iF 00 14 00	//	ISS82	//	D501,502,507		
	iF 00 89 30	Zener Diode	MTZ16A	ツェナーダイオード	D514,515		
	iH 00 11 60	Diode Bridge	4D4B4I	ダイオードブリッジ	D503		
	iG 03 75 00	IC	MN310I	I C	IC509		
	iG 07 68 00	//	NJM4558S	//	IC512,513		
	iG 07 69 00	//	NJM2041S	//	IC514		
	iG 11 44 00	//	LM1112CN	//	IC511		
	iG 14 93 00	//	LC4966	//	IC502~507		
	XB 24 70 01	//	μPC4570HA	//	IC501,508		
	XC 10 30 01	//	MN3007Y	//	IC510		
※	VD 26 97 00	Remote Rotary Switch	8-4	リモートロータリースイッチ	SW502		
※	VD 26 98 00	Rotary Slide Switch	4-4	ロータリースライドスイッチ	SW501		
※	VD 35 73 00	Push Switch	2-2NS	プッシュスイッチ	SW503		
※	VD 27 13 00	Pin Jack	6P	ピンジャック	PJ501		
※	VD 35 74 00	//	4P	//	PJ502~506		
	VD 00 46 00	Base Pin	3P i-Type	P H ベースピン	CB503		
	LB 91 80 30	//	3P i-Type	X H ベースピン	CB504		
	LB 91 80 40	//	4P i-Type	//	CB501		
	LB 91 80 50	//	5P i-Type	//	CB502		
	VB 84 59 00	Push Terminal	8P	プッシュターミナル		J,R,U,A,C,B	
	VC 17 06 00	//	8P	//		G	
※	LA 00 19 60	Lapping Terminal	P=7.5 3P U-Type	U型ラッピング端子板			
	VD 35 19 00	Sub Heat Sink		サブ放熱板			
	Ei 33 00 66	Binding Head Tapping Screw	3×6 FCRM3-BI	バインドタッピングネジ	PACK		
	BB 06 95 10	Ground Plate		ランド金具			
	VD 35 33 00	C-P Shield		C-Pシールド			
	Ei 33 00 86	Binding Head Tapping Screw	3×8 FCRM3-BI	バインドタッピングネジ	PACK		

※New Parts (新規部品)

Ref. No.	Part No.	Description	部 品 名	Remarks	Common Model	Markets	ランク
※	NA 09 47 00	μ-COM Circuit Board	マイコンシート			J	
※	NA 09 47 10	"	"			R	
※	NA 09 47 20	"	"			U,C	
※	NA 09 47 30	"	"			A,B	
※	NA 09 47 40	"	"			G	
	FA 15 44 70	Mylar Cap.	マイラーコン	0.047μF 50V	C319,321,322		
	FI 41 41 00	Ceramic Cap.	セラコン	0.01μF	C125		
	FG 21 04 00	"	"	4pF 50V	C313,314		
	FG 21 11 00	"	"	10pF 50V	C311,312		
	FG 21 13 30	"	"	33pF 50V	C111		
	FG 21 21 00	"	"	100pF 50V	C307,308		
	FG 21 23 30	"	"	330pF 50V	C116		
	FG 21 24 70	"	"	470pF 50V	C112		
	FG 21 22 20	"	"	220pF 50V	C111		
	FG 44 41 00	"	"	0.01μF 50V	C119,303,307	G	
	FG 44 42 20	"	"	0.022μF 50V	C112,116		
	FG 44 42 20	"	"	0.022μF 50V	C125	G	
	UJ 11 81 00	Electrolytic Cap.	ケミコン	100μF 6.3V	C309,310		
	UJ 11 82 20	"	"	220μF 6.3V	C303		
	UJ 13 71 00	"	"	10μF 16V	C110,117,123		
	UJ 13 71 00	"	"	10μF 16V	C124	R	
	UJ 13 73 30	"	"	33μF 16V	C103,104,106~109, 120~122,127,128		
	UJ 13 74 70	"	"	47μF 16V	C130	R	
	UJ 24 63 30	"	"	3.3μF 25V	C327		
	UJ 14 71 00	"	"	10μF 25V	C328		
	UJ 14 74 70	"	"	47μF 25V	C315,316		
	UJ 16 54 70	"	"	0.47μF 50V	C114		
	UJ 16 61 00	"	"	1μF 50V	C305,306		
	UJ 46 63 30	"	"	3.3μF 50V	C115		
	UJ 16 71 00	"	"	10μF 50V	C301,302		
	UJ 16 74 70	"	"	47μF 50V	C317,318		
	FM 11 61 00	"	B P コン	1μF 50V	C118,129		
	UM 05 72 20	"	オーディオケミコン	22μF 25V	C304		
	UW 83 91 00	"	ケミコン	1000μF 16V	C101,102,105		
	UW 84 84 70	"	"	470μF 25V	C126	J,U,A,G,C,B	
	UW 87 84 70	"	"	470μF 63V	"	R	
	FJ 25 93 30	"	"	3300μF 35V	C323,324		
	VB 17 01 00	"	バックアップケミコン	4700μF 5.5V	C113		
	GD 90 04 70	Output Coil	アウトプットコイル	1.7μH	L301~304		
	GG 00 07 00	Ceramic Resonator	セラミック振動子	FCR400K	XL101		
	HJ 35 62 20	Carbon Resistor	カーボン抵抗	2.2kΩ 1/4W	R325,326		
	HJ 35 64 70	"	"	4.7kΩ 1/4W	R202,204,208,213,215, 219,327,328,348,349		
	HJ 35 65 60	"	"	5.6kΩ 1/4W	R203,205,207,209,211, 214,216,218,220,222		
	HK 35 66 20	"	"	6.2kΩ 1/4W	R206,210,212,217,221,223		
※	VD 27 01 00	Resistor Network	抵抗ネットワーク	100kΩ×8	R176		
※	VD 27 02 00	"	"	100kΩ×3	R177		
※	VD 27 03 00	"	"	22kΩ×3	R178		
	HL 92 21 00	Metal Oxide Film Resistor	酸化金抵抗	0.1Ω 2W	R331,332		
	HL 32 52 70	"	"	270Ω 2W	R305,306		
	HV 45 34 70	Flame Proof Carbon Resistor	不燃化カーボン抵抗	4.7Ω 1/4W	R126,170,301,302, 339,340,343,344		

※New Parts (新規部品)

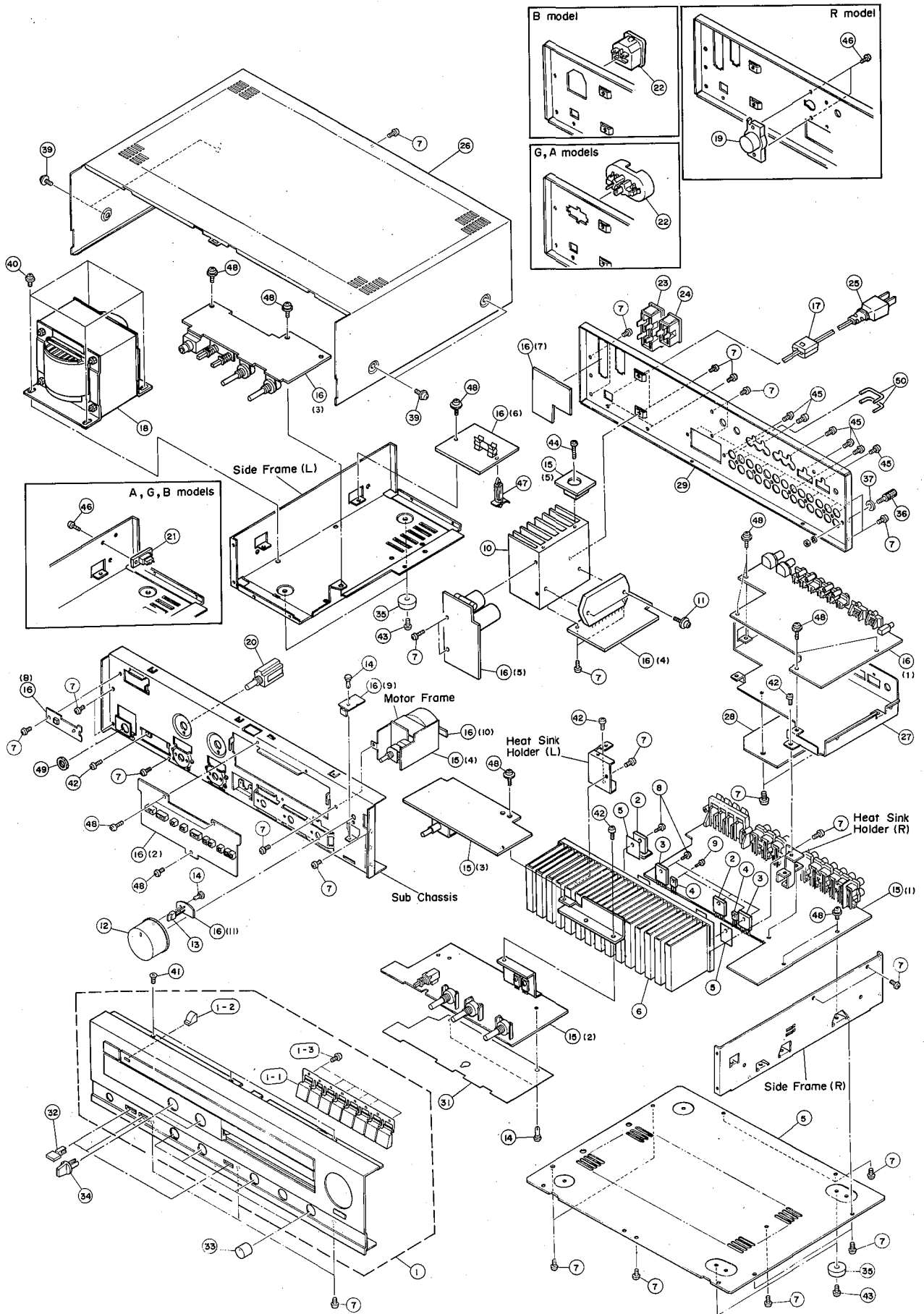
AVC-30/30U/AV-34

AVC-30/30U/
AV-34

Ref. No.	Part No.	Description	部 品 名	Remarks	Common Model	Markets	ランク
	HV 45 43 30	Flame Proof Carbon Resistor	33Ω 1/4W	不燃化カーボン抵抗	R160		
	HV 45 51 00	//	100Ω 1/4W	//	R321,322		
	HV 45 51 50	//	150Ω 1/4W	//	R109,110,113,114,132,134		
	HV 45 52 20	//	220Ω 1/4W	//	R312,347		
	HV 45 61 20	//	1.2kΩ 1/4W	//	R167	A,G,B	
	HV 45 64 70	//	4.7kΩ 1/4W	//	R329,330		
※	VD 27 07 00	Potentiometer	20KB	可 変 抵 抗 器	VR301,302		
※	VD 27 08 00	//	150KB	//	VR101,102		
	iA 09 70 00	Transistor	2SA970(GR,BL)	ト ラ ン ジ ス タ	Q301,302		
	iA 10 15 21	//	2SA1015(Y)	//	Q101~103,105,107,109, 111~113,116,117		
	iC 18 15 20	//	2SC1815(Y)	//	Q104,106,108,110,114,115		
	iC 22 40 00	//	2SC2240(GR,BL)	//	Q303,304		
	iX 60 42 00	//	2SC2878(A,B)	//	Q310,311		
※	VD 36 74 00	//	2SD1090	//	Q118	R	
	iF 00 19 40	Zener Diode	HZ24-2	ツェナーダイオード	D304,305		
	iF 00 88 60	//	MTZ12B	//	DI26	R	
	iF 00 00 40	Diode	1S1555	ダ イ オ ー ド	DI14,115	} Inter-changeable	
	iF 00 06 70	//	1S2473	//	//		
	iF 00 34 50	//	1SS133	//	D101~113,116~120, 122,123,301,302		
	iX 60 23 50	Zener Diode	MTZ5.6B	ツェナーダイオード	DI24		
	iH 00 09 90	Diode Bridge	2B4B4I	ダイオードブリッジ	D303		
	iH 00 14 30	Diode	1SR35-100A	ダ イ オ ー ド	DI21		
	VC 63 79 00	Photo Diode	PD49Pi	フ ォ ト ダ イ オ ー ド	DI25		
※	VD 27 04 00	LED (Green)	SEL2510C	L E D	D201,203,204,206,210,212		
※	VD 27 05 00	// (Red)	SEL2210R	//	D202,205,207~209, 211,213~218		
	iG 00 12 70	IC	TC4066BP	I C	IC101,102	} Inter-changeable	
	iG 08 92 00	//	LC4066B	//	//		
	iG 05 49 00	//	M54542	//	IC106		
	iG 14 48 00	//	μPC1237H	//	IC301		
	XA 54 90 01	//	LB1294	//	IC108,109		
	XB 91 70 01	//	LC6505C	//	IC105		
	XB 93 00 01	//	LA7910	//	IC107		
	XC 09 60 01	//	μPC1490HA	//	IC104		
※	XC 78 70 01	//	STK4141 II	//	IC302		
※	XC 77 30 01	//	NJM78M08A	//	IC103		
	KA 90 55 70	Tact Switch		タ ク ト ス イ ッ チ	SW201~209		
※	VD 26 99 00	Push Switch	2-2NS	プ ッ シ ュ ス イ ッ チ	SW301		
	KC 00 19 10	Relay	DH12D1-OM	リ レ ー	RY101		
	KC 00 19 40	//	DH24D2-OTM	//	RY302		
	KC 00 20 20	//	DH24D2-OTM	//	RY301		
※	VD 27 12 00	Pin Jack	3P	ピ ン ジャ ッ ク	PJ101,102		
※	VD 36 70 00	Jack	φ3.5	ジ ャ ッ ク	JK101		
※	VD 36 71 00	//	φ6.3	//	JK301		
	LB 50 07 10	ST Connector Socket	5P	S T コ ネ ク タ ソ ケ ッ ト	JK102		
	LB 60 83 90	//	6P	//	JK103		

※New Parts (新規部品)

EXPLODED VIEW



MECHANISM PARTS

Note) φ : Diameter

AVC-30/30U/
AV-34

Ref. No.	Part No.	Description	部 品 名	Remarks	Common Model	Markets	ランク
※ 1	VD 32 63 00	Panel Unit	パネルユニット	AVC-30		J	
※ //	VD 32 64 00	//	//	AVC-30U		U,C	
※ //	VD 35 69 00	//	//	AVC-30		R,A,G,B	
※ //	VD 32 65 00	//	//	AV-34			
1-1	VD 35 26 00	Button Ass'y	ボ タ ン Ass'y	INPUT			
1-2	CB 61 60 20	Lens	レ ン ズ				
1-3	EJ 02 60 56	Pan Head Tapping Screw	2.6×5 ZMC2-Y ナベタッピングネジ	PACK			
2	iX 80 14 20	Transistor	2SA1302 ト ラ ン ジ ス タ	Q523,524			
3	iX 80 14 30	//	2SC3281 //	Q521,522			
4	VC 39 81 00	//	2SC1846S //	Q515,516			
5	VC 65 78 00	Sheet	放 熱 シ ー ト				
6	VD 35 20 00	Heat Sink	放 熱 板				
7	Ei 33 00 66	Binding Head Tapping Screw	3× 6 FCRM3-BI バインドタッピングネジ	PACK			
8	EK 36 50 70	BW Head Screw	3×10 ZMC2-BI B W ヘッド小ネジ				
9	EK 36 50 80	//	3× 8 ZMC2-BI //				
10	VD 35 21 00	Heat Sink	放 熱 板				
11	EK 33 00 20	BW Head Tapping Screw	3×14 ZMC2-BI B Wヘッドタッピングネジ				
12	VD 35 49 00	Knob Ass'y	ツ マ ミ Ass'y	VOLUME			
※ 13	VD 27 06 00	LED (Red)	SLB-15 L E D				
※ 14	VB 66 92 00	Plastic Rivet	プ ラ ス チ ッ ク リ ベ ッ ト				
※ 15	NA 09 46 60	Main Circuit Board	メ イ ン シ ー ト			J,R,U,A,C,B	
※ //	NA 09 46 70	//	//			G	
※ 16	NA 09 47 00	μ-COM Circuit Board	マイコンシート			J	
※ //	NA 09 47 10	//	//			R	
※ //	NA 09 47 20	//	//			U,C	
※ //	NA 09 47 30	//	//			A,B	
※ //	NA 09 47 40	//	//			G	
※ 17	VD 37 59 00	Cord Stopper	222Y2271-10 コードストッパー				
※ 18	XC 68 20 01	Power Transformer	電 源 ト ラ ン ス			J	△
※ //	XC 68 30 01	//	//			R	△
※ //	XC 68 40 01	//	//			U	△
※ //	XC 68 50 01	//	//			A,B	△
※ //	XC 68 60 01	//	//			G	△
※ //	XC 68 70 01	//	//			C	△
※ 19	VA 93 29 00	Voltage Selector	ESE-37226 電 圧 切 換 器			R	△
※ 20	VD 36 68 00	Remote Switch	リモートスイッチ				
21	LA 00 29 50	Terminal Board	2P 中 継 端 子 台			A,G,B	
22	VC 62 61 00	AC Outlet	2P A C アウトレット			A	△
※ //	VC 62 70 00	//	2P //			B	△
※ //	VD 37 36 00	//	2P //			G	△
23	VD 26 94 00	//	3P //			J,R,U,C	△
24	VD 26 95 00	//	2P //			J,R,U,C	△
25	MG 00 18 10	Power Cord	7A 125V 2.2m 電 源 コ ー ド	} Inter-changeable		J	△
※ //	MG 00 22 90	//	7A 125V 2m //			J	△
※ //	MG 00 16 30	//	6A 250V 2m //			R	△
※ //	MG 00 22 20	//	10A 125V 1.98m //	} Inter-changeable		U,C	△
※ //	MG 00 09 20	//	7.5A 250V 2.5m //			A	△
※ //	MG 00 23 10	//	7.5A 250V 2m //	} Inter-changeable		A	△
※ //	MG 00 16 20	//	2.5A 250V 2m //			G	△
※ //	MG 00 23 20	//	2.5A 250V 2m //	} Inter-changeable		G	△
※ //	MG 00 18 60	//	2.5A 250V 2m //			B	△
26	VD 35 07 00	Top Cover	ト ッ プ カ バ ー				
27	VD 35 17 00	Shield Plate	シ ー ル ド 板				

※New Parts (新規部品)

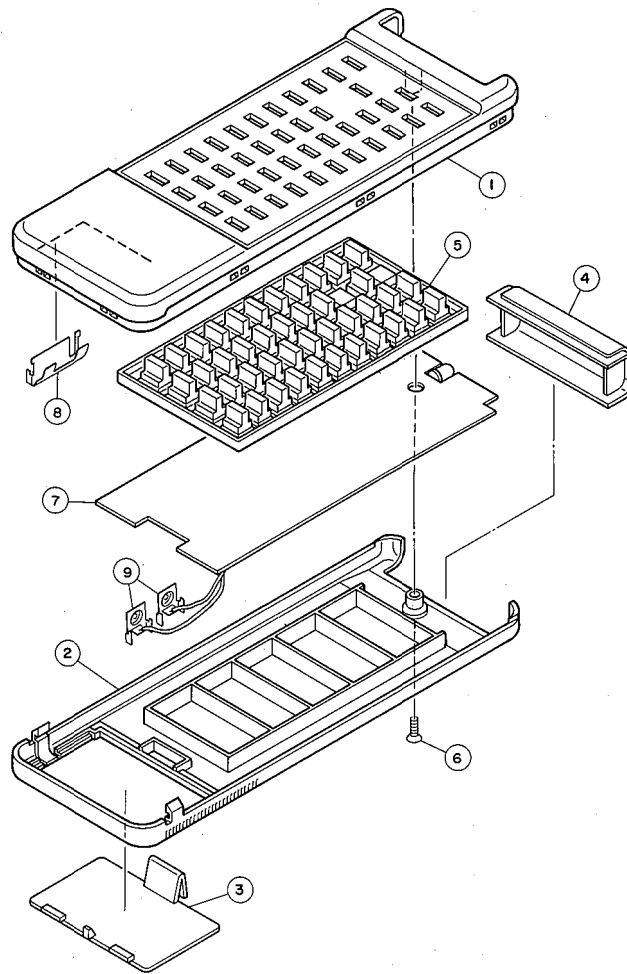
AVC-30/30U/AV-34

AVC-30/30U/
AV-34

Ref. No.	Part No.	Description	部 品 名	Remarks	Common Model	Markets	ランク
※ 28	VD 35 18 00	Shield Plate	シールド板				
※ 29	VD 35 27 00	Rear Panel	リアパネル	AVC-30		J	
※ //	VD 35 28 00	//	//	AVC-30U		U,C	
※ //	VD 35 29 00	//	//	AVC-30		R	
※ //	VD 35 30 00	//	//	//		G	
※ //	VD 35 31 00	//	//	//		A	
※ //	VD 35 32 00	//	//	//		B	
※ //	VD 38 20 00	//	//	AV-34		R	
※ //	VD 38 21 00	//	//	//		U,C	
※ //	VD 38 22 00	//	//	//		A	
※ //	VD 38 23 00	//	//	//		B	
30	VD 35 16 00	Bottom Plate	底 板				
31	VD 35 22 00	Sheet	シ ー ト				
32	CB 63 29 00	Button	F ボ タ ン				
33	BA 08 58 70	Knob	ツ マ ミ				
34	CB 62 08 40	//	//				
35	CB 63 21 90	Leg	脚				
36	AA 62 73 10	Ground Terminal	3×13 MFNi-II G N D 端 子				
37	EV 90 13 60	Sems Plain Washer	φ10×φ3.6×10.8 FNM3-3g セ ム ス 平 座 金				
38	CA 07 43 80	Isolation Fiber	絶 縁 フ ァ イ バ ー		A-1000		
39	EK 36 50 40	BW Head Tapping Screw	4×8 FCRM3-BI B W ヘ ッ ド タ ッ ピ ン グ ネ ジ				
40	EK 36 50 20	//	4×6 FCRM3-BI //				
41	EO 03 00 86	Flat Head Tapping Screw	3×8 ZMC2-Y 皿 タ ッ ピ ン グ ネ ジ	PACK			
42	ED 33 00 66	Binding Head Screw	3×6 FCRM3-BI バ イ ン ド 小 ネ ジ	PACK			
43	ED 33 01 26	//	3×12 FCRM3-BI //	PACK			
44	Ei 33 01 26	Binding Head Tapping Screw	3×12 ZMC2-BI バ イ ン ド タ ッ ピ ン グ ネ ジ	PACK			
45	Ei 33 00 86	//	3×8 FCRM3-BI //	PACK			
46	ED 03 00 66	Binding Head Screw	3×6 ZMC2-Y バ イ ン ド 小 ネ ジ	PACK		A, G, B	
47	VD 37 44 00	PC Support	P C サ ポ ー ト				
48	EX 60 02 40	BW Head Tapping Screw	3×8 FCRM3-BI B W ヘ ッ ド タ ッ ピ ン グ ネ ジ				
49	EV 10 31 26	Nut	φ12 ZMC2-BI ナ ッ ト	PACK			
50	LB 10 11 10	Short Plug	シ ョ ー ト プ ラ グ				
	CB 06 92 50	Bindig Tie	BK-1 イ ン シ ュ ロ ッ ク タイ				
		Accessories	付 属 品				
	VA 94 58 00	Connector	5P S T コ ネ ク タ ー	TUNER			
	VA 95 59 00	//	6P //	TAPE			
	Mi 08 17 80	Mini Plug Cord	ミニプラグコード	PHONO			
※	VD 38 01 00	Remote Control Transmitter	RS-AVC30 リ モ ー ト コ ン ト ロ ー ル ト ラ ン ス ミ ッ タ ー				
		Dry Cell	AA,R6 単 3 乾 電 池				

※New Parts (新規部品) NR

EXPLODED VIEW (RS-AVC30)



Ref. No.	Part No.	Description	部品名	Remarks	Common Model	Markets	ランク
※	VD 38 01 00	Remote Control Transmitter	RS-AVC30	リモートコントロール トランスミッター			
※	1 CX 60 09 50	Case(A)		ケース (A)			
	2 XX 67 77 20	" (B)		" (B)			
	3 XX 67 77 30	" (C)		" (C)			
	4 XX 67 16 40	Filter		フィルター			
※	5 CX 60 04 40	Rubber		ゴム接点			
	6 EO 32 61 26	Flat Head Tapping Screw	2.6x12FCRM3-BI	皿タッピングネジ	PACK		
※	7 NX 60 04 70	P.C. Board Ass'y		プリント基板 Ass'y			
	8 XX 67 16 80	Dry Cell Terminal A		電池電極板 A			
※	NX 60 04 70	P.C. Board Ass'y		プリント基板 Ass'y			
	iX 60 70 40	IC	μPD6102G	I C	IC01		
	iX 60 16 00	"	μPD1943G	"	I02		
	QX 60 00 40	Ceramic Resonator	KBR-455BTL	セラミック振動子	X01,02		
	FG 21 21 00	Ceramic Cap.	100pF 50V	セラコン	C01~04		
	UJ 11 74 70	Electrolytic Cap.	47μF 6.3V	ケミコン	C05		
	iC 26 73 00	Transistor	2SC2673	トランジスタ	Q01,02		
	iX 60 36 10	"	2SC1652	"	Q03		
	iA 09 37 00	"	2SA937	"	Q04		
	iF 00 34 50	Diode	ISS133	ダイオード	D05,06		
	iF 00 76 40	Diode Array	DAN401	ダイオードアレイ	D01~04,07~10		
	9 XX 67 16 90	Dry Cell Terminal C		電池電極板 C			
※	iX 60 34 70	I.E.D	SE303(Y)	I. E. D.	IED01		

※New Parts (新規部品) NR

Parts List for Carbon Resistor

AVC-30/30U/
AV-34

Value	1/4W Type Part No.	1/6W Type Part No.	Value	1/4W Type Part No.	1/6W Type Part No.
1.0 Ω	HJ353100	※	12KΩ	HJ357120	HF857120
1.8 "	HJ353180	※	15 "	HJ357150	HF857150
2.2 "	HJ353220	HF853220	18 "	HJ357180	HF857180
3.3 "	HJ353330	HF853330	22 "	HJ357220	HF857220
4.7 "	HJ353470	HF853470	27 "	HJ357270	HF857270
5.6 "	HJ353560	HF853560	33 "	HJ357330	HF857330
10 "	HJ354100	HF854100	39 "	HJ357390	HF857390
15 "	HJ354150	HF854150	47 "	HJ357470	HF857470
22 "	HJ354220	HF854220	56 "	HJ357560	HF857560
27 "	HJ354270	HF854270	68 "	HJ357680	HF857680
33 "	HJ354330	HF854330	82 "	HJ357820	HF857820
39 "	HJ354390	HF854390	91 "	HJ357910	HF857910
47 "	HJ354470	HF854470	100 "	HJ358100	HF858100
56 "	HJ354560	HF854560	120 "	HJ358120	HF858120
68 "	HJ354680	HF854680	150 "	HJ358150	HF858150
82 "	HJ354820	HF854820	180 "	HJ358180	HF858180
100 "	HJ355100	HF855100	220 "	HJ358220	HF858220
110 "	HJ355110	HF855110	270 "	HJ358270	HF858270
120 "	HJ355120	HF855120	330 "	HJ358330	HF858330
150 "	HJ355150	HF855150	390 "	HJ358390	HF858390
160 "	HJ355160	※	470 "	HJ358470	HF858470
180 "	HJ355180	HF855180	560 "	HJ358560	HF858560
220 "	HJ355220	HF855220	680 "	HJ358680	HF858680
270 "	HJ355270	HF855270	820 "	HJ358820	HF858820
330 "	HJ355330	HF855330	1.0MΩ	HJ359100	HF859100
390 "	HJ355390	HF855390	1.2 "	HJ359120	※
470 "	HJ355470	HF855470	1.5 "	HJ359150	HF859150
510 "	※	HF855510	1.8 "	HJ359180	HF859180
560 "	HJ355560	HF855560	2.2 "	HJ359220	HF859220
680 "	HJ355680	HF855680	3.3 "	HJ359330	HF859330
820 "	HJ355820	HF855820	3.9 "	HJ359390	※
910 "	HJ355910	HF855910	4.7 "	HJ359470	※
1.0KΩ	HJ356100	HF856100			
1.2 "	HJ356120	HF856120			
1.5 "	HJ356150	HF856150			
1.8 "	HJ356180	HF856180			
2.0 "	HJ356200	HF856200			
2.2 "	HJ356220	HF856220			
2.4 "	HJ356240	HF856240			
2.7 "	HJ356270	HF856270			
3.0 "	HJ356300	HF856300			
3.3 "	HJ356330	HF856330			
3.6 "	HJ356360	HF856360			
3.9 "	HJ356390	HF856390			
4.7 "	HJ356470	HF856470			
5.1 "	HJ356510	HF856510			
5.6 "	HJ356560	HF856560			
6.8 "	HJ356680	HF856680			
8.2 "	HJ356820	HF856820			
9.1 "	HJ356910	HF856910			
10 "	HJ357100	HF857100			

