

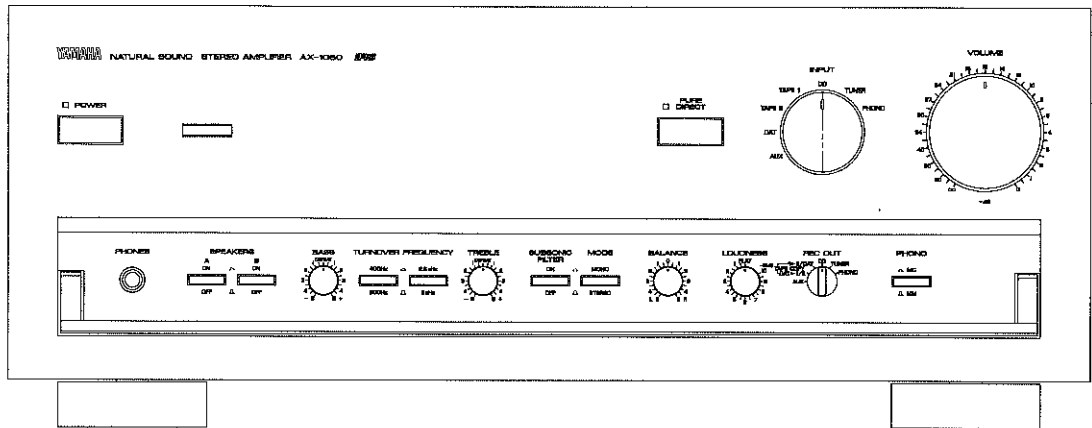
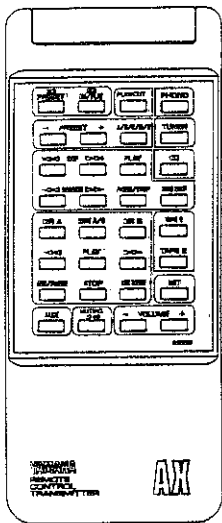
# STEREO INTEGRATED AMPLIFIER

CENTER

# AX-1050

## SERVICE MANUAL

### FRONT PANEL



### IMPORTANT NOTICE

This manual has been provided for the use of authorized YAMAHA Retailers and their service personnel. It has been assumed that basic service procedures inherent to the industry, and more specifically YAMAHA Products, are already known and understood by the users, and have therefore not been restated.

**WARNING:** Failure to follow appropriate service and safety procedures when servicing this product may result in personal injury, destruction of expensive components, and failure of the product to perform as specified. For these reasons, we advise all YAMAHA product owners that any service required should be performed by an authorized YAMAHA Retailer or the appointed service representative.

**IMPORTANT:** The presentation or sale of this manual to any individual or firm does not constitute authorization, certification or recognition of any applicable technical capabilities, or establish a principle-agent relationship of any form.

The data provided is believed to be accurate and applicable to the unit(s) indicated on the cover. The research, engineering, and service departments of YAMAHA are continually striving to improve YAMAHA products. Modifications are, therefore, inevitable and specifications are subject to change without notice or obligation to retrofit. Should any discrepancy appear to exist, please contact the distributor's Service Division.

**WARNING:** Static discharges can destroy expensive components. Discharge any static electricity your body may have accumulated by grounding yourself to the ground buss in the unit (heavy gauge black wires connect to this buss).

**IMPORTANT:** Turn the unit OFF during disassembly and part replacement. Recheck all work before you apply power to the unit.

### CONTENTS

TO SERVICE PERSONNEL .....	1	ADJUSTMENTS.....	5
REAR PANELS.....	1~2	BLOCK DIAGRAM.....	6
SPECIFICATIONS .....	3	WIRING .....	7
DIMENSIONS .....	3	PRINTED CIRCUIT BOARD .....	8~13
INTERNAL VIEW .....	4	SCHEMATIC DIAGRAM .....	14, 15
DISASSEMBLY PROCEDURES .....	4	PARTS LIST .....	16~25
		REMOTE CONTROL TRANSMITTER.....	26

100406

**YAMAHA**


YAMAHA CORPORATION  
P.O. Box 1, Hamamatsu, Japan

2.4K-693 ☐ Ⓢ Printed in Japan '91.9

AX-1050

## ■ TO SERVICE PERSONNEL

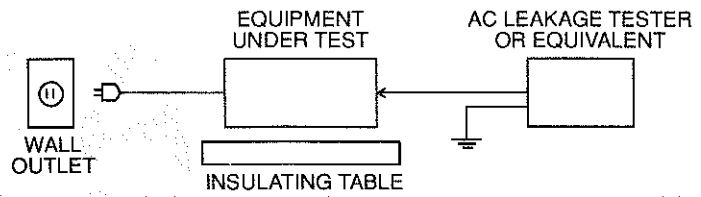
### 1. Critical Components Information.

Components having special characteristics are marked  and must be replaced with parts having specifications equal to those originally installed.

### 2. Leakage Current Measurement (For 120 V Model Only).

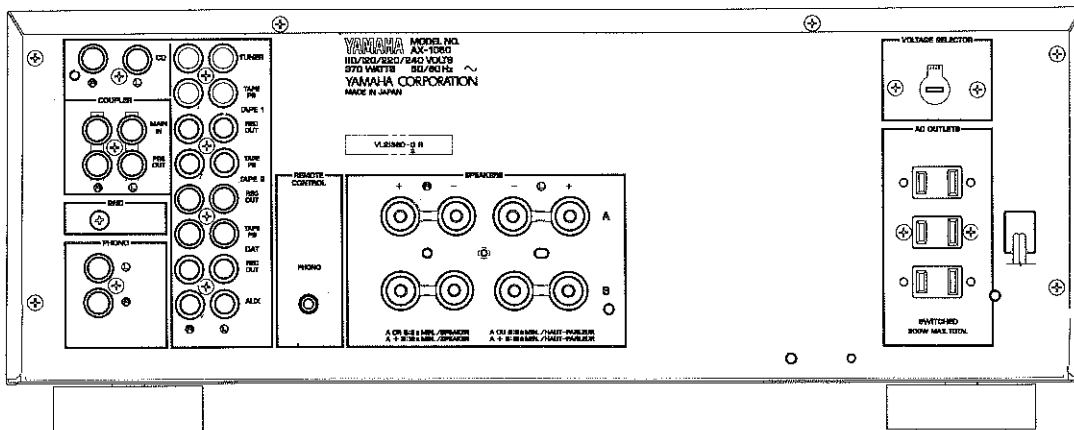
When service has been completed, it is imperative that you verify that all exposed conductive surfaces are properly insulated from supply circuits.

- Meter impedance should be equivalent to 1500 ohm shunted by 0.15  $\mu$ F.
- Leakage current must not exceed 0.5 mA.
- Be sure to test for leakage with the AC plug in both polarities.

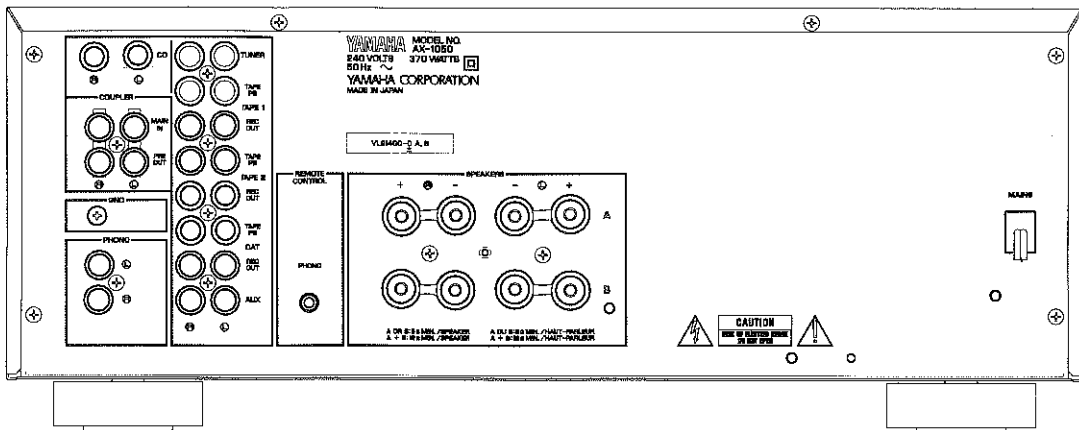


## ■ REAR PANELS

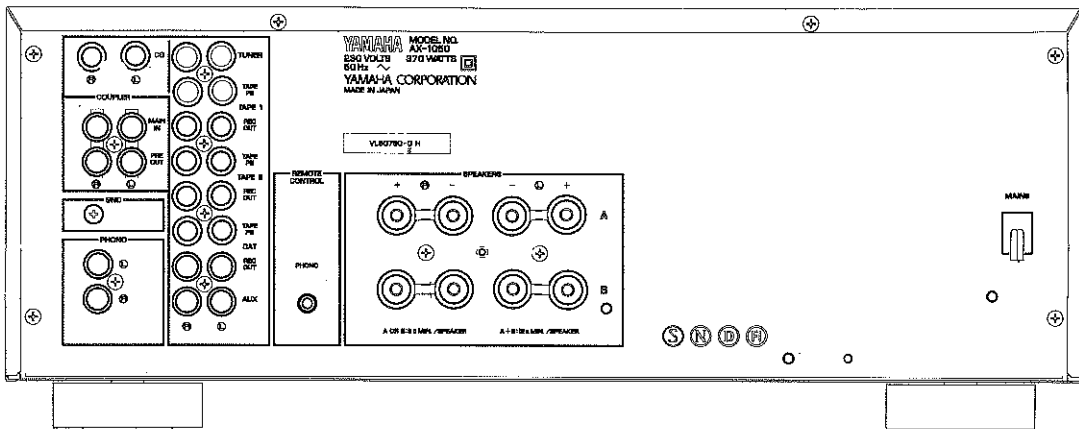
### ● General model



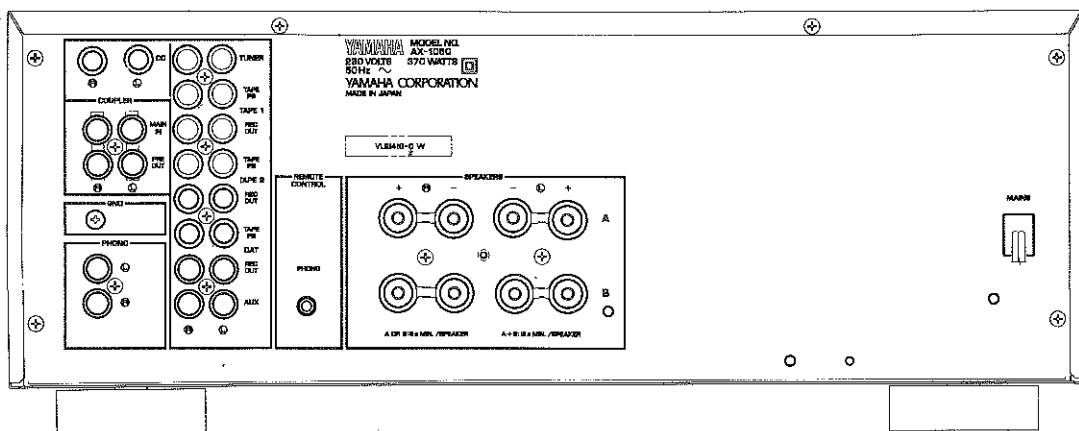
● Australian and British models



● North European model



● German model



AX-1050

## SPECIFICATIONS

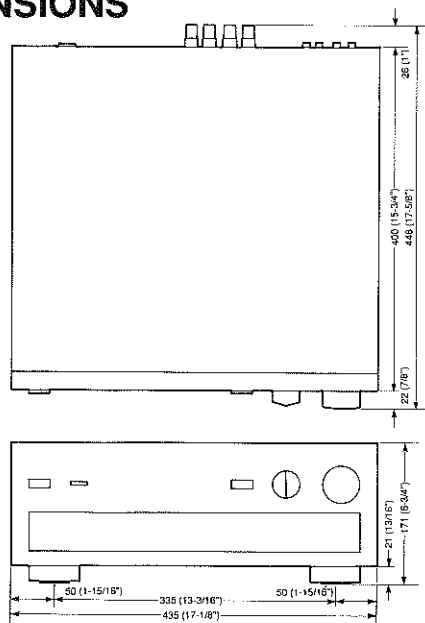
Minimum RMS Output Power Per Channel  
 20 Hz - 20 kHz 0.01% THD 8Ω ..... 145W  
 20 Hz - 20 kHz 0.02% THD 6Ω ..... 185W  
 Dynamic Power Per Channel (by IHF)  
 Dynamic Headroom Measuring Method)  
 8Ω/6Ω/4Ω/2Ω ..... 220W/290W/360W/460W  
 DIN Standard Output Power Per Channel  
 (European model)  
 1 kHz 0.7% THD 4Ω ..... 250W  
 Dynamic Headroom (General model)  
 8Ω ..... 1.81 dB  
 6Ω ..... 1.95 dB  
 IEC Power (European model)  
 1 kHz 0.01% THD 8Ω ..... 170W  
 Power Bandwidth  
 0.03% THD 72.5W 8Ω ..... 10 Hz - 50 kHz  
 Damping Factor  
 1 kHz 8Ω ..... 250 or more  
 Input Sensitivity/Impedance  
 Phono MC ..... 160 μV 220Ω  
 MM ..... 2.5 mV/47 kΩ  
 CD/TUNER/AUX/TAPE/DAT .. 150 mV/47 kΩ  
 MAIN IN ..... 1V/47 kΩ  
 Maximum Input level (1 kHz 0.01% THD)  
 Phono MC ..... 13.5 mV  
 MM ..... 170 mV  
 Output Level/Impedance  
 REC OUT ..... 150 mV 470Ω  
 PRE OUT ..... 1V/1.3kΩ  
 Maximum Voltage Output  
 20 Hz - 20 kHz 0.02% THD ..... 6.5V  
 Headphone Jack Rated Output/Impedance  
 0.015% THD RL=8Ω ..... 1.05V/220Ω  
 Frequency Response  
 CD/TUNER/AUX/TAPE/DAT  
 ..... 20 Hz - 20 kHz, 0±0.5 dB  
 MAIN IN ..... 20 Hz - 20 kHz, 0±0.5 dB  
 RIAA Equalization Deviation 20 Hz - 20 kHz,  
 Phono MC ..... ±0.5 dB  
 MM ..... ±0.3 dB  
 Total Harmonic Distortion 20 Hz - 20 kHz  
 Phono MC to REC OUT, 3V ..... 0.007%  
 MM to REC OUT, 3V ..... 0.003%  
 CD/TUNER/AUX/TAPE/DAT to  
 Pre Out, 1V ..... 0.004%  
 CD/TUNER/AUX/TAPE/DAT to Sp Out,  
 72.5W/8Ω ..... 0.007%  
 MAIN IN to Sp Out, 72.5W/8Ω ..... 0.005%  
 Intermodulation Distortion  
 CD/TUNER/AUX/TAPE/DAT  
 Rated Output/8Ω ..... 0.005%  
 Signal-to-Noise Ratio (IHF-A Network)  
 (Pure Direct Switch: ON)  
 Phono MC (500 μV Input Shorted) ..... 75 dB  
 MM (5 mV Input Shorted) ..... 92 dB  
 CD/AUX/DAT (Shorted) ..... 110 dB  
 TUNER/TAPE (Shorted) ..... 106 dB  
 Residual Noise (IHF-A Network)  
 (Pure Direct Switch: ON) ..... 35 μV  
 Channel Separation Vol - 30 dB  
 Phono MC, MM Input shorted  
 1 kHz/10 kHz ..... 70 dB/55 dB  
 CD/TUNER/AUX/TAPE/DAT  
 Input 5.1 kΩ  
 Terminated 1 kHz/10 kHz ..... 65 dB/50 dB

Tone Control Characteristics  
 Bass  
 Boost / Cut ..... ±10 dB (20 Hz)  
 Turnover frequency ..... 200, 400 Hz  
 Treble  
 Boost / Cut ..... ±10 dB (20 kHz)  
 Turnover frequency ..... 2.5, 5 kHz  
 Filter Characteristics (Subsonic)  
 ..... 15 Hz, -18 dB/oct  
 Continuous Loudness Control (Level Related  
 Equalization)  
 Attenuation ..... -40dB (1 kHz)  
 Audio Muting ..... -20 dB  
 Gain Tracking Error (0 - -60 dB) ..... 2 dB  
 Power Supply  
 U.S.A. and Canadian models  
 ..... AC 120V/60 Hz  
 British and Australian models  
 ..... AC 240V/50 Hz  
 European model ..... AC 230V/50 Hz  
 General model  
 ..... AC 110/120/220/240V, 60/50 Hz  
 Power Consumption  
 British, Australian,  
 European and General models ..... 370W  
 AC Outlets  
 AC Outlets Switched (3)  
 (General Model) ..... 200W max.  
 Dimensions (W x H x D)  
 ..... 435 x 171 x 448 mm  
 (17-1/8" x 6-3/4" x 17-5/8")  
 Weight ..... 18.3 kg  
 (40 lbs. 4 oz.)  
 Accessories ..... Remote-control transmitter  
 Batteries

\* Specifications are subject to change without notice.

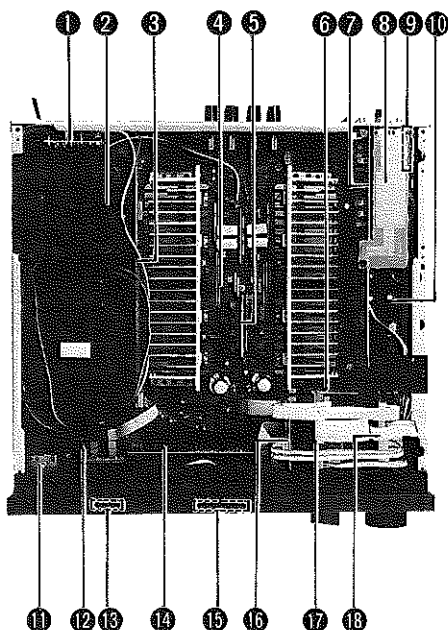
- A ..... Australian model
- H ..... North European model
- B ..... British model
- R ..... General model
- W ..... German model

## DIMENSIONS



Unit : mm (inch)

## INTERNAL VIEW



- ① Main circuit board (6) : General model only
- ② Main circuit board (2)
- ③ Main circuit board (3)
- ④ Main circuit board (1)
- ⑤ Main circuit board (5)
- ⑥ Tone control circuit board (3)
- ⑦ Function circuit board (1)
- ⑧ Function circuit board (2)
- ⑨ Function circuit board (4)
- ⑩ Function circuit board (3)
- ⑪ Main circuit board (8)
- ⑫ Tone control circuit board (5)
- ⑬ Function circuit board (6)
- ⑭ Tone control circuit board (1)
- ⑮ Function circuit board (5)
- ⑯ Main circuit board (4)
- ⑰ Tone control circuit board (2)
- ⑱ Tone control circuit board (4)

## DISASSEMBLY PROCEDURES

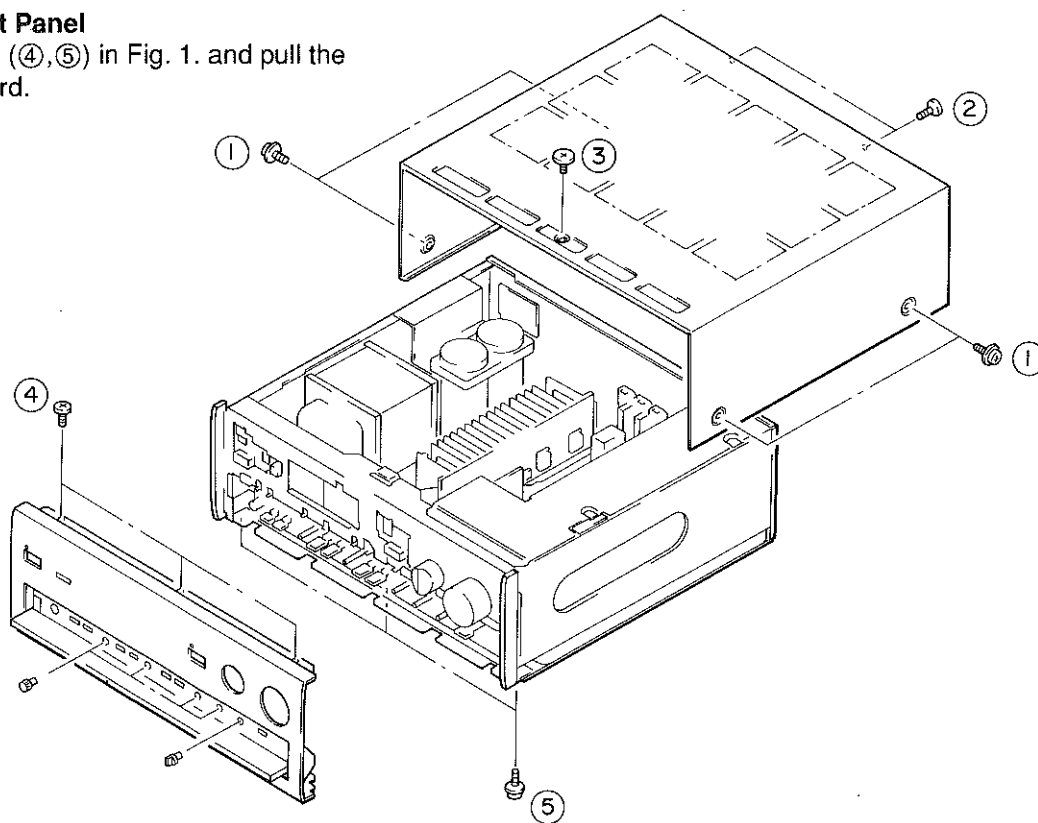
(Remove parts in disassembly order as numbered)

### 1. Removal of Top Cover

Remove 7 screws (①, ②, ③) in Fig. 1, and slide the Top Cover back.

### 2. Removal of Front Panel

Remove 6 screws (④, ⑤) in Fig. 1, and pull the Front Panel forward.



## ADJUSTMENTS

### 1. Before Adjustment

- Make sure that AC line voltage is within:

Model	AC line voltage
W, H	230 V ± 10%
A, B	240 V ± 10%

### 2. Instruments required

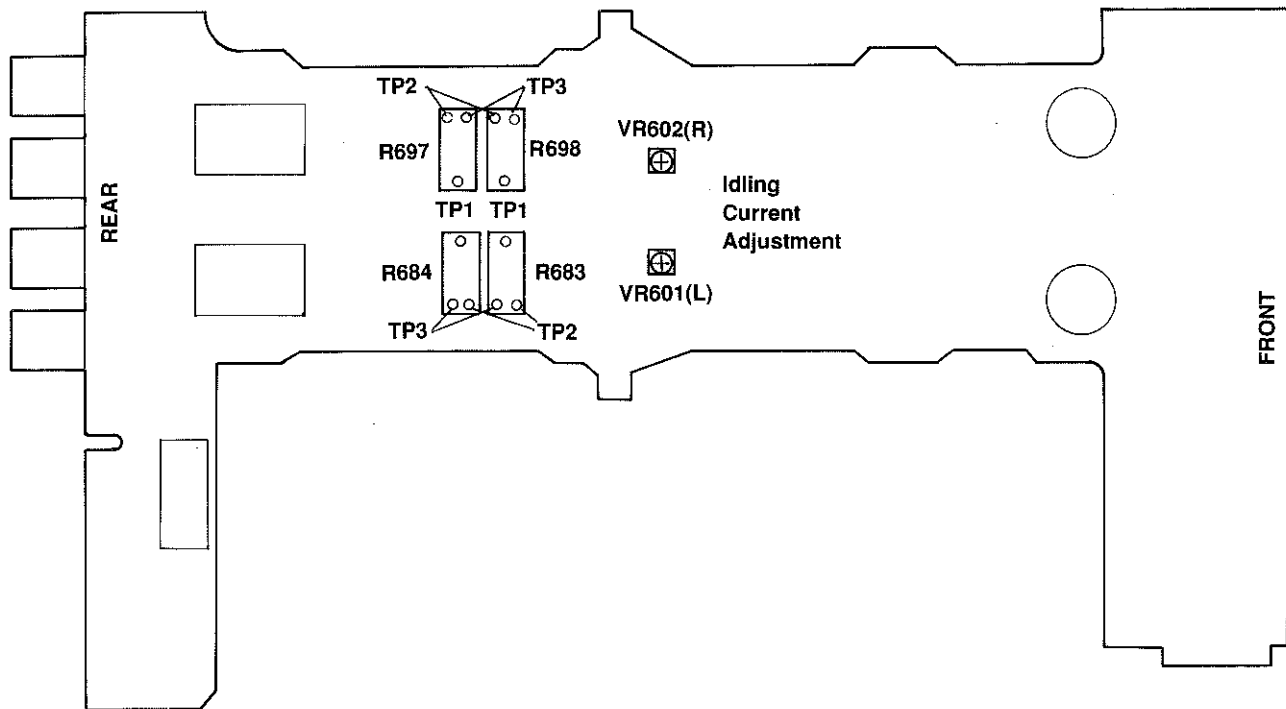
- DCVM

### ● IDLING CURRENT ADJUSTMENT

- When replacing the power and drive transistors, adjust idling current.
- After the power has been turned on, age about 10 minutes in non loaded condition.
- Adjust VR601 (Lch) and VR602 (Rch) so that the voltage across the terminals of R135 and R136 comes to 10mV±4mV DC.

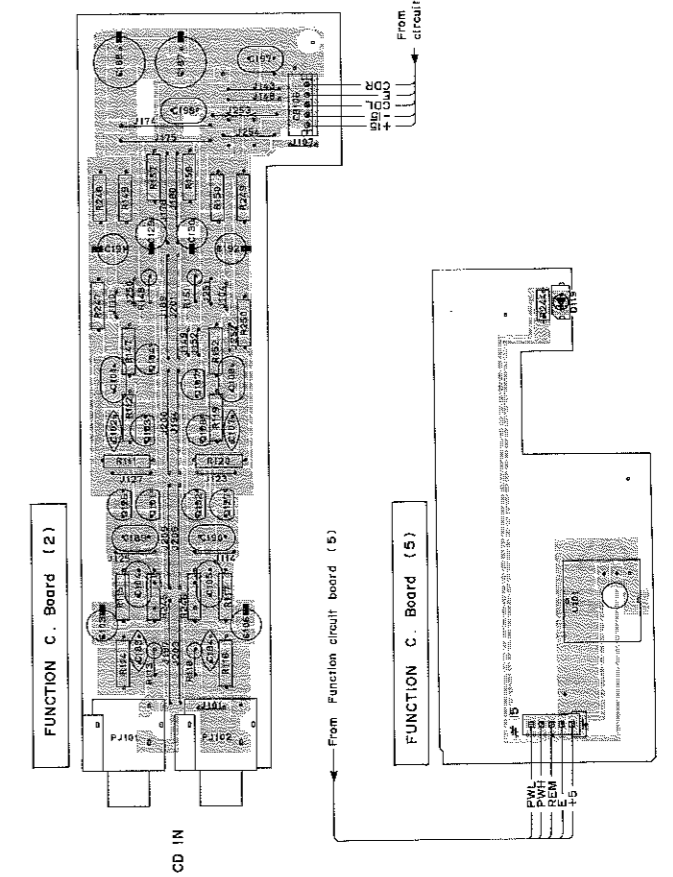
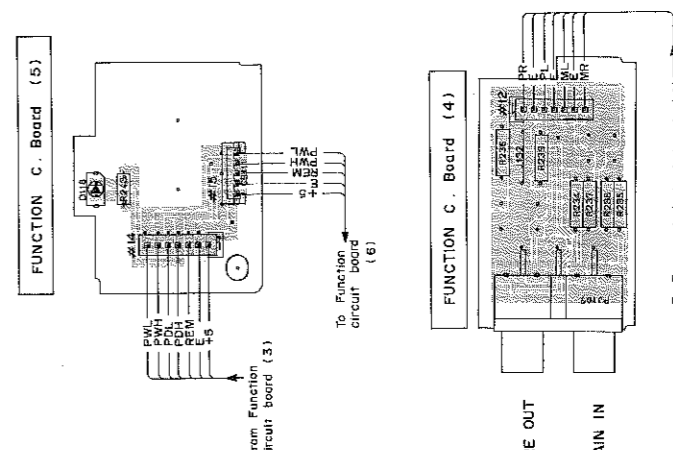
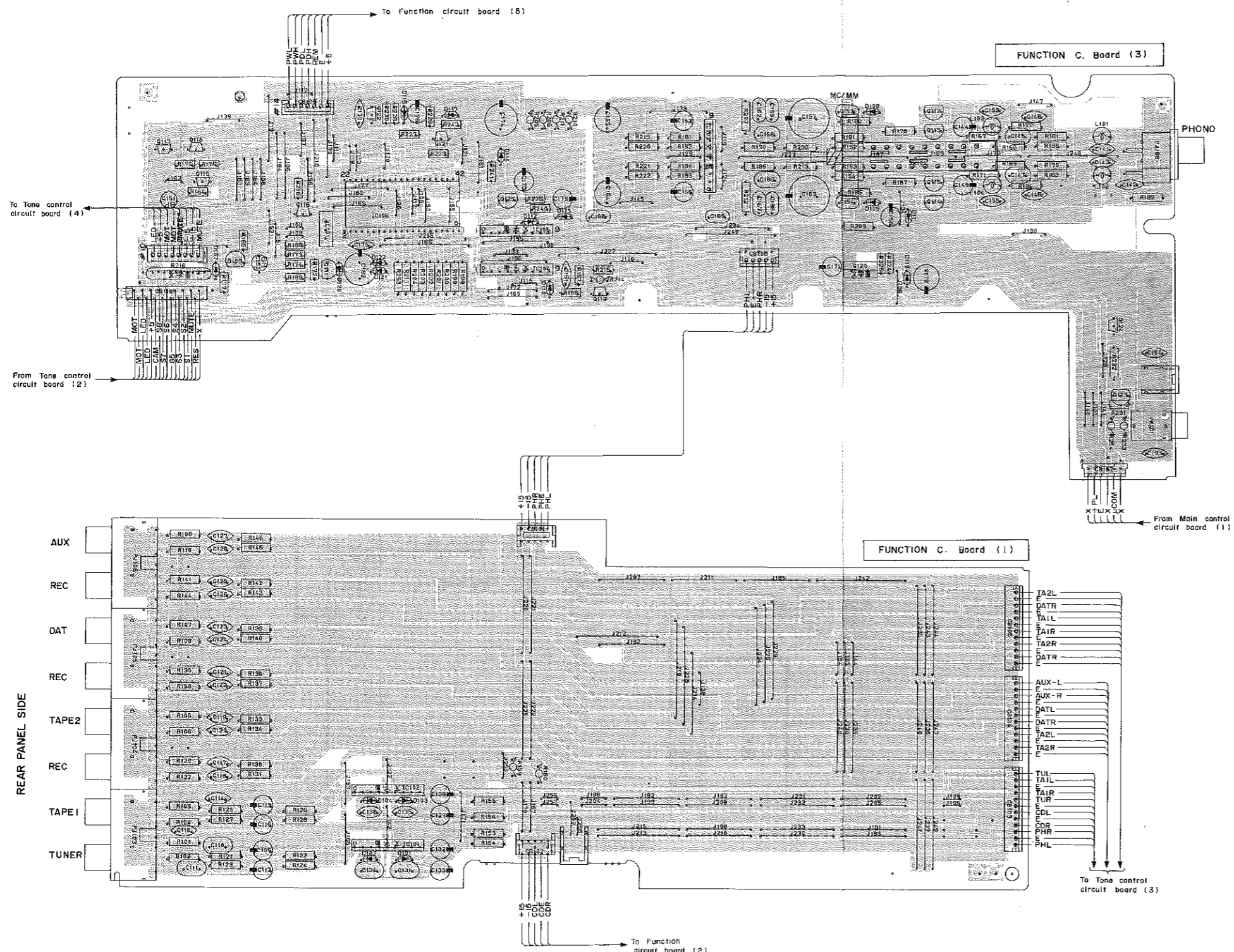
	Test Points	Adjustment Points	Rating
Lch	Across the terminals of R683 or R684 (TP1 ↔ TP2 or TP1 ↔ TP3)	VR601	10 mV±4 mV DC
Rch	Across the terminals of R697 or R698 (TP1 ↔ TP2 or TP1 ↔ TP3)	VR602	10 mV±4 mV DC

### ● TEST POINT





AX-1050  
**PRINTED CIRCUIT BOARD (Function)**



● Semiconductors  
**Location**

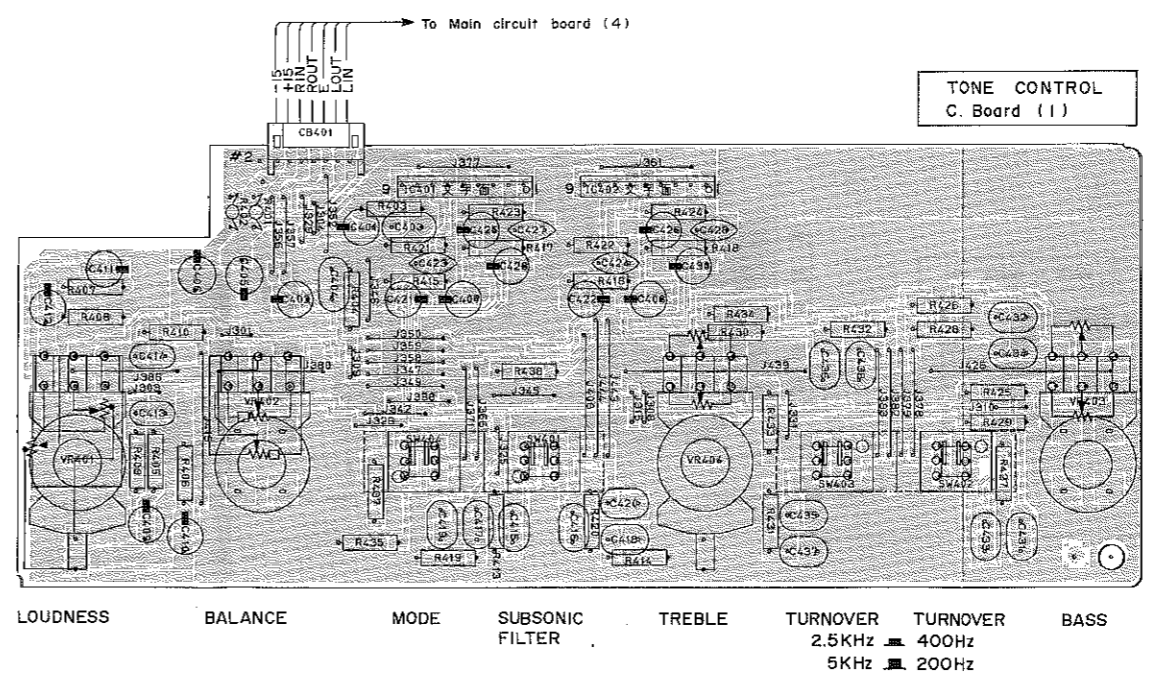
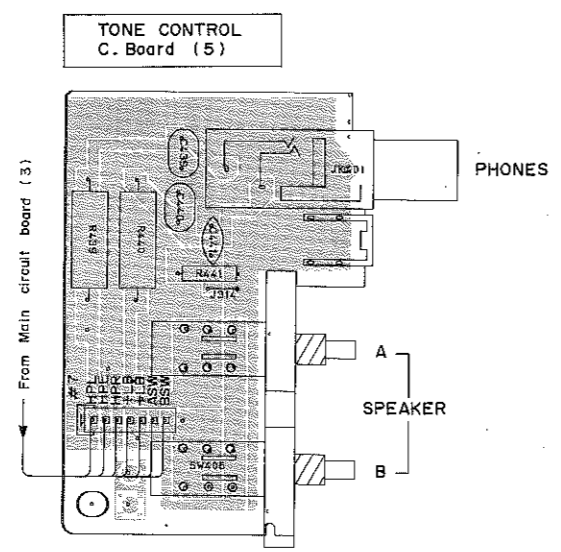
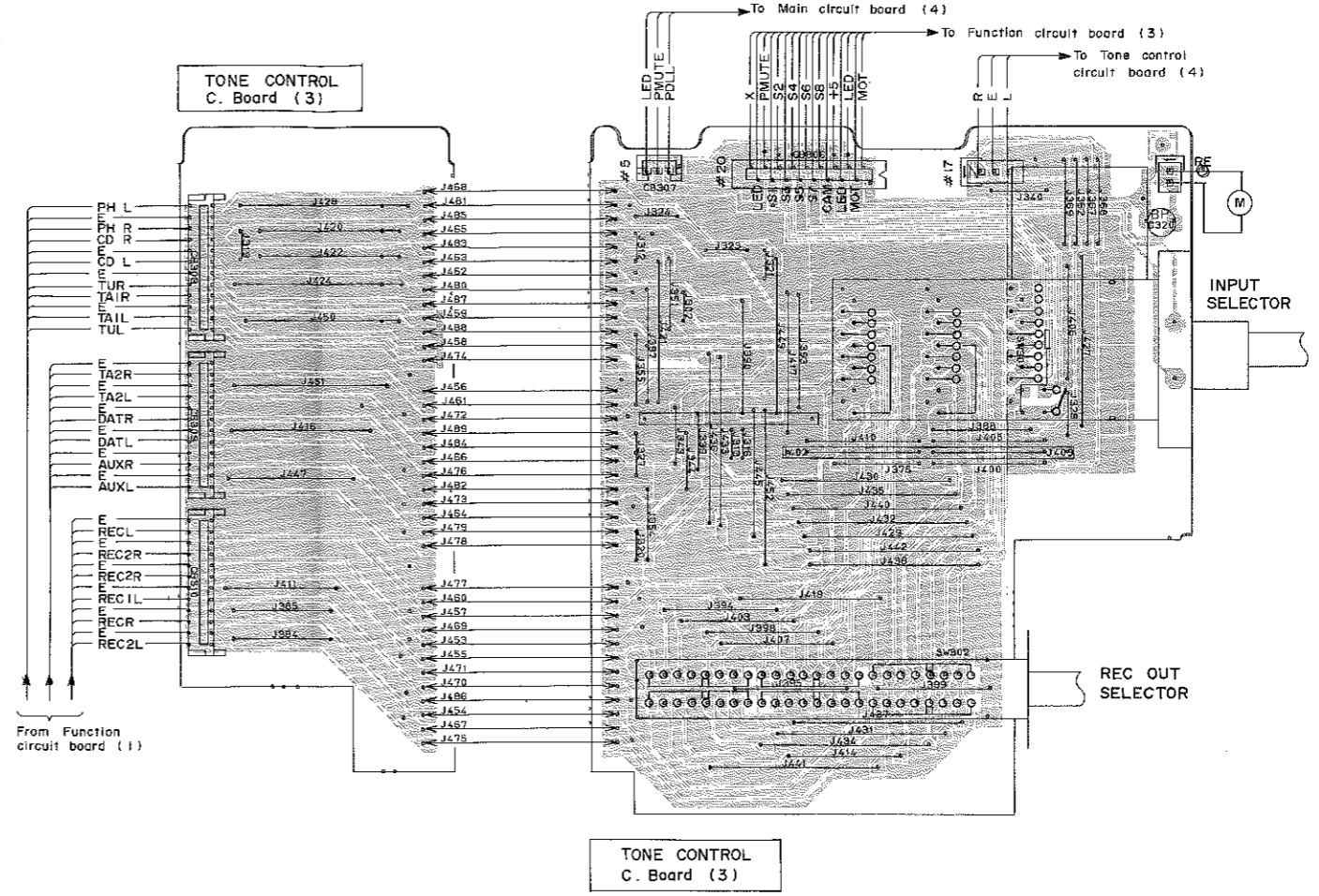
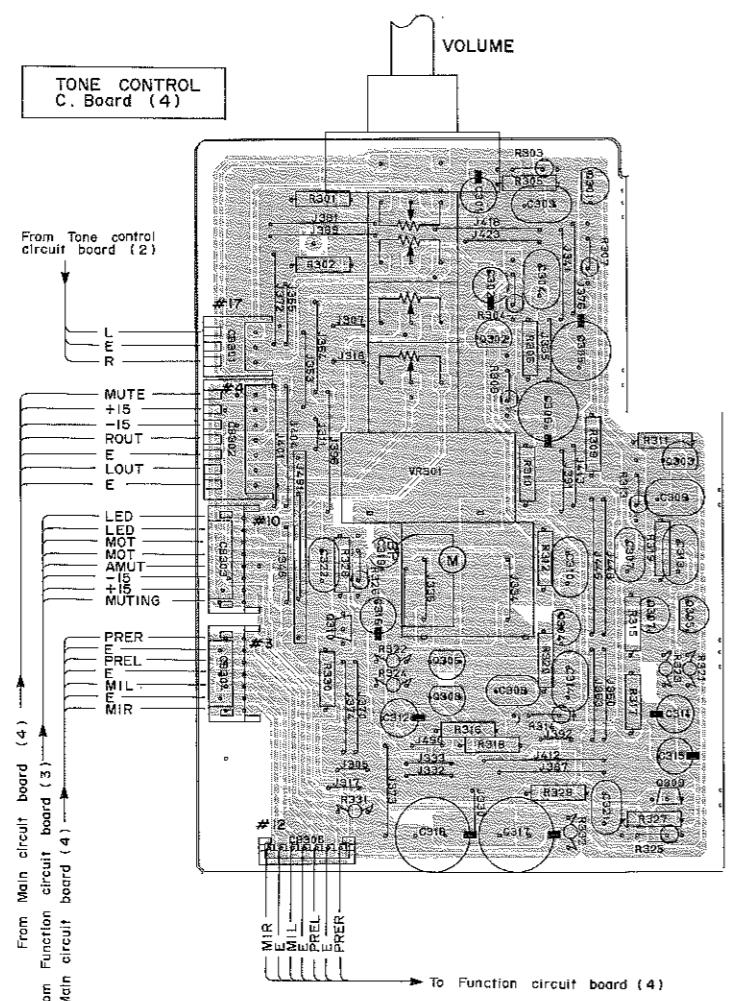
Ref. No	Location
D 101	C 5
D 102	C 5
D 103	C 5
D 104	C 5
D 107	B 2
D 108	E 1
D 109	E 2
D 110	D 2
D 111	F 2
D 112	D 2
D 113	F 2
D 114	C 2
D 115	D 2
D 116	C 2
D 117	C 2
D 118	H 2
D 119	I 4
D 120	C 2
D 121	C 2
D 122	C 2
IC 101	C 5
IC 102	C 5
IC 103	D 2
IC 104	D 2
IC 105	D 2
IC 106	C 2
Q 101	H 5
Q 102	H 5
Q 103	H 5
Q 104	H 5
Q 107	H 5
Q 108	H 5
Q 109	B 2
Q 110	B 2
Q 111	B 2
Q 112	F 1
Q 113	F 2
Q 114	F 2
Q 115	F 2
Q 116	B 2
Q 117	B 2
Q 118	B 2
Q 119	D 2
Q 120	E 2
Q 121	C 2
Q 122	C 2
Q 123	G 3
Q 124	G 3
Q 125	C 2
Q 126	H 5
Q 127	H 5
H 1	
H 2	
H 3	
H 4	
H 5	
H 6	



PRINTED CIRCUIT BOARD (Tone control)

● Semiconductors Location

Ref. No	Location
IC 401	E 5
IC 402	F 5
Q 301	C 2
Q 302	B 2
Q 303	C 2
Q 304	C 3
Q 305	C 3
Q 306	B 3
Q 307	C 3
Q 308	B 3
Q 309	C 4
Q 310	B 3



1

2

3

4

5

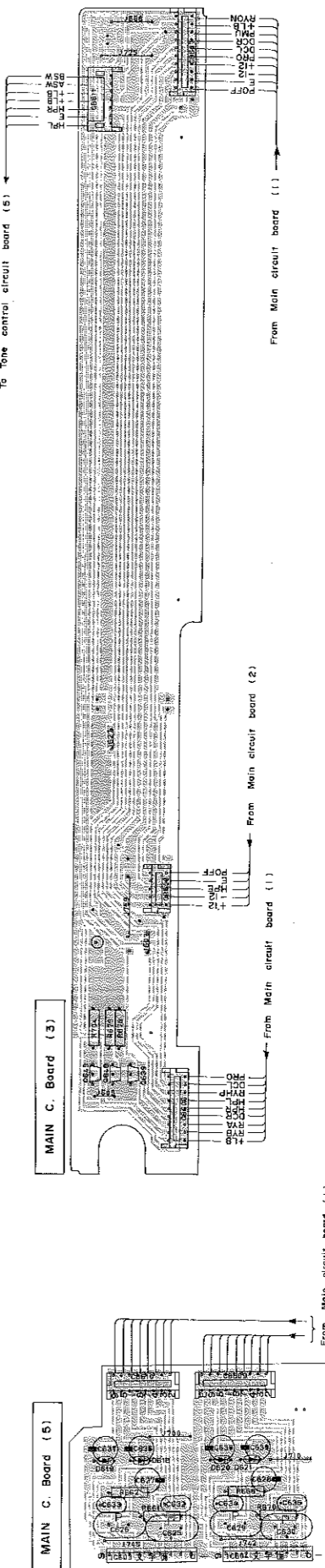
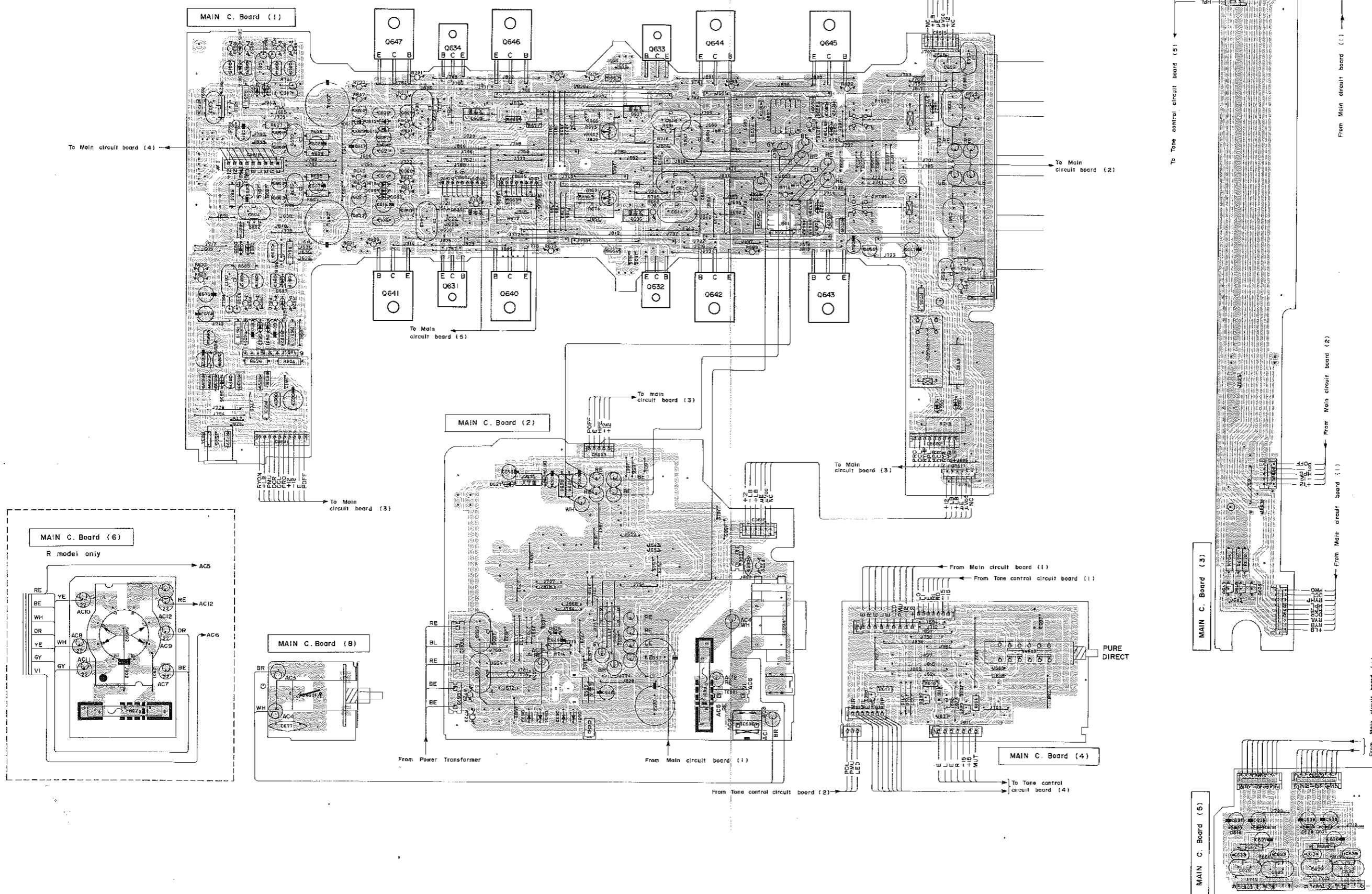
6

7

AX-1050  
**PRINTED CIRCUIT BOARD**

● Semiconductors  
 Location

Ref. No	Location
D 601	B 3
D 602	B 3
D 603	B 3
D 604	B 2
D 605	B 3
D 606	B 3
D 607	B 3
D 608	C 2
D 609	C 2
D 610	C 2
D 611	C 2
D 612	C 2
D 613	C 2
D 614	B 1
D 615	B 1
D 617	D 4
D 618	H 6
D 619	H 6
D 620	I 6
D 621	I 6
D 622	G 4
D 623	G 2
D 624	G 4
D 625	D 5
D 627	D 4
D 628	D 5
D 629	F 2
D 630	F 2
D 631	D 6
D 632	D 6
D 633	D 6
D 634	D 6
D 635	B 3
D 636	B 2
IC 601	B 3
IC 603	H 7
IC 604	I 7
Q 601	G 6
Q 602	B 2
Q 603	B 2
Q 604	B 2
Q 605	G 6
Q 606	G 6
Q 607	F 6
Q 608	B 2
Q 609	B 2
Q 610	B 2
Q 611	B 3
Q 612	B 3
Q 613	B 3
Q 614	B 1
Q 615	B 1
Q 616	B 1
Q 617	B 3
Q 618	C 2
Q 619	B 3
Q 620	C 2
Q 621	C 2
Q 622	C 2
Q 623	C 2
Q 624	C 2
Q 625	C 2
Q 626	B 1
Q 627	C 2
Q 628	B 3
Q 629	B 4
Q 630	D 4
Q 631	C 3
Q 632	E 3
Q 633	E 1
Q 634	D 1
Q 635	D 2
Q 636	E 2
Q 637	E 2
Q 638	D 2
Q 639	H 5
Q 640	D 3
Q 641	C 3
Q 642	E 3
Q 643	F 3
Q 644	E 1
Q 645	F 1
Q 646	D 1
Q 647	C 1
Q 648	H 5
Q 649	H 5
Q 650	F 3
Q 651	F 2
Q 652	F 2
Q 653	D 5
Q 654	B 3
VR601	E 2
VR602	E 2



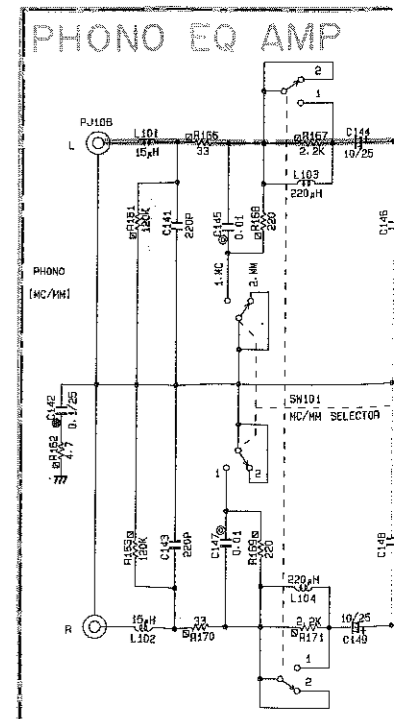
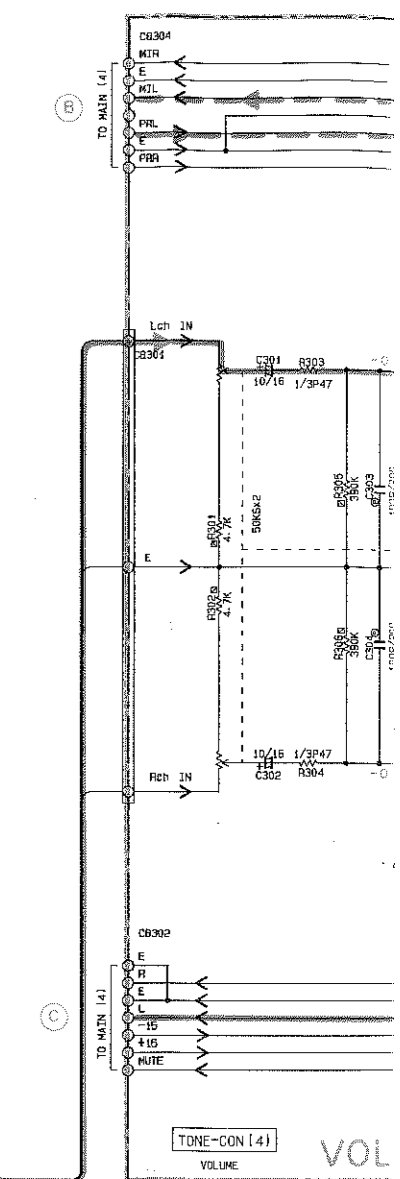
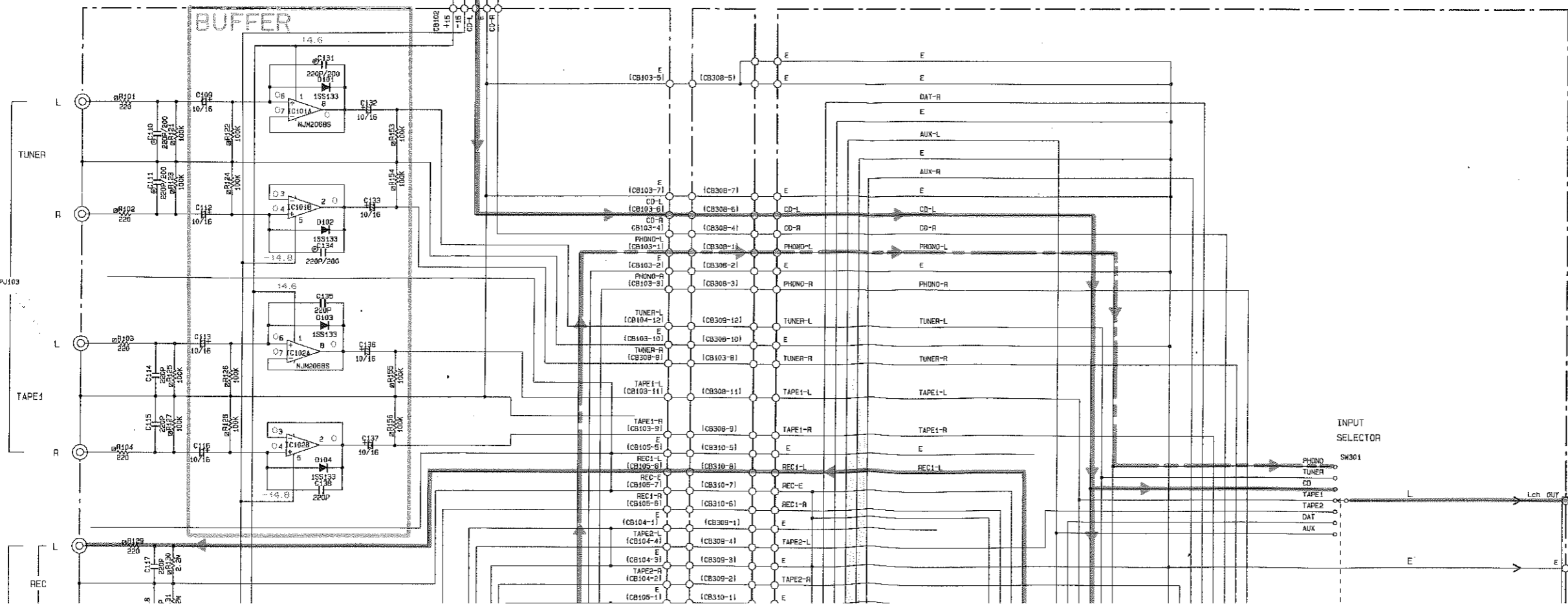
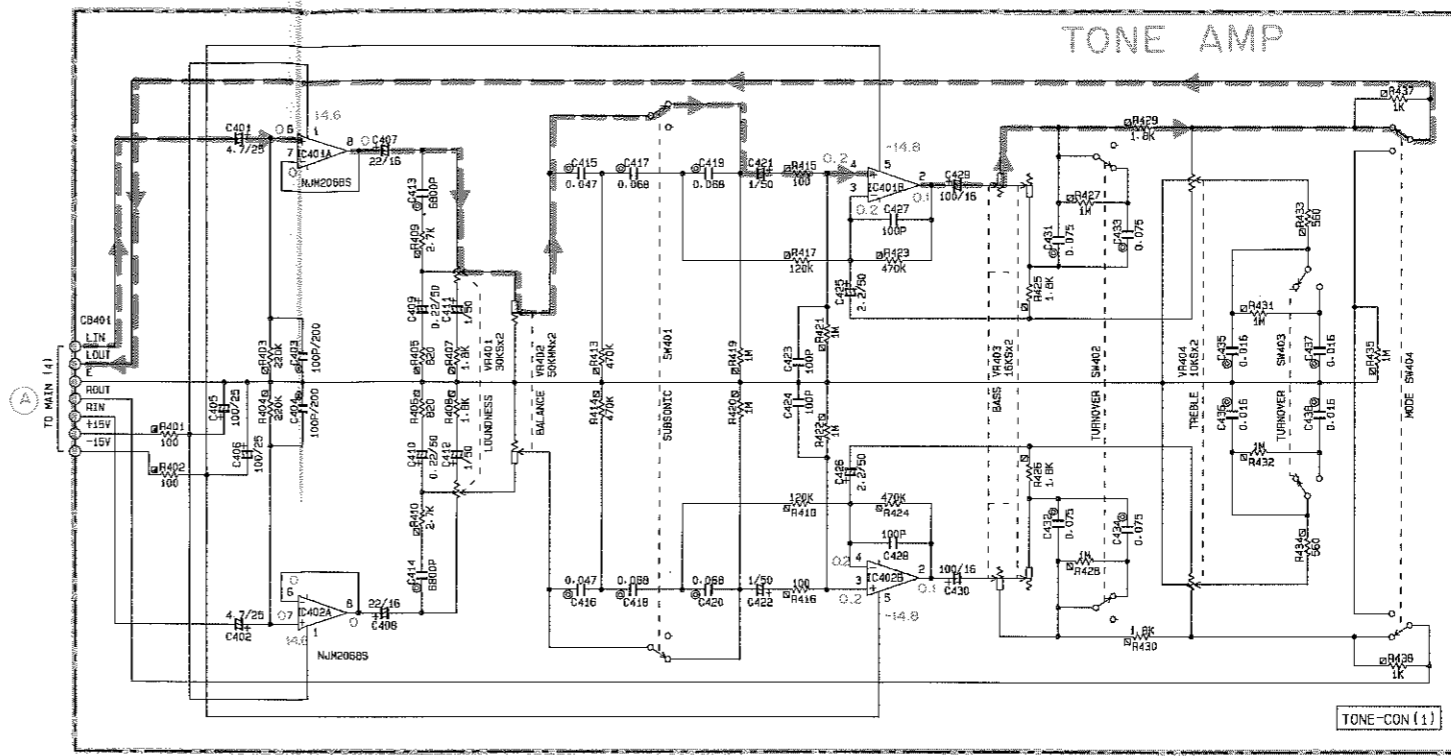
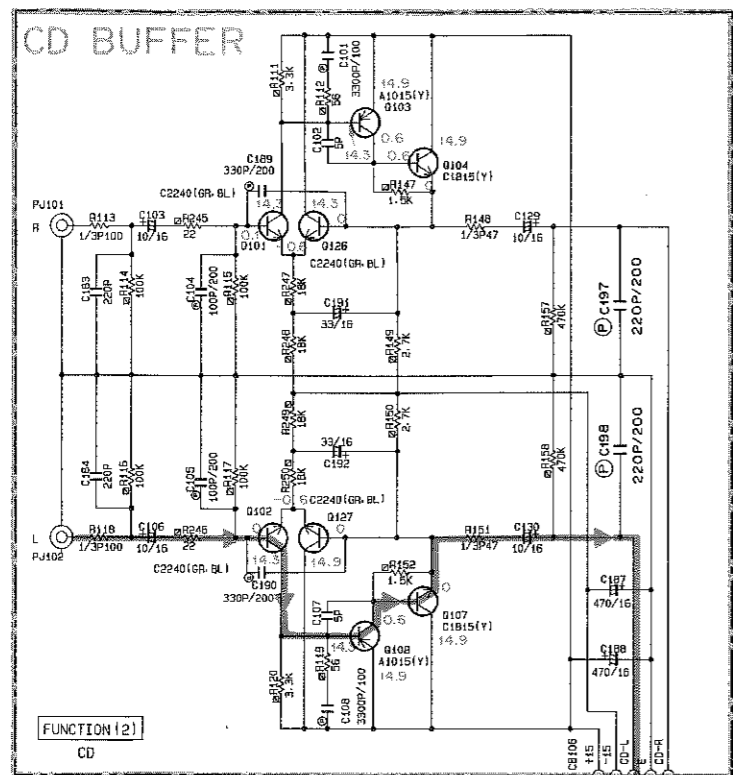
1  
2  
3  
4  
5  
6  
7

AX-1050  
SCHEMATIC DIAGRAM

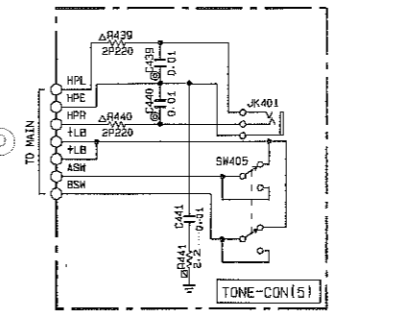
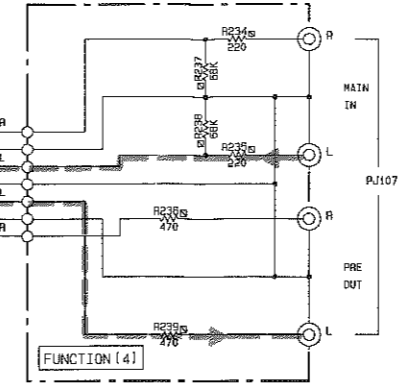
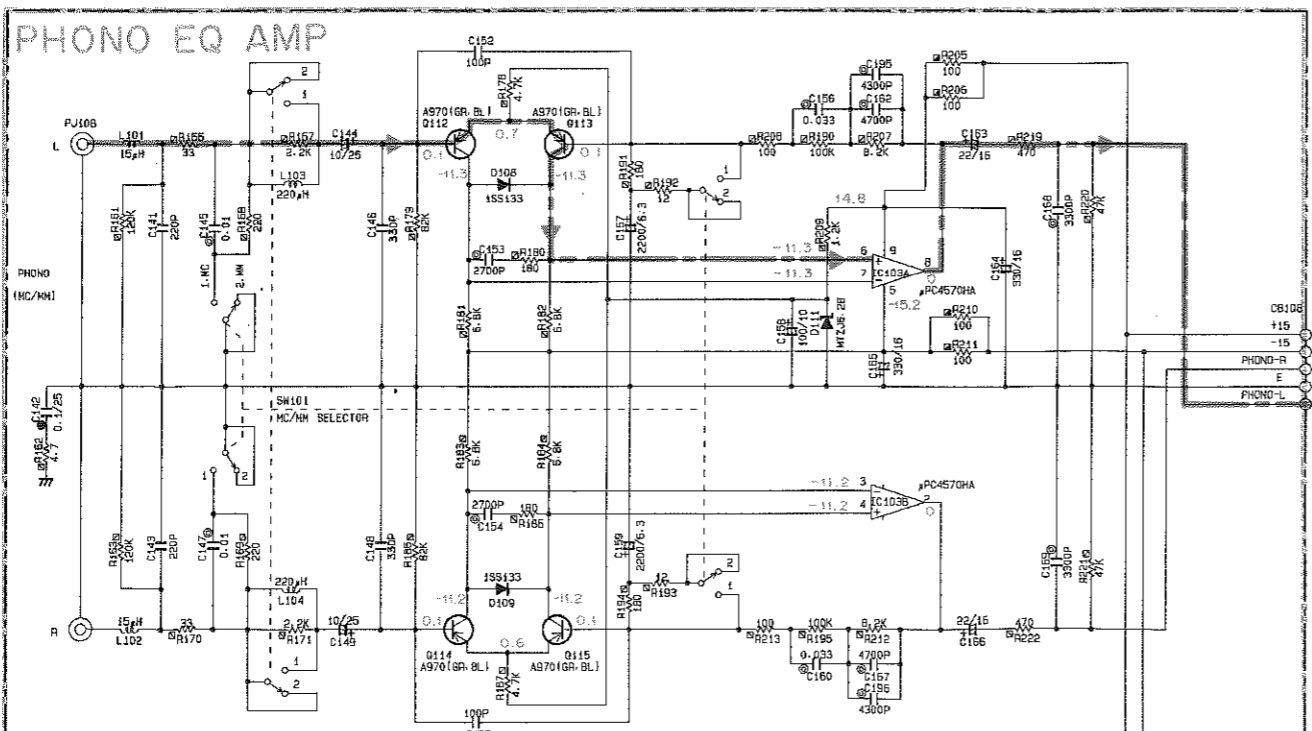
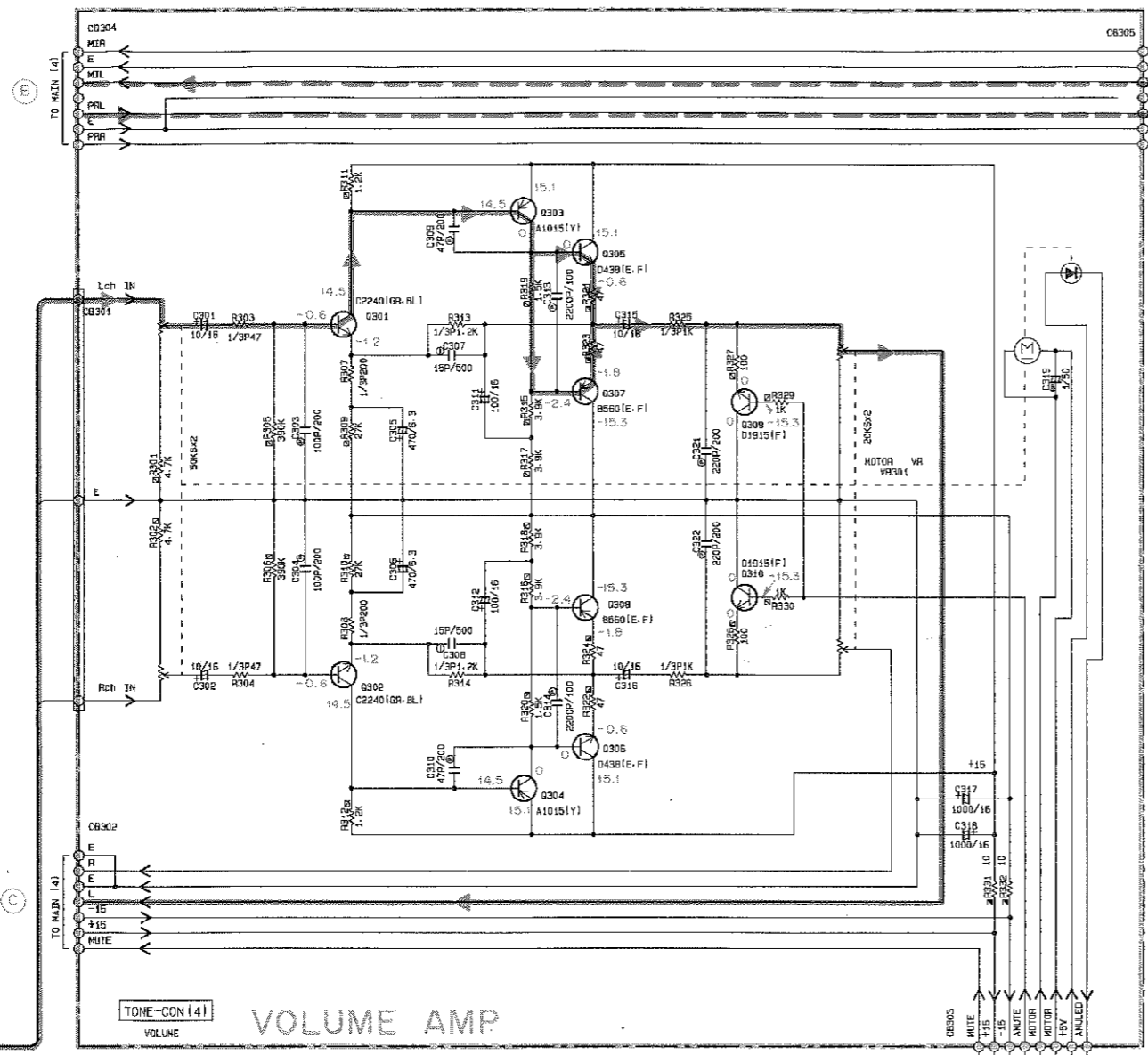
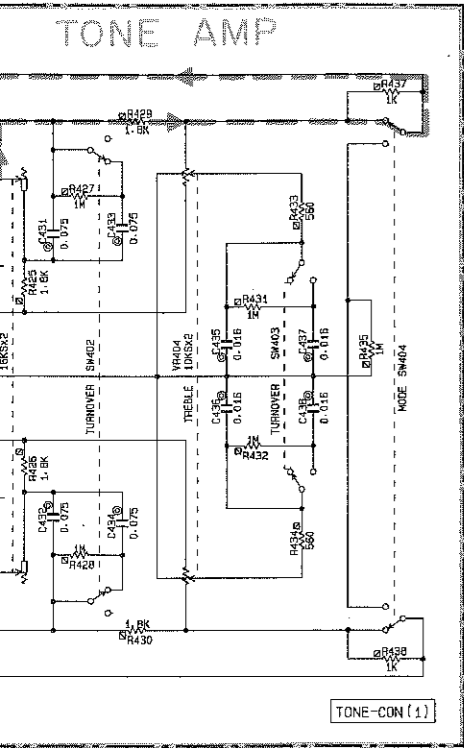
REMARKS	PARTS NAME	SYMBOL
NO MARK	ELECTROLYTIC CAPACITOR	⊘
NO MARK	TANTALUM CAPACITOR	⊕
NO MARK	CERAMIC CAPACITOR	⊖
⊙	AXIAL LEAD CERAMIC CAPACITOR	⊙
⊚	POLYESTER FILM CAPACITOR	⊚
⊛	POLYSTYRENE FILM CAPACITOR	⊛
⊜	MICA CAPACITOR	⊜
⊝	POLYPROPYLENE FILM CAPACITOR	⊝
⊞	SEMICONDUCTIVE CERAMIC CAPACITOR	⊞

REMARKS	PARTS NAME	SYMBOL
NO MARK	CARBON FILM RESISTOR (1/6W)	□
NO MARK	CARBON FILM RESISTOR (1/4W)	▢
△	METAL OXIDE FILM RESISTOR	△
⊠	METAL PLATE RESISTOR	⊠
⊡	FIRE PROOF CARBON FILM RESISTOR	⊡
⊢	CEMENT MOLDED RESISTOR	⊢
⊣	SEMI VARIABLE RESISTOR	⊣
⊤	CHIP RESISTOR	⊤

NOTICE  
(J)..... Japanese model  
(U)..... U.S.A model  
(C)..... Canadian model  
(A)..... Australian model  
(G)..... European model  
(B)..... British model  
(R)..... General model  
(P)..... PP model



CE  
 Japanese model  
 U.S.A model  
 Canadian model  
 Australian model  
 European model  
 British model  
 General model  
 FP model



Interchangeable Parts at Manufacture-Stage

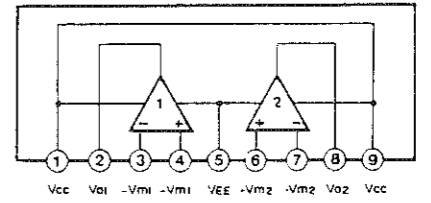
Mark	Reference Parts Number	Parts Name
#1	0119-121	2SA1151(E.F)
		2SA1309A(G.R.S)
		2SA933(G.R)
#2	0122	2SC1740S(G.R)
		2SC603(E.F)
		2SC3311A(G.R.S)

**IC106: LC6520H**  
 (4-bit μCOM)

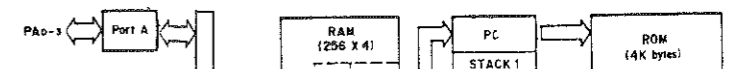
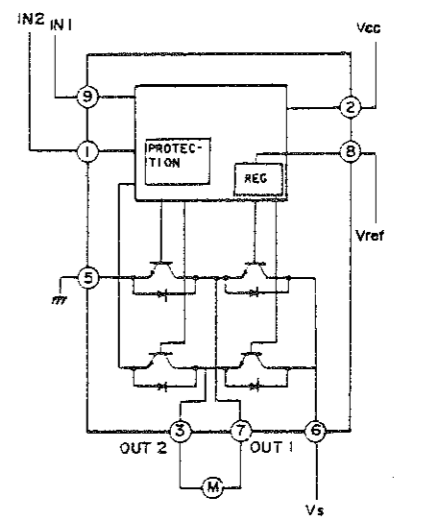
PIN No.	PIN NAME	I/O	FUNCTION	PIN No.	PIN NAME	I/O	FUNCTION
1	PA2	I/O	Not used	22	OSC2	—	
2	PA3	I/O	Not used (H)	23	RESET	I	Reset input
3	PB0	—	S1 : Selector position data	24	PF0	I/O	Not used
4	PB1	—	S2	25	PF1	I/O	Not used
5	PB2	—	S3	26	PF2	I/O	Not used
6	PB3	—	S4	27	PF3	I/O	Remote control Data input
7	PC0	I/O	S5	28	PG0	I/O	Not used
8	PC1	I/O	S6	29	PG1	I/O	Not used (GND)
9	PC2	I/O	S7	30	PG2	I/O	Not used
10	PC3	I/O	S8	31	PG3	I/O	Not used
11	PD0	I/O	CAM :Cam position data	32	PI0	I/O	Volume control signal 2
12	PD1	I/O	Not used (L : 6ch set)	33	PI1	I/O	Volume control signal 1
13	PD2	I/O	Not used (GND)	34	PI2	I/O	Selector control signal 2
14	PD3	I/O	PLAY/CUT(Player control)	35	PI3	I/O	Selector control signal 1
15	PE0	I/O	Not used	36	PJ0	I/O	Not used (GND)
16	PE1	I/O	Not used	37	PJ1	I/O	Audio muting LED control
17	PE2	I/O	Not used	38	PJ2	I/O	Audio muting control signal
18	PE3	I/O	Not used ( GND)	39	PJ3	I/O	Muting control signal
19	TEST	—	GND	40	VDD	—	+5V
20	VSS	—	GND	41	PA0	I/O	Not used
21	OSC1	—		42	PA1	I/O	Not used

**IC BLOCK**

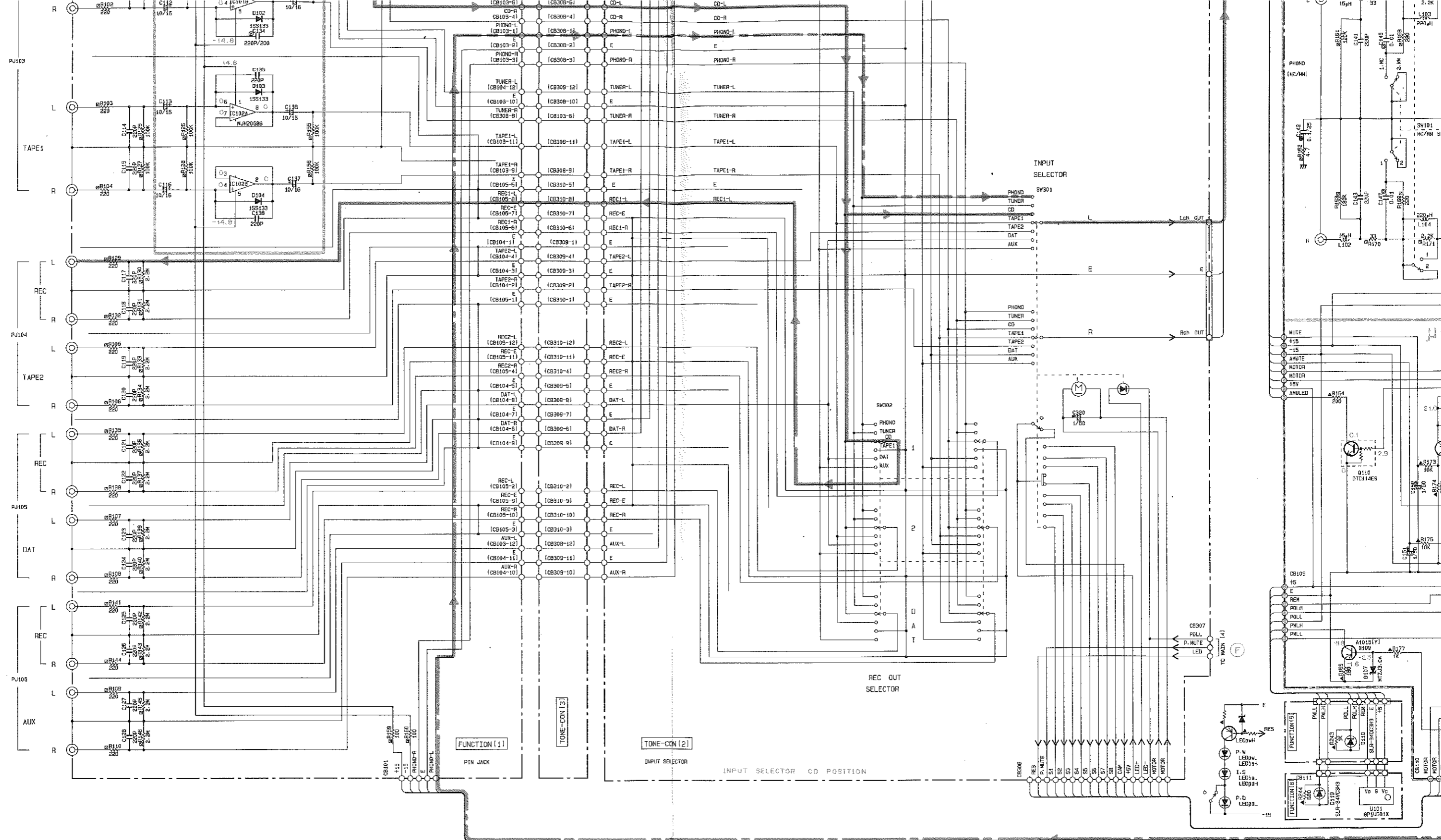
IC101, 102, 401, 402: NJM2068S  
 IC103: μPC4570HA  
 (Dual Op-amp.)



IC104, 105: TA7291S  
 (Full Bridge Motor Driver)

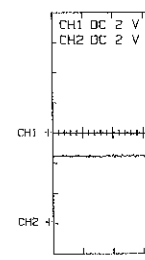
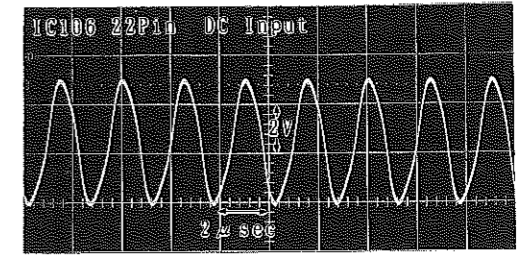


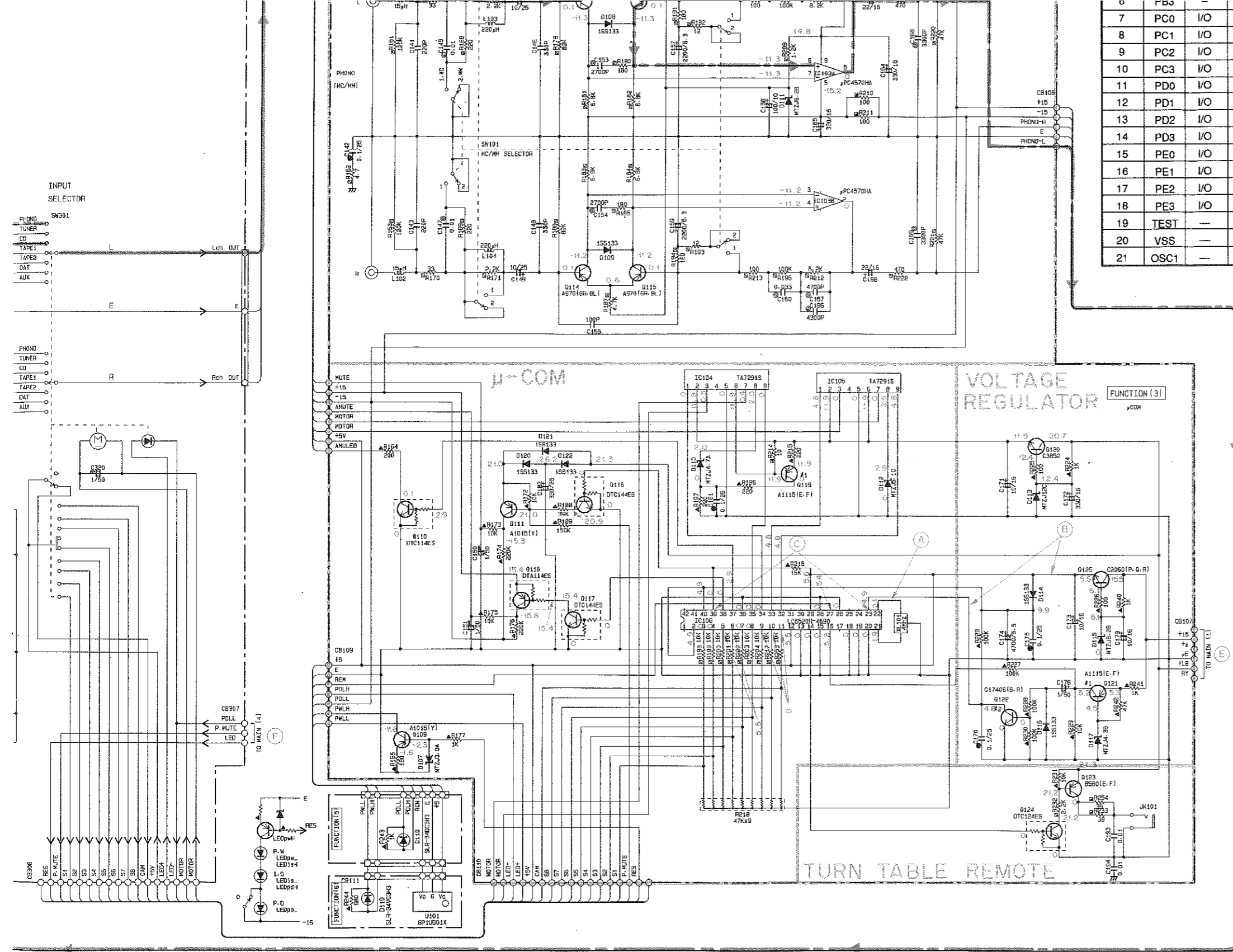
5  
6  
7  
8  
9



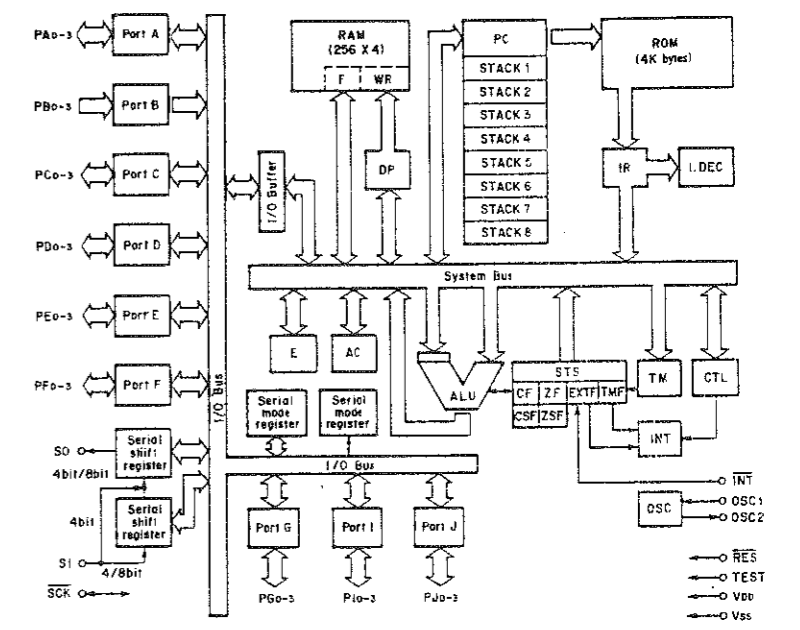
10

<p>DTC124ES 2SA1115 DTA114 2SC1740S DTA144 2SD1915 DTC144 DTC114</p>	<p>2SD438 2SC2240 2SA970 2SC2705 2SA1015 2SB560 2SA1145 2SC2060 2SC1815</p>	<p>2SC3852</p>	<p>All Diodes</p>	<p>NJM4558S NJM2068S TA7291 μPC4570HA</p>	<p>LC6520H</p>
--	---	----------------	-------------------	---	----------------



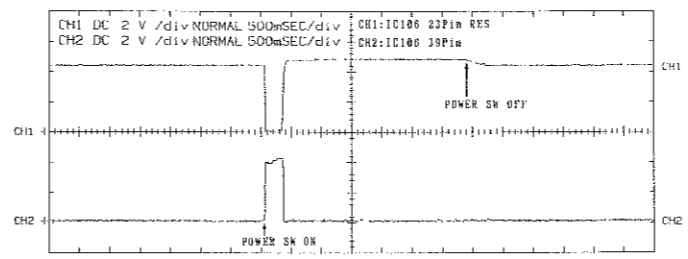
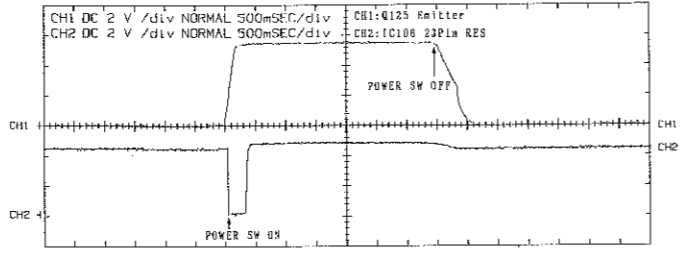
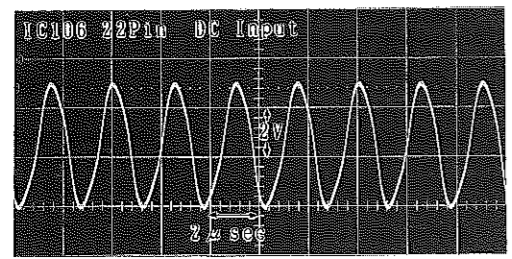
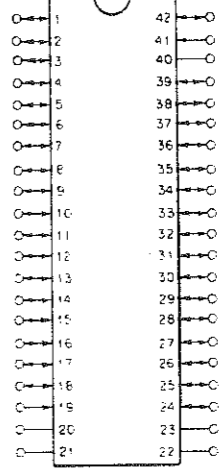


6	FB3	I/O	S4	Remote control Data input
7	PC0	I/O	S5	Not used
8	PC1	I/O	S6	Not used (GND)
9	PC2	I/O	S7	Not used
10	PC3	I/O	S8	Not used
11	PD0	I/O	CAM	Cam position data
12	PD1	I/O	Not used (L : 6ch set)	Volume control signal 2
13	PD2	I/O	Not used (GND)	Volume control signal 1
14	PD3	I/O	PLAY/CUT (Player control)	Selector control signal 2
15	PE0	I/O	Not used	Selector control signal 1
16	PE1	I/O	Not used	Not used (GND)
17	PE2	I/O	Not used	Audio muting LED control
18	PE3	I/O	Not used (GND)	Audio muting control signal
19	TEST	—	GND	Muting control signal
20	VSS	—	GND	+5V
21	OSC1	—	GND	Not used
28	PG0	I/O	Not used	
29	PG1	I/O	Not used (GND)	
30	PG2	I/O	Not used	
31	PG3	I/O	Not used	
32	PI0	I/O	Volume control signal 2	
33	PI1	I/O	Volume control signal 1	
34	PI2	I/O	Selector control signal 2	
35	PI3	I/O	Selector control signal 1	
36	PJ0	I/O	Not used (GND)	
37	PJ1	I/O	Audio muting LED control	
38	PJ2	I/O	Audio muting control signal	
39	PJ3	I/O	Muting control signal	
40	VDD	—	+5V	
41	PA0	I/O	Not used	
42	PA1	I/O	Not used	



FUNCTION	LAST NO.
C	196
R	254
D	127
D	122
IC	106

TONE-CON	LAST NO.
C	322
R	332
D	310
IC	462



\* All voltage are measured with a 10MΩ/DC electric volt meter.  
 \* Components having special characteristics are marked  $\Delta$  and must be replaced with parts having specifications equal to those originally installed.  
 \* Schematic diagram is subject to change without notice.

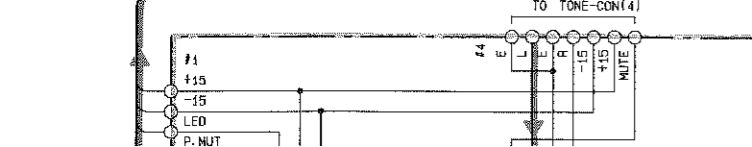
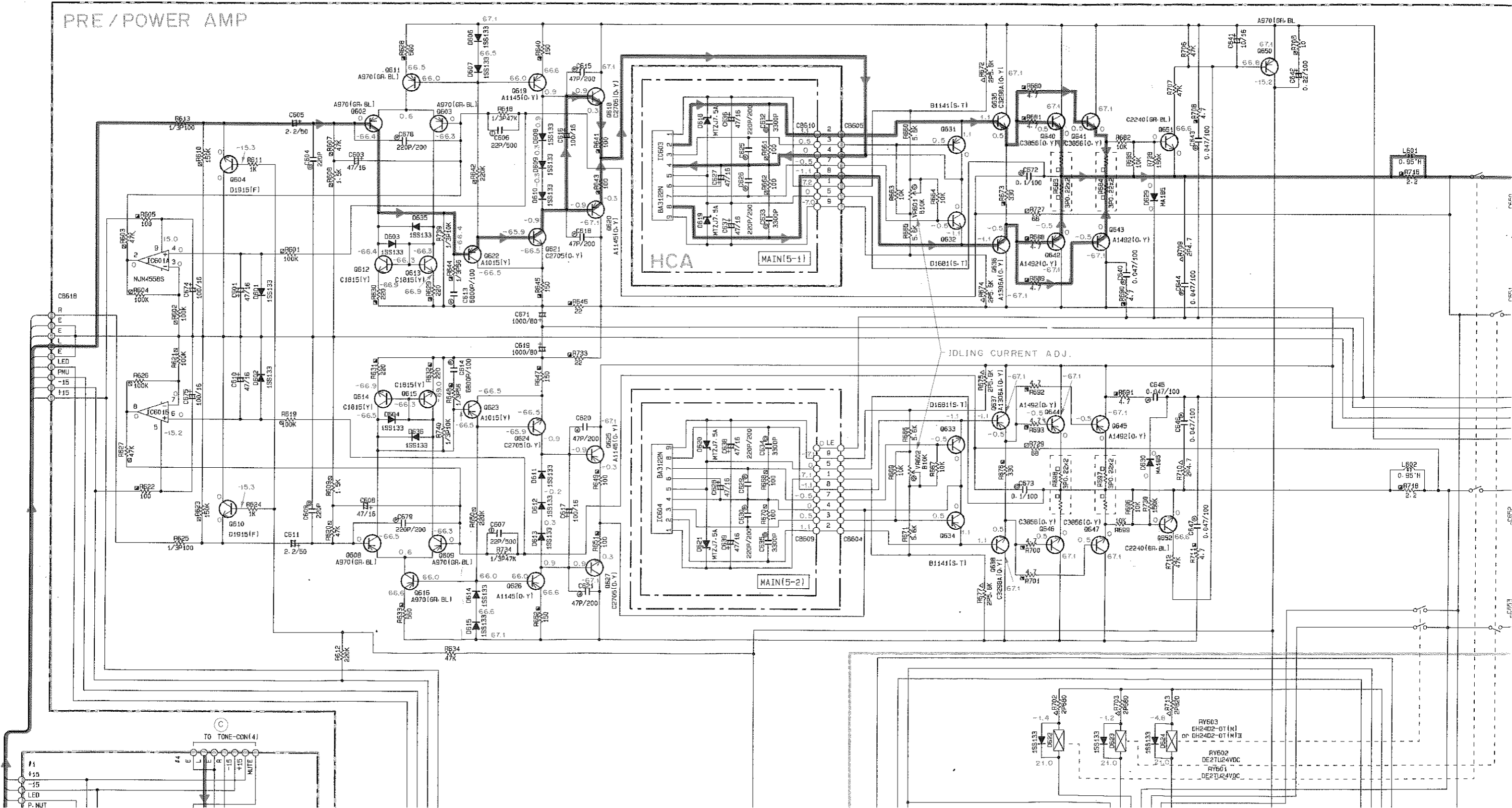
AX-1050  
**SCHEMATIC DIAGRAM**

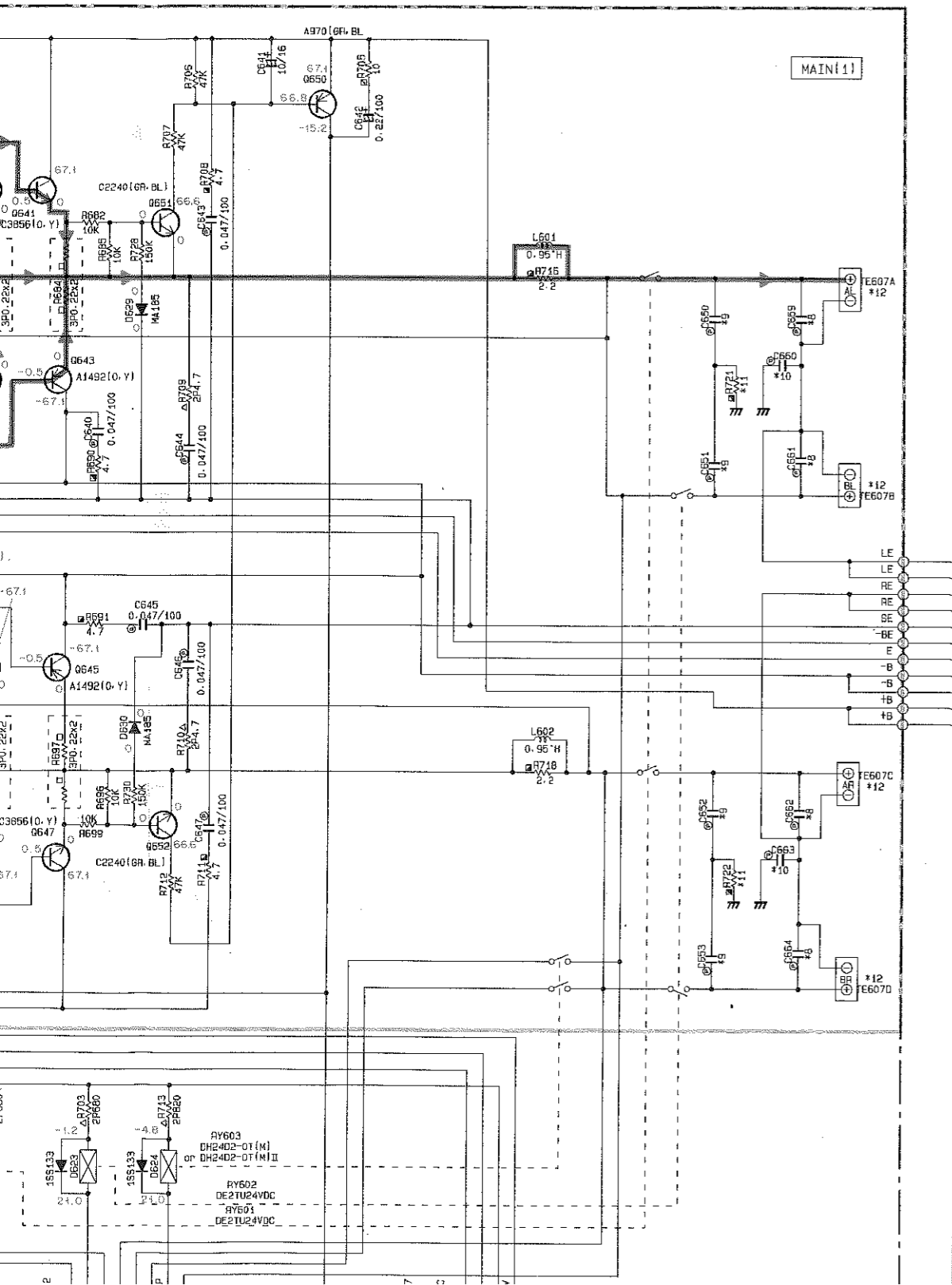
CAPACITOR		
REMARKS	PARTS NAME	
NO MARK	ELECTROLYTIC CAPACITOR	ZZ
⊗	TANTALUM CAPACITOR	
NO MARK	CERAMIC CAPACITOR	
⊙	AXIAL LEAD CERAMIC CAPACITOR	
○	POLYESTER FILM CAPACITOR	
○	POLYSTYRENE FILM CAPACITOR	11
⊖	MICA CAPACITOR	
⊕	POLYPROPYLENE FILM CAPACITOR	
⊗	SEMICONDUCTIVE CERAMIC CAPACITOR	

RESISTOR		
REMARKS	PARTS NAME	
NO MARK	CARBON FILM RESISTOR (1/5W)	
⊠	CARBON FILM RESISTOR (1/4W)	
⊡	METAL OXIDE FILM RESISTOR	
⊓	METAL FILM RESISTOR	
⊔	METAL PLATE RESISTOR	
⊕	FIRE PROOF CARBON FILM RESISTOR	
⊖	CEMENT MOLDED RESISTOR	
⊗	SEMI VARIABLE RESISTOR	
⊘	CHIP RESISTOR	

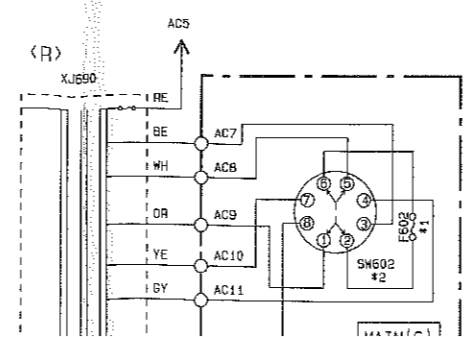
**NOTICE**  
 (J)..... Japanese model  
 (U)..... U.S.A model  
 (C)..... Canadian model  
 (A)..... Australian model  
 (G)..... European model  
 (B)..... British model  
 (R)..... General model  
 (P)..... RP model

PRE / POWER AMP

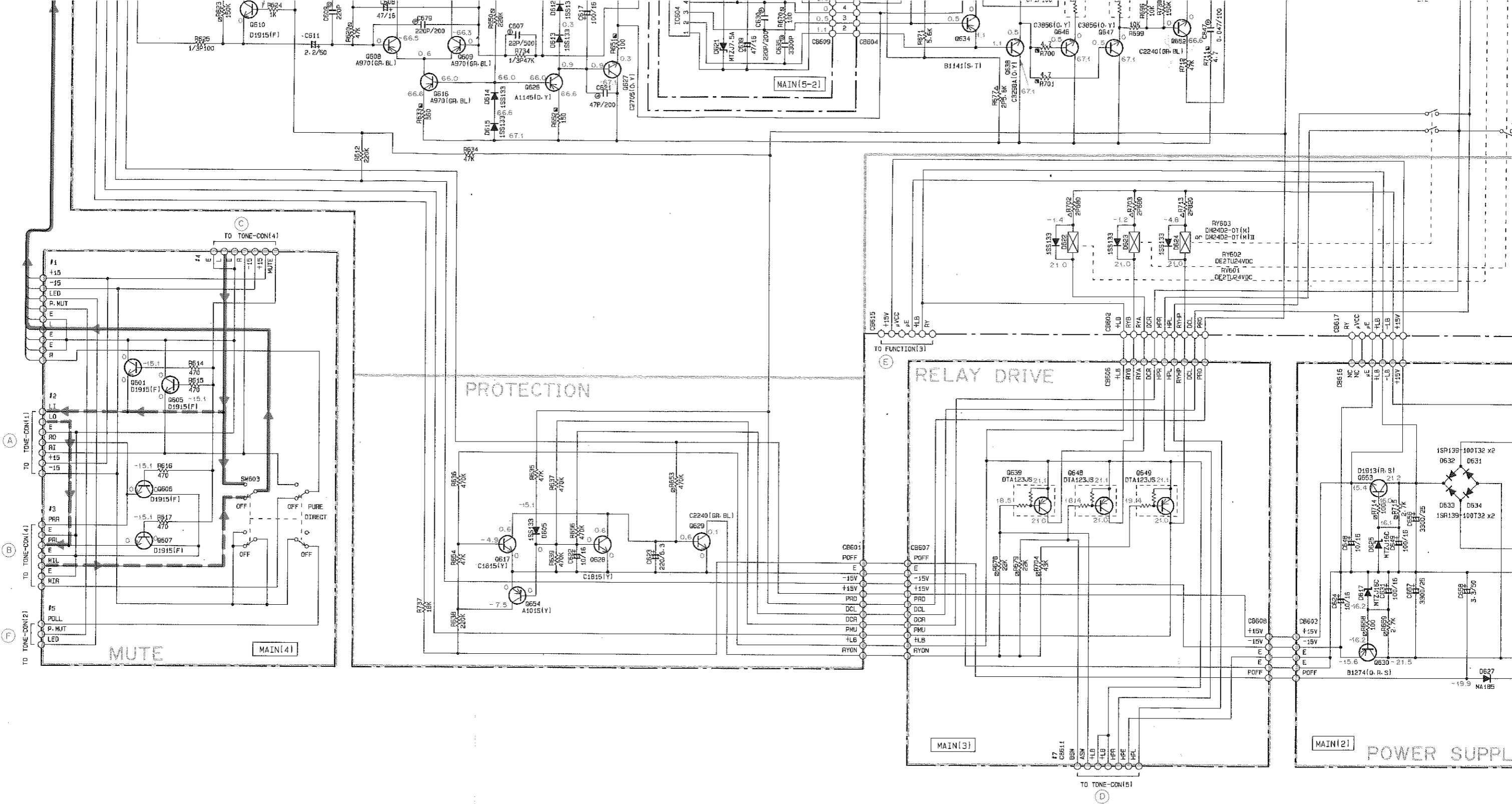


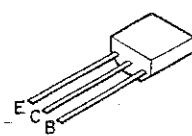
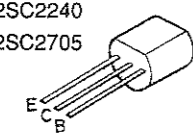
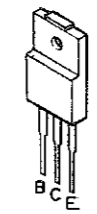
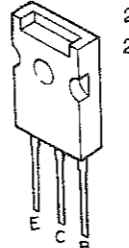
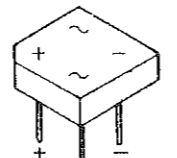
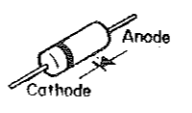
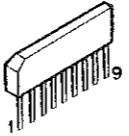
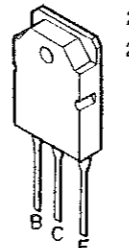


REFN	R	A/B	H	W
*1	F602	5.0A250V	OPEN	
*2	SW602	VA96180	OPEN	
*3	F601	10A250V	⑤ 15.0A250V	
*4	JK602	VT32750	OPEN	
*5	R726	OPEN		2.2
*6	C659	OPEN		0.022
*7	TE604	OPEN		LA00211
*8	C659-661-662-664	OPEN		0.015/100
*9	C650-653	OPEN		3900P/100
*10	C660-663	OPEN		0.022/100
*11	R721-722	OPEN		2.2
*12	TE607	VL92010	VL92020	VL92010
*13				
*14				



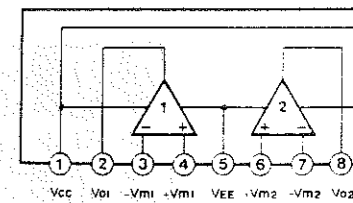




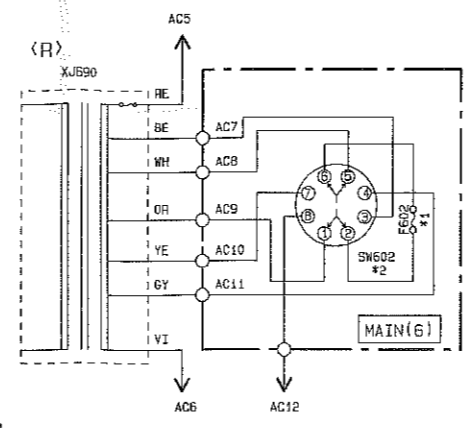
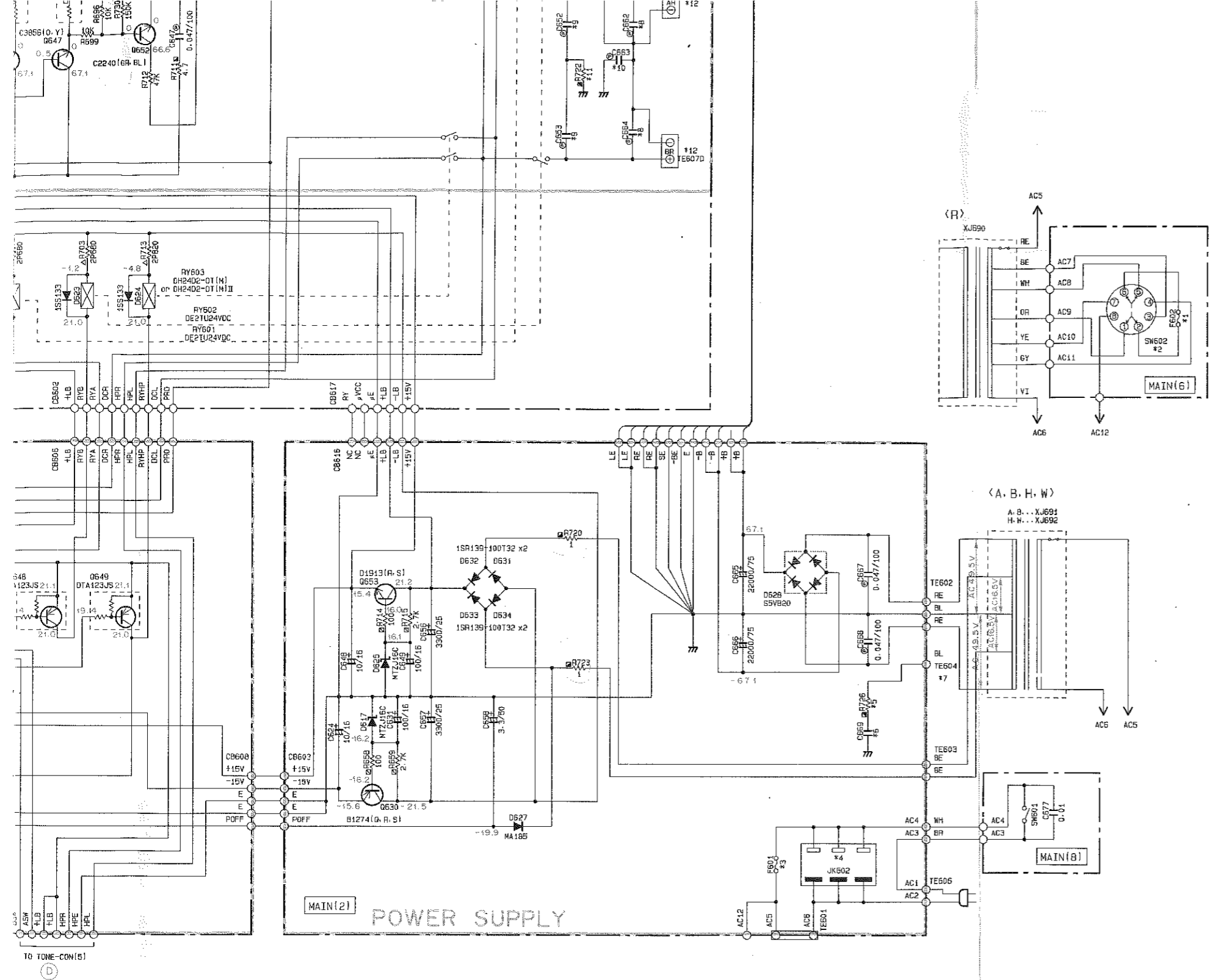
<p>2SD1915 DTA123ES</p> 	<p>2SA970 2SA1015 2SA1145 2SC1815 2SC2240 2SC2705</p> 	<p>2SA1306 2SC3298 2SB1274 2SD1913</p> 	<p>2SD1681 2SB1141</p> 	<p>S5VB20</p> 	<p>All Diodes</p> 	<p>BA3122N NJM4558S</p> 	<p>2SA1492 2SC3856</p> 
---	---	--	--	---	---	---	--

**IC BLOCK**

**IC601: NJM4558S  
(Dual Op-amp)**



5  
6  
7  
8  
9  
10  
15



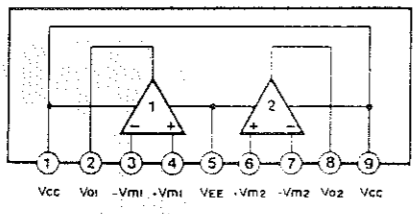
(A. B. H. W)  
A. B. . . XJ691  
H. W. . . XJ692

	LAST NO.
C	679
R	740
Q	654
D	636
IC	604

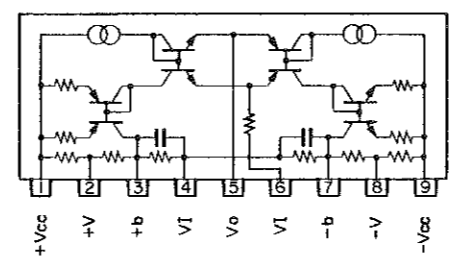
1492  
3856

**IC BLOCK**

**IC601: NJM4558S  
(Dual Op-amp)**



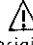
**IC603, 604: BA3122N  
(Hyperbolic Conversion Amp.)**



- \* All voltage are measured with a 10MΩ/DC electric volt meter.
- \* Components having special characteristics are marked  $\Delta$  and must be replaced with parts having specifications equal to those originally installed.
- \* Schematic diagram is subject to change without notice.

# PARTS LIST

■ WARNING

Components having special characteristics are marked  and must be replaced with parts having specifications equal to those originally installed.  
 • Carbon resistors 1/6 W are not included in the ELECTRICAL PARTS list.  
 For the parts No. of the carbon resistor, refer to the last Page.

■ ELECTRICAL PARTS

Ref. NO.	PART NO.	Description	部 品 名	Remarks	Markets	ランク
	VL526700	MAIN CIRCUIT BOARD	メインシート		R	
	VL526800	MAIN CIRCUIT BOARD	メインシート		AB	
	VL526900	MAIN CIRCUIT BOARD	メインシート		H	
	VL527000	MAIN CIRCUIT BOARD	メインシート		V	
	FA153330	MYLAR FILM CAP	3300pF 50V	マイラーコン	C632-635	
	VR984200	MYLAR FILM CAP	220pF 50V	マイラーコン	C604, 609	
	FG244220	CERAMIC CAP	0.022uF 50V	セラコン	C669	HW
	FI504100	CERAMIC CAP	0.01uF 400V	スパークキラーコン	C677	
	VI532800	ELECTROLYTIC CAP	47uF 16V	ケミコン	C603, 608, 627, 628	
	VI536000	ELECTROLYTIC CAP	2.2uF 50V	ケミコン	C605, 611	
	UJ895220	ELECTROLYTIC CAP	0.22uF 100V	ケミコン	C642	
	VG287200	ELECTROLYTIC CAP	10uF 16V	ケミコン	C622, 624, 641, 648	
	VG287500	ELECTROLYTIC CAP	47uF 16V	ケミコン	C636-639	
	VG287600	ELECTROLYTIC CAP	100uF 16V	ケミコン	C616, 617, 631, 649, 674, 675	
	VG290700	ELECTROLYTIC CAP	3.3uF 50V	ケミコン	C658	
	VL862800	ELECTROLYTIC CAP	1000uF 80V	ケミコン	C619, 671	
	VE016600	ELECTROLYTIC CAP	220uF 6.3V	ケミコン	C623	
	VE017800	ELECTROLYTIC CAP	47uF 16V	ケミコン	C601, 610	
	VG289400	ELECTROLYTIC CAP	3300uF 25V	ケミコン	C656, 657	
	VI862200	POLYETHYLENE FILM CAP	0.1uF 100V	ポリエチレンコン	C672, 673	
	VK533800	POLYPROPYLENE FILM CAP	47pF 200V	PPコン	C615, 618, 620, 621	
	VK534000	POLYPROPYLENE FILM CAP	220pF 200V	PPコン	C625, 626, 629, 630, 678, 679	
	UT453390	POLYPROPYLENE FILM CAP	3900pF 100V	PPコン	C650-653	W
	UT853680	POLYPROPYLENE FILM CAP	6800pF 100V	PPコン	C613, 614	
	VK534200	POLYPROPYLENE FILM CAP	0.022uF 100V	PPコン	C660, 663	W
	VW707200	POLYPROPYLENE FILM CAP	0.012uF 100V	PPコン	C659, 661, 662, 664	W
	VK534400	POLYPROPYLENE FILM CAP	0.047uF 100V	PPコン	C640, 643-647, 667, 668	
	FU351220	MICA CAP	22pF 500V	マイカコン	C606, 607	
	VL664100	COIL	0.95uH	空芯コイル	L601, 602	
	HV453100	FLAME PROOF CARBON RESISTOR	1Ω 1/4W	不燃化カーボン抵抗	R720, 723	
	HV453220	FLAME PROOF CARBON RESISTOR	2.2Ω 1/4W	不燃化カーボン抵抗	R726	HW
	HV453220	FLAME PROOF CARBON RESISTOR	2.2Ω 1/4W	不燃化カーボン抵抗	R721, 722	W
	HV453220	FLAME PROOF CARBON RESISTOR	2.2Ω 1/4W	不燃化カーボン抵抗	R716, 718	
	HV453470	FLAME PROOF CARBON RESISTOR	4.7Ω 1/4W	不燃化カーボン抵抗	R680, 681, 688-693, 700, 701, 708, 711	
	HV454220	FLAME PROOF CARBON RESISTOR	22Ω 1/4W	不燃化カーボン抵抗	R646, 733	
	HV455100	FLAME PROOF CARBON RESISTOR	100Ω 1/4W	不燃化カーボン抵抗	R605, 622, 641, 643, 649, 651	
	HV455150	FLAME PROOF CARBON RESISTOR	150Ω 1/4W	不燃化カーボン抵抗	R640, 645, 647, 652	
	HV455220	FLAME PROOF CARBON RESISTOR	220Ω 1/4W	不燃化カーボン抵抗	R620-632	
	HV455330	FLAME PROOF CARBON RESISTOR	330Ω 1/4W	不燃化カーボン抵抗	R673, 676	
	HV455560	FLAME PROOF CARBON RESISTOR	560Ω 1/4W	不燃化カーボン抵抗	R628, 633	
	HL323470	METAL OXIDE RESISTOR	4.7Ω 2W	酸化金属被膜抵抗	R709, 710	
	HL325680	METAL OXIDE RESISTOR	680Ω 2W	酸化金属被膜抵抗	R702, 703	
	HL425820	METAL OXIDE RESISTOR	820Ω 2W	酸化金属被膜抵抗	R713	
	HL326560	METAL OXIDE RESISTOR	5.6KΩ 2W	酸化金属被膜抵抗	R672, 674, 675, 677	
	VL876000	CARBON RESISTOR	56Ω 1/3W	カーボン抵抗	R644, 648	
	VK859300	CARBON RESISTOR	100Ω 1/3W	カーボン抵抗	R613, 625	

\* : New Parts (新規部品)

ランク : Japan only

AX-1050

Ref. NO.	PART NO.	Description	部 品 名	Remarks	Markets	ランク
	VL878500	CARBON RESISTOR	10K Ω 1/3W	カーボン抵抗	R739, 740	
	VL862900	CARBON RESISTOR	47K Ω 1/3W	カーボン抵抗	R618, 734	
	VJ695400	WIRE WOUND RESISTOR	0.22Ω×2 3W	セメント抵抗	R683, 684, 697, 698	
	IG076800	IC	NJM4558S	IC	IC601	
	XG609A30	IC	BA3122N	IC	IC603, 604	
	VD948800	PUSH SWITCH	TV-5	プッシュSW	SW601 POWER	
	VA961800	VOLTAGE SELECTOR	ESE-37247-F	電圧切替器	SW602	R
	VL544900	PUSH SWITCH	SPUL 4-2	プッシュSW	SW603 PURE DIRECT	
	VK438300	RELAY	DH24D2-OT(M)-H	リレー	RY603	
	VK879300	RELAY	DE2TU24VDC	リレー	RY601, 602	
	KB001490	FUSE	10A 250V	ヒューズ	F601	R
	KB003240	FUSE	T5.0A 250V	ヒューズ	F601	ABHW
	KB000400	FUSE	T5.0A 250V	ヒューズ	F602	R
	VL920100	SPEAKER TERMINAL	8P T6489-A	スピーカー端子	TE607	RABH
	VL920200	SPEAKER TERMINAL	8P T6492-A	スピーカー端子	TE607	W
	LA002110	WRAPPING TERMINAL	2P I-TYPE P=5	ラッピング端子	TE604	HW
	LA002000	WRAPPING TERMINAL	2P I-TYPE P=7.5	ラッピング端子	TE603	
	LA002140	WRAPPING TERMINAL	2P I-TYPE P=10	ラッピング端子	TE601	
	LA002320	WRAPPING TERMINAL	3P I-TYPE P=7.5	ラッピング端子	TE602	
	VI327500	AC OUTLET	3P	ACアウトレット	JK602	R
	VA252300	CONNECTOR	MQ 5P	MQコネクター	CB603	
	VI377800	CONNECTOR	MQ 8P TE	ベースピン	CB605	
	VB994900	CONNECTOR	MQ 9P	MQコネクター	CB602, 604	
	VI378000	CONNECTOR	MQ 10P TE	ベースピン	CB601	
	VI378300	CONNECTOR	MQ 5P	コネクターソケット	CB608	
	VI378600	CONNECTOR	MQ 8P	コネクターソケット	CB610	
	VI378700	CONNECTOR	MQ 9P	コネクターソケット	CB606, 609	
	VI378800	CONNECTOR	MQ 10P	コネクターソケット	CB607	
	VK216100	CONNECTOR	FJ 6P	FJリセプラグ	CB617	
	VK216900	CONNECTOR	FJ 6P	FJリセプラグ	CB615, 616	
	VB858600	CONNECTOR	PH L-TYPE 7P SE	ベースピン	CB611	
	VL845300	CONNECTOR	XH 9P TE	ベース付ポスト	CB618	
	VE225700	CONNECTOR	2P P=7.5	ベース付ポスト	TE606	
	VJ693600	PRE-SET POTENTIOMETER	B10K Ω	半固定VR	VR601, 602	
	IA097000	TRANSISTOR	2SA970 GR, BL	トランジスタ	Q602, 603, 608, 609, 611,	
					615, 650	
	IA101510	TRANSISTOR	2SA1015 Y	トランジスタ	Q622, 623, 654	
	VE198700	TRANSISTOR	2SA1145 O, Y	トランジスタ	Q619, 620, 625, 626	
	VC614000	TRANSISTOR	2SB1274 Q, R, S	トランジスタ	Q630	
	IC181510	TRANSISTOR	2SC1815 Y	トランジスタ	Q612-615, 617, 628	
	IC224030	TRANSISTOR	2SC2240 GR, BL	トランジスタ	Q629, 651, 652	
	VE198800	TRANSISTOR	2SC2705 O, Y	トランジスタ	Q618, 621, 624, 627	
	VC407900	TRANSISTOR	2SD1913 R, S	トランジスタ	Q653	
	VK432900	TRANSISTOR	2SD1915 (F) S, T	トランジスタ	Q601, 604-607, 610	
	IX608150	TRANSISTOR	2SA1306 O, Y	トランジスタ	Q636, 637	
	IX608160	TRANSISTOR	2SC3298 O, Y	トランジスタ	Q635, 638	
	VL542700	DIGITAL TRANSISTOR	DTA123JS	デジタルトランジスタ	Q639, 648, 649	
	IF004600	DIODE	1SS133	ダイオード	D601-615, 622-624, 635, 636	
	VC398400	DIODE	MA185	ダイオード	D627, 629, 630	

\* : New Parts (新規部品)

ランク : Japan only

Ref. NO.	PART NO.	Description	部 品 名		Remarks	Markets	ランク
	VH770800	DIODE	1SR139-100 T-32		ダイオード		
	VM702000	DIODE BRIDGE	S5VB20 3.5A 200V		ダイオードブリッジ	D631-634	
	VG438500	ZENER DIODE	NTZJ7.5A		ツェナーダイオード	D628	
	VG441200	ZENER DIODE	NTZJ16C		ツェナーダイオード	D618-621	
	LB201880	FUSE HOLDER PIN	FC-FH1		ヒューズホルダーピン	D617,625	
	VBS66900	PIN	HMSA-6024		スタイルピン		
*	VK404200	JUMPER WIRE	1.6	L=30	ジャンパー線		
*	VK404300	JUMPER WIRE	1.6	L=40	ジャンパー線		
*	VK404400	JUMPER WIRE	1.6	L=50	ジャンパー線		
*	VK404500	JUMPER WIRE	1.6	L=70	ジャンパー線		
	BB071360	SCREW TERMINAL	8.3x13		ネジ端子		
	VF808500	SCREW TERMINAL	φ4		ネジ端子		
	VL890500	HEAT SINK	T220H31-30 RX-050		ヒートシンク		
	ED330120	BIND HEAD SCREW	3x12	ZMC2-RL	バインド小ネジ	PACK	
*	VL527700	TONE CONTROL CIRCUIT BOARD			トーンコントロールシート		
	FA153680	MYLAR FILM CAP	6800pF	50V	マイラーコン	C413,414	
	FA154100	MYLAR FILM CAP	0.01uF	50V	マイラーコン	C439,440	
	FA154160	MYLAR FILM CAP	0.016uF	50V	マイラーコン	C435-438	
	FA154470	MYLAR FILM CAP	0.047uF	50V	マイラーコン	C415,416	
	FA154680	MYLAR FILM CAP	0.068uF	50V	マイラーコン	C417-420	
	FA154750	MYLAR FILM CAP	0.075uF	50V	マイラーコン	C431-434	
	VK533900	POLYPROPYLENE FILM CAP	100pF	200V	PPコン	C303,304,403,404	
	VK534000	POLYPROPYLENE FILM CAP	220pF	200V	PPコン	C321,322	
	VL883800	POLYPROPYLENE FILM CAP	2200pF	100V	PPコン	C313,314	
	VK533800	POLYPROPYLENE FILM CAP	47pF	200V	PPコン	C309,310	
	FG212100	CERAMIC CAP	100pF	50V	セラコン	C423,424	
	FG212470	CERAMIC CAP	470pF	50V	セラコン	C427,428	
	FG244100	CERAMIC CAP	0.01uF	50V	セラコン	C441	
	VG287300	ELECTROLYTIC CAP	22uF	16V	ケミコン	C407,408	
	VG287600	ELECTROLYTIC CAP	100uF	16V	ケミコン	C311,312,429,430	
	VG288400	ELECTROLYTIC CAP	4.7uF	25V	ケミコン	C401,402	
	VG288900	ELECTROLYTIC CAP	100uF	25V	ケミコン	C405,406	
	VG290500	ELECTROLYTIC CAP	1uF	50V	ケミコン	C411,412,421,422	
*	UI785220	ELECTROLYTIC CAP	0.22uF	50V	ケミコン	C409,410	
	VG290600	ELECTROLYTIC CAP	2.2uF	50V	ケミコン	C425,426	
	VE016800	ELECTROLYTIC CAP	470uF	6.3V	ケミコン	C305,306	
	VE017600	ELECTROLYTIC CAP	10uF	16V	ケミコン	C301,302,315,316	
	VF248700	ELECTROLYTIC CAP	1000uF	16V	ケミコン	C317,318	
	FM110100	ELECTROLYTIC CAP	1uF	50V	BPケミコン	C319,320	
	FU451150	MICA CAP	15pF	500V	マイカコン	C307,308	
	IV454100	FLAME PROOF CARBON RESISTOR	10Ω	1/4W	不燃化カーボン抵抗	R331,332	
	IV454470	FLAME PROOF CARBON RESISTOR	47Ω	1/4W	不燃化カーボン抵抗	R321-324	
	IV455100	FLAME PROOF CARBON RESISTOR	100Ω	1/4W	不燃化カーボン抵抗	R401,402	
	HL325220	METAL OXIDE RESISTOR	220Ω	2W	酸化金属被膜抵抗	R439,440	
	VL873100	CARBON RESISTOR	47Ω	1/3W	カーボン抵抗	R303,304	

\* : New Parts (新規部品)

ランク : Japan only

Ref. NO.	PART NO.	Description	部 品 名	Remarks	Markets	ランク
	VL882400	CARBON RESISTOR	200Ω 1/3W	カーボン抵抗	R307,308	
	VL877300	CARBON RESISTOR	1KΩ 1/3W	カーボン抵抗	R325,326	
	VL877400	CARBON RESISTOR	1.2KΩ 1/3W	カーボン抵抗	R313,314	
	XA958A00	IC	NJM2068S	IC	IC401,402	
	VL542200	ROTARY SWITCH WITH MOTOR	SRBAA4601A	モーター付ロータリーSW	SW301 INPUT SELECTOR	
	VL542800	ROTARY SWITCH	SRRZ	ロータリーSW	SW302 REC OUT SEL	
	VI136400	PUSH SWITCH	SPEC12	プッシュSW	SW401-404 SUBSONIC	
	VI545200	PUSH SWITCH	SPUN 2-2	プッシュSW	SW405 SPEAKERS	
	LB301720	PHONES JACK	M1669-A	ヘッドホンジャック	JK401	
	LB919030	CONNECTOR	XH L-TYPE 3P SE	ベース付ポスト	CB301	
	LB919070	CONNECTOR	XH 7P SE	ベース付ポスト	CB302	
	VD004600	CONNECTOR	PH I-TYPE 3P TE	ベースピン	CB307	
	VD005000	CONNECTOR	PH I-TYPE 7P TE	ベースピン	CB305	
	VB858600	CONNECTOR	PH L-TYPE 7P SE	ベースピン	CB304,401	
	VB858700	CONNECTOR	PH 8P SE	ベースピン	CB303	
	VI009100	CONNECTOR	FPC I-TYPE 17P TE	FPCコネクタ	CB306	
	VI379200	CONNECTOR	HQ 12P	コネクタソケット	CB308-310	
	VL542400	POTENTIOMETER	10KΩx2	ロータリーVR	VR404	
	VL542500	POTENTIOMETER	16KΩx2	ロータリーVR	VR403	
	VL573300	POTENTIOMETER	MH50KΩx2	ロータリーVR	VR402	
	VL573200	POTENTIOMETER	30KΩx2	ロータリーVR	VR401	
	VL542600	POTENTIOMETER WITH MOTOR	50KΩx2,20KΩx2	モーター付VR	VR301	
	1A101510	TRANSISTOR	2SA1015 Y	トランジスタ	Q303,304	
	1B056020	TRANSISTOR	2SB560 E,F	トランジスタ	Q307,308	
	IC224030	TRANSISTOR	2SC2240 GR,BL	トランジスタ	Q301,302	
	VK432900	TRANSISTOR	2SD1915(F) S,T	トランジスタ	Q309,310	
	ID043820	TRANSISTOR	2SD438 E,F	トランジスタ	Q305,306	
	VK404200	JUMPER WIRE	1.6 L=30	ジャンパー線		
	VK404400	JUMPER WIRE	1.6 L=50	ジャンパー線		
	BB071360	SCREW TERMINAL	8.3x13	ネジ端子		
	VL527400	FUNCTION CIRCUIT BOARD		ファンクションシート		
	FA153270	MYLAR FILM CAP	2700pF 50V	マイラーコン	C153,154	
	FA153330	MYLAR FILM CAP	3300pF 50V	マイラーコン	C168,169	
	FA153240	MYLAR FILM CAP	2400pF 50V	マイラーコン	C195,196	
	FA153680	MYLAR FILM CAP	6800pF 50V	マイラーコン	C162,167	
	FA154100	MYLAR FILM CAP	0.01uF 50V	マイラーコン	C145,147	
	FA154330	MYLAR FILM CAP	0.033uF 50V	マイラーコン	C156,160	
	VK533900	POLYPROPYLENE FILM CAP	100pF 200V	PPコン	C104,105	
	VK534000	POLYPROPYLENE FILM CAP	220pF 200V	PPコン	C110,111,131,134,197,198	
	VL972900	POLYPROPYLENE FILM CAP	330pF 200V	PPコン	C189,190	
	UT653330	POLYPROPYLENE FILM CAP	3300pF 100V	PPコン	C101,108	
	FG210500	CERAMIC CAP	5pF 50V	セラコン	C102,107	
	FG212100	CERAMIC CAP	100pF 50V	セラコン	C152,155	
	FG212220	CERAMIC CAP	220pF 50V	セラコン	C114,115,117-128,135,	

\* : New Parts (新規部品)

ランク : Japan only

Ref. NO.	PART NO.	Description	部 品 名	Remarks	Markets	ランク
	FG212330	CERAMIC CAP	セラコン	138,141,143,183,184		
	FG244100	CERAMIC CAP	セラコン	C146, 148		
	VG286800	ELECTROLYTIC CAP	ケミコン	C193, 194		
	VG287200	ELECTROLYTIC CAP	ケミコン	C158		
				C109, 112, 113, 116, 132,		
				133, 136, 137, 171, 173,		
				179		
	VG287300	ELECTROLYTIC CAP	ケミコン	C163, 166		
	VG287400	ELECTROLYTIC CAP	ケミコン	C191, 192		
	VN758800	ELECTROLYTIC CAP	ケミコン	C164, 165, 172		
	VG288500	ELECTROLYTIC CAP	ケミコン	C144, 149		
	VG289100	ELECTROLYTIC CAP	ケミコン	C182		
	VG290500	ELECTROLYTIC CAP	ケミコン	C176		
	UJ719220	ELECTROLYTIC CAP	ケミコン	C157, 159		
	V1532500	ELECTROLYTIC CAP	ケミコン	C129, 130		
	VE017600	ELECTROLYTIC CAP	ケミコン	C103, 106		
	FM116100	ELECTROLYTIC CAP	B P ケミコン	C150, 151		
	UJ838470	ELECTROLYTIC CAP	ケミコン	C187, 188		
	VD930900	SEMI-CONDUCTIVE CERAMIC CAP	半導体セラコン	C142, 161, 170, 175		
	VB170100	ELECTROLYTIC CAP	バックアップケミコン	C174		
	VF541100	COIL	コイル	L101, 102		
	VB056900	COIL	コイル	L103, 104		
	VL873100	CARBON RESISTOR	カーボン抵抗	R148, 151		
	VK859300	CARBON RESISTOR	カーボン抵抗	R113, 118		
	HW454100	FLAME PROOF CARBON RESISTOR	不燃化カーボン抵抗	R214		
	HW454300	FLAME PROOF CARBON RESISTOR	不燃化カーボン抵抗	R233, 254		
	HW455100	FLAME PROOF CARBON RESISTOR	不燃化カーボン抵抗	R159, 160, 205, 206, 210, 211		
	HU595100	METAL FILM RESISTOR	金属被膜抵抗	R225, 226		
	HU575180	METAL FILM RESISTOR	金属被膜抵抗	R165		
	HU575200	METAL FILM RESISTOR	金属被膜抵抗	R164		
	HU575220	METAL FILM RESISTOR	金属被膜抵抗	R196, 197, 215		
	HU575680	METAL FILM RESISTOR	金属被膜抵抗	R244		
	HU596100	METAL FILM RESISTOR	金属被膜抵抗	R177, 224, 240, 241, 243		
	HU597100	METAL FILM RESISTOR	金属被膜抵抗	R172, 173, 175, 229, 231		
	HU577150	METAL FILM RESISTOR	金属被膜抵抗	R216		
	HU577300	METAL FILM RESISTOR	金属被膜抵抗	R188		
	HU577470	METAL FILM RESISTOR	金属被膜抵抗	R242		
	HU598100	METAL FILM RESISTOR	金属被膜抵抗	R223, 227, 228, 230		
	HU578150	METAL FILM RESISTOR	金属被膜抵抗	R189		
	HU598220	METAL FILM RESISTOR	金属被膜抵抗	R174, 176		
	VL948600	RESISTOR ARRAY	抵抗アレイ	R218		
	XA950A00	IC	IC	IC101, 102		
	XB247301	IC	IC	IC103		
	XF557A00	IC	IC	IC104, 105		
	XJ577A00	IC	IC	IC106		
	VF926500	LIGHT DETECTING MODULE	リモコン受光ユニット	U101		
	VK333500	PUSH SWITCH	プッシュ SW	SW101 MC/HH		
	VE642400	PIN JACK	ピンジャック	PJ108		
	LB401030	PIN JACK	ピンジャック	PJ107		

\* : New Parts (新規部品)

ランク : Japan only

Ref. NO.	PART NO.	Description	部 品 名	Remarks	Markets	ランク
	VL552500	PIN JACK	ピンジャック	1P YKC21-3048		
	VJ249500	PIN JACK	ピンジャック	4P YKC21-3077		
	VJ726800	MINIATURE JACK	ミニジャック	NONUNARAL		
	VI548400	CONNECTOR	F J ショートプラグ	FJ 6P		
	VI378300	CONNECTOR	コネクターソケット	MQ 5P		
	VA252300	CONNECTOR	MQコネクター	MQ 5P		
	VA252400	CONNECTOR	MQコネクター	MQ 12P		
	VD004800	CONNECTOR	ベースピン	PH i-TYPE 5P TE		
	VD005000	CONNECTOR	ベースピン	PH i-TYPE 7P TE		
	VL023700	CONNECTOR	サボーディングウェハー	5062 17P TE		
	VB759100	CERAMIC RESONATOR	セラミック共振子	4MHz EFO-FC400		
	IA097000	TRANSISTOR	トランジスタ	2SA970 GR, BL		
	IA093320	TRANSISTOR	トランジスタ	2SA933S Q, R		
	IA101510	TRANSISTOR	トランジスタ	2SA1015 Y		
	IB056020	TRANSISTOR	トランジスタ	2SB560 E, F		
	IC181510	TRANSISTOR	トランジスタ	2SC1815 Y		
	IC224030	TRANSISTOR	トランジスタ	2SC2240 GR, BL		
	IC260320	TRANSISTOR	トランジスタ	2SC2603 E, F		
	IC206010	TRANSISTOR	トランジスタ	2SC2060 P, Q, R		
	VC938500	TRANSISTOR	トランジスタ	2SC3852		
	VD678500	DIGITAL TRANSISTOR	デジタルトランジスタ	DTA114ES		
	VD678700	DIGITAL TRANSISTOR	デジタルトランジスタ	DTC114ES		
	VG722000	DIGITAL TRANSISTOR	デジタルトランジスタ	DTC144ES		
	VF331200	DIGITAL TRANSISTOR	デジタルトランジスタ	DTC124ES		
	IF004600	DIODE	ダイオード	1SS133		
	VG435800	ZENER DIODE	ツェナーダイオード	MTZJ3.0A		
	VG436800	ZENER DIODE	ツェナーダイオード	MTZJ4.3B		
	VG437000	ZENER DIODE	ツェナーダイオード	MTZJ4.7A		
	VG437500	ZENER DIODE	ツェナーダイオード	MTZJ5.1C		
	VG438000	ZENER DIODE	ツェナーダイオード	MTZJ6.2B		
	VG440300	ZENER DIODE	ツェナーダイオード	MTZJ12C		
	VF102500	LED	LED	SLR-34DC3H3 (ORA)		
	VI013600	LED	LED	SLR-34VC3H3 (RED)		
	VL792100	CONNECTOR CABLE	HCUジョイナー	17P 148mm		
	VB966900	PIN	スタイルピン	1MSA-6024		
	BB071360	SCREW TERMINAL	ネジ端子	8.3x13		

\* : New Parts (新規部品)

ランク : Japan only

AX-1050

AX-1050

EXPLODED VIEW

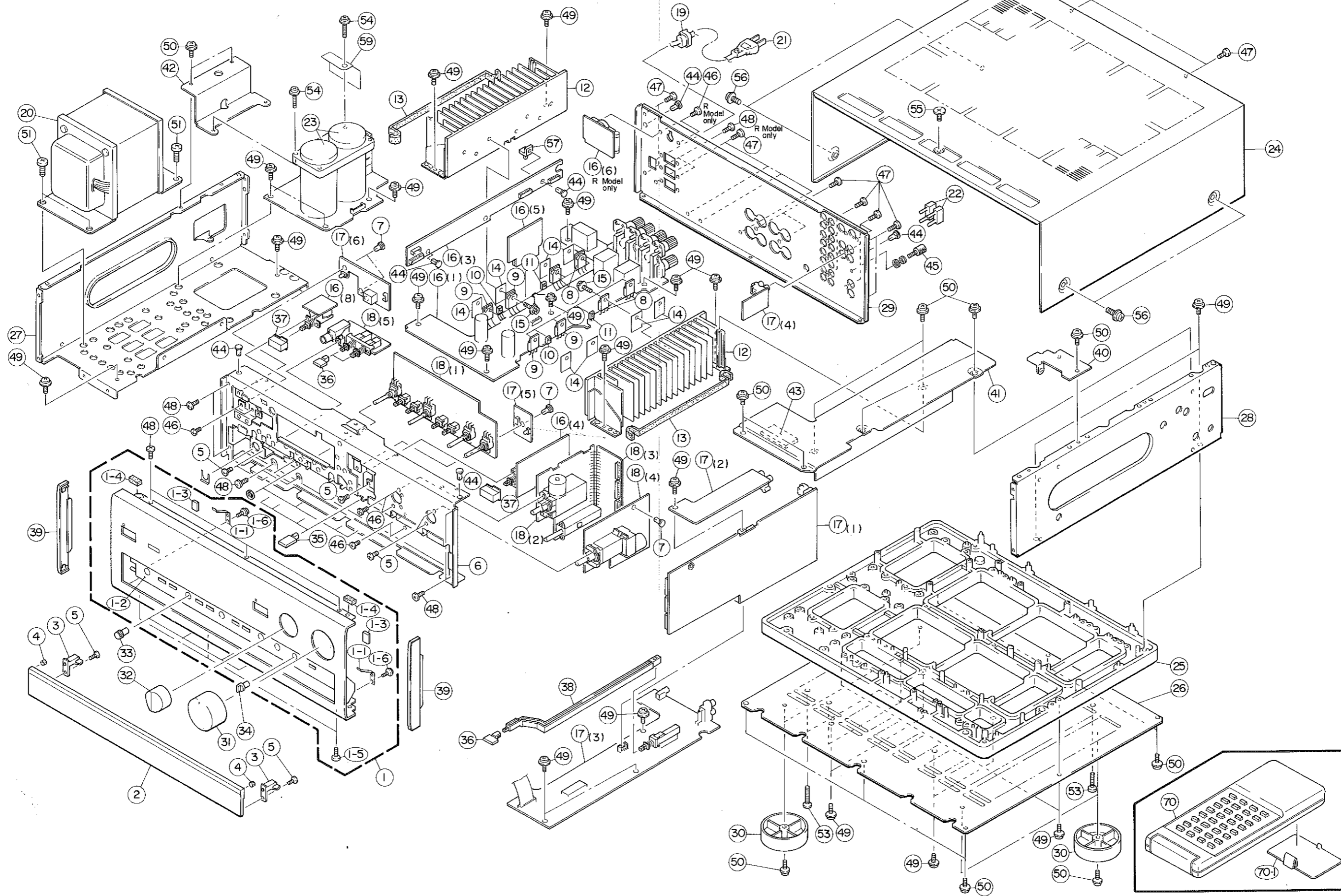
1

2

3

4

5





# PARTS LIST

Ref. NO.	PART NO.	Description	部 品 名		Remarks	Markets	ランク
* 1	VL537800	FRONT PANEL ASS'y			パネルASSY	BL	
* 1	VL537900	FRONT PANEL ASS'y			パネルASSY	T	
1-1	VJ888200	SPRING			スプリング		
* 1-2	VL216500	PLATE	SHIELDING		プレート/シーリング	BL	
* 1-2	VL216600	PLATE	SHIELDING		プレート/シーリング	T	
1-3	VE798200	CUSHION			クッション		
1-4	VE222600	CUSHION			クッション		
1-5	EP600730	BIND HEAD P-TITE SCREW	3x8	FCRM3-BL	バインドPタイトネジ		
1-6	EK336010	BW HEAD TAPPING SCREW	3x8	FCRM3-BL	BWヘッドタッピングネジ		
* 2	VL216100	SUB PANEL	LID		サブパネル	BL	
* 2	VL216200	SUB PANEL	LID		サブパネル	T	
3	VJ888000	STOPPER			ストッパー	T	
3	VJ888100	STOPPER			ストッパー	BL	
4	CB621930	DAMPER			ダンパー	BL	
4	VE798100	DAMPER			ダンパー	T	
5	ED330066	BIND HEAD SCREW	3x6	FCRM3-BL	バインド小ネジ		
6	VL213300	SUB CHASSIS			サブシャーシ		
7	CB605620	PLASTIC RIVET	No. 1057		プラスチックリベット		
8	IX609750	TRANSISTOR	2SA1492 O,Y		トランジスタ	Q642, 643, 644, 645	
9	IX609760	TRANSISTOR	2SC3856 O,Y		トランジスタ	Q640, 641, 646, 647	
10	VE912800	TRANSISTOR	2SR1141 S,T		トランジスタ	Q631, 634	
11	VE912900	TRANSISTOR	2SD1681 S,T		トランジスタ	Q632, 633	
* 12	VL212300	RADIATOR ASS'y			ラジエターASSY		
13	VK706700	DAMPER	FIN		ダンパー		
14	VK195900	SHEET	19x24		シート		
15	VK173200	SCREW, TRANSISTOR			スクリューTR		
* 16	VL526700	MAIN CIRCUIT BOARD			メインシート		R
* 16	VL526800	MAIN CIRCUIT BOARD			メインシート		AB
* 16	VL526900	MAIN CIRCUIT BOARD			メインシート		H
* 16	VL527000	MAIN CIRCUIT BOARD			メインシート		W
* 17	VL527400	FUNCTION CIRCUIT BOARD			ファンクションシート		
* 18	VL527700	TONE CONTROL CIRCUIT BOARD			トーンコントロールシート		
19	VD375900	CORD STOPPER			コードストッパー		
20	XJ690A00	POWER TRANSFORMER			電源トランス		R
20	XJ691A00	POWER TRANSFORMER			電源トランス		AB
20	XJ692A00	POWER TRANSFORMER			電源トランス		HW
21	VE042900	POWER CORD ASS'y			パワーコードASSY		A
21	VE222900	POWER CORD ASS'y			パワーコードASSY		R
21	VE223200	POWER CORD ASS'y			パワーコードASSY		HW
21	VK815600	POWER CORD ASS'y			パワーコードASSY		B
22	LB101800	SHORT PLUG			ショートプラグ		
* 23	VL715100	ELECTROLYTIC CAP	22000uF	75V	ケミコンセット	PACK	
* 24	VL212800	TOP COVER			トップカバー	BL	
* 24	VL213000	TOP COVER			トップカバー	T	
25	VL213100	CHASSIS			シャーシ/アートベース		
26	VL213600	BOTTOM COVER			ボトムカバー		
* 27	VL213700	FRAME	SIDE L		フレーム	T	
* 28	VL213800	FRAME	SIDE R		フレーム	BL	
* 29	VL213900	REAR PANEL			リヤパネル		R
* 29	VL214000	REAR PANEL			リヤパネル		AB

\* : New Parts (新規部品)

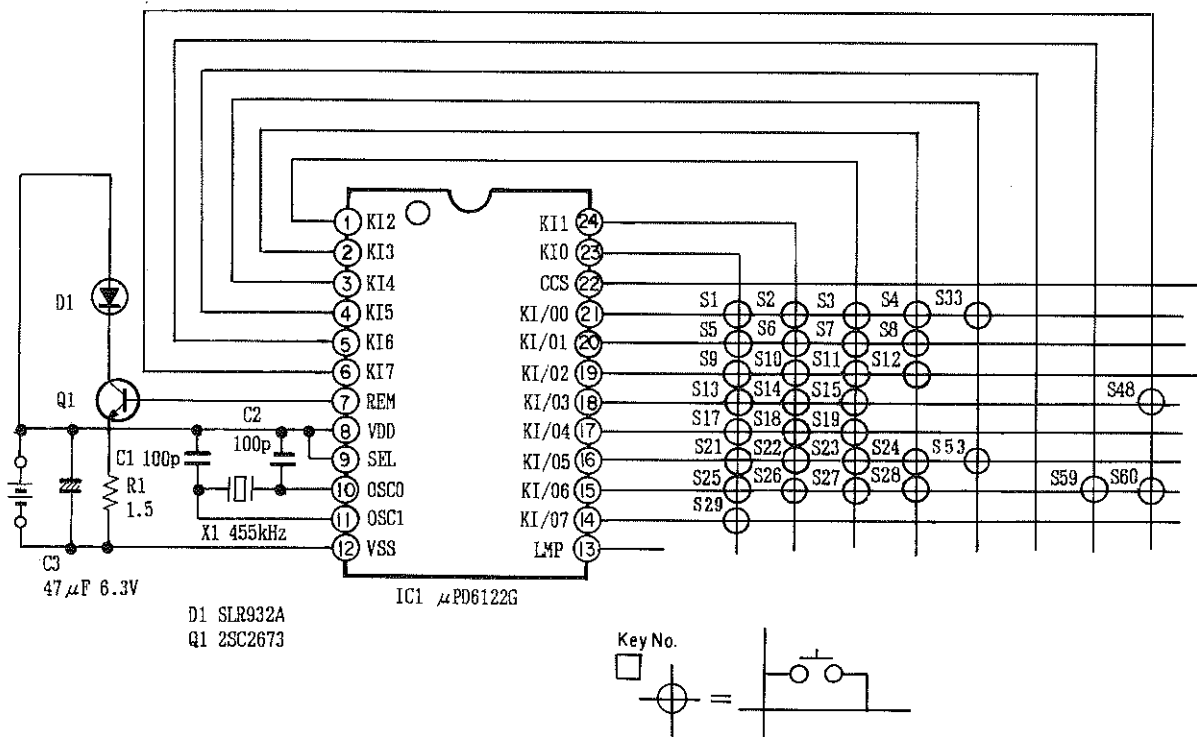
ランク : Japan only

Ref. NO.	PART NO.	Description	部 品 名		Remarks	Markets	ランク
* 29	VL214100	REAR PANEL		リヤパネル		W	
* 29	VL507600	REAR PANEL		リヤパネル		H	
30	VI615200	LEG		レッグ			
31	VK015100	KNOB		ノブ	BL VOLUME		
31	VK015200	KNOB		ノブ	T VOLUME		
32	VK219900	KNOB		ノブ	BL INPUT SEL.		
32	VK220000	KNOB		ノブ	T INPUT SEL.		
33	VG078900	KNOB		ノブ	BL LOUDNESS		
33	VJ891400	KNOB		ノブ	T LOUDNESS		
34	VG079100	KNOB		ノブ	BL REC OUT SEL.		
34	VJ891500	KNOB		ノブ	T REC OUT SEL.		
* 35	VL215200	BUTTON	3/14-L	ボタン	BL TURNOVER FREQ.		
* 35	VL215300	BUTTON	3/14-L	ボタン	T TURNOVER FREQ.		
36	VH816000	BUTTON	3/14	ボタン	BL SPEAKERS		
36	VH816100	BUTTON	3/14	ボタン	T SPEAKERS		
* 37	VL819700	BUTTON		ボタン	BL POWER		
* 37	VL819800	BUTTON		ボタン	T POWER		
* 38	VL250600	EXTENSION BAR		ロッド			
39	VJ833000	SIDE COVER		サイドカバー	T		
39	VJ833100	SIDE COVER		サイドカバー	BL		
40	VL215000	FRAME	PCB2	フレーム			
41	VL250300	FRAME	COVER	フレーム			
* 42	VL719700	FRAME	C	フレーム			
* 43	VL890600	DAMPER	(25/50)	ダンパー			
44	CB068880	PLASTIC RIVET	No.1027	プラスチックリベット			
45	AA627310	GROUND TERMINAL		GNDターミナル			
46	ED330066	BIND HEAD SCREW	3x6 FCRM3-BL	バインド小ネジ	PACK		
47	EN301010	BIND HEAD BONDING TAP. SCREW	3x8 FCRM3-BL	ボンディングBタイトネジ			
48	EI330086	BIND HEAD B-TITE SCREW	3x8 FCRM3-BL	バインドBタイトネジ	PACK		
* 49	EX602240	BW HEAD TAPPING SCREW	3x10 FCRM3-BL	BWヘッドタッピングネジ			
50	EK330030	BW HEAD TAPPING SCREW	3x10 FCRM3-BL	BWヘッドタッピングネジ			
51	EN330090	BIND HEAD B-TITE SCREW	4x16 FCRM3-BL	バインドBタイトネジ			
53	EI340256	BIND HEAD TAPPING SCREW	4x25 FCRM3-BL	バインドBタイトネジ	PACK		
54	EK330050	BW HEAD TAPPING SCREW	3x18-8 FCRM3-BL	BWヘッドタッピングネジ			
55	EX601850	SPECIAL SCREW S-TITE	4x8-10 FCRM3-BL	化粧ネジSタイト	BL		
55	EX601860	SPECIAL SCREW S-TITE	4x8-10 FNM3-BL	化粧ネジSタイト	T		
56	EK365090	BW HEAD SCREW	4x8 ZMC2-BL	BWヘッド小ネジ	BL		
56	EX601150	BW HEAD S-TITE SCREW	4x8-10 FNM3-BL	BWヘッドSタイトネジ	T		
57	CR091290	P.C.B SUPPORT	No.1645	基板サポート			
* 58	VM671000	SHIELD PLATE		シールドプレート		R	
	CR069250	BINDING TIE	BK-1	束線止め		HW	
* 70	VL208500	ACCESSORIES REMOTE CONTROL TRANSMITTER	SBAHQ0287A	付属品 リモコン			
70-1	CX616900	LID DRY CELL	SUM-3,AA	電池蓋 マンガン電池			

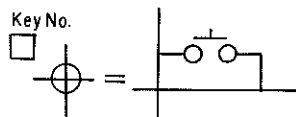
\* : New Parts (新規部品)

ランク : Japan only

# REMOTE CONTROL TRANSMITTER



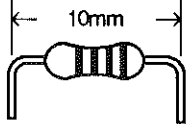
D1 SLR932A  
Q1 2SC2673



KEY NO.	DATA CODE								FUNCTION
	D0	D1	D2	D3	D4	D5	D6	D7	
1	0	0	0	0	0	0	0	0	PLAY
2	1	0	0	0	0	0	0	0	◀◀
3	0	1	0	0	0	0	0	0	▶▶
4	1	1	0	0	0	0	0	0	STOP
5	0	0	1	0	0	0	0	0	REC/PAUSE
6	1	0	1	0	0	0	0	0	REC MUTE
7	0	1	1	0	0	0	0	0	DECK A/B
8	1	1	1	0	0	0	0	0	DIR A
9	0	0	0	1	0	0	0	0	PLAY (CD)
10	1	0	0	1	0	0	0	0	PAUSE/STOP
11	0	1	0	1	0	0	0	0	SKIP ▶▶
12	1	1	0	1	0	0	0	0	SKIP ◀◀
13	0	0	1	1	0	0	0	0	SEARCH ▶▶
14	1	0	1	1	0	0	0	0	SEARCH ◀◀
15	0	1	1	1	0	0	0	0	PLAY/CUT
17	0	0	0	0	1	0	0	0	PRESET +
18	1	0	0	0	1	0	0	0	PRESET -
19	0	1	0	0	1	0	0	0	A/B/C/D/E
21	0	0	1	0	1	0	0	0	PHONO
22	1	0	1	0	1	0	0	0	CD
23	0	1	1	0	1	0	0	0	TUNER
24	1	1	1	0	1	0	0	0	AUX
25	0	0	0	1	1	0	0	0	TAPE1
26	1	0	0	1	1	0	0	0	TAPE2
27	0	1	0	1	1	0	0	0	VOLUME +
28	1	1	0	1	1	0	0	0	VOLUME -
29	0	0	1	1	1	0	0	0	MUTING -20 dB
33	0	0	0	0	0	0	1	0	DIR B
48	1	1	1	1	0	0	1	0	DISC SKIP
53	0	0	1	0	1	0	1	0	DAT
59	0	1	0	1	1	0	1	0	EQ ON/FLAT
60	1	1	0	1	1	0	1	0	EQ PRESET SKIP
<b>CUSTOM CODE</b>	0	1	0	1	1	1	1	0	

AX-1050

# Parts List for Carbon Resistors

Value	1/4W Type Part No.	1/6W Type Part No.	Value	1/4W Type Part No.	1/6W Type Part No.
1.0 Ω	HJ35 3100	HF85 3100	12 KΩ	HJ35 7120	HF85 7120
1.8 Ω	HJ35 3180	*	15 KΩ	HJ35 7150	HF85 7150
2.2 Ω	HJ35 3220	HF85 3220	18 KΩ	HJ35 7180	HF85 7180
3.3 Ω	HJ35 3330	HF85 3330	22 KΩ	HJ35 7220	HF85 7220
4.7 Ω	HJ35 3470	HF85 3470	27 KΩ	HJ35 7270	HF85 7270
5.6 Ω	HJ35 3560	HF85 3560	33 KΩ	HJ35 7330	HF85 7330
10 Ω	HJ35 4100	HF85 4100	39 KΩ	HJ35 7390	HF85 7390
15 Ω	HJ35 4150	HF85 4150	47 KΩ	HJ35 7470	HF85 7470
22 Ω	HJ35 4220	HF85 4220	56 KΩ	HJ35 7560	HF85 7560
27 Ω	HJ35 4270	HF85 4270	68 KΩ	HJ35 7680	HF85 7680
33 Ω	HJ35 4330	HF85 4330	82 KΩ	HJ35 7820	HF85 7820
39 Ω	HJ35 4390	HF85 4390	91 KΩ	HJ35 7910	HF85 7910
47 Ω	HJ35 4470	HF85 4470	100 KΩ	HJ35 8100	HF85 8100
56 Ω	HJ35 4560	HF85 4560	120 KΩ	HJ35 8120	HF85 8120
68 Ω	HJ35 4680	HF85 4680	150 KΩ	HJ35 8150	HF85 8150
82 Ω	HJ35 4820	HF85 4820	180 KΩ	HJ35 8180	HF85 8180
100 Ω	HJ35 5100	HF85 5100	220 KΩ	HJ35 8220	HF85 8220
110 Ω	HJ35 5110	HF85 5110	270 KΩ	HJ35 8270	HF85 8270
120 Ω	HJ35 5120	HF85 5120	330 KΩ	HJ35 8330	HF85 8330
150 Ω	HJ35 5150	HF85 5150	390 KΩ	HJ35 8390	HF85 8390
160 Ω	HJ35 5160	*	470 KΩ	HJ35 8470	HF85 8470
180 Ω	HJ35 5180	HF85 5180	560 KΩ	HJ35 8560	HF85 8560
220 Ω	HJ35 5220	HF85 5220	680 KΩ	HJ35 8680	HF85 8680
270 Ω	HJ35 5270	HF85 5270	820 KΩ	HJ35 8820	HF85 8820
330 Ω	HJ35 5330	HF85 5330	1.0 MΩ	HJ35 9100	HF85 9100
390 Ω	HJ35 5390	HF85 5390	1.2 MΩ	HJ35 9120	*
470 Ω	HJ35 5470	HF85 5470	1.5 MΩ	HJ35 9150	HF85 9150
510 Ω	*	HF85 5510	1.8 MΩ	HJ35 9180	HF85 9180
560 Ω	HJ35 5560	HF85 5560	2.2 MΩ	HJ35 9220	HF85 9220
680 Ω	HJ35 5680	HF85 5680	3.3 MΩ	HJ35 9330	HF85 9330
820 Ω	HJ35 5820	HF85 5820	3.9 MΩ	HJ35 9390	*
910 Ω	HJ35 5910	HF85 5910	4.7 MΩ	HJ35 9470	HF85 9470
1.0 KΩ	HJ35 6100	HF85 6100			
1.2 KΩ	HJ35 6120	HF85 6120			
1.5 KΩ	HJ35 6150	HF85 6150			
1.8 KΩ	HJ35 6180	HF85 6180			
2.0 KΩ	HJ35 6200	HF85 6200			
2.2 KΩ	HJ35 6220	HF85 6220			
2.4 KΩ	HJ35 6240	HF85 6240			
2.7 KΩ	HJ35 6270	HF85 6270			
3.0 KΩ	HJ35 6300	HF85 6300			
3.3 KΩ	HJ35 6330	HF85 6330			
3.6 KΩ	HJ35 6360	HF85 6360			
3.9 KΩ	HJ35 6390	HF85 6390			
4.7 KΩ	HJ35 6470	HF85 6470			
5.1 KΩ	HJ35 6510	HF85 6510			
5.6 KΩ	HJ35 6560	HF85 6560			
6.8 KΩ	HJ35 6680	HF85 6680			
8.2 KΩ	HJ35 6820	HF85 6820			
9.1 KΩ	HJ35 6910	HF85 6910			
10 KΩ	HJ35 7100	HF85 7100			
				<p><b>1/4W Type</b></p> <p>HJ35 ○○○○</p> 	<p><b>1/6W Type</b></p> <p>HF85 ○○○○</p> 