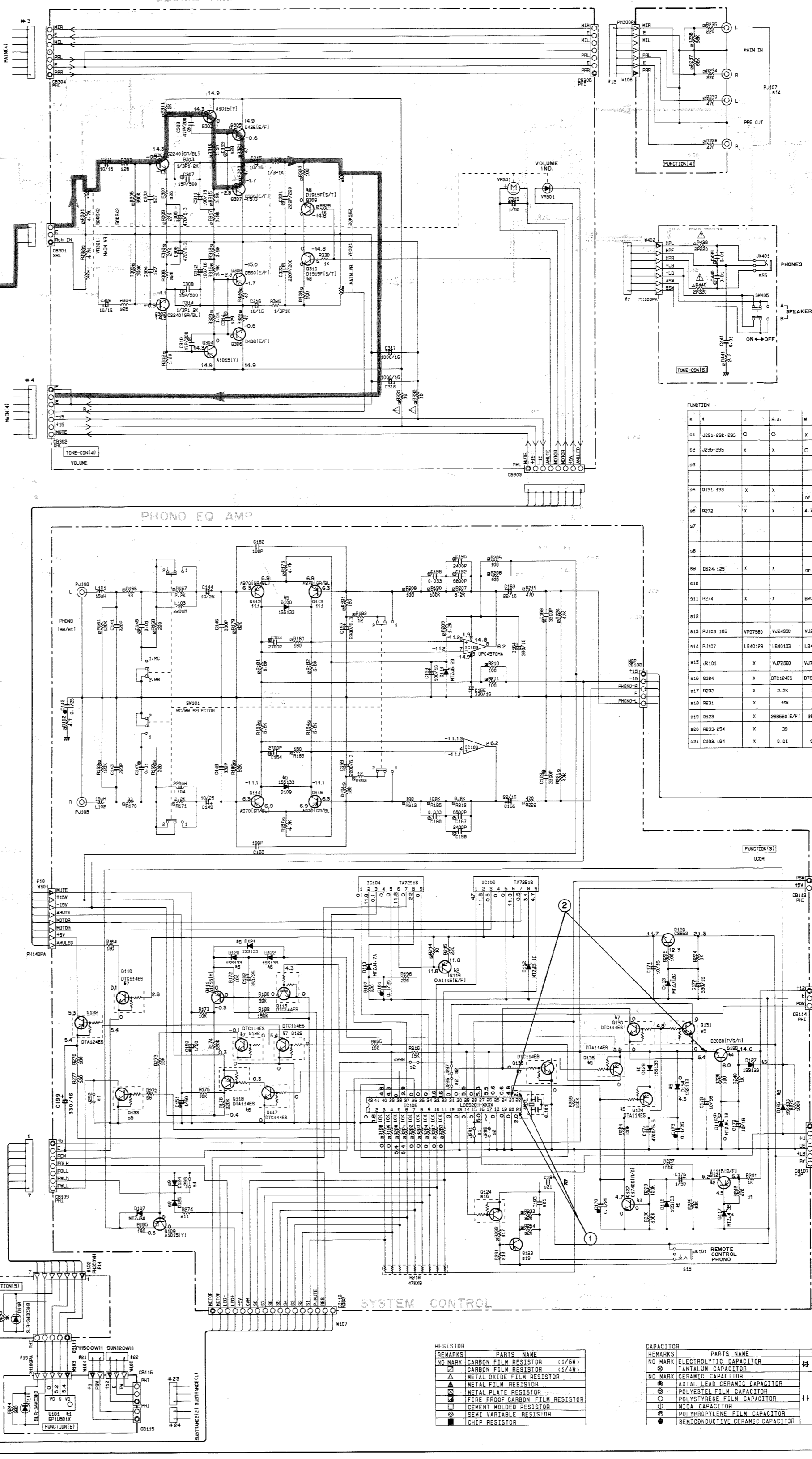
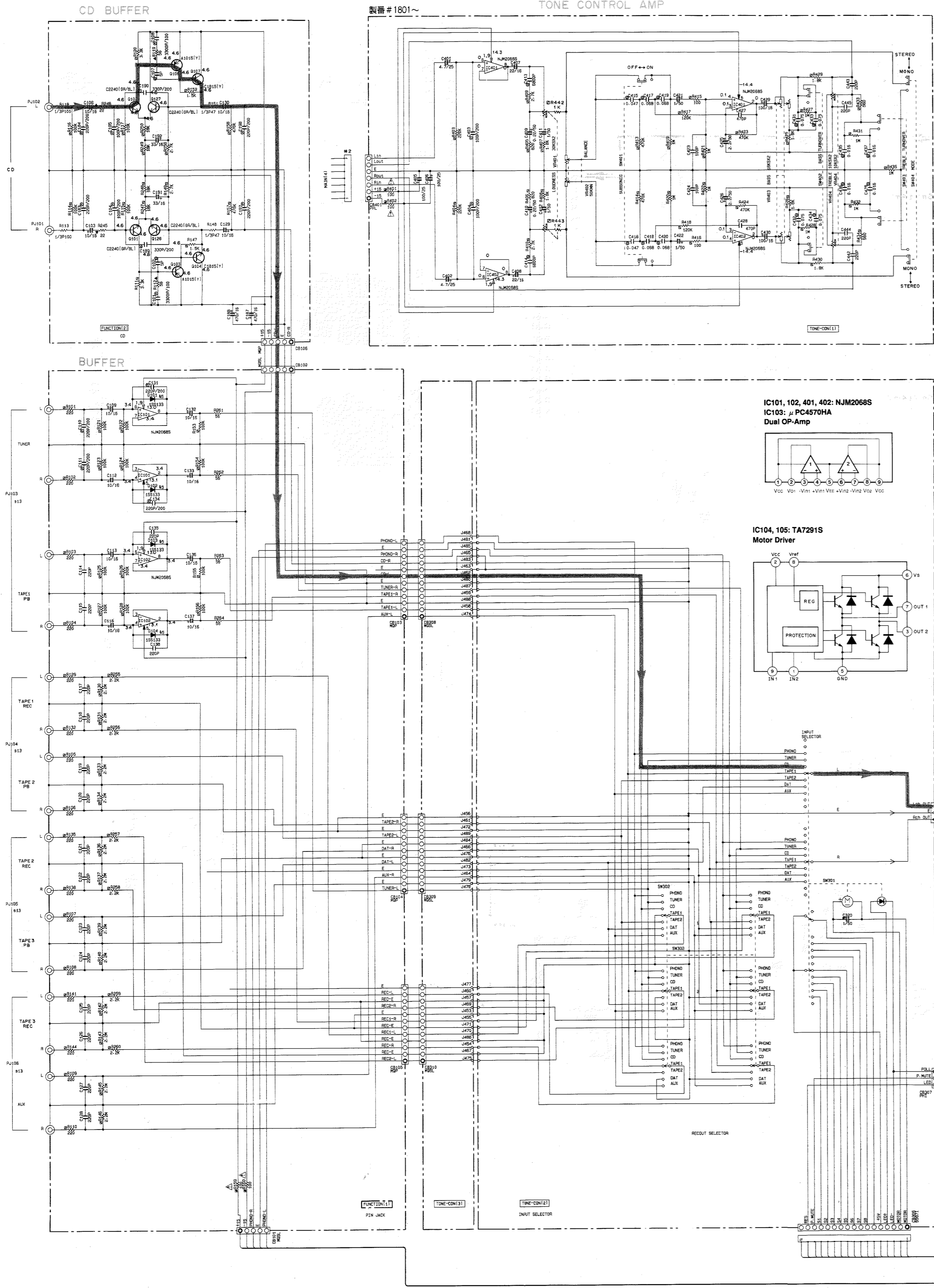


■ SCHEMATIC DIAGRAM (FUNCTION & TONE-CON)



Interchangeable Parts at Manufacture-Stage

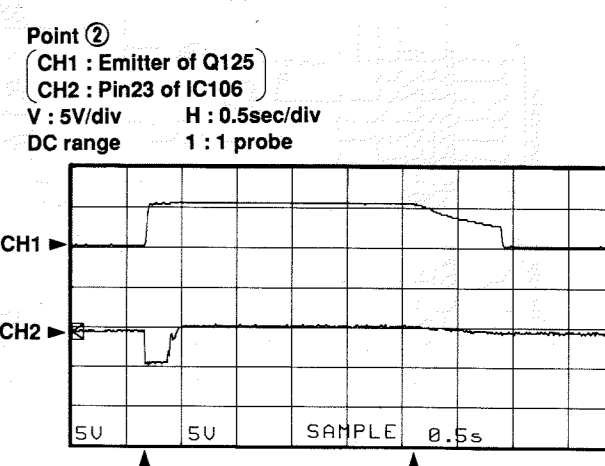
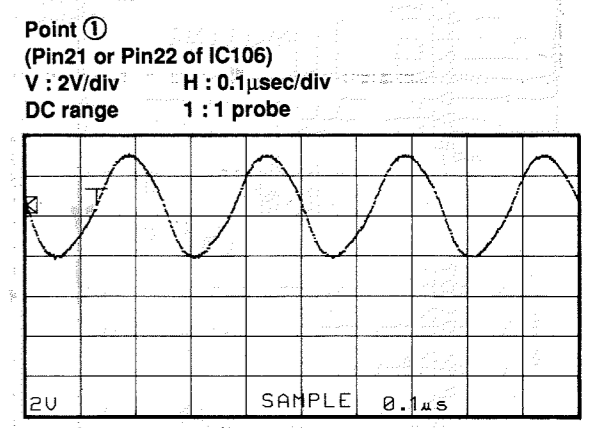
Part No.	Reference Part No.	Part Name
1	0105-011	0105-011
2	0105-021	0105-021
3	0105-030	0105-030
4	0105	0105
5	0105-104-108-109-114	0105-104-108-109-114
6	0105-100-102-108-109	0105-100-102-108-109
7	0105-134-135	0105-134-135
8	0105-108-109-120-130	0105-108-109-120-130
9	0105-310	0105-310

**PIN CONNECTION DIAGRAM OF TRANSISTORS, DIODES AND ICs.**

- 2SA470 (GR, BL)
- 2SA1015 (Y)
- 2SB560 (E, F)
- 2SC1815 (T)
- 2SA1008A (Q, R, S)
- 2SC1740S (R, S)
- 2SC2693 (E, F)
- DTA104ES
- DTA114ES
- UM111
- DT114ES
- UM4211
- DT124ES
- 2SC1911A (P, S, T)
- 2SC2878 (A, B)
- 2SC3852
- 1SS133
- H5S104TD
- MTZ104A
- MTZ44-5B
- MTZ147A
- MTZ151C
- MTZ16-2B
- MTZ1212.0C
- NUM2068S
- μPC4570HA
- TA7291S
- LC6520H

FUNCTION

F	T	D	O	X	Y	100	1000	10000
01	0	0	0	0	0	0	0	0
02	0	0	0	0	0	0	0	0
03	0	0	0	0	0	0	0	0
04	0	0	0	0	0	0	0	0
05	0	0	0	0	0	0	0	0
06	0	0	0	0	0	0	0	0
07	0	0	0	0	0	0	0	0
08	0	0	0	0	0	0	0	0
09	0	0	0	0	0	0	0	0
10	0	0	0	0	0	0	0	0
11	0	0	0	0	0	0	0	0
12	0	0	0	0	0	0	0	0
13	0	0	0	0	0	0	0	0
14	0	0	0	0	0	0	0	0
15	0	0	0	0	0	0	0	0
16	0	0	0	0	0	0	0	0
17	0	0	0	0	0	0	0	0
18	0	0	0	0	0	0	0	0
19	0	0	0	0	0	0	0	0
20	0	0	0	0	0	0	0	0
21	0	0	0	0	0	0	0	0
22	0	0	0	0	0	0	0	0
23	0	0	0	0	0	0	0	0
24	0	0	0	0	0	0	0	0
25	0	0	0	0	0	0	0	0
26	0	0	0	0	0	0	0	0
27	0	0	0	0	0	0	0	0
28	0	0	0	0	0	0	0	0
29	0	0	0	0	0	0	0	0
30	0	0	0	0	0	0	0	0
31	0	0	0	0	0	0	0	0
32	0	0	0	0	0	0	0	0
33	0	0	0	0	0	0	0	0
34	0	0	0	0	0	0	0	0
35	0	0	0	0	0	0	0	0
36	0	0	0	0	0	0	0	0
37	0	0	0	0	0	0	0	0
38	0	0	0	0	0	0	0	0
39	0	0	0	0	0	0	0	0
40	0	0	0	0	0	0	0	0
41	0	0	0	0	0	0	0	0
42	0	0	0	0	0	0	0	0



With the POWER switch turned ON, connect the power cord to the AC outlet.  
Disconnect the power cord from the AC outlet.  
(This waveform is not available by pushing the power switch ON and OFF.)

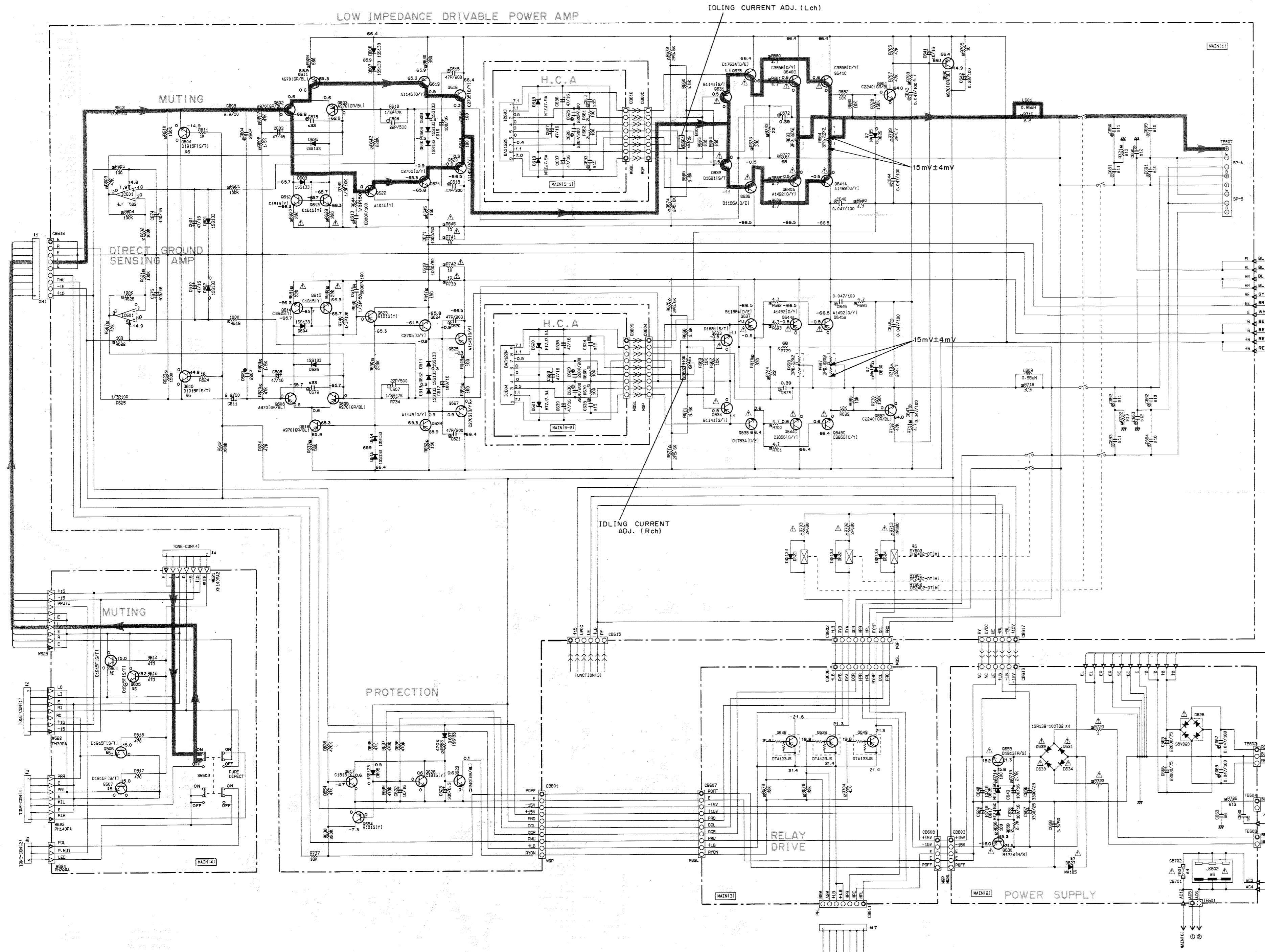
- Conditions**
- FUNCTION → CD
  - REC OUT → CD
  - SPEAKERS → A: ON
  - VOLUME → minimum (∞)

**Selector Position Data (INPUT)**

IC106 PIN NO.	FUNCTION
3	PHONO
4	TUNER
5	CD
6	TAPE 1
7	TAPE 2
8	AUX
9	TAPE 3
10	TAPE 3

All voltage are measured with a 10MΩ/V DC electric volt meter.  
Components having special characteristics are marked with a triangle and should be replaced with parts having specifications equal to those originally installed.  
Schematic diagram is subject to change without notice.

SCHEMATIC DIAGRAM (MAIN & SUB-TRANS)



MAIN					SUB-TRN				
Part No.	Part Name	QTY	Remarks	Part No.	Part Name	QTY	Remarks		
R1	F652	1	5.0A250V	R101	CR01-002	1	10/18		
R2	CB703-CB704	2	LS50188	R102	CR0710/P/1	1	X		
R3	SW650	1	V850180	R103	X	1	X		
R4	FD01	1	10A250V	R104	X	1	X		
R5	CB80	1	X	R105	X	1	X		
R6	JK502	1	V130750	R106	X	1	X		
R7	CB69	1	X	R107	X	1	X		
R8	TE604	1	X	R108	X	1	X		
R9	CB59	1	X	R109	X	1	X		
R10	CB58	1	X	R110	X	1	X		
R11	CB57	1	X	R111	X	1	X		
R12	CB56	1	X	R112	X	1	X		
R13	R721-722-726	3	X	R113	X	1	X		
R14	CB55	1	X	R114	X	1	X		
R15	CB54	1	X	R115	X	1	X		

RESISTOR

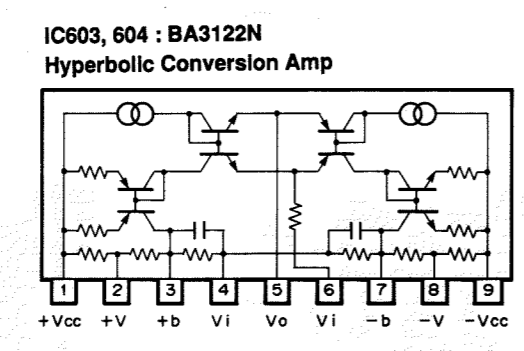
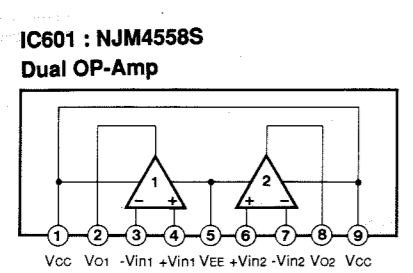
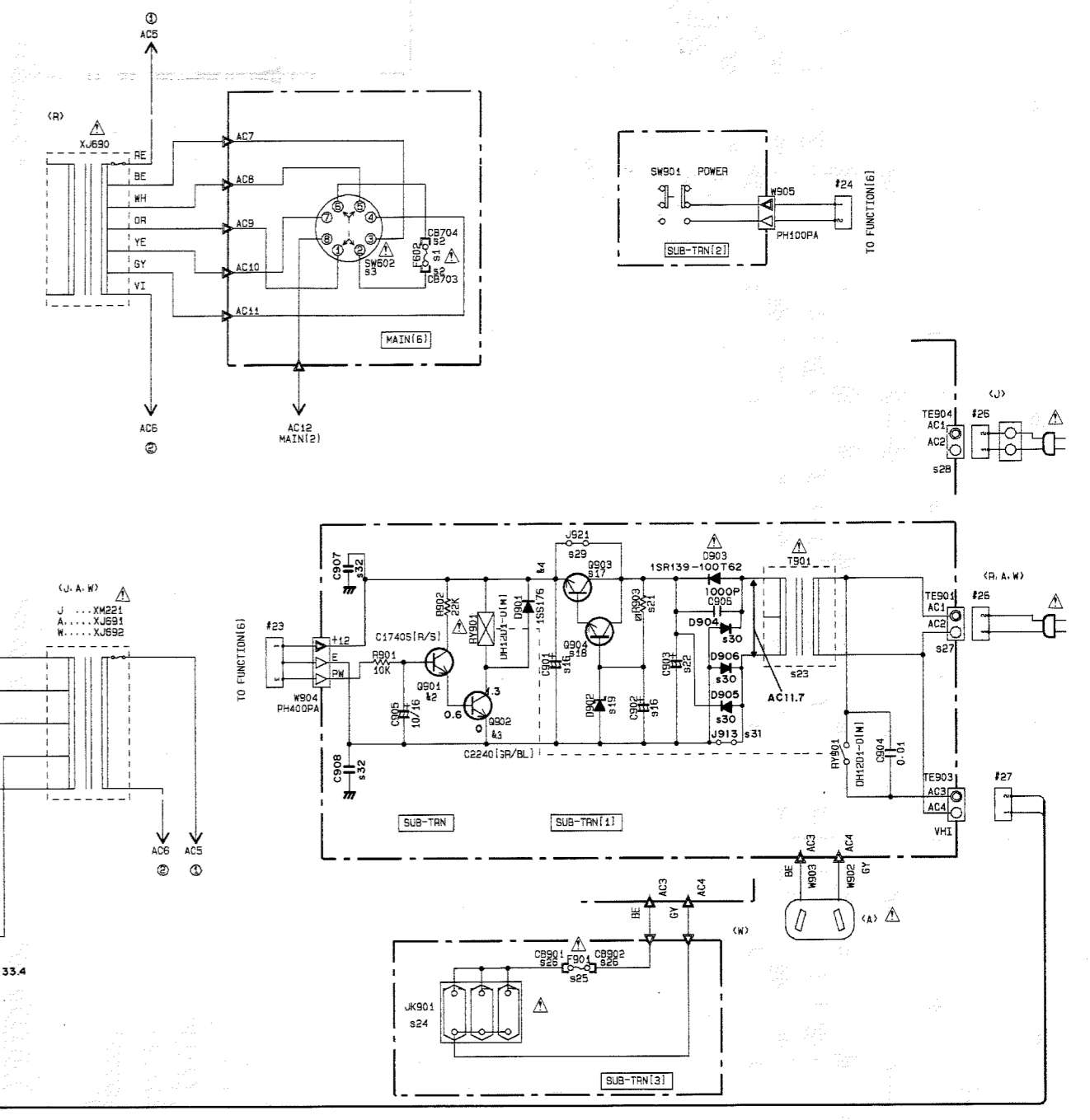
REMARKS	PARTS NAME
NO MARK	CARBON FILM RESISTOR (1/2W)
△	CARBON FILM RESISTOR (1/4W)
□	METAL OXIDE FILM RESISTOR
○	METAL FILM RESISTOR
◇	METAL PLATE RESISTOR
●	FINE PROF CARBON FILM RESISTOR
○	CEMENT WOUND RESISTOR
◇	SEMI-VARIABLE RESISTOR
■	CHIP RESISTOR

CAPACITOR

REMARKS	PARTS NAME
NO MARK	ELECTROLYTIC CAPACITOR
○	TANTALUM CAPACITOR
NO MARK	CERAMIC CAPACITOR
●	AXIAL LEAD CERAMIC CAPACITOR
○	POLYESTER FILM CAPACITOR
○	POLYSTYRENE FILM CAPACITOR
○	MICA CAPACITOR
○	POLYPROPYLENE FILM CAPACITOR
●	SEMICONDUCTIVE CERAMIC CAPACITOR

Interchangeable Parts at Manufacture Stage

Mark	Interchange Parts Number	Parts Name
R1	0901	28C1740B16/1
R2	0902	28C200816/1
R3	0903	28C204016/1
R4	0904	28C208016/1
R5	0905	28C212016/1
R6	0906	28C216016/1
R7	0907	28C220016/1



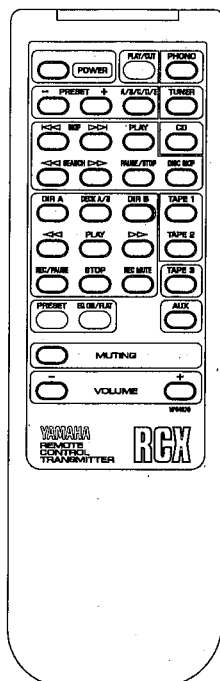
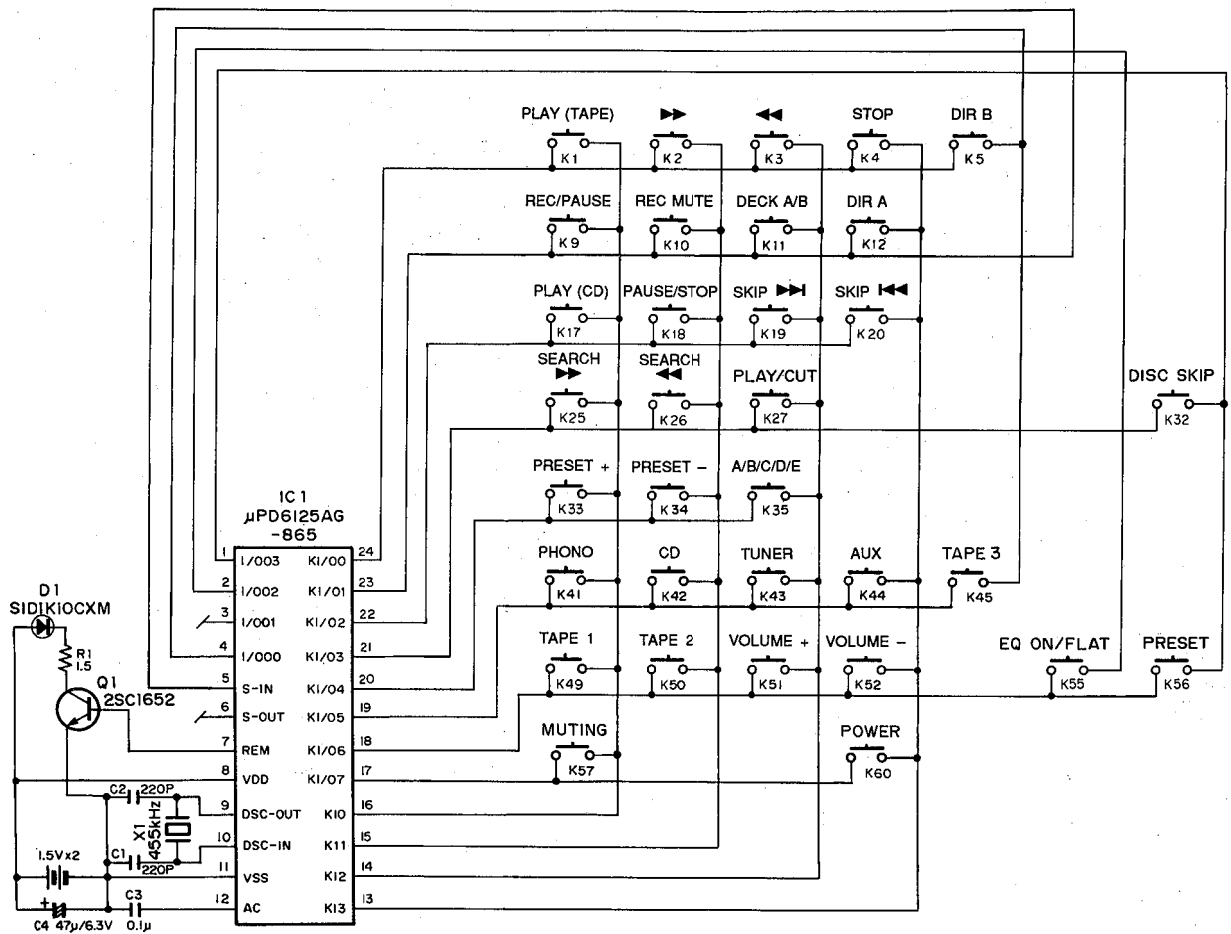
PIN CONNECTION DIAGRAM OF TRANSISTORS, DIODES AND ICs.

2SC1745B(R,S) 2SC2605(E,F) 2SC331A(Q,R,S) 2SD1815(B,T) 2SC2878(A,B) DTA123LS	2SC2246(R,BL) 2SC2206(S,T) 2SA970(GR,BL) 2SA1015(V) 2SA1145(O,Y) 2SC1815(V) 2SC2726(O,Y)	2SC2577(O,P,Y) 2SA1492(O,Y) 2SC3856(O,Y)	2SB1274(R,S) 2SB1186A(D,E) MA105 2SD1913(R,S) 2SD1763A(D,E)	2SB1141(S,T) 2SD1681(S,T)	ISS176 ISS133 ISR139-100 MA105 ISS146 MTZ17.5A MTZ17.5A MTZ16.0C	SSV620	NJM4558S	BA3122N
---	--	--	---	------------------------------	---	--------	----------	---------

All voltage are measured with a 10MΩ/V DC electric volt meter.  
Components having special characteristics are marked △ and must be replaced with parts having specifications equal to those originally installed.  
Schematic diagram is subject to change without notice.

# REMOTE CONTROL TRANSMITTER

## ■ SCHEMATIC DIAGRAM



Key No.	CUSTOM (HEX)	DATA (HEX)	FUNCTION	Key No.	CUSTOM (HEX)	DATA (HEX)	FUNCTION
1	7A	00	PLAY (TAPE)	33	7A	10	PRESET + (TUNER)
2	7A	01	◀◀ (TAPE)	34	7A	11	PRESET - (TUNER)
3	7A	02	▶▶ (TAPE)	35	7A	12	A/B/C/D/E (TUNER)
4	7A	03	STOP (TAPE)	41	7A	14	PHONO (INPUT)
5	7A	40	DIR B (TAPE)	42	7A	15	CD (INPUT)
9	7A	04	REC/PAUSE (TAPE)	43	7A	16	TUNER (INPUT)
10	7A	05	REC MUTE (TAPE)	44	7A	17	AUX (INPUT)
11	7A	06	DECK A/B (TAPE)	45	7A	54	TAPE 3 (INPUT)
12	7A	07	DIR A (TAPE)	49	7A	18	TAPE 1 (INPUT)
17	7A	08	PLAY (CD)	50	7A	19	TAPE 2 (INPUT)
18	7A	09	PAUSE/STOP (CD)	51	7A	1A	VOLUME +
19	7A	0A	SKIP ▶▶ (CD)	52	7A	1B	VOLUME -
20	7A	0B	SKIP ◀◀ (CD)	55	7A	5A	EQ ON/FLAT (EQ)
25	7A	0C	SEARCH ▶▶ (CD)	56	7A	5B	PRESET (EQ)
26	7A	0D	SEARCH ◀◀ (CD)	57	7A	1C	MUTING
27	7A	0E	PLAY/CUT (PHONO)	60	7A	1F	POWER
32	7A	4F	DISC SKIP (CD)				