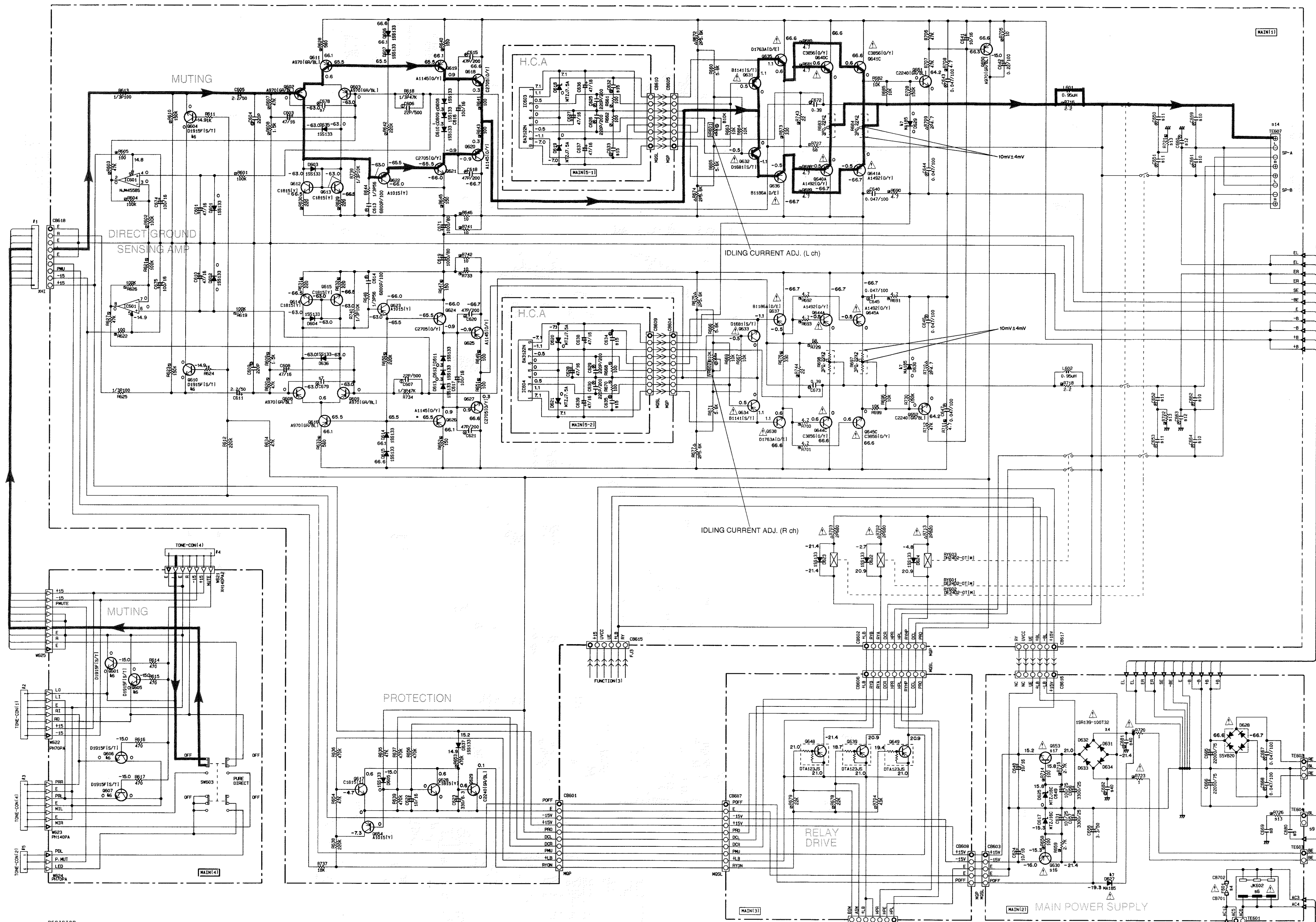


SCHEMATIC DIAGRAM (MAIN & SUB-TRANS)

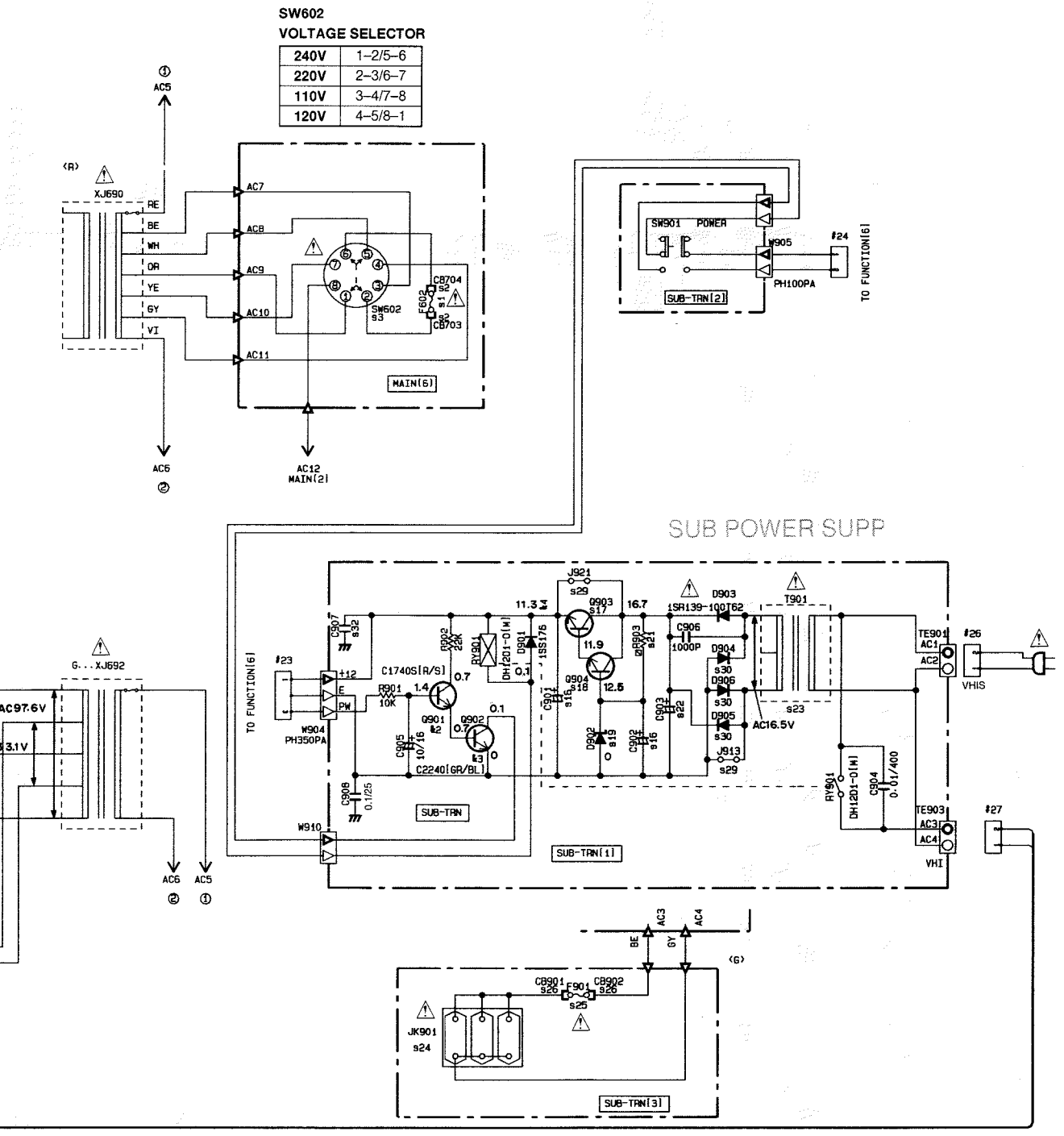
LOW IMPEDANCE DRIVABLE POWER AMP



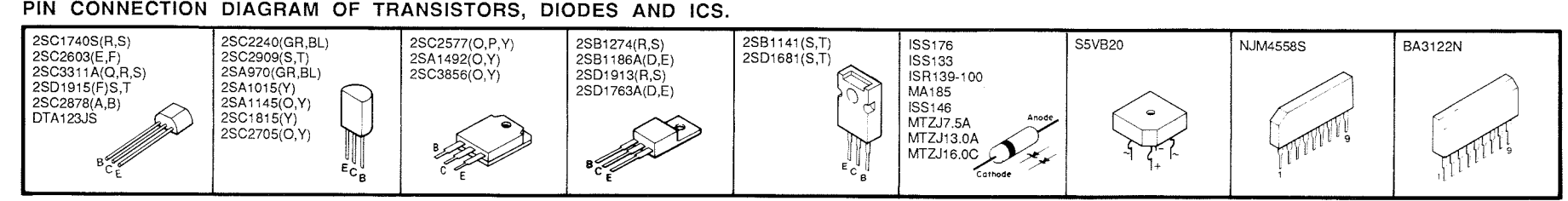
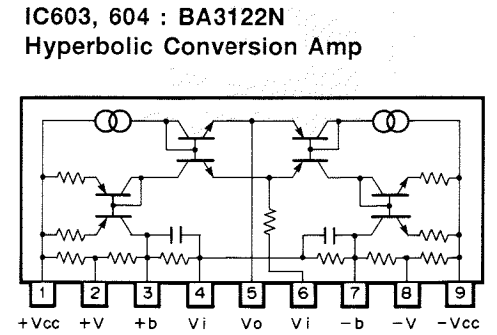
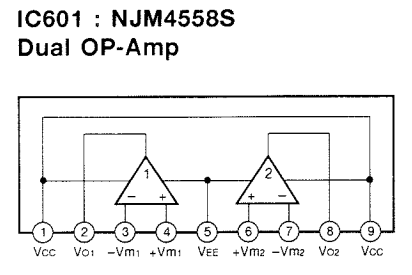
R	S	R	S
R1	F503	5.0A250V	X
R2	C810A	CB704	X
R3	D8023	1A6B100	X
R4	F501	10A250V	S TS-6A250V
R5	C800	X	0.01
R6	J8002	Y130750	X
R7	C878-879	47P/200	200P/200
R8	C869	X	0.022
R9	T8004	X	LA00211
R10	C859-861-862-864	X	0.015P/100
R11	C850-853	X	2500P/100
R12	C860-863	X	0.033P/100
R13	S721-722-726	X	2.2
R14	T8007	VL30010	VL50020
R15	Q630	812741(S,T)	812741(S,T)
R17	Q653	015131(S,T)	015131(S,T)
R40	C801-802	X	0.1
S1	Q901-902	10/16	X
S17	Q603	C87710(P,T)	X
S18	Q604	25C1401(S,T)	X
S19	Q602	25C1141(S,T)	X
S21	Q602	MTZ1A3A	X
S22	Q603	11K	X
S23	Q603	220/43	475/25
S24	Q601	X	X
S25	Q601	X	VP72860
S26	Q601-902	X	2.5A250V
S27	Q601-902	X	LB00188
S29	Q613-921	X	O
S30	Q604-906	18R13P-100T32	X
S31	Q607	X	0.1/25
S33	Q607	X	0.1
S34	Q607	X	0.1

Interchangeable Parts at Manufacture Stage

Mark	Interference Parts Number	Parts Name
S1		
S2	Q901	25C17401(S,T)
S3	Q902	25C20031(S,T)
S4	Q901	15S176
S5		15S133
S6	Q501-504-507-510	25D1915P(S,T)
S7	Q507-505-500	MA185
		15S145



REMARKS	PARTS NAME	REMARKS	PARTS NAME
NO MARK	CARBON FILM RESISTOR (P-5)	NO MARK	ELECTROLYTIC CAPACITOR
□	CARBON FILM RESISTOR (P-10)	□	TANTALUM CAPACITOR
△	METAL OXIDE FILM RESISTOR	NO MARK	CERAMIC CAPACITOR
▲	METAL FILM RESISTOR	◎	CERAMIC TUBULAR CAPACITOR
◇	METAL PLATE RESISTOR	⊙	POLYESTER FILM CAPACITOR
○	FIRE PROOF CARBON FILM RESISTOR	○	POLYSTYRENE FILM CAPACITOR
□	CEMENT MOLDED RESISTOR	⊖	MICA CAPACITOR
■	SEMI-VARIABLE RESISTOR	⊕	POLYPROPYLENE FILM CAPACITOR
■	CHIP RESISTOR	●	SEMICONDUCTIVE CERAMIC CAPACITOR



All voltage are measured with a 10MΩ/V DC electric volt meter.
Components having special characteristics are marked △ and must be replaced with parts having specifications equal to those originally installed.
Schematic diagram is subject to change without notice.