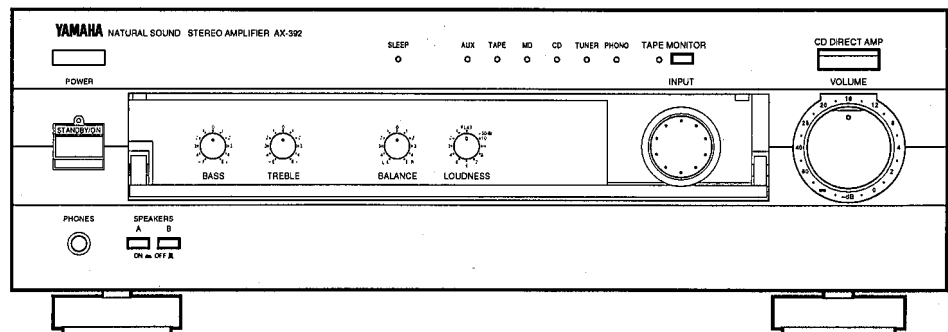
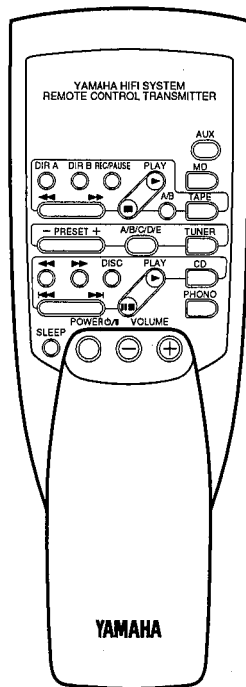


STEREO AMPLIFIER AX-392

SERVICE MANUAL



IMPORTANT NOTICE

This manual has been provided for the use of authorized YAMAHA Retailers and their service personnel. It has been assumed that basic service procedures inherent to the industry, and more specifically YAMAHA Products, are already known and understood by the users, and have therefore not been restated.

WARNING: Failure to follow appropriate service and safety procedures when servicing this product may result in personal injury, destruction of expensive components, and failure of the product to perform as specified. For these reasons, we advise all YAMAHA product owners that any service required should be performed by an authorized YAMAHA Retailer or the appointed service representative.

IMPORTANT: The presentation or sale of this manual to any individual or firm does not constitute authorization, certification or recognition of any applicable technical capabilities, or establish a principle-agent relationship of any form.

The data provided is believed to be accurate and applicable to the unit(s) indicated on the cover. The research, engineering, and service departments of YAMAHA are continually striving to improve YAMAHA products. Modifications are, therefore, inevitable and specifications are subject to change without notice or obligation to retrofit. Should any discrepancy appear to exist, please contact the distributor's Service Division.

WARNING: Static discharges can destroy expensive components. Discharge any static electricity your body may have accumulated by grounding yourself to the ground buss in the unit (heavy gauge black wires connect to this buss).

IMPORTANT: Turn the unit OFF during disassembly and part replacement. Recheck all work before you apply power to the unit.

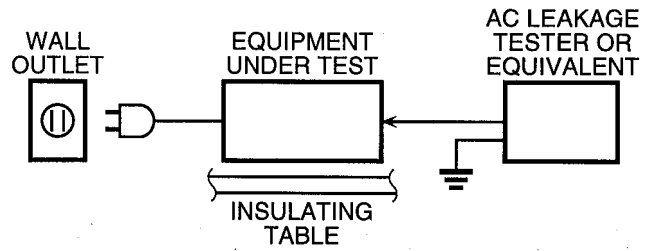
CONTENTS

TO SERVICE PERSONNEL	1
REMOTE CONTROL PANEL	1
REAR PANELS	2
SPECIFICATIONS	3
INTERNAL VIEW	4
DISASSEMBLY PROCEDURES	4
BLOCK DIAGRAM	5

ADJUSTMENTS	6
μ-COM DATA	6
PRINTED CIRCUIT BOARD	7-11
SCHEMATIC DIAGRAM	12-13
PARTS LIST	14-24
REMOTE CONTROL TRANSMITTER	25

■ TO SERVICE PERSONNEL

1. Critical Components Information.
Components having special characteristics are marked Δ and must be replaced with parts having specifications equal to those originally installed.
2. Leakage Current Measurement (For 120V Models Only).
When service has been completed, it is imperative to verify that all exposed conductive surfaces are properly insulated from supply circuits.
 - Meter impedance should be equivalent to 1500 ohm shunted by 0.15 μ F.
 - Leakage current must not exceed 0.5mA.
 - Be sure to test for leakage with the AC plug in both polarities.



WARNING: CHEMICAL CONTENT NOTICE!

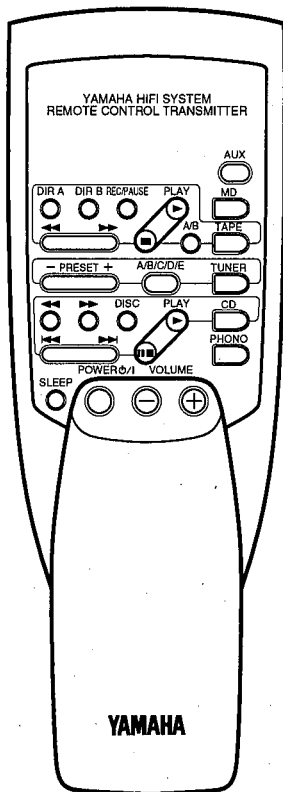
The solder used in the production of this product contains LEAD. In addition, other electrical/electronic and /or plastic (where applicable) components may also contain traces of chemicals found by the California Health and Welfare Agency (and possibly other entities) to cause cancer and/or birth defects or other reproductive harm.

DO NOT PLACE SOLDER, ELECTRICAL/ELECTRONIC OR PLASTIC COMPONENTS IN YOUR MOUTH FOR ANY REASON WHATSOEVER!

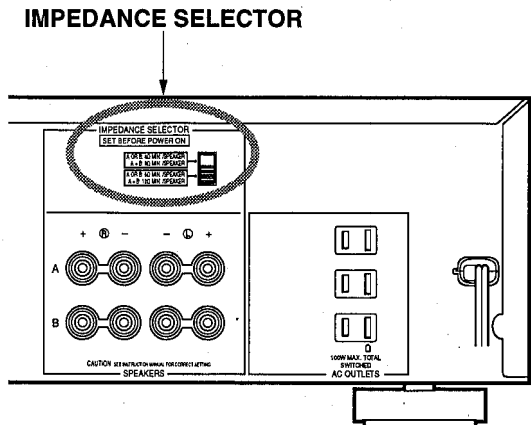
Avoid prolonged, unprotected contact between solder and your skin! When soldering, do not inhale solder fumes or expose eyes to solder/flux vapor!

If you come in contact with solder or components located inside the enclosure of this product, wash your hands before handling food.

■ REMOTE CONTROL PANEL

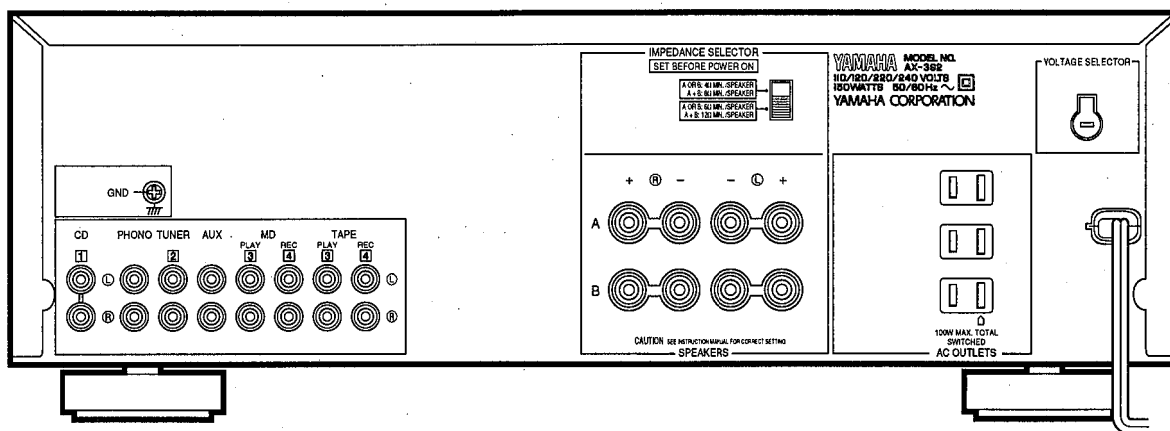


WARNING:
Do not change the IMPEDANCE SELECTOR switch setting while the power to this unit is on, otherwise this unit may be damaged.

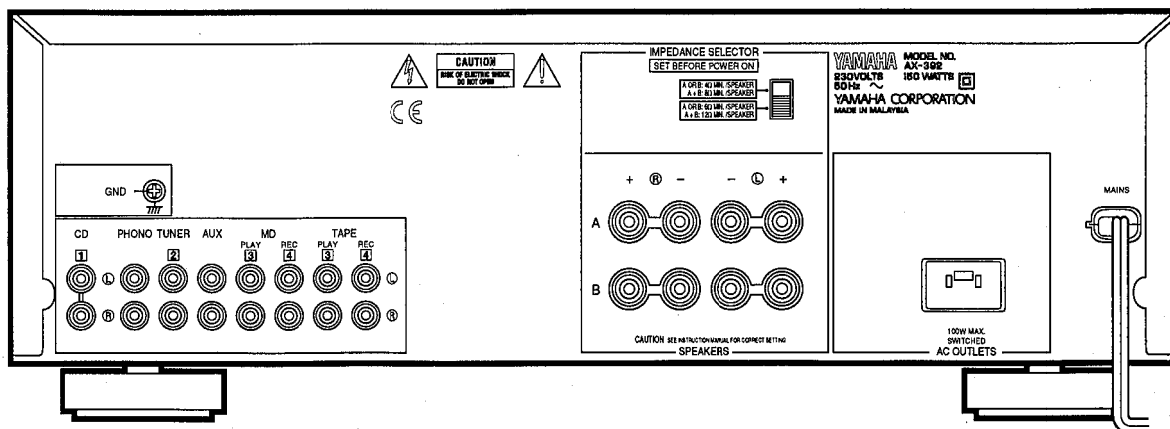


REAR PANELS

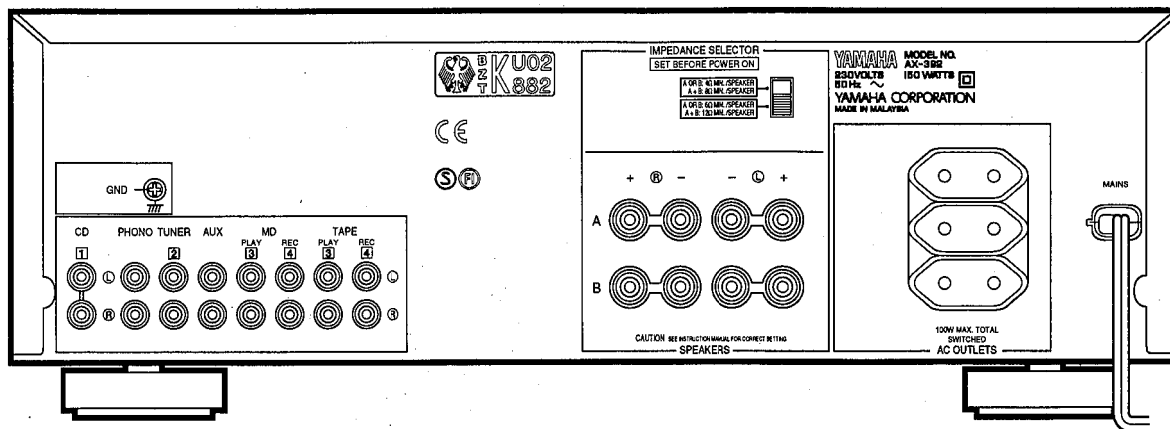
R, T models



B model



G model



SPECIFICATIONS

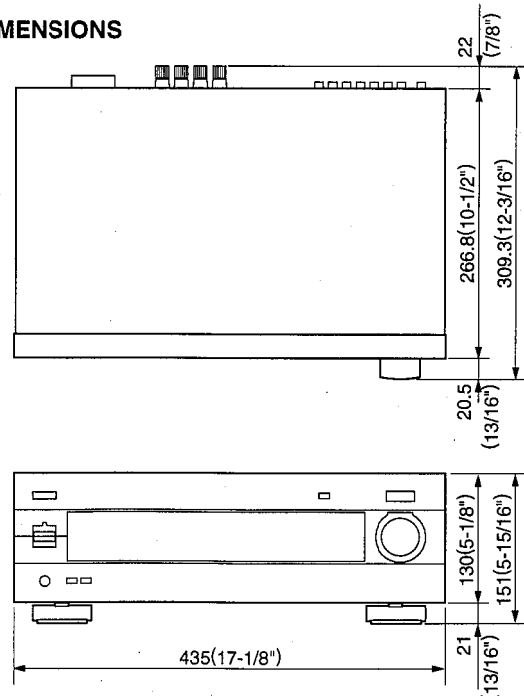
Minimum RMS Output Power per Channel		
20Hz to 20kHz, 0.04% THD, 8Ω	60W+60W	
20Hz to 20kHz, 0.08% THD, 6Ω	70W+70W	
Dynamic Power per Channel (IHF)		
8/6/4/2Ω	100/120/140/150W	
DIN Standard Output Power per Channel		
1kHz, 0.7% THD, 4Ω (G, B models only)	95W	
IEC Power		
1kHz, 0.04% THD 8Ω (G, B models only)	75W	
Power Band Width		
0.1% THD, 30W, 8Ω	10Hz to 50kHz	
Damping Factor		
20Hz to 20kHz, 8Ω	100 or more	
Maximum Power (EIAJ)		
1kHz, 10% THD, 6Ω (R, T models only)	110W	
Input Sensitivity / Impedance		
PHONO	2.5mV / 47kΩ	
CD etc.	150mV / 47kΩ	
Maximum Input Signal Level		
PHONO, 1kHz, 0.04% THD	90mV	
Output Level / Impedance		
REC OUT	150mV / 1kΩ	
Headphone Jack Rated Output / Impedance		
0.04% THD, RL=8Ω	0.31V / 560Ω	
Frequency Response		
20Hz to 20kHz, CD etc.	0±0.5dB	
RIAA Equalization Deviation		
PHONO	±0.5dB	
Tortal Harmonic Distortion		
PHONO to REC OUT, 1V	0.02%	
CD etc. to SP OUT, 30W/8Ω	0.02%	
Signal to Nise Ratio (IHF-A-Network)		
PHONO, 5mV Input Shorted	82dB	
CD DIRECT AMP ON, Shorted	108dB	
Residual Noise (IHF-A-Network)		
CD DIRECT AMP ON	35μV	
CD DIRECT AMP OFF	100μV	
Channel Separation		
CD etc. Input 5.1kΩ Terminated, 1kHz	60dB	
Tone Control Characteristics		
BASS: Boost/cut	±10dB (20Hz)	
Turnover Frequency	350Hz	
TREBLE: Boost/cut	±10dB (20kHz)	
Turnover Frequency	3.5kHz	

Continuous Loudness Control		
Attenuation (Level related equalization)		-30dB (1kHz)
Power Supply		
R, T models	AC110/120/220/240V, 50/60Hz	
B, G models	AC230V, 50Hz	
Power Consumption		
R, T models	150W	
B, G models	150W	
AC Outlet (Switched)		
R, T, G models	100W Max x 3	
B model	100W Max x 1	
Dimensions (W x H x D)		
	435 x 151 x 309.3mm (17-1/8" x 5-15/16" x 12-3/16")	
Weight		
	7.6 kg (16lbs 12oz)	

* Specifications subject to change without notice.

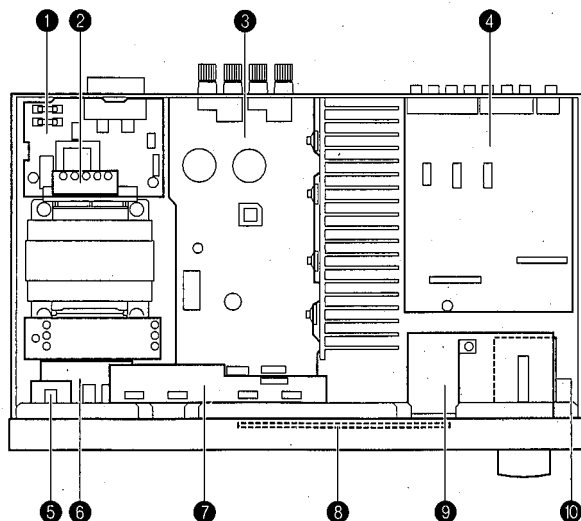
R General model T China model
 B British model G European model

DIMENSIONS



Unit : mm (inch)

INTERNAL VIEW



- ① MAIN P.C.B. (2)
- ② FUNCTION P.C.B. (10)
- ③ MAIN P.C.B. (1)
- ④ FUNCTION P.C.B. (1)
- ⑤ FUNCTION P.C.B. (8)
- ⑥ MAIN P.C.B. (3)
- ⑦ FUNCTION P.C.B. (4)
- ⑧ FUNCTION P.C.B. (5)
- ⑨ FUNCTION P.C.B. (2)
- ⑩ FUNCTION P.C.B. (3)

DISASSEMBLY PROCEDURES

(Remove parts in the order as numbered.)

1. Removal of Top Cover

Remove 4 screws (①) and 4 screws (②) in Fig. 1.

2. Removal of Front Panel

a. Remove 6 screws (③) in Fig. 1.

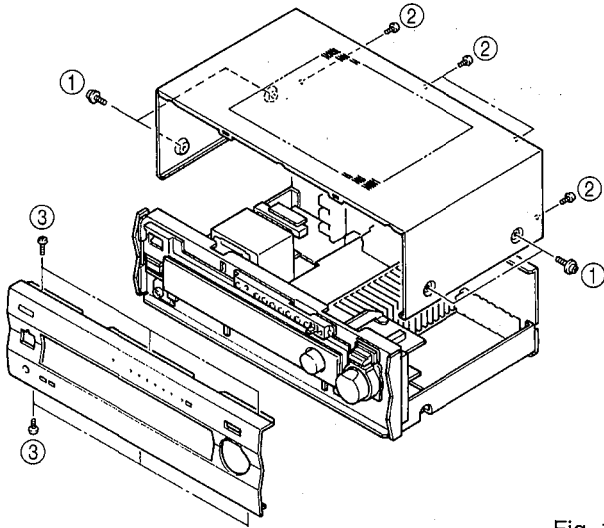


Fig. 1

3. Checking and Parts Replacement of P.C.B. MAIN (1)

- Disconnect the power cord from the AC outlet.
- Remove 5 screws (④) fixing the Speaker terminal, Impedance Selector and Heat Sink in Fig. 2.
- Remove 3 screws (⑤) fixing the Main Unit in Fig. 3.
- Detach connector terminal (CB104) in Fig. 3.
- Operating checks can be taken by shorting between following test points in Fig. 3.

Short Point
TP101 and TP102
TP103 and TP104
TP105 and TP106

- Place the Main Unit on its side as shown in Fig. 4.
- Connect the power cord and turn ON the POWER switch.

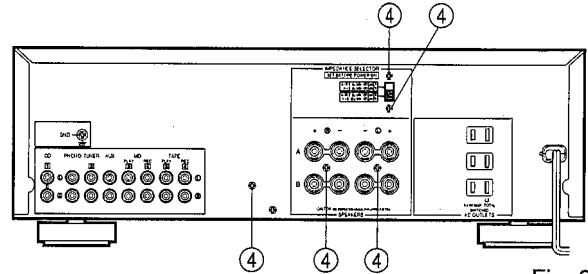


Fig. 2

ADJUSTMENTS

Confirmation of Idling Current

- Right after power is turned on, confirm that the voltage across the terminals of R137 (L ch) and R138 (R ch) are between 0.1mV to 5mV.
- If it exceeds 5.1mV, open (cut off) R131 (L ch), R132 (L ch) and reconfirm the voltage.

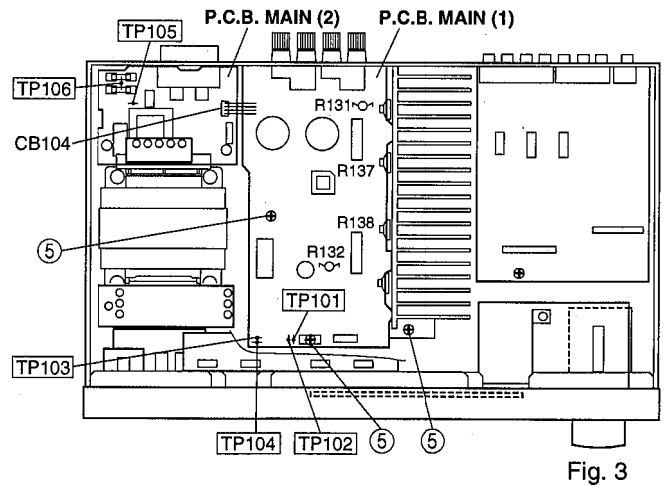
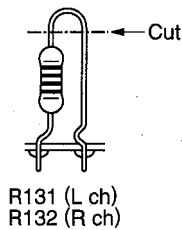
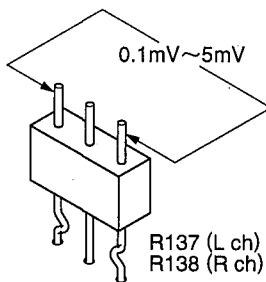


Fig. 3

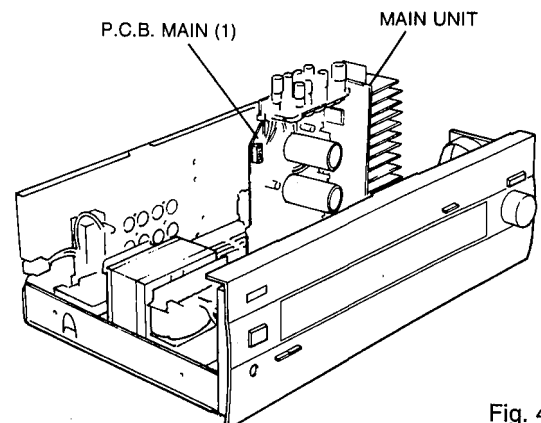
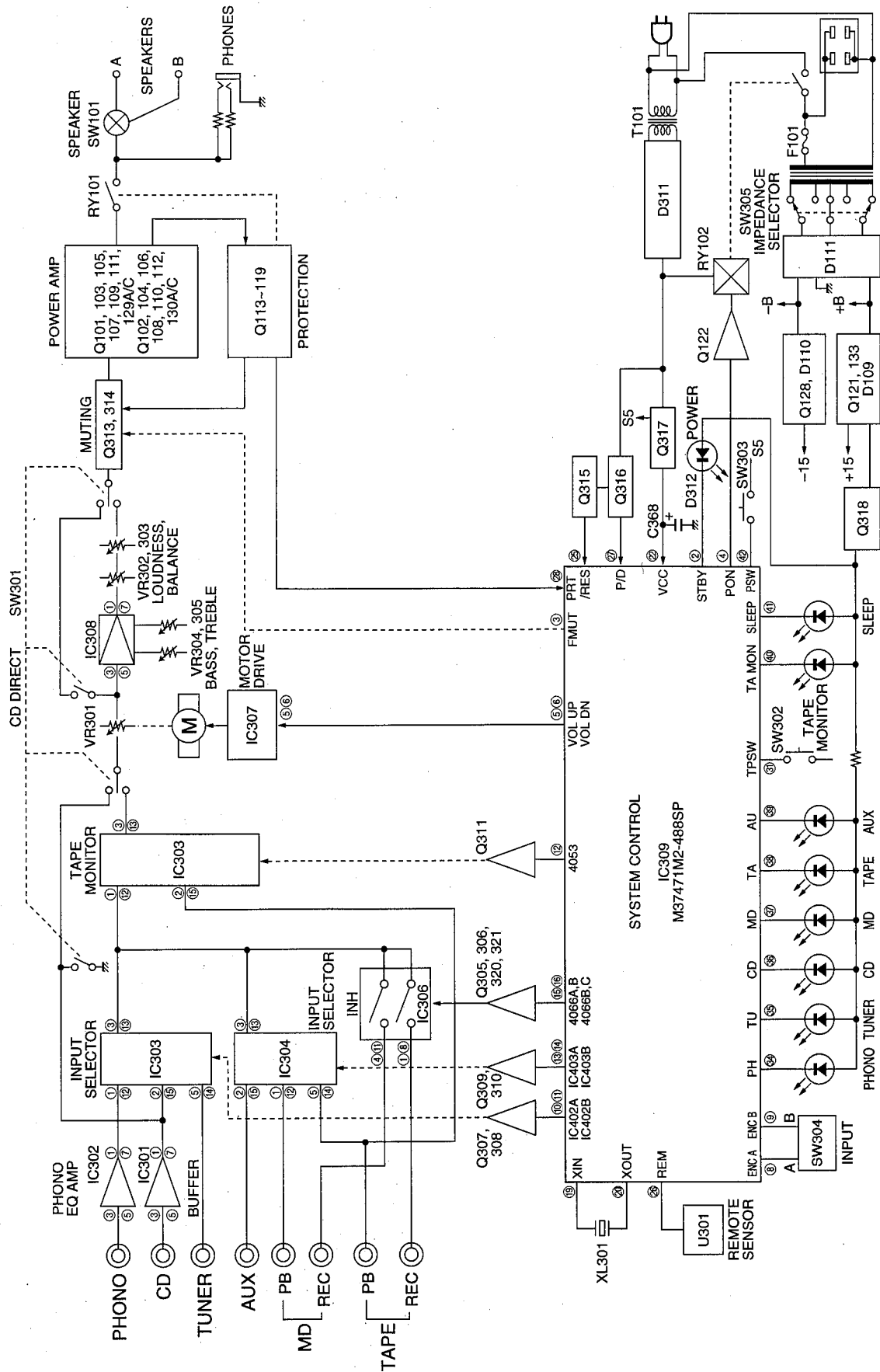


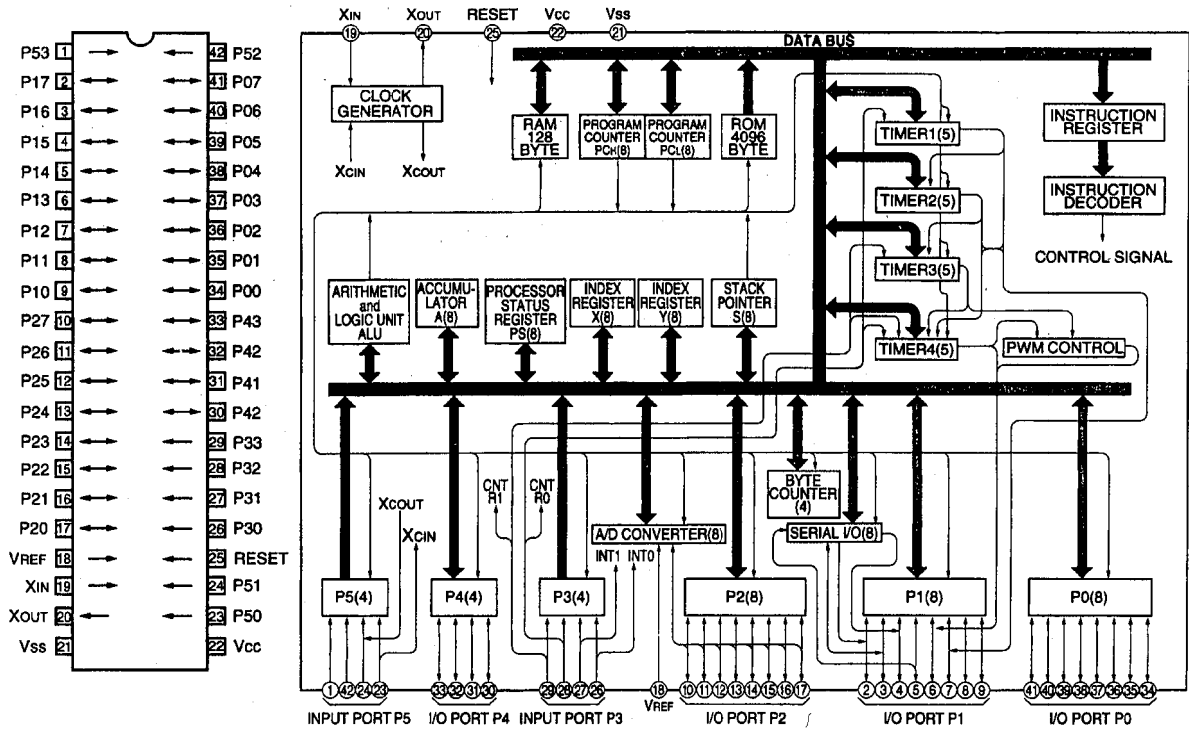
Fig. 4

BLOCK DIAGRAM



μ-COM DATA

IC309 : M37471M2-488SP 4 bit μ-COM

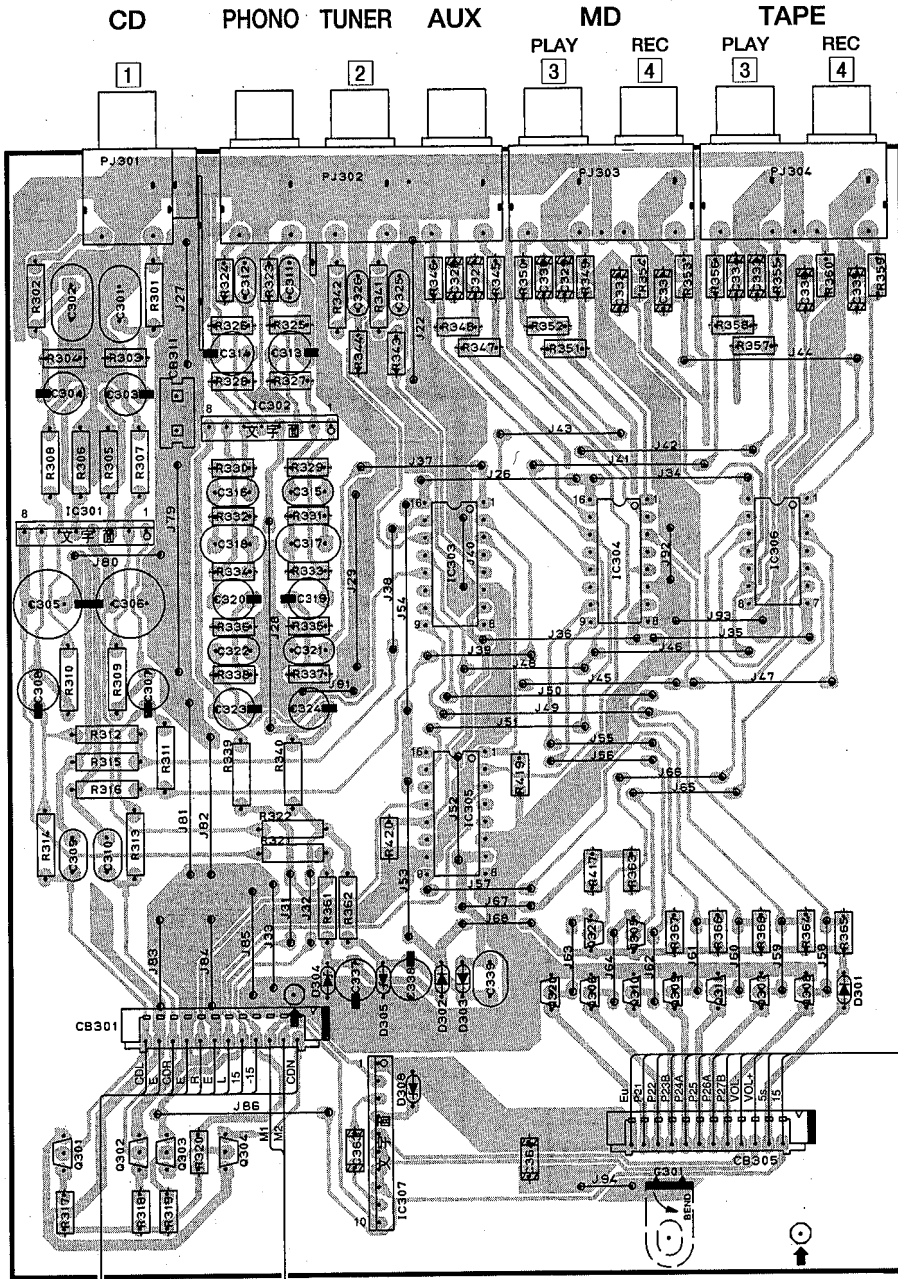


No.	Port	I/O	Function	Logic
1	P53	O	GND	
2	P17	O	Standby (POWER LED)	L:ON
3	P16	O	Full Mute	L:ON
4	P15	O	Outlet Relay ON	H:ON
5	P14	O	Main Volume (Up)	
6	P13	O	Main Volume (Down)	
7	P12		NC	
8	P11	I	Rotary Encoder (SW501,A)	
9	P10	I	Rotary Encoder (SW501,B)	
10	P27	I	Input Selector (IC402,B)	
11	P26	I	Input Selector (IC402,A)	
12	P25	I	TAPE Selector (4053)	
13	P24	I	TAPE/AUX Selector (IC403,A)	
14	P23	I	TAPE/AUX Selector (IC403,B)	
15	P22	O	MD Rec Out Prohibit (4066,A/D)	L: prohibit
16	P21	O	TAPE Rec Out Prohibit (4066,B/C)	L: prohibit
17	P20	O	NC	
18	VREF	I	A/D Voltage	
19	XIN	I	Clock (4MHz)	
20	XOUT	O	Clock (4MHz)	
21	VSS		GND	

No.	Port	I/O	Function	Logic
42	P52	I	POWER Switch	H:ON
41	P07	I	SLEEP LED	L:ON
40	P06	I	TAPE MONITOR LED	L:ON
39	P05	I	AUX LED	L:ON
38	P04	I	TAPE LED	L:ON
37	P03	I	MD LED	L:ON
36	P02	I	CD LED	L:ON
35	P01	I	TUNER LED	L:ON
34	P00	I	PHONO LED	L:ON
33	P43		GND	
32	P42		GND	
31	P41	I	TAPE MONITOR Switch	H:ON
30	P40	I	PURE DIRECT Switch (No used)	H:ON
29	P33		GND	
28	P32	I	Protection Detect	L: protect
27	P31	I	Power Down Detect (INT1)	L: down
26	P30	I	Remotecontrol	INT0
25	RESET	I	m-COM Reset	L: reset
24	P51		GND	
23	P50		GND	
22	VCC		5V	

1 ■ PRINTED CIRCUIT BOARD (Foil side)

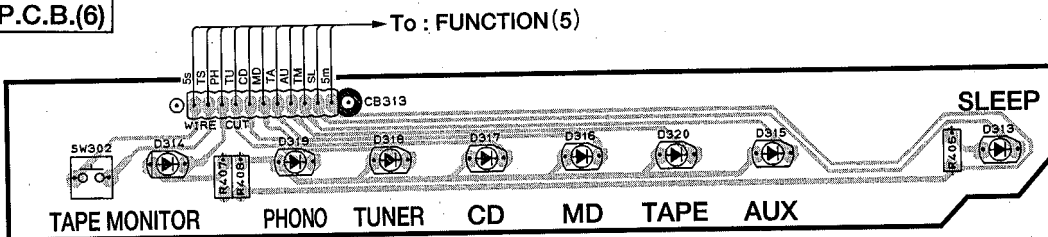
FUNCTION P.C.B.(1)



To: FUNCTION (2) To: FUNCTION (3)

To: FUNCTION (5)

FUNCTION P.C.B.(6)



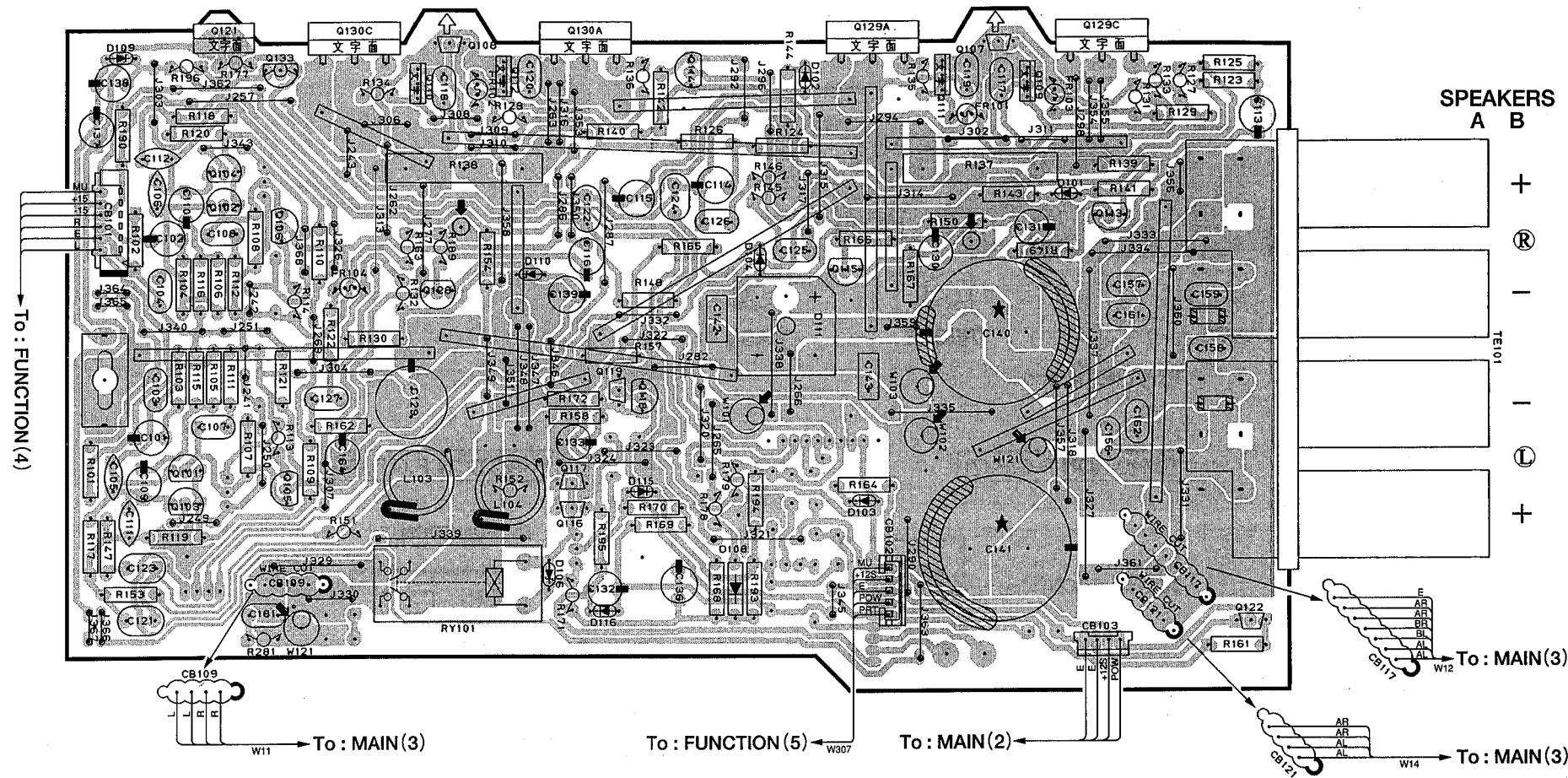
TAPE MONITOR PHONO TUNER CD MD TAPE AUX

6

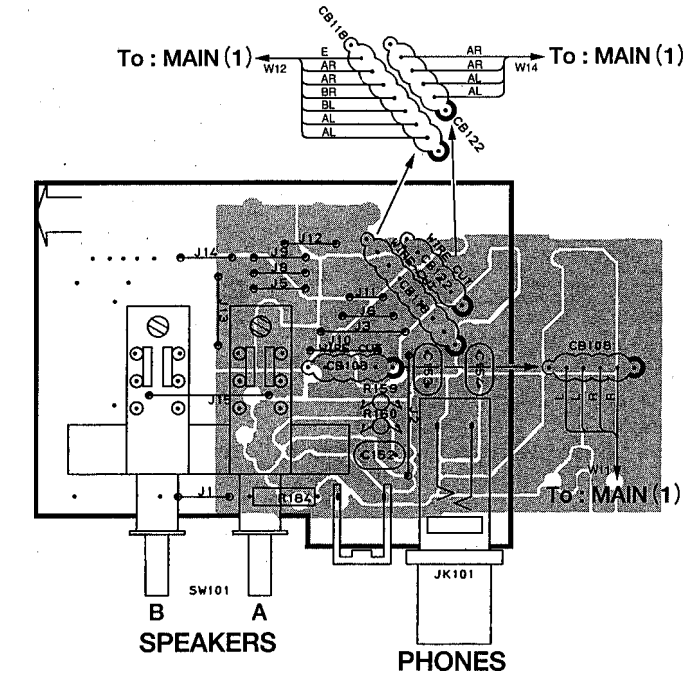
7

1 ■ PRINTED CIRCUIT BOARD (Foil side) / シート図(パターン側)

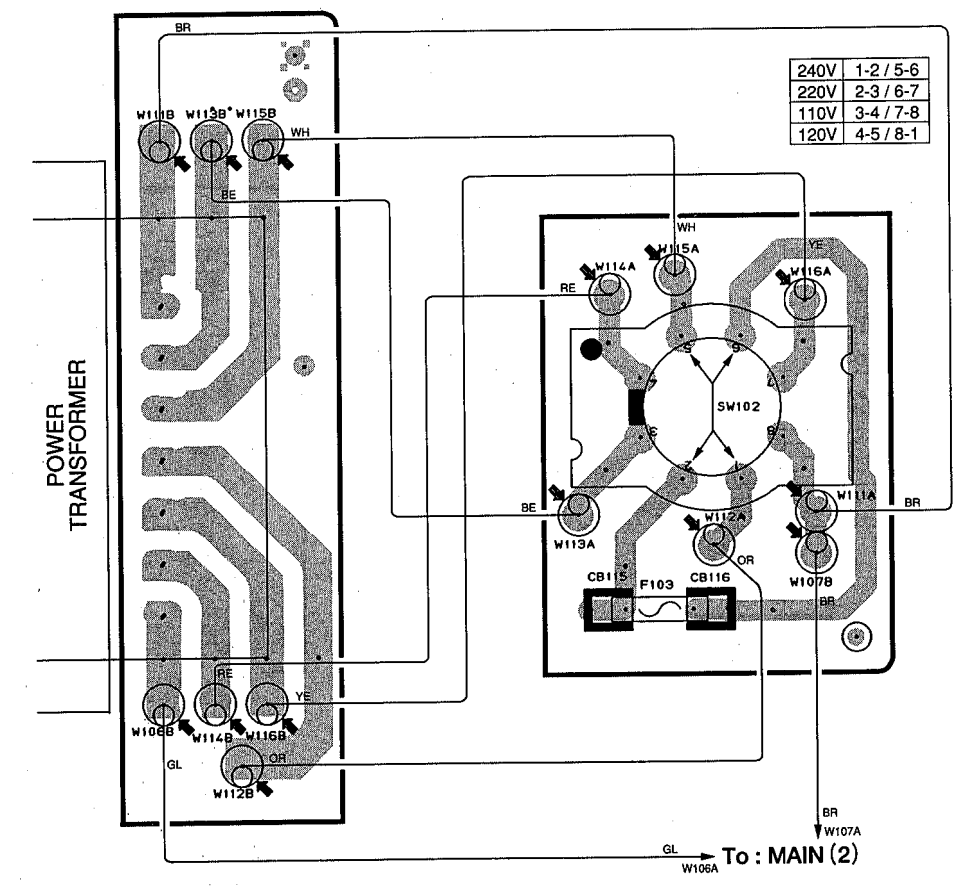
MAIN P.C.B.(1)



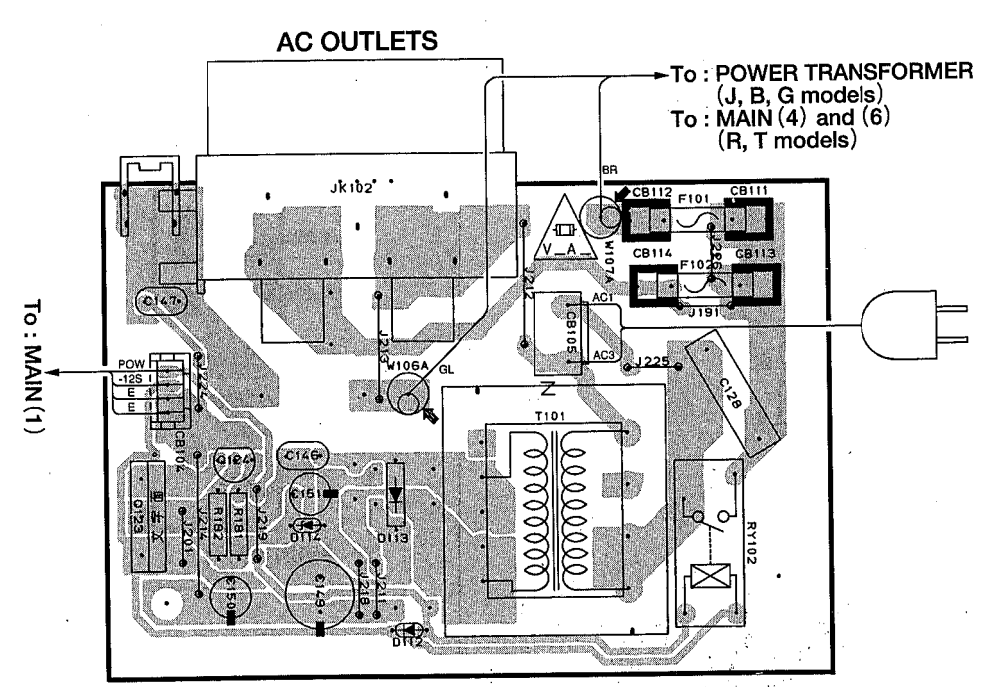
MAIN P.C.B.(3)



MAIN P.C.B.(6) (R, T models only)



MAIN P.C.B.(2)



SCHEMATIC DIAGRAM / 総回路図

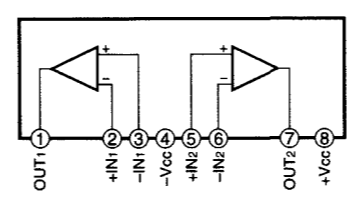
REMARKS	PARTS NAME
NO MARK	CARBON FILM RESISTOR (P=5)
△	CARBON FILM RESISTOR (P=10)
▲	METAL OXIDE FILM RESISTOR
⊠	METAL FILM RESISTOR
⊡	METAL PLATE RESISTOR
■	FINE PROOF CARBON FILM RESISTOR
□	CEMENT MOLDED RESISTOR
◇	SEMI VARIABLE RESISTOR
●	CHIP RESISTOR

REMARKS	PARTS NAME
NO MARK	ELECTROLYTIC CAPACITOR
⊗	TANTALUM CAPACITOR
⊙	CERAMIC CAPACITOR
⊚	CERAMIC TUBULAR CAPACITOR
○	POLYESTER FILM CAPACITOR
○	POLYSTYRENE FILM CAPACITOR
○	MICA CAPACITOR
○	POLYPROPYLENE FILM CAPACITOR
●	SEMICONDUCTIVE CERAMIC CAPACITOR

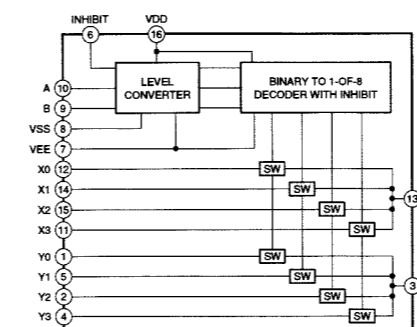
NOTICE (model)
 (J)..... JAPANESE
 (U)..... U.S.A.
 (C)..... CANADIAN
 (R)..... GENERAL
 (A)..... AUSTRALIAN
 (B)..... BRITISH
 (G)..... EUROPEAN
 (T)..... CHINA
 (L)..... SINGAPORE

Mark	Reference Parts Number	Parts Name
k1	D301-303, 306-307 310-321-324	HSS104 SS533 SS5175
k2	IC303-304-305	HD14052BP TC4052BP
k3		

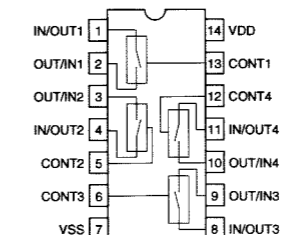
IC301, 302, 308 : NJM2068L-D
Dual OP-Amp



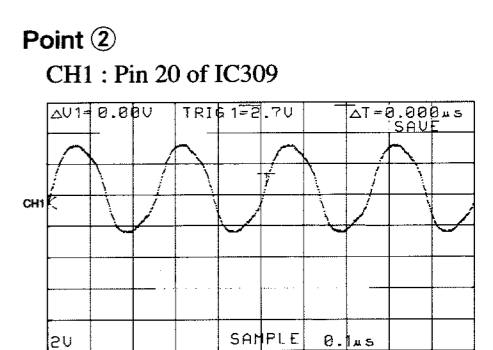
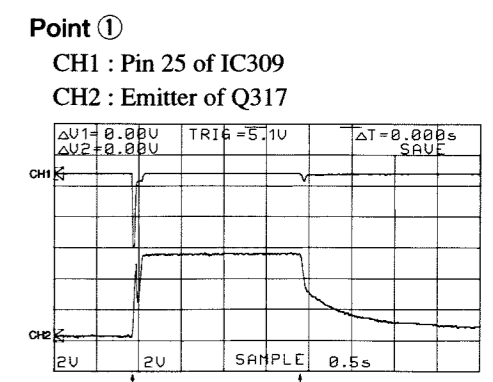
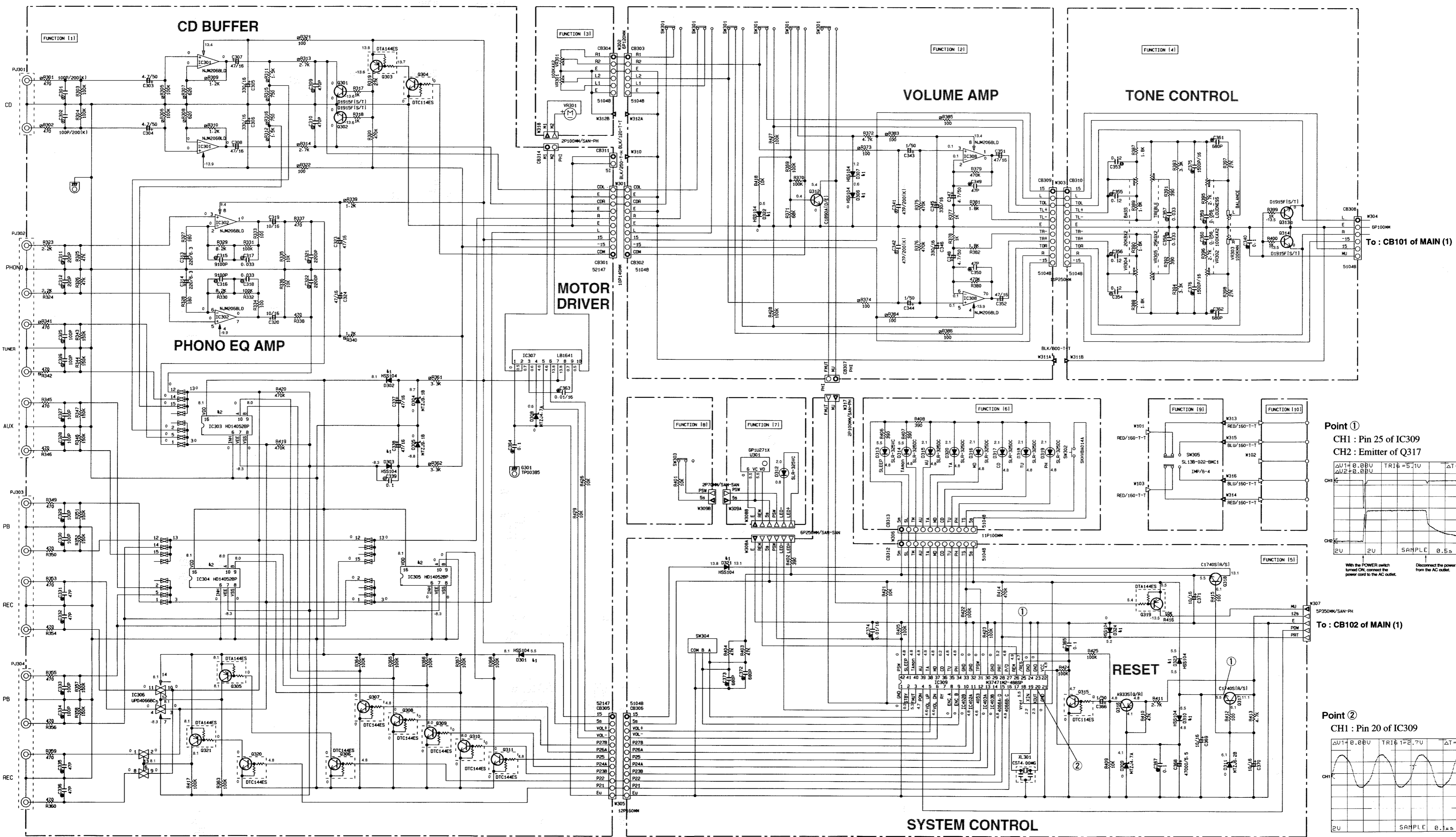
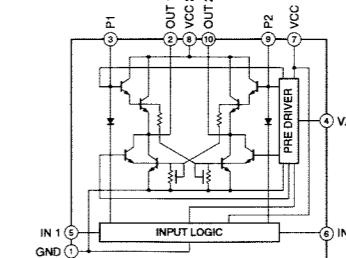
IC303, 304, 305 : HD14052BP
Dual 4 Channel Analog Multiplexers/Demultiplexers



IC306 : uPD4066BC
Quad Bilateral Switch



IC307 : LB1641
Motor Driver



★ All voltage values are measured with a 10MΩ/V DC electric volt meter.
 ● 電圧は、内部抵抗10MΩの電圧計で測定したものです。
 ● Components having special characteristics are marked ▲ and must be replaced with parts having specifications equal to those originally installed. ● 点印のある部品は、安全性確保部品を示しています。部品の交換が必要な場合、パーツリストに記載されている部品を使用してください。
 ★ Schematic diagram is subject to change without notice. ● 本回路図は標準回路図です。改良のため予告なく変更することがございます。

SCHEMATIC DIAGRAM / 総回路図

CAPACITOR	
REMARKS	PARTS NAME
NO MARK	ELECTROLYTIC CAPACITOR
⊗	TANTALUM CAPACITOR
NO MARK	CERAMIC CAPACITOR
⊙	CERAMIC TUBULAR CAPACITOR
⊖	POLYESTER FILM CAPACITOR
○	POLYSTYRENE FILM CAPACITOR
①	MICA CAPACITOR
⊕	POLYPROPYLENE FILM CAPACITOR
●	SEMICONDUCTIVE CERAMIC CAPACITOR

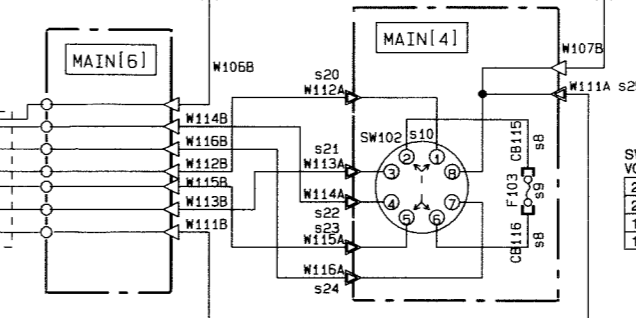
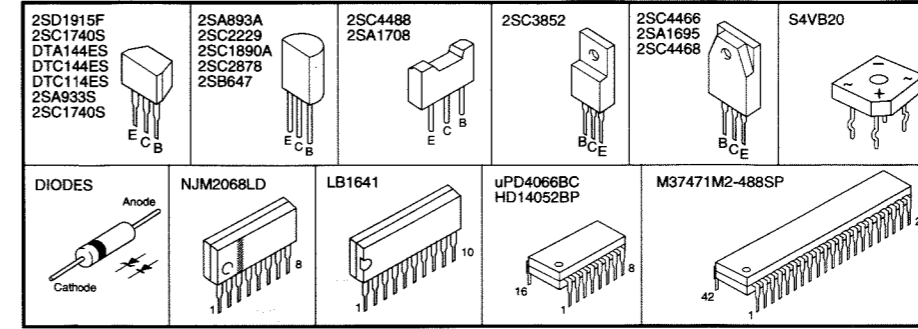
RESISTOR	
REMARKS	PARTS NAME
NO MARK	CARBON FILM RESISTOR (P=5)
⊠	CARBON FILM RESISTOR (P=10)
△	METAL OXIDE FILM RESISTOR
⊡	METAL FILM RESISTOR
⊞	METAL PLATE RESISTOR
⊞	FIRE PROOF CARBON FILM RESISTOR
⊞	CEMENT MOLDED RESISTOR
⊞	SEMI VARIABLE RESISTOR
■	CHIP RESISTOR

NOTICE (mode1)
 (J)..... JAPANESE
 (U)..... U.S.A
 (C)..... CANADIAN
 (R)..... GENERAL
 (A)..... AUSTRALIAN
 (B)..... BRITISH
 (G)..... EUROPEAN
 (T)..... CHINA
 (L)..... SINGAPORE

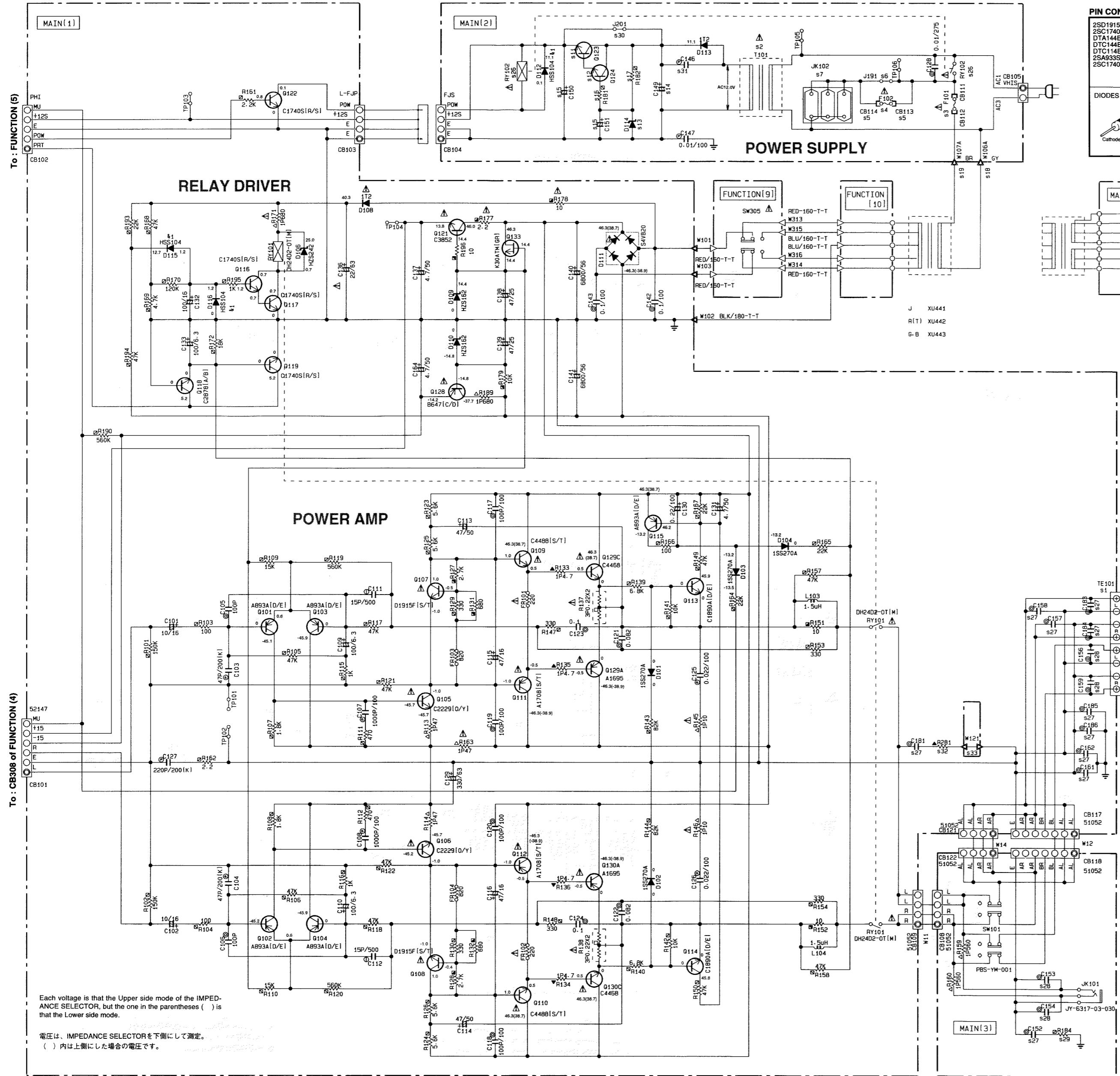
Interchangeable Parts at Manufacture-Stage

Mark	Reference Parts Number	Parts Name
k1	D112-115-116	HSS104 1SS133 1SS176

PIN CONNECTION DIAGRAM OF TRANSISTORS, DIODES AND ICs.



SW102 VOLTAGE SELECTOR
240V 1-2/5-6
220V 2-3/5-7
110V 3-4/7-8
120V 4-5/8-1



S	J	R-T	B	G
1 TE101	V284990	V285000	V285010	V285020
2 T101	XC542 XS597	XT331 XT341	XQ486 XC084	XQ486 XC084
3 F101	5A125V V58C300	5A125V V58C300	T1.6AL250V KB00306	T1.6AL250V KB00306
4 F102	X	X	X	T2.5AH250V VT54290
5 CB113-114	X	X	X	VP20650
6 J191	○	○	○	X
7 JK102	VV11880	VV11880	WU54330	VV11900
8 CB115-116	X	VP20650	X	X
9 F103	X	T1.6AL250V KB00306	X	X
10 SW102	X	VA96180	X	X
11 Q123	X	C4466(O/P/Y) VP76830	X	X
12 Q124	X	C1980A(O/E) VP86310	X	X
13 D114	X	H2S1242 VW57550	X	X
14 C149	330/25 V628910	220/63 V629010	330/25 V628910	330/25 V628910
15 C150-151	X	10/15 V628720	X	X
16 R181	X	100	X	X
17 R182	X	18K	X	X
18 W106	GRY/300-T-H MH08230	GRY/300-T-T MH08030	GRY/300-T-H MH08230	GRY/300-T-H MH08230
19 W107	BRN/300-T-H MH01230	BRN/180-T-T MH01018	BRN/300-T-H MH01230	BRN/300-T-H MH01230
20 W112	X	GR6/300-T-T MH03030	X	X
21 W113	X	BLU/300-T-T MH05035	X	X
22 W114	X	RED/300-T-T MH02030	X	X
23 W115	X	WHT/350-T-T MH09035	X	X
24 W116	X	YEL/300-T-T MH04030	X	X
25 W111	X	BRN/350-T-T MH01035	X	X
26 RY102	LK1AF-12V VU39850	05PA-1 VY73530	LK1AF-12V VU39850	LK1AF-12V VU39850
27 C152-157-158 151-162 181-183-184 185-186	X	X	0.01 V171670	0.01 V171670
28 C153-154-156 155	X	X	0.01 U485410	0.01 U485410
29 R184	X	X	2.2 HC65322	2.2 HC65322
30 J201	○	X	○	○
31 C146	1000P/125 UT55310	1000P/100 VU01950	1000P/125 UT55310	1000P/125 UT55310
32 R281	X	X	1P4.7 VP93970	1P4.7 VP93970
33 W121	X	X	BLK/180-T-T MH40018	BLK/180-T-T MH40018

* All voltage values are measured with a 10MΩ/V DC electric volt meter.
 * Components having special characteristics are marked △ and must be replaced with parts having specifications equal to those originally installed.
 * Schematic diagram is subject to change without notice.

● 電圧は、内部抵抗10MΩの電圧計で測定したものです。
 ● △印のある部品は、安全性確保部品を示しています。部品の交換が必要な場合、パーツリストに記載されている部品を使用してください。
 ● 本回路図は標準回路図です。改良のため予告なく変更することがございます。

PARTS LIST

ELECTRICAL PARTS

WARNING

Components having special characteristics are marked Δ and must be replaced with parts having specifications equal to those originally installed.

- Carbon resistors (1/6W or 1/4W) are not included in the ELECTRICAL PARTS List. For the parts No. of the carbon resistors, refer to last page.

ABBREVIATIONS IN THIS LIST ARE AS FOLLOWS:

C.A.EL.CHP	: CHIP ALUMI.ELECTROLYTIC CAP	L.EMIT	: LIGHT EMITTING MODULE
C.CE	: CERAMIC CAP	LED.DSPLY	: LED DISPLAY
C.CE.ARRAY	: CERAMIC CAP ARRAY	LED.INFRD	: LED,INFRARED
C.CE.CHP	: CHIP CERAMIC CAP	MODUL.RF	: MODULATOR,RF
C.CE.ML	: MULTILAYER CERAMIC CAP	PHOT.CPL	: PHOTO COUPLER
C.CE.M.CHP	: CHIP MULTILAYER CERAMIC CAP	PHOT.INTR	: PHOTO INTERRUPTER
C.CE.SAFTY	: RECOGNIZED CERAMIC CAP	PHOT.RFLCT	: PHOTO REFLECTOR
C.CE.TUBLR	: CERAMIC TUBULAR CAP	PIN.TEST	: PIN,TEST POINT
C.CE.SMI	: SEMI CONDUCTIVE CERAMIC CAP	PLST.RIVET	: PLASTIC RIVET
C.EL	: ELECTROLYTIC CAP	R.ARRAY	: RESISTOR ARRAY
C.MICA	: MICA CAP	R.CAR.	: CARBON RESISTOR
C.ML.FLM	: MULTILAYER FILM CAP	R.CAR.CHP	: CHIPRESISTOR
C.MP	: METALLIZED PAPER CAP	R.CAR.FP	: FLAME PROOF CARBON RESISTOR
C.MYLAR	: MYLAR FILM CAP	R.FUS	: FUSABLE RESISTOR
C.MYLAR.ML	: MULTILAYER MYLAR FILM CAP	R.MTL.CHP	: CHIP METAL FILM RESISTOR
C.PAPER	: PAPER CAPACITOR	R.MTL.FLM	: METAL FILM RESISTOR
C.PLS	: POLYSTYRENE FILM CAP	R.MTL.OXD	: METAL OXIDE FILM RESISTOR
C.POL	: POLYESTER FILM CAP	R.MTL.PLAT	: METAL PLATE RESISTOR
C.POLY	: POLYETHYLENE FILM CAP	RSNR.CE	: CERAMIC RESONATOR
C.PP	: POLYPROPYLENE FILM CAP	RSNR.CRYS	: CRYSTAL RESONATOR
C.TNTL	: TANTALUM CAP	R.TW.CEM	: TWIN CEMENT FIXED RESISTOR
C.TNTL.CHP	: CHIP TANTALUM CAP	R.WW	: WIRE WOUND RESISTOR
C.TRIM	: TRIMMER CAP	SCR.BND.HD	: BIND HEAD B-TITE SCREW
CN	: CONNECTOR	SCR.BW.HD	: BW HEAD TAPPING SCREW
CN.BS.PIN	: CONNECTOR,BASE PIN	SCR.CUP	: CUP TITE SCREW
CN.CANNON	: CONNECTOR,CANNON	SCR.TERM	: SCREW TERMINAL
CN.DIN	: CONNECTOR,DIN	SCR.TR	: SCREW,TRANSISTOR
CN.FLAT	: CONNECTOR,FLAT CABLE	SUPRT.PCB	: SUPPORT,P.C.B.
CN.POST	: CONNECTOR,BASE POST	SURG.PRTCT	: SURGE PROTECTOR
COIL.MX.AM	: COIL,AM MIX	SW.TACT	: TACT SWITCH
COIL.AT.FM	: COIL,FM ANTENNA	SW.LEAF	: LEAF SWITCH
COIL.DT.FM	: COIL,FM DETECT	SW.LEVER	: LEVER SWITCH
COIL.MX.FM	: COIL,FM MIX	SW.MICRO	: MICRO SWITCH
COIL.OUTPT	: OUTPUT COIL	SW.PUSH	: PUSH SWITCH
DIOD.ARRAY	: DIODE ARRAY	SW.RT.ENC	: ROTARY ENCODER
DIODE.BRG	: DIODE BRIDGE	SW.RT.MTR	: ROTARY SWITCH WITH MOTOR
DIODE.CHP	: CHIP DIODE	SW.RT	: ROTARY SWITCH
DIODE.VAR	: VARACTOR DIODE	SW.SLIDE	: SLIDE SWITCH
DIOD.Z.CHP	: CHIP ZENER DIODE	TERM.SP	: SPEAKER TERMINAL
DIODE.ZENR	: ZENER DIODE	TERM.WRAP	: WRAPPING TERMINAL
DSCR.CE	: CERAMIC DISCRIMINATOR	THRMST.CHP	: CHIP THERMISTOR
FER.BEAD	: FERRITE BEADS	TR.CHP	: CHIP TRANSISTOR
FER.CORE	: FERRITE CORE	TR.DGT	: DIGITAL TRANSISTOR
FET.CHP	: CHIP FET	TR.DGT.CHP	: CHIP DIGITAL TRANSISTOR
FL.DSPLY	: FLUORESCENT DISPLAY	TRANS	: TRANSFORMER
FLTR.CE	: CERAMIC FILTER	TRANS.PULS	: PULSE TRANSFORMER
FLTR.COMB	: COMB FILTER MODULE	TRANS.PWR	: POWERTRANSFORMER ASS'Y
FLTR.LC.RF	: LC FILTER,EMI	TUNER.AM	: TUNER PACK,AM
GND.MTL	: GROUND PLATE	TUNER.FM	: TUNER PACK,FM
GND.TERM	: GROUND TERMINAL	TUNER.PK	: FRONT-ENDTUNER PACK
HOLDER.FUS	: FUSE HOLDER	VR	: ROTARY POTENTIOMETER
IC.PRTCT	: IC PROTECTOR	VR.MTR	: POTENTIOMETER WITH MOTOR
JUMPER.CN	: JUMPER CONNECTOR	VR.SW	: POTENTIOMETER WITH ROTARY SW
JUMPER.TST	: JUMPER,TEST POINT	VR.SLIDE	: SLIDEPOTENTIOMETER
L.DTCT	: LIGHT DETECTING MODULE	VR.TRIM	: TRIMMER POTENTIOMETER

Note) Those parts marked with "#" are not included in the P.C.B. ass'y.

ELECTRICAL PARTS

Schm Ref.	PART NO.	Description
*	VZ850000	P. C. B. MAIN(RT)
*	VZ850100	P. C. B. MAIN(B)
*	VZ850200	P. C. B. MAIN(G)
CB101	VF728300	CN 6P
CB102	VD004800	CN. BS. PIN 5P
CB103	VS839400	CN. BS. PIN 4P
CB104	VS839500	CN 4P
CB105	VG879900	CN. BS. PIN 2P
CB108	VR428900	CN. BS. PIN 4P
CB109	VR428900	CN. BS. PIN 4P
CB111	VP206500	HOLDER. FUS EYF-52BC
CB112	VP206500	HOLDER. FUS EYF-52BC
CB113	VP206500	HOLDER. FUS EYF-52BC (G)
CB114	VP206500	HOLDER. FUS EYF-52BC (G)
CB115	VP206500	HOLDER. FUS EYF-52BC (RT)
CB116	VP206500	HOLDER. FUS EYF-52BC (RT)
CB117	VQ584900	CN. BS. PIN 7P
CB118	VQ584900	CN. BS. PIN 7P
CB121	VR428900	CN. BS. PIN 4P
CB122	VR428900	CN. BS. PIN 4P
C101	VQ082700	C. EL 10uF 16V
C102	VQ082700	C. EL 10uF 16V
C103	VK533800	C. PP 47pF 200V
C104	VK533800	C. PP 47pF 200V
C105	VQ645600	C. MYLAR 100pF 50V
C106	VQ645600	C. MYLAR 100pF 50V
C107	VP917800	C. PP 1000pF 100V
C108	VP917800	C. PP 1000pF 100V
C109	VG288900	C. EL 100uF 25V
C110	VG288900	C. EL 100uF 25V
C111	FU451150	C. MICA 15pF 500V
C112	FU451150	C. MICA 15pF 500V
C113	VG291200	C. EL 47uF 50V
C114	VG291200	C. EL 47uF 50V
C115	VE742600	C. EL 47uF 25V
C116	VE742600	C. EL 47uF 25V
C117	VK533900	C. PP 100pF 200V
C118	VK533900	C. PP 100pF 200V
C119	VK533900	C. PP 100pF 200V
C120	VK533900	C. PP 100pF 200V
C121	VZ001900	C. MYLAR 0.082uF 50V
C122	VZ001900	C. MYLAR 0.082uF 50V
* C123	VZ002000	C. MYLAR 0.1uF 50V
* C124	VZ002000	C. MYLAR 0.1uF 50V
C125	VP918300	C. PP 0.022uF 100V
C126	VP918300	C. PP 0.022uF 100V
C127	VK534000	C. PP 220pF 200V
C128	VS741700	C. CE. SAFTY 0.01uF 275V
C129	VK699400	C. EL 330uF 63V
C130	UJ895220	C. EL 0.22uF 100V
C131	Vi377400	C. EL 4.7uF 63V
C132	VQ083100	C. EL 100uF 16V
C133	VF760000	C. EL 100uF 10V

* New Parts

Schm Ref.	PART NO.	Description
△*	C136	V2290000 C. EL 22uF 63V
	C137	Vi377400 C. EL 4.7uF 63V
	C138	VG291200 C. EL 47uF 50V
	C139	VG291200 C. EL 47uF 50V
	C140	VR024000 C. EL 6800uF 56V
	C141	VR024000 C. EL 6800uF 56V
	C142	VR325400 C. MYLAR 0.1uF 100V
	C143	VR325400 C. MYLAR 0.1uF 100V
*	C146	UT553100 C. PP 1000pF 125V
*	C146	UT553100 C. PP 1000pF 125V (BG)
	C146	VU019500 C. MYLAR 1000pF 100V (RT)
	C147	VK534100 C. PP 0.01uF 100V
*	C149	V2290100 C. EL 220uF 63V (RT)
*	C149	VG289600 C. EL 330uF 35V (BG)
	C150	VG290900 C. EL 10uF 50V (RT)
	C151	VG290900 C. EL 10uF 50V (RT)
	C152	Vi716700 C. MYLAR 0.01uF 50V (BG)
	C153	UA654100 C. MYLAR 0.01uF 50V (BG)
	C154	UA654100 C. MYLAR 0.01uF 50V (BG)
	C156	UA654100 C. MYLAR 0.01uF 50V (BG)
	C157	Vi716700 C. MYLAR 0.01uF 50V (BG)
	C158	Vi716700 C. MYLAR 0.01uF 50V (BG)
	C159	UA654100 C. MYLAR 0.01uF 50V (BG)
	C161	Vi716700 C. MYLAR 0.01uF 50V (BG)
	C162	Vi716700 C. MYLAR 0.01uF 50V (BG)
	C164	Vi377400 C. EL 4.7uF 63V
	C181	Vi716700 C. MYLAR 0.01uF 50V (BG)
	C183	Vi716700 C. MYLAR 0.01uF 50V (BG)
	C184	Vi716700 C. MYLAR 0.01uF 50V (BG)
	C185	Vi716700 C. MYLAR 0.01uF 50V (BG)
	C186	Vi716700 C. MYLAR 0.01uF 50V (BG)
	C281	VJ311800 C. CE. TUBLR 0.01uF 25V (BG)
	C282	VJ311800 C. CE. TUBLR 0.01uF 25V (BG)
	D101	VN008700 DIODE 1SS270A
	D102	VN008700 DIODE 1SS270A
	D103	VN008700 DIODE 1SS270A
	D104	VN008700 DIODE 1SS270A
	D106	VM976300 DIODE. ZENR HZS242TD 24V
△	D108	VS997800 DIODE 1T2
	D109	VM975900 DIODE. ZENR HZS162TD 16V
	D110	VM975900 DIODE. ZENR HZS162TD 16V
△	D111	iH001090 DIODE. BRG S4VB20 2.6A 200V
	D112	VD631600 DIODE 1SS133, 176, HSS104
	D113	VS997800 DIODE 1T2
	D114	VM975500 DIODE. ZENR HZS12A2TD 12V (RT)
	D115	VD631600 DIODE 1SS133, 176, HSS104
	D116	VD631600 DIODE 1SS133, 176, HSS104
△	F101	KB003060 FUSE TL1. 6A 250V (BG)
△	F101	VS823000 FUSE T5. 0A 125V (RT)
△*	F102	VT942900 FUSE TH2. 5A 250V (G)
△	F103	KB003060 FUSE TL1. 6A 250V (RT)
△	FR101	VK188200 R. FUS 220Ω 1/4W
△	FR102	VK188200 R. FUS 220Ω 1/4W

* New Parts

Schm Ref.	PART NO.	Description		
C313	VG286900	C. EL	220uF	10V
C314	VG286900	C. EL	220uF	10V
C315	UA653910	C. MYLAR	9100pF	50V
C316	UA653910	C. MYLAR	9100pF	50V
C317	UA654330	C. MYLAR	0.033uF	50V
C318	UA654330	C. MYLAR	0.033uF	50V
C319	VG290900	C. EL	10uF	50V
C320	VG290900	C. EL	10uF	50V
C321	Vi715900	C. MYLAR	2200pF	50V
C322	Vi715900	C. MYLAR	2200pF	50V
C323	VG291200	C. EL	47uF	50V
C324	VG291200	C. EL	47uF	50V
C325	VQ645600	C. MYLAR	100pF	50V
C326	VQ645600	C. MYLAR	100pF	50V
C327	VF466800	C. CE. TUBLR	100pF	50V
C328	VF466800	C. CE. TUBLR	100pF	50V
C329	VF466800	C. CE. TUBLR	100pF	50V
C330	VF466800	C. CE. TUBLR	100pF	50V
C331	VF466700	C. CE. TUBLR	47pF	50V
C332	VF466700	C. CE. TUBLR	47pF	50V
C333	VF466800	C. CE. TUBLR	100pF	50V
C334	VF466800	C. CE. TUBLR	100pF	50V
C335	VF466700	C. CE. TUBLR	47pF	50V
C336	VF466700	C. CE. TUBLR	47pF	50V
C337	VG291200	C. EL	47uF	50V
C338	VG291200	C. EL	47uF	50V
C339	UA655100	C. MYLAR	0.1uF	50V
C340	VH053100	C. CE. TUBLR	0.1uF	50V
C341	VK533800	C. PP	47pF	200V
C342	VK533800	C. PP	47pF	200V
C343	VG290500	C. EL	1uF	50V
C344	VG290500	C. EL	1uF	50V
C345	VG287800	C. EL	330uF	16V
C346	VG287800	C. EL	330uF	16V
C347	Vi377400	C. EL	4.7uF	63V
C348	Vi377400	C. EL	4.7uF	63V
C349	VF466700	C. CE. TUBLR	47pF	50V
C350	VF466700	C. CE. TUBLR	47pF	50V
C351	VG291200	C. EL	47uF	50V
C352	VG291200	C. EL	47uF	50V
C353	UA655120	C. MYLAR	0.12uF	50V
C354	UA655120	C. MYLAR	0.12uF	50V
C355	UA655120	C. MYLAR	0.12uF	50V
C356	UA655120	C. MYLAR	0.12uF	50V
C357	UA654330	C. MYLAR	0.033uF	50V
C358	UA654330	C. MYLAR	0.033uF	50V
C359	UA654560	C. MYLAR	0.056uF	50V
C360	UA654560	C. MYLAR	0.056uF	50V
C361	VG278900	C. CE. TUBLR	680pF	50V
C362	VG278900	C. CE. TUBLR	680pF	50V
C363	VF467300	C. CE. TUBLR	0.01uF	16V
C364	VH053100	C. CE. TUBLR	0.1uF	50V
C365	VH053100	C. CE. TUBLR	0.1uF	50V

* New Parts

Schm Ref.	PART NO.	Description		
C366	VJ839100	C. EL	1uF	50V
C367	VH053100	C. CE. TUBLR	0.1uF	50V
C368	VU545000	C. EL	47000uF	5.5V
C369	VJ836900	C. EL	10uF	16V
C370	VJ836900	C. EL	10uF	16V
C371	VJ836900	C. EL	10uF	16V
C372	VG278900	C. CE. TUBLR	680pF	50V
C373	VG278900	C. CE. TUBLR	680pF	50V
C374	VF467300	C. CE. TUBLR	0.01uF	16V
C375	VG279200	C. CE. TUBLR	1500pF	16V
C376	VG279200	C. CE. TUBLR	1500pF	16V
D301	VD631600	DIODE	1SS133, 176, HSS104	
D302	VD631600	DIODE	1SS133, 176, HSS104	
D303	VD631600	DIODE	1SS133, 176, HSS104	
D304	VG439200	DIODE. ZENR	MTZJ9.1B	9.1V
D305	VG439200	DIODE. ZENR	MTZJ9.1B	9.1V
D306	VD631600	DIODE	1SS133, 176, HSS104	
D307	VD631600	DIODE	1SS133, 176, HSS104	
D308	VG437000	DIODE. ZENR	MTZJ4.7A	4.7V
D309	VG437000	DIODE. ZENR	MTZJ4.7A	4.7V
D310	VD631600	DIODE	1SS133, 176, HSS104	
D311	VG438000	DIODE. ZENR	MTZJ6.2B	6.2V
D312	VS132300	LED(re)	SLR-325VCT31	
D313	VS132300	LED(re)	SLR-325VCT31	
D314	VR711500	LED(or)	SLR-325DC	
D315	VR711500	LED(or)	SLR-325DC	
D316	VR711500	LED(or)	SLR-325DC	
D317	VR711500	LED(or)	SLR-325DC	
D318	VR711500	LED(or)	SLR-325DC	
D319	VR711500	LED(or)	SLR-325DC	
D320	VR711500	LED(or)	SLR-325DC	
D321	VD631600	DIODE	1SS133, 176, HSS104	
D322	VD631600	DIODE	1SS133, 176, HSS104	
D323	VD631600	DIODE	1SS133, 176, HSS104	
D324	VD631600	DIODE	1SS133, 176, HSS104	
G301	VR463400	TERM. GND	D3.5	TP00385
IC301	XM356A00	IC	NJM2068LD	
IC302	XM356A00	IC	NJM2068LD	
* IC303	XU449A00	IC	HD14052BP	MPX
* IC304	XU449A00	IC	HD14052BP	MPX
* IC305	XU449A00	IC	HD14052BP	MPX
IC306	iG037400	IC	uPD4066BC	
IC307	XF494A00	IC	LB1641	
IC308	XM356A00	IC	NJM2068LD	
IC309	XT762A00	IC	M37471M2-XXXSP	CPU
PJ301	VV377000	JACK. PIN	2P	
PJ302	VZ388400	JACK. PIN	6P	HSP-246V27-01
PJ303	VV306900	JACK. PIN	4P	
PJ304	VV306900	JACK. PIN	4P	
Q301	VK432900	TR	2SD1915F	S, T
Q302	VK432900	TR	2SD1915F	S, T
Q303	VG721700	TR. DGT	DTA144ES	
Q304	VD678700	TR. DGT	DTC114ES	

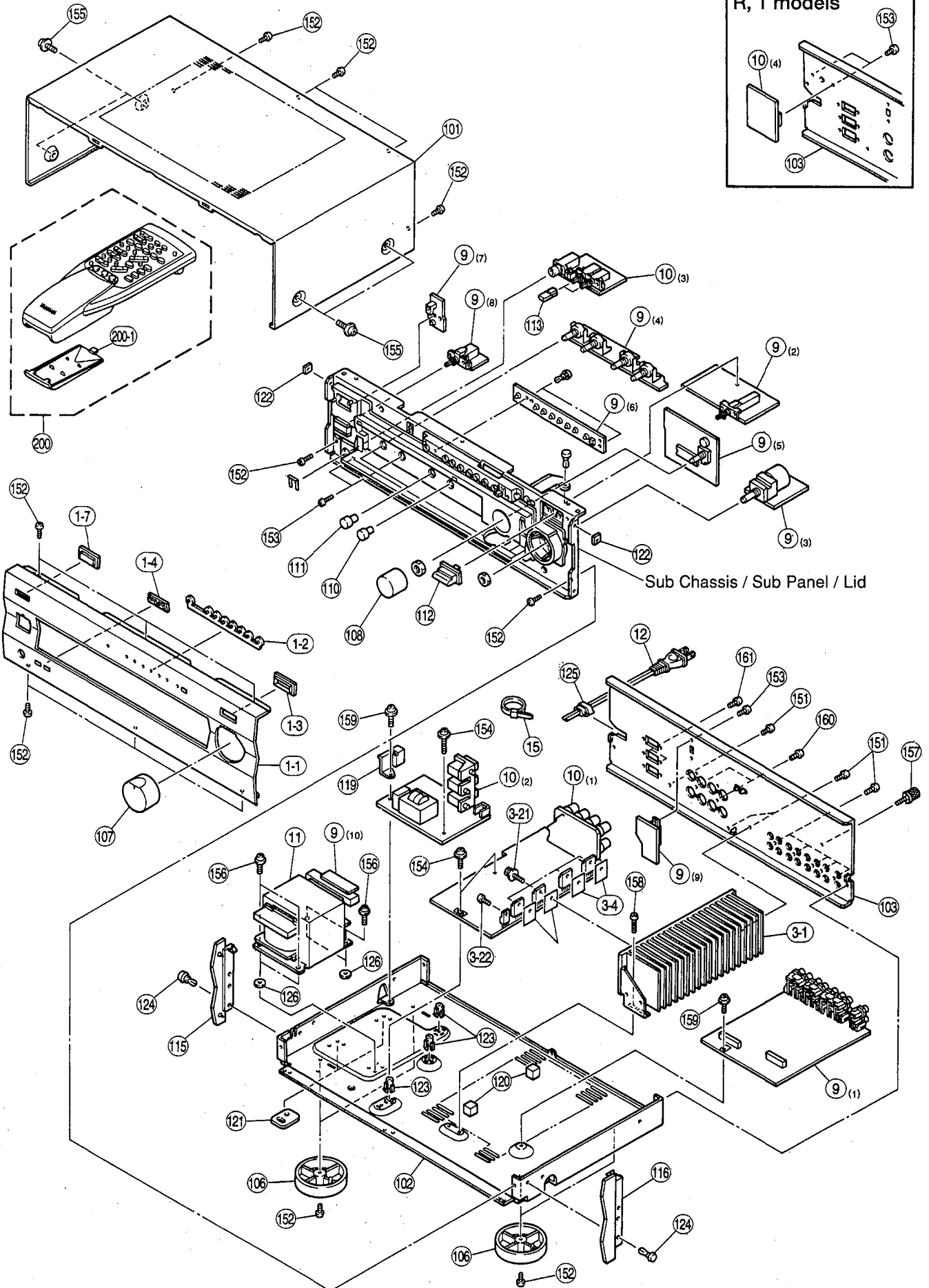
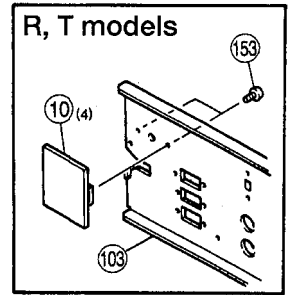
* New Parts

Schm Ref.	PART NO.	Description	
Q305	VG721700	TR. DGT	DTA144ES
Q306	VG722000	TR. DGT	DTC144ES
Q307	VG722000	TR. DGT	DTC144ES
Q308	VG722000	TR. DGT	DTC144ES
Q309	VG722000	TR. DGT	DTC144ES
Q310	VG722000	TR. DGT	DTC144ES
Q311	VG722000	TR. DGT	DTC144ES
Q312	VP883100	TR	2SC1890A D, E
Q313	VK432900	TR	2SD1915F S, T
Q314	VK432900	TR	2SD1915F S, T
Q315	VD678700	TR. DGT	DTC114ES
Q316	iA093320	TR	2SA933S Q, R
Q317	iC174020	TR	2SC1740S R, S
Q318	iC174020	TR	2SC1740S R, S
Q319	VG721700	TR. DGT	DTA144ES
Q320	VG722000	TR. DGT	DTC144ES
Q321	VG721700	TR. DGT	DTA144ES
SW301	VV399800	SW. PUSH	SPUN12
SW302	VG392900	SW. TACT	SKHVAA
SW303	VV496200	SW. PUSH	PS-9A2-022-18A-AN
SW304	VT140300	SW. RT. ENC	EC16B12204
SW305	VV523800	SW. SLIDE	SL13B-022-BMC1
U301	VU591000	L. DTCT	GP1U271X
VR301	VV856700	VR. MTR	A100K Ω
VR302	VP700700	VR	A100K Ω
VR303	VP742000	VR	MN100K Ω
VR304	VP741800	VR	B20K Ω
VR305	VP741900	VR	G25K Ω
XL301	VE906000	RSNR. CE	4MHz
	VJ828000	PIN	IMSA-6024-03E
	VR710800	PLATE	W25

△

* New Parts

EXPLODED VIEW



MECHANICAL PARTS

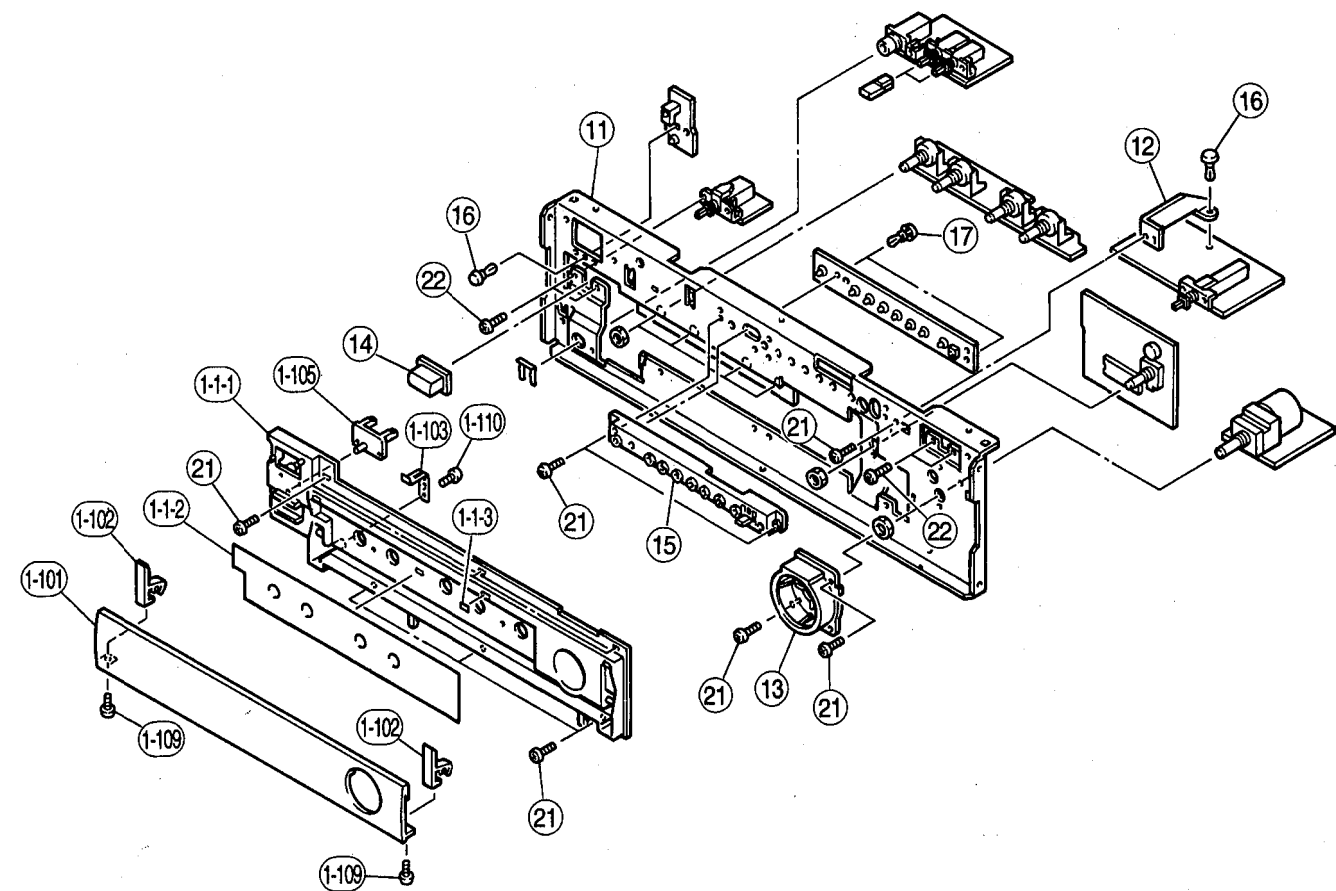
Ref. No.	PART NO.	Description	Remarks	Markets
* 1- 1	VZ529200	FRONT PANEL	BL	(RBGT)
* 1- 1	VZ529300	FRONT PANEL	TI	(G)
* 1- 2	VZ526200	LENS, 8P		
1- 3	VV185400	ESCUTCHEON	8x26	BL
1- 3	VV185500	ESCUTCHEON	8x26	TI
1- 4	VV123700	ESCUTCHEON, 3/8	2P	BL
1- 4	VV123800	ESCUTCHEON, 3/8	2P	TI
1- 7	VV185700	LENS, FILTER	7x24	
3- 1	VQ967700	HEAT SINK ASS'Y		
3- 4	VK195900	SHEET	19x24	
3-21	VK173200	SCREW, TRANSISTOR	3x15 SP FCM3	
3-22	Ei330086	BIND HEAD B-TITE SCREW	3x8 FCRM3-BL	
* 9	VZ849800	P. C. B. ASS'Y	FUNCTION	
* 10	VZ850000	P. C. B. ASS'Y	MAIN	(RT)
* 10	VZ850100	P. C. B. ASS'Y	MAIN	(B)
* 10	VZ850200	P. C. B. ASS'Y	MAIN	(G)
△ * 11	XU442A00	POWER TRANSFORMER		(RT)
△ * 11	XU443B00	POWER TRANSFORMER		(BG)
△ 12	VL238100	POWER CORD ASS'Y		(R)
△ 12	VN363700	POWER CORD ASS'Y		(G)
△ 12	VV437300	POWER CORD ASS'Y		(B)
△ * 12	VZ542500	POWER CORD ASS'Y		(T)
15	VU590000	BINDING TIE	CBTD001B	
101	VV140400	TOP COVER	BL	
101	VV140500	TOP COVER	TI	
102	VQ794000	CHASSIS		
* 103	VZ524900	REAR PANEL		(RT)
* 103	VZ525000	REAR PANEL		(B)
* 103	VZ525100	REAR PANEL		(G)
106	VS025000	LEG	D60xH21	
107	VV148800	KNOB	D40	BL
107	VV148900	KNOB	D40	TI
* 108	VZ526300	KNOB, D28/ENC		BL
* 108	VZ526400	KNOB, D28/ENC		TI
110	VS757400	KNOB, PL	D12	BL
110	VS757500	KNOB, PL	D12	TI
111	VS757200	KNOB, P	D12	BL
111	VS757300	KNOB, P	D12	TI
112	VV185200	BUTTON	8x26	BL
112	VV185300	BUTTON	8x26	TI
113	VV123500	BUTTON, 3/8		BL
113	VV123600	BUTTON, 3/8		TI
115	VV124300	PLATE SIDE L	130	BL
115	VV124400	PLATE SIDE L	130	TI
116	VV124500	PLATE SIDE R	130	BL
116	VV124600	PLATE SIDE R	130	TI
* 119	VZ319700	STOPPER	SCREW	
120	VQ366100	DAMPER, PCB		
121	VY731400	DAMPER	HOLE	
122	VY989400	DAMPER	SIDE	
123	VR264400	SPACER	H8	
124	VQ368600	PUSH RIVET	P3555-B	
125	VN158600	CORD STOPPER	No. 2104	

* New Parts

Ref. No.	PART NO.	Description	Remarks	Markets
126	VS069500	SPACER, T2		
151	VN413300	BIND HEAD BONDING B-T. SCREW	3x8 MFZN2-BL	
152	Ei330086	BIND HEAD B-TITE SCREW	3x8 FCRM3-BL	
153	ED330066	BIND HEAD SCREW	3x6 FCRM3-BL	
154	VT669400	PW HEAD B-TITE SCREW	3x15-8 MFC2	
155	EK365090	PW HEAD S-TITE SCREW	4x8-10 FCRM3-BL	BL
155	EX601150	BW HEAD S-TITE SCREW	4x8-10 FNM3-BL	TI
156	EK365090	PW HEAD S-TITE SCREW	4x8-10 FCRM3-BL	
157	AA627310	GROUND TERMINAL		
158	Ei030046	BIND HEAD TAPPING SCREW	3x4 ZMC2-Y	
159	VT669300	PW HEAD B-TITE SCREW	3x8-8 MFC2	
160	VY731200	BONDING HEAD TAPPING SCREW	3x10 MFNI33	
161	Ei030086	BIND HEAD B-TITE SCREW	3x8 ZMC2-Y	
		ACCESSORIES		
* 200	VZ168800	REMOTE CONTROL TRANSMITTER	SBGH20024A RAX6	
200-1	CX679050	LID	74x34BLALPS	
		BATTERY, MANGANESE	SUM-3, AA, R06	

* New Parts

1 ■ EXPLODED VIEW (Sub Chassis / Sub Panel / Lid)



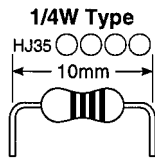
1 ■ MECHANICAL PARTS (Sub Chassis / Sub Panel / Lid)

Ref. No.	PART NO.	Description	Remarks	Markets
* 1-1-1	VZ525800	SUB PANEL		BL
* 1-1-1	VZ525900	SUB PANEL		TI
* 1-1-2	VZ526000	PLATE, LID		BL
* 1-1-2	VZ526100	PLATE, LID		TI
1-1-3	VY940400	CUSHION, LID	T=0.8	
* 1-101	VZ525600	PANEL, LID		BL
* 1-101	VZ525700	PANEL, LID		TI
1-102	VS585900	HINGE, LID		BL
1-102	VS586000	HINGE, LID		TI
1-103	VS586100	SPRING	HINGE	
1-105	VV185600	LENS, LED	D2	
1-109	EX601590	BIND HEAD P-TITE SCREW	2.6x8	FCRM3-BL
1-110	EP630220	BIND HEAD P-TITE SCREW	3x8	ZMC2-BL
* 11	VZ525200	SUB CHASSIS		
* 12	VZ525300	FRAME, PCB		
13	VV149500	ESCUTCHEON, VOL		BL
13	VV149600	ESCUTCHEON, VOL		TI
14	VU875100	BUTTON	9.5x22	BL
14	VU875200	BUTTON	9.5x22	TI
* 15	VZ526500	LED, HOLDER		BL
* 15	VZ526600	LED, HOLDER		TI
16	VQ368500	PUSH RIVET	P3545-B	
17	VQ368600	PUSH RIVET	P3555-B	
21	Ei330086	BIND HEAD B-TITE SCREW	3x8	FCRM3-BL
22	ED330066	BIND HEAD SCREW	3x6	FCRM3-BL

* New Parts

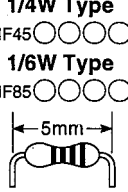
Parts List for Carbon Resistors

Value	1/4W Type Part No.	1/6W Type Part No.	Value	1/4W Type Part No.	1/6W Type Part No.
1.0 Ω	HJ35 3100	HF85 3100	10 kΩ	HF45 7100	HF45 7100
1.8 Ω	HJ35 3180	*	11 kΩ	HF45 7110	HF45 7110
2.2 Ω	HJ35 3220	HF85 3220	12 kΩ	HJ35 7120	HF85 7120
3.3 Ω	HJ35 3330	HF85 3330	13 kΩ	HF45 7130	HF45 7130
4.7 Ω	HJ35 3470	HF85 3470	15 kΩ	HF45 7150	HF45 7150
5.6 Ω	HJ35 3560	HF85 3560	18 kΩ	HF45 7180	HF45 7180
10 Ω	HF45 4100	HF45 4100	22 kΩ	HF45 7220	HF45 7220
15 Ω	HJ35 4150	HF85 4150	24 kΩ	HF45 7240	HF45 7240
22 Ω	HF45 4220	HF45 4220	27 kΩ	HJ35 7270	HF85 7270
27 Ω	HJ35 4270	HF85 4270	30 kΩ	HF45 7300	HF45 7300
33 Ω	HF45 4330	HF45 4330	33 kΩ	HF45 7330	HF45 7330
39 Ω	HJ35 4470	HF85 4390	36 kΩ	HF45 7360	HF45 7360
47 Ω	HF45 4470	HF45 4470	39 kΩ	HF45 7390	HF45 7390
56 Ω	HF45 4560	HF45 4560	47 kΩ	HF45 7470	HF45 7470
68 Ω	HF45 4680	HF45 4680	51 kΩ	HF45 7510	HF45 7510
75 Ω	HF45 4750	HF45 4750	56 kΩ	HF45 7560	HF45 7560
82 Ω	HF45 4820	HF45 4820	62 kΩ	HF45 7620	HF45 7620
91 Ω	HF45 4910	HF45 4910	68 kΩ	HF45 7680	HF45 7680
100 Ω	HF45 5100	HF45 5100	82 kΩ	HF45 7820	HF45 7820
110 Ω	HJ35 5110	HF85 5110	91 kΩ	HF45 7910	HF45 7910
120 Ω	HF45 5120	HF45 5120	100 kΩ	HF45 8100	HF45 8100
150 Ω	HF45 5150	HF45 5150	110 kΩ	HF45 8110	HF45 8110
160 Ω	HJ35 5160	*	120 kΩ	HF45 8120	HF45 8120
180 Ω	HF45 5180	HF45 5180	150 kΩ	HF45 8150	HF45 8150
200 Ω	HF45 5200	HF45 5200	180 kΩ	HF45 8180	HF45 8180
220 Ω	HF45 5220	HF45 5220	220 kΩ	HJ35 8220	HF85 8220
270 Ω	HF45 5270	HF45 5270	270 kΩ	HF45 8270	HF45 8270
330 Ω	HF45 5330	HF45 5330	300 kΩ	HF45 8300	HF45 8300
390 Ω	HF45 5390	HF45 5390	330 kΩ	HF45 8330	HF45 8330
430 Ω	HF45 5430	HF45 5430	390 kΩ	HJ35 8390	HF85 8390
470 Ω	HF45 5470	HF45 5470	470 kΩ	HF45 8470	HF45 8470
510 Ω	HF45 5510	HF45 5510	560 kΩ	HJ35 8560	HF85 8560
560 Ω	HF45 5560	HF45 5560	680 kΩ	HJ35 8680	HF85 8680
680 Ω	HF45 5680	HF45 5680	820 kΩ	HJ35 8820	HF85 8820
820 Ω	HF45 5820	HF45 5820	1.0 MΩ	HF45 9100	HF45 9100
910 Ω	HF45 5910	HF45 5910	1.2 MΩ	HJ35 9120	*
1.0 kΩ	HF45 6100	HF45 6100	1.5 MΩ	HJ35 9150	HF85 9150
1.2 kΩ	HF45 6120	HF45 6120	1.8 MΩ	HJ35 9180	HF85 9180
1.5 kΩ	HF45 6150	HF45 6150	2.2 MΩ	HJ35 9220	HF85 9220
1.8 kΩ	HF45 6180	HF45 6180	3.3 MΩ	HJ35 9330	HF85 9330
2.0 kΩ	HJ35 6200	HF85 6200	3.9 MΩ	HJ35 9390	*
2.2 kΩ	HF45 6220	HF45 6220	4.7 MΩ	HJ35 9470	HF85 9470
2.4 kΩ	HJ35 6240	HF85 6240			
2.7 kΩ	HF45 6270	HF45 6270			
3.0 kΩ	HF45 6300	HF45 6300			
3.3 kΩ	HF45 6330	HF45 6330			
3.6 kΩ	HJ35 6360	HF85 6360			
3.9 kΩ	HF45 6390	HF45 6390			
4.7 kΩ	HF45 6470	HF45 6470			
5.1 kΩ	HF45 6510	HF45 6510			
5.6 kΩ	HF45 6560	HF45 6560			
6.8 kΩ	HF45 6680	HF45 6680			
8.2 kΩ	HF45 6820	HF45 6820			
9.1 kΩ	HF45 6910	HF45 6910			



1/4W Type
HJ35 ○○○○

10mm



1/4W Type
HF45 ○○○○

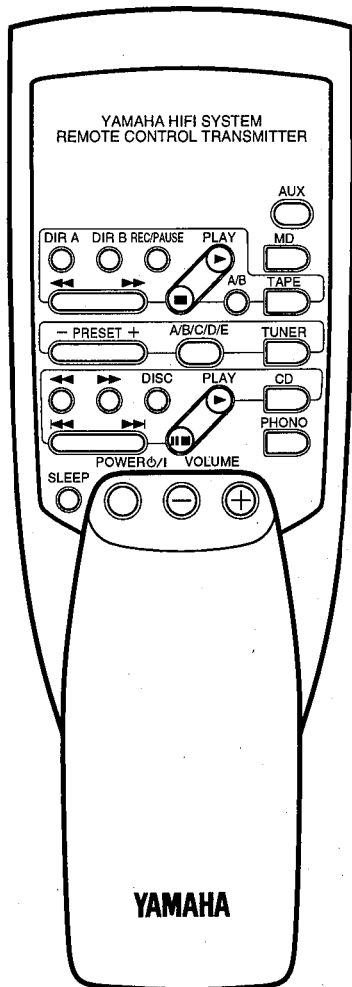
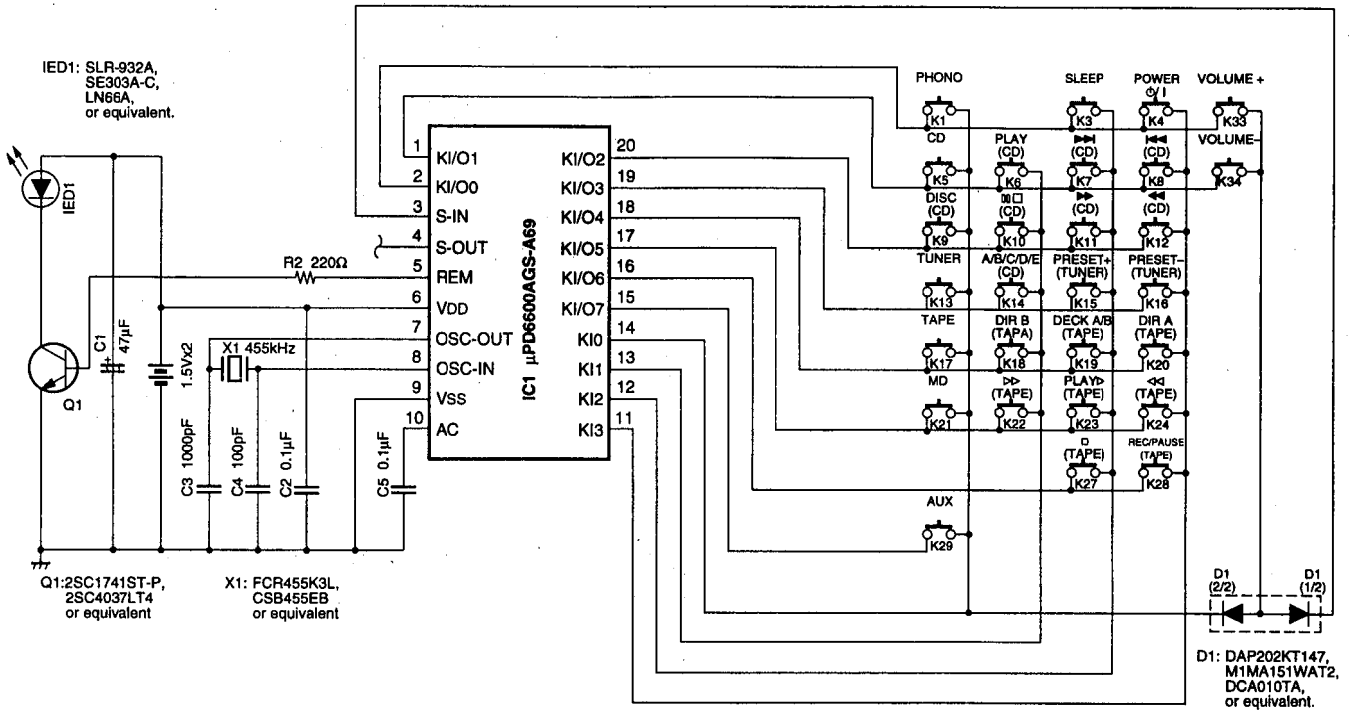
1/6W Type
HF85 ○○○○

5mm

* : Not available

RIMOTE CONTROL TRANSMITTER

SCHEMATIC DIAGRAM



Key No.	Function	HEX	
		CUSTOM	DATA
1	PHONO	7A	14
3	SLEEP	7A	57
4	POWER ϕ / I	7A	1F
5	CD	7A	15
6	PLAY \triangleright (CD)	7A	08
7	SKIP $\triangleright\triangleright$ (CD)	7A	0A
8	SKIP \lll (CD)	7A	0B
9	DISC SKIP (CD)	7A	4F
10	PAUSE/STOP \square (CD)	7A	09
11	SEARCH $\triangleright\triangleright$ (CD)	7A	0C
12	SEARCH \lll (CD)	7A	0D
13	TUNER	7A	16
14	A/B/C/D/E (TUNER)	7A	12
15	PRESET + (TUNER)	7A	10
16	PRESET - (TUNER)	7A	11
17	TAPE	7A	18
18	DIR B (TAPE)	7A	40
19	DECK A/B (TAPE)	7A	06
20	DIR A (TAPE)	7A	07
21	MD	7A	19
22	$\triangleright\triangleright$ (TAPE)	7A	02
23	PLAY \triangleright (TAPE)	7A	00
24	\lll (TAPE)	7A	01
27	STOP \square (TAPE)	7A	03
28	REC/PAUSE (TAPE)	7A	04
29	AUX	7A	17
33	VOLUME +	7A	1A
34	VOLUME -	7A	1B