

# AV RECEIVER/AV AMPLIFIER RX-V550/HTR-5750 RX-V450/HTR-5740/DSP-AX450 SERVICE MANUAL

RX-V550/HTR-5750  
RX-V450/HTR-5740/DSP-AX450

## IMPORTANT NOTICE

This manual has been provided for the use of authorized YAMAHA Retailers and their service personnel. It has been assumed that basic service procedures inherent to the industry, and more specifically YAMAHA Products, are already known and understood by the users, and have therefore not been restated.

**WARNING:** Failure to follow appropriate service and safety procedures when servicing this product may result in personal injury, destruction of expensive components, and failure of the product to perform as specified. For these reasons, we advise all YAMAHA product owners that any service required should be performed by an authorized YAMAHA Retailer or the appointed service representative.

**IMPORTANT:** The presentation or sale of this manual to any individual or firm does not constitute authorization, certification or recognition of any applicable technical capabilities, or establish a principle-agent relationship of any form.

The data provided is believed to be accurate and applicable to the unit(s) indicated on the cover. The research, engineering, and service departments of YAMAHA are continually striving to improve YAMAHA products. Modifications are, therefore, inevitable and specifications are subject to change without notice or obligation to retrofit. Should any discrepancy appear to exist, please contact the distributor's Service Division.

**WARNING:** Static discharges can destroy expensive components. Discharge any static electricity your body may have accumulated by grounding yourself to the ground buss in the unit (heavy gauge black wires connect to this buss).

**IMPORTANT:** Turn the unit OFF during disassembly and part replacement. Recheck all work before you apply power to the unit.

## ■ CONTENTS

|   |       |                               |         |
|---|-------|-------------------------------|---------|
| TO SERVICE PERSONNEL .....                              | 2     | AMP ADJUSTMENT / アンプ部調整 ..... | 43      |
| IMPEDANCE SELECTOR .....                                | 3     | IC DATA .....                 | 44~49   |
| FRONT PANELS .....                                      | 4~6   | BLOCK DIAGRAM .....           | 50~51   |
| REAR PANELS .....                                       | 7~15  | DISPLAY DATA .....            | 52      |
| REMOTE CONTROL PANELS .....                             | 16    | PRINTED CIRCUIT BOARD .....   | 53~73   |
| SPECIFICATIONS / 参考仕様 .....                             | 17~18 | PIN CONNECTION DIAGRAM .....  | 74      |
| INTERNAL VIEW .....                                     | 18    | SCHEMATIC DIAGRAM .....       | 75~85   |
| DISASSEMBLY PROCEDURES / 分解手順 .....                     | 19~21 | PARTS LIST .....              | 87~123  |
| SELF DIAGNOSIS FUNCTION (DIAG) /<br>自己診断機能 (ダイアグ) ..... | 22~42 | REMOTE CONTROL .....          | 124~125 |



このサービスマニュアルは、エコマーク認定の再生紙を使用しています。  
This Service Manual uses recycled paper.

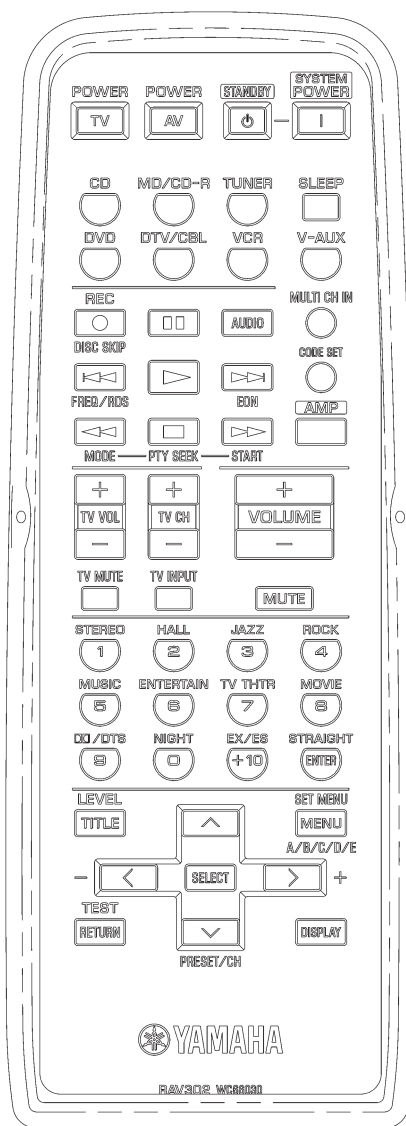
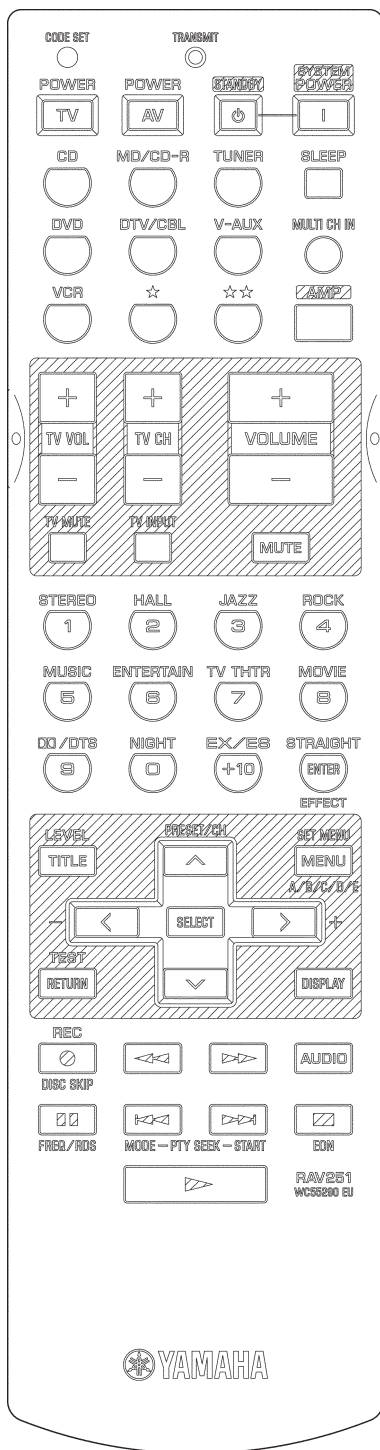
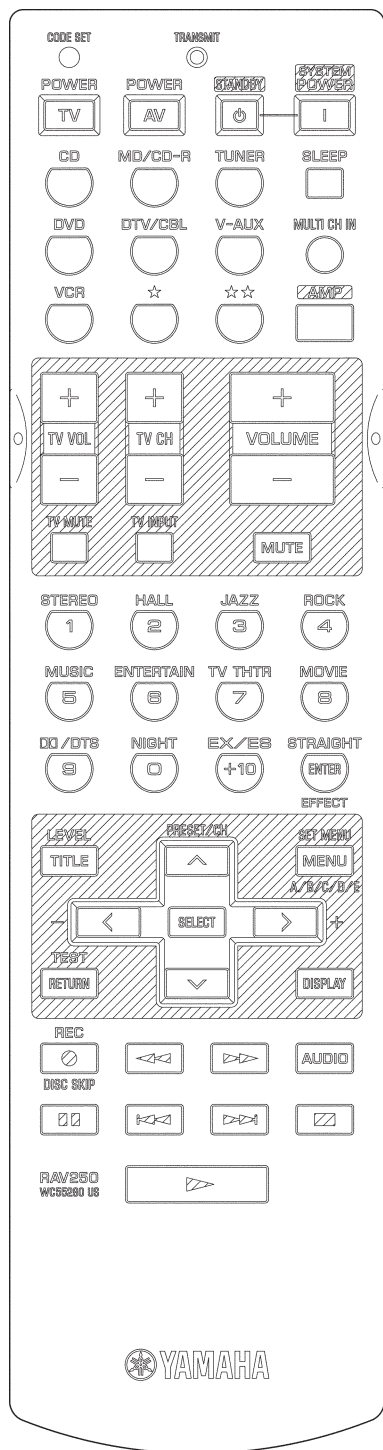


## REMOTE CONTROL PANELS

RX-V550 (U, C, A, L, R, T, K models)  
 HTR-5750 (U, C, A, T, K models)  
 RX-V450 (U, C, A, L, R, T, K models)  
 HTR-5740 (U, C, A models)  
 DSP-AX450 (J model)

RX-V550 (B, G, E models)

RX-V450 (B, G, E models)  
 HTR-5740 (G, E models)



RX-V550/HTR-5750  
 RX-V450/HTR-5740/DSP-AX450

## ■ SPECIFICATIONS / 参考仕様

### ■ Audio Section / オーディオ部

#### Minimum RMS Output Power (Power Amp. Section) / 定格出力 (パワーアンプ部)

|                                      |               |
|--------------------------------------|---------------|
| <b>[RX-V550/HTR-5750]</b>            |               |
| (20 Hz to 20 kHz, 0.06% THD, 8 ohms) |               |
| FRONT L/R                            | 90 W + 90 W   |
| CENTER                               | 90 W          |
| SURROUND L/R                         | 90 W + 90 W   |
| SURROUND BACK                        | 90 W          |
| (1 kHz, 0.7% THD, 8 ohms)            |               |
| FRONT L/R                            | 105 W + 105 W |
| CENTER                               | 105 W         |
| SURROUND L/R                         | 105 W + 105 W |
| SURROUND BACK                        | 105 W         |

|                                      |               |
|--------------------------------------|---------------|
| <b>[RX-V450/HTR-5740]</b>            |               |
| (20 Hz to 20 kHz, 0.06% THD, 8 ohms) |               |
| FRONT L/R                            | 85 W + 85 W   |
| CENTER                               | 85 W          |
| SURROUND L/R                         | 85 W + 85 W   |
| SURROUND BACK                        | 85 W          |
| (1 kHz, 0.7% THD, 8 ohms)            |               |
| FRONT L/R                            | 100 W + 100 W |
| CENTER                               | 100 W         |
| SURROUND L/R                         | 100 W + 100 W |
| SURROUND BACK                        | 100 W         |

|                                      |             |
|--------------------------------------|-------------|
| <b>[DSP-AX450]</b>                   |             |
| (20 Hz to 20 kHz, 0.09% THD, 6 ohms) |             |
| FRONT L/R                            | 85 W + 85 W |
| CENTER, REAR CENTER                  | 85 W        |
| SURROUND L/R                         | 85 W + 85 W |
| SURROUND BACK                        | 85 W        |

#### Maximum Power / 実用最大出力 (EIAJ)

|  |               |
|--|---------------|
| (1 kHz, 10% THD)                           |               |
| <b>[RX-V550/HTR-5750]</b> (R, T, K models) |               |
| FRONT L/R (8 ohms)                         | 130 W + 130 W |
| CENTER, REAR CENTER (8 ohms)               | 130 W         |
| SURROUND L/R (8 ohms)                      | 130 W + 130 W |
| SURROUND BACK (8 ohms)                     | 130 W         |

|  |               |
|--|---------------|
| <b>[RX-V450/HTR-5740]</b> (R, T, K models) |               |
| FRONT L/R (8 ohms)                         | 125 W + 125 W |
| CENTER, REAR CENTER (8 ohms)               | 125 W         |
| SURROUND L/R (8 ohms)                      | 125 W + 125 W |
| SURROUND BACK (8 ohms)                     | 125 W         |

|                              |               |
|------------------------------|---------------|
| <b>[DSP-AX450]</b>           |               |
| FRONT L/R (6 ohms)           | 125 W + 125 W |
| CENTER, REAR CENTER (6 ohms) | 125 W         |
| SURROUND L/R (6 ohms)        | 125 W + 125 W |
| SURROUND BACK (6 ohms)       | 125 W         |

#### DIN Standard Output Power Per Channel / DINパワー

|   |               |
|---|---------------|
| (B, G, E, L models) (1 kHz, 0.7% THD, 4 ohms) |               |
| <b>[RX-V550/HTR-5750]</b>                     |               |
| FRONT L/R                                     | 135 W + 135 W |
| CENTER  | 135 W         |
| SURROUND L/R                                  | 135 W + 135 W |
| SURROUND BACK                                 | 135 W         |

|                           |               |
|---------------------------|---------------|
| <b>[RX-V450/HTR-5740]</b> |               |
| FRONT L/R                 | 130 W + 130 W |
| CENTER                    | 130 W         |
| SURROUND L/R              | 130 W + 130 W |
| SURROUND BACK             | 130 W         |

#### IEC Power / IECパワー [B, G, E, L models]

|                                      |               |
|--------------------------------------|---------------|
| <b>[RX-V550/HTR-5750]</b>            |               |
| FRONT L/R (1 kHz, 0.06% THD, 8 ohms) | 100 W + 100 W |

|                                      |             |
|--------------------------------------|-------------|
| <b>[RX-V450/HTR-5740]</b>            |             |
| FRONT L/R (1 kHz, 0.06% THD, 8 ohms) | 95 W + 95 W |

#### Dynamic Power Per Channel / ダイナミックパワー (IHF)

|                           |                   |
|---------------------------|-------------------|
| <b>[RX-V550/HTR-5750]</b> |                   |
| FRONT L/R (8/6/4/2 ohms)  | 120/155/190/235 W |

|                           |                   |
|---------------------------|-------------------|
| <b>[RX-V450/HTR-5740]</b> |                   |
| FRONT L/R (8/6/4/2 ohms)  | 115/150/185/230 W |

|                          |                 |
|--------------------------|-----------------|
| <b>[DSP-AX450]</b>       |                 |
| FRONT L/R (8/6/4/2 ohms) | -/125/155/200 W |

#### Dynamic Headroom / ダイナミックヘッドルーム (U, C models)

|                           |         |
|---------------------------|---------|
| <b>[RX-V550/HTR-5750]</b> |         |
| 8 ohms                    | 1.25 dB |

|                           |         |
|---------------------------|---------|
| <b>[RX-V450/HTR-5740]</b> |         |
| 8 ohms                    | 1.31 dB |

|   |                    |
|---|--------------------|
| <b>Damping Factor / ダンピングファクタ</b>                           |                    |
| 20 Hz to 20 kHz, SPEAKER-A                                  | 100 or more        |
| <b>Input Sensitivity / Input Impedance (入力感度/入力インピーダンス)</b> |                    |
| CD, etc.  | 200 mV / 47 k-ohms |
| MULTI CH IN   |                    |
| FRONT L/R, CENTER, SURROUND L/R, SUB WOOFER                 | 200 mV / 47 k-ohms |

|   |                     |
|---|---------------------|
| <b>Maximum Input Signal Level / 最大許容入力</b>              |                     |
| 1 kHz, 0.5% THD   | 2.0 V or more       |
| <b>Output Level / Output Impedance (出力電圧/出力インピーダンス)</b> |                     |
| REC OUT   | 200 mV / 1.2 k-ohms |
| 20Hz SUB WOOFER   | 4 V / 1.2 k-ohms    |
| ZONE2 (RX-V550 U, C, A models)                          | 200 mV / 1.2 k-ohms |

|  |                   |
|--|-------------------|
| <b>Headphone Jack Rated Output / Impedance</b> |                   |
| ヘッドフォン出力/出力インピーダンス                             |                   |
| CD, etc. (1 kHz, 50 mV, 8 ohms)                | 150 mV / 100 ohms |

|  |            |
|--|------------|
| <b>Frequency Response / 周波数特性</b>        |            |
| CD, etc. to FRONT L/R (10 Hz to 100 kHz) | +0/-3.0 dB |

|   |                |
|---|----------------|
| <b>Total Harmonic Distortion / 全高調波歪率</b> |                |
| (20Hz to 20kHz, 40W, 8 ohms)              |                |
| CD, etc. (Effect Off) to FRONT L/R SP OUT | 0.06 % or less |

|   |                |
|---|----------------|
| <b>Signal to Noise Ratio / 信号対雑音比 (IHF-A Network)</b> |                |
| CD, etc. (Input shorted) SP OUT                       | 100 dB or more |

|   |                |
|---|----------------|
| <b>Residual Noise / 残留ノイズ (IHF-A Network)</b> |                |
| FRONT L/R SP OUT                              | 150 μV or less |

|   |                             |
|---|-----------------------------|
| <b>Channel Separation / チャンネルセパレーション</b>          |                             |
| CD, etc. (Input 5.1 k-ohms shorted, 1 kHz/10 kHz) |                             |
|   | 60 dB or more/45 dB or more |

|   |                 |
|---|-----------------|
| <b>Tone Control Characteristics / トーンコントロール特性</b> |                 |
| BASS  |                 |
| Boost/Cut   | ±10 dB (60 Hz)  |
| TREBLE  |                 |
| Boost/Cut   | ±10 dB (20 kHz) |

|   |  |
|---|--|
| <b>Filter Characteristics / フィルター特性</b>                         |  |
| FRONT L/R, CENTER, SURROUND L/R SURROUND BACK SP Small (H.P.F.) |  |
| fc= 40/60/80/90/100/110/120/160/200 Hz / 12 dB/ oct.            |  |
| SUBWOOFER (L.P.F.)  |  |
| fc= 40/60/80/90/100/110/120/160/200 Hz / 24 dB/ oct.            |  |

### ■ Video Section / ビデオ部

|                                    |      |
|------------------------------------|------|
| <b>Video Signal Type / ビデオ信号方式</b> |      |
| U, C, R, K, J models               | NTSC |
| A, B, G, E, L, T models            | PAL  |

|                                   |                  |
|-----------------------------------|------------------|
| <b>Video Signal Level / ビデオ信号</b> |                  |
|                                   | 1 Vp-p / 75 ohms |

|                                      |                      |
|--------------------------------------|----------------------|
| <b>S-Video Signal Level / Sビデオ信号</b> |                      |
| <b>[RX-V550/HTR-5750/DSP-AX450]</b>  |                      |
| Y                                    | 1 Vp-p / 75 ohms     |
| C                                    | 0.286 Vp-p / 75 ohms |

|  |                    |
|--|--------------------|
| <b>Component Signal Level (Except J model)</b> |                    |
| Y  | 1 Vp-p / 75 ohms   |
| Cb/Cr  | 0.7 Vp-p / 75 ohms |

|  |                    |
|--|--------------------|
| <b>D4-Video Signal Level / D4端子ビデオ信号 (J model)</b> |                    |
| Y  | 1 Vp-p / 75 ohms   |
| Cb/Cr  | 0.7 Vp-p / 75 ohms |

|                                     |                  |
|-------------------------------------|------------------|
| <b>Maximum Input Level / 最大許容入力</b> |                  |
|                                     | 1.5 Vp-p or more |

|                                       |               |
|---------------------------------------|---------------|
| <b>Signal to Noise Ratio / 信号対雑音比</b> |               |
|                                       | 50 dB or more |

#### Monitor Out Frequency Response / モニターアウト周波数帯域

|                                |                       |
|--------------------------------|-----------------------|
| <b>[RX-V550/HTR-5750]</b>      |                       |
| Composite Video Signal Level,  |                       |
| S-Video Signal Level           | 5 Hz to 10 MHz, -3 dB |
| S-Video Signal Level (J model) | 5 Hz to 10 MHz, -3 dB |
| Component Video Signal Level   | 5 Hz to 60 MHz, -3 dB |

|   |                       |
|---|-----------------------|
| <b>[RX-V550/HTR-5750/DSP-AX450]</b>           |                       |
| Composite Video Signal Level                  |                       |
| S-Video Signal Level (J model)                | 5 Hz to 10 MHz, -3 dB |
| Component Video Signal Level (Except J model) | 5 Hz to 60 MHz, -3 dB |
| D4-Video Signal Level (J model)               | 5 Hz to 60 MHz, -3 dB |

### ■ FM Section / FM部

|                               |                                     |
|-------------------------------|-------------------------------------|
| <b>Tuning Range / 受信周波数範囲</b> |                                     |
| U, C models                   | 87.5 to 107.9 MHz                   |
| A, B, G, E, T, K models       | 87.5 to 108.0 MHz                   |
| L, R models                   | 87.5 to 108.0 / 87.50 to 108.00 MHz |
| J model                       | 76.0 to 90.0 MHz                    |

|  |                   |
|--|-------------------|
| <b>50dB Quieting Sensitivity / 50dB SN感度 (IHF)</b> |                   |
| (1kHz, 100% Mod.)                                  |                   |
| Mono   | 2.0 μV (17.3 dBf) |
| Stereo   | 25 μV (39.2 dBf)  |

|  |                   |
|--|-------------------|
| <b>Usable Sensitivity / 実用感度 (IHF)</b> |                   |
| Mono                                   | 1.0 μV (11.2 dBf) |

|                          |       |
|--------------------------|-------|
| <b>Selectivity / 選択度</b> |       |
|                          | 70 dB |

|   |               |
|---|---------------|
| <b>Signal to Noise Ratio / 信号対雑音比 (IHF)</b> |               |
| Mono / Stereo                               | 76 dB / 70 dB |

|                                 |             |
|---------------------------------|-------------|
| <b>Harmonic Distortion / 歪率</b> |             |
| (1 kHz)                         |             |
| Mono/Stereo                     | 0.2 / 0.3 % |

|  |       |
|--|-------|
| <b>Stereo Separation / ステレオセパレーション</b> |       |
| 1 kHz                                  | 42 dB |

|                                   |              |
|-----------------------------------|--------------|
| <b>Frequency Response / 周波数特性</b> |              |
| 20 Hz to 15 kHz                   | +0.5 / -2 dB |

|                               |                    |
|-------------------------------|--------------------|
| <b>Antenna Input / アンテナ入力</b> |                    |
|                               | 75 ohms unbalanced |

### ■ AM Section / AM部

|                               |                                 |
|-------------------------------|---------------------------------|
| <b>Tuning Range / 受信周波数範囲</b> |                                 |
| U, C models                   | 530 to 1,710 kHz                |
| A, B, G, E, T, K, J models    | 531 to 1,611 kHz                |
| L, R models                   | 530 to 1,710 / 531 to 1,611 kHz |

|                                  |          |
|----------------------------------|----------|
| <b>Usable Sensitivity / 実用感度</b> |          |
|                                  | 300 μV/m |

|                         |              |
|-------------------------|--------------|
| <b>Antenna / アンテナ入力</b> |              |
|                         | Loop Antenna |

### ■ General / 総合

|                            |                                    |
|----------------------------|------------------------------------|
| <b>Power Supply / 電源電圧</b> |                                    |
| U, C models                | AC 120 V, 60 Hz                    |
| A model                    | AC 240 V, 50 Hz                    |
| B, G, E models             | AC 230 V, 50 Hz                    |
| L model                    | AC 220/230-240 V, 50/60 Hz         |
| R model                    | AC 110/120/220/230-240 V, 50/60 Hz |
| T model                    | AC 220 V, 50 Hz                    |
| K model                    | AC 220 V, 60 Hz                    |
| J model                    | AC 100V, 50/60 Hz                  |

|                                 |                |
|---------------------------------|----------------|
| <b>Power Consumption / 消費電力</b> |                |
| U, C models                     | 350 W / 440 VA |
| A, B, G, E, L, R, T, K models   | 360 W          |
| J model                         | 245 W          |

|   |       |
|---|-------|
| <b>Standby Power Consumption (reference data) / 待機時消費電力</b> |       |
| (参考値) AC240 V / 50 Hz                                       | 0.1 W |

|  |       |
|--|-------|
| <b>Maximum Power Consumption [R model]</b> |       |
| (6ch Drive, 10% THD)                       | 700 W |

|                              |                  |
|------------------------------|------------------|
| <b>AC Outlets / ACアウトレット</b> |                  |
| 2 Switched Outlets           |                  |
| U, C, G, E, T, J models      | 100 W max. total |
| L, R models                  | 50 W max. total  |

|                          |            |
|--------------------------|------------|
| <b>1 Switched Outlet</b> |            |
| A, B models              | 100 W max. |

|                                     |  |
|-------------------------------------|--|
| <b>Dimensions / 寸法 (W x H x D)</b>  |  |
| RX-V550                             | 435 x 171 x 420 mm (17-1/8" x 6-3/4" x 16-1/2")  |
| HTR-5750/RX-V450/HTR-5740/DSP-AX450 | 435 x 161 x 416 mm (17-1/8" x 6-5/16" x 16-3/8") |

|                    |                         |
|--------------------|-------------------------|
| <b>Weight / 質量</b> |                         |
|                    | 11.0 kg (24 lbs. 4 oz.) |

|                     |   |
|---------------------|---|
| <b>Finish / 仕上げ</b> |   |
| RX-V550             | Gold color (L, R, T, K) models<br>Black color (U, C, A, B, G, E, R) models<br>Titanium color (B, G, E models) |

|          |  |
|----------|--|
| HTR-5750 | Gold color (T, K) models<br>Black color (U, C) models<br>Silver color (U, C, A) models |
|----------|--|

|         |  |
|---------|--|
| RX-V450 | Gold color (L, R, T, K) models<br>Black color (U, C, A, B, G, E, R) models<br>Silver color (C, L, R) models<br>Titanium color (B, G, E models) |
|---------|--|

|           |  |
|-----------|--|
| HTR-5740  | Gold color (T, K) models<br>Black color (U, C, G, E) models<br>Silver color (U, C, A, G, E) models |
| DSP-AX450 | Gold color (J) model<br>Silver color (J) model   |

#### Accessories / 付属品

Remote Control x 1, Batteries (Manganese Dry) x 4 (RAV250/RAV251) / x 2 (RAV302), Indoor FM Antenna x 1, AM Loop Antenna x 1, PAL 75/300 Socket [B model]

\* Specifications are subject to change without notice due to product improvements.

※ 参考仕様および外観は予告なく変更されることがあります。

|   |                  |   |                      |
|---|------------------|---|----------------------|
| U | U.S.A. model     | C | Canadian model       |
| A | Australian model | B | British model        |
| G | European model   | E | South European model |
| L | Singapore model  | R | General model        |
| T | Chinese model    | K | Korean model         |
| J | Japanese model   |   |                      |



Manufactured under license from Dolby Laboratories. "Dolby", "Pro Logic", "Surround EX", and the double-D symbol are trademarks of Dolby Laboratories.

ドルビーラボラトリーズからの実施権に基づき製造されています。ドルビー、DOLBY、ドルビーデジタル、PRO LOGIC、サラウンドEXおよびダブルD記号DDは、ドルビーラボラトリーズの商標です。

"SILENT CINEMA" is a trademark of YAMAHA CORPORATION.

[サイレントシアター/SILENT THEATER]はヤマハ株式会社の登録商標です。



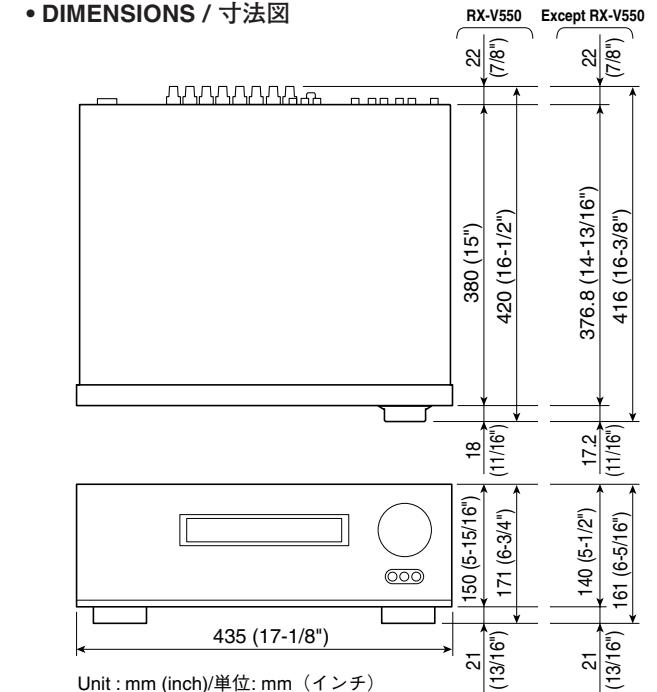
"DTS" and "DTS-ES Digital Surround" and "Neo:6" are trademarks of Digital Theater Systems, Inc.

DTS、DTS-ESデジタルサラウンドおよびNeo:6はデジタルシアターシステムズの登録商標です。



AACロゴマークはドルビーラボラトリーの商標です。

#### • DIMENSIONS / 寸法図



• Set Menu Table / セットメニュー

| CATEGORY         | MAIN MENU                                      | SUB MENU                         | SELECT MENU                                  | VALUE [INITIAL]                                 |                    |
|------------------|--|----------------------------------|--|---|--------------------|
| BASIC SETUP      |  |                                  | ROOM : S >M L                                | S / [M] / L                                     |                    |
|                  |  |                                  | SUBWOOFER : YES                              | [YES] / NONE                                    |                    |
|                  |  |                                  | SPEAKER : 6spk                               | 2 / 3 / 4 / 5 / [6]                             |                    |
|                  |  |                                  | >SET CANCEL                                  | [SET] / CANCEL                                  |                    |
|                  |  |                                  | CHECK OK? : YES                              | [YES] / NO                                      |                    |
|                  |  |                                  | CENTER : SML                                 | NONE / [SML] / LRG                              |                    |
|                  |  |                                  | FRONT : LARGE                                | SMALL / [LARGE]                                 |                    |
|                  |  |                                  | SURR LR : SML                                | NONE / [SML] / LRG                              |                    |
| MANUAL SETUP     | 1 SOUND MENU                                   | A ) SPEAKER SET                  | SURR B : SML                                 | NONE / [SML] / LRG                              |                    |
|                  |  |                                  | BASS OUT : BOTH                              | SWFR / FRONT / [BOTH]                           |                    |
|                  |  |                                  | Cross Over : 80Hz                            | 40 / 60 / [80] / 100 / 110 / 120 / 160 / 200 Hz |                    |
|                  |  |                                  | SWFR PHASE : NRM                             | [NRM] / REV                                     |                    |
|                  |  |                                  | B ) SP LEVEL                                 | L ..... ..... R                                 | [CENTER] ± 10 step |
|                  |  |                                  |  | C ..... .....                                   |                    |
|                  |  |                                  |  | RL ..... .....                                  |                    |
|                  |  |                                  |  | RC ..... .....                                  |                    |
|                  |  | RR ..... .....                   |  |   |                    |
|                  |  | C ) SP DISTANCE                  | UNIT : feet                                  | [feet] / meters                                 |                    |
|                  |  |                                  | FRONT L 10.0ft                               | feet : 1.0 to 80.0 ft [7.0ft] / 0.5 ft step     |                    |
|                  |  |                                  | FRONT R 10.0ft                               |   |                    |
| CENTER 10.0ft    |  |                                  |  |   |                    |
| SURR L 10.0ft    |  |                                  |  |   |                    |
| SURR R 10.0ft    |  |                                  |  |   |                    |
| SURR B 7.0ft     |  |                                  |  |   |                    |
| SWFR 10.0ft      |  |                                  |  |   |                    |
| FRONT L 3.00m    | meters : 0.30 to 24.00 m [3.00m] / 0.10 m step |                                  |  |   |                    |
| FRONT R 3.00m    |  |                                  |  |   |                    |
| CENTER 3.00m     |  |                                  |  |   |                    |
| SURR L 3.00m     |  |                                  |  |   |                    |
| SURR R 3.00m     |  |                                  |  |   |                    |
| SURR B 3.00m     |  |                                  |  |   |                    |
| SWFR 3.00m       |  |                                  |  |   |                    |
| D ) CENTER GEQ   |  | TEST : >OFF ON                   | [OFF] / ON                                   |   |                    |
| 100Hz -  - 0     |  | -6 dB to +6 dB [0 dB] / 0.5 STEP |  |   |                    |
| 300Hz -  - 0     |  |                                  |  |   |                    |
| 1kHz -  - 0      |  |                                  |  |   |                    |
| 3kHz -  - 0      |  |                                  |  |   |                    |
| 10kHz -  - 0     |  |                                  |  |   |                    |
| E ) LFE LEVEL    | SP LFE : 0                                     | -20 dB to 0 dB [0 dB] / 1 STEP   |  |   |                    |
|                  | HP LFE : 0                                     | -20 dB to 0 dB [0 dB] / 1 STEP   |  |   |                    |
| F ) D . RANGE    | SP D . R : MAX                                 | MIN / STD / [MAX]                |  |   |                    |
|                  | HP D . R : MAX                                 | MIN / STD / [MAX]                |  |   |                    |
| G ) AUDIO SET    | MUTE : MUTE                                    | -20 dB / [MUTE]                  |  |   |                    |
|                  | DELEY : 0 ms                                   | 0 ms to 160 ms / 1 step          |  |   |                    |
|                  | DUAL MONO : MAIN                               | [MAIN] / SUB / ALL               |  |   |                    |
| 2 INPUT MENU     | A ) I / O ASSIGN                               | C . V (A) : DVD                  | [DVD] / VCR / V-AUX / DTV/CBL                |   |                    |
|                  |  | C . V (B) : DVT/CBL              | DVD / VCR / V-AUX / [DTV/CBL]                |   |                    |
|                  |  | OUT (1) : MD/CD-R                | [MD/CD-R] / CD / VCR / V-AUX / DTV/CBL / DVD |   |                    |
|                  |  | IN (2) : MD/CD-R                 | [MD/CD-R] / CD / VCR / V-AUX / DTV/CBL / DVD |   |                    |
|                  |  | IN (3) : DVD                     | MD/CD-R / CD / VCR / V-AUX / DTV/CBL / [DVD] |   |                    |
|                  |  | IN (4) : DTV/CBL                 | MD/CD-R / CD / VCR / V-AUX / [DTV/CBL] / DVD |   |                    |
|                  |  | B ) INPUT MODE                   | > AUTO / LAST                                | [AUTO] / LAST                                   |                    |
|                  |  | 3 OPTION MENU                    | A ) DISPLAY SET                              | DIMMER : 0                                      | -4 to 0 / 1 step   |
| V CONV : ON      | OFF / [ON]                                     |                                  |  |   |                    |
| B ) MEMORY GUARD | MEM . GUARD : OFF                              |                                  | [OFF] / ON                                   |   |                    |
| C ) PARAM . INI  |  |                                  |  |   |                    |
| D ) ZONE SET     | SP B : FRONT                                   | [FRONT] / ZONE B                 |  |   |                    |

• The variable range of the parameter (Min/Max/Step) / パラメーターの可変範囲 (最小/最大/ステップ)

|           |         | Unit |
|-----------|---------|------|
| DSP LEVEL | -6/+3/1 | dB   |
| DELAY     | 1/99/1  | ms   |

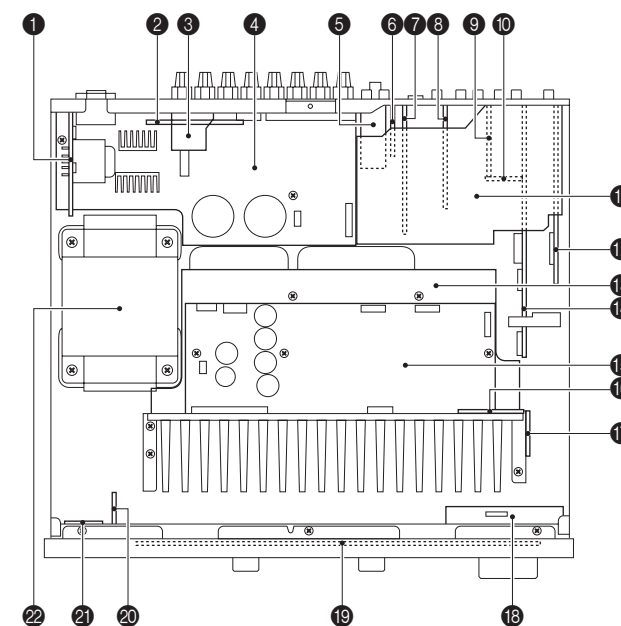
| 6ch Stereo Parameter |         | Unit |
|----------------------|---------|------|
| CT LEVEL             | 0/100/1 | %    |
| SL LEVEL             | 0/100/1 | %    |
| SR LEVEL             | 0/100/1 | %    |
| SB LEVEL             | 0/100/1 | %    |

| Pro Logic IIx Music Parameter |            | Unit |
|-------------------------------|------------|------|
| PLII/PLIIX                    | PLII/PLIIX |      |
| PANORAMA                      | OFF/ON     |      |
| DIMENSIONS                    | -3/+3/1    |      |
| CT WIDTH                      | 0/7/1      |      |

| DTS Neo:6 Music Parameter |           | Unit |
|---------------------------|-----------|------|
| C. IMAGE                  | 0/0.5/0.1 |      |

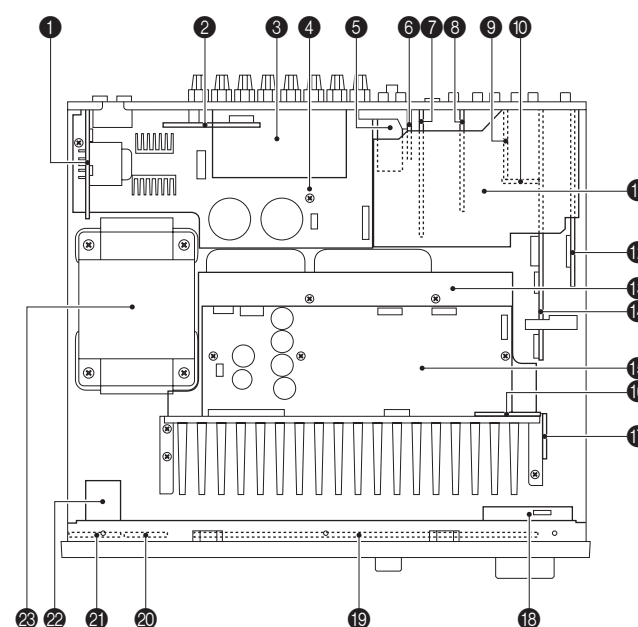
■ INTERNAL VIEW

RX-V550



- 1 SUBTRANS P.C.B.
- 2 POWER (2) P.C.B. (R, L models only)
- 3 FUNCTION (5) P.C.B. (U, C, A models only)
- 4 MAIN (2) P.C.B.
- 5 Tuner
- 6 FUNCTION (7) P.C.B.
- 7 FUNCTION (3) P.C.B.
- 8 FUNCTION (4) P.C.B.
- 9 FUNCTION (8) P.C.B.
- 10 FUNCTION (6) P.C.B.
- 11 FUNCTION (2) P.C.B.
- 12 DSP P.C.B.
- 13 MAIN (1) P.C.B.
- 14 FUNCTION (1) P.C.B.
- 15 POWER (1) P.C.B.
- 16 MAIN (7) P.C.B.
- 17 MAIN (4) P.C.B.
- 18 OPERATION (4) P.C.B.
- 19 OPERATION (1) P.C.B.
- 20 OPERATION (3) P.C.B.
- 21 OPERATION (2) P.C.B.
- 22 Power Transformer

HTR-5750/RX-V450/HTR-5740/DSP-AX450



- 1 SUBTRANS P.C.B.
- 2 POWER (2) P.C.B. (R, L models only)
- 3 VIDEO P.C.B. (DSP-AX450 only)
- 4 MAIN (2) P.C.B.
- 5 Tuner
- 6 FUNCTION (7) P.C.B. (Except DSP-AX450)
- 7 FUNCTION (3) P.C.B. (HTR-5750, DSP-AX450 only)
- 8 FUNCTION (4) P.C.B.
- 9 FUNCTION (8) P.C.B.
- 10 FUNCTION (6) P.C.B.
- 11 FUNCTION (2) P.C.B.
- 12 DSP P.C.B.
- 13 MAIN (1) P.C.B.
- 14 FUNCTION (1) P.C.B.
- 15 POWER (1) P.C.B.
- 16 MAIN (7) P.C.B.
- 17 MAIN (5) P.C.B.
- 18 OPERATION (4) P.C.B.
- 19 OPERATION (1) P.C.B.
- 20 OPERATION (5) P.C.B.
- 21 OPERATION (2) P.C.B.
- 22 OPERATION (3) P.C.B.
- 23 Power Transformer



**RX-V550**

**DISASSEMBLY PROCEDURES**

(Remove parts in the order as numbered.)  
Disconnect the power cable from the AC outlet.

**1. Removal of Top Cover**

- a. Remove 4 screws (1) and 4 screws (2). (Fig. 1)
- b. Slide the Top Cover rearward to remove it. (Fig. 1)

**2. Removal of Front Panel Unit**

- a. Remove 2 Knobs. (Fig. 1)
- b. Remove 6 screws (3) and then remove the Front Panel Unit. (Fig. 1)

**3. Removal of Plate Side**

- a. Remove 2 push rivets (4). (Fig. 1)
- b. Remove the Plate Side. (Fig. 1)

**4. Removal of Sub Chassis Unit**

- a. Remove 2 screws (5) and then slide the Sub Chassis Unit forward. (Fig. 1)
- b. Loosen the harness fixture fixing the cable.
- c. Remove CB306, CB309, CB505 and CB863 and then remove the Sub Chassis Unit. (Fig. 1)

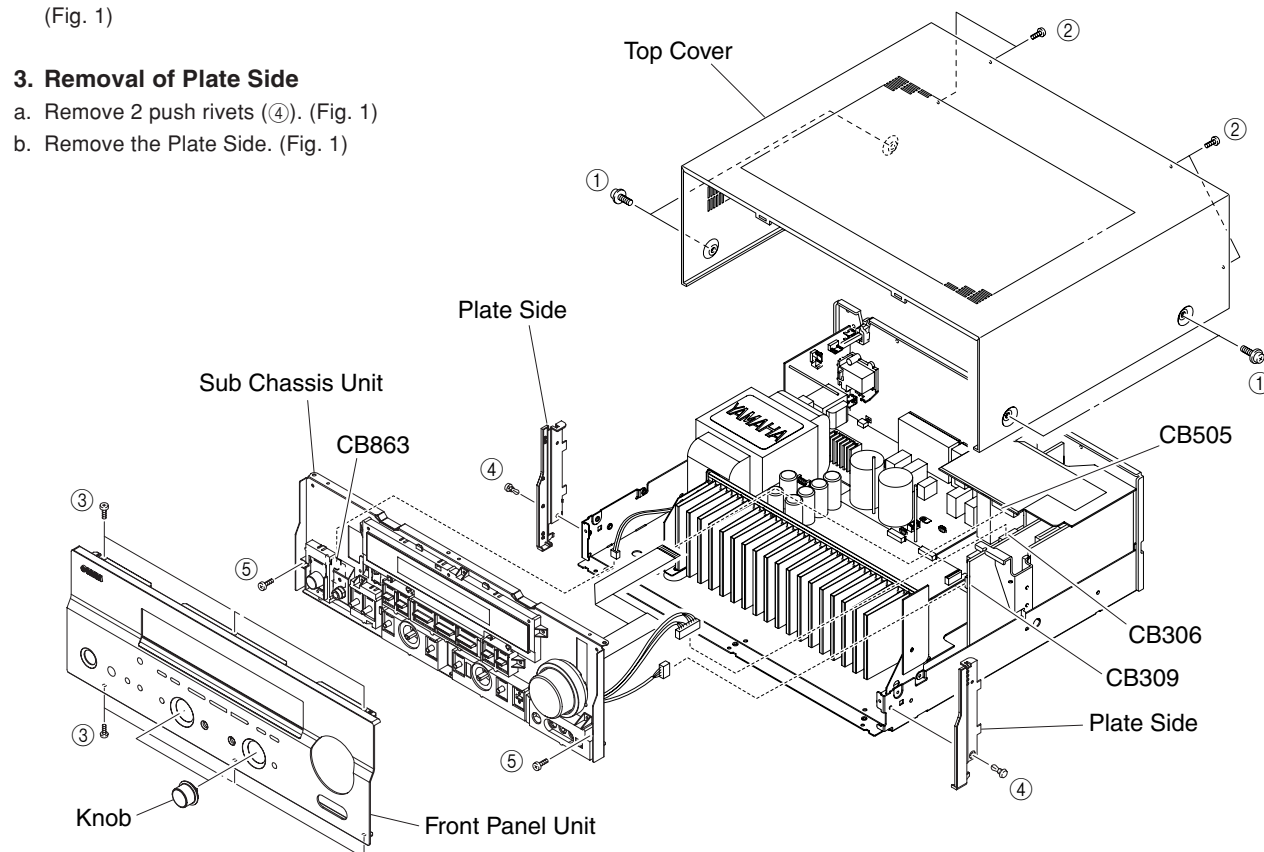


Fig. 1

**5. Removal of DSP P.C.B.**

- a. Remove 1 screw (6). (Fig. 2)
- b. Remove 7 screws (7). (Fig. 3)
- c. Remove CB2. (Fig. 2)
- d. Lift up the FUNCTION (2) P.C.B. and remove the CB1. (Fig. 2)
- e. Remove the DSP P.C.B. with the Support/DSP. (Fig. 2)

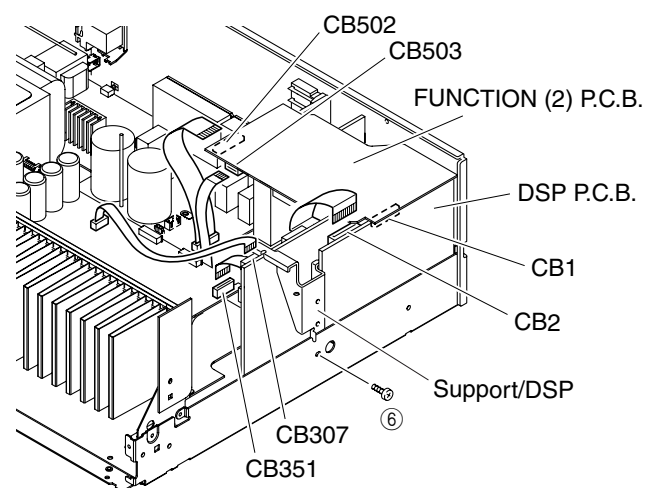


Fig. 2

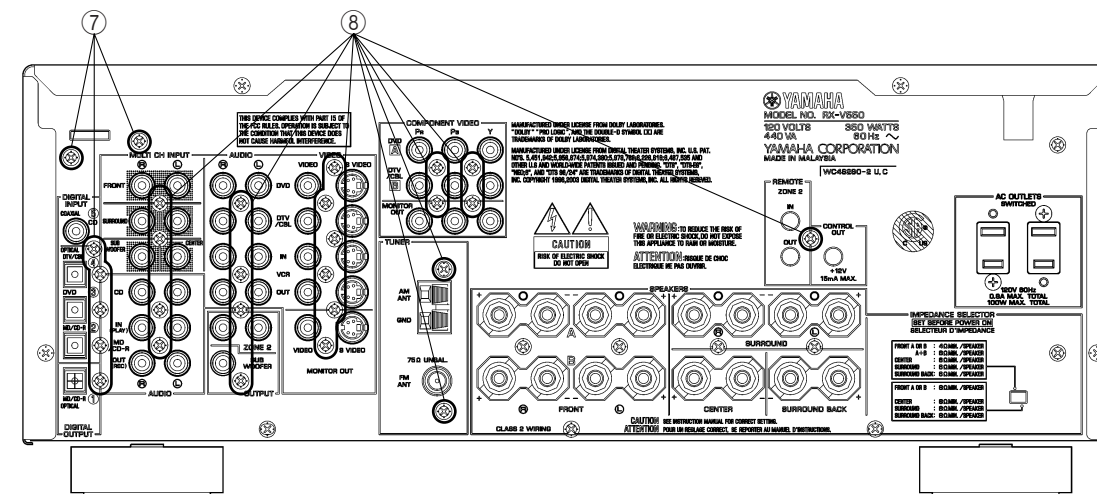


Fig. 3

**6. Removal of FUNCTION (1) ~ (8) P.C.B.s and Tuner**

- a. Remove CB307, CB351, CB502 and CB503. (Fig. 2)
- b. Remove 21 (U, C, A models) / 20 (except U, C, A models) screws (8). (Fig. 3)
- c. Remove FUNCTION (1) ~ (8) P.C.B.s and the Tuner. (Fig. 4)

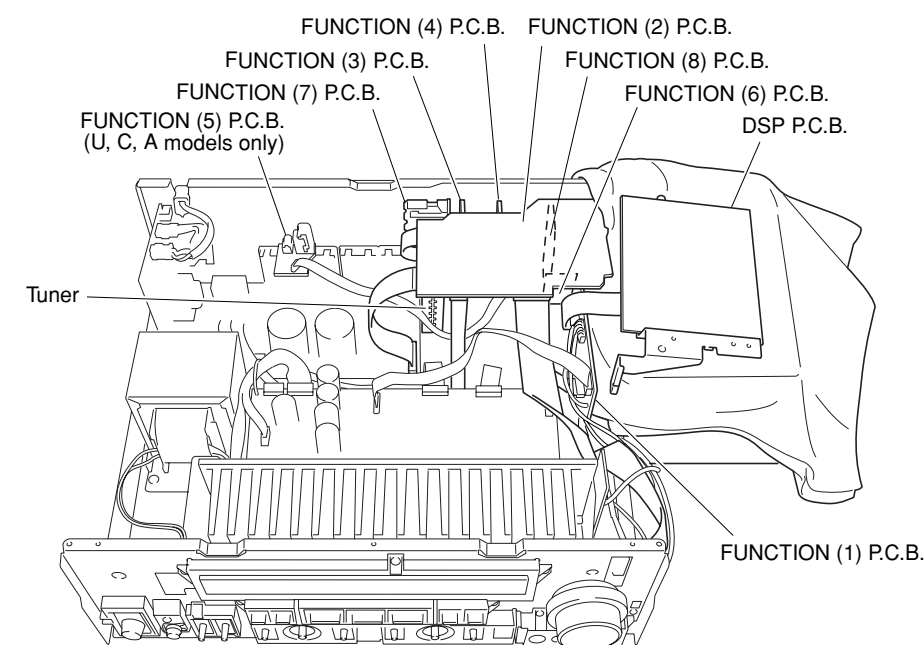


Fig. 4

### 7. Removal of MAIN (1), MAIN (5), MAIN (7) and POWER (1) P.C.B.s

- Remove CB351, CB354 and CB503. (Fig. 5)
- Remove 2 screws (⑨), 2 screws (⑩) and 3 screws (⑪). (Fig. 5)
- Remove MAIN (1), MAIN (5), MAIN (7) and POWER (1) P.C.B.s.. (Fig. 5)

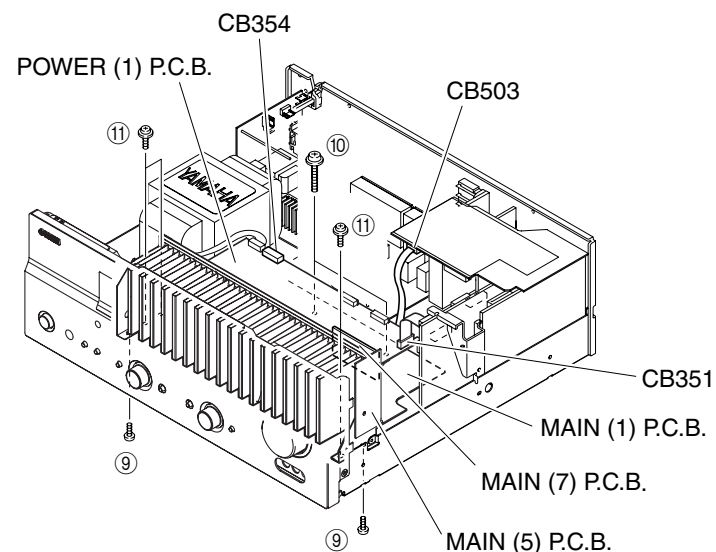


Fig. 5

#### When checking the P.C.B.:

- Put a Cloth over the equipment. Put the MAIN (1), (5), (7) and POWER (1) P.C.B.s together with the heat sink upright on the Cloth and check them. (Fig. 6)
- Reconnect all cables (connectors) that have been disconnected.
- When connecting the flat cable, use care for the polarity.
- The P.C.B. removed from the rear panel does not work because its grounding is loose. Be sure to connect the ground of each P.C.B. to the chassis or GND with a jumper wire or the like.

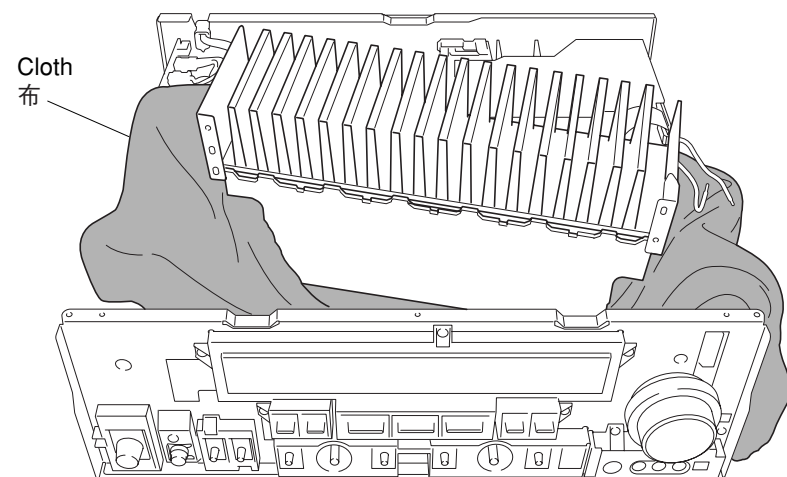


Fig. 6

## DISASSEMBLY PROCEDURES / 分解手順

(Remove parts in the order as numbered.)  
Disconnect the power cable from the AC outlet.

(番号順に部品を取り外してください。)  
AC電源コンセントから、電源コードを抜いてください。

### 1. Removal of Top Cover

- Remove 4 screws (①) and 4 screws (②). (Fig. 1)
- Slide the Top Cover rearward to remove it. (Fig. 1)

### 1. トップカバーの外し方

- ①のネジ4本、②のネジ4本を外します。(Fig. 1)
- トップカバーを後方へスライドさせ、取り外します。(Fig. 1)

### 2. Removal of Front Panel Unit

- Remove 7 screws (③) and then slide the Front Panel Unit forward. (Fig. 1)
- Loosen the harness fixing the cable.
- Remove CB306, CB309, CB505 and CB863 and then remove the Front Panel Unit. (Fig. 1)

### 2. フロントパネルユニットの外し方

- ③のネジ7本を外し、フロントパネルユニットを前方へ引き出します。(Fig. 1)
- ケーブルを固定している束線止めをゆるめます。
- CB306、CB309、CB505、CB863を外し、フロントパネルユニットを取り外します。(Fig. 1)

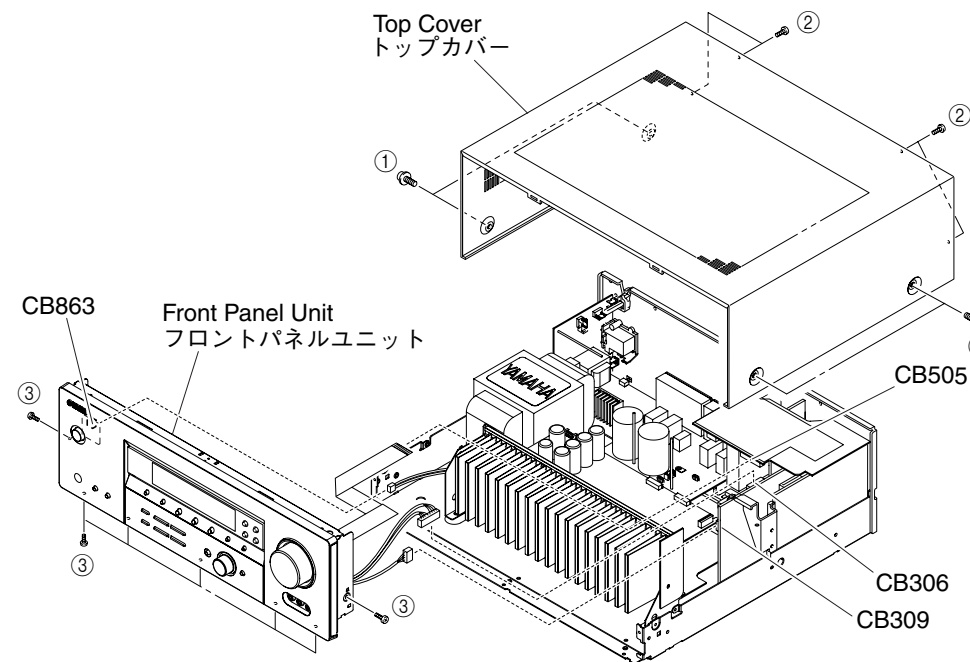


Fig. 1

### 3. Removal of DSP P.C.B.

- Remove 1 screw (④). (Fig. 2)
- Remove 7 (HTR-5750), 5 (RX-V450, HTR-5740) screws (⑤). (Fig. 3)
- Remove CB2. (Fig. 2)
- Lift up the FUNCTION (2) P.C.B. and remove the CB1. (Fig. 2)
- Remove the DSP P.C.B. with the Support/DSP. (Fig. 2)

### 3. DSP P.C.B.の外し方

- ④のネジ1本を外します。(Fig. 2)
- ⑤のネジ5本を外します。(Fig. 3)
- CB2を外します。(Fig. 2)
- FUNCTION(2) P.C.B.を上部に浮かせCB1を外します。(Fig. 2)
- DSP P.C.B.をサポート/DSPと共に取り外します。(Fig. 2)

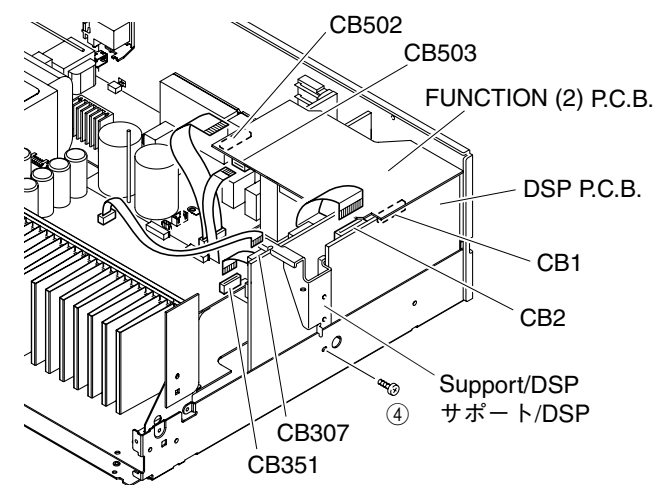
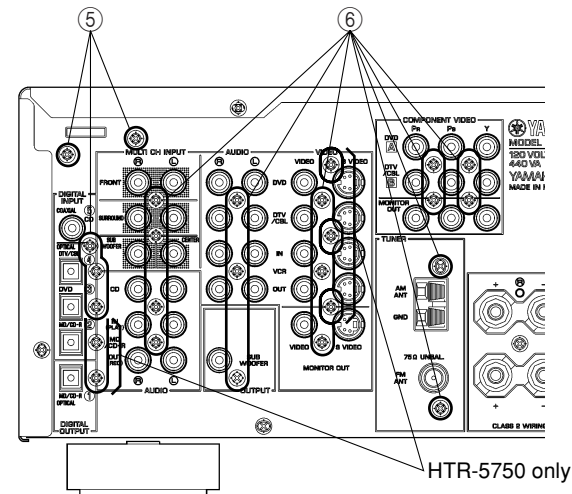


Fig. 2

HTR-5750/RX-V450/HTR-5740



DSP-AX450

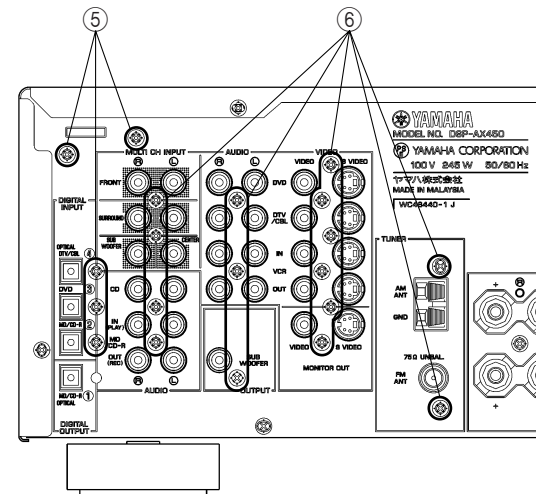


Fig. 3

**4. Removal of FUNCTION (1), (2), (4), (6) ~ (8) P.C.B.s and Tuner**

- Remove CB307, CB351, CB502 and CB503. (Fig. 2)
- Remove 19 (HTR-5750), 16 (RX-V450, HTR-5740) screws (6). (Fig. 3)
- Remove FUNCTION (1), (2), (4), (6) ~ (8) P.C.B.s. and the Tuner. (Fig. 4)

**4. FUNCTION (1)~(4)、(6)~(8)、TUNERの外し方**

- CB307、CB351、CB502、CB503を外します。(Fig. 2)
- ⑥のネジ15本を外します。(Fig. 3)
- FUNCTION (1)~(4)、(6)~(8)、TUNERを取り外します。(Fig. 4)

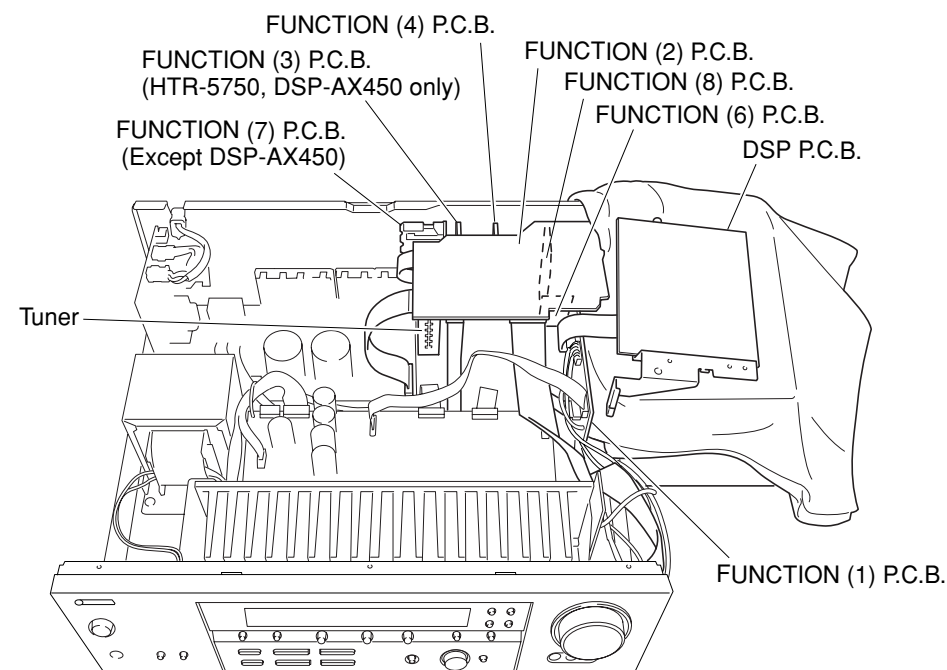


Fig. 4

**5. Removal of MAIN (1), MAIN (5), MAIN (7) and POWER (1) P.C.B.s**

- Remove CB351, CB354 and CB503. (Fig. 5)
- Remove 2 screws (7), 2 screws (8) and 3 screws (9). (Fig. 5)
- Remove MAIN (1), MAIN (5), MAIN (7) and POWER (1) P.C.B.s.. (Fig. 5)

**5. MAIN (1)、MAIN (5)、MAIN (7)、POWER (1) P.C.B.の外し方**

- CB351、CB354、CB503を外します。(Fig. 5)
- ⑦のネジ2本、⑧のネジ2本、⑨のネジ3本を外します。(Fig. 5)
- MAIN (1)、MAIN (5)、MAIN (7)、POWER (1) P.C.B.を取り外します。(Fig. 5)

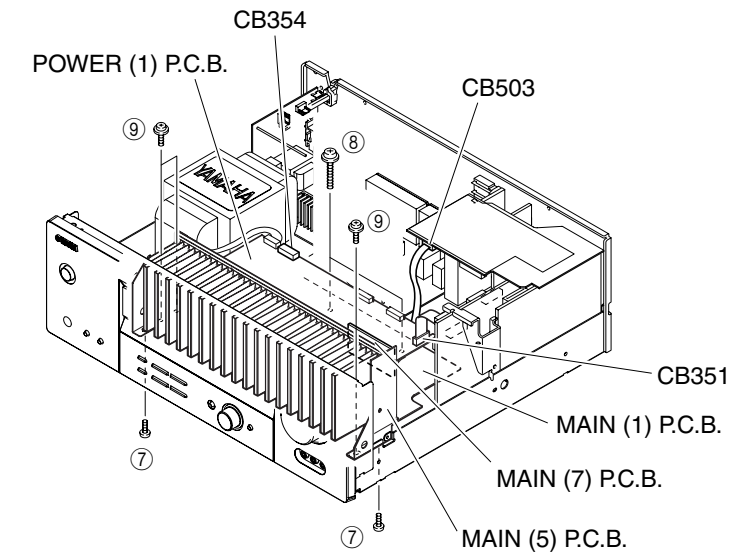


Fig. 5

**When checking the P.C.B.:**

- Put a Cloth over the equipment. Put the MAIN (1), (5), (7) and POWER (1) P.C.B.s together with the heat sink upright on the Cloth and check them. (Fig. 6)
- Reconnect all cables (connectors) that have been disconnected.
- When connecting the flat cable, use care for the polarity.
- The P.C.B. removed from the rear panel does not work because its grounding is loose. Be sure to connect the ground of each P.C.B. to the chassis or GND with a jumper wire or the like.

**P.C.B.チェックをする場合には**

- 布を敷きます。その上にMAIN(1)、(5)、(7)、POWER(1) P.C.B.をヒートシンクと一緒に立ててチェックします。
- 外したケーブル(コネクタ)をすべて接続してください。
- フラットケーブルを接続する際、極性に注意してください。
- リアパネルから外したP.C.B.はアースが浮いて動作しませんので、各P.C.B.のアースをリード線等でシャーシまたはGNDに接続してください。

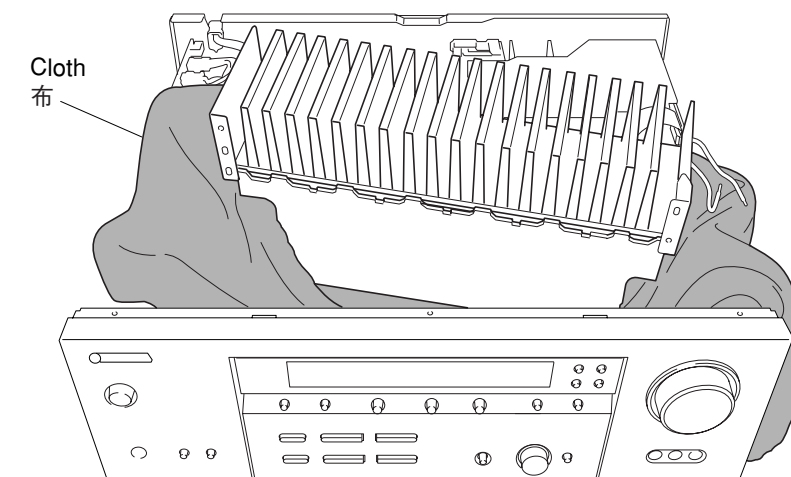


Fig. 6



## ■ SELF DIAGNOSIS FUNCTION (DIAG) / 自己診断機能 (ダイヤグ)

This unit has self diagnosis functions that are intended for inspection, measurement and location of faulty point.

There are 17 DIAG menu items, each of which has sub-menu items.

Listed in the table below are menu items and sub-menu items.

Note that not all menu items listed will apply to the models covered in this service manual.

本機には、検査、測定、不良個所の発見を目的とした自己診断機能(ダイヤグ)があります。

ダイヤグメニューは17個あり、そのそれぞれにサブメニューがあります。(ダイヤグのメニュー操作は本体で行います。) 下表はメニュー一覧です。

下表の全メニュー項目が、このサービスマニュアル記載のモデルに適用されるとは限りません。

| No | DIAG menu   | sub-menu   |
|----|---|--|
| 1  | DSP THROUGH <span style="border: 1px solid black; padding: 2px;">1. YSS MARGIN</span>       | 1. YSS MARGIN<br>2. YSS FULL BIT   |
| 2  | BYPASS <span style="border: 1px solid black; padding: 2px;">2. ANALOG BYPAS</span>          | 1. ANALOG BYPASS<br>2. DSP BYPASS  |
| 3  | RAM THROUGH <span style="border: 1px solid black; padding: 2px;">3. RAM MARGIN</span>       | 1. RAM MARGIN<br>2. RAM FULL BIT   |
| 4  | PRO LOGIC / NEO6 <span style="border: 1px solid black; padding: 2px;">4. PRO LOGIC I</span> | 1. PRO LOGIC I<br>2. PRO LOGIC II<br>3. Neo:6  |
| 5  | SPEAKERS SET <span style="border: 1px solid black; padding: 2px;">5. FRNT: SML 0dB</span>   | 1. FRNT: SML 0dB<br>2. CENTER: NONE<br>3. LFE/B: FRNT<br>4. Pres Mix: 5ch<br>5. FRNT GAIN1<br>6. FRNT GAIN2<br>7. SURR B Check   |
| 6  | EXT-INPUT <span style="border: 1px solid black; padding: 2px;">6. 6ch INPUT_6</span>        | 1. 6CH INPUT_6<br>2. 6CH INPUT_8   |
| 7  | MIC CHECK <span style="border: 1px solid black; padding: 2px;">7. MIC CHK --dB</span>       | MIC CHK --dB (Not applied to these models / このモデルには適用されません)  |
| 8  | DISPLAY CHECK <span style="border: 1px solid black; padding: 2px;">8. VFD CHECK</span>      | 1. VFD CHECK (Initial display / 初期表示)<br>2. VFD DISP OFF (All segments OFF / 全セグメント消灯)<br>3. VFD DISP ALL (All segments ON 100% / 全セグメント点灯100%)<br>4. VFD DIMMER (All segments ON 50% / 全セグメント点灯50%)<br>5. CHECKED PATTERN (ON in lattice / 格子状点灯)   |
| 9  | MANUAL TEST <span style="border: 1px solid black; padding: 2px;">9. TEST ALL</span>         | 1. TEST ALL<br>2. TEST FRNT L<br>3. TEST CENTER<br>4. TEST FRNT R<br>5. TEST SURR R<br>6. TEST SB R<br>7. TEST SB L<br>7. TEST SURR L<br>8. TEST LFE (Test Tone 35-250Hz)  |
| 10 | FACTORY PRESET <span style="border: 1px solid black; padding: 2px;">10. PRESET INHI</span>  | 1. PRESET INHI (memory initialization inhibited / メモリーの初期化禁止)<br>2. PRESET RSRV (memory initialized / メモリーの初期化)  |
| 11 | AD DATA CHECK <span style="border: 1px solid black; padding: 2px;">DC: 98% PS: 38%</span>   | 1. DC/PS (protection)<br>2. THM/Fan (Not applied to these models / このモデルには適用されません)<br>3. REC-OUT (Not applied to these models / このモデルには適用されません)<br>4. IMP SW/POWER LIMIT<br>5. KO/K1 (panel key)<br>6. FAN DRIVE TEST: HIGH (Not applied to these models / このモデルには適用されません)<br>7. FAN DRIVE TEST: MID (Not applied to these models / このモデルには適用されません)<br>8. FAN DRIVE TEST: LOW (Not applied to these models / このモデルには適用されません) |
| 12 | V_CONV_STATUS <span style="border: 1px solid black; padding: 2px;">L: 11111111</span>       | 1. LOW BYTE (Not applied to these models / このモデルには適用されません)<br>2. HIGH BYTE (Not applied to these models / このモデルには適用されません)  |

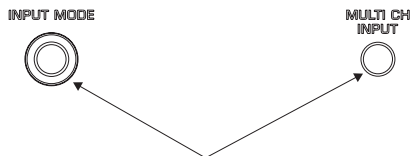
| No | DIAG menu   | sub-menu  |
|----|---|---|
| 13 | IF STATUS <span style="border: 1px solid black; padding: 2px;">ISI: 440308C000</span>                 | 1. INSIDE STATUS 1 (5 Byte)<br>2. INSIDE STATUS 2 (3 Byte)<br>3. CHANNEL STATUS 1 (5 Byte)<br>4. CHANNEL STATUS 2 (5 Byte)<br>5. CHANNEL STATUS 3 (5 Byte)<br>6. CHANNEL STATUS 4 (5 Byte)<br>7. CHANNEL STATUS 5 (4 Byte)<br>8. BSI 1 (5 Byte)<br>9. BSI 2 (5 Byte)<br>10. BSI 3 (5 Byte)<br>11. BSI 4 (5 Byte)<br>12. BSI 5 (5 Byte)<br>13. BSI 6 (5 Byte)<br>14. BSI 7 (2 Byte)<br>15. TI 1 (5 Byte)<br>16. TI 2 (1 Byte)<br>17. Mute Trigger (5 Byte) |
| 14 | DSP RAM CHECK <span style="border: 1px solid black; padding: 2px;">YSS BUS: NoEr</span>               | 1. YSS BUS<br>2. SD BUS   |
| 15 | PROTECTION SETTING<br><br>Not applied to these models.<br>このモデルには適用されません。                             | 1. PS L<br>2. PS H<br>3. DC L<br>4. DC H<br>5. FAN_0<br>6. FAN_1<br>7. FAN_2<br>8. FAN_3<br>9. FAN_4<br>10. FAN_5<br>11. TEMP<br>12. PL_8_M_L:<br>13. PL_8_M_H<br>14. PL_8_N_L:<br>15. PL_8_N_H:<br>16. PL_6_M_L:<br>17. PL_6_M_H:<br>18. PL_6_N_L:<br>19. PL_6_N_H:  |
| 16 | SOFT SWITCH <span style="border: 1px solid black; padding: 2px;">16. SW : PCB</span>                  | 1. SW MODE<br>2. MODEL SETTING<br>3. TUNER DESTINATION<br>4. TUNER<br>5. ZONE 2<br>6. VIDEO FORMAT  |
| 17 | ROM VERSION/<br>CHECK SUM/PORT <span style="border: 1px solid black; padding: 2px;">VER. XXXXX</span> | 1. VERSION<br>2. CHECK SUM ALL/PROGRAM<br>3. PORT<br>4. AAC PORT  |



## ● Starting DIAG

Press the "STANDBY/ON" key while simultaneously pressing those two keys of the main unit as indicated in the figure below.

Keys of main unit / 本体キー



Turn on the power while pressing these keys.  
これらのキーを同時に押しながら、パワーオンする。

## ● Starting DIAG in the protection cancel mode

If the protection function works and causes hindrance to trouble diagnosis, cancel the protection function as described below, and it will be possible to enter the DIAG mode. (The protection functions other than the excess current detect function will be disabled.)

Press the "STANDBY/ON" key while simultaneously pressing those two keys indicated in the figure above. At this time, keep pressing those two keys for 3 seconds or longer.

In this mode, the "SLEEP" segment of the FL display of the main unit flashes to indicate that the mode is DIAG mode with the protection functions disabled.

### CAUTION!

Using this product with the protection function disabled may cause damage to itself. Use special care for this point when using this mode.

## ● Canceling DIAG

[1] Before canceling DIAG, execute setting for FACTORY PRESET of DIAG menu No.10 (Memory initialization inhibited or Memory initialized).

\* In order to keep the user memory stored, be sure to select PRESET INHIBITED (Memory initialization inhibited).

[2] Turn off the power by pressing the "STANDBY/ON" key of the main unit.

## ● ダイアグの起動

本体の下図に示すキーを同時に押しながら "STANDBY/ON" キーを押すと、ダイアグが起動します。

## ● プロテクション解除モードでの起動

プロテクションが動作することにより、故障箇所の診断に支障をきたすような場合は、次の方法によりプロテクションを解除した状態でダイアグモードに入ることができます。(過電流検出以外のプロテクション動作を解除する)

上図のキーを同時に押しながら "STANDBY/ON" キーを押します。このとき、上図のキーを3秒以上押し続けてください。

このモードでは本体FLの "SLEEP" セグメントが点滅し、プロテクションを解除した状態でのダイアグモードであることを知らせます。

### 注意!

プロテクションを解除した状態でのダイアグモードは、危険な状態でもプロテクションが作動しないため、動作させると、機器を破壊することがあります。このモードを使用する場合は十分注意してください。

## ● ダイアグの解除

① ダイアグを解除する前に、ダイアグメニューNo.10の FACTORY PRESET (メモリーの初期化禁止/またはメモリーの初期化)の設定をします。

※ ユーザーメモリーを保持したい場合は、必ずPRESET INHIBITED(メモリー初期化禁止)を選択してください。

② 本体の "STANDBY/ON" キーを押し、パワーオフにします。

## ● Display provided when DIAG started

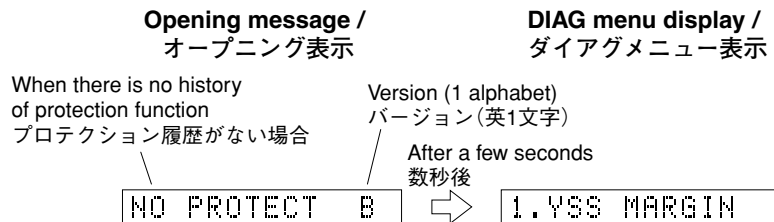
The FL display of the main unit displays the protection function history data and the version (1 alphabet) and the DIAG menu [sub-menu (YSS MARGIN) of DIAG menu No.1 DSP THROUGH] a few seconds later.

## ● ダイアグ起動時の表示

本体のFLディスプレイにプロテクション履歴情報とバージョン(英1文字)が表示され、数秒後にダイアグメニュー(No.1 DSP THROUGHのサブメニューYSS MARGIN)になります。

When there is no history of protection function:

プロテクション履歴がない場合:



When there is a history of protection function:

プロテクション履歴がある場合:



**Cause:** An excessive current flowed through the power amplifier.

原因： パワーアンプに過電流が流れた。

**Supplementary information:** As current of the power transistor is detected, the abnormal channel can be identified by checking the current detect transistor.

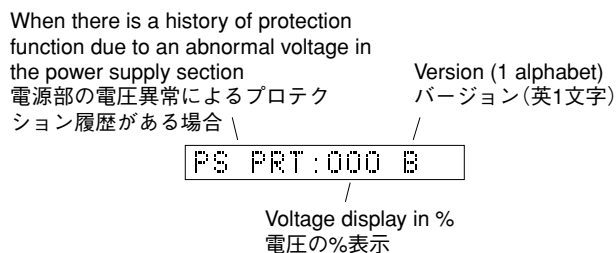
補足： パワートランジスタの電流を検出していますので、電流検出トランジスタをチェックすれば異常チャンネルが特定できます。

Turning on the power without correcting the abnormality will cause the protection function to work immediately and the power supply will instantly be shut off.

異常状態のままパワーオンすると、瞬時にプロテクションがかかり、すぐに電源が切れます。

### Note)

- Applying the power to a unit without correcting the abnormality can be dangerous and cause additional circuit damage.
- The output transistors in each amplifier channel should be checked for damage before applying any power.
- Amplifier current should be monitored by measuring across the emitter resistors for each channel.



**Cause:** The voltage in the power supply section is abnormal.

原因： 電源部の電圧が異常。

**Supplementary information:** The abnormal voltage is displayed in % based on 5V as 100%.

補足： 異常時の電圧の状態を、5Vを100%とした値で%表示します。

Turning on the power without correcting the abnormality will cause the protection function to work 1 second later and the power supply will be shut off.

異常状態のままパワーオンすると、1秒後にプロテクションがかかり、電源が切れます。

When there is a history of protection function due to abnormal DC output  
DC出力異常によるプロテクション履歴がある場合

Version (1 alphabet)  
バージョン(英1文字)

DC PRT: B

**Cause:** DC output of the power amplifier is abnormal.

**Supplementary information:** The abnormal voltage is displayed in % based on 5V as 100%.

Turning on the power without correcting the abnormality will cause the protection function to work 3 seconds later and the power supply will be shut off.

原因： パワーアンプのDC出力が異常。

補足： 異常時の電圧の状態を、5Vを100%とした値で%表示します。

異常状態のままパワーオンすると、3秒後にプロテクションがかかり、電源が切れます。

When there is a history of protection function due to excessive heat sink temperature  
放熱器の異常温度によるプロテクション履歴がある場合

Version (1 alphabet)  
バージョン(英1文字)

TMP PRT:000 B

Voltage display in %  
電圧の%表示

**Cause:** The temperature of the heat sink is excessively high.

**Supplementary information:** The abnormal voltage is displayed in % based on 5V as 500%.

Turning on the power without correcting the abnormality will cause the protection function to work 1 second later and the power supply will be shut off.

原因： 放熱器の温度が異常。

補足： 異常時の電圧の状態を、5Vを500%とした値で%表示します。

異常状態のままパワーオンすると、1秒後にプロテクションがかかり、電源が切れます。

- \* Additional causes of protection can be due to loose connections, associated components, CPU, etc.
- \* For the protection voltage value, refer to DIAG menu No.11 described later.

- ※ 前記の異常原因の他に、コネクタのはずれやCPU周辺などに原因がある場合があります。
- ※ プロテクションの電圧値に関しては、後述のダイアグメニューNo.11を参照してください。

### ● History of protection function

When the protection function has worked, its history is stored in memory with a backup. Even if no abnormality is noted while servicing the unit, an abnormality which has occurred previously can be defined as long as the backup data has been stored.

The history of the protection function is cleared when DIAG is cancelled by selecting PRESET RESERVED (Memory initialized) of DIAG menu No.10 or when the backup data is erased.

### ● プロテクションの履歴

プロテクションが働いた場合、履歴をバックアップして記憶しています。サービスのときに異常が認められなくても、バックアップが残っていれば、お客様のところで起きた異常を区別できます。

プロテクションの履歴は、ダイアグメニューNo.10でPRESET RESERVED(メモリーの初期化)を選んでダイアグを解除した場合や、バックアップが消えたときにはクリアされます。

### ● Display during menu operation

During the DIAG operation, the function at work is indicated on the FL indicator. The contents displayed during the function operation are described in the later section on details of functions.

### ● メニュー動作中の表示

ダイアグ中、本体のFLディスプレイに動作中の機能が表示されます。機能動作中の表示内容については、後述の機能詳細で記述します。

## ● Operation procedure of DIAG menu and SUB-MENU

There are 17 MENU items, each of which has some SUB-MENU items.

### DIAG menu selection

Main unit: Select the menu using the PROGRAM knob.

### SUB-MENU selection

Main unit: Select the sub-menu using ▷ (Forward) and ◁ (Reverse) keys of PRESET/TUNING.

## ● ダイアグメニューとサブメニューの操作

ダイアグにはNo.1～17のメニューがあり、そのそれぞれにサブメニューがあります。

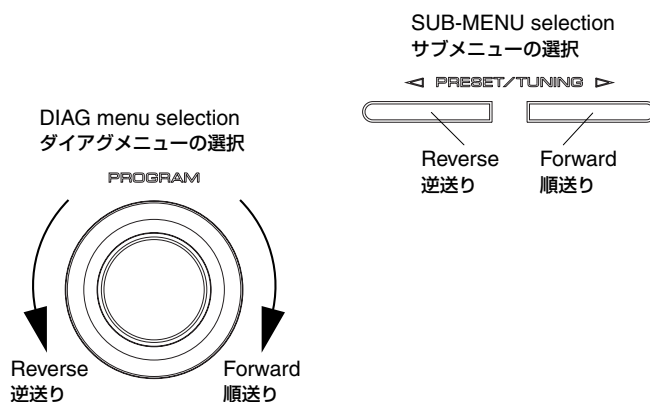
### ダイアグメニューの選択

本体キーでの操作： PROGRAMツマミで選択します。

### サブメニューの選択

本体キーでの操作： PRESET/TUNING ▷ (順送り), ◁ (逆送り)キーで選択します。

### Keys of main unit / 本体キー



## ● Functions in DIAG mode

In addition to the DIAG menu items, functions as listed below are available.

- Input selection, 6CH input
- Center/Rear/Rear Center/Sub-woofer level adjustment
- Speaker relay control of A and B
- Muting
- Power on/off
- Master volume

\* Functions related to the tuner and the set menu are not available.

\* It is possible to confirm Menu No.13 IF STATUS while keeping the signal process (operation status) of each DIAG menu by using the INPUT MODE key of the main unit.

## ● Initial settings used to start DIAG

The following settings are used when starting DIAG.

When DIAG is canceled, these settings are restored to those before starting DIAG.

- Master volume: -20dB
- Input: DVD (6CH INPUT OFF)
- Effect level: 0dB
- Audio mute: OFF
- Speaker relay of A and B: ON
- Speaker setting: LARGE / BASS OUT = BOTH
- DIAG menu: DSP THROUGH (1. YSS MARGIN)

## ● ダイアグ中の機能

ダイアグメニューの他に、以下の機能が動作します。

- インプット切り換え、6CHインプット
- センター、リア、リアセンター、サブウーファーレベル調整
- スピーカーリレーA/B
- ミューティング
- パワーオン/オフ
- マスターボリューム

※ チューナー関連、セットメニュー関連は機能しません。

※ 本体のINPUT MODEキーにより、各ダイアグメニューの信号処理(動作状態)を維持したままメニューNo.13 "IF STATUS"の確認ができます。

## ● ダイアグ開始時の初期設定

ダイアグ開始時に以下のような設定になります。ダイアグ解除時にはダイアグ開始前の状態に戻ります。

- マスターボリューム：-20dB
- インプット：DVD (6CH INPUT オフ)
- エフェクトレベル：0dB
- オーディオミュート：オフ
- スピーカーリレーA/B：ON
- スピーカー設定：LARGE / BASS OUT = BOTH
- ダイアグメニュー：DSP THROUGH (1. YSS MARGIN)



● Details of DIAG menu

With full-bit output specified in some modes, it is possible to execute 0dBFS output without head margin in each channel.

1. DSP THROUGH

YSS MARGIN

- The front CH signal including the head margin is output at the main CH.  
Head margin (Max):  
Front L/R: 15.0dB, Center: 14.0dB,  
Surround L/R: 9.0dB, Surround Back: 8.0dB,  
SW: 18.0dB

● ダイアグメニュー詳細

一部のモードでフルビット指定することで、各チャンネルのヘッドマージンを廃して0dBFS出力することが可能です。

1. DSP THROUGH

YSS MARGIN

- ヘッドマージンを含んで、フロントCHがメインCHに出力されます。  
ヘッドマージン(最大):  
Front L/R: 15.0dB, Center: 14.0dB,  
Surround L/R: 9.0dB, Surround Back: 8.0dB,  
SW: 18.0dB

1. YSS MARGIN

Reference data  
INPUT: DVD ANALOG  
SWFR: 50Hz, Others: 1kHz

| Input level      | Volume  | SPEAKER OUTPUT (1kHz) |           |              |               | SUBWOOFER OUTPUT (50Hz) |
|------------------|---------|-----------------------|-----------|--------------|---------------|-------------------------|
|                  |         | FRONT L/R             | CENTER    | SURROUND L/R | SURROUND BACK |                         |
| Both ch, -20 dBm | +6.0 dB | +13.0 dBm             | +13.0 dBm | +13.0 dBm    | +13.0 dBm     | -0.5 dBm                |

YSS FULL BIT

- The signal is output in digital full bit without including the head margin. The SWFR signal is output but not in digital full bit.

YSS FULL BIT

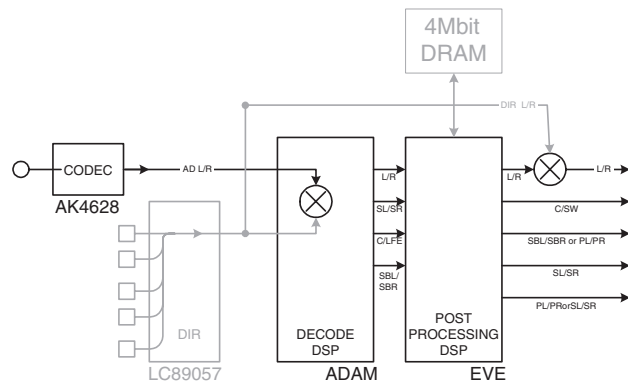
- ヘッドマージンを含まず、デジタルフルビットで出力されます。SWFRは出力されますが、デジタルフルビットではありません。

1. YSS FULL BIT

Reference data  
INPUT: DVD ANALOG  
SWFR: 50Hz, Others: 1kHz

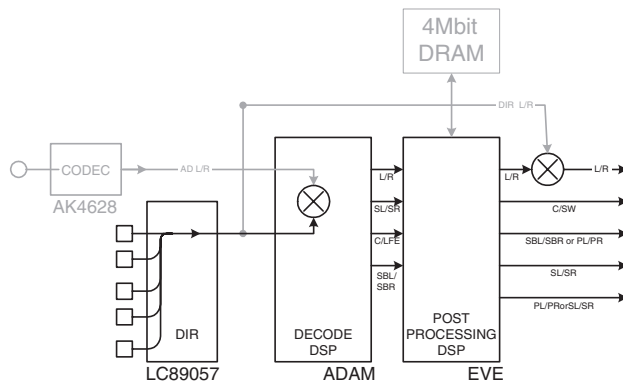
| Input level      | Volume  | SPEAKER OUTPUT (1kHz) |           |              |               | SUBWOOFER OUTPUT (50Hz) |
|------------------|---------|-----------------------|-----------|--------------|---------------|-------------------------|
|                  |         | FRONT L/R             | CENTER    | SURROUND L/R | SURROUND BACK |                         |
| Both ch, -20 dBm | +6.0 dB | +13.0 dBm             | +13.0 dBm | +13.0 dBm    | +13.0 dBm     | -0.5 dBm                |

DSP THROUGH ANALOG



(Shaded items not used in this example)

DSP THROUGH PCM/DD/DTS/AAC



(Shaded items not used in this example)

## 2. BYPASS

### ANALOG BYPASS

- The signal for L/R is output as it is without passing through the DSP section.

### 2. ANALOG BYPASS

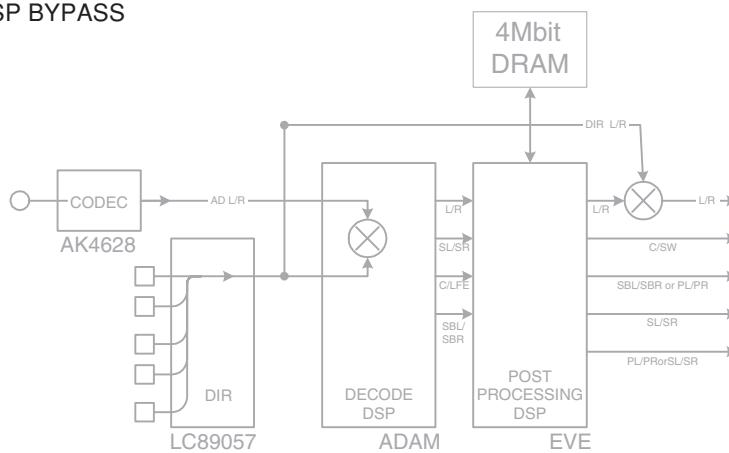
Reference data

INPUT: DVD ANALOG

SWFR: 50Hz, Others: 1kHz

| Input level      | Volume  | SPEAKER OUTPUT (1kHz) |        |              |               | SUBWOOFER OUTPUT (50Hz) |
|------------------|---------|-----------------------|--------|--------------|---------------|-------------------------|
|                  |         | FRONT L/R             | CENTER | SURROUND L/R | SURROUND BACK |                         |
| Both ch, -20 dBm | +6.0 dB | +13.0 dBm             | - ∞    | - ∞          | - ∞           | ∞                       |

ANALOG BYPASS, DSP BYPASS  
ANALOG



(Shaded items not used in this example)

## 2. BYPASS

### ANALOG BYPASS

- L/Rは、DSP部を通らずにそのまま出力されます。

### DSP BYPASS

- The signal for L/R is output through the DSP section.

### 2. DSP BYPASS

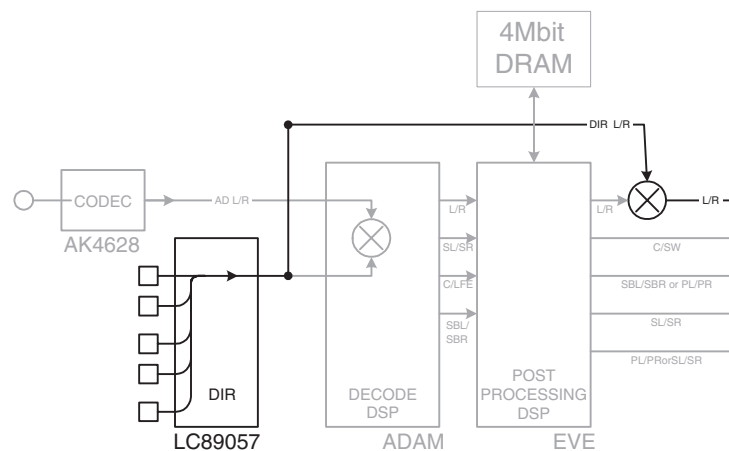
Reference data

INPUT: DVD ANALOG

SWFR: 50Hz, Others: 1kHz

| Input level      | Volume  | SPEAKER OUTPUT (1kHz) |        |              |               | SUBWOOFER OUTPUT (50Hz) |
|------------------|---------|-----------------------|--------|--------------|---------------|-------------------------|
|                  |         | FRONT L/R             | CENTER | SURROUND L/R | SURROUND BACK |                         |
| Both ch, -20 dBm | +6.0 dB | - ∞                   | - ∞    | - ∞          | - ∞           | ∞                       |

DSP BYPASS  
PCM



(Shaded items not used in this example)

### 3. RAM THROUGH

Using the sub-menu, it is possible to select the full-bit output at 0dB output level.

When ANALOG and PCM are selected, signals are distributed to each channel by YSS930.

### RAM MARGIN

3. RAM MARGIN

Reference data

INPUT: DVD ANALOG

SWFR: 50Hz, Others: 1kHz

| Input level      | Volume  | SPEAKER OUTPUT (1kHz) |           |              |               | SUBWOOFER OUTPUT (50Hz) |
|------------------|---------|-----------------------|-----------|--------------|---------------|-------------------------|
|                  |         | FRONT L/R             | CENTER    | SURROUND L/R | SURROUND BACK |                         |
| Both ch, -20 dBm | +6.0 dB | +13.0 dBm             | +13.0 dBm | +13.0 dBm    | +13.0 dBm     | -0.5 dBm                |

### RAM FULL BIT

### RAM FULL BIT

3. RAM FULL BIT

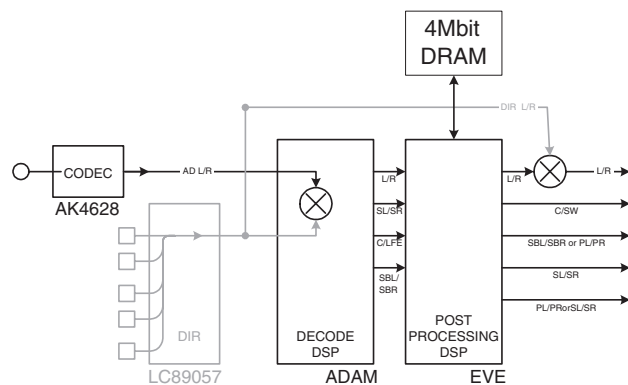
Reference data

INPUT: DVD ANALOG

SWFR: 50Hz, Others: 1kHz

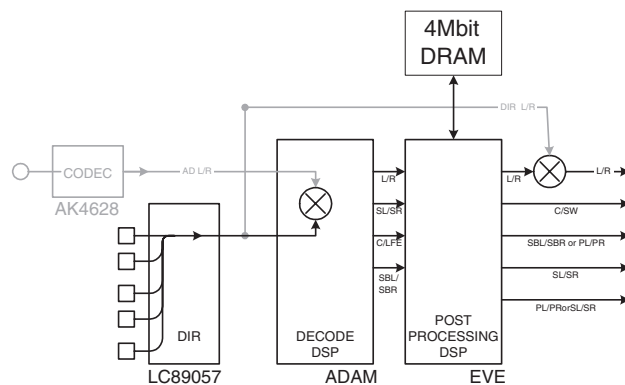
| Input level      | Volume  | SPEAKER OUTPUT (1kHz) |           |              |               | SUBWOOFER OUTPUT (50Hz) |
|------------------|---------|-----------------------|-----------|--------------|---------------|-------------------------|
|                  |         | FRONT L/R             | CENTER    | SURROUND L/R | SURROUND BACK |                         |
| Both ch, -20 dBm | +6.0 dB | +13.0 dBm             | +13.0 dBm | +13.0 dBm    | +13.0 dBm     | -0.5 dBm                |

### DSP THROUGH ANALOG



(Shaded items not used in this example)

### DSP THROUGH PCM/DD/DTS/AAC



(Shaded items not used in this example)

#### 4. PRO LOGIC

It is possible to select PRO LOGIC I, II (Movie) or Meo:6 by using the sub-menu.

When PRO LOGIC I or II (Movie) is selected, Auto Input Balance is always turned off.

#### 4. PRO LOGIC

サブメニューでPRO LOGIC I、II(Movie)、Meo:6を選択可能です。

PRO LOGIC I、II(Movie)の場合、常時Auto Input Balance offです。

#### PRO LOGIC I

#### PRO LOGIC I

#### 4. PRO LOGIC I

Reference data

INPUT: DVD ANALOG

SWFR: 50Hz, Others: 1kHz

| Input level      | Volume  | SPEAKER OUTPUT (1kHz) |           |              |               | SUBWOOFER OUTPUT (50Hz) |
|------------------|---------|-----------------------|-----------|--------------|---------------|-------------------------|
|                  |         | FRONT L/R             | CENTER    | SURROUND L/R | SURROUND BACK |                         |
| Each ch, -20 dBm | +6.0 dB | +13.0 dBm             | - ∞       | - ∞          | - ∞           | ∞                       |
| Both ch, -20 dBm | +6.0 dB | - ∞                   | +16.0 dBm | - ∞          | - ∞           | ∞                       |

#### PRO LOGIC II

#### PRO LOGIC II

#### 4. PRO LOGIC II

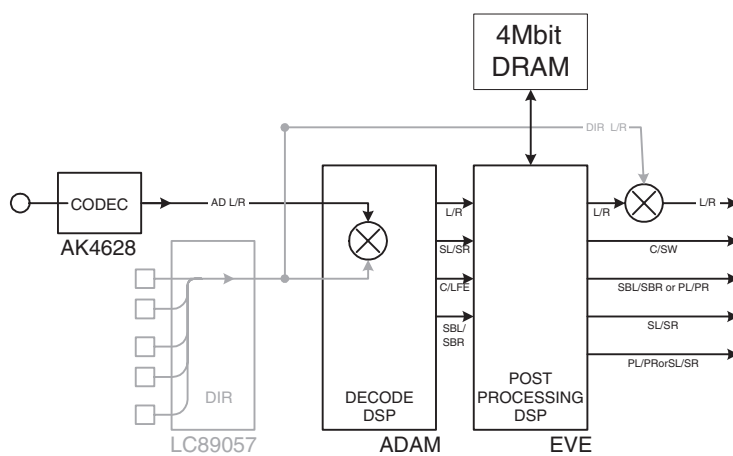
Reference data

INPUT: DVD ANALOG

SWFR: 50Hz, Others: 1kHz

| Input level      | Volume  | SPEAKER OUTPUT (1kHz) |           |              |               | SUBWOOFER OUTPUT (50Hz) |
|------------------|---------|-----------------------|-----------|--------------|---------------|-------------------------|
|                  |         | FRONT L/R             | CENTER    | SURROUND L/R | SURROUND BACK |                         |
| Each ch, -20 dBm | +6.0 dB | +13.0 dBm             | - ∞       | - ∞          | - ∞           | ∞                       |
| Both ch, -20 dBm | +6.0 dB | - ∞                   | +16.0 dBm | - ∞          | - ∞           | ∞                       |

Dolby Pro Logic/Neo:6  
ANALOG



(Shaded items not used in this example)



Neo:6

Neo:6

4 Neo:6

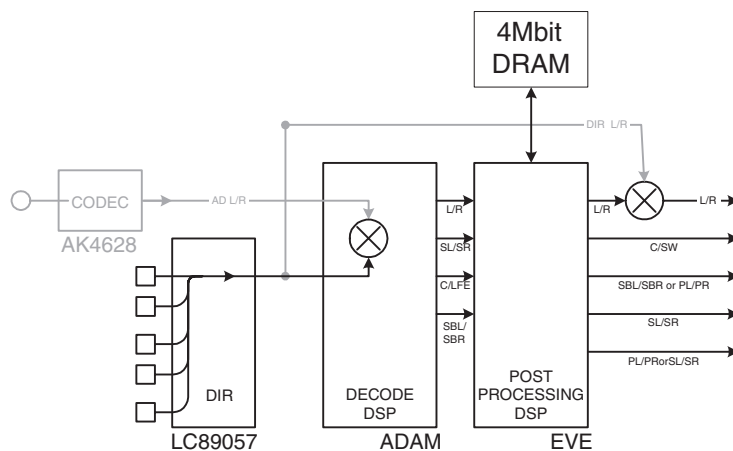
Reference data

INPUT: DVD ANALOG

SWFR: 50Hz, Others: 1kHz

| Input level      | Volume  | SPEAKER OUTPUT (1kHz) |           |              |               | SUBWOOFER OUTPUT (50Hz) |
|------------------|---------|-----------------------|-----------|--------------|---------------|-------------------------|
|                  |         | FRONT L/R             | CENTER    | SURROUND L/R | SURROUND BACK |                         |
| Each ch, -20 dBm | +6.0 dB | +13.0 dBm             | - ∞       | - ∞          | - ∞           | ∞                       |
| Both ch, -20 dBm | +6.0 dB | - ∞                   | +16.0 dBm | - ∞          | - ∞           | ∞                       |

Dolby Pro Logic/Neo:6  
PCM/DD/DTS/AAC



(Shaded items not used in this example)

### 5. SPEAKERS SET

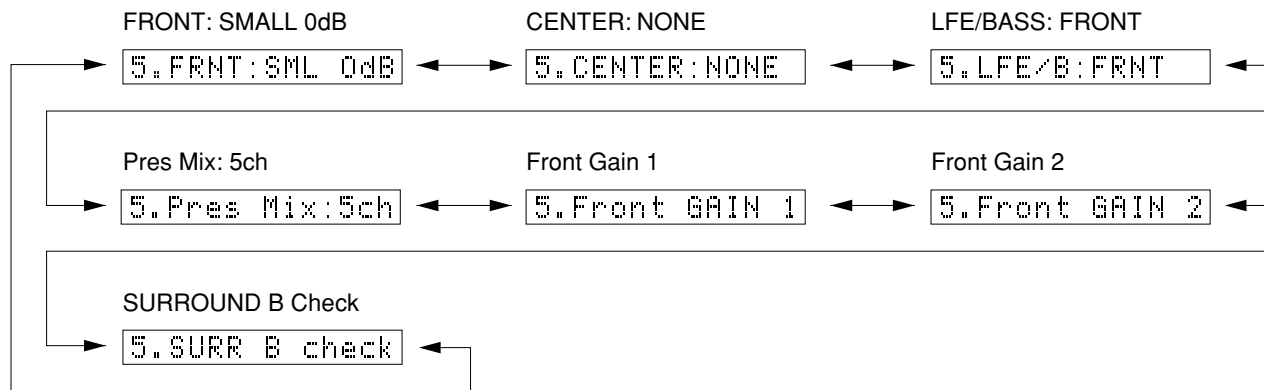
The input signal is automatically identified and switched in the priority order of dts → DOLBY DIGITAL → AAC → PCM AUDIO → Analog (A/D) according to the signal detection.

The signals output from the DSP block are the same as 2. BYPASS: DSP BYPASS.

### 5. SPEAKERS SET

入力は信号検出によって、dts → DOLBY DIGITAL → AAC → PCM AUDIO → アナログ(A/D)の優先順で自動判別切り換えされます。

DSP部からは、No.2 BYPASSのDSP BYPASSと同様の信号が出力されます。



The analog switch settings for each sub-menu are as shown in the table below.

各サブメニューにおけるアナログスイッチの設定は以下の通りです。

| Sub-menu |               | FRONT SP | CENTER SP | SL/SR | SB    | LFE/BASS |
|----------|---------------|----------|-----------|-------|-------|----------|
| 1        | FRNT: SML 0dB | SMALL    | LARGE     | LARGE | LARGE | SWFR     |
| 2        | CENTER: NONE  | LARGE    | NONE      | LARGE | LARGE | BOTH     |
| 3        | LFE/B: FRNT   | LARGE    | SMALL     | SMALL | SMALL | FRONT    |
| 4        | Pres Mix: 5ch | LARGE    | LARGE     | LARGE | LARGE | SWFR     |
| 5        | FRNT GAIN 1   | LARGE    | LARGE     | LARGE | LARGE | SWFR     |
| 6        | FRNT GAIN 2   | LARGE    | LARGE     | LARGE | LARGE | SWFR     |
| 7        | SURR B Check  | LARGE    | LARGE     | NONE  | LARGE | SWFR     |

**LARGE:** This mode is used with a speaker with high bass reproduction performance (a large unit). Full bandwidth signals are output.

**SMALL:** This mode is used with a speaker with low bass reproduction performance (a small unit). The signals of 90Hz or less are mixed into the channel specified by LFE/BASS.

**NONE:** This mode is used with no speaker. The center content is reduced by 3dB and distributed to MAIN L/R.

**LARGE :** 低音再生能力の高い(ユニットの大きい)スピーカーを使用するモードです。全帯域が出力されます。

**SMALL :** 低音再生能力の低い(ユニットの小さい)スピーカーを使用するモードです。90Hz以下がLFE/BASSで指定したチャンネルにミックスされます。

**NONE :** スピーカーを使用しないモードです。センター成分は-3dBされて、MAIN L/R に振り分けられます。

#### Reference data

INPUT: DVD ANALOG (Both ch)

| Sub-menu | Input level   | Volume                | SPEAKER OUTPUT (1kHz) |           |              |               | SUBWOOFER OUTPUT (50Hz) |          |
|----------|---------------|-----------------------|-----------------------|-----------|--------------|---------------|-------------------------|----------|
|          |               |                       | FRONT L/R             | CENTER    | SURROUND L/R | SURROUND BACK |                         |          |
| 1        | FRNT: SML 0dB | 1kHz Both ch, -20 dBm | +6.0 dB               | +13.0 dBm | +13.0 dBm    | +13.0 dBm     | +13.0 dBm               | +3.5 dBm |
| 2        | CENTER: NONE  | 1kHz Both ch, -20 dBm | +6.0 dB               | +10.0 dBm | - ∞          | +13.0 dBm     | +13.0 dBm               | -0.5 dBm |
| 3        | LFE/B: FRNT   | 50Hz Both ch, -20 dBm | +6.0 dB               | +25.0 dBm | +3.5 dBm     | +3.5 dBm      | +3.5 dBm                | ∞        |
| 4        | Pres Mix: 5ch | 1kHz Both ch, -20 dBm | +6.0 dB               | - ∞       | +13.0 dBm    | +13.0 dBm     | +13.0 dBm               | -0.5 dBm |
| 5        | Front Gain 1  | 1kHz Both ch, -20 dBm | +6.0 dB               | +20.0 dBm | +13.0 dBm    | +13.0 dBm     | +13.0 dBm               | -0.5 dBm |
| 6        | Front Gain 2  | 1kHz Both ch, -20 dBm | +6.0 dB               | +20.0 dBm | +13.0 dBm    | +13.0 dBm     | +13.0 dBm               | -0.5 dBm |
| 7        | SURR B check  | 1kHz Both ch, -20 dBm | +6.0 dB               | - ∞       | - ∞          | - ∞           | +13.0 dBm               | ∞        |

## 6. EXTERNAL INPUT

The signal input through the 6CH INPUT terminals is output.

The speaker impedance can be selected.

### 6ch INPUT\_6

## 6. EXTERNAL INPUT

6CH入力した信号が出力されます。

6オーム、8オームが選択できます。

### 6ch INPUT\_6

6.6ch INPUT\_6

Reference data

INPUT: 6CH INPUT

SWFR: 50Hz, Others: 1kHz

| Input level      | Volume  | SPEAKER OUTPUT (1kHz) |           |              |               | SUBWOOFER OUTPUT (50Hz) |
|------------------|---------|-----------------------|-----------|--------------|---------------|-------------------------|
|                  |         | FRONT L/R             | CENTER    | SURROUND L/R | SURROUND BACK |                         |
| Both ch, -20 dBm | +6.0 dB | +13.0 dBm             | +13.0 dBm | +13.0 dBm    | - ∞           | -10.0 dBm               |

### 6ch INPUT\_8

### 6ch INPUT\_8

6.6ch INPUT\_8

Reference data

INPUT: 6CH INPUT

SWFR: 50Hz, Others: 1kHz

| Input level      | Volume  | SPEAKER OUTPUT (1kHz) |           |              |               | SUBWOOFER OUTPUT (50Hz) |
|------------------|---------|-----------------------|-----------|--------------|---------------|-------------------------|
|                  |         | FRONT L/R             | CENTER    | SURROUND L/R | SURROUND BACK |                         |
| Both ch, -20 dBm | +6.0 dB | +13.0 dBm             | +13.0 dBm | +13.0 dBm    | - ∞           | -10.0 dBm               |

## 7. MIC CHECK

### MIC CHK --dB

Not applied to these models.

## 7. MIC CHECK

### MIC CHK --dB

このモデルには適用されません。

7.MIC CHK --dB

## 8. DISPLAY CHECK

This program is used to check the FL display section. The display condition varies as shown below according to the sub-menu operation. The signals are processed using EFFECT OFF (The L/R signal is output using ANALOG MAIN BYPASS.)

Regarding internal/external synchronization selection of the image signals by the microprocessor control, the internal synchronization is selected when the initial display is provided and when all FL's light up and the external synchronization at any other time.

Also, except when the initial display is provided, 128 characters for confirmation of the OSD driver are displayed as the image output.

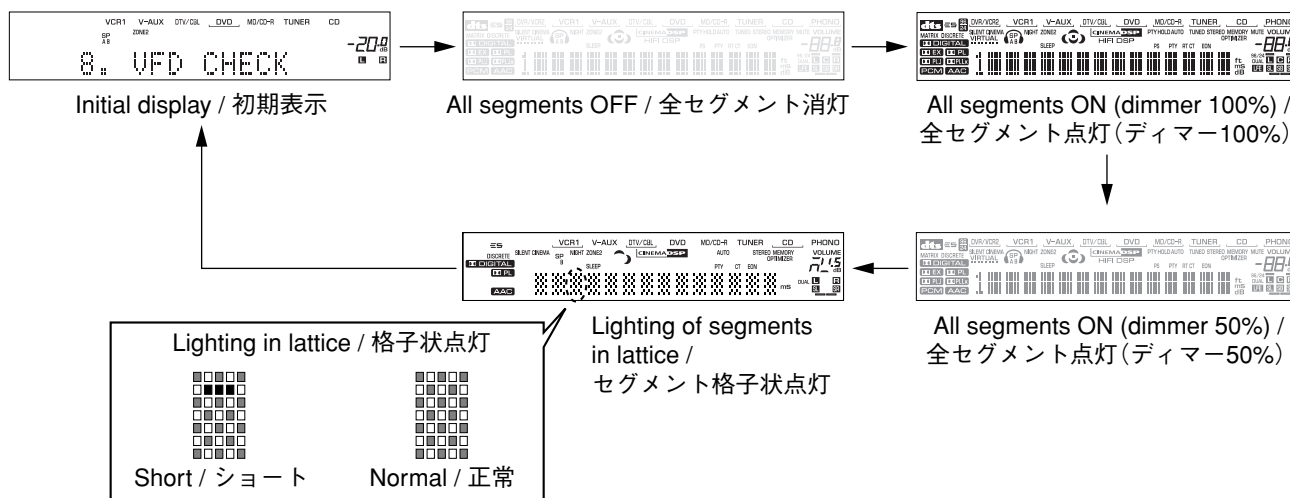
## 8. DISPLAY CHECK

FL表示部のチェックプログラムです。サブメニュー操作により、表示状態が以下のように変わります。

信号処理はEFFECT OFF (ANALOG MAIN BYPASSでL/Rを出力)です。

マイコン制御による映像信号の内部/外部同期切替は、初期表示とFL全点灯時に内部同期となり、それ以外は強制外部同期となります。

また、初期表示以外で映像出力にOSDドライバ確認用128文字表示が出ます。



Segment conditions of the FL driver and the FL tube are checked by turning ON and OFF all segments. Next, the operation of the FL driver is checked by using the dimmer control. Then a short between segments next to each other is checked by turning ON and OFF all segments alternately (in lattice). (In the above example, the segments in the second row from the top are shorted.)

全セグメント消灯・全セグメント点灯によりFLドライバー、FL管のセグメントの不良を確認します。

次に、ディマーコントロールによってFLドライバーの動作チェックを行います。

さらに全セグメントを交互(格子状)に点灯/消灯することで、隣り合うセグメントのショートをチェックします。

(上図の例では、上から2行目のセグメントがショートしています。)



## 9. MANUAL TEST

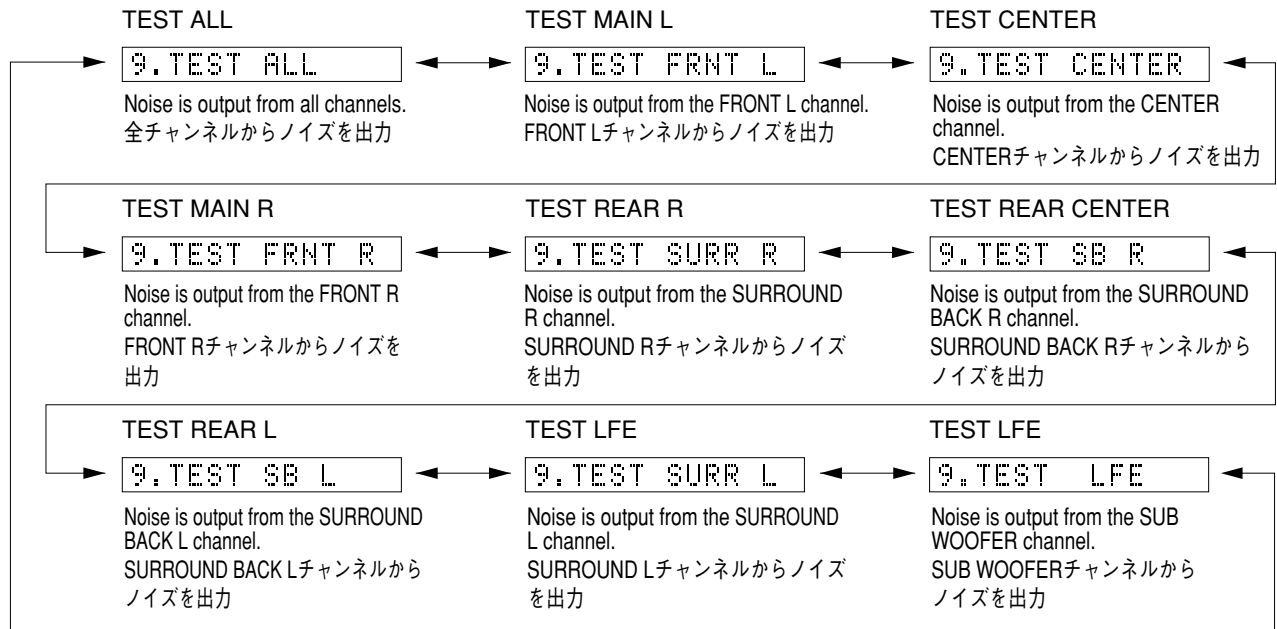
The noise generator circuit built into the DSP outputs the test noise through the channels specified by the sub-menu.

The noise frequency for LFE is 35 to 250 Hz. Other than that, the center frequency is 800Hz.

## 9. MANUAL TEST

DSP内蔵のノイズ発生回路によって、サブメニューで指定したチャンネルへテストノイズを出力します。

LFE用のノイズ周波数は35～250Hz、それ以外は中心周波数800Hzとなります。



## 10. FACTORY PRESET

This menu is used to reserve and inhibit initialization of the back-up RAM. The signals are processed in the same way as EFFECT OFF. (The L/R signal is output using ANALOG MAIN BYPASS.)

## 10. FACTORY PRESET

バックアップ用RAM (音場プログラムのパラメーターやセットメニュー内容など)の初期化を予約/禁止します。

信号処理はEFFECT OFFと同じです (ANALOG MAIN BYPASSで、L/Rを出力)。

10.PRESET INHI



10.PRESET RSRV

**PRESET INHIBIT** (Initialization inhibited) / **PRESET INHIBIT** (初期化禁止)

RAM initialization is not executed. Select this sub-menu to protect the values set by the user. RAMの初期化は行われません。ユーザーの設定値を保護するときは、こちらを選択してください。

**PRESET RESERVED** (Initialization reserved) / **PRESET RESERVED** (初期化予約)

Initialization of the back-up RAM is reserved. (Actually, initialization is executed the next time that the power is turned on.) Select this sub-menu to reset to the original factory settings or to reset the RAM.

バックアップRAMの初期化が予約されます。(実際に初期化されるのは、次回の電源投入時です。)工場出荷時やRAMをリセットしたいときは、こちらを選択してください。

**CAUTION:** Before setting to the PRESET RESERVED for initialization, write down the existing preset memory content of the Tuner in a table as shown below. (This is because initialization will cause the user memory content to be erased.)

注意：PRESET RESERVEDを選んで初期化をする前に、チューナーのユーザーメモリー内容を下表に書き写してください。(初期化をすると、ユーザーメモリーの内容は消えてしまいます。)

| Preset group | P1 | P2 | P3 | P4 | P5 | P6 | P7 | P8 |
|--------------|----|----|----|----|----|----|----|----|
| A            |    |    |    |    |    |    |    |    |
| B            |    |    |    |    |    |    |    |    |
| C            |    |    |    |    |    |    |    |    |
| D            |    |    |    |    |    |    |    |    |
| E            |    |    |    |    |    |    |    |    |

• PRESET STATIONS / プリセット局

| STATION |     | FM FACTORY PRESET DATA (MHz) |                     |      |  |
|---------|-----|------------------------------|---------------------|------|--|
| PAGE    | NO. | U, C                         | R, T, K, A, B, G, L | J    |  |
| A/C/E   | 1   | 87.5                         | 87.5                | 76.0 |  |
|         | 2   | 90.1                         | 90.1                | 83.0 |  |
|         | 3   | 95.1                         | 95.1                | 84.0 |  |
|         | 4   | 98.1                         | 98.1                | 86.0 |  |
|         | 5   | 107.9                        | 108.0               | 90.0 |  |
|         | 6   | 88.1                         | 88.1                | 78.0 |  |
|         | 7   | 106.1                        | 106.1               | 88.0 |  |
|         | 8   | 107.9                        | 108.0               | 82.1 |  |

| STATION |     | AM FACTORY PRESET DATA (kHz) |            |  |      |
|---------|-----|------------------------------|------------|--|------|
| PAGE    | NO. | U, C, R, T, K                | A, B, G, L |  | J    |
| B/D     | 1   | 630                          | 630        |  | 630  |
|         | 2   | 1080                         | 1080       |  | 1080 |
|         | 3   | 1440                         | 1440       |  | 1440 |
|         | 4   | 530                          | 531        |  | 531  |
|         | 5   | 1710                         | 1611       |  | 1611 |
|         | 6   | 900                          | 900        |  | 900  |
|         | 7   | 1350                         | 1350       |  | 1350 |
|         | 8   | 1400                         | 1404       |  | 1404 |

11. AD DATA CHECK

This menu is used to display the A/D conversion value of the terminals which detect panel keys of the main unit and protection functions in % using the sub-menu. During signal processing, the condition before execution is maintained.

When K0/K1 menu is selected, keys become non-operable due to detection of the values of all keys. However, it is possible to advance to the next sub-menu by turning the VOLUME knob of the main unit. When using this function, note that turning the VOLUME knob more than 2 clicks will cause the volume value to change.

\* The numeric value in the figure is an example for reference.

DC/PS (protection detection)

DC: DC protection value (Normal value: 1 to 13)

When DC is out of the normal value range, the protection function works to turn off the power.

PS: Power supply voltage protection value (Normal value: 21 to 39)

When PS is out of the normal value range, the protection function works to turn off the power.

DC:000 PS:000

THM/Fan (temperature detection/fan drive level)

THM: 500% display of the voltage based on the temperature detected value. Reference voltage : 5V

For the normal voltages, refer to the table below.

Fan: Not applied to these models.

THM:100 Fan.../...

| Destination | Normal Voltage |
|-------------|----------------|
| Except R, L | 1.7 V or less  |
| R, L        | 1.6 V or less  |

11. AD DATA CHECK

本体パネルキー、プロテクションなどを検出している端子のA/D変換の値を、サブメニューで%表示します。信号処理は実行前の状態を維持します。

K0/K1のメニューにすると、全キーの値を検出するためキー操作はできなくなりますが、本体のVOLUMEを回すことにより、次のサブメニューに進めることができます。このとき2クリック以上回すと、ボリューム値が変化するので注意してください。

※図中の数値は参考例です。

DC/PS (プロテクションの検出)

DC: DCプロテクションの値(正常値1~13)

DCは正常値を外れるとプロテクションが働き、電源オフされます。

PS: 電源電圧プロテクションの値(正常値21~39)

PSは正常値を外れるとプロテクションが働き、電源オフされます。

THM/Fan (温度検出/ファン駆動レベル)

THM: 温度検出値で電圧の500%表示、基準電圧は5V  
正常電圧値は下表参照。

Fan: このモデルには適用されません。

**REC-OUT**

Not applied to these models.

REC-OUT :

**REC-OUT**

このモデルには適用されません。

**IMP SW/POWER LIMIT**

(Impedance/power limiter detection)

IMP: Not applied to these models.

PL: Power limiter detection value

The voltage value of pin No. 92 of IC502 is displayed, using 5V/256 as standard.

The port (No.3) output is controlled by using the input voltage value of pin No. 92 of IC502.

IMP:8 PL:55%

Not applied to these models.

**IMP SW/POWER LIMIT**

(インピーダンス/パワーリミッターの検出)

IMP: このモデルには適用されません。

PL: パワーリミッター検出の値

IC502 92ピンの入力電圧値を5V/256を基準にして表示します。

IC502 92ピンの入力電圧値により、ポート(3ピン)を制御します。

**K0/K1** (Panel key of main unit)

A/D of the key fails to function properly when the standard value is deviated. In this case, check the constant of partial pressure resistor, solder condition, etc. Refer to table 1.

K0:100%K1:100%

**K0/K1** (本体パネルキー)

キーのA/Dは基準値から外れると、正常な動きをしません。Table 1 をご覧になり、各キーの分圧抵抗の定数、ハンダ不良等の確認をしてください。

[Table 1]  
RX-V550

| Display (%) | K0              | K1             |
|-------------|-----------------|----------------|
| 0 - 9       | TUNING MODE     | MULTI CH INPUT |
| 10 - 19     | -               | MEMORY         |
| 20 - 29     | INPUT MODE      | FM/AM          |
| 30 - 39     | PRESET/TUNING ▷ | PRESET/TUNING  |
| 40 - 49     | ◁ PRESET/TUNING | RDS PTYMODE    |
| 50 - 59     | A/B/C/D/E       | RDS PTYSTART   |
| 60 - 69     | TONE CONTROL    | RDS EON        |
| 70 - 79     | STRAIGHT        | RDS MODE       |
| 80 - 89     | SPEAKERS B      | -              |
| 90 - 100    | SPEAKERS A      | -              |

[Table 1]  
HTR-5750/RX-V450/HTR-5740

| Display (%) | K0            | K1              |
|-------------|---------------|-----------------|
| 0 - 9       | TUNING MODE   | MULTI CH INPUT  |
| 10 - 14     | INPUT MODE    | MEMORY          |
| 15 - 24     | BASS/TREBLE + | PRESET/TUNING ▷ |
| 25 - 34     | - BASS/TREBLE | ◁ PRESET/TUNING |
| 35 - 44     | CONTROL       | FM/AM           |
| 45 - 54     | PROGRAM ▷     | A/B/C/D/E       |
| 55 - 64     | ◁ PROGRAM     | PRESET/TUNING   |
| 65 - 69     | STRAIGHT      | RDS PTYMODE     |
| 70 - 74     | SPEAKERS A    | RDS PTYSTART    |
| 75 - 84     | SPEAKERS B    | RDS EON         |
| 85 - 100    | -             | RDS MODE        |

**12. V CONV STATUS**

Not applied to these models.

L:11111111

**12. V CONV STATUS**

このモデルには適用されません。

### 13. IF STATUS (Input function status)

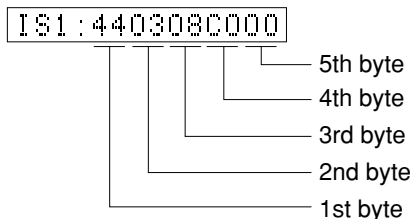
Using the sub-menu, the status data is displayed one after another in the hexadecimal notation.

During signal processing, the status before execution of this menu is maintained.

\* The numeric value in the figure is an example for reference.

#### IS1, 2 (Internal status):

Indicates the status information of the microprocessor.



<1st byte> Digital input/output setting value  
Upper 4 bits: REC OUT selected /  
lower 4 bits: INPUT selected

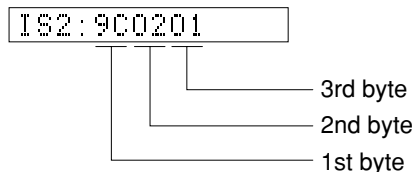
### 13. IF STATUS

サブメニュー操作により、以下のステータス情報を順次16進数で表示します。信号処理は、本メニュー実行前の状態を維持します。

※図中の数値は参考例です。

#### IS 1, 2 (内部ステータス):

マイコンのステータス情報を表示します。



<第1バイト>デジタル入出力設定値  
上位4bit REC OUT選択 /  
下位4bit INPUT選択

| Value | Choice | Preset name |
|-------|--------|-------------|
| 0     | NONE   |             |
| 1     | OPTA   | V-AUX       |
| 2     | OPTB   | MD/CD-R     |
| 3     | OPTC   | DVD         |
| 4     | OPTD   | D-TV/CBL    |
| 8     | COAXA  | CD          |

<2nd byte> Fs information of reproduction signal

<第2バイト>再生信号のFs情報

| Display  | 00     | 01 | 02   | 03 | 04 | 05   | 06 | 0A          | 0B          | 0C           | 0D          |
|----------|--------|----|------|----|----|------|----|-------------|-------------|--------------|-------------|
| Fs (kHz) | Analog | 32 | 44.1 | 48 | 64 | 88.2 | 96 | Unknown NRM | Unknown DBL | Unknown QUAD | Not defined |

<3rd byte> Audio code mode information of reproduction signal

<第3バイト>再生信号のオーディオコードモード情報

| Display    | 00  | 01  | 02  | 03  | 04  | 05  | 06  | 07  | 08  | 09  | 0A       | 0B        | 0C      | 0D      |
|------------|-----|-----|-----|-----|-----|-----|-----|-----|-----|-----|----------|-----------|---------|---------|
| Audio Code | 1+1 | 1/0 | 2/0 | 3/0 | 2/1 | 3/1 | 2/2 | 3/2 | 2/3 | 3/3 | OVER 6.1 | MULTI PCE | Unknown | Unknown |

<4th byte> Format information of reproduction signal

<第4バイト>再生信号のフォーマット情報

\*1: Analog processing used, for digital reproduction is not possible because of a commercial bit or 4-ch audio reason.

\*1: 業務用ビットや4chオーディオなどの理由で、デジタル再生できずアナログ処理されます。

| Display | Signal format          |
|---------|------------------------|
| 00      | Analog (Unlock)        |
| 01      | Incorrect digital (*1) |
| 10      | PCM Audio              |
| 20      | Digital Data           |
| 21      | IEC1937 Data           |
| 22      | None PCM               |
| 23      | Unknown                |
| 50      | dts                    |
| 51      | Red dts                |
| 54      | dts-ES MATRIX          |
| 58      | dts-ES DISCRETE        |
| 5C      | dts-ES (Both flag)     |
| 60      | AAC                    |
| C0      | Dolby Digital          |
| C1      | D.D. Karaoke           |
| C4      | D.D.6.1 (D.D.EX)       |

<5th byte> Signal processing status information  
\*2: With digital signals other than 32kHz, 44.1kHz and 48kHz, through processing method is used for reproducible signals.

<第5バイト>信号処理ステータス情報  
\*2: 32kHz、44.1kHz、48kHz以外のデジタル信号の場合、再生可能な信号についてはスルー処理されます。

|      |                   |      |                       |
|------|-------------------|------|-----------------------|
| bit7 | MUTE request      | bit3 | -                     |
| bit6 | Red dts flashing  | bit2 | Through & bypass (*2) |
| bit5 | 6.1/EX processing | bit1 | -                     |
| bit4 | FULL MUTE (ON: 1) | bit0 | dts analog mute       |

**CS1-5:** Indicates channel status information of the input signal.

**CS 1-5:** 入力信号のチャンネルステータス情報を表示します。

CS1:0299000200 ----- CS5:00000000

**BS1-7, TI1-2:** Indicates the bit stream information of YSS948.

**BS1-7, TI1-2:** YSS948のビットストリームインフォメーション情報を表示します。

BS1:000070FFFF ----- BS7:C4

TI1:0000000000 ----- TI2:00

**MTT:** Mute Trigger

**MTT:** Mute Trigger

MTT:0020000007

### 14. DSP RAM CHECK

This menu is used to self-diagnose whether or not the bus connection for the YSS930 and the external RAM is made properly.

During signal processing, the status before execution of this menu is maintained.

The address bus and the data bus are checked and the connection condition is displayed.

When no error is detected, "NoEr" appears on display.

#### YSS930 Bus Check

YSS BUS:NoEr

| Display | Description                   |
|---------|-------------------------------|
| WAIT    | Bus is being checked.         |
| NoEr    | No error detected.            |
| DATA    | Data bus shorted or open.     |
| RSCS    | /RAS or /CAS shorted or open. |
| ADDR    | Address bus shorted or open.  |

#### YSS948 BUS CHECK

SD BUS:NoEr

| Display | Description        |
|---------|--------------------|
| WAIT    | Error detected     |
| NoEr    | No error detected. |

### 15. PROTECTION SETTING

Not applied these models.

### 14. DSP RAM CHECK

YSS930と外付けRAMとのバス接続の正否を自己診断します。信号処理は、このメニューを実行する前の状態を維持します。アドレスバス、データバスのチェックを行い、接続正否を表示します。

エラーが検出されなかった場合は、“NoEr”と表示されます。

#### YSS930 BUS CHECK

#### YSS948 BUS CHECK

### 15. PROTECTION SETTING

このモデルには適用されません。

## 16. SOFT SW

This menu is used to switch the function settings on P.C.B. through the software so as to activate the product.

The protection function follows the P.C.B. settings. When connected to AC or in the maker preset state, the unit is initialized to the P.C. B. setting. Display of each function after initialization varies depending on settings on P.C.B. The operation mode can be changed by selecting the sub-menu and then using the STRAIGHT key. With SOFT selected for the SW mode, the settings become effective.

**SW MODE:** PCB or SOFT can be selected.

16. SW : PCB

**MODEL SETTING:** V550, V450 or H5750 can be selected.

16. MODEL: V550

**TUNER DESTINATION:** J, UC, ATKBG or RL can be selected.

16. DEST : UC

**TUNER:** NOT or EXIST can be selected.

16. TUNER: EXIST

**RDS:** NOT or EXIST can be selected.

16. RDS : NOT

**ZONE2:** NOT or EXIST can be selected.

16. ZONE2: EXIST

**VIDEO FORMAT:** NTSC or PAL can be selected.

16. VIDEO: NTSC

## 16. SOFT SW

P.C.B.上の機能設定をソフト的に切り替えて、製品を動作させる機能です。

プロテクション機能は、P.C.B.の設定にしたいがいます。AC接続またはメーカープリセットで、P.C.B.の設定に初期化されます。初期化後の各機能の表示は、P.C.B.上の設定によります。操作は、サブメニューを選んだ後、STRAIGHTキーで切り替えます。SWモードをSOFTにすると、設定が有効になります。

**SW MODE :** PCBまたはSOFTを選択できます。

**MODEL SETTING :** V550、V450、H5750のいずれかを選択できます。

**TUNER DESTINATION :** J、UC、ATKBG、RLのいずれかを選択できます。

**TUNER :** NOTまたはEXISTを選択できます。

**RDS :** NOTまたはEXISTを選択できます。

**ZONE2 :** NOTまたはEXISTを選択できます。

**VIDEO FORMAT :** NTSCまたはPALを選択できます。



### 17. MICROPROCESSOR INFORMATION

There are 4 sub-menu items.

The version, checksum and the port specified by the microprocessor are displayed. The signal is processed using EFFECT OFF. The checksum is obtained by adding the data at every 16 bits for each program area and expressing the result as a 4-figure hexadecimal data.

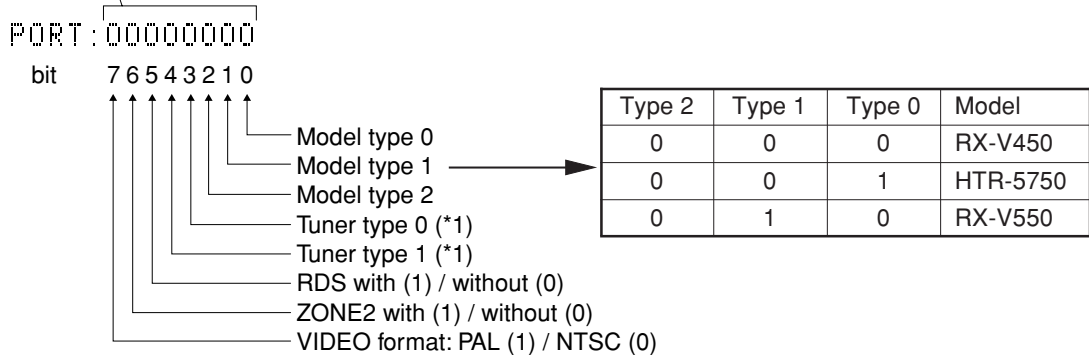
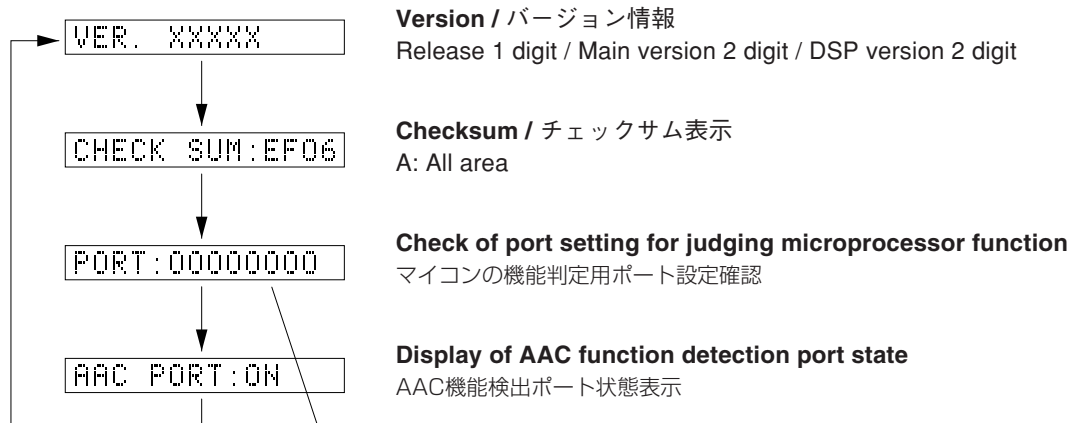
### 17. マイコン情報

サブメニューは4つあります。

プログラムのバージョン、チェックサム、マイコンの指定ポートを表示します。

信号はエフェクトOFFです。チェックサムは、プログラムエリア別にデータを16ビットごとに加算していき、4桁の16進データで現したものです。

RX-V550/HTR-5750  
RX-V450/HTR-5740/DSP-AX450



\*1

| Type | Tuner mode |   | Port 36<br>FREQSW(Dest R) | Frequency range        |                     |
|------|------------|---|---------------------------|------------------------|---------------------|
|      | 1          | 0 |                           | FM                     | AM                  |
| 0    | 0          | 0 | -                         | 76.0-90.0MHz / 100kHz  | 531-1611kHz / 9kHz  |
| 1    | 1          | 0 | -                         | 87.5-108.0MHz / 50kHz  | 531-1611kHz / 9kHz  |
| 2    | 0          | 1 | -                         | 87.5-107.9MHz / 200kHz | 530-1710kHz / 10kHz |
| 3    | 1          | 1 | Low                       | 87.5-108.0MHz / 100kHz | 530-1710kHz / 10kHz |
|      |            |   | High                      | 87.5-108.0MHz / 50kHz  | 531-1611kHz / 9kHz  |

## ■ AMP ADJUSTMENT / アンプ部調整

### Confirmation of Idling Current of MAIN (1) P. C. B.

- Right after power is turned on, confirm that each measured voltage across the terminals of R45 (Front Lch), R46 (Front Rch), R50 (Center), R47 (Surround Lch), R48 (Surround Rch), R49 (Surround Back) is between 0.1mV and 10.0mV.
- If it exceeds 10.0mV, open (cutoff) R38 (Front Lch), R39 (Front Rch), R37 (Center), R34 (Surround Lch), R35 (Surround Rch), R36 (Surround Back) and reconfirm the voltage.

#### Attention

If the measured voltage exceeds 10.0mV after an amplifier repair, first check for a defective component before cutting the bias resistor.

- Confirm that the voltage is 0.2mV ~ 15.0mV after 60 minutes.

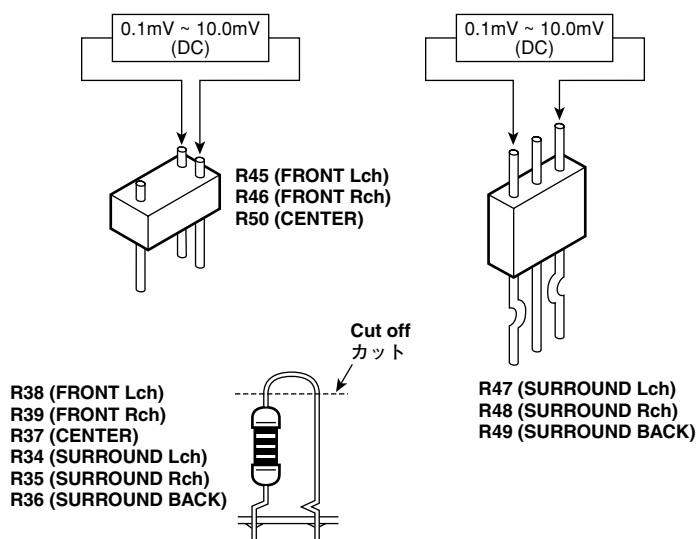
### メイン(1)基板のアイドリング電流の確認

- 電源投入直後、R45(FRONT Lch)、R46(FRONT Rch)、R50(CENTER)、R47(SURROUND Lch)、R48(SURROUND Rch)、R49(SURROUND BACK)の端子間電圧を測定し、0.1mVから10.0mVの間であることを確認してください。
- 電圧が10mVを超えている場合は、R38(FRONT Lch)、R39(FRONT Rch)、R37(CENTER)、R34(SURROUND Lch)、R35(SURROUND Rch)、R36(SURROUND BACK)をカットし、電圧を再確認してください。

#### 注意

パワーアンプ修理後に10.0mVを超えている場合は、抵抗をカットする前に故障箇所を調べてください。

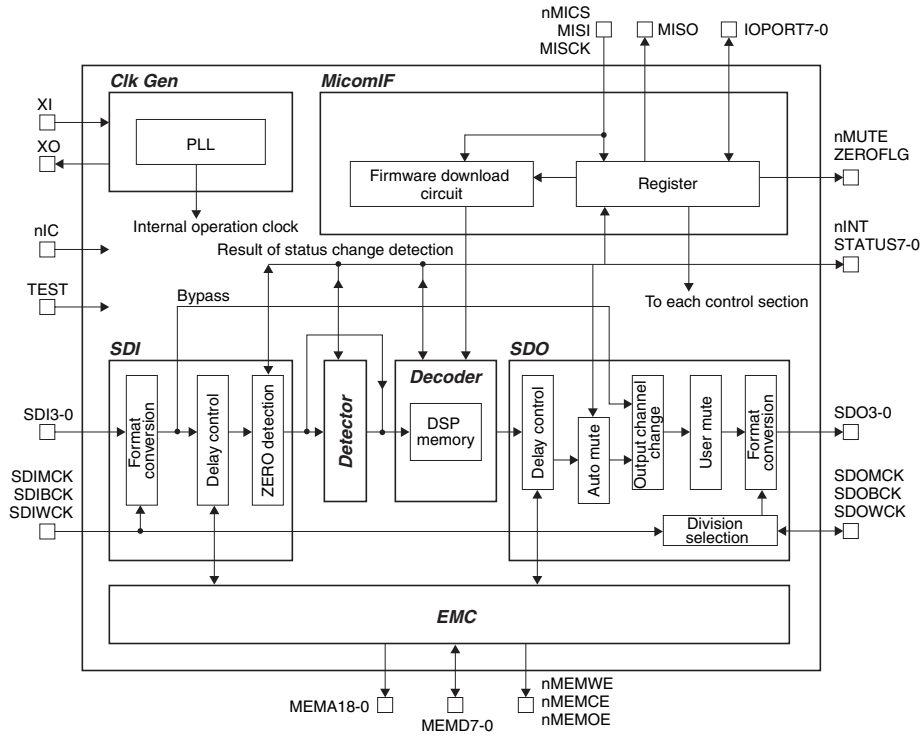
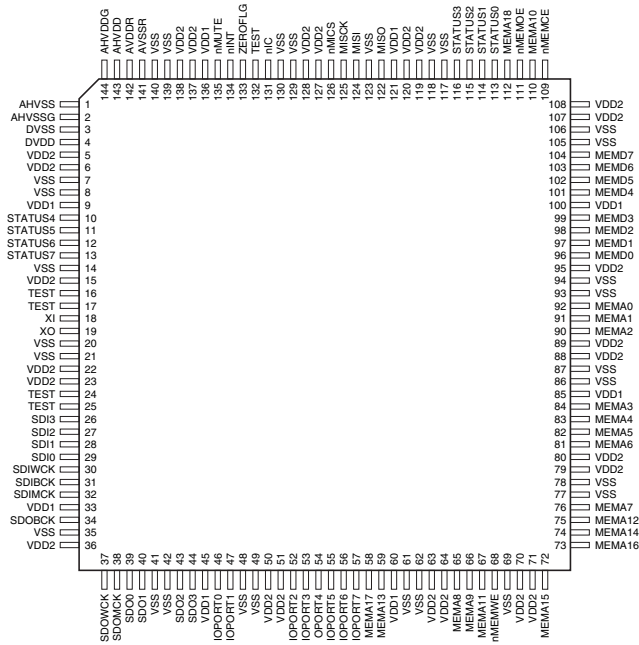
- 60分後、電圧が0.2mV~15.0mVであることを確認してください。



# IC DATA

IC5 : YSS948 (DSP P.C.B.)  
DSP (Main Decoder)

RX-V550/HTR-5750  
RX-V450/HTR-5740/DSP-AX450



| Block name      | Function   |
|-----------------|--|
| <b>ClkGen</b>   | Equipped with PLL internally, controls clock supply to each section.   |
| <b>MicomIF</b>  | Equipped with firmware download circuit, used for connection to the external microprocessor.   |
| <b>SDI</b>      | For audio interface with DIR, ADC, etc.  |
| <b>SDO</b>      | For audio interface with DAC, etc.   |
| <b>Detector</b> | For stream judgment  |
| <b>EMC</b>      | Used to read and write to the external memory, providing input delay and output delay.   |
| <b>Decoder</b>  | Equipped with 32-bit floating decimal DSP, memory (ROM, RAM), etc.<br>Executes various functions using preset ROM codes.<br>Capable of executing functional expansion by downloading firmware. |

IC5 : YSS948 (DSP P.C.B.)  
DSP (Main Decoder)

| Category     | Pin No. | Terminal name | I/O Note 1) | Output current | Function  |
|--------------|---------|---------------|-------------|----------------|---|
| Power supply | 9       | VDD1          | -           | -              | Power supply terminal for terminal block circuit (Typ. 3.3V)  |
|              | 33      |               |             |                |   |
|              | 45      |               |             |                |   |
|              | 60      |               |             |                |   |
|              | 85      |               |             |                |   |
|              | 100     |               |             |                |   |
|              | 121     |               |             |                |   |
| 136          |         |               |             |                |   |
|              | 5       | VDD2          | -           | -              | Power supply terminal for internal circuit (Typ. 1.2V)  |
|              | 6       |               |             |                |   |
|              | 15      |               |             |                |   |
|              | 22      |               |             |                |   |
|              | 23      |               |             |                |   |
|              | 36      |               |             |                |   |
|              | 50      |               |             |                |   |
|              | 51      |               |             |                |   |
|              | 63      |               |             |                |   |
|              | 64      |               |             |                |   |
|              | 70      |               |             |                |   |
|              | 71      |               |             |                |   |
|              | 79      |               |             |                |   |
|              | 80      |               |             |                |   |
|              | 88      |               |             |                |   |
|              | 89      |               |             |                |   |
|              | 95      |               |             |                |   |
|              | 107     |               |             |                |   |
|              | 108     |               |             |                |   |
|              | 119     |               |             |                |   |
| 120          |         |               |             |                |   |
| 127          |         |               |             |                |   |
| 128          |         |               |             |                |   |
| 137          |         |               |             |                |   |
| 138          |         |               |             |                |   |
|              | 142     | AVDDR         | -           | -              | Power supply terminal 1 for PLL section (Typ. 3.3V)<br>Insert a 0.1μF capacitor between AVDDR terminal and AVSSR terminal.      |
|              | 143     | AHVDD         | -           | -              | Power supply terminal 2 for PLL section (Typ. 3.3V)<br>Insert a 0.1μF capacitor between AHVDD terminal and AHVSS terminal.      |
|              | 144     | AHVDDG        | -           | -              | Power supply terminal 3 for PLL section (Typ. 3.3V)<br>Insert a 0.1μF capacitor between AHVDDG terminal and AHVSSG terminal.    |
|              | 4       | DVDD          | -           | -              | Internal power supply terminal for PLL section (Typ. 1.2V)<br>Insert a 0.1μF capacitor between DVDD terminal and DVSS terminal. |
|              | 7       | VSS           | -           | -              | Ground terminal   |
|              | 8       |               |             |                |   |
|              | 14      |               |             |                |   |
|              | 20      |               |             |                |   |
|              | 21      |               |             |                |   |
|              | 35      |               |             |                |   |
|              | 41      |               |             |                |   |
|              | 42      |               |             |                |   |
|              | 48      |               |             |                |   |
|              | 49      |               |             |                |   |
|              | 61      |               |             |                |   |
|              | 62      |               |             |                |   |
|              | 69      |               |             |                |   |
|              | 77      |               |             |                |   |
|              | 78      |               |             |                |   |
|              | 86      |               |             |                |   |
|              | 87      |               |             |                |   |
|              | 93      |               |             |                |   |
|              | 94      |               |             |                |   |
|              | 105     |               |             |                |   |
| 106          |         |               |             |                |   |
| 117          |         |               |             |                |   |
| 118          |         |               |             |                |   |
| 123          |         |               |             |                |   |
| 129          |         |               |             |                |   |
| 130          |         |               |             |                |   |
| 139          |         |               |             |                |   |
| 140          |         |               |             |                |   |

IC5 : YSS948 (DSP P.C.B.)  
DSP (Main Decoder)

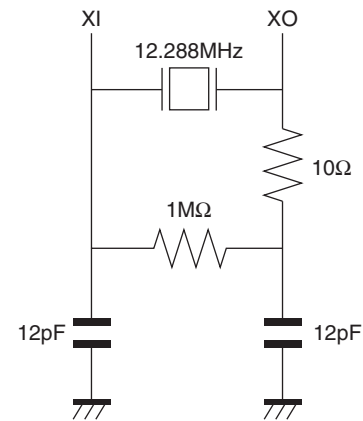
| Category                  | Pin No. | Terminal name | I/O Note 1) | Output current                                     | Function  |
|---------------------------|---------|---------------|-------------|--|---|
| Power supply              | 1       | AHVSS         |             |  | Ground terminal 2 for PLL section<br>Insert a 0.1μF capacitor between AHVDD terminal and AHVSS terminal.  |
|                           | 2       | AHVSSG        |             |  | Ground terminal 3 for PLL section<br>Insert a 0.1μF capacitor between AHVDDG terminal and AHVSSG terminal.  |
|                           | 3       | DVSS          |             |  | Ground terminal 4 for PLL section<br>Insert a 0.1μF capacitor between DVDD terminal and DVSS terminal.  |
|                           | 141     | AVSSR         |             |  | Ground terminal 1 for PLL section<br>Insert a 0.1μF capacitor between AVDDR terminal and AVSSR terminal.  |
| Initial clear             | 131     | nIC           | Is          | -  | Hardware reset input terminal<br>The device is initialized at "L" level.  |
| Clock                     | 18      | XI            | I           | -  | Clock input terminal<br>Connect 12.288MHz crystal oscillator as shown in circuit example (Note 2).<br>When not connecting crystal oscillator, input 12.28MHz clock to XI terminal.  |
|                           | 19      | XO            | O           | -  | Clock output terminal for crystal oscillator oscillation<br>Connect as shown in circuit example (Note 2).<br>When inputting clock directly to XI terminal without connecting crystal oscillator, do not connect anything to XO terminal. Do not use XO terminal for any purpose other than clock oscillation. |
| Microprocessor interface  | 126     | nMICS         | Is          | -  | Chip select input terminal for microprocessor interface. Input of MISCK and MISI terminals becomes effective at "L" level.  |
|                           | 125     | MISCK         | Is          | -  | Clock input terminal for microprocessor interface   |
|                           | 124     | MISI          | I           | -  | Address, read/write control and data input terminal for microprocessor interface  |
|                           | 122     | MISO          | Ot          | 4mA  | Data output terminal for microprocessor interface   |
| Audio interface           | 32      | SDIMCK        | Is          | -  | Master clock input terminal on input side of audio interface<br>Master clock from DIR, ADC, etc. is inputted. Maximum frequency for input is 25MHz.<br>(512fs up to 48kHz of input sampling frequency, 256fs up to 96kHz and 128fs up to 192kHz)  |
|                           | 31      | SDIBCK        | Is          | -  | Bit clock input/output terminal on input side of audio interface.<br>64fs bit clock is inputted.  |
|                           | 30      | SDIWCK        | I           | -  | Word clock terminal on input side of audio interface.   |
|                           | 26      | SDI3          | I           | -  | Serial data input terminal 3 for input side of audio interface<br>Connect to ground when not using this terminal.   |
|                           | 27      | SDI2          | I           | -  | Serial data input terminal 2 for audio interface<br>Connect to ground when not using this terminal.   |
|                           | 28      | SDI1          | I           | -  | Serial data input terminal 1 for audio interface<br>Connect to ground when not using this terminal.   |
|                           | 29      | SDI0          | I           | -  | Serial data input terminal 0 for audio interface<br>Enter digital audio data (various streams/PCM) coming through IEC60958to this terminal .  |
|                           | 38      | SDOMCK        | Ot          | 8mA  | Master clock output terminal on output side of audio interface.<br>Master clock to DIT, DAC is output from this terminal<br>Maximum frequency to be output is 25MHz.  |
|                           | 34      | SDOBCK        | Is/O        | 4mA  | Bit clock input/output terminal on output side of audio interface.<br>64fs bit clock is inputted or output.   |
|                           | 37      | SDOWCK        | I/O         | 4mA  | Word clock terminal on output side of audio interface.  |
|                           | 44      | SDO3          | O           | 4mA  | Serial data output terminal 3 for audio interface.  |
|                           | 43      | SDO2          | O           | 4mA  | Serial data output terminal 2 for audio interface.  |
|                           | 40      | SDO1          | O           | 4mA  | Serial data output terminal 1 for audio interface.  |
| 39                        | SDO0    | O             | 4mA         | Serial data output terminal 0 for audio interface. |   |
| External memory interface | 112     | MEMA18        | O           | 4mA  | External memory address output terminal 18 to 0   |
|                           | 58      | MEMA17        |             |  |   |
|                           | 73      | MEMA16        |             |  |   |
|                           | 72      | MEMA15        |             |  |   |
|                           | 74      | MEMA14        |             |  |   |
|                           | 59      | MEMA13        |             |  |   |
|                           | 75      | MEMA12        |             |  |   |
|                           | 67      | MEMA11        |             |  |   |
|                           | 110     | MEMA10        |             |  |   |
|                           | 66      | MEMA9         |             |  |   |
|                           | 65      | MEMA8         |             |  |   |
|                           | 76      | MEMA7         |             |  |   |
|                           | 81      | MEMA6         |             |  |   |
|                           | 82      | MEMA5         |             |  |   |
| 83                        | MEMA4   |               |             |  |   |
| 84                        | MEMA3   |               |             |  |   |
| 90                        | MEMA2   |               |             |  |   |
| 91                        | MEMA1   |               |             |  |   |
| 92                        | MEMA0   |               |             |  |   |

IC5 : YSS948 (DSP P.C.B.)  
DSP (Main Decoder)

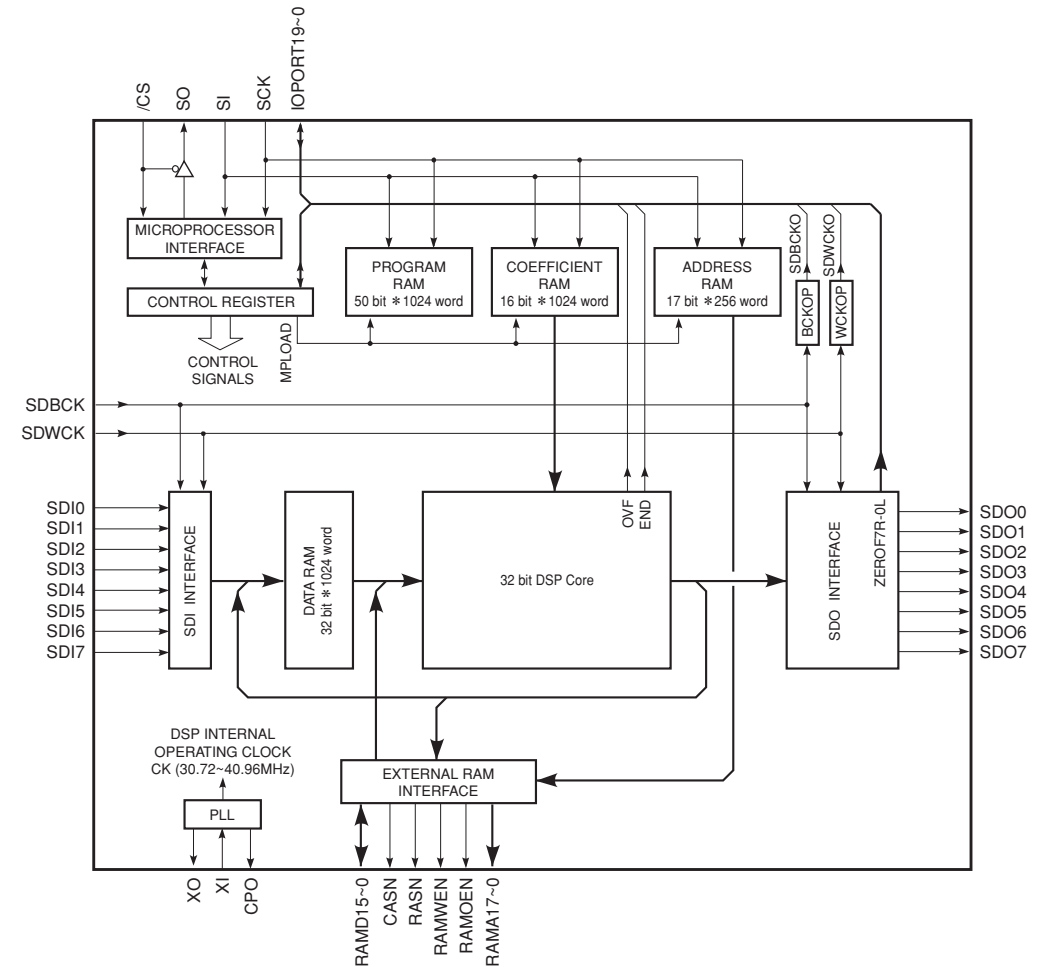
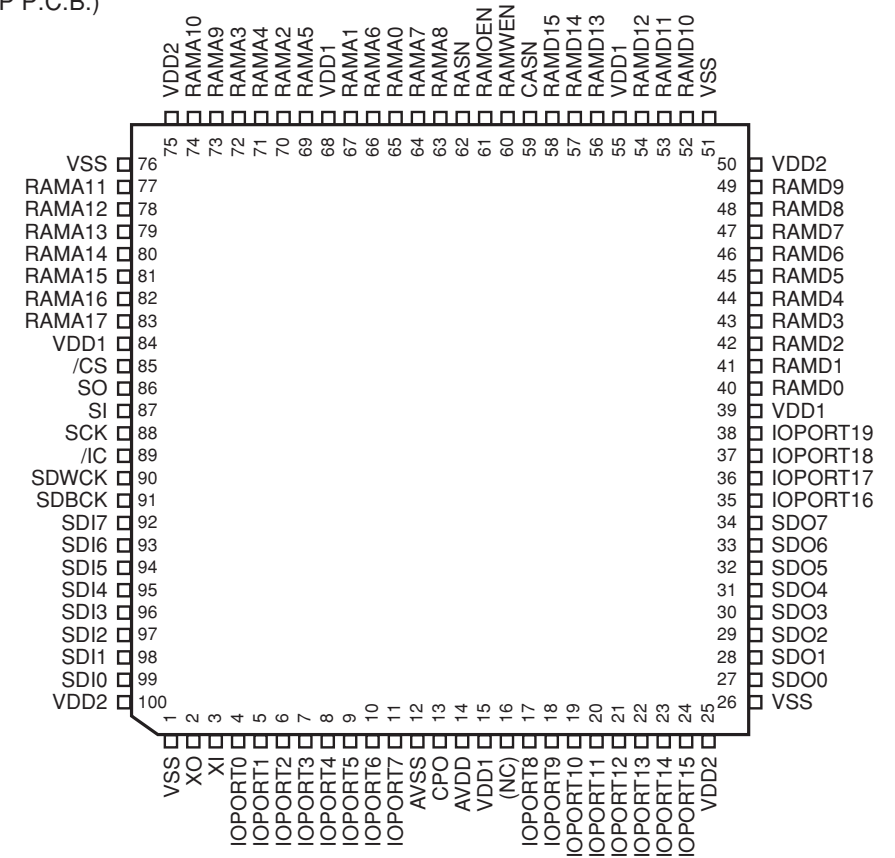
| Category                          | Pin No. | Terminal name | I/O Note 1) | Output current | Function   |        |     |   |
|-----------------------------------|---------|---------------|-------------|----------------|--|--------|-----|---|
| External memory interface         | 104     | MEMD7         | I/O         | 4mA            | External memory data input/output terminals 7 to 0   |        |     |   |
|                                   | 103     | MEMD6         |             |                |  |        |     |   |
|                                   | 102     | MEMD5         |             |                |  |        |     |   |
|                                   | 101     | MEMD4         |             |                |  |        |     |   |
|                                   | 99      | MEMD3         |             |                |  |        |     |   |
|                                   | 98      | MEMD2         |             |                |  |        |     |   |
|                                   | 97      | MEMD1         |             |                |  |        |     |   |
|                                   | 96      | MEMD0         |             |                |  |        |     |   |
|                                   | 109     | nMEMCE        |             |                |  | O      | 4mA | External memory chip select output terminal   |
|                                   | 111     | nMEMOE        |             |                |  | O      | 4mA | External memory output enable output terminal   |
| Status port                       | 68      | nMEMWE        | O           | 8mA            | External memory write enable output terminal   |        |     |   |
|                                   | 134     | nINT          | O           | 2mA            | Interrupt request output terminal  |        |     |   |
|                                   | 135     | nMUTE         | O           | 2mA            | Auto mute period output terminal   |        |     |   |
|                                   | 133     | ZEROFLG       | O           | 2mA            | Continuous zero data input detect terminal   |        |     |   |
|                                   | 13      | STATUS7       | O           | 2mA            | Status output terminals 7 to 0.<br>Used for confirmation of firmware operation.<br>Usually leave it unconnected. |        |     |   |
|                                   | 12      | STATUS6       |             |                |  |        |     |   |
|                                   | 11      | STATUS5       |             |                |  |        |     |   |
|                                   | 10      | STATUS4       |             |                |  |        |     |   |
|                                   | 116     | STATUS3       |             |                |  |        |     |   |
|                                   | 115     | STATUS2       |             |                |  |        |     |   |
| 114                               | STATUS1 |               |             |                |  |        |     |   |
| 113                               | STATUS0 |               |             |                |  |        |     |   |
| General purpose input/output port | 57      | IOPORT7       |             |                |  | I(+)/O | 4mA | General purpose input/output port terminals 7 to 0<br>Input/output selectable by register setting |
|                                   | 56      | IOPORT6       |             |                |  | I(+)/O | 2mA |   |
|                                   | 55      | IOPORT5       |             |                |  |        |     |   |
|                                   | 54      | IOPORT4       |             |                |  |        |     |   |
|                                   | 53      | IOPORT3       |             |                |  |        |     |   |
|                                   | 52      | IOPORT2       |             |                |  |        |     |   |
|                                   | 47      | IOPORT1       |             |                |  |        |     |   |
| 46                                | IOPORT0 |               |             |                |  |        |     |   |
| Test                              | 16      | TEST          | Is          | -              | Test terminal<br>Connect to ground.  |        |     |   |
|                                   | 17      |               |             |                |  |        |     |   |
|                                   | 24      |               |             |                |  |        |     |   |
|                                   | 25      |               |             |                |  |        |     |   |
|                                   | 132     |               |             |                |  |        |     |   |

Note 1) I/O symbols  
 I : Digital input  
 Is : Schmidt input  
 O : Digital output  
 Ot : 3-state output  
 I/O : Digital input/output  
 I(+)/O : Pulled up for input, not pulled up for output

Note 2) Example of crystal oscillator connection circuit



IC7 : YSS930-SZ (DSP P.C.B.)  
DSP (Post Processor)



IC7 : YSS930-SZ (DSP P.C.B.)  
DSP (Post Processor)

| No. | Name     | I/O  | Function  |
|-----|----------|------|---|
| 1   | VSS      | -    | Digital ground terminal   |
| 2   | XO       | O    | Terminal for connecting crystal oscillator (Unconnected)  |
| 3   | XI       | I    | Terminal for connecting crystal oscillator (12.288 ~ 15.0MHz)   |
| 4   | IOPORT0  | I+/O | General purpose input/output terminal, SDO0 Lch zero-flag output terminal, input/output terminal for branching program conditions |
| 5   | IOPORT1  | I+/O | General purpose input/output terminal, SDO0 Rch zero-flag output terminal, input/output terminal for branching program conditions |
| 6   | IOPORT2  | I+/O | General purpose input/output terminal, SDO1 Lch zero-flag output terminal, input/output terminal for branching program conditions |
| 7   | IOPORT3  | I+/O | General purpose input/output terminal, SDO1 Rch zero-flag output terminal, input/output terminal for branching program conditions |
| 8   | IOPORT4  | I+/O | General purpose input/output terminal, SDO2 Lch zero-flag output terminal, input/output terminal for branching program conditions |
| 9   | IOPORT5  | I+/O | General purpose input/output terminal, SDO2 Rch zero-flag output terminal, input/output terminal for branching program conditions |
| 10  | IOPORT6  | I+/O | General purpose input/output terminal, SDO3 Lch zero-flag output terminal, input/output terminal for branching program conditions |
| 11  | IOPORT7  | I+/O | General purpose input/output terminal, SDO3 Rch zero-flag output terminal, input/output terminal for branching program conditions |
| 12  | AVSS     | -    | Analog ground terminal (for PLL)  |
| 13  | CPO      | A    | Terminal for connecting PLL filter  |
| 14  | AVDD     | -    | +2.5V digital power supply (for PLL)  |
| 15  | VDD1     | -    | +3.3V digital power supply (for input/output terminal)  |
| 16  | (NC)     | -    | (Unconnected)   |
| 17  | IOPORT8  | I+/O | General purpose input/output terminal, SD04 Lch zero-flag output terminal   |
| 18  | IOPORT9  | I+/O | General purpose input/output terminal, SD04 Rch zero-flag output terminal   |
| 19  | IOPORT10 | I+/O | General purpose input/output terminal, SD05 Lch zero-flag output terminal   |
| 20  | IOPORT11 | I+/O | General purpose input/output terminal, SD05 Rch zero-flag output terminal   |
| 21  | IOPORT12 | I+/O | General purpose input/output terminal, SD06 Lch zero-flag output terminal, input terminal 0 for chip address setting              |
| 22  | IOPORT13 | I+/O | General purpose input/output terminal, SD06 Rch zero-flag output terminal, input terminal 1 for chip address setting              |
| 23  | IOPORT14 | I+/O | General purpose input/output terminal, SD07 Lch zero-flag output terminal, input terminal 2 for chip address setting              |
| 24  | IOPORT15 | I+/O | General purpose input/output terminal, SD07 Rch zero-flag output terminal, input terminal 3 for chip address setting              |
| 25  | VDD2     | -    | +2.5V digital power supply (for internal circuit)   |
| 26  | VSS      | -    | Digital ground terminal   |
| 27  | SDO0     | O    | PCM output terminal   |
| 28  | SDO1     | O    | PCM output terminal   |
| 29  | SDO2     | O    | PCM output terminal   |
| 30  | SDO3     | O    | PCM output terminal   |
| 31  | SDO4     | O    | PCM output terminal (Unconnected)   |
| 32  | SDO5     | O    | PCM output terminal (Unconnected)   |
| 33  | SDO6     | O    | PCM output terminal (Unconnected)   |
| 34  | SDO7     | O    | PCM output terminal (Unconnected)   |
| 35  | IOPORT16 | I+/O | General purpose input/output terminal, overflow detect output terminal (Unconnected)  |
| 36  | IOPORT17 | I+/O | General purpose input/output terminal, program end detect output terminal (Unconnected)   |
| 37  | IOPORT18 | I+/O | General purpose input/output terminal, 64fs clock output terminal   |
| 38  | IOPORT19 | I+/O | General purpose input/output terminal, fs clock output terminal   |
| 39  | VDD1     | -    | +3.3V digital power supply (for input/output terminal)  |
| 40  | RAMD0    | I+/O | Data input/output terminal 0 for external memory  |
| 41  | RAMD1    | I+/O | Data input/output terminal 1 for external memory  |
| 42  | RAMD2    | I+/O | Data input/output terminal 2 for external memory  |
| 43  | RAMD3    | I+/O | Data input/output terminal 3 for external memory  |
| 44  | RAMD4    | I+/O | Data input/output terminal 4 for external memory  |
| 45  | RAMD5    | I+/O | Data input/output terminal 5 for external memory  |
| 46  | RAMD6    | I+/O | Data input/output terminal 6 for external memory  |
| 47  | RAMD7    | I+/O | Data input/output terminal 7 for external memory  |
| 48  | RAMD8    | I+/O | Data input/output terminal 8 for external memory  |
| 49  | RAMD9    | I+/O | Data input/output terminal 9 for external memory  |
| 50  | VDD2     | -    | +2.5V digital power supply (for internal circuit)   |
| 51  | VSS      | -    | Digital ground terminal   |
| 52  | RAMD10   | I+/O | Data input/output terminal 10 for external memory   |
| 53  | RAMD11   | I+/O | Data input/output terminal 11 for external memory   |
| 54  | RAMD12   | I+/O | Data input/output terminal 12 for external memory   |
| 55  | VDD1     | -    | +3.3V digital power supply (for input/output terminal)  |
| 56  | RAMD13   | I+/O | Data input/output terminal 13 for external memory   |

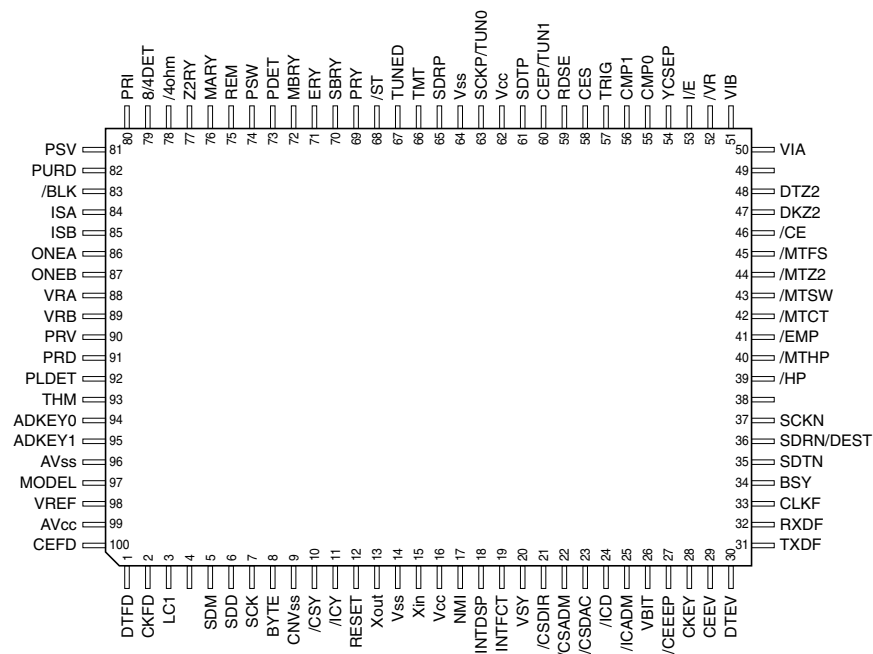
IC7 : YSS930-SZ (DSP P.C.B.)  
DSP (Post Processor)

| No. | Name   | I/O  | Function   |
|-----|--------|------|--|
| 57  | RAMD14 | I+/O | Data input/output terminal 14 for external memory            |
| 58  | RAMD15 | I+/O | Data input/output terminal 15 for external memory            |
| 59  | CASN   | O    | Column address strobe output terminal for external DRAM      |
| 60  | RAMWEN | O    | Write enable output terminal for external memory             |
| 61  | RAMOEN | O    | Output enable output terminal for external memory            |
| 62  | RASN   | O    | Low address strobe output terminal for external DRAM         |
| 63  | RAMA8  | O    | Address output terminal 8 for external memory                |
| 64  | RAMA7  | O    | Address output terminal 7 for external memory                |
| 65  | RAMA0  | O    | Address output terminal 0 for external memory                |
| 66  | RAMA6  | O    | Address output terminal 6 for external memory                |
| 67  | RAMA1  | O    | Address output terminal 1 for external memory                |
| 68  | VDD1   | -    | +3.3V digital power supply (for input/output terminal)       |
| 69  | RAMA5  | O    | Address output terminal 5 for external memory                |
| 70  | RAMA2  | O    | Address output terminal 2 for external memory                |
| 71  | RAMA4  | O    | Address output terminal 4 for external memory                |
| 72  | RAMA3  | O    | Address output terminal 3 for external memory                |
| 73  | RAMA9  | O    | Address output terminal 9 for external memory (Unconnected)  |
| 74  | RAMA10 | O    | Address output terminal 10 for external memory (Unconnected) |
| 75  | VDD2   | -    | +2.5V digital power supply (for internal circuit)            |
| 76  | VSS    | -    | Digital ground terminal                                      |
| 77  | RAMA11 | O    | Address output terminal 11 for external memory (Unconnected) |
| 78  | RAMA12 | O    | Address output terminal 12 for external memory (Unconnected) |
| 79  | RAMA13 | O    | Address output terminal 13 for external memory (Unconnected) |
| 80  | RAMA14 | O    | Address output terminal 14 for external memory (Unconnected) |
| 81  | RAMA15 | O    | Address output terminal 15 for external memory (Unconnected) |
| 82  | RAMA16 | O    | Address output terminal 16 for external memory (Unconnected) |
| 83  | RAMA17 | O    | Address output terminal 17 for external memory (Unconnected) |
| 84  | VDD1   | -    | +3.3V digital power supply (for input/output terminal)       |
| 85  | /CS    | Is   | Microprocessor interface chip select input terminal          |
| 86  | SO     | Ot   | Microprocessor interface data output terminal                |
| 87  | SI     | Is   | Microprocessor interface data input terminal                 |
| 88  | SCK    | Is   | Microprocessor interface clock input terminal                |
| 89  | /IC    | Is   | Initial clear input terminal                                 |
| 90  | SDWCK  | I    | Word clock (fs) input terminal for SDI/SDO interface         |
| 91  | SDBCK  | Is   | Bit clock (64fs) input terminal for SDI/SDO interface        |
| 92  | SDI7   | I    | PCM input terminal   |
| 93  | SDI6   | I    | PCM input terminal   |
| 94  | SDI5   | I    | PCM input terminal   |
| 95  | SDI4   | I    | PCM input terminal   |
| 96  | SDI3   | I    | PCM input terminal   |
| 97  | SDI2   | I    | PCM input terminal   |
| 98  | SDI1   | I    | PCM input terminal   |
| 99  | SDI0   | I    | PCM input terminal   |
| 100 | VDD2   | -    | +2.5V digital power supply (for internal circuit)            |

Is: Schmidt trigger input terminal  
I+: Input terminal with pull-up resistor  
O: Digital output terminal  
Ot: 3-state digital output terminal  
A: Analog terminal



IC502: M30622MWP-152FP (FUNCTION P.C.B.)  
16bit  $\mu$ -COM (Main CPU)



| Pin | Pin Function    | Function | Function name | Detail of Function  | Classified | I/O     | Comment   |
|-----|-----------------|----------|---------------|---|------------|---------|---|
| 1   | P96/ANEX1/SOUT4 | SOUT4    | DTFD          | FL Driver TxD   | OPE        | SO      |   |
| 2   | P95/ANEX0/CLK4  | CLK4     | CKFD          | FL Driver CLOCK   | OPE        | SCK     |   |
| 3   | P94/DA1/TB4in   | DA1      | LC1           | Power limiter control                                     | Main_1     | DA      |   |
| 4   | P93/DA0/TB3in   |          | N.C.          |   |            |         |   |
| 5   | P92/TB2in/SOUT3 | SOUT3    | SDM           | YSS TxD   | DSP        | SO      |   |
| 6   | P91/TB1in/SIN3  | SIN3     | SDD           | YSS RxD   | DSP        | SI      |   |
| 7   | P90/TB0in/CLK3  | CLK3     | SCK           | YSS CLOCK   | DSP        | SCK     |   |
| 8   | BYTE            | BYTE     | BYTE          | When in single chip mode: Vss                             |            | Vss     | Connected to FLASH write terminal                           |
| 9   | CNVss           | CNVss    | CNVss         | When in single chip mode: Vss,<br>When FLASH writing: Vcc |            | Vss/Vcc | Connected to FLASH write terminal<br>(for rewriting EEPROM) |
| 10  | P87/Xcin        | P87      | /CSY          | YSS CE  | DSP        | O       |   |
| 11  | P86/Xcout       | P86      | /ICYP         | YSS RESET   | DSP        | O       |   |
| 12  | RESET           | RESET    | RESET         | Reset   |            | I       |   |
| 13  | Xout            | Xout     | Xout          | Oscillation output  |            |         |   |
| 14  | Vss             | Vss      | Vss           | Ground for microprocessor                                 |            | Vss     |   |
| 15  | Xin             | Xin      | Xin           | Oscillation input   |            | 16MHz   |   |
| 16  | Vcc             | Vcc      | Vcc           | Power supply for microprocessor +5V                       |            | Vcc(BU) |   |
| 17  | P85/NMI         | NMI      | NMI           | Unused, connected to Vcc                                  |            | Vcc(BU) |   |
| 18  | P84/INT2        | INT2     | INTDSP        |   | DSP        | INT     |   |
| 19  | P83/INT1        | INT1     | INTFCT        |   | DSP        | INT     |   |
| 20  | P82/INT0        |          | N.C.          |   |            |         |   |
| 21  | P81/TA4in/U     | P81      | /CSDIR        | DIR CS  | DSP        | O       |   |
| 22  | P80/TA4out/U    | P80      | /CSADM        | ADM CS  | DSP        | O       |   |
| 23  | P77/TA3in       | P77      | /CSDAC        | DAC CS  | DSP        | O       |   |
| 24  | P76/TA3out      | P76      | /ICD          | DIR RESET   | DSP        | O       |   |

IC502: M30622MWP-152FP (FUNCTION P.C.B.)  
16bit  $\mu$ -COM (Main CPU)

| Pin | Pin Function             | Function | Function name | Detail of Function                          | Classified             | I/O       | Comment  |
|-----|--------------------------|----------|---------------|---|------------------------|-----------|--|
| 25  | P75/TA2in/W              | P75      | /ICADM        | ADM RESET                                   | DSP                    | O         |  |
| 26  | P74/TA2out/W             | P74      | VBIT          |   | DSP                    | I         |  |
| 27  | P73/CTS2/RTS2/TA1in/V    | P73      | /CEEEP        | EEPROM CE                                   | FLASH                  | O         | Connected to FLASH write terminal  |
| 28  | P72/CLK2/TA1out/V        | CLK2     | CKEV          | Electronic volume IC Clock                  | FUNC                   | SCK       |  |
| 29  | P71/RXD2/SCL/TA0in/TB5in |          | N.C.          |   |                        |           |  |
| 30  | P70/TXD2/SDA/TA0out      | TXD2     | DTEV          | Electronic volume IC DATA                   | FUNC                   | SO        | Pull-up required externally (for Nch OD port)  |
| 31  | P67/TXD1                 | TXD1     | TXDF          | Flash ROM TxD/Selector IC DATA              | FLASH/FUNC             | SO        | Connected to FLASH write terminal  |
| 32  | P66/RXD1                 | RXD1     | RXDF          | Flash ROM RxD                               | FLASH                  | SI        | Connected to FLASH write terminal  |
| 33  | P65/CLK1                 | CLK1     | CLKF          | Flash ROM Clock/Selector IC Clock           | FLASH/FUNC             | SCK       | Connected to FLASH write terminal  |
| 34  | P64/CTS1/RTS1/CTS0/CLKS1 | P64      | BSY           | Flash BUSY signal output                    | FLASH                  | O         | Connected to FLASH write terminal  |
| 35  | P63/TXD0                 | TXD0     | SDTN          | RDS/OSD/S/P conversion IC TxD               | TUNER/VIDEO            | SO        | When /PURD is "L", fixed to OL because of target power supply turned OFF.  |
| 36  | P62/RXD0                 | RXD0     | SDRN/DEST     | RDS RxD / FREQSW( Dest R )                  | TUNER/VIDEO            | SI/I(IPU) | R destination: RDS data received for model having frequency switch and RDSAlways at OL except model without tuner/R destination/RDS destination (OK with hardware opened)For setting details, refer to Function Check Table. |
| 37  | P61/CLK0                 | CLK0     | SCKN          | RDS/OSD/S/P conversion IC Clock             | TUNER/VIDEO            | SCK       | When /PURD is "L", fixed to OL because of target power supply turned OFF.  |
| 38  | P60/CTS0/RTS0            |          | N.C.          |   |                        |           |  |
| 39  | P57/RDY/CLKout           | P57      | /HP           | HEAD PHONE detection                        | FUNC                   | I         |  |
| 40  | P56/ALE                  | P56      | /MTHP         | HEAD PHONE MUTE output                      | FUNC(internal)         | O         |  |
| 41  | P55/HOLD                 |          | /EMP          | For Flash write (LO)                        |                        | GND       |  |
| 42  | P54/HLDA                 | P54      | /MTCT         | MUTE Center                                 | FUNC (internal)        | O         |  |
| 43  | P53/BCLK                 | P53      | /MTSW         | MUTE SW                                     | FUNC (internal)        | O         |  |
| 44  | P52/RD                   | P52      | /MTZ2         | Zone 2 MUTE/ZONE2 presence check            | FUNC (internal)        | O/I       |  |
| 45  | P51/WRH/BHE              | P51      | /MTFS         | MUTE Front/Surround , PreOUT                | FUNC/MAIN 2 (internal) | O         |  |
| 46  | P50/WRL/WR               |          | /CE           | For Flash write (HI)                        |                        | I         |  |
| 47  | P47/CS3                  | P47      | CKZ2          | Zone2 Selector Clock                        | FUNC                   | SCK       |  |
| 48  | P46/CS2                  | P46      | DTZ2          | Zone2 Selector DATA                         | FUNC                   | SO        |  |
| 49  | P45/CS1                  |          | N.C.          |   |                        |           |  |
| 50  | P44/CS0                  | P44      | VIA           | VIDEO Selector A                            | VIDEO                  | O         |  |
| 51  | P43/A19                  | P43      | VIB           | VIDEO Selector B                            | VIDEO                  | O         |  |
| 52  | P42/A18                  | P42      | /VR           | VIDEO RecOut Selector 1                     | VIDEO                  | O         |  |
| 53  | P41/A17                  |          | N.C.          |   |                        |           |  |
| 54  | P40/A16                  | P40      | YCSEP         | Y/C separation selection                    | OSD                    | O         |  |
| 55  | P37/A15                  | P37      | CMP0          | Component Selector 0                        | COMP                   | O         |  |
| 56  | P36/A14                  | P36      | CMP1          | Component Selector 1                        | COMP                   | O         |  |
| 57  | P35/A13                  | P35      | TRIG          | Trigger control                             | Remote                 | O         | (RX-V550 only)   |
| 58  | P34/A12                  |          | N.C.          |   |                        |           |  |
| 59  | P33/A11                  | P33      | RDSE          | RDS Enable, RDS presence check              | TUNER (internal)       | O/I       |  |
| 60  | P32/A10                  | P32      | CEP/TUN1      | PLL IC Enable / destination check 1         | TUNER                  | O/I       |  |
| 61  | P31/A9                   | P31      | SDTP          | PLL IC TxD / TUNER (SE) presence (SE) check | TUNER                  | SO        |  |
| 62  | Vcc                      | Vcc      | Vcc           | Power supply for microprocessor +5V         |                        | Vcc(BU)   |  |
| 63  | P30/A8                   | P30      | SCKP/TUN0     | PLL IC Clock/Destination check 0            | TUNER                  | O/I       |  |
| 64  | Vss                      | Vss      | Vss           | Ground for microprocessor                   |                        | Vss       |  |
| 65  | P27/A7                   | P27      | SDRP          | PLL IC RxD                                  | TUNER                  | I(IPU)    | External pull-up not required because of being pulled up within microprocessor   |

IC502: M30622MWP-152FP (FUNCTION P.C.B.)  
16bit μ-COM (Main CPU)

| Pin | Pin Function   | Function | Function name | Detail of Function                        | Classified               | I/O     | Comment  |
|-----|----------------|----------|---------------|---|--------------------------|---------|--|
| 66  | P26/A6         | P26      | TMT           | TUNER MUTE                                | TUNER                    | O       | (Internally pulled up when microprocessor is used)                             |
| 67  | P25/A5         | P25      | TUNED         | TUNED                                     | TUNER                    | I(IPU)  | External pull-up not required because of being pulled up within microprocessor |
| 68  | P24/A4         | P24      | /ST           | TUNER /ST                                 | TUNER                    | I(IPU)  | External pull-up not required because of being pulled up within microprocessor |
| 69  | P23/A3         | P23      | PRY           | Power relay output                        | Main_2                   | O       |  |
| 70  | P22/A2         |          | N.C.          |   |                          |         |  |
| 71  | P21/A1         | P21      | ERY           | Surround SP relay output                  | Main_2                   | O       |  |
| 72  | P20/A0         | P20      | MBRY          | Front B SP relay output                   | Main_2                   | O       |  |
| 73  | P17/D15/INT5   | INT5     | PDET          | Power Down DETECT INT                     | Main_2                   | INT     |  |
| 74  | P16/D14/INT4   | INT4     | PSW           | Standby SW INPUT                          | OPE                      | INT     |  |
| 75  | P15/D13/INT3   | INT3     | REM           | Remote controller input                   | OPE                      | INT     |  |
| 76  | P14/D12        | P14      | MARY          | Front A SP relay output                   | Main_2                   | O       |  |
| 77  | P13/D11        |          | N.C.          |   |                          |         |  |
| 78  | P12/D10        | P12      | /4ohm         | IMPEDANCE control                         | Main_2                   | O       |  |
| 79  | P11/D9         | P11      | 8/4DET        | IMPEDANCE select SW detection             | Main_2                   | I       |  |
| 80  | P10/D8         | P10      | PRI           | Protection excess current detection       | Main_1                   | I       |  |
| 81  | P07/D7         | P07      | PSV           | PowerSave                                 | Internal                 | O       |  |
| 82  | P06/D6         |          | N.C.          |   |                          |         |  |
| 83  | P05/D5         | P05      | /BLK          | FL Driver OFF                             | OPE                      | O       |  |
| 84  | P04/D4         | P04      | ISA           | INPUT SEL. Rotary A                       | OPE                      | I       |  |
| 85  | P03/D3         | P03      | ISB           | INPUT SEL. Rotary B                       | OPE                      | I       |  |
| 86  | P02/D2         | P02      | TONEA         | Tone Con. Rotary A                        | OPE                      | I       | (RX-V550 only)   |
| 87  | P01/D1         | P01      | TONEB         | Tone Con. Rotary B                        | OPE                      | I       | (RX-V550 only)   |
| 88  | P00/D0         | P00      | VRA           | Volume Rotary A                           | OPE                      | I       |  |
| 89  | P107/AN7       | P107     | VRB           | Volume Rotary B                           | OPE                      | I       |  |
| 90  | P106/AN6       | AN6      | PRV           | Protection power supply voltage detection | MAIN 1/MAIN 2 (internal) | AD      |  |
| 91  | P105/AN5       | AN5      | PRD           | Protection DC detection                   | Main_1                   | AD      |  |
| 92  | P104/AN4       | AN4      | PLDET         | POWER LIMITER DETECT                      | Main_1                   | AD      |  |
| 93  | P103/AN3       | AN3      | THM           | Temperature detection                     | Main_1                   | AD      |  |
| 94  | P102/AN2       | AN2      | ADKEY0        | Key AD input 0                            | OPE                      | AD      |  |
| 95  | P101/AN1       | AN1      | ADKEY1        | Key AD input 1                            | OPE                      | AD      |  |
| 96  | Avss           | Avss     | Avss          | AD ground                                 |                          | Vss     |  |
| 97  | P100/AN0       | AN0      | MODEL         | Model check                               | Internal                 | AD      |  |
| 98  | Vref           | Vref     | Vref          | AD reference                              |                          | (+5v)   |  |
| 99  | Avcc           | Avcc     | Avcc          | AD power supply                           |                          | Vcc(BU) |  |
| 100 | P97/Adtrg/Sin4 | P97      | CEFD          | FL Driver CE                              | OPE                      | O       |  |

RX-V550

Key Input(A-D) Pull-Up Resistance 10 k-Ohms

| Ohm                       | + 0.0 k        | + 1.0 k | + 1.0 k    | + 1.5 k         | + 2.2 k         | + 3.3 k       | + 4.7 k      | + 6.8 k  | + 10.0 k  | + 22.0 k  |
|---------------------------|----------------|---------|------------|-----------------|-----------------|---------------|--------------|----------|-----------|-----------|
| V                         | ~ 0.3          | ~ 0.7   | ~ 1.0      | ~ 1.5           | ~ 2.0           | ~ 2.6         | ~ 3.1        | ~ 3.6    | ~ 4.0     | ~ 4.4     |
| ADKEY 0<br>94Pin P102/AN2 | TUNING MODE    | —       | INPUT MODE | PRESET/TUNING > | PRESET/TUNING < | A/B/C/D/E     | TONE CONTROL | STRAIGHT | SPEAKER B | SPEAKER A |
| ADKEY 1<br>93Pin P101/AN1 | MULTI-CH INPUT | MEMORY  | FM/AM      | PRESET/TUNING > | PTYSEEK MODE    | PTYSEEK START | EON          | RDS MODE | —         | —         |

HTR5750, RX-V450, HTR-5740, DSP-AX450

Key Input(A-D) Pull-Up Resistance 10 k-Ohms

| Ohm                       | + 0.0 k        | + 1.0 k    | + 1.0 k         | + 1.5 k         | + 2.2 k | + 3.3 k   | + 4.7 k       | + 4.7 k      | + 6.8 k       | + 10.0 k  | + 22.0 k |
|---------------------------|----------------|------------|-----------------|-----------------|---------|-----------|---------------|--------------|---------------|-----------|----------|
| V                         | ~ 0.3          | ~ 0.7      | ~ 1.0           | ~ 1.5           | ~ 2.0   | ~ 2.6     | ~ 3.1         | ~ 3.4        | ~ 3.8         | ~ 4.1     | ~ 4.5    |
| ADKEY 0<br>94Pin P102/AN2 | TUNING MODE    | INPUT MODE | BASS/TREBLE +   | BASS/TREBLE -   | CONTROL | PROGRAM > | PROGRAM <     | STRAIGHT     | SPEAKER A     | SPEAKER B | —        |
| ADKEY 1<br>93Pin P101/AN1 | MULTI-CH INPUT | MEMORY     | PRESET/TUNING > | PRESET/TUNING < | FM/AM   | A/B/C/D/E | PRESET/TUNING | PTYSEEK MODE | PTYSEEK START | EON       | RDS MODE |

IC502: M30622MWP-152FP (FUNCTION P.C.B.)  
16bit μ-COM (Main CPU)

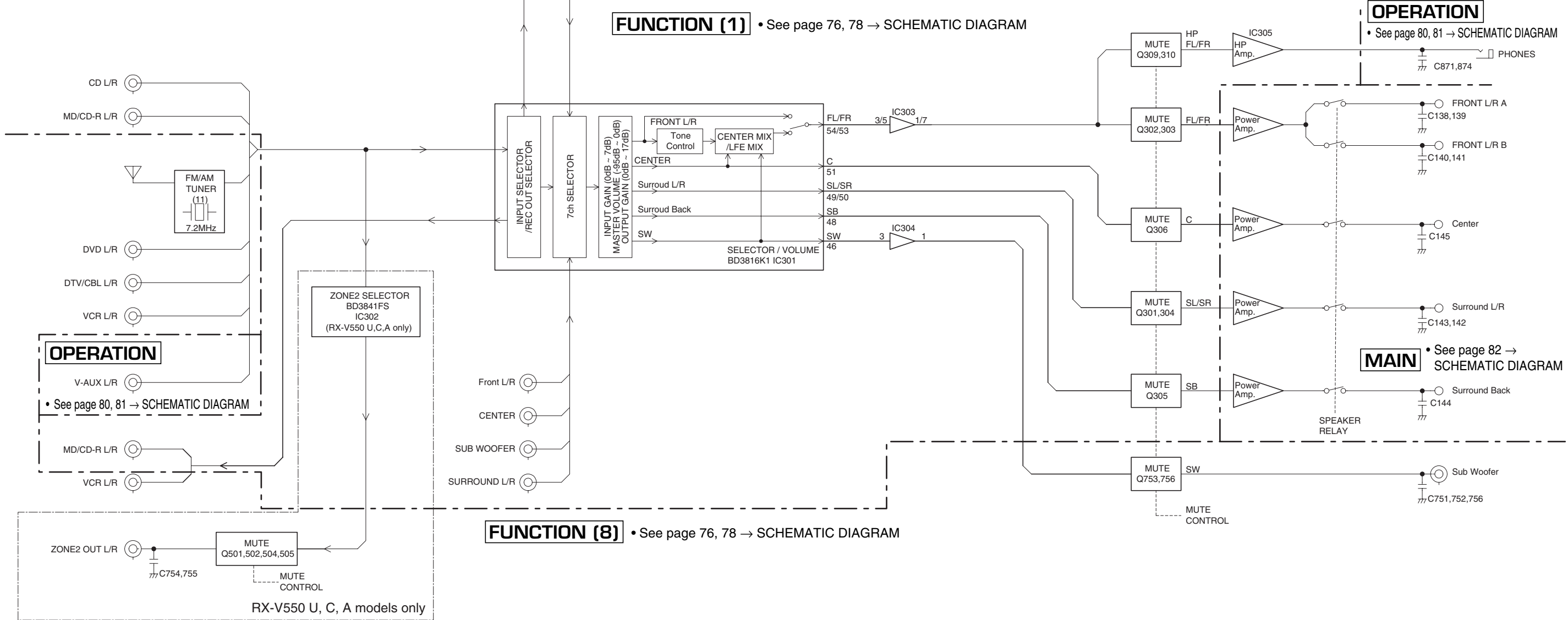
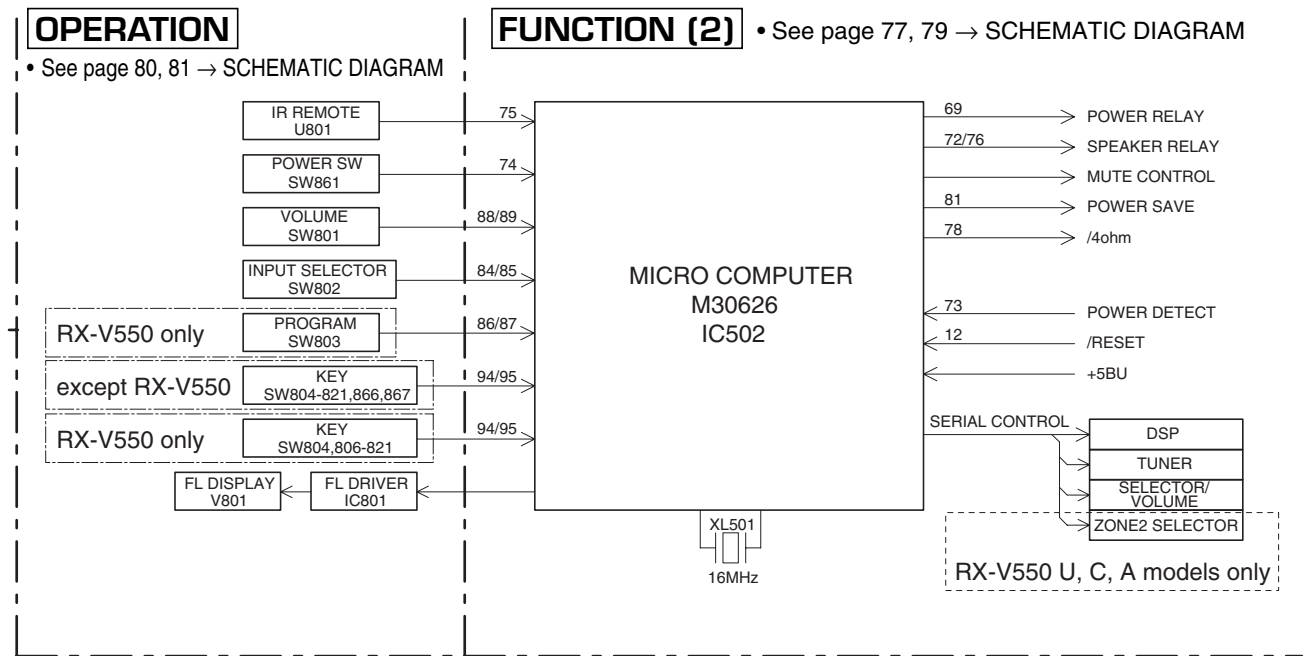
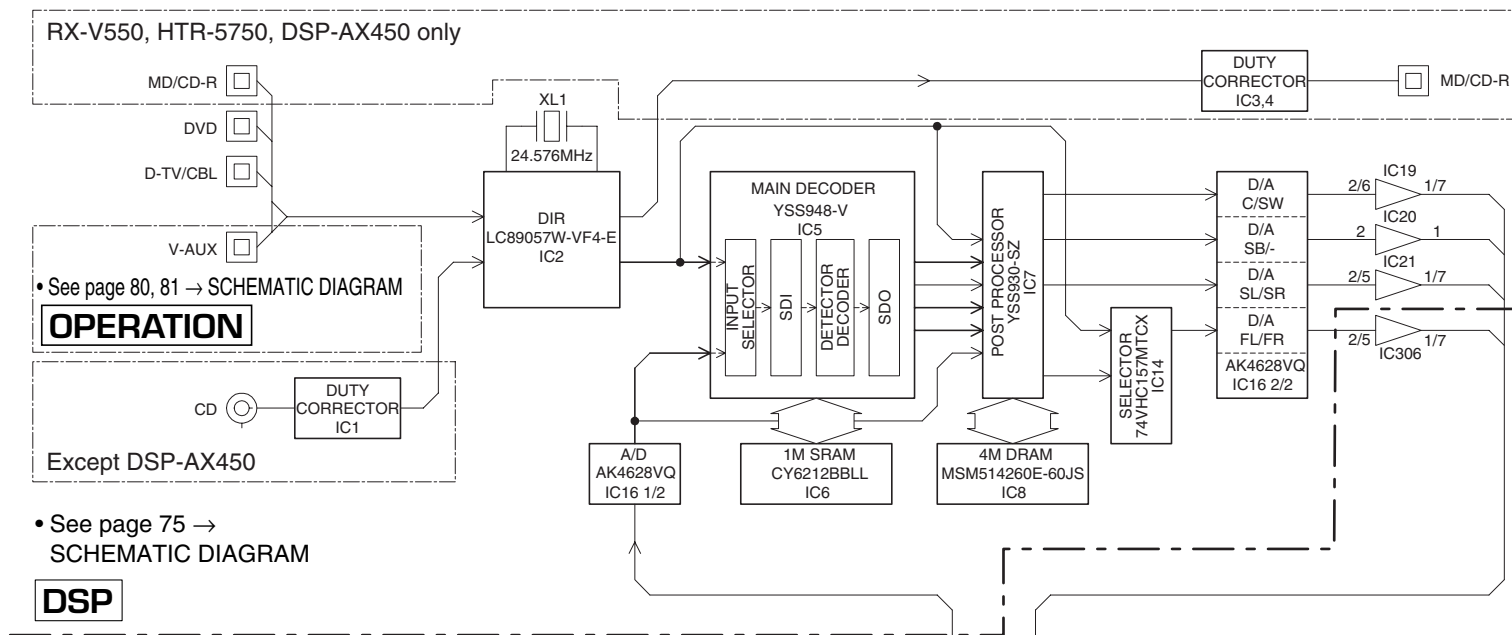
Function Check Table

| Pin   | Function | Name       | Setting value | Remarks                    |  |
|-------|----------|------------|---------------|----------------------------|--|
| 36    | P62/RXD0 | FREQSW     | 0             | AM 10kHz step              | Commonly used with SDRN (RDS RxD) (after activation of +5s)                                |
|       |          |            | 1             | AM 9kHz step               | At power ON, switched to input instantly and checked (when checking R, L destination only) |
| 44    | P52      | ZONE2      | 0             | Not present                | Commonly used with Zone 2 Mute (/MTZ2) (after activation of +5s)                           |
|       |          |            | 1             | Present                    | At reset cancellation, switched to input instantly and checked                             |
| 58    | P34      | N_P Format | 0             | NTSC                       | Commonly used with CES (OSD Enable) (after activation of VIDEO power supply)               |
|       |          |            | 1             | PAL                        | At power ON, switched to input in an instant and checked                                   |
| 59    | P33      | RDS        | 0             | Not present                | Commonly used with RDSE (RDS Enable) (after activation of +5s)                             |
|       |          |            | 1             | Present                    | At reset cancellation and at power ON, switched to input in an instant and checked         |
| 61    | P31      | TUNER      | 0             | Not present                | Commonly used with SDTP (PLL IC TxD) (after activation of +5s)                             |
|       |          |            | 1             | Present                    | At reset cancellation and at power ON, switched to input in an instant and checked         |
| 60,63 | P32,P30  | TUN1,TUN0  | 0, 0          | J *0                       | Commonly used with CEP, SCKP (PLL IC Enable, Clock) (after activation of +5s)              |
|       |          |            | 0, 1          | UC *1                      | At reset cancellation and at power ON, switched to input in an instant and checked         |
|       |          |            | 1, 0          | ATKBG *2                   |  |
|       |          |            | 1, 1          | RL *3                      |  |
| 97    | AN0      | MODEL      | 39~91/255     | RX-V550                    |  |
|       |          |            | 9~38/255      | HTR-5750                   |  |
|       |          |            | 0~8/255       | RX-V450,HTR-5740,DSP-AX450 |  |

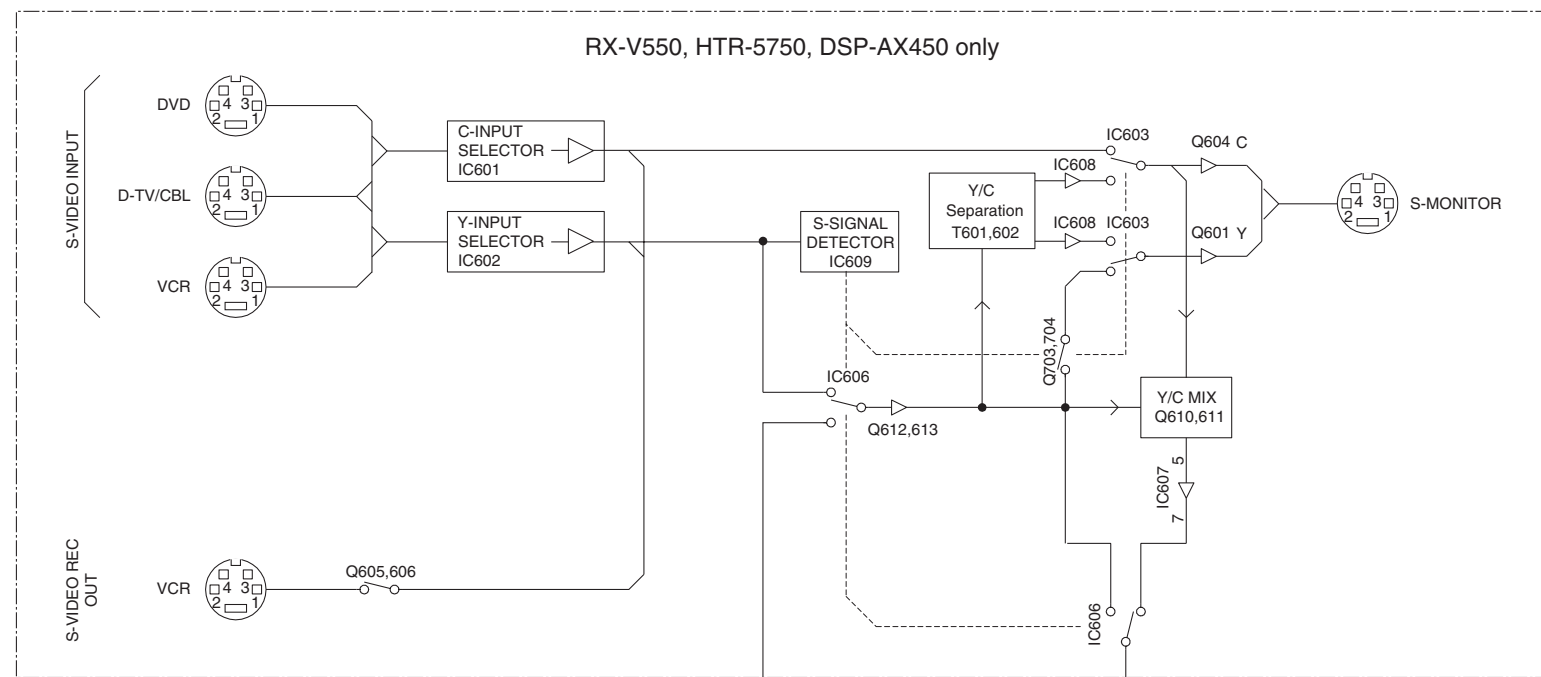
\*0 AM: 531-1611kHz/ 9kHz FM: 76.0- 90.0MHz/100kHz  
 \*1 AM: 530-1710kHz/10kHz FM: 87.5-107.9MHz/200kHz  
 \*2 AM: 531-1611kHz/ 9kHz FM: 87.5-108.0MHz/ 50kHz  
 \*3 Destination RL : Tuner Frequency is selected by Pin 36

| Pin 36 | AM                | FM                   |
|--------|-------------------|----------------------|
| 0      | 530-1710kHz/10kHz | 87.5-108.0MHz/100kHz |
| 1      | 531-1611kHz/ 9kHz | 87.5-108.0MHz/ 50kHz |

**■ BLOCK DIAGRAM (1/2)**

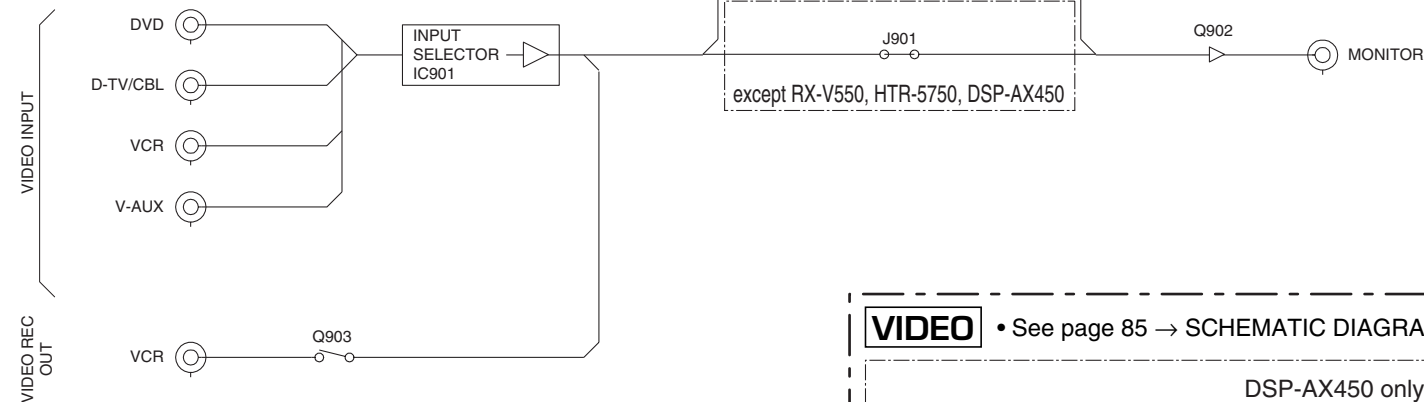


**1 ■ BLOCK DIAGRAM (2/2)**



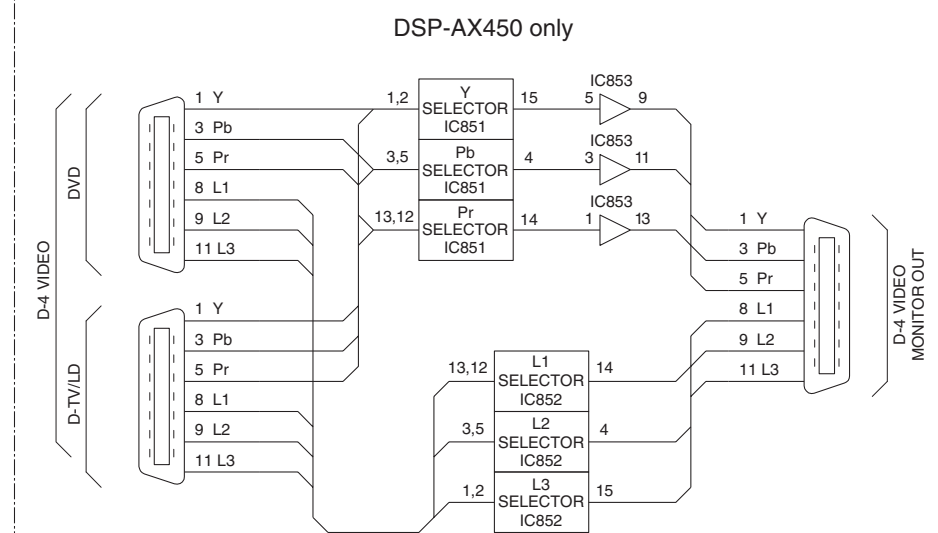
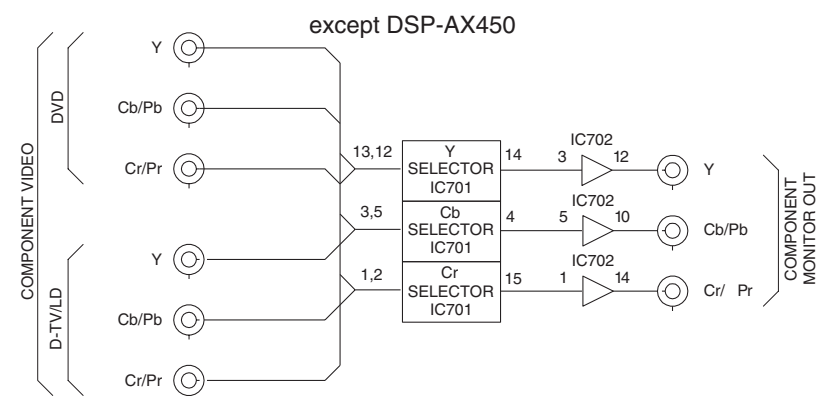
**FUNCTION (3)** • See page 77, 79 → SCHEMATIC DIAGRAM

**FUNCTION (4)** • See page 77, 79 → SCHEMATIC DIAGRAM



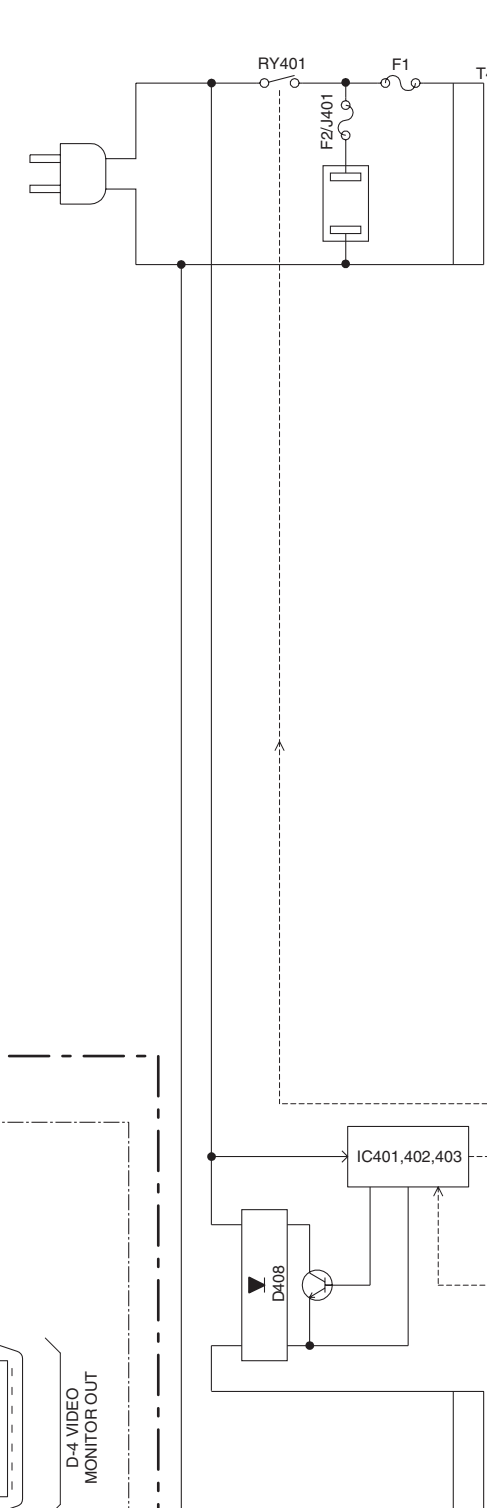
**VIDEO** • See page 85 → SCHEMATIC DIAGRAM

**FUNCTION (7)** • See page 77, 79 → SCHEMATIC DIAGRAM

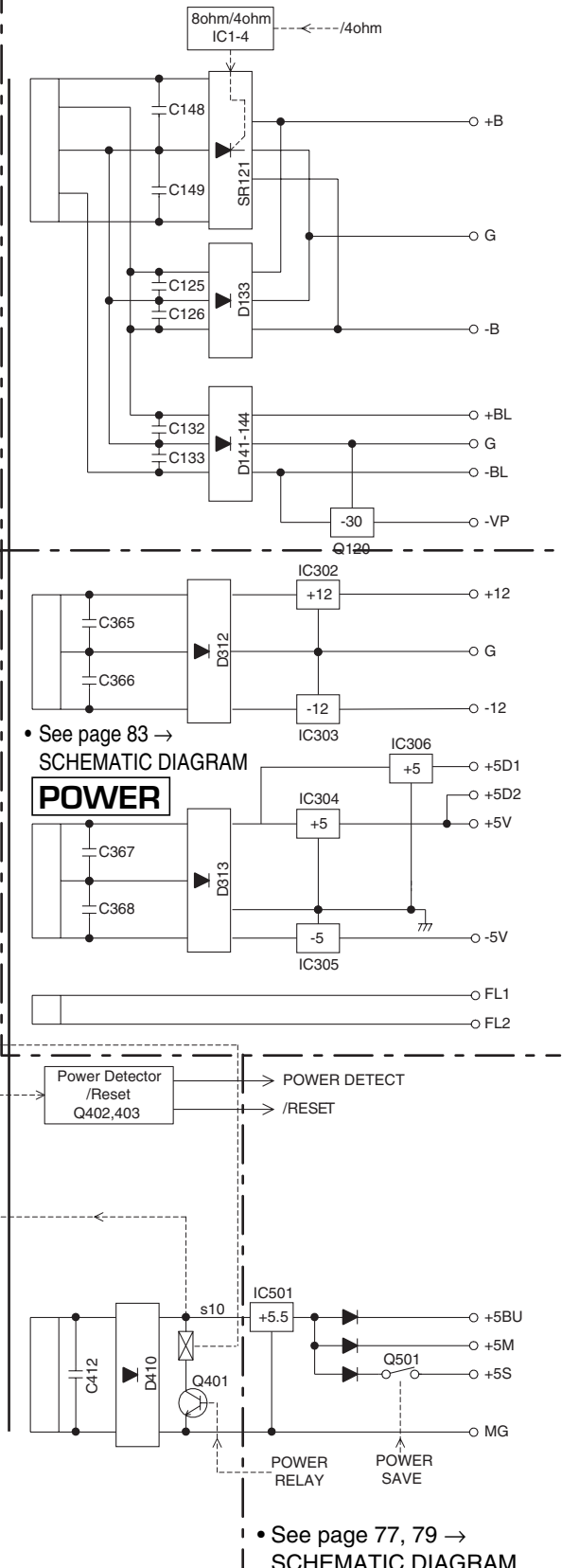


**SUB TRANS**

• See page 84 → SCHEMATIC DIAGRAM



**MAIN** • See page 82 → SCHEMATIC DIAGRAM

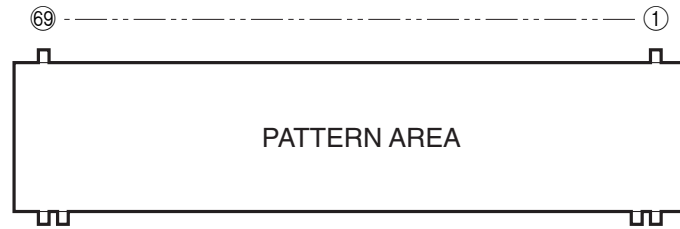


• See page 77, 79 → SCHEMATIC DIAGRAM

**FUNCTION (2)**

## ■ DISPLAY DATA

### ● V801 : 16-BT-122GNK (WC173100)



### ● PIN CONNECTION

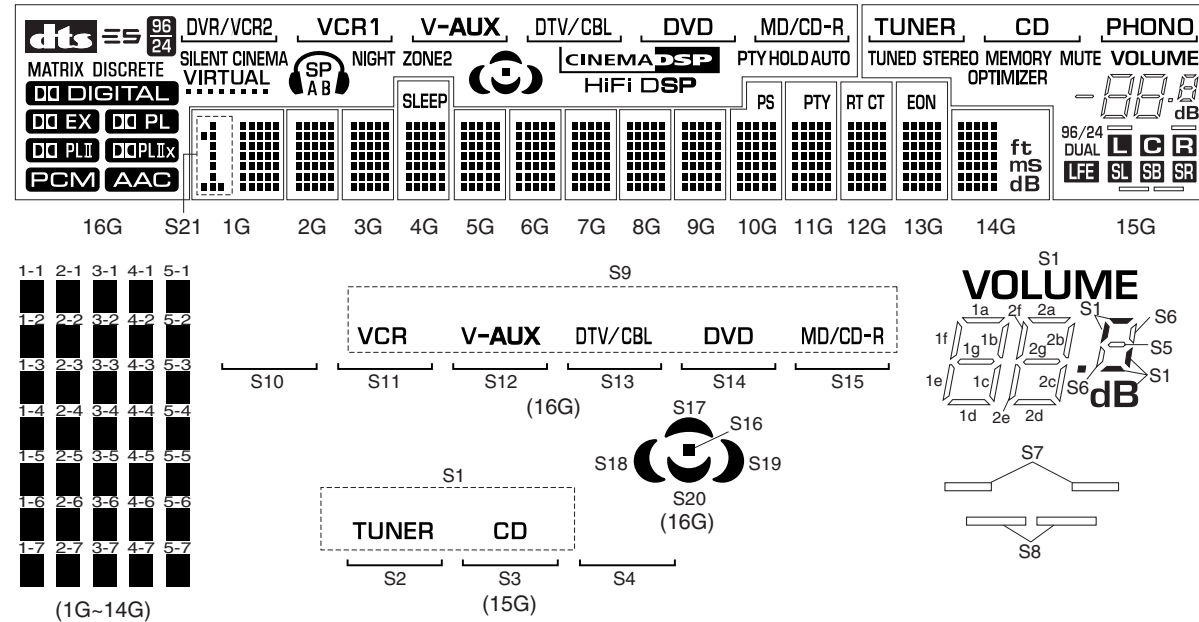
|            |    |    |    |    |    |    |    |    |    |    |    |    |    |     |     |     |     |     |     |     |     |     |     |     |     |     |     |     |     |     |     |     |     |     |     |
|------------|----|----|----|----|----|----|----|----|----|----|----|----|----|-----|-----|-----|-----|-----|-----|-----|-----|-----|-----|-----|-----|-----|-----|-----|-----|-----|-----|-----|-----|-----|-----|
| Pin No.    | 69 | 68 | 67 | 66 | 65 | 64 | 63 | 62 | 61 | 60 | 59 | 58 | 57 | 56  | 55  | 54  | 53  | 52  | 51  | 50  | 49  | 48  | 47  | 46  | 45  | 44  | 43  | 42  | 41  | 40  | 39  | 38  | 37  | 36  | 35  |
| Connection | F2 | F2 | NP | NP | P1 | P2 | P3 | P4 | P5 | P6 | P7 | P8 | P9 | P10 | P11 | P12 | P13 | P14 | P15 | P16 | P17 | P18 | P19 | P20 | P21 | P22 | P23 | P24 | P25 | P26 | P27 | P28 | P29 | P30 | P31 |

|            |     |     |     |     |     |     |     |    |    |    |    |    |    |    |     |     |     |     |     |     |     |    |    |    |    |    |    |    |    |    |    |    |    |    |
|------------|-----|-----|-----|-----|-----|-----|-----|----|----|----|----|----|----|----|-----|-----|-----|-----|-----|-----|-----|----|----|----|----|----|----|----|----|----|----|----|----|----|
| Pin No.    | 34  | 33  | 32  | 31  | 30  | 29  | 28  | 27 | 26 | 25 | 24 | 23 | 22 | 21 | 20  | 19  | 18  | 17  | 16  | 15  | 14  | 13 | 12 | 11 | 10 | 9  | 8  | 7  | 6  | 5  | 4  | 3  | 2  | 1  |
| Connection | P32 | P33 | P34 | P35 | P36 | P37 | P38 | NX | NX | NX | NX | NX | NX | NX | 16G | 15G | 14G | 13G | 12G | 11G | 10G | 9G | 8G | 7G | 6G | 5G | 4G | 3G | 2G | 1G | NP | NP | F1 | F1 |

Note : 1) F1, F2 ..... Filament 2) NP ..... No pin 3) NX ..... No extended 4) DL ..... Datum line 5) 1G ~ 16G ..... Grid

### ● GRID ASSIGNMENT



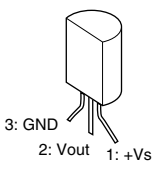
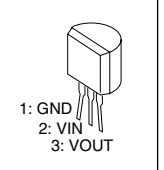
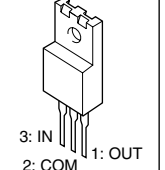
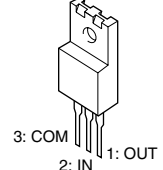
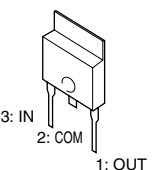
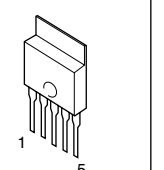
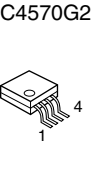
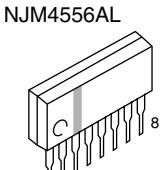
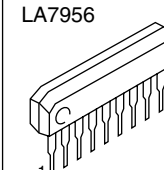
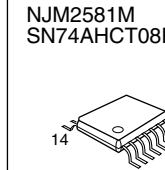
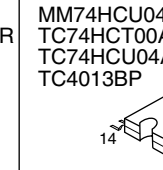
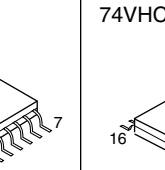
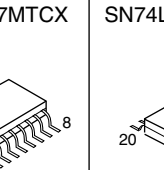
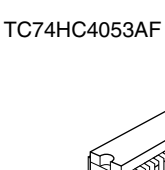
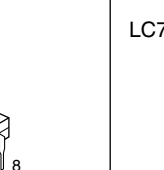
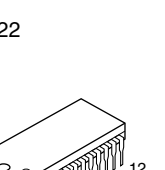
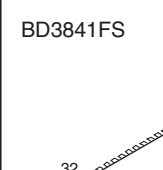
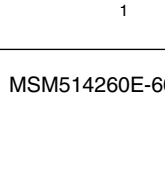
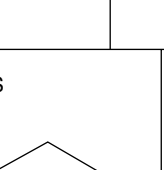
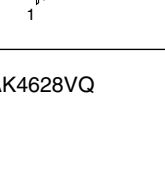
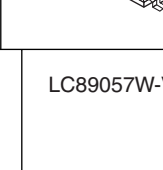
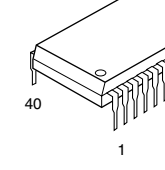
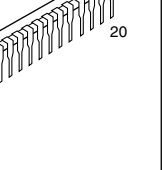
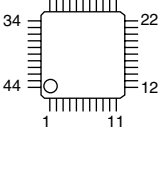
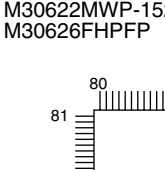
### ● ANODE CONNECTION

|     |                      |                  |     |            |           |            |           |       |              |     |     |     |
|-----|----------------------|------------------|-----|------------|-----------|------------|-----------|-------|--------------|-----|-----|-----|
|     | 16G                  | 15G              | 14G | 13G        | 12G       | 11G        | 10G       | 9G~5G | 4G           | 3G  | 2G  | 1G  |
| P1  | <b>dts</b>           | S1               | 1-1 | 1-1        | 1-1       | 1-1        | 1-1       | 1-1   | 1-1          | 1-1 | 1-1 | 1-1 |
| P2  | <b>ES</b>            | S7               | 2-1 | 2-1        | 2-1       | 2-1        | 2-1       | 2-1   | 2-1          | 2-1 | 2-1 | 2-1 |
| P3  | <b>MATRIX</b>        | S8               | 3-1 | 3-1        | 3-1       | 3-1        | 3-1       | 3-1   | 3-1          | 3-1 | 3-1 | 3-1 |
| P4  | <b>DISCRETE</b>      | —                | 4-1 | 4-1        | 4-1       | 4-1        | 4-1       | 4-1   | 4-1          | 4-1 | 4-1 | 4-1 |
| P5  | <b>96/24</b>         | 1a               | 5-1 | 5-1        | 5-1       | 5-1        | 5-1       | 5-1   | 5-1          | 5-1 | 5-1 | 5-1 |
| P6  | <b>DIGITAL</b>       | 1b               | 1-2 | 1-2        | 1-2       | 1-2        | 1-2       | 1-2   | 1-2          | 1-2 | 1-2 | 1-2 |
| P7  | <b>EX</b>            | 1c               | 2-2 | 2-2        | 2-2       | 2-2        | 2-2       | 2-2   | 2-2          | 2-2 | 2-2 | 2-2 |
| P8  | <b>PL</b>            | 1d               | 3-2 | 3-2        | 3-2       | 3-2        | 3-2       | 3-2   | 3-2          | 3-2 | 3-2 | 3-2 |
| P9  | <b>PLII</b>          | 1e               | 4-2 | 4-2        | 4-2       | 4-2        | 4-2       | 4-2   | 4-2          | 4-2 | 4-2 | 4-2 |
| P10 | <b>AAC</b>           | 1f               | 5-2 | 5-2        | 5-2       | 5-2        | 5-2       | 5-2   | 5-2          | 5-2 | 5-2 | 5-2 |
| P11 | <b>PCM</b>           | 1g               | 1-3 | 1-3        | 1-3       | 1-3        | 1-3       | 1-3   | 1-3          | 1-3 | 1-3 | 1-3 |
| P12 | <b>ZONE2</b>         | 2a               | 2-3 | 2-3        | 2-3       | 2-3        | 2-3       | 2-3   | 2-3          | 2-3 | 2-3 | 2-3 |
| P13 | <b>VIRTUAL</b>       | 2b               | 3-3 | 3-3        | 3-3       | 3-3        | 3-3       | 3-3   | 3-3          | 3-3 | 3-3 | 3-3 |
| P14 | <b>SILENT CINEMA</b> | 2c               | 4-3 | 4-3        | 4-3       | 4-3        | 4-3       | 4-3   | 4-3          | 4-3 | 4-3 | 4-3 |
| P15 | <b>SP</b>            | 2d               | 5-3 | 5-3        | 5-3       | 5-3        | 5-3       | 5-3   | 5-3          | 5-3 | 5-3 | 5-3 |
| P16 | <b>A</b>             | 2e               | 1-4 | 1-4        | 1-4       | 1-4        | 1-4       | 1-4   | 1-4          | 1-4 | 1-4 | 1-4 |
| P17 | <b>B</b>             | 2f               | 2-4 | 2-4        | 2-4       | 2-4        | 2-4       | 2-4   | 2-4          | 2-4 | 2-4 | 2-4 |
| P18 | <b>B</b>             | 2g               | 3-4 | 3-4        | 3-4       | 3-4        | 3-4       | 3-4   | 3-4          | 3-4 | 3-4 | 3-4 |
| P19 | <b>HIFI DSP</b>      | S5               | 4-4 | 4-4        | 4-4       | 4-4        | 4-4       | 4-4   | 4-4          | 4-4 | 4-4 | 4-4 |
| P20 | <b>CINEMA DSP</b>    | S6               | 5-4 | 5-4        | 5-4       | 5-4        | 5-4       | 5-4   | 5-4          | 5-4 | 5-4 | 5-4 |
| P21 | S16                  | <b>PHONO</b>     | 1-5 | 1-5        | 1-5       | 1-5        | 1-5       | 1-5   | 1-5          | 1-5 | 1-5 | 1-5 |
| P22 | S17                  | S2               | 2-5 | 2-5        | 2-5       | 2-5        | 2-5       | 2-5   | 2-5          | 2-5 | 2-5 | 2-5 |
| P23 | S18                  | S3               | 3-5 | 3-5        | 3-5       | 3-5        | 3-5       | 3-5   | 3-5          | 3-5 | 3-5 | 3-5 |
| P24 | S19                  | S4               | 4-5 | 4-5        | 4-5       | 4-5        | 4-5       | 4-5   | 4-5          | 4-5 | 4-5 | 4-5 |
| P25 | S20                  | <b>STEREO</b>    | 5-5 | 5-5        | 5-5       | 5-5        | 5-5       | 5-5   | 5-5          | 5-5 | 5-5 | 5-5 |
| P26 | S9                   | <b>TUNED</b>     | 1-6 | 1-6        | 1-6       | 1-6        | 1-6       | 1-6   | 1-6          | 1-6 | 1-6 | 1-6 |
| P27 | <b>DVR/VCR2</b>      | <b>MEMORY</b>    | 2-6 | 2-6        | 2-6       | 2-6        | 2-6       | 2-6   | 2-6          | 2-6 | 2-6 | 2-6 |
| P28 | <b>1</b>             | <b>MUTE</b>      | 3-6 | 3-6        | 3-6       | 3-6        | 3-6       | 3-6   | 3-6          | 3-6 | 3-6 | 3-6 |
| P29 | S10                  | <b>OPTIMIZER</b> | 4-6 | 4-6        | 4-6       | 4-6        | 4-6       | 4-6   | 4-6          | 4-6 | 4-6 | 4-6 |
| P30 | S11                  | <b>96/24</b>     | 5-6 | 5-6        | 5-6       | 5-6        | 5-6       | 5-6   | 5-6          | 5-6 | 5-6 | 5-6 |
| P31 | S12                  | <b>DUAL</b>      | 1-7 | 1-7        | 1-7       | 1-7        | 1-7       | 1-7   | 1-7          | 1-7 | 1-7 | 1-7 |
| P32 | S13                  | <b>LFE</b>       | 2-7 | 2-7        | 2-7       | 2-7        | 2-7       | 2-7   | 2-7          | 2-7 | 2-7 | 2-7 |
| P33 | S14                  | <b>L</b>         | 3-7 | 3-7        | 3-7       | 3-7        | 3-7       | 3-7   | 3-7          | 3-7 | 3-7 | 3-7 |
| P34 | <b>NIGHT</b>         | <b>C</b>         | 4-7 | 4-7        | 4-7       | 4-7        | 4-7       | 4-7   | 4-7          | 4-7 | 4-7 | 4-7 |
| P35 | <b>DOLBY</b>         | <b>R</b>         | 5-7 | 5-7        | 5-7       | 5-7        | 5-7       | 5-7   | 5-7          | 5-7 | 5-7 | 5-7 |
| P36 | S15                  | <b>SL</b>        | ft  | <b>EON</b> | <b>RT</b> | <b>PTY</b> | <b>PS</b> | —     | <b>SLEEP</b> | —   | —   | S21 |
| P37 | <b>AUTO</b>          | <b>SB</b>        | mS  | —          | <b>CT</b> | —          | —         | —     | —            | —   | —   | —   |
| P38 | <b>PTY HOLD</b>      | <b>SR</b>        | dB  | —          | —         | —          | —         | —     | —            | —   | —   | —   |

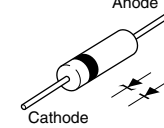
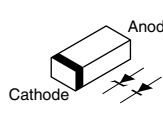
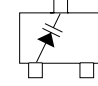
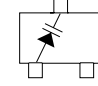
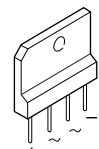
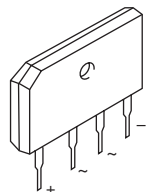
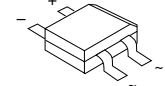


## ■ PIN CONNECTION DIAGRAM

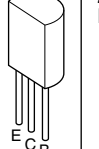
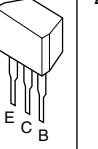
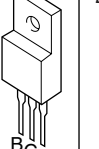
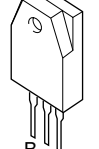
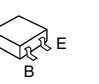
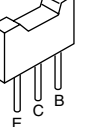
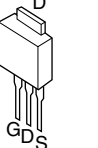
### • ICs

|   |  |   |   |   |   |   |
|---|--|---|---|---|---|---|
| <p>LM61CIZ</p>  <p>3: GND<br/>2: Vout 1: +Vs</p>                         | <p>NJU7201L55</p>  <p>1: GND<br/>2: VIN<br/>3: VOUT</p> | <p>NJM7805FA<br/>NJM7812FA</p>  <p>3: IN<br/>2: COM 1: OUT</p> | <p>NJM79M05FA<br/>NJM79M12FA</p>  <p>3: COM<br/>2: IN 1: OUT</p>             | <p>μPC29M33T-E1</p>  <p>3: IN<br/>2: COM 1: OUT</p> | <p>PQ025EZ5MZP<br/>PQ012FZ01ZP</p>  <p>1 5</p> | <p>NJM2068MD<br/>NJM2904M<br/>TK15420M<br/>μPC4570G2</p>  <p>8 1 4</p> |
| <p>NJM4556AL</p>  <p>1 8</p>   | <p>LA7956</p>  <p>1 9</p>                               | <p>NJM2581M<br/>SN74AHCT08PWR</p>  <p>14 1 7</p>               | <p>MM74HCU04<br/>TC74HCT00AF<br/>TC74HCU04AF<br/>TC4013BP</p>  <p>14 1 7</p> | <p>74VHC157MTCX</p>  <p>16 1 8</p>                  | <p>SN74LV245APWR</p>  <p>20 1 10</p>           |   |
| <p>TC74HC4053AF</p>  <p>16 1 8</p>                                       | <p>LC72722</p>  <p>24 1 12</p>                          | <p>BD3841FS</p>  <p>32 1 17</p>                                | <p>CY62128BLL-70SCT</p>  <p>32 1 16</p>                                      |   |   |   |
| <p>MSM514260E-60JS</p>  <p>40 1 20</p>                                  | <p>AK4628VQ</p>  <p>33 23 34 22 44 11 1 12</p>         | <p>LC89057W-VF4D-E</p>  <p>24 13 25 12 36 1 37 48</p>         | <p>M66003-0101FP</p>  <p>48 33 49 32 64 17 1 16</p>                         |   |   |   |
| <p>M30622MWP-152FP<br/>M30626FHPFP</p>  <p>80 51 81 50 100 31 1 30</p> | <p>YSS930-SZ</p>  <p>75 51 76 50 100 26 1 25</p>      | <p>YSS948-V</p>  <p>108 73 109 72 144 37 1 36</p>            |   |   |   |   |
| <p>BD3816K1</p>  <p>64 41 65 40 80 25 1 24</p>                         |  |   |   |   |   |   |

### • Diodes

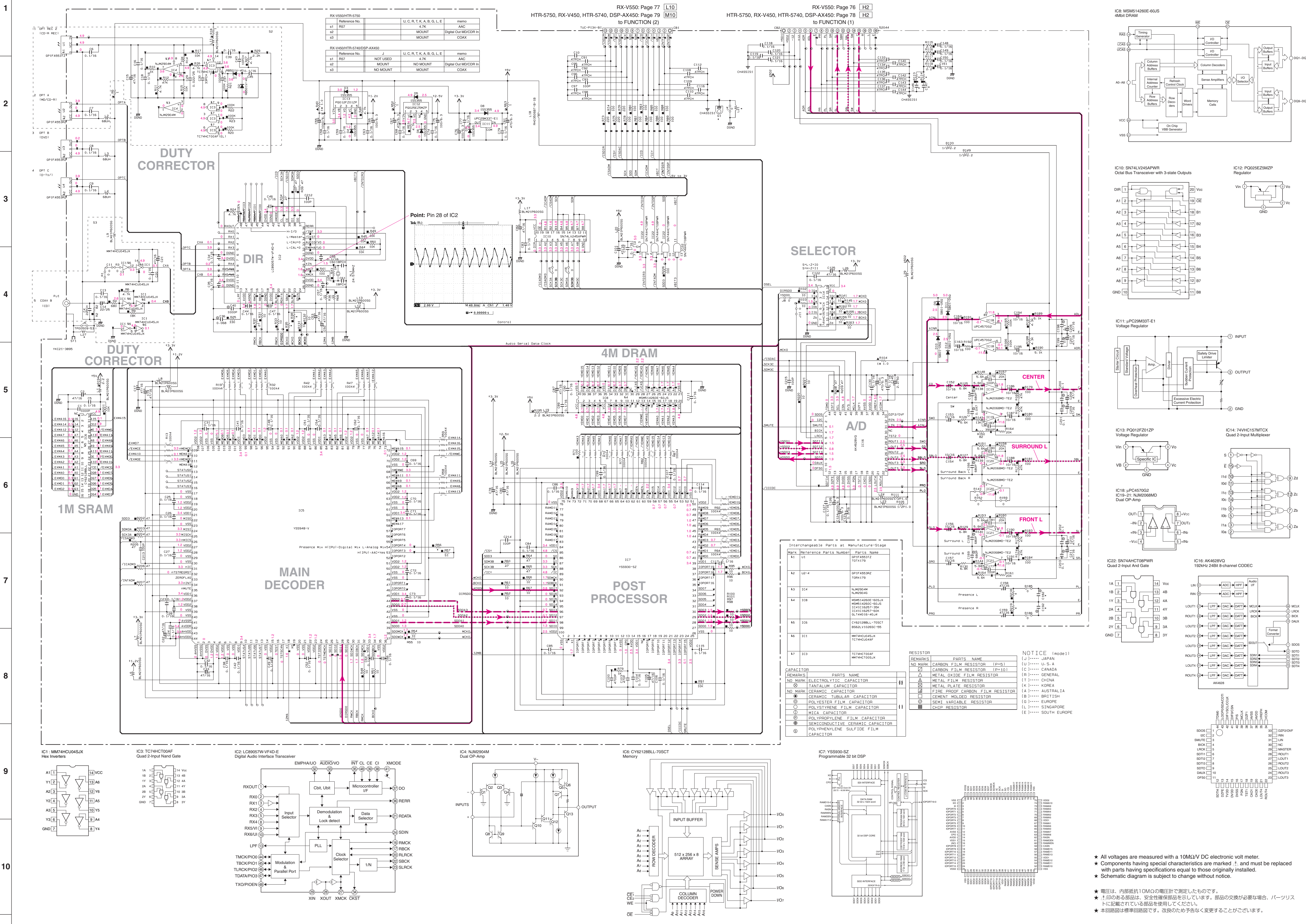
|  |   |  |   |
|--|---|--|---|
| <p>1N4002S<br/>1SS133<br/>1SS176<br/>1SS244<br/>1SS270A<br/>1T2</p>  <p>Anode<br/>Cathode</p> | <p>MTZJ10B<br/>MTZJ15A<br/>MTZJ2.4B<br/>MTZJ3.0A<br/>MTZJ6.8B<br/>MTZJ9.1B<br/>MTZJ12.0C<br/>MTZJ30.0A</p>  <p>Anode<br/>Cathode</p> | <p>1SS355<br/>MA8051-M<br/>MA8056-M<br/>MA8075-H<br/>MA8091-M<br/>RB501V-40<br/>UDZ3.6BTE-17<br/>UDZS9.1B</p>  <p>Anode<br/>Cathode</p> | <p>SB01-05Q</p>  |
| <p>TS6P03G</p>  <p>+</p>  | <p>KBP103G</p>  <p>+</p>   | <p>S1NB20<br/>S1NB60</p>  <p>+</p>  |   |

### • Transistors

|   |   |  |  |
|---|---|--|--|
| <p>2SA893A<br/>2SA1015<br/>2SB949<br/>2SC1815<br/>2SC1890A<br/>2SC2229<br/>2SC2240<br/>2SC535<br/>2SA2N5401C<br/>2SC2N5551C</p>  <p>E C B</p> | <p>2SC1740S<br/>2SD1915F<br/>DTC144ES</p>  <p>E C B</p>           | <p>2SB1274<br/>2SD2396</p>  <p>B C E</p> | <p>2SA1695<br/>2SC4468</p>  <p>B C E</p> |
| <p>2SA1037K<br/>2SC2412K<br/>2SC3326<br/>DTC144EKA</p>  <p>C B E</p>   | <p>2SA1708<br/>2SA1770<br/>2SC4488<br/>2SC4614</p>  <p>E C B</p> | <p>2SK3491</p>  <p>D G S</p>            |  |



SCHEMATIC DIAGRAM (DSP)



| Reference No. | U.C.R.T.K.A.B.G.L.E | memo                        |
|---------------|---------------------|-----------------------------|
| s1            | RS7                 | 4.7K ANG                    |
| s2            |                     | MOUNT Digital Out MDCCDR In |
| s3            |                     | MOUNT COAX                  |

| Reference No. | U.C.R.T.K.A.B.G.L.E | memo                                 |
|---------------|---------------------|--------------------------------------|
| s1            | RS7                 | NOT USED 4.7K                        |
| s2            |                     | MOUNT NO MOUNT                       |
| s3            |                     | MOUNT NO MOUNT Digital Out MDCCDR In |
|               |                     | COAX                                 |

RX-V550: Page 77  
HTR-5750, RX-V450, HTR-5740, DSP-AX450: Page 79  
to FUNCTION (2)

RX-V550: Page 76  
HTR-5750, RX-V450, HTR-5740, DSP-AX450: Page 78  
to FUNCTION (1)

IC8: MS514280E-60JS  
4Mb1 DRAM

IC10: SN74LV254PWR  
Octal Bus Transceiver with 3-state Outputs

IC12: PQ025E25M2P  
Regulator

IC11: μPC29M33T-E1  
Voltage Regulator

IC13: PQ012F201ZP  
Voltage Regulator

IC14: 74VHC15MTGX  
Quad 2-Input Multiplexer

IC18: μPC57002  
IC19-21: NJM008MD  
Dual OP-Amp

IC22: SN74HCT08PWR  
Quad 2-Input And Gate

IC16: AK4628VQ  
192kHz 24Bit 8-channel CODEC

Interchangeable Parts at Manufacture-Stage

| Part | Reference Parts Number | Parts Name                      |
|------|------------------------|---------------------------------|
| 61   | V1                     | GRIFAS92Z T0M419                |
| 62   | UP-4                   |                                 |
| 63   | IC4                    | NJM2004M NJM2004M               |
| 64   | IC8                    | MS514280E-60JSX MS514280E-60JSX |
| 65   | IC6                    | CH2128BL-705CT BS62L11028C-52   |
| 66   | IC1                    | MM74HC04SX TC74HC04F            |
| 67   | IC3                    | TC74HC100AF MM74HC100JX         |

REMARKS (model)

| REMARKS | PARTS NAME                          |
|---------|-------------------------------------|
| NO MARK | CARBON FILM RESISTOR (P=5)          |
| △       | CARBON FILM RESISTOR (P=10)         |
| □       | METAL OXIDE FILM RESISTOR           |
| ◇       | METAL FILM RESISTOR                 |
| ○       | FINE-PROOF CARBON FILM RESISTOR     |
| ◎       | CERMENT MOLDED RESISTOR             |
| ①       | POLYPROPYLENE FILM CAPACITOR        |
| ②       | POLYESTER FILM CAPACITOR            |
| ③       | MICA CAPACITOR                      |
| ④       | POLYPROPYLENE FILM CAPACITOR        |
| ⑤       | SEMICONDUCTIVE CERAMIC CAPACITOR    |
| ⑥       | POLYBUTYLENE SULFIDE FILM CAPACITOR |

REMARKS (model)  
 (J)..... JAPAN  
 (U)..... U.S.A  
 (C)..... CANADA  
 (E)..... GENERAL  
 (T)..... CHINA  
 (K)..... KOREA  
 (A)..... AUSTRALIA  
 (B)..... BRITISH  
 (L)..... EUROPE  
 (S)..... SINGAPORE  
 (E)..... SOUTH EUROPE

IC1: MM74HC04SX  
Hex Inverters

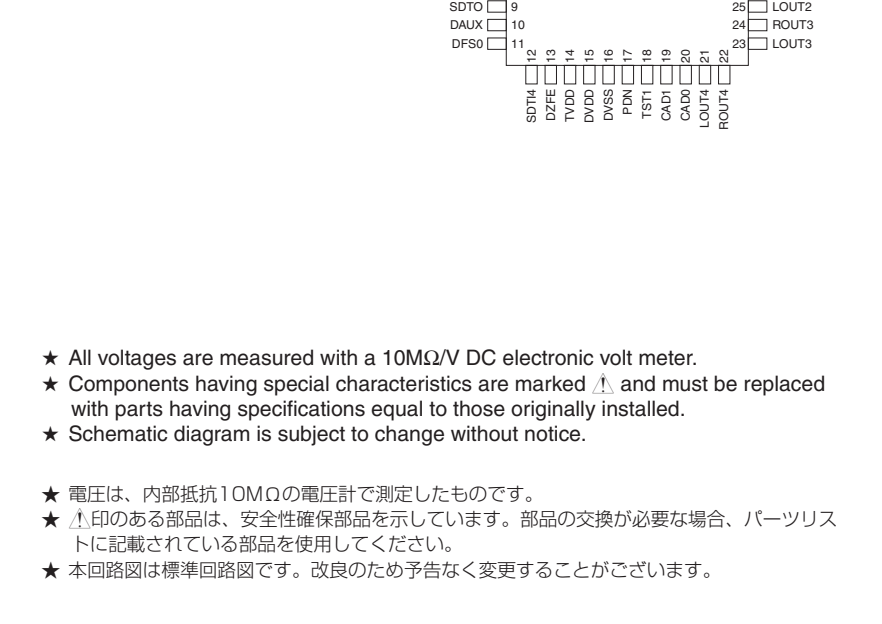
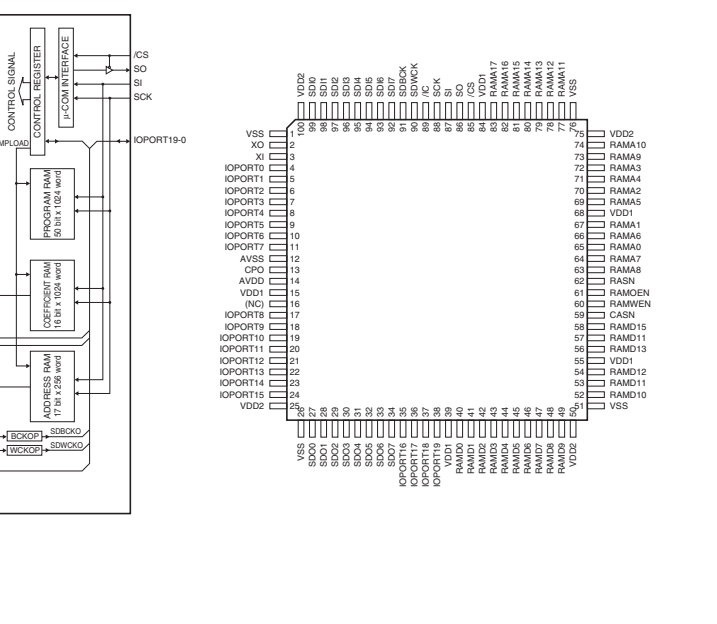
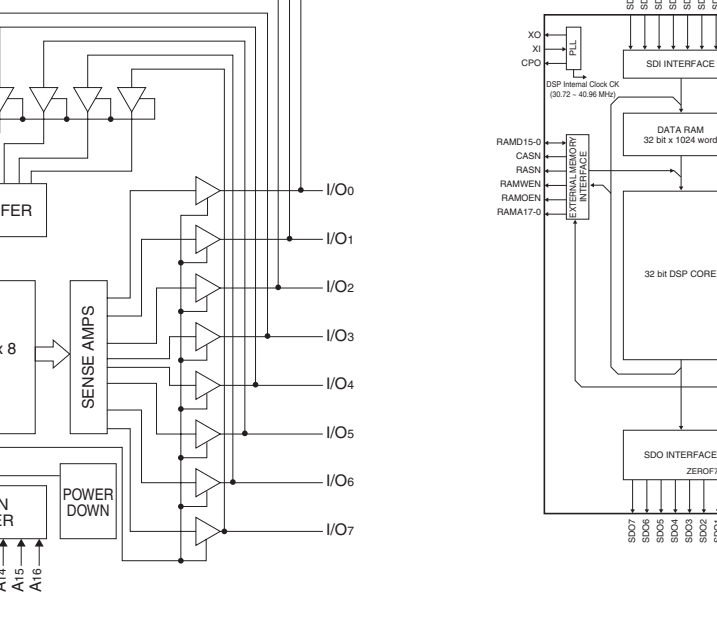
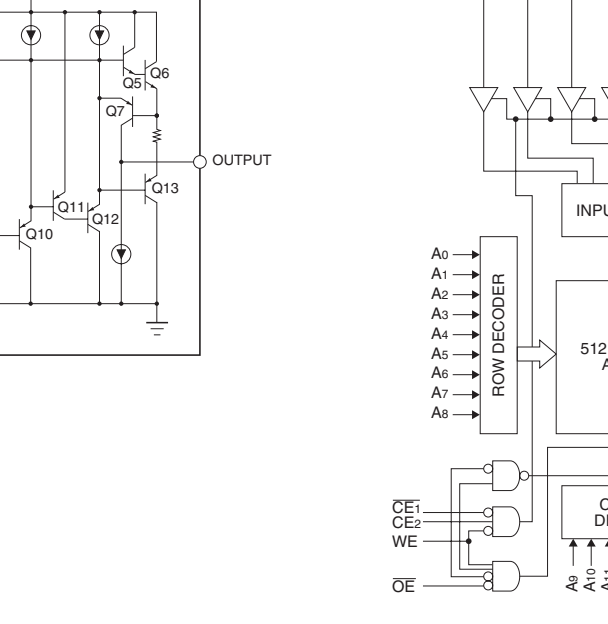
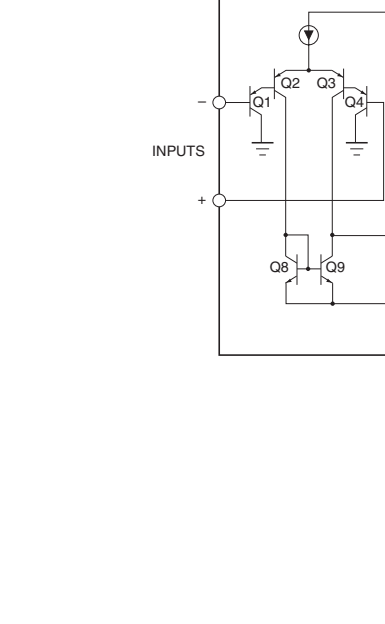
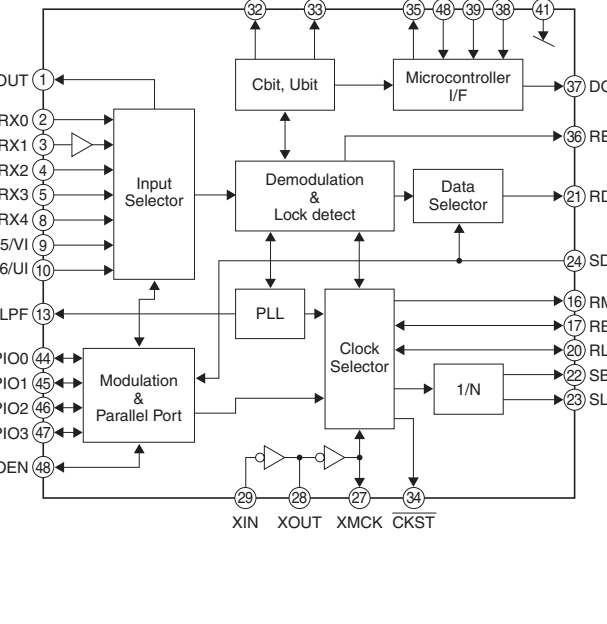
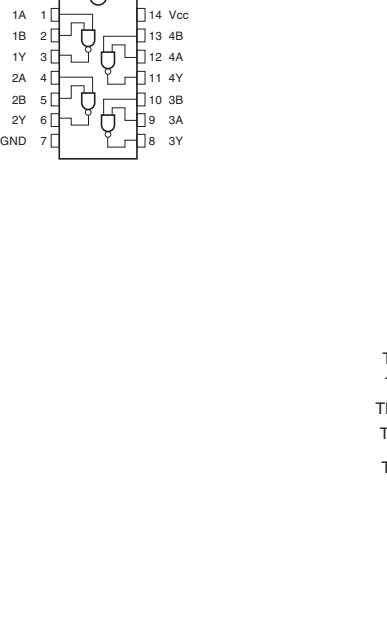
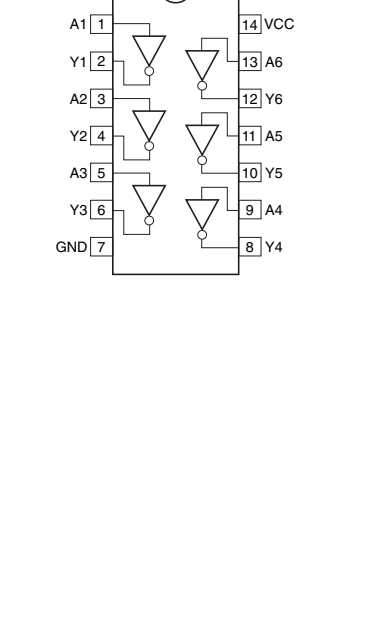
IC3: TC74HCT00AF  
Quad 2-Input NAND Gate

IC2: LC89057M-VF4D-E  
Digital Audio Interface Transceiver

IC4: NJM2904M  
Dual OP-Amp

IC6: CV62128BL-705CT  
Memory

IC7: YSS900-SZ  
Programmable 32 bit DSP



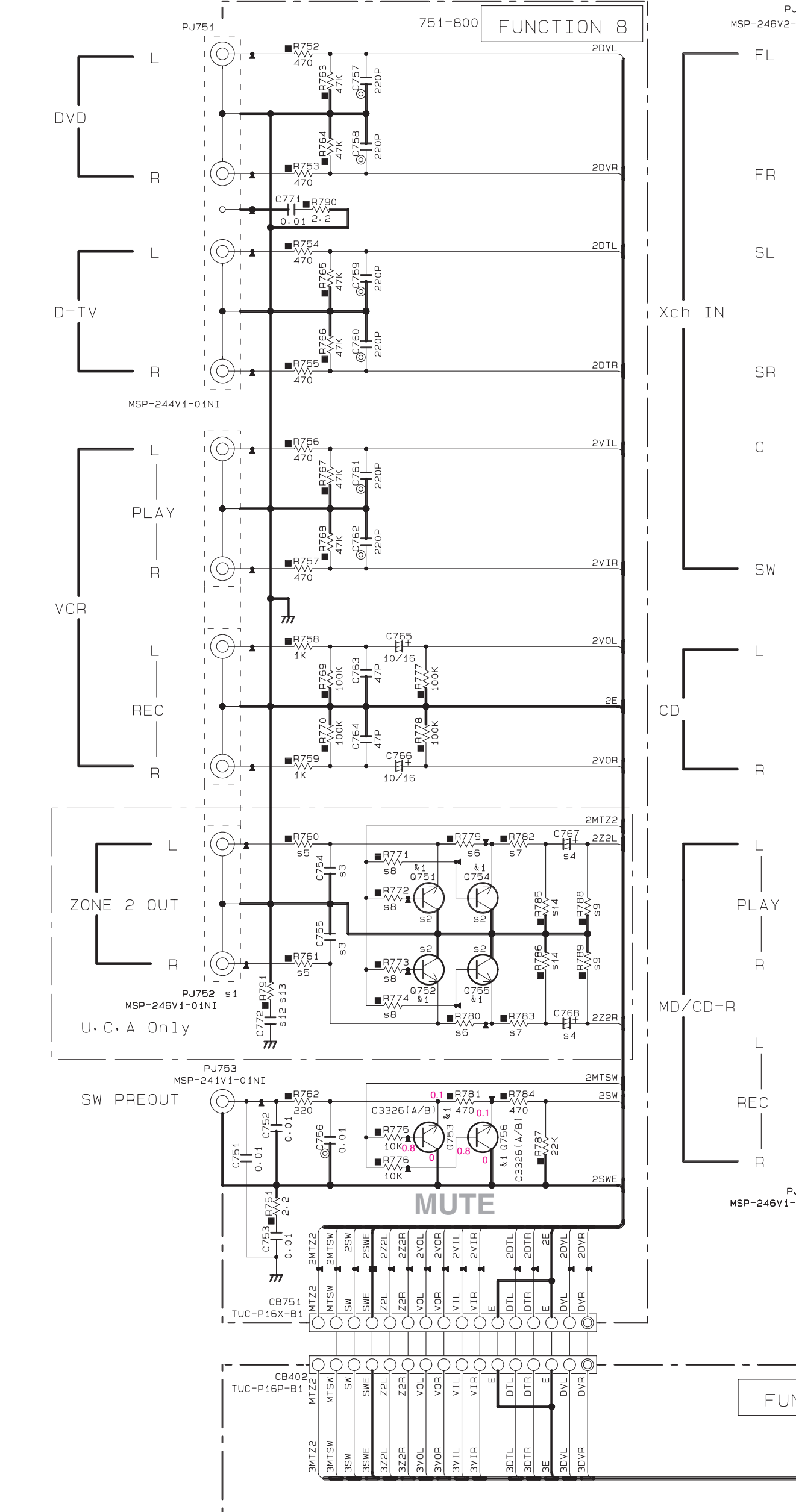
★ All voltages are measured with a 10MΩ/V DC electronic volt meter.  
 ★ Components having special characteristics are marked with a star, and must be replaced with parts having specifications equal to those originally installed.  
 ★ Schematic diagram is subject to change without notice.  
 ★ 電圧は、内部抵抗10MΩの電圧計で測定したものです。  
 ★ 1印のある部品は、安全性確保部品を示しています。部品の交換が必要な場合、パーツリストに記載されている部品を使用してください。  
 ★ 本回路図は標準回路図です。改良のため予告なく変更することがございます。



SCHEMATIC DIAGRAM (FUNCTION 1/2) RX-V550

|     | U-C                 | R                         | T                         | K                         | A                         | B-G-E                     | L                         |
|-----|---------------------|---------------------------|---------------------------|---------------------------|---------------------------|---------------------------|---------------------------|
| 91  | PJ752               | MSP-246V1-01NI<br>V704670 | MSP-244V1-01NI<br>V704670 | MSP-244V1-01NI<br>V704670 | MSP-244V1-01NI<br>V704670 | MSP-246V1-01NI<br>V704670 | MSP-244V1-01NI<br>V704670 |
| 92  | 0751-752<br>754-755 | C33261A/B1<br>V030370     | X                         | X                         | X                         | C33261A/B1<br>V030370     | X                         |
| 93  | C754-755            | 47P<br>F665147            | X                         | X                         | X                         | 47P<br>F665147            | X                         |
| 94  | C767-768            | 10/16<br>URB3710          | X                         | X                         | X                         | 10/16<br>URB3710          | X                         |
| 95  | R760-761            | 100<br>RD39510            | X                         | X                         | X                         | 100<br>RD39510            | X                         |
| 96  | R779-780            | 220<br>RD39522            | X                         | X                         | X                         | 220<br>RD39522            | X                         |
| 97  | R782-783            | 1K<br>RD39610             | X                         | X                         | X                         | 1K<br>RD39610             | X                         |
| 98  | R771-774            | 10K<br>RD39710            | X                         | X                         | X                         | 10K<br>RD39710            | X                         |
| 99  | R788-789            | 100K<br>RD39810           | X                         | X                         | X                         | 100K<br>RD39810           | X                         |
| 100 | IC302               | BD3841FS<br>X3547AD       | X                         | X                         | X                         | BD3841FS<br>X3547AD       | X                         |
| 101 | C328-329            | 0.1/16<br>US13910         | X                         | X                         | X                         | 0.1/16<br>US13910         | X                         |
| 102 | C772                | 0.01<br>US06410           | X                         | X                         | X                         | 0.01<br>US06410           | X                         |
| 103 | R791                | 2-2<br>RD35322            | X                         | X                         | X                         | 2-2<br>RD35322            | X                         |
| 104 | R785-786            | 2-2K<br>RD35622           | X                         | X                         | X                         | 2-2K<br>RD35622           | X                         |

× NOT USED  
○ USED/APPLICABLE



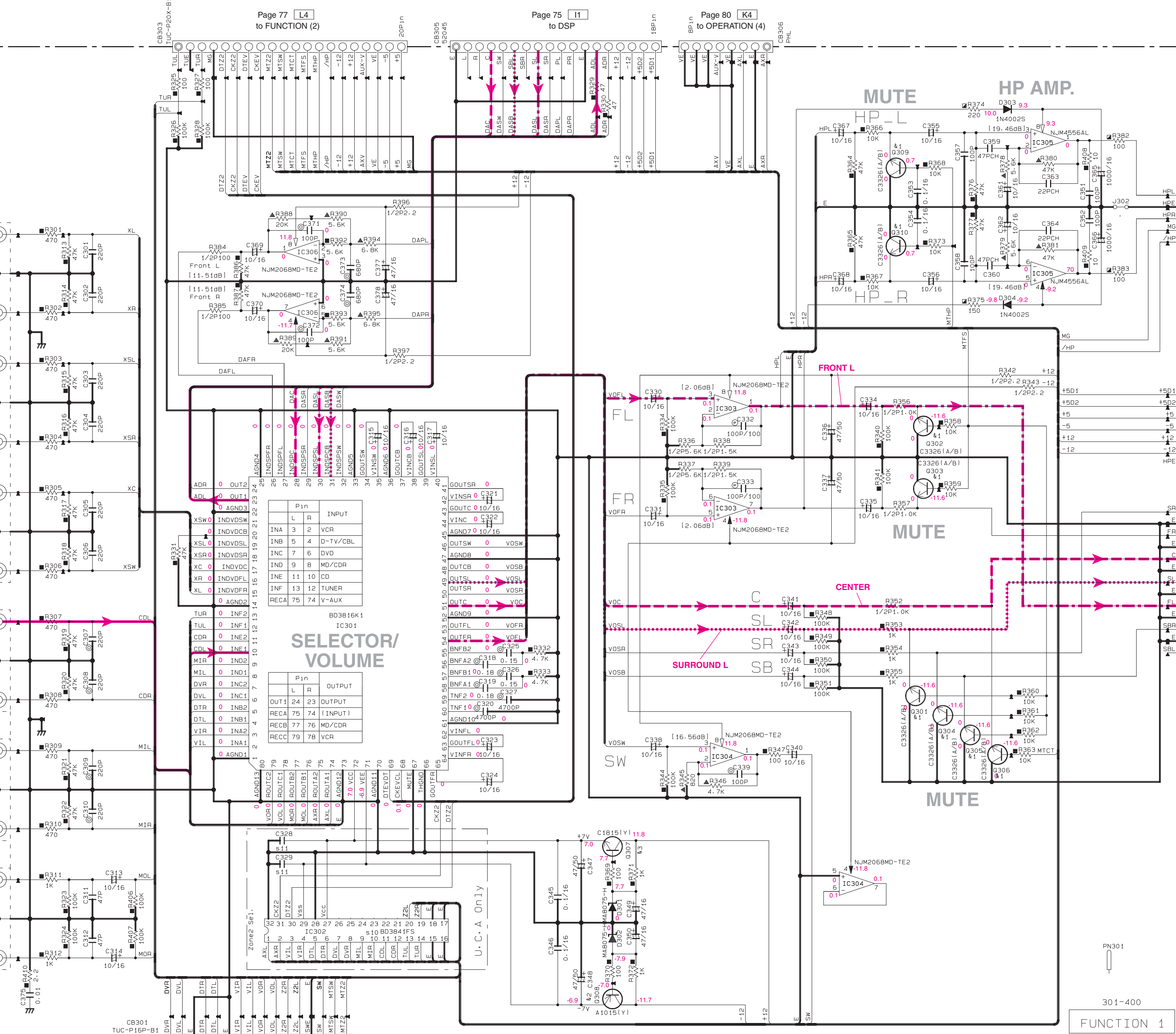
NOTICE (mode1)  
(J)..... JAPAN  
(U)..... U.S.A  
(C)..... CANADA  
(A)..... GENERAL  
(T)..... CHINA  
(K)..... KOREA  
(A)..... AUSTRALIA  
(B)..... BRITISH  
(G)..... EUROPE  
(L)..... SINGAPORE  
(E)..... SOUTH EUROPE

Interchangeable Parts at Manufacture Stage

| Mark | Reference Parts Number        | Parts Name   |
|------|-------------------------------|--|
| k1   | 0301-306, 309, 310<br>751-756 | 2SC33261A/B1<br>2SD3744A1<br>2SC33261B1<br>2SC5938A1A/B1 |
| k2   | 0308                          | 2SA10151Y1<br>KTA1266                                    |
| k3   | 0307                          | 2SC18151Y1<br>KTC3198                                    |

| REMARKS | PARTS NAME                      |
|---------|---------------------------------|
| NO MARK | CARBON FILM RESISTOR (P=5)      |
| △       | CARBON FILM RESISTOR (P=10)     |
| □       | METAL OXIDE FILM RESISTOR       |
| ○       | METAL FILM RESISTOR             |
| ⊠       | METAL PLATE RESISTOR            |
| ⊞       | FIRE PROOF CARBON FILM RESISTOR |
| ⊞       | CEMENT MOLDED RESISTOR          |
| ⊞       | SEMI VARIABLE RESISTOR          |
| ⊞       | CHIP RESISTOR                   |

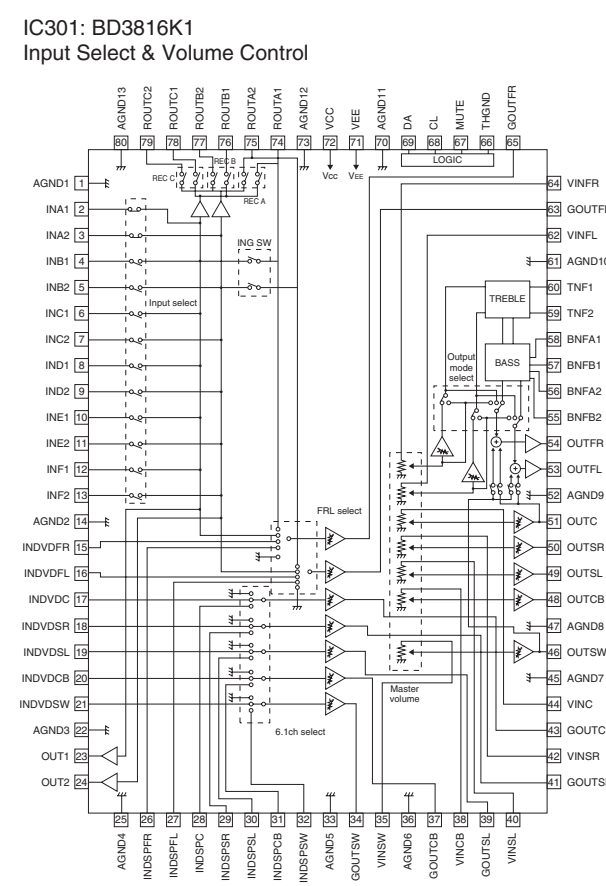
| REMARKS | PARTS NAME                       |
|---------|----------------------------------|
| NO MARK | ELECTROLYTIC CAPACITOR           |
| ⊗       | TANTALUM CAPACITOR               |
| NO MARK | CERAMIC CAPACITOR                |
| ⊙       | CERAMIC TUBULAR CAPACITOR        |
| ⊖       | POLYESTER FILM CAPACITOR         |
| ⊖       | POLYSTYRENE FILM CAPACITOR       |
| ⊖       | MICA CAPACITOR                   |
| ⊖       | POLYPROPYLENE FILM CAPACITOR     |
| ⊖       | SEMICONDUCTIVE CERAMIC CAPACITOR |



Page 80 [H8] to OPERATION (1)

Page 83 [A1] to POWER (1)

Page 83 [A2] to POWER (1)



\* All voltages are measured with a 10MΩ/V DC electronic volt meter.  
\* Components having special characteristics are marked △, and must be replaced with parts having specifications equal to those originally installed.  
\* Schematic diagram is subject to change without notice.

\* 電圧は、内部抵抗10MΩの電圧計で測定したものです。  
\* △印のある部品は、安全性確保部品を示しています。部品の交換が必要な場合、パーツリストに記載されている部品を使用してください。  
\* 本回路図は標準回路図です。改良のため予告なく変更することがございます。

F-SW1: INPUT FUNCTION 1  
F-SW2: INPUT FUNCTION 2



SCHEMATIC DIAGRAM (FUNCTION 2/2) RX-V550

RX-V550/HTR-5750/RX-V450/HTR-5740/DSP-AX450

| RESISTOR |                                 | CAPACITOR |                                  |
|----------|---------------------------------|-----------|----------------------------------|
| REMARKS  | PARTS NAME                      | REMARKS   | PARTS NAME                       |
| NO MARK  | CARBON FILM RESISTOR (D=5)      | NO MARK   | ELECTROLYTIC CAPACITOR           |
| △        | CARBON FILM RESISTOR (D=10)     | ○         | TANTALUM CAPACITOR               |
| □        | METAL FILM RESISTOR             | NO MARK   | CERAMIC CAPACITOR                |
| ◇        | METAL OXIDE FILM RESISTOR       | ○         | CERAMIC TUBULAR CAPACITOR        |
| ▽        | FIRE-PROOF CARBON FILM RESISTOR | ○         | POLYESTER FILM CAPACITOR         |
| ■        | CEMENT MOLDED RESISTOR          | ○         | POLYSTYRENE FILM CAPACITOR       |
| ○        | SEMI-VARIABLE RESISTOR          | ○         | MICA CAPACITOR                   |
| □        | CHIP RESISTOR                   | ○         | POLYPROPYLENE FILM CAPACITOR     |
|          |                                 | ○         | SEMICONDUCTIVE CERAMIC CAPACITOR |
|          |                                 | ○         | CHIP RESISTOR                    |

| Mark | Reference Parts Number | Parts Name        |
|------|------------------------|-------------------|
| 411  | IC607-608              | TK15420ML         |
| 412  | IC609                  | TC74HC4053AF      |
| 413  | IC603-606-701          | TC74HC4053AF      |
| 414  | Q502-Q506              | 2SA1037AK(D/P/S1) |
| 415  | Q701                   | 2SC2412K(D/P/S1)  |
| 416  | D481-483-501-503-511   | 1S5355            |
| 417  | Q482-509               | 2SC1484KA         |
| 418  | Q614                   | 2SA10125(V)       |
| 419  | Q508-601-608-610-612   | 2SC17405(R/S1)    |
| 420  | Q507                   | 2SC3311A(S1/S1)   |
| 421  |                        | 2SC19819(V)       |

NOTICE (mode)  
 (J) JAPAN  
 (U) U.S.A.  
 (C) CANADA  
 (R) GENERAL  
 (T) CHINA  
 (K) KOREA  
 (A) AUSTRALIA  
 (B) BRITISH  
 (G) EUROPE  
 (L) SINGAPORE  
 (E) SOUTH EUROPE

Tuner / VIDEO

| U-C | R    | T | X | A | B-G-E | L |
|-----|------|---|---|---|-------|---|
| 416 | R549 |   |   |   |       |   |
| 417 | R553 |   |   |   |       |   |
| 418 | R552 |   |   |   |       |   |
| 419 | R555 |   |   |   |       |   |
| 420 | R561 |   |   |   |       |   |
| 421 | R562 |   |   |   |       |   |
| 422 | R563 |   |   |   |       |   |
| 423 | R564 |   |   |   |       |   |
| 424 | R565 |   |   |   |       |   |
| 425 | R566 |   |   |   |       |   |
| 426 | R567 |   |   |   |       |   |
| 427 | R568 |   |   |   |       |   |
| 428 | R569 |   |   |   |       |   |
| 429 | R570 |   |   |   |       |   |
| 430 | R571 |   |   |   |       |   |
| 431 | R572 |   |   |   |       |   |
| 432 | R573 |   |   |   |       |   |
| 433 | R574 |   |   |   |       |   |
| 434 | R575 |   |   |   |       |   |
| 435 | R576 |   |   |   |       |   |
| 436 | R577 |   |   |   |       |   |
| 437 | R578 |   |   |   |       |   |
| 438 | R579 |   |   |   |       |   |
| 439 | R580 |   |   |   |       |   |
| 440 | R581 |   |   |   |       |   |
| 441 | R582 |   |   |   |       |   |
| 442 | R583 |   |   |   |       |   |
| 443 | R584 |   |   |   |       |   |
| 444 | R585 |   |   |   |       |   |
| 445 | R586 |   |   |   |       |   |
| 446 | R587 |   |   |   |       |   |
| 447 | R588 |   |   |   |       |   |
| 448 | R589 |   |   |   |       |   |
| 449 | R590 |   |   |   |       |   |
| 450 | R591 |   |   |   |       |   |
| 451 | R592 |   |   |   |       |   |
| 452 | R593 |   |   |   |       |   |
| 453 | R594 |   |   |   |       |   |
| 454 | R595 |   |   |   |       |   |
| 455 | R596 |   |   |   |       |   |
| 456 | R597 |   |   |   |       |   |
| 457 | R598 |   |   |   |       |   |
| 458 | R599 |   |   |   |       |   |
| 459 | R600 |   |   |   |       |   |
| 460 | R601 |   |   |   |       |   |
| 461 | R602 |   |   |   |       |   |
| 462 | R603 |   |   |   |       |   |
| 463 | R604 |   |   |   |       |   |
| 464 | R605 |   |   |   |       |   |
| 465 | R606 |   |   |   |       |   |
| 466 | R607 |   |   |   |       |   |
| 467 | R608 |   |   |   |       |   |
| 468 | R609 |   |   |   |       |   |
| 469 | R610 |   |   |   |       |   |
| 470 | R611 |   |   |   |       |   |
| 471 | R612 |   |   |   |       |   |
| 472 | R613 |   |   |   |       |   |
| 473 | R614 |   |   |   |       |   |
| 474 | R615 |   |   |   |       |   |
| 475 | R616 |   |   |   |       |   |
| 476 | R617 |   |   |   |       |   |
| 477 | R618 |   |   |   |       |   |
| 478 | R619 |   |   |   |       |   |
| 479 | R620 |   |   |   |       |   |
| 480 | R621 |   |   |   |       |   |
| 481 | R622 |   |   |   |       |   |
| 482 | R623 |   |   |   |       |   |
| 483 | R624 |   |   |   |       |   |
| 484 | R625 |   |   |   |       |   |
| 485 | R626 |   |   |   |       |   |
| 486 | R627 |   |   |   |       |   |
| 487 | R628 |   |   |   |       |   |
| 488 | R629 |   |   |   |       |   |
| 489 | R630 |   |   |   |       |   |
| 490 | R631 |   |   |   |       |   |
| 491 | R632 |   |   |   |       |   |
| 492 | R633 |   |   |   |       |   |
| 493 | R634 |   |   |   |       |   |
| 494 | R635 |   |   |   |       |   |
| 495 | R636 |   |   |   |       |   |
| 496 | R637 |   |   |   |       |   |
| 497 | R638 |   |   |   |       |   |
| 498 | R639 |   |   |   |       |   |
| 499 | R640 |   |   |   |       |   |
| 500 | R641 |   |   |   |       |   |
| 501 | R642 |   |   |   |       |   |
| 502 | R643 |   |   |   |       |   |
| 503 | R644 |   |   |   |       |   |
| 504 | R645 |   |   |   |       |   |
| 505 | R646 |   |   |   |       |   |
| 506 | R647 |   |   |   |       |   |
| 507 | R648 |   |   |   |       |   |
| 508 | R649 |   |   |   |       |   |
| 509 | R650 |   |   |   |       |   |
| 510 | R651 |   |   |   |       |   |
| 511 | R652 |   |   |   |       |   |
| 512 | R653 |   |   |   |       |   |
| 513 | R654 |   |   |   |       |   |
| 514 | R655 |   |   |   |       |   |
| 515 | R656 |   |   |   |       |   |
| 516 | R657 |   |   |   |       |   |
| 517 | R658 |   |   |   |       |   |
| 518 | R659 |   |   |   |       |   |
| 519 | R660 |   |   |   |       |   |
| 520 | R661 |   |   |   |       |   |
| 521 | R662 |   |   |   |       |   |
| 522 | R663 |   |   |   |       |   |
| 523 | R664 |   |   |   |       |   |
| 524 | R665 |   |   |   |       |   |
| 525 | R666 |   |   |   |       |   |
| 526 | R667 |   |   |   |       |   |
| 527 | R668 |   |   |   |       |   |
| 528 | R669 |   |   |   |       |   |
| 529 | R670 |   |   |   |       |   |
| 530 | R671 |   |   |   |       |   |
| 531 | R672 |   |   |   |       |   |
| 532 | R673 |   |   |   |       |   |
| 533 | R674 |   |   |   |       |   |
| 534 | R675 |   |   |   |       |   |
| 535 | R676 |   |   |   |       |   |
| 536 | R677 |   |   |   |       |   |
| 537 | R678 |   |   |   |       |   |
| 538 | R679 |   |   |   |       |   |
| 539 | R680 |   |   |   |       |   |
| 540 | R681 |   |   |   |       |   |
| 541 | R682 |   |   |   |       |   |
| 542 | R683 |   |   |   |       |   |
| 543 | R684 |   |   |   |       |   |
| 544 | R685 |   |   |   |       |   |
| 545 | R686 |   |   |   |       |   |
| 546 | R687 |   |   |   |       |   |
| 547 | R688 |   |   |   |       |   |
| 548 | R689 |   |   |   |       |   |
| 549 | R690 |   |   |   |       |   |
| 550 | R691 |   |   |   |       |   |
| 551 | R692 |   |   |   |       |   |
| 552 | R693 |   |   |   |       |   |
| 553 | R694 |   |   |   |       |   |
| 554 | R695 |   |   |   |       |   |
| 555 | R696 |   |   |   |       |   |
| 556 | R697 |   |   |   |       |   |
| 557 | R698 |   |   |   |       |   |
| 558 | R699 |   |   |   |       |   |
| 559 | R700 |   |   |   |       |   |
| 560 | R701 |   |   |   |       |   |
| 561 | R702 |   |   |   |       |   |
| 562 | R703 |   |   |   |       |   |
| 563 | R704 |   |   |   |       |   |
| 564 | R705 |   |   |   |       |   |
| 565 | R706 |   |   |   |       |   |
| 566 | R707 |   |   |   |       |   |
| 567 | R708 |   |   |   |       |   |
| 568 | R709 |   |   |   |       |   |
| 569 | R710 |   |   |   |       |   |
| 570 | R711 |   |   |   |       |   |
| 571 | R712 |   |   |   |       |   |
| 572 | R713 |   |   |   |       |   |
| 573 | R714 |   |   |   |       |   |
| 574 | R715 |   |   |   |       |   |
| 575 | R716 |   |   |   |       |   |
| 576 | R717 |   |   |   |       |   |
| 577 | R718 |   |   |   |       |   |
| 578 | R719 |   |   |   |       |   |
| 579 | R720 |   |   |   |       |   |
| 580 | R721 |   |   |   |       |   |
| 581 | R722 |   |   |   |       |   |
| 582 | R723 |   |   |   |       |   |
| 583 | R724 |   |   |   |       |   |
| 584 | R725 |   |   |   |       |   |
| 585 | R726 |   |   |   |       |   |
| 586 | R727 |   |   |   |       |   |
| 587 | R728 |   |   |   |       |   |
| 588 | R729 |   |   |   |       |   |
| 589 | R730 |   |   |   |       |   |
| 590 | R731 |   |   |   |       |   |
| 591 | R732 |   |   |   |       |   |
| 592 | R733 |   |   |   |       |   |
| 593 | R734 |   |   |   |       |   |
| 594 | R735 |   |   |   |       |   |
| 595 | R736 |   |   |   |       |   |
| 596 | R737 |   |   |   |       |   |
| 597 | R738 |   |   |   |       |   |
| 598 | R739 |   |   |   |       |   |
| 599 | R740 |   |   |   |       |   |
| 600 | R741 |   |   |   |       |   |
| 601 | R742 |   |   |   |       |   |
| 602 | R743 |   |   |   |       |   |
| 603 | R744 |   |   |   |       |   |
| 604 | R745 |   |   |   |       |   |
| 605 | R746 |   |   |   |       |   |
| 606 | R747 |   |   |   |       |   |
| 607 | R748 |   |   |   |       |   |
| 608 | R749 |   |   |   |       |   |
| 609 | R750 |   |   |   |       |   |
| 610 | R751 |   |   |   |       |   |
| 611 | R752 |   |   |   |       |   |
| 612 | R753 |   |   |   |       |   |
| 613 | R754 |   |   |   |       |   |
| 614 | R755 |   |   |   |       |   |
| 615 | R756 |   |   |   |       |   |
| 616 | R757 |   |   |   |       |   |
| 617 | R758 |   |   |   |       |   |
| 618 | R759 |   |   |   |       |   |
| 619 | R760 |   |   |   |       |   |
| 620 | R761 |   |   |   |       |   |
| 621 | R762 |   |   |   |       |   |
| 622 | R763 |   |   |   |       |   |
| 623 | R764 |   |   |   |       |   |
| 624 | R765 |   |   |   |       |   |
| 625 | R766 |   |   |   |       |   |
| 626 | R767 |   |   |   |       |   |
| 627 | R768 |   |   |   |       |   |
| 628 | R769 |   |   |   |       |   |
| 629 | R770 |   |   |   |       |   |
| 630 | R771 |   |   |   |       |   |
| 631 | R772 |   |   |   |       |   |



Interchangeable Parts at Manufacture-Stage

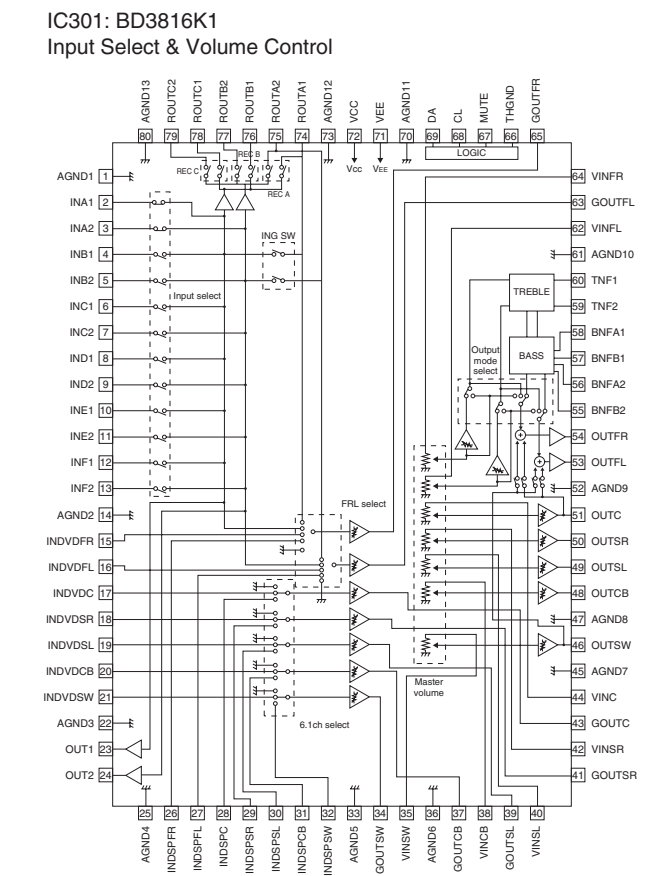
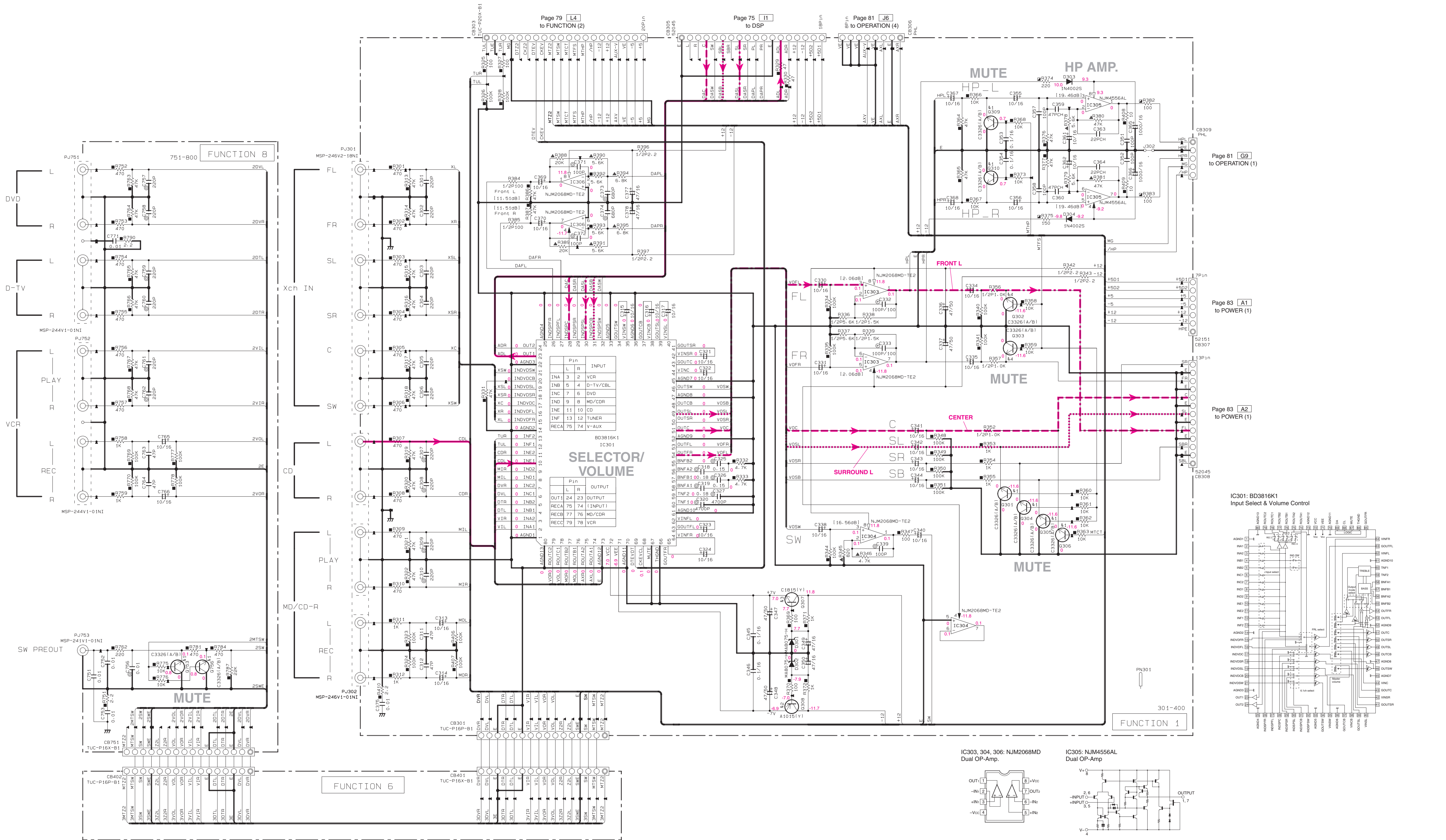
| Mark | Reference Parts Number       | Parts Name   |
|------|------------------------------|--|
| ⊠    | 0301-306, 309, 310, 753, 756 | 2SC3326(A/B)<br>2SC3274(A)<br>2SC3326(B)<br>2SC9938(A/B) |
| ⊡    | 0308                         | 2SA1015(V)<br>KTA1266                                    |
| ⊢    | 0307                         | 2SC1815(V)<br>KTC3198                                    |

RESISTOR

| REMARKS | PARTS NAME                      |
|---------|---------------------------------|
| NO MARK | CARBON FILM RESISTOR (P=5)      |
| ⊠       | CARBON FILM RESISTOR (P=10)     |
| ⊡       | METAL OXIDE FILM RESISTOR       |
| ⊢       | METAL FILM RESISTOR             |
| ⊣       | METAL PLATE RESISTOR            |
| ⊤       | FIRE PROOF CARBON FILM RESISTOR |
| ⊥       | CEMENT MOLDED RESISTOR          |
| ⊦       | SEMI VARIABLE RESISTOR          |
| ⊧       | CHIP RESISTOR                   |

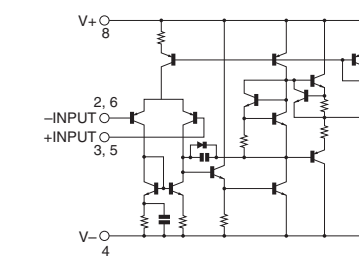
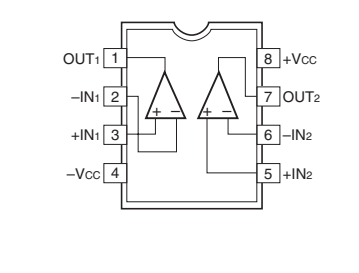
CAPACITOR

| REMARKS | PARTS NAME                       |
|---------|----------------------------------|
| NO MARK | ELECTROLYTIC CAPACITOR           |
| ⊠       | TANTALUM CAPACITOR               |
| NO MARK | CERAMIC CAPACITOR                |
| ⊡       | CERAMIC TUBULAR CAPACITOR        |
| ⊢       | POLYESTER FILM CAPACITOR         |
| ⊣       | POLYSTYRENE FILM CAPACITOR       |
| ⊤       | MICA CAPACITOR                   |
| ⊥       | POLYPROPYLENE FILM CAPACITOR     |
| ⊦       | SEMICONDUCTIVE CERAMIC CAPACITOR |



IC303, 304, 306: NJM2068MD Dual OP-Amp.

IC305: NJM4556AL Dual OP-Amp.



★ All voltages are measured with a 10MΩ/V DC electronic volt meter.  
 ★ Components having special characteristics are marked ⊠, and must be replaced with parts having specifications equal to those originally installed.  
 ★ Schematic diagram is subject to change without notice.

★ 電圧は、内部抵抗10MΩの電圧計で測定したものです。  
 ★ ⊠印のある部品は、安全性確保部品を示しています。部品の交換が必要な場合、パーツリストに記載されている部品を使用してください。  
 ★ 本回路図は標準回路図です。改良のため予告なく変更することがございます。



SCHEMATIC DIAGRAM (FUNCTION 2) HTR-5750 RX-V450/HTR-5740/DSP-AX450

RX-V550/HTR-5750/RX-V450/HTR-5740/DSP-AX450

| REMARKS | PARTS NAME                      | CAPACITOR | PARTS NAME                       |
|---------|---------------------------------|-----------|----------------------------------|
| NO MARK | CARBON FILM RESISTOR (D=5)      | NO MARK   | ELECTROLYTIC CAPACITOR           |
| △       | CARBON FILM RESISTOR (D=10)     | △         | TANTALUM CAPACITOR               |
| ▲       | METAL OXIDE FILM RESISTOR       | ○         | CERAMIC CAPACITOR                |
| □       | METAL FILM RESISTOR             | ○         | CERAMIC TUBULAR CAPACITOR        |
| ◇       | METAL PLATE RESISTOR            | ○         | POLYESTER FILM CAPACITOR         |
| ◇       | FIRE-PROOF CARBON FILM RESISTOR | ○         | POLYETHYLENE FILM CAPACITOR      |
| □       | CEMENT MOLDED RESISTOR          | ○         | MICA CAPACITOR                   |
| ○       | SEMI-VARIABLE RESISTOR          | ○         | POLYPROPYLENE FILM CAPACITOR     |
| ■       | CHIP RESISTOR                   | ○         | SEMICONDUCTIVE CERAMIC CAPACITOR |

| Mark | Reference Parts Number | Parts Name    |
|------|------------------------|---------------|
| 411  | IC007-608              | TK15420M      |
| 412  | IC009                  | TC74HC4046EL  |
| 413  | IC701-603-608          | TC74HC4053AF  |
| 414  | 0500-504-906           | MP74HC4053AF  |
| 415  | 0701                   | 05C2412(R/S)  |
| 416  | 0501-503-511-601-604   | 153355        |
| 417  | 0509                   | 05C14484      |
| 418  | 0614                   | 05A10195(V)   |
| 419  | 0508-601-608-810-612   | 20217405(R/S) |
| 420  | 0507                   | 05C14484      |
| 421  |                        | K7C3198       |

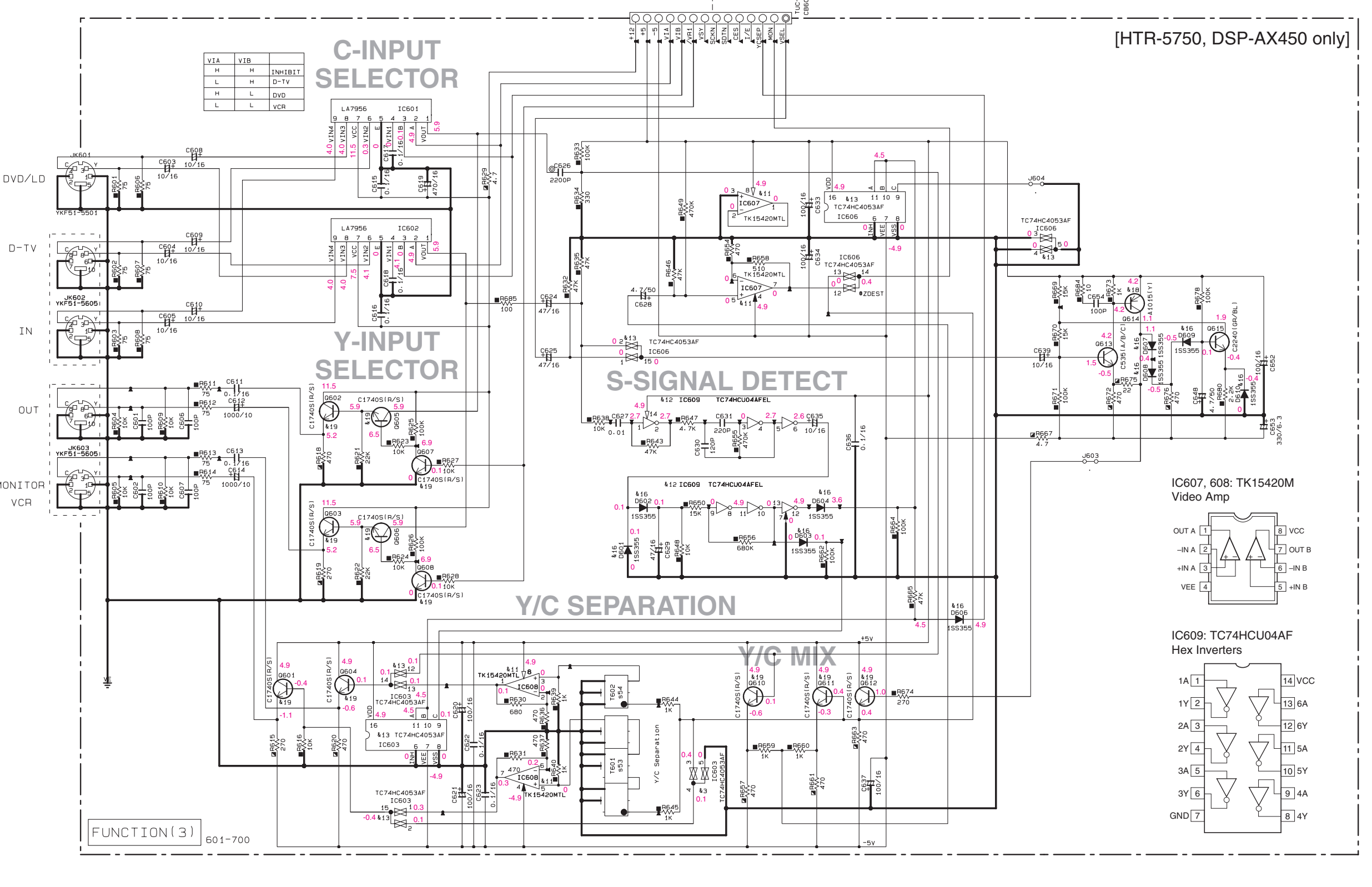
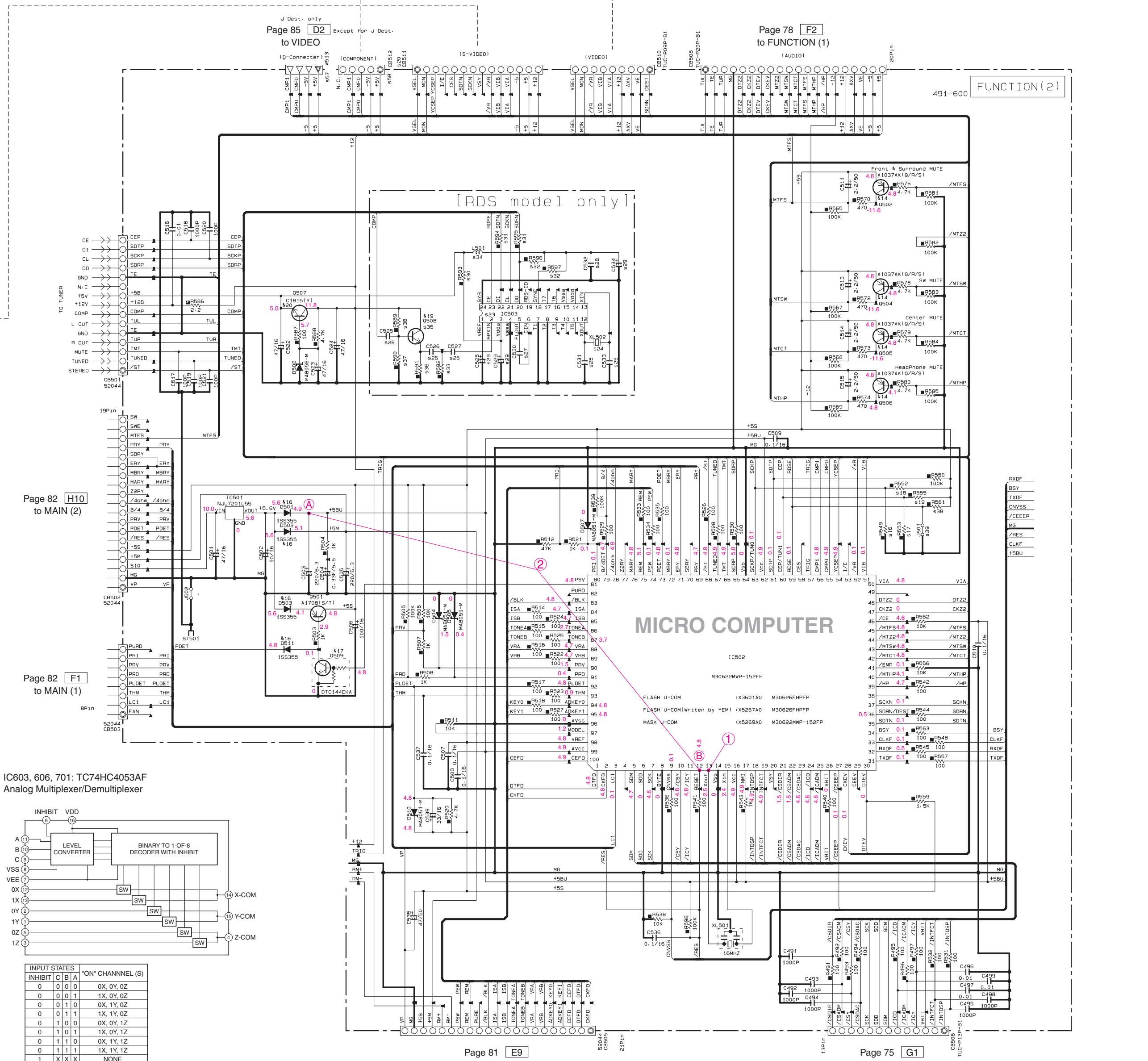
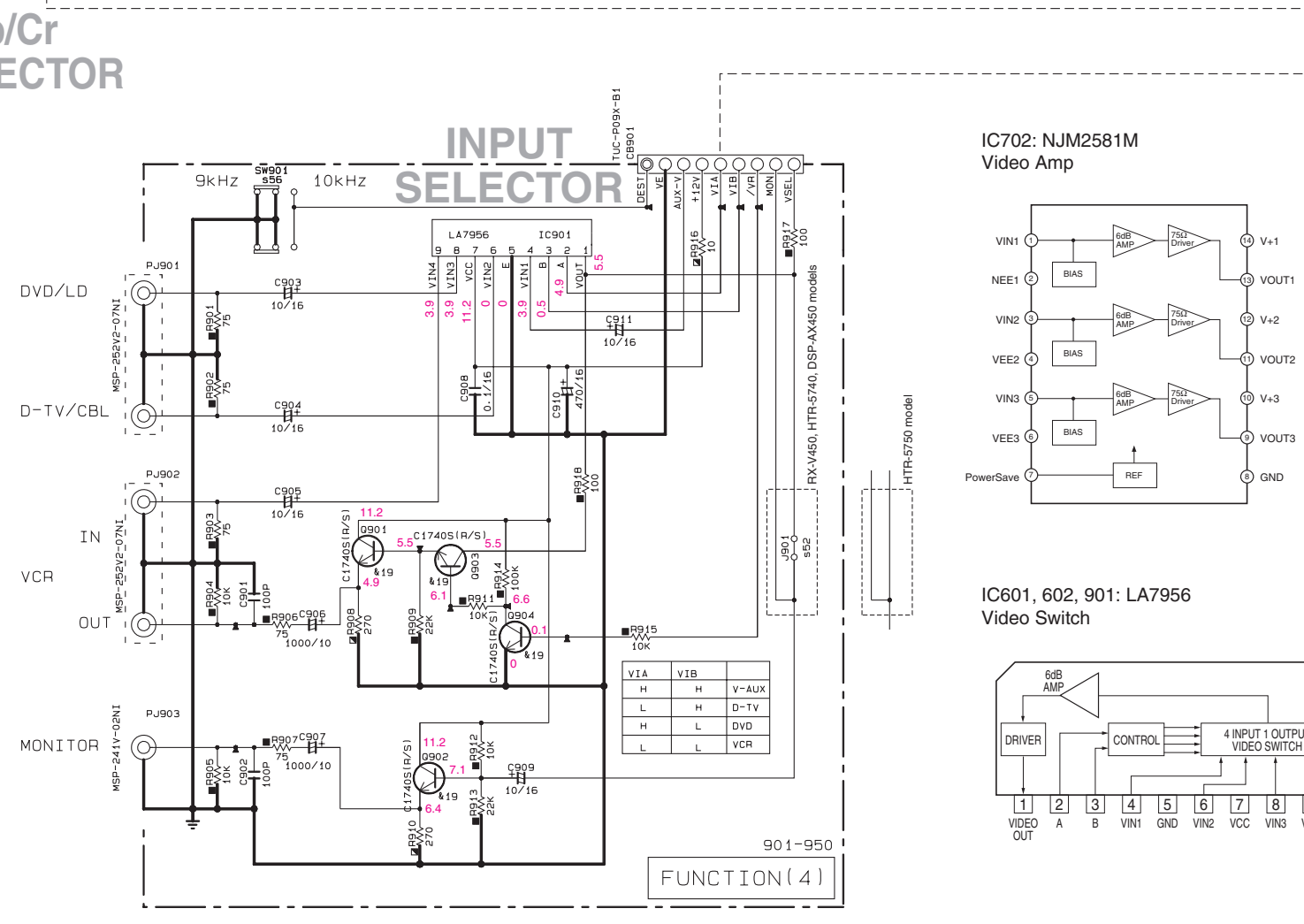
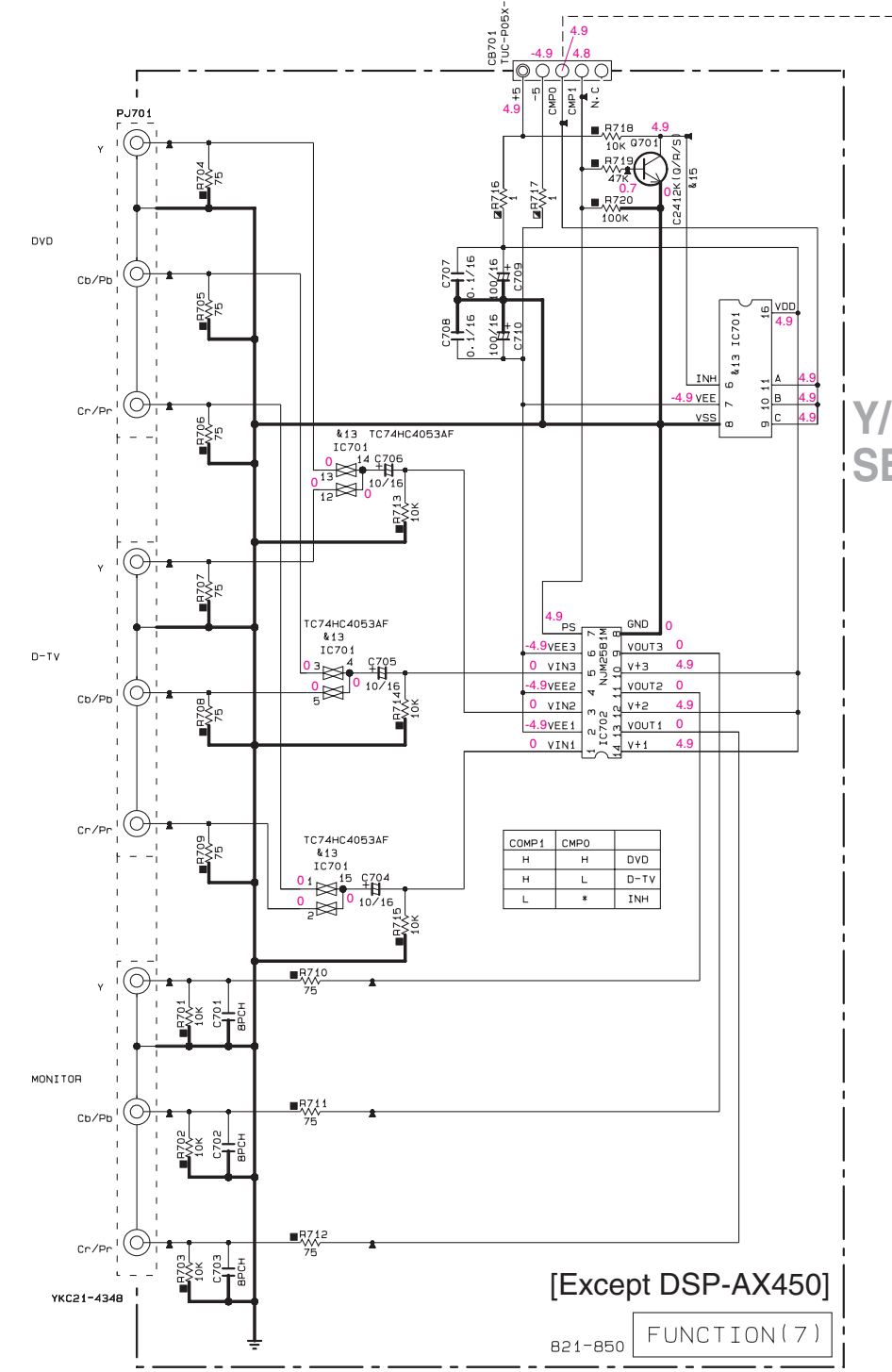
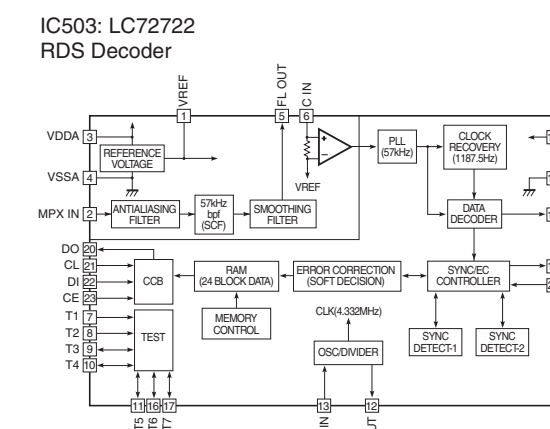
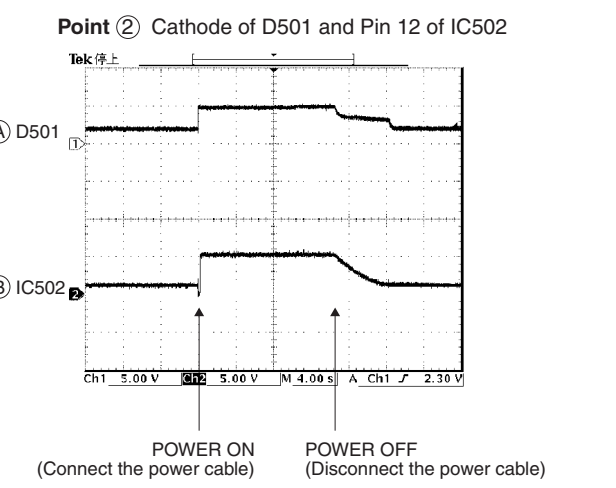
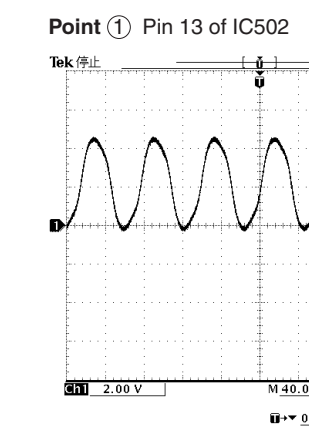
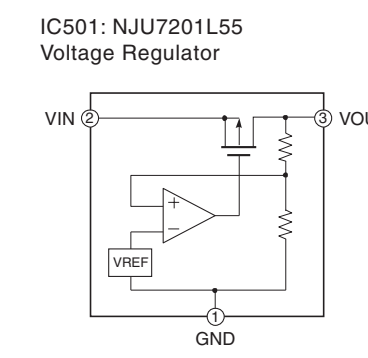
NOTICE (model)  
 (J)..... JAPAN  
 (U)..... U.S.A.  
 (C)..... CANADA  
 (R)..... GENERAL  
 (T)..... CHINA  
 (K)..... KOREA  
 (A)..... AUSTRALIA  
 (B)..... BRITISH  
 (G)..... EUROPE  
 (L)..... SINGAPORE  
 (E)..... SOUTH EUROPE

Tuner / VIDEO

| HTR-5750  | UC      | T       | K       | A       | B-G-E   |
|-----------|---------|---------|---------|---------|---------|
| 416 RS49  | 100K    | X       | 100K    | 100K    | 100K    |
| 417 RS53  | 100K    | RD35810 | 100K    | RD35810 | RD35810 |
| 418 RS52  | 100K    | RD35810 | X       | X       | X       |
| 419 RS55  | X       | 100K    | 100K    | 100K    | 100K    |
| 420 CB511 | X       | X       | X       | X       | X       |
| 426 SW901 | X       | X       | X       | X       | X       |
| 427 WS13  | X       | X       | X       | X       | X       |
| 428 CB512 | V782500 | V782550 | V782550 | V782550 |         |
| 432 T601  | WC71660 | WC71670 | WC71680 | WC71670 |         |
| 434 T602  | WC71660 | WC71680 | WC71680 | WC71680 |         |

RDS

| RX-V450/HTR-5740/DSP-AX450 | J | U-C | R-L | T | K-A | B-G-E     |
|----------------------------|---|-----|-----|---|-----|-----------|
| 423 IC503                  | X | X   | X   | X | X   | LC121200M |
| 424 LS102                  | X | X   | X   | X | X   | V332000   |
| 425 CS31-533               | X | X   | X   | X | X   | 0.774K    |
| 426 CS06-527               | X | X   | X   | X | X   | 0.00127   |
| 427 CS30                   | X | X   | X   | X | X   | 0.00233   |
| 428 CS05-532               | X | X   | X   | X | X   | 0.1718    |
| 429 CS08-509               | X | X   | X   | X | X   | 0.013210  |
| 430 RS93                   | X | X   | X   | X | X   | 100       |
| 431 RS94-595               | X | X   | X   | X | X   | 100       |
| 432 RS96-597               | X | X   | X   | X | X   | 10K       |
| 433 RS50                   | X | X   | X   | X | X   | 20K       |
| 434 LS01                   | X | X   | X   | X | X   | 0.1718    |
| 435 OS08                   | X | X   | X   | X | X   | 0.00127   |
| 436 RS91                   | X | X   | X   | X | X   | 3.3K      |
| 437 RS90                   | X | X   | X   | X | X   | 33K       |
| 438 RS61-589               | X | X   | X   | X | X   | 100K      |
| 439 JS01                   | 0 | 0   | 0   | 0 | 0   | X         |



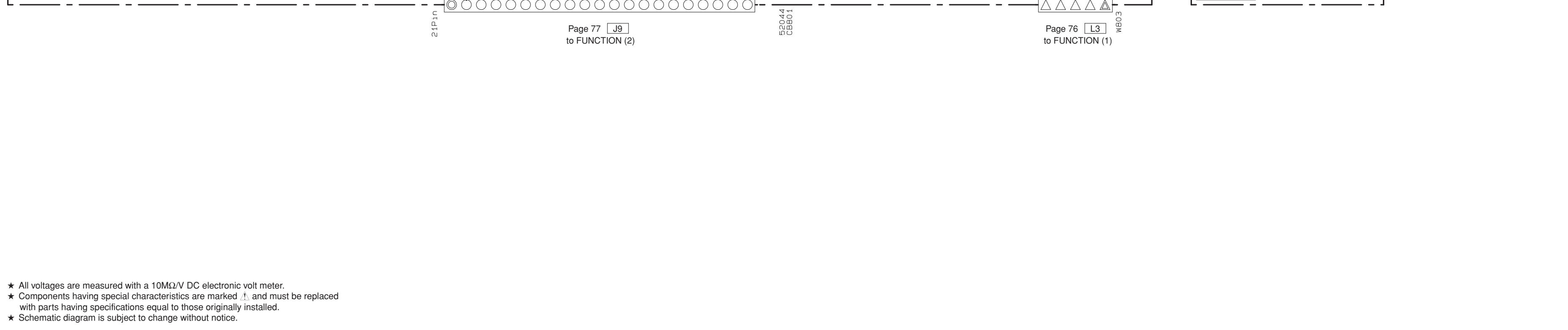
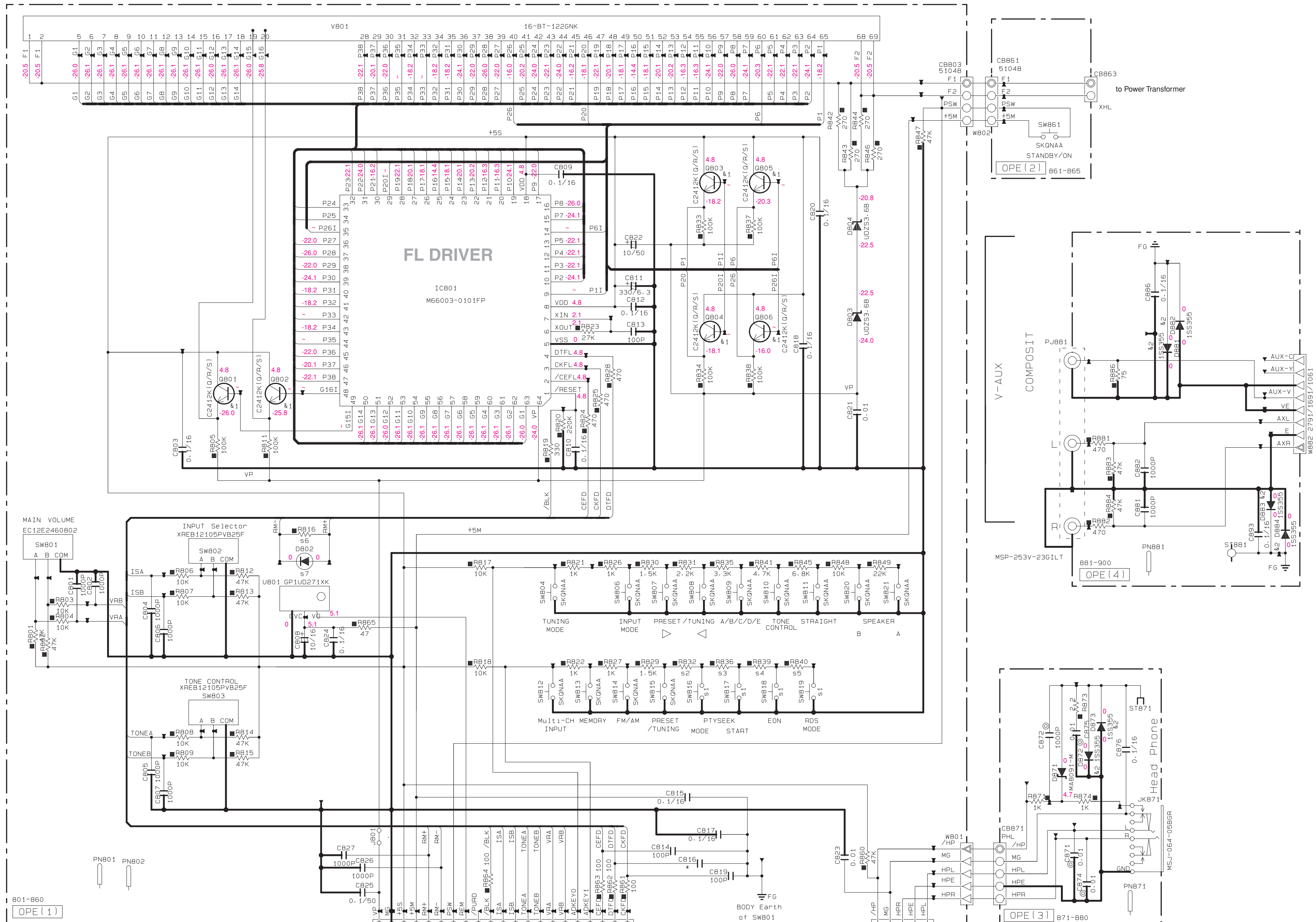
★ All voltages are measured with a 10MΩV DC electronic voltmeter. ★ 電圧は、内部抵抗10MΩの電圧計で測定したものです。  
 ★ Components having special characteristics are marked !, and must be replaced with parts having specifications equal to those originally installed. ★ !印のある部品は、安全性確保部品を示しています。部品の交換が必要な場合、パーツリストに記載されている部品を使用してください。  
 ★ Schematic diagram is subject to change without notice. ★ 本回路図は標準回路図です。改良のため予告なく変更することがございます。



SCHEMATIC DIAGRAM (OPERATION) RX-V550

FL DISPLAY

FL DRIVER



CAPACITOR

| REMARKS | PARTS NAME                           |   |
|---------|--------------------------------------|---|
| NO MARK | ELECTROLYTIC CAPACITOR               | ⊘ |
| ⊗       | TANTALUM CAPACITOR                   | ⊗ |
| NO MARK | CERAMIC CAPACITOR                    | ○ |
| ●       | CERAMIC TUBULAR CAPACITOR            | ● |
| ⊙       | POLYESTER FILM CAPACITOR             | ⊙ |
| ○       | POLYSTYRENE FILM CAPACITOR           | ○ |
| ○       | MICA CAPACITOR                       | ○ |
| ⊕       | POLYPROPYLENE FILM CAPACITOR         | ⊕ |
| ⊖       | SEMICONDUCTIVE CERAMIC CAPACITOR     | ⊖ |
| ⊙       | POLYPHENYLENE SULFIDE FILM CAPACITOR | ⊙ |

RESISTOR

| REMARKS | PARTS NAME                      |   |
|---------|---------------------------------|---|
| NO MARK | CARBON FILM RESISTOR (P=5)      | □ |
| □       | CARBON FILM RESISTOR (P=10)     | □ |
| △       | METAL OXIDE FILM RESISTOR       | △ |
| △       | METAL FILM RESISTOR             | △ |
| ⊗       | METAL PLATE RESISTOR            | ⊗ |
| ⊗       | FIRE PROOF CARBON FILM RESISTOR | ⊗ |
| □       | CEMENT MOLDED RESISTOR          | □ |
| ⊗       | SEMI VARIABLE RESISTOR          | ⊗ |
| ⊖       | CHIP RESISTOR                   | ⊖ |

|    |             | R.T.K.L | U.C.A | B.G.E |                   |
|----|-------------|---------|-------|-------|-------------------|
| s1 | SW816 - 819 | X       | X     |       | VV02030           |
| s2 | R832        | X       | X     |       | 2.2K RD35622      |
| s3 | R836        | X       | X     |       | 3.3K RD35633      |
| s4 | R839        | X       | X     |       | 4.7K RD35647      |
| s5 | R840        | X       | X     |       | 6.8K RD35668      |
| s6 | R816        | X       |       |       | 10K RD35710       |
| s7 | DB02        | X       |       |       | SIR-505ST V259820 |

x: NOT USED  
o: USED / APPLICABLE

Interchangeable Parts at Manufacture-Stage

| Mark | Reference Parts Number | Parts Name                         |
|------|------------------------|------------------------------------|
| ⊗1   | 0801-806               | 2SC2412K1(Q/R/S)<br>2SD601A(Q/R/S) |
| ⊗2   | 0872-873-881-884       | 1SS355<br>MA111                    |
| ⊗3   |                        |                                    |
| ⊗4   |                        |                                    |
| ⊗5   |                        |                                    |
| ⊗6   |                        |                                    |
| ⊗7   |                        |                                    |

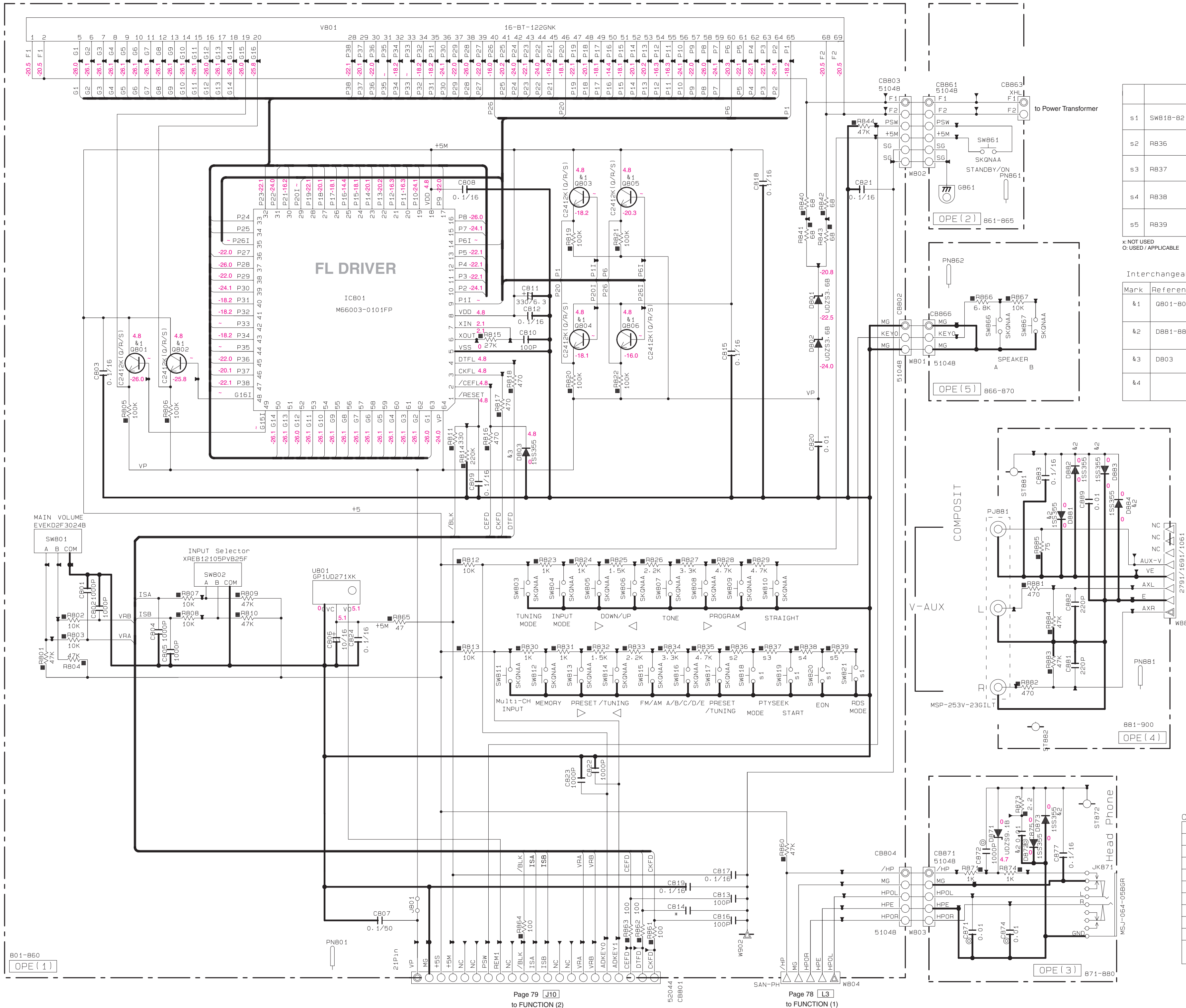
NOTICE (model)

(J)..... JAPAN  
(U)..... U. S. A  
(C)..... CANADA  
(R)..... GENERAL  
(T)..... CHINA  
(K)..... KOREA  
(A)..... AUSTRALIA  
(B)..... BRITISH  
(G)..... EUROPE  
(L)..... SINGAPORE  
(E)..... SOUTH EUROPE

\* All voltages are measured with a 10MQ/V DC electronic volt meter.  
\* Components having special characteristics are marked with a triangle and must be replaced with parts having specifications equal to those originally installed.  
\* Schematic diagram is subject to change without notice.

\* 電圧は、内部抵抗10MQの電圧計で測定したものです。  
\* 三角形印のある部品は、安全性確保部品を示しています。部品の交換が必要な場合、パーツリストに記載されている部品を使用してください。  
\* 本回路図は標準回路図です。改良のため予告なく変更することがございます。

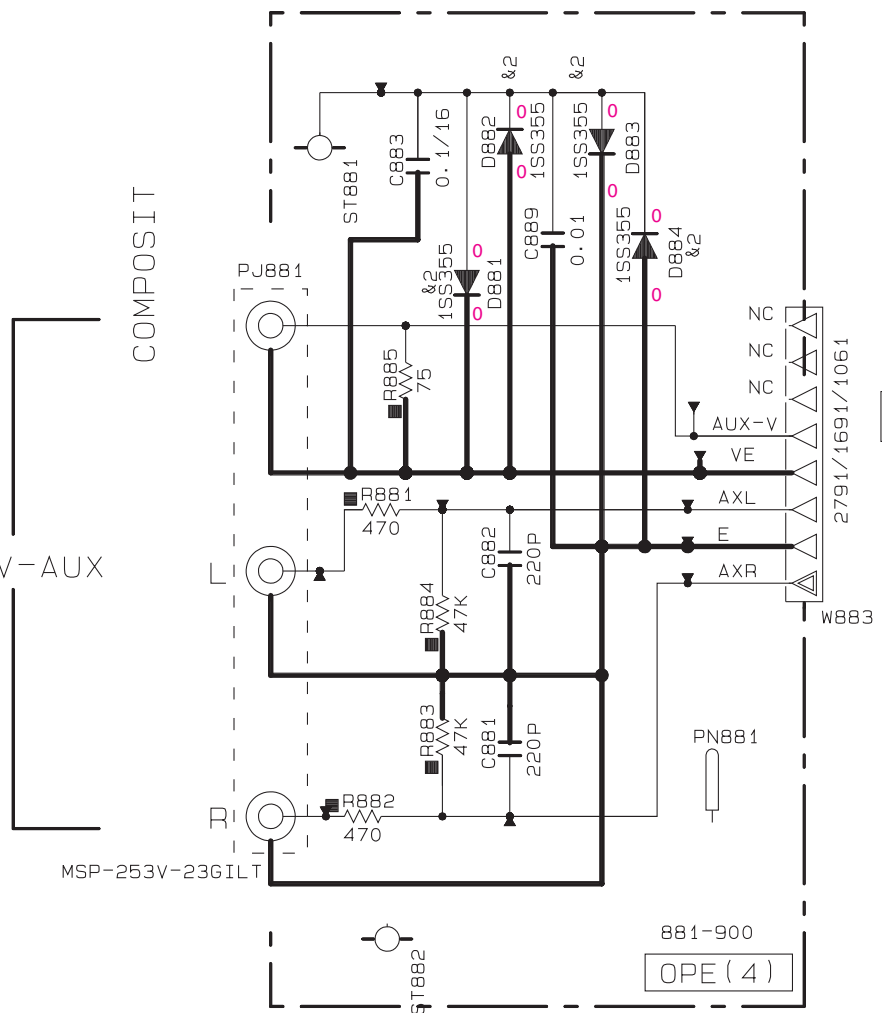
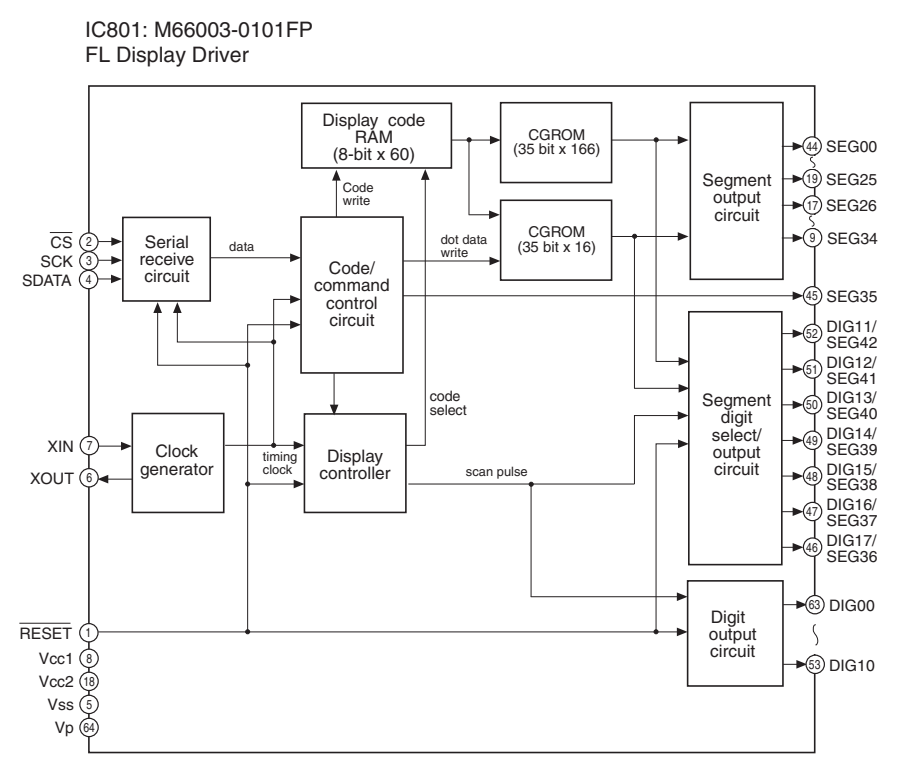
FL DISPLAY



|    | J. U. C. R.<br>T. K. A. L. | B. G. E. |         |
|----|----------------------------|----------|---------|
| s1 | SWB18-B21                  | X        | VV02030 |
| s2 | RB36                       | X        | RD35647 |
| s3 | RB37                       | X        | RD35668 |
| s4 | RB38                       | X        | RD35710 |
| s5 | RB39                       | X        | RD35722 |

Interchangeable Parts at Manufacture-Stage

| Mark | Reference Parts Number | Parts Name                           |
|------|------------------------|--------------------------------------|
| &1   | Q801-806               | 2SC2412K10/R/S1<br>2SD601A(TX)10/R/S |
| &2   | D881-884, 872, 873     | 1SS355                               |
| &3   | D803                   | MA111                                |
| &4   |                        | MA111                                |



NOTICE (mode1)  
 (J)..... JAPAN  
 (U)..... U. S. A  
 (C)..... CANADA  
 (R)..... GENERAL  
 (T)..... CHINA  
 (K)..... KOREA  
 (A)..... AUSTRALIA  
 (B)..... BRITISH  
 (G)..... EUROPE  
 (L)..... SINGAPORE  
 (E)..... SOUTH EUROPE

RESISTOR

| REMARKS | PARTS NAME                      |
|---------|---------------------------------|
| NO MARK | CARBON FILM RESISTOR (P=5)      |
| □       | CARBON FILM RESISTOR (P=10)     |
| △       | METAL OXIDE FILM RESISTOR       |
| ▲       | METAL FILM RESISTOR             |
| ⊠       | METAL PLATE RESISTOR            |
| ■       | FIRE PROOF CARBON FILM RESISTOR |
| □       | CEMENT MOLDED RESISTOR          |
| ⊖       | SEMI VARIABLE RESISTOR          |
| ■       | CHIP RESISTOR                   |

CAPACITOR

| REMARKS | PARTS NAME                           |
|---------|--------------------------------------|
| NO MARK | ELECTROLYTIC CAPACITOR               |
| ⊗       | TANTALUM CAPACITOR                   |
| NO MARK | CERAMIC CAPACITOR                    |
| ●       | CERAMIC TUBULAR CAPACITOR            |
| ⊙       | POLYESTER FILM CAPACITOR             |
| ○       | POLYSTYRENE FILM CAPACITOR           |
| ⊖       | MICA CAPACITOR                       |
| ⊕       | POLYPROPYLENE FILM CAPACITOR         |
| ⊗       | SEMICONDUCTIVE CERAMIC CAPACITOR     |
| ⊙       | POLYPHENYLENE SULFIDE FILM CAPACITOR |

\* All voltages are measured with a 10MΩ/V DC electronic volt meter.  
 \* Components having special characteristics are marked ♯, and must be replaced with parts having specifications equal to those originally installed.  
 \* Schematic diagram is subject to change without notice.

\* 電圧は、内部抵抗10MΩの電圧計で測定したものです。  
 \* ♯印のある部品は、安全性確保部品を示しています。部品の交換が必要な場合、パーツリストに記載されている部品を使用してください。  
 \* 本回路図は標準回路図です。改良のため予告なく変更することがございます。



SCHEMATIC DIAGRAM (MAIN)

Page 83 [F10] to POWER (1)

Page 83 [E10] to POWER (1)

Page 83 [E10] to POWER (1)

RX-V550: Page 77 [H7]  
HTR-5750, RX-V450, HTR-5740,  
DSP-AX450: Page 79 [H6]  
to FUNCTION (2)

Page 83 [K3] to POWER (1)

Page 84 [A4] to SUBTRANS

RX-V550: Page 77 [H6]  
HTR-5750, RX-V450, HTR-5740,  
DSP-AX450: Page 79 [H7]  
to FUNCTION (2)

| RESISTOR |                                 | CAPACITOR |                                      |
|----------|---------------------------------|-----------|--------------------------------------|
| REMARKS  | PARTS NAME                      | REMARKS   | PARTS NAME                           |
| NO MARK  | CARBON FILM RESISTOR (P-K)      | NO MARK   | ELECTROLYTIC CAPACITOR               |
| ⊖        | CARBON FILM RESISTOR (P-K)      | ⊖         | TANTALUM CAPACITOR                   |
| ⊖        | METAL FILM RESISTOR             | ⊖         | CERAMIC CAPACITOR                    |
| ⊖        | METAL FILM RESISTOR             | ⊖         | CERAMIC TUBULAR CAPACITOR            |
| ⊖        | METAL FILM RESISTOR             | ⊖         | POLYESTER FILM CAPACITOR             |
| ⊖        | FINE PITCH CARBON FILM RESISTOR | ⊖         | POLYSTYRENE FILM CAPACITOR           |
| ⊖        | CEMENT MOUNTED RESISTOR         | ⊖         | MICA CAPACITOR                       |
| ⊖        | SEMI VARIABLE RESISTOR          | ⊖         | POLYPROPYLENE FILM CAPACITOR         |
| ⊖        | TEMP. RESISTOR                  | ⊖         | SEMICONDUCTIVE CERAMIC CAPACITOR     |
|          |                                 | ⊖         | POLYPHENYLENE SULFIDE FILM CAPACITOR |

NOTICE (page 1)

(J)..... JAPAN  
(U)..... U.S.A.  
(C)..... CANADA  
(R)..... GENERAL  
(T)..... CHINA  
(K)..... KOREA  
(A)..... AUSTRALIA  
(B)..... BRITISH  
(G)..... EUROPE  
(E)..... SINGAPORE  
(E)..... SOUTH EUROPE

Interchangeable Parts at Manufacture Stage

| Part No. | Interchangeable Part No. | Part Name                 |
|----------|--------------------------|---------------------------|
| 41       | RY121-124-125            | 052422-051W1<br>66P4-28   |
| 42       | D133                     | 158303-PC1<br>05500       |
| 43       | D1-14-251                | H5334<br>H5333<br>J55176  |
| 44       | D1                       | 0583749/P1<br>2581561E/P1 |

RX-V550/HTR-5750

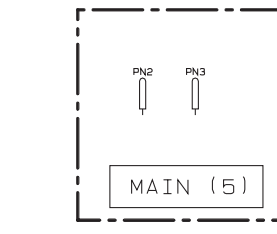
| Part No. | Interchangeable Part No. | Part Name  |
|----------|--------------------------|--|
| 51       | C136-131-134-137         | UCC<br>X<br>6.0<br>6.0                             |
| 52       | TE150-121                | W03190<br>W03190<br>W03190<br>W03190               |
| 54       | C136-141                 | X<br>430P<br>UM5347<br>UM5347                      |
| 56       | SW1                      | S5029-P202ALB<br>Y06249<br>Y06249<br>S5029-P202ALB |
| 57       | C132-123                 | 820071<br>W03190<br>W03190<br>W03190               |

RX-V550/HTR-5740/DSP-AX450

| Part No. | Interchangeable Part No. | Part Name  |
|----------|--------------------------|--|
| 51       | C136-131-134-137         | X<br>X<br>6.0<br>6.0                                 |
| 52       | TE150-121                | W03190<br>W03190<br>W03190<br>W03190                 |
| 54       | C136-141                 | X<br>X<br>430P<br>UM5347                             |
| 56       | SW1                      | X<br>S5029-P202ALB<br>S5029-P202ALB<br>S5029-P202ALB |
| 57       | C132-123                 | 820071<br>W03190<br>W03190<br>W03190                 |

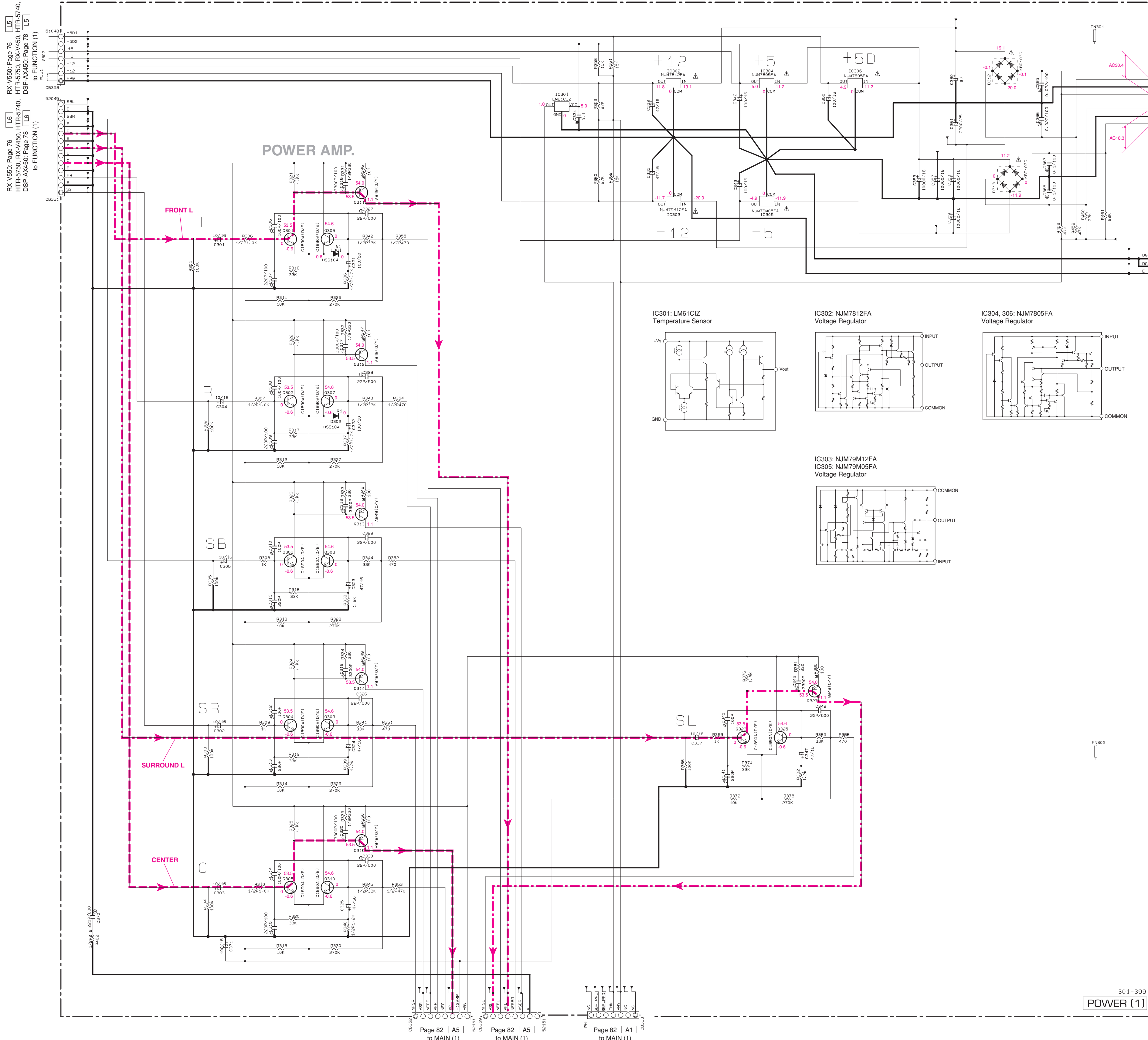
X: NOT USED  
O: USED/ APPLICABLE

to Power Transformer



- \* All voltages are measured with a 10MΩ/V DC electronic volt meter.
- \* Components having special characteristics are marked with ! and must be replaced with parts having specifications equal to those originally installed.
- \* Schematic diagram is subject to change without notice.
- \* 電圧は、内部抵抗10MΩの電圧計で測定したものです。
- \* !印のある部品は、安全性確保部品を示しています。部品の交換が必要な場合、パーツリストに記載されている部品を使用してください。
- \* 本回路図は標準回路図です。改良のため予告なく変更することがございます。

SCHEMATIC DIAGRAM (POWER)



RESISTOR

| REMARKS | PARTS NAME                      |
|---------|---------------------------------|
| NO MARK | CARBON FILM RESISTOR (D=5)      |
| □       | CARBON FILM RESISTOR (D=10)     |
| △       | METAL OXIDE FILM RESISTOR       |
| ⊠       | METAL FILM RESISTOR             |
| ⊞       | METAL PLATE RESISTOR            |
| ⊚       | FIRE PROOF CARBON FILM RESISTOR |
| ⊛       | CEMENT MOUNTED RESISTOR         |
| ⊜       | SEMI-VARIABLE RESISTOR          |
| ⊝       | CHIP RESISTOR                   |

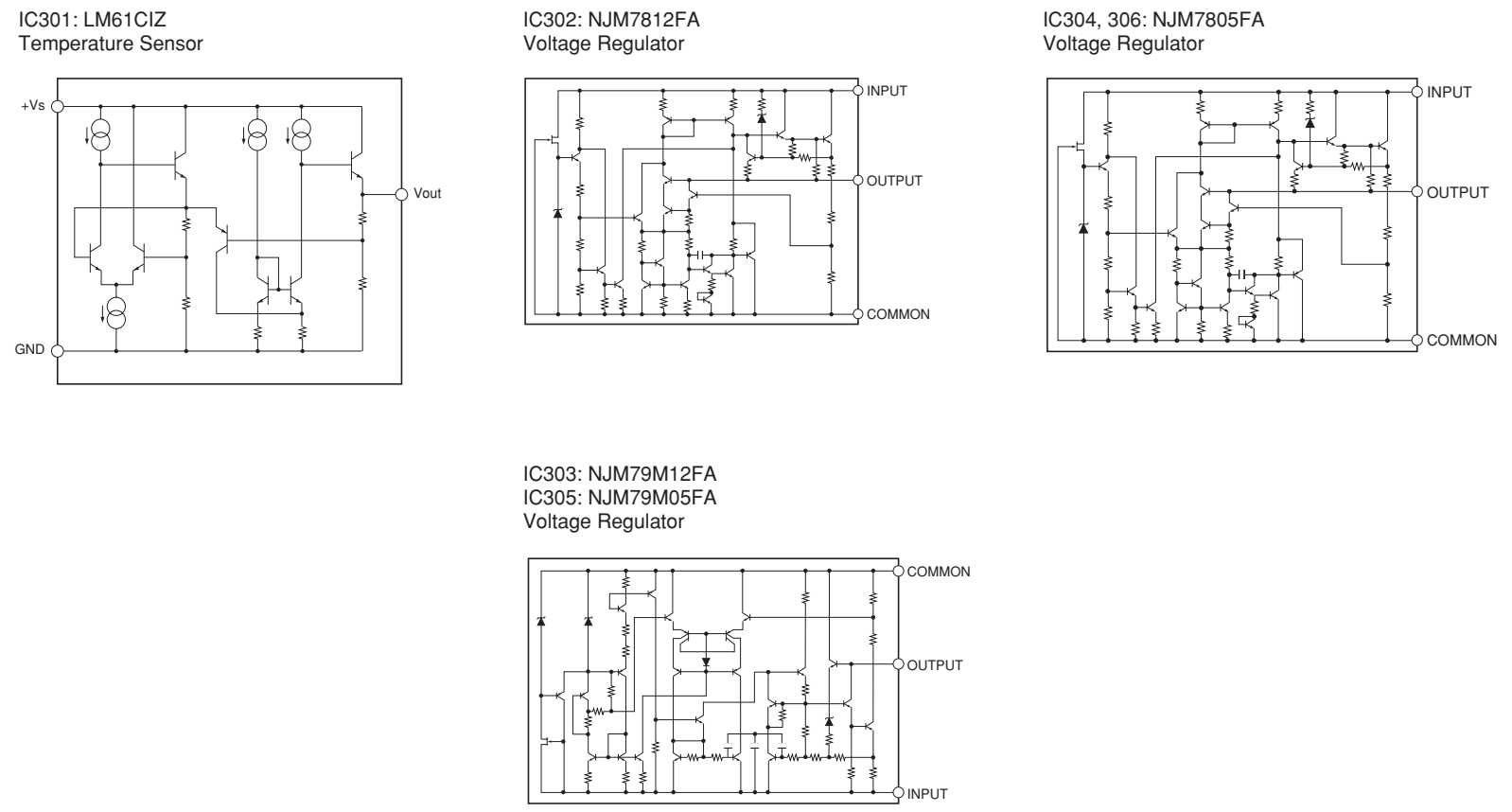
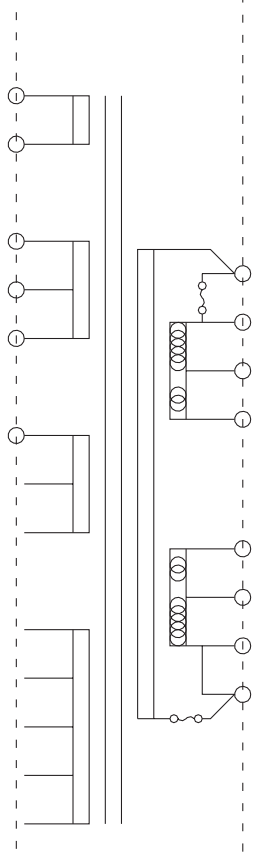
Interchangeable Parts at Manufacture-Stage

| Mark | Reference Parts Number | Parts Name                |
|------|------------------------|---------------------------|
| 41   | 0301-302               | HSS104<br>15813<br>158176 |

CAPACITOR

| REMARKS | PARTS NAME                           |
|---------|--------------------------------------|
| ⊖       | ELECTROLYTIC CAPACITOR               |
| ⊕       | TANTALUM CAPACITOR                   |
| NO MARK | CERAMIC CAPACITOR                    |
| ⊙       | CERAMIC TUBULAR CAPACITOR            |
| ⊚       | POLYESTER FILM CAPACITOR             |
| ⊛       | POLYSTYRENE FILM CAPACITOR           |
| ⊜       | MICA CAPACITOR                       |
| ⊝       | POLYPROPYLENE FILM CAPACITOR         |
| ⊞       | SEMICONDUCTIVE CERAMIC CAPACITOR     |
| ⊚       | POLYPHENYLENE SULFIDE FILM CAPACITOR |

NOTICE (mode1)  
(J)..... JAPAN  
(U)..... U.S.A  
(C)..... CANADA  
(R)..... GENERAL  
(T)..... CHINA  
(K)..... KOREA  
(A)..... AUSTRALIA  
(B)..... BRITISH  
(E)..... EUROPE  
(L)..... SINGAPORE  
(S)..... SOUTH EUROPE

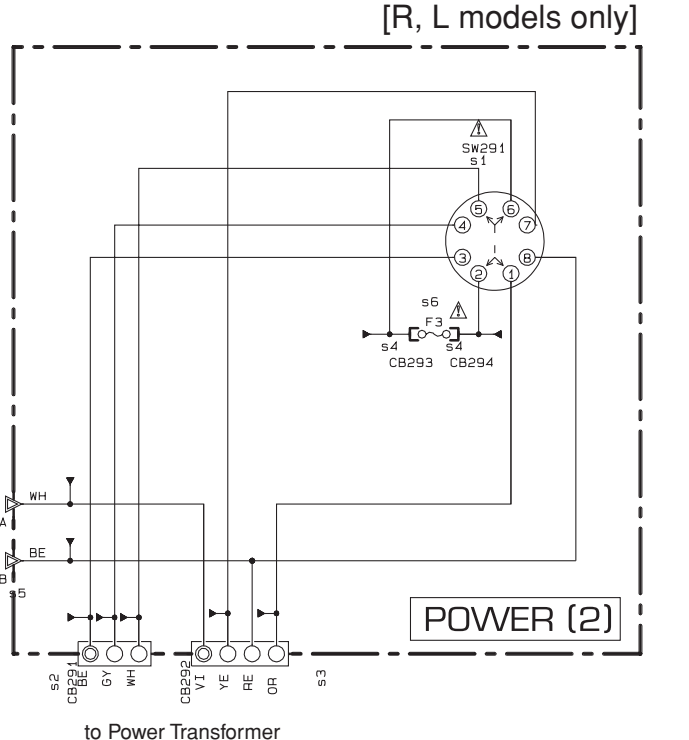


RX-550HTR5750

|    | U.C.T.K<br>(WC82949) | R<br>(WC82950) | L<br>(WD07280)      | A.B.G.E<br>(WC82956) |
|----|----------------------|----------------|---------------------|----------------------|
| s1 | SW291                | X              | W848370             | W007370              |
| s2 | CR291                | X              | V937780             | V937780              |
| s3 | CR292                | X              | V937790             | V937790              |
| s4 | CR293, 294           | X              | WC029070            | WC029070             |
| s5 | W291                 | X              | V941190             | V941190              |
| s6 | F3                   | X              | T4AL250V<br>K800079 | T4AL250V<br>K800079  |
| s7 | C360                 | 680025         | 680025              | 680025               |

RX-V450HTR-5740/DSP-AX450

|    | U.C.T.K<br>(WC83970) | R<br>(WC83980) | L<br>(WD07290)      | A.B.G.E<br>(WC83990) |
|----|----------------------|----------------|---------------------|----------------------|
| s1 | SW291                | X              | W848370             | W007370              |
| s2 | CR291                | X              | V937780             | V937780              |
| s3 | CR292                | X              | V937790             | V937790              |
| s4 | CR293, 294           | X              | VP20650             | VP20650              |
| s5 | W291                 | X              | V941190             | V941190              |
| s6 | F3                   | X              | T4AL250V<br>K800079 | T4AL250V<br>K800079  |
| s7 | C360                 | 470025         | 470025              | 470025               |



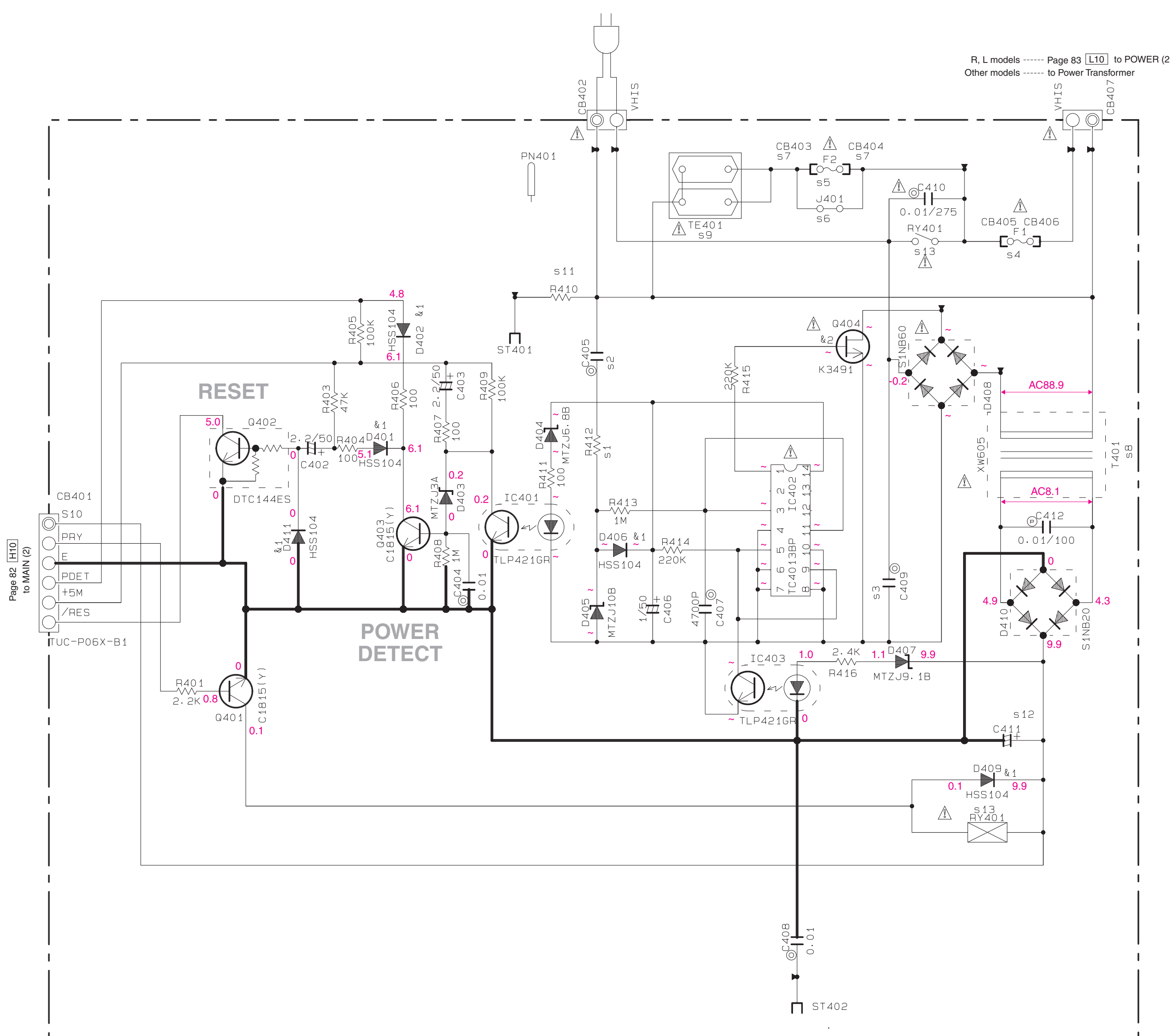
POWER (1)

POWER (2)

\* All voltages are measured with a 10MΩ/V DC electronic volt meter.  
 \* Components having special characteristics are marked with a triangle and must be replaced with parts having specifications equal to those originally installed.  
 \* Schematic diagram is subject to change without notice.

\* 電圧は、内部抵抗10MΩの電圧計で測定したものです。  
 \* 三角形のある部品は、安全性確保部品を示しています。部品の交換が必要な場合、パーツリストに記載されている部品を使用してください。  
 \* 本回路図は標準回路図です。改良のため予告なく変更することがございます。





R, L models ..... Page 83 [L10] to POWER (2)  
 Other models ..... to Power Transformer

| S1  | Part      | X5330                               |                  |                                     |                                     | X5331                               |                                     |                                     |      |
|-----|-----------|-------------------------------------|------------------|-------------------------------------|-------------------------------------|-------------------------------------|-------------------------------------|-------------------------------------|------|
|     |           | J                                   | U. C             | R                                   | L                                   | T. K                                | A                                   | B                                   | G. E |
| S1  | R412      | 39K HF45739                         | 22K HF45722      | 2.2K HF45622                        | 2.2K HF45622                        | 2.2K HF45622                        | 2.2K HF45622                        | 2.2K HF45622                        |      |
| S2  | C405      | 0.047/400                           | 0.047/400        | 0.022/630                           | 0.022/630                           | 0.022/630                           | 0.022/630                           | 0.022/630                           |      |
| S3  | C409      | 0.1/400                             | 0.1/400          | 0.047/630                           | 0.047/630                           | 0.047/630                           | 0.047/630                           | 0.047/630                           |      |
| S4  | F1        | 8A125V VS82330                      | 8A125V VS82330   | 8A125V VS82330                      | 8A125V VS82330                      | T4.0A250V KB00079                   | T4.0A250V KB00079                   | T4.0A250V KB00079                   |      |
| S5  | F2        | X                                   | 8A125V VS82330   | X                                   | X                                   | X                                   | X                                   | T2.5AH250V VT94290                  |      |
| S6  | J401      | 0                                   | X                | 0                                   | 0                                   | 0                                   | 0                                   | X                                   |      |
| S7  | CB403-404 | X                                   | 0                | X                                   | X                                   | X                                   | X                                   | 0                                   |      |
| S8  | T401      | XW605                               | XW606            | XV444                               | XV444                               | XW608                               | XW608                               | XW608                               |      |
| S9  | TE401     | VU54310                             | VU54310          | V586740                             | VU54340                             | V586740                             | VT91500                             | VU54330                             |      |
| S10 |           |                                     |                  |                                     |                                     |                                     |                                     |                                     |      |
| S11 | R410      | X                                   | 1/2P2.2M V673000 | X                                   | X                                   | X                                   | X                                   | X                                   |      |
| S12 | C411      | 3300/16                             | 3300/16          | 3300/50                             | 3300/50                             | 3300/16                             | 3300/16                             | 3300/16                             |      |
| S13 | RY401     | SDT-S-112LMR DG12D1-0[M]-II ALKS321 | DLS12D1-0[M]     | SDT-S-112LMR DG12D1-0[M]-II ALKS321 | SDT-S-112LMR DG12D1-0[M]-II ALKS321 | SDT-S-112LMR DG12D1-0[M]-II ALKS321 | SDT-S-112LMR DG12D1-0[M]-II ALKS321 | SDT-S-112LMR DG12D1-0[M]-II ALKS321 |      |

X: NOT USED  
 O: USED / APPLICABLE

Interchangeable Parts at Manufacture-Stage

| Mark | Reference Parts Number | Parts Name                 |
|------|------------------------|----------------------------|
| &1   | D401-402-406-409-411   | HSS104<br>1SS133<br>1SS176 |
| &2   | Q404                   | 2SK3850<br>2SK3491         |
| &3   |                        |                            |
| &4   |                        |                            |

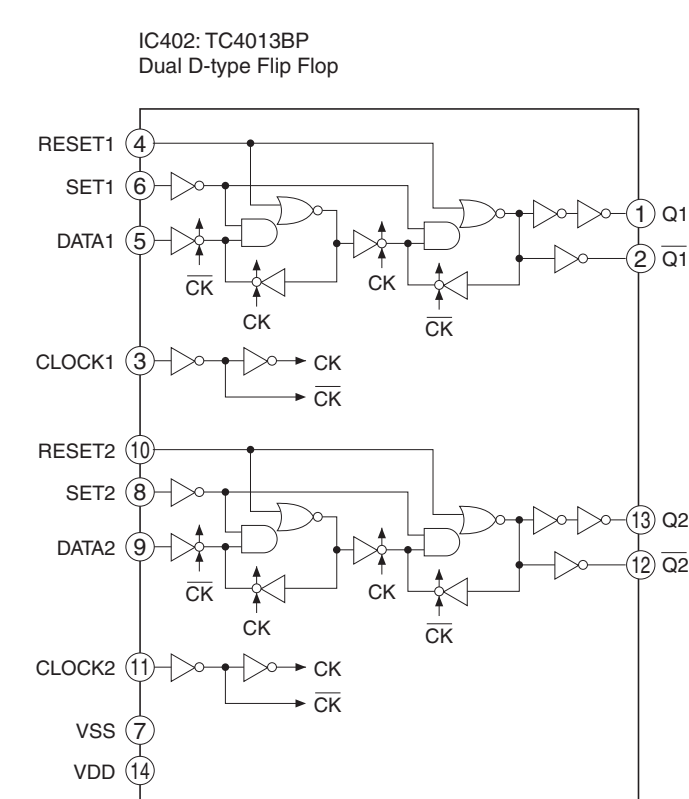
**NOTICE** (model)  
 (J)..... JAPAN  
 (U)..... U. S. A  
 (C)..... CANADA  
 (R)..... GENERAL  
 (T)..... CHINA  
 (K)..... KOREA  
 (A)..... AUSTRALIA  
 (B)..... BRITISH  
 (G)..... EUROPE  
 (L)..... SINGAPORE  
 (E)..... SOUTH EUROPE

RESISTOR

| REMARKS | PARTS NAME                      |
|---------|---------------------------------|
| NO MARK | CARBON FILM RESISTOR (P=5)      |
| ☒       | CARBON FILM RESISTOR (P=10)     |
| △       | METAL OXIDE FILM RESISTOR       |
| ▲       | METAL FILM RESISTOR             |
| ☒       | METAL PLATE RESISTOR            |
| ☒       | FIRE PROOF CARBON FILM RESISTOR |
| ☐       | CEMENT MOLDED RESISTOR          |
| ⊙       | SEMI VARIABLE RESISTOR          |
| ■       | CHIP RESISTOR                   |

CAPACITOR

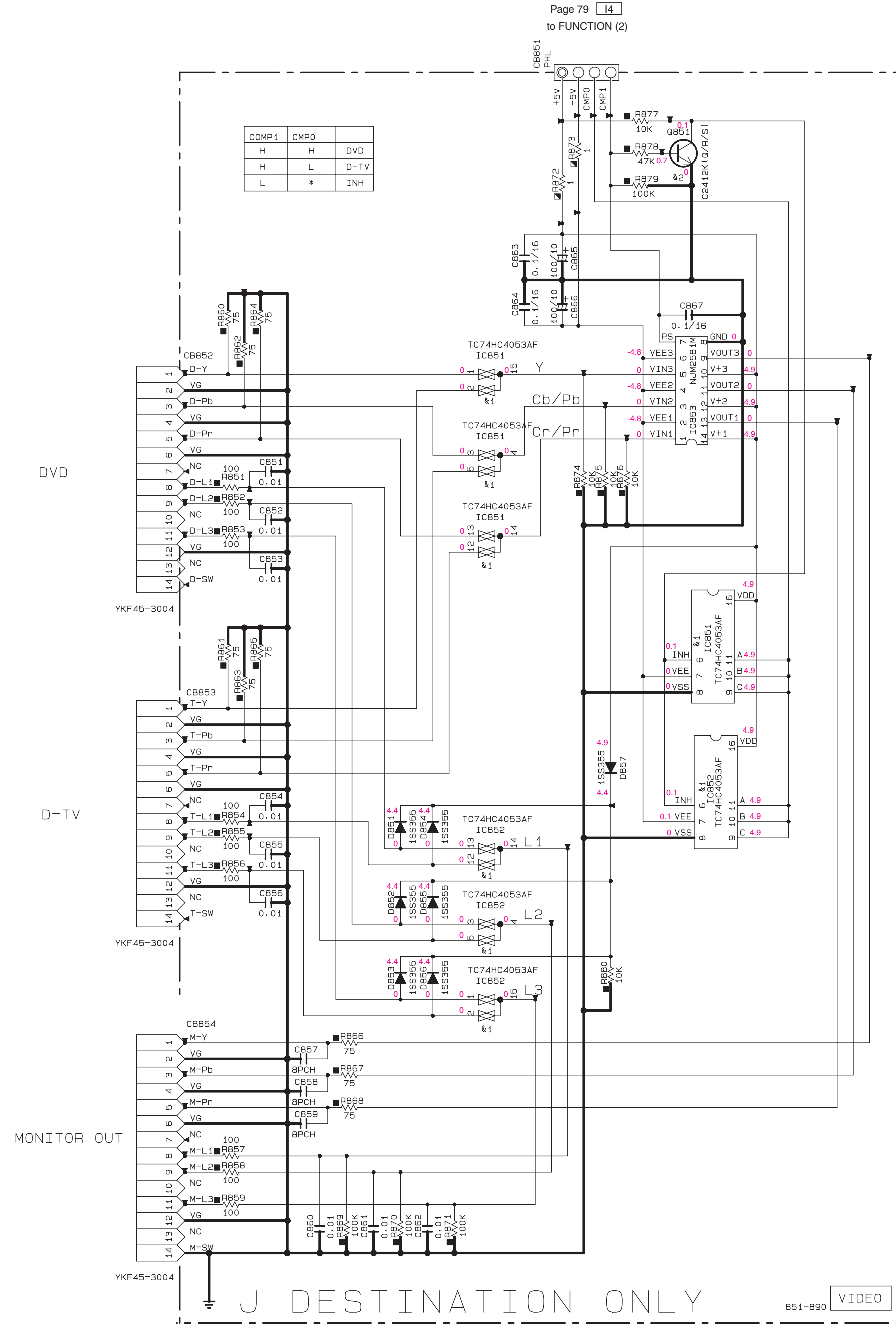
| REMARKS | PARTS NAME                           |
|---------|--------------------------------------|
| NO MARK | ELECTROLYTIC CAPACITOR               |
| ⊗       | TANTALUM CAPACITOR                   |
| NO MARK | CERAMIC CAPACITOR                    |
| ●       | CERAMIC TUBULAR CAPACITOR            |
| ⊙       | POLYESTER FILM CAPACITOR             |
| ○       | POLYSTYRENE FILM CAPACITOR           |
| ⊖       | MICA CAPACITOR                       |
| ⊕       | POLYPROPYLENE FILM CAPACITOR         |
| ⊗       | SEMICONDUCTIVE CERAMIC CAPACITOR     |
| ⊙       | POLYPHENYLENE SULFIDE FILM CAPACITOR |



\* All voltages are measured with a 10MQ/V DC electronic volt meter.  
 \* Components having special characteristics are marked △ and must be replaced with parts having specifications equal to those originally installed.  
 \* Schematic diagram is subject to change without notice.

\* 電圧は、内部抵抗10MQの電圧計で測定したものです。  
 \* △印のある部品は、安全性確保部品を示しています。部品の交換が必要な場合、パーツリストに記載されている部品を使用してください。  
 \* 本回路図は標準回路図です。改良のため予告なく変更することがございます。

Page 79 14  
to FUNCTION (2)



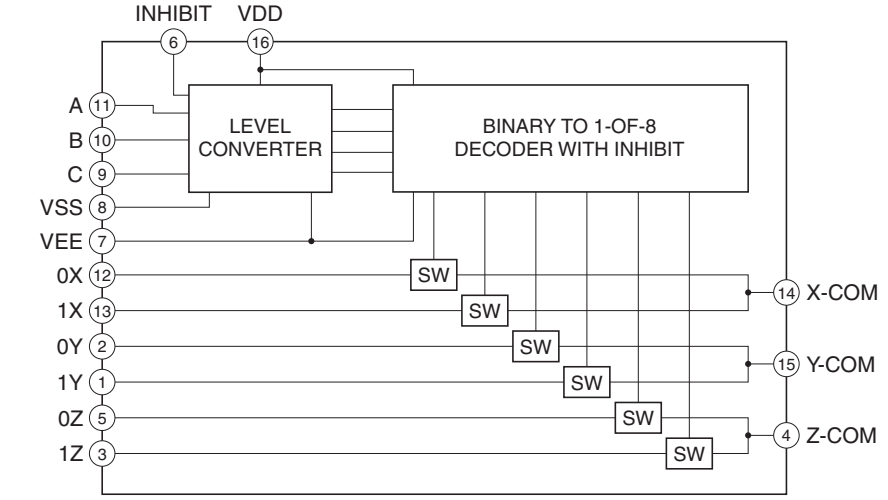
NOTICE (model)  
(J)..... JAPAN

| REMARKS | PARTS NAME                      |
|---------|---------------------------------|
| NO MARK | CARBON FILM RESISTOR (P=5)      |
| □       | CARBON FILM RESISTOR (P=10)     |
| △       | METAL OXIDE FILM RESISTOR       |
| ⊠       | METAL FILM RESISTOR             |
| ⊞       | METAL PLATE RESISTOR            |
| ⊞       | FIRE PROOF CARBON FILM RESISTOR |
| ⊞       | CEMENT MOLDED RESISTOR          |
| ⊞       | SEMI VARIABLE RESISTOR          |
| ⊞       | CHIP RESISTOR                   |

| REMARKS | PARTS NAME                       |
|---------|----------------------------------|
| NO MARK | ELECTROLYTIC CAPACITOR           |
| ⊗       | TANTALUM CAPACITOR               |
| NO MARK | CERAMIC CAPACITOR                |
| ●       | CERAMIC TUBULAR CAPACITOR        |
| ⊙       | POLYESTER FILM CAPACITOR         |
| ○       | POLYSTYRENE FILM CAPACITOR       |
| ⊖       | MICA CAPACITOR                   |
| ⊖       | POLYPROPYLENE FILM CAPACITOR     |
| ⊖       | SEMICONDUCTIVE CERAMIC CAPACITOR |

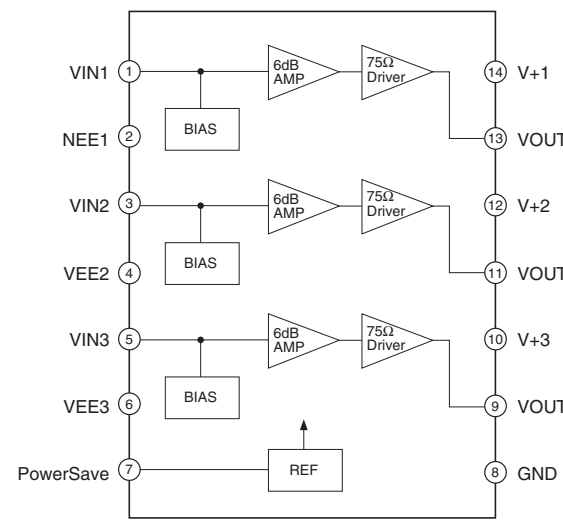
| Mark | Reference Parts Number | Parts Name                    |
|------|------------------------|-------------------------------|
| k1   | IC851, 852             | TC74HC4053AF<br>MM74HC4053SUX |
| k2   | Q851                   | C2412K1G/R/S)<br>D601A(G/R/S) |

IC851, 852: TC74HC4053AF  
Analog Multiplexer/Demultiplexer



| INPUT STATES |   |   |   | 'ON' CHANNEL (S) |
|--------------|---|---|---|------------------|
| INHIBIT      | C | B | A |                  |
| 0            | 0 | 0 | 0 | 0X, 0Y, 0Z       |
| 0            | 0 | 0 | 1 | 1X, 0Y, 0Z       |
| 0            | 0 | 1 | 0 | 0X, 1Y, 0Z       |
| 0            | 0 | 1 | 1 | 1X, 1Y, 0Z       |
| 0            | 1 | 0 | 0 | 0X, 0Y, 1Z       |
| 0            | 1 | 0 | 1 | 1X, 0Y, 1Z       |
| 0            | 1 | 1 | 0 | 0X, 1Y, 1Z       |
| 0            | 1 | 1 | 1 | 1X, 1Y, 1Z       |
| 1            | X | X | X | NONE             |

IC853: NJM2581M  
Video Amp



\* All voltages are measured with a 10MQV DC electronic volt meter.  
\* Components having special characteristics are marked !, and must be replaced with parts having specifications equal to those originally installed.  
\* Schematic diagram is subject to change without notice.

\* 電圧は、内部抵抗10MΩの電圧計で測定したものです。  
\* 上印のある部品は、安全性確保部品を示しています。部品の交換が必要な場合、パーツリストに記載されている部品を使用してください。  
\* 本回路図は標準回路図です。改良のため予告なく変更することがございます。



# PARTS LIST

## ■ ELECTRICAL PARTS

### ■ WARNING

● Components having special characteristics are marked  $\triangle$  and must be replaced with parts having specifications equal to those originally installed.

●  $\triangle$ 印のある部分は、安全確保部品を示しています。部品の交換が必要な場合、パーツリストに記載されている部品を使用してください。

● 部品価格ランクは、予告なく変更することがあります。

### ABBREVIATIONS IN THIS LIST ARE AS FOLLOWS:

|            |                               |            |                                |
|------------|-------------------------------|------------|--------------------------------|
| C.A.EL.CHP | : CHIP ALUMI.ELECTROLYTIC CAP | L.EMIT     | : LIGHT EMITTING MODULE        |
| C.CE       | : CERAMIC CAP                 | LED.DSPLY  | : LED DISPLAY                  |
| C.CE.ARRAY | : CERAMIC CAP ARRAY           | LED.INFRD  | : LED,INFRARED                 |
| C.CE.CHP   | : CHIP CERAMIC CAP            | MODUL.RF   | : MODULATOR,RF                 |
| C.CE.ML    | : MULTILAYER CERAMIC CAP      | PHOT.CPL   | : PHOTO COUPLER                |
| C.CE.M.CHP | : CHIP MULTILAYER CERAMIC CAP | PHOT.INTR  | : PHOTO INTERRUPTER            |
| C.CE.SAFTY | : RECOGNIZED CERAMIC CAP      | PHOT.RFLCT | : PHOTO REFLECTOR              |
| C.CE.TUBLR | : CERAMIC TUBULAR CAP         | PIN.TEST   | : PIN,TEST POINT               |
| C.CE.SMI   | : SEMI CONDUCTIVE CERAMIC CAP | PLST.RIVET | : PLASTIC RIVET                |
| C.EL       | : ELECTROLYTIC CAP            | R.ARRAY    | : RESISTOR ARRAY               |
| C.MICA     | : MICA CAP                    | R.CAR.     | : CARBON RESISTOR              |
| C.ML.FLM   | : MULTILAYER FILM CAP         | R.CAR.CHP  | : CHIP RESISTOR                |
| C.MP       | : METALLIZED PAPER CAP        | R.CAR.FP   | : FLAME PROOF CARBON RESISTOR  |
| C.MYLAR    | : MYLAR FILM CAP              | R.FUS      | : FUSABLE RESISTOR             |
| C.MYLAR.ML | : MULTILAYER MYLAR FILM CAP   | R.MTL.CHP  | : CHIP METAL FILM RESISTOR     |
| C.PAPER    | : PAPER CAPACITOR             | R.MTL.FLM  | : METAL FILM RESISTOR          |
| C.PLS      | : POLYSTYRENE FILM CAP        | R.MTL.OXD  | : METAL OXIDE FILM RESISTOR    |
| C.POL      | : POLYESTER FILM CAP          | R.MTL.PLAT | : METAL PLATE RESISTOR         |
| C.POLY     | : POLYETHYLENE FILM CAP       | RSNR.CE    | : CERAMIC RESONATOR            |
| C.PP       | : POLYPROPYLENE FILM CAP      | RSNR.CRYS  | : CRYSTAL RESONATOR            |
| C.TNTL     | : TANTALUM CAP                | R.TW.CEM   | : TWIN CEMENT FIXED RESISTOR   |
| C.TNTL.CHP | : CHIP TANTALUM CAP           | R.WW       | : WIRE WOUND RESISTOR          |
| C.TRIM     | : TRIMMER CAP                 | SCR.BND.HD | : BIND HEAD B-TITE SCREW       |
| CN         | : CONNECTOR                   | SCR.BW.HD  | : BW HEAD TAPPING SCREW        |
| CN.BS.PIN  | : CONNECTOR,BASE PIN          | SCR.CUP    | : CUP TITE SCREW               |
| CN.CANNON  | : CONNECTOR,CANNON            | SCR.TERM   | : SCREW TERMINAL               |
| CN.DIN     | : CONNECTOR,DIN               | SCR.TR     | : SCREW,TRANSISTOR             |
| CN.FLAT    | : CONNECTOR,FLAT CABLE        | SUPRT.PCB  | : SUPPORT,P.C.B.               |
| CN.POST    | : CONNECTOR,BASE POST         | SURG.PRTCT | : SURGE PROTECTOR              |
| COIL.MX.AM | : COIL,AM MIX                 | SW.TACT    | : TACT SWITCH                  |
| COIL.AT.FM | : COIL,FM ANTENNA             | SW.LEAF    | : LEAF SWITCH                  |
| COIL.DT.FM | : COIL,FM DETECT              | SW.LEVER   | : LEVER SWITCH                 |
| COIL.MX.FM | : COIL,FM MIX                 | SW.MICRO   | : MICRO SWITCH                 |
| COIL.OUTPT | : OUTPUT COIL                 | SW.PUSH    | : PUSH SWITCH                  |
| DIOD.ARRAY | : DIODE ARRAY                 | SW.RT.ENC  | : ROTARY ENCODER               |
| DIODE.BRG  | : DIODE BRIDGE                | SW.RT.MTR  | : ROTARY SWITCH WITH MOTOR     |
| DIODE.CHP  | : CHIP DIODE                  | SW.RT      | : ROTARY SWITCH                |
| DIODE.VAR  | : VARACTOR DIODE              | SW.SLIDE   | : SLIDE SWITCH                 |
| DIOD.Z.CHP | : CHIP ZENER DIODE            | TERM.SP    | : SPEAKER TERMINAL             |
| DIODE.ZENR | : ZENER DIODE                 | TERM.WRAP  | : WRAPPING TERMINAL            |
| DSCR.CE    | : CERAMIC DISCRIMINATOR       | THRMST.CHP | : CHIP THERMISTOR              |
| FER.BEAD   | : FERRITE BEADS               | TR.CHP     | : CHIP TRANSISTOR              |
| FER.CORE   | : FERRITE CORE                | TR.DGT     | : DIGITAL TRANSISTOR           |
| FET.CHP    | : CHIP FET                    | TR.DGT.CHP | : CHIP DIGITAL TRANSISTOR      |
| FL.DSPLY   | : FLUORESCENT DISPLAY         | TRANS      | : TRANSFORMER                  |
| FLTR.CE    | : CERAMIC FILTER              | TRANS.PULS | : PULSE TRANSFORMER            |
| FLTR.COMB  | : COMB FILTER MODULE          | TRANS.PWR  | : POWER TRANSFORMER ASS'Y      |
| FLTR.LC.RF | : LC FILTER,EMI               | TUNER.AM   | : TUNER PACK,AM                |
| GND.MTL    | : GROUND PLATE                | TUNER.FM   | : TUNER PACK,FM                |
| GND.TERM   | : GROUND TERMINAL             | TUNER.PK   | : FRONT-ENDTUNER PACK          |
| HOLDER.FUS | : FUSE HOLDER                 | VR         | : ROTARY POTENTIOMETER         |
| IC.PRTCT   | : IC PROTECTOR                | VR.MTR     | : POTENTIOMETER WITH MOTOR     |
| JUMPER.CN  | : JUMPER CONNECTOR            | VR.SW      | : POTENTIOMETER WITH ROTARY SW |
| JUMPER.TST | : JUMPER,TEST POINT           | VR.SLIDE   | : SLIDE POTENTIOMETER          |
| L.DTCT     | : LIGHT DETECTING MODULE      | VR.TRIM    | : TRIMMER POTENTIOMETER        |

**Note)** Those parts marked with “#” are not included in the P.C.B. ass'y.

P.C.B. DSP

| Schm Ref. | PART NO. | Description | Remarks           | Markets    | 部 品 名      | Rank        |
|-----------|----------|-------------|-------------------|------------|------------|-------------|
| *         | WC841800 | P. C. B.    | DSP               | 550.5750   |            | P C B D S P |
| *         | WC841900 | P. C. B.    | DSP               | 450        | J          | P C B D S P |
| *         | WC842000 | P. C. B.    | DSP               | 450, 5740  | UCRTKABGLE | P C B D S P |
| CB1       | V7828000 | SOCKET      | 13P SE TUC SERIES |            |            | コネクターソケット   |
| CB2       | VQ044800 | CN. BS. PIN | 18P               |            |            | F F Cコネクター  |
| C2        | UR837470 | C. EL       | 47uF 16V          |            |            | ケミコン        |
| C14       | UR847220 | C. EL       | 22uF 25V          |            | UCRTKABGLE | ケミコン        |
| C15       | UR237470 | C. EL       | 47uF 16V          | 550, 5750  |            | ケミコン        |
| C15       | UR237470 | C. EL       | 47uF 16V          | 450        | J          | ケミコン        |
| C17       | UR237470 | C. EL       | 47uF 16V          |            |            | ケミコン        |
| C19       | UU137470 | C. EL       | 47uF 16V          |            |            | ケミコン        |
| C21       | UR837470 | C. EL       | 47uF 16V          |            | UCRTKABGLE | ケミコン        |
| C22       | UR237470 | C. EL       | 47uF 16V          |            |            | ケミコン        |
| C33       | UU137470 | C. EL       | 47uF 16V          |            |            | ケミコン        |
| C36       | UA654680 | C. MYLAR    | 0.068uF 50V       |            |            | マイラーコン      |
| C40       | UA653100 | C. MYLAR    | 1000pF 50V        |            |            | マイラーコン      |
| C50       | UR237470 | C. EL       | 47uF 16V          |            |            | ケミコン        |
| C53       | UU137470 | C. EL       | 47uF 16V          |            |            | ケミコン        |
| C55       | UU119100 | C. EL       | 1000uF 6.3V       |            |            | ケミコン        |
| C65       | UU118100 | C. EL       | 100uF 6.3V        |            |            | ケミコン        |
| *         | C67      | UR018470    | C. EL             | 470uF 6.3V |            | ケミコン        |
| C75       | UU118100 | C. EL       | 100uF 6.3V        |            |            | ケミコン        |
| C76       | UU118100 | C. EL       | 100uF 6.3V        |            |            | ケミコン        |
| C78       | UR237470 | C. EL       | 47uF 16V          |            |            | ケミコン        |
| C80       | UR237470 | C. EL       | 47uF 16V          |            |            | ケミコン        |
| *         | C81      | UR018470    | C. EL             | 470uF 6.3V |            | ケミコン        |
| C82       | UR237470 | C. EL       | 47uF 16V          |            |            | ケミコン        |
| C87       | UR237470 | C. EL       | 47uF 16V          |            |            | ケミコン        |
| C101      | UR237470 | C. EL       | 47uF 16V          |            |            | ケミコン        |
| C105      | UR237470 | C. EL       | 47uF 16V          |            |            | ケミコン        |
| C124      | UU118100 | C. EL       | 100uF 6.3V        |            |            | ケミコン        |
| C125      | UU137470 | C. EL       | 47uF 16V          |            |            | ケミコン        |
| C126      | UU118100 | C. EL       | 100uF 6.3V        |            |            | ケミコン        |
| C131      | UU118470 | C. EL       | 470uF 6.3V        |            |            | ケミコン F W    |
| C145      | UU166220 | C. EL       | 2.2uF 50V         |            |            | ケミコン        |
| C152      | UR037100 | C. EL       | 10uF 16V          |            |            | ケミコン        |
| C153      | UR037100 | C. EL       | 10uF 16V          |            |            | ケミコン        |
| C154      | UR837100 | C. EL       | 10uF 16V          |            |            | ケミコン        |
| C156      | UR837100 | C. EL       | 10uF 16V          |            |            | ケミコン        |
| C157      | UR837100 | C. EL       | 10uF 16V          |            |            | ケミコン        |
| C158      | UR037470 | C. EL       | 47uF 16V          |            |            | ケミコン        |
| C159      | UR037470 | C. EL       | 47uF 16V          |            |            | ケミコン        |
| C162      | UR037100 | C. EL       | 10uF 16V          |            |            | ケミコン        |
| C163      | UR037100 | C. EL       | 10uF 16V          |            |            | ケミコン        |
| C164      | UA652680 | C. MYLAR    | 680pF 50V         |            |            | マイラーコン      |
| C165      | UA654470 | C. MYLAR    | 0.047uF 50V       |            |            | マイラーコン      |
| C166      | UA652680 | C. MYLAR    | 680pF 50V         |            |            | マイラーコン      |
| C168      | UA652680 | C. MYLAR    | 680pF 50V         |            |            | マイラーコン      |
| C169      | UA652680 | C. MYLAR    | 680pF 50V         |            |            | マイラーコン      |
| C177      | UA652100 | C. MYLAR    | 100pF 50V         |            |            | マイラーコン      |
| C179      | UA652100 | C. MYLAR    | 100pF 50V         |            |            | マイラーコン      |
| C180      | UA652100 | C. MYLAR    | 100pF 50V         |            |            | マイラーコン      |
| C181      | UA652100 | C. MYLAR    | 100pF 50V         |            |            | マイラーコン      |

\* New Parts \* 新規部品(マーク#の部品は、基板に含まれません)

RX-V550/HTR-5750  
RX-V450/HTR-5740/DSP-AX450

P.C.B. DSP

| Schm Ref. | PART NO. | Description | Remarks            | Markets          | 部 品 名                  | Rank |
|-----------|----------|-------------|--------------------|------------------|------------------------|------|
| C183      | UA653390 | C. MYLAR    | 3900pF 50V         |                  | マイラーコン                 | 01   |
| C186      | UR037100 | C. EL       | 10uF 16V           |                  | ケミコン                   | 01   |
| C187      | UR037100 | C. EL       | 10uF 16V           |                  | ケミコン                   | 01   |
| C188      | UR837100 | C. EL       | 10uF 16V           |                  | ケミコン                   | 01   |
| C190      | UR837100 | C. EL       | 10uF 16V           |                  | ケミコン                   | 01   |
| C191      | UR837100 | C. EL       | 10uF 16V           |                  | ケミコン                   | 01   |
| C194      | UR037100 | C. EL       | 10uF 16V           |                  | ケミコン                   | 01   |
| C195      | UR037100 | C. EL       | 10uF 16V           |                  | ケミコン                   | 01   |
| C198      | UA655100 | C. MYLAR    | 0.1uF 50V          |                  | マイラーコン                 | 01   |
| C199      | UA655100 | C. MYLAR    | 0.1uF 50V          |                  | マイラーコン                 | 01   |
| C200      | UA655100 | C. MYLAR    | 0.1uF 50V          |                  | マイラーコン                 | 01   |
| C201      | UA655100 | C. MYLAR    | 0.1uF 50V          |                  | マイラーコン                 | 01   |
| C202      | UA655100 | C. MYLAR    | 0.1uF 50V          |                  | マイラーコン                 | 01   |
| C203      | UA655100 | C. MYLAR    | 0.1uF 50V          |                  | マイラーコン                 | 01   |
| C206      | UR037470 | C. EL       | 47uF 16V           |                  | ケミコン                   | 01   |
| C207      | UR037470 | C. EL       | 47uF 16V           |                  | ケミコン                   | 01   |
| C208      | UR037470 | C. EL       | 47uF 16V           |                  | ケミコン                   | 01   |
| C209      | UR037470 | C. EL       | 47uF 16V           |                  | ケミコン                   | 01   |
| C210      | UR037470 | C. EL       | 47uF 16V           |                  | ケミコン                   | 01   |
| C211      | UR037470 | C. EL       | 47uF 16V           |                  | ケミコン                   | 01   |
| D1        | VV220700 | D10DE. SHOT | RB501V-40          | 550, 5750, AX450 | ショットキーダイオード            | 01   |
| D2        | VV220700 | D10DE. SHOT | RB501V-40          | 550, 5750, AX450 | ショットキーダイオード            | 01   |
| D3        | VT332900 | D10DE       | 1SS355             |                  | ダイオード                  | 01   |
| D4        | VT332900 | D10DE       | 1SS355             |                  | ダイオード                  | 01   |
| D5        | VT332900 | D10DE       | 1SS355             |                  | ダイオード                  | 01   |
| D6        | VT332900 | D10DE       | 1SS355             |                  | ダイオード                  | 01   |
| D7        | VT332900 | D10DE       | 1SS355             |                  | ダイオード                  | 01   |
| D8        | VT332900 | D10DE       | 1SS355             |                  | ダイオード                  | 01   |
| D9        | WB081800 | D10DE       | SB01-050           |                  | ショットキダイオード             |      |
| D10       | WB081800 | D10DE       | SB01-050           |                  | ショットキダイオード             |      |
| D11       | WB081800 | D10DE       | SB01-050           |                  | ショットキダイオード             |      |
| D12       | WB081800 | D10DE       | SB01-050           |                  | ショットキダイオード             |      |
| IC1       | XY070A00 | IC          | MM74HCU04SJX INVER |                  | UCRTKABGLE ロジック IC SOP | 01   |
| * IC2     | X5444A00 | IC          | LC89057W-VF4D-E    |                  | IC                     |      |
| IC3       | XY120A00 | IC          | TC74HCT00AF(EL) NA | 550, 5750, AX450 | ロジック IC SOP            | 01   |
| IC4       | XR038A00 | IC          | NJM2904M OP AMP    | 550, 5750, AX450 | IC                     | 01   |
| * IC5     | X4570A00 | IC          | YSS948-V           |                  | IC デジタル                |      |
| * IC6     | X2639A00 | IC          | CY62128BLL-70SCT   |                  | メモリ IC                 | 07   |
| IC7       | X3567A00 | IC          | YSS930-SZ          |                  | IC                     | 08   |
| IC8       | XV077B00 | IC          | MSM514260E-60JS    |                  | メモリ IC 4M              | 07   |
| IC10      | X3693A00 | IC          | SN74LV245APWR TRAN |                  | ロジック IC TSSOP          |      |
| IC11      | XU965A00 | IC          | uPC29M33T-E1 3.3V  |                  | 電源 IC                  | 03   |
| IC12      | XZ003A00 | IC          | PQ025EZ5MZP 2.5V   |                  | 電源 IC QFP              | 03   |
| IC13      | X4314A00 | IC          | PQ012FZ01ZP 1.2V1A |                  | 電源 IC QFP              | 04   |
| IC14      | X0293A00 | IC          | 74VHC15MTCX        |                  | ロジック IC TSSOP          | 02   |
| IC16      | X3807A00 | IC          | AK4628VQ           |                  | IC                     |      |
| IC18      | XF291A00 | IC          | uPC4570G2          |                  | IC                     | 03   |
| IC19      | X3505A00 | IC          | NJM2068MD-TE2      |                  | アンプ IC SOP             | 02   |
| IC20      | X3505A00 | IC          | NJM2068MD-TE2      |                  | アンプ IC SOP             | 02   |
| IC21      | X3505A00 | IC          | NJM2068MD-TE2      |                  | アンプ IC SOP             | 02   |
| IC22      | X3824A00 | IC          | SN74AHCT08PWR      |                  | ロジック IC                | 01   |
| PJ1       | V4483900 | JACK. PIN   | 1P YKC21-3895      |                  | UCRTKABGLE ピンジャック      |      |
| R5        | HV753100 | R. CAR. FP  | 1Ω 1/4W            |                  | 不燃化カーボン抵抗              | 01   |

\* New Parts \* 新規部品(マーク#の部品は、基板に含まれません)

RX-V550/HTR-5750  
RX-V450/HTR-5740/DSP-AX450

**RX-V550**

**P.C.B. DSP & P.C.B. FUNCTION**

| Schm Ref. | PART NO. | Description  | Remarks           | Markets          | 部 品 名       | Rank          |    |
|-----------|----------|--------------|-------------------|------------------|-------------|---------------|----|
| R18       | HV753100 | R. CAR. FP   | 1Ω 1/4W           | 550, 5750, AX450 | 不燃化カーボン抵抗   | 01            |    |
| R40       | V8070000 | R. MTL. FLM  | 1Ω 1W             |                  | 金属被膜抵抗      |               |    |
| R52       | HV753100 | R. CAR. FP   | 1Ω 1/4W           |                  | 不燃化カーボン抵抗   | 01            |    |
| R63       | HV753100 | R. CAR. FP   | 1Ω 1/4W           |                  | 不燃化カーボン抵抗   | 01            |    |
| R104      | V8070000 | R. MTL. FLM  | 1Ω 1W             |                  | 金属被膜抵抗      |               |    |
| R105      | HV753100 | R. CAR. FP   | 1Ω 1/4W           |                  | 不燃化カーボン抵抗   | 01            |    |
| R111      | HV753100 | R. CAR. FP   | 1Ω 1/4W           |                  | 不燃化カーボン抵抗   | 01            |    |
| R194      | HV753220 | R. CAR. FP   | 2.2Ω 1/4W         |                  | 不燃化カーボン抵抗   | 01            |    |
| R195      | HV753220 | R. CAR. FP   | 2.2Ω 1/4W         |                  | 不燃化カーボン抵抗   | 01            |    |
| ST1       | V4040500 | SCR. TERM    | M3                |                  | スクリュー/ターミナル | 01            |    |
| U1        | WB001600 | CN. PHOT. SN | 1P GP1FA553TZ     | 550, 5750, AX450 | 光ファイバリンク    |               |    |
| U2        | WB001400 | CN. PHOT. SN | 1P GP1FA553RZ     | 550, 5750, AX450 | 光ファイバ受信器    | 04            |    |
| U3        | WB001400 | CN. PHOT. SN | 1P GP1FA553RZ     |                  | 光ファイバ受信器    | 04            |    |
| U4        | WB001400 | CN. PHOT. SN | 1P GP1FA553RZ     |                  | 光ファイバ受信器    | 04            |    |
| XL1       | V3625700 | RSNR. CRYST  | 24.576MHz         |                  | 水晶振動子       | 03            |    |
| *         | WC844500 | P. C. B.     | FUNCTION          | 550              | UC          | P C B ファンクション |    |
| *         | WC844600 | P. C. B.     | FUNCTION          | 550              | R           | P C B ファンクション |    |
| *         | WC844700 | P. C. B.     | FUNCTION          | 550              | T           | P C B ファンクション |    |
| *         | WC844800 | P. C. B.     | FUNCTION          | 550              | K           | P C B ファンクション |    |
| *         | WC844900 | P. C. B.     | FUNCTION          | 550              | A           | P C B ファンクション |    |
| *         | WC845000 | P. C. B.     | FUNCTION          | 550              | BGE         | P C B ファンクション |    |
| *         | WC845100 | P. C. B.     | FUNCTION          | 550              | L           | P C B ファンクション |    |
| CB301     | V7826600 | CN           | 16P TE TUC SERIES | 550              |             | コネクタプラグ       | 01 |
| CB303     | V7828700 | SOCKET       | 20P SE TUC SERIES | 550              |             | コネクタソケット      | 01 |
| CB305     | VP573800 | CN. BS. PIN  | 18P               | 550              |             | F F C コネクタ    | 01 |
| CB306     | VB858700 | CN. BS. PIN  | 8P                | 550              |             | ベースピン         | 01 |
| CB307     | VK026600 | CN. BS. PIN  | 7P                | 550              |             | ワイヤートラップ      | 01 |
| CB308     | VM923600 | CN. BS. PIN  | 13P               | 550              |             | F F C コネクタ    | 01 |
| CB309     | VB858400 | CN. BS. PIN  | 5P                | 550              |             | ベースピン         | 01 |
| CB401     | V7828300 | SOCKET       | 16P TE TUC SERIES | 550              |             | コネクタソケット      | 01 |
| CB402     | V7826600 | CN           | 16P TE TUC SERIES | 550              |             | コネクタプラグ       | 01 |
| CB461     | Vi878300 | CN. BS. PIN  | 5P                | 550              | UCA         | ケーブルホルダー      | 01 |
| CB501     | VM929900 | CN. BS. PIN  | 15P               | 550              |             | F P C コネクタ    | 01 |
| CB502     | VQ044900 | CN. BS. PIN  | 19P               | 550              |             | F F C コネクタ    | 01 |
| CB503     | VP682300 | CN. BS. PIN  | 8P                | 550              |             | F F C コネクタ    | 01 |
| CB504     | Vi878300 | CN. BS. PIN  | 5P                | 550              | UCA         | ケーブルホルダー      | 01 |
| CB505     | VQ045100 | CN. BS. PIN  | 21P               | 550              |             | F F C コネクタ    | 02 |
| CB506     | V7826300 | CN           | 13P TE TUC SERIES | 550              |             | コネクタプラグ       |    |
| CB508     | V7827000 | CN           | 20P TE TUC SERIES | 550              |             | コネクタプラグ       | 01 |
| CB510     | V7825900 | CN           | 9P TE TUC SERIES  | 550              |             | コネクタプラグ       |    |
| CB511     | V7826400 | CN           | 14P TE TUC SERIES | 550              |             | コネクタプラグ       |    |
| CB512     | V7825500 | CN           | 5P TE TUC SERIES  | 550              |             | コネクタプラグ       | 01 |
| CB601     | V7828100 | SOCKET       | 14P TE TUC SERIES | 550              |             | コネクタソケット      |    |
| CB701     | V7827200 | SOCKET       | 5P TE TUC SERIES  | 550              |             | コネクタソケット      |    |
| CB751     | V7828300 | SOCKET       | 16P TE TUC SERIES | 550              |             | コネクタソケット      | 01 |
| CB901     | V7827600 | SOCKET       | 9P SE TUC SERIES  | 550              |             | コネクタソケット      |    |
| C307      | UA652220 | C. MYLAR     | 220pF 50V         | 550              |             | マイラーコン        | 01 |
| C308      | UA652220 | C. MYLAR     | 220pF 50V         | 550              |             | マイラーコン        | 01 |
| C309      | UA652220 | C. MYLAR     | 220pF 50V         | 550              |             | マイラーコン        | 01 |
| C310      | UA652220 | C. MYLAR     | 220pF 50V         | 550              |             | マイラーコン        | 01 |

\* New Parts \* 新規部品(マーク#の部品は、基板に含まれません)

RX-V550/HTR-5750  
RX-V450/HTR-5740/DSP-AX450

**RX-V550**

**P.C.B. FUNCTION**

| Schm Ref. | PART NO. | Description  | Remarks    | Markets | 部 品 名    | Rank |
|-----------|----------|--------------|------------|---------|----------|------|
| C311      | FG651470 | C. CE        | 47pF 50V   | 550     | セラコン     | 01   |
| C312      | FG651470 | C. CE        | 47pF 50V   | 550     | セラコン     | 01   |
| C313      | UR837100 | C. EL        | 10uF 16V   | 550     | ケミコン     | 01   |
| C314      | UR837100 | C. EL        | 10uF 16V   | 550     | ケミコン     | 01   |
| C315      | UR837100 | C. EL        | 10uF 16V   | 550     | ケミコン     | 01   |
| C316      | UR837100 | C. EL        | 10uF 16V   | 550     | ケミコン     | 01   |
| C317      | UR837100 | C. EL        | 10uF 16V   | 550     | ケミコン     | 01   |
| C318      | VE326300 | C. MYLAR. ML | 0.18uF 50V | 550     | 積層マイラーコン | 01   |
| C319      | VE326300 | C. MYLAR. ML | 0.18uF 50V | 550     | 積層マイラーコン | 01   |
| C320      | UA653470 | C. MYLAR     | 4700pF 50V | 550     | マイラーコン   | 01   |
| C321      | UR837100 | C. EL        | 10uF 16V   | 550     | ケミコン     | 01   |
| C322      | UU137100 | C. EL        | 10uF 16V   | 550     | ケミコン     | 01   |
| C323      | UU137100 | C. EL        | 10uF 16V   | 550     | ケミコン     | 01   |
| C324      | UU137100 | C. EL        | 10uF 16V   | 550     | ケミコン     | 01   |
| C325      | UA655150 | C. MYLAR     | 0.15uF 50V | 550     | マイラーコン   | 01   |
| C326      | UA655150 | C. MYLAR     | 0.15uF 50V | 550     | マイラーコン   | 01   |
| C327      | UA653470 | C. MYLAR     | 4700pF 50V | 550     | マイラーコン   | 01   |
| C330      | UR037100 | C. EL        | 10uF 16V   | 550     | ケミコン     | 01   |
| C331      | UR037100 | C. EL        | 10uF 16V   | 550     | ケミコン     | 01   |
| C332      | UT652100 | C. PP        | 100pF 100V | 550     | P Pコン    | 01   |
| C333      | UT652100 | C. PP        | 100pF 100V | 550     | P Pコン    | 01   |
| C334      | UU137100 | C. EL        | 10uF 16V   | 550     | ケミコン     | 01   |
| C335      | UU137100 | C. EL        | 10uF 16V   | 550     | ケミコン     | 01   |
| C336      | VG291200 | C. EL        | 47uF 50V   | 550     | ケミコン     | 01   |
| C337      | VG291200 | C. EL        | 47uF 50V   | 550     | ケミコン     | 01   |
| C338      | UR837100 | C. EL        | 10uF 16V   | 550     | ケミコン     | 01   |
| C339      | UA652100 | C. MYLAR     | 100pF 50V  | 550     | マイラーコン   | 01   |
| C340      | UR837100 | C. EL        | 10uF 16V   | 550     | ケミコン     | 01   |
| C341      | UU137100 | C. EL        | 10uF 16V   | 550     | ケミコン     | 01   |
| C342      | UR837100 | C. EL        | 10uF 16V   | 550     | ケミコン     | 01   |
| C343      | UR837100 | C. EL        | 10uF 16V   | 550     | ケミコン     | 01   |
| C344      | UR837100 | C. EL        | 10uF 16V   | 550     | ケミコン     | 01   |
| C347      | VG291200 | C. EL        | 47uF 50V   | 550     | ケミコン     | 01   |
| C348      | VG291200 | C. EL        | 47uF 50V   | 550     | ケミコン     | 01   |
| C349      | UR037470 | C. EL        | 47uF 16V   | 550     | ケミコン     | 01   |
| C350      | UR037470 | C. EL        | 47uF 16V   | 550     | ケミコン     | 01   |
| C355      | UR837100 | C. EL        | 10uF 16V   | 550     | ケミコン     | 01   |
| C356      | UR837100 | C. EL        | 10uF 16V   | 550     | ケミコン     | 01   |
| C361      | UR837100 | C. EL        | 10uF 16V   | 550     | ケミコン     | 01   |
| C362      | UR837100 | C. EL        | 10uF 16V   | 550     | ケミコン     | 01   |
| C365      | UR239100 | C. EL        | 1000uF 16V | 550     | ケミコン     | 01   |
| C366      | UR239100 | C. EL        | 1000uF 16V | 550     | ケミコン     | 01   |
| C367      | UR837100 | C. EL        | 10uF 16V   | 550     | ケミコン     | 01   |
| C368      | UR837100 | C. EL        | 10uF 16V   | 550     | ケミコン     | 01   |
| C369      | UR037100 | C. EL        | 10uF 16V   | 550     | ケミコン     | 01   |
| C370      | UR037100 | C. EL        | 10uF 16V   | 550     | ケミコン     | 01   |
| C371      | UA652100 | C. MYLAR     | 100pF 50V  | 550     | マイラーコン   | 01   |
| C372      | UA652100 | C. MYLAR     | 100pF 50V  | 550     | マイラーコン   | 01   |
| C373      | UA652680 | C. MYLAR     | 680pF 50V  | 550     | マイラーコン   | 01   |
| C374      | UA652680 | C. MYLAR     | 680pF 50V  | 550     | マイラーコン   | 01   |
| C377      | UR037470 | C. EL        | 47uF 16V   | 550     | ケミコン     | 01   |
| C378      | UR037470 | C. EL        | 47uF 16V   | 550     | ケミコン     | 01   |
| C501      | UR237470 | C. EL        | 47uF 16V   | 550     | ケミコン     | 01   |

\* New Parts \* 新規部品(マーク#の部品は、基板に含まれません)

RX-V550/HTR-5750  
RX-V450/HTR-5740/DSP-AX450



**RX-V550**

**P.C.B. FUNCTION**

| Schm Ref. | PART NO. | Description        | Remarks | Markets | 部 品 名     | Rank |
|-----------|----------|--------------------|---------|---------|-----------|------|
| C502      | UR837100 | C.EL 10uF 16V      | 550     |         | ケミコン      | 01   |
| C503      | UR818220 | C.EL 220uF 6.3V    | 550     |         | ケミコン      | 01   |
| C504      | WB165500 | C.EL 0.33F 5.5V    | 550     |         | ゴールドキャパシタ |      |
| C505      | UR818220 | C.EL 220uF 6.3V    | 550     |         | ケミコン      | 01   |
| C506      | VG287600 | C.EL 100uF 25V     | 550     |         | ケミコン      | 01   |
| C511      | UR866220 | C.EL 2.2uF 50V     | 550     |         | ケミコン      | 01   |
| C512      | UR866220 | C.EL 2.2uF 50V     | 550     | UCA     | ケミコン      | 01   |
| C513      | UR866220 | C.EL 2.2uF 50V     | 550     |         | ケミコン      | 01   |
| C514      | UR866220 | C.EL 2.2uF 50V     | 550     |         | ケミコン      | 01   |
| C515      | UR866220 | C.EL 2.2uF 50V     | 550     |         | ケミコン      | 01   |
| C522      | UR237470 | C.EL 47uF 16V      | 550     |         | ケミコン      |      |
| C523      | UR237470 | C.EL 47uF 16V      | 550     |         | ケミコン      |      |
| C524      | UR237470 | C.EL 47uF 16V      | 550     |         | ケミコン      |      |
| C528      | UR237470 | C.EL 47uF 16V      | 550     | BGE     | ケミコン      |      |
| C529      | UR237470 | C.EL 47uF 16V      | 550     | BGE     | ケミコン      |      |
| C534      | UR237470 | C.EL 47uF 16V      | 550     | BGE     | ケミコン      |      |
| * C535    | UR067470 | C.EL 47uF 50V      | 550     |         | ケミコン      |      |
| C539      | UR837330 | C.EL 33uF 16V      | 550     |         | ケミコン      | 01   |
| C603      | UR837100 | C.EL 10uF 16V      | 550     |         | ケミコン      | 01   |
| C604      | UR837100 | C.EL 10uF 16V      | 550     |         | ケミコン      | 01   |
| C605      | UR837100 | C.EL 10uF 16V      | 550     |         | ケミコン      | 01   |
| C608      | UR837100 | C.EL 10uF 16V      | 550     |         | ケミコン      | 01   |
| C609      | UR837100 | C.EL 10uF 16V      | 550     |         | ケミコン      | 01   |
| C610      | UR837100 | C.EL 10uF 16V      | 550     |         | ケミコン      | 01   |
| C612      | UR829100 | C.EL 1000uF 10V    | 550     |         | ケミコン      | 01   |
| C614      | UR829100 | C.EL 1000uF 10V    | 550     |         | ケミコン      | 01   |
| * C619    | UR238470 | C.EL 470uF 16V     | 550     |         | ケミコン      |      |
| C620      | UR238100 | C.EL 100uF 16V     | 550     |         | ケミコン      |      |
| C621      | UR238100 | C.EL 100uF 16V     | 550     |         | ケミコン      |      |
| C624      | UR837100 | C.EL 10uF 16V      | 550     |         | ケミコン      | 01   |
| C625      | UR837100 | C.EL 10uF 16V      | 550     |         | ケミコン      | 01   |
| C626      | UA653220 | C.MYLAR 2200pF 50V | 550     |         | マイラーコン    | 01   |
| C628      | UR866470 | C.EL 4.7uF 50V     | 550     |         | ケミコン      | 01   |
| C629      | UR837470 | C.EL 47uF 16V      | 550     |         | ケミコン      | 01   |
| C633      | UR238100 | C.EL 100uF 16V     | 550     |         | ケミコン      |      |
| C634      | UR238100 | C.EL 100uF 16V     | 550     |         | ケミコン      |      |
| C635      | UR837100 | C.EL 10uF 16V      | 550     |         | ケミコン      | 01   |
| C637      | UR238100 | C.EL 100uF 16V     | 550     |         | ケミコン      |      |
| C639      | UR837100 | C.EL 10uF 16V      | 550     |         | ケミコン      | 01   |
| C648      | UR866470 | C.EL 4.7uF 50V     | 550     |         | ケミコン      | 01   |
| C652      | UR238100 | C.EL 100uF 16V     | 550     |         | ケミコン      |      |
| C653      | UR818330 | C.EL 330uF 6.3V    | 550     |         | ケミコン      | 01   |
| C704      | UR837100 | C.EL 10uF 16V      | 550     |         | ケミコン      | 01   |
| C705      | UR837100 | C.EL 10uF 16V      | 550     |         | ケミコン      | 01   |
| C706      | UR837100 | C.EL 10uF 16V      | 550     |         | ケミコン      | 01   |
| C709      | UR238100 | C.EL 100uF 16V     | 550     |         | ケミコン      |      |
| C710      | UR238100 | C.EL 100uF 16V     | 550     |         | ケミコン      |      |
| C754      | FG651470 | C.CE 47pF 50V      | 550     | UCA     | セラコン      | 01   |
| C755      | FG651470 | C.CE 47pF 50V      | 550     | UCA     | セラコン      | 01   |
| C756      | UA654100 | C.MYLAR 0.01uF 50V | 550     |         | マイラーコン    | 01   |
| C757      | UA652220 | C.MYLAR 220pF 50V  | 550     |         | マイラーコン    | 01   |
| C758      | UA652220 | C.MYLAR 220pF 50V  | 550     |         | マイラーコン    | 01   |
| C759      | UA652220 | C.MYLAR 220pF 50V  | 550     |         | マイラーコン    | 01   |

\* New Parts \* 新規部品(マーク#の部品は、基板に含まれません)

RX-V550/HTR-5750  
RX-V450/HTR-5740/DSP-AX450



**RX-V550**

**P.C.B. FUNCTION**

| Schm Ref. | PART NO. | Description | Remarks         | Markets  | 部 品 名 | Rank       |    |
|-----------|----------|-------------|-----------------|----------|-------|------------|----|
| C760      | UA652220 | C. MYLAR    | 220pF 50V       | 550      |       | マイラーコン     | 01 |
| C761      | UA652220 | C. MYLAR    | 220pF 50V       | 550      |       | マイラーコン     | 01 |
| C762      | UA652220 | C. MYLAR    | 220pF 50V       | 550      |       | マイラーコン     | 01 |
| C763      | FG651470 | C. CE       | 47pF 50V        | 550      |       | セラコン       | 01 |
| C764      | FG651470 | C. CE       | 47pF 50V        | 550      |       | セラコン       | 01 |
| C765      | UR837100 | C. EL       | 10uF 16V        | 550      |       | ケミコン       | 01 |
| C766      | UR837100 | C. EL       | 10uF 16V        | 550      |       | ケミコン       | 01 |
| C767      | UR837100 | C. EL       | 10uF 16V        | 550      | UCA   | ケミコン       | 01 |
| C768      | UR837100 | C. EL       | 10uF 16V        | 550      | UCA   | ケミコン       | 01 |
| C903      | UR837100 | C. EL       | 10uF 16V        | 550      |       | ケミコン       | 01 |
| C904      | UR837100 | C. EL       | 10uF 16V        | 550      |       | ケミコン       | 01 |
| C905      | UR837100 | C. EL       | 10uF 16V        | 550      |       | ケミコン       | 01 |
| C906      | UR829100 | C. EL       | 1000uF 10V      | 550      |       | ケミコン       | 01 |
| C907      | UR829100 | C. EL       | 1000uF 10V      | 550      |       | ケミコン       | 01 |
| C909      | UR837100 | C. EL       | 10uF 16V        | 550      |       | ケミコン       | 01 |
| * C910    | UR238470 | C. EL       | 470uF 16V       | 550      |       | ケミコン       | 01 |
| C911      | UR837100 | C. EL       | 10uF 16V        | 550      |       | ケミコン       | 01 |
| D301      | VU994300 | D10DE. ZENR | MA8075-H 7.7V   | 550      |       | ツェナーダイオード  |    |
| D302      | VU994300 | D10DE. ZENR | MA8075-H 7.7V   | 550      |       | ツェナーダイオード  |    |
| D303      | VV307700 | D10DE       | 1N4002S         | 550      |       | ダイオード      | 01 |
| D304      | VV307700 | D10DE       | 1N4002S         | 550      |       | ダイオード      | 01 |
| D461      | VT332900 | D10DE       | 1SS355          | 550      | UCA   | ダイオード      | 01 |
| D462      | VT332900 | D10DE       | 1SS355          | 550      | UCA   | ダイオード      | 01 |
| D463      | VT332900 | D10DE       | 1SS355          | 550      | UCA   | ダイオード      | 01 |
| D501      | VT332900 | D10DE       | 1SS355          | 550      |       | ダイオード      | 01 |
| D502      | VT332900 | D10DE       | 1SS355          | 550      |       | ダイオード      | 01 |
| D503      | VT332900 | D10DE       | 1SS355          | 550      |       | ダイオード      | 01 |
| D504      | VU992600 | D10DE. ZENR | MA8051-M 5.1V   | 550      |       | ツェナーダイオード  | 01 |
| D505      | VU992600 | D10DE. ZENR | MA8051-M 5.1V   | 550      |       | ツェナーダイオード  | 01 |
| D507      | VU992600 | D10DE. ZENR | MA8051-M 5.1V   | 550      |       | ツェナーダイオード  | 01 |
| D508      | VU993000 | D10DE. ZENR | MA8056-M 5.6V   | 550      |       | ツェナーダイオード  | 01 |
| D510      | VU992600 | D10DE. ZENR | MA8051-M 5.1V   | 550      |       | ツェナーダイオード  | 01 |
| D511      | VT332900 | D10DE       | 1SS355          | 550      |       | ダイオード      | 01 |
| D601      | VT332900 | D10DE       | 1SS355          | 550      |       | ダイオード      | 01 |
| D602      | VT332900 | D10DE       | 1SS355          | 550      |       | ダイオード      | 01 |
| D603      | VT332900 | D10DE       | 1SS355          | 550      |       | ダイオード      | 01 |
| D604      | VT332900 | D10DE       | 1SS355          | 550      |       | ダイオード      | 01 |
| D606      | VT332900 | D10DE       | 1SS355          | 550      |       | ダイオード      | 01 |
| D607      | VT332900 | D10DE       | 1SS355          | 550      |       | ダイオード      | 01 |
| D608      | VT332900 | D10DE       | 1SS355          | 550      |       | ダイオード      | 01 |
| D609      | VT332900 | D10DE       | 1SS355          | 550      |       | ダイオード      | 01 |
| D610      | VT332900 | D10DE       | 1SS355          | 550      |       | ダイオード      | 01 |
| * IC301   | X5092A00 | IC          | BD3816K1        | 550      |       | IC         |    |
| IC302     | X3547A00 | IC          | BD3841FS        | 550      | UCA   | IC         |    |
| IC303     | X3505A00 | IC          | NJM2068MD-TE2   | 550      |       | アンプ IC SOP | 02 |
| IC304     | X3505A00 | IC          | NJM2068MD-TE2   | 550      |       | アンプ IC SOP | 02 |
| IC305     | XP844A00 | IC          | NJM4556AL       | 550      |       | IC         | 02 |
| IC306     | X3505A00 | IC          | NJM2068MD-TE2   | 550      |       | アンプ IC SOP | 02 |
| IC501     | X5041A00 | IC          | NJU7201L55 5.5V | 550      |       | 電源 IC SIL  | 02 |
| * IC502   | X5269A00 | IC. CPU     | M30622MWP-152FP | MASK ROM |       | IC CPU     |    |
| * IC503   | X0082A00 | IC          | LC72722PM       | 550      | BGE   | IC SOP     |    |
| IC601     | XH436A00 | IC          | LA7956          | 550      |       | IC         | 03 |
| IC602     | XH436A00 | IC          | LA7956          | 550      |       | IC         | 03 |

\* New Parts \* 新規部品(マーク#の部品は、基板に含まれません)

RX-V550/HTR-5750  
RX-V450/HTR-5740/DSP-AX450

**RX-V550**

**P.C.B. FUNCTION**

| Schm Ref. | PART NO. | Description | Remarks            | Markets | 部 品 名   | Rank        |    |
|-----------|----------|-------------|--------------------|---------|---------|-------------|----|
| IC603     | XY879A00 | IC          | TC74HC4053AF (EL)  | 550     |         | ロジック IC SOP | 03 |
| IC606     | XY879A00 | IC          | TC74HC4053AF (EL)  | 550     |         | ロジック IC SOP | 03 |
| IC607     | XW939A00 | IC          | TK15420M VIDEO AMP | 550     |         | アンプ IC SOP  | 03 |
| IC608     | XW939A00 | IC          | TK15420M VIDEO AMP | 550     |         | アンプ IC SOP  | 03 |
| IC609     | XD598A00 | IC          | TC74HCU04AFEL INV  | 550     |         | ロジック IC     | 01 |
| IC701     | XY879A00 | IC          | TC74HC4053AF (EL)  | 550     |         | ロジック IC SOP | 03 |
| IC702     | X2904A00 | IC          | NJM2581M VIDEO AMP | 550     |         | アンプ IC SOP  | 06 |
| IC901     | XH436A00 | IC          | LA7956             | 550     |         | IC          | 03 |
| * JK461   | V9435700 | JACK. MNI   | MSJ-035-12APC      | 550     | UCA     | モノラル ミニジャック |    |
| * JK462   | WD195900 | JACK        | 2P                 | 550     | UCA     | ミニ ジャック     |    |
| JK601     | VS867300 | CN. DIN     | 4P YKF51-5501      | 550     |         | DINコネクタ     | 03 |
| JK602     | V9273500 | CN. DIN     | 2P YKF51-5605      | 550     |         | DINコネクタ 2P  |    |
| JK603     | V9273500 | CN. DIN     | 2P YKF51-5605      | 550     |         | DINコネクタ 2P  |    |
| PJ301     | V7190400 | JACK. PIN   | 6P                 | 550     |         | ピンジャック      | 03 |
| PJ302     | V7046800 | JACK. PIN   | 6P MSP-246V1-01NI  | 550     |         | ピンジャック      |    |
| PJ701     | V8143900 | JACK. PIN   | 9P SHIELD YKC21    | 550     |         | ピンジャック      | 04 |
| PJ751     | V7046700 | JACK. PIN   | 4P MSP-244V1-01NI  | 550     |         | ピンジャック      |    |
| PJ752     | V7046800 | JACK. PIN   | 6P MSP-246V1-01NI  | 550     | UCA     | ピンジャック      |    |
| PJ752     | V7046700 | JACK. PIN   | 4P MSP-244V1-01NI  | 550     | RTKBGEL | ピンジャック      |    |
| PJ753     | V7189700 | JACK. PIN   | 1P                 | 550     |         | ピンジャック      | 01 |
| PJ901     | V7190000 | JACK. PIN   | 2P                 | 550     |         | ピンジャック      |    |
| PJ902     | V7190000 | JACK. PIN   | 2P                 | 550     |         | ピンジャック      |    |
| PJ903     | V7189800 | JACK. PIN   | 1P                 | 550     |         | ピンジャック      | 01 |
| PN301     | V9637500 | PIN         | L=70 #18           | 550     |         | スタイルピン      |    |
| Q301      | VD303700 | TR          | 2SC3326 A, B       | 550     |         | トランジスタ      | 01 |
| Q302      | VD303700 | TR          | 2SC3326 A, B       | 550     |         | トランジスタ      | 01 |
| Q303      | VD303700 | TR          | 2SC3326 A, B       | 550     |         | トランジスタ      | 01 |
| Q304      | VD303700 | TR          | 2SC3326 A, B       | 550     |         | トランジスタ      | 01 |
| Q305      | VD303700 | TR          | 2SC3326 A, B       | 550     |         | トランジスタ      | 01 |
| Q306      | VD303700 | TR          | 2SC3326 A, B       | 550     |         | トランジスタ      | 01 |
| Q307      | iC181510 | TR          | 2SC1815 Y          | 550     |         | トランジスタ      | 01 |
| Q308      | iA101510 | TR          | 2SA1015 Y          | 550     |         | トランジスタ      | 01 |
| Q309      | VD303700 | TR          | 2SC3326 A, B       | 550     |         | トランジスタ      | 01 |
| Q310      | VD303700 | TR          | 2SC3326 A, B       | 550     |         | トランジスタ      | 01 |
| Q461      | VP872600 | TR          | 2SA1708 S, T       | 550     | UCA     | トランジスタ      | 01 |
| Q462      | VV655700 | TR. DGT     | DTC144EKA          | 550     | UCA     | デジタルトランジスタ  | 01 |
| Q501      | VP872600 | TR          | 2SA1708 S, T       | 550     |         | トランジスタ      | 01 |
| Q502      | VV556500 | TR          | 2SA1037K Q, R, S   | 550     |         | トランジスタ      | 01 |
| Q503      | VV556500 | TR          | 2SA1037K Q, R, S   | 550     | UCA     | トランジスタ      | 01 |
| Q504      | VV556500 | TR          | 2SA1037K Q, R, S   | 550     |         | トランジスタ      | 01 |
| Q505      | VV556500 | TR          | 2SA1037K Q, R, S   | 550     |         | トランジスタ      | 01 |
| Q506      | VV556500 | TR          | 2SA1037K Q, R, S   | 550     |         | トランジスタ      | 01 |
| Q507      | iC181510 | TR          | 2SC1815 Y          | 550     |         | トランジスタ      | 01 |
| Q508      | iC174020 | TR          | 2SC1740S R, S      | 550     |         | トランジスタ      | 01 |
| Q508      | iC174020 | TR          | 2SC1740S R, S      | 550     | BGE     | トランジスタ      | 01 |
| Q509      | VV655700 | TR. DGT     | DTC144EKA          | 550     |         | デジタルトランジスタ  | 01 |
| Q601      | iC174020 | TR          | 2SC1740S R, S      | 550     |         | トランジスタ      | 01 |
| Q602      | iC174020 | TR          | 2SC1740S R, S      | 550     |         | トランジスタ      | 01 |
| Q603      | iC174020 | TR          | 2SC1740S R, S      | 550     |         | トランジスタ      | 01 |
| Q604      | iC174020 | TR          | 2SC1740S R, S      | 550     |         | トランジスタ      | 01 |
| Q605      | iC174020 | TR          | 2SC1740S R, S      | 550     |         | トランジスタ      | 01 |
| Q606      | iC174020 | TR          | 2SC1740S R, S      | 550     |         | トランジスタ      | 01 |
| Q607      | iC174020 | TR          | 2SC1740S R, S      | 550     |         | トランジスタ      | 01 |

\* New Parts \* 新規部品(マーク#の部品は、基板に含まれません)

RX-V550/HTR-5750  
RX-V450/HTR-5740/DSP-AX450

**RX-V550**

**P.C.B. FUNCTION**

| Schm Ref. | PART NO. | Description | Remarks            | Markets | 部 品 名  | Rank        |    |
|-----------|----------|-------------|--------------------|---------|--------|-------------|----|
| 0608      | iC174020 | TR          | 2SC1740S R, S      | 550     |        | トランジスタ      | 01 |
| 0610      | iC174020 | TR          | 2SC1740S R, S      | 550     |        | トランジスタ      | 01 |
| 0611      | iC174020 | TR          | 2SC1740S R, S      | 550     |        | トランジスタ      | 01 |
| 0612      | iC174020 | TR          | 2SC1740S R, S      | 550     |        | トランジスタ      | 01 |
| 0613      | iC053540 | TR          | 2SC535 A, B, C     | 550     |        | トランジスタ      | 01 |
| 0614      | iA101510 | TR          | 2SA1015 Y          | 550     |        | トランジスタ      | 01 |
| 0615      | iC224030 | TR          | 2SC2240 GR, BL     | 550     |        | トランジスタ      | 01 |
| 0701      | VV556400 | TR          | 2SC2412K Q, R, S   | 550     |        | トランジスタ      | 01 |
| 0751      | VD303700 | TR          | 2SC3326 A, B       | 550     | UCA    | トランジスタ      | 01 |
| 0752      | VD303700 | TR          | 2SC3326 A, B       | 550     | UCA    | トランジスタ      | 01 |
| 0753      | VD303700 | TR          | 2SC3326 A, B       | 550     |        | トランジスタ      | 01 |
| 0754      | VD303700 | TR          | 2SC3326 A, B       | 550     | UCA    | トランジスタ      | 01 |
| 0755      | VD303700 | TR          | 2SC3326 A, B       | 550     | UCA    | トランジスタ      | 01 |
| 0756      | VD303700 | TR          | 2SC3326 A, B       | 550     |        | トランジスタ      | 01 |
| 0901      | iC174020 | TR          | 2SC1740S R, S      | 550     |        | トランジスタ      | 01 |
| 0902      | iC174020 | TR          | 2SC1740S R, S      | 550     |        | トランジスタ      | 01 |
| 0903      | iC174020 | TR          | 2SC1740S R, S      | 550     |        | トランジスタ      | 01 |
| 0904      | iC174020 | TR          | 2SC1740S R, S      | 550     |        | トランジスタ      | 01 |
| R374      | HV755220 | R. CAR. FP  | 220Ω 1/4W          | 550     |        | 不燃化カーボン抵抗   | 01 |
| R375      | HV755150 | R. CAR. FP  | 150Ω 1/4W          | 550     |        | 不燃化カーボン抵抗   | 01 |
| R382      | HV755100 | R. CAR. FP  | 100Ω 1/4W          | 550     |        | 不燃化カーボン抵抗   | 01 |
| R383      | HV755100 | R. CAR. FP  | 100Ω 1/4W          | 550     |        | 不燃化カーボン抵抗   | 01 |
| R586      | HV753220 | R. CAR. FP  | 2.2Ω 1/4W          | 550     |        | 不燃化カーボン抵抗   | 01 |
| R615      | HV755270 | R. CAR. FP  | 270Ω 1/4W          | 550     |        | 不燃化カーボン抵抗   | 01 |
| R618      | HV755470 | R. CAR. FP  | 470Ω 1/4W          | 550     |        | 不燃化カーボン抵抗   | 01 |
| R619      | HV755270 | R. CAR. FP  | 270Ω 1/4W          | 550     |        | 不燃化カーボン抵抗   | 01 |
| R620      | HV755470 | R. CAR. FP  | 470Ω 1/4W          | 550     |        | 不燃化カーボン抵抗   | 01 |
| R629      | HV753470 | R. CAR. FP  | 4.7Ω 1/4W          | 550     |        | 不燃化カーボン抵抗   | 01 |
| R657      | HV755470 | R. CAR. FP  | 470Ω 1/4W          | 550     |        | 不燃化カーボン抵抗   | 01 |
| R661      | HV755470 | R. CAR. FP  | 470Ω 1/4W          | 550     |        | 不燃化カーボン抵抗   | 01 |
| R663      | HV755470 | R. CAR. FP  | 470Ω 1/4W          | 550     |        | 不燃化カーボン抵抗   | 01 |
| R667      | HV753470 | R. CAR. FP  | 4.7Ω 1/4W          | 550     |        | 不燃化カーボン抵抗   | 01 |
| R672      | HV755470 | R. CAR. FP  | 470Ω 1/4W          | 550     |        | 不燃化カーボン抵抗   | 01 |
| R675      | HV754220 | R. CAR. FP  | 22Ω 1/4W           | 550     |        | 不燃化カーボン抵抗   | 01 |
| R676      | HV755470 | R. CAR. FP  | 470Ω 1/4W          | 550     |        | 不燃化カーボン抵抗   | 01 |
| R716      | HV753100 | R. CAR. FP  | 1Ω 1/4W            | 550     |        | 不燃化カーボン抵抗   | 01 |
| R717      | HV753100 | R. CAR. FP  | 1Ω 1/4W            | 550     |        | 不燃化カーボン抵抗   | 01 |
| R908      | HV755270 | R. CAR. FP  | 270Ω 1/4W          | 550     |        | 不燃化カーボン抵抗   | 01 |
| R910      | HV755270 | R. CAR. FP  | 270Ω 1/4W          | 550     |        | 不燃化カーボン抵抗   | 01 |
| R916      | HV754100 | R. CAR. FP  | 10Ω 1/4W           | 550     |        | 不燃化カーボン抵抗   | 01 |
| ST501     | V4040500 | SCR. TERM   | M3                 | 550     |        | スクリュー/ターミナル | 01 |
| * SW901   | V3624300 | SW. SLIDE   | SS029-P022MJB-PA6  | 550     | RL     | スライドSW      |    |
| * T601    | WC716600 | COIL        | K5-MT              | 550     | UCRK   | ビデオコイルパック   |    |
| * T601    | WC716700 | COIL        | K5-MT              | 550     | TABGEL | ビデオコイルパック   |    |
| * T602    | WC716800 | COIL        | K5-MS              | 550     | UCRK   | ビデオコイルパック   |    |
| * T602    | WC716900 | COIL        | K5-MS              | 550     | TABGEL | ビデオコイルパック   |    |
| XL501     | WA674700 | RSNR. CE    | 16MHz CSTLS16MOX51 | 550     |        | セラミック振動子    |    |
| XL502     | V3930900 | RSNR. CRY   | 4.332MHz           | 550     | BGE    | 水晶振動子       | 05 |

\* New Parts \* 新規部品(マーク#の部品は、基板に含まれません)

RX-V550/HTR-5750  
RX-V450/HTR-5740/DSP-AX450

HTR-5750 RX-V450/HTR-5740/DSP-AX450

P.C.B. FUNCTION

RX-V550/HTR-5750  
RX-V450/HTR-5740/DSP-AX450

\*  
\*  
\*  
\*  
\*  
\*  
\*  
\*  
\*  
\*  
\*  
\*

| Schm Ref. | PART NO. | Description  | Remarks           | Markets         | 部 品 名      | Rank          |    |
|-----------|----------|--------------|-------------------|-----------------|------------|---------------|----|
|           | WC843700 | P. C. B.     | FUNCTION          | 450             | J          | P C B ファンクション |    |
|           | WC843800 | P. C. B.     | FUNCTION          | 450, 5740       | UC         | P C B ファンクション |    |
|           | WC843900 | P. C. B.     | FUNCTION          | 450             | RL         | P C B ファンクション |    |
|           | WC844000 | P. C. B.     | FUNCTION          | 450, 5740       | T          | P C B ファンクション |    |
|           | WC844100 | P. C. B.     | FUNCTION          | 450, 5740       | K          | P C B ファンクション |    |
|           | WC844100 | P. C. B.     | FUNCTION          | 450, 5740       | A          | P C B ファンクション |    |
|           | WC844200 | P. C. B.     | FUNCTION          | 450, 5740       | BGE        | P C B ファンクション |    |
|           | WC845300 | P. C. B.     | FUNCTION          | 5750            | UC         | P C B ファンクション |    |
|           | WC845400 | P. C. B.     | FUNCTION          | 5750            | T          | P C B ファンクション |    |
|           | WC845500 | P. C. B.     | FUNCTION          | 5750            | K          | P C B ファンクション |    |
|           | WC845600 | P. C. B.     | FUNCTION          | 5750            | A          | P C B ファンクション |    |
| CB301     | V7826600 | CN           | 16P TE TUC SERIES | 450, 5750, 5740 |            | コネクタープラグ      | 01 |
| CB303     | V7828700 | SOCKET       | 20P SE TUC SERIES | 450, 5750, 5740 |            | コネクタースOCKET   | 01 |
| CB305     | VP573800 | CN. BS. PIN  | 18P               | 450, 5750, 5740 |            | F F C コネクタ    | 01 |
| CB306     | VB858700 | CN. BS. PIN  | 8P                | 450, 5750, 5740 |            | ベースピン         | 01 |
| CB307     | VK026600 | CN. BS. PIN  | 7P                | 450, 5750, 5740 |            | ワイヤートラップ      | 01 |
| CB308     | VM923600 | CN. BS. PIN  | 13P               | 450, 5750, 5740 |            | F F C コネクタ    | 01 |
| CB309     | VB858400 | CN. BS. PIN  | 5P                | 450, 5750, 5740 |            | ベースピン         | 01 |
| CB401     | V7828300 | SOCKET       | 16P TE TUC SERIES | 450, 5750, 5740 |            | コネクタースOCKET   | 01 |
| CB402     | V7826600 | CN           | 16P TE TUC SERIES | 450, 5750, 5740 |            | コネクタープラグ      | 01 |
| CB501     | VM929900 | CN. BS. PIN  | 15P               | 450, 5750, 5740 |            | F P C コネクタ    | 01 |
| CB502     | VQ044900 | CN. BS. PIN  | 19P               | 450, 5750, 5740 |            | F F C コネクタ    | 01 |
| CB503     | VP682300 | CN. BS. PIN  | 8P                | 450, 5750, 5740 |            | F F C コネクタ    | 01 |
| CB505     | VQ045100 | CN. BS. PIN  | 21P               | 450, 5750, 5740 |            | F F C コネクタ    | 02 |
| CB506     | V7826300 | CN           | 13P TE TUC SERIES | 450, 5750, 5740 |            | コネクタープラグ      |    |
| CB508     | V7827000 | CN           | 20P TE TUC SERIES | 450, 5750, 5740 |            | コネクタープラグ      | 01 |
| CB510     | V7825900 | CN           | 9P TE TUC SERIES  | 450, 5750, 5740 |            | コネクタープラグ      |    |
| CB511     | V7826400 | CN           | 14P TE TUC SERIES | 5750, AX450     |            | コネクタープラグ      |    |
| CB512     | V7825500 | CN           | 5P TE TUC SERIES  | 450, 5750, 5740 | UCRTKABGLE | コネクタープラグ      | 01 |
| CB601     | V7828100 | SOCKET       | 14P TE TUC SERIES | 5750, AX450     |            | コネクタースOCKET   |    |
| CB701     | V7827200 | SOCKET       | 5P TE TUC SERIES  | 450, 5750, 5740 | UCRTKABGLE | コネクタースOCKET   |    |
| CB751     | V7828300 | SOCKET       | 16P TE TUC SERIES | 450, 5750, 5740 |            | コネクタースOCKET   | 01 |
| CB901     | V7827600 | SOCKET       | 9P SE TUC SERIES  | 450, 5750, 5740 |            | コネクタースOCKET   |    |
| C307      | UA652220 | C. MYLAR     | 220pF 50V         | 450, 5750, 5740 |            | マイラーコン        | 01 |
| C308      | UA652220 | C. MYLAR     | 220pF 50V         | 450, 5750, 5740 |            | マイラーコン        | 01 |
| C309      | UA652220 | C. MYLAR     | 220pF 50V         | 450, 5750, 5740 |            | マイラーコン        | 01 |
| C310      | UA652220 | C. MYLAR     | 220pF 50V         | 450, 5750, 5740 |            | マイラーコン        | 01 |
| C311      | FG651470 | C. CE        | 47pF 50V          | 450, 5750, 5740 |            | セラコン          | 01 |
| C312      | FG651470 | C. CE        | 47pF 50V          | 450, 5750, 5740 |            | セラコン          | 01 |
| C313      | UR837100 | C. EL        | 10uF 16V          | 450, 5750, 5740 |            | ケミコン          | 01 |
| C314      | UR837100 | C. EL        | 10uF 16V          | 450, 5750, 5740 |            | ケミコン          | 01 |
| C315      | UR837100 | C. EL        | 10uF 16V          | 450, 5750, 5740 |            | ケミコン          | 01 |
| C316      | UR837100 | C. EL        | 10uF 16V          | 450, 5750, 5740 |            | ケミコン          | 01 |
| C317      | UR837100 | C. EL        | 10uF 16V          | 450, 5750, 5740 |            | ケミコン          | 01 |
| C318      | VE326300 | C. MYLAR. ML | 0.18uF 50V        | 450, 5750, 5740 |            | 積層マイラーコン      | 01 |
| C319      | VE326300 | C. MYLAR. ML | 0.18uF 50V        | 450, 5750, 5740 |            | 積層マイラーコン      | 01 |
| C320      | UA653470 | C. MYLAR     | 4700pF 50V        | 450, 5750, 5740 |            | マイラーコン        | 01 |
| C321      | UR837100 | C. EL        | 10uF 16V          | 450, 5750, 5740 |            | ケミコン          | 01 |
| C322      | UU137100 | C. EL        | 10uF 16V          | 450, 5750, 5740 |            | ケミコン          | 01 |
| C323      | UU137100 | C. EL        | 10uF 16V          | 450, 5750, 5740 |            | ケミコン          | 01 |
| C324      | UU137100 | C. EL        | 10uF 16V          | 450, 5750, 5740 |            | ケミコン          | 01 |
| C325      | UA655150 | C. MYLAR     | 0.15uF 50V        | 450, 5750, 5740 |            | マイラーコン        | 01 |
| C326      | UA655150 | C. MYLAR     | 0.15uF 50V        | 450, 5750, 5740 |            | マイラーコン        | 01 |

\* New Parts \* 新規部品(マーク#の部品は、基板に含まれません)

HTR-5750

RX-V450/HTR-5740/DSP-AX450

P.C.B. FUNCTION

| Schm Ref. | PART NO. | Description | Remarks    | Markets         | 部 品 名 | Rank      |    |
|-----------|----------|-------------|------------|-----------------|-------|-----------|----|
| C327      | UA653470 | C. MYLAR    | 4700pF 50V | 450, 5750, 5740 |       | マイラーコン    | 01 |
| C330      | UR037100 | C. EL       | 10uF 16V   | 450, 5750, 5740 |       | ケミコン      | 01 |
| C331      | UR037100 | C. EL       | 10uF 16V   | 450, 5750, 5740 |       | ケミコン      | 01 |
| C332      | UT652100 | C. PP       | 100pF 100V | 450, 5750, 5740 |       | P Pコン     | 01 |
| C333      | UT652100 | C. PP       | 100pF 100V | 450, 5750, 5740 |       | P Pコン     | 01 |
| C334      | UU137100 | C. EL       | 10uF 16V   | 450, 5750, 5740 |       | ケミコン      | 01 |
| C335      | UU137100 | C. EL       | 10uF 16V   | 450, 5750, 5740 |       | ケミコン      | 01 |
| C336      | VG291200 | C. EL       | 47uF 50V   | 450, 5750, 5740 |       | ケミコン      | 01 |
| C337      | VG291200 | C. EL       | 47uF 50V   | 450, 5750, 5740 |       | ケミコン      | 01 |
| C338      | UR837100 | C. EL       | 10uF 16V   | 450, 5750, 5740 |       | ケミコン      | 01 |
| C339      | UA652100 | C. MYLAR    | 100pF 50V  | 450, 5750, 5740 |       | マイラーコン    | 01 |
| C340      | UR837100 | C. EL       | 10uF 16V   | 450, 5750, 5740 |       | ケミコン      | 01 |
| C341      | UU137100 | C. EL       | 10uF 16V   | 450, 5750, 5740 |       | ケミコン      | 01 |
| C342      | UR837100 | C. EL       | 10uF 16V   | 450, 5750, 5740 |       | ケミコン      | 01 |
| C343      | UR837100 | C. EL       | 10uF 16V   | 450, 5750, 5740 |       | ケミコン      | 01 |
| C344      | UR837100 | C. EL       | 10uF 16V   | 450, 5750, 5740 |       | ケミコン      | 01 |
| C347      | VG291200 | C. EL       | 47uF 50V   | 450, 5750, 5740 |       | ケミコン      | 01 |
| C348      | VG291200 | C. EL       | 47uF 50V   | 450, 5750, 5740 |       | ケミコン      | 01 |
| C349      | UR037470 | C. EL       | 47uF 16V   | 450, 5750, 5740 |       | ケミコン      | 01 |
| C350      | UR037470 | C. EL       | 47uF 16V   | 450, 5750, 5740 |       | ケミコン      | 01 |
| C355      | UR837100 | C. EL       | 10uF 16V   | 450, 5750, 5740 |       | ケミコン      | 01 |
| C356      | UR837100 | C. EL       | 10uF 16V   | 450, 5750, 5740 |       | ケミコン      | 01 |
| C361      | UR837100 | C. EL       | 10uF 16V   | 450, 5750, 5740 |       | ケミコン      | 01 |
| C362      | UR837100 | C. EL       | 10uF 16V   | 450, 5750, 5740 |       | ケミコン      | 01 |
| C365      | UR239100 | C. EL       | 1000uF 16V | 450, 5750, 5740 |       | ケミコン      |    |
| C366      | UR239100 | C. EL       | 1000uF 16V | 450, 5750, 5740 |       | ケミコン      |    |
| C367      | UR837100 | C. EL       | 10uF 16V   | 450, 5750, 5740 |       | ケミコン      | 01 |
| C368      | UR837100 | C. EL       | 10uF 16V   | 450, 5750, 5740 |       | ケミコン      | 01 |
| C369      | UR037100 | C. EL       | 10uF 16V   | 450, 5750, 5740 |       | ケミコン      | 01 |
| C370      | UR037100 | C. EL       | 10uF 16V   | 450, 5750, 5740 |       | ケミコン      | 01 |
| C371      | UA652100 | C. MYLAR    | 100pF 50V  | 450, 5750, 5740 |       | マイラーコン    | 01 |
| C372      | UA652100 | C. MYLAR    | 100pF 50V  | 450, 5750, 5740 |       | マイラーコン    | 01 |
| C373      | UA652680 | C. MYLAR    | 680pF 50V  | 450, 5750, 5740 |       | マイラーコン    | 01 |
| C374      | UA652680 | C. MYLAR    | 680pF 50V  | 450, 5750, 5740 |       | マイラーコン    | 01 |
| C377      | UR037470 | C. EL       | 47uF 16V   | 450, 5750, 5740 |       | ケミコン      | 01 |
| C378      | UR037470 | C. EL       | 47uF 16V   | 450, 5750, 5740 |       | ケミコン      | 01 |
| C501      | UR237470 | C. EL       | 47uF 16V   | 450, 5750, 5740 |       | ケミコン      |    |
| C502      | UR837100 | C. EL       | 10uF 16V   | 450, 5750, 5740 |       | ケミコン      | 01 |
| C503      | UR818220 | C. EL       | 220uF 6.3V | 450, 5750, 5740 |       | ケミコン      | 01 |
| C504      | WB165500 | C. EL       | 0.33F 5.5V | 450, 5750, 5740 |       | ゴールドキャパシタ |    |
| C505      | UR818220 | C. EL       | 220uF 6.3V | 450, 5750, 5740 |       | ケミコン      | 01 |
| C506      | VG287600 | C. EL       | 100uF 25V  | 450, 5750, 5740 |       | ケミコン      | 01 |
| C511      | UR866220 | C. EL       | 2.2uF 50V  | 450, 5750, 5740 |       | ケミコン      | 01 |
| C513      | UR866220 | C. EL       | 2.2uF 50V  | 450, 5750, 5740 |       | ケミコン      | 01 |
| C514      | UR866220 | C. EL       | 2.2uF 50V  | 450, 5750, 5740 |       | ケミコン      | 01 |
| C515      | UR866220 | C. EL       | 2.2uF 50V  | 450, 5750, 5740 |       | ケミコン      | 01 |
| C522      | UR237470 | C. EL       | 47uF 16V   | 450, 5750, 5740 |       | ケミコン      |    |
| C523      | UR237470 | C. EL       | 47uF 16V   | 450, 5750, 5740 |       | ケミコン      |    |
| C524      | UR237470 | C. EL       | 47uF 16V   | 450, 5750, 5740 |       | ケミコン      |    |
| C528      | UR237470 | C. EL       | 47uF 16V   | 450, 5740       | BGE   | ケミコン      |    |
| C529      | UR237470 | C. EL       | 47uF 16V   | 450, 5740       | BGE   | ケミコン      |    |
| C534      | UR237470 | C. EL       | 47uF 16V   | 450, 5740       | BGE   | ケミコン      |    |
| C535      | UR067470 | C. EL       | 47uF 50V   | 450, 5750, 5740 |       | ケミコン      |    |

\*

\* New Parts \* 新規部品(マーク#の部品は、基板に含まれません)

RX-V550/HTR-5750  
RX-V450/HTR-5740/DSP-AX450



HTR-5750

RX-V450/HTR-5740/DSP-AX450

P.C.B. FUNCTION

| Schm Ref. | PART NO. | Description               | Remarks         | Markets    | 部 品 名     | Rank |
|-----------|----------|---------------------------|-----------------|------------|-----------|------|
| C539      | UR837330 | C. EL 33uF 16V            | 450, 5750, 5740 |            | ケミコン      | 01   |
| C603      | UR837100 | C. EL 10uF 16V            | 5750, AX450     |            | ケミコン      | 01   |
| C604      | UR837100 | C. EL 10uF 16V            | 5750, AX450     |            | ケミコン      | 01   |
| C605      | UR837100 | C. EL 10uF 16V            | 5750, AX450     |            | ケミコン      | 01   |
| C608      | UR837100 | C. EL 10uF 16V            | 5750, AX450     |            | ケミコン      | 01   |
| C609      | UR837100 | C. EL 10uF 16V            | 5750, AX450     |            | ケミコン      | 01   |
| C610      | UR837100 | C. EL 10uF 16V            | 5750, AX450     |            | ケミコン      | 01   |
| C612      | UR829100 | C. EL 1000uF 10V          | 5750, AX450     |            | ケミコン      | 01   |
| C614      | UR829100 | C. EL 1000uF 10V          | 5750, AX450     |            | ケミコン      | 01   |
| * C619    | UR238470 | C. EL 470uF 16V           | 5750, AX450     |            | ケミコン      |      |
| C620      | UR238100 | C. EL 100uF 16V           | 5750, AX450     |            | ケミコン      |      |
| C621      | UR238100 | C. EL 100uF 16V           | 5750, AX450     |            | ケミコン      |      |
| C624      | UR837100 | C. EL 10uF 16V            | 5750, AX450     |            | ケミコン      | 01   |
| C625      | UR837100 | C. EL 10uF 16V            | 5750, AX450     |            | ケミコン      | 01   |
| C626      | UA653220 | C. MYLAR 2200pF 50V       | 5750, AX450     |            | マイラーコン    | 01   |
| C628      | UR866470 | C. EL 4.7uF 50V           | 5750, AX450     |            | ケミコン      | 01   |
| C629      | UR837470 | C. EL 47uF 16V            | 5750, AX450     |            | ケミコン      | 01   |
| C633      | UR238100 | C. EL 100uF 16V           | 5750, AX450     |            | ケミコン      |      |
| C634      | UR238100 | C. EL 100uF 16V           | 5750, AX450     |            | ケミコン      |      |
| C635      | UR837100 | C. EL 10uF 16V            | 5750, AX450     |            | ケミコン      | 01   |
| C637      | UR238100 | C. EL 100uF 16V           | 5750, AX450     |            | ケミコン      |      |
| C639      | UR837100 | C. EL 10uF 16V            | 5750, AX450     |            | ケミコン      | 01   |
| C648      | UR866470 | C. EL 4.7uF 50V           | 5750, AX450     |            | ケミコン      | 01   |
| C652      | UR238100 | C. EL 100uF 16V           | 5750, AX450     |            | ケミコン      |      |
| C653      | UR818330 | C. EL 330uF 6.3V          | 5750, AX450     |            | ケミコン      | 01   |
| C704      | UR837100 | C. EL 10uF 16V            | 450, 5750, 5740 | UCRTKABGLE | ケミコン      | 01   |
| C705      | UR837100 | C. EL 10uF 16V            | 450, 5750, 5740 | UCRTKABGLE | ケミコン      | 01   |
| C706      | UR837100 | C. EL 10uF 16V            | 450, 5750, 5740 | UCRTKABGLE | ケミコン      | 01   |
| C709      | UR238100 | C. EL 100uF 16V           | 450, 5750, 5740 | UCRTKABGLE | ケミコン      |      |
| C710      | UR238100 | C. EL 100uF 16V           | 450, 5750, 5740 | UCRTKABGLE | ケミコン      |      |
| C756      | UA654100 | C. MYLAR 0.01uF 50V       | 450, 5750, 5740 |            | マイラーコン    | 01   |
| C757      | UA652220 | C. MYLAR 220pF 50V        | 450, 5750, 5740 |            | マイラーコン    | 01   |
| C758      | UA652220 | C. MYLAR 220pF 50V        | 450, 5750, 5740 |            | マイラーコン    | 01   |
| C759      | UA652220 | C. MYLAR 220pF 50V        | 450, 5750, 5740 |            | マイラーコン    | 01   |
| C760      | UA652220 | C. MYLAR 220pF 50V        | 450, 5750, 5740 |            | マイラーコン    | 01   |
| C761      | UA652220 | C. MYLAR 220pF 50V        | 450, 5750, 5740 |            | マイラーコン    | 01   |
| C762      | UA652220 | C. MYLAR 220pF 50V        | 450, 5750, 5740 |            | マイラーコン    | 01   |
| C763      | FG651470 | C. CE 47pF 50V            | 450, 5750, 5740 |            | セラコン      | 01   |
| C764      | FG651470 | C. CE 47pF 50V            | 450, 5750, 5740 |            | セラコン      | 01   |
| C765      | UR837100 | C. EL 10uF 16V            | 450, 5750, 5740 |            | ケミコン      | 01   |
| C766      | UR837100 | C. EL 10uF 16V            | 450, 5750, 5740 |            | ケミコン      | 01   |
| C903      | UR837100 | C. EL 10uF 16V            | 450, 5750, 5740 |            | ケミコン      | 01   |
| C904      | UR837100 | C. EL 10uF 16V            | 450, 5750, 5740 |            | ケミコン      | 01   |
| C905      | UR837100 | C. EL 10uF 16V            | 450, 5750, 5740 |            | ケミコン      | 01   |
| C906      | UR829100 | C. EL 1000uF 10V          | 450, 5750, 5740 |            | ケミコン      | 01   |
| C907      | UR829100 | C. EL 1000uF 10V          | 450, 5750, 5740 |            | ケミコン      | 01   |
| C909      | UR837100 | C. EL 10uF 16V            | 450, 5750, 5740 |            | ケミコン      | 01   |
| * C910    | UR238470 | C. EL 470uF 16V           | 450, 5750, 5740 |            | ケミコン      |      |
| C911      | UR837100 | C. EL 10uF 16V            | 450, 5750, 5740 |            | ケミコン      | 01   |
| D301      | VU994300 | D10DE. ZENR MA8075-H 7.7V | 450, 5750, 5740 |            | ツェナーダイオード |      |
| D302      | VU994300 | D10DE. ZENR MA8075-H 7.7V | 450, 5750, 5740 |            | ツェナーダイオード |      |
| D303      | VV307700 | D10DE 1N4002S             | 450, 5750, 5740 |            | ダイオード     | 01   |
| D304      | VV307700 | D10DE 1N4002S             | 450, 5750, 5740 |            | ダイオード     | 01   |

\* New Parts \* 新規部品(マーク#の部品は、基板に含まれません)

RX-V550/HTR-5750  
RX-V450/HTR-5740/DSP-AX450



HTR-5750

RX-V450/HTR-5740/DSP-AX450

P.C.B. FUNCTION

| Schm Ref. | PART NO. | Description | Remarks            | Markets         | 部 品 名      | Rank        |    |
|-----------|----------|-------------|--------------------|-----------------|------------|-------------|----|
| D501      | VT332900 | D1ODE       | 1SS355             | 450, 5750, 5740 |            | ダイオード       | 01 |
| D502      | VT332900 | D1ODE       | 1SS355             | 450, 5750, 5740 |            | ダイオード       | 01 |
| D503      | VT332900 | D1ODE       | 1SS355             | 450, 5750, 5740 |            | ダイオード       | 01 |
| D504      | VU992600 | D1ODE. ZENR | MA8051-M 5.1V      | 450, 5750, 5740 |            | ツェナーダイオード   | 01 |
| D505      | VU992600 | D1ODE. ZENR | MA8051-M 5.1V      | 450, 5750, 5740 |            | ツェナーダイオード   | 01 |
| D507      | VU992600 | D1ODE. ZENR | MA8051-M 5.1V      | 450, 5750, 5740 |            | ツェナーダイオード   | 01 |
| D508      | VU993000 | D1ODE. ZENR | MA8056-M 5.6V      | 450, 5750, 5740 |            | ツェナーダイオード   | 01 |
| D510      | VU992600 | D1ODE. ZENR | MA8051-M 5.1V      | 450, 5750, 5740 |            | ツェナーダイオード   | 01 |
| D511      | VT332900 | D1ODE       | 1SS355             | 450, 5750, 5740 |            | ダイオード       | 01 |
| D601      | VT332900 | D1ODE       | 1SS355             | 5750, AX450     |            | ダイオード       | 01 |
| D602      | VT332900 | D1ODE       | 1SS355             | 5750, AX450     |            | ダイオード       | 01 |
| D603      | VT332900 | D1ODE       | 1SS355             | 5750, AX450     |            | ダイオード       | 01 |
| D604      | VT332900 | D1ODE       | 1SS355             | 5750, AX450     |            | ダイオード       | 01 |
| D606      | VT332900 | D1ODE       | 1SS355             | 5750, AX450     |            | ダイオード       | 01 |
| D607      | VT332900 | D1ODE       | 1SS355             | 5750, AX450     |            | ダイオード       | 01 |
| D608      | VT332900 | D1ODE       | 1SS355             | 5750, AX450     |            | ダイオード       | 01 |
| D609      | VT332900 | D1ODE       | 1SS355             | 5750, AX450     |            | ダイオード       | 01 |
| D610      | VT332900 | D1ODE       | 1SS355             | 5750, AX450     |            | ダイオード       | 01 |
| * IC301   | X5092A00 | IC          | BD3816K1           | 450, 5750, 5740 |            | IC          |    |
| IC303     | X3505A00 | IC          | NJM2068MD-TE2      | 450, 5750, 5740 |            | アンプ IC SOP  | 02 |
| IC304     | X3505A00 | IC          | NJM2068MD-TE2      | 450, 5750, 5740 |            | アンプ IC SOP  | 02 |
| IC305     | XP844A00 | IC          | NJM4556AL          | 450, 5750, 5740 |            | IC          | 02 |
| IC306     | X3505A00 | IC          | NJM2068MD-TE2      | 450, 5750, 5740 |            | アンプ IC SOP  | 02 |
| IC501     | X5041A00 | IC          | NJU7201L55 5.5V    | 450, 5750, 5740 |            | 電源 IC SIL   | 02 |
| * IC502   | X5269A00 | IC. CPU     | M30622MWP-152FP    | MASK ROM        |            | IC CPU      |    |
| * IC503   | X0082A00 | IC          | LC72722PM          | 450, 5740       | BGE        | IC SOP      |    |
| IC601     | XH436A00 | IC          | LA7956             | 5750, AX450     |            | IC          | 03 |
| IC602     | XH436A00 | IC          | LA7956             | 5750, AX450     |            | IC          | 03 |
| IC603     | XY879A00 | IC          | TC74HC4053AF (EL)  | 5750, AX450     |            | ロジック IC SOP | 03 |
| IC606     | XY879A00 | IC          | TC74HC4053AF (EL)  | 5750, AX450     |            | ロジック IC SOP | 03 |
| IC607     | XW939A00 | IC          | TK15420M VIDEO AMP | 5750, AX450     |            | アンプ IC SOP  | 03 |
| IC608     | XW939A00 | IC          | TK15420M VIDEO AMP | 5750, AX450     |            | アンプ IC SOP  | 03 |
| IC609     | XD598A00 | IC          | TC74HCU04AFEL INV  | 5750, AX450     |            | ロジック IC     | 01 |
| IC701     | XY879A00 | IC          | TC74HC4053AF (EL)  | 450, 5750, 5740 | UCRTKABGLE | ロジック IC SOP | 03 |
| IC702     | X2904A00 | IC          | NJM2581M VIDEO AMP | 450, 5750, 5740 | UCRTKABGLE | アンプ IC SOP  | 06 |
| IC901     | XH436A00 | IC          | LA7956             | 450, 5750, 5740 |            | IC          | 03 |
| JK601     | VS867300 | CN. DIN     | 4P YKF51-5501      | 5750, AX450     |            | DINコネクタ     | 03 |
| JK602     | V9273500 | CN. DIN     | 2P YKF51-5605      | 5750, AX450     |            | DINコネクタ 2P  |    |
| JK603     | V9273500 | CN. DIN     | 2P YKF51-5605      | 5750, AX450     |            | DINコネクタ 2P  |    |
| PJ301     | V7190400 | JACK. PIN   | 6P                 | 450, 5750, 5740 |            | ピンジャック      | 03 |
| PJ302     | V7046800 | JACK. PIN   | 6P MSP-246V1-01N1  | 450, 5750, 5740 |            | ピンジャック      |    |
| PJ701     | V8143900 | JACK. PIN   | 9P SHIELD YKC21    | 450, 5750, 5740 | UCRTKABGLE | ピンジャック      | 04 |
| PJ751     | V7046700 | JACK. PIN   | 4P MSP-244V1-01N1  | 450, 5750, 5740 |            | ピンジャック      |    |
| PJ752     | V7046700 | JACK. PIN   | 4P MSP-244V1-01N1  | 450, 5750, 5740 |            | ピンジャック      |    |
| PJ753     | V7189700 | JACK. PIN   | 1P                 | 450, 5750, 5740 |            | ピンジャック      | 01 |
| PJ901     | V7190000 | JACK. PIN   | 2P                 | 450, 5750, 5740 |            | ピンジャック      |    |
| PJ902     | V7190000 | JACK. PIN   | 2P                 | 450, 5750, 5740 |            | ピンジャック      |    |
| PJ903     | V7189800 | JACK. PIN   | 1P                 | 450, 5750, 5740 |            | ピンジャック      | 01 |
| PN301     | V9637500 | PIN         | L=70 #18           | 450, 5750, 5740 |            | スタイルピン      |    |
| Q301      | VD303700 | TR          | 2SC3326 A, B       | 450, 5750, 5740 |            | トランジスタ      | 01 |
| Q302      | VD303700 | TR          | 2SC3326 A, B       | 450, 5750, 5740 |            | トランジスタ      | 01 |
| Q303      | VD303700 | TR          | 2SC3326 A, B       | 450, 5750, 5740 |            | トランジスタ      | 01 |
| Q304      | VD303700 | TR          | 2SC3326 A, B       | 450, 5750, 5740 |            | トランジスタ      | 01 |

\* New Parts \* 新規部品(マーク#の部品は、基板に含まれません)

RX-V450/HTR-5740/DSP-AX450

HTR-5750

RX-V450/HTR-5740/DSP-AX450

P.C.B. FUNCTION

| Schm Ref. | PART NO. | Description | Remarks          | Markets         | 部 品 名      | Rank       |    |
|-----------|----------|-------------|------------------|-----------------|------------|------------|----|
| Q305      | VD303700 | TR          | 2SC3326 A, B     | 450, 5750, 5740 |            | トランジスタ     | 01 |
| Q306      | VD303700 | TR          | 2SC3326 A, B     | 450, 5750, 5740 |            | トランジスタ     | 01 |
| Q307      | iC181510 | TR          | 2SC1815 Y        | 450, 5750, 5740 |            | トランジスタ     | 01 |
| Q308      | iA101510 | TR          | 2SA1015 Y        | 450, 5750, 5740 |            | トランジスタ     | 01 |
| Q309      | VD303700 | TR          | 2SC3326 A, B     | 450, 5750, 5740 |            | トランジスタ     | 01 |
| Q310      | VD303700 | TR          | 2SC3326 A, B     | 450, 5750, 5740 |            | トランジスタ     | 01 |
| Q501      | VP872600 | TR          | 2SA1708 S, T     | 450, 5750, 5740 |            | トランジスタ     | 01 |
| Q502      | VV556500 | TR          | 2SA1037K Q, R, S | 450, 5750, 5740 |            | トランジスタ     | 01 |
| Q504      | VV556500 | TR          | 2SA1037K Q, R, S | 450, 5750, 5740 |            | トランジスタ     | 01 |
| Q505      | VV556500 | TR          | 2SA1037K Q, R, S | 450, 5750, 5740 |            | トランジスタ     | 01 |
| Q506      | VV556500 | TR          | 2SA1037K Q, R, S | 450, 5750, 5740 |            | トランジスタ     | 01 |
| Q507      | iC181510 | TR          | 2SC1815 Y        | 450, 5750, 5740 |            | トランジスタ     | 01 |
| Q508      | iC174020 | TR          | 2SC1740S R, S    | 450, 5740       | BGE        | トランジスタ     | 01 |
| Q509      | VV655700 | TR. DGT     | DTC144EKA        | 450, 5750, 5740 |            | デジタルトランジスタ | 01 |
| Q601      | iC174020 | TR          | 2SC1740S R, S    | 5750, AX450     |            | トランジスタ     | 01 |
| Q602      | iC174020 | TR          | 2SC1740S R, S    | 5750, AX450     |            | トランジスタ     | 01 |
| Q603      | iC174020 | TR          | 2SC1740S R, S    | 5750, AX450     |            | トランジスタ     | 01 |
| Q604      | iC174020 | TR          | 2SC1740S R, S    | 5750, AX450     |            | トランジスタ     | 01 |
| Q605      | iC174020 | TR          | 2SC1740S R, S    | 5750, AX450     |            | トランジスタ     | 01 |
| Q606      | iC174020 | TR          | 2SC1740S R, S    | 5750, AX450     |            | トランジスタ     | 01 |
| Q607      | iC174020 | TR          | 2SC1740S R, S    | 5750, AX450     |            | トランジスタ     | 01 |
| Q608      | iC174020 | TR          | 2SC1740S R, S    | 5750, AX450     |            | トランジスタ     | 01 |
| Q610      | iC174020 | TR          | 2SC1740S R, S    | 5750, AX450     |            | トランジスタ     | 01 |
| Q611      | iC174020 | TR          | 2SC1740S R, S    | 5750, AX450     |            | トランジスタ     | 01 |
| Q612      | iC174020 | TR          | 2SC1740S R, S    | 5750, AX450     |            | トランジスタ     | 01 |
| Q613      | iC053540 | TR          | 2SC535 A, B, C   | 5750, AX450     |            | トランジスタ     | 01 |
| Q614      | iA101510 | TR          | 2SA1015 Y        | 5750, AX450     |            | トランジスタ     | 01 |
| Q615      | iC224030 | TR          | 2SC2240 GR, BL   | 5750, AX450     |            | トランジスタ     | 01 |
| Q701      | VV556400 | TR          | 2SC2412K Q, R, S | 450, 5750, 5740 | UCRTKABGLE | トランジスタ     | 01 |
| Q753      | VD303700 | TR          | 2SC3326 A, B     | 450, 5750, 5740 |            | トランジスタ     | 01 |
| Q756      | VD303700 | TR          | 2SC3326 A, B     | 450, 5750, 5740 |            | トランジスタ     | 01 |
| Q901      | iC174020 | TR          | 2SC1740S R, S    | 450, 5750, 5740 |            | トランジスタ     | 01 |
| Q902      | iC174020 | TR          | 2SC1740S R, S    | 450, 5750, 5740 |            | トランジスタ     | 01 |
| Q903      | iC174020 | TR          | 2SC1740S R, S    | 450, 5750, 5740 |            | トランジスタ     | 01 |
| Q904      | iC174020 | TR          | 2SC1740S R, S    | 450, 5750, 5740 |            | トランジスタ     | 01 |
| R374      | HV755220 | R. CAR. FP  | 220Ω 1/4W        | 450, 5750, 5740 |            | 不燃化カーボン抵抗  | 01 |
| R375      | HV755150 | R. CAR. FP  | 150Ω 1/4W        | 450, 5750, 5740 |            | 不燃化カーボン抵抗  | 01 |
| R382      | HV755100 | R. CAR. FP  | 100Ω 1/4W        | 450, 5750, 5740 |            | 不燃化カーボン抵抗  | 01 |
| R383      | HV755100 | R. CAR. FP  | 100Ω 1/4W        | 450, 5750, 5740 |            | 不燃化カーボン抵抗  | 01 |
| R586      | HV753220 | R. CAR. FP  | 2.2Ω 1/4W        | 450, 5750, 5740 |            | 不燃化カーボン抵抗  | 01 |
| R615      | HV755270 | R. CAR. FP  | 270Ω 1/4W        | 5750, AX450     |            | 不燃化カーボン抵抗  | 01 |
| R618      | HV755470 | R. CAR. FP  | 470Ω 1/4W        | 5750, AX450     |            | 不燃化カーボン抵抗  | 01 |
| R619      | HV755270 | R. CAR. FP  | 270Ω 1/4W        | 5750, AX450     |            | 不燃化カーボン抵抗  | 01 |
| R620      | HV755470 | R. CAR. FP  | 470Ω 1/4W        | 5750, AX450     |            | 不燃化カーボン抵抗  | 01 |
| R629      | HV753470 | R. CAR. FP  | 4.7Ω 1/4W        | 5750, AX450     |            | 不燃化カーボン抵抗  | 01 |
| R657      | HV755470 | R. CAR. FP  | 470Ω 1/4W        | 5750, AX450     |            | 不燃化カーボン抵抗  | 01 |
| R661      | HV755470 | R. CAR. FP  | 470Ω 1/4W        | 5750, AX450     |            | 不燃化カーボン抵抗  | 01 |
| R663      | HV755470 | R. CAR. FP  | 470Ω 1/4W        | 5750, AX450     |            | 不燃化カーボン抵抗  | 01 |
| R667      | HV753470 | R. CAR. FP  | 4.7Ω 1/4W        | 5750, AX450     |            | 不燃化カーボン抵抗  | 01 |
| R672      | HV755470 | R. CAR. FP  | 470Ω 1/4W        | 5750, AX450     |            | 不燃化カーボン抵抗  | 01 |
| R675      | HV754220 | R. CAR. FP  | 22Ω 1/4W         | 5750, AX450     |            | 不燃化カーボン抵抗  | 01 |
| R676      | HV755470 | R. CAR. FP  | 470Ω 1/4W        | 5750, AX450     |            | 不燃化カーボン抵抗  | 01 |
| R716      | HV753100 | R. CAR. FP  | 1Ω 1/4W          | 450, 5750, 5740 | UCRTKABGLE | 不燃化カーボン抵抗  | 01 |

\* New Parts \* 新規部品(マーク#の部品は、基板に含まれません)

RX-V550/HTR-5750  
RX-V450/HTR-5740/DSP-AX450

HTR-5750

RX-V450/HTR-5740/DSP-AX450

RX-V550

P.C.B. FUNCTION & P.C.B. OPERATION

| Schm Ref. | PART NO. | Description | Remarks            | Markets         | 部 品 名      | Rank          |    |
|-----------|----------|-------------|--------------------|-----------------|------------|---------------|----|
| R717      | HV753100 | R. CAR. FP  | 1 Ω 1/4W           | 450, 5750, 5740 | UCRTKABGLE | 不燃化カーボン抵抗     | 01 |
| R908      | HV755270 | R. CAR. FP  | 270 Ω 1/4W         | 450, 5750, 5740 |            | 不燃化カーボン抵抗     | 01 |
| R910      | HV755270 | R. CAR. FP  | 270 Ω 1/4W         | 450, 5750, 5740 |            | 不燃化カーボン抵抗     | 01 |
| R916      | HV754100 | R. CAR. FP  | 10 Ω 1/4W          | 450, 5750, 5740 |            | 不燃化カーボン抵抗     | 01 |
| ST501     | V4040500 | SCR. TERM   | M3                 | 450, 5750, 5740 |            | スクリュウ/ターミナル   | 01 |
| * SW901   | V3624300 | SW. SLIDE   | SS029-P022MJB-PA6  | 450, 5740       | RL         | スライドSW        |    |
| * T601    | WC716600 | COIL        | K5-MT              | 450             | J          | ビデオコイルパック     |    |
| * T601    | WC716600 | COIL        | K5-MT              | 5750            | UCK        | ビデオコイルパック     |    |
| * T601    | WC716700 | COIL        | K5-MT              | 5750            | TA         | ビデオコイルパック     |    |
| * T602    | WC716800 | COIL        | K5-MS              | 450             | J          | ビデオコイルパック     |    |
| * T602    | WC716800 | COIL        | K5-MS              | 5750            | UCK        | ビデオコイルパック     |    |
| * T602    | WC716900 | COIL        | K5-MS              | 5750            | TA         | ビデオコイルパック     |    |
| XL501     | WA674700 | RSNR. CE    | 16MHz CSTLS16MOX51 | 450, 5750, 5740 |            | セラミック振動子      |    |
| XL502     | V3930900 | RSNR. CRYST | 4.332MHz           | 450, 5740       | BGE        | 水晶振動子         | 05 |
| * * * * * | WC846500 | P. C. B.    | OPERATION          | 550             | UCA        | P C B オペレーション |    |
| * * * * * | WC846600 | P. C. B.    | OPERATION          | 550             | RTKL       | P C B オペレーション |    |
| * * * * * | WC846700 | P. C. B.    | OPERATION          | 550             | BGE        | P C B オペレーション |    |
| CB801     | VQ045100 | CN. BS. PIN | 21P                | 550             |            | F F C コネクター   | 02 |
| CB803     | Vi878200 | CN. BS. PIN | 4P                 | 550             |            | ケーブルホルダー      | 01 |
| CB861     | Vi878200 | CN. BS. PIN | 4P                 | 550             |            | ケーブルホルダー      | 01 |
| CB863     | LB919020 | CN. BS. PIN | 2P                 | 550             |            | ベース付ポスト       | 01 |
| CB871     | VB858400 | CN. BS. PIN | 5P                 | 550             |            | ベースピン         | 01 |
| C808      | UM397100 | C. EL       | 10uF 16V           | 550             |            | ケミコン          | 01 |
| C811      | UM388330 | C. EL       | 330uF 6.3V         | 550             |            | ケミコン          | 01 |
| C822      | UM417100 | C. EL       | 10uF 50V           | 550             |            | ケミコン          | 01 |
| C871      | UA654100 | C. MYLAR    | 0.01uF 50V         | 550             |            | マイラーコン        | 01 |
| C872      | UA653100 | C. MYLAR    | 1000pF 50V         | 550             |            | マイラーコン        | 03 |
| C874      | UA654100 | C. MYLAR    | 0.01uF 50V         | 550             |            | マイラーコン        | 01 |
| C875      | UA654100 | C. MYLAR    | 0.01uF 50V         | 550             |            | マイラーコン        | 01 |
| D802      | V2598200 | LED         | S1R-505ST          | 550             | UCA        | L E D         |    |
| D803      | VU171500 | D1ODE. ZENR | UDZ 3.6BTE-17 3.6V | 550             |            | ツェナーダイオード     | 01 |
| D804      | VU171500 | D1ODE. ZENR | UDZ 3.6BTE-17 3.6V | 550             |            | ツェナーダイオード     | 01 |
| D871      | VU995000 | D1ODE. ZENR | MA8091-M 9.1V      | 550             |            | ツェナーダイオード     |    |
| D872      | VT332900 | D1ODE       | 1SS355             | 550             |            | ダイオード         | 01 |
| D873      | VT332900 | D1ODE       | 1SS355             | 550             |            | ダイオード         | 01 |
| D881      | VT332900 | D1ODE       | 1SS355             | 550             |            | ダイオード         | 01 |
| D882      | VT332900 | D1ODE       | 1SS355             | 550             |            | ダイオード         | 01 |
| D883      | VT332900 | D1ODE       | 1SS355             | 550             |            | ダイオード         | 01 |
| D884      | VT332900 | D1ODE       | 1SS355             | 550             |            | ダイオード         | 01 |
| IC801     | X2874A00 | IC          | M66003-0101FP FLD  | 550             |            | アンプIC         | 08 |
| JK871     | V9408200 | JACK. PHONE | MSJ-064-05B GR     | 550             |            | ホーンジャック       | 03 |
| PJ881     | V7190100 | JACK. PIN   | 3P                 | 550             |            | ピンジャック        |    |
| PN801     | V9637500 | PIN         | L=70 #18           | 550             |            | スタイルピン        |    |
| PN802     | V9637500 | PIN         | L=70 #18           | 550             |            | スタイルピン        |    |
| PN871     | V9637500 | PIN         | L=70 #18           | 550             |            | スタイルピン        |    |
| PN881     | V9637500 | PIN         | L=70 #18           | 550             |            | スタイルピン        |    |
| Q801      | VV556400 | TR          | 2SC2412K Q, R, S   | 550             |            | トランジスタ        | 01 |
| Q802      | VV556400 | TR          | 2SC2412K Q, R, S   | 550             |            | トランジスタ        | 01 |
| Q803      | VV556400 | TR          | 2SC2412K Q, R, S   | 550             |            | トランジスタ        | 01 |
| Q804      | VV556400 | TR          | 2SC2412K Q, R, S   | 550             |            | トランジスタ        | 01 |

\* New Parts \* 新規部品(マーク#の部品は、基板に含まれません)

RX-V450/HTR-5740/DSP-AX450

P.C.B. OPERATION

| Schm Ref. | PART NO. | Description  | Remarks            | Markets         | 部 品 名    | Rank         |    |
|-----------|----------|--------------|--------------------|-----------------|----------|--------------|----|
| Q805      | VV556400 | TR           | 2SC2412K Q, R, S   | 550             |          | トランジスタ       | 01 |
| Q806      | VV556400 | TR           | 2SC2412K Q, R, S   | 550             |          | トランジスタ       | 01 |
| ST871     | V4040500 | SCR. TERM    | M3                 | 550             |          | スクリュー/ターミナル  | 01 |
| ST881     | WA246200 | SCR. TERM    | 3.5                | 550             |          | スクリューターミナル   |    |
| SW801     | V9597100 | SW. RT. ENC  | EC12E2460802       | 550             |          | ロータリーエンコーダ   |    |
| SW802     | V9266400 | SW. RT. ENC  | XREB12105PVB25F    | 550             |          | ロータリーエンコーダ   | 02 |
| SW803     | V9266400 | SW. RT. ENC  | XREB12105PVB25F    | 550             |          | ロータリーエンコーダ   | 02 |
| SW804     | VV020300 | SW. TACT     | SKQNAA             | 550             |          | タクトSW        | 01 |
| SW806     | VV020300 | SW. TACT     | SKQNAA             | 550             |          | タクトSW        | 01 |
| SW807     | VV020300 | SW. TACT     | SKQNAA             | 550             |          | タクトSW        | 01 |
| SW808     | VV020300 | SW. TACT     | SKQNAA             | 550             |          | タクトSW        | 01 |
| SW809     | VV020300 | SW. TACT     | SKQNAA             | 550             |          | タクトSW        | 01 |
| SW810     | VV020300 | SW. TACT     | SKQNAA             | 550             |          | タクトSW        | 01 |
| SW811     | VV020300 | SW. TACT     | SKQNAA             | 550             |          | タクトSW        | 01 |
| SW812     | VV020300 | SW. TACT     | SKQNAA             | 550             |          | タクトSW        | 01 |
| SW813     | VV020300 | SW. TACT     | SKQNAA             | 550             |          | タクトSW        | 01 |
| SW814     | VV020300 | SW. TACT     | SKQNAA             | 550             |          | タクトSW        | 01 |
| SW815     | VV020300 | SW. TACT     | SKQNAA             | 550             |          | タクトSW        | 01 |
| SW816     | VV020300 | SW. TACT     | SKQNAA             | 550             | BGE      | タクトSW        | 01 |
| SW817     | VV020300 | SW. TACT     | SKQNAA             | 550             | BGE      | タクトSW        | 01 |
| SW818     | VV020300 | SW. TACT     | SKQNAA             | 550             | BGE      | タクトSW        | 01 |
| SW819     | VV020300 | SW. TACT     | SKQNAA             | 550             | BGE      | タクトSW        | 01 |
| SW820     | VV020300 | SW. TACT     | SKQNAA             | 550             |          | タクトSW        | 01 |
| SW821     | VV020300 | SW. TACT     | SKQNAA             | 550             |          | タクトSW        | 01 |
| SW861     | VV020300 | SW. TACT     | SKQNAA             | 550             |          | タクトSW        | 01 |
| U801      | V8210200 | L. DTCT      | GP1UD271XK         | 550             |          | リモコン受光ユニット   | 03 |
| * V801    | WC173100 | FL. DSPLY    | 16-BT-122GNK       | 550             |          | 蛍光表示管        |    |
|           | V6880300 | SHEET        |                    | 550             |          | シート/FL       |    |
|           | V6007100 | SPACER. FL   | 4.6/10/32          | 550             |          | スペーサ FL      |    |
| * * *     | WC846300 | P. C. B.     | OPERATION          | 450, 5750, 5740 | JUCRTKAL | P C Bオペレーション |    |
|           | WC846400 | P. C. B.     | OPERATION          | 450, 5750, 5740 | BGE      | P C Bオペレーション |    |
| CB801     | VQ045100 | CN. BS. PIN  | 21P                | 450, 5750, 5740 |          | FFCコネクタ      | 02 |
| CB802     | Vi878100 | CN. BS. PIN  | 3P                 | 450, 5750, 5740 |          | ケーブルホルダー     | 01 |
| CB803     | Vi878400 | CN. BS. PIN  | 6P                 | 450, 5750, 5740 |          | ケーブルホルダー     | 01 |
| CB804     | Vi878300 | CN. BS. PIN  | 5P                 | 450, 5750, 5740 |          | ケーブルホルダー     | 01 |
| CB861     | Vi878400 | CN. BS. PIN  | 6P                 | 450, 5750, 5740 |          | ケーブルホルダー     | 01 |
| CB863     | LB919020 | CN. BS. PIN  | 2P                 | 450, 5750, 5740 |          | ベース付ポスト      | 01 |
| CB866     | Vi878100 | CN. BS. PIN  | 3P                 | 450, 5750, 5740 |          | ケーブルホルダー     | 01 |
| CB871     | Vi878300 | CN. BS. PIN  | 5P                 | 450, 5750, 5740 |          | ケーブルホルダー     | 01 |
| C806      | UM397100 | C. EL        | 10uF 16V           | 450, 5750, 5740 |          | ケミコン         | 01 |
| C811      | UR818330 | C. EL        | 330uF 6.3V         | 450, 5750, 5740 |          | ケミコン         | 01 |
| C822      | VF467000 | C. CE. TUBLR | 1000pF 50V         | 450, 5750, 5740 |          | 円筒セラコン       | 01 |
| C823      | VF467000 | C. CE. TUBLR | 1000pF 50V         | 450, 5750, 5740 |          | 円筒セラコン       | 01 |
| C871      | UA654100 | C. MYLAR     | 0.01uF 50V         | 450, 5750, 5740 |          | マイラーコン       | 01 |
| C872      | UA653100 | C. MYLAR     | 1000pF 50V         | 450, 5750, 5740 |          | マイラーコン       | 03 |
| C874      | UA654100 | C. MYLAR     | 0.01uF 50V         | 450, 5750, 5740 |          | マイラーコン       | 01 |
| C875      | UA654100 | C. MYLAR     | 0.01uF 50V         | 450, 5750, 5740 |          | マイラーコン       | 01 |
| D801      | VU171500 | D IODE. ZENR | UDZ 3.6BTE-17 3.6V | 450, 5750, 5740 |          | ツェナーダイオード    | 01 |
| D802      | VU171500 | D IODE. ZENR | UDZ 3.6BTE-17 3.6V | 450, 5750, 5740 |          | ツェナーダイオード    | 01 |
| D803      | VT332900 | D IODE       | 1SS355             | 450, 5750, 5740 |          | ダイオード        | 01 |

\* New Parts \* 新規部品(マーク#の部品は、基板に含まれません)

RX-V550/HTR-5750  
RX-V450/HTR-5740/DSP-AX450



HTR-5750

RX-V450/HTR-5740/DSP-AX450

P.C.B. OPERATION

| Schm Ref. | PART NO. | Description | Remarks           | Markets         | 部 品 名 | Rank       |    |
|-----------|----------|-------------|-------------------|-----------------|-------|------------|----|
| D871      | VU172500 | D10DE. ZENR | UDZS9. 1B         | 450, 5750, 5740 |       | ツェナーダイオード  | 01 |
| D872      | VT332900 | D10DE       | 1SS355            | 450, 5750, 5740 |       | ダイオード      | 01 |
| D873      | VT332900 | D10DE       | 1SS355            | 450, 5750, 5740 |       | ダイオード      | 01 |
| D881      | VT332900 | D10DE       | 1SS355            | 450, 5750, 5740 |       | ダイオード      | 01 |
| D882      | VT332900 | D10DE       | 1SS355            | 450, 5750, 5740 |       | ダイオード      | 01 |
| D883      | VT332900 | D10DE       | 1SS355            | 450, 5750, 5740 |       | ダイオード      | 01 |
| D884      | VT332900 | D10DE       | 1SS355            | 450, 5750, 5740 |       | ダイオード      | 01 |
| IC801     | X2874A00 | IC          | M66003-0101FP FLD | 450, 5750, 5740 |       | アンプ IC     | 08 |
| JK871     | V9408200 | JACK. PHONE | MSJ-064-05B GR    | 450, 5750, 5740 |       | ホーンジャック    | 03 |
| PJ881     | V7190100 | JACK. PIN   | 3P                | 450, 5750, 5740 |       | ピンジャック     |    |
| PN801     | V9637500 | PIN         | L=70 #18          | 450, 5750, 5740 |       | スタイルピン     |    |
| PN861     | V9637500 | PIN         | L=70 #18          | 450, 5750, 5740 |       | スタイルピン     |    |
| PN862     | V9637500 | PIN         | L=70 #18          | 450, 5750, 5740 |       | スタイルピン     |    |
| PN881     | V9637500 | PIN         | L=70 #18          | 450, 5750, 5740 |       | スタイルピン     |    |
| Q801      | VV556400 | TR          | 2SC2412K Q, R, S  | 450, 5750, 5740 |       | トランジスタ     | 01 |
| Q802      | VV556400 | TR          | 2SC2412K Q, R, S  | 450, 5750, 5740 |       | トランジスタ     | 01 |
| Q803      | VV556400 | TR          | 2SC2412K Q, R, S  | 450, 5750, 5740 |       | トランジスタ     | 01 |
| Q804      | VV556400 | TR          | 2SC2412K Q, R, S  | 450, 5750, 5740 |       | トランジスタ     | 01 |
| Q805      | VV556400 | TR          | 2SC2412K Q, R, S  | 450, 5750, 5740 |       | トランジスタ     | 01 |
| Q806      | VV556400 | TR          | 2SC2412K Q, R, S  | 450, 5750, 5740 |       | トランジスタ     | 01 |
| ST872     | WA246200 | SCR. TERM   | 3. 5              | 450, 5750, 5740 |       | スクリューターミナル |    |
| ST881     | WA246200 | SCR. TERM   | 3. 5              | 450, 5750, 5740 |       | スクリューターミナル |    |
| ST882     | WA246200 | SCR. TERM   | 3. 5              | 450, 5750, 5740 |       | スクリューターミナル |    |
| SW801     | V9281300 | SW. RT. ENC | EVEKD2F3024B      | 450, 5750, 5740 |       | ロータリーエンコーダ | 02 |
| SW802     | V9266400 | SW. RT. ENC | XREB12105PVB25F   | 450, 5750, 5740 |       | ロータリーエンコーダ | 02 |
| SW803     | VV020300 | SW. TACT    | SKQNAA            | 450, 5750, 5740 |       | タクトSW      | 01 |
| SW804     | VV020300 | SW. TACT    | SKQNAA            | 450, 5750, 5740 |       | タクトSW      | 01 |
| SW805     | VV020300 | SW. TACT    | SKQNAA            | 450, 5750, 5740 |       | タクトSW      | 01 |
| SW806     | VV020300 | SW. TACT    | SKQNAA            | 450, 5750, 5740 |       | タクトSW      | 01 |
| SW807     | VV020300 | SW. TACT    | SKQNAA            | 450, 5750, 5740 |       | タクトSW      | 01 |
| SW808     | VV020300 | SW. TACT    | SKQNAA            | 450, 5750, 5740 |       | タクトSW      | 01 |
| SW809     | VV020300 | SW. TACT    | SKQNAA            | 450, 5750, 5740 |       | タクトSW      | 01 |
| SW810     | VV020300 | SW. TACT    | SKQNAA            | 450, 5750, 5740 |       | タクトSW      | 01 |
| SW811     | VV020300 | SW. TACT    | SKQNAA            | 450, 5750, 5740 |       | タクトSW      | 01 |
| SW812     | VV020300 | SW. TACT    | SKQNAA            | 450, 5750, 5740 |       | タクトSW      | 01 |
| SW813     | VV020300 | SW. TACT    | SKQNAA            | 450, 5750, 5740 |       | タクトSW      | 01 |
| SW814     | VV020300 | SW. TACT    | SKQNAA            | 450, 5750, 5740 |       | タクトSW      | 01 |
| SW815     | VV020300 | SW. TACT    | SKQNAA            | 450, 5750, 5740 |       | タクトSW      | 01 |
| SW816     | VV020300 | SW. TACT    | SKQNAA            | 450, 5750, 5740 |       | タクトSW      | 01 |
| SW817     | VV020300 | SW. TACT    | SKQNAA            | 450, 5750, 5740 |       | タクトSW      | 01 |
| SW818     | VV020300 | SW. TACT    | SKQNAA            | 450, 5750, 5740 | BGE   | タクトSW      | 01 |
| SW819     | VV020300 | SW. TACT    | SKQNAA            | 450, 5750, 5740 | BGE   | タクトSW      | 01 |
| SW820     | VV020300 | SW. TACT    | SKQNAA            | 450, 5750, 5740 | BGE   | タクトSW      | 01 |
| SW821     | VV020300 | SW. TACT    | SKQNAA            | 450, 5750, 5740 | BGE   | タクトSW      | 01 |
| SW861     | VV020300 | SW. TACT    | SKQNAA            | 450, 5750, 5740 |       | タクトSW      | 01 |
| SW866     | VV020300 | SW. TACT    | SKQNAA            | 450, 5750, 5740 |       | タクトSW      | 01 |
| SW867     | VV020300 | SW. TACT    | SKQNAA            | 450, 5750, 5740 |       | タクトSW      | 01 |
| U801      | V8210200 | L. DTCT     | GP1UD271XK        | 450, 5750, 5740 |       | リモコン受光ユニット | 03 |
| * V801    | WC173100 | FL. DSPLY   | 16-BT-122GNK      | 450, 5750, 5740 |       | 蛍光表示管      |    |
|           | V6880300 | SHEET       |                   | 450, 5750, 5740 |       | シート/FL     |    |
|           | V6007100 | SPACER. FL  | 4. 6/10/32        | 450, 5750, 5740 |       | スペーサ FL    |    |

\* New Parts \* 新規部品(マーク#の部品は、基板に含まれません)

RX-V450/HTR-5740/DSP-AX450

P.C.B. MAIN

| Schm Ref. | PART NO. | Description | Remarks     | Markets          | 部 品 名     | Rank       |      |
|-----------|----------|-------------|-------------|------------------|-----------|------------|------|
| *         | WC838200 | P. C. B.    | MAIN        | 550, 5750        | UC        | P C B メイン  |      |
| *         | WC838300 | P. C. B.    | MAIN        | 550, 5750        | RTA       | P C B メイン  |      |
| *         | WC838400 | P. C. B.    | MAIN        | 550, 5750        | KBGLE     | P C B メイン  |      |
| *         | WC838500 | P. C. B.    | MAIN        | 450              | J         | P C B メイン  |      |
| *         | WC838600 | P. C. B.    | MAIN        | 450, 5740        | UC        | P C B メイン  |      |
| *         | WC838700 | P. C. B.    | MAIN        | 450, 5740        | RTA       | P C B メイン  |      |
| *         | WC838800 | P. C. B.    | MAIN        | 450, 5740        | KBGLE     | P C B メイン  |      |
|           | CB3      | VP682200    | CN. BS. PIN | 8P               |           | F F C コネクタ | 01   |
|           | CB5      | Vi878600    | CN. BS. PIN | 8P               |           | ケーブルホルダー   | 01   |
|           | CB6      | Vi878600    | CN. BS. PIN | 8P               |           | ケーブルホルダー   | 01   |
|           | CB121    | V7825600    | CN          | 6P TE TUC SERIES |           | コネクタプラグ    |      |
|           | CB122    | VQ047400    | CN. BS. PIN | 19P              |           | F F C コネクタ | 01   |
|           | CB123    | WB127100    | CN. BS. PIN | 3P TE XH         |           | ベースツキポスト   |      |
|           | CB127    | LB932060    | CN. BS. PIN | 6P               |           | ベースポスト     | 01   |
|           | C1       | V9411200    | C. EL       | 22uF 100V        |           | ケミコン RA-2  | 01   |
|           | C2       | UR397100    | C. EL       | 10uF 100V        |           | ケミコン ASF   | 03   |
|           | C3       | V8638300    | C. PP       | 150pF 630V       |           | PPコン       |      |
|           | C4       | UR337470    | C. EL       | 47uF 16V         |           | ケミコン ASF   | 03   |
|           | C5       | V8638300    | C. PP       | 150pF 630V       |           | PPコン       |      |
|           | C6       | V8638300    | C. PP       | 150pF 630V       |           | PPコン       |      |
|           | C7       | UR337470    | C. EL       | 47uF 16V         |           | ケミコン ASF   | 03   |
|           | C8       | V8638300    | C. PP       | 150pF 630V       |           | PPコン       |      |
|           | C9       | UT652150    | C. PP       | 150pF 100V       |           | PPコン       | 01   |
|           | C10      | VG287500    | C. EL       | 47uF 50V         |           | ケミコン       | 01   |
|           | C11      | UT652150    | C. PP       | 150pF 100V       |           | PPコン       | 01   |
|           | C12      | UT652150    | C. PP       | 150pF 100V       |           | PPコン       | 01   |
|           | C13      | VG287500    | C. EL       | 47uF 50V         |           | ケミコン       | 01   |
|           | C14      | UT652150    | C. PP       | 150pF 100V       |           | PPコン       | 01   |
|           | C15      | UT652150    | C. PP       | 150pF 100V       |           | PPコン       | 01   |
|           | C16      | VG287500    | C. EL       | 47uF 50V         |           | ケミコン       | 01   |
|           | C17      | UT652150    | C. PP       | 150pF 100V       |           | PPコン       | 01   |
|           | C18      | V8638300    | C. PP       | 150pF 630V       |           | PPコン       |      |
|           | C19      | UR337470    | C. EL       | 47uF 16V         |           | ケミコン ASF   | 03   |
|           | C20      | V8638300    | C. PP       | 150pF 630V       |           | PPコン       |      |
|           | C23      | UT654220    | C. PP       | 0.022uF 100V     |           | PPコン       | 01   |
|           | C24      | UT654220    | C. PP       | 0.022uF 100V     |           | PPコン       | 01   |
|           | C25      | UA654220    | C. MYLAR    | 0.022uF 50V      |           | マイラーコン     | 01   |
|           | C26      | UA654220    | C. MYLAR    | 0.022uF 50V      |           | マイラーコン     | 01   |
|           | C27      | UA654220    | C. MYLAR    | 0.022uF 50V      |           | マイラーコン     | 01   |
|           | C28      | UT654220    | C. PP       | 0.022uF 100V     |           | PPコン       | 01   |
|           | C29      | UR818100    | C. EL       | 100uF 6.3V       |           | ケミコン       | 01   |
|           | C30      | UR866470    | C. EL       | 4.7uF 50V        |           | ケミコン       | 01   |
| △         | C31      | UR397100    | C. EL       | 10uF 100V        |           | ケミコン ASF   | 03   |
| △         | C32      | UR397100    | C. EL       | 10uF 100V        |           | ケミコン ASF   | 03   |
|           | C120     | UR857470    | C. EL       | 47uF 35V         |           | ケミコン       | 01   |
| △         | C121     | UR866470    | C. EL       | 4.7uF 50V        |           | ケミコン       | 01   |
| *         | C122     | WC910800    | C. EL       | 10000uF 71V      | 550, 5750 | UCRTA      | ケミコン |
| △         | C122     | WA744300    | C. EL       | 10000uF 71V      | 550, 5750 | KBGLE      | ケミコン |
| △         | C122     | WB127200    | C. EL       | 8200uF 71V       | 450, 5740 | JKBGLE     | ケミコン |
| *         | C122     | WC910900    | C. EL       | 8200uF 71V       | 450, 5740 | UCRTA      | ケミコン |
| *         | C123     | WC910800    | C. EL       | 10000uF 71V      | 550, 5750 | UCRTA      | ケミコン |
| △         | C123     | WA744300    | C. EL       | 10000uF 71V      | 550, 5750 | KBGLE      | ケミコン |
| △         | C123     | WB127200    | C. EL       | 8200uF 71V       | 450, 5740 | JKBGLE     | ケミコン |

\* New Parts \* 新規部品(マーク#の部品は、基板に含まれません)



P.C.B. MAIN

| Schm Ref. | PART NO. | Description       | Remarks      | Markets   | 部 品 名    | Rank         |    |
|-----------|----------|-------------------|--------------|-----------|----------|--------------|----|
| * △       | C123     | WC910900 C. EL    | 8200uF 71V   | 450, 5740 | UCRTA    | ケミコン         |    |
| *         | C124     | UR068330 C. EL    | 330uF 50V    |           |          | ケミコン         |    |
|           | C125     | VR324900 C. MYLAR | 0. 1uF 100V  |           |          | マイラーコン       | 01 |
|           | C126     | VR324900 C. MYLAR | 0. 1uF 100V  |           |          | マイラーコン       | 01 |
|           | C128     | VG291300 C. EL    | 100uF 50V    |           |          | ケミコン         | 01 |
|           | C129     | VG291300 C. EL    | 100uF 50V    |           |          | ケミコン         | 01 |
|           | C130     | UA654100 C. MYLAR | 0. 01uF 50V  |           | RTKABGLE | マイラーコン       | 01 |
|           | C131     | UA654100 C. MYLAR | 0. 01uF 50V  |           | RTKABGLE | マイラーコン       | 01 |
|           | C132     | VR324900 C. MYLAR | 0. 1uF 100V  |           |          | マイラーコン       | 01 |
| △         | C133     | VR324900 C. MYLAR | 0. 1uF 100V  |           |          | マイラーコン       | 01 |
|           | C134     | UA654100 C. MYLAR | 0. 01uF 50V  |           | RTKABGLE | マイラーコン       | 01 |
|           | C135     | UA654100 C. MYLAR | 0. 01uF 50V  |           | RTKABGLE | マイラーコン       | 01 |
|           | C136     | UA654100 C. MYLAR | 0. 01uF 50V  |           | RTKABGLE | マイラーコン       | 01 |
|           | C137     | UA654100 C. MYLAR | 0. 01uF 50V  |           | RTKABGLE | マイラーコン       | 01 |
|           | C138     | UA653470 C. MYLAR | 4700pF 50V   |           | RTKABGLE | マイラーコン       | 01 |
|           | C139     | UA653470 C. MYLAR | 4700pF 50V   |           | RTKABGLE | マイラーコン       | 01 |
|           | C140     | UA653470 C. MYLAR | 4700pF 50V   |           | RTKABGLE | マイラーコン       | 01 |
|           | C141     | UA653470 C. MYLAR | 4700pF 50V   |           | RTKABGLE | マイラーコン       | 01 |
|           | C142     | UA654220 C. MYLAR | 0. 022uF 50V |           |          | マイラーコン       | 01 |
|           | C143     | UA654220 C. MYLAR | 0. 022uF 50V |           |          | マイラーコン       | 01 |
|           | C144     | UA654220 C. MYLAR | 0. 022uF 50V |           |          | マイラーコン       | 01 |
|           | C145     | UA654220 C. MYLAR | 0. 022uF 50V |           |          | マイラーコン       | 01 |
|           | C148     | VR324900 C. MYLAR | 0. 1uF 100V  |           |          | マイラーコン       | 01 |
|           | C149     | VR324900 C. MYLAR | 0. 1uF 100V  |           |          | マイラーコン       | 01 |
|           | C251     | UR397100 C. EL    | 10uF 100V    |           |          | ケミコン A S F   | 03 |
|           | C252     | V9411200 C. EL    | 22uF 100V    |           |          | ケミコン R A - 2 | 01 |
|           | C253     | UU137100 C. EL    | 10uF 16V     |           |          | ケミコン         | 01 |
|           | C254     | UU137100 C. EL    | 10uF 16V     |           |          | ケミコン         | 01 |
|           | C256     | V8584600 C. PP    | 220pF 630V   |           |          | P Pコン        |    |
|           | C257     | UA654220 C. MYLAR | 0. 022uF 50V |           |          | マイラーコン       | 01 |
|           | C258     | UA654220 C. MYLAR | 0. 022uF 50V |           |          | マイラーコン       | 01 |
|           | C259     | V8584600 C. PP    | 220pF 630V   |           |          | P Pコン        |    |
|           | D1       | VD631600 D1ODE    | 1SS133, 176  |           |          | ダイオード        | 01 |
|           | D2       | VD631600 D1ODE    | 1SS133, 176  |           |          | ダイオード        | 01 |
|           | D3       | VD631600 D1ODE    | 1SS133, 176  |           |          | ダイオード        | 01 |
|           | D4       | VD631600 D1ODE    | 1SS133, 176  |           |          | ダイオード        | 01 |
|           | D5       | VD631600 D1ODE    | 1SS133, 176  |           |          | ダイオード        | 01 |
|           | D6       | VD631600 D1ODE    | 1SS133, 176  |           |          | ダイオード        | 01 |
|           | D7       | VD631600 D1ODE    | 1SS133, 176  |           |          | ダイオード        | 01 |
|           | D8       | VD631600 D1ODE    | 1SS133, 176  |           |          | ダイオード        | 01 |
|           | D9       | VD631600 D1ODE    | 1SS133, 176  |           |          | ダイオード        | 01 |
|           | D10      | VD631600 D1ODE    | 1SS133, 176  |           |          | ダイオード        | 01 |
|           | D11      | VD631600 D1ODE    | 1SS133, 176  |           |          | ダイオード        | 01 |
|           | D12      | VD631600 D1ODE    | 1SS133, 176  |           |          | ダイオード        | 01 |
|           | D13      | VD631600 D1ODE    | 1SS133, 176  |           |          | ダイオード        | 01 |
|           | D14      | VD631600 D1ODE    | 1SS133, 176  |           |          | ダイオード        | 01 |
|           | D15      | VN008700 D1ODE    | 1SS270A      |           |          | ダイオード        | 01 |
|           | D16      | VN008700 D1ODE    | 1SS270A      |           |          | ダイオード        | 01 |
|           | D17      | VN008700 D1ODE    | 1SS270A      |           |          | ダイオード        | 01 |
|           | D18      | VN008700 D1ODE    | 1SS270A      |           |          | ダイオード        | 01 |
|           | D19      | VN008700 D1ODE    | 1SS270A      |           |          | ダイオード        | 01 |
|           | D20      | VN008700 D1ODE    | 1SS270A      |           |          | ダイオード        | 01 |
|           | D22      | VN008700 D1ODE    | 1SS270A      |           |          | ダイオード        | 01 |

\* New Parts \* 新規部品(マーク#の部品は、基板に含まれません)

RX-V550/HTR-5750  
RX-V450/HTR-5740/DSP-AX450

P.C.B. MAIN

| Schm Ref. | PART NO. | Description | Remarks           | Markets | 部 品 名     | Rank |
|-----------|----------|-------------|-------------------|---------|-----------|------|
| D23       | VN008700 | DIODE       | 1SS270A           |         | ダイオード     | 01   |
| D24       | VN008700 | DIODE       | 1SS270A           |         | ダイオード     | 01   |
| D25       | VN008700 | DIODE       | 1SS270A           |         | ダイオード     | 01   |
| D26       | VN008700 | DIODE       | 1SS270A           |         | ダイオード     | 01   |
| D27       | VN008700 | DIODE       | 1SS270A           |         | ダイオード     | 01   |
| D120      | VG440300 | DIODE. ZENR | MTZJ12C 12V       |         | ツェナーダイオード | 01   |
| D121      | VG440300 | DIODE. ZENR | MTZJ12C 12V       |         | ツェナーダイオード | 01   |
| D122      | VG443200 | DIODE. ZENR | MTZJ30A 30V       |         | ツェナーダイオード | 01   |
| D123      | VG440300 | DIODE. ZENR | MTZJ12C 12V       |         | ツェナーダイオード | 01   |
| D124      | VG440300 | DIODE. ZENR | MTZJ12C 12V       |         | ツェナーダイオード | 01   |
| D125      | VG440300 | DIODE. ZENR | MTZJ12C 12V       |         | ツェナーダイオード | 01   |
| D126      | VG440300 | DIODE. ZENR | MTZJ12C 12V       |         | ツェナーダイオード | 01   |
| D127      | VG440300 | DIODE. ZENR | MTZJ12C 12V       |         | ツェナーダイオード | 01   |
| D128      | VG440300 | DIODE. ZENR | MTZJ12C 12V       |         | ツェナーダイオード | 01   |
| D129      | VG440300 | DIODE. ZENR | MTZJ12C 12V       |         | ツェナーダイオード | 01   |
| D130      | VG440300 | DIODE. ZENR | MTZJ12C 12V       |         | ツェナーダイオード | 01   |
| D132      | VV307700 | DIODE       | 1N4002S           |         | ダイオード     | 01   |
| △ D133    | WA653200 | DIODE. BRG  | TS6P03G 6.0A 200V |         | ダイオードブリッジ | 04   |
| D134      | WA180300 | DIODE       | 1SS244            |         | ダイオード     | 01   |
| D135      | WA180300 | DIODE       | 1SS244            |         | ダイオード     | 01   |
| D138      | WA180300 | DIODE       | 1SS244            |         | ダイオード     | 01   |
| D139      | WA180300 | DIODE       | 1SS244            |         | ダイオード     | 01   |
| △ D141    | VS997800 | DIODE       | 1T2               |         | ダイオード     | 01   |
| △ D142    | VS997800 | DIODE       | 1T2               |         | ダイオード     | 01   |
| △ D143    | VS997800 | DIODE       | 1T2               |         | ダイオード     | 01   |
| △ D144    | VS997800 | DIODE       | 1T2               |         | ダイオード     | 01   |
| D251      | VD631600 | DIODE       | 1SS133, 176       |         | ダイオード     | 01   |
| * D252    | VG440700 | DIODE. ZENR | MTZJ15A 15V       |         | ツェナーダイオード |      |
| D253      | VG435500 | DIODE. ZENR | MTZJ2. 4B 2. 4V   |         | ツェナーダイオード |      |
| D254      | VG435500 | DIODE. ZENR | MTZJ2. 4B 2. 4V   |         | ツェナーダイオード |      |
| G122      | V5995800 | PLATE. GND  |                   |         | アースプレート   |      |
| IC1       | V8100500 | PHOT. CPL   | TLP421 GR         |         | フォトカプラ    | 01   |
| IC2       | V8100500 | PHOT. CPL   | TLP421 GR         |         | フォトカプラ    | 01   |
| IC3       | V8100500 | PHOT. CPL   | TLP421 GR         |         | フォトカプラ    | 01   |
| IC4       | V8100500 | PHOT. CPL   | TLP421 GR         |         | フォトカプラ    | 01   |
| PN1       | V9637500 | PIN         | L=70 #18          |         | スタイルピン    |      |
| PN2       | V9637500 | PIN         | L=70 #18          |         | スタイルピン    |      |
| PN3       | V9637500 | PIN         | L=70 #18          |         | スタイルピン    |      |
| △ Q1      | VC614000 | TR          | 2SB1274 O, R, S   |         | トランジスタ    | 02   |
| Q2        | VP883000 | TR          | 2SA893A D, E      |         | トランジスタ    | 01   |
| △ Q3      | VK432900 | TR          | 2SD1915F S, T     |         | トランジスタ    | 01   |
| Q4        | VR325600 | TR          | 2SC2229 O, Y      |         | トランジスタ    | 01   |
| △ Q5      | VK432900 | TR          | 2SD1915F S, T     |         | トランジスタ    | 01   |
| Q6        | VR325600 | TR          | 2SC2229 O, Y      |         | トランジスタ    | 01   |
| △ Q7      | VK432900 | TR          | 2SD1915F S, T     |         | トランジスタ    | 01   |
| △ Q8      | VK432900 | TR          | 2SD1915F S, T     |         | トランジスタ    | 01   |
| △ Q9      | VR325600 | TR          | 2SC2229 O, Y      |         | トランジスタ    | 01   |
| △ Q10     | VK432900 | TR          | 2SD1915F S, T     |         | トランジスタ    | 01   |
| Q11       | VR325600 | TR          | 2SC2229 O, Y      |         | トランジスタ    | 01   |
| △ Q12     | VK432900 | TR          | 2SD1915F S, T     |         | トランジスタ    | 01   |
| Q13       | VR325600 | TR          | 2SC2229 O, Y      |         | トランジスタ    | 01   |
| △ Q14     | VP883000 | TR          | 2SA893A D, E      |         | トランジスタ    | 01   |
| △ Q15     | VR325600 | TR          | 2SC2229 O, Y      |         | トランジスタ    | 01   |

\* New Parts \* 新規部品(マーク#の部品は、基板に含まれません)

RX-V550/HTR-5750  
RX-V450/HTR-5740/DSP-AX450

P.C.B. MAIN

| Schm Ref. | PART NO. | Description          | Remarks         | Markets | 部 品 名     | Rank |
|-----------|----------|----------------------|-----------------|---------|-----------|------|
| △         | Q16A     | iX630850 TR          | 2SA1695 0, P, Y |         | トランジスタ    | 04   |
| △         | Q16C     | iX630860 TR          | 2SC4468 0, P, Y |         | トランジスタ    | 04   |
| △         | Q18A     | iX630850 TR          | 2SA1695 0, P, Y |         | トランジスタ    | 04   |
| △         | Q18C     | iX630860 TR          | 2SC4468 0, P, Y |         | トランジスタ    | 04   |
| △         | Q20A     | iX630850 TR          | 2SA1695 0, P, Y |         | トランジスタ    | 04   |
| △         | Q20C     | iX630860 TR          | 2SC4468 0, P, Y |         | トランジスタ    | 04   |
| △         | Q22A     | iX630850 TR          | 2SA1695 0, P, Y |         | トランジスタ    | 04   |
| △         | Q22C     | iX630860 TR          | 2SC4468 0, P, Y |         | トランジスタ    | 04   |
| △         | Q24A     | iX630850 TR          | 2SA1695 0, P, Y |         | トランジスタ    | 04   |
| △         | Q24C     | iX630860 TR          | 2SC4468 0, P, Y |         | トランジスタ    | 04   |
| △         | Q26A     | iX630850 TR          | 2SA1695 0, P, Y |         | トランジスタ    | 04   |
| △         | Q26C     | iX630860 TR          | 2SC4468 0, P, Y |         | トランジスタ    | 04   |
| *         | Q28      | WC398400 TR          | 2SC2N5551C-AT   |         | トランジスタ    |      |
| *         | Q29      | WC398400 TR          | 2SC2N5551C-AT   |         | トランジスタ    |      |
| *         | Q30      | WC398400 TR          | 2SC2N5551C-AT   |         | トランジスタ    |      |
| *         | Q31      | WC398400 TR          | 2SC2N5551C-AT   |         | トランジスタ    |      |
| *         | Q32      | WC398400 TR          | 2SC2N5551C-AT   |         | トランジスタ    |      |
| *         | Q33      | WC398400 TR          | 2SC2N5551C-AT   |         | トランジスタ    |      |
| *         | Q34      | WC397700 TR          | 2SA2N5401C-AT   |         | トランジスタ    |      |
|           | Q35      | iC181510 TR          | 2SC1815 Y       |         | トランジスタ    | 01   |
| △         | Q120     | iA101510 TR          | 2SA1015 Y       |         | トランジスタ    | 01   |
|           | Q121     | iC181510 TR          | 2SC1815 Y       |         | トランジスタ    | 01   |
|           | Q123     | iC181510 TR          | 2SC1815 Y       |         | トランジスタ    | 01   |
| △         | Q125     | iC181510 TR          | 2SC1815 Y       |         | トランジスタ    | 01   |
|           | Q126     | iC181510 TR          | 2SC1815 Y       |         | トランジスタ    | 01   |
|           | Q127     | VP883100 TR          | 2SC1890A D, E   |         | トランジスタ    | 01   |
|           | Q128     | VP872700 TR          | 2SC4488 S, T    |         | トランジスタ    | 01   |
|           | Q129     | VP872700 TR          | 2SC4488 S, T    |         | トランジスタ    | 01   |
|           | Q130     | VP872700 TR          | 2SC4488 S, T    |         | トランジスタ    | 01   |
|           | Q131     | VP872700 TR          | 2SC4488 S, T    |         | トランジスタ    | 01   |
|           | Q251     | VP883100 TR          | 2SC1890A D, E   |         | トランジスタ    | 01   |
|           | Q252     | VR510800 TR          | 2SD2396 J, K    |         | トランジスタ    | 02   |
|           | Q253     | VP872600 TR          | 2SA1708 S, T    |         | トランジスタ    | 01   |
|           | Q256     | V4096100 TR          | 2SC4614 S, T    |         | トランジスタ    | 02   |
|           | Q257     | V4096100 TR          | 2SC4614 S, T    |         | トランジスタ    | 02   |
|           | Q258     | V4096100 TR          | 2SC4614 S, T    |         | トランジスタ    | 02   |
| △         | Q259     | V4096100 TR          | 2SC4614 S, T    |         | トランジスタ    | 02   |
|           | Q260     | V4096100 TR          | 2SC4614 S, T    |         | トランジスタ    | 02   |
|           | Q261     | V4096100 TR          | 2SC4614 S, T    |         | トランジスタ    | 02   |
|           | Q262     | V4096000 TR          | 2SA1770 S, T    |         | トランジスタ    | 03   |
|           | Q263     | V4096000 TR          | 2SA1770 S, T    |         | トランジスタ    | 03   |
| △         | Q264     | V4096000 TR          | 2SA1770 S, T    |         | トランジスタ    | 03   |
| △         | Q265     | V4096000 TR          | 2SA1770 S, T    |         | トランジスタ    | 03   |
|           | Q266     | V4096000 TR          | 2SA1770 S, T    |         | トランジスタ    | 03   |
|           | Q267     | V4096000 TR          | 2SA1770 S, T    |         | トランジスタ    | 03   |
|           | R10      | HL006270 R. MTL. OXD | 2.7KΩ 1/2W      |         | 酸化金属被膜抵抗  |      |
|           | R11      | HL005470 R. MTL. OXD | 470Ω 1/2W       |         | 酸化金属被膜抵抗  |      |
|           | R12      | HL005820 R. MTL. OXD | 820Ω 1/2W       |         | 酸化金属被膜抵抗  |      |
|           | R13      | HV755100 R. CAR. FP  | 100Ω 1/4W       |         | 不燃化カーボン抵抗 | 01   |
|           | R14      | HL006270 R. MTL. OXD | 2.7KΩ 1/2W      |         | 酸化金属被膜抵抗  |      |
|           | R15      | HL005470 R. MTL. OXD | 470Ω 1/2W       |         | 酸化金属被膜抵抗  |      |
|           | R16      | HL005820 R. MTL. OXD | 820Ω 1/2W       |         | 酸化金属被膜抵抗  |      |
|           | R17      | HV755100 R. CAR. FP  | 100Ω 1/4W       |         | 不燃化カーボン抵抗 | 01   |

\* New Parts \* 新規部品(マーク#の部品は、基板に含まれません)

RX-V550/HTR-5750  
RX-V450/HTR-5740/DSP-AX450

P.C.B. MAIN

| Schm Ref. | PART NO. | Description | Remarks | Markets   | 部 品 名 | Rank      |    |
|-----------|----------|-------------|---------|-----------|-------|-----------|----|
| R18       | HL006270 | R. MTL. OXD | 2.7KΩ   | 1/2W      |       | 酸化金属被膜抵抗  |    |
| R19       | HL005470 | R. MTL. OXD | 470Ω    | 1/2W      |       | 酸化金属被膜抵抗  |    |
| R20       | HL005820 | R. MTL. OXD | 820Ω    | 1/2W      |       | 酸化金属被膜抵抗  |    |
| R21       | HL006270 | R. MTL. OXD | 2.7KΩ   | 1/2W      |       | 酸化金属被膜抵抗  |    |
| R22       | HL005470 | R. MTL. OXD | 470Ω    | 1/2W      |       | 酸化金属被膜抵抗  |    |
| R23       | HL005820 | R. MTL. OXD | 820Ω    | 1/2W      |       | 酸化金属被膜抵抗  |    |
| R24       | HV755100 | R. CAR. FP  | 100Ω    | 1/4W      |       | 不燃化カーボン抵抗 | 01 |
| R25       | HL006270 | R. MTL. OXD | 2.7KΩ   | 1/2W      |       | 酸化金属被膜抵抗  |    |
| R26       | HL005470 | R. MTL. OXD | 470Ω    | 1/2W      |       | 酸化金属被膜抵抗  |    |
| R27       | HL005820 | R. MTL. OXD | 820Ω    | 1/2W      |       | 酸化金属被膜抵抗  |    |
| R28       | HV755100 | R. CAR. FP  | 100Ω    | 1/4W      |       | 不燃化カーボン抵抗 | 01 |
| R29       | HL006270 | R. MTL. OXD | 2.7KΩ   | 1/2W      |       | 酸化金属被膜抵抗  |    |
| R30       | HL005470 | R. MTL. OXD | 470Ω    | 1/2W      |       | 酸化金属被膜抵抗  |    |
| R31       | HL005820 | R. MTL. OXD | 820Ω    | 1/2W      |       | 酸化金属被膜抵抗  |    |
| R32       | HV755100 | R. CAR. FP  | 100Ω    | 1/4W      |       | 不燃化カーボン抵抗 | 01 |
| R34       | HL006100 | R. MTL. OXD | 1KΩ     | 1/2W      |       | 酸化金属被膜抵抗  |    |
| R35       | HL006100 | R. MTL. OXD | 1KΩ     | 1/2W      |       | 酸化金属被膜抵抗  |    |
| R36       | HL006100 | R. MTL. OXD | 1KΩ     | 1/2W      |       | 酸化金属被膜抵抗  |    |
| R37       | HL006100 | R. MTL. OXD | 1KΩ     | 1/2W      |       | 酸化金属被膜抵抗  |    |
| R38       | HL006100 | R. MTL. OXD | 1KΩ     | 1/2W      |       | 酸化金属被膜抵抗  |    |
| R39       | HL006100 | R. MTL. OXD | 1KΩ     | 1/2W      |       | 酸化金属被膜抵抗  |    |
| R40       | HV755100 | R. CAR. FP  | 100Ω    | 1/4W      |       | 不燃化カーボン抵抗 | 01 |
| △ R41     | HV754100 | R. CAR. FP  | 10Ω     | 1/4W      |       | 不燃化カーボン抵抗 | 01 |
| △ R45     | V3873200 | R. WW       | 0.22Ω   | 3W        |       | セメント抵抗    | 02 |
| △ R46     | V3873200 | R. WW       | 0.22Ω   | 3W        |       | セメント抵抗    | 02 |
| △ R47     | WB279900 | R. WW       | RGC55C  | 0.22+0.22 |       | セメント抵抗    |    |
| △ R48     | WB279900 | R. WW       | RGC55C  | 0.22+0.22 |       | セメント抵抗    |    |
| △ R49     | WB279900 | R. WW       | RGC55C  | 0.22+0.22 |       | セメント抵抗    |    |
| △ R50     | V3873200 | R. WW       | 0.22Ω   | 3W        |       | セメント抵抗    | 02 |
| * △ R71   | WC860900 | R. MTL. FLM | 10Ω     | 1W        |       | 金属被膜抵抗    |    |
| * △ R72   | WC860900 | R. MTL. FLM | 10Ω     | 1W        |       | 金属被膜抵抗    |    |
| △ R73     | VP939800 | R. MTL. OXD | 10Ω     | 1W        |       | 酸化金属被膜抵抗  | 01 |
| △ R74     | VP939800 | R. MTL. OXD | 10Ω     | 1W        |       | 酸化金属被膜抵抗  | 01 |
| △ R75     | VP939800 | R. MTL. OXD | 10Ω     | 1W        |       | 酸化金属被膜抵抗  | 01 |
| * △ R76   | WC860900 | R. MTL. FLM | 10Ω     | 1W        |       | 金属被膜抵抗    |    |
| △ R108    | HV753100 | R. CAR. FP  | 1Ω      | 1/4W      |       | 不燃化カーボン抵抗 | 01 |
| R123      | V8071300 | R. MTL. FLM | 470Ω    | 1W        |       | 金属被膜抵抗    |    |
| R124      | V8071300 | R. MTL. FLM | 470Ω    | 1W        |       | 金属被膜抵抗    |    |
| △ R125    | HV755100 | R. CAR. FP  | 100Ω    | 1/4W      |       | 不燃化カーボン抵抗 | 01 |
| △ R126    | HV756100 | R. CAR. FP  | 1KΩ     | 1/4W      |       | 不燃化カーボン抵抗 | 01 |
| * △ R130  | V8071600 | R. MTL. OXD | 1KΩ     | 1W        |       | 金属被膜抵抗    |    |
| R136      | V8071300 | R. MTL. FLM | 470Ω    | 1W        |       | 金属被膜抵抗    |    |
| * △ R139  | WC862900 | R. MTL. FLM | 470Ω    | 1W        |       | 金属被膜抵抗    |    |
| R140      | HV754220 | R. CAR. FP  | 22Ω     | 1/4W      |       | 不燃化カーボン抵抗 | 01 |
| R141      | HV754220 | R. CAR. FP  | 22Ω     | 1/4W      |       | 不燃化カーボン抵抗 | 01 |
| R142      | HV754220 | R. CAR. FP  | 22Ω     | 1/4W      |       | 不燃化カーボン抵抗 | 01 |
| R143      | HV754220 | R. CAR. FP  | 22Ω     | 1/4W      |       | 不燃化カーボン抵抗 | 01 |
| R147      | HV756220 | R. CAR. FP  | 2.2KΩ   | 1/4W      |       | 不燃化カーボン抵抗 | 01 |
| R148      | HV756220 | R. CAR. FP  | 2.2KΩ   | 1/4W      |       | 不燃化カーボン抵抗 | 01 |
| R168      | HV753470 | R. CAR. FP  | 4.7Ω    | 1/4W      |       | 不燃化カーボン抵抗 | 01 |
| R169      | HV753470 | R. CAR. FP  | 4.7Ω    | 1/4W      |       | 不燃化カーボン抵抗 | 01 |
| △ R170    | HV753100 | R. CAR. FP  | 1Ω      | 1/4W      |       | 不燃化カーボン抵抗 | 01 |
| △ R171    | HV753100 | R. CAR. FP  | 1Ω      | 1/4W      |       | 不燃化カーボン抵抗 | 01 |

\* New Parts \* 新規部品(マーク#の部品は、基板に含まれません)

RX-V550/HTR-5750  
RX-V450/HTR-5740/DSP-AX450

P.C.B. MAIN

| Schm Ref. | PART NO. | Description  | Remarks           | Markets    | 部 品 名       | Rank |
|-----------|----------|--------------|-------------------|------------|-------------|------|
| R172      | HV753470 | R. CAR. FP   | 4.7Ω 1/4W         |            | 不燃化カーボン抵抗   | 01   |
| R173      | HV753470 | R. CAR. FP   | 4.7Ω 1/4W         |            | 不燃化カーボン抵抗   | 01   |
| R251      | HV756470 | R. CAR. FP   | 4.7KΩ 1/4W        |            | 不燃化カーボン抵抗   | 01   |
| R253      | HV754100 | R. CAR. FP   | 10Ω 1/4W          |            | 不燃化カーボン抵抗   | 01   |
| R256      | HV756100 | R. CAR. FP   | 1KΩ 1/4W          |            | 不燃化カーボン抵抗   | 01   |
| R264      | HV754100 | R. CAR. FP   | 10Ω 1/4W          |            | 不燃化カーボン抵抗   | 01   |
| R265      | HV754100 | R. CAR. FP   | 10Ω 1/4W          |            | 不燃化カーボン抵抗   | 01   |
| R266      | VP939700 | R. MTL. FLM  | 4.7Ω 1W           |            | 金属被膜抵抗      | 01   |
| R267      | VP939700 | R. MTL. FLM  | 4.7Ω 1W           |            | 金属被膜抵抗      | 01   |
| R268      | VP939700 | R. MTL. FLM  | 4.7Ω 1W           |            | 金属被膜抵抗      | 01   |
| R269      | VP939700 | R. MTL. FLM  | 4.7Ω 1W           |            | 金属被膜抵抗      | 01   |
| R270      | VP939700 | R. MTL. FLM  | 4.7Ω 1W           |            | 金属被膜抵抗      | 01   |
| R271      | VP939700 | R. MTL. FLM  | 4.7Ω 1W           |            | 金属被膜抵抗      | 01   |
| R272      | VP939700 | R. MTL. FLM  | 4.7Ω 1W           |            | 金属被膜抵抗      | 01   |
| R273      | VP939700 | R. MTL. FLM  | 4.7Ω 1W           |            | 金属被膜抵抗      | 01   |
| R274      | VP939700 | R. MTL. FLM  | 4.7Ω 1W           |            | 金属被膜抵抗      | 01   |
| R275      | VP939700 | R. MTL. FLM  | 4.7Ω 1W           |            | 金属被膜抵抗      | 01   |
| R276      | VP939700 | R. MTL. FLM  | 4.7Ω 1W           |            | 金属被膜抵抗      | 01   |
| R277      | VP939700 | R. MTL. FLM  | 4.7Ω 1W           |            | 金属被膜抵抗      | 01   |
| R278      | V8070900 | R. MTL. FLM  | 100Ω 1W           |            | 金属被膜抵抗      | 01   |
| R279      | V8070900 | R. MTL. FLM  | 100Ω 1W           |            | 金属被膜抵抗      | 01   |
| R280      | V8070900 | R. MTL. FLM  | 100Ω 1W           |            | 金属被膜抵抗      | 01   |
| R281      | V8070900 | R. MTL. FLM  | 100Ω 1W           |            | 金属被膜抵抗      | 01   |
| R282      | V8070900 | R. MTL. FLM  | 100Ω 1W           |            | 金属被膜抵抗      | 01   |
| R283      | V8070900 | R. MTL. FLM  | 100Ω 1W           |            | 金属被膜抵抗      | 01   |
| R284      | VP939700 | R. MTL. FLM  | 4.7Ω 1W           |            | 金属被膜抵抗      | 01   |
| R291      | HV753470 | R. CAR. FP   | 4.7Ω 1/4W         |            | 不燃化カーボン抵抗   | 01   |
| R292      | HV753470 | R. CAR. FP   | 4.7Ω 1/4W         |            | 不燃化カーボン抵抗   | 01   |
| R293      | V8070200 | R. MTL. FLM  | 4.7Ω 1W           |            | 金属被膜抵抗      | 01   |
| R294      | V8070900 | R. MTL. FLM  | 100Ω 1W           |            | 金属被膜抵抗      | 01   |
| R295      | V8070900 | R. MTL. FLM  | 100Ω 1W           |            | 金属被膜抵抗      | 01   |
| R296      | V8070900 | R. MTL. FLM  | 100Ω 1W           |            | 金属被膜抵抗      | 01   |
| R297      | V8070900 | R. MTL. FLM  | 100Ω 1W           |            | 金属被膜抵抗      | 01   |
| R298      | V8070900 | R. MTL. FLM  | 100Ω 1W           |            | 金属被膜抵抗      | 01   |
| R299      | V8070900 | R. MTL. FLM  | 100Ω 1W           |            | 金属被膜抵抗      | 01   |
| RY121     | V5966300 | RELAY        | DS24D2-0S(M)      |            | リレー 2 4 V   | 05   |
| RY122     | V5966300 | RELAY        | DS24D2-0S(M)      |            | リレー 2 4 V   | 05   |
| RY123     | V5178900 | RELAY        | DC DQ24D1-0S(M)   |            | リレー 2 4 V   | 05   |
| RY124     | V5966300 | RELAY        | DS24D2-0S(M)      |            | リレー 2 4 V   | 05   |
| RY125     | V5966300 | RELAY        | DS24D2-0S(M)      |            | リレー 2 4 V   | 05   |
| * SR121   | WC319200 | THYRISTOR    | SLA0201 5.00A     |            | サイリスタ       |      |
| ST121     | V4040500 | SCR. TERM    | M3                |            | スクリュー/ターミナル | 01   |
| * SW1     | V3624300 | SW. SLIDE    | SS029-P022MJB-PA6 | UCRTKABGLE | スライドSW      |      |
| * TE120   | WC631900 | TERM. SP     | LTS0810-1017FM    | JUCRTA     | スピーカターミナル   |      |
| * TE120   | WC631800 | TERM. SP     | LTS0810-1018FM    | KBGLE      | スピーカターミナル   |      |
| * TE121   | WC631900 | TERM. SP     | LTS0810-1017FM    | JUCRTA     | スピーカターミナル   |      |
| * TE121   | WC631800 | TERM. SP     | LTS0810-1018FM    | KBGLE      | スピーカターミナル   |      |
|           | EP600140 | SCR. BND. HD | 3x10 MFZN2BL      |            | バインドBタイトネジ  | 01   |

\* New Parts \* 新規部品(マーク#の部品は、基板に含まれません)

RX-V550/HTR-5750  
RX-V450/HTR-5740/DSP-AX450



P.C.B. POWER

| Schm Ref. | PART NO. | Description | Remarks      | Markets         | 部 品 名 | Rank          |    |
|-----------|----------|-------------|--------------|-----------------|-------|---------------|----|
| *         | WC839400 | P. C. B.    | POWER        | 550, 5750       | UCTK  | P C B 集 成 パワー |    |
| *         | WC839500 | P. C. B.    | POWER        | 550, 5750       | R     | P C B 集 成 パワー |    |
| *         | WC839600 | P. C. B.    | POWER        | 550, 5750       | ABGE  | P C B 集 成 パワー |    |
| *         | WD072800 | P. C. B.    | POWER        | 550, 5750       | L     | P C B 集 成 パワー |    |
| *         | WC839700 | P. C. B.    | POWER        | 450, 5740       | JUCTK | P C B 集 成 パワー |    |
| *         | WC839800 | P. C. B.    | POWER        | 450             | R     | P C B 集 成 パワー |    |
| *         | WC839900 | P. C. B.    | POWER        | 450, 5740       | ABGE  | P C B 集 成 パワー |    |
| *         | WD072900 | P. C. B.    | POWER        | 450             | L     | P C B 集 成 パワー |    |
| *         | CB291    | V9377800    | CN. BS. PIN  | 3P SE VH SERIES | RL    | ベース付ポスト       |    |
| *         | CB292    | V9377900    | CN. BS. PIN  | 4P SE VH SERIES | RL    | ベース付ポスト       |    |
| *         | △        | CB293       | WC050700     | HOLDER. FUS     | RL    | ヒューズホルダー      |    |
| *         | △        | CB294       | WC050700     | HOLDER. FUS     | RL    | ヒューズホルダー      |    |
|           | CB351    | VM923600    | CN. BS. PIN  | 13P             |       | F F C コネクター   | 01 |
|           | CB352    | VK026700    | CN. BS. PIN  | 8P              |       | ワイヤートラップ      | 01 |
|           | CB353    | VB858600    | CN. BS. PIN  | 7P              |       | ベースピン         | 01 |
|           | CB354    | LB919070    | CN. BS. PIN  | 7P              |       | ベース付ポスト       | 01 |
|           | CB355    | LB918030    | CN. BS. PIN  | 3P              |       | ベース付ポスト       | 01 |
|           | CB358    | Vi878500    | CN. BS. PIN  | 7P              |       | ケーブルホルダー      | 01 |
|           | CB359    | VK026700    | CN. BS. PIN  | 8P              |       | ワイヤートラップ      | 01 |
|           | C301     | UU137100    | C. EL        | 10uF 16V        |       | ケミコン          | 01 |
|           | C302     | UR837100    | C. EL        | 10uF 16V        |       | ケミコン          | 01 |
|           | C303     | UU137100    | C. EL        | 10uF 16V        |       | ケミコン          | 01 |
|           | C304     | UU137100    | C. EL        | 10uF 16V        |       | ケミコン          | 01 |
|           | C305     | UR837100    | C. EL        | 10uF 16V        |       | ケミコン          | 01 |
|           | C306     | UT652100    | C. PP        | 100pF 100V      |       | P P コン        | 01 |
|           | C307     | UT652220    | C. PP        | 220pF 100V      |       | P P コン        | 01 |
|           | C308     | UT652100    | C. PP        | 100pF 100V      |       | P P コン        | 01 |
|           | C309     | UT652220    | C. PP        | 220pF 100V      |       | P P コン        | 01 |
|           | C310     | UA652100    | C. MYLAR     | 100pF 50V       |       | マイラーコン        | 01 |
|           | C311     | UA652220    | C. MYLAR     | 220pF 50V       |       | マイラーコン        | 01 |
|           | C312     | UA652100    | C. MYLAR     | 100pF 50V       |       | マイラーコン        | 01 |
|           | C313     | UA652220    | C. MYLAR     | 220pF 50V       |       | マイラーコン        | 01 |
|           | C314     | UT652100    | C. PP        | 100pF 100V      |       | P P コン        | 01 |
|           | C315     | UT652220    | C. PP        | 220pF 100V      |       | P P コン        | 01 |
|           | C316     | UT653330    | C. PP        | 3300pF 100V     |       | P P コン        | 03 |
|           | C317     | UT653330    | C. PP        | 3300pF 100V     |       | P P コン        | 03 |
|           | C318     | UA653330    | C. MYLAR     | 3300pF 50V      |       | マイラーコン        | 01 |
|           | C319     | UA653330    | C. MYLAR     | 3300pF 50V      |       | マイラーコン        | 01 |
|           | C320     | UT653330    | C. PP        | 3300pF 100V     |       | P P コン        | 03 |
|           | C321     | VG291300    | C. EL        | 100uF 50V       |       | ケミコン          | 01 |
|           | C322     | VG291300    | C. EL        | 100uF 50V       |       | ケミコン          | 01 |
|           | C323     | UR837470    | C. EL        | 47uF 16V        |       | ケミコン          | 01 |
|           | C324     | UR837470    | C. EL        | 47uF 16V        |       | ケミコン          | 01 |
|           | C325     | VG291200    | C. EL        | 47uF 50V        |       | ケミコン          | 01 |
| *         | C326     | WA970300    | C. CE        | 22pF 500V       |       | セラコン (C H)    |    |
|           | C327     | FU451220    | C. MICA      | 22pF 500V       |       | マイカコン         | 01 |
|           | C328     | FU451220    | C. MICA      | 22pF 500V       |       | マイカコン         | 01 |
| *         | C329     | WA970300    | C. CE        | 22pF 500V       |       | セラコン (C H)    |    |
|           | C330     | FU451220    | C. MICA      | 22pF 500V       |       | マイカコン         | 01 |
|           | C331     | VJ599100    | C. CE. TUBLR | 0.1uF 50V       |       | 円筒セラコン        | 01 |
|           | C332     | UR337470    | C. EL        | 47uF 16V        |       | ケミコン A S F    | 03 |
|           | C333     | UR337470    | C. EL        | 47uF 16V        |       | ケミコン A S F    | 03 |
|           | C337     | UR837100    | C. EL        | 10uF 16V        |       | ケミコン          | 01 |

\* New Parts \* 新規部品(マーク#の部品は、基板に含まれません)

RX-V550/HTR-5750  
RX-V450/HTR-5740/DSP-AX450



P.C.B. POWER

| Schm Ref. | PART NO. | Description | Remarks           | Markets   | 部 品 名      | Rank |
|-----------|----------|-------------|-------------------|-----------|------------|------|
| C340      | UA652100 | C. MYLAR    | 100pF 50V         |           | マイラーコン     | 01   |
| C341      | UA652220 | C. MYLAR    | 220pF 50V         |           | マイラーコン     | 01   |
| C342      | UU138100 | C. EL       | 100uF 16V         |           | ケミコン       | 01   |
| C343      | UU138100 | C. EL       | 100uF 16V         |           | ケミコン       | 01   |
| C346      | UA653330 | C. MYLAR    | 3300pF 50V        |           | マイラーコン     | 01   |
| C347      | UR837470 | C. EL       | 47uF 16V          |           | ケミコン       | 01   |
| * C349    | WA970300 | C. CE       | 22pF 500V         |           | セラコン (C H) |      |
| C350      | UU138100 | C. EL       | 100uF 16V         |           | ケミコン       | 01   |
| C353      | UR03A100 | C. EL       | 10000uF 16V       |           | ケミコン       |      |
| C357      | UR03A100 | C. EL       | 10000uF 16V       |           | ケミコン       |      |
| C358      | UR03A100 | C. EL       | 10000uF 16V       |           | ケミコン       |      |
| C359      | UR03A100 | C. EL       | 10000uF 16V       |           | ケミコン       |      |
| C360      | UR049680 | C. EL       | 6800uF 25V        | 550, 5750 | ケミコン       |      |
| * C360    | UR049470 | C. EL       | 4700uF 25V        | 450, 5740 | ケミコン       |      |
| * C361    | UR149220 | C. EL       | 2200uF 25V        |           | ケミコン       |      |
| C365      | VR324700 | C. MYLAR    | 0. 022uF 100V     |           | マイラーコン     |      |
| C366      | VR324700 | C. MYLAR    | 0. 022uF 100V     |           | マイラーコン     |      |
| C367      | VR324900 | C. MYLAR    | 0. 1uF 100V       |           | マイラーコン     | 01   |
| C368      | VR324900 | C. MYLAR    | 0. 1uF 100V       |           | マイラーコン     | 01   |
| C370      | V8584600 | C. PP       | 220pF 630V        |           | P Pコン      |      |
| C371      | UU138100 | C. EL       | 100uF 16V         |           | ケミコン       | 01   |
| D301      | VD631600 | D1ODE       | 1SS133, 176       |           | ダイオード      | 01   |
| D302      | VD631600 | D1ODE       | 1SS133, 176       |           | ダイオード      | 01   |
| △ D312    | WA653100 | D1ODE. BRG  | KBP103G 1.0A 200V |           | ダイオードブリッジ  | 02   |
| △ D313    | WA653100 | D1ODE. BRG  | KBP103G 1.0A 200V |           | ダイオードブリッジ  | 02   |
| △ F3      | KB000790 | FUSE        | T4A 250V          | RL        | ヒューズ       | 01   |
| △ IC301   | X0515A00 | IC          | LM61C1Z THERMAL   |           | 電源 I C     |      |
| △ IC302   | XJ608A00 | IC          | NJM7812FA         |           | I C        | 02   |
| △ IC303   | XD343A00 | IC          | NJM79M12FA        |           | I C        | 03   |
| △ IC304   | XJ607A00 | IC          | NJM7805FA 5V      |           | I C        | 02   |
| △ IC305   | XE436A00 | IC          | NJM79M05FA        |           | I C        | 03   |
| △ IC306   | XJ607A00 | IC          | NJM7805FA 5V      |           | I C        | 02   |
| PN301     | V9637500 | PIN         | L=70 #18          |           | スタイルピン     |      |
| PN302     | V9637500 | PIN         | L=70 #18          |           | スタイルピン     |      |
| PN304     | V9637500 | PIN         | L=70 #18          |           | スタイルピン     |      |
| PN305     | V9637500 | PIN         | L=70 #18          |           | スタイルピン     |      |
| Q301      | VP883100 | TR          | 2SC1890A D, E     |           | トランジスタ     | 01   |
| Q302      | VP883100 | TR          | 2SC1890A D, E     |           | トランジスタ     | 01   |
| Q303      | VP883100 | TR          | 2SC1890A D, E     |           | トランジスタ     | 01   |
| Q304      | VP883100 | TR          | 2SC1890A D, E     |           | トランジスタ     | 01   |
| Q305      | VP883100 | TR          | 2SC1890A D, E     |           | トランジスタ     | 01   |
| Q306      | VP883100 | TR          | 2SC1890A D, E     |           | トランジスタ     | 01   |
| Q307      | VP883100 | TR          | 2SC1890A D, E     |           | トランジスタ     | 01   |
| Q308      | VP883100 | TR          | 2SC1890A D, E     |           | トランジスタ     | 01   |
| Q309      | VP883100 | TR          | 2SC1890A D, E     |           | トランジスタ     | 01   |
| Q310      | VP883100 | TR          | 2SC1890A D, E     |           | トランジスタ     | 01   |
| Q311      | V3966800 | TR          | 2SB949 0, Y       |           | トランジスタ     | 02   |
| Q312      | V3966800 | TR          | 2SB949 0, Y       |           | トランジスタ     | 02   |
| Q313      | V3966800 | TR          | 2SB949 0, Y       |           | トランジスタ     | 02   |
| Q314      | V3966800 | TR          | 2SB949 0, Y       |           | トランジスタ     | 02   |
| Q315      | V3966800 | TR          | 2SB949 0, Y       |           | トランジスタ     | 02   |
| Q323      | VP883100 | TR          | 2SC1890A D, E     |           | トランジスタ     | 01   |
| Q325      | VP883100 | TR          | 2SC1890A D, E     |           | トランジスタ     | 01   |

\* New Parts \* 新規部品(マーク#の部品は、基板に含まれません)

**P.C.B. POWER & P.C.B. SUBTRANS**

| Schm Ref. | PART NO. | Description  | Remarks         | Markets   | 部 品 名        | Rank |
|-----------|----------|--------------|-----------------|-----------|--------------|------|
| Q327      | V3966800 | TR           | 2SB949 0, Y     |           | トランジスタ       | 02   |
| R346      | HV755100 | R. CAR. FP   | 100Ω 1/4W       |           | 不燃化カーボン抵抗    | 01   |
| R347      | HV755100 | R. CAR. FP   | 100Ω 1/4W       |           | 不燃化カーボン抵抗    | 01   |
| R348      | HV755100 | R. CAR. FP   | 100Ω 1/4W       |           | 不燃化カーボン抵抗    | 01   |
| R349      | HV755100 | R. CAR. FP   | 100Ω 1/4W       |           | 不燃化カーボン抵抗    | 01   |
| R350      | HV755100 | R. CAR. FP   | 100Ω 1/4W       |           | 不燃化カーボン抵抗    | 01   |
| R386      | HV755100 | R. CAR. FP   | 100Ω 1/4W       |           | 不燃化カーボン抵抗    | 01   |
| * ⚠ SW291 | WB493700 | VOLT. SELECT | R8140246        | R         | 電圧切替器        |      |
| * ⚠ SW291 | WD073700 | VOLT. SELECT | R8140254        | L         | 電圧切替器        |      |
| * ⚠       | WC840800 | P. C. B.     | SUBTRANS        | J         | P C B サブトランス |      |
| * ⚠       | WC840900 | P. C. B.     | SUBTRANS        | UC        | P C B サブトランス |      |
| * ⚠       | WC841000 | P. C. B.     | SUBTRANS        | R         | P C B サブトランス |      |
| * ⚠       | WC841100 | P. C. B.     | SUBTRANS        | TK        | P C B サブトランス |      |
| * ⚠       | WC841200 | P. C. B.     | SUBTRANS        | A         | P C B サブトランス |      |
| * ⚠       | WC841300 | P. C. B.     | SUBTRANS        | B         | P C B サブトランス |      |
| * ⚠       | WC841400 | P. C. B.     | SUBTRANS        | GE        | P C B サブトランス |      |
| * ⚠       | WC841500 | P. C. B.     | SUBTRANS        | L         | P C B サブトランス |      |
| ⚠         | CB401    | V7827300     | SOCKET          |           | コネクターソケット    |      |
| ⚠         | CB402    | VG879900     | CN. BS. PIN     |           | ベースピン        | 01   |
| ⚠         | CB403    | VP206500     | HOLDER. FUS     | UCGE      | ヒューズホルダー     | 01   |
| ⚠         | CB404    | VP206500     | HOLDER. FUS     | UCGE      | ヒューズホルダー     | 01   |
| ⚠         | CB405    | VP206500     | HOLDER. FUS     |           | ヒューズホルダー     | 01   |
| ⚠         | CB406    | VP206500     | HOLDER. FUS     |           | ヒューズホルダー     | 01   |
| ⚠         | CB407    | VG879900     | CN. BS. PIN     |           | ベースピン        | 01   |
|           | C402     | UR866220     | C. EL           |           | ケミコン         | 01   |
|           | C403     | UR866220     | C. EL           |           | ケミコン         | 01   |
|           | C404     | UA654100     | C. MYLAR        |           | マイラーコン       | 01   |
|           | C405     | WB687100     | C. POL. MTL     | JUC       | メタライズドポリコン   | 01   |
|           | C405     | WC041600     | C. PP           | RTKABGLE  | P Pコン        | 01   |
|           | C406     | UR866100     | C. EL           |           | ケミコン         | 01   |
|           | C407     | UA653470     | C. MYLAR        |           | マイラーコン       | 01   |
|           | C408     | UA654100     | C. MYLAR        |           | マイラーコン       | 01   |
| * ⚠       | C409     | WB696300     | C. POL. MTL     | JUC       | メタライズドポリコン   |      |
|           | C409     | WD257600     | C. PP           | RTKABGLE  | P Pコン        |      |
|           | C410     | V6185300     | C. CE. SAFTY    |           | 規格認定コン       |      |
| * ⚠       | C411     | VG288200     | C. EL           | JUCTKABGE | ケミコン         | 03   |
| * ⚠       | C411     | WD047300     | C. EL           | RL        | ケミコン K M Q   |      |
|           | C412     | VL884600     | C. PP           |           | P Pコン        |      |
|           | D401     | VD631600     | D I O D E       |           | ダイオード        | 01   |
|           | D402     | VD631600     | D I O D E       |           | ダイオード        | 01   |
|           | D403     | VG435800     | D I O D E. ZENR |           | ツェナーダイオード    | 01   |
|           | D404     | VG438300     | D I O D E. ZENR |           | ツェナーダイオード    | 01   |
|           | D405     | VG439500     | D I O D E. ZENR |           | ツェナーダイオード    | 01   |
|           | D406     | VD631600     | D I O D E       |           | ダイオード        | 01   |
|           | D407     | VG439200     | D I O D E. ZENR |           | ツェナーダイオード    | 01   |
| ⚠         | D408     | V4756800     | D I O D E       |           | D i スタック     | 01   |
|           | D409     | VD631600     | D I O D E       |           | ダイオード        | 01   |
|           | D410     | VR253700     | D I O D E. BRG  |           | D I ブリッジ X 4 | 02   |
|           | D411     | VD631600     | D I O D E       |           | ダイオード        | 01   |
| ⚠         | F1       | VS823300     | FUSE            | JUCRL     | ヒューズ         | 02   |

\* New Parts \* 新規部品(マーク#の部品は、基板に含まれません)

RX-V550/HTR-5750  
RX-V450/HTR-5740/DSP-AX450

RX-V550

HTR-5750

RX-V450/HTR-5740/DSP-AX450

DSP-AX450

P.C.B. SUBTRANS & P.C.B. VIDEO

| Schm Ref. | PART NO. | Description | Remarks            | Markets | 部 品 名     | Rank            |    |
|-----------|----------|-------------|--------------------|---------|-----------|-----------------|----|
| △ F1      | KB000790 | FUSE        | T4A 250V           |         | TKABGE    | ヒューズ            | 01 |
| △ F2      | VS823300 | FUSE        | T8A 125V           |         | UC        | ヒューズ            | 02 |
| △ F2      | VT942900 | FUSE        | T2.5A 250V         |         | GE        | ヒューズ            | 01 |
| △ IC401   | V8100500 | PHOT. CPL   | TLP421 GR          |         |           | フォトカプラ          | 01 |
| △ IC402   | iG001180 | IC          | TC4013BP FF        |         |           | ロジック IC         | 05 |
| △ IC403   | V8100500 | PHOT. CPL   | TLP421 GR          |         |           | フォトカプラ          | 01 |
| △ PN401   | V9637500 | PIN         | L=70 #18           |         |           | スタイルピン          |    |
| △ Q401    | iC181510 | TR          | 2SC1815 Y          |         |           | トランジスタ          | 01 |
| △ Q402    | VG722000 | TR. DGT     | DTC144ES           |         |           | デジタルトランジスタ      | 01 |
| △ Q403    | iC181510 | TR          | 2SC1815 Y          |         |           | トランジスタ          | 01 |
| * △ Q404  | WD063200 | FET         | 2SK3491            |         |           | F E T           |    |
| △ R410    | V6730000 | R. CAR.     | 2.2MΩ 1/2W         |         | UC        | 放電抵抗            | 01 |
| △ RY401   | V2712300 | RELAY       | DC SDT-S-112LMR    |         | JRTKABGLE | リレー 1 2 V       | 05 |
| △ RY401   | V6434900 | RELAY       | DC DLS12D1-0(M)    |         | UC        | リレー 1 2 V T V-8 | 03 |
| △ ST401   | V4040500 | SCR. TERM   | M3                 |         |           | スクリュー/ターミナル     | 01 |
| △ ST402   | V4040500 | SCR. TERM   | M3                 |         |           | スクリュー/ターミナル     | 01 |
| △ T401    | XW605A00 | TRANS. PWR  |                    |         | J         | 電源トランス          | 04 |
| * △ T401  | XW606A00 | TRANS. PWR  |                    |         | UC        | 電源トランス          |    |
| * △ T401  | XV444A00 | TRANS. PWR  |                    |         | RL        | 電源トランス          |    |
| * △ T401  | XW608A00 | TRANS. PWR  |                    |         | TKABGE    | 電源トランス          |    |
| △ TE401   | VU543100 | OUTLET. AC  | 2P                 |         | JUC       | A C アウトレット      | 03 |
| △ TE401   | V5867400 | OUTLET. AC  | 2P AC-182-GB-11V   |         | RTK       | A C アウトレット 2 P  |    |
| △ TE401   | VT915000 | OUTLET. AC  | 1P                 |         | A         | A C アウトレット      | 06 |
| △ TE401   | VU543300 | OUTLET. AC  | 1P                 |         | B         | A C アウトレット      | 05 |
| △ TE401   | VU543400 | OUTLET. AC  | 2P                 |         | GLE       | A C アウトレット      | 05 |
|           | WA709000 | P. C. B.    | VIDEO              | AX450   |           | P C B ビデオ       | 10 |
| △ CB851   | VB858300 | CN. BS. PIN | 4P                 | AX450   |           | コネクタベースポスト      | 01 |
| △ CB852   | V7684100 | CN          | 14P SE YKF SERIES  | AX450   |           | D 端子コネクタ        |    |
| △ CB853   | V7684100 | CN          | 14P SE YKF SERIES  | AX450   |           | D 端子コネクタ        |    |
| △ CB854   | V7684100 | CN          | 14P SE YKF SERIES  | AX450   |           | D 端子コネクタ        |    |
| △ C865    | UR828100 | C. EL       | 100uF 10V          | AX450   |           | ケミコン            | 01 |
| △ C866    | UR828100 | C. EL       | 100uF 10V          | AX450   |           | ケミコン            | 01 |
| △ D851    | VT332900 | D1ODE       | 1SS355             | AX450   |           | ダイオード           | 01 |
| △ D852    | VT332900 | D1ODE       | 1SS355             | AX450   |           | ダイオード           | 01 |
| △ D853    | VT332900 | D1ODE       | 1SS355             | AX450   |           | ダイオード           | 01 |
| △ D854    | VT332900 | D1ODE       | 1SS355             | AX450   |           | ダイオード           | 01 |
| △ D855    | VT332900 | D1ODE       | 1SS355             | AX450   |           | ダイオード           | 01 |
| △ D856    | VT332900 | D1ODE       | 1SS355             | AX450   |           | ダイオード           | 01 |
| △ D857    | VT332900 | D1ODE       | 1SS355             | AX450   |           | ダイオード           | 01 |
| △ IC851   | XY879A00 | IC          | TC74HC4053AF (EL)  | AX450   |           | ロジック IC SOP     | 03 |
| △ IC852   | XY879A00 | IC          | TC74HC4053AF (EL)  | AX450   |           | ロジック IC SOP     | 03 |
| △ IC853   | X2904A00 | IC          | NJM2581M VIDEO AMP | AX450   |           | アンプ IC SOP      | 06 |
| △ Q851    | VV556400 | TR          | 2SC2412K Q, R, S   | AX450   |           | トランジスタ          | 01 |
| △ R872    | HV753100 | R. CAR. FP  | 1Ω 1/4W            | AX450   |           | 不燃化カーボン抵抗       | 01 |
| △ R873    | HV753100 | R. CAR. FP  | 1Ω 1/4W            | AX450   |           | 不燃化カーボン抵抗       | 01 |

\* New Parts \* 新規部品(マーク#の部品は、基板に含まれません)

RX-V550/HTR-5750  
RX-V450/HTR-5740/DSP-AX450

CHIP PARTS

| Schm Ref. | PART NO. | Description   | Remarks | Markets | 部 品 名 | Rank        |    |
|-----------|----------|---------------|---------|---------|-------|-------------|----|
|           | US044220 | C. CE. M. CHP | 0.022uF | 25V     |       | チップセラコン     | 01 |
|           | US060800 | C. CE. CHP    | 8pF     | 50V     |       | チップセラコン     | 01 |
|           | US061100 | C. CE. M. CHP | 10pF    | 50V     |       | チップセラコン     | 01 |
|           | US061180 | C. CE. CHP    | 18pF    | 50V     |       | チップセラコン     | 01 |
|           | US061220 | C. CE. M. CHP | 22pF    | 50V     |       | チップセラコン     | 01 |
|           | US061270 | C. CE. M. CHP | 27pF    | 50V     |       | チップセラコン     | 01 |
|           | US061330 | C. CE. M. CHP | 33pF    | 50V     |       | チップセラコン     | 01 |
|           | US061470 | C. CE. M. CHP | 47pF    | 50V     |       | チップセラコン     | 01 |
|           | US062100 | C. CE. M. CHP | 100pF   | 50V     |       | チップセラコン     | 01 |
|           | US062120 | C. CE. CHP    | 120pF   | 50V     |       | チップセラコン     | 01 |
|           | US062220 | C. CE. CHP    | 220pF   | 50V     |       | チップセラコン     | 01 |
|           | US062330 | C. CE. M. CHP | 330pF   | 50V     |       | チップセラコン     | 01 |
|           | US062470 | C. CE. M. CHP | 470pF   | 50V     |       | チップセラコン     | 01 |
|           | US062560 | C. CE. CHP    | 560pF   | 50V     |       | チップセラ (S L) | 01 |
|           | US063100 | C. CE. M. CHP | 1000pF  | 50V     |       | チップセラコン     | 01 |
|           | US063470 | C. CE. CHP    | 4700pF  | 50V     |       | チップセラコン     | 01 |
|           | US064100 | C. CE. M. CHP | 0.01uF  | 50V     |       | チップセラコン     | 01 |
|           | US065100 | C. CE. M. CHP | 0.1uF   | 50V     |       | チップセラ F     |    |
|           | US135100 | C. CE. CHP    | 0.1uF   | 16V     |       | チップセラコン     | 01 |
|           | RD350000 | R. CHP        | 0Ω      | 1/16W   |       | チップ抵抗       | 01 |
|           | RD353220 | R. CHP        | 2.2Ω    | 1/16W   |       | チップ抵抗       | 01 |
|           | RD354100 | R. CHP        | 10Ω     | 1/16W   |       | チップ抵抗       | 01 |
|           | RD354270 | R. CHP        | 27Ω     | 1/16W   |       | チップ抵抗       | 01 |
|           | RD354470 | R. CHP        | 47Ω     | 1/16W   |       | チップ抵抗       | 01 |
|           | RD354560 | R. CHP        | 56Ω     | 1/16W   |       | チップ抵抗       | 01 |
|           | RD354680 | R. CHP        | 68Ω     | 1/16W   |       | チップ抵抗       | 01 |
|           | RD354750 | R. CHP        | 75Ω     | 1/16W   |       | チップ抵抗       | 01 |
|           | RD354820 | R. CHP        | 82Ω     | 1/16W   |       | チップ抵抗       | 01 |
|           | RD355100 | R. CHP        | 100Ω    | 1/16W   |       | チップ抵抗       | 01 |
|           | RD355220 | R. CHP        | 220Ω    | 1/16W   |       | チップ抵抗       | 01 |
|           | RD355270 | R. CHP        | 270Ω    | 1/16W   |       | チップ抵抗       | 01 |
|           | RD355330 | R. CHP        | 330Ω    | 1/16W   |       | チップ抵抗       | 01 |
|           | RD355470 | R. CHP        | 470Ω    | 1/16W   |       | チップ抵抗       | 01 |
|           | RD355510 | R. CHP        | 510Ω    | 1/16W   |       | チップ抵抗       | 01 |
|           | RD355680 | R. CHP        | 680Ω    | 1/16W   |       | チップ抵抗       | 01 |
|           | RD356100 | R. CHP        | 1KΩ     | 1/16W   |       | チップ抵抗       | 01 |
|           | RD356150 | R. CHP        | 1.5KΩ   | 1/16W   |       | チップ抵抗       | 01 |
|           | RD356220 | R. CHP        | 2.2KΩ   | 1/16W   |       | チップ抵抗       | 01 |
|           | RD356330 | R. CHP        | 3.3KΩ   | 1/16W   |       | チップ抵抗       | 01 |
|           | RD356430 | R. CHP        | 4.3KΩ   | 1/16W   |       | チップ抵抗       | 01 |
|           | RD356470 | R. CHP        | 4.7KΩ   | 1/16W   |       | チップ抵抗       | 01 |
|           | RD356510 | R. CHP        | 5.1KΩ   | 1/16W   |       | チップ抵抗       | 01 |
|           | RD356560 | R. CHP        | 5.6KΩ   | 1/16W   |       | チップ抵抗       | 01 |
|           | RD356680 | R. CHP        | 6.8KΩ   | 1/16W   |       | チップ抵抗       | 01 |
|           | RD357100 | R. CHP        | 10KΩ    | 1/16W   |       | チップ抵抗       | 01 |
|           | RD357130 | R. CHP        | 13KΩ    | 1/16W   |       | チップ抵抗       | 01 |
|           | RD357150 | R. CHP        | 15KΩ    | 1/16W   |       | チップ抵抗       | 01 |
|           | RD357180 | R. CHP        | 18KΩ    | 1/16W   |       | チップ抵抗       | 01 |
|           | RD357220 | R. CHP        | 22KΩ    | 1/16W   |       | チップ抵抗       | 01 |
|           | RD357270 | R. CHP        | 27KΩ    | 1/16W   |       | チップ抵抗       | 01 |
|           | RD357330 | R. CHP        | 33KΩ    | 1/16W   |       | チップ抵抗       | 01 |
|           | RD357470 | R. CHP        | 47KΩ    | 1/16W   |       | チップ抵抗       | 01 |
|           | RD358100 | R. CHP        | 100KΩ   | 1/16W   |       | チップ抵抗       | 01 |

\* New Parts \* 新規部品(マーク#の部品は、基板に含まれません)

RX-V550/HTR-5750  
RX-V450/HTR-5740/DSP-AX450

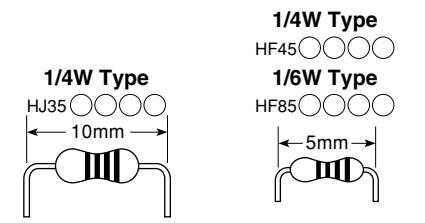
CHIP PARTS

Parts List for Carbon Resistors

| Schm Ref. | PART NO. | Description | Remarks | Markets | 部 品 名 | Rank |
|-----------|----------|-------------|---------|---------|-------|------|
|           | RD358220 | R. CHP      | 220KΩ   | 1/16W   | チップ抵抗 | 01   |
|           | RD358470 | R. CHP      | 470KΩ   | 1/16W   | チップ抵抗 | 01   |
|           | RD358680 | R. CHP      | 680KΩ   | 1/16W   | チップ抵抗 | 01   |
|           | RD359100 | R. CHP      | 1MΩ     | 1/16W   | チップ抵抗 | 01   |
| *         | RF354820 | R. CAR. CHP | 82Ω     | 1/16W   | チップ抵抗 | 01   |
|           | RF355820 | R. CHP      | 820Ω    | 1/16W   | チップ抵抗 | 01   |
|           | RF356130 | R. CHP      | 1.3KΩ   | 1/16W   | チップ抵抗 | 01   |
|           | RF356470 | R. CHP      | 4.7KΩ   | 1/16W   | チップ抵抗 | 01   |
|           | RF356560 | R. CHP      | 5.6KΩ   | 1/16W   | チップ抵抗 | 01   |
|           | RF356680 | R. CHP      | 6.8KΩ   | 1/16W   | チップ抵抗 | 01   |
| *         | RF357200 | R. CHP      | 20KΩ    | 1/16W   | チップ抵抗 | 01   |
|           | RF357470 | R. CHP      | 47KΩ    | 1/16W   | チップ抵抗 | 01   |

\* New Parts \* 新規部品(マーク#の部品は、基板に含まれません)

| Value  | 1/4W Type Part No. | 1/6W Type Part No. | Value  | 1/4W Type Part No. | 1/6W Type Part No. |
|--------|--------------------|--------------------|--------|--------------------|--------------------|
| 1.0 Ω  | HJ35 3100          | HF85 3100          | 10 kΩ  | HF45 7100          | HF45 7100          |
| 1.8 Ω  | HJ35 3180          | *                  | 11 kΩ  | HF45 7110          | HF45 7110          |
| 2.2 Ω  | HJ35 3220          | HF85 3220          | 12 kΩ  | HJ35 7120          | HF85 7120          |
| 3.3 Ω  | HJ35 3330          | HF85 3330          | 13 kΩ  | HF45 7130          | HF45 7130          |
| 4.7 Ω  | HJ35 3470          | HF85 3470          | 15 kΩ  | HF45 7150          | HF45 7150          |
| 5.6 Ω  | HJ35 3560          | HF85 3560          | 18 kΩ  | HF45 7180          | HF45 7180          |
| 10 Ω   | HF45 4100          | HF45 4100          | 22 kΩ  | HF45 7220          | HF45 7220          |
| 15 Ω   | HJ35 4150          | HF85 4150          | 24 kΩ  | HF45 7240          | HF45 7240          |
| 22 Ω   | HF45 4220          | HF45 4220          | 27 kΩ  | HJ35 7270          | HF85 7270          |
| 27 Ω   | HJ35 4270          | HF85 4270          | 30 kΩ  | HF45 7300          | HF45 7300          |
| 33 Ω   | HF45 4330          | HF45 4330          | 33 kΩ  | HF45 7330          | HF45 7330          |
| 39 Ω   | HJ35 4470          | HF85 4390          | 36 kΩ  | HF45 7360          | HF45 7360          |
| 47 Ω   | HF45 4470          | HF45 4470          | 39 kΩ  | HF45 7390          | HF45 7390          |
| 56 Ω   | HF45 4560          | HF45 4560          | 47 kΩ  | HF45 7470          | HF45 7470          |
| 68 Ω   | HF45 4680          | HF45 4680          | 51 kΩ  | HF45 7510          | HF45 7510          |
| 75 Ω   | HF45 4750          | HF45 4750          | 56 kΩ  | HF45 7560          | HF45 7560          |
| 82 Ω   | HF45 4820          | HF45 4820          | 62 kΩ  | HF45 7620          | HF45 7620          |
| 91 Ω   | HF45 4910          | HF45 4910          | 68 kΩ  | HF45 7680          | HF45 7680          |
| 100 Ω  | HF45 5100          | HF45 5100          | 82 kΩ  | HF45 7820          | HF45 7820          |
| 110 Ω  | HJ35 5110          | HF85 5110          | 91 kΩ  | HF45 7910          | HF45 7910          |
| 120 Ω  | HF45 5120          | HF45 5120          | 100 kΩ | HF45 8100          | HF45 8100          |
| 150 Ω  | HF45 5150          | HF45 5150          | 110 kΩ | HF45 8110          | HF45 8110          |
| 160 Ω  | HJ35 5160          | *                  | 120 kΩ | HF45 8120          | HF45 8120          |
| 180 Ω  | HF45 5180          | HF45 5180          | 150 kΩ | HF45 8150          | HF45 8150          |
| 200 Ω  | HF45 5200          | HF45 5200          | 180 kΩ | HF45 8180          | HF45 8180          |
| 220 Ω  | HF45 5220          | HF45 5220          | 220 kΩ | HJ35 8220          | HF85 8220          |
| 270 Ω  | HF45 5270          | HF45 5270          | 270 kΩ | HF45 8270          | HF45 8270          |
| 330 Ω  | HF45 5330          | HF45 5330          | 300 kΩ | HF45 8300          | HF45 8300          |
| 390 Ω  | HF45 5390          | HF45 5390          | 330 kΩ | HF45 8330          | HF45 8330          |
| 430 Ω  | HF45 5430          | HF45 5430          | 390 kΩ | HJ35 8390          | HF85 8390          |
| 470 Ω  | HF45 5470          | HF45 5470          | 470 kΩ | HF45 8470          | HF45 8470          |
| 510 Ω  | HF45 5510          | HF45 5510          | 560 kΩ | HJ35 8560          | HF85 8560          |
| 560 Ω  | HF45 5560          | HF45 5560          | 680 kΩ | HJ35 8680          | HF85 8680          |
| 680 Ω  | HF45 5680          | HF45 5680          | 820 kΩ | HJ35 8820          | HF85 8820          |
| 820 Ω  | HF45 5820          | HF45 5820          | 1.0 MΩ | HF45 9100          | HF45 9100          |
| 910 Ω  | HF45 5910          | HF45 5910          | 1.2 MΩ | HJ35 9120          | *                  |
| 1.0 kΩ | HF45 6100          | HF45 6100          | 1.5 MΩ | HJ35 9150          | HF85 9150          |
| 1.2 kΩ | HF45 6120          | HF45 6120          | 1.8 MΩ | HJ35 9180          | HF85 9180          |
| 1.5 kΩ | HF45 6150          | HF45 6150          | 2.2 MΩ | HJ35 9220          | HF85 9220          |
| 1.8 kΩ | HF45 6180          | HF45 6180          | 3.3 MΩ | HJ35 9330          | HF85 9330          |
| 2.0 kΩ | HJ35 6200          | HF85 6200          | 3.9 MΩ | HJ35 9390          | *                  |
| 2.2 kΩ | HF45 6220          | HF45 6220          | 4.7 MΩ | HJ35 9470          | HF85 9470          |
| 2.4 kΩ | HJ35 6240          | HF85 6240          |        |                    |                    |
| 2.7 kΩ | HF45 6270          | HF45 6270          |        |                    |                    |
| 3.0 kΩ | HF45 6300          | HF45 6300          |        |                    |                    |
| 3.3 kΩ | HF45 6330          | HF45 6330          |        |                    |                    |
| 3.6 kΩ | HJ35 6360          | HF85 6360          |        |                    |                    |
| 3.9 kΩ | HF45 6390          | HF45 6390          |        |                    |                    |
| 4.7 kΩ | HF45 6470          | HF45 6470          |        |                    |                    |
| 5.1 kΩ | HF45 6510          | HF45 6510          |        |                    |                    |
| 5.6 kΩ | HF45 6560          | HF45 6560          |        |                    |                    |
| 6.8 kΩ | HF45 6680          | HF45 6680          |        |                    |                    |
| 8.2 kΩ | HF45 6820          | HF45 6820          |        |                    |                    |
| 9.1 kΩ | HF45 6910          | HF45 6910          |        |                    |                    |

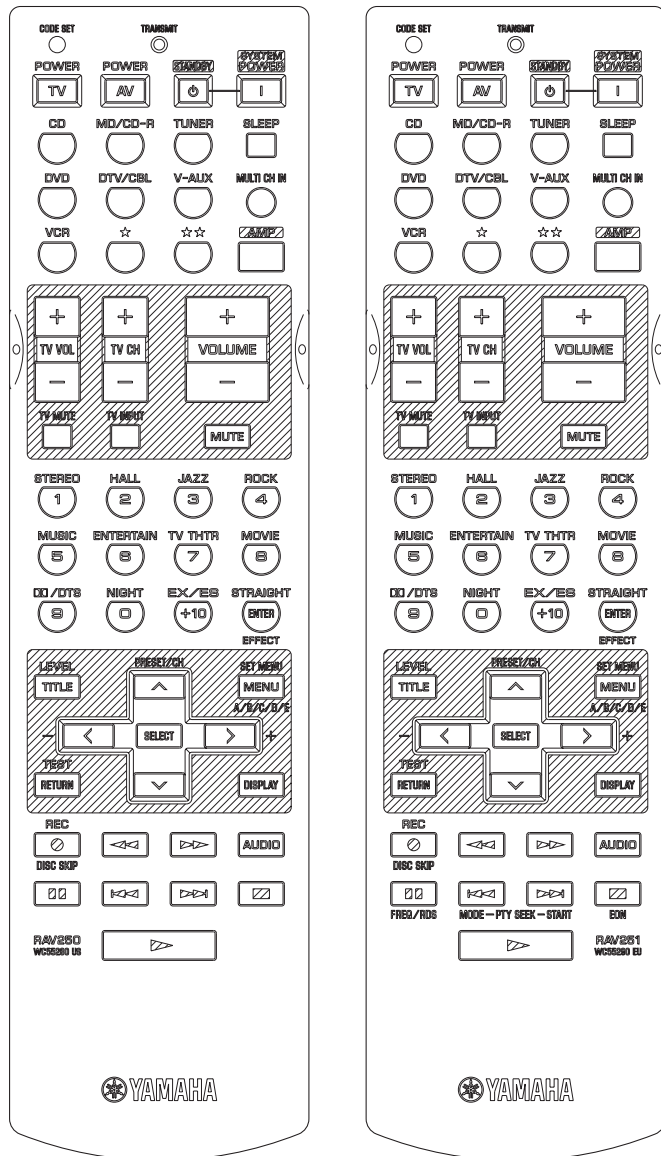
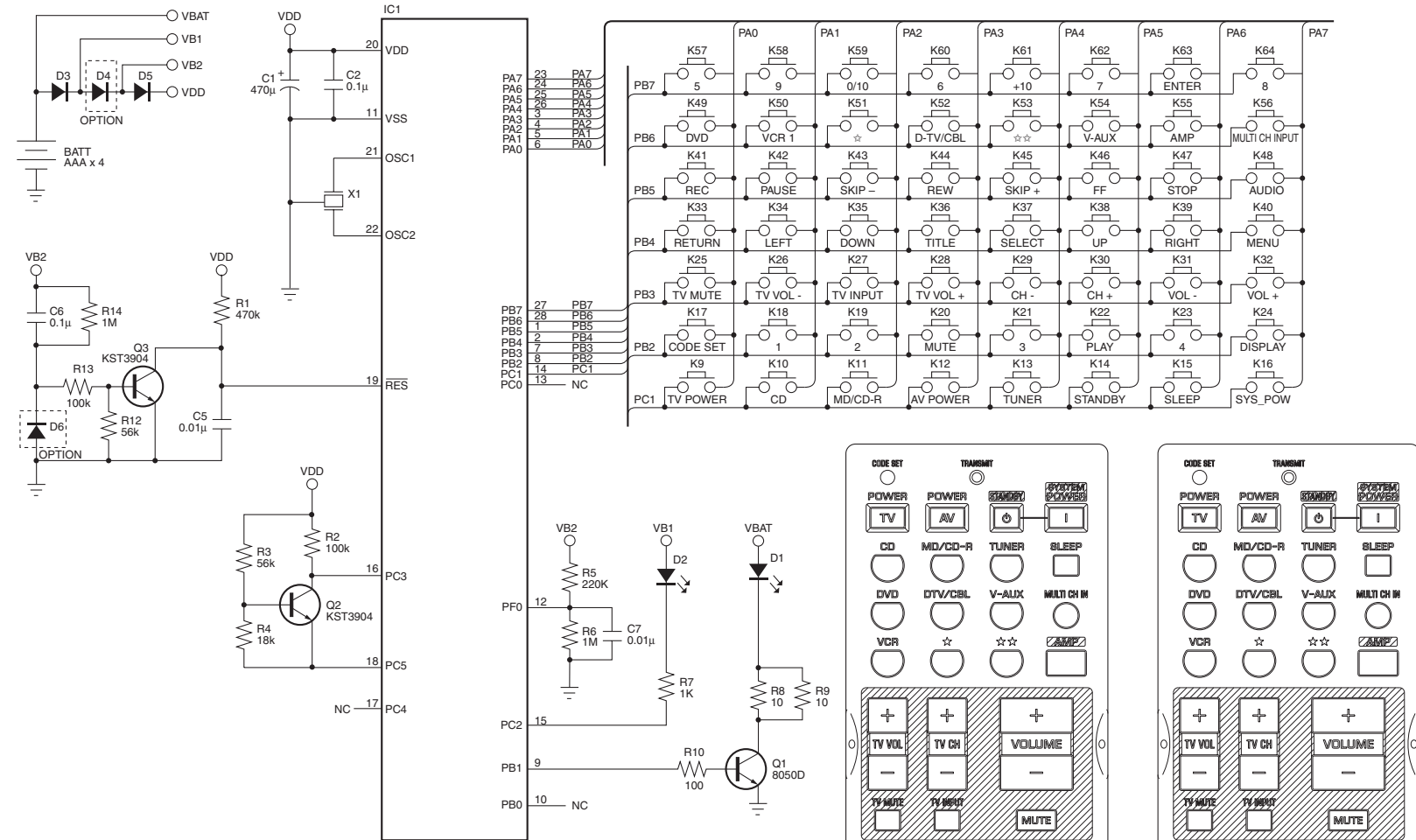


\* : Not available



■ REMOTE CONTROL RAV250: RX-V550 (U, C, A, L, R, T, K models), HTR-5750, RX-V450/HTR-5740 (U, C, A, L, R, T, K models), DSP-AX450  
RAV251: RX-V550 (B, G, E models)

● SCHEMATIC DIAGRAM

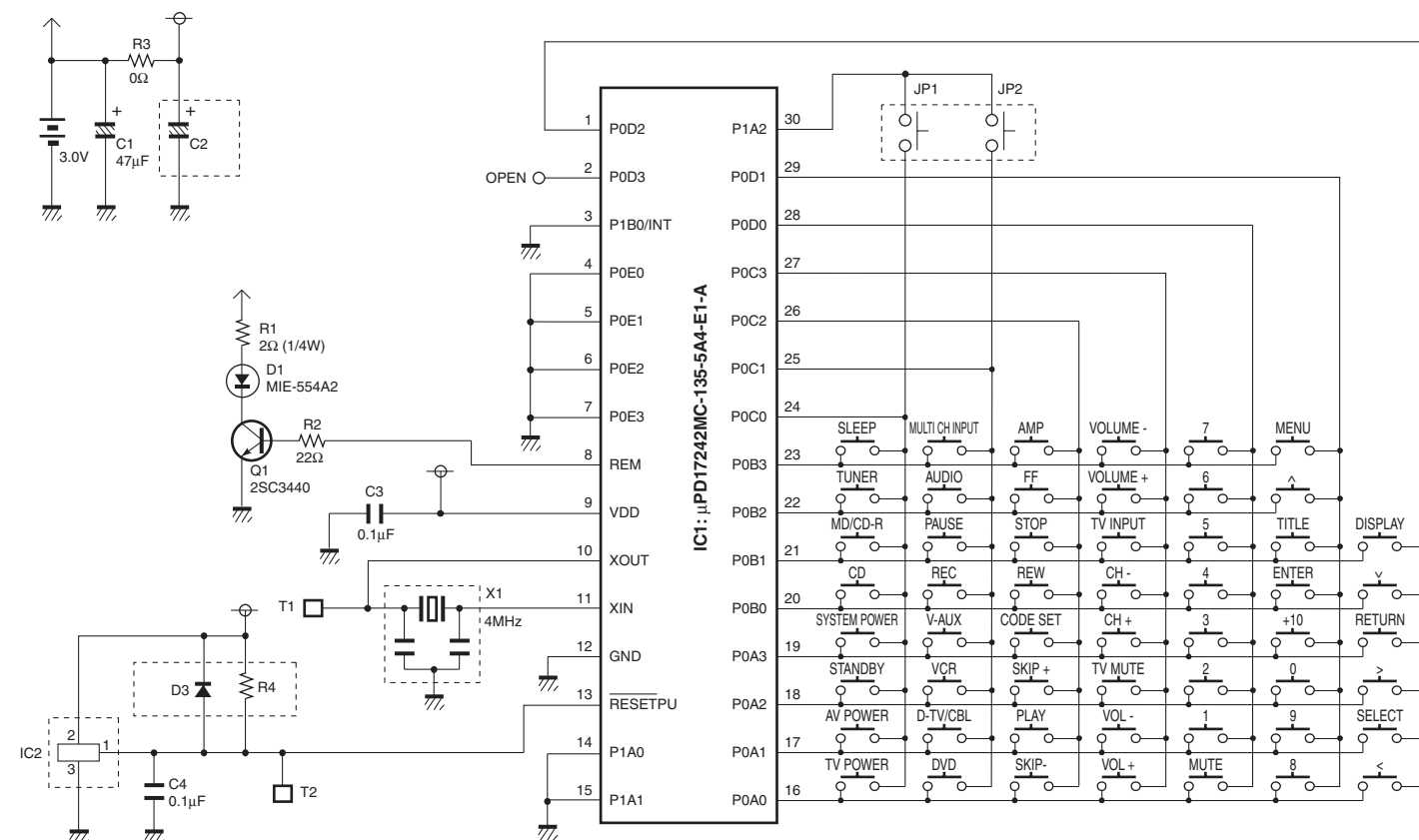


| Key No. | Schematic Key No. | Function       | YPC   | ZONE2 |       |        | DVD     |         |         | LD | CD      |         | CD-R | MD      |         | TAPE    |         | TUNER |   | AMP |
|---------|-------------------|----------------|-------|-------|-------|--------|---------|---------|---------|----|---------|---------|------|---------|---------|---------|---------|-------|---|-----|
|         |                   |                |       | MAIN  | ZONE2 | SYSTEM | Yamaha1 | Yamaha3 | Yamaha4 |    | Yamaha1 | Yamaha2 |      | Yamaha1 | Yamaha2 | Yamaha1 | Yamaha2 |       |   |     |
| 1       | K17               | CODE SET       | -     | -     | -     | -      | -       | -       | -       | -  | -       | -       | -    | -       | -       | -       | -       | -     | - | -   |
| 2       | K9                | TV POWER       | -     | -     | -     | -      | -       | -       | -       | -  | -       | -       | -    | -       | -       | -       | -       | -     | - | -   |
| 3       | K12               | AV POWER       | -     | -     | -     | -      | -       | -       | -       | -  | -       | -       | -    | -       | -       | -       | -       | -     | - | -   |
| 4       | K14               | STANDBY        | 7A-1E | 7E-7F | 7E-BB | 7A-1E  | -       | -       | -       | -  | -       | -       | -    | -       | -       | -       | -       | -     | - | -   |
| 5       | K16               | SYSTEM POWER   | 7A-1D | 7E-7E | 7E-BA | 7A-1D  | -       | -       | -       | -  | -       | -       | -    | -       | -       | -       | -       | -     | - | -   |
| 6       | K10               | CD             | 7A-15 | 7A-15 | 7A-D1 | -      | -       | -       | -       | -  | -       | -       | -    | -       | -       | -       | -       | -     | - | -   |
| 7       | K11               | MD/CD-R        | 7A-C9 | 7A-C9 | 7A-CF | -      | -       | -       | -       | -  | -       | -       | -    | -       | -       | -       | -       | -     | - | -   |
| 8       | K13               | TUNER          | 7A-16 | 7A-16 | 7A-D2 | -      | -       | -       | -       | -  | -       | -       | -    | -       | -       | -       | -       | -     | - | -   |
| 9       | K15               | SLEEP          | 7A-57 | -     | -     | -      | -       | -       | -       | -  | -       | -       | -    | -       | -       | -       | -       | -     | - | -   |
| 10      | K49               | DVD            | 7A-C1 | 7A-C1 | 7A-CD | -      | -       | -       | -       | -  | -       | -       | -    | -       | -       | -       | -       | -     | - | -   |
| 11      | K52               | D-TV/CBL       | 7A-54 | 7A-54 | 7A-D9 | -      | -       | -       | -       | -  | -       | -       | -    | -       | -       | -       | -       | -     | - | -   |
| 12      | K54               | V-AUX          | 7A-55 | 7A-55 | 7A-D8 | -      | -       | -       | -       | -  | -       | -       | -    | -       | -       | -       | -       | -     | - | -   |
| 13      | K56               | MULTI CH INPUT | 7A-87 | 7A-87 | -     | -      | -       | -       | -       | -  | -       | -       | -    | -       | -       | -       | -       | -     | - | -   |
| 14      | K50               | VCR            | 7A-0F | 7A-0F | 7A-D6 | -      | -       | -       | -       | -  | -       | -       | -    | -       | -       | -       | -       | -     | - | -   |
| 15      | K51               | ★              | 7A-13 | 7A-13 | 7A-D7 | -      | -       | -       | -       | -  | -       | -       | -    | -       | -       | -       | -       | -     | - | -   |
| 16      | K53               | ★★             | -     | -     | -     | -      | -       | -       | -       | -  | -       | -       | -    | -       | -       | -       | -       | -     | - | -   |
| 17      | K55               | AMP            | -     | -     | -     | -      | -       | -       | -       | -  | -       | -       | -    | -       | -       | -       | -       | -     | - | -   |
| 18      | K28               | TV VOL +       | -     | -     | -     | -      | -       | -       | -       | -  | -       | -       | -    | -       | -       | -       | -       | -     | - | -   |
| 19      | K30               | TV CH +        | -     | -     | -     | -      | -       | -       | -       | -  | -       | -       | -    | -       | -       | -       | -       | -     | - | -   |
| 20      | K32               | VOLUME +       | 7A-1A | 7A-1A | -     | -      | -       | -       | -       | -  | -       | -       | -    | -       | -       | -       | -       | -     | - | -   |
| 21      | K26               | TV VOL -       | -     | -     | -     | -      | -       | -       | -       | -  | -       | -       | -    | -       | -       | -       | -       | -     | - | -   |
| 22      | K29               | TV CH -        | -     | -     | -     | -      | -       | -       | -       | -  | -       | -       | -    | -       | -       | -       | -       | -     | - | -   |
| 23      | K31               | VOLUME -       | 7A-1B | 7A-1B | -     | -      | -       | -       | -       | -  | -       | -       | -    | -       | -       | -       | -       | -     | - | -   |
| 24      | K25               | TV MUTE        | -     | -     | -     | -      | -       | -       | -       | -  | -       | -       | -    | -       | -       | -       | -       | -     | - | -   |
| 25      | K27               | TV INPUT       | -     | -     | -     | -      | -       | -       | -       | -  | -       | -       | -    | -       | -       | -       | -       | -     | - | -   |
| 26      | K20               | MUTE           | 7A-1C | 7A-1C | 7A-DC | -      | -       | -       | -       | -  | -       | -       | -    | -       | -       | -       | -       | -     | - | -   |
| 27      | K18               | 1              | -     | -     | -     | -      | -       | -       | -       | -  | -       | -       | -    | -       | -       | -       | -       | -     | - | -   |
| 28      | K19               | 2              | -     | -     | -     | -      | -       | -       | -       | -  | -       | -       | -    | -       | -       | -       | -       | -     | - | -   |
| 29      | K21               | 3              | -     | -     | -     | -      | -       | -       | -       | -  | -       | -       | -    | -       | -       | -       | -       | -     | - | -   |
| 30      | K23               | 4              | -     | -     | -     | -      | -       | -       | -       | -  | -       | -       | -    | -       | -       | -       | -       | -     | - | -   |
| 31      | K57               | 5              | -     | -     | -     | -      | -       | -       | -       | -  | -       | -       | -    | -       | -       | -       | -       | -     | - | -   |
| 32      | K60               | 6              | -     | -     | -     | -      | -       | -       | -       | -  | -       | -       | -    | -       | -       | -       | -       | -     | - | -   |
| 33      | K62               | 7              | -     | -     | -     | -      | -       | -       | -       | -  | -       | -       | -    | -       | -       | -       | -       | -     | - | -   |
| 34      | K64               | 8              | -     | -     | -     | -      | -       | -       | -       | -  | -       | -       | -    | -       | -       | -       | -       | -     | - | -   |
| 35      | K58               | 9              | -     | -     | -     | -      | -       | -       | -       | -  | -       | -       | -    | -       | -       | -       | -       | -     | - | -   |
| 36      | K59               | 0              | -     | -     | -     | -      | -       | -       | -       | -  | -       | -       | -    | -       | -       | -       | -       | -     | - | -   |
| 37      | K61               | +10            | -     | -     | -     | -      | -       | -       | -       | -  | -       | -       | -    | -       | -       | -       | -       | -     | - | -   |
| 38      | K63               | ENTER          | -     | -     | -     | -      | -       | -       | -       | -  | -       | -       | -    | -       | -       | -       | -       | -     | - | -   |
| 39      | K36               | TITLE          | -     | -     | -     | -      | -       | -       | -       | -  | -       | -       | -    | -       | -       | -       | -       | -     | - | -   |
| 40      | K38               | ^              | -     | -     | -     | -      | -       | -       | -       | -  | -       | -       | -    | -       | -       | -       | -       | -     | - | -   |
| 41      | K40               | MENU           | -     | -     | -     | -      | -       | -       | -       | -  | -       | -       | -    | -       | -       | -       | -       | -     | - | -   |
| 42      | K34               | <              | -     | -     | -     | -      | -       | -       | -       | -  | -       | -       | -    | -       | -       | -       | -       | -     | - | -   |
| 43      | K37               | SELECT         | -     | -     | -     | -      | -       | -       | -       | -  | -       | -       | -    | -       | -       | -       | -       | -     | - | -   |
| 44      | K39               | >              | -     | -     | -     | -      | -       | -       | -       | -  | -       | -       | -    | -       | -       | -       | -       | -     | - | -   |
| 45      | K33               | RETURN         | -     | -     | -     | -      | -       | -       | -       | -  | -       | -       | -    | -       | -       | -       | -       | -     | - | -   |
| 46      | K35               | v              | -     | -     | -     | -      | -       | -       | -       | -  | -       | -       | -    | -       | -       | -       | -       | -     | - | -   |
| 47      | K24               | DISPLAY        | -     | -     | -     | -      | -       | -       | -       | -  | -       | -       | -    | -       | -       | -       | -       | -     | - | -   |
| 48      | K41               | REC            | -     | -     | -     | -      | -       | -       | -       | -  | -       | -       | -    | -       | -       | -       | -       | -     | - | -   |
| 49      | K44               | REW            | -     | -     | -     | -      | -       | -       | -       | -  | -       | -       | -    | -       | -       | -       | -       | -     | - | -   |
| 50      | K46               | FF             | -     | -     | -     | -      | -       | -       | -       | -  | -       | -       | -    | -       | -       | -       | -       | -     | - | -   |
| 51      | K48               | AUDIO          | -     | -     | -     | -      | -       | -       | -       | -  | -       | -       | -    | -       | -       | -       | -       | -     | - | -   |
| 52      | K42               | PAUSE          | -     | -     | -     | -      | -       | -       | -       | -  | -       | -       | -    | -       | -       | -       | -       | -     | - | -   |
| 53      | K43               | SKIP -         | -     | -     | -     | -      | -       | -       | -       | -  | -       | -       | -    | -       | -       | -       | -       | -     | - | -   |
| 54      | K45               | SKIP +         | -     | -     | -     | -      | -       | -       | -       | -  | -       | -       | -    | -       | -       | -       | -       | -     | - | -   |
| 55      | K47               | STOP           | -     | -     | -     | -      | -       | -       | -       | -  | -       | -       | -    | -       | -       | -       | -       | -     | - | -   |
| 56      | K22               | PLAY           | -     | -     | -     | -      | -       | -       | -       | -  | -       | -       | -    | -       | -       | -       | -       | -     | - | -   |

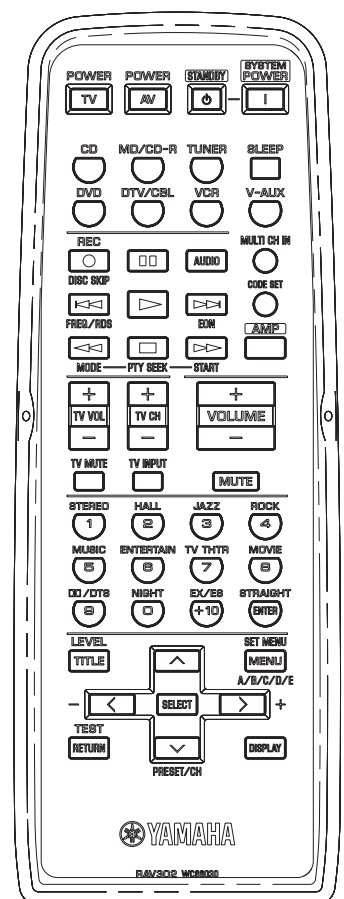


# REMOTE CONTROL RAV302: RX-V450/HTR-5740 (B, G, E models)

## SCHEMATIC DIAGRAM



NOT MOUNTED



| Key No. | Function       | CODE  |       |       |       |       |         |         |         |           |
|---------|----------------|-------|-------|-------|-------|-------|---------|---------|---------|-----------|
|         |                | AMP   | CD    | MD    | CD-R  | TUNER | DVD (P) | DVD (Y) | DVD (M) | DVD-R (P) |
| 1       | TV POWER       | -     | -     | -     | -     | -     | -       | -       | -       | -         |
| 2       | AV POWER       | -     | -     | -     | 7F-80 | -     | A5-AA   | 7C-80   | 3D-8D   | A5-AA     |
| 3       | STANDBY        | 7A-1E | -     | -     | -     | -     | -       | -       | -       | -         |
| 4       | SYSTEM POWER   | 7A-1D | -     | -     | -     | -     | -       | -       | -       | -         |
| 5       | CD             | 7A-15 | -     | -     | -     | -     | -       | -       | -       | -         |
| 6       | MD/CD-R        | 7A-C9 | -     | -     | -     | -     | -       | -       | -       | -         |
| 7       | TUNER          | 7A-16 | -     | -     | -     | -     | -       | -       | -       | -         |
| 8       | SLEEP          | 7A-57 | -     | -     | -     | -     | -       | -       | -       | -         |
| 9       | DVD            | 7A-C1 | -     | -     | -     | -     | -       | -       | -       | -         |
| 10      | D-TV/CBL       | 7A-54 | -     | -     | -     | -     | -       | -       | -       | -         |
| 11      | VCR            | 7A-0F | -     | -     | -     | -     | -       | -       | -       | -         |
| 12      | V-AUX          | 7A-55 | -     | -     | -     | -     | -       | -       | -       | -         |
| 13      | REC, DISC SKIP | -     | 7A-4F | 79-AF | -     | -     | 55-56   | 7C-8B   | -       | 56-5A     |
| 14      | PAUSE          | -     | 7A-09 | 79-A9 | 7F-83 | -     | AA-5A   | 7C-83   | 06-B6   | AA-5A     |
| 15      | AUDIO          | -     | -     | -     | -     | -     | 95-A6   | 7C-AD   | 33-83   | 95-A6     |
| 16      | MULTI CH INPUT | 7A-87 | -     | -     | -     | -     | -       | -       | -       | -         |
| 17      | SKIP -         | -     | 7A-0B | 79-AB | 7F-86 | 7A-A4 | 6A-9A   | 7C-B9   | 49-F9   | 6A-9A     |
| 18      | PLAY           | -     | 7A-08 | 79-A8 | 7F-82 | -     | A5-9A   | 7C-82   | 0A-BA   | A5-9A     |
| 19      | SKIP +         | -     | 7A-0A | 79-AE | 7F-87 | 7A-A5 | AA-9A   | 7C-BA   | 4A-FA   | AA-9A     |
| 20      | CODE SET       | -     | -     | -     | -     | -     | -       | -       | -       | -         |
| 21      | REW (SEARCH -) | -     | 7A-0D | 79-AC | 7F-88 | 7A-A6 | 69-9A   | 7C-86   | 04-B4   | 69-9A     |
| 22      | STOP           | -     | 7A-09 | 79-AA | 7F-84 | -     | 6A-5A   | 7C-85   | 00-B0   | 6A-5A     |
| 23      | FF (SEARCH +)  | -     | 7A-0C | 79-AD | 7F-89 | 7A-A7 | A9-9A   | 7C-87   | 05-B5   | A9-9A     |
| 24      | AMP            | -     | -     | -     | -     | -     | -       | -       | -       | -         |
| 25      | TV VOL +       | -     | -     | -     | -     | -     | -       | -       | -       | -         |
| 26      | TV VOL -       | -     | -     | -     | -     | -     | -       | -       | -       | -         |
| 27      | TV MUTE        | -     | -     | -     | -     | -     | -       | -       | -       | -         |
| 28      | TV CH +        | -     | -     | -     | -     | -     | -       | -       | -       | -         |
| 29      | TV CH -        | -     | -     | -     | -     | -     | -       | -       | -       | -         |
| 30      | TV INPUT       | -     | -     | -     | -     | -     | -       | -       | -       | -         |
| 31      | VOLUME +       | 7A-1A | -     | -     | -     | -     | -       | -       | -       | -         |
| 32      | VOLUME -       | 7A-1B | -     | -     | -     | -     | -       | -       | -       | -         |
| 33      | MUTE           | 7A-1C | -     | -     | -     | -     | -       | -       | -       | -         |
| 34      | 1              | 7A-88 | 79-11 | 79-85 | 7F-91 | 7A-E5 | 6A-AA   | 7C-94   | 10-A0   | 6A-AA     |
| 35      | 2              | 7A-89 | 79-12 | 79-86 | 7F-92 | 7A-E6 | 9A-AA   | 7C-95   | 11-A1   | 9A-AA     |
| 36      | 3              | 7A-8A | 79-13 | 79-87 | 7F-93 | 7A-E7 | 5A-AA   | 7C-96   | 12-A2   | 5A-AA     |
| 37      | 4              | 7A-8B | 79-14 | 79-88 | 7F-94 | 7A-E8 | A6-AA   | 7C-97   | 13-A3   | A6-AA     |
| 38      | 5              | 7A-8C | 79-15 | 79-89 | 7F-95 | 7A-E9 | 66-AA   | 7C-98   | 14-A4   | 66-AA     |
| 39      | 6              | 7A-8D | 79-16 | 79-8A | 7F-96 | 7A-EA | 96-AA   | 7C-99   | 15-A5   | 96-AA     |
| 40      | 7              | 7A-8E | 79-17 | 79-8B | 7F-97 | 7A-EB | 56-AA   | 7C-9A   | 16-A6   | 56-AA     |
| 41      | 8              | 7A-8F | 79-18 | 79-8C | 7F-98 | 7A-EC | A9-AA   | 7C-9B   | 17-A7   | A9-AA     |
| 42      | 9              | 7A-90 | 79-19 | 79-8D | 7F-99 | -     | 69-AA   | 7C-9C   | 18-A8   | 69-AA     |
| 43      | 0              | 7A-95 | 79-10 | 79-8E | 7F-90 | -     | AA-AA   | 7C-93   | 19-A9   | AA-AA     |
| 44      | +10            | 7A-97 | 79-1A | 79-8F | 7F-9A | -     | A9-56   | 7C-9D   | 89-39   | A9-56     |
| 45      | ENTER          | 7A-56 | 79-0B | -     | 7F-8A | -     | A9-A5   | 7C-9E   | -       | A9-A5     |
| 46      | TITLE          | 7A-86 | -     | -     | -     | -     | 6A-56   | 7C-B1   | 9B-2B   | 6A-56     |
| 47      | ^              | 7A-98 | -     | -     | -     | 7A-10 | A9-66   | 7C-B4   | 85-35   | A9-66     |
| 48      | MENU           | 7A-9C | -     | -     | -     | 7A-12 | A6-66   | 7C-B2   | 80-30   | A6-66     |
| 49      | <              | 7A-53 | -     | -     | -     | -     | 99-66   | 7C-B5   | 87-37   | 99-66     |
| 50      | SELECT         | 7A-DE | -     | -     | -     | -     | A5-66   | 7C-B8   | 82-32   | A5-66     |
| 51      | >              | 7A-52 | -     | -     | -     | -     | 59-66   | 7C-B6   | 88-38   | 59-66     |
| 52      | RETURN         | 7A-85 | -     | -     | -     | -     | 5A-A9   | 7C-B7   | 81-31   | 5A-A9     |
| 53      | v              | 7A-99 | -     | -     | -     | 7A-11 | 69-66   | 7C-B3   | 86-36   | 69-66     |
| 54      | DISPLAY        | -     | 79-0A | 79-A5 | 7F-9E | -     | 55-AA   | 7C-A6   | 92-22   | 55-AA     |

# **RX-V550/HTR-5750**

# **AX-V450/HTR-5740/DSP-AX450**

---

