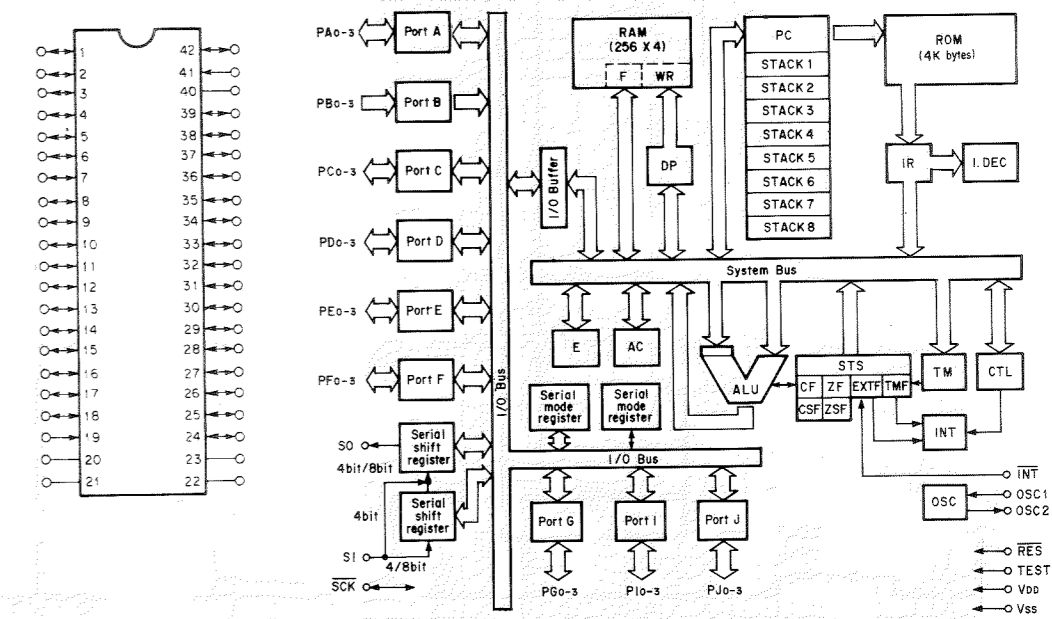


Mark	Reference Parts Number	Parts Name
*1	L301-302	U.C.R. A, B, H
*2	R300-304	SHORT
*3	C304-305-324	OPEN
*4	R321-325	33
*5	L303-304	OPEN
*7	C331-332	1500P
*8	R345-351	100
*9	C301-314-319	OPEN
*10	R302	OPEN
*11	R304-305	SHORT
*12	C302-303	OPEN

Interchangeable Parts at Manufacture-Stage

Mark	Reference Parts Number	Parts Name
*1	Q310-314	2549395(I, R, S)
		2541115(E, F, I)
		2541903(A, G, R, S)
*2	Q313	25C17405(I, R, S)
		25C2603(E, F, I)
		25C3314(I, G, R, S)

μ-COM DATA (IC303: LC6520H)



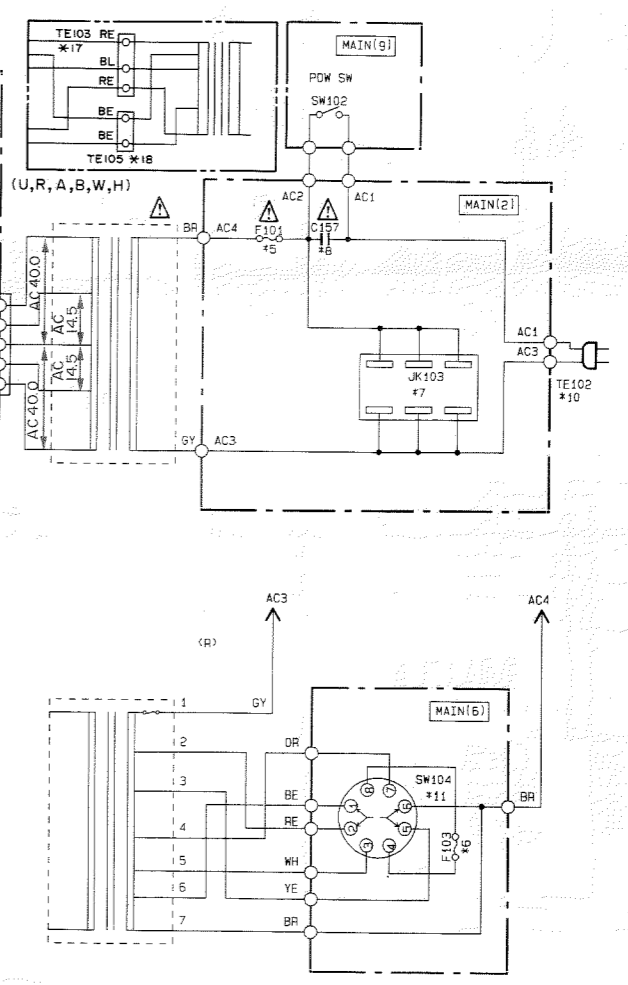
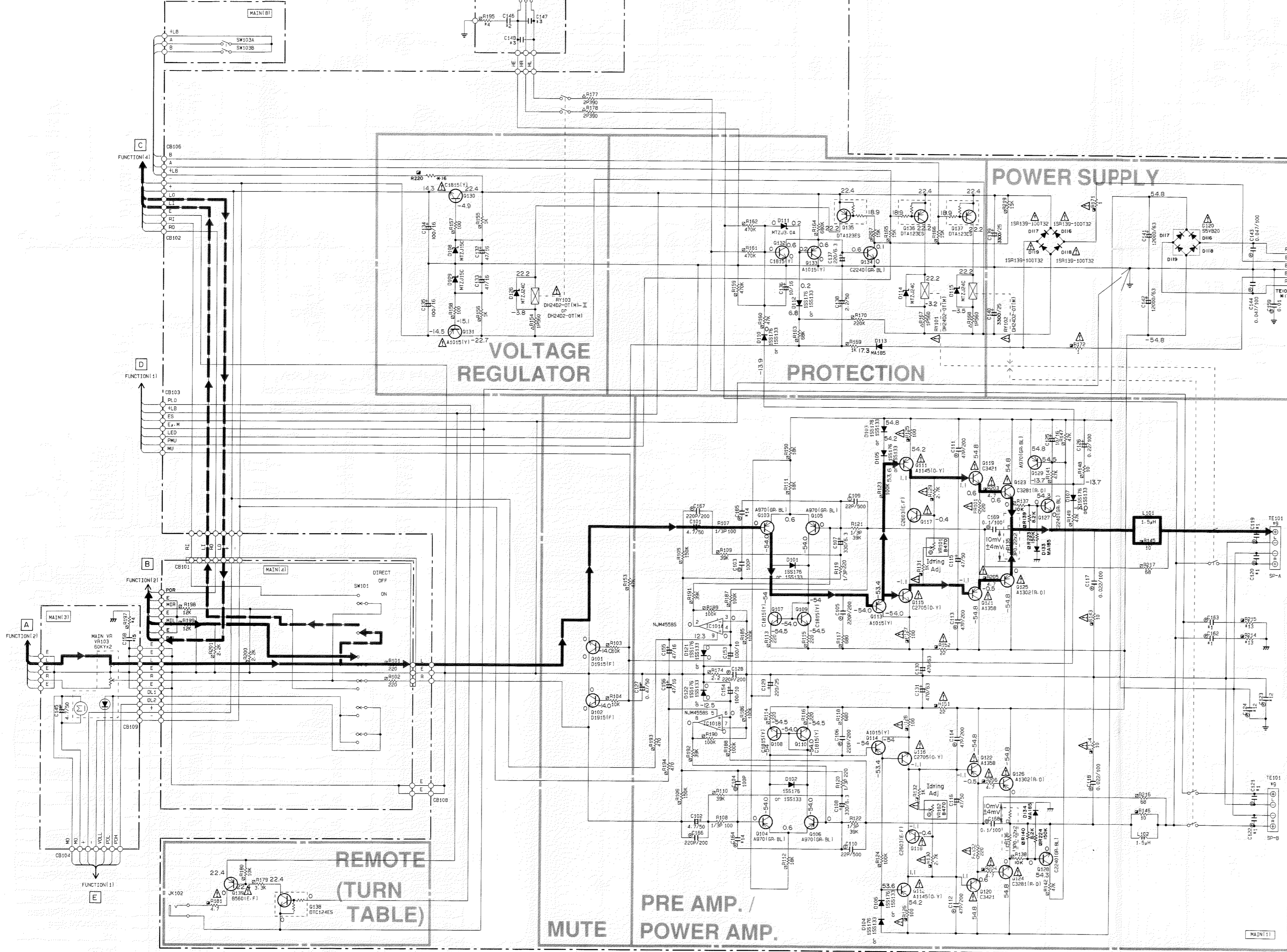
PIN No.	PIN NAME	I/O	FUNCTION	PIN No.	PIN NAME	I/O	FUNCTION
1	PA2	I/O	Not used	23	RESET	I	Reset input
2	PA3	I/O	Not used (H)	24	PF0	I/O	Not used
3	PB0	-	S1 : Selector position data	25	PF1	I/O	Not used
4	PB1	-	S2	26	PF2	I/O	Not used
5	PB2	-	S3	27	PF3	I/O	Remote control Data input
6	PB3	-	S4	28	PG0	I/O	Not used
7	PC0	I/O	S5	29	PG1	I/O	Not used (GND)
8	PC1	I/O	S6	30	PG2	I/O	Not used
9	PC2	I/O	S7	31	PG3	I/O	Not used
10	PC3	I/O	S8	32	PI0	I/O	Volume control signal 2
11	PD0	I/O	CAM : Cam position data	33	PI1	I/O	Volume control signal 1
12	PD1	I/O	Not used (L : 6ch set)	34	PI2	I/O	Selector control signal 2
13	PD2	I/O	Not used (GND)	35	PI3	I/O	Selector control signal 1
14	PD3	I/O	PLAY/CUT(Player control)	36	PJ0	I/O	Not used (GND)
15	PE0	I/O	Not used	37	PJ1	I/O	Audio muting LED control
16	PE1	I/O	Not used	38	PJ2	I/O	Audio muting control signal
17	PE2	I/O	Not used	39	PJ3	I/O	Muting control signal
18	PE3	I/O	Not used (GND)	40	VDD	-	+5V
19	TEST	-	GND	41	PA0	I/O	Not used
20	VSS	-	GND	42	PA1	I/O	Not used
21	OSC1	-	-				

REMARKS	PARTS NAME	REMARKS	PARTS NAME
NO MARK	ELECTROLYTIC CAPACITOR	(J).....	JAPANESE MODEL
⊗	TANTALUM CAPACITOR	(U).....	U.S.A. MODEL
NO MARK	CERAMIC CAPACITOR	(C).....	CANADIAN MODEL
⊙	AXIAL LEAD CERAMIC CAPACITOR	(A).....	AUSTRALIAN MODEL
⊖	POLYESTER FILM CAPACITOR	(G).....	EUROPEAN MODEL
⊕	POLYSYLVENE FILM CAPACITOR	(B).....	BRITISH MODEL
⊖	MICA CAPACITOR	(R).....	GENERAL MODEL
⊕	POLYPROPYLENE FILM CAPACITOR	(P).....	RP MODEL
⊖	SEMICONDUCTIVE CERAMIC CAPACITOR	(W).....	GERMAN MODEL
		(H).....	NORTH EUROPEAN MODEL
NO MARK	CARBON FILM RESISTOR (1/4W)	⊗	CARBON FILM RESISTOR (1/2W)
⊖	METAL OXIDE FILM RESISTOR	⊕	METAL FILM RESISTOR
⊖	METAL PLATE RESISTOR	⊖	FIRE PROOF CARBON FILM RESISTOR
⊕	CEMENT MOLDED RESISTOR	⊕	SEMI VARIABLE RESISTOR
⊖	POLYPROPYLENE FILM RESISTOR	⊖	ZIP RESISTOR

CAPACITOR	
REMARKS	PARTS NAME
NO MARK	ELECTROLYTIC CAPACITOR
NO MARK	TANTALUM CAPACITOR
NO MARK	CERAMIC CAPACITOR
⊙	AXIAL LEAD CERAMIC CAPACITOR
⊙	POLYESTER FILM CAPACITOR
⊙	POLYSTYRENE FILM CAPACITOR
⊙	MICA CAPACITOR
⊙	POLYPROPYLENE FILM CAPACITOR
⊙	SEMICONDUCTIVE CERAMIC CAPACITOR

RESISTOR	
REMARKS	PARTS NAME
NO MARK	CARBON FILM RESISTOR (1/6W)
NO MARK	CARBON FILM RESISTOR (1/4W)
△	METAL OXIDE FILM RESISTOR
⊙	METAL FILM RESISTOR
⊙	METAL PLATE RESISTOR
⊙	FIRE PROOF CARBON FILM RESISTOR
⊙	CEMENT MOLDED RESISTOR
⊙	SEMI VARIABLE RESISTOR
■	CHIP RESISTOR

NOTICE
 (J)..... Japanese model (W)..... German model
 (U)..... U.S.A model (H)..... North European model
 (C)..... Canadian model
 (A)..... Australian model
 (G)..... European model
 (B)..... British model
 (R)..... General model
 (P)..... RP model



	U	C	R	A, B	W	H
1	C119-122	OPEN			0.01/100	OPEN
2	C146	OPEN			0.01	OPEN
3	C147, 148				0.01	OPEN
4	R195-197	OPEN			2.2	OPEN
5	F101	7A125V		① 12.5A250V		
6	F103	OPEN		3.5A250V	OPEN	
8	C157	0.01			0.01/400	
9	TE101	VK50610			VC31370	VK50620
10	TE102	LA00387		VE22570		
11	SW104	OPEN		VAS6180	OPEN	
12	C123-124	OPEN			0.022/100	OPEN
13	R214-215	OPEN			4.7	OPEN
14	C164-165	OPEN			100P/200	OPEN
15	C158	OPEN			220P	OPEN
16	R220	16	SHORT			
17	TE103	LA00204	LA00215	LA00204		
18	TE105	OPEN	LA00214	OPEN		

2SC2603	2SA1309	2SA970	2SC1815	All Diodes	NJM78M12FA	2SA1490 2SC3854	2SA1302 2SC3281	2SA1356 2SC421	5SVB20 54VB20	NJM4558S NJM2068S TA7291 PC4570HA	LC8520H
2SD1915	2SA933S	2SA1015	2SC2240								
2SA3311	2SA1115	2SA1145	2SC2705								
2SC1740S	DTC124ES	DTC124ES	2SB560								
DTA123ES	DTA114	DTA144	DTC144								