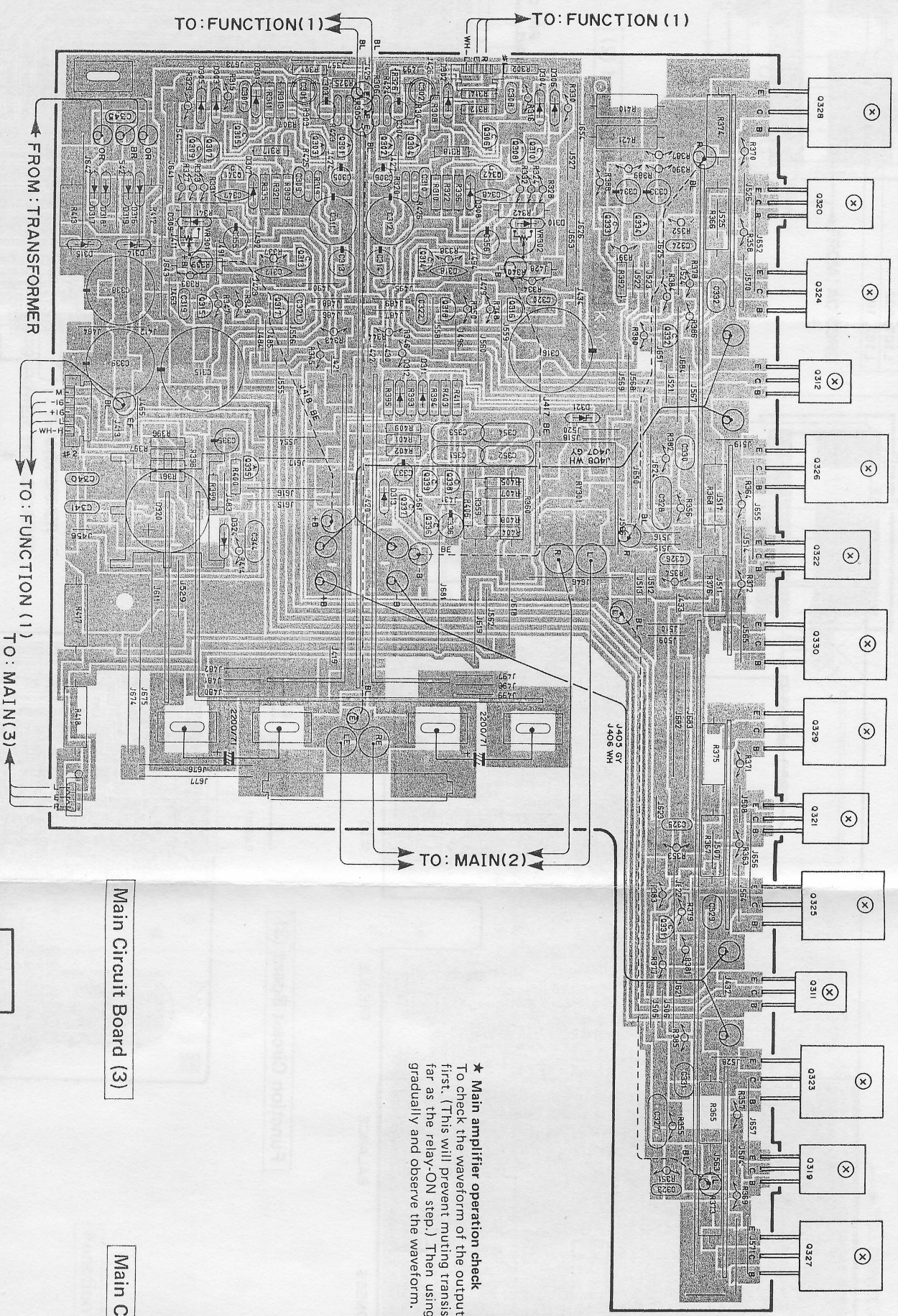


PRINTED CIRCUIT BOARD (Pattern side)

Main Circuit Board (1)



Main Circuit Board (3)

Main Circuit Board (2)

Note) *

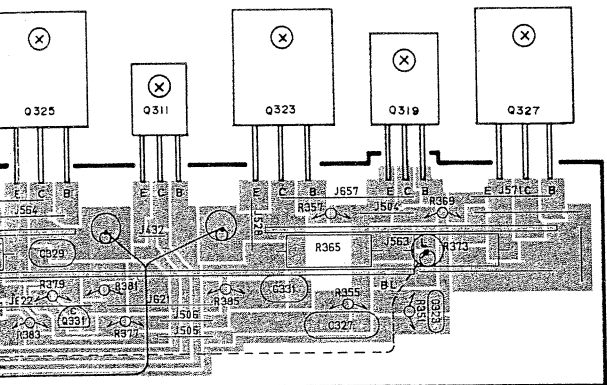
C357, 3C
C359 ~
R419, 4
F302
Lapping
J666 ~
J696 ~

★ Main amplifier operation check
 To check the waveform of the output (speaker), remove it first. (This will prevent muting transistors Q105 to 108 far as the relay-ON step.) Then using the AC regulators, gradually and observe the waveform.

FROM: VOLTAGE SELECTOR

Note) * marked

	R	U, C	A	G, B
C357, 363, 364	OPEN	OPEN	OPEN	0.01
C359 ~ 362	OPEN	OPEN	OPEN	(P) 4700P/100
R419, 420	OPEN	OPEN	OPEN	4.7
F302	T5.0A 250V	OPEN	OPEN	OPEN
Lapping Terminal	SET	NONSET	NONSET	NONSET
J666 ~ 669	OPEN	OPEN	SHORT	SHORT
J696 ~ 699	OPEN	OPEN	SHORT	SHORT

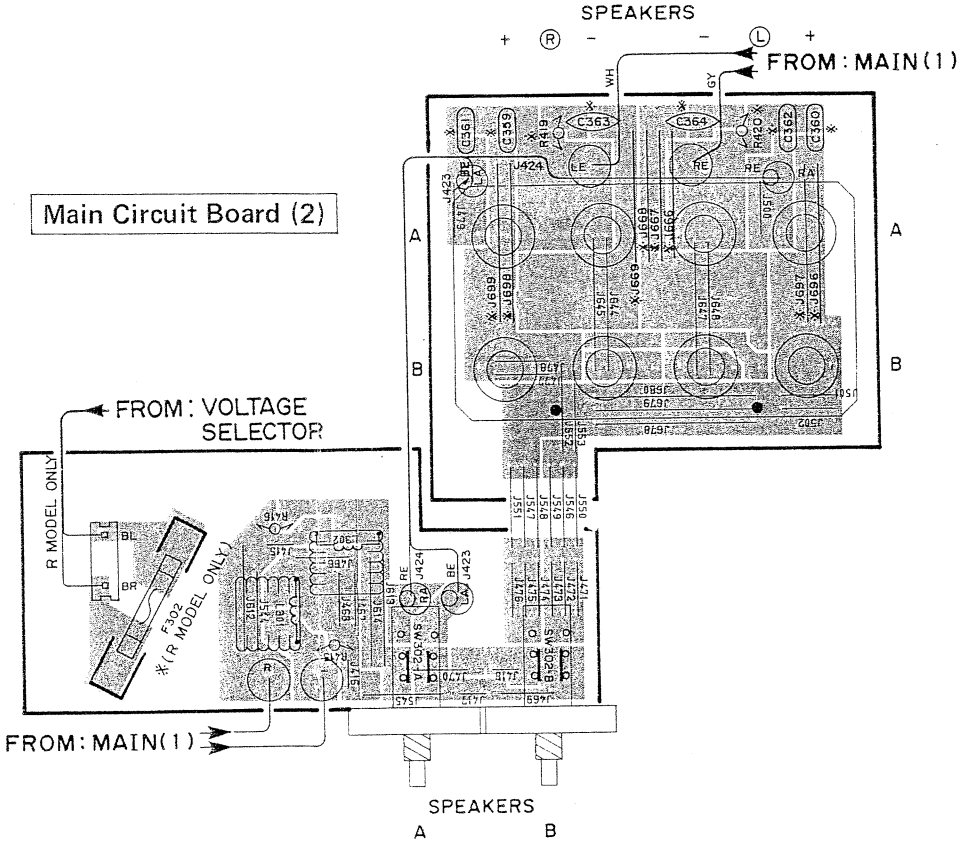
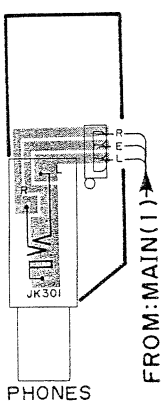


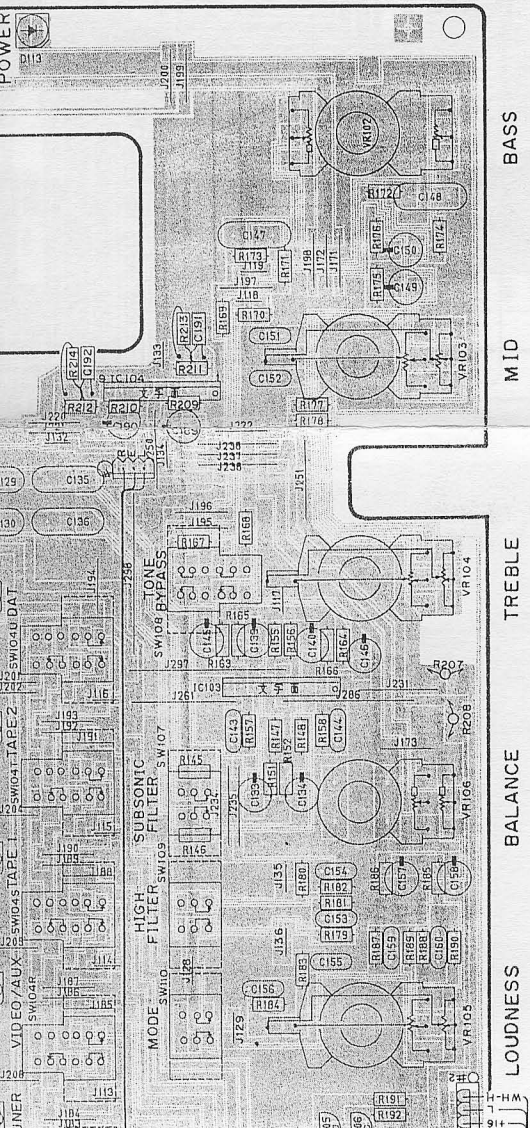
★ Main amplifier operation check

To check the waveform of the output (speaker), remove the diode D312 first. (This will prevent muting transistors Q105 to 108 from operating as far as the relay-ON step.) Then using the AC regulators, apply voltage gradually and observe the waveform.

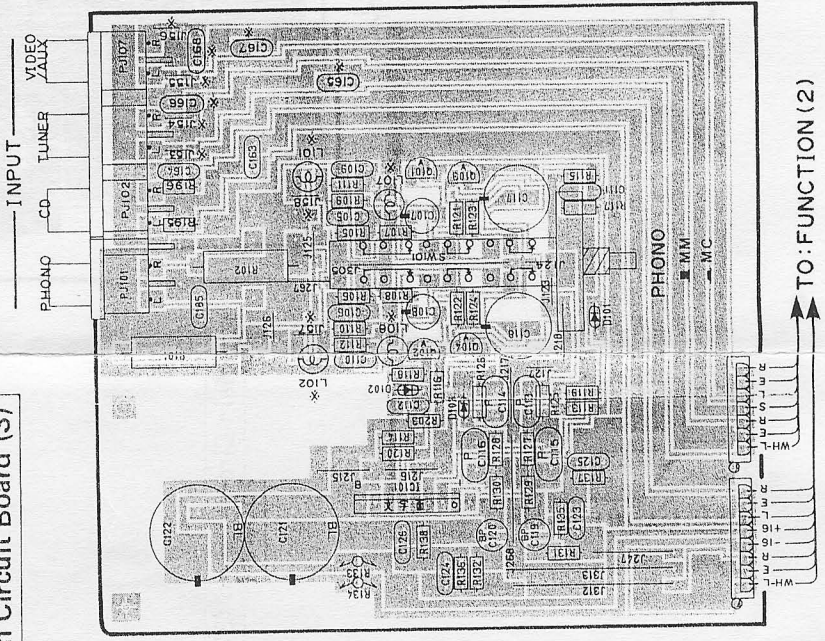
Main Circuit Board (3)

Main Circuit Board (2)



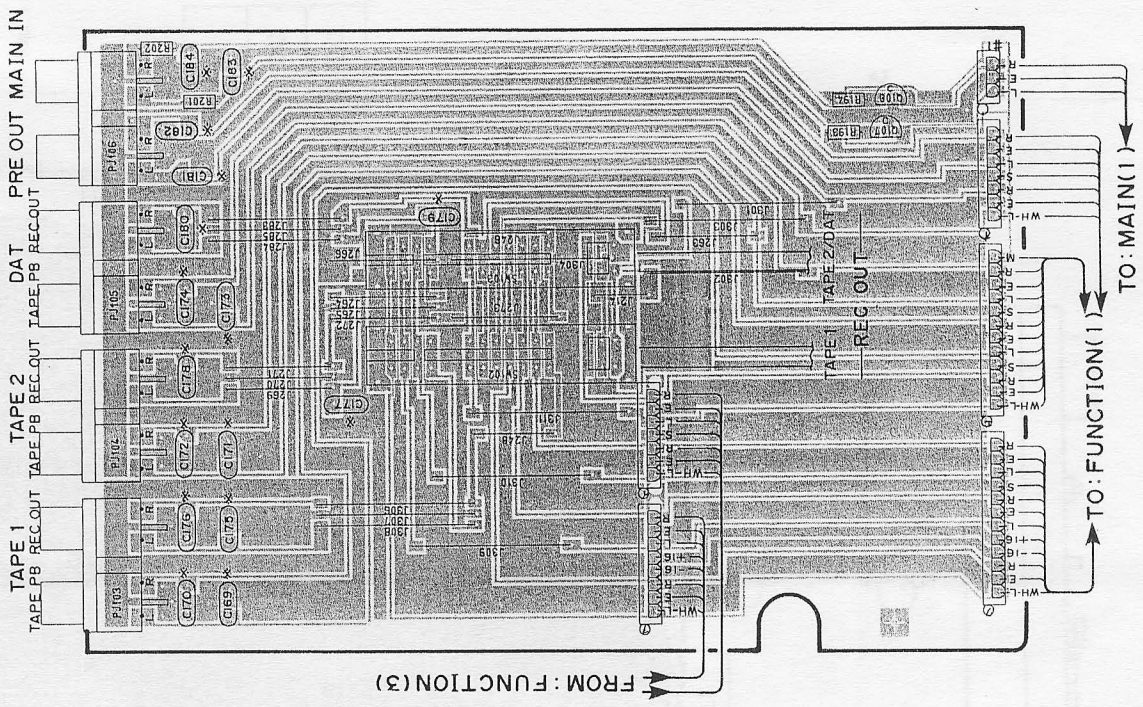


Function Circuit Board (3)



TO: FUNCTION (2)

Function Circuit Board (2)



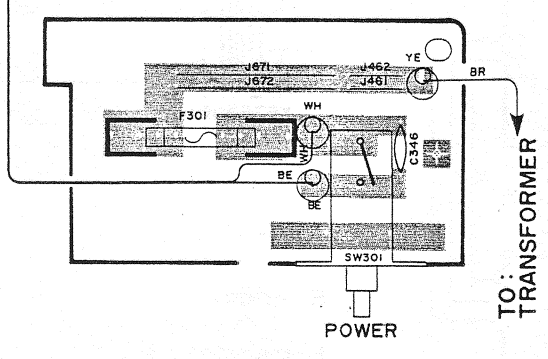
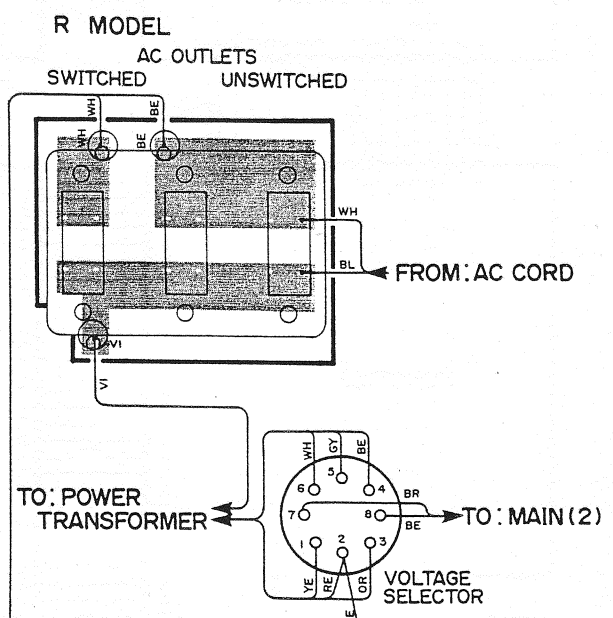
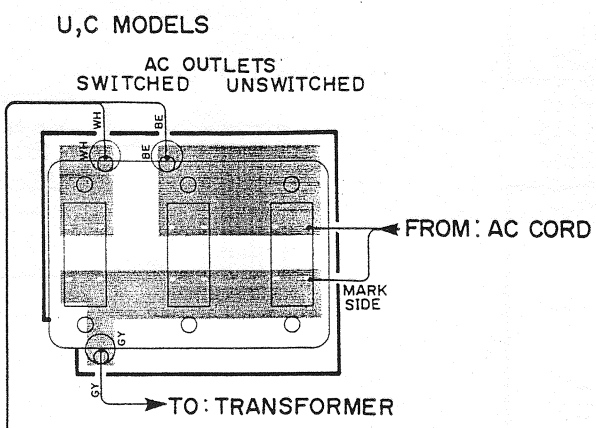
FROM: FUNCTION (3)

TO: FUNCTION (1)

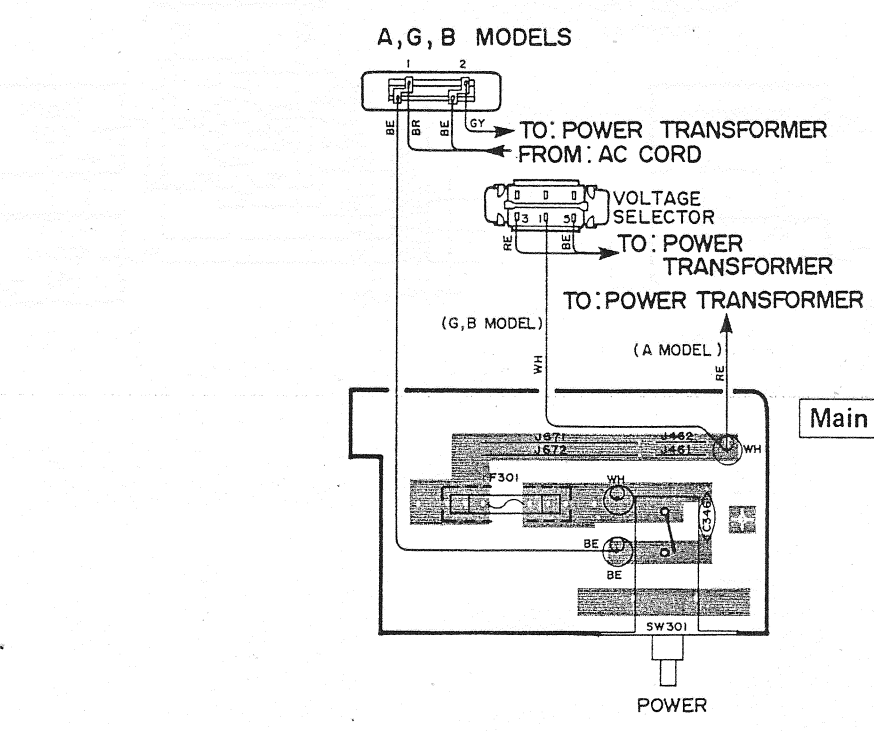
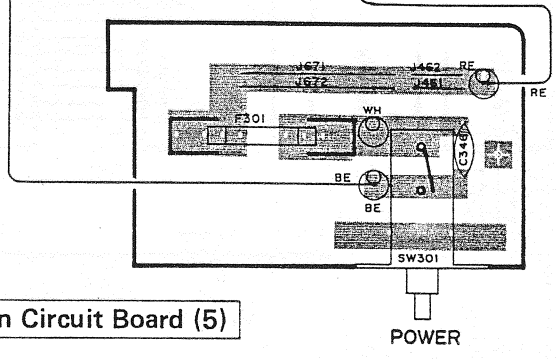
TO: MAIN (1)

PRINTED CIRCUIT BOARD (Pattern side)

Main Circuit Board (4)



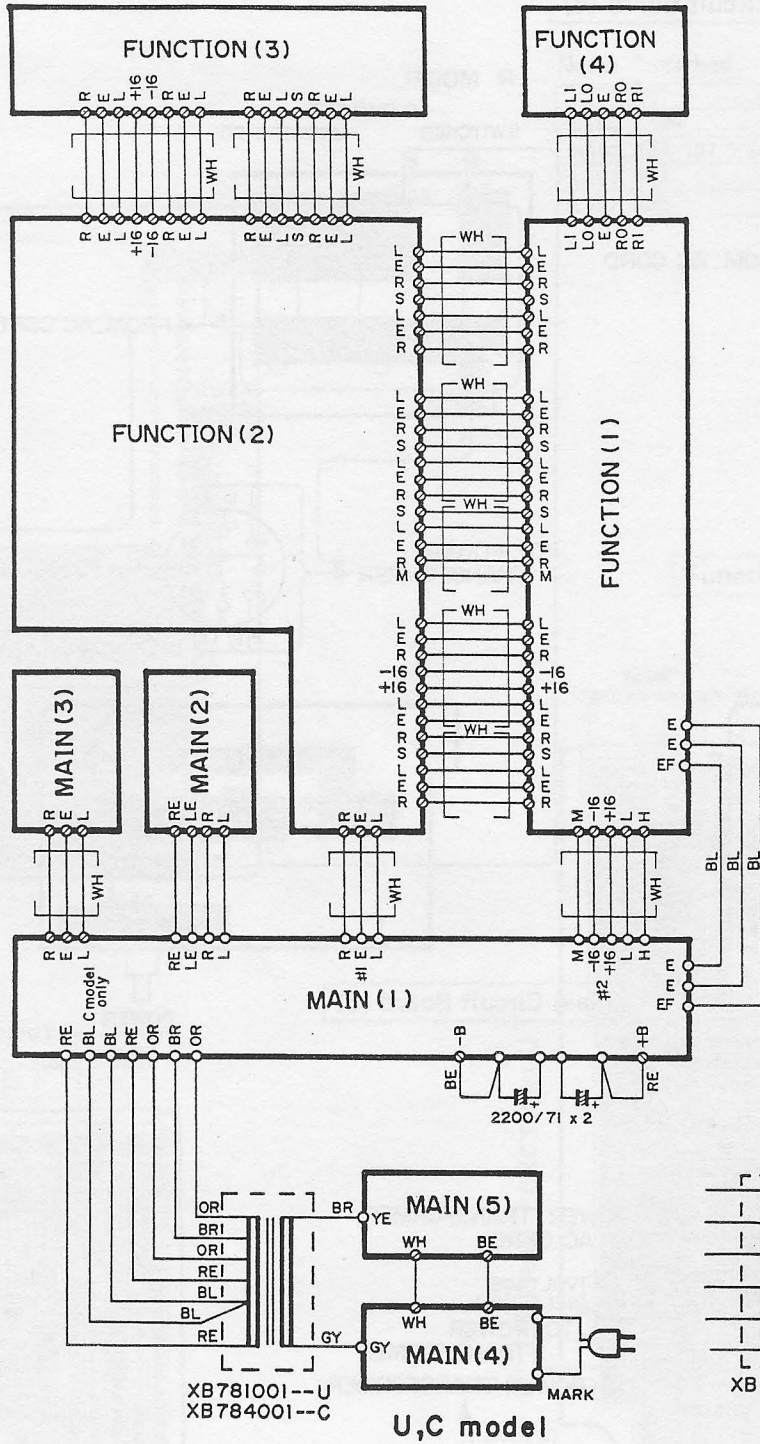
Main Circuit Board (5)



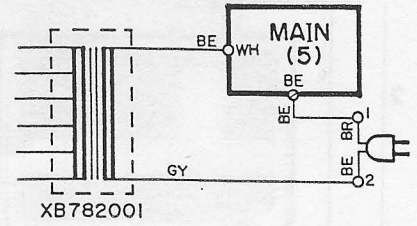
AX-900U

WIRING

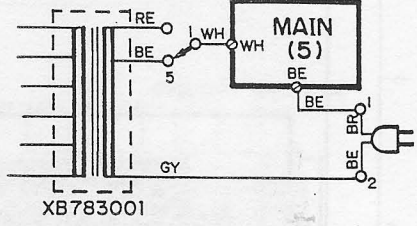
AX-900U



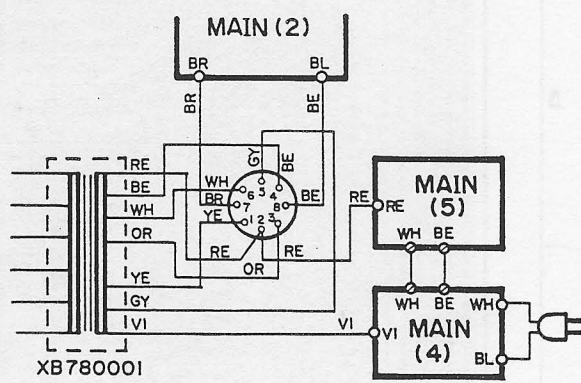
A model



G, B model

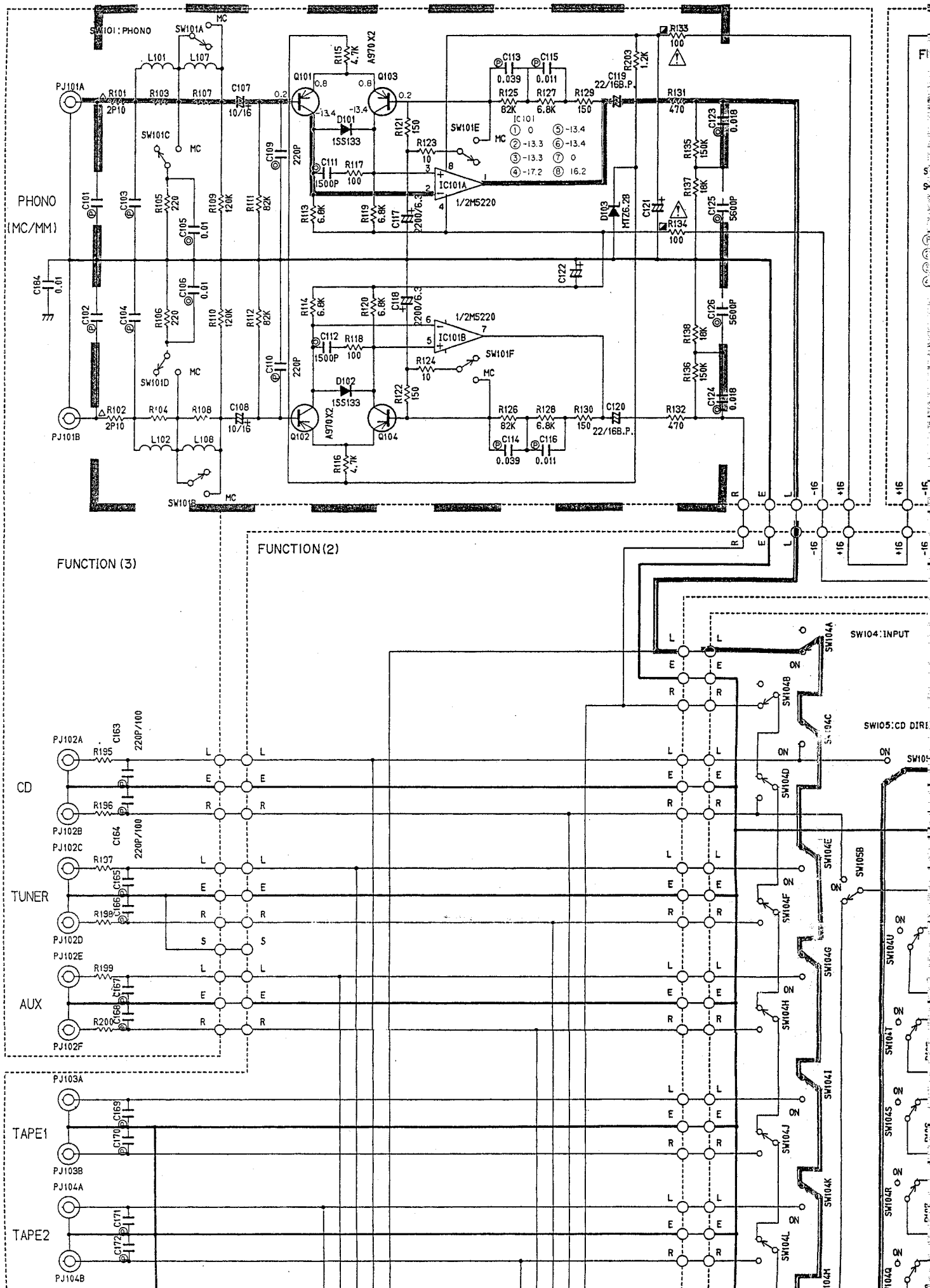


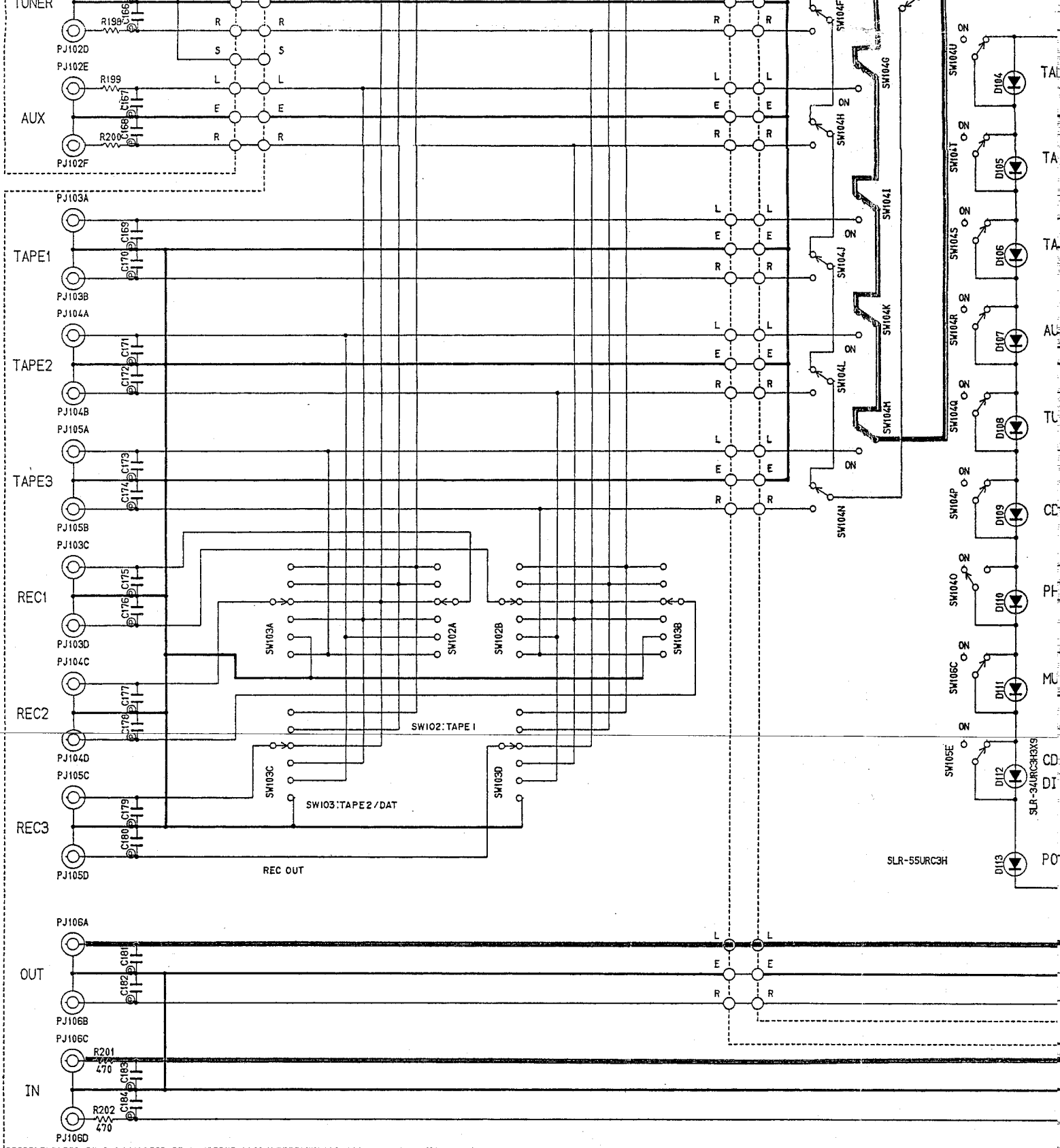
R model



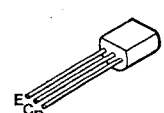
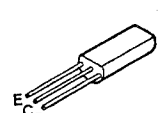
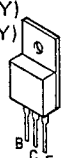
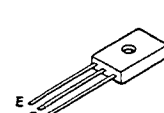
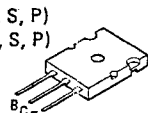
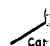
SCHEMATIC DIAGRAM

PHONO MM/MC AMP





PIN CONNECTION DIAGRAM OF TRANSISTORS, DIODES AND ICs.

2SA970 (GR, BL) 2SA1207 (S, T) 2SC2240 (GR, BL) 2SC2909 (S, T) 2SA1048 (Y, GR) 2SA1015 (O, Y) 2SC1815 (O, Y) 2SC2878 (A, B) 	2SA1145 (O, Y) 2SC2705 (O, Y) 	2SA1306 (O, Y) 2SC3298 (O, Y) 	2SC1846 (S) 2SC3964 	2SA1301 (R, O) 2SC3280 (R, O) 2SB1162 (O, S, P) 2SD1717 (O, S, P) 	1S1555 1S2473 1SS82 1SR35-100A HZ24-2 HZ16-3L 5FB20 
--	--	--	---	--	---

PRE AMP

CD DIRECT

FUNCTION (1)

- IC102 ⑤ -17.9
① 17.5 ⑥ 0.2
② 0.2 ⑦ 0.2
③ 0 ⑧ 0.2
④ 0.2 ⑨ 17.5

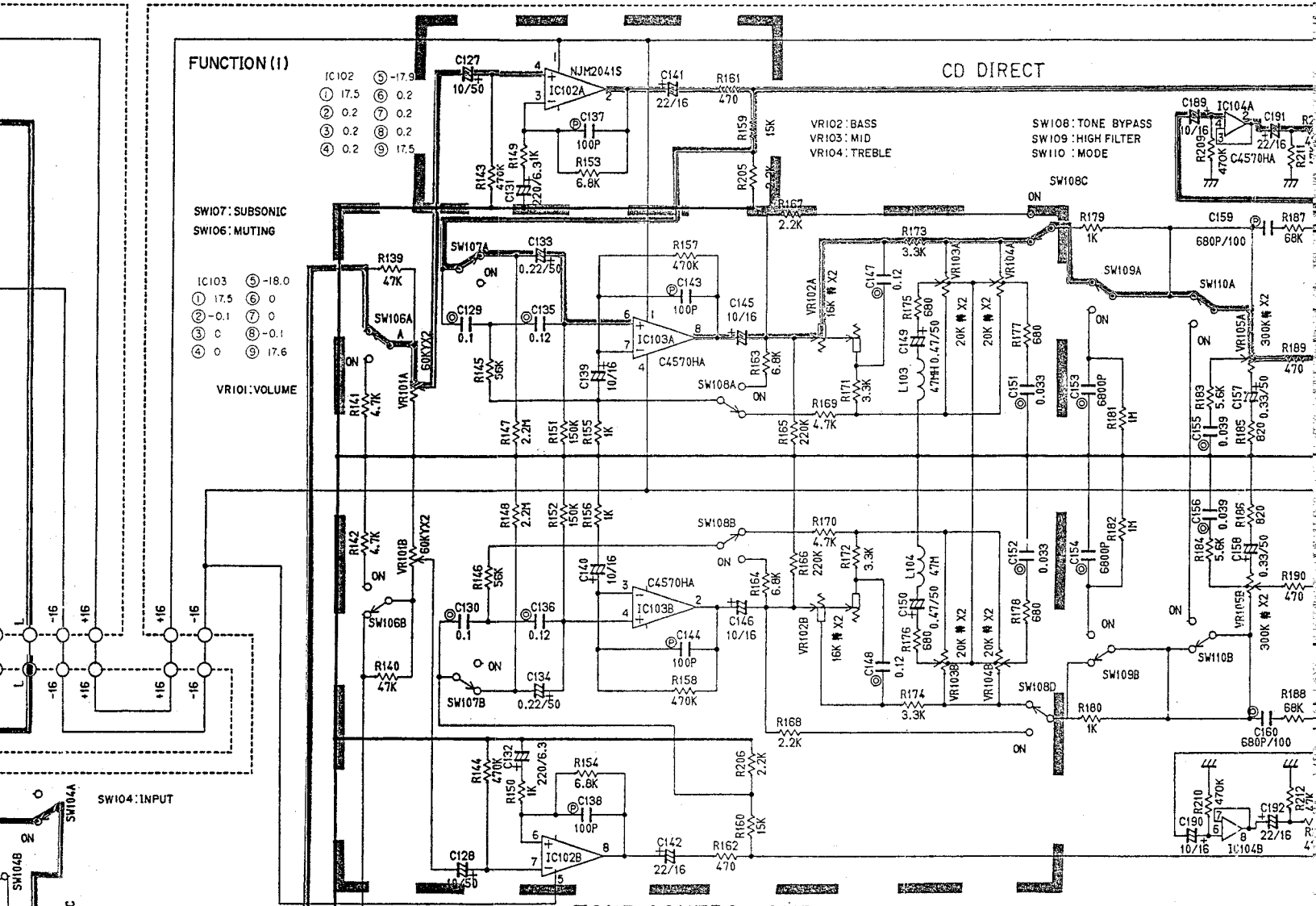
SW107: SUBSONIC
SW106: MUTING

- IC103 ⑤ -18.0
① 17.5 ⑥ 0
② -0.1 ⑦ 0
③ 0 ⑧ -0.1
④ 0 ⑨ 17.6

VR101: VOLUME

VR102: BASS
VR103: MID
VR104: TREBLE

SW108: TONE BYPASS
SW109: HIGH FILTER
SW110: MODE



TONE CONTROL AMP

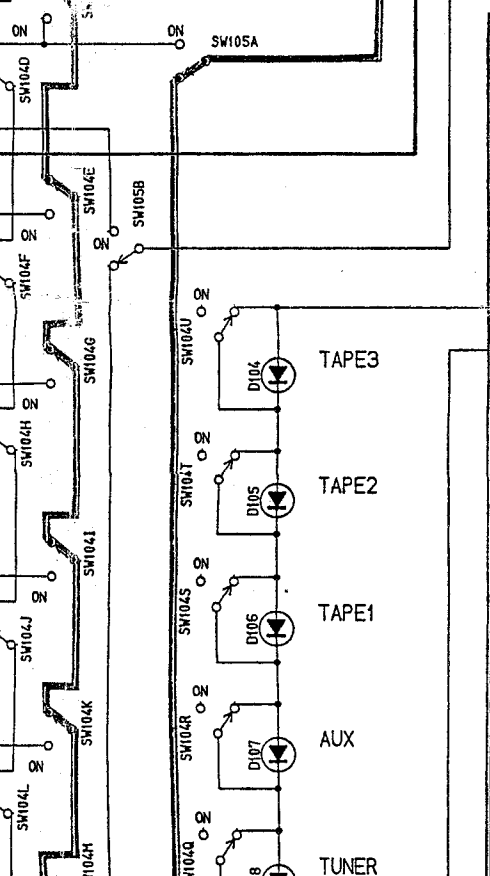
TAPE3

TAPE2

TAPE1

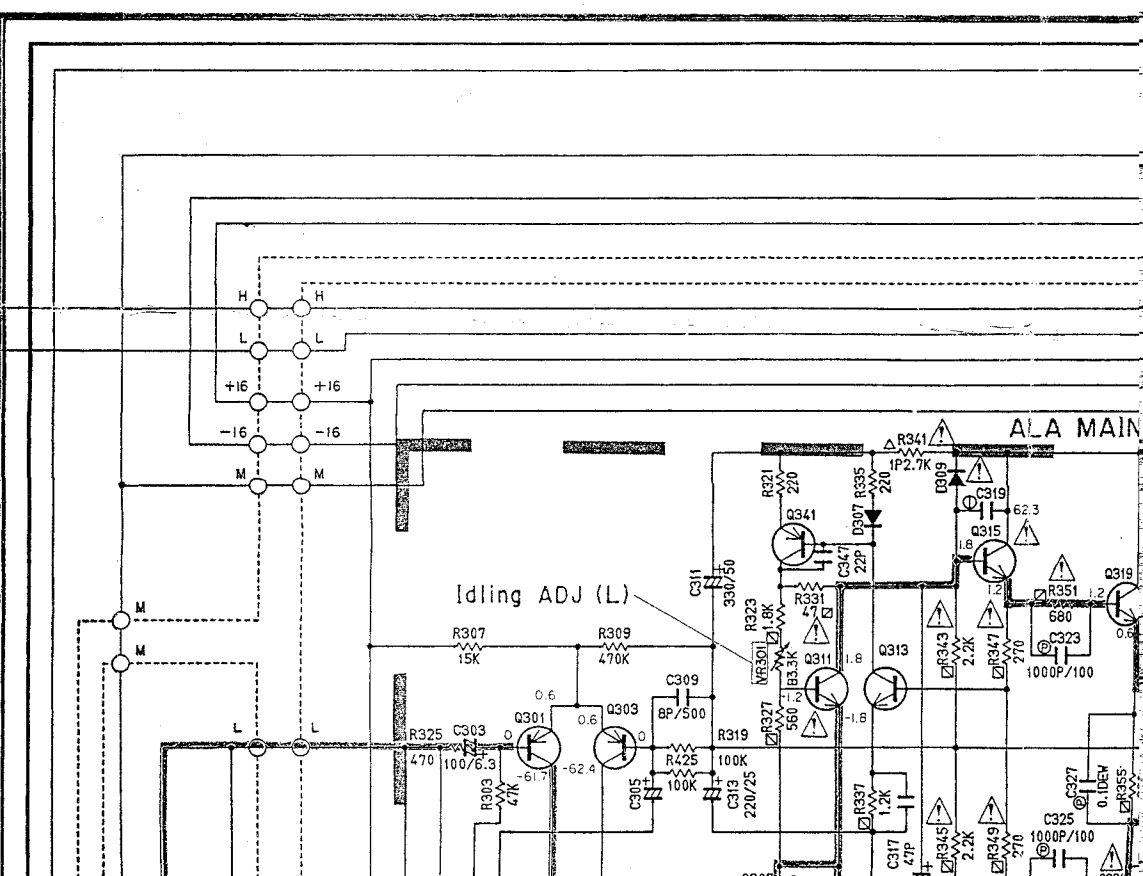
AUX

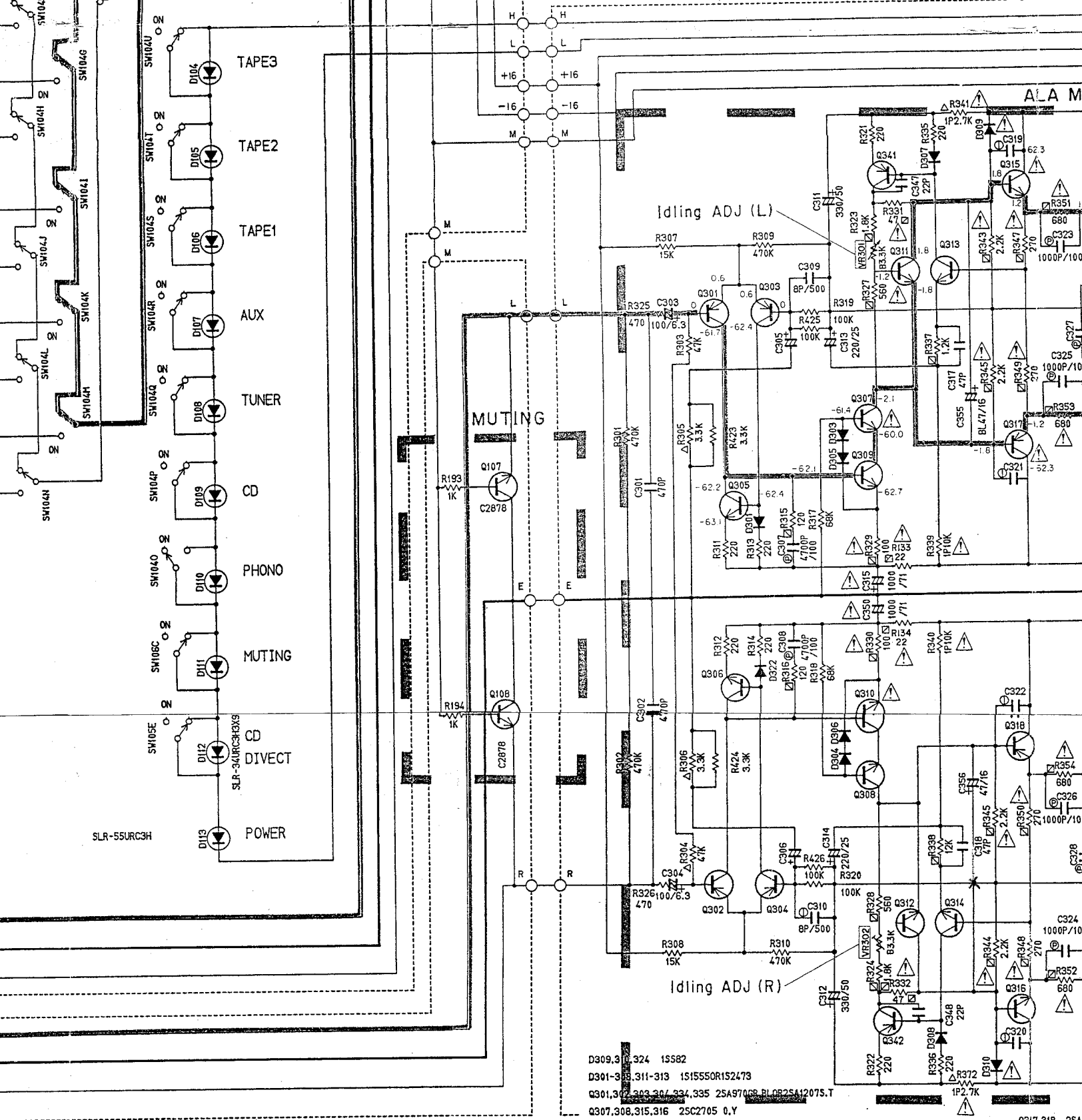
TUNER



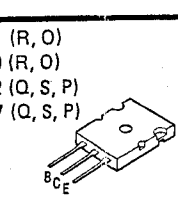
Idling ADJ (L)

ALA MAIN



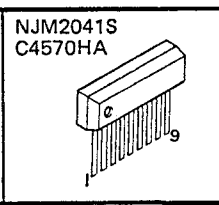
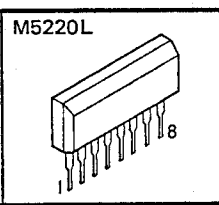
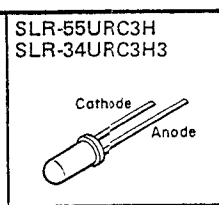
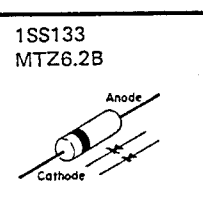


- D309,310,324 1S582
- Q301,302,303,304,305,311-313 1S1550R152473
- Q301,302,303,304,305,311-313 25A970GR,BLOR25A12075.T
- Q307,308,315,316 25C2705 0,Y
- Q309,310,25C18150,YOR25C2458Y,GR
- Q311,312,25C184650R25C3964
- Q341,342,25A10150Y,OR25A1048Y,GR
- Q313,314,333,336-339,25C22406R,BLOR25C29095.T
- 305,306 331,332
- Q317,318 25A
- Q319,320 25C
- Q321,322 25A
- Q323,327,324,325
- Q225,329,326,327



(R, O)
(R, O)
(Q, S, P)
(Q, S, P)

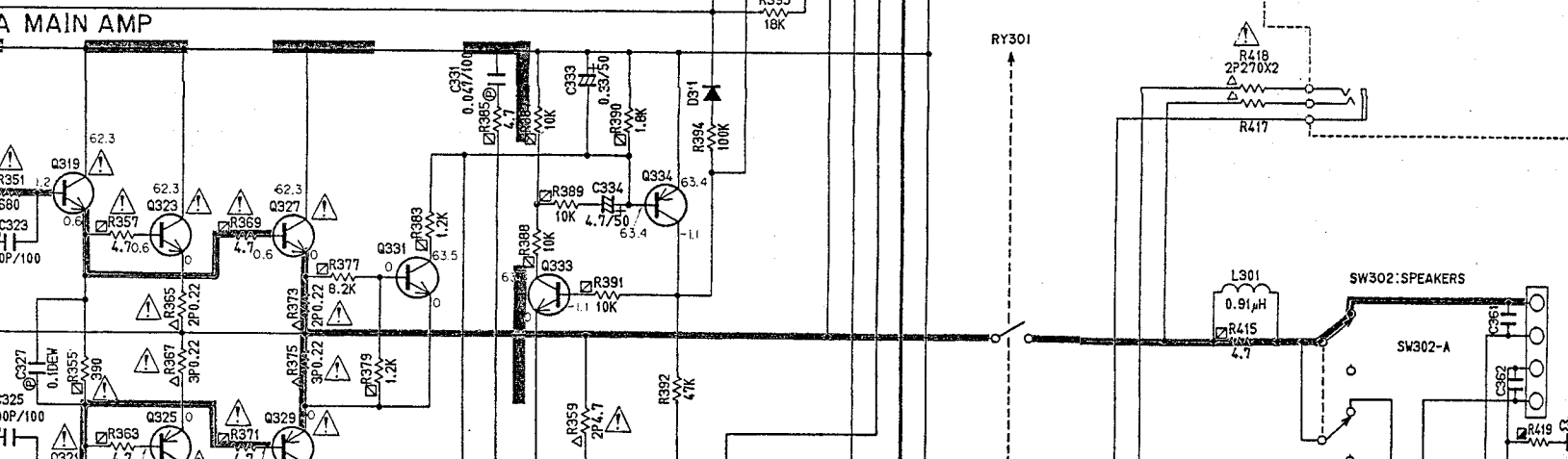
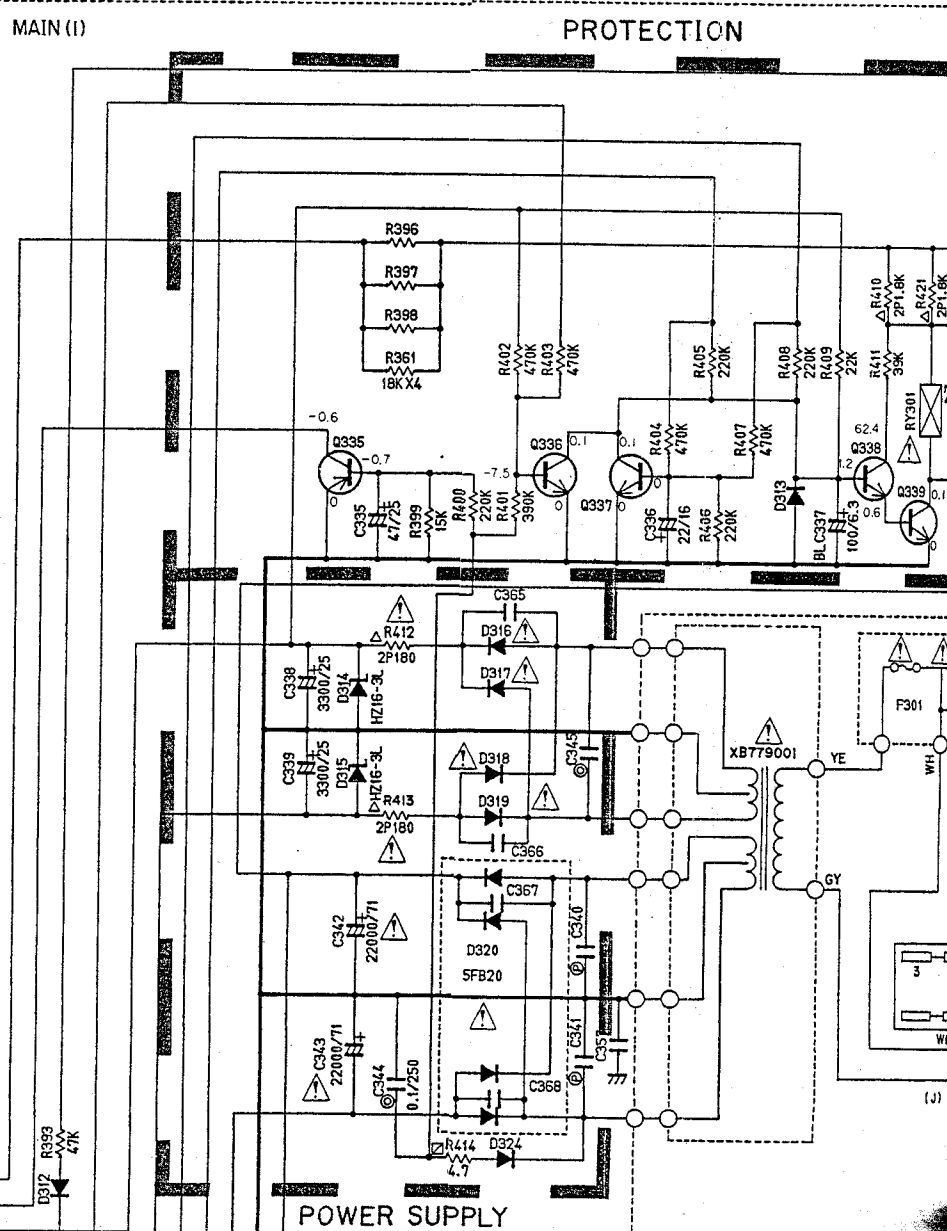
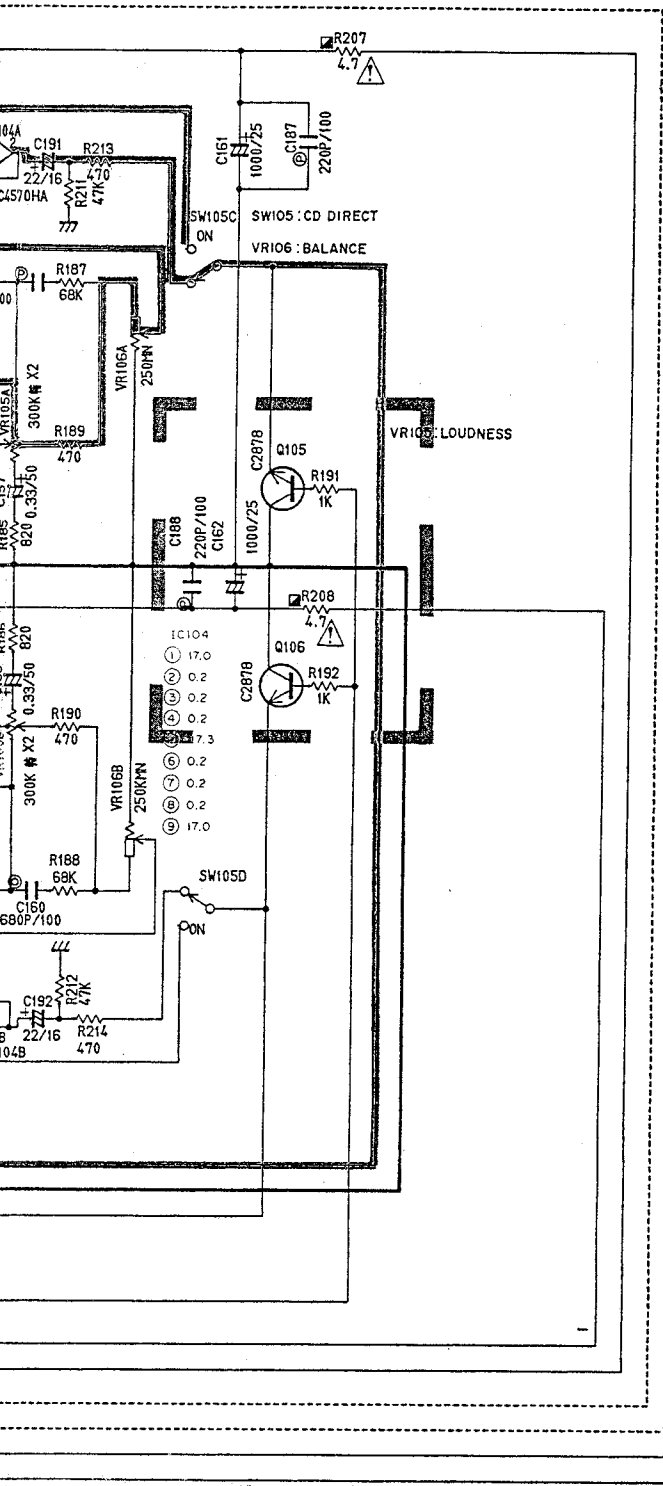
1S1555
1S2473
1SS82
1SR35-100A
HZ24-2
HZ16-3L
5FB20



SLR-55URC3H
SLR-34URC3H3

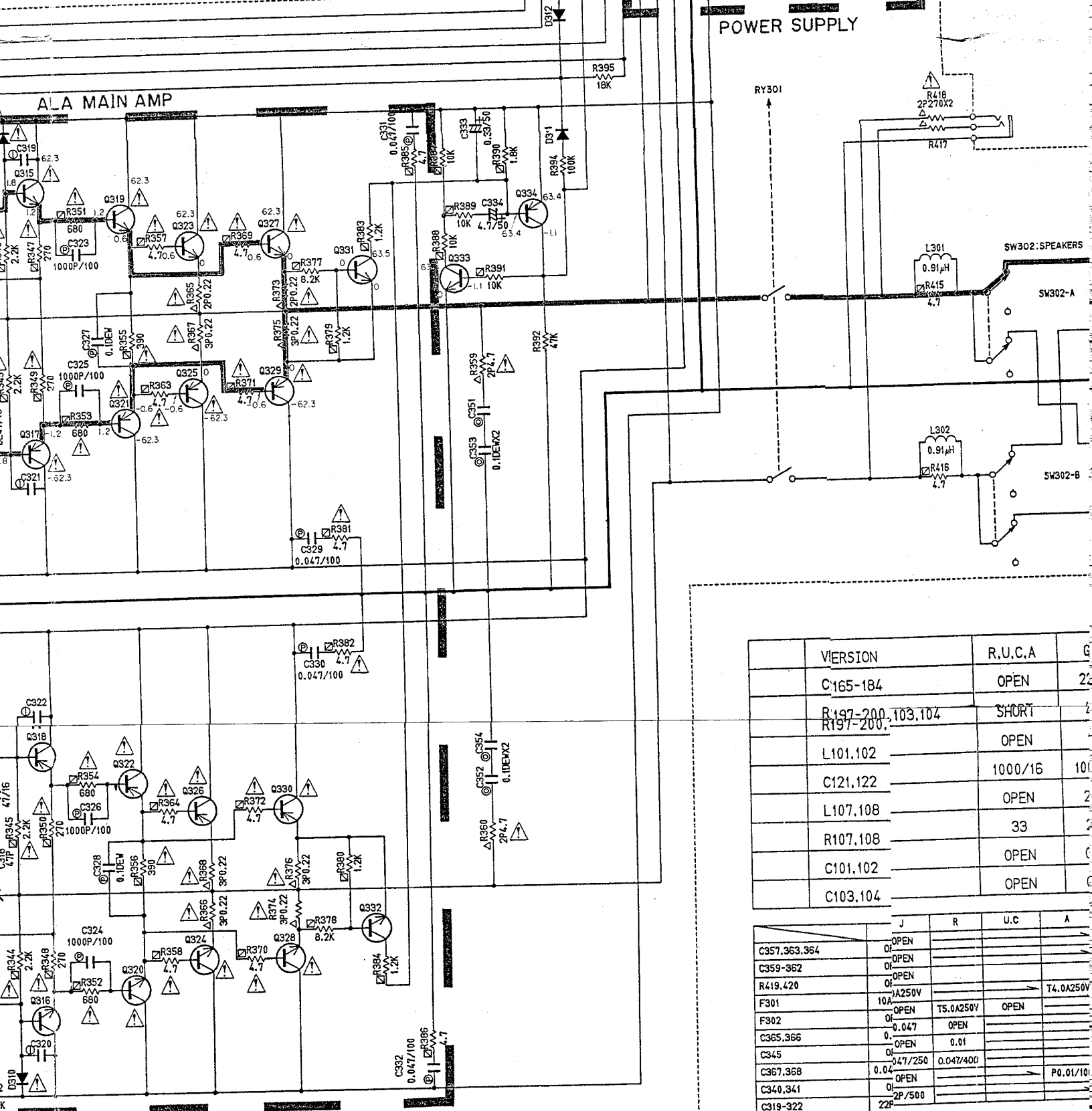
M5220L

NJM2041S
C4570HA



POWER SUPPLY

ALA MAIN AMP

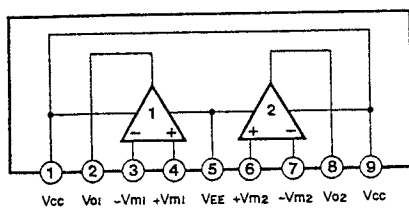


- Q317,318 2SA11450.Y
- Q319,320 2SC32980.Y
- Q321,322 2SA13060.Y
- Q323,327,324,328,25C3280R,00R25D1717Q,S.P
- Q25,329,326,330 2SA1301R,00R25B1162Q,S.P

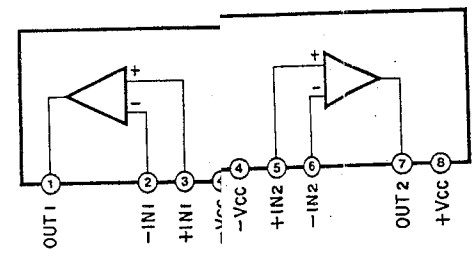
VERSION	R.U.C.A	G
C165-184	OPEN	22
R197-200,103,104	SHORT	4
L101,102	OPEN	10
C121,122	1000/16	10
L107,108	OPEN	2
R107,108	33	2
C101,102	OPEN	C
C103,104	OPEN	C

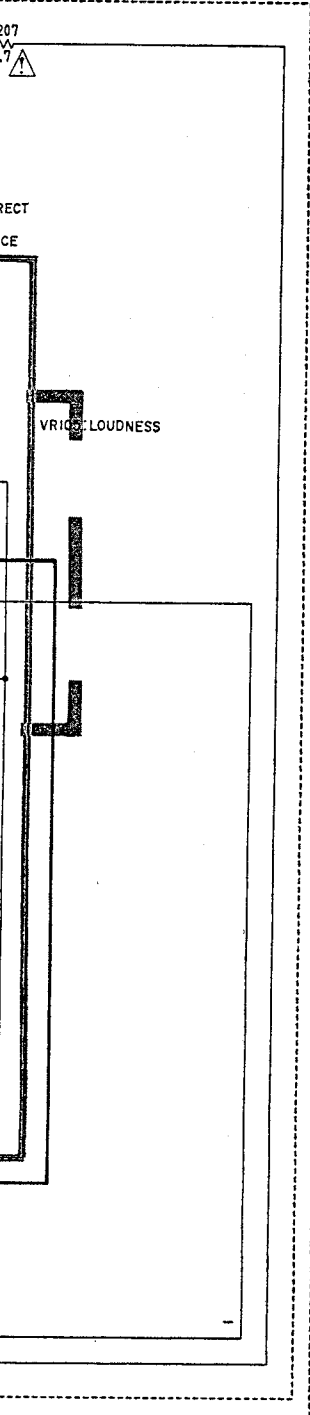
	J	R	U.C	A
C357,363,364	OPEN			
C359-362	OPEN			
R419,420	OPEN			
F301	10A	250V		74.0A250V
F302	OPEN	T5.0A250V	OPEN	
C365,366	0.047	OPEN		
C345	0.047/250	0.047/400		
C367,368	0.047	OPEN		P0.01/10
C340,341	OPEN			
C319-322	22P	500		

IC103, 104: μ PC4570HA
IC102: NJM2041S



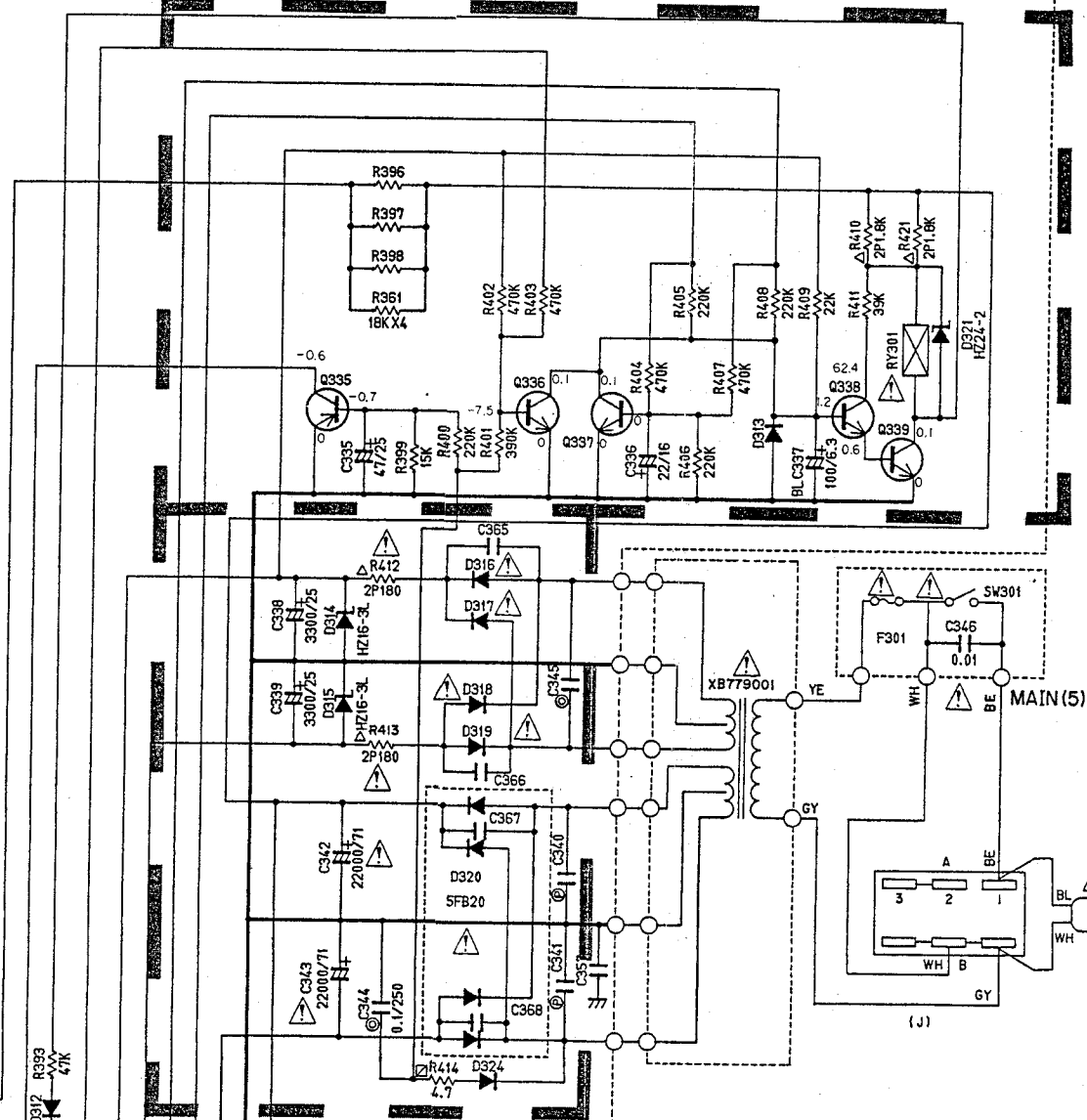
IC101: M5220L



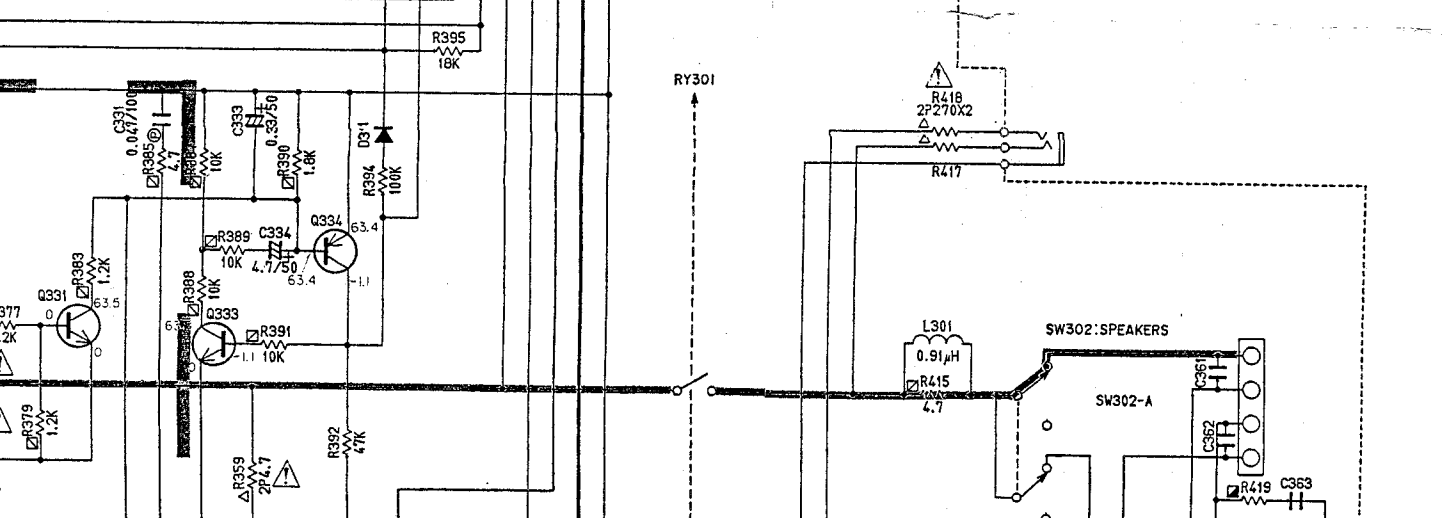


MAIN (1)

PROTECTION

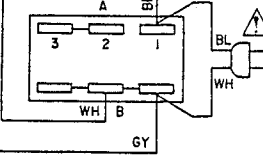


POWER SUPPLY



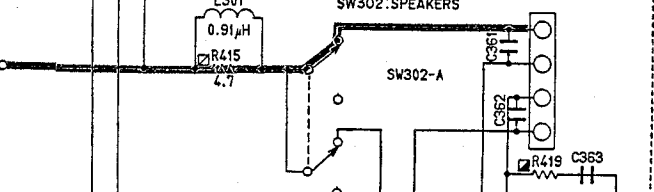
MAIN (5)

(J)

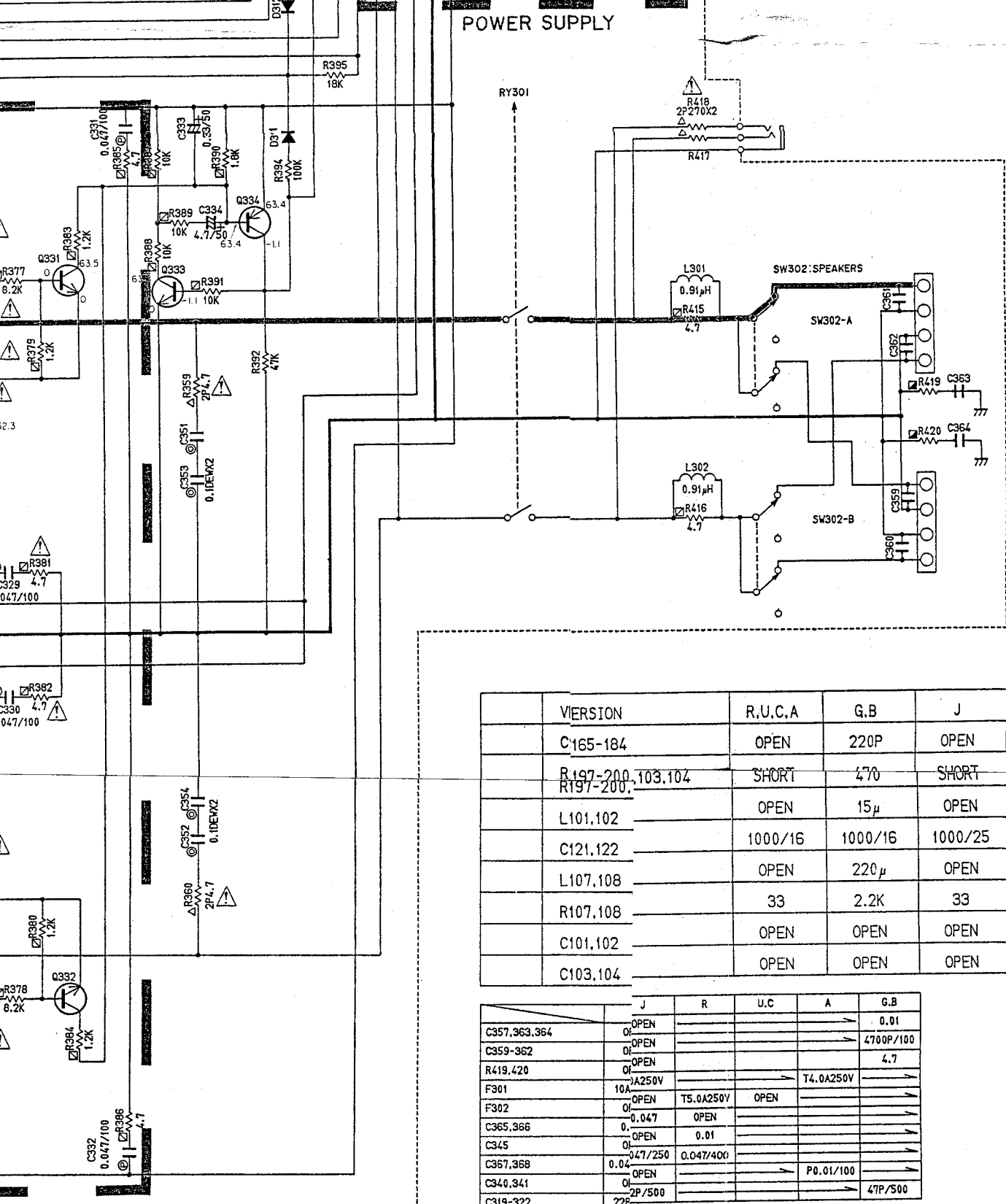


SW302: SPEAKERS

SW302-A



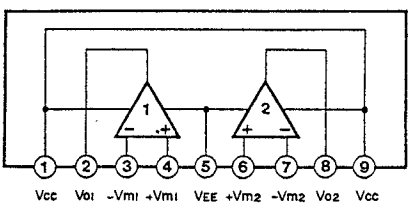
POWER SUPPLY



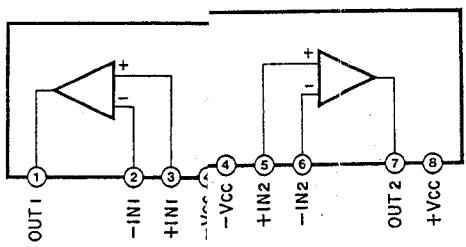
VERSION	R,U,C,A	G,B	J
C165-184	OPEN	220P	OPEN
R197-200, 103, 104	SHORT	470	SHORT
R197-200, 103, 104	SHORT	470	SHORT
L101, 102	OPEN	15μ	OPEN
C121, 122	1000/16	1000/16	1000/25
L107, 108	OPEN	220μ	OPEN
R107, 108	33	2.2K	33
C101, 102	OPEN	OPEN	OPEN
C103, 104	OPEN	OPEN	OPEN

	J	R	U.C	A	G.B
C357, 363, 364	OPEN				0.01
C359-362	OPEN				4700P/100
R419, 420	OPEN				4.7
F301	10A 250V			T4.0A250V	
F302	OPEN	TS.0A250V	OPEN		
C365, 366	0.047	OPEN			
C345	OPEN	0.01			
C367, 368	0.047/250	0.047/400			
C340, 341	OPEN			P0.01/100	
C319-322	22P				47P/500

IC103, 104: μPC4570HA
IC102: NJM2041S



IC101: M5220L



* All voltages are measured with a 10MΩ/DI
* Components having special characteristics must be replaced with parts having special characteristics originally installed.
* Schematic diagram is subject to change without notice.