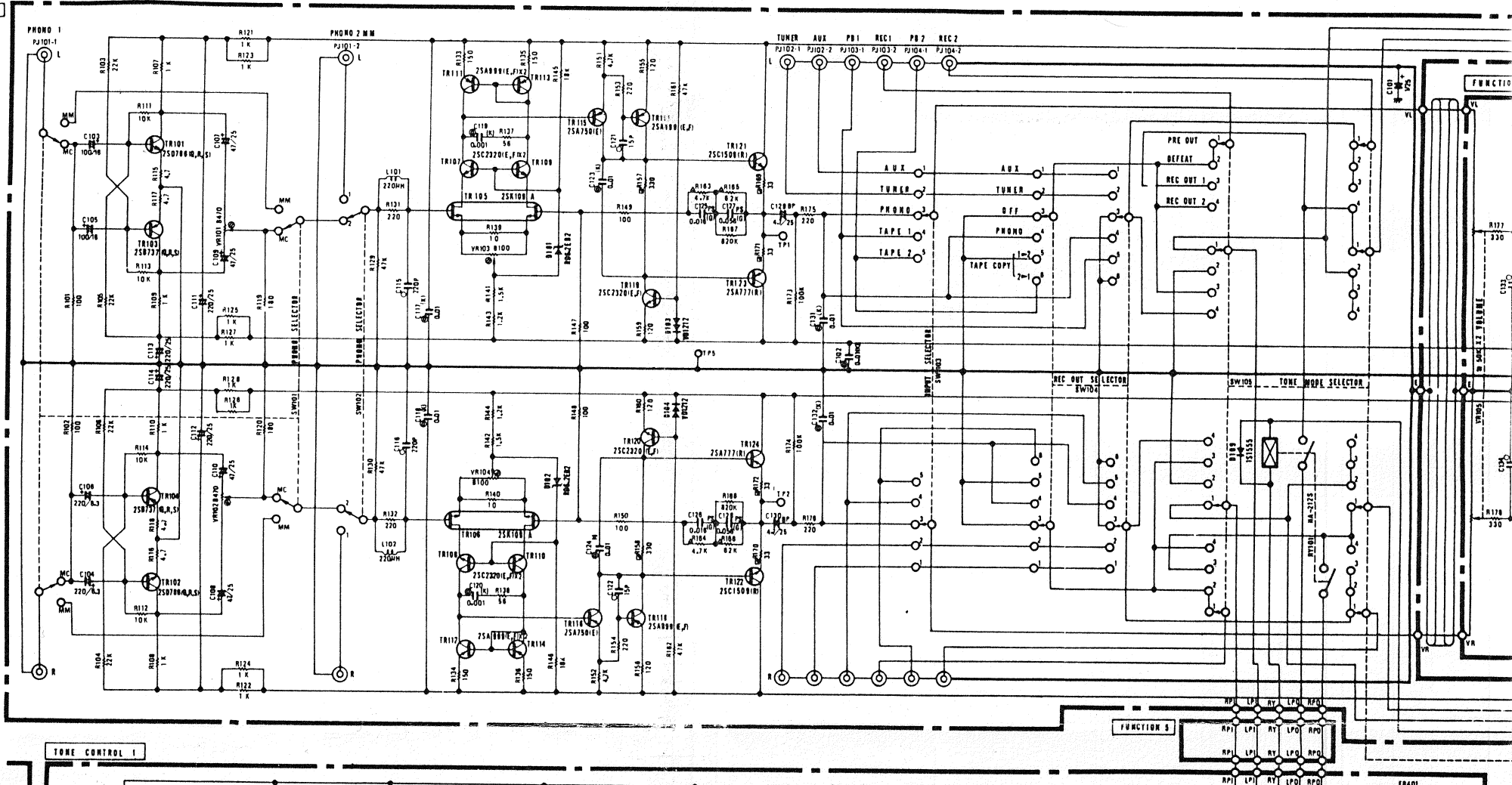


C-6

SCHEMATIC DIAGRAM ● SCHEMA SYNOPTIQUE ● SCHEMATISCHES BILD ●

FUNCTION 1

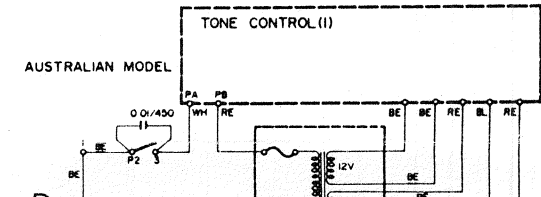
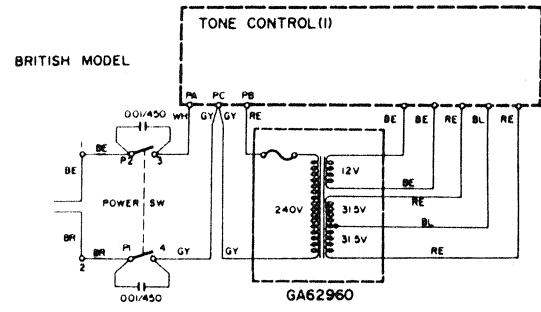
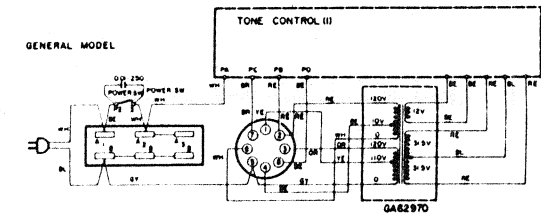
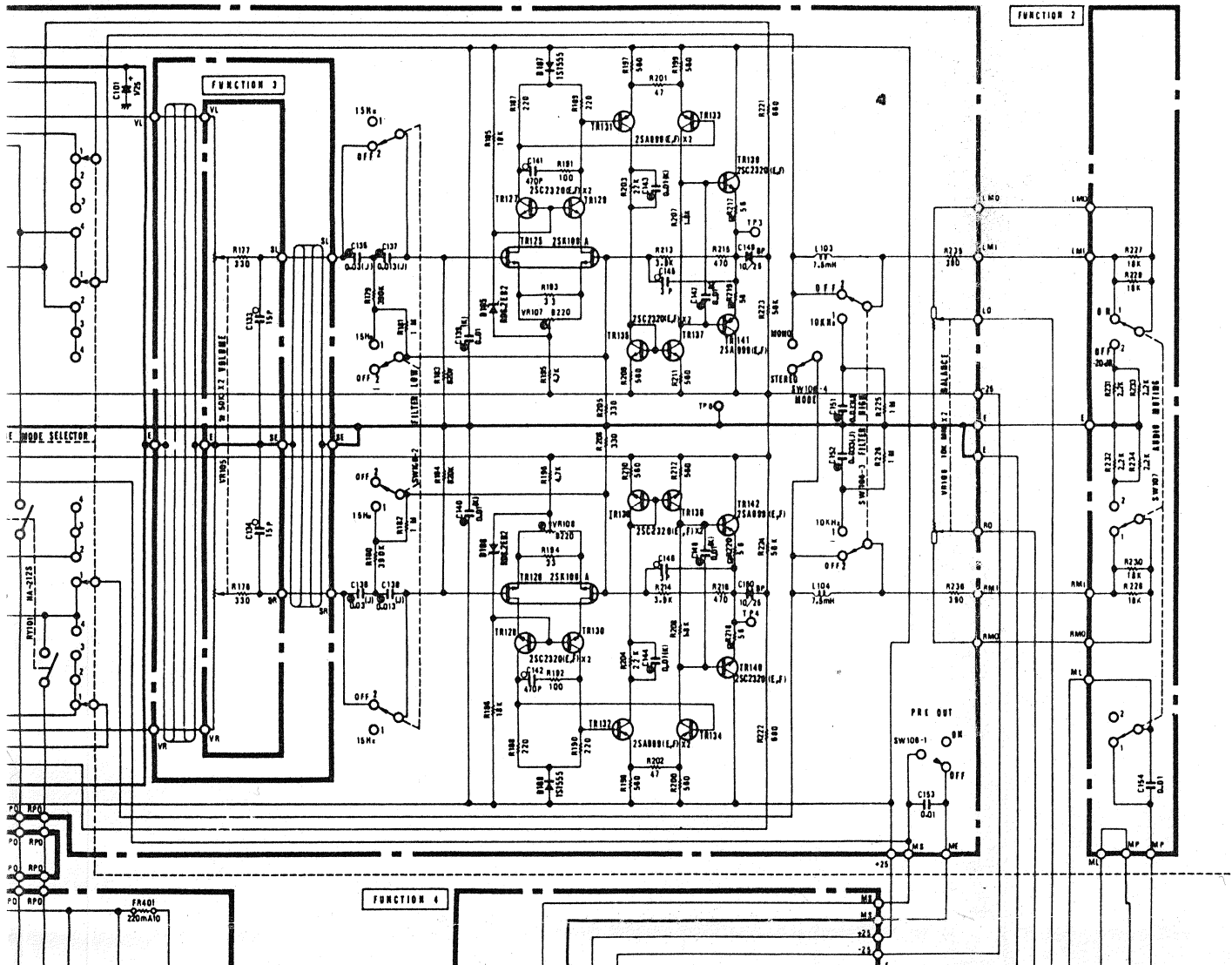


TONE CONTROL 2

TONE CONTROL 1

FUNCTION 3

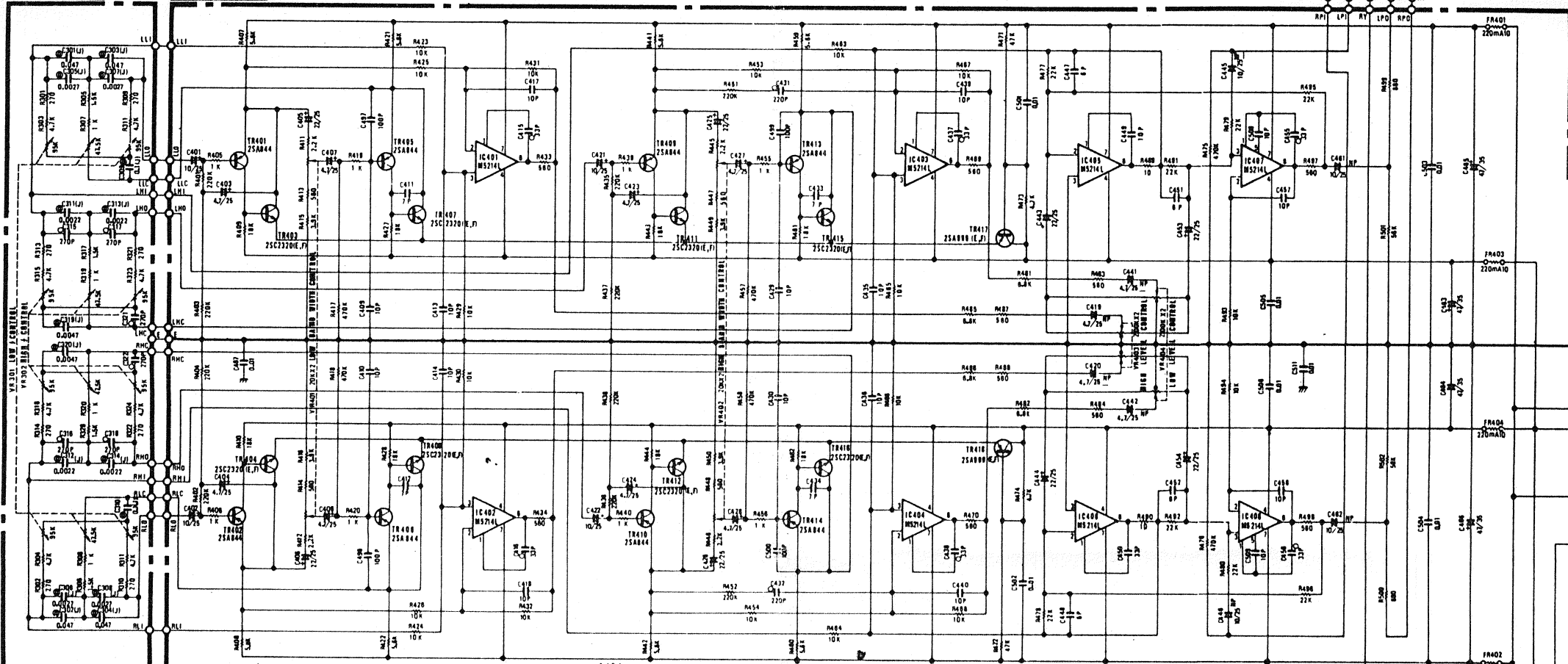
ES BILD ● KOPPLINGSDIAGRAM ● DIAGRAMA ESQUEMATICO



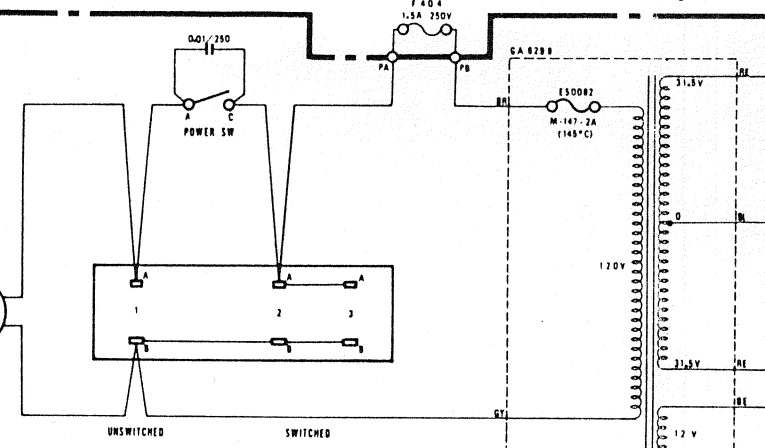
120V LINE CONTROL

120V LINE CONTROL

FUNCTION 3



USA & CANADIAN MODELS



RESISTOR

REMARKS	PARTS
NO MARK	CARBON RESISTOR
⬢	METAL OXIDE FILM RESISTOR
⬢	FIRE PROOF CARBON RESISTOR
⊙	SEMI VARIABLE

CAPACITOR

REMARKS	PARTS
NO MARK	CERAMIC CAPACITOR
⊙	MYLAR CAPACITOR
○	POLYSTYRENE CAPACITOR

UNSWITCHED SWITCHED

