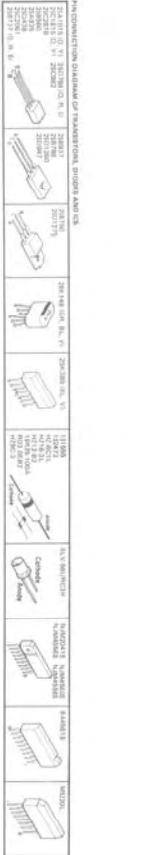


This schematic diagram is for U.S. and Canadian models.
All parts are shown as they appear in the model.
All values are in ohms unless otherwise noted.

U.S.	CAN.	A.C.
C196 (10K)	100K	100K
C197 (10K)	100K	100K
C198 (10K)	100K	100K
C199 (10K)	100K	100K
C200 (10K)	100K	100K
C201 (10K)	100K	100K
C202 (10K)	100K	100K
C203 (10K)	100K	100K
C204 (10K)	100K	100K
C205 (10K)	100K	100K
C206 (10K)	100K	100K
C207 (10K)	100K	100K
C208 (10K)	100K	100K
C209 (10K)	100K	100K
C210 (10K)	100K	100K
C211 (10K)	100K	100K
C212 (10K)	100K	100K
C213 (10K)	100K	100K
C214 (10K)	100K	100K
C215 (10K)	100K	100K
C216 (10K)	100K	100K
C217 (10K)	100K	100K
C218 (10K)	100K	100K
C219 (10K)	100K	100K
C220 (10K)	100K	100K
C221 (10K)	100K	100K
C222 (10K)	100K	100K
C223 (10K)	100K	100K
C224 (10K)	100K	100K
C225 (10K)	100K	100K
C226 (10K)	100K	100K
C227 (10K)	100K	100K
C228 (10K)	100K	100K
C229 (10K)	100K	100K
C230 (10K)	100K	100K
C231 (10K)	100K	100K
C232 (10K)	100K	100K
C233 (10K)	100K	100K
C234 (10K)	100K	100K
C235 (10K)	100K	100K
C236 (10K)	100K	100K
C237 (10K)	100K	100K
C238 (10K)	100K	100K
C239 (10K)	100K	100K
C240 (10K)	100K	100K
C241 (10K)	100K	100K
C242 (10K)	100K	100K
C243 (10K)	100K	100K
C244 (10K)	100K	100K
C245 (10K)	100K	100K
C246 (10K)	100K	100K
C247 (10K)	100K	100K
C248 (10K)	100K	100K
C249 (10K)	100K	100K
C250 (10K)	100K	100K

Power Supply Voltage Table

POINT	VOLTAGE
TP10	+20V 1 V
TP11	+20V 1 V
TP12	+20V 1 V
TP13	+18V 1 V
TP14	+18V 1 V



RESISTOR	SYMBOL	UNIT	VALUE
RESISTOR	(Symbol)	OHMS	100
RESISTOR	(Symbol)	OHMS	1K
RESISTOR	(Symbol)	OHMS	10K
RESISTOR	(Symbol)	OHMS	100K
RESISTOR	(Symbol)	OHMS	1M
RESISTOR	(Symbol)	OHMS	10M
RESISTOR	(Symbol)	OHMS	100M
RESISTOR	(Symbol)	OHMS	1G
RESISTOR	(Symbol)	OHMS	10G
RESISTOR	(Symbol)	OHMS	100G
RESISTOR	(Symbol)	OHMS	1T
RESISTOR	(Symbol)	OHMS	10T
RESISTOR	(Symbol)	OHMS	100T
RESISTOR	(Symbol)	OHMS	1P
RESISTOR	(Symbol)	OHMS	10P
RESISTOR	(Symbol)	OHMS	100P
RESISTOR	(Symbol)	OHMS	1M
RESISTOR	(Symbol)	OHMS	10M
RESISTOR	(Symbol)	OHMS	100M
RESISTOR	(Symbol)	OHMS	1G
RESISTOR	(Symbol)	OHMS	10G
RESISTOR	(Symbol)	OHMS	100G
RESISTOR	(Symbol)	OHMS	1T
RESISTOR	(Symbol)	OHMS	10T
RESISTOR	(Symbol)	OHMS	100T

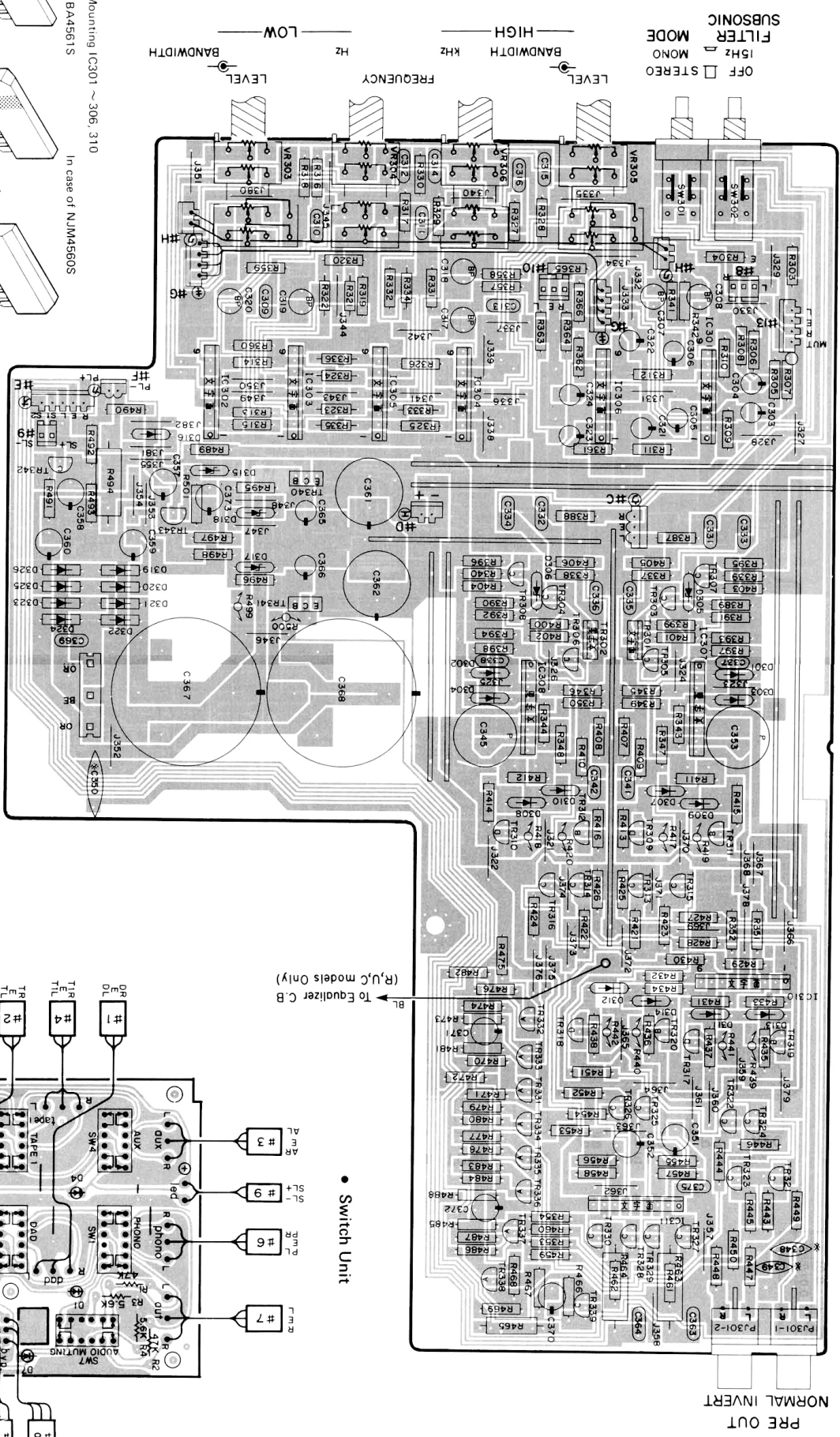
● Tone Control Circuit Board (1)

Note 1 : *marked

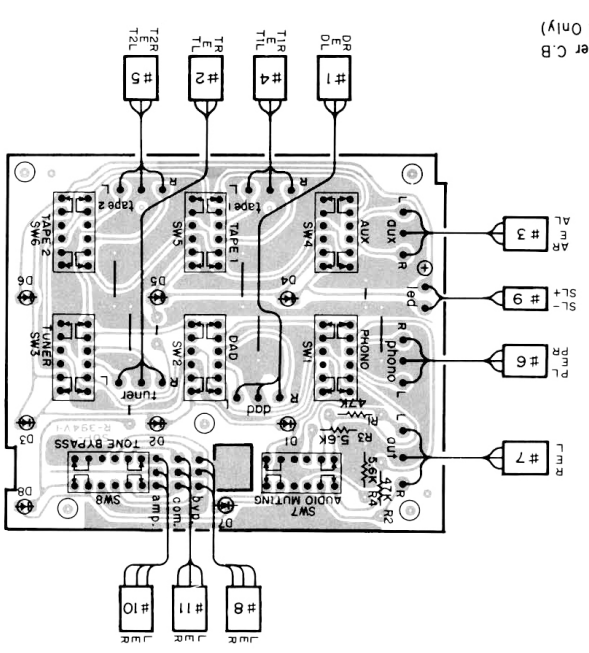
R, U, C	A, E
C348, 349	0.01
C350	0.01/500

Note 3 : Code and Connector marks

- ① #A
- ② #B
- ③ #C
- ④ #D
- ⑤ #E
- ⑥ #F
- ⑦ #G
- ⑧ #H

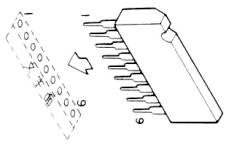


● Switch Unit

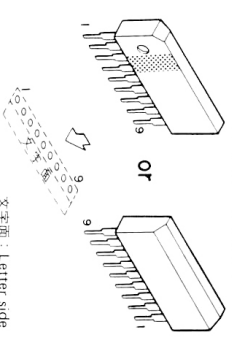


BL ← To Equalizer C.B (R,U,C models Only)

Note 2 : Mounting IC301 ~ 306, 310
In case of BA4561S



In case of NJM4560S

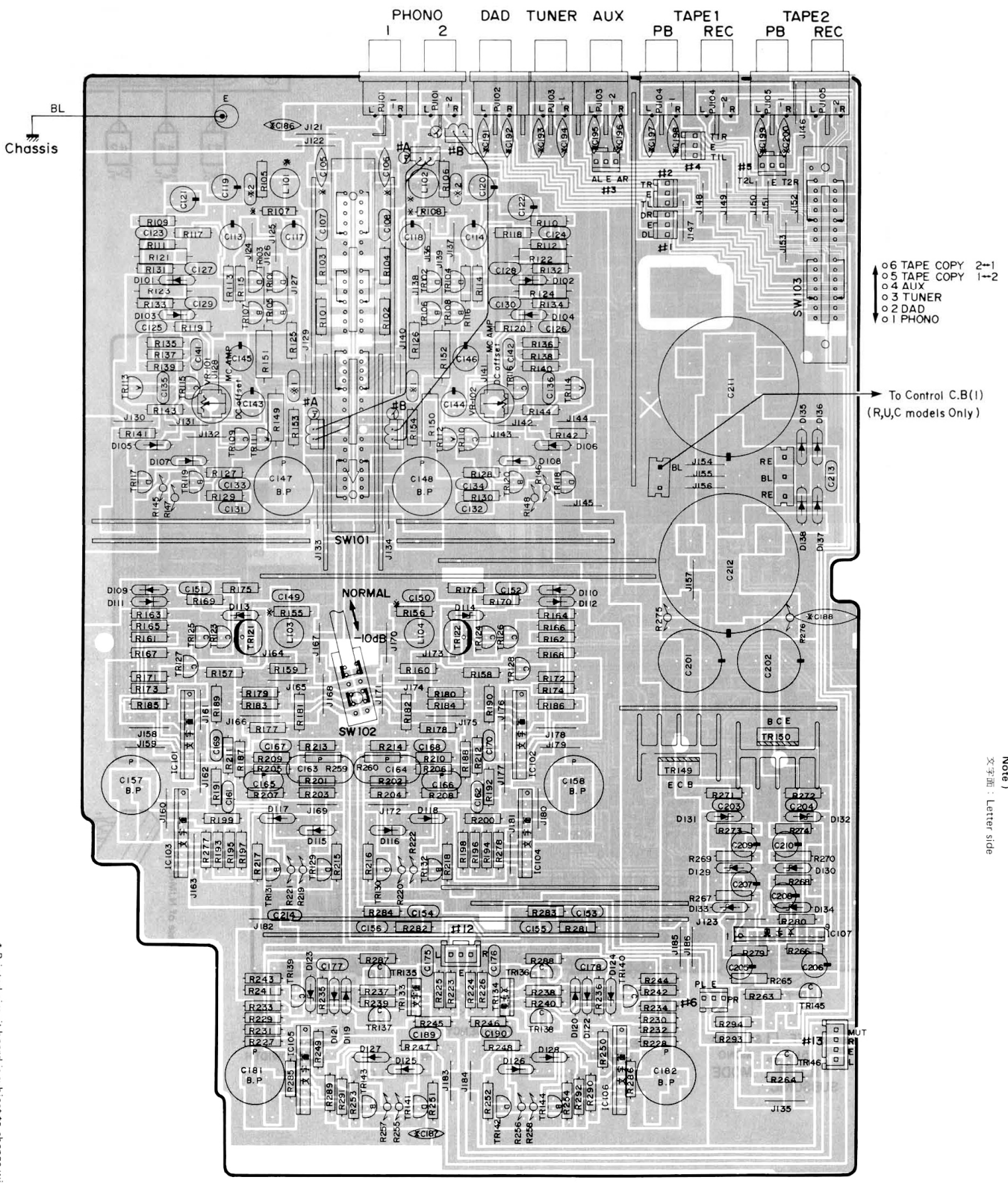


文字面 : Letter side

● Equalizer Circuit Board

Note 1 : * marked

	R, U, C	A, E
C105, 106		0.01
C191~200		220P
L101, 102		15μH
R107, 108	Short	220
C109, 110	1/10.01/1001	2/10.01/1001
C186, 187		0.01
C188		0.01/500
R155, 156	220	1.5K



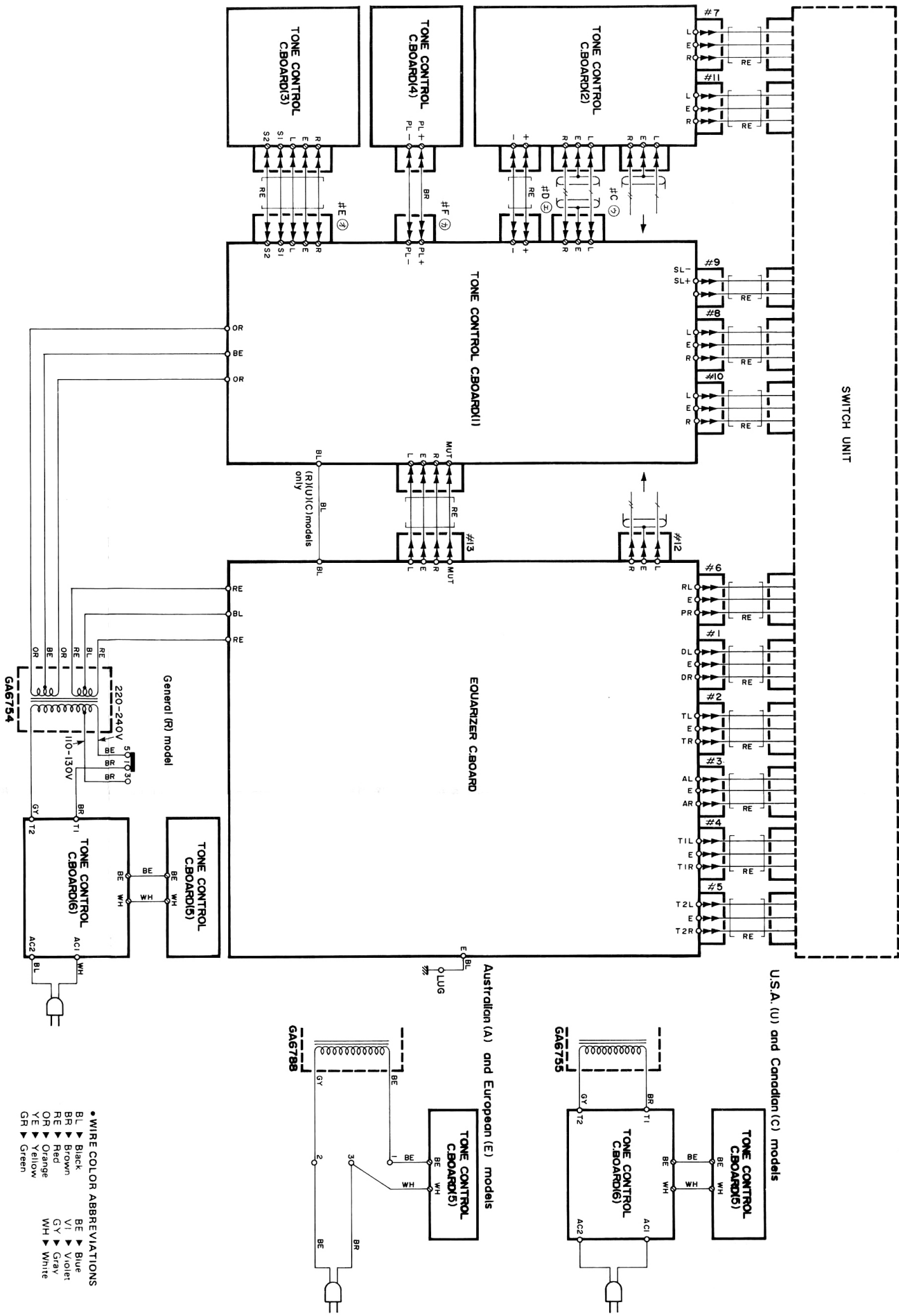
- 06 TAPE COPY 2+1
- 05 TAPE COPY 1-1
- 04 AUX 1-1
- 03 TUNER 1-1
- 02 DAD 1-1
- 01 PHONO 1-1

To Control C.B(1)
(R,U,C models Only)

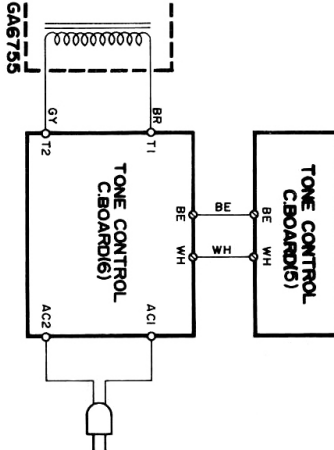
Note)
文字記号 : Letter side

* Printed circuit board is subject to change without notices.

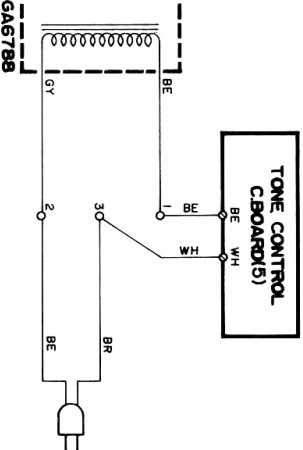
WIRING



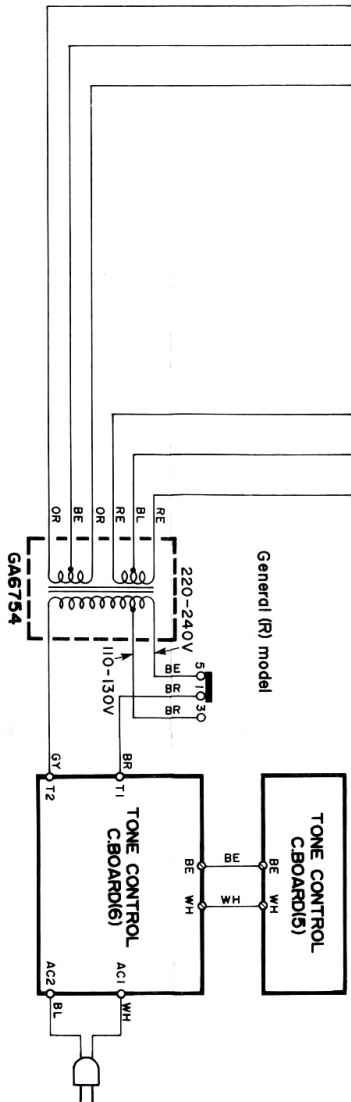
USA (U) and Canadian (C) models



Australian (A) and European (E) models



General (R) model



- WIRE COLOR ABBREVIATIONS
- BL ▶ Black
 - BR ▶ Brown
 - RE ▶ Red
 - OR ▶ Orange
 - YE ▶ Yellow
 - GR ▶ Green
 - BE ▶ Blue
 - VI ▶ Violet
 - GY ▶ Gray
 - WH ▶ White