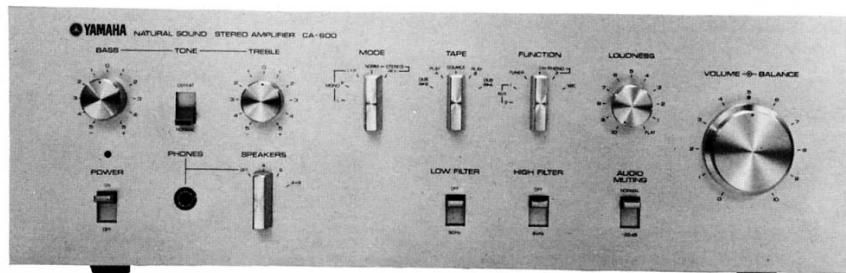


YAMAHA Hi-Fi STEREO SERVICE MANUAL STEREO PRE-MAIN AMPLIFIER MODEL CA-600



CONTENTS

SPECIFICATIONS 1

EXTERNAL VIEW

 FRONT PANEL 2

 REAR PANEL (U.S. & CANADIAN MODELS) 2

 REAR PANEL (EUROPEAN MODEL) 2

INTERNAL VIEW 4

PARTIAL DISASSEMBLY 5

ADJUSTMENT OF MAIN AMP CIRCUIT BOARD 10

PRINTED CIRCUIT BOARD

 FUNCTION CIRCUIT BOARD 11

 VOLUME CIRCUIT BOARD 12

 TONE CONTROL CIRCUIT BOARD 12

 FILTER CIRCUIT BOARD 13

 MAIN AMP CIRCUIT BOARD 13

 POWER CIRCUIT BOARD 14

 ELECTROLYTIC CAPACITOR CIRCUIT BOARD..... 15

 POWER SWITCH CIRCUIT BOARD 15

 REAR PANEL CIRCUIT BOARD (U.S. & CANADIAN MODELS) 16

 REAR PANEL CIRCUIT BOARD (EUROPEAN MODEL) 17

BLOCK DIAGRAM 18

OVERALL SCHEMATIC DIAGRAM 19

PARTIAL CHANGES MADE ACCORDING TO DESTINATION 21

PARTS CATALOG 23

SPECIFICATIONS

■ AUDIO SECTION

POWER OUTPUT

Dynamic Power (IHF) 140 watts (4 Ω)
100 watts (8 Ω)

Continuous RMS Power (each channel driven)
50/50 watts (4 Ω) at 1,000Hz
40/40 watts (8 Ω) at 1,000Hz

Continuous RMS Power (both channels driven)
45 + 45 watts (4 Ω) at 1,000Hz
35+35 watts (8 Ω) at 1,000Hz

Continuous RMS Power (both channels driven)
35+35 watts (4 Ω) at 20 to 20,000Hz
30+30 watts (8 Ω) at 20 to 20,000Hz

TOTAL HARMONIC DISTORTION

Power Amplifier Only less than 0.1% at rated power
less than 0.04% at 1 watt

Preamplifier Only (PHONO to PRE OUT)
less than 0.1% at rated power
(AUX to PRE OUT)
less than 0.02% at rated power

Overall (AUX to Power Output)
less than 0.1% at rated power

INTERMODULATION DISTORTION
(70Hz: 7,000Hz-4:1 SMPTE method)

Power Amplifier Only
less than 0.1% (8 Ω) at rated power
less than 0.05% (8 Ω) at 1 watt

Overall (AUX to Power Output)
less than 0.1% (8 Ω) at rated output

POWER BANDWIDTH (IHF, distortion 0.5% const.)
5 to 70,000Hz

FREQUENCY RESPONSE (at 1 watt)

Overall (TUNER, AUX, TAPE PB to Power Output)
10 to 50,000Hz +0.5dB, -1dB

Overall (MIC to Power Output)
20 to 20,000Hz +0.5dB, -2dB

Power Amplifier Only
10 to 100,000Hz +0dB, -1dB

Deviation from RIAA (30 to 15,000Hz)
+0.2dB, -0.2dB

LOAD IMPEDANCE
4 to 16 Ω

DAMPING FACTOR (8 Ω)
70 at 1,000Hz

CHANNEL SEPARATION (at rated power, 1,000Hz)

Power Amplifier Only better than 60dB

Overall from PHONO 1, 2 better than 50dB

Overall from TUNER, AUX, TAPE PB better than 50dB

Overall from MIC better than 50dB

HUM AND NOISE (IHF, Closed Circuit A Network)

Overall from PHONO 1, 2 better than 80dB

Overall from MIC better than 70dB

Overall from TUNER, AUX, TAPE PB better than 90dB

Power Amplifier Only better than 100dB

Volume at Minimum better than 90dB

INPUT SENSITIVITY AND IMPEDANCE (at rated power, 1,000Hz)

PHONO 1 3mV (30k Ω , 50k Ω , 100k Ω)

PHONO 2 3mV (50k Ω)

PHONO 1, 2 Max. Input Capability 310mV (T.H.D. 0.1%)

Mic. 2.5mV (50k Ω)

MIC Max. Input Capability 245mV (T.H.D. 0.1%)

TUNER, AUX 1, 2 120mV (40k Ω)

TAPE PB A, B 120mV (40k Ω)

Power Amplifier Input 775mV (40k Ω)

OUTPUT LEVEL AND IMPEDANCE (at rated power, 1,000Hz)

TAPE REC OUT A, B 120mV (2k Ω)

PRE OUT 775mV (2k Ω)

3,000mV (Max. Output T.H.D. 0.1%)

TONE CONTROLS

BASS +10dB, -10dB at 50Hz

TREBLE +10dB, -10dB at 10,000Hz

FILTERS

LOW -3dB at 50Hz, (12dB/oct.)

HIGH -3dB at 8,000Hz (6dB/oct.)

LOUDNESS CONTROL
(Constant Loudness Volume at Minimum)
+10dB at 100Hz, +5dB at 10,000Hz

■ GENERAL

Semiconductors 39 Transistors; 6 Diodes; 6 Zener Diodes

Power Source AC 110, 117, 130, 220, 240V 50/60Hz

Power Consumption

Rated U.S. & CANADIAN MODELS 160W

EXCEPT U.S. & CANADIAN MODELS 115W

Max. 200W

AC Outlets

Switched 2 (total 200 watts)

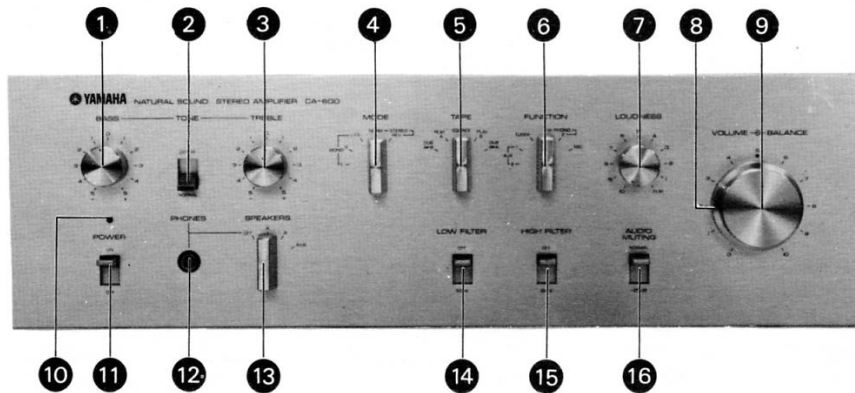
Unswitched 2 (total 200 watts)

Dimensions
436mm (17 $\frac{1}{2}$ "W x 144mm (5 $\frac{3}{4}$ "H x 323mm (12 $\frac{3}{4}$ "D

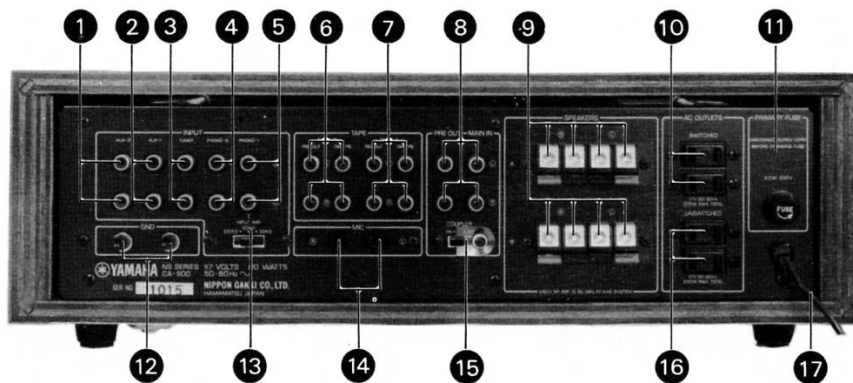
Weight 11.0kg (24.2 lbs.)

EXTERNAL VIEW

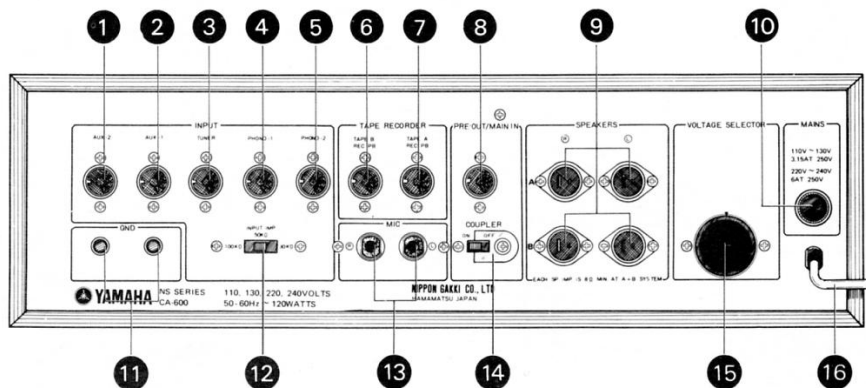
FRONT PANEL



REAR PANEL (U. S. & CANADIAN MODELS)



REAR PANEL (EUROPEAN MODEL)



FRONT PANEL

- | | |
|-----------------------|------------------------|
| ① BASS TONE CONTROL | ⑨ VOLUME CONTROL |
| ② TONE DEFEAT SWITCH | ⑩ POWER INDICATOR LAMP |
| ③ TREBLE TONE CONTROL | ⑪ POWER SWITCH |
| ④ MODE SELECTOR | ⑫ HEADPHONE JACK |
| ⑤ TAPE SELECTOR | ⑬ SPEAKER SELECTOR |
| ⑥ FUNCTION SELECTOR | ⑭ LOW FILTER SWITCH |
| ⑦ LOUDNESS CONTROL | ⑮ HIGH FILTER SWITCH |
| ⑧ BALANCE CONTROL | ⑯ AUDIO MUTING SWITCH |

REAR PANEL (U.S. & CANADIAN MODELS)

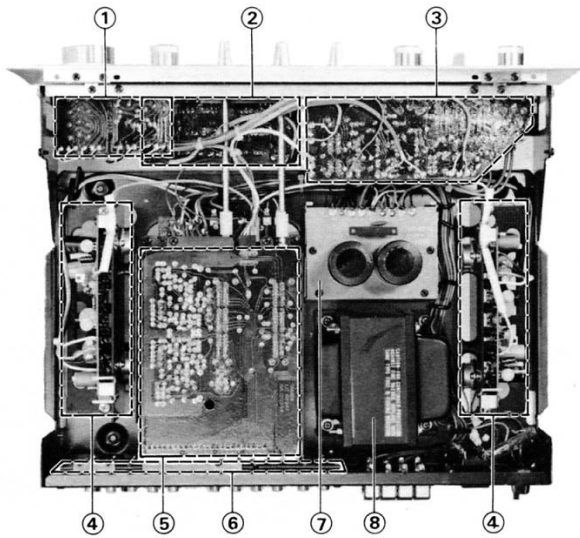
- | | |
|-------------------------|------------------------------------|
| ① AUX 2 INPUT JACKS | ⑩ AC OUTLETS (SWITCHED) |
| ② AUX 1 INPUT JACKS | ⑪ PRIMARY FUSE |
| ③ TUNER INPUT JACKS | ⑫ GROUND TERMINALS |
| ④ PHONO 2 INPUT JACKS | ⑬ INPUT IMPEDANCE SELECTOR |
| ⑤ PHONO 1 INPUT JACKS | ⑭ MICROPHONE JACKS |
| ⑥ TAPE B JACKS | ⑮ PRE OUT / MAIN IN COUPLER SWITCH |
| ⑦ TAPE A JACKS | ⑯ AC OUTLETS (UNSWITCHED) |
| ⑧ PRE OUT/MAIN IN JACKS | ⑰ AC CORD |
| ⑨ SPEAKER TERMINALS | |

REAR PANEL (EUROPEAN MODEL)

- | | |
|-----------------------------|----------------------------------|
| ① AUX 2 INPUT CONNECTOR | ⑨ SPEAKER TERMINALS |
| ② AUX 1 INPUT CONNECTOR | ⑩ PRIMARY FUSE |
| ③ TUNER INPUT CONNECTOR | ⑪ GROUND TERMINALS |
| ④ PHONO 1 INPUT CONNECTOR | ⑫ INPUT IMPEDANCE SELECTOR |
| ⑤ PHONO 2 INPUT CONNECTOR | ⑬ MICROPHONE JACKS |
| ⑥ TAPE B CONNECTOR | ⑭ PRE OUT/MAIN IN COUPLER SWITCH |
| ⑦ TAPE A CONNECTOR | ⑮ VOLTAGE SELECTOR |
| ⑧ PRE OUT/MAIN IN CONNECTOR | ⑯ AC CORD |

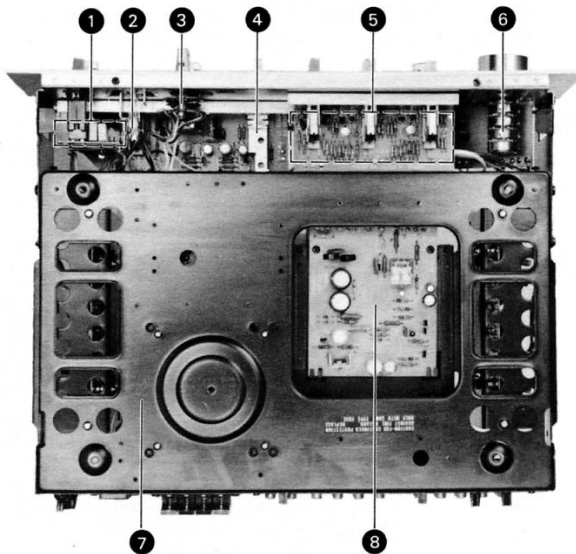
INTERNAL VIEW

TOP VIEW



1. VOLUME CIRCUIT BOARD (NA06336)
2. FILTER CIRCUIT BOARD (NA06346)
3. TONE CONTROL CIRCUIT BOARD (NA06345)
4. MAIN AMP CIRCUIT BOARD
NA06351 : EXCEPT EUROPEAN MODEL
NA06400 : EUROPEAN MODEL ONLY
5. FUNCTION CIRCUIT BOARD (NA06344)
6. REAR PANEL CIRCUIT BOARD (NA06377)
7. ELECTROLYTIC CAPACITOR CIRCUIT BOARD (NA06347)
8. POWER TRANSFORMER

BOTTOM VIEW

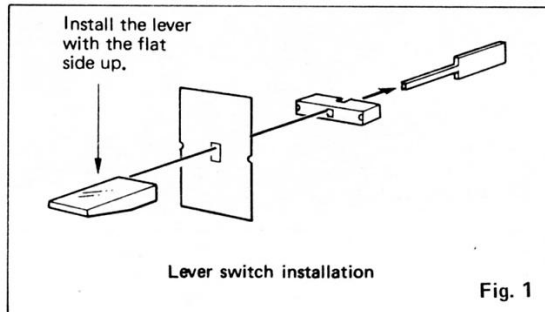


1. POWER SWITCH CIRCUIT BOARD (NA06375)
2. HEADPHONE JACK
3. SPEAKER SELECTOR
4. MODE SWITCH
5. FILTER CIRCUIT BOARD (NA06346)
6. VARIABLE RESISTOR (Volume/Balance Control)
7. CHASSIS
8. POWER CIRCUIT BOARD
NA06399 : EXCEPT CANADIAN MODEL
NA06530 : CANADIAN MODEL

PARTIAL DISASSEMBLY

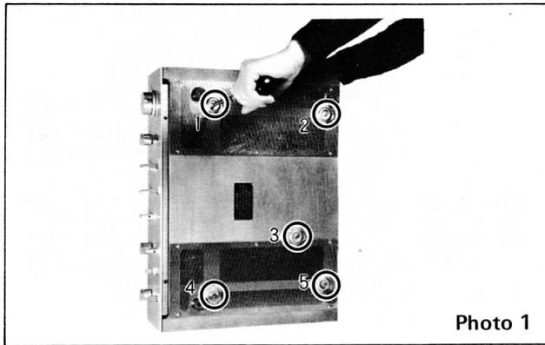
BEFORE DISASSEMBLY

- The screwdriver for each screw should match the screw size. If you use a smaller or larger size it will damage the groove.
- If you use excessive force on the printed circuit board it will crack or cut the print wiring, so be careful.
- When using a soldering iron finish all work as quickly as possible.
- Be careful not to install switches and knobs in the wrong place or upside-down. See Fig. 1.



CABINET REMOVAL

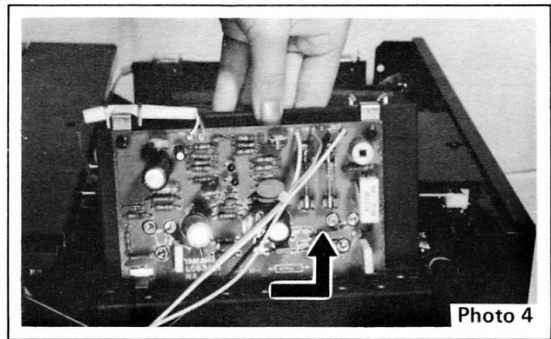
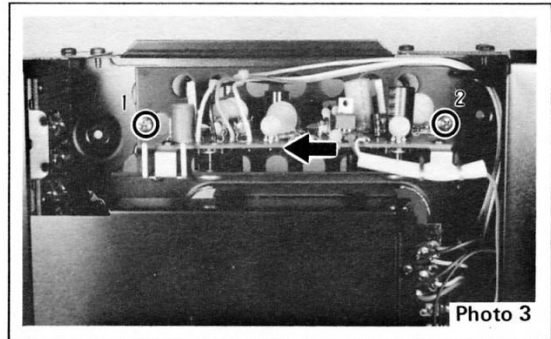
- Remove screws 1~5 shown in Photo 1.
- Pull the chassis and cabinet apart as shown in Photo 2.



MAIN AMP UNIT REMOVAL

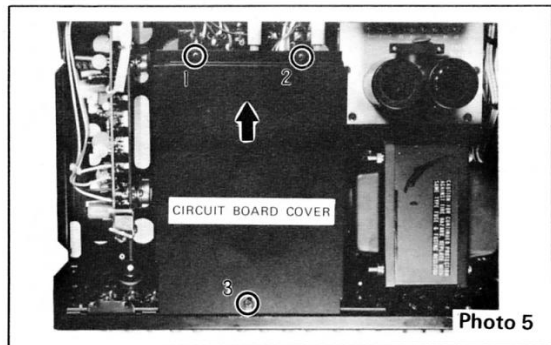
- Loosen screws 1, 2 as shown in Photo 3 on both sides of the heat sink.
- Hold the heat sink and slide it to remove main amp unit as shown in Photo 4.

Note: Be careful not to break the lead cords connected to the main amp circuit board.

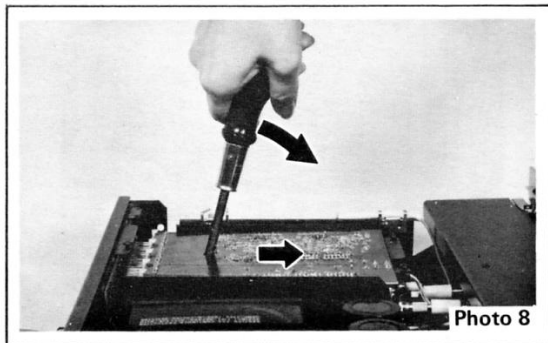
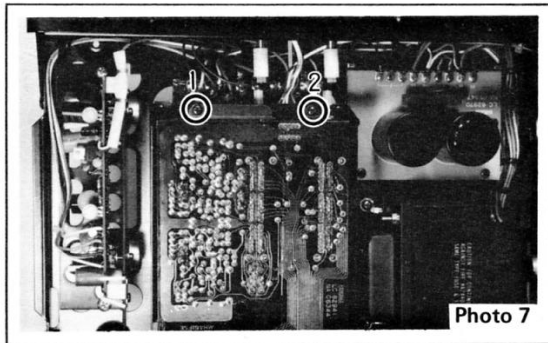
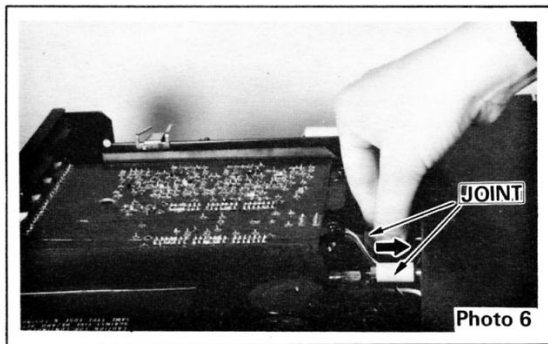


FUNCTION CIRCUIT BOARD REMOVAL

- Loosen screws 1~3 as shown in Photo 5 and slide the function circuit board cover in the direction of arrow to remove it.

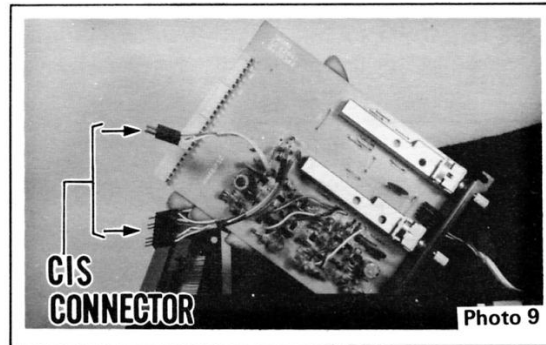


- b. Slide the joint toward the front panel as shown in Photo 6, then remove the function circuit board from the extension shaft.
- c. Loosen screws 1, 2 as shown in Photo 7.
- d. Insert a screwdriver into the hole in the function circuit board as shown in Photo 8 and pull in the direction of the arrow. Remove the function circuit board/rear panel connector.



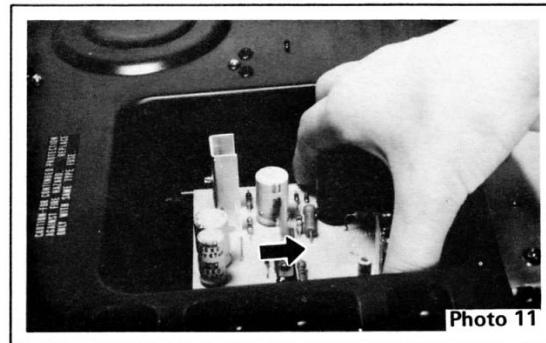
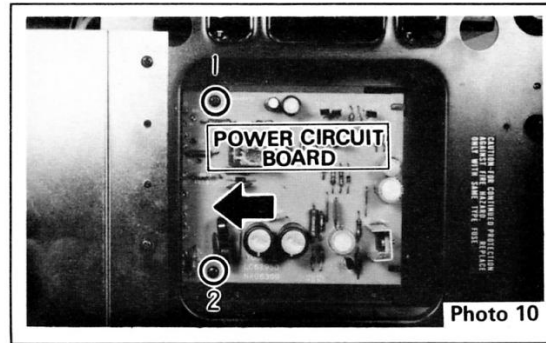
- e. Remove the two CIS connectors from the rear panel and the one connected to the front panel, then remove the function circuit board.

Note: When reinstalling the function circuit board, set the FUNCTION and TAPE switches to the same positions, then add the joint.



POWER CIRCUIT BOARD REMOVAL

- a. Turn the chassis upside down.
- b. Remove screws 1, 2 as shown in Photo 10.
- c. Slide the power circuit board in the direction of the arrow in Photo 11, then lift it upward to remove.



SUB CHASSIS TILTING

- Remove the shield cover.
- Remove red-headed screw 1 and loosen screw 2 as shown in Photo 12, then slide down the sub chassis. See Photo 13.

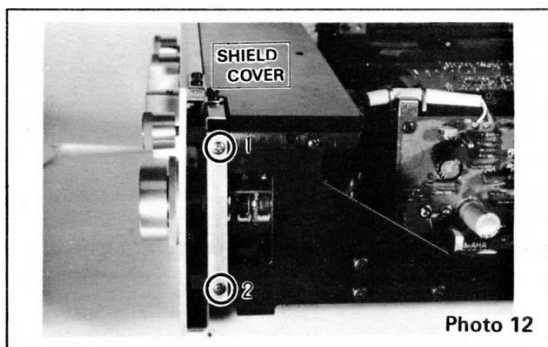


Photo 12

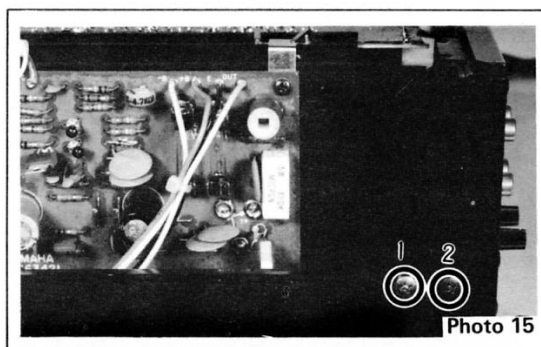


Photo 15

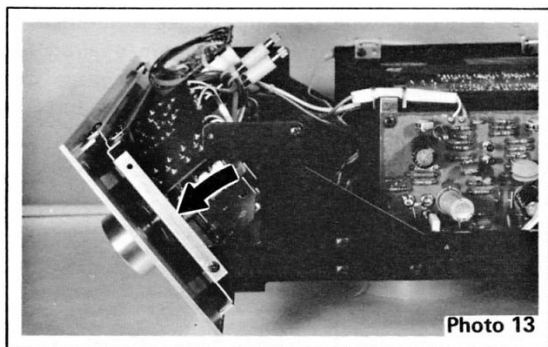


Photo 13

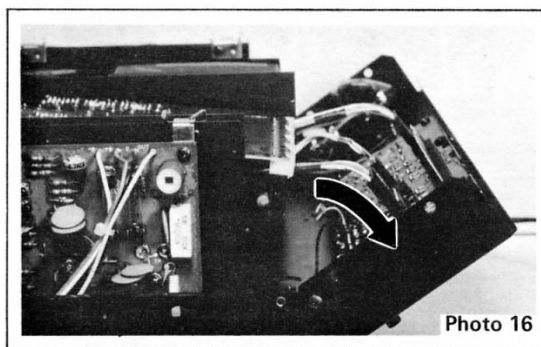


Photo 16

REAR PANEL TILTING

- Remove the function circuit board cover and function circuit board (see p. 5).
- Remove screws 1~3 as shown in Photo 14.

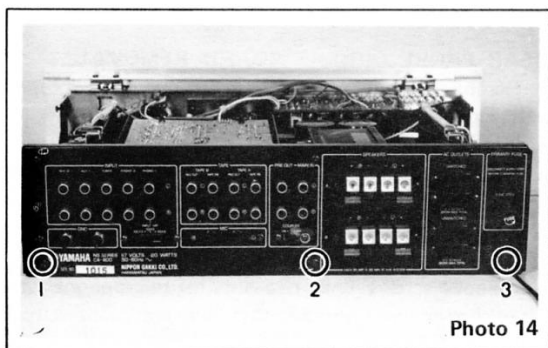


Photo 14

ELECTROLYTIC CAPACITOR CIRCUIT BOARD REMOVAL

- Remove screws 1~4 as shown in Photo 17, then pull the electrolytic capacitor circuit board up and remove it.

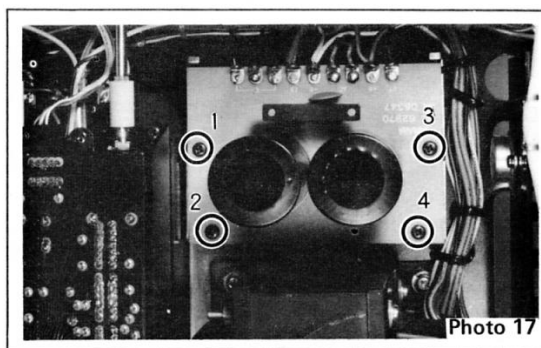


Photo 17

FRONT PANEL REMOVAL

- Loosen the screws 1~4 as shown in Photo 18. Then remove the shield board.
- Remove all knobs. Use a hexagonal wrench to loosen the nuts on the MODE, FUNCTION, TAPE and SPEAKER selectors. Then remove these and the other switches.
- Remove screws 1~4 as shown in Photo 19, then remove the front panel.

TONE CONTROL CIRCUIT BOARD REMOVAL

- Remove the front panel (refer to Photo 18, 19).
- Remove the function circuit board and extension shaft (see p. 5).

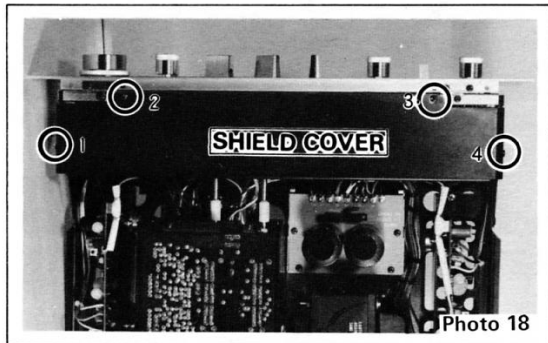


Photo 18

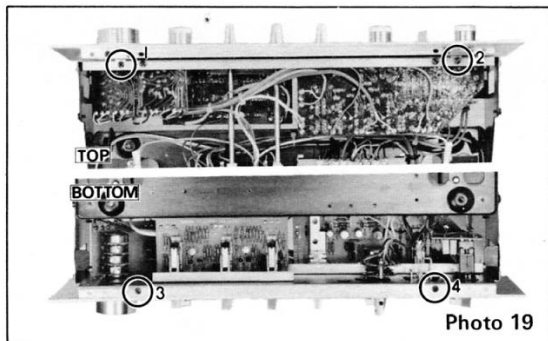


Photo 19

- Remove screws 1~4 as shown in Photo 20 and pull the with the fixing metal back to remove it.

VOLUME CIRCUIT BOARD REMOVAL

- Remove the front panel (see p. 8).
- Remove the nuts 1, 2 as shown in Photo 20, then pull the volume circuit board back to remove it.

FILTER CIRCUIT BOARD REMOVAL

- Remove the front panel and tilt down the sub-chassis (see p.7, 8).
- Remove screws 7, 8 as shown in Photo 20. Then remove the filter circuit board.

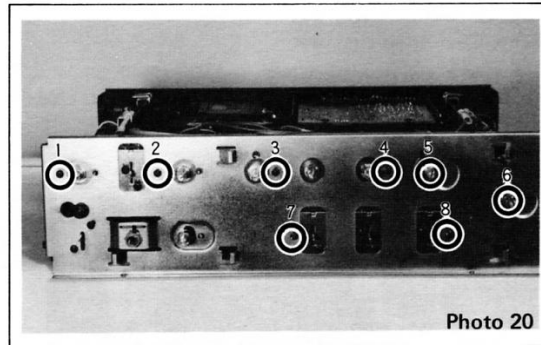


Photo 20

POWER SWITCH CIRCUIT BOARD REMOVAL

- Remove the front panel and tilt the sub chassis forward.
- Remove the tone control circuit board and shield case.
- Remove screws 1, 2 shown in Photo 21 and then remove the power switch circuit board.
- At this time, slide the lamp holder to the right as shown in Photo 21, and remove it. When reinstalling the pilot lamp, be careful that it is not placed too far forward so that it touches the front panel; it should not be too far from the lamp holder.

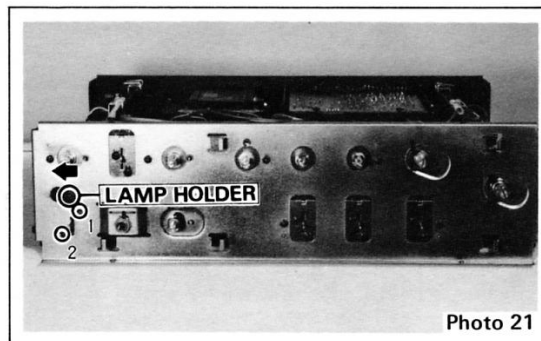


Photo 21

REAR PANEL CIRCUIT BOARD REMOVAL

- Remove the function circuit board (see p. 5).
- Tilt the rear panel down (see p. 7).
- Pull out the CIS connector.
- Disconnect the chassis earth lead connected to chassis.
- Remove screws 1~8 as shown in Photo 22, then remove the rear panel circuit board.
- Remove screws 1~6, two nuts for microphone jacks as shown in Photo 23, then the rear panel circuit board is further disassembled as shown in Photo 24.

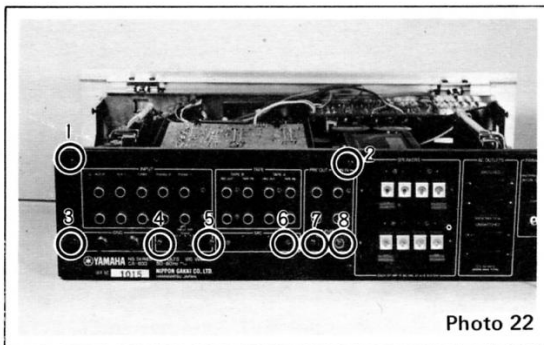


Photo 22

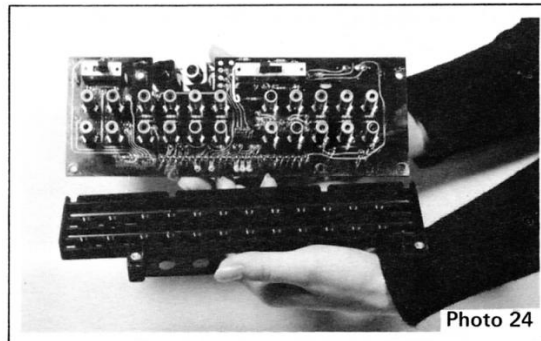


Photo 24

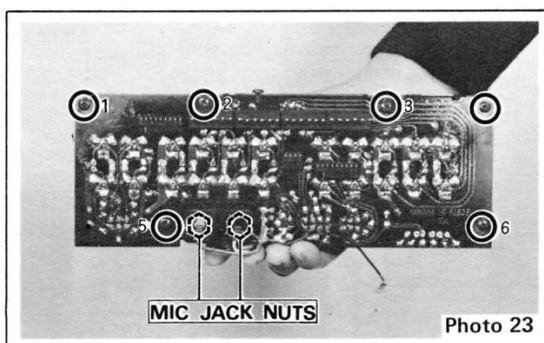


Photo 23

CABINET ASSEMBLY (See Photo 1.)

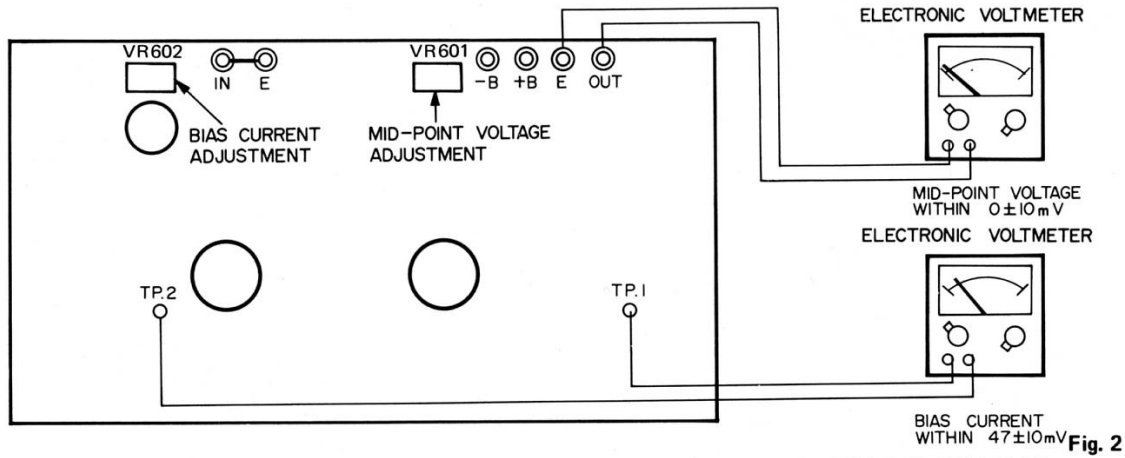
- a. First put the power cord into the cabinet, then assemble it and the chassis, paying attention to the lead harness.
- b. When all parts are safely in the cabinet, reinstall the screws in reverse order. Lift the unit a bit to be sure of correct installation.

ADJUSTMENT OF MAIN AMP CIRCUIT BOARD

Before adjustment

- Turn the Pre/Main Amp coupler switch off.
- After the power switch is turned on, wait 3 ~ 4 minutes before adjusting, to be sure of the most stable operation.
- Do not connect speakers or dummy load resistance to the speaker terminals.

ADJUSTMENT	CONNECTION TERMINAL(S) AND INSTRUMENT(S)	ADJUSTMENT POINT	ADJUSTMENT METHOD	STANDARD MEASUREMENT
Mid point Voltage adjustment	Connect a voltmeter to both sides of the load resistance	VR601 (B, 4.7kΩ). See Fig.2	Adjust VR601 so that voltage at both resistor terminals falls within the standard range.	0V ± 10mV (both resistor terminals)
Bias current adjustment	Connect a voltmeter between both TPs.	VR602 (B, 4.7kΩ). See Fig. 3	Adjust VR602 so that voltage between the TPs falls within the standard ratio.	47mV ± 10mV (between TPs)



BIAS CURRENT WITHIN 47±10mV Fig. 2

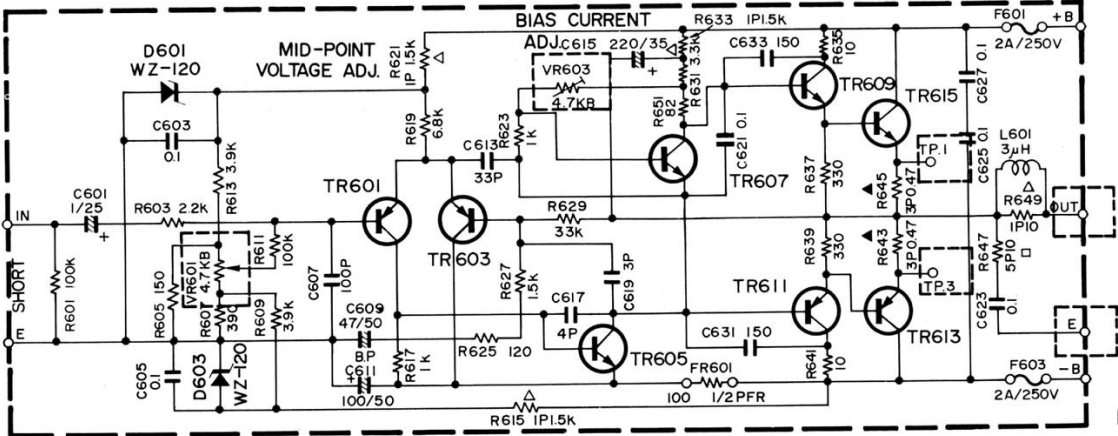
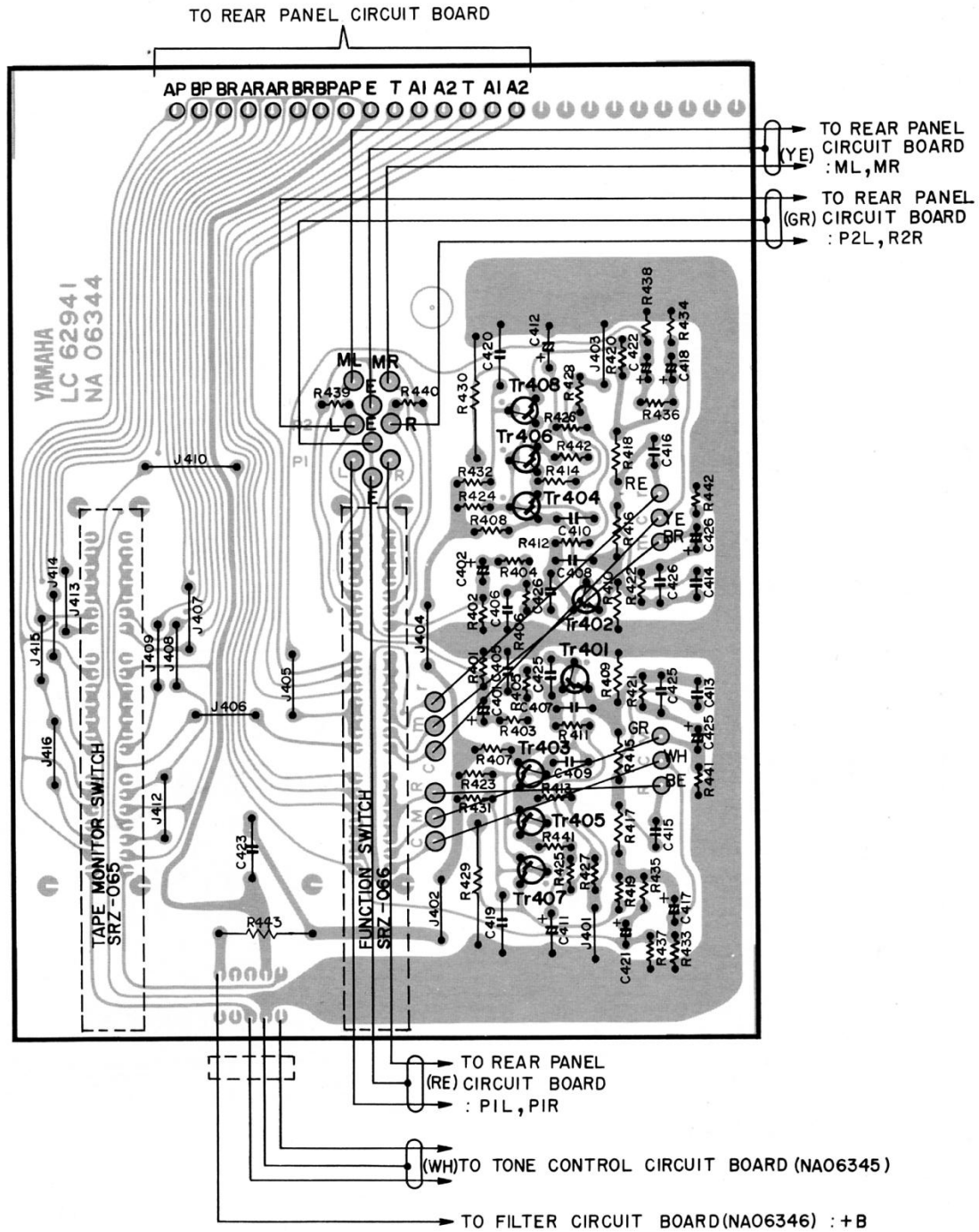


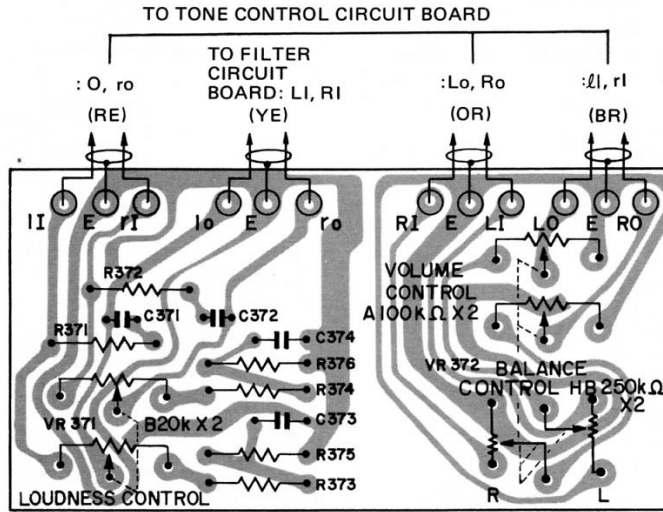
Fig. 3

PRINTED CIRCUIT BOARD

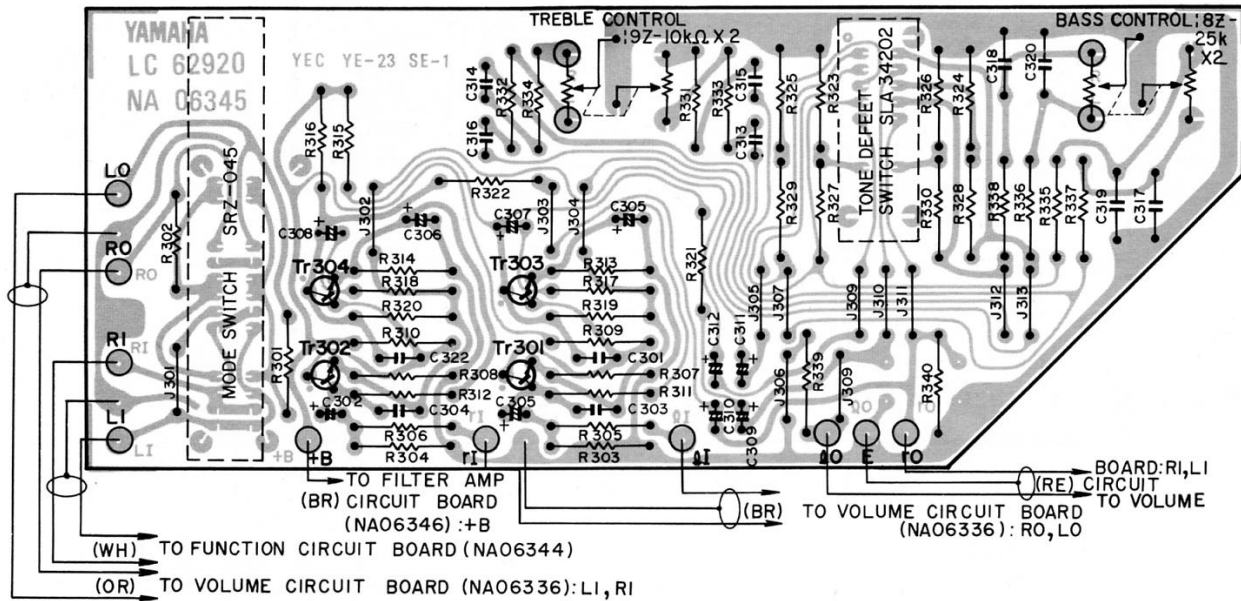
FUNCTION CIRCUIT BOARD NAO6344



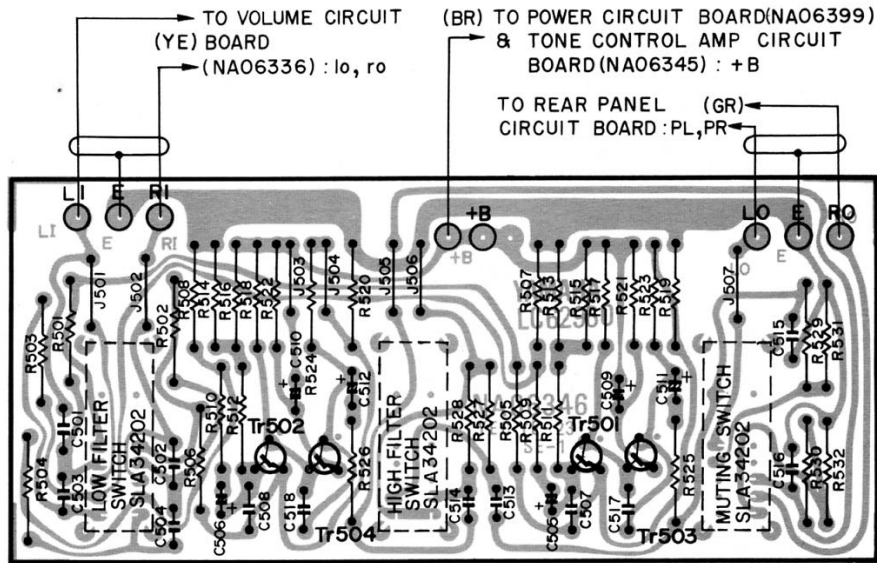
VOLUME CIRCUIT BOARD NA06336



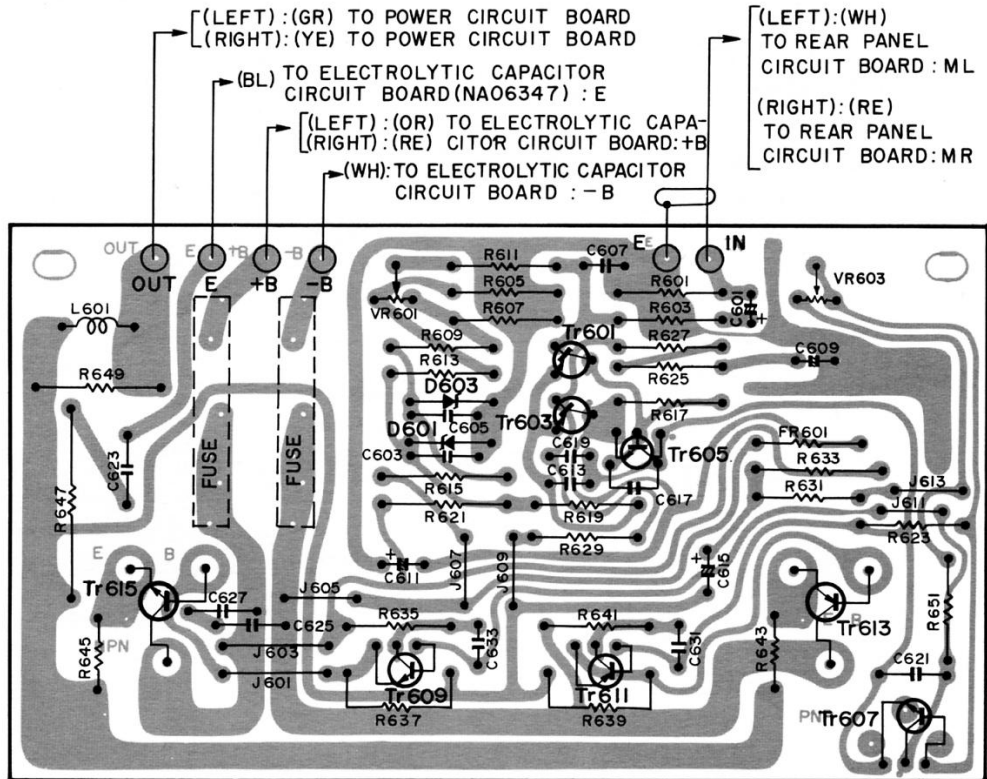
TONE CONTROL CIRCUIT BOARD NA06345



FILTER CIRCUIT BOARD NA06346

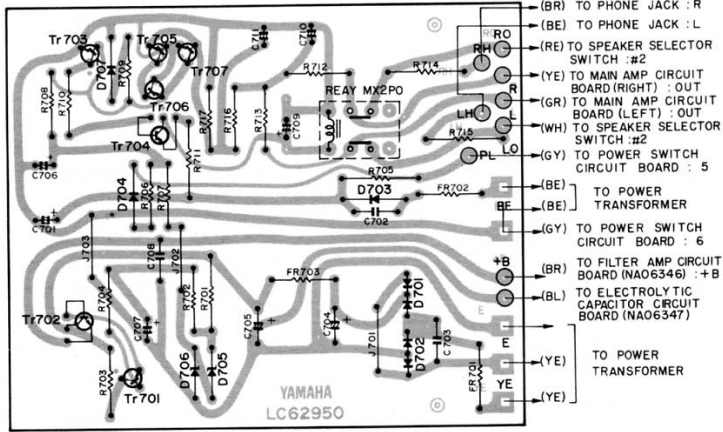


MAIN AMP CIRCUIT BOARD NA06351 : EXCEPT EUROPEAN MODEL
NA06400 : EUROPEAN MODEL

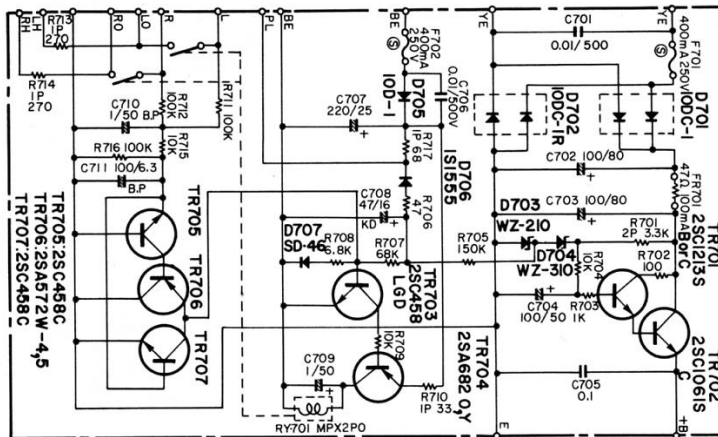
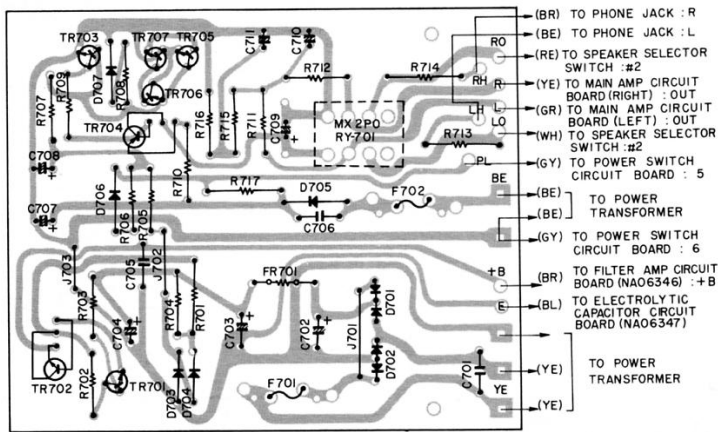


POWER CIRCUIT BOARD

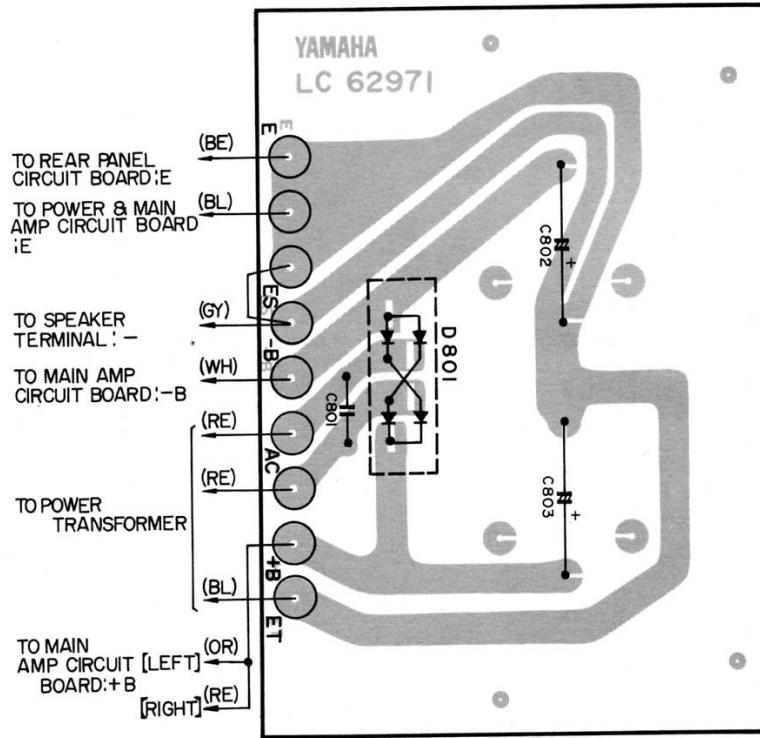
NA06399 EXCEPT CANADIAN MODEL



NA06530 CANADIAN MODEL ONLY

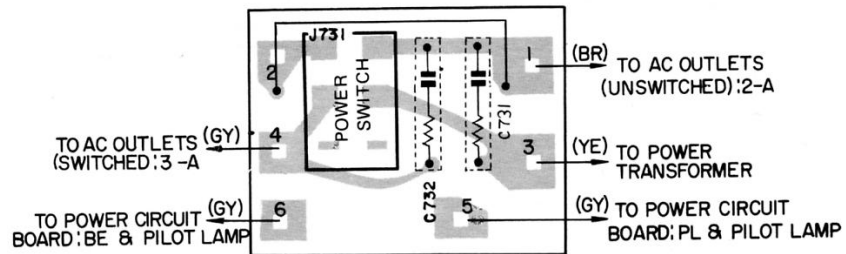


ELECTROLYTIC CAPACITOR CIRCUIT BOARD NA06347

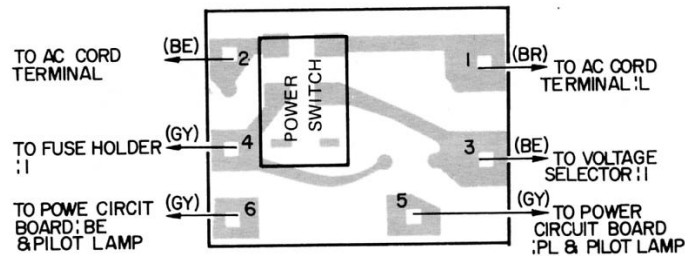


POWER SWITCH CIRCUIT BOARD

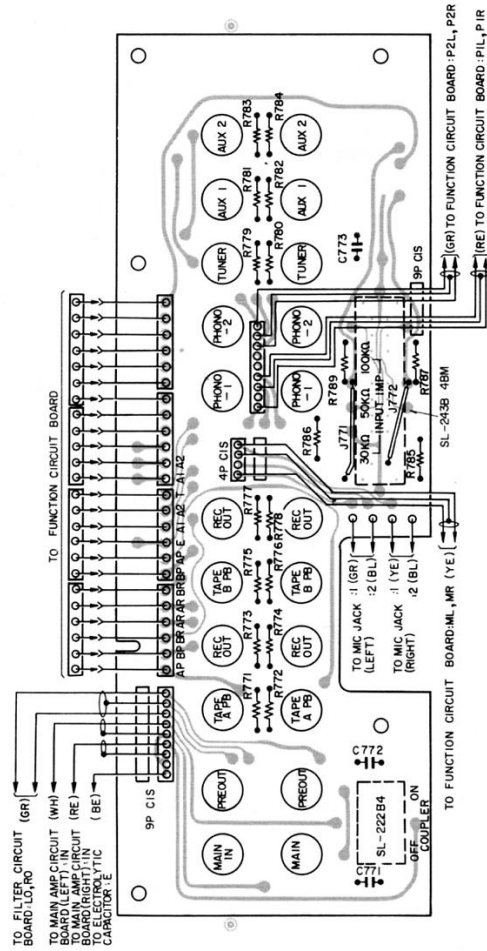
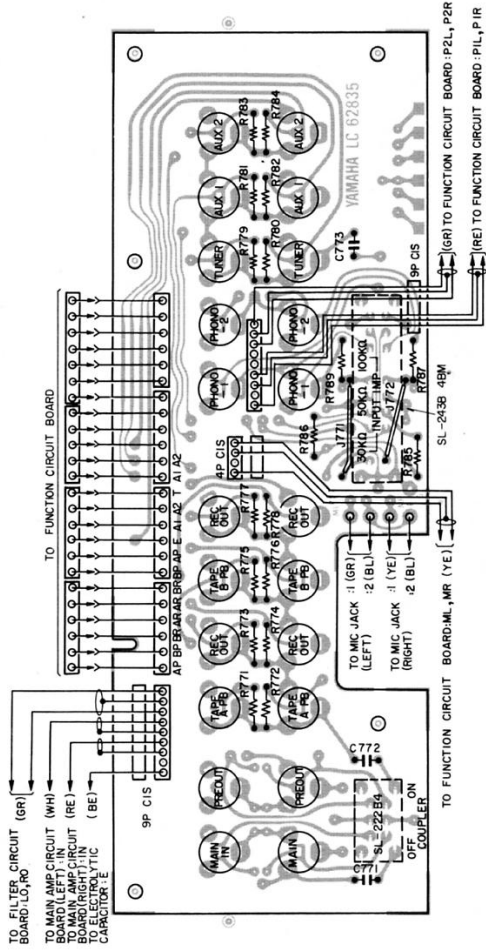
NA06375 EXCEPT EUROPEAN MODEL



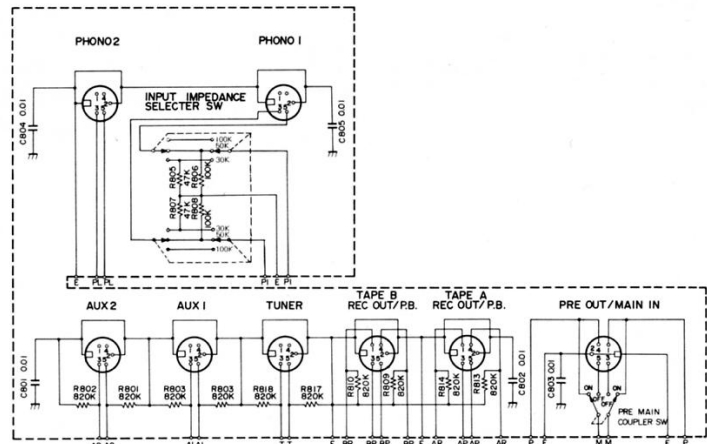
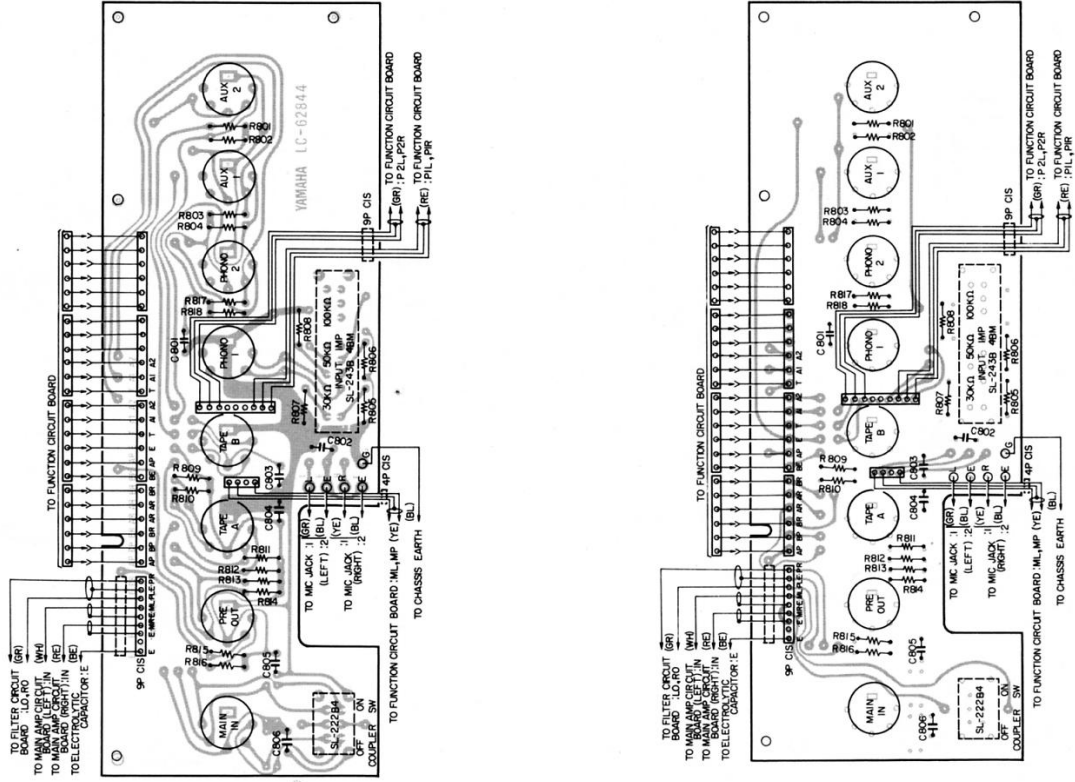
NA06376 EUROPEAN MODEL



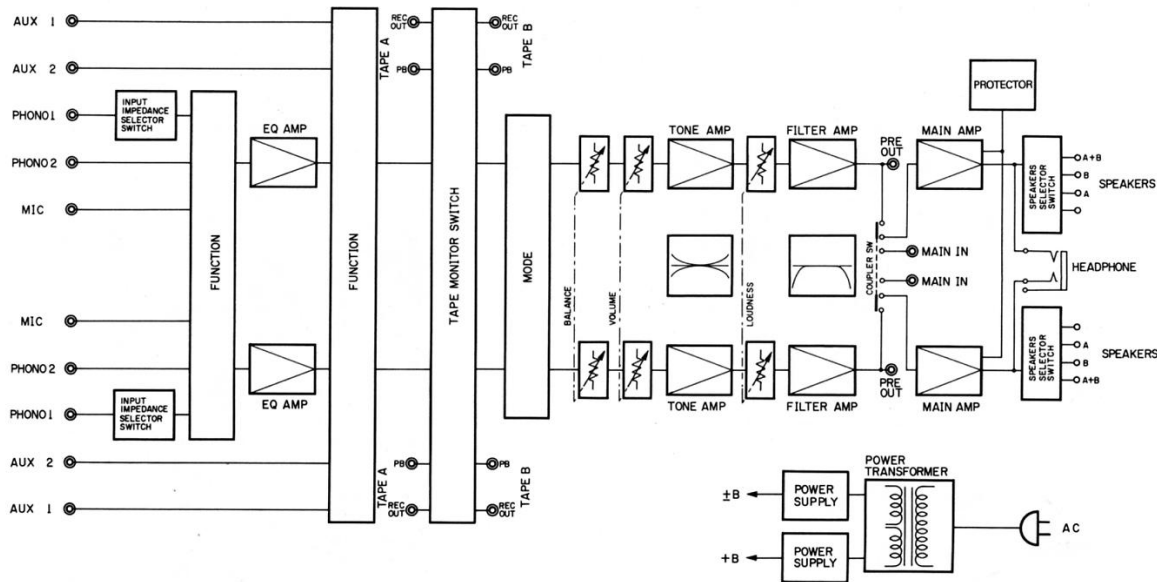
REAR PANEL CIRCUIT BOARD (U.S. & CANADIAN MODELS) NA06503



REAR PANEL CIRCUIT BOARD (EUROPEAN MODEL) NA06504



BLOCK DIAGRAM



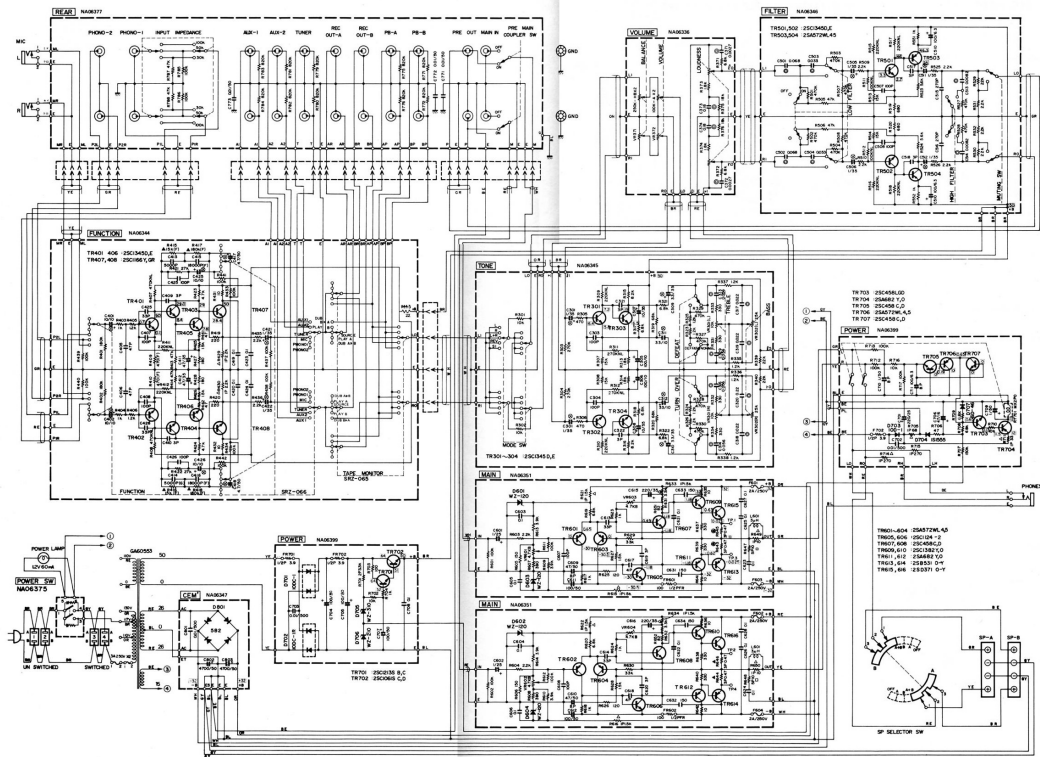
WIRE COLOR ABBREVIATIONS

BL ▶ Black	VI ▶ Violet
BR ▶ Brown	GY ▶ Gray
RE ▶ Red	WH ▶ White
OR ▶ Orange	GG ▶ Light Green
YE ▶ Yellow	SB ▶ Light Blue
GR ▶ Green	PK ▶ Pink
BE ▶ Blue	

SYMBOL	PARTS NAME
	FUSE RESISTOR
	METAL OXIDE RESISTOR
	CEMENT RESISTOR
NO MARK	CARBON RESISTOR
	CEMENT MOLDED RESISTOR
	METAL OXIDE FILM RESISTOR
	METAL PLATE RESISTOR

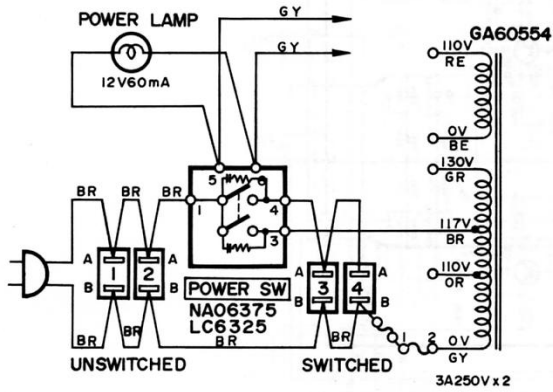
SYMBOL	PARTS NAME	REMARKS
	MYLAR CAPACITOR	
NO MARK	CERAMIC CAPACITOR	— —
	POLYSTYRENE CAPACITOR	
NO MARK	(BI-POLAR) ELECTROLYTIC CAPACITOR	
	LOW-NOISE ELECTROLYTIC CAPACITOR	— —
	TANTALUM CAPACITOR	

OVERALL SCHEMATIC DIAGRAM

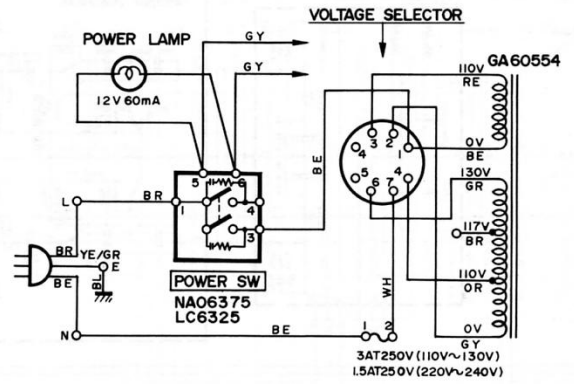


PARTIAL CHANGES MADE ACCORDING TO DESTINATION

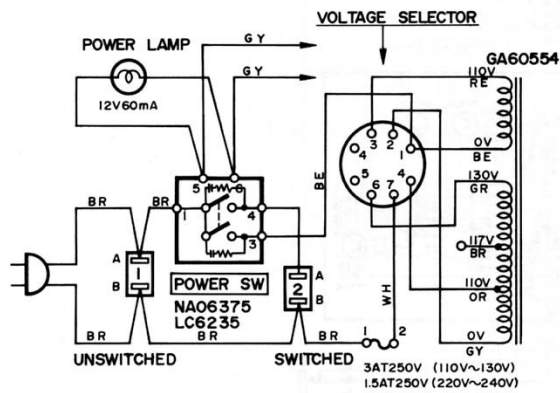
▼ U.S. & CANADIAN MODELS



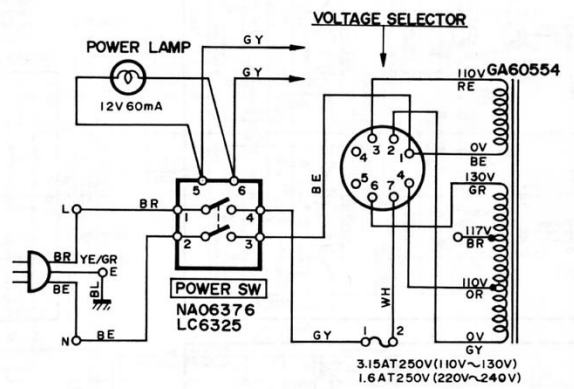
▼ SOUTH AFRICAN MODEL



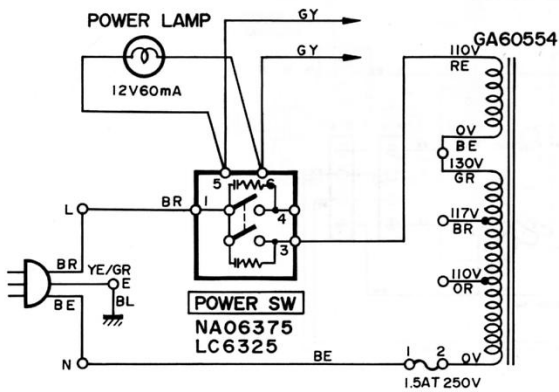
▼ GENERAL MODEL



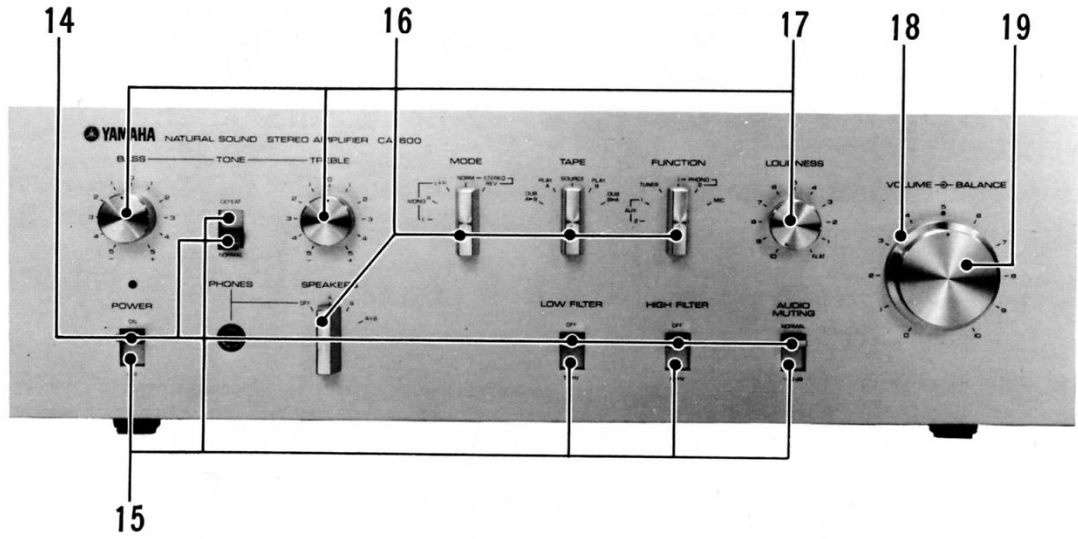
▼ EUROPEAN MODEL



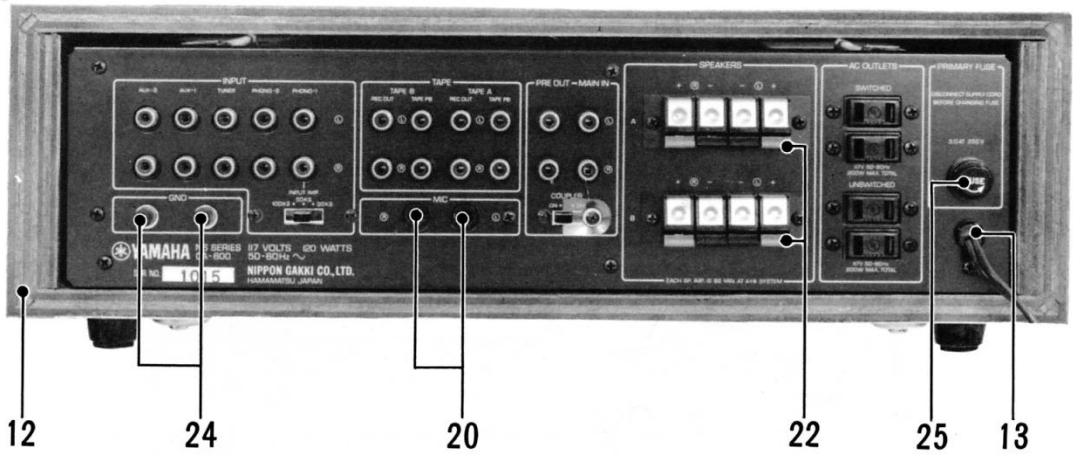
▼ AUSTRALIAN MODEL



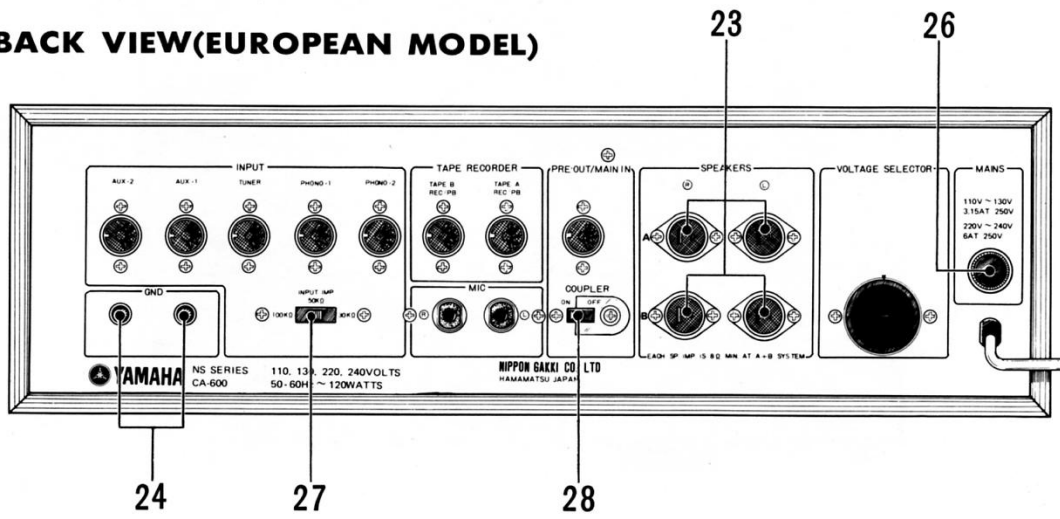
**PARTS LIST
FRONT VIEW**



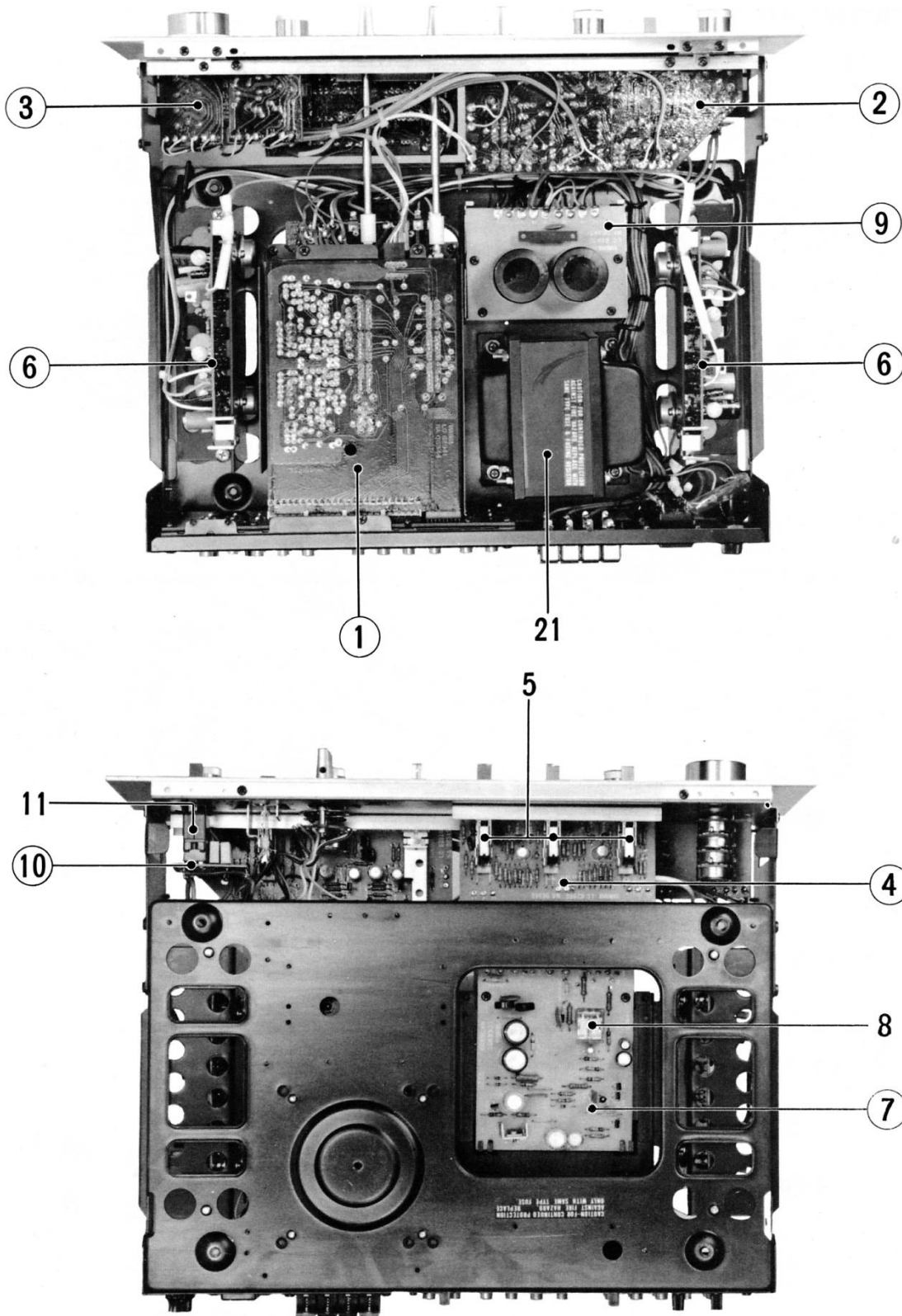
BACK VIEW



BACK VIEW (EUROPEAN MODEL)



INTERNAL VIEW



Ref. No.	Part No.	Description		Remarks	Common Models
①	320000NA063440	Function Circuit Board #62942	ファンクション シ	except U.S. model	
	320000NA066370	-do.- #65300	"	U.S. model	
	420000HL316220	Metal Oxide Resistor 2.2K Ω 1W	酸化金属抵抗		
	420000HZ000220	Metalized Film Resistor 470 Ω	金属被膜抵抗		
	420000HZ000230	-do.- 15K Ω	"		
	420000HZ000240	-do.- 180K Ω	"		
	420000FP127100	Tantalum Capacitor 10 μ F 10WV	タンタル固体 コンデンサ		
	FP13647	-do.- 4.7 μ F 16WV	"	Servicing 420000FP156470	
	420000FP156100	-do.- 1 μ F 35WV	"		
	420000FP166470	-do.- 4.7 μ F 35WV	"		
	iC11662	Transistor 2SC1166 (Y or GR)	トランジスタ	Servicing 420000iC116610	
	420000iC134540	-do.- 2SC1345 (D or E)	"		
	420000KA500270	Rotary Switch SRZ-066	スイッチ		
	420000KA500280	-do.- SRZ-065	"		
	420000LB600280	Connector 6P #21456A	6Pコネクター		
	420000LB500050	5P Connector (side entry)	CIS5Pサイド エントリー型		
	420000LB100160	Keying Plug	CISキーイング プラグ		
②	320000NA063450	Tone Control Circuit Board #62921	トーンコントロール シ	except U.S. model	
	320000NA066330	-do.- #65260	"	U.S. model	
	420000FP127330	Tantalum Capacitor 33 μ F 10WV	タンタル固体 コンデンサ		
	420000FP156100	-do.- 1 μ F 35WV	"		
	420000FP156330	-do.- 3.3 μ F 35WV	"		
	420000iC134540	Transistor 2SC1345 (D or E)	トランジスタ		
	420000HS120350	Variable Resistor V24-9Z-25K Ω x 2 w/ll click	可変抵抗器	bass	CA-800
	420000HS120360	-do.- V24-8Z-10K Ω x 2 "	"	treble	
	420000KA200120	Lever Switch SLA-34201	レバースイッチ	TURN OVER DEFEAT	
	420000KA500290	Rotary Switch SRZ-045	ロータリースイッチ	Mode	
③	320000NA063360	Volume Circuit Board #62875	ポリウムシート	except U.S. model (#62861)	CA-1000
	320000NA066210	-do.- #65180	"	U.S. model	
	420000HS120340	Variable Resistor 1KB20K Ω x 2, (B20K Ω x 2)	可変抵抗器	Loudness	
	420000HS120470	-do.- 1Z250K Ω x 2 10A 100K Ω x 2	"	Balance Level	
4	320000NA063460	Filter Circuit Board #62961	フィルタ シ	except U.S. model	

Ref. No.	Part No.	Description	Remarks	Common Models
	320000NA066340	Filter Circuit Board #65270	フィルターシート	U.S. model
	420000FP156100	Tantalum Capacitor 1 μ F 35WV	タンタル固体コンデンサ	
5	420000KA200120	Lever Switch SLA34202	レバースイッチ	low, high audio muting
	420000iA076300	Transistor 2SA763 (WL-4.5)	トランジスタ	
	420000iC134540	-do.- 2SC1345 (D or E)	"	
⑥	320000NA066380	Main Circuit Board #63422	メインシート	Canadian, General & Australian models (NA06351 #63421)
	320000NA064000	-do.- #63422	"	European model
	320000NA066390	-do.- #65311	"	U.S. model
	420000HL314100	Metal Oxide Resistor 10 Ω 1W	酸化金属抵抗	
	420000HL316150	-do.- 1.5K Ω 1W	"	
	420000HM554100	Cement Molded Resistor 10 Ω 5W	セメント抵抗	
	420000HM532470	-do.- 0.47 Ω 3W	セメント抵抗	
	420000HW405100	Fuse Resistor 100 Ω 1/2W	ヒューズ抵抗	U.S. model (HZ00058)
	420000HW105100	-do.- 100 Ω 75mA	"	except U.S. model (HZ00058)
	420000HT410040	Variable Resistor B4.7K Ω (SR19R)	ソリッドポリウム	
	420000GD900050	Coil 3 μ H	空芯コイル	
	420000FM117470	Bipolar Electrolytic Capacitor 47 μ F 50WV	バイポーラ電解コンデンサ	
	420000iF000200	Zener Diode WZ-120	ツェナーダイオード	
	iA05720	Transistor 2SA572 (WL-4.5)	トランジスタ	Servicing 420000iA076300
	420000iA068200	-do.- 2SA682 (Y or O)	"	
	iC04585	-do.- 2SC458 (C or D)	"	Servicing 420000iC045890
	420000iC112420	-do.- 2SC1124 (-2)	"	
	420000iC138220	-do.- 2SC1382 (Y or O)	"	
	420000iB053100	-do.- 2SB531 (O or R)	"	
	420000iD037100	-do.- 2SD371 (O or R)	"	
	420000LB300110	Transistor Socket	トランジスタソケット	
	320000BB063080	Transistor Pusher	トランジスタ押え	
	320000BA064520	Heat Sink	放熱板	
	420000KB000230	Fuse 2.0 125V	ヒューズ	except European model
	420000KB000560	Miniature Fuse (quick blowing) 2.0A (SEMKO listed)	速断ヒューズ	European model
⑦	320000NA0663990	Power Supply Circuit Board 65281	電源シート	U.S. model (# 62930)
	320000NA065300	-do.- 64271	"	Canadian model (# 62476)
	320000NA066350	-do.- 62951	"	General, Australian & European models

Ref. No.	Part No.	Description	Remarks	Common Models
	420000HL414330	Metal Oxide Film Resistor 33Ω 1W	酸化金属皮膜抵抗	
	420000HL314680	-do.- 68Ω 1W	"	
	420000HL315270	-do.- 270Ω 1W	"	
	420000HL326330	-do.- 3.3KΩ 2W	"	
	420000HW403390	Fuse Resistor 3.9Ω ½W	ヒューズ抵抗	
	420000HW404470	-do.- 47Ω ½W	"	U.S. model
	420000HW104470	-do.- 47Ω 100mA	"	except U.S. model
	420000KB000660	Miniature Fuse 400mA 250V	ヒューズ	Canadian model
	420000FM108100	Bipolar Electrolytic Capacitor (vert-type)100μF 6.3WV	バイポーラ ケミコン	
	420000FM116100	-do.- 1μF 50WV	"	
	420000FJ537470	Electrolytic Capacitor KU Type 47μF 16V	ケミコン (KU型)	
	420000iF000040	Diode IS1555	ダイオード	
	iF00002	-do.- SD-46	"	Servicing 420000iH000330
	iH00003	-do.- 10D-1	"	-do.- 420000iH000060
	iH00008	-do.- 10DC-1R	"	-do.- 420000iH000140
	iH00009	-do.- 10DC-1R	"	-do.- 420000iH000150
	420000iF000280	Zenner Diode WZ-210	ツェナー ダイオード	
	420000iF000220	-do.- WZ-310	"	
	iA05720	Transistor 2SA572 (WL-4.5)	トランジスタ	Servicing 420000iA076300
	420000iA068200	-do.- 2SA682 (O or Y)	"	
	iC04585	-do.- 2SC458 (C or D)	"	Servicing 420000iC045890
	iC04586	-do.- 2SC458LG (D)	"	-do.- 420000iC045890
	iC10618	-do.- 2SC1061S (C or D)	"	-do.- 420000iC078910
	iC12139	-do.- 2SC1213S (B or C)	"	-do.- 420000iC116610
	320000BA061610	Heat Sink	放熱板	
8	420000KC000090	Relay (OMRON) MX2PO DC12V	リレー	
9	320000NA063470	Electrolytic Capacitor Circuit Board #62972	電源コンデンサ シ	except U.S. model
	320000NA066360	-do.- #65290	"	U.S. model
	420000iH000110	Diode 5B-2	シリコン ダイオード	
	420000FH234100	Ceramic Capacitor 0.01μF 500WV	セラミック コンデンサ	
⑩	320000NA063750	Power Switch Circuit Board #63252	パワースイッチ シ	General, Canadian & Australian models
	320000NA063760	-do.- #63552	"	European model
	320000NA066190	-do.- #65160	"	U.S. model
11	420000KA200100	Lever Switch JL-04		except European model

Ref. No.	Part No.	Description	Remarks	Common Models
	420000KA200110	Power Switch JL-08	パワースイッチ	European model
	420000FZ000110	Spark Killer 0.033 μ F + 120 Ω / 500V	スパークキラー	
12	32003722050000	Outside Case	外箱	
	320037NB067380	Front Panle	パネルユニット	
13	420000CB068630	Cord Stopper (small)	コードストッパー	General, U.S. & Canadian models
	420000CB004410	-do.- (large)	"	South African, Australian & European models
14	320000CB068570	Knob (lever switch)	レバーツマミ	CA-1000
15	420000CB088720	Switch Apron 15 x 29	スイッチ用エプロン	
	320000CB068580	Bush for Switch	スイッチ用スリーブ	
16	320000BA064420	Knob (switch)	スイッチ用ツマミ	
17	320000BA064460	Knob	ツマミ	
18	320000BA064480	Double Knob (balance)	ダブルツマミ	
19	320000BA064430	-do.- (volume)	"	
20	420000LB300080	Jack	ホーンジャック	European model
	420000JB000230	Lead Type Pilot Lamp 12V 60mA	リード式パイロットランプ	CA1000
	320000CB068620	Lamp Holder	ランプホルダー	
21	420000GA605540	Power Transformer	電源トランス	
	320000NA065040	Rear Panel Circuit Board #63940	リヤパネル	European model
22	420000LA001110	Push Terminal 4PD	4PD型プッシュターミナル	except European model
23	420000LB200050	DIN 2P Socket	DIN 2Pソケット	European model
24	420000LA001070	Ground Terminal	アース端子	CA1000
25	420000LB200440	Fuse Holder	ヒューズホルダー	except European model
26	420000LB200590	-do.-	"	European model
	420000KB000340	Fuse 1.5AT 250V	ヒューズ耐ラック	
	420000KB001040	Fuse (SS-2) 3A 250V	ULヒューズ	U.S. & Canadian models
	420000KB000740	Miniature Fuse 1.6AT 250V (SEMKO listed)	ミニヒューズ	European model
	420000KB000850	Lead Type Fuse (SS-1) 3.0A 250V	ULリードヒューズ	U.S. & Canadian models
	420000LB500060	Connector Housing 5P	CISコネクタハウジング 5P	
	420000LB600260	-do.- 9P	" 9P	
	320000NA065030	Rear Panel Circuit Board #63953	リヤパネル	Canadian, General & Australian models
27	420000KA400200	Slide Switch, SL243B4BM	インピーダンス切換スイッチ	
28	420000KA400210	-do.- SL222B4	カブラッチ	
	320000NA066740	Rear Panel Circuit Board #63942	リヤパネル	European model
	320000NA066300	-do.- #65171	"	U.S. model