

# COMPACT DISC PLAYER

# CDC-575/CDC-505

# CDC-675/CDC-905

## SERVICE MANUAL

### IMPORTANT NOTICE

This manual has been provided for the use of authorized YAMAHA Retailers and their service personnel. It has been assumed that basic service procedures inherent to the industry, and more specifically YAMAHA Products, are already known and understood by the users, and have therefore not been restated.

**WARNING:** Failure to follow appropriate service and safety procedures when servicing this product may result in personal injury, destruction of expensive components, and failure of the product to perform as specified. For these reasons, we advise all YAMAHA product owners that any service required should be performed by an authorized YAMAHA Retailer or the appointed service representative.

**IMPORTANT:** The presentation or sale of this manual to any individual or firm does not constitute authorization, certification or recognition of any applicable technical capabilities, or establish a principle-agent relationship of any form.

The data provided is believed to be accurate and applicable to the unit(s) indicated on the cover. The research, engineering, and service departments of YAMAHA are continually striving to improve YAMAHA products. Modifications are, therefore, inevitable and specifications are subject to change without notice or obligation to retrofit. Should any discrepancy appear to exist, please contact the distributor's Service Division.

**WARNING:** Static discharges can destroy expensive components. Discharge any static electricity your body may have accumulated by grounding yourself to the ground buss in the unit (heavy gauge black wires connect to this buss).

**IMPORTANT:** Turn the unit OFF during disassembly and part replacement. Recheck all work before you apply power to the unit.

## CONTENTS

TO SERVICE PERSONNEL .....	1~2	DISPLAY DATA .....	21
FRONT PANELS .....	3	BLOCK DIAGRAM .....	22~23
REAR PANELS .....	4	PRINTED CIRCUIT BOARD .....	24~31
SPECIFICATIONS .....	5	IC BLOCKS .....	32
INTERNAL VIEW .....	5	PIN CONNECTION DIAGRAM .....	33
DISASSEMBLY PROCEDURES .....	6~7	CDC-575/CDC-505 SCHEMATIC DIAGRAM .....	34
STANDARD OPERATION CHART .....	8~9	CDC-675/CDC-905 SCHEMATIC DIAGRAM .....	35
TEST MODE .....	10~12	PARTS LIST .....	36~50
ERROR MESSAGES .....	13~15	GREASE APPLICATION DIAGRAM .....	51
IC DATA .....	16~20	REMOTE CONTROL TRANSMITTER .....	52~53



このサービスマニュアルは、エコマーク認定の再生紙を使用しています。  
This Service Manual uses recycled paper.

100667

Copyright 2004 YAMAHA CORPORATION  
This manual is copyrighted by YAMAHA and may not be copied or  
redistributed either in print or electronically without permission.



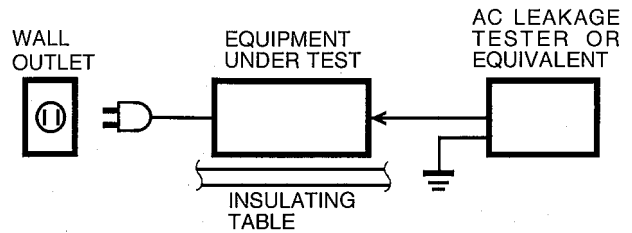
**YAMAHA**  
YAMAHA CORPORATION  
P.O.Box1, Hamamatsu, Japan

2.75K-105 ☐ ☑ Printed in Japan '99.2

CDC-575/CDC-505  
CDC-675/CDC-905

## ■ TO SERVICE PERSONNEL

1. Critical Components Information.  
Components having special characteristics are marked and must be replaced with parts having specifications equal to those originally installed.
2. Leakage Current Measurement (For 120V Models Only).  
When service has been completed, it is imperative to verify that all exposed conductive surfaces are properly insulated from supply circuits.
  - Meter impedance should be equivalent to 1500 ohm shunted by 0.15 $\mu$ F.
  - Leakage current must not exceed 0.5mA.
  - Be sure to test for leakage with the AC plug in both polarities.



**CAUTION:** USE OF CONTROLS OR ADJUSTMENTS OR PERFORMANCE OF PROCEDURES OTHER THAN THOSE SPECIFIED HEREIN MAY RESULT IN HAZARDOUS RADIATION EXPOSURE.

THE COMPACT DISC PLAYER SHOULD NOT BE ADJUSTED OR REPAIRED BY ANYONE EXCEPT PROPERLY QUALIFIED SERVICE PERSONNEL.

## PROTECTION OF EYES FROM LASER BEAM DURING SERVICING

This set employs a laser. Therefore, be sure to carefully follow the instructions below when servicing.

### 1. Laser Diode Properties

- Material : GaAlAs
- Wavelength : 780 nm
- Emission Duration : Continuous
- Laser Output : max. 44.6  $\mu$ W\*

\* This output is the value measured at a distance of about 200 mm from the objective lens surface on the Optical Pick-up Block.

2. When checking the laser diode emission, keep your eyes more than 30 cm away from the objective lens.

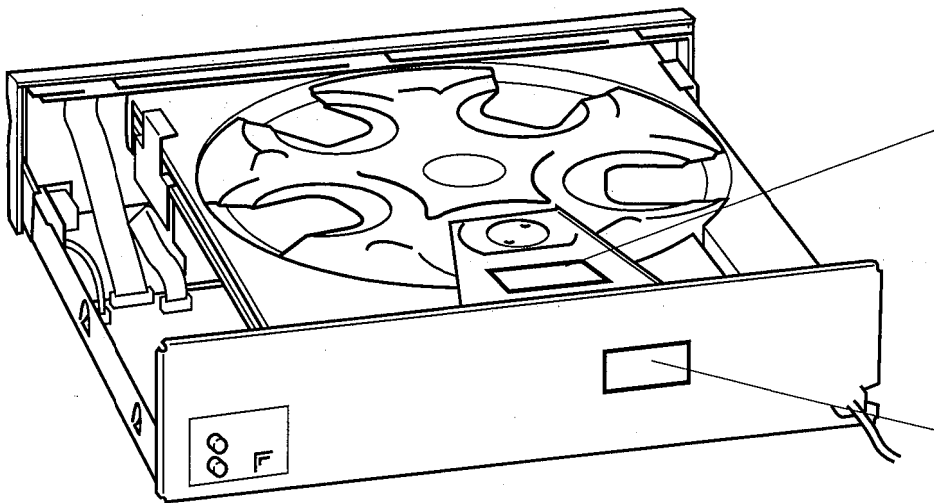
## WARNING: CHEMICAL CONTENT NOTICE!

The solder used in the production of this product contains LEAD. In addition, other electrical/electronic and/or plastic (where applicable) components may also contain traces of chemicals found by the California Health and Welfare Agency (and possibly other entities) to cause cancer and/or birth defects or other reproductive harm.

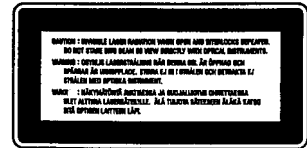
**DO NOT PLACE SOLDER, ELECTRICAL/ELECTRONIC OR PLASTIC COMPONENTS IN YOUR MOUTH FOR ANY REASON WHATSOEVER!**

Avoid prolonged, unprotected contact between solder and your skin! When soldering, do not inhale solder fumes or expose eyes to solder/flux vapor!

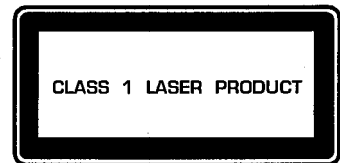
If you come in contact with solder or components located inside the enclosure of this product, wash your hands before handling food.



② R, B, G models



① R, B, G, models



### English

- ① THIS PRINTING (SEE POSITION SHOWN IN THE ILLUSTRATION) INFORMS THE USER THAT THE APPARATUS CONTAINS A LASER COMPONENT.
- ② THIS LABEL (SEE POSITION SHOWN IN THE ILLUSTRATION) WARNS THAT ANY FURTHER PROCEDURE WILL BRING THE USER INTO EXPOSURE WITH THE LASER BEAM.

CAUTION : USE OF CONTROLS, ADJUSTMENTS OR PERFORMANCE OF PROCEDURES OTHER THAN THOSE SPECIFIED HEREIN, MAY RESULT IN HAZARDOUS RADIATION EXPOSURE.

### Swedish

- ① DENNA MÄRKNING (SE FIGUR) UPPLYSER OM ATT DET I APPARATEN INGÅR EN LASERKOMPONENT AV TYP KLAS 1.
- ② VARNINGSMÄRKNING (SE FIGUR) FÖR STRÅLNING. INGREPP I APPARATEN BÖR ENDAST FÖRETAGAS AV FACKMAN MED KÄNNEDOM OM LASER. APPARATEN INNEHÅLLER EN LASERKOMPONENT SOM AVGER STRÅLNING ÖVERSTIGANDE GRÄNSEN FÖR LASERKLASS 1.

VARNING : OSYNLIG LASERSTRÅLNING NÄR DENNA DEL ÄR ÖPPNAD : BETRAKTA EJ STRÅLEN.

### Danish

- ① DETTE MÆRKAT ER ANBRAGT SOM VIST I ILLUSTRATIONEN FOR AT ADVARE BRUGEREN OM AT APPARATET INDEHOLDER EN LASERKOMPONENT.
- ② DETTE MÆRKAT OM LASEREN ER ANBRAGT PÅ APPARATET SOM EN OPLYSNING OM AT APPARATET INDEHOLDER ET LASERKOMPONENT.

ADVARSEL : INDGREB BØR KUN FORETAGES AF EN FAGMAND DA DER ER RISIKO FOR RADIOAKTIV STRÅLING.

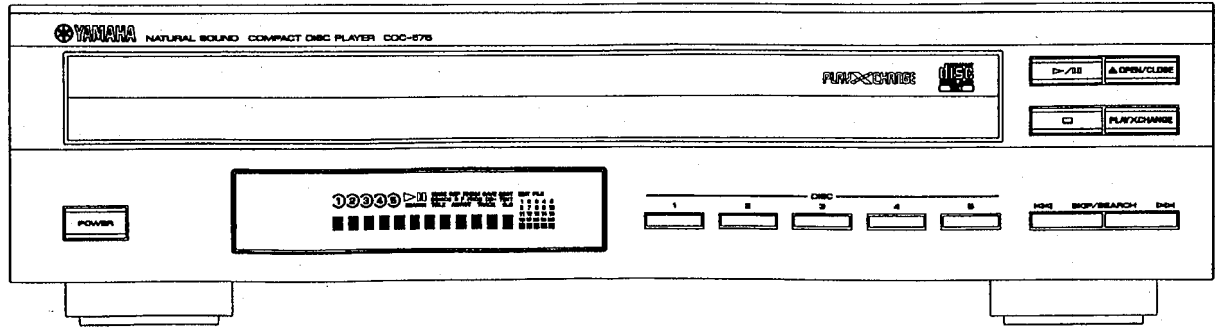
ADVARSEL : USYNLIG LASERSTRÅLING VED ÅBNING.  
UNDGÅ UDSÆTTELSE FOR STRÅLING.

### Finnish

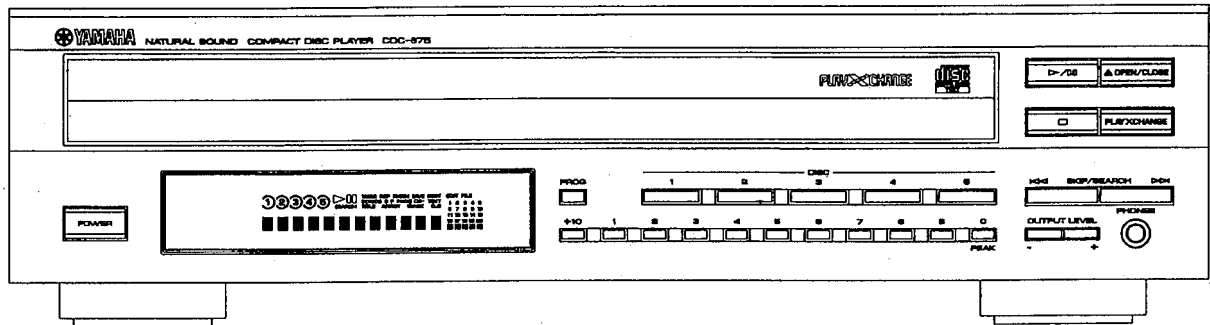
VARO!  
AVATTAESSA OLET ALTTIINA NÄKYMÄTTÖMÄLLE LASERSÄTEILYLLE. ÄLÄ KATSO SÄTEESEEN.

## FRONT PANELS

### ● CDC-575/CDC-505

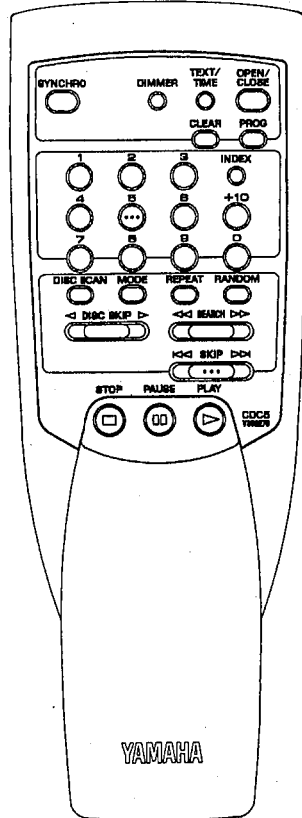


### ● CDC-675/CDC-905

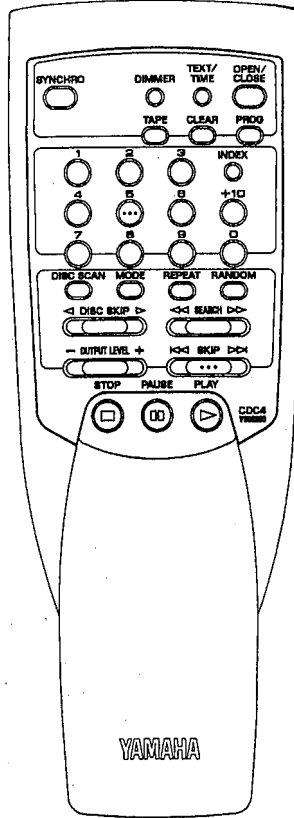


## REMOTE CONTROL TRANSMITTER

### ● CDC-575/CDC-505



### ● CDC-675/CDC-905



### CAUTION FOR TRANSPORTING THIS UNIT

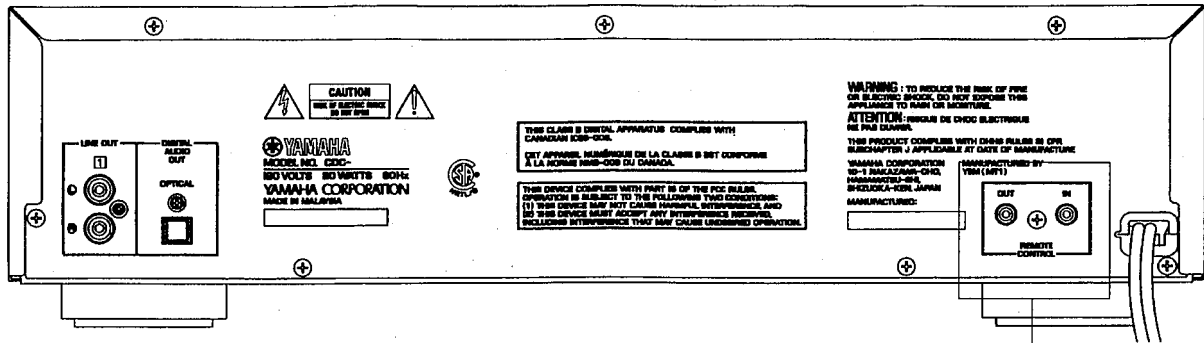
When transporting this unit, first remove all discs from the disc tray and close the tray by pressing the **OPEN/CLOSE** button, and then switch off the power after you confirm that the display has turned as follows.



Never switch off the power if the display does not turn as above, otherwise the unit will get out of order during transport because the internal mechanism is not locked.

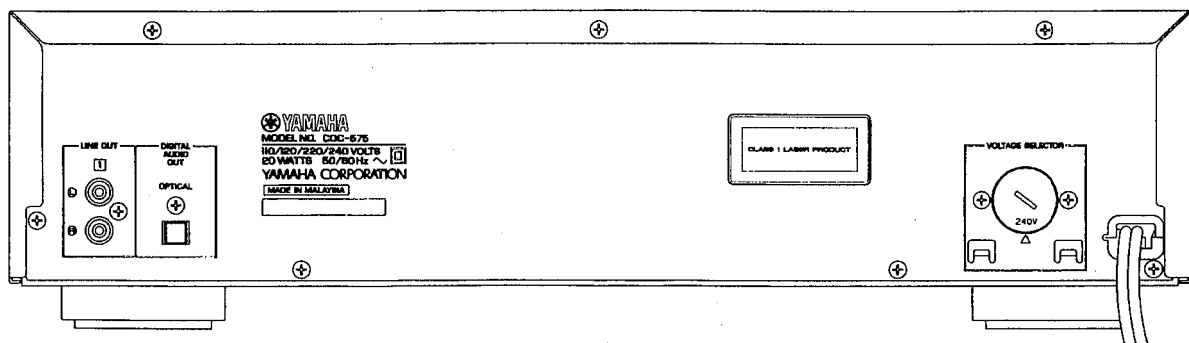
## REAR PANELS

### U, C models

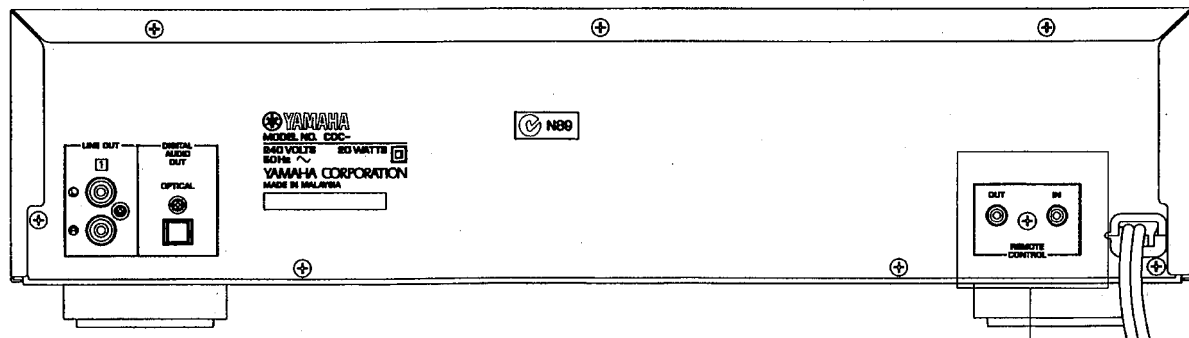


CDC-675/CDC-905 ONLY

### R model

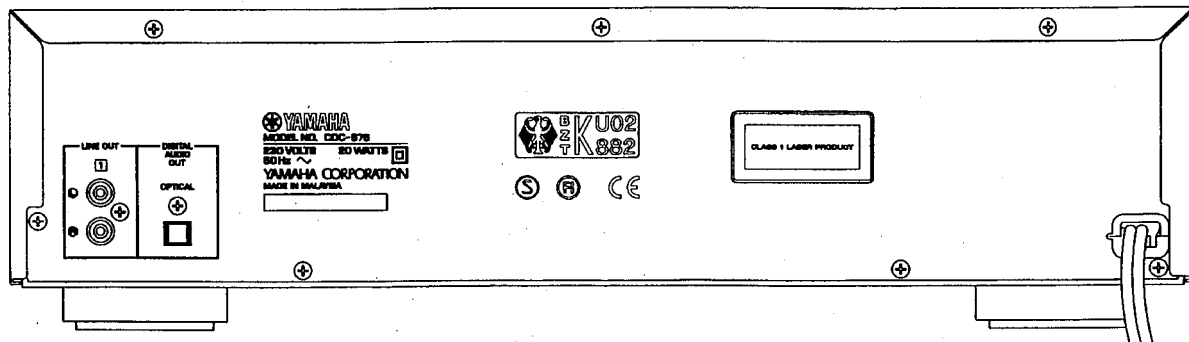


### A model



CDC-675/CDC-905 ONLY

### B, G models



CDC-575/CDC-505  
CDC-675/CDC-905

**■ CDC-575/CDC-505 SPECIFICATIONS**

**■ AUDIO SECTION**

Output Voltage	2.0±0.5V
S/N Ratio	102dB
Dynamic Range	95dB
Harmonic Distortion+Noise (1kHz)	0.004%
Frequency Response (2Hz~20kHz)	±0.5dB

**■ GENERAL**

<b>Power Requirements</b>	
U, C models	120V AC 60Hz
B, G models	230V AC 50Hz
A model	240V AC 50Hz
R model	110/120/220/240V AC 50/60Hz
<b>Power Consumption</b> 20W	
<b>Dimensions (W x H x D)</b> 435 x 116 x 404 mm	
(17-1/8" x 4-9/16" x 15-7/8")	
<b>Weight</b> 5.8kg (12 lbs 12 oz)	
<b>Accessories</b> Pin plug cord	
Remote control transmitter	
Dry-cell: x2 (Size "AA", R06)	

\* Specifications subject to change without notice.

**■ CDC-675/CDC-905 SPECIFICATIONS**

**■ AUDIO SECTION**

Output Voltage	2.0±0.5V
S/N Ratio	106dB
Dynamic Range	96dB
Harmonic Distortion+Noise (1kHz)	0.003%
Frequency Response (2Hz~20kHz)	±0.5dB
<b>Headphone Output</b>	
150Ω, 1kHz, -20dB Input	200±40mV

**■ GENERAL**

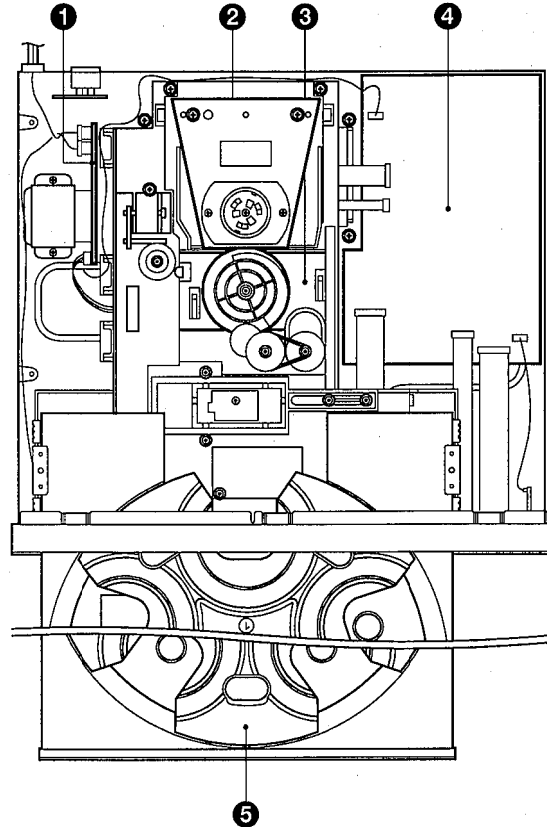
<b>Power Requirements</b>	
U, C models	120V AC 60Hz
B, G models	230V AC 50Hz
A model	240V AC 50Hz
R model	110/120/220/240V AC 50/60Hz
<b>Power Consumption</b> 20W	
<b>Dimensions (W x H x D)</b> 435 x 116 x 404 mm	
(17-1/8" x 4-9/16" x 15-7/8")	
<b>Weight</b> 5.8kg (12 lbs 12 oz)	
<b>Accessories</b> Pin plug cord	
Remote control transmitter	
Dry-cell: x2 (Size "AA", R06)	

\* Specifications subject to change without notice.

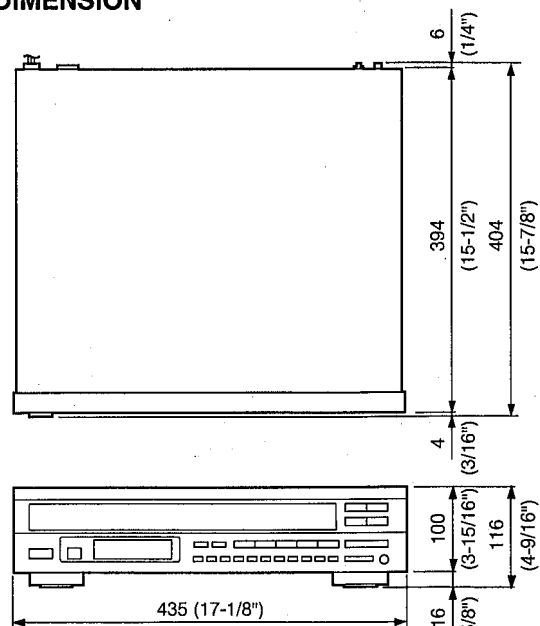
- |                          |                        |
|--------------------------|------------------------|
| U ..... USA model        | B ..... British model  |
| C ..... Canadian model   | G ..... European model |
| A ..... Australian model | R ..... General model  |

**■ INTERNAL VIEW**

- ① P.C.B. MAIN (2)
- ② CLAMP ASS'Y
- ③ CM-210 UNIT
- ④ P.C.B. MAIN (1)
- ⑤ TRAY ASS'Y



**● DIMENSION**



Unit : mm (inch)

CDC-575/CDC-505  
CDC-675/CDC-905

**DISASSEMBLY PROCEDURES** (Remove parts in the order as numbered.)

**1. Removal of Top Cover**

- a. Remove 4 screws ( ① ) and also 3 screws ( ② ) as shown in Fig. 1.

**2. Removal of Clamp Ass'y**

- a. Remove 2 screws ( ③ ) as shown in Fig. 1.

**3. Removal of Tray Ass'y**

- a. Remove 1 screw ( ④ ) as shown in Fig. 1.
- b. Turn Gear/L0 as shown in Fig. 2 counter clockwise gradually till immediately before the tray starts to move and stop it there.

**CAUTION** : Gear/L0, if turned counter clockwise continuously, will mesh with the gear of the tray and the tray will come out. When removing the tray, use care so that Gear/L0 will not mesh with the gear of the tray.

- c. Pull out the Tray Ass'y.

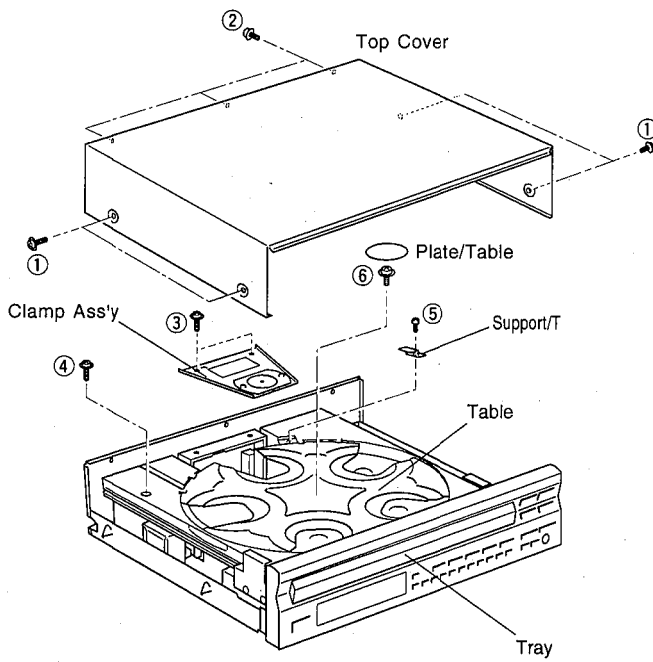
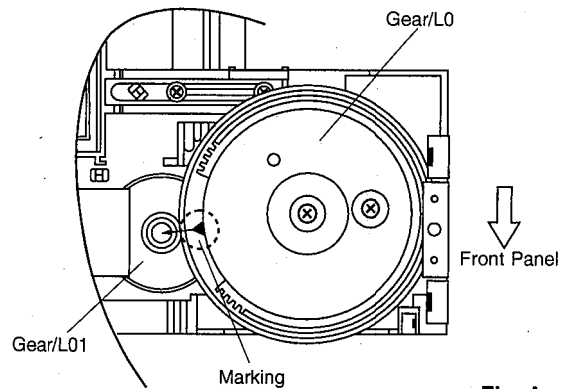
**4. Removal of Table**

- a. Remove 1 screw ( ⑤ ) and then remove the Support/T as shown in Fig. 1.
- b. Remove the Plate/Table as shown in Fig. 1.
- c. Remove 1 screw ( ⑥ ) and then take off the Table as shown in Fig. 1.

**Precaution for installation of the Tray Ass'y.**

On Tray Ass'y setting.

Check the Direction of marking "▲" on gear according to this drawing.

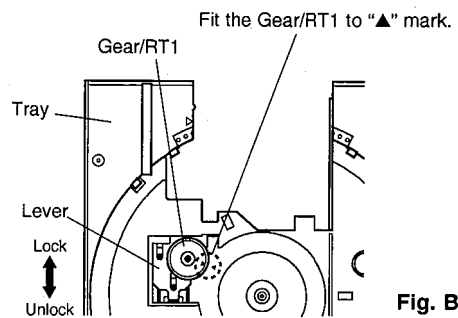


**IMPORTANT : Installation of Table.**

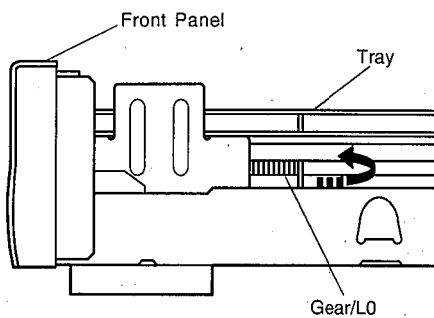
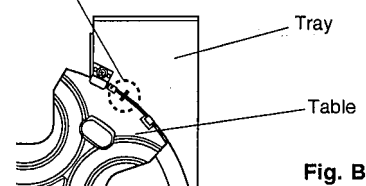
Install the table according to the following procedure.

- 1) Slide the Lever so that the Gear/RT1 becomes free. (Fig.B-1)
- 2) With the "▲" mark on the Gear/RT1 aligned with the same mark on the Tray, lock it with the Lever. (Fig.B-1)
- 3) Install the Table by aligning it to the thick line on " / " mark. (Fig.B-2)

\*Check that the Table is locked after installation.



Fit the table to the thick line on " / " mark.



**5. Removal of Panel Support (CDC-575/CDC-505 only)**

- a. Remove 2 screws ( ⑦ ) and 4 screws ( ⑧ ) as shown in Fig. 3.
- b. Remove the Panel Support as shown in Fig. 3.

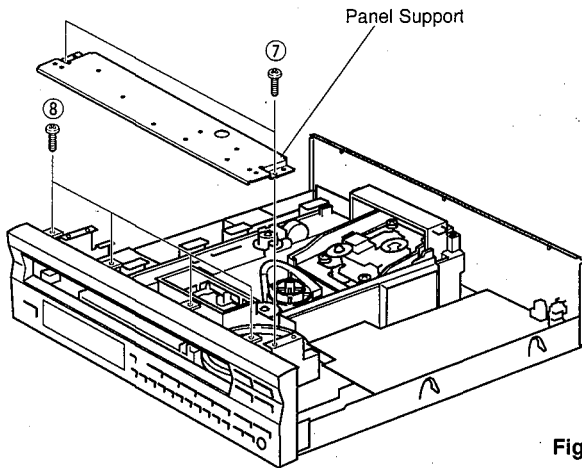


Fig. 3

**6. Removal of CM-210 Unit**

- a. Remove 5 screws ( ⑨ ) as shown in Fig. 4.
- b. Remove connectors (CB201 & 202) and cables (CB1 & 2, CB300) from the P.C.B. Main.
- c. Take the CM-210 Unit out slowly as shown in Fig. 4.

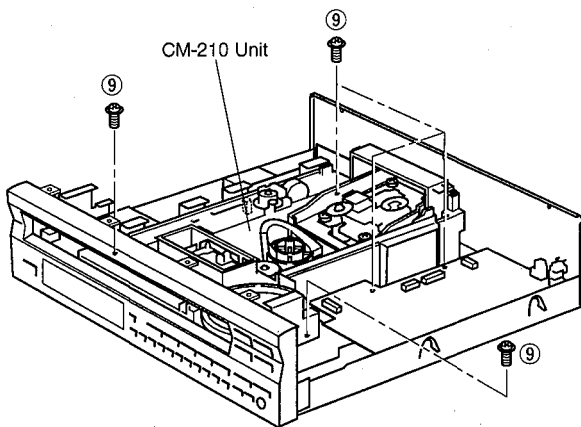
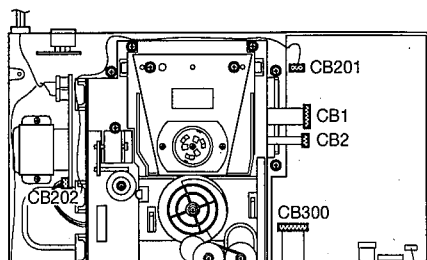


Fig. 4



**7. Removal of PU Mechanism Unit**

- a. Remove 2 screws ( ⑩ ) and then remove the PU Unit Ass'y as shown Fig. 5.

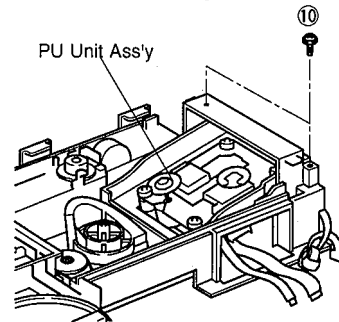


Fig. 5

- b. Pull out 4 Pins ( ⑪ ) and then remove the PU Mechanism Unit as shown in Fig. 6.

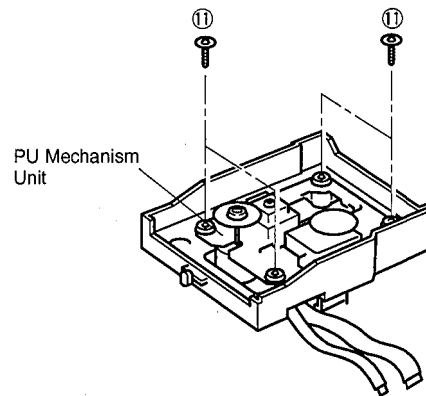


Fig. 6

**● Operation Check Procedure**

① Disassembly

- 1) Remove the top cover.
- 2) Remove the Clamp Ass'y.
- 3) Remove the stabilizer from the Holder.

Turn the Plate clockwise by 30° while holding the Stabilizer, and the Plate will come off. Remove the Stabilizer from the Holder.

② Clamp the disc by using the stabilizer.

③ Set to the TEST mode and check for any faulty conditions.

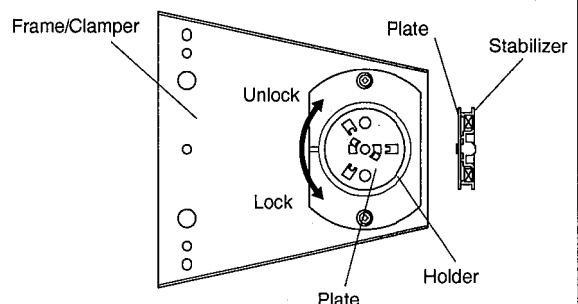
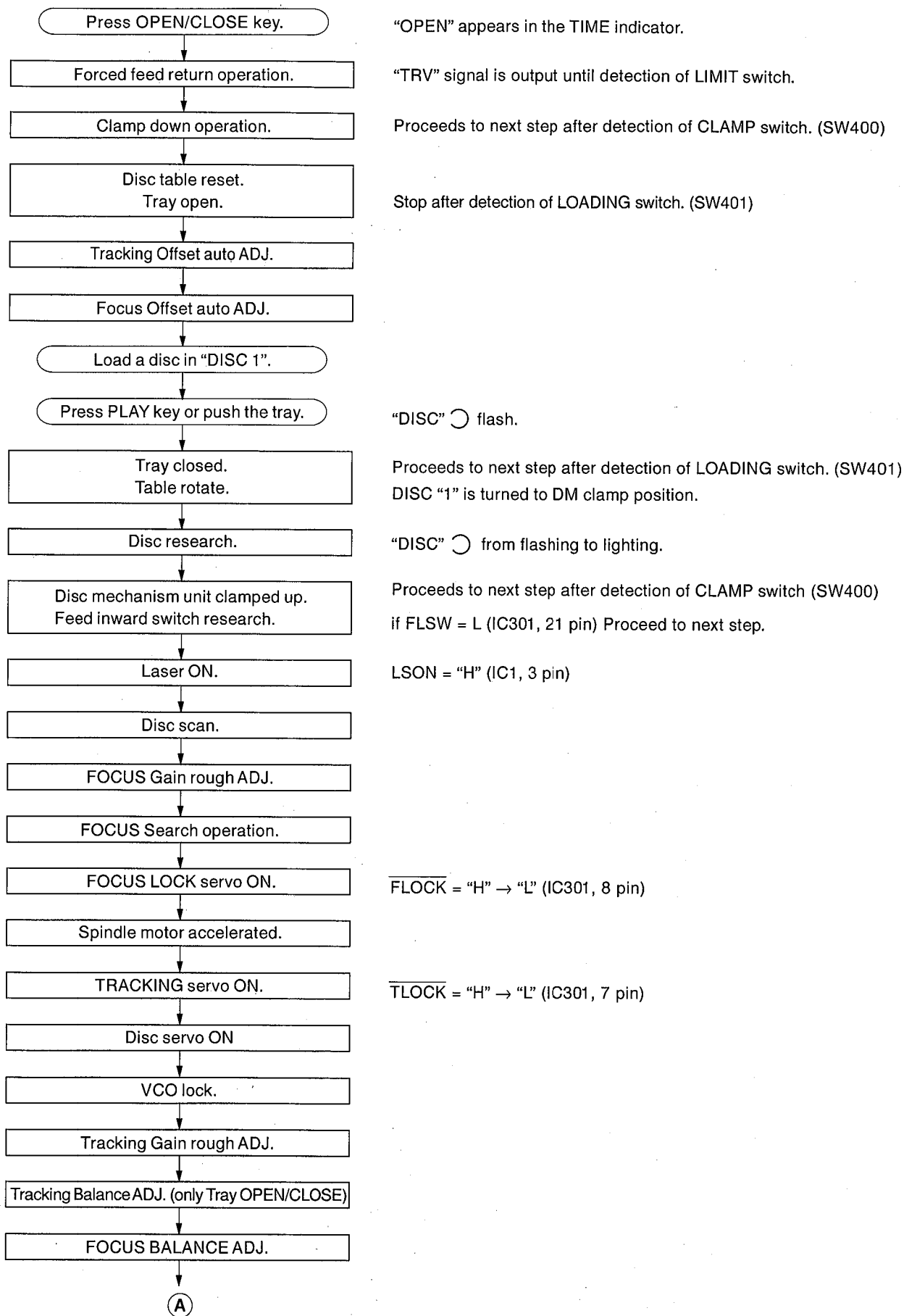


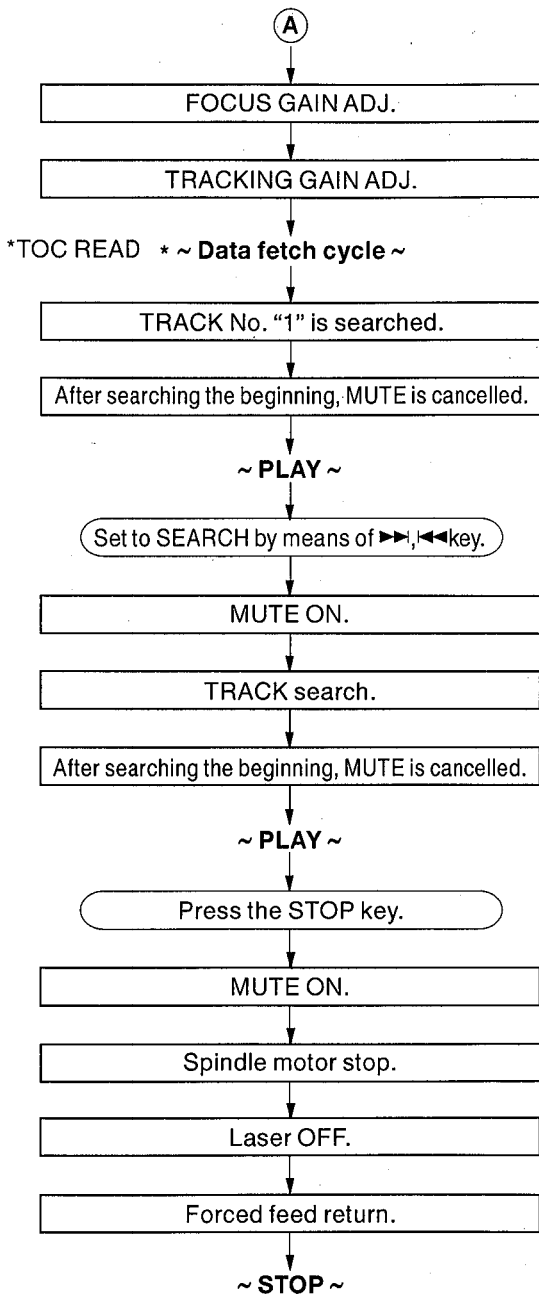
Fig. C



## ■ STANDARD OPERATION CHART



CDC-575/CDC-505  
 CDC-675/CDC-905



: MUTE OFF = "L" → "H", "0:00" appears in the time indicator. (IC301, 4 pin)

: MUTE OFF = "H" → "L"

: MUTE OFF = "L" → "H", "0:00" appears in the time indicator.

: LSON = "H" → "L" (IC1, 3 pin)

: FLSW = "L" (IC301, 21 pin)

CDC-575/CDC-505  
CDC-675/CDC-905

## ■ TEST MODE

### ● Starting TEST mode

Test mode is brought about when the power is turned on while the "PLAY/PAUSE" and "STOP" keys on the panel are simultaneously pressed and held.

When the test mode is brought about, all the displays light up for about 1 second. ("TEST" on display)

**NOTE :** To fully operate all test modes the remote control must be used.

### ● Function List of Panel keys

**Note)** "traverse servo" means the same as "feed servo"

PANEL KEY	FUNCTION
OPEN/CLOSE	Tray open/close.
PLAYXCHANGE	Rotating the mode of coefficients. (Coefficient mode→Coefficient setting→Product mode) Pressing twice will set to the product mode.
PLAY/PAUSE	Plays if focus servo is effective. TRON, MUTE OFF.
STOP	All stop. (Focus, spindle, feed, laser, tray, etc.) Initializes FL display.
◀◀SKIP	Backward traverse move. (If inner SW turns on, traverse is stopped.) (Coefficient set up mode : upper digit down.)
▶▶SKIP	Forward traverse move. (Coefficient set up mode : upper digit up.)
DISC 1	Returns to product mode. (Tray and table inoperative.)
DISC 2	Adjustment mode 1 (TR-offset, FO-offset, FO-rough gain adjustment)
DISC 3	Adjustment mode 2 (TR-balance, TR-rough gain adjustment)
DISC 4	Adjustment mode 3 (FO-fine gain, TR-fine gain, FO-balance adjustment)
DISC 5	—
PROG	Decelerates or stops spindle.
OUTPUT LEVEL -	Output level down. (Coefficient set up mode : address down.)
OUTPUT LEVEL +	Output level up. (Coefficient set up mode : address up.)
+10	—
1	Returns to product mode. (tray and table inoperative.)
2	Adjustment mode 1 (TR-offset, FO-offset, FO-rough gain adjustment)
3	Adjustment mode 2 (TR-balance, TR-rough gain adjustment)
4	Adjustment mode 3 (FO-fine gain, TR-fine gain, FO-balance adjustment)
5	Turn table turns counterclockwise. (Slow speed)
6	Turn table turns clockwise. (Slow speed)
7 (Note 1)	Turn table turns counterclockwise. (Fast speed)
8 (Note 1)	Turn table turns clockwise. (Fast speed)
9	Backward 10 TRACK KICK-continuously
0	Forward 10 TRACK KICK-continuously

CDC-675/  
CDC-905  
ONLY

**(Note 1)** When the disc table is not positioned correctly, be sure to turn the disc table one full rotation by using the DISK SKIP key on the remote control unit before canceling the TEST mode.

● Function List of Remote Control Transmitter

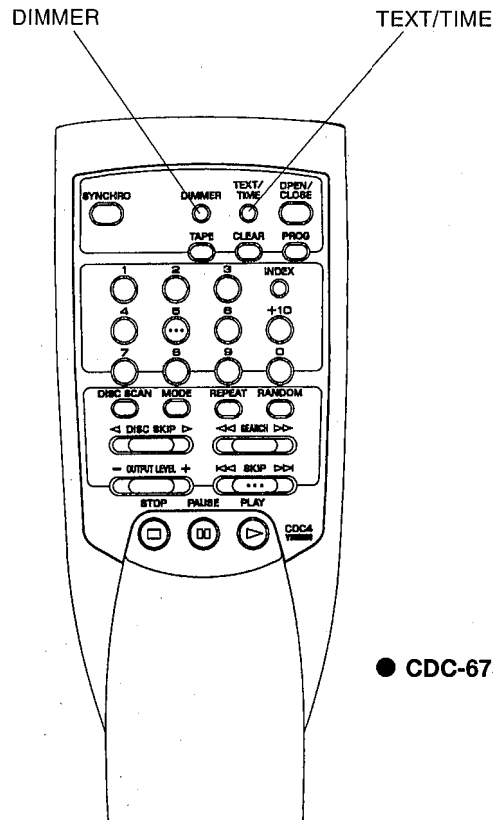
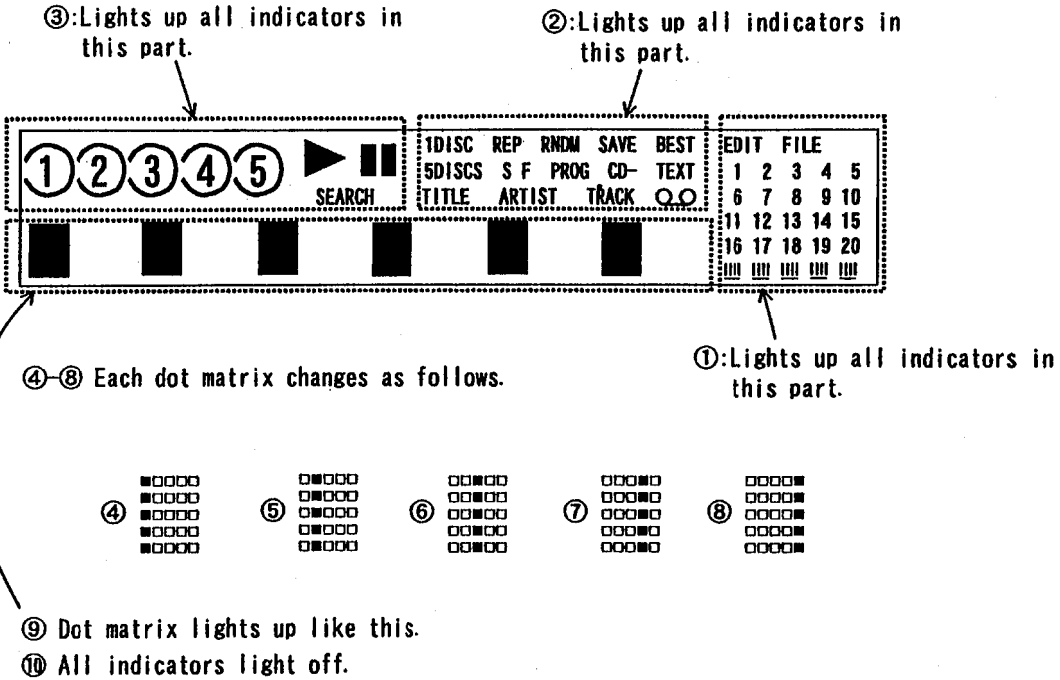
CUSTOM CODE = (79)x

CODE	KEY	FUNCTION
00	MODE	Traverse stop
01	OPEN/CLOSE	Tray open/close
02	PLAY	PLAY (FOON, TRON, TVON (FEON), SPON)
04	◀◀SKIP	Backward traverse move. (If inner SW turns on, traverse is stopped.) (Coefficient set up mode : upper digit down)
05	◀◀SEARCH	Clamp down. (Coefficient set up mode : lower digit down)
06	▶▶SEARCH	Clamp up. (Coefficient set up mode : lower digit up)
07	▶▶SKIP	Forward traverse move. (Coefficient set up mode : upper digit up)
08	REPEAT	FOON, TROF (Enter focus search if focus servo is off.)
0A	TEXT/TIME (Note 2)	Checks FL display.
0B	INDEX	FOON, TROF, TVOF (FEOF) (Enter focus search if focus servo is off.)
0C	PROG	Rotates or accelerates spindle.
0D	CLEAR	Decelerates spindle.
10	0	Backward 150 TRACK KICK continuously
11	1	Returns to product mode. (Tray and Table inoperative.)
12	2	Adjustment mode 1 (TR-offset, FO-off set, FO-rough gain adjustment)
13	3	Adjustment mode 2 (TR-balance, TR-rough gain adjustment)
14	4	Adjustment mode 3 (FO-fine gain, TR-fine gain, FO-balance adjustment)
15	5	Forward 1 TRACK KICK continuously
16	6	Backward 1 TRACK KICK continuously
17	7	Forward 30 TRACK KICK continuously
18	8	Backward 30 TRACK KICK continuously
19	9	Forward 150 TRACK KICK continuously
1A	+10	Enter coefficient set up mode.
1B	RANDOM	SPON (Spindle servo on.)
1C	OUTPUT LEVEL -	Output level down. (Coefficient set up mode : address down)
1D	OUTPUT LEVEL +	Output level up. (Coefficient set up mode : address up)
		} CDC-675/CDC-905 ONLY
1E	DIMMER (Note 2)	Checks FL display.
4F	DISC SKIP ▷	DISC SKIP + (Clockwise)
50	DISC SKIP ◁	DISC SKIP - (Counterclockwise)
53	DISC SCAN	-
55	PAUSE	FOON, TROF, TVOF (FEOF) (Enter focus search if focus servo is off.)
56	STOP	All stop. (Focus, spindle, traverse, laser, tray, etc.)
57	TAPE	Spindle free (off)
		} CDC-675/CDC-905 ONLY
58	SYNCHRO	Backward traverse move

CDC-575/CDC-505  
CDC-675/CDC-905

(Note 2) Checks FL display.

Display changes as follows (1)→(2)→...→(10) as you press the key.



● CDC-675/CDC-905

CDC-575/CDC-505  
CDC-675/CDC-905

## ■ ERROR MESSAGE

When stopped by any cause, press "STOP" of the remote control while pressing and holding the "STOP" on the panel key. The operation mode turns to the mode allowing the display of messages.

The unit hold the latest error message in EEPROM. So even if stopped with no error, the unit can display the latest error message with same operation. (Except for CDC-575/CDC-505, which have no EEPROM. )

### ● Error Messages List

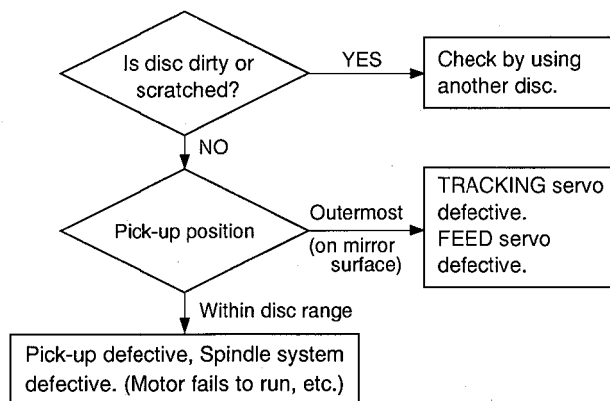
ERROR MESSAGE	DESCRIPTION
E — X 0	Data cannot be read after finishing search.
E — X 1	Data cannot be read during PLAY (x = 0), PAUSE (x = 3) or SCAN (x = 2).
E — 7 1	At the start, tracking servo is not effective.
E — 7 2	At the start, spindle servo PLL is not effective.
E — 7 3	At the start, data can never read.
E — X 4	Close switch does not work with tray closed.
E — X 5	Open switch does not work with tray open.
E — X 6	Table does not turn.
E — X 7	Traverse (Feed) inner circumference switch does not work.
E — X 8	Recovery action fails after focus drop.
E — X 9	Clamp down switch does not work with clamp down.
E — X A	Clamp up switch does not work with clamp up.
E r r	MN35511 does not give response of SENSE, with resetting by the unit's microcomputer.

\* Meaning of each state ("X") :

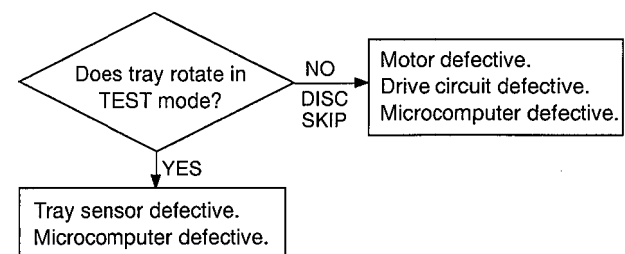
- (X = 0)PLAY
- (X = 2)SCAN
- (X = 3)PAUSE
- (X = 4)PEAK SEARCH
- (X = 5)SEARCH
- (X = 6)DISC SCAN
- (X = 7)START
- (X = 8)STOP
- (X = 9)DISC SEARCH
- (X = -)EJECT
- (X = C) ..... NO DISC

### 1) Error Code Troubleshooting

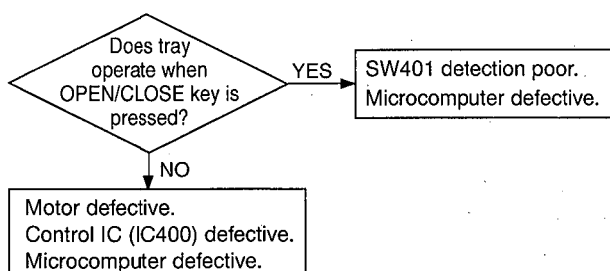
Error codes **X0**, **X1**, **73** ..... Data cannot be read.



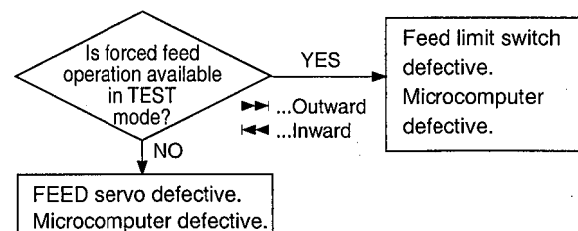
Error code **X6** ..... Poor table rotation.



Error codes **X4**, **X5** ..... Poor tray loading operation.

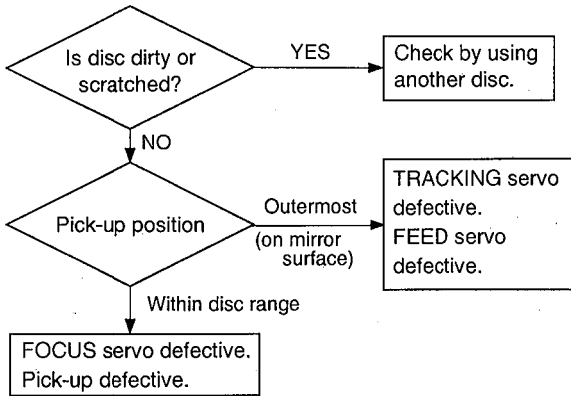


Error code **X7** ..... FEED operation defective. (Limit switch fails)

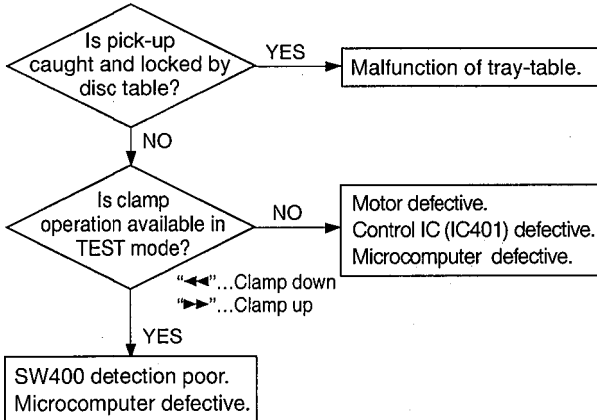


CDC-575/CDC-505  
CDC-675/CDC-905

Error code **X8** ..... Focus drops.

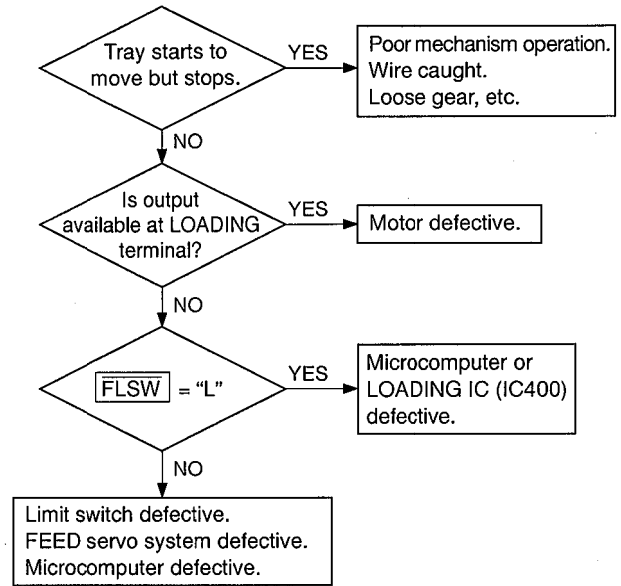


Error code **X9**, **XA** ..... Poor clamp operation.

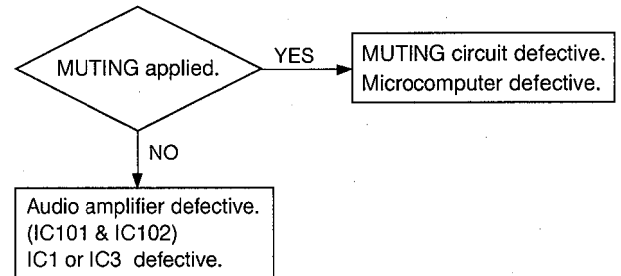


2) Troubleshooting from System Malfunctions.

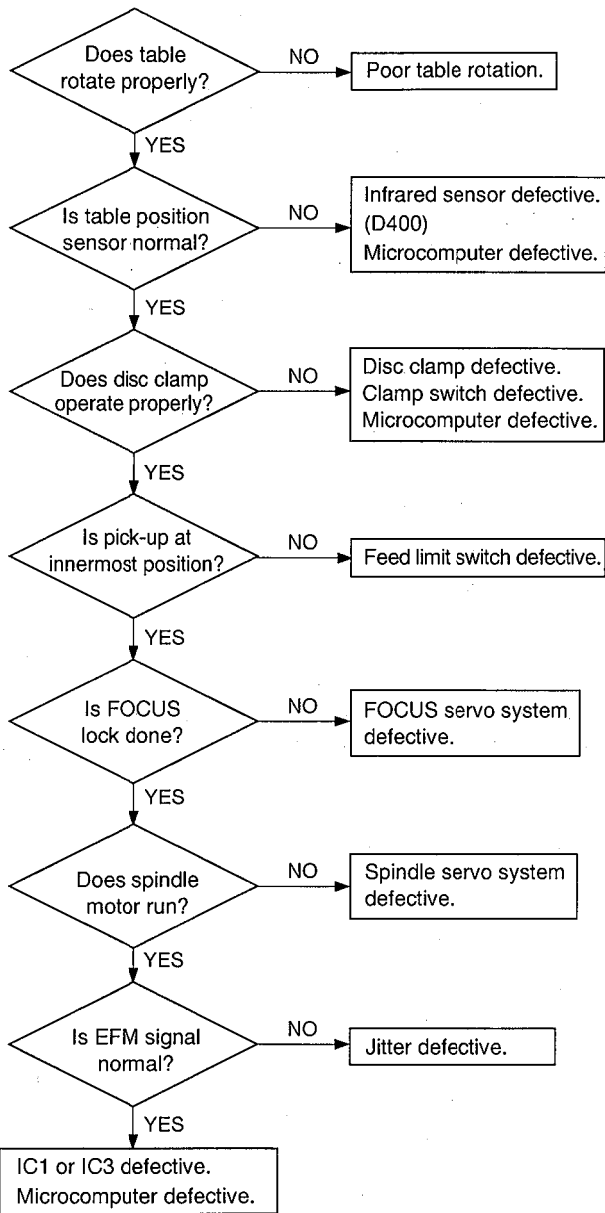
a) Tray fails to come out/go in.



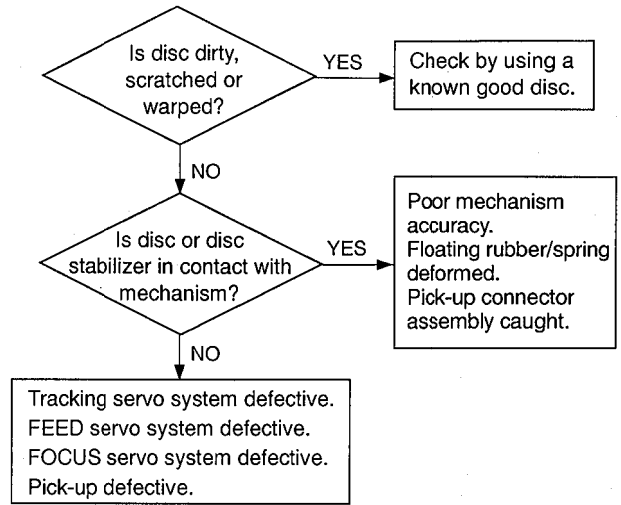
b) No sound generated, Sound cut during play. (but time display advanced properly)



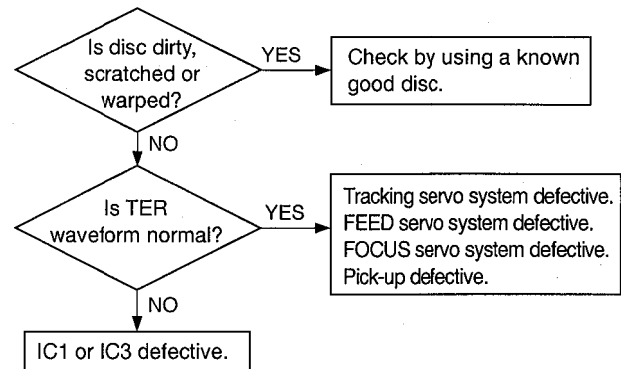
**c) Operates as if no disc loaded.  
(although loaded)**



**d) Sound skips.  
(Time display fails to advance properly)**



**e) No search provided.  
(Sound skipped after search)**



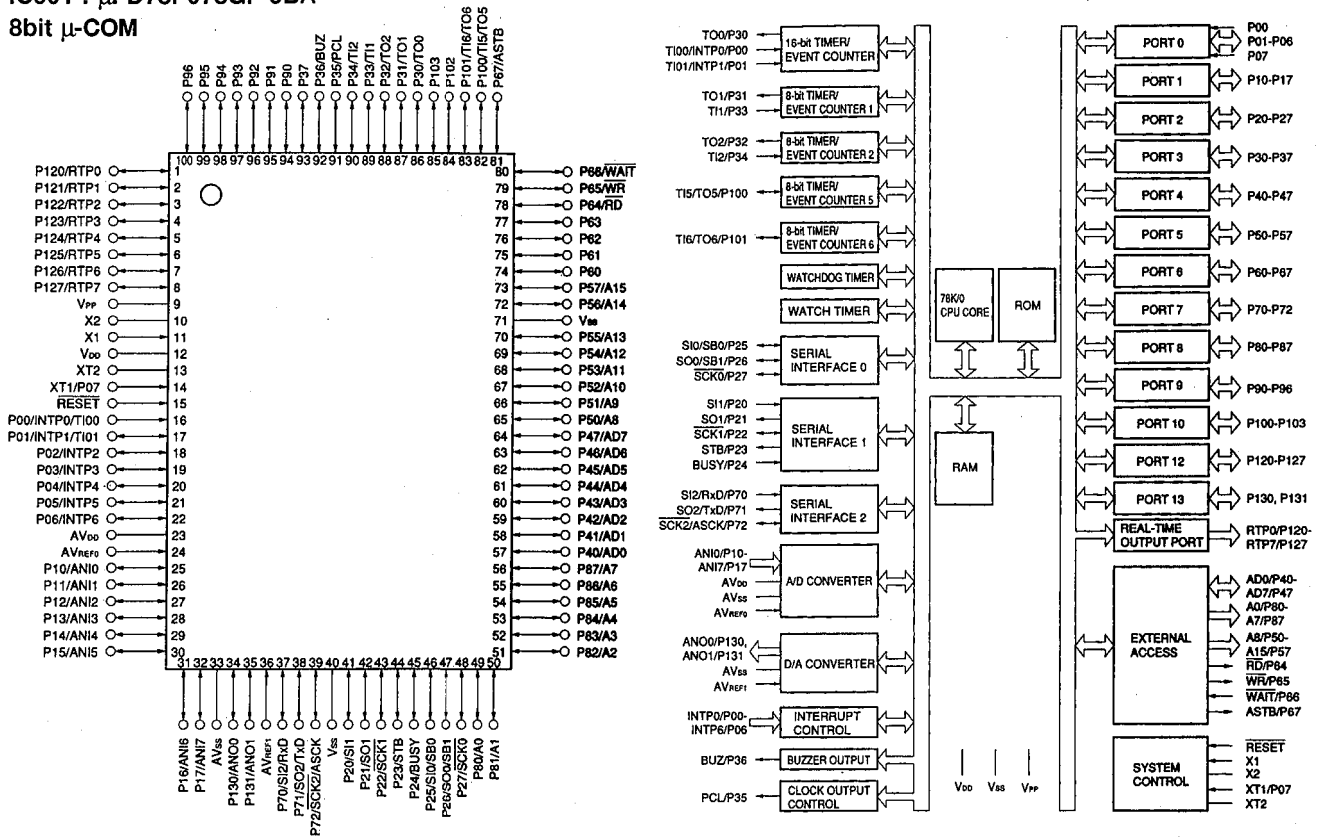
CDC-575/CDC-505  
CDC-675/CDC-905



IC DATA

IC301 : μPD78P078GF-3BA

8bit μ-COM



No.	Port	Name	I/O	Function
1	P120/RTP0	OPSW	I	Open state of tray sensing switch input. Open state at "L".
2	P121/RTP1	CLSW	I	Closed state of tray sensing switch input. Closed state at "L".
3	P122/RTP2	TBL POS	I	Table position detect signal input.
4	P123/RTP3	MUTE	O	Sound output at "H" and sound output muted at "L".
5	P124/RTP4	RES	O	Hardware reset output of MN35511. Reset at "L".
6	P125/RTP5	DMUTE	O	Mute output to MN35511. Muted at "H".
7	P126/RTP6	TLOCK	I	Tracking servo drawing signal input from MN35511. Drawn at "L".
8	P127/RTP7	FLOCK	I	Focus servo drawing signal input from MN35511. Drawn at "L".
9	IC	IC		GND
10	X2	X2		Ceramic oscillator. (5MHz)
11	X1	X1		
12	VDD	VDD		+5V
13	XT2	XT2		N.C.
14	XT1/P07	XT1		GND
15	RESET	RESET	I	Reset input.
16	P00/INTP0/T100	REM	I	Input from remote control receiving unit.
17	P01/INTP1/T101	BLKCK	I	Sub code, block clock input from MN35511.
18	P02/INTP2			N.C.
19	P03/INTP3	DOWNSW	I	PU unit down limit switch input. DOWN at "L".
20	P04/INTP4	UPSW	I	PU unit up limit switch input. UP at "L".
21	P05/INTP5	FLSW	I	Feed origin switch input. Feed origin at "L".
22	P06/INTP6	CLDCK	I	MN35511 subcode frame clock
23	AVDD	AVDD		+5V
24	AVREF0	AVREF0		+5V
25	P10/ANIO	PON	I	Power ON/OFF detect
26	P11/ANI1			N.C.
27	P12/ANI2			N.C.

CDC-575/CDC-505  
CDC-675/CDC-905

IC301 :  $\mu$ PD78P078GF-3BA  
8bit  $\mu$ -COM

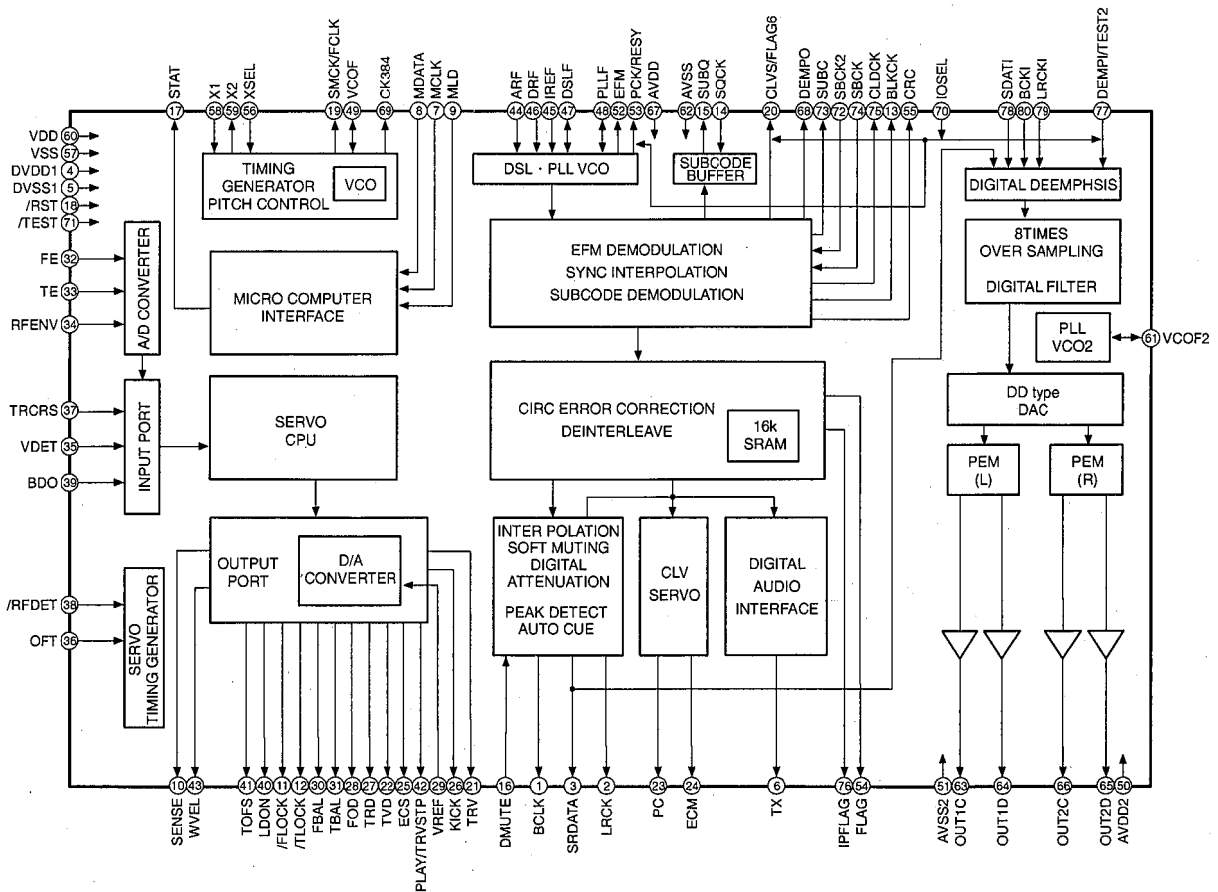
No.	Port	Name	I/O	Function
28	P13/ANI3			N.C.
29	P14/ANI4	SDA	I/O	EEPROM data (CDC-675/CDC-905 ONLY)
30	P15/ANI5	SCL	O	EEPROM clock (CDC-675/CDC-905 ONLY)
31	P16/ANI6			] N.C.
32	P17/ANI7			
33	AVSS	AVSS		GND
34	P130/ANO0			] N.C.
35	P131/ANO1			
36	-AVREF1			
37	P70/S12/RXD	SUBQ	I	Serial I/F input (SUBQ)
38	P71/SO2/TXD	STAT	I	Status signal input from MN35511.
39	P72/SCK2/ASCK	SQCK	O	Serial I/F clock (SQCK)
40	VSS	VSS		GND
41	P20/SI1	SUBC	I	Serial I/F input (CD TEXT)
42	P21/SO1			N.C.
43	P22/SCK1	SBCK2	O	Serial I/F clock (CD TEXT)
44	P23/STB	MLD	O	MN35511 chip select
45	P24/BUSY	SENSE	I	MN35511 sense input
46	P25/SI0/SB0			N.C.
47	P26/SO0/SB1	MDATA	O	Serial I/F output (MDATA/FL driver)
48	P27/SCK0	MCLK	O	Serial I/F clock (MDATA/FL driver)
49	P80/A0			N.C.
50	P81/A1	CE	O	FL driver chip select
51	P82/A2	BLK	O	FL driver reset
52	P83/A3			N.C.
53	P84/A4			N.C.
54	P85/A5	FEED OFF	O	Feed servo off signal output.
55	P86/A6			] N.C.
56	P87/A7			
57	P40/AD0			
58	P41/AD1			
59	P42/AD2			
60	P43/AD3			
61	P44/AD4			
62	P45/AD5			
63	P46/AD6			
64	P47/AD7			
65	P50/A8	KD4	O	] Key scan (CDC-675/CDC-905 ONLY) (CDC-675/CDC-905 ONLY)
66	P51/A9	KD3	O	
67	P52/A10	KD2	O	
68	P53/A11	KD1	O	
69	P54/A12	KD0	O	
70	P55/A13			N.C.
71	VSS	VSS		GND
72	P56/A14			N.C.
73	P57/A15			N.C.
74	P60	K4	I	] Key detect
75	P61	K3	I	
76	P62	K2	I	
77	P63	K1	I	
78	P64/RD	K0	I	
79	P65/WR			N.C.
80	P66/WAIT			N.C.

CDC-575/CDC-505  
CDC-675/CDC-905

IC301 :  $\mu$ PD78P078GF-3BA  
8bit  $\mu$ -COM

No.	Port	Name	I/O	Function
81	P67/ASTB			N.C.
82	P100/TI5/TO5	TBL-L	O	Table counterclockwise rotate signal output.
83	P101/TI6/TO6	TBL-R	O	Table clockwise rotate signal output.
84	P102			N.C.
85	P103			N.C.
86	P30/TO0	CLOSE	O	Tray close signal output.
87	P31/TO1	OPEN	O	Tray open signal output.
88	P32/TO2	CL_DOWN	O	Clamp down signal output.
89	P33/TO1	CL_UP	O	Clamp up signal output.
90	P34/TO2			N.C.
91	P35/PCL			N.C.
92	P36/BUZ			N.C.
93	P37	STAN	O	M56748 standby control
94	P90		I	Model detect 1
95	P91		I	Model detect 2
96	P92		O	Monitor 1
97	P93		O	Monitor 2
98	P94		O	Monitor 3
99	P95		O	Monitor 4
100	P96		O	Monitor (error)

IC3 : MN35511  
Signal Processor & Controller



IC3 : MN35511  
Signal Processor & Controller

Pin No.	Name	I/O	Function	
1	BCLK	O	Bit clock output for SR DATA	(NC)
2	LRCK	O	L/R identification signal output	(NC)
3	SRDATA	O	Serial data output	(NC)
4	DVDD1	I	Power supply for digital circuit	(+5)
5	DVSS1	I	GND for digital circuit	
6	TX	O	Digital, audio, interface output signal	
7	MCLK	I	Microprocessor command clock signal input (data latched at leading edge)	
8	MDATA	I	Microprocessor command data input	
9	MLD	I	Microprocessor command load signal input (L : LOAD)	
10	SENSE	O	Sense signal output (OFT, FESL, NACEND, NAJEND, SFG, NWTEND)	
11	FLOCK	O	Focus servo drawing signal (L : when drawn)	
12	TLOCK	O	Tracking servo drawing signal (L : when drawn)	
13	BLKCK	O	Sub code block clock signal (BLKCK=75Hz)	
14	SQCK	I	Clock input for sub-code Q register	
15	SUBQ	O	Sub-code Q code output	
16	DMUTE	I	Muting input (H : MUTE)	
17	STAT	O	Status signal (CRC, STCNT, CLVS, TTSTOP, SQOK, RESY, FCLV, FLAG6, SENSE, /FLOCK, /RFDET, /TLOCK)	
18	RST	I	Reset input (L : RESET)	
19	SMCK/ FCLK	O	4.2336MHz clock signal output SMCK when command is defaulted. (Note 1) SMCK (8.4672MHz), FCLK (7.35kHz) or "L" fixed is selected when command is switched.	(NC)
20	CLVS/ FLAG6	O	With command defaulted : CLVS when IOSEL=H, FLAG6 when IOSEL=L These settings can be reversed by command (FLAG6 when IOSEL=H).	(NC)
21	TRV	O	Traverse (Feed) forced feed output 3-State	
22	TVD	O	Traverse (Feed) drive output	
23	PC	O	Spindle motor ON signal L : ON (default)	(NC)
24	ECM	O	Spindle motor drive signal (forced mode output) 3-State	
25	ECS	O	Spindle motor drive signal (servo error signal output)	
26	KICK	O	Kick pulse output 3-State	
27	TRD	O	Tracking drive output	
28	FOD	O	Focus drive output	
29	VREF	I	Reference voltage for DA output block (TVD, ECS, TRD, FOD, FBAL, TBAL)	
30	FBAL	O	Focus balance adjustment output	
31	TBAL	O	Tracking balance adjustment output	
32	FE	I	Focus error signal input (analog input)	
33	TE	I	Tracking error signal input (analog input)	
34	RFENV	I	RF envelope signal input (analog input)	
35	VDET	I	Oscillation detect signal input (H : DETECT)	
36	OFT	I	Off track signal input (H : OFF TRACK)	
37	TRCRS	I	Track cross signal input (analog input)	
38	RFDET	I	RF detect signal input (L : DETECT)	
39	BDO	I	Drop out signal input (H : DROP OUT)	
40	LDON	O	Laser ON signal output (H : ON)	
41	TOFS	O	Tracking offset adjustment output	(NC)
42	PLAY/TRVSTOP	O	Switched by command. PLAY (Play signal output) when command is defaulted.	(NC)
43	WVEL	O	Double speed status signal output (H : double speed)	(NC)
44	ARF	I	RF signal input	
45	IREF	I	Reference current input terminal	
46	DRF	I	Bias terminal for DSL	(NC)

(Note 1) At the SMCK/FCLK pin, output does not stop while /RST=L.

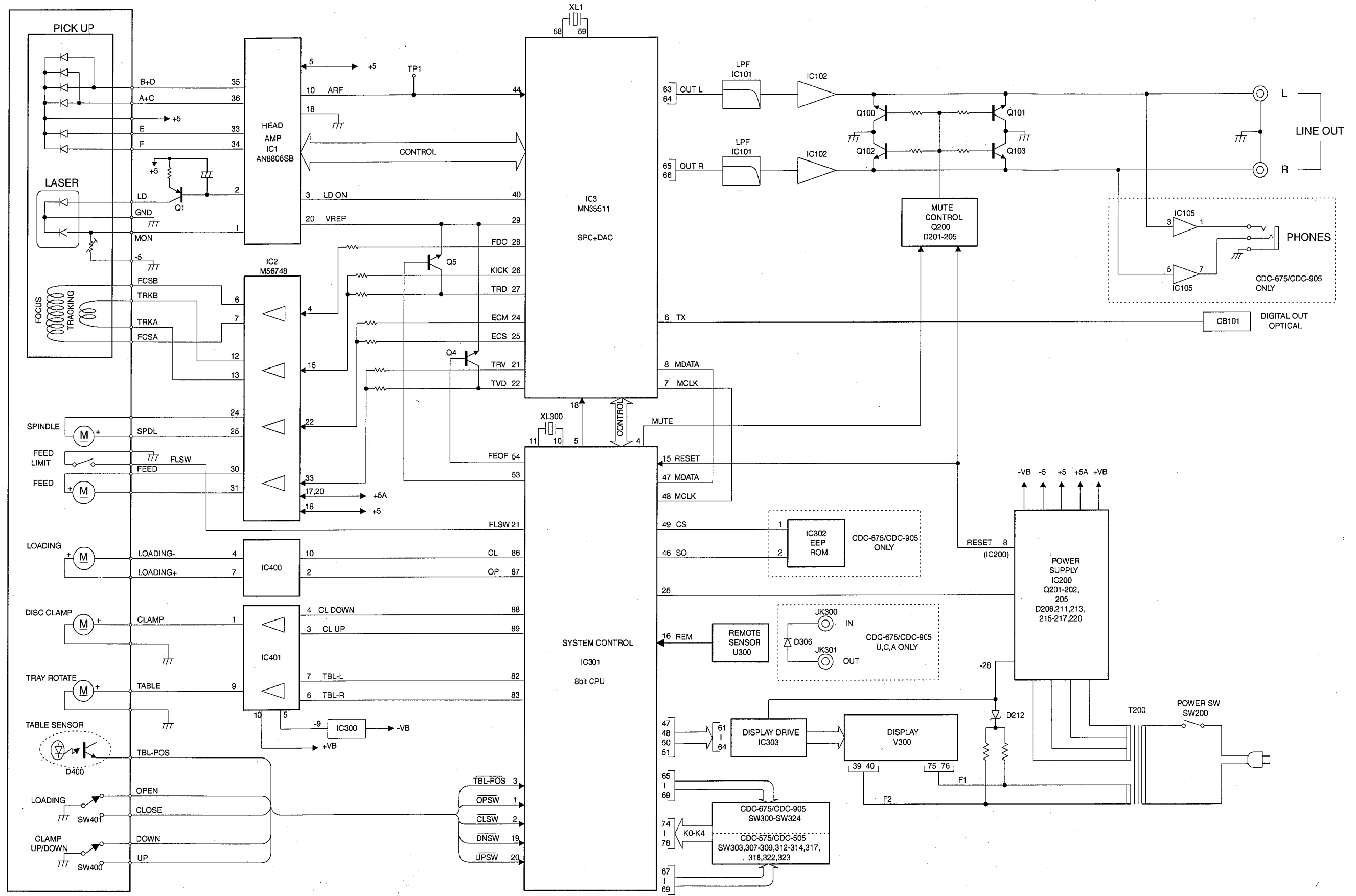
IC3 : MN35511  
Signal Processor & Controller

Pin No.	Name	I/O	Function
47	DSLFL	I/O	Loop filter terminal for DSL
48	PLLF	I/O	Loop filter terminal for PLL
49	VCOF	I/O	Loop filter terminal for VCO (+5)
50	AVDD2	I	Power supply for analog circuit (for AD of DSL, PLL, DA output blocks) (+5)
51	AVSS2	I	GND for analog circuit (for AD of DSL, PLL, DA output blocks) (GND)
52	EFM	O	EFM signal output (NC)
53	PCK/ RESY	O	With command defaulted : PLL extract clock output PCK when IOSEL=H, frame re-synchronous signal RESY when IOSEL=L These settings can be reversed by command (RESY when IOSEL=H). (NC)
54	FLAG	O	Flag signal output (NC)
55	CRC	O	Sub-code CRC check result output (H : OK, L : NG) (NC)
56	XSEL	I	L : Normal mode (GND) H : • For internal master clock, VCO2 output clock for jitter adsorbing PLL is used instead of Xtal oscillation output (X2). • VCO2 is always fixed to oscillation mode regardless of VCO2 oscillation stop command or resetting (/RST=L) and Xtal oscillation is stopped.
57	VSS	I	GND for oscillation circuit
58	X1	I	Crystal oscillation circuit input terminal
59	X2	O	Crystal oscillation circuit output terminal
60	VDD	I	Power supply for oscillation circuit (+5)
61	VCOF2	O	PLL loop filter terminal for jitter adsorption (GND)
62	AVSS1	O	GND for audio DAC
63	OUT1C	O	PEM output terminal 1C
64	OUT1D	O	PEM output terminal 1D
65	OUT2D	O	PEM output terminal 2D
66	OUT2C	O	PEM output terminal 2C
67	AVDD1	I	Power supply terminal for audio DAC
68	DEMPO	O	Deemphasis detect signal output (NC)
69	CK384	O	384fs clock output (At the CK384 pin, output does not stop while /RST=L.) (NC) Xtal system when command is defaulted. Signal processing system when command is switched
70	IOSEL	I	Mode selecting terminal (+5)
71	$\overline{\text{TEST}}$	I	Test mode setting terminal (Normal : H) (+5)
72	SBCK2	I	Sub-code data read clock input
73	SUBC	O	Sub-code serial output (SBCK effective) when command is defaulted. PACK data usable (SBCK2 effective) when command is switched
74	SBCK	I	Clock input for sub-code serial output (with pull-up resistor) (NC)
75	CLDCK	O	Sub-code frame clock signal output when command is defaulted (fCLDCK=7.35kHz) PACK synchronous signal when command is switched
76	IPFLAG	O	Interpolation flag signal output (H : INTERPOLATION) (NC)
77	DEMPI /TEST2	I	When IOSEL=H, L : NORMAL H : TEST2 (GND) Emphasis control in accordance with DEMP0 When IOSEL=L, external DEMP1 input terminal For emphasis control, DEMP0, OR of DEMP1, DEMP1, forced OFF or forced ON is selected by command. When command is defaulted, DEMP0 and OR of DEMP1
78	SDATI	I	SRDATA input (effective only when IOSEL=L) (NC)
79	LRCKI	I	LRCK input (effective only when IOSEL=L) H : Lch data, L : Rch data (NC)
80	BCKI	I	BCK input (effective only when IOSEL=L) (NC)

CDC-575/CDC-505  
CDC-675/CDC-905

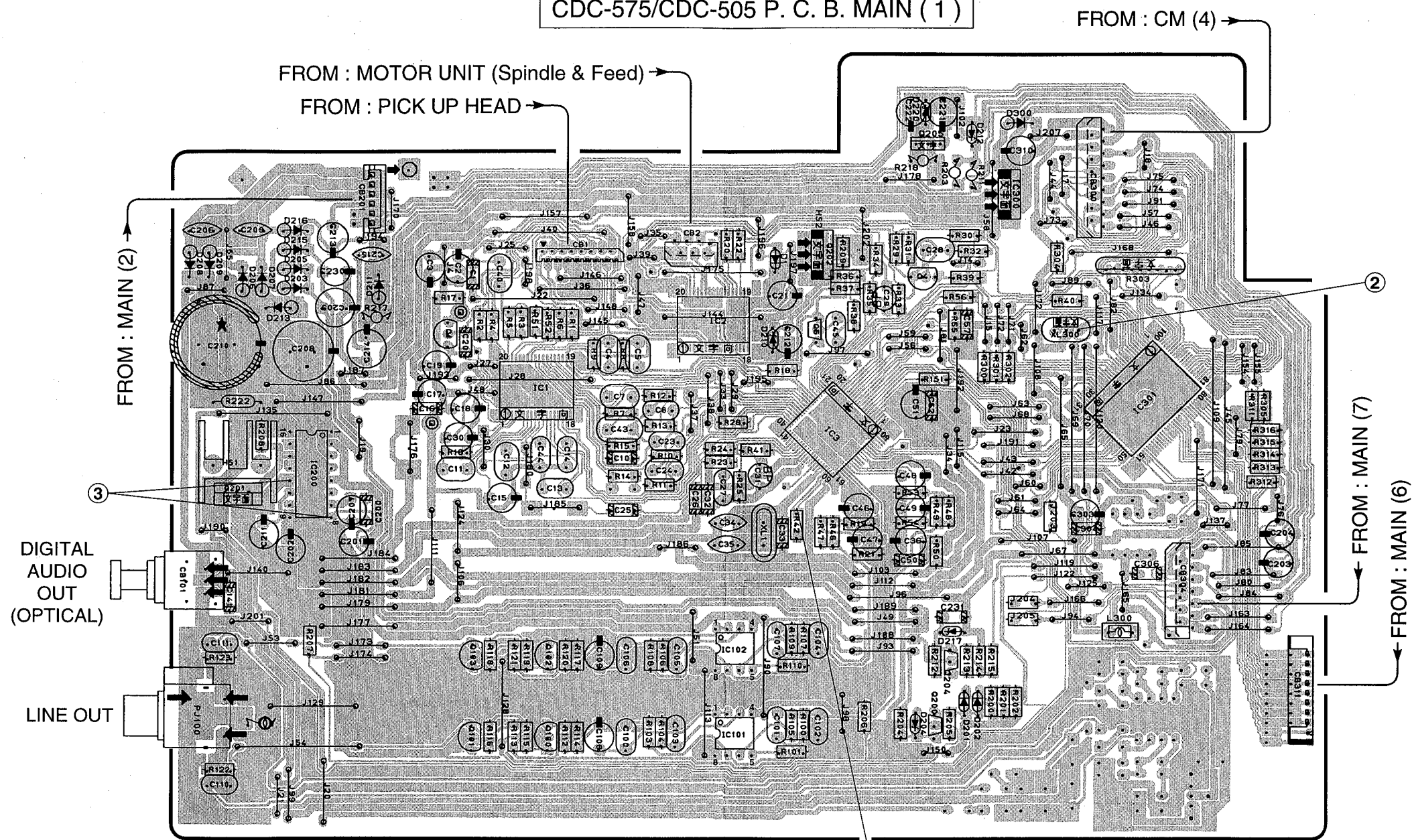


■ BLOCK DIAGRAM



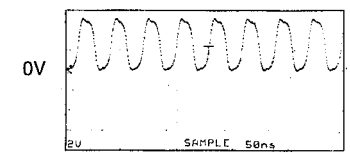
■ PRINTED CIRCUIT BOARD (Foil side)

CDC-575/CDC-505 P. C. B. MAIN (1)



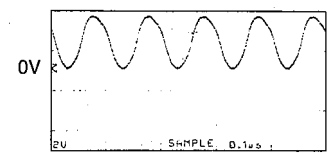
Point ① (Pin 59 of IC3)

V : 2V/div H : 50nsec/div  
DC range 1 : 1 probe



Point ② (Pin 10 of IC301)

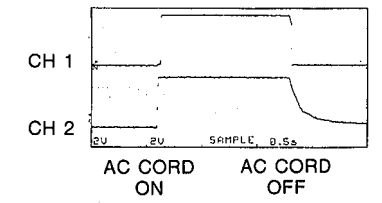
V : 2V/div H : 0.1µsec/div  
DC range 1 : 1 probe



Point ③

CH 1 : Pin 8 of IC200  
CH 2 : Pin 12 of IC200

V : 2V/div (CH 1) V : 2V/div (CH 2)  
H : 0.5sec/div DC range 1 : 1 probe

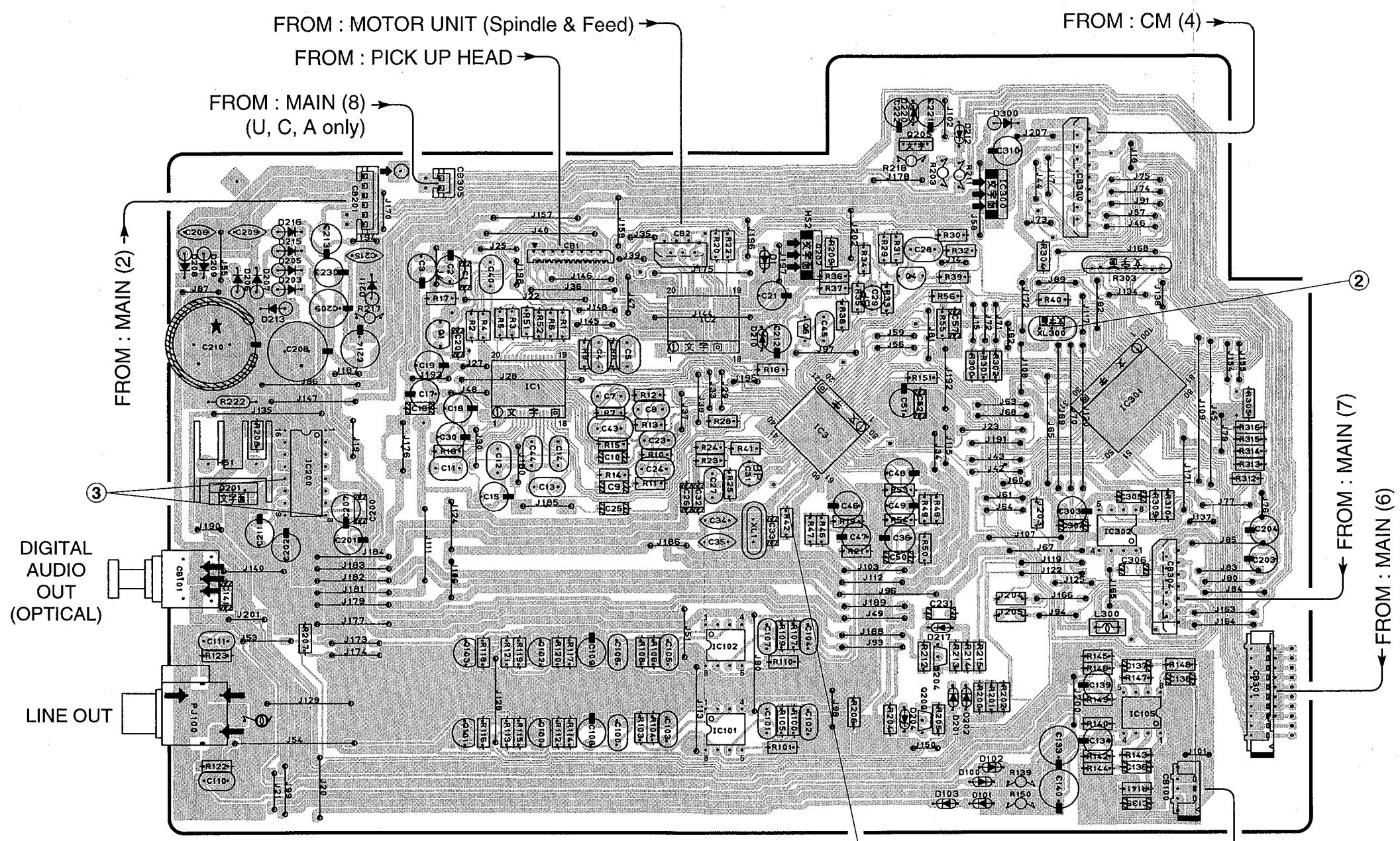


1  
2  
3  
4  
5  
6

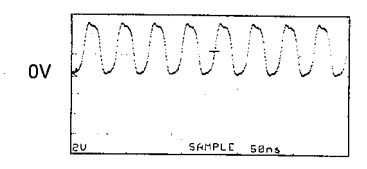


PRINTED CIRCUIT BOARD (Foil side)

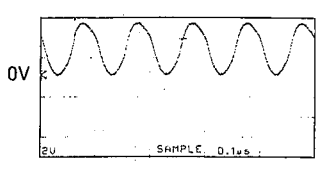
CDC-675/CDC-905 P. C. B. MAIN (1)



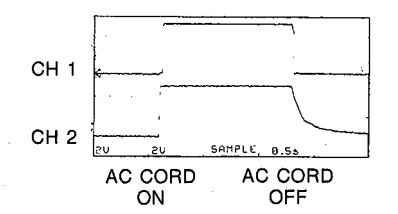
Point ① (Pin 59 of IC3)  
 V : 2V/div H : 50nsec/div  
 DC range 1 : 1 probe



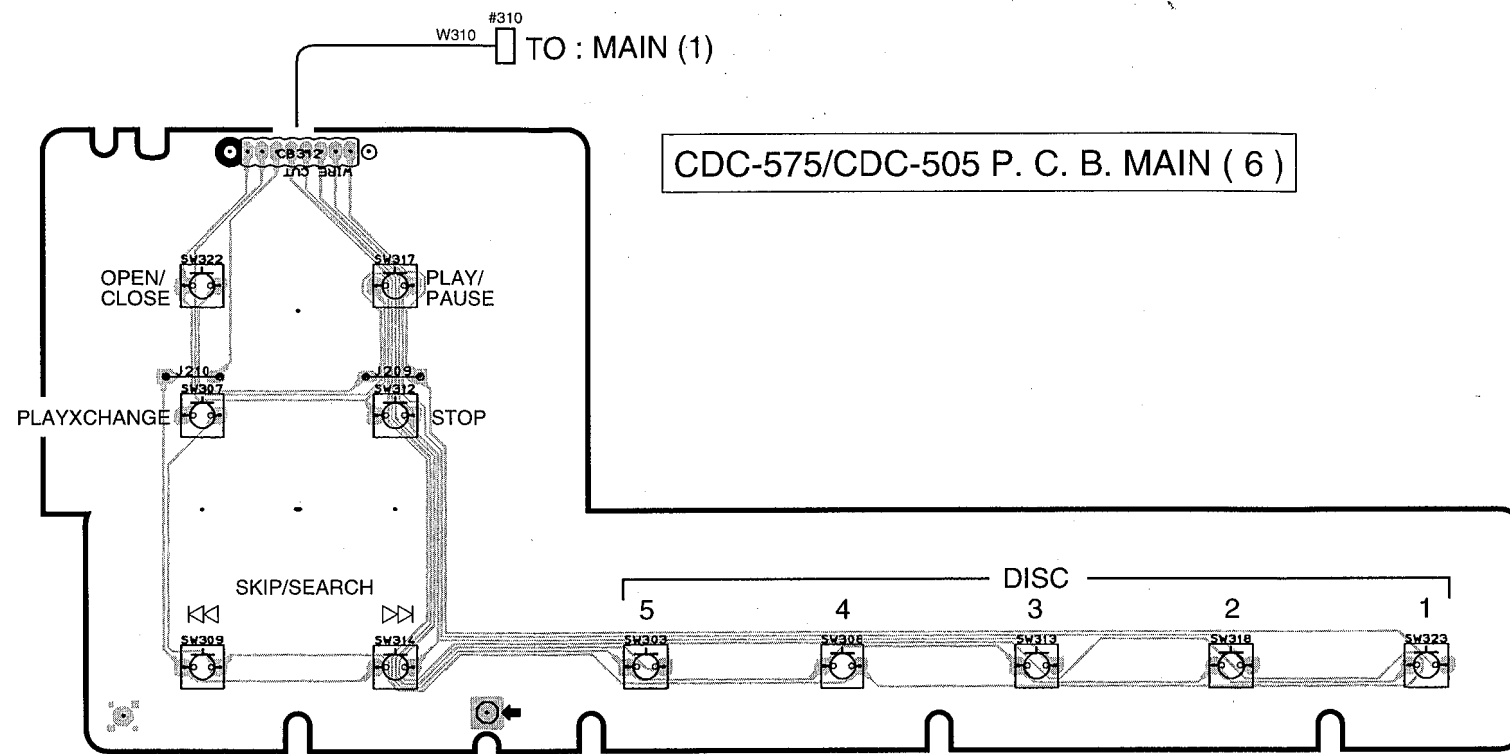
Point ② (Pin 10 of IC301)  
 V : 2V/div H : 0.1µsec/div  
 DC range 1 : 1 probe



Point ③  
 CH 1 : Pin 8 of IC200  
 CH 2 : Pin 12 of IC200  
 V : 2V/div (CH 1) V : 2V/div (CH 2)  
 H : 0.5sec/div DC range 1 : 1 probe

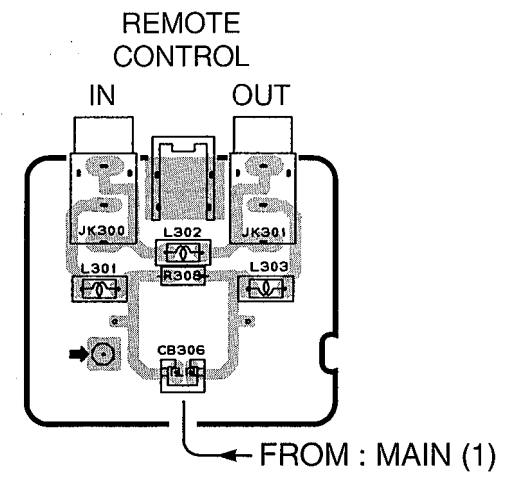


■ PRINTED CIRCUIT BOARD (Foil side)

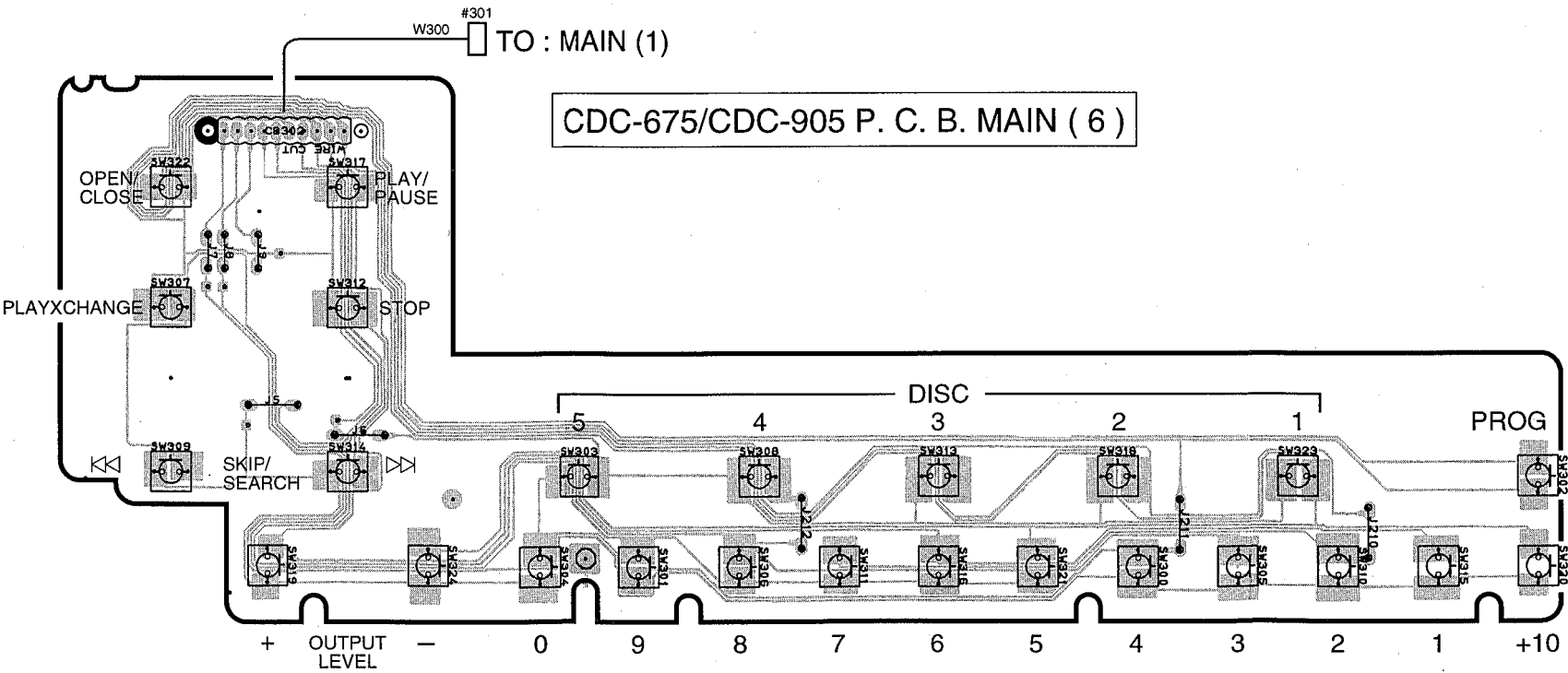
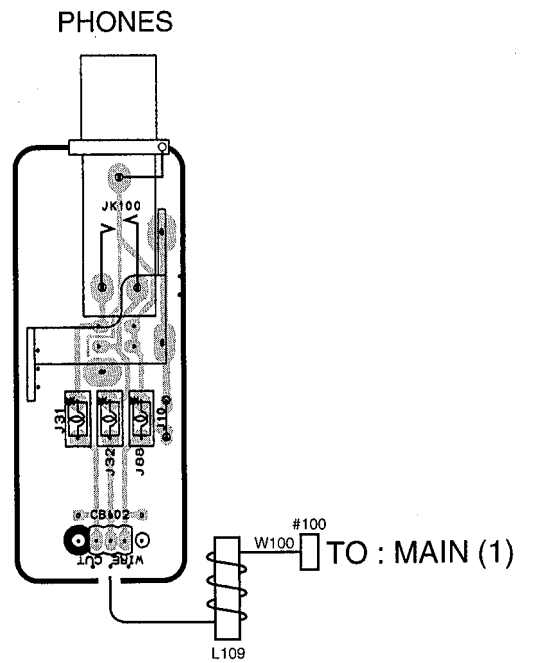


CDC-575/CDC-505 P. C. B. MAIN ( 6 )

• U, C, A, only  
 CDC-675/CDC-905  
 P. C. B. MAIN ( 8 )



CDC-675/CDC-905  
 P. C. B. MAIN ( 5 )

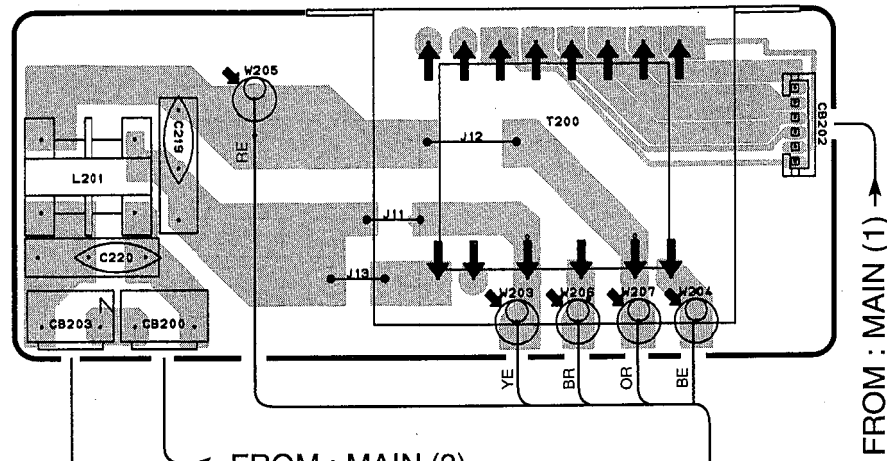


CDC-675/CDC-905 P. C. B. MAIN ( 6 )

1  
 2  
 3  
 4  
 5  
 6

■ PRINTED CIRCUIT BOARD (Foil side)

P. C. B. MAIN (2)



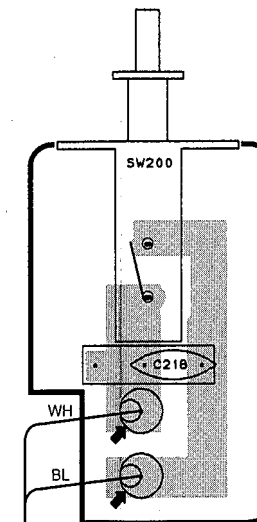
CIRCUIT CHANGES BY MARKET.

	U, C	R	A	B, G
J13	X	O	X	X
J11, 12	O	X	O	O

O : USED  
X : NOT USED

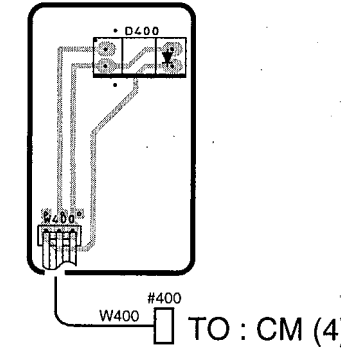
P. C. B. MAIN (3)

POWER



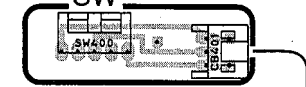
P. C. B. CM (1)

TABLE SENSOR



P. C. B. CM (2)

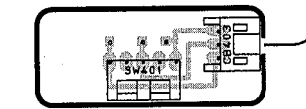
CLAMP UP/DOWN SW



FROM : CM (4)

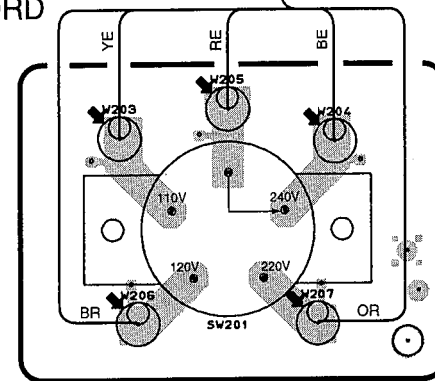
P. C. B. CM (3)

LOADING SW



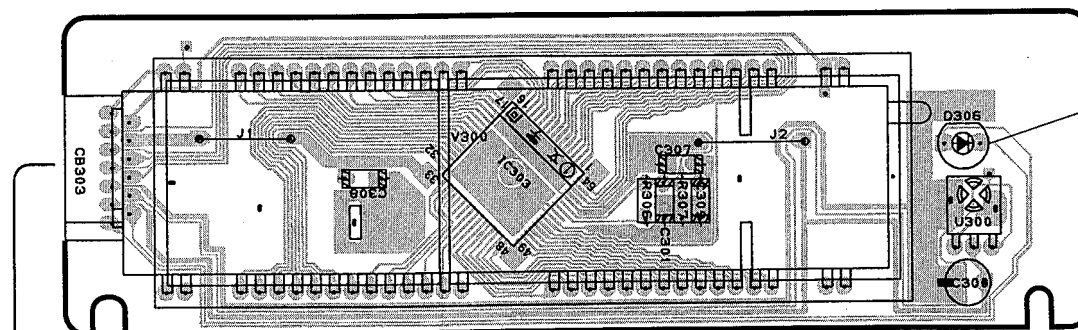
FROM : CM (4)

P. C. B. MAIN (4)



VOLTAGE SELECTOR (R ONLY)

P. C. B. MAIN (7)

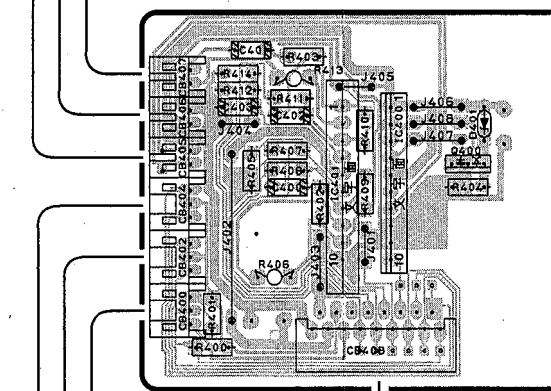


CDC-675/CDC-905  
U, C, A only

FROM : MAIN (1)

P. C. B. CM (4)

FROM : LOADING MOTOR  
FROM : DISC CLAMP MOTOR  
FROM : TRAY ROTATE MOTOR



FROM : MAIN (1)

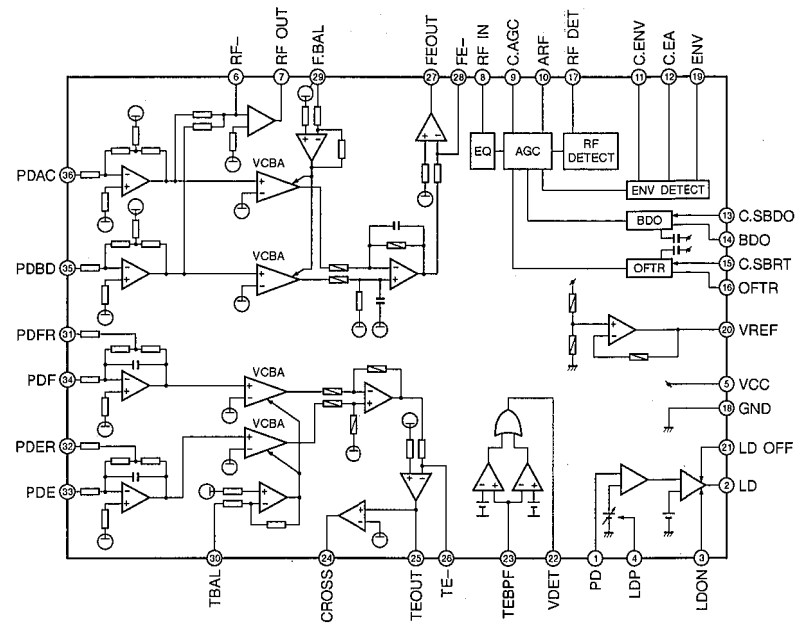
FROM : CM (1)

FROM : CM (2)

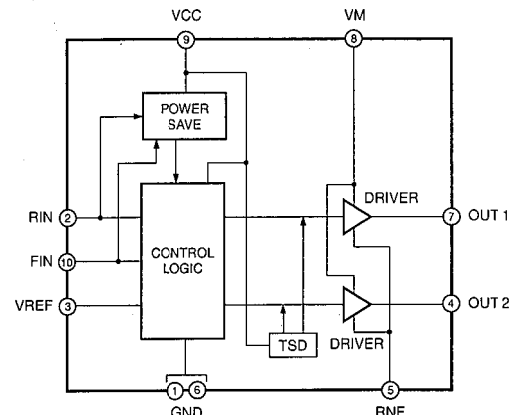
FROM : CM (3)

IC BLOCKS

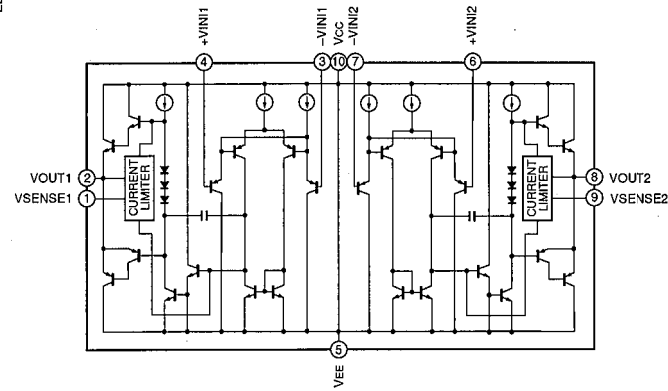
IC1 : AN8806SB  
Digital Servo Head Amp



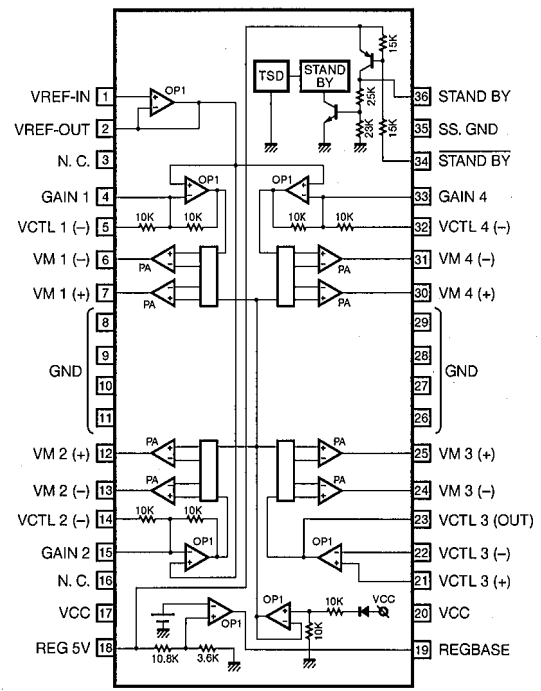
IC400 : BA6286  
Motor Driver



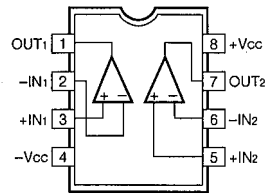
IC401 : LA6510  
Dual Power Operational Amp



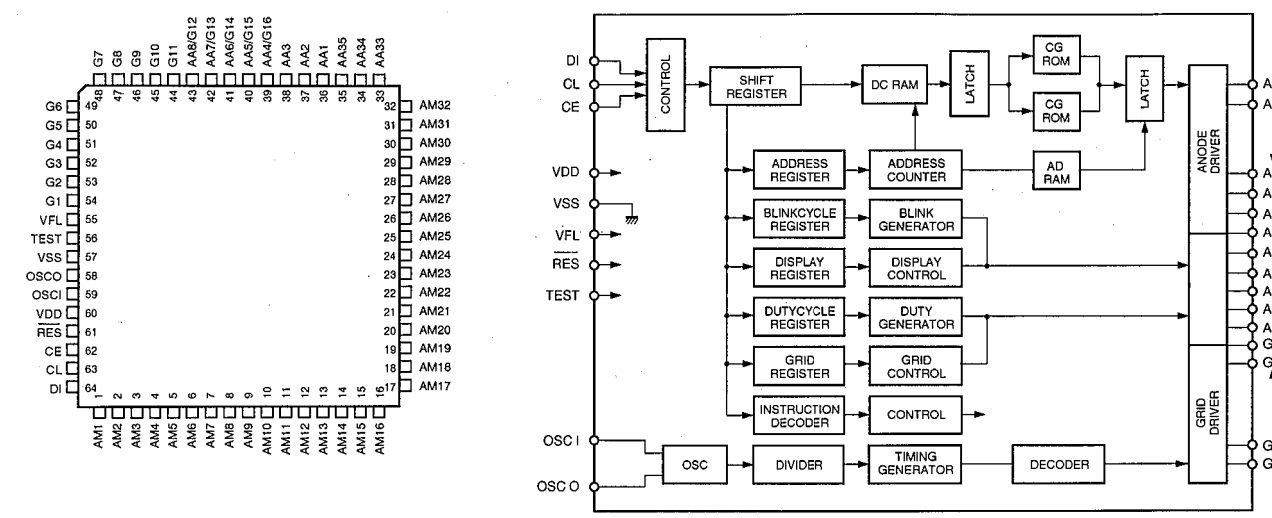
IC2 : M56748FP  
4-Channel BTL Driver



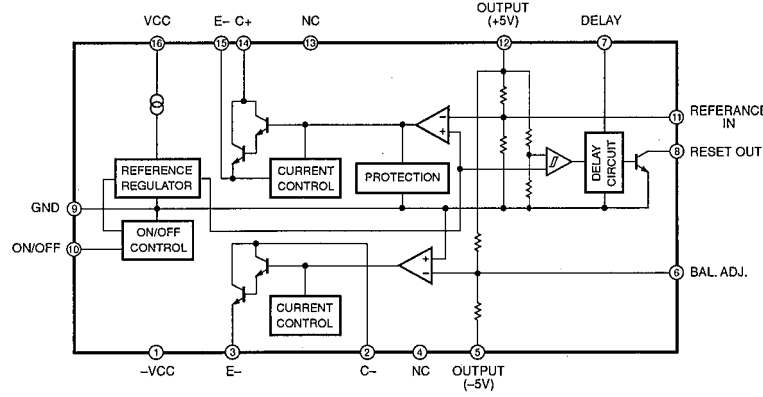
IC101, 102 : NJM2068D-D  
IC105 : BA15218  
Dual Op-Amp



IC303 : LC75711NE  
FL Driver

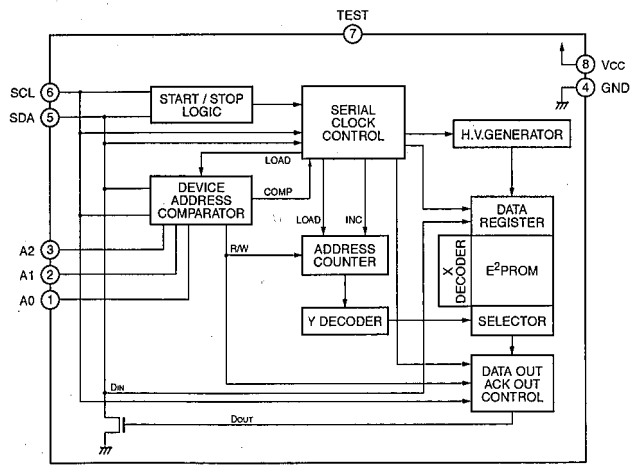


IC200 : M5290P  
Constant-Voltage Tracking Supply with Reset



Other ICs  
 ● IC301 : μPD78P078GF-3BA → See page 16  
 ● IC3 : MN35511 → See page 19

IC302 : S-24C01ADP  
Electrically Erasable PROM

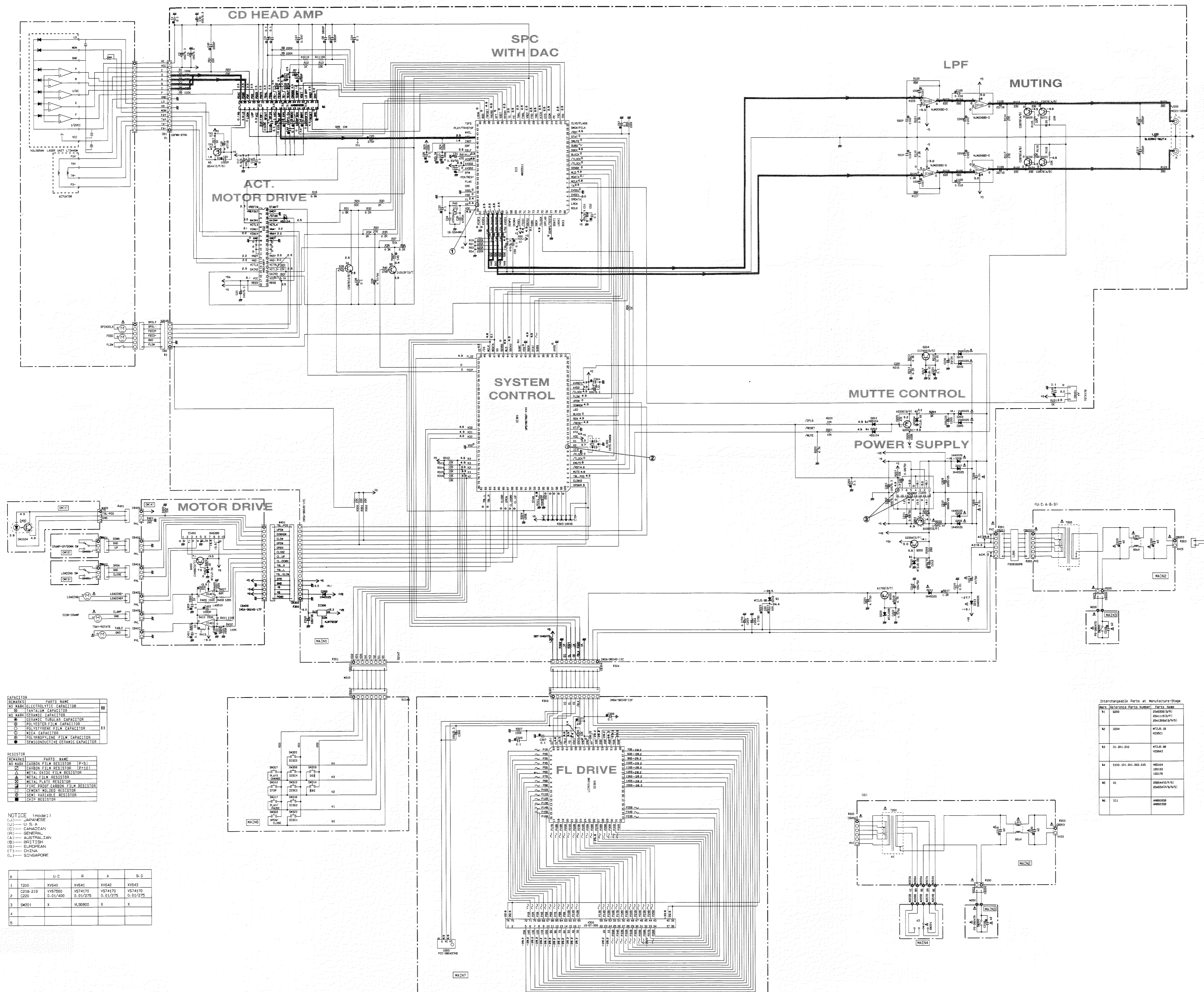


PIN CONNECTION DIAGRAM

1SS133 1N4002S MTZJ5.1B MTZJ5.6B MTZJ7.5C MTZJ9.1C MTZJ30.0B	2SA933S (Q,R) 2SC1740S (R,S) 2SD1915F (S,T)	2SB544 (E,F,G) 2SC2878 (A,B)	2SA1708(S,T) 2SC4488(S,T)	NJM7909F	MN35511
22SB1565 (E,F) 2SD2394 (E,F)	NJM2068D-D	BA15218 S-24C01ADP	AN8806SB M56748FP	μPD78P078GF-3BA	
M5290P	LA6510	BA6286	LC75711NE		

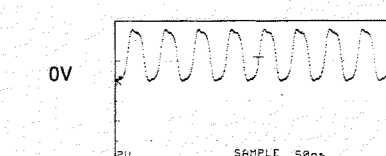


■ CDC-575/CDC-505 SCHEMATIC DIAGRAM



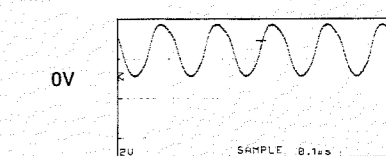
Point ① (Pin 59 of IC3)

V : 2V/div H : 50nsec/div  
DC range 1 : 1 probe



Point ② (Pin 10 of IC301)

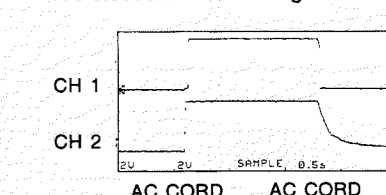
V : 2V/div H : 0.1µsec/div  
DC range 1 : 1 probe



Point ③

CH 1 : Pin 8 of IC200  
CH 2 : Pin 12 of IC200

V : 2V/div (CH 1) V : 2V/div (CH 2)  
H : 0.5sec/div DC range 1 : 1 probe



CAPACITOR

MARKING	PARTS NAME
ME	METAL ELECTROLYTIC CAPACITOR
MP	METAL POLYMER CAPACITOR
MC	METAL FILM CAPACITOR
MA	METAL OXIDE FILM CAPACITOR
MO	MILITARY METAL OXIDE FILM CAPACITOR
ML	MILITARY METAL FILM CAPACITOR
MT	MILITARY TANTALUM CAPACITOR

RESISTOR

MARKING	PARTS NAME
MR	METAL FILM RESISTOR (P-2)
MA	METAL FILM RESISTOR (P-1)
MB	METAL OXIDE FILM RESISTOR
MC	METAL GLAZE RESISTOR
MD	MILITARY METAL OXIDE FILM RESISTOR
ME	MILITARY METAL FILM RESISTOR
MF	MILITARY METAL GLAZE RESISTOR
MG	MILITARY METAL OXIDE FILM RESISTOR
MH	MILITARY METAL FILM RESISTOR
MI	MILITARY METAL GLAZE RESISTOR

NOTICE (mode 1)

U : U.S.A.  
J : JAPAN  
C : CANADA  
G : GERMANY  
A : AUSTRALIA  
B : BRITAIN  
I : ITALY  
S : SWITZERLAND  
F : FRANCE  
D : DENMARK  
N : NETHERLANDS  
K : KOREA  
L : LUXEMBOURG  
P : POLAND  
R : ROMANIA  
S : SPAIN  
T : THAILAND  
Y : YUGOSLAVIA

Q	U.C	D	A	B.S
1	T200	V9540	V9541	V9542
2	C216-219	V95700	V95470	V95470
3	C220	D-01/400	D-01/275	D-01/275
4	SW201	X	VL90800	X
5				

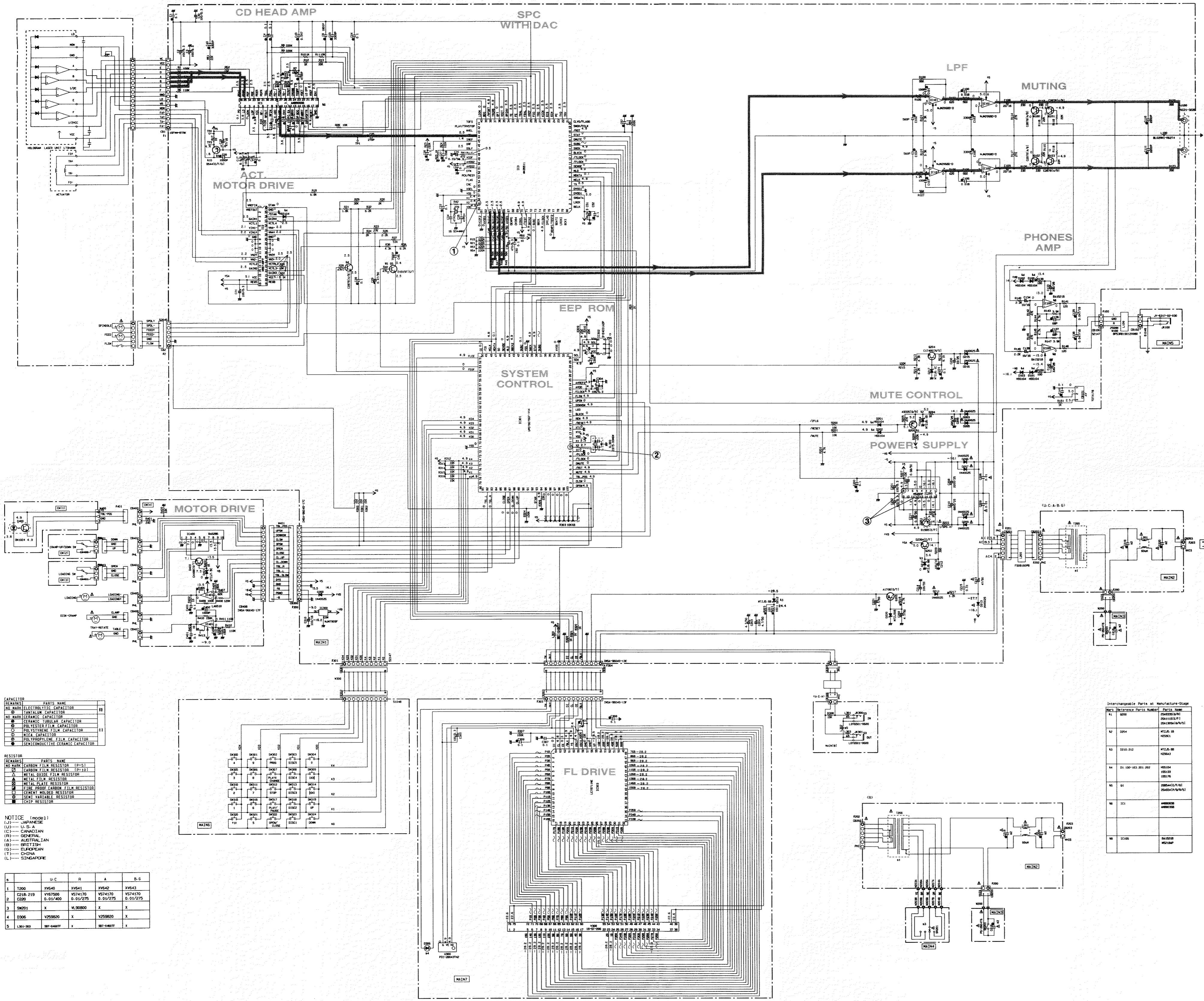
Interchangeable Parts at Manufacture Stage

Part No.	Interchangeable Part No.	Part Name
41	6000	RESISTOR (P-1)
42	2004	RESISTOR (P-1)
43	D1-201-202	RESISTOR (P-1)
44	C100-101-200-205	RESISTOR (P-1)
45	D1	RESISTOR (P-1)
46	IC1	IC

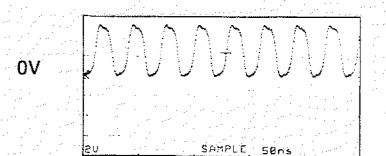
CDC-575/505

\* All voltage are measured with a 10MQ/V DC electric volt meter.  
\* Components having special characteristics are marked Δ and must be replaced with parts having specifications equal to those originally installed.  
\* Schematic diagram is subject to change without notice.

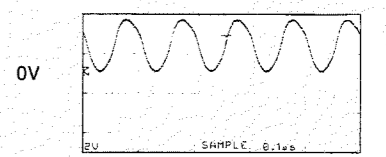
■ CDC-675/CDC-905 SCHEMATIC DIAGRAM



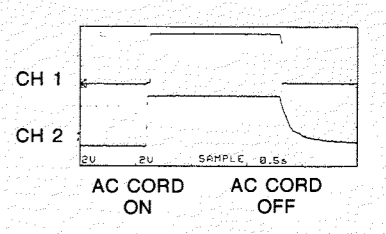
Point ① (Pin 59 of IC3)  
 V : 2V/div H : 50nsec/div  
 DC range 1 : 1 probe



Point ② (Pin 10 of IC301)  
 V : 2V/div H : 0.1µsec/div  
 DC range 1 : 1 probe



Point ③  
 CH 1 : Pin 8 of IC200  
 CH 2 : Pin 12 of IC200  
 V : 2V/div (CH 1) V : 2V/div (CH 2)  
 H : 0.5µsec/div DC range 1 : 1 probe



CAPACITOR

MARKS	PARTS NAME
⊖	NO MARK ELECTROLYTIC CAPACITOR
⊕	LEAKAGE CAPACITOR
⊙	NO MARK CERAMIC CAPACITOR
⊗	CERAMIC VARIABLE CAPACITOR
⊚	POLYESTER FILM CAPACITOR
⊛	POLYSTYRENE FILM CAPACITOR
⊜	BIKTA CAPACITOR
⊝	NON-POLARIZED FILM CAPACITOR
⊞	SEMICONDUCTIVE CERAMIC CAPACITOR

RESISTOR

MARKS	PARTS NAME
□	NO MARK CARBON FILM RESISTOR (E15)
◇	CARBON FILM RESISTOR (D15)
△	METAL OXIDE FILM RESISTOR
▲	METAL FILM RESISTOR
■	METAL GLAZE RESISTOR
◆	FILM PROOF CARBON FILM RESISTOR
⊖	SEMICONDUCTOR RESISTOR
⊕	SERIAL VARIABLE RESISTOR
⊗	CHIP RESISTOR

NOTICE (MODE1)  
 (J)--- JAPANESE  
 (U)--- U.S.A.  
 (C)--- CANADIAN  
 (G)--- GENERAL  
 (A)--- AUSTRALIAN  
 (E)--- BRITISH  
 (D)--- EUROPEAN  
 (T)--- CHINA  
 (L)--- SINGAPORE

S	U.C.	R	A	B.G.	
1	T200	YV640	YV641	YV642	YV643
2	CS16-219	YV67000	YV4170	YV4170	YV4170
3	CS20	D-01490	D-01490	D-01490	D-01490
4	SN201	X	VL90800	X	X
5	CS36	YV59000	X	YV59000	X
6	LSM183	SEF-0460T	X	SEF-0460T	X

Interchangeable Parts at Manufacture Stage

Part. Reference Part. Number	Part. Name	
11	IC200	686800001
12	IC204	MS140-18
13	IC205-212	MS140-18
14	CS-100-103-201-002	MS140-18
15	CS	MS140-18
16	IC11	686800002
17	IC106	MS140-18

CDC-675/905

\* All voltage are measured with a 10MQ/V DC electric volt meter.  
 \* Components having special characteristics are marked Δ and must be replaced with parts having specifications equal to those originally installed.  
 \* Schematic diagram is subject to change without notice.



# PARTS LIST

## ■ ELECTRICAL PARTS

### ■ WARNING

Components having special characteristics are marked  $\Delta$  and must be replaced with parts having specifications equal to those originally installed.

- Carbon resistors (1/6W or 1/4W) are not included in the ELECTRICAL PARTS List. For the parts No. of the carbon resistors, refer to last page.

### ABBREVIATIONS IN THIS LIST ARE AS FOLLOWS :

C.A.EL.CHP	: CHIP ALUMI. ELECTROLYTIC CAP	L.EMIT	: LIGHT EMITTING MODULE
C.CE	: CERAMIC CAP	LED.DSPLY	: LED DISPLAY
C.CE.ARRAY	: CERAMIC CAP ARRAY	LED.INFRD	: LED, INFRARED
C.CE.CHP	: CHIP CERAMIC CAP	MODUL.RF	: MODULATOR, RF
C.CE.ML	: MULTILAYER CERAMIC CAP	PHOT.CPL	: PHOTO COUPLER
C.CE.M.CHP	: CHIP MULTILAYER CERAMIC CAP	PHOT.INTR	: PHOTO INTERRUPTER
C.CE.SAFTY	: RECOGNIZED CERAMIC CAP	PHOT.RFLCT	: PHOTO REFLECTOR
C.CE.TUBLR	: CERAMIC TUBULAR CAP	PIN.TEST	: PIN, TEST POINT
C.CE.SMI	: SEMI CONDUCTIVE CERAMIC CAP	PLST.RIVET	: PLASTIC RIVET
C.EL	: ELECTROLYTIC CAP	R.ARRAY	: RESISTOR ARRAY
C.MICA	: MICA CAP	R.CAR	: CARBON RESISTOR
C.ML.FLM	: MULTILAYER FILM CAP	R.CAR.CHP	: CHIP RESISTOR
C.MP	: METALLIZED PAPER CAP	R.CAR.FP	: FLAME PROOF CARBON RESISTOR
C.MYLAR	: MYLAR FILM CAP	R.FUS	: FUSABLE RESISTOR
C.MYLAR.ML	: MULTILAYER MYLAR FILM CAP	R.MTL.CHP	: CHIP METAL FILM RESISTOR
C.PAPER	: PAPER CAPACITOR	R.MTL.FLM	: METAL FILM RESISTOR
C.PLS	: POLYSTYRENE FILM CAP	R.MTL.OXD	: METAL OXIDE FILM RESISTOR
C.POL	: POLYESTER FILM CAP	R.MTL.PLAT	: METAL PLATE RESISTOR
C.POLY	: POLYETHYLENE FILM CAP	RSNR.CE	: CERAMIC RESONATOR
C.PP	: POLYPROPYLENE FILM CAP	RSNR.CRYS	: CRYSTAL RESONATOR
C.TNTL	: TANTALUM CAP	R.TW.GEM	: TWIN CEMENT FIXED RESISTOR
C.TNTL.CHP	: CHIP TANTALUM CAP	R.WW	: WIRE WOUND RESISTOR
C.TRIM	: TRIMMER CAP	SCR.BND.HD	: BIND HEAD B-TITE SCREW
CN	: CONNECTOR	SCR.BW.HD	: BW HEAD TAPPING SCREW
CN.BS.PIN	: CONNECTOR, BASE PIN	SCR.CUP	: CUP TITE SCREW
CN.CANNON	: CONNECTOR, CANNON	SCR.TERM	: SCREW TERMINAL
CN.DIN	: CONNECTOR, DIN	SCR.TR	: SCREW, TRANSISTOR
CN.FLAT	: CONNECTOR, FLAT CABLE	SUPRT.PCB	: SUPPORT, P.C.B.
CN.POST	: CONNECTOR, BASE POST	SURG.PRTCT	: SURGE PROTECTOR
COIL.MX.AM	: COIL, AM MIX	SW.TACT	: TACT SWITCH
COIL.AT.FM	: COIL, FM ANTENNA	SW.LEAF	: LEAF SWITCH
COIL.DT.FM	: COIL, FM DETECT	SW.LEVER	: LEVER SWITCH
COIL.MX.FM	: COIL, FM MIX	SW.MICRO	: MICRO SWITCH
COIL.OUTPT	: OUTPUT COIL	SW.PUSH	: PUSH SWITCH
DIOD.ARRAY	: DIODE ARRAY	SW.RT.ENC	: ROTARY ENCODER
DIODE.BRG	: DIODE BRIDGE	SW.RT.MTR	: ROTARY SWITCH WITH MOTOR
DIODE.CHP	: CHIP DIODE	SW.RT	: ROTARY SWITCH
DIODE.VAR	: VARACTOR DIODE	SW.SLIDE	: SLIDE SWITCH
DIOD.Z.CHP	: CHIP ZENER DIODE	TERM.SP	: SPEAKER TERMINAL
DIODE.ZENR	: ZENER DIODE	TERM.WRAP	: WRAPPING TERMINAL
DSCR.CE	: CERAMIC DISCRIMINATOR	THRMST.CHP	: CHIP THERMISTOR
FER.BEAD	: FERRITE BEADS	TR.CHP	: CHIP TRANSISTOR
FER.CORE	: FERRITE CORE	TR.DGT	: DIGITAL TRANSISTOR
FET.CHP	: CHIP FET	TR.DGT.CHP	: CHIP DIGITAL TRANSISTOR
FL.DSPLY	: FLUORESCENT DISPLAY	TRANS	: TRANSFORMER
FLTR.CE	: CERAMIC FILTER	TRANS.PULS	: PULSE TRANSFORMER
FLTR.COMB	: COMB FILTER MODULE	TRANS.PWR	: POWER TRANSFORMER ASS'Y
FLTR.LC.RF	: LC FILTER ,EMI	TUNER.AM	: TUNER PACK, AM
GND.MTL	: GROUND PLATE	TUNER.FM	: TUNER PACK, FM
GND.TERM	: GROUND TERMINAL	TUNER.PK	: FRONT-END TUNER PACK
HOLDER.FUS	: FUSE HOLDER	VR	: ROTARY POTENTIOMETER
IC.PRTCT	: IC PROTECTOR	VR.MTR	: POTENTIOMETER WITH MOTOR
JUMPER.CN	: JUMPER CONNECTOR	VR.SW	: POTENTIOMETER WITH ROTARY SW
JUMPER.TST	: JUMPER, TEST POINT	VR.SLIDE	: SLIDE POTENTIOMETER
L.DTCT	: LIGHT DETECTING MODULE	VR.TRIM	: TRIMMER POTENTIOMETER

Note) Those parts marked with "#" are not included in the P.C.B. ass'y.

CDC-575/CDC-505 P.C.B. MAIN

Schm Ref.	PART NO.	Description
* * * * *	V3171400	P. C. B. MAIN(UC)
* * * * *	V3171500	P. C. B. MAIN(R)
* * * * *	V3171600	P. C. B. MAIN(A)
* * * * *	V3171700	P. C. B. MAIN(BG)
* CB1	V2731000	CN 16P
* CB2	VQ047000	CN. BS. PIN 6P
* CB101	VT707200	L. EMIT TOTX178
△ CB200	VG879900	CN. BS. PIN 2P
△ CB201	VB390200	CN. BS. PIN 6P
△ CB202	VB390200	CN. BS. PIN 6P
△ CB203	VG879900	CN. BS. PIN 2P
* CB300	VU271700	CN 17P
* CB303	VU281100	CN. BS. PIN 11P
* CB304	VU271100	CN. BS. PIN 11P
* CB311	VK025200	CN. BS. PIN 8P
* CB312	Vi878600	CN. BS. PIN 8P
C1	VJ599100	C. CE. TUBLR 0. 1uF 50V
C2	UR818100	C. EL 100uF 6. 3V
C3	UR818100	C. EL 100uF 6. 3V
C4	UA655100	C. MYLAR 0. 1uF 50V
C5	UA655100	C. MYLAR 0. 1uF 50V
C7	UA953470	C. MYLAR 4700pF 50V
C8	UA953180	C. MYLAR 1800pF 50V
C10	VG276600	C. CE. TUBLR 22pF 50V
C11	UA655100	C. MYLAR 0. 1uF 50V
C12	UA952100	C. MYLAR 100pF 50V
C13	UA953220	C. MYLAR 2200pF 50V
C14	UA953220	C. MYLAR 2200pF 50V
C15	UR866100	C. EL 1uF 50V
C16	VJ599100	C. CE. TUBLR 0. 1uF 50V
C17	VR498100	C. EL 6. 8uF 6. 3V
C18	UR818100	C. EL 100uF 6. 3V
C19	UR837470	C. EL 47uF 16V
C20	VF467000	C. CE. TUBLR 1000pF 50V
C21	UR818100	C. EL 100uF 6. 3V
C23	UA953330	C. MYLAR 3300pF 50V
C24	UA655100	C. MYLAR 0. 1uF 50V
C25	VG278500	C. CE. TUBLR 270pF 50V
C26	VJ599100	C. CE. TUBLR 0. 1uF 50V
C27	UA954680	C. MYLAR 0. 068uF 50V
C28	UA655100	C. MYLAR 0. 1uF 50V
C29	UN865470	C. EL 0. 47uF 50V
C30	UR818100	C. EL 100uF 6. 3V
* C31	UN865330	C. EL 0. 33uF 50V
C32	VJ599100	C. CE. TUBLR 0. 1uF 50V
C33	VJ599100	C. CE. TUBLR 0. 1uF 50V
C34	VA761400	C. CE 47pF 50V
C35	VA761400	C. CE 47pF 50V
* C36	UR818470	C. EL 470uF 6. 3V
C40	UA953330	C. MYLAR 3300pF 50V
C43	UA954470	C. MYLAR 0. 047uF 50V
C44	UA655100	C. MYLAR 0. 1uF 50V
* C45	UA653750	C. MYLAR 7500pF 50V

\* New Parts

Schm Ref.	PART NO.	Description
* C46	VG290500	C. EL 1uF 50V
* C47	VG290500	C. EL 1uF 50V
* C48	VG290500	C. EL 1uF 50V
* C49	VG290500	C. EL 1uF 50V
C50	VJ599100	C. CE. TUBLR 0. 1uF 50V
C51	UR818100	C. EL 100uF 6. 3V
C52	VJ599100	C. CE. TUBLR 0. 1uF 50V
C57	VJ599100	C. CE. TUBLR 0. 1uF 50V
C100	UA954180	C. MYLAR 0. 018uF 50V
C101	UA952100	C. MYLAR 100pF 50V
* C102	UA952560	C. MYLAR 560pF 50V
* C103	UA953330	C. MYLAR 3300pF 50V
* C104	UA952560	C. MYLAR 560pF 50V
* C105	UA953330	C. MYLAR 3300pF 50V
C106	UA954180	C. MYLAR 0. 018uF 50V
C107	UA952100	C. MYLAR 100pF 50V
C108	VG287300	C. EL 22uF 50V
C109	VG287300	C. EL 22uF 50V
C110	UA953220	C. MYLAR 2200pF 50V
C111	UA953220	C. MYLAR 2200pF 50V
C141	VJ599100	C. CE. TUBLR 0. 1uF 50V
C200	VJ599100	C. CE. TUBLR 0. 1uF 50V
C201	UR818100	C. EL 100uF 6. 3V
C202	UR818100	C. EL 100uF 6. 3V
C203	UR866470	C. EL 4. 7uF 50V
C204	UR866470	C. EL 4. 7uF 50V
C205	UR848220	C. EL 220uF 25V
△ C206	FG644100	C. CE 0. 01uF 50V
C207	UR865680	C. EL 0. 68uF 50V
* C208	V3484000	C. EL 2200uF 25V
△ C209	FG644100	C. CE 0. 01uF 50V
* C210	V3483900	C. EL 6800uF 25V
C211	UR865680	C. EL 0. 68uF 50V
C212	UR828100	C. EL 100uF 10V
△ C213	UR867470	C. EL 47uF 50V
C214	UR868100	C. EL 100uF 50V
C215	FG644100	C. CE 0. 01uF 50V
△ C218	VS741700	C. CE. SAFTY 0. 01uF 275V(RABG)
△ * C218	VY675000	C. CE. SAFTY 0. 01uF 250V(UC)
△ C219	VS741700	C. CE. SAFTY 0. 01uF 275V(RABG)
△ * C219	VY675000	C. CE. SAFTY 0. 01uF 250V(UC)
△ C220	VS741700	C. CE. SAFTY 0. 01uF 275V(RABG)
△ * C220	VY675000	C. CE. SAFTY 0. 01uF 250V(UC)
C221	UR866470	C. EL 4. 7uF 50V
C222	UR866470	C. EL 4. 7uF 50V
* C230	UR847330	C. EL 33uF 25V
C231	VJ599100	C. CE. TUBLR 0. 1uF 50V
C300	UM388100	C. EL 100uF 10V
C301	VG276700	C. CE. TUBLR 24pF 50V
C303	UR818100	C. EL 100uF 6. 3V
C304	VJ599100	C. CE. TUBLR 0. 1uF 50V
C307	VJ599100	C. CE. TUBLR 0. 1uF 50V
C308	VJ599100	C. CE. TUBLR 0. 1uF 50V

\* New Parts

CDC-575/CDC-505  
CDC-675/CDC-905



CDC-575/CDC-505 P.C.B. MAIN

Schm Ref.	PART NO.	Description		
	C309	VJ599100	C. CE. TUBLR	0.1uF 50V
	C310	UR838100	C. EL	100uF 16V
	D1	VD631600	DIODE	1SS133, 176, HSS104
	D201	VD631600	DIODE	1SS133, 176, HSS104
	D202	VD631600	DIODE	1SS133, 176, HSS104
△	D203	VV307700	DIODE	1N4002S
	D204	VG437400	DIODE. ZENR	MTZJ5. 1B 5. 1V
△	D205	VV307700	DIODE	1N4002S
△	D206	VV307700	DIODE	1N4002S
△	D207	VV307700	DIODE	1N4002S
△	D208	VV307700	DIODE	1N4002S
△	D209	VV307700	DIODE	1N4002S
	D210	VG437700	DIODE. ZENR	MTZJ5. 6B 5. 6V
△	D211	VV307700	DIODE	1N4002S
	D212	VG437700	DIODE. ZENR	MTZJ5. 6B 5. 6V
△	D213	VV307700	DIODE	1N4002S
△	D215	VV307700	DIODE	1N4002S
△	D216	VV307700	DIODE	1N4002S
*	D217	VG439300	DIODE. ZENR	MTZJ9. 1C 9. 1V
	D220	VG443300	DIODE. ZENR	MTZJ30B 30V
	D300	VV307700	DIODE	1N4002S
	HS1	VR506800	HEAT. SINK	PUH16-25
*	HS2	VA119100	HEAT. SINK	
*	IC1	XQ315A00	IC	AN8806SB
*	IC2	XU103A00	IC	M56748FP CD-DRIVER
*	IC3	XV628A00	IC	MN35511
*	IC101	XA987A00	IC	NJM2068D-D
*	IC102	XA987A00	IC	NJM2068D-D
	IC200	XD201A00	IC	M5290P
	IC300	XV872A00	IC	NJM7909FA -9V
*	IC301	XV632A00	IC	uPD78076GF-XXX CPU
*	IC303	XV633A00	IC	LC75711NE FLD
	L100	GE300610	FER. BEAD	BL02RN1-R62T4
△	L201	VU984000	FLTR	IE-UU10. 5-009
	L300	VD473700	COIL	60uH
*	PJ100	VV411100	JACK. PIN	2P
	Q1	iB054430	TR	2SB544 D, E, F, G
	Q4	iC287820	TR	2SC2878 A, B
	Q5	VK432900	TR	2SD1915F S, T
	Q100	iC287820	TR	2SC2878 A, B
	Q101	iC287820	TR	2SC2878 A, B
	Q102	iC287820	TR	2SC2878 A, B
	Q103	iC287820	TR	2SC2878 A, B
	Q200	iA093320	TR	2SA933S Q, R
	Q201	VS883300	TR	2SB1565 E, F
	Q202	VS883400	TR	2SD2394 E, F
	Q204	iC174020	TR	2SC1740S R, S
	Q205	VP872600	TR	2SA1708 S, T
	R203	HV755100	R. CAR. FP	100 Ω 1/4W
	R211	HV755100	R. CAR. FP	100 Ω 1/4W
	R217	HV756120	R. CAR. FP	1. 2K Ω 1/4W
	R218	HV756470	R. CAR. FP	4. 7K Ω 1/4W
△*	R222	V2370600	R. FUS	0. 47 Ω 1/6W

\* New Parts

Schm Ref.	PART NO.	Description		
*	R303	VF771900	R. ARRAY	RGLE8X103J
△	SW200	VV057600	SW. PUSH	PS-2B04T6
△	SW201	VL908000	VOLT. SELCT	ESE-370 (R)
	SW303	VG392900	SW. TACT	SKHVAA
	SW307	VG392900	SW. TACT	SKHVAA
	SW308	VG392900	SW. TACT	SKHVAA
	SW309	VG392900	SW. TACT	SKHVAA
	SW312	VG392900	SW. TACT	SKHVAA
	SW313	VG392900	SW. TACT	SKHVAA
	SW314	VG392900	SW. TACT	SKHVAA
	SW317	VG392900	SW. TACT	SKHVAA
	SW318	VG392900	SW. TACT	SKHVAA
	SW322	VG392900	SW. TACT	SKHVAA
	SW323	VG392900	SW. TACT	SKHVAA
△*	T200	XV640A00	TRANS. PWR	(UC)
△*	T200	XV641A00	TRANS. PWR	(R)
△*	T200	XV642A00	TRANS. PWR	(A)
△*	T200	XV643A00	TRANS. PWR	(BG)
*	U300	V2856200	L. DTCT	PIC-28043TH2
*	V300	V3008400	FL. DSPLY	15-ST-20G
	XL1	VJ719800	RSNR. CRYST	16. 9344MHz
	XL300	VU763600	RSNR. CE	5MHz
		VB966900	CN	IMS-6024
		VJ828000	PIN	IMS-6024-03E
*		V3393500	SHEET. FL	
*		V3747500	SUPRT	
		EG330030	SCR. BND. HD	3x6 FCRM3-BL
*		V3747400	SPACER. FL	T4x6x18

\* New Parts

CDC-575/CDC-505  
CDC-675/CDC-905

**CDC-675/CDC-905 P.C.B. MAIN**

Schm Ref.	PART NO.	Description
*	V3171800	P. C. B. MAIN(UC)
*	V3171900	P. C. B. MAIN(R)
*	V3172000	P. C. B. MAIN(A)
*	V3172100	P. C. B. MAIN(BG)
*	CB1	V2731000 CN 16P
*	CB2	VQ047000 CN. BS. PIN 6P
	CB100	VK024700 CN. BS. PIN 3P
	CB101	VT707200 L. EMIT TOTX178
	CB102	Vi878100 CN. BS. PIN 3P
△	CB200	VG879900 CN. BS. PIN 2P
△	CB201	VB390200 CN. BS. PIN 6P
△	CB202	VB390200 CN. BS. PIN 6P
△	CB203	VG879900 CN. BS. PIN 2P
*	CB300	VU271700 CN 17P
	CB301	VF728200 CN. BS. PIN 10P
	CB302	Vi878800 CN. BS. PIN 10P
*	CB303	VU281300 CN 13P
*	CB304	VU271300 CN 13P
	CB305	VB389800 CN. BS. PIN 2P(UCA)
	CB306	VB389800 CN. BS. PIN 2P(UCA)
	C1	VJ599100 C. CE. TUBLR 0.1uF 50V
	C2	UR818100 C. EL 100uF 6.3V
	C3	UR818100 C. EL 100uF 6.3V
	C4	UA655100 C. MYLAR 0.1uF 50V
	C5	UA655100 C. MYLAR 0.1uF 50V
	C7	UA953470 C. MYLAR 4700pF 50V
	C8	UA953180 C. MYLAR 1800pF 50V
	C10	VG276600 C. CE. TUBLR 22pF 50V
	C11	UA655100 C. MYLAR 0.1uF 50V
	C12	UA952100 C. MYLAR 100pF 50V
	C13	UA953220 C. MYLAR 2200pF 50V
	C14	UA953220 C. MYLAR 2200pF 50V
	C15	UR866100 C. EL 1uF 50V
	C16	VJ599100 C. CE. TUBLR 0.1uF 50V
	C17	VR498100 C. EL 6.8uF 6.3V
	C18	UR818100 C. EL 100uF 6.3V
	C19	UR837470 C. EL 47uF 16V
	C20	VF467000 C. CE. TUBLR 1000pF 50V
	C21	UR818100 C. EL 100uF 6.3V
	C23	UA953330 C. MYLAR 3300pF 50V
	C24	UA655100 C. MYLAR 0.1uF 50V
	C25	VG278500 C. CE. TUBLR 270pF 50V
	C26	VJ599100 C. CE. TUBLR 0.1uF 50V
	C27	UA954680 C. MYLAR 0.068uF 50V
	C28	UA655100 C. MYLAR 0.1uF 50V
	C29	UN865470 C. EL 0.47uF 50V
	C30	UR818100 C. EL 100uF 6.3V
*	C31	UN865330 C. EL 0.33uF 50V
	C32	VJ599100 C. CE. TUBLR 0.1uF 50V
	C33	VJ599100 C. CE. TUBLR 0.1uF 50V
	C34	VA761400 C. CE 47pF 50V
	C35	VA761400 C. CE 47pF 50V
*	C36	UR818470 C. EL 470uF 6.3V

Schm Ref.	PART NO.	Description
	C40	UA953330 C. MYLAR 3300pF 50V
	C43	UA954470 C. MYLAR 0.047uF 50V
	C44	UA655100 C. MYLAR 0.1uF 50V
	C45	UA653750 C. MYLAR 7500pF 50V
*	C46	VG290500 C. EL 1uF 50V
*	C47	VG290500 C. EL 1uF 50V
*	C48	VG290500 C. EL 1uF 50V
*	C49	VG290500 C. EL 1uF 50V
	C50	VJ599100 C. CE. TUBLR 0.1uF 50V
	C51	UR818100 C. EL 100uF 6.3V
	C52	VJ599100 C. CE. TUBLR 0.1uF 50V
	C57	VJ599100 C. CE. TUBLR 0.1uF 50V
*	C100	Vi717000 C. MYLAR 0.018uF 50V
	C101	UA952100 C. MYLAR 100pF 50V
*	C102	UA952560 C. MYLAR 560pF 50V
	C103	Vi716100 C. MYLAR 3300pF 50V
*	C104	UA952560 C. MYLAR 560pF 50V
	C105	Vi716100 C. MYLAR 3300pF 50V
*	C106	Vi717000 C. MYLAR 0.018uF 50V
	C107	UA952100 C. MYLAR 100pF 50V
	C108	VG287300 C. EL 22uF 50V
	C109	VG287300 C. EL 22uF 50V
*	C110	VU347900 C. MYLAR 2200pF 50V
*	C111	VU347900 C. MYLAR 2200pF 50V
	C133	UR848330 C. EL 330uF 25V
	C134	UR837100 C. EL 10uF 16V
	C135	VJ599000 C. CE. TUBLR 0.047uF 16V
*	C136	VG277700 C. CE. TUBLR 68pF 50V
*	C137	VG277700 C. CE. TUBLR 68pF 50V
	C138	VJ599000 C. CE. TUBLR 0.047uF 16V
	C139	UR837100 C. EL 10uF 16V
	C140	UR848330 C. EL 330uF 25V
	C141	VJ599100 C. CE. TUBLR 0.1uF 50V
	C200	VJ599100 C. CE. TUBLR 0.1uF 50V
	C201	UR818100 C. EL 100uF 6.3V
	C202	UR818100 C. EL 100uF 6.3V
	C203	UR866470 C. EL 4.7uF 50V
	C204	UR866470 C. EL 4.7uF 50V
	C205	UR848220 C. EL 220uF 25V
△	C206	FG644100 C. CE 0.01uF 50V
	C207	UR865680 C. EL 0.68uF 50V
*	C208	V3484000 C. EL 2200uF 25V
△	C209	FG644100 C. CE 0.01uF 50V
*	C210	V3483900 C. EL 6800uF 25V
	C211	UR865680 C. EL 0.68uF 50V
	C212	UR828100 C. EL 100uF 10V
△	C213	UR867470 C. EL 47uF 50V
	C214	UR868100 C. EL 100uF 50V
△	C215	FG644100 C. CE 0.01uF 50V
△	C218	VS741700 C. CE. SAFTY 0.01uF 275V(RABG)
△*	C218	VY675000 C. CE. SAFTY 0.01uF 250V(UC)
△	C219	VS741700 C. CE. SAFTY 0.01uF 275V(RABG)
△*	C219	VY675000 C. CE. SAFTY 0.01uF 250V(UC)

\* New Parts

\* New Parts

CDC-575/CDC-505  
CDC-675/CDC-905

CDC-675/CDC-905 P.C.B. MAIN

Schm Ref.	PART NO.	Description
△	C220	VS741700 C. CE. SAFTY 0.01uF 275V(RABG)
△*	C220	VY675000 C. CE. SAFTY 0.01uF 250V(UC)
	C221	UR866470 C. EL 4.7uF 50V
	C222	UR866470 C. EL 4.7uF 50V
*	C230	UR847330 C. EL 33uF 25V
	C231	VJ599100 C. CE. TUBLR 0.1uF 50V
	C300	UM388100 C. EL 100uF 10V
	C301	VG276700 C. CE. TUBLR 24pF 50V
	C303	UR818100 C. EL 100uF 6.3V
	C304	VJ599100 C. CE. TUBLR 0.1uF 50V
	C305	VJ599100 C. CE. TUBLR 0.1uF 50V
	C307	VJ599100 C. CE. TUBLR 0.1uF 50V
	C308	VJ599100 C. CE. TUBLR 0.1uF 50V
	C309	VJ599100 C. CE. TUBLR 0.1uF 50V
	C310	UR838100 C. EL 100uF 16V
	D1	VD631600 DIODE 1SS133, 176, HSS104
	D100	VD631600 DIODE 1SS133, 176, HSS104
	D101	VD631600 DIODE 1SS133, 176, HSS104
	D102	VD631600 DIODE 1SS133, 176, HSS104
	D103	VD631600 DIODE 1SS133, 176, HSS104
	D201	VD631600 DIODE 1SS133, 176, HSS104
	D202	VD631600 DIODE 1SS133, 176, HSS104
△	D203	VV307700 DIODE 1N4002S
	D204	VG437400 DIODE. ZENR MTZJ5. 1B 5.1V
△	D205	VV307700 DIODE 1N4002S
△	D206	VV307700 DIODE 1N4002S
△	D207	VV307700 DIODE 1N4002S
△	D208	VV307700 DIODE 1N4002S
△	D209	VV307700 DIODE 1N4002S
	D210	VG437700 DIODE. ZENR MTZJ5. 6B 5.6V
△	D211	VV307700 DIODE 1N4002S
	D212	VG437700 DIODE. ZENR MTZJ5. 6B 5.6V
△	D213	VV307700 DIODE 1N4002S
△	D215	VV307700 DIODE 1N4002S
△	D216	VV307700 DIODE 1N4002S
*	D217	VG439300 DIODE. ZENR MTZJ9. 1C 9.1V
	D220	VG443300 DIODE. ZENR MTZJ30B 30V
	D300	VV307700 DIODE 1N4002S
	D306	V2598200 LED SIR-505ST(UCA)
	HS1	VR506800 HEAT. SINK PUH16-25
	HS2	VA119100 HEAT. SINK
*	IC1	XQ315A00 IC AN8806SB
*	IC2	XU103A00 IC M56748FP CD-DRIVER
*	IC3	XV628A00 IC MN35511
*	IC101	XA987A00 IC NJM2068D-D
*	IC102	XA987A00 IC NJM2068D-D
	IC105	Xi249A00 IC BA15218
	IC200	XD201A00 IC M5290P
	IC300	XV872A00 IC NJM7909FA -9V
*	IC301	XV632A00 IC uPD78076GF-XXX CPU
	IC302	XS070A00 IC S-24C01ADP EEPROM
*	IC303	XV633A00 IC LC75711NE FLD
	JK100	VS899700 JACK. PHONE JY-6317-02-030

\*New Parts

Schm Ref.	PART NO.	Description
	JK300	VJ726800 JACK. MNI (UCA)
	JK301	VJ726800 JACK. MNI (UCA)
	L100	GE300610 FER. BEAD BL02RN1-R62T4
	L109	Vi491100 FER. CORE BP53RB19012080M
△	L201	VU984000 FLTR IE-UU10. 5-009
	L300	VD473700 COIL 60uH
	L301	VD473700 COIL 60uH(UCA)
	L302	VD473700 COIL 60uH(UCA)
	L303	VD473700 COIL 60uH(UCA)
*	PJ100	VV411100 JACK. PIN 2P
	Q1	iB054430 TR 2SB544 D, E, F, G
	Q4	iC287820 TR 2SC2878 A, B
	Q5	VK432900 TR 2SD1915F S, T
	Q100	iC287820 TR 2SC2878 A, B
	Q101	iC287820 TR 2SC2878 A, B
	Q102	iC287820 TR 2SC2878 A, B
	Q103	iC287820 TR 2SC2878 A, B
	Q200	iA093320 TR 2SA933S Q, R
	Q201	VS883300 TR 2SB1565 E, F
	Q202	VS883400 TR 2SD2394 E, F
	Q204	iC174020 TR 2SC1740S R, S
	Q205	VP872600 TR 2SA1708 S, T
	R139	HV755100 R. CAR. FP 100 Ω 1/4W
	R150	HV755100 R. CAR. FP 100 Ω 1/4W
	R203	HV755100 R. CAR. FP 100 Ω 1/4W
	R211	HV755100 R. CAR. FP 100 Ω 1/4W
	R217	HV756120 R. CAR. FP 1.2K Ω 1/4W
	R218	HV756470 R. CAR. FP 4.7K Ω 1/4W
△*	R222	V2370600 R. FUS 0.47 Ω 1/6W
*	R303	VF771900 R. ARRAY RGL8X103J
△	SW200	VV057600 SW. PUSH PS-2B04T6
△	SW201	VL908000 VOLT. SELCT ESE-370(R)
	SW300	VG392900 SW. TACT SKHVAA
	SW301	VG392900 SW. TACT SKHVAA
	SW302	VG392900 SW. TACT SKHVAA
	SW303	VG392900 SW. TACT SKHVAA
	SW304	VG392900 SW. TACT SKHVAA
	SW305	VG392900 SW. TACT SKHVAA
	SW306	VG392900 SW. TACT SKHVAA
	SW307	VG392900 SW. TACT SKHVAA
	SW308	VG392900 SW. TACT SKHVAA
	SW309	VG392900 SW. TACT SKHVAA
	SW310	VG392900 SW. TACT SKHVAA
	SW311	VG392900 SW. TACT SKHVAA
	SW312	VG392900 SW. TACT SKHVAA
	SW313	VG392900 SW. TACT SKHVAA
	SW314	VG392900 SW. TACT SKHVAA
	SW315	VG392900 SW. TACT SKHVAA
	SW316	VG392900 SW. TACT SKHVAA
	SW317	VG392900 SW. TACT SKHVAA
	SW318	VG392900 SW. TACT SKHVAA
	SW319	VG392900 SW. TACT SKHVAA
	SW320	VG392900 SW. TACT SKHVAA

\*New Parts

CDC-675/CDC-905 P.C.B. MAIN

Schm Ref.	PART NO.	Description
	SW321	VG392900 SW. TACT SKHVAA
	SW322	VG392900 SW. TACT SKHVAA
	SW323	VG392900 SW. TACT SKHVAA
	SW324	VG392900 SW. TACT SKHVAA
△*	T200	XV640A00 TRANS. PWR (UC)
△*	T200	XV641A00 TRANS. PWR (R)
△*	T200	XV642A00 TRANS. PWR (A)
△*	T200	XV643A00 TRANS. PWR (BG)
*	U300	V2856200 L. DTCT PIC-28043TH2
*	V300	V3008400 FL. DSPLY 15-ST-20G
	XL1	VJ719800 RSNR. CRYST 16.9344MHz
	XL300	VU763600 RSNR. CE 5MHz
		VB966900 CN IMSA-6024
		BB071360 SCR. TERM 8.3x13(UCA)
		VJ828000 PIN IMSA-6024-03E
*		VS257700 PLATE
*		V3393500 SHEET. FL
*		V3747500 SUPRT
*		EG330030 SCR. BND. HD 3x6 FCRM3-BL
*		V3747400 SPACER. FL T4x6x18

\*New Parts

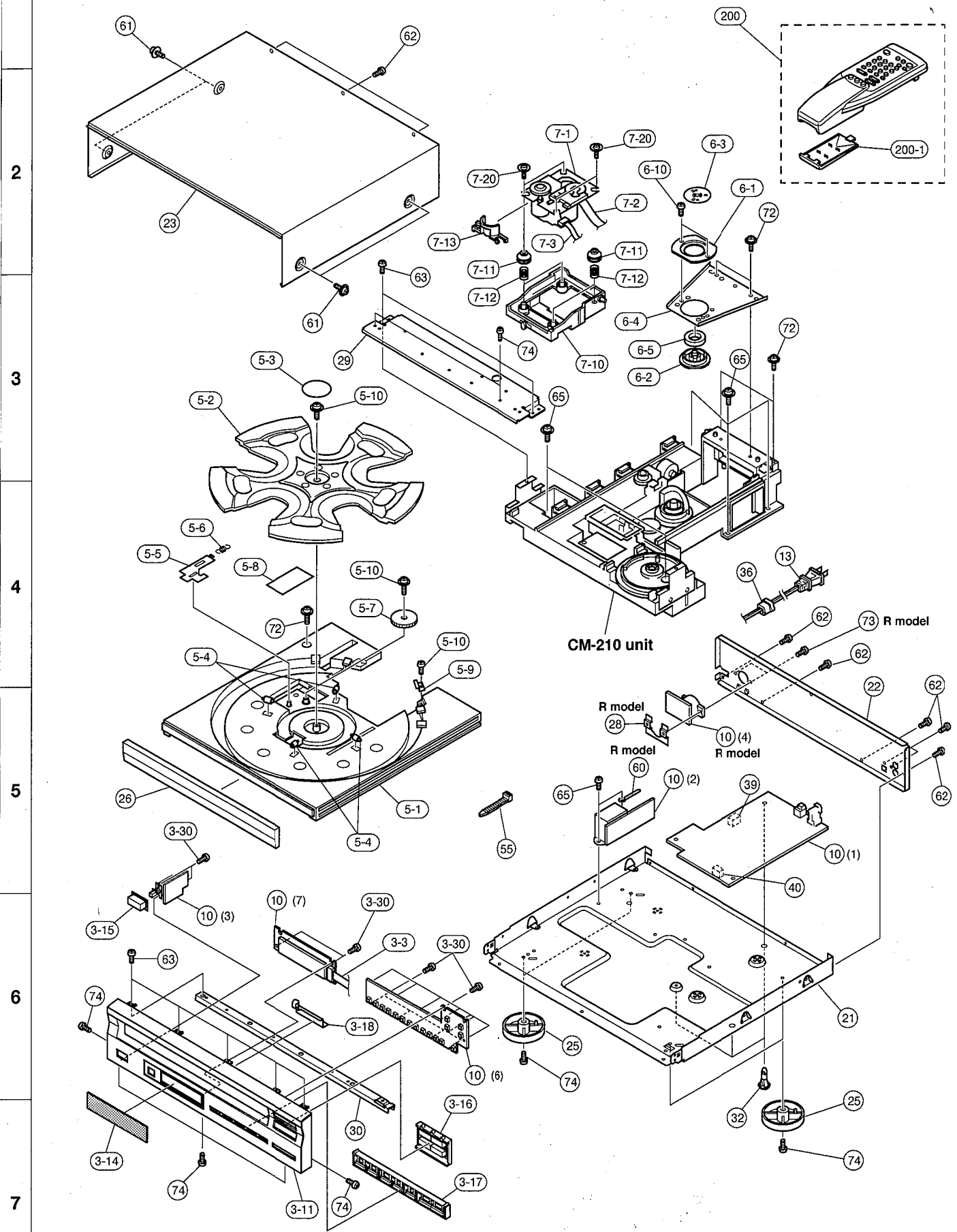
P.C.B. CM

Schm Ref.	PART NO.	Description
*	V3172600	P.C.B. CM
	CB400	VB858200 CN. BS. PIN 3P
	CB401	VB858200 CN. BS. PIN 3P
	CB402	VB858200 CN. BS. PIN 3P
	CB403	VB858200 CN. BS. PIN 3P
	CB404	VB858200 CN. BS. PIN 3P
	CB405	VB858100 CN. BS. PIN 2P
	CB406	VB858100 CN. BS. PIN 2P
	CB407	VB858100 CN. BS. PIN 2P
*	CB408	VU281700 CN 17P
	C400	VJ599100 C. CE. TUBLR 0.1uF 50V
	C401	VJ599100 C. CE. TUBLR 0.1uF 50V
	C402	VF467000 C. CE. TUBLR 1000pF 50V
	C403	VF467000 C. CE. TUBLR 1000pF 50V
*	D400	V2363400 PHOT. INTR ON1024
	D401	VG438700 DIODE. ZENR MTZJ7.5C 7.5V
	IC400	XQ135A00 IC BA6286
*	IC401	XF947A00 IC LA6510
	Q400	VP872700 TR 2SC4488 S, T
	R406	HV753100 R. CAR. FP 1 Ω 1/4W
	R413	HV753100 R. CAR. FP 1 Ω 1/4W
*	SW400	Vi294000 SW. LEVER SSCF21
*	SW401	Vi294000 SW. LEVER SSCF21

\*New Parts

CDC-575/CDC-505/CDC-675/CDC-905

1 ■ CDC-575/CDC-505 EXPLODED VIEW



■ MECHANICAL PARTS (CDC-575/CDC-505)

Ref. No.	PART NO.	Description	Remarks	Markets
* 3-3	MF111350	FLEXIBLE FLAT CABLE	11P 350mm	
* 3-11	V2668500	FRONT PANEL		CDC-575 BL
* 3-11	V2668600	FRONT PANEL		CDC-575 TI
* 3-11	V2671900	FRONT PANEL		CDC-505
* 3-14	V2669500	WINDOW PANEL, LID		
* 3-15	V3059800	BUTTON	11x22	CDC-505 GP
* 3-15	VZ494400	BUTTON	11x22	CDC-575 BL
* 3-15	VZ494500	BUTTON	11x22	CDC-575 TI
* 3-16	V2669100	BUTTON	4P	CDC-575 BL
* 3-16	V2669200	BUTTON	4P	CDC-575 TI
* 3-16	V2988600	BUTTON	4P	CDC-505 GP
* 3-17	V2669300	BUTTON	7P	BL
* 3-17	V2669400	BUTTON	7P	TI
* 3-18	V3490400	SHEET, GROUND 575		
3-30	EP630220	BIND HEAD P-TITE SCREW	3x8 ZMC2-BL	
* 5-1	VZ761500	TRAY	B	
* 5-2	V2430500	TABLE, C		
* 5-3	V2133100	PLATE, TABLE		
* 5-4	VS037300	ROLLER		
* 5-5	VV014400	LEVER	PO	
* 5-6	VS036900	SPRING, RT		
* 5-7	VZ761800	GEAR, RT1		
* 5-8	VS037900	SHEET, TRAY	B	
* 5-9	V3316800	SUPPORT, TR		
* 5-10	VA775100	PW HEAD P-TITE SCREW	3x8-10 FCRM3-BL	
* 6-1	V2430700	HOLDER, CLAMPER/C		
* 6-2	VL782500	STABILIZER		
* 6-3	VS500400	PLATE	STABILIZER	
* 6-4	VZ762600	FRAME, CLAMPER		
* 6-5	VQ930900	MAGNET	DH29.6x18x3.6FMS	
6-10	EP600820	BIND HEAD B-TITE SCREW	3x6 FCRM3-BL	
* 7-1	V3175200	PU MECHA. UNIT	DA11T3	
* 7-2	V3340500	CONNECTOR, FLAT CABLE	16P 230mm	
* 7-3	V3340300	CONNECTOR, FLAT CABLE	6P 90mm	
* 7-10	V2430600	HOLDER, PU/C		
* 7-11	V2430800	DAMPER, CDC		
* 7-12	VQ386500	SPRING		
* 7-13	V2480800	BARRIER, PU		
* 7-20	V2478200	PW HEAD P-TITE SCREW	2.6x8-12 MFZN2-Y	
* 10	V3171400	P.C.B. ASS'Y	MAIN	(UC)
* 10	V3171500	P.C.B. ASS'Y	MAIN	(R)
* 10	V3171600	P.C.B. ASS'Y	MAIN	(A)
* 10	V3171700	P.C.B. ASS'Y	MAIN	(BG)
△ 13	V2296800	POWER CORD ASS'Y		(A)
△ 13	V2363800	POWER CORD ASS'Y		(UC)
△ 13	VN363700	POWER CORD ASS'Y		(G)
△ 13	VV437300	POWER CORD ASS'Y		(B)
△ 13	VZ542500	POWER CORD ASS'Y		(R)
* 21	V3430400	CHASSIS		
* 22	V2575000	REAR PANEL		CDC-575 (UC)
* 22	V2575100	REAR PANEL		CDC-575 (R)
* 22	V2575200	REAR PANEL		CDC-575 (A)
* 22	V2575300	REAR PANEL		CDC-575 (BG)

\* New Parts

Ref. No.	PART NO.	Description	Remarks	Markets
* 22	V2575400	REAR PANEL	CDC-505	(UC)
* 22	V2575500	REAR PANEL	CDC-505	(A)
* 23	V2151800	TOP COVER	TI	
* 23	VZ876700	TOP COVER	BL	
25	VQ780300	LEG	D60xH16 CDC-575	
25	VQ982800	LEG	D60xH16 CDC-505	
* 26	V2668900	LID	CDC-575	BL
* 26	V2669000	LID	CDC-575	TI
* 26	V2988700	LID	CDC-905	GP
28	VS257300	PLATE, R		(R)
* 29	V2668400	SUPPORT, PANEL		
* 30	V3388900	SUPPORT, TOP		
* 32	VG854200	SPACER, PCB	KGLS-10RT	
36	V2438700	CORD STOPPER	#10P1	
39	VQ861500	CUSHION	SHEET	
40	V2879500	SPACER PCB-M		
55	VU590000	BINDING TIE	CBTD001B	
* 60	CB040540	BINDING TIE	S-72B	(R)
61	21991500	PW HEAD S-TITE SCREW	4x8-10 FCRM3-BL	BL
61	VH313200	BW HEAD S-TITE SCREW	4x8-10 FNM3-BL	TI
62	VN413300	BIND HEAD BONDING B-T. SCREW	3x8 MFZN2-BL	
63	EP600820	BIND HEAD B-TITE SCREW	3x6 FCRM3-BL	
65	V2728500	BIND HEAD S-TITE SCREW	4x7 MFZN2-BL	
* 72	VN559500	PW HEAD P-TITE SCREW	3x12-10 ZMC2-Y	
73	EP600140	BIND HEAD B-TITE SCREW	3x10 MFZN2-BL	(R)
74	EP600830	BIND HEAD B-TITE SCREW	3x8 FCRM3-BL	
		ACCESSORIES		
* 200	V3022700	REMOTE CONTROL TRANSMITTER	SBGH20045A	
200-1	CX679050	LID	74x34BLALPS	
	VY952200	PIN-PLUG CORD	2P 1.0m	
		BATTERY, MANGANESE	SUM-3, AA, R06	

\* New Parts

A

B

C

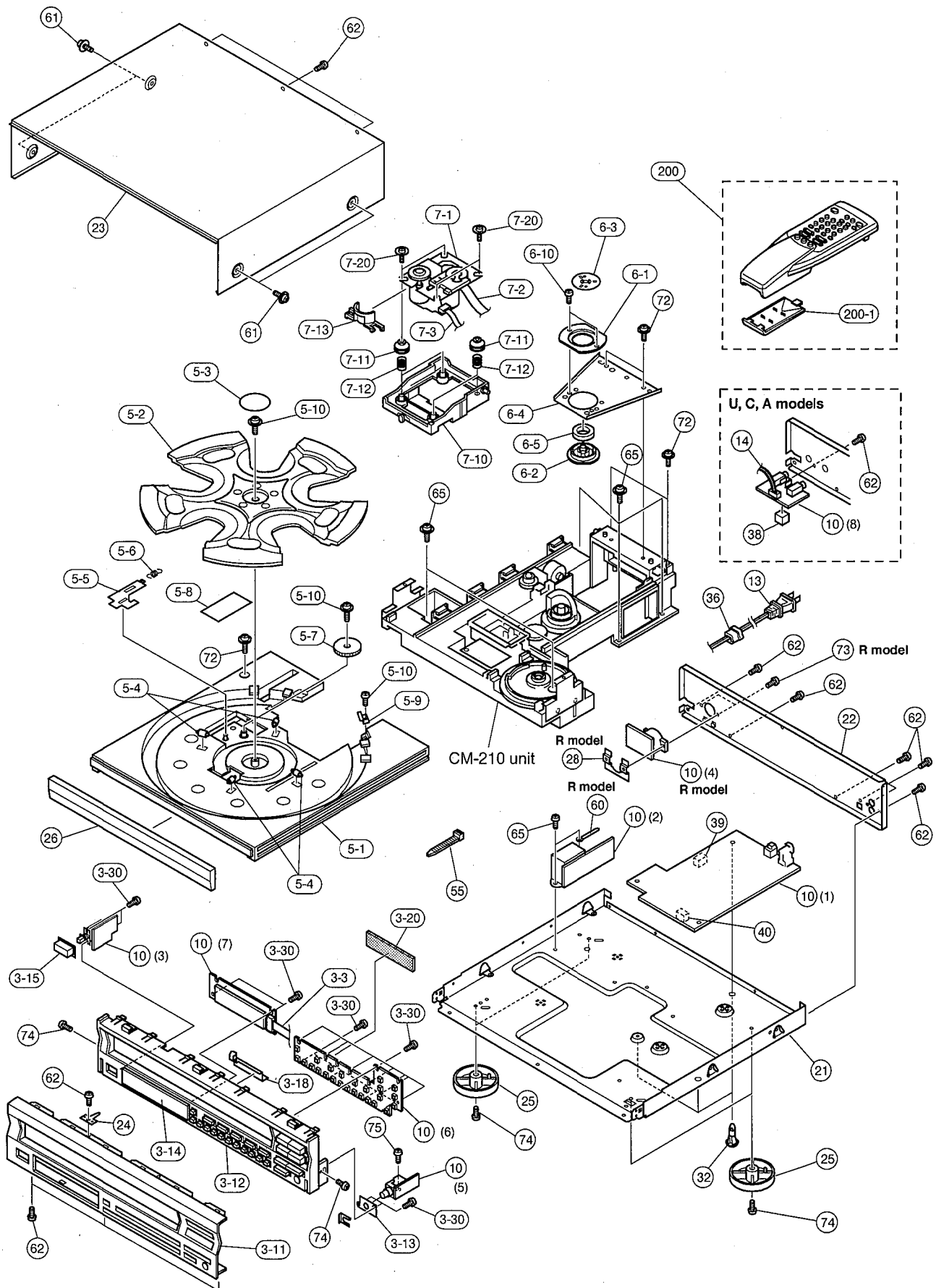
D

E

CDC-575/CDC-505/CDC-675/CDC-905

1

## ■ CDC-675/CDC-905 EXPLODED VIEW



7

MECHANICAL PARTS (CDC-675/CDC-905)

Ref. No.	PART NO.	Description	Remarks	Markets
* 3- 3	MF113350	FLEXIBLE FLAT CABLE	13P 350mm	
* 3-11	V2667700	FRONT PANEL		CDC-675 BL
* 3-11	V2667800	FRONT PANEL		CDC-675 TI
* 3-11	V2667900	FRONT PANEL		CDC-905
* 3-12	V2668700	SUB PANEL		CDC-675 BL
* 3-12	V2668800	SUB PANEL		CDC-675 TI
* 3-12	V2988500	SUB PANEL		CDC-905 GP
* 3-13	V2668300	SUPPORT, HP		
* 3-14	V2669500	WINDOW PANEL, LID		
* 3-15	V3059800	BUTTON	11x22	CDC-905 GP
* 3-15	VZ494400	BUTTON	11x22	CDC-675 BL
* 3-15	VZ494500	BUTTON	11x22	CDC-675 TI
* 3-18	V3492600	SHEET, GROUND		
* 3-20	V3624200	DAMPER	T2x25x190	
* 3-30	EP600730	BIND HEAD P-TITE SCREW	3x8 FCRM3-BL	
* 5- 1	VZ761500	TRAY	B	
* 5- 2	V2430500	TABLE, C		
* 5- 3	V2133100	PLATE, TABLE		
* 5- 4	VS037300	ROLLER		
* 5- 5	VV014400	LEVER	PO	
* 5- 6	VS036900	SPRING, RT		
* 5- 7	VZ761800	GEAR, RT1		
* 5- 8	VS037900	SHEET, TRAY	B	
* 5- 9	V3316800	SUPPORT, TR		
* 5-10	VA775100	PW HEAD P-TITE SCREW	3x8-10 FCRM3-BL	
* 6- 1	V2430700	HOLDER, CLAMPER/C		
* 6- 2	VL782500	STABILIZER		
* 6- 3	VS500400	PLATE	STABILIZER	
* 6- 4	VZ762600	FRAME, CLAMPER		
* 6- 5	VQ930900	MAGNET	DH29.6x18x3.6FMS	
6-10	EP600820	BIND HEAD B-TITE SCREW	3x6 FCRM3-BL	
* 7- 1	V3175200	PU MECHA. UNIT	DA11T3	
* 7- 2	V3340500	CONNECTOR, FLAT CABLE	16P 230mm	
* 7- 3	V3340300	CONNECTOR, FLAT CABLE	6P 90mm	
* 7-10	V2430600	HOLDER, PU/C		
* 7-11	V2430800	DAMPER, CDC		
* 7-12	VQ386500	SPRING		
* 7-13	V2480800	BARRIER, PU		
* 7-20	V2478200	PW HEAD P-TITE SCREW	2.6x8-12 MFZN2-Y	
* 10	V3171800	P.C.B. ASS'Y	MAIN	(UC)
* 10	V3171900	P.C.B. ASS'Y	MAIN	(R)
* 10	V3172000	P.C.B. ASS'Y	MAIN	(A)
* 10	V3172100	P.C.B. ASS'Y	MAIN	(BG)
△ 13	V2296800	POWER CORD ASS'Y		(A)
△ 13	V2363800	POWER CORD ASS'Y		(UC)
△ 13	VN363700	POWER CORD ASS'Y		(G)
△ 13	VV437300	POWER CORD ASS'Y		(B)
△ 13	VZ542500	POWER CORD ASS'Y		(R)
* 14	V3527300	CONNECTOR ASS'Y	2P 280mm	(UCA)
* 21	V3430400	CHASSIS		
* 22	V2575600	REAR PANEL		CDC-675 (UC)
* 22	V2575700	REAR PANEL		CDC-675 (R)
* 22	V2575800	REAR PANEL		CDC-675 (A)

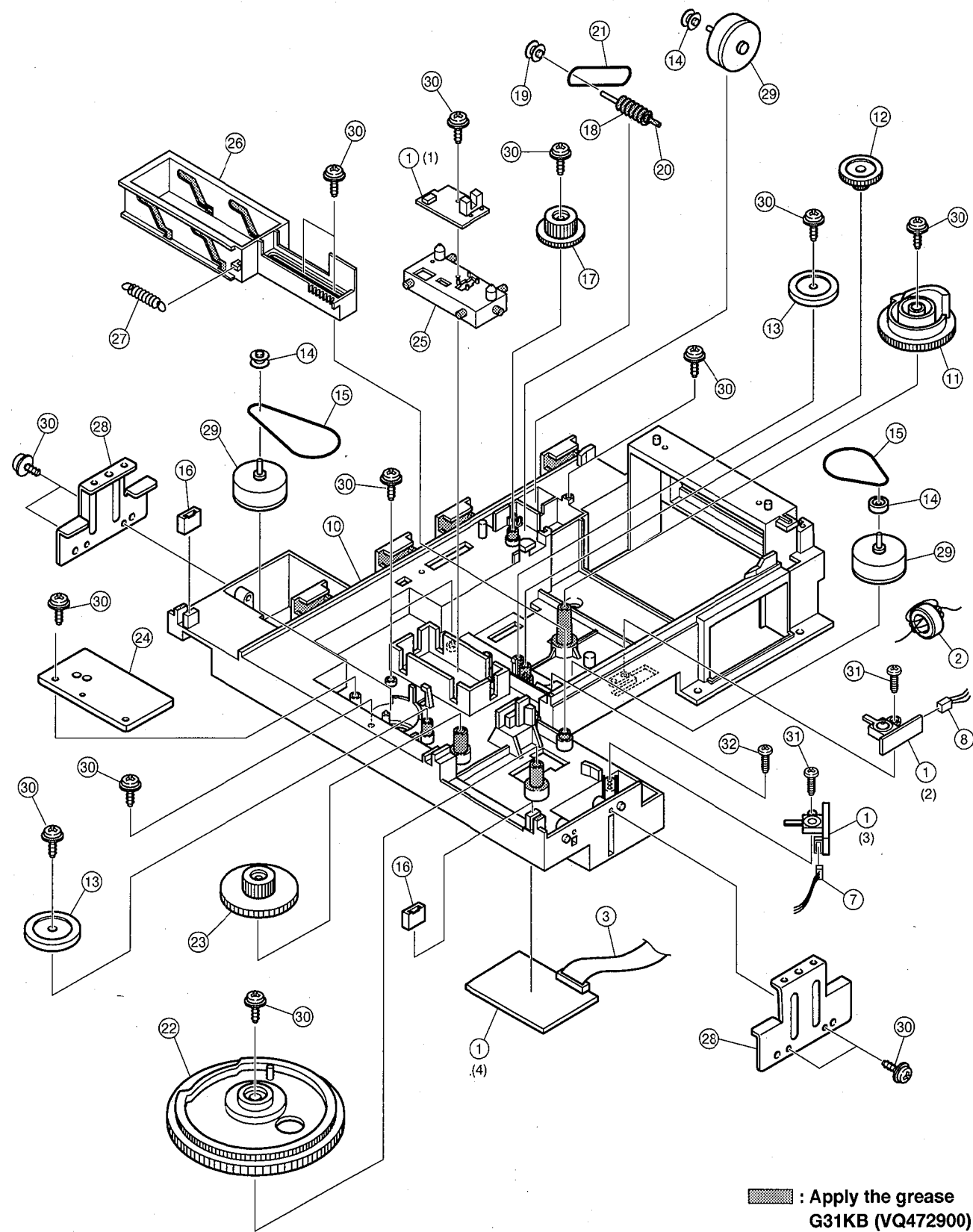
\* New Parts

Ref. No.	PART NO.	Description	Remarks	Markets
* 22	V2575900	REAR PANEL		CDC-675 (BG)
* 22	V2576000	REAR PANEL		CDC-905 (UC)
* 22	V2576100	REAR PANEL		CDC-905 (A)
* 23	V2151800	TOP COVER		TI
* 23	VZ876700	TOP COVER		BL
24	VQ775900	GROUND PLATE		
25	VQ780300	LEG	D60xH16	CDC-675
25	VQ982800	LEG	D60xH16	CDC-905
* 26	V2668900	LID		CDC-675 BL
* 26	V2669000	LID		CDC-675 TI
* 26	V2988700	LID		CDC-905 GP
28	VS257300	PLATE, R		(R)
* 32	VG854200	SPACER, PCB	KGLS-10RT	
36	V2438700	CORD STOPPER	#10P1	
37	V2269100	DAMPER	6x45	
* 38	V3393800	SPACER	CDC-T14	(UCA)
39	VQ861500	CUSHION	SHEET	
40	V2879500	SPACER PCB-M		
55	VU590000	BINDING TIE	CBTD001B	
* 60	CB040540	BINDING TIE	S-72B	(R)
61	21991500	PW HEAD S-TITE SCREW	4x8-10 FCRM3-BL	BL
61	VH313200	BW HEAD S-TITE SCREW	4x8-10 FNM3-BL	TI
62	VN413300	BIND HEAD BONDING B-T. SCREW	3x8 MFZN2-BL	
65	V2728500	BIND HEAD S-TITE SCREW	4x7 MFZN2-BL	
* 72	VN559500	PW HEAD P-TITE SCREW	3x12-10 ZMC2-Y	
73	EP600140	BIND HEAD B-TITE SCREW	3x10 MFZN2-BL	(R)
74	EP600830	BIND HEAD B-TITE SCREW	3x8 FCRM3-BL	
75	EL300650	PW HEAD B-TITE SCREW	3x8-8 FCRM3-BL	
		ACCESSORIES		
* 200	V3022600	REMOTE CONTROL TRANSMITTER	SBGH20044A	
200-1	CX679050	LID	74x34BLALPS	
	VY952200	PIN-PLUG CORD	2P 1.0m	
		BATTERY, MANGANESE	SUM-3, AA, R06	

\* New Parts

CDC-575/CDC-505/CDC-675/CDC-905

1 ■ EXPLODED VIEW (CM-210 Unit)



■ MECHANICAL PARTS (CM-210 Unit)

Ref. No.	PART NO.	Description	Remarks	Markets
* 1	V3172600	P.C.B. ASS'Y	CM	
* 2	VP128600	FERRITE CORE	FSOB160PB	
* 3	V3340400	CONNECTOR, FLAT CABLE	17P 110mm	
* 7	V3175700	CONNECTOR ASS'Y	3P 220mm	
* 8	V3175900	CONNECTOR ASS'Y	3P 220mm	
* 10	VZ760500	CHASSIS	B	
* 11	VZ760600	CAM, CL		
* 12	VS035400	GEAR, CL2		
* 13	VS036100	GEAR PULLEY		
* 14	VS036200	PULLEY		
15	VQ776900	BELT	V	
* 16	VQ775500	DAMPER, TRAY		
* 17	VS035800	GEAR, WW		
* 18	VS035700	GEAR, WO		
* 19	V2009500	PULLEY, RT		
* 20	VS036600	SHAFT, 2		
21	VS036500	BELT, RT		
* 22	VZ760700	GEAR, LO		
* 23	VS035300	GEAR, LO1		
* 24	VZ760800	SHEET, BELT		
* 25	VZ761000	HOLDER, SENSOR		
* 26	VZ761200	CAM, SLIDE		
* 27	VS036800	SPRING, CAM		
* 28	VS037400	SUPPORT, TRAY		
△ * 29	VM444200	MOTOR	RF-500TB-14415	
* 30	VA775100	PW HEAD P-TITE SCREW	3x8-10 FCRM3-BL	
* 31	VF617600	PAN HEAD P-TITE SCREW	2.6x8 FCRM3-BL	
* 32	03786010	BIND HEAD SCREW	2.6x5 ZMC2-BL	

\* New Parts



1

## EXPLODED VIEW (PU Mecha. Unit)

### Note :

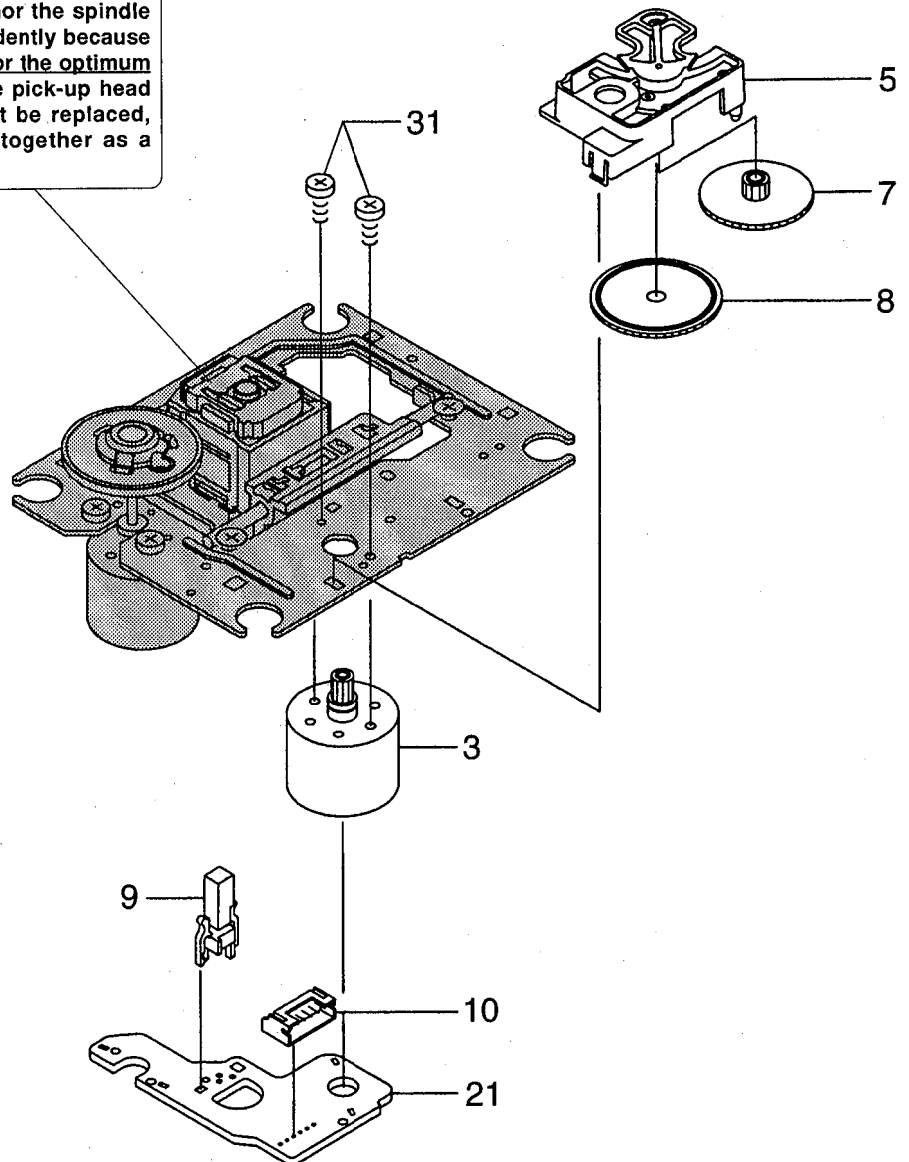
Neither the pick-up head nor the spindle motor is available independently because they are factory-adjusted for the optimum level after assembly. If the pick-up head or the spindle motor must be replaced, be sure to replace them together as a unit.

2

3

4

5



6

7

Ref. No.	PART NO.	Description	Remarks	Markets
*	V3175200	PU MECHA. UNIT	DA1113	
* 3	XX702580	SLED MOTOR ASS'Y	6.0V	1EA0M10A09700
* 5	XX702590	COVER, GEAR		1EA2121A20000
* 7	XX702610	GEAR, MIDDLE		1EA2511A21000
* 8	XX702600	GEAR, DRIVE		1EA2511A21100
* 9	XX702660	SWITCH, LEAF	PWB MOTOR	1EA4S13A01600
* 10	XX702620	CONNECTOR, S	6P	1EA4J13A54700
* 21	XX702570	PWB, MOTOR		1EA4B10B06100
* 31	XX702640	SCREW, PAN PCS	2x3	SE1PN203ROSE

\* New Parts

CDC-575/CDC-505/CDC-675/CDC-905

# GREASE APPLICATION DIAGRAM (PU Mechanism)

<p>Apply the grease</p> <p>Molykote PG-663 (P/No. AAX01170)</p>
---

1

2

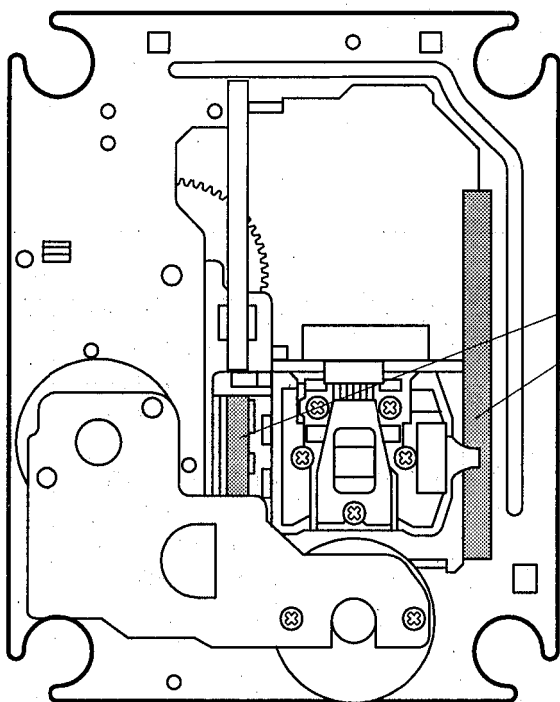
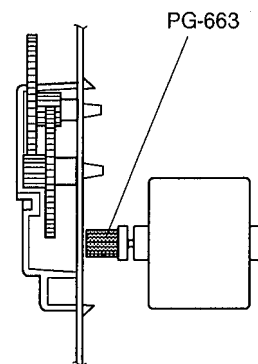
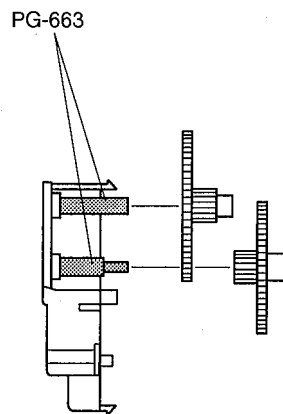
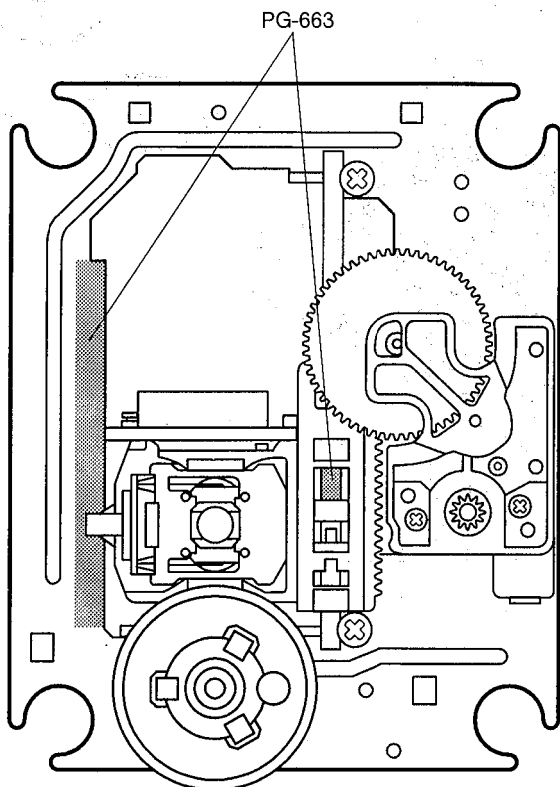
3

4

5

6

7



A B C D E

CDC-575/CDC-505/CDC-675/CDC-905

# CDC-575/CDC-505 REMOTE CONTROL TRANSMITTER

## ■ SCHEMATIC DIAGRAM

D1-3: DAP202KT147 D3

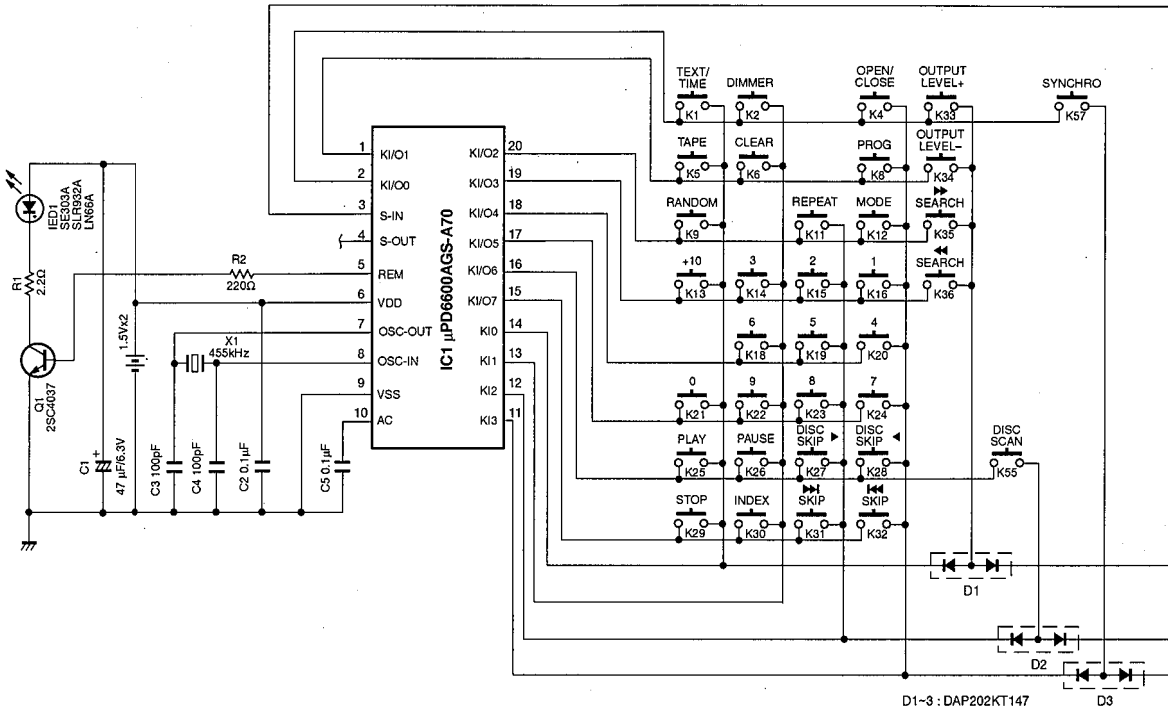
KEY No.	FUNCTION	CUSTOM CODE (HEX)	REVERSE CUSTOM CODE (HEX)	DATA CODE (HEX)
K1	TEXT/TIME	79	86	0A
K2	DIMMER	79	86	1E
K4	OPEN/CLOSE	79	86	01
K6	CLEAR	79	86	0D
K8	PROG	79	86	0C
K9	RANDOM	79	86	1B
K11	REPEAT	79	86	08
K12	MODE	79	86	00
K13	+10	79	86	1A
K14	3	79	86	13
K15	2	79	86	12
K16	1	79	86	11
K18	6	79	86	16
K19	5	79	86	15
K20	4	79	86	14
K21	0	79	86	10
K22	9	79	86	19
K23	8	79	86	18
K24	7	79	86	17
K25	PLAY	79	86	02
K26	PAUSE	79	86	55
K27	DISC SKIP ►	79	86	4F
K28	◄ DISC SKIP	79	86	50
K29	STOP	79	86	56
K30	INDEX	79	86	0B
K31	SKIP ►►	79	86	07
K32	◄◄ SKIP	79	86	04
K35	SEARCH ►►	79	86	06
K36	◄◄ SEARCH	79	86	05
K55	DISC SCAN	79	86	53
K57	SYNCHRO	79	86	58

52

CDC-575/CDC-505/CDC-675/CDC-905

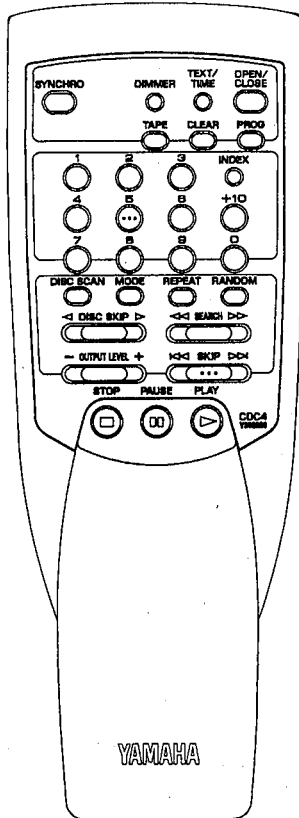
# CDC-675/CDC-905 REMOTE CONTROL TRANSMITTER

## ■ SCHEMATIC DIAGRAM



D1-3: DAP202KT147

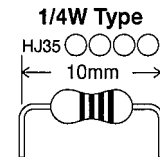
D3



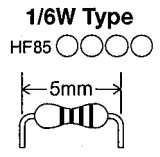
KEY No.	FUNCTION	CUSTOM CODE (HEX)	REVERSE CUSTOM CODE (HEX)	DATA CODE (HEX)
K1	TEXT/TIME	79	86	0A
K2	DIMMER	79	86	1E
K4	OPEN/CLOSE	79	86	01
K5	TAPE	79	86	57
K6	CLEAR	79	86	0D
K8	PROG	79	86	0C
K9	RANDOM	79	86	1B
K11	REPEAT	79	86	08
K12	MODE	79	86	00
K13	+10	79	86	1A
K14	3	79	86	13
K15	2	79	86	12
K16	1	79	86	11
K18	6	79	86	16
K19	5	79	86	15
K20	4	79	86	14
K21	0	79	86	10
K22	9	79	86	19
K23	8	79	86	18
K24	7	79	86	17
K25	PLAY	79	86	02
K26	PAUSE	79	86	55
K27	DISC SKIP ►	79	86	4F
K28	◄ DISC SKIP	79	86	50
K29	STOP	79	86	56
K30	INDEX	79	86	0E
K31	SKIP ►►	79	86	07
K32	◄◄ SKIP	79	86	04
K33	OUTPUT LEVEL+	79	86	1D
K34	OUTPUT LEVEL-	79	86	1C
K35	SEARCH ►►	79	86	06
K36	◄◄ SEARCH	79	86	05
K55	DISC SCAN	79	86	53
K57	SYNCHRO	79	86	58

# Parts List for Carbon Resistors

Value	1/4W Type Part No.	1/6W Type Part No.	Value	1/4W Type Part No.	1/6W Type Part No.
1.0 Ω	HJ35 3100	HF85 3100	10 kΩ	HF45 7100	HF45 7100
1.8 Ω	HJ35 3180	*	11 kΩ	HF45 7110	HF45 7110
2.2 Ω	HJ35 3220	HF85 3220	12 kΩ	HJ35 7120	HF85 7120
3.3 Ω	HJ35 3330	HF85 3330	13 kΩ	HF45 7130	HF45 7130
4.7 Ω	HJ35 3470	HF85 3470	15 kΩ	HF45 7150	HF45 7150
5.6 Ω	HJ35 3560	HF85 3560	18 kΩ	HF45 7180	HF45 7180
10 Ω	HF45 4100	HF45 4100	22 kΩ	HF45 7220	HF45 7220
15 Ω	HJ35 4150	HF85 4150	24 kΩ	HF45 7240	HF45 7240
22 Ω	HF45 4220	HF45 4220	27 kΩ	HJ35 7270	HF85 7270
27 Ω	HJ35 4270	HF85 4270	30 kΩ	HF45 7300	HF45 7300
33 Ω	HF45 4330	HF45 4330	33 kΩ	HF45 7330	HF45 7330
39 Ω	HJ35 4470	HF85 4390	36 kΩ	HF45 7360	HF45 7360
47 Ω	HF45 4470	HF45 4470	39 kΩ	HF45 7390	HF45 7390
56 Ω	HF45 4560	HF45 4560	47 kΩ	HF45 7470	HF45 7470
68 Ω	HF45 4680	HF45 4680	51 kΩ	HF45 7510	HF45 7510
75 Ω	HF45 4750	HF45 4750	56 kΩ	HF45 7560	HF45 7560
82 Ω	HF45 4820	HF45 4820	62 kΩ	HF45 7620	HF45 7620
91 Ω	HF45 4910	HF45 4910	68 kΩ	HF45 7680	HF45 7680
100 Ω	HF45 5100	HF45 5100	82 kΩ	HF45 7820	HF45 7820
110 Ω	HJ35 5110	HF85 5110	91 kΩ	HF45 7910	HF45 7910
120 Ω	HF45 5120	HF45 5120	100 kΩ	HF45 8100	HF45 8100
150 Ω	HF45 5150	HF45 5150	110 kΩ	HF45 8110	HF45 8110
160 Ω	HJ35 5160	*	120 kΩ	HF45 8120	HF45 8120
180 Ω	HF45 5180	HF45 5180	150 kΩ	HF45 8150	HF45 8150
200 Ω	HF45 5200	HF45 5200	180 kΩ	HF45 8180	HF45 8180
220 Ω	HF45 5220	HF45 5220	220 kΩ	HJ35 8220	HF85 8220
270 Ω	HF45 5270	HF45 5270	270 kΩ	HF45 8270	HF45 8270
330 Ω	HF45 5330	HF45 5330	300 kΩ	HF45 8300	HF45 8300
390 Ω	HF45 5390	HF45 5390	330 kΩ	HF45 8330	HF45 8330
430 Ω	HF45 5430	HF45 5430	390 kΩ	HJ35 8390	HF85 8390
470 Ω	HF45 5470	HF45 5470	470 kΩ	HF45 8470	HF45 8470
510 Ω	HF45 5510	HF45 5510	560 kΩ	HJ35 8560	HF85 8560
560 Ω	HF45 5560	HF45 5560	680 kΩ	HJ35 8680	HF85 8680
680 Ω	HF45 5680	HF45 5680	820 kΩ	HJ35 8820	HF85 8820
820 Ω	HF45 5820	HF45 5820	1.0 MΩ	HF45 9100	HF45 9100
910 Ω	HF45 5910	HF45 5910	1.2 MΩ	HJ35 9120	*
1.0 kΩ	HF45 6100	HF45 6100	1.5 MΩ	HJ35 9150	HF85 9150
1.2 kΩ	HF45 6120	HF45 6120	1.8 MΩ	HJ35 9180	HF85 9180
1.5 kΩ	HF45 6150	HF45 6150	2.2 MΩ	HJ35 9220	HF85 9220
1.8 kΩ	HF45 6180	HF45 6180	3.3 MΩ	HJ35 9330	HF85 9330
2.0 kΩ	HJ35 6200	HF85 6200	3.9 MΩ	HJ35 9390	*
2.2 kΩ	HF45 6220	HF45 6220	4.7 MΩ	HJ35 9470	HF85 9470
2.4 kΩ	HJ35 6240	HF85 6240			
2.7 kΩ	HF45 6270	HF45 6270			
3.0 kΩ	HF45 6300	HF45 6300			
3.3 kΩ	HF45 6330	HF45 6330			
3.6 kΩ	HJ35 6360	HF85 6360			
3.9 kΩ	HF45 6390	HF45 6390			
4.7 kΩ	HF45 6470	HF45 6470			
5.1 kΩ	HF45 6510	HF45 6510			
5.6 kΩ	HF45 6560	HF45 6560			
6.8 kΩ	HF45 6680	HF45 6680			
8.2 kΩ	HF45 6820	HF45 6820			
9.1 kΩ	HF45 6910	HF45 6910			



**1/4W Type**  
HJ35 ○○○○  
10mm



**1/6W Type**  
HF85 ○○○○  
5mm

CDC-575/CDC-505  
CDC-675/CDC-905

**CDC-575/CDC-505**  
**CDC-675/CDC-905**

---

**YAMAHA**

CDC-575/CDC-505  
CDC-675/CDC-905

---