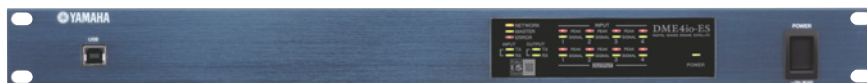


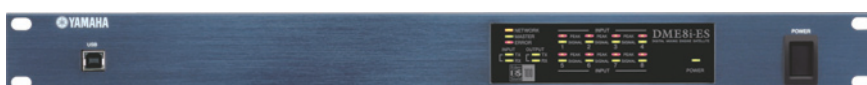
DIGITAL MIXING ENGINE SATELLITE

DME4io-ES / DME8i-ES / DME8o-ES

SERVICE MANUAL



DME4io-ES



DME8i-ES



DME8o-ES

■ CONTENTS (目次)

SPECIFICATIONS (総合仕様)	4	SYSTEM FLOW CHART	
DIMENSIONS (寸法図)	9	(電源立ち上げシーケンス)	118/119
CIRCUIT BOARD LAYOUT (ユニットレイアウト) ..	9	About DME SATELLITE DATA	
PANEL LAYOUT (パネルレイアウト)	10	(DME Satellited データについて)	120/121
WIRING (基板結線図)	12	TROUBLESHOOTING	
DISASSEMBLY PROCEDURE (分解手順)	13	(トラブルシューティング)	122/123
LSI PIN DESCRIPTION (LSI 端子機能表)	20	ERROR MESSAGES (エラーメッセージ)	124/125
IC BLOCK DIAGRAM (IC ブロック図)	28	WARNING MESSAGES	
CIRCUIT BOARD (シート基板図)	32	(ワーニングメッセージ)	124/125
TEST PROGRAM (テストプログラム)	49/71	DME FILE STORAGE	126/127
INSPECTIONS (検査)	93/98	BACKUP (バックアップ)	128/129
UPDATING PROGRAM AND BOOT		MIDI IMPLEMENTATION CHART	130
(プログラム部とブート部のアップデート) ...	102/104	MIDI DATA FORMAT	131
WRITING COMPONENT/SCENE DATA		PARTS LIST	
(コンポーネント・シーンデータ書き込み) ...	106/110	BLOCK DIAGRAM (ブロックダイアグラム)	
WRITING VNP1 FIRMWARE		LEVEL DIAGRAM (レベルダイアグラム)	
(VNP1 ファームウェアの書き込み)	114/115	CIRCUIT DIAGRAM (回路図)	
INITIALIZING (初期化)	116/117		

PA 011857

DME4io-ES: 200705 オープンブライズ
 DME8i-ES: 200705 オープンブライズ
 DME8o-ES: 200705 オープンブライズ



HAMAMATSU, JAPAN

Copyright (c) Yamaha Corporation. All rights reserved. PDF 07.05

IMPORTANT NOTICE

This manual has been provided for the use of authorized Yamaha Retailers and their service personnel. It has been assumed that basic service procedures inherent to the industry, and more specifically Yamaha Products, are already known and understood by the users, and have therefore not been restated.

WARNING : Failure to follow appropriate service and safety procedures when servicing this product may result in personal injury, destruction of expensive components and failure of the product to perform as specified. For these reasons, we advise all Yamaha product owners that all service required should be performed by an authorized Yamaha Retailer or the appointed service representative.

IMPORTANT : This presentation or sale of this manual to any individual or firm does not constitute authorization certification, recognition of any applicable technical capabilities, or establish a principal-agent relationship of any form.

The data provided is believed to be accurate and applicable to the unit(s) indicated on the cover. The research engineering, and service departments of Yamaha are continually striving to improve Yamaha products. Modifications are, therefore, inevitable and changes in specification are subject to change without notice or obligation to retrofit. Should any discrepancy appear to exist, please contact the distributor's Service Division.

WARNING : Static discharges can destroy expensive components. Discharge any static electricity your body may have accumulated by grounding yourself to the ground bus in the unit (heavy gauge black wires connect to this bus.)

IMPORTANT : Turn the unit OFF during disassembly and parts replacement. Recheck all work before you apply power to the unit.

WARNING: CHEMICAL CONTENT NOTICE!

The solder used in the production of this product contains LEAD. In addition, other electrical/electronic and/or plastic (Where applicable) components may also contain traces of chemicals found by the California Health and Welfare Agency (and possibly other entities) to cause cancer and/or birth defects or other reproductive harm.

DO NOT PLACE SOLDER, ELECTRICAL/ELECTRONIC OR PLASTIC COMPONENTS IN YOUR MOUTH FOR ANY REASON WHAT SO EVER!

Avoid prolonged, unprotected contact between solder and your skin! When soldering, do not inhale solder fumes or expose eyes to solder/flux vapor!


If you come in contact with solder or components located inside the enclosure of this product, wash your hands before handling food.

IMPORTANT NOTICE FOR THE UNITED KINGDOM
Connecting the Plug and Cord

WARNING : THIS APPARATUS MUST BE EARTHED IMPORTANT. The wires in this mains lead are coloured in accordance with the following code:

GREEN-AND-YELLOW :	EARTH
BLUE :	NEUTRAL
BROWN :	LIVE

As the colours of the wires in the mains lead of this apparatus may not correspond with the coloured markings identifying the terminals in your plug proceed as follows:

The wire which is coloured GREEN-and-YELLOW must be connected to the terminal in the plug which is marked by the letter E or by the safety earth symbol  or colored GREEN or GREEN-and-YELLOW.


The wire which is coloured BLUE must be connected to the terminal which is marked with the letter N or coloured BLACK.

The wire which is coloured BROWN must be connected to the terminal which is marked with the letter L or coloured RED.

• This applies only to products distributed by Yamaha-Kemble Music (U.K.) Ltd.(3 wires)

WARNING

Components having special characteristics are marked  and must be replaced with parts having specification equal to those originally installed.

 印の部品は、安全を維持するために重要な部品です。交換する場合は、安全のために必ず指定の部品をご使用ください。

BACKUP BATTERY (バックアップバッテリー)

This device has a built-in backup battery. When you unplug the power cord from the AC outlet, the current scene data is retained. However, the life of the backup battery is about five years. If the battery wears out, the current scene data will be lost. When the backup battery charge becomes low, the [ERROR] indicator on the front panel blinks. In this case, save the data to a computer immediately.

この機器はバックアップバッテリーが内蔵されていますので、電源プラグがコンセントから外されても、電源を切ったときのカレントシーンデータは保持されます。ただし、バックアップバッテリーには寿命（5年）があり、バッテリーが消耗するとカレントシーンデータは消えてしまいます。バックアップバッテリーが消耗してくると、フロントパネルの ERROR インジケーターが点滅します。その場合は、すぐにデータをコンピューターに保存してください。

LITHIUM BATTERY HANDLING

This product uses a lithium battery for memory back-up.

WARNING : Lithium batteries are dangerous because they can be exploded by improper handling. Observe the following precautions when handling or replacing lithium batteries.

- Leave lithium battery replacement to qualified service personnel.
- Always replace with batteries of the same type.
- When installing on the PC board by soldering, solder using the connection terminals provided on the battery cells.
- Never solder directly to the cells. Perform the soldering as quickly as possible.
- Never reverse the battery polarities when installing.
- Do not short the batteries.
- Do not attempt to recharge these batteries.
- Do not disassemble the batteries.
- Never heat batteries or throw them into fire.

ADVARSEL!

Lithiumbatteri-Eksplosionsfare ved fejlagtig handling. Udskiftning må kun ske med batteri af samme fabrikat og type. lever det brugte batteri tilbage til leverandren.

VARNING

Explosionsfara vid felaktigt batteribyte.

Använd samma batterityp eller en ekvivalent typ som rekommenderas av apparattillverkaren.

Kassera anvant batteri enligt fabrikantens instruktion.

VAROITUS

Paristo voi rajahtaa, jos se on virheellisesti asennettu.

Vaihda paristo ainoastaan laitevalmistajan suosittelemaan tyyppiin.

Havita käytetty paristo valmistajan ohjeiden mukaisesti.

The following information complies with Dutch official Gazette 1995. 45; ESSENTIALS OF ORDER ON THE COLLECTION OF BATTERIES.

- Please refer to the disassembly procedure for the removal of Back-up Battery.
- Leest u voor het verwijderen van de backup batterij deze beschrijving.

This product contains a battery that contains perchlorate material.
Perchlorate Material—special handling may apply,
See www.dtsc.ca.gov/hazardouswaste/perchlorate.

* This applies only to products distributed by YAMAHA CORPORATION OF AMERICA. (Perchlorate)

リチウム電池の取り扱い

<注意>

- リチウム電池を誤って交換すると爆発する危険があります。交換する場合は、サービスマニュアルで指定された部品を使用してください。

■ PREPARATION BEFORE REPAIR (修理をする前に)

1. When you receive the product to be serviced, ask the users of the product if they have a backup of data (*.daf) on the DME Satellite before servicing.
2. Save the data (*. * = all files) on the DME Satellite to the computer using the DME File Storage function of the DME Designer.
3. Save the data on the DME Satellite to the computer using the backup function of the DME Designer.

1. 修理品が入荷しましたら修理を始める前に製品の使用者に、DME Satellite 上のデータ (*.daf) のバックアップを持っているかを確認してください。
2. DME Designer の DME File Storage 機能を使って、DME Satellite 上にあるデータ (*. * = 全てのファイル) をコンピューターに保存します。
3. DME Designer の Backup 機能を使って、DME Satellite 上のデータをコンピューターに保存します。

■ PROCEDURE AFTER REPAIR (修理完了後)

After all repairs are made, save the data on the computer to the DME Satellite using the reverse procedure to the above.

全ての修理が完了したら、上記と逆の手順でコンピューター上のデータを DME Satellite に保存してください。

■ SPECIFICATIONS (総合仕様)

General Specifications (一般仕様)

Sampling Frequency	External Clock	Normal Rate: 44.1/48 kHz ($\pm 0.1\%$) Double Rate: 88.2/96 kHz ($\pm 0.1\%$)
	Internal Clock	Normal Rate: 48 kHz (± 50 ppm) Double Rate: 96 kHz (± 50 ppm)
Maximum Voltage Gain	Gain: -60 dB, RL: 600 Ω , 64 dB INPUT to OUTPUT	
Miscellaneous	Power Consumption	40 W
	Dimensions (HxDxW)	44x361x480 mm
	Net Weight	4.5 kg
	Temperature range	operating: 5 to 40°C storage: -20 to 60°C
	Include Accessories	AC Power cord, CD-ROM (DME Designer application), Mini Euro plug(16P)x1, Euro plug(3P)x8, Owner's Manual, warranty card (J model only), Rubber feetx4

Electrical Characteristics (電気的特性)

Output impedance of signal generator: 150 Ω

DME4io-ES: Measured with DME4io-ES

DME8i-ES : Measured with DME8o-ES

DME8o-ES : Measured with DME8i-ES

Frequency Response

fs=48 kHz@20 Hz–20 kHz, reference to the nominal output level @1 kHz

fs=96 kHz@20 Hz–40 kHz, reference to the nominal output level @1 kHz

<DME4io-ES>

Input	Output	RL	CONDITIONS	MIN	TYP	MAX	UNITS
INPUT 1–4	OUTPUT 1–4	600 Ω	input level: -60 dBu, GAIN: -60 dB	-1.5	0.0	+0.5	dB
			input level: $+10$ dBu, GAIN: $+10$ dB	-1.5	0.0	+0.5	dB

<DME8i-ES>

Input	Output	RL	CONDITIONS	MIN	TYP	MAX	UNITS
INPUT 1–8	OUTPUT 1–8	600 Ω	input level: -60 dBu, GAIN: -60 dB	-1.5	0.0	+0.5	dB
			input level: $+10$ dBu, GAIN: $+10$ dB	-1.5	0.0	+0.5	dB

<DME8o-ES>

Input	Output	RL	CONDITIONS	MIN	TYP	MAX	UNITS
INPUT 1–8	OUTPUT 1–8	600 Ω	input level: $+10$ dBu, GAIN: $+10$ dB	-1.5	0.0	+0.5	dB

Gain Error

@1 kHz

<DME4io-ES>

Input	Output	RL	CONDITIONS	MIN	TYP	MAX	UNITS
INPUT 1–4	OUTPUT 1–4	600 Ω	input level: -60 dBu, GAIN: -60 dB → output level: $+4.0$ dBu (typ.)	-2.0	0	+2.0	dB
			input level: $+10$ dBu, GAIN: $+10$ dB → output level: $+4.0$ dBu (typ.)	-2.0	0	+2.0	dB

<DME8i-ES>

Input	Output	RL	CONDITIONS	MIN	TYP	MAX	UNITS
INPUT 1-8	OUTPUT 1-8	600Ω	input level: -60 dBu, GAIN: -60 dB → output level: +4.0 dBu (typ.)	-2.0	0	+2.0	dB
			input level: +10 dBu, GAIN: +10 dB → output level: +4.0 dBu (typ.)	-2.0	0	+2.0	dB

<DME8o-ES>

Input	Output	RL	CONDITIONS	MIN	TYP	MAX	UNITS
INPUT 1-8	OUTPUT 1-8	600Ω	input level: +10 dBu, GAIN: +10 dB → output level: +4.0 dBu (typ.)	-2.0	0	+2.0	dB

Total Harmonic Distortion

fs=48 kHz or 96 kHz

<DME4io-ES>

Input	Output	RL	CONDITIONS	MIN	TYP	MAX	UNITS
INPUT 1-4	OUTPUT 1-4	600Ω	+4 dB@20 Hz-20 kHz (fs=48 kHz), 20 Hz-40 kHz (fs=96 kHz), GAIN: -60 dB			0.1	%
			+4 dB@20 Hz-20 kHz (fs=48 kHz), 20 Hz-40 kHz (fs=96 kHz), GAIN: +10 dB			0.05	%
			+22 dB@1 kHz, GAIN: +10 dB			0.015 (fs=48 kHz) 0.007 (fs=96 kHz)	%

<DME8i-ES>

Input	Output	RL	CONDITIONS	MIN	TYP	MAX	UNITS
INPUT 1-8	OUTPUT 1-8	600Ω	+4 dB@20 Hz-20 kHz (fs=48 kHz), 20 Hz-40 kHz (fs=96 kHz), GAIN: -60 dB			0.1	%
			+4 dB@20 Hz-20 kHz (fs=48 kHz), 20 Hz-40 kHz (fs=96 kHz), GAIN: +10 dB			0.05	%
			+22 dB@1 kHz, GAIN: +10 dB			0.015 (fs=48 kHz) 0.007 (fs=96 kHz)	%

<DME8o-ES>

Input	Output	RL	CONDITIONS	MIN	TYP	MAX	UNITS
INPUT 1-8	OUTPUT 1-8	600Ω	+4 dB@20 Hz-20 kHz (fs=48 kHz), 20 Hz-40 kHz (fs=96 kHz), GAIN: +10 dB			0.05	%
			+22 dB@1 kHz, GAIN: +10 dB			0.015 (fs=48 kHz) 0.007 (fs=96 kHz)	%

* Total Harmonic Distortion is measured with a 18 dB/octave filter @80 kHz.

Hum&Noise

fs=48 kHz or 96 kHz, EIN=Equivalent Input Noise

<DME4io-ES>

Input	Output	RL	CONDITIONS	MIN	TYP	MAX	UNITS
INPUT 1-4	OUTPUT 1-4	600Ω	Rs=150Ω, GAIN: -60 dB All input & output level controls: 0 dB		-128	-127	dBu
					-64		dBu
			Rs=150Ω, GAIN: +10 dB All input & output level controls: 0 dB		-82	-79	dBu

<DME8i-ES>

Input	Output	RL	CONDITIONS	MIN	TYP	MAX	UNITS
INPUT 1-8	OUTPUT 1-8	600Ω	Rs=150Ω, GAIN: -60 dB All input & output level controls: 0 dB		-128	-127	dBu
					-64		dBu
			Rs=150Ω, GAIN: +10 dB All input & output level controls: 0 dB		-82	-79	dBu

<DME8o-ES>

Input	Output	RL	CONDITIONS	MIN	TYP	MAX	UNITS
INPUT 1-8	OUTPUT 1-8	600Ω	Rs=150Ω, GAIN: +10 dB All input & output level controls: 0 dB		-82	-79	dBu

* Hum & Noise are measured with a 6 dB/octave filter @12.7 kHz; equivalent to a 20 kHz filter with infinite dB/octave attenuation.

Dynamic Range

fs=48 kHz or 96 kHz

<DME4io-ES>

Input	Output	RL	CONDITIONS	MIN	TYP	MAX	UNITS
INPUT 1-4	OUTPUT 1-4	600Ω	GAIN: +10 dB		106		dB

<DME8i-ES/DME8o-ES>

Input	Output	RL	CONDITIONS	MIN	TYP	MAX	UNITS
INPUT 1-8	OUTPUT 1-8	600Ω	GAIN: +10 dB		106		dB

* Dynamic range are measured with a 6 dB/octave filter @12.7 kHz; equivalent to a 20 kHz filter with infinite dB/octave attenuation.

Crosstalk@1 kHz

reference to the level of output N

<DME4io-ES>

from	to	CONDITIONS	MIN	TYP	MAX	UNITS
INPUT N	OUTPUT (N-1) or (N+1)	N=1-4, GAIN: +10 dB			-80	dB

<DME8i-ES/DME8o-ES>

from	to	CONDITIONS	MIN	TYP	MAX	UNITS
INPUT N	OUTPUT (N-1) or (N+1)	N=1-8, GAIN: +10 dB			-80	dB

* Crosstalk is measured with a 18 dB/octave filter @80 kHz

LED Level Meter

<DME4io-ES>

METERING POINT	CONDITIONS	MIN	TYP	MAX	UNITS
INPUT 1-4 OUTPUT 1-4	PEAK red LED:ON		-3		dBFs
	SIGNAL green LED:ON		-40		dBFs

<DME8i-ES>

METERING POINT	CONDITIONS	MIN	TYP	MAX	UNITS
INPUT 1-8	PEAK red LED: ON		-3		dBFs
	SIGNAL green LED: ON		-40		dBFs

<DME8o-ES>

METERING POINT	CONDITIONS	MIN	TYP	MAX	UNITS
OUTPUT 1-8	PEAK red LED: ON		-3		dBFs
	SIGNAL green LED: ON		-40		dBFs

Signal Delay

from	to	CONDITIONS	MIN	TYP	MAX	UNITS
Analog input of Primary Master	Analog output of the slave	via EtherSound @48 kHz			2	msec

Input/Output Characteristics (入出力特性)

ANALOG INPUT CHARACTERISTICS

Input Terminals	GAIN	Actual Load Impedance	For Use With Nominal	Input Level		Connector
				Nominal	Max.before clip	
<DME4io-ES> CH INPUT 1-4	+10 dB	3 k Ω	50-600 Ω Mics & 600 Ω Lines	+10 dBu (2.45 V)	+30 dBu (24.5 V)	EUROBLOCK (5.08 mm pitch)
<DME8i-ES> CH INPUT 1-8	-60 dB			-60 dBu (0.775 mV)	-40 dBu (7.75 mV)	

*1. In these specifications, 0 dBu is referenced to 0.775 Vrms.

*2. All AD converters are 24-bit linear, 128-times oversampling (Fs=48 kHz)/64-times oversampling (Fs=96 kHz).

*3. +48V DC (Phantom power) is supplied to CH INPUT EUROBLOCK connectors via each individual software controlled switch.

ANALOG OUTPUT CHARACTERISTICS

Output Terminals	Actual Source Impedance	For Use With Nominal	Output level		Connector
			Nominal	Max. before clip	
<DME4io-ES> CH OUTPUT 1-4	75 Ω	600 Ω Lines	+4 dBu (1.23 V)	+24 dBu (12.28 V)	EUROBLOCK (5.08mm pitch)
<DME8o-ES> CH OUTPUT 1-8					

*1. In these specifications, 0 dBu is referenced to 0.775 Vrms.

*2. All DA converters are 24-bit linear, 128-times oversampling (Fs=48 kHz)/64-times oversampling (Fs=96 kHz).

DIGITAL INPUT & OUTPUT CHARACTERISTICS

Terminal	Format	Data length	Level	Audio	Connector
EtherSound	EtherSound	24 bit	100Base-TX	16ch input/16ch output @ 48 kHz 8ch input/8ch output @ 96 kHz	RJ-45x2

CONTROL I/O CHARACTERISTICS

Terminal		Format	Level	Connector
GPI	IN	–	0–5V	EUROBLOCK *1 (3.5mm pitch)
	OUT	–	TTL	
	+V	–	5V	
Ethernet		IEEE802.3	10Base-T/100Base-TX	RJ-45
USB		USB 1.1 Function	–	Type B
REMOTE		RS-232C/RS-422	RS-232C/RS-422	D-SUB 9P (Male)

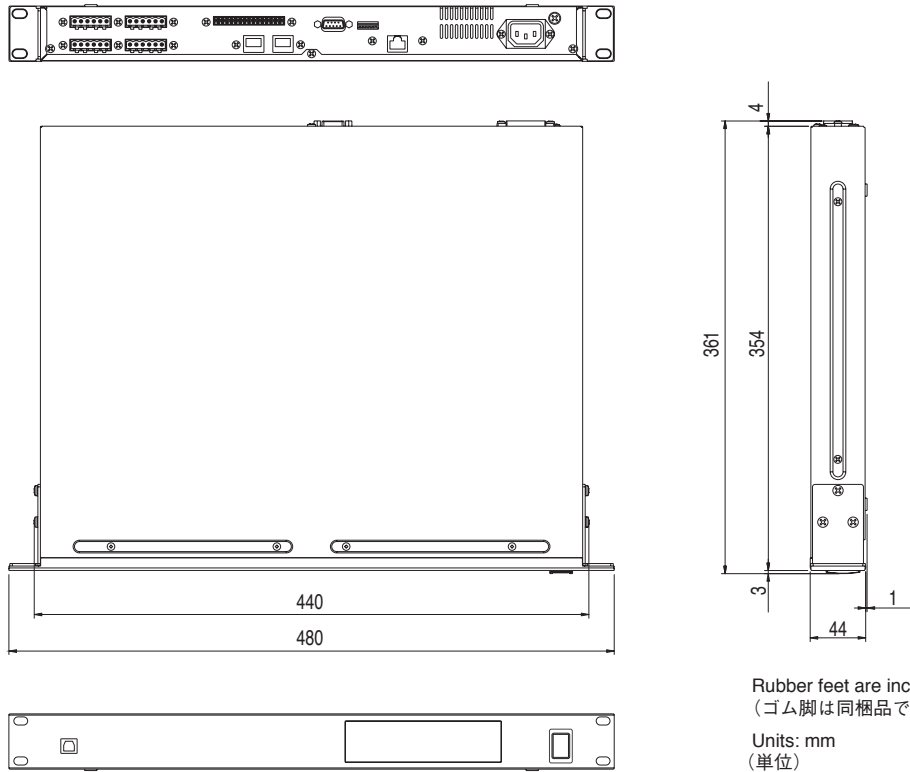
*1 Inputs: 8 channels, Outputs: 4 channels
 Inputs: Not apply 2 wire Fader mode
 Outputs: I_{max}/pin = 16 mA
 Outputs: V_H = 2.5 V(min.), V_L = 0.6 V(max.)

[NETWORK] Connector (100Base-TX Ethernet, RJ-45)

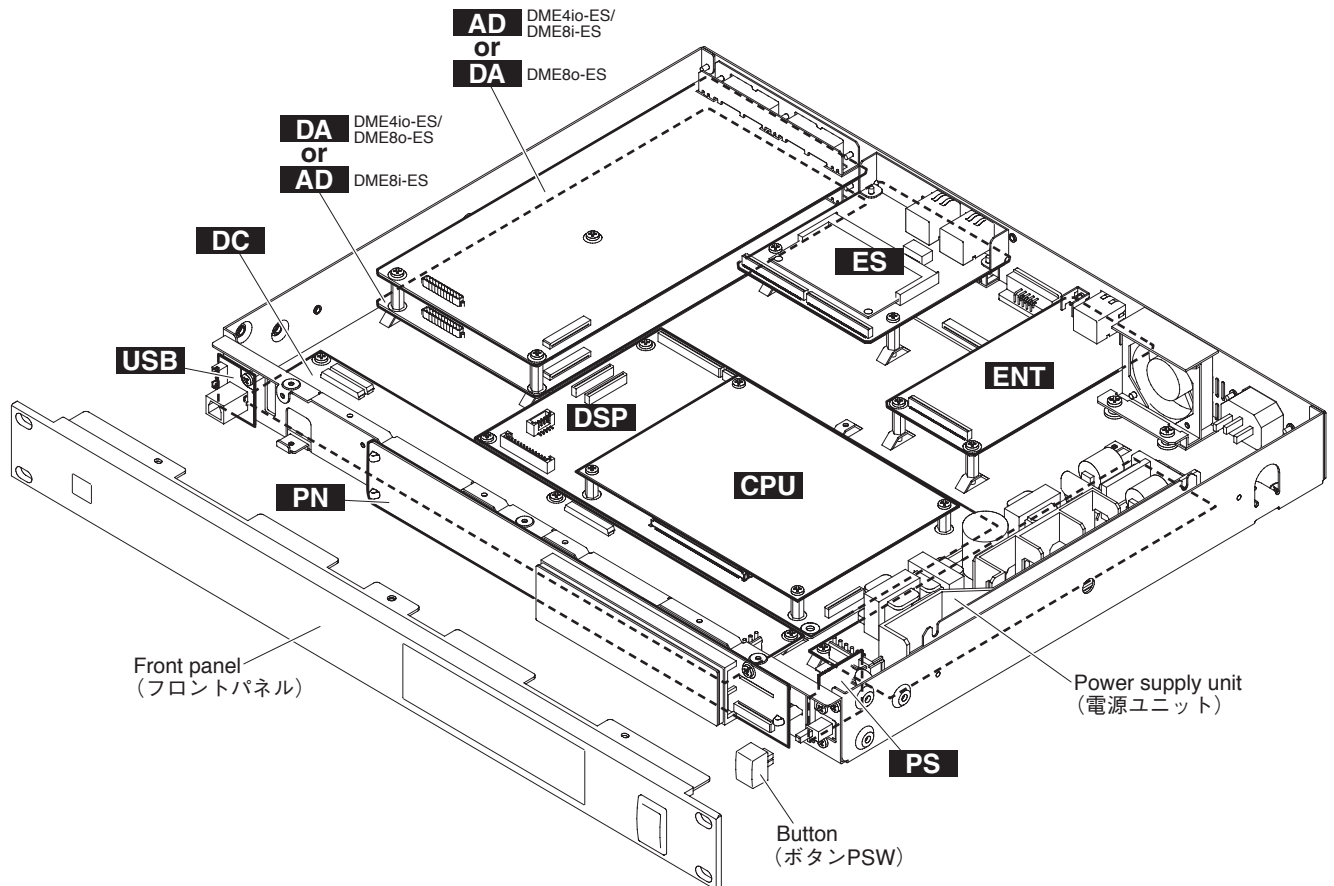
([NETWORK]端子 (100Base-TX Ethernet, RJ-45コネクター))

Pin	Connection
1	TxD+
2	TxD–
3	RxD+
4	Unused
5	Unused
6	RxD–
7	Unused
8	Unused

DIMENSIONS (寸法図)

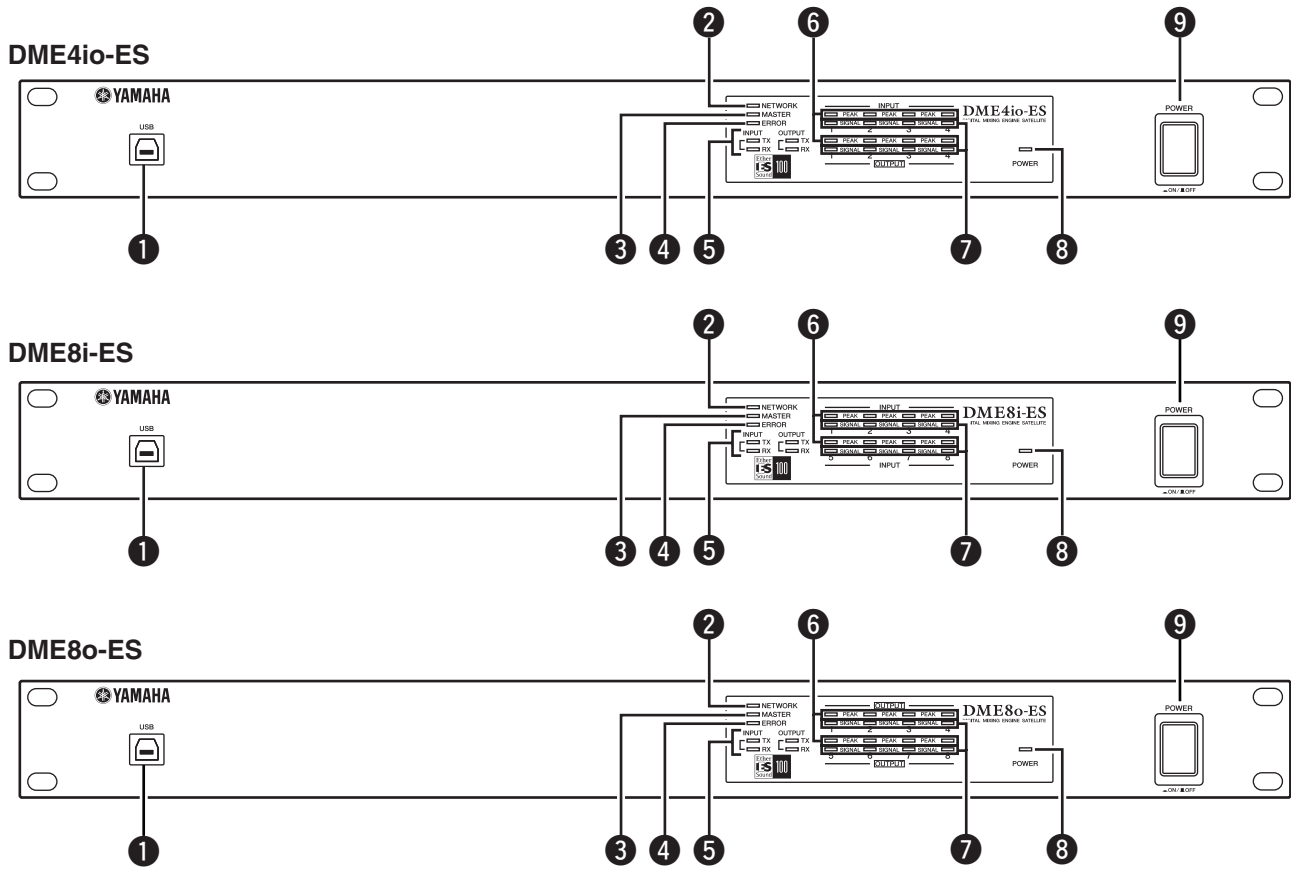


CIRCUIT BOARD LAYOUT (ユニットレイアウト)



■ PANEL LAYOUT (パネルレイアウト)

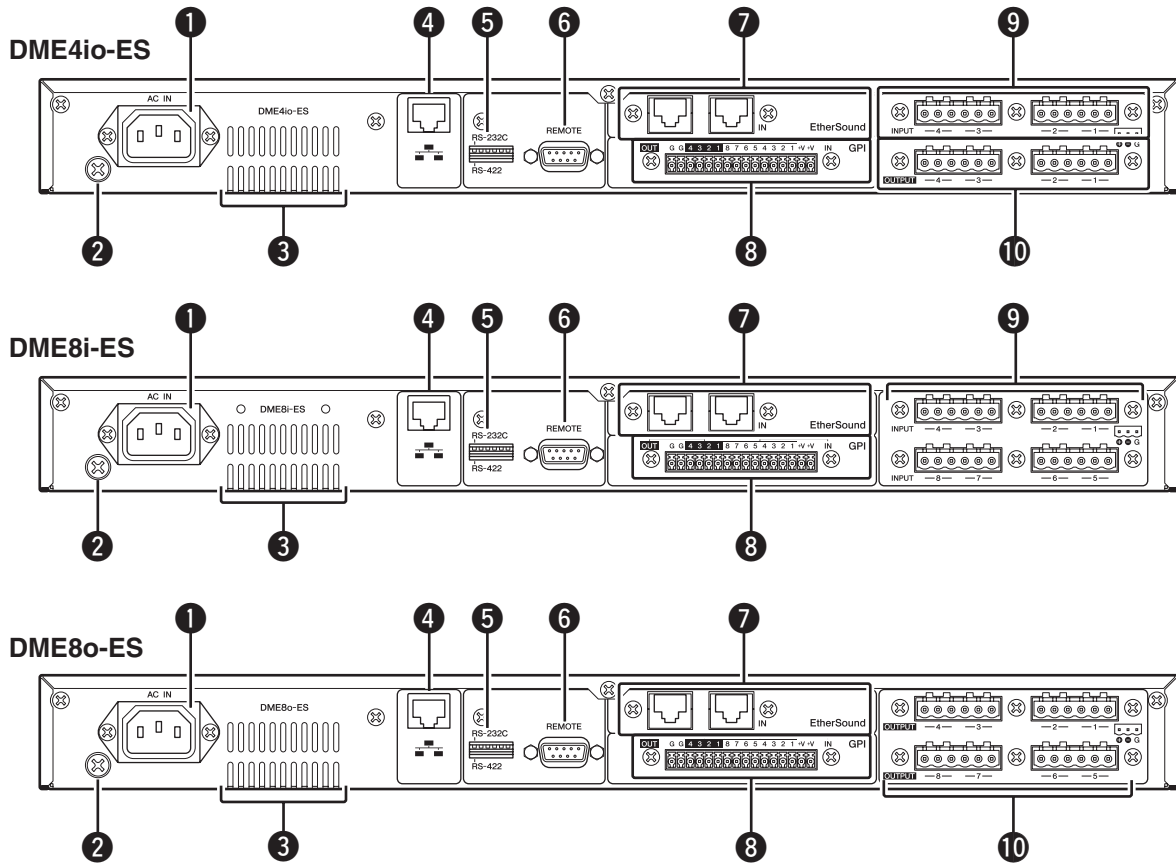
■ Front Panel (フロントパネル)



- ① [USB] Connector
- ② [NETWORK] Indicator
- ③ [MASTER] Indicator
- ④ [ERROR] Indicator
- ⑤ [TX/RX] Indicator
- ⑥ [PEAK] Indicators
- ⑦ [SIGNAL] Indicators
- ⑧ [POWER] Indicator
- ⑨ [POWER] Switch

- ① [USB] 端子
- ② [NETWORK] インジケータ
- ③ [MASTER] インジケータ
- ④ [ERROR] インジケータ
- ⑤ [TX/RX] インジケータ
- ⑥ [PEAK] インジケータ
- ⑦ [SIGNAL] インジケータ
- ⑧ [POWER] インジケータ
- ⑨ [POWER] スイッチ

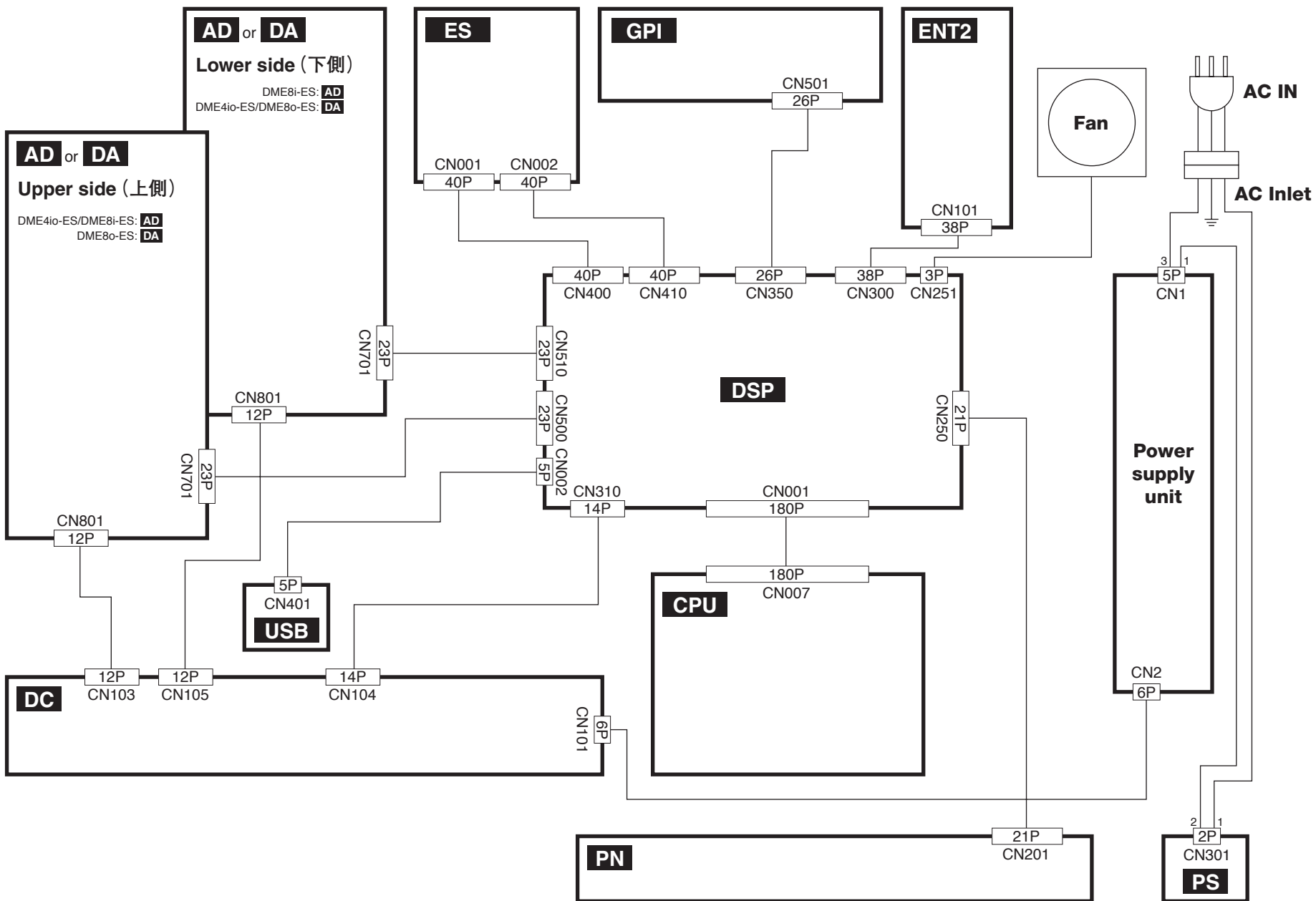
■ Rear Panel (リアパネル)



- ① [AC IN] Connector
- ② Ground Screw
- ③ Cooling vent
- ④ [NETWORK] Connector
- ⑤ Dip Switch
- ⑥ [REMOTE] Connector
- ⑦ EtherSound [IN]/[OUT] Connectors
- ⑧ [GPI] Connector
- ⑨ [INPUT] Connectors
- ⑩ [OUTPUT] Connectors

- ① [AC IN] 端子
- ② アース用ネジ
- ③ 排気口
- ④ [NETWORK] 端子
- ⑤ ディップスイッチ
- ⑥ [REMOTE] 端子
- ⑦ EtherSound [IN]/[OUT] 端子
- ⑧ [GPI] 端子
- ⑨ [INPUT] 端子
- ⑩ [OUTPUT] 端子

■ WIRING (基板結線図)



DISASSEMBLY PROCEDURE (分解手順)

Caution:

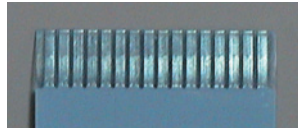
1. **Be sure to attach the removed filament tape just as it was before removal.**
2. **Pay attention not to insert and install the cable to the connector inversely. (Photo 1)**

注意事項

1. フィラメントテープは、取り外す前と同じように取り付けてください。
2. フラットケーブルの表・裏を逆に差し込まないように注意して取り付けてください。(写真1)



Front Side (Printed Side)
表面 (印刷面)



Back Side
裏面

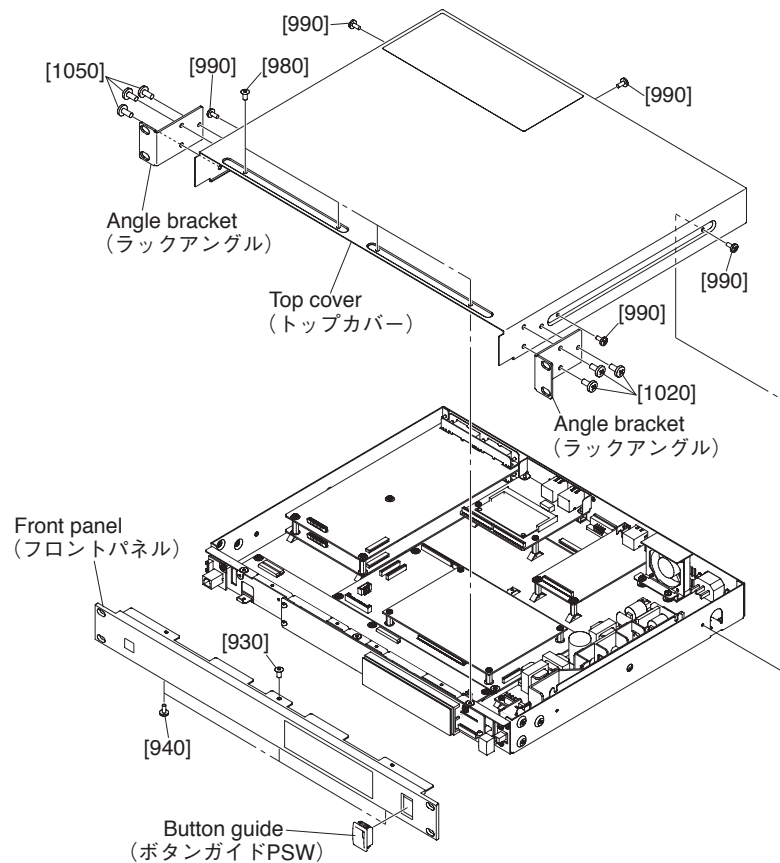
Photo 1 (写真1)

1. Top Cover (Time required: About 2 minutes)

- 1-1 Remove the three (3) screws marked [1020] and three (3) screws marked [1050]. The right and left rack angle brackets can then be removed. (Fig. 1)
- 1-2 Remove the four (4) screws marked [980] and five (5) screws marked [990]. The top cover can then be removed. (Fig. 1)

1. トップカバー (所要時間: 約2分)

- 1-1 [1020] のネジ3本と [1050] のネジ3本を外して、左右のラックアングルを外します。(図1)
- 1-2 [980] のネジ4本と [990] のネジ5本を外して、トップカバーを外します。(図1)



- [930]: Bind Head Tapping Screw-S (Sタイト) 3.0X6 MFZN2B3 (WF054700)
 [940]: Bind Head Tapping Screw-S (Sタイト+B I N D) 3.0X6 MFZN2B3 (WE877800)
 [980]: Bind Head Tapping Screw-S (Sタイト) 3.0X6 MFZN2B3 (WF054700)
 [990]: Bind Head Tapping Screw-S (Sタイト+B I N D) 3.0X6 MFZN2B3 (WE877800)
 [1020]: Bind Head Tapping Screw-B (Bタイト+B I N D) 4.0X8 MFZN2B3 IT (WE986200)
 [1050]: Bind Head Tapping Screw-B (Bタイト+B I N D) 4.0X8 MFZN2B3 IT (WE986200)

Fig. 1 (図1)

2. Front Panel (Time required: About 3 minutes)

- 2-1 Remove the top cover. (See procedure 1.)
- 2-2 Remove the screw marked [930] and three (3) screws marked [940]. The front panel can then be removed. (Fig. 1)
- 2-3 Remove the button guide from the front panel. (Fig. 1)

3. CPU Circuit Board (Time required: About 3 minutes)

- 3-1 Remove the top cover. (See procedure 1.)
- 3-2 Remove the four (4) screws marked [70] and pull out the CPU circuit board from the DSP circuit board. (Fig. 2, Photo 2)

- * **If the CPU circuit board is replaced, check the program version and upgrade to V3.0 if the version is lower than V3.0. The upgrading is necessary because the test program is in the "Boot" program area and there are following restrictions depending on Boot version. (Table 1)**
 - In case of V2.xx, only the Satellite-C can be tested.
 - In case of V3.xx, both the Satellite-C/ES can be tested.

2. フロントパネル (所要時間：約3分)

- 2-1 トップカバーを外します。(1項参照)
- 2-2 [930]のネジ1本と[940]のネジ3本を外して、フロントパネルを外します。(図1)
- 2-3 フロントパネルからボタンガイドPSWを外します。(図1)

3. CPUシート (所要時間：約3分)

- 3-1 トップカバーを外します。(1項参照)
- 3-2 [70]のネジ4本を外して、DSPシートよりCPUシートを引き抜きます。(図2, 写真2)
- ※ CPUシートを交換した場合は、プログラムバージョンをチェックして、V3.0未満の場合はV3.0にバージョンアップしてください。これは、テストプログラムが「Boot」プログラム部に入っており、Bootのバージョンによって次の制約があることへの対応です。(表1)
 - V2.xxはSatellite-Cしかテストできません。
 - V3.xxはSatellite-C/ES共にテストすることができます。

Table 1 Table for combinations of Boot and Program versions
(表1 Boot部とProgram部のバージョンの組み合わせ表)

<Satellite-ES>		Program	
		V2.0	V3.0
Boot	V2.0	×	△
	V3.0	×	○

* × : Operates without error or sound.
(エラーも音も出ません。)
△ : Operates without error, but test program does not run.
(エラーは出ませんが、テストプログラムが動きません。)

4. Replacing the Lithium Battery (Time required: About 3 minutes)

- 4-1 Remove the top cover. (See procedure 1.)
- 4-2 The lithium battery on the CPU circuit board can then be replaced. (Fig. 2, Photo 3)

4. リチウム電池の交換 (所要時間：約3分)

- 4-1 トップカバーを外します。(1項参照)
- 4-2 CPUシート上より、リチウム電池を交換することができます。(図2, 写真3)

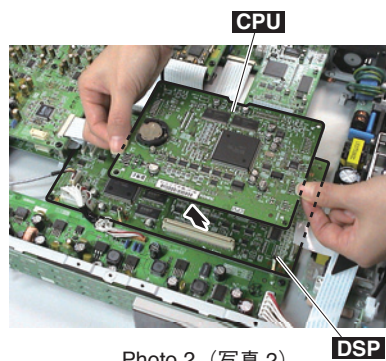
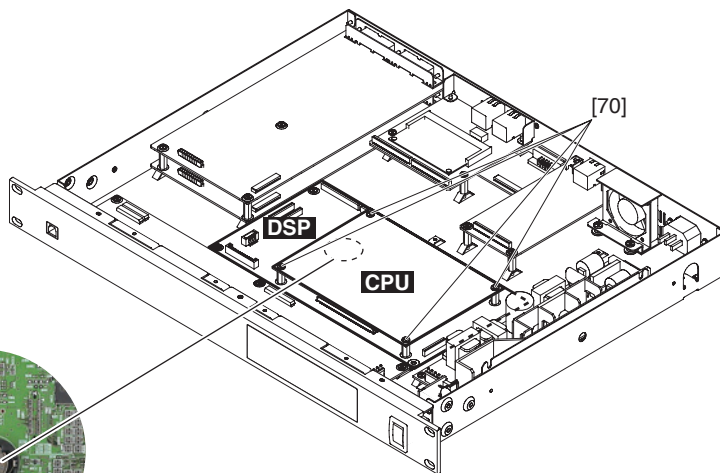


Photo 2 (写真2)



[70]: Bind Head Tapping Screw-S (Sタイト+BIND) 3.0X6 MFZN2B3 (WE877800)

Fig. 2 (図2)

• Lithium Battery (リチウム電池)

Battery VN103500
VN103600(Battery holder for VN103500)

- Notice for back-up battery removal
Push the battery as shown in figure, then the battery will pop up.
- Druk de batterij naar beneden zoals aangeven in de tekening de batterij springt dan naar voren.

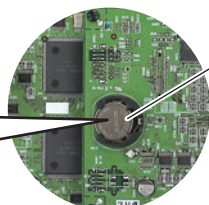
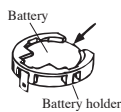


Photo 3 (写真3)

- * The lithium battery is not part of the CPU circuit board. When replacing the CPU circuit board, remove the lithium battery from the circuit board and install it on the new circuit board. (Photo 3)
- * Save the important data to an external device (such as a computer) with the backup function of the DME Designer in advance. For more information on the operation, refer to the DME Designer owner's manual.

5. DSP Circuit Board

(Time required: About 3 minutes)

- 5-1 Remove the top cover. (See procedure 1.)
- 5-2 Remove the CPU circuit board. (See procedure 3.)
- 5-3 Remove the two (2) screws marked [30] and four (4) hexagonal spacers marked [40]. The DSP circuit board can then be removed. (Fig. 3)

6. ES Circuit Board

(Time required: About 3 minutes)

- 6-1 Remove the top cover. (See procedure 1.)
- 6-2 Remove the two (2) screws marked [440] and two (2) screws marked [460]. The ES circuit board can then be removed. (Fig. 3, Fig. 5)
- 6-3 Remove the two (2) screws marked [430]. The CNT holder can then be removed from the ES circuit board. (Fig. 4)
- * The two (2) screws marked [430] and CNT holder are not part of the ES circuit board. When replacing the ES circuit board, remove the screws and CNT holder from the circuit board and install them on the new circuit board.

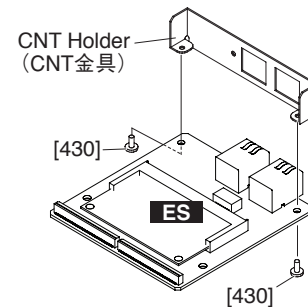
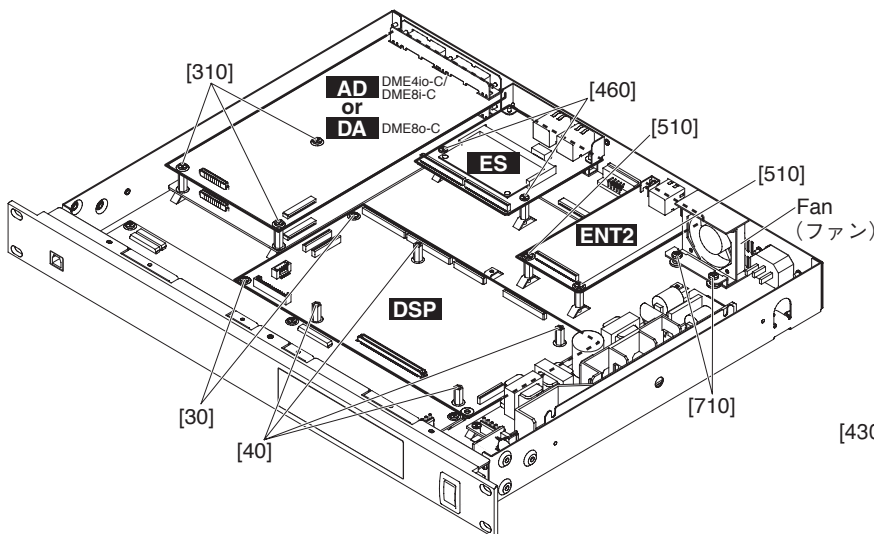
- ※ リチウム電池は、CPU シートの構成部品ではありません。CPU シートを交換する際には、本体のシートからリチウム電池を取り外して、新しいシートに取り付けてください。(写真3)
- ※ 重要なデータは、あらかじめ DME Designer のバックアップ機能でパソコンなどの外部機器に保存してください。その操作方法の詳細は、DME Designer 取扱説明書を参照してください。

5. DSP シート (所要時間: 約3分)

- 5-1 トップカバーを外します。(1項参照)
- 5-2 CPUシートを外します。(3項参照)
- 5-3 [30] のネジ2本と [40] の六角スペーサー4本を外して、DSPシートを外します。(図3)

6. ES シート (所要時間: 約3分)

- 6-1 トップカバーを外します。(1項参照)
- 6-2 [440] のネジ2本と [460] のネジ2本を外して、ESシートを外します。(図3, 図5)
- 6-3 [430] のネジ2本を外して、ESシートから CNT 金具を外します。(図4)
- ※ [430] のネジ2本と CNT 金具は ES シートの構成部品ではありません。ES シートを交換する際には、本体シートからネジと CNT 金具を取り外して、新しいシートに取り付けて下さい。



[430]: Bind Head Tapping Screw-S (S タイト+B I N D) 3.0X6 MFZN2B3 (WE877800)

Fig. 4 (図4)

[30]: Bind Head Tapping Screw-S (S タイト+B I N D)	3.0X6 MFZN2B3 (WE877800)
[40]: Hexagonal Spacer (六角スペーサー-M 3 x)	L=13 (WG501800)
[310]: Bind Head Tapping Screw-S (S タイト+B I N D)	3.0X6 MFZN2B3 (WE877800)
[460]: Bind Head Tapping Screw-S (S タイト+B I N D)	3.0X6 MFZN2B3 (WE877800)
[510]: Bind Head Tapping Screw-S (S タイト+B I N D)	3.0X6 MFZN2B3 (WE877800)
[710]: Bind Head Tapping Screw-B (B タイト+B I N D)	3.0X6 MFZN2W3 (WE936300)

Fig. 3 (図3)

7. ENT2 Circuit Board

(Time required: About 3 minutes)

- 7-1 Remove the top cover. (See procedure 1.)
- 7-2 Remove the two (2) screws marked [500] and two (2) screws marked [510]. The ENT2 circuit board can then be removed. (Fig. 3, Fig. 5)

7. ENT2 シート (所要時間: 約 3 分)

- 7-1 トップカバーを外します。(1 項参照)
- 7-2 [500] のネジ 2 本と [510] のネジ 2 本を外して、ENT2 シートを外します。(図 3, 図 5)

8. Fan (Time required: About 3 minutes)

- 8-1 Remove the top cover. (See procedure 1.)
- 8-2 Remove the two (2) screws marked [700]. The fan can then be removed. (Photo 4)
- 8-3 Peel the upper and lower nonwoven fabric, remove the two (2) screws marked [700] and separate the fan and fan holder. (Photo 3)

8. ファン (所要時間: 約 3 分)

- 8-1 トップカバーを外します。(1 項参照)
- 8-2 [710] のネジ 2 本を外して、ファンを外します。(図 3)
- 8-3 上下の不織布を剥がし、[700] のネジ 2 本を外して、ファンと FAN 金具を分離します。(写真 4)

9. AD (DA) Circuit Board

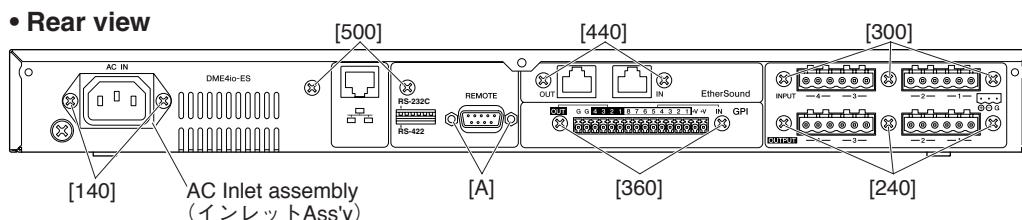
(Time required: About 3 minutes)

- 9-1 Remove the top cover. (See procedure 1.)
- 9-2 Remove the three (3) screws marked [300] and three (3) screws marked [310]. The AD (DA) circuit board can then be removed. (Fig. 3, Fig. 5)

9. AD (DA) シート (所要時間: 約 3 分)

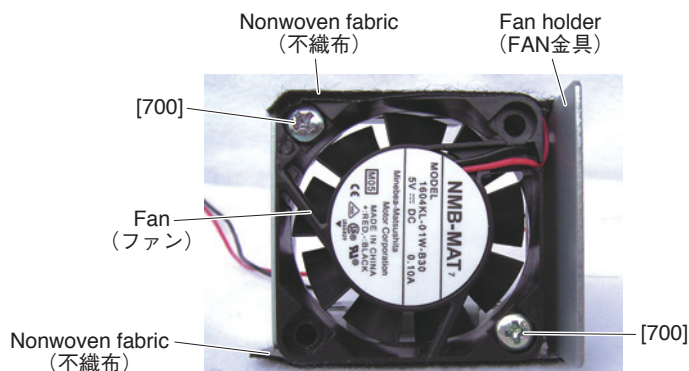
- 9-1 トップカバーを外します。(1 項参照)
- 9-2 [300] のネジ 3 本と [310] のネジ 3 本を外して、AD (DA) シートを外します。(図 3, 図 5)
- ※ DME8o-ES では同位置に DA シートがありますが、同様に外すことができます。

* On the DME8o-ES, a DA circuit board is mounted at the same position as the AD circuit board mentioned above. The DA circuit board can be removed in the same manner.



- [140]: Bind Head Tapping Screw-B (B タイト + B I N D) 3.0X8 MFZN2B3 (WE774400)
- [240]: Bind Head Tapping Screw-S (S タイト + B I N D) 3.0X6 MFZN2B3 (WE877800)
- [300]: Bind Head Tapping Screw-S (S タイト + B I N D) 3.0X6 MFZN2B3 (WE877800)
- [360]: Bind Head Tapping Screw-S (S タイト + B I N D) 3.0X6 MFZN2B3 (WE877800)
- [440]: Bind Head Tapping Screw-S (S タイト + B I N D) 3.0X6 MFZN2B3 (WE877800)
- [500]: Bind Head Tapping Screw-S (S タイト + B I N D) 3.0X6 MFZN2B3 (WE877800)

Fig. 5 (図 5)



- [700]: Bind Head Tapping Screw-S (S タイト + B I N D) 3.0X12 MFZN2W3 (WE994500)

Photo 4 (写真 4)

10. DA (AD) Circuit Board**(Time required: About 4 minutes)**

- 10-1 Remove the top cover. (See procedure 1.)
- 10-2 Remove the AD (DA) circuit board. (See procedure 9.)
- * **On the DME8o-ES, a DA circuit board is mounted at the same position as the AD circuit board mentioned above. The DA circuit board can be removed in the same manner.**
- 10-3 Remove the three (3) screws marked [240] and three (3) hexagonal spacers marked [250]. The DA circuit board can then be removed. (Fig. 5, Fig. 6)
- * **On the DME8i-ES, a AD circuit board is mounted at the same position as the DA circuit board mentioned above. The AD circuit board can be removed in the same manner.**

10. DA (AD) シート (所要時間: 約 4 分)

- 10-1 トップカバーを外します。(1項参照)
- 10-2 AD (DA) シートを外します。(9項参照)
- ※ DME8o-ES では同位置に DA シートがありますが、同様に外すことができます。
- 10-3 [240] のネジ 3 本と [250] の六角スペーサー 3 本を外して、DA (AD) シートを外します。(図 5, 図 6)
- ※ DME8i-ES では同位置に AD シートがありますが、同様に外すことができます。

11. GPI Circuit Board**(Time required: About 3 minutes)**

- 11-1 Remove the top cover. (See procedure 1.)
- 11-2 Remove the ES circuit board. (See procedure 6.)
- 11-3 Remove the two (2) screws marked [360] and two (2) screws marked [A]. The GPI circuit board can then be removed. (Fig. 5, Fig. 6)

11. GPI シート (所要時間: 約 3 分)

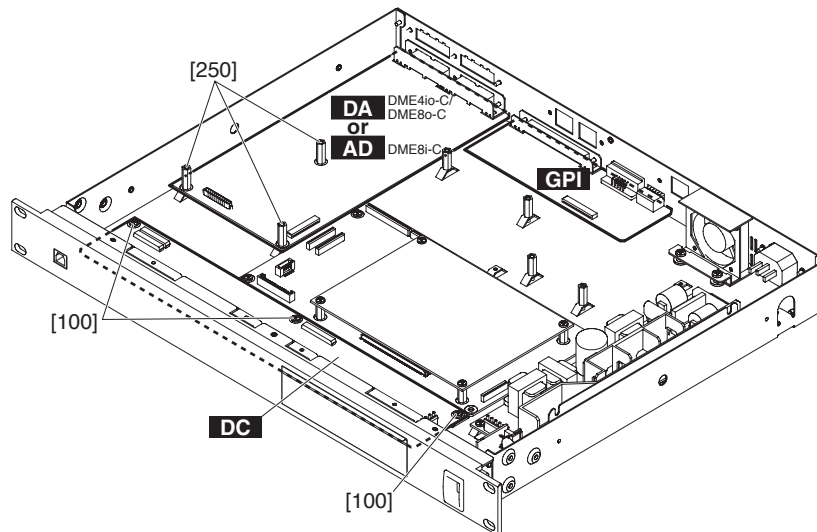
- 11-1 トップカバーを外します。(1項参照)
- 11-2 ES シートを外します。(6項参照)
- 11-3 [360] のネジ 2 本と [A] のネジ 2 本を外して、GPI シートを外します。(図 5, 図 6)

12. DC Circuit Board**(Time required: About 3 minutes)**

- 12-1 Remove the top cover. (See procedure 1.)
- 12-2 Remove the three (3) screws marked [100]. The DC circuit board can then be removed. (Fig. 6)

12. DC シート (所要時間: 約 3 分)

- 12-1 トップカバーを外します。(1項参照)
- 12-2 [100] のネジ 3 本を外して、DC シートを外します。(図 6)



[100]: Bind Head Tapping Screw-S (S タイト+B I N D) 3.0X6 MFZN2B3 (WE877800)
 [250]: Hexagonal Spacer (六角スペーサー-M 3 x) L=17 (WG502000)

Fig. 6 (図 6)

13. Window and PN Circuit Board

- 13-1 Remove the top cover. (See procedure 1.)
 13-2 Remove the front panel. (See procedure 2.)
 13-3 **Window (Time required: About 3 minutes)**
 13-3-1 Remove the window. (Fig. 7)
 13-4 **PN Circuit Board (Time required: About 3 minutes)**
 13-4-1 Remove the screw marked [570] and unhook the three (3) tabs on the spacers. The PN circuit board can then be removed. (Fig. 7)
 13-4-2 Unhook the two (2) tabs on the pattern side of the PN circuit board. The meter block can then be removed from the PN circuit board. (Photo 5)
 * **The meter block is not part of the PN circuit board. When replacing the PN circuit board, remove the meter block from the circuit board and install it on the new circuit board.**

14. USB Circuit Board

(Time required: About 3 minutes)

- 14-1 Remove the top cover. (See procedure 1.)
 14-2 Remove the front panel. (See procedure 2.)
 14-3 Remove the two (2) screws marked [630]. The USB circuit board can then be removed. (Photo 6)

15. PS Circuit Board

(Time required: About 3 minutes)

- 15-1 Remove the top cover. (See procedure 1.)
 15-2 Remove the front panel. (See procedure 2.)
 15-3 Pull out the button. (Fig. 7)
 15-4 Remove the two (2) screws marked [190]. The PS circuit board can then be removed. (Fig. 7)

13. ウィンドウ MT、PN シート

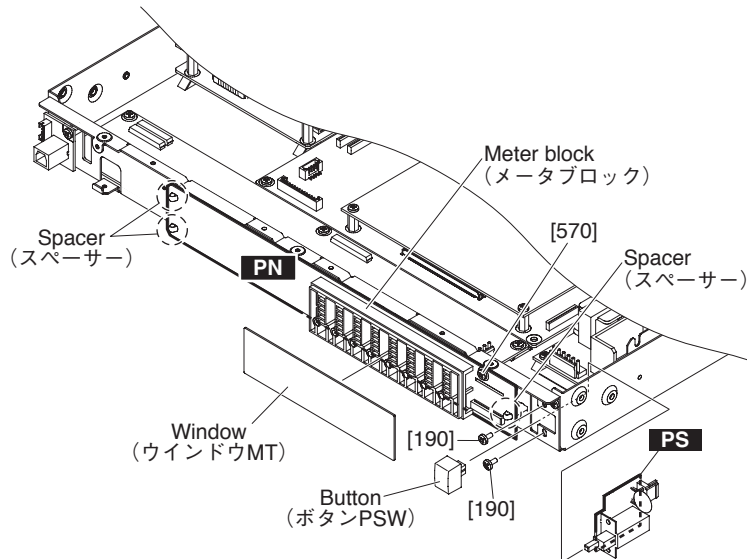
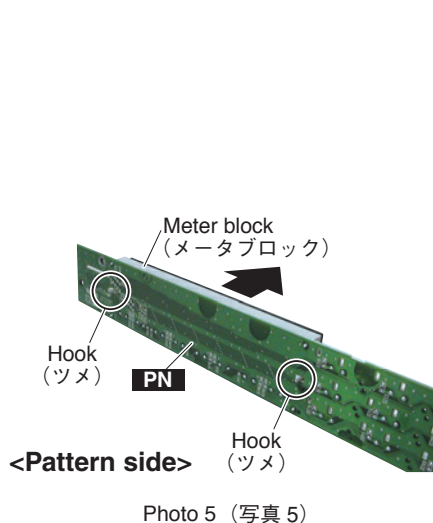
- 13-1 トップカバーを外します。(1項参照)
 13-2 フロントパネルを外します。(2項参照)
 13-3 ウィンドウ MT (所要時間: 約 3 分)
 13-3-1 ウィンドウ MT を外します。(図 7)
 13-4 PN シート (所要時間: 約 3 分)
 13-4-1 [570] のネジ 1 本を外し、3 カ所のスペーサーのツメを外して、PN シートを外します。(図 7)
 13-4-2 PN シートのパターン側に出ている 2 カ所のツメを外して、PN シートからメータブロックを外します。(写真 5)
 ※ メータブロックは PN シートの構成部品ではありません。PN シートを交換する際には、本体シートからメータブロックを取り外して、新しいシートに取り付けて下さい。

14. USB シート (所要時間: 約 3 分)

- 14-1 トップカバーを外します。(1項参照)
 14-2 フロントパネルを外します。(2項参照)
 14-3 [630] のネジ 2 本を外して、USB シートを外します。(写真 6)

15. PS シート (所要時間: 約 3 分)

- 15-1 トップカバーを外します。(1項参照)
 15-2 フロントパネルを外します。(2項参照)
 15-3 ボタン PSW を引き抜きます。(図 7)
 15-4 [190] のネジ 2 本を外して、PS シートを外します。(図 7)



[190]: Bind Head Tapping Screw-S (S タイト+B I N D) 3.0X6 MFZN2B3 (WE877800)
 [570]: Bind Head Tapping Screw-S (S タイト+B I N D) 3.0X6 MFZN2B3 (WE877800)

Fig. 7 (図 7)

16. Power Supply Unit

(Time required: About 3 minutes)

- 16-1 Remove the top cover. (See procedure 1.)
 16-2 Remove the two (2) screws marked [760] and two (2) screws marked [790]. The power supply unit can then be removed. (Photo 7)

16. 電源ユニット (所要時間:約3分)

- 16-1 トップカバーを外します。(1項参照)
 16-2 [760]のネジ2本と[790]のネジ2本を外して、電源ユニットを外します。(写真7)

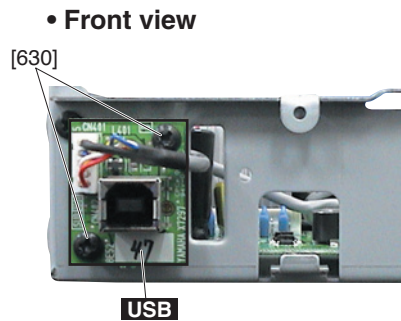
17. AC Inlet Assembly

(Time required: About 3 minutes)

- 17-1 Remove the top cover. (See procedure 1.)
 17-2 Remove the two (2) screws marked [140], the screw marked [150] and two (2) cord holder. The AC inlet assembly can then be removed. (Fig. 5, Photo 7)

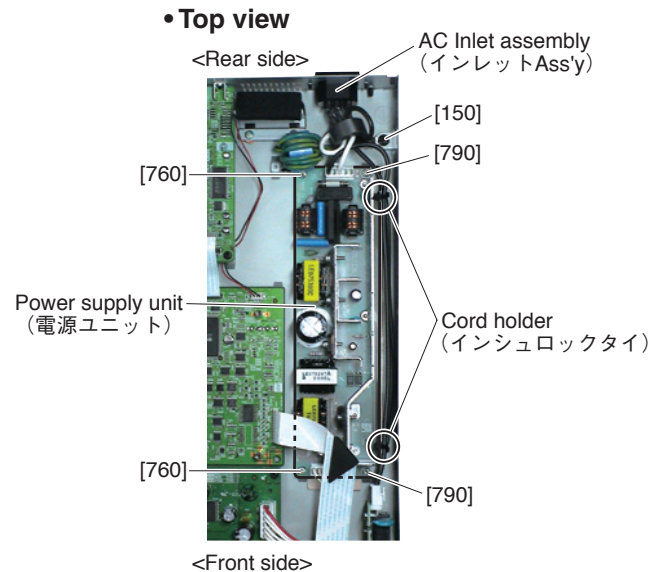
17. インレット Ass'y (所要時間:約3分)

- 17-1 トップカバーを外します。(1項参照)
 17-2 [140]のネジ2本と[150]のネジ1本、インシュロックタイ2カ所を外して、インレット Ass'yを外します。(図5、写真7)



[630]: Bind Head Tapping Screw-S (Sタイト+BIND) 3.0X6 MFZN2B3 (WE877800)

Photo 6 (写真6)



[150]: Bind Head Tapping Screw-S (Sタイト+BIND) 4.0X8 MFZN2B3 (WE994800)

[760]: Bind Head Tapping Screw-S (Sタイト+BIND) 3.0X6 MFZN2W3 (WH673900)

[790]: Bind Head Tapping Screw-S (Sタイト+BIND) 3.0X6 MFZN2W3 (WH673900)

Photo 7 (写真7)

■ LSI PIN DESCRIPTION (LSI 端子機能表)

AK4393-VF-E2 (XW029A00) DAC (Digital to Analog Converter)	23
AK5385BVF-E2 (X5364B00) ADC (Analog to Digital Converter)	24
HD6417727F160CV (X2890B00) CPU	25
KSZ8721SL (X5621A00) PHY (Physical Layer)	20
LC4032V-75TN48C (X7109A00) CPLD (Complex Programmable Logic Device)	24
LC4032V-75TN48C (X7697A00) CPLD (Complex Programmable Logic Device)	24
LC4064V-75TN100C (X7696A00) CPLD (Complex Programmable Logic Device)	23
LC4064V-75TN100C (X8955A00) CPLD (Complex Programmable Logic Device)	23
MBCG61594-130-E1 (X3299A00) ATSC2A	21
MD1333N (X6154A00) DC-DC CONVERTER	24
S1L51252F32S200 (X3775A00) PLL2 (Gate Array)	27
YSS919B-HZ (XZ693B00) DSP7 (Digital Signal Processor)	26
YSS919C-FZ (XZ693C00) DSP7 (Digital Signal Processor)	26
YTD442-RZ (X7197A00) VNP1	22

● KSZ8721SL (X5621A00) PHY (Physical Layer)

ENT2: IC109

PIN NO.	NAME	I/O	FUNCTION	PIN NO.	NAME	I/O	FUNCTION
1	MDIO	I/O	Management Data Input / Output.	25	INT#/PHYAD0	O	Management interface (MI) interrupt out.
2	MDC	I	Management Data clock.	26	LEDO/TEST	O	Link/Activity LED.
3	RXD3/PHYAD1	O	Receive Data 3.	27	LED1/SPD100	O	Speed LED.
4	RXD2/PHYAD2	O	Receive Data 2.	28	LED2/DUPLEX	O	Full-duplex LED.
5	RXD1/PHYAD3	O	Receive Data 1.	29	LED3/INWAYEN	O	Collision LED.
6	RXD0/PHYAD4	O	Receive Data 0.	30	PD#	I	Power down
7	VDDIO	-	Power	31	VDDRFX	-	Power
8	GND	-	Ground	32	RX-	I	} Receive input.
9	RXDV/PCS_LPBK	O	Receive Data Valid.	33	RX+	I	
10	RXC	O	Receive Clock.	34	FXSD/FXEN	O	Fiber Mode Enable / signal detect in fiber Mode.
11	RXER/ISO	O	Receive Error.	35	GND	-	} Ground.
12	GND	-	Ground	36	GND	-	
13	VDDC	-	Power	37	REXT	I	External resistor (6.49kΩ) connects to REXT and GND.
14	TXER	I	Transmit Error.	38	VDDRFX	-	Power
15	TXC/REF_CLK	I/O	Transmit Clock.	39	GND	-	Ground
16	TXEN	I	Transmit Enable input.	40	TX-	O	} Transmit outputs.
17	TXD0	I	Transmit data 0.	41	TX+	O	
18	TXD1	I	Transmit data 1.	42	VDDTX	-	Power
19	TXD2	I	Transmit data 2.	43	GND	-	} Ground.
20	TXD3	I	Transmit data 3.	44	GND	-	
21	COL/RMII	O	Collision (Detect).	45	XO	O	XTAL Feedback.
22	CRS/RMII_BT	O	Carrier Sense.	46	XI	I	Crystal Oscillator.
23	GND	-	Ground	47	VDDPLL	-	Power
24	VDDIO	-	Power	48	RST#	I	Chip Reset.

● MBCG61594-130-E1 (X3299A00) ATSC2A

DSP: IC403

PIN NO.	NAME	I/O	FUNCTION	PIN NO.	NAME	I/O	FUNCTION	
1	VDD		Power supply +3.3V	73	VDD		Power supply +3.3V	
2	XTST	I	LSI test pin	74	PB_H_M4_SEL	I	Port B audio data input buffer active select	
3	Vss		Ground	75	PB_O_MUTE	I	Port B mute	
4	WT_X	I	CPU interface write input	76	Vss		Ground	
5	RD_X	I	CPU interface read input	77	PB_S00_ATO	O	Port B audio data output	
6	CS_X	I	CPU interface chip select input	78	PB_SO1	O		
7	HS_SEL	I	Chip active select	79	PB_SO2	O		
8	RES_X	I	System reset input	80	PB_SO3	O	Ground	
9	Vss		Ground	81	Vss			
10	ADD[0]	I	CPU interface address bus	82	PB_O_H_MODE[0]	I	Port B audio data output mode select	
11	ADD[1]	I						
12	ADD[2]	I						
13	ADD[3]	I		Port C audio data input mode select	84	PB_O_H_MODE[2]	I	
14	ADD[4]	I						
15	ADD[5]	I						
16	ADD[6]	I						
17	ADD[7]	I		85	PC_I_H_MODE[0]	I	Port C audio data input buffer active select	
18	VDD		Power supply +3.3V	86	PC_I_H_MODE[1]	I		
19	Vss		Ground	87	PC_I_H_MODE[2]	I	Port C audio data input	
20	DAT[0]	I/O	CPU interface data bus	88	PC_H_M4_SEL	I		
21	DAT[1]	I/O						
22	DAT[2]	I/O						
23	DAT[3]	I/O						
24	VDD		Power supply +3.3V	89	PC_SIO_ATI	I	Port C audio data input	
25	Vss		Ground	90	VDD			Power supply +3.3V
26	DAT[4]	I/O	CPU interface data bus	91	Vss		Ground	
27	DAT[5]	I/O						
28	DAT[6]	I/O						
29	DAT[7]	I/O						
30	Vss		Ground	92	PC_SI1	I	Port C audio data input	
31	VDD		Power supply +3.3V	93	PC_SI2	I		
32	PA_I_H_MODE[0]	I	Port A audio data input mode select	94	PC_SI3	I		
33	PA_I_H_MODE[1]	I						
34	PA_I_H_MODE[2]	I						
35	PA_O_H_MODE[0]	I	Port A audio data output mode select	95	PC_I_SW_SEL	I	Port C audio data input sync/wc select	
36	PA_O_H_MODE[1]	I						
37	PA_O_H_MODE[2]	I						
38	PA_SIO_ATI	I	Port A audio data input	96	PC_SYNC_WC_SI	I	Port C audio data input sync/wc input	
39	PA_SI1	I						
40	PA_SI2	I						
41	PA_SI3	I						
42	PA_I_SW_SEL	I		Port A audio data input sync/wc select	97	PC_FS256_SI	I	Port C audio data input bit clock input (256fs)
43	PA_SYNC_WC_SI	I						
44	PA_FS256_SI	I		Port A audio data input bit clock input (256fs)	98	Vss		Ground
45	Vss							
46	PA_FS256_SO	I	Port A audio data output bit clock input (256fs)	99	PC_FS256_SO	I	Port C audio data output bit clock input (256fs)	
47	PA_SYNC_WC_SO	I						
48	PA_O_SW_SEL	I	Port A audio data output sync/wc input	100	PC_SYNC_WC_SO	I	Port C audio data output sync/wc input	
49	Vss							
50	PA_S00	O	Port A audio data output	101	PC_O_SW_SEL	I	Port C audio data output sync/wc select	
51	PA_SO1	O						
52	PA_SO2	O						
53	PA_SO3	O						
54	VDD		Power supply +3.3V	102	Vss		Ground	
55	Vss		Ground	103	PC_S00	O		
56	PA_CLK_ATI	I	Port A ADAT clock input	104	PC_SO1	O	Port C audio data output	
57	PA_H_M4_SEL	I	Port A audio data input buffer active select	105	PC_SO2	O		
58	PA_O_MUTE	I	Port A mute	106	PC_SO3	O		
59	PB_SIO	I	Port B audio data input	107	Vss		Ground	
60	PB_SI1	I						
61	PB_SI2	I						
62	PB_SI3	I						
63	PB_I_SW_SEL	I	Port B audio data input sync/wc select	108	PC_O_MUTE	I	Port C mute	
64	PB_SYNC_WC_SI	I						
65	PB_FS256_SI	I	Port B audio data input bit clock input (256fs)	109	PC_O_H_MODE[0]	I	Port C audio data output mode select	
66	Vss							
67	PB_FS256_SO	I	Port B audio data output bit clock input (256fs)	110	PC_O_H_MODE[1]	I		
68	PB_SYNC_WC_SO	I						
69	PB_O_SW_SEL	I	Port B audio data output sync/wc input	111	PC_O_H_MODE[2]	I	Port C ADAT clock input	
70	PB_I_H_MODE[0]	I						
71	PB_I_H_MODE[1]	I	Port B audio data output sync/wc select	112	PC_CLK_ATI	I	Ground	
72	PB_I_H_MODE[2]	I						
				113	Vss		Ground	
				114	PD_I_H_MODE[0]	I		Port D audio data input mode select
				115	PD_I_H_MODE[1]	I		
				116	PD_I_H_MODE[2]	I		
				117	Vss		Ground	
				118	PD_H_M4_SEL	I		
				119	PD_SIO	I	Port D audio data input	
				120	PD_SI1	I		
				121	PD_SI2	I		
				122	PD_SI3	I	Port D audio data input sync/wc select	
				123	PD_I_SW_SEL	I		
				124	PD_SYNC_WC_SI	I	Port D audio data input sync/wc input	
				125	PD_FS256_SI	I		
				126	VDD		Power supply +3.3V	
				127	Vss			Ground
				128	PD_FS256_SO	I	Port D audio data output bit clock input (256fs)	
				129	PD_SYNC_WC_SO	I		
				130	PD_O_SW_SEL	I	Port D audio data output sync/wc select	
				131	Vss			Ground
				132	PD_S00_ATO	O	Port D audio data output	
				133	PD_SO1	O		
				134	PD_SO2	O		
				135	PD_SO3	O	Port D mute	
				136	Vss			Ground
				137	PD_O_MUTE	I	Port D audio data output mode select	
				138	Vss			
				139	PD_O_H_MODE[0]	I		
				140	PD_O_H_MODE[1]	I	LSI test pin	
				141	PD_O_H_MODE[2]	I		
				142	XSM	I	Port A ADAT word clock output	
				143	PA_WC_ATI	O		
				144	PC_WC_ATI	O	Port C ADAT word clock output	

• YTD442-RZ (X7197A00) VNP1

PIN NO.	NAME	I/O	FUNCTION	PIN NO.	NAME	I/O	FUNCTION
1	TDO	O	JTAG output	89	nHD[0]	I/O	Data input and output
2	TCK	I	JTAG input	90	nHA[11]	I/O	Address input
3	TMS	I	JTAG input	91	VDD_IO	-	Power supply (3.3 V)
4	RTCK	O	JTAG output	92	nHA[10]	I/O	Address input
5	VCC3F	-	Power supply (+3.3 V)	93	nHA[9]	I/O	
6	VCCF	-	Power supply (+1.8 V)	94	nHA[8]	I/O	
7	VSS_IO	-	Ground	95	nHA[7]	I/O	
8	TX_EN	O	Transmit enable	96	nHA[6]	I/O	
9	TX_ER	O	Transmit error	97	nHA[5]	I/O	Ground
10	TXD[3]	O	Transmit data	98	VSS_IO	-	
11	TXD[2]	O		Ground	99	VSS	-
12	VSS	-	Transmit data		100	nHA[4]	I/O
13	TXD[1]	O		Transmit clock	101	nHA[3]	I/O
14	TXD[0]	O	Power supply (+1.8 V)		102	VDD	-
15	TX_CLK	O		Power supply (+3.3 V)	103	nHA[2]	I/O
16	VDD_IO	-	Receive clock		104	nHA[1]	I/O
17	RX_CLK	I		Receive data	105	nHA[0]	I/O
18	RXD[0]	I	Receive error		106	nHCS	I/O
19	RXD[1]	I		Receive data valid	107	nHWR	I/O
20	RXD[2]	I	Ground		108	nHRD	I/O
21	RXD[3]	I		Power supply (3.3 V)	109	VDD_IO	-
22	RX_ER	I	Interrupt request signal output to host CPU		110	INT	O
23	RX_DV	I		Chip select3	111	nCS3	O
24	VSSF	-	Chip select2		112	nCS2	O
25	VDD	-		Power supply (+1.8 V)	113	VSS_IO	-
26	CRS	I	Carrier sense		114	VSS	-
27	COL	I		Collision detection	115	nCS1	O
28	MDIO	I/O	Management data input and output		116	nRD	O
29	MDC	O		Management clock	117	VDD	-
30	sel_BOOT	I	Fix the pin to 'L' level.		118	DQM1	O
31	TEST2	I		Fix the pin to 'L' level.	119	DQM0	O
32	TEST1	I	Ground		120	nCS0	O
33	TEST0	I		Ground	121	VDD_IO	-
34	VSS	-	Input for X'tal resonator		122	nRAS	O
35	VSS_IO	-		Output for X'tal resonator	123	nCAS	O
36	XI	I	Power supply (3.3 V)		124	nWE	O
37	XO	O		Ground	125	SCKE	O
38	VDD_IO	-	SCLK		126	SCLK	I/O
39	AVSS18D	-		Power supply (1.8 V)	127	VSS_IO	-
40	AVDD18D	-	Ground		128	A[20]	O
41	AVSS18A	-		Bulk bias pin	129	A[19]	O
42	VBBA	-	Power supply (1.8 V)		130	A[18]	O
43	AVDD18A	-		Capacitor connection pin for the built-in PLL	131	A[17]	O
44	PLL_CAP	-	Fix the pin to 'L' level.		132	A[16]	O
45	PCMSEL	I		Master mode, slave mode setting. Fix the pin to 'L' level.	133	A[15]	O
46	MASTER	I	Power supply (3.3 V)		134	A[14]	O
47	VDD_IO	-		System reset	135	VDD_IO	-
48	nRESET	I	Ground		136	A[13]	O
49	VSS_IO	-		CODEC interface data-in	137	A[12]	O
50	HWSI	I	CODEC interface data-out		138	A[11]	O
51	HWSO	O		CODEC interface bit clock	139	A[10]	O
52	HWBCK	I/O	CODEC interface word clock		140	VSS_IO	-
53	HWWCK	I/O		CODEC interface word clock2	141	VSS	-
54	HWWCK2	O	Power supply (1.8 V)		142	A[9]	O
55	VDD	-		General-purpose input and output	143	A[8]	O
56	BGPI0[19]	I/O	General-purpose input and output / RINGER		144	A[7]	O
57	BGPI0[18]	I/O		General-purpose input and output	145	A[6]	O
58	BGPI0[17]	I/O	Ground		146	A[5]	O
59	BGPI0[16]	I/O		Power supply (1.8 V)	147	VDD	-
60	VSS	-	Ground		148	A[4]	O
61	BGPI0[15]	I/O		Address	149	A[3]	O
62	BGPI0[14]	I/O	Address		150	A[2]	O
63	BGPI0[13]	I/O		Address	151	A[1]	O
64	BGPI0[12]	I/O	General-purpose input and output		152	A[0]	O
65	BGPI0[11]	I/O		Ground	153	VSS_IO	-
66	BGPI0[10]	I/O	Data		154	D[15]	I/O
67	BGPI0[9]	I/O		Data	155	D[14]	I/O
68	BGPI0[8]	I/O	Power supply (3.3 V)		156	D[13]	I/O
69	BGPI0[7]	I/O		Power supply (3.3 V)	157	D[12]	I/O
70	BGPI0[6]	I/O	Power supply (3.3 V)		158	VDD_IO	-
71	VDD_IO	-		General-purpose input and output / Input of UART: RXD1	159	D[11]	I/O
72	BGPI0[5]	I/O	General-purpose input and output / Output of UART: TXD1		160	D[10]	I/O
73	BGPI0[4]	I/O		Power supply (3.3 V)	161	D[9]	I/O
74	VDD	-	Input of UART: RXD0 / General-purpose input and output		162	D[8]	I/O
75	BGPI0[3]	I/O		Output of UART: TXD0 / General-purpose input and output	163	VSS_IO	-
76	BGPI0[2]	I/O	Ground		164	VSS	-
77	VSS	-		General-purpose input and output / Clock input and output of I2C interface: I2C_SCL	165	D[7]	I/O
78	BGPI0[1]	I/O	General-purpose input and output / Data input and output of I2C interface: I2C_SDA		166	D[6]	I/O
79	BGPI0[0]	I/O		Power supply (3.3 V)	167	VDD	-
80	VDD_IO	-	Access mode setting		168	D[5]	I/O
81	S8068	I/O		Power supply (3.3 V)	169	D[4]	I/O
82	nHD[7]	I/O	Data input and output		170	VDD_IO	-
83	nHD[6]	I/O		Data	171	D[3]	I/O
84	nHD[5]	I/O	Data		172	D[2]	I/O
85	nHD[4]	I/O		Data	173	D[1]	I/O
86	nHD[3]	I/O	JTAG unput		174	D[0]	I/O
87	nHD[2]	I/O		JTAG unput	175	nTRST	I
88	nHD[1]	I/O			176	TDI	I

● **LC4064V-75TN100C (X7696A00) CPLD (Complex Programmable Logic Device)**

AD: IC701

● **LC4064V-75TN100C (X8955A00) CPLD (Complex Programmable Logic Device)**

ES: IC002

PIN NO.	NAME	I/O	FUNCTION	PIN NO.	NAME	I/O	FUNCTION
1	GND	—	Ground	51	GND	—	Ground
2	TDI	I	Test data in	52	TMS	I	Test mode select input
3	A8	I/O	} General purpose I/O	53	C8	I/O	} General purpose I/O
4	A9	I/O		54	C9	I/O	
5	A10	I/O		55	C10	I/O	
6	A11	I/O		56	C11	I/O	
7	GND	—	Ground	57	GND	—	Ground
8	A12	I/O	} General purpose I/O	58	C12	I/O	} General purpose I/O
9	A13	I/O		59	C13	I/O	
10	A14	I/O		60	C14	I/O	
11	A15	I/O		61	C15	I/O	
12	I	I	Input	62	I	I	Input
13	VCCO	—	Power supply +3.3 V	63	VCCO	—	Power supply +3.3 V
14	B15	I/O	} General purpose I/O	64	D15	I/O	} General purpose I/O
15	B14	I/O		65	D14	I/O	
16	B13	I/O		66	D13	I/O	
17	B12	I/O		67	D12	I/O	
18	GND	—	Ground	68	GND	—	Ground
19	B11	I/O	} General purpose I/O	69	D11	I/O	} General purpose I/O
20	B10	I/O		70	D10	I/O	
21	B9	I/O		71	D9	I/O	
22	B8	I/O		72	D8	I/O	
23	I	I	Input	73	I	I	Input
24	TCK	I	Test clock input	74	TDO	O	Test data out
25	VCC	—	Power supply +3.3 V	75	VCC	—	Power supply +3.3 V
26	GND	—	Ground	76	GND	—	Ground
27	I	I	Input	77	I	I	Input
28	B7	I/O	} General purpose I/O	78	D7	I/O	} General purpose I/O
29	B6	I/O		79	D6	I/O	
30	B5	I/O		80	D5	I/O	
31	B4	I/O		81	D4	I/O	
32	GND	—	Ground	82	GND	—	Ground
33	VCCO	—	Power supply +3.3 V	83	VCCO	—	Power supply +1.6 V
34	B3	I/O	} General purpose I/O	84	D3	I/O	} General purpose I/O
35	B2	I/O		85	D2	I/O	
36	B1	I/O		86	D1	I/O	
37	B0	I/O		87	D0/GOE1	I/O	
38	CLK1/I	I	} Configured to be either CLK input / As an input.	88	CLK3/I	I	} Configured to be either CLK input / As an input.
39	CLK2/I	I		89	CLK0/I	I	
40	VCC	—	Power supply +3.3 V	90	VCC	—	Power supply +3.3 V
41	C0	I/O	} General purpose I/O	91	A0/GOE0	I/O	} Configured to be either global output enable input / As general I/O
42	C1	I/O		92	A1	I/O	
43	C2	I/O		93	A2	I/O	
44	C3	I/O		94	A3	I/O	
45	VCCO	—	Power supply +3.3 V	95	VCCO	—	Power supply +3.3 V
46	GND	—	Ground	96	GND	—	Ground
47	C4	I/O	} General purpose I/O	97	A4	I/O	} General purpose I/O
48	C5	I/O		98	A5	I/O	
49	C6	I/O		99	A6	I/O	
50	C7	I/O		100	A7	I/O	

● **AK4393-VF-E2 (XW029A00) DAC (Digital to Analog Converter)**

DA: IC501, IC601

PIN NO.	NAME	I/O	FUNCTION	PIN NO.	NAME	I/O	FUNCTION
1	DVSS	-	Digital ground	15	BVSS	-	Substrate ground
2	DVDD	-	Digital power supply	16	VREFL	I	Low level voltage reference
3	MCLK	I	Master clock	17	VREFH	I	High level voltage reference
4	/PD	-	Power down mode	18	AVDD	-	Analog power supply +5 V
5	BICK	I	Audio serial data clock	19	AVSS	-	Analog ground
6	SDATA	I	Audio serial data input	20	AOUTR-	O	Rch negative analog output
7	LRCK	I	L/R clock	21	AOUTR+	O	Rch positive analog output
8	SMUTE//CS	I	Soft mute	22	AOUTL-	O	Lch negative analog output
9	DFS	I	Double speed sampling mode	23	AOUTL+	O	Lch positive analog output
10	DEMO/CCLK	I	} De-emphasis enable	24	VCOM	O	Common voltage output
11	DEM1/CDTI	I		25	P//S	I	Parallel/serial select
12	DIF0	I	} Digital input format	26	CKS0	I	} Master clock select
13	DIF1	I		27	CKS1	I	
14	DIF2	I		28	CKS2	I	

- **LC4032V-75TN48C (X7109A00) CPLD (Complex Programmable Logic Device)**
- **LC4032V-75TN48C (X7697A00) CPLD (Complex Programmable Logic Device)**

CPU: IC014
DA: IC701

PIN NO.	NAME	I/O	FUNCTION	PIN NO.	NAME	I/O	FUNCTION
1	TDI	I	Test data in	25	TMS	I	Test mode select
2	A5	I/O	Input/Output	26	B5	I/O	Input/Output
3	A6	I/O		27	B6	I/O	
4	A7	I/O		28	B7	I/O	
5	GND0	-		29	GND1	-	
6	VCCO0	-	Power supply +3.3 V	30	VCCO1	-	Power supply +3.3 V
7	A8	I/O	Input/Output	31	B8	I/O	Input/Output
8	A9	I/O		32	B9	I/O	
9	A10	I/O		33	B10	I/O	
10	A11	I/O		34	B11	I/O	
11	TCK	I	Test clock input	35	TDO	O	Test data out
12	VCC	-	Power supply +3.3 V	36	VCC	-	Power supply +3.3 V
13	GND	-	Ground	37	GND	-	Ground
14	A12	I/O	Input/Output	38	B12	I/O	Input/Output
15	A13	I/O		39	B13	I/O	
16	A14	I/O		40	B14	I/O	
17	A15	I/O		41	B15/GOE1	I/O	
18	CLK1/I	I/O	CLK input / Input	42	CLK3/I	I/O	CLK input / Input
19	CLK2/I	I/O		43	CLK0/I	I/O	
20	B0	I/O	Input/Output	44	A0/GOE0	I/O	Input/Output / Global output enable input
21	B1	I/O		45	A1	I/O	Input/Output
22	B2	I/O		46	A2	I/O	
23	B3	I/O		47	A3	I/O	
24	B4	I/O	48	A4	I/O		

- **AK5385BVF-E2 (X5364B00) ADC (Analog to Digital Converter)**

AD: IC501, IC601

PIN NO.	NAME	I/O	FUNCTION	PIN NO.	NAME	I/O	FUNCTION
1	VREFL	I	Lch voltage reference input	15	SDTO	O	Audio serial data output
2	AVSS	-	Analog ground	16	CKS1	I	Master clock select 1
3	VCOM	O	Common voltage output	17	MCLK	I	Master clock
4	LIN+	I	Lch analog positive input	18	DFS0	I	Sampling speed select 0
5	LIN-	I	Lch analog negative input	19	HPFE	I	High pass filter enable
6	CKS0	I	Master clock select 0	20	DFS1	I	Sampling speed select 1
7	DVDD	-	Digital power supply 3.0 - 5.25 V	21	BVSS	-	Substrate ground
8	DVSS	-	Digital ground	22	AVSS	-	Analog ground
9	OVF	O	Analog input overflow detect	23	AVDD	-	Analog power supply 4.75 - 5.25 V
10	PDN	I	Power down mode	24	RIN-	I	Rch analog negative input
11	DIF	I	Audio interface format	25	RIN+	I	Rch analog positive input
12	M/S	I	Master / Slave Mode	26	TEST	I	Test
13	LRCK	I	L/R clock	27	AVSS	I	Analog ground
14	BICK	I/O	Audio serial data clock	28	VREFR	I	Rch voltage reference input

- **MD1333N (X6154A00) DC-DC CONVERTER**

DC: IC103

PIN NO.	NAME	I/O	FUNCTION	PIN NO.	NAME	I/O	FUNCTION
1	S/S	-	Terminal for softstart	17	N/C	-	Non connection
2	OCL-	-	Terminal for over current limit(-)	18	VDD	I	Drain of high side MOSFET
3	OCL+	-	Terminal for over current limit(+)	19	VDD	I	
4	GND	-	Signal ground	20	VDD	I	
5	R/C	-	Terminal for remote control	21	VDD	I	
6	VCC	-	Supply terminal for the control circuit	22	N/C	-	Non connection
7	N/C	-	Non connection	23	VGH	-	Gate of high side MOSFET
8	Vboot	-	High side drive supply for main MOSFET	24	N/C	-	Non connection
9	VGL	-	Gate of side MOSFET	25	VB	-	Terminal for bootstrap
10	N/C	-	Non connection	26	GND	-	Signal ground
11	VOUT	O	Terminal for power stage output	27	OSC	-	Terminal for an oscillation frequency setup
12	VOUT	O		28	Vref	O	Terminal for internal reference voltage output
13	VOUT	O		29	N/C	-	Non connection
14	VOUT	O		30	ampOUT	O	Terminal for error amp output
15	N/C	-	Non connection	31	N/C	-	Non connection
16	P.GND	-	Power ground	32	amp-	I	Terminal for error amp (-) input

● HD6417727F160CV (X2890B00) CPU

CPU: IC002

PIN NO.	NAME	I/O	FUNCTION	PIN NO.	NAME	I/O	FUNCTION
1	Vcc-RTC	-	Power supply for RTC (1.9V)	121	PTM[4]/PINT[4]/AFE_RDET_USB1d_TXDMNS	I	Not in use
2	XTAL2	-	Not in use (XTAL for internal RTC)	122	Reserved/USB1d_SUSPEND	O	USB function VBUS
3	EXTAL2	-		123	USB1_ovr_cmt/USBF_VBUS	I	
4	Vss-RTC	-	Power supply for RTC (0V)	124	USB2_ovr_cmt	-	Not in use
5	MD1	-	Clock mode setting	125	RTS2_USB1d_TXENL	O	USB1 voltage control
6	MD2	-		126	PTE[2]/USB1_pwr_en	O	USB2 voltage control
7	NMI	-	Not in use (Non-maskable interrupt request)	127	PTE[1]/USB2_pwr_en	O	Enable (SDRAM)
8	IRQ0/IRL0_PTH[0]	I	External interrupt request	128	CKE/PTK[5]	O	RAS for SDRAM
9	IRQ1/IRL1_PTH[1]	I		129	/RAS3/PTJ[0]	O	Not in use
10	IRQ2/IRL2_PTH[2]	I		130	Reserved/PTJ[1]	O	CAS for SDRAM
11	IRQ3/IRL3_PTH[3]	I		131	Reserved/CAS/PTJ[2]	O	VssQ
12	IRQ4/PT[4]	I		132	VssQ	O	Output port (DAC Reset)
13	VEPWC	O	VEE control pin for LCD panel	133	Reserved/PTJ[3]	-	VccQ
14	VCVWC	-	VCC control pin for LCD panel	134	VccQ	-	Output port (SIO Reset)
15	MD5	-	Big endian setting	135	Reserved/PTJ[4]	O	Output port (DAC Mute)
16	/BREQ	-	Not in use (bus request)	136	Reserved/PTJ[5]	O	Vss
17	/BACK	-	Bus acknowledge	137	Vss	-	LCD line clock
18	VssQ	-	VssQ	138	PTD[5]/CL1	O	Vcc
19	CKIO2	-	System clock output	139	Vcc	-	LCD DISPLAY ON
20	VccQ	-	VccQ	140	PTD[7]/DON	O	LCD alternater
21	D31/PTB[7]	I/O	Data bus	141	PTE[6]/M_DISP	O	LCD frame line marker
22	D30/PTB[6]	I/O		142	PTE[3]/FLM	O	JTAG (test data output)
23	D29/PTB[5]	I/O		143	PTE[0]/TDO	O	DMA request acceptance
24	D28/PTB[4]	I/O		144	PCCORESET/DRACK0	O	DMA acknowledge
25	D27/PTB[3]	I/O		145	PCCODRV_DACK0	O	Hardware wait request
26	D26/PTB[2]	I/O		146	/WAIT	-	Manual reset request
27	D25/PTB[1]	I/O		147	/RESETM	-	Analog A/D trigger
28	D24/PTB[0]	I/O		148	/ADTRG/PTH[5]	I	Not in use
29	VssQ	-		149	/IOS16/PTG[7]	I	
30	D23/PTA[7]	I/O		150	/ASEMD0	-	
31	VccQ	-	151	PTG[5]/ASEBRKAK_	-		
32	D22/PTA[6]	I/O	152	PTG[4]	-		
33	D21/PTA[5]	I/O	153	PCC0BVD2/PTG[3]/AUDATA[3]	I		
34	D20/PTA[4]	I/O	154	PCC0BVD1/PTG[2]/AUDATA[2]	I		
35	Vss	-	155	Vss	-		
36	D19/PTA[3]	I/O	156	Vss	-		
37	Vcc	-	157	Vcc	-		
38	D18/PTA[2]	I/O	158	PCC0CD1/PTG[0]/AUDATA[0]	I		
39	D17/PTA[1]	I/O	159	VssQ	-		
40	D16/PTA[0]	I/O	160	PTF[7]/PINT[15]/TRST_	I		
41	D15	-	161	VccQ	-		
42	VssQ	-	162	PTF[6]/PINT[14]/TMS	I		
43	D14	-	163	PTF[5]/PINT[13]/TDI	I		
44	VccQ	-	164	PTF[4]/PINT[12]/TCK	I		
45	D13	-	165	PTF[3]/PINT[11]/Reserved	I		
46	D12	-	166	PCCREG3_PTF[2]/Reserved	I		
47	D11	-	167	PCC0VS1_PTF[1]/Reserved	I		
48	D10	-	168	PCC0VS2_PTF[0]/Reserved	I		
49	D9	-	169	MD0	-		
50	D8	-	170	Vcc-PLL1	-		
51	D7	-	171	CAP1	-		
52	D6	-	172	Vss-PLL1	-		
53	VssQ	-	173	Vss-PLL2	-		
54	D5	-	174	CAP2	-		
55	VccQ	-	175	Vcc-PLL2	-		
56	D4	-	176	PCCOWAIT_PTH[6]/AUDCK	I		
57	D3	-	177	Vss	-		
58	D2	-	178	Vcc	-		
59	D1	-	179	XTAL	-		
60	D0	-	180	EXTAL	-		
61	A0	-	181	LCD15/PTM[3]/PINT[10]	I		
62	A1	-	182	LCD14/PTM[2]/PINT[9]	I		
63	A2	-	183	LCD13/PTM[1]/PINT[8]	I		
64	VssQ	-	184	LCD12/PTM[0]	I		
65	A3	-	185	STATUS/PTJ[6]	O		
66	VccQ	-	186	STATUS1/PTJ[7]	O		
67	A4	-	187	CL2/PTH[7]	O		
68	A5	-	188	VssQ	-		
69	A6	-	189	CKIO	-		
70	A7	-	190	VccQ	-		
71	A8	-	191	TxD0/SCPT[0]	O		
72	A9	-	192	SCK0/SCPT[1]	O		
73	A10	-	193	TxD_SIO/SCPT[2]	O		
74	A11	-	194	SIOMCLK/SCPT[3]	O		
75	VssQ	-	195	TxD2/SCPT[4]	O		
76	A12	-	196	SCK_SIO/SCPT[5]	O		
77	VccQ	-	197	SI0FSYNC/SCPT[6]	O		
78	A13	-	198	RxD0/SCPT[0]	I		
79	A14	-	199	RxD_SIO/SCPT[2]	I		
80	A15	-	200	Vss	-		
81	A16	-	201	RxD2/SCPT[4]	I		
82	A17	-	202	Vcc	-		
83	A18	-	203	SCPT[7]/CTS2_IRQ5	I		
84	A19	-	204	LCD11/PTC[7]/PINT[3]	O		
85	A20	-	205	LCD10/PTC[6]/PINT[2]	O		
86	VssQ	-	206	LCD9/PTC[5]/PINT[1]	O		
87	A21	-	207	VssQ	-		
88	VccQ	-	208	LCD8/PTC[4]/PINT[0]	O		
89	A22	-	209	VccQ	-		
90	A23	-	210	LCD7/PTD[3]	O		
91	Vss	-	211	LCD6/PTD[2]	O		
92	A24	-	212	LCD5/PTC[3]	O		
93	Vcc	-	213	LCD4/PTC[2]	O		
94	A25	-	214	LCD3/PTC[1]	O		
95	BS_PTK[4]	O	215	LCD2/PTC[0]	O		
96	RD	O	216	LCD1/PTD[1]	O		
97	WE0_DQMLL	O	217	LCD0/PTD[0]	O		
98	WE1_DQMLUWE	O	218	DREQ0_PTD[4]	I		
99	WE2_DQMLUICORD_PTK[6]	O	219	LCK/UCLK/PTD[6]	I		
100	VssQ	-	220	/RESETP	-		
101	WE3_DQMLUICOWR_PTK[7]	O	221	CA	-		
102	VccQ	-	222	MD3	-		
103	RD/WR	O	223	MD4	-		
104	PTE[7]/PCCORDY/AUDSYNC_	O	224	/Scan_testen	-		
105	/CS0	O	225	Avcc_USB	-		
106	/CS2	O	226	USB1_P	IO		
107	/CS3	O	227	USB1_M	IO		
108	/CS4/PTK[2]	O	228	Avss_USB	-		
109	/CS5/CE1A_PTK[3]	O	229	USB2_P	IO		
110	/CS6/CE1B_	O	230	USB2_M	IO		
111	CE2A_PTE[4]	O	231	Avcc_USB	-		
112	CE2B_PTE[5]	O	232	Avss	-		
113	AFE_HC1/USB1d_DPLS/PTK[0]	O	233	AN[2]/PTL[2]	I		
114	AFE_RLYCNT_USB1d_DMNS/PTK[1]	O	234	AN[3]/PTL[3]	I		
115	VssQ	-	235	AN[4]/PTL[4]	I		
116	AFE_SCLK/USB1d_TXDPLS	I	236	AN[5]/PTL[5]	I		
117	VccQ	-	237	Avcc	-		
118	PTM[7]/PINT[7]/AFE_FS/USB1d_RCV	I	238	AN[6]/PTL[6]/DA[1]	I		
119	PTM[6]/PINT[6]/AFE_RXIN/USB1d_SPEED	I	239	AN[7]/PTL[7]/DA[0]	O		
120	PTM[5]/PINT[5]/AFE_TXOUT/USB1d_TXSE0	I	240	Avss	-		

- YSS919B-HZ (XZ693B00) DSP7 (Digital Signal Processor)
- YSS919C-FZ (XZ693C00) DSP7 (Digital Signal Processor)

DSP: IC153, IC157

PIN NO.	NAME	I/O	FUNCTION	PIN NO.	NAME	I/O	FUNCTION	
1	PLLEN	I	PLL enable input (0: PLL unuse, 1: PLL use)	105	SIO32	I/O	Serial data bus	
2	/TEST	I	Test mode setting (0: TEST, 1: Normal)	106	SIO33	I/O		
3	AVss	I	Analog ground	107	SIO34	I/O		
4	CPO	I	PLL filter	108	SIO35	I/O		
5	AVdd	I	Power supply (2.5 V)	109	SIO36	I/O		
6	Vss	I	Ground	110	SIO37	I/O		
7	Vdd	I	Power supply (3.3 V)	111	SIO38	I/O		
8	/IC	I	Initial clear	112	SIO39	I/O		
9	/MUTE	I	Mute control (0: SIO mute, 1: SIO normal in-out)	113	Vdd	I/O		
10	/SSYNC	I	Serial I/O Sync. signal input	114	Vss	I/O		
11	MCKS	I	Serial I/O master clock input (128 x Fs)	115	SIO40	I/O	Power supply (2.5 V) Ground	
12	XI	I	System master clock input (60 MHz or 15 MHz)	116	SIO41	I/O		
13	BTYP	I	Data bus type select (0: 16 bits, 1: 32 bits)	117	SIO42	I/O		
14	/CS	I	Chip select	118	SIO43	I/O		Serial data bus
15	/WR	I	Write enable input	119	SIO44	I/O		
16	/RD	I	Read enable input	120	SIO45	I/O		
17	CA7	I	CPU address bus	121	SIO46	I/O		
18	CA6	I			122	SIO47		I/O
19	CA5	I			123	Vss		I/O
20	CA4	I			124	Vdd		I/O
21	CA3	I			125	SIO48	I/O	
22	CA2	I			126	SIO49	I/O	
23	Vss	I			127	SIO50	I/O	
24	Vdd	I	Ground	128	SIO51	I/O	Serial data bus	
25	CD31/CA1	I/O	Power supply (3.3 V)	129	SIO52	I/O		
26	CD30	I/O	CPU data bus / CPU address bus	130	SIO53	I/O		
27	CD29	I/O	CPU data bus	131	SIO54	I/O		
28	CD28	I/O			132	SIO55	I/O	
29	CD27	I/O			133	Vss	I/O	
30	CD26	I/O			134	SIO56	I/O	
31	CD25	I/O			135	SIO57	I/O	
32	CD24	I/O			136	SIO58	I/O	
33	Vdd	I		Power supply (2.5 V)	137	SIO59	I/O	Serial data bus
34	Vss	I	Ground	138	SIO60	I/O		
35	CD23	I/O	CPU data bus	139	SIO61	I/O		
36	CD22	I/O			140	SIO62	I/O	
37	CD21	I/O			141	SIO63	I/O	
38	CD20	I/O			142	Vdd	I/O	
39	CD19	I/O			143	Vss	I/O	
40	CD18	I/O			144	Vdd	I/O	
41	CD17	I/O			145	DA00	I/O	Memory data bus
42	CD16	I/O	Ground	146	DA01	I/O		
43	Vss	I			147	DA02	I/O	
44	Vdd	I		Power supply (3.3 V)	148	DA03	I/O	
45	CD15	I/O		149	DA04	I/O		
46	CD14	I/O	CPU data bus	150	DA05	I/O		
47	CD13	I/O			151	DA06	I/O	
48	CD12	I/O			152	DA07	I/O	
49	CD11	I/O			153	Vss	I/O	
50	CD10	I/O			154	DA08	I/O	
51	CD09	I/O			155	DA09	I/O	
52	CD08	I/O			156	DA10	I/O	Memory data bus
53	Vss	I	Ground	157	DA11	I/O		
54	CD07	I/O			158	DA12	I/O	
55	CD06	I/O			159	DA13	I/O	
56	CD05	I/O	CPU data bus	160	DA14	I/O		
57	CD04	I/O			161	DA15	I/O	
58	CD03	I/O			162	Vss	I/O	
59	CD02	I/O			163	Vdd	I/O	
60	CD01	I/O			164	DA16	I/O	
61	CD00	I/O			165	DA17	I/O	
62	/WAIT	O		Wait output	166	DA18	I/O	Memory data bus
63	Vdd	I	Power supply (2.5 V)	167	DA19	I/O		
64	Vss	I	Ground	168	DA20	I/O		
65	Vdd	I	Power supply (3.3 V)	169	DA21	I/O		
66	SIO00	I/O	Serial data bus	170	DA22	I/O		
67	SIO01	I/O			171	DA23	I/O	
68	SIO02	I/O			172	Vdd	I/O	
69	SIO03	I/O			173	Vss	I/O	
70	SIO04	I/O			174	DA24	I/O	
71	SIO05	I/O			175	DA25	I/O	
72	SIO06	I/O			176	DA26	I/O	Memory data bus
73	SIO07	I/O	Ground	177	DA27	I/O		
74	Vss	I			178	DA28	I/O	
75	SIO08	I/O			179	DA29	I/O	
76	SIO09	I/O		180	DA30	I/O		
77	SIO10	I/O		181	DA31	I/O		
78	SIO11	I/O	Serial data bus	182	Vss	I/O		
79	SIO12	I/O			183	Vdd	I/O	
80	SIO13	I/O			184	/WE	O	
81	SIO14	I/O			185	/CAS	O	
82	SIO15	I/O			186	SDCK	O	
83	Vss	I		Ground	187	CKE	O	
84	Vdd	I			Power supply (3.3 V)	188	/RAS	O
85	SIO16	I/O			189	Vdd	I/O	
86	SIO17	I/O	Serial data bus	190	Vss	I/O		
87	SIO18	I/O			191	BA1	O	
88	SIO19	I/O			192	BA0	O	
89	SIO20	I/O			193	A12	O	
90	SIO21	I/O			194	A11	O	
91	SIO22	I/O			195	A10	O	
92	SIO23	I/O			196	A09	O	
93	Vdd	I	Power supply (2.5 V)	197	A08	O		
94	Vss	I		Ground	198	Vss	I/O	
95	SIO24	I/O			199	Vdd	I/O	
96	SIO25	I/O	Serial data bus	200	A07	O		
97	SIO26	I/O			201	A06	O	
98	SIO27	I/O			202	A05	O	
99	SIO28	I/O			203	A04	O	
100	SIO29	I/O			204	A03	O	
101	SIO30	I/O			205	A02	O	
102	SIO31	I/O			206	A01	O	
103	Vss	I	Ground	207	A00	O		
104	Vdd	I		Power supply (3.3 V)	208	Vss	I/O	

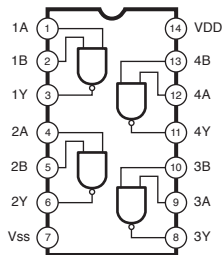
● S1L51252F32S200 (X3775A00) PLLP2 (Gate Array)

DSP: IC052

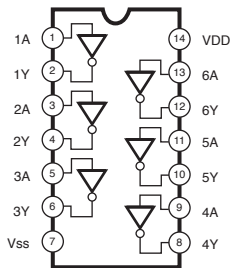
PIN NO.	NAME	I/O	FUNCTION	PIN NO.	NAME	I/O	FUNCTION
1	(NC)	-	(Connected to VSS on P.C.B.)	105	(NC)	-	(Pulled up on P.C.B.)
2	(NC)	-	(Pulled up on P.C.B.)	106	VDD	-	Power supply
3	PB8	O	Output port B8	107	(NC)	-	(Connected to VSS on P.C.B.)
4	PB9	O	Output port B9	108	(NC)	-	(Connected to VSS on P.C.B.)
5	VDD	-	IO power supply (3.3V)	109	VSS	-	Ground
6	VSS	-	Ground	110	VDD	-	Power supply
7	PA0	O	Output port A0	111	NCSDSP7	O	Chip select (DSP7_ALL)
8	NCSIN6	I	CPU chip select 6	112	NCSDSP6	O	Chip select (DSP6_ALL)
9	NCSIN5	I	CPU chip select 5	113	PA9	O	Output port A9
10	NRD	I	CPU read enable	114	MCK256O	O	256FS synchronous clock output
11	NWRH	I	CPU write enable H	115	MCK256MI	I	256FS synchronous clock input (Master)
12	NWRL	I	CPU write enable L	116	MCK256SI	I	256FS synchronous clock input (Slave)
13	PA1	O	Output port A1	117	VSS	-	Ground
14	ADH1	I	CPU address bus 11	118	VDD	-	Power supply
15	ADH2	I	CPU address bus 12	119	ICK45	I	For internal clock 88.2k, 44.1k
16	ADH3	I	CPU address bus 13	120	ICK49	I	For internal clock 96k, 48k
17	ADH4	I	CPU address bus 14	121	DIR2X1	O	Clock for X1 of DIR2
18	ADH5	I	CPU address bus 15	122	PA10	O	Output port A10
19	PA2	O	Output port A2	123	VSS	-	Ground
20	VSS	-	Ground	124	VDD	-	Power supply
21	VDD	-	Internal power supply (2.5V)	125	EXTWC1	I	External word clock input 1
22	VDD	-	IO power supply (3.3V)	126	EXTWC2	I	External word clock input 2
23	VSS	-	Ground	127	EXTWC3	I	External word clock input 3
24	ADL1	I	CPU address bus 1	128	EXTWC4	I	External word clock input 4
25	ADL2	I	CPU address bus 2	129	VSS	-	Ground
26	ADL3	I	CPU address bus 3	130	VDD	-	Power supply
27	ADL4	I	CPU address bus 4	131	EXTWC2561	I	External WC (256FS) input 1
28	ADL5	I	CPU address bus 5	132	EXTWC2562	I	External WC (256FS) input 2
29	ADL6	I	CPU address bus 6	133	PA11	O	Output port A11
30	ADL7	I	CPU address bus 7	134	DIRMCA	I	MCA input of DIR2
31	ADL8	I	CPU address bus 8	135	DIRMCB	I	MCB input of DIR2
32	VSS	-	Ground	136	DIRWC	I	WC input of DIR2
33	VDD	-	Internal power supply (2.5V)	137	VSS	-	Ground
34	VDD	-	IO power supply (3.3V)	138	VDD	-	Power supply
35	VSS	-	Ground	139	DIRMCC	I	MCC input of DIR2
36	DT0	I/O	CPU data bus 0	140	DIRSYNC	I	SYNC input of DIR2
37	DT1	I/O	CPU data bus 1	141	EXTWCSEL	O	EXTWC clock select output
38	DT2	I/O	CPU data bus 2	142	DIRWCSEL	O	DIRWC clock select output
39	DT3	I/O	CPU data bus 3	143	PA12	O	Output port A12
40	DT4	I/O	CPU data bus 4	144	PLLOUT	I	PLL VCO OUT input
41	DT5	I/O	CPU data bus 5	145	VSS	-	Ground
42	VDD	-	IO power supply (3.3V)	146	VDD	-	Power supply
43	VSS	-	Ground	147	PCPOUT	O	EXT WC SEL to MWC comparison circuit output
44	DT6	I/O	CPU data bus 6	148	PA13	O	Output port A13
45	DT7	I/O	CPU data bus 7	149	M256FS	O	Master clock (256FS)
46	DT8	I/O	CPU data bus 8	150	M128FS	O	System clock (128FS)
47	DT9	I/O	CPU data bus 9	151	VSS	-	Ground
48	VDD	-	Internal power supply (2.5V)	152	VDD	-	Power supply
49	VSS	-	Ground	153	(NC)	-	(Connected to VDD on P.C.B.)
50	(NC)	-	(Connected to VDD on P.C.B.)	154	(NC)	-	(Connected to VSS on P.C.B.)
51	(NC)	-	(Connected to VDD on P.C.B.)	155	(NC)	-	(Pulled up on P.C.B.)
52	(NC)	-	(Pulled up on P.C.B.)	156	(NC)	-	(Pulled up on P.C.B.)
53	DT10	I/O	CPU data bus 10	157	M64FS	O	System clock (64FS)
54	DT11	I/O	CPU data bus 11	158	MWC	O	Word clock
55	DT12	I/O	CPU data bus 12	159	MSYNC	O	Synchronous signal
56	DT13	I/O	CPU data bus 13	160	PA14	O	Output port A14
57	DT14	I/O	CPU data bus 14	161	WCO_BNC	O	WC output for BNC connector
58	DT15	I/O	CPU data bus 15	162	PA15	O	Output port A15
59	VSS	-	Ground	163	FS256_SLOT1	O	Clock (256FS) for MY SLOT1
60	PA3	O	Output port A3	164	FS256_SLOT2	O	Clock (256FS) for MY SLOT2
61	NTCWAIT	O	CPU wait signal	165	VDD	-	Power supply
62	NCSIO3V	O	Chip select (103V)	166	SYNC_SLOT1	O	Synchronous signal for MY SLOT1
63	NCSIO5V	O	Chip select (105V)	167	SYNC_SLOT2	O	Synchronous signal for MY SLOT2
64	NCSJK1	O	Chip select (JK1)	168	PB0	O	Output port B0
65	NCSCONT	O	Chip select (CONT)	169	SLOT_12M	O	Clock (12MHz) for MY SLOT
66	VDD	-	Power supply	170	SLOT_6M	O	Clock (6MHz) for MY SLOT
67	NCSLOT1	O	Chip select (SLOT1)	171	VSS	-	Ground
68	NCSLOT2	O	Chip select (SLOT2)	172	SLOT_3M	O	Clock (3MHz) for MY SLOT
69	NCSIO4	O	Chip select (S104)	173	PB1	O	Output port B1
70	NCSREC2	O	Chip select (REC2)	174	SLOT_48K	O	Word clock (48/44) for MY SLOT
71	NCSMTLED	O	Chip select (MTLED)	175	SLOT_48S	O	Synchronous signal (48/44) for MY SLOT
72	VDD	-	Power supply	176	PB2	O	Output port B2
73	NCSUSB	O	Chip select (USB)	177	ANA256FS	O	Clock for analog circuit
74	NCSMPTE	O	Chip select (SMPTE)	178	VDD	-	Power supply
75	NCUART	O	Chip select (UART)	179	NLOCK	I	PLL lock detect signal
76	VSS	-	Ground	180	NDIRLOCK	I	DIR2 PLL lock signal
77	VDD	-	Power supply	181	VSS	-	Ground
78	NRES	I	System reset	182	SCANEN	I	Scan test input
79	CPUCCLK	I	CPU clock	183	ATPGEN	I	ATPG test input
80	(NC)	-	(Connected to VSS on P.C.B.)	184	TSTEN	I	Test mode selection
81	VSS	-	Ground	185	VDD	-	Power supply
82	VSS	-	Ground	186	TRRERR1	I	2TR DIN UNLOCK input
83	NCSATSC1	O	Chip select (ATSC1)	187	TRRERR2	I	2TR DIN UNLOCK input
84	VDD	-	Power supply	188	VSS	-	Ground
85	NCSATSC2	O	Chip select (ATSC2)	189	PB3	O	Output port B3
86	PA4	O	Output port A4	190	NMLOCKSEL	O	Lock select output
87	PA5	O	Output port A5	191	NLOCKRTN	I	Lock delay input
88	PA6	O	Output port A6	192	PB4	O	Output port B4
89	NCTSYNCO	O	Internal counter synchronous signal output	193	MUTEIN	I	Mute input
90	NCTSYNCI	I	Internal counter synchronous signal input	194	VDD	-	Power supply
91	VDD	-	Power supply	195	MUTEOUT1	O	Mute output 1
92	NCSDSP71	O	Chip select (DSP7_1)	196	MUTEOUT2	O	Mute output 2
93	NCSDSP72	O	Chip select (DSP7_2)	197	MUTEOUT3	O	Mute output 3
94	NCSDSP73	O	Chip select (DSP7_3)	198	MUTEOUT4	O	Mute output 4
95	NCSDSP74	O	Chip select (DSP7_4)	199	MUTEOUT5	O	Mute output 5
96	NCSDSP75	O	Chip select (DSP7_5)	200	NMUTEOUT6	O	Mute output 6
97	NCSDSP76	O	Chip select (DSP7_6)	201	VDD	-	Power supply
98	VDD	-	Power supply	202	PB5	O	Output port B5
99	PA7	O	Output port A7	203	DOUBLE	O	Register setting value output
100	PA8	O	Output port A8	204	K48K96	O	Register setting value output
101	NCSDSP61	O	Chip select (DSP6_1)	205	PB6	O	Output port B6
102	NCSDSP62	O	Chip select (DSP6_2)	206	SLOT1_16CH	O	SLOT1 16/8 ch selection
103	NCSDSP63	O	Chip select (DSP6_3)	207	SLOT2_16CH	O	SLOT2 16/8 ch selection
104	NCSDSP64	O	Chip select (DSP6_4)	208	PB7	O	Output port B7

IC BLOCK DIAGRAM (IC ブロック図)

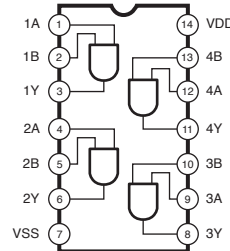
- **SN74AHC00PWR** (X4131A00)
GPI: IC602
Quad 2 Input NAND



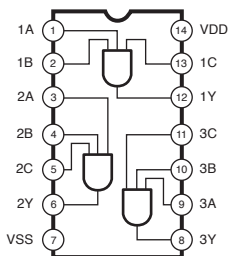
- **SN74AHCT04PWR** (X4525A00)
AD: IC702, IC703
- **SN74LV04APWR** (X5965A00)
DSP: IC003, IC018, IC053
Hex Inverter



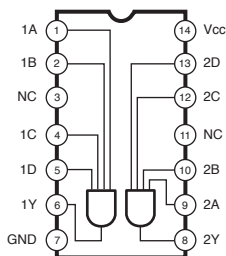
- **SN74AHCT08PWR** (X3824A00)
DSP: IC261
- **SN74LV08APWR** (X4463A00)
DSP: IC051
Quad 2 Input AND



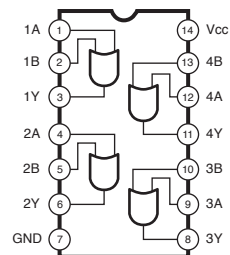
- **SN74LV11APWR** (X3516A00)
DSP: IC011
Triple 3 Input AND



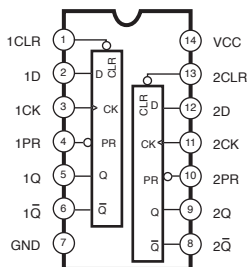
- **SN74LV21APWR** (X2377A00)
CPU: IC020
Dual 4 Input AND



- **SN74LVC32APWR** (X5405A00)
ENT2: IC115
- **SN74AHCT32PW** (XZ347A00)
DSP: IC260
Quad 2 Input OR

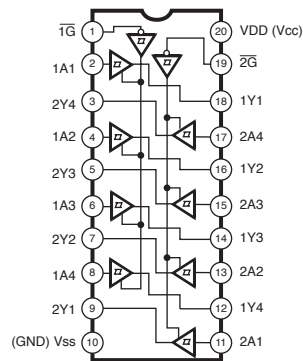


- **SN74LV74APWR** (X5534A00)
DSP: IC056
- **SN74LVC74APWR** (X5731A00)
ENT2: IC112, IC113
Dual D-Type Flip-Flop



INPUTS				OUTPUTS	
PR	CLR	CLK	D	Q	Q-bar
L	H	X	X	H	L
H	L	X	X	L	H
L	L	X	X	H	H
H	H	f	H	H	L
H	H	f	L	L	H
H	H	L	X	Q _o	Q _o

- **SN74LV244APWR** (X3292A00)
DSP: IC152, IC300
GPI: IC501
Octal 3-State Bus Buffer



● **74VHC245MTCX_NF40** (X0296A00)

CPU: IC003

● **SN74AHCT245PWR** (X2709A00)

DSP: IC016, IC253, IC258, IC259

● **SN74LV245APWR** (X3693A00)

DSP: IC005-010, IC012-014, IC017,
IC061-064, IC400, IC401,
IC405, IC500-502

ENT2: IC101-104

GPI: IC603

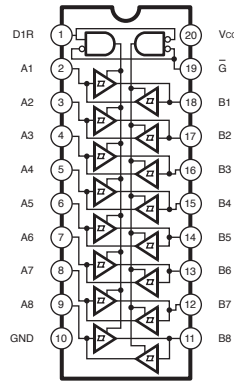
● **SN74ABT245BNST-EL** (XU009A00)

GPI: IC508

● **SN74LVC245APWR** (XZ287A00)

CPU: IC021-026

Octal 3-State Bus Transceiver



● **HD74LV273ATELL** (X2689A00)

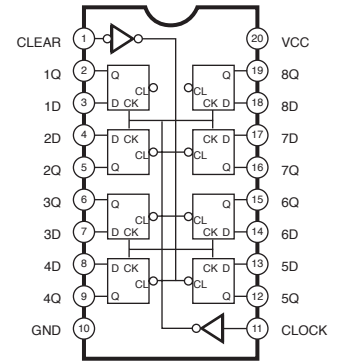
DSP: IC254, IC256

● **SN74LV273APWR** (X5074A00)

DSP: IC254, IC256

GPI: IC503

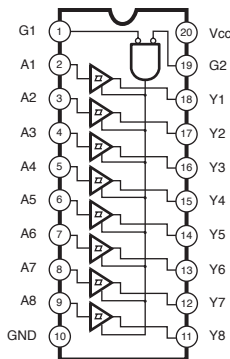
Octal D-Type Flir Flop



● **SN74LV541APWR** (X5966A00)

DSP: IC015

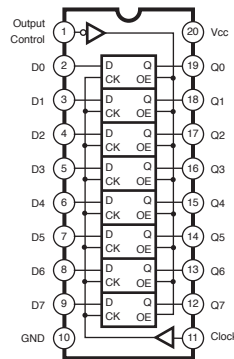
Octal 3-State Buffer



● **SN74LVC574APWR** (X5742A00)

ENT2: IC116, IC117

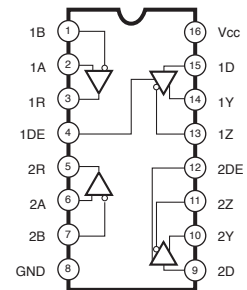
Octal D-Type Flip-Flop



● **SN75C1168NSR** (XU073A00)

GPI: IC604

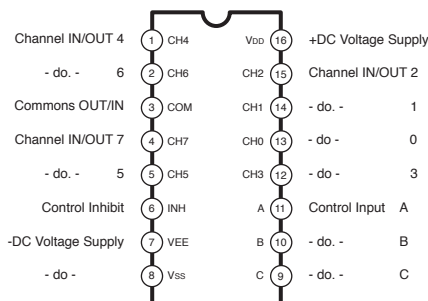
Line Transceiver



● **TC74HC4051AF (EL, F)** (XY549A00)

AD: IC105, IC205, IC305, IC405

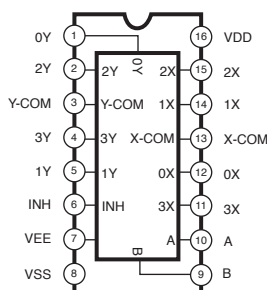
Single 8-Channel
Multiplexer/Demultiplexer



● **SN74LV4052ANSR** (IS405210)

GPI: IC502

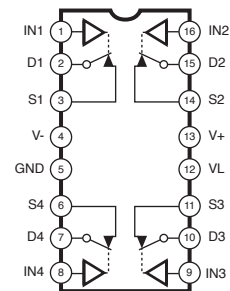
Differential 4-Channel
Multiplexer/Demultiplexer



● **DG411DY-T1-E3** (X5134A00)

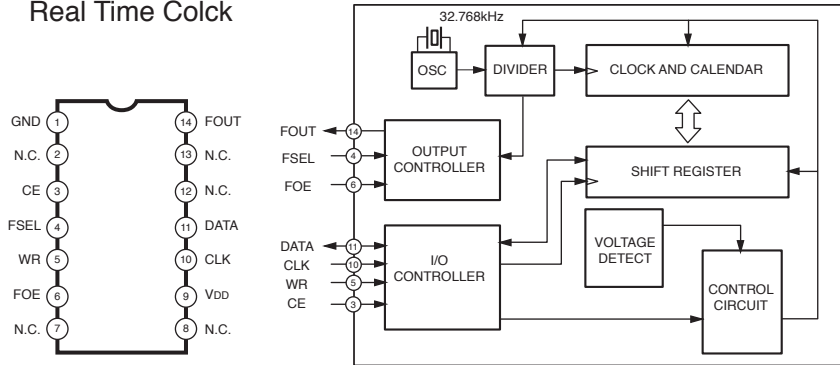
AD: IC101, IC201, IC301, IC401

Monolithic Quad SPST Analog Switches



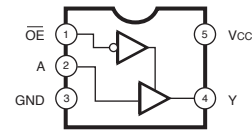
● **RTC-4543SA RTC (X2548A00)**

CPU: IC013
Real Time Colck



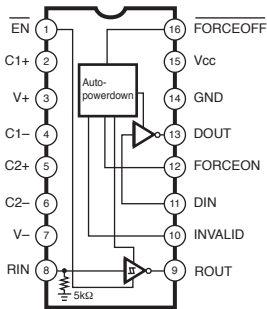
● **SN74AHC1G125DCKR (X3764A00)**

DSP: IC002
Buffer Gate



● **MAX3221CPWR (X2757A00)**

GPI: IC601
Single-channel RS-232 Line Driver/Receiver



EACH DRIVER

INPUTS			VALID RIN RS-232 LEVEL	OUTPUT DOUT	DRIVER STATUS
DIN	FORCEON	FORCEOFF			
X	X	L	X	Z	Powered off
L	H	H	X	H	Normal operation with auto-powerdown disabled
H	H	H	X	L	
L	L	H	Yes	H	Normal operation with auto-powerdown enabled
H	L	H	Yes	L	
L	L	H	No	Z	Powered off by auto-powerdown feature
H	L	H	No	Z	

H=high level, L=low level, X=irrelevant, Z=high impedance

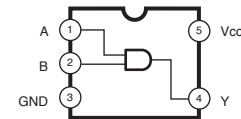
EACH RECEIVER

INPUTS			OUTPUT ROUT
RIN	EN	VALID RIN RS-232 LEVEL	
L	L	X	H
H	L	X	L
X	H	X	Z
Open	L	No	H

H=high level, L=low level, X=irrelevant, Z=high impedance (off), Open=disconnected input or connected drive off

● **SN74AHC1G08DCKR (X3833A00)**

CPU: IC015
ENT2:IC114
Single 2-Input Positive-AND Gate

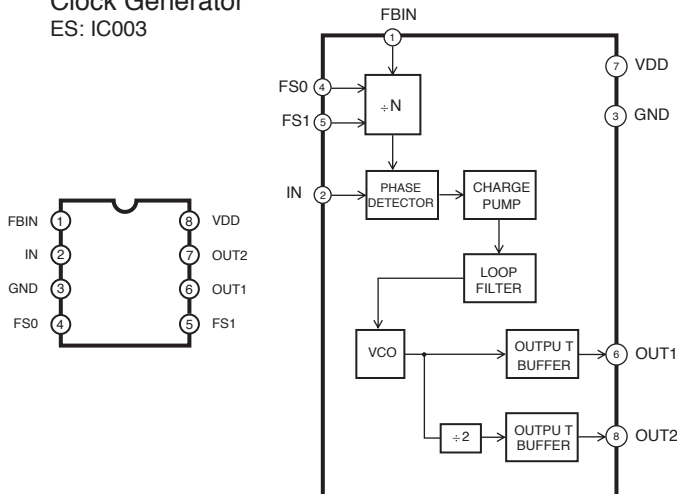


FUNCTION TABLE

INPUTS		OUTPUT Y
A	B	
H	H	H
L	X	L
X	L	L

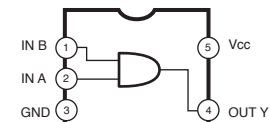
● **CY2302SXC-1T (XW492A00)**

Clock Generator
ES: IC003



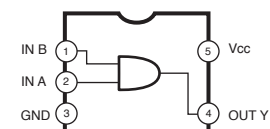
● **TC7SH08FU (TE85L, JF) (XR680A00)**

ENT2: IC114
2 Input AND Gate



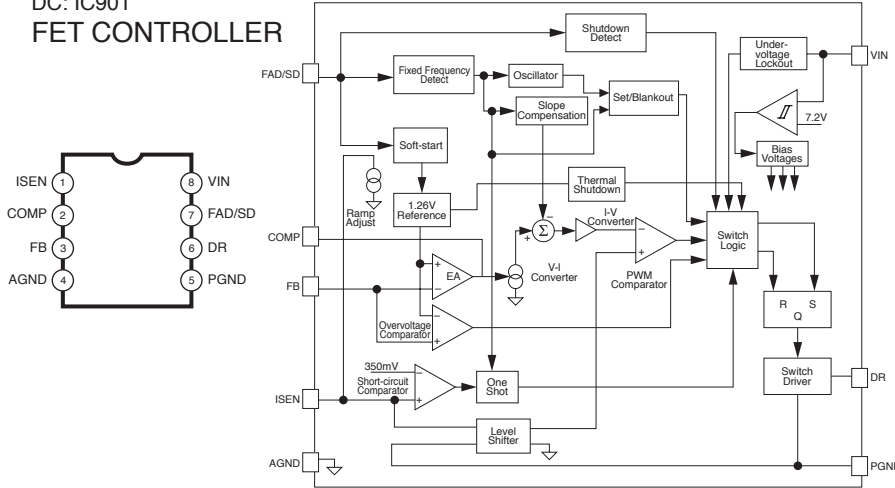
● **TC7SH00FU (TE85L, F) (X7285A00)**

DC: IC102
2 Input NAND Gate



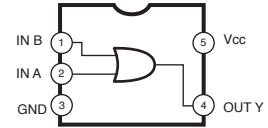
● **LM3478MM (XZ914A00)**

DC: IC901
FET CONTROLLER



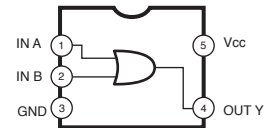
● **TC7SH32FU (TE85L, JF) (XW633A00)**

ENT2: IC111
2-Input OR Gate



● **SN74AHC1G32DCKR (X4642A00)**

ENT2: IC111
2-Input OR Gate

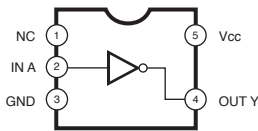


● **SN74AHC1G04DCKR (X4137A00)**

CPU: IC008
ENT2: IC110

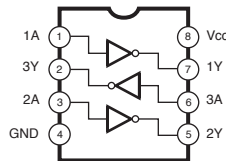
● **TC7SH04FU (TE85L, JF) (XS775A00)**

ENT2: IC110
Inverter Gate



● **TC7WU04FU (TE12L, F) (XQ805A00)**

ES: IC001
Triple Inverter

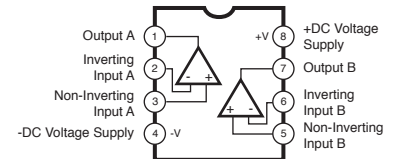


● **NJM2068M-D (TE2) (X3505A00)**

AD: IC102, IC202, IC302, IC402

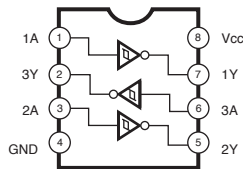
● **μPC4570G2-E1-A (X7351A00)**

AD: IC103, IC203, IC303, IC403
DA: IC101, IC201, IC301, IC401
Dual Operational Amplifier



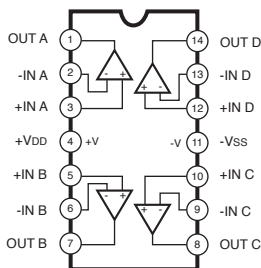
● **TC7WH14FU (TE12L, F) (XY806A00)**

CPU: IC032
DSP: IC001
Triple Inverter



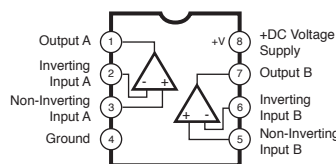
● **NJM2734V (TE1) (X7389A00)**

GPI: IC504, IC505
Quad Operational Amplifier



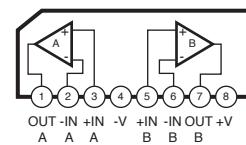
● **NJM2904V (TE1) (XR532A00)**

CPU: IC010
Dual Operational Amplifier



● **NJM4556AL (XP844A00)**

DA: IC102, IC202, IC302, IC402
Dual Operational Amplifier



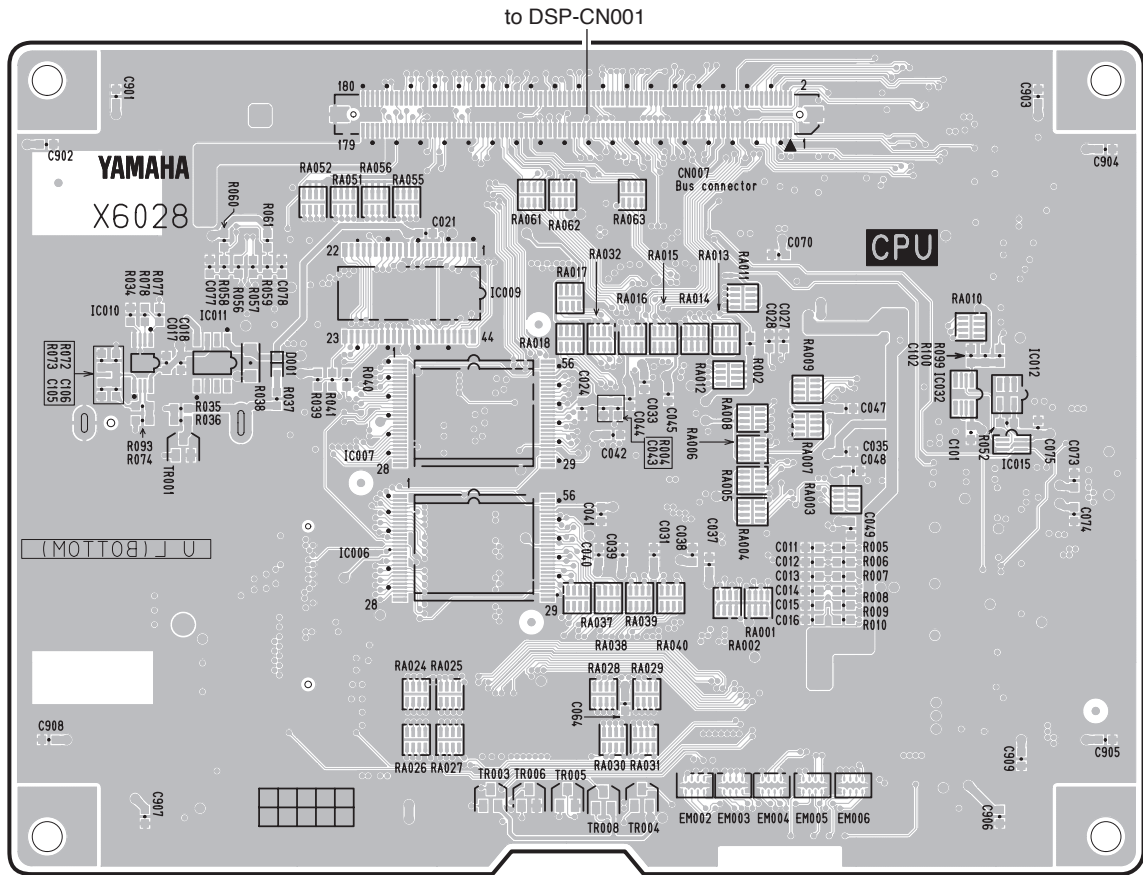
■ CIRCUIT BOARDS (シート基板図)

AD Circuit Board (X7292C0) (DME4io-ES/DME8i-ES)	40/41
CPU Circuit Board (X6028D0)	34/35/36/37
DA Circuit Board (X7293C0) (DME4io-ES/DME8o-ES)	42/43
DSP Circuit Board (X7296C0)	38/39
ENT2 Circuit Board (X7295D0)	48
ES Circuit Board (X8308D0).....	33
DC Circuit Board [SUB] (X7297C0)	44
GPI Circuit Board [SUB] (X7297C0)	36/37
PN Circuit Board [SUB] (X7297C0)	46
PS Circuit Board [SUB] (X7297C0).....	35
USB Circuit Board [SUB] (X7297C0).....	34

Note: See parts list for details of circuit board component parts.

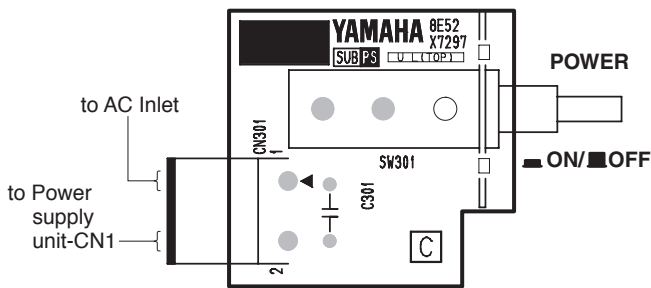
注： シートの部品詳細はパーツリストをご参照ください。

● CPU Circuit Board

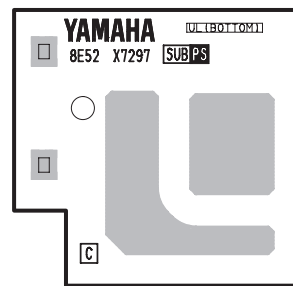


Pattern side (パターン側)

● PS Circuit Board [SUB]



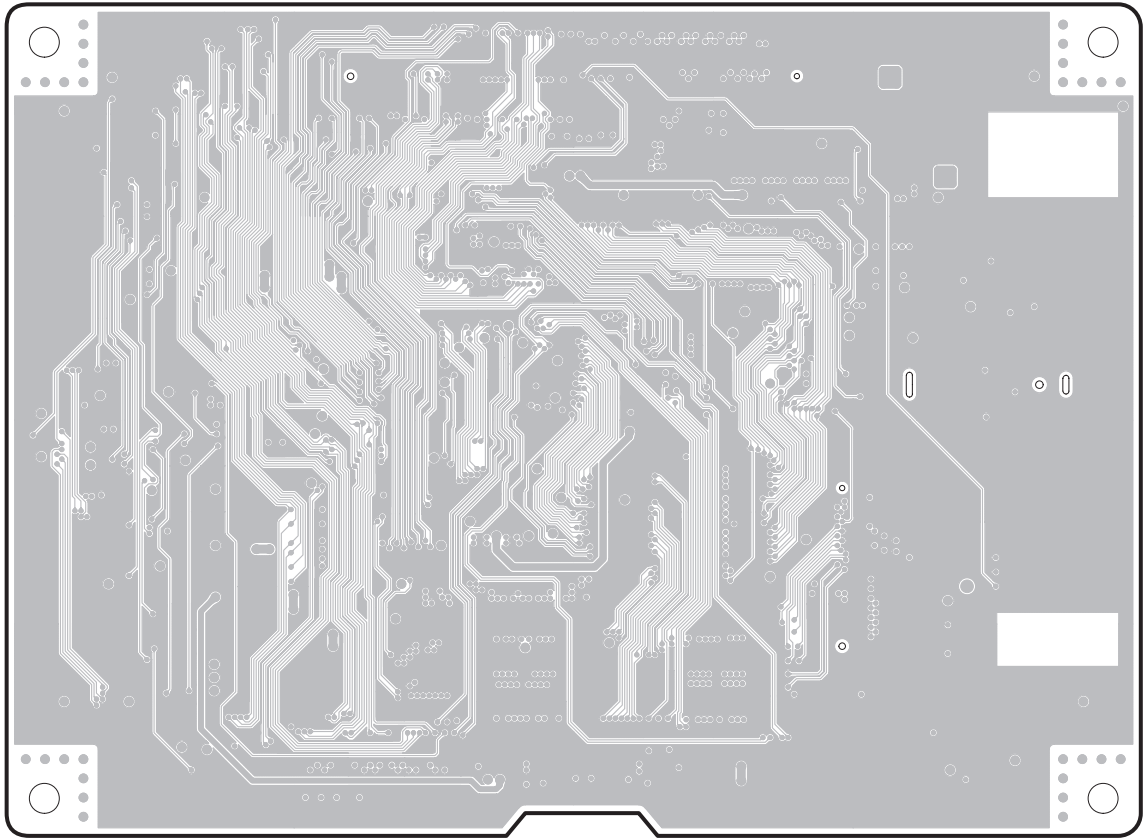
Component side (部品側)



Pattern side (パターン側)

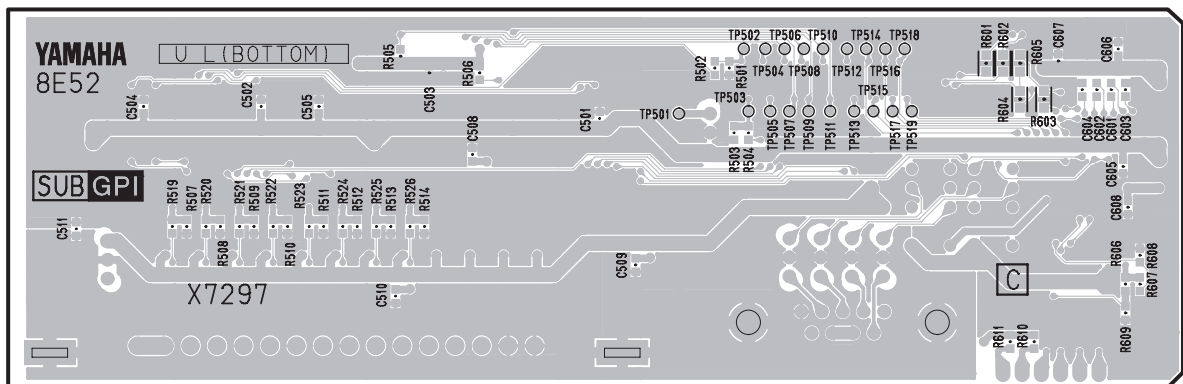
- CPU: 2NA-WG30150 \triangle
- PS: 2NA-WK04030 \triangle (DME4io-ES/DME8i-ES)
- 2NA-WK04110 \triangle (DME8o-ES)

● CPU Circuit Board



Component side (部品側)
7 layer (7層)

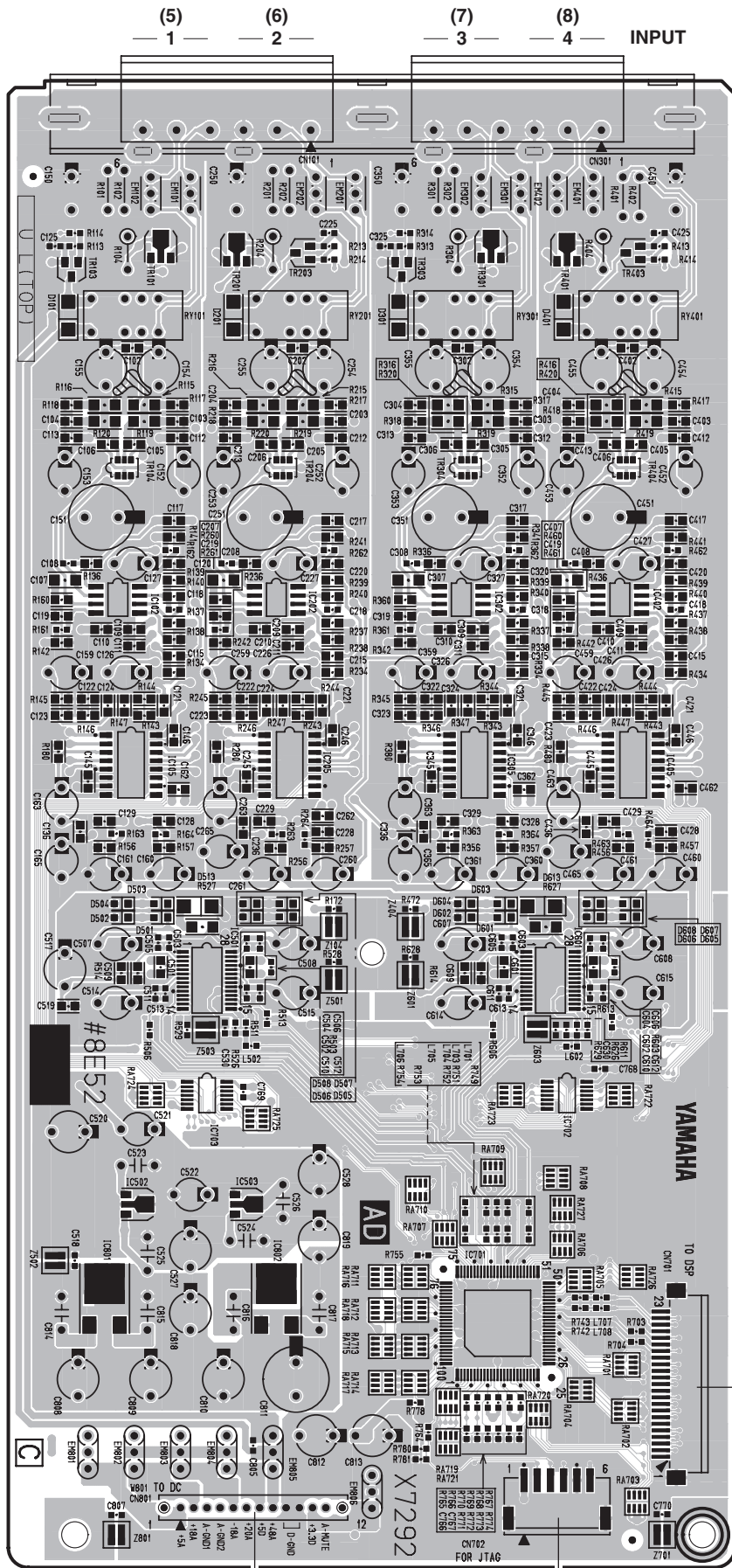
● GPI Circuit Board [SUB]



Pattern side (パターン側)

CPU: 2NA-WG30150 △
 GPI: 2NA-WK04030 △ (DME4io-ES/DME8i-ES)
 2NA-WK04110 △ (DME8o-ES)

● AD Circuit Board (DME4io-ES/DME8i-ES)



DME4io-ES: to DC-CN103
 DME8i-ES: to DC-CN103 or DC-CN105

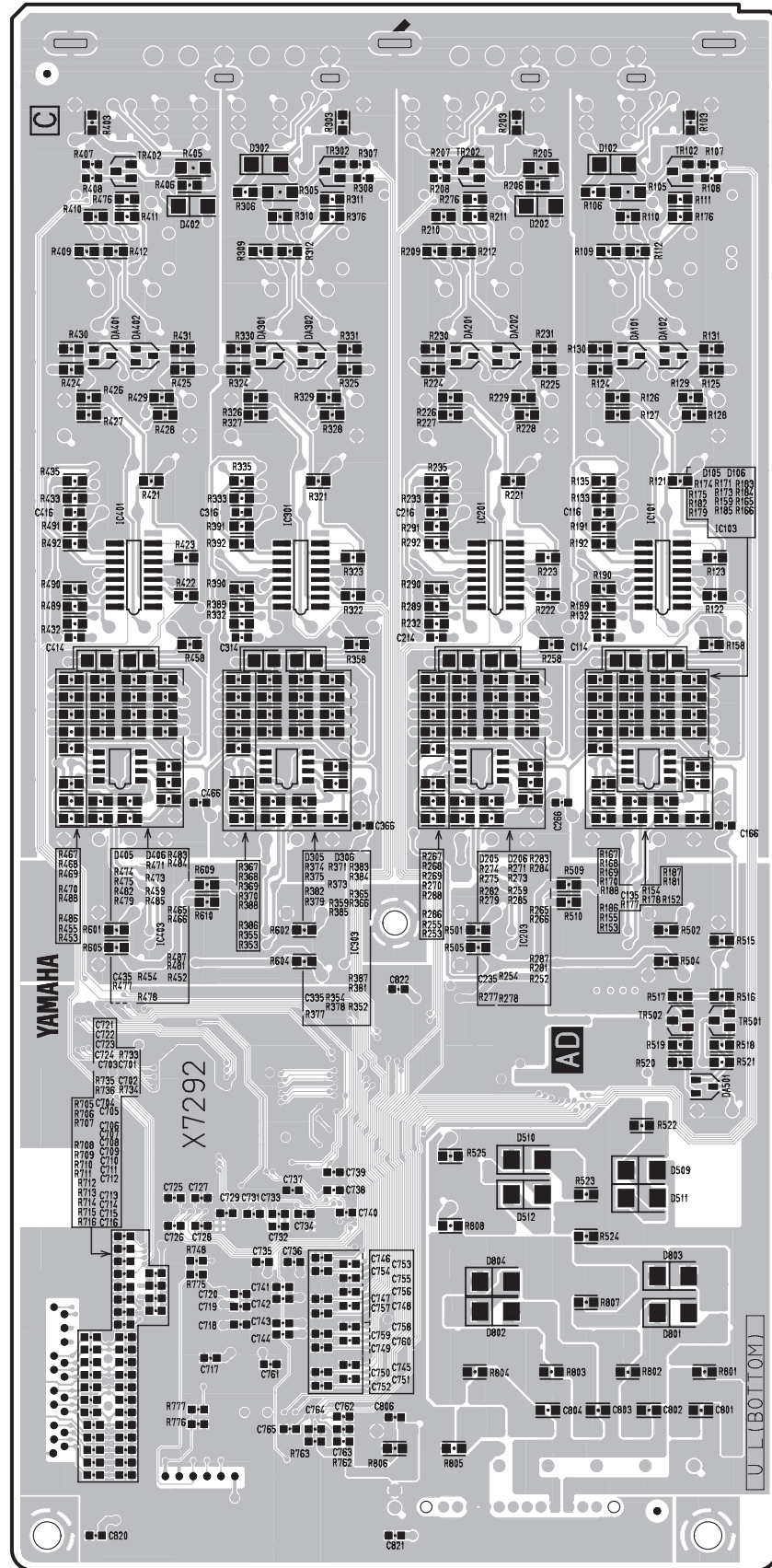
not installed

DME4io-ES: to DSP-CN500
 DME8i-ES: to DSP-CN500 or DSP-CN510

Component side
 (部品側)

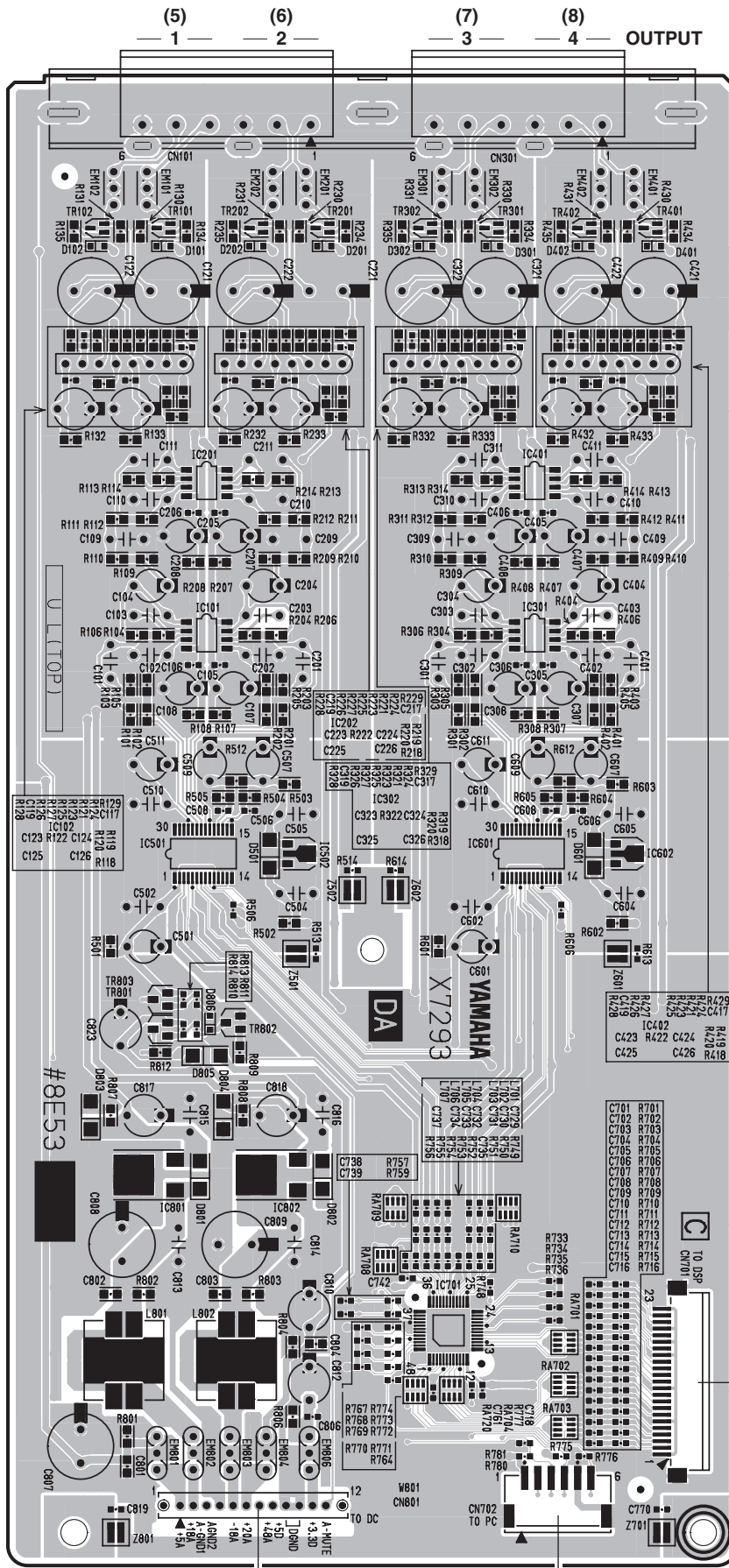
AD: 2NA-WG30380 ▲

● AD Circuit Board (DME4io-ES/DME8i-ES)



Pattern side
(パターン側)

● DA Circuit Board (DME4io-ES/DME8o-ES)



DME4io-ES: to DC-CN103
 DME8o-ES: to DC-CN103 or DC-CN105

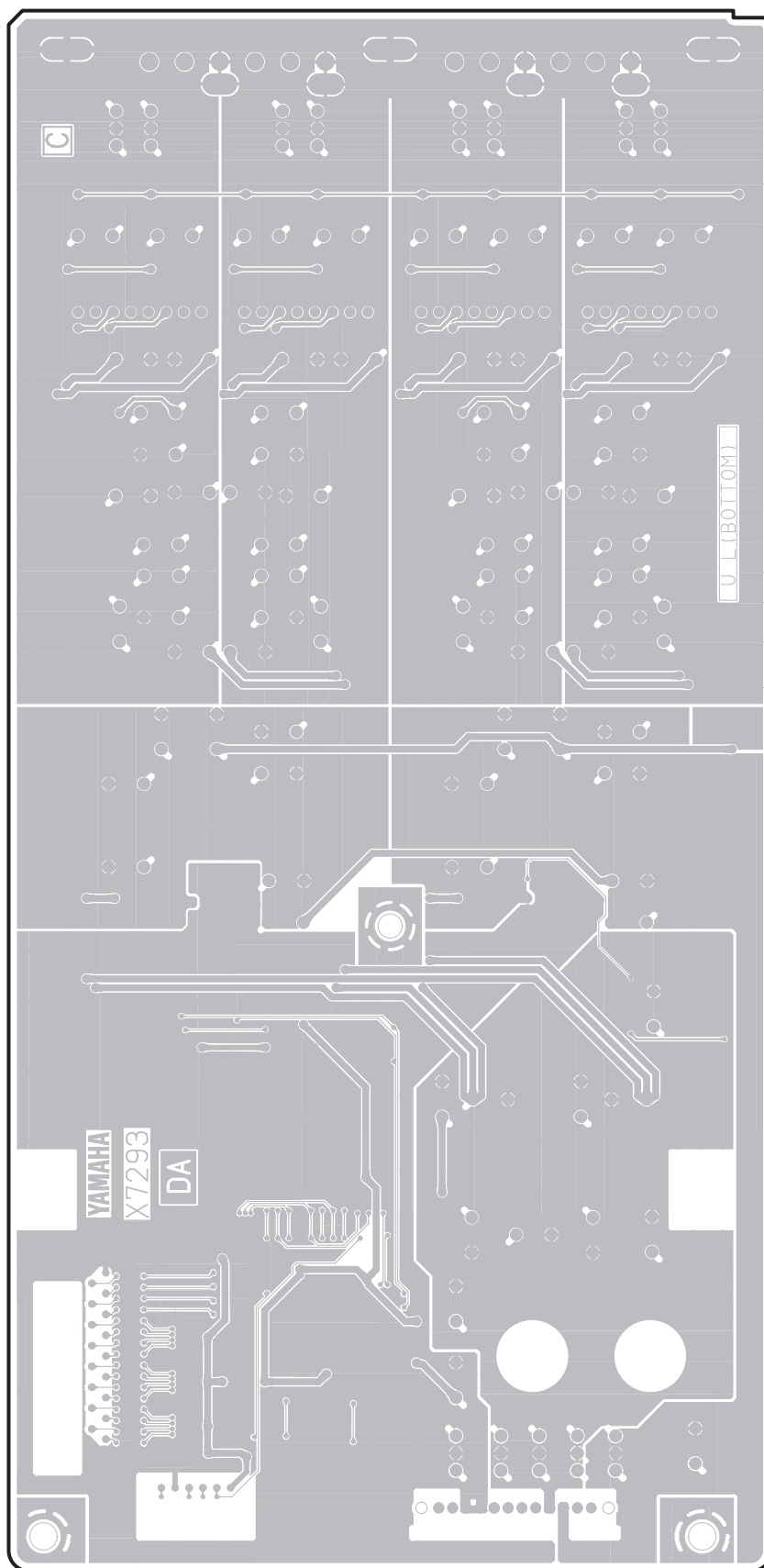
not installed

DME4io-ES: to DSP-CN510
 DME8o-ES: to DSP-CN500 or DSP-CN510

Component side
 (部品側)

DA: 2NA-WG30390 ▲

● DA Circuit Board (DME4io-ES/DME8o-ES)

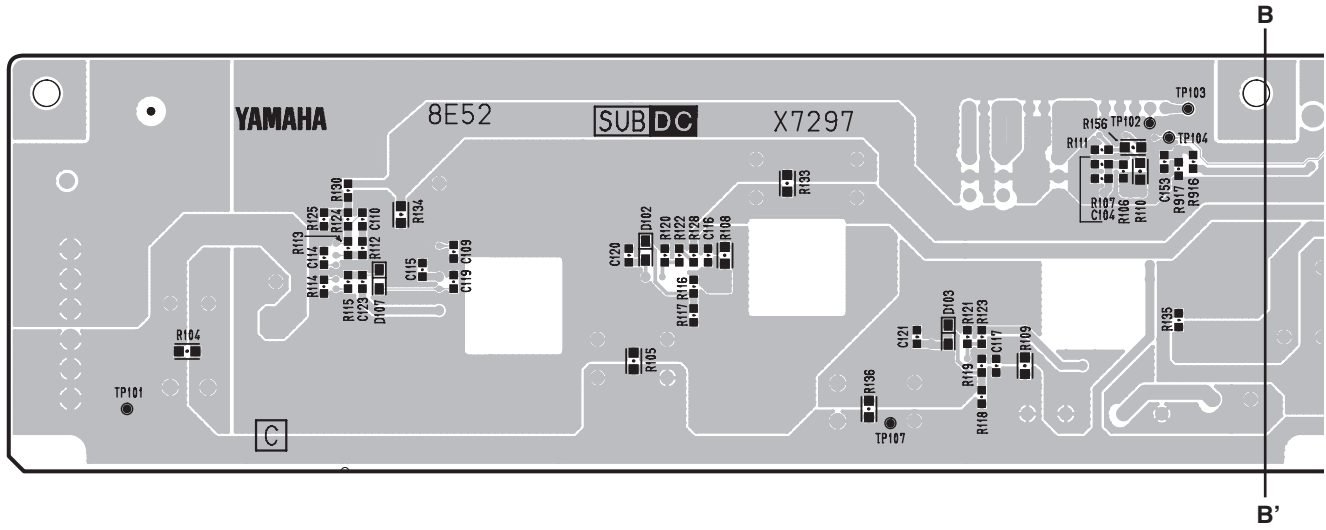
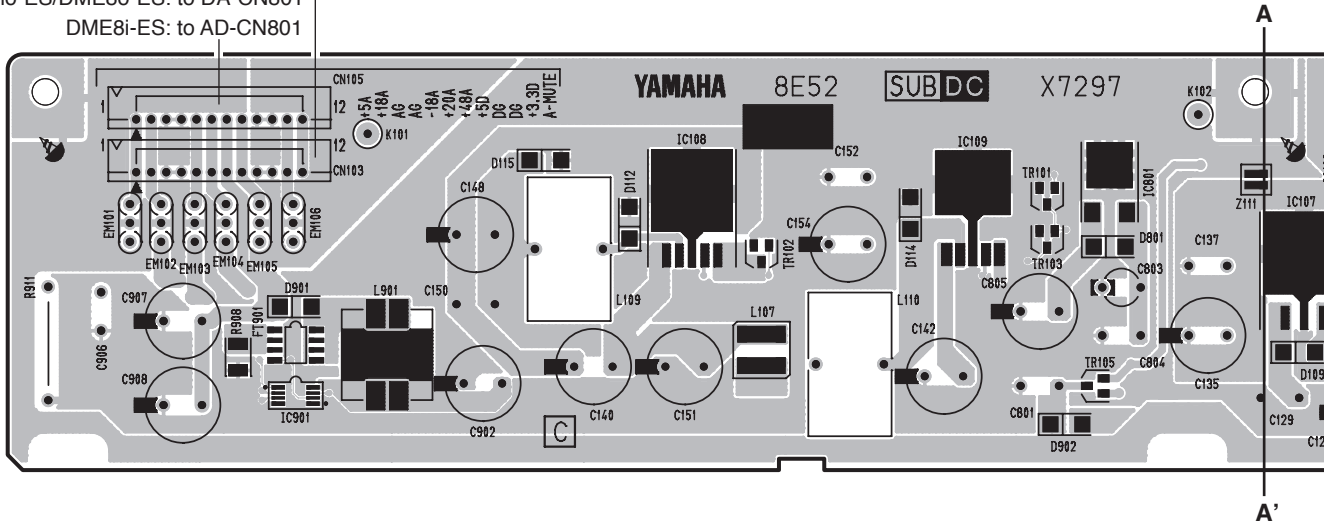


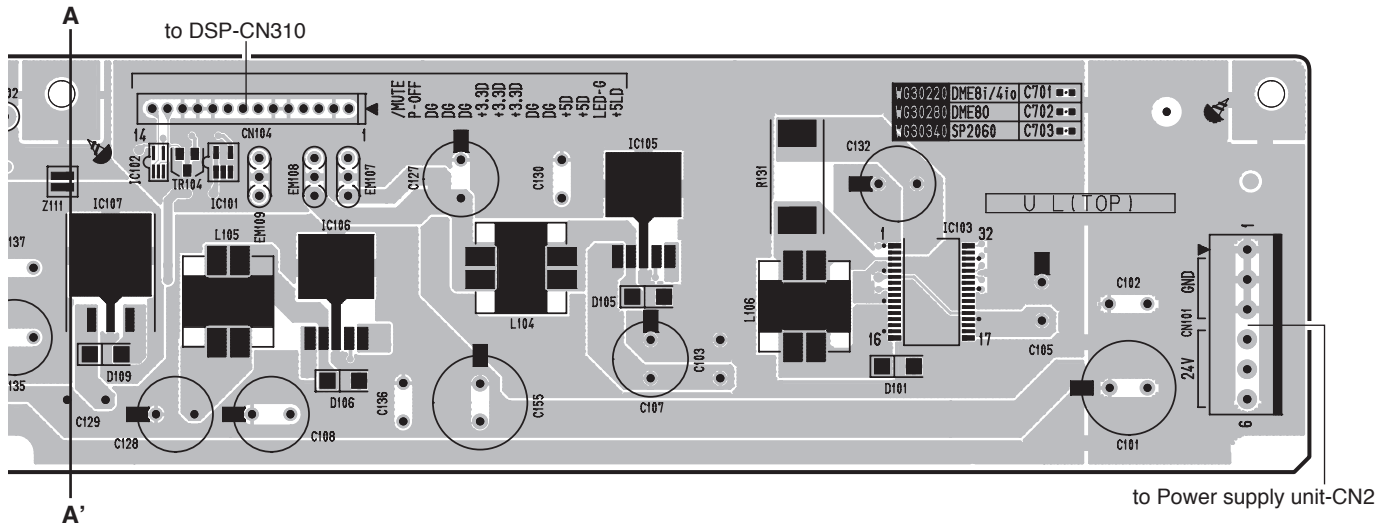
Pattern side
(パターン側)

● DC Circuit Board [SUB]

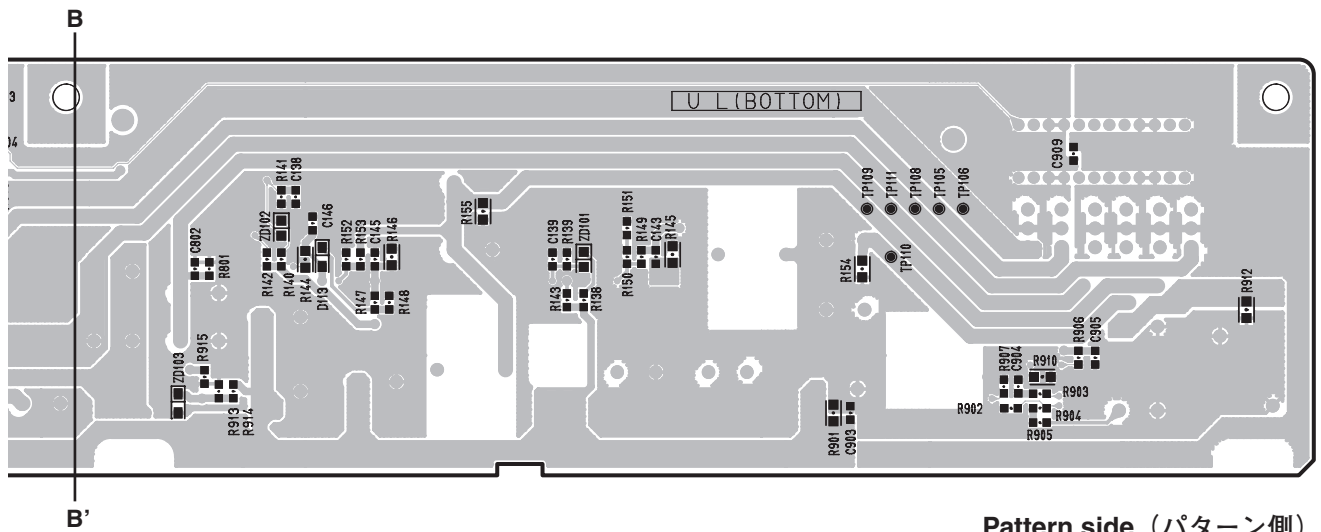
DME4io-ES/DME8i-ES: to AD-CN801
 DME8o-ES: to DA-CN801

DME4io-ES/DME8o-ES: to DA-CN801
 DME8i-ES: to AD-CN801



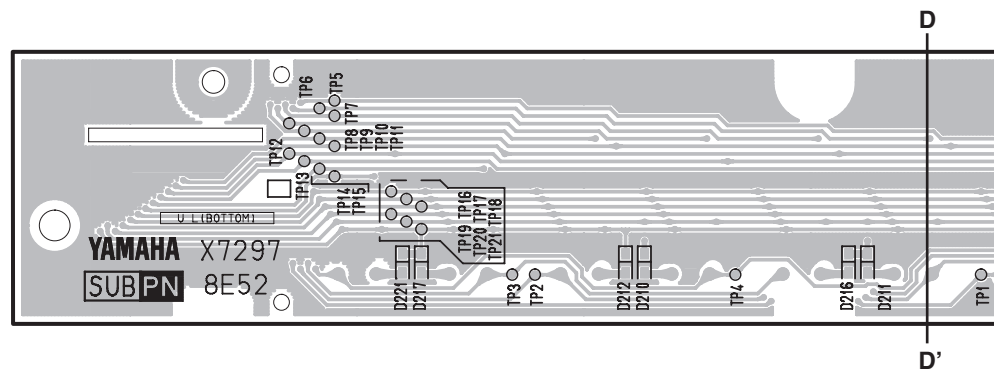
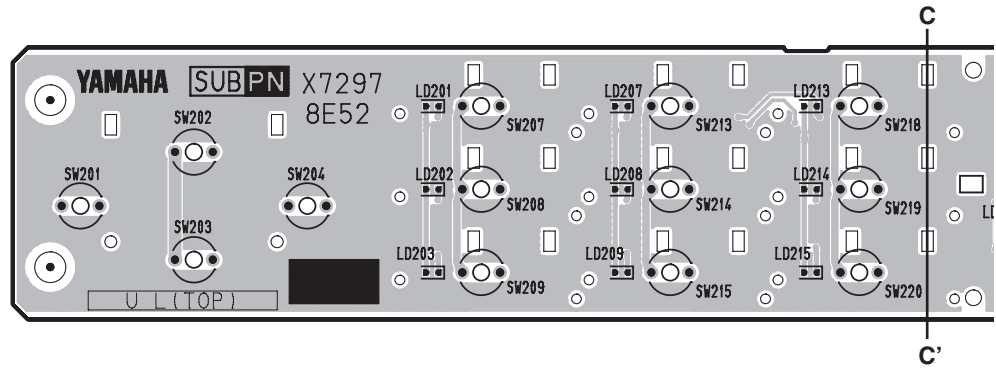


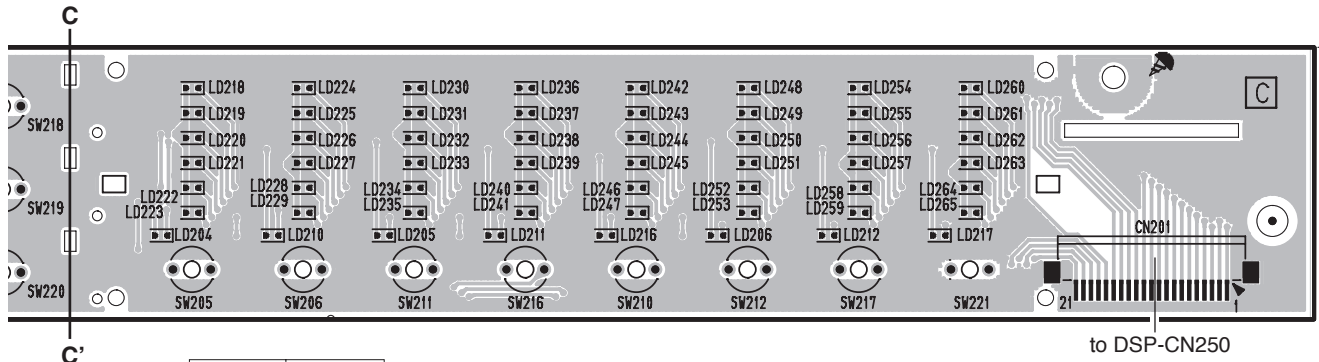
Component side (部品側)



Pattern side (パターン側)

● PN Circuit Board [SUB]





	LD218
DME4io-ES	NETWORK
DME8i-ES	NETWORK
DME8o-ES	NETWORK

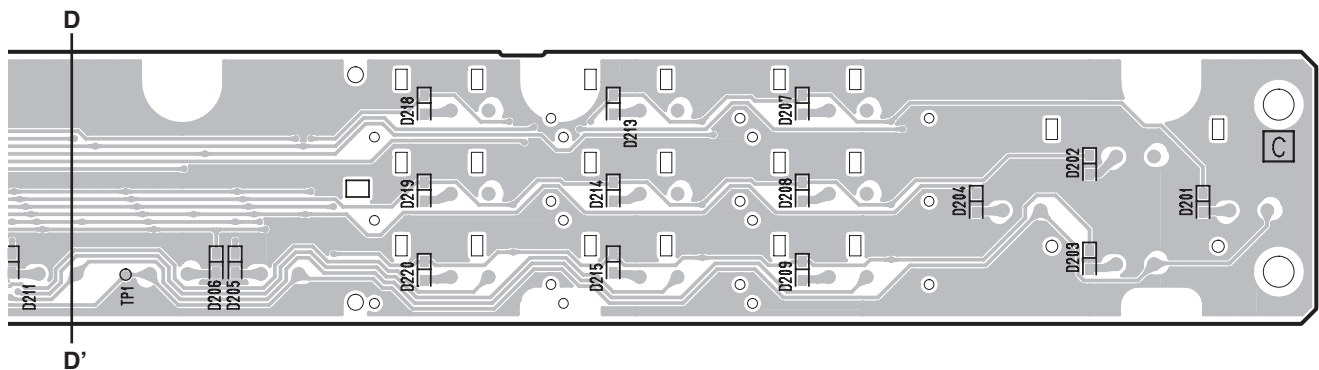
Component side (部品側)

	LD219	-	LD231	LD237	LD243	LD249
DME4io-ES	MASTER	-	INPUT PEAK 1	INPUT PEAK 2	INPUT PEAK 3	INPUT PEAK 4
DME8i-ES	MASTER	-	INPUT PEAK 1	INPUT PEAK 2	INPUT PEAK 3	INPUT PEAK 4
DME8o-ES	MASTER	-	OUTPUT PEAK 1	OUTPUT PEAK 2	OUTPUT PEAK 3	OUTPUT PEAK 4

	LD220	-	LD232	LD238	LD244	LD250
DME4io-ES	ERROR	-	INPUT SIGNAL 1	INPUT SIGNAL 2	INPUT SIGNAL 3	INPUT SIGNAL 4
DME8i-ES	ERROR	-	INPUT SIGNAL 1	INPUT SIGNAL 2	INPUT SIGNAL 3	INPUT SIGNAL 4
DME8o-ES	ERROR	-	OUTPUT SIGNAL 1	OUTPUT SIGNAL 2	OUTPUT SIGNAL 3	OUTPUT SIGNAL 4

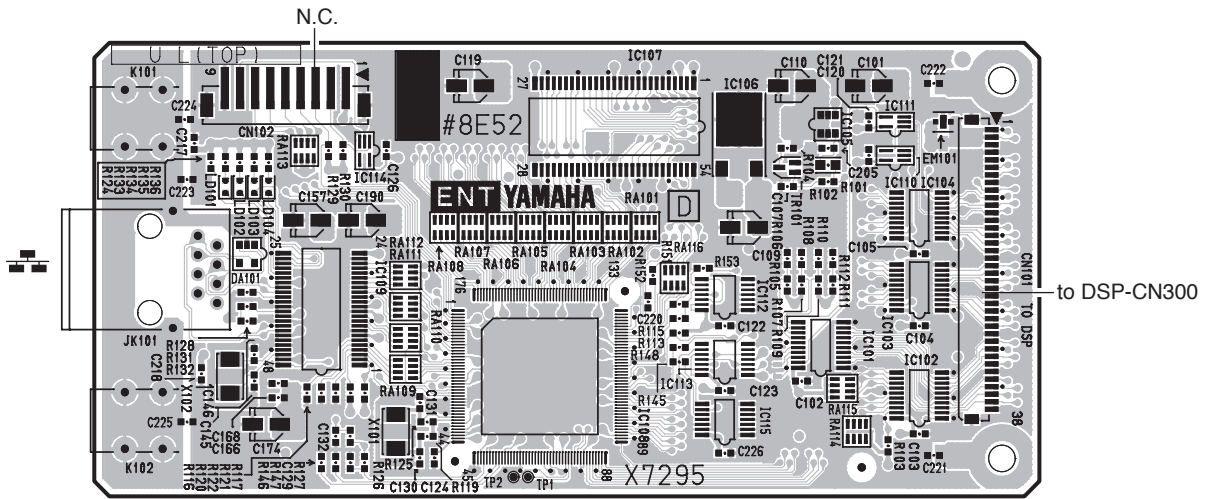
	LD222	LD228	LD234	LD240	LD246	LD252
DME4io-ES	INPUT TX	OUTPUT TX	OUTPUT PEAK 1	OUTPUT PEAK 2	OUTPUT PEAK 3	OUTPUT PEAK 4
DME8i-ES	INPUT TX	OUTPUT TX	INPUT PEAK 5	INPUT PEAK 6	INPUT PEAK 7	INPUT PEAK 8
DME8o-ES	INPUT TX	OUTPUT TX	OUTPUT PEAK 5	OUTPUT PEAK 6	OUTPUT PEAK 7	OUTPUT PEAK 8

	LD223	LD229	LD235	LD241	LD247	LD253
DME4io-ES	INPUT RX	OUTPUT RX	OUTPUT SIGNAL 1	OUTPUT SIGNAL 2	OUTPUT SIGNAL 3	OUTPUT SIGNAL 4
DME8i-ES	INPUT RX	OUTPUT RX	INPUT SIGNAL 5	INPUT SIGNAL 6	INPUT SIGNAL 7	INPUT SIGNAL 8
DME8o-ES	INPUT RX	OUTPUT RX	OUTPUT SIGNAL 5	OUTPUT SIGNAL 6	OUTPUT SIGNAL 7	OUTPUT SIGNAL 8

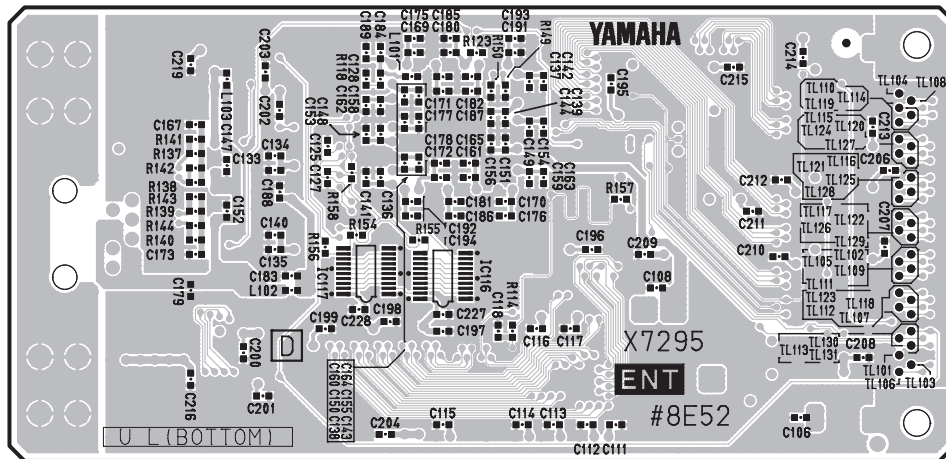


Pattern side (パターン側)

● ENT2 Circuit Board



Component side (部品側)



Pattern side (パターン側)

TEST PROGRAM

* Tests the DME4io-ES/DME8i-ES/DME8o-ES.

DME4io-ES, DME8i-ES and DME8o-ES are collectively referred to as “DME Satellite” if descriptions are applicable to all the models.

Caution

- Before executing the test program, save the data to an external device (such as a computer) with the backup function of the DME Designer.
- For more information on the operation, refer to the DME Designer owner’s manual.
- The test program is in the “Boot” program area and there are following restrictions depending on Boot version.
 - In case of V2.xx, only the Satellite-C can be tested.
 - In case of V3.xx, both the Satellite-C/ES can be tested.

Accordingly, check the versions of Boot and Program before executing test program and upgrade to V3.0 if the version is lower than V3.0. Depending on Boot version, the panel LED lights as follows when the DME Satellite is started.

V2.0: The LED lights up for 500 msec. at first.

V3.0: The LED lights up for 2,000 msec. at first.

Table 1 Table for combinations of Boot and Program versions

<Satellite-ES>		Program	
		V2.0	V3.0
Boot	V2.0	×	△
	V3.0	×	○

* × : Operates without error or sound .

△ : Operates without error, but test program does not run.

1. Preparation

1-1. Required items

- DME Satellite unit (DME4io-ES, DME8i-ES, DME8o-ES)
- GPI Loop Back Test jig : 1 pc.
- REMOTE Loop Back Test jig : 1 pc.
- Switching Hub (100 Base-TX) : 1 pc.
- NAI48-ES as a jig : 1 pc.
- USB Cable : 1 pc.
- LAN Cable (Straight cable, STP type) : 4 pcs.
- Dsub25P (YAMAHA compatible arrangement) cable for digital audio : 1 pc. – 2 pcs.
- BNC Cable : 1 pc.
- Unit for supplying Word Clock (01V96, etc.) : 1 pc.
- Personal Computer; DOS/V machine (P-200 MHz or faster, Windows 2000/XP, Ethernet port) : 1 set
- MY16AE: 1 pc. (or MY8AE: 2 pcs.) : 1 pc. – 2 pcs.

* If the MY8AE is used, it is necessary to change cable connections during A/D test and D/A test.

[Test Jig]

① GPI Loop Back Test Jig

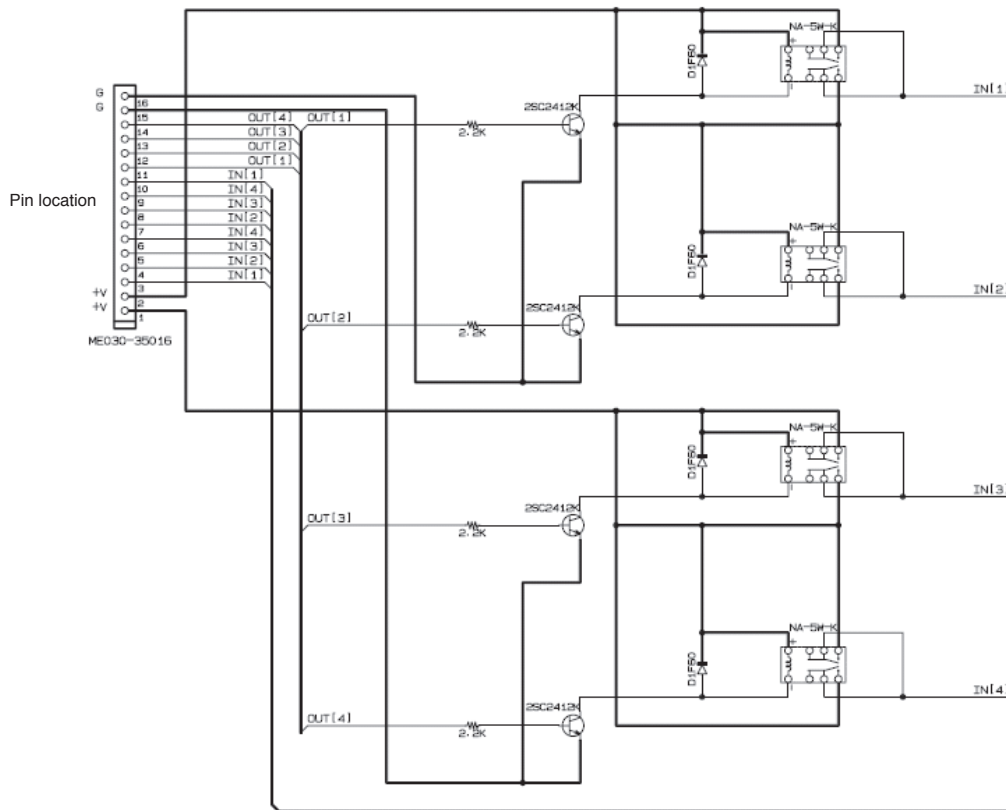


Fig. 1: GPI Loop Back Test Jig Circuit Diagram

GPI-JIG Parts List

REF NO.	PART NO.	DESCRIPTION		Q'ty
R91-R94	RD356220	Carbon Resistor (chip)	2.2K 63M J RECT.	4
D91-D94	VS201100	Diode	D1F60 1A 600V TP	4
RY91-RY94	VU685600	Relay	DC NA-5 W-K	4
TR91-TR94	VV556400	Transistor	2SC2412K Q,R,S TP	4
CN91	WG261000	Terminal	16P ME030-35016	1

② REMOTE Loop Back Test Jig

Use a D-SUB 9P female connector with terminals that are short-circuited as shown below.

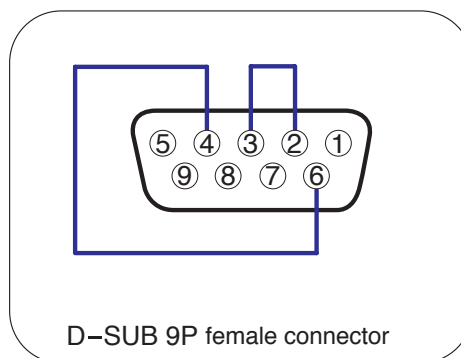


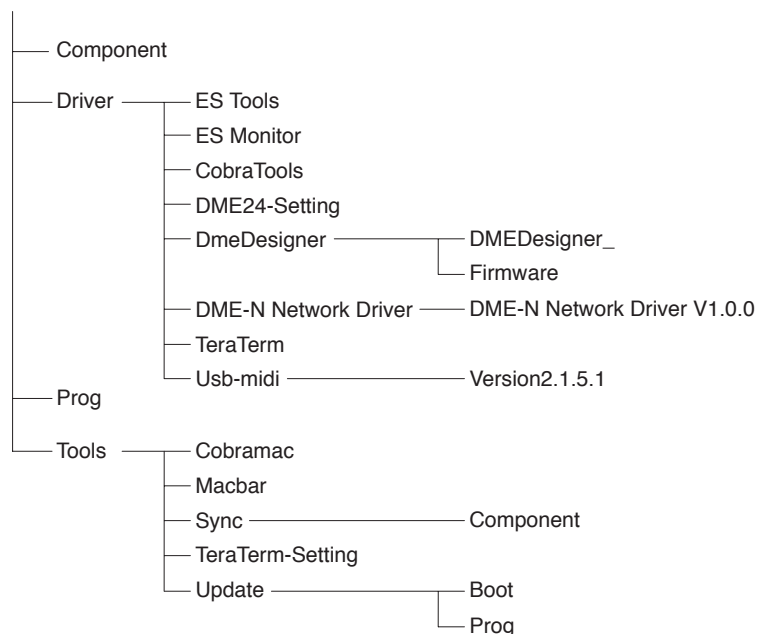
Fig. 2: Circuit Diagram for COM Terminal Connection Jig for RS232C/422 Loop Back Test

1-2. Personal Computer Setting

- ① Download the DME Satellite test program data package from the YSISS homepage.

URL>> <http://plaza.yamaha.co.jp/ysiss/exindex.nsf>

The following is DME Satellite test program data package composition.



② Copying DME Satellite test program data package

Double click on “copy_satellite.bat” and all the files of DME Satellite test program data package will be automatically copied to C:¥TOOL_SATELLITE.

- * The files are overwritten even when the “C:¥TOOLS_SATELLITE” folder is already made and the files are in it.

③ Installing TeraTerm

Double click on “setup.exe” of C: ¥TOOLS_SATELLITE¥Driver¥TeraTerm.

Then the TeraTerm Pro Setup screen is displayed.

After this, follow the direction displayed on screen to complete the installation. Don't change the installation destination “C:¥PROGRAM FILES¥TTERMPRO” to any other area.

④ Installing USB-MIDI Driver

After checking that the power of the DME is turned off, connect the USB terminal of PC (or USB hub) and USB terminal of the DME with a USB cable. Then, turn on the power of the DME and “Wizard for detecting a new hardware” will be automatically displayed.

After this, follow the direction displayed on screen to complete the installation.

- * The driver is in the following folder.

C: ¥TOOLS_SATELLITE¥Driver¥Usb-midi¥Version2.1.5.1¥Driver

⑤ Installing DME-N NETWORK driver

Double click on “setup.exe” of C: ¥TOOLS_SATELLITE¥Driver¥DME-N Network Driver¥DME-N Network Driver V1.0.0. Then the YAMAHA DME-N Network Driver-InstallShield Wizard is activated. After this, follow the direction displayed on screen to complete the installation.

- * If the driver is already installed, it is not necessary to reinstall the driver.

⑥ **Setting Ethernet**

([Control panel] → [Network connection] → [Local area connection] → [Property] → [Internet Protocol (TCP/IP)] → [Property]: In case of Windows XP)

IP address 192 168 0 1
Subnet Mask 255 255 255 0

⑦ **DME-N NETWORK driver setup (in case of V1.0.0 system)**

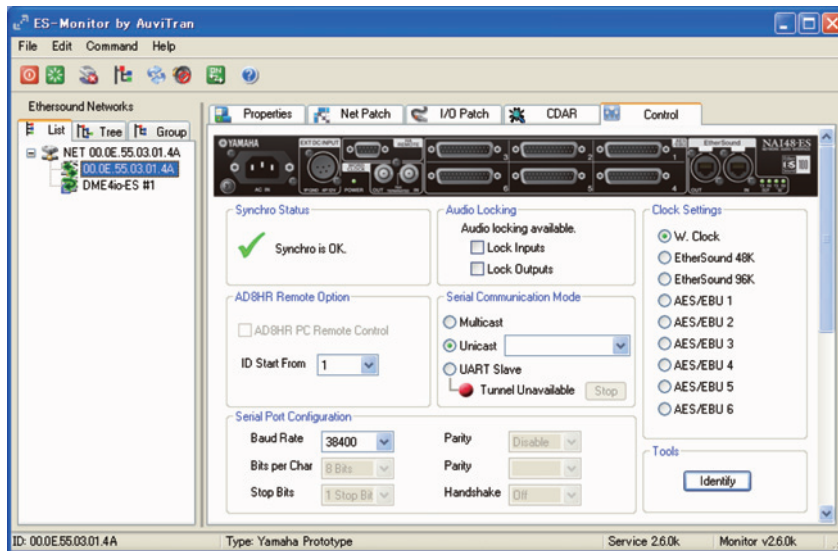
In case of V1.0.0 system, set up as follows. In case of V1.1 or higher, input IP address.

([Control Panel] → [DME-N Network Driver])

Device No. 1
Device Name ZONE1
IP Address 192 168 0 2
Protect No. 00 A0 DE 25 00 00
Device ID 1
TCP-KEEPALIVE on

1-3. Setup of the NAI48-ES as a jig

- ① Download the AVS-ESMonitor software from the YSISS Home Page.
- ② Install the AVS-ESMonitor software to the personal computer and set up the NAI48-ES as shown in the figure below.
* To download the latest version, download from the website by Auvitrans (<http://www.auvitran.com>).
- ③ Connect the AES/EBU connector 1 (1 – 8 ch) and connector 2 (9 – 16 ch) with the Dsub25P (YAMAHA compatible arrangement) cable and perform 8 ch loopback

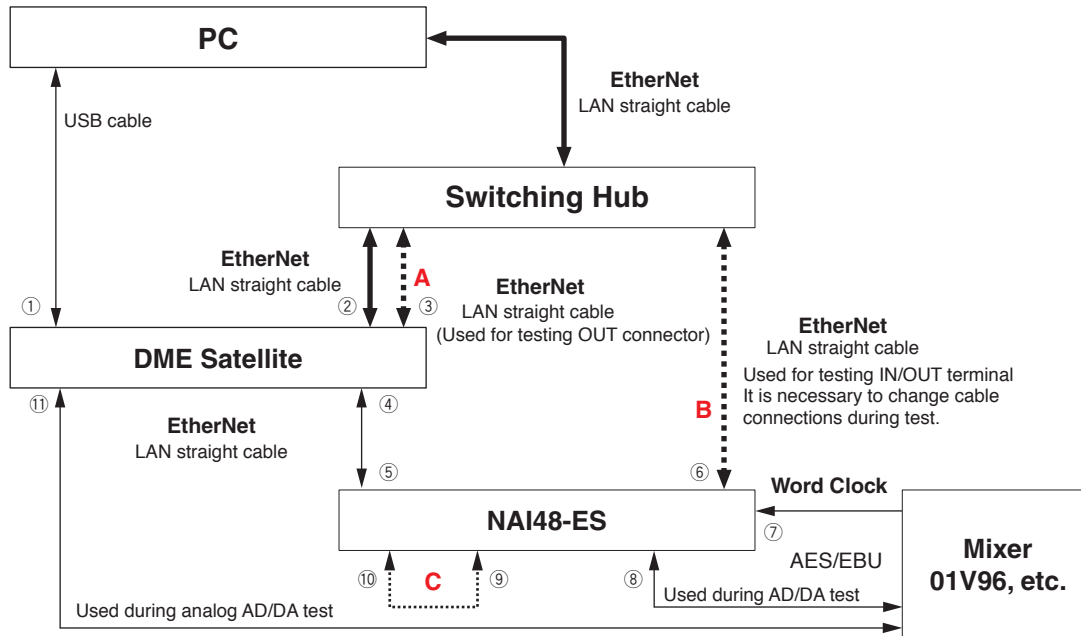


1-4. Connection

Connect the USB connector of the DME Satellite and the USB connector of PC with a USB cable.

Connect the EtherSound [IN] connector of the DME Satellite and the [OUT] connector of the NAI48-ES as a jig with a LAN straight cable.

Connect the [IN] connector of the NAI48-ES as a jig to PC and [Ethernet] connector of the DME Satellite to PC with LAN straight cables through a hub.



CAUTION:

1. Connection A or B should be used alternatively. Be sure to connect either connector according to the test item. If the A and B are connected at the same time, test result may be affected.
2. To check the EtherSound IN connector and OUT connector, connect AES/EBU 1 and AES/EBU 2 of NAI48-ES and with Dsub25P cable for loopbacking. (Connection C)

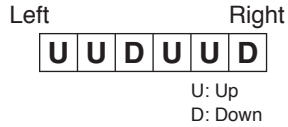
[Names of connectors to be used and explanation on connection]

- ① USB connector
Connection is necessary during checking of USB connector only.
- ② NETWORK connector
- ③ EtherSound IN connector
Connect only during checking of OUT connector and disconnect connection B.
- ④ During checking of IN connector: EtherSound IN connector
During checking of OUT connector: EtherSound OUT connector
- ⑤ During checking of IN connector: EtherSound OUT connector
During checking of OUT connector: EtherSound IN connector
- ⑥ EtherSound IN connector
Connect only during checking of IN connector and disconnect connection A.
- ⑦ WORD CLOCK IN connector
- ⑧ AES/EBU connector
Connect to a mixer during AD/DA test
- ⑨ AES/EBU connector 1
During checking of the EtherSound IN connector and OUT connector, connect to the AES/EBU connector 2 for loopbacking.
- ⑩ AES/EBU connector 2
During checking of the EtherSound IN connector and OUT connector, connect to the AES/EBU connector 1 for loopbacking.
- ⑪ During AD test: INPUT connector
During DA test: OUTPUT connector

2. Operation

2-1. Starting Test Program

Set the DIP-SWITCH on the rear panel as shown below, which shows rear view, and turn on the power.



2-2. Starting TeraTerm

- Start the DME Satellite in the test program mode. When the Ethernet is in a communicable condition, the NETWORK LED will light.
- Using an explorer in PC, click “diag_start” and TeraTerm will start.
“diag_start” is in “C:\TOOLS_SATELLITE\tools\TeraTerm-Setting”.
- When “Press [ENTER]” is displayed in the TeraTerm screen, press the [ENTER] key of the PC. Testing Category Selection List Screen appears on the display. If “Connection timed out” is displayed, it indicates an unsuccessful connection. Restart TeraTerm. If the connection is unsuccessful still, check the LAN connection, turn off and on the DME Satellite, and then start TeraTerm.
- * If the TeraTerm does not start when the “diag_start” is clicked, update the program and boot area. Refer to P. 102 for update of the program and boot area.

```

** Diag Category Menu **

* 01 Product
  02 CPU Sheet
  03 DSP Sheet
  04 ES Sheet
  05 AD Sheet
  06 DA Sheet
  07 SUB Sheet
  08 ==> Exit Diag Mode

      [ENTER]:AUTO, [0]:MANUAL

Ethernet Mac Address   00.A0.DE.XX.XX.XX
EtherSound Mac Address 00.0E.55.XX.XX.XX

Boot Version          V3.00
Program Version       V3.01
EtherSound Version    0C0A

```

[Testing category selection list screen sample]

- Use [↑] or [↓] key of PC to select “01 Product” and press the [0] (zero) key (MANUAL) to enter manual test.
Testing Item Selection List appears on the display
- Use [↑] or [↓] key of PC to select a test item and press the [ENTER] key.
OK or NG will be displayed as test result in the Testing Item Selection List.

```

** Diag Mode **
  Total Result [  ]

* 00 RESERVE-Satellite
  01 SRAM           OK
  02 BATTERY        OK
  03 PLLP2          NG
  04 DSP7
  05 COMPONENT
  06 ATSC2
  07 USB
  08 GPI
  09 RTC
  10 WCLK
  11 REMOTE
  13 ETHERSOUND
  15 LED
  17 DIPSW
  19 AD
  20 DA
  22 ==> Category Menu

```

} Test results

[Example of Testing Item Selection List Screen]

NO.	Test item	Contents of tests	Judgment
01	SRAM	Check the address bus and data bus.	Auto
02	BATTERY	Check the voltage of the back-up battery.	Auto
03	PLLP2	Check the register of the gate array PLLP2 by reading/writing.	Auto
04	DSP7	Check the register of each DSP7 by reading/writing and SIO/ATSC2 connection.	Auto
05	COMPONENT	Checks SIO signal from CPU by loop-backing through DSP.	Auto
06	ATSC2	Checks ATSC2 for register W/R function.	Auto
07	USB MIDI	Checks for normality by initializing USB circuit and looping back with the external PC.	Auto
08	GPI	Checks for normality by connecting GPI IN and OUT and looping back.	Auto
09	RTC	Initializes and displays real time clock.	Auto
10	WORD CLOCK	Count the Fs of the WCLK OUT using WCLK IN and check the lock state of PLL.	Semi-auto
11	REMOTE	Loop back REMOTE terminal to check the transmission and reception function.	Semi-auto
13	ETHERSOUND	Checks of device and transmission/reception of audio	Semi-auto
15	LED	Check that the LED lights in the specified order.	Visual check
17	DIP SWITCH	Checks for normality by operating the switches in turn	Semi-auto
19	AD	Checks PAD, phantom, and HA gain control.	Measurement
20	DA	Reset/Mute control	Semi-auto

[Testing Item Selection List]

2-3. Exit from Determination and Execution Screen of Each Test

Exiting the checking method and execution screen of each test (returning to Testing Item Selection List Screen) is illustrated below by specific patterns.

(1) Visual Check, Semiautomatic Check (except SWITCH Test) and Measurement Check

```

*** 15. LED ***

OK:[ENTER], NG:[0]

```

[Visual Check, Semiautomatic Check (except SWITCH Test) and Measurement Check Screen]

Exit is made using a key displayed on PC.

Pressing the [0] key forces the test to terminate, but NG will be displayed on the right side of the corresponding testing item. (This indicates that the test is not completed yet.)

If the [ENTER] key is pressed in the middle of the test, it will be invalidated.

(2) SWITCH Test

```

*** 17. DIPSW ***

Set Position
[_~~~~~]
123456

NG:[ENTER]

```

[DIP SWITCH Test screen]

In the SWITCH test, press the [ENTER] key to exit.

If test for all switches are completed, the display returns to the Testing Item Selection List Screen automatically.

(3) Automatic Check Test

In case of one test pattern

```

*** 01. SRAM ***

SRAM AddressBus    OK!
SRAM DataBus      OK!

EXIT:[ENTER]

```

[Automatic Check Test screen]

After completion of a test under the automatic test items, test data may be displayed in addition to the OK/NG indication as a test result. If the [ENTER] key is pressed on this screen, it will return to the Testing Item Selection List Screen.

2-4. When the test is started

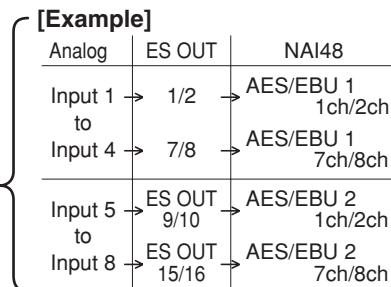
Word clock and signal flows are as follows when the test is started.

Model	WORD CLOCK	Flow of audio signals
DME4io-ES	Cobra 96 k	INPUT1-4 → ETHER SOUND OUT 1, 3, 5, 7 (Double Speed) ETHER SOUND IN 1, 3, 5, 7 (Double Speed) → OUTPUT1-4
DME8i-ES	Cobra 96 k	INPUT1-8 → ETHER SOUND OUT 1, 3...13, 15 (Double Speed)
DME8o-ES	Cobra 96 k	ETHER SOUND IN 1, 3...13, 15 (Double Speed) → OUTPUT1-8

The flow of DME Satellite at FS=48 kHz during AD/DA test is as follows, not as in the above.

When the Fs is 48 k/96 kHz during AD test/DA test

Model	WORD CLOCK	Flow of audio signals
DME4io-ES	Cobra 48 k	INPUT1-4 → ETHER SOUND OUT 1, 3, 5, 7 ETHER SOUND IN 1, 3, 5, 7 → OUTPUT1-4
	Cobra 96 k	INPUT1-4 → ETHER SOUND OUT 1, 3, 5, 7 (Double Speed) ETHER SOUND IN 1, 3, 5, 7 (Double Speed) → OUTPUT1-4
DME8i-ES	Cobra 48 k	INPUT1-8 → ETHER SOUND OUT 1/2, 3/4...13/14, 15/16
	Cobra 96 k	INPUT1-8 → ETHER SOUND OUT 1, 3...13, 15 (Double Speed)
DME8o-ES	Cobra 48 k	ETHER SOUND IN 1, 3...13, 15 → OUTPUT1-8
	Cobra 96 k	ETHER SOUND IN 1, 3...13, 15 (Double Speed) → OUTPUT1-8



During AD test/DA test when inspecting AD circuit board/DA circuit board

Model	WORD CLOCK	Flow of audio signals
DME4io-ES	Cobra 96 k/48 k	INPUT1-4 → OUTPUT1-4

3. Test items

3-1. SRAM test (NO. 01)

Contents: Checks Address Bus and Data Bus of SRAM.

Example of Executing Screens

```

*** 01. SRAM ***

SRAM AddressBus   OK!
SRAM DataBus     OK!
EXIT:[ENTER]
    
```

Indicated in case of OK

```

*** 01. SRAM ***

SRAM AddressBus   NG!
SRAM DataBus     NG!
EXIT:[ENTER]
    
```

Indicated in case of NG

Messages

- When address bus access abnormality is detected: NG: SRAM AddressBus NG.!
- When data bus access abnormality is detected: NG: SRAM DataBus NG.!

Troubleshooting

Check for malfunction of SRAM (CPU circuit board: IC009) and connection between the SRAM and CPU (CPU circuit board: IC002).

Note

If the SRAM test is executed, contents of the SRAM will be 0 cleared.
After executing this test, execute "Initialize DME" (see page 116) to initialize the DME Satellite.

3-2. BATTERY Test (NO. 02)

Contents: Checks the voltage of the backup battery automatically by measuring it in A/D.
The measured battery voltage is displayed.

Example of Executing Screen

```

*** 02. BATTERY ***
VOLTAGE: 3.05[V]
OK.
VOLTAGE: 2.50[V]
NG: BATTERY LOWER ERROR!
EXIT:[ENTER]
    
```

Indicated in case of OK

Indicated in case of NG

Messages

- At battery overvoltage: NG: BATTERY OVER ERROR!
- At shortage of battery voltage: NG: BATTERY EMPTY ERROR!
- At lower battery voltage: NG: BATTERY LOWER ERROR!

Troubleshooting

Check backup battery (CPU circuit board: BT001) and the path from the backup battery to the PTK [1] (114Pin) and AN [6] (238Pin) of the CPU (CPU circuit board: IC002).

Applicable Range of Measured Voltage

- Acceptable voltage range 2.80 [V] – 3.50 [V]
- Overvoltage 3.51 [V] or over
- Low voltage 2.79 [V] – 0.51 [V]
- Voltage shortage 0.5 [V] or under

3-3. PLLP2 Test (NO. 03)

Contents: Checks register (00h,0Fh,10h,16h) of PLLP2 by writing/reading and comparing them.

Example of Executing Screen

```

*** 03. PLLP2 ***
0x00 W/R OK!
0x0F W/R OK!
0x10 W/R OK!
0x16 W/R 0x16 W:0x0F R:0x00
EXIT:[ENTER]
    
```

Indicated in case of OK

Indicated in case of NG

Troubleshooting

Check the followings in case of NG.

Check malfunction of PLLP2 (DSP circuit board: IC052) and signal path (address bus, data bus, control signal, etc.) connected between the PLLP2 and CPU (CPU circuit board: IC002).

3-4. DSP7 Test (NO. 04)

Contents: Checks the condition of Data BUS and Address BUS by writing/reading the register of DSP7. Compares and checks by writing/reading SDRAM of DSP7 through the register.
Checks the SIO connection between each DSP by transmitting and receiving signals.

Example of Executing Screens**(1) Display Screen at OK**

```

*** 04. DSP7 ***
DSP7 CPUIF DATABUS---
CHIP #0 OK!
CHIP #1 OK!
DSP7 CPUIF ADRBUS---
CHIP #0 OK!
CHIP #1 OK!
DSP7 CPUIF CHIPSEL---
CHIP #0 OK!
CHIP #1 OK!
DSP7 ERAMIF DATABUS---
CHIP #0 OK!
CHIP #1 OK!
DSP7 ERAMIF ADRBUS---
CHIP #0 OK!
CHIP #1 OK!
SIO CONNECTION---
DSP7-1 ==> DSP7-2
OK!
DSP7-2 ==> DSP7-1
OK!
ATSC SIO CONNECTION---
DSP7 ==> ATSC
OK!
ATSC ==> DSP7
OK!
...THE END OF DIAGNOSTICS
-----
ALL TESTS ARE OK(^-^)
-----
EXIT:[ENTER]

```

(2) Display Screen at NG

```

*** 04. DSP7 ***
DSP7 CPUIF DATABUS---
CHIP #0 OK!
DSP7 CPUIF ADRBUS---
CHIP #0 OK!
DSP7 CPUIF CHIPSEL---
CHIP #0 OK!
DSP7 ERAMIF DATABUS---
CHIP #0 NG!
DSP7-1
ffffff
DSP7 ERAMIF ADRBUS---
CHIP #0 NG!
DSP7-1
000000f
...THE END OF DIAGNOSTICS
=====
DSP DIAG NG (-_-)
=====
EXIT:[ENTER]

```

X: abnormal bit
O: normal bit

In case of NG, the testing item determined as NG is displayed along with its details.

Troubleshooting

In case of NG, check the portions shown in the display selectively.

As the ATSC2 is used in the test as well, check also the ATSC2 if error occurs during the connection test with the ATSC2.


3-5. COMPONENT Test (NO. 05)

Contents: Automatically checks by comparing if the data agree with each other by looping back the audio output from the CPU to the CPU with the DSP7.

Example of Executing Screen

```

*** 05. COMPONENT ***
OK!
NG: COMPONENT ERROR.!
EXIT: [ENTER]
    
```



Messages

- When disagreement error occurs between transferred and received data: NG: COMPONENT ERROR.!

Troubleshooting

Check the signals connected to the following terminals in case of NG.
 SIO32 (105Pin), SIO56 (134Pin) of DSP7 (DSP circuit board: IC153)
 SIO32 (105Pin) of DSP7 (DSP circuit board: IC157)
 TxD_SIO (193Pin), RxD_SIO (199Pin), SIOFSYNC (197Pin), PTD [3](210Pin) of CPU (CPU circuit board: IC002)

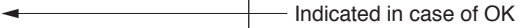
3-6. ATSC2 Test (NO. 06)

Contents: Writes, reads, and displays each register of ATSC2.

Example of Executing Screens


```

*** 06. ATSC2 ***
OK.
EXIT: [ENTER]
    
```



```

*** 06. ATSC2 ***
MODE REG. NG
adrs: 0x00 W: 0x00 R: 0x0F
EXIT: [ENTER]
    
```



Detailed contents in case of NG are as follows:

- NG register name "MODE REG. NG"
- NG address • W/R data "adrs: 0x00 W: 0x00 R: 0x0F"

In case of NG, a register name and its port address where NG was detected first are displayed along with the W/R data contents.

Troubleshooting

Check the followings in case of NG.
 Check malfunction of ATSC2 (DSP circuit board: IC403) and signal path (address bus, data bus, control signal, etc.) connected between the ATSC2 and CPU (CPU circuit board: IC002).

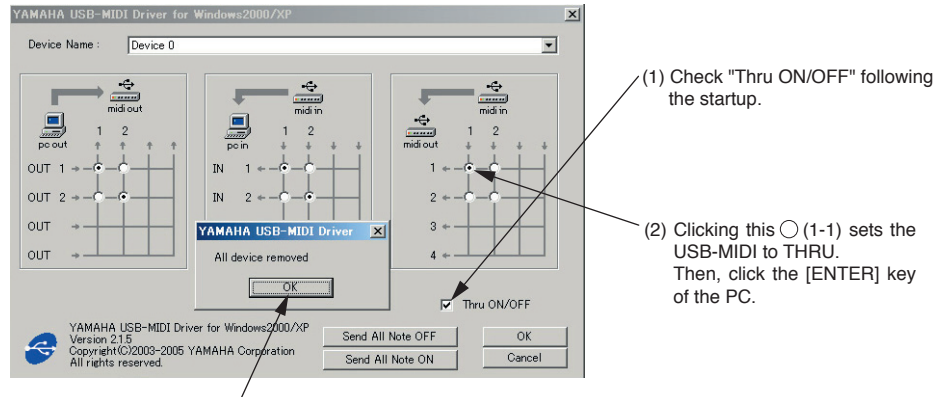
3-7. USB MIDI Test (NO. 07)

Contents: After initializing USB, loops back output data in software with an external PC and automatically checks for normality.

Preparations: Connect the USB connector of the DME Satellite with external PC via a USB cable.

Initial Setting of USB-MIDI Driver

After double-clicking the “USB-MIDI Driver” in “Control Panel” on the PC screen to start the USB-MIDI driver, set the followings.



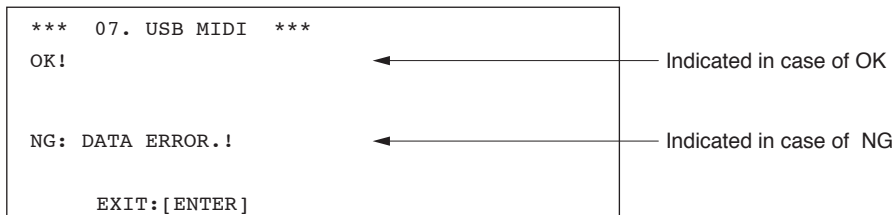
※This window is displayed when the USB has become invalid once in USB initialization of DME Satellite (in case a USB cable is disconnected, for example). Press [OK] to finish the operation, and then start the USB-MIDI driver again.

[USB-MIDI Driver Setting Screen]

Note

Due to the specification of the USB driver on the PC, the THRU function of the driver (echo back by PC USB MIDI Driver) is not enabled for OS Windows 2000/XP or over if the MIDI patch bay screen in the control panel is not opened.

Example of Executing Screen



Messages

- No USB cable connection detected: NG: USB CABLE OFF!
- Host USB driver stopped: NG: USB DRIVER!
- Host USB initialization request detected: NG: USB MIDI IN INIT!
- USB-MIDI IN data incorrect: NG: DATA ERROR!

Troubleshooting

Check the signals connected to the following terminals in case of NG.
 USB1_P (226Pin), USB1_M (227Pin), UCLK (219Pin) of CPU (CPU circuit board: IC002)

3-8. GPI Test (NO. 08)

Contents: The GPI output and the GPI input are loop back connected via a GPI loop back test jig refer to the page 50, and the GPI input voltage is measured to automatically check for normality. The GPI output has two voltages, namely L/H. The test result shows the L/H voltages for all channels. Automatically checks if Lo side is between 0.0 V – 0.5 V and Hi side is between 3.0 V – 3.3 V and if every GPI input meets requirement.

Example of Executing Screen

```
*** 08. GPI ***
GPI Loopback Testing...
```

Result Display Screen (In case of OK)

```
*** 08. GPI ***
IN (OUT) Lo[V] Hi[V]
-----
CH1 (1)  0.010  3.300
CH2 (2)  0.010  3.300
CH3 (3)  0.010  3.300
CH4 (4)  0.010  3.300
CH5 (2)  0.016  3.300
CH6 (3)  0.019  3.300
CH7 (4)  0.019  3.300
CH8 (1)  0.019  3.300

GPI OK!
EXIT: [ENTER]
```

Result Display Screen (In case of NG)

```
*** 08. GPI ***
IN (OUT) Lo[V] Hi[V]
-----
CH1 (1)  1.200  3.140
CH2 (2)  0.000  0.000
CH3 (3)  1.201  3.139
CH4 (4)  1.205  3.141
CH5 (4)  1.203  3.140
CH6 (3)  1.203  3.140
CH7 (2)  1.203  3.140
CH8 (1)  1.203  3.140

NG: GPI CH ERROR!
EXIT: [ENTER]
```

Troubleshooting

Check the signals connected to the following terminals in case of NG.

AN[2] (233Pin), AN[3] (234Pin), PTC[4] (208Pin), PTC[3] (212Pin) of CPU (CPU circuit board: IC002)

SUB circuit board: Each signal connected to the IC503

3-9. RTC Test (NO. 09)

Contents: Initializes the Real Time Clock of the RTC controller: RTC-4543, and displays the time renewal. "2000. 1. 1 (SUN) 0: 0: 0" is displayed when the test is started. **Checks if the clock is working.**

Example of Executing Screen

```
*** 09. RTC ***

2000. 1. 1(SUN) 0: 0: 0

OK:[ENTER], NG:[0]
```

Messages

- When an elapsed time renewal error is detected: NG: RTC DATA ERROR!

Troubleshooting

Check the signals connected to the following terminals in case of NG.
Each signal connected to the RTC-4543SA (CPU circuit board: IC013)

3-10. WORD CLOCK Test (NO. 10)

Contents: Checks for operation of the internal word clock and the external word clock (ETHERSOUND). For the internal word clock, the test aims to check the operation of the crystal oscillator and the PLLP2.

Example of Executing Screen

```
*** 10. WORD CLOCK ***

INT OK.
EXT OK.

EXIT:[ENTER]
```

- ① Automatically judged if the word clock is generated by measuring the frequency of the internal word clock with the internal counter and CPU.
- ② Then, checks the operation of the word clock (96KHz) from the ETHER SOUND (ES) circuit board.

Messages

- In case of abnormality of Internal clock: NG: INTERNAL WC ERROR
- In case of abnormality of ETHER SOUND Word clock: NG: ETHER SOUND WC ERROR

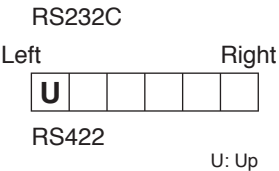
Troubleshooting

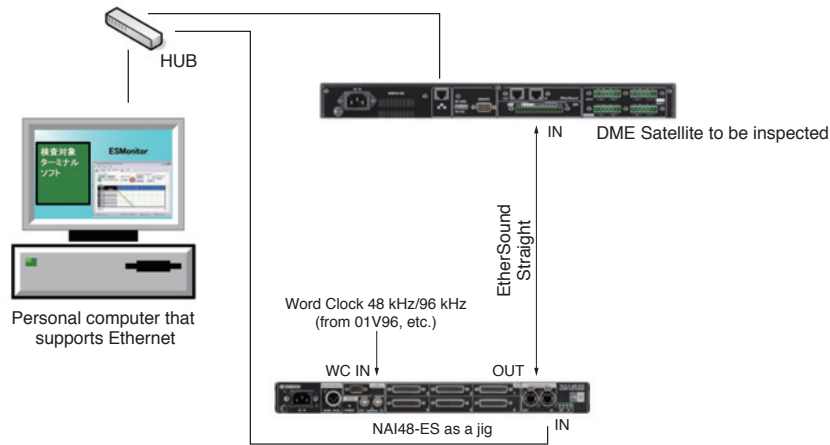
Check the signals connected to the following terminals in case of NG.
EXTWC2561 (131Pin), ICK49 (120Pin) of PLLP2 (DSP circuit board: IC052)
or malfunction of PLLP2 (DSP circuit board: IC052)

3-11. REMOTE Test (NO. 11)

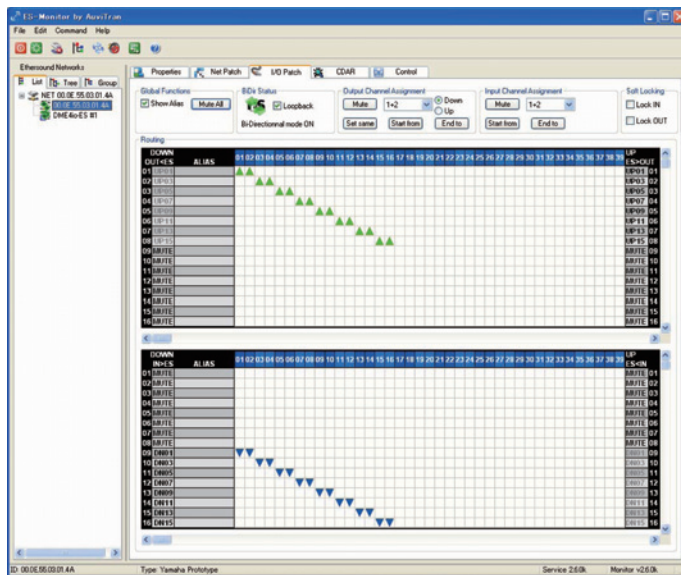
Contents: Automatically checks by looping back the output from the REMOTE terminal with jig.

Preparations: Connect the jig for REMOTE test to the REMOTE terminal. Select RS232C for the RS232C/422 selection of the DIP SWITCH.



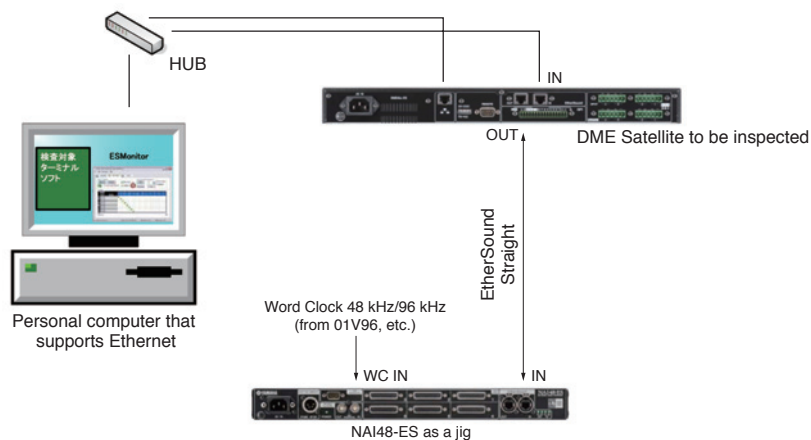


- When inspecting the 96 kHz IN connector, set up I/O Patch of the NAI48-ES as shown in the figure below through the AVS-ES Monitor on the PC.

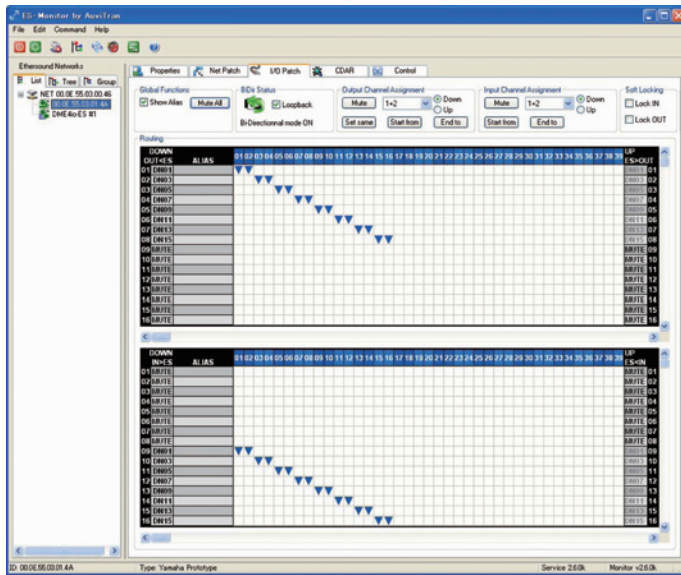


• Connection in case of OUT connector test

Connect the EtherSound [OUT] connector of the DME Satellite to be inspected and the [IN] connector of the NAI48-ES as a jig with a LAN straight cable. Also, connect the EtherSound [IN] connector and [Ethernet] connector of the DME Satellite to PC through a hub. Input 96 kHz to the Word Clock connector of the NAI48-ES from an external device in case of 96 kHz test or input 48 kHz in case of 48 kHz test.



- When inspecting the 96 kHz OUT connector, set up the I/O Patch of the NAI48-ES as shown in the figure below through the AVS-ES Monitor on the PC.



Example of Executing Screen

Checking IN	<pre> *** 13. ETHER SOUND *** IN LoopBack OK. SIO CONNECTION--- DSP7-1 ==> DSP7-1 OK! IN LoopBack OK. </pre>
Checking OUT	<pre> Change OUT [ENTER] SIO CONNECTION--- DSP7-1 ==> DSP7-1 OK! OUT LoopBack OK. EXIT: [ENTER] </pre>

Change I/O Patch setup here.

Test contents

- ① When the test is started, serial data is output from the CPU and automatically checks if the data looped back in the ES circuit board can be received in the CPU.
- ② Audio data is output from the DME Satellite to the EtherSound and the data is compared with the data looped back by the jig so that it is checked automatically if the data are identical.
- ③ Set the I/O Patch setup of the NAI48-ES to OUT connector test. (WC External, Loopback config)
- ④ Change the LAN cable connection to the OUT connector of the DME Satellite to be tested and the IN terminal of the NAI48-ES as a jig and then press the [ENTER] key of the PC.
- ⑤ Similarly, audio data looped back by the jig is compared to judge automatically if the data are identical.
- ⑥ If an error occurs on the way, the error message will be displayed and the test will be finished.

Error message and Troubleshooting

- If the serial data cannot be received: NG: SERIAL LOOPBACK ERROR.
Check the signals connected to the following terminals in case of NG.
TxD2 (195Pin), RxD2 (201Pin) of CPU (CPU circuit board: IC002)
- If the audio data cannot be received: NG: AUDIO LOOPBACK ERROR.
Check the signals connected to the following terminals in case of NG.
PA_SO0 (50Pin), PA_SO2 (52Pin), PB_SO0_ATO (77Pin), PB_SO2 (79Pin), PC_SIO_ATI (89Pin), PC_SI2 (93Pin), PD_SIO (119Pin), PD_SI2 (121Pin) of ATSC2 (DSP circuit board: IC403)

Other items to be checked

Operation of the ES circuit board

Signal between the ES circuit board and the DSP circuit board

This test is using the DSP7 and the ATSC2 functions, therefore, the result may not be OK unless the results for the test of DSP7 and ATSC2 are OK.

3-13. LED Test (NO. 15)

Contents: Check visually if LEDs on the panel light on in the designated order.

Example of Executing Screen

```
*** 15. LED ***

OK: [ENTER], NG: [0]
```

- ① As for the order of lighting, each lights on one by one from the left side of the panel to the right side. Refer to the following table for details on LED during DSP circuit board test.
- ② When all LEDs have lighted on, all of them light on simultaneously and the test will be completed. (All light on is to confirm the LEDs' brightness.)

Test No.	LED Name
1	NETWORK
2	CH-1 PEAK
3	CH-2 SIGNAL
4	* CH-7 PEAK
5	* CH-8 SIGNAL

* In case of DME4io-ES, OUTPUT CH-1 or CH-4 instead of CH-7 or CH-8.

Troubleshooting

Check the signals coming through the CN250 of the DSP circuit board in case of NG.

Or some LED may be defective.

3-14. DIP SWITCH Test (NO. 17)

Contents: Checks if the DIP SWITCH condition is recognized properly.

Example of Executing Screen

```
*** 17. DIP SWITCH ***

Set Position
[~~~~~]
123456

NG: [ENTER]
```

Operation

- ① Set the DIP SWITCH as indicated on the PC.
- ② If the DIP SWITCH position matches, the next condition will be shown on the PC.
If the displayed key does not match the pressed switch, it remains on PC display. Press the [ENTER] key to return to the Testing Item Selection List Screen.
- ③ If the results are OK after all switches have been examined, the program returns to the original Testing Item Selection List Screen.

Note

When the test is completed, switch positions will be set to the factory default.

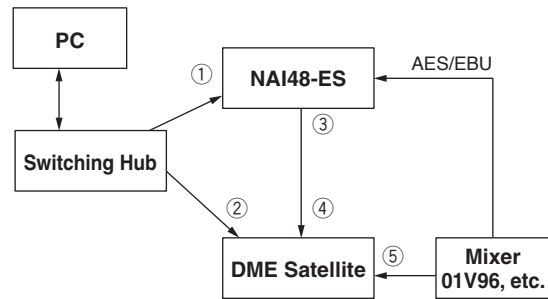
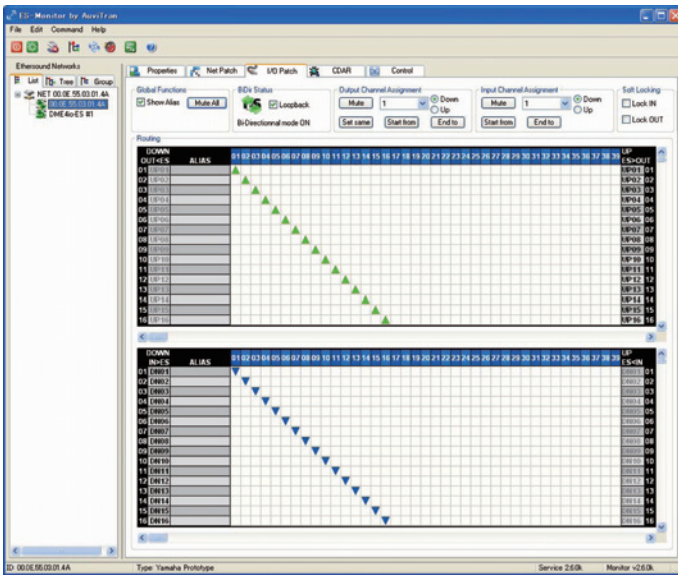
Troubleshooting

Check the signals coming through the CN350 of the DSP circuit board in case of NG.
Or some dip switch may be defective.

3-15. AD Test (NO. 19)

Contents: PHANTOM/GAIN are changed and checks if they are set correctly.

Preparations: • Install a card such as MY16AE that can send and receive AES/EBU on the 01V96.
• When inspecting the 48 kHz AD, set up I/O Patch of the NAI48-ES as shown in the figure below through the AVS-ES Monitor on the PC. Set up the I/O Patch in the same way when inspecting the 48 kHz DA.



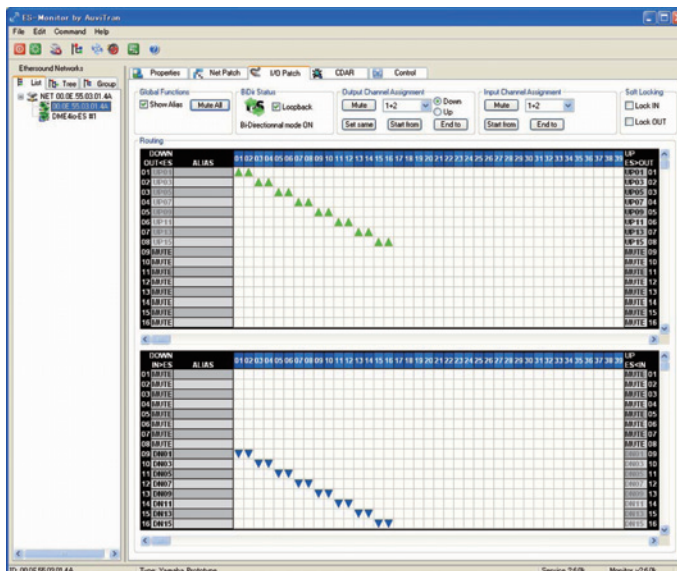
CAUTION:

Connect as shown in the figure above for AD test or DA test.

[Names of connectors to be used]

- ① EtherSound IN connector
- ② NETWORK connector
- ③ EtherSound OUT connector
- ④ EtherSound IN connector
- ⑤ INPUT connector

• When inspecting the 96 kHz AD, set up the I/O Patch of the NAI48-ES as shown in the figure below through the AVS-ES Monitor on the PC. Set up the I/O Patch in the same way when inspecting the 96 kHz DA.



Example of Executing Screen

```

*** 19. AD ***

PHATOM=OFF, GAIN=+10dBu
OK:[ENTER], NG:[0]
PHATOM=OFF, GAIN=-60dBu
OK:[ENTER], NG:[0]
.....

```

- ① When the test is started, PHANTOM and GAIN are set as displayed. Measure the output level and check if the input from the ANALOG IN is in the settings.
(The output destination is different according to the circuit board to be checked. DME8o-ES does not need this test.)
- ② Press the [ENTER] key of the PC if the level is OK. The next setting will be displayed. Check the output level in the same manner and press the [ENTER] or [0] key according to the result.
- ③ If the level is NG, press the [0] key of the PC to finish the test.

During AD circuit board test

Test No.	Fs	HA-GAIN	PHANTOM
1	96k	10 dBu	OFF
2	96k	-60 dBu	OFF
3	96k	8 dBu	OFF
4	96k	6 dBu	OFF
5	96k	4 dBu	OFF
6	96k	2 dBu	OFF
7	96k	0 dBu	OFF
8	96k	-2 dBu	OFF
9	96k	-4 dBu	OFF
10	96k	-22 dBu	OFF
11	96k	-36 dBu	OFF
12	96k	-44 dBu	OFF
13	96k	-60 dBu	ON
14	48k	10 dBu	OFF
15	48k	-60 dBu	OFF

During a test other than the AD circuit board test

Test No.	Fs	HA-GAIN	PHANTOM
1	96k	10 dBu	OFF
2	96k	-60 dBu	OFF
13	96k	-60 dBu	ON
14	96k	10 dBu	OFF

Troubleshooting

In case of abnormal level of output, check the followings.

Whole AD circuit board

Signal coming through the CN701 of AD circuit board

The result may not be OK unless the result for the DSP7 test is OK as the DSP7 function is used.

3-16. DA Test (NO. 20)

Contents: Checks if the DAC/MUTE functions on the DA circuit board work properly.

Preparations: • Set up the I/O Patch of the NAI48-ES in the same way as in procedure 3-15 depending on Fs.

• Send an analog signal from the built-in oscillator using 01V96, etc.

Example of Executing Screen

```

*** 20. DA ***

MUTE=OFF, FS=96K
OK:[ENTER], NG:[0]
MUTE=OFF, FS=48K
OK:[ENTER], NG:[0]
MUTE=ON, FS=48K
OK:[ENTER], NG:[0]

```

- ① When the test is started, Fs and MUTE are set as displayed. Measure the output level and check if the output from the ANALOG OUT is in the settings.
(The output destination is different according to the circuit board to be checked. DME8i-ES does not need this test.)
- ② Press the [ENTER] key of the PC if the output level is OK. The next setting will be displayed. Check the output in the same manner and press the [ENTER] or [0] key according to the result.
- ③ If the output is NG, press the [0] key of the PC to finish the test.

Test No.	Fs	MUTE
1	96K	OFF
2	48K	OFF
3	48K	ON

Troubleshooting

In case of abnormal level of output, check the followings.

Whole DA circuit board

Signal coming through the CN701 of the DA circuit board

The result may not be OK unless the result for the DSP7 test is OK as the DSP7 function is used.

■ テストプログラム

※ DME4io-ES/DME8i-ES/DME8o-ES の検査を行います。
DME4io-ES/DME8i-ES/DME8o-ES は、それぞれを区別する必要が無い場合 DME Satellite と略します。

注意

- ・テストプログラム実行の前に、DME Designer のバックアップ機能で重要なデータをパソコンなどの外部機器に保存してください。
- ・バックアップ操作方法の詳細は、DME Designer 取扱説明書を参照してください。
- ・テストプログラムは「Boot」プログラム部に入っており、Boot のバージョンによって次の制約があります。
 - ・V2.xx は Satellite-C しかテストできません。
 - ・V3.xx は Satellite-C/ES 共にテストすることができます。

従いまして、テストプログラムを実行する前に、Boot と Program のバージョンを確認し、V3.0 未満の場合は V3.0 にバージョンアップしてください。尚、Boot バージョンは、本体起動時パネル LED の点灯時間が下記のようになります。

V2.0：最初の LED 点灯時間が 500 msec.

V3.0：最初の LED 点灯時間が 2,000 msec.

表 1 Boot 部と Program 部のバージョンの組み合わせ表

<Satellite-ES>		Program	
		V2.0	V3.0
Boot	V2.0	×	△
	V3.0	×	○

*×：エラーも音も出ません。

△：エラーは出ませんが、テストプログラムが動きません。

1. 準備

1-1. 必要なもの

- ・DME 本体 (DME4io-ES, DME8i-ES, DME8o-ES)
 - ・GPI ループバックテスト用治具 : 1 台
 - ・REMOTE ループバックテスト用治具 : 1 台
 - ・スイッチングハブ (100Base TX 対応品) : 1 台
 - ・治具用 NAI48-ES 本体 : 1 台
 - ・USB ケーブル : 1 本
 - ・LAN ケーブル (ストレートケーブル、STP タイプ) : 4 本
 - ・デジタルオーディオ用 Dsub25P (YAMAHA 互換配列) ケーブル : 1～2 本
 - ・BNC ケーブル : 1 本
 - ・Word Clock 供給用本体 (01V96 など) : 1 台
 - ・DOS/V パソコン (P-200MHz 以上、Windows2000/XP、Ethernet ポート) : 1 台
 - ・MY16AE 1 枚 (もしくは MY8AE 2 枚) : 1～2 枚
- *MY8AE を使う場合は、A/D 検査チェックと D/A 検査チェックでは接続ケーブル差し替えで対応してください。

[治具詳細]

① GPI ループバックテスト治具

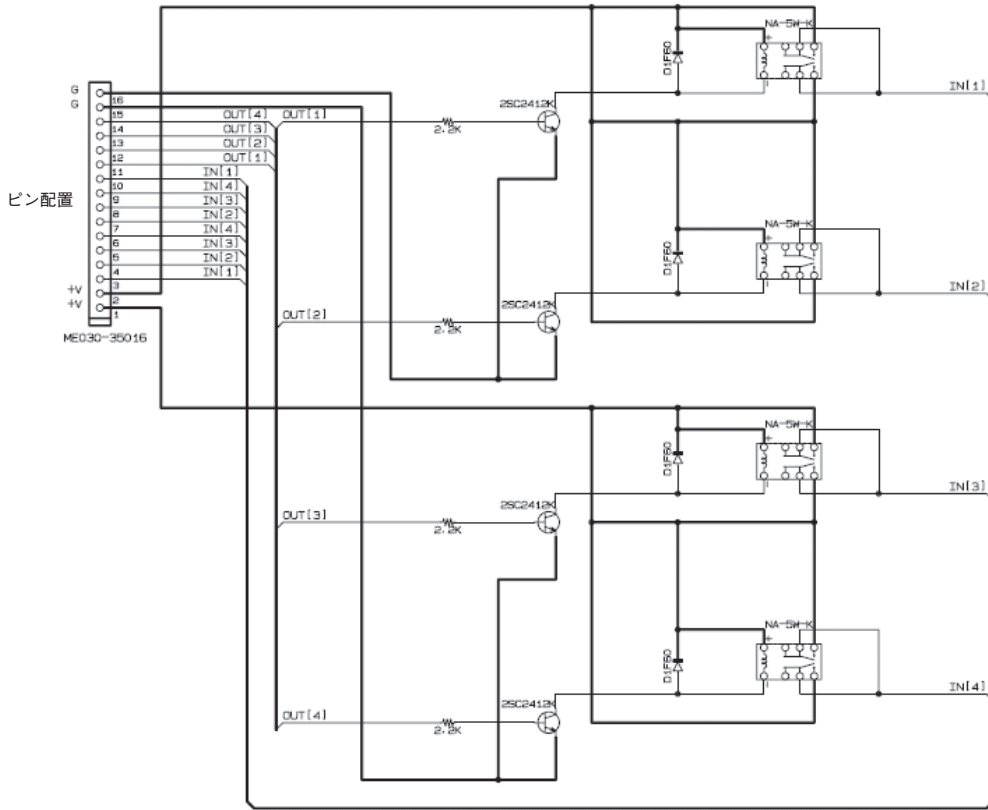


図 1. GPI ループバックテスト治具回路図

GPI-JIG Parts List (部品表)

REF NO.	PART NO.	DESCRIPTION		部品名	Q'ty
R91-R94	RD356220	Carbon Resistor (chip)	2.2K 63M J RECT.	チップ抵抗	4
D91-D94	VS201100	Diode	D1F60 1A 600V TP	ダイオード	4
RY91-RY94	VU685600	Relay	DC NA-5 W-K	リレー	4
TR91-TR94	VV556400	Transistor	2SC2412K Q,R,S TP	トランジスタ	4
CN91	WG261000	Terminal	16P ME030-35016	ミニ端子台 16P	1

② REMOTE ループバックテスト治具

下記のように端子ショートした D-SUB 9P メス コネクタを使用してください。

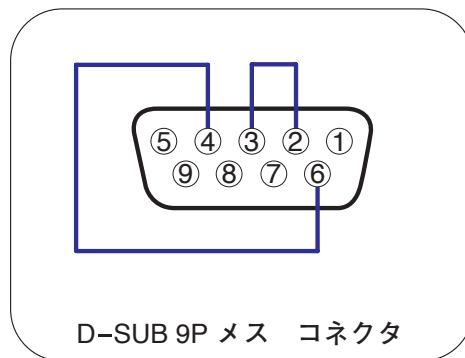


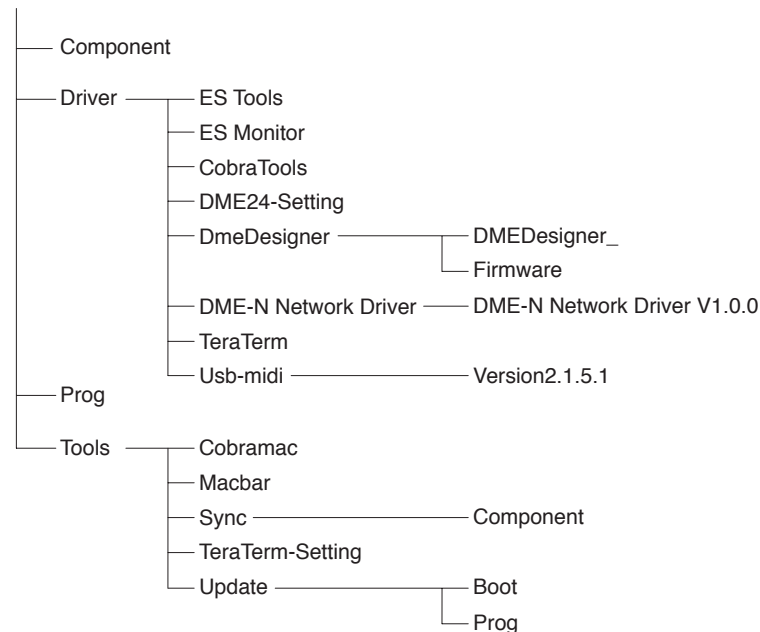
図 2. RS232C/422 ループバックテスト用 COM 端子接続治具回路図

1-2. パソコンの設定

- ① YSISS ホームページから DME Satellite テストプログラムデータパッケージをダウンロードします。

URL>> <http://plaza.yamaha.co.jp/ysiss/index.nsf>

DME Satellite テストプログラムデータパッケージは以下のように構成されています。



- ② DME Satellite テストプログラムデータパッケージのコピー

copy_satellite.bat をダブルクリックすると DME Satellite テストプログラムデータパッケージの全てのファイルが C:\¥TOOL_SATELLITE に自動的にコピーされます。

※ 既に C:\¥TOOL_SATELLITE フォルダがあり、その中にファイルがあっても上書きされます。

- ③ TeraTerm のインストール

C:\¥TOOLS_SATELLITE¥Driver¥TeraTerm にある “setup.exe” をダブルクリックします。

すると TeraTerm Pro Setup 画面が表示されます。

これ以降は画面の指示にしたがって操作して、インストールを完了してください。インストール先はデフォルトの “C:\¥PROGRAM FILES¥TTERMPRO” から変更しないでください。

- ④ USB-MIDI ドライバのインストール

DME の電源がオフになっていることを確認した上で、コンピューター（または USB ハブ）の USB 端子と DME の USB 端子を、USB ケーブルを使って接続します。続いて DME の電源を入れると、「新しいハードウェアの検出ウィザード」が自動的に表示されます。

これ以降は画面の指示にしたがって操作して、インストールを完了してください。

※ ドライバは以下のフォルダにあります。

C:\¥TOOLS_SATELLITE¥Driver¥Usb-midi¥Version2.1.5.1¥Driver

- ⑤ DME-N NETWORK ドライバのインストール

C:\¥TOOLS_SATELLITE¥Driver¥DME-N Network Driver¥DME-N Network Driver V1.0.0 にある “setup.exe” をダブルクリックすると YAMAHA DME-N Network Driver-InstallShield Wizard が起動します。これ以降は画面の指示にしたがって操作して、インストールを完了してください。

※ 既にインストール済みの場合は、必要ありません。

⑥ Ethernet 設定

([コントロールパネル] → [ネットワーク接続] → [ローカルエリア接続] → [プロパティ] → インターネットプロトコル (TCP/IP) を選択 → [プロパティ] : Win Xp の場合)

IP アドレス 192 168 0 1
サブネットマスク 255 255 255 0

⑦ DME-N NETWORK ドライバの設定 (V1.0.0 系の場合)

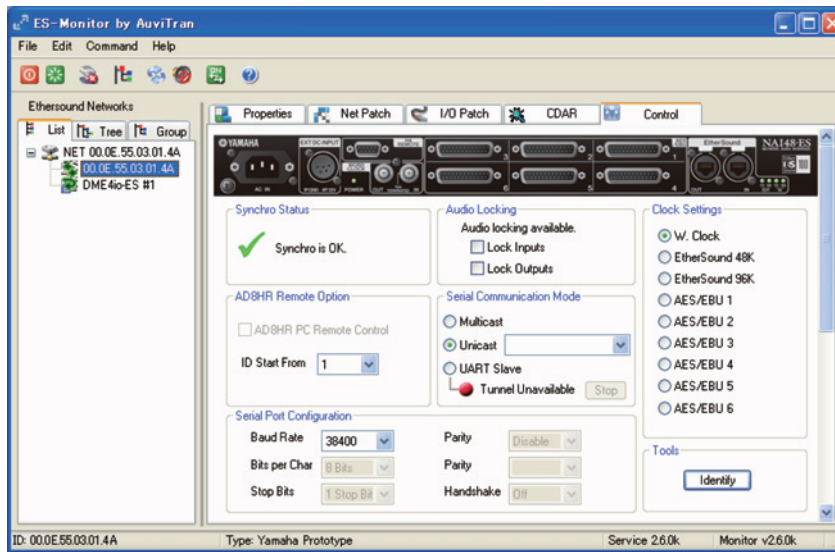
V1.0.0 系の場合は以下の設定をしてください。V1.1 以降では IP アドレスを入力してください。

([コントロールパネル] → [DME-N Network Driver])

Device No. 1
Device Name ZONE1
IP Address 192 168 0 2
Protect No. 00 A0 DE 25 00 00
Device ID 1
TCP-KEEPALIVE on

1-3. 治具用 NAI48-ES の設定

- ① YSISS のホームページから AVS-ESMonitor ソフトをダウンロードします。
- ② パソコンに AVS-ESMonitor をインストールして、NAI48-ES を下図のようにセットしてください。
※ 最新版は、Auvitrans 社の Web サイト (<http://www.auvitran.com>) からダウンロードしてください。
- ③ NAI48-ES の AES/EBU 端子 1 (1 ~ 8ch) と端子 2 (9 ~ 16ch) を Dsub25P (YAMAHA 互換配列) ケーブルで接続し、8ch ループバックさせます。

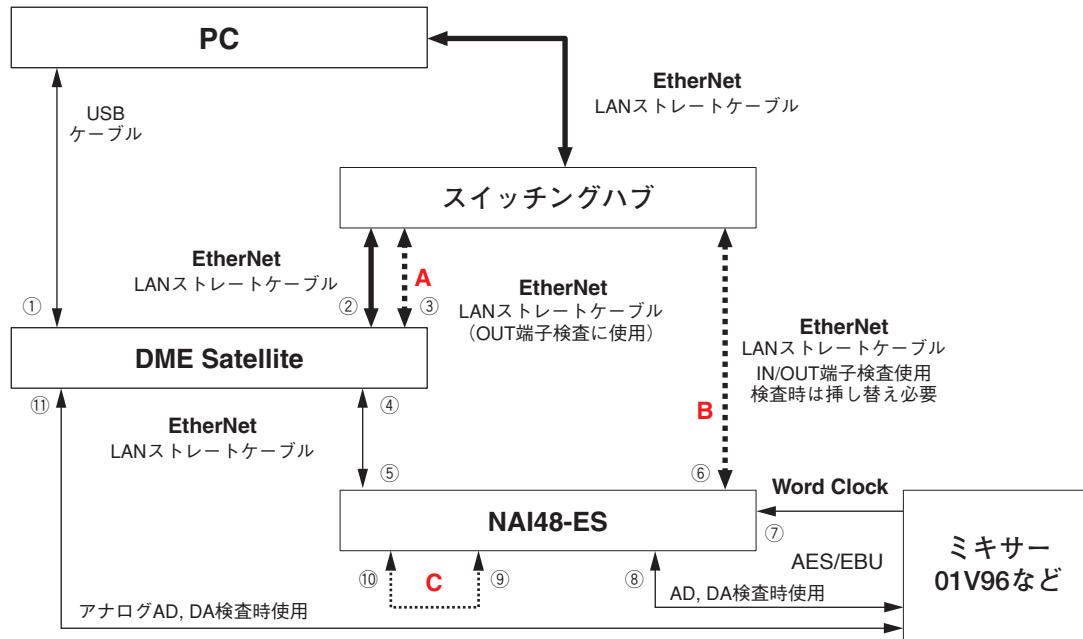


1-4. 接続

DME Satellite の [USB] 端子とパソコンの [USB] 端子を USB ケーブルで接続します。

DME Satellite の EtherSound [IN] 端子と治具用 NAI48-ES の [OUT] 端子を LAN ストレートケーブルで接続します。

治具用 NAI48-ES の [IN] 端子と PC、DME Satellite の [Ethernet] 端子と PC を、HUB を介して LAN ストレートケーブルで接続します。

**注意:**

- A と B の接続は排他的動作となります。テスト内容に合わせて必ずどちらか一方を接続するようにしてください。
A と B を同時に接続するとテストに支障が発生します。
- EtherSound の IN 端子と OUT 端子の検査をするときは、NAI48-ES の AES/EBU 1 と AES/EBU 2 を Dsub25P ケーブルでつないでループバックします。(C 接続)

[使用端子名称と接続説明]

- ① USB 端子**
USB 端子検査時のみ接続が必要です。
- ② NETWORK 端子**
- ③ EtherSound IN 端子**
OUT 端子検査時のみ接続し、B の配線は外してください。
- ④ IN 端子検査時: EtherSound IN 端子**
OUT 端子検査時: EtherSound OUT 端子
- ⑤ IN 端子検査時: EtherSound OUT 端子**
OUT 端子検査時: EtherSound IN 端子
- ⑥ EtherSound IN 端子**
IN 端子検査時のみ接続し、A の配線は外してください。
- ⑦ WORD CLOCK IN 端子**
- ⑧ AES/EBU 端子**
AD, DA 検査時にミキサーに接続します。
- ⑨ AES/EBU 端子 1**
EtherSound IN 端子検査と OUT 端子検査時は、AES/EBU 端子 2 に接続しループバックします。
- ⑩ AES/EBU 端子 2**
EtherSound IN 端子検査と OUT 端子検査時は、AES/EBU 端子 1 に接続しループバックします。
- ⑪ AD 検査時: INPUT 端子**
DA 検査時: OUTPUT 端子

2. 操作

2-1. テストプログラムの起動

リアパネルにある DIP-SWITCH を、正面（リアパネル側）から見て以下のように設定し、電源を入れます。



2-2. TeraTerm の起動

- ・ DME Satellite をテストプログラムモードで起動させます。Ethernet 通信可能状態になると LED が点灯 (NETWORK LED) します。
- ・ PC のエクスプローラーから、diag_start をクリックすると TeraTerm が起動します。
Diag_start は C:\TOOLS_SATELLITE\tools\TeraTerm-Setting にあります。
- ・ TeraTerm の画面に “Press [ENTER]” と表示されたら PC の [ENTER] キーを押します。すると検査カテゴリ選択リスト画面が表示されます。“Connection timed out” が表示されたときは接続に失敗しています。再度 TeraTerm を起動させます。それでも失敗する場合は LAN の接続を確認後、再度 DME Satellite の電源を入れなおした後に TeraTerm の起動を行います。

※ diag_start をクリックしても TeraTerm が起動しないときは、プログラム部・ブート部のアップデートを行ってください。プログラム部・ブート部のアップデートについては P. 104 を参照してください。

```

** Diag Category Menu **

* 01 Product
  02 CPU Sheet
  03 DSP Sheet
  04 ES Sheet
  05 AD Sheet
  06 DA Sheet
  07 SUB Sheet
  08 ==> Exit Diag Mode

      [ENTER]:AUTO, [0]:MANUAL

Ethernet Mac Address   00.A0.DE.XX.XX.XX
EtherSound Mac Address 00.0E.55.XX.XX.XX

Boot Version          V3.00
Program Version       V3.01
EtherSound Version    0C0A

```

[検査カテゴリ選択リスト画面例]

- ・ パソコンの [↑] [↓] キーで “01 Product” を選択し、[0] (ゼロ):MANUAL キーを押して手動テストに入ります。すると、検査項目選択リスト画面が表示されます。
- ・ パソコンの [↑] [↓] キーで実行したい検査項目を選択し、[ENTER] キーを押します。検査結果は検査項目選択リスト画面に OK、または NG で表示されます。

```

** Diag Mode **
  Total Result [  ]

* 00 RESERVE-Satellite
  01 SRAM           OK
  02 BATTERY        OK
  03 PLLP2          NG
  04 DSP7
  05 COMPONENT
  06 ATSC2
  07 USB
  08 GPI
  09 RTC
  10 WCLK
  11 REMOTE
  13 ETHERSOUND
  15 LED
  17 DIPSW
  19 AD
  20 DA
  22 ==> Category Menu

```

検査結果

[検査項目選択リスト画面例]

NO.	検査項目	検査項目の概要	判定
01	SRAM	アドレス、データバス線の検査	自動
02	BATTERY	バックアップ用電池の電圧を判定	自動
03	PLLP2	PLLP2 のレジスタ W/R を判定	自動
04	DSP7	各 DSP7 のレジスタを W/R して判定、SIO/ATSC2 接続判定	自動
05	COMPONENT	CPU からの SIO 信号を DSP 経由で LoopBack し判定	自動
06	ATSC2	ATSC2 のレジスタ W/R して判定	自動
07	USB MIDI	USB 回路の初期化、外部 PC で LoopBack し判定	自動
08	GPI	GPI の IN/OUT を接続して LoopBack し判定	自動
09	RTC	Real Time Clock の初期化と表示	自動
10	WORD CLOCK	WCLK OUT の Fs を WCLK IN でカウント、PLL の LOCK 判定	半自
11	REMOTE	REMOTE 端子を LoopBack し、送受信を判定	半自
13	ETHERSOUND	デバイスのチェックとオーディオの送受信	半自
15	LED	LED が規定の順序で点灯	目視
17	DIP SWITCH	SW を順に操作して判定	半自
19	AD	PAD、ファンタム、HA ゲイン制御を判定	計測
20	DA	リセット・MUTE コントロール	半自

[検査項目選択リスト一覧]

2-3. 各検査の判定と実行画面からの脱出

各検査の判定方法と各検査実行画面からの脱出（検査項目選択リスト画面へ戻る）方法についてパターン別に以下に示します。

(1) 目視判定、半自動判定（SWITCH 検査を除く）、および計測判定検査

```
*** 15. LED ***

OK:[ENTER], NG:[0]
```

[目視判定、半自動判定（SWITCH 検査を除く）、および計測判定検査用画面]

PC に表示されているキーにより脱出します。

検査途中で [0] キー押下で該当検査を強制終了しますが、該当検査項目の右側には NG が表示されます。（検査が完全に終了していないことを示します）また、検査途中での [ENTER] キー押下は無効となります。

(2) SWITCH 検査

```
*** 17. DIPSW ***

Set Position
[ _ ~~~~~ ]
123456

NG:[ENTER]
```

[DIP SWITCH 検査用画面]

SWITCH 検査の場合は、[ENTER] キーで脱出します。

ただし、全ての SWITCH 検査終了で自動的に検査項目選択リスト画面へ戻ります。

(3) 自動判定検査

検査パターンが1つの場合

```
*** 01. SRAM ***

SRAM AddressBus    OK!
SRAM DataBus       OK!

EXIT:[ENTER]
```

[自動判定検査用画面]

自動判定検査項目のテスト実行終了後は、実行結果として OK/NG 表示以外に検査データを表示する場合があります。この画面から [ENTER] キー押下で検査項目選択リスト画面へ戻ります。

2-4. テスト起動時の状態

テスト起動時のワードクロック及び信号の流れは以下のようになっています。

モデル	ワードクロック	オーディオ信号の流れ
DME4io-ES	Cobra 96 k	INPUT1-4 → ETHER SOUND OUT 1, 3, 5, 7 (Double Speed) ETHER SOUND IN 1, 3, 5, 7 (Double Speed) → OUTPUT1-4
DME8i-ES	Cobra 96 k	INPUT1-8 → ETHER SOUND OUT 1, 3...13, 15 (Double Speed)
DME8o-ES	Cobra 96 k	ETHER SOUND IN 1, 3...13, 15 (Double Speed) → OUTPUT1-8

DME Satellite において、AD 検査・DA 検査時において FS=48 kHz の流れは上記と異なり、以下のようになります。

AD 検査・DA 検査の Fs=48 k/96 kHz 時

モデル	ワードクロック	オーディオ信号の流れ
DME4io-ES	Cobra 48 k	INPUT1-4 → ETHER SOUND OUT 1, 3, 5, 7 ETHER SOUND IN 1, 3, 5, 7 → OUTPUT1-4
	Cobra 96 k	INPUT1-4 → ETHER SOUND OUT 1, 3, 5, 7 (Double Speed) ETHER SOUND IN 1, 3, 5, 7 (Double Speed) → OUTPUT1-4
DME8i-ES	Cobra 48 k	INPUT1-8 → ETHER SOUND OUT 1/2, 3/4...13/14, 15/16
	Cobra 96 k	INPUT1-8 → ETHER SOUND OUT 1, 3...13, 15 (Double Speed)
DME8o-ES	Cobra 48 k	ETHER SOUND IN 1, 3...13, 15 → OUTPUT1-8
	Cobra 96 k	ETHER SOUND IN 1, 3...13, 15 (Double Speed) → OUTPUT1-8

[例]

アナログ	ES OUT	NAI48
Input 1 →	1/2	AES/EBU 1 1ch/2ch
Input 4 →	7/8	AES/EBU 1 7ch/8ch
Input 5 →	ES OUT 9/10	AES/EBU 2 1ch/2ch
Input 8 →	ES OUT 15/16	AES/EBU 2 7ch/8ch

AD シート・DA シート検査における AD 検査・DA 検査時

モデル	ワードクロック	オーディオ信号の流れ
DME4io-ES	Cobra 96 k/48 k	INPUT1-4 → OUTPUT1-4

3. テスト項目

3-1. SRAM 検査 (NO. 01)

内容：SRAM の Address Bus、Data Bus の検査をします。

実行画面例

<pre>*** 01. SRAM *** SRAM AddressBus OK! SRAM DataBus OK! EXIT:[ENTER]</pre>	} OKの場合に表示
<pre>*** 01. SRAM *** SRAM AddressBus NG! SRAM DataBus NG! EXIT:[ENTER]</pre>	} NGの場合に表示

メッセージ

- ・アドレスバスアクセス異常検出時： NG: SRAM AddressBus NG.!
- ・データバスアクセス異常検出時： NG: SRAM DataBus NG.!

トラブルシューティング

SRAM (CPU シート：IC009) の不良、SRAM と CPU (CPU シート：IC002) との接続を確認してください。

注意

SRAM テストを行うと、SRAM の中身は 0 クリアされます。

このテストを行った後は、本体初期化の「Initialize DME」(P117 参照) を行ってください。

3-2. BATTERY 検査 (NO. 02)

内容： バックアップ用電池の電圧を A/D で測定し自動判定します。
測定した電池電圧を表示します。

実行画面例

```

*** 02. BATTERY ***
VOLTAGE: 3.05[V]
OK.
VOLTAGE: 2.50[V]
NG: BATTERY LOWER ERROR!
EXIT:[ENTER]

```

← OKの場合に表示

← NGの場合に表示

メッセージ

- ・ 電池過電圧時： NG: BATTERY OVER ERROR!
- ・ 電池電圧不足時： NG: BATTERY EMPTY ERROR!
- ・ 電池低電圧時： NG: BATTERY LOWER ERROR!

トラブルシューティング

バックアップ電池 (CPUシート:BT001) の確認、バックアップ電池から CPU (CPU シート:IC002) の PTK [1] (114Pin) と AN [6] (238Pin) までの経路を確認してください。

測定電圧の適用範囲

- ・ 合格電圧範囲 2.80 [V] ~ 3.50 [V]
- ・ 過電圧 3.51 [V] 以上
- ・ 低電圧 2.79 [V] ~ 0.51 [V]
- ・ 電圧不足 0.5 [V] 以下

3-3. PLLP2 検査 (NO. 03)

内容： PLLP2 のレジスタ (00h,0Fh,10h,16h) を W/R して比較判定します。

実行画面例

```

*** 03. PLLP2 ***
0x00 W/R OK!
0x0F W/R OK!
0x10 W/R OK!
0x16 W/R 0x16 W:0x0F R:0x00
EXIT:[ENTER]

```

← OKの場合に表示

← NGの場合に表示

トラブルシューティング

NG の場合は以下の部分をチェックしてください。

PLLP2 (DSP シート:IC052) の不良、PLLP2 と CPU (CPU シート:IC002) 間に接続されている信号線 (アドレスバス・データバス・コントロール信号等) を確認してください。

3-4. DSP7 検査 (NO. 04)

内容： DSP7 の Register を Write/Read して DataBUS, AddressBUS の良否を判定します。 DSP7 の SDRAM に Register 経由で Write/Read して比較判定します。
各 DSP 間の SIO 結線を信号の送受信で判定します。

実行画面例

(1) OK 時表示画面

```

*** 04. DSP7 ***
DSP7 CPUIF DATABUS---
CHIP #0 OK!
CHIP #1 OK!
DSP7 CPUIF ADRBUS---
CHIP #0 OK!
CHIP #1 OK!
DSP7 CPUIF CHIPSEL---
CHIP #0 OK!
CHIP #1 OK!
DSP7 ERAMIF DATABUS---
CHIP #0 OK!
CHIP #1 OK!
DSP7 ERAMIF ADRBUS---
CHIP #0 OK!
CHIP #1 OK!
SIO CONNECTION---
DSP7-1 ==> DSP7-2
OK!
DSP7-2 ==> DSP7-1
OK!
ATSC SIO CONNECTION---
DSP7 ==> ATSC
OK!
ATSC ==> DSP7
OK!
...THE END OF DIAGNOSTICS
-----
ALL TESTS ARE OK(^-^)
-----
EXIT:[ENTER]

```

(2) NG 時表示画面

```

*** 04. DSP7 ***
DSP7 CPUIF DATABUS---
CHIP #0 OK!
DSP7 CPUIF ADRBUS---
CHIP #0 OK!
DSP7 CPUIF CHIPSEL---
CHIP #0 OK!
DSP7 ERAMIF DATABUS---
CHIP #0 NG!
DSP7-1
fffffff
DSP7 ERAMIF ADRBUS---
CHIP #0 NG!
DSP7-1
0000000f
...THE END OF DIAGNOSTICS
=====
DSP DIAG NG (-_-)
=====
EXIT:[ENTER]

```

X:不良のビット
O:正常のビット

NG の場合は、NG となった検査項目名とその詳細を表示します。

トラブルシューティング

NG となった場合はテスト画面に表示されている部分を中心に確認してください。

テストに ATSC2 も使用するので ATSC2 との接続チェックでエラーが発生したときには、ATSC2 のテストも実行してみてください。

3-5. COMPONENT 検査 (NO. 05)

内容： CPU からのオーディオ出力を DSP7 で CPU にループバックしデータを比較して一致することを自動的に確認します。

実行画面例

```

*** 05. COMPONENT ***
OK!
NG: COMPONENT ERROR.!
EXIT:[ENTER]

```

← OKの場合に表示

← NGの場合に表示

メッセージ

・送受信データ不一致異常時： NG: COMPONENT ERROR.!

トラブルシューティング

NG の場合は以下の端子に接続される信号を確認してください。

DSP7 (DSP シート：IC153) の SIO32 (105Pin), SIO56 (134Pin)

DSP7 (DSP シート：IC157) の SIO32 (105Pin)

CPU (CPU シート：IC002) の TxD_SIO (193Pin), RxD_SIO (199Pin), SIOFSYNC (197Pin), PTD [3](210Pin)

3-6. ATSC2 検査 (NO. 06)

内容： ATSC2 の各レジスタの Write/Read と表示を行います。

実行画面例

```

*** 06. ATSC2 ***
OK.
EXIT:[ENTER]

```

← OKの場合に表示

```

*** 06. ATSC2 ***
MODE REG. NG
adrs: 0x00 W: 0x00 R: 0x0F
EXIT:[ENTER]

```

← NGの場合に表示

NG の場合の詳細内容は以下の通りです。

- ・ NG レジスタ名 “MODE REG. NG”
- ・ NG アドレス・W/R データ “adrs: 0x00 W: 0x00 R: 0x0F”

NG の場合の表示は、最初に NG を検出したレジスタ名とポートアドレスおよび W/R データ内容を表示します。

トラブルシューティング

NG の場合は以下の部分をチェックしてください。

ATSC2 (DSP シート:IC403) の不良、ATSC2 と CPU (CPU シート:IC002) 間に接続されている信号線(アドレスバス・データバス・コントロール信号等)を確認してください。

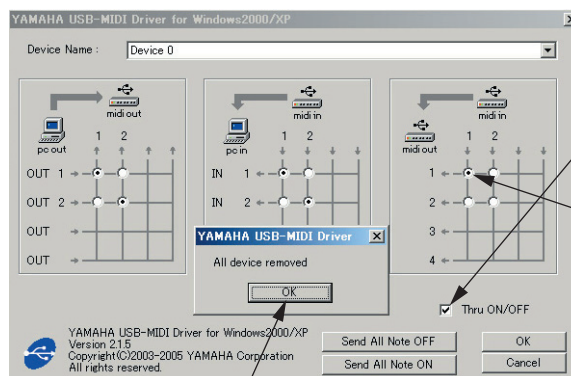
3-7. USB MIDI 検査 (NO. 07)

内容： USB を初期化後、送信データを外部の PC でソフト的に LoopBack して自動判定します。

準備： 本体の USB コネクタと外部 PC とを汎用の USB ケーブルで接続してください。

USB-MIDI ドライバの初期設定

PC の [コントロールパネル] → [USB-MIDI Driver] をダブルクリックして USB-MIDI ドライバを起動した後、下記の設定をしてください。



(1) 起動後「Thru ON/OFF」をチェックします。

(2) この○ (1-1)をクリックするとUSB-MIDIがTHRUになります。その後、PCの[ENTER]を押します。

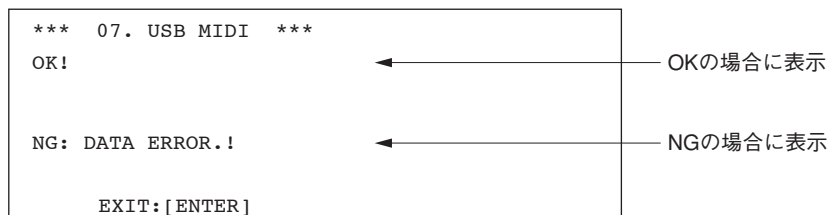
※DME SatelliteのUSB初期化で、一度USBが無効になった場合 (USBケーブルが外れてしまった場合など) にこのウィンドウが表示されます。[OK]を押して終了後、再度USB-MIDIドライバを起動してください。

[USB-MIDI ドライバの設定画面]

注意

PC 側の USB ドライバの仕様により、OS が Windows2000 / XP 以上ではコントロールパネル内の MIDI パッチベイ画面が開かれていないと、Driver の THRU 機能 (PC USB MIDI Driver でのエコーバック) が有効になりません。

実行画面例



メッセージ

- | | |
|-----------------------|-----------------------|
| ・ USB ケーブル接続無し検出： | NG: USB CABLE OFF! |
| ・ ホスト USB ドライバ停止： | NG: USB DRIVER! |
| ・ ホスト USB 初期化要求検出： | NG: USB MIDI IN INIT! |
| ・ USB-MIDI IN データ不一致： | NG: DATA ERROR! |

トラブルシューティング

NG の場合は以下の端子に接続される信号を確認してください。

CPU (CPU シート：IC002) の USB1_P (226Pin), USB1_M (227Pin), UCLK (219Pin)

3-8. GPI 検査 (NO. 08)

内容： GPI出力と GPI入力を GPIループバックテスト治具 (P72 参照) 経由で LoopBack 接続し、 GPI 入力の電圧を測定することにより自動判定します。 GPI 出力からは L/H2 つの電圧を出力します。 結果は、 全チャンネルの L/H の電圧を表示します。 Lo 側は 0.0V ~ 0.5V、 Hi 側は 3.0V ~ 3.3V の範囲内にあり、 全ての GPI 入力条件を満たしている事を自動的に検査します。

実行画面例

```
*** 08. GPI ***
GPI Loopback Testing...
```

結果表示画面 (成功例)

```
*** 08. GPI ***
IN (OUT) Lo[V] Hi[V]
-----
CH1 (1)  0.010 3.300
CH2 (2)  0.010 3.300
CH3 (3)  0.010 3.300
CH4 (4)  0.010 3.300
CH5 (2)  0.016 3.300
CH6 (3)  0.019 3.300
CH7 (4)  0.019 3.300
CH8 (1)  0.019 3.300

GPI OK!
EXIT:[ENTER]
```

結果表示画面 (失敗例)

```
*** 08. GPI ***
IN (OUT) Lo[V] Hi[V]
-----
CH1 (1)  1.200 3.140
CH2 (2)  0.000 0.000
CH3 (3)  1.201 3.139
CH4 (4)  1.205 3.141
CH5 (4)  1.203 3.140
CH6 (3)  1.203 3.140
CH7 (2)  1.203 3.140
CH8 (1)  1.203 3.140

NG: GPI CH ERROR!
EXIT:[ENTER]
```

トラブルシューティング

NG の場合は以下の端子に接続される信号を確認してください。

CPU (CPU シート : IC002) の AN[2] (233Pin), AN[3] (234Pin), PTC[4] (208Pin), PTC[3] (212Pin)

SUB シート : IC503 に接続される各信号

3-9. RTC 検査 (NO. 09)

内容： RTC コントローラ：RTC-4543 の Real Time Clock の初期化を行い、時刻更新を表示します。テスト開始時は、2000. 1. 1 (SUN) 0: 0: 0 が表示されます。時計が進むことを確認します。

実行画面例

```
*** 09. RTC ***

2000. 1. 1(SUN) 0: 0: 0

OK:[ENTER], NG:[0]
```

メッセージ

・ 1 秒単位での時間経過更新異常検出時： NG: RTC DATA ERROR!

トラブルシューティング

NG の場合は以下の端子に接続される信号を確認してください。
RTC-4543SA (CPU シート：IC013) に接続される各信号

3-10. WORD CLOCK 検査 (NO. 10)

内容： 内部ワードクロックと外部ワードクロック (ETHER SOUND) について動作確認します。内部ワードクロックは、水晶発振器の動作確認と PLLP2 の動作確認も合わせて行います。

実行画面例

```
*** 10. WORD CLOCK ***

INT OK.
EXT OK.

EXIT:[ENTER]
```

- ① Internal ワードクロックの周波数を内部のカウンタと CPU で測定し、ワードクロックが発振している事を自動判別します。
- ② その後、ETHER SOUND (ES) シートからのワードクロックの発振確認 (96KHz) を行います。

メッセージ

・ Internal クロック異常時： NG: INTERNAL WC ERROR!
・ ETHER SOUND ワードクロック異常時： NG: ETHER SOUND WC ERROR!

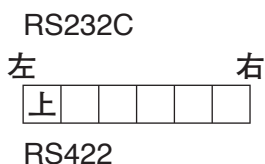
トラブルシューティング

NG の場合は以下の端子に接続される信号を確認してください。
PLLP2 (DSP シート：IC052) の EXTWC2561 (131Pin), ICK49 (120Pin)
または PLLP2 (DSP シート：IC052) の不良

3-11. REMOTE 検査 (NO. 11)

内容： REMOTE 端子の出力を治具で LoopBack して、自動判断します。

準備： REMOTE 検査用治具を REMOTE 端子に接続してください。DIP SWITCH の RS232C/422 選択は RS232C にしてください。



実行画面例

```

*** 11. REMOTE ***
RS232C OK.

SET RS422 MODE OK? [ENTER]
RS422 OK.

JIGU RELEASE OK? [ENTER]
JIGU RELEASE OK.

EXIT:[ENTER]
    
```

① テストを開始すると、RS232C と治具を経由しての LoopBack チェックが行われます。“OK.” が表示されたら、DIP SWITCH を RS422 に切り替え、PC の [ENTER] キーを押します。

RS232C



RS422

- ② RS422 と治具を経由しての LoopBack チェックが行われます。“OK.” が表示されたら、検査治具を REMOTE 端子から外し、PC の [ENTER] キーを押します。
- ③ データが LoopBack されなかったら “OK.” が表示されます。PC の [ENTER] キーを押すとテストは終了します。
- ④ 途中でエラーが発生した場合は下記のメッセージを表示し、テストは終了します。

メッセージ

- ・通信不可状態検出時： NG: LOOPBACK ERROR.
- ・内部ショート時： NG: SIGNAL SHORT.

トラブルシューティング

NG の場合は以下の端子に接続される信号を確認してください。
CPU (CPU シート：IC002) の TxD0 (191Pin), RxD0 (198Pin)

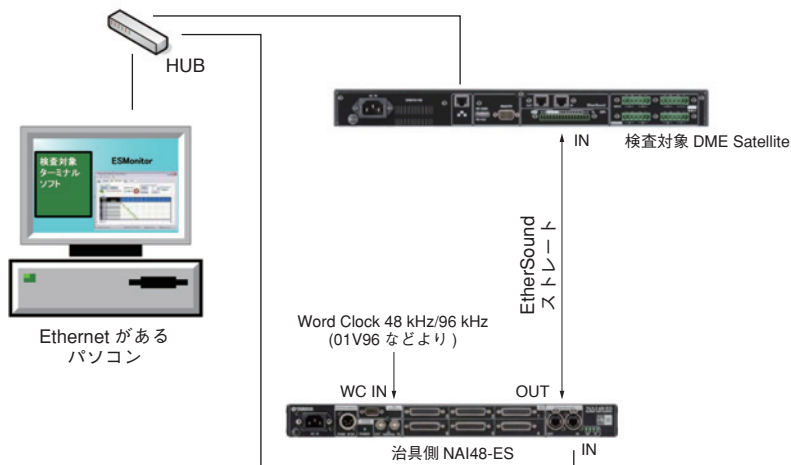
3-12. ETHER SOUND 検査 (NO. 13)

内容：オーディオデータを治具用 NAI48-ES で LoopBack して自動的に判定します。また、CPU-ES 間のシリアルデータの送受信が可能か LoopBack して自動的に判定します。

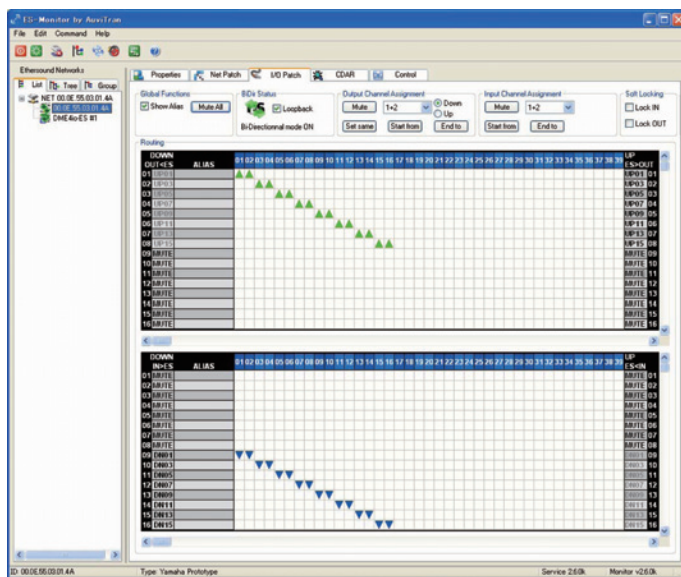
準備：テストの種類によって治具用 NAI48-ES と検査対象 DME Satellite を以下のように接続します。
また、NAI48-ES の AES/EBU 端子 1 と AES/EBU 端子 2 を、Dsub25P ケーブルでつないでループバックします。

・IN 端子検査の場合の接続

検査対象 DME Satellite の EtherSound [IN] 端子と、治具用 NAI48-ES の [OUT] 端子を LAN ストレートケーブルで接続します。また NAI48-ES の [IN] 端子と PC、DME Satellite の [Ethernet] 端子と PC を、HUB を介して接続します。NAI48-ES の Word Clock 端子には 96kHz チェックの場合は 96kHz を 48kHz の場合は 48kHz を外部から入力します。

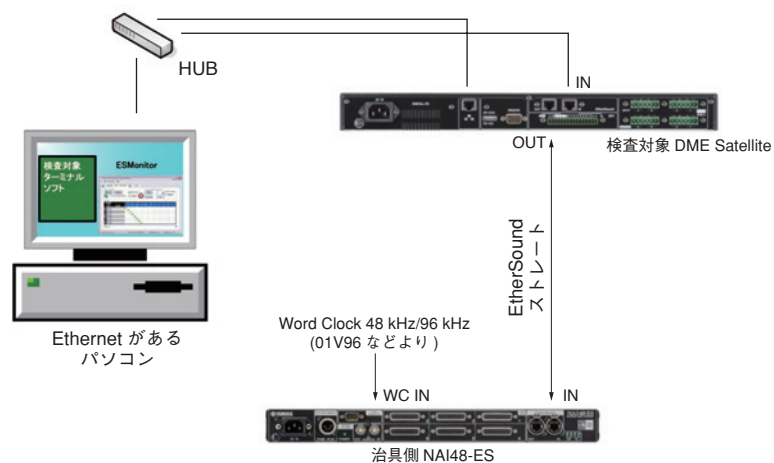


- 96kHz IN 端子検査時は、PC 上の AVS-ES Monitor から NAI48-ES の I/O Patch を下図のように設定します。

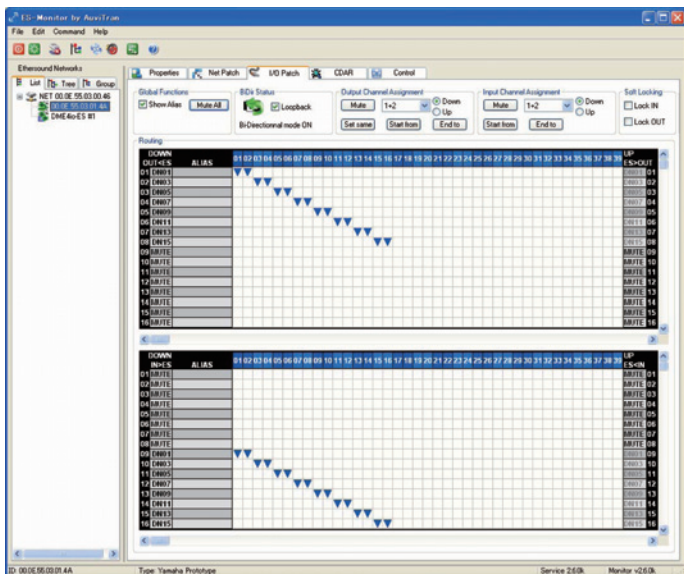


- OUT 端子検査の場合の接続**

検査対象 DME Satellite の EtherSound [OUT] 端子と、治具用 NAI48-ES の [IN] 端子を LAN ストレートケーブルで接続します。また DME Satellite の EtherSound [IN] 端子、[Ethernet] 端子と PC を、HUB を介して接続します。NAI48-ES の Word Clock 端子には 96kHz チェックの場合は 96kHz を 48kHz の場合は 48kHz を外部から入力します。



- 96kHz OUT 端子検査時は、PC 上の AVS-ES Monitor から NAI48-ES の I/O Patch を下図のように設定します。



実行画面例

IN チェック	<pre> *** 13. ETHER SOUND *** IN LoopBack OK. SIO CONNECTION--- DSP7-1 ==> DSP7-1 OK! IN LoopBack OK. </pre>
OUT チェック	<pre> Change OUT [ENTER] SIO CONNECTION--- DSP7-1 ==> DSP7-1 OK! OUT LoopBack OK. EXIT: [ENTER] </pre>

ここでI/O Patch
設定を替えます。

テスト内容

- ① テストを開始すると CPU からシリアルデータを出力し、ES シート内で LoopBack させたデータが再び CPU で受信できることを自動判定します。
- ② 本体から EtherSound に対してオーディオデータを出力し、治具で LoopBack してきたデータと比較して同じデータかを自動判定します。
- ③ NAI48-ES の I/O Patch 設定を OUT 端子検査にします。(WC External, Loopback コンフィグ)
- ④ LAN ケーブル接続を、検査対象 DME Satellite の OUT 端子と、治具用 NAI48-ES の IN 端子に変更し、PC の [ENTER] キーを押します。
- ⑤ 同様にオーディオデータが治具によって LoopBack したデータと比較して同じデータかを自動判定します。
- ⑥ 途中でエラーが発生した場合はエラーメッセージを表示し、テストは終了します。

エラーメッセージとトラブルシューティング

- ・ シリアルデータが受信できない時： NG: SERIAL LOOPBACK ERROR.
NG の場合は以下の端子に接続される信号を確認してください。
CPU (CPU シート：IC002) の TxD2 (195Pin), RxD2 (201Pin)
- ・ オーディオデータが受信できない時： NG: AUDIO LOOPBACK ERROR.
NG の場合は以下の端子に接続される信号を確認してください。
ATSC2 (DSP シート：IC403) の PA_SO0 (50Pin), PA_SO2 (52Pin), PB_SO0_ATO (77Pin), PB_SO2 (79Pin),
PC_SIO_ATI (89Pin), PC_SI2 (93Pin), PD_SI0 (119Pin), PD_SI2(121Pin)

その他の確認事項

ES シート全体の動作

ES シートと DSP シート間を経由する信号。

また、DSP7 と ATSC2 の機能を用いているため、これらのテストが OK にならないと成功しない可能性があります。

3-13. LED 検査 (NO. 15)

内容： パネル上の LED が規定の順序で点灯するかを目視で確認します。

実行画面例

```
*** 15. LED ***

OK:[ENTER], NG:[0]
```

- ① 点灯順序はパネル左側より右側方向へ順次点灯させます。ただし、DSP シート検査における LED は下表の通りとします。
- ② 全 LED の点灯が完了した時点で、全点灯させてテスト終了とします。(全点灯では、LED の明るさを確認します。)

検査 No.	LED 名
1	NETWORK
2	CH-1 PEAK
3	CH-2 SIGNAL
4	CH-7 PEAK
5	CH-8 SIGNAL

CH-7, CH-8 は DME4io-ES 時には OUTPUT の CH-1, CH-4 となります。

トラブルシューティング

NG の場合は DSP シート：CN250 を経由する信号を確認してください。

または LED の個別不良です。

3-14. DIP SWITCH 検査 (NO. 17)

内容： DIP SWITCH の状態を正しく認識するか確認します。

実行画面例

```
*** 17. DIP SWITCH ***

Set Position
[~~~~_]
123456

NG:[ENTER]
```

操作

- ① PC 上に表示された状態に DIP SWITCH の位置を合わせます。
- ② 表示の DIP SWITCH の状態が一致した場合は、次の状態を PC 上に表示します。
表示キーと押下したキーが一致しない場合は、不一致検出として PC 上のキー名称そのまま表示を継続します。
PC の [ENTER] キーを押下し検査項目選択リスト画面へ戻ります。
- ③ 全状態を終了した時点で OK ならば元の検査項目選択リスト画面へ戻ります。

注意

テストが終了した時点で工場出荷時のスイッチ状態になります。

トラブルシューティング

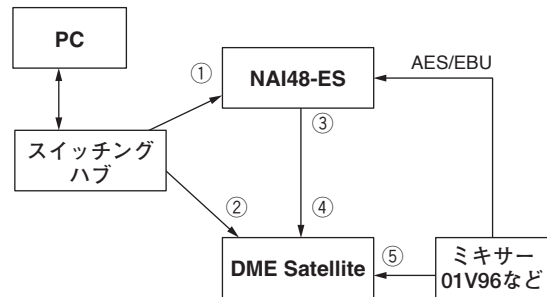
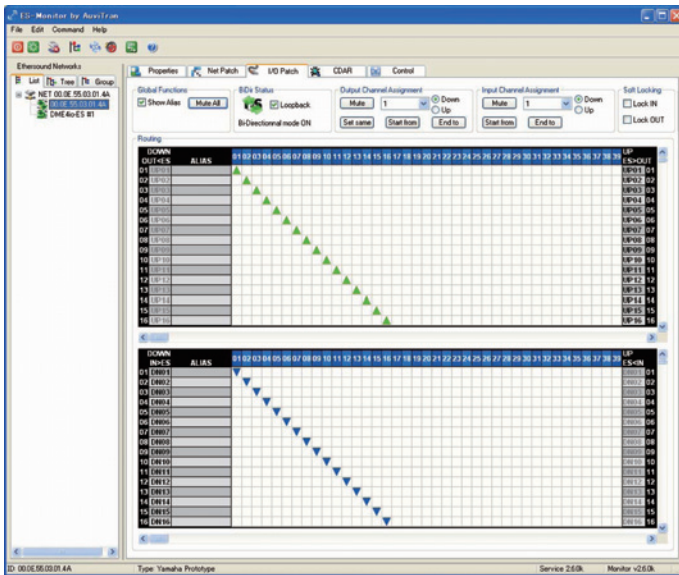
NG の場合は DSP シート：CN350 を経由する信号を確認してください。

またはディップスイッチの個別不良

3-15. AD 検査 (NO. 19)

内容： PHANTOM/ ゲインを変更し正しく設定されるか確認します。

- 準備：
- 01V96 に MY16AE など AES/EBU を送受信できるカードをセットしてください。
 - 48kHz AD 検査時は、PC 上の AVS-ES Monitor から NAI48-ES の I/O Patch を下図のように設定します。48kHz DA 検査時も同様に設定します。

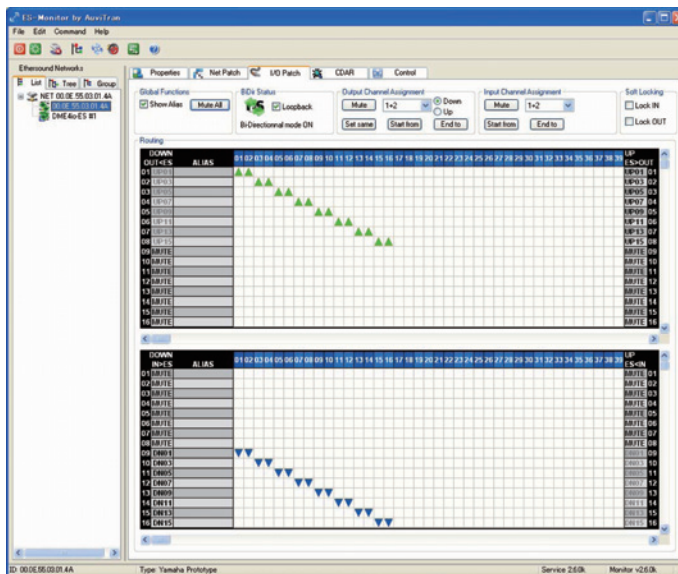


注意：
AD 検査や DA 検査は、上記のように接続してください。

[使用端子名称]

- ① EtherSound IN 端子
- ② NETWORK 端子
- ③ EtherSound OUT 端子
- ④ EtherSound IN 端子
- ⑤ INPUT 端子

- 96kHz AD 検査時は、PC 上の AVS-ES Monitor から NAI48-ES の I/O Patch を下図のように設定します。96kHz DA 検査時も同様に設定します。



実行画面例

```

*** 19. AD ***

PHATOM=OFF, GAIN=+10dBu
OK:[ENTER], NG:[0]
PHATOM=OFF, GAIN=-60dBu
OK:[ENTER], NG:[0]
.....

```

- ① テストを開始すると PHANTOM と GAIN は表示された設定になります。ANALOG IN からの入力これらの設定になっている事を、出力レベルを測定して確認します。
(出力先は検査対象シートによって異なります。DME8o-ESはこの検査は対象外です。)
- ② レベルが問題なければ PC の [ENTER] キーを押します。次の設定が表示されるので同様に出力レベルを確認して確認結果を [ENTER]/[0] キーで押します。
- ③ レベルに問題があれば PC の [0] キーを押すとテストは終了します。

AD シート検査時

Test No.	Fs	HA-GAIN	PHANTOM
1	96k	10 dBu	OFF
2	96k	-60 dBu	OFF
3	96k	8 dBu	OFF
4	96k	6 dBu	OFF
5	96k	4 dBu	OFF
6	96k	2 dBu	OFF
7	96k	0 dBu	OFF
8	96k	-2 dBu	OFF
9	96k	-4 dBu	OFF
10	96k	-22 dBu	OFF
11	96k	-36 dBu	OFF
12	96k	-44 dBu	OFF
13	96k	-60 dBu	ON
14	48k	10 dBu	OFF
15	48k	-60 dBu	OFF

AD シート以外の検査時

Test No.	Fs	HA-GAIN	PHANTOM
1	96k	10 dBu	OFF
2	96k	-60 dBu	OFF
13	96k	-60 dBu	ON
14	96k	10 dBu	OFF

トラブルシューティング

正しいレベルで出力されないときは以下の部分を確認してください。

AD シート全般

AD シート：CN701 を経由する信号

また、DSP7 の機能を使用するため DSP7 のテストが OK にならないと成功しない可能性があります。

3-16. DA 検査 (NO. 20)

内容： DA 基板上の DAC・MUTE 機能が動作するか確認します。

- 準備：
- 3-15 項のように、Fs にあわせて NAI48-ES の I/O Patch の設定を行います。
 - 01V96 などにより内蔵オシレーターからアナログ信号を送ってください。

実行画面例

```

*** 20. DA ***

MUTE=OFF, FS=96K
OK:[ENTER], NG:[0]
MUTE=OFF, FS=48K
OK:[ENTER], NG:[0]
MUTE=ON, FS=48K
OK:[ENTER], NG:[0]

```

- ① テストを開始すると Fs と MUTE は表示された設定になります。ANALOG OUT の出力がこれらの設定になっている事を、出力レベルを測定して確認します。
(出力先は検査対象シートによって異なります。DME8i-ES はこの検査は対象外です。)
- ② 出力に問題なければ PC の [ENTER] キーを押します。次の設定が表示されるので同様に出力を確認して確認結果を [ENTER]/[0] キーで押します。
- ③ 出力に問題があれば PC の [0] キーを押すとテストは終了します。

Test No.	Fs	MUTE
1	96K	OFF
2	48K	OFF
3	48K	ON

トラブルシューティング

正しいレベルで出力されないときは以下の部分を確認してください。

DA シート全般

DA シート：CN701 を経由する信号

また、DSP7 の機能を使用するため DSP7 のテストが OK にならないと成功しない可能性があります。

INSPECTIONS

1. Measurement Conditions

1-1. Environment

Ordinary Temperature 5°C – 40°C
Ordinary Humidity 30% – 90%

1-2. Power supply voltage

Perform the test with AC110 V -10% – AC240 V+10%.

2. AD/DA characterization test

Test the AD/DA characterization using the test program (3-15. AD Test (P. 68), 3-16. DA Test (P. 69))

2-1. Preparations

Refer to “1-4. Connections (P. 53)” in the test program.

2-2. Checking the version of the program

To check the version number installed in the tested product, refer to the Test Category Selection List on P. 54.

Check that Ethernet Mac Address is “00.A0.DE.xx.xx.xx”. (Each product has a different number assigned in the position “xx.xx.xx” above. EtherSound Mac Address is not necessary to check the EtherSound Mac Address.)

2-3. Testing Items and Criteria

Perform all the testing items of the “01. Product” in the Test Category Selection List and check if no failure item exists.

2-4. Measuring Conditions

Unless otherwise specified, the following conditions should be met.

- 0 dBu=0.775 Vrms
- 600 Ω for analog output load of each channel.
- Weighting with LPF at 80 kHz, -18 dB/oct during the measuring of total harmonic distortion and crosstalk.
- Weighting with LPF at 12.7 kHz, -6 dB/oct during the measuring of noise level.
Measuring should be at average values, not root-mean-square values.
- 150 Ω Output Impedance of Oscillator.
- For items measured with designated output level, adjust the input level using automatic compensation etc., so that the output level should be within the specified range.

- Test for “after changing the output level (24 dBu→18 dBu)” should be performed only if the output level is changed (24 dBu→18 dBu).

2-5. Analog Input Part (HA-AD) Test (Test at WORD CLOCK = 96 kHz)

Object to be measured: DME4io-ES, DME8i-ES

Measuring Points:

Measuring jig, Analog CH 1 – 8 (4) Output [Value in the parentheses () is for measuring DME4io-ES]

Measuring Method:

Input an analog signal from CHn input of the DME4io-ES or DME8i-ES and measure an output signal from CHn output of the measuring jig.

[n=1 – 8 (4) Value in the parentheses () is for measuring DME4io-ES]

Take measurements referring to “3-15. AD Test” (P. 68) of the test program.

Test No.	Fs	HA-GAIN	PHANTOM
1	96 kHz	10 dBu	OFF
2	96 kHz	-60 dBu	OFF
13	96 kHz	-60 dBu	ON
14	48 kHz	10 dBu	OFF

a. Use the test No. 1 and measure the following items.

① Voltage gain

Input Frequency	Input Level	Specified Output Level	Permissible Range
1 kHz	+10 dBu	+4 dBu	+4 ± 2 dBu

② Frequency Characteristics

Measuring Method:

Set 1 kHz as datum, and measure a relative value for each input frequency.

Input Frequency	Input Level	Output Level (Reference Value)	Permissible Range
20 Hz	+10 dBu	+4 dBu	-1.0 dB – +0.5 dB
40 kHz	+10 dBu	+4 dBu	-1.0 dB – +0.5 dB

③ Noise Level

Measuring Method:

Terminate the CHn input with 150 Ω. Measure noise levels output from the CHn output.

[n=1 – 8 (4) Value in the parentheses () is for measuring DME4io-ES]

Permissible Range	Measuring instruments
-80 dBu or below	LMV-1817
-78 dBu or below	System Two/One

④ Level difference between CHs

Confirm the range of difference in the gain between each CH [CH1 – 8 (4)] measured in item ① above as follows.
 [n=1 – 8 (4) Value in the parentheses () is for measuring DME4io-ES]

Permissible Range
Within 1 dB

⑤ Crosstalk between Adjacent CHs

⑤-1. Crosstalk from Odd CHn to Even CHn+1

[n=1, 3, 5, 7 (n=1, 3) Value in the parentheses () is for measuring DME4io-ES]

Measuring Method:

Terminate CHn+1 input with 150 Ω. Input the following signal into the CHn input, and measure noise level at CHn+1 output.

Input Frequency	Output Level (Odd channel)	Permissible Range (Even channel)
1 kHz	+22 dBu ± 0.1 dBu	-58 dBu or below

⑤-2. Crosstalk from Even CHn to Odd CHn-1

[n=2, 4, 6, 8 (n=2, 4) Value in the parentheses () is for measuring DME4io-ES]

Measuring Method:

Terminate the CHn-1 input with 150 Ω. Input the following signal to the CHn input, and measure noise level at CHn-1 output.

Input Frequency	Output Level (Even channel)	Permissible Range (Odd channel)
1 kHz	+22 dBu ± 0.1 dBu	-58 dBu or below

⑥ Maximum output

Input Frequency	Input Level	Permissible Range	Permissible Range (Distortion Factor)
1 kHz	+30 dBu	+23 dBu or above	0.01% or below

⑦ Total Harmonic Distortion

Input Frequency	Output Level	Permissible Range
1 kHz	+4 dBu ± 0.1 dBu	0.05% or below
20 Hz	+4 dBu ± 0.1 dBu	0.05% or below
40 kHz	+4 dBu ± 0.1 dBu	0.05% or below
1 kHz	+22 dBu ± 0.1 dBu	0.007% or below

b. Use the test No. 2 and measure the following items.

① Voltage gain

Input Frequency	Input Level	Specified Output Level	Permissible Range
1 kHz	-60 dBu	+4 dBu	+4 ± 2 dBu

② Frequency Characteristics

Measuring Method:

Set 1 kHz as datum, and measure a relative value for each input frequency.

Input Frequency	Input Level	Output Level (Reference Value)	Permissible Range
20 Hz	-60 dBu	+4 dBu	-1.0 dB – +0.5 dB
40 kHz	-60 dBu	+4 dBu	-1.0 dB – +0.5 dB

③ Total Harmonic Distortion

Input Frequency	Output Level	Permissible Range
1 kHz	+4 dBu ± 0.1 dBu	0.1% or below
20 Hz	+4 dBu ± 0.1 dBu	0.1% or below
40 kHz	+4 dBu ± 0.1 dBu	0.1% or below

④ Noise Level

Measuring Method:

Terminate CHn input with 150 Ω. Measure noise levels output from the CHn output.

[n=1 – 8 (4) Value in the parentheses () is for measuring DME4io-ES]

Permissible Range
-63 dBu or below

If the value does not fall within the permissible range above, check that EIN (Equivalent Input Noise) = Noise Level Measurement Value – (Voltage Gain at 1 kHz) ≤ -127

⑤ Level difference between CHs

Confirm the range of difference in the gain measured in item ① above as follows.

Permissible Range
Within 2 dB

2-6 Phantom DC Voltage Test

The object to be measured is the same as “2-5”. See the following for the measuring points and method.

Use the test No. 13, connect as follows and take measurements.

- Short-circuit the “+ terminal” and the “- terminal” of CH1 and connect a 10 kΩ load between the “- terminal” and the “GND terminal”.
- Measure the DC voltage difference between the “- terminal” and the “GND terminal” of CH1.

Permissible Range
DC 33 V – 36 V

Check that the voltage difference between the “- terminal” and the “GND terminal” decreases immediately when the test No. 14 is selected.

2-7 Analog Input Part (HA-ADC) Test (Test at WORD CLOCK = 48 kHz)

The object to be measured, measuring points and method are the same as “2-5”.

a. Use the test No. 14 and measure the following items.

① Total Harmonic Distortion

Input Frequency	Output Level	Permissible Range
1 kHz	+4 dBu ± 0.1 dBu	0.05% or below
20 Hz	+4 dBu ± 0.1 dBu	0.05% or below
20 kHz	+4 dBu ± 0.1 dBu	0.05% or below
1 kHz	+22 dBu ± 0.1 dBu	0.015% or below

② Noise Level

Measuring Method:

Terminate the CHn input with 150 Ω. Measure noise levels output from the CHn output.

[n=1 – 8 (4) Value in the parentheses () is for measuring DME4io-ES]

Permissible Range	Measuring instruments
-80 dBu or below	LMV-1817
-78 dBu or below	System Two/One

③ Frequency Characteristics

Measuring Method:

Set 1 kHz as datum, and measure a relative value for each input frequency.

Input Frequency	Input Level	Output Level (Reference Value)	Permissible Range
20 Hz	+10 dBu	+4 dBu	-1.0 dB – +0.5 dB
20 kHz	+10 dBu	+4 dBu	-1.0 dB – +0.5 dB

2-8 Sounding Test (Analog Input Part [AD])

Use the test No. 14 and measure the following items.

The object to be measured is the same as “2-5”. See the following for the measuring points and method.

Measuring (Listening) Points:

Test Jig, Analog CH 1 Output

Measuring Method:

Input an analog signal (400 Hz, +10 dBu) from CH1 input of the DME4io-ES or DME8i-ES and audibly check an analog signal output from CH1 output of the measuring jig.

Criteria:

Audibly check for over 15 seconds and make sure that no noise is output.

2-9 Analog Output Part (DA) Test (Test at WORD CLOCK = 96 kHz)

Object to be measured: DME4io-ES, DME8o-ES

Measuring Points:

Analog CH 1 – 8 (4) Output of DME4io-ES or DME8o-ES

[Value in the parentheses () is for measuring DME4io-ES]

Measuring Method:

Input an analog signal from CHn input of the measuring jig and measure an output signal from CHn output of the DME4io-ES or DME8o-ES.

[n=1 – 8 (4) Value in the parentheses () is for measuring DME4io-ES]

Take measurements referring to “3-16. DA Test” (P. 69) of the test program.

Test No.	Fs	PHANTOM
1	96 kHz	OFF
2	48 kHz	OFF
3	48 kHz	ON

Use the test No. 1 and measure the following items.

① Voltage gain

Input Frequency	Input Level	Specified Output Level	Permissible Range
1 kHz	+10 dBu	+4 dBu	+4 ± 2 dBu

② Frequency Characteristics

Measuring Method:

Set 1 kHz as datum, and measure a relative value for each input frequency.

Input Frequency	Input Level	Output Level (Reference Value)	Permissible Range
20 Hz	+10 dBu	+4 dBu	-1.0 dB – +0.5 dB
40 kHz	+10 dBu	+4 dBu	-1.0 dB – +0.5 dB

③ Noise Level

Measuring Method:

Terminate CHn input with 150 Ω. Measure noise levels output from the CHn output.

[n=1 – 8 (4) Value in the parentheses () is for measuring DME4io-ES]

Permissible Range	Measuring instruments
-80 dBu or below	LMV-1817
-78 dBu or below	System Two/One

④ Level Difference between CHs

Confirm the range of difference in the gain between each CH (CH1 – 8) measured in item ① above as follows.

Permissible Range
Within 1 dB

⑤ Crosstalk between Adjacent CHs.

- ⑤-1. Crosstalk from Odd CHn to Even CHn+1
 [n=1, 3, 5, 7 (n=1, 3) Value in the parentheses () is for measuring DME4io-ES]

Measuring Method:

Terminate CHn+1 input with 150 Ω. Input the following signal into the CHn input and measure noise level at CHn+1 output.

Input Frequency	Output Level (Odd channel)	Permissible Range (Even channel)
1 kHz	+22 dBu ± 0.1 dBu	-58 dBu or below

- ⑤-2. Crosstalk from Even CHn to Odd CHn-1
 [n=2, 4, 6, 8 (n=2, 4) Value in the parentheses () is for measuring DME4io-ES]

Measuring Method:

Terminate the CHn-1 input with 150 Ω. Input the following signal to the CHn input and measure noise level at CHn-1 output.

Input Frequency	Output Level (Even channel)	Permissible Range (Odd channel)
1 kHz	+22 dBu ± 0.1 dBu	-58 dBu or below

⑥ Maximum output

Input Frequency	Input Level	Permissible Range	Permissible Range (Distortion Factor)
1 kHz	+30 dBu	+23 dBu or above	0.01% or below

⑦ Total Harmonic Distortion

Input Frequency	Output Level	Permissible Range
1 kHz	+4 dBu ± 0.1 dBu	0.05% or below
20 Hz	+4 dBu ± 0.1 dBu	0.05% or below
40 kHz	+4 dBu ± 0.1 dBu	0.05% or below
1 kHz	+22 dBu ± 0.1 dBu	0.007% or below

2-10 Analog Output Part (DA) Test (Test at WORD CLOCK = 48 kHz)

The object to be measured, measuring points and method are the same as “2-9”.

Use the test No. 2 and measure the following items.

① Total Harmonic Distortion

Input Frequency	Output Level	Permissible Range
1 kHz	+4 dBu ± 0.1 dBu	0.05% or below
20 Hz	+4 dBu ± 0.1 dBu	0.05% or below
20 kHz	+4 dBu ± 0.1 dBu	0.05% or below
1 kHz	+22 dBu ± 0.1 dBu	0.015% or below

② Noise Level

Measuring Method:

Terminate CHn input with 150 Ω. Measure noise levels output from the CHn output.

[n=1 – 8 (4) Value in the parentheses () is for measuring DME4io-ES]

Permissible Range	Measuring instruments
-80 dBu or below	LMV-1817
-78 dBu or below	System Two/One

③ Frequency Characteristics

Measuring Method:

Set 1 kHz as datum, and measure a relative value for each input frequency.

Input Frequency	Input Level	Output Level (Reference Value)	Permissible Range
20 Hz	+10 dBu	+4 dBu	-1.0 dB – +0.5 dB
20 kHz	+10 dBu	+4 dBu	-1.0 dB – +0.5 dB

2-11 Sounding Test (Analog Input Part [DA])

Use the test No. 2 and measure the following items.

Object to be measured: DME4io-ES, DME8o-ES

Measuring (Listening) Points:

Analog CH 1 Output of DME4io-ES or DME8o-ES

Measuring Method:

Input an analog signal (400 Hz, +10 dBu) from CH1 input of the measuring jig and audibly check an analog signal output from CH1 output of the DME4io-ES or DME8o-ES.

Criteria:

Audibly check for over 15 seconds and make sure that no noise is output.

2-12 Test for “after changing the output level (24dBu→18dBu)”

If the output level is changed from 24 dBu to 18 dBu with servicing operation, perform the Analog Output Part (DA) Test at WORD CLOCK = 96 kHz.

Object to be measured: DME4io-ES, DME8o-ES

Measuring Points:

Analog CH 1 – 8 (4) Output of DME4io-ES or DME8o-ES

[Value in the parentheses () is for measuring DME4io-ES]

Measuring Method:

Input an analog signal from CHn input of the measuring jig and measure an output signal from CHn output of the DME4io-ES or DME8o-ES.

[n=1 – 8 (4) Value in the parentheses () is for measuring DME4io-ES]

Take measurements referring to “3-16. DA Test” (P. 69) of the test program.

Use the test No. 1 and measure the following items.

① Voltage gain

Input Frequency	Input Level	Specified Output Level	Permissible Range
1 kHz	+10 dBu	-2 dBu	-2 ± 2 dBu

② Frequency Characteristics

Measuring Method:

Set 1 kHz as datum, and measure a relative value for each input frequency.

Input Frequency	Input Level	Output Level (Reference Value)	Permissible Range
20 Hz	+10 dBu	-2 dBu	-1.5 dB – +0.5 dB
40 kHz	+10 dBu	-2 dBu	-1.5 dB – +0.5 dB

2-13 Checking Fan

When power is ON, check the operation of the fan beside the AC IN on the backside.

When the test is completed, set all the DIP switches at the UP position to reset to factory default.

■ 検査

1. 測定条件

1-1. 環境

常温 5℃～40℃
常湿 30%～90%

1-2. 電源電圧

AC100V ± 10% で測定してください。

2. AD・DA 特性検査

・ AD・DA 特性検査は、テストプログラム (3-15. AD 検査 (P. 90)、3-16. DA 検査 (P. 91)) を参照して測定してください。

2-1. 準備

テストプログラム (1-4. 接続 (P. 75)) を参照してください。

2-2. プログラムのバージョン確認

P. 76 の検査カテゴリ選択リスト画面例で確認してください。

Ethernet Mac Address は 00.A0.DE.xx.xx.xx になっていることを確認します。(xx.xx.xx は 1 台ずつ異なる値になります。EtherSound Mac Address は、照合不要です。)

2-3. 検査項目と判定基準

検査カテゴリ選択リスト「01 Product」内の全ての検査項目を実行し NG 項目が無いことを確認してください。

2-4. 測定条件

特に指定しないときは下記の条件とします。

- ・ 0 dBu=0.775 Vrms とします。
- ・ アナログ出力の負荷は、各 CH とも 600 Ω とします。
- ・ 全高調波歪率およびクロストーク測定時には、80 kHz、-18 dB/oct LPF を使用して聴感補正を行ってください。
- ・ ノイズレベル測定時には、12.7 kHz、-6 dB/oct LPF を使用して聴感補正を行ってください。また、実効値ではなく平均値で測定してください。
- ・ 発振器の出力インピーダンスは 150 Ω としてください。
- ・ 出力レベルを規定して測定する項目は、自動補正等により、出力レベルが規定範囲内となるよう、入力レベルを調整して測定を行ってください。

- ・ 出力レベル変更 (24 dBu → 18 dBu) サービス対応実施後の検査は、出力レベル変更 (24 dBu → 18 dBu) サービス対応を行った場合にのみ実施します。

2-5. アナログ入力部 (HA・AD) 検査

(WORD CLOCK 96 kHz 時の検査)

測定対象 DME4io-ES, DME8i-ES

測定箇所 検査治具 アナログ CH1～8(4) 出力

[() 内は DME4io-ES 測定時]

測定方法 DME4io-ES もしくは DME8i-ES の CHn 入力からアナログ信号を入力し、検査治具 CHn 出力から出力される信号を計測します。

[n=1～8(4) () 内は DME4io-ES 測定時]

測定手順はテストプログラムの「3-15. AD 検査」(P. 90) を参照してください。

Test No.	Fs	HA-GAIN	PHANTOM
1	96 kHz	10 dBu	OFF
2	96 kHz	-60 dBu	OFF
13	96 kHz	-60 dBu	ON
14	48 kHz	10 dBu	OFF

a. テスト No.1 を使用し、下記の項目を測定します。

①電圧利得

入力周波数	入力レベル	規定出力レベル	許容範囲
1 kHz	+10 dBu	+4 dBu	+4 ± 2 dBu

②周波数特性

測定方法 1 kHz を基準として、各入力周波数における相対値を計測します。

入力周波数	入力レベル	出力レベル(参考値)	許容範囲
20 Hz	+10 dBu	+4 dBu	-1.0 dB ~ +0.5 dB
40 kHz	+10 dBu	+4 dBu	-1.0 dB ~ +0.5 dB

③ノイズレベル

測定方法 CHn 入力を 150 Ω で終端します。CHn 出力から出力されるノイズレベルを計測します。

[n=1～8(4) () 内は DME4io-ES 測定時]

許容範囲	計測器
-80 dBu 以下	LMV-1817
-78 dBu 以下	System Two/One

④CH 間レベル差

①で測定した各 CH[CH1～8(4)] 間利得差の範囲が以下になることを確認します。

[() 内は DME4io-ES 測定時]

許容範囲
1 dB 以内

⑤隣接 CH 間クロストーク

- ⑤-1. 奇数 CHn から偶数 CHn+1 へのクロストーク
[n=1, 3, 5, 7 (n=1, 3) ()内は DME4io-ES 測定時]

測定方法 CHn+1 入力を 150 Ω で終端します。CHn 入力に下記の信号を入力し、CHn+1 出力のノイズレベルを測定します。

入力周波数	出力レベル (奇数チャンネル)	許容範囲 (偶数チャンネル)
1 kHz	+22 dBu ± 0.1 dBu	-58 dBu 以下

- ⑤-2. 偶数 CHn から奇数 CHn-1 へのクロストーク
[n=2, 4, 6, 8 (n=2, 4) ()内は DME4io-ES 測定時]

測定方法 CHn-1 入力を 150 Ω で終端します。CHn 入力に下記の信号を入力し、CHn-1 出力のノイズレベルを測定します。

入力周波数	出力レベル (偶数チャンネル)	許容範囲 (奇数チャンネル)
1 kHz	+22 dBu ± 0.1 dBu	-58 dBu 以下

⑥最大出力

入力周波数	入力レベル	許容範囲	許容範囲 (歪率)
1 kHz	+30 dBu	+23 dBu 以上	0.01%以下

⑦全高調波歪率

入力周波数	出力レベル	許容範囲
1 kHz	+4 dBu ± 0.1 dBu	0.05%以下
20 Hz	+4 dBu ± 0.1 dBu	0.05%以下
40 kHz	+4 dBu ± 0.1 dBu	0.05%以下
1 kHz	+22 dBu ± 0.1 dBu	0.007%以下

b. テスト No.2 を使用し、下記の項目を測定します。

①電圧利得

入力周波数	入力レベル	規定出力レベル	許容範囲
1 kHz	-60 dBu	+4 dBu	+4 ± 2 dBu

②周波数特性

測定方法 1 kHz を基準として、各入力周波数における相対値を計測します。

入力周波数	入力レベル	出力レベル(参考値)	許容範囲
20 Hz	-60 dBu	+4 dBu	-1.0 dB ~ +0.5 dB
40 kHz	-60 dBu	+4 dBu	-1.0 dB ~ +0.5 dB

③全高調波歪率

入力周波数	出力レベル	許容範囲
1 kHz	+4 dBu ± 0.1 dBu	0.1%以下
20 Hz	+4 dBu ± 0.1 dBu	0.1%以下
40 kHz	+4 dBu ± 0.1 dBu	0.1%以下

④ノイズレベル

測定方法 CHn 入力を 150 Ω で終端します。CHn 出力から出力されるノイズレベルを計測します。
[n=1 ~ 8(4) ()内は DME4io-ES 測定時]

許容範囲
-63 dBu 以下

ただし上記許容範囲に入らない場合は EIN (Equivalent Input Noise)

EIN = ノイズレベル測定値 - (1 kHz における電圧利得) ≤ -127 であることを確認してください。

⑤ CH 間レベル差

①で測定した電圧利得差の範囲が以下のようになることを確認します。

許容範囲
2 dB 以内

2-6 ファントム直流電圧検査

測定対象は、2-5 と同様です。測定箇所、方法は下記を参照してください。

テスト No.13 を使用し、下記の接続を行い測定してください。

- ・CH1 の「+端子」と「-端子」をショートし、「-端子」と「GND 端子」間に 10 kΩ 負荷を接続します。
- ・CH1 の「-端子」と「GND 端子」間の直流電位差を測定します。

許容範囲
DC 33V ~ 36V

テスト No.14 を選択した際に、「-端子」と「GND 端子」間の電位差が速やかに低下することを確認してください。

2-7 アナログ入力部 (HA・ADC) 検査
(WORD CLOCK 48 kHz 時の検査)

測定対象、測定箇所、測定方法は、2-5 と同様です。

a. テスト No.14 を使用し、下記の項目を測定します。

①全高調波歪率

入力周波数	出力レベル	許容範囲
1 kHz	+4 dBu ± 0.1 dBu	0.05%以下
20 Hz	+4 dBu ± 0.1 dBu	0.05%以下
20 kHz	+4 dBu ± 0.1 dBu	0.05%以下
1 kHz	+22 dBu ± 0.1 dBu	0.015%以下

②ノイズレベル

測定方法 CHn 入力を 150 Ω で終端します。CHn 出力から出力されるノイズレベルを計測します。
[n=1 ~ 8(4) () 内は DME4io-ES 測定時]

許容範囲	計測器
-80 dBu 以下	LMV-1817
-78 dBu 以下	System Two/One

③周波数特性

測定方法 1 kHz を基準として、各入力周波数における相対値を計測します。

入力周波数	入力レベル	出力レベル(参考値)	許容範囲
20 Hz	+10 dBu	+4 dBu	-1.0 dB ~ +0.5 dB
20 kHz	+10 dBu	+4 dBu	-1.0 dB ~ +0.5 dB

2-8 音出し検査 (アナログ入力部 [AD])

テスト No.14 を使用し、下記の項目を測定します。

測定対象は、2-5 と同様です。測定箇所、方法は下記を参照してください。

測定(検聴)箇所 検査治具 アナログ CH1 出力
測定方法 DME4io-ES もしくは DME8i-ES の CH1 入力からアナログ信号 (400 Hz, +10 dBu) を入力し、検査治具 CH1 出力から出力されるアナログ信号を検聴します。
判定基準 15 秒以上検聴し、ノイズが含まれていないことを確認してください。

2-9 アナログ出力部 (DA) 検査
(WORD CLOCK 96 kHz 時の検査)

測定対象 DME4io-ES, DME8o-ES
測定箇所 DME4io-ES もしくは DME8o-ES のアナログ CH1 ~ 8(4) 出力
[() 内は DME4io-ES 測定時]
測定方法 検査治具 CHn 入力からアナログ信号を入力し、DME4io-ES もしくは DME8o-ES の CHn 出力から出力される信号を計測します。
[n=1 ~ 8(4) () 内は DME4io-ES 測定時]
測定手順はテストプログラムの「3-16. DA 検査」(P. 91) を参照して測定します。

Test No.	Fs	PHANTOM
1	96 kHz	OFF
2	48 kHz	OFF
3	48 kHz	ON

テスト No.1 を使用し、下記の項目を測定します。

①電圧利得

入力周波数	入力レベル	規定出力レベル	許容範囲
1 kHz	+10 dBu	+4 dBu	+4 ± 2 dBu

②周波数特性

測定方法 1 kHz を基準として、各入力周波数における相対値を計測します。

入力周波数	入力レベル	出力レベル(参考値)	許容範囲
20 Hz	+10 dBu	+4 dBu	-1.0 ~ +0.5 dB
40 kHz	+10 dBu	+4 dBu	-1.0 ~ +0.5 dB

③ノイズレベル

測定方法 CHn 入力を 150 Ω で終端します。CHn 出力から出力されるノイズレベルを計測します。
[n=1 ~ 8(4) () 内は DME4io-ES 測定時]

許容範囲	計測器
-80 dBu 以下	LMV-1817
-78 dBu 以下	System Two/One

④ CH 間レベル差

①で測定した各 CH (CH1 ~ 8) 間利得差の範囲が以下のようになることを確認します。

許容範囲
1 dB 以内

⑤隣接 CH 間クロストーク

⑤-1. 奇数 CHn から偶数 CHn+1 へのクロストーク
[n=1, 3, 5, 7 (n=1, 3) () 内は DME4io-ES 測定時]

測定方法 CHn+1 入力を 150 Ω で終端します。CHn 入力に下記の信号を入力し、CHn+1 出力のノイズレベルを測定します。

入力周波数	出力レベル (奇数チャンネル)	許容範囲 (偶数チャンネル)
1 kHz	+22 dBu ± 0.1 dBu	-58 dBu 以下

⑤-2. 偶数 CHn から奇数 CHn-1 へのクロストーク
[n=2, 4, 6, 8 (n=2, 4) () 内は DME4io-ES 測定時]

測定方法 CHn-1 入力を 150 Ω で終端します。CHn 入力に下記の信号を入力し、CHn-1 出力のノイズレベルを測定します。

入力周波数	出力レベル (偶数チャンネル)	許容範囲 (奇数チャンネル)
1 kHz	+22 dBu ± 0.1 dBu	-58 dBu 以下

⑥最大出力

入力周波数	入力レベル	許容範囲	許容範囲 (歪率)
1 kHz	+30 dBu	+23 dBu 以上	0.01% 以下

⑦全高調波歪率

入力周波数	出力レベル	許容範囲
1 kHz	+4 dBu ± 0.1 dBu	0.05%以下
20 Hz	+4 dBu ± 0.1 dBu	0.05%以下
40 kHz	+4 dBu ± 0.1 dBu	0.05%以下
1 kHz	+22 dBu ± 0.1 dBu	0.007%以下

2-10 アナログ出力部 (DA) 検査 (WORD CLOCK 48 kHz 時の検査)

測定対象、測定箇所、測定方法は、2-9 と同様です。

テスト No.2 を使用し、下記の項目を測定します。

①全高調波歪率

入力周波数	出力レベル	許容範囲
1 kHz	+4 dBu ± 0.1 dBu	0.05%以下
20 Hz	+4 dBu ± 0.1 dBu	0.05%以下
20 kHz	+4 dBu ± 0.1 dBu	0.05%以下
1 kHz	+22 dBu ± 0.1 dBu	0.015%以下

②ノイズレベル

測定方法 CHn 入力を 150 Ω で終端します。CHn 出力から出力されるノイズレベルを計測します。
[n=1 ~ 8(4) () 内は DME4io-ES 測定時]

許容範囲	計測器
-80 dBu 以下	LMV-1817
-78 dBu 以下	System Two/One

③周波数特性

測定方法 1 kHz を基準として、各入力周波数における相対値を計測します。

入力周波数	入力レベル	出力レベル(参考値)	許容範囲
20 Hz	+10 dBu	+4 dBu	-1.0 ~ +0.5 dB
20 kHz	+10 dBu	+4 dBu	-1.0 ~ +0.5 dB

2-11 音出し検査 (アナログ出力部 [DA])

テスト No.2 を使用し、下記の項目を測定します。

測定対象	DME4io-ES, DME8o-ES
測定(検聴)箇所	DME4io-ES もしくは DME8o-ES のアナログ CH1 出力
測定方法	検査治具 CH1 入力からアナログ信号 (400 Hz, +10 dBu) を入力し、DME4io-ES もしくは DME8o-ES の CH1 出力から出力されるアナログ信号を検聴します。
判定基準	15 秒以上検聴し、ノイズが含まれていないことを確認してください。

2-12 出力レベル変更 (24 dBu → 18 dBu) サービス対応実施後の検査

サービス対応で出力レベルを 24 dBu から 18 dBu に変更した場合は、WORD CLOCK 96 kHz 時のアナログ出力部 (DA) 検査を行ってください。

測定対象 DME4io-ES, DME8o-ES

測定箇所 DME4io-ES もしくは DME8o-ES のアナログ CH1 ~ 8(4) 出力

[() 内は DME4io-ES 測定時]

測定方法 検査治具 CHn 入力からアナログ信号を入力し、DME4io-ES もしくは DME8o-ES の CHn 出力から出力される信号を計測します。

[n=1 ~ 8(4) () 内は DME4io-ES 測定時]
測定手順はテストプログラムの「3-16. DA 検査」(P. 91) を参照して測定を行ってください。

テスト No.1 を使用し、下記の項目を測定します。

①電圧利得

入力周波数	入力レベル	規定出力レベル	許容範囲
1 kHz	+10 dBu	-2 dBu	-2 ± 2 dBu

②周波数特性

測定方法 1 kHz を基準として、各入力周波数における相対値を計測してください。

入力周波数	入力レベル	出力レベル(参考値)	許容範囲
20 Hz	+10 dBu	-2 dBu	-1.5 ~ +0.5 dB
40 kHz	+10 dBu	-2 dBu	-1.5 ~ +0.5 dB

2-13 ファンの確認

電源がはいっている時に、背面の AC IN の横にあるファンが回っていることを確認します。

検査が完了しましたら、DIP SWITCH を全て上にして、工場出荷状態にします。

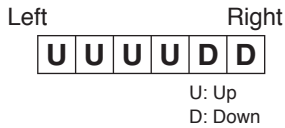
■ UPDATING PROGRAM AND BOOT

1. Connection to PC

Connect the LAN terminal of the PC and the NETWORK terminal of the DME Satellite with a LAN cross cable.

2. Activating the DME Satellite

Set the DIP SWITCH as follows and turn on the power to the DME Satellite.



3. Activating the update software

The update software for program and the update software for boot are different as shown below.

• Program

Click on the icon “update” of C:\TOOLS_SATELLITE\tools\update\prog¥.

• Boot

Click on the icon “update” of C:\TOOLS_SATELLITE\tools\update\boot¥.

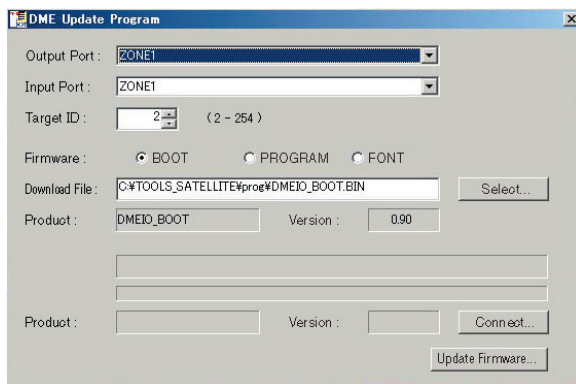
4. Setting the parameters

When update software is activated, the setting and executing screen is displayed. (See Setting and executing screen)

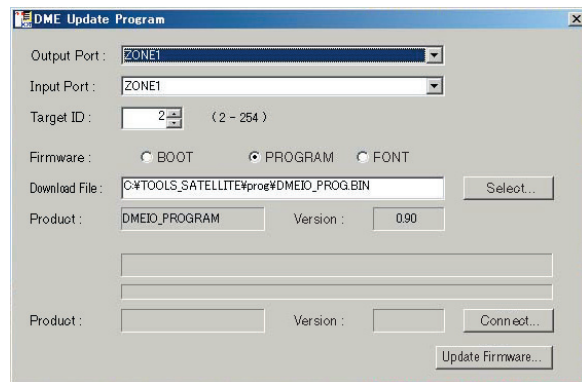
Set the parameters according to the following parameters.

- Output Port : ZONE1
- Input port : ZONE1
- Target ID : 2
- Firmware : Select either PROGRAM or BOOT for which you wish to update.
- Download File : Select either C:\TOOLS-SATELLITE\prog¥DMEIO-BOOT.BIN or C:\TOOLS-SATELLITE\prog¥DMEIO-PROG.BIN for which you wish to update.

Update	Download File
BOOT	C:\TOOLS_SATELLITE\prog¥DMEIO_BOOT.BIN
PROGRAM	C:\TOOLS_SATELLITE\prog¥DMEIO_PROG.BIN



[Setting and executing screen] (Boot)



[Setting and executing screen] (Program)

5. Updating

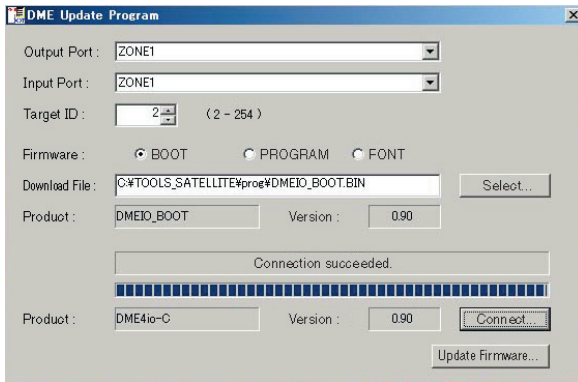
Click on “Connect...”.

When “Connection succeeded.” is displayed, click on “Update Firmware..”. (See [Checking connection screen].)

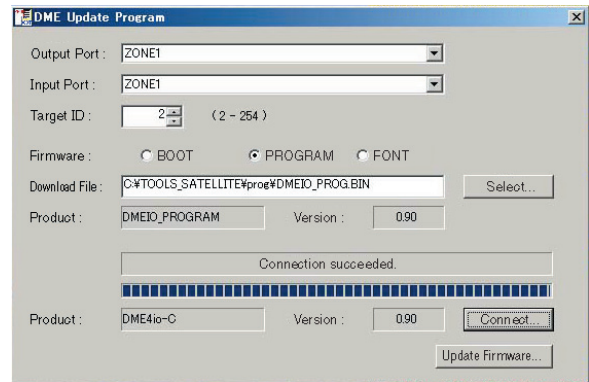
When “Firmware update completed.” is displayed and then DME Satellite is restarted, updating is end. (See [Update completed screen].)

If the VNP1 needs firmware updating, the updating will be started. (Refer to “Writing VNP1 Firmware” (P. 114))

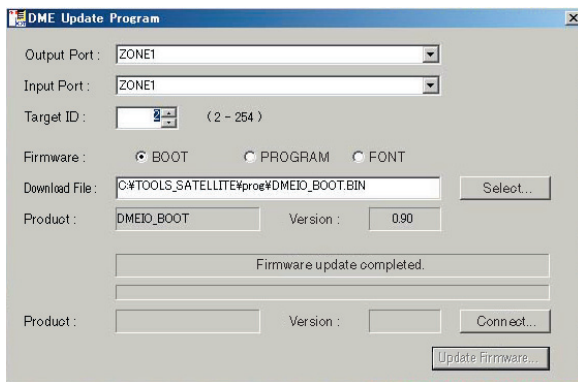
All DIP SWITCH set to the upper position.



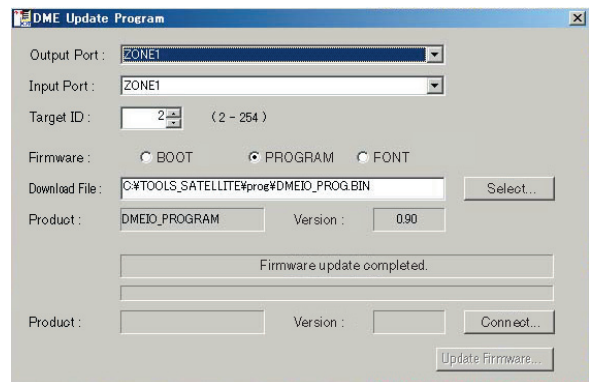
[Checking connection screen] (Boot)



[Checking connection screen] (Program)



[Update completed screen] (Boot)



[Update completed screen] (Program)

6. Solution when error message is displayed

When the error message as shown below is displayed, stop updating software, restart the DME Satellite, and start updating from the beginning again.

If the same message is still displayed after restarting the updating software and the DME Satellite, restart the personal computer and the DME Satellite, start updating software and start updating from the beginning again.

○ Error messages list

“[Error] Device unreachable.”

“[Error] Port unreachable.”

“[Error] Product name unavailable.”

“[Error] SysEx memory full.”

“[Error] File cannot open.”

“[Error] Illegal file format.”

“[Error] Memory full.”

“[Error] File cannot be read.”

“[Error] Port control failed.”

“[Error] Command packet size unavailable.”

“[Error] Command packet memory full.”

“[Error] Command packet creation failed.”

5. アップデート

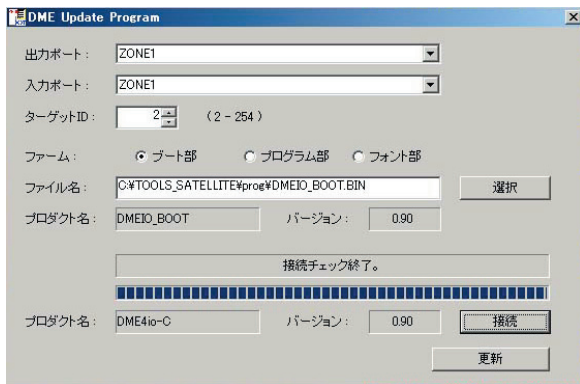
[接続] をクリックします。

[接続チェック終了] と表示されたことを確認して、[更新] をクリックします。(接続チェック終了画面を参照)

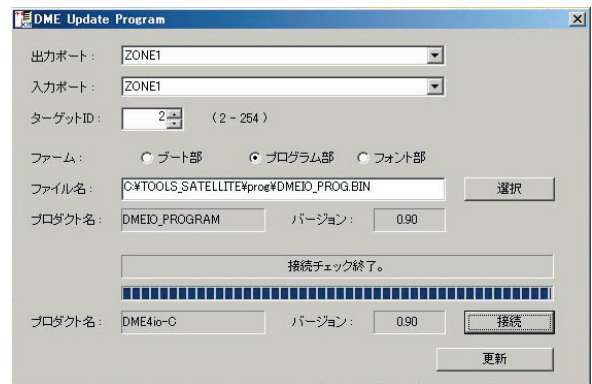
[更新成功しました] と表示され、DME Satellite が再起動すれば、アップデート終了となります。(アップデート完了画面を参照)

ここで、VNP1 のファームアップデートの必要があればアップデートが行われます。(「VNP1 ファームの書き込み」(P. 115) を参照)

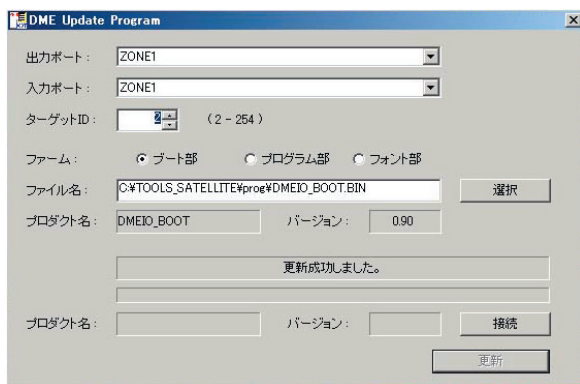
DIP SWITCH の設定を元 (全て上) に戻します。



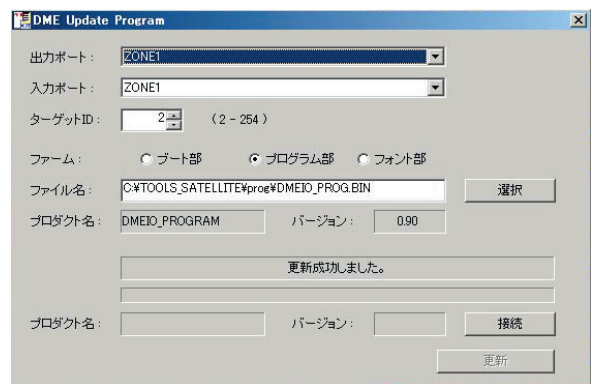
[接続チェック終了画面] (ブート部)



[接続チェック終了画面] (プログラム部)



[アップデート完了画面] (ブート部)



[アップデート完了画面] (プログラム部)

6. エラーメッセージが出たときの処理

以下のようなエラーメッセージが表示された場合は、アップデートソフトを一旦終了し、DME Satellite を再起動した上で、アップデートを最初からやり直してください。

アップデートソフトおよび DME Satellite 再起動後も同じメッセージが続く場合は、PC を再起動し、DME Satellite も再起動した上で、アップデートソフトを起動し、アップデートを最初からやり直してください。

○エラーメッセージ一覧

“[エラー] デバイスに接続できませんでした。”

“[エラー] 通信ポートの確保に失敗しました。”

“[エラー] プロダクト名を取得できませんでした。”

“[エラー] SysEx 用のメモリが足りません。”

“[エラー] ファイルが開けません。”

“[エラー] 異なるファイルです。”

“[エラー] メモリが足りません。”

“[エラー] ファイルが読めません。”

“[エラー] 通信制御権の取得に失敗しました。”

“[エラー] コマンドパケットのサイズの取得に失敗しました。”

“[エラー] コマンドパケット作成用のメモリが足りません。”

“[エラー] コマンドパケットの作成に失敗しました。”

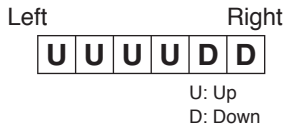
■ WRITING COMPONENT/SCENE DATA

1. Connection to PC

Connect the LAN terminal of the PC and the NETWORK terminal of the DME Satellite with a LAN cross cable.

2. Activating the DME Satellite

Set the DIP SWITCH as follows and turn on the power to the DME Satellite.



3. Activating the software for writing component/scene data

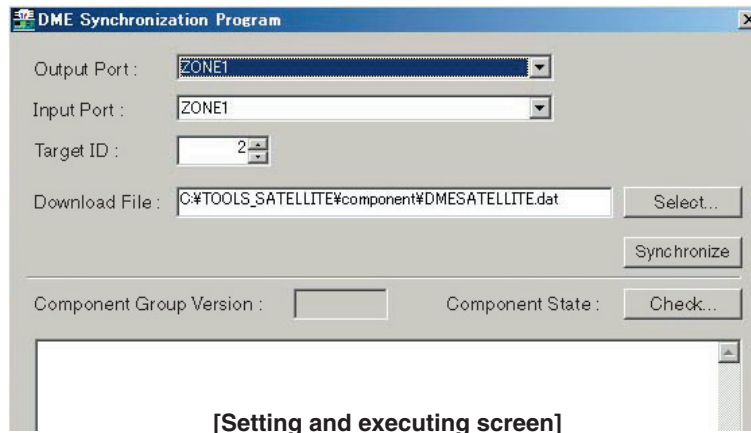
Click on the icon “sync” of C:\TOOLS_SATELLITE\tools\sync\component\.

4. Setting the parameters

Set the parameters according to the following parameters.

Output Port : ZONE1
 Input port : ZONE1
 Target ID : 2
 Execution file : C:\TOOLS_SATELLITE\component\DMESATELLITE.dat

Component data writing can be started if all the parameters are correct.

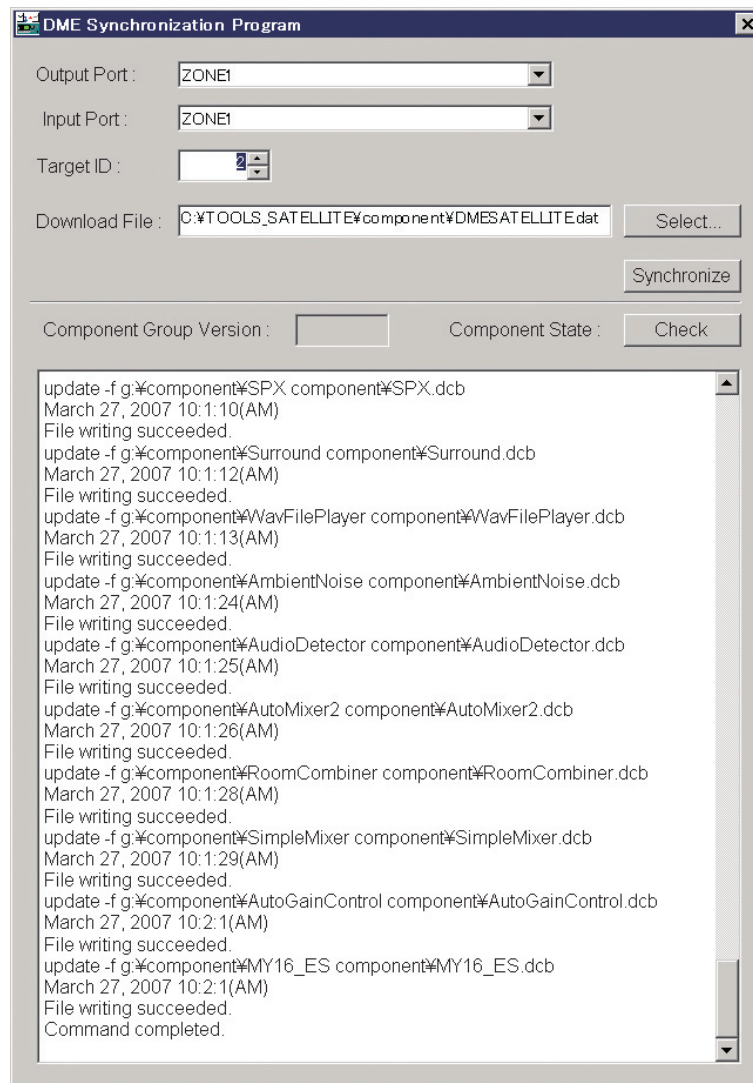


5. Writing component/scene data

Click on “Execute...”.

The writing is finished when the “Command execution finished” is displayed.

All DIP SWITCH set to the upper position.



[Writing completed screen]

6. Solution when error message is displayed

When the error message as shown below is displayed, stop the writing data software, restart the DME Satellite and then start writing the component data from scratch.

Even if restarting the data writing software and the DME Satellite, the same message is still displayed, restart the personal computer and the DME Satellite and start writing the component data from initial.

○ Error messages list

“ [Error] Device unreachable.”	“ [Error] Getting file data failed.”
“ [Error] Port unreachable.”	“ [Error] Getting file time failed.”
“ [Error] Port control failed.”	“ [Error] File cannot open.”
“ [Error] File deletion failed.”	“ [Error] Memory full.”
“ [Error] Folder creation failed.”	“ [Error] File cannot be read.”
“ [Error] Folder deletion failed.”	“ [Error] File writing failed.”
“ [Error] Deleting whole folder data failed.”	“ [Error] File stamp writing failed.”
“ [Error] Folder renewal failed.”	

7. Confirming the writing component

7-1. Before the connection

- If the DME Satellite is activating, turn off the power to the DME Satellite.
- After checking that the power to the DME Satellite is turned off, activate the DME Satellite.

- * If the confirmation of writing component is executed without restarting the DME Satellite after writing component, version of the component may not get correctly. Therefore, be sure to execute the confirmation of writing component after restarting the DME Satellite.

7-2. Connection to PC

Refer to Procedure 1 “Connection to PC” (P. 106) of “Writing component/scene data”.

7-3. Activating the DME Satellite

Refer to Procedure 2 “Activating the DME Satellite” (P. 106) of “Writing component/scene data”.

7-4. Activating the software for writing component/scene data

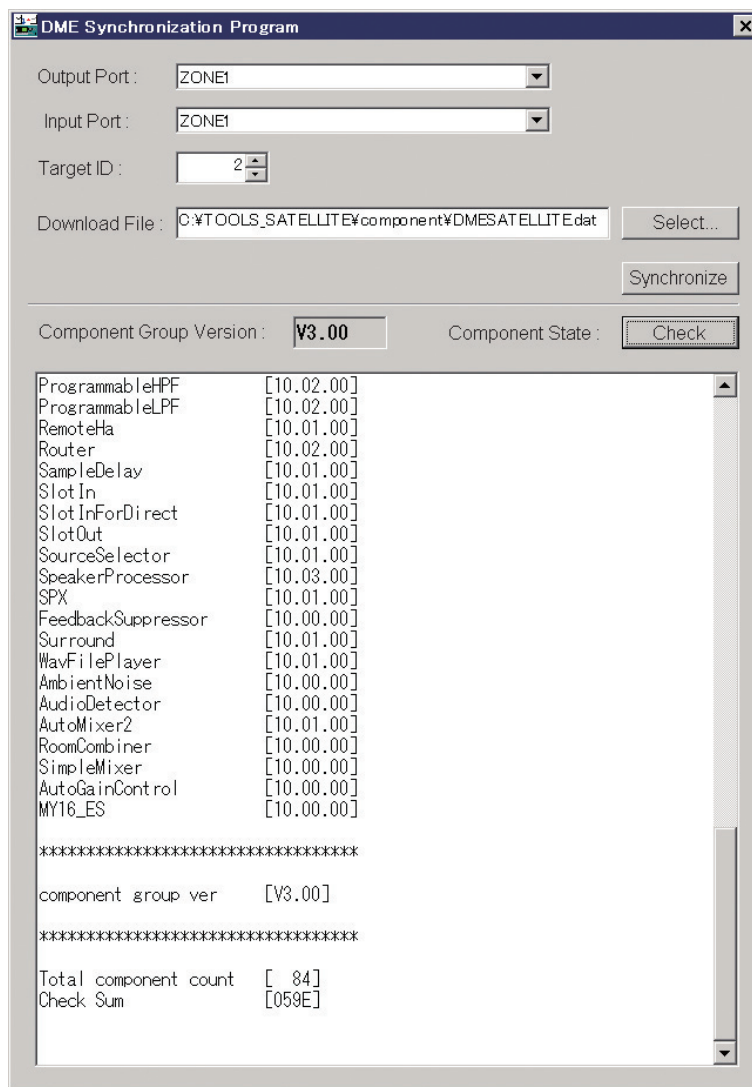
Refer to Procedure 3 “Activating the software for writing component/scene data” (P. 106) of “Writing component/scene data”.

7-5. Setting the parameters

Refer to Procedure 4 “Setting the parameters” (P. 106) of “Writing component/scene data”.

7-6. Confirming the writing component

- Click on “Check...”.
 - If “V3.0x” is shown for the component group version, the writing is finished successfully.
Check that the version is identical to the program version.
 - * The “V *.*” shows the component version, as “V3.0x” in the [Writing completed confirmation screen] in the next page.
If “Error!!” is shown, it indicates that the component data is not written successfully. Write the component data again.
- When the writing is completed, set the DIP SWITCH to the original position (all switches at upper position).



[Writing completed confirmation screen]

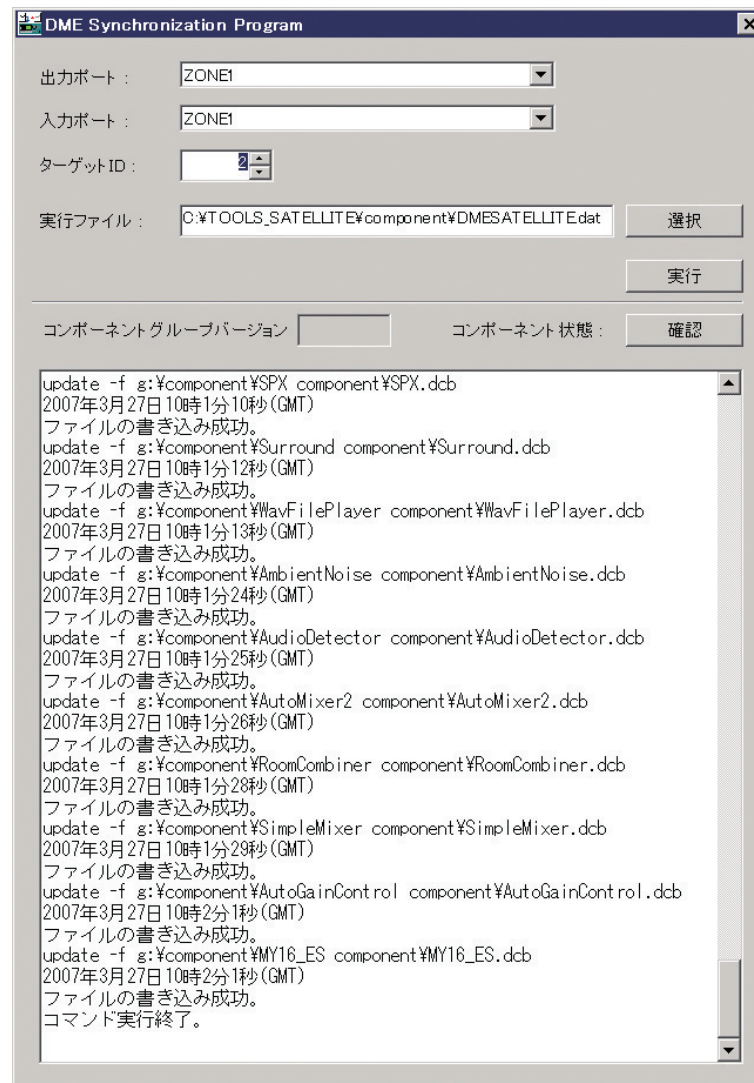
7-7. Solution when error message is displayed

When the error message as shown below is displayed, stop writing data software, restart the DME Satellite and then start confirmation of writing the component data from initial.

If the same message is still displayed after restarting the data writing software and the DME Satellite, restart the personal computer and the DME Satellite and start confirmation of writing the component data from initial.

○ Error messages list

- “ [Error] Device unreachable.”
- “ [Error] Port unreachable.”
- “ [Error] Port control failed.”
- “ [Error] Component condition failed.”



[書き込み終了画面]

6. エラーメッセージが表示されたときの処理

以下のようなエラーメッセージが表示された場合は、データ書き込みソフトを一旦終了し、DME Satellite を再起動した上で、コンポーネントデータ書き込みを最初からやり直してください。

データ書き込みソフトおよび DME Satellite 再起動後も同じメッセージが続く場合は、PC を再起動し、DME Satellite も再起動した上で、コンポーネントデータ書き込みを最初からやり直してください。

○エラーメッセージ一覧

“ [エラー] デバイスに接続できませんでした。”

“ [エラー] 通信ポートの確保に失敗しました。”

“ [エラー] 通信制御権の取得に失敗しました。”

“ [エラー] ファイルの消去に失敗しました。”

“ [エラー] フォルダの作成に失敗しました。”

“ [エラー] フォルダの消去に失敗しました。”

“ [エラー] フォルダ全データの消去に失敗しました。”

“ [エラー] ファイルの更新に失敗しました。”

“ [エラー] ファイル情報の取得に失敗しました。”

“ [エラー] ファイルの時刻が取得できません。”

“ [エラー] ファイルが開けません。”

“ [エラー] メモリが足りません。”

“ [エラー] ファイルが読めません。”

“ [エラー] ファイルの書き込みに失敗しました。”

“ [エラー] ファイルスタンプの書き込みに失敗しました。”

7. コンポーネント書き込みの確認

7-1. 接続の前に

- DME Satellite が起動している場合は、1 度 DME Satellite の電源を切ります。
- DME Satellite の電源が切れていることを確認し、DME Satellite を起動します。

※ コンポーネント書き込みを行った直後に、DME Satellite を再起動しないままコンポーネント書き込み確認を行うと、正確にコンポーネントのバージョンを取得できないことがあります。このため、必ず DME Satellite を再起動した後、コンポーネント書き込み確認を実施してください。

7-2. PC との接続

「コンポーネント・シーンデータ書き込み」の 1 項「PC との接続」(P. 110) を参照してください。

7-3. 本体起動

「コンポーネント・シーンデータ書き込み」の 2 項「本体起動」(P. 110) を参照してください。

7-4. コンポーネント・シーンデータ書き込みソフトの起動

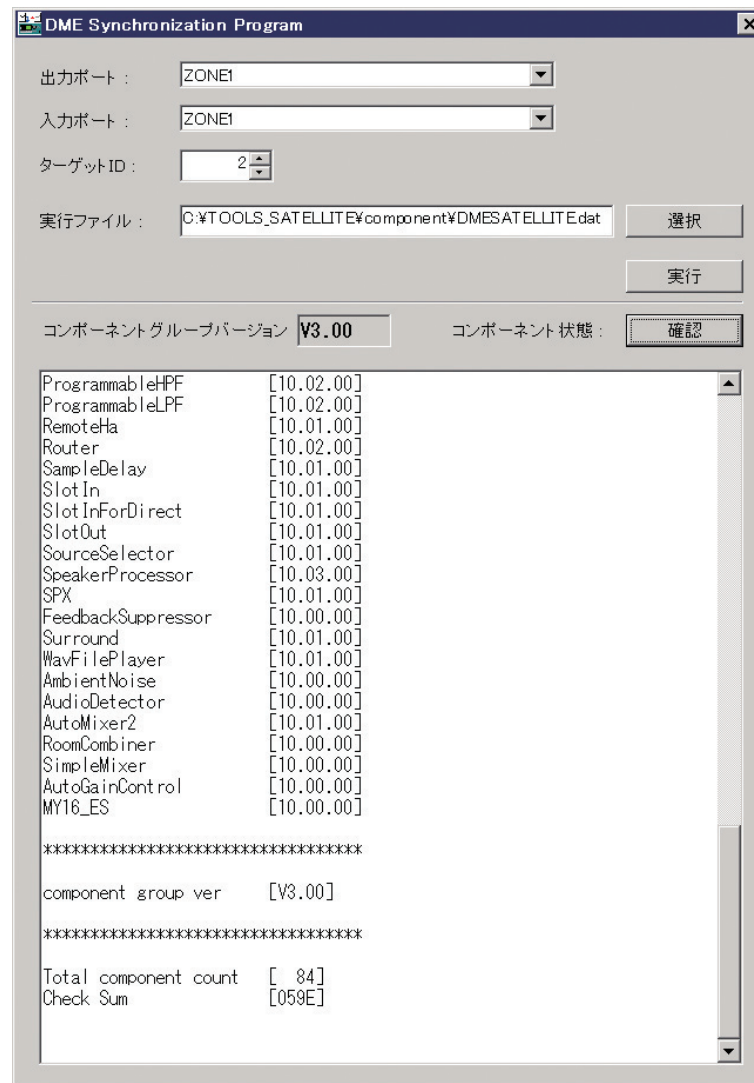
「コンポーネント・シーンデータ書き込み」の 3 項「コンポーネント・シーンデータ書き込みソフト起動」(P. 110) を参照してください。

7-5. 設定の確認と変更

「コンポーネント・シーンデータ書き込み」の 4 項「設定の確認と変更」(P. 110) を参照してください。

7-6. コンポーネント書き込み確認

- 確認ボタンをクリックします。
コンポーネントグループバージョンが「V3.0x」と表示されれば正常に書き込まれています。
バージョンはプログラム部のバージョンと同じものである事を確認してください。
- ※ 次頁の書き込み確認完了画面では V3.0x になっている V*.*.*の部分でコンポーネントのバージョンを表します。
また「Error!!」と表示された場合は、コンポーネントデータが正常に書き込まれていないので、再度書き込みを行ってください。
- 書き込みが終了しましたら DIP SWITCH の設定を元 (全て上) に戻します。



[書き込み確認完了画面]

7-7. エラーメッセージが表示されたときの処理

以下のようなエラーメッセージが表示された場合は、データ書き込みソフトを一旦終了し、DME Satellite を再起動した上で、コンポーネントデータ書き込み確認を最初からやり直してください。

データ書き込みソフトおよび DME Satellite 再起動後も同じメッセージが続く場合は、PC を再起動し、DME Satellite も再起動した上で、コンポーネントデータ書き込み確認を最初からやり直してください。

○エラーメッセージ一覧

- “ [エラー] デバイスに接続できませんでした。”
- “ [エラー] 通信ポートの確保に失敗しました。”
- “ [エラー] 通信制御権の取得に失敗しました。”
- “ [エラー] コンポーネント状態の取得に失敗しました。”

■ WRITING VNP1 FIRMWARE

Firmware is written on the VNP1, which is an Ethernet controller. If the firmware is not written, the Ethernet cannot be used. Once the firmware is written, it is not necessary to write it again. It is automatically detected if the writing is necessary during start-up and the firmware is automatically written if necessary.

1. Timing for writing VNP1 firmware

Firmware is written on the VNP1 in the following cases:

- **If no firmware is written on the VNP1**

When the power to the VNP1 is turned on for the first time at the time of the production, the VNP1 has no firmware and firmware is written on the VNP1 without exception.

- **If the program section is updated**

New VNP1 firmware is contained in the program section. If the updating of the program section causes the necessity of updating VNP1 firmware, firmware will be written on the VNP1.

2. Execution and confirmation

- **If no firmware is written on the VNP1**

Turn on the power. It is automatically judged if firmware should be written on the VNP1 and the writing will be started automatically if necessary.

- **If the program section is updated**

Completion of the program section updating is followed by automatic restart. (All LEDs will light for about 0.5 second.) Then, it is automatically judged if firmware should be written on the VNP1 and writing will be started automatically if necessary. If there is no necessity of writing, startup is not accompanied by writing firmware.

* The PEAK LEDs flash alternately during writing. It takes about 1 minute for writing. Do not turn off the power during writing. When the PEAK LEDs stop flashing, the writing is completed. The Ethernet can now be used.

■ VNP1 ファームウェアの書き込み

Ethernet コントローラーである VNP1 にファームウェアを書き込みます。ファームウェアを書き込まないと Ethernet を使用することが出来ません。ファームウェアの書き込みは一度だけ行えばよく、電源起動時に自動的に判断し、必要があれば自動的にファームウェアを書き込みます。

1. VNP1 ファーム書き込みタイミング

VNP1 ファーム書き込みは以下の時に発生します。

- **VNP1 にファームが何も書かれていない時**
生産時に VNP1 に対して始めて電源を投入したときは VNP1 にはファームが無い状態となっていますので必ず VNP1 ファーム書き込みが発生します。
- **プログラム部がアップデートされた時**
新しい VNP1 ファームはプログラム部に含まれています。プログラム部のアップデートによって VNP1 ファームを更新する必要がある場合には VNP1 ファーム書き込みが発生します。

2. 実行と確認

- **VNP1 にファームが何も書かれていない時**
電源を起動します。VNP1 のファーム書き込みを行う必要があるか自動的に判断し、書き込む必要がある場合は自動的に書き込みを開始します。
- **プログラム部がアップデートされた時**
プログラム部のアップデートが終了すると、自動的に再起動します。(全 LED が 0.5 秒間点灯します)
その後、VNP1 のファーム書き込みを行う必要があるか自動的に判断し、書き込む必要がある場合は自動的に書き込みを開始します。書き込む必要が無ければ通常起動します。

※書き込み中は、パネル上の PEAK LED が交互に点滅します。書き込みは 1 分程度を要しますのでその間は電源を切らないようにします。PEAK LED の点滅が消えたら書き込みは終了です。Ethernet は使用できる状態になります。

INITIALIZING

You can initialize the DME Satellite internal memory.
Select one of the following initialization types:

Initialize DME:

All scenes, preset parameter settings, and WAVE files excluding components and files saved with the File Storage function will be deleted.

All the Utility settings will be reset to default values.

Delete All Data:

All stored component, scene, and preset parameter settings, WAVE files, and files saved via the File Storage function will be deleted. The Utility settings will be set to default. Use this initialization type if the internal data is damaged or corrupted. After initialization, transfer necessary components from DME Designer.

1. While the DME Satellite is turned off, set the dip switch on the rear panel to the following position, then turn on the power to the unit.



Initialize DME:



Delete All Data:

Four [PEAK] indicators on the upper row on the front panel light up during the initialization process. Four [SIGNAL] indicators on the lower row of the front panel flash when the initialization process is complete. Four [PEAK] indicators on the lower row of the front panel flash if the initialization process fails.



Do not turn off the power to the DME Satellite during the initialization process to prevent possible damage to the device.

2. When initialization is complete, reset the dip switch to its previous position, then turn off and on the power to the unit.



Be sure to reset the dip switch to the previous position to prevent possible damage to the device.

■ 初期化

DME Satellite の内蔵メモリーを初期化できます。
初期化の種類は以下の2つから選択できます。

Initialize DME:

コンポーネントと File Storage 機能で保存したファイルを除く、シーンやプリセットパラメーター、WAVE ファイルなどを、すべて消去します。

UTILITY の設定はすべて初期設定に戻します。

Delete All Data:

本体内に保存されたコンポーネントやシーン、プリセットパラメーター、WAVE ファイル、File Storage 機能で保存したファイルなどをすべて消去し、UTILITY の設定はすべて初期設定に戻します。本体の内部データに不具合が起きたときは、この初期化を行ないます。初期化後は、DME Designer から必要なコンポーネントを送り込んでください。

1. 電源オフの状態、リアパネルのディップスイッチを次の設定に合わせて電源を入れます。



初期化中は、フロントパネルの上段4つの [PEAK] インジケーターが点灯します。また初期化が終わると、下段4つの [SIGNAL] インジケーターが点滅します。初期化に失敗した場合は、下段4つの [PEAK] インジケーターが点滅します。



DME Satellite の初期化中は、電源を切らないでください。機器の故障の原因になります。

2. 初期化が終わったら、ディップスイッチを元に戻して電源を入れ直します。



必ずディップスイッチを元に戻してから電源を入れ直してください。機器の故障の原因になります。

SYSTEM FLOW CHART (DME Ver. 3)

Purpose

DME Satellite is provided with the test program for diagnosing the hardware. However, when the test program can not be activated, the troubleshooting is hard. The system flow chart shows the software's action flow after releasing reset and may help you to troubleshoot.

CPU data processing sequence	LED display	CPU PTJ [7] (186 pin output)		
		State	Description	Cause of stop
Power ON (reset)		H	H by CPU internal pull-up resistor.	
Release CPU Reset (Action starts in Flash ROM)		L	Sets L when initializing CPU port.	<ul style="list-style-type: none"> • Can not release CPU Reset. • Can not access to FLASH ROM.
SDRAM initialization				
Send Boot and Program to SDRAM				
Boot starts in SDRAM				
Internal/external devices INITIALIZE and Initialization display	All the LEDs will light for 2 seconds. Then, only the [POWER] LED will light.	H	Changes to H before initializing external device.	FLASH ROM defect, SDRAM defect
		L	Changes to L after starting task data processing. (Then, all the LEDs will light.)	External device defect
<i>DIP Switch setting</i> [x - - -]		H<->L	Changes H/L every 500 msec.	
DIP Switch check	Test program mode [NETWORK] LED will light.			
Sum error				
Program sum check	Download mode [ERROR] LED will light. [SIGNAL 2] LED will blink.			
Program starts				
Internal/external device reinitialize and display Measuring battery voltage	All the LEDs will light for 2 seconds. Then, only the [POWER] LED will light.			
<i>DIP Switch setting</i> [x - - -] [x - - -]				
DIP Switch check	Execute initialization The [PEAK] LED at the top will light when the initialization is in progress.			
Start-up sequence end After this, proceed to scene recall and network setting	Returns to normal LED display			
Checking CobraNet/EtherSound Module	System error indication [ERROR] LED will light. [SIGNAL 1] LED will blink.			

■ 電源立ち上げシーケンス (DME Ver. 3)

目的

ハードウェア診断を行う際にテストプログラムを使用しますが、そのテストプログラムが起動しない場合原因を調べることが困難になります。

電源立ち上げシーケンスは、リセット解除後からのソフトウェアの動きを明確にすることにし、故障要因の判断材料を提供するものです。

CPU処理シーケンス	LED表示	CPUのPTJ [7] (186ピン出力)		
		端子状態	説明	停止したときの理由
Power ON (リセット)		H	CPU内蔵プルアップ抵抗によりH	
CPU Reset解除 (FlashROMでの動作開始)		L	CPUポート初期化時にL出力に設定	・リセットが解除されない ・FLASH ROMに全くアクセスできない
SDRAM初期化				
Boot部とProgram部を SDRAMへ転送				
Boot部のSDRAMでの 実行開始				
内部・外部デバイス初期化と 初期画面表示	2秒の間LED全点灯。 その後、[POWER] LEDのみ点灯	H	外部デバイス初期化前にHに変更	FLASH ROM 動作不良、 SDRAM 動作不良
		L	タスク動作開始後にLに変更 (その後LED全点灯)	外部デバイスの不良
		H<->L	500msec毎にH/L切り替え出力	
DIP Switch 設定 [x ⁻ - - -]	テストプログラムモード		[NETWORK] LEDが点灯	
DIP Switchチェック				
サムエラー	Downloadモード		[ERROR] LEDが点灯 [SIGNAL 2] LEDが点滅	
Program部のサムチェック				
Program部起動				
内部・外部デバイス再初期化 と画面表示 バッテリー電圧の取得	2秒の間LED全点灯。 その後、[POWER] LEDのみ点灯			
DIP Switch 設定 [x ⁻ - - -] [x ⁻ - - -]	INITIALIZE実行		実行中は上段の [PEAK] LEDが点灯	
DIP Switchチェック				
起動シーケンス終了 この後、シーンリコール、 ネットワーク設定へ			通常のLED表示へ	
CobraNet/EtherSound Moduleのチェック	System Error表示		[ERROR] LEDが点灯 [SIGNAL 1] LEDが点滅	

■ About DME SATELLITE DATA (DME Ver. 3)

Purpose

DME Satellite holds various data in the Flash ROM and SRAM with battery backup.

This section explains stored data, and also how to initialize the data, and the symptoms if the backup data is lost.

Details of initialization content

Set the DIP switch on the rear panel as shown in the following table and turn on the power to initialize (initialization function).

DIP Switch	Purpose	Component File storage	Scene Configuration Current scene	Utility Current scene number Mute setting Event log
[x D D U U U]	Initialization	×	Deleted	Initialized
[x D U D U U]	Deleting All Data	Deleted	Deleted	Initialized

× : The data remains as it is.

About battery backup

The SRAM runs on a battery to hold data. The following explains what symptom can be seen when the battery is running low.

• Backup data

Current scene, current scene number, event log, Utility and part of Setup data (Mute/Level/Peak Hold On/Off)

• The symptoms when the data is lost

If the voltage of the battery is low, the following message is shown on the LED when the power is turned on.

Battery error 2 (Low Battery): 2.0V - 2.5V:

When the battery is running down.

Battery error 1 (Critical Battery): 0.5V - 2.0V:

When the battery voltage is so low that there is a possibility that the memory may be lost.

Error number 3 (No Battery): 0.5V or below, or 3.5V or above:

When the battery is extremely running down, the battery is not installed, or in case of defect.

The symptoms of the DME Satellite when the data is damaged.

If the current scene data is damaged: The analog output is muted and error indication (error number 4) is shown on the LED.

If the event log data is damaged: The event log data will be cleared.

If the setup data is damaged: The DME Satellite operates with the default value.

■ DME Satellite データについて (DME Ver. 3)

目的

DME Satellite では FlashROM とバッテリーバックアップされた SRAM に様々なデータを保持しています。ここでは保存してあるデータについての解説を行うと共に、そのデータの初期化方法やバックアップされたデータが消えた時の症状を記載します。

初期化内容詳細

リアパネルの DIP SWITCH を設定し電源を入れることによって、下記の INITIALIZE (初期化機能) を実行することが出来ます。

DIP Switch	目的	コンポーネント ファイルストレージ	シーン コンフィグレーション カレントシーン	ユーティリティー カレントシーン番号 Mute 状態
[x 下下上上上]	Initialize	×	消去	初期化
[x 下上下上上]	Delete All Data	消去	消去	初期化

×: なにもしない

バッテリーバックアップについて

SRAM はバッテリーによって値を保持していますが、電池が消耗したときの症状は下記のようにになります。

• バックアップしているデータ

カレントシーン、カレントシーン番号、イベントログ、Utility 及びセットアップデータの一部 (Mute/Level/Peak Hold On/Off)

• データが消えたときの症状

バッテリーの電圧が下がった時には電源起動時に以下の表示が LED に出ます。

バッテリーエラー 2 (Low Battery) : 2.0V ~ 2.5V :	残量が少なくなってきた場合
バッテリーエラー 1 (Critical Battery) : 0.5V ~ 2.0V :	メモリーが消える可能性があるほど消耗しています。
エラー番号 3 (No Battery) : 0.5V 以下、もしくは 3.5V 以上 :	極端に消耗した場合、もしくはバッテリーが装着されていない、故障など。

さらにデータが壊れていた時には以下のような動作をします。

カレントシーンが壊れていた場合 :	アナログアウトプットが MUTE され LED にエラー表示 (エラー番号 4) が表示されます。
イベントログが壊れていた場合 :	イベントログがクリアされます。
セットアップデータが壊れていた場合 :	初期値で動作します。

■ TROUBLESHOOTING

The device does not turn on, or the panel LEDs do not light up.	<ul style="list-style-type: none"> • Connect the power cord properly. • Make sure that the [POWER] switch is turned ON.
No communication between the DME Satellite and the DME Designer application software.	<ul style="list-style-type: none"> • Connect the cable properly. • Make sure that USB-MIDI Driver has been installed correctly. • If the [NETWORK] connector is being used for connection, make sure that you have set the DME-N Network Driver correctly. • Make the "MIDI Setup" settings. • The DME Designer version should be 2.0.0 or later. • Make the Port setting.
No audio input is present.	<ul style="list-style-type: none"> • Connect the cable properly. • Check to see if signals are being received from an external device. • Did you use AVS-ESMonitor to make EtherSound settings such as routing? • Set the gain of the internal head amplifier or external head amplifier to an appropriate level.
No audio is output.	<ul style="list-style-type: none"> • Connect the cable properly. • Did you use AVS-ESMonitor to make EtherSound settings such as routing? • Make sure that the output level set in DME Designer is not too low. • Make sure that the Mute setting in DME Designer is set to Off. • You may have designed a scene in DME Designer that mutes audio output. • You may have tried to use a configuration at 96 kHz that does not support 96 kHz.
The selected scene changes unexpectedly.	<ul style="list-style-type: none"> • Use DME Designer to check the MIDI Program Change assignments. • Use DME Designer to check the GPI input assignments.
MIDI messages cannot be transmitted or received.	<ul style="list-style-type: none"> • Make sure that the power to the MIDI device is turned on. • Set the MIDI port properly. • Set the receive and transmit channels properly.
Scenes cannot be recalled via MIDI Program Change messages.	<ul style="list-style-type: none"> • Use DME Designer to change the setting so that the required MIDI Program Change messages will be received properly. • Make the appropriate Program Change Table settings via DME Designer.
Parameters cannot be controlled via MIDI Control Change messages.	<ul style="list-style-type: none"> • Use DME Designer to set the parameters correctly to allow Control Change message reception. • Make the appropriate MIDI Control Change Table settings via DME Designer.
Parameters cannot be edited via MIDI Parameter Change messages.	<ul style="list-style-type: none"> • Use DME Designer to set the parameters correctly to allow Parameter Change message reception. • Make the appropriate MIDI Parameter Change Table settings via DME Designer.

■ トラブルシューティング

電源が入らない、パネルのLEDが点灯しない	<ul style="list-style-type: none"> ・電源ケーブルは正しく接続されていますか？ ・POWERスイッチがオンになっていますか？
DME SatelliteとDME Designerでデータのやりとりができない	<ul style="list-style-type: none"> ・ケーブルは正しく接続されていますか？ ・USB-MIDI Driverが正しくインストールされていますか？ ・[NETWORK]端子を使って接続している場合、DME-N Network Driverは正しく設定されていますか？ ・MIDI Setupは設定していますか？ ・DME DesignerのバージョンはV3.0.0以上ですか？ ・Portの設定はしていますか？
音が入力されない	<ul style="list-style-type: none"> ・ケーブルは正しく接続されていますか？ ・外部機器からの信号は入力されていますか？ ・AVS-ESMonitorでルーティングなどのEtherSound設定を行ないましたか？ ・内蔵ヘッドアンプや外部ヘッドアンプ機器のGAINが適切なレベルに設定されていますか？
音が出ない	<ul style="list-style-type: none"> ・ケーブルは正しく接続されていますか？ ・AVS-ESMonitorでルーティングなどのEtherSound設定を行ないましたか？ ・DME Designerで出力レベルを下げていませんか？ ・DME DesignerでMUTEをONにしていませんか？ ・DME Designerでオーディオが出力されないシーンを設計していませんか？ ・96 kHzに対応していないコンフィギュレーションを96 kHzで動かそうとしていませんか？
シーンが予期せず呼び出される	<ul style="list-style-type: none"> ・DME Designerを使用してMIDIプログラムチェンジの割り当てを確認してください。 ・DME Designerを使用してGPI入力割り当てを確認してください。
MIDIメッセージの送受信ができない	<ul style="list-style-type: none"> ・MIDI機器の電源は入っていますか？ ・MIDIポートが正しく設定されていますか？ ・送信側と受信側のチャンネルが正しく設定されていますか？
MIDIプログラムチェンジメッセージを受信してもシーンを呼び出せない	<ul style="list-style-type: none"> ・DME Designerを使用して受信するプログラムチェンジメッセージを受信できるように設定してください。 ・DME Designerを使用してプログラムチェンジテーブルを設定してください。
MIDIコントロールチェンジメッセージを受信しても、パラメーターをコントロールできない	<ul style="list-style-type: none"> ・DME Designerを使用して正しくコントロールチェンジメッセージを受信できるように設定してください。 ・DME Designerを使用してMIDI Control Change Tableを設定してください。
MIDIパラメーターチェンジメッセージを受信しても、パラメーターをコントロールできない	<ul style="list-style-type: none"> ・DME Designerを使用して正しくパラメーターチェンジメッセージを受信できるように設定してください。 ・DME Designerを使用してMIDI Parameter Change Tableを設定してください。

■ エラーメッセージ

インジケータ	エラーの内容	対策
	システムエラーが発生しました。	本体の初期化 (Initialize DME) を行なってから、再起動してください。それでもエラーメッセージが消えない場合は、本体の初期化 (Delete All Data) を行なってください。
	内蔵フラッシュメモリーの内容が消えています。	ファームウェアのアップデートに失敗した可能性があります。この場合はDME DesignerでRecovery updateを行なってください。
	バッテリーが完全に消耗している、もしくは装着されていません。	電源をオフにすると現在の設定が失われ、初期値に戻ります。ただちに使用を中止してください。
	シーンリコールに失敗しました。	DME Designerを使用してシーンリコールを再度実行してください。
	DSPリソース不足のため、音声信号が入出力されずミュート状態になっています。	ワードクロックを48 kHzで作成したコンフィグレーションを、96 kHzで動作させたときに表示される場合があります。すべてのワードクロックで動作させるには、DME Designerでワードクロックを96 kHzに設定してコンフィグレーションを作成してください。
	ネットワークが正常に通信できていません。	Ethernetケーブルを正しく接続し、ネットワーク機器が正常に動作しているか確認してください。
	IPアドレスが重複しています。	コンピューターとDME Satellite本体をUSB接続して、IPアドレスを設定しなおしてください。
	違うデバイスグループのデータが入っている、もしくはデータが入っていません。	DME Designerを使用して、実際の機器の構成に合わせたデータを送りなおしてください。

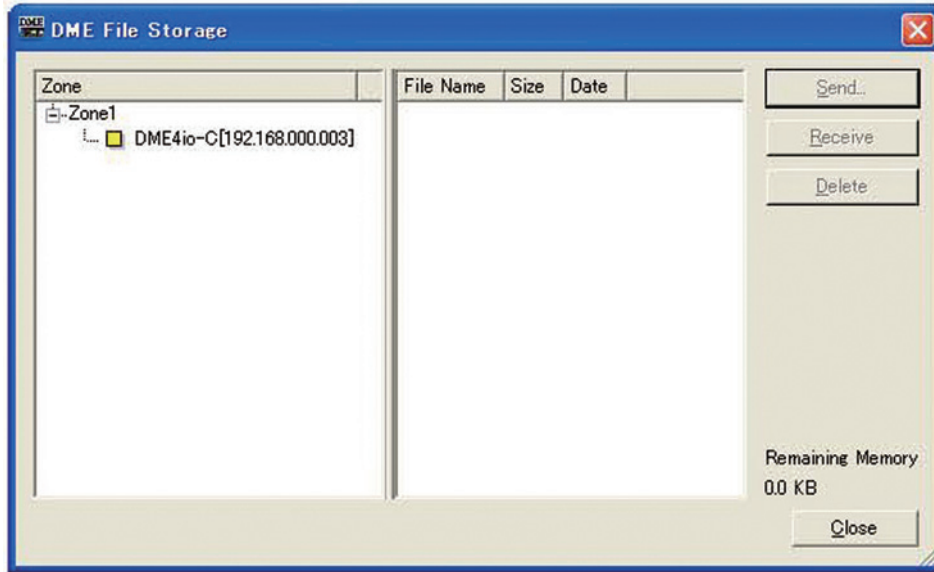
■ ワーニングメッセージ

インジケータ	エラーの内容	対策
	バッテリーが極端に消耗しており、設定したデータが消えてしまう可能性があります。	電源をオフにすると現在の設定が失われ、初期値に戻る可能性があります。ただちに使用を中止してください。
	バッテリーの残量が少なくなっています。	使用に支障はありませんが、そのまま継続して使用すると設定が失われ、初期設定に戻る可能性があります。

■ DME FILE STORAGE

Allows management of DME files. Project files can be managed on the DME, eliminating the need to manage them on the computer.

Click [DME File Storage] in the [File] menu to display the “DME File Storage” dialog.



■ Zone List

Select the desired zone and DME from the list.

■ File List

A list of the files stored on the selected DME.

[Send] Button

Transfers selected files from the computer to the DME.

[Receive] Button

Transfers selected files from the DME to the computer.

[Delete] Button

Deletes selected files from the DME.



Synchronization may become impossible if the [Remaining Memory] value (the amount of remaining DME memory) becomes too small. If this occurs, delete unwanted files to increase the amount of available memory.

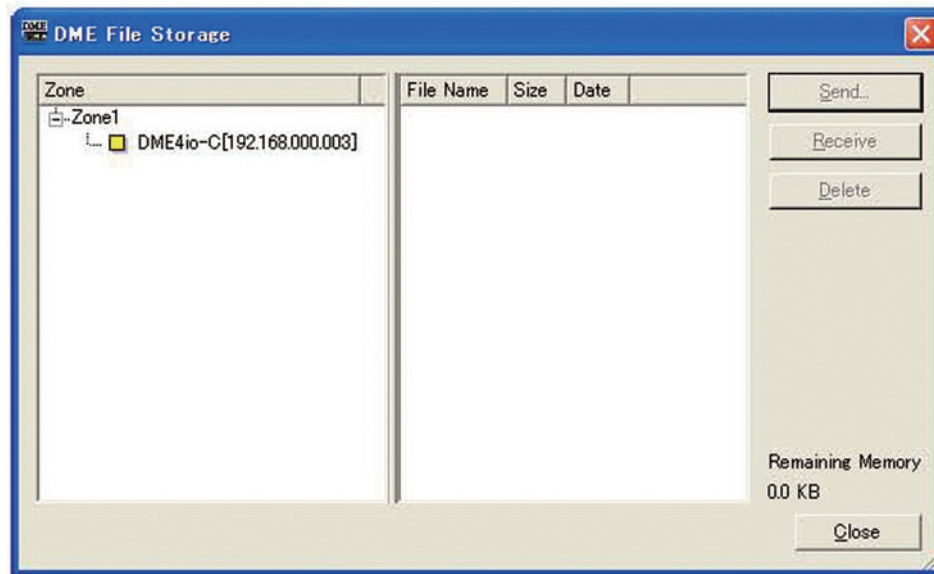
Note:

File storage data is not deleted by Initializing on Version 3 or higher. (Refer to page 120.)

■ DME FILE STORAGE

DME でファイルを管理できます。プロジェクトファイルを DME に管理すればコンピューター上でファイル管理する必要がなくなります。

[File] メニューの [DME File Storage] をクリックすると、「DME File Storage」ダイアログボックスが表示されます。



■ Zone リスト

リストから、対象とするゾーンおよび DME を選択します。

■ ファイルリスト

選択された DME に保存されているファイルの一覧を表示します。

[Send] ボタン

コンピューター上のファイルを DME に保存します。

[Receive] ボタン

DME 上のファイルをコンピューターに保存します。

[Delete] ボタン

DME 上のファイルを削除します。



[Remaining Memory] (DME 本体の空き容量) が少なくなると同期ができなくなる事があります。
その場合は、ファイルを削除して空き容量を増やしてください。

• 注意

ファイルストレージデータは、V3 からは INITIALIZE では消えなくなりました。(P121 を参照ください。)

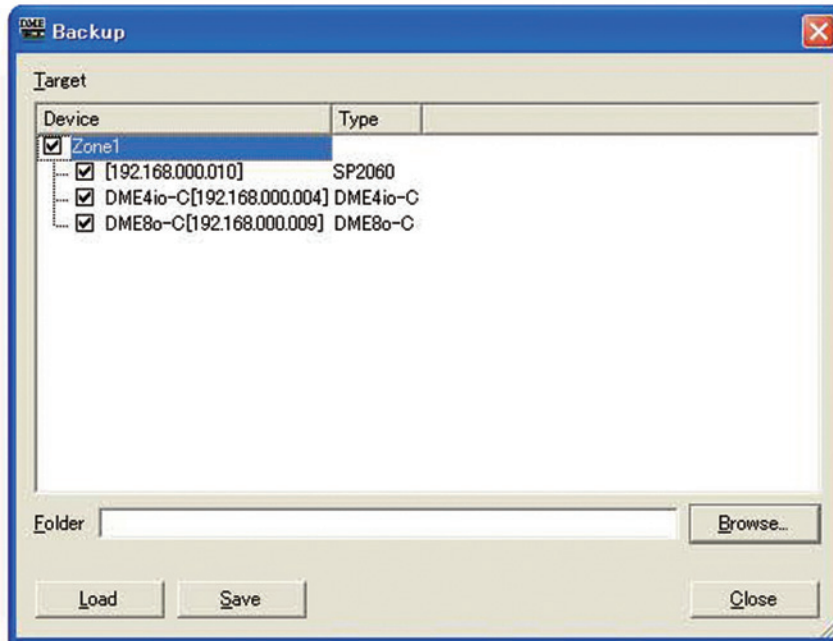
■ BACKUP

When you click the [Backup] command on the [Tools] menu, the “Backup” dialog box is displayed.

Data in the DME is gathered in the computer and saved as a file. Backup files are created for each DME. You can also send the information saved in a file to a DME. Backup can be performed only when in offline status.



Backup operations can be performed only by users for whom the [Edit] security checkbox has been checked.



■ [Target DME]

Displays DME, IP addresses, and DME types for each zone. Check the DME from which you want to obtain data. You can place checks next to multiple DMEs.

■ [Folder] Box

Specifies the folder that will be the destination for saving and reading operations. Clicking the [Browse] button opens the folder select dialog box, where you can specify a folder.

The backup file name will be the DME's IP address. If the folder is specified when sending DME data, the file sent to the DME will be the file in the folder whose file name that matches the DME's IP address.

[Load] Button

Sends the backed up file to the specified DME.

[Save] Button

Obtains data from the specified DME, and saves it as a backup file.

[Close] Button

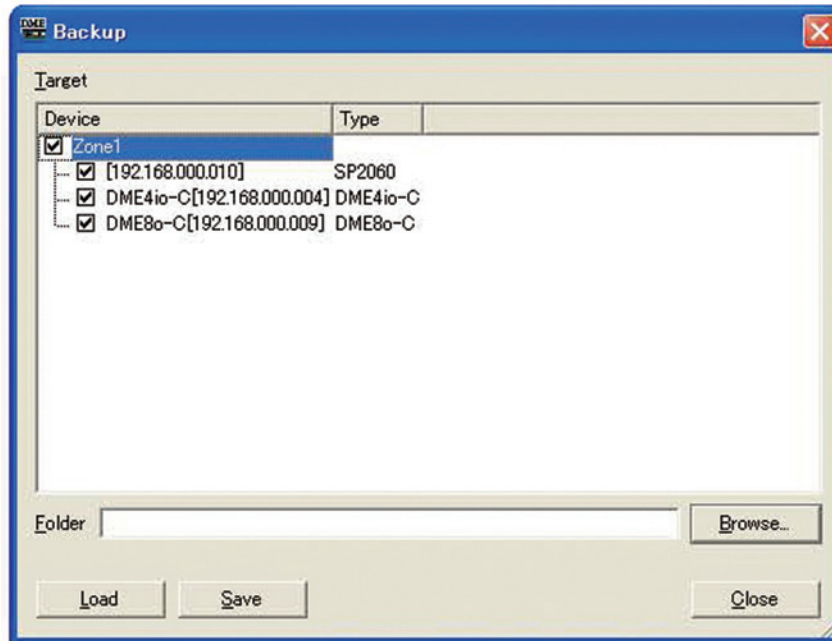
Closes the dialog box.

■ バックアップ

[Tools] メニューの [Backup] をクリックすると、「Backup」ダイアログボックスが表示されます。DME 内のデータをコンピューターに取り込み、ファイルとして保存します。DME ごとにバックアップファイルを作成します。ファイルに保存した情報を DME に送ることも可能です。オフラインでのみバックアップできます。



セキュリティの [Edit] がチェックされているユーザーのみ、バックアップの操作ができます。



■ [TargetDME]

ゾーンごとに DME と IP アドレス、DME のタイプが表示されます。データを取得する DME をチェックします。複数の DME をチェックできます。

■ [Folder] ボックス

保存先、読み取り先のフォルダーを指定します。[Browse] ボタンをクリックすると、フォルダー選択ダイアログボックスが開き、フォルダーを指定できます。

バックアップのファイル名は、DME の IP アドレスになります。DME データを送る場合は、フォルダーを指定すれば、そのフォルダー内で選択した DME の IP アドレスと合致するファイルが DME に送られます。

[Load] ボタン

指定した DME にバックアップしたファイルを送ります。

[Save] ボタン

指定した DME からデータを取得し、バックアップファイルとして保存します。

[Close] ボタン

ダイアログボックスを閉じます。

MIDI IMPLEMENTATION CHART

YAMAHA [Digital Mixing Engine Satellite] Date :14-FEB-2007
 Model DME8i-ES, DME8o-ES, DME4io-ES MIDI Implementation Chart Version : 1.0

Function...	Transmitted	Recognized	Remarks
Basic Channel Default Changed	1 - 16 1 - 16	1 - 16 1 - 16	Memorized
Mode Default Messages Altered	× × *****	× × ×	
Note Number : True voice	× *****	× ×	
Velocity Note ON Note OFF	× ×	× ×	
After Touch Key's Ch's	× ×	× ×	
Pitch Bend	×	×	
Control Change 0,32 1-31,33-95,102-119	○ *1 ○ *2	○ *1 ○ *2	Bank Select Assignable
Prog Change : True #	○ 0 - 127 *1 *****	○ 0 - 127 *1 0 - 127	
System Exclusive	○ *3	○ *3	Assignable
Common : Song Pos. : Song Sel. : Tune	× × ×	× × ×	
System : Clock Real Time : Commands	× ×	× ×	
Aux : All Sound Off : Reset All Cntrls : Local ON/OFF Mes- : All Notes OFF sages: Active Sense : Reset	× × × × × ×	× × × × ○ ×	
Notes: *1 transmit/receive if program change switch is on. *2 transmit/receive if control change switch is on. *3 transmit/receive if parameter change switch is on.			

MIDI DATA FORMAT

MIDI Data Format

1. MIDI functions on the DME8i-ES, DME8o-ES, and DME4io-ES

1.1 Scene Change

Scene recall occurs according to the “MIDI Program Change Table” assignments when appropriate MIDI Bank Select MSB/LSB and Program Change messages are received by the DME8i-ES/DME8o-ES/DME4io-ES.

When a scene recall operation is carried out via DME Designer, corresponding MIDI Bank Select MSB/LSB and Program Change messages are also transmitted by the DME8i-ES/DME8o-ES/DME4io-ES as specified by the “MIDI Program Change Table” assignments.

Transmission does not occur while configurations are being switched.

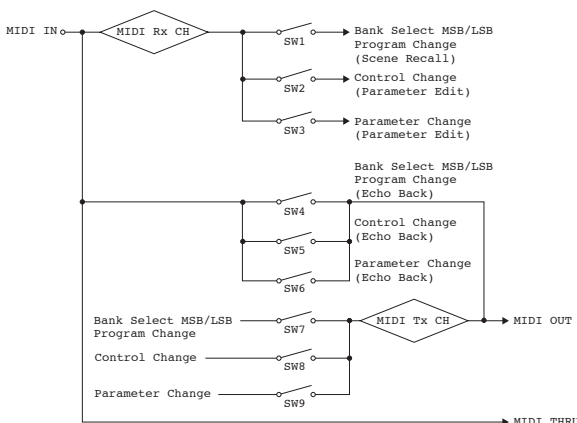
1.2 Parameter Control

MIDI Control Change and Parameter Change messages transmitted to the DME8i-ES/DME8o-ES/DME4io-ES can be used to control parameters according to the “MIDI Control Change Table” and “MIDI Parameter Change Table” assignments.

When a parameter is edited via DME Designer, corresponding MIDI Control Change and Parameter Change messages are also transmitted by the DME8i-ES/DME8o-ES/DME4io-ES as specified by the “MIDI Control Change Table” and “MIDI Parameter Change Table” assignments.

“MIDI Program Change Table,” “MIDI Control Change Table,” and “MIDI Parameter Change Table” assignments can be made via DME Designer. Refer to the DME Designer Owner’s Manual for details.

2. MIDI Data Flow



SW1:	Program Change Rx Switch [On/Off]
SW2:	Control Change Rx Switch [On/Off]
SW3:	Parameter Change Rx Switch [On/Off]
SW4:	Program Change Echo Back Switch [On/Off]
SW5:	Control Change Echo Back Switch [On/Off]
SW6:	Parameter Change Echo Back Switch [On/Off]
SW7:	Program Change Tx Switch [On/Off]
SW8:	Control Change Tx Switch [On/Off]
SW9:	Parameter Change

MIDI Rx CH: MIDI Rx Channel (1-16)

MIDI Tx CH: MIDI Tx Channel (1-16)

3. MIDI Setup

Specifies basic MIDI operation. Use DME Designer to make the setting.

3.1 Host Select

Selects the input/output ports to be used for MIDI communication.

3.2 MIDI Tx Channel

Specifies the MIDI transmit channel (1 - 16).

3.3 MIDI Rx Channel

Specifies the MIDI receive channel (1 - 16).

3.4 MIDI Tx Switch

Program Change Tx Switch: turns Bank Select MSB, LSB, and Program Change transmission on or off.

Control Change Tx Switch: turns Control Change transmission on or off.

Parameter Change Tx Switch: turns Parameter Change transmission on or off.

3.5 MIDI Rx Switch

Program Change Rx Switch: turns Bank Select MSB, LSB, and Program Change reception on or off.

Control Change Rx Switch: turns Control Change reception on or off.

Parameter Change Rx Switch: turns Parameter Change reception on or off.

3.6 MIDI Omni Switch

Program Change Omni Switch: turns the Bank Select MSB, LSB, and Program Change omni mode on or off.

Control Change Omni Switch: turns the Control Change omni mode on or off.

3.7 MIDI Echo Back Switch

Program Change Echo Back Switch: turns Bank Select MSB, LSB, and Program Change echo back on or off.

Control Change Echo Back Switch: turns Control Change echo back on or off.

Parameter Change Echo Back Switch: turns Parameter Change echo back on or off.

4. MIDI Format

Number Format Notation

Numbers ending with "h" are in hexadecimal format, while numbers ending with "b" are binary format. Characters "A" through "F" in hexadecimal numbers represent decimal values 10 through 15. Other lower-case characters (usually "n" or "x") can represent any number.

MIDI Format Chart (Rx: receive, Tx: transmit)

	Command	Rx/Tx	Function
Channel Message	Control Change (Bnh)	Rx/Tx	Editing the parameters
	Program Change (Cnn)	Rx/Tx	Scene Recall
System Real-time Message	TIMING CLOCK (F8h)	Rx	MIDI Clock Receive
	ACTIVE SENSING (FEh)	Rx	MIDI Cable Check
System Exclusive Message	Parameter Change	Rx/Tx	Editing the parameters

4.1 Program Change (Cnh)

Receive

When the "Program Change Rx Switch" is on, Program Change messages are received on the MIDI channel specified by the "MIDI Rx Channel" parameter.

If the "Program Change Omni Switch" is also on, however, Program Change messages will be received on all MIDI channels regardless of the "MIDI Rx Channel" setting.

When a Program Change message is received, the scene assigned to the received program number in the "MIDI Program Change Table" is recalled.

The effective Bank Select, Program Change range is as follows:

Bank Select MSB:	0
Bank Select LSB:	0-7
Program Change No.:	0-127

Transmit

When the "Program Change Tx Switch" is on and a scene is switched from DME Designer, the corresponding Program Change number will be transmitted as specified by the "MIDI Program Change Table" and "MIDI Tx Channel" settings.

Transmission does not occur when a scene with a different configuration is selected.

If multiple Program Change numbers are assigned to a single scene, the Bank Select MSB/LSB and Program Change number corresponding to the lowest number will be transmitted.

Bank Select MSB

Status	Bnh (1101nnnnb)	Control Change
Data	00h (00000000b)	Control Change No. 0 (Bank Select MSB)
Data	nnh (0nnnnnnnb)	Control Value (Bank Select MSB No.)

Bank Select LSB

Status	Bnh (1101nnnnb)	Control Change
Data	20h (00100000b)	Control Change No. 32 (Bank Select LSB)
	nnh (0nnnnnnnb)	Control Value (Bank Select LSB No.)

Program Change No.

Status	Cnh (1100nnnnb)	Program Change
Data	nnh (0nnnnnnnb)	Program Change No. (0-127)

4.2 Active Sensing (FEh)

Receive

MIDI communication will be initialized if no data is received within 300 ms after reception (Running Status, etc., will be cleared).

Active Sensing

Status	FEh (11111110b)	Active Sensing
--------	-----------------	----------------

4.3 Control Change (Bnh)

Receive

When the "Control Change Rx Switch" is on, Control Change messages are received on the MIDI channel specified by the "MIDI Rx Channel" parameter.

If the "Control Change Omni Switch" is also on, however, Control Change messages will be received on all MIDI channels regardless of the "MIDI Rx Channel" setting.

Control Change parameter resolution is 128 regardless of the effective range of the parameter.

For finer settings use Parameter Change.

Transmit

When the "Control Change Tx Switch" is on and a parameter is edited via DME Designer, appropriate Control Change data will be transmitted as specified by the "MIDI Control Change Table" and "MIDI Tx Channel" settings.

Refer to "Supplementary Information 1" for cases in which multiple messages are assigned to a single parameter.

Status	Bnh (1011nnnnb)	Control Change
Data	cch (0ccccccb)	Control Change No. (1-31, 33-95, 102-119)
	vvh (0vvvvvvvb)	Control Value (0-127)

4.4 Parameter Change (F0h - F7h)

Receive

When the "Parameter Change Rx Switch" is On, Parameter Change messages are received on the MIDI channel specified by the "Device ID (Rx Ch)" parameter.

Transmit

When the “Parameter Change Tx Switch” is On and a parameter is edited via DME Designer, appropriate Parameter Change data will be transmitted as specified by the “MIDI Parameter Change Table” and “MIDI Tx Channel” settings.

Refer to “Supplementary Information 1” for cases in which multiple messages are assigned to a single parameter.

Refer to “Supplementary Information 2” for information on setting Parameter Data values.

Status	F0h (11110000b)	System Exclusive Message
ID No.	43h (01000011b)	Manufacturer’s ID No. (YAMAHA)
DEVICE ID.	1xh (0001xxxxb)	Rx/Tx Channel (0-15)
GROUP ID.	3Eh (00111110b)	Digital Mixer
MODEL ID.	10h (00010000b)	Device Code (DME)
Parameter Address	aah (0aaaaaab)	Parameter Address High
	aah (0aaaaaab)	Parameter Address Low
Parameter Data Value	ddh (0ddddddb)	data 0
	ddh (0ddddddb)	data 1
	ddh (0ddddddb)	data 2
	ddh (0ddddddb)	data 3
	ddh (0ddddddb)	data 4
EOX	F7h (11110111b)	End of Exclusive

Supplementary Information 1

Messages Transmitted When Multiple Messages are Assigned to the Same Parameter

The DME8i-ES/DME8o-ES/DME4io-ES MIDI transmit messages are specified via the “MIDI Control Change Table” and “MIDI Parameter Change Table.”

(The “MIDI Control Change Table” and “MIDI Parameter Change Table” can be set up via DME Designer.)

Multiple messages can be assigned to a single parameter, but the DME8i-ES/DME8o-ES/DME4io-ES will only transmit one of the assigned messages.

The transmitted messages are as follows:

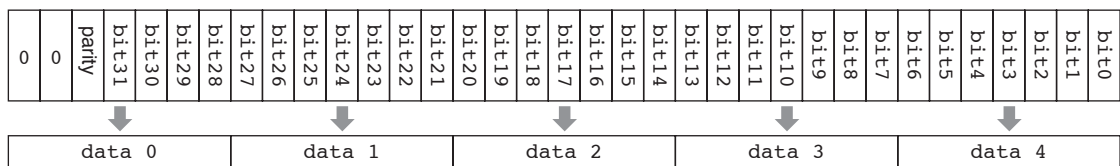
- If a Control Change message and a Parameter Change message are assigned to the same parameter → the Control Change message will be transmitted.
- If multiple Control Change numbers are assigned to the same parameter → the smallest Control Change number message will be transmitted.
- If multiple Parameter Change numbers are assigned to the same parameter → the smallest Parameter Change number message will be transmitted.

Supplementary Information 2

Setting the Parameter Change Message Parameter Data Values

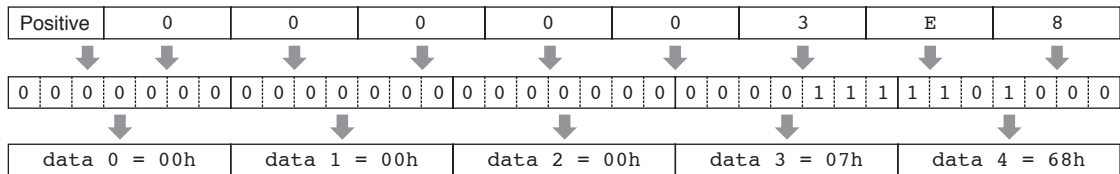
The Parameter change parameter values are expressed as 32-bit integers with or without parity.

- A parity bit (positive:0, negative:1) is added above the most significant value bit (bit 31).
- Fractional parameters will be converted according to the integer table.
- For integers with parity, negative numbers are expressed as the 2’s complement.

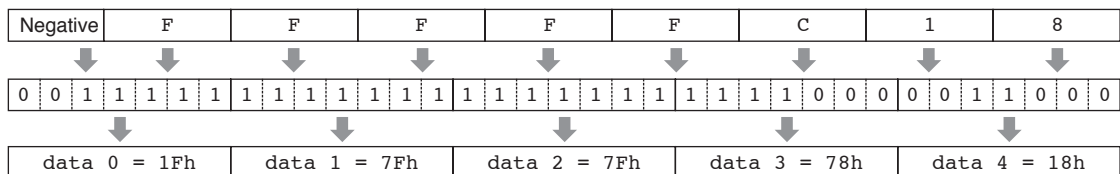


Example:

• Decimal value 1000 → Hexadecimal value 3E8h



• Decimal value 1000 → Hexadecimal value FFFFC18h (2’s complement of 3E8h)



DIGITAL MIXING ENGINE SATELLITE

DME4i_o-ES / DME8i-ES / DME8_o-ES

PARTS LIST

■ CONTENTS (目次)


OVERALL ASSEMBLY (総組立)	2
ELECTRICAL PARTS (電気部品)	6

Notes : DESTINATION ABBREVIATIONS

A : Australian model	M : South African model
B : British model	O : Chinese model
C : Canadian model	Q : South-east Asia model
D : German model	T : Taiwan model
E : European model	U : U.S.A. model
F : French model	V : General export model (110V)
H : North European model	W : General export model (220V)
I : Indonesian model	N,X: General export model
J : Japanese model	Y : Export model
K : Korean model	

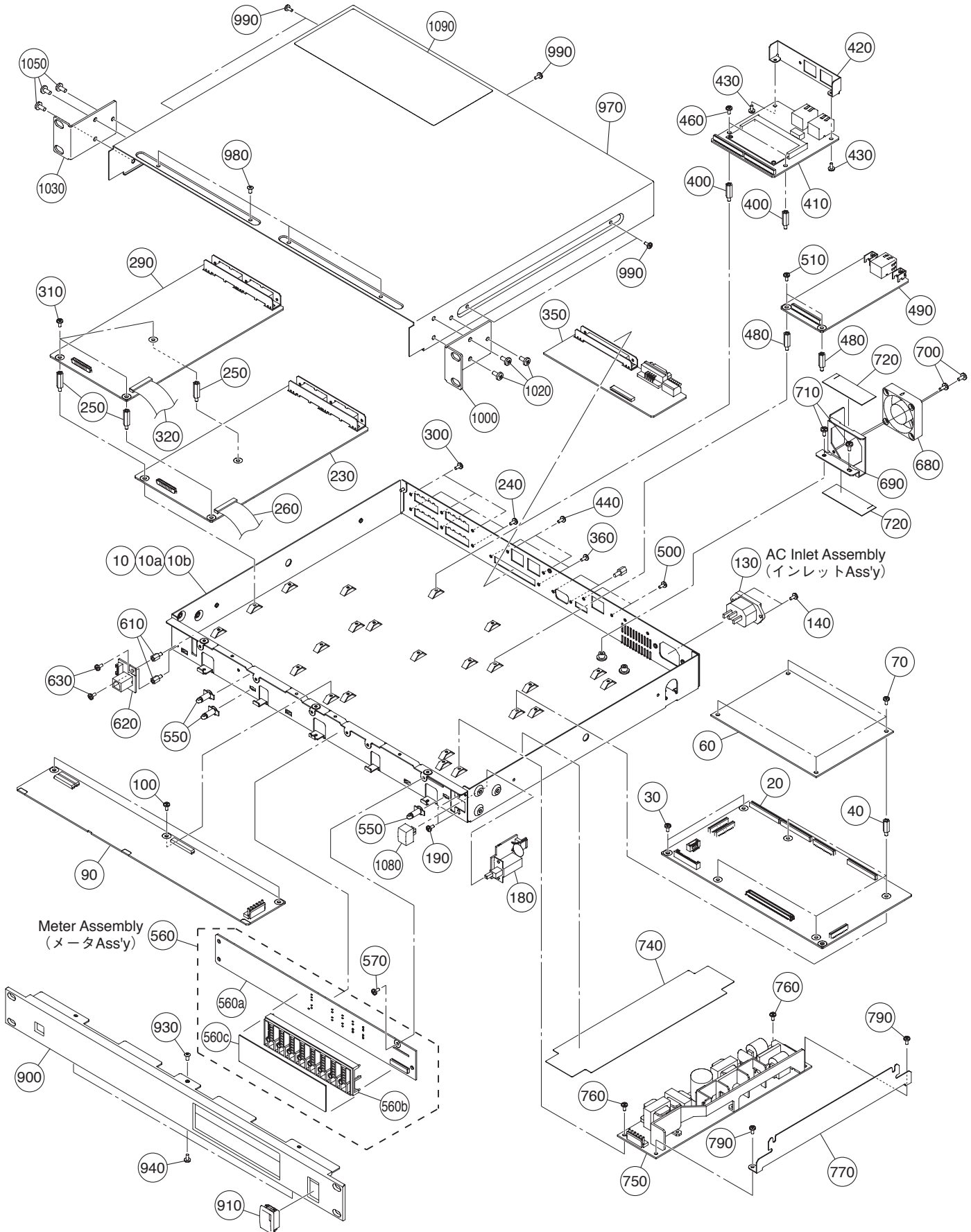
■ WARNING

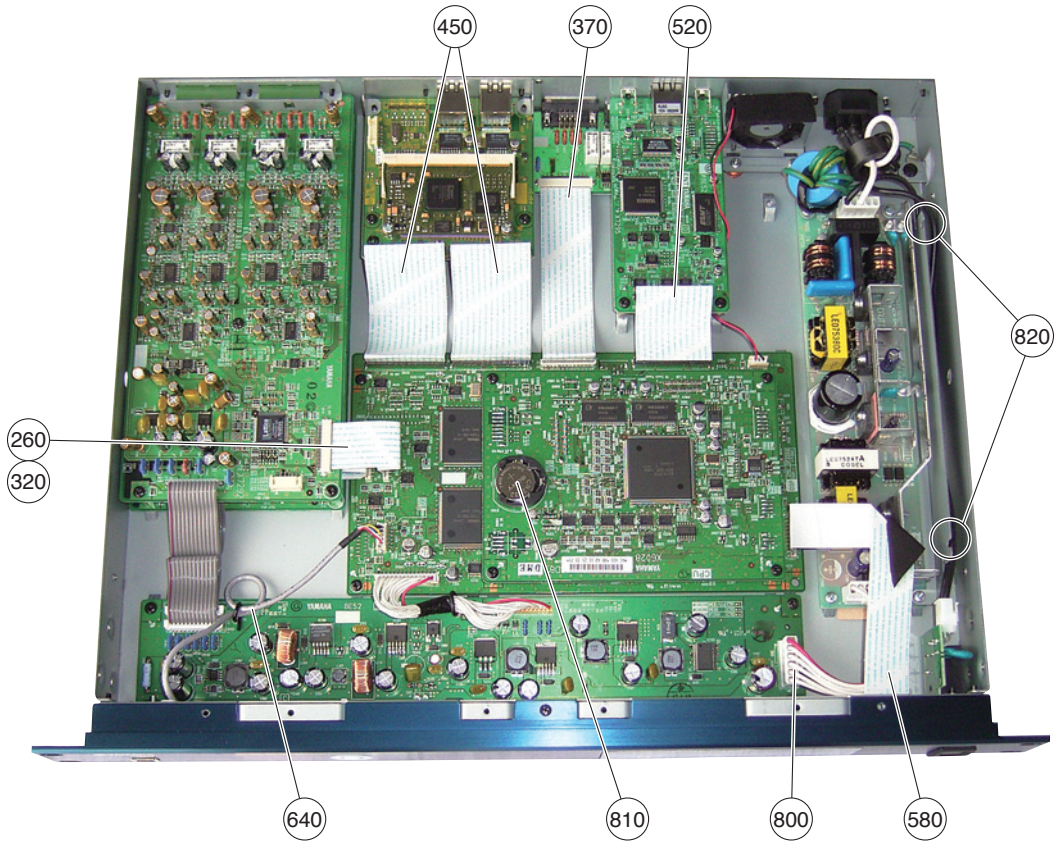
Components having special characteristics are marked  and must be replaced with parts having specification equal to those originally installed.

 印の部品は、安全を維持するために重要な部品です。交換する場合は、安全のために必ず指定の部品をご使用ください。

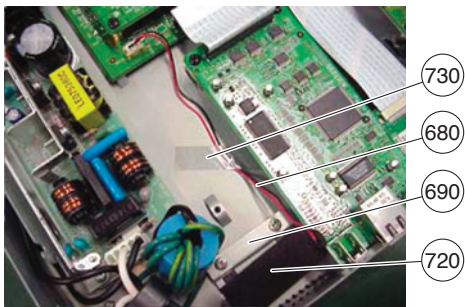
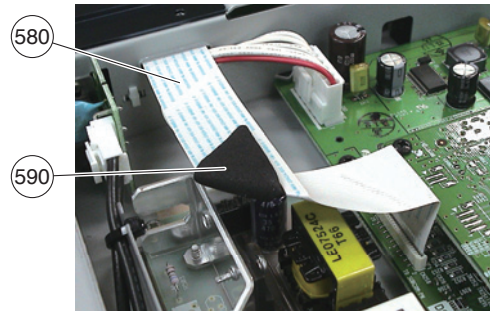
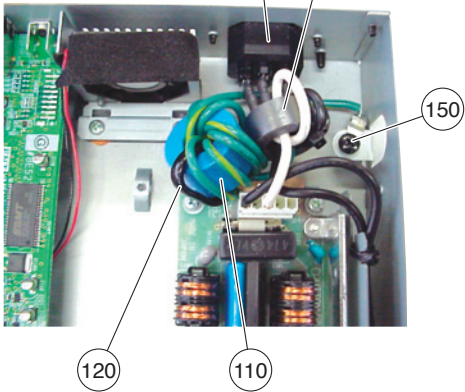
- The numbers "QTY" show quantities for each unit.
- The parts with "--" in "PART NO." are not available as spare parts.
- This mark "}" in the REMARKS column means these parts are interchangeable.
- The second letter of the shaded (■) part number is O, not zero.
- The second letter of the shaded (■) part number is I, not one.
- 部品価格ランクは、変更になることがあります。
- QTY 欄に記載されている数字は、各ユニット当たりの使用個数です。
- PART NO. が "--" の部品は、サービス用部品として準備されておりません。
- REMARKS 欄の「}」マークの部品は、併用部品です。
- 網掛けの付いた PART NO. の 2 番目の文字は「ゼロ」ではなく、「オー」です。
- 網掛けの付いた PART NO. の 2 番目の文字は「イチ」ではなく、「アイ」です。

OVERALL ASSEMBLY (総組立)





130a 130b 130 AC Inlet Assembly (インレットAss'y)



DME4io-ES/DME8i-ES/DME8o-ES

REF NO.	PART NO.	DESCRIPTION		部 品 名	REMARKS	QTY	RANK
	--	OVERALL ASSEMBLY		総 組 立	DME4io-ES/DME8i-ES/DME8o-ES		
	--	Overall Assembly	8F33	総 組 立	DME4io-ES (WJ99360)		
	--	Overall Assembly	8F31	総 組 立	DME8i-ES (WJ99340)		
	--	Overall Assembly	8F32	総 組 立	DME8o-ES (WJ99350)		
* 10	WJ993900	Bottom Chassis		ボトムシャーシ印刷品	DME4io-ES		
* 10	WJ993700	Bottom Chassis		ボトムシャーシ印刷品	DME8i-ES		
* 10	WJ993800	Bottom Chassis		ボトムシャーシ印刷品	DME8o-ES		
10a	WE877800	Bind Head Tapping Screw-S	3.0X6 MFZN2B3	S タイト + B I N D		4	01
10b	WE994800	Bind Head Tapping Screw-S	4.0X8 MFZN2B3	S タイト + B I N D			01
20	WG301600	Circuit Board	DSP	D S P シ ー ト			
30	WE877800	Bind Head Tapping Screw-S	3.0X6 MFZN2B3	S タイト + B I N D		2	01
40	WG501800	Hexagonal Spacer	L=13	六角スベアーサー M 3 x		4	02
60	WG301400	Circuit Board	CPU	C P U シ ー ト			
70	WE877800	Bind Head Tapping Screw-S	3.0X6 MFZN2B3	S タイト + B I N D		4	01
* 90	WK039500	Circuit Board	DC	D C シ ー ト	DME4io-ES/DME8i-ES		
* 90	WK040700	Circuit Board	DC	D C シ ー ト	DME8o-ES		
100	WE877800	Bind Head Tapping Screw-S	3.0X6 MFZN2B3	S タイト + B I N D		3	01
110	WH874600	Ferrite Core	FT-3KM F2515D	フェライトコア			07
120	CB817510	Cord Clamp	S-14B-E, S-14	束 線 止 め			03
130	WH881800	AC Inlet Assembly	AC INLET & LUG	インレット A s s ' y			08
△ 130a	V5065200	AC Inlet	1908-C 3P	A C インレット 3 P	AC IN		03
130b	VC362700	Ferrite Core	FR25/15/12-1400L	フェライトコア			04
140	WE774400	Bind Head Tapping Screw-B	3.0X8 MFZN2B3	B タイト + B I N D		2	01
150	WE994800	Bind Head Tapping Screw-S	4.0X8 MFZN2B3	S タイト + B I N D			01
* 180	WK040200	Circuit Board	PS	P S シ ー ト	DME4io-ES/DME8i-ES		
* 180	WK041000	Circuit Board	PS	P S シ ー ト	DME8o-ES		
190	WE877800	Bind Head Tapping Screw-S	3.0X6 MFZN2B3	S タイト + B I N D		2	01
230	WG303900	Circuit Board	DA	D A シ ー ト	DME4io-ES/DME8o-ES		
230	WG303800	Circuit Board	AD	A D シ ー ト	DME8i-ES		
240	WE877800	Bind Head Tapping Screw-S	3.0X6 MFZN2B3	S タイト + B I N D		3	01
250	WG502000	Hexagonal Spacer	L=17	六角スベアーサー M 3 x		3	
260	WE751800	Cable	23P 60mm P=1.0	バ ン カ ー ド			01
290	WG303800	Circuit Board	AD	A D シ ー ト	DME4io-ES/DME8i-ES		
290	WG303900	Circuit Board	DA	D A シ ー ト	DME8o-ES		
300	WE877800	Bind Head Tapping Screw-S	3.0X6 MFZN2B3	S タイト + B I N D		3	01
310	WE877800	Bind Head Tapping Screw-S	3.0X6 MFZN2B3	S タイト + B I N D		3	01
320	WE751800	Cable	23P 60mm P=1.0	バ ン カ ー ド			01
* 350	WK040000	Circuit Board	GPI	G P I シ ー ト	DME4io-ES/DME8i-ES		
* 350	WK040800	Circuit Board	GPI	G P I シ ー ト	DME8o-ES		
360	WE877800	Bind Head Tapping Screw-S	3.0X6 MFZN2B3	S タイト + B I N D		2	01
370	WB417400	Cable	26P 120mm P=1.0	バ ン カ ー ド			
400	WG501900	Hexagonal Spacer	L=15	六角スベアーサー M 3 x		2	
410	--	Circuit Board	ES	E S シ ー ト	(WJ17130)		
* 410	WK818400	Circuit Board	ES-CS	E S - C S シ ー ト	for service use		
420	--	CNT Holder		C N T 金 具	(WG19820)		
430	WE877800	Bind Head Tapping Screw-S	3.0X6 MFZN2B3	S タイト + B I N D		2	01
440	WE877800	Bind Head Tapping Screw-S	3.0X6 MFZN2B3	S タイト + B I N D		2	01
450	WG477800	Cable	40P 100mm P=1.0	バ ン カ ー ド		2	
460	WE877800	Bind Head Tapping Screw-S	3.0X6 MFZN2B3	S タイト + B I N D		2	01
480	WG501900	Hexagonal Spacer	L=15	六角スベアーサー M 3 x		2	
490	WH937200	Circuit Board	ENT2	E N T 2 シ ー ト			20
500	WE877800	Bind Head Tapping Screw-S	3.0X6 MFZN2B3	S タイト + B I N D		2	01
510	WE877800	Bind Head Tapping Screw-S	3.0X6 MFZN2B3	S タイト + B I N D		2	01
520	WG477700	Cable	38P 60mm P=1.0	バ ン カ ー ド			02
550	WH643500	Spacer	L=13	ス ベ ー サ ー		3	
560	--	Meter Assembly		メ ー タ A s s ' y	DME4io-ES (WJ99460)		
560	--	Meter Assembly		メ ー タ A s s ' y	DME8i-ES (WJ99440)		
560	--	Meter Assembly		メ ー タ A s s ' y	DME8o-ES (WJ99450)		
* 560a	WK039400	Circuit Board	PN	P N シ ー ト	DME4io-ES/DME8i-ES		
* 560a	WK040600	Circuit Board	PN	P N シ ー ト	DME8o-ES		
560b	WG347500	Meter Block		メ ー タ ブ ロ ッ ク			
* 560c	WJ994200	Window		ウインドウ M T 印刷品	DME4io-ES		
* 560c	WJ994000	Window		ウインドウ M T 印刷品	DME8i-ES		
* 560c	WJ994100	Window		ウインドウ M T 印刷品	DME8o-ES		
570	WE877800	Bind Head Tapping Screw-S	3.0X6 MFZN2B3	S タイト + B I N D			01
580	WG477500	Cable	21P 180mm P=1.0	バ ン カ ー ド			02
590	--	Cushion		ク ッ シ ョ ン F F C	(WD25920)		
610	WG501700	Hexagonal Spacer	L=7	六角スベアーサー M 3 x		2	
* 620	WK040100	Circuit Board	USB	U S B シ ー ト	DME4io-ES/DME8i-ES		
* 620	WK040900	Circuit Board	USB	U S B シ ー ト	DME8o-ES		

*: New Parts

RANK: Japan only

REF NO.	PART NO.	DESCRIPTION	部 品 名	REMARKS	QTY	RANK
630	WE877800	Bind Head Tapping Screw-S	3.0X6 MFZN2B3	S タ イ ト + B I N D		2 01
640	WC956900	Connector Assembly	YAF11-1165 5P L250	U S B 束 線		03
* 680	WG502400	Fan	1604KL-01W-B30	F ア ン		
* 690	WK039300	Fan Holder		F A N 金 具		
700	WE994500	Bind Head Tapping Screw-S	3.0X12 MFZN2W3	S タ イ ト + B I N D		2 01
710	WE936300	Bind Head Tapping Screw-B	3.0X6 MFZN2W3	B タ イ ト + B I N D		2 01
* 720	WK753600	Nonwoven Fabric	50X18X0.55 BLACK	不 織 布		2
730	VA126100	Filament Tape	12X50	粘 着 テ ー プ		03
740	WC241000	PS Cover		P S カ バ ー		03
⚠ 750	WE620800	Power Supply Unit	LEA75F-24-SXYMH J,	電 源 ユ ニ ッ ト		20
760	WH673900	Bind Head Tapping Screw-S	3.0X6 MFZN2W3	S タ イ ト + B I N D		2
770	--	Partition		仕 切 り 板 R	(WC66460)	
790	WH673900	Bind Head Tapping Screw-S	3.0X6 MFZN2W3	S タ イ ト + B I N D		2
800	WC231700	Connector Assembly	VH&VH 1430 6P 100L	束 線 # 2 0		05
⚠ 810	VN103500	Lithium Battery	CR2032	リ チ ウ ム 電 池		03
820	CB069250	Cord Holder	BK-1	イン シ ュ ロ ッ ク タイ		2 01
900	WG214400	Front Panel		フ ロ ン ト パ ネ ル 印 刷 品		
910	WB426500	Button Guide, Black		ボ タ ン ガ イ ド P S W		01
930	WF054700	Bind Head Tapping Screw-S	3.0X6 MFZN2B3	S タ イ ト		01
940	WE877800	Bind Head Tapping Screw-S	3.0X6 MFZN2B3	S タ イ ト + B I N D		3 01
970	WB424400	Top Cover		ト ッ プ カ バ ー プ レ ス 品		09
980	WF054700	Bind Head Tapping Screw-S	3.0X6 MFZN2B3	S タ イ ト		4 01
990	WE877800	Bind Head Tapping Screw-S	3.0X6 MFZN2B3	S タ イ ト + B I N D		5 01
1000	WH167100	Angle Bracket, Rack		ラ ッ ク ア ン グ ル 塗 装 品		03
1020	WE986200	Bind Head Tapping Screw-B	4.0X8 MFZN2B3 IT	B タ イ ト + B I N D		3 01
1030	WH167100	Angle Bracket, Rack		ラ ッ ク ア ン グ ル 塗 装 品		03
1050	WE986200	Bind Head Tapping Screw-B	4.0X8 MFZN2B3 IT	B タ イ ト + B I N D		3 01
1080	WB426600	Button, Black	PSW	ボ タ ン P S W	POWER ON/OFF	01
1090	--	Label		ラ ベ ル	DME4io-ES (WJ99500)	
1090	--	Label		ラ ベ ル	DME8i-ES (WJ99480)	
1090	--	Label		ラ ベ ル	DME8o-ES (WJ99490)	
		ACCESSORIES		付 属 品		
	V4559800	Terminal	3P MC100-50803	ミ ニ 端 子 台 3 P		8 04
	WG514900	Terminal	16P MC420-35016	ミ ニ 端 子 台 1 6 P		08
⚠	VT119800	AC Cord	J 7A 125V 3P 2.5M	電 源 コ ー ド J		06
⚠	VB927800	AC Cord	CSA	電 源 コ ー ド U		08
⚠	VB928000	AC Cord	VDE	電 源 コ ー ド H		08
⚠	WE667300	AC Cord	BS	電 源 コ ー ド B		09
⚠	WC901300	AC Cord	CHN 3 2.5M	電 源 コ ー ド セ ッ ト O		10
* 1090	WC663800	Foot Assembly		ゴ ム 脚 A s s ' y		02
	X7392C00	CD-ROM	CDROM 12cm	C D - R O M		

*: New Parts

RANK: Japan only

ELECTRICAL PARTS (電気部品)

AD

REF NO.	PART NO.	DESCRIPTION	部 品 名	REMARKS	QTY	RANK
		ELECTRICAL PARTS	電 気 部 品	DME4io-ES/DME8i-ES/DME8o-ES		
	WG303800	Circuit Board	A D シ ー ト	DME4io-ES/DME8i-ES(X7292C0)		
	WG301400	Circuit Board	C P U シ ー ト	(X6028D0)		
	WG303900	Circuit Board	D A シ ー ト	DME4io-ES/DME8o-ES(X7293C0)		
	WG301600	Circuit Board	D S P シ ー ト	(X7296C0)		
	WH937200	Circuit Board	E N T 2 シ ー ト	(WH93710)(X7295D0)		20
	--	Circuit Board	E S シ ー ト	(WJ17130)(WJ17140)(X8308D0)		
*	WK818400	Circuit Board	E S - C S シ ー ト	for service use		
				(WK81850)(X8308D0)		
*	WK039500	Circuit Board	D C シ ー ト	DME4io-ES/DME8i-ES		
				(WK04030)(X7297C0)		
*	WK040700	Circuit Board	D C シ ー ト	DME8o-ES(WK04110)(X7297C0)		
*	WK040000	Circuit Board	G P I シ ー ト	DME4io-ES/DME8i-ES		
				(WK04030)(X7297C0)		
*	WK040800	Circuit Board	G P I シ ー ト	DME8o-ES(WK04110)(X7297C0)		
*	WK039400	Circuit Board	P N シ ー ト	DME4io-ES/DME8i-ES		
				(WK04030)(X7297C0)		
*	WK040600	Circuit Board	P N シ ー ト	DME8o-ES(WK04110)(X7297C0)		
*	WK040200	Circuit Board	P S シ ー ト	DME4io-ES/DME8i-ES		
				(WK04030)(X7297C0)		
*	WK041000	Circuit Board	P S シ ー ト	DME8o-ES(WK04110)(X7297C0)		
*	WK040100	Circuit Board	U S B シ ー ト	DME4io-ES/DME8i-ES		
				(WK04030)(X7297C0)		
*	WK040900	Circuit Board	U S B シ ー ト	DME8o-ES(WK04110)(X7297C0)		
	WG303800	Circuit Board	A D シ ー ト	DME4io-ES/DME8i-ES(X7292C0)		
	--	AD Holder	A D 金 具	(WG19890)		
C102	WB574700	Mylar Capacitor (chip)	チ ッ プ マ イ ラ ー			01
C103	WB574400	Mylar Capacitor (chip)	チ ッ プ マ イ ラ ー			01
C104	WB574400	Mylar Capacitor (chip)	チ ッ プ マ イ ラ ー			01
C107	WB575700	Mylar Capacitor (chip)	チ ッ プ マ イ ラ ー			01
C108	US061560	Ceramic Capacitor-CH(chip)	チ ッ プ セ ラ (C H)			01
C110	WB572500	Mylar Capacitor (chip)	チ ッ プ マ イ ラ ー			01
-113	WB572500	Mylar Capacitor (chip)	チ ッ プ マ イ ラ ー			01
C114	US061100	Ceramic Capacitor-CH(chip)	チ ッ プ セ ラ (C H)			01
C115	WB574200	Mylar Capacitor (chip)	チ ッ プ マ イ ラ ー			01
C116	US061100	Ceramic Capacitor-CH(chip)	チ ッ プ セ ラ (C H)			01
C117	WB574200	Mylar Capacitor (chip)	チ ッ プ マ イ ラ ー			01
C118	US061220	Ceramic Capacitor-CH(chip)	チ ッ プ セ ラ (C H)			01
C119	WB572500	Mylar Capacitor (chip)	チ ッ プ マ イ ラ ー			01
C120	WB572500	Mylar Capacitor (chip)	チ ッ プ マ イ ラ ー			01
C121	VR327500	Mylar Capacitor (chip)	チ ッ プ マ イ ラ ー			01
C126	UU247470	Electrolytic Cap.	ケ ミ コ ン F W			01
C127	UU247470	Electrolytic Cap.	ケ ミ コ ン F W			01
C136	VR328000	Mylar Capacitor (chip)	チ ッ プ マ イ ラ ー			01
C145	WB572500	Mylar Capacitor (chip)	チ ッ プ マ イ ラ ー			01
C146	WB572500	Mylar Capacitor (chip)	チ ッ プ マ イ ラ ー			01
C150	UU267470	Electrolytic Cap.	ケ ミ コ ン F W			01
C151	UU229100	Electrolytic Cap.	ケ ミ コ ン F W			01
C152	UU247470	Electrolytic Cap.	ケ ミ コ ン F W			01
C153	UU247470	Electrolytic Cap.	ケ ミ コ ン F W			01
C154	WD093500	Electrolytic Cap.	ケ ミ コ ン K L			01
C155	WD093500	Electrolytic Cap.	ケ ミ コ ン K L			01
C159	UU247470	Electrolytic Cap.	ケ ミ コ ン F W			01
-161	UU247470	Electrolytic Cap.	ケ ミ コ ン F W			01
C162	VR327500	Mylar Capacitor (chip)	チ ッ プ マ イ ラ ー			01
C163	UU247470	Electrolytic Cap.	ケ ミ コ ン F W			01
C202	WB574700	Mylar Capacitor (chip)	チ ッ プ マ イ ラ ー			01
C203	WB574400	Mylar Capacitor (chip)	チ ッ プ マ イ ラ ー			01
C204	WB574400	Mylar Capacitor (chip)	チ ッ プ マ イ ラ ー			01
C207	WB575700	Mylar Capacitor (chip)	チ ッ プ マ イ ラ ー			01
C208	US061560	Ceramic Capacitor-CH(chip)	チ ッ プ セ ラ (C H)			01
C210	WB572500	Mylar Capacitor (chip)	チ ッ プ マ イ ラ ー			01
-213	WB572500	Mylar Capacitor (chip)	チ ッ プ マ イ ラ ー			01
C214	US061100	Ceramic Capacitor-CH(chip)	チ ッ プ セ ラ (C H)			01
C215	WB574200	Mylar Capacitor (chip)	チ ッ プ マ イ ラ ー			01
C216	US061100	Ceramic Capacitor-CH(chip)	チ ッ プ セ ラ (C H)			01
C217	WB574200	Mylar Capacitor (chip)	チ ッ プ マ イ ラ ー			01
C218	US061220	Ceramic Capacitor-CH(chip)	チ ッ プ セ ラ (C H)			01
C219	WB572500	Mylar Capacitor (chip)	チ ッ プ マ イ ラ ー			01

*: New Parts

RANK: Japan only

AD

REF NO.	PART NO.	DESCRIPTION	部 品 名	REMARKS	QTY	RANK
C220	WB572500	Mylar Capacitor (chip)	0.0100 16V J RECT.	チ ッ プ マ イ ラ ー		01
C221	VR327500	Mylar Capacitor (chip)	0.0001 50V J RECT.	チ ッ プ マ イ ラ ー		01
C226	UU247470	Electrolytic Cap.	47.00 25.0V RX TP	ケ ミ コ ン F W		01
C227	UU247470	Electrolytic Cap.	47.00 25.0V RX TP	ケ ミ コ ン F W		01
C236	VR328000	Mylar Capacitor (chip)	.00018 50V J RECT.	チ ッ プ マ イ ラ ー		01
C245	WB572500	Mylar Capacitor (chip)	0.0100 16V J RECT.	チ ッ プ マ イ ラ ー		01
C246	WB572500	Mylar Capacitor (chip)	0.0100 16V J RECT.	チ ッ プ マ イ ラ ー		01
C250	UU267470	Electrolytic Cap.	47.00 50.0V RX TP	ケ ミ コ ン F W		01
C251	UU229100	Electrolytic Cap.	1000 10.0V RX TP	ケ ミ コ ン F W		01
C252	UU247470	Electrolytic Cap.	47.00 25.0V RX TP	ケ ミ コ ン F W		01
C253	UU247470	Electrolytic Cap.	47.00 25.0V RX TP	ケ ミ コ ン F W		01
C254	WD093500	Electrolytic Cap.	22.00 50.0V TP	ケ ミ コ ン K L		01
C255	WD093500	Electrolytic Cap.	22.00 50.0V TP	ケ ミ コ ン K L		01
C259	UU247470	Electrolytic Cap.	47.00 25.0V RX TP	ケ ミ コ ン F W		01
-261	UU247470	Electrolytic Cap.	47.00 25.0V RX TP	ケ ミ コ ン F W		01
C262	VR327500	Mylar Capacitor (chip)	0.0001 50V J RECT.	チ ッ プ マ イ ラ ー		01
C263	UU247470	Electrolytic Cap.	47.00 25.0V RX TP	ケ ミ コ ン F W		01
C302	WB574700	Mylar Capacitor (chip)	.00056 50V J RECT.	チ ッ プ マ イ ラ ー		01
C303	WB574400	Mylar Capacitor (chip)	.00033 50V J RECT.	チ ッ プ マ イ ラ ー		01
C304	WB574400	Mylar Capacitor (chip)	.00033 50V J RECT.	チ ッ プ マ イ ラ ー		01
C307	WB575700	Mylar Capacitor (chip)	0.0039 50V J RECT.	チ ッ プ マ イ ラ ー		01
C308	US061560	Ceramic Capacitor-CH(chip)	56P 50V J RECT.	チ ッ プ セ ラ (C H)		01
C310	WB572500	Mylar Capacitor (chip)	0.0100 16V J RECT.	チ ッ プ マ イ ラ ー		01
-313	WB572500	Mylar Capacitor (chip)	0.0100 16V J RECT.	チ ッ プ マ イ ラ ー		01
C314	US061100	Ceramic Capacitor-CH(chip)	10P 50V D RECT.	チ ッ プ セ ラ (C H)		01
C315	WB574200	Mylar Capacitor (chip)	.00022 50V J RECT.	チ ッ プ マ イ ラ ー		01
C316	US061100	Ceramic Capacitor-CH(chip)	10P 50V D RECT.	チ ッ プ セ ラ (C H)		01
C317	WB574200	Mylar Capacitor (chip)	.00022 50V J RECT.	チ ッ プ マ イ ラ ー		01
C318	US061220	Ceramic Capacitor-CH(chip)	22P 50V J RECT.	チ ッ プ セ ラ (C H)		01
C319	WB572500	Mylar Capacitor (chip)	0.0100 16V J RECT.	チ ッ プ マ イ ラ ー		01
C320	WB572500	Mylar Capacitor (chip)	0.0100 16V J RECT.	チ ッ プ マ イ ラ ー		01
C321	VR327500	Mylar Capacitor (chip)	0.0001 50V J RECT.	チ ッ プ マ イ ラ ー		01
C326	UU247470	Electrolytic Cap.	47.00 25.0V RX TP	ケ ミ コ ン F W		01
C327	UU247470	Electrolytic Cap.	47.00 25.0V RX TP	ケ ミ コ ン F W		01
C336	VR328000	Mylar Capacitor (chip)	.00018 50V J RECT.	チ ッ プ マ イ ラ ー		01
C345	WB572500	Mylar Capacitor (chip)	0.0100 16V J RECT.	チ ッ プ マ イ ラ ー		01
C346	WB572500	Mylar Capacitor (chip)	0.0100 16V J RECT.	チ ッ プ マ イ ラ ー		01
C350	UU267470	Electrolytic Cap.	47.00 50.0V RX TP	ケ ミ コ ン F W		01
C351	UU229100	Electrolytic Cap.	1000 10.0V RX TP	ケ ミ コ ン F W		01
C352	UU247470	Electrolytic Cap.	47.00 25.0V RX TP	ケ ミ コ ン F W		01
C353	UU247470	Electrolytic Cap.	47.00 25.0V RX TP	ケ ミ コ ン F W		01
C354	WD093500	Electrolytic Cap.	22.00 50.0V TP	ケ ミ コ ン K L		01
C355	WD093500	Electrolytic Cap.	22.00 50.0V TP	ケ ミ コ ン K L		01
C359	UU247470	Electrolytic Cap.	47.00 25.0V RX TP	ケ ミ コ ン F W		01
-361	UU247470	Electrolytic Cap.	47.00 25.0V RX TP	ケ ミ コ ン F W		01
C362	VR327500	Mylar Capacitor (chip)	0.0001 50V J RECT.	チ ッ プ マ イ ラ ー		01
C363	UU247470	Electrolytic Cap.	47.00 25.0V RX TP	ケ ミ コ ン F W		01
C402	WB574700	Mylar Capacitor (chip)	.00056 50V J RECT.	チ ッ プ マ イ ラ ー		01
C403	WB574400	Mylar Capacitor (chip)	.00033 50V J RECT.	チ ッ プ マ イ ラ ー		01
C404	WB574400	Mylar Capacitor (chip)	.00033 50V J RECT.	チ ッ プ マ イ ラ ー		01
C407	WB575700	Mylar Capacitor (chip)	0.0039 50V J RECT.	チ ッ プ マ イ ラ ー		01
C408	US061560	Ceramic Capacitor-CH(chip)	56P 50V J RECT.	チ ッ プ セ ラ (C H)		01
C410	WB572500	Mylar Capacitor (chip)	0.0100 16V J RECT.	チ ッ プ マ イ ラ ー		01
-413	WB572500	Mylar Capacitor (chip)	0.0100 16V J RECT.	チ ッ プ マ イ ラ ー		01
C414	US061100	Ceramic Capacitor-CH(chip)	10P 50V D RECT.	チ ッ プ セ ラ (C H)		01
C415	WB574200	Mylar Capacitor (chip)	.00022 50V J RECT.	チ ッ プ マ イ ラ ー		01
C416	US061100	Ceramic Capacitor-CH(chip)	10P 50V D RECT.	チ ッ プ セ ラ (C H)		01
C417	WB574200	Mylar Capacitor (chip)	.00022 50V J RECT.	チ ッ プ マ イ ラ ー		01
C418	US061220	Ceramic Capacitor-CH(chip)	22P 50V J RECT.	チ ッ プ セ ラ (C H)		01
C419	WB572500	Mylar Capacitor (chip)	0.0100 16V J RECT.	チ ッ プ マ イ ラ ー		01
C420	WB572500	Mylar Capacitor (chip)	0.0100 16V J RECT.	チ ッ プ マ イ ラ ー		01
C421	VR327500	Mylar Capacitor (chip)	0.0001 50V J RECT.	チ ッ プ マ イ ラ ー		01
C426	UU247470	Electrolytic Cap.	47.00 25.0V RX TP	ケ ミ コ ン F W		01
C427	UU247470	Electrolytic Cap.	47.00 25.0V RX TP	ケ ミ コ ン F W		01
C436	VR328000	Mylar Capacitor (chip)	.00018 50V J RECT.	チ ッ プ マ イ ラ ー		01
C445	WB572500	Mylar Capacitor (chip)	0.0100 16V J RECT.	チ ッ プ マ イ ラ ー		01
C446	WB572500	Mylar Capacitor (chip)	0.0100 16V J RECT.	チ ッ プ マ イ ラ ー		01
C450	UU267470	Electrolytic Cap.	47.00 50.0V RX TP	ケ ミ コ ン F W		01
C451	UU229100	Electrolytic Cap.	1000 10.0V RX TP	ケ ミ コ ン F W		01
C452	UU247470	Electrolytic Cap.	47.00 25.0V RX TP	ケ ミ コ ン F W		01

*: New Parts

RANK: Japan only

AD

REF NO.	PART NO.	DESCRIPTION		部 品 名	REMARKS	QTY	RANK
C453	UU247470	Electrolytic Cap.	47.00 25.0V RX TP	ケ ミ コ ン F W			01
C454	WD093500	Electrolytic Cap.	22.00 50.0V TP	ケ ミ コ ン K L			
C455	WD093500	Electrolytic Cap.	22.00 50.0V TP	ケ ミ コ ン K L			
C459	UU247470	Electrolytic Cap.	47.00 25.0V RX TP	ケ ミ コ ン F W			01
-461	UU247470	Electrolytic Cap.	47.00 25.0V RX TP	ケ ミ コ ン F W			01
C462	VR327500	Mylar Capacitor (chip)	0.0001 50V J RECT.	チ ッ プ マ イ ラ ー			01
C463	UU247470	Electrolytic Cap.	47.00 25.0V RX TP	ケ ミ コ ン F W			01
C501	WB571900	Mylar Capacitor (chip)	0.0033 16V J RECT.	チ ッ プ マ イ ラ ー			01
C502	WB571900	Mylar Capacitor (chip)	0.0033 16V J RECT.	チ ッ プ マ イ ラ ー			01
C503	US063100	Ceramic Capacitor-B (chip)	1000P 50V K RECT.	チ ッ プ セ ラ (B)			01
C504	US063100	Ceramic Capacitor-B (chip)	1000P 50V K RECT.	チ ッ プ セ ラ (B)			01
C505	US044220	Ceramic Capacitor-B (chip)	0.0220 25V K RECT.	チ ッ プ セ ラ (B)			01
C506	US044220	Ceramic Capacitor-B (chip)	0.0220 25V K RECT.	チ ッ プ セ ラ (B)			01
C507	UU247470	Electrolytic Cap.	47.00 25.0V RX TP	ケ ミ コ ン F W			01
C508	UU247470	Electrolytic Cap.	47.00 25.0V RX TP	ケ ミ コ ン F W			01
C509	VZ243300	Ceramic Capacitor (chip)	0.2200 16V K RECT.	チ ッ プ セ ラ			01
C510	US063100	Ceramic Capacitor-B (chip)	1000P 50V K RECT.	チ ッ プ セ ラ (B)			01
C511	US063100	Ceramic Capacitor-B (chip)	1000P 50V K RECT.	チ ッ プ セ ラ (B)			01
C512	US044220	Ceramic Capacitor-B (chip)	0.0220 25V K RECT.	チ ッ プ セ ラ (B)			01
C513	US044220	Ceramic Capacitor-B (chip)	0.0220 25V K RECT.	チ ッ プ セ ラ (B)			01
C514	UU247470	Electrolytic Cap.	47.00 25.0V RX TP	ケ ミ コ ン F W			01
C515	UU238100	Electrolytic Cap.	100.00 16.0V RX TP	ケ ミ コ ン F W			01
C517	UU238220	Electrolytic Cap.	220.00 16.0V RX TP	ケ ミ コ ン F W			01
C518	US064100	Ceramic Capacitor-B (chip)	0.0100 50V K RECT.	チ ッ プ セ ラ (B)			01
C520	UU248100	Electrolytic Cap.	100.00 25.0V RX TP	ケ ミ コ ン F W			
C521	UU238100	Electrolytic Cap.	100.00 16.0V RX TP	ケ ミ コ ン F W			01
C522	UU238100	Electrolytic Cap.	100.00 16.0V RX TP	ケ ミ コ ン F W			01
C523	UA355120	Mylar Capacitor	0.1200 50V J RX TP	マ イ ラ ー コ ン			01
-526	UA355120	Mylar Capacitor	0.1200 50V J RX TP	マ イ ラ ー コ ン			01
C527	UU248100	Electrolytic Cap.	100.00 25.0V RX TP	ケ ミ コ ン F W			
C528	UU248100	Electrolytic Cap.	100.00 25.0V RX TP	ケ ミ コ ン F W			
C601	WB571900	Mylar Capacitor (chip)	0.0033 16V J RECT.	チ ッ プ マ イ ラ ー			01
C602	WB571900	Mylar Capacitor (chip)	0.0033 16V J RECT.	チ ッ プ マ イ ラ ー			01
C603	US063100	Ceramic Capacitor-B (chip)	1000P 50V K RECT.	チ ッ プ セ ラ (B)			01
C604	US063100	Ceramic Capacitor-B (chip)	1000P 50V K RECT.	チ ッ プ セ ラ (B)			01
C605	US044220	Ceramic Capacitor-B (chip)	0.0220 25V K RECT.	チ ッ プ セ ラ (B)			01
C606	US044220	Ceramic Capacitor-B (chip)	0.0220 25V K RECT.	チ ッ プ セ ラ (B)			01
C607	UU247470	Electrolytic Cap.	47.00 25.0V RX TP	ケ ミ コ ン F W			01
C608	UU247470	Electrolytic Cap.	47.00 25.0V RX TP	ケ ミ コ ン F W			01
C609	VZ243300	Ceramic Capacitor (chip)	0.2200 16V K RECT.	チ ッ プ セ ラ			01
C610	US063100	Ceramic Capacitor-B (chip)	1000P 50V K RECT.	チ ッ プ セ ラ (B)			01
C611	US063100	Ceramic Capacitor-B (chip)	1000P 50V K RECT.	チ ッ プ セ ラ (B)			01
C612	US044220	Ceramic Capacitor-B (chip)	0.0220 25V K RECT.	チ ッ プ セ ラ (B)			01
C613	US044220	Ceramic Capacitor-B (chip)	0.0220 25V K RECT.	チ ッ プ セ ラ (B)			01
C614	UU247470	Electrolytic Cap.	47.00 25.0V RX TP	ケ ミ コ ン F W			01
C615	UU238100	Electrolytic Cap.	100.00 16.0V RX TP	ケ ミ コ ン F W			01
C717	US044220	Ceramic Capacitor-B (chip)	0.0220 25V K RECT.	チ ッ プ セ ラ (B)			01
-720	US044220	Ceramic Capacitor-B (chip)	0.0220 25V K RECT.	チ ッ プ セ ラ (B)			01
C735	US044220	Ceramic Capacitor-B (chip)	0.0220 25V K RECT.	チ ッ プ セ ラ (B)			01
C736	US044220	Ceramic Capacitor-B (chip)	0.0220 25V K RECT.	チ ッ プ セ ラ (B)			01
C741	US044220	Ceramic Capacitor-B (chip)	0.0220 25V K RECT.	チ ッ プ セ ラ (B)			01
-744	US044220	Ceramic Capacitor-B (chip)	0.0220 25V K RECT.	チ ッ プ セ ラ (B)			01
C761	US044220	Ceramic Capacitor-B (chip)	0.0220 25V K RECT.	チ ッ プ セ ラ (B)			01
C768	US044220	Ceramic Capacitor-B (chip)	0.0220 25V K RECT.	チ ッ プ セ ラ (B)			01
C769	US044220	Ceramic Capacitor-B (chip)	0.0220 25V K RECT.	チ ッ プ セ ラ (B)			01
C770	US064100	Ceramic Capacitor-B (chip)	0.0100 50V K RECT.	チ ッ プ セ ラ (B)			01
C807	US064100	Ceramic Capacitor-B (chip)	0.0100 50V K RECT.	チ ッ プ セ ラ (B)			01
C808	UU248100	Electrolytic Cap.	100.00 25.0V RX TP	ケ ミ コ ン F W			
C809	UR048100	Electrolytic Cap.	100.00 25.0V RX TP	ケ ミ コ ン			01
C810	UR048100	Electrolytic Cap.	100.00 25.0V RX TP	ケ ミ コ ン			01
C811	UR078100	Electrolytic Cap.	100.00 63.0V FOR	ケ ミ コ ン			01
C812	UR048100	Electrolytic Cap.	100.00 25.0V RX TP	ケ ミ コ ン			01
C813	UU238220	Electrolytic Cap.	220.00 16.0V RX TP	ケ ミ コ ン F W			01
C814	UA355150	Mylar Capacitor	0.1500 50V J RX TP	マ イ ラ ー コ ン			
-817	UA355150	Mylar Capacitor	0.1500 50V J RX TP	マ イ ラ ー コ ン			
C818	UU248100	Electrolytic Cap.	100.00 25.0V RX TP	ケ ミ コ ン F W			
C819	UU248100	Electrolytic Cap.	100.00 25.0V RX TP	ケ ミ コ ン F W			
C820	US035100	Ceramic Capacitor-B (chip)	0.1000 16V K RECT.	チ ッ プ セ ラ (B)			01
-822	US035100	Ceramic Capacitor-B (chip)	0.1000 16V K RECT.	チ ッ プ セ ラ (B)			01
CN101	WG281800	Terminal	6P ME030-50806	ミ ニ 端 子 台 6 P	INPUT CH1(5)-CH2(6)		

*: New Parts

RANK: Japan only

AD

REF NO.	PART NO.	DESCRIPTION	部 品 名	REMARKS	QTY	RANK
CN301	WG281800	Terminal	6P ME030-50806	ミニ端子台 6P		
CN701	WD295900	Connector, FFC	52793 23P SE	FFCコネクタ		01
CN801	VI879000	Cable Holder	51048 12P TE	ケーブルホルダ		01
D101	VS201100	Diode	D1F60 1A 600V TP	ダイオード		01
D102	VS201100	Diode	D1F60 1A 600V TP	ダイオード		01
D105	V4771200	Diode	MA2J72800L	ダイオード		01
D106	V4771200	Diode	MA2J72800L	ダイオード		01
D201	VS201100	Diode	D1F60 1A 600V TP	ダイオード		01
D202	VS201100	Diode	D1F60 1A 600V TP	ダイオード		01
D205	V4771200	Diode	MA2J72800L	ダイオード		01
D206	V4771200	Diode	MA2J72800L	ダイオード		01
D301	VS201100	Diode	D1F60 1A 600V TP	ダイオード		01
D302	VS201100	Diode	D1F60 1A 600V TP	ダイオード		01
D305	V4771200	Diode	MA2J72800L	ダイオード		01
D306	V4771200	Diode	MA2J72800L	ダイオード		01
D401	VS201100	Diode	D1F60 1A 600V TP	ダイオード		01
D402	VS201100	Diode	D1F60 1A 600V TP	ダイオード		01
D405	V4771200	Diode	MA2J72800L	ダイオード		01
D406	V4771200	Diode	MA2J72800L	ダイオード		01
D501	V4771200	Diode	MA2J72800L	ダイオード		01
-508	V4771200	Diode	MA2J72800L	ダイオード		01
D509	VS597600	Diode	RB160L-40 TE25 TP	ダイオード		01
-513	VS597600	Diode	RB160L-40 TE25 TP	ダイオード		01
D601	V4771200	Diode	MA2J72800L	ダイオード		01
-608	V4771200	Diode	MA2J72800L	ダイオード		01
D613	VS597600	Diode	RB160L-40 TE25 TP	ダイオード		01
D801	VS597600	Diode	RB160L-40 TE25 TP	ダイオード		01
-804	VS597600	Diode	RB160L-40 TE25 TP	ダイオード		01
DA101	VV556300	Diode Array	DAN217 0.3A X2	ダイオードアレイ		01
DA102	VV556300	Diode Array	DAN217 0.3A X2	ダイオードアレイ		01
DA201	VV556300	Diode Array	DAN217 0.3A X2	ダイオードアレイ		01
DA202	VV556300	Diode Array	DAN217 0.3A X2	ダイオードアレイ		01
DA301	VV556300	Diode Array	DAN217 0.3A X2	ダイオードアレイ		01
DA302	VV556300	Diode Array	DAN217 0.3A X2	ダイオードアレイ		01
DA401	VV556300	Diode Array	DAN217 0.3A X2	ダイオードアレイ		01
DA402	VV556300	Diode Array	DAN217 0.3A X2	ダイオードアレイ		01
DA501	VD303900	Diode Array	1SS226(TE85R,F)	ダイオードアレイ		01
EM101	VI243100	LC Filter	DSS6NB32A271Q93A	LCフィルタ		01
EM102	VI243100	LC Filter	DSS6NB32A271Q93A	LCフィルタ		01
EM201	VI243100	LC Filter	DSS6NB32A271Q93A	LCフィルタ		01
EM202	VI243100	LC Filter	DSS6NB32A271Q93A	LCフィルタ		01
EM301	VI243100	LC Filter	DSS6NB32A271Q93A	LCフィルタ		01
EM302	VI243100	LC Filter	DSS6NB32A271Q93A	LCフィルタ		01
EM401	VI243100	LC Filter	DSS6NB32A271Q93A	LCフィルタ		01
EM402	VI243100	LC Filter	DSS6NB32A271Q93A	LCフィルタ		01
EM801	WA093400	LC Filter	ZJSR5101-223TA-01	LCフィルタ EMI		01
-803	WA093400	LC Filter	ZJSR5101-223TA-01	LCフィルタ EMI		01
EM804	VI243100	LC Filter	DSS6NB32A271Q93A	LCフィルタ		01
EM805	WA093400	LC Filter	ZJSR5101-223TA-01	LCフィルタ EMI		01
EM806	WA093400	LC Filter	ZJSR5101-223TA-01	LCフィルタ EMI		01
IC101	X5134A00	IC	DG411DY-T1-E3	I C	ANALOG SWITCH	04
IC102	X3505A00	IC	NJM2068M-D(TE2)	I C	OP AMP	02
IC103	X7351A00	IC	UPC4570G2-E1-A	I C	OP AMP	01
IC105	XY549A00	IC	TC74HC4051AF(EL,F)	I C	MULTIPLEXER	02
IC201	X5134A00	IC	DG411DY-T1-E3	I C	ANALOG SWITCH	04
IC202	X3505A00	IC	NJM2068M-D(TE2)	I C	OP AMP	02
IC203	X7351A00	IC	UPC4570G2-E1-A	I C	OP AMP	01
IC205	XY549A00	IC	TC74HC4051AF(EL,F)	I C	MULTIPLEXER	02
IC301	X5134A00	IC	DG411DY-T1-E3	I C	ANALOG SWITCH	04
IC302	X3505A00	IC	NJM2068M-D(TE2)	I C	OP AMP	02
IC303	X7351A00	IC	UPC4570G2-E1-A	I C	OP AMP	01
IC305	XY549A00	IC	TC74HC4051AF(EL,F)	I C	MULTIPLEXER	02
IC401	X5134A00	IC	DG411DY-T1-E3	I C	ANALOG SWITCH	04
IC402	X3505A00	IC	NJM2068M-D(TE2)	I C	OP AMP	02
IC403	X7351A00	IC	UPC4570G2-E1-A	I C	OP AMP	01
IC405	XY549A00	IC	TC74HC4051AF(EL,F)	I C	MULTIPLEXER	02
IC501	X5364B00	IC	AK5385BVF-E2	I C	ADC	07
IC502	XJ598A00	IC	05UA 5V	I C	REGULATOR +5V	02
IC503	XN086A00	IC	NJM79L05UA(TE1)	I C	REGULATOR -5V	02
IC601	X5364B00	IC	AK5385BVF-E2	I C	ADC	07

*: New Parts

RANK: Japan only

AD

REF NO.	PART NO.	DESCRIPTION		部 品 名	REMARKS	QTY	RANK
IC701	X7696A00	IC	LC4064V-75TN100C	IC	CPLD		
IC702	X4525A00	IC	SN74AHCT04PWR	IC	INVERTER		01
IC703	X4525A00	IC	SN74AHCT04PWR	IC	INVERTER		01
IC801	X3942A00	IC	NJM78M15DL1A(TE1)	IC	REGULATOR +15V		02
IC802	X3943A00	IC	NJM79M15DL1A(TE1)	IC	REGULATOR -15V		02
L502	V8045100	Chip Inductance	BLM18BB121SN1D	チップインダクタ			01
L602	V8045100	Chip Inductance	BLM18BB121SN1D	チップインダクタ			01
L701	V8045100	Chip Inductance	BLM18BB121SN1D	チップインダクタ			01
L703	V8045100	Chip Inductance	BLM18BB121SN1D	チップインダクタ			01
-708	V8045100	Chip Inductance	BLM18BB121SN1D	チップインダクタ			01
R101	VC328400	Metal Film Resistor	6.8K 1/4 F YOKO52	金属被膜抵抗			01
R102	VC328400	Metal Film Resistor	6.8K 1/4 F YOKO52	金属被膜抵抗			01
R103	RD258100	Carbon Resistor (chip)	100.0K 0.1 J RECT.	チップ抵抗			01
R104	HV755390	Flame Proof C. Resistor	390.0 1/4 J RX TP	不燃化カーボン抵抗			01
R105	RD157390	Carbon Resistor (chip)	39.0K 1/4 J TP	チップ抵抗			01
R106	RD257240	Carbon Resistor (chip)	24.0K 0.1 J RECT.	チップ抵抗			01
R107	RD357100	Carbon Resistor (chip)	10.0K 63M J RECT.	チップ抵抗			01
R108	RD357100	Carbon Resistor (chip)	10.0K 63M J RECT.	チップ抵抗			01
R109	VI195500	Metal Film Resistor (chip)	1.8K 1/10 D RECT.	チップ金被抵抗			01
R110	VI195500	Metal Film Resistor (chip)	1.8K 1/10 D RECT.	チップ金被抵抗			01
R111	VI195000	Metal Film Resistor (chip)	1.1K 1/10 D RECT.	チップ金被抵抗			01
R112	VI196600	Metal Film Resistor (chip)	4.7K 1/10 D RECT.	チップ金被抵抗			01
R113	RD357100	Carbon Resistor (chip)	10.0K 63M J RECT.	チップ抵抗			01
R114	RD356220	Carbon Resistor (chip)	2.2K 63M J RECT.	チップ抵抗			01
R115	RD154100	Carbon Resistor (chip)	10.0 1/4 J TP	チップ抵抗			01
R116	RD154100	Carbon Resistor (chip)	10.0 1/4 J TP	チップ抵抗			01
R117	VI198300	Metal Film Resistor (chip)	24.0K 1/10 D RECT.	チップ金被抵抗			01
R118	VI198300	Metal Film Resistor (chip)	24.0K 1/10 D RECT.	チップ金被抵抗			01
R119	RD154100	Carbon Resistor (chip)	10.0 1/4 J TP	チップ抵抗			01
R120	RD154100	Carbon Resistor (chip)	10.0 1/4 J TP	チップ抵抗			01
R121	VI196900	Metal Film Resistor (chip)	6.2K 1/10 D RECT.	チップ金被抵抗			01
R122	VI192100	Metal Film Resistor (chip)	68.0 1/10 D RECT.	チップ金被抵抗			01
R123	VI194200	Metal Film Resistor (chip)	510.0 1/10 D RECT.	チップ金被抵抗			01
R124	RD253470	Carbon Resistor (chip)	4.7 0.1 J RECT.	チップ抵抗			01
R125	RD253470	Carbon Resistor (chip)	4.7 0.1 J RECT.	チップ抵抗			01
R126	VI196900	Metal Film Resistor (chip)	6.2K 1/10 D RECT.	チップ金被抵抗			01
R127	VI196900	Metal Film Resistor (chip)	6.2K 1/10 D RECT.	チップ金被抵抗			01
R128	VI196600	Metal Film Resistor (chip)	4.7K 1/10 D RECT.	チップ金被抵抗			01
R129	VI196600	Metal Film Resistor (chip)	4.7K 1/10 D RECT.	チップ金被抵抗			01
R132	VI199300	Metal Film Resistor (chip)	62.0K 1/10 D RECT.	チップ金被抵抗			01
R133	VI199300	Metal Film Resistor (chip)	62.0K 1/10 D RECT.	チップ金被抵抗			01
R134	VI196700	Metal Film Resistor (chip)	5.1K 1/10 D RECT.	チップ金被抵抗			01
R135	VI196700	Metal Film Resistor (chip)	5.1K 1/10 D RECT.	チップ金被抵抗			01
R136	VI192300	Metal Film Resistor (chip)	82.0 1/10 D RECT.	チップ金被抵抗			01
R137	VI197400	Metal Film Resistor (chip)	10.0K 1/10 D RECT.	チップ金被抵抗			01
R138	VI196600	Metal Film Resistor (chip)	4.7K 1/10 D RECT.	チップ金被抵抗			01
R139	VI192300	Metal Film Resistor (chip)	82.0 1/10 D RECT.	チップ金被抵抗			01
R140	VI197400	Metal Film Resistor (chip)	10.0K 1/10 D RECT.	チップ金被抵抗			01
R143	VI195700	Metal Film Resistor (chip)	2.2K 1/10 D RECT.	チップ金被抵抗			01
R144	VI195700	Metal Film Resistor (chip)	2.2K 1/10 D RECT.	チップ金被抵抗			01
R145	VI195900	Metal Film Resistor (chip)	2.7K 1/10 D RECT.	チップ金被抵抗			01
R146	VI195900	Metal Film Resistor (chip)	2.7K 1/10 D RECT.	チップ金被抵抗			01
R152	VI196600	Metal Film Resistor (chip)	4.7K 1/10 D RECT.	チップ金被抵抗			01
R153	VI197400	Metal Film Resistor (chip)	10.0K 1/10 D RECT.	チップ金被抵抗			01
R154	VI192500	Metal Film Resistor (chip)	100.0 1/10 D RECT.	チップ金被抵抗			01
R155	VI192500	Metal Film Resistor (chip)	100.0 1/10 D RECT.	チップ金被抵抗			01
R158	RD257470	Carbon Resistor (chip)	47.0K 0.1 J RECT.	チップ抵抗			01
R159	VI192800	Metal Film Resistor (chip)	130.0 1/10 D RECT.	チップ金被抵抗			01
R160	VI190900	Metal Film Resistor (chip)	22.0 1/10 D RECT.	チップ金被抵抗			01
R161	RD350000	Carbon Resistor (chip)	0 63M J RECT.	チップ抵抗			01
-164	RD350000	Carbon Resistor (chip)	0 63M J RECT.	チップ抵抗			01
R165	VI197800	Metal Film Resistor (chip)	15.0K 1/10 D RECT.	チップ金被抵抗			01
R166	VI197300	Metal Film Resistor (chip)	9.1K 1/10 D RECT.	チップ金被抵抗			01
R167	VI196400	Metal Film Resistor (chip)	3.9K 1/10 D RECT.	チップ金被抵抗			01
R168	VI195900	Metal Film Resistor (chip)	2.7K 1/10 D RECT.	チップ金被抵抗			01
R169	VI195600	Metal Film Resistor (chip)	2.0K 1/10 D RECT.	チップ金被抵抗			01
R170	VI196700	Metal Film Resistor (chip)	5.1K 1/10 D RECT.	チップ金被抵抗			01
R171	VI193100	Metal Film Resistor (chip)	180.0 1/10 D RECT.	チップ金被抵抗			01
R172	RD350000	Carbon Resistor (chip)	0 63M J RECT.	チップ抵抗			01
R173	VI194600	Metal Film Resistor (chip)	750.0 1/10 D RECT.	チップ金被抵抗			01

*: New Parts

RANK: Japan only

AD

REF NO.	PART NO.	DESCRIPTION	部 品 名	REMARKS	QTY	RANK
R174	VI191900	Metal Film Resistor (chip)	56.0 1/10 D RECT.	チップ金被抵抗		01
R175	VI193200	Metal Film Resistor (chip)	200.0 1/10 D RECT.	チップ金被抵抗		01
R176	VI196000	Metal Film Resistor (chip)	3.0K 1/10 D RECT.	チップ金被抵抗		01
R177	VI191900	Metal Film Resistor (chip)	56.0 1/10 D RECT.	チップ金被抵抗		01
R178	VI191900	Metal Film Resistor (chip)	56.0 1/10 D RECT.	チップ金被抵抗		01
R179	VI193200	Metal Film Resistor (chip)	200.0 1/10 D RECT.	チップ金被抵抗		01
R180	RD258220	Carbon Resistor (chip)	220.0K 0.1 J RECT.	チップ抵抗		01
R182	VI191700	Metal Film Resistor (chip)	47.0 1/10 D RECT.	チップ金被抵抗		01
R183	VI197000	Metal Film Resistor (chip)	6.8K 1/10 D RECT.	チップ金被抵抗		01
R184	VI197500	Metal Film Resistor (chip)	11.0K 1/10 D RECT.	チップ金被抵抗		01
R185	RD250000	Carbon Resistor (chip)	0.0 0.0 J RECT.	チップ抵抗		01
R186	VI197400	Metal Film Resistor (chip)	10.0K 1/10 D RECT.	チップ金被抵抗		01
R187	RD256470	Carbon Resistor (chip)	4.7K 0.1 J RECT.	チップ抵抗		01
R188	RD256470	Carbon Resistor (chip)	4.7K 0.1 J RECT.	チップ抵抗		01
R189	RD259100	Carbon Resistor (chip)	1.0M 0.1 J RECT.	チップ抵抗		01
R191	RD259100	Carbon Resistor (chip)	1.0M 0.1 J RECT.	チップ抵抗		01
R201	VC328400	Metal Film Resistor	6.8K 1/4 F YOKO52	金属被膜抵抗		01
R202	VC328400	Metal Film Resistor	6.8K 1/4 F YOKO52	金属被膜抵抗		01
R203	RD258100	Carbon Resistor (chip)	100.0K 0.1 J RECT.	チップ抵抗		01
R204	HV755390	Flame Proof C. Resistor	390.0 1/4 J RX TP	不燃化カーボン抵抗		01
R205	RD157390	Carbon Resistor (chip)	39.0K 1/4 J TP	チップ抵抗		01
R206	RD257240	Carbon Resistor (chip)	24.0K 0.1 J RECT.	チップ抵抗		01
R207	RD357100	Carbon Resistor (chip)	10.0K 63M J RECT.	チップ抵抗		01
R208	RD357100	Carbon Resistor (chip)	10.0K 63M J RECT.	チップ抵抗		01
R209	VI195500	Metal Film Resistor (chip)	1.8K 1/10 D RECT.	チップ金被抵抗		01
R210	VI195500	Metal Film Resistor (chip)	1.8K 1/10 D RECT.	チップ金被抵抗		01
R211	VI195000	Metal Film Resistor (chip)	1.1K 1/10 D RECT.	チップ金被抵抗		01
R212	VI196600	Metal Film Resistor (chip)	4.7K 1/10 D RECT.	チップ金被抵抗		01
R213	RD357100	Carbon Resistor (chip)	10.0K 63M J RECT.	チップ抵抗		01
R214	RD356220	Carbon Resistor (chip)	2.2K 63M J RECT.	チップ抵抗		01
R215	RD154100	Carbon Resistor (chip)	10.0 1/4 J TP	チップ抵抗		01
R216	RD154100	Carbon Resistor (chip)	10.0 1/4 J TP	チップ抵抗		01
R217	VI198300	Metal Film Resistor (chip)	24.0K 1/10 D RECT.	チップ金被抵抗		01
R218	VI198300	Metal Film Resistor (chip)	24.0K 1/10 D RECT.	チップ金被抵抗		01
R219	RD154100	Carbon Resistor (chip)	10.0 1/4 J TP	チップ抵抗		01
R220	RD154100	Carbon Resistor (chip)	10.0 1/4 J TP	チップ抵抗		01
R221	VI196900	Metal Film Resistor (chip)	6.2K 1/10 D RECT.	チップ金被抵抗		01
R222	VI192100	Metal Film Resistor (chip)	68.0 1/10 D RECT.	チップ金被抵抗		01
R223	VI194200	Metal Film Resistor (chip)	510.0 1/10 D RECT.	チップ金被抵抗		01
R224	RD253470	Carbon Resistor (chip)	4.7 0.1 J RECT.	チップ抵抗		01
R225	RD253470	Carbon Resistor (chip)	4.7 0.1 J RECT.	チップ抵抗		01
R226	VI196900	Metal Film Resistor (chip)	6.2K 1/10 D RECT.	チップ金被抵抗		01
R227	VI196900	Metal Film Resistor (chip)	6.2K 1/10 D RECT.	チップ金被抵抗		01
R228	VI196600	Metal Film Resistor (chip)	4.7K 1/10 D RECT.	チップ金被抵抗		01
R229	VI196600	Metal Film Resistor (chip)	4.7K 1/10 D RECT.	チップ金被抵抗		01
R232	VI199300	Metal Film Resistor (chip)	62.0K 1/10 D RECT.	チップ金被抵抗		01
R233	VI199300	Metal Film Resistor (chip)	62.0K 1/10 D RECT.	チップ金被抵抗		01
R234	VI196700	Metal Film Resistor (chip)	5.1K 1/10 D RECT.	チップ金被抵抗		01
R235	VI196700	Metal Film Resistor (chip)	5.1K 1/10 D RECT.	チップ金被抵抗		01
R236	VI192300	Metal Film Resistor (chip)	82.0 1/10 D RECT.	チップ金被抵抗		01
R237	VI197400	Metal Film Resistor (chip)	10.0K 1/10 D RECT.	チップ金被抵抗		01
R238	VI196600	Metal Film Resistor (chip)	4.7K 1/10 D RECT.	チップ金被抵抗		01
R239	VI192300	Metal Film Resistor (chip)	82.0 1/10 D RECT.	チップ金被抵抗		01
R240	VI197400	Metal Film Resistor (chip)	10.0K 1/10 D RECT.	チップ金被抵抗		01
R243	VI195700	Metal Film Resistor (chip)	2.2K 1/10 D RECT.	チップ金被抵抗		01
R244	VI195700	Metal Film Resistor (chip)	2.2K 1/10 D RECT.	チップ金被抵抗		01
R245	VI195900	Metal Film Resistor (chip)	2.7K 1/10 D RECT.	チップ金被抵抗		01
R246	VI195900	Metal Film Resistor (chip)	2.7K 1/10 D RECT.	チップ金被抵抗		01
R252	VI196600	Metal Film Resistor (chip)	4.7K 1/10 D RECT.	チップ金被抵抗		01
R253	VI197400	Metal Film Resistor (chip)	10.0K 1/10 D RECT.	チップ金被抵抗		01
R254	VI192500	Metal Film Resistor (chip)	100.0 1/10 D RECT.	チップ金被抵抗		01
R255	VI192500	Metal Film Resistor (chip)	100.0 1/10 D RECT.	チップ金被抵抗		01
R258	RD257470	Carbon Resistor (chip)	47.0K 0.1 J RECT.	チップ抵抗		01
R259	VI192800	Metal Film Resistor (chip)	130.0 1/10 D RECT.	チップ金被抵抗		01
R260	VI190900	Metal Film Resistor (chip)	22.0 1/10 D RECT.	チップ金被抵抗		01
R261	RD350000	Carbon Resistor (chip)	0 63M J RECT.	チップ抵抗		01
-264	RD350000	Carbon Resistor (chip)	0 63M J RECT.	チップ抵抗		01
R265	VI197800	Metal Film Resistor (chip)	15.0K 1/10 D RECT.	チップ金被抵抗		01
R266	VI197300	Metal Film Resistor (chip)	9.1K 1/10 D RECT.	チップ金被抵抗		01
R267	VI196400	Metal Film Resistor (chip)	3.9K 1/10 D RECT.	チップ金被抵抗		01

*: New Parts

RANK: Japan only

AD

REF NO.	PART NO.	DESCRIPTION	部 品 名	REMARKS	QTY	RANK
R268	VI195900	Metal Film Resistor (chip)	2.7K 1/10 D RECT.	チ ッ プ 金 被 抵 抗		01
R269	VI195600	Metal Film Resistor (chip)	2.0K 1/10 D RECT.	チ ッ プ 金 被 抵 抗		01
R270	VI196700	Metal Film Resistor (chip)	5.1K 1/10 D RECT.	チ ッ プ 金 被 抵 抗		01
R271	VI193100	Metal Film Resistor (chip)	180.0 1/10 D RECT.	チ ッ プ 金 被 抵 抗		01
R273	VI194600	Metal Film Resistor (chip)	750.0 1/10 D RECT.	チ ッ プ 金 被 抵 抗		01
R274	VI191900	Metal Film Resistor (chip)	56.0 1/10 D RECT.	チ ッ プ 金 被 抵 抗		01
R275	VI193200	Metal Film Resistor (chip)	200.0 1/10 D RECT.	チ ッ プ 金 被 抵 抗		01
R276	VI196000	Metal Film Resistor (chip)	3.0K 1/10 D RECT.	チ ッ プ 金 被 抵 抗		01
R277	VI191900	Metal Film Resistor (chip)	56.0 1/10 D RECT.	チ ッ プ 金 被 抵 抗		01
R278	VI191900	Metal Film Resistor (chip)	56.0 1/10 D RECT.	チ ッ プ 金 被 抵 抗		01
R279	VI193200	Metal Film Resistor (chip)	200.0 1/10 D RECT.	チ ッ プ 金 被 抵 抗		01
R280	RD258220	Carbon Resistor (chip)	220.0K 0.1 J RECT.	チ ッ プ 抵 抗		01
R282	VI191700	Metal Film Resistor (chip)	47.0 1/10 D RECT.	チ ッ プ 金 被 抵 抗		01
R283	VI197000	Metal Film Resistor (chip)	6.8K 1/10 D RECT.	チ ッ プ 金 被 抵 抗		01
R284	VI197500	Metal Film Resistor (chip)	11.0K 1/10 D RECT.	チ ッ プ 金 被 抵 抗		01
R285	RD250000	Carbon Resistor (chip)	0.0 0.0 J RECT.	チ ッ プ 抵 抗		01
R286	VI197400	Metal Film Resistor (chip)	10.0K 1/10 D RECT.	チ ッ プ 金 被 抵 抗		01
R287	RD256470	Carbon Resistor (chip)	4.7K 0.1 J RECT.	チ ッ プ 抵 抗		01
R288	RD256470	Carbon Resistor (chip)	4.7K 0.1 J RECT.	チ ッ プ 抵 抗		01
R289	RD259100	Carbon Resistor (chip)	1.0M 0.1 J RECT.	チ ッ プ 抵 抗		01
R291	RD259100	Carbon Resistor (chip)	1.0M 0.1 J RECT.	チ ッ プ 抵 抗		01
R301	VC328400	Metal Film Resistor	6.8K 1/4 F YOKO52	金 属 被 膜 抵 抗		01
R302	VC328400	Metal Film Resistor	6.8K 1/4 F YOKO52	金 属 被 膜 抵 抗		01
R303	RD258100	Carbon Resistor (chip)	100.0K 0.1 J RECT.	チ ッ プ 抵 抗		01
R304	HV755390	Flame Proof C. Resistor	390.0 1/4 J RX TP	不 燃 化 カ ー ボ ン 抵 抗		01
R305	RD157390	Carbon Resistor (chip)	39.0K 1/4 J TP	チ ッ プ 抵 抗		01
R306	RD257240	Carbon Resistor (chip)	24.0K 0.1 J RECT.	チ ッ プ 抵 抗		01
R307	RD357100	Carbon Resistor (chip)	10.0K 63M J RECT.	チ ッ プ 抵 抗		01
R308	RD357100	Carbon Resistor (chip)	10.0K 63M J RECT.	チ ッ プ 抵 抗		01
R309	VI195500	Metal Film Resistor (chip)	1.8K 1/10 D RECT.	チ ッ プ 金 被 抵 抗		01
R310	VI195500	Metal Film Resistor (chip)	1.8K 1/10 D RECT.	チ ッ プ 金 被 抵 抗		01
R311	VI195000	Metal Film Resistor (chip)	1.1K 1/10 D RECT.	チ ッ プ 金 被 抵 抗		01
R312	VI196600	Metal Film Resistor (chip)	4.7K 1/10 D RECT.	チ ッ プ 金 被 抵 抗		01
R313	RD357100	Carbon Resistor (chip)	10.0K 63M J RECT.	チ ッ プ 抵 抗		01
R314	RD356220	Carbon Resistor (chip)	2.2K 63M J RECT.	チ ッ プ 抵 抗		01
R315	RD154100	Carbon Resistor (chip)	10.0 1/4 J TP	チ ッ プ 抵 抗		01
R316	RD154100	Carbon Resistor (chip)	10.0 1/4 J TP	チ ッ プ 抵 抗		01
R317	VI198300	Metal Film Resistor (chip)	24.0K 1/10 D RECT.	チ ッ プ 金 被 抵 抗		01
R318	VI198300	Metal Film Resistor (chip)	24.0K 1/10 D RECT.	チ ッ プ 金 被 抵 抗		01
R319	RD154100	Carbon Resistor (chip)	10.0 1/4 J TP	チ ッ プ 抵 抗		01
R320	RD154100	Carbon Resistor (chip)	10.0 1/4 J TP	チ ッ プ 抵 抗		01
R321	VI196900	Metal Film Resistor (chip)	6.2K 1/10 D RECT.	チ ッ プ 金 被 抵 抗		01
R322	VI192100	Metal Film Resistor (chip)	68.0 1/10 D RECT.	チ ッ プ 金 被 抵 抗		01
R323	VI194200	Metal Film Resistor (chip)	510.0 1/10 D RECT.	チ ッ プ 金 被 抵 抗		01
R324	RD253470	Carbon Resistor (chip)	4.7 0.1 J RECT.	チ ッ プ 抵 抗		01
R325	RD253470	Carbon Resistor (chip)	4.7 0.1 J RECT.	チ ッ プ 抵 抗		01
R326	VI196900	Metal Film Resistor (chip)	6.2K 1/10 D RECT.	チ ッ プ 金 被 抵 抗		01
R327	VI196900	Metal Film Resistor (chip)	6.2K 1/10 D RECT.	チ ッ プ 金 被 抵 抗		01
R328	VI196600	Metal Film Resistor (chip)	4.7K 1/10 D RECT.	チ ッ プ 金 被 抵 抗		01
R329	VI196600	Metal Film Resistor (chip)	4.7K 1/10 D RECT.	チ ッ プ 金 被 抵 抗		01
R332	VI199300	Metal Film Resistor (chip)	62.0K 1/10 D RECT.	チ ッ プ 金 被 抵 抗		01
R333	VI199300	Metal Film Resistor (chip)	62.0K 1/10 D RECT.	チ ッ プ 金 被 抵 抗		01
R334	VI196700	Metal Film Resistor (chip)	5.1K 1/10 D RECT.	チ ッ プ 金 被 抵 抗		01
R335	VI196700	Metal Film Resistor (chip)	5.1K 1/10 D RECT.	チ ッ プ 金 被 抵 抗		01
R336	VI192300	Metal Film Resistor (chip)	82.0 1/10 D RECT.	チ ッ プ 金 被 抵 抗		01
R337	VI197400	Metal Film Resistor (chip)	10.0K 1/10 D RECT.	チ ッ プ 金 被 抵 抗		01
R338	VI196600	Metal Film Resistor (chip)	4.7K 1/10 D RECT.	チ ッ プ 金 被 抵 抗		01
R339	VI192300	Metal Film Resistor (chip)	82.0 1/10 D RECT.	チ ッ プ 金 被 抵 抗		01
R340	VI197400	Metal Film Resistor (chip)	10.0K 1/10 D RECT.	チ ッ プ 金 被 抵 抗		01
R343	VI195700	Metal Film Resistor (chip)	2.2K 1/10 D RECT.	チ ッ プ 金 被 抵 抗		01
R344	VI195700	Metal Film Resistor (chip)	2.2K 1/10 D RECT.	チ ッ プ 金 被 抵 抗		01
R345	VI195900	Metal Film Resistor (chip)	2.7K 1/10 D RECT.	チ ッ プ 金 被 抵 抗		01
R346	VI195900	Metal Film Resistor (chip)	2.7K 1/10 D RECT.	チ ッ プ 金 被 抵 抗		01
R352	VI196600	Metal Film Resistor (chip)	4.7K 1/10 D RECT.	チ ッ プ 金 被 抵 抗		01
R353	VI197400	Metal Film Resistor (chip)	10.0K 1/10 D RECT.	チ ッ プ 金 被 抵 抗		01
R354	VI192500	Metal Film Resistor (chip)	100.0 1/10 D RECT.	チ ッ プ 金 被 抵 抗		01
R355	VI192500	Metal Film Resistor (chip)	100.0 1/10 D RECT.	チ ッ プ 金 被 抵 抗		01
R358	RD257470	Carbon Resistor (chip)	47.0K 0.1 J RECT.	チ ッ プ 抵 抗		01
R359	VI192800	Metal Film Resistor (chip)	130.0 1/10 D RECT.	チ ッ プ 金 被 抵 抗		01
R360	VI190900	Metal Film Resistor (chip)	22.0 1/10 D RECT.	チ ッ プ 金 被 抵 抗		01

*: New Parts

RANK: Japan only

AD

REF NO.	PART NO.	DESCRIPTION	部 品 名	REMARKS	QTY	RANK
R361	RD350000	Carbon Resistor (chip)	0 63M J RECT.	チ ッ プ 抵 抗		01
-364	RD350000	Carbon Resistor (chip)	0 63M J RECT.	チ ッ プ 抵 抗		01
R365	VI197800	Metal Film Resistor (chip)	15.0K 1/10 D RECT.	チ ッ プ 金 被 抵 抗		01
R366	VI197300	Metal Film Resistor (chip)	9.1K 1/10 D RECT.	チ ッ プ 金 被 抵 抗		01
R367	VI196400	Metal Film Resistor (chip)	3.9K 1/10 D RECT.	チ ッ プ 金 被 抵 抗		01
R368	VI195900	Metal Film Resistor (chip)	2.7K 1/10 D RECT.	チ ッ プ 金 被 抵 抗		01
R369	VI195600	Metal Film Resistor (chip)	2.0K 1/10 D RECT.	チ ッ プ 金 被 抵 抗		01
R370	VI196700	Metal Film Resistor (chip)	5.1K 1/10 D RECT.	チ ッ プ 金 被 抵 抗		01
R371	VI193100	Metal Film Resistor (chip)	180.0 1/10 D RECT.	チ ッ プ 金 被 抵 抗		01
R373	VI194600	Metal Film Resistor (chip)	750.0 1/10 D RECT.	チ ッ プ 金 被 抵 抗		01
R374	VI191900	Metal Film Resistor (chip)	56.0 1/10 D RECT.	チ ッ プ 金 被 抵 抗		01
R375	VI193200	Metal Film Resistor (chip)	200.0 1/10 D RECT.	チ ッ プ 金 被 抵 抗		01
R376	VI196000	Metal Film Resistor (chip)	3.0K 1/10 D RECT.	チ ッ プ 金 被 抵 抗		01
R377	VI191900	Metal Film Resistor (chip)	56.0 1/10 D RECT.	チ ッ プ 金 被 抵 抗		01
R378	VI191900	Metal Film Resistor (chip)	56.0 1/10 D RECT.	チ ッ プ 金 被 抵 抗		01
R379	VI193200	Metal Film Resistor (chip)	200.0 1/10 D RECT.	チ ッ プ 金 被 抵 抗		01
R380	RD258220	Carbon Resistor (chip)	220.0K 0.1 J RECT.	チ ッ プ 金 被 抵 抗		01
R382	VI191700	Metal Film Resistor (chip)	47.0 1/10 D RECT.	チ ッ プ 金 被 抵 抗		01
R383	VI197000	Metal Film Resistor (chip)	6.8K 1/10 D RECT.	チ ッ プ 金 被 抵 抗		01
R384	VI197500	Metal Film Resistor (chip)	11.0K 1/10 D RECT.	チ ッ プ 金 被 抵 抗		01
R385	RD250000	Carbon Resistor (chip)	0.0 0.0 J RECT.	チ ッ プ 金 被 抵 抗		01
R386	VI197400	Metal Film Resistor (chip)	10.0K 1/10 D RECT.	チ ッ プ 金 被 抵 抗		01
R387	RD256470	Carbon Resistor (chip)	4.7K 0.1 J RECT.	チ ッ プ 金 被 抵 抗		01
R388	RD256470	Carbon Resistor (chip)	4.7K 0.1 J RECT.	チ ッ プ 金 被 抵 抗		01
R389	RD259100	Carbon Resistor (chip)	1.0M 0.1 J RECT.	チ ッ プ 金 被 抵 抗		01
R391	RD259100	Carbon Resistor (chip)	1.0M 0.1 J RECT.	チ ッ プ 金 被 抵 抗		01
R401	VC328400	Metal Film Resistor	6.8K 1/4 F YOKO52	金 属 被 膜 抵 抗		01
R402	VC328400	Metal Film Resistor	6.8K 1/4 F YOKO52	金 属 被 膜 抵 抗		01
R403	RD258100	Carbon Resistor (chip)	100.0K 0.1 J RECT.	チ ッ プ 金 被 抵 抗		01
R404	HV755390	Flame Proof C. Resistor	390.0 1/4 J RX TP	不 燃 化 カ ー ボ ン 抵 抗		01
R405	RD157390	Carbon Resistor (chip)	39.0K 1/4 J TP	チ ッ プ 金 被 抵 抗		01
R406	RD257240	Carbon Resistor (chip)	24.0K 0.1 J RECT.	チ ッ プ 金 被 抵 抗		01
R407	RD357100	Carbon Resistor (chip)	10.0K 63M J RECT.	チ ッ プ 金 被 抵 抗		01
R408	RD357100	Carbon Resistor (chip)	10.0K 63M J RECT.	チ ッ プ 金 被 抵 抗		01
R409	VI195500	Metal Film Resistor (chip)	1.8K 1/10 D RECT.	チ ッ プ 金 被 抵 抗		01
R410	VI195500	Metal Film Resistor (chip)	1.8K 1/10 D RECT.	チ ッ プ 金 被 抵 抗		01
R411	VI195000	Metal Film Resistor (chip)	1.1K 1/10 D RECT.	チ ッ プ 金 被 抵 抗		01
R412	VI196600	Metal Film Resistor (chip)	4.7K 1/10 D RECT.	チ ッ プ 金 被 抵 抗		01
R413	RD357100	Carbon Resistor (chip)	10.0K 63M J RECT.	チ ッ プ 金 被 抵 抗		01
R414	RD356220	Carbon Resistor (chip)	2.2K 63M J RECT.	チ ッ プ 金 被 抵 抗		01
R415	RD154100	Carbon Resistor (chip)	10.0 1/4 J TP	チ ッ プ 金 被 抵 抗		01
R416	RD154100	Carbon Resistor (chip)	10.0 1/4 J TP	チ ッ プ 金 被 抵 抗		01
R417	VI198300	Metal Film Resistor (chip)	24.0K 1/10 D RECT.	チ ッ プ 金 被 抵 抗		01
R418	VI198300	Metal Film Resistor (chip)	24.0K 1/10 D RECT.	チ ッ プ 金 被 抵 抗		01
R419	RD154100	Carbon Resistor (chip)	10.0 1/4 J TP	チ ッ プ 金 被 抵 抗		01
R420	RD154100	Carbon Resistor (chip)	10.0 1/4 J TP	チ ッ プ 金 被 抵 抗		01
R421	VI196900	Metal Film Resistor (chip)	6.2K 1/10 D RECT.	チ ッ プ 金 被 抵 抗		01
R422	VI192100	Metal Film Resistor (chip)	68.0 1/10 D RECT.	チ ッ プ 金 被 抵 抗		01
R423	VI194200	Metal Film Resistor (chip)	510.0 1/10 D RECT.	チ ッ プ 金 被 抵 抗		01
R424	RD253470	Carbon Resistor (chip)	4.7 0.1 J RECT.	チ ッ プ 金 被 抵 抗		01
R425	RD253470	Carbon Resistor (chip)	4.7 0.1 J RECT.	チ ッ プ 金 被 抵 抗		01
R426	VI196900	Metal Film Resistor (chip)	6.2K 1/10 D RECT.	チ ッ プ 金 被 抵 抗		01
R427	VI196900	Metal Film Resistor (chip)	6.2K 1/10 D RECT.	チ ッ プ 金 被 抵 抗		01
R428	VI196600	Metal Film Resistor (chip)	4.7K 1/10 D RECT.	チ ッ プ 金 被 抵 抗		01
R429	VI196600	Metal Film Resistor (chip)	4.7K 1/10 D RECT.	チ ッ プ 金 被 抵 抗		01
R432	VI199300	Metal Film Resistor (chip)	62.0K 1/10 D RECT.	チ ッ プ 金 被 抵 抗		01
R433	VI199300	Metal Film Resistor (chip)	62.0K 1/10 D RECT.	チ ッ プ 金 被 抵 抗		01
R434	VI196700	Metal Film Resistor (chip)	5.1K 1/10 D RECT.	チ ッ プ 金 被 抵 抗		01
R435	VI196700	Metal Film Resistor (chip)	5.1K 1/10 D RECT.	チ ッ プ 金 被 抵 抗		01
R436	VI192300	Metal Film Resistor (chip)	82.0 1/10 D RECT.	チ ッ プ 金 被 抵 抗		01
R437	VI197400	Metal Film Resistor (chip)	10.0K 1/10 D RECT.	チ ッ プ 金 被 抵 抗		01
R438	VI196600	Metal Film Resistor (chip)	4.7K 1/10 D RECT.	チ ッ プ 金 被 抵 抗		01
R439	VI192300	Metal Film Resistor (chip)	82.0 1/10 D RECT.	チ ッ プ 金 被 抵 抗		01
R440	VI197400	Metal Film Resistor (chip)	10.0K 1/10 D RECT.	チ ッ プ 金 被 抵 抗		01
R443	VI195700	Metal Film Resistor (chip)	2.2K 1/10 D RECT.	チ ッ プ 金 被 抵 抗		01
R444	VI195700	Metal Film Resistor (chip)	2.2K 1/10 D RECT.	チ ッ プ 金 被 抵 抗		01
R445	VI195900	Metal Film Resistor (chip)	2.7K 1/10 D RECT.	チ ッ プ 金 被 抵 抗		01
R446	VI195900	Metal Film Resistor (chip)	2.7K 1/10 D RECT.	チ ッ プ 金 被 抵 抗		01
R452	VI196600	Metal Film Resistor (chip)	4.7K 1/10 D RECT.	チ ッ プ 金 被 抵 抗		01
R453	VI197400	Metal Film Resistor (chip)	10.0K 1/10 D RECT.	チ ッ プ 金 被 抵 抗		01

*: New Parts

RANK: Japan only

AD

REF NO.	PART NO.	DESCRIPTION	部	品	名	REMARKS	QTY	RANK
R454	VI192500	Metal Film Resistor (chip)	100.0	1/10	D RECT.	チ ッ プ 金 被 抵 抗		01
R455	VI192500	Metal Film Resistor (chip)	100.0	1/10	D RECT.	チ ッ プ 金 被 抵 抗		01
R458	RD257470	Carbon Resistor (chip)	47.0K	0.1	J RECT.	チ ッ プ 金 被 抵 抗		01
R459	VI192800	Metal Film Resistor (chip)	130.0	1/10	D RECT.	チ ッ プ 金 被 抵 抗		01
R460	VI190900	Metal Film Resistor (chip)	22.0	1/10	D RECT.	チ ッ プ 金 被 抵 抗		01
R461	RD350000	Carbon Resistor (chip)	0	63M	J RECT.	チ ッ プ 金 被 抵 抗		01
-464	RD350000	Carbon Resistor (chip)	0	63M	J RECT.	チ ッ プ 金 被 抵 抗		01
R465	VI197800	Metal Film Resistor (chip)	15.0K	1/10	D RECT.	チ ッ プ 金 被 抵 抗		01
R466	VI197300	Metal Film Resistor (chip)	9.1K	1/10	D RECT.	チ ッ プ 金 被 抵 抗		01
R467	VI196400	Metal Film Resistor (chip)	3.9K	1/10	D RECT.	チ ッ プ 金 被 抵 抗		01
R468	VI195900	Metal Film Resistor (chip)	2.7K	1/10	D RECT.	チ ッ プ 金 被 抵 抗		01
R469	VI195600	Metal Film Resistor (chip)	2.0K	1/10	D RECT.	チ ッ プ 金 被 抵 抗		01
R470	VI196700	Metal Film Resistor (chip)	5.1K	1/10	D RECT.	チ ッ プ 金 被 抵 抗		01
R471	VI193100	Metal Film Resistor (chip)	180.0	1/10	D RECT.	チ ッ プ 金 被 抵 抗		01
R472	RD350000	Carbon Resistor (chip)	0	63M	J RECT.	チ ッ プ 金 被 抵 抗		01
R473	VI194600	Metal Film Resistor (chip)	750.0	1/10	D RECT.	チ ッ プ 金 被 抵 抗		01
R474	VI191900	Metal Film Resistor (chip)	56.0	1/10	D RECT.	チ ッ プ 金 被 抵 抗		01
R475	VI193200	Metal Film Resistor (chip)	200.0	1/10	D RECT.	チ ッ プ 金 被 抵 抗		01
R476	VI196000	Metal Film Resistor (chip)	3.0K	1/10	D RECT.	チ ッ プ 金 被 抵 抗		01
R477	VI191900	Metal Film Resistor (chip)	56.0	1/10	D RECT.	チ ッ プ 金 被 抵 抗		01
R478	VI191900	Metal Film Resistor (chip)	56.0	1/10	D RECT.	チ ッ プ 金 被 抵 抗		01
R479	VI193200	Metal Film Resistor (chip)	200.0	1/10	D RECT.	チ ッ プ 金 被 抵 抗		01
R480	RD258220	Carbon Resistor (chip)	220.0K	0.1	J RECT.	チ ッ プ 金 被 抵 抗		01
R482	VI191700	Metal Film Resistor (chip)	47.0	1/10	D RECT.	チ ッ プ 金 被 抵 抗		01
R483	VI197000	Metal Film Resistor (chip)	6.8K	1/10	D RECT.	チ ッ プ 金 被 抵 抗		01
R484	VI197500	Metal Film Resistor (chip)	11.0K	1/10	D RECT.	チ ッ プ 金 被 抵 抗		01
R485	RD250000	Carbon Resistor (chip)	0.0	0.0	J RECT.	チ ッ プ 金 被 抵 抗		01
R486	VI197400	Metal Film Resistor (chip)	10.0K	1/10	D RECT.	チ ッ プ 金 被 抵 抗		01
R487	RD256470	Carbon Resistor (chip)	4.7K	0.1	J RECT.	チ ッ プ 金 被 抵 抗		01
R488	RD256470	Carbon Resistor (chip)	4.7K	0.1	J RECT.	チ ッ プ 金 被 抵 抗		01
R489	RD259100	Carbon Resistor (chip)	1.0M	0.1	J RECT.	チ ッ プ 金 被 抵 抗		01
R491	RD259100	Carbon Resistor (chip)	1.0M	0.1	J RECT.	チ ッ プ 金 被 抵 抗		01
R503	RD350000	Carbon Resistor (chip)	0	63M	J RECT.	チ ッ プ 金 被 抵 抗		01
R506	RD355100	Carbon Resistor (chip)	100.0	63M	J RECT.	チ ッ プ 金 被 抵 抗		01
R510	RD250000	Carbon Resistor (chip)	0.0	0.0	J RECT.	チ ッ プ 金 被 抵 抗		01
R511	RD355150	Carbon Resistor (chip)	150.0	63M	J RECT.	チ ッ プ 金 被 抵 抗		01
R513	RD355100	Carbon Resistor (chip)	100.0	63M	J RECT.	チ ッ プ 金 被 抵 抗		01
R516	RD253470	Carbon Resistor (chip)	4.7	0.1	J RECT.	チ ッ プ 金 被 抵 抗		01
R517	RD253470	Carbon Resistor (chip)	4.7	0.1	J RECT.	チ ッ プ 金 被 抵 抗		01
R518	RD255100	Carbon Resistor (chip)	100.0	0.1	J RECT.	チ ッ プ 金 被 抵 抗		01
R519	RD255100	Carbon Resistor (chip)	100.0	0.1	J RECT.	チ ッ プ 金 被 抵 抗		01
R520	VI195700	Metal Film Resistor (chip)	2.2K	1/10	D RECT.	チ ッ プ 金 被 抵 抗		01
R521	VI195700	Metal Film Resistor (chip)	2.2K	1/10	D RECT.	チ ッ プ 金 被 抵 抗		01
R526	RD357220	Carbon Resistor (chip)	22.0K	63M	J RECT.	チ ッ プ 金 被 抵 抗		01
R527	RD150000	Carbon Resistor (chip)	0.0	1/4	J TP	チ ッ プ 金 被 抵 抗		01
R528	RD350000	Carbon Resistor (chip)	0	63M	J RECT.	チ ッ プ 金 被 抵 抗		01
R529	RD350000	Carbon Resistor (chip)	0	63M	J RECT.	チ ッ プ 金 被 抵 抗		01
R603	RD350000	Carbon Resistor (chip)	0	63M	J RECT.	チ ッ プ 金 被 抵 抗		01
R606	RD355100	Carbon Resistor (chip)	100.0	63M	J RECT.	チ ッ プ 金 被 抵 抗		01
R610	RD250000	Carbon Resistor (chip)	0.0	0.0	J RECT.	チ ッ プ 金 被 抵 抗		01
R611	RD355150	Carbon Resistor (chip)	150.0	63M	J RECT.	チ ッ プ 金 被 抵 抗		01
R613	RD355100	Carbon Resistor (chip)	100.0	63M	J RECT.	チ ッ プ 金 被 抵 抗		01
R626	RD357220	Carbon Resistor (chip)	22.0K	63M	J RECT.	チ ッ プ 金 被 抵 抗		01
R627	RD150000	Carbon Resistor (chip)	0.0	1/4	J TP	チ ッ プ 金 被 抵 抗		01
R628	RD350000	Carbon Resistor (chip)	0	63M	J RECT.	チ ッ プ 金 被 抵 抗		01
R629	RD350000	Carbon Resistor (chip)	0	63M	J RECT.	チ ッ プ 金 被 抵 抗		01
R703	RD354820	Carbon Resistor (chip)	82.0	63M	J RECT.	チ ッ プ 金 被 抵 抗		01
-708	RD354820	Carbon Resistor (chip)	82.0	63M	J RECT.	チ ッ プ 金 被 抵 抗		01
R709	RD354470	Carbon Resistor (chip)	47.0	63M	J RECT.	チ ッ プ 金 被 抵 抗		01
-716	RD354470	Carbon Resistor (chip)	47.0	63M	J RECT.	チ ッ プ 金 被 抵 抗		01
R733	RD357220	Carbon Resistor (chip)	22.0K	63M	J RECT.	チ ッ プ 金 被 抵 抗		01
R734	RD357220	Carbon Resistor (chip)	22.0K	63M	J RECT.	チ ッ プ 金 被 抵 抗		01
R735	RD356680	Carbon Resistor (chip)	6.8K	63M	J RECT.	チ ッ プ 金 被 抵 抗		01
R736	RD356680	Carbon Resistor (chip)	6.8K	63M	J RECT.	チ ッ プ 金 被 抵 抗		01
R742	RD355150	Carbon Resistor (chip)	150.0	63M	J RECT.	チ ッ プ 金 被 抵 抗		01
R743	RD355150	Carbon Resistor (chip)	150.0	63M	J RECT.	チ ッ プ 金 被 抵 抗		01
R748	RD354470	Carbon Resistor (chip)	47.0	63M	J RECT.	チ ッ プ 金 被 抵 抗		01
R749	RD355150	Carbon Resistor (chip)	150.0	63M	J RECT.	チ ッ プ 金 被 抵 抗		01
R751	RD355150	Carbon Resistor (chip)	150.0	63M	J RECT.	チ ッ プ 金 被 抵 抗		01
-754	RD355150	Carbon Resistor (chip)	150.0	63M	J RECT.	チ ッ プ 金 被 抵 抗		01

*: New Parts

RANK: Japan only

AD and CPU

REF NO.	PART NO.	DESCRIPTION		部 品 名	REMARKS	QTY	RANK
R755	RD354470	Carbon Resistor (chip)	47.0 63M J RECT.	チ ッ プ 抵 抗			01
R762	RD357220	Carbon Resistor (chip)	22.0K 63M J RECT.	チ ッ プ 抵 抗			01
R763	RD357220	Carbon Resistor (chip)	22.0K 63M J RECT.	チ ッ プ 抵 抗			01
R764	RD354470	Carbon Resistor (chip)	47.0 63M J RECT.	チ ッ プ 抵 抗			01
R765	RD355220	Carbon Resistor (chip)	220.0 63M J RECT.	チ ッ プ 抵 抗			01
R766	RD355220	Carbon Resistor (chip)	220.0 63M J RECT.	チ ッ プ 抵 抗			01
R771	RD355220	Carbon Resistor (chip)	220.0 63M J RECT.	チ ッ プ 抵 抗			01
-774	RD355220	Carbon Resistor (chip)	220.0 63M J RECT.	チ ッ プ 抵 抗			01
R775	RD356470	Carbon Resistor (chip)	4.7K 63M J RECT.	チ ッ プ 抵 抗			01
R776	RD356470	Carbon Resistor (chip)	4.7K 63M J RECT.	チ ッ プ 抵 抗			01
R777	RD354470	Carbon Resistor (chip)	47.0 63M J RECT.	チ ッ プ 抵 抗			01
R778	RD357220	Carbon Resistor (chip)	22.0K 63M J RECT.	チ ッ プ 抵 抗			01
R780	RD356470	Carbon Resistor (chip)	4.7K 63M J RECT.	チ ッ プ 抵 抗			01
RA701	RE047220	Resistor Array	22KX4	抵 抗 ア レ イ			01
-703	RE047220	Resistor Array	22KX4	抵 抗 ア レ イ			01
RA704	RE044470	Resistor Array	47X4	抵 抗 ア レ イ			01
RA705	RE045220	Resistor Array	220X4	抵 抗 ア レ イ			01
-707	RE045220	Resistor Array	220X4	抵 抗 ア レ イ			01
RA708	RE046470	Resistor Array	4.7KX4	抵 抗 ア レ イ			01
RA709	RE047220	Resistor Array	22KX4	抵 抗 ア レ イ			01
RA710	RE046470	Resistor Array	4.7KX4	抵 抗 ア レ イ			01
RA711	RE045220	Resistor Array	220X4	抵 抗 ア レ イ			01
-714	RE045220	Resistor Array	220X4	抵 抗 ア レ イ			01
RA715	RE046470	Resistor Array	4.7KX4	抵 抗 ア レ イ			01
-717	RE046470	Resistor Array	4.7KX4	抵 抗 ア レ イ			01
RA718	RE047220	Resistor Array	22KX4	抵 抗 ア レ イ			01
RA719	RE045220	Resistor Array	220X4	抵 抗 ア レ イ			01
RA720	RE044470	Resistor Array	47X4	抵 抗 ア レ イ			01
RA721	RE046470	Resistor Array	4.7KX4	抵 抗 ア レ イ			01
RA722	RE047220	Resistor Array	22KX4	抵 抗 ア レ イ			01
-725	RE047220	Resistor Array	22KX4	抵 抗 ア レ イ			01
RA726	RE046470	Resistor Array	4.7KX4	抵 抗 ア レ イ			01
RA727	RE046470	Resistor Array	4.7KX4	抵 抗 ア レ イ			01
RY101	VU685600	Relay	DC NA- 5 W-K	リ レ -			06
RY201	VU685600	Relay	DC NA- 5 W-K	リ レ -			06
RY301	VU685600	Relay	DC NA- 5 W-K	リ レ -			06
RY401	VU685600	Relay	DC NA- 5 W-K	リ レ -			06
TR101	VV540200	Transistor	2SB1260	ト ラ ン ジ ス タ			01
TR102	WC139600	Transistor	KTC3911S-GR,BL-RTK	ト ラ ン ジ ス タ			01
TR103	VJ927100	Transistor	2SC2712-Y(TE85R,F)	ト ラ ン ジ ス タ			01
TR104	WG281900	Transistor Array	HN3A51F(TE85L,F)	ト ラ ン ジ ス タ ア レ イ			01
TR201	VV540200	Transistor	2SB1260	ト ラ ン ジ ス タ			01
TR202	WC139600	Transistor	KTC3911S-GR,BL-RTK	ト ラ ン ジ ス タ			01
TR203	VJ927100	Transistor	2SC2712-Y(TE85R,F)	ト ラ ン ジ ス タ			01
TR204	WG281900	Transistor Array	HN3A51F(TE85L,F)	ト ラ ン ジ ス タ ア レ イ			01
TR301	VV540200	Transistor	2SB1260	ト ラ ン ジ ス タ			01
TR302	WC139600	Transistor	KTC3911S-GR,BL-RTK	ト ラ ン ジ ス タ			01
TR303	VJ927100	Transistor	2SC2712-Y(TE85R,F)	ト ラ ン ジ ス タ			01
TR304	WG281900	Transistor Array	HN3A51F(TE85L,F)	ト ラ ン ジ ス タ ア レ イ			01
TR401	VV540200	Transistor	2SB1260	ト ラ ン ジ ス タ			01
TR402	WC139600	Transistor	KTC3911S-GR,BL-RTK	ト ラ ン ジ ス タ			01
TR403	VJ927100	Transistor	2SC2712-Y(TE85R,F)	ト ラ ン ジ ス タ			01
TR404	WG281900	Transistor Array	HN3A51F(TE85L,F)	ト ラ ン ジ ス タ ア レ イ			01
TR501	VJ927100	Transistor	2SC2712-Y(TE85R,F)	ト ラ ン ジ ス タ			01
TR502	VJ927200	Transistor	2SA1162-Y(TE85R,F)	ト ラ ン ジ ス タ			01
W801	--	Jumper Wire	FVP=2.0C26SB	ジャンパーワイヤー	(VY69010)		
10	WG301400	Circuit Board	CPU	C P U シ ー ト	(X6028D0)		
	--	Mac Address Label	PA COMMON ALL	M A C ア ド レ ス ラ ベ ル	(WH26440)		
BT001	VN103600	Battery Holder	HL32-A2	バ ッ テ リ ー ホ ル ダ ー			03
C001	US145100	Ceramic Capacitor-F (chip)	0.1000 25V Z RECT.	チ ッ プ セ ラ (F)			01
C002	UF018100	Electrolytic Cap. (chip)	100 6.3V	チ ッ プ ケ ミ コ ン			01
C002	UF038100	Electrolytic Cap. (chip)	100 16V	チ ッ プ ケ ミ コ ン			01
C003	US145100	Ceramic Capacitor-F (chip)	0.1000 25V Z RECT.	チ ッ プ セ ラ (F)			01
C004	US063100	Ceramic Capacitor-B (chip)	1000P 50V K RECT.	チ ッ プ セ ラ (B)			01
C005	US145100	Ceramic Capacitor-F (chip)	0.1000 25V Z RECT.	チ ッ プ セ ラ (F)			01
C006	US063100	Ceramic Capacitor-B (chip)	1000P 50V K RECT.	チ ッ プ セ ラ (B)			01
C007	US063100	Ceramic Capacitor-B (chip)	1000P 50V K RECT.	チ ッ プ セ ラ (B)			01
C008	US145100	Ceramic Capacitor-F (chip)	0.1000 25V Z RECT.	チ ッ プ セ ラ (F)			01
C009	UF017470	Electrolytic Cap. (chip)	47 6.3V	チ ッ プ ケ ミ コ ン			01

*: New Parts

RANK: Japan only

CPU

REF NO.	PART NO.	DESCRIPTION	部 品 名	REMARKS	QTY	RANK
C010	US145100	Ceramic Capacitor-F (chip)	0.1000 25V Z RECT.	チ ッ プ セ ラ (F)		01
C011	US063100	Ceramic Capacitor-B (chip)	1000P 50V K RECT.	チ ッ プ セ ラ (B)		01
C012	US063100	Ceramic Capacitor-B (chip)	1000P 50V K RECT.	チ ッ プ セ ラ (B)		01
C013	RD357470	Carbon Resistor (chip)	47.0K 63M J RECT.	チ ッ プ 抵 抗		01
C014	RD357470	Carbon Resistor (chip)	47.0K 63M J RECT.	チ ッ プ 抵 抗		01
C015	US063100	Ceramic Capacitor-B (chip)	1000P 50V K RECT.	チ ッ プ セ ラ (B)		01
C016	RD357470	Carbon Resistor (chip)	47.0K 63M J RECT.	チ ッ プ 抵 抗		01
C017	US145100	Ceramic Capacitor-F (chip)	0.1000 25V Z RECT.	チ ッ プ セ ラ (F)		01
C018	US145100	Ceramic Capacitor-F (chip)	0.1000 25V Z RECT.	チ ッ プ セ ラ (F)		01
C019	UF046470	Electrolytic Cap. (chip)	4.7 25V UWX1E4	チ ッ プ ケ ミ コ ン		01
C019	UF056470	Electrolytic Cap. (chip)	4.7 35V UWX1V4	チ ッ プ ケ ミ コ ン		01
C020	US145100	Ceramic Capacitor-F (chip)	0.1000 25V Z RECT.	チ ッ プ セ ラ (F)		01
-024	US145100	Ceramic Capacitor-F (chip)	0.1000 25V Z RECT.	チ ッ プ セ ラ (F)		01
C025	UF018100	Electrolytic Cap. (chip)	100 6.3V	チ ッ プ ケ ミ コ ン		01
C025	UF038100	Electrolytic Cap. (chip)	100 16V	チ ッ プ ケ ミ コ ン		01
C026	V7856200	Ceramic Capacitor-B (chip)	1.0000 10V K RECT.	チ ッ プ セ ラ B		
C027	US062470	Ceramic Capacitor-SL(chip)	470P 50V J RECT.	チ ッ プ セ ラ (S L)		01
C028	US062470	Ceramic Capacitor-SL(chip)	470P 50V J RECT.	チ ッ プ セ ラ (S L)		01
C029	V7856200	Ceramic Capacitor-B (chip)	1.0000 10V K RECT.	チ ッ プ セ ラ B		
C030	US145100	Ceramic Capacitor-F (chip)	0.1000 25V Z RECT.	チ ッ プ セ ラ (F)		01
-049	US145100	Ceramic Capacitor-F (chip)	0.1000 25V Z RECT.	チ ッ プ セ ラ (F)		01
C050	UF017470	Electrolytic Cap. (chip)	47 6.3V	チ ッ プ ケ ミ コ ン		01
-053	UF017470	Electrolytic Cap. (chip)	47 6.3V	チ ッ プ ケ ミ コ ン		01
C054	US145100	Ceramic Capacitor-F (chip)	0.1000 25V Z RECT.	チ ッ プ セ ラ (F)		01
-060	US145100	Ceramic Capacitor-F (chip)	0.1000 25V Z RECT.	チ ッ プ セ ラ (F)		01
C061	UF017470	Electrolytic Cap. (chip)	47 6.3V	チ ッ プ ケ ミ コ ン		01
C062	US145100	Ceramic Capacitor-F (chip)	0.1000 25V Z RECT.	チ ッ プ セ ラ (F)		01
-068	US145100	Ceramic Capacitor-F (chip)	0.1000 25V Z RECT.	チ ッ プ セ ラ (F)		01
C069	UF017470	Electrolytic Cap. (chip)	47 6.3V	チ ッ プ ケ ミ コ ン		01
C070	US145100	Ceramic Capacitor-F (chip)	0.1000 25V Z RECT.	チ ッ プ セ ラ (F)		01
-075	US145100	Ceramic Capacitor-F (chip)	0.1000 25V Z RECT.	チ ッ プ セ ラ (F)		01
C083	US145100	Ceramic Capacitor-F (chip)	0.1000 25V Z RECT.	チ ッ プ セ ラ (F)		01
-089	US145100	Ceramic Capacitor-F (chip)	0.1000 25V Z RECT.	チ ッ プ セ ラ (F)		01
C090	UF118220	Electrolytic Cap. (chip)	220 6.3V UUR0J2	チ ッ プ ケ ミ コ ン		01
C101	US145100	Ceramic Capacitor-F (chip)	0.1000 25V Z RECT.	チ ッ プ セ ラ (F)		01
C102	US145100	Ceramic Capacitor-F (chip)	0.1000 25V Z RECT.	チ ッ プ セ ラ (F)		01
C901	US145100	Ceramic Capacitor-F (chip)	0.1000 25V Z RECT.	チ ッ プ セ ラ (F)		01
-909	US145100	Ceramic Capacitor-F (chip)	0.1000 25V Z RECT.	チ ッ プ セ ラ (F)		01
CN007	WF025100	Connector	53481 180P TE	基 板 用 コ ネ ク タ		07
D001	V2376600	Diode	RB500V-40 TAPING	ダ イ オード		01
EM001	VZ581100	EMI Filter (chip)	31PT222Z1E9L TP	チ ッ プ エ ミ フ ィ ル		01
IC001	X3180A00	IC	PQ070XZ01ZPH	I	C	REGULATOR
IC002	X2890B00	IC	HD6417727F160CV	I	C	CPU
IC003	X0296A00	IC	74VHC245MTCX_NF40	I	C	TRANSCEIVER
IC004	X3584B00	IC	W9812G6DH-7	I	C	SDRAM 128M
* IC004	X3584C00	IC	W9812G6GH-6	I	C	SDRAM 128M
IC004	X3585D00	IC	K4S281632I-UC75000	I	C	
IC005	X3584B00	IC	W9812G6DH-7	I	C	
* IC005	X3584C00	IC	W9812G6GH-6	I	C	
IC005	X3585D00	IC	K4S281632I-UC75000	I	C	
IC006	--	IC	TC58FVM7B5BTG65CCH	I	C	FRASH ROM(Firmwa (X7727B0)
IC007	--	IC	TC58FVM7B5BTG65CCH	I	C	FRASH ROM(EmiDOS (X7726B0)
IC008	X4137A00	IC	SN74AHC1G04DCKR	I	C	INVERTER GATE
IC009	X7452A00	IC	BS616LV2018ECP70	I	C	SRAM 2M
IC009	X8100A00	IC	BS616LV2016ECP70	I	C	
IC010	XR532A00	IC	NJM2904V(Te1)	I	C	OP AMP
IC011	X2163A00	IC	M62023FP-DF0J	I	C	SYSTEM RESET
IC012	X3848A00	IC	S-80130ANMC-JCPT2G	I	C	SYSTEM RESET
IC013	X2548A00	IC	RTC-4543SA RTC	I	C	REAL TIME CLOCK
IC014	X7109A00	IC	LC4032V-75TN48C	I	C	CPLD
IC015	X3833A00	IC	SN74AHC1G08DCKR	I	C	AND GATE
IC020	X2377A00	IC	SN74LV21APWR	I	C	AND
IC021	XZ287A00	IC	SN74LVC245APWR	I	C	TRANSCEIVER
-026	XZ287A00	IC	SN74LVC245APWR	I	C	TRANSCEIVER
IC032	XY806A00	IC	TC7WH14FU(Te12L,F)	I	C	INVERTER
L001	V3232700	Chip Inductance	120U	チ ッ プ イ ン ダ ク タ		01
L002	V3232700	Chip Inductance	120U	チ ッ プ イ ン ダ ク タ		01
R001	RD357470	Carbon Resistor (chip)	47.0K 63M J RECT.	チ ッ プ 抵 抗		01
-004	RD357470	Carbon Resistor (chip)	47.0K 63M J RECT.	チ ッ プ 抵 抗		01
R005	RD356100	Carbon Resistor (chip)	1.0K 63M J RECT.	チ ッ プ 抵 抗		01

*: New Parts

RANK: Japan only

CPU and DA

REF NO.	PART NO.	DESCRIPTION		部	品	名	REMARKS	QTY	RANK
R006	RD356100	Carbon Resistor (chip)	1.0K 63M J RECT.	チ	ッ	ブ 抵 抗			01
R009	RD355100	Carbon Resistor (chip)	100.0 63M J RECT.	チ	ッ	ブ 抵 抗			01
R011	RD354470	Carbon Resistor (chip)	47.0 63M J RECT.	チ	ッ	ブ 抵 抗			01
R013	RD354470	Carbon Resistor (chip)	47.0 63M J RECT.	チ	ッ	ブ 抵 抗			01
-017	RD354470	Carbon Resistor (chip)	47.0 63M J RECT.	チ	ッ	ブ 抵 抗			01
R018	RF455510	Carbon Resistor (chip)	510.0 D RECT.	チ	ッ	ブ 抵 抗			01
R019	RF456100	Carbon Resistor (chip)	1.0K D RECT.	チ	ッ	ブ 抵 抗			01
R020	RD354220	Carbon Resistor (chip)	22.0 63M J RECT.	チ	ッ	ブ 抵 抗			01
R021	RD354220	Carbon Resistor (chip)	22.0 63M J RECT.	チ	ッ	ブ 抵 抗			01
R022	RD354470	Carbon Resistor (chip)	47.0 63M J RECT.	チ	ッ	ブ 抵 抗			01
R023	RD354470	Carbon Resistor (chip)	47.0 63M J RECT.	チ	ッ	ブ 抵 抗			01
R024	RD354220	Carbon Resistor (chip)	22.0 63M J RECT.	チ	ッ	ブ 抵 抗			01
R025	RD357470	Carbon Resistor (chip)	47.0K 63M J RECT.	チ	ッ	ブ 抵 抗			01
R026	RD354220	Carbon Resistor (chip)	22.0 63M J RECT.	チ	ッ	ブ 抵 抗			01
-030	RD354220	Carbon Resistor (chip)	22.0 63M J RECT.	チ	ッ	ブ 抵 抗			01
R031	RD354470	Carbon Resistor (chip)	47.0 63M J RECT.	チ	ッ	ブ 抵 抗			01
-033	RD354470	Carbon Resistor (chip)	47.0 63M J RECT.	チ	ッ	ブ 抵 抗			01
R035	RF458100	Carbon Resistor (chip)	100.0K D RECT.	チ	ッ	ブ 抵 抗			01
R036	RF458100	Carbon Resistor (chip)	100.0K D RECT.	チ	ッ	ブ 抵 抗			01
R037	RD357100	Carbon Resistor (chip)	10.0K 63M J RECT.	チ	ッ	ブ 抵 抗			01
R042	RD356100	Carbon Resistor (chip)	1.0K 63M J RECT.	チ	ッ	ブ 抵 抗			01
R045	RD354680	Carbon Resistor (chip)	68.0 63M J RECT.	チ	ッ	ブ 抵 抗			01
R046	RD354680	Carbon Resistor (chip)	68.0 63M J RECT.	チ	ッ	ブ 抵 抗			01
R048	RD354680	Carbon Resistor (chip)	68.0 63M J RECT.	チ	ッ	ブ 抵 抗			01
R049	RD357470	Carbon Resistor (chip)	47.0K 63M J RECT.	チ	ッ	ブ 抵 抗			01
R050	RD356470	Carbon Resistor (chip)	4.7K 63M J RECT.	チ	ッ	ブ 抵 抗			01
R051	RD356470	Carbon Resistor (chip)	4.7K 63M J RECT.	チ	ッ	ブ 抵 抗			01
R052	RD356220	Carbon Resistor (chip)	2.2K 63M J RECT.	チ	ッ	ブ 抵 抗			01
R054	RD357100	Carbon Resistor (chip)	10.0K 63M J RECT.	チ	ッ	ブ 抵 抗			01
R055	RD357100	Carbon Resistor (chip)	10.0K 63M J RECT.	チ	ッ	ブ 抵 抗			01
R073	RD350000	Carbon Resistor (chip)	0 63M J RECT.	チ	ッ	ブ 抵 抗			01
R077	RD355100	Carbon Resistor (chip)	100.0 63M J RECT.	チ	ッ	ブ 抵 抗			01
R078	RD356100	Carbon Resistor (chip)	1.0K 63M J RECT.	チ	ッ	ブ 抵 抗			01
R080	RD357470	Carbon Resistor (chip)	47.0K 63M J RECT.	チ	ッ	ブ 抵 抗			01
R090	RD357470	Carbon Resistor (chip)	47.0K 63M J RECT.	チ	ッ	ブ 抵 抗			01
R093	RD350000	Carbon Resistor (chip)	0 63M J RECT.	チ	ッ	ブ 抵 抗			01
R098	RD357470	Carbon Resistor (chip)	47.0K 63M J RECT.	チ	ッ	ブ 抵 抗			01
R099	RD355470	Carbon Resistor (chip)	470.0 63M J RECT.	チ	ッ	ブ 抵 抗			01
R100	RD357100	Carbon Resistor (chip)	10.0K 63M J RECT.	チ	ッ	ブ 抵 抗			01
R104	RD356470	Carbon Resistor (chip)	4.7K 63M J RECT.	チ	ッ	ブ 抵 抗			01
RA001	RE047470	Resistor Array	47KX4	抵	抗	ア レ イ			01
-023	RE047470	Resistor Array	47KX4	抵	抗	ア レ イ			01
RA024	RE044220	Resistor Array	22X4	抵	抗	ア レ イ			01
-027	RE044220	Resistor Array	22X4	抵	抗	ア レ イ			01
RA028	RE044470	Resistor Array	47X4	抵	抗	ア レ イ			01
-032	RE044470	Resistor Array	47X4	抵	抗	ア レ イ			01
RA033	RE044220	Resistor Array	22X4	抵	抗	ア レ イ			01
-040	RE044220	Resistor Array	22X4	抵	抗	ア レ イ			01
RA041	RE044470	Resistor Array	47X4	抵	抗	ア レ イ			01
RA042	RE044220	Resistor Array	22X4	抵	抗	ア レ イ			01
-047	RE044220	Resistor Array	22X4	抵	抗	ア レ イ			01
RA048	RE044680	Resistor Array	68X4	抵	抗	ア レ イ			01
RA049	RE044220	Resistor Array	22X4	抵	抗	ア レ イ			01
RA050	RE044220	Resistor Array	22X4	抵	抗	ア レ イ			01
RA051	RE047470	Resistor Array	47KX4	抵	抗	ア レ イ			01
RA052	RE047470	Resistor Array	47KX4	抵	抗	ア レ イ			01
RA053	RE044220	Resistor Array	22X4	抵	抗	ア レ イ			01
RA054	RE044220	Resistor Array	22X4	抵	抗	ア レ イ			01
RA055	RE047470	Resistor Array	47KX4	抵	抗	ア レ イ			01
RA056	RE047470	Resistor Array	47KX4	抵	抗	ア レ イ			01
RA057	RE044470	Resistor Array	47X4	抵	抗	ア レ イ			01
-063	RE044470	Resistor Array	47X4	抵	抗	ア レ イ			01
TR001	V3033500	Digital Transistor	DTC143XKA TP	デ	ジ	タル ト ラ ン ジ ス タ			01
X001	V9704700	Quartz Crystal Unit	48MHz SG-710ECK	水	晶	発 振 器			04
X002	WF156600	Quartz Crystal Unit	64MHz SG-9001JC	水	晶	発 振 器			01
	WG303900	Circuit Board	DA	D	A	シ ー ト	DME4io-ES/DME8o-ES(X7293C0)		
	--	AD Holder		A	D	金 具	(WG19890)		
C101	UA353100	Mylar Capacitor	1000P 50V J RX TP	マ	イ	ラ ー コ ン			01
C102	UA352150	Mylar Capacitor	150P 50V J RX TP	マ	イ	ラ ー コ ン			01

*: New Parts

RANK: Japan only

DA

REF NO.	PART NO.	DESCRIPTION	部 品 名	REMARKS	QTY	RANK
C103	UA352150	Mylar Capacitor	150P 50V J RX TP	マイラ - コン		01
C104	UU247470	Electrolytic Cap.	47.00 25.0V RX TP	ケミコン F W		01
C107	UU247470	Electrolytic Cap.	47.00 25.0V RX TP	ケミコン F W		01
C108	UU247470	Electrolytic Cap.	47.00 25.0V RX TP	ケミコン F W		01
C109	UA352820	Mylar Capacitor	820P 50V J RX TP	マイラ - コン		
C110	UA352120	Mylar Capacitor	120P 50V J RX TP	マイラ - コン		01
C111	UA353220	Mylar Capacitor	2200P 50V J RX TP	マイラ - コン		01
C117	US061330	Ceramic Capacitor-CH(chip)	33P 50V J RECT.	チップセラ (C H)		01
C119	US061330	Ceramic Capacitor-CH(chip)	33P 50V J RECT.	チップセラ (C H)		01
C121	UR078100	Electrolytic Cap.	100.00 63.0V FOR	ケミコン		01
C122	UR078100	Electrolytic Cap.	100.00 63.0V FOR	ケミコン		01
C125	UU248100	Electrolytic Cap.	100.00 25.0V RX TP	ケミコン F W		
C126	UU248100	Electrolytic Cap.	100.00 25.0V RX TP	ケミコン F W		
C201	UA353100	Mylar Capacitor	1000P 50V J RX TP	マイラ - コン		01
C202	UA352150	Mylar Capacitor	150P 50V J RX TP	マイラ - コン		01
C203	UA352150	Mylar Capacitor	150P 50V J RX TP	マイラ - コン		01
C204	UU247470	Electrolytic Cap.	47.00 25.0V RX TP	ケミコン F W		01
C207	UU247470	Electrolytic Cap.	47.00 25.0V RX TP	ケミコン F W		01
C208	UU247470	Electrolytic Cap.	47.00 25.0V RX TP	ケミコン F W		01
C209	UA352820	Mylar Capacitor	820P 50V J RX TP	マイラ - コン		01
C210	UA352120	Mylar Capacitor	120P 50V J RX TP	マイラ - コン		01
C211	UA353220	Mylar Capacitor	2200P 50V J RX TP	マイラ - コン		01
C217	US061330	Ceramic Capacitor-CH(chip)	33P 50V J RECT.	チップセラ (C H)		01
C219	US061330	Ceramic Capacitor-CH(chip)	33P 50V J RECT.	チップセラ (C H)		01
C221	UR078100	Electrolytic Cap.	100.00 63.0V FOR	ケミコン		01
C222	UR078100	Electrolytic Cap.	100.00 63.0V FOR	ケミコン		01
C225	UU248100	Electrolytic Cap.	100.00 25.0V RX TP	ケミコン F W		
C226	UU248100	Electrolytic Cap.	100.00 25.0V RX TP	ケミコン F W		
C301	UA353100	Mylar Capacitor	1000P 50V J RX TP	マイラ - コン		01
C302	UA352150	Mylar Capacitor	150P 50V J RX TP	マイラ - コン		01
C303	UA352150	Mylar Capacitor	150P 50V J RX TP	マイラ - コン		01
C304	UU247470	Electrolytic Cap.	47.00 25.0V RX TP	ケミコン F W		01
C307	UU247470	Electrolytic Cap.	47.00 25.0V RX TP	ケミコン F W		01
C308	UU247470	Electrolytic Cap.	47.00 25.0V RX TP	ケミコン F W		01
C309	UA352820	Mylar Capacitor	820P 50V J RX TP	マイラ - コン		
C310	UA352120	Mylar Capacitor	120P 50V J RX TP	マイラ - コン		01
C311	UA353220	Mylar Capacitor	2200P 50V J RX TP	マイラ - コン		01
C317	US061330	Ceramic Capacitor-CH(chip)	33P 50V J RECT.	チップセラ (C H)		01
C319	US061330	Ceramic Capacitor-CH(chip)	33P 50V J RECT.	チップセラ (C H)		01
C321	UR078100	Electrolytic Cap.	100.00 63.0V FOR	ケミコン		01
C322	UR078100	Electrolytic Cap.	100.00 63.0V FOR	ケミコン		01
C325	UU248100	Electrolytic Cap.	100.00 25.0V RX TP	ケミコン F W		
C326	UU248100	Electrolytic Cap.	100.00 25.0V RX TP	ケミコン F W		
C401	UA353100	Mylar Capacitor	1000P 50V J RX TP	マイラ - コン		01
C402	UA352150	Mylar Capacitor	150P 50V J RX TP	マイラ - コン		01
C403	UA352150	Mylar Capacitor	150P 50V J RX TP	マイラ - コン		01
C404	UU247470	Electrolytic Cap.	47.00 25.0V RX TP	ケミコン F W		01
C407	UU247470	Electrolytic Cap.	47.00 25.0V RX TP	ケミコン F W		01
C408	UU247470	Electrolytic Cap.	47.00 25.0V RX TP	ケミコン F W		01
C409	UA352820	Mylar Capacitor	820P 50V J RX TP	マイラ - コン		
C410	UA352120	Mylar Capacitor	120P 50V J RX TP	マイラ - コン		01
C411	UA353220	Mylar Capacitor	2200P 50V J RX TP	マイラ - コン		01
C417	US061330	Ceramic Capacitor-CH(chip)	33P 50V J RECT.	チップセラ (C H)		01
C419	US061330	Ceramic Capacitor-CH(chip)	33P 50V J RECT.	チップセラ (C H)		01
C421	UR078100	Electrolytic Cap.	100.00 63.0V FOR	ケミコン		01
C422	UR078100	Electrolytic Cap.	100.00 63.0V FOR	ケミコン		01
C425	UU248100	Electrolytic Cap.	100.00 25.0V RX TP	ケミコン F W		
C426	UU248100	Electrolytic Cap.	100.00 25.0V RX TP	ケミコン F W		
C501	UU247470	Electrolytic Cap.	47.00 25.0V RX TP	ケミコン F W		01
C502	UA355100	Mylar Capacitor	0.1000 50V J RX TP	マイラ - コン		01
C504	UA355100	Mylar Capacitor	0.1000 50V J RX TP	マイラ - コン		01
C505	UA355100	Mylar Capacitor	0.1000 50V J RX TP	マイラ - コン		01
C506	US044220	Ceramic Capacitor-B (chip)	0.0220 25V K RECT.	チップセラ (B)		01
C507	UU247470	Electrolytic Cap.	47.00 25.0V RX TP	ケミコン F W		01
C508	US044220	Ceramic Capacitor-B (chip)	0.0220 25V K RECT.	チップセラ (B)		01
C509	UU238100	Electrolytic Cap.	100.00 16.0V RX TP	ケミコン F W		01
C510	UA355100	Mylar Capacitor	0.1000 50V J RX TP	マイラ - コン		01
C511	UU247470	Electrolytic Cap.	47.00 25.0V RX TP	ケミコン F W		01
C601	UU247470	Electrolytic Cap.	47.00 25.0V RX TP	ケミコン F W		01
C602	UA355100	Mylar Capacitor	0.1000 50V J RX TP	マイラ - コン		01

*: New Parts

RANK: Japan only

DA

REF NO.	PART NO.	DESCRIPTION	部 品 名	REMARKS	QTY	RANK
C604	UA355100	Mylar Capacitor	0.1000 50V J RX TP	マイラーコン		01
C605	UA355100	Mylar Capacitor	0.1000 50V J RX TP	マイラーコン		01
C606	US044220	Ceramic Capacitor-B (chip)	0.0220 25V K RECT.	チップセラ(B)		01
C607	UU247470	Electrolytic Cap.	47.00 25.0V RX TP	ケミコン F W		01
C608	US044220	Ceramic Capacitor-B (chip)	0.0220 25V K RECT.	チップセラ(B)		01
C609	UU238100	Electrolytic Cap.	100.00 16.0V RX TP	ケミコン F W		01
C610	UA355100	Mylar Capacitor	0.1000 50V J RX TP	マイラーコン		01
C611	UU247470	Electrolytic Cap.	47.00 25.0V RX TP	ケミコン F W		01
C718	US044220	Ceramic Capacitor-B (chip)	0.0220 25V K RECT.	チップセラ(B)		01
C735	US044220	Ceramic Capacitor-B (chip)	0.0220 25V K RECT.	チップセラ(B)		01
C742	US044220	Ceramic Capacitor-B (chip)	0.0220 25V K RECT.	チップセラ(B)		01
C761	US044220	Ceramic Capacitor-B (chip)	0.0220 25V K RECT.	チップセラ(B)		01
C770	US064100	Ceramic Capacitor-B (chip)	0.0100 50V K RECT.	チップセラ(B)		01
C807	UR048470	Electrolytic Cap.	470.00 25.0V RX TP	ケミコン		01
-809	UR048470	Electrolytic Cap.	470.00 25.0V RX TP	ケミコン		01
C810	UR048100	Electrolytic Cap.	100.00 25.0V RX TP	ケミコン		01
C812	UR048100	Electrolytic Cap.	100.00 25.0V RX TP	ケミコン		01
C813	UA355150	Mylar Capacitor	0.1500 50V J RX TP	マイラーコン		01
-816	UA355150	Mylar Capacitor	0.1500 50V J RX TP	マイラーコン		01
C817	UU248100	Electrolytic Cap.	100.00 25.0V RX TP	ケミコン F W		01
C818	UU248100	Electrolytic Cap.	100.00 25.0V RX TP	ケミコン F W		01
C819	US064100	Ceramic Capacitor-B (chip)	0.0100 50V K RECT.	チップセラ(B)		01
C823	UR048100	Electrolytic Cap.	100.00 25.0V RX TP	ケミコン		01
CN101	WG281800	Terminal	6P ME030-50806	ミニ端子台 6P	OUTPUT CH1(5)-CH2(6)	01
CN301	WG281800	Terminal	6P ME030-50806	ミニ端子台 6P	OUTPUT CH3(7)-CH4(8)	01
CN701	WD295900	Connector, FFC	52793 23P SE	FFCコネクタ		01
CN801	VI879000	Cable Holder	51048 12P TE	ケーブルホルダー		01
D101	VR496500	Diode	MA111 FLAT TP	ダイオード	}	01
D101	VT332900	Diode	1SS355 TE-17 TP	ダイオード		
D102	VR496500	Diode	MA111 FLAT TP	ダイオード	}	01
D102	VT332900	Diode	1SS355 TE-17 TP	ダイオード		
D201	VR496500	Diode	MA111 FLAT TP	ダイオード	}	01
D201	VT332900	Diode	1SS355 TE-17 TP	ダイオード		
D202	VR496500	Diode	MA111 FLAT TP	ダイオード	}	01
D202	VT332900	Diode	1SS355 TE-17 TP	ダイオード		
D301	VR496500	Diode	MA111 FLAT TP	ダイオード	}	01
D301	VT332900	Diode	1SS355 TE-17 TP	ダイオード		
D302	VR496500	Diode	MA111 FLAT TP	ダイオード	}	01
D302	VT332900	Diode	1SS355 TE-17 TP	ダイオード		
D401	VR496500	Diode	MA111 FLAT TP	ダイオード	}	01
D401	VT332900	Diode	1SS355 TE-17 TP	ダイオード		
D402	VR496500	Diode	MA111 FLAT TP	ダイオード	}	01
D402	VT332900	Diode	1SS355 TE-17 TP	ダイオード		
D501	VS597600	Diode	RB160L-40 TE25 TP	ダイオード	}	01
D601	VS597600	Diode	RB160L-40 TE25 TP	ダイオード		
D801	VS597600	Diode	RB160L-40 TE25 TP	ダイオード	}	01
-804	VS597600	Diode	RB160L-40 TE25 TP	ダイオード		
D805	VS201100	Diode	D1F60 1A 600V TP	ダイオード	}	01
D806	VR496500	Diode	MA111 FLAT TP	ダイオード		
D806	VT332900	Diode	1SS355 TE-17 TP	ダイオード		01
EM101	VI243100	LC Filter	DSS6NB32A271Q93A	LCフィルタ		01
EM102	VI243100	LC Filter	DSS6NB32A271Q93A	LCフィルタ		01
EM201	VI243100	LC Filter	DSS6NB32A271Q93A	LCフィルタ		01
EM202	VI243100	LC Filter	DSS6NB32A271Q93A	LCフィルタ		01
EM301	VI243100	LC Filter	DSS6NB32A271Q93A	LCフィルタ		01
EM302	VI243100	LC Filter	DSS6NB32A271Q93A	LCフィルタ		01
EM401	VI243100	LC Filter	DSS6NB32A271Q93A	LCフィルタ		01
EM402	VI243100	LC Filter	DSS6NB32A271Q93A	LCフィルタ		01
EM801	WA093400	LC Filter	ZJSR5101-223TA-01	LCフィルタ EMI		01
-804	WA093400	LC Filter	ZJSR5101-223TA-01	LCフィルタ EMI		01
EM806	WA093400	LC Filter	ZJSR5101-223TA-01	LCフィルタ EMI		01
IC101	X7351A00	IC	UPC4570G2-E1-A	I C	OP AMP	01
IC102	XP844A00	IC	NJM4556AL	I C	OP AMP	02
IC201	X7351A00	IC	UPC4570G2-E1-A	I C	OP AMP	01
IC202	XP844A00	IC	NJM4556AL	I C	OP AMP	02
IC301	X7351A00	IC	UPC4570G2-E1-A	I C	OP AMP	01
IC302	XP844A00	IC	NJM4556AL	I C	OP AMP	02
IC401	X7351A00	IC	UPC4570G2-E1-A	I C	OP AMP	01
IC402	XP844A00	IC	NJM4556AL	I C	OP AMP	02
IC501	XW029A00	IC	AK4393VF-E2	I C	DAC	07

*: New Parts

RANK: Japan only

DA

REF NO.	PART NO.	DESCRIPTION		部	品	名	REMARKS	QTY	RANK
IC502	XJ598A00	IC	05UA 5V	レ		C	REGULATOR +5V		02
IC601	XW029A00	IC	AK4393VF-E2	レ		C	DAC		07
IC602	XJ598A00	IC	05UA 5V	レ		C	REGULATOR +5V		02
IC701	X7697A00	IC	LC4032V-75TN48C	レ		C	CPLD		
IC801	X3942A00	IC	NJM78M15DL1A(TE1)	レ		C	REGULATOR +15V		02
IC802	X3943A00	IC	NJM79M15DL1A(TE1)	レ		C	REGULATOR -15V		02
L701	V8045100	Chip Inductance	BLM18BB121SN1D	チ	ッ	ブ	インダクタ		01
-707	V8045100	Chip Inductance	BLM18BB121SN1D	チ	ッ	ブ	インダクタ		01
R101	VI195300	Metal Film Resistor (chip)	1.5K 1/10 D RECT.	チ	ッ	ブ	金被抵抗		01
R102	VI195300	Metal Film Resistor (chip)	1.5K 1/10 D RECT.	チ	ッ	ブ	金被抵抗		01
R103	VI197000	Metal Film Resistor (chip)	6.8K 1/10 D RECT.	チ	ッ	ブ	金被抵抗		01
R104	VI195300	Metal Film Resistor (chip)	1.5K 1/10 D RECT.	チ	ッ	ブ	金被抵抗		01
R105	VI195300	Metal Film Resistor (chip)	1.5K 1/10 D RECT.	チ	ッ	ブ	金被抵抗		01
R106	VI197000	Metal Film Resistor (chip)	6.8K 1/10 D RECT.	チ	ッ	ブ	金被抵抗		01
R109	RD257820	Carbon Resistor (chip)	82.0K 0.1 J RECT.	チ	ッ	ブ	抵抗		01
R110	VI195500	Metal Film Resistor (chip)	1.8K 1/10 D RECT.	チ	ッ	ブ	金被抵抗		01
-112	VI195500	Metal Film Resistor (chip)	1.8K 1/10 D RECT.	チ	ッ	ブ	金被抵抗		01
R113	RD258750	Carbon Resistor (chip)	750.0K 0.1 J RECT.	チ	ッ	ブ	抵抗		01
R114	VI194900	Metal Film Resistor (chip)	1.0K 1/10 D RECT.	チ	ッ	ブ	金被抵抗		01
R118	RD257820	Carbon Resistor (chip)	82.0K 0.1 J RECT.	チ	ッ	ブ	抵抗		01
R119	VI197400	Metal Film Resistor (chip)	10.0K 1/10 D RECT.	チ	ッ	ブ	金被抵抗		01
R120	VI197400	Metal Film Resistor (chip)	10.0K 1/10 D RECT.	チ	ッ	ブ	金被抵抗		01
R121	VI197500	Metal Film Resistor (chip)	11.0K 1/10 D RECT.	チ	ッ	ブ	金被抵抗		01
R122	VI197400	Metal Film Resistor (chip)	10.0K 1/10 D RECT.	チ	ッ	ブ	金被抵抗		01
R123	VI192300	Metal Film Resistor (chip)	82.0 1/10 D RECT.	チ	ッ	ブ	金被抵抗		01
R124	VI198000	Metal Film Resistor (chip)	18.0K 1/10 D RECT.	チ	ッ	ブ	金被抵抗		01
R125	VI198100	Metal Film Resistor (chip)	20.0K 1/10 D RECT.	チ	ッ	ブ	金被抵抗		01
R126	VI198000	Metal Film Resistor (chip)	18.0K 1/10 D RECT.	チ	ッ	ブ	金被抵抗		01
R127	VI198100	Metal Film Resistor (chip)	20.0K 1/10 D RECT.	チ	ッ	ブ	金被抵抗		01
R128	RD254750	Carbon Resistor (chip)	75.0 0.1 J RECT.	チ	ッ	ブ	抵抗		01
R129	RD254750	Carbon Resistor (chip)	75.0 0.1 J RECT.	チ	ッ	ブ	抵抗		01
R130	RD257680	Carbon Resistor (chip)	68.0K 0.1 J RECT.	チ	ッ	ブ	抵抗		01
R131	RD257680	Carbon Resistor (chip)	68.0K 0.1 J RECT.	チ	ッ	ブ	抵抗		01
R134	RD256910	Carbon Resistor (chip)	9.1K 0.1 J RECT.	チ	ッ	ブ	抵抗		01
R135	RD256910	Carbon Resistor (chip)	9.1K 0.1 J RECT.	チ	ッ	ブ	抵抗		01
R201	VI195300	Metal Film Resistor (chip)	1.5K 1/10 D RECT.	チ	ッ	ブ	金被抵抗		01
R202	VI195300	Metal Film Resistor (chip)	1.5K 1/10 D RECT.	チ	ッ	ブ	金被抵抗		01
R203	VI197000	Metal Film Resistor (chip)	6.8K 1/10 D RECT.	チ	ッ	ブ	金被抵抗		01
R204	VI195300	Metal Film Resistor (chip)	1.5K 1/10 D RECT.	チ	ッ	ブ	金被抵抗		01
R205	VI195300	Metal Film Resistor (chip)	1.5K 1/10 D RECT.	チ	ッ	ブ	金被抵抗		01
R206	VI197000	Metal Film Resistor (chip)	6.8K 1/10 D RECT.	チ	ッ	ブ	金被抵抗		01
R209	RD257820	Carbon Resistor (chip)	82.0K 0.1 J RECT.	チ	ッ	ブ	抵抗		01
R210	VI195500	Metal Film Resistor (chip)	1.8K 1/10 D RECT.	チ	ッ	ブ	金被抵抗		01
-212	VI195500	Metal Film Resistor (chip)	1.8K 1/10 D RECT.	チ	ッ	ブ	金被抵抗		01
R213	RD258750	Carbon Resistor (chip)	750.0K 0.1 J RECT.	チ	ッ	ブ	抵抗		01
R214	VI194900	Metal Film Resistor (chip)	1.0K 1/10 D RECT.	チ	ッ	ブ	金被抵抗		01
R218	RD257820	Carbon Resistor (chip)	82.0K 0.1 J RECT.	チ	ッ	ブ	抵抗		01
R219	VI197400	Metal Film Resistor (chip)	10.0K 1/10 D RECT.	チ	ッ	ブ	金被抵抗		01
R220	VI197400	Metal Film Resistor (chip)	10.0K 1/10 D RECT.	チ	ッ	ブ	金被抵抗		01
R221	VI197500	Metal Film Resistor (chip)	11.0K 1/10 D RECT.	チ	ッ	ブ	金被抵抗		01
R222	VI197400	Metal Film Resistor (chip)	10.0K 1/10 D RECT.	チ	ッ	ブ	金被抵抗		01
R223	VI192300	Metal Film Resistor (chip)	82.0 1/10 D RECT.	チ	ッ	ブ	金被抵抗		01
R224	VI198000	Metal Film Resistor (chip)	18.0K 1/10 D RECT.	チ	ッ	ブ	金被抵抗		01
R225	VI198100	Metal Film Resistor (chip)	20.0K 1/10 D RECT.	チ	ッ	ブ	金被抵抗		01
R226	VI198000	Metal Film Resistor (chip)	18.0K 1/10 D RECT.	チ	ッ	ブ	金被抵抗		01
R227	VI198100	Metal Film Resistor (chip)	20.0K 1/10 D RECT.	チ	ッ	ブ	金被抵抗		01
R228	RD254750	Carbon Resistor (chip)	75.0 0.1 J RECT.	チ	ッ	ブ	抵抗		01
R229	RD254750	Carbon Resistor (chip)	75.0 0.1 J RECT.	チ	ッ	ブ	抵抗		01
R230	RD257680	Carbon Resistor (chip)	68.0K 0.1 J RECT.	チ	ッ	ブ	抵抗		01
R231	RD257680	Carbon Resistor (chip)	68.0K 0.1 J RECT.	チ	ッ	ブ	抵抗		01
R234	RD256910	Carbon Resistor (chip)	9.1K 0.1 J RECT.	チ	ッ	ブ	抵抗		01
R235	RD256910	Carbon Resistor (chip)	9.1K 0.1 J RECT.	チ	ッ	ブ	抵抗		01
R301	VI195300	Metal Film Resistor (chip)	1.5K 1/10 D RECT.	チ	ッ	ブ	金被抵抗		01
R302	VI195300	Metal Film Resistor (chip)	1.5K 1/10 D RECT.	チ	ッ	ブ	金被抵抗		01
R303	VI197000	Metal Film Resistor (chip)	6.8K 1/10 D RECT.	チ	ッ	ブ	金被抵抗		01
R304	VI195300	Metal Film Resistor (chip)	1.5K 1/10 D RECT.	チ	ッ	ブ	金被抵抗		01
R305	VI195300	Metal Film Resistor (chip)	1.5K 1/10 D RECT.	チ	ッ	ブ	金被抵抗		01
R306	VI197000	Metal Film Resistor (chip)	6.8K 1/10 D RECT.	チ	ッ	ブ	金被抵抗		01
R309	RD257820	Carbon Resistor (chip)	82.0K 0.1 J RECT.	チ	ッ	ブ	抵抗		01
R310	VI195500	Metal Film Resistor (chip)	1.8K 1/10 D RECT.	チ	ッ	ブ	金被抵抗		01

*: New Parts

RANK: Japan only

DA

REF NO.	PART NO.	DESCRIPTION	部	品	名	REMARKS	QTY	RANK
-312	VI195500	Metal Film Resistor (chip)	1.8K	1/10 D	RECT.	チ ッ プ 金 被 抵 抗		01
R313	RD258750	Carbon Resistor (chip)	750.0K	0.1 J	RECT.	チ ッ プ 抵 抗		01
R314	VI194900	Metal Film Resistor (chip)	1.0K	1/10 D	RECT.	チ ッ プ 金 被 抵 抗		01
R318	RD257820	Carbon Resistor (chip)	82.0K	0.1 J	RECT.	チ ッ プ 抵 抗		01
R319	VI197400	Metal Film Resistor (chip)	10.0K	1/10 D	RECT.	チ ッ プ 金 被 抵 抗		01
R320	VI197400	Metal Film Resistor (chip)	10.0K	1/10 D	RECT.	チ ッ プ 金 被 抵 抗		01
R321	VI197500	Metal Film Resistor (chip)	11.0K	1/10 D	RECT.	チ ッ プ 金 被 抵 抗		01
R322	VI197400	Metal Film Resistor (chip)	10.0K	1/10 D	RECT.	チ ッ プ 金 被 抵 抗		01
R323	VI192300	Metal Film Resistor (chip)	82.0	1/10 D	RECT.	チ ッ プ 金 被 抵 抗		01
R324	VI198000	Metal Film Resistor (chip)	18.0K	1/10 D	RECT.	チ ッ プ 金 被 抵 抗		01
R325	VI198100	Metal Film Resistor (chip)	20.0K	1/10 D	RECT.	チ ッ プ 金 被 抵 抗		01
R326	VI198000	Metal Film Resistor (chip)	18.0K	1/10 D	RECT.	チ ッ プ 金 被 抵 抗		01
R327	VI198100	Metal Film Resistor (chip)	20.0K	1/10 D	RECT.	チ ッ プ 金 被 抵 抗		01
R328	RD254750	Carbon Resistor (chip)	75.0	0.1 J	RECT.	チ ッ プ 抵 抗		01
R329	RD254750	Carbon Resistor (chip)	75.0	0.1 J	RECT.	チ ッ プ 抵 抗		01
R330	RD257680	Carbon Resistor (chip)	68.0K	0.1 J	RECT.	チ ッ プ 抵 抗		01
R331	RD257680	Carbon Resistor (chip)	68.0K	0.1 J	RECT.	チ ッ プ 抵 抗		01
R334	RD256910	Carbon Resistor (chip)	9.1K	0.1 J	RECT.	チ ッ プ 抵 抗		01
R335	RD256910	Carbon Resistor (chip)	9.1K	0.1 J	RECT.	チ ッ プ 抵 抗		01
R401	VI195300	Metal Film Resistor (chip)	1.5K	1/10 D	RECT.	チ ッ プ 金 被 抵 抗		01
R402	VI195300	Metal Film Resistor (chip)	1.5K	1/10 D	RECT.	チ ッ プ 金 被 抵 抗		01
R403	VI197000	Metal Film Resistor (chip)	6.8K	1/10 D	RECT.	チ ッ プ 金 被 抵 抗		01
R404	VI195300	Metal Film Resistor (chip)	1.5K	1/10 D	RECT.	チ ッ プ 金 被 抵 抗		01
R405	VI195300	Metal Film Resistor (chip)	1.5K	1/10 D	RECT.	チ ッ プ 金 被 抵 抗		01
R406	VI197000	Metal Film Resistor (chip)	6.8K	1/10 D	RECT.	チ ッ プ 金 被 抵 抗		01
R409	RD257820	Carbon Resistor (chip)	82.0K	0.1 J	RECT.	チ ッ プ 抵 抗		01
R410	VI195500	Metal Film Resistor (chip)	1.8K	1/10 D	RECT.	チ ッ プ 金 被 抵 抗		01
-412	VI195500	Metal Film Resistor (chip)	1.8K	1/10 D	RECT.	チ ッ プ 金 被 抵 抗		01
R413	RD258750	Carbon Resistor (chip)	750.0K	0.1 J	RECT.	チ ッ プ 抵 抗		01
R414	VI194900	Metal Film Resistor (chip)	1.0K	1/10 D	RECT.	チ ッ プ 金 被 抵 抗		01
R418	RD257820	Carbon Resistor (chip)	82.0K	0.1 J	RECT.	チ ッ プ 抵 抗		01
R419	VI197400	Metal Film Resistor (chip)	10.0K	1/10 D	RECT.	チ ッ プ 金 被 抵 抗		01
R420	VI197400	Metal Film Resistor (chip)	10.0K	1/10 D	RECT.	チ ッ プ 金 被 抵 抗		01
R421	VI197500	Metal Film Resistor (chip)	11.0K	1/10 D	RECT.	チ ッ プ 金 被 抵 抗		01
R422	VI197400	Metal Film Resistor (chip)	10.0K	1/10 D	RECT.	チ ッ プ 金 被 抵 抗		01
R423	VI192300	Metal Film Resistor (chip)	82.0	1/10 D	RECT.	チ ッ プ 金 被 抵 抗		01
R424	VI198000	Metal Film Resistor (chip)	18.0K	1/10 D	RECT.	チ ッ プ 金 被 抵 抗		01
R425	VI198100	Metal Film Resistor (chip)	20.0K	1/10 D	RECT.	チ ッ プ 金 被 抵 抗		01
R426	VI198000	Metal Film Resistor (chip)	18.0K	1/10 D	RECT.	チ ッ プ 金 被 抵 抗		01
R427	VI198100	Metal Film Resistor (chip)	20.0K	1/10 D	RECT.	チ ッ プ 金 被 抵 抗		01
R428	RD254750	Carbon Resistor (chip)	75.0	0.1 J	RECT.	チ ッ プ 抵 抗		01
R429	RD254750	Carbon Resistor (chip)	75.0	0.1 J	RECT.	チ ッ プ 抵 抗		01
R430	RD257680	Carbon Resistor (chip)	68.0K	0.1 J	RECT.	チ ッ プ 抵 抗		01
R431	RD257680	Carbon Resistor (chip)	68.0K	0.1 J	RECT.	チ ッ プ 抵 抗		01
R434	RD256910	Carbon Resistor (chip)	9.1K	0.1 J	RECT.	チ ッ プ 抵 抗		01
R435	RD256910	Carbon Resistor (chip)	9.1K	0.1 J	RECT.	チ ッ プ 抵 抗		01
R506	RD357100	Carbon Resistor (chip)	10.0K	63M	J RECT.	チ ッ プ 抵 抗		01
R513	RD350000	Carbon Resistor (chip)	0	63M	J RECT.	チ ッ プ 抵 抗		01
R514	RD350000	Carbon Resistor (chip)	0	63M	J RECT.	チ ッ プ 抵 抗		01
R606	RD357100	Carbon Resistor (chip)	10.0K	63M	J RECT.	チ ッ プ 抵 抗		01
R613	RD350000	Carbon Resistor (chip)	0	63M	J RECT.	チ ッ プ 抵 抗		01
R614	RD350000	Carbon Resistor (chip)	0	63M	J RECT.	チ ッ プ 抵 抗		01
R701	RD354820	Carbon Resistor (chip)	82.0	63M	J RECT.	チ ッ プ 抵 抗		01
-708	RD354820	Carbon Resistor (chip)	82.0	63M	J RECT.	チ ッ プ 抵 抗		01
R709	RD354470	Carbon Resistor (chip)	47.0	63M	J RECT.	チ ッ プ 抵 抗		01
-716	RD354470	Carbon Resistor (chip)	47.0	63M	J RECT.	チ ッ プ 抵 抗		01
R733	RD357220	Carbon Resistor (chip)	22.0K	63M	J RECT.	チ ッ プ 抵 抗		01
R734	RD357220	Carbon Resistor (chip)	22.0K	63M	J RECT.	チ ッ プ 抵 抗		01
R735	RD356680	Carbon Resistor (chip)	6.8K	63M	J RECT.	チ ッ プ 抵 抗		01
R736	RD356680	Carbon Resistor (chip)	6.8K	63M	J RECT.	チ ッ プ 抵 抗		01
R748	RD354470	Carbon Resistor (chip)	47.0	63M	J RECT.	チ ッ プ 抵 抗		01
R749	RD355150	Carbon Resistor (chip)	150.0	63M	J RECT.	チ ッ プ 抵 抗		01
-755	RD355150	Carbon Resistor (chip)	150.0	63M	J RECT.	チ ッ プ 抵 抗		01
R756	RD354470	Carbon Resistor (chip)	47.0	63M	J RECT.	チ ッ プ 抵 抗		01
R757	RD355150	Carbon Resistor (chip)	150.0	63M	J RECT.	チ ッ プ 抵 抗		01
R759	RD355150	Carbon Resistor (chip)	150.0	63M	J RECT.	チ ッ プ 抵 抗		01
R764	RD354470	Carbon Resistor (chip)	47.0	63M	J RECT.	チ ッ プ 抵 抗		01
R767	RD355220	Carbon Resistor (chip)	220.0	63M	J RECT.	チ ッ プ 抵 抗		01
R771	RD355220	Carbon Resistor (chip)	220.0	63M	J RECT.	チ ッ プ 抵 抗		01
-773	RD355220	Carbon Resistor (chip)	220.0	63M	J RECT.	チ ッ プ 抵 抗		01

*: New Parts

RANK: Japan only

DA and DSP

REF NO.	PART NO.	DESCRIPTION		部 品 名	REMARKS	QTY	RANK
R775	RD356470	Carbon Resistor (chip)	4.7K 63M J RECT.	チ ッ プ 抵 抗			01
R776	RD356470	Carbon Resistor (chip)	4.7K 63M J RECT.	チ ッ プ 抵 抗			01
R777	RD354470	Carbon Resistor (chip)	47.0 63M J RECT.	チ ッ プ 抵 抗			01
R780	RD356470	Carbon Resistor (chip)	4.7K 63M J RECT.	チ ッ プ 抵 抗			01
R809	RD254750	Carbon Resistor (chip)	75.0 0.1 J RECT.	チ ッ プ 抵 抗			01
R810	RD357240	Carbon Resistor (chip)	24.0K 63M J RECT.	チ ッ プ 抵 抗			01
R811	RD357180	Carbon Resistor (chip)	18.0K 63M J RECT.	チ ッ プ 抵 抗			01
R812	VI200000	Metal Film Resistor (chip)	100K 1/10 D RECT.	チ ッ プ 金 被 抵 抗			01
R813	RD356390	Carbon Resistor (chip)	3.9K 63M J RECT.	チ ッ プ 抵 抗			01
R814	RD357240	Carbon Resistor (chip)	24.0K 63M J RECT.	チ ッ プ 抵 抗			01
RA701	RE047220	Resistor Array	22KX4	抵 抗 ア レ イ			01
-703	RE047220	Resistor Array	22KX4	抵 抗 ア レ イ			01
RA704	RE044470	Resistor Array	47X4	抵 抗 ア レ イ			01
RA708	RE046470	Resistor Array	4.7KX4	抵 抗 ア レ イ			01
RA709	RE047220	Resistor Array	22KX4	抵 抗 ア レ イ			01
RA710	RE046470	Resistor Array	4.7KX4	抵 抗 ア レ イ			01
RA720	RE044470	Resistor Array	47X4	抵 抗 ア レ イ			01
TR101	V2993500	Transistor	2SD19790SL/TL	ト ラ ン ジ ス タ			01
TR102	V2993500	Transistor	2SD19790SL/TL	ト ラ ン ジ ス タ			01
TR201	V2993500	Transistor	2SD19790SL/TL	ト ラ ン ジ ス タ			01
TR202	V2993500	Transistor	2SD19790SL/TL	ト ラ ン ジ ス タ			01
TR301	V2993500	Transistor	2SD19790SL/TL	ト ラ ン ジ ス タ			01
TR302	V2993500	Transistor	2SD19790SL/TL	ト ラ ン ジ ス タ			01
TR401	V2993500	Transistor	2SD19790SL/TL	ト ラ ン ジ ス タ			01
TR402	V2993500	Transistor	2SD19790SL/TL	ト ラ ン ジ ス タ			01
TR801	VJ927200	Transistor	2SA1162-Y(TE85R,F)	ト ラ ン ジ ス タ			01
TR802	VV655400	Digital Transistor	DTC114EKA TP	デ ジ タ ル ト ラ ン ジ ス タ			01
TR803	VJ927200	Transistor	2SA1162-Y(TE85R,F)	ト ラ ン ジ ス タ			01
W801	--	Jumper Wire	FVP=2.0C26SB	ジャンパーワイヤー	(VY69010)		
	WG301600	Circuit Board	DSP	D S P シ ー ト	(X7296C0)		
C001	US145100	Ceramic Capacitor-F (chip)	0.1000 25V Z RECT.	チ ッ プ セ ラ (F)			01
C002	US064100	Ceramic Capacitor-B (chip)	0.0100 50V K RECT.	チ ッ プ セ ラ (B)			01
C003	US145100	Ceramic Capacitor-F (chip)	0.1000 25V Z RECT.	チ ッ プ セ ラ (F)			01
-018	US145100	Ceramic Capacitor-F (chip)	0.1000 25V Z RECT.	チ ッ プ セ ラ (F)			01
C048	US145100	Ceramic Capacitor-F (chip)	0.1000 25V Z RECT.	チ ッ プ セ ラ (F)			01
C051	US145100	Ceramic Capacitor-F (chip)	0.1000 25V Z RECT.	チ ッ プ セ ラ (F)			01
-058	US145100	Ceramic Capacitor-F (chip)	0.1000 25V Z RECT.	チ ッ プ セ ラ (F)			01
C059	UF038100	Electrolytic Cap. (chip)	100 16V	チ ッ プ ケ ミ コ ン			01
C060	US145100	Ceramic Capacitor-F (chip)	0.1000 25V Z RECT.	チ ッ プ セ ラ (F)			01
C062	US145100	Ceramic Capacitor-F (chip)	0.1000 25V Z RECT.	チ ッ プ セ ラ (F)			01
C064	US145100	Ceramic Capacitor-F (chip)	0.1000 25V Z RECT.	チ ッ プ セ ラ (F)			01
-069	US145100	Ceramic Capacitor-F (chip)	0.1000 25V Z RECT.	チ ッ プ セ ラ (F)			01
C071	US145100	Ceramic Capacitor-F (chip)	0.1000 25V Z RECT.	チ ッ プ セ ラ (F)			01
-082	US145100	Ceramic Capacitor-F (chip)	0.1000 25V Z RECT.	チ ッ プ セ ラ (F)			01
C095	US145100	Ceramic Capacitor-F (chip)	0.1000 25V Z RECT.	チ ッ プ セ ラ (F)			01
-097	US145100	Ceramic Capacitor-F (chip)	0.1000 25V Z RECT.	チ ッ プ セ ラ (F)			01
C099	US145100	Ceramic Capacitor-F (chip)	0.1000 25V Z RECT.	チ ッ プ セ ラ (F)			01
-101	US145100	Ceramic Capacitor-F (chip)	0.1000 25V Z RECT.	チ ッ プ セ ラ (F)			01
C150	US145100	Ceramic Capacitor-F (chip)	0.1000 25V Z RECT.	チ ッ プ セ ラ (F)			01
-155	US145100	Ceramic Capacitor-F (chip)	0.1000 25V Z RECT.	チ ッ プ セ ラ (F)			01
C156	UF038100	Electrolytic Cap. (chip)	100 16V	チ ッ プ ケ ミ コ ン			01
C157	UF038100	Electrolytic Cap. (chip)	100 16V	チ ッ プ ケ ミ コ ン			01
C158	US145100	Ceramic Capacitor-F (chip)	0.1000 25V Z RECT.	チ ッ プ セ ラ (F)			01
-178	US145100	Ceramic Capacitor-F (chip)	0.1000 25V Z RECT.	チ ッ プ セ ラ (F)			01
C179	UF038100	Electrolytic Cap. (chip)	100 16V	チ ッ プ ケ ミ コ ン			01
C180	US145100	Ceramic Capacitor-F (chip)	0.1000 25V Z RECT.	チ ッ プ セ ラ (F)			01
-190	US145100	Ceramic Capacitor-F (chip)	0.1000 25V Z RECT.	チ ッ プ セ ラ (F)			01
C191	UF038100	Electrolytic Cap. (chip)	100 16V	チ ッ プ ケ ミ コ ン			01
C192	UF038100	Electrolytic Cap. (chip)	100 16V	チ ッ プ ケ ミ コ ン			01
C193	US145100	Ceramic Capacitor-F (chip)	0.1000 25V Z RECT.	チ ッ プ セ ラ (F)			01
-215	US145100	Ceramic Capacitor-F (chip)	0.1000 25V Z RECT.	チ ッ プ セ ラ (F)			01
C252	US145100	Ceramic Capacitor-F (chip)	0.1000 25V Z RECT.	チ ッ プ セ ラ (F)			01
C253	US145100	Ceramic Capacitor-F (chip)	0.1000 25V Z RECT.	チ ッ プ セ ラ (F)			01
C255	US145100	Ceramic Capacitor-F (chip)	0.1000 25V Z RECT.	チ ッ プ セ ラ (F)			01
C257	US145100	Ceramic Capacitor-F (chip)	0.1000 25V Z RECT.	チ ッ プ セ ラ (F)			01
C260	US145100	Ceramic Capacitor-F (chip)	0.1000 25V Z RECT.	チ ッ プ セ ラ (F)			01
C261	US145100	Ceramic Capacitor-F (chip)	0.1000 25V Z RECT.	チ ッ プ セ ラ (F)			01
C263	US145100	Ceramic Capacitor-F (chip)	0.1000 25V Z RECT.	チ ッ プ セ ラ (F)			01
C265	US145100	Ceramic Capacitor-F (chip)	0.1000 25V Z RECT.	チ ッ プ セ ラ (F)			01

*: New Parts

RANK: Japan only

DSP

REF NO.	PART NO.	DESCRIPTION	部 品 名	REMARKS	QTY	RANK
C300	US145100	Ceramic Capacitor-F (chip)	0.1000 25V Z RECT.	チップセラ (F)		01
C302	UF038100	Electrolytic Cap. (chip)	100 16V	チップケミコン		01
-304	UF038100	Electrolytic Cap. (chip)	100 16V	チップケミコン		01
C305	US145100	Ceramic Capacitor-F (chip)	0.1000 25V Z RECT.	チップセラ (F)		01
-307	US145100	Ceramic Capacitor-F (chip)	0.1000 25V Z RECT.	チップセラ (F)		01
C400	US145100	Ceramic Capacitor-F (chip)	0.1000 25V Z RECT.	チップセラ (F)		01
C401	US145100	Ceramic Capacitor-F (chip)	0.1000 25V Z RECT.	チップセラ (F)		01
C403	US145100	Ceramic Capacitor-F (chip)	0.1000 25V Z RECT.	チップセラ (F)		01
-410	US145100	Ceramic Capacitor-F (chip)	0.1000 25V Z RECT.	チップセラ (F)		01
C412	US145100	Ceramic Capacitor-F (chip)	0.1000 25V Z RECT.	チップセラ (F)		01
C500	US145100	Ceramic Capacitor-F (chip)	0.1000 25V Z RECT.	チップセラ (F)		01
-502	US145100	Ceramic Capacitor-F (chip)	0.1000 25V Z RECT.	チップセラ (F)		01
C802	US145100	Ceramic Capacitor-F (chip)	0.1000 25V Z RECT.	チップセラ (F)		01
C825	US145100	Ceramic Capacitor-F (chip)	0.1000 25V Z RECT.	チップセラ (F)		01
-839	US145100	Ceramic Capacitor-F (chip)	0.1000 25V Z RECT.	チップセラ (F)		01
C844	US145100	Ceramic Capacitor-F (chip)	0.1000 25V Z RECT.	チップセラ (F)		01
C855	US145100	Ceramic Capacitor-F (chip)	0.1000 25V Z RECT.	チップセラ (F)		01
C856	US145100	Ceramic Capacitor-F (chip)	0.1000 25V Z RECT.	チップセラ (F)		01
C858	US145100	Ceramic Capacitor-F (chip)	0.1000 25V Z RECT.	チップセラ (F)		01
C859	US145100	Ceramic Capacitor-F (chip)	0.1000 25V Z RECT.	チップセラ (F)		01
C862	US145100	Ceramic Capacitor-F (chip)	0.1000 25V Z RECT.	チップセラ (F)		01
C900	US064100	Ceramic Capacitor-B (chip)	0.0100 50V K RECT.	チップセラ (B)		01
CN001	WF025000	Connector	52837 180P TE	基板用コネクタ		08
CN002	VT388600	Base Post Connector	PH 5P TE	ベース付ポスト		01
CN250	V9335000	Connector, FFC/FPC	52808 21P TE	FFC/FPCコネクタ		01
CN251	VT388400	Base Post Connector	PH 3P TE	ベース付ポスト		01
CN300	WC198800	Connector, FMN	FMN 38P TE	FMNコネクタ		03
CN310	WD736900	Base Post Connector	PH 14P TE	ベース付ポスト		04
CN350	V6478900	Connector, FFC/FPC	52808 26P TE	FFC/FPCコネクタ		01
CN400	WC199000	Connector, FMN	FMN 40P TE	FMNコネクタ		01
CN410	WC199000	Connector, FMN	FMN 40P TE	FMNコネクタ		02
CN500	WC199600	Connector, FFC/FPC	52808 23P TE	FFC/FPCコネクタ		02
CN510	WC199600	Connector, FFC/FPC	52808 23P TE	FFC/FPCコネクタ		01
D150	VS597600	Diode	RB160L-40 TE25 TP	ダイオード		01
EM051	VZ581100	EMI Filter (chip)	31PT222Z1E9L TP	チップエミフィル		01
EM150	VZ581100	EMI Filter (chip)	31PT222Z1E9L TP	チップエミフィル		01
EM300	VZ581100	EMI Filter (chip)	31PT222Z1E9L TP	チップエミフィル		01
-303	VZ581100	EMI Filter (chip)	31PT222Z1E9L TP	チップエミフィル		01
EM350	VZ581100	EMI Filter (chip)	31PT222Z1E9L TP	チップエミフィル		01
EM400	VZ581100	EMI Filter (chip)	31PT222Z1E9L TP	チップエミフィル		01
EM401	VZ581100	EMI Filter (chip)	31PT222Z1E9L TP	チップエミフィル		01
IC001	XY806A00	IC	TC7WH14FU(TE12L,F)	I C	INVERTER	02
IC002	X3764A00	IC	SN74AHC1G125DCKR	I C	BUFFER GATE	01
IC003	X5965A00	IC	SN74LV04APWR	I C	INVERTER	01
IC004	X3847A00	IC	S-80142ANMC-JC3T2G	I C	SYSTEM RESET	01
IC005	X3693A00	IC	SN74LV245APWR	I C	TRANSCEIVER	01
-010	X3693A00	IC	SN74LV245APWR	I C	TRANSCEIVER	01
IC011	X3516A00	IC	SN74LV11APWR	I C	AND	01
IC012	X3693A00	IC	SN74LV245APWR	I C	TRANSCEIVER	01
-014	X3693A00	IC	SN74LV245APWR	I C	TRANSCEIVER	01
IC015	X5966A00	IC	SN74LV541APWR	I C	BUFFER	01
IC016	X2709A00	IC	SN74AHCT245PWR	I C	TRANSCEIVER	02
IC017	X3693A00	IC	SN74LV245APWR	I C	TRANSCEIVER	01
IC018	X5965A00	IC	SN74LV04APWR	I C	INVERTER	01
IC051	X4463A00	IC	SN74LV08APWR	I C	AND	01
IC052	X3775A00	IC	S1L51252F32S200	I C	PLL2 (GATE ARRAY)	08
IC053	X5965A00	IC	SN74LV04APWR	I C	INVERTER	01
IC056	X5534A00	IC	SN74LV74APWR	I C	D-FF	01
IC061	X3693A00	IC	SN74LV245APWR	I C	TRANSCEIVER	01
-064	X3693A00	IC	SN74LV245APWR	I C	TRANSCEIVER	01
IC150	X5693A00	IC	M12L16161A-7TG	I C	} SDRAM 16M	06
IC150	X5693B00	IC	M12L16161A-7TG	I C		
IC151	X5693A00	IC	M12L16161A-7TG	I C	} SDRAM 16M	06
IC151	X5693B00	IC	M12L16161A-7TG	I C		
IC152	X3292A00	IC	SN74LV244APWR	I C	BUFFER	01
IC153	XZ693B00	IC	YSS919B-HZ	I C	} DSP7	15
IC153	XZ693C00	IC	YSS919C-FZ	I C		
IC154	X5193A00	IC	PQ025EZ01ZPH	I C	REGULATOR +2.5V	03
IC155	X5693A00	IC	M12L16161A-7TG	I C	} SDRAM 16M	06
IC155	X5693B00	IC	M12L16161A-7TG	I C		

*: New Parts

RANK: Japan only

DSP

REF NO.	PART NO.	DESCRIPTION	部	品	名	REMARKS	QTY	RANK	
IC156	X5693A00	IC	M12L16161A-7TG		C	} SDRAM 16M		06	
IC156	X5693B00	IC	M12L16161A-7TG		C				
IC157	XZ693B00	IC	YSS919B-HZ		C	} DSP7		15	
IC157	XZ693C00	IC	YSS919C-FZ		C				
IC253	X2709A00	IC	SN74AHCT245PWR		C	TRANSCEIVER		02	
IC254	X2689A00	IC	HD74LV273ATELL		C	} D-FF		01	
IC254	X5074A00	IC	SN74LV273APWR		C				
IC256	X2689A00	IC	HD74LV273ATELL		C	} D-FF		01	
IC256	X5074A00	IC	SN74LV273APWR		C				
IC258	X2709A00	IC	SN74AHCT245PWR		C	TRANSCEIVER		02	
IC259	X2709A00	IC	SN74AHCT245PWR		C	TRANSCEIVER		02	
IC260	XZ347A00	IC	SN74AHCT32PWR		C	OR		01	
IC261	X3824A00	IC	SN74AHCT08PWR		C	AND		01	
IC300	X3292A00	IC	SN74LV244APWR		C	BUFFER		01	
IC400	X3693A00	IC	SN74LV245APWR		C	TRANSCEIVER			
IC401	X3693A00	IC	SN74LV245APWR		C	TRANSCEIVER			
IC403	X3299A00	IC	MBCG61594-130-E1		C	ATSC2A		11	
IC405	X3693A00	IC	SN74LV245APWR		C	TRANSCEIVER			
IC500	X3693A00	IC	SN74LV245APWR		C	TRANSCEIVER			
-502	X3693A00	IC	SN74LV245APWR		C	TRANSCEIVER			
R002	RD154270	Carbon Resistor (chip)	27.0 1/4 J TP	チ	ッ	ブ	抵	抗	01
R003	RD154270	Carbon Resistor (chip)	27.0 1/4 J TP	チ	ッ	ブ	抵	抗	01
R004	RD354220	Carbon Resistor (chip)	22.0 63M J RECT.	チ	ッ	ブ	抵	抗	01
-006	RD354220	Carbon Resistor (chip)	22.0 63M J RECT.	チ	ッ	ブ	抵	抗	01
R007	RD356150	Carbon Resistor (chip)	1.5K 63M J RECT.	チ	ッ	ブ	抵	抗	01
R008	RD357100	Carbon Resistor (chip)	10.0K 63M J RECT.	チ	ッ	ブ	抵	抗	01
R009	RD356150	Carbon Resistor (chip)	1.5K 63M J RECT.	チ	ッ	ブ	抵	抗	01
R010	RD354220	Carbon Resistor (chip)	22.0 63M J RECT.	チ	ッ	ブ	抵	抗	01
R011	RD354220	Carbon Resistor (chip)	22.0 63M J RECT.	チ	ッ	ブ	抵	抗	01
R012	RD350000	Carbon Resistor (chip)	0 63M J RECT.	チ	ッ	ブ	抵	抗	01
R013	RD354470	Carbon Resistor (chip)	47.0 63M J RECT.	チ	ッ	ブ	抵	抗	01
R014	RD354220	Carbon Resistor (chip)	22.0 63M J RECT.	チ	ッ	ブ	抵	抗	01
R015	RD354220	Carbon Resistor (chip)	22.0 63M J RECT.	チ	ッ	ブ	抵	抗	01
R016	RD350000	Carbon Resistor (chip)	0 63M J RECT.	チ	ッ	ブ	抵	抗	01
R017	RD354220	Carbon Resistor (chip)	22.0 63M J RECT.	チ	ッ	ブ	抵	抗	01
R018	RD354220	Carbon Resistor (chip)	22.0 63M J RECT.	チ	ッ	ブ	抵	抗	01
R020	RD357100	Carbon Resistor (chip)	10.0K 63M J RECT.	チ	ッ	ブ	抵	抗	01
R021	RD357100	Carbon Resistor (chip)	10.0K 63M J RECT.	チ	ッ	ブ	抵	抗	01
R023	RD354220	Carbon Resistor (chip)	22.0 63M J RECT.	チ	ッ	ブ	抵	抗	01
R024	RD354220	Carbon Resistor (chip)	22.0 63M J RECT.	チ	ッ	ブ	抵	抗	01
R027	RD357100	Carbon Resistor (chip)	10.0K 63M J RECT.	チ	ッ	ブ	抵	抗	01
R028	RD357100	Carbon Resistor (chip)	10.0K 63M J RECT.	チ	ッ	ブ	抵	抗	01
R031	RD350000	Carbon Resistor (chip)	0 63M J RECT.	チ	ッ	ブ	抵	抗	01
R053	RD357100	Carbon Resistor (chip)	10.0K 63M J RECT.	チ	ッ	ブ	抵	抗	01
R057	RD354220	Carbon Resistor (chip)	22.0 63M J RECT.	チ	ッ	ブ	抵	抗	01
-059	RD354220	Carbon Resistor (chip)	22.0 63M J RECT.	チ	ッ	ブ	抵	抗	01
R060	RD357100	Carbon Resistor (chip)	10.0K 63M J RECT.	チ	ッ	ブ	抵	抗	01
R062	RD354220	Carbon Resistor (chip)	22.0 63M J RECT.	チ	ッ	ブ	抵	抗	01
R064	RD354220	Carbon Resistor (chip)	22.0 63M J RECT.	チ	ッ	ブ	抵	抗	01
R065	RD354220	Carbon Resistor (chip)	22.0 63M J RECT.	チ	ッ	ブ	抵	抗	01
R066	RD357100	Carbon Resistor (chip)	10.0K 63M J RECT.	チ	ッ	ブ	抵	抗	01
-070	RD357100	Carbon Resistor (chip)	10.0K 63M J RECT.	チ	ッ	ブ	抵	抗	01
R071	RD354820	Carbon Resistor (chip)	82.0 63M J RECT.	チ	ッ	ブ	抵	抗	01
R076	RD357100	Carbon Resistor (chip)	10.0K 63M J RECT.	チ	ッ	ブ	抵	抗	01
R077	RD354470	Carbon Resistor (chip)	47.0 63M J RECT.	チ	ッ	ブ	抵	抗	01
R080	RD354220	Carbon Resistor (chip)	22.0 63M J RECT.	チ	ッ	ブ	抵	抗	01
R086	RD354470	Carbon Resistor (chip)	47.0 63M J RECT.	チ	ッ	ブ	抵	抗	01
R088	RD354470	Carbon Resistor (chip)	47.0 63M J RECT.	チ	ッ	ブ	抵	抗	01
-090	RD354470	Carbon Resistor (chip)	47.0 63M J RECT.	チ	ッ	ブ	抵	抗	01
R092	RD354220	Carbon Resistor (chip)	22.0 63M J RECT.	チ	ッ	ブ	抵	抗	01
R093	RD354470	Carbon Resistor (chip)	47.0 63M J RECT.	チ	ッ	ブ	抵	抗	01
R095	RD354470	Carbon Resistor (chip)	47.0 63M J RECT.	チ	ッ	ブ	抵	抗	01
R096	RD354470	Carbon Resistor (chip)	47.0 63M J RECT.	チ	ッ	ブ	抵	抗	01
R098	RD354220	Carbon Resistor (chip)	22.0 63M J RECT.	チ	ッ	ブ	抵	抗	01
R099	RD354470	Carbon Resistor (chip)	47.0 63M J RECT.	チ	ッ	ブ	抵	抗	01
R106	RD350000	Carbon Resistor (chip)	0 63M J RECT.	チ	ッ	ブ	抵	抗	01
-108	RD350000	Carbon Resistor (chip)	0 63M J RECT.	チ	ッ	ブ	抵	抗	01
R150	RD354470	Carbon Resistor (chip)	47.0 63M J RECT.	チ	ッ	ブ	抵	抗	01
R151	RD357100	Carbon Resistor (chip)	10.0K 63M J RECT.	チ	ッ	ブ	抵	抗	01
R252	RD154390	Carbon Resistor (chip)	39.0 1/4 J TP	チ	ッ	ブ	抵	抗	01

*: New Parts

RANK: Japan only

DSP

REF NO.	PART NO.	DESCRIPTION	部	品	名	REMARKS	QTY	RANK
-256	RD154390	Carbon Resistor (chip)	39.0	1/4	J TP	チ ッ プ 抵 抗		
R260	RD154390	Carbon Resistor (chip)	39.0	1/4	J TP	チ ッ プ 抵 抗		
R262	RD154390	Carbon Resistor (chip)	39.0	1/4	J TP	チ ッ プ 抵 抗		
R263	RD153220	Carbon Resistor (chip)	2.2	1/4	J TP	チ ッ プ 抵 抗		
R266	RD357100	Carbon Resistor (chip)	10.0K	63M	J RECT.	チ ッ プ 抵 抗		01
R267	RD357100	Carbon Resistor (chip)	10.0K	63M	J RECT.	チ ッ プ 抵 抗		01
R270	RD355270	Carbon Resistor (chip)	270.0	63M	J RECT.	チ ッ プ 抵 抗		01
-275	RD355270	Carbon Resistor (chip)	270.0	63M	J RECT.	チ ッ プ 抵 抗		01
R279	RD354470	Carbon Resistor (chip)	47.0	63M	J RECT.	チ ッ プ 抵 抗		01
-281	RD354470	Carbon Resistor (chip)	47.0	63M	J RECT.	チ ッ プ 抵 抗		01
R301	RD357100	Carbon Resistor (chip)	10.0K	63M	J RECT.	チ ッ プ 抵 抗		01
R305	RD354220	Carbon Resistor (chip)	22.0	63M	J RECT.	チ ッ プ 抵 抗		01
-307	RD354220	Carbon Resistor (chip)	22.0	63M	J RECT.	チ ッ プ 抵 抗		01
R350	RD354220	Carbon Resistor (chip)	22.0	63M	J RECT.	チ ッ プ 抵 抗		01
R402	RD354220	Carbon Resistor (chip)	22.0	63M	J RECT.	チ ッ プ 抵 抗		01
R403	RD354220	Carbon Resistor (chip)	22.0	63M	J RECT.	チ ッ プ 抵 抗		01
R404	RD357100	Carbon Resistor (chip)	10.0K	63M	J RECT.	チ ッ プ 抵 抗		01
R405	RD357100	Carbon Resistor (chip)	10.0K	63M	J RECT.	チ ッ プ 抵 抗		01
R406	RD350000	Carbon Resistor (chip)	0	63M	J RECT.	チ ッ プ 抵 抗		01
R407	RD350000	Carbon Resistor (chip)	0	63M	J RECT.	チ ッ プ 抵 抗		01
R408	RD354220	Carbon Resistor (chip)	22.0	63M	J RECT.	チ ッ プ 抵 抗		01
R410	RD350000	Carbon Resistor (chip)	0	63M	J RECT.	チ ッ プ 抵 抗		01
R411	RD354220	Carbon Resistor (chip)	22.0	63M	J RECT.	チ ッ プ 抵 抗		01
-413	RD354220	Carbon Resistor (chip)	22.0	63M	J RECT.	チ ッ プ 抵 抗		01
R415	RD356100	Carbon Resistor (chip)	1.0K	63M	J RECT.	チ ッ プ 抵 抗		01
R418	RD350000	Carbon Resistor (chip)	0	63M	J RECT.	チ ッ プ 抵 抗		01
R419	RD354470	Carbon Resistor (chip)	47.0	63M	J RECT.	チ ッ プ 抵 抗		01
R500	RD350000	Carbon Resistor (chip)	0	63M	J RECT.	チ ッ プ 抵 抗		01
R501	RD350000	Carbon Resistor (chip)	0	63M	J RECT.	チ ッ プ 抵 抗		01
R502	RD354220	Carbon Resistor (chip)	22.0	63M	J RECT.	チ ッ プ 抵 抗		01
R503	RD354220	Carbon Resistor (chip)	22.0	63M	J RECT.	チ ッ プ 抵 抗		01
R504	RD350000	Carbon Resistor (chip)	0	63M	J RECT.	チ ッ プ 抵 抗		01
R505	RD350000	Carbon Resistor (chip)	0	63M	J RECT.	チ ッ プ 抵 抗		01
R506	RD354220	Carbon Resistor (chip)	22.0	63M	J RECT.	チ ッ プ 抵 抗		01
R507	RD354220	Carbon Resistor (chip)	22.0	63M	J RECT.	チ ッ プ 抵 抗		01
R508	RD354470	Carbon Resistor (chip)	47.0	63M	J RECT.	チ ッ プ 抵 抗		01
-513	RD354470	Carbon Resistor (chip)	47.0	63M	J RECT.	チ ッ プ 抵 抗		01
RA001	RE044220	Resistor Array	22X4			抵 抗 ア レ イ		01
-016	RE044220	Resistor Array	22X4			抵 抗 ア レ イ		01
RA017	RE047100	Resistor Array	10KX4			抵 抗 ア レ イ		01
-020	RE047100	Resistor Array	10KX4			抵 抗 ア レ イ		01
RA021	RE044470	Resistor Array	47X4			抵 抗 ア レ イ		01
-023	RE044470	Resistor Array	47X4			抵 抗 ア レ イ		01
RA024	RE044220	Resistor Array	22X4			抵 抗 ア レ イ		01
RA025	RE044220	Resistor Array	22X4			抵 抗 ア レ イ		01
RA026	RE047100	Resistor Array	10KX4			抵 抗 ア レ イ		01
-029	RE047100	Resistor Array	10KX4			抵 抗 ア レ イ		01
RA050	RE047100	Resistor Array	10KX4			抵 抗 ア レ イ		01
-054	RE047100	Resistor Array	10KX4			抵 抗 ア レ イ		01
RA251	RE047100	Resistor Array	10KX4			抵 抗 ア レ イ		01
RA254	RE044220	Resistor Array	22X4			抵 抗 ア レ イ		01
RA301	RE044220	Resistor Array	22X4			抵 抗 ア レ イ		01
-305	RE044220	Resistor Array	22X4			抵 抗 ア レ イ		01
RA400	RE044220	Resistor Array	22X4			抵 抗 ア レ イ		01
-403	RE044220	Resistor Array	22X4			抵 抗 ア レ イ		01
RA404	RE044470	Resistor Array	47X4			抵 抗 ア レ イ		01
RA405	RE044470	Resistor Array	47X4			抵 抗 ア レ イ		01
RA406	RE047100	Resistor Array	10KX4			抵 抗 ア レ イ		01
RA407	RE047100	Resistor Array	10KX4			抵 抗 ア レ イ		01
RA500	RE047100	Resistor Array	10KX4			抵 抗 ア レ イ		01
-502	RE047100	Resistor Array	10KX4			抵 抗 ア レ イ		01
RA503	RE044220	Resistor Array	22X4			抵 抗 ア レ イ		01
RA504	RE044220	Resistor Array	22X4			抵 抗 ア レ イ		01
RA510	RE047100	Resistor Array	10KX4			抵 抗 ア レ イ		01
-512	RE047100	Resistor Array	10KX4			抵 抗 ア レ イ		01
RA513	RE044220	Resistor Array	22X4			抵 抗 ア レ イ		01
RA514	RE044220	Resistor Array	22X4			抵 抗 ア レ イ		01
TA251	V9615500	Transistor Array	TD62783AFG(5,S,EL)			ト ラ ン ジ ス タ ア レ イ		04
TH250	V3260600	Protector Switch	MICROSMD035F-2 SMD			ボ リ ス イ ッ チ		02
TR250	V7798700	Transistor	2SC4097 P,Q,R TP			ト ラ ン ジ ス タ		01

*: New Parts

RANK: Japan only

DSP and ENT2

REF NO.	PART NO.	DESCRIPTION		部 品 名	REMARKS	QTY	RANK
-255	V7798700	Transistor	2SC4097 P,Q,R TP	ト ラ ン ジ ス タ			01
X050	V8904500	Quartz Crystal Unit	49.152MHz DSO751SB	水 晶 発 振 器			07
X150	VZ156100	Quartz Crystal Unit	60MHz DSO751S TP	水 晶 発 振 器			06
	WH937200	Circuit Board	ENT2	E N T 2 シ ー ト	(WH93710)(X7295D0)		20
C101	UF037100	Electrolytic Cap. (chip)	10 16V	チ ッ プ ケ ミ コ ン			01
C102	US145100	Ceramic Capacitor-F (chip)	0.1000 25V Z RECT.	チ ッ プ セ ラ (F)			01
-106	US145100	Ceramic Capacitor-F (chip)	0.1000 25V Z RECT.	チ ッ プ セ ラ (F)			01
C108	US145100	Ceramic Capacitor-F (chip)	0.1000 25V Z RECT.	チ ッ プ セ ラ (F)			01
C109	UF037100	Electrolytic Cap. (chip)	10 16V	チ ッ プ ケ ミ コ ン			01
C110	UF037100	Electrolytic Cap. (chip)	10 16V	チ ッ プ ケ ミ コ ン			01
C111	US145100	Ceramic Capacitor-F (chip)	0.1000 25V Z RECT.	チ ッ プ セ ラ (F)			01
-117	US145100	Ceramic Capacitor-F (chip)	0.1000 25V Z RECT.	チ ッ プ セ ラ (F)			01
C118	US061220	Ceramic Capacitor-CH(chip)	22P 50V J RECT.	チ ッ プ セ ラ (C H)			01
C119	UF037100	Electrolytic Cap. (chip)	10 16V	チ ッ プ ケ ミ コ ン			01
C120	US145100	Ceramic Capacitor-F (chip)	0.1000 25V Z RECT.	チ ッ プ セ ラ (F)			01
-123	US145100	Ceramic Capacitor-F (chip)	0.1000 25V Z RECT.	チ ッ プ セ ラ (F)			01
C124	US062330	Ceramic Capacitor-SL(chip)	330P 50V J RECT.	チ ッ プ セ ラ (S L)			01
C125	US061220	Ceramic Capacitor-CH(chip)	22P 50V J RECT.	チ ッ プ セ ラ (C H)			01
C126	US145100	Ceramic Capacitor-F (chip)	0.1000 25V Z RECT.	チ ッ プ セ ラ (F)			01
C127	US061220	Ceramic Capacitor-CH(chip)	22P 50V J RECT.	チ ッ プ セ ラ (C H)			01
C128	US063100	Ceramic Capacitor-B (chip)	1000P 50V K RECT.	チ ッ プ セ ラ (B)			01
C129	US062100	Ceramic Capacitor-SL(chip)	100P 50V J RECT.	チ ッ プ セ ラ (S L)			01
C130	US061220	Ceramic Capacitor-CH(chip)	22P 50V J RECT.	チ ッ プ セ ラ (C H)			01
C131	US061220	Ceramic Capacitor-CH(chip)	22P 50V J RECT.	チ ッ プ セ ラ (C H)			01
C132	US062100	Ceramic Capacitor-SL(chip)	100P 50V J RECT.	チ ッ プ セ ラ (S L)			01
C133	US063100	Ceramic Capacitor-B (chip)	1000P 50V K RECT.	チ ッ プ セ ラ (B)			01
C134	US126100	Ceramic Capacitor-F (chip)	1.0000 10V Z RECT.	チ ッ プ セ ラ F			01
C135	US063100	Ceramic Capacitor-B (chip)	1000P 50V K RECT.	チ ッ プ セ ラ (B)			01
C136	US145100	Ceramic Capacitor-F (chip)	0.1000 25V Z RECT.	チ ッ プ セ ラ (F)			01
-139	US145100	Ceramic Capacitor-F (chip)	0.1000 25V Z RECT.	チ ッ プ セ ラ (F)			01
C140	US126100	Ceramic Capacitor-F (chip)	1.0000 10V Z RECT.	チ ッ プ セ ラ F			01
-144	US126100	Ceramic Capacitor-F (chip)	1.0000 10V Z RECT.	チ ッ プ セ ラ F			01
C145	US061220	Ceramic Capacitor-CH(chip)	22P 50V J RECT.	チ ッ プ セ ラ (C H)			01
C146	US061220	Ceramic Capacitor-CH(chip)	22P 50V J RECT.	チ ッ プ セ ラ (C H)			01
C147	US063100	Ceramic Capacitor-B (chip)	1000P 50V K RECT.	チ ッ プ セ ラ (B)			01
C148	US145100	Ceramic Capacitor-F (chip)	0.1000 25V Z RECT.	チ ッ プ セ ラ (F)			01
-151	US145100	Ceramic Capacitor-F (chip)	0.1000 25V Z RECT.	チ ッ プ セ ラ (F)			01
C152	US126100	Ceramic Capacitor-F (chip)	1.0000 10V Z RECT.	チ ッ プ セ ラ F			01
-156	US126100	Ceramic Capacitor-F (chip)	1.0000 10V Z RECT.	チ ッ プ セ ラ F			01
C157	UF037100	Electrolytic Cap. (chip)	10 16V	チ ッ プ ケ ミ コ ン			01
C158	US145100	Ceramic Capacitor-F (chip)	0.1000 25V Z RECT.	チ ッ プ セ ラ (F)			01
-161	US145100	Ceramic Capacitor-F (chip)	0.1000 25V Z RECT.	チ ッ プ セ ラ (F)			01
C162	US126100	Ceramic Capacitor-F (chip)	1.0000 10V Z RECT.	チ ッ プ セ ラ F			01
-165	US126100	Ceramic Capacitor-F (chip)	1.0000 10V Z RECT.	チ ッ プ セ ラ F			01
C166	US063100	Ceramic Capacitor-B (chip)	1000P 50V K RECT.	チ ッ プ セ ラ (B)			01
C167	US145100	Ceramic Capacitor-F (chip)	0.1000 25V Z RECT.	チ ッ プ セ ラ (F)			01
C168	US126100	Ceramic Capacitor-F (chip)	1.0000 10V Z RECT.	チ ッ プ セ ラ F			01
C169	US145100	Ceramic Capacitor-F (chip)	0.1000 25V Z RECT.	チ ッ プ セ ラ (F)			01
-173	US145100	Ceramic Capacitor-F (chip)	0.1000 25V Z RECT.	チ ッ プ セ ラ (F)			01
C174	UF037100	Electrolytic Cap. (chip)	10 16V	チ ッ プ ケ ミ コ ン			01
C175	US126100	Ceramic Capacitor-F (chip)	1.0000 10V Z RECT.	チ ッ プ セ ラ F			01
-178	US126100	Ceramic Capacitor-F (chip)	1.0000 10V Z RECT.	チ ッ プ セ ラ F			01
C179	US063100	Ceramic Capacitor-B (chip)	1000P 50V K RECT.	チ ッ プ セ ラ (B)			01
C180	US145100	Ceramic Capacitor-F (chip)	0.1000 25V Z RECT.	チ ッ プ セ ラ (F)			01
-182	US145100	Ceramic Capacitor-F (chip)	0.1000 25V Z RECT.	チ ッ プ セ ラ (F)			01
C183	US063100	Ceramic Capacitor-B (chip)	1000P 50V K RECT.	チ ッ プ セ ラ (B)			01
C184	US145100	Ceramic Capacitor-F (chip)	0.1000 25V Z RECT.	チ ッ プ セ ラ (F)			01
C185	US126100	Ceramic Capacitor-F (chip)	1.0000 10V Z RECT.	チ ッ プ セ ラ F			01
-189	US126100	Ceramic Capacitor-F (chip)	1.0000 10V Z RECT.	チ ッ プ セ ラ F			01
C190	UF037100	Electrolytic Cap. (chip)	10 16V	チ ッ プ ケ ミ コ ン			01
C191	US145100	Ceramic Capacitor-F (chip)	0.1000 25V Z RECT.	チ ッ プ セ ラ (F)			01
C192	US145100	Ceramic Capacitor-F (chip)	0.1000 25V Z RECT.	チ ッ プ セ ラ (F)			01
C193	US126100	Ceramic Capacitor-F (chip)	1.0000 10V Z RECT.	チ ッ プ セ ラ F			01
C194	US126100	Ceramic Capacitor-F (chip)	1.0000 10V Z RECT.	チ ッ プ セ ラ F			01
C195	US145100	Ceramic Capacitor-F (chip)	0.1000 25V Z RECT.	チ ッ プ セ ラ (F)			01
-219	US145100	Ceramic Capacitor-F (chip)	0.1000 25V Z RECT.	チ ッ プ セ ラ (F)			01
C221	US064100	Ceramic Capacitor-B (chip)	0.0100 50V K RECT.	チ ッ プ セ ラ (B)			01
-225	US064100	Ceramic Capacitor-B (chip)	0.0100 50V K RECT.	チ ッ プ セ ラ (B)			01
C226	US145100	Ceramic Capacitor-F (chip)	0.1000 25V Z RECT.	チ ッ プ セ ラ (F)			01

*: New Parts

RANK: Japan only

ENT2

REF NO.	PART NO.	DESCRIPTION	部 品 名	REMARKS	QTY	RANK
-228	US145100	Ceramic Capacitor-F (chip)	0.1000 25V Z RECT.	チップセラ(F)		01
CN101	WC198800	Connector, FMN	FMN 38P TE	F M N コネクター		03
DA101	WE972600	Zener Diode	HZM6.2ZMFATR-E	ツェナーダイオード		01
IC101	X3693A00	IC	SN74LV245APWR	I C	TRANSCEIVER	
-104	X3693A00	IC	SN74LV245APWR	I C	TRANSCEIVER	
IC105	V9421500	FET	TPC6101(TE85L,F)	F E T		01
IC105	WK791100	FET	TPC6107(TE85L,F)	F E T		
IC106	X2157A00	IC	UPC2918T-E1-AZ 1.8	I C	REGULATOR +1.8V	03
IC107	X5665A00	IC	M12L64164-7TG	I C	} SDRAM 64M	09
IC107	X5665B00	IC	M12L64164A-7TG	I C		07
IC108	X7197A00	IC	YTD442-RZ	I C	VNP1	11
IC109	X5621A00	IC	KSZ8721SL	I C	PHY	05
IC110	X4137A00	IC	SN74AHC1G04DCKR	I C	} INVERTER GATE	01
IC110	XS775A00	IC	TC7SH04FU(TE85L,JF	I C		01
IC111	X4642A00	IC	SN74AHC1G32DCKR	I C	} OR	01
IC111	XW633A00	IC	TC7SH32FU(TE85L,JF	I C		01
IC112	X5731A00	IC	SN74LVC74APWR	I C	D-FF	02
IC113	X5731A00	IC	SN74LVC74APWR	I C	D-FF	02
IC114	X3833A00	IC	SN74AHC1G08DCKR	I C	} AND GATE	01
IC114	XR680A00	IC	TC7SH08FU(TE85L,JF	I C		01
IC115	X5405A00	IC	SN74LVC32APWR	I C	OR	01
IC116	X5742A00	IC	SN74LVC574APWR	I C	D-FF	02
IC117	X5742A00	IC	SN74LVC574APWR	I C	D-FF	02
JK101	WB553200	Modular Connector	8P RJSE-1E08T089A	モジュラーコネクター	}	05
JK101	WG468100	Modular Connector	8P RJSE-1E08T089A	モジュラーコネクター		05
K101	BB071360	Screw Terminal	8.3X13 M1698	ネジ端子 M 3		01
K102	BB071360	Screw Terminal	8.3X13 M1698	ネジ端子 M 3		01
L101	VY657500	Chip Inductance	120U BK1608LL121-T	チップインダクタ		01
-103	VY657500	Chip Inductance	120U BK1608LL121-T	チップインダクタ		01
R101	RD255100	Carbon Resistor (chip)	100.0 0.1 J RECT.	チップ抵抗		01
R103	RD357100	Carbon Resistor (chip)	10.0K 63M J RECT.	チップ抵抗		01
R106	RD357100	Carbon Resistor (chip)	10.0K 63M J RECT.	チップ抵抗		01
R108	RD357100	Carbon Resistor (chip)	10.0K 63M J RECT.	チップ抵抗		01
R110	RD357100	Carbon Resistor (chip)	10.0K 63M J RECT.	チップ抵抗		01
R112	RD357100	Carbon Resistor (chip)	10.0K 63M J RECT.	チップ抵抗		01
R113	RD356100	Carbon Resistor (chip)	1.0K 63M J RECT.	チップ抵抗		01
R114	RD354470	Carbon Resistor (chip)	47.0 63M J RECT.	チップ抵抗		01
R115	RD355470	Carbon Resistor (chip)	470.0 63M J RECT.	チップ抵抗		01
R116	RD357100	Carbon Resistor (chip)	10.0K 63M J RECT.	チップ抵抗		01
R117	RD357100	Carbon Resistor (chip)	10.0K 63M J RECT.	チップ抵抗		01
R118	RD354100	Carbon Resistor (chip)	10.0 63M J RECT.	チップ抵抗		01
R119	RD354100	Carbon Resistor (chip)	10.0 63M J RECT.	チップ抵抗		01
R120	RD357100	Carbon Resistor (chip)	10.0K 63M J RECT.	チップ抵抗		01
-122	RD357100	Carbon Resistor (chip)	10.0K 63M J RECT.	チップ抵抗		01
R123	RD356100	Carbon Resistor (chip)	1.0K 63M J RECT.	チップ抵抗		01
R124	RD357100	Carbon Resistor (chip)	10.0K 63M J RECT.	チップ抵抗		01
R125	RD359100	Carbon Resistor (chip)	1.0M 63M J RECT.	チップ抵抗		01
R126	RD355100	Carbon Resistor (chip)	100.0 63M J RECT.	チップ抵抗		01
R127	RD355100	Carbon Resistor (chip)	100.0 63M J RECT.	チップ抵抗		01
R128	RD357100	Carbon Resistor (chip)	10.0K 63M J RECT.	チップ抵抗		01
R129	RD356100	Carbon Resistor (chip)	1.0K 63M J RECT.	チップ抵抗		01
R130	RD356100	Carbon Resistor (chip)	1.0K 63M J RECT.	チップ抵抗		01
R131	RF456470	Carbon Resistor (chip)	4.7K D RECT.	チップ抵抗		01
R132	RF456180	Carbon Resistor (chip)	1.8K D RECT.	チップ抵抗		01
R137	RF455100	Carbon Resistor (chip)	100.0 D RECT.	チップ抵抗		01
-144	RF455100	Carbon Resistor (chip)	100.0 D RECT.	チップ抵抗		01
R145	RD354330	Carbon Resistor (chip)	33.0 63M J RECT.	チップ抵抗		01
R146	RD356330	Carbon Resistor (chip)	3.3K 63M J RECT.	チップ抵抗		01
R147	RD356330	Carbon Resistor (chip)	3.3K 63M J RECT.	チップ抵抗		01
R149	RD356330	Carbon Resistor (chip)	3.3K 63M J RECT.	チップ抵抗		01
R150	RD356330	Carbon Resistor (chip)	3.3K 63M J RECT.	チップ抵抗		01
R151	RD354470	Carbon Resistor (chip)	47.0 63M J RECT.	チップ抵抗		01
-153	RD354470	Carbon Resistor (chip)	47.0 63M J RECT.	チップ抵抗		01
R154	RD350000	Carbon Resistor (chip)	0 63M J RECT.	チップ抵抗		01
R155	RD350000	Carbon Resistor (chip)	0 63M J RECT.	チップ抵抗		01
R156	RD354470	Carbon Resistor (chip)	47.0 63M J RECT.	チップ抵抗		01
R157	RD354470	Carbon Resistor (chip)	47.0 63M J RECT.	チップ抵抗		01
R158	RD350000	Carbon Resistor (chip)	0 63M J RECT.	チップ抵抗		01
RA101	RE044470	Resistor Array	47X4	抵抗アレイ		01
-112	RE044470	Resistor Array	47X4	抵抗アレイ		01

*: New Parts

RANK: Japan only

ENT2 and ES

REF NO.	PART NO.	DESCRIPTION		部 品 名	REMARKS	QTY	RANK
RA113	RE046100	Resistor Array	1KX4	抵 抗 ア レ イ			01
RA114	RE047100	Resistor Array	10KX4	抵 抗 ア レ イ			01
RA115	RE047100	Resistor Array	10KX4	抵 抗 ア レ イ			01
RA116	RE044470	Resistor Array	47X4	抵 抗 ア レ イ			01
X101	WG253300	Quartz Crystal Unit	18.432MHz DSX630G	水 晶 発 振 器			03
X102	WA245100	Quartz Crystal Unit	25.000MHz DSX630G	水 晶 振 動 子			03
*	--	Circuit Board	ES	E S シ ー ト	(WJ17130)(WJ17140)(X8308D0)		
	WK818400	Circuit Board	ES-CS	E S - C S シ ー ト	for service use (WK81850)(X8308D0)		
*					ES-CS circuit board does not included WJ395000, WK044000 and WE945700.		
* 10	WJ395000	Circuit Board	AVDM-ES	A V D M - E S シ ー ト	J U,H		
* 20	WK044000	Radiation Sheet	TMS-M-4	熱 伝 導 シ ー ト			
40	WE945700	Pan Head Screw	3.0X5 MFZN2W3	小 ネ ジ + P A N		2	
C001	US064100	Ceramic Capacitor-B (chip)	0.0100 50V K RECT.	チ ッ プ セ ラ (B)			01
C002	US064100	Ceramic Capacitor-B (chip)	0.0100 50V K RECT.	チ ッ プ セ ラ (B)			01
C003	US145100	Ceramic Capacitor-F (chip)	0.1000 25V Z RECT.	チ ッ プ セ ラ (F)			01
* C005	WF547900	Ceramic Capacitor (chip)	10.000 25V K KAKUT	チ ッ プ セ ラ			
C009	US145100	Ceramic Capacitor-F (chip)	0.1000 25V Z RECT.	チ ッ プ セ ラ (F)			01
-014	US145100	Ceramic Capacitor-F (chip)	0.1000 25V Z RECT.	チ ッ プ セ ラ (F)			01
C015	US061120	Ceramic Capacitor-CH(chip)	12P 50V J RECT.	チ ッ プ セ ラ (C H)			01
C016	US145100	Ceramic Capacitor-F (chip)	0.1000 25V Z RECT.	チ ッ プ セ ラ (F)			01
C017	US061120	Ceramic Capacitor-CH(chip)	12P 50V J RECT.	チ ッ プ セ ラ (C H)			01
C018	US145100	Ceramic Capacitor-F (chip)	0.1000 25V Z RECT.	チ ッ プ セ ラ (F)			01
-035	US145100	Ceramic Capacitor-F (chip)	0.1000 25V Z RECT.	チ ッ プ セ ラ (F)			01
C036	UF017470	Electrolytic Cap. (chip)	47 6.3V	チ ッ プ ケ ミ コ ン			01
C037	US145100	Ceramic Capacitor-F (chip)	0.1000 25V Z RECT.	チ ッ プ セ ラ (F)			01
C038	UF017470	Electrolytic Cap. (chip)	47 6.3V	チ ッ プ ケ ミ コ ン			01
C039	US145100	Ceramic Capacitor-F (chip)	0.1000 25V Z RECT.	チ ッ プ セ ラ (F)			01
-041	US145100	Ceramic Capacitor-F (chip)	0.1000 25V Z RECT.	チ ッ プ セ ラ (F)			01
C042	V7658000	Monolithic Ceramic Cap.	1000P 2KV K RECT.	チ ッ プ 積 層 セ ラ コ ン			01
C043	V7658000	Monolithic Ceramic Cap.	1000P 2KV K RECT.	チ ッ プ 積 層 セ ラ コ ン			01
C044	US064100	Ceramic Capacitor-B (chip)	0.0100 50V K RECT.	チ ッ プ セ ラ (B)			01
C045	US064100	Ceramic Capacitor-B (chip)	0.0100 50V K RECT.	チ ッ プ セ ラ (B)			01
C100	US145100	Ceramic Capacitor-F (chip)	0.1000 25V Z RECT.	チ ッ プ セ ラ (F)			01
C800	US145100	Ceramic Capacitor-F (chip)	0.1000 25V Z RECT.	チ ッ プ セ ラ (F)			01
-814	US145100	Ceramic Capacitor-F (chip)	0.1000 25V Z RECT.	チ ッ プ セ ラ (F)			01
C818	US145100	Ceramic Capacitor-F (chip)	0.1000 25V Z RECT.	チ ッ プ セ ラ (F)			01
C819	US145100	Ceramic Capacitor-F (chip)	0.1000 25V Z RECT.	チ ッ プ セ ラ (F)			01
CN001	WC199000	Connector, FMN	FMN 40P TE	F M N コ ネ ク タ ー			
CN002	WC199000	Connector, FMN	FMN 40P TE	F M N コ ネ ク タ ー			
CN005	VT388700	Base Post Connector	PH 6P TE	ベ ー ス 付 ポ ス ト			01
* CN006	WH999600	Connector, AVDM-ES	MM50-200B1-E1E	S O D I M M ソ ケ ッ ト			
IC001	XQ805A00	IC	TC7WU04FU(TE12L,F)	I C	INVERTER		01
* IC002	X8955A00	IC	LC4064V-75TN100C	I C	CPLD		
IC003	XW492A00	IC	CY2302SXC-1T	I C	PLL (CLOCK GENERATOR)		05
JK001	WB556800	Modular Jack	AJ-008SH-8-F-4-B1	モ ジ ュ ラ ー ジャ ッ ク	EtherSound IN		03
JK002	WB556800	Modular Jack	AJ-008SH-8-F-4-B1	モ ジ ュ ラ ー ジャ ッ ク	EtherSound OUT		03
L001	V3232700	Chip Inductance	120U	チ ッ プ イ ン ダ ク タ			01
L002	V3232700	Chip Inductance	120U	チ ッ プ イ ン ダ ク タ			01
* L003	WH143800	Coil	CDRH2D18/LD-220NC	コ イ ル 2 2 U			
* L004	WH143800	Coil	CDRH2D18/LD-220NC	コ イ ル 2 2 U			
R001	RD356470	Carbon Resistor (chip)	4.7K 63M J RECT.	チ ッ プ 抵 抗			01
R002	RD356470	Carbon Resistor (chip)	4.7K 63M J RECT.	チ ッ プ 抵 抗			01
R003	RD354220	Carbon Resistor (chip)	22.0 63M J RECT.	チ ッ プ 抵 抗			01
R004	RD354220	Carbon Resistor (chip)	22.0 63M J RECT.	チ ッ プ 抵 抗			01
R006	RD350000	Carbon Resistor (chip)	0 63M J RECT.	チ ッ プ 抵 抗			01
-008	RD350000	Carbon Resistor (chip)	0 63M J RECT.	チ ッ プ 抵 抗			01
R011	RD359100	Carbon Resistor (chip)	1.0M 63M J RECT.	チ ッ プ 抵 抗			01
R012	RD355680	Carbon Resistor (chip)	680.0 63M J RECT.	チ ッ プ 抵 抗			01
R013	RD354220	Carbon Resistor (chip)	22.0 63M J RECT.	チ ッ プ 抵 抗			01
-018	RD354220	Carbon Resistor (chip)	22.0 63M J RECT.	チ ッ プ 抵 抗			01
R019	RD350000	Carbon Resistor (chip)	0 63M J RECT.	チ ッ プ 抵 抗			01
R028	RF454750	Carbon Resistor (chip)	75.0 D RECT.	チ ッ プ 抵 抗			
-037	RF454750	Carbon Resistor (chip)	75.0 D RECT.	チ ッ プ 抵 抗			
R038	RD357470	Carbon Resistor (chip)	47.0K 63M J RECT.	チ ッ プ 抵 抗			01
R048	RD354220	Carbon Resistor (chip)	22.0 63M J RECT.	チ ッ プ 抵 抗			01
R049	RD350000	Carbon Resistor (chip)	0 63M J RECT.	チ ッ プ 抵 抗			01

*: New Parts

RANK: Japan only

ES and DC/GPI/PN/PS/USB

REF NO.	PART NO.	DESCRIPTION		部 品 名	REMARKS	QTY	RANK
RA001	RE044470	Resistor Array	47X4	抵 抗 ア レ イ			01
* T001	X6230A00	Filter	H1102NLT	フ ィ ル タ ー モ ジ ュ ー ル			
* T002	X6230A00	Filter	H1102NLT	フ ィ ル タ ー モ ジ ュ ー ル			
* TP100	WK043800	Spacer	L=4	丸 ス ペ ー サ ー M 3			
* TP110	WK043800	Spacer	L=4	丸 ス ペ ー サ ー M 3			
X001	WD391000	Quartz Crystal Unit	14.7456M SMD-49 TP	水 晶 振 動 子			03
*	WK039500	Circuit Board	DC	D C シ ー ト	DME4io-ES/DME8i-ES (WK04030)(X7297C0)		
*	WK040700	Circuit Board	DC	D C シ ー ト	DME8o-ES(WK04110)(X7297C0)		
*	WK040000	Circuit Board	GPI	G P I シ ー ト	DME4io-ES/DME8i-ES (WK04030)(X7297C0)		
*	WK040800	Circuit Board	GPI	G P I シ ー ト	DME8o-ES(WK04110)(X7297C0)		
*	WK039400	Circuit Board	PN	P N シ ー ト	DME4io-ES/DME8i-ES (WK04030)(X7297C0)		
*	WK040600	Circuit Board	PN	P N シ ー ト	DME8o-ES(WK04110)(X7297C0)		
*	WK040200	Circuit Board	PS	P S シ ー ト	DME4io-ES/DME8i-ES (WK04030)(X7297C0)		
*	WK041000	Circuit Board	PS	P S シ ー ト	DME8o-ES(WK04110)(X7297C0)		
*	WK040100	Circuit Board	USB	U S B シ ー ト	DME4io-ES/DME8i-ES (WK04030)(X7297C0)		
*	WK040900	Circuit Board	USB	U S B シ ー ト	DME8o-ES(WK04110)(X7297C0)		
C101	WB828700	Electrolytic Cap.	470.00 50V TATES	ケ ミ コ ン A S F			01
C102	UA355120	Mylar Capacitor	0.1200 50V J RX TP	マ イ ラ ー コ ン			01
C103	UA355100	Mylar Capacitor	0.1000 50V J RX TP	マ イ ラ ー コ ン			01
C104	US064100	Ceramic Capacitor-B (chip)	0.0100 50V K RECT.	チ ッ プ セ ラ (B)			01
C105	WA163300	Electrolytic Cap.	220.00 35.0V TP	ケ ミ コ ン H D			01
C107	WA163300	Electrolytic Cap.	220.00 35.0V TP	ケ ミ コ ン H D			01
C108	WA163300	Electrolytic Cap.	220.00 35.0V TP	ケ ミ コ ン H D			01
C109	US034470	Ceramic Capacitor-B (chip)	0.0470 16V K RECT.	チ ッ プ セ ラ (B)			01
C110	US063100	Ceramic Capacitor-B (chip)	1000P 50V K RECT.	チ ッ プ セ ラ (B)			01
C114	US064100	Ceramic Capacitor-B (chip)	0.0100 50V K RECT.	チ ッ プ セ ラ (B)			01
C115	US065100	Ceramic Capacitor-F (chip)	0.100 50V Z RECT.	チ ッ プ セ ラ F			
-117	US065100	Ceramic Capacitor-F (chip)	0.100 50V Z RECT.	チ ッ プ セ ラ F			
C119	US063100	Ceramic Capacitor-B (chip)	1000P 50V K RECT.	チ ッ プ セ ラ (B)			01
C120	US145100	Ceramic Capacitor-F (chip)	0.1000 25V Z RECT.	チ ッ プ セ ラ (F)			01
C121	US145100	Ceramic Capacitor-F (chip)	0.1000 25V Z RECT.	チ ッ プ セ ラ (F)			01
C123	US065100	Ceramic Capacitor-F (chip)	0.100 50V Z RECT.	チ ッ プ セ ラ F			
C127	WA163300	Electrolytic Cap.	220.00 35.0V TP	ケ ミ コ ン H D			01
C128	WA163300	Electrolytic Cap.	220.00 35.0V TP	ケ ミ コ ン H D			01
C129	UA355100	Mylar Capacitor	0.1000 50V J RX TP	マ イ ラ ー コ ン			01
C132	WA163300	Electrolytic Cap.	220.00 35.0V TP	ケ ミ コ ン H D			01
C135	WA163300	Electrolytic Cap.	220.00 35.0V TP	ケ ミ コ ン H D			01
C136	UA355100	Mylar Capacitor	0.1000 50V J RX TP	マ イ ラ ー コ ン			01
C137	UA355120	Mylar Capacitor	0.1200 50V J RX TP	マ イ ラ ー コ ン			01
C140	UR068220	Electrolytic Cap.	220.00 50.0V RX TP	ケ ミ コ ン			01
C142	WA163300	Electrolytic Cap.	220.00 35.0V TP	ケ ミ コ ン H D			01
C143	US065100	Ceramic Capacitor-F (chip)	0.100 50V Z RECT.	チ ッ プ セ ラ F			
C145	US065100	Ceramic Capacitor-F (chip)	0.100 50V Z RECT.	チ ッ プ セ ラ F			
C146	US135330	Ceramic Capacitor-F (chip)	0.3300 16V Z RECT.	チ ッ プ セ ラ (F)			01
C148	WA163300	Electrolytic Cap.	220.00 35.0V TP	ケ ミ コ ン H D			01
C150	UA355120	Mylar Capacitor	0.1200 50V J RX TP	マ イ ラ ー コ ン			01
C151	WA163300	Electrolytic Cap.	220.00 35.0V TP	ケ ミ コ ン H D			01
C152	UA355120	Mylar Capacitor	0.1200 50V J RX TP	マ イ ラ ー コ ン			01
C153	US145100	Ceramic Capacitor-F (chip)	0.1000 25V Z RECT.	チ ッ プ セ ラ (F)			01
C154	WA163300	Electrolytic Cap.	220.00 35.0V TP	ケ ミ コ ン H D			01
C301	V3311600	Capacitor	0.010 250V J.U.C.S	規 格 認 定 コ ン K H			01
C501	US145100	Ceramic Capacitor-F (chip)	0.1000 25V Z RECT.	チ ッ プ セ ラ (F)			01
-505	US145100	Ceramic Capacitor-F (chip)	0.1000 25V Z RECT.	チ ッ プ セ ラ (F)			01
C508	US145100	Ceramic Capacitor-F (chip)	0.1000 25V Z RECT.	チ ッ プ セ ラ (F)			01
C509	US064100	Ceramic Capacitor-B (chip)	0.0100 50V K RECT.	チ ッ プ セ ラ (B)			01
-511	US064100	Ceramic Capacitor-B (chip)	0.0100 50V K RECT.	チ ッ プ セ ラ (B)			01
C601	US034470	Ceramic Capacitor-B (chip)	0.0470 16V K RECT.	チ ッ プ セ ラ (B)			01
C602	US135330	Ceramic Capacitor-F (chip)	0.3300 16V Z RECT.	チ ッ プ セ ラ (F)			01
-604	US135330	Ceramic Capacitor-F (chip)	0.3300 16V Z RECT.	チ ッ プ セ ラ (F)			01
C605	US145100	Ceramic Capacitor-F (chip)	0.1000 25V Z RECT.	チ ッ プ セ ラ (F)			01
-608	US145100	Ceramic Capacitor-F (chip)	0.1000 25V Z RECT.	チ ッ プ セ ラ (F)			01
C701	US145100	Ceramic Capacitor-F (chip)	0.1000 25V Z RECT.	チ ッ プ セ ラ (F)	DME4io-ES/DME8i-ES		01
C702	US145100	Ceramic Capacitor-F (chip)	0.1000 25V Z RECT.	チ ッ プ セ ラ (F)	DME8o-ES		01
C801	UA355100	Mylar Capacitor	0.1000 50V J RX TP	マ イ ラ ー コ ン			01

*: New Parts

RANK: Japan only

DC/GPI/PN/PS/USB

REF NO.	PART NO.	DESCRIPTION		部 品 名	REMARKS	QTY	RANK
C803	UU247470	Electrolytic Cap.	47.00 25.0V RX TP	ケ ミ コ ン F W			01
C804	UA355120	Mylar Capacitor	0.1200 50V J RX TP	マ イ ラ ー コ ン			01
C902	WA163300	Electrolytic Cap.	220.00 35.0V TP	ケ ミ コ ン H D	DME4io-ES/DME8i-ES		01
C903	US065100	Ceramic Capacitor-F (chip)	0.100 50V Z RECT.	チ ッ プ セ ラ F	DME4io-ES/DME8i-ES		
C904	US065100	Ceramic Capacitor-F (chip)	0.100 50V Z RECT.	チ ッ プ セ ラ F	DME4io-ES/DME8i-ES		
C905	US163100	Ceramic Capacitor-SL(chip)	1000P 50V J RECT.	チ ッ プ セ ラ (S L)	DME4io-ES/DME8i-ES		01
C906	UA355120	Mylar Capacitor	0.1200 50V J RX TP	マ イ ラ ー コ ン	DME4io-ES/DME8i-ES		01
C907	WB820100	Electrolytic Cap.	220.00 63.0V	ケ ミ コ ン H E	DME4io-ES/DME8i-ES		01
C908	WB820100	Electrolytic Cap.	220.00 63.0V	ケ ミ コ ン H E	DME4io-ES/DME8i-ES		01
C909	US064100	Ceramic Capacitor-B (chip)	0.0100 50V K RECT.	チ ッ プ セ ラ (B)			01
CN101	LB932060	Base Post Connector	VH 6P TE	ベ ー ス ポ ス ト			01
CN103	VK025600	Wire Trap	52147 12P TE	ワ イ ヤ ー ト ラ ッ プ			01
CN104	WC958600	Connector Assembly	SAN&PH 14P 100L	束 線 # 2 4			06
CN105	VK025600	Wire Trap	52147 12P TE	ワ イ ヤ ー ト ラ ッ プ			01
CN201	WD295700	Connector, FFC	52793 21P SE	F F C コ ネ ク タ ー			
CN301	VP245600	Base Post Connector	VA 2P SE	ベ ー ス ツ キ ポ ス ト			01
CN401	VB390100	Base Post Connector	PH 5P TE	ベ ー ス ポ ス ト			01
CN402	WG319000	USB Jack	USB 4P TE	U S B ジャ ッ ク	USB		
CN501	V4574900	Connector, FFC	52793-2670	F F C コ ネ ク タ ー			02
CN502	WG261000	Terminal	16P ME030-35016	ミ ニ 端 子 台 1 6 P	GPI IN/OUT		
CN601	VU196300	Connector Socket	17LE-2390-27(D4CH)	コ ネ ク タ ー ソ ケ ッ ト	REMOTE		04
D101	WA295200	Diode	D1FS4A-7063 TP	ダ イ オ ー ド			01
D102	VR496500	Diode	MA111 FLAT TP	ダ イ オ ー ド			
D102	VT332900	Diode	1SS355 TE-17 TP	ダ イ オ ー ド			01
D103	VR496500	Diode	MA111 FLAT TP	ダ イ オ ー ド			
D103	VT332900	Diode	1SS355 TE-17 TP	ダ イ オ ー ド			01
D105	V4766800	Diode	RB060L-40 TAPING	ダ イ オ ー ド			01
D106	VS597600	Diode	RB160L-40 TE25 TP	ダ イ オ ー ド			01
D107	V9599200	Diode	HSU119 TRF-E	ダ イ オ ー ド			01
D109	VS597600	Diode	RB160L-40 TE25 TP	ダ イ オ ー ド			01
D112	V8409200	Diode	RB160L-60 TE	ダ イ オ ー ド			01
D113	VR496500	Diode	MA111 FLAT TP	ダ イ オ ー ド			
D113	VT332900	Diode	1SS355 TE-17 TP	ダ イ オ ー ド			01
D114	VS597600	Diode	RB160L-40 TE25 TP	ダ イ オ ー ド			01
D115	VS597600	Diode	RB160L-40 TE25 TP	ダ イ オ ー ド			01
D601	VS201100	Diode	D1F60 1A 600V TP	ダ イ オ ー ド			01
D602	VS201100	Diode	D1F60 1A 600V TP	ダ イ オ ー ド			01
D801	VS597600	Diode	RB160L-40 TE25 TP	ダ イ オ ー ド			01
D901	V8409200	Diode	RB160L-60 TE	ダ イ オ ー ド	DME4io-ES/DME8i-ES		01
DA501	VV556300	Diode Array	DAN217 0.3A X2	ダ イ オ ー ド ア レ イ			01
-512	VV556300	Diode Array	DAN217 0.3A X2	ダ イ オ ー ド ア レ イ			01
EM101	WA093400	LC Filter	ZJSR5101-223TA-01	L C フィ ル タ ー E M I			01
-109	WA093400	LC Filter	ZJSR5101-223TA-01	L C フィ ル タ ー E M I			01
EM501	WA093400	LC Filter	ZJSR5101-223TA-01	L C フィ ル タ ー E M I			01
EM502	WA093400	LC Filter	ZJSR5101-223TA-01	L C フィ ル タ ー E M I			01
EM503	WC391500	LC Filter	NFA31CC101S1E4D	L C フィ ル タ ー E M I			01
-505	WC391500	LC Filter	NFA31CC101S1E4D	L C フィ ル タ ー E M I			01
EM601	VI243100	LC Filter	DSS6NB32A271Q93A	L C フィ ル タ ー			01
-604	VI243100	LC Filter	DSS6NB32A271Q93A	L C フィ ル タ ー			01
FT901	WG196400	FET	HAT2256R-EL-E TA	F E T	FET DME4io-ES/DME8i-ES		
IC101	X3847A00	IC	S-80142ANMC-JC3T2G	I	C SYSTEM RESET		01
IC102	X7285A00	IC	TC7SH00FU(TE85L,F)	I	C NAND		01
IC103	X6154A00	IC	MD1333N	I	C DC-DC CONVERTER		06
IC105	X5090A00	IC	PQ1CY1032ZPH 3.5A	I	C DC-DC CONVERTER		04
IC106	X5090A00	IC	PQ1CY1032ZPH 3.5A	I	C DC-DC CONVERTER		04
IC107	X4366A00	IC	LM2940CSX-5.0/NOPB	I	C REGULATOR +5V		03
IC108	X4364A00	IC	LM2592HVSX-ADJ/NOP	I	C DC-DC CONVERTER		08
IC109	X5090A00	IC	PQ1CY1032ZPH 3.5A	I	C DC-DC CONVERTER		04
IC501	X3292A00	IC	SN74LV244APWR	I	C BUFFER		01
IC502	IS405210	IC	SN74LV4052ANSR	I	C MULTIPLEXER		02
IC503	X5074A00	IC	SN74LV273APWR	I	C D-FF		01
IC504	X7389A00	IC	NJM2734V(TE1)	I	C OP AMP		
IC505	X7389A00	IC	NJM2734V(TE1)	I	C OP AMP		
IC508	XU009A00	IC	SN74ABT245BNST-EL	I	C TRANSCEIVER		04
IC601	X2757A00	IC	MAX3221CPWR	I	C LINE DRIVER/RECEIVER		04
IC602	X4131A00	IC	SN74AHC00PWR	I	C NAND		
IC603	X3693A00	IC	SN74LV245APWR	I	C TRANSCEIVER		
IC604	XU073A00	IC	SN75C1168NSR	I	C LINE TRANSCEIVER		05
IC801	X4368A00	IC	NJM78M20DL1A(TE1)	I	C REGULATOR +20V		02
IC901	XZ914A00	IC	LM3478MM	I	C DME4io-ES/DME8i-ES		

*: New Parts

RANK: Japan only

DC/GPI/PN/PS/USB

REF NO.	PART NO.	DESCRIPTION	部 品 名	REMARKS	QTY	RANK
K101	VB966900	Style Pin	IMSA-6024-01EL-PT	スタイルピン L = 3 5	FET CONTROLLER (WG19750)	01
K102	VB966900	Style Pin	IMSA-6024-01EL-PT	スタイルピン L = 3 5		01
K501	--	GPI Holder		G P I 金 具		
L104	WE488000	Coil	CDRH125 SMD 100uH	コイル 1 0 0 U		03
L105	WB420300	Coil	CDRH127-221MC 220u	コイル 2 2 0 U		03
L106	V7185100	Coil	CDRH125-100MC 10uH	コイル 1 0 U		03
L107	WB318600	Chip Inductance	CDRH5D28-220	チップインダクタ		01
L109	WG957500	Coil	HK-08S050-2010 200	コイル 2 0 0 U		04
L109	WH815300	Coil	HK-08S050-2010 200	コイル 2 0 0 U		04
L110	WG957500	Coil	HK-08S050-2010 200	コイル 2 0 0 U		04
L110	WH815300	Coil	HK-08S050-2010 200	コイル 2 0 0 U		04
L401	V5239100	Common Mode Coil	DLP31SN121ML2L	コモンモードコイル		03
L402	V3232700	Chip Inductance	120U	チップインダクタ		01
L901	WG826000	Coil	CDRH127/LDNP-681MC	コイル 6 8 0 U	DME4io-ES/DME8i-ES	
LD218	WG138800	LED Orange	TLOV1022(T14YMH,F)	L E D	NETWORK	01
LD219	WG138900	LED Green	TLGV1022(T14YMH,F)	L E D	MASTER	01
LD220	WG138700	LED Red	TLRV1022(T14YMH,F)	L E D	ERROR	01
LD222	WG138900	LED Green	TLGV1022(T14YMH,F)	L E D	INPUT TX	01
LD223	WG138900	LED Green	TLGV1022(T14YMH,F)	L E D	INPUT RX	01
LD228	WG138900	LED Green	TLGV1022(T14YMH,F)	L E D	OUTPUT TX	01
LD229	WG138900	LED Green	TLGV1022(T14YMH,F)	L E D	OUTPUT RX	01
LD231	WG138700	LED Red	TLRV1022(T14YMH,F)	L E D	DME4io-ES/DME8i-ES INPUT PEAK 1	01
LD231	WG138700	LED Red	TLRV1022(T14YMH,F)	L E D	DME8o-ES OUTPUT PEAK 1	01
LD232	WG138900	LED Green	TLGV1022(T14YMH,F)	L E D	DME4io-ES/DME8i-ES INPUT SIGNAL 1	01
LD231	WG138700	LED Red	TLRV1022(T14YMH,F)	L E D	DME8o-ES OUTPUT SIGNAL 1	01
LD234	WG138700	LED Red	TLRV1022(T14YMH,F)	L E D	DME4io-ES OUTPUT PEAK 1	01
LD234	WG138700	LED Red	TLRV1022(T14YMH,F)	L E D	DME8i-ES INPUT PEAK 5	01
LD234	WG138700	LED Red	TLRV1022(T14YMH,F)	L E D	DME8o-ES OUTPUT PEAK 5	01
LD235	WG138900	LED Green	TLGV1022(T14YMH,F)	L E D	DME4io-ES OUTPUT SIGNAL 1	01
LD235	WG138900	LED Green	TLGV1022(T14YMH,F)	L E D	DME8i-ES INPUT SIGNAL 5	01
LD235	WG138900	LED Green	TLGV1022(T14YMH,F)	L E D	DME8o-ES OUTPUT SIGNAL 5	01
LD237	WG138700	LED Red	TLRV1022(T14YMH,F)	L E D	DME4io-ES/DME8i-ES INPUT PEAK 2	01
LD237	WG138700	LED Red	TLRV1022(T14YMH,F)	L E D	DME8o-ES OUTPUT PEAK 2	01
LD238	WG138900	LED Green	TLGV1022(T14YMH,F)	L E D	DME4io-ES/DME8i-ES INPUT SIGNAL 2	01
LD238	WG138900	LED Green	TLGV1022(T14YMH,F)	L E D	DME8o-ES OUTPUT SIGNAL 2	01
LD240	WG138700	LED Red	TLRV1022(T14YMH,F)	L E D	DME4io-ES OUTPUT PEAK 2	01
LD240	WG138700	LED Red	TLRV1022(T14YMH,F)	L E D	DME8i-ES INPUT PEAK 6	01
LD240	WG138700	LED Red	TLRV1022(T14YMH,F)	L E D	DME8o-ES OUTPUT PEAK 6	01
LD241	WG138900	LED Green	TLGV1022(T14YMH,F)	L E D	DME4io-ES OUTPUT SIGNAL 2	01
LD241	WG138900	LED Green	TLGV1022(T14YMH,F)	L E D	DME8i-ES INPUT SIGNAL 6	01
LD241	WG138900	LED Green	TLGV1022(T14YMH,F)	L E D	DME8o-ES OUTPUT SIGNAL 6	01
LD243	WG138700	LED Red	TLRV1022(T14YMH,F)	L E D	DME4io-ES/DME8i-ES INPUT PEAK 3	01
LD243	WG138700	LED Red	TLRV1022(T14YMH,F)	L E D	DME8o-ES OUTPUT PEAK 3	01
LD244	WG138900	LED Green	TLGV1022(T14YMH,F)	L E D	DME4io-ES/DME8i-ES INPUT SIGNAL 3	01
LD244	WG138900	LED Green	TLGV1022(T14YMH,F)	L E D	DME8o-ES OUTPUT SIGNAL 3	01
LD246	WG138700	LED Red	TLRV1022(T14YMH,F)	L E D	DME4io-ES OUTPUT PEAK 3	01
LD246	WG138700	LED Red	TLRV1022(T14YMH,F)	L E D	DME8i-ES INPUT PEAK 7	01
LD246	WG138700	LED Red	TLRV1022(T14YMH,F)	L E D	DME8o-ES OUTPUT PEAK 7	01
LD247	WG138900	LED Green	TLGV1022(T14YMH,F)	L E D	DME4io-ES OUTPUT SIGNAL 3	01
LD247	WG138900	LED Green	TLGV1022(T14YMH,F)	L E D	DME8i-ES INPUT SIGNAL 7	01
LD247	WG138900	LED Green	TLGV1022(T14YMH,F)	L E D	DME8o-ES OUTPUT SIGNAL 7	01
LD249	WG138700	LED Red	TLRV1022(T14YMH,F)	L E D	DME4io-ES/DME8i-ES INPUT PEAK 4	01
LD249	WG138700	LED Red	TLRV1022(T14YMH,F)	L E D	DME8o-ES OUTPUT PEAK 4	01
LD250	WG138900	LED Green	TLGV1022(T14YMH,F)	L E D	DME4io-ES/DME8i-ES INPUT SIGNAL 4	01
LD250	WG138900	LED Green	TLGV1022(T14YMH,F)	L E D	DME8o-ES OUTPUT SIGNAL 4	01
LD252	WG138700	LED Red	TLRV1022(T14YMH,F)	L E D	DME4io-ES OUTPUT PEAK 4	01
LD252	WG138700	LED Red	TLRV1022(T14YMH,F)	L E D	DME8i-ES INPUT PEAK 8	01
LD252	WG138700	LED Red	TLRV1022(T14YMH,F)	L E D	DME8o-ES OUTPUT PEAK 8	01
LD253	WG138900	LED Green	TLGV1022(T14YMH,F)	L E D	DME4io-ES OUTPUT SIGNAL 4	01
LD253	WG138900	LED Green	TLGV1022(T14YMH,F)	L E D	DME8i-ES INPUT SIGNAL 8	01
LD253	WG138900	LED Green	TLGV1022(T14YMH,F)	L E D	DME8o-ES OUTPUT SIGNAL 8	01

*: New Parts

RANK: Japan only

DC/GPI/PN/PS/USB

REF NO.	PART NO.	DESCRIPTION		部	品	名	REMARKS	QTY	RANK
LD265	WG138900	LED Green	TLGV1022(T14YMH,F)	レ	エ	ド	POWER		01
R106	RF457180	Carbon Resistor (chip)	18.0K D RECT.	チ	ッ	ブ 抵 抗			01
R107	RF456510	Carbon Resistor (chip)	5.1K D RECT.	チ	ッ	ブ 抵 抗			01
R110	RD257120	Carbon Resistor (chip)	12.0K 0.1 J RECT.	チ	ッ	ブ 抵 抗			01
R111	RD356330	Carbon Resistor (chip)	3.3K 63M J RECT.	チ	ッ	ブ 抵 抗			01
R112	RD358100	Carbon Resistor (chip)	100.0K 63M J RECT.	チ	ッ	ブ 抵 抗			01
R113	RD359100	Carbon Resistor (chip)	1.0M 63M J RECT.	チ	ッ	ブ 抵 抗			01
R114	RD358100	Carbon Resistor (chip)	100.0K 63M J RECT.	チ	ッ	ブ 抵 抗			01
R115	RD354220	Carbon Resistor (chip)	22.0 63M J RECT.	チ	ッ	ブ 抵 抗			01
R116	RD357150	Carbon Resistor (chip)	15.0K 63M J RECT.	チ	ッ	ブ 抵 抗			01
R117	RD356470	Carbon Resistor (chip)	4.7K 63M J RECT.	チ	ッ	ブ 抵 抗			01
R118	RD357150	Carbon Resistor (chip)	15.0K 63M J RECT.	チ	ッ	ブ 抵 抗			01
R119	RD356470	Carbon Resistor (chip)	4.7K 63M J RECT.	チ	ッ	ブ 抵 抗			01
R120	RF456100	Carbon Resistor (chip)	1.0K D RECT.	チ	ッ	ブ 抵 抗			01
R121	RF456100	Carbon Resistor (chip)	1.0K D RECT.	チ	ッ	ブ 抵 抗			01
R122	RF456150	Carbon Resistor (chip)	1.5K D RECT.	チ	ッ	ブ 抵 抗			01
R123	RF456430	Carbon Resistor (chip)	4.3K D RECT.	チ	ッ	ブ 抵 抗			01
R124	RD357100	Carbon Resistor (chip)	10.0K 63M J RECT.	チ	ッ	ブ 抵 抗			01
R125	RF456220	Carbon Resistor (chip)	2.2K D RECT.	チ	ッ	ブ 抵 抗			01
R128	RF456150	Carbon Resistor (chip)	1.5K D RECT.	チ	ッ	ブ 抵 抗			01
R130	RF455820	Carbon Resistor (chip)	820.0 D RECT.	チ	ッ	ブ 抵 抗			01
R131	WE513700	Carbon Resistor (chip)	0.056 2W F TAPING	チ	ッ	ブ 抵 抗			02
R147	RD357150	Carbon Resistor (chip)	15.0K 63M J RECT.	チ	ッ	ブ 抵 抗			01
R148	RD356470	Carbon Resistor (chip)	4.7K 63M J RECT.	チ	ッ	ブ 抵 抗			01
R149	RF456100	Carbon Resistor (chip)	1.0K D RECT.	チ	ッ	ブ 抵 抗			01
R150	RF456220	Carbon Resistor (chip)	2.2K D RECT.	チ	ッ	ブ 抵 抗			01
R151	RF457120	Carbon Resistor (chip)	12.0K D RECT.	チ	ッ	ブ 抵 抗			01
R152	RF456130	Carbon Resistor (chip)	1.3K D RECT.	チ	ッ	ブ 抵 抗			01
R153	RF457180	Carbon Resistor (chip)	18.0K D RECT.	チ	ッ	ブ 抵 抗			01
R156	RD257100	Carbon Resistor (chip)	10.0K 0.1 J RECT.	チ	ッ	ブ 抵 抗			01
R501	RD356820	Carbon Resistor (chip)	8.2K 63M J RECT.	チ	ッ	ブ 抵 抗			01
R502	RD356470	Carbon Resistor (chip)	4.7K 63M J RECT.	チ	ッ	ブ 抵 抗			01
R503	RD356820	Carbon Resistor (chip)	8.2K 63M J RECT.	チ	ッ	ブ 抵 抗			01
R504	RD356470	Carbon Resistor (chip)	4.7K 63M J RECT.	チ	ッ	ブ 抵 抗			01
R505	RD357100	Carbon Resistor (chip)	10.0K 63M J RECT.	チ	ッ	ブ 抵 抗			01
R506	RD357100	Carbon Resistor (chip)	10.0K 63M J RECT.	チ	ッ	ブ 抵 抗			01
R507	RD358100	Carbon Resistor (chip)	100.0K 63M J RECT.	チ	ッ	ブ 抵 抗			01
-514	RD358100	Carbon Resistor (chip)	100.0K 63M J RECT.	チ	ッ	ブ 抵 抗			01
R519	RD356100	Carbon Resistor (chip)	1.0K 63M J RECT.	チ	ッ	ブ 抵 抗			01
-526	RD356100	Carbon Resistor (chip)	1.0K 63M J RECT.	チ	ッ	ブ 抵 抗			01
R601	RD254100	Carbon Resistor (chip)	10.0 0.1 J RECT.	チ	ッ	ブ 抵 抗			01
R602	RD254100	Carbon Resistor (chip)	10.0 0.1 J RECT.	チ	ッ	ブ 抵 抗			01
R603	RD255470	Carbon Resistor (chip)	470.0 0.1 J RECT.	チ	ッ	ブ 抵 抗			01
R604	RD255470	Carbon Resistor (chip)	470.0 0.1 J RECT.	チ	ッ	ブ 抵 抗			01
R605	RD257100	Carbon Resistor (chip)	10.0K 0.1 J RECT.	チ	ッ	ブ 抵 抗			01
R606	RD356220	Carbon Resistor (chip)	2.2K 63M J RECT.	チ	ッ	ブ 抵 抗			01
R607	RD356220	Carbon Resistor (chip)	2.2K 63M J RECT.	チ	ッ	ブ 抵 抗			01
R608	RD357470	Carbon Resistor (chip)	47.0K 63M J RECT.	チ	ッ	ブ 抵 抗			01
R609	RD357470	Carbon Resistor (chip)	47.0K 63M J RECT.	チ	ッ	ブ 抵 抗			01
R610	RD357100	Carbon Resistor (chip)	10.0K 63M J RECT.	チ	ッ	ブ 抵 抗			01
R611	RD357100	Carbon Resistor (chip)	10.0K 63M J RECT.	チ	ッ	ブ 抵 抗			01
R902	RF457100	Carbon Resistor (chip)	10.0K D RECT.	チ	ッ	ブ 抵 抗	DME4io-ES/DME8i-ES		01
R903	RD356100	Carbon Resistor (chip)	1.0K 63M J RECT.	チ	ッ	ブ 抵 抗	DME4io-ES/DME8i-ES		01
R904	RF458100	Carbon Resistor (chip)	100.0K D RECT.	チ	ッ	ブ 抵 抗	DME4io-ES/DME8i-ES		01
R905	RF458270	Carbon Resistor (chip)	270.0K D RECT.	チ	ッ	ブ 抵 抗	DME4io-ES/DME8i-ES		01
R906	RD355680	Carbon Resistor (chip)	680.0 63M J RECT.	チ	ッ	ブ 抵 抗	DME4io-ES/DME8i-ES		01
R907	RF457180	Carbon Resistor (chip)	18.0K D RECT.	チ	ッ	ブ 抵 抗	DME4io-ES/DME8i-ES		01
R908	V6768700	Carbon Resistor (chip)	0.33 3/4 J RECT.	チ	ッ	ブ 抵 抗	DME4io-ES/DME8i-ES		01
R911	WE958000	Metal Oxide Film Resistor	4.7K 2W J TP	酸 化 金 属 被 膜 抵 抗			DME4io-ES/DME8i-ES		01
R917	RD350000	Carbon Resistor (chip)	0 63M J RECT.	チ	ッ	ブ 抵 抗			01
RA501	RE047100	Resistor Array	10KX4	抵 抗	ア レ イ				01
RA502	RE047100	Resistor Array	10KX4	抵 抗	ア レ イ				01
RA601	RE047100	Resistor Array	10KX4	抵 抗	ア レ イ				01
RY601	VU685600	Relay	DC NA- 5 W-K	リ	レ	ー			06
RY602	VU685600	Relay	DC NA- 5 W-K	リ	レ	ー			06
SW301	V3127000	Push Switch	ESB92S23B J.U.C.S	ブ	ッ シ ュ	S W	POWER ON/OFF		02
SW601	WH181600	Dip Switch	CFP-0612MC-1	デ	ィ ッ プ	S W	RS232C/RS422		02
TH501	V3260600	Protector Switch	MICROSMD035F-2 SMD	ポ	リ ス イ ッ	チ			02
TH502	V3260600	Protector Switch	MICROSMD035F-2 SMD	ポ	リ ス イ ッ	チ			02
TR104	WC529500	Transistor	2SCKTA1504S-Y,GR-R	ト	ラ ン ジ	ス タ			02

*: New Parts

RANK: Japan only

DC/GPI/PN/PS/USB

REF NO.	PART NO.	DESCRIPTION		部 品 名	REMARKS	QTY	RANK
TR601	VV556400	Transistor	2SC2412K Q,R,S TP	ト ラ ン ジ ス タ			01
TR602	VV556400	Transistor	2SC2412K Q,R,S TP	ト ラ ン ジ ス タ			01
	V5065200	AC Inlet	1908-C 3P	A C イ ン レ ッ ト 3 P	AC IN		03
	WE620800	Power Supply Unit	LEA75F-24-SXYMH J,	電 源 ユ ニ ッ ト			20
	VN103500	Lithium Battery	CR2032	リ チ ウ ム 電 池			03

⚠
⚠
⚠

*: New Parts

RANK: Japan only

DIGITAL MIXING ENGINE SATELLITE

DME4io-ES / DME8i-ES / DME8o-ES

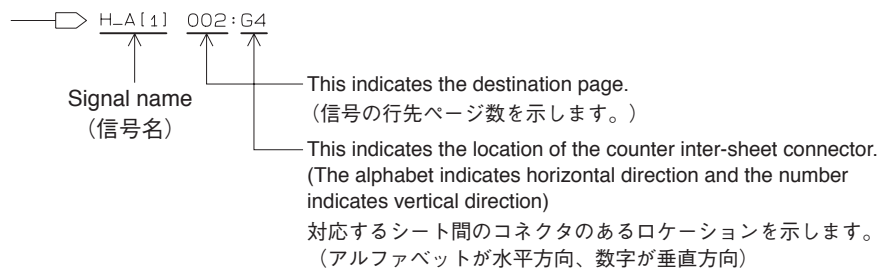
CIRCUIT DIAGRAM

■ CONTENTS (目次)

BLOCK DIAGRAM (ブロックダイアグラム)	3
LEVEL DIAGRAM (レベルダイアグラム)	8
CIRCUIT DIAGRAM (回路図)	
AD (001-005) (DME4io-ES/DME8i-ES).....	9-13
CPU (001-003) (DME4io-ES/DME8i-ES)	15-17
DA (001-002) (DME4io-ES/DME8o-ES).....	18-19
DC [SUB].....	20
DSP (001-006)	21-26
ENT2	27
ES	14
GPI (001-002) [SUB].....	28-29
PN [SUB].....	30
PS [SUB].....	30
USB [SUB]	30

Notation for Circuit Diagrams (回路図表記上の注意)

1. How to identify inter-sheet connectors (シート間コネクタの読み方について)



2. Connection of connectors. (コネクタの接続について)

(Example)


to DC-CN103
<Page 22: E-9>


Page 22 are the page of a circuit diagram.
(Page 22 は回路図のページです。)

E-9 is indicates the location of the counter inter-sheet connector.
(The alphabet indicates horizontal direction and the number indicates vertical direction)

E-9 は対応するシート間のコネクタのあるロケーションを示します。
(アルファベットが水平方向、数字が垂直方向)

■ WARNING

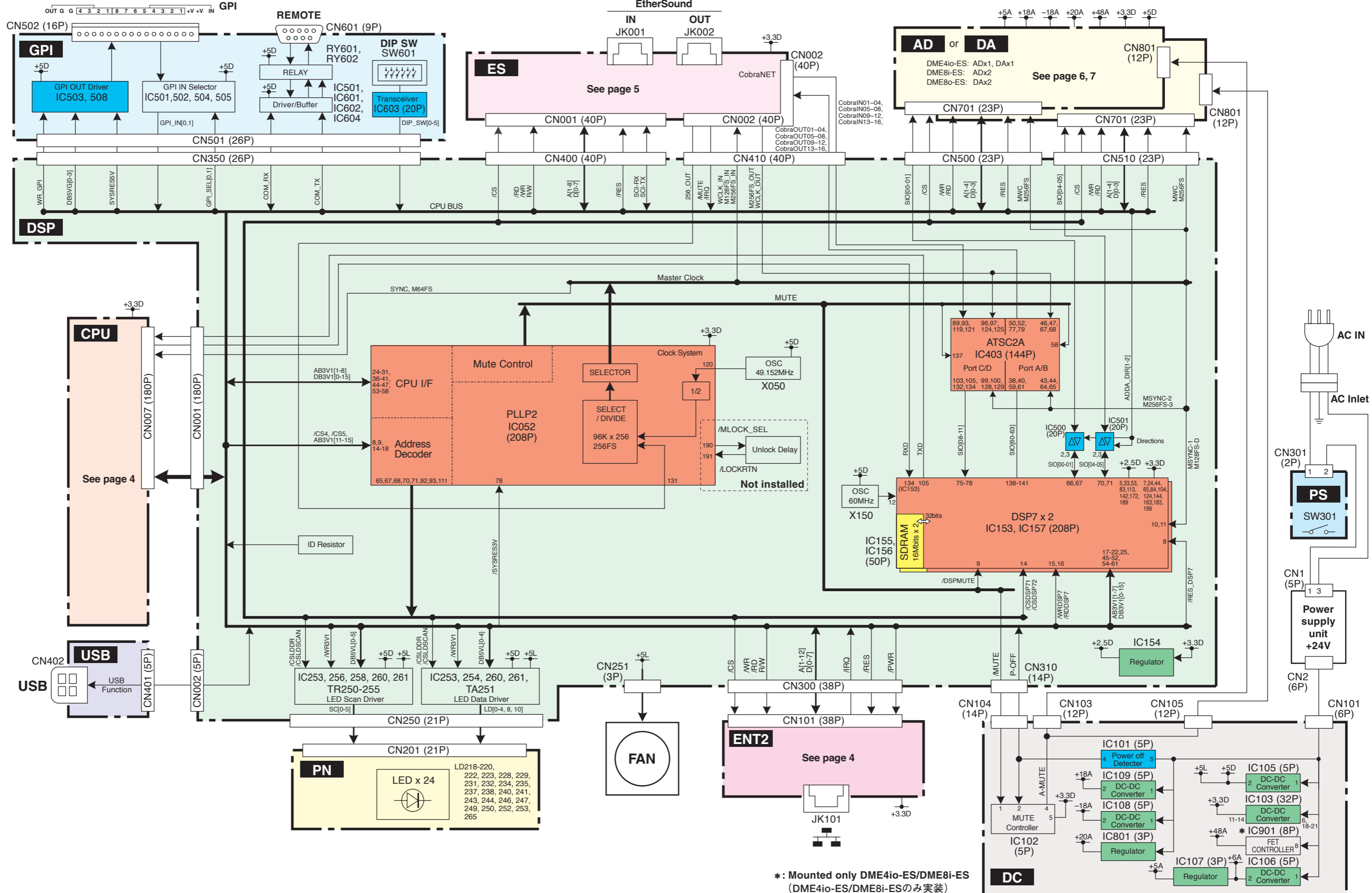
Components having special characteristics are marked  and must be replaced with parts having specification equal to those originally installed.

 印の部品は、安全を維持するために重要な部品です。交換する場合は、安全のために必ず指定の部品をご使用ください。

Note: See parts list for details of circuit board component parts.

注：シートの部品詳細はパーツリストをご参照ください。

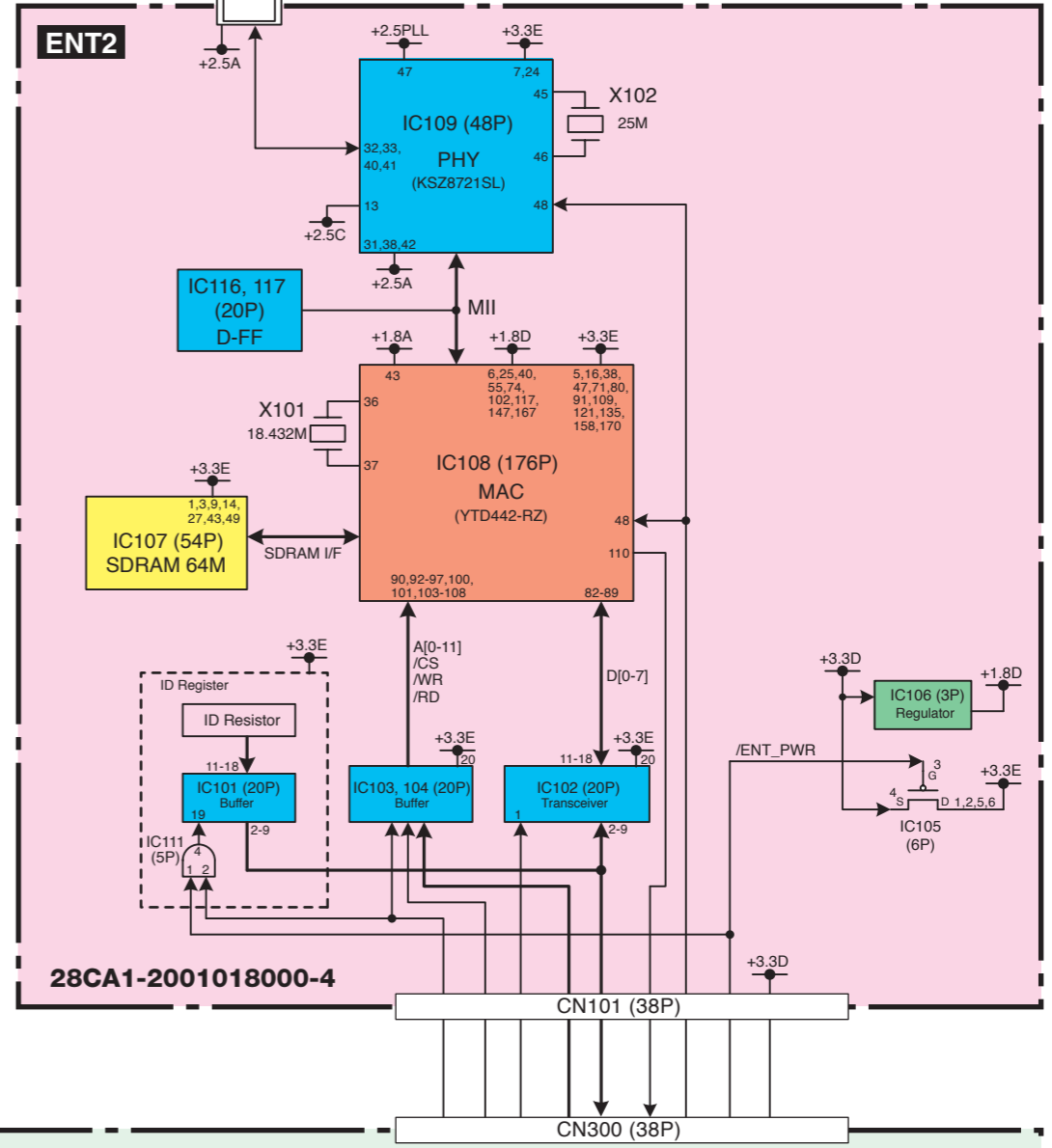
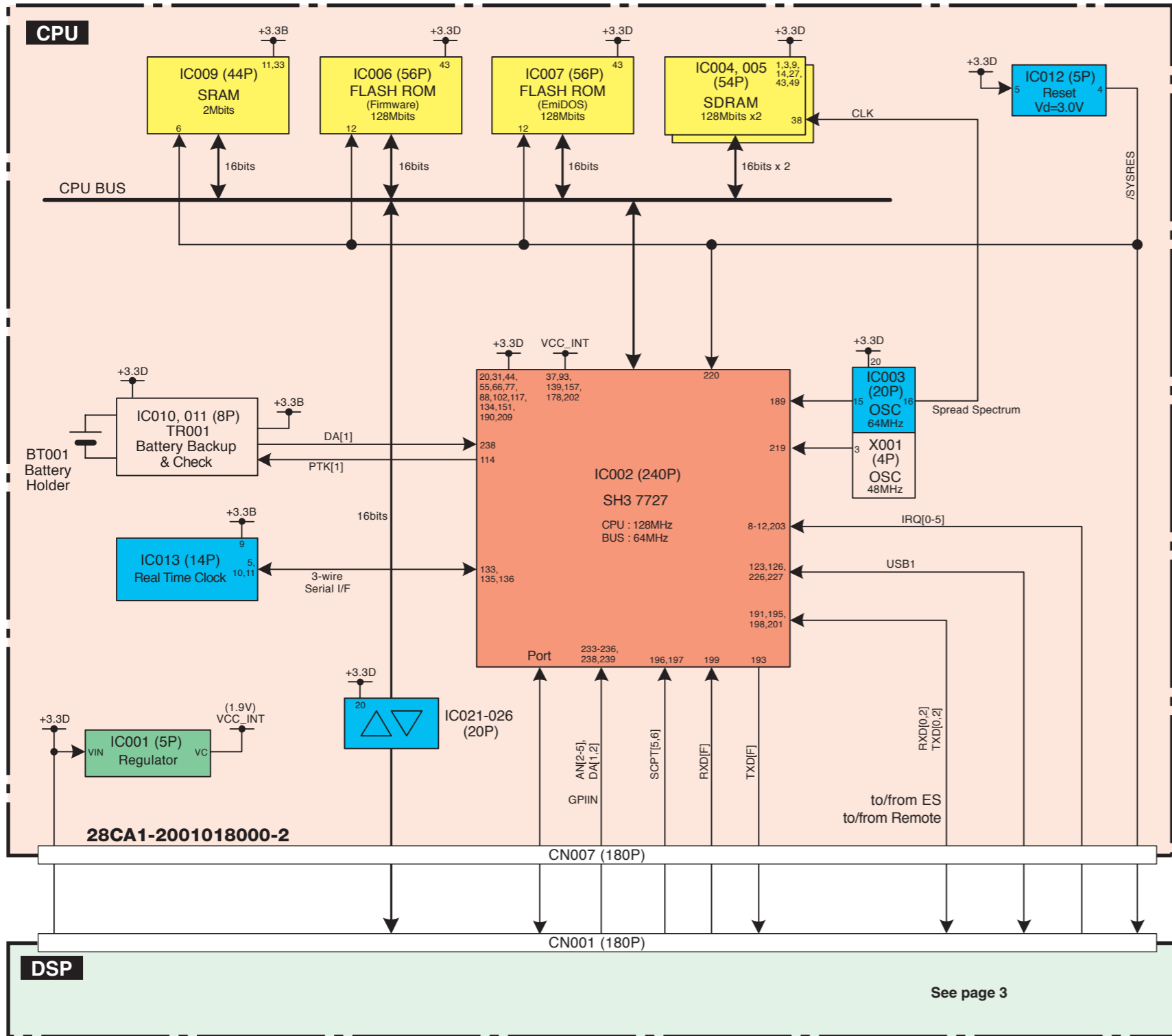
BLOCK DIAGRAM (DME4io-ES/DME8i-ES/DME8o-ES) 001



*: Mounted only DME4io-ES/DME8i-ES (DME4io-ES/DME8i-ESのみ実装)

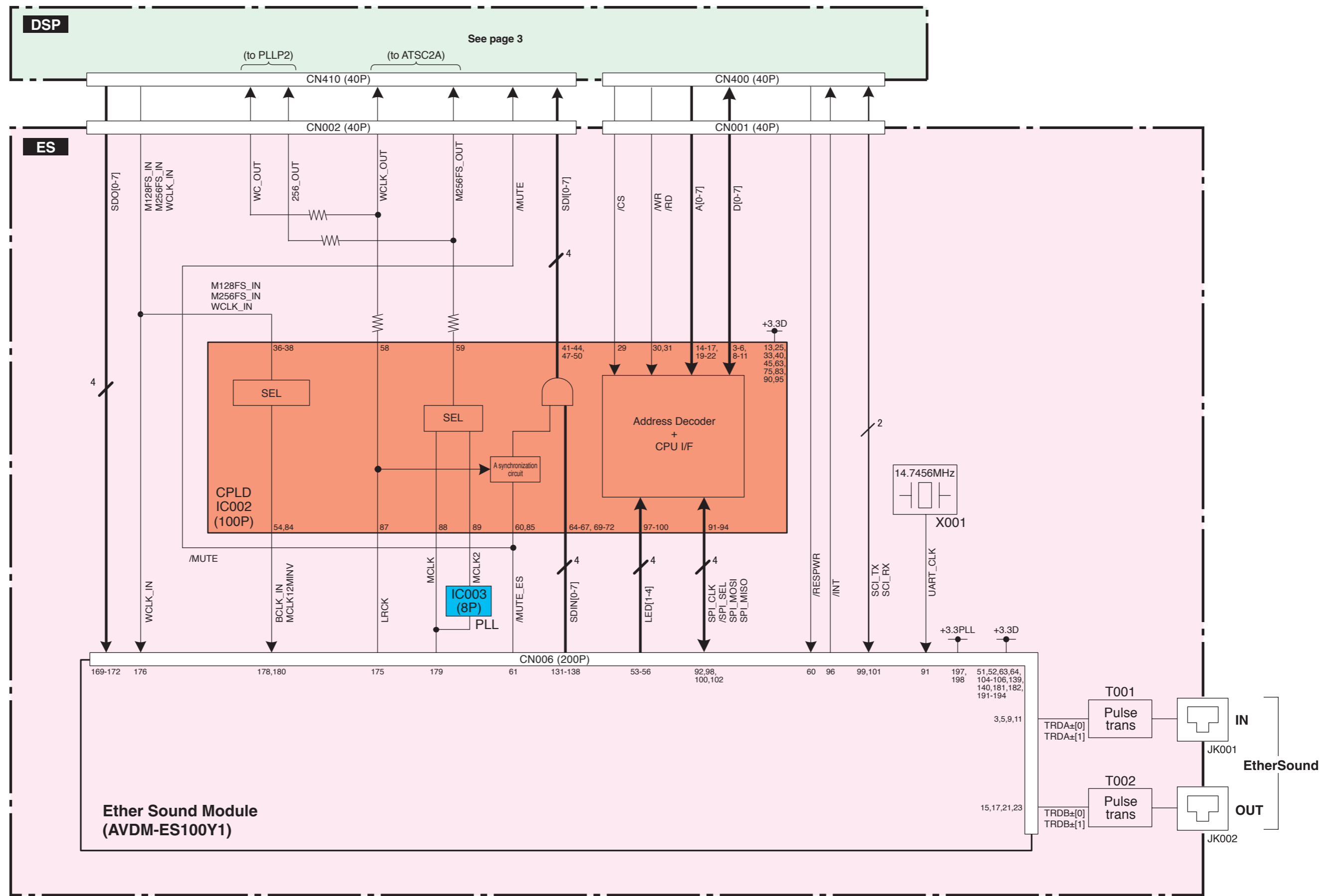
■ BLOCK DIAGRAM (DME4io-ES/DME8i-ES/DME8o-ES) 002

DME4io-ES/DME8i-ES/DME8o-ES



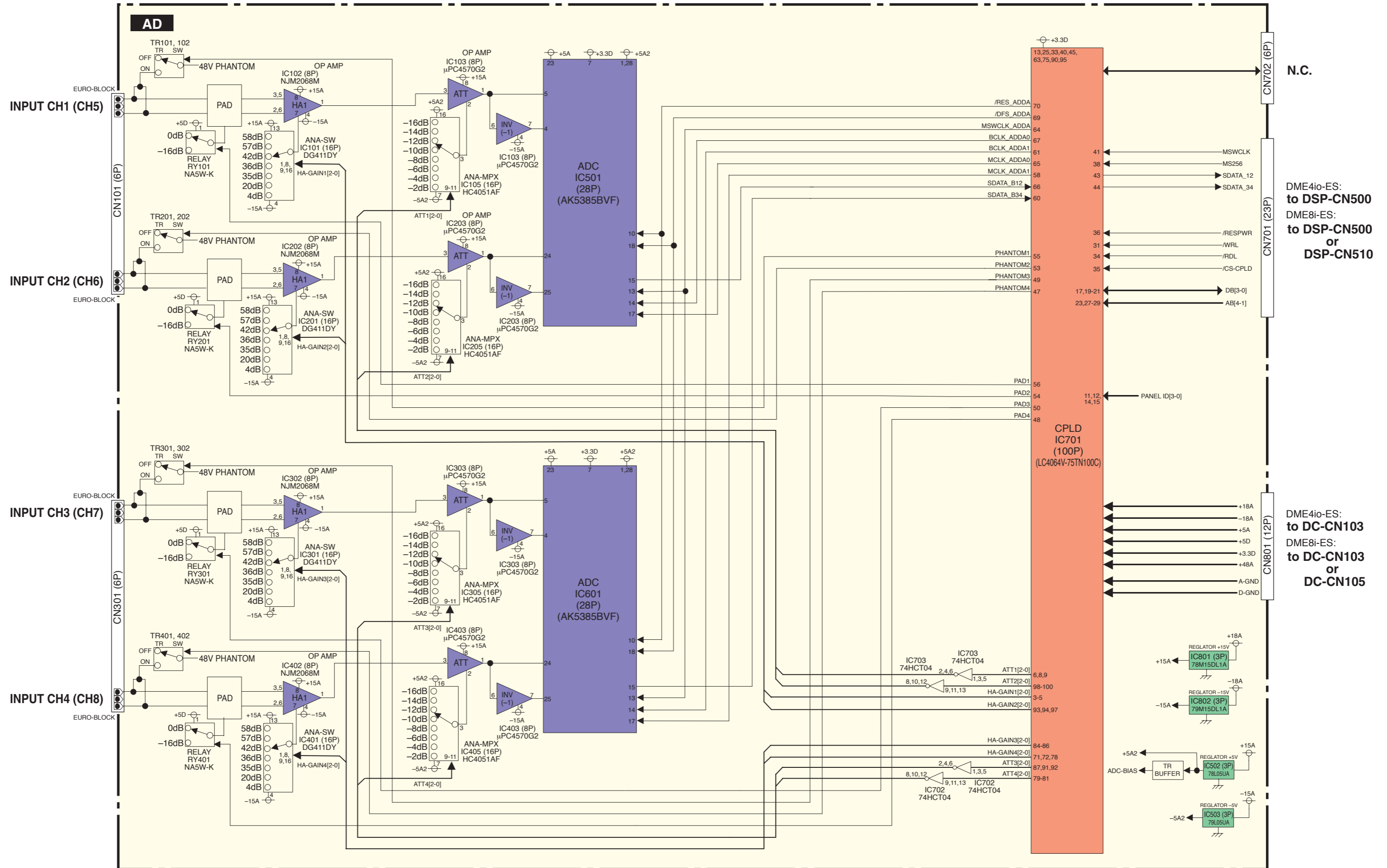
■ BLOCK DIAGRAM (DME4io-ES/DME8i-ES/DME8o-ES) 003

DME4io-ES/DME8i-ES/DME8o-ES



■ BLOCK DIAGRAM (DME4io-ES/DME8i-ES) 004

DME4io-ES/DME8i-ES/DME8o-ES



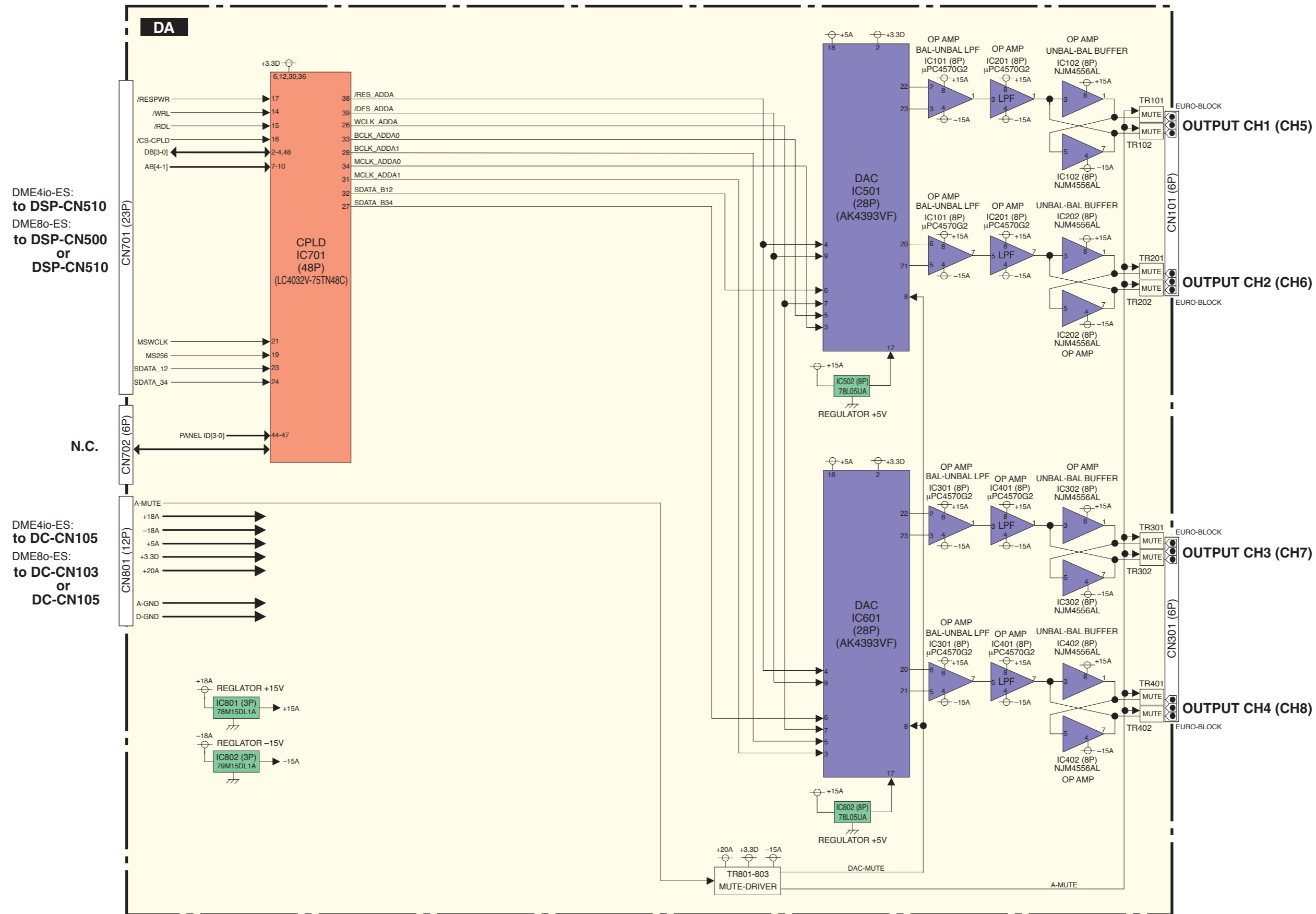
N.C.

DME4io-ES:
to DSP-CN500
DME8i-ES:
to DSP-CN500
or
DSP-CN510

DME4io-ES:
to DC-CN103
DME8i-ES:
to DC-CN103
or
DC-CN105

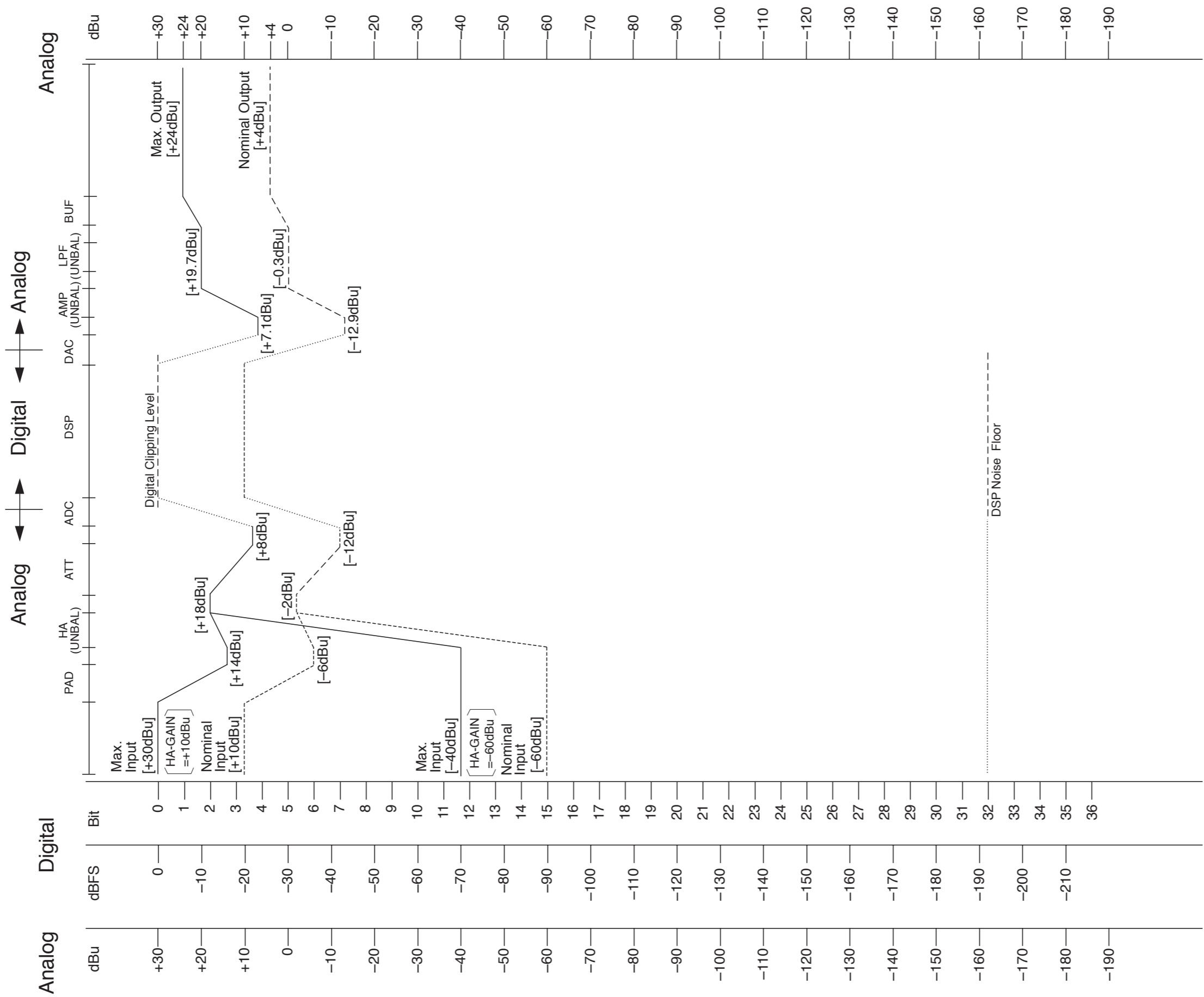
■ BLOCK DIAGRAM (DME4io-ES/DME8o-ES) 005

DME4io-ES/DME8i-ES/DME8o-ES



LEVEL DIAGRAM (DME4io-ES/DME8i-ES/DME8o-ES)

DME4io-ES/DME8i-ES/DME8o-ES



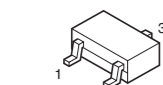

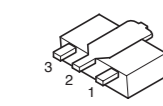
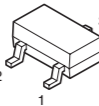
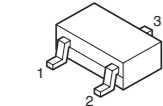
[0 dBu = 0.775 Vrms]
[0 dBFS = Full Scale]

Output level for a circuit board block with the indication "(UNBAL)" indicates unbalanced output value.
Input impedance and load impedance should be rated values (input: 150 Ω, load: 600 Ω).

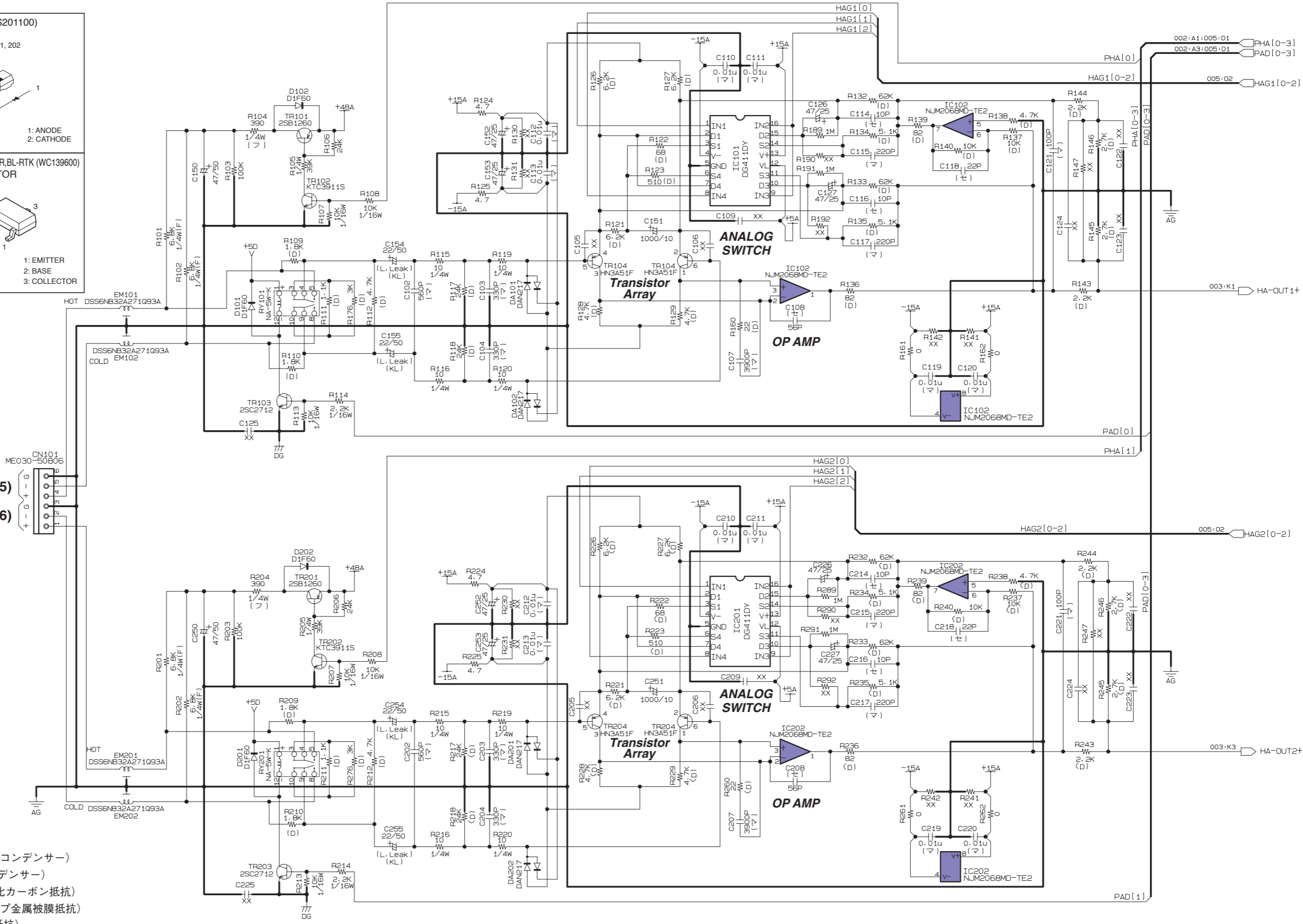
(UNBAL) 表記のある回路ブロックの出力レベルは、アンバランス出力でのレベル表記です。
入力インピーダンスおよび負荷インピーダンスは定格値（入力：150 Ω、負荷：600 Ω）とします。

AD CIRCUIT DIAGRAM (DME4io-ES/DME8i-ES) 001

DME4io-ES/DME8i-ES/DME8o-ES

<p>•DAN217 (VV556300) DIODE ARRAY 0.3AX2 DA101, 102, 201, 202</p>  <p>1: ANODE1 2: CATHODE2 3: CATHODE1, ANODE2</p>	<p>•D1F60 (VS201100) DIODE D101, 102, 201, 202</p>  <p>1: ANODE 2: CATHODE</p>
<p>•2SB1260 (VV540200) TRANSISTOR TR101, 201</p>  <p>1: BASE 2: COLLECTOR 3: EMITTER</p>	<p>•KTC3911S-GR, BL-RTK (WC139600) TRANSISTOR TR102, 202</p>  <p>1: EMITTER 2: BASE 3: COLLECTOR</p>
<p>•2SC2712 (VJ927100) TRANSISTOR TR103, 203</p>  <p>1: BASE 2: EMITTER 3: COLLECTOR</p>	

INPUT CH1 (CH5)
INPUT CH2 (CH6)

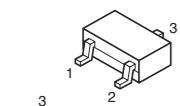
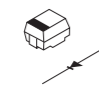
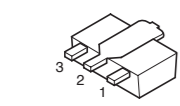
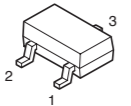
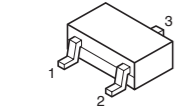


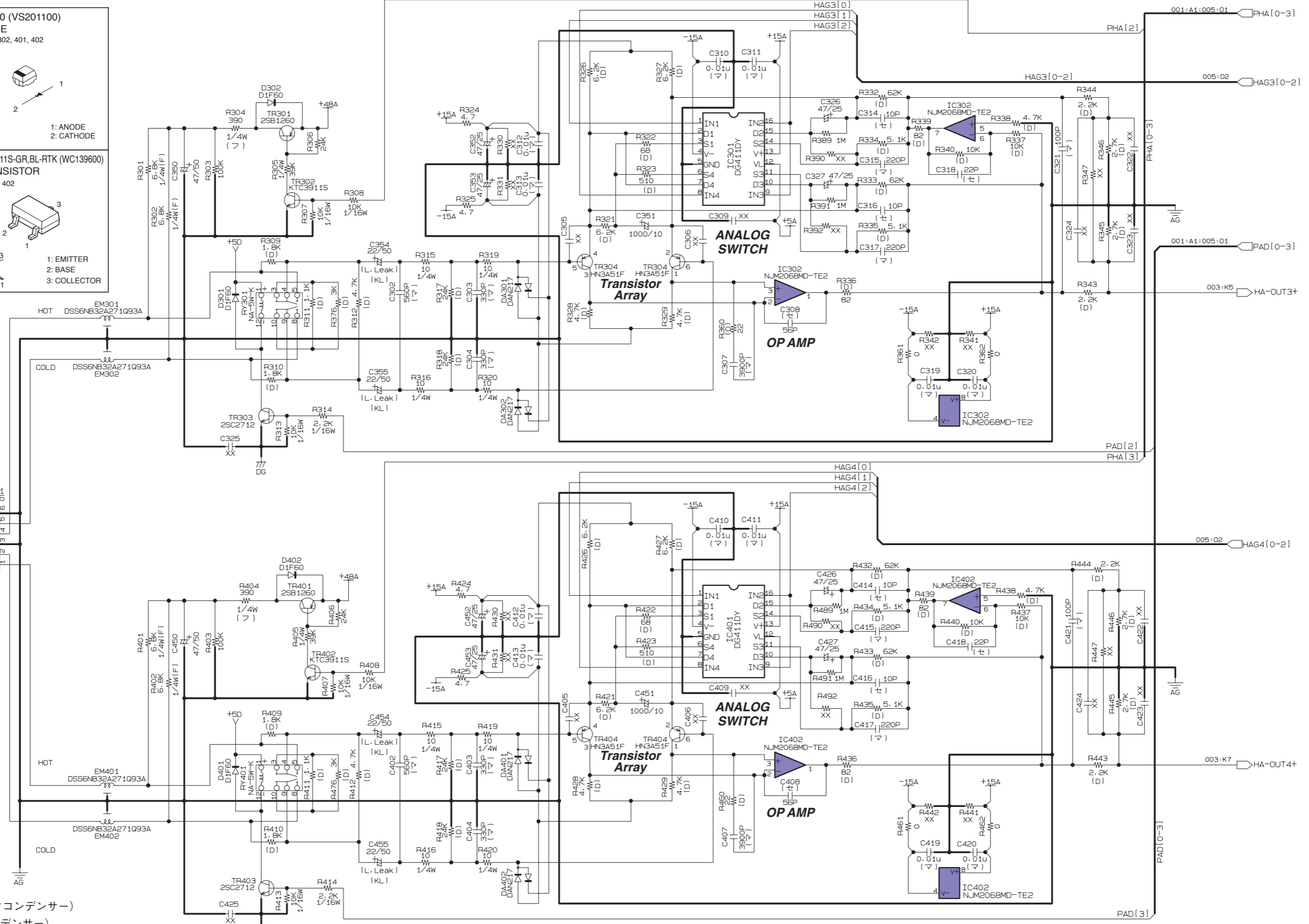
- XX : Not installed (未実装)
- (セ) : Ceramic Capacitor (セラミックコンデンサー)
- (マ) : Mylar Capacitor (マイラーコンデンサー)
- (フ) : Frame Proof C. Resistor (不燃化カーボン抵抗)
- (D) : Metal Film Resistor (chip) (チップ金属被膜抵抗)
- (F) : Metal Film Resistor (金属被膜抵抗)

Resistance power rating: 1/10 W for ones with no indication
(抵抗電力定格: 無記入品=1/10 W)

AD CIRCUIT DIAGRAM (DME4io-ES/DME8i-ES) 002

DME4io-ES/DME8i-ES/DME8o-ES

<p>• DAN217 (VV556300) DIODE ARRAY 0.3AX2 DA301, 302, 401, 402</p>  <p>1: ANODE1 2: CATHODE2 3: CATHODE1, ANODE2</p>	<p>• D1F60 (VS201100) DIODE D301, 302, 401, 402</p>  <p>1: ANODE 2: CATHODE</p>
<p>• 2SB1260 (VV540200) TRANSISTOR TR301, 401</p>  <p>1: BASE 2: COLLECTOR 3: EMITTER</p>	<p>• KTC3911S-GR, BL-RTK (WC139600) TRANSISTOR TR302, 402</p>  <p>1: EMITTER 2: BASE 3: COLLECTOR</p>
<p>• 2SC2712 (VJ927100) TRANSISTOR TR303, 403</p>  <p>1: BASE 2: EMITTER 3: COLLECTOR</p>	



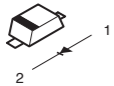
- XX : Not installed (未実装)
- (セ) : Ceramic Capacitor (セラミックコンデンサー)
- (マ) : Mylar Capacitor (マイラーコンデンサー)
- (フ) : Frame Proof C. Resistor (不燃化カーボン抵抗)
- (D) : Metal Film Resistor (chip) (チップ金属被膜抵抗)
- (F) : Metal Film Resistor (金属被膜抵抗)

Resistance power rating: 1/10 W for ones with no indication
(抵抗電力定格: 無記入品=1/10 W)

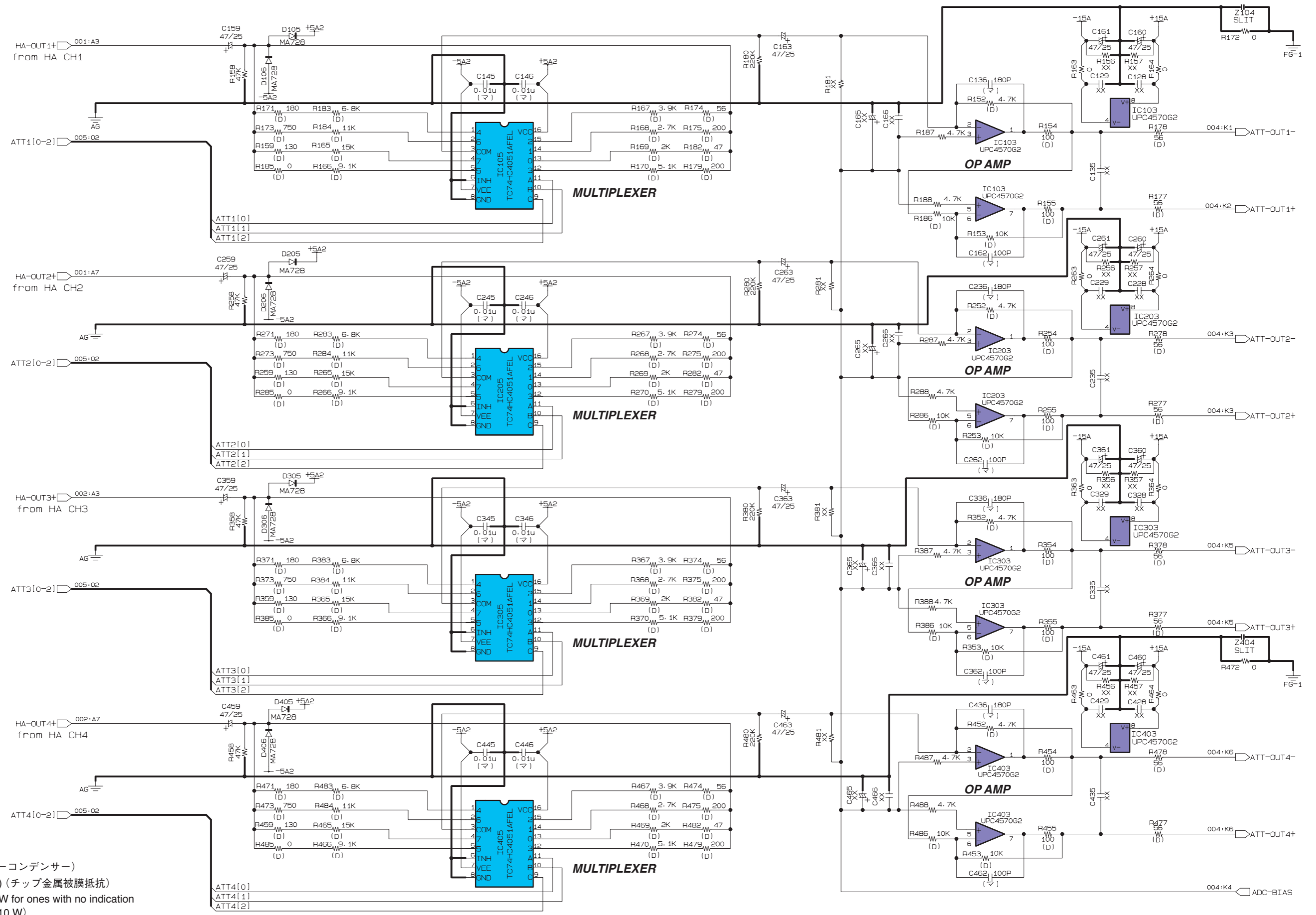
AD CIRCUIT DIAGRAM (DME4io-ES/DME8i-ES) 003

DME4io-ES/DME8i-ES/DME8o-ES

•MA2J72800L (V4771200)
DIODE
D105, 106, 205, 206, 305, 306,
405, 406



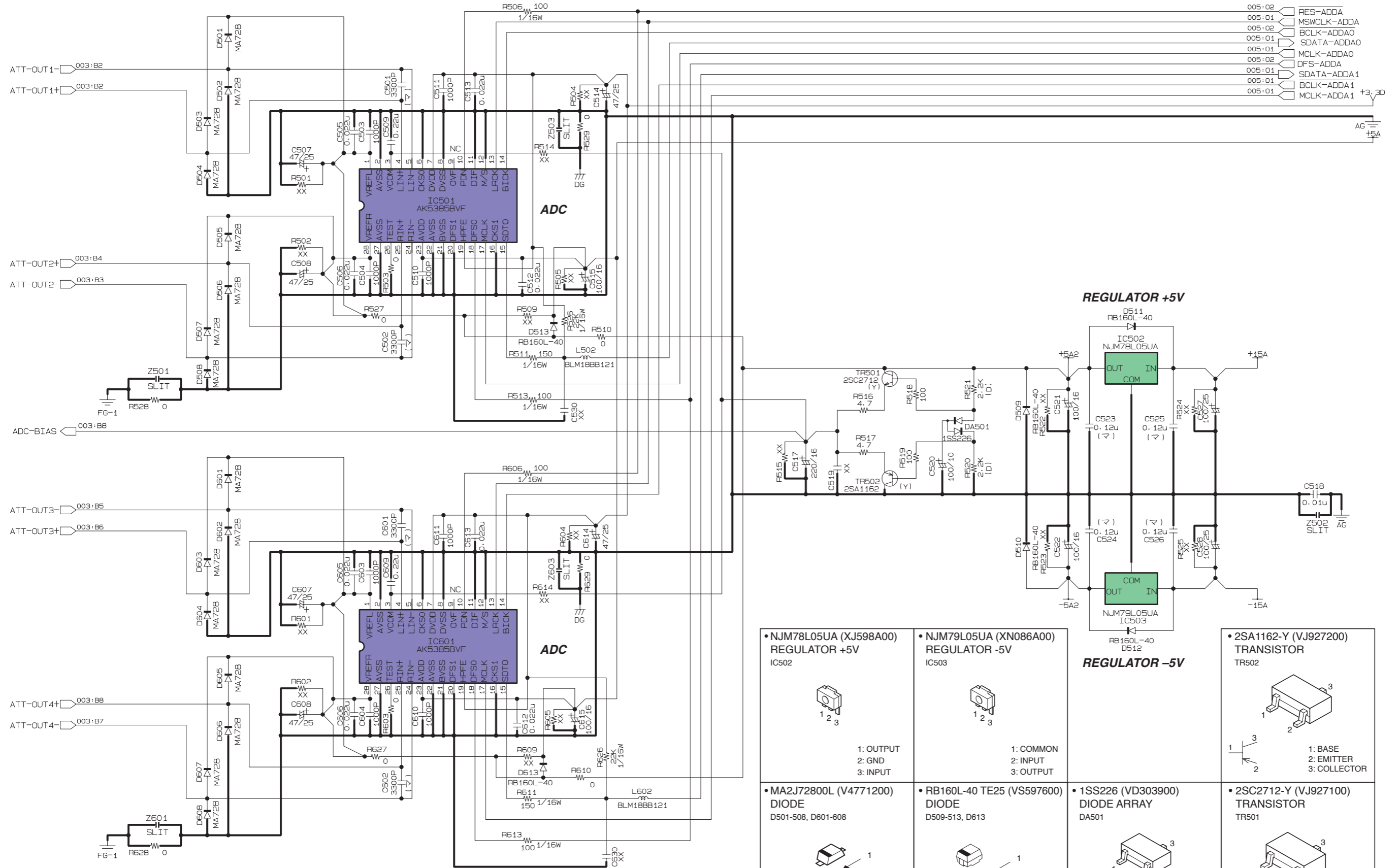
1: ANODE
2: CATHODE



XX : Not installed (未実装)
 (マ) : Mylar Capacitor (マイラーコンデンサー)
 (D) : Metal Film Resistor (chip) (チップ金属被膜抵抗)
 Resistance power rating: 1/10 W for ones with no indication
 (抵抗電力定格: 無記入品=1/10 W)

AD CIRCUIT DIAGRAM (DME4io-ES/DME8i-ES) 004

DME4io-ES/DME8i-ES/DME8o-ES



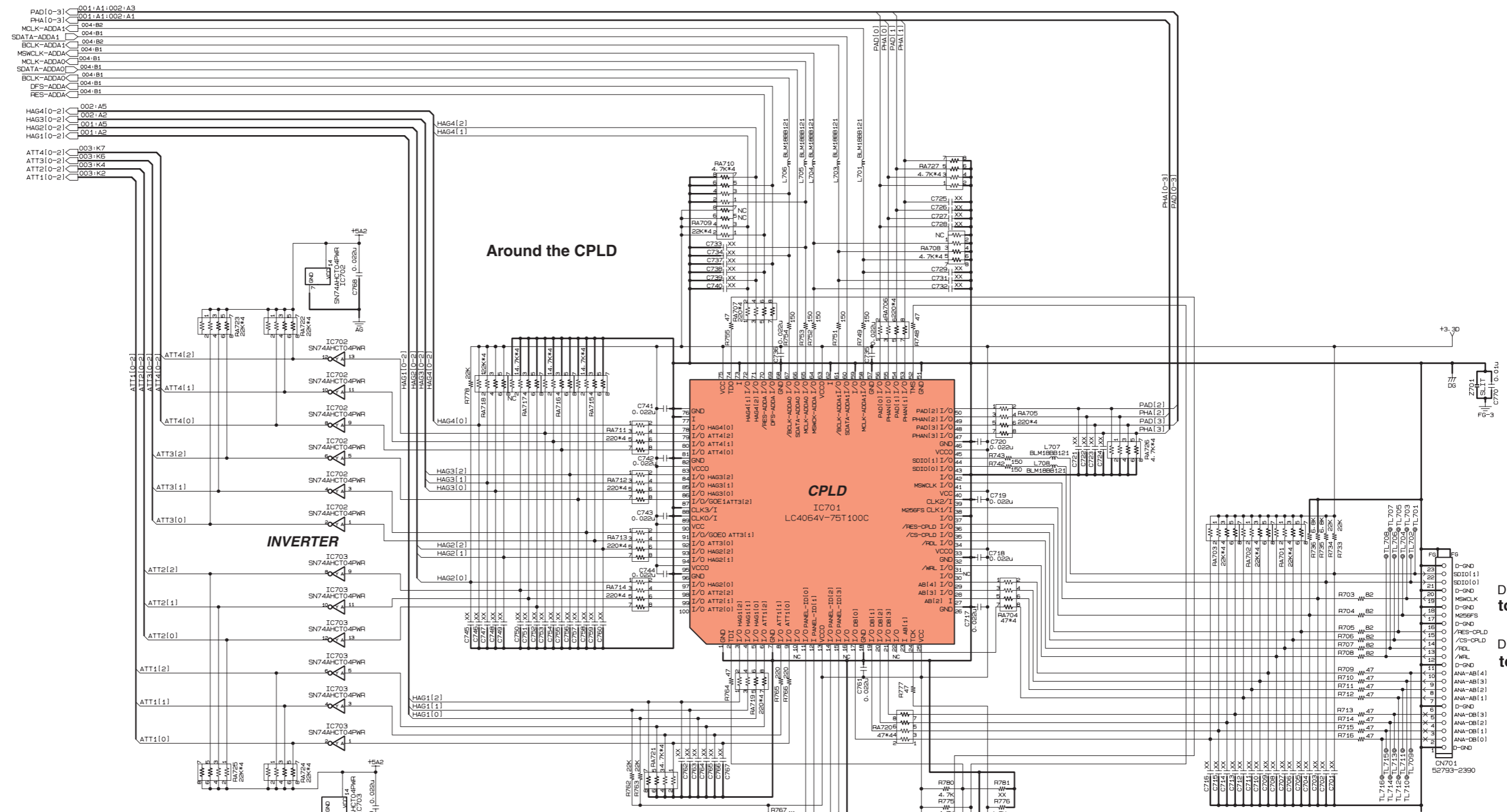
- 005:02 RES-ADDA
- 005:01 MSWCLK-ADDA
- 005:02 BCLK-ADDA0
- 005:01 SDATA-ADDA0
- 005:01 MCLK-ADDA0
- 005:02 DFS-ADDA
- 005:01 SDATA-ADDA1
- 005:01 BCLK-ADDA1
- 005:01 MCLK-ADDA1 +3, 3D

<p>• NJM78L05UA (XJ598A00) REGULATOR +5V IC502</p>	<p>• NJM79L05UA (XN086A00) REGULATOR -5V IC503</p>	<p>REGULATOR -5V</p>	
<p>• MA2J72800L (V4771200) DIODE D501-508, D601-608</p>	<p>• RB160L-40 TE25 (VS597600) DIODE D509-513, D613</p>	<p>• 1SS226 (VD303900) DIODE ARRAY DA501</p>	<p>• 2SC2712-Y (VJ927100) TRANSISTOR TR501</p>

XX : Not installed (未実装)
 (マ) : Mylar Capacitor (マイラーコンデンサー)
 (D) : Metal Film Resistor (chip) (チップ金属被膜抵抗)
 Resistance power rating: 1/10 W for ones with no indication
 (抵抗電力定格: 無記入品=1/10 W)

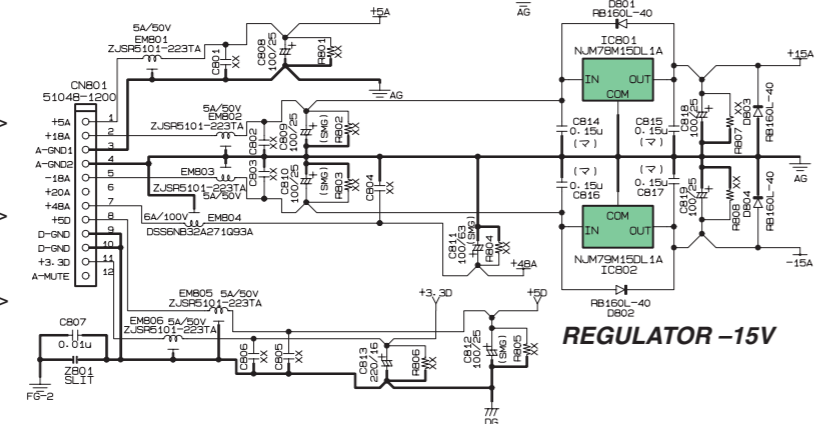
AD CIRCUIT DIAGRAM (DME4io-ES/DME8i-ES) 005

DME4io-ES/DME8i-ES/DME8o-ES



DME4io-ES:
to DC-CN103
<Page 20: E-9>
DME8i-ES:
to DC-CN103
<Page 20: E-9>
or
DC-CN105
<Page 20: C-9>

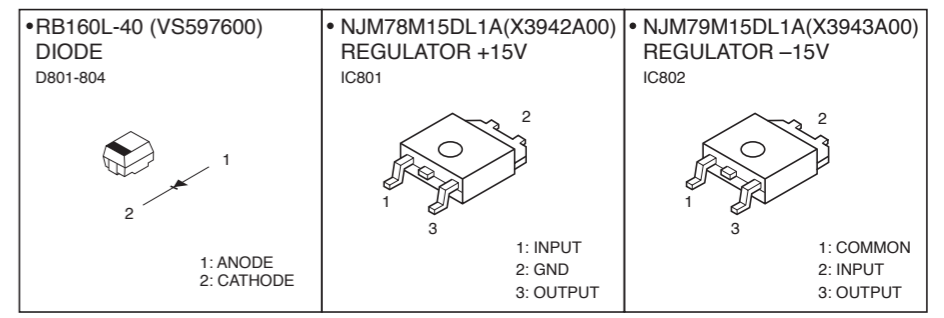
Power supply section



REGULATOR +15V

REGULATOR -15V

Not installed



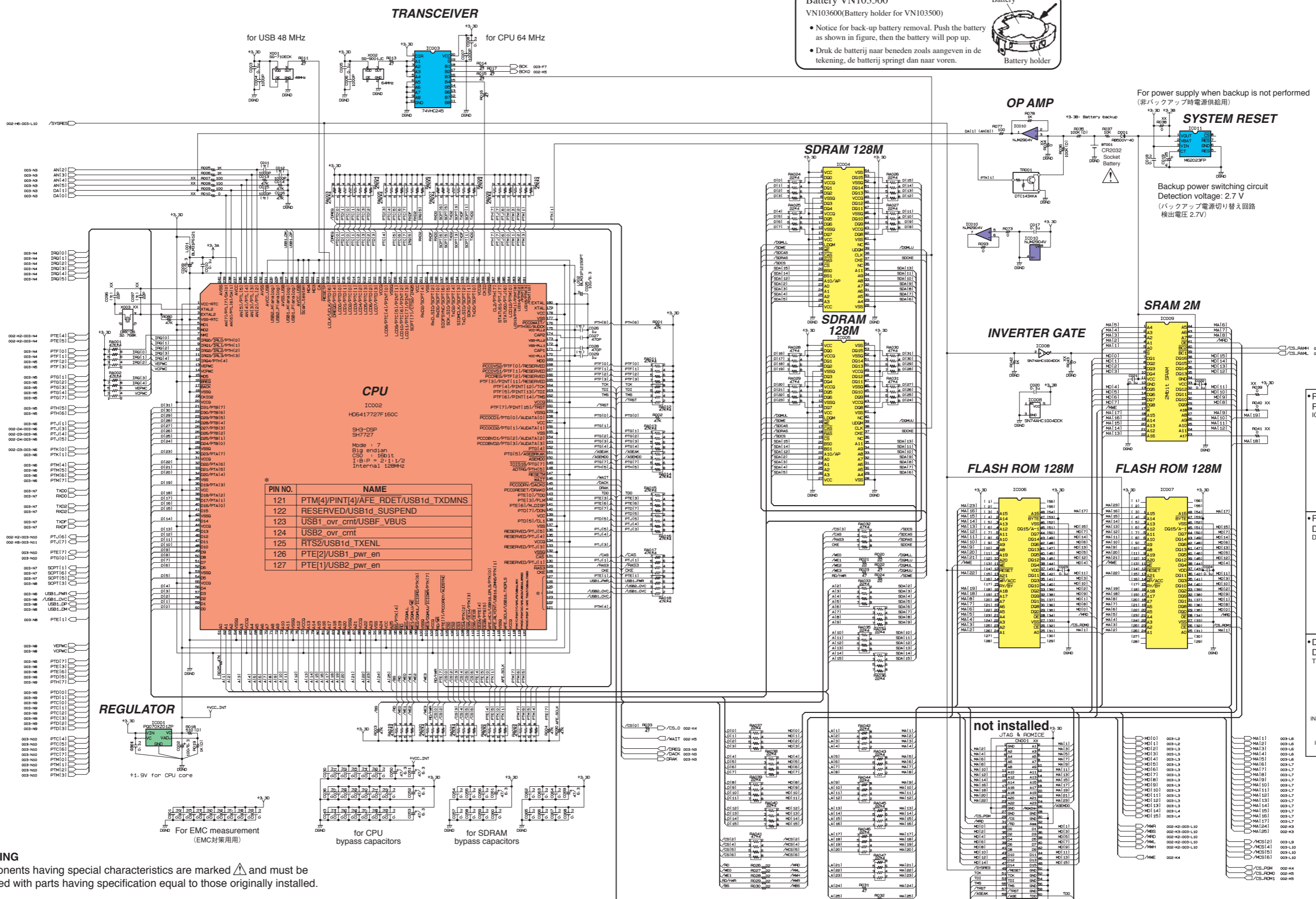
XX : Not installed (未実装)
(マ) : Mylar Capacitor (マイラーコンデンサー)
Resistance power rating: 1/16 W for ones with no indication
(抵抗電力定格: 無記入品=1/16 W)

DME4io-ES:
to DSP-CN500
<Page 25: H-9>
DME8i-ES:
to DSP-CN500
<Page 25: H-9>
or
DSP-CN510
<Page 25: C-9>

CPU CIRCUIT DIAGRAM (DME4io-ES/DME8i-ES/DME8o-ES) 001

Lithium Battery (リチウム電池)

DME4io-ES/DME8i-ES/DME8o-ES



Battery VN103500
 VN103600 (Battery holder for VN103500)

• Notice for back-up battery removal. Push the battery as shown in figure, then the battery will pop up.
 • Druk de batterij naar beneden zoals aangeven in de tekening, de batterij springt dan naar voren.

Battery holder

OP AMP

SYSTEM RESET

For power supply when backup is not performed (非バックアップ時電源供給用)

Backup power switching circuit
 Detection voltage: 2.7 V
 (バックアップ電源切り替え回路
 検出電圧 2.7V)

PIN NO.	NAME
121	PTM[4]/PINT[4]/AFE_RDET/USB1d_TXDMNS
122	RESERVED/USB1d_SUSPEND
123	USB1_ovr_cmt/USBF_VBUS
124	USB2_ovr_cmt
125	RTS2/USB1d_TXENL
126	PTE[2]/USB1d_pwr_en
127	PTE[1]/USB2_pwr_en

• PQ070XZ01ZPH (X3180A00)
REGULATOR
 IC001

- 1: DC INPUT (Vin)
- 2: ON/OFF cont.(Vc)
- 3: DC OUTPUT (Vo)
- 4: VC (Adj.)
- 5: GND

• RB500V-40 (V2376600)
DIODE
 D001

- 1: ANODE
- 2: CATHODE

• DTC143XKA (V3033500)
DIGITAL TRANSISTOR
 TR001

- 1: GND
- 2: IN
- 3: OUT

not installed

JTAG & ROMICE

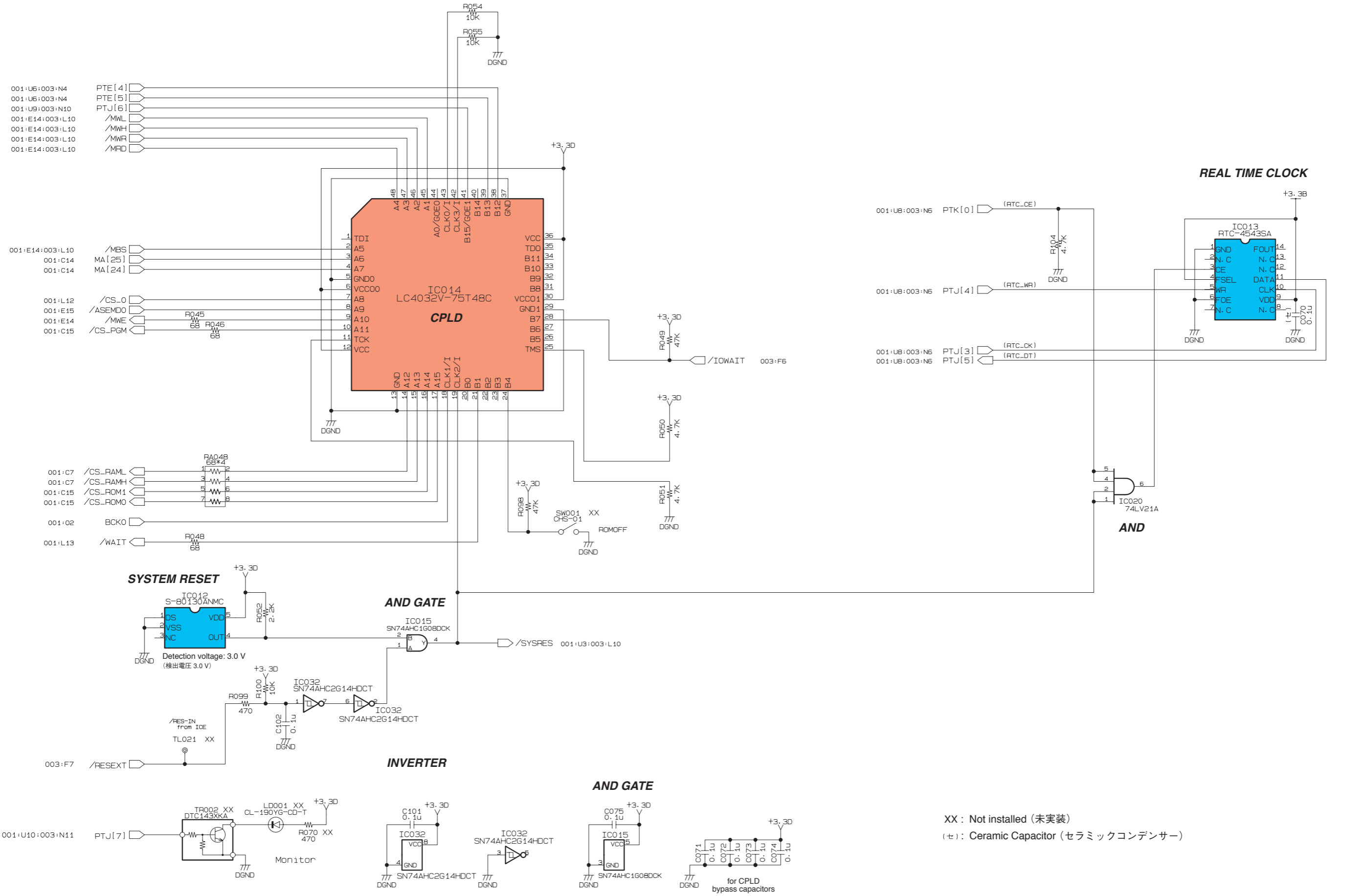
WARNING
 Components having special characteristics are marked Δ and must be replaced with parts having specification equal to those originally installed.

安全上の注意
 Δ 印の部品は、安全を維持するために重要な部品です。交換する場合は、安全のため必ず指定の部品をご使用ください。

XX : Not installed (未実装)
 (□) : Metal Film Resistor (chip) (チップ金属被膜抵抗)

■ CPU CIRCUIT DIAGRAM (DME4io-ES/DME8i-ES/DME8o-ES) 002

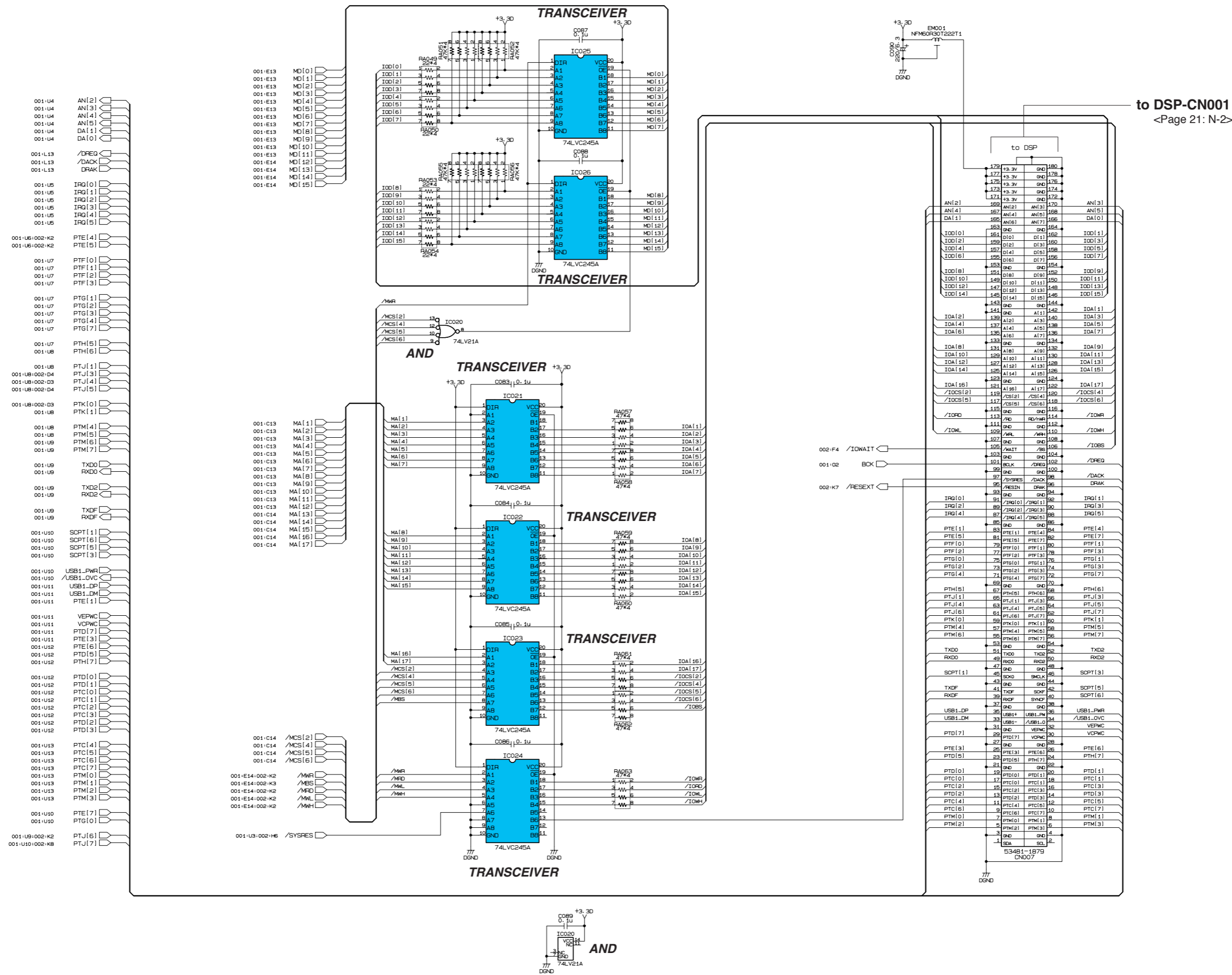
DME4io-ES/DME8i-ES/DME8o-ES



XX : Not installed (未実装)
 (セ) : Ceramic Capacitor (セラミックコンデンサー)

■ CPU CIRCUIT DIAGRAM (DME4io-ES/DME8i-ES/DME8o-ES) 003

DME4io-ES/DME8i-ES/DME8o-ES



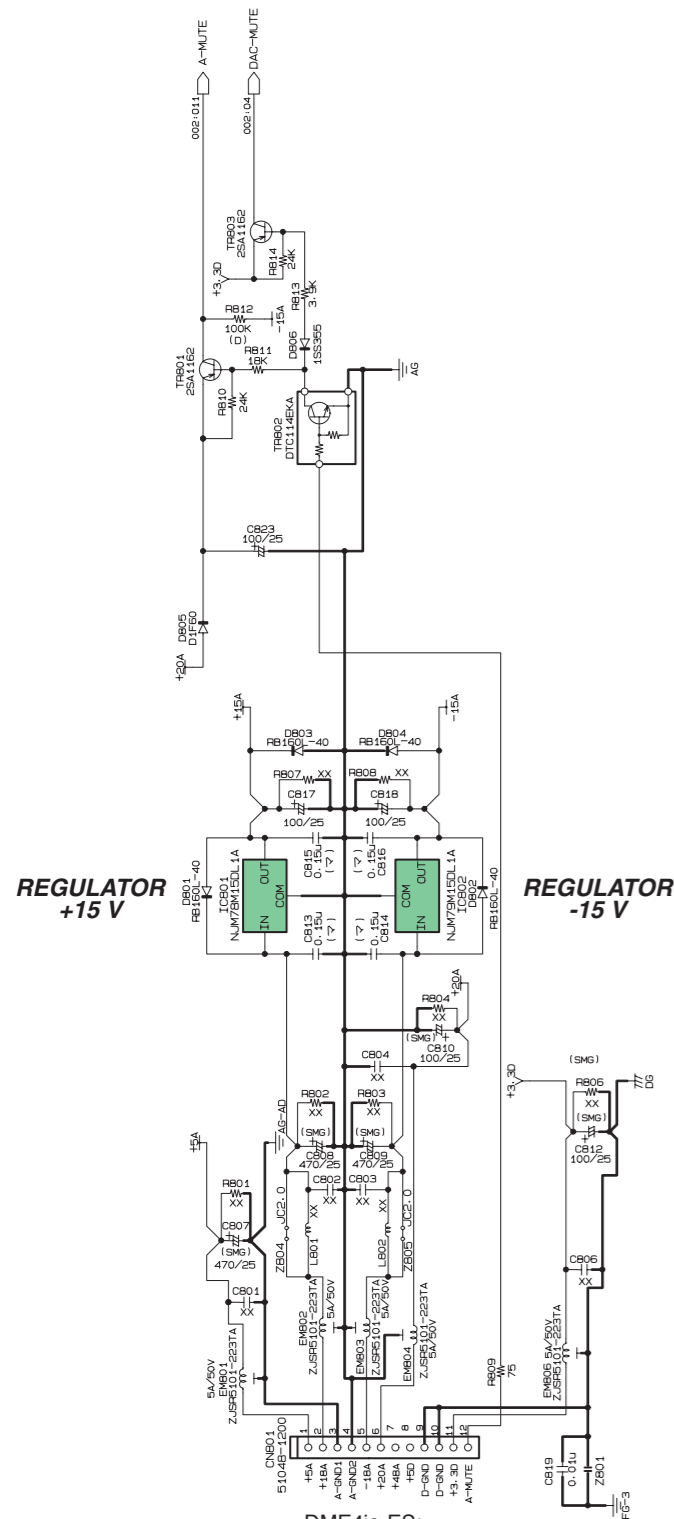
to DSP-CN001
<Page 21: N-2>

1
2
3
4
5
6
7
8
9
10
11
12

DA CIRCUIT DIAGRAM (DME4io-ES/DME8o-ES) 001

DME4io-ES/DME8i-ES/DME8o-ES

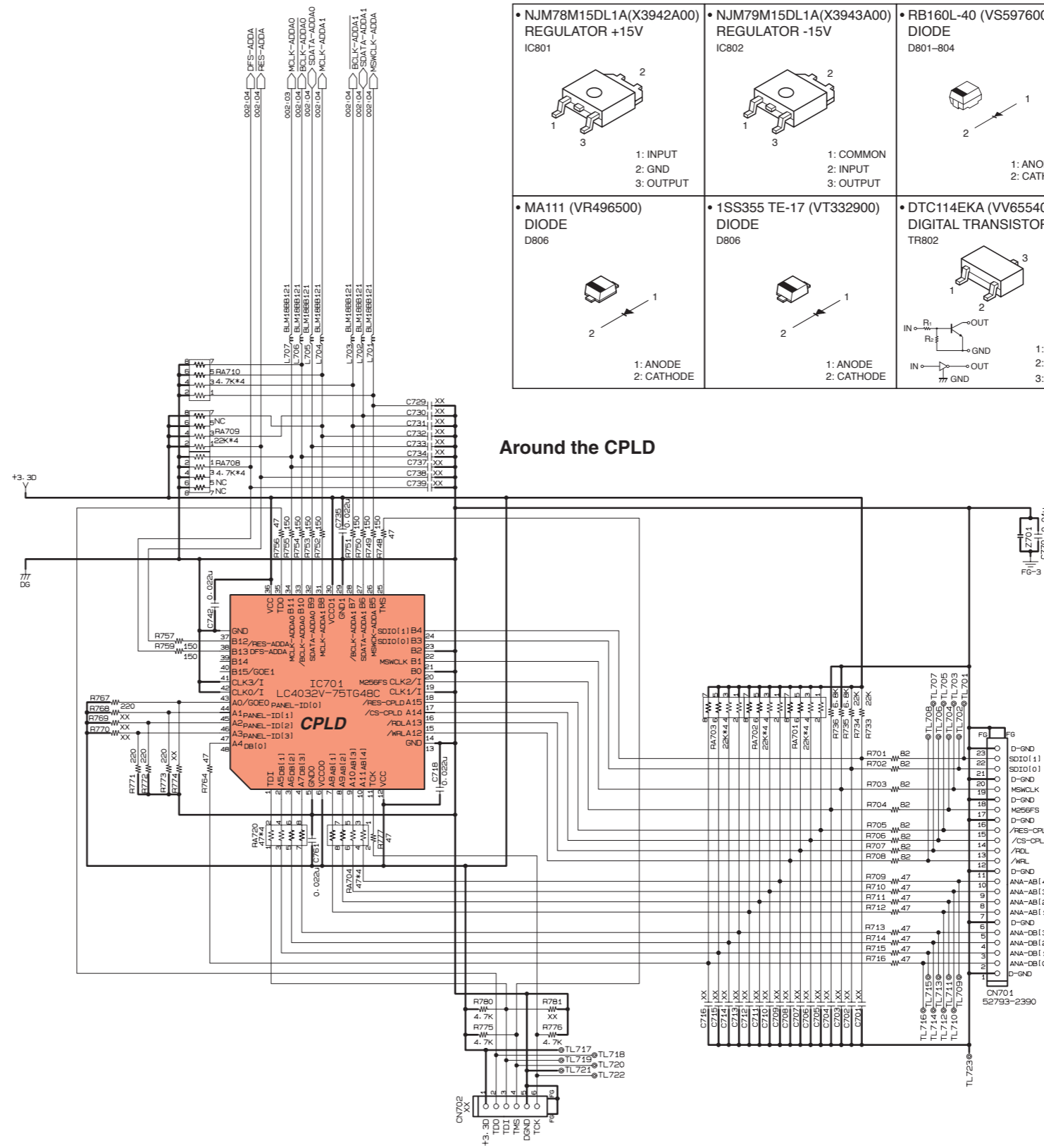
Power supply section



DME4io-ES:
to DC-CN105
<Page 20: C-9>
DME8o-ES:
to DC-CN103
<Page 20: E-9>
or
DC-CN105
<Page 20: C-9>

<p>• NJM78M15DL1A(X3942A00) REGULATOR +15V IC801</p> <p>1: INPUT 2: GND 3: OUTPUT</p>	<p>• NJM79M15DL1A(X3943A00) REGULATOR -15V IC802</p> <p>1: COMMON 2: INPUT 3: OUTPUT</p>	<p>• RB160L-40 (VS597600) DIODE D801-804</p> <p>1: ANODE 2: CATHODE</p>	<p>• D1F60 (VS201100) DIODE D805</p> <p>1: ANODE 2: CATHODE</p>
<p>• MA111 (VR496500) DIODE D806</p> <p>1: ANODE 2: CATHODE</p>	<p>• 1SS355 TE-17 (VT332900) DIODE D806</p> <p>1: ANODE 2: CATHODE</p>	<p>• DTC114EKA (VV655400) DIGITAL TRANSISTOR TR802</p> <p>1: GND 2: IN 3: OUT</p>	<p>• 2SA1162 (VJ927200) TRANSISTOR TR801, 803</p> <p>1: BASE 2: EMITTER 3: COLLECTOR</p>

Around the CPLD



Not installed

DME4io-ES:
to DSP-CN510
<Page 25: C-9>
DME8o-ES:
to DSP-CN500
<Page 25: H-9>
or
DSP-CN510
<Page 25: C-9>

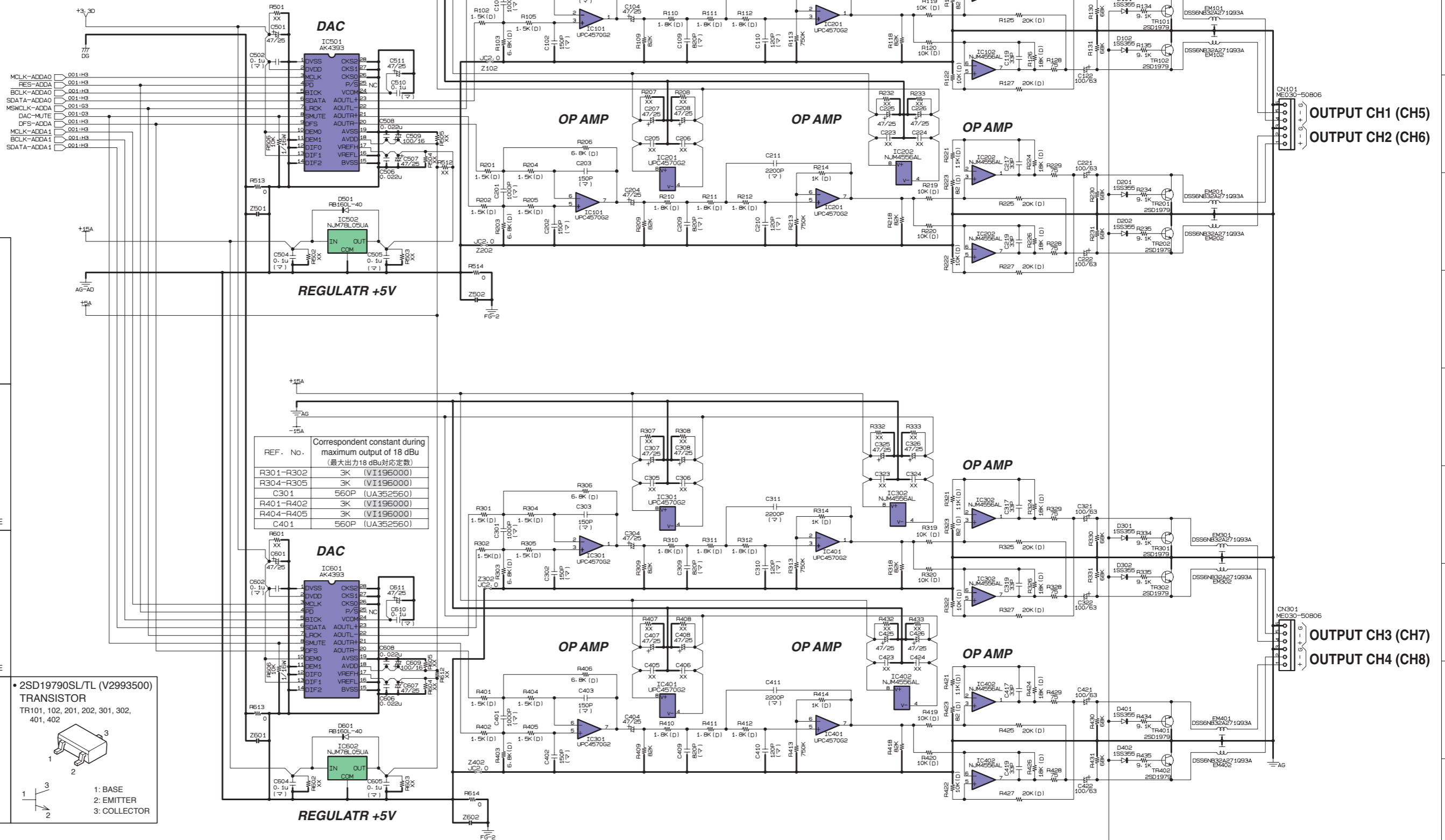
XX : Not installed (未実装)
(マ) : Mylar Capacitor (マイラーコンデンサー)
(D) : Metal Film Resistor (chip) (チップ金属被膜抵抗)
Resistance power rating: 1/10 W for ones with no indication
(抵抗電力定格：無記入品=1/10 W)

DA CIRCUIT DIAGRAM (DME4io-ES/DME8o-ES) 002

DME4io-ES/DME8i-ES/DME8o-ES

To adjust the maximum output level to 18 dBu, use the following components. (最大出力18 dBu対応定数)

REF. NO.	PART NO.	DESCRIPTION
R101	VI196000	Metal Film Resistor (chip) 3.0k 1/10 D RECT.
R102	VI196000	Metal Film Resistor (chip) 3.0k 1/10 D RECT.
R104	VI196000	Metal Film Resistor (chip) 3.0k 1/10 D RECT.
R105	VI196000	Metal Film Resistor (chip) 3.0k 1/10 D RECT.
C101	UA352560	Mylar Cap. 560P 50V J
R201	VI196000	Metal Film Resistor (chip) 3.0k 1/10 D RECT.
R202	VI196000	Metal Film Resistor (chip) 3.0k 1/10 D RECT.
R204	VI196000	Metal Film Resistor (chip) 3.0k 1/10 D RECT.
R205	VI196000	Metal Film Resistor (chip) 3.0k 1/10 D RECT.
C201	UA352560	Mylar Cap. 560P 50V J



XX : Not installed (未実装)
 (マ) : Mylar Capacitor (マイラーコンデンサー)
 (D) : Metal Film Resistor (chip) (チップ金属被膜抵抗)
 Resistance power rating: 1/10 W for ones with no indication
 (抵抗電力定格: 無記入品=1/10 W)

• NJM78L05UA(XJ598A00)
 REGULATOR +5V
 IC502, 602

1: OUTPUT
 2: GND
 3: INPUT

• MA111 (VR496500)
 DIODE
 D101, 102, 201, 202, 301, 302,
 401, 402

1: ANODE
 2: CATHODE

• 1SS355 TE-17 (VT332900)
 DIODE
 D101, 102, 201, 202, 301, 302,
 401, 402

1: ANODE
 2: CATHODE

• RB160L-40 (VS597600)
 DIODE
 D501, 601

1: ANODE
 2: CATHODE

• 2SD19790SL/TL (V2993500)
 TRANSISTOR
 TR101, 102, 201, 202, 301, 302,
 401, 402

1: BASE
 2: EMITTER
 3: COLLECTOR

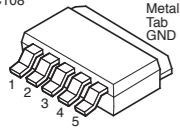
Correspond constant during maximum output of 18 dBu (最大出力18 dBu対応定数)

REF. No.	Value	Part No.
R301-R302	3K	(VI196000)
R304-R305	3K	(VI196000)
C301	560P	(UA352560)
R401-R402	3K	(VI196000)
R404-R405	3K	(VI196000)
C401	560P	(UA352560)

DC CIRCUIT DIAGRAM (DME4io-ES/DME8i-ES/DME8o-ES) [SUB]

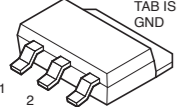
DME4io-ES/DME8i-ES/DME8o-ES

•LM2592HVXS-ADJ (X4364A00)
DC-DC CONVERTER
IC108



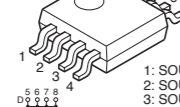
1: V_{IN}
2: OUTPUT
3: GROUND
4: FEEDBACK
5: ON/OFF

•LM2940CSX-5.0 (X4366A00)
REGULATOR +5V
IC107



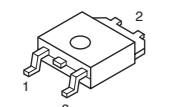
1: INPUT
2: GND
3: OUTPUT

•HAT2256R-EL-E TA (WG196400)
FET
FT901



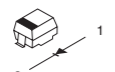
1: SOURCE
2: SOURCE
3: SOURCE
4: GATE
5: DRAIN
6: DRAIN
7: DRAIN
8: DRAIN

•NJM78M20DL1A(X4368A00)
REGULATOR +20V
IC801



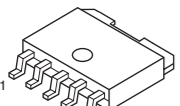
1: INPUT
2: GND
3: OUTPUT

•HSU119 (V9599200)
DIODE
D107



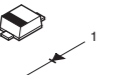
1: ANODE
2: CATHODE

•PQ1CY1032ZP(X5090A00)
DC-DC CONVERTER
IC105, 106, 109



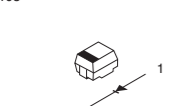
1: V_{IN}
2: V_{OUT}
3: COM (heat sink)
4: COM adj
5: V_{SOFT}

•MA111 (VR496500)
DIODE
D102, 103, 113



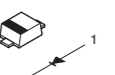
1: ANODE
2: CATHODE

•RB060L-40 (V4766800)
DIODE
D105



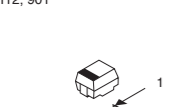
1: ANODE
2: CATHODE

•1SS355 TE-17 (VT332900)
DIODE
D102, 103, 113



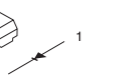
1: ANODE
2: CATHODE

•RB160L-60 (V8409200)
DIODE
D112, 901



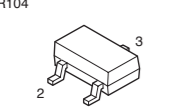
1: ANODE
2: CATHODE

•RB160L-40 (VS597600)
DIODE
D106, 109, 114, 115, 801



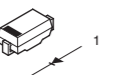
1: ANODE
2: CATHODE

•KTA1504S-Y,GR-R (WC529500)
TRANSISTOR
TR104



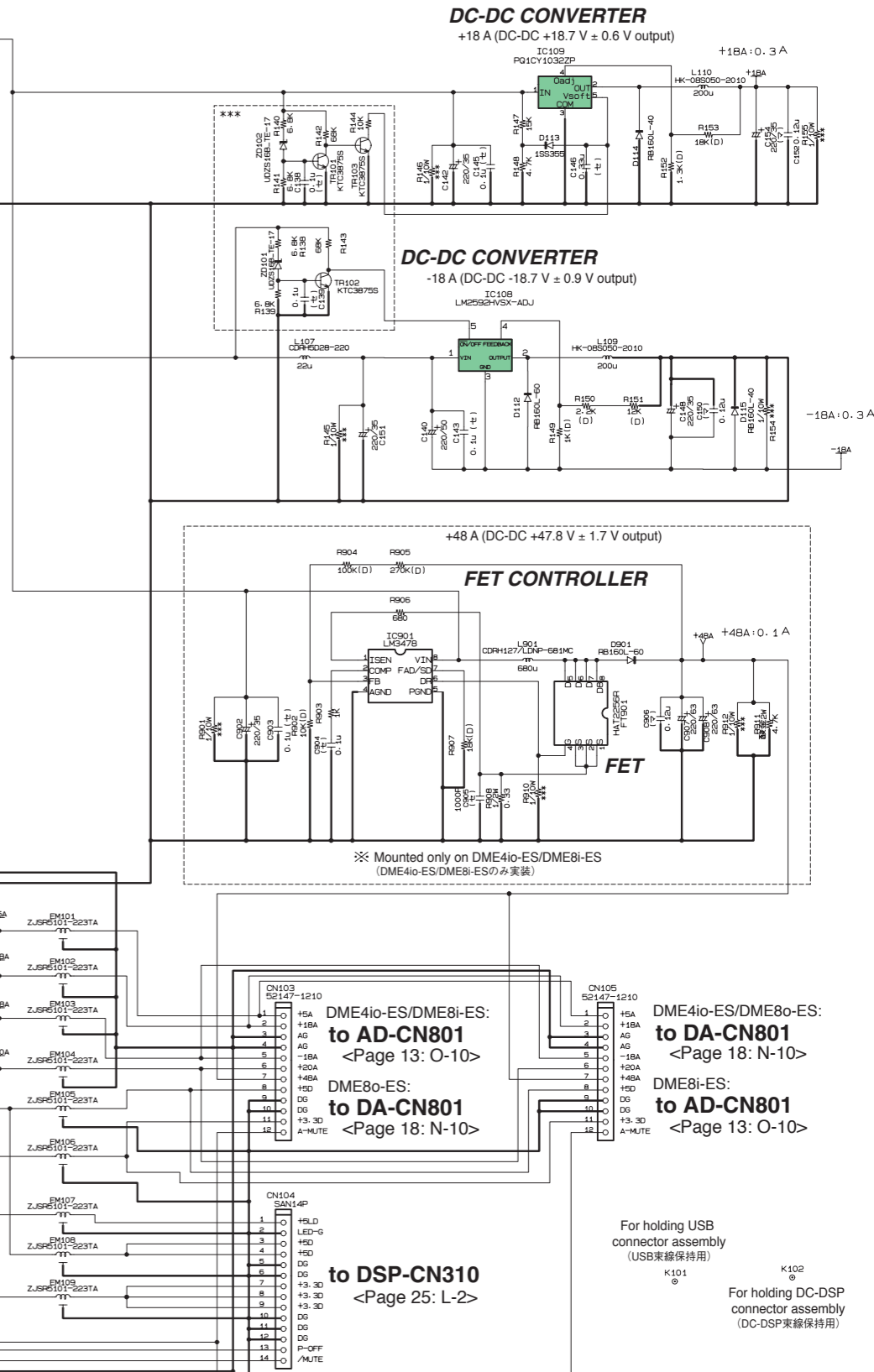
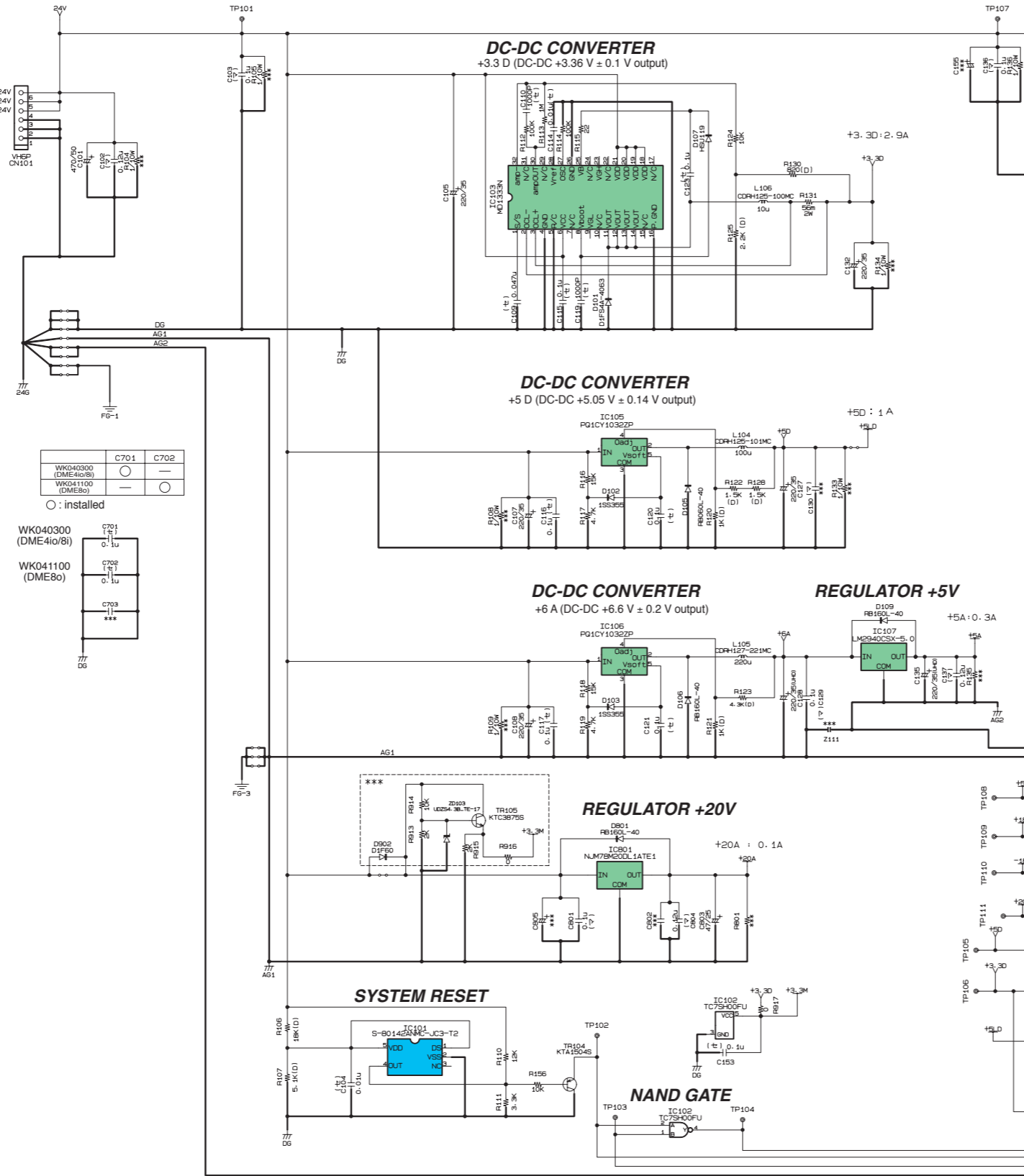
1: EMITTER
2: BASE
3: COLLECTOR

•D1FS4A-7063 (WA295200)
DIODE
D101



1: ANODE
2: CATHODE

to Power supply unit-CN2
<Page 30: H-7>



	C701	C702
WK040300 (DME4io/8i)	○	—
WK041100 (DME8o)	—	○

○ : installed

WK040300 (DME4io/8i)	C701	○
WK041100 (DME8o)	C702	○
	C703	—

WK040300 (DME4io/8i)	C701	○
WK041100 (DME8o)	C702	○
	C703	—

*** : Not installed (未実装)
 (⊃) : Ceramic Capacitor (セラミックコンデンサー)
 (マ) : Mylar Capacitor (マイラーコンデンサー)
 (D) : Metal Film Resistor (chip) (チップ金属被膜抵抗)

Resistance power rating: 1/16 W for ones with no indication
 (抵抗電力定格：無記入品=1/16 W)

28CC1-2001002776-1 1

DME4io-ES/DME8i-ES:
to AD-CN801
<Page 13: O-10>

DME8o-ES:
to DA-CN801
<Page 18: N-10>

DME4io-ES/DME8o-ES:
to DA-CN801
<Page 18: N-10>

DME8i-ES:
to AD-CN801
<Page 13: O-10>

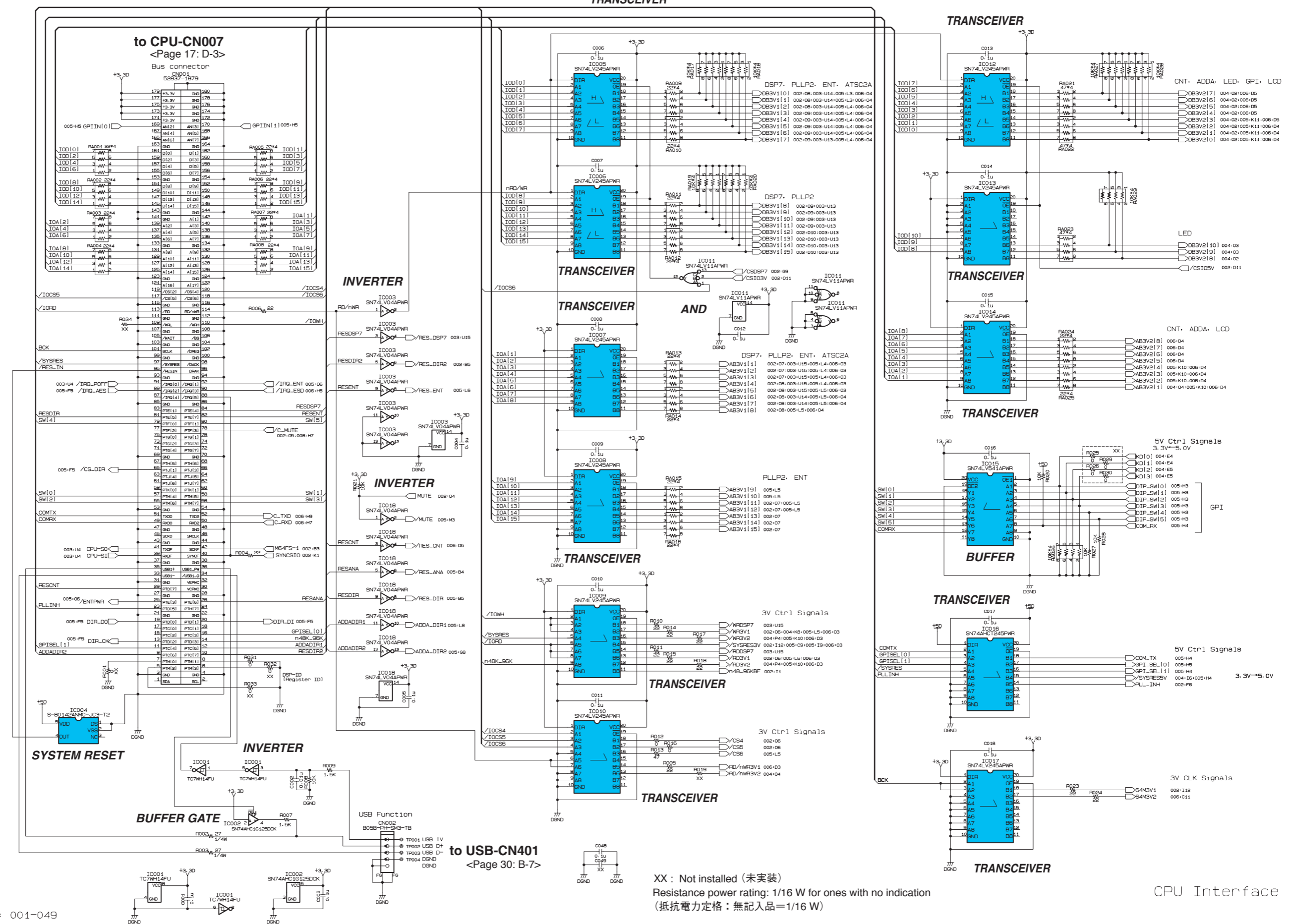
to DSP-CN310
<Page 25: L-2>

For holding USB connector assembly (USB束線保持用) K101

For holding DC-DSP connector assembly (DC-DSP束線保持用) K102

DSP CIRCUIT DIAGRAM (DME4io-ES/DME8i-ES/DME8o-ES) 001

DME4io-ES/DME8i-ES/DME8o-ES



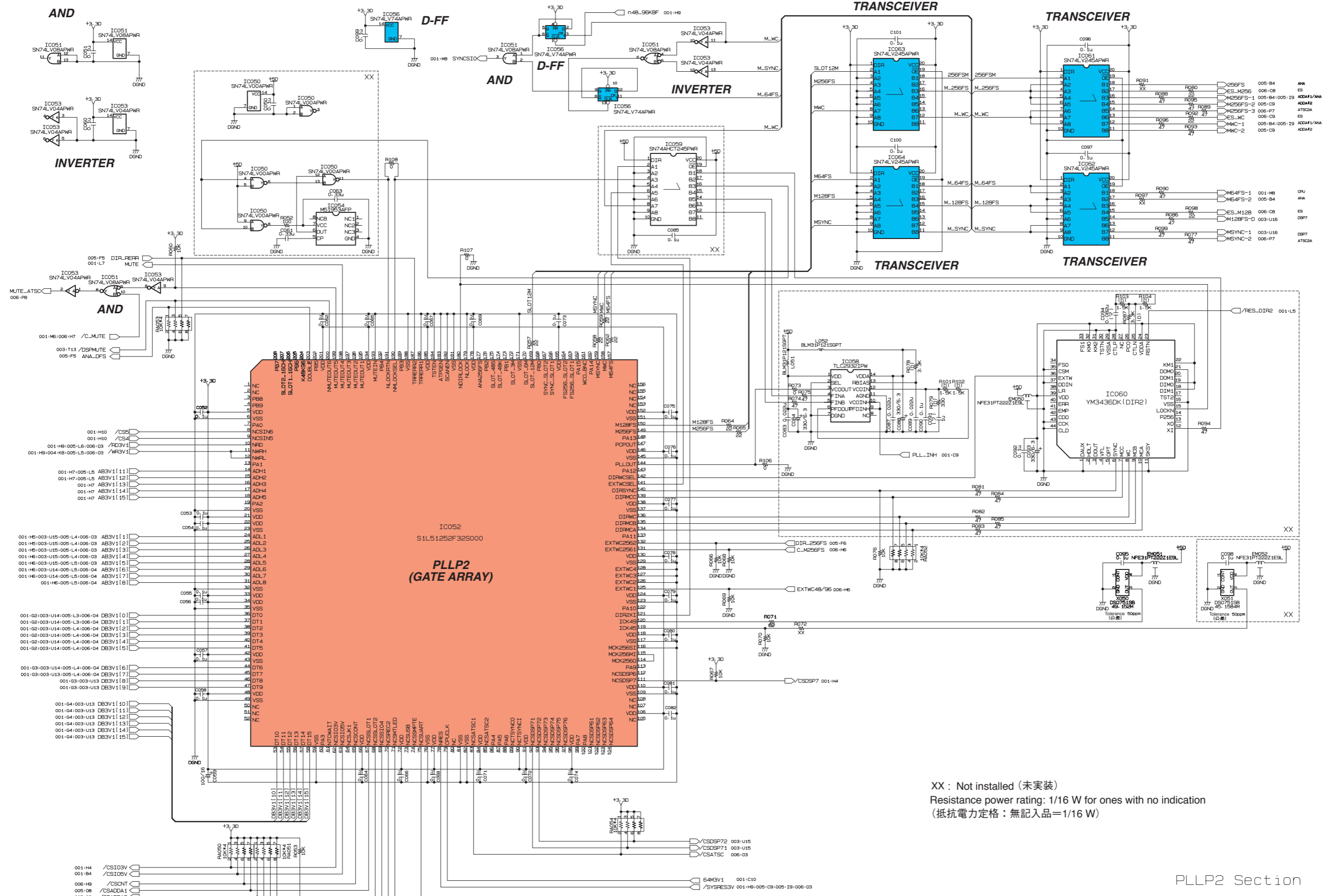
XX : Not installed (未実装)
 Resistance power rating: 1/16 W for ones with no indication
 (抵抗電力定格: 無記入品=1/16 W)

CPU Interface

Location#: 001-049

DSP CIRCUIT DIAGRAM (DME4io-ES/DME8i-ES/DME8o-ES) 002

DME4io-ES/DME8i-ES/DME8o-ES



XX : Not installed (未実装)
 Resistance power rating: 1/16 W for ones with no indication
 (抵抗電力定格: 無記入品=1/16 W)

PLL2 Section

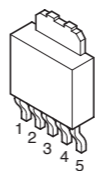
Location#: 050-149

1
2
3
4
5
6
7
8
9
10
11
12

DSP CIRCUIT DIAGRAM (DME4io-ES/DME8i-ES/DME8o-ES) 003


DME4io-ES/DME8i-ES/DME8o-ES

•PQ025EZ01ZPH (X5193A00) REGULATOR +2.5V IC154

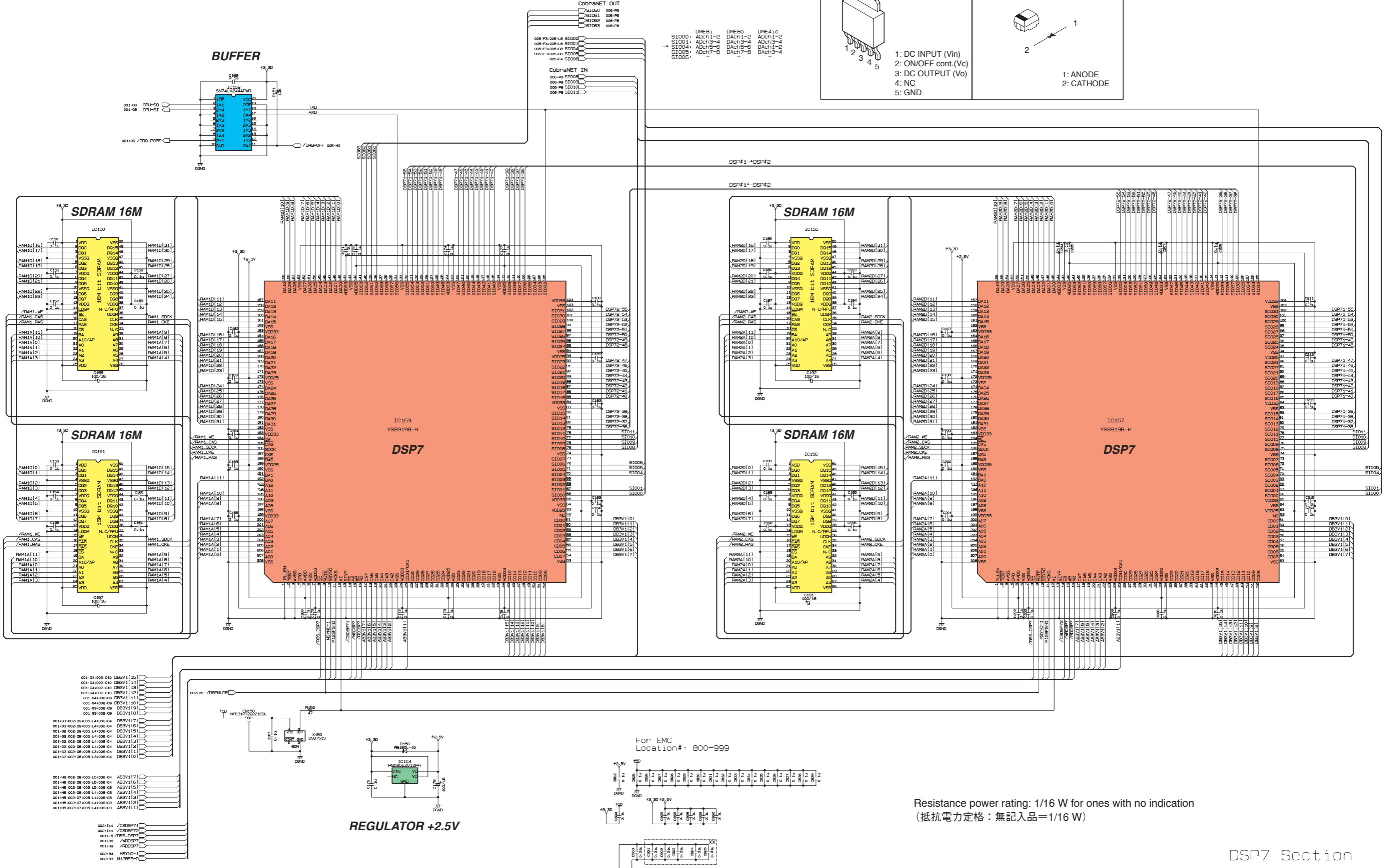


1: DC INPUT (Vin)
2: ON/OFF cont.(Vc)
3: DC OUTPUT (Vo)
4: NC
5: GND

•RB160L-40 (VS597600) DIODE D150



1: ANODE
2: CATHODE



Location#: 150-249

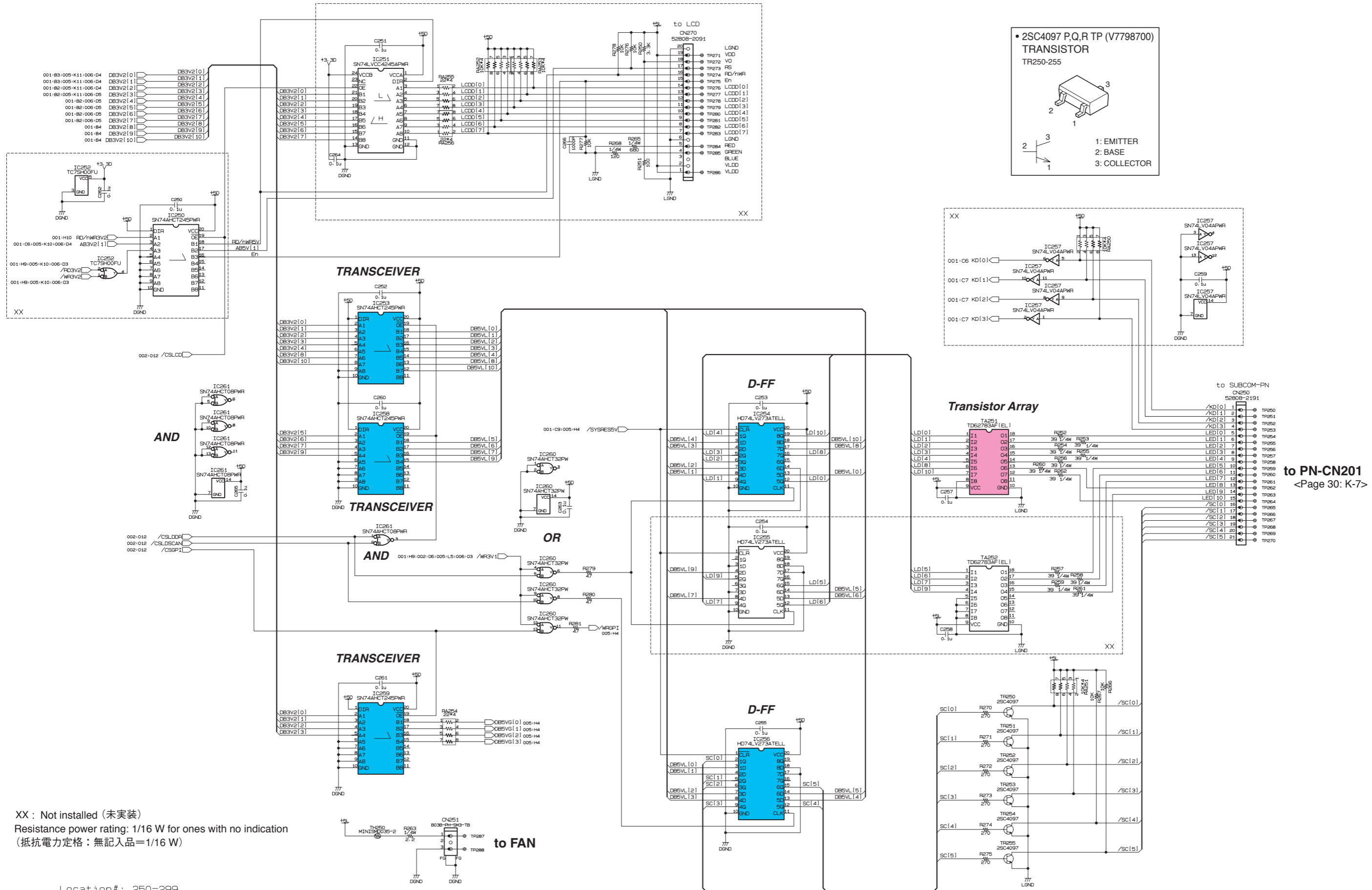
DSP CIRCUIT DIAGRAM (DME4io-ES/DME8i-ES/DME8o-ES) 003

DSP7 Section

Resistance power rating: 1/16 W for ones with no indication (抵抗電力定格：無記入品=1/16 W)

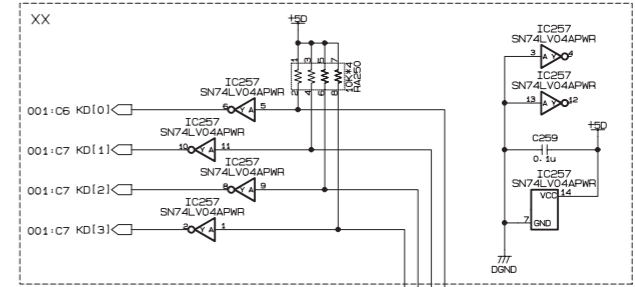
DSP CIRCUIT DIAGRAM (DME4io-ES/DME8i-ES/DME8o-ES) 004

DME4io-ES/DME8i-ES/DME8o-ES



• 2SC4097 P,Q,R TP (V7798700)
TRANSISTOR
 TR250-255

1: EMITTER
 2: BASE
 3: COLLECTOR



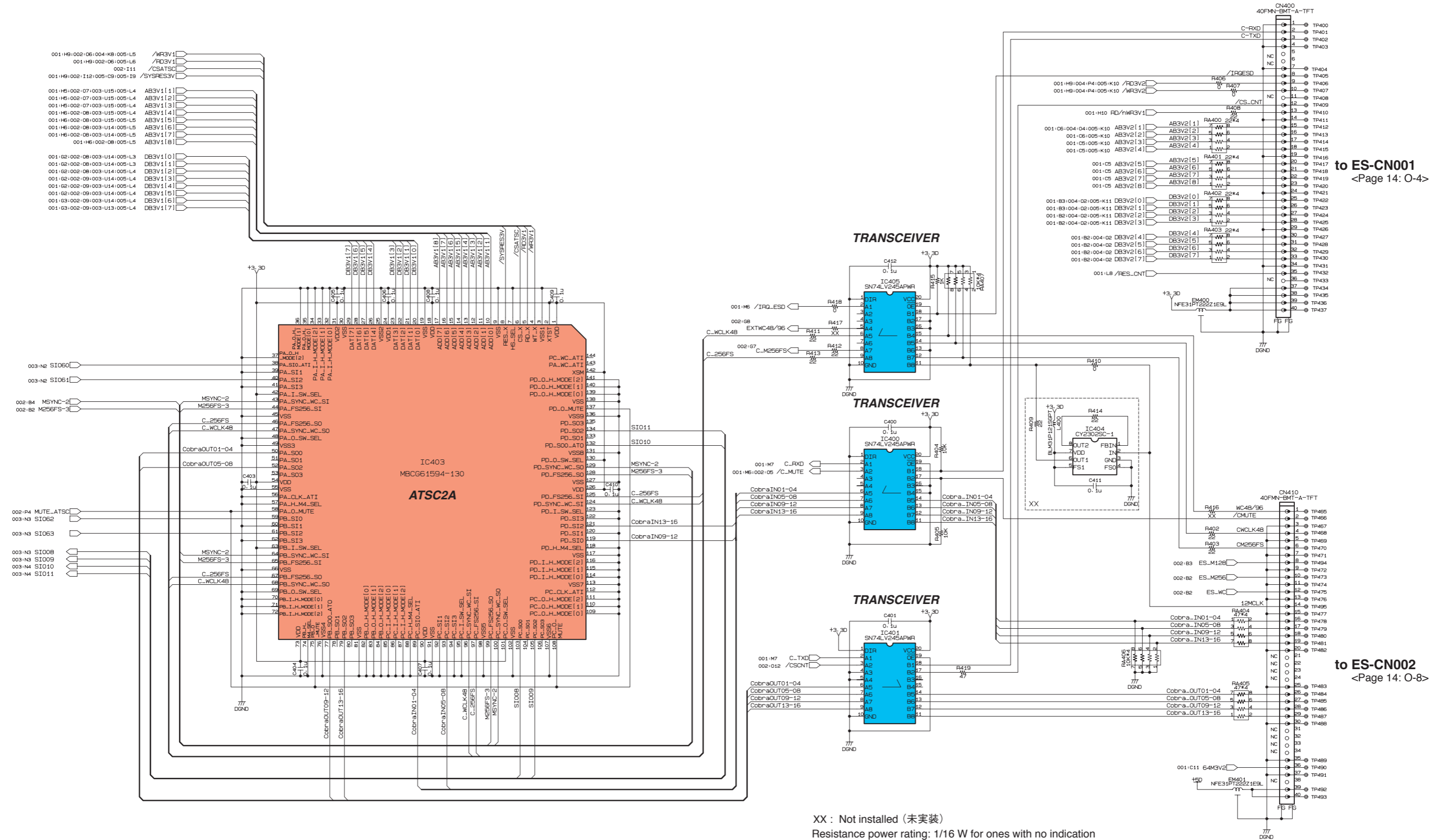
to PN-CN201
 <Page 30: K-7>

XX : Not installed (未実装)
 Resistance power rating: 1/16 W for ones with no indication
 (抵抗電力定格: 無記入品=1/16 W)

Location#: 250-299

DSP CIRCUIT DIAGRAM (DME4io-ES/DME8i-ES/DME8o-ES) 006

DME4io-ES/DME8i-ES/DME8o-ES



to ES-CN01
<Page 14: O-4>

to ES-CN02
<Page 14: O-8>

XX : Not installed (未実装)
Resistance power rating: 1/16 W for ones with no indication
(抵抗電力定格: 無記入品=1/16 W)

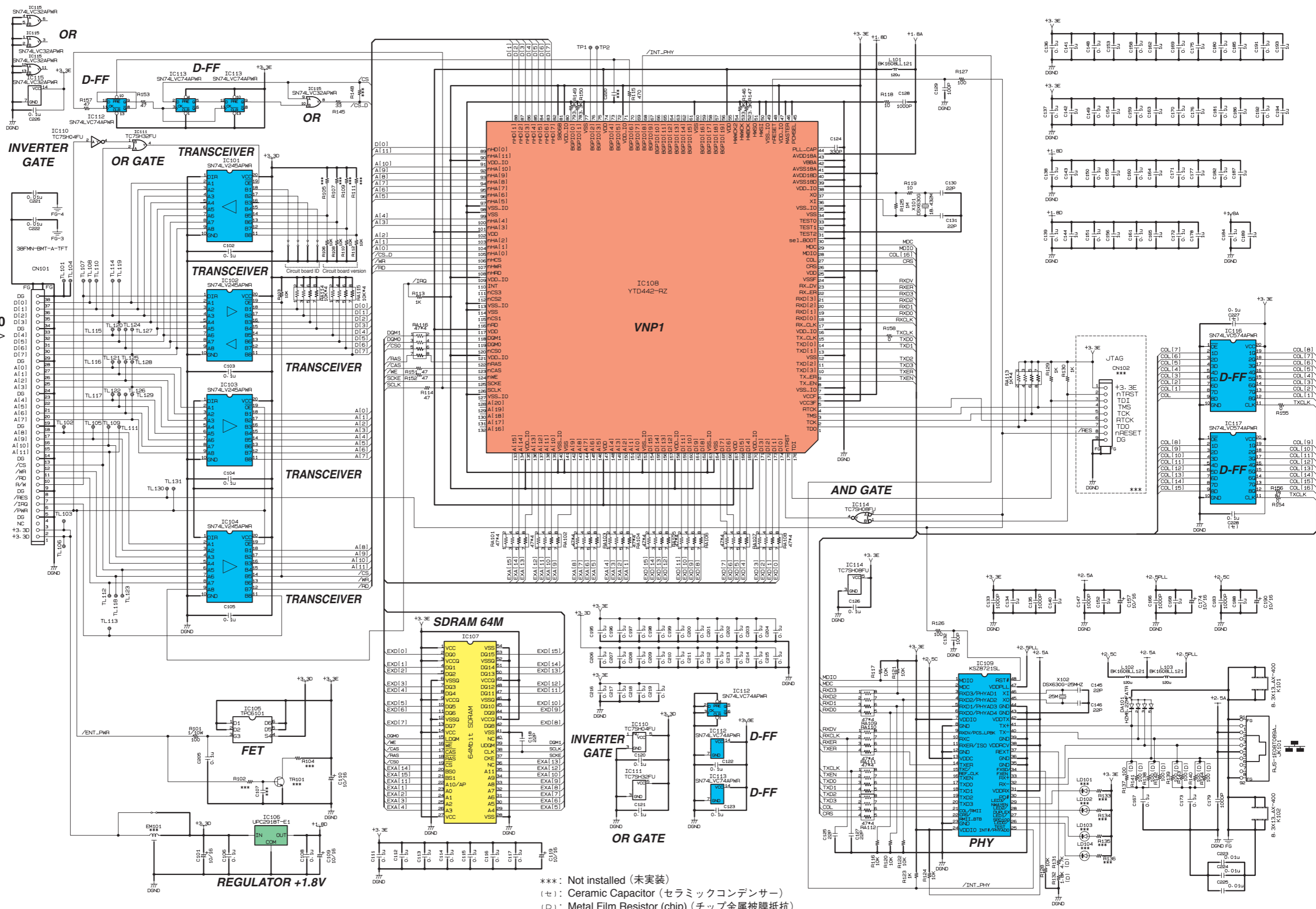
Peripheral Interface2: CNT(ATSC2A)

Location#: 400-449(except TP)

ENT2 CIRCUIT DIAGRAM (DME4io-ES/DME8i-ES/DME8o-ES)

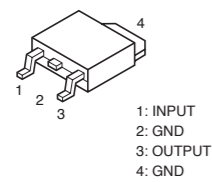
DME4io-ES/DME8i-ES/DME8o-ES

1
2
3
4
5
6
7
8
9
10
11

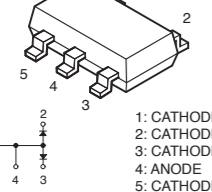


to DSP-CN300
<Page 25: J-6>

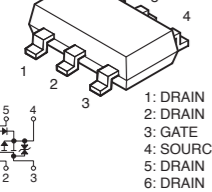
• PC2918T-E1 (X2157A00)
REGULATOR +1.8V
IC106



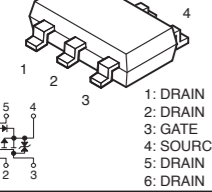
• HZM6.2ZMFATR (WE972600)
ZENER DIODE
DA101



• TPC6101 (V9421500)
FET
IC105



• TPC6107 (WK791100)
FET
IC105

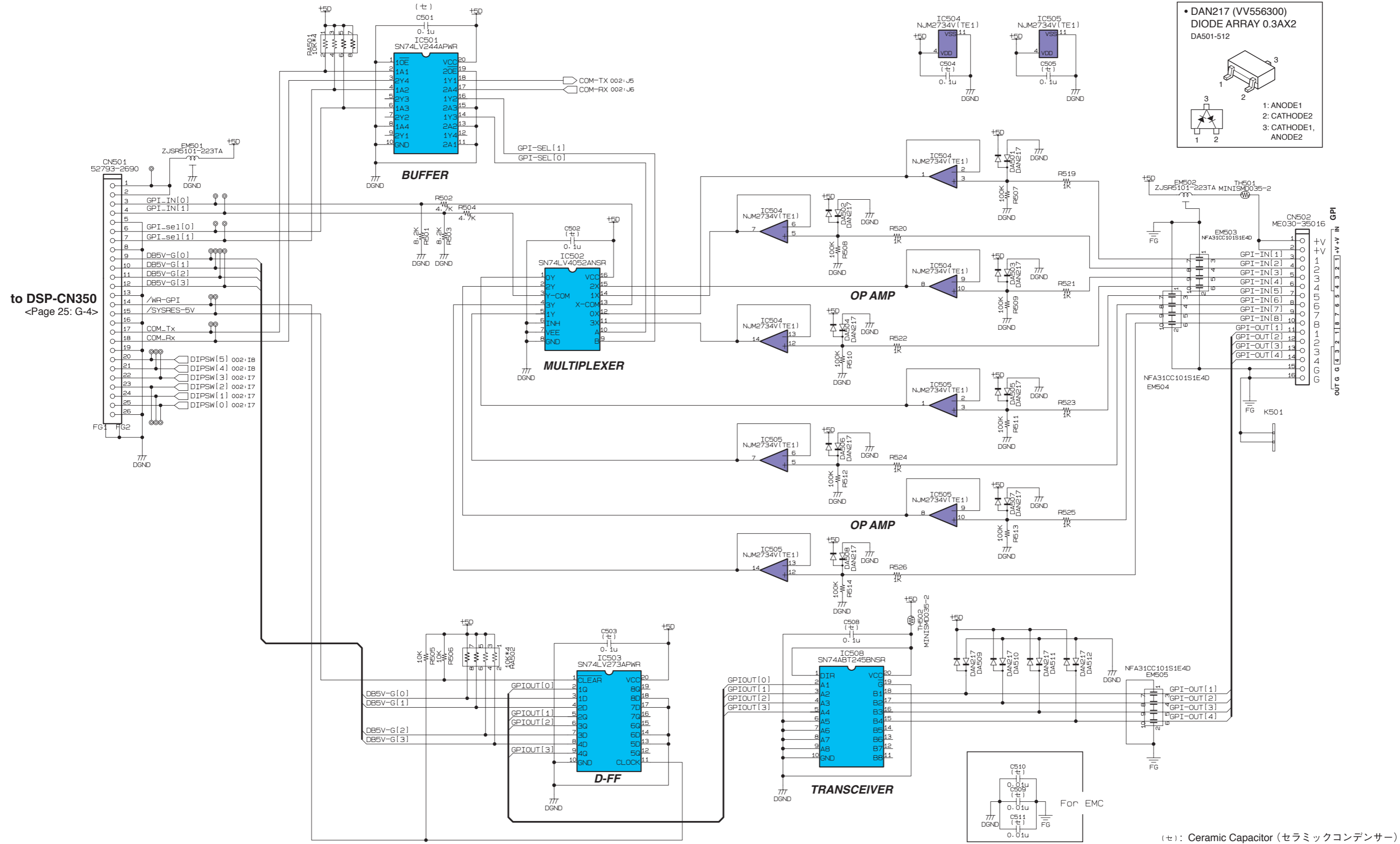


Resistance power rating: 1/16 W for ones with no indication
(抵抗電力定格: 無記入品=1/16 W)

***: Not installed (未実装)
(セ): Ceramic Capacitor (セラミックコンデンサー)
(D): Metal Film Resistor (chip) (チップ金属被膜抵抗)

■ GPI CIRCUIT DIAGRAM (DME4io-ES/DME8i-ES/DME8o-ES) 001 [SUB]

DME4io-ES/DME8i-ES/DME8o-ES



• DAN217 (VV556300)
DIODE ARRAY 0.3AX2
DA501-512

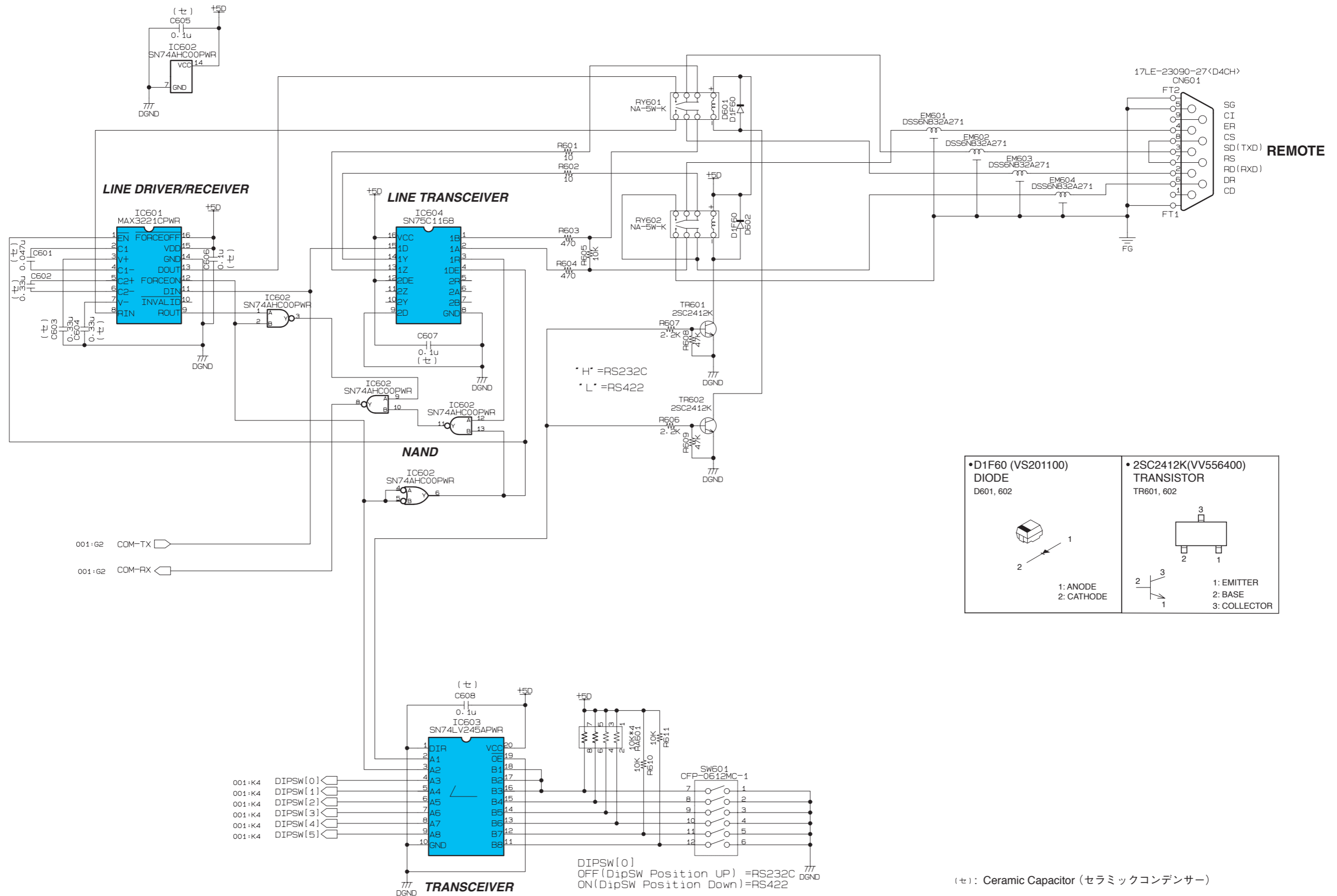
1: ANODE1
2: CATHODE2
3: CATHODE1, ANODE2

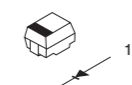
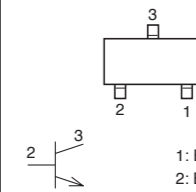
to DSP-CN350
<Page 25: G-4>

(セ): Ceramic Capacitor (セラミックコンデンサー)

GPI CIRCUIT DIAGRAM (DME4io-ES/DME8i-ES/DME8o-ES) 002 [SUB]

DME4io-ES/DME8i-ES/DME8o-ES



<p>• D1F60 (VS201100) DIODE D601, 602</p>  <p>1: ANODE 2: CATHODE</p>	<p>• 2SC2412K (VV556400) TRANSISTOR TR601, 602</p>  <p>1: EMITTER 2: BASE 3: COLLECTOR</p>
--	---

(セ): Ceramic Capacitor (セラミックコンデンサー)

REMOTE & DIP SW Section

PN, PS, USB CIRCUIT DIAGRAM (DME4io-ES/DME8i-ES/DME8o-ES) [SUB]

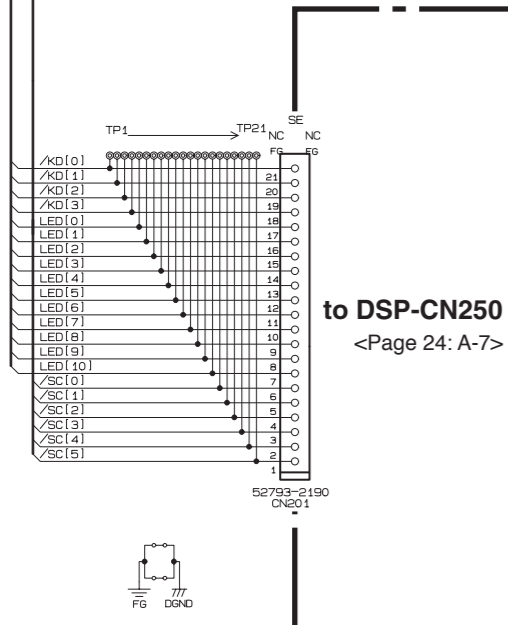
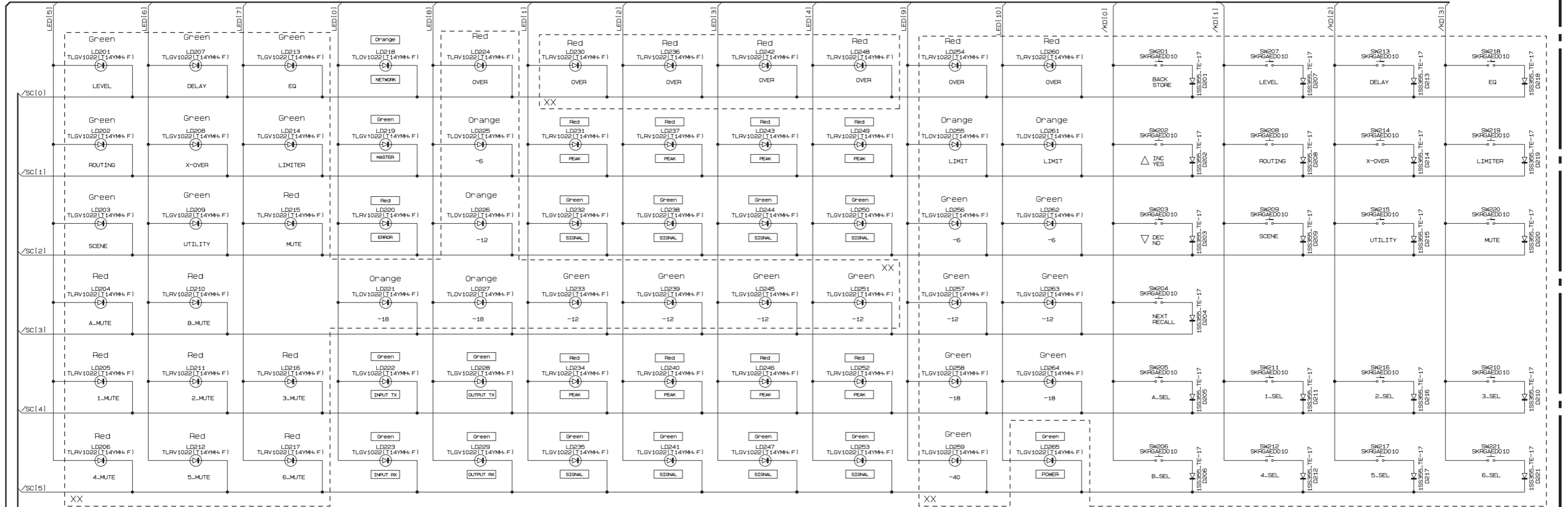
DME4io-ES/DME8i-ES/DME8o-ES

PN

※ LED color/model chart (LED色・型式対応表)

Color	Model
Red	TLRV1022(T14YM+ F)
Orange	TLGV1022(T14YM+ F)
Green	TLGV1022(T14YM+ F)

NETWORK	OUTPUT 1/5	OUTPUT 2/6	OUTPUT 3/7	OUTPUT 4/8	DME8o
NETWORK	INPUT/OUTPUT 1	INPUT/OUTPUT 2	INPUT/OUTPUT 3	INPUT/OUTPUT 4	DME4io
NETWORK	INPUT 1/5	INPUT 2/6	INPUT3/7	INPUT4/8	DME8i



XX : Not installed (未実装)
規格認定コン : Capacitor (規格認定コンデンサー)

