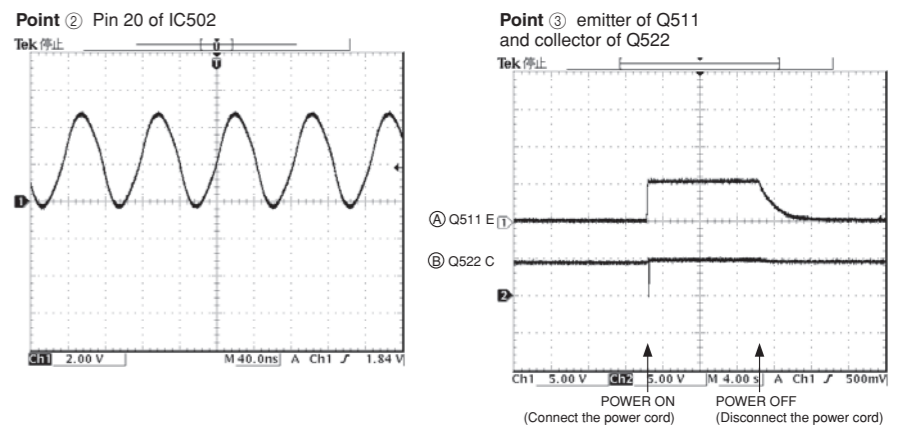
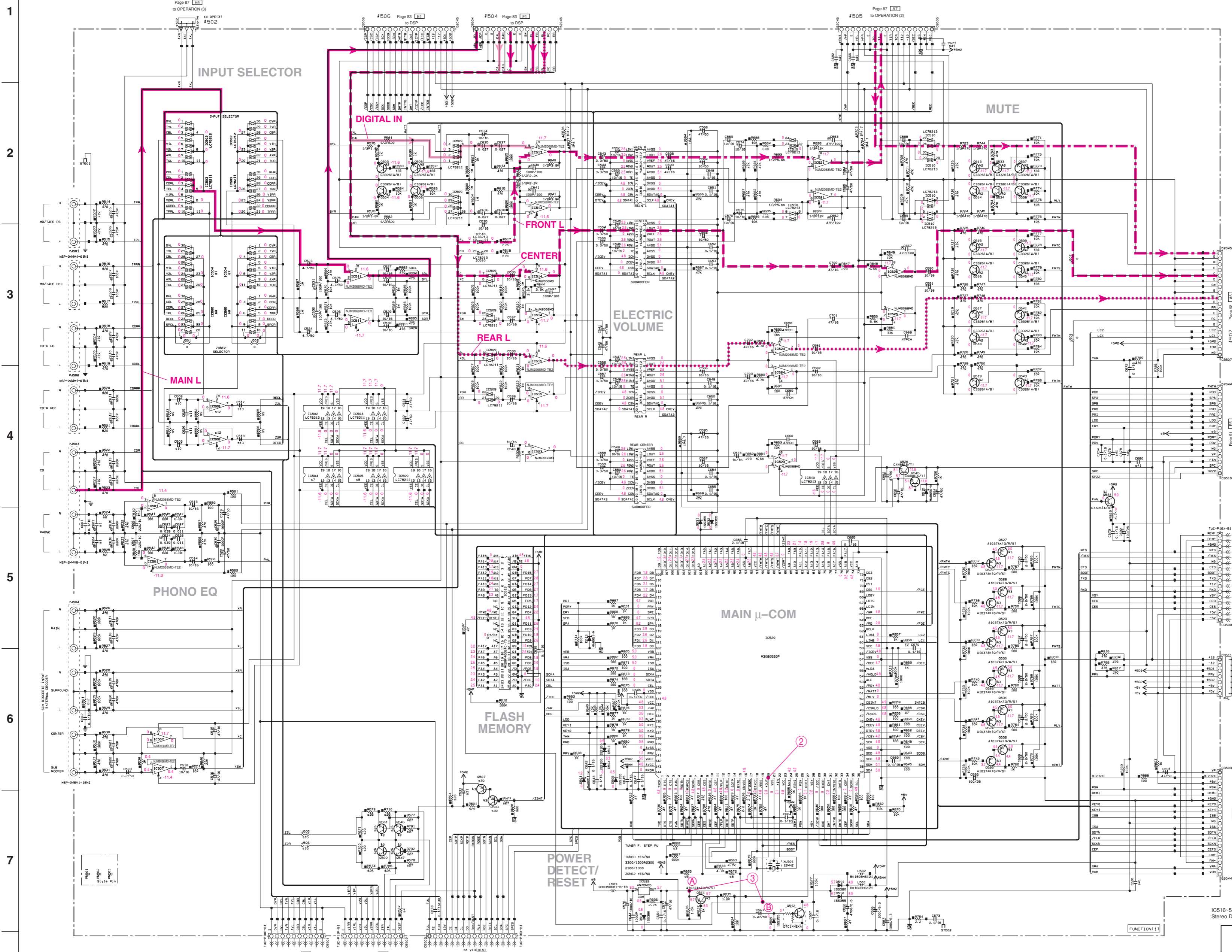


SCHEMATIC DIAGRAM (FUNCTION) RX-V1300/RX-V1300RDS/HTR-5590/DSP-AX1300

RX-V2300/DSP-AX2300/RX-V1300/RX-V1300RDS/HTR-5590/DSP-AX1300



IC Part No.	Model	Substitutable	Remarks
1	IC501, 507, 511, 513-515, 521, 523-525: NJM2068MD	○	Dual OP-Amp
2	IC502, 504: LC78212	○	Analog Function Switch
3	IC503, 509: LC78211	○	Analog Function Switch
4	IC505, 510: LC78213	○	Analog Function Switch
5	IC516-519, 526: YAC520-EE2	○	Stereo Digital Volume Controller
6	IC512: MX29F400BTC-70	○	4Mbit CMOS Flash Memory
7	IC522: AN78N05	○	Voltage Regulator

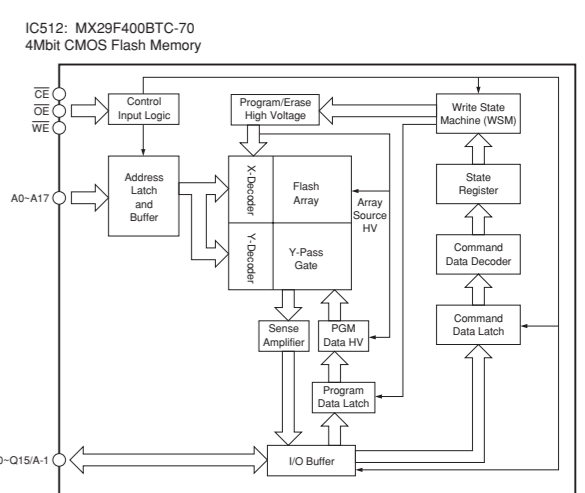
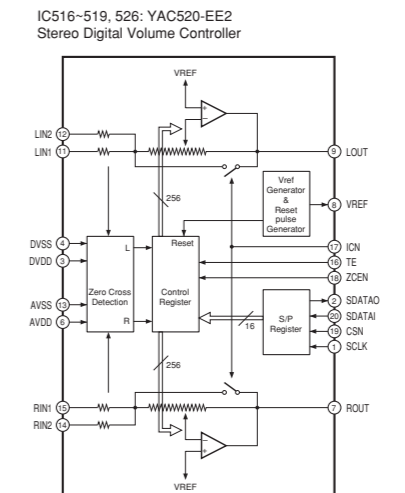
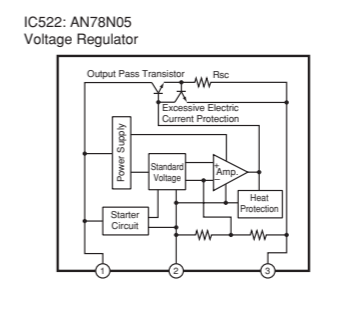
○: NOT USED
●: USED / APPLICABLE

NOTICE (mode1)
 (J) JAPAN
 (U) U.S.A.
 (C) CANADA
 (R) GENERAL
 (T) CHINA
 (K) KOREA
 (A) AUSTRALIA
 (B) BRITISH
 (G) EUROPE
 (L) SINGAPORE

Part No.	Part Name	Remarks
1	NO MARK ELECTROLYTIC CAPACITOR	1
2	TANTALUM CAPACITOR	2
3	NO MARK CERAMIC CAPACITOR	3
4	CERAMIC TUBULAR CAPACITOR	4
5	POLYESTER FILM CAPACITOR	5
6	POLYPROPYLENE FILM CAPACITOR	6
7	MICA CAPACITOR	7
8	POLYPROPYLENE FILM CAPACITOR	8
9	SEMICONDUCTIVE CERAMIC CAPACITOR	9
10	POLYPHENYLENE SULFIDE FILM CAPACITOR	10

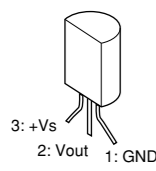
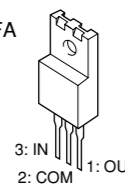
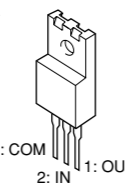
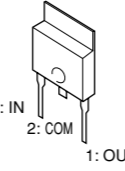
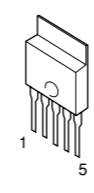
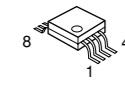
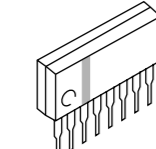
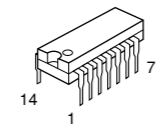
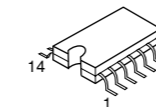
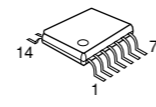
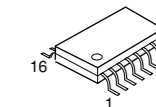
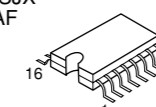
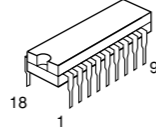
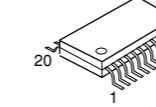
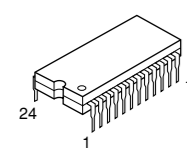
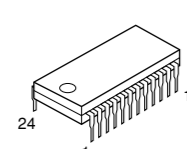
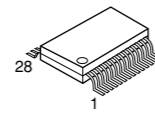
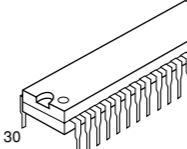
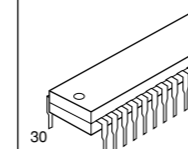
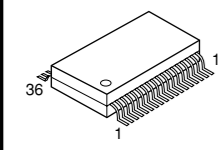
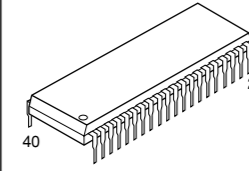
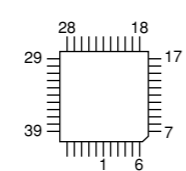
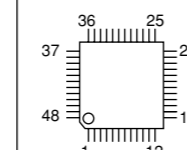
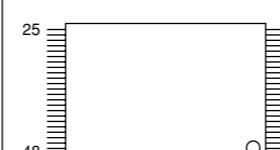
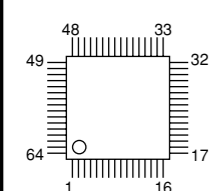
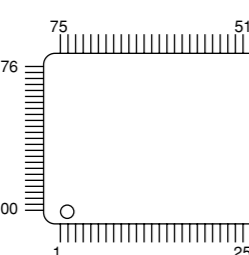
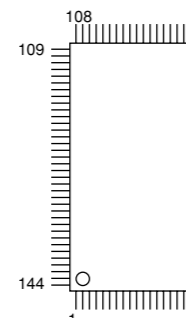
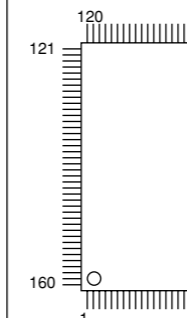
Part No.	Part Name	Remarks
1	NO MARK CARBON FILM RESISTOR (P=1)	1
2	CARBON FILM RESISTOR (P=10)	2
3	METAL OXIDE FILM RESISTOR	3
4	METAL PLATE RESISTOR	4
5	FINE PITCH CARBON FILM RESISTOR	5
6	CEMENT MOLDED RESISTOR	6
7	SEMI-VARIABLE RESISTOR	7
8	CHIP RESISTOR	8

- ★ All voltages are measured with a 10MΩ/V DC electric volt meter.
- ★ Components having special characteristics are marked (A) and must be replaced with parts having specifications equal to those originally installed.
- ★ Schematic diagram is subject to change without notice.
- 電圧は、内部抵抗10MΩの電圧計で測定したものです。
- (A)印のある部品は、安全性確保部品を示しています。部品の交換が必要な場合、パーツリストに記載されている部品を使用してください。
- 本回路図は標準回路図です。改良のため予告なく変更することがございます。

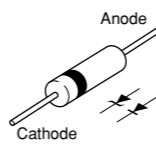
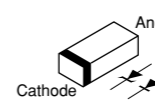
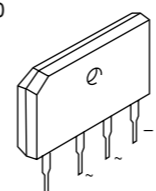
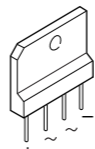


■ PIN CONNECTION DIAGRAM



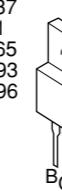
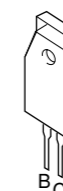
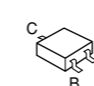
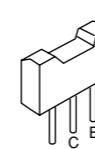
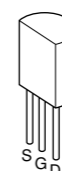
• ICs

<p>LM61CIZ</p>  <p>3: +Vs 2: Vout 1: GND</p>	<p>AN78N05 NJM7805FA NJM78M12FA</p>  <p>3: IN 2: COM 1: OUT</p>	<p>NJM79M05FA NJM79M12FA</p>  <p>3: COM 2: IN 1: OUT</p>	<p>μPC29M33T-E1</p>  <p>3: IN 2: COM 1: OUT</p>	<p>PQ025EZ5MZP</p>  <p>1 5</p>
<p>NJM2068MD NJM2904M TK15420M μPC4570G2</p>  <p>8 1 4</p>	<p>NJM4556AL</p>  <p>1 8</p>	<p>TC4066BP</p>  <p>14 1 7</p>	<p>TC74HCT00AF TC74HCU04AF TC74HCT08AF</p>  <p>14 1 7</p>	<p>NJM2581M TC4066BF-T1</p>  <p>14 1 7</p>
<p>ADM202JRN-REEL7 LA7108M M62320FP</p>  <p>16 1 8</p>	<p>MM74HC4051N MM74HC4051SJX MM74HC4053N MM74HC4053SJX TC74HC4052AF</p>  <p>16 1 8</p>	<p>BU2092</p>  <p>18 1 9</p>	<p>CS4392-KZR CS5360-KSR YAC520-EE2</p>  <p>20 1 10</p>	
<p>LC72722</p>  <p>24 1 12</p>	<p>LC74781-9798</p>  <p>24 1 12</p>	<p>CY62256LL</p>  <p>28 1 14</p>	<p>LC78211 LC78213</p>  <p>30 1 15</p>	<p>LC78212</p>  <p>30 1 15</p>
<p>LA7109</p>  <p>36 1 18</p>	<p>MSM514260E-60JS</p>  <p>40 1 20</p>	<p>CS493292-CLR</p>  <p>28 18 29 17 39 7 40 44 6 1</p>	<p>CS4382-KQR</p>  <p>36 25 37 24 48 1 12 13</p>	<p>MX29F400BTC-70</p>  <p>25 24 48 1</p>
<p>M66003-0101FP</p>  <p>48 33 49 32 64 17 1 16</p>	<p>XC9572XL-10TQ100C</p>  <p>75 51 76 50 100 26 1 25</p>	<p>M30805SGP</p>  <p>108 73 109 72 144 37 1 36</p>	<p>YSS938-F</p>  <p>120 81 121 80 160 41 1 40</p>	

• Diodes

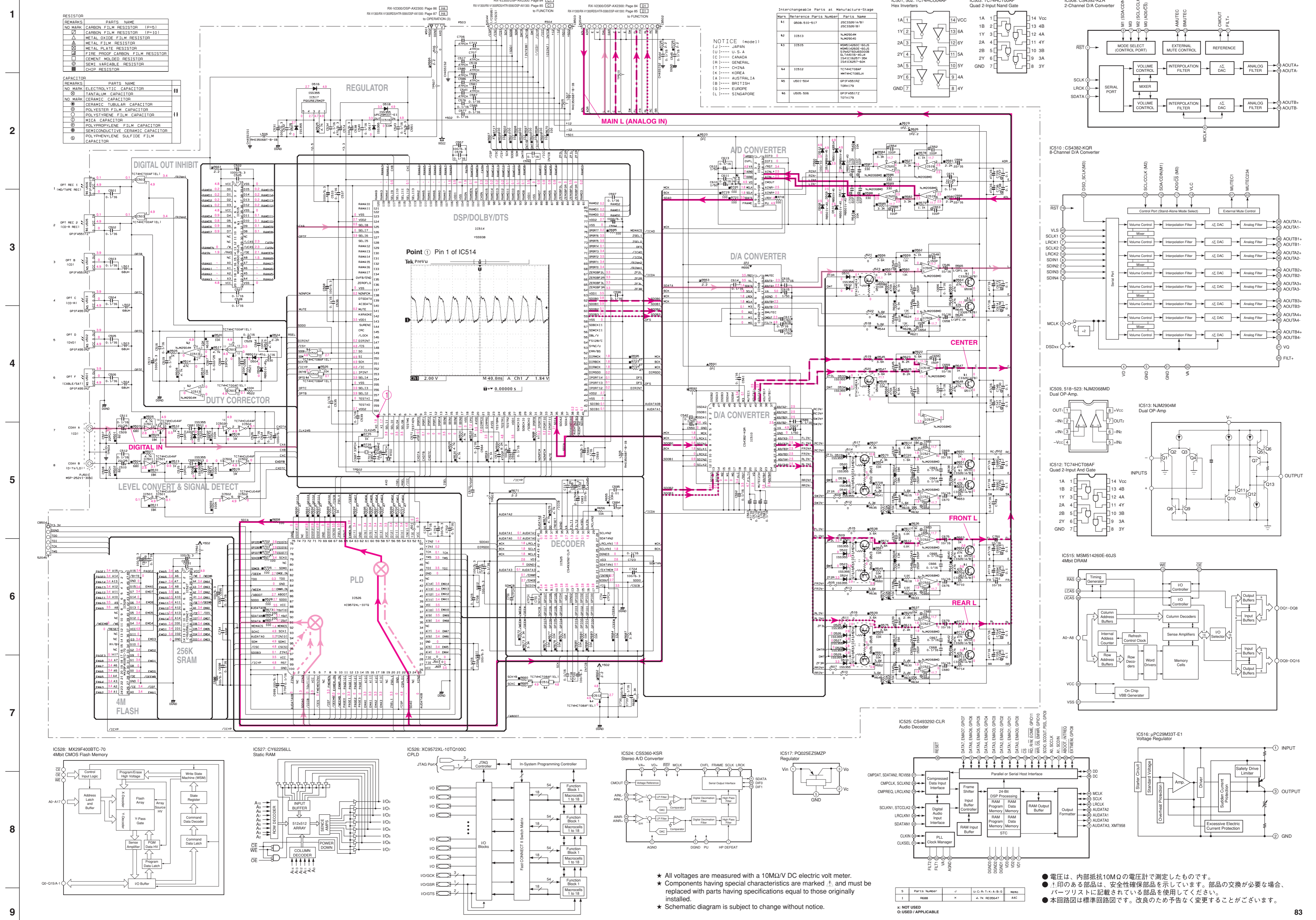
<p>1N4002S 1SS133 1SS270A 1T2</p>  <p>Anode Cathode</p>	<p>MTZJ4.7C MTZJ5.1A MTZJ6.2C MTZJ9.1A MTZJ10.0A MTZJ10.0B MTZJ12.0C MTZJ20.0C MTZJ24.0C MTZJ33.0B</p>	<p>1SS355 1SS380 MA8051-M MA8056-M MA8068-H MA8082-H RB501V-40 UDZS5.6BTE-17</p>  <p>Anode Cathode</p>
<p>D2SBA20</p> 	<p>D15XB20</p> 	

• Transistors

<p>2SA893A 2SA970 2SA1015 2SB949 2SC535 2SC1815 2SC1890A 2SC2240 2SC2878</p>  <p>E C B</p>	<p>2SC1740S 2SD1915F</p>  <p>E C B</p>	<p>2SA1837 2SB941 2SB1565 2SC4793 2SD2396</p>  <p>B C E</p>	<p>2SA1492 2SC3856</p>  <p>B C E</p>
<p>2SA1037K 2SC2412K 2SC3326 DTA144EKA DTC144EKA</p>  <p>C E B</p>	<p>2SA1708 2SC4488</p>  <p>E C B</p>	<p>2SK246</p>  <p>S G D</p>	

SCHEMATIC DIAGRAM (DSP)

RX-V2300/DSP-AX2300/RX-V1300/RX-V1300RDS/HTR-5590/DSP-AX1300



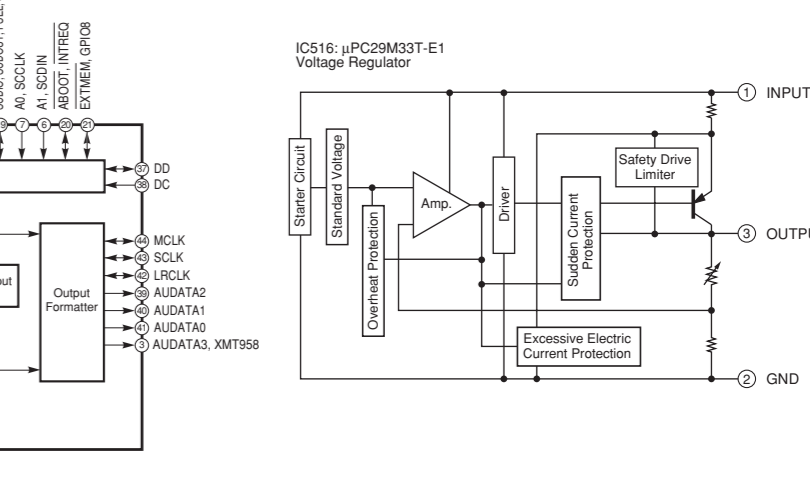
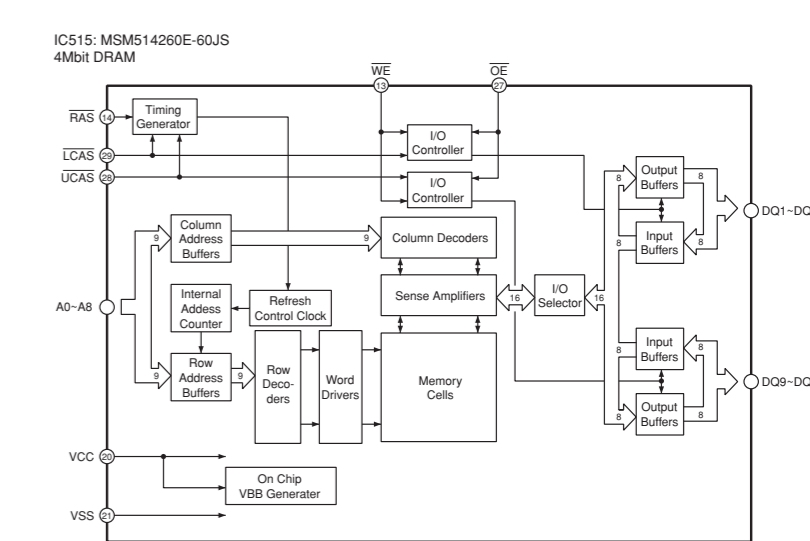
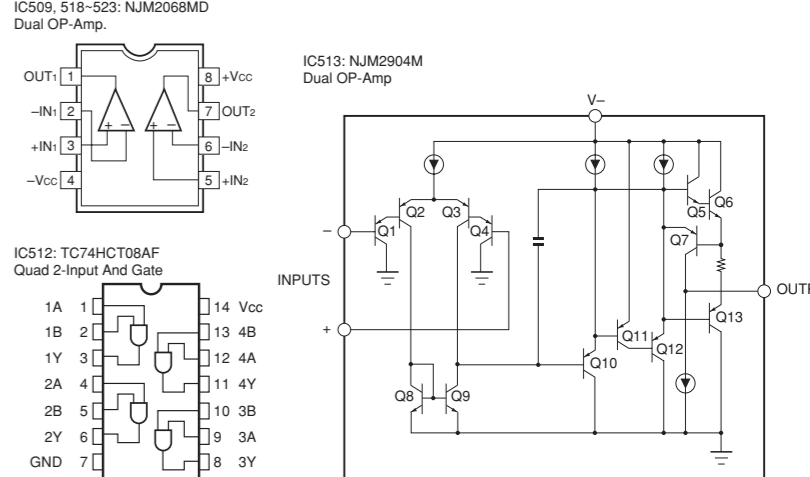
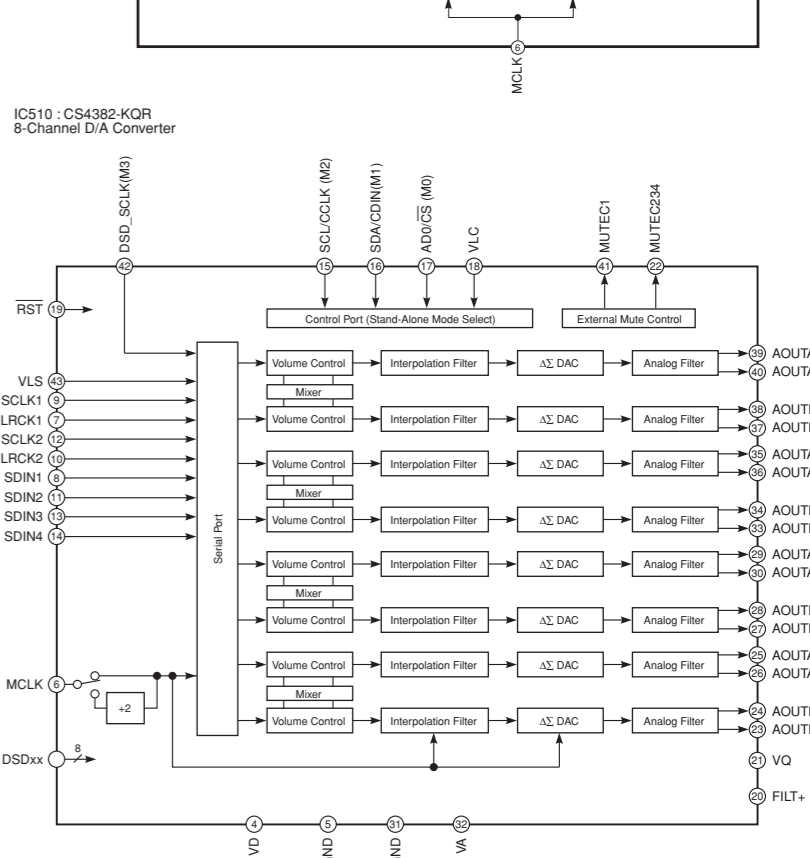
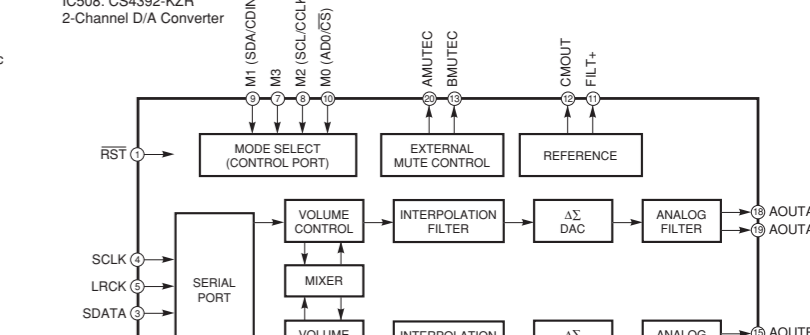
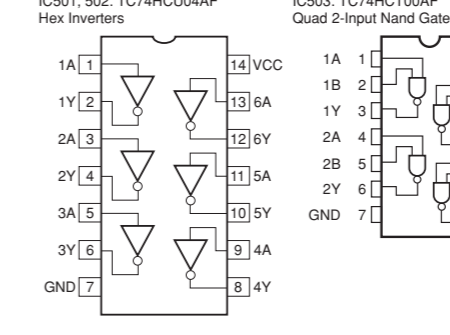
REMARKS	PARTS NAME
RESISTOR	CARBON FILM RESISTOR (P=5)
RESISTOR	CARBON FILM RESISTOR (P=10)
RESISTOR	METAL OXIDE FILM RESISTOR
RESISTOR	METAL FILM RESISTOR
RESISTOR	METAL PLATE RESISTOR
RESISTOR	FILM PROOF CARBON FILM RESISTOR
RESISTOR	CEMENT MOLDED RESISTOR
RESISTOR	SEMI-VARIABLE RESISTOR
RESISTOR	CHIP RESISTOR

REMARKS	PARTS NAME
CAPACITOR	ELECTROLYTIC CAPACITOR
CAPACITOR	TANTALUM CAPACITOR
CAPACITOR	CERAMIC CAPACITOR
CAPACITOR	CERAMIC TUBULAR CAPACITOR
CAPACITOR	POLYESTER FILM CAPACITOR
CAPACITOR	POLYSTYRENE FILM CAPACITOR
CAPACITOR	MICA CAPACITOR
CAPACITOR	POLYPROPYLENE FILM CAPACITOR
CAPACITOR	SEMICONDUCTIVE CERAMIC CAPACITOR
CAPACITOR	POLYETHYLENE SULFIDE FILM CAPACITOR

NOTICE (model)

- J JAPAN
- U U.S.A
- C CANADA
- R GENERAL
- T CHINA
- K KOREA
- A AUSTRALIA
- B BRITISH
- E EUROPE
- L SINGAPORE

Mark	Reference Parts Number	Parts Name
41	0908-510-517	IC501: 502: TC74HC04AF Hex Inverters
42	IC513	IC503: TC74HCT06AF Quad 2-Input Nand Gate
43	IC515	IC508: CS4392-K2R 2-Channel D/A Converter
44	IC512	IC509: 518-523: NJM2068MD Dual OP-Amp
45	IC511-504	IC515: NJM2904M Dual OP-Amp
46	U505-508	IC512: TC74HCT06AF Quad 2-Input And Gate

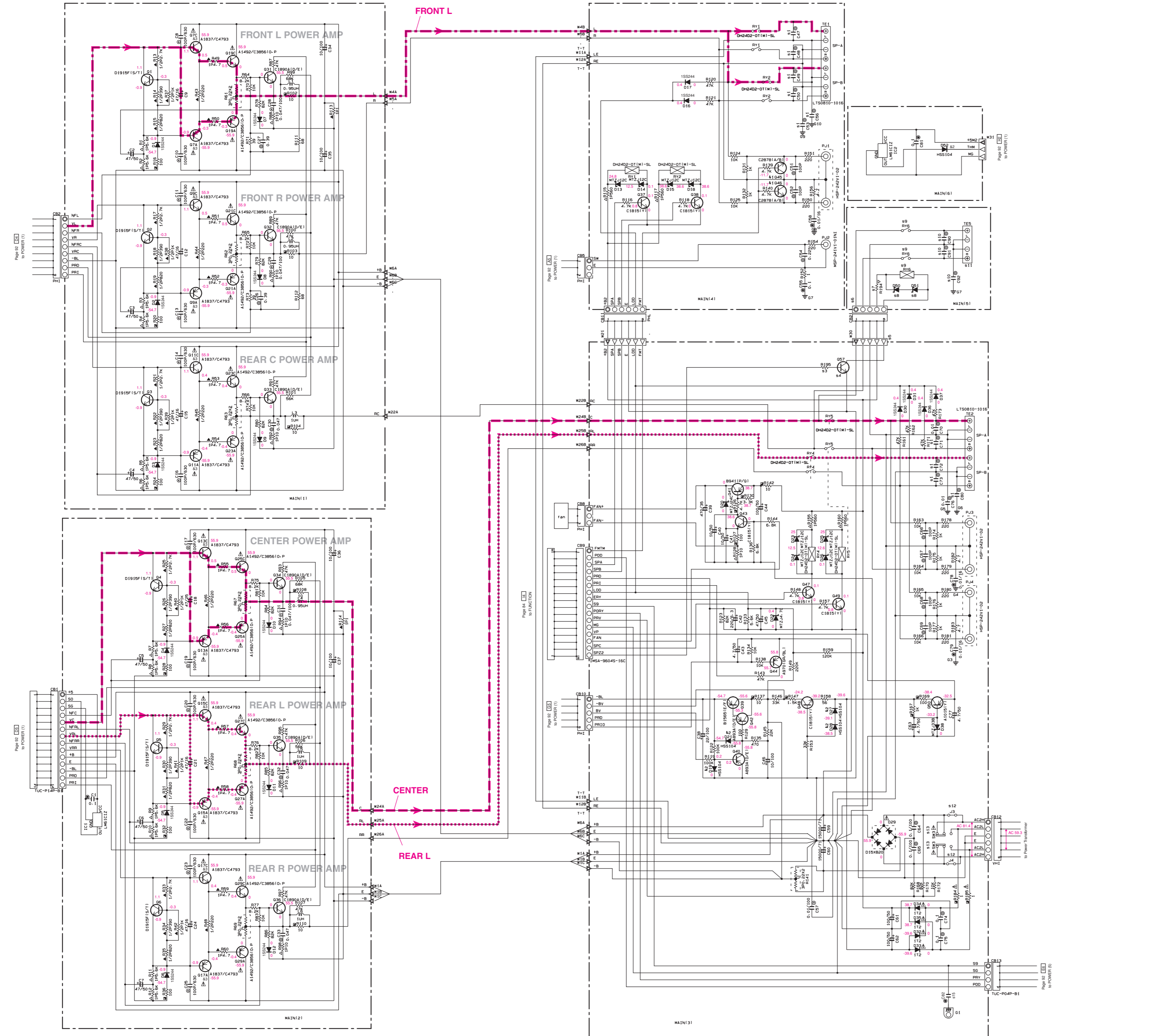


All voltages are measured with a 10MΩ/V DC electric volt meter.
 Components having special characteristics are marked with a triangle and must be replaced with parts having specifications equal to those originally installed.
 Schematic diagram is subject to change without notice.

電圧は、内部抵抗10MΩの電圧計で測定したものです。
 1印のある部品は、安全性確保部品を示しています。部品の交換が必要な場合、パーツリストに記載されている部品を使用してください。
 本回路図は標準回路図です。改良のため予告なく変更することがございます。

S	Part Number	J	U	C	R	T	K	A	B	Q	W
1	RES										

SCHEMATIC DIAGRAM (MAIN) RX-V2300/DSP-AX-2300



RESISTOR

REMARKS	PARTS NAME
NO MARK	CARBON FILM RESISTOR (P=5)
△	CARBON FILM RESISTOR (P=10)
□	METAL OXIDE FILM RESISTOR
▲	METAL FILM RESISTOR
⊠	METAL PLATE RESISTOR
■	FIRE PROOF CARBON FILM RESISTOR
□	CEMENT MOLDED RESISTOR
○	SEMI VARIABLE RESISTOR
■	CHIP RESISTOR

CAPACITOR

REMARKS	PARTS NAME
NO MARK	ELECTROLYTIC CAPACITOR
⊗	TANTALUM CAPACITOR
NO MARK	CERAMIC CAPACITOR
⊙	CERAMIC TUBULAR CAPACITOR
⊖	POLYESTER FILM CAPACITOR
○	POLYSTYRENE FILM CAPACITOR
⊕	MICA CAPACITOR
⊖	POLYPROPYLENE FILM CAPACITOR
⊙	SEMICONDUCTIVE CERAMIC CAPACITOR

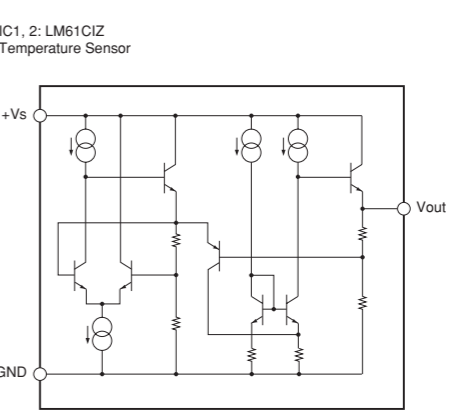
NOTICE (mode1)
 (J)..... JAPAN
 (U)..... U.S.A
 (C)..... CANADA
 (R)..... GENERAL
 (T)..... CHINA
 (K)..... KOREA
 (A)..... AUSTRALIA
 (B)..... BRITISH
 (G)..... EUROPE
 (L)..... SINGAPORE

PART NO.	DSP-AK2300		RX-V2300	
	U-C	R.T.K	U-C	R.T.K
s1	C47, C48, C49, C50, C53, C56, C71, C72, C73, C80	x	x	0.01 U465410 0.01 U465410
s3	R195	x	4.7k WF2547	x 4.7k WF2547
s4	D07	x	C18151V1 IC18151	x C18151V1 IC18151
s5	W30	x	V892050	x V892050
s6	CB21	x	L891805 IP650	x L891805 IP650
s7	R194	x	V84930 W712C	x V84930 W712C
s8	D50, D51	x	V54430 DH242-OT1M1-SL	x V54430 DH242-OT1M1-SL
s9	RV6	x	V53260	x V53260
s10	C90, C91, C92	x	x	x 0.01 U465410
s11	TE5	x	L150410-3012 L150400	x L150410-3012 W4648L
s12	J7, J4	o	x	x
s13	SW3	x	SL138-022-AMCS V410400	x SL138-022-AMCS V410400
s14	R102, 103	H7	HV7347	7.5 HV7347
s15	CS2	x	x	0.1 VJ20510

x: NOT USED
 o: USED / APPLICABLE

Interchangeable Parts at Manufacture-Stage

Part No.	Reference Parts Number	Parts Name
s1	045, 46	25C28781A/01 25D1915F15/11
s2	D19, 21, 27, 28, 52	H55104 15S133 15S176
s3	07, 9, 11, 13, 15, 17	A1837C4793 A1855AC4834

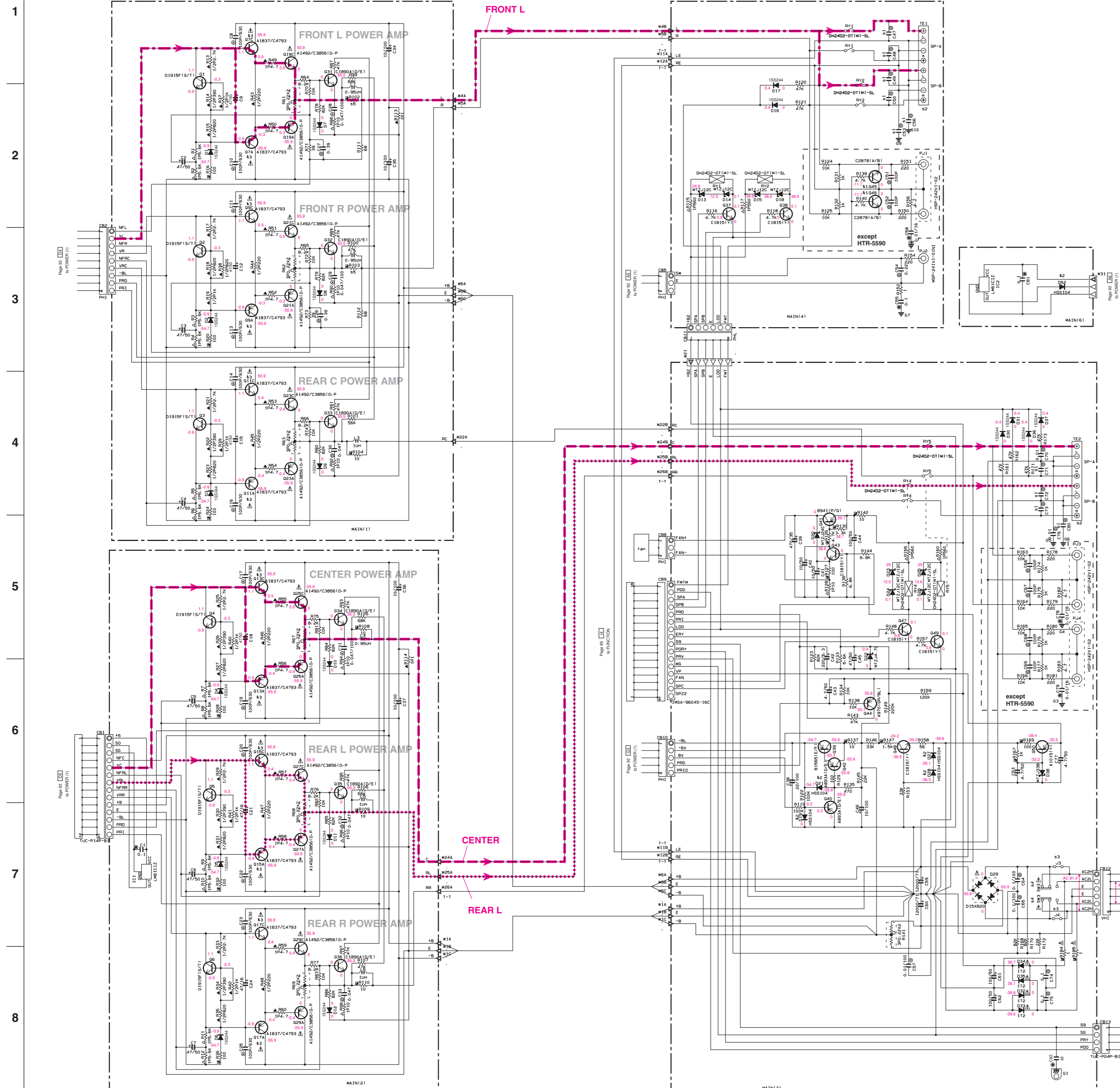


- ★ All voltages are measured with a 10MΩ/V DC electric volt meter.
- ★ Components having special characteristics are marked △ and must be replaced with parts having specifications equal to those originally installed.
- ★ Schematic diagram is subject to change without notice.

- 電圧は、内部抵抗10MΩの電圧計で測定したものです。
- △印のある部品は、安全性確保部品を示しています。部品の交換が必要な場合、パーツリストに記載されている部品を使用してください。
- 本回路図は標準回路図です。改良のため予告なく変更することがございます。

SCHEMATIC DIAGRAM (MAIN) RX-V1300/RX-V1300RDS/HTR-5590/DSP-AX1300

RX-V2300/DSP-AX2300/RX-V1300/RX-V1300RDS/HTR-5590/DSP-AX1300



RESISTOR

REMARKS	PARTS NAME
NO MARK	CARBON FILM RESISTOR (P=5)
□	CARBON FILM RESISTOR (P=10)
△	METAL OXIDE FILM RESISTOR
▲	METAL FILM RESISTOR
⊠	METAL PLATE RESISTOR
■	FIRE PROOF CARBON FILM RESISTOR
□	CEMENT MOLDED RESISTOR
⊕	SEMI VARIABLE RESISTOR
■	CHIP RESISTOR

CAPACITOR

REMARKS	PARTS NAME
NO MARK	ELECTROLYTIC CAPACITOR
⊗	TANTALUM CAPACITOR
NO MARK	CERAMIC CAPACITOR
⊙	CERAMIC TUBULAR CAPACITOR
○	POLYSTYRENE FILM CAPACITOR
⊖	MICA CAPACITOR
⊕	POLYPROPYLENE FILM CAPACITOR
●	SEMICONDUCTIVE CERAMIC CAPACITOR

NOTICE (mode)

(J)..... JAPAN
 (U)..... U.S.A
 (C)..... CANADA
 (R)..... GENERAL
 (T)..... CHINA
 (K)..... KOREA
 (A)..... AUSTRALIA
 (B)..... BRITISH
 (G)..... EUROPE
 (L)..... SINGAPORE

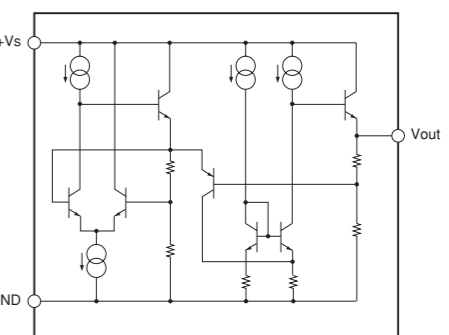
	DSP-AX1300	RX-V1300RDS	RX-V1300RDS
R1	C47, C48, C49, C50	U-C	R, T, K, A
R2	C53, C56, C71, C72, C73, C80	X	G, B1, U455410
R3	L75010-1016, V949900	L75010-1016, V949900	L75010-1016, V949900
R4	J3, J4	X	X
R5	SW3	X	SL138-022-AMCS, V410420
R6	R102, 103	10, HY75410	10, HY75410
R7	C82	X	V, S9510

X: NOT USED
 O: USED / APPLICABLE

Interchangeable Parts at Manufacture-Stage

Mark	Reference Parts Number	Parts Name
R1	045-46	2SC28781A/91
R2	019-21-27-28-52	H55104, 1S5133, 1S5176
R3	07-9-11-13-15-17	A1837/C4793, A1899A/C4834

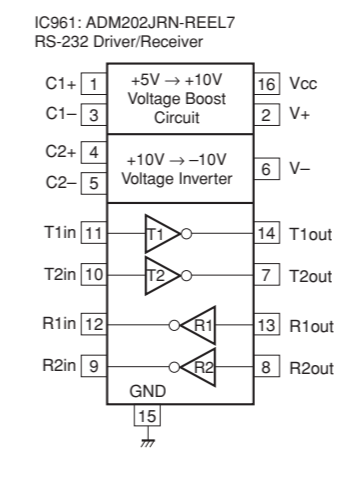
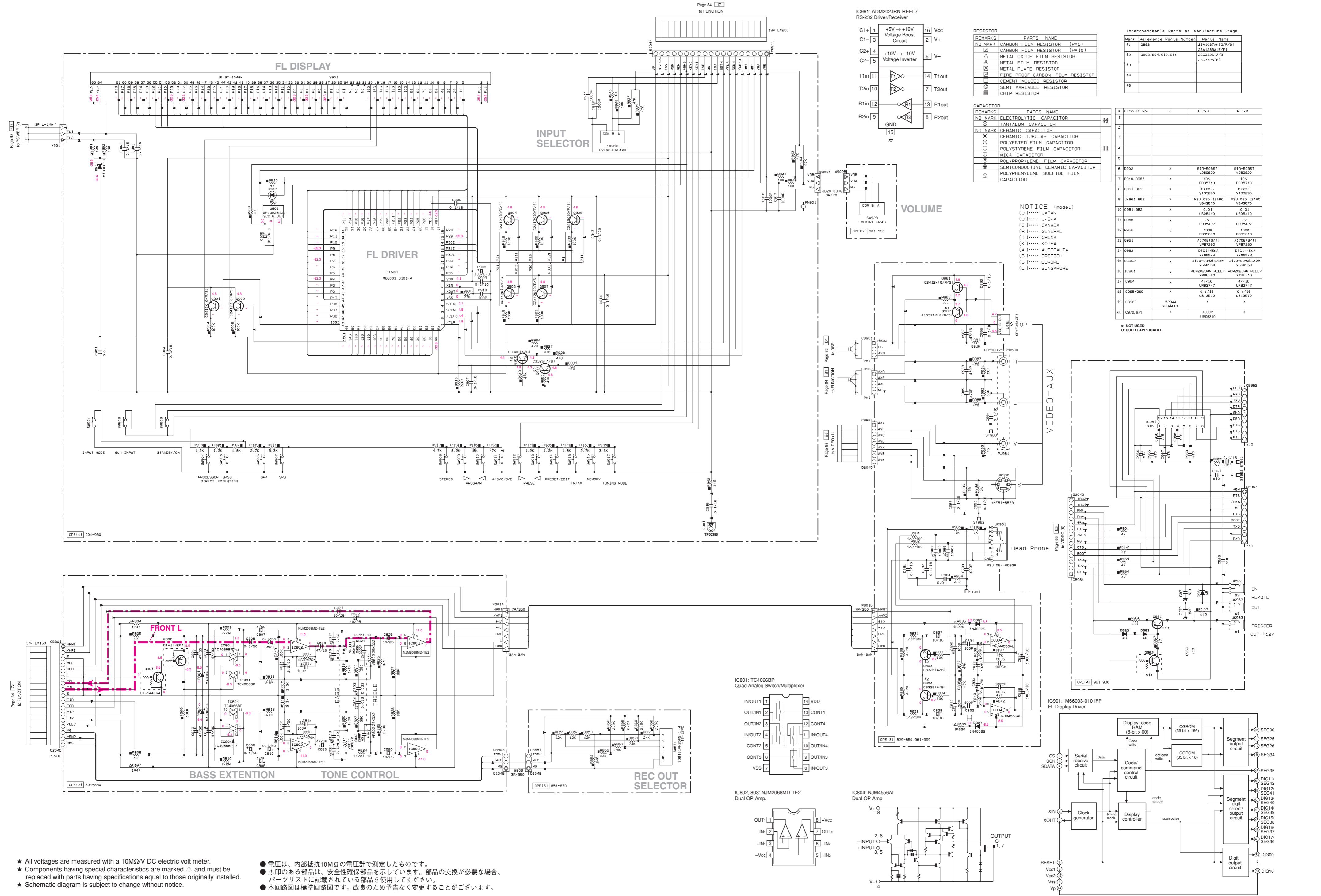
IC1, 2: LM61C1Z
 Temperature Sensor



- ★ All voltages are measured with a 10MΩ/V DC electric volt meter.
- ★ Components having special characteristics are marked with a triangle and must be replaced with parts having specifications equal to those originally installed.
- ★ Schematic diagram is subject to change without notice.

- 電圧は、内部抵抗10MΩの電圧計で測定したものです。
- 印のある部品は、安全性確保部品を示しています。部品の交換が必要な場合、パーツリストに記載されている部品を使用してください。
- 本回路図は標準回路図です。改良のため予告なく変更することがございます。

SCHEMATIC DIAGRAM (OPERATION) RX-V2300/DSP-AX-2300



RESISTOR

REMARKS	PARTS NAME
NO MARK	CARBON FILM RESISTOR (P=5)
△	CARBON FILM RESISTOR (P=10)
□	METAL OXIDE FILM RESISTOR
◇	METAL FILM RESISTOR
○	FINE GRID CARBON FILM RESISTOR
□	CEMENT MOLDED RESISTOR
◇	SEMI VARIABLE RESISTOR
■	CHIP RESISTOR

Interchangeable Parts at Manufacture Stage

Mark	Reference Parts Number	Parts Name
41	0982	254133741 (U/P/S1)
42	0803, 804, 910, 911	25412351E (F/1)
43		25C3261A (B1)
44		25C3261B (B1)
45		

CAPACITOR

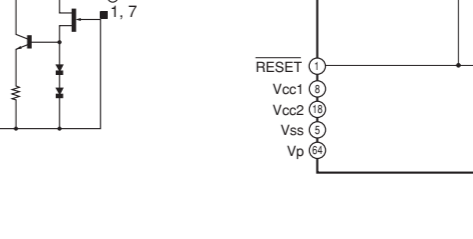
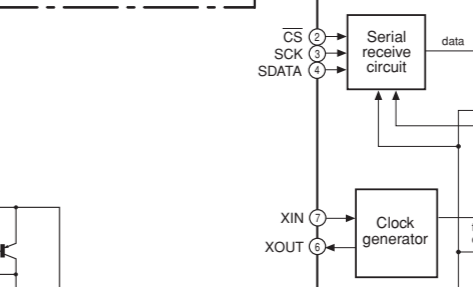
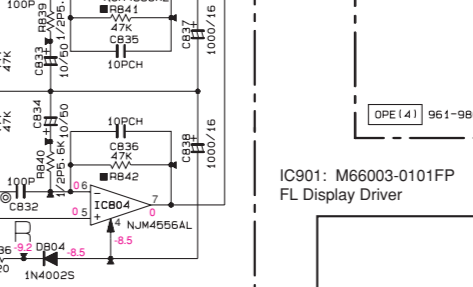
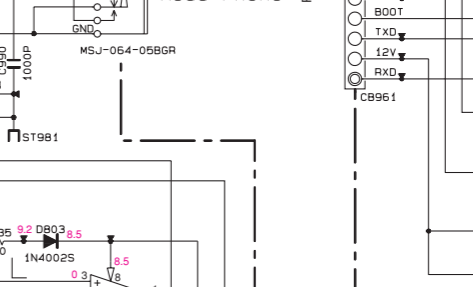
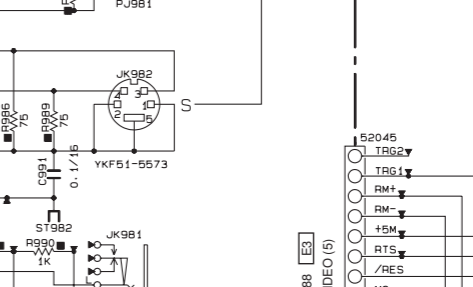
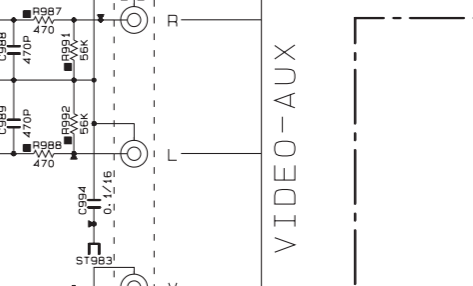
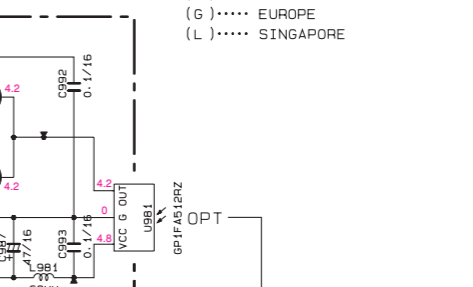
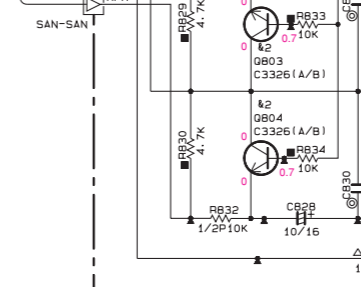
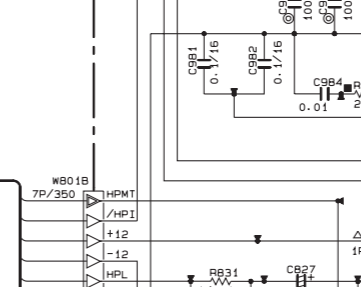
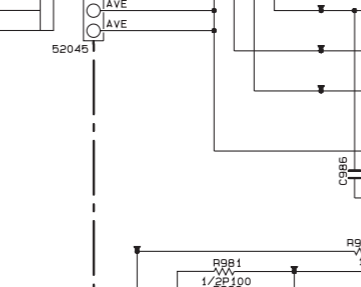
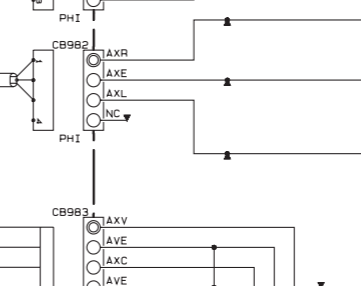
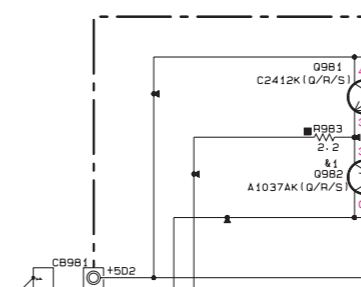
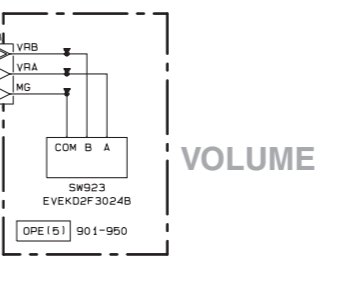
REMARKS	PARTS NAME
NO MARK	ELECTROLYTIC CAPACITOR
⊗	TANTALUM CAPACITOR
○	CERAMIC CAPACITOR
⊙	CERAMIC TUBULAR CAPACITOR
⊚	POLYESTER FILM CAPACITOR
⊛	POLYSTYRENE FILM CAPACITOR
⊜	MICA CAPACITOR
⊝	POLYPROPYLENE FILM CAPACITOR
⊞	SEMICONDUCTIVE CERAMIC CAPACITOR
⊟	POLYPHENYLENE SULFIDE FILM CAPACITOR

NOTICE (mode1)

(J)..... JAPAN
(U)..... U.S.A
(C)..... CANADA
(R)..... GENERAL
(T)..... CHINA
(K)..... KOREA
(A)..... AUSTRALIA
(B)..... BRITISH
(G)..... EUROPE
(L)..... SINGAPORE

Part No.	U.C.A	R.T.X
1		
2		
3		
4		
5		
6	D902	X
7	R910-R967	X
8	D961-963	X
9	JK961-963	X
10	C961, 962	X
11	R966	X
12	R968	X
13	D961	X
14	D962	X
15	C962	X
16	IC961	X
17	C964	X
18	C965-969	X
19	C963	X
20	C970, 971	X

NOT USED
USED / APPLICABLE



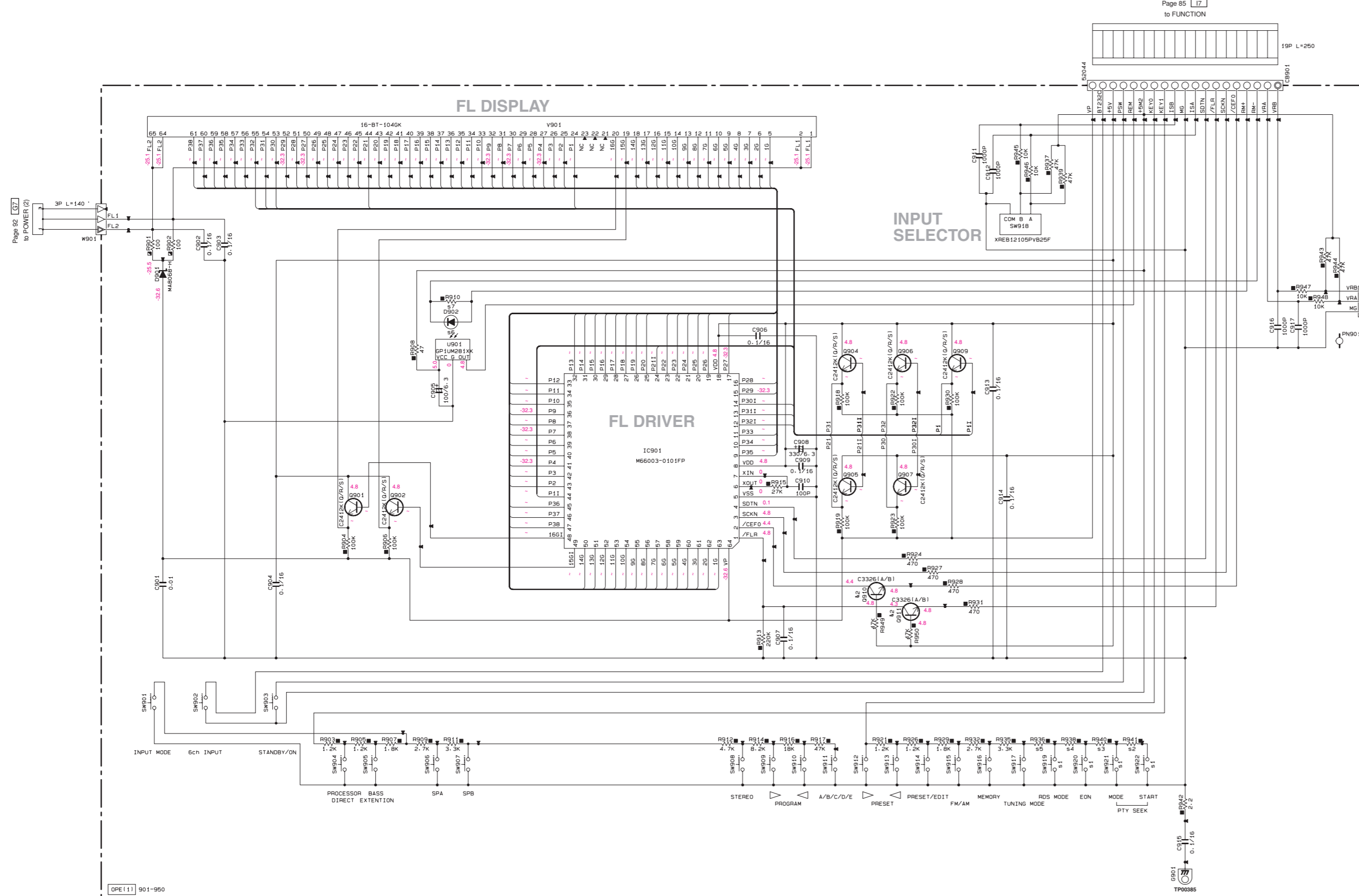
★ All voltages are measured with a 10MΩ/V DC electric volt meter.
★ Components having special characteristics are marked Δ and must be replaced with parts having specifications equal to those originally installed.
★ Schematic diagram is subject to change without notice.

● 電圧は、内部抵抗10MΩの電圧計で測定したものです。
● Δ 印のある部品は、安全性確保部品を示しています。部品の交換が必要な場合、パーツリストに記載されている部品を使用してください。
● 本回路図は標準回路図です。改良のため予告なく変更することがございます。

SCHEMATIC DIAGRAM (OPERATION) RX-V1300/RX-V1300RDS/HTR-5590/DSP-AX1300

RX-V2300/DSP-AX2300/RX-V1300/RX-V1300RDS/HTR-5590/DSP-AX1300

Page 85 to FUNCTION



REMARKS	PARTS NAME
NO MARK	CARBON FILM RESISTOR (P=5)
△	CARBON FILM RESISTOR (P=10)
▲	METAL OXIDE FILM RESISTOR
▴	METAL FILM RESISTOR
▾	METAL PLATE RESISTOR
▽	FIRE-PROOF CARBON FILM RESISTOR
□	CEMENT MOLDED RESISTOR
◇	SEMI-VARIABLE RESISTOR
■	CHIP RESISTOR

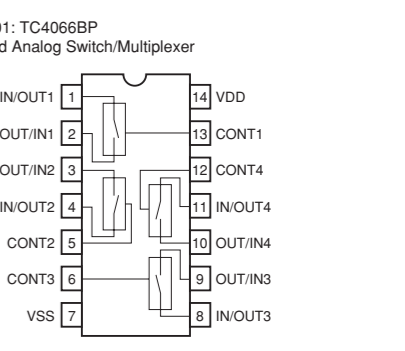
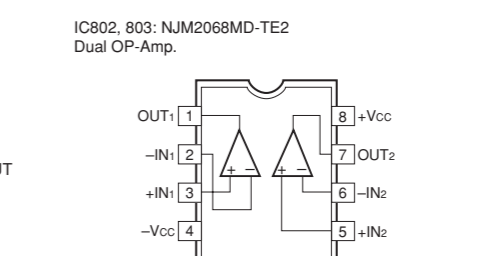
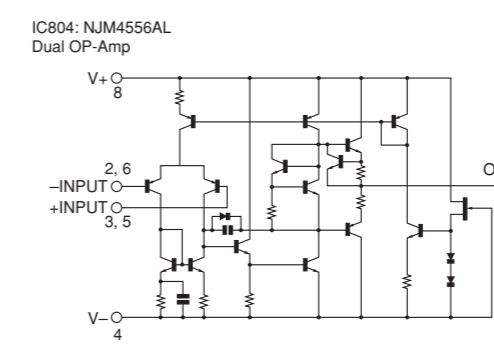
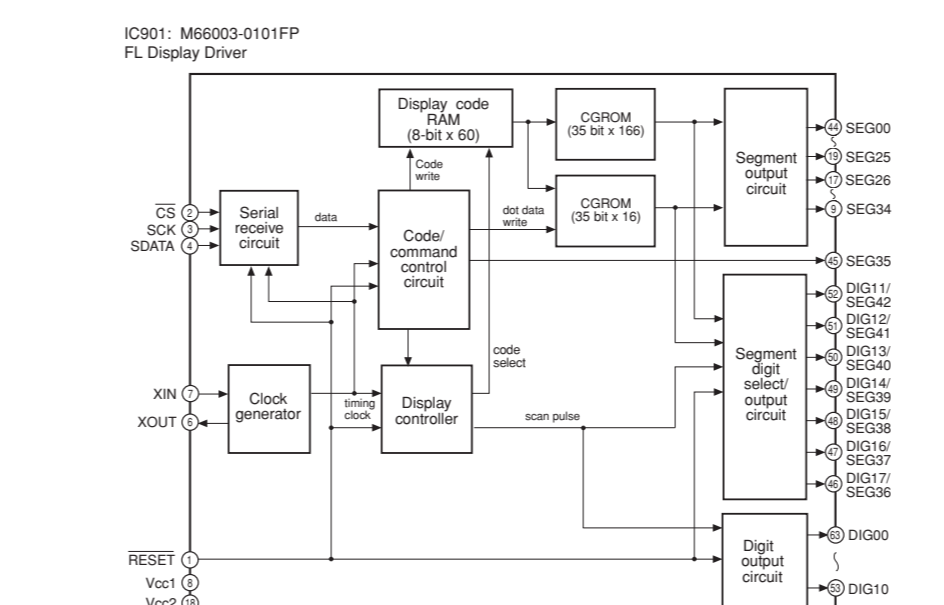
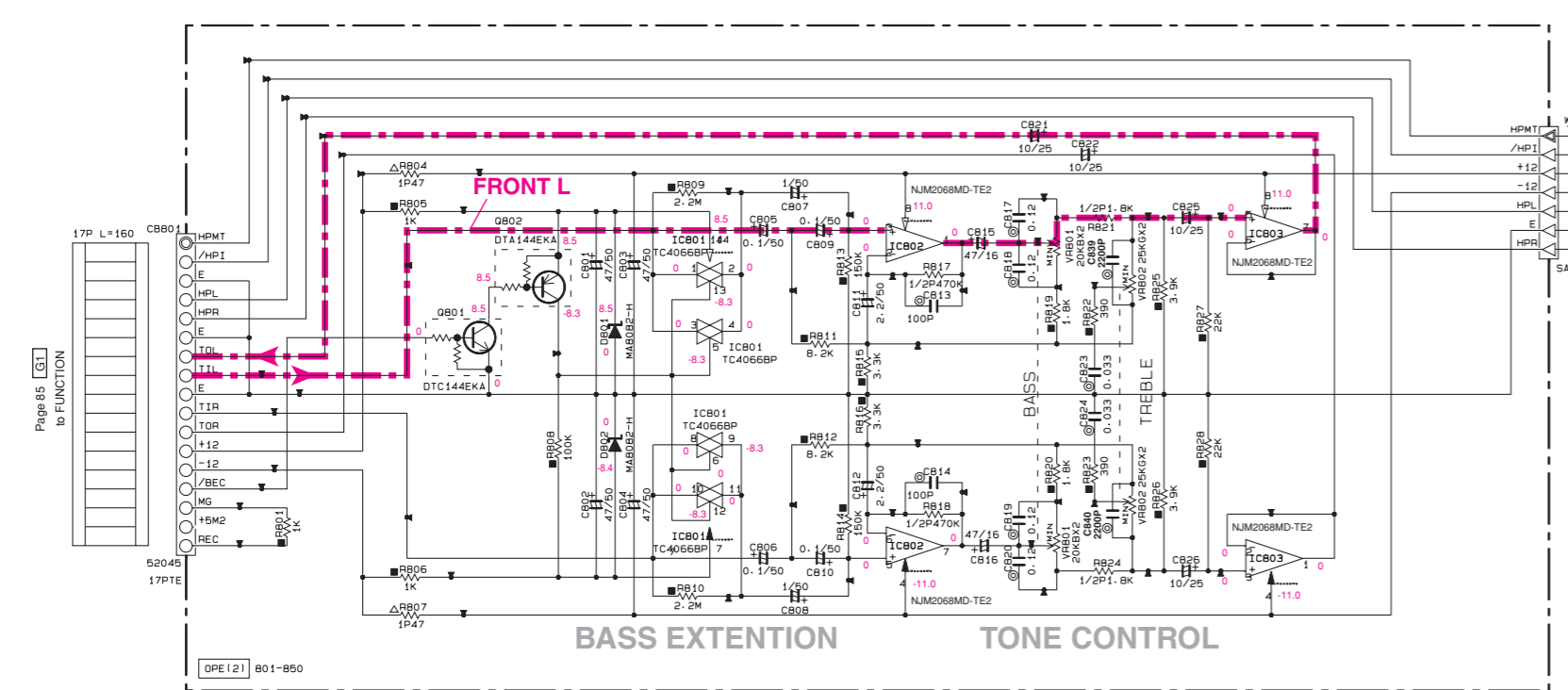
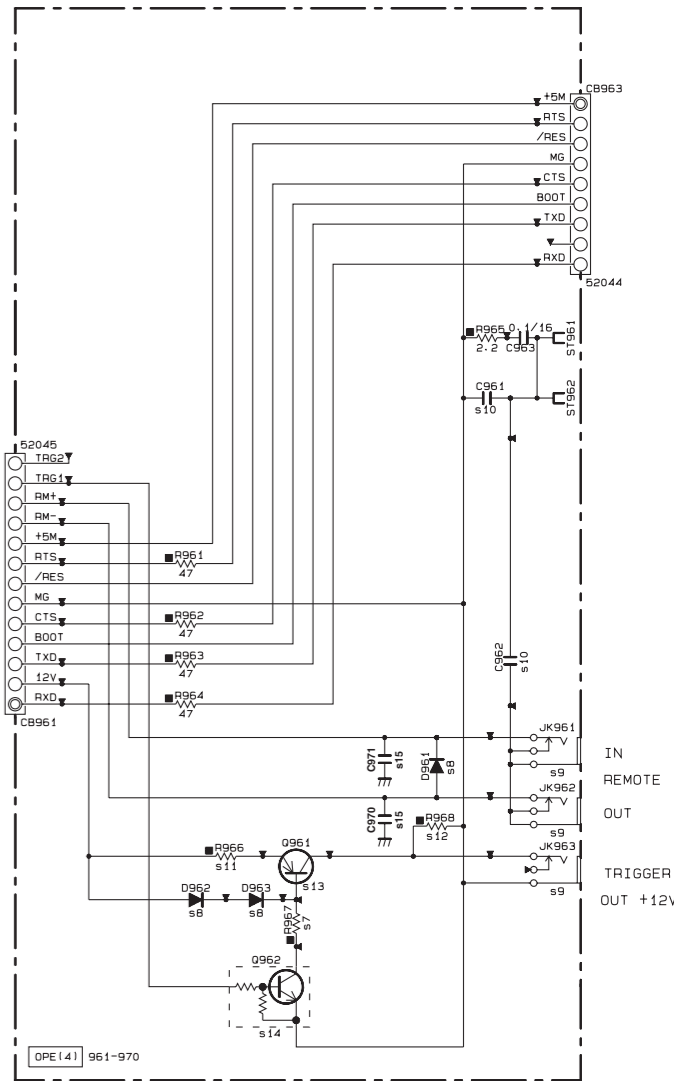
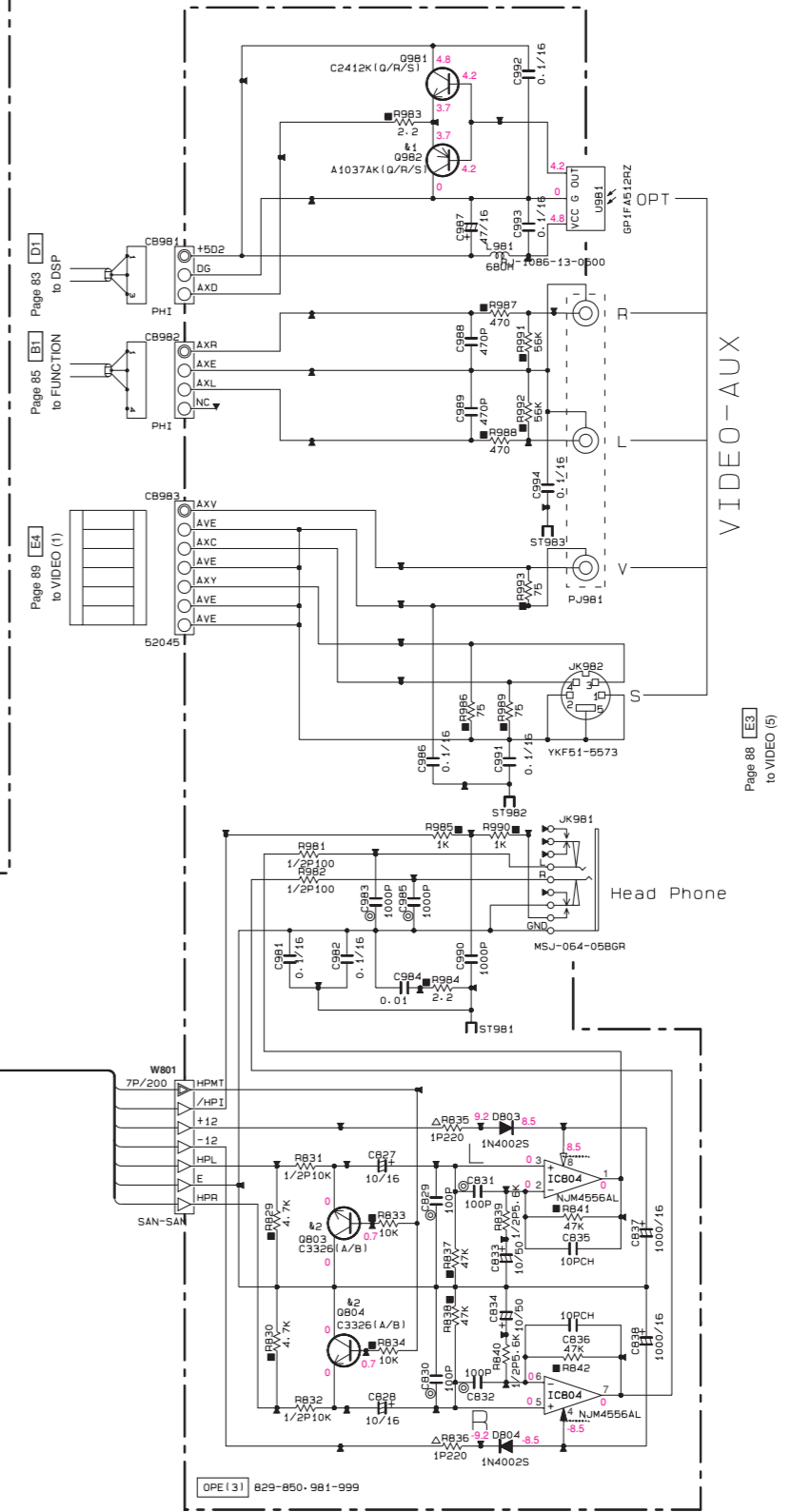
Mark	Reference Parts Number	Parts Name
K1	0982	25A1037AK1G/R/51
K2	0803.804.910.911	25A1239A1E/F/1
K3		25C33261A/R/1
K4		25C33261E/1
K5		

REMARKS	PARTS NAME
NO MARK	ELECTROLYTIC CAPACITOR
⊗	TANTALUM CAPACITOR
○	CERAMIC CAPACITOR
⊙	CERAMIC TUBULAR CAPACITOR
⊚	POLYESTER FILM CAPACITOR
⊛	POLYPROPYLENE FILM CAPACITOR
⊜	MICA CAPACITOR
⊝	POLYPROPYLENE FILM CAPACITOR
⊞	SEMICONDUCTIVE CERAMIC CAPACITOR
⊟	POLYPHENYLENE SULFIDE FILM CAPACITOR

Mark	Circuit No.	J-R-T-K	U-C-A	B-G
1	SW19-922	X	X	V475710
2	R941	X	X	47K RD35747
3	R940	X	X	18K RD35719
4	R938	X	X	5.2K RD35682
5	R936	X	X	4.7K RD35647
6	D902	X	S1R-5085T V259820	X
7	R910-R967	X	10K RD35710	X
8	D961-963	X	153395 Y133950	X
9	JK961-963	X	MSJ-036-124MC V943570	X
10	C961-C962	X	100P US06410	X
11	R966	X	27 RD35427	X
12	R968	X	100K RD35810	X
13	D961	X	A170815/771 V97860	X
14	D962	X	OTC14EKA VV69570	X
15	C970, 971	X	100P US06310	X

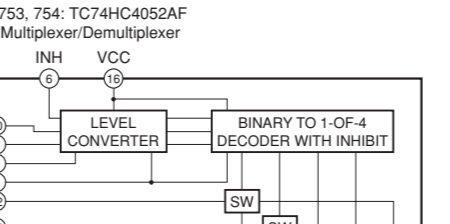
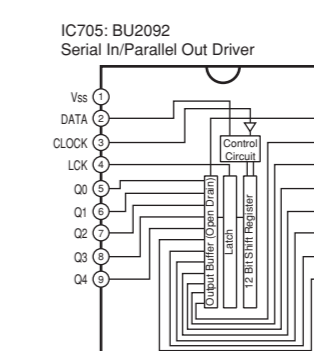
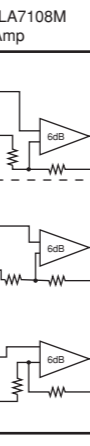
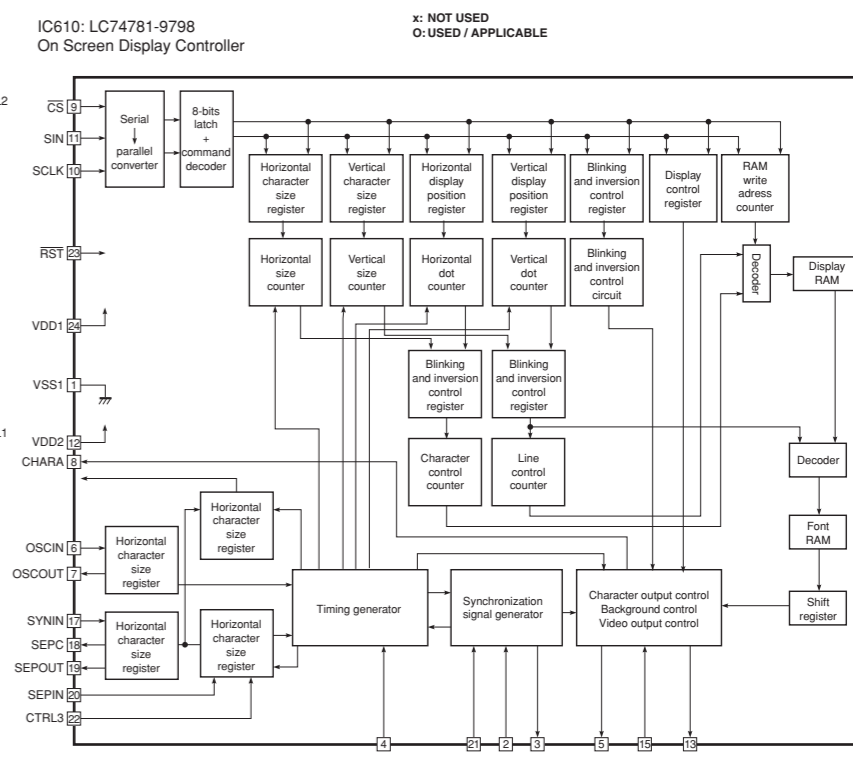
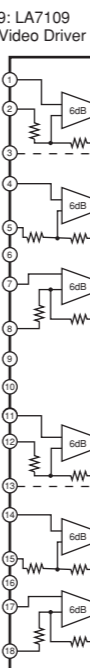
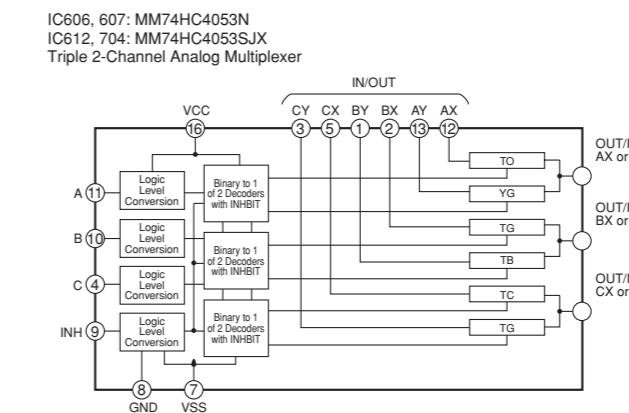
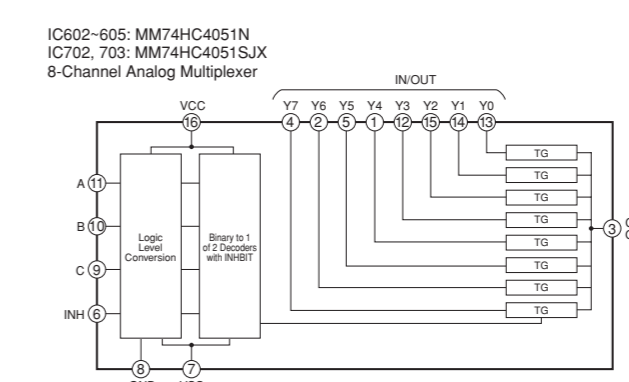
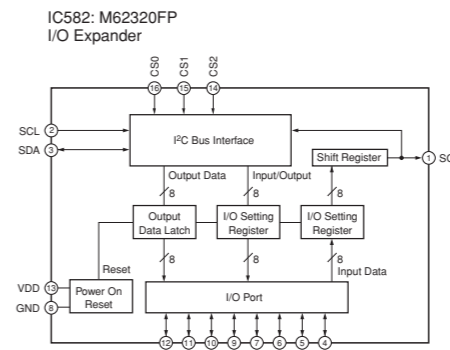
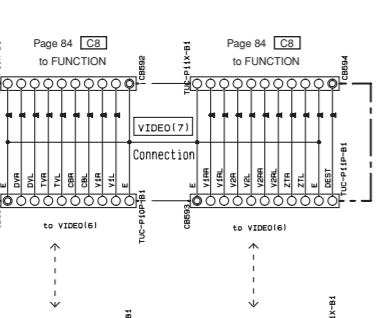
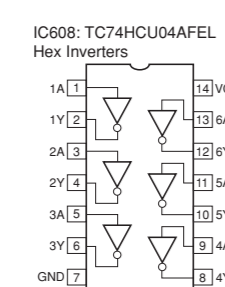
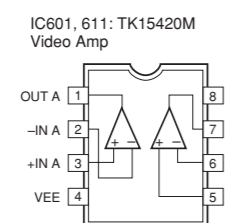
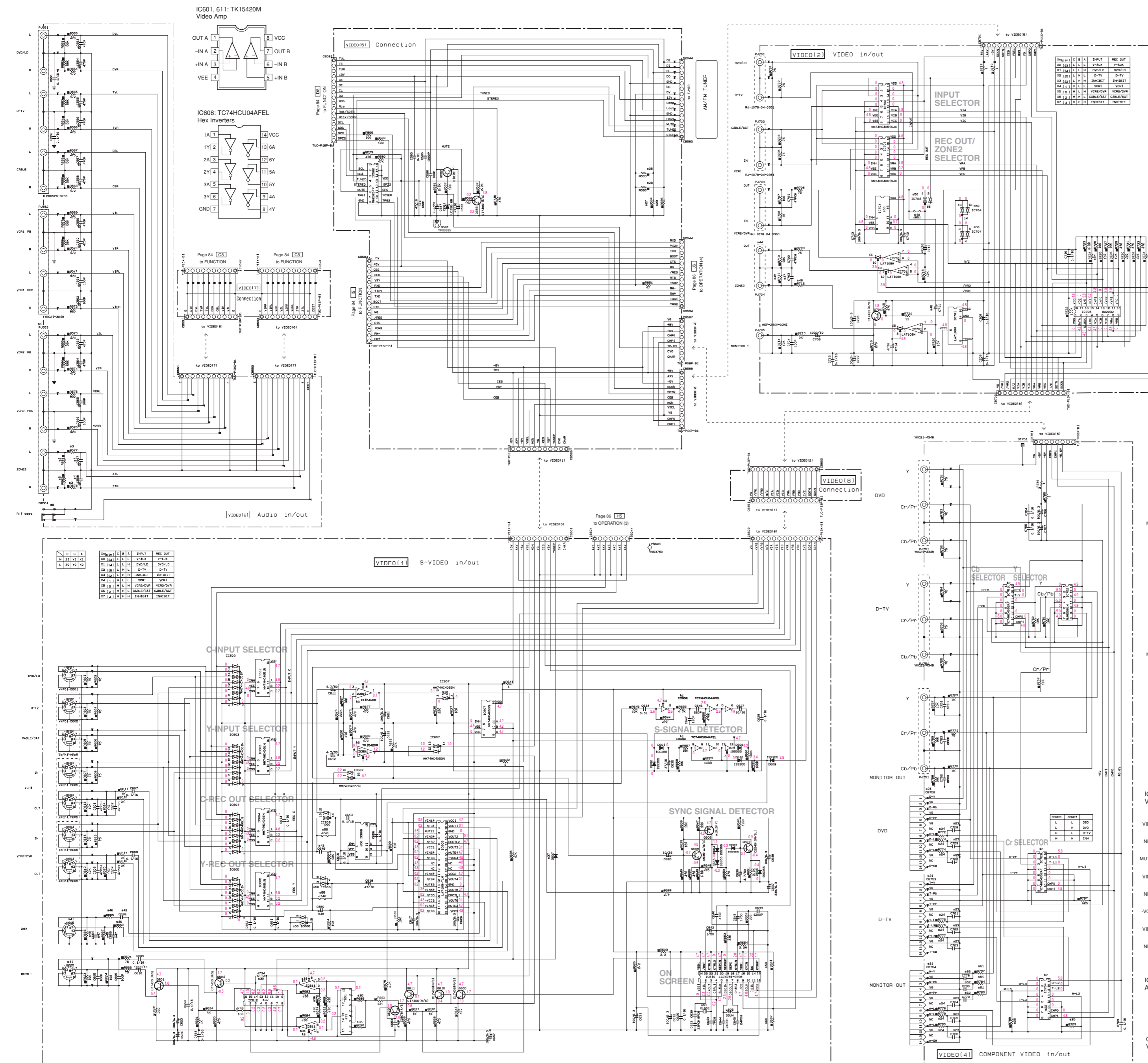
X: NOT USED
O: USED / APPLICABLE

NOTICE (model)
(J)..... JAPAN
(U)..... U.S.A
(C)..... CANADA
(R)..... GENERAL
(T)..... CHINA
(K)..... KOREA
(A)..... AUSTRALIA
(B)..... BRITISH
(G)..... EUROPE
(L)..... SINGAPORE



- ★ All voltages are measured with a 10MΩ/V DC electric volt meter.
- ★ Components having special characteristics are marked △ and must be replaced with parts having specifications equal to those originally installed.
- ★ Schematic diagram is subject to change without notice.
- 電圧は、内部抵抗10MΩの電圧計で測定したものです。
- △印のある部品は、安全性確保部品を示しています。部品の交換が必要な場合、パーツリストに記載されている部品を使用してください。
- 本回路図は標準回路図です。改良のため予告なく変更することがございます。

SCHEMATIC DIAGRAM (VIDEO) RX-V2300/DSP-AX-2300



IC	Part No.	QTY	U.C.	U.S.A.	A
1	IC101	1	U.S.A.	U.S.A.	U.S.A.
2	IC102	1	U.S.A.	U.S.A.	U.S.A.
3	IC103	1	U.S.A.	U.S.A.	U.S.A.
4	IC104	1	U.S.A.	U.S.A.	U.S.A.
5	IC105	1	U.S.A.	U.S.A.	U.S.A.
6	IC106	1	U.S.A.	U.S.A.	U.S.A.
7	IC107	1	U.S.A.	U.S.A.	U.S.A.
8	IC108	1	U.S.A.	U.S.A.	U.S.A.
9	IC109	1	U.S.A.	U.S.A.	U.S.A.
10	IC110	1	U.S.A.	U.S.A.	U.S.A.
11	IC111	1	U.S.A.	U.S.A.	U.S.A.
12	IC112	1	U.S.A.	U.S.A.	U.S.A.
13	IC113	1	U.S.A.	U.S.A.	U.S.A.
14	IC114	1	U.S.A.	U.S.A.	U.S.A.
15	IC115	1	U.S.A.	U.S.A.	U.S.A.
16	IC116	1	U.S.A.	U.S.A.	U.S.A.
17	IC117	1	U.S.A.	U.S.A.	U.S.A.
18	IC118	1	U.S.A.	U.S.A.	U.S.A.
19	IC119	1	U.S.A.	U.S.A.	U.S.A.
20	IC120	1	U.S.A.	U.S.A.	U.S.A.
21	IC121	1	U.S.A.	U.S.A.	U.S.A.
22	IC122	1	U.S.A.	U.S.A.	U.S.A.
23	IC123	1	U.S.A.	U.S.A.	U.S.A.
24	IC124	1	U.S.A.	U.S.A.	U.S.A.
25	IC125	1	U.S.A.	U.S.A.	U.S.A.
26	IC126	1	U.S.A.	U.S.A.	U.S.A.
27	IC127	1	U.S.A.	U.S.A.	U.S.A.
28	IC128	1	U.S.A.	U.S.A.	U.S.A.
29	IC129	1	U.S.A.	U.S.A.	U.S.A.
30	IC130	1	U.S.A.	U.S.A.	U.S.A.
31	IC131	1	U.S.A.	U.S.A.	U.S.A.
32	IC132	1	U.S.A.	U.S.A.	U.S.A.
33	IC133	1	U.S.A.	U.S.A.	U.S.A.
34	IC134	1	U.S.A.	U.S.A.	U.S.A.
35	IC135	1	U.S.A.	U.S.A.	U.S.A.
36	IC136	1	U.S.A.	U.S.A.	U.S.A.
37	IC137	1	U.S.A.	U.S.A.	U.S.A.
38	IC138	1	U.S.A.	U.S.A.	U.S.A.
39	IC139	1	U.S.A.	U.S.A.	U.S.A.
40	IC140	1	U.S.A.	U.S.A.	U.S.A.
41	IC141	1	U.S.A.	U.S.A.	U.S.A.
42	IC142	1	U.S.A.	U.S.A.	U.S.A.
43	IC143	1	U.S.A.	U.S.A.	U.S.A.
44	IC144	1	U.S.A.	U.S.A.	U.S.A.
45	IC145	1	U.S.A.	U.S.A.	U.S.A.
46	IC146	1	U.S.A.	U.S.A.	U.S.A.
47	IC147	1	U.S.A.	U.S.A.	U.S.A.
48	IC148	1	U.S.A.	U.S.A.	U.S.A.
49	IC149	1	U.S.A.	U.S.A.	U.S.A.
50	IC150	1	U.S.A.	U.S.A.	U.S.A.
51	IC151	1	U.S.A.	U.S.A.	U.S.A.
52	IC152	1	U.S.A.	U.S.A.	U.S.A.
53	IC153	1	U.S.A.	U.S.A.	U.S.A.
54	IC154	1	U.S.A.	U.S.A.	U.S.A.
55	IC155	1	U.S.A.	U.S.A.	U.S.A.
56	IC156	1	U.S.A.	U.S.A.	U.S.A.
57	IC157	1	U.S.A.	U.S.A.	U.S.A.
58	IC158	1	U.S.A.	U.S.A.	U.S.A.
59	IC159	1	U.S.A.	U.S.A.	U.S.A.
60	IC160	1	U.S.A.	U.S.A.	U.S.A.
61	IC161	1	U.S.A.	U.S.A.	U.S.A.
62	IC162	1	U.S.A.	U.S.A.	U.S.A.
63	IC163	1	U.S.A.	U.S.A.	U.S.A.
64	IC164	1	U.S.A.	U.S.A.	U.S.A.
65	IC165	1	U.S.A.	U.S.A.	U.S.A.
66	IC166	1	U.S.A.	U.S.A.	U.S.A.
67	IC167	1	U.S.A.	U.S.A.	U.S.A.
68	IC168	1	U.S.A.	U.S.A.	U.S.A.
69	IC169	1	U.S.A.	U.S.A.	U.S.A.
70	IC170	1	U.S.A.	U.S.A.	U.S.A.
71	IC171	1	U.S.A.	U.S.A.	U.S.A.
72	IC172	1	U.S.A.	U.S.A.	U.S.A.
73	IC173	1	U.S.A.	U.S.A.	U.S.A.
74	IC174	1	U.S.A.	U.S.A.	U.S.A.
75	IC175	1	U.S.A.	U.S.A.	U.S.A.
76	IC176	1	U.S.A.	U.S.A.	U.S.A.
77	IC177	1	U.S.A.	U.S.A.	U.S.A.
78	IC178	1	U.S.A.	U.S.A.	U.S.A.
79	IC179	1	U.S.A.	U.S.A.	U.S.A.
80	IC180	1	U.S.A.	U.S.A.	U.S.A.
81	IC181	1	U.S.A.	U.S.A.	U.S.A.
82	IC182	1	U.S.A.	U.S.A.	U.S.A.
83	IC183	1	U.S.A.	U.S.A.	U.S.A.
84	IC184	1	U.S.A.	U.S.A.	U.S.A.
85	IC185	1	U.S.A.	U.S.A.	U.S.A.
86	IC186	1	U.S.A.	U.S.A.	U.S.A.
87	IC187	1	U.S.A.	U.S.A.	U.S.A.
88	IC188	1	U.S.A.	U.S.A.	U.S.A.
89	IC189	1	U.S.A.	U.S.A.	U.S.A.
90	IC190	1	U.S.A.	U.S.A.	U.S.A.
91	IC191	1	U.S.A.	U.S.A.	U.S.A.
92	IC192	1	U.S.A.	U.S.A.	U.S.A.
93	IC193	1	U.S.A.	U.S.A.	U.S.A.
94	IC194	1	U.S.A.	U.S.A.	U.S.A.
95	IC195	1	U.S.A.	U.S.A.	U.S.A.
96	IC196	1	U.S.A.	U.S.A.	U.S.A.
97	IC197	1	U.S.A.	U.S.A.	U.S.A.
98	IC198	1	U.S.A.	U.S.A.	U.S.A.
99	IC199	1	U.S.A.	U.S.A.	U.S.A.
100	IC200	1	U.S.A.	U.S.A.	U.S.A.

X: NOT USED
O: USED / APPLICABLE

★ All voltages are measured with a 10MΩ/V DC electric volt meter.
★ Components having special characteristics are marked **!** and must be replaced with parts having specifications equal to those originally installed.
★ Schematic diagram is subject to change without notice.

● 電圧は、内部抵抗10MΩの電圧計で測定したものです。
● **!**印のある部品は、安全性確保部品を示しています。部品の交換が必要な場合、パーツリストに記載されている部品を使用してください。
● 本回路図は標準回路図です。改良のため予告なく変更することがございます。

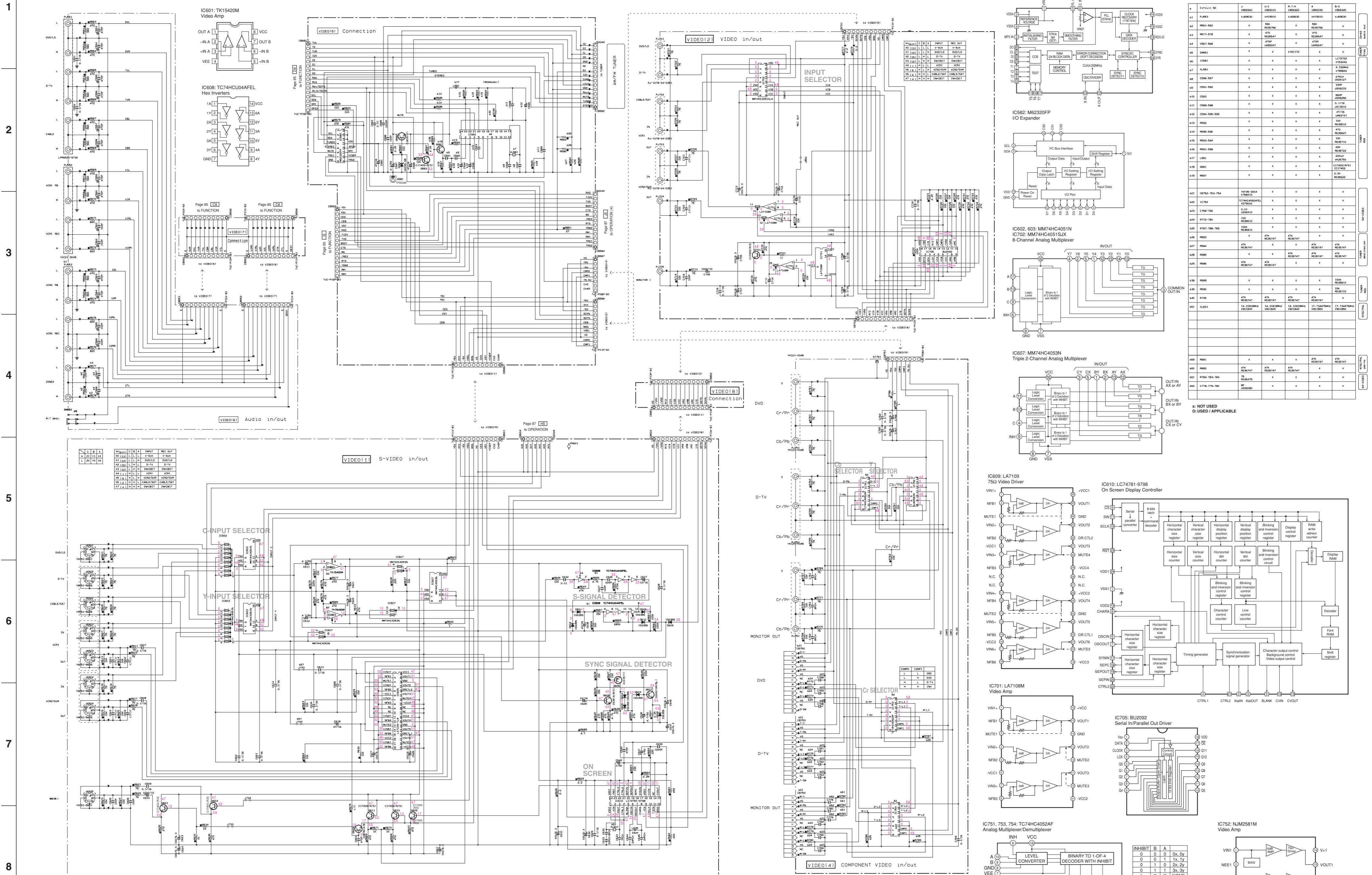
REMARKS	PARTS NAME	REMARKS	PARTS NAME
NO NAME CARBON FILM RESISTOR (PWS)	RESISTOR	NO NAME ELECTROLYTIC CAPACITOR	CAPACITOR
CARBON FILM RESISTOR (EP10)	RESISTOR	TANTALUM CAPACITOR	CAPACITOR
METAL OXIDE FILM RESISTOR	RESISTOR	NO NAME CERAMIC CAPACITOR	CAPACITOR
FUSE PROOF CARBON FILM RESISTOR	RESISTOR	CERAMIC TUBULAR CAPACITOR	CAPACITOR
POLYESTER FILM CAPACITOR	CAPACITOR	POLYESTER FILM CAPACITOR	CAPACITOR
POLYPROPYLENE FILM CAPACITOR	CAPACITOR	POLYPROPYLENE FILM CAPACITOR	CAPACITOR
MICA CAPACITOR	CAPACITOR	MICA CAPACITOR	CAPACITOR
NON-INDUCTIVE FILM CAPACITOR	CAPACITOR	NON-INDUCTIVE FILM CAPACITOR	CAPACITOR
CHIP RESISTOR	RESISTOR	SEMICONDUCTIVE CERAMIC CAPACITOR	CAPACITOR

REMARKS	PARTS NAME	REMARKS	PARTS NAME
U.S.A.	U.S.A.	U.S.A.	U.S.A.
CANADA	CANADA	CANADA	CANADA
GENERAL	GENERAL	GENERAL	GENERAL
KOREA	KOREA	KOREA	KOREA
AUSTRALIA	AUSTRALIA	AUSTRALIA	AUSTRALIA
BRITISH	BRITISH	BRITISH	BRITISH
EUROPE	EUROPE	EUROPE	EUROPE
SINGAPORE	SINGAPORE	SINGAPORE	SINGAPORE

INHIBIT	B	A	Y
0	0	0	0x, 0y
0	0	1	1x, 1y
0	1	0	2x, 2y
0	1	1	3x, 3y
1	X	X	NONE

SCHEMATIC DIAGRAM (VIDEO) RX-V1300/RX-V1300RDS/HTR-5590/DSP-AX1300

RX-V2300/DSP-AX2300/RX-V1300/RX-V1300RDS/HTR-5590/DSP-AX1300



IC	Part No.	DESCRIPTION	QTY	REMARKS
IC601	TK15420M	Video Amp	1	
IC608	TC74HC04AFEL	Hex Inverters	1	
IC602	603: MM74HC4051N IC702: MM74HC4051SX	8-Channel Analog Multiplexer	1	
IC607	MM74HC4053N	Triple 2-Channel Analog Multiplexer	1	
IC609	LA7109	75Ω Video Driver	1	
IC610	LC74781-9798	On Screen Display Controller	1	
IC701	LA7108M	Video Amp	1	
IC705	BU2092	Serial In/Parallel Out Driver	1	
IC751	753, 754: TC74HC4052AF	Analog Multiplexer/Demultiplexer	2	
IC752	NJM2581M	Video Amp	1	

* All voltages are measured with a 10MΩ/V DC electric voltmeter.
 * Components having special characteristics are marked with a triangle (▲) and must be replaced with parts having specifications equal to those originally installed.
 * Schematic diagram is subject to change without notice.

● 電圧は、内部抵抗10MΩの電圧計で測定したものです。
 ● ▲印のある部品は、安全性確保部品を示しています。部品の交換が必要な場合、パーツリストに記載されている部品を使用してください。
 ● 本回路図は標準回路図です。改良のため予告なく変更することがございます。

RESISTOR	REMARKS	PARTS NAME	REMARKS	PARTS NAME
10K	RES	10K	RES	10K
100K	RES	100K	RES	100K
1M	RES	1M	RES	1M
10M	RES	10M	RES	10M

