

BLOCK DIAGRAMS

AUDIO SECTION BLOCK DIAGRAM

D-VIDEO
 • See page 135-139 → SCHEMATIC DIAGRAM

OPERATION
 • See page 130 → SCHEMATIC DIAGRAM

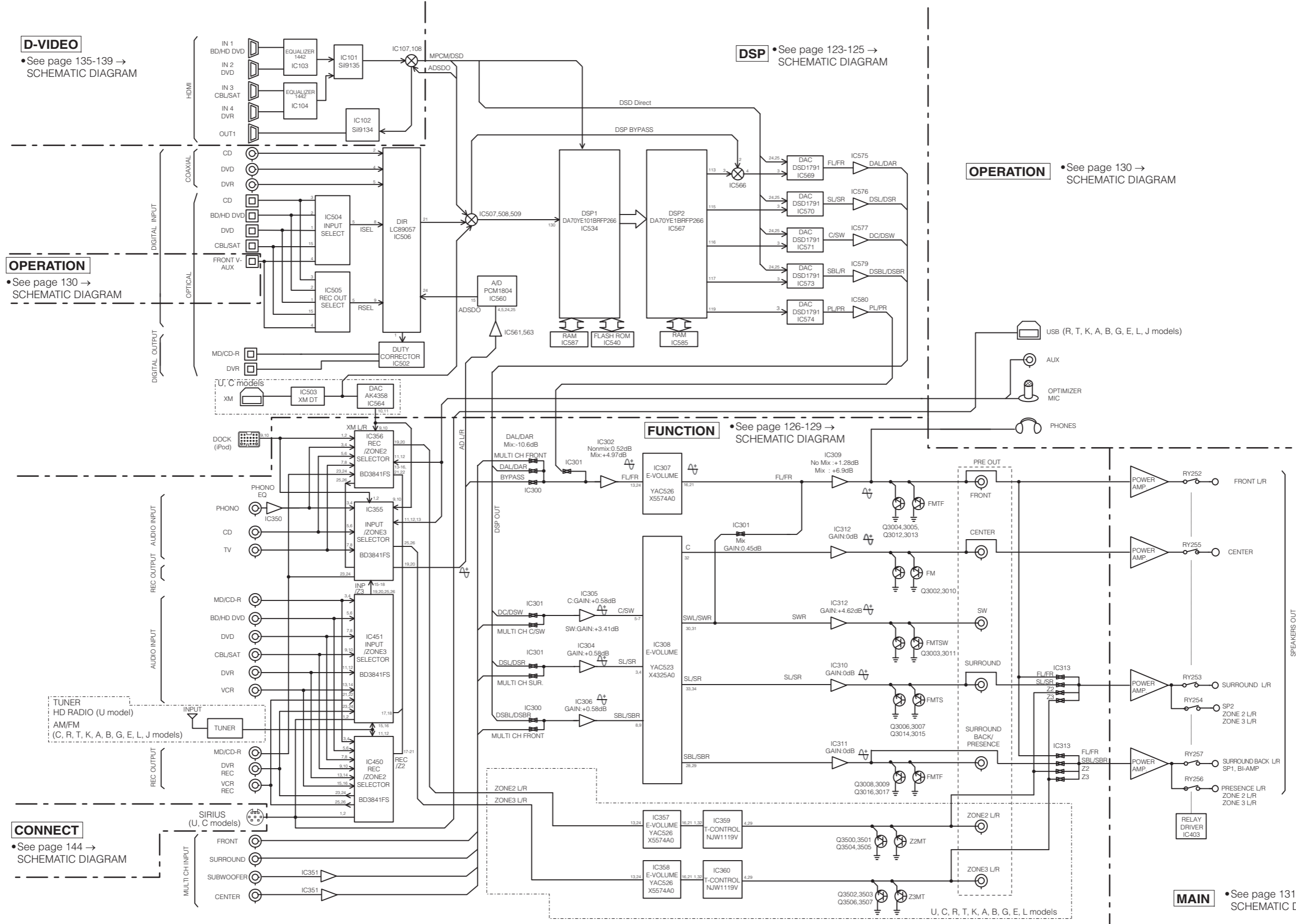
DSP • See page 123-125 → SCHEMATIC DIAGRAM

OPERATION • See page 130 → SCHEMATIC DIAGRAM

FUNCTION • See page 126-129 → SCHEMATIC DIAGRAM

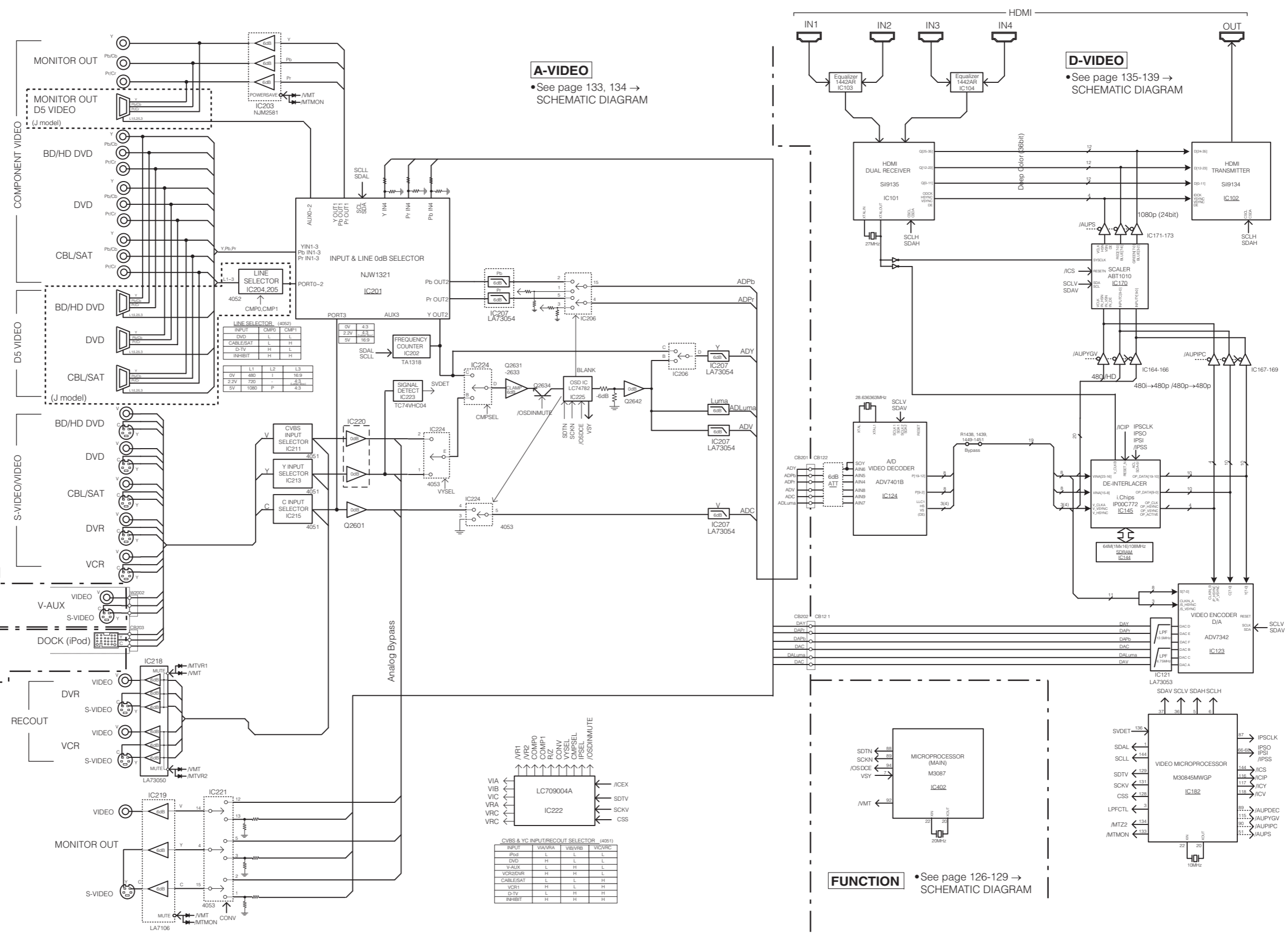
CONNECT
 • See page 144 → SCHEMATIC DIAGRAM

MAIN • See page 131 → SCHEMATIC DIAGRAM



VIDEO SECTION BLOCK DIAGRAM

1
2
3
4
5
6
7



A-VIDEO
• See page 133, 134 → SCHEMATIC DIAGRAM

D-VIDEO
• See page 135-139 → SCHEMATIC DIAGRAM

OPERATION
• See page 130 → SCHEMATIC DIAGRAM

DSP
• See page 123-125 → SCHEMATIC DIAGRAM

FUNCTION
• See page 126-129 → SCHEMATIC DIAGRAM

VIA VIB VIC VRA VRC VCR

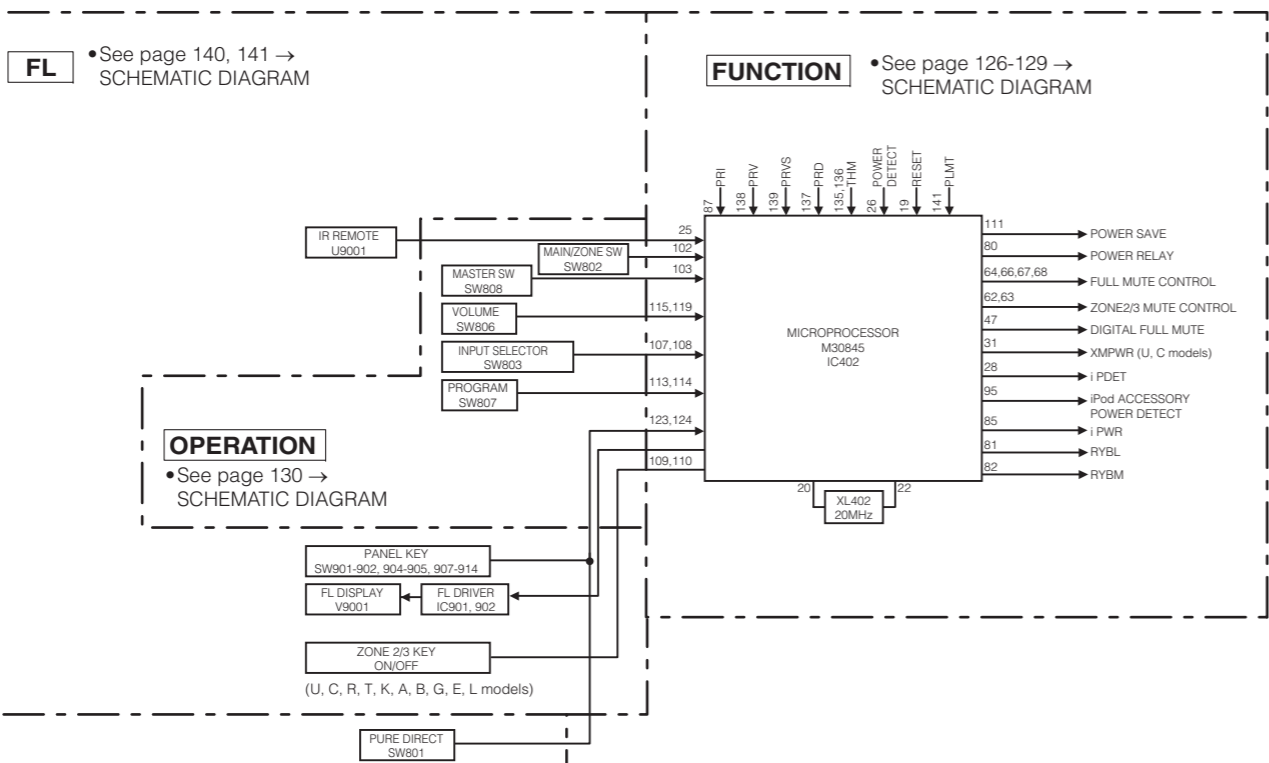
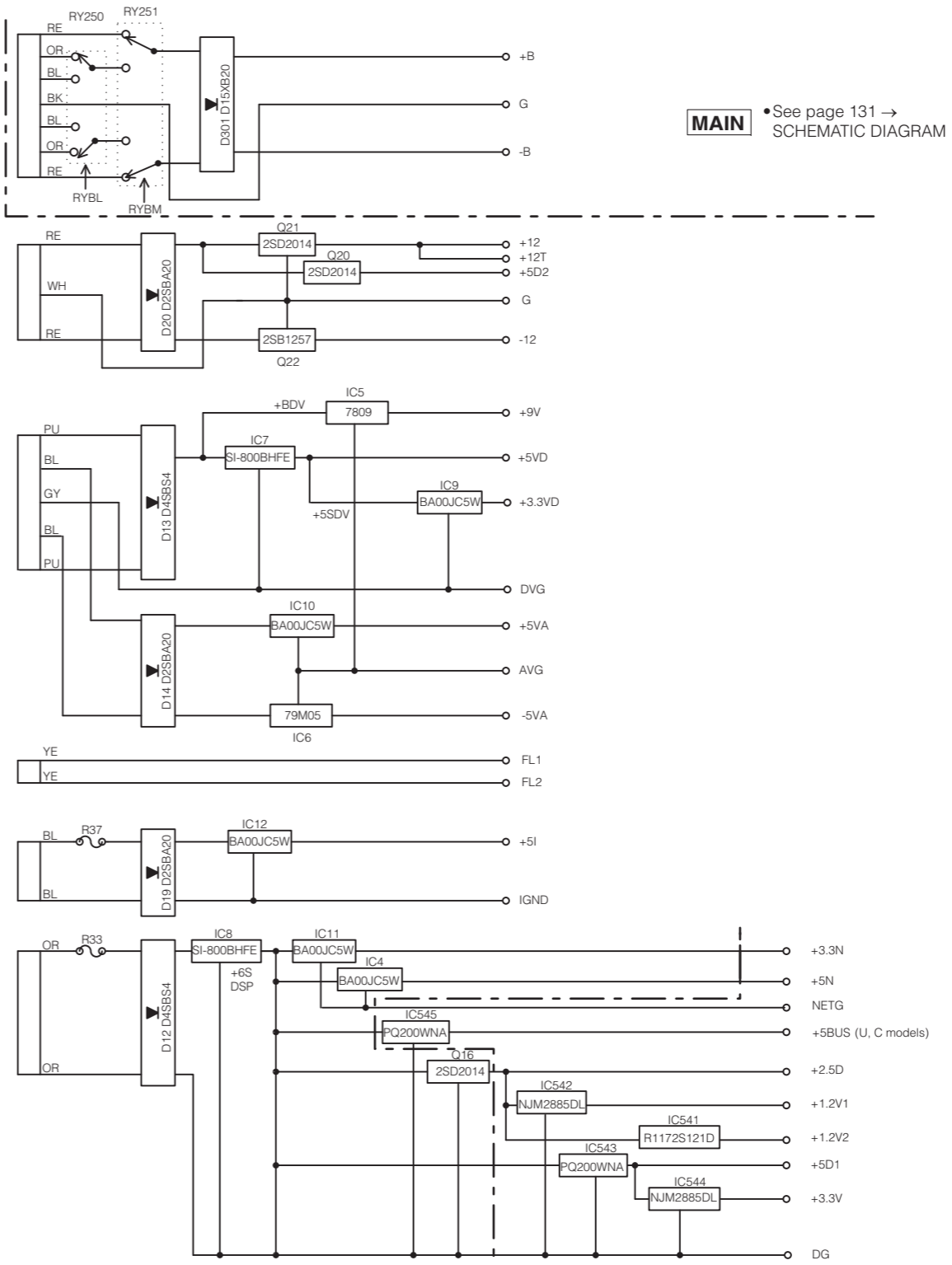
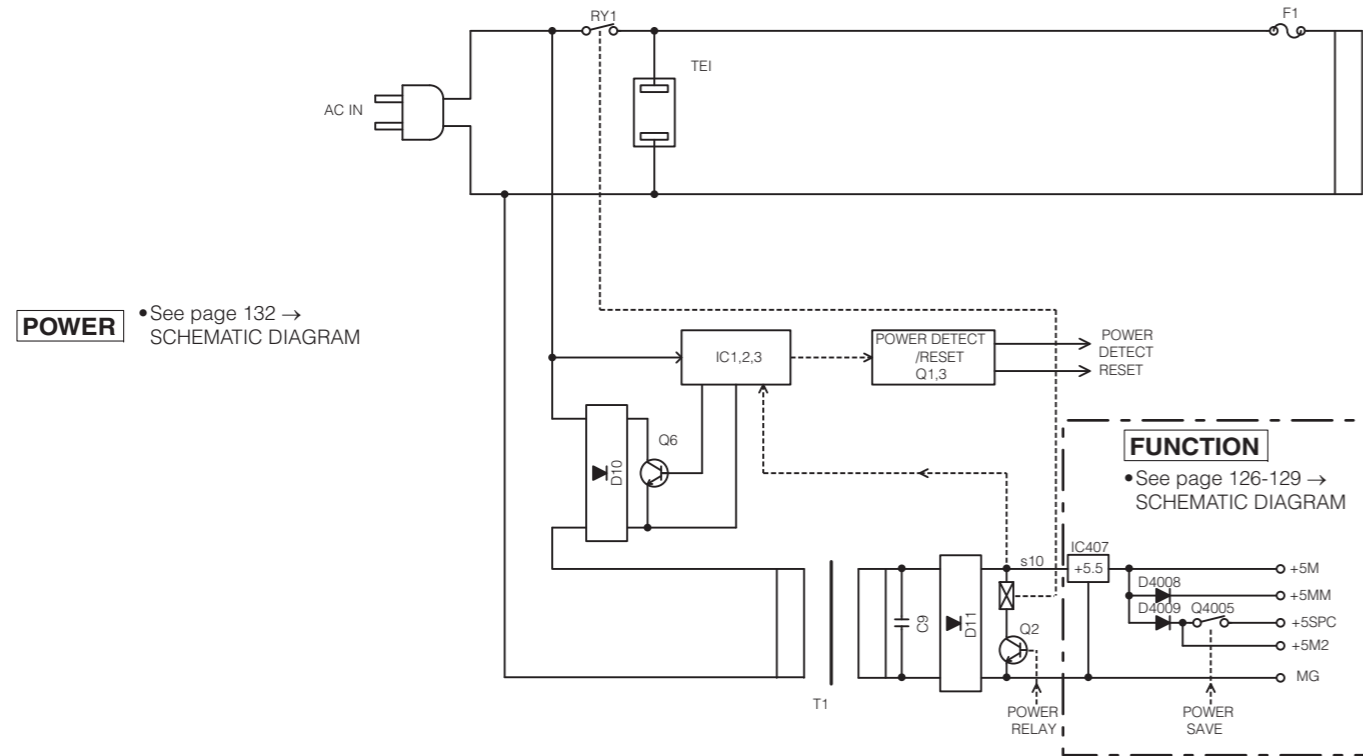
VIA	VIB	VIC	VRA	VRC	VCR
IPod	L	L	L	L	L
DVD	H	L	L	L	L
V-AUX	L	H	H	H	H
VCR2DVR	H	H	H	L	L
CABLE/SAT	L	L	L	H	H
VCR1	H	H	L	H	H
D-TV	L	H	H	H	H
INHIBIT	H	H	H	H	H

CVBS & YC INPUT/RECOULT SELECTOR (4051)

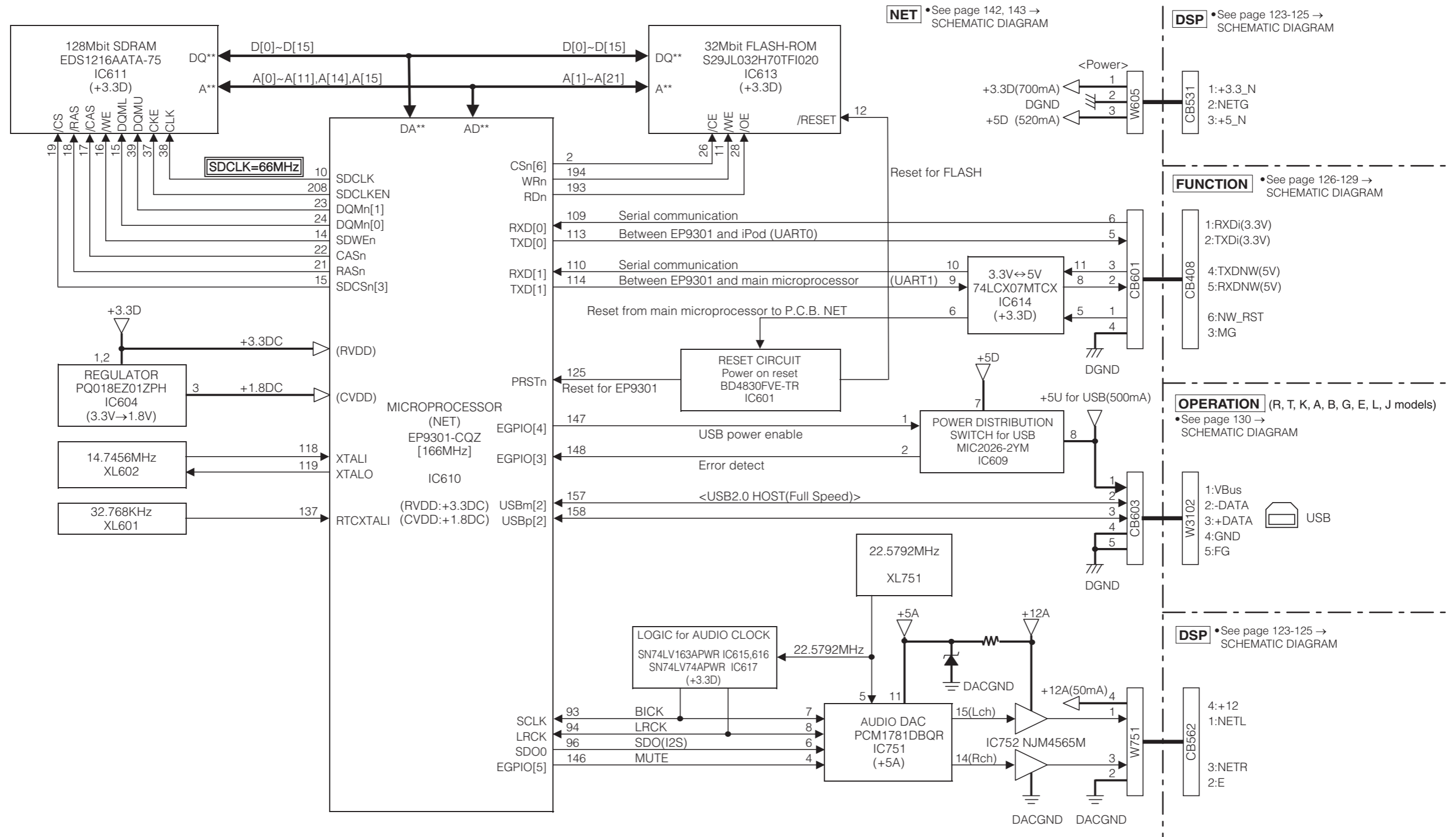
INPUT	VIA/VRA	VIB/VRB	VIC/VRC
IPod	L	L	L
DVD	H	L	L
V-AUX	L	H	L
VCR2DVR	H	H	L
CABLE/SAT	L	L	H
VCR1	H	H	H
D-TV	L	H	H
INHIBIT	H	H	H

CONTROL/POWER SECTION BLOCK DIAGRAM

POWER TRANSFORMER



NET SECTION BLOCK DIAGRAM (R, T, K, A, B, G, E, L, J models)



SCHEMATIC DIAGRAMS
DSP 1/3

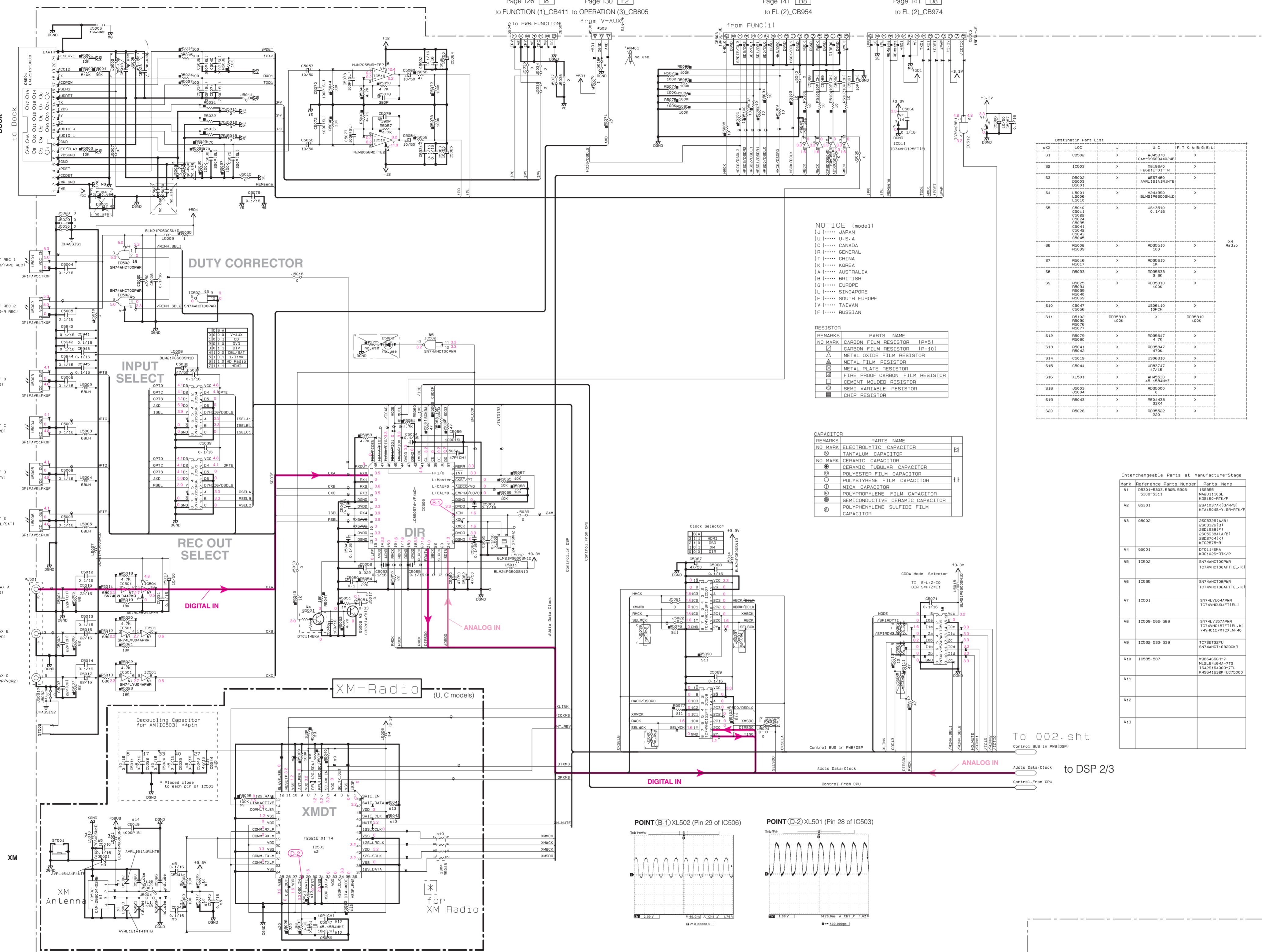
Page 126 [18] Page 130 [F2] Page 141 [B8] Page 141 [D8]
to FUNCTION (1)_CB411 to OPERATION (3)_CB805 to FL (2)_CB954 to FL (2)_CB974

No replacement part available.
サービスマン用部品供給なし

DIGITAL OUTPUT

DIGITAL INPUT

COAXIAL



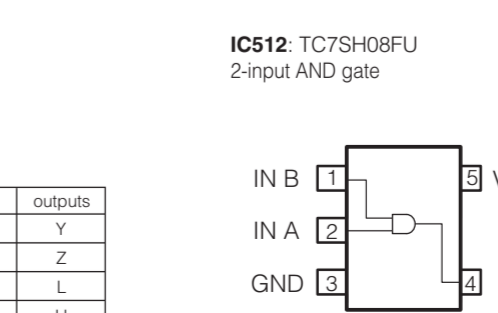
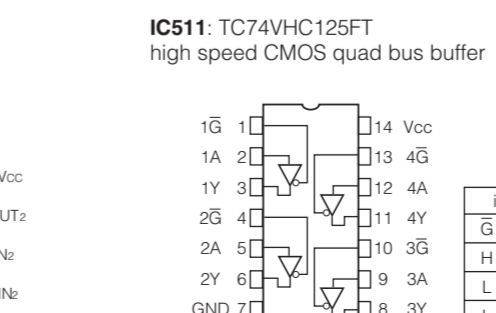
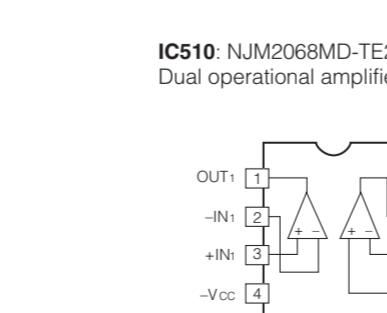
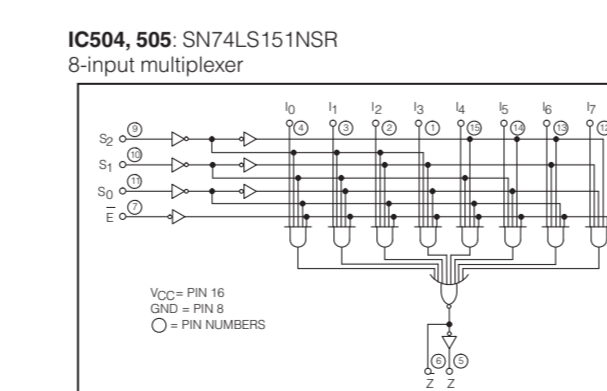
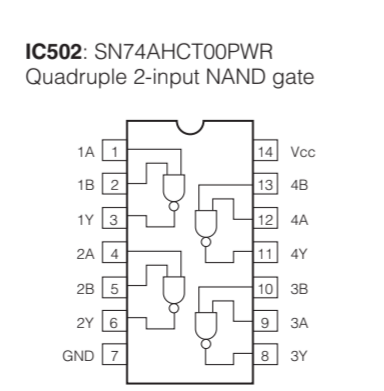
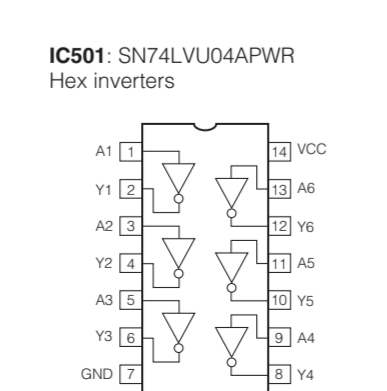
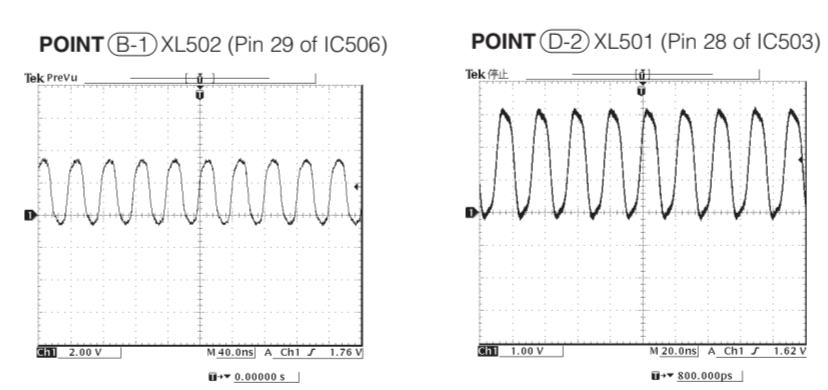
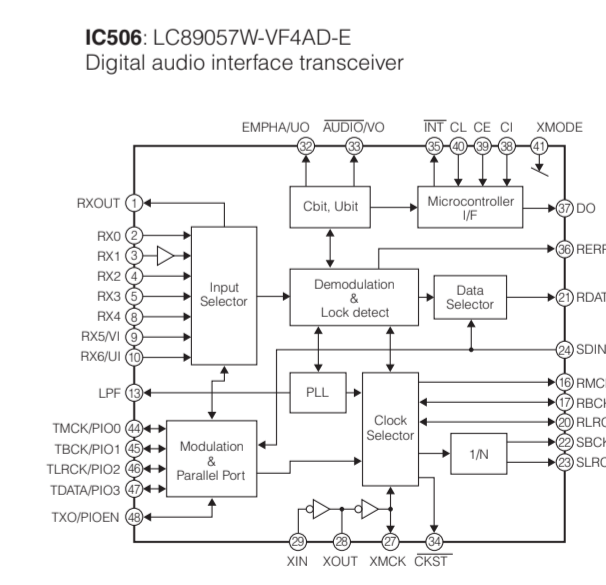
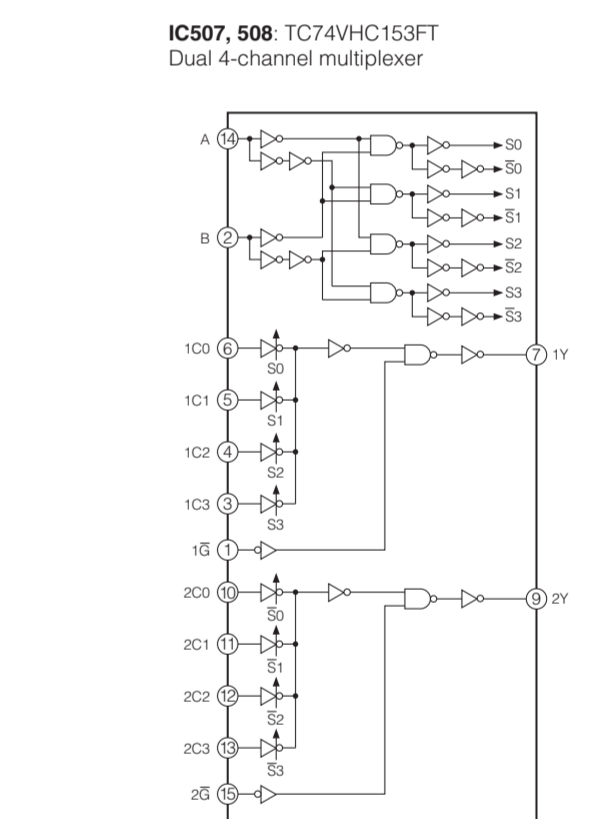
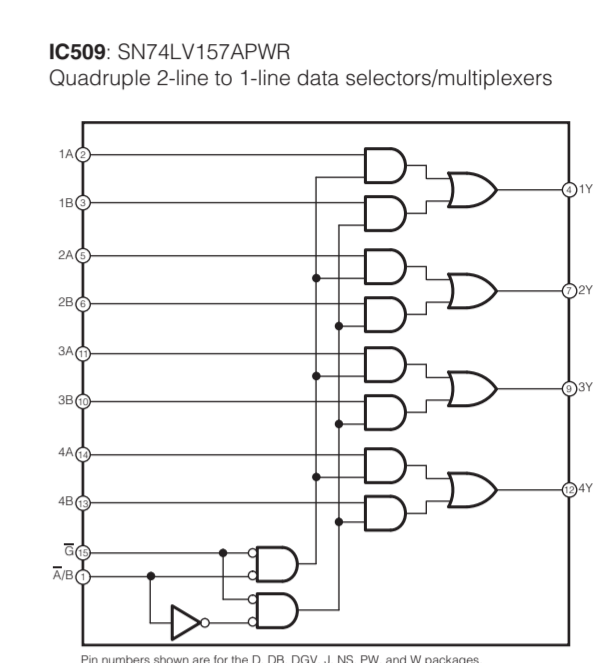
NOTICE (mode1)
(J)..... JAPAN
(U)..... U.S.A
(C)..... CANADA
(B)..... GENERAL
(T)..... CHINA
(K)..... KOREA
(A)..... AUSTRALIA
(S)..... BRITISH
(G)..... EUROPE
(L)..... SINGAPORE
(E)..... SOUTH EUROPE
(V)..... TAIWAN
(F)..... RUSSIAN

REMARKS	PARTS NAME
NO MARK	CARBON FILM RESISTOR [P=5]
□	CARBON FILM RESISTOR [P=10]
△	METAL OXIDE FILM RESISTOR
▲	METAL FILM RESISTOR
○	METAL PLATE RESISTOR
●	FIRE PROOF CARBON FILM RESISTOR
◻	CEMENT MOLDED RESISTOR
◌	SEMI VARIABLE RESISTOR
■	CHIP RESISTOR

REMARKS	PARTS NAME
NO MARK	ELECTROLYTIC CAPACITOR
□	TANTALUM CAPACITOR
○	CERAMIC TUBULAR CAPACITOR
●	POLYESTER FILM CAPACITOR
◌	POLYPROPYLENE FILM CAPACITOR
◐	MICA CAPACITOR
◑	POLYPROPYLENE FILM CAPACITOR
◒	SEMICONDUCTIVE CERAMIC CAPACITOR
◓	POLYPHENYLENE SULFIDE FILM CAPACITOR

MARK	LOC	J	U-C	IB-T-K-A-B-G-E-L
S1	CB02	X	M48299	X
S2	IC03	X	MB1940	X
S3	CB02	X	F202R1218	X
S4	CB02	X	MB7480	X
S5	CB01	X	494L16143N1B	X
S6	CB02	X	V24999	X
S7	CB02	X	BLK106609ND	X
S8	CB02	X	US13510	X
S9	CB02	X	0.1716	X
S10	CB02	X	RD3950	X
S11	CB02	X	RD3950	X
S12	CB02	X	RD3950	X
S13	CB02	X	RD3950	X
S14	CB02	X	US0610	X
S15	CB02	X	US0610	X
S16	CB02	X	US0610	X
S17	CB02	X	US0610	X
S18	CB02	X	US0610	X
S19	CB02	X	US0610	X
S20	CB02	X	US0610	X

Mark	Reference Parts Number	Parts Name
A1	05001-0303-5306	183399
A2	05001-0303-5306	MA211100L
A3	05001	K05160-RTK/P
A4	05002	SSC3308(A/B)
A5	05001	SSC3308(B)
A6	05001	SSC3308(C)
A7	05001	SSC3308(L)
A8	05001	SSC3308(R)
A9	05001	SSC3308(T)
A10	05001	SSC3308(B)
A11	05001	SSC3308(B)
A12	05001	SSC3308(B)
A13	05001	SSC3308(B)



All voltages are measured with a 10MΩ/V DC electronic voltmeter.
Components having special characteristics are marked with a triangle and must be replaced with parts having specifications equal to those originally installed.
Schematic diagram is subject to change without notice.
電圧は、内部抵抗10MΩの電圧計で測定したものです。
△印のある部品は、安全性確保部品を示しています。部品の交換が必要な場合、パーツリストに記載されている部品を使用してください。
本回路図は標準回路図です。改良のため予告なく変更することがございます。

DSP 2/3

NOTICE (model)
(U) JAPAN
(U) U.S.A
(C) CANADA
(A) GENERAL
(T) CHINA
(K) KOREA
(A) AUSTRALIA
(B) BRITISH
(G) EUROPE
(L) SINGAPORE
(E) SOUTH
(V) TAIWAN
(F) RUSSIAN

Table with 2 columns: CAPACITOR, PARTS NAME. Lists various capacitor types like ELECTROLYTIC, TANTALUM, CERAMIC, POLYESTER, POLYPROPYLENE, SEMICONDUCTIVE, POLYPHENYLENE SULFIDE.

Table with 2 columns: RESISTOR, PARTS NAME. Lists various resistor types like CARBON FILM, METAL OXIDE FILM, METAL PLATE, FINE PROOF CARBON FILM, CEMENT MOLDED, SEMI-VARIABLE, CHIP.

To/From 001.sht

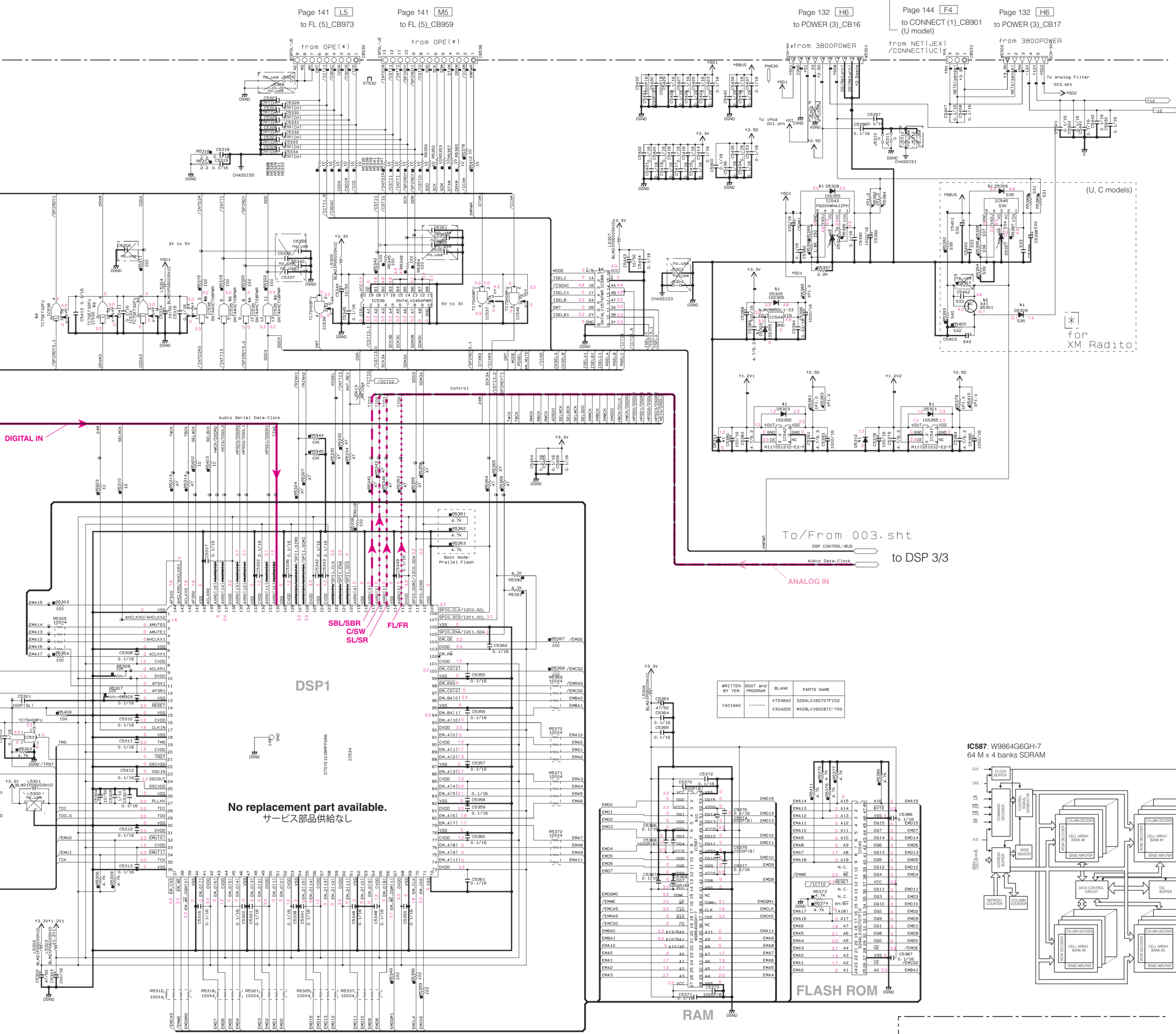
to DSP 1/3

Control BUS in PMB(DSP)

AUDIO Data-Clock

Control From CPU

ANALOG IN



Page 141 [L5] to FL(5)_CB973

Page 141 [M5] to FL(5)_CB959

Page 132 [H6] to POWER(3)_CB16

Page 142 [I8] to NET_W605 (R, T, K, A, B, G, E, L, J models)

Page 144 [F4] to CONNECT(1)_CB901 (U model)

Page 132 [H6] to POWER(3)_CB17

Destination Part List table with columns: SXX, LOC, J, U-C, R, T, K, A, B, G, E, L, X. Lists various components and their locations.

for XM Radito

IC540: S29AL016D70TFI020 16-M-bits CMOS 3.0 volt-only boot sector flash memory

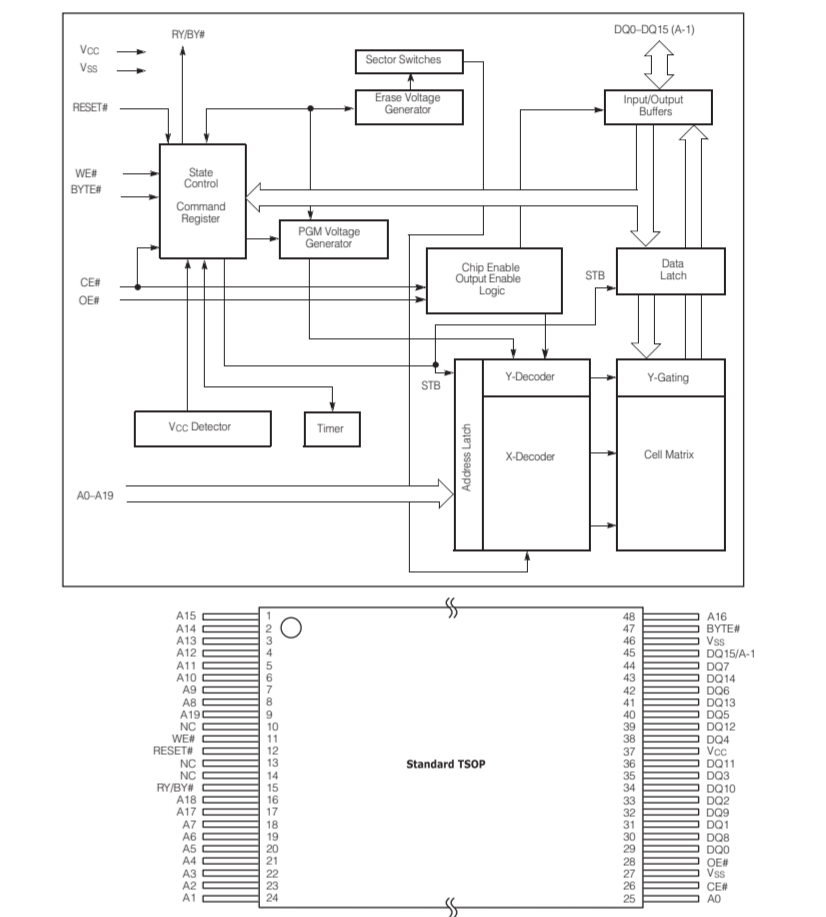
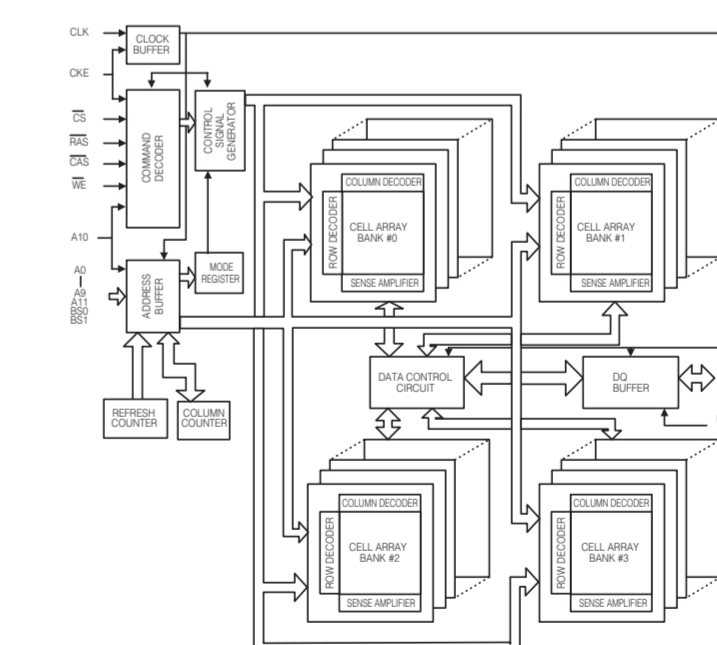


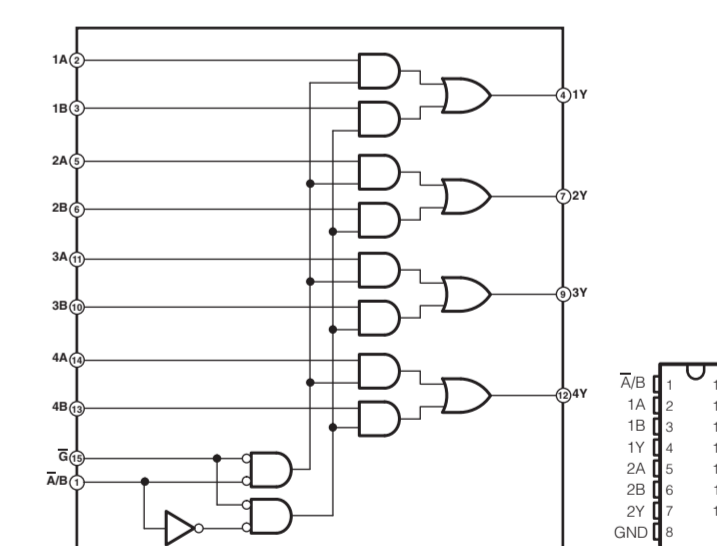
Table with 3 columns: WRITTEN BY VEM, BOOT AND PROGRAM, PARTS NAME. Lists part numbers like X74840 and K304200.

No replacement part available. サービス部品供給なし

IC587: W9864C6GH-7 64 M x 4 banks SDRAM



IC588: SN74LV157APWR Quaduple 2-line-to-1-line data selectors/multiplexers

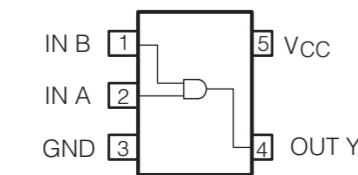


to DSP 3/3 To/From 003.sht

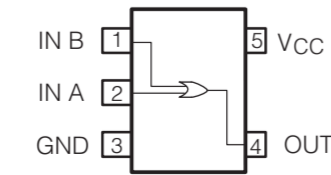
All voltages are measured with a 10MΩ/V DC electronic voltmeter. Components having special characteristics are marked * and must be replaced with parts having specifications equal to those originally installed.

電圧は、内部抵抗10MΩの電圧計で測定したものです。*印のある部品は、安全性確保部品を示しています。部品の交換が必要な場合、パーツリストに記載されている部品を使用してください。

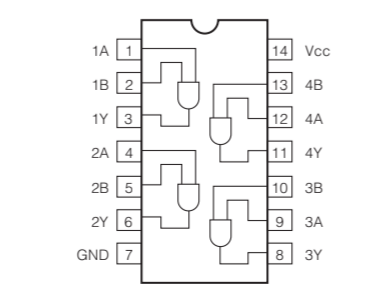
IC531, 537, 539, 546: TC7SH08FU 2-input AND gate



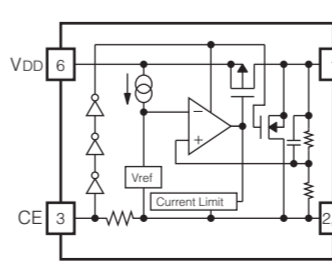
IC532, 533, 538: TC7SET32FU 2-input OR gate



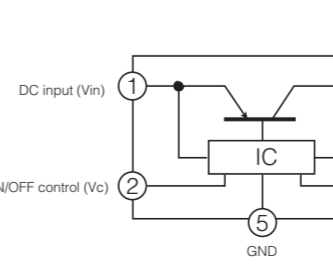
IC535: SN74AHC08PWR Quaduple 2-input positive-AND gates



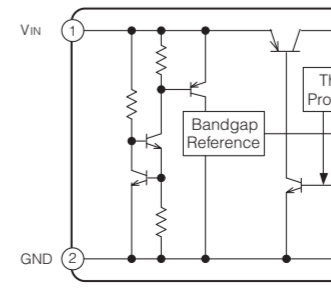
IC541, 542: R1172S121D-E2-F Voltage regulator



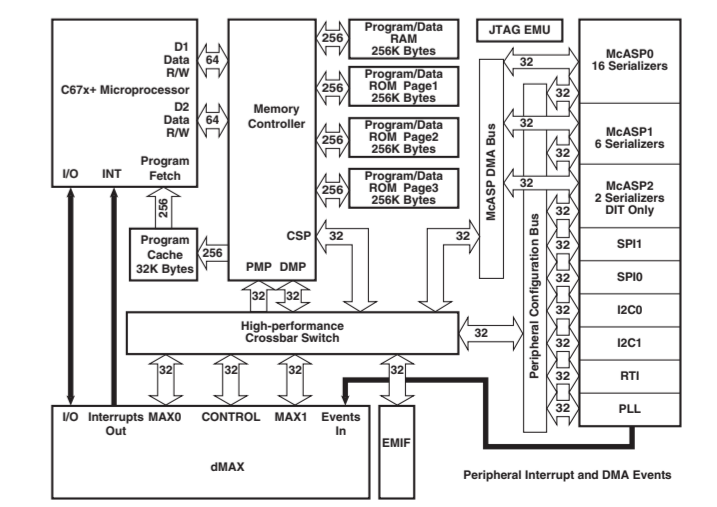
IC543, 545: PQ200WNA1ZPH Low power loss regulator



IC544: NJM2885DL1-33 Low dropout voltage regulator



IC534: D70YE101BRFP266 Floating-point digital signal processors



DSP 3/3

CAPACITOR

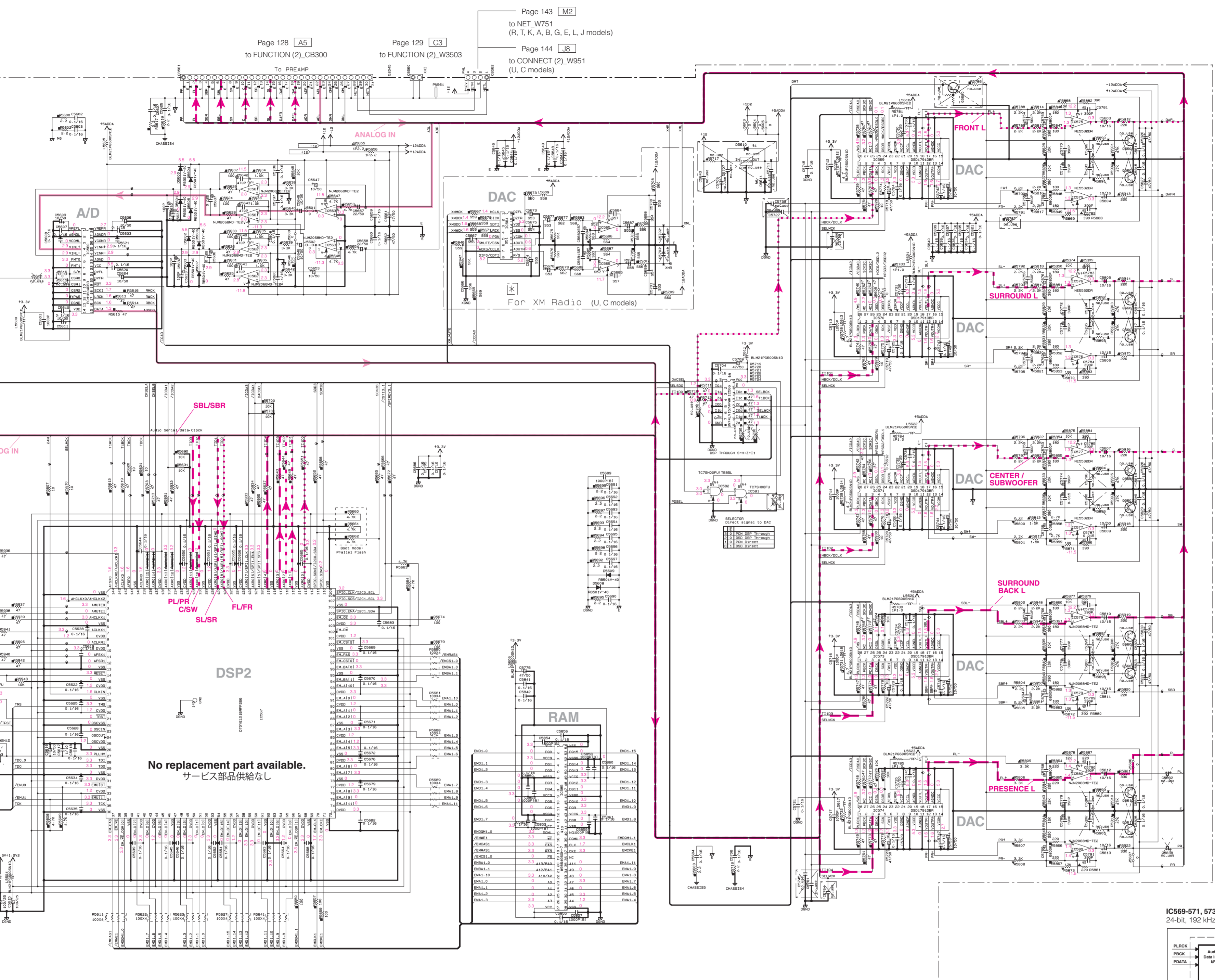
REMARKS	PARTS NAME
NO MARK	ELECTROLYTIC CAPACITOR
⊙	TANTALUM CAPACITOR
NO MARK	CERAMIC CAPACITOR
⊙	CERAMIC TUBULAR CAPACITOR
⊙	POLYESTER FILM CAPACITOR
⊙	POLYSTYRENE FILM CAPACITOR
⊙	MICA CAPACITOR
⊙	POLYPROPYLENE FILM CAPACITOR
⊙	SEMICONDUCTIVE CERAMIC CAPACITOR
⊙	POLYPHENYLENE SULFIDE FILM CAPACITOR

RESISTOR

REMARKS	PARTS NAME
NO MARK	CARBON FILM RESISTOR (P-R)
△	METAL OXIDE FILM RESISTOR
△	METAL FILM RESISTOR
△	METAL PLATE RESISTOR
□	FINE PORE CARBON FILM RESISTOR
□	CEMENT MOLDED RESISTOR
□	SEMI VARIABLE RESISTOR
■	CHIP RESISTOR

NOTICE (model)

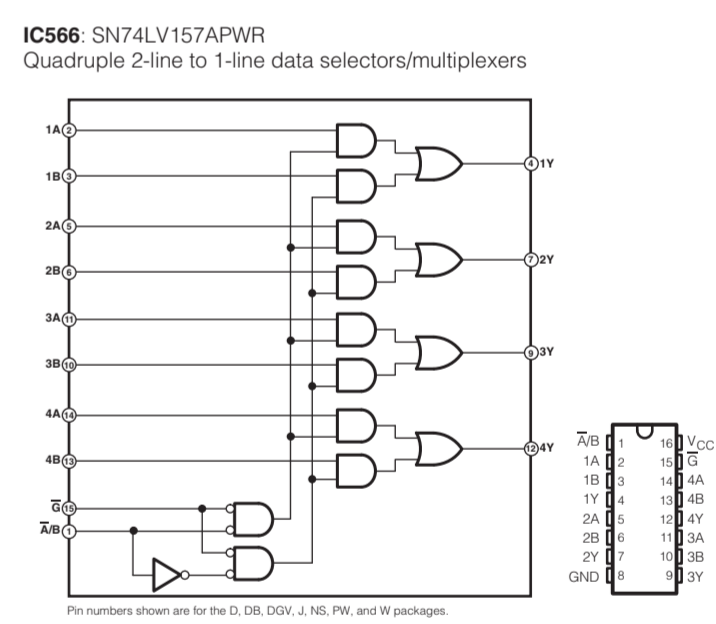
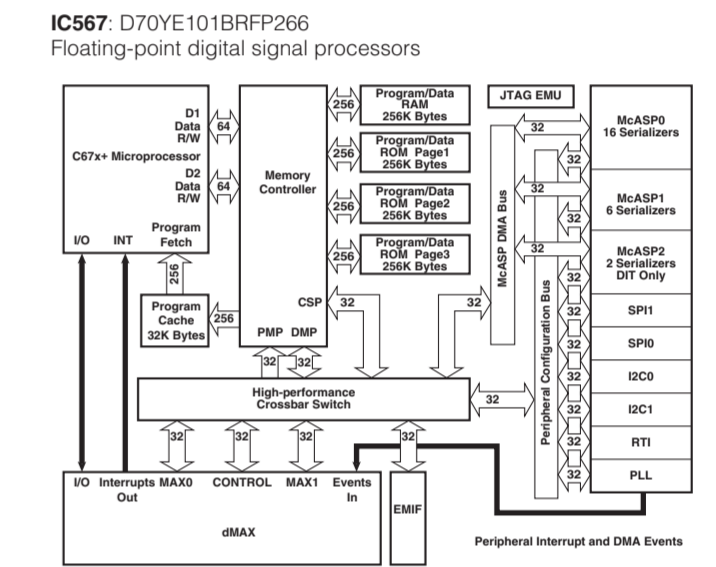
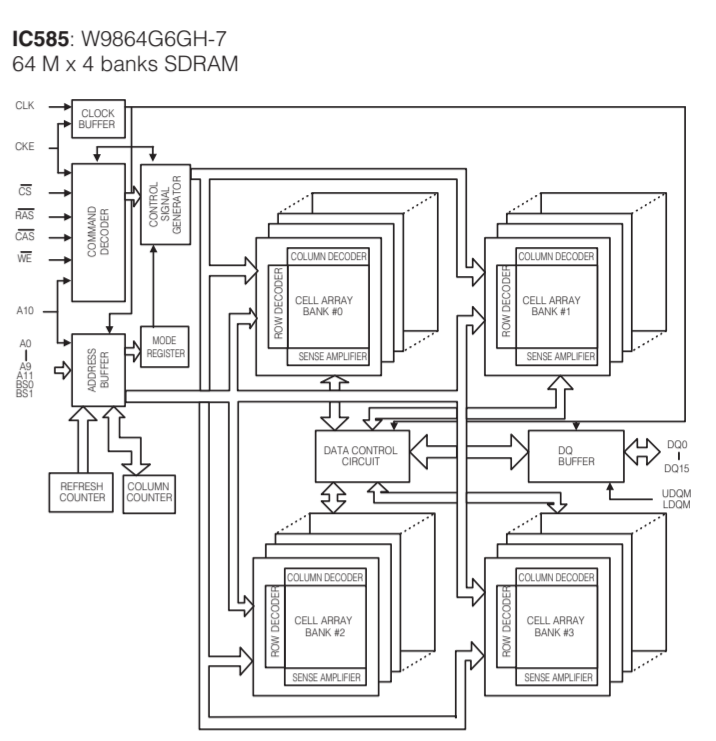
(J)..... JAPAN
 (U)..... U.S.A.
 (C)..... CANADA
 (R)..... GENERAL
 (T)..... CHINA
 (K)..... KOREA
 (A)..... AUSTRALIA
 (B)..... BRITISH
 (E)..... EUROPE
 (L)..... SINGAPORE
 (S)..... SOUTH
 (V)..... TAIWAN
 (F)..... RUSSIAN



To From 002.sht
 to DSP 2/3

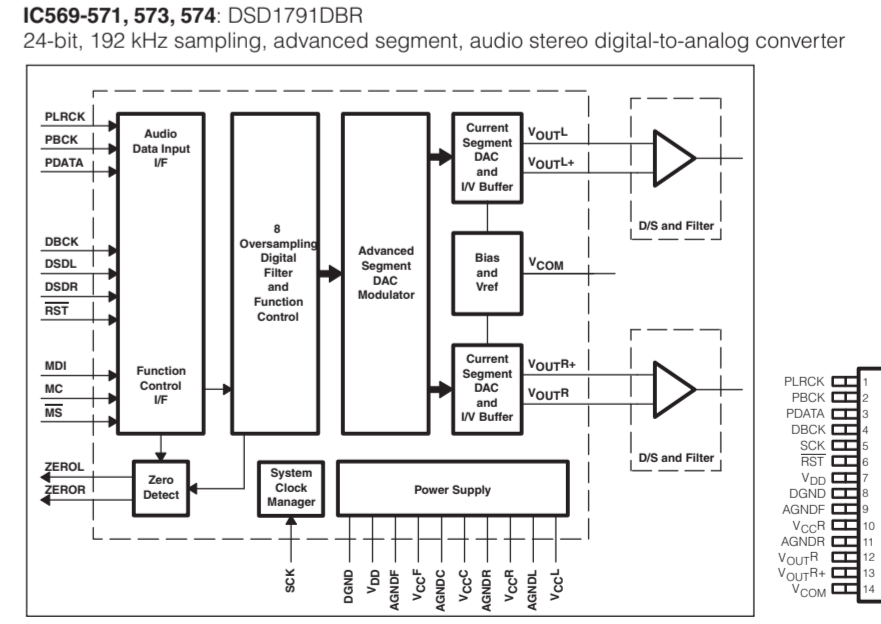
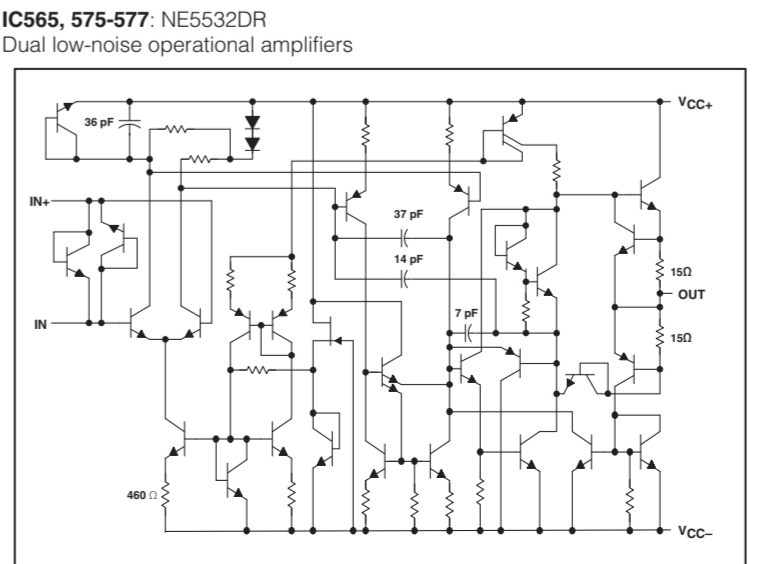
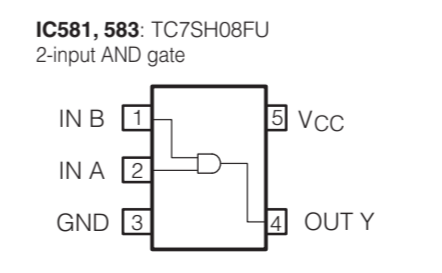
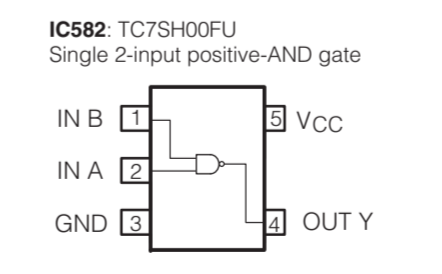
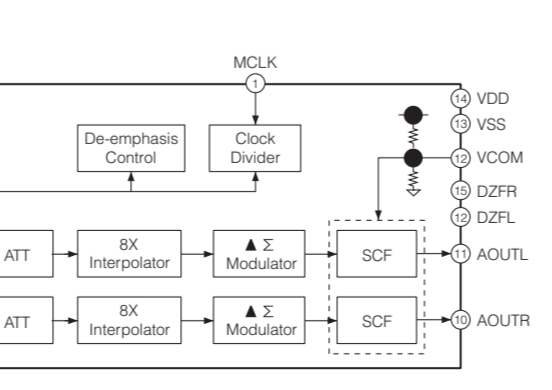
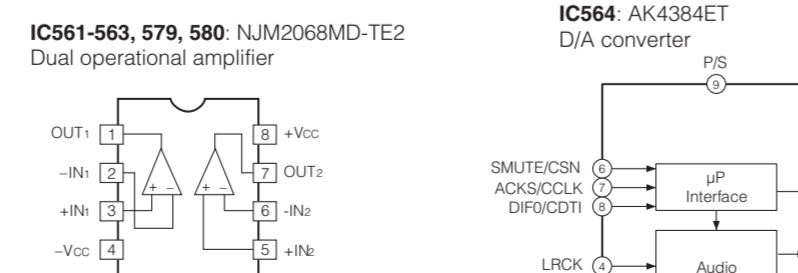
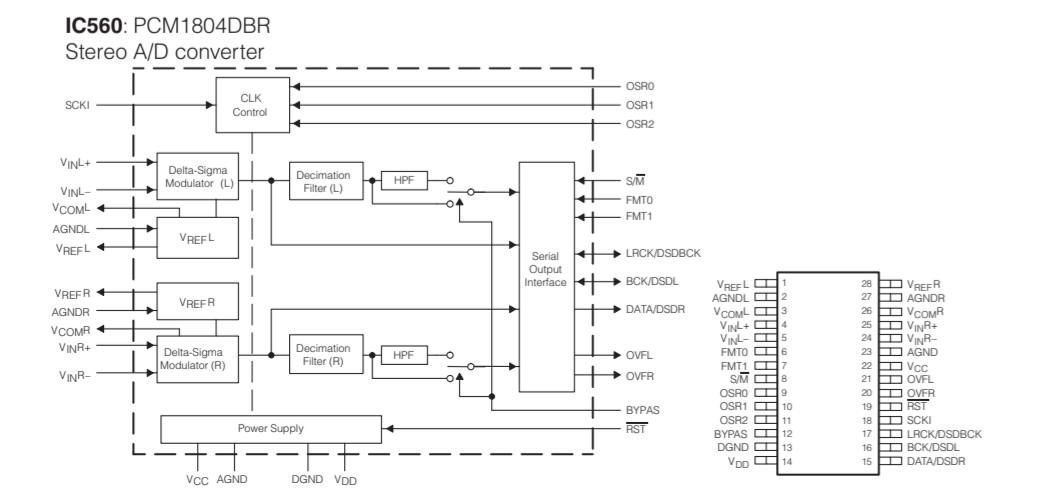
to DSP 2/3
 To From 002.sht

No replacement part available.
 サービス部品供給なし



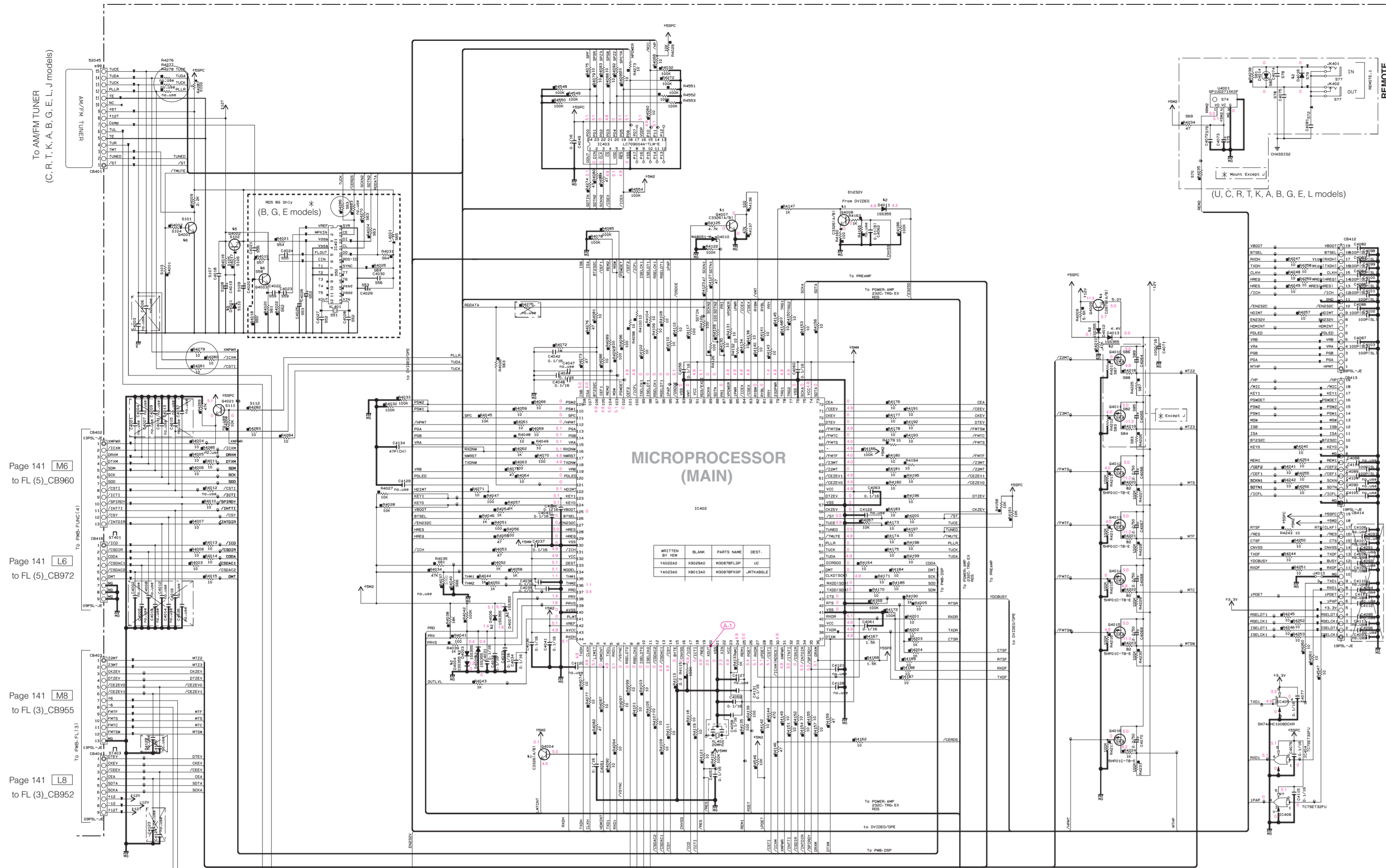
Destination Part List

NO	LOC	J	U/C	REVISION	REVISION
585	CS674	X	UR3710	X	
586	CS686	X	UR3640	X	
587	CS686	X	W30450	X	
588	LC809	X	Y21490	X	



- ★ All voltages are measured with a 10MΩ/V DC electronic voltmeter.
- ★ Components having special characteristics are marked with a triangle (▲) and must be replaced with parts having specifications equal to those originally installed.
- Schematic diagram is subject to change without notice.
- 電圧は、内部抵抗10MΩの電圧計で測定したものです。
- ▲印のある部品は、安全確保部品を示しています。部品の交換が必要な場合、パーツリストに記載されている部品を使用してください。
- 本回路図は標準回路図です。改良のため予告なく変更することがございます。

FUNCTION 1/4



Destination Part List

Part No.	Part Name	U	C	R	T	K	A	B	G	E	L	J	M	DSP-AX1900	RX-V1900	HTR-6290
991	LOC	X	X	X	X	X	X	X	X	X	X	X	X	X	X	X
992	LOC	X	X	X	X	X	X	X	X	X	X	X	X	X	X	X
993	LOC	X	X	X	X	X	X	X	X	X	X	X	X	X	X	X
994	LOC	X	X	X	X	X	X	X	X	X	X	X	X	X	X	X
995	LOC	X	X	X	X	X	X	X	X	X	X	X	X	X	X	X
996	LOC	X	X	X	X	X	X	X	X	X	X	X	X	X	X	X
997	LOC	X	X	X	X	X	X	X	X	X	X	X	X	X	X	X
998	LOC	X	X	X	X	X	X	X	X	X	X	X	X	X	X	X
999	LOC	X	X	X	X	X	X	X	X	X	X	X	X	X	X	X
1000	LOC	X	X	X	X	X	X	X	X	X	X	X	X	X	X	X

Page 141 M6 to FL (5)_CB960

Page 141 L6 to FL (5)_CB972

Page 141 D7 to FL (2)_CB958

Page 141 F7 to FL (2)_CB962

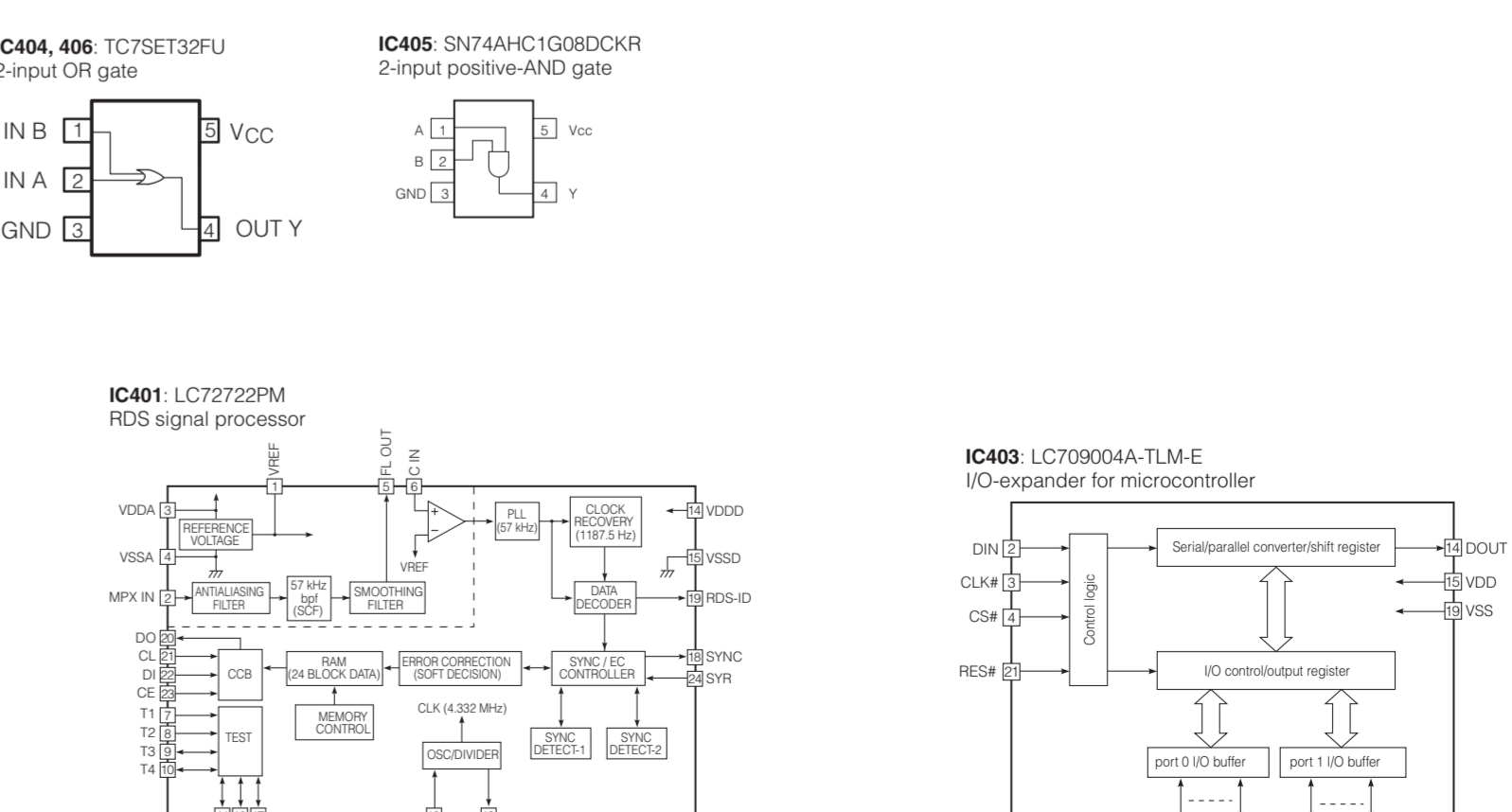
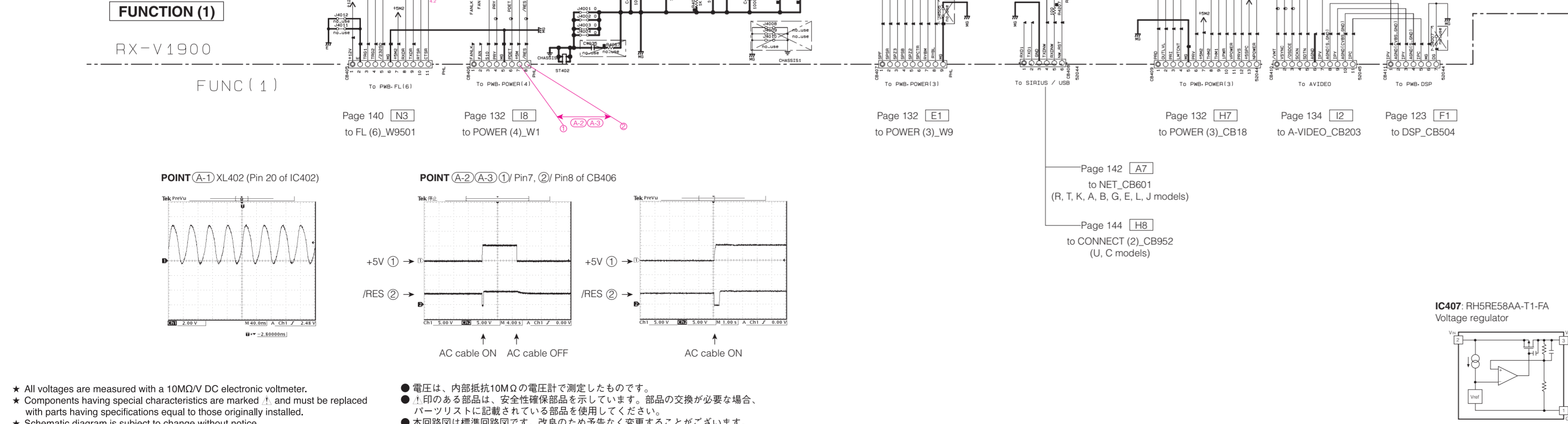
Page 141 H7 to FL (2)_CB960

Page 141 M8 to FL (3)_CB955

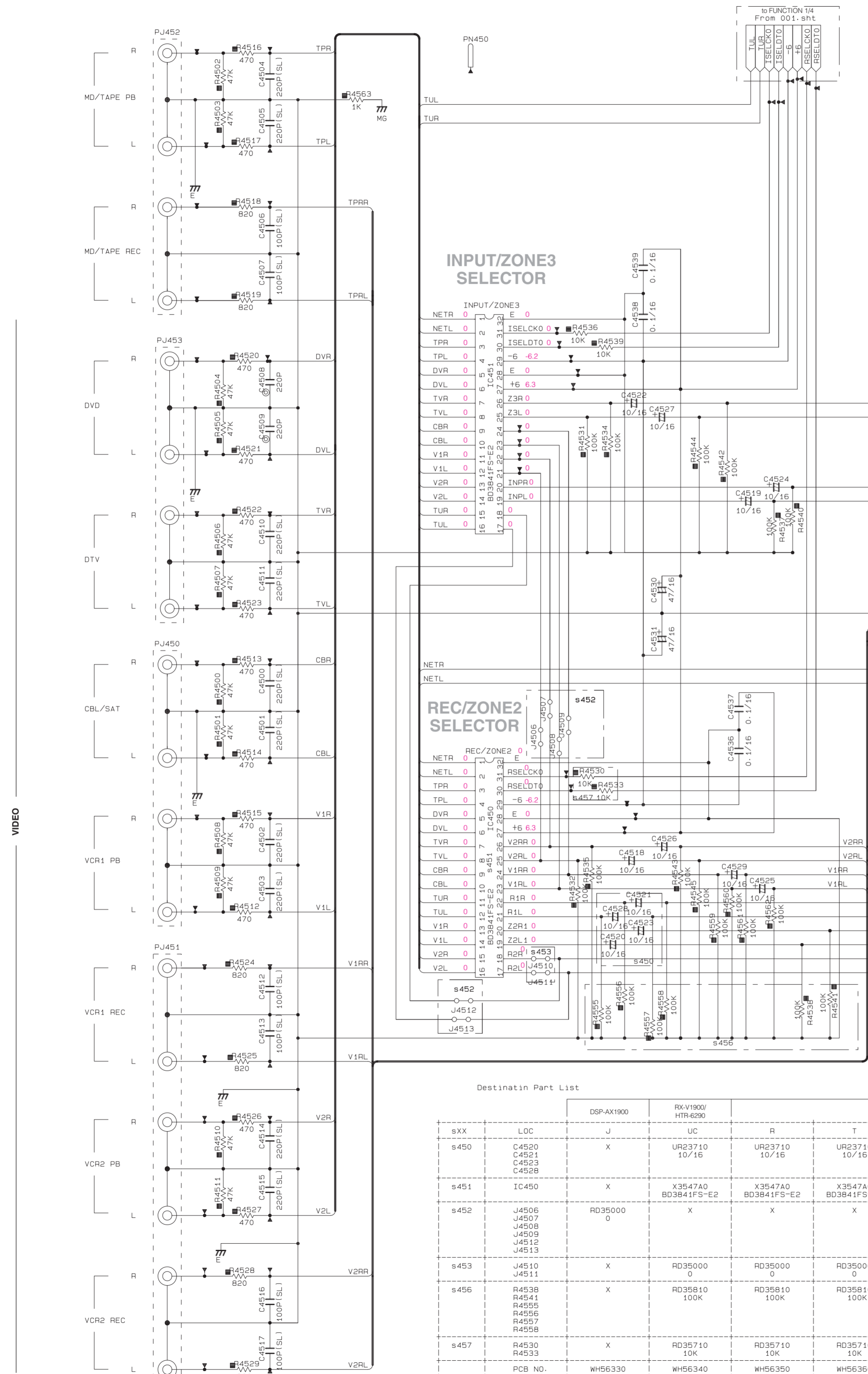
Page 141 L8 to FL (3)_CB952

Interchangeable Parts at Manufacture Stage

Part No.	Part Name	U	C	R	T	K	A	B	G	E	L	J	M
991	LOC	X	X	X	X	X	X	X	X	X	X	X	X
992	LOC	X	X	X	X	X	X	X	X	X	X	X	X
993	LOC	X	X	X	X	X	X	X	X	X	X	X	X
994	LOC	X	X	X	X	X	X	X	X	X	X	X	X
995	LOC	X	X	X	X	X	X	X	X	X	X	X	X
996	LOC	X	X	X	X	X	X	X	X	X	X	X	X
997	LOC	X	X	X	X	X	X	X	X	X	X	X	X
998	LOC	X	X	X	X	X	X	X	X	X	X	X	X
999	LOC	X	X	X	X	X	X	X	X	X	X	X	X
1000	LOC	X	X	X	X	X	X	X	X	X	X	X	X



FUNCTION 2/4



RESISTOR

REMARKS	PARTS NAME
NO MARK	CARBON FILM RESISTOR (P=5)
□	CARBON FILM RESISTOR (P=10)
△	METAL OXIDE FILM RESISTOR
▲	METAL FILM RESISTOR
⊠	METAL PLATE RESISTOR
■	FIRE PROOF CARBON FILM RESISTOR
□	CEMENT MOLDED RESISTOR
⊗	SEMI VARIABLE RESISTOR
■	CHIP RESISTOR

CAPACITOR

REMARKS	PARTS NAME
NO MARK	ELECTROLYTIC CAPACITOR
⊗	TANTALUM CAPACITOR
NO MARK	CERAMIC CAPACITOR
●	CERAMIC TUBULAR CAPACITOR
⊙	POLYESTER FILM CAPACITOR
○	POLYSTYRENE FILM CAPACITOR
⊖	MICA CAPACITOR
⊕	POLYPROPYLENE FILM CAPACITOR
⊗	SEMICONDUCTIVE CERAMIC CAPACITOR
⊙	POLYPHENYLENE SULFIDE FILM CAPACITOR

NOTICE (model)

(J)..... JAPAN
 (U)..... U. S. A
 (C)..... CANADA
 (R)..... GENERAL
 (T)..... CHINA
 (K)..... KOREA
 (A)..... AUSTRALIA
 (B)..... BRITISH
 (G)..... EUROPE
 (L)..... SINGAPORE
 (E)..... SOUTH
 (V)..... TAIWAN
 (F)..... RUSSIAN

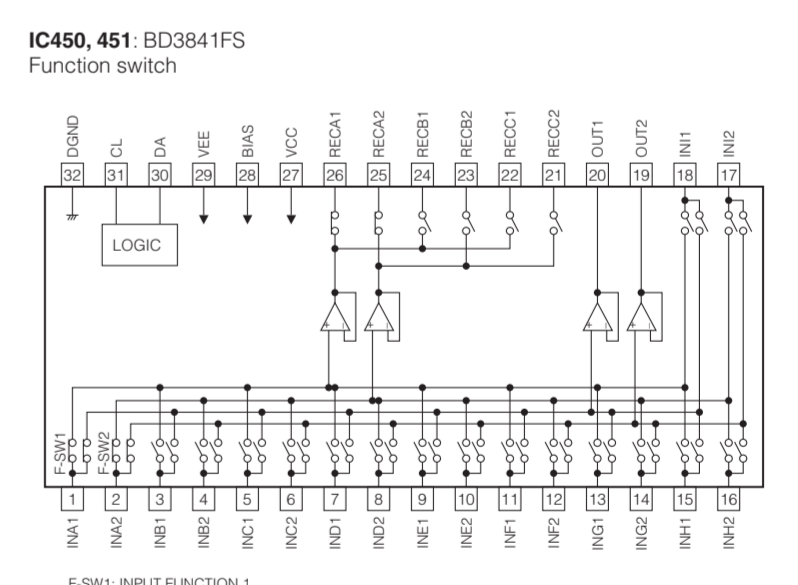
Page 141 M3
to FL (4)_CB965

FUNCTION (1)

Destination Part List

		DSP-AX1900	RX-V1900/ HTR-6290	RX-V1900	RX-V1900/ HTR-6290	RX-V1900	
sXX	LOC	J	UC	R	T	K	A
s450	C4520 C4521 C4523 C4528	X	UR23710 10/16	UR23710 10/16	UR23710 10/16	UR23710 10/16	UR23710 10/16
s451	IC450	X	X354740 BD3841FS-E2	X354740 BD3841FS-E2	X354740 BD3841FS-E2	X354740 BD3841FS-E2	X354740 BD3841FS-E2
s452	J4506 J4507 J4508 J4509 J4512 J4513	RD35000 0	X	X	X	X	X
s453	J4510 J4511	X	RD35000 0	RD35000 0	RD35000 0	RD35000 0	RD35000 0
s456	R4538 R4541 R4545 R4556 R4558	X	RD35810 100K	RD35810 100K	RD35810 100K	RD35810 100K	RD35810 100K
s457	R4530 R4533	X	RD35710 10K	RD35710 10K	RD35710 10K	RD35710 10K	RD35710 10K
PCB NO.		WH56330	WH56340	WH56350	WH56350	WH56370	WH56380
						WH56390	WH56400

J: Different selector composition

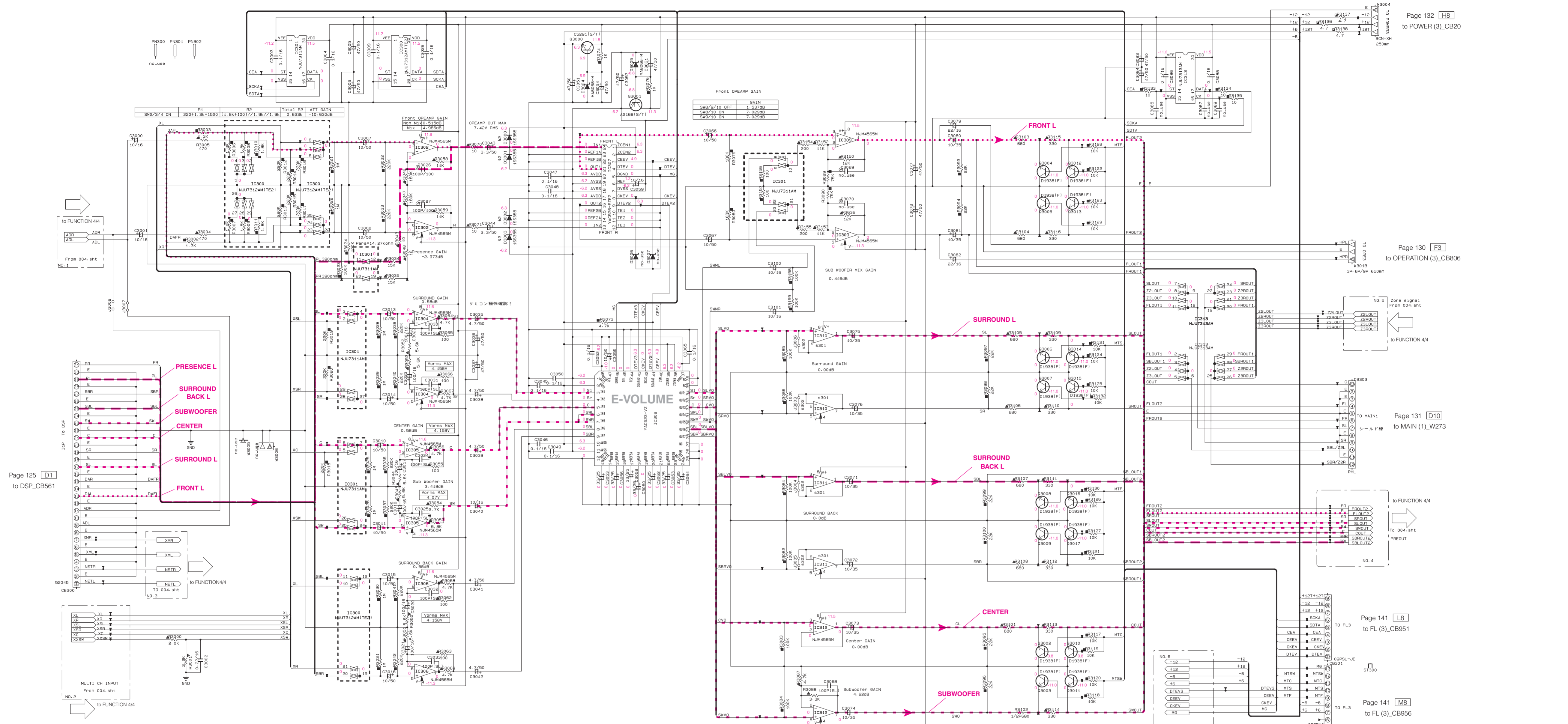


F-SW1: INPUT FUNCTION 1
F-SW2: INPUT FUNCTION 2

* All voltages are measured with a 10MΩ/V DC electronic voltmeter.
 * Components having special characteristics are marked with a triangle and must be replaced with parts having specifications equal to those originally installed.
 * Schematic diagram is subject to change without notice.

● 電圧は、内部抵抗10MΩの電圧計で測定したものです。
 ● 印のある部品は、安全性確保部品を示しています。部品の交換が必要な場合、パーツリストに記載されている部品を使用してください。
 ● 本回路図は標準回路図です。改良のため予告なく変更することがございます。

FUNCTION 3/4



Page 125 [D1] to DSP_CB561

Page 132 [HB] to POWER (3)_CB20

Page 130 [F3] to OPERATION (3)_CB906

Page 131 [D10] to MAIN (1)_W273

Page 141 [LB] to FL (3)_CB951

Page 141 [MB] to FL (3)_CB956

設計値 TOTAL 14dB

チャンネル	FRONT	CENTER	SURROUND	SURROUND BACK	SUB WOOFER	ZONE2 & ZONE3
設計値	0.0	12.5	1.5	14.0	0.0	14.0
実測値	0.0	14.0	0.0	14.0	0.0	14.0

定数設計値 TOTAL 14dB

チャンネル	FRONT	CENTER	SURROUND	SURROUND BACK	SUB WOOFER	ZONE2 & ZONE3
設計値	0.0	12.5	1.5	14.0	0.0	14.0
実測値	0.0	14.0	0.0	14.0	0.0	14.0

MIX部 設計値 TOTAL 14dB

チャンネル	P MIX FRONT	P MIX REAR	SUB WOOFER MIX
設計値	4.5	3.0	0.0
実測値	4.964	2.979	0.0

MIX部 定数設計値 TOTAL 14dB

チャンネル	P MIX FRONT	P MIX REAR	SUB WOOFER MIX
設計値	4.5	3.0	0.0
実測値	4.964	2.979	0.0

REMARKS	PARTS_NAME	REMARKS	PARTS_NAME
NO MARK	CARBON FILM RESISTOR (P±5)	NO MARK	ELECTROLYTIC CAPACITOR
□	CARBON FILM RESISTOR (P±10)	NO MARK	TANTALUM CAPACITOR
△	METAL OXIDE FILM RESISTOR	NO MARK	CERAMIC CAPACITOR
◇	METAL FILM RESISTOR	◎	CERAMIC TUBULAR CAPACITOR
○	METAL PLATE RESISTOR	◎	POLYESTER FILM CAPACITOR
◇	FIRE PROOF CARBON FILM RESISTOR	◎	POLYETHYLENE FILM CAPACITOR
□	CEMENT MOLDED RESISTOR	◎	MICA CAPACITOR
◇	SEMI VARIABLE RESISTOR	◎	POLYPROPYLENE FILM CAPACITOR
◎	CHIP RESISTOR	◎	SEMICONDUCTIVE CERAMIC CAPACITOR
		◎	POLYPHENYLENE SULFIDE FILM CAPACITOR

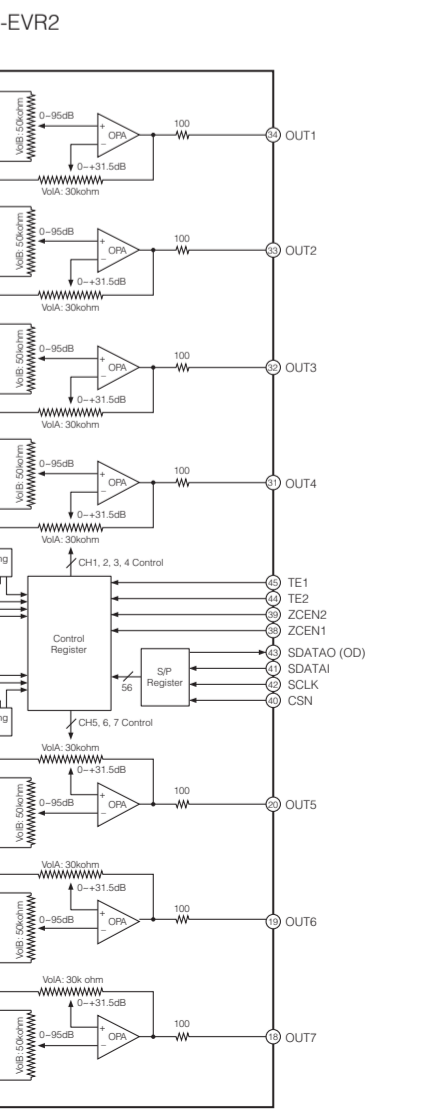
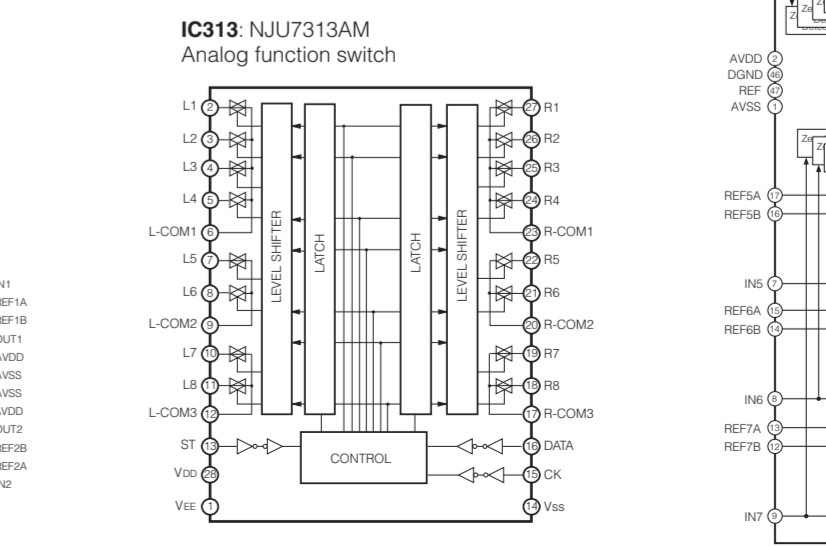
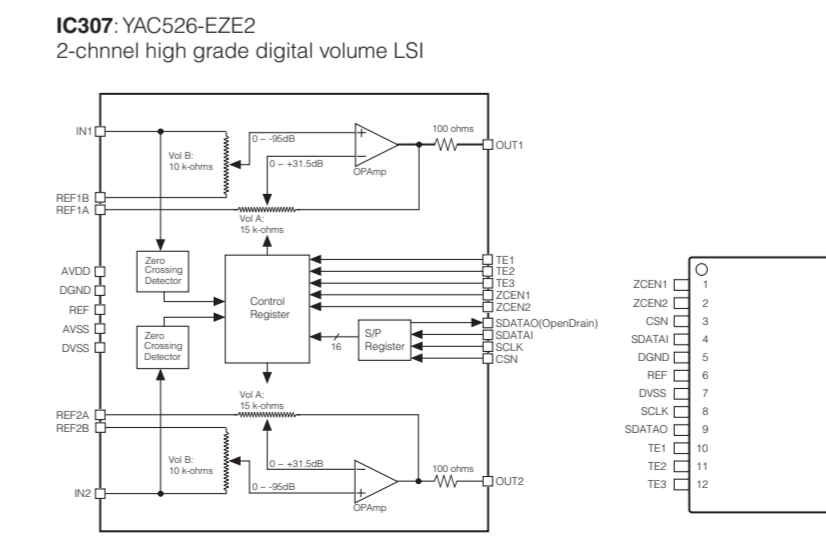
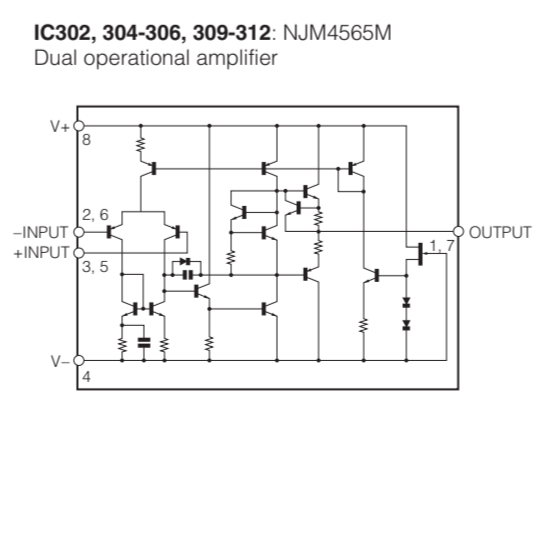
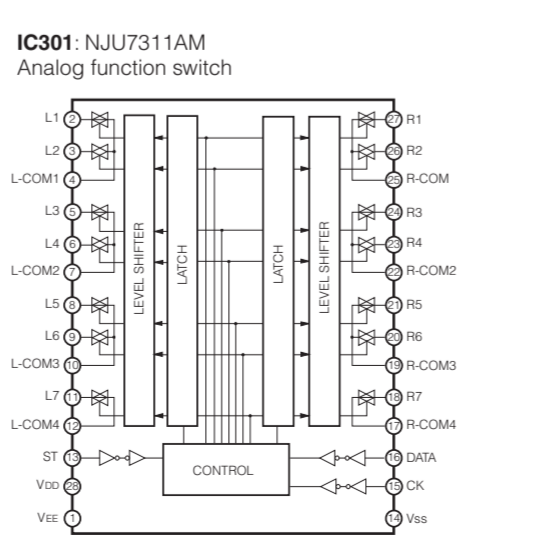
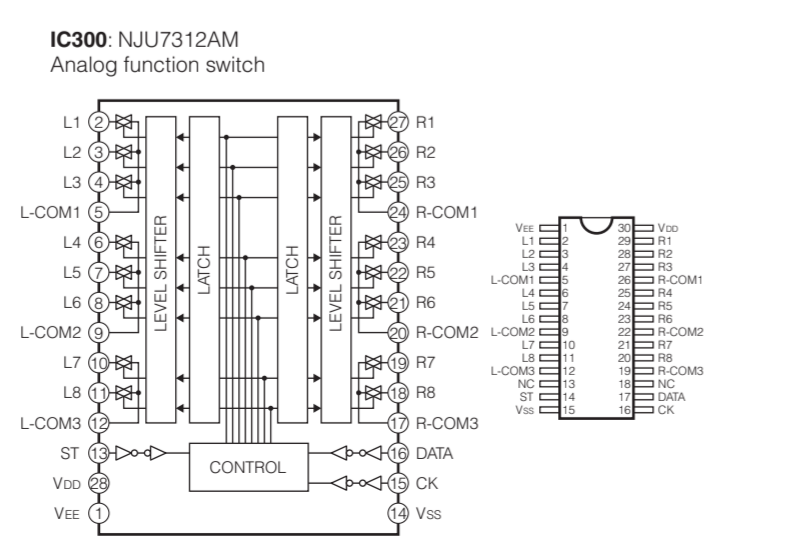
NOTICE (mode1)

(J)..... JAPAN
 (U)..... U.S.A
 (C)..... CANADA
 (R)..... GENERAL
 (T)..... CHINA
 (K)..... KOREA
 (A)..... AUSTRALIA
 (B)..... BRITISH
 (G)..... EUROPE
 (L)..... SINGAPORE
 (E)..... SOUTH
 (V)..... TAIWAN
 (F)..... RUSSIAN

Destination Part List

IC300	IC301	IC302	IC303	IC304	IC305	IC306	IC307	IC308	IC309	IC310	IC311	IC312	IC313	IC314	IC315	IC316	IC317	IC318	IC319	IC320	IC321	IC322	IC323	IC324	IC325	IC326	IC327	IC328	IC329	IC330	IC331	IC332	IC333	IC334	IC335	IC336	IC337	IC338	IC339	IC340	IC341	IC342	IC343	IC344	IC345	IC346	IC347	IC348	IC349	IC350	IC351	IC352	IC353	IC354	IC355	IC356	IC357	IC358	IC359	IC360	IC361	IC362	IC363	IC364	IC365	IC366	IC367	IC368	IC369	IC370	IC371	IC372	IC373	IC374	IC375	IC376	IC377	IC378	IC379	IC380	IC381	IC382	IC383	IC384	IC385	IC386	IC387	IC388	IC389	IC390	IC391	IC392	IC393	IC394	IC395	IC396	IC397	IC398	IC399	IC400
IC300	IC301	IC302	IC303	IC304	IC305	IC306	IC307	IC308	IC309	IC310	IC311	IC312	IC313	IC314	IC315	IC316	IC317	IC318	IC319	IC320	IC321	IC322	IC323	IC324	IC325	IC326	IC327	IC328	IC329	IC330	IC331	IC332	IC333	IC334	IC335	IC336	IC337	IC338	IC339	IC340	IC341	IC342	IC343	IC344	IC345	IC346	IC347	IC348	IC349	IC350	IC351	IC352	IC353	IC354	IC355	IC356	IC357	IC358	IC359	IC360	IC361	IC362	IC363	IC364	IC365	IC366	IC367	IC368	IC369	IC370	IC371	IC372	IC373	IC374	IC375	IC376	IC377	IC378	IC379	IC380	IC381	IC382	IC383	IC384	IC385	IC386	IC387	IC388	IC389	IC390	IC391	IC392	IC393	IC394	IC395	IC396	IC397	IC398	IC399	IC400

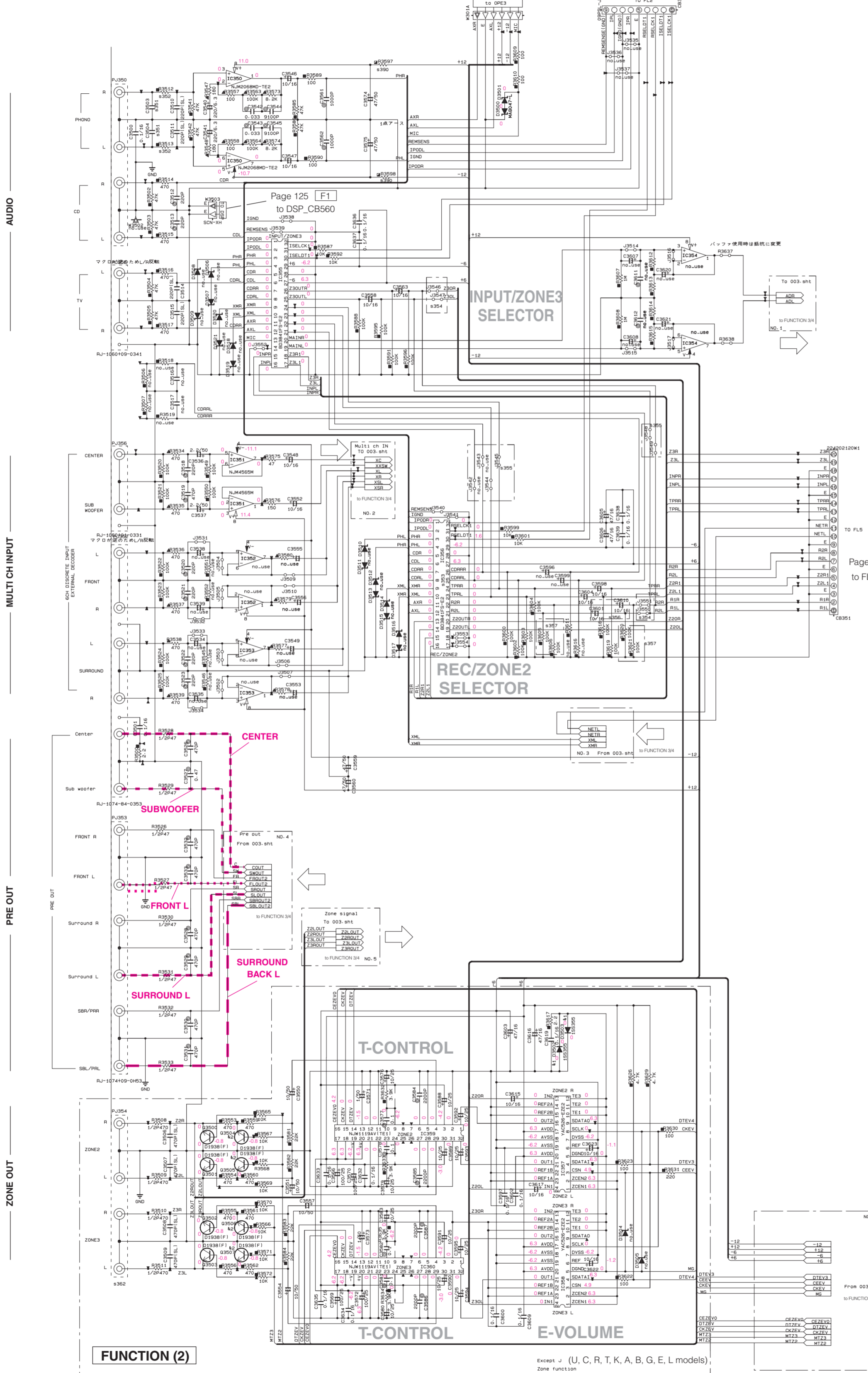
- All voltages are measured with a 10MΩ/V DC electronic voltmeter.
- Components having special characteristics are marked 1, and must be replaced with parts having specifications equal to those originally installed.
- Schematic diagram is subject to change without notice.
- 電圧は、内部抵抗10MΩの電圧計で測定したものです。
- 1印のある部品は、安全性確保部品を示しています。部品の交換が必要な場合、パーツリストに記載されている部品を使用してください。
- 本回路図は標準回路図です。改良のため予告なく変更することがございます。



FUNCTION 4/4

Page 130 [F3] to OPERATION (3)_CB906

Page 141 [I8] to FL (2)_CB967



FUNCTION (2)

Except (J, C, R, T, K, A, B, G, E, L models), Zone Function

Pre Amp (2)

Designator Part List table with columns for Designator, Part Name, and various model variants (J, U, C, R, T, K, A, B, G, E, L, M).

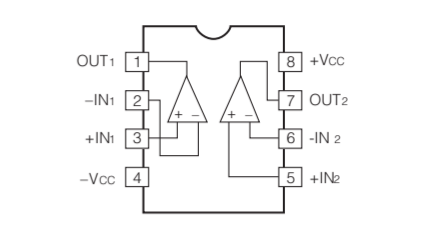
NOTICE (model)

- (J) JAPAN, (U) U.S.A., (C) CANADA, (R) GENERAL, (T) CHINA, (K) KOREA, (A) AUSTRALIA, (B) BRITISH, (E) EUROPE, (L) SINGAPORE, (E) SOUTH EUROPE, (V) TAIWAN, (F) RUSSIAN

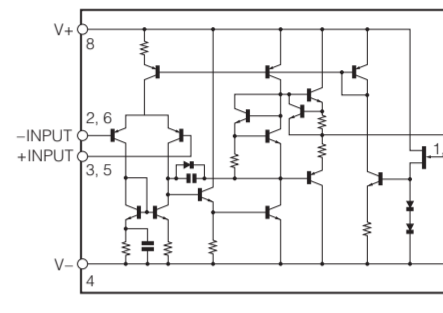
RESISTOR table with columns for Remarks, Part Name, and Part Number.

CAPACITOR table with columns for Remarks, Part Name, and Part Number.

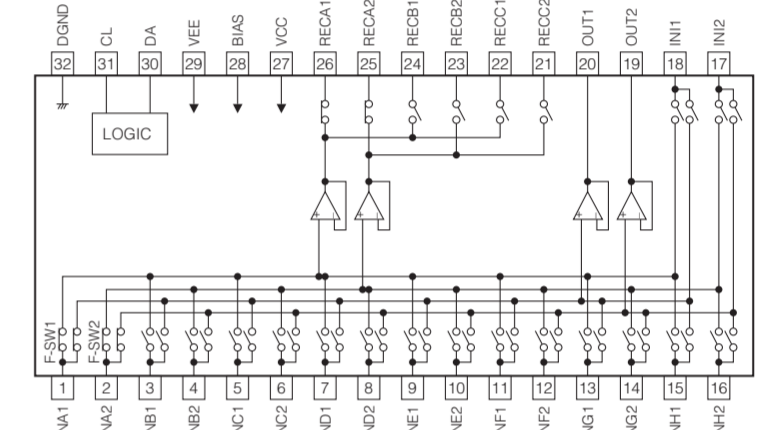
IC350: NJM2068MD-TE2 Dual operational amplifier



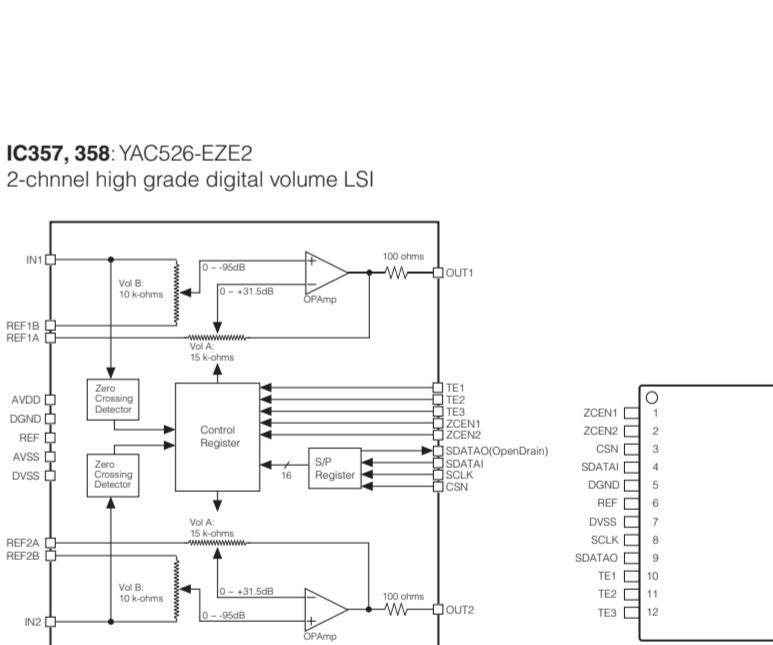
IC351: NJM4565M Dual operational amplifier



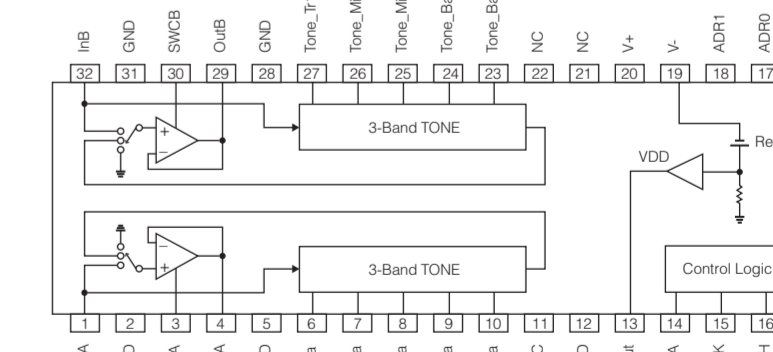
IC355, 356: BD3841FS Function switch



IC357, 358: YAC526-EZE2 2-channel high grade digital volume LSI



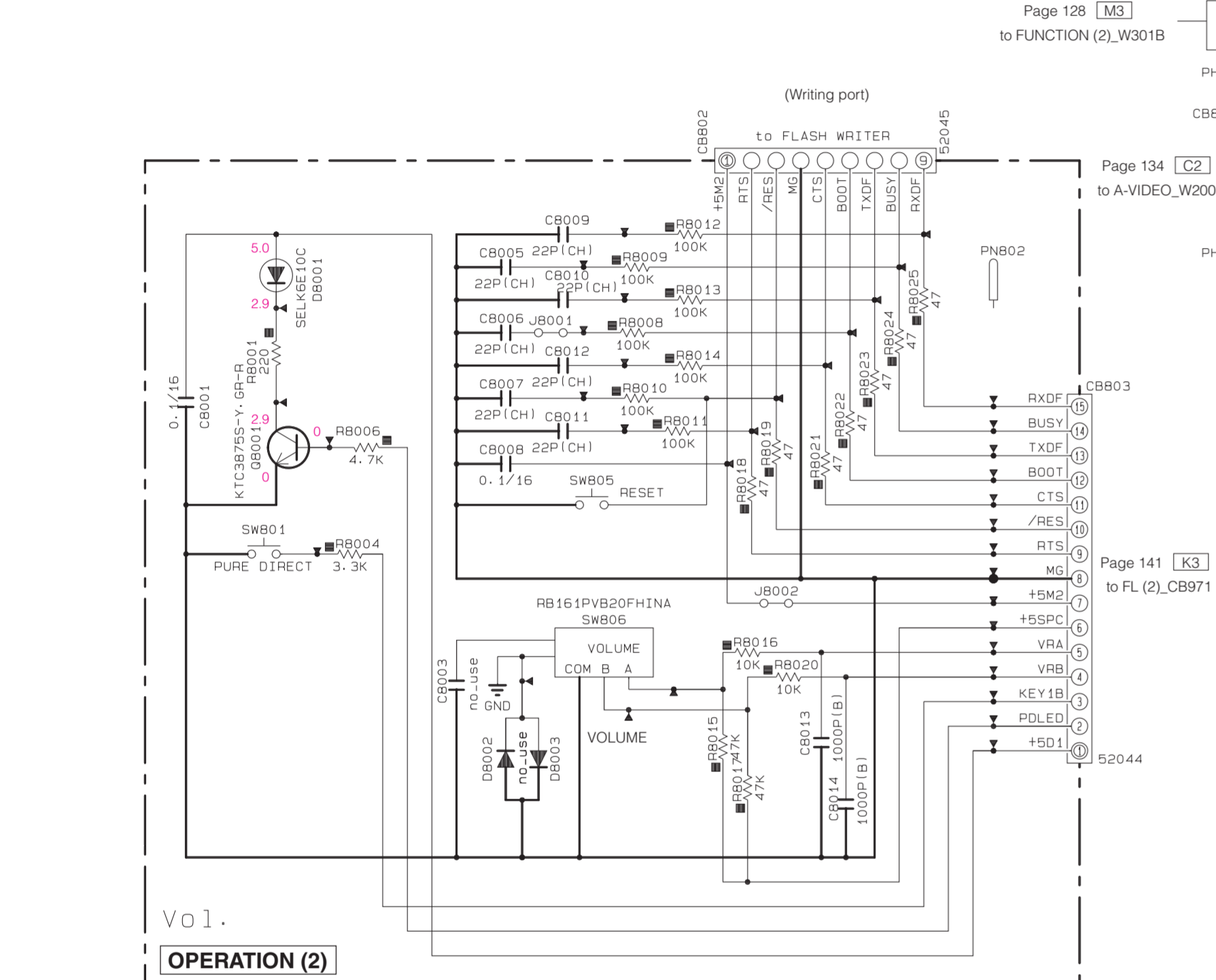
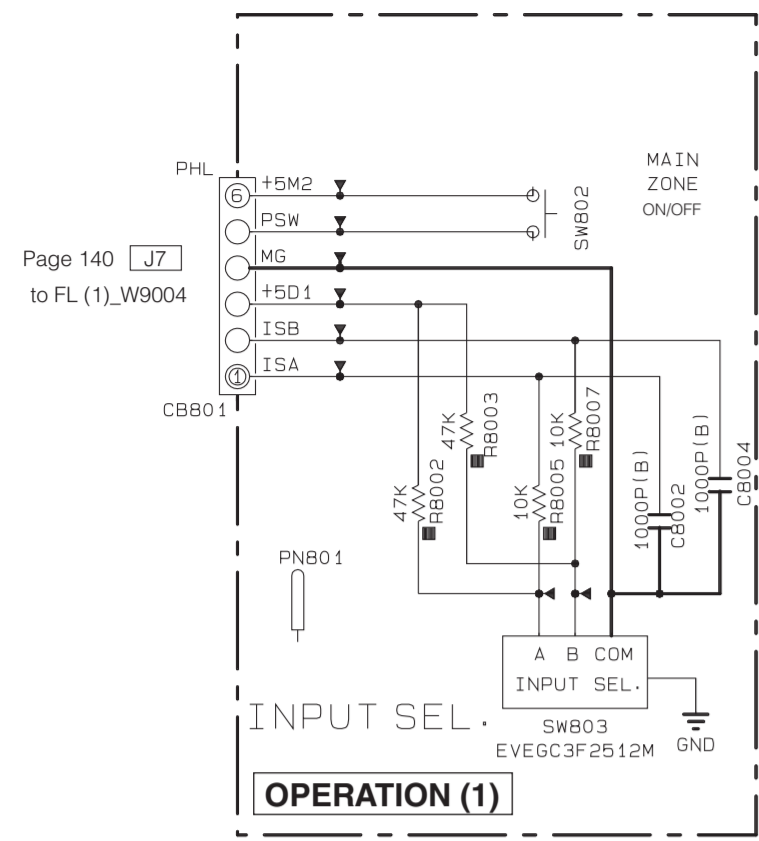
IC359, 360: NJW119AV 3-band tone control IC



* All voltages are measured with a 10MΩ/V DC electronic voltmeter. * Components having special characteristics are marked !, and must be replaced with parts having specifications equal to those originally installed. * Schematic diagram is subject to change without notice.

●電圧は、内部抵抗10MΩの電圧計で測定したものです。 ● !印のある部品は、安全確保部品を示しています。部品の交換が必要な場合、パーツリストに記載されている部品を使用してください。 ●本回路図は標準回路図です。改良のため予告なく変更することがございます。

OPERATION



Interchangeable Parts at Manufacture-Stage

Mark	Reference Parts Number	Parts Name
&1	G8002-8003	2SD1938(F) 2SC3326(A/B) 2SC5938(A/B) 2SD2704K

Destinatin Part List

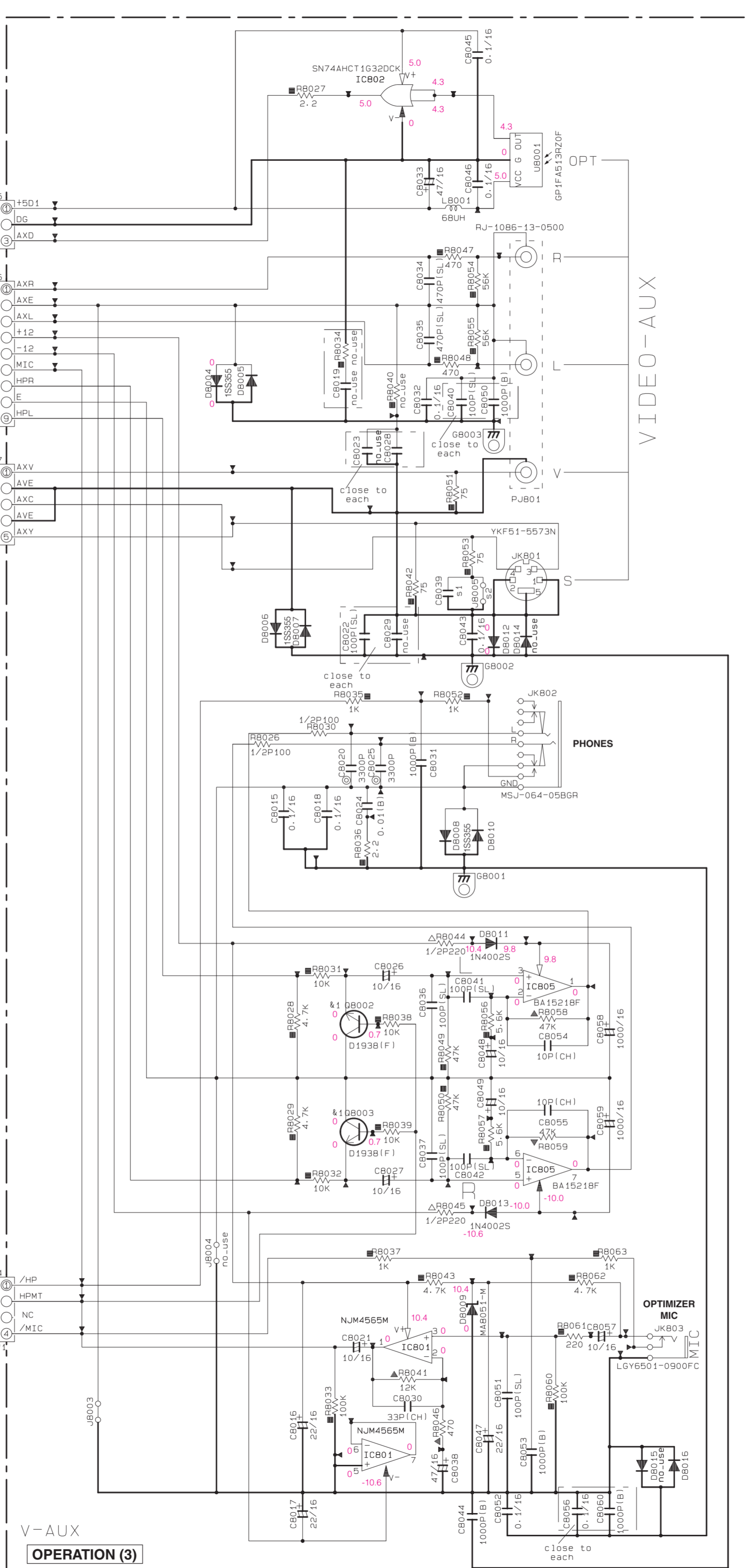
sXX	LOC	JUC	RTKLABGE
s1	CB039	US13510 0.1/16	X
s2	JB005	X	RD35000 0

* All voltages are measured with a 10MQ/V DC electronic voltmeter.
 * Components having special characteristics are marked with a triangle and must be replaced with parts having specifications equal to those originally installed.
 * Schematic diagram is subject to change without notice.

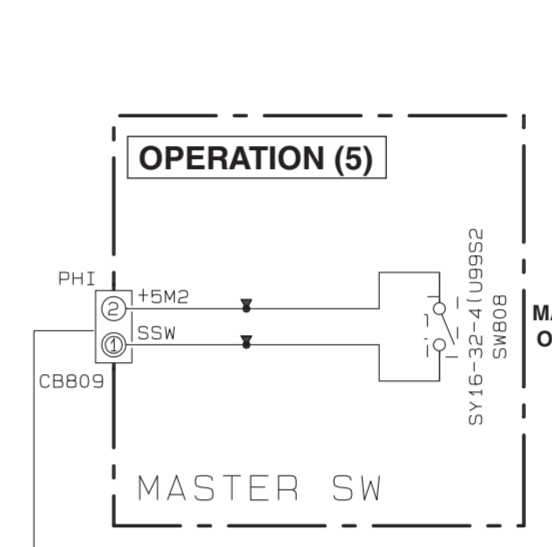
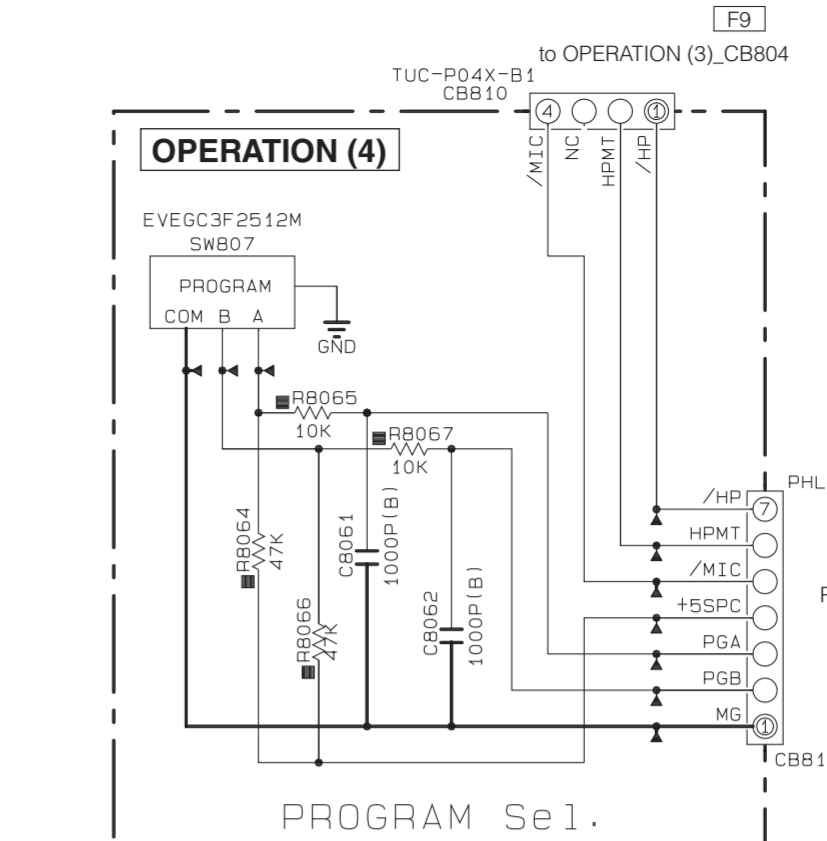
NOTICE (model)

(J)..... JAPAN
 (U)..... U.S.A
 (C)..... CANADA
 (R)..... GENERAL
 (T)..... CHINA
 (K)..... KOREA
 (A)..... AUSTRALIA
 (B)..... BRITISH
 (G)..... EUROPE
 (L)..... SINGAPORE
 (E)..... SOUTH EUROPE
 (V)..... TAIWAN
 (F)..... RUSSIAN

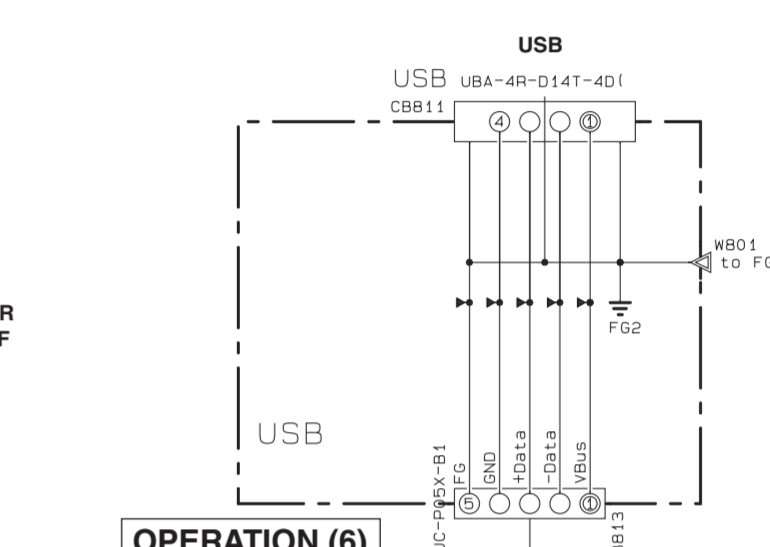
●電圧は、内部抵抗10MΩの電圧計で測定したものです。
 ●△印のある部品は、安全性確保部品を示しています。部品の交換が必要な場合、パーツリストに記載されている部品を使用してください。
 ●本回路図は標準回路図です。改良のため予告なく変更することがございます。



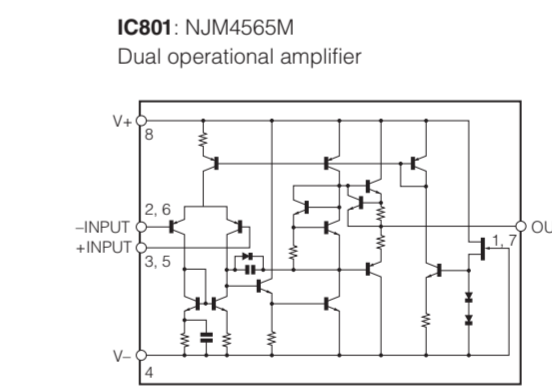
V-AUX
OPERATION (3)



Page 140 [J4] to FL(1)_W9002



Page 142 [F9] to NET_W603



Page 142 [F9] to NET_W603

RESISTOR

REMARKS	PARTS NAME
NO MARK	CARBON FILM RESISTOR (P=5)
□	CARBON FILM RESISTOR (P=10)
△	METAL OXIDE FILM RESISTOR
▲	METAL FILM RESISTOR
⊠	METAL PLATE RESISTOR
■	FIRE PROOF CARBON FILM RESISTOR
□	CEMENT MOLDED RESISTOR
⊞	SEMI VARIABLE RESISTOR
⊚	CHIP RESISTOR

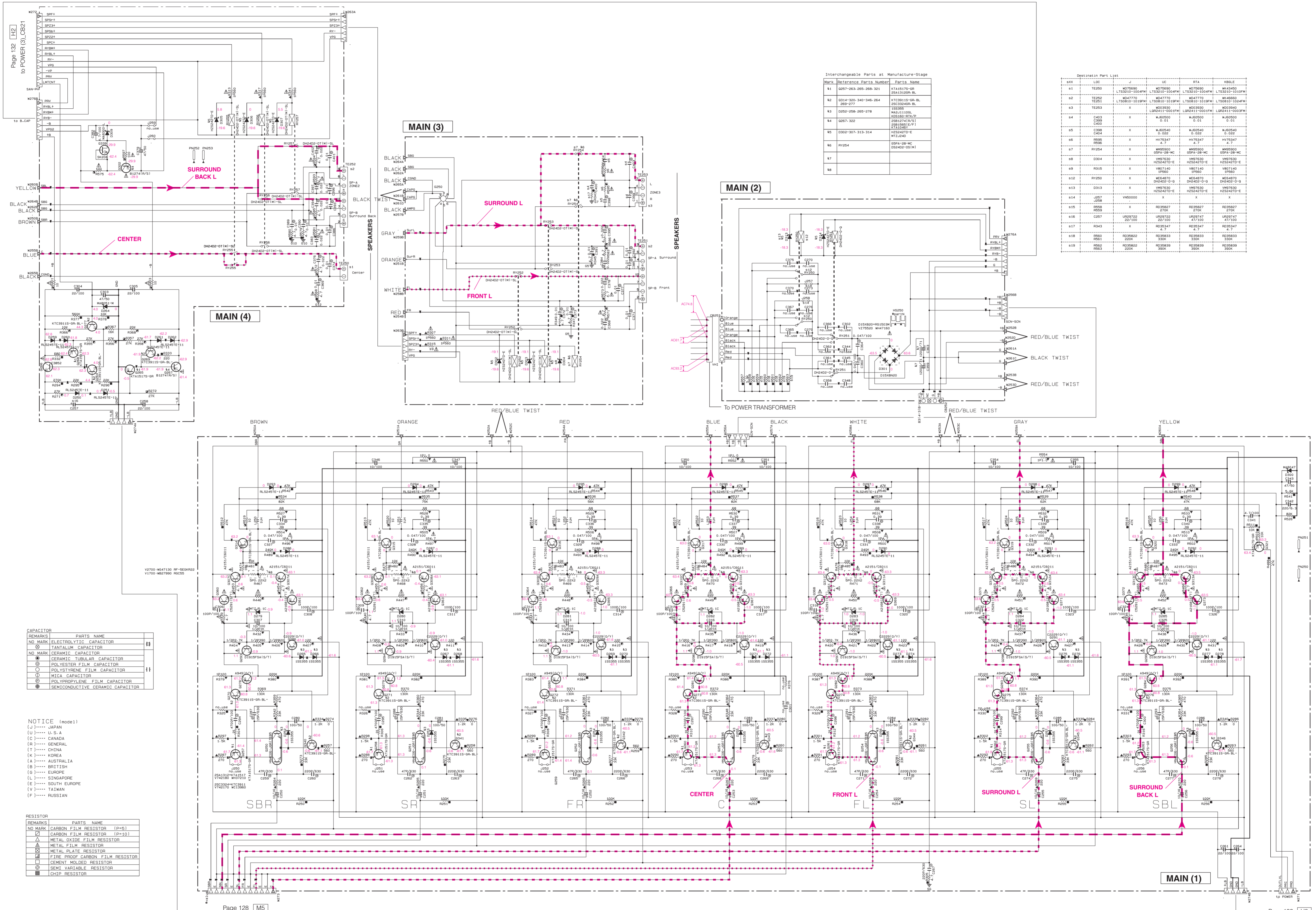
CAPACITOR

REMARKS	PARTS NAME
NO MARK	ELECTROLYTIC CAPACITOR
⊗	TANTALUM CAPACITOR
NO MARK	CERAMIC CAPACITOR
●	CERAMIC TUBULAR CAPACITOR
⊙	POLYESTER FILM CAPACITOR
○	POLYSTYRENE FILM CAPACITOR
⊖	MICA CAPACITOR
⊕	POLYPROPYLENE FILM CAPACITOR
⊚	SEMICONDUCTIVE CERAMIC CAPACITOR

IMPLEMENTATION:

- INPUT SELECTOR
- VOLUME
- VIDEO-AUX
- HEAD PHONE AMP
- MIC AMP
- PROGRAM SELECTOR
- MASTER SWITCH

MAIN



Interchangeable Parts at Manufacture-Stage

Mark	Reference Parts Number	Parts Name
41	Q257-063-265-266-321	KT1A15173-GR 25A33308-RL
42	Q314-330-340-346-264 269-277	KT1C39115-GR-BL 25C33046-RL 153200
43	Q325-256-265-276	MA2J1110L K25355-RT-2P
44	Q267-302	25B12741(R/S) 25B15816(R/S) 25B15817(R/S) MT2J-0-40
45	Q302-307-313-314	25S24270-E 25S24270-E
46	RY254	05PA-28-NC 05S402-051M
47		
48		

Destination Part List

MARK	LOC	J	LC	ITA	MSLE
51	TE250	MD7580	MD7580	MD7580	MD4340
52	TE252	LT3331P-1004FM	LT3331P-1004FM	LT3331P-1004FM	LT3331P-1004FM
53	TE251	MD4770	MD4770	MD4770	MD4660
54	CO3	X	K46050	K46050	K46050
55	C39	X	K46250	K46250	K46250
56	C38	X	K46250	K46250	K46250
57	RY254	X	HV7347	HV7347	HV7347
58	CO3	X	K46050	K46050	K46050
59	RY254	X	05PA-28-NC	05PA-28-NC	05PA-28-NC
60	CO3	X	K46050	K46050	K46050
61	RY254	X	05PA-28-NC	05PA-28-NC	05PA-28-NC
62	CO3	X	K46050	K46050	K46050
63	CO3	X	K46050	K46050	K46050
64	CO3	X	K46050	K46050	K46050
65	CO3	X	K46050	K46050	K46050
66	CO3	X	K46050	K46050	K46050
67	CO3	X	K46050	K46050	K46050
68	CO3	X	K46050	K46050	K46050
69	CO3	X	K46050	K46050	K46050
70	CO3	X	K46050	K46050	K46050
71	CO3	X	K46050	K46050	K46050
72	CO3	X	K46050	K46050	K46050
73	CO3	X	K46050	K46050	K46050
74	CO3	X	K46050	K46050	K46050
75	CO3	X	K46050	K46050	K46050
76	CO3	X	K46050	K46050	K46050
77	CO3	X	K46050	K46050	K46050
78	CO3	X	K46050	K46050	K46050
79	CO3	X	K46050	K46050	K46050
80	CO3	X	K46050	K46050	K46050
81	CO3	X	K46050	K46050	K46050
82	CO3	X	K46050	K46050	K46050
83	CO3	X	K46050	K46050	K46050
84	CO3	X	K46050	K46050	K46050
85	CO3	X	K46050	K46050	K46050
86	CO3	X	K46050	K46050	K46050
87	CO3	X	K46050	K46050	K46050
88	CO3	X	K46050	K46050	K46050
89	CO3	X	K46050	K46050	K46050
90	CO3	X	K46050	K46050	K46050
91	CO3	X	K46050	K46050	K46050
92	CO3	X	K46050	K46050	K46050
93	CO3	X	K46050	K46050	K46050
94	CO3	X	K46050	K46050	K46050
95	CO3	X	K46050	K46050	K46050
96	CO3	X	K46050	K46050	K46050
97	CO3	X	K46050	K46050	K46050
98	CO3	X	K46050	K46050	K46050
99	CO3	X	K46050	K46050	K46050
100	CO3	X	K46050	K46050	K46050

CAPACITOR

REMARKS	PARTS NAME
NO. MARK	ELECTROLYTIC CAPACITOR
○	TANTALUM CAPACITOR
NO. MARK	CERAMIC CAPACITOR
○	CERAMIC TUBULAR CAPACITOR
○	POLYESTER FILM CAPACITOR
○	POLYSTYRENE FILM CAPACITOR
○	MICA CAPACITOR
○	POLYPROPYLENE FILM CAPACITOR
○	SEMICONDUCTIVE CERAMIC CAPACITOR

NOTICE (mode1)

(J) JAPAN
 (U) U.S.A
 (C) CANADA
 (R) GENERAL
 (T) CHINA
 (K) KOREA
 (A) AUSTRALIA
 (B) BRITISH
 (G) EUROPE
 (L) SINGAPORE
 (E) SOUTH EUROPE
 (V) TAIWAN
 (F) RUSSIAN

RESISTOR

REMARKS	PARTS NAME
NO. MARK	CARBON FILM RESISTOR (P=5)
□	CARBON FILM RESISTOR (P=10)
△	METAL OXIDE FILM RESISTOR
▲	METAL FILM RESISTOR
□	METAL PLATE RESISTOR
△	FIRE PROOF CARBON FILM RESISTOR
□	CEMENT MOLDED RESISTOR
○	SEMI-VARIABLE RESISTOR
■	CHTP RESISTOR

★ All voltages are measured with a 10MΩ DC electronic voltmeter.
 ★ Components having special characteristics are marked with a triangle and must be replaced with parts having specifications equal to those originally installed.
 ★ Schematic diagram is subject to change without notice.

● 電圧は、内部抵抗10MΩの電圧計で測定したものです。
 ● 印のある部品は、安全確保部品を示しています。部品の交換が必要な場合、パーツリストに記載されている部品を使用してください。
 ● 本回路図は標準回路図です。改良のため予告なく変更することがございます。

POWER

NOTICE (model)
(J)..... JAPAN
(U)..... U.S.A.
(C)..... CANADA
(E)..... GENERAL
(T)..... CHINA
(K)..... KOREA
(A)..... AUSTRALIA
(B)..... BRITISH
(D)..... EUROPE
(L)..... SINGAPORE
(S)..... SOUTH EUROPE
(V)..... TAIWAN
(F)..... RUSSIAN

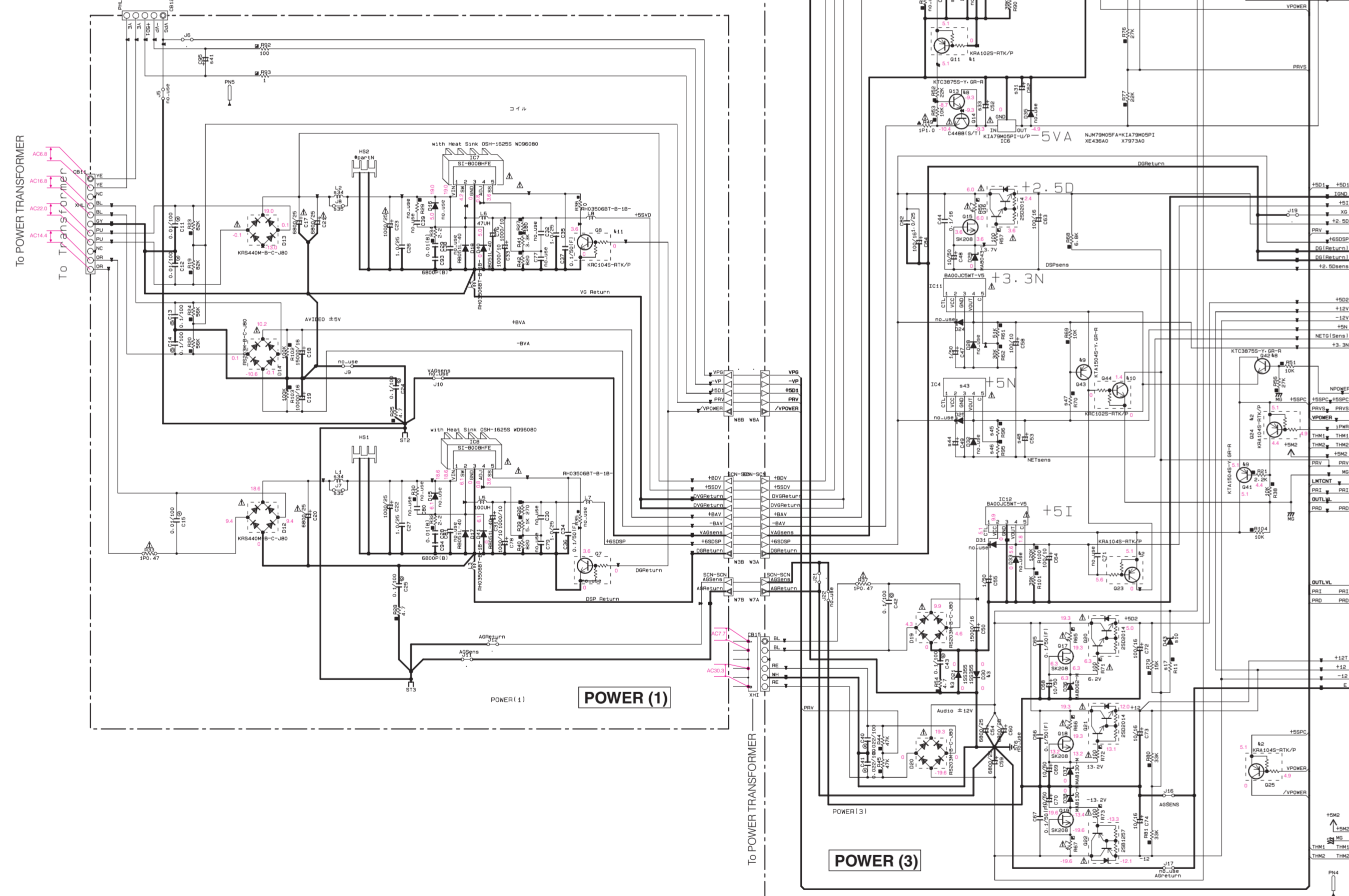
Table with 2 columns: REMARKS, PARTS NAME. Lists various resistor types like CARBON FILM RESISTOR, METAL OXIDE FILM RESISTOR, etc.

Table with 2 columns: REMARKS, PARTS NAME. Lists various capacitor types like ELECTROLYTIC CAPACITOR, FANTAILOR CAPACITOR, CERAMIC TUBULAR CAPACITOR, etc.

Page 140 [A5]
to FL (1)_W9001
To PCB-FL
(Front Panel)

Page 126 [F8]
to FUNCTION (1)_CB407
(U-COM)
To FUNC

Table with 3 columns: Mark, Reference Parts Number, Parts Name. Lists interchangeable parts at manufacture stage.



Page 131 [B1]
to MAIN (4)_W272
To PCB-MAIN

Page 139 [L7]
to D-VIDEO_CB188
To PCB-DVIDEO

Page 134 [I3]
to A-VIDEO_W2001
To PCB-AVIDEO

Page 124 [I1]
to DSP_W5301
To PCB-DSP

Page 124 [K1]
to DSP_W5302
To PCB-DSP

Page 126 [H8]
to FUNCTION (1)_CB409
To PCB-FUNC (U-COM)

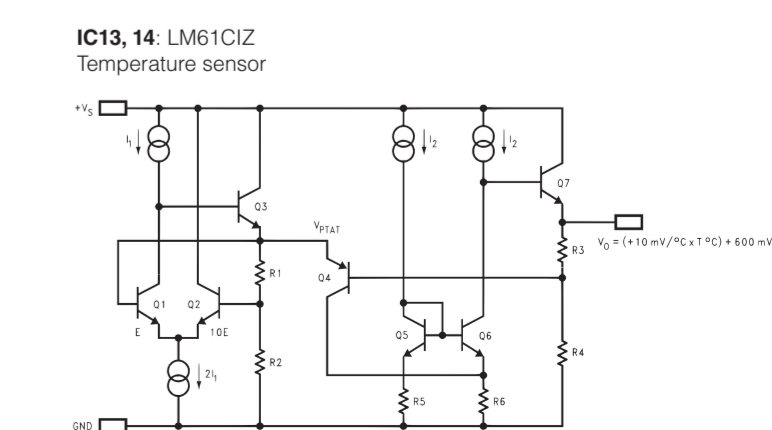
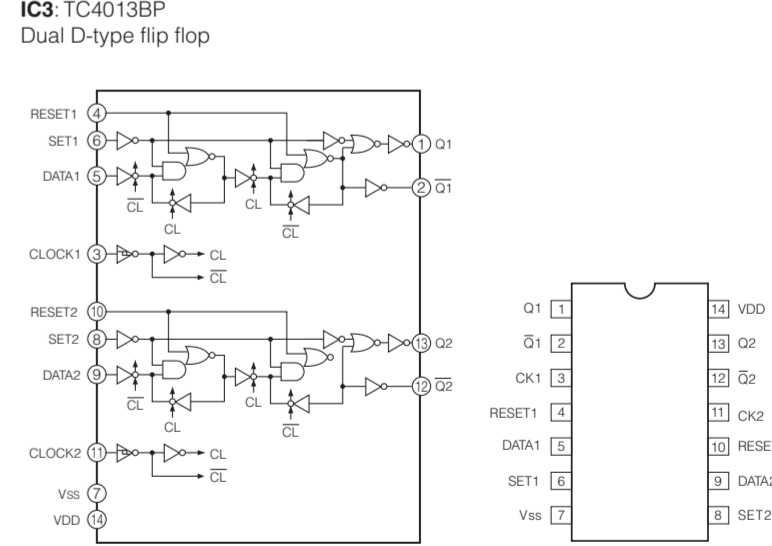
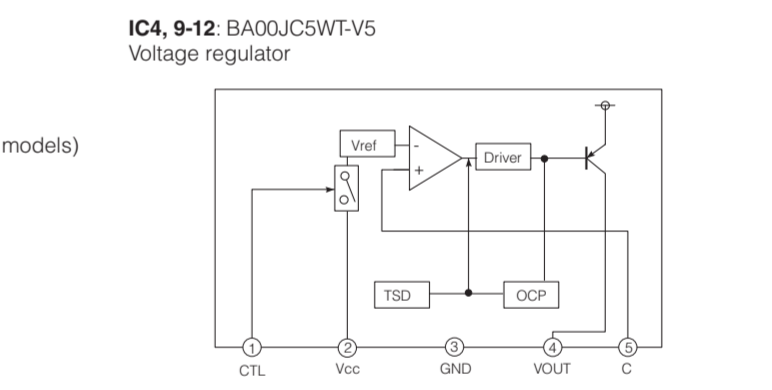
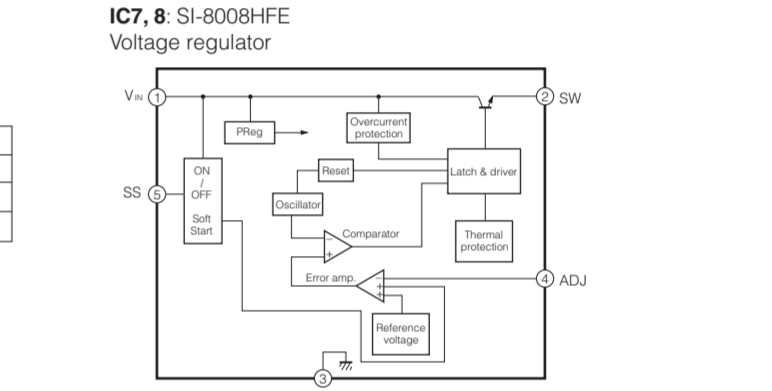
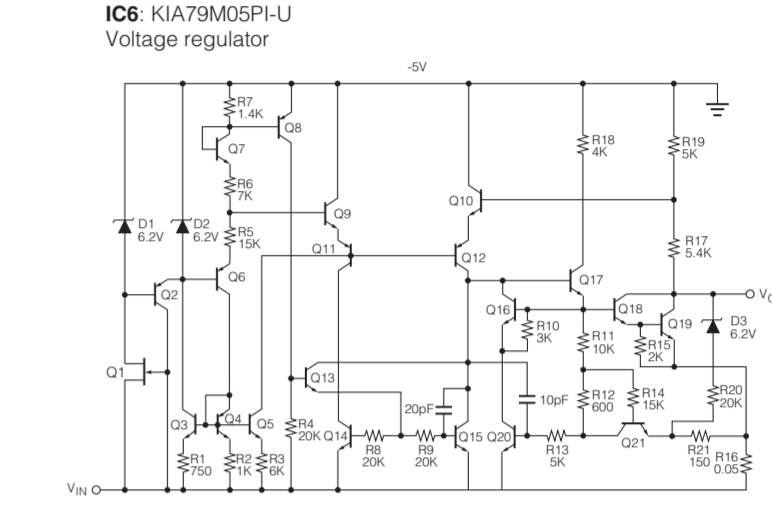
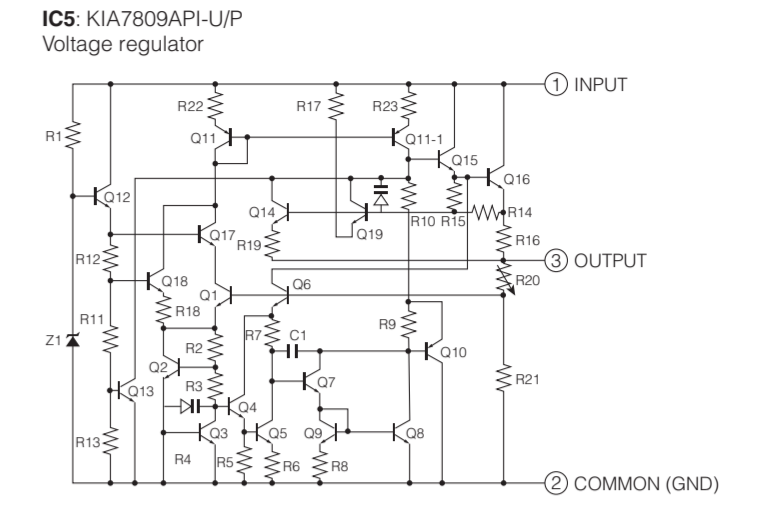
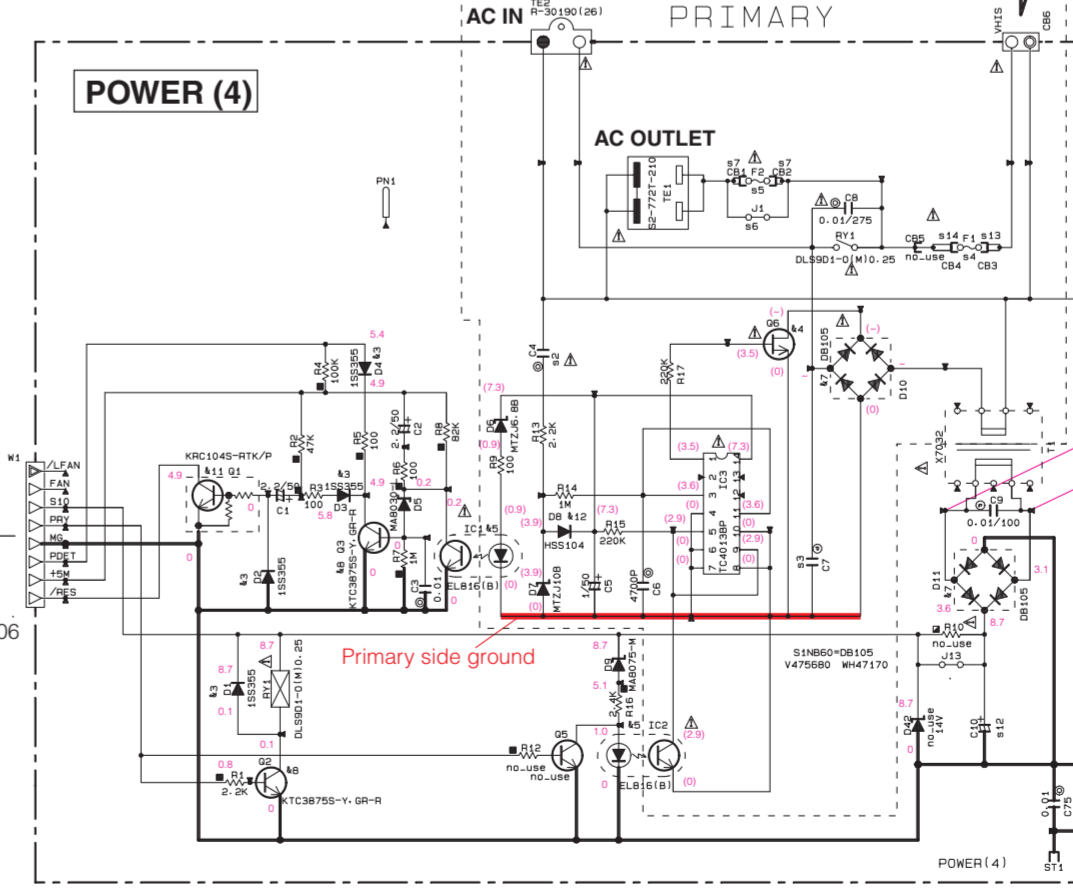
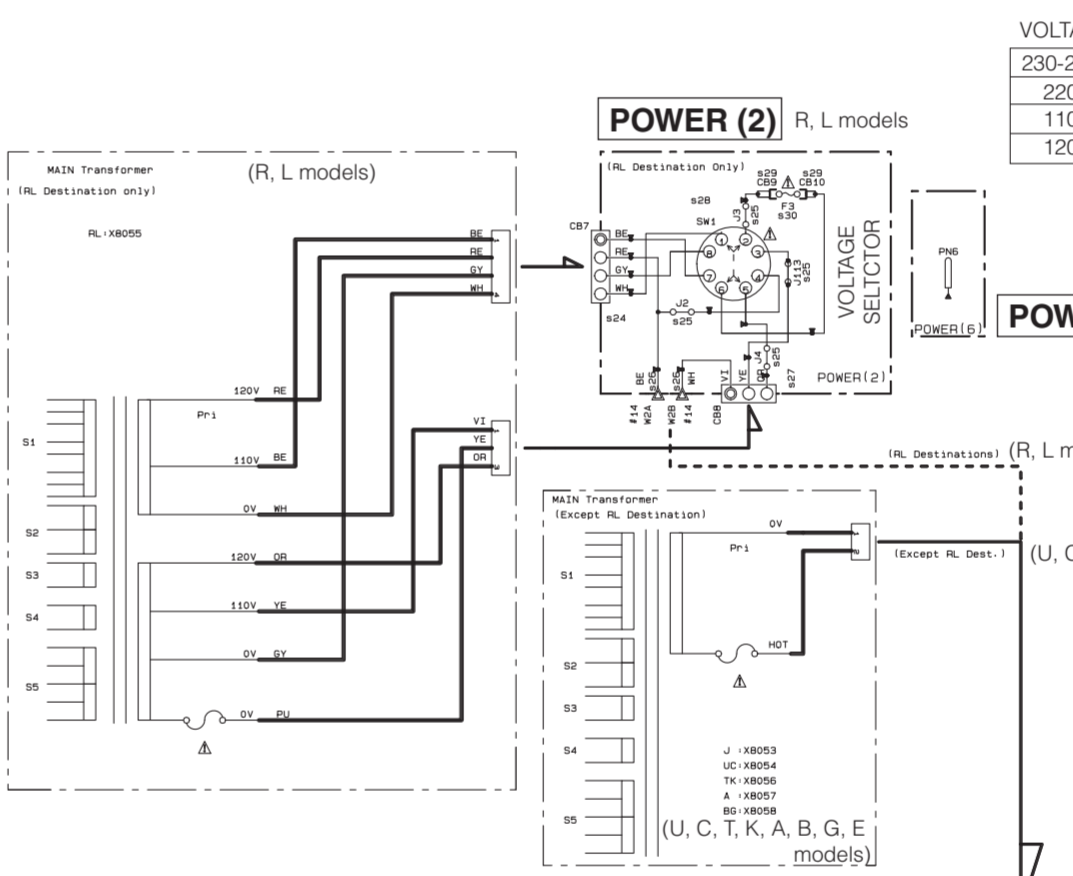
Page 131 [N10]
to MAIN (1)_W271
To PCB-FUNC (Pre Amp)

Page 128 [M1]
to FUNCTION (2)_W3004
To PCB-FUNC (Pre Amp)

Page 126 [D8]
to FUNCTION (1)_CB406
To PCB-FUNC (Pre Amp)

Page 131 [B1]
to MAIN (4)_W272
To PCB-MAIN

Large table with columns for component values and part numbers, likely a bill of materials or component list.



* All voltages are measured with a 10MΩ/V DC electronic voltmeter.
* Components having special characteristics are marked with a triangle and must be replaced with parts having specifications equal to those originally installed.
* Schematic diagram is subject to change without notice.

● 電圧は、内部抵抗10MΩの電圧計で測定したものです。
● 印のある部品は、安全性確保部品を示しています。部品の交換が必要な場合、パーツリストに記載されている部品を使用してください。
● 本回路図は標準回路図です。改良のため予告なく変更することがございます。

A-VIDEO 1/2

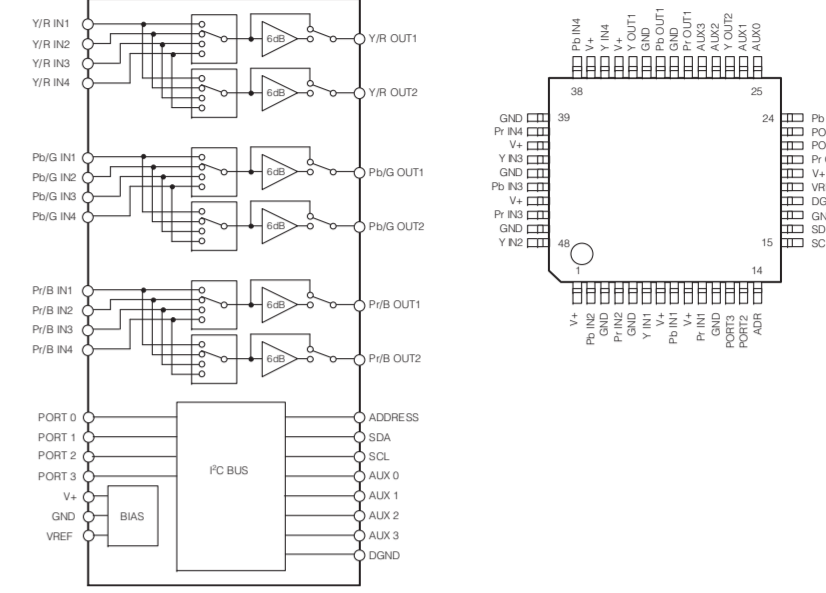
Page 136 [B5] to D-VIDEO_CB122 Page 136 [B3] to D-VIDEO_CB121

REMARKS	PARTS NAME
NO MARK	CARBON FILM RESISTOR (P=5)
□	CARBON FILM RESISTOR (P=10)
△	METAL OXIDE FILM RESISTOR
▲	METAL FILM RESISTOR
⊠	METAL PLATE RESISTOR
■	FIRE PROOF CARBON FILM RESISTOR
□	CEMENT MOLDED RESISTOR
□	SEMI VARIABLE RESISTOR
■	CHIP RESISTOR

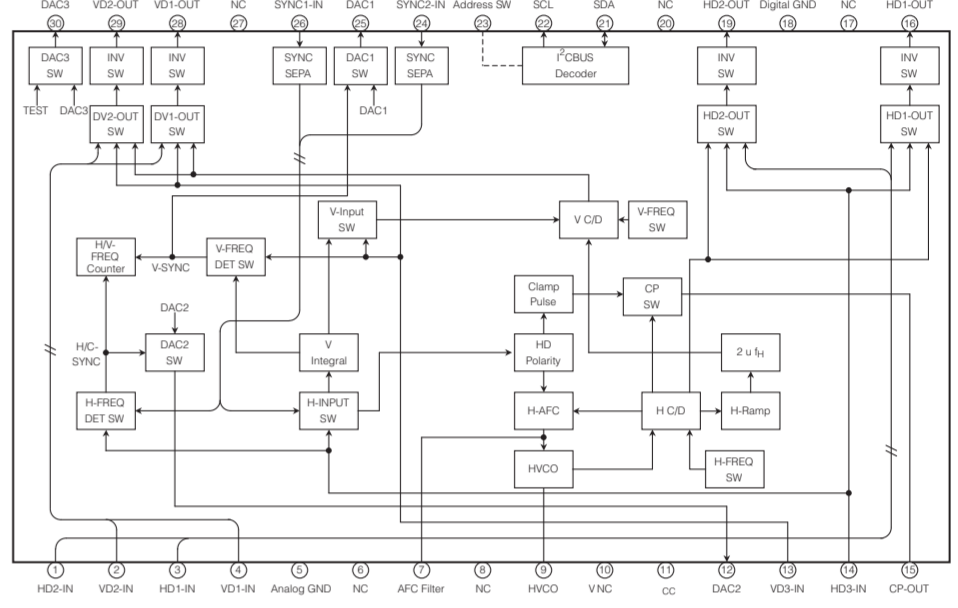
NOTICE (mode1)
 (J)..... JAPAN
 (U)..... U.S.A
 (C)..... CANADA
 (G)..... GENERAL
 (T)..... CHINA
 (K)..... KOREA
 (A)..... AUSTRALIA
 (B)..... BRITISH
 (E)..... EUROPE
 (L)..... SINGAPORE
 (S)..... SOUTH EUROPE
 (V)..... TAIWAN
 (F)..... RUSSIAN

REMARKS	PARTS NAME
NO MARK	ELECTROLYTIC CAPACITOR
□	TANTALUM CAPACITOR
○	CERAMIC CAPACITOR
●	CERAMIC TUBULAR CAPACITOR
○	POLYESTER FILM CAPACITOR
○	POLYSTYRENE FILM CAPACITOR
○	MICA CAPACITOR
○	POLYPROPYLENE FILM CAPACITOR
○	SEMICONDUCTIVE CERAMIC CAPACITOR
○	POLYPHENYLENE SULFIDE FILM CAPACITOR

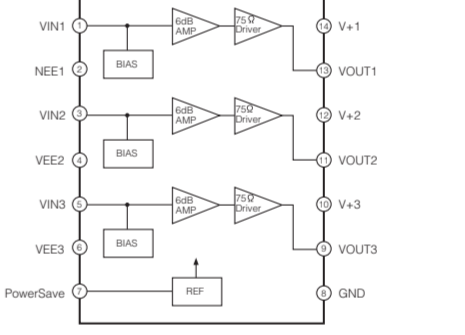
IC201: NJW1321FP1 Wide band video switch with I²C bus



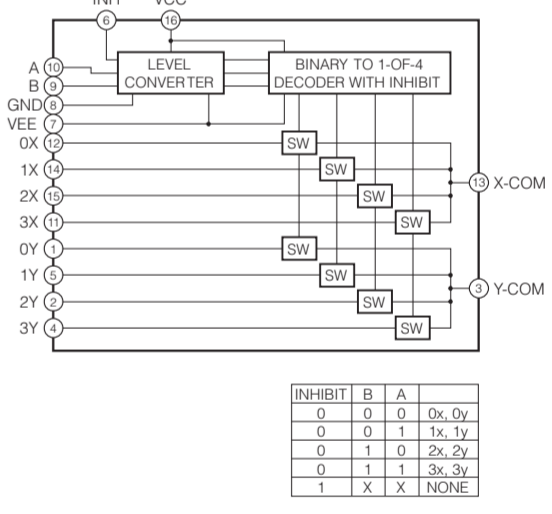
IC202: TA1318AF SYNC processor, frequency counter IC for TV component signals



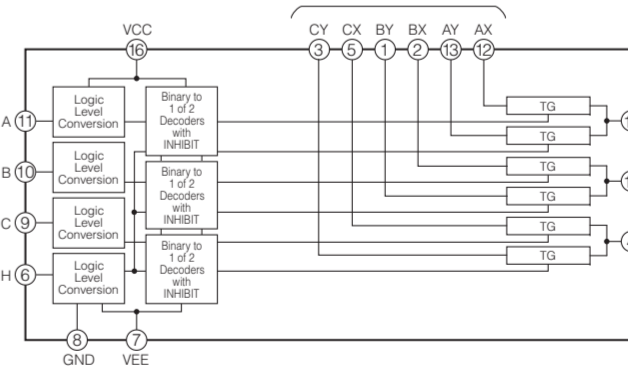
IC203: NJM2581M Video amplifier



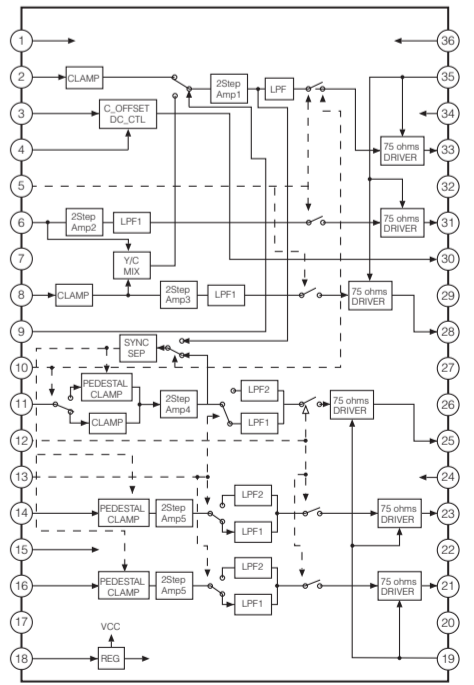
IC204, 205: TC74HC4052AF Analog multiplexer/demultiplexer



IC206: MM74HC4053JX Triple 2-channel analog multiplexer



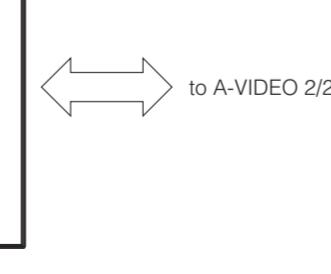
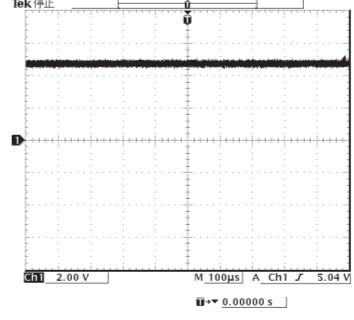
IC207: LA73054-TLM-E Analog dual operational amplifier



Destination Part List	Part No.	Part Name	QTY	Unit	Remarks
51	R0201	RES	1	PC	
52	R0202	RES	1	PC	
53	R0203	RES	1	PC	
54	R0204	RES	1	PC	
55	R0205	RES	1	PC	
56	R0206	RES	1	PC	
57	R0207	RES	1	PC	
58	R0208	RES	1	PC	
59	R0209	RES	1	PC	
60	R0210	RES	1	PC	
61	R0211	RES	1	PC	
62	R0212	RES	1	PC	
63	R0213	RES	1	PC	
64	R0214	RES	1	PC	
65	R0215	RES	1	PC	
66	R0216	RES	1	PC	
67	R0217	RES	1	PC	
68	R0218	RES	1	PC	
69	R0219	RES	1	PC	
70	R0220	RES	1	PC	

Mark	Reference Parts Number	Parts Name
41	02001-2009-2061-2062, 2061-2062-2061-2060, 2061-2062-2061-2063-2061	ISS395 MA111
42	02041-2043	DT1484A KRC1045-R1K7P
43	IC200	TK15420WTL A2006442
44	IC211-213	MM74HC4051JX TC74HC4051AF IEL-F1
45	IC204-205	MM74HC4052JX TC74HC4052AF IEL-F1
46	IC206-221-224	MM74HC4053JX TC74HC4053AF IEL-F1

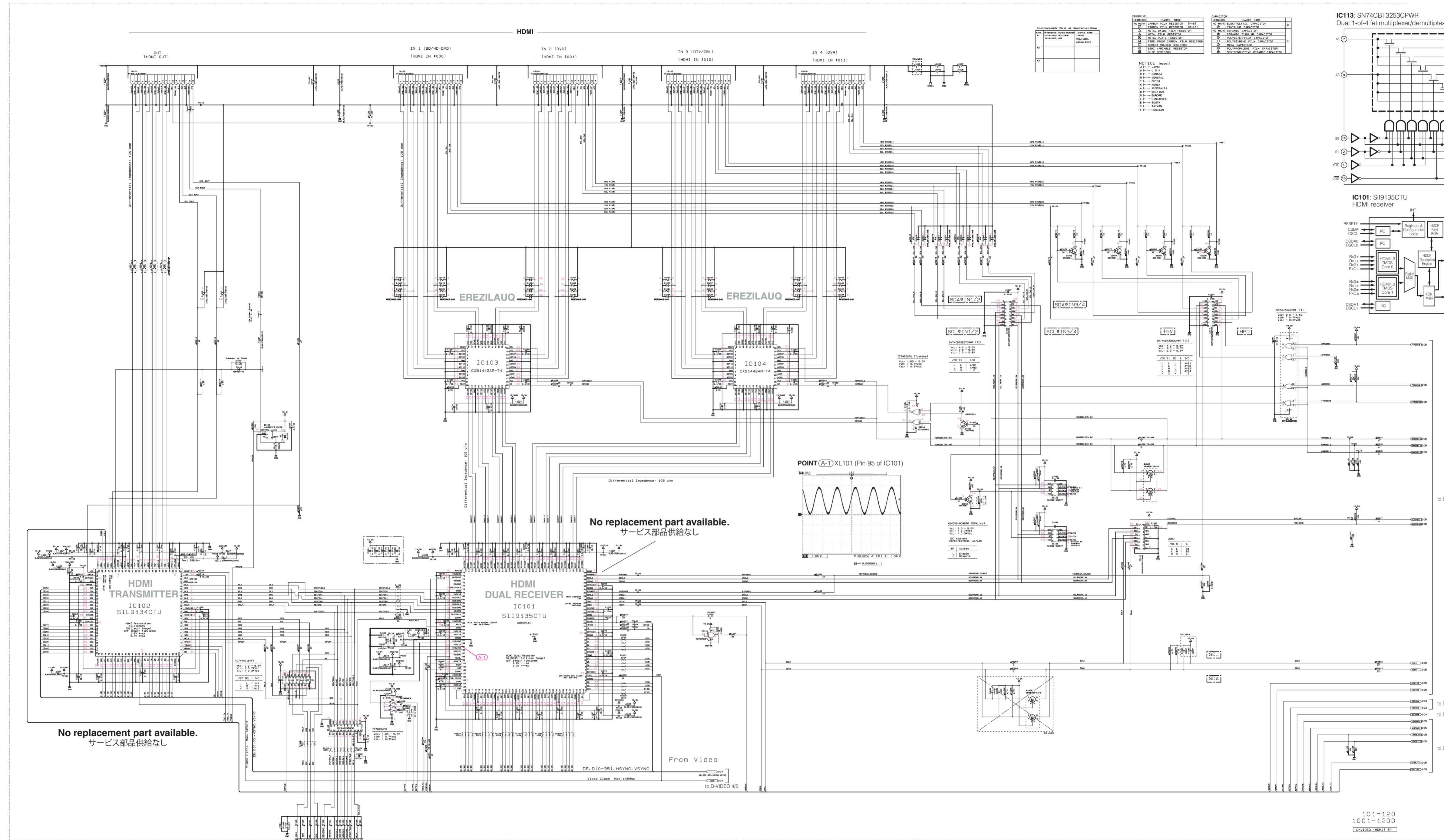
POINT (D-1) XL210 (Pin 9 of IC202)



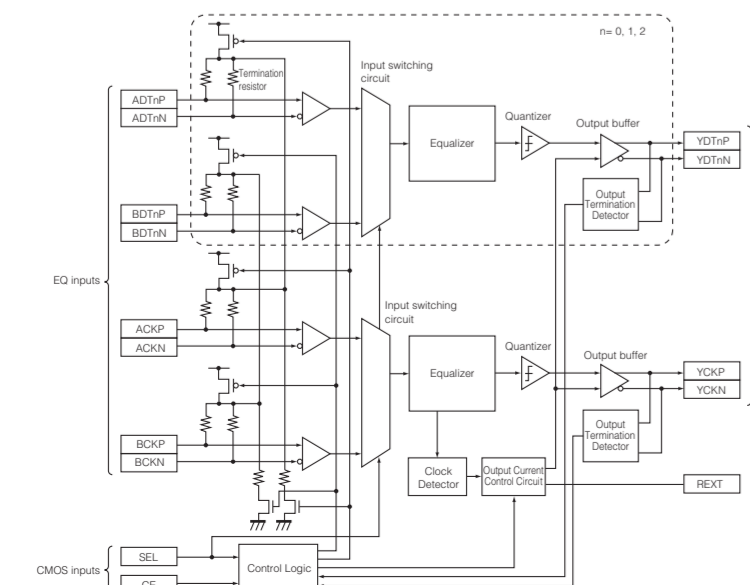
* All voltages are measured with a 10MΩ DC electronic voltmeter.
 * Components having special characteristics are marked with a triangle and must be replaced with parts matching specifications or those originally installed.
 * Schematic diagram is subject to change without notice.

● 電圧は、内部抵抗10MΩの電圧計で測定したものです。
 ● 印のある部品は、安全性確保部品を示しています。部品の交換が必要な場合、パーツリストに記載されている部品を使用してください。
 ● 本回路図は標準回路図です。改良のため予告なく変更することがございます。

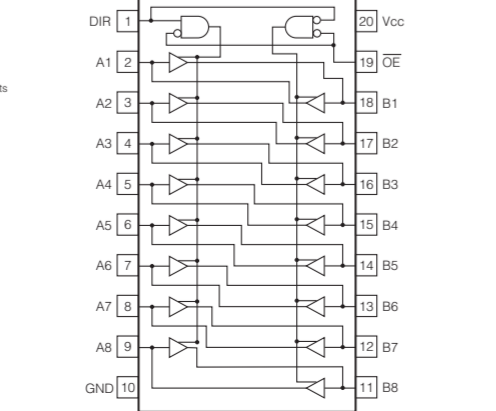
D-VIDEO 1/5



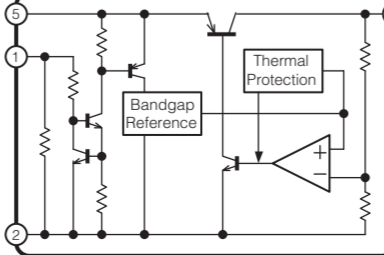
IC103, 104: CXB1442AR-T4
Cable equalizer with 2-system switching function



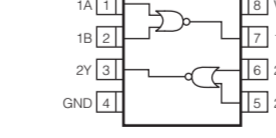
IC105: SN74LVC245APWR
Octal bus transceivers with 3-state outputs



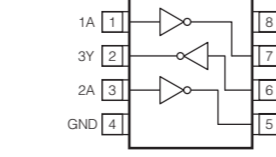
IC106: NJM2867F3-05
Low dropout voltage regulator



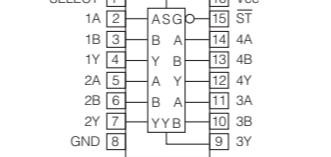
IC114: TC7WZ02FK
2 input nor gate



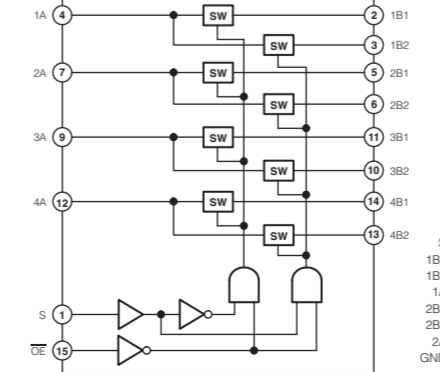
IC107: TC7WZ04FK
Triple inverter



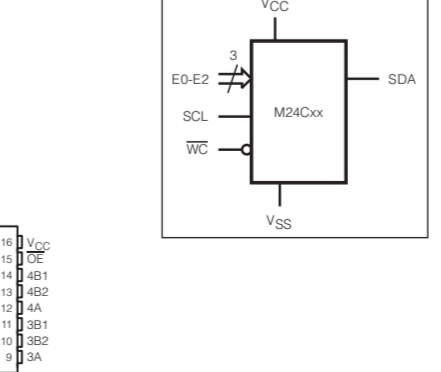
IC108: TC74VHC157FT
Quad 2-channel multiplexer



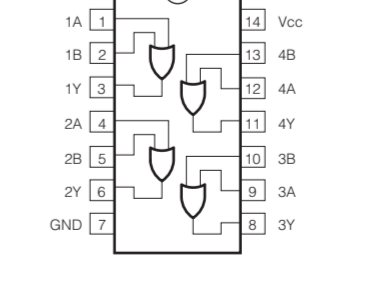
IC109, 112: SN74CBT3257CPWR
4-bit 1-of-2 1et multiplexer/demultiplexer



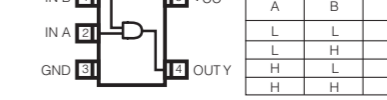
IC110, 111: M24C02-WDWP
2 K-bit serial I2C bus EEPROM



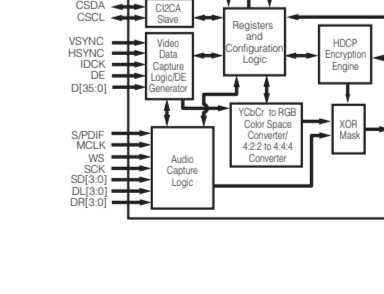
IC115: SN74LV32APWR
Quaduple 2-input positive-OR gates



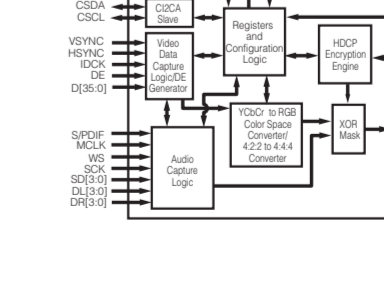
IC116: TC7SET08FU
2 input AND gate



IC102: SiI9134CTU
HDMI transmitter



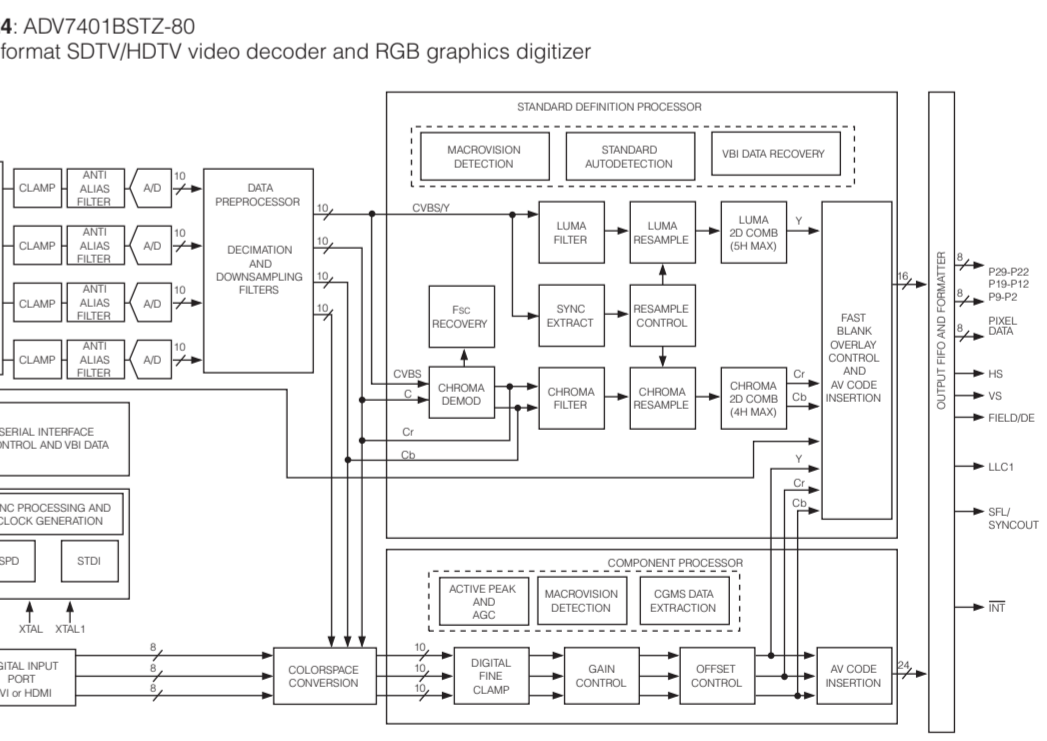
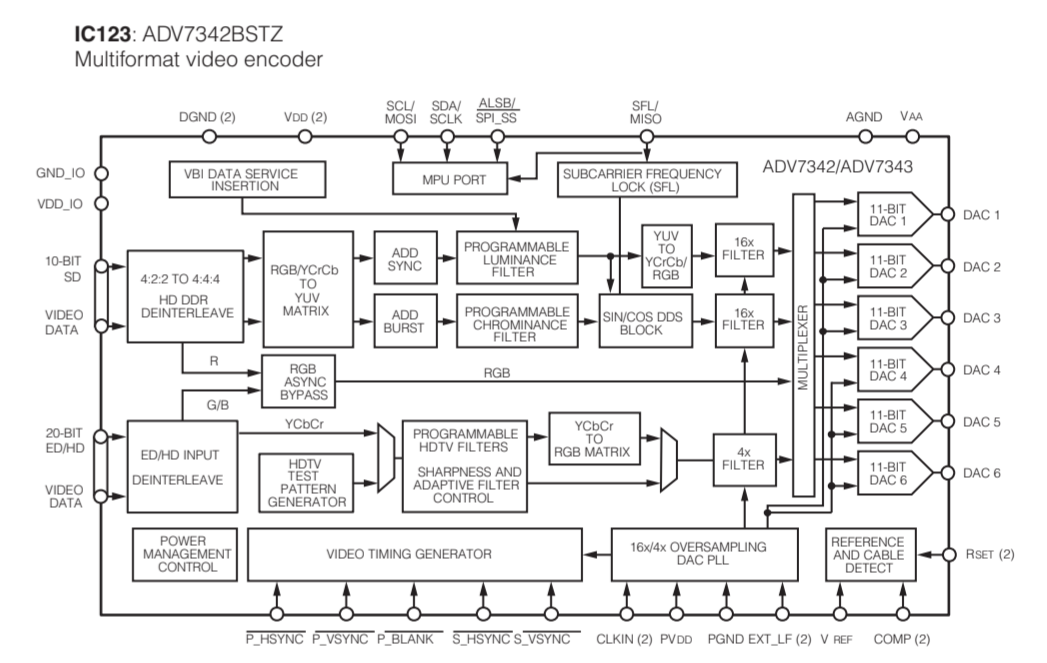
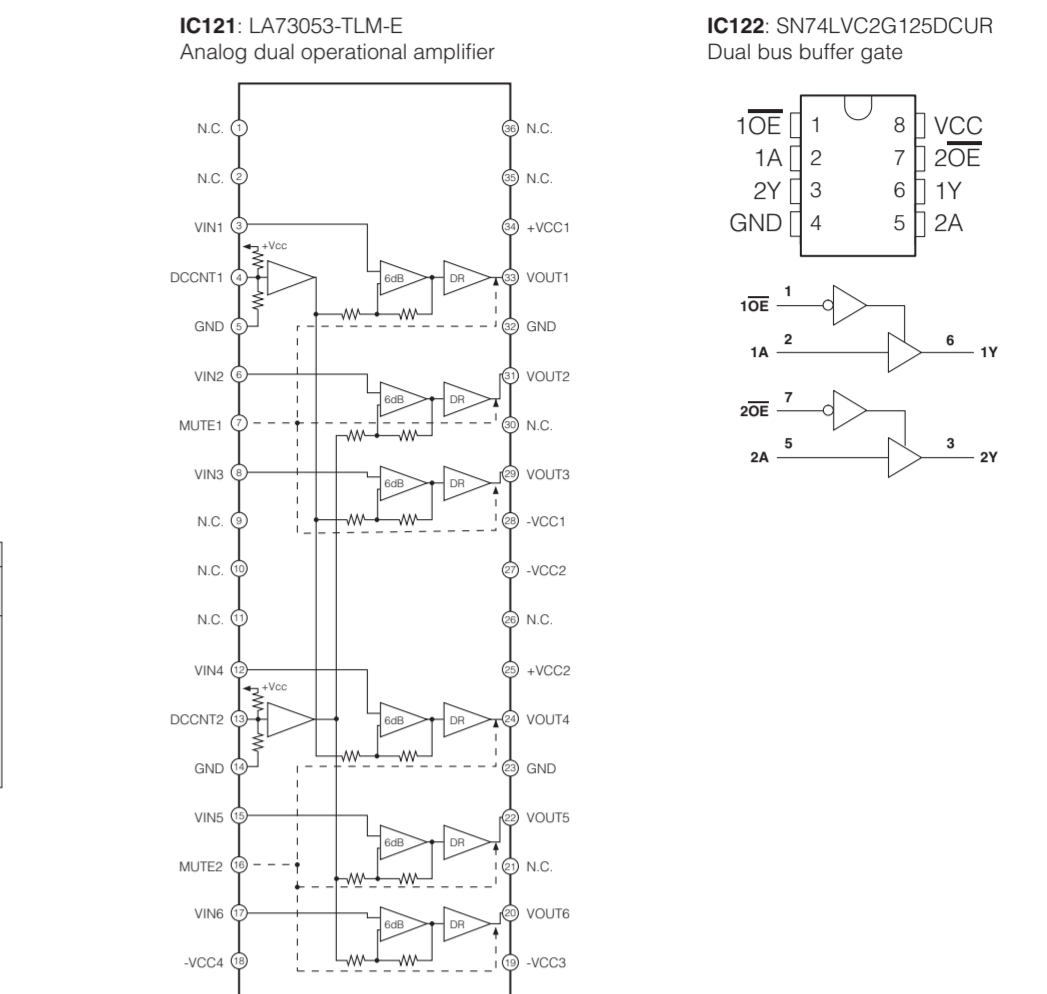
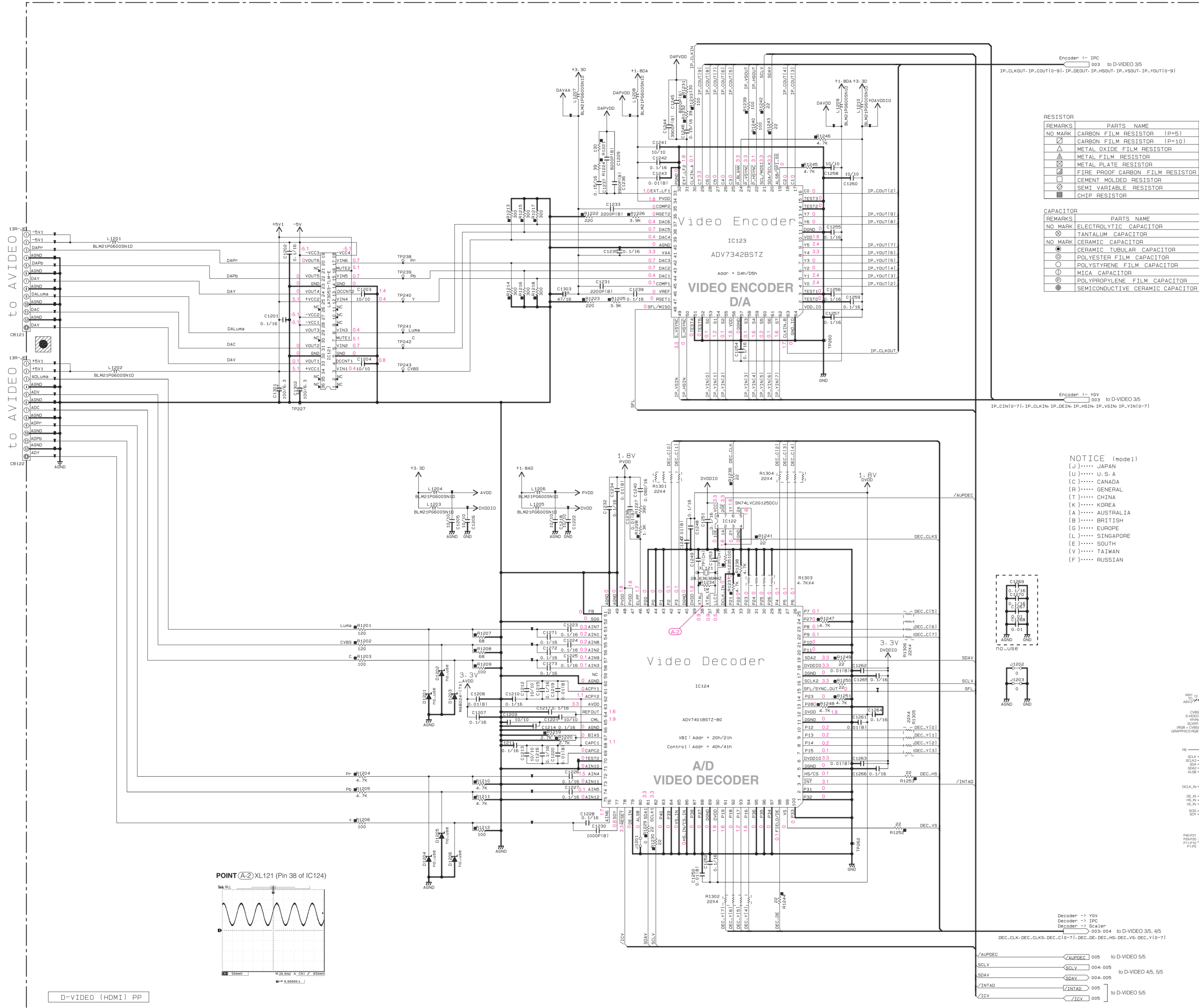
IC101: SiI9135CTU
HDMI receiver



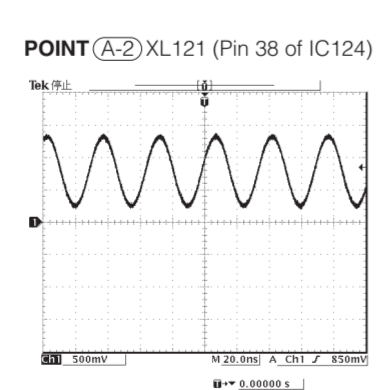
- ★ All voltages are measured with a 10MΩ/V DC electronic voltmeter.
- ★ Components having special characteristics are marked with a triangle (▲), and must be replaced with parts having specifications equal to those originally installed.
- ★ Schematic diagram is subject to change without notice.
- 電圧は、内部抵抗10MΩの電圧計で測定したものです。
- ▲印のある部品は、安全性確保部品を示しています。部品の交換が必要な場合、パーツリストに記載されている部品を使用してください。
- 本回路図は標準回路図です。改良のため予告なく変更することがございます。

101-120
1001-1200
D-VIDEO HDMI 1/5

D-VIDEO 2/5



NOTICE (model)
 (J)..... JAPAN
 (U)..... U.S.A
 (C)..... CANADA
 (R)..... GENERAL
 (T)..... CHINA
 (K)..... KOREA
 (A)..... AUSTRALIA
 (B)..... BRITISH
 (G)..... EUROPE
 (L)..... SINGAPORE
 (V)..... TAIWAN
 (F)..... RUSSIAN



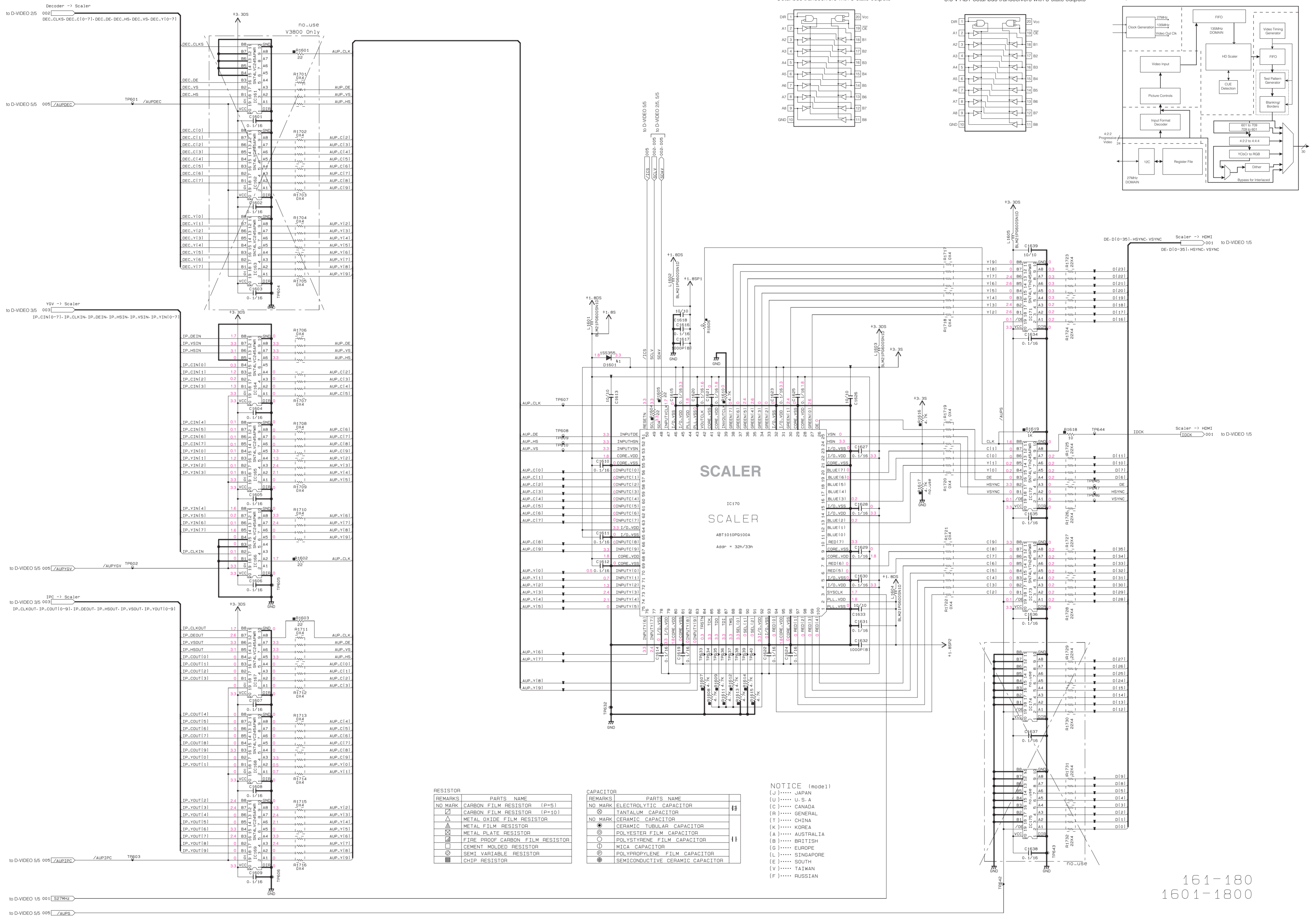
Decoder -> YGV
 Decoder -> JPC
 Decoder -> SCLV
 Decoder -> SDAV
 Decoder -> INTAD
 Decoder -> /ZICV

121-140
 1201-1400
 Video Encoder
 Video Decoder

* All voltages are measured with a 10MQ/V DC electronic voltmeter.
 * Components having special characteristics are marked with a triangle, and must be replaced with parts having specifications equal to those originally installed.
 * Schematic diagram is subject to change without notice.

●電圧は、内部抵抗10MQの電圧計で測定したものです。
 ●△印のある部品は、安全性確保部品を示しています。部品の交換が必要な場合、パーツリストに記載されている部品を使用してください。
 ●本回路図は標準回路図です。改良のため予告なく変更することがございます。

D-VIDEO 4/5



RESISTOR

REMARKS	PARTS NAME
NO MARK	CARBON FILM RESISTOR (P=5)
⊠	CARBON FILM RESISTOR (P=10)
△	METAL OXIDE FILM RESISTOR
⊡	METAL FILM RESISTOR
⊞	METAL PLATE RESISTOR
⊞	FINE PROOF CARBON FILM RESISTOR
⊞	CEMENT MOLDED RESISTOR
⊞	SEMI VARIABLE RESISTOR
■	CHIP RESISTOR

CAPACITOR

REMARKS	PARTS NAME
NO MARK	ELECTROLYTIC CAPACITOR
⊗	TANTALUM CAPACITOR
NO MARK	CERAMIC CAPACITOR
⊙	CERAMIC TUBULAR CAPACITOR
⊙	POLYESTER FILM CAPACITOR
○	POLYETHYLENE FILM CAPACITOR
⊙	MICA CAPACITOR
⊙	POLYPROPYLENE FILM CAPACITOR
⊙	SEMICONDUCTIVE CERAMIC CAPACITOR

NOTICE (model)

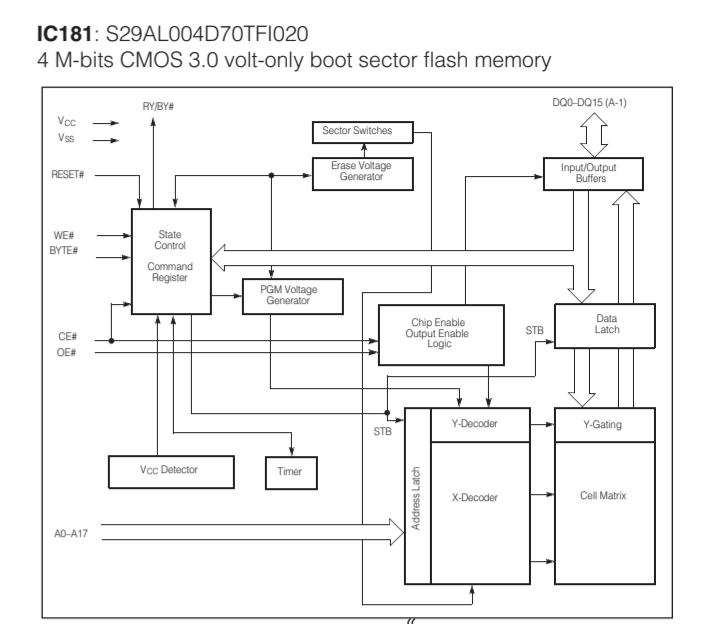
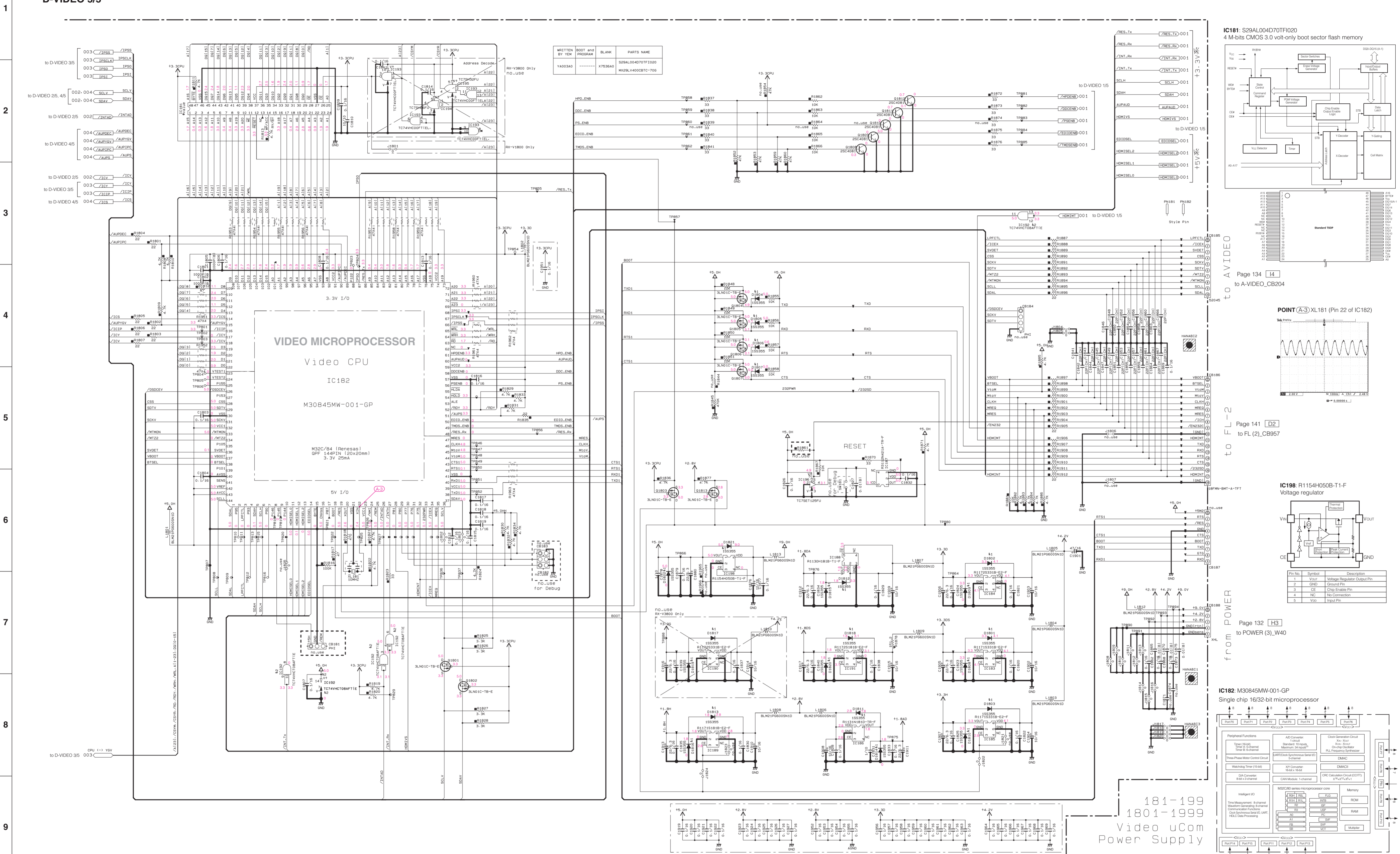
(J)..... JAPAN
 (U)..... U.S.A
 (C)..... CANADA
 (R)..... GENERAL
 (T)..... CHINA
 (K)..... KOREA
 (A)..... AUSTRALIA
 (B)..... BRITISH
 (O)..... EUROPE
 (L)..... SINGAPORE
 (E)..... SOUTH
 (V)..... TAIWAN
 (F)..... RUSSIAN

161-180
 1601-1800
 Scaler

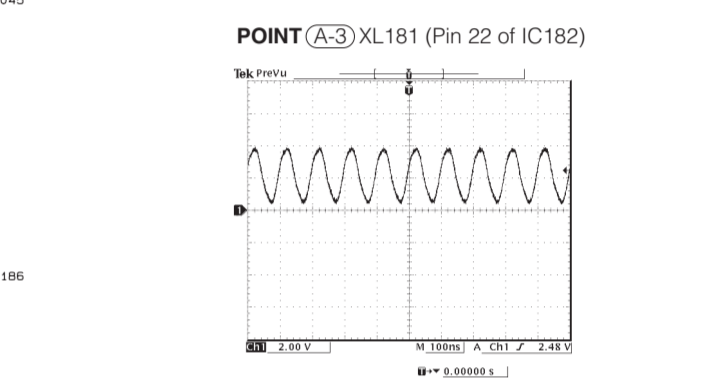
★ All voltages are measured with a 10MΩV DC electronic voltmeter.
 ★ Components having special characteristics are marked with a triangle and must be replaced with parts having specifications equal to those originally installed.
 ★ Schematic diagram is subject to change without notice.

●電圧は、内部抵抗10MΩの電圧計で測定したものです。
 ●△印のある部品は、安全性確保部品を示しています。部品の交換が必要な場合、パーツリストに記載されている部品を使用してください。
 ●本回路図は標準回路図です。改良のため予告なく変更することがあります。

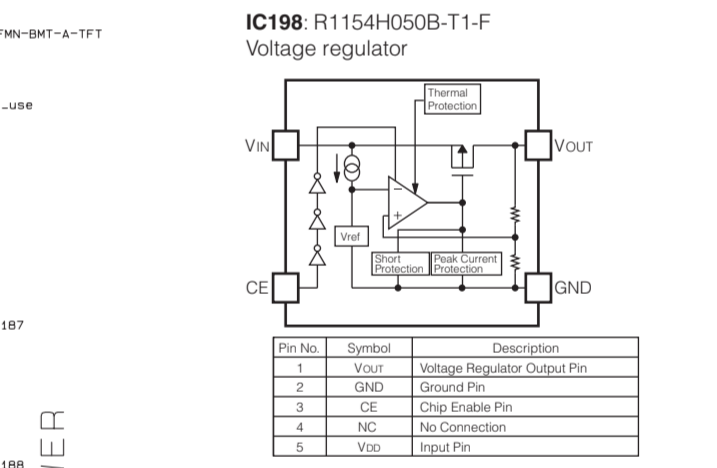
D-VIDEO 5/5



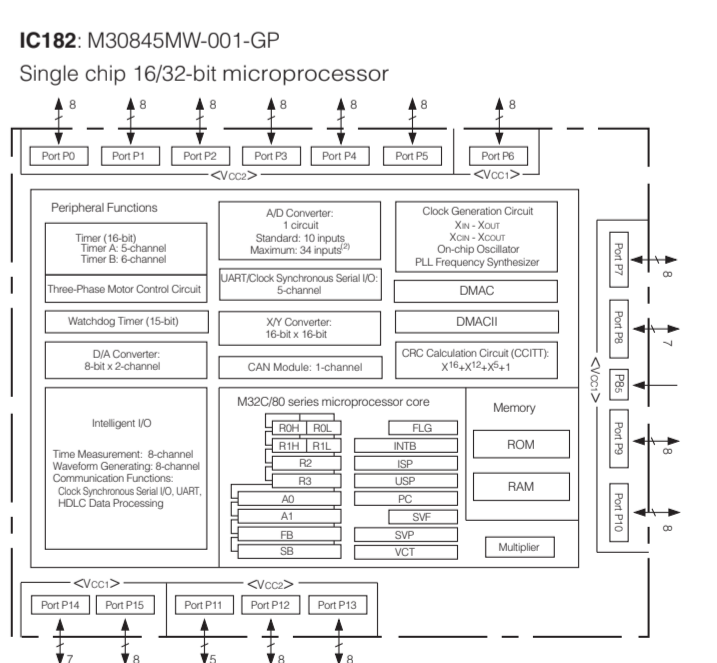
Page 134 [14] to A-VIDEO_CB204



Page 141 [D2] to FL(2)_CB957



Page 132 [H3] to POWER(3)_W40



NOTE: Pins P11 to P15 provided in the 144-pin package only. 2 included in the 144-pin package only.

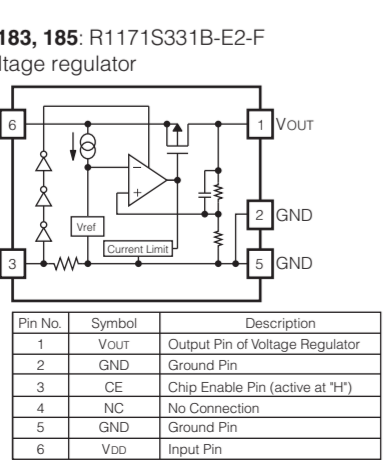


Table with 2 columns: Pin No., Symbol, Description. Rows include Vout, GND, CE, Vcc, GND, Vcc.

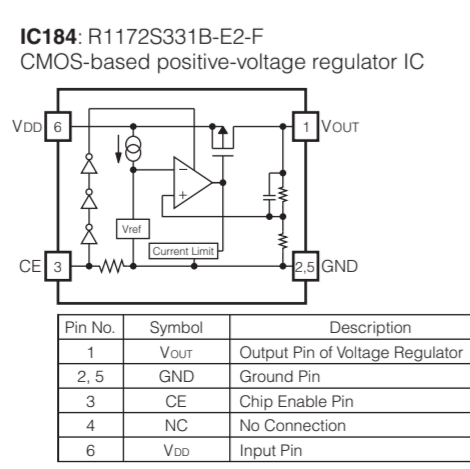


Table with 2 columns: Pin No., Symbol, Description. Rows include Vout, Vcc, GND, CE, GND, Vcc.

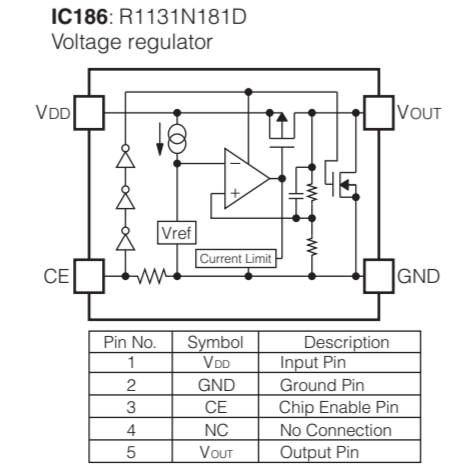


Table with 2 columns: Pin No., Symbol, Description. Rows include Vout, Vcc, GND, CE, GND, Vcc.

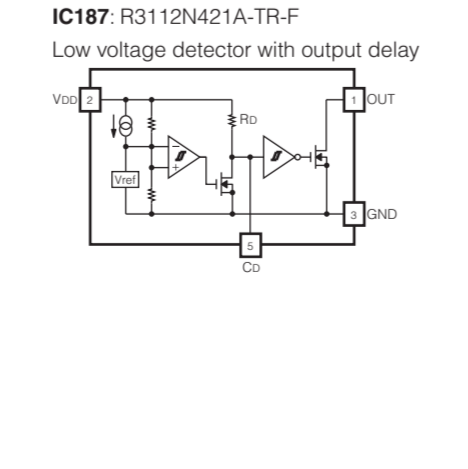


Table with 2 columns: Pin No., Symbol, Description. Rows include Vout, Vcc, GND, CE, GND, Vcc.

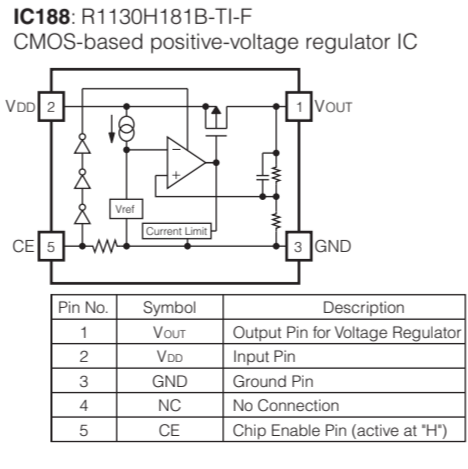


Table with 2 columns: Pin No., Symbol, Description. Rows include Vout, Vcc, GND, CE, GND, Vcc.

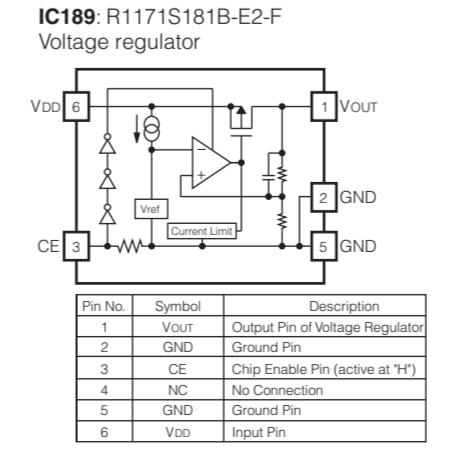


Table with 2 columns: Pin No., Symbol, Description. Rows include Vout, Vcc, GND, CE, GND, Vcc.

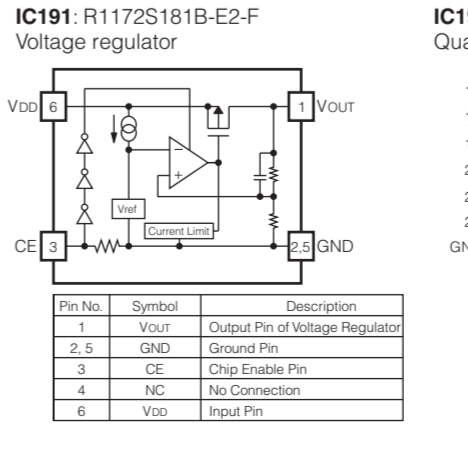


Table with 2 columns: Pin No., Symbol, Description. Rows include Vout, Vcc, GND, CE, GND, Vcc.

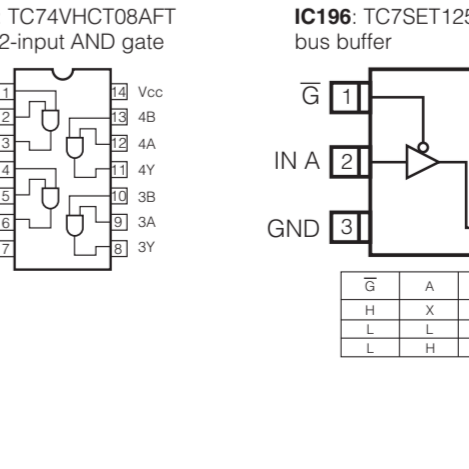


Table with 2 columns: Pin No., Symbol, Description. Rows include Vout, Vcc, GND, CE, GND, Vcc.

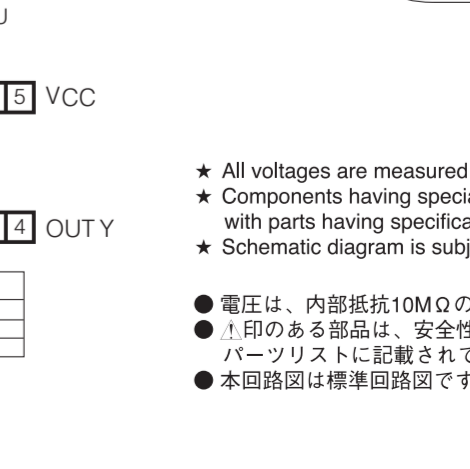
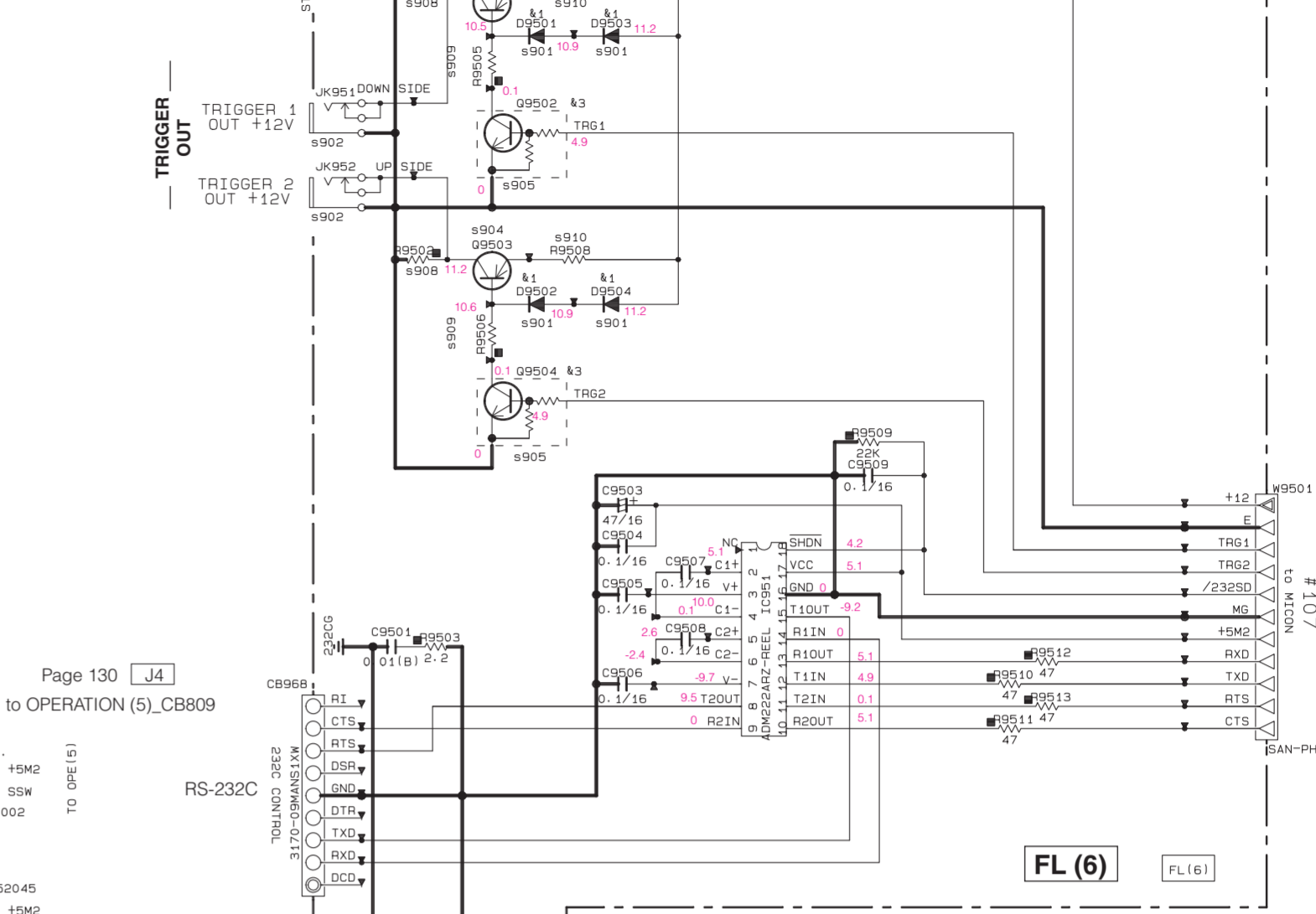
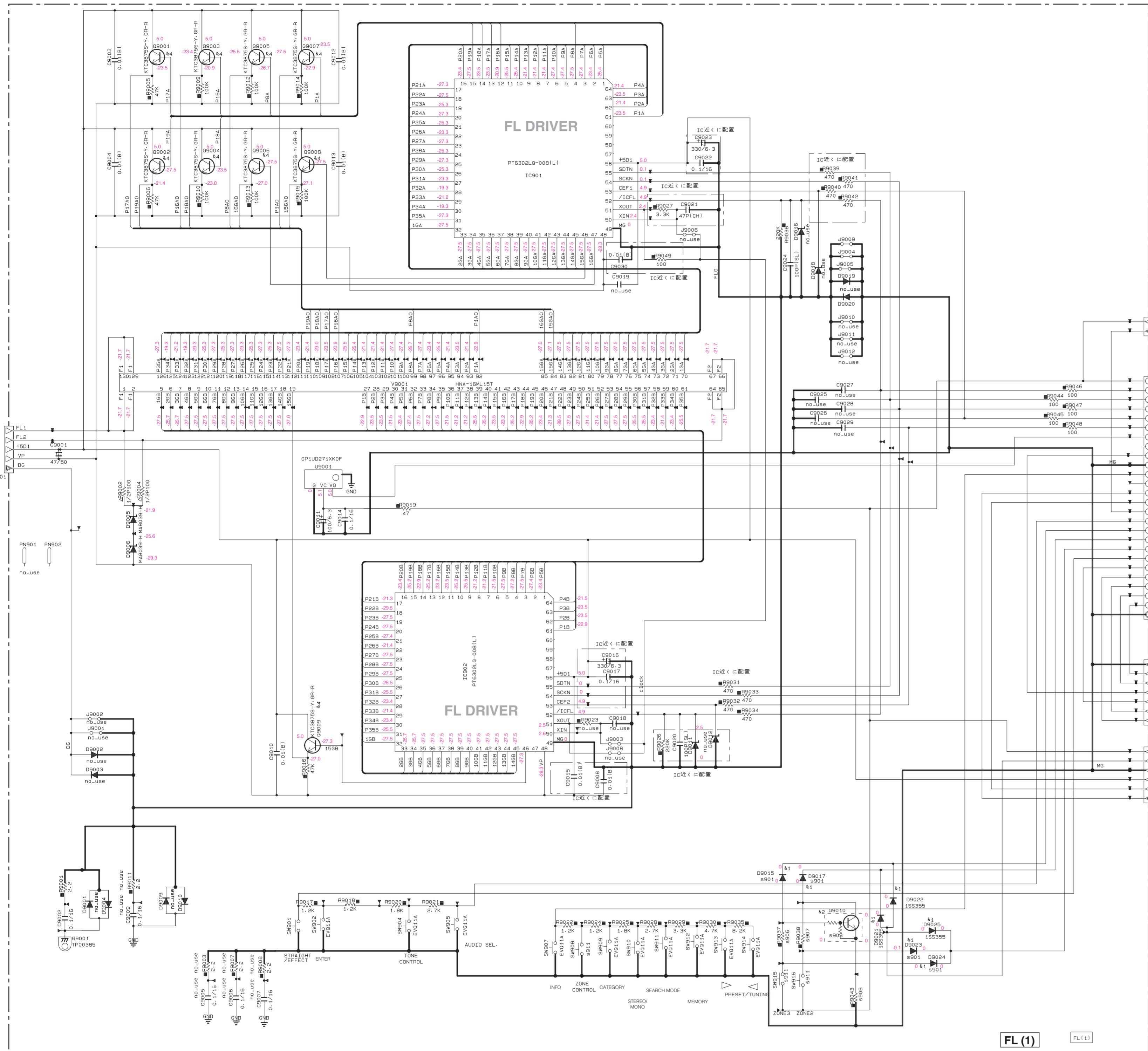


Table with 2 columns: Pin No., Symbol, Description. Rows include Vout, Vcc, GND, CE, GND, Vcc.

* All voltages are measured with a 10MΩ/V DC electronic voltmeter. * Components having special characteristics are marked with a triangle and must be replaced with parts having specifications equal to those originally installed. * Schematic diagram is subject to change without notice.



Page 130 [J4]
to OPERATION (5)_CB809

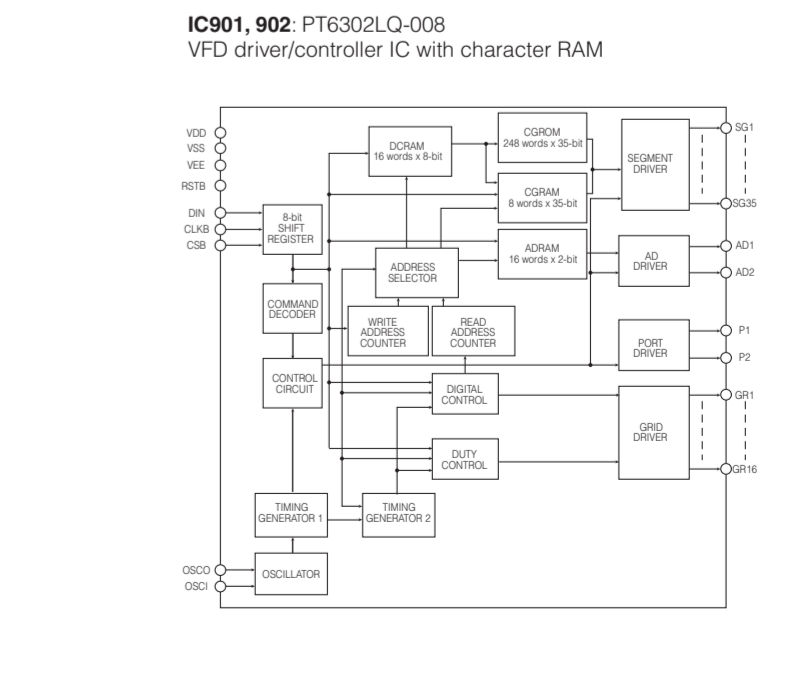
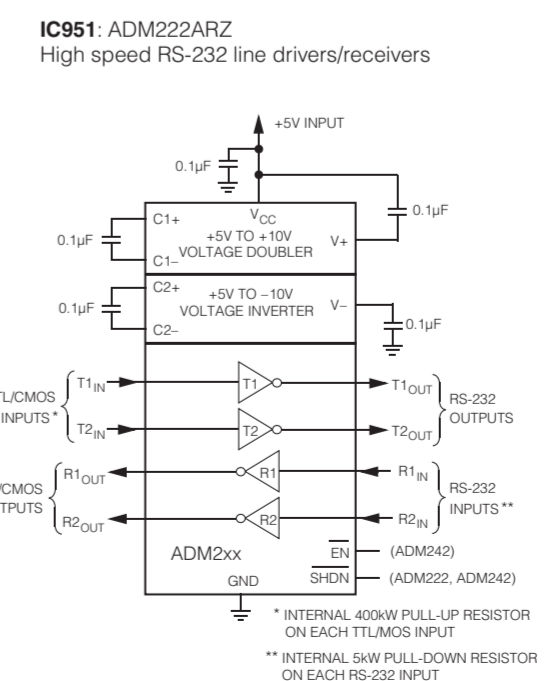
Page 141 [K5]
to FL (2)_CB970

Page 130 [L3]
to OPERATION (4)_CB812

Page 130 [A2]
to OPERATION (1)_CB801

sXX	LOC	J	U.C.R.T.K.A.B.G.L.E
s901	D9015	X	VT3290
	D9017		153395
	D9018		
	D9019		
	D9020		
	D9021		
	D9022		
	D9023		
	D9024		
	D9025		
	D9026		
	D9027		
	D9028		
	D9029		
	D9030		
	D9031		
	D9032		
	D9033		
	D9034		
	D9035		
	D9036		
	D9037		
	D9038		
	D9039		
	D9040		
	D9041		
	D9042		
	D9043		
	D9044		
	D9045		
	D9046		
	D9047		
	D9048		
	D9049		
	D9050		
	D9051		
	D9052		
	D9053		
	D9054		
	D9055		
	D9056		
	D9057		
	D9058		
	D9059		
	D9060		
	D9061		
	D9062		
	D9063		
	D9064		
	D9065		
	D9066		
	D9067		
	D9068		
	D9069		
	D9070		
	D9071		
	D9072		
	D9073		
	D9074		
	D9075		
	D9076		
	D9077		
	D9078		
	D9079		
	D9080		
	D9081		
	D9082		
	D9083		
	D9084		
	D9085		
	D9086		
	D9087		
	D9088		
	D9089		
	D9090		
	D9091		
	D9092		
	D9093		
	D9094		
	D9095		
	D9096		
	D9097		
	D9098		
	D9099		
	D9100		

Mark	Reference Parts Number	Parts Name
11	D9015-9017-9021-9025	153395
	9501-9504	MA2J1106L
12	D9010	KDS180-RTK/P
		DTC1146KA
		KRC1025-RTK/P
13	D9020-9504	DTC1446KA
		KRC1045-RTK/P
14	D9001-9009	KTC38755-V-GR-RTK/P
		25C2412K-G/R/S1
15		



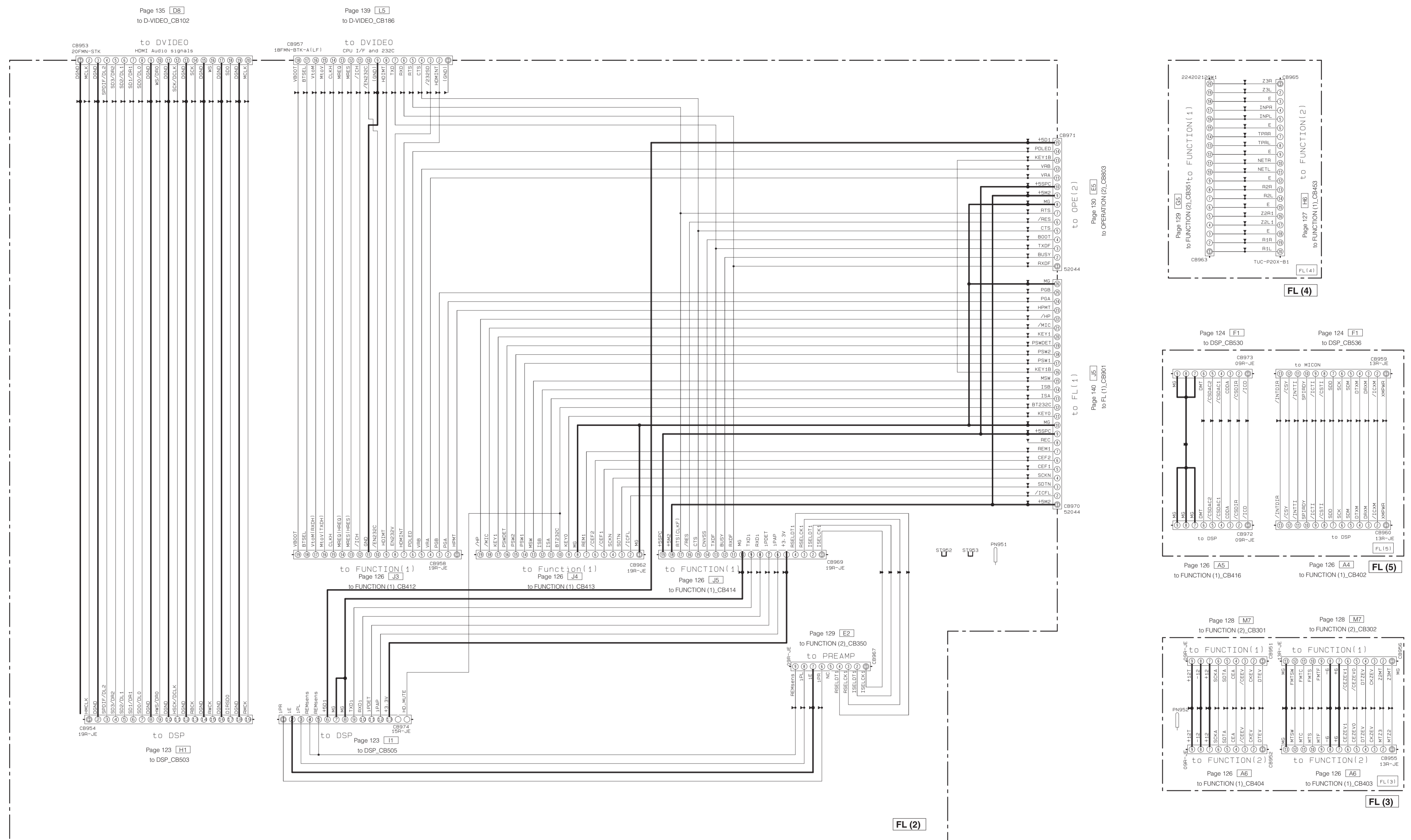
- ★ All voltages are measured with a 10MQ/V DC electronic voltmeter.
- ★ Components having special characteristics are marked !, and must be replaced with parts having specifications equal to those originally installed.
- ★ Schematic diagram is subject to change without notice.
- 電圧は、内部抵抗10MΩの電圧計で測定したものです。
- !印のある部品は、安全性確保部品を示しています。部品の交換が必要な場合、パーツリストに記載されている部品を使用してください。
- 本回路図は標準回路図です。改良のため予告なく変更することがございます。

REMARKS	PARTS NAME
NO MARK	CARBON FILM RESISTOR (P=5)
□	CARBON FILM RESISTOR (P=10)
△	METAL OXIDE FILM RESISTOR
▲	METAL FILM RESISTOR
■	METAL PLATE RESISTOR
⊗	FIRE PROOF CARBON FILM RESISTOR
□	CEMENT MOLDED RESISTOR
⊕	SEMI VARIABLE RESISTOR
■	CHIP RESISTOR

REMARKS	PARTS NAME
NO MARK	ELECTROLYTIC CAPACITOR
⊗	TANTALUM CAPACITOR
NO MARK	CERAMIC CAPACITOR
⊙	CERAMIC TUBULAR CAPACITOR
⊕	POLYESTER FILM CAPACITOR
○	POLYSTYRENE FILM CAPACITOR
⊖	MICA CAPACITOR
⊙	POLYPROPYLENE FILM CAPACITOR
⊕	SEMICONDUCTIVE CERAMIC CAPACITOR
⊙	POLYPHENYLENE SULFIDE FILM CAPACITOR

NOTICE (made in J)
(J)..... JAPAN
(U)..... U.S.A
(C)..... CANADA
(R)..... GENERAL
(K)..... CHINA
(T)..... KOREA
(A)..... AUSTRALIA
(B)..... BRITISH
(G)..... EUROPE
(L)..... SINGAPORE
(E)..... SOUTH
(V)..... TAIWAN
(F)..... RUSSIAN

FL 2/2



* All voltages are measured with a 10MΩ/V DC electronic voltmeter.
 * Components having special characteristics are marked with a triangle symbol and must be replaced with parts having specifications equal to those originally installed.
 * Schematic diagram is subject to change without notice.

● 電圧は、内部抵抗10MΩの電圧計で測定したものです。
 ● 三角形印のある部品は、安全性確保部品を示しています。部品の交換が必要な場合、パーツリストに記載されている部品を使用してください。
 ● 本回路図は標準回路図です。改良のため予告なく変更することがございます。

NET 1/2

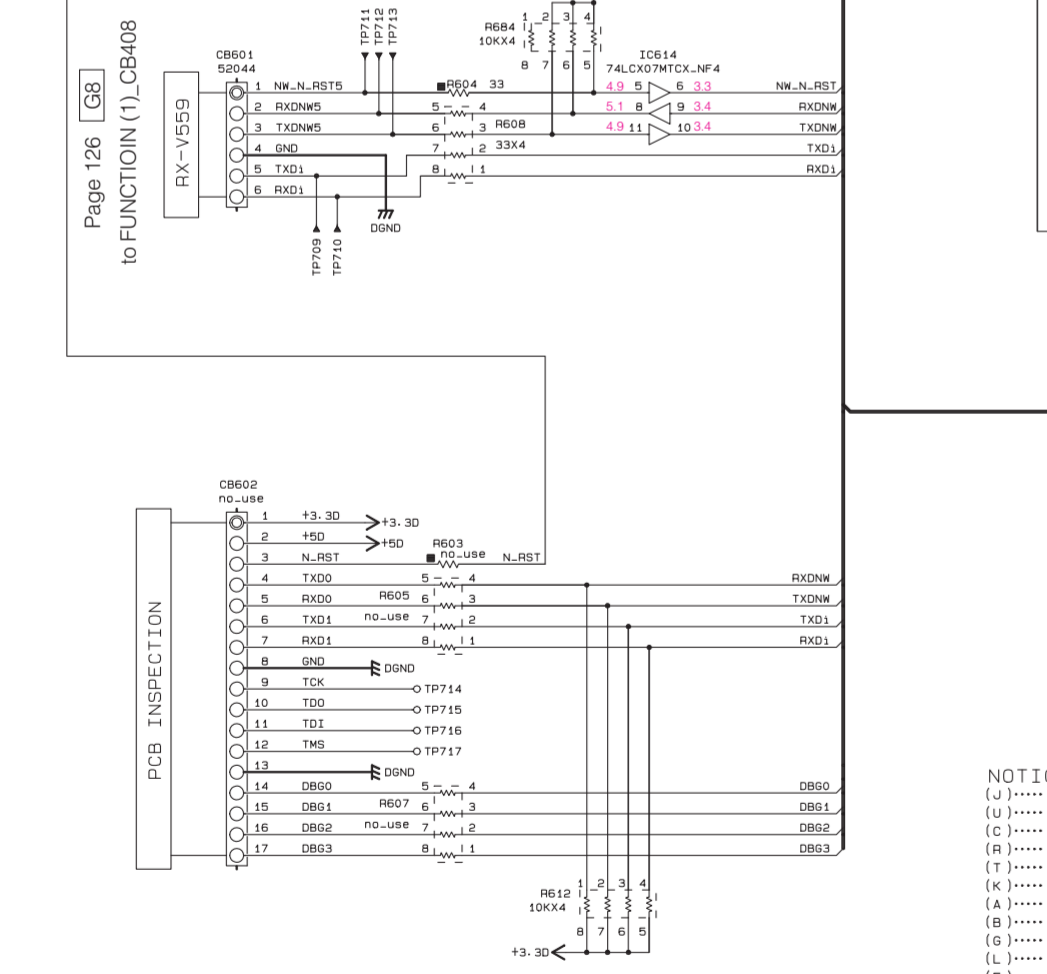
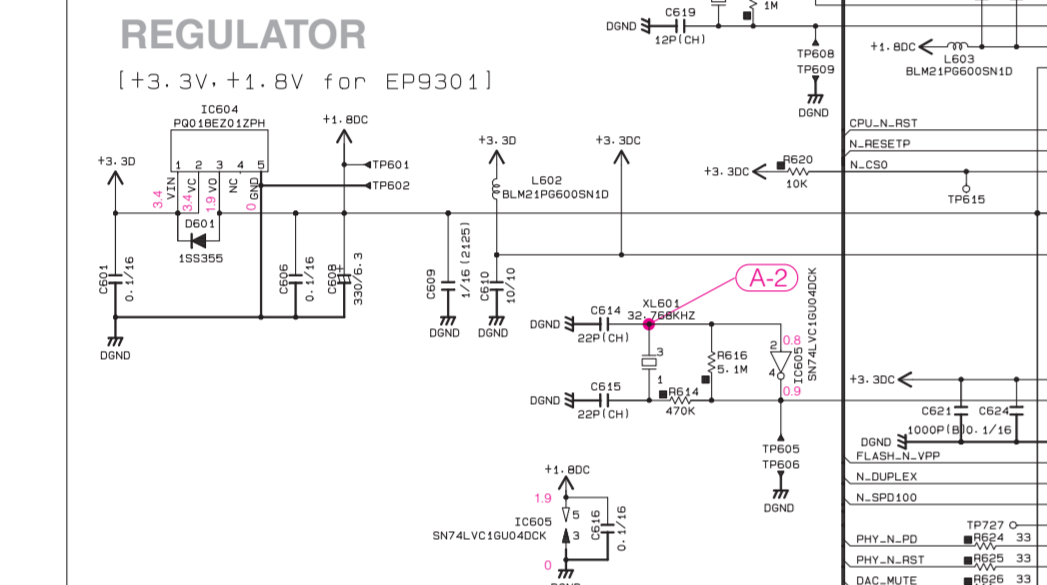
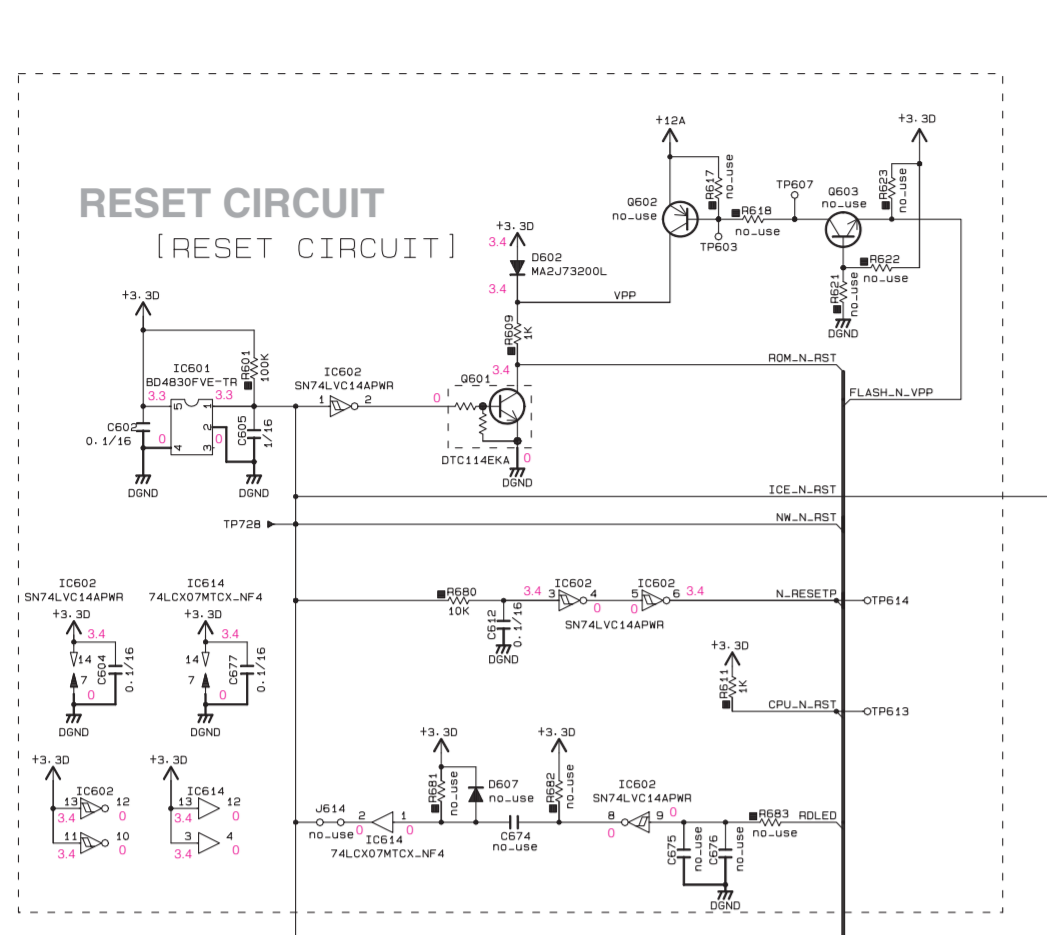
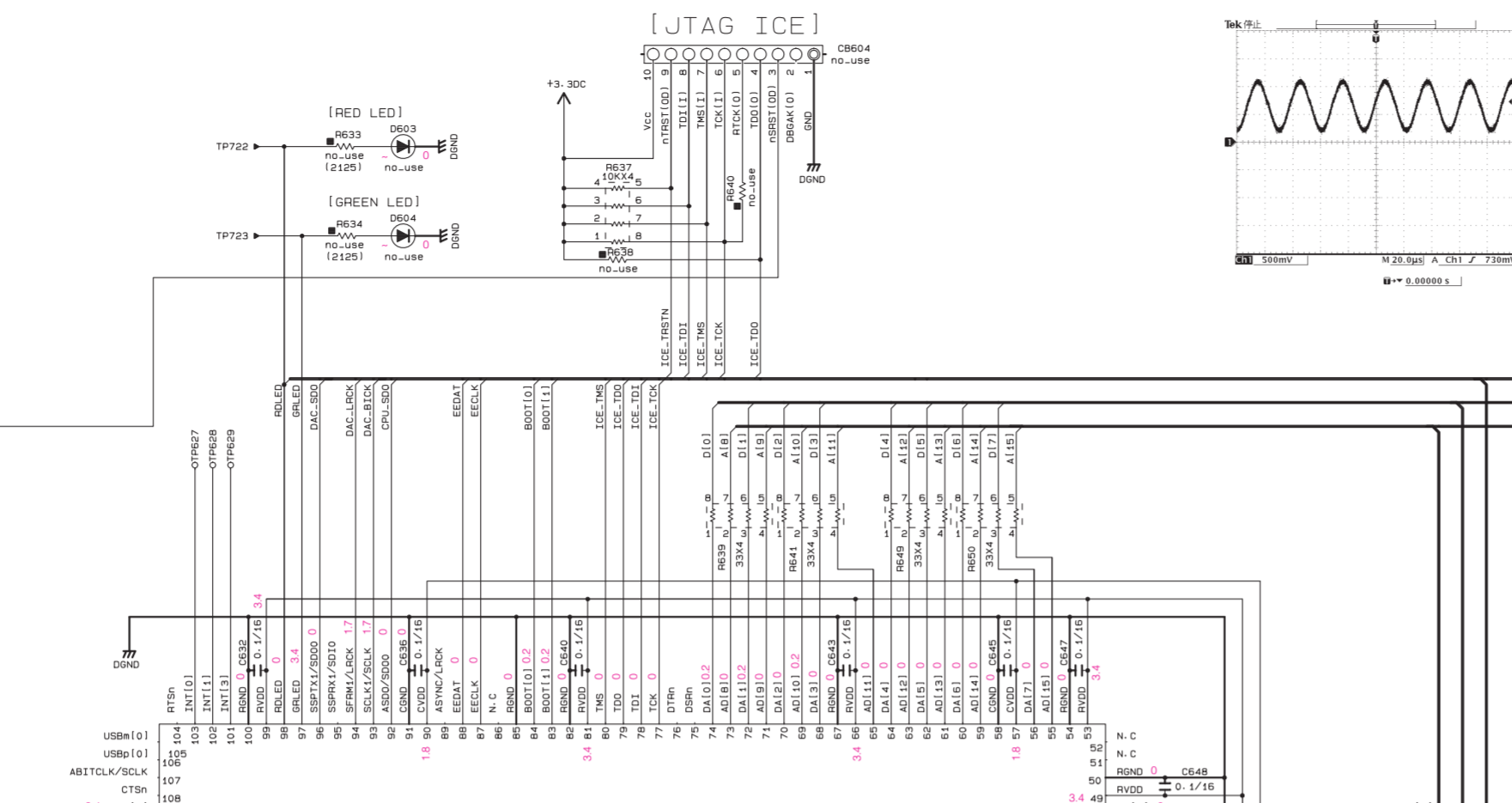
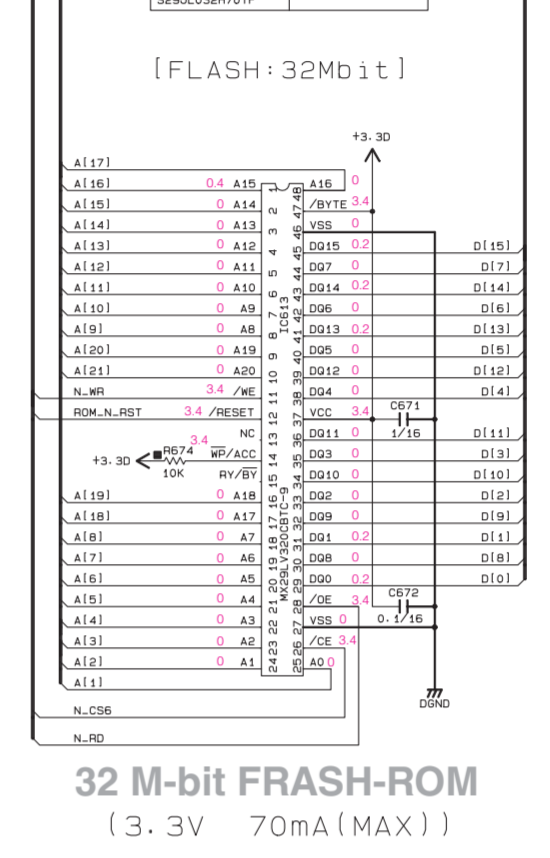
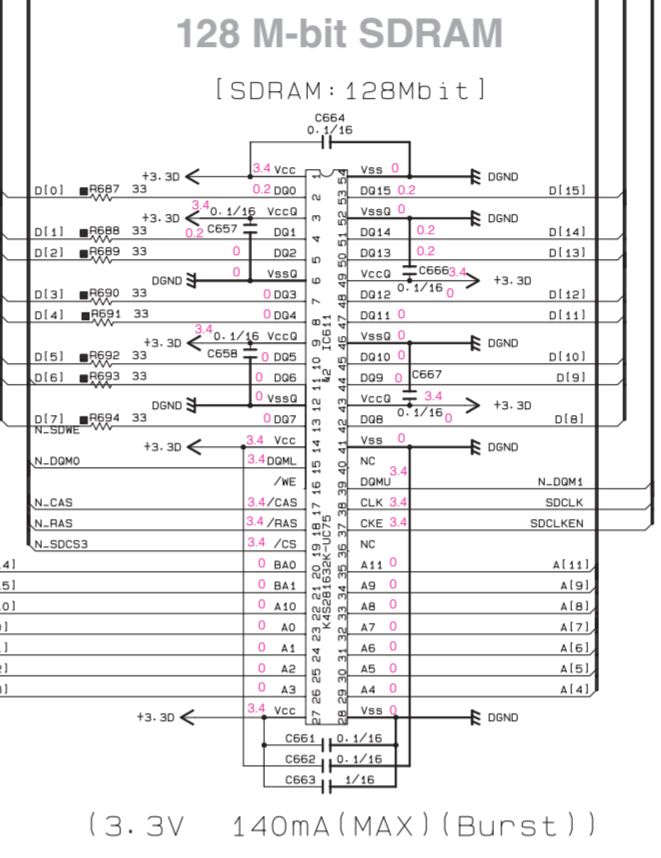
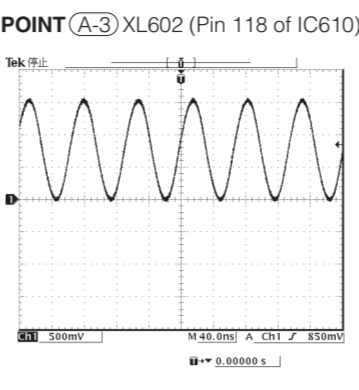
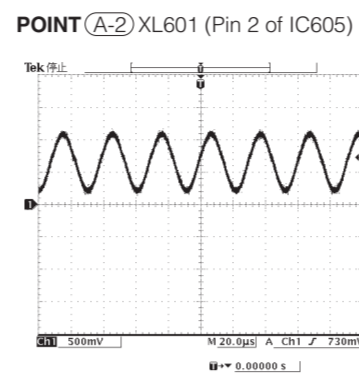
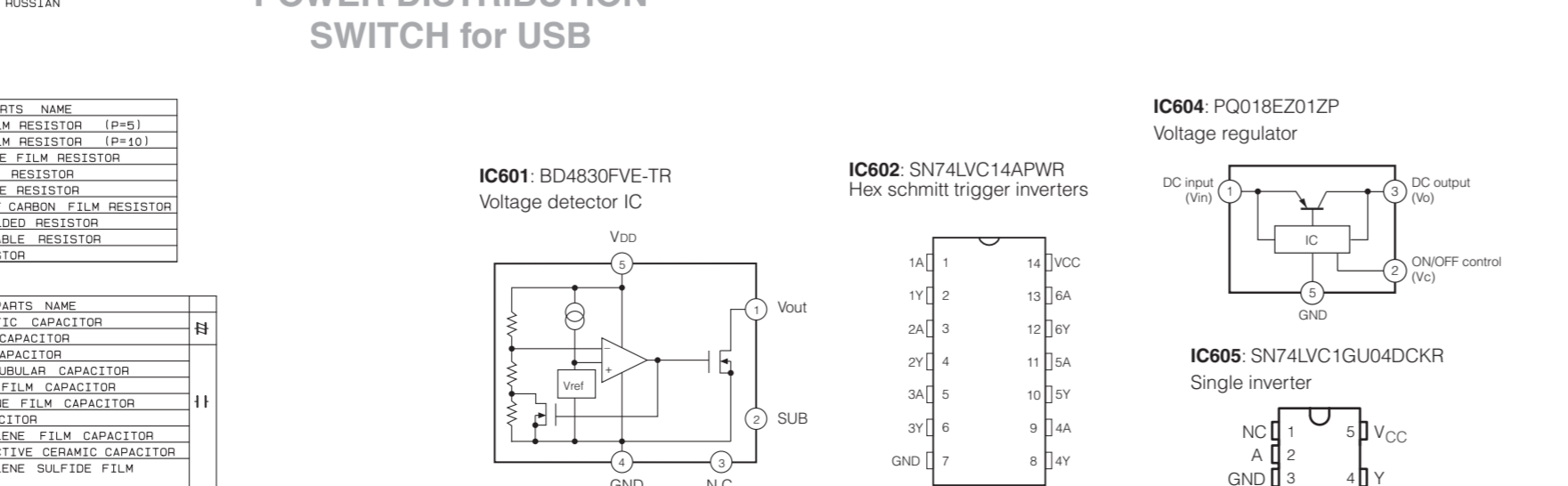
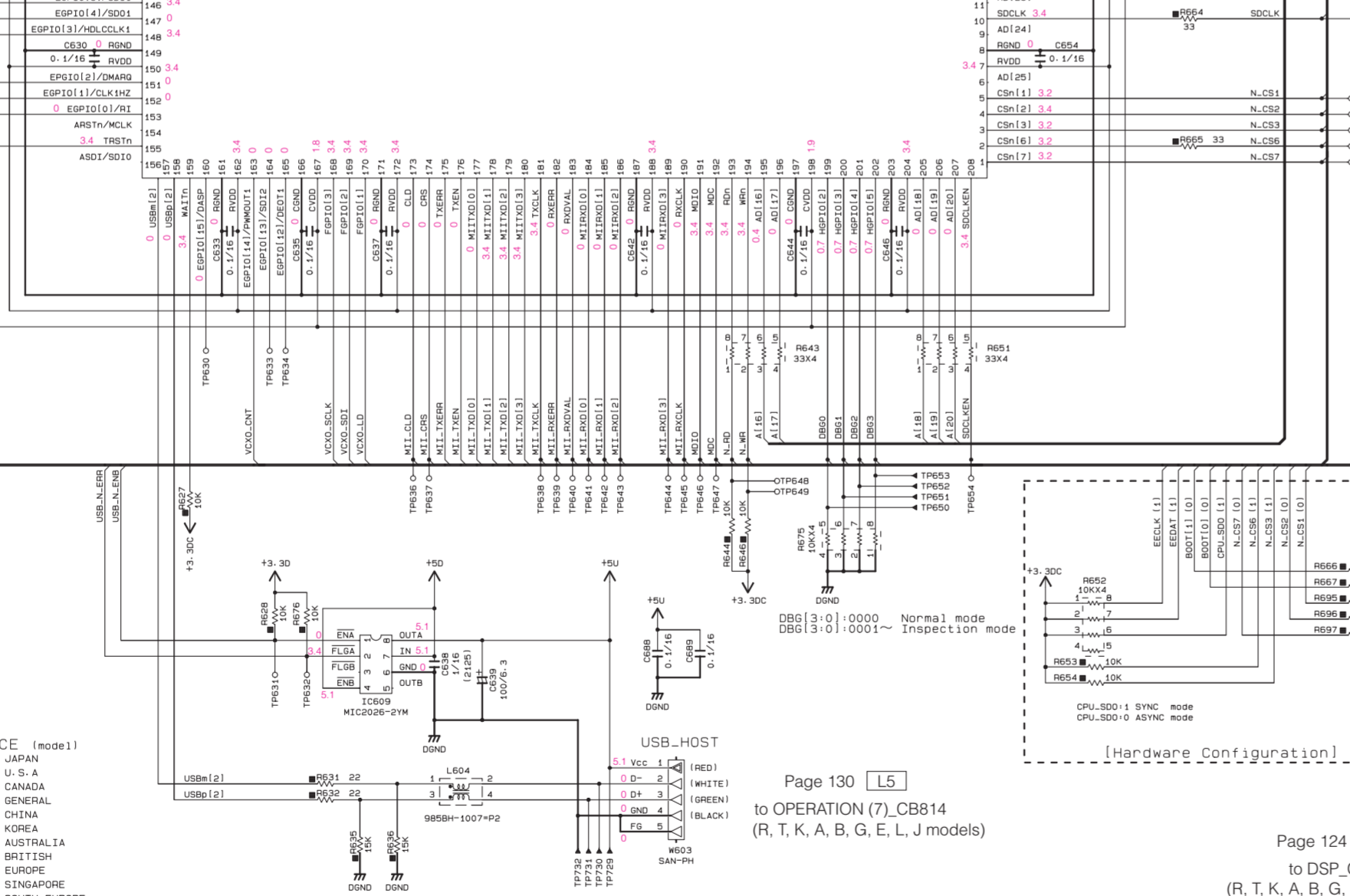


Table with 2 columns: PARTS NAME, PARTS NAME. Lists various electronic components like resistors, capacitors, and ICs used in the circuit.

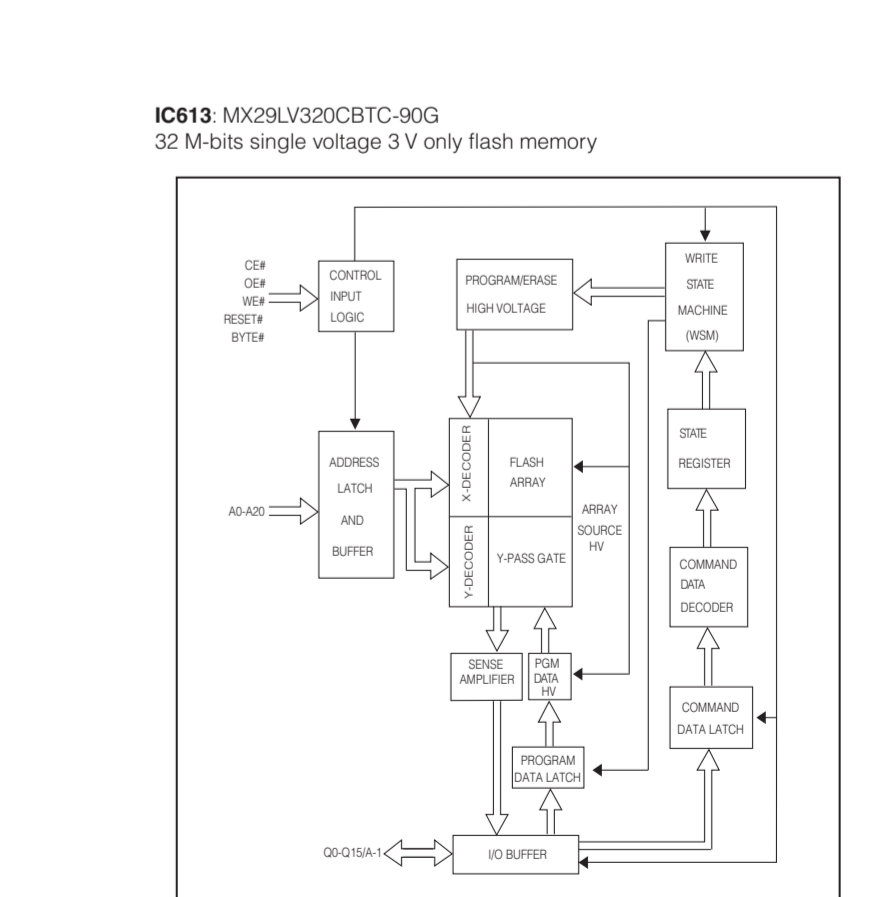
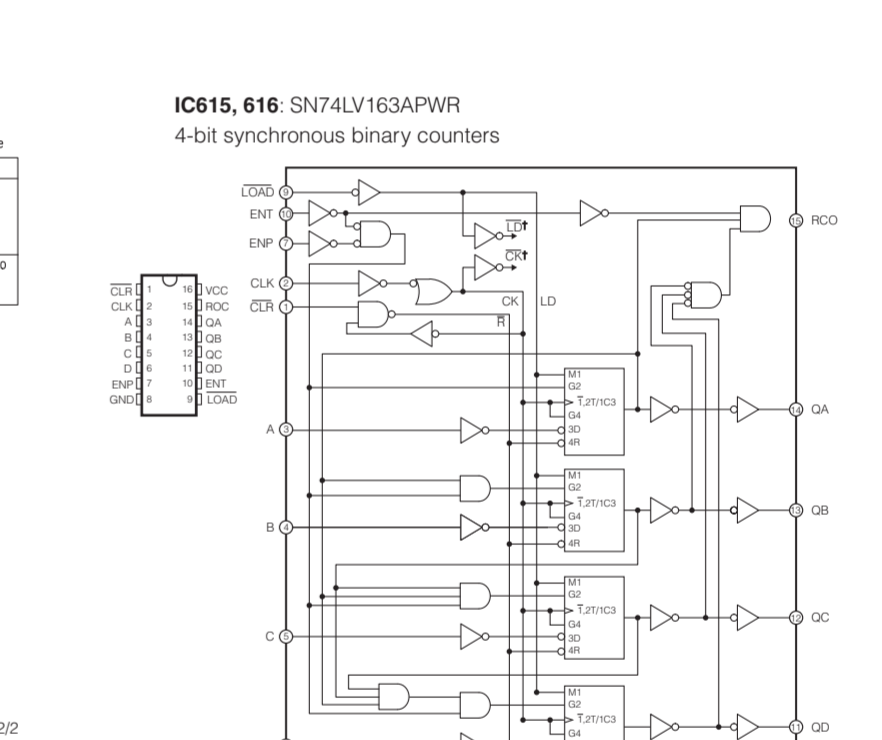
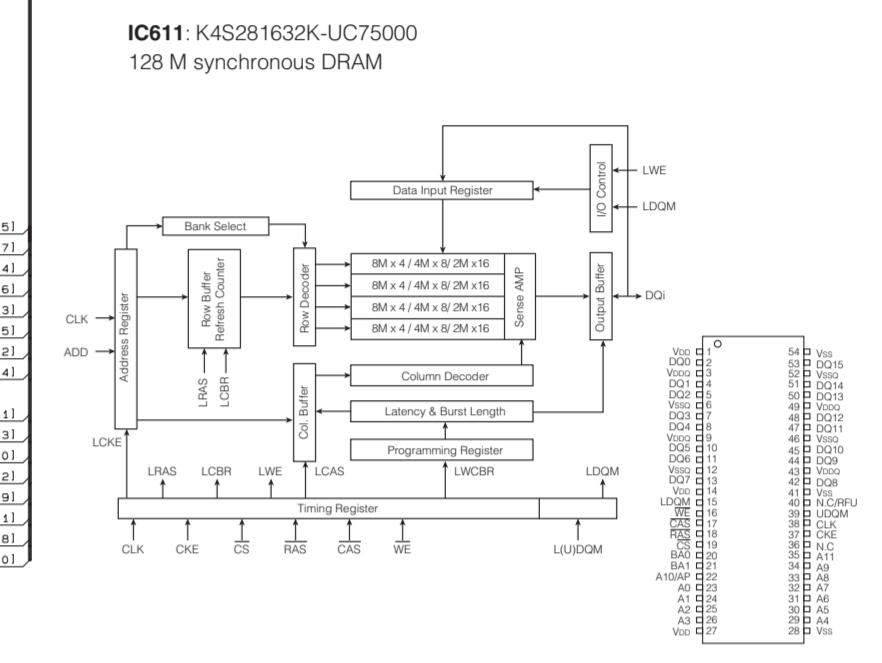
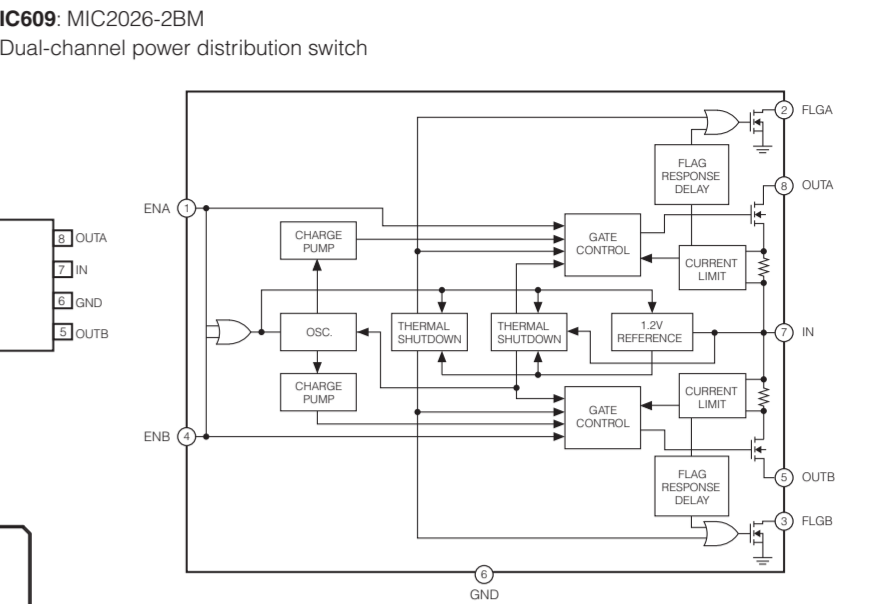
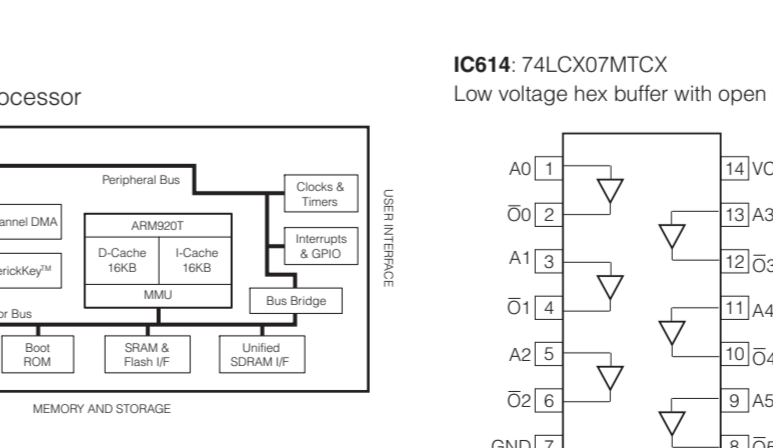
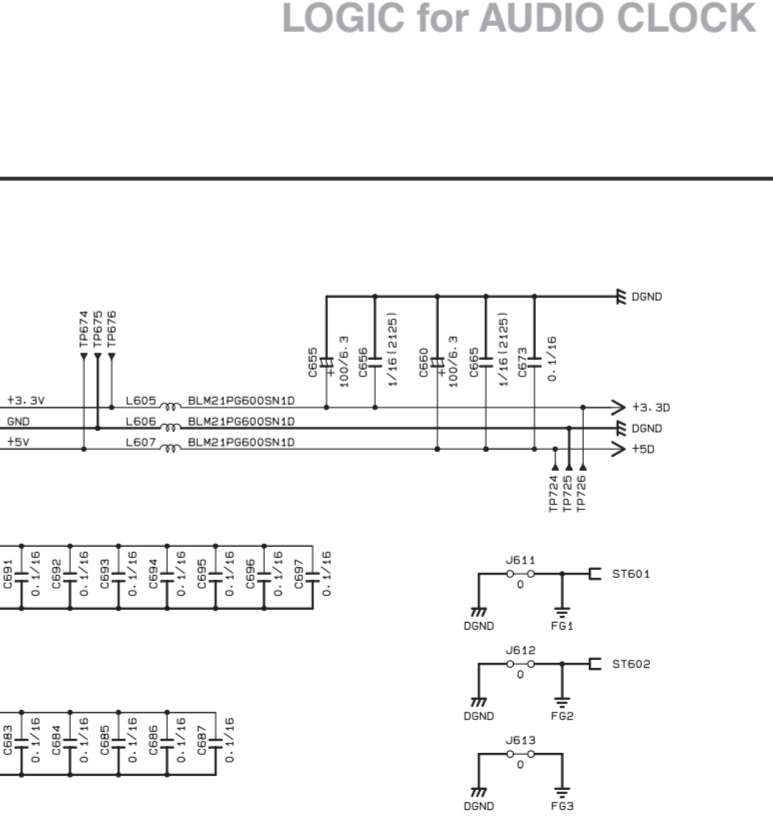
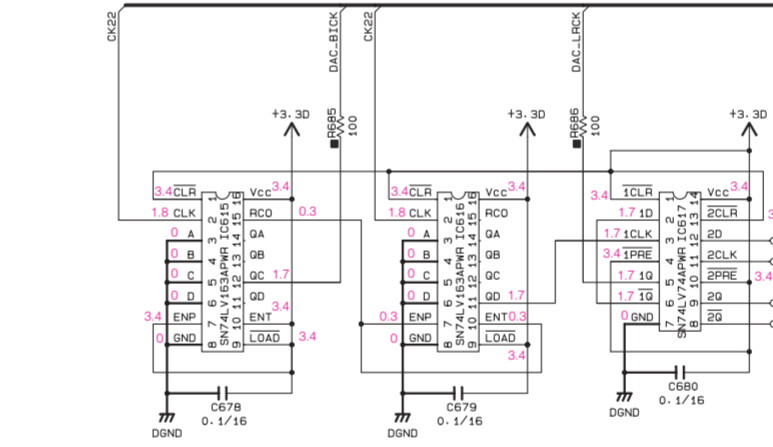
All voltages are measured with a 10MΩ/V DC electronic voltmeter. Components having special characteristics are marked with a star and must be replaced with parts having specifications equal to those originally installed.



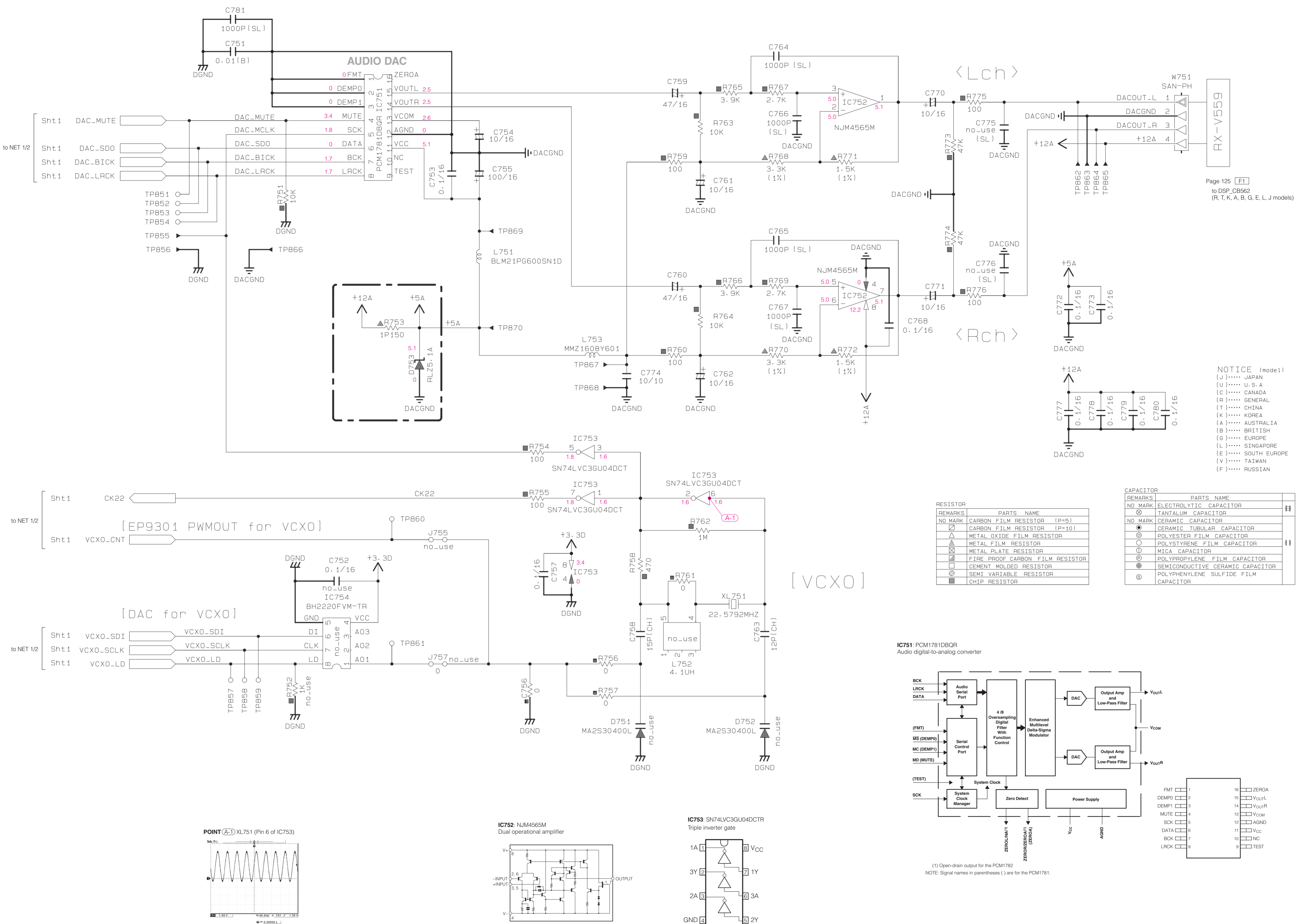
MICROPROCESSOR (NET) IC610 EP9301-CQZ (RVDD: 3.3V 45mA(TYP) 80mA(MAX)) (CVDD: 1.8V 180mA(TYP) 230mA(MAX))



Interchangeable Parts at Manufacture-Stage table with columns: Part Number, Part Name, Part Name.



NET 2/2



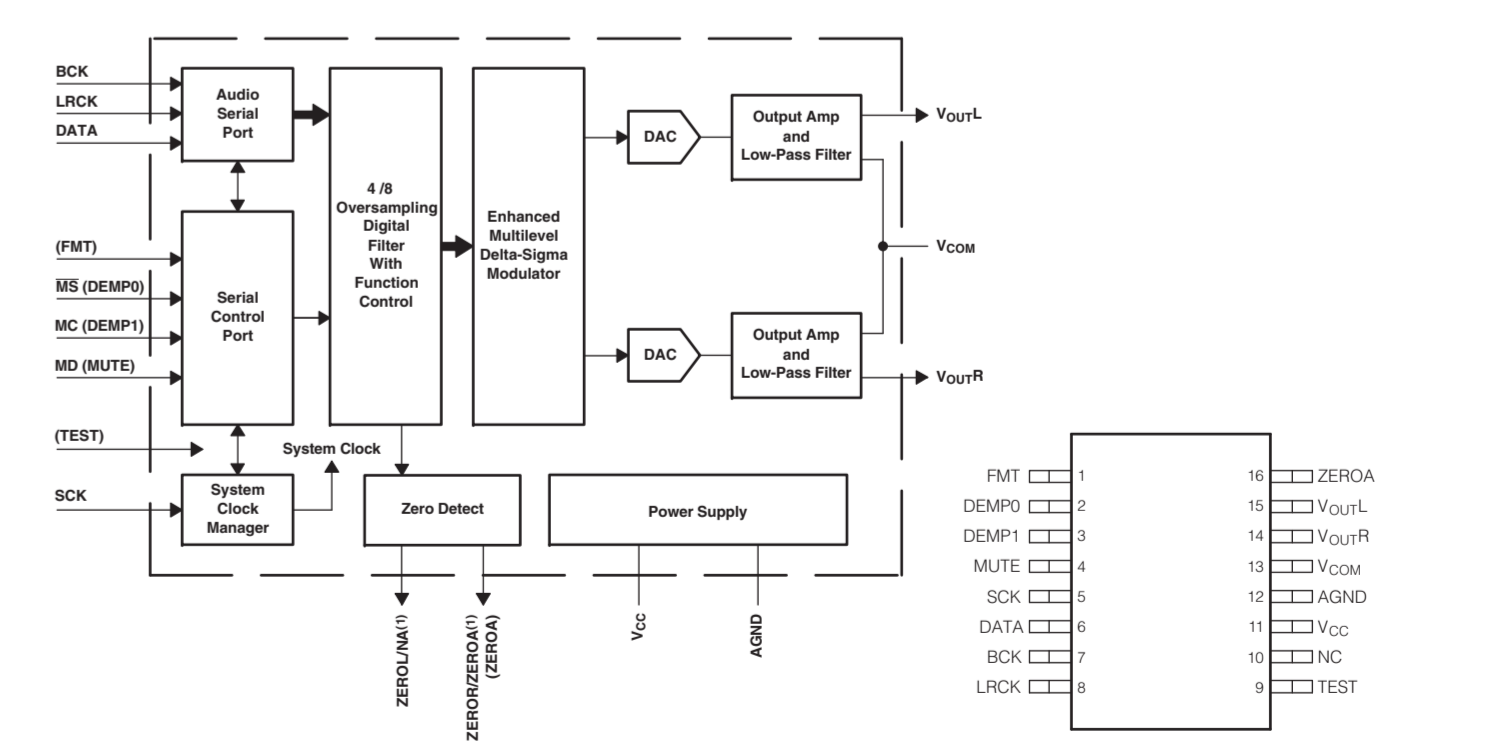
Page 125 [E1]
to DSP_CB562
(R, T, K, A, B, G, E, L, J models)

NOTICE (mode1)
(J)..... JAPAN
(U)..... U.S.A
(C)..... CANADA
(R)..... GENERAL
(T)..... CHINA
(K)..... KOREA
(A)..... AUSTRALIA
(B)..... BRITISH
(G)..... EUROPE
(L)..... SINGAPORE
(E)..... SOUTH EUROPE
(V)..... TAIWAN
(F)..... RUSSIAN

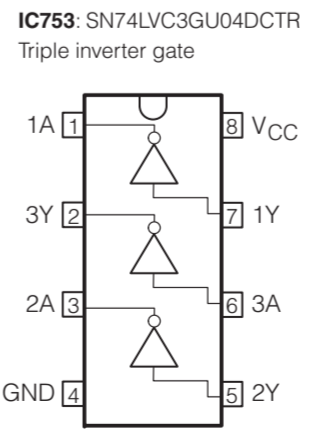
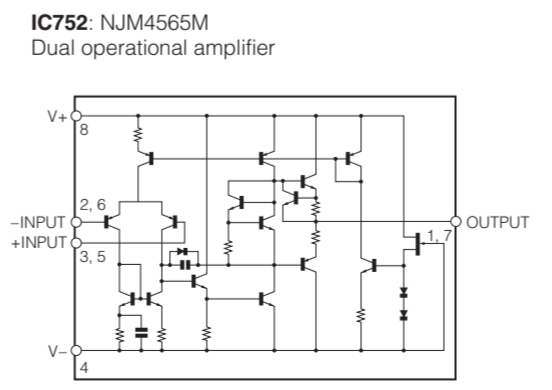
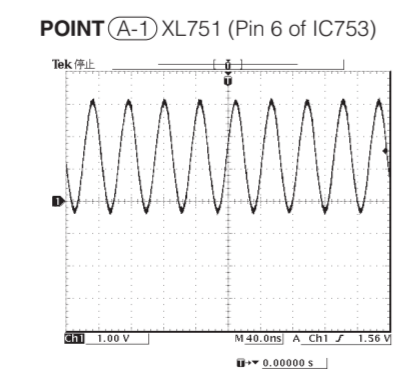
REMARKS	PARTS NAME
NO MARK	CARBON FILM RESISTOR (P=5)
⊠	CARBON FILM RESISTOR (P=10)
△	METAL OXIDE FILM RESISTOR
⊙	METAL FILM RESISTOR
⊚	METAL PLATE RESISTOR
⊞	FIRE PROOF CARBON FILM RESISTOR
⊞	CEMENT MOLDED RESISTOR
⊞	SEMI VARIABLE RESISTOR
■	CHIP RESISTOR

REMARKS	PARTS NAME
⊞	ELECTROLYTIC CAPACITOR
⊞	TANTALUM CAPACITOR
⊞	CERAMIC CAPACITOR
⊞	CERAMIC TUBULAR CAPACITOR
⊞	POLYESTER FILM CAPACITOR
⊞	POLYSTYRENE FILM CAPACITOR
⊞	MICA CAPACITOR
⊞	POLYPROPYLENE FILM CAPACITOR
⊞	SEMICONDUCTIVE CERAMIC CAPACITOR
⊞	POLYPHENYLENE SULFIDE FILM CAPACITOR

IC751: PCM1781DBQR
Audio digital-to-analog converter



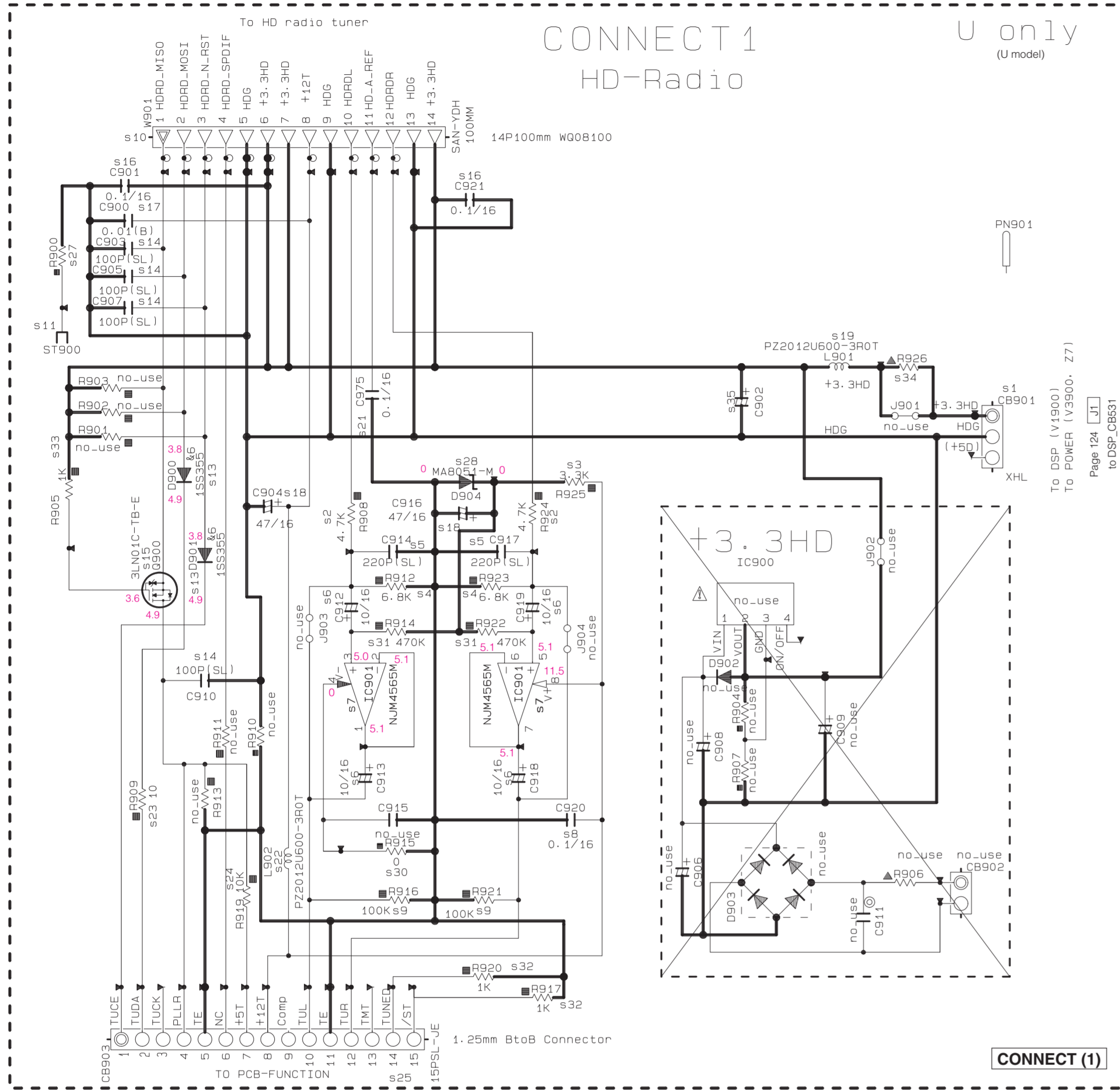
(1) Open-drain output for the PCM1782
NOTE: Signal names in parentheses () are for the PCM1781.



★ All voltages are measured with a 10MΩV DC electronic voltmeter.
★ Components having special characteristics are marked ⊠, and must be replaced with parts having specifications equal to those originally installed.
★ Schematic diagram is subject to change without notice.

● 電圧は、内部抵抗10MΩの電圧計で測定したものです。
● ⊠印のある部品は、安全性確保部品を示しています。部品の交換が必要な場合、パーツリストに記載されている部品を使用してください。
● 本回路図は標準回路図です。改良のため予告なく変更することがございます。

CONNECT



CONNECT (1)

Page 126 [A2] to FUNCTION (1)_CB401

NOTICE (model) Interchangeable Parts at Manufacture-Stage

Mark	Reference Parts Number	Parts Name
&1	D900-901-953-954	1SS355
		MA2J1110GL
		KDS160-RTK/P

(J)..... JAPAN
 (U)..... U.S.A
 (C)..... CANADA
 (R)..... GENERAL
 (T)..... CHINA
 (K)..... KOREA
 (A)..... AUSTRALIA
 (B)..... BRITISH
 (G)..... EUROPE
 (L)..... SINGAPORE
 (E)..... SOUTH
 (V)..... TAIWAN
 (F)..... RUSSIAN

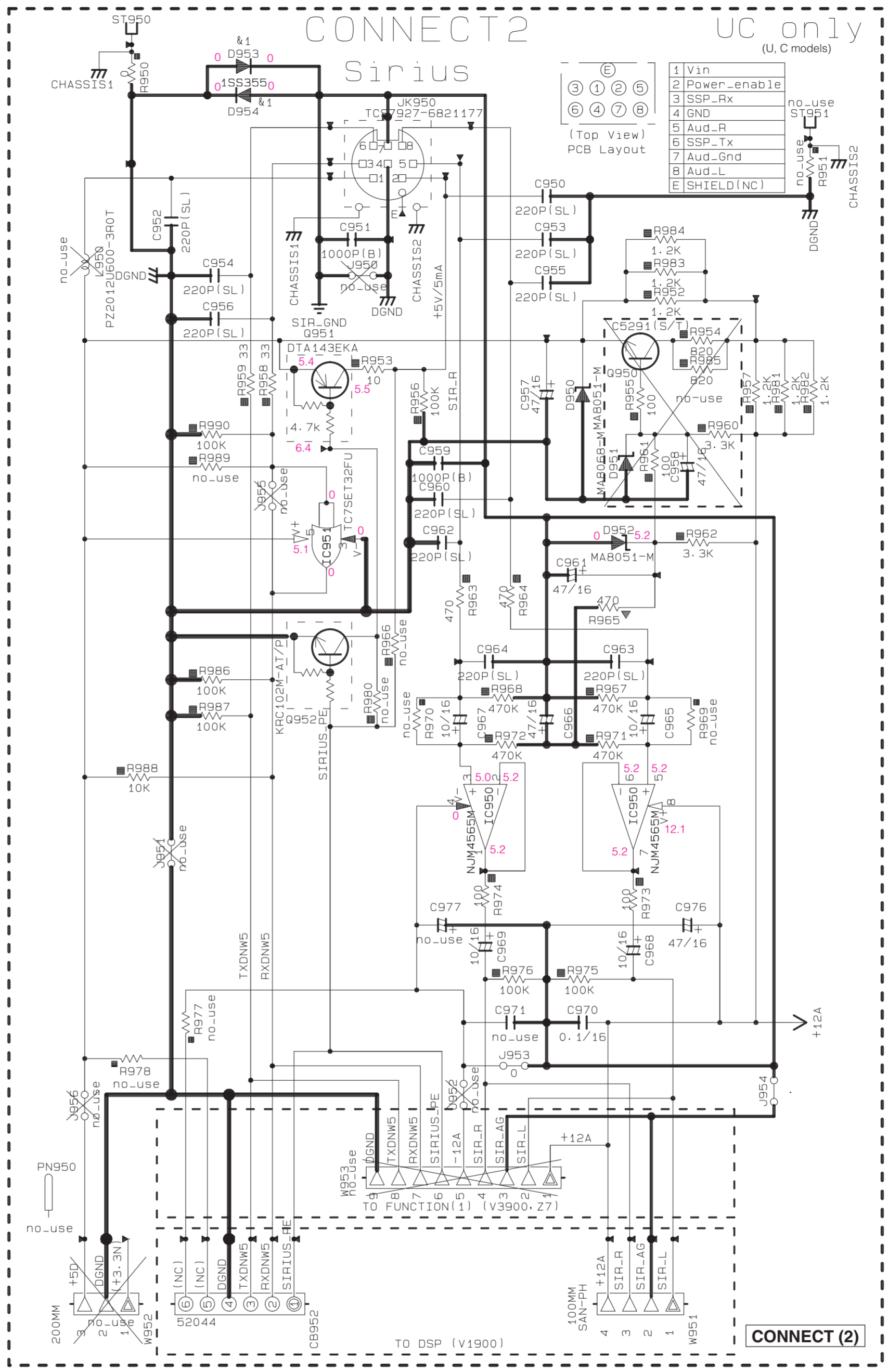
RESISTOR

REMARKS	PARTS NAME
NO MARK	CARBON FILM RESISTOR (P=5)
□	CARBON FILM RESISTOR (P=10)
△	METAL OXIDE FILM RESISTOR
▲	METAL FILM RESISTOR
⊠	METAL PLATE RESISTOR
▨	FIRE PROOF CARBON FILM RESISTOR
□	CEMENT MOLDED RESISTOR
▩	SEMI VARIABLE RESISTOR
■	CHIP RESISTOR

CAPACITOR

REMARKS	PARTS NAME
NO MARK	ELECTROLYTIC CAPACITOR
⊗	TANTALUM CAPACITOR
NO MARK	CERAMIC CAPACITOR
●	CERAMIC TUBULAR CAPACITOR
○	POLYESTER FILM CAPACITOR
◎	POLYSTYRENE FILM CAPACITOR
⊖	MICA CAPACITOR
Ⓟ	POLYPROPYLENE FILM CAPACITOR
Ⓢ	SEMICONDUCTIVE CERAMIC CAPACITOR
Ⓣ	POLYPHENYLENE SULFIDE FILM CAPACITOR

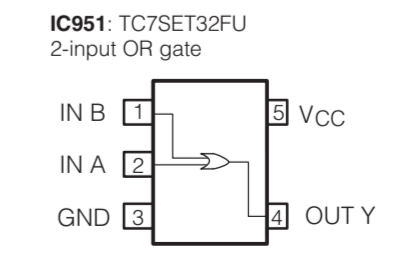
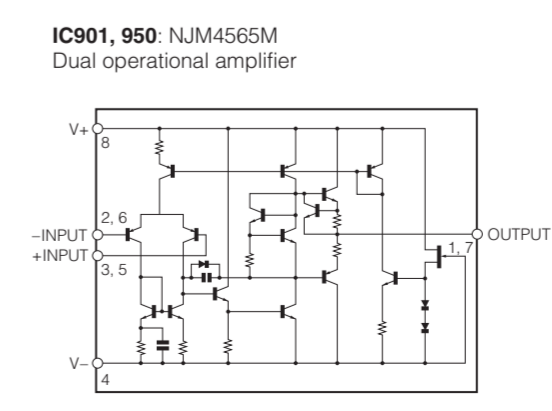
★ All voltages are measured with a 10MQ/V DC electronic voltmeter.
 ★ Components having special characteristics are marked * and must be replaced with parts having specifications equal to those originally installed.
 ★ Schematic diagram is subject to change without notice.
 ● 電圧は、内部抵抗10MΩの電圧計で測定したものです。
 ● *印のある部品は、安全性確保部品を示しています。部品の交換が必要な場合、パーツリストに記載されている部品を使用してください。
 ● 本回路図は標準回路図です。改良のため予告なく変更することがございます。



CONNECT (2)

Page 126 [G8] to FUNCTION (1)_CB408

Page 125 [F1] to DSP_CB562



Destination Part List

sXX	LOC	U	C
s1	CB901	LB91903 XHL	X
s2	R924 R908	RD35647 4.7K	X
s3	R925	RD35633 3.3K	X
s4	R923 R912	RD35668 6.8K	X
s5	C914 C917	US06222 220P(SL)	X
s6	C918 C919 C912 C913	UM39710 10/16	X
s7	IC901	X737BA0 NUM4565M	X
s8	C920	US13510 0.1/16	X
s9	R916 R921	RD35810 100K	X
s10	W901	W008100 SAN-YDH	X
s11	ST900	V404050	X
s13	D901 D900	VT33290 1SS355	X
s14	C903 C907 C905 C910	US06210 100P(SL)	X
s15	Q900	WH44500 3LNO1C-TB-E	X
s16	C901 C921	US13510 0.1/16	X
s17	C900	US06410 0.01(B)	X
s18	C916 C904	UM39747 47/16	X
s19	L901	W653720 PZ2012U600-3R0T	X
s21	C975	US13510 0.1/16	X
s22	L902	W653720 PZ2012U600-3R0T	X
s23	R909	RD35410 10	X
s24	R919	RD35710 10K	X
s25	CB903	VU44380 15PSL-JE	X
s27	R900	RD35000 0	X
s28	D904	VU99260 MAB051-M	X
s29	PN901	V963750	X
s30	R915	RD35000 0	X
s31	R922 R914	RD35847 470K	X
s32	R917 R920	RD35610 1K	X
s33	R905	RD35610 1K	X
s34	R926	VU22420 1P0.47	X
s35	C902	UR21922 220/6.3	X

NA No. WP15580 WP15590
 NC No. X9907