

# AV RECEIVER/AV AMPLIFIER RX-V2500/DSP-AX2500

RX-V2500/  
DSP-AX2500

## SERVICE MANUAL

### IMPORTANT NOTICE

This manual has been provided for the use of authorized YAMAHA Retailers and their service personnel.

It has been assumed that basic service procedures inherent to the industry, and more specifically YAMAHA Products, are already known and understood by the users, and have therefore not been restated.

**WARNING:** Failure to follow appropriate service and safety procedures when servicing this product may result in personal injury, destruction of expensive components, and failure of the product to perform as specified. For these reasons, we advise all YAMAHA product owners that any service required should be performed by an authorized YAMAHA Retailer or the appointed service representative.

**IMPORTANT:** The presentation or sale of this manual to any individual or firm does not constitute authorization, certification or recognition of any applicable technical capabilities, or establish a principle-agent relationship of any form.

The data provided is believed to be accurate and applicable to the unit(s) indicated on the cover. The research, engineering, and service departments of YAMAHA are continually striving to improve YAMAHA products. Modifications are, therefore, inevitable and specifications are subject to change without notice or obligation to retrofit. Should any discrepancy appear to exist, please contact the distributor's Service Division.

**WARNING:** Static discharges can destroy expensive components. Discharge any static electricity your body may have accumulated by grounding yourself to the ground buss in the unit (heavy gauge black wires connect to this buss).

**IMPORTANT:** Turn the unit OFF during disassembly and part replacement. Recheck all work before you apply power to the unit.

## ■ CONTENTS

TO SERVICE PERSONNEL .....	2	AMP ADJUSTMENT / アンプ部調整 .....	43
FRONT PANELS .....	3~4	DISPLAY DATA .....	44
REAR PANELS .....	4~7	IC DATA .....	45~48
REMOTE CONTROL .....	7	BLOCK DIAGRAM .....	49~50
SPECIFICATIONS / 参考仕様 .....	8~10	PIN CONNECTION DIAGRAM .....	51
INTERNAL VIEW .....	11	PRINTED CIRCUIT BOARD .....	52~69
DISASSEMBLY PROCEDURES / 分解手順 .....	12~15	SCHEMATIC DIAGRAM .....	71~81
UPDATING FIRMWARE / ファームウェアの書き込み .....	16~17	PARTS LIST .....	83~119
SELF DIAGNOSIS FUNCTION (DIAG) / 自己診断機能 (ダイアグ) .....	18~42	REMOTE CONTROL .....	120

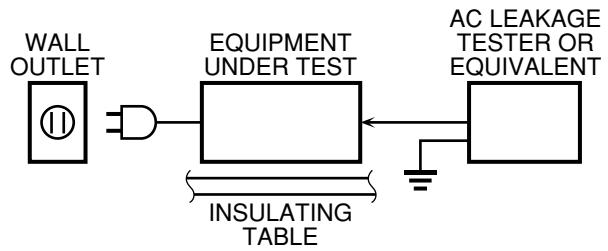


このサービスマニュアルは、エコマーク認定の再生紙を使用しています。  
This Service Manual uses recycled paper.



## ■ TO SERVICE PERSONNEL

1. Critical Components Information  
Components having special characteristics are marked ⚠ and must be replaced with parts having specifications equal to those originally installed.
  2. Leakage Current Measurement (For 120V Models Only)  
When service has been completed, it is imperative to verify that all exposed conductive surfaces are properly insulated from supply circuits.
- Meter impedance should be equivalent to 1500 ohms shunted by 0.15μF.



- Leakage current must not exceed 0.5mA.
- Be sure to test for leakage with the AC plug in both polarities.



**“CAUTION”**

“F2: FOR CONTINUED PROTECTION AGAINST RISK OF FIRE, REPLACE ONLY WITH SAME TYPE 10A, 125V FUSE.”

**CAUTION**

F2: REPLACE WITH SAME TYPE 10A, 125V FUSE.

**ATTENTION**

F2: UTILISER UN FUSIBLE DE RECHANGE DE MEME TYPE DE 10A, 125V.

## WARNING: CHEMICAL CONTENT NOTICE!

The solder used in the production of this product contains LEAD. In addition, other electrical/electronic and/or plastic (where applicable) components may also contain traces of chemicals found by the California Health and Welfare Agency (and possibly other entities) to cause cancer and/or birth defects or other reproductive harm.

DO NOT PLACE SOLDER, ELECTRICAL/ELECTRONIC OR PLASTIC COMPONENTS IN YOUR MOUTH FOR ANY REASON WHATSOEVER!

Avoid prolonged, unprotected contact between solder and your skin! When soldering, do not inhale solder fumes or expose eyes to solder/flux vapor!

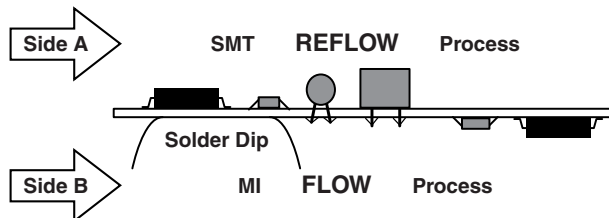
If you come in contact with solder or components located inside the enclosure of this product, wash your hands before handling food.

## About lead-free solder / 無鉛ハンダについて

The P.C.B.s installed in this unit are soldered using the following solder.

本機に搭載されている基板のハンダ付けに使用されているハンダは下記の通りです。

	Side A / A 面	Side B / B 面
DSP P.C.B.	Lead Solder / 鉛入りハンダ	Lead Free Solder / 無鉛ハンダ
FUNCTION P.C.B.	Lead Solder / 鉛入りハンダ	Lead Free Solder / 無鉛ハンダ
OPERATION P.C.B.	—	Lead Free Solder / 無鉛ハンダ
MAIN P.C.B.	—	Lead Free Solder / 無鉛ハンダ
POWER PC.B.	—	Lead Free Solder / 無鉛ハンダ
INPUT P.C.B.	Lead Solder / 鉛入りハンダ	Lead Free Solder / 無鉛ハンダ
CONTROL P.C.B.	Lead Solder / 鉛入りハンダ	Lead Free Solder / 無鉛ハンダ



Among some types of lead free solder currently available, it is recommended to use one of the following types for the repair work.

- Sn + Ag + Cu (tin + silver + copper)
- Sn + Cu (tin + copper)
- Sn + Zn + Bi (tin + zinc + bismuth)

無鉛ハンダにはいくつかの種類がありますが、修理時には下記のような無鉛ハンダの使用を推奨します。

- Sn+Ag+Cu (錫+銀+銅)
- Sn+Cu (錫+銅)
- Sn+Zn+Bi (錫+亜鉛+ビスマス)

**Caution:**

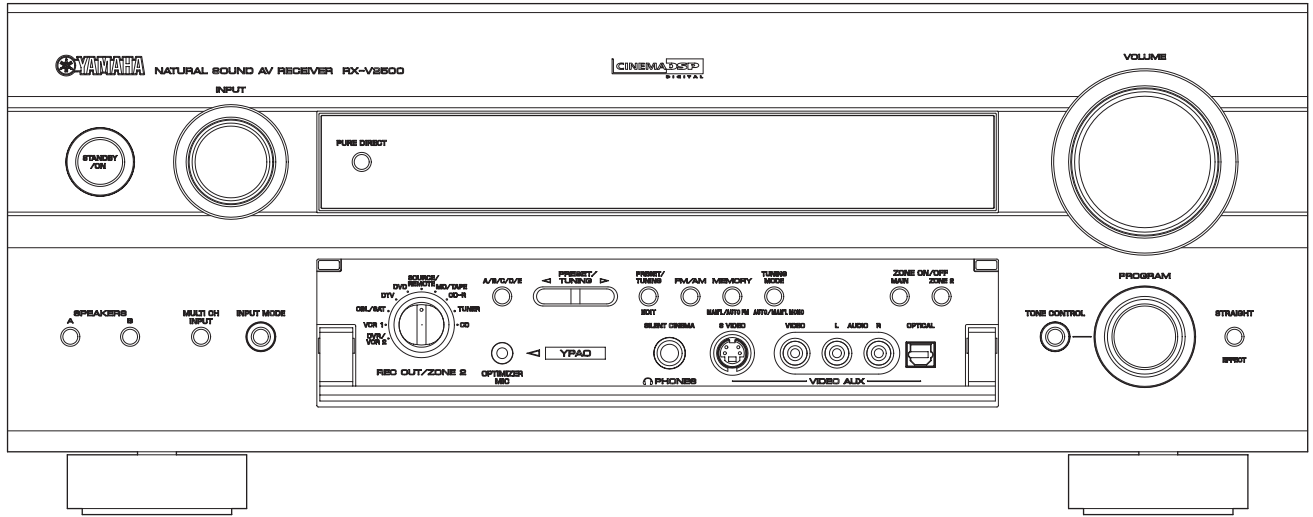
1. As the melting point temperature of the lead free solder is about 30°C to 40°C (50°F to 70°F) higher than that of the lead solder, be sure to use a soldering iron suitable to each solder.
2. If lead solder must be used, be sure to remove lead free solder from each terminal section of the parts to be replaced and from the area around it completely before soldering, or make sure that the lead-free solder and lead solder melt together fully.

**注意:**

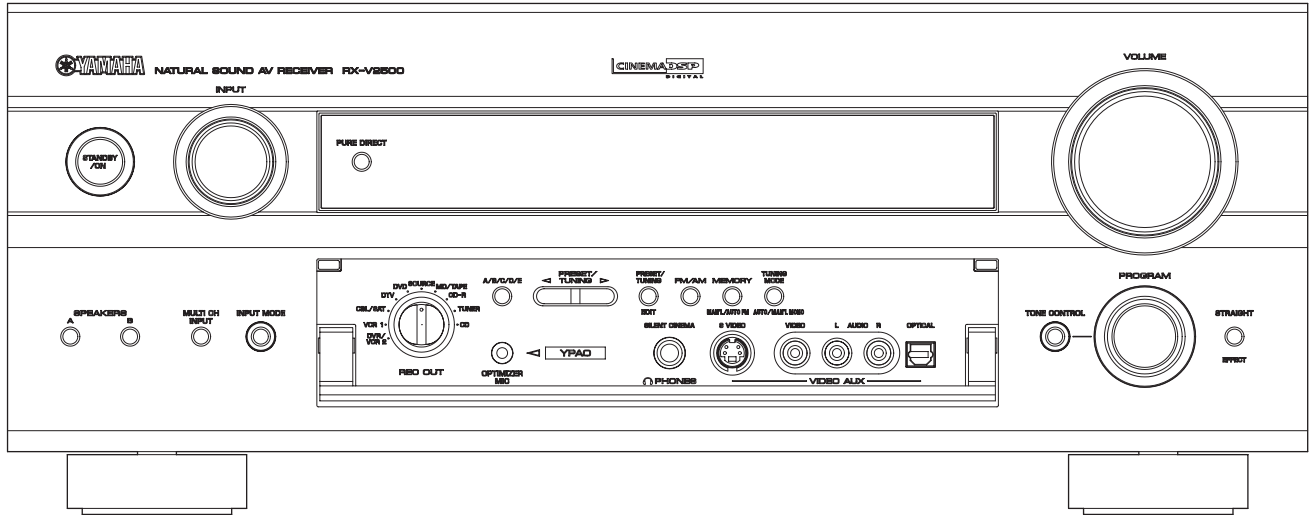
- ① 無鉛ハンダの融点温度は通常の鉛入りハンダに比べ30～40℃程度高くなっていますので、それぞれのハンダに合ったハンダごてをご使用ください。
- ② 鉛入りハンダを使わざるを得ない場合は、あらかじめ交換する部品端子部やその周辺部の無鉛ハンダをすべて取り除くか、あるいは無鉛ハンダと鉛入りハンダが十分に溶けた状態となるようにハンダ付けしてください。

# FRONT PANELS

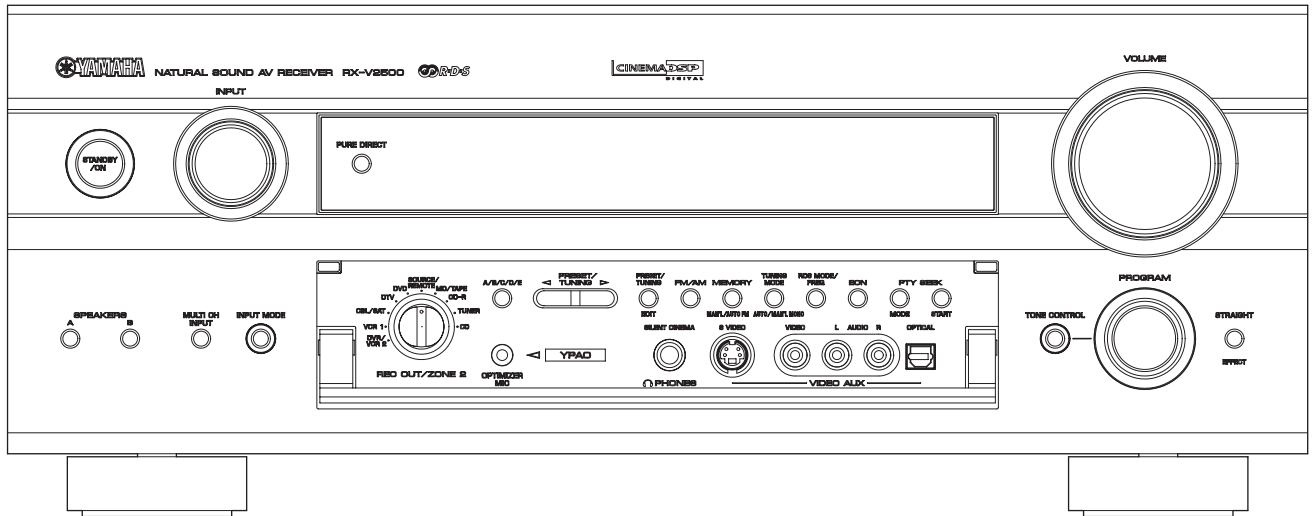
## RX-V2500 (U, C, A models)



## RX-V2500 (R, T, K, L models)



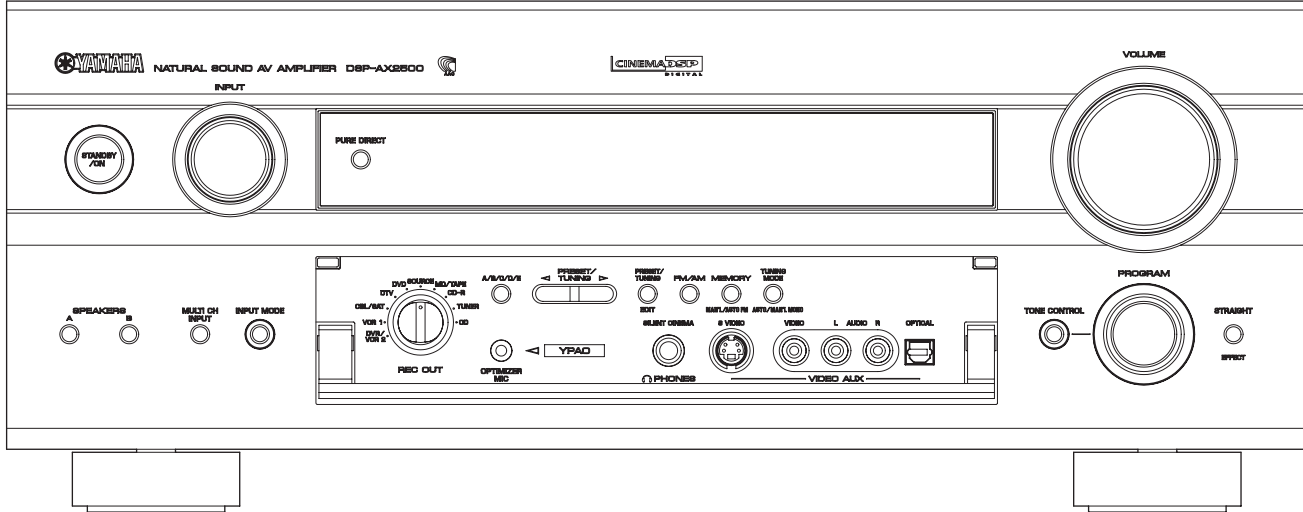
## RX-V2500 (B, G models)



RX-V2500/  
DSP-AX2500

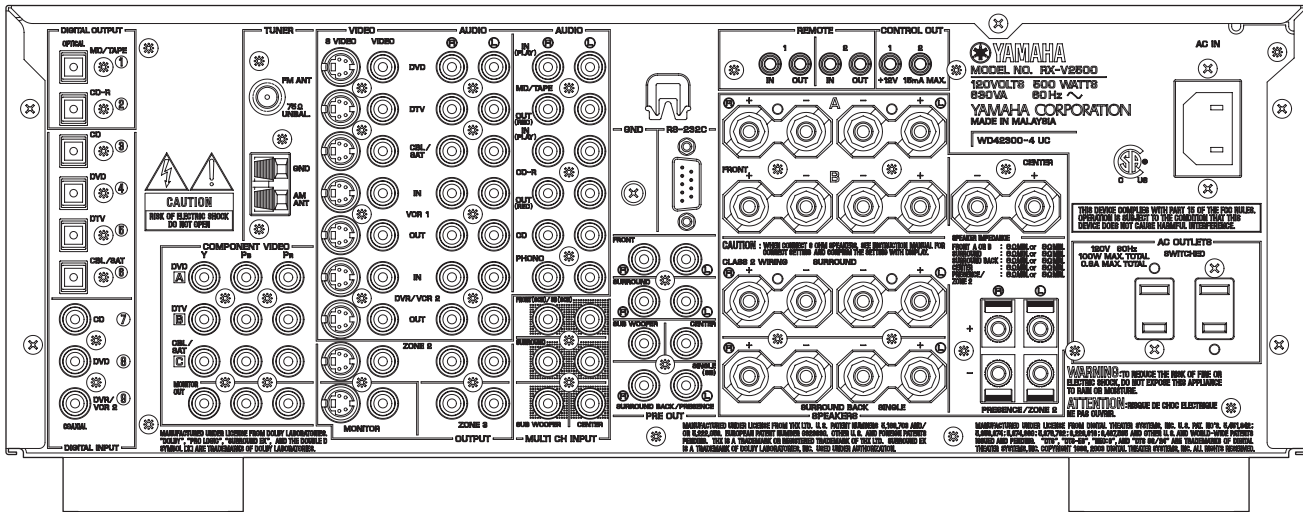
DSP-AX2500 (J model)

RX-V2500/  
DSP-AX2500

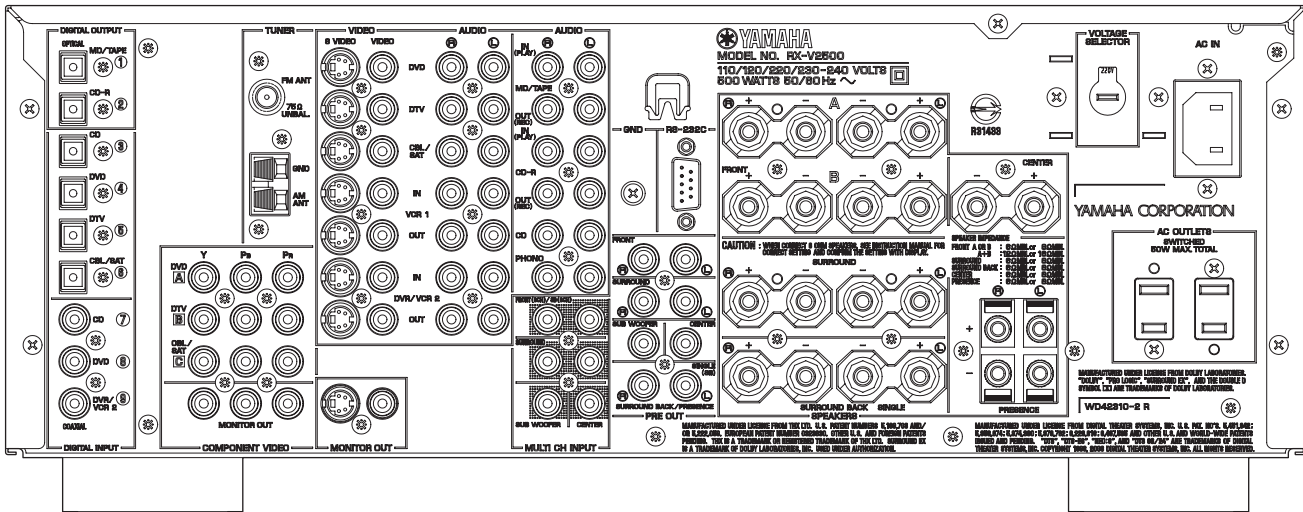


REAR PANELS

RX-V2500 (U, C models)



RX-V2500 (R model)

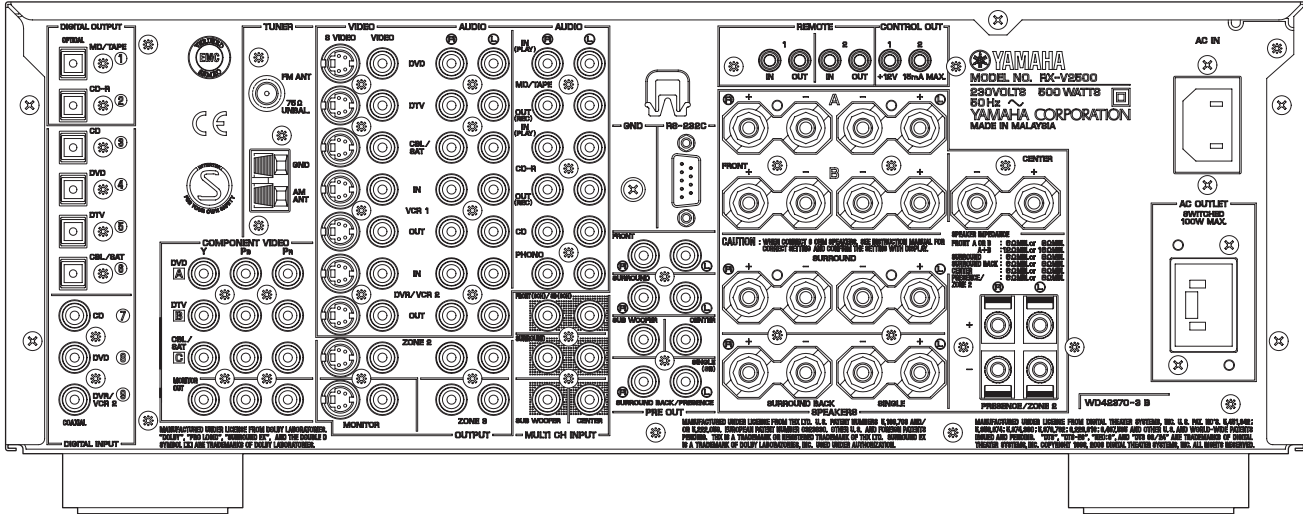




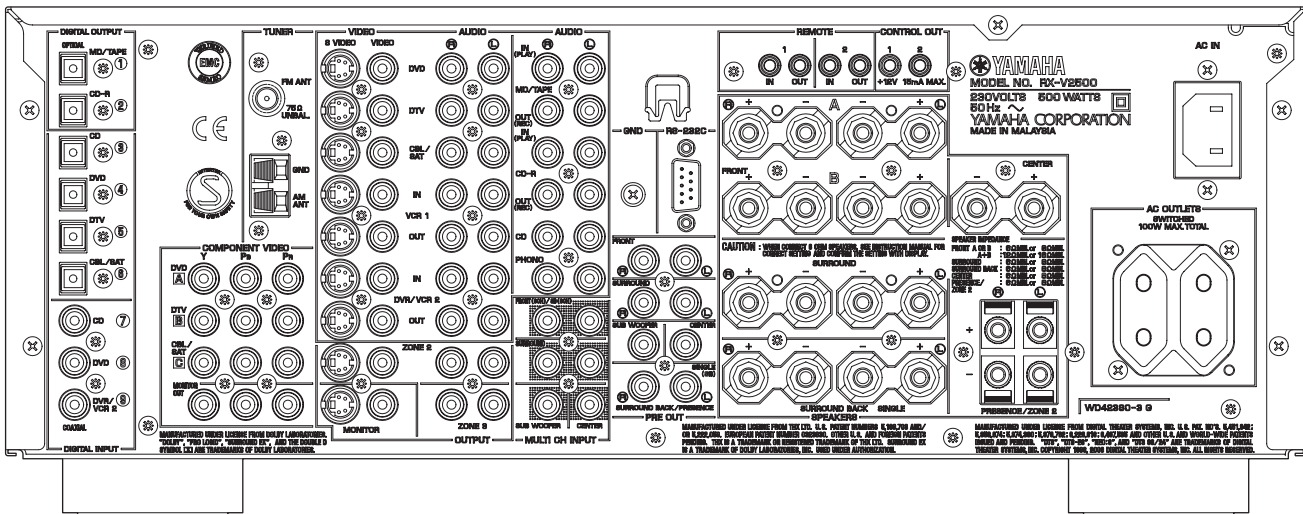


RX-V2500 (B model)

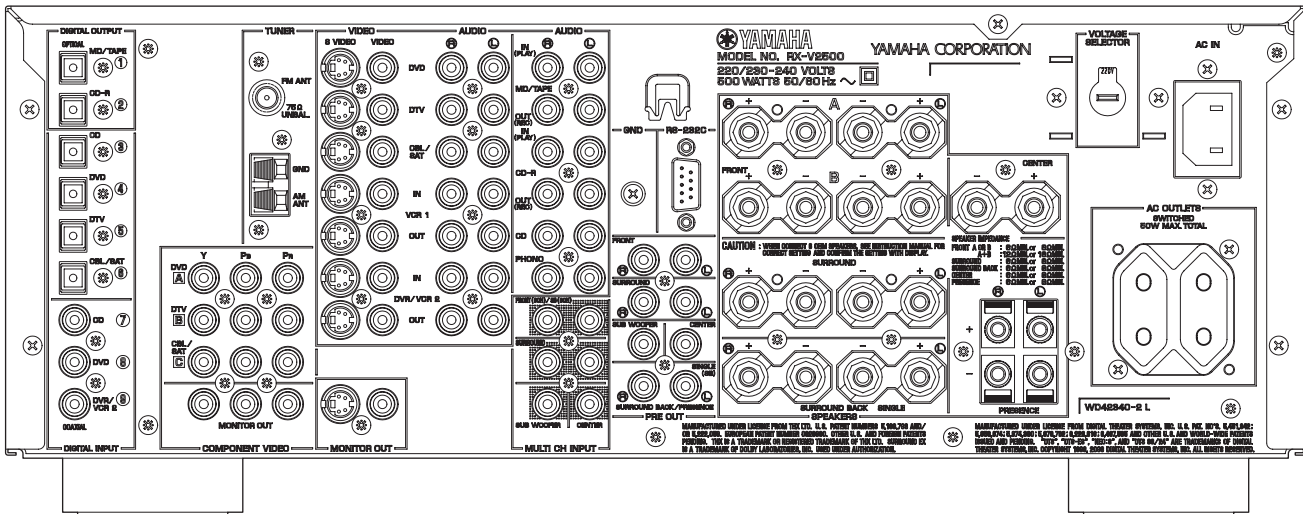
RX-V2500/  
DSP-AX2500



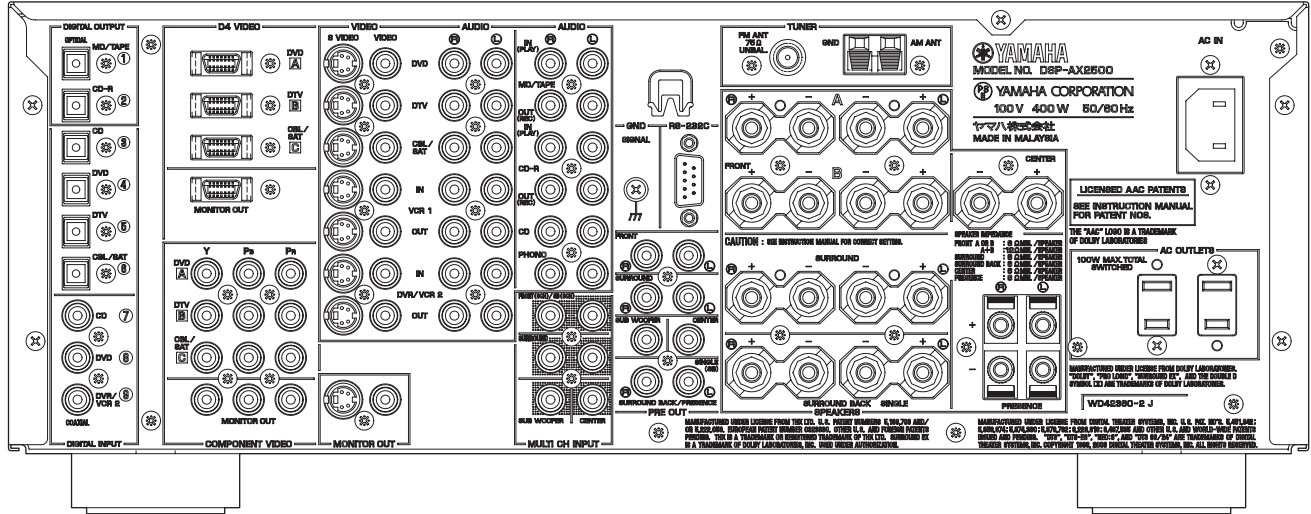
RX-V2500 (G model)



RX-V2500 (L model)



DSP-AX2500 (J model)

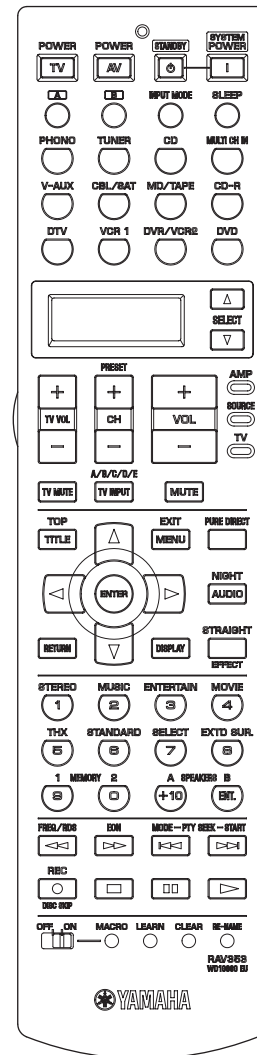
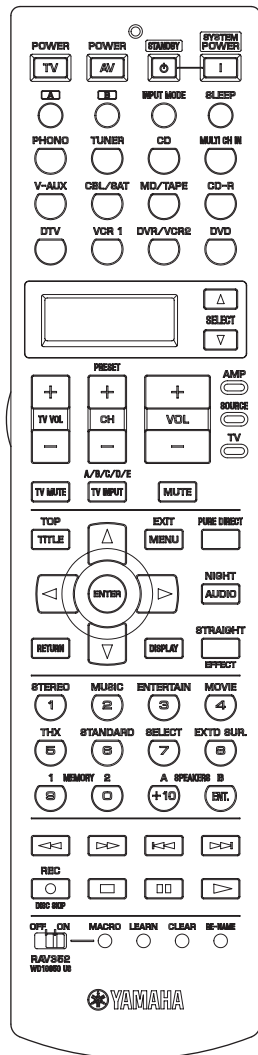


RX-V2500/  
DSP-AX2500

■ REMOTE CONTROL

RX-V2500 (U, C, R, T, K, A, L models)  
DSP-AX2500 (J model)

RX-V2500 (B, G models)





## ■ SPECIFICATIONS / 参考仕様

### ■ Audio Section / オーディオ部

#### Minimum RMS Output Power (Power Amp. Section) / 定格出力 (パワーアンプ部) (20 Hz to 20 kHz)

FRONT L/R	
U, C, R, T, K, A, B, G, L models (0.04% THD, 8 ohms) ..	130W + 130W
J model (0.06% THD, 6 ohms) ..	130W + 130W
CENTER	
U, C, R, T, K, A, B, G, L models (0.04% THD, 8 ohms) ...	130W
J model (0.06% THD, 6 ohms) ..	130W
SURROUND L/R	
U, C, R, T, K, A, B, G, L models (0.04% THD, 8 ohms) ..	130W + 130W
J model (0.06% THD, 6 ohms) ..	130W + 130W
SURROUND BACK L/R	
U, C, R, T, K, A, B, G, L models (0.04% THD, 8 ohms) ..	130W + 130W
J model (0.06% THD, 6 ohms) ..	130W + 130W

#### Maximum Power / 実用最大出力 (EIAJ, 1kHz, 10% THD)

FRONT L/R	
R, T, K, L models (8 ohms) ..	180W + 180W
J model (6 ohms) ..	180W + 180W
CENTER	
R, T, K, L models (8 ohms) ..	180W
J model (6 ohms) ..	180W
SURROUND L/R	
R, T, K, L models (8 ohms) ..	180W + 180W
J model (6 ohms) ..	180W + 180W
SURROUND BACK L/R	
R, T, K, L models (8 ohms) ..	180W + 180W
J model (6 ohms) ..	180W + 180W

#### Dynamic Power Per Channel / ダイナミックパワー (IHF)

U, C, R, T, K, A, L models (8/6/4/2 ohms) ..	165/205/260/340W
--	------------------

#### DIN Standard Output Power Per Channel / DINパワー [B, G models] (1 kHz, 0.7% THD, 4 ohms)

FRONT L/R ..	190W + 190W
CENTER ..	190W
SURROUND L/R ..	190W + 190W
SURROUND BACK L/R ..	190W + 190W

#### Dynamic Headroom / ダイナミックヘッドルーム

U, C, R, T, K, A, L models (8 ohms) ..	1.03dB
--	--------

#### IEC Power / IECパワー [B, G models] (1 kHz, 0.04% THD, 8 ohms)

FRONT L/R ..	140W + 140W
--------------	-------------

#### Damping Factor / ダンピングファクタ

20 Hz to 20 kHz, SPEAKER-A, 8 ohms ..	140 or more
---------------------------------------	-------------

#### Input Sensitivity / Input Impedance (入力感度/入力インピーダンス)

PHONO (MM) ..	3.5 mV / 47 k-ohms
CD, etc. ..	200 mV / 47 k-ohms
MULTI CH INPUT	
FRONT L/R, CENTER, SURROUND L/R, SUB WOOFER ..	200 mV / 47 k-ohms

#### Maximum Input Signal Level / 最大許容入力

PHONO (MM) (1 kHz, 0.1% THD) ..	100mV or more
CD, etc. (1 kHz, 0.5% THD) ..	2.4V or more

#### Output Level / Output Impedance (出力電圧/出力インピーダンス)

REC OUT ..	200 mV / 1.2 k-ohms
PRE OUT (FRONT L/R, CENTER, SURROUND L/R, SURROUND BACK L/R) ..	1.0 V / 500 ohms
SUB WOOFER ..	2.0 V / 500 ohms
[U, C, A, B, G models]	
ZONE 2 OUT ..	1.0 V / 1.2 k-ohms
ZONE 3 OUT ..	1.0 V / 1.2 k-ohms

#### Headphone Jack Rated Output / Impedance (ヘッドフォン出力/出力インピーダンス)

CD, etc. (1 kHz, 40 mV, 8 ohms) ..	150 mV / 100 ohms
------------------------------------	-------------------

#### Frequency Response / 周波数特性

CD, etc. to FRONT L/R (10 Hz to 100 kHz) ..	+0/-3.0dB
---	-----------

#### RIAA Equalization Deviation / RIAA偏差

20 Hz to 20 kHz, PHONO (MM) ..	0±0.5dB
--------------------------------	---------

#### Total Harmonic Distortion / 全高調波歪率 (20Hz to 20kHz)

PHONO (MM) to REC OUT (1V) ..	0.02% or less
CD, etc. (STEREO) to FRONT L/R SP OUT (65W, 8 ohms) ..	0.04% or less

#### Signal to Noise Ratio / 信号対雑音比 (IHF-A network)

PHONO (MM) (Input shorted) to SP OUT	
U, C, R, T, K, L models (5mV) ..	86dB or more
A, B, G models (5mV) ..	81dB or more
J model (2.5mV) ..	80dB or more
CD, etc. (Input shorted, STEREO) to SP OUT	
200mV ..	98dB or more
250mV ..	100dB or more

#### Residual Noise / 残留ノイズ (IHF-A network)

FRONT L/R SP OUT ..	150µV or less
---------------------	---------------

#### Channel Separation / チャンネルセパレーション (STEREO)

PHONO (Input shorted, 1 kHz/10 kHz) ..	60dB or more/55dB or more
CD, etc. (Input 5.1 k-ohms shorted, 1 kHz/10 kHz) ...	60dB or more/45dB or more

#### Tone Control Characteristics / トーンコントロール特性

BASS	
Boost/Cut ..	±6dB (50Hz)
Turnover Frequency ..	350Hz
TREBLE	
Boost/Cut ..	±6dB (20kHz)
Turnover Frequency ..	3.5kHz

#### Filter Characteristics / フィルター特性

FRONT, CENTER, SURROUND, SURROUND BACK SP Small (H.P.F.) ..	fc=40/60/80/90/100/110/120/160/200Hz / 12dB oct.
SUBWOOFER (L.P.F.) ..	fc=40/60/80/90/100/110/120/160/200Hz / 24dB oct.

### ■ Video Section / ビデオ部

#### Video Signal Type / ビデオ信号方式

Wall Paper	
U, C, R, K, J models ..	NTSC
T, A, B, G, L models ..	PAL
Video Conversion	
U, C, R, T, K, A, B, G, L, J models ..	NTSC
R, T, A, B, G, L models ..	PAL

#### Composite Video Signal Level / コンポジットビデオ信号

.....	1 Vp-p / 75 ohms
-------	------------------

#### S-Video Signal Level / Sビデオ信号

Y ..	1 Vp-p / 75 ohms
C ..	0.286 Vp-p / 75 ohms

#### Component Video Signal Level / コンポーネントビデオ信号

Y ..	1 Vp-p / 75 ohms
Pb/Pr ..	0.7 Vp-p / 75 ohms

#### Video Maximum Input Level / ビデオ最大許容入力

.....	1.5 Vp-p or more
-------	------------------

#### Video Signal to Noise Ratio / ビデオ信号対雑音比

.....	60 dB or more
-------	---------------

#### Monitor Out Frequency Response / モニターアウト周波数帯域

Composite Video Signal, S-Video Signal ..	5 Hz to 10 MHz, -3 dB
Component Video Signal, D4-Video Signal (J model) ..	5 Hz to 60 MHz, -3 dB

### ■ FM Section / FM部

#### Tuning Range / 受信周波数範囲

U, C models ..	87.5 to 107.9 MHz
R, L models ..	87.5 to 108.0 / 87.50 to 108.00 MHz
T, K, A, B, G models ..	87.50 to 108.00 MHz
J model ..	76.0 to 90.0 MHz

#### 50dB Quieting Sensitivity / 50dB SN感度 (IHF)

(1kHz, 100% MOD.)	
Mono ..	2.0 µV (17.3 dBf)
Stereo ..	25 µV (39.2 dBf)

#### Usable Sensitivity / 実用感度 (IHF)

Mono ..	1.0 µV (11.2 dBf)
---------	-------------------

#### Selectivity / 選択度

at 400 kHz ..	70 dB
---------------	-------

#### Signal to Noise Ratio / 信号対雑音比 (IHF)

Mono / Stereo ..	76 dB / 70 dB
------------------	---------------

**Harmonic Distortion / 歪率**  
 (1 kHz)  
 Mono/Stereo ..... 0.2 / 0.3 %

**Stereo Separation / ステレオセパレーション**  
 1 kHz ..... 42 dB

**Frequency Response / 周波数特性**  
 20 Hz to 15 kHz ..... +0.5 / -2 dB

**Antenna Input / アンテナ入力**  
 ..... 75 ohms unbalanced

■ **AM Section / AM部**

**Tuning Range / 受信周波数範囲**  
 U, C models ..... 530 to 1,710 kHz  
 R, L models ..... 530 to 1,710 / 531 to 1,611 kHz  
 T, K, A, B, G, J models ..... 531 to 1,611 kHz

**Usable Sensitivity / 実用感度**  
 ..... 300 μV/m

**Antenna / アンテナ入力**  
 ..... Loop Antenna

■ **General / 総合**

**Power Supply / 電源電圧**  
 U, C models ..... AC 120 V, 60 Hz  
 R model ..... AC 110/120/220/230-240 V, 50/60 Hz  
 T model ..... AC 220 V, 50 Hz  
 K model ..... AC 220 V, 60 Hz  
 A model ..... AC 240 V, 50 Hz  
 B, G models ..... AC 230 V, 50 Hz  
 L model ..... AC 220/230-240 V, 50/60 Hz  
 J model ..... AC 100V, 50/60 Hz

**Power Consumption / 消費電力**  
 U, C models ..... 500 W / 630 VA  
 R, T, K, A, B, G, L models ..... 500 W  
 J model ..... 400 W

**Standby Power Consumption (reference data) / 待機時消費電力(参考値)**  
 U, C, J models ..... 0.2 W or less  
 R model (AC 240, 50 Hz) ..... 0.33 W or less  
 T, K, A, B, G, L models ..... 0.15 W or less

**Maximum Power Consumption / 最大消費電力**  
 (6ch Drive, 10% THD)  
 R model ..... 1100 W

**AC Outlets / ACアウトレット**  
 2 switched outlets  
 U, C models ..... 100 W max. total / 0.8A max. total  
 R, L models ..... 50 W max. total  
 T, G, J models ..... 100 W max. total  
 1 switched outlet  
 A, B models ..... 100W max. total

**Dimensions / 寸法 (W x H x D)**  
 ..... 435 x 171 x 433.5 mm (17-1/8" x 6-3/4" x 17-1/16")

**Weight / 質量**  
 RX-V2500 ..... 15.5 kg (34 lbs. 3 oz.)  
 DSP-AX2500 ..... 17.8 kg (39 lbs. 4 oz.)

**Finish / 仕上げ**  
 Gold color ..... R, T, K, L, J models  
 Black color ..... U, C, R, A, J models  
 Titanium color ..... B, G, L models

**Accessories / 付属品**  
 Remote Control, Batteries, Power Cable, Indoor FM Antenna, AM Loop Antenna, Optimizer Microphone, Speaker Terminal Wrench, Antenna Adapter PAL (B model)

\* Specifications are subject to change without notice due to product improvements.

※ 参考仕様および外観は予告なく変更されることがあります。

U ..... U.S.A. model      C ..... Canadian model  
 R ..... General model    T ..... Chinese model  
 K ..... Korean model     A ..... Australian model  
 B ..... British model     G ..... European model  
 L ..... Singapore model   J ..... Japanese model



Manufactured under license from Dolby Laboratories.  
 "Dolby", "Pro Logic", "Surround EX", and the double-D symbol are trademarks of Dolby Laboratories.

ドルビーラボラトリーズからの実施権に基づき製造されています。ドルビー、PRO LOGIC、Surround EXおよびダブルD記号は、ドルビーラボラトリーズの商標です。



"SILENT CINEMA" is a trademark of YAMAHA CORPORATION.  
 「サイレントシネマ/SILENT CINEMA」はヤマハ株式会社の登録商標です。



"DTS", "DTS-ES", "Neo:6" and "DTS 96/24" are trademarks of Digital Theater Systems, Inc.

DTS, DTS-ES Extended Surround, Neo:6およびDTS 96/24はデジタルシアターシステムズの登録商標です。



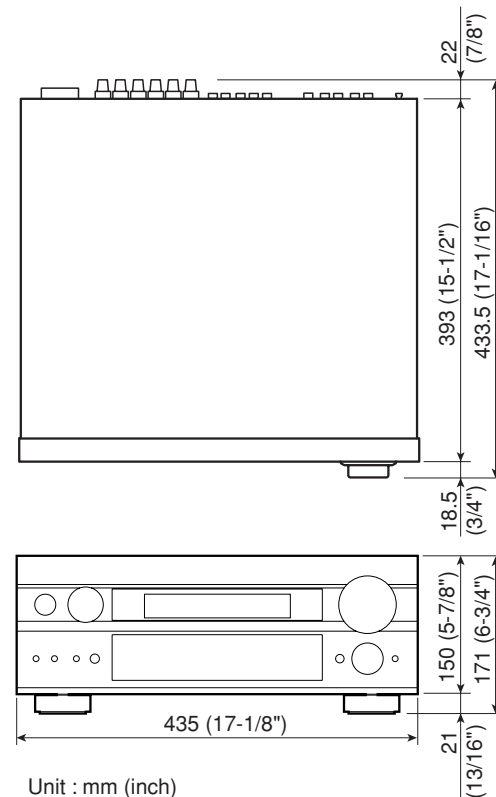
AACロゴマークはドルビーラボラトリーズの商標です。



THX and the THX logo are registered trademarks of THX Ltd. Surround EX is a jointly developed technology of THX and Dolby Laboratories, Inc. and is a trademark of Dolby Laboratories, Inc. All rights reserved. Used under authorization.

THXとTHXロゴはTHXの登録商標です。サラウンドEXはTHXとドルビーラボラトリーズの共同開発による技術で、ドルビーラボラトリーズの商標です。不許複製。許可のもとに使用されています。

• **DIMENSIONS / 寸法図**



• **SOUND/SURROUND SELECT MENU**

Sound Select	Min./Max./Step	最小/最大/Step	Initialize
Main Menu	Center Level	Surround Level	Presence Level
STEREO	0 / 100 / 1 %	0 / 100 / 1 %	0 / 100 / 1 %
2ch Stereo	100	100	35
7ch Stereo	100	100	33

Surround Select	Min./Max./Step	最小/最大/Step	Initialize
Decode Type	DSP Level	Init. Delay	Sur. Room Size
MUSIC	-6 / +3 / 1 dB	1 / 99 / 1 ms	0.1 / 2.0 / 0.1
Munich	0	30	1.0
Vienna	0	30	1.0
Freiburg	0	95	1.0
The Bottom Line	0	30	1.0
The Roy Theater	0	15	1.0
Pop/Rock	0	21	1.0
Classical/Opera	0	28	1.0
TV Sports	0	10	1.0
Mono Movie	0	69	1.0
Game	0	36	1.0
Disco	0	26	1.0
Spectacle	0	13	1.0
Pro Logic	0	13	1.0
Pro Logic II	0	13	1.0
Pro Logic II x	0	13	1.0
Neo : 6	0	13	1.0
Sci-Fi	0	16	1.0
Pro Logic	0	16	1.0
Pro Logic II	0	16	1.0
Pro Logic II x	0	16	1.0
Neo : 6	0	16	1.0
Adventure	0	15	1.0
Pro Logic	0	15	1.0
Pro Logic II	0	15	1.0
Pro Logic II x	0	15	1.0
Neo : 6	0	15	1.0
General	0	15	1.0
Pro Logic	0	15	1.0
Pro Logic II	0	15	1.0
Pro Logic II x	0	15	1.0
Neo : 6	0	15	1.0

Main Menu	Sub Menu	Parameter	Setting value (Initial value / 設定値) ( [ ] 初値 )
THX	Cinema	Decode Type	[Pro Logic]
		Pro Logic II	
		Pro Logic II x	
SURROUND	Standard	Decode Type	[Pro Logic]
		PL II Movie	
		PL II Music	
		PL II Game	
		PL II x Movie	
		PL II x Music	
		PL II x Game	
		Neo : 6 Cinema	
		Neo : 6 Music	
		[OFF] / ON	
Dimension	-3 / +3 / 1 [STD]		
Center Width	0 / 7 / 1 [3]		
Center Image	0.0 / 1.0 / 0.1 [0.3]		
Initialize	[NO] / YES		

Parameter	Decode Type	DSP Level	Sur. Init. Delay	Sur. Room Size	Sur. Liveness	SB Init. Delay	SB Room Size	SB Liveness	Dialogue Lift	Initialize
Enhanced	Pro Logic	0	20	1.0	3	(15)	(1.0)	(5)	0 / 5 / 1	NO / YES
Pro Logic II	Pro Logic II	0	19	1.0	3	(15)	(1.0)	(5)	0 / 5 / 1	NO / YES
Pro Logic II x	Pro Logic II x	0	19	1.0	3	15	1.0	5	0 / 5 / 1	NO / YES
Neo 6	Neo 6	0	19	1.0	3	15	1.0	5	0 / 5 / 1	NO / YES

(Setting can be made when PL II Music, Pro Logic II x is selected / PL II Music, Pro Logic II x 選択時 設定可)  
 (Setting can be made when Neo:6 Music is selected / Neo:6 Music 選択時 設定可)



• SET MENU TABLE / セットメニュー

AUTO SETUP

MAIN MENU	PARAMETER
SETUP	AUTO
EQ	FLAT / FRONT / [NATURAL]
START	PUSH +

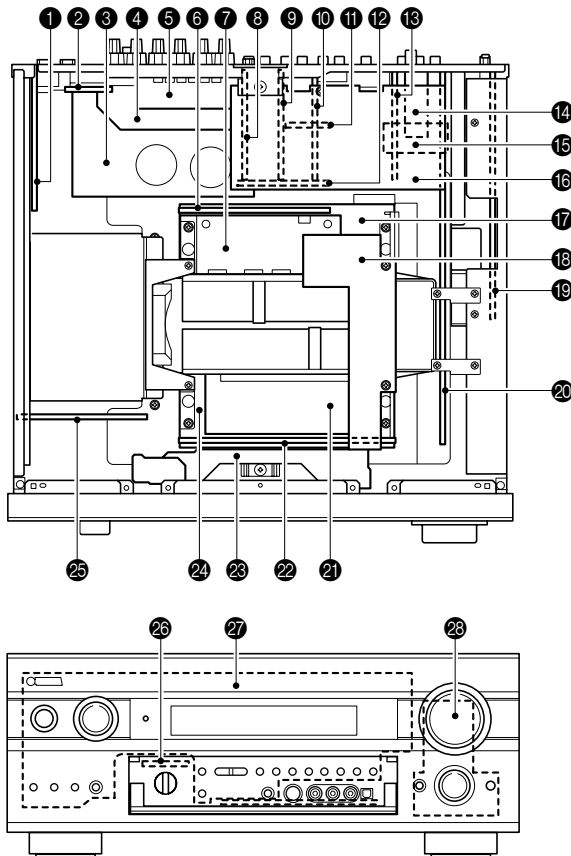
MANUAL SETUP

	MAIN MENU	SUB MENU	PARAMETER	SETTING VALUE ([ ] INITIAL VALUE)		
1	BASIC	A	SPEAKER SET	FRONT	LARGE / [SMALL]	
				CENTER		
				SURROUND LR	LARGE / [SMALL] / NONE	
				SURROUND BACK LR	LARGE x1 / SMALL x1 / [SMALL x2] / LARGE x2 / NONE	
				PRESENCE	YES / [NONE]	
				BASS OUT	[SWFR] / FRONT / BOTH	
				Cross Over	40 / 60 / [80(THX)] / 90 / 100 / 110 / 120 / 160 / 200 Hz	
				SWFR PHASE	[NORMAL] / REVERSE	
		B	SPEAKER DISTANCE	UNIT	Meter(m) / Feet(ft)	
				FRONT L		
				FRONT R		
				CENTER		
	SURROUND L					
	SURROUND R					
	SURROUND BACK L			0.30 ~ 24.00m, 0.05m step [3.00m] / 1.0 ~ 80.0ft 0.1ft step [10.0ft]		
	SURROUND BACK R					
	C	SPEAKER LEVEL	FRONT L			
			CENTER			
			FRONT R			
			SURROUND L			
			SURROUND BACK L	-----  ----- -10.0 ~ +10.0dB 0.5dB step [0dB]		
			SURROUND BACK R			
			SURROUND R			
			PRESENCE L			
D	TEST TONE	PRESENCE R				
			[OFF] / ON			
2	A	LFE LEVEL	SPEAKER			
			HEADPHONE	-20dB ~ ±0.0dB, 0.5dB step [±0.0dB]		
	B	DYNAMIC RANGE	SPEAKER			
			HEADPHONE	[MAX] / STD / MIN		
	C	TONE CONTROL FRQ	BASS	Freq 125 / [350] / 500Hz, Gain -6.0dB ~ +6.0dB, 0.5dB step [±0.0dB]		
			TREBLE	Freq 2.5k / [3.5k] / 8.0kHz, Gain -6.0dB ~ +6.0dB, 0.5dB step [±0.0dB]		
	D	AUDIO SET	AUDIO MUTE	[MUTE] / -20dB		
			AUDIO DELAY	0 ~ 240ms, 1ms step [0ms]		
			PR/SB SELECT	[SURROUND BACK] / PRESENCE		
			DUAL MONO (J model only)	[MAIN] / SUB / ALL		
	3	INPUT	A	I/O ASSIGN	C.V (A)	DVD
					C.V (B)	DTV
C.V (C)					CBL/SAT	
OUT (1)					MD/TAPE	
OUT (2)					CD-R	
IN (3)					CD	

	MAIN MENU	SUB MENU	PARAMETER	SETTING VALUE ([ ] INITIAL VALUE)		
			IN (4)	DVD		
			IN (5)	DTV		
			IN (6)	CBL/SAT		
			IN (7)	CD		
			IN (8)	DVD		
			IN (9)	DVR/VCR2		
			B	INPUT TRIM	DVD	
					PHONO	
					TUNER	
		CD				
		MULTI CH				
		V-AUX				
	CBL/SAT	-6.0dB ~ +6.0dB, 0.5dB step [±0.0dB]				
	MD/TAPE					
	CD-R					
	C	INPUT MODE	DTV			
			VCR1			
	D	INPUT REMANE	DVR/VCR2			
			DVD			
			PHONO	Input is possible to 8 characters / 8文字まで入力可能		
			TUNER			
			CD	Input possible Character type / 入力可能文字		
			MULTI CH	CAPITAL / 英大文字 A to Z		
			V-AUX	SMALL / 英小文字 a to z		
CBL/SAT			FIGURE / 数字 0 to 9			
MD/TAPE			Space / 空白			
CD-R			MARK / 記号 # * + , - . / : < > ? etc.			
DTV						
E	MULTI CH INPUT	VCR1	カタカナ ア〜ー (J model only)			
		DVR/VCR2				
4	OPTION	A	DISPLAY SET	[6CH] / 8CH		
			DIMMER	-4 ~ 0, 1 step [0]		
			WALL PAPER	NONE / [YES] / GRAY BACK		
		B	MEMORY GUARD	SHORT MESSAGE	OFF / [ON]	
				VIDEO CONV.		
		C	PARAM INI	PRESS DSP key		
		D	ZONE TEST	SPEAKER B	[MAIN] / ZONE B	
		E	ZONE2 TEST	OUT VOL.	[VAR] / FIX	
(U, C, A, B, G models only)	ZONE2 AMP.			[OFF] / EXT / INT		
F	ZONE3 TEST	OUT VOL.	[VAR] / FIX			
		(U, C, A, B, G models only)				

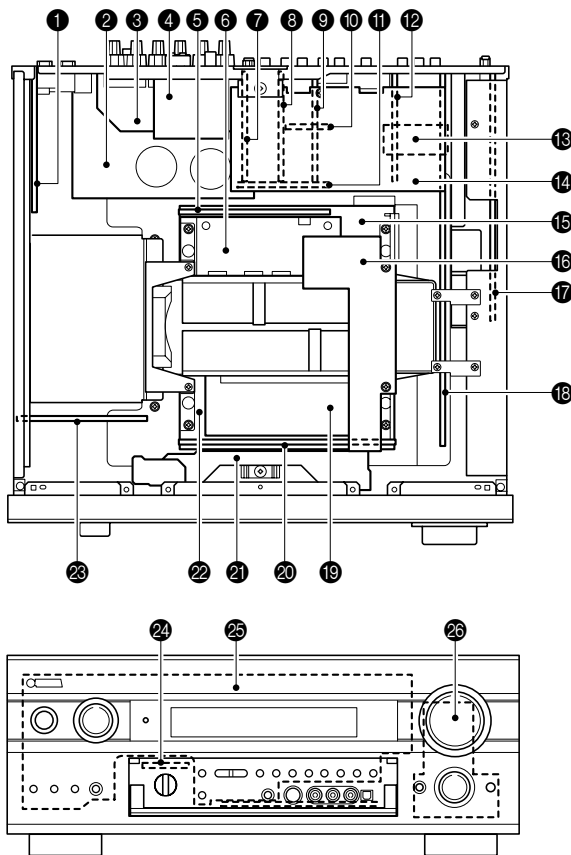
## INTERNAL VIEW

### RX-V2500 (U, C, R, T, K, A, B, G, L models)



- ① POWER (5) P.C.B.
- ② POWER (4) P.C.B. (R, L models only)
- ③ MAIN (1) P.C.B.
- ④ MAIN (5) P.C.B.
- ⑤ POWER (7) P.C.B. (U, C, A, B, G models only)
- ⑥ POWER (6) P.C.B.
- ⑦ MAIN (3) P.C.B.
- ⑧ FUNCTION (1) P.C.B.
- ⑨ INPUT (1) P.C.B.
- ⑩ FUNCTION (2) P.C.B.
- ⑪ FUNCTION (5) P.C.B.
- ⑫ FUNCTION (4) P.C.B.
- ⑬ INPUT (2) P.C.B.
- ⑭ TUNER
- ⑮ FUNCTION (6) P.C.B.
- ⑯ FUNCTION (3) P.C.B.
- ⑰ MAIN (2) P.C.B.
- ⑱ OPERATION (5) P.C.B.
- ⑲ DSP P.C.B.
- ⑳ CONTROL P.C.B.
- ㉑ POWER (3) P.C.B.
- ㉒ POWER (1) P.C.B.
- ㉓ OPERATION (3) P.C.B.
- ㉔ MAIN (4) P.C.B.
- ㉕ POWER (2) P.C.B.
- ㉖ OPERATION (4) P.C.B.
- ㉗ OPERATION (1) P.C.B.
- ㉘ OPERATION (2) P.C.B.

### DSP-AX2500 (J model)



- ① POWER (5) P.C.B.
- ② MAIN (1) P.C.B.
- ③ MAIN (5) P.C.B.
- ④ TUNER
- ⑤ POWER (6) P.C.B.
- ⑥ MAIN (3) P.C.B.
- ⑦ FUNCTION (1) P.C.B.
- ⑧ INPUT (1) P.C.B.
- ⑨ FUNCTION (2) P.C.B.
- ⑩ FUNCTION (5) P.C.B.
- ⑪ FUNCTION (4) P.C.B.
- ⑫ INPUT (2) P.C.B.
- ⑬ FUNCTION (6) P.C.B.
- ⑭ FUNCTION (3) P.C.B.
- ⑮ MAIN (2) P.C.B.
- ⑯ OPERATION (5) P.C.B.
- ⑰ DSP P.C.B.
- ⑱ CONTROL P.C.B.
- ⑲ POWER (3) P.C.B.
- ⑳ POWER (1) P.C.B.
- ㉑ OPERATION (3) P.C.B.
- ㉒ MAIN (4) P.C.B.
- ㉓ POWER (2) P.C.B.
- ㉔ OPERATION (4) P.C.B.
- ㉕ OPERATION (1) P.C.B.
- ㉖ OPERATION (2) P.C.B.

## ■ DISASSEMBLY PROCEDURES / 分解手順

(Remove parts in the order as numbered.)  
Disconnect the power cable from the AC outlet.

### 1. Removal of Top Cover

- a. Remove 2 screws (①), 4 screws (②) and 5 screws (③). (Fig. 1)
- b. Slide the Top Cover rearward to remove it. (Fig. 1)

### 2. Removal of Front Panel

Remove 7 screws (④) and then remove the Front Panel forward. (Fig. 1)

(番号順に部品を取り外してください。)  
AC電源コンセントから、電源コードを抜いてください。

### 1. トップカバーの外し方

- a. ①のネジ2本、②のネジ4本、③のネジ5本を外します。(Fig. 1)
- b. トップカバーを後方へスライドさせ、取り外します。(Fig. 1)

### 2. フロントパネルの外し方

④のネジ7本を外し、フロントパネルを前方に外します。(Fig. 1)

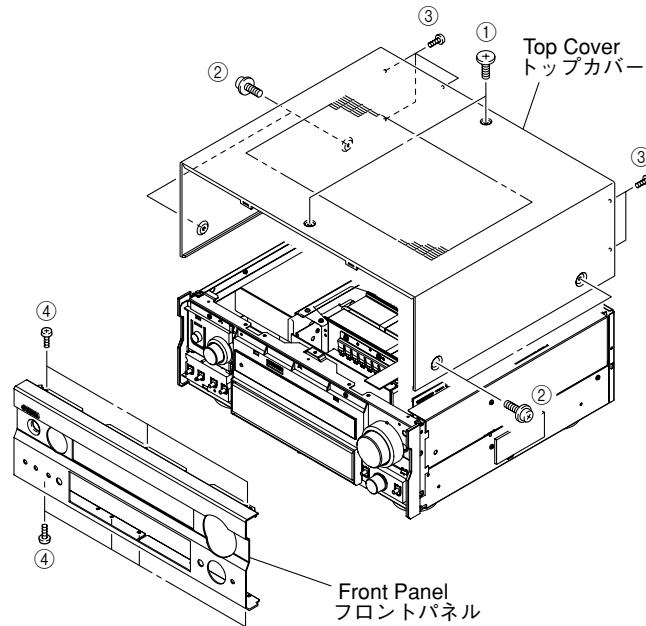


Fig. 1

### 3. Removal of Sub Chassis

- a. Remove 4 push rivets (⑤) and then remove the Side Plates L/R. (Fig. 2)
- b. Remove 2 screws (⑥) and 2 screws (⑦). (Fig. 2)
- c. Remove CB125, CB507, CB508, CB514, CB516, CB905 and CB906. (Fig. 3)
- d. Remove the Sub Chassis forward. (Fig. 2)

### 4. Removal of DSP P.C.B.

- a. Remove 4 screws (⑧) and then remove the 2 Support P.C.B.s. (Fig. 2)
- b. Remove 5 screws (⑨) and then remove the Bracket. (Fig. 2)
- c. Remove 1 screw (⑩). (Fig. 2)
- d. Remove 10 screws (⑪). (Fig. 4)
- e. Remove CB502 (DSP P.C.B.), CB502 (CONTROL P.C.B.), CB503 and CB506. (Fig. 3)
- f. Remove the DSP P.C.B. and Shield Case upward. (Fig. 2)

### 3. サブシャーシの外し方

- a. ⑤のプッシュリベット4本を外し、サイドプレートL/Rを取り外します。(Fig. 2)
- b. ⑥のネジ2本、⑦のネジ2本を外します。(Fig. 2)
- c. CB125、CB507、CB508、CB514、CB516、CB905、CB906を外します。(Fig. 3)
- d. サブシャーシを前方に取り外します。(Fig. 2)

### 4. DSP P.C.B.の外し方

- a. ⑧のネジ4本を外し、サポートP.C.B.2個を取り外します。(Fig. 2)
- b. ⑨のネジ5本を外し、ブラケットを取り外します。(Fig. 2)
- c. ⑩のネジ1本を外します。(Fig. 2)
- d. ⑪のネジ10本を外します。(Fig. 4)
- e. CB502(DSP P.C.B.)、CB502(CONTROL P.C.B.)、CB503、CB506を外します。(Fig. 3)
- f. DSP P.C.B.とシールドケースを上方に取り外します。(Fig. 2)

**5. Removal of FUNCTION (3) P.C.B.**

- a. Remove 1 screw (12) and then remove the Support Top. (Fig. 2)
- b. Remove 1 screw (13).
- c. Remove CB527, CB529, CB532 and CB537. (Fig. 3)
- d. Remove the FUNCTION (3) P.C.B. which is connected directly to the lower P.C.B. with connectors. (Fig. 2)

**5. FUNCTION (3) P.C.B.の外し方**

- a. ⑫のネジ1本を外し、サポートトップを外します。(Fig. 2)
- b. ⑬のネジ1本を外します。(Fig. 3)
- c. CB527、CB529、CB532、CB537を外します。(Fig. 3)
- d. FUNCTION(3)P.C.B.を取り外します。但し、FUNCTION(3)P.C.B.は、下方のP.C.B.と直接コネクター接続されています。(Fig. 2)

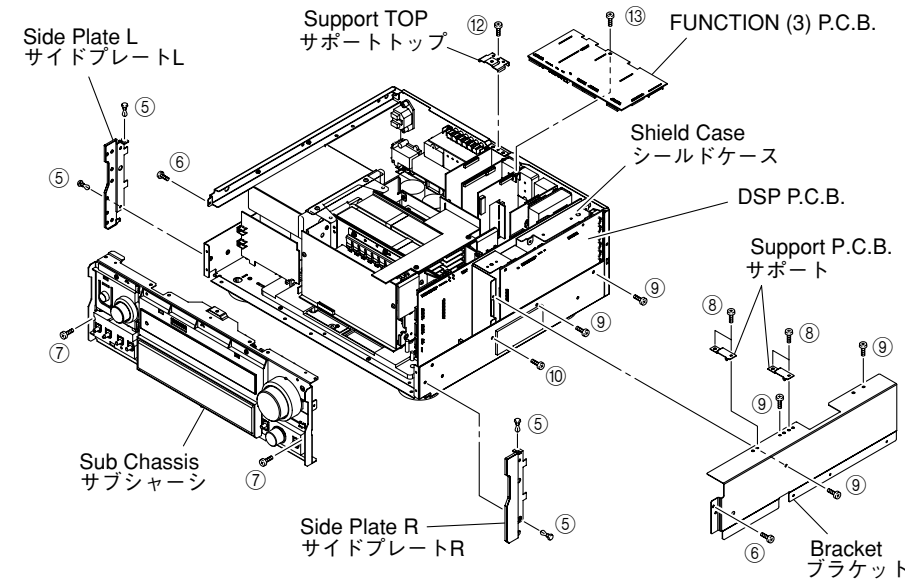


Fig. 2

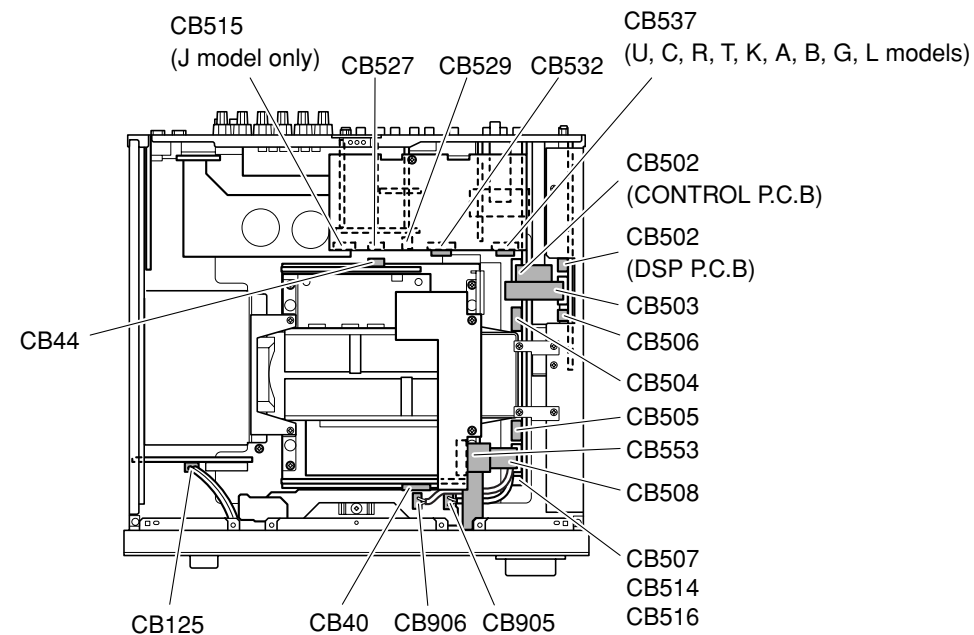
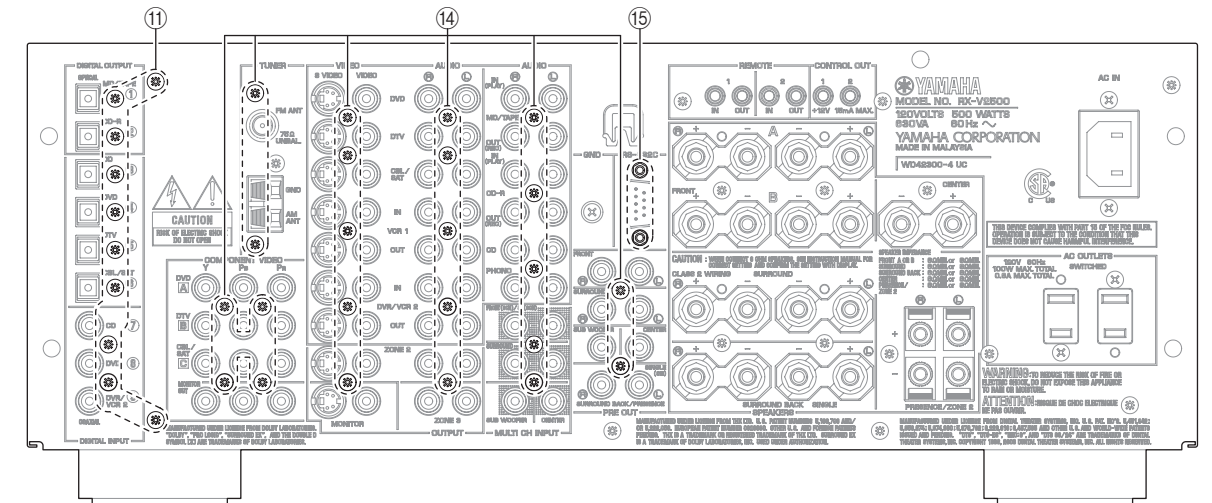


Fig. 3

**U, C, R, T, K, A, B, G, L models**



**J model**

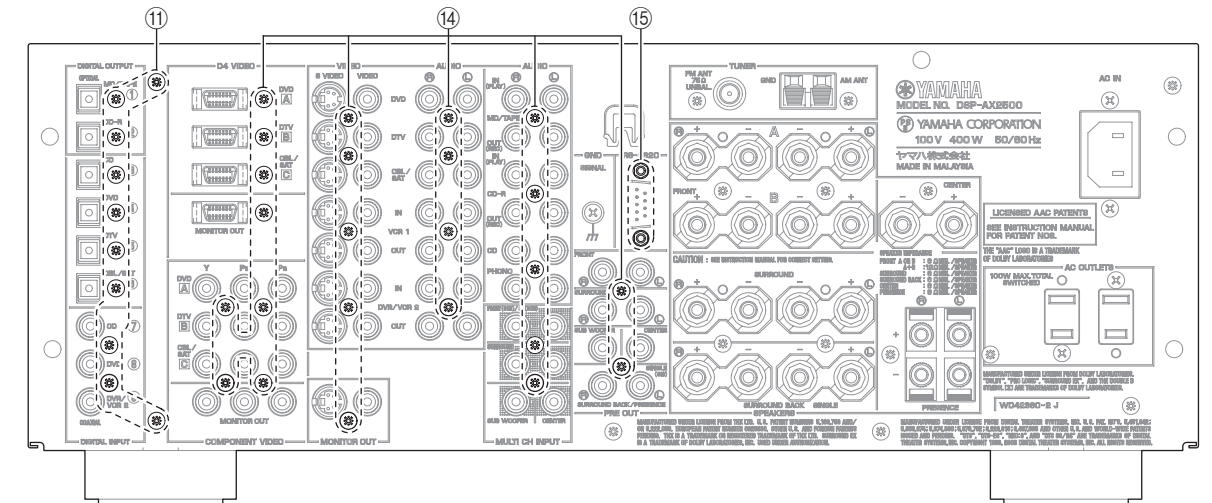


Fig. 4

**6. Removal of CONTROL, FUNCTION (1), (2), (4) ~ (6), INPUT (1), (2) P.C.B.s and Tuner**

- a. Remove 23 (U, C, A, B, G models) / 22 (R, T, K, L models) screws (14). (Fig. 4)
- b. Remove 2 jack screws (15). (Fig. 4)
- c. Remove CB40, CB44, CB504, CB505 and CB553. (Fig. 3)
- d. Remove CONTROL, FUNCTION (1), (2), (4) ~ (6), INPUT (1), (2) P.C.B.s and Tuner. (Fig. A)

**6. CONTROL、FUNCTION(1)、(2)、(4)～(6)、INPUT(1)、(2)P.C.B.、チューナーの外し方**

- a. ⑭のネジ24本を外します。(Fig. 4)
- b. ⑮のジャックスクリュー2本を外します。(Fig. 4)
- c. CB40、CB44、CB504、CB505、CB553を外します。(Fig. 3)
- d. CONTROL、FUNCTION(1)、(2)、(4)～(6)、INPUT(1)、(2)P.C.B.、チューナーを取り外します。(Fig. A)



**When checking the P.C.B.:**

- Put the Rubber Sheet and a Cloth over the equipment. Then place the P.C.B. upside down on the Cloth and check it. (Fig. A)
- Reconnect all cables (connectors) that have been disconnected.

Be sure to use the extension cable for servicing for the following section.

- CONTROL P.C.B. CB508 – OPERATION (1) P.C.B. CB904: MF124500 (24P 500mm)
- CONTROL P.C.B. CB514 – OPERATION (2) P.C.B. CB903: MF115500 (15P 500mm)
- CONTROL P.C.B. CB507 – OPERATION (3) P.C.B. CB908: MF113500 (13P 500mm)
- CONTROL P.C.B. CB516 – OPERATION (3) P.C.B. CB907: MF107500 (7P 500mm)
- CONTROL P.C.B. W502 – OPERATION (3) P.C.B. CB906: WD635400 (3/4P 180mm)

- When connecting the cable, use care for the polarity.
- In this unit, the ground of P.C.B.s shown below is connected to the rear panel. When these P.C.B.s are removed from the rear panel, connect the ground to the rear panel or chassis, using a lead wire or the like. (Fig. B)

- DSP P.C.B. : PJ501 (DIGITAL INPUT)
- CONTROL P.C.B. : PJ511 (COMPONENT VIDEO)
- INPUT (1) P.C.B. : PJ301 (MULTI CH INPUT)
- INPUT (2) P.C.B. : JK701 (MONITOR OUT)
- FUNCTION (1) P.C.B.: PJ509 (PRE OUT), CB514 (RS – 232C Terminal)
- FUNCTION (2) P.C.B.: PJ505 (DVR IN/OUT)

**P.C.B.チェックをする場合には**

- 本機の上にゴムシートと布を敷き、その上にP.C.B.を裏返しに置いてチェックします。(Fig. A)
- 外したケーブル(コネクタ)をすべて接続します。ただし次の区間は、サービス用延長ケーブルを使用してください。

- CONTROL P.C.B. CB508 – OPERATION(1) P.C.B. CB904: MF124500 (24P 500mm)
- CONTROL P.C.B. CB514 – OPERATION(2) P.C.B. CB903: MF115500 (15P 500mm)
- CONTROL P.C.B. CB507 – OPERATION(3) P.C.B. CB908: MF113500 (13P 500mm)
- CONTROL P.C.B. CB516 – OPERATION(3) P.C.B. CB907: MF107500 (7P 500mm)
- CONTROL P.C.B. W502 – OPERATION(3) P.C.B. CB906: WD635400 (3/4P 180mm)

- ケーブルを接続する際、極性に注意してください。
- 本機では下記P.C.B.のアースがリアパネルに接続されています。これらのP.C.B.をリアパネルより取り外した場合は、リード線等でアースをリアパネルまたはシャーシに接続してください。(Fig. B)

- DSP P.C.B. : PJ501 (DIGITAL INPUT)
- CONTROL P.C.B. : PJ511 (COMPONENT VIDEO)
- INPUT (1) P.C.B. : PJ301 (MULTI CH INPUT)
- INPUT (2) P.C.B. : JK701 (MONITOR OUT)
- FUNCTION (1) P.C.B.: PJ509 (PRE OUT)、CB514 (RS – 232C 端子)
- FUNCTION (2) P.C.B.: PJ505 (DVR IN/OUT)

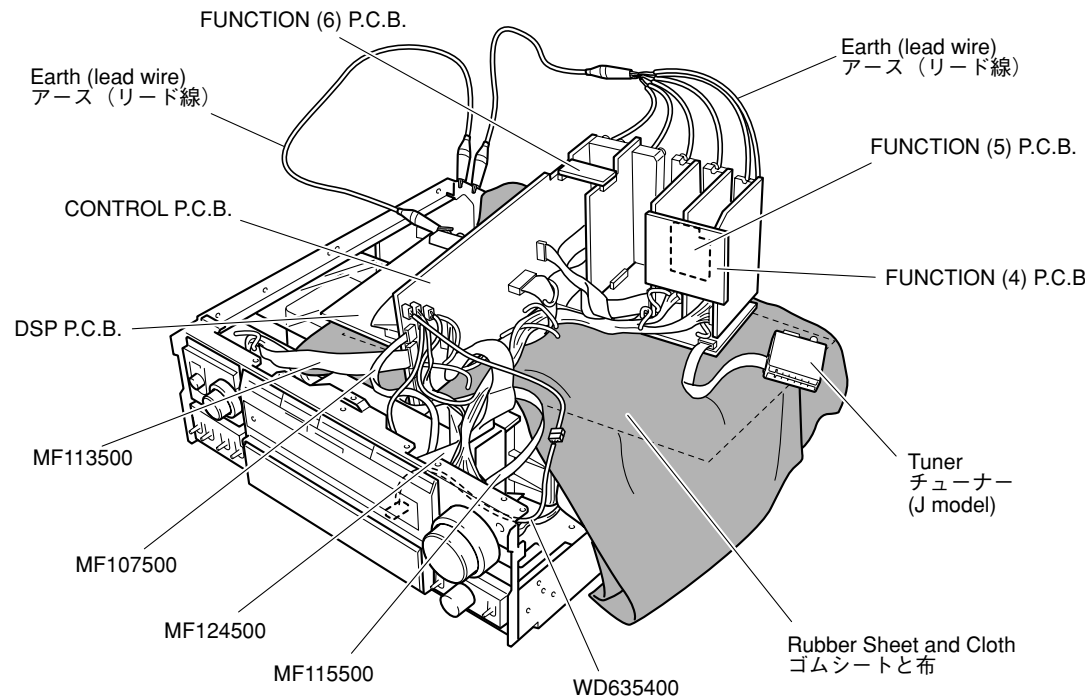


Fig.A

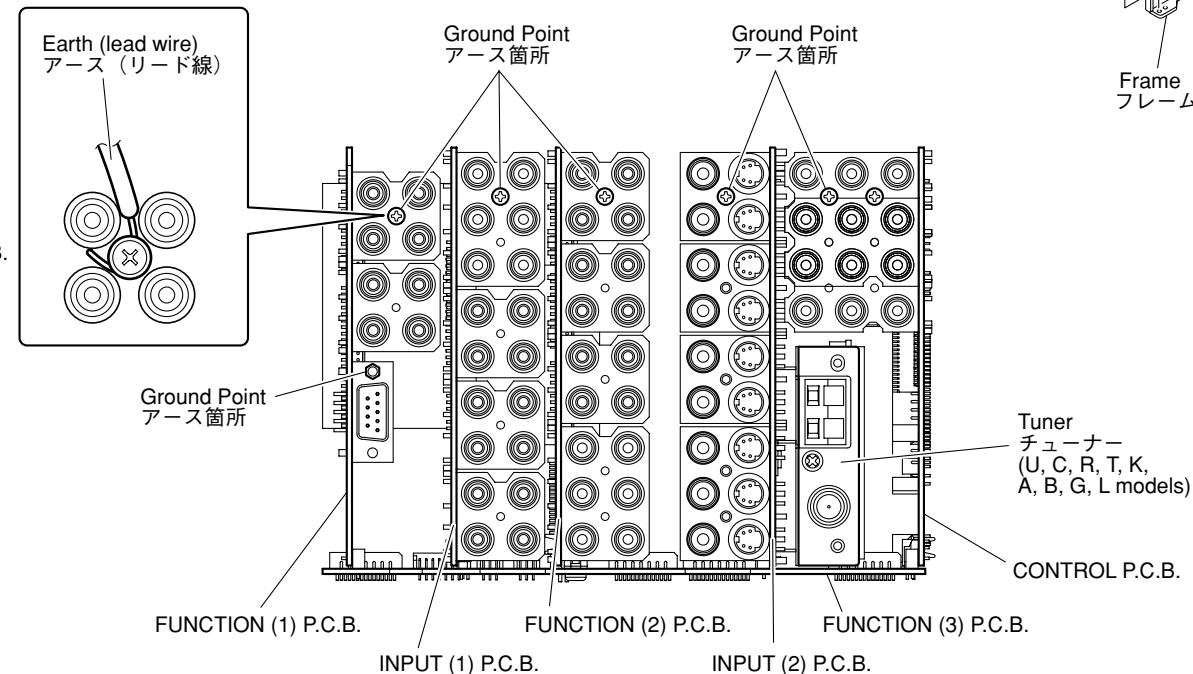


Fig.B

**7. Removal of Fan**

- Remove 4 push rivets (16) and then remove the Cover. (Fig. 5)
- Remove 2 screws (17) and 2 screws (18). (Fig. 5)
- Remove CB20.
- Remove the Fan together with the frame by lifting them up. (Fig. 5)

**8. Removal of OPERATION (5) P.C.B.**

- Remove 2 screws (19). (Fig. 5)
- Remove CB542, CB131 (U, C, A, B, G models only). (Fig. 5)
- Remove the OPERATION (5) P.C.B. which is connected directly to the lower P.C.B. with connectors. (Fig. 5)

**9. Removal of Amp Unit**

- Remove 2 push rivets (20) and then remove the Duct. (Fig. 5)
- Remove 4 screws (21) and 4 screws (22). (Fig. 5)
- Remove the Amp Unit. (Fig. 5)

**7. ファンの外し方**

- 16のプッシュリベット4本を外し、カバーを外します。(Fig. 5)
- 17のネジ2本、18のネジ2本を外します。(Fig. 5)
- CB20を外します。(Fig. 5)
- ファンをフレームといっしょに上方に取り外します。(Fig. 5)

**8. OPERATION(5)P.C.B.の外し方**

- 19のネジ2本を外します。(Fig. 5)
- CB542を外します。(Fig. 5)
- OPERATION(5)P.C.B.を取り外します。下方のP.C.B.と直接コネクタ接続されています。(Fig. 5)

**9. アンプユニットの外し方**

- 20のプッシュリベット2本を外し、ダクトを外します。(Fig. 5)
- 21のネジ4本、22のネジ4本を外します。(Fig. 5)
- アンプユニットを取り外します。(Fig. 5)

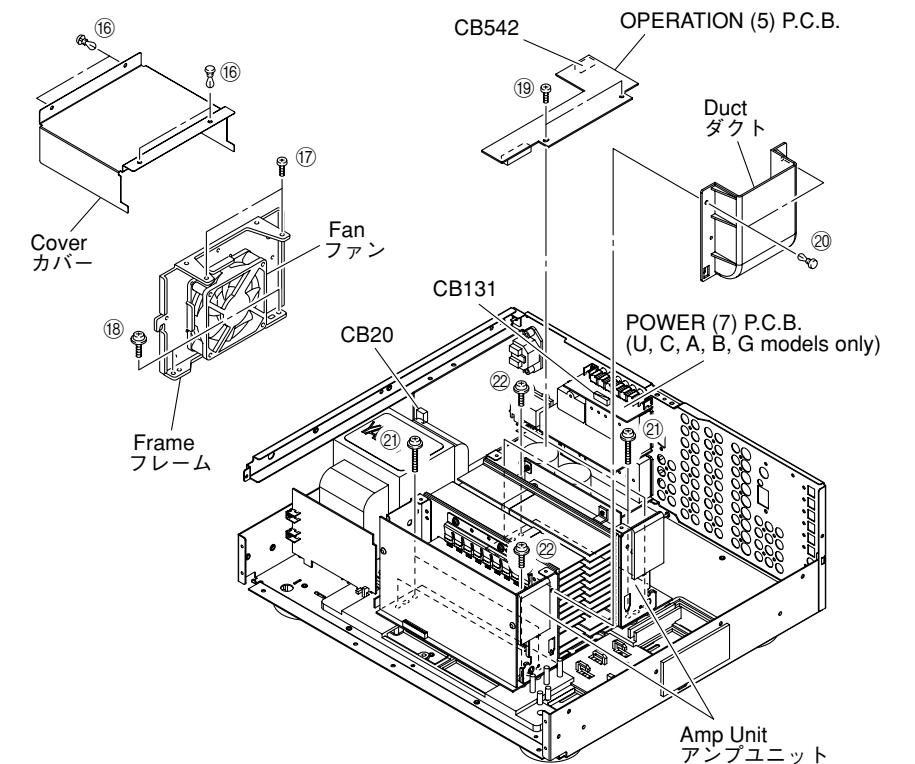


Fig. 5



**When checking the Amp Unit:**

- Put the Amp Unit together with the heat sink upright on the art base and check them. (Fig. C)
- Reconnect all cables (connectors) that have been disconnected.

Be sure to use the extension cable for servicing for the following section.

CONTROL P.C.B. CB506 – OPERATION (5) P.C.B. CB553:  
MF127500 (27P 500mm)

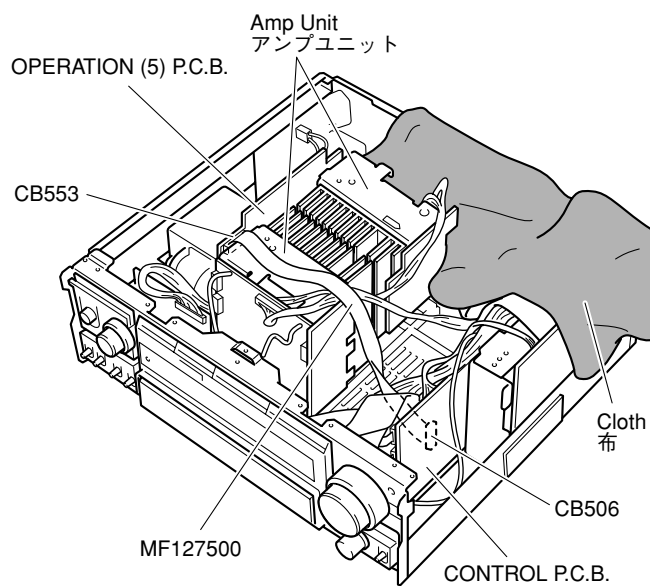
- When connecting the flat cable, use care for the polarity.

**アンプユニットをチェックする場合には**

- アンプユニットはヒートシンクといっしょに、アートベースの上に立ててチェックします。(Fig. C)
- 外したケーブル(コネクタ)をすべて接続します。ただし次の区間は、サービス用延長ケーブルを使用してください。

CONTROL P.C.B. CB506 – OPERATION (5) P.C.B. CB553:  
MF127500 (27P 500mm)

- フラットケーブルを接続する際、極性に注意してください。



**Fig. C**

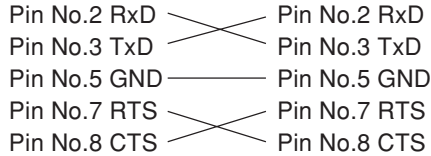
## ■ UPDATING FIRMWARE / ファームウェアの書き込み

After replacing the IC503 on the CONTROL P.C.B. with the service part (X5934A00), update the firmware according to the following procedure.

CONTROL P.C.B.のIC503をサービス部品(X5934A00)に交換した場合、下記の手順によりファームウェアの書き込みを行ってください。

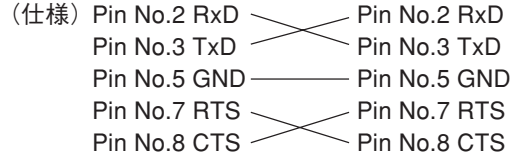
### Equipment required

- PC with RS-232C serial port (OS: Windows98/2000/Me/XP)
- Firmware loading program (Z9Boot.exe)
- Firmware (V2500\_XXXXX.mot)
- RS-232C cross cable "D-Sub 9-pin Female".



### 必要なツール

- RS-232Cシリアルポート付きPC (OS: Windows 98/2000/Me/XP)
- ファームウェア書き込み用プログラム (Z9Boot.exe)
- ファームウェア (V2500\_XXXXX.mot)
- RS-232Cクロスケーブル“D-sub 9 pin メス”



### Preparations

Download the firmware loading program and firmware from the specified download sources to the same directory of the PC for updating the firmware.

### 準備

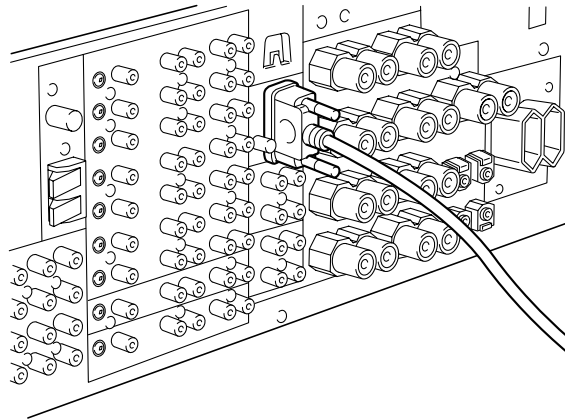
ファームウェア書き込み用プログラムおよびファームウェアを指定のダウンロード先からバージョンアップ用PCの同じディレクトリにダウンロードしてください。

### Firmware updating procedure

1. With the power turned off, connect the RS-232C cross cable between the PC and the RS-232C port of the unit as shown below.

### 操作

1. パワーオフ状態で、RS-232CクロスケーブルをPCと本機のRS-232Cポートに接続します。



2. After executing the firmware loading program, select the program type and port settings as follows:

2. ファームウェア書き込み用プログラムを立ち上げ、Program Typeおよびポート設定を選択します。

#### Program Type Select

Program Type: V2500

#### COM > SETTING Menu

#### Port Setting Dialog

Port: Select proper port #

Bits per second: 9600

Data bits: 8

Parity: None

Stop bits: 1

Flow control: Hardware

- |   |   |
|---|---|
| 3. Turn on the power to the unit.   | 3. 本機の電源をONします  |
| 4. To connect the line, click the CONNECT button or the COM menu, then click the CONNECT. | 4. ラインに接続するためにCONNECTボタンまたはCOMメニューをクリックし、CONNECTをクリックします。 |

#### COM > CONNECT Menu

After connecting, the "Connected" message is displayed in the status bar.

接続された後、ステータスバーに“Connected”と表示されます。

- |   |   |
|---|---|
| 5. Click the File Change button and then select the file to be loaded.<br>To start the loading, click the Program Macro button. | 5. File Changeボタンをクリックし、書き込むファイルを選択します。<br>Program Macroボタンをクリックすると書き込みが開始されます。 |
|---|---|

#### <CAUTION>

Never disconnect the power cable of the unit while loading the firmware, or the flash ROM data may be destroyed.

#### <注意>

書き込み中に本機の電源コードは絶対に抜かないでください。誤って書き込み中に電源コードを抜いた場合、フラッシュROMのデータが破壊されます。

- |  |   |
|--|---|
| 6. When the firmware loading is finished, the checksum information will be displayed on the information box. | 6. ファームウェア書き込み終了後、チェックサム情報が表示されます                         |
| 7. To disconnect the line, click the BREAK button or click the COM menu, then click the BREAK.               | 7. ライン接続を解除するために、BREAKボタンまたはCOM Menuをクリックし、BREAKをクリックします。 |

#### COM > BREAK Menu

For more information, access to the “FIRMWARE UPDATE PROCEDURES” on the WEB SITE.

なお、より詳細な情報が必要な場合は、WEB SITEにあるFIRMWARE UPDATE PROCEDURESにアクセスしてください。

## ■ SELF DIAGNOSIS FUNCTION (DIAG) / 自己診断機能 (ダイアグ)

There are 18 DIAG menu items, each of which has sub-menu items. Listed in the table below are menu items and sub-menu items.

ダイアグメニューは18個あり、そのそれぞれにサブメニューがあります。下表はメニュー一覧です。

No	DIAG MENU	SUB MENU
1	DA601-YSS930 1. YSS 0dB	1. YSS 0dB
		2. YSS FULL BIT
2	BYPASS 2. ANALOG BYPASS	1. ANALOG BYPASS
		2. DSP BYPASS
3	RAM THROUGH 3. RAM 0dB	1. RAM 0dB
		2. FRONT ATT
4	PRO LOGIC / NEO6 4. PRO LOGIC I	1. PRO LOGIC I
		2. PRO LOGIC II
		3. NEO: 6
5	SPEAKERS SET 5. FRNT: SML 0dB	1. FRONT: SMALL 0dB
		2. CENTER: NONE
		3. LFE/BASS: FRONT
		4. PRESS MIX: 5ch
		5. SURROUND B: MUTE
		6. SURROUND LR: MUTE
		7. SURROUND LR: NONE
6	EXTERNAL INPUT SP Impedance Check 6. 6CH INPUT_6	1. 6CH INPUT_6OHMS
		2. 6CH INPUT_8OHMS
		3. 8CH INPUT_6OHMS
		4. 8CH INPUT_8OHMS
		5. TEMP TEST
7	MIC CHECK 7. MIC CHECK	MIC CHECK
8	DISPLAY CHECK 8. VFD CHECK	1. VFD CHECK (Initial display / 初期表示)
		2. VFD DISP OFF (All segments OFF / 全セグメント消灯)
		3. VFD DISP ALL (All segments ON 100% / 全セグメント点灯100%)
		4. VFD DIMMER (All segments ON 50% / 全セグメント点灯50%)
		5. CHECKED PATTERN (ON in lattice / 格子状点灯)
9	MANUAL TEST 9. TEST ALL	1. TEST ALL
		2. TEST FRONT L
		3. TEST CENTER
		4. TEST FRONT R
		5. TEST SURROUND R
		6. TEST SURROUND BACK R
		7. TEST SURROUND BACK L
		8. TEST SURROUND L
		9. TEST LFE
		10. TEST PRESENCE L
		11. TEST PRESENCE R
10	RS-232C 10. TxRxData:XX	1. TxD/RxD DATA
		2. HARD FLOW
11	FACTORY PRESET 11. PRESET INHI	1. PRESET INHIBIT (memory initialization inhibited / メモリーの初期化禁止)
		2. PRESET RESERVED (memory initialized / メモリーの初期化)

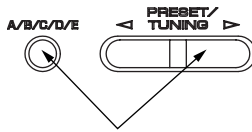
No	DIAG MENU	SUB MENU
12	AD DATA CHECK / FAN TEST DC:007 Fan_/_	1. PS (protection)
		2. DC (protection) / FAN OUT
		3. TH
		4. REC-OUT
		5. PL
		6. K0 / K1 (panel key)
		7. FAN DRIVE TEST: HIGH (Fan test only applies to models with a fan. / ファン装備モデルに適用)
		8. FAN DRIVE TEST: MID (Fan test only applies to models with a fan. / ファン装備モデルに適用)
		9. FAN DRIVE TEST: LOW (Fan test only applies to models with a fan. / ファン装備モデルに適用)
13	V CONV STATUS H:XXXXXXXX	1. LOW BYTE DATA
		2. HIGH BYTE DATA
14	IF STATUS IS1:3303095420	1. IS 1 (5 Byte)
		2. IS 2 (3 Byte)
		3. CS 1 (5 Byte)
		4. CS 2 (5 Byte)
		5. CS 3 (4 Byte)
		6. BS 1 (5 Byte)
		7. BS 2 (5 Byte)
		8. BS 3 (5 Byte)
		9. BS 4 (3 Byte)
		10. TI 1 (5 Byte)
		11. TI 2 (1 Byte)
		12. MTT (5 Byte)
15	BUS CHECK YSS BUS:NoEr	1. YSS930 BUS CHECK
		2. SECOND DECODER BUS CHECK
		3. YGV619 BUS CHECK
16	PROTECTION SET	(Not applied to this model. / このモデルには適用されません)
17	SOFT SW CHANGE SW BY EFFECT KEY 17.SW :PCB	1. SW MODE
		2. MODEL SETTING
		3. TUNER DESTINATION
		4. TUNER EXIST
		5. RDS EXIST
		6. ZONE 2 EXIST
		7. VIDEO FORMAT
18	ROM VERSION / SUM / PORT VER. C031FC0I	1. VERSION (DSP ALL)
		2. VERSION (OPERATION / GUI / DSP)
		3. SUM (ALL / AFTER BOOT)
		4. SUM (232C BOOT / MAKER BOOT)
		5. SUM (CDDA BOOT / BIT MAP, FRONT)
		6. SUM (WALL PAPER 1 / WALL PAPER 2)
		7. SUM (PROGRAM)
		8. PORT
		9. AAC PORT



## • Starting DIAG

Press the “STANDBY/ON” key while simultaneously pressing those two keys of the main unit as indicated in the figure below.

Keys of main unit / 本体キー



Turn on the power while pressing these keys.  
これらのキーを同時に押しながら、パワーオンする。

## • Starting DIAG in the protection cancel mode

If the protection function works and causes hindrance to trouble diagnosis, cancel the protection function as described below, and it will be possible to enter the DIAG mode. (The protection functions other than the excess current detect function will be disabled.)

Press the “STANDBY/ON” key while simultaneously pressing those two keys indicated in the figure above. At this time, keep pressing those two keys for 3 seconds or longer.

In this mode, the “SLEEP” segment of the FL display of the main unit flashes to indicate that the mode is DIAG mode with the protection functions disabled.

### CAUTION!

Using this product with the protection function disabled may cause damage to itself. Use special care for this point when using this mode.

## • Canceling DIAG

[1] Before canceling DIAG, execute setting for PRESET of DIAG menu No.11 (Memory initialization inhibited or Memory initialized).

\* In order to keep the user memory stored, be sure to select PRESET INHIBIT (Memory initialization inhibited). Any protection history will remain in memory.

[2] Turn off the power by pressing the “STANDBY/ON” key of the main unit or the “STANDBY” key of the remote controller.

## ● ダイアグの起動

本体の下図に示すキーを同時に押しながら“STANDBY/ON”キーを押すと、ダイアグが起動します。

## ● プロテクション解除モードでの起動

プロテクションが動作することにより、故障箇所の診断に支障をきたすような場合は、次の方法によりプロテクションを解除した状態でダイアグモードに入ることができます。(過電流検出以外のプロテクション動作を解除する)

上図のキーを同時に押しながら“STANDBY/ON”キーを押します。このとき、上図のキーを3秒以上押し続けてください。

このモードでは本体FLの“SLEEP”セグメントが点滅し、プロテクションを解除した状態でのダイアグモードであることを知らせます。

### 注意!

プロテクションを解除した状態でのダイアグモードは、危険な状態でもプロテクションが作動しないため、動作させると、機器を破壊することがあります。このモードを使用する場合は十分注意してください。

## ● ダイアグの解除

① ダイアグを解除する前に、ダイアグメニューNo.11のFACTORY PRESET (メモリーの初期化禁止/またはメモリーの初期化)の設定をします。

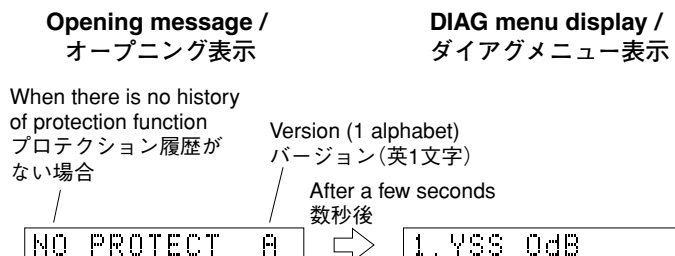
※ ユーザーメモリーを保持したい場合は、必ずPRESET INHIBIT (メモリー初期化禁止)を選択してください。

② 本体の“STANDBY/ON”キーかリモコンの“STANDBY”キーを押し、パワーオフにします。

## • Display provided when DIAG started

The FL display of the main unit displays the protection function history data and the version (1 alphabet) and the DIAG menu [sub-menu (YSS 0dB) of DIAG menu No.1 DSP THROUGH] a few seconds later.

### When there is no history of protection function:



### When there is a history of protection function:

### プロテクション履歴がある場合:



**Cause:** An excessive current flowed through the power amplifier.

Turning on the power without correcting the abnormality will cause the protection function to work immediately and the power supply will instantly be shut off.

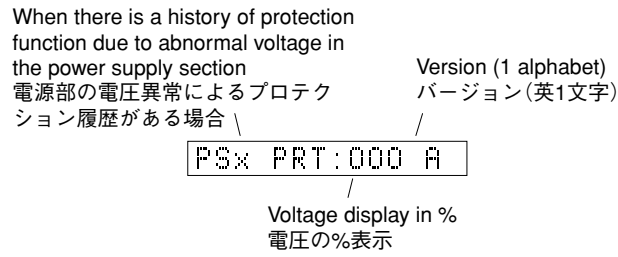
原因：パワーアンプに過電流が流れた。

補足：パワートランジスタの電流を検出していますので、電流検出トランジスタをチェックすれば異常チャンネルが特定できます。

異常状態のままパワーオンすると、瞬時にプロテクションがかかり、すぐに電源が切れます。

#### Note)

- Applying the power to a unit without correcting the abnormality can be dangerous and cause additional circuit damage.
- The output transistors in each amplifier channel should be checked for damage before applying any power.
- Amplifier current should be monitored by measuring across the emitter resistors for each channel.



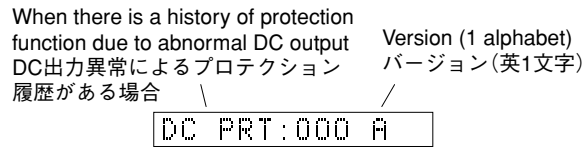
**Cause:** The voltage in the power supply section is abnormal.

**Supplementary information:** The abnormal voltage is displayed in % based on 5V as 100%.

Turning on the power without correcting the abnormality will cause the protection function to work 1 second later and the power supply will be shut off.

原因：電源部の電圧が異常。  
補足：異常時の電圧の状態を、5Vを100%とした値で%表示します。

異常状態のままパワーオンすると、1秒後にプロテクションがかかり、電源が切れます。



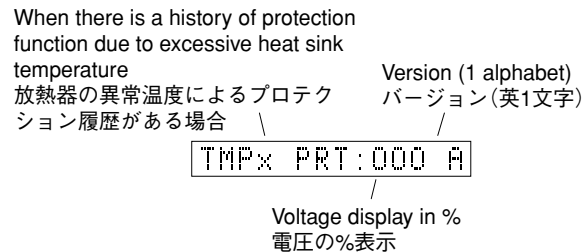
**Cause:** DC output of the power amplifier is abnormal.

**Supplementary information:** The abnormal voltage is displayed in % based on 5V as 100%.

Turning on the power without correcting the abnormality will cause the protection function to work 3 seconds later and the power supply will be shut off.

原因：パワーアンプのDC出力が異常。  
補足：異常時の電圧の状態を、5Vを100%とした値で%表示します。

異常状態のままパワーオンすると、3秒後にプロテクションがかかり、電源が切れます。



**Cause:** The temperature of the heat sink is excessive.

**Supplementary information:** The abnormal voltage is displayed in % based on 5V as 500%.

Turning on the power without correcting the abnormality will cause the protection function to work 1 second later and the power supply will be shut off.

原因：放熱器の温度が異常。  
補足：異常時の電圧の状態を、5Vを500%とした値で%表示します。

異常状態のままパワーオンすると、1秒後にプロテクションがかかり、電源が切れます。

\* Additional causes of protection can be due to loose connections, associated components, CPU, etc.  
\* For the protection voltage value, refer to DIAG menu No.12 described later.

※ 前記の異常原因の他に、コネクタのはずれやCPU周辺などに原因がある場合があります。  
※ プロテクションの電圧値に関しては、後述のダイアグメニューNo.12を参照してください。

### ● History of protection function

When the protection function has worked, its history is stored in memory with a backup. Even if no abnormality is noted while servicing the unit, an abnormality which has occurred previously can be defined as long as the backup data has been stored.

The history of the protection function is cleared when DIAG is cancelled by selecting PRESET RESERVED (Memory initialized) of DIAG menu No. 11 or when the backup data is erased.

### ● Display during menu operation

During the DIAG mode, the monitor screen shows the wallpaper and the function at work among following functions as a short message.

- Input selection, multi channel input
- Muting
- Speaker relay A/B
- Master volume

The FL display of the main unit shows the function at work. The displayed contents are described in the later section on detailed functions.

### ● Operation procedure of DIAG menu and SUB-MENU

There are 18 MENU items, each of which has some SUB-MENU items.

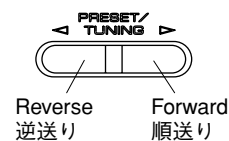
#### DIAG menu selection

Select the menu using PROGRAM knob.

#### SUB-MENU selection

Select the sub-menu using ▷ (Forward) and ◁ (Reverse) keys of PRESET/TUNING.

SUB-MENU selection  
サブメニューの選択



### ● プロテクションの履歴

プロテクションが働いた場合、履歴をバックアップして記憶しています。サービスのときに異常が認められなくても、バックアップが残っていれば、お客様のところで起きた異常を区別できます。

プロテクションの履歴は、ダイアグメニューNo.11で PRESET RESERVED(メモリーの初期化)を選んでダイアグを解除した場合や、バックアップが消えたときにはクリアされます。

### ● メニュー動作中の表示

ダイアグ中、モニター画面には壁紙表示と以下の動作中の機能がショートメッセージとして表示されます。

- インプット切替、マルチチャンネルインプット
- ミューティング
- スピーカーリレーA/B
- マスターボリューム

本体のFLディスプレイには動作中の機能が表示されます。機能動作中の表示内容については、後述の機能詳細で記述します。

### ● ダイアグメニューとサブメニューの操作

ダイアグにはNo.1~18のメニューがあり、そのそれぞれにサブメニューがあります。

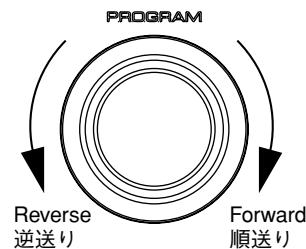
#### ダイアグメニューの選択

PROGRAMツマミで選択します。

#### サブメニューの選択

PRESET/TUNING ▷ (順送り), ◁ (逆送り)キーで選択します。

DIAG menu selection  
ダイアグメニューの選択





## ● Functions in DIAG mode

In addition to the DIAG menu items, functions as listed below are available.

- Input selection, Multi channel input
  - Center/Rear/Rear center/Sub-woofer level adjustment
  - Muting
  - Speaker relay A/B
  - Power on/off
  - Master volume
- \* Functions related to the tuner and the set menu are not available.
- \* It is possible to confirm Menu No.14 IF STATUS while keeping the signal process (operation status) of each DIAG menu by using the input mode key of the main unit.

## ● Initial settings used to start DIAG

The following initial settings are used when starting DIAG. When DIAG is canceled, these settings are restored to those before starting DIAG.

- Master volume: -20dB
- Input: DVD (MULTI CHANNEL INPUT OFF)
- Effect level: 0dB
- Audio mute: OFF
- Speaker relay A/B: ON
- Speaker setting: LARGE / BASS OUT = BOTH
- DIAG menu: DA601-YSS930 (1. YSS 0dB)

## ● ダイアグ中の機能

ダイアグメニューの他に、以下の機能が動作します。

- インプット切り換え、マルチチャンネルインプット
- センター、リア、リアセンター、サブウーファーレベル調整
- ミューティング
- スピーカーリレーA/B
- パワーオン/オフ
- マスターボリューム

※ チューナー関連、セットメニュー関連は機能しません。  
 ※ 本体のINPUT MODEキーにより、各ダイアグメニューの信号処理(動作状態)を維持したままメニューNo.14 “IF STATUS”の確認ができます。

## ● ダイアグ開始時の初期設定

ダイアグ開始時に以下のような設定になります。ダイアグ解除時にはダイアグ開始前の状態に戻ります。

- マスターボリューム: -20dB
- インプット: DVD (マルチチャンネルINPUT オフ)
- エフェクトレベル: 0dB
- オーディオミュート: オフ
- スピーカーリレーA/B: オン
- スピーカー設定: LARGE / BASS OUT=BOTH
- ダイアグメニュー: DA601-YSS930 (1. YSS 0dB)

● Details of DIAG menu

With full-bit output specified in some modes, it is possible to execute 0dBFS output without head margin in each channel.

1. DA601-YSS930

This function is for YSS930 only. Main DSP of YSS930 is selected for FRONT output.

Using the sub-menu, it is possible to select 0dB output level or full-bit output.

YSS 0dB

- The signal is output including the head margin.

● ダイアグメニュー詳細

一部のモードでフルビット指定することで、各チャンネルのヘッドマージンを廃して0dBFS出力することが可能です。

1. DA601-YSS930

YSS930のみの動作です。FRONT出力にはYSS930のMain DSPが選択されます。

サブメニューにより、出力レベル0dB、フルビット出力が選択可能です。

YSS 0dB

- ヘッドマージンを含んで出力されます。

1. YSS 0dB

Reference data

INPUT: DVD ANALOG

SUBWOOFER OUTPUT: 50Hz, Others: 1kHz

Input level	Volume	SPEAKER OUT					SUBWOOFER OUTPUT
		FRONT	CENTER	SURROUND	SURROUND BACK	PRESENCE	
Both ch, -20 dBm	+6.5 dB	+18.5 dBm	+12.5 dBm	+12.5 dBm	+12.5 dBm	+12.5 dBm	-5.5 dBm

YSS FULL BIT

- The signal is output in digital full bit without including the head margin.
- The SWFR signal is output but not in digital full bit.

YSS FULL BIT

- ヘッドマージンを含まず、デジタルフルビットで出力されます。
- SWFRは出力されますが、デジタルフルビットではありません。

1. YSS FULL BIT

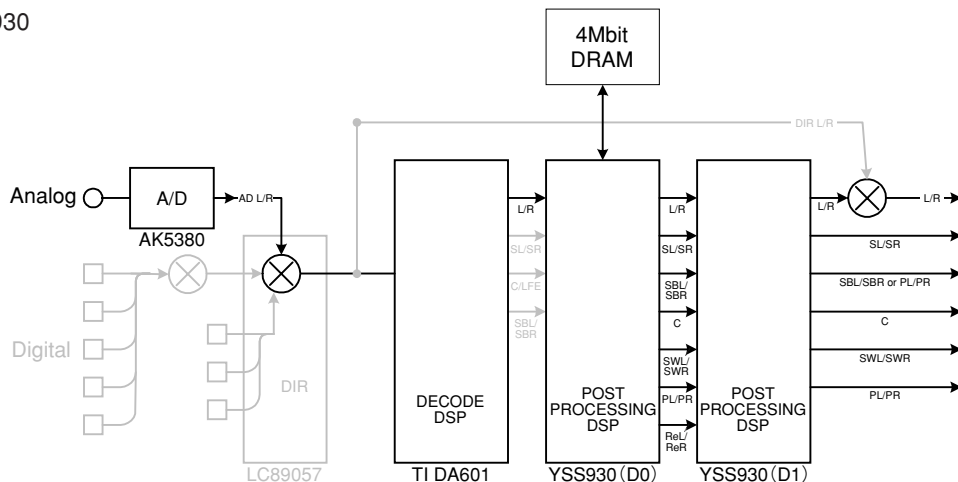
Reference data

INPUT: DVD ANALOG

SUBWOOFER OUTPUT: 50Hz, Others: 1kHz

Input level	Volume	SPEAKER OUT					SUBWOOFER OUTPUT
		FRONT	CENTER	SURROUND	SURROUND BACK	PRESENCE	
Both ch, -20 dBm	+6.5 dB	+18.5 dBm	+12.5 dBm	+12.5 dBm	+12.5 dBm	+12.5 dBm	-5.5 dBm

DA601-YSS930  
(ANALOG)



(Shaded items not used in this example)

2. BYPASS

ANALOG BYPASS

2. ANALOG BYPASS

Reference data

INPUT: DVD ANALOG

SUBWOOFER OUTPUT: 50Hz, Others: 1kHz

Input level	Volume	SPEAKER OUT					SUBWOOFER OUTPUT
		FRONT	CENTER	SURROUND	SURROUND BACK	PRESENCE	
Both ch, -20 dBm	+6.5 dB	+18.5 dBm	- ∞	- ∞	- ∞	- ∞	- ∞

2. BYPASS

ANALOG BYPASS

DSP BYPASS

2. DSP BYPASS

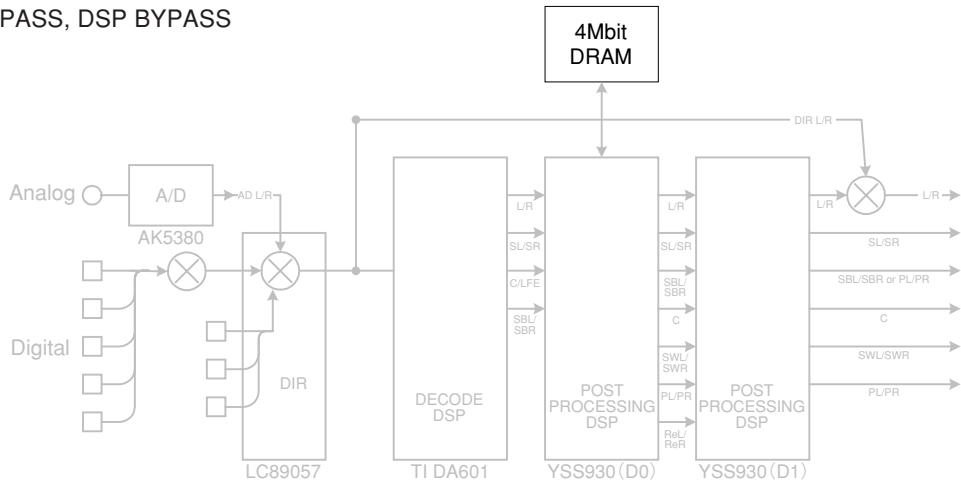
Reference data

INPUT: DVD ANALOG

SUBWOOFER OUTPUT: 50Hz, Others: 1kHz

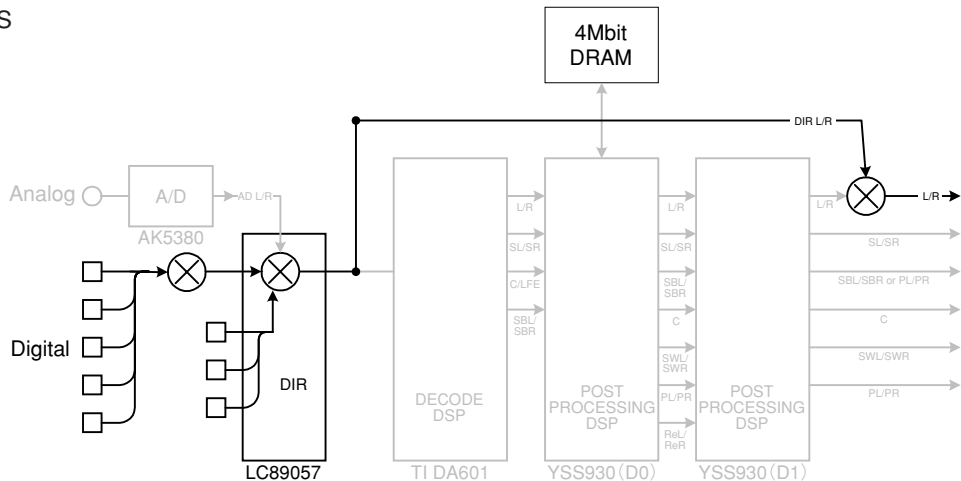
Input level	Volume	SPEAKER OUT					SUBWOOFER OUTPUT
		FRONT	CENTER	SURROUND	SURROUND BACK	PRESENCE	
Both ch, -20 dBm	+6.5 dB	- ∞	- ∞	- ∞	- ∞	- ∞	- ∞

ANALOG BYPASS, DSP BYPASS  
(ANALOG)



(Shaded items not used in this example)

DSP BYPASS  
(DIGITAL)



(Shaded items not used in this example)

### 3. RAM THROUGH

Using the sub-menu, it is possible to select the full-bit output at 0dB output level.

#### RAM 0dB

3. RAM 0dB

Reference data

INPUT: DVD ANALOG

SUBWOOFER OUTPUT: 50Hz, Others: 1kHz

Input level	Volume	SPEAKER OUT					SUBWOOFER OUTPUT
		FRONT	CENTER	SURROUND	SURROUND BACK	PRESENCE	
Both ch, -20 dBm	+6.5 dB	+18.5 dBm	+12.5 dBm	+12.5 dBm	+12.5 dBm	+12.5 dBm	-5.5 dBm

### 3. RAM THROUGH

サブメニューにより出力レベル0dB、フルビット出力が選択可能です。

#### RAM 0dB

### FRONT ATT

- MAIN -9dB

3. FRONT ATT

Reference data

INPUT: DVD ANALOG

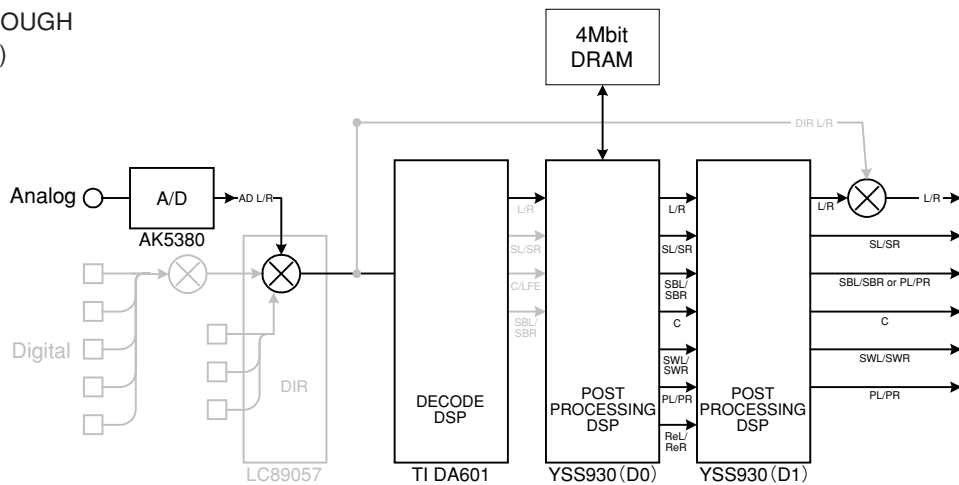
SUBWOOFER OUTPUT: 50Hz, Others: 1kHz

Input level	Volume	SPEAKER OUT					SUBWOOFER OUTPUT
		FRONT	CENTER	SURROUND	SURROUND BACK	PRESENCE	
Both ch, -20 dBm	+6.5 dB	+18.5 dBm	+12.5 dBm	+12.5 dBm	+12.5 dBm	+12.5 dBm	-5.5 dBm

### FRONT ATT

- MAIN -9dB

### RAM THROUGH (ANALOG)



(Shaded items not used in this example)

4. PRO LOGIC / NEO6

4. PRO LOGIC / NEO6

PRO LOGIC I

PRO LOGIC I

4. PRO LOGIC I

Reference data  
 INPUT: DVD ANALOG  
 SUBWOOFER OUTPUT: 50Hz, Others: 1kHz

Input level	Volume	SPEAKER OUT					SUBWOOFER OUTPUT
		FRONT	CENTER	SURROUND	SURROUND BACK	PRESENCE	
Each ch, -20 dBm	+6.5 dB	+12.5 dBm	- ∞	- ∞	- ∞	- ∞	- ∞
Both ch, -20 dBm	+6.5 dB	- ∞	+12.5 dBm	- ∞	- ∞	- ∞	- ∞

PRO LOGIC II

PRO LOGIC II

4. PRO LOGIC II

Reference data  
 INPUT: DVD ANALOG  
 SUBWOOFER OUTPUT: 50Hz, Others: 1kHz

Input level	Volume	SPEAKER OUT					SUBWOOFER OUTPUT
		FRONT	CENTER	SURROUND	SURROUND BACK	PRESENCE	
Each ch, -20 dBm	+6.5 dB	+12.5 dBm	- ∞	- ∞	- ∞	- ∞	- ∞
Both ch, -20 dBm	+6.5 dB	- ∞	+12.5 dBm	- ∞	- ∞	- ∞	- ∞

Neo:6

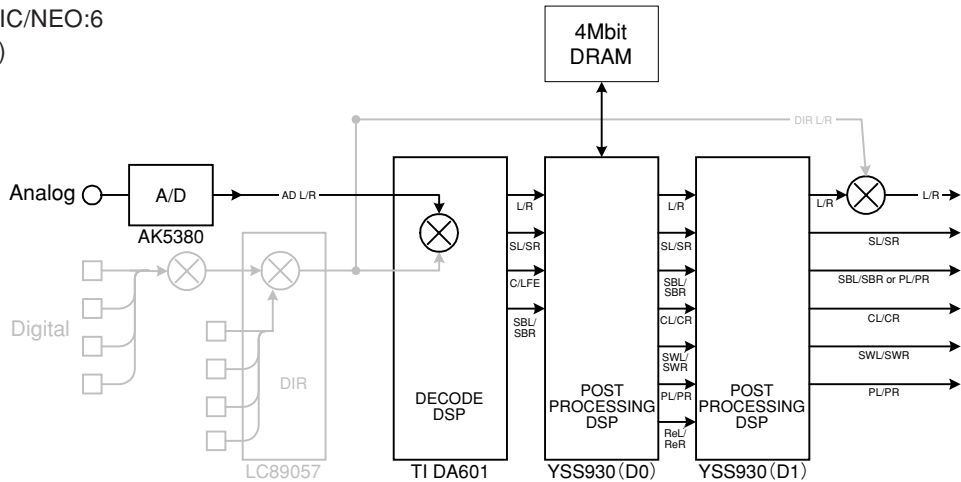
Neo:6

4. Neo:6

Reference data  
 INPUT: DVD ANALOG  
 SUBWOOFER OUTPUT: 50Hz, Others: 1kHz

Input level	Volume	SPEAKER OUT					SUBWOOFER OUTPUT
		FRONT	CENTER	SURROUND	SURROUND BACK	PRESENCE	
Each ch, -20 dBm	+6.5 dB	+12.5 dBm	- ∞	- ∞	- ∞	- ∞	- ∞
Both ch, -20 dBm	+6.5 dB	- ∞	+12.5 dBm	- ∞	- ∞	- ∞	- ∞

PRO LOGIC/NEO:6  
(ANALOG)



(Shaded items not used in this example)



## 5. SPEAKERS SET

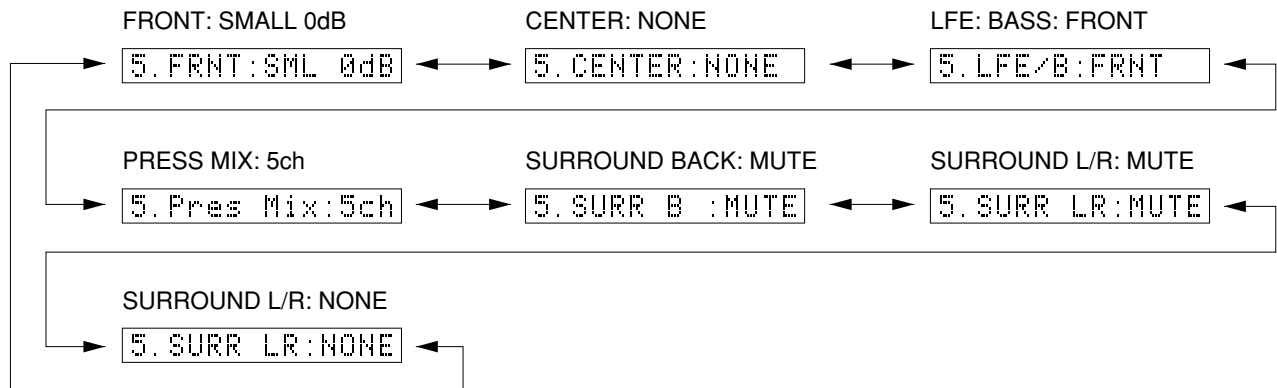
The input signal is automatically identified in the order of dts → DOLBY DIGITAL → AAC → PCM → Analog. There are seven sub-menu items as follows. The signals output from the DSP block are the same as 1. DA601-YSS930: YSS 0dB.

## 5. SPEAKERS SET

入力は、dts→DOLBY DIGITAL→AAC→PCM→アナログの優先順で自動判別されます。

サブメニューは以下の7つあります。

DSP部からは、No.1 DA601-YSS930のYSS 0dBと同様の信号が出力されます。



The analog switch settings for each sub-menu are as shown in the table below.

各サブメニューにおけるアナログスイッチの設定は以下の通りです。

	SUB MENU	CENTER SP	SURROUND SP	FRONT SP	LFE/BASS
1	FRONT:SMALL 0dB	LARGE	LARGE	SMALL	SWFR
2	CENTER:NONE	NONE	LARGE	LARGE	SWFR
3	LFE/BASS:FRONT	SMALL	SMALL	LARGE	FRONT
4	PRESS MIX:5CH	LARGE	LARGE	LARGE	SWFR
5	SURROUND BACK:MUTE	LARGE	LARGE	LARGE	SWFR
6	SURROUND L/R:MUTE	LARGE	LARGE	LARGE	SWFR
7	SURROUND L/R:NONE	LARGE	NONE	LARGE	SWFR

**LARGE:** This mode is used with a speaker with high bass reproduction performance (a large unit). Full bandwidth signals are output.

**SMALL:** This mode is used with a speaker with low bass reproduction performance (a small unit). The signals of 90Hz or less are mixed into the channel specified by LFE/BASS.

**NONE:** This mode is used with no center speaker. The center content is reduced by 3dB and distributed to FRONT L/R.

**LARGE:** 低音再生能力の高い(ユニットの大きい)スピーカーを使用するモードです。全帯域が出力されます。

**SMALL:** 低音再生能力の低い(ユニットの小さい)スピーカーを使用するモードです。90Hz以下がLFE/BASSで指定したチャンネルにミックスされます。

**NONE:** スピーカーを使用しないモードです。センター成分は-3dBされて、FRONT L/Rに振り分けられます。

Reference data

INPUT: DVD ANALOG

SUBWOOFER OUTPUT: 50Hz, Others: 1kHz

SUB MENU	Input level	Volume	SPEAKER OUT					SUBWOOFER OUTPUT	
			FRONT	CENTER	SURROUND	SURROUND BACK	PRESENCE		
1	FRONT:SMALL 0dB	Both ch, -20 dBm	+6.5 dB	+18.5 dBm	+12.5 dBm	+12.5 dBm	+12.5 dBm	+12.5 dBm	-1.5 dBm
2	CENTER:NONE	Both ch, -20 dBm	+6.5 dB	+16.5 dBm	-∞	+12.5 dBm	+12.5 dBm	+12.5 dBm	-5.5 dBm
3	LFE/BASS:FRONT (1kHz)	Both ch, -20 dBm	+6.5 dB	-∞	+12.5 dBm	+12.5 dBm	+12.5 dBm	+12.5 dBm	-∞
	LFE/BASS:FRONT (50kHz)	Both ch, -20 dBm	+6.5 dB	+26.5 dBm	+5.5 dBm	+5.5 dBm	+5.5 dBm	+5.5 dBm	-∞
4	PRESS MIX 5CH	Both ch, -20 dBm	+6.5 dB	+5.5 dBm	+12.5 dBm	+12.5 dBm	+12.5 dBm	+12.5 dBm	-5.5 dBm
5	SURROUND BACK:MUTE	Both ch, -20 dBm	+6.5 dB	+18.5 dBm	+12.5 dBm	+12.5 dBm	+12.5 dBm	+12.5 dBm	-5.5 dBm
6	SURROUND L/R:MUTE	Both ch, -20 dBm	+6.5 dB	+18.5 dBm	+12.5 dBm	-∞	+12.5 dBm	+12.5 dBm	-5.5 dBm
7	SURROUND L/R:NONE	Both ch, -20 dBm	+6.5 dB	+12.5 dBm	+12.5 dBm	-∞	+12.5 dBm	+12.5 dBm	-5.5 dBm

**6. EXTERNAL INPUT**

It is possible to select the 6ch/8ch input and 6\_/8\_ by using the SUB menu.

6CH INPUT\_6OHMS

6. 6CH INPUT\_6

6CH INPUT\_8OHMS

6. 6CH INPUT\_8

8CH INPUT\_6OHMS

6. 8CH INPUT\_6

8CH INPUT\_8OHMS

6. 8CH INPUT\_8

Reference data

INPUT: MULTI CH INPUT

SUBWOOFER OUTPUT: 50Hz, Others: 1kHz

SUB MENU	Input level	Volume	SPEAKER OUT					SUBWOOFER OUTPUT
			FRONT	CENTER	SURROUND	SURROUND BACK	PRESENCE	
1 6CH INPUT_6ohms	Both ch, -20 dBm	+6.5 dB	+18.5 dBm	+12.5 dBm	+12.5 dBm	- ∞	-6.5 dBm	-15.5 dBm
2 6CH INPUT_8ohms	Both ch, -20 dBm	+6.5 dB	+18.5 dBm	+12.5 dBm	+12.5 dBm	- ∞	-6.5 dBm	-15.5 dBm
3 8CH INPUT_6ohms	Both ch, -20 dBm	+6.5 dB	+18.5 dBm	+12.5 dBm	+12.5 dBm	+12.5 dBm	-6.5 dBm	-15.5 dBm
4 8CH INPUT_8ohms	Both ch, -20 dBm	+6.5 dB	+18.5 dBm	+12.5 dBm	+12.5 dBm	+12.5 dBm	-6.5 dBm	-15.5 dBm

**TEMP TEST**

**TEMP TEST (温度試験モード)**

500 000\_084094

**7. MIC CHECK**

The signals inputted through the microphone are output via A/D - D/A.

**7. MIC CHECK**

マイク入力された信号をA/D-D/A経由で出力します。

7. MIC CHECK

## 8. EFFECT OFF / DISPLAY CHECK

Use this program to check the FL display section and image control section. When checking the image control section, prepare a monitor, component video cable, S video cable and video pin cable and connect them.

Using the sub-menu operation, the display status of the FL display section and image control section varies as shown below.

For audio signal processing, use EFFECT OFF (L/R output by using ANALOG MAIN BYPASS).

## 8. EFFECT OFF / DISPLAY CHECK

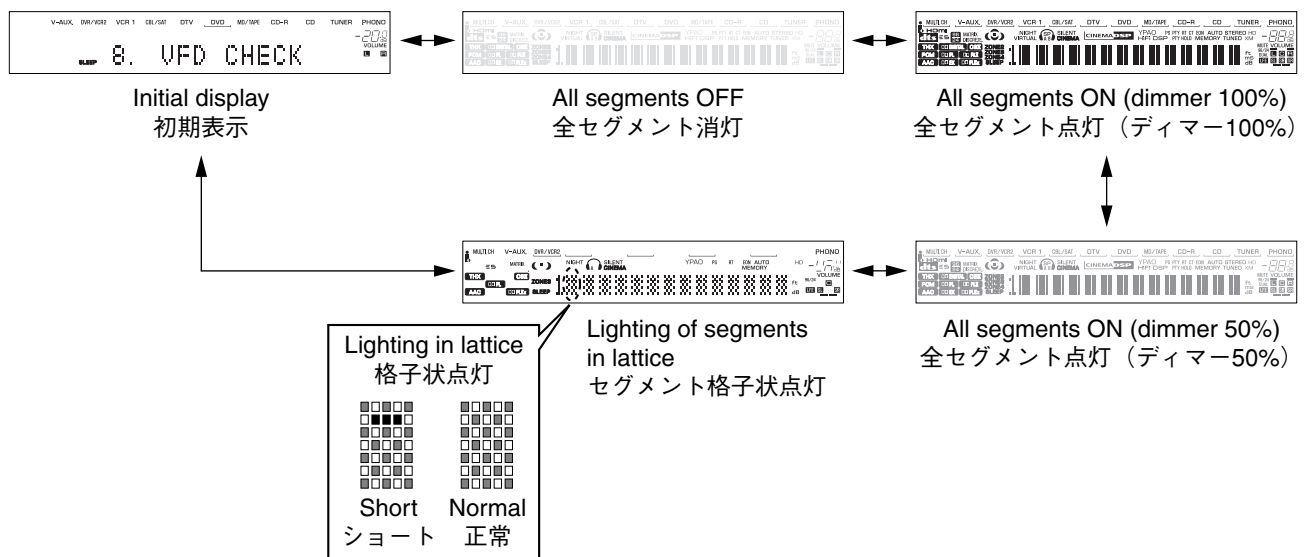
FL表示部と映像制御部のチェックプログラムです。映像制御部をチェックする場合には、モニター、コンポーネントビデオケーブル、Sビデオケーブル、ビデオ用ピンケーブルを準備し、接続します。

サブメニュー操作により、FL表示部と映像制御部の表示状態が以下のように連動して変わります。

オーディオ信号処理はEFFECT OFF (ANALOG MAIN BYPASSでL/Rを出力)です。

### Checking FL display section

### FL表示部のチェック

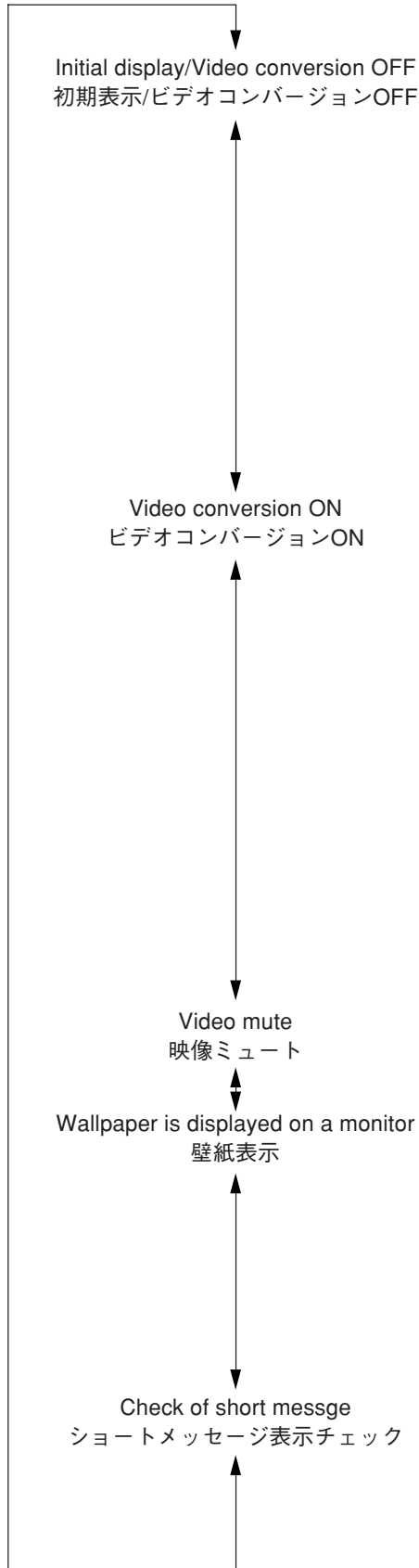


Segment conditions of the FL driver and the FL tube are checked by turning ON and OFF all segments. Next, the operation of the FL driver is checked by using the dimmer control. Then a short between segments next to each other is checked by turning ON and OFF all segments alternately (in lattice). (In the above example, the segments in the second row from the top are shorted.)

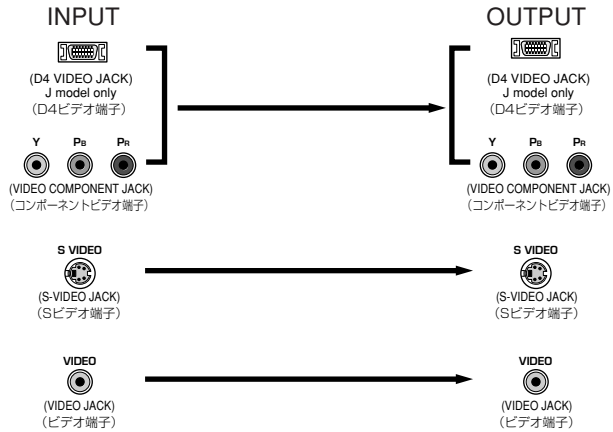
全セグメント消灯・全セグメント点灯によりFLドライバー、FL管のセグメントの不良を確認します。次に、ディマーコントロールによってFLドライバーの動作チェックを行います。

さらに全セグメントを交互(格子状)に点灯/消灯することで、隣り合うセグメントのショートをチェックします。

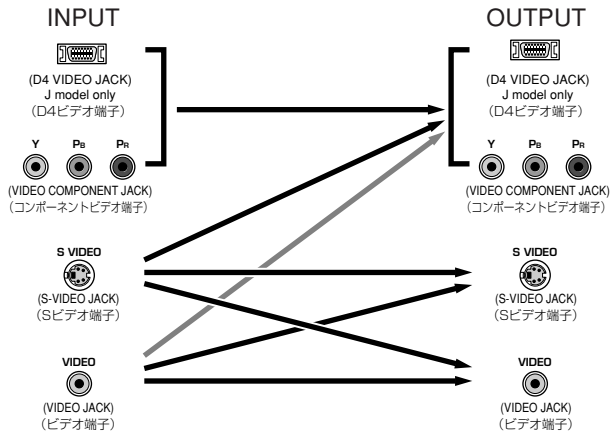
Check of the Video control circuit. (Monitor out) / 映像表示部のチェック (モニター出力)



The image signal is output as follows.  
映像信号は以下のように出力されます。



The image signal is converted and output as follows.  
映像信号が以下のように変換され、出力されます。



The image signal is not output.  
映像信号は出力されません。

The wall paper display selected by the set menu is output.  
セットメニューによって選択された壁紙表示が出力されます。

- NONE  
----- Nothing is displayed. / 何も表示されません。
- YES (Initial display / 初期表示)  
----- PIANO is displayed. / PIANOが表示されます。
- GLAY BACK  
----- Only gray color is displayed. / グレーのみ表示されます。

When making a selection, "Test Message" is displayed and when a function operable in the DIAG mode is operated, that function name is displayed.

選択時は、“Test Message”と表示されます。ダイアグ中に動作可能な機能を操作すると、その機能が表示されます。

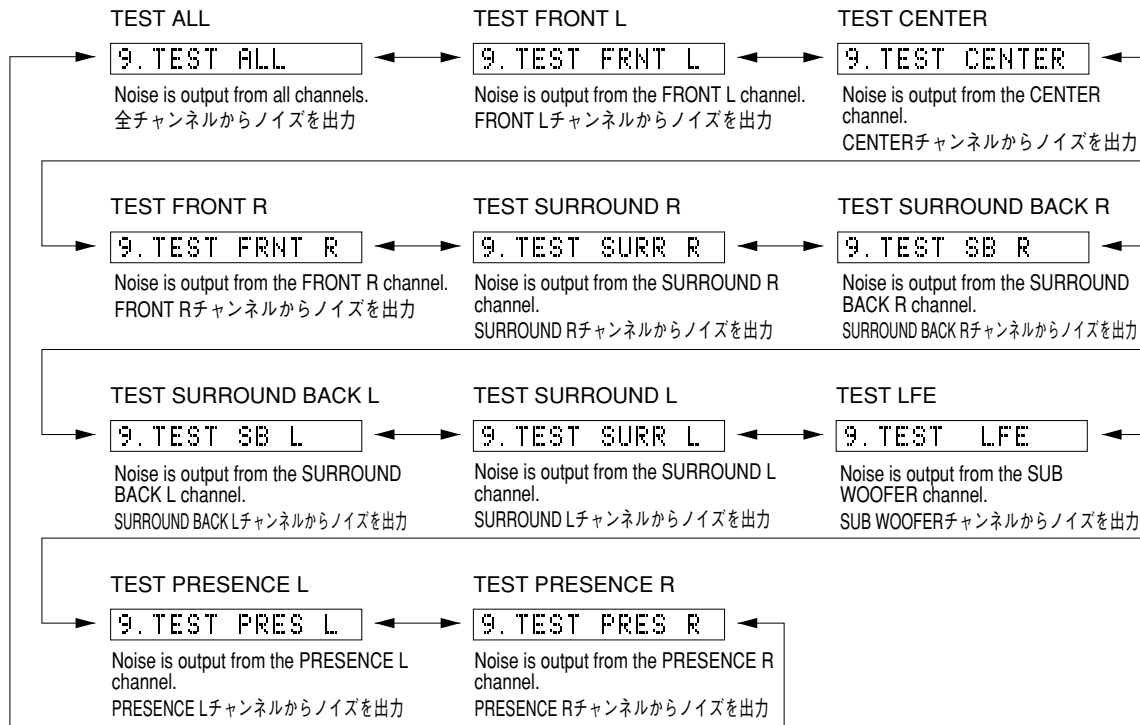
- Volume      xxxdB
- Input        xxx
- Speaker A/B On/Off
- Muting

## 9. MANUAL TEST

The noise generator with a built-in DSP outputs the test noise through the channels specified by the sub-menu. The noise frequency for LFE is 35 to 250 Hz. Other than that, the center frequency is 800Hz.

## 9. MANUAL TEST

DSP内蔵のノイズ発生回路によって、サブメニューで指定したチャンネルへテストノイズを出力します。LFE用のノイズ周波数は35～250Hz、それ以外は中心周波数800Hzとなります。

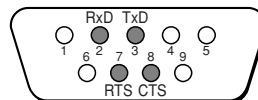


## 10. RS-232C

This menu is used to check transmission of the data and the flow port of the hardware. With the power turned off, short between pins No.2 (Rx/D) and No.3 (Tx/D), and between pins No.7 (RTS) and No.8 (CTS) of the RS-232C terminal. (Be sure to turn off the power when shorting the pins.) Start DIAG and select the menu. There are two sub-menu items.

## 10. RS-232C

データ送受信チェック、ハードウェアフローポートチェックを行うメニューです。パワーオフ状態にしてから、RS-232C端子の2ピン(RxD)と3ピン(TxD)、7ピン(RTS)と8ピン(CTS)をショートさせます。(ショートさせるときは必ず電源を切ってください。)  
ダイアグを起動してメニューを選択します。サブメニューは2つあります。



### TxD/RxD DATA

The sub-menu is used to check transmission of the test data. "OK" appears when the data is transmitted properly and "NG" when it is not. In this mode, NULL command transmission is continued after the test command is transmitted.

### TxD/RxD Data

テストの送受信チェックを行います。正常に送受信完了した場合、「OK」と表示します。正常に送受信しなかった場合は「NG」と表示します。このモードでは、テストコマンド送信後、200msごとにNULLコマンド(無効なコマンド)を送信し続けます。

10. TxRxData:XX

### HARD FLOW

This sub-menu is used to check operation of the flow port of the hardware. "OK" appears when the check result is satisfactory and "NG" when it is not.

### Hard Flow

ハードウェアフローポートの動作チェックを行います。正常にチェック完了した場合、「OK」と表示します。正常にチェック完了しなかった場合は「NG」と表示します。

10. HardFlow:XX



### 11. FACTORY PRESET

This menu is used to reserve and inhibit initialization of the back-up RAM. The signals are processed using EFFECT OFF. (The L/R signal is output using ANALOG MAIN BYPASS.)

11. PRESET INHI



11. PRESET RSRV

**PRESET INHIBIT** (Initialization inhibited) / PRESET INHIBIT (初期化禁止)

RAM initialization is not executed. Select this sub-menu to protect the values set by the user.

RAMの初期化は行われません。ユーザーの設定値を保護するときは、こちらを選択してください。

**PRESET RESERVED** (Initialization reserved) / PRESET RESERVED (初期化予約)

Initialization of the back-up RAM is reserved. (Actually, initialization is executed the next time that the power is turned on.) Select this sub-menu to reset to the original factory settings or to reset the RAM. Any protection history will be cleared.

バックアップRAMの初期化が予約されます。(実際に初期化されるのは、次回の電源投入時です。)工場出荷時やRAMをリセットしたいときは、こちらを選択してください。

**CAUTION:** Before setting to the PRESET RESERVED, write down the existing preset memory content of the Tuner in a table as shown below. (This is because setting to the PRESET RESERVED will cause the user memory content to be erased.)

注意：PRESET RESERVEDを選んで初期化をする前に、チューナーのユーザーメモリー内容を下表に書き写してください。(初期化をすると、ユーザーメモリーの内容は消えてしまいます。)

Preset group	P1	P2	P3	P4	P5	P6	P7	P8
A								
B								
C								
D								
E								

#### • PRESET STATIONS / プリセット局

STATION		FM FACTORY PRESET DATA (MHz)			
PAGE	NO.	U, C	R, T, K, A, B, G, L	J	
A/C/E	1	87.5	87.50	76.0	
	2	90.1	90.10	83.0	
	3	95.1	95.10	84.0	
	4	98.1	98.10	86.0	
	5	107.9	108.00	90.0	
	6	88.1	88.10	78.0	
	7	106.1	106.10	88.0	
	8	107.9	108.00	82.1	

STATION		AM FACTORY PRESET DATA (kHz)			
PAGE	NO.	U, C, R, T, K	A, B, G, L	J	
B/D	1	630	630	630	
	2	1080	1080	1080	
	3	1440	1440	1440	
	4	530	531	531	
	5	1710	1611	1611	
	6	900	900	900	
	7	1350	1350	1350	
	8	1400	1404	1404	

**12. AD DATA CHECK / FAN TEST**

This menu is used to display the A/D conversion value of the main CPU which detects panel keys of the main unit and protection functions in % using the sub-menu. During signal processing, the condition before execution is maintained.

When K0/K1 menu is selected, keys become non-operable due to detection of the values of all keys. However, it is possible to advance to the next sub-menu by turning the VOLUME of the main unit. When using this function, note that turning the VOLUME more than 1 click would cause the volume value to change.

\* The figures in the diagram are given as reference only.

**PS1/PS2 (Power supply voltage protection detection)**

Power supply voltage protection value (Normal value: PS1: 29 to 39, PS2: 24 to 36)

PS1: Detects  $\pm B1$ ,  $\pm B2$ ,  $\pm B4$ ,  $\pm B5$ ,  $\pm 12V$ ,  $+5D1$ ,  $+5D2$  and  $+2.5D$ .

PS2: Detects  $+9V$ ,  $\pm 5V$  and  $+3.3V$ .

\* If PS is out of the normal value range, the protection function works to turn off the power.  
(Reference voltage:  $5V=100\%$ )

PS1:032PS2:029

**DC/FAN OUT (protection detection/fan drive level)**

DC: DC detect protection value (Normal value: 1 to 13)

Fan: Current fan drive level on the left and the past fan drive history on the right.

\* If DC is out of the normal value range, the protection function works to turn off the power.  
(Reference voltage:  $5V=100\%$ )

DC:007 Fan\_/\_/...

Display	H	M	L
fan drive level	HIGH	MID	LOW

**TH1/TH2 (temperature detection)**

500% display of the voltage based on the temperature detected value.

Reference voltage:  $5V=500\%$

(Normal value: 39 to 182) U, C, T, K, A, B, G models

(Normal value: 39 to 176) R, L, J models

TH1: Detects the temperatur of the front heat sink.

TH2: Detects the temperatur of the rear heat sink.

TH1:066TH2:066

**12. AD DATA CHECK / FAN TEST**

本体パネルキー、プロテクションなどを検出しているメインCPUのA/D変換の値を、サブメニューで%表示します。信号処理は実行前の状態を維持します。

K0/K1のメニューにすると、全キーの値を検出するためキー操作はできなくなりますが、本体のVOLUMEを回すことにより、次のサブメニューに進めることができます。このとき1クリック以上回すと、ボリューム値が変化するので注意してください。

※図中の数値は参考例です。

**PS1/PS2 (電源電圧プロテクションの検出)**

プロテクションの値(正常値 PS1: 29~39、PS2: 24~36)

PS1:  $\pm B1$ 、 $\pm B2$ 、 $\pm B4$ 、 $\pm B5$ 、 $\pm 12V$ 、 $+5D1$ 、 $+5D2$ 、 $+2.5D$ を検出しています。

PS2:  $+9V$ 、 $\pm 5V$ 、 $+3.3V$ を検出しています。

※ PSは正常値を外れるとプロテクションが働き、電源オフされます。  
(基準電圧:  $5V=100\%$ )

**DC/FUN OUT (プロテクションの検出/ファン駆動レベル)**

DC: DC検出プロテクションの値(正常値1~13)

Fan: 左側は現在のファン駆動レベル、右側は過去のファン駆動履歴

※ DCは正常値を外れるとプロテクションが働き、電源オフされます。  
(基準電圧:  $5V=100\%$ )

**TH1/TH2 (温度検出)**

温度検出値で電圧の500%表示、基準電圧は5V (正常値: 3~176)

TH1: フロントヒートシンクの温度を検出しています。

TH2: リアヒートシンクの温度を検出しています。

**REC-OUT (Select position)**

REC-OUT:200

**REC-OUT (選択位置表示)**

[Table 1]

REC OUT Select	Value
DVR/VCR2	46
VCR1	168
CBL/SAT	138
DTV	15
DVD	76
SOURCE (REMOTE)	200
MD/TAPE	184
CD-R	61
TUNER	0
CD	122

**POWER LIMIT** (Power limiter detection)

PL: Power limiter detection value

The voltage value of pin No. 135 of IC520 is displayed, using 5V/256 as standard.

Based on the input voltage value of pin No.135 of IC520, the output of pins No.6 (LC1) and No.7 (LC2) of IC505 is controlled.

PL:000

**POWER LIMIT** (パワーリミッターの検出)

PL: パワーリミッター検出の値

IC520 135ピンの電圧値を5V/256を基準にして表示します。

IC520 135ピンの入力電圧値により、IC505の6ピン(LC1)と7ピン(LC2)の出力を制御します。

**K0/K1** (Panel key of main unit) [Remote control code: -]

A/D of the key fails to function properly when the standard value is deviated by ±4%. In this case, check the constant of partial pressure resistor, solder condition, etc. Refer to table 2.

(Reference voltage: 5V=100%)

K0:100 K1:100

**K0/K1** (本体パネルキー)

キーのA/Dは基準値から±4%を外れると、正常な動きをしません。下表2をご覧になり、各キーの分圧抵抗の定数、ハンダ不良等の確認をしてください。

(基準電圧：5V=100%)

[Table 2]

U, C, A models			R, T, K, L, J models			B, G models		
Display	K0	K1	Display	K0	K1	Display	K0	K1
0+2	◀ PRESET/TUNING	—	0+2	◀ PRESET/TUNING	—	0+2	◀ PRESET/TUNING	—
10±2	PRESET/TUNING▷	SPEAKERS A	10±2	PRESET/TUNING▷	SPEAKERS A	10±2	PRESET/TUNING▷	SPEAKERS A
20±2	PRESET/TUNING	SPEAKERS B	20±2	PRESET/TUNING / EDIT	SPEAKERS B	20±2	PRESET/TUNING / EDIT	SPEAKERS B
30±2	FM/AM	INPUT MODE	30±2	FM/AM	INPUT MODE	30±2	FM/AM	INPUT MODE
40±2	MEMORY	A/B/C/D/E	40±2	MEMORY	A/B/C/D/E	40±2	MEMORY	A/B/C/D/E
50±2	TUNING MODE	TONE CONTROL	50±2	TUNING MODE	PURE DIRECT	50±2	TUNING MODE	PURE DIRECT
60±2	—	TONE CONTROL	60±2	—	TONE CONTROL	60±2	RDS MODE/FREQ	TONE CONTROL
70±2	—	STRAIGHT / EFFECT	70±2	—	STRAIGHT / EFFECT	70±2	EON	STRAIGHT / EFFECT
80±2	ZONE ON/OFF_MAIN	—	80±2	—	—	80±2	PTY SEEK / MODE	—
90±2	ZONE ON/OFF_ZONE2	—	90±2	—	—	90±2	PTY SEEK / START	—
100	KEY OFF	KEY OFF	100	KEY OFF	KEY OFF	100	KEY OFF	KEY OFF

**FAN DRIVE TEST** (For models so equipped)

HIGH

FAN TEST:HIGH

**FAN DRIVE TEST** (ファン駆動テスト)

HIGH：ファン駆動 強

**FAN DRIVE TEST** (For models so equipped)

MID

FAN TEST:MID

**FAN DRIVE TEST** (ファン駆動テスト)

MID：ファン駆動 中

**FAN DRIVE TEST** (For models so equipped)

LOW

FAN TEST:LOW

**FAN DRIVE TEST** (ファン駆動テスト)

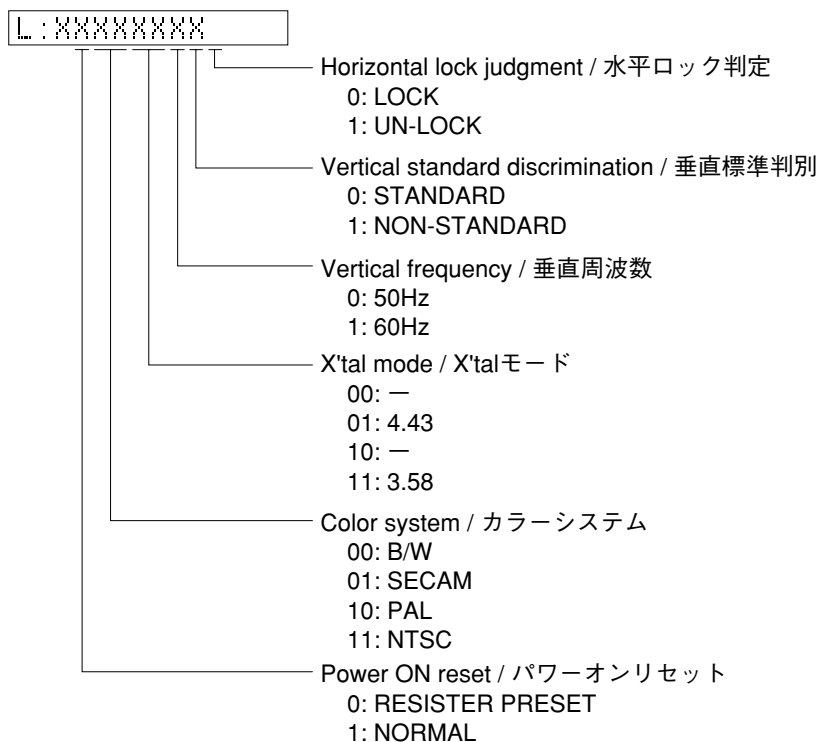
LOW：ファン駆動 弱

**13. V CONV STATUS**

The data received from the video conversion IC (TA1270) is displayed.

**LOW BYTE DATA**

The status information of TA1270 is displayed in the binary notation.

**HIGH BYTE DATA**

Not applied to this model.

**13. V CONV STATUS**

ビデオコンバージョンIC (TA1270)からの受信データを表示します。

**LOW BYTE DATA**

TA1270のステータス情報を2進数で表示します。

**HIGH BYTE DATA**

このモデルには適用されません。

H:XXXXXXXX

**14. IF STATUS (Input function status)**

Using the sub-menu, the status data is displayed one after another in the hexadecimal notation.

During signal processing, the status before execution of this menu is maintained.

\* Numeric values in the figure example are for reference.

**IS1-2 (Internal status):**

Indicates the status information of the microprocessor.

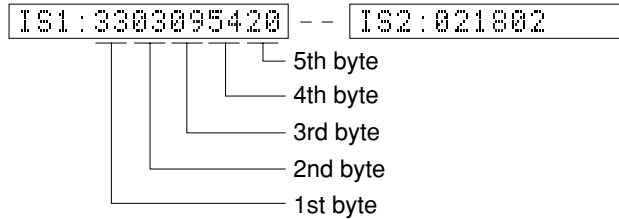
**14. IF STATUS**

サブメニュー操作により、以下のステータス情報を順次16進数で表示します。信号処理は、本メニュー実行前の状態を維持します。

※ 図中の数値は参考例です。

**IS 1-2 (内部ステータス):**

マイコンのステータス情報を表示します。



<1st byte> Digital input/output setting value  
Upper 4 bits: REC OUT selected /  
lower 4 bits: INPUT selected

<第1バイト> デジタル入出力設定値  
上位4bit REC OUT選択 /  
下位4bit INPUT選択

Value	Choice	Preset name
0	NONE	
1	OPT A	V-AUX
2	OPT B	CD
3	OPT C	DVD
4	OPT D	D-TV
6	OPT F	CBL/SAT
8	COAX A	CD
9	COAX B	DVD
A	COAX C	DVR/VCR2

<2nd byte> Fs information of reproduction signal

<第2バイト> 再生信号のFs情報

Display	00	01	02	03	04	05	06	0A	0B	0C	0D
Fs (kHz)	Analog	32	44.1	48	64	88.2	96	Unknown NRM	Unknown DBL	Unknown QUAD	Not defined

<3rd byte> Audio code mode information of reproduction signal

<第3バイト> 再生信号のオーディオコードモード情報

Display	00	01	02	03	04	05	06	07	08	09	0A	0B	0C	0D
Audio Code	1+1	1/0	2/0	3/0	2/1	3/1	2/2	3/2	2/3	3/3	OVER 6.1	MULTI PCE	Unknown	Unknown

<4th byte> Format information of reproduction signal

<第4バイト> 再生信号のフォーマット情報

\*1: Analog processing used for digital reproduction is not possible because of a commercial bit or 4-ch audio reason.

\*1: 業務用ビットや4chオーディオなどの理由で、デジタル再生できずアナログ処理されます。

Display	Signal format
00	Analog (Unlock)
01	Incorrect digital (*1)
10	PCM Audio
20	Digital Data
21	IEC1937 Data
22	None PCM
23	Unknown
50	dts
51	Red dts
54	dts-ES MATRIX
58	dts-ES DISCRETE
5C	dts-ES (Both flag)
60	AAC
C0	Dolby Digital
C1	D.D. Karaoke
C4	D.D.6.1 (D.D.EX)



<5th byte> Signal processing status information  
 \*2: With digital signals other than 32kHz, 44.1kHz and 48kHz, through processing method is used for reproducible signals.

<第5バイト>信号処理ステータス情報  
 \*2: 32kHz、44.1kHz、48kHz以外のデジタル信号の場合、再生可能な信号についてはスルー処理されます。

bit7	MUTE request	bit3	-
bit6	Red dts flashing	bit2	Through & bypass (*2)
bit5	6.1/EX processing	bit1	-
bit4	FULL MUTE (ON: 1)	bit0	dts analog mute

**CS1-3:** Indicates channel status information of the input signal (IEC60958).

**CS 1-3:** 入力信号のIEC60958チャンネルステータス情報を表示します。

CS1:FFFFFFFF - - - - - CS3:FF105400

**BS1-4:** Indicates information of the bit stream included in the dts and Dolby Digital signals.

**BS1-4:** dts、Dolby Digital、AAC信号に含まれるビットストリームインフォメーション情報を表示します。

BS1:0000000000 - - - - - BS4:000000

**TI1-2:**

**TI1-2:**

TI1:0800000000 - - - - - TI2:00

**MTT:** Mute Trigger

**MTT:** Mute Trigger

MTT:00320026FF

Byte No.	Function
1	Mute condition
2	Factor of the last mute
3	Error count of YSS930-FSCNT
4	Mute count by YSS930-FSCNT
5	Error factor of down load of CS49329

**15. DSP RAM CHECK**

This menu is used to self-diagnose whether or not the bus connection for the YSS930 and the external RAM is made properly.

During signal processing, the status before execution of this menu is maintained.

The address bus and the data bus are checked and the connection condition is displayed.

When no error is detected, "NoEr" appears on display.

**YSS930 Bus Check**

```
YSS  BUS:NoEr
```

Display	Description
WAIT	Bus is being checked.
NoEr	No error detected.
Data	Data bus shorted or open.
RSCS	/RAS or /CAS shorted, or open.
ADDR	Address bus shorted or open.

**15. DSP RAM CHECK**

YSS930と外付けRAMとのバス接続の正否を自己診断します。

信号処理は、このメニューを実行する前の状態を維持します。

アドレスバス、データバスのチェックを行い、接続正否を表示します。

エラーが検出されなかった場合は、“NoEr”と表示されます。

**YSS930 BUS CHECK**

表示	判断
WAIT	バスチェック中
NoEr	不良検出なし
Data	データバスの短絡・解放
RSCS	/RAS または /CAS の短絡・解放
ADDR	アドレスバスの短絡・解放

**SECOND DECODER (DA601) BUS CHECK**

```
SD  BUS:NoEr
```

Display	Description
Boot	Booting of DA601 being executed (When booting is continued, possibility is that there is a defective part or poor connection of the microprocessor DA601 SDRAM.)
NoEr	Booting of DA601 has been completed properly.

**SECOND DECODER (DA601) BUS CHECK**

表示	判断
Boot	DA601 のブート中（ブートし続ける場合は、マイコン DA601 SDRAM の部品不良または接続不良の可能性あり）
NoEr	DA601 のブートが正常に終了

**YGV619 BUS CHECK**

```
YGV  BUS:NoEr
```

Display	Description
WAIT	Bus is being checked.
NoEr	No error detected.
YGV	Bus check error between CPU-YGV619.
RAMA	Address bus error between YGV619-VRAM.
RAMD	Data bus error between YGV619-VRAM.

**YGV619 BUS CHECK**

表示	判断
WAIT	バスチェック中
NoEr	不良検出なし
YGV	CPU-YGV619間のバスチェックエラー
RAMA	YGV619-VRAM間のアドレスバスエラー
RAMD	YGV619-VRAM間のデータバスエラー

**16. PROTECTION SET**

Not applied to this models.

**16. PROTECTION SET**

このモデルには適用されません。

**17. SOFT SW**

This menu is used to switch the function settings on P.C.B. through the software so as to activate the product.

The protection function follows the P.C.B. settings. When connected to AC or in the maker preset state, the unit is initialized to the P.C.B. setting. Display of each function after initialization varies depending on settings on P.C.B.. The operation mode can be changed by selecting the sub-menu and then using the STRAIGHT key. Setting the SW mode to SOFT makes it possible to select MODEL SETTING or TUNER DESTINATION and setting to TUNER, RDS, ZONE2 and VIDEO becomes valid.

**SW MODE**

PCB or SOFT can be selected.

```
17. SW : PCB
```

**MODEL SETTING**

V2500 or V4500 can be selected.

```
17. MODEL : V2500
```

**TUNER DESTINATION**

J, UC, R, T, K, A, BG or L can be selected.

```
17. DEST : UC
```

**TUNER EXIST**

EXIST only.

```
17. TUNER : EXIST
```

**RDS EXIST**

NOT (U, C, R, T, K, A, L, J models)  
EXIST (B, G models)

```
17. RDS : NOT
```

**ZONE 2 EXIST**

EXIST (U, C, A, B, G models)  
NOT (R, T, K, L, J models)

```
17. ZONE2 : NOT
```

**VIDEO FORMAT**

NTSC (U, C, R, A, J models)  
PAL (T, A, B, G, L models)

```
17. VIDEO : NTSC
```

**17. SOFT SW**

P.C.B.上の機能設定をソフト的に切り替えて、製品を動作させる機能です。

プロテクション機能は、P.C.B.の設定に従います。AC接続またはメーカープリセットで、P.C.B.の設定に初期化されます。初期化後の各機能の表示は、P.C.B.上の設定によります。操作は、サブメニューを選んだ後、STRAIGHTキーで切り替えます。SWモードをSOFTにすると、MODEL SETTING、TUNER DESTINATIONの選択が可能になり、TUNER、RDS、ZONE2、VIDEOの設定が有効になります。

**SW MODE**

PCBまたはSOFTを選択できます。

**MODEL SETTING**

V2500、V4500のいずれかを選択できます。

**TUNER DESTINATION**

J、UC、R、T、K、A、BG、Lのいずれかを選択できます。

**TUNER EXIST**

EXISTのみ。(固定です)

**RDS EXIST**

NOT (U、C、R、T、K、A、L、J models)  
EXIST (B、G models)

**ZONE 2 EXIST**

EXIST (U、C、A、B、G models)  
NOT (R、T、K、L、J models)

**VIDEO FORMAT**

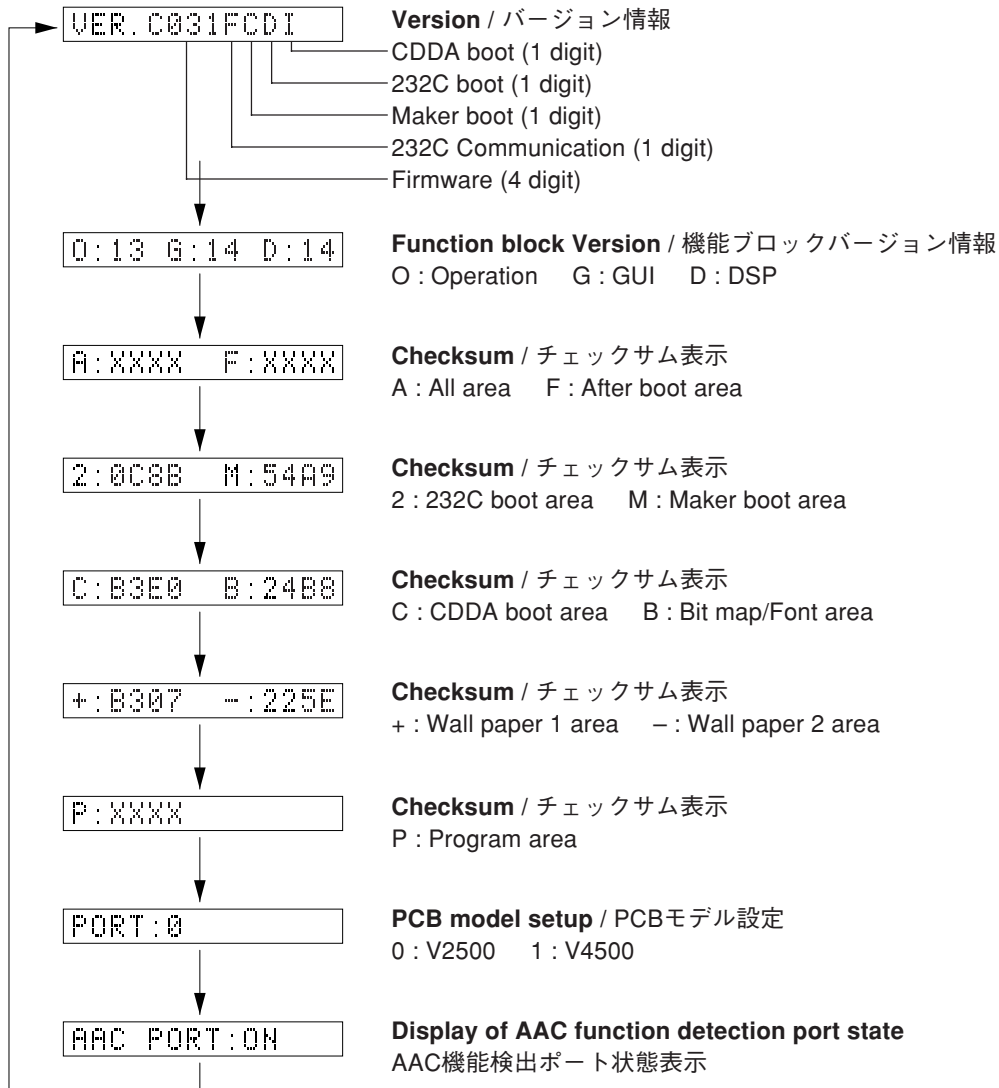
NTSC (U、C、R、A、J models)  
PAL (T、A、B、G、L models)

### 18. MICROPROCESSOR INFORMATION

The version, checksum and the port specified by the microprocessor are displayed. The signal is processed using EFFECT OFF. The checksum is obtained by adding the data at every 16 bits for each program area and expressing the result as a 4-figure hexadecimal data.

### 18. マイコン情報

サブメニューは9つあります。プログラムのバージョン、チェックサム、マイコンの指定ポートを表示します。信号はエフェクトOFFです。チェックサムは、プログラムエリア別にデータを16ビットごとに加算していき、4桁の16進データで現したものです。



## ■ AMP ADJUSTMENT / アンプ部調整

### Confirmation of Idling Current of Amp

#### Unit

- Right after power is turned on, confirm that the voltage across the terminals of R319 (MAIN Lch), R320 (MAIN Rch), R325 (CENTER), R326 (SURROUND Lch), R327 (SURROUND Rch), R321 (SURROUND BACK Lch), R322 (SURROUND BACK Rch) are between 0.1mV and 10.0mV.
- If it exceeds 10.0mV, open (cutoff) R291 (MAIN Lch), R292 (MAIN Rch), R295 (CENTER), R296 (SURROUND Lch), R297 (SURROUND Rch), R293 (SURROUND BACK Lch), R294 (SURROUND BACK Rch) and reconfirm the voltage.

#### Attention

If the idle current exceeds 10.0mV after an amplifier repair, first check for a defective component before cutting the bias resistor.

- Confirm that the voltage is 0.2 mV ~ 15.0 mV after 60 minutes.

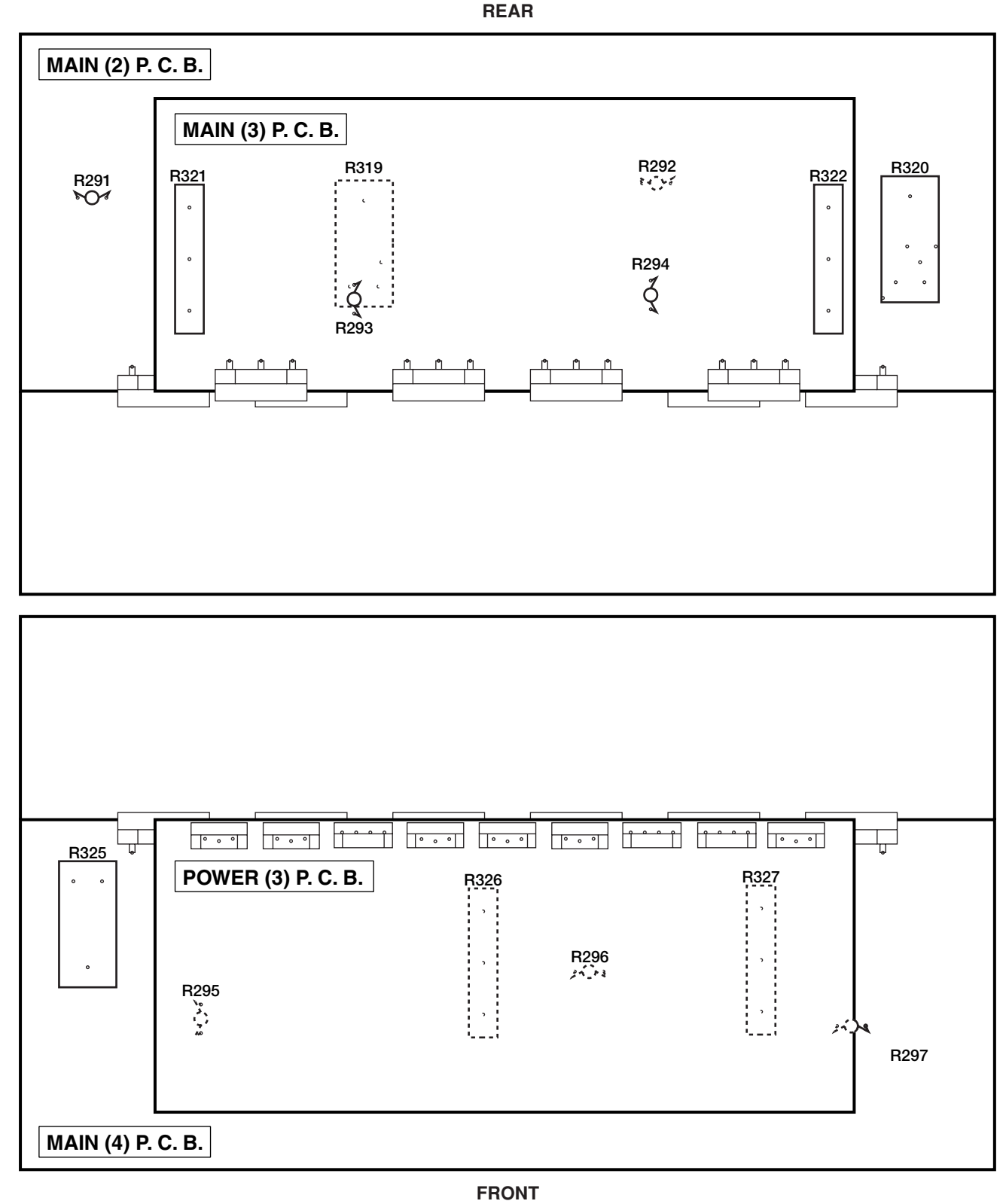
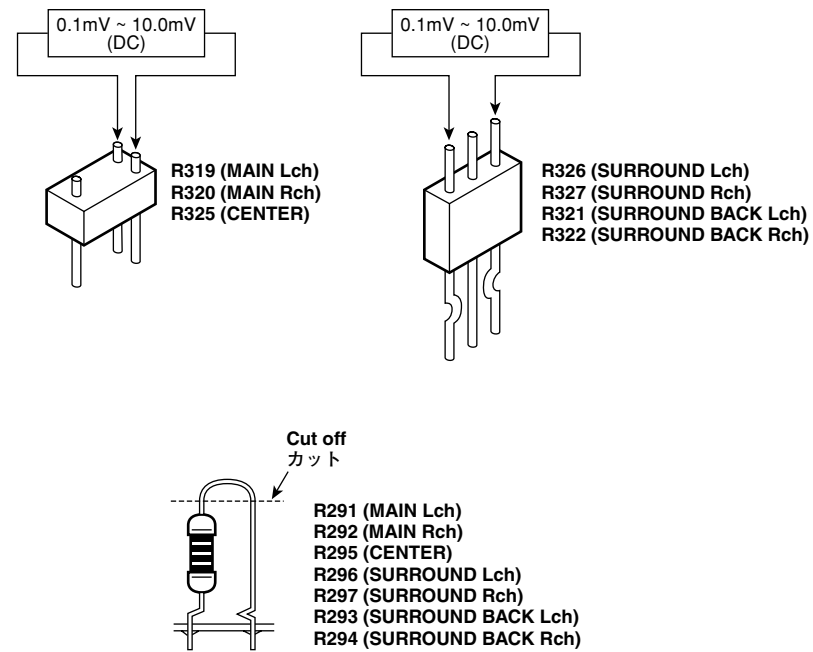
### アンプユニットのアイドル電流の確認

- 電源投入直後、R319 (MAIN Lch)、R320 (MAIN Rch)、R325 (CENTER)、R326 (SURROUND Lch)、R327 (SURROUND Rch)、R321 (SURROUND BACK Lch)、R322 (SURROUND BACK Rch)の端子間電圧を測定し、0.1mVから10.0mVの間であることを確認してください。
- 電圧が10mVを超えている場合は、R291 (MAIN Lch)、R292 (MAIN Rch)、R295 (CENTER)、R296 (SURROUND Lch)、R297 (SURROUND Rch)、R293 (SURROUND BACK Lch)、R294 (SURROUND BACK Rch)をカットし、電圧を再確認してください。

#### 注意

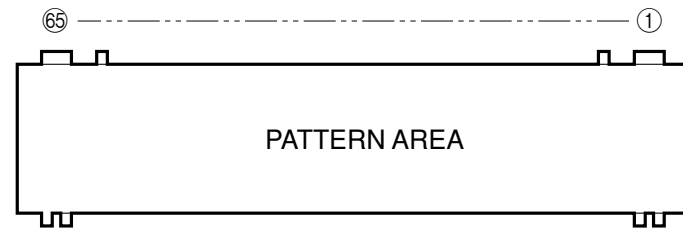
パワーアンプ修理後に10.0mVを超えている場合は、抵抗をカットする前に故障箇所を調べてください。

- 60分後、電圧が0.2mV～15.0mVであることを確認してください。



## ■ DISPLAY DATA

### ● V901 : 17-BT-23GNK (WD507500)

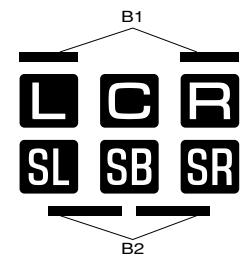
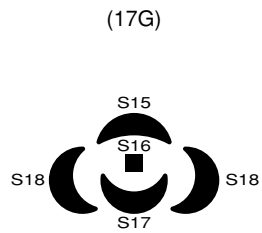
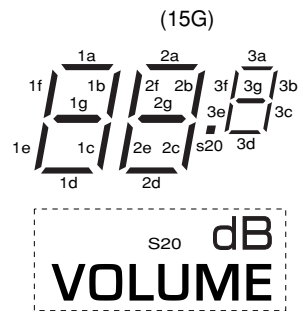
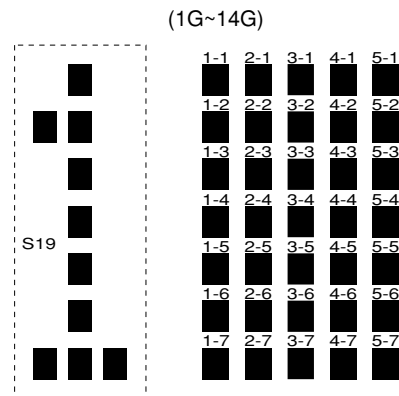
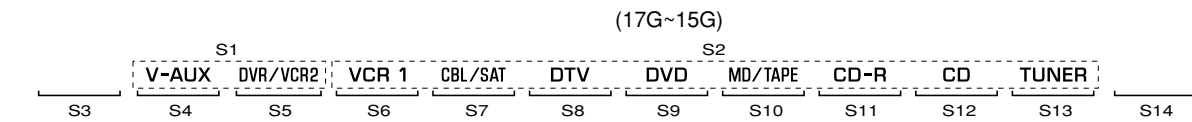
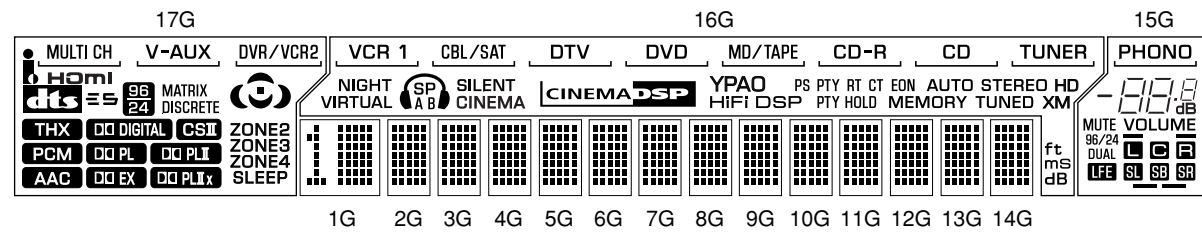


### ● PIN CONNECTION

Pin No.	65	64	63	62	61	60	59	58	57	56	55	54	53	52	51	50	49	48	47	46	45	44	43	42	41	40	39	38	37	36	35	34	
Connection	F2	NX	NP	NP	P37	P36	P35	P34	P33	P32	P31	P30	P29	P28	P27	P26	P25	P24	P23	P22	P21	P20	P19	P18	P17	P16	P15	P14	P13	P12	P11	P10	
Pin No.	33	32	31	30	29	28	27	26	25	24	23	22	21	20	19	18	17	16	15	14	13	12	11	10	9	8	7	6	5	4	3	2	1
Connection	P9	P8	P7	P6	P5	P4	P3	P2	P1	NC	NC	NC	17G	16G	15G	14G	13G	12G	11G	10G	9G	8G	7G	6G	5G	4G	3G	2G	1G	NP	NP	NX	F1

Note : 1) F1, F2 ..... Filament 2) NP ..... No pin 3) NC ..... No connection 4) NX ..... No extened Pin 5) 1G ~ 17G ..... Grid

### ● GRID ASSIGNMENT



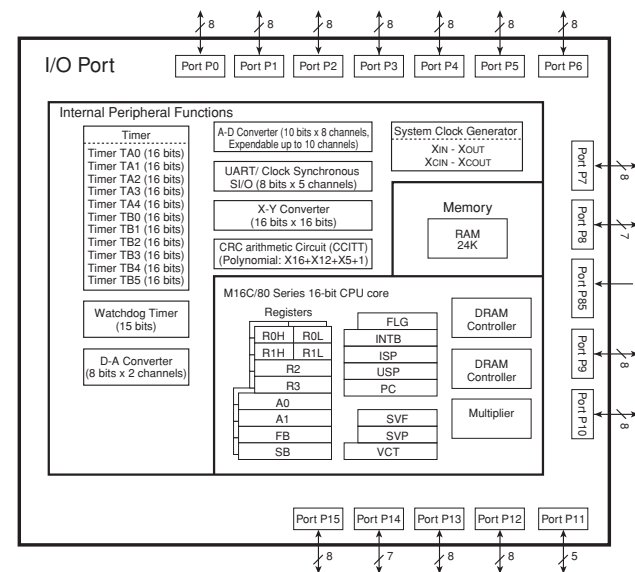
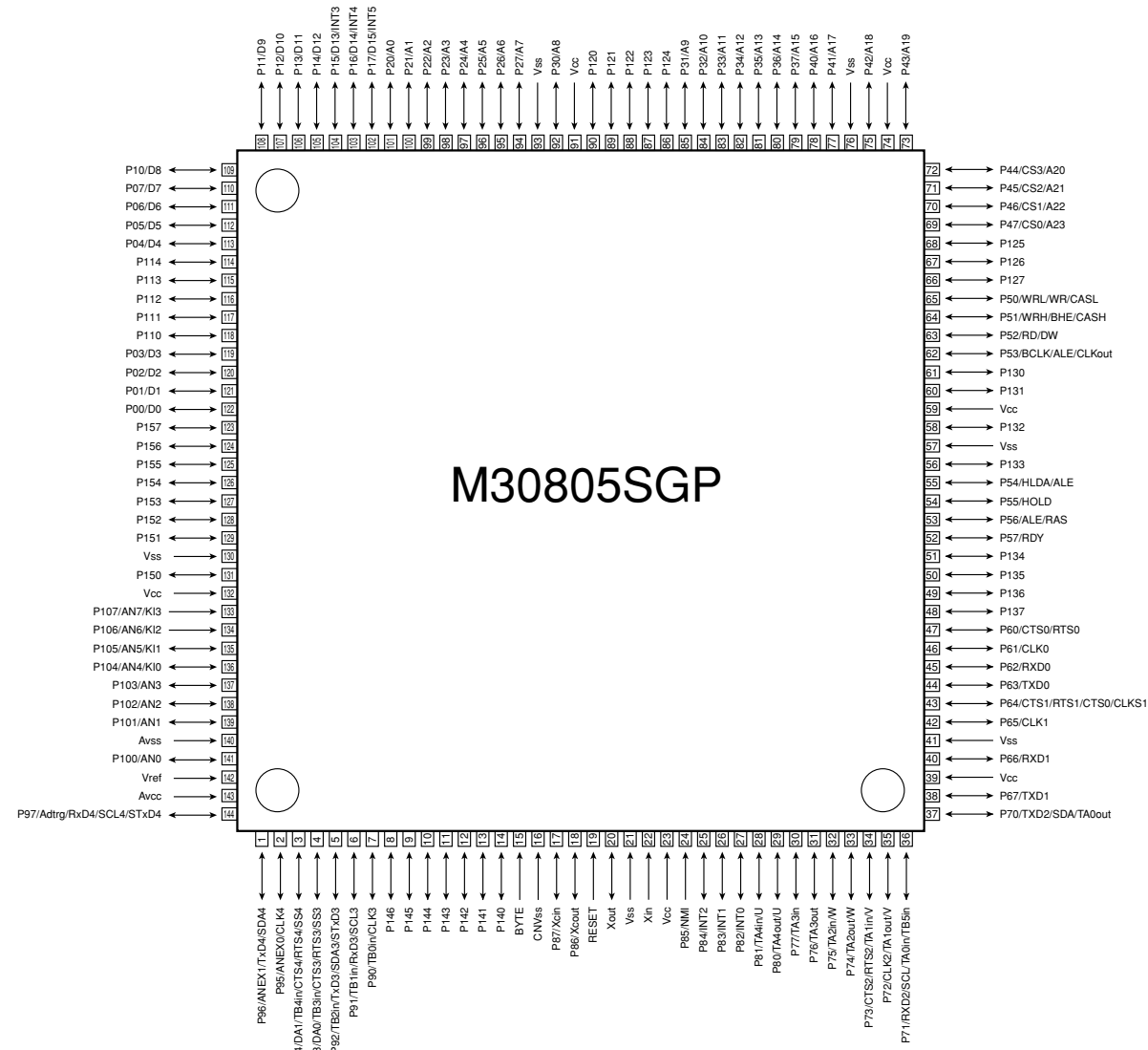
### ● ANODE CONNECTION

	17G	16G	15G	14G~2G	1G
P1		S2	PHONO	1-1	1-1
P2	HOMI	S6	S14	2-1	2-1
P3	MULTI CH	S7	—	3-1	3-1
P4	S3	S8	1a	4-1	4-1
P5	S1	S9	1b	5-1	5-1
P6	S4	S10	1c	1-2	1-2
P7	S5	S11	1d	2-2	2-2
P8		S12	1e	3-2	3-2
P9		S13	1f	4-2	4-2
P10		NIGHT	1g	5-2	5-2
P11	MATRIX	VIRTUAL	2a	1-3	1-3
P12	DISCRETE		2b	2-3	2-3
P13		SP	2c	3-3	3-3
P14		A	2d	4-3	4-3
P15		B	2e	5-3	5-3
P16		SILENT CINEMA	2f	1-4	1-4
P17			2g	2-4	2-4
P18		YPAO	3a	3-4	3-4
P19		HIFI DSP	3b	4-4	4-4
P20		PS	3c	5-4	5-4
P21		PTY	3d	1-5	1-5
P22	S15	RT	3e	2-5	2-5
P23	S16	CT	3f	3-5	3-5
P24	S17	EON	3g	4-5	4-5
P25	S18	PTY HOLD	S20	5-5	5-5
P26	ZONE2	AUTO	MUTE	1-6	1-6
P27	ZONE3	STEREO	96/24	2-6	2-6
P28	ZONE4	HD	DUAL	3-6	3-6
P29	SLEEP	XM		4-6	4-6
P30	—	MEMORY		5-6	5-6
P31	—	TUNED		1-7	1-7
P32	—	ft		2-7	2-7
P33	—	mS		3-7	3-7
P34	—	dB		4-7	4-7
P35	—	—		5-7	5-7
P36	—	—	B1	—	S19
P37	—	—	B2	—	—



■ IC DATA

IC501 : M30805SGP (CONTROL P.C.B)  
16bit μ-COM (Main CPU)



IC501 : M30805SGP (CONTROL P.C.B)  
16bit μ-COM (Main CPU)

No.	Port Name	Terminal Name	I/O			Function
			PowerOn	Standby	MCUSleep [AC OFF]	
1	TXDH	TXD4	SO	O	O	RESERVE (Unconnected)
2	CLKH	CLK4	SO	O	O	RESERVE (Unconnected)
3	LIMIT	LIMIT	DA	O	O	Limiter control output
4	FAN	FAN	DA	O	O	Temperature control FAN control ourput
5	TUDA	TUDA	O	O	O	PLL data output for tuner / Transmission clock 4us / LSB first
6	TUCK	TUCK	O	O	O	PLL clock output for tuner
7	1394INT	TB0in	TMR	I	O	RESERVE (Unconnected)
8	PLLr	PLLr	I	I	O	PLL reception for tuner / Reception clock 20us / LSB first
9	TUE	TUCE	O	O	O	PLL chip select for tuner
10	Z3MT	Z3MT	O	O	O [ I ]	Zone3 MUTE control
11	Z2MT	Z2MT	O	O	O [ I ]	Zone2 MUTE control
12	HPMT	HPMT	O	O	O [ I ]	Headphone MUTE control
13	RCLK	RCLK	O	O	O	Recout SW control (ROHM) clock
14	RDATA	RDATA	O	O	O	Recout SW control (ROHM) data / Clock speed : 20us, MSBF
15	BYTE	BYTE	MCU	MCU	MCU	
16	CNVss	CNVss	MCU	MCU	MCU	
17	BT232C	BT232C	I	I	O	RS232C FLASH write mode detection / MULTI CH INPUT key detection
18	BTYDC	BTYDC	I	I	O	BOOT mode detection terminal for YDC
19	/RES	RESET	MCU	MCU	MCU	
20	Xout	Xout	MCU	MCU	MCU	
21	Vss	Vss	MCU	MCU	MCU	
22	Xin	Xin	MCU	MCU	MCU	
23	Vcc	Vcc	MCU	MCU	MCU	
24	NMI	NMI	IRQ	I	I	
25	REM	REM	IRQ	O	O	Remote control pulse input 1
26	MZ2INT	Z2INT	IRQ	O	O	Zone2, 3 power key interrupt
27	PDET	PDET	IRQ	I	I	POWER DETECT detection
28	VSy	VSy	TMR	O	O	Vertical sync pulse INT
29	CEf	CEf	O	O	O	FL enable
30	RxDr	RxDr	TMR	O	O	RS232C, YDC reception detection
31	PRy	PRy	O	O	O	Power relay control
32	/INTDsp	/INTDsp	TMR	O	O	DIR or TI (DA601) interrupt
33	/1394CTS	P74	I	I	O	RESERVE (Unconnected)
34	PSW	PSW	TMR	O	O	Power SW
35	/1394RTS	P72/CLK2	O	O	O	RESERVE (Unconnected)
36	RxD1394	RxD2	SI	I	O	RESERVE (Unconnected)
37	TxD1394	TxD2	SO	O	O	RESERVE
38	TxDr	TxDr	SO	SO	O	Normal RS-232C asynchronous communication data output / Data transmission terminal for AF220
39	Vcc	Vcc	MCU	MCU	MCU	
40	RxDr	RxDr	SI	SI	O	Normal RS-232C asynchronous communication data input / Data reception terminal for AF220
41	Vss	Vss	MCU	MCU	MCU	
42	RTS	RTS	SO	SO	O	Normal RS-232C asynchronous communication RTS output / Clock input for AF220
43	CTS	CTS	SI	SI	O	Normal RS-232C asynchronous communication CTS input
44	TXDD	TXDD	SO	O	O	Serial data output to DIR, TI (DA601), YSS930, DAC DIR/YSS : 4M, LSBF TI : 1M, MSBF
45	RXDD	RXDD	SI	O	O	Serial data input from DIR, TI (DA601), YSS930
46	CLKD	CLKD	SO	O	O	Serial data clock output to DIR, TI (DA601), YSS930, DAC
47	IMUTE	P60	I	I	O	RESERVE (Unconnected)
48	/CSDIR	/CSDIR	O	O	O	DIR chip enable
49	/CSDAC	/CSDAC	O	O	O	DAC (common to 2ch/8ch) chip enable
50	/CSY	/CSY	O	O	O	YSS930 (common to #0/#1) chip enable
51	/CSTI	/CSTI	O	O	O	TI decoder DSPDA601 chip enable
52	/WAIT	/WAIT	BUS	BUS	BUS	YGV/WAIT input
53	/RAS		BUS	BUS	BUS	(Unconnected)
54	/HOLD		BUS	BUS	BUS	(Unconnected)
55	/HLDA		BUS	BUS	BUS	(Unconnected)
56	SPIRDY	SPIDRY	I	O	O	DIR WCK input (WCK input for Suyama mode write)
57	Vss	Vss	MCU	MCU	MCU	
58	RDSCE	RDSCE	O	O	O	RDS CE
59	Vcc	Vcc	MCU	MCU	MCU	

IC501 : M30805SGP (CONTROL P.C.B)  
16bit  $\mu$ -COM (Main CPU)

No.	Port Name	Terminal Name	I/O			Function
			PowerOn	Standby	MCUSleep [AC OFF]	
60	SCKN	SCKN	O	O	O	NONE AUDIO clock output (DIT/BU for FL/RDS/IBOC) FL:2us clock, MSBF / RDS:20us clock, LSBF / BU2092:2us clock, LSBF
61	SDTN	SDTN	O	O	O	NONE AUDIO data output (DIT/BU for FL/RDS/IBOC)
62	BCLK		BUS	BUS	BUS	(Unconnected)
63	/RD		BUS	BUS	BUS	
64	/WRH		BUS	BUS	BUS	
65	/WRL		BUS	BUS	BUS	
66	/DMT	DMT	O	O	O	Digital FULL MUTE (HI=MUTE)
67	/TIBUSY	TIBUSY	I	O	O	TI BUSY detection / CDDA write DATA input
68	SPC	SPC	O	O	O [ O ]	+5SPC power ON/OFF control (L=ON/H=OFF : to save power during standby) Normally fixed to Low. Power used in standby state is reduced by setting to HI after completion of the process accompanying standby state (MCU Sleep) (When set to HI, expansion port or expansion A/D does not operate.) Keep [HionFix] until Power ON input is executed when using ACIN, MCUSleep When power is turned ON, use min20msec after setting [SPC] LowAct as the time for setting the expansion port
69	/A23	/A23	BUS	BUS	BUS	
70	A22	A22	BUS	BUS	BUS	
71	A21	A21	BUS	BUS	BUS	
72	A20	A20	BUS	BUS	BUS	
73	A19	A19	BUS	BUS	BUS	
74	Vcc	Vcc	MCU	MCU	MCU	
75	A18	A18	BUS	BUS	BUS	
76	Vss	Vss	MCU	MCU	MCU	
77	A17	A17	BUS	BUS	BUS	
78	A16	A16	BUS	BUS	BUS	
79	A15	A15	BUS	BUS	BUS	
80	A14	A14	BUS	BUS	BUS	
81	A13	A13	BUS	BUS	BUS	
82	A12	A12	BUS	BUS	BUS	
83	A11	A11	BUS	BUS	BUS	
84	A10	A10	BUS	BUS	BUS	
85	A9	A9	BUS	BUS	BUS	
86	VIICC	VIICC	SO	O	O	IIC clock output for video / Clock speed 100kHz
87	VIICD	VIICD	SO	O	O	IIC data output for video
88	CKEV	CKEV	O	O	O	EVOL serial transmission clock
89	DTEV	DTEV	O	O	O	EVOL serial transmission data / Clock speed 1M, MSB first
90	CEEV	CEEV	O	O	O	EVOL CE
91	Vcc	Vcc	MCU	MCU	MCU	
92	A8	A8	BUS	BUS	BUS	
93	Vss	Vss	MCU	MCU	MCU	
94	A7	A7	BUS	BUS	BUS	
95	A6	A6	BUS	BUS	BUS	
96	A5	A5	BUS	BUS	BUS	
97	A4	A4	BUS	BUS	BUS	
98	A3	A3	BUS	BUS	BUS	
99	A2	A2	BUS	BUS	BUS	
100	A1	A1	BUS	BUS	BUS	
101	A0	A0	BUS	BUS	BUS	
102	D15	D15	BUS	BUS	BUS	
103	D14	D14	BUS	BUS	BUS	
104	D13	D13	BUS	BUS	BUS	
105	D12	D12	BUS	BUS	BUS	
106	D11	D11	BUS	BUS	BUS	
107	D10	D10	BUS	BUS	BUS	
108	D9	D9	BUS	BUS	BUS	
109	D8	D8	BUS	BUS	BUS	
110	D7	D7	BUS	BUS	BUS	
111	D6	D6	BUS	BUS	BUS	
112	D5	D5	BUS	BUS	BUS	

IC501 : M30805SGP (CONTROL P.C.B)  
16bit  $\mu$ -COM (Main CPU)

No.	Port Name	Terminal Name	I/O			Function
			PowerOn	Standby	MCUSleep [AC OFF]	
113	D4	D4	BUS	BUS	BUS	
114	FMTSW	FMTSW	O	O	O [ I ]	Full Mute SWL/SWR/SW MONO
115	FMTCC	FMTCC	O	O	O [ I ]	Full Mute Center
116	FMTS	FMTS	O	O	O [ I ]	Full Mute SL/SR
117	FMTF	FMTM	O	O	O [ I ]	Full Mute FL/FR/SBL/SBR
118	/VMT	/VMT	O	O	O	Video output MUTE (L mute) / With Power ONOFF/PureDirect ONOFF set, use INHIBIT of Selector together to turn on this port.
119	D3	D3	BUS	BUS	BUS	
120	D2	D2	BUS	BUS	BUS	
121	D1	D1	BUS	BUS	BUS	
122	D0	D0	BUS	BUS	BUS	
123	VRB	VRB	I	O	O	Volume rotary B
124	VRA	VRA	I	O	O	Volume rotary A
125	ISB	ISB	I	O	O	Input selector rotary B
126	ISA	ISA	I	O	O	Input selector rotary A
127	SCKA	SCKA	O	O	O	Clock output for audio IC
128	SDTA	SDTA	O	O	O	Data output for audio IC / NJU: transmission clock 10us MSB first
129	CEL	CEL	O	O	O	JRC analog SW IC CE1 / Spare (Model distinction 1)
130	Vss	Vss	MCU	MCU	MCU	
131	TCE	TCE	O	O	O	JRC analog SW IC CE2 / Spare (Model distinction (2500/2500I))
132	Vcc	Vcc	MCU	MCU	MCU	
133	MJB	PGB	I	O	O	PROGRAM rotary B
134	MJA	PGA	I	O	O	PROGRAM rotary A
135	4051C	4051C	O	O	O	Multiplexer HC4051 control C
136	4051B	4051B	O	O	O	Multiplexer HC4051 control B
137	4051A	4051A	O	O	O	Multiplexer HC4051 control A
138	ADEX	ADEX	AD	O	O	Expansion AD input
139	DEST	DEST	AD	AD	O	Destination distinction by AD value
140	Avss	AVSS	MCU	MCU	MCU	
141	PLMT	PLMT	AD	O	O	AD Power Limiter detection
142	VREF	VREF	MCU	MCU	MCU	
143	Avcc	AVCC	MCU	MCU	MCU	
144	RXDH	RXD4	SI	I	O	RESERVE

**Key Input (A-D) Pull-Up Resistance 10 k-ohms**

U, C, A models

	0	+1.2k	+1.2k	+1.8k	+2.7k	+3.3k	+4.7k	+8.2k	+18.0k	+47.0k
V	~ 0.27	~ 0.75	~ 1.22	~ 1.76	~ 2.28	~ 2.76	~ 3.24	~ 3.76	~ 4.26	~ 4.75
KEY0	PRESET/TUNING <	PRESET/TUNING >	PRESET/TUNING EDIT	FM/AM	MEMORY	TUNING MODE	-	-	ZONE ON/OFF MAIN	ZONE ON/OFF ZONE 2
KEY1	-	SPEAKERS A	SPEAKERS B	INPUT MODE	A/B/C/D/E	PURE DIRECT	TONE CONTROL	STRAIGHT EFFECT	-	-

R, T, K, L, J models

	0	+1.2k	+1.2k	+1.8k	+2.7k	+3.3k	+4.7k	+8.2k	+18.0k	+47.0k
V	~ 0.27	~ 0.75	~ 1.22	~ 1.76	~ 2.28	~ 2.76	~ 3.24	~ 3.76	~ 4.26	~ 4.75
KEY0	PRESET/TUNING <	PRESET/TUNING >	PRESET/TUNING EDIT	FM/AM	MEMORY	TUNING MODE	-	-	-	-
KEY1	-	SPEAKERS A	SPEAKERS B	INPUT MODE	A/B/C/D/E	PURE DIRECT	TONE CONTROL	STRAIGHT EFFECT	-	-

B, G models

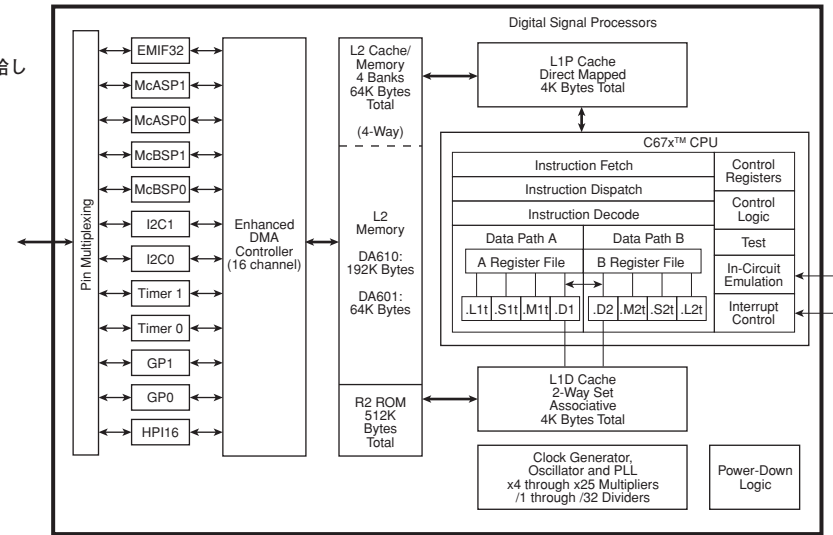
	0	+1.2k	+1.2k	+1.8k	+2.7k	+3.3k	+4.7k	+8.2k	+18.0k	+47.0k
V	~ 0.27	~ 0.75	~ 1.22	~ 1.76	~ 2.28	~ 2.76	~ 3.24	~ 3.76	~ 4.26	~ 4.75
KEY0	PRESET/TUNING <	PRESET/TUNING >	PRESET/TUNING EDIT	FM/AM	MEMORY	TUNING MODE	RDS MODE	EON	PTY MODE	PTY START
KEY1	-	SPEAKERS A	SPEAKERS B	INPUT MODE	A/B/C/D/E	PURE DIRECT	TONE CONTROL	STRAIGHT EFFECT	-	-

IC512: D601A003BPYP225 (DSP P.C.B)

Decoder

\* No service part available.

※ サービス部品として供給しません。



No.	Name [Default]	I/O	Function
1	GP0[4] / (EXT_INT4)	IOZ	General purpose I/O0 port 4 / Interrupt input (polarity selectable individually by using register)
2	GP0[6] / (EXT_INT6)	IOZ	General purpose I/O0 port 6 / Interrupt input (polarity selectable individually by using register)
3	CVDD	S	1.2V power supply
4	VSS	GND	Ground
5	DVDD	S	3.3V power supply
6	GP0[5] / (EXT_INT5)	IOZ	General purpose I/O0 port 5 / Interrupt input (polarity selectable individually by using register) (Unconnected)
7	GP0[7] / (EXT_INT7)	IOZ	General purpose I/O0 port 7 / Interrupt input (polarity selectable individually by using register) (Unconnected)
8	CLKS1	I	McBSP1 external clock source
9	DVDD	S	3.3V power supply
10	VSS	GND	Ground
11	CVDD	S	1.2V power supply
12	TINP1 / AHCLKX0	I / IOZ	Timer 1 Input / McASP0 Transmission MCLK
13	AXR1[11]	IOZ	McASP1 Transmission/reception data 11
14	CVDD	S	1.2V power supply
15	VSS	GND	Ground
16	CLKX0 / ACLKX0	IOZ	McBSP0 Transmission clock / McASP0 Transmission BCLK
17	AXR1[12]	IOZ	McASP1 Transmission/reception data 12
18	AXR1[13]	IOZ	McASP1 Transmission/reception data 13
19	ACLKR0	IOZ	McASP0 Reception BCLK
20	DX0	O/Z	McBSP0 Transmission data
21	FSX0	IOZ	McBSP0 Transmission Frame Sync
22	CVDD	S	1.2V power supply
23	VSS	GND	Ground
24	AFSR0	IOZ	McASP0 Reception LRCLK
25	DVDD	S	3.3V power supply
26	VSS	GND	Ground
27	DR0	I	McBSP0 Reception data
28	AHCLKR0	IOZ	McASP0 Reception MCLK
29	CVDD	S	1.2V power supply
30	VSS	GND	Ground
31	FSX1	IOZ	McBSP1 Transmission Frame Sync (Input in SPI slave state) (Unconnected)
32	AXR1[10]	IOZ	McASP1 Transmission/reception data 10
33	CLKX1 / AMUTE0	IOZ	McBSP1 Transmission clock (Input in SPI slave state) / McASP0 MUTE output (Unconnected)
34	VSS	GND	Ground
35	CVDD	S	1.2V power supply
36	AXR1[9]	IOZ	McASP1 Transmission/reception data 9
37	DR1 / SDA1	I / IOZ	McBSP1 Reception data / I2C1 data (Unconnected)
38	AXR1[8]	IOZ	McASP1 Transmission/reception data 8
39	VSS	GND	Ground
40	CVDD	S	1.2V power supply

IC512: D601A003BPYP225 (DSP P.C.B)

Decoder

No.	Name	I/O	Function
41	SCL0	IOZ	I2C0 clock
42	SDA0	IOZ	I2C0 data
43	CVDD	S	1.2V power supply
44	DVDD	S	3.3V power supply
45	VSS	GND	Ground
46	CVDD	S	1.2V power supply
47	DVDD	S	3.3V power supply
48	VSS	GND	Ground
49	VSS	GND	Ground
50	CVDD	S	1.2V power supply
51	CVDD	S	1.2V power supply
52	VSS	GND	Ground
53	CVDD	S	1.2V power supply
54	VSS	GND	Ground
55	DVDD	S	3.3V power supply
56	ARDY	I	Asynchronous RAM Ready input
57	/CE3	O/Z	For external memory area, Enable 3 (Unconnected)
58	DVDD	S	3.3V power supply
59	VSS	GND	Ground
60	CVDD	S	1.2V power supply
61	/CE2	O/Z	For external memory area, Enable 2 (Unconnected)
62	EA2	O/Z	For external memory, Address 2
63	EA3	O/Z	For external memory, Address 3
64	EA4	O/Z	For external memory, Address 4
65	DVDD	S	3.3V power supply
66	VSS	GND	Ground
67	CVDD	S	1.2V power supply
68	EA5	O/Z	For external memory, Address 5
69	EA6	O/Z	For external memory, Address 6
70	EA7	O/Z	For external memory, Address 7
71	EA8	O/Z	For external memory, Address 8
72	DVDD	S	3.3V power supply
73	VSS	GND	Ground
74	EA9	O/Z	For external memory, Address 9
75	/SDRAS	O/Z	SDRAM RAS
76	EA10	O/Z	For external memory, Address 10
77	ECLKOUT	O/Z	Clock output for EMIF
78	ECLKIN	I	Clock input for EMIF (Unconnected)
79	/SDCAS	O/Z	SDRAM CAS
80	CVDD	S	1.2V power supply
81	VSS	GND	Ground
82	CLKOUT2 / GP0[2]	O/Z / IOZ	Half clock output of device Speed / General purpose I/O0 port 2 (Unconnected)
83	/SDWE	O/Z	SDRAM WE
84	DVDD	S	3.3V power supply
85	VSS	GND	Ground
86	EA11	O/Z	For external memory, Address 11
87	DVDD	S	3.3V power supply
88	VSS	GND	Ground
89	CVDD	S	1.2V power supply
90	EA14	O/Z	For external memory, Address 14 (Unconnected)
91	EA13	O/Z	For external memory, Address 13
92	EA16	O/Z	For external memory, Address 16 (Unconnected)
93	EA12	O/Z	For external memory, Address 12
94	EA15	O/Z	For external memory, Address 15 (Unconnected)
95	EA18	O/Z	For external memory, Address 18 (Unconnected)
96	CVDD	S	1.2V power supply
97	VSS	GND	Ground
98	DVDD	S	3.3V power supply

IC512: D601A003BPYP225 (DSP P.C.B)

Decoder

No.	Name	I/O	Function
99	EA17	O/Z	For external memory, Address 17 (Unconnected)
100	EA19	O/Z	For external memory, Address 19 (Unconnected)
101	EA20	O/Z	For external memory, Address 20 (Unconnected)
102	/CE0	O/Z	For external memory area, Enable 0
103	/CE1	O/Z	For external memory area, Enable 1 (Unconnected)
104	CVDD	S	1.2V power supply
105	CVDD	S	1.2V power supply
106	VSS	GND	Ground
107	DVDD	S	3.3V power supply
108	/BE1	O/Z	For external memory, Byte Enable Control 1
109	EA21	O/Z	For external memory, Address 21 (Unconnected)
110	/BE0	O/Z	For external memory, Byte Enable Control 0
111	ED13	IOZ	For external memory, Data 13
112	ED15	IOZ	For external memory, Data 15
113	ED14	IOZ	For external memory, Data 14
114	DVDD	S	3.3V power supply
115	VSS	GND	Ground
116	CVDD	S	1.2V power supply
117	ED11	IOZ	For external memory, Data 11
118	ED12	IOZ	For external memory, Data 12
119	ED9	IOZ	For external memory, Data 9
120	ED10	IOZ	For external memory, Data 10
121	ED6	IOZ	For external memory, Data 6
122	ED7	IOZ	For external memory, Data 7
123	ED8	IOZ	For external memory, Data 8
124	CVDD	S	1.2V power supply
125	VSS	GND	Ground
126	DVDD	S	3.3V power supply
127	ED4	IOZ	For external memory, Data 4
128	ED5	IOZ	For external memory, Data 5
129	ED3	IOZ	For external memory, Data 3
130	ED2	IOZ	For external memory, Data 2
131	ED1	IOZ	For external memory, Data 1
132	ED0	IOZ	For external memory, Data 0
133	CVDD	S	1.2V power supply
134	VSS	GND	Ground
135	GP0[1]	IOZ	General purpose I/O0 port 1 (Unconnected)
136	BUSREQ	O/Z	For external memory, Bus request output (Unconnected)
137	/HOLDA	O/Z	For external memory, Hold request approval to host (Unconnected)
138	/HOLD	I	For external memory, Hold request from host
139	AFSR1	IOZ	McASP1 reception LRCLK
140	ACLKR1	IOZ	McASP1 reception BCLK
141	DVDD	S	3.3V power supply
142	VSS	GND	Ground
143	AXR[0]	IOZ	McASP1 transmission/reception data 0
144	AXR[1]	IOZ	McASP1 transmission/reception data 1
145	AXR1[2]	IOZ	McASP1 transmission/reception data 2
146	AXR18[3]	IOZ	McASP1 transmission/reception data 3
147	AXR1[4]	IOZ	McASP1 transmission/reception data 4
148	VSS	GND	Ground
149	CVDD	S	1.2V power supply
150	AXR1[5]	IOZ	McASP1 transmission/reception data 5
151	AXR1[6]	IOZ	McASP1 transmission/reception data 6
152	AXR1[7]	IOZ	McASP1 transmission/reception data 7
153	ACLKX1	IOZ	McASP1 transmission BCLK
154	AMUTE1	OZ	McASP1 MUTE output
155	AFSX1	IOZ	McASP1 transmission LRCLK
156	GP0[0]	IOZ	General purpose I/O0 port 0 (SPI ready signal output Active: H)

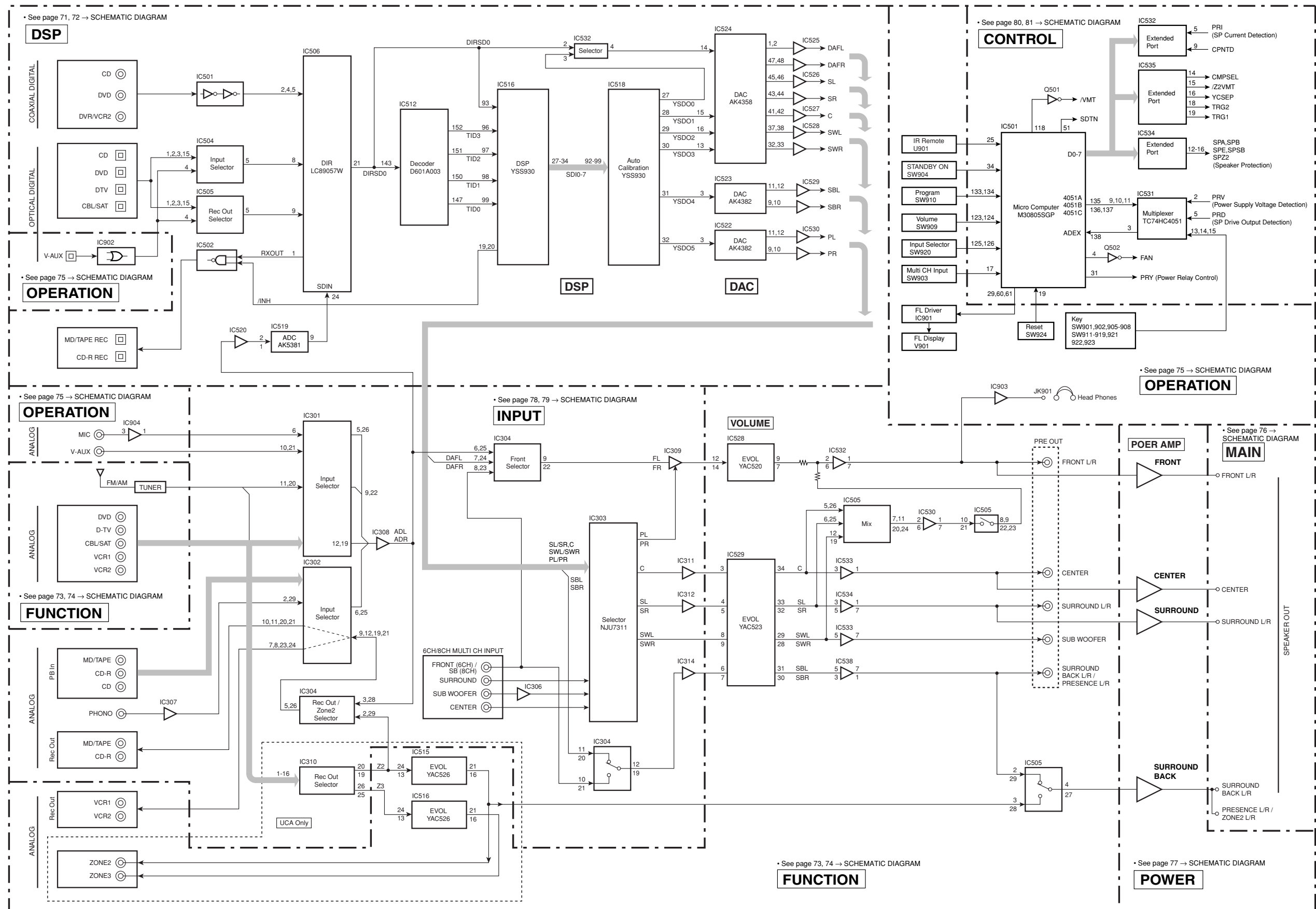
IC512: D601A003BPYP225 (DSP P.C.B)

Decoder

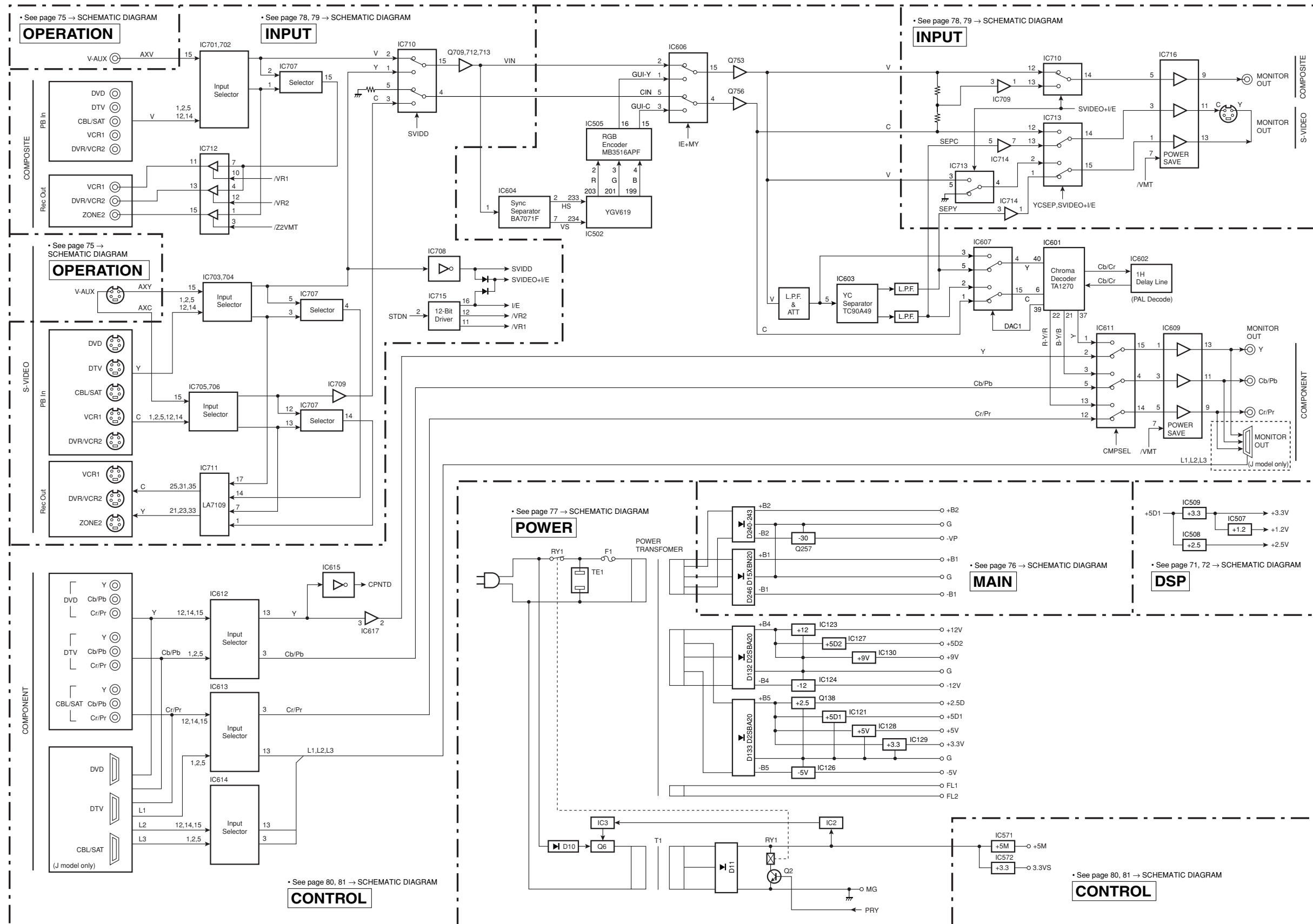
No.	Name	I/O	Function
157	CVDD	S	1.2V power supply
158	VSS	GND	Ground
159	AHCLKX1	IOZ	McASP1 transmission MCLK
160	GP0[8]	IOZ	General purpose I/O0 port 8
161	AHCLKR1	IOZ	McASP1 reception MCLK
162	DVDD	S	3.3V power supply
163	VSS	GND	Ground
164	GP0[3]	IOZ	General purpose I/O0 port 3 (Unconnected)
165	GP0[9]	IOZ	General purpose I/O0 port 9
166	GP0[10]	IOZ	General purpose I/O0 port 10
167	GP0[11]	IOZ	General purpose I/O0 port 11
168	GP0[12]	IOZ	General purpose I/O0 port 12
169	CVDD	S	1.2V power supply
170	VSS	GND	Ground
171	CVDD	S	1.2V power supply
172	GP0[13]	IOZ	General purpose I/O0 port 13
173	GP0[14]	IOZ	General purpose I/O0 port 14
174	GP0[15]	IOZ	General purpose I/O0 port 15
175	NMI	I	Nonmaskable Interrupt ↑ edge
176	/RESET	I	Device reset
177	CVDD	S	1.2V power supply
178	OSCIN	I	X'tal input, Oscillation: 12 to 25MHz
179	OSCOU	O	X'tal output (Unconnected)
180	OSCVSS	GND	X'tal GND internal connection (Unconnected)
181	OSCVDD	S	X'tal 1.2V power supply internal connection (Unconnected)
182	VSS	GND	Ground
183	DVDD	S	3.3V power supply
184	CLKOUT3	O	Programmable clock output up to 32 division of PLL (Unconnected)
185	EMU1	IOZ	JTAG emulation pin 1 (1 k-ohms PD when boundary scanning)
186	EMU0	IOZ	JTAG emulation pin 0 (1 k-ohms PD when boundary scanning)
187	TDO	O/Z	JTAG Data Out
188	DVDD	S	3.3V power supply
189	VSS	GND	Ground
190	CVDD	S	1.2V power supply
191	TDI	I	JTAG Data In
192	TMS	I	JTAG Mode Select
193	TCK	I	JTAG Clock
194	VSS	GND	Ground
195	CVDD	S	1.2V power supply
196	CVDD	S	1.2V power supply
197	/TRST	I	JTAG Reset
198	RSV2	O/Z	Reserved (Unconnected)
199	PLLG	A	Analog GND for PLL
200	RSV0	A	Reserved (Unconnected)
201	PLLV	A	Analog 1.2V power supply for PLL
202	PLLHV	A	Analog 3.3V power supply for PLL
203	RSV1	I	Reserved (GND)
204	CLKIN	I	Clock input
205	CLKMODE0	I	PLL input clock selection: Clkin or X'tal
206	DVDD	S	3.3V power supply
207	VSS	GND	Ground
208	CVDD	S	1.2V power supply



# BLOCK DIAGRAM (1/2)



# BLOCK DIAGRAM (2/2)





# PIN CONNECTION DIAGRAM

## • ICs

LM61CIZ  3: GND 2: Vout 1: +Vs	NJM7805FA NJM7812FA  3: IN 2: COM 1: OUT	NJM79M05FA NJM79M12FA  3: COM 2: IN 1: OUT	μPC29M33T-E1  3: IN 2: COM 1: OUT	RH5RE39AA RH5RE58AA  1: OUTPUT 2: GND 3: INPUT	PQ012FZ01ZP PQ025EZ5MZPH  1 5	PQ03RD23 PQ05RD21  1 4	PQ09RF11  1 4	
SN74AHC1G00DCKR SN74AHC1G08DCKR SN74AHC1G32DCKR SN74AHC1G86DCKR SN74AHC1G32DCKR  5 4 3 1	NJM2068MD-TE2 TK15420M μPC4570G2  8 4 1	NE5532DR  8 5 4 1	NJM4556AL  8 1	TC74HCU04AFEL  14 7 1	NJM2581M SN74AHCT00PWR SN74AHCT08PWR SN74AHCT126PW SN74LVU04PWR  14 7 1	TC74HC4053AF  16 8 1	MB3516APF-G-BND  24 12 1	TC4013BP  14 7 1
74VHC157MTCX ADM202JRN-REEL7 AK4382AVT LA7108M  16 8 1	MM74HC4051SJX MM74HC4053SJX TC74HC4051AFEL TC74HC4052AF  16 8 1	BU2092F  18 9 1	SN74LV245APWR YAC520-EE2  20 10 1	BA7071F  8 4 1	TLP421  4 2 1	AD8056AR  8 4 1	AK5381VT SN74LS151NSR  16 8 1	
TC90A49F  24 12 1	TA8772AN  30 15 1	NJU7311AM NJU7312AM NJU7313AM  28 14 1	BD3841FS  32 17 16 1	LA7109  36 18 1	SN74LV00APWR SN74LV32APWR  14 7 1	SN74LV573APWR  20 10 1		
MSM514260E-60J3R1  40 20 1	W986432DH-7  86 43 1	LC72722PM YAC526  24 12 1	AK4358VQ LC89057W-VF4-E YAC523-EVR2  36 25 24 37 48 12 1	TA1270BF  38 25 24 39 48 15 14 1	W981616BH-7  50 26 25 1			
M66003-0101FP  48 33 49 32 64 17 16 1	YSS930  75 51 76 50 100 25 26 1	M30805SGP  108 73 109 72 144 37 36 1	YG619  180 121 181 120 240 61 60 1					
MBM29LV320BE90T  25 24 48 1								

## • Diodes

1N4002S 1SS133 1SS244 1T2  Anode Cathode	MTZJ3.0A MTZJ3.0B MTZJ33B MTZJ4.7C MTZJ5.1B MTZJ6.8B MTZJ7.5C MTZJ10B MTZJ24C RB441Q-40	1SS355 1SS380 MA8051-M MA8051-L MA8056-M MA8068-L RB501V-40 UDZ3.6BTE-17 UDZ5.1B UDZS5.6BTE-17  Anode Cathode
D2SBA20  +	D15XB20  +	S1NB20 S1NB60  +

## • Transistors

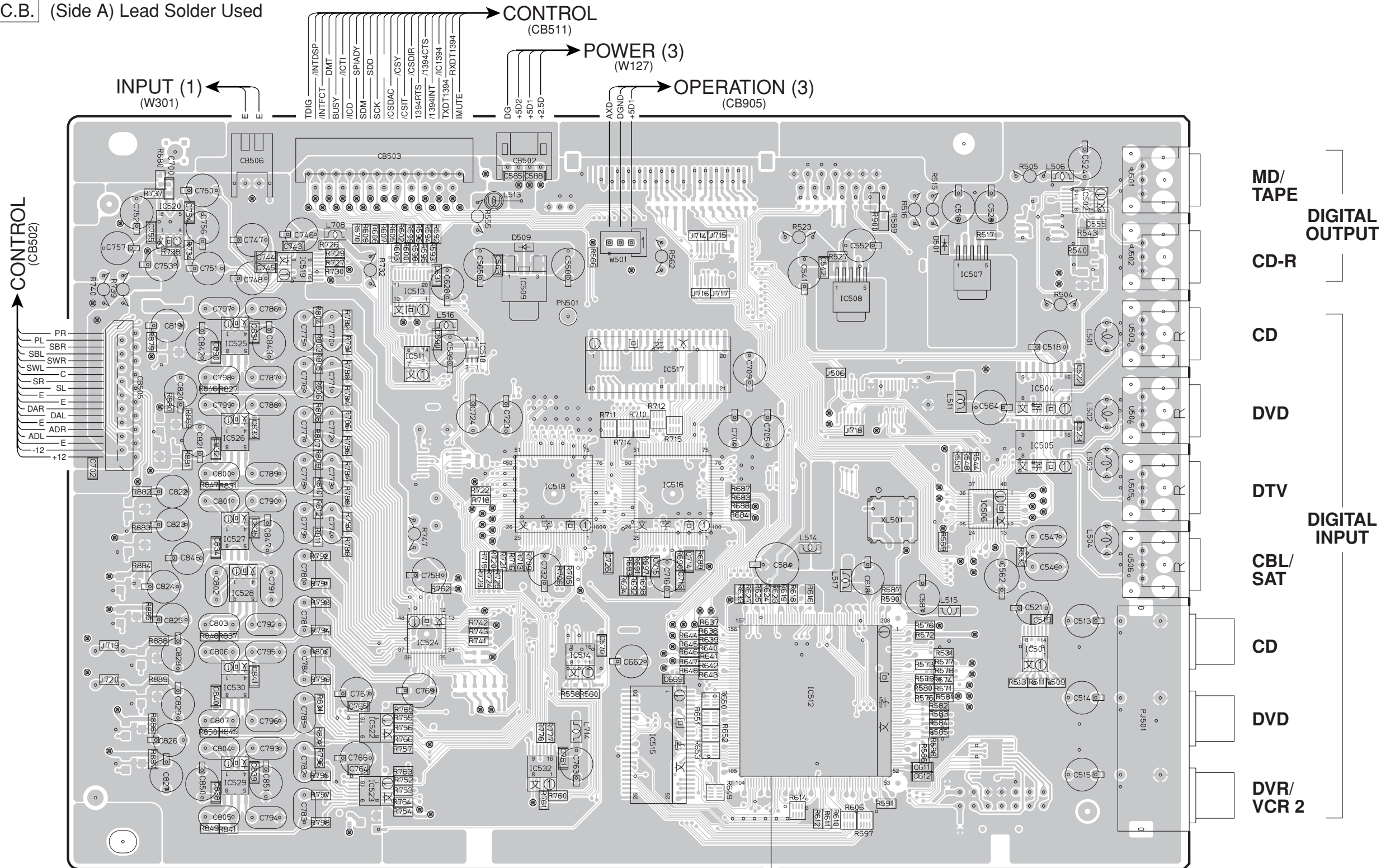
2SA893A 2SA970 2SA1015 2SA949 2SC535 2SC1815 2SC1890A 2SC2229 2SC2240  E C B	2SC1740S 2SD1915F DTA114ES DTC144ES  E C B	2SA1837 2SB941 2SB1274 2SC3852 2SC4793  B C E	2SA1492 2SA2151 2SC3856 2SC6011  B C E
2SA1036KT146 2SA1037K 2SA36K 2SC2412K 2SC3326 2SD1938F DTC144EKA  C E B	2SA1708 2SC4488  E C B	2SK3850  S G D	

PRINTED CIRCUIT BOARD (Foil side)

DSP P.C.B. (Side A) Lead Solder Used

• Semiconductor Location

Ref. No.	Location
D501	G3
D509	E3
IC501	G5
IC502	H3
IC504	G4
IC505	G4
IC506	G4
IC507	G3
IC508	F3
IC509	D3
IC510	D3
IC511	D4
IC512	F5
IC513	D3
IC514	E5
IC515	E6
IC516	E4
IC517	E4
IC518	E4
IC519	C3
IC520	B3
IC522	C6
IC523	C6
IC524	D5
IC525	C3
IC526	C4
IC527	C5
IC528	C5
IC529	C6
IC530	C5
IC532	D6



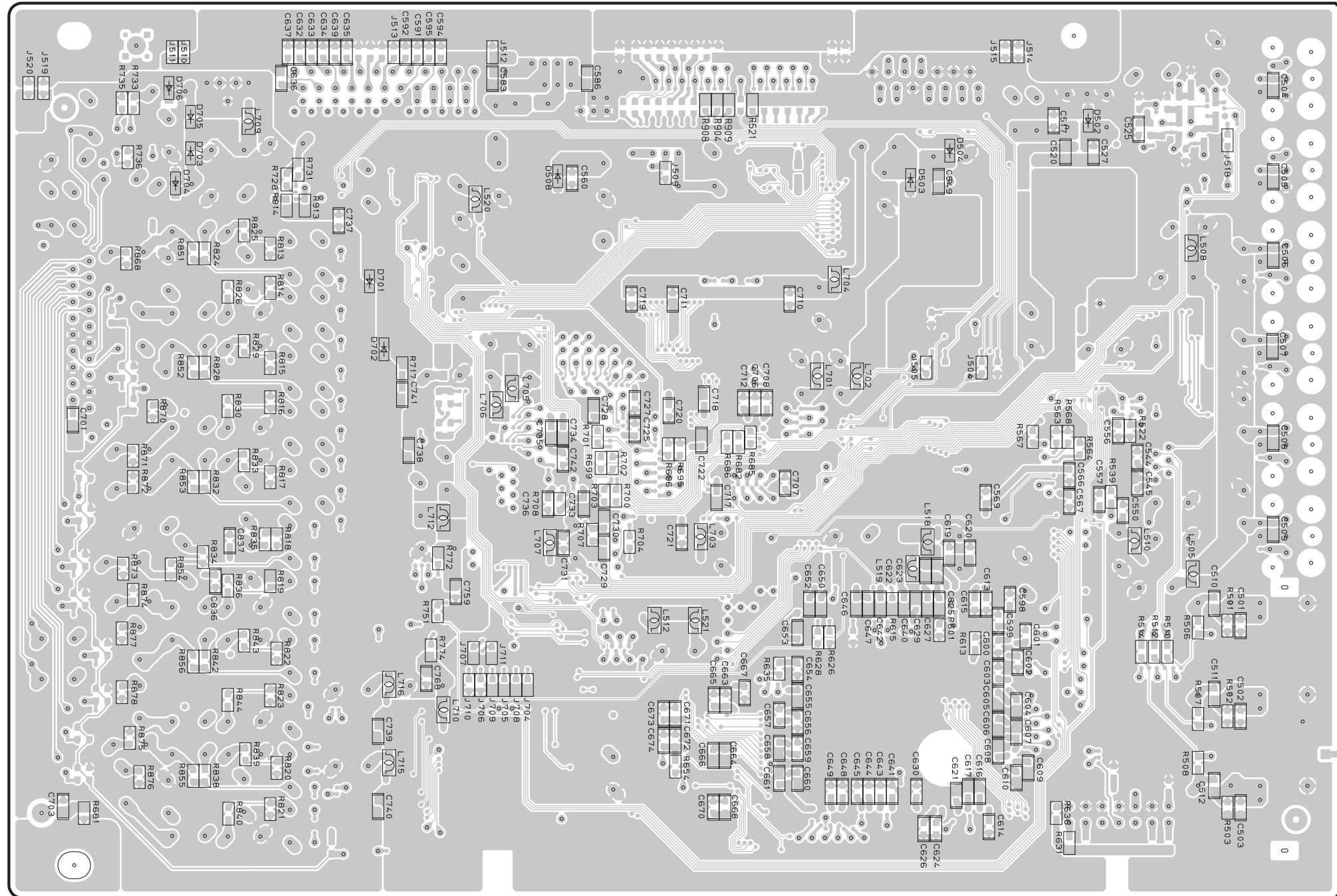
No service part available.  
サービス部品供給なし

• Semiconductor Location

Ref. No.	Location
D502	G3
D503	F3
D504	G3
D508	E3
D701	D3
D702	D4
D703	C3
D704	C3
D705	C3
D706	C3

■ PRINTED CIRCUIT BOARD (Foil side)

DSP P.C.B. (Side B) Lead Free Solder Used

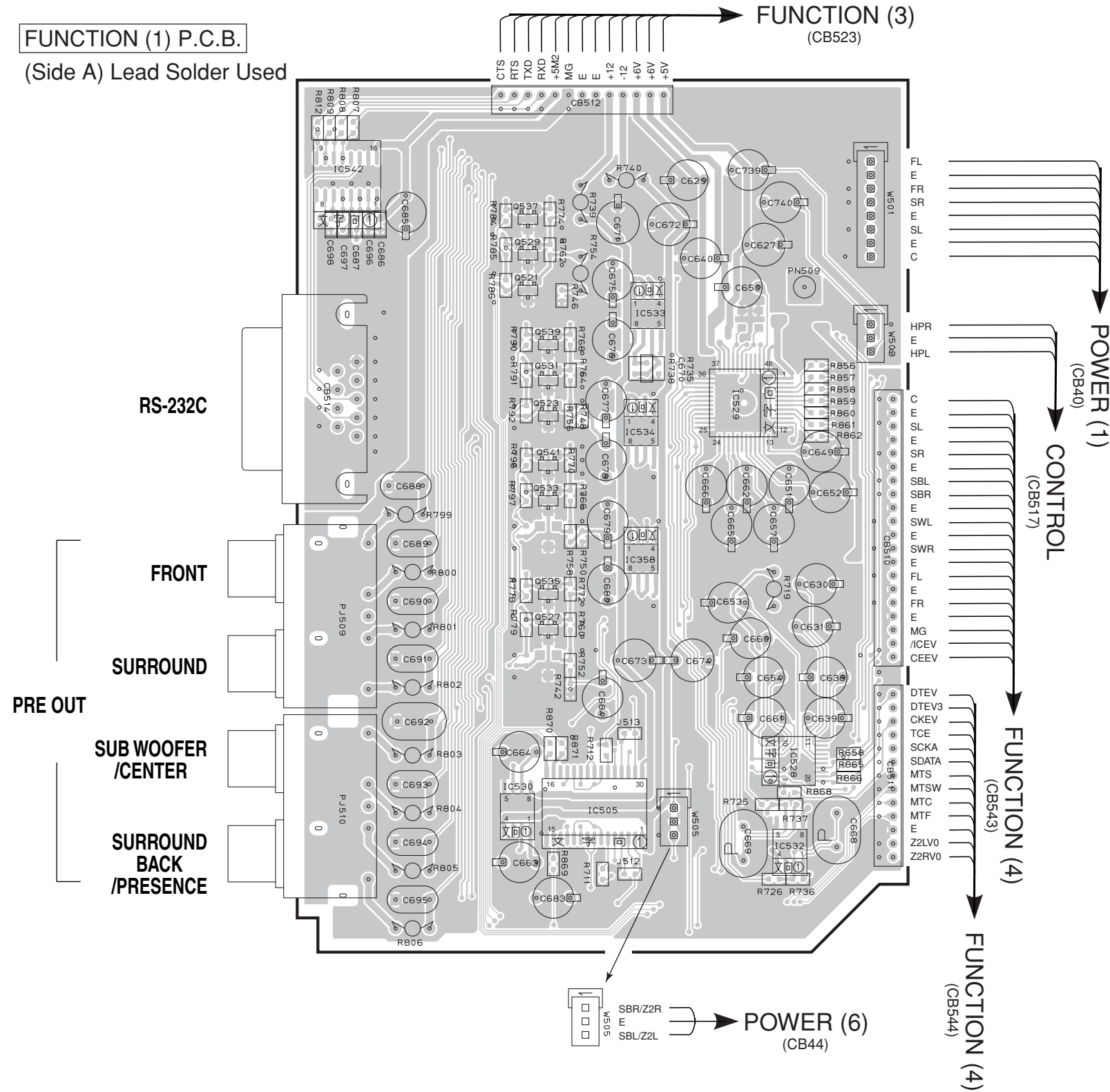




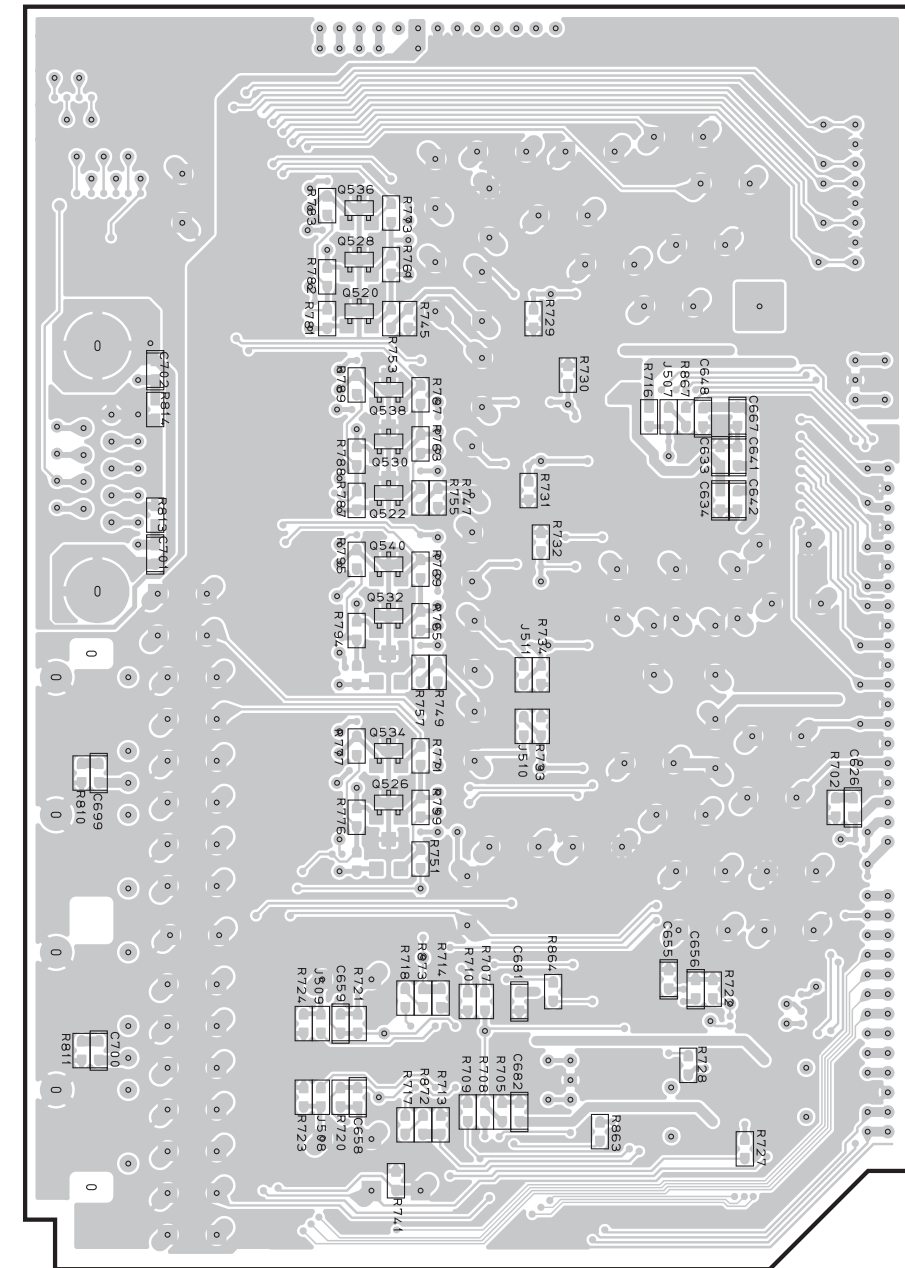
PRINTED CIRCUIT BOARD (Foil side)

FUNCTION (1) P.C.B.

(Side A) Lead Solder Used



FUNCTION (1) P.C.B. (Side B) Lead Free Solder Used



**• Semiconductor Location**

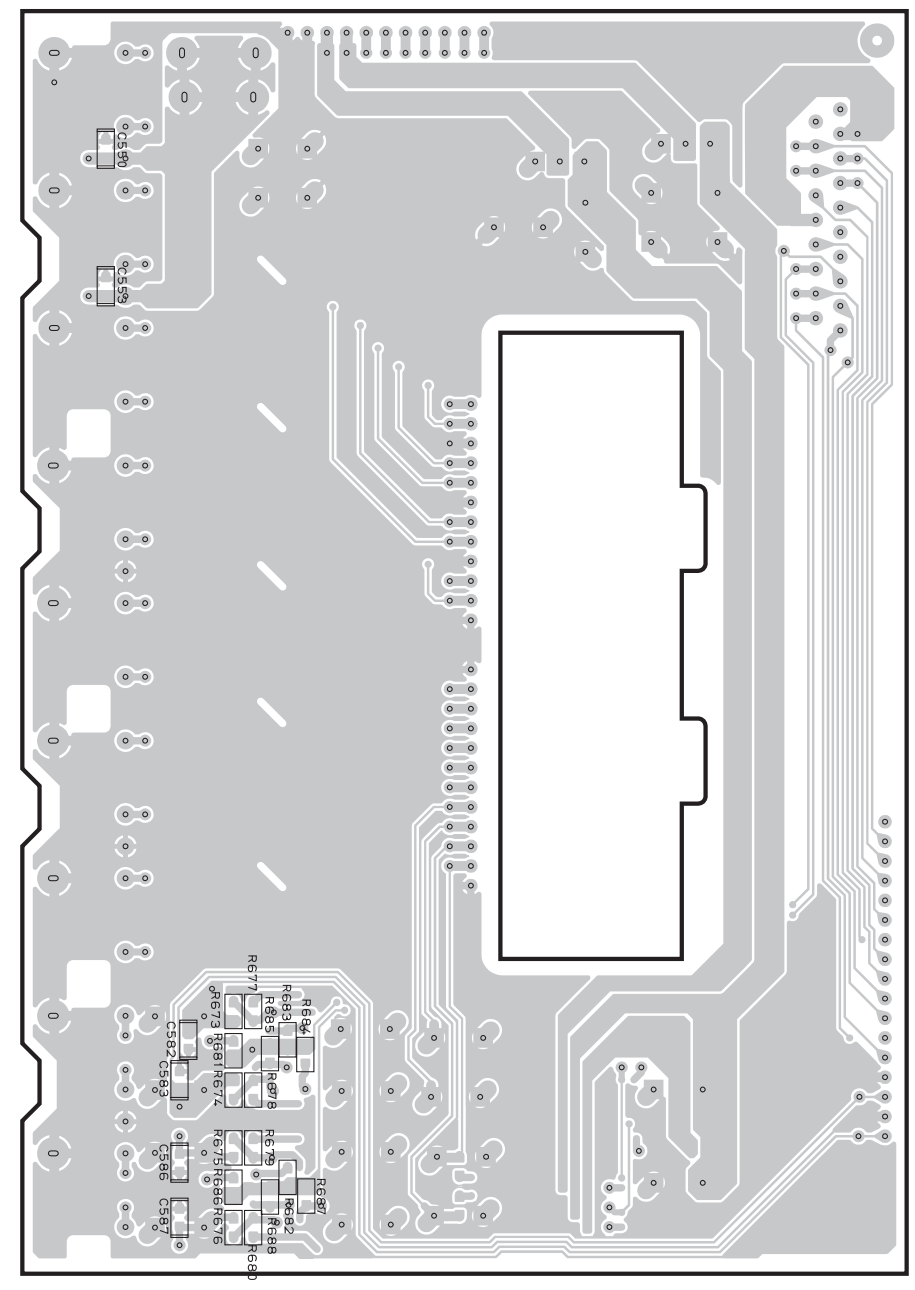
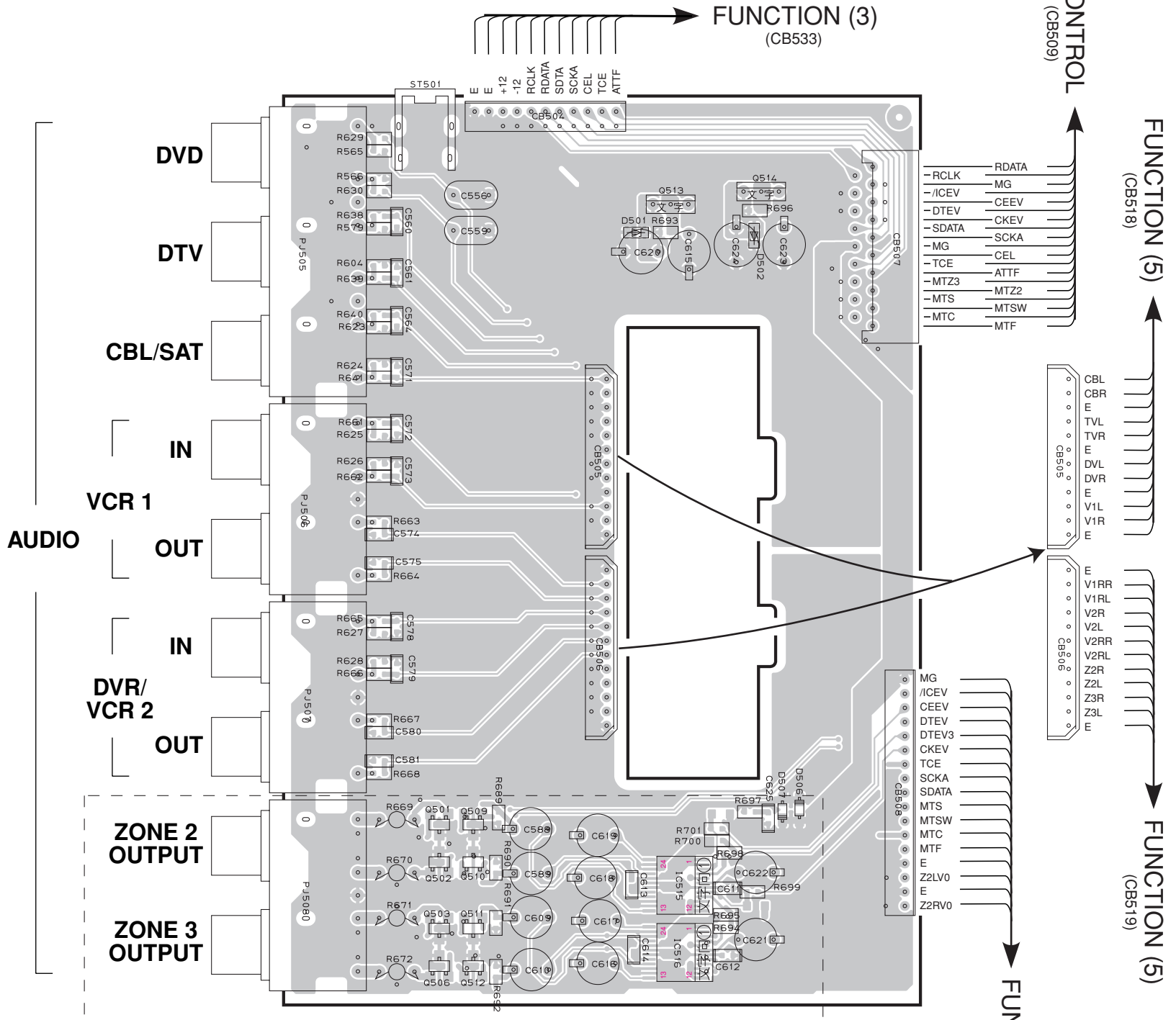
Ref. No.	Location	Ref. No.	Location	Ref. No.	Location	Ref. No.	Location	Ref. No.	Location
IC358	D4	IC534	D3	Q527	C4	Q534	H4	Q541	C3
IC505	D5	IC542	B2	Q528	H2	Q535	C4		
IC528	E5	Q520	H3	Q529	C2	Q536	H2		
IC529	D3	Q521	C3	Q530	H3	Q537	C2		
IC530	C5	Q522	H3	Q531	C3	Q538	H3		
IC532	E5	Q523	C3	Q532	H4	Q539	C3		
IC533	D3	Q526	H4	Q533	C3	Q540	H3		

PRINTED CIRCUIT BOARD (Foil side)

FUNCTION (2) P.C.B. (Side A) Lead Solder Used

FUNCTION (2) P.C.B. (Side B) Lead Free Solder Used

1  
2  
3  
4  
5  
6  
7



• Semiconductor Location

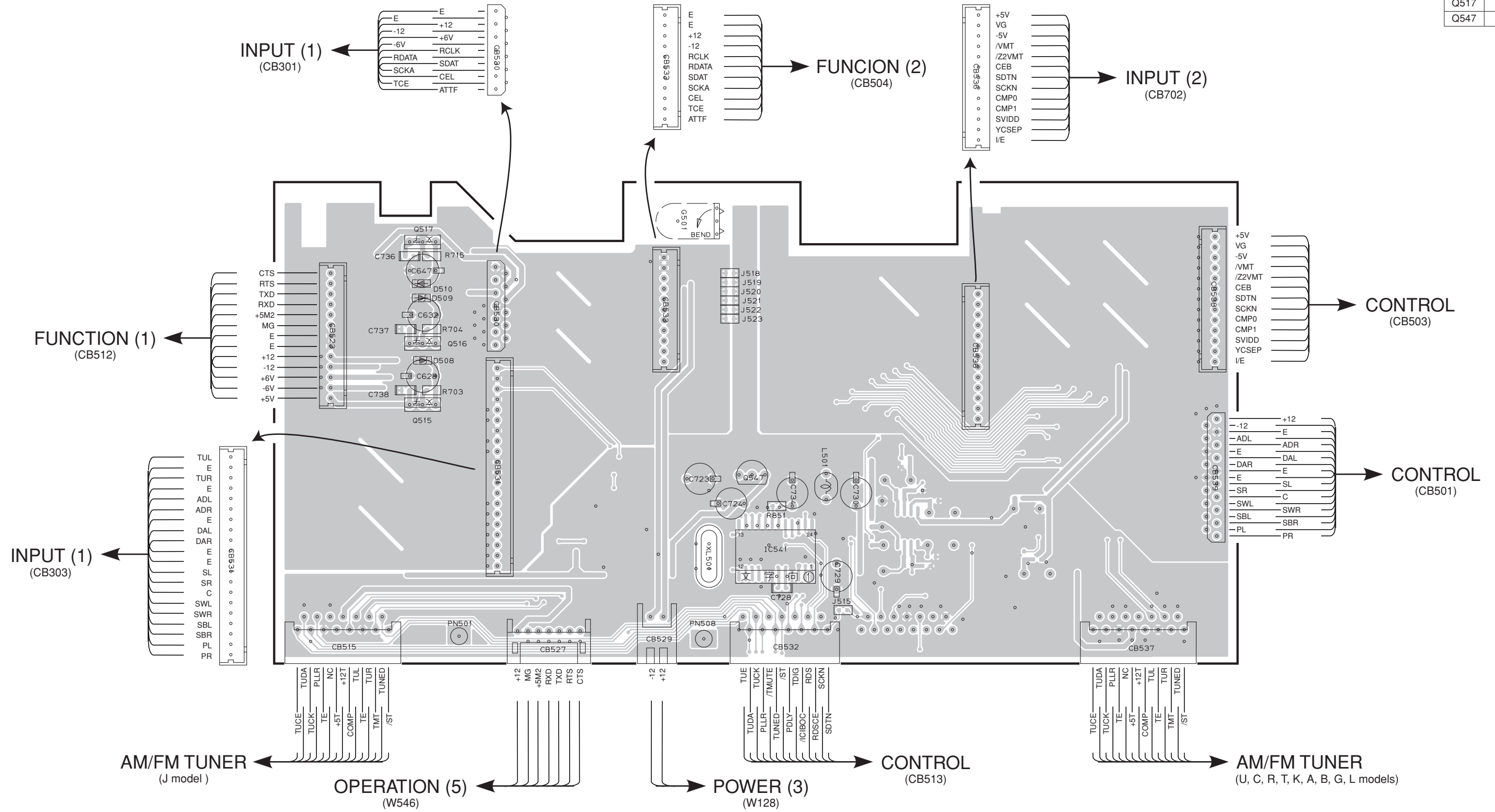
Ref. No.	Location	Ref. No.	Location	Ref. No.	Location
D501	D3	Q501	C5	Q510	C5
D502	D3	Q502	C6	Q511	C6
D506	E5	Q503	C6	Q512	C6
D507	E5	Q506	C6	Q513	D2
IC515	D6	Q509	C5	Q514	D2
IC516	D6				

PRINTED CIRCUIT BOARD (Foil side)

• Semiconductor Location

Ref. No.	Location
D508	C4
D509	C4
D510	C4
IC541	F5
Q515	C4
Q516	C4
Q517	C3
Q547	E5

FUNCTION (3) P.C.B. (Side A) Lead Solder Used





1

## PRINTED CIRCUIT BOARD (Foil side)

### • Semiconductor Location

Ref. No.	Location
D504	E5
Q542	E5
Q548	E5

FUNCTION (3) P.C.B. (Side B) Lead Free Solder Used

2

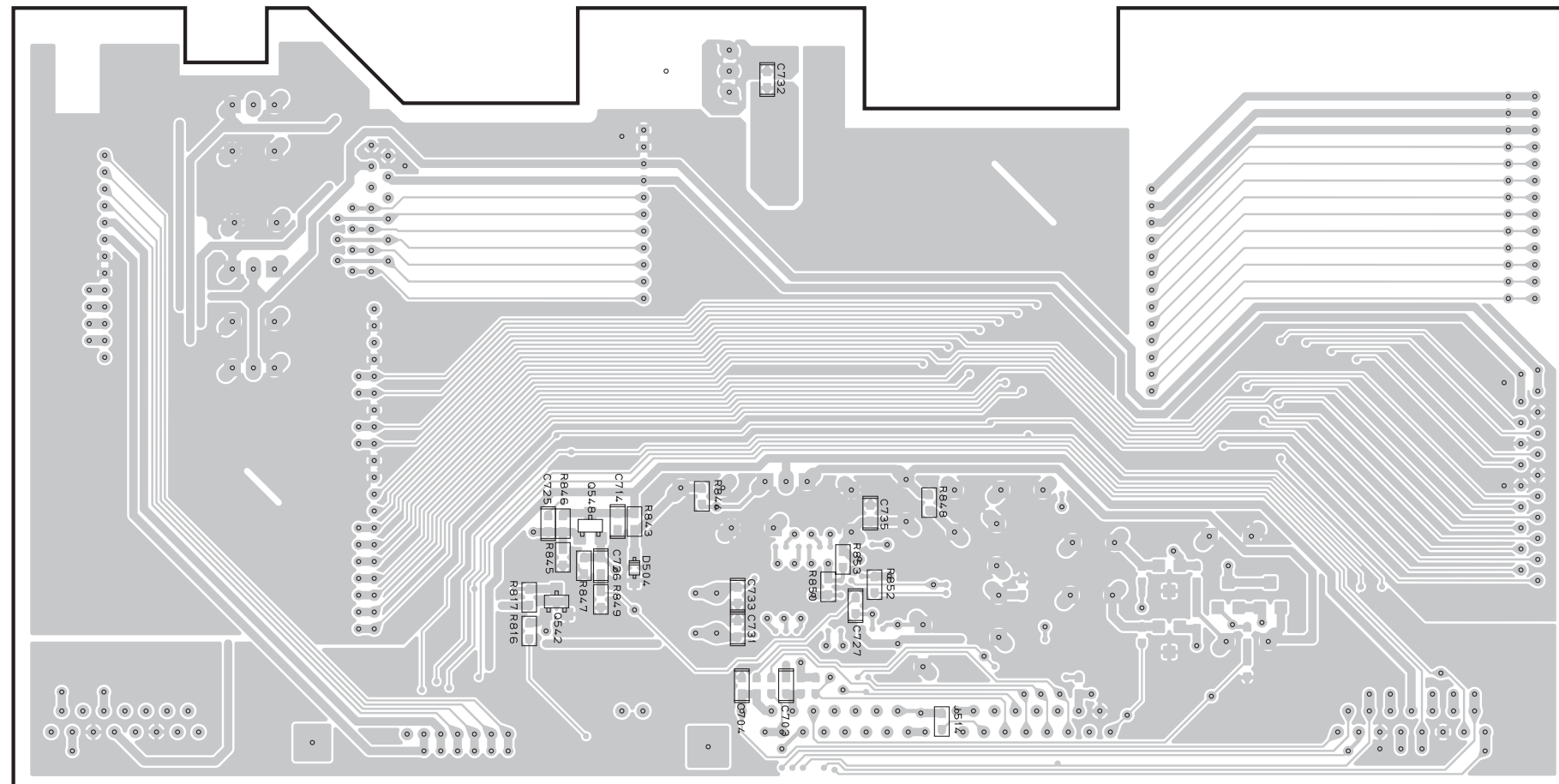
3

4

5

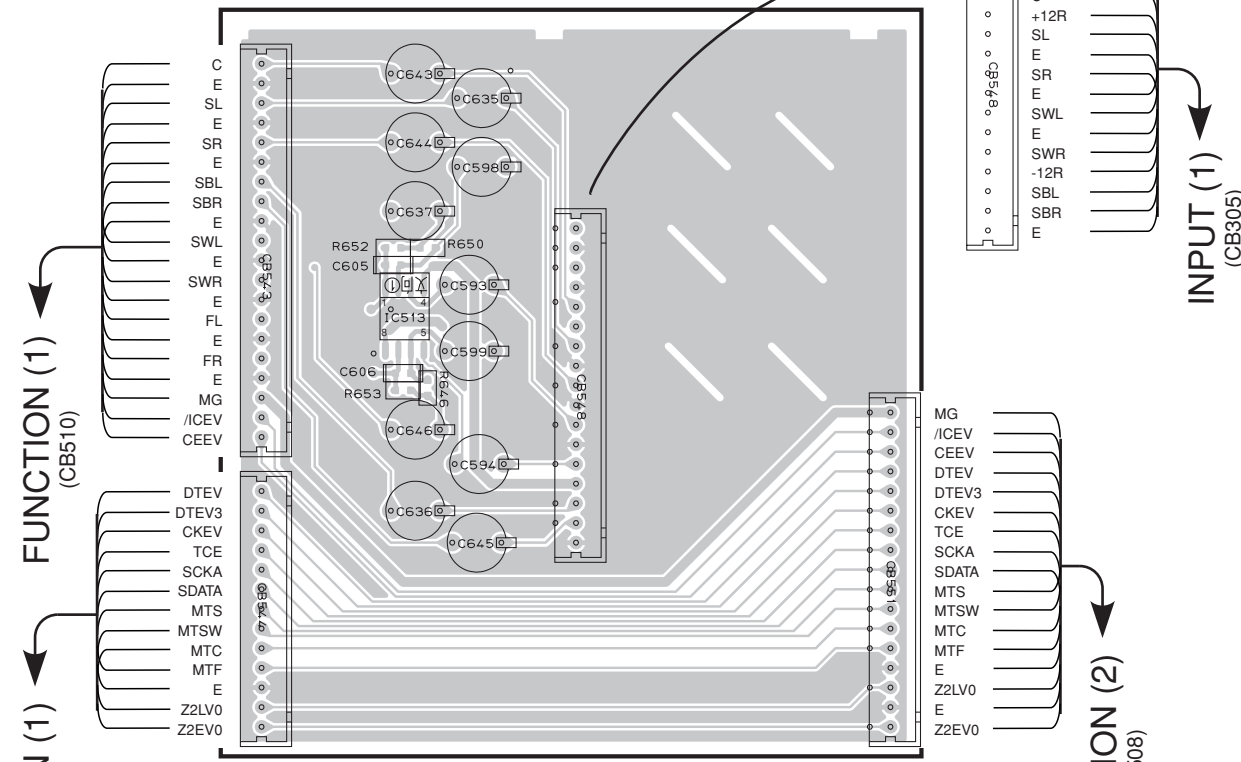
6

7



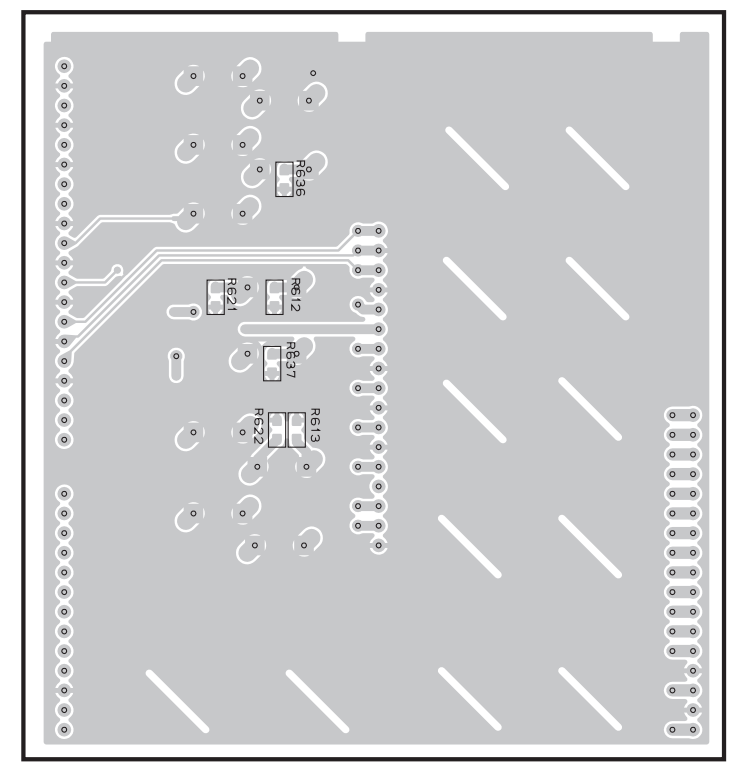
PRINTED CIRCUIT BOARD (Foil side)

FUNCTION (4) P.C.B. (Side A) Lead Solder Used

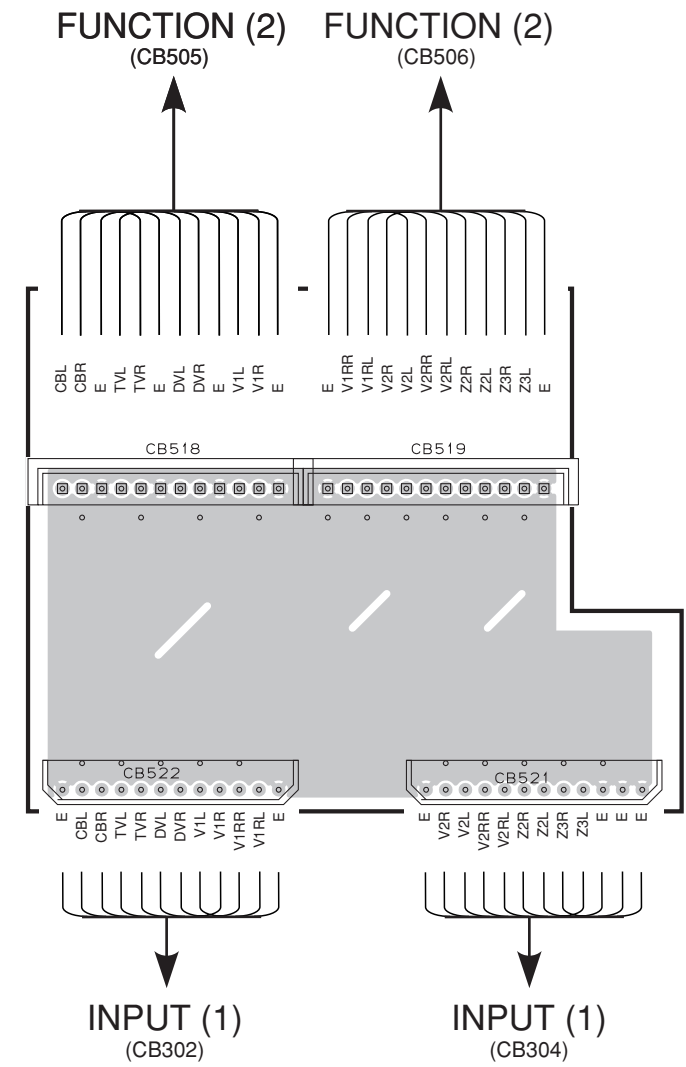


FUNCTION (1) (CB510)  
FUNCTION (1) (CB511)

FUNCTION (4) P.C.B. (Side B) Lead Free Solder Used

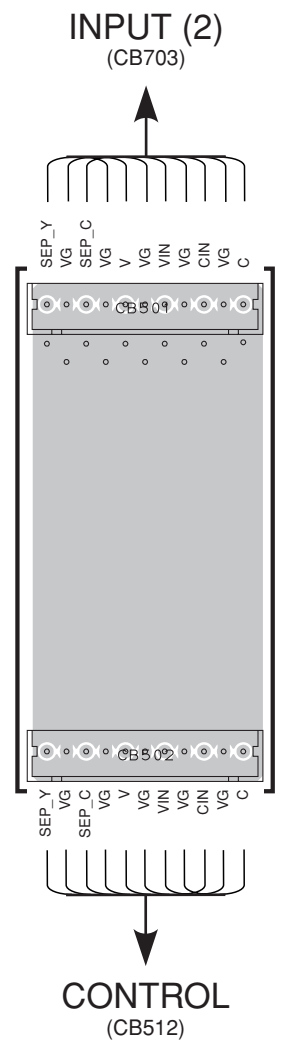


FUNCTION (5) P.C.B. (Side A) Lead Solder Used



INPUT (1) (CB302)  
INPUT (1) (CB304)

FUNCTION (6) P.C.B. (Side A) Lead Solder Used



CONTROL (CB512)

Semiconductor Location

Ref. No.	Location
IC513	B3

Circuit No.	J	U, C	R, T, K, L	A	B, G
CB515	O	X	X	X	X
CB537	X	O	O	O	O
C588, 589, 609, 610, 615~624	X	O	X	O	O
C729, 730, 734	X	X	X	X	O
D501, 502, 506, 507	X	O	X	O	O
IC358	X	X	O	O	O
IC515, IC516	X	O	X	O	O
IC541	X	X	X	X	O
PJ508	X	O	X	O	O
Q501~503, 506, 509~514	X	O	X	O	O
Q548	X	X	X	X	O
XL501	X	X	X	X	O

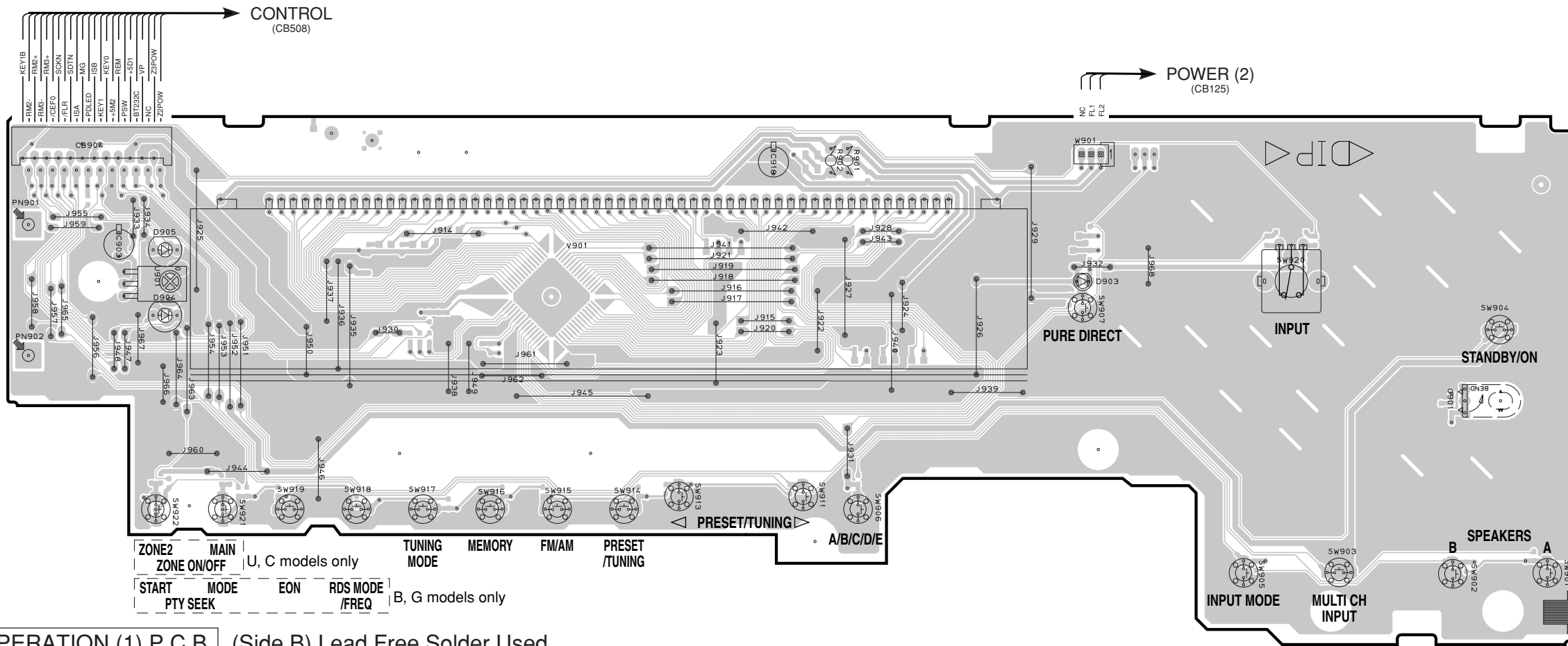
X : NOT USED  
O : USED / APPLICABLE

• Semiconductor Location

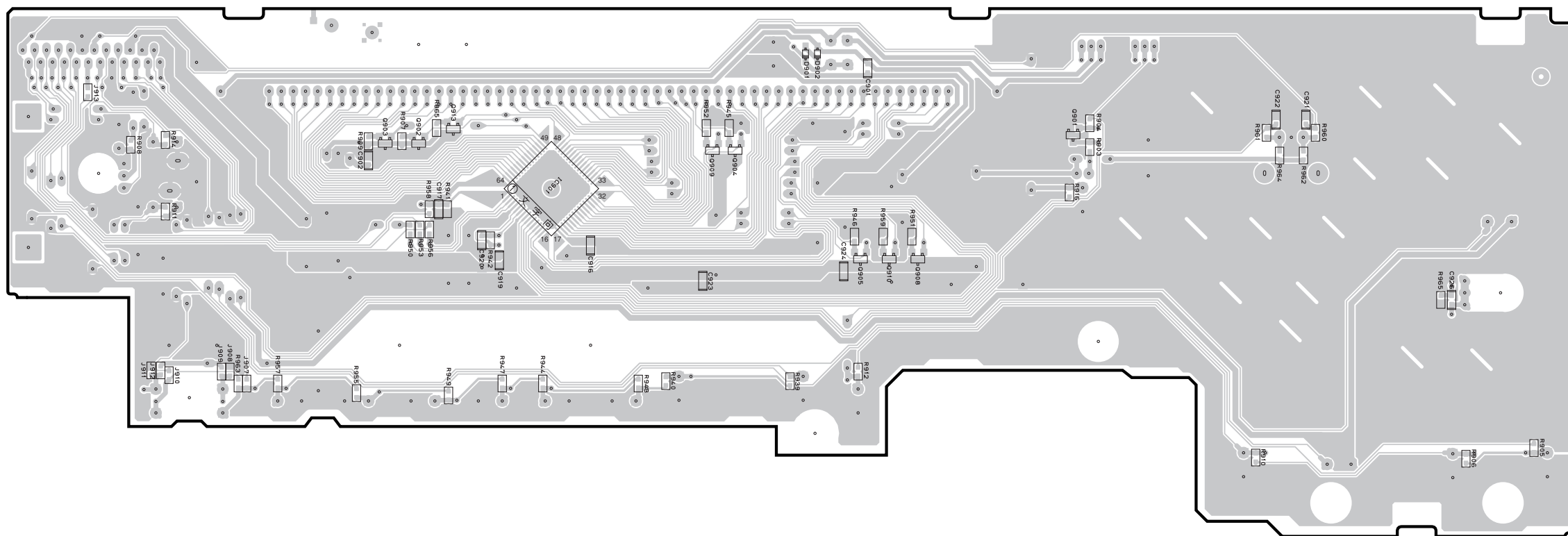
Ref. No.	Location
D901	E5
D902	E5
D903	F3
D904	B3
D905	B3
IC901	D6
Q901	F5
Q902	C5
Q903	C5
Q904	E5
Q905	E6
Q908	E6
Q909	D5
Q910	E6
Q913	C5

■ PRINTED CIRCUIT BOARD (Foil side)

OPERATION (1) P.C.B. (Side A)



OPERATION (1) P.C.B. (Side B) Lead Free Solder Used

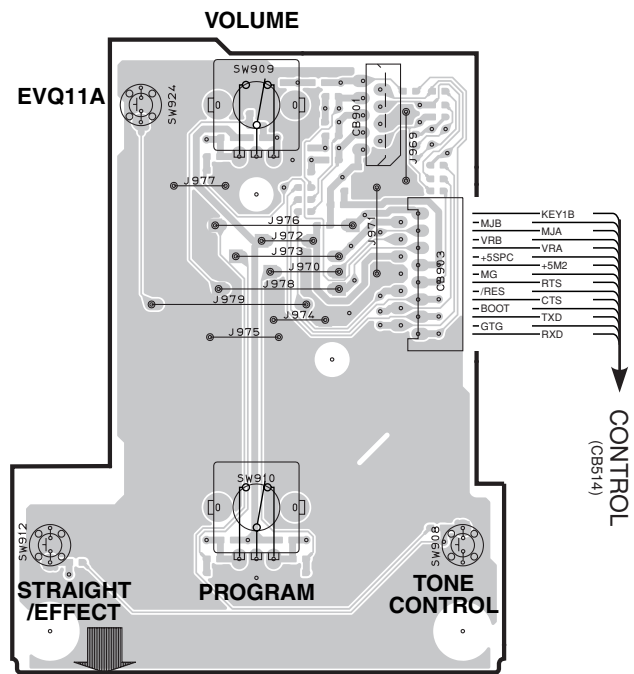


PRINTED CIRCUIT BOARD (Foil side)

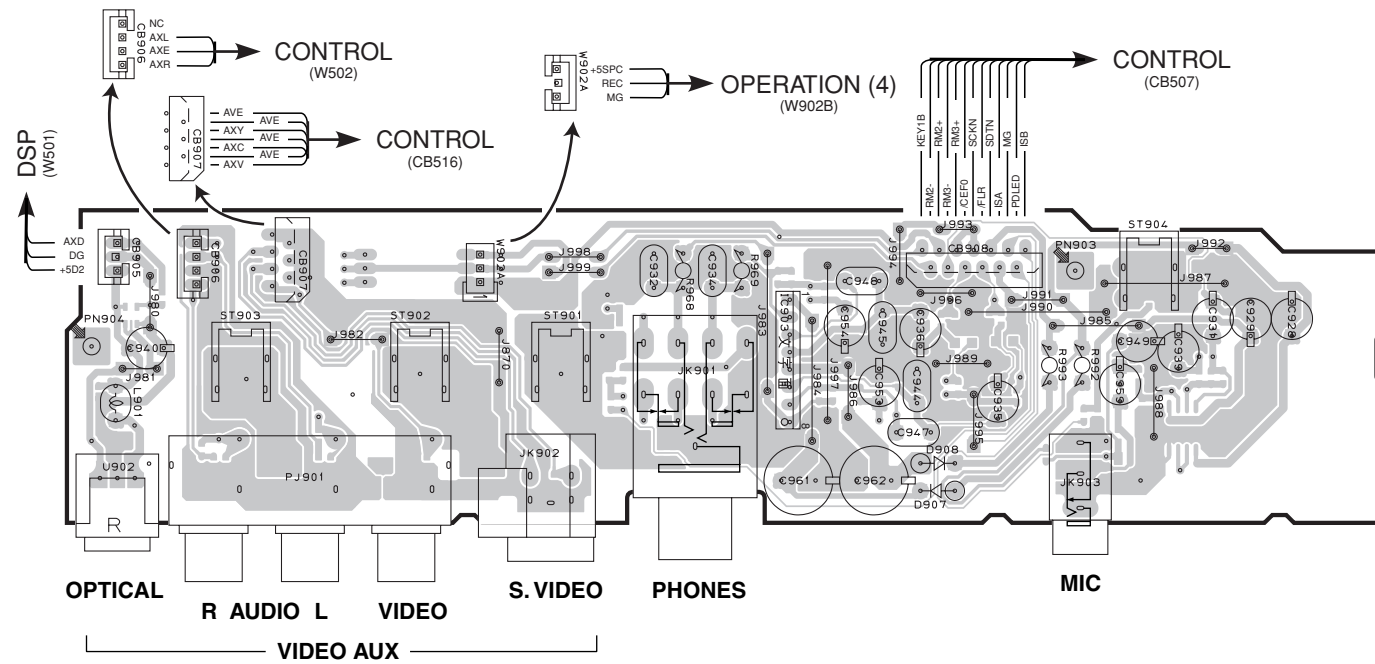
• Semiconductor Location

Ref. No.	Location
D906	H6
D907	H3
D908	H3
IC902	E6
IC903	G3
IC904	H6
Q911	H6
Q912	H6

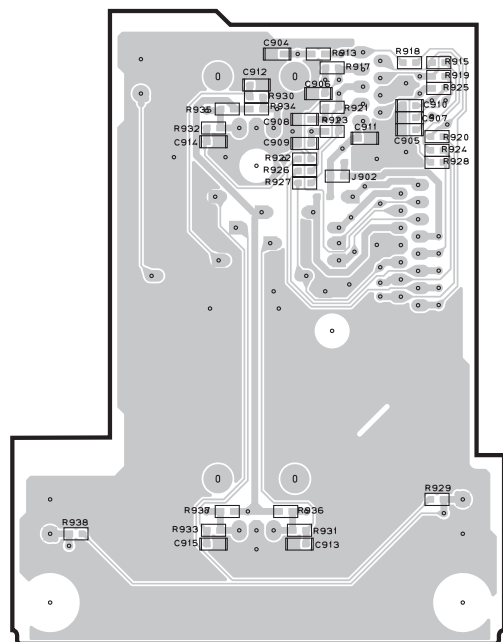
OPERATION (2) P.C.B. (Side A)



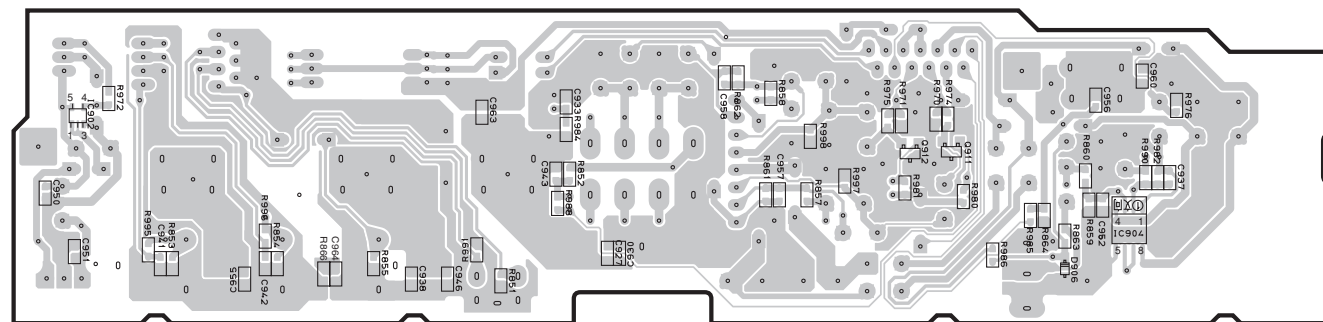
OPERATION (3) P.C.B. (Side A)



OPERATION (2) P.C.B. (Side B) Lead Free Solder Used

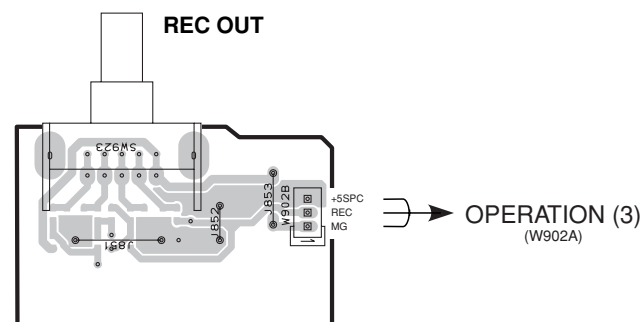


OPERATION (3) P.C.B. (Side B) Lead Free Solder Used

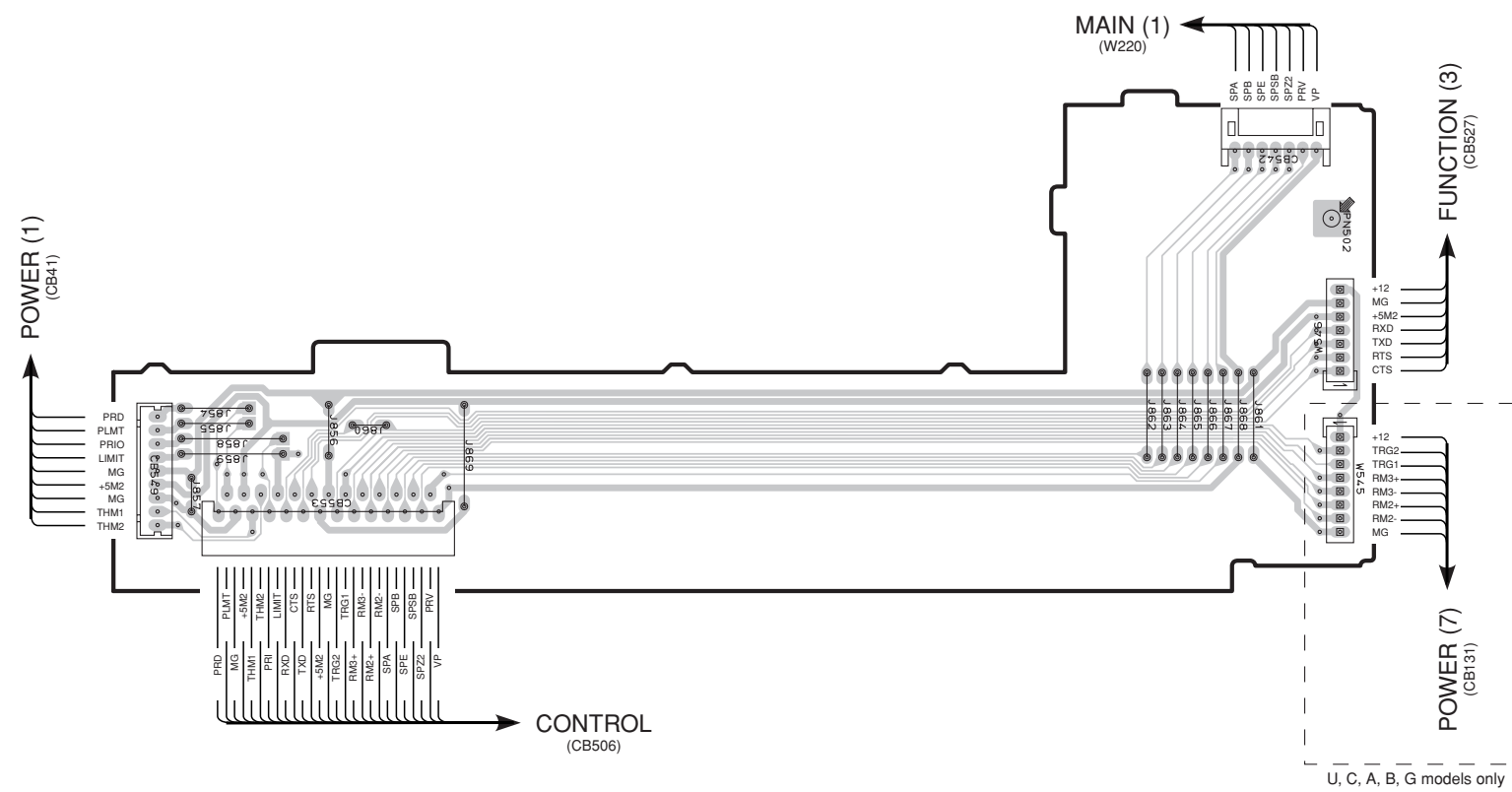


1 ■ PRINTED CIRCUIT BOARD (Foil side)

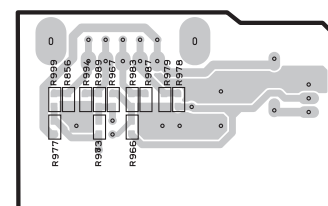
OPERATION (4) P.C.B. (Side A)



OPERATION (5) P.C.B. (Side A)



OPERATION (4) P.C.B. (Side B) Lead Free Solder Used



Circuit No.	J, R, T, K, L	U, C, A	B, G
D904, 905	X	O	O
SW918, 919	X	X	O
SW921, 922	X	O	O

X : NOT USED  
O : USED / APPLICABLE





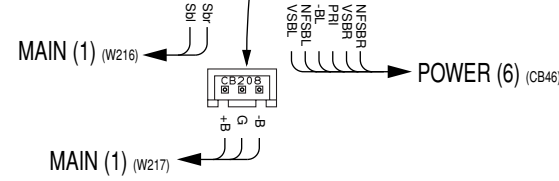
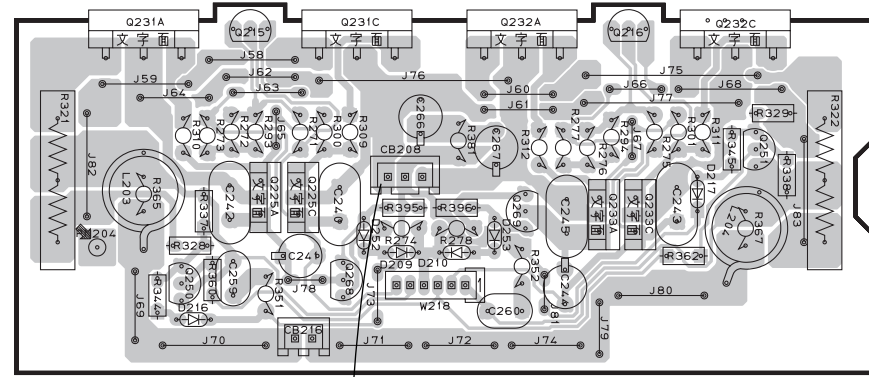


• Semiconductor Location

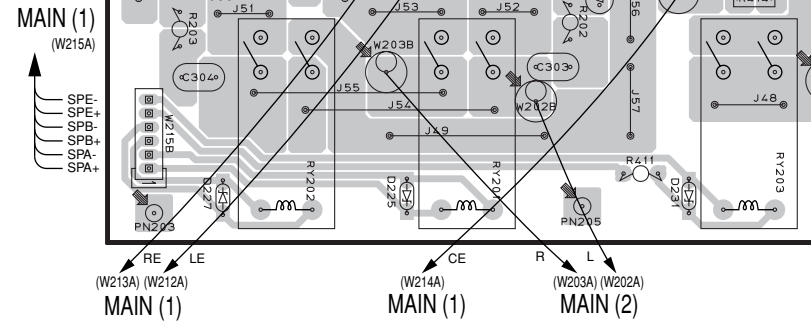
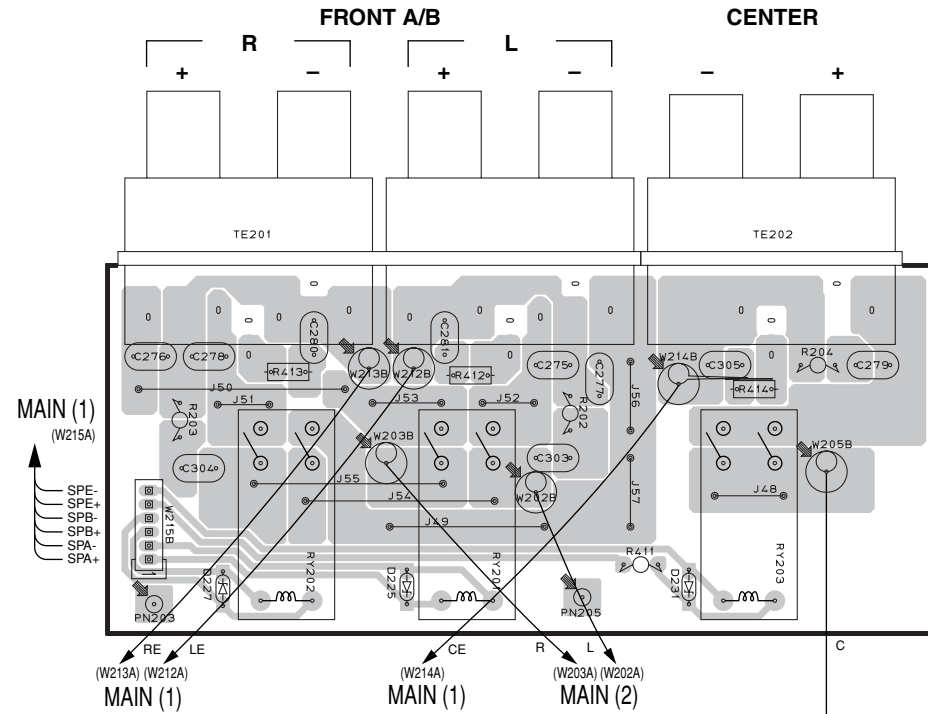
Ref. No.	Location
D209	C3
D210	C3
D211	E6
D212	C5
D213	B5
D216	B3
D217	D3
D218	E5
D219	D5
D220	C5
D225	F4
D227	F4
D231	G4
D249	E5
D250	C5
D251	B6
D252	C3
D253	C3
IC202	B5
Q215	B2
Q216	C2
Q217	E5
Q218	C5
Q219	B5
Q222A	D5
Q222C	E5
Q223A	C5
Q223C	C5
Q224A	B5
Q224C	B5
Q225A	B3
Q225C	B3
Q228A	D5
Q228C	E5
Q229A	C5
Q229C	D5
Q230A	B5
Q230C	C5
Q231A	B2
Q231C	B2
Q232A	C2
Q232C	D2
Q233A	C3
Q233C	C3
Q250	B3
Q251	D2
Q252	E5
Q253	D5
Q254	C5
Q265	D5
Q266	C5
Q267	B5
Q268	B3
Q269	C3

■ PRINTED CIRCUIT BOARD (Foil side)

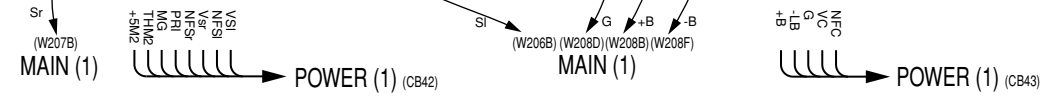
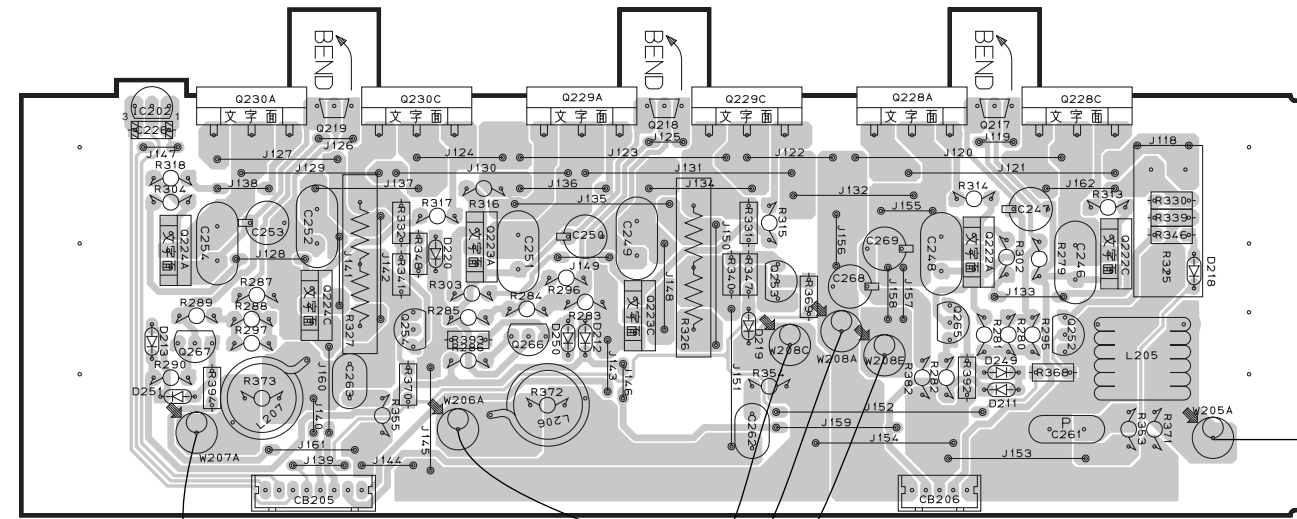
MAIN (3) P.C.B. (Side A)



MAIN (5) P.C.B. (Side A)



MAIN (4) P.C.B. (Side A)

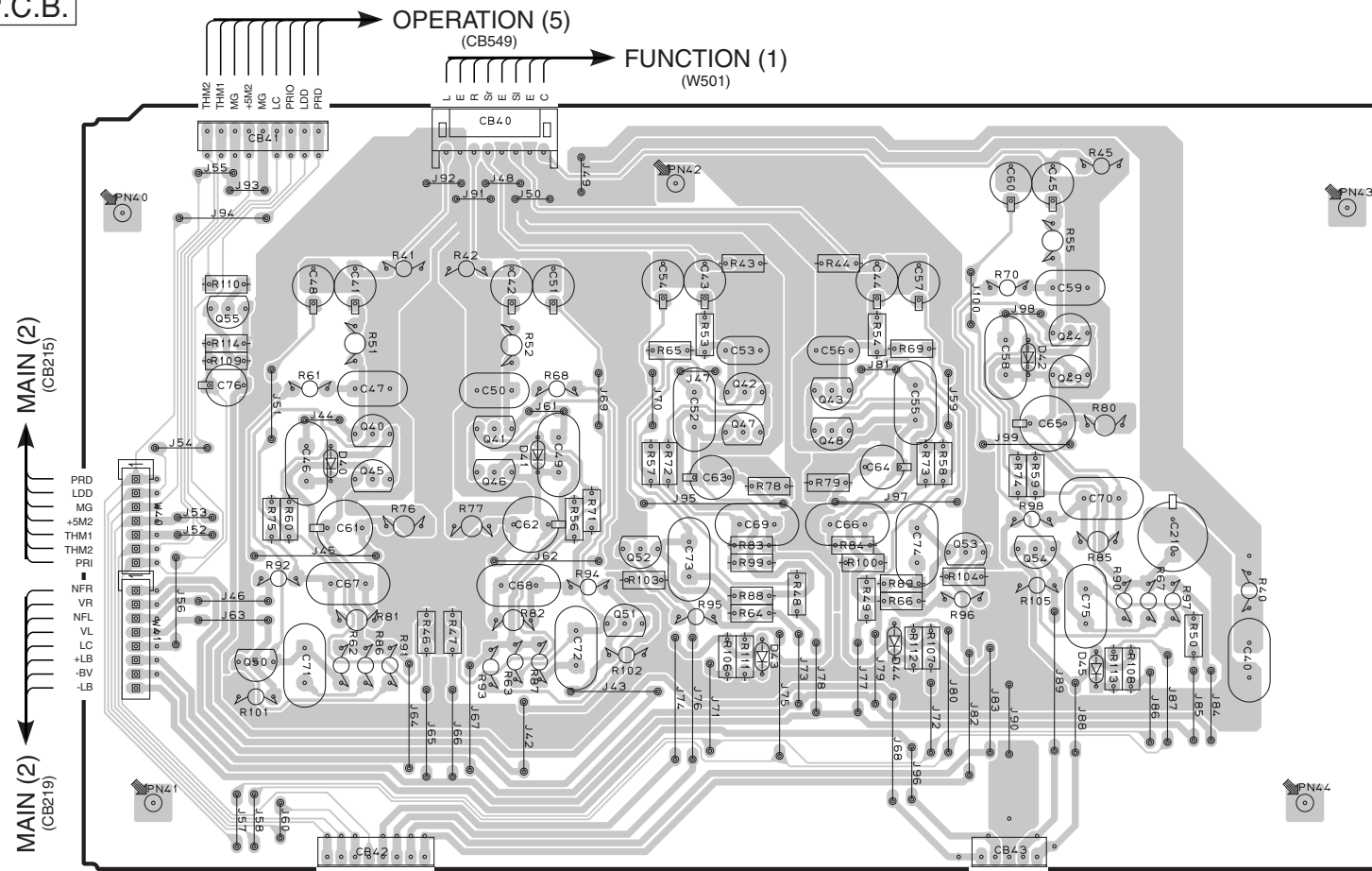


1  
2  
3  
4  
5  
6  
7

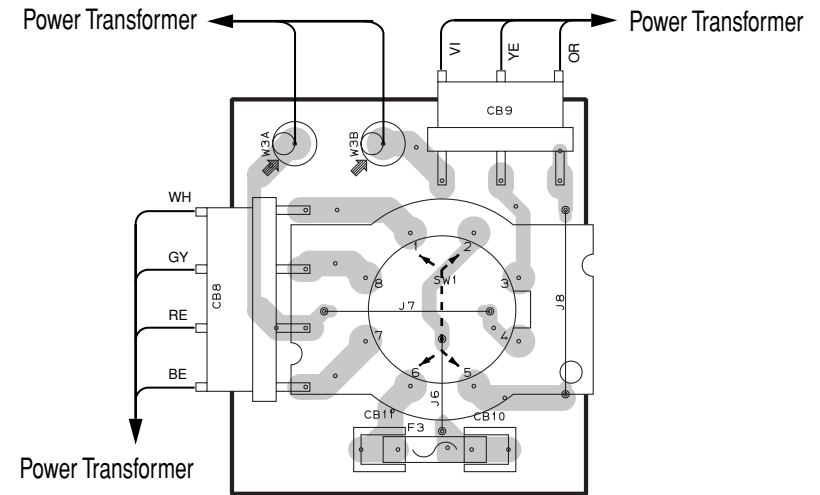
PRINTED CIRCUIT BOARD (Foil side)

• Semiconductor Location

POWER (1) P.C.B. (Side A)



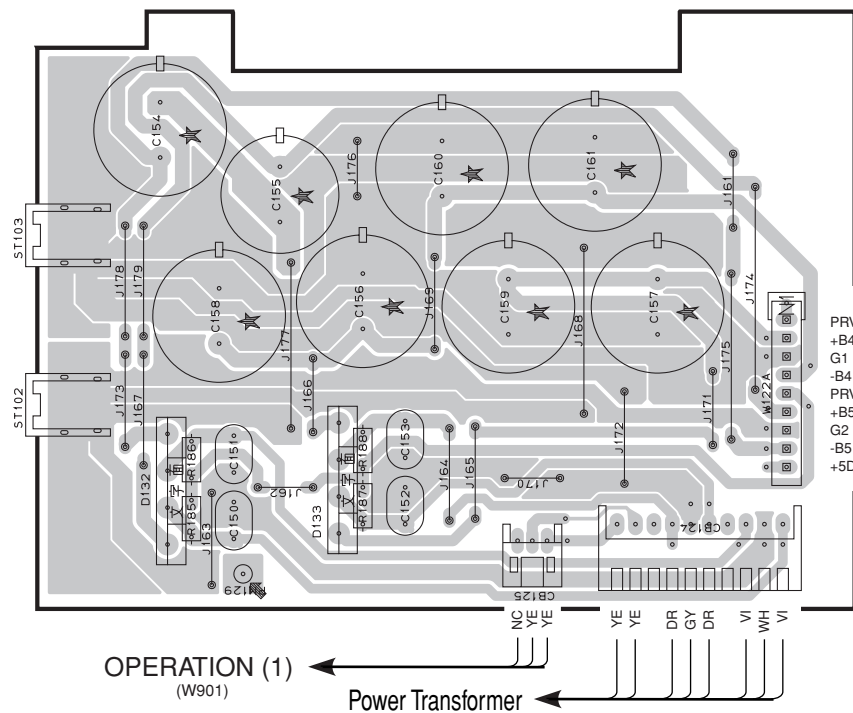
POWER (4) P.C.B. (Side A)  
R, L models only



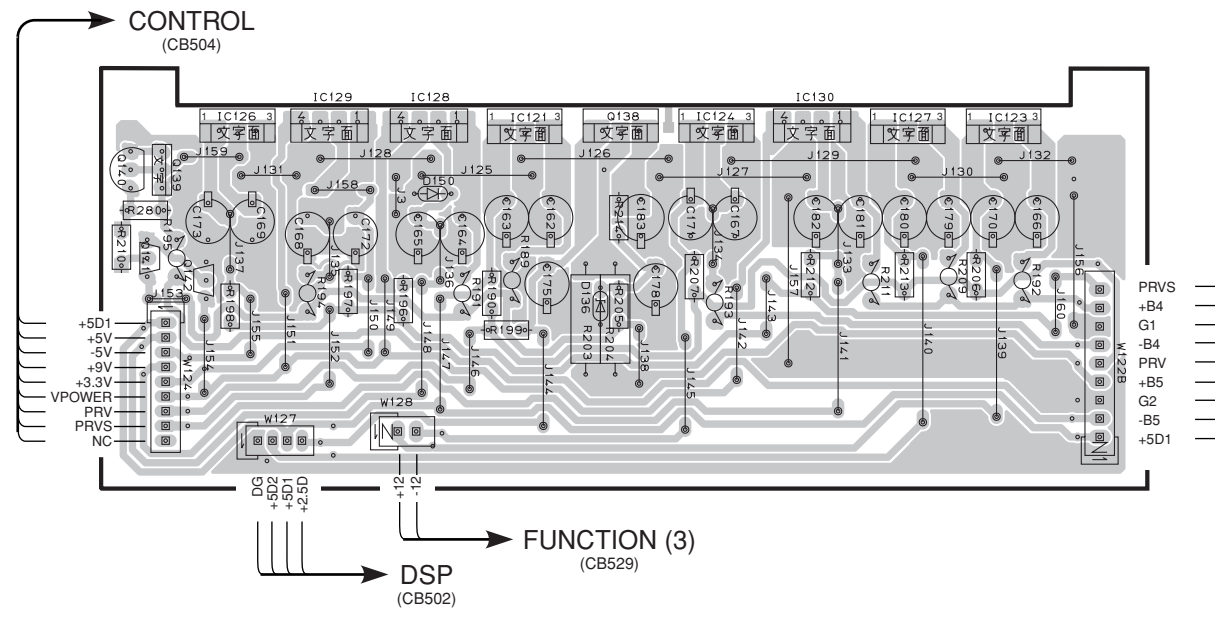
VOLTAGE SELECTOR

	R	L
230-240V	1-2/5-6	1-2/5-6
220V	2-3/6-7	2-3/6-7
110V	3-4/7-8	-
120V	4-5/8-1	-

POWER (2) P.C.B. (Side A)



POWER (3) P.C.B. (Side A)



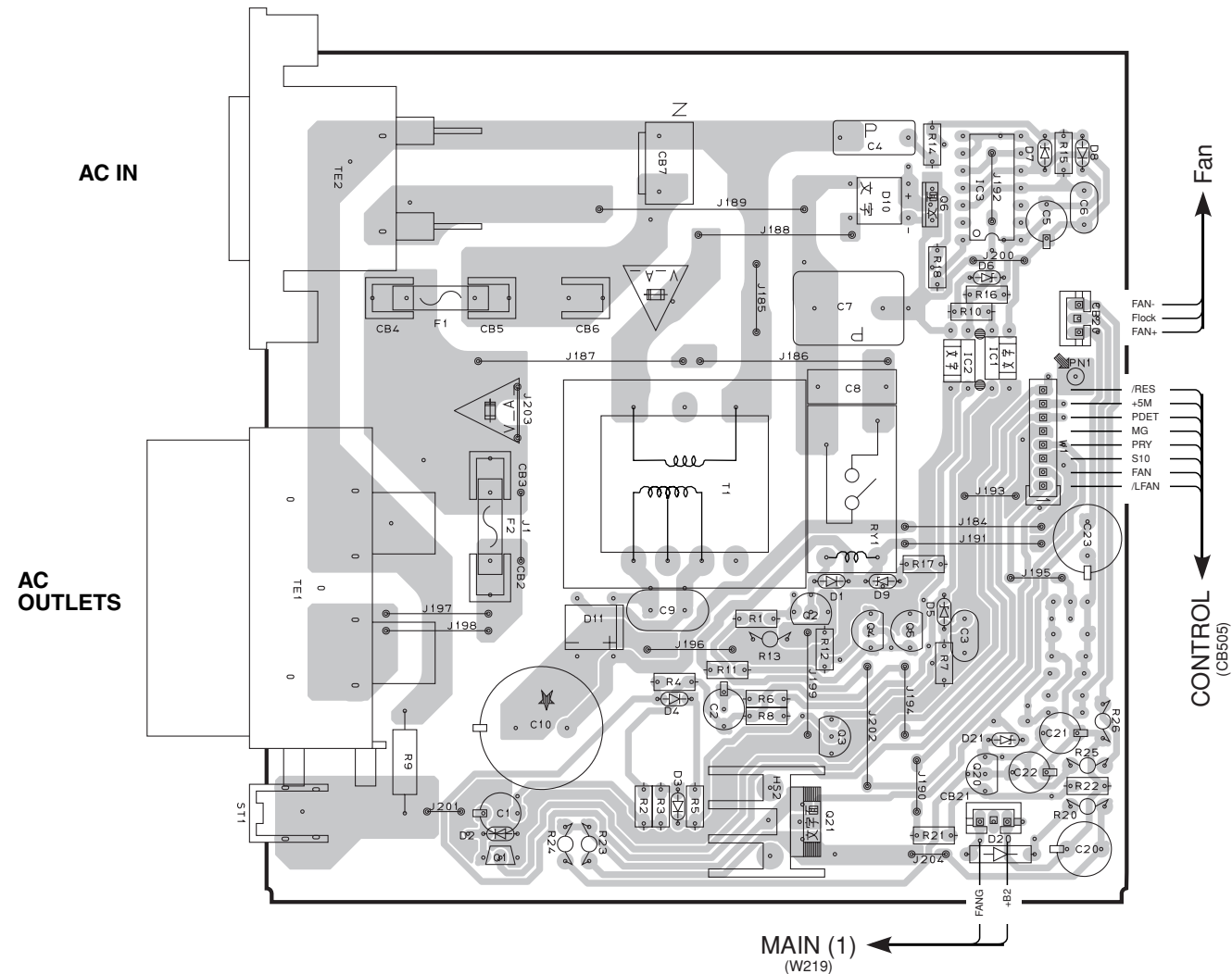
Ref. No.	Location
D40	C3
D41	C3
D42	E3
D43	D4
D44	E4
D45	E4
D132	B6
D133	C6
D136	G6
D150	F6
IC121	G6
IC123	H6
IC124	G6
IC126	F6
IC127	H6
IC128	F6
IC129	F6
IC130	H6
Q40	C3
Q41	C3
Q42	D3
Q43	D3
Q44	E2
Q45	C3
Q46	C3
Q47	D3
Q48	D3
Q49	E3
Q50	B4
Q51	D3
Q52	D3
Q53	E3
Q54	E3
Q55	B2
Q138	G6
Q139	E6
Q140	E6
Q141	E6
Q142	F6

PRINTED CIRCUIT BOARD (Foil side)

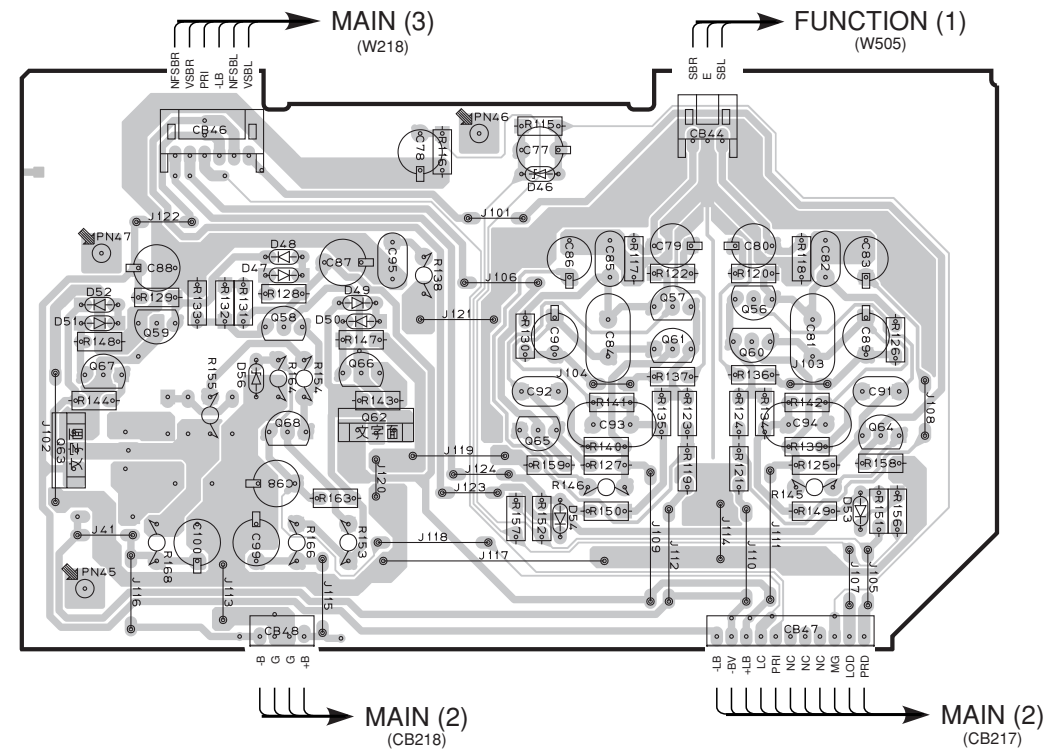
• Semiconductor Location

Ref. No.	Location
D1	D4
D2	C5
D3	C4
D4	C4
D5	D4
D6	E3
D7	E2
D8	E2
D9	D4
D10	D2
D11	C4
D20	E5
D21	E4
D46	H2
D47	G3
D48	G3
D49	G3
D50	G3
D51	F3
D52	F3
D53	I3
D54	H3
D56	G3
D144	C6
D145	B6
D146	C6
D147	B6
D148	C6
D149	C6
IC1	E3
IC2	D3
IC3	E2
Q1	C5
Q2	D4
Q3	D4
Q4	D4
Q5	D4
Q6	D2
Q20	D4
Q21	D4
Q56	I3
Q57	H3
Q58	G3
Q59	G3
Q60	I3
Q61	H3
Q62	G3
Q63	F3
Q64	I3
Q65	H3
Q66	G3
Q67	F3
Q68	G3
Q151	C6
Q152	B6
Q153	B6
Q154	B6

POWER (5) P.C.B. (Side A)

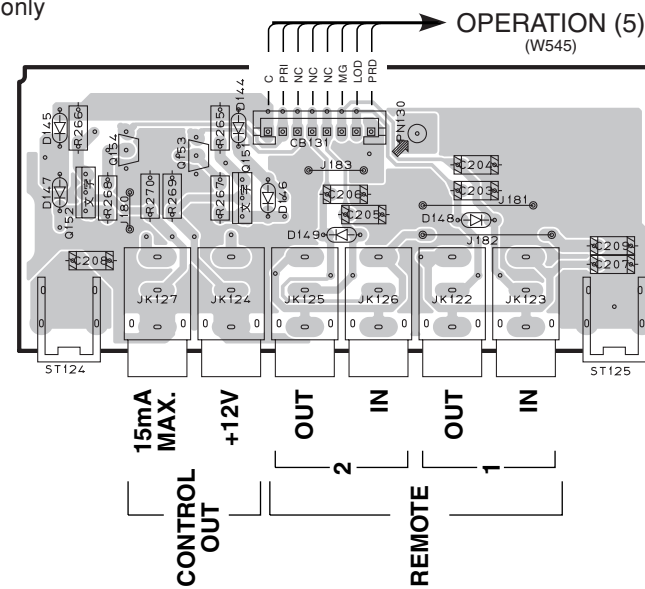


POWER (6) P.C.B. (Side A)



POWER (7) P.C.B. (Side A)

U, C, A, B, G models only



Circuit No.	J	U, C	R	T	K	A	B	G	L
CB2, 3	X	O	X	X	X	X	X	O	X
CB5	X	X	X	O	O	O	O	O	X
CB6	O	O	O	X	X	X	X	X	O
CB8-11	X	X	O	X	X	X	X	X	O
CB131	X	O	X	X	X	O	O	O	X
C203-209	X	O	X	X	X	O	O	O	X
D144-149	X	O	X	X	X	O	O	O	X
F2	X	O	X	X	X	X	X	O	X
F3	X	X	O	X	X	X	X	X	O
JK122-127	X	O	X	X	X	O	O	O	X
PN130	X	O	X	X	X	O	O	O	X
Q151-154	X	O	X	X	X	O	O	O	X
R9	X	O	X	X	X	X	X	X	X
ST124, 125	X	O	X	X	X	O	O	O	X
SW1	X	X	O	X	X	X	X	X	O
TE1	O	O	O	O	X	O	O	O	O

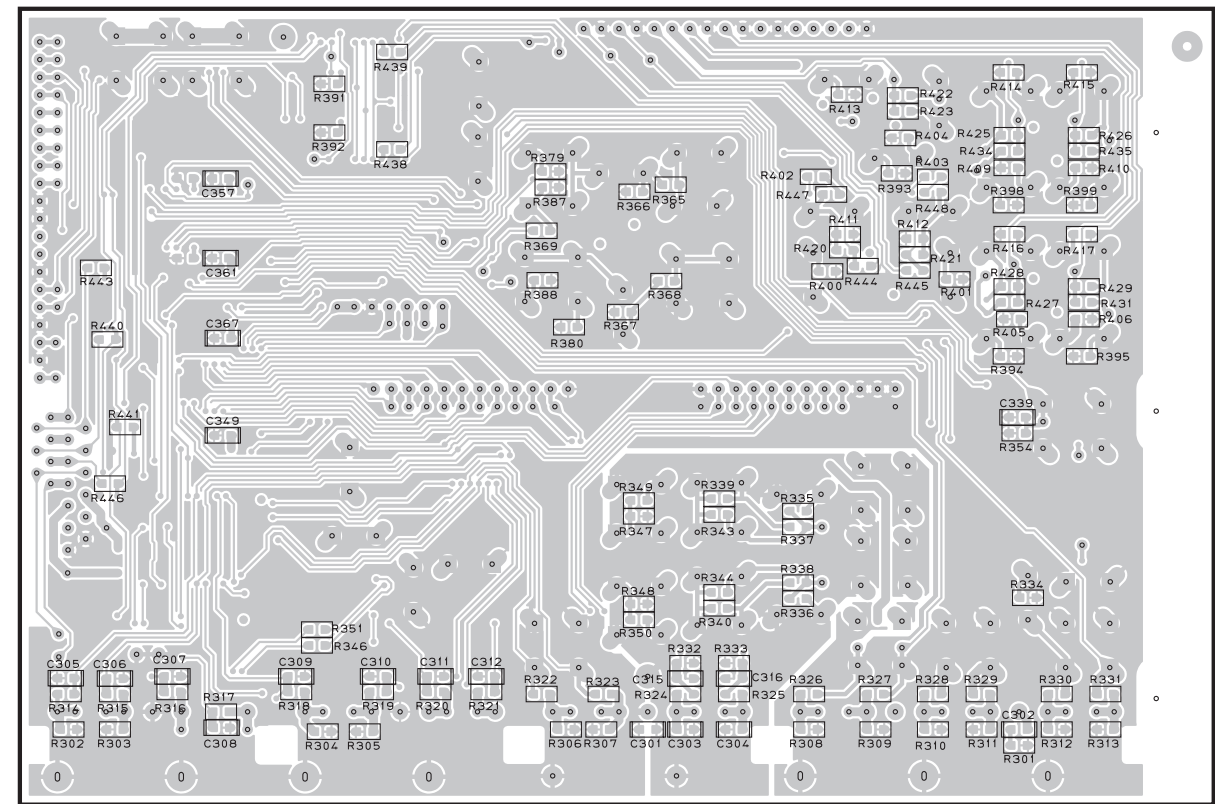
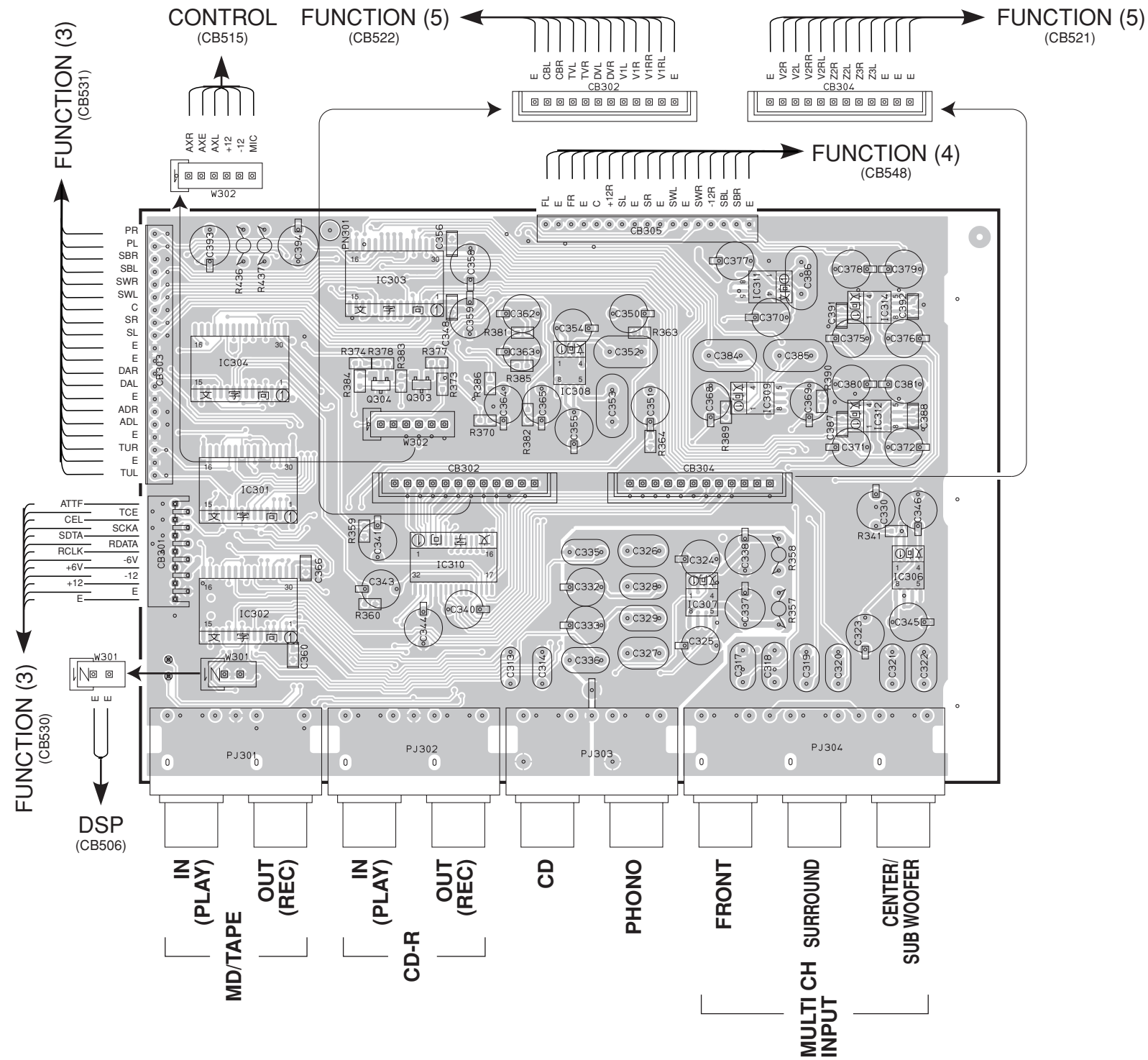
X : NOT USED  
O : USED / APPLICABLE



PRINTED CIRCUIT BOARD (Foil side)

INPUT (1) P.C.B. (Side A) Lead Solder Used

INPUT (1) P.C.B. (Side B) Lead Free Solder Used



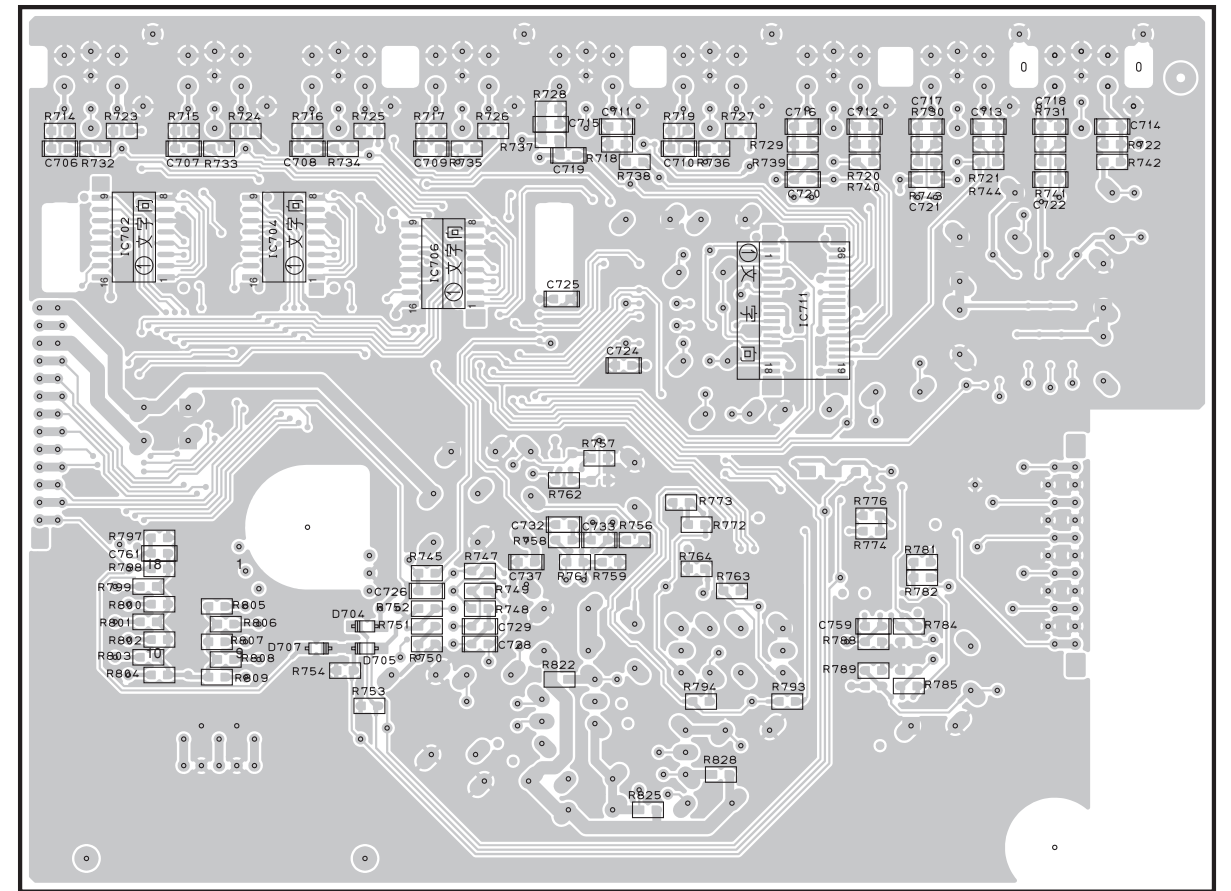
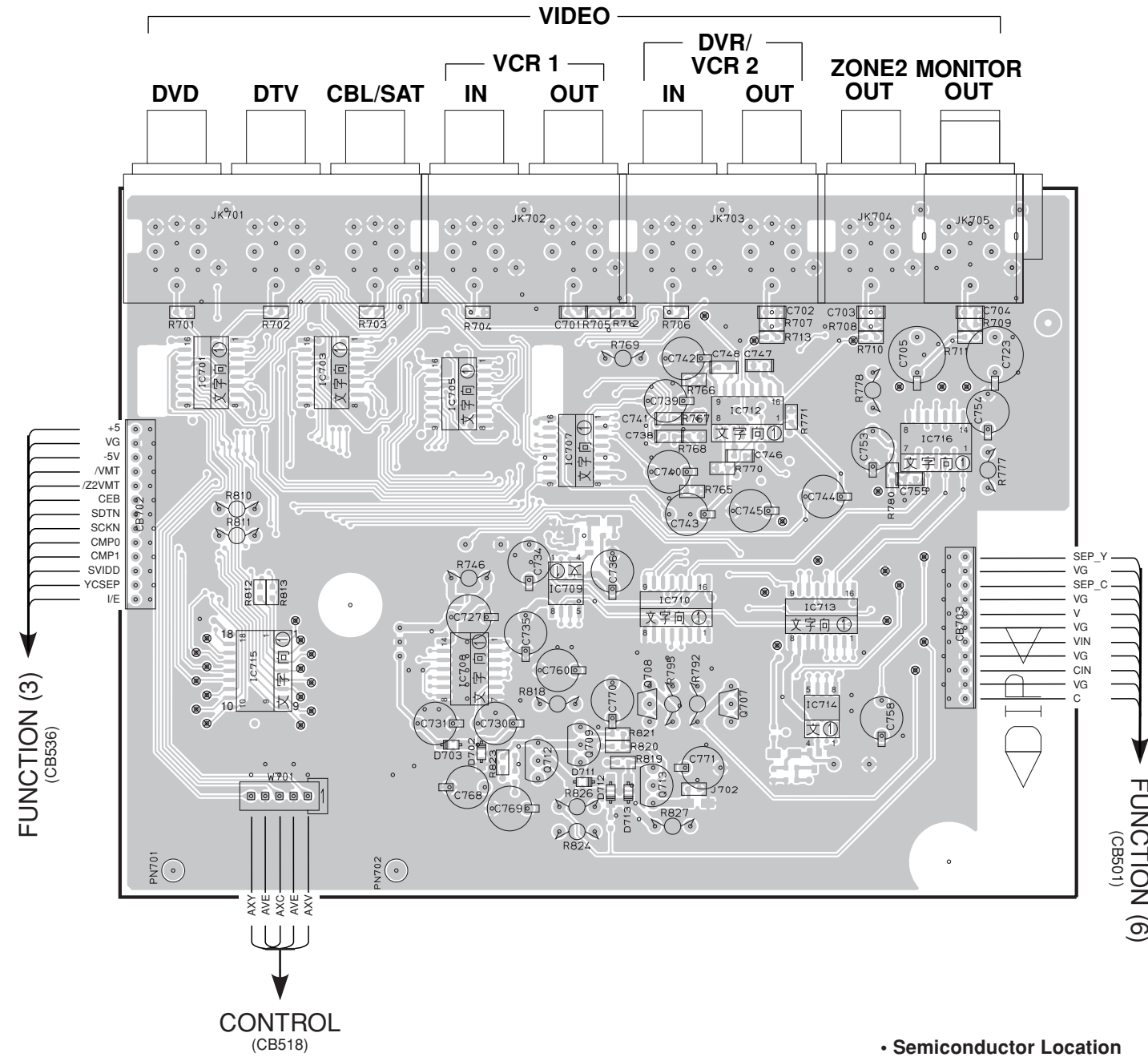
• Semiconductor Location

Ref. No.	Location	Ref. No.	Location
IC301	B4	IC309	D4
IC302	B5	IC310	C4
IC303	C3	IC311	D3
IC304	B3	IC312	E4
IC306	E4	IC314	E3
IC307	D5	Q303	C4
IC308	C4	Q304	C4

1 ■ PRINTED CIRCUIT BOARD (Foil side)

INPUT (2) P.C.B. (Side A) Lead Solder Used

INPUT (2) P.C.B. (Side B) Lead Free Solder Used



• Semiconductor Location

Ref. No.	Location	Ref. No.	Location	Ref. No.	Location	Ref. No.	Location	Ref. No.	Location
D702	C5	D713	D5	IC707	D4	IC714	E5	Q713	D5
D703	C5	IC701	B4	IC708	C5	IC715	B5		
D704	G5	IC702	G4	IC709	C4	IC716	E4		
D705	G5	IC703	B4	IC710	D4	Q707	D5		
D707	G5	IC704	G4	IC711	I4	Q708	D5		
D711	D5	IC705	C4	IC712	D4	Q709	D5		
D712	D5	IC706	H4	IC713	E5	Q712	C5		

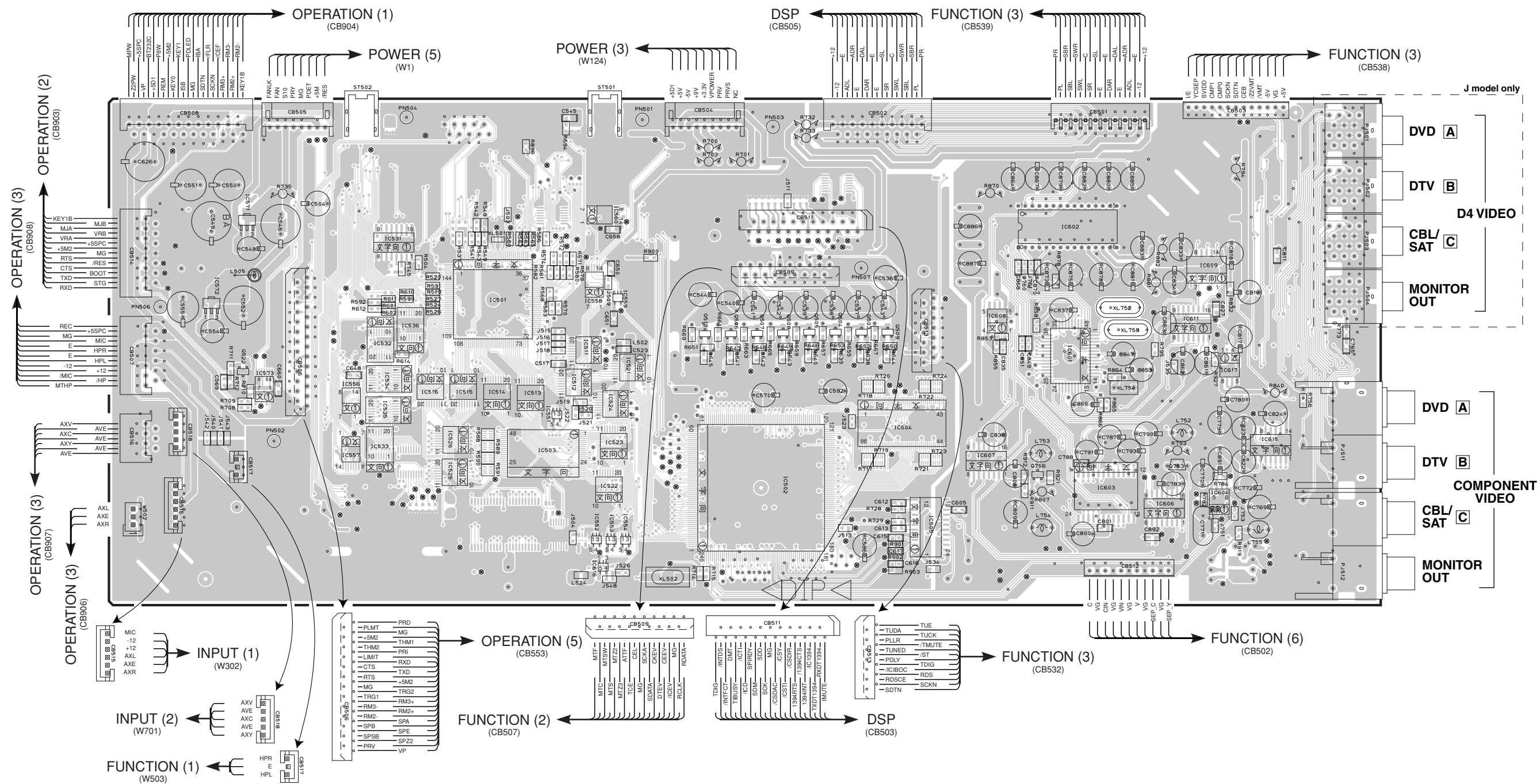
Circuit No.	J, R, T, K, L	U, C, A, B, G
C740, 744	X	O
JK704	X	O
JK705	O	X

X : NOT USED  
O : USED / APPLICABLE



PRINTED CIRCUIT BOARD (Foil side)

CONTROL P.C.B. (Side A) Lead Solder Used

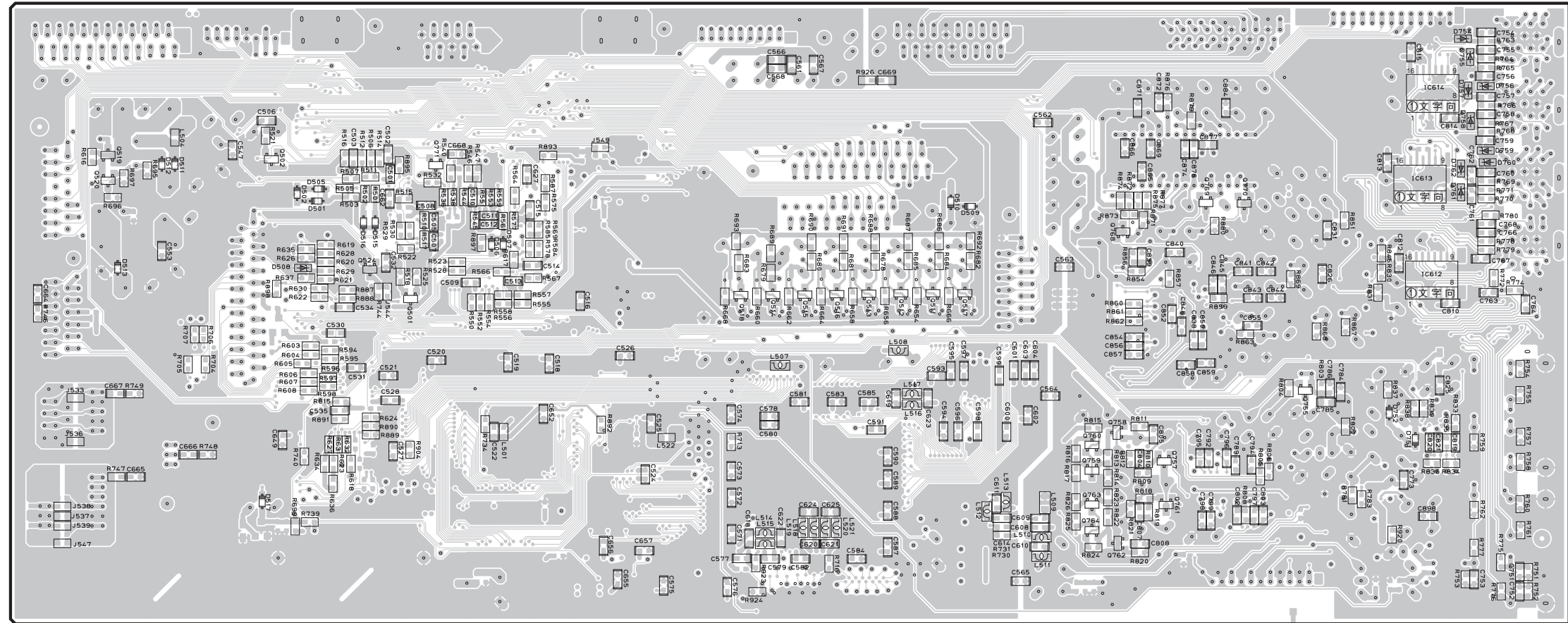


Semiconductor Location

Ref. No.	Location	Ref. No.	Location	Ref. No.	Location	Ref. No.	Location	Ref. No.	Location	Ref. No.	Location	Ref. No.	Location	Ref. No.	Location
IC501	D3	IC513	E4	IC524	E4	IC535	D4	IC557	C4	IC601	H4	IC609	H3	Q505	F3
IC502	F4	IC514	D4	IC525	D4	IC536	D3	IC558	E3	IC602	H3	IC611	H3	Q506	F3
IC503	E4	IC515	D4	IC526	D4	IC551	E4	IC559	E3	IC603	H4	IC615	I4	Q507	F3
IC504	G4	IC516	D4	IC531	D3	IC552	E5	IC560	E3	IC604	H4	IC616	E5	Q508	F3
IC505	G5	IC521	E4	IC532	D4	IC553	E5	IC571	C3	IC606	H4	IC617	I4	Q509	G3
IC511	E4	IC522	E4	IC533	D4	IC554	E5	IC572	C3	IC607	G4	Q503	F3	Q510	F3
IC512	E4	IC523	E4	IC534	D4	IC556	C4	IC573	C4	IC608	G3	Q504	F3	Q522	C4
														Q753	H4
														Q756	G4

1 ■ PRINTED CIRCUIT BOARD (Foil side)

CONTROL P.C.B. (Side B) Lead Free Solder Used



6 • Semiconductor Location

Ref. No.	Location	Ref. No.	Location	Ref. No.	Location	Ref. No.	Location	Ref. No.	Location	Ref. No.	Location	Ref. No.	Location	Ref. No.	Location
D501	D3	D510	G3	D751	I4	D759	I3	Q501	D4	Q516	F4	Q757	H4	Q764	G5
D502	D3	D511	C3	D752	I4	D760	I3	Q502	C3	Q517	G4	Q758	G4	Q768	G3
D505	D3	D512	C3	D754	I2	D761	I3	Q511	G4	Q518	F4	Q759	G4	Q769	H3
D506	E3	D513	C3	D755	I2	D762	I3	Q512	F4	Q519	C3	Q760	G4	Q770	H3
D507	E3	D515	D3	D756	I2	IC612	I3	Q513	F4	Q520	C3	Q761	H4	Q771	D3
D508	D3	D516	D3	D757	I3	IC613	I3	Q514	F4	Q524	D3	Q762	G5		
D509	G3	D517	C4	D758	I3	IC614	I3	Q515	F4	Q755	H4	Q763	G4		

Circuit No.	J	U, C	R	T	K	A	B, G	L
C537, 538, 864, 867								
873, 875, 878-883, 885	X	X	O	O	X	O	O	O
D754~762	O	X	X	X	X	X	X	X
IC602	X	X	O	O	X	O	O	O
IC614	O	X	X	X	X	X	X	X
PJ501~504	O	X	X	X	X	X	X	X
Q503, 504, 511, 512	X	O	X	X	X	O	O	X
Q768~770	X	X	O	O	O	O	O	O
R870	X	X	O	O	O	O	X	O
XL752	X	X	O	O	X	O	O	O

X : NOT USED  
O : USED / APPLICABLE

**MEMO**

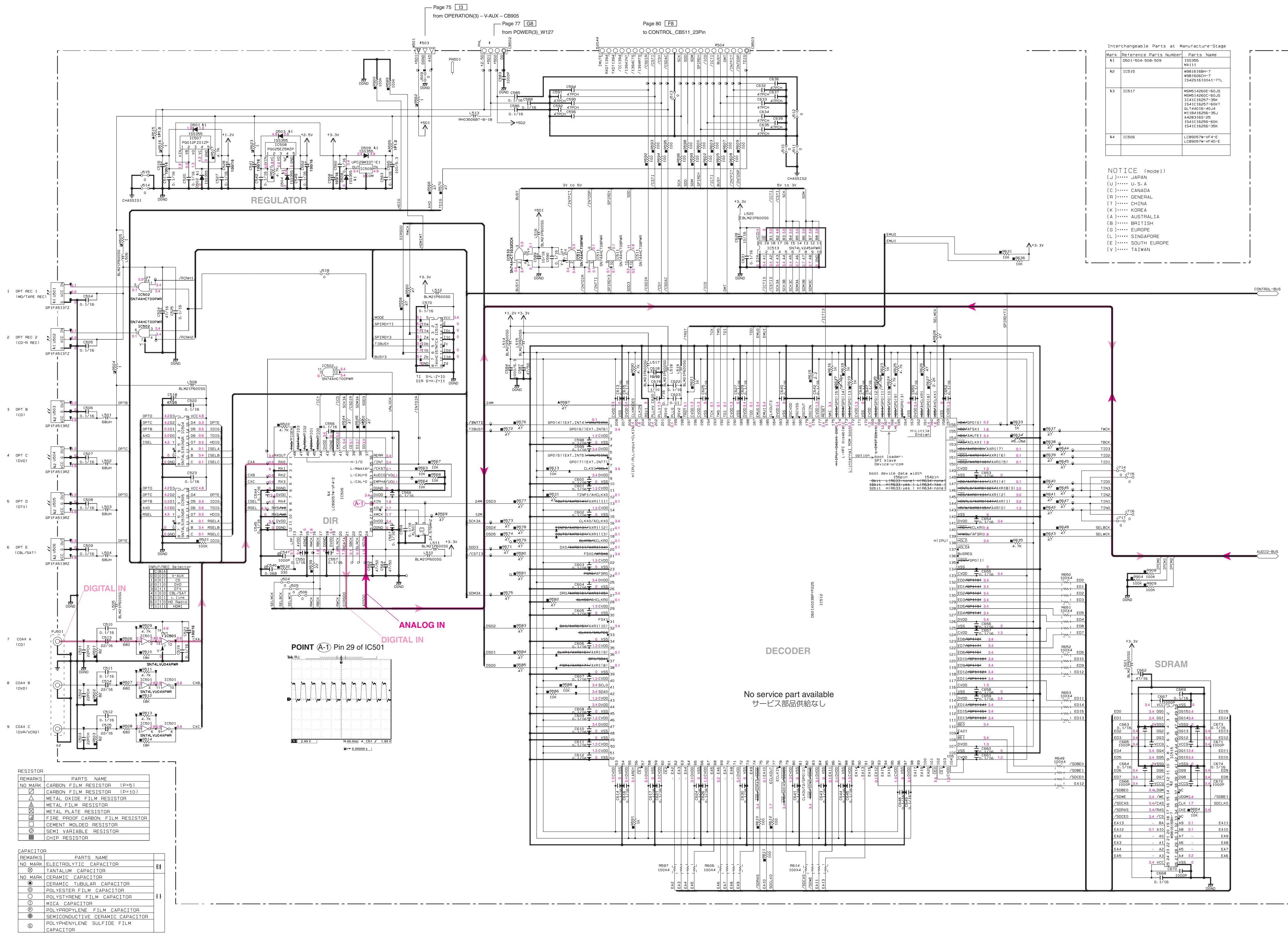
A large, empty rectangular box with a thin black border, occupying the majority of the page below the 'MEMO' header. It is intended for handwritten or typed notes.

**MEMO**

A large, empty rectangular box with a thin black border, occupying the majority of the page below the 'MEMO' header. It is intended for handwritten or typed notes.



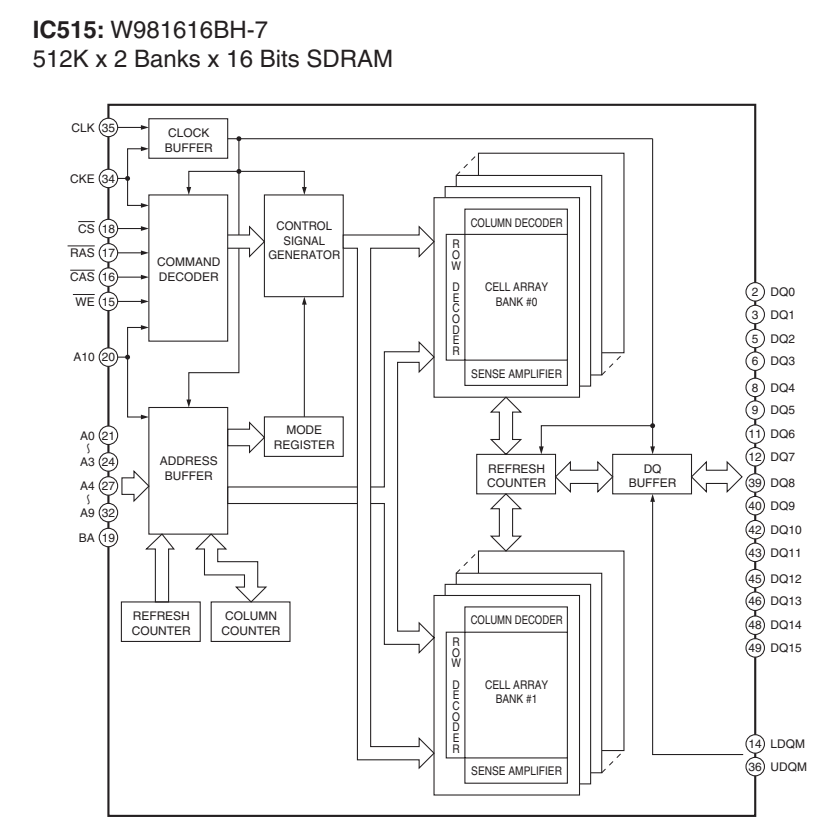
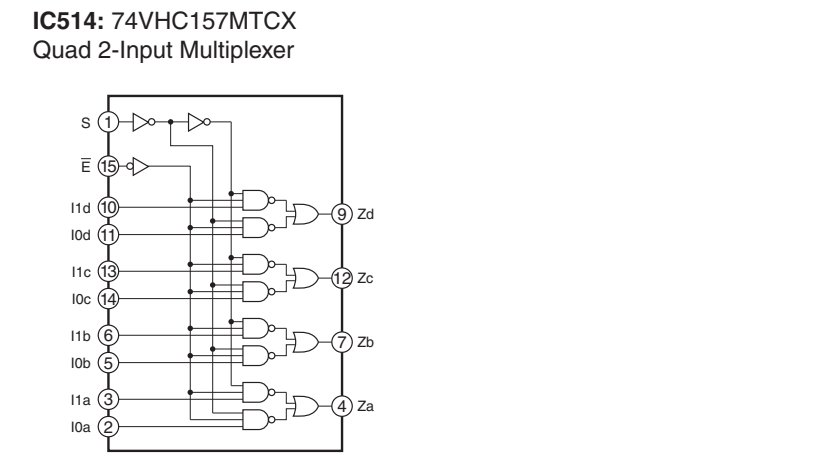
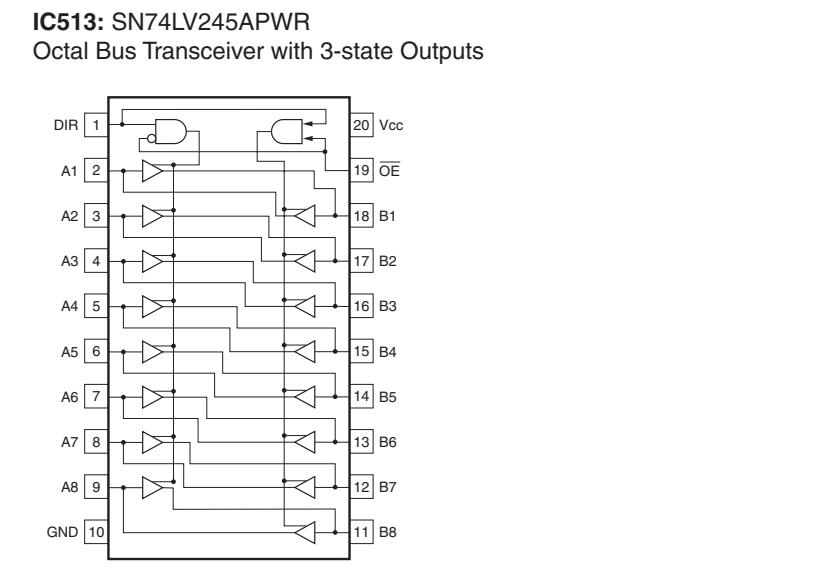
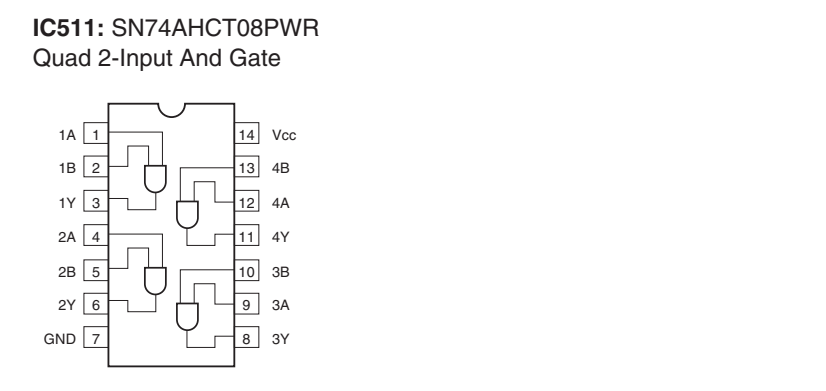
1  
2  
3  
4  
5  
6  
7  
8  
9  
10



Interchangeable Parts at Manufacture Stage

Mark	Reference Parts Number	Parts Name
41	IC501	SN74LVU04APWR
42	IC510	SN74AHC1G32DCKR
43	IC511	SN74AHC08PWR
44	IC506	LC9007A-VF4-E

NOTICE (mode1)  
 (J)..... JAPAN  
 (U)..... U.S.A.  
 (C)..... CANADA  
 (E)..... GENERAL  
 (T)..... CHINA  
 (K)..... KOREA  
 (A)..... AUSTRALIA  
 (B)..... BRITISH  
 (G)..... EUROPE  
 (L)..... SINGAPORE  
 (E)..... SOUTH EUROPE  
 (V)..... TAIWAN

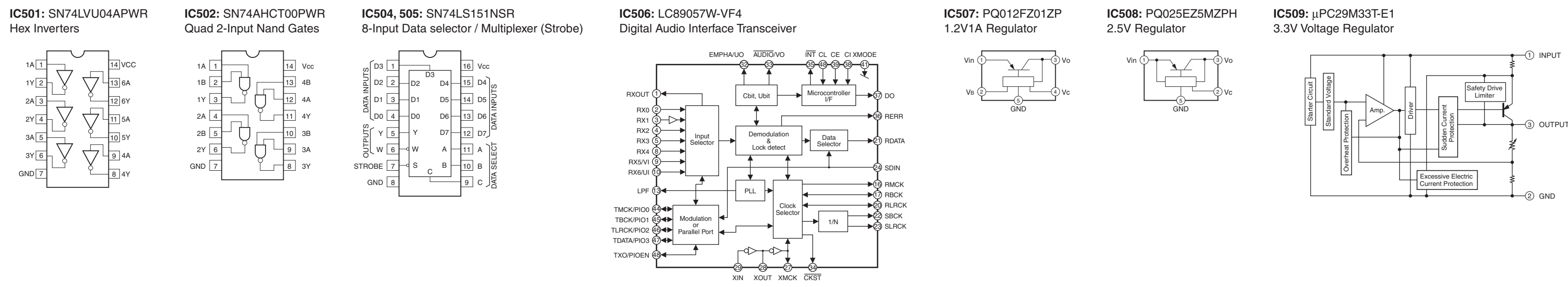


RESISTOR

REMARKS	PARTS NAME
NO MARK	CARBON FILM RESISTOR (P=5)
△	CARBON FILM RESISTOR (P=10)
□	METAL OXIDE FILM RESISTOR
◇	METAL FILM RESISTOR
○	METAL PLATE RESISTOR
⊞	FINE PROOF CARBON FILM RESISTOR
⊞	CEMENT MOLDED RESISTOR
⊞	SEMI VARIABLE RESISTOR
⊞	CHIP RESISTOR

CAPACITOR

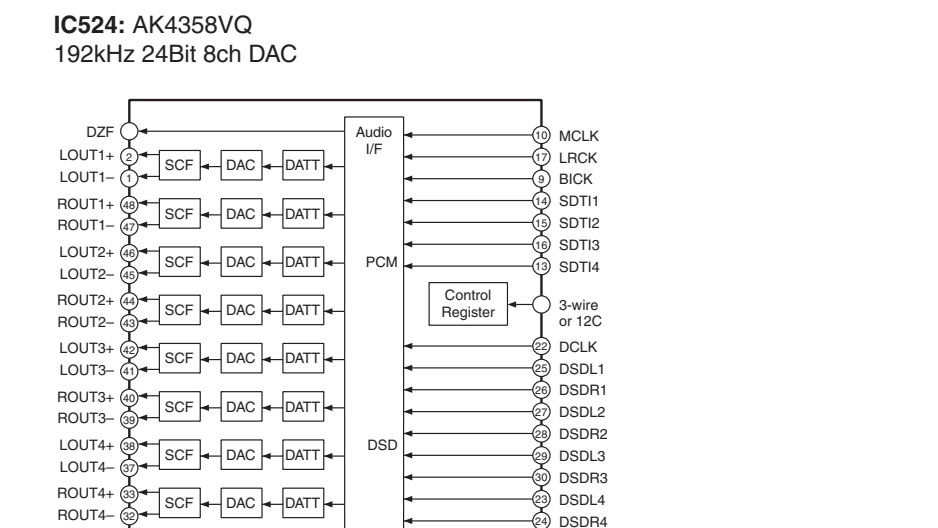
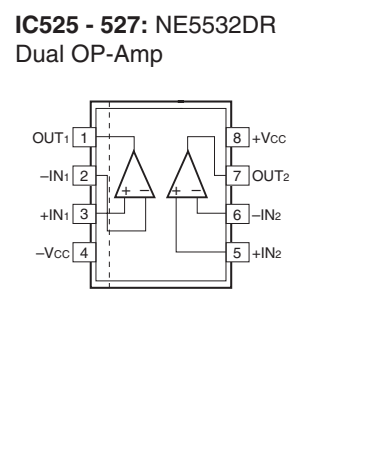
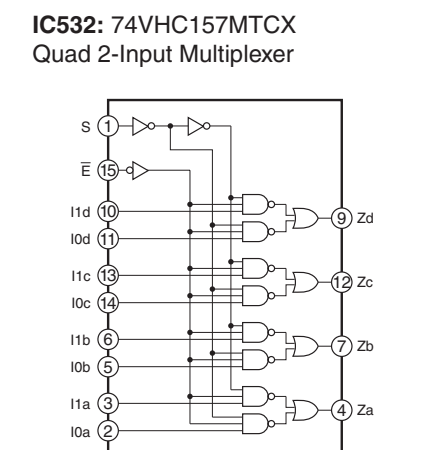
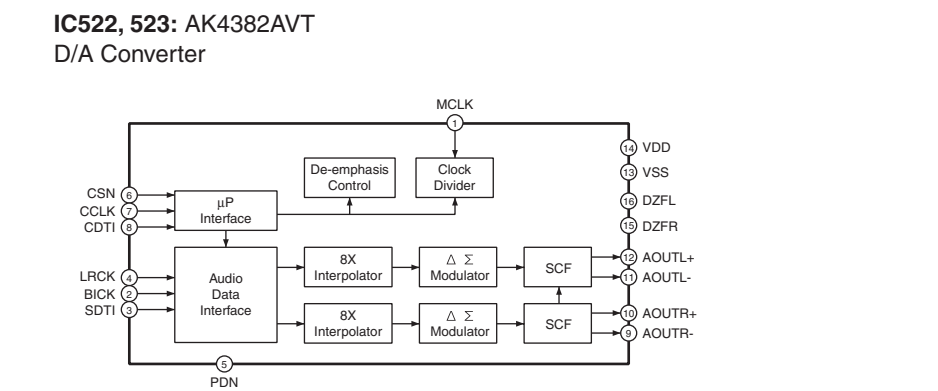
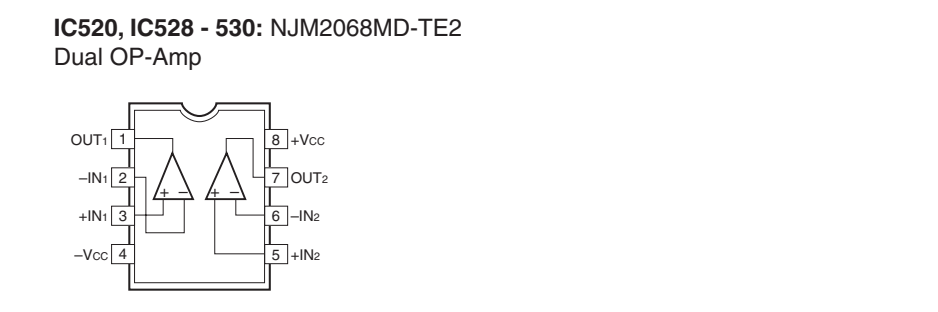
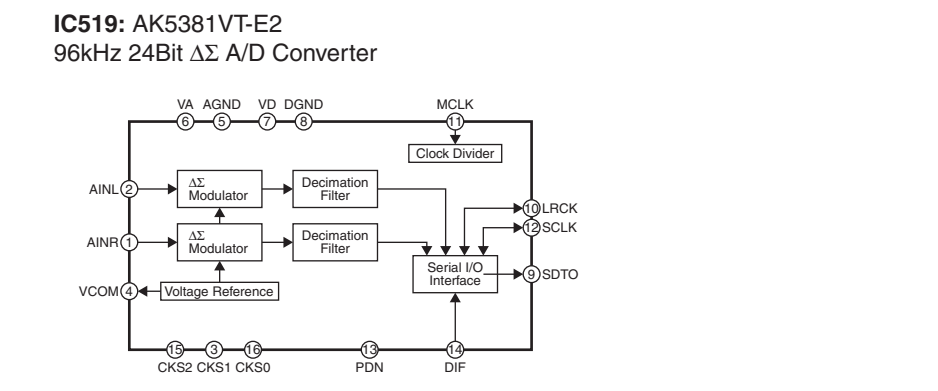
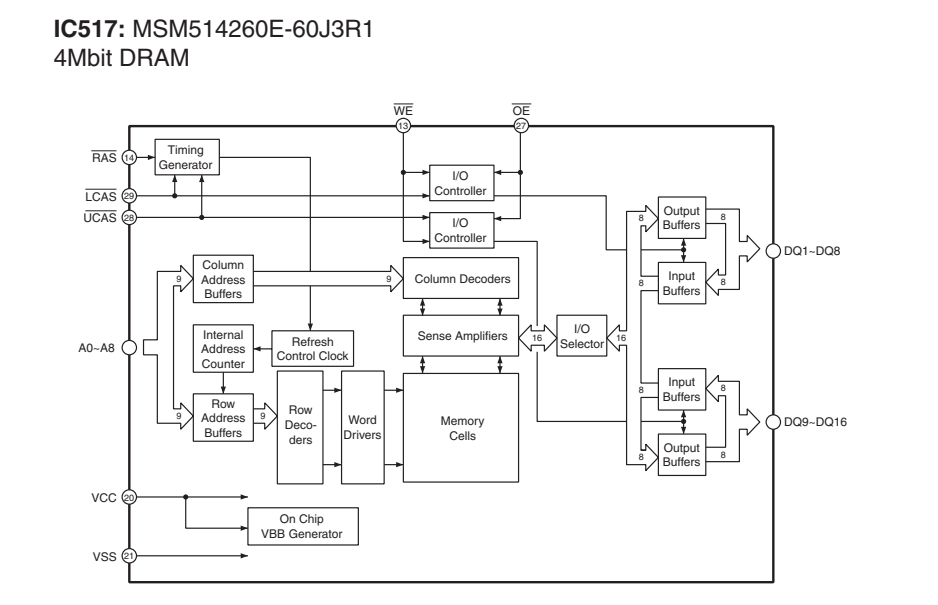
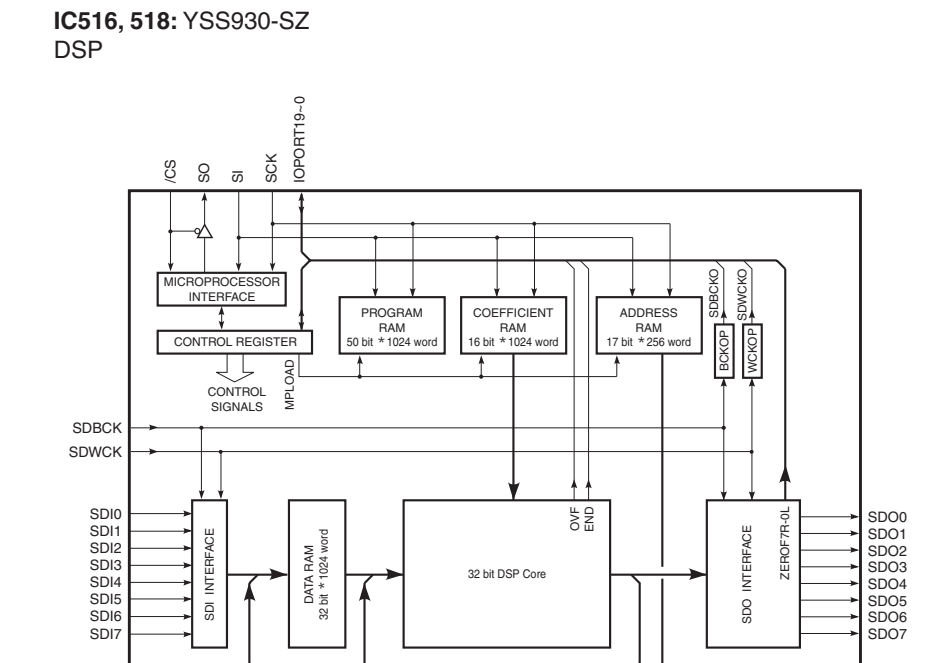
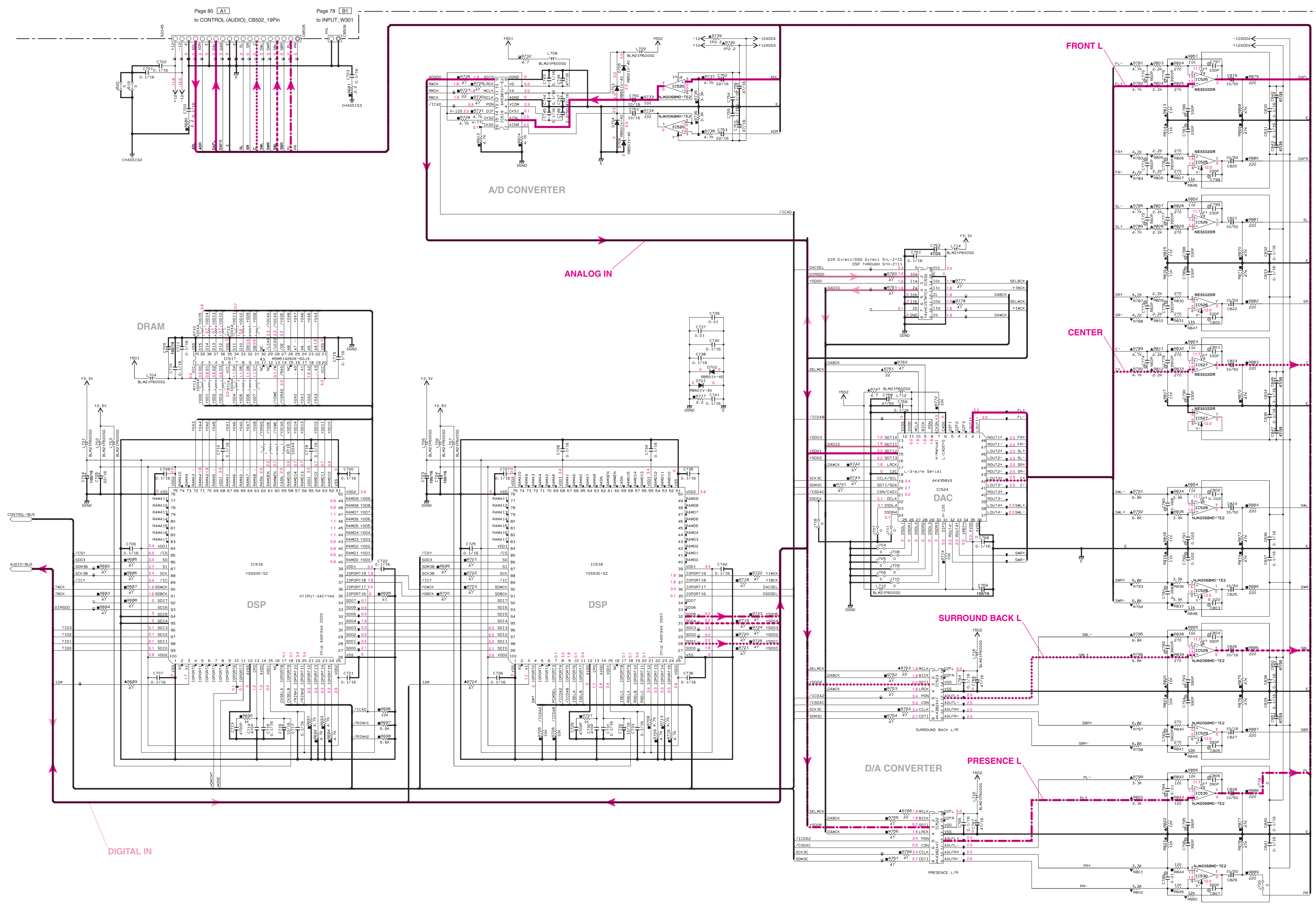
REMARKS	PARTS NAME
NO MARK	ELECTROLYTIC CAPACITOR
⊞	TANTALUM CAPACITOR
NO MARK	CERAMIC CAPACITOR
⊞	CERAMIC TUBULAR CAPACITOR
○	POLYESTER FILM CAPACITOR
○	POLYETHYLENE FILM CAPACITOR
○	MICA CAPACITOR
⊞	POLYPROPYLENE FILM CAPACITOR
⊞	SEMICONDUCTIVE CERAMIC CAPACITOR
⊞	POLYETHYLENE SULFIDE FILM CAPACITOR



★ All voltages are measured with a 10MΩ/V DC electronic volt meter.  
 ★ Components having special characteristics are marked !, and must be replaced with parts having specifications equal to those originally installed.  
 ★ Schematic diagram is subject to change without notice.

● 電圧は、内部抵抗10MΩの電圧計で測定したものです。  
 ● !印のある部品は、安全性確保部品を示しています。部品の交換が必要な場合、パーツリストに記載されている部品を使用してください。  
 ● 本回路図は標準回路図です。改良のため予告なく変更することがございます。





S	Component No.	J	U.C.R. No. (K, B, L)	Mark
1	R695	X	4-7K	AAC
2	PL001	YKCP1-4208N	MSD-293Y-2RM1	MSK19-10M1

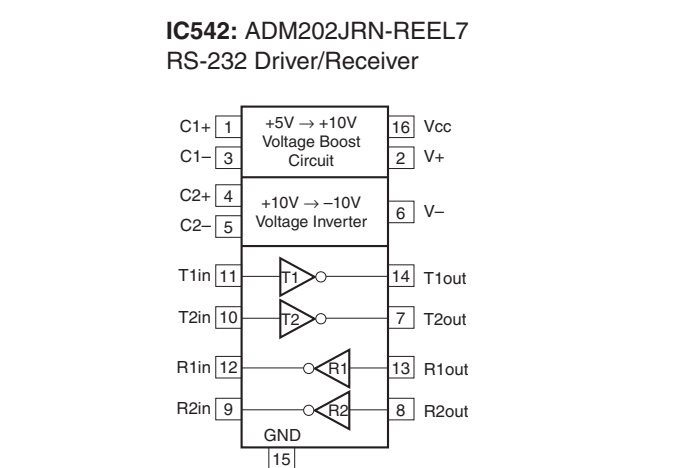
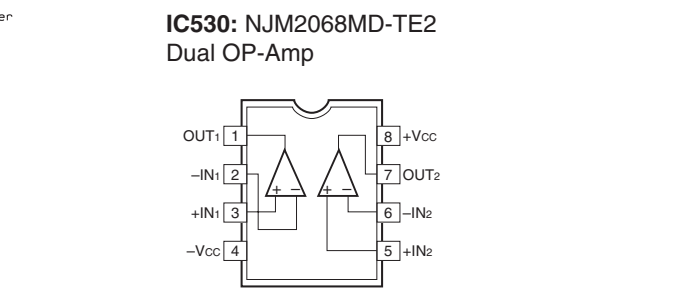
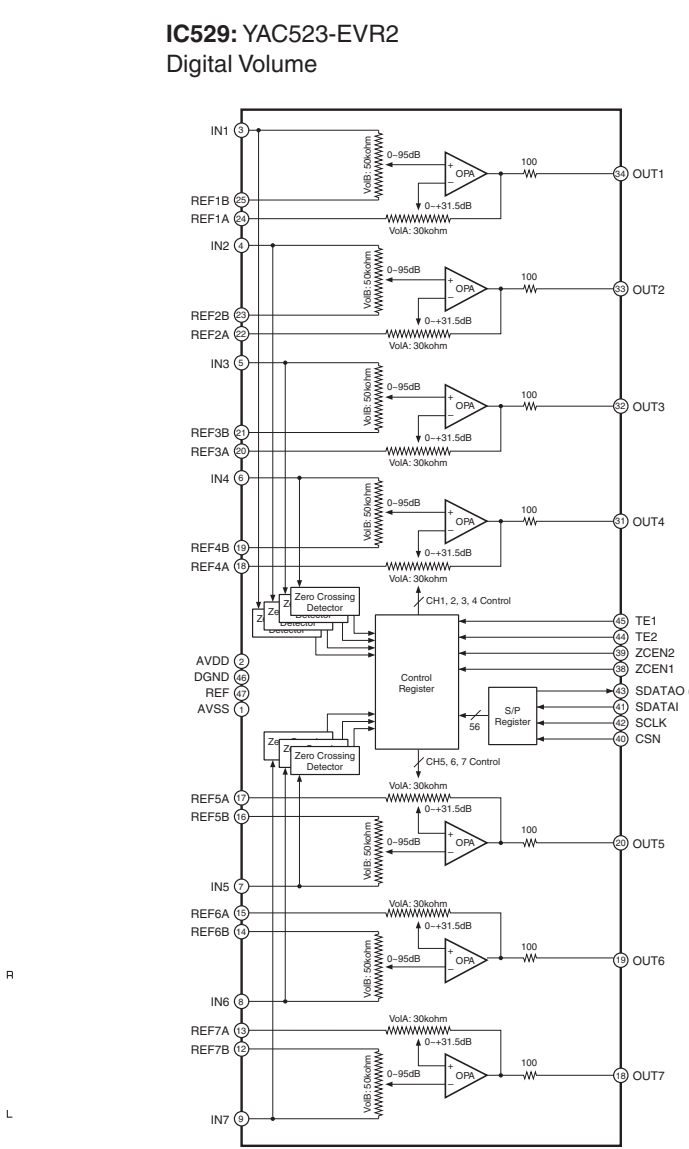
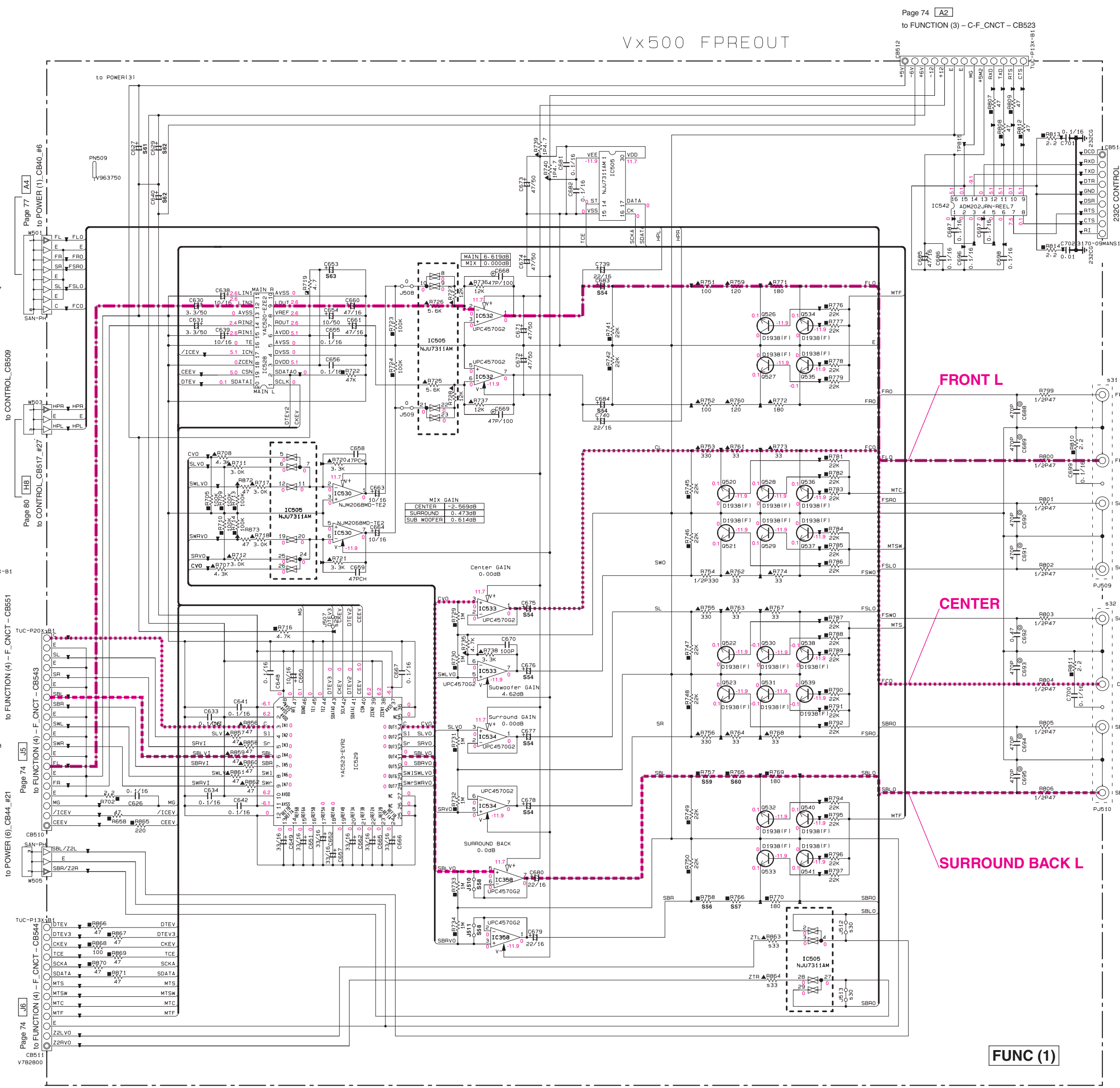
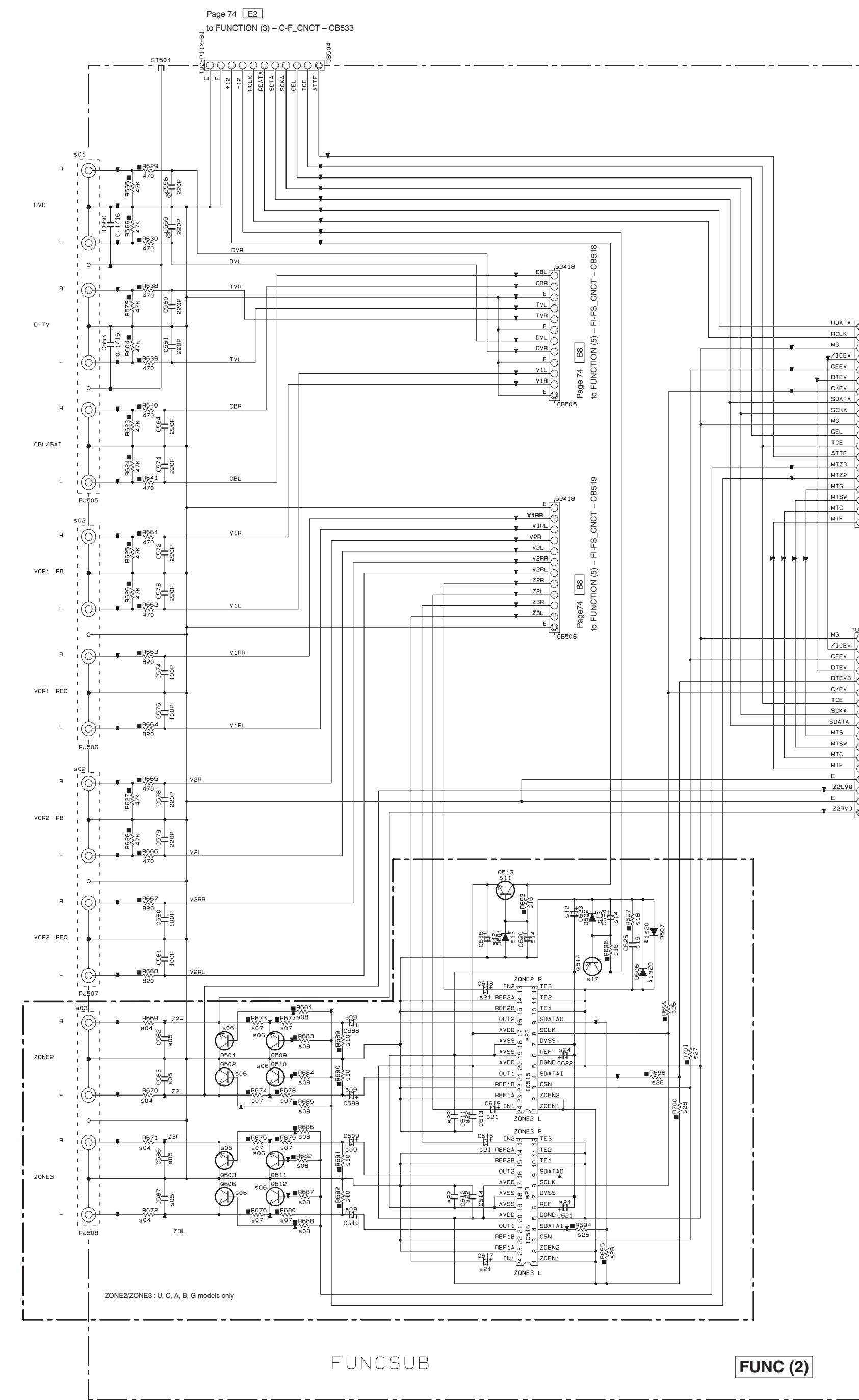
○ USED/APPLICABLE  
 × NOT USED

**NOTICE (model)**  
 (J)..... JAPAN  
 (U)..... U. S. A.  
 (C)..... CANADA  
 (G)..... GENERAL  
 (T)..... CHINA  
 (K)..... KOREA  
 (A)..... AUSTRALIA  
 (B)..... BRITISH  
 (E)..... EUROPE  
 (L)..... SINGAPORE  
 (S)..... SOUTH EUROPE  
 (V)..... TAIWAN

★ All voltages are measured with a 10MΩ/V DC electronic volt meter.  
 ● 電圧は、内部抵抗10MΩの電圧計で測定したものです。  
 ● 印のある部品は、安全性確保部品を示しています。部品の交換が必要な場合、パーツリストに記載されている部品を使用してください。  
 ● 本回路図は標準回路図です。改良のため予告なく変更することがございます。



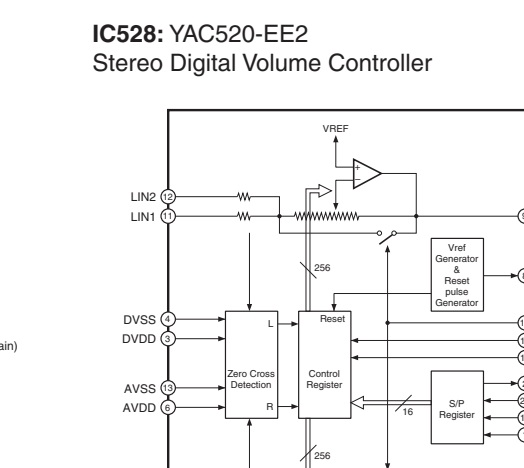
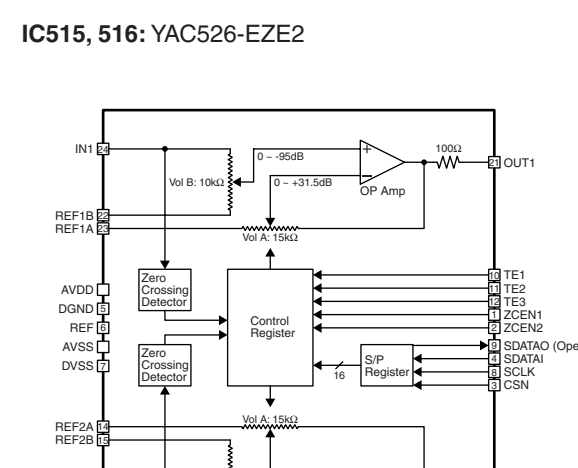
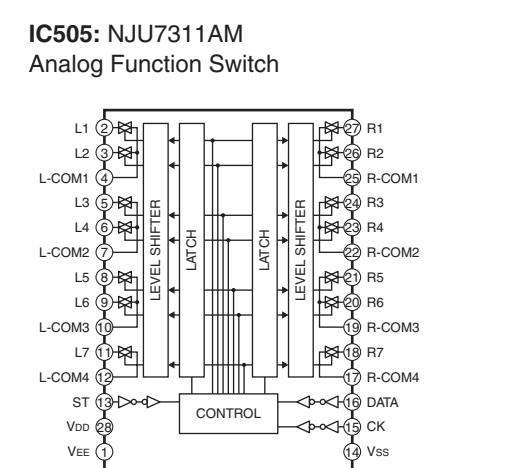
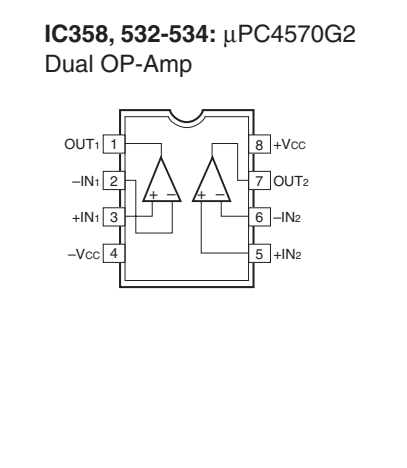
SCHEMATIC DIAGRAM (FUNCTION 1/2)



REMARKS	TOTAL	1468	TOTAL	1468	TOTAL	1468
MAIN	0.0	0.0	0.0	14.0	0.0	0.0
CENTRAL	0.0	14.0	0.0	0.0	14.0	0.0
SURROUND BACK	0.0	14.0	0.0	0.0	14.0	0.0
SURROUND L	0.0	0.0	0.0	14.0	0.0	0.0
SURROUND R	0.0	0.0	0.0	14.0	0.0	0.0
ZONE 2	0.0	0.0	0.0	14.0	0.0	0.0
ZONE 3	0.0	0.0	0.0	14.0	0.0	0.0

REMARKS	REMARKS	REMARKS
NO MARK CARBON FILM RESISTOR (P=1)	(J) JAPAN	NO MARK ELECTROLYTIC CAPACITOR
CARBON FILM RESISTOR (P=10)	(U) U.S.A	TANTALUM CAPACITOR
METAL OXIDE FILM RESISTOR	(C) CANADA	CERAMIC CAPACITOR
METAL FILM RESISTOR	(R) GENERAL	CERAMIC TUBULAR CAPACITOR
METAL PLATE RESISTOR	(K) KOREA	POLYESTER FILM CAPACITOR
FIRE PROOF CARBON FILM RESISTOR	(A) AUSTRALIA	POLYETHYLENE FILM CAPACITOR
CEMENT MOLDED RESISTOR	(B) BRITISH	MICA CAPACITOR
SEMIVARIABLE RESISTOR	(E) EUROPE	POLYPROPYLENE FILM CAPACITOR
CHIP RESISTOR	(L) SINGAPORE	SEMICONDUCTIVE CERAMIC CAPACITOR
	(S) SOUTH EUROPE	POLYETHYLENE SULFIDE FILM CAPACITOR
	(V) TAIWAN	

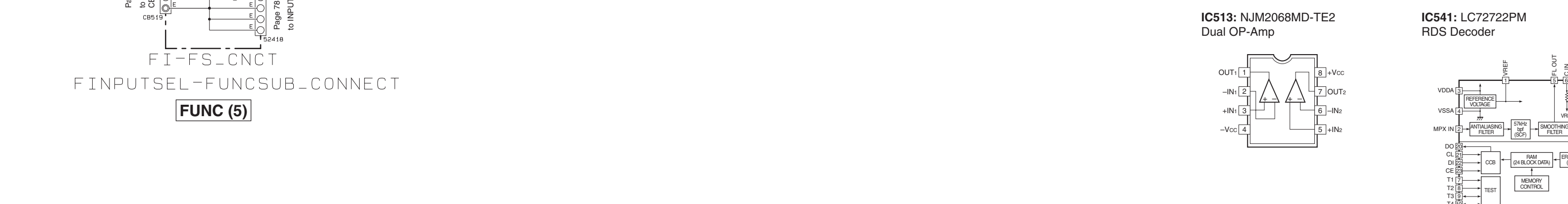
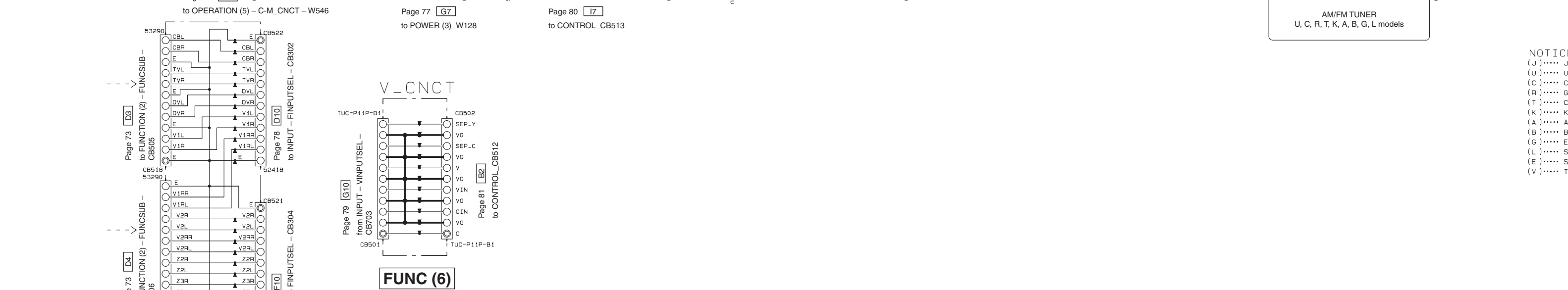
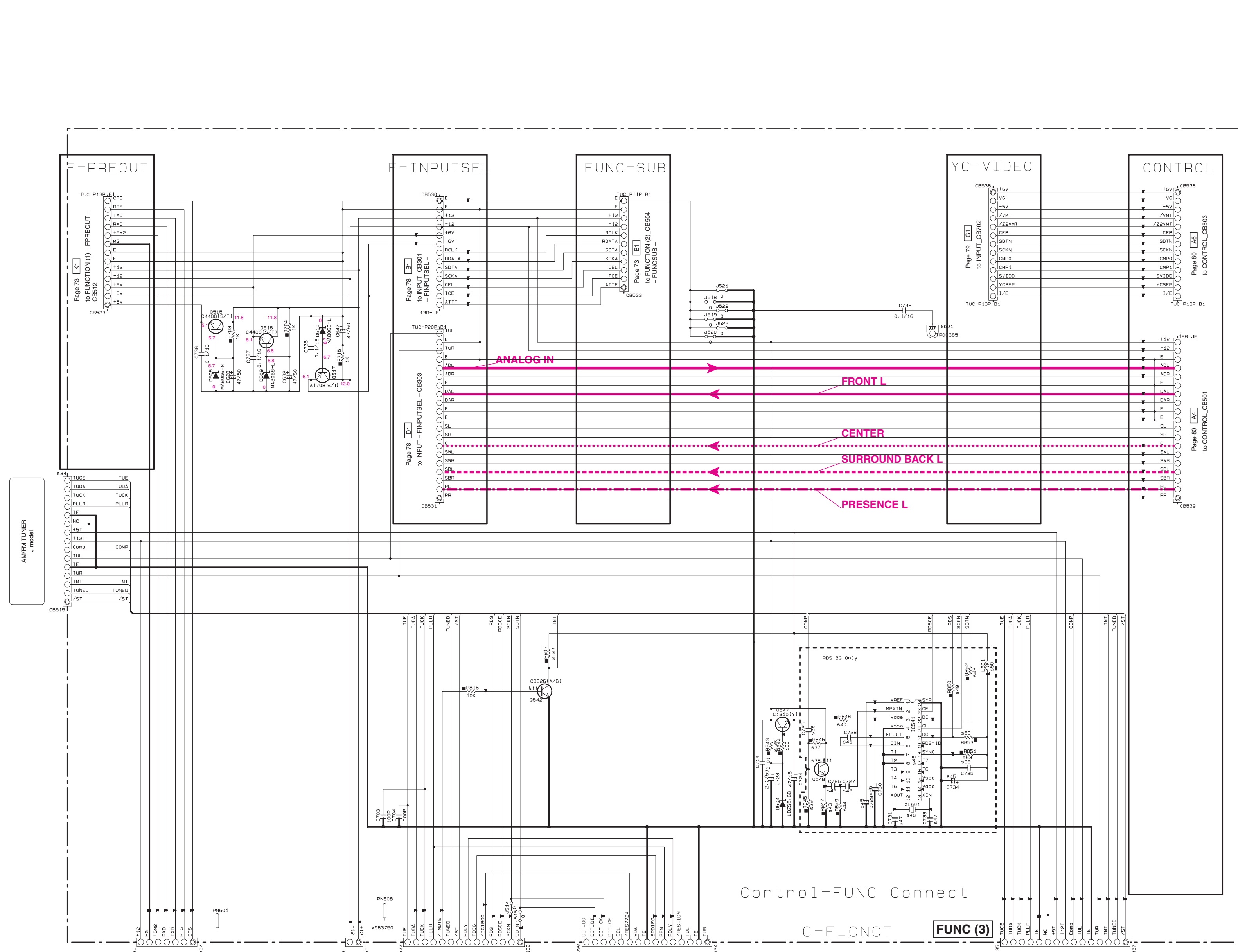
Max. Reference Parts Number	Parts Name
41 0506-507	ISS395
42	MAT11
43	
44	
45	



\* All voltages are measured with a 10MΩ/V DC electronic volt meter.  
 \* Components having special characteristics are marked ! and must be replaced with parts having specifications equal to those originally installed.  
 \* Schematic diagram is subject to change without notice.

● 電圧は、内部抵抗10MΩの電圧計で測定したものです。  
 ● !印のある部品は、安全性確保部品を示しています。部品の交換が必要な場合、パーツリストに記載されている部品を使用してください。  
 ● 本回路図は標準回路図です。改良のための予告なく変更することがございます。





★ All voltages are measured with a 10MΩ/V DC electronic volt meter.  
 ★ Components having special characteristics are marked  $\Delta$  and must be replaced with parts having specifications equal to those originally installed.  
 ★ Schematic diagram is subject to change without notice.

● 電圧は、内部抵抗10MΩの電圧計で測定したものです。  
 ●  $\Delta$ 印のある部品は、安全性確保部品を示しています。部品の交換が必要な場合、パーツリストに記載されている部品を使用してください。  
 ● 本回路図は標準回路図です。改良のため予告なく変更することがございます。

NOTICE (Inode)

(J)	JAPAN
(U)	U.S.A
(C)	CANADA
(R)	GENERAL
(T)	CHINA
(K)	KOREA
(A)	AUSTRIA
(B)	BRITISH
(G)	EUROPE
(L)	SINGAPORE
(E)	SOUTH EUROPE
(V)	TAIWAN

RESISTOR

REMARKS	PARTS NAME
NO MARK	CARBON FILM RESISTOR (P=0)
100	CARBON FILM RESISTOR (P=10)
100	METAL FILM RESISTOR
100	METAL PLATE RESISTOR
100	FIRE PROOF CARBON FILM RESISTOR
100	CEMENT MOLDED RESISTOR
100	SEMI VARIABLE RESISTOR
100	CHIP RESISTOR

CAPACITOR

REMARKS	PARTS NAME
NO MARK	ELECTROLYTIC CAPACITOR
NO MARK	TANTALUM CAPACITOR
NO MARK	CERAMIC CAPACITOR
100	CERAMIC TUBULAR CAPACITOR
100	POLYESTER FILM CAPACITOR
100	POLYSTYRENE FILM CAPACITOR
100	MICA CAPACITOR
100	POLYPROPYLENE FILM CAPACITOR
100	SEMI CONDUCTIVE CERAMIC CAPACITOR
100	POLYPROPYLENE SULFIDE FILM CAPACITOR

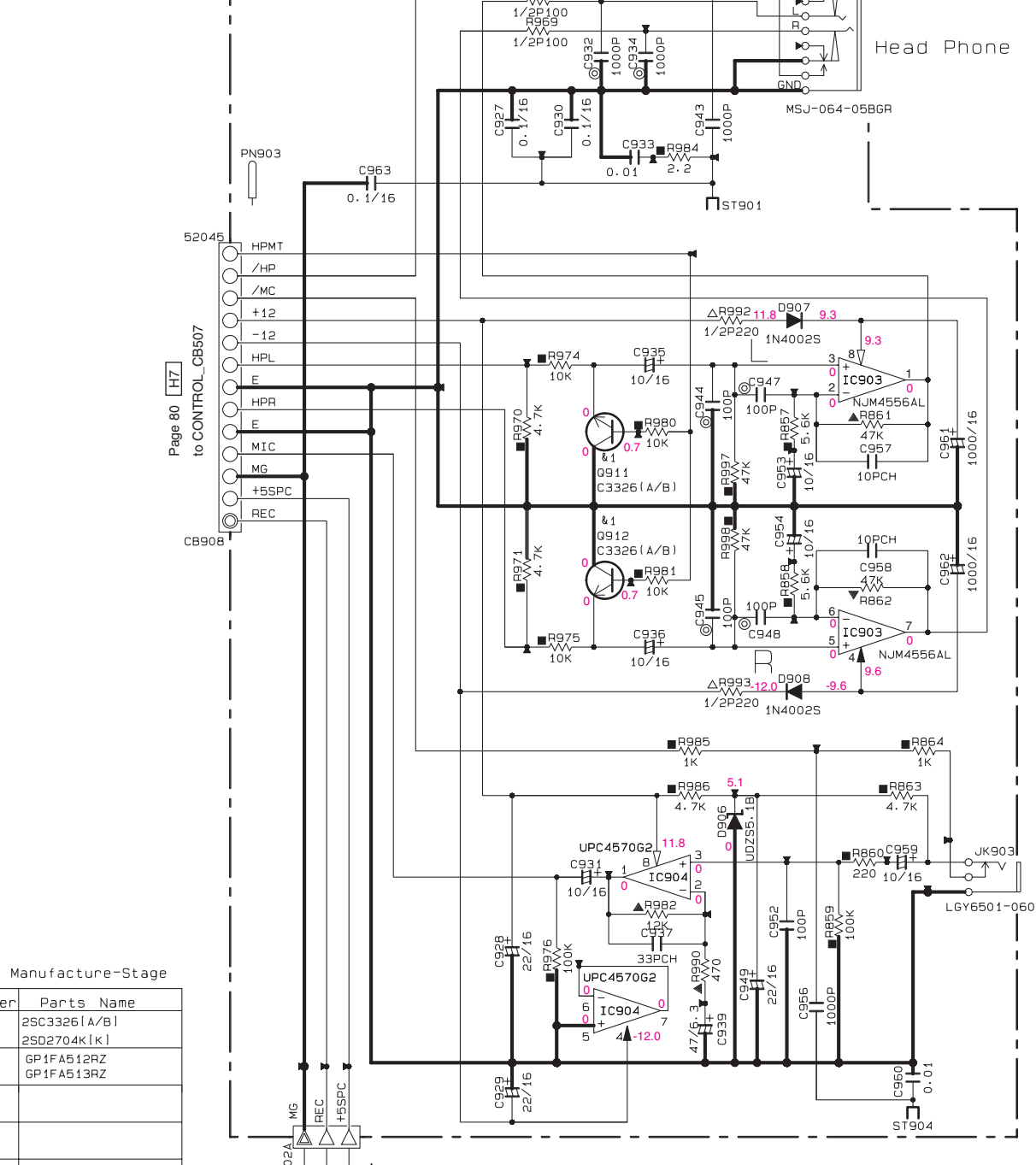
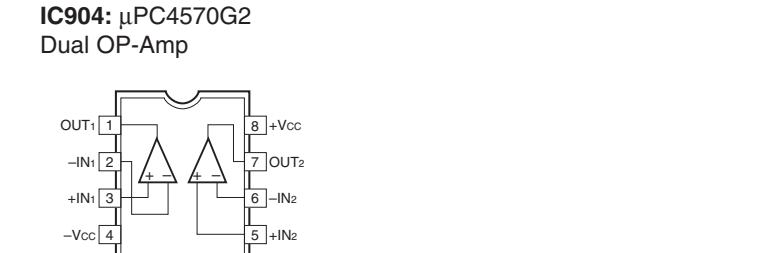
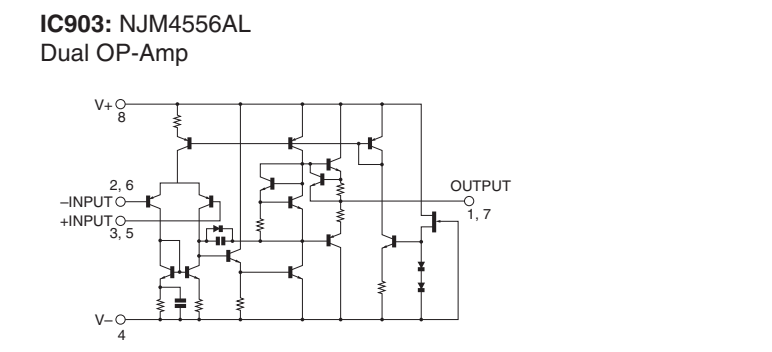
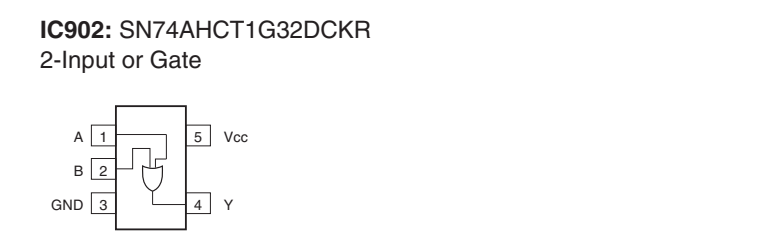
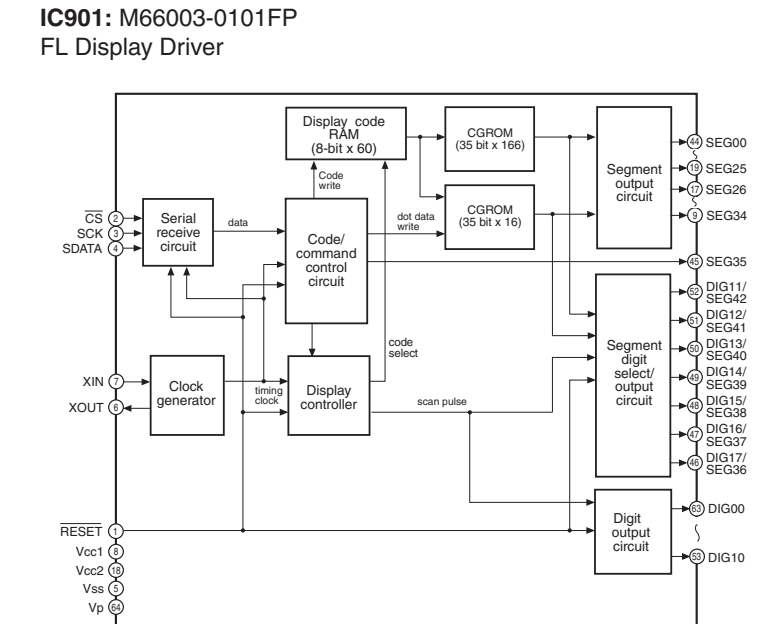
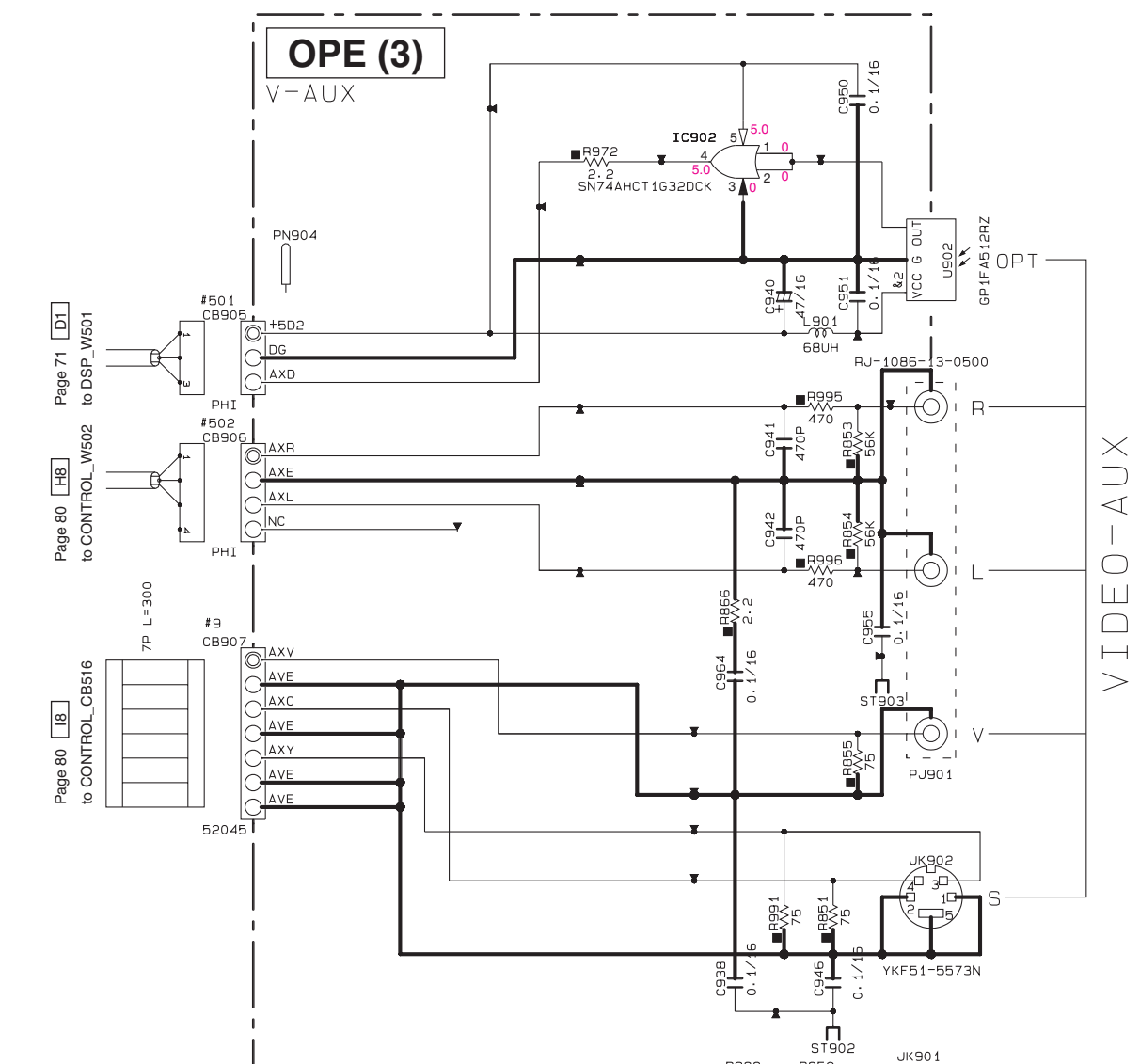
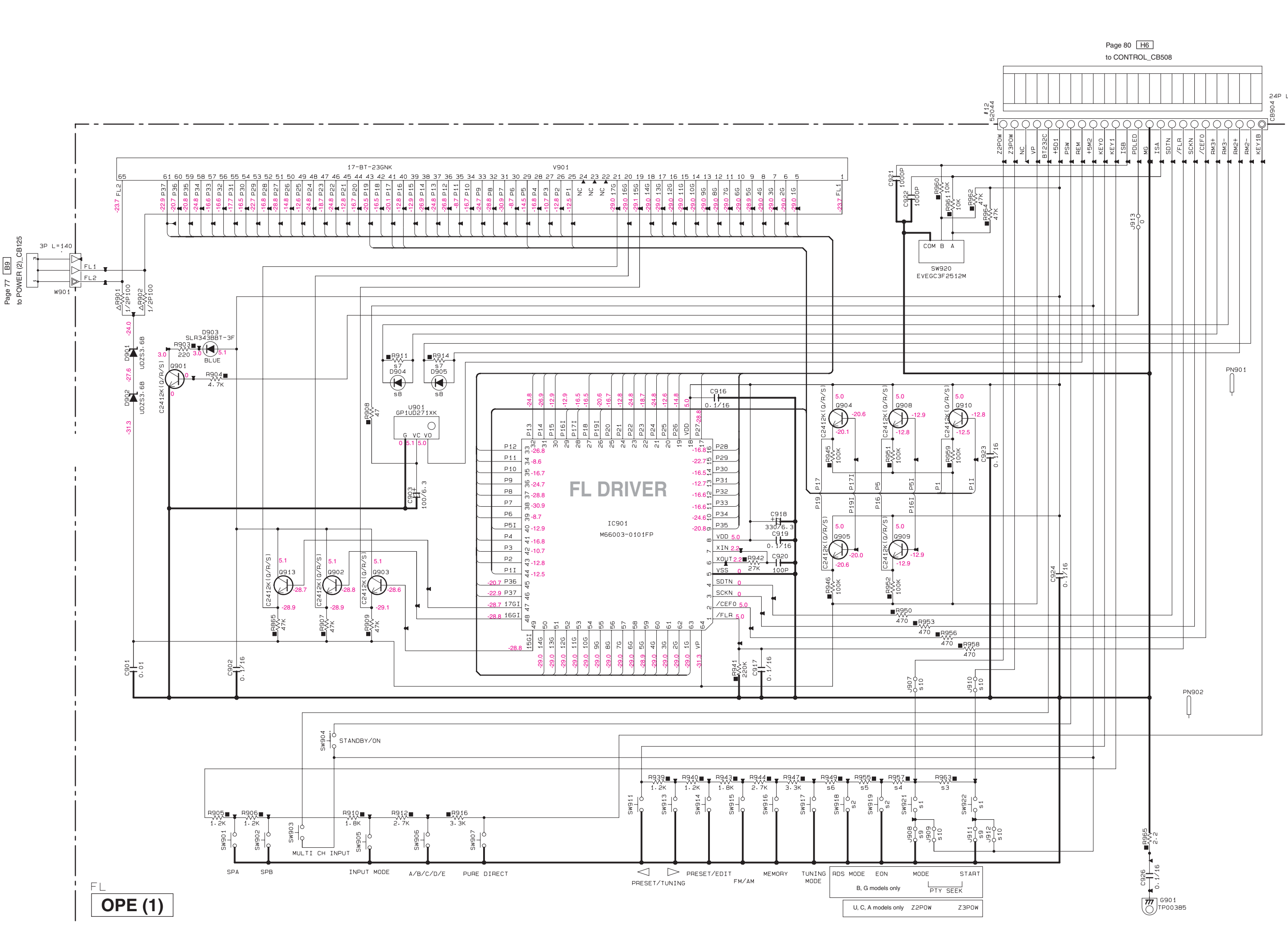
Part No.	Part Name	QTY	Remarks
801	PJ505	1	
802	PJ506	1	
803	PJ507	1	
804	RB1	1	
805	RB2	1	
806	RB3	1	
807	RB4	1	
808	RB5	1	
809	RB6	1	
810	RB7	1	
811	RB8	1	
812	RB9	1	
813	RB10	1	
814	RB11	1	
815	RB12	1	
816	RB13	1	
817	RB14	1	
818	RB15	1	
819	RB16	1	
820	RB17	1	
821	RB18	1	
822	RB19	1	
823	RB20	1	
824	RB21	1	
825	RB22	1	
826	RB23	1	
827	RB24	1	
828	RB25	1	
829	RB26	1	
830	RB27	1	
831	RB28	1	
832	RB29	1	
833	RB30	1	
834	RB31	1	
835	RB32	1	
836	RB33	1	
837	RB34	1	
838	RB35	1	
839	RB36	1	
840	RB37	1	
841	RB38	1	
842	RB39	1	
843	RB40	1	
844	RB41	1	
845	RB42	1	
846	RB43	1	
847	RB44	1	
848	RB45	1	
849	RB46	1	
850	RB47	1	
851	RB48	1	
852	RB49	1	
853	RB50	1	
854	RB51	1	
855	RB52	1	
856	RB53	1	
857	RB54	1	
858	RB55	1	
859	RB56	1	
860	RB57	1	
861	RB58	1	
862	RB59	1	
863	RB60	1	

Interchangeable Parts at Manufacture Stage

Part No.	Reference Part No.	Part Name
811	0541-548	2SC3261A(1)
		2SD276A(1)



SCHEMATIC DIAGRAM (OPERATION)

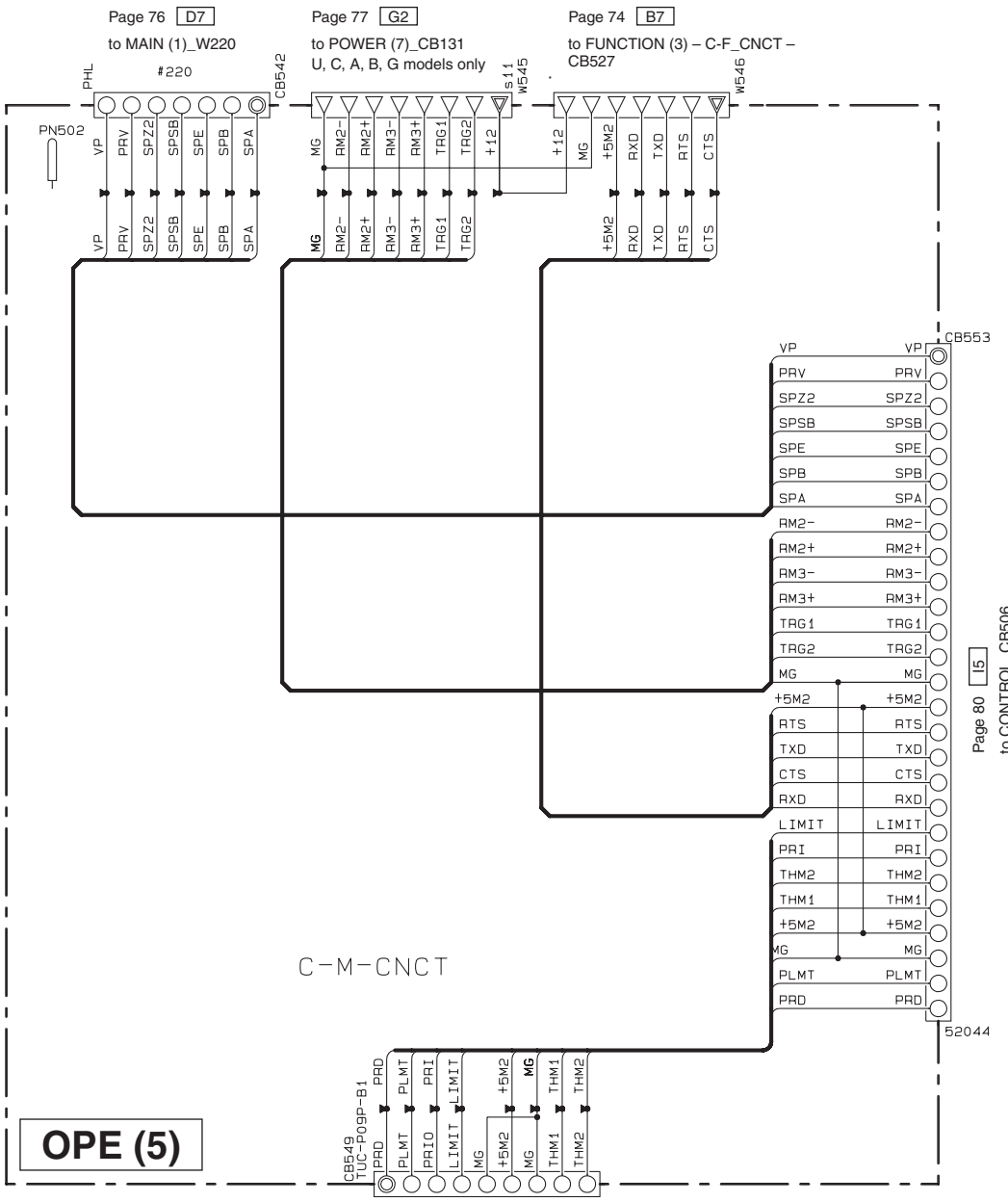


NOTICE (model)

(J)..... JAPAN  
 (U)..... U. S. A  
 (C)..... CANADA  
 (R)..... GENERAL  
 (T)..... CHINA  
 (K)..... KOREA  
 (A)..... AUSTRALIA  
 (B)..... BRITISH  
 (G)..... EUROPE  
 (L)..... SINGAPORE  
 (E)..... SOUTH EUROPE  
 (V)..... TAIWAN

REMARKS	PARTS NAME
NO MARK	CARBON FILM RESISTOR (P=5)
⊗	CARBON FILM RESISTOR (P=10)
△	METAL OXIDE FILM RESISTOR
▲	METAL FILM RESISTOR
⊠	METAL PLATE RESISTOR
⊡	FIRE PROOF CARBON FILM RESISTOR
⊞	CEMENT MOLDED RESISTOR
⊟	SEMI VARIABLE RESISTOR
⊠	CHIP RESISTOR

REMARKS	PARTS NAME
NO MARK	ELECTROLYTIC CAPACITOR
⊗	TANTALUM CAPACITOR
NO MARK	CERAMIC CAPACITOR
⊙	CERAMIC TUBULAR CAPACITOR
⊚	POLYESTER FILM CAPACITOR
○	POLYSTYRENE FILM CAPACITOR
⊖	MICA CAPACITOR
⊕	POLYPROPYLENE FILM CAPACITOR
⊙	SEMICONDUCTIVE CERAMIC CAPACITOR
⊖	POLYPHENYLENE SULFIDE FILM CAPACITOR

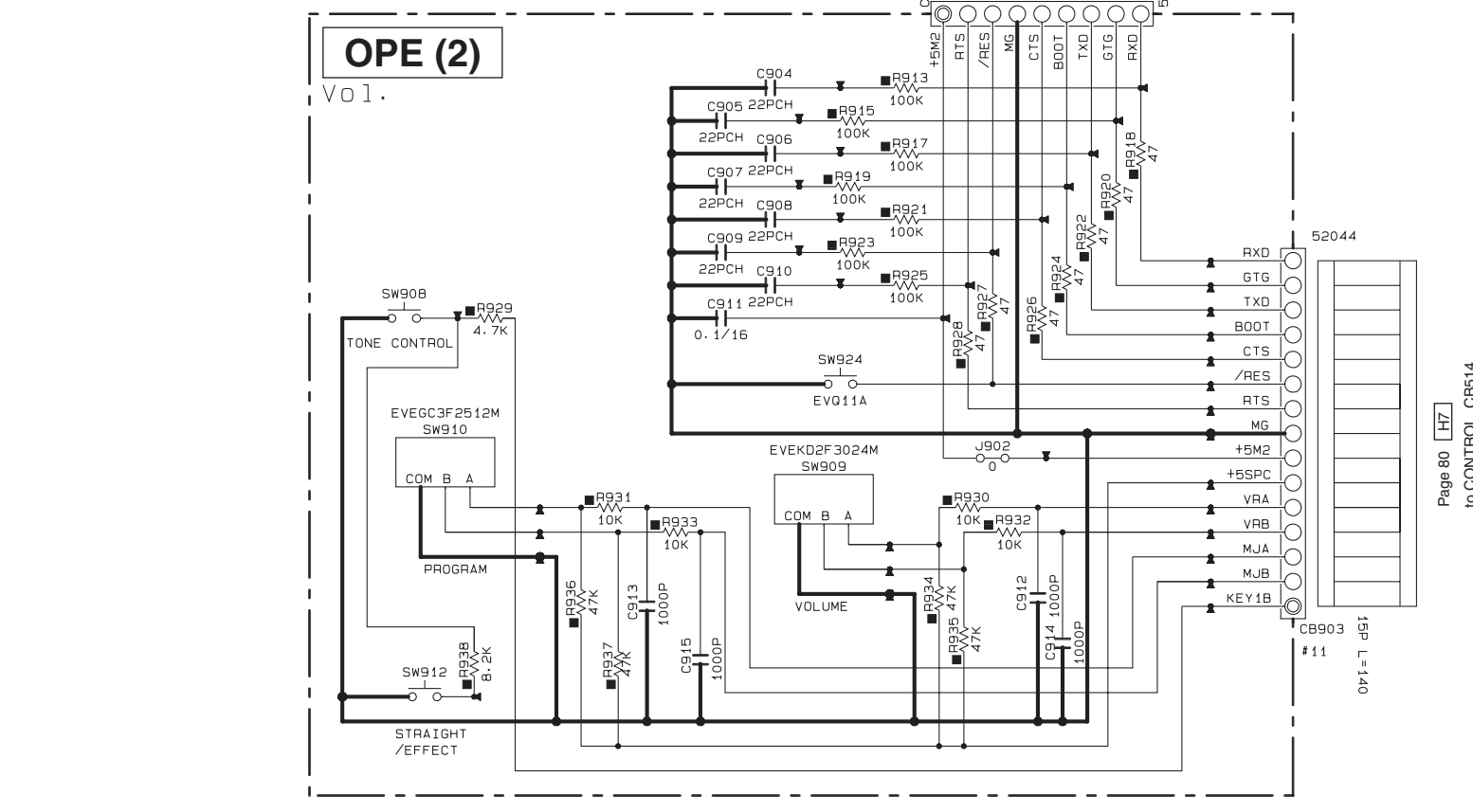


Interchangeable Parts at Manufacture-Stage

Mark	Reference Parts Number	Parts Name
k1	0911-912	25C3261A/B1 25C3261A1/B1
k2	U902	GP1FA512RZ GP1FA513RZ
k3		
k4		
k5		

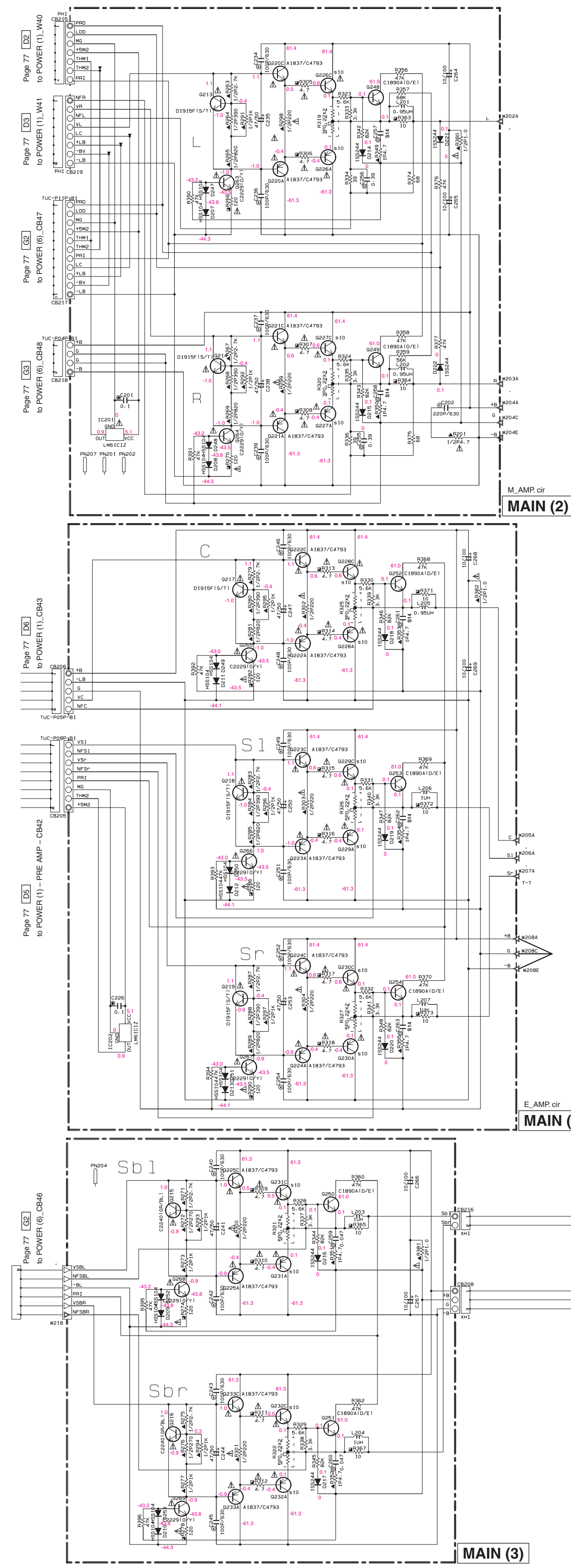
	DSP-AX2500	Rx-V2500	Rx-V2500(RDS)
1	SW921-922	X	V475710
2	SW918-919	X	V475710
3	R963	X	47K RD35747
4	R957	X	18K RD35718
5	R956	X	6.2K RD35662
6	R949	X	4.7K RD35647
7	R911-914	X	10K RD35710
8	D904-905	X	S18-R095T V209820
9	U908-911	X	X RD35000
10	U927-909 S10-S12	X	RD35000 X
11	W545	X	MF40825 MF40825

O:USED/APPLICABLE  
 X:NOT USED



★ All voltages are measured with a 10MΩ/V DC electronic volt meter.  
 ★ Components having special characteristics are marked with a triangle, and must be replaced with parts having specifications equal to those originally installed.  
 ★ Schematic diagram is subject to change without notice.  
 ● 電圧は、内部抵抗10MΩの電圧計で測定したものです。  
 ● 印のある部品は、安全性確保部品を示しています。部品の交換が必要な場合、パーツリストに記載されている部品を使用してください。  
 ● 本回路図は標準回路図です。改良のため予告なく変更することがございます。

■ SCHEMATIC DIAGRAM (MAIN)



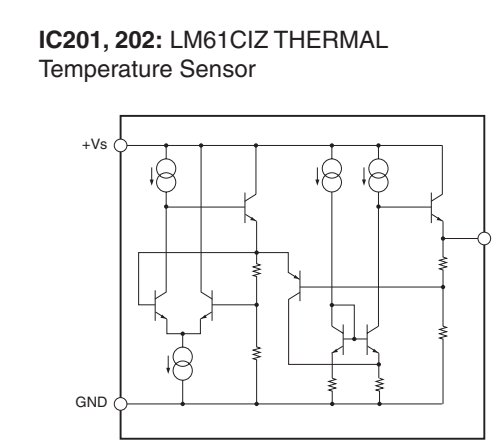
CAPACITOR		RESISTOR	
REMARKS	PARTS NAME	REMARKS	PARTS NAME
NO MARK	ELECTROLYTIC CAPACITOR	NO MARK	CARBON FILM RESISTOR (P&S)
⊗	TANTALUM CAPACITOR	⊗	CARBON FILM RESISTOR (P10)
NO MARK	CERAMIC CAPACITOR	△	METAL OXIDE FILM RESISTOR
⊗	CERAMIC TUBULAR CAPACITOR	□	METAL FILM RESISTOR
⊗	POLYESTER FILM CAPACITOR	□	METAL STATE RESISTOR
⊗	POLYETHYLENE FILM CAPACITOR	□	FINE PITCH CARBON FILM RESISTOR
⊗	MICA CAPACITOR	□	CHINA HOUSING RESISTOR
⊗	POLYPROPYLENE FILM CAPACITOR	□	SEMI-VARIABLE RESISTOR
⊗	SEMICONDUCTIVE CERAMIC CAPACITOR	□	CHIP RESISTOR

NOTICE (mode1)  
 (J) JAPAN  
 (U) U.S.A.  
 (C) CANADA  
 (R) GENERAL  
 (IT) CHINA  
 (K) KOREA  
 (A) AUSTRALIA  
 (B) BRITISH  
 (G) EUROPE  
 (L) SINGAPORE  
 (E) SOUTH EUROPE  
 (V) TAIWAN

NO.	QTY	DESCRIPTION	QTY	QTY	QTY	QTY
52	1	TE04	404770	404770	404770	404770
53	1	TE02	407500	407500	407500	407500
54	1	TE03	403930	403930	403930	403930
56	1	CP76	U65410	U65410	U65410	U65410
57	1	CP77	U65410	U65410	U65410	U65410
58	1	CP78	HY7547	HY7547	HY7547	HY7547
59	1	CP79	HY7547	HY7547	HY7547	HY7547
60	1	CP80	42157/0011	42157/0011	42157/0011	42157/0011
61	1	CP81	42157/0011	42157/0011	42157/0011	42157/0011
62	1	CP82	42157/0011	42157/0011	42157/0011	42157/0011
63	1	CP83	42157/0011	42157/0011	42157/0011	42157/0011
64	1	CP84	42157/0011	42157/0011	42157/0011	42157/0011
65	1	CP85	42157/0011	42157/0011	42157/0011	42157/0011
66	1	CP86	42157/0011	42157/0011	42157/0011	42157/0011
67	1	CP87	42157/0011	42157/0011	42157/0011	42157/0011
68	1	CP88	42157/0011	42157/0011	42157/0011	42157/0011
69	1	CP89	42157/0011	42157/0011	42157/0011	42157/0011
70	1	CP90	42157/0011	42157/0011	42157/0011	42157/0011
71	1	CP91	42157/0011	42157/0011	42157/0011	42157/0011
72	1	CP92	42157/0011	42157/0011	42157/0011	42157/0011
73	1	CP93	42157/0011	42157/0011	42157/0011	42157/0011
74	1	CP94	42157/0011	42157/0011	42157/0011	42157/0011
75	1	CP95	42157/0011	42157/0011	42157/0011	42157/0011
76	1	CP96	42157/0011	42157/0011	42157/0011	42157/0011
77	1	CP97	42157/0011	42157/0011	42157/0011	42157/0011
78	1	CP98	42157/0011	42157/0011	42157/0011	42157/0011
79	1	CP99	42157/0011	42157/0011	42157/0011	42157/0011
80	1	CP00	42157/0011	42157/0011	42157/0011	42157/0011

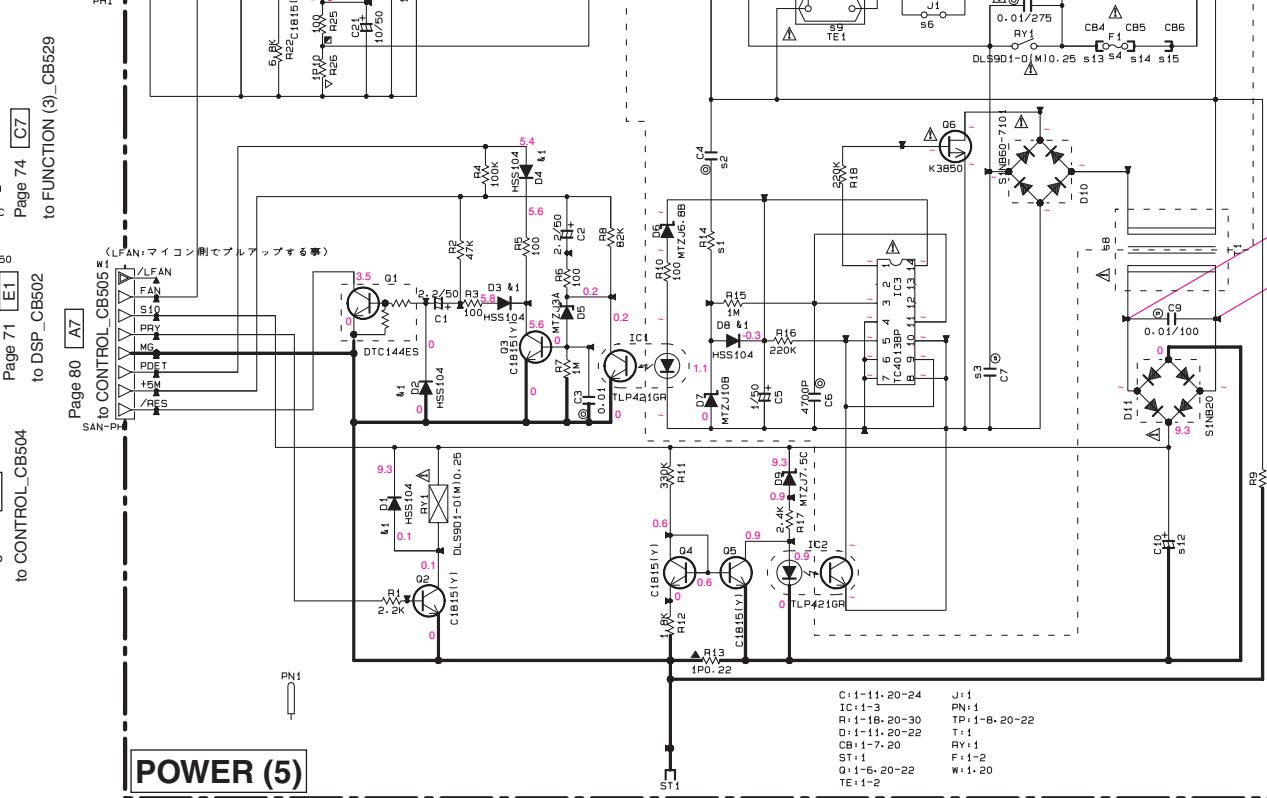
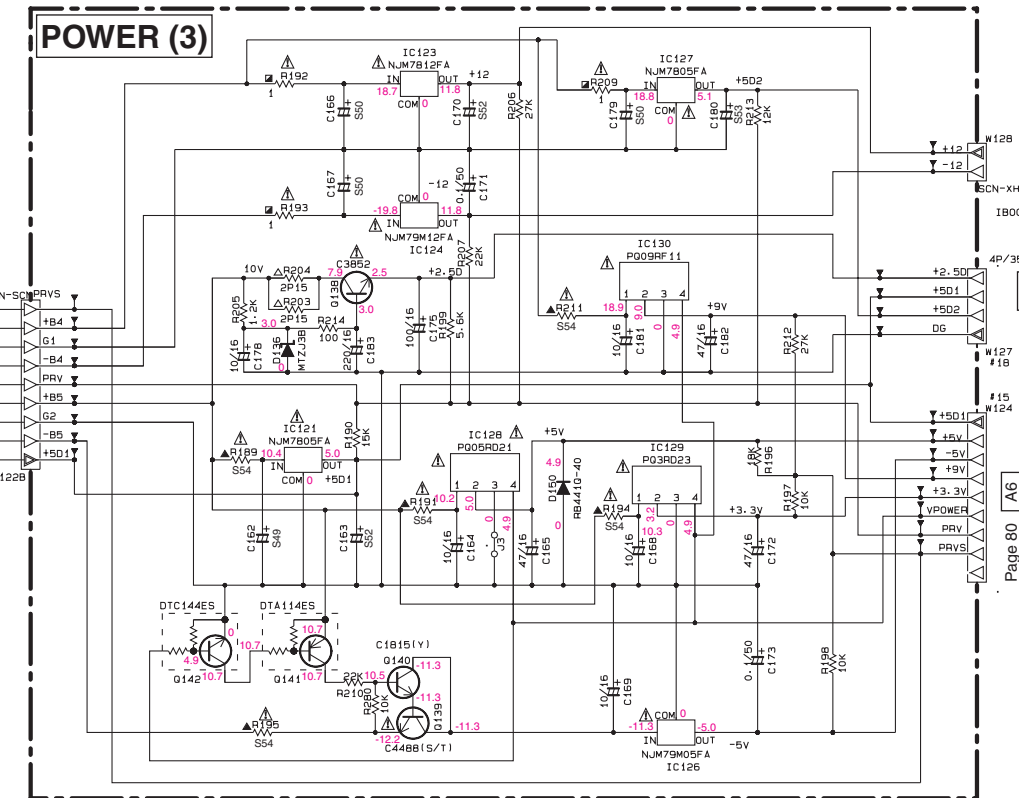
NO.	QTY	DESCRIPTION	QTY	QTY	QTY	QTY
81	1	CP01	42157/0011	42157/0011	42157/0011	42157/0011
82	1	CP02	42157/0011	42157/0011	42157/0011	42157/0011
83	1	CP03	42157/0011	42157/0011	42157/0011	42157/0011
84	1	CP04	42157/0011	42157/0011	42157/0011	42157/0011
85	1	CP05	42157/0011	42157/0011	42157/0011	42157/0011
86	1	CP06	42157/0011	42157/0011	42157/0011	42157/0011
87	1	CP07	42157/0011	42157/0011	42157/0011	42157/0011
88	1	CP08	42157/0011	42157/0011	42157/0011	42157/0011
89	1	CP09	42157/0011	42157/0011	42157/0011	42157/0011
90	1	CP10	42157/0011	42157/0011	42157/0011	42157/0011

★ All voltages are measured with a 10MΩ/V DC electronic volt meter.  
 ● 電圧は、内部抵抗10MΩの電圧計で測定したものです。  
 ● Components having special characteristics are marked with a triangle (▲), and must be replaced with parts having specifications equal to those originally installed.  
 ● 印のある部品は、安全性確保部品を示しています。部品の交換が必要な場合、パーツリストに記載されている部品を使用してください。  
 ● Schematic diagram is subject to change without notice.  
 ● 本回路図は標準回路図です。改良のため予告なく変更することがございます。

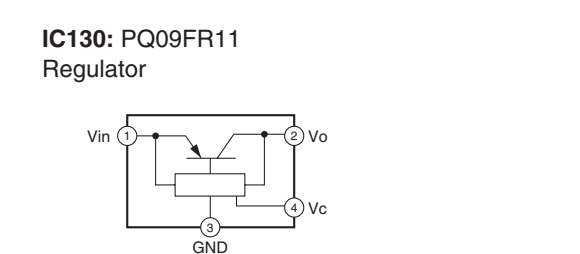
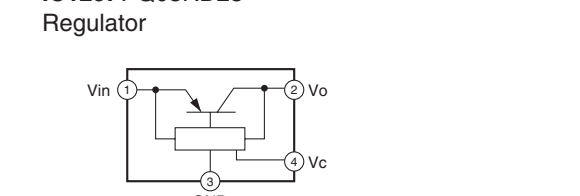
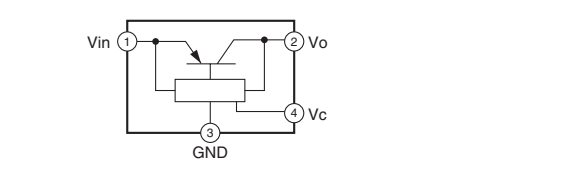
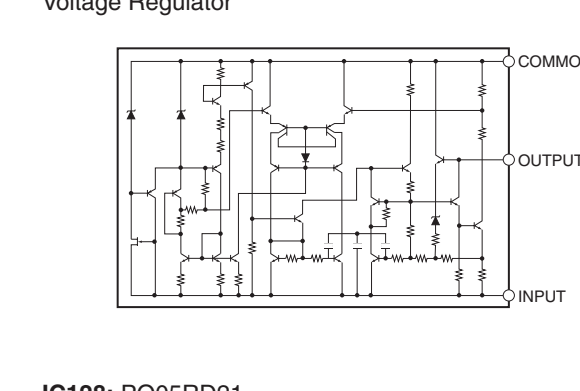
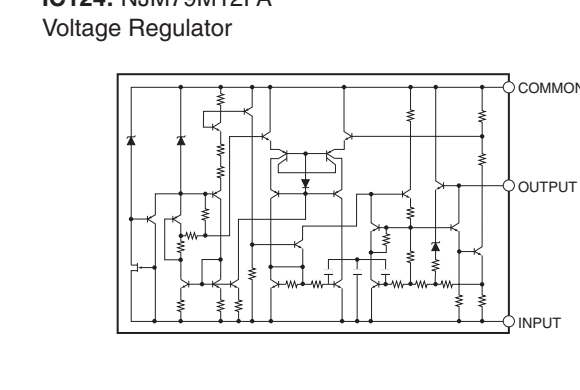
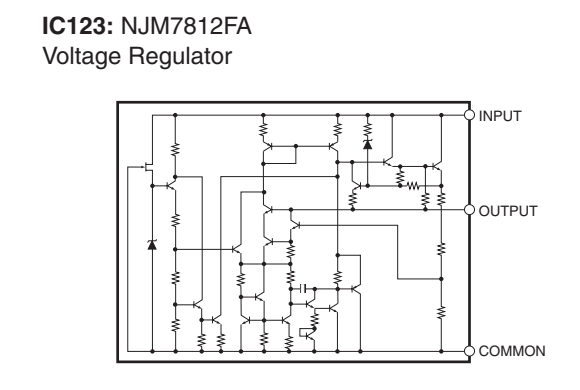
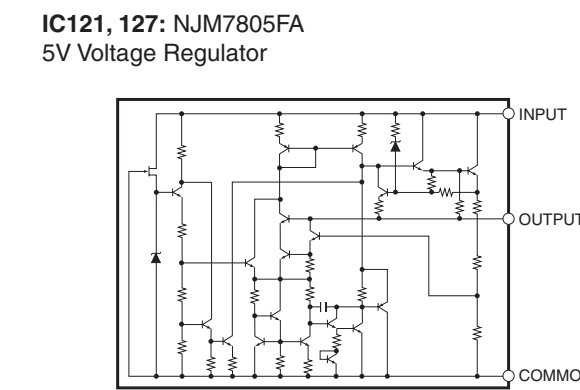
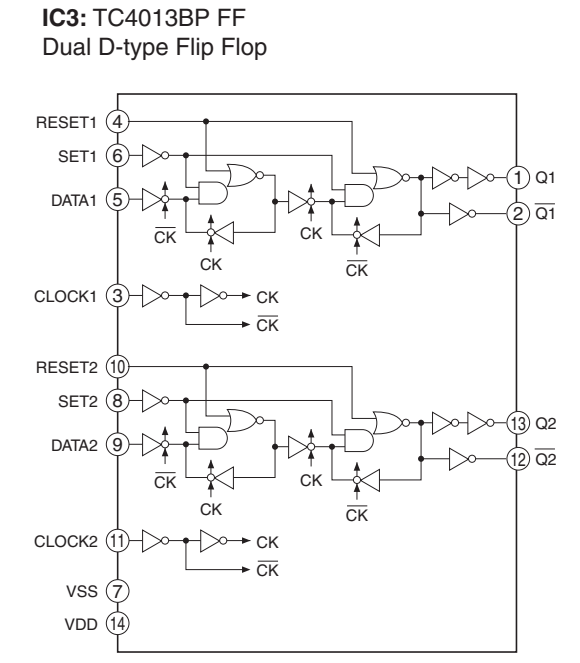




SCHEMATIC DIAGRAM (POWER)



Part No.	Part Name	IC	U	J	K	L	M	N
101	IC1	HF4522	2-24					
102	IC2	HF4522	2-24					
103	IC3	HF4522	2-24					
104	IC4	HF4522	2-24					
105	IC5	HF4522	2-24					
106	IC6	HF4522	2-24					
107	IC7	HF4522	2-24					
108	IC8	HF4522	2-24					
109	IC9	HF4522	2-24					
110	IC10	HF4522	2-24					
111	IC11	HF4522	2-24					
112	IC12	HF4522	2-24					
113	IC13	HF4522	2-24					
114	IC14	HF4522	2-24					
115	IC15	HF4522	2-24					
116	IC16	HF4522	2-24					
117	IC17	HF4522	2-24					
118	IC18	HF4522	2-24					
119	IC19	HF4522	2-24					
120	IC20	HF4522	2-24					
121	IC21	HF4522	2-24					
122	IC22	HF4522	2-24					
123	IC23	HF4522	2-24					
124	IC24	HF4522	2-24					
125	IC25	HF4522	2-24					
126	IC26	HF4522	2-24					
127	IC27	HF4522	2-24					
128	IC28	HF4522	2-24					
129	IC29	HF4522	2-24					
130	IC30	HF4522	2-24					
131	IC31	HF4522	2-24					
132	IC32	HF4522	2-24					
133	IC33	HF4522	2-24					
134	IC34	HF4522	2-24					
135	IC35	HF4522	2-24					
136	IC36	HF4522	2-24					
137	IC37	HF4522	2-24					
138	IC38	HF4522	2-24					
139	IC39	HF4522	2-24					
140	IC40	HF4522	2-24					
141	IC41	HF4522	2-24					
142	IC42	HF4522	2-24					
143	IC43	HF4522	2-24					
144	IC44	HF4522	2-24					
145	IC45	HF4522	2-24					
146	IC46	HF4522	2-24					
147	IC47	HF4522	2-24					
148	IC48	HF4522	2-24					
149	IC49	HF4522	2-24					
150	IC50	HF4522	2-24					
151	IC51	HF4522	2-24					
152	IC52	HF4522	2-24					
153	IC53	HF4522	2-24					
154	IC54	HF4522	2-24					
155	IC55	HF4522	2-24					
156	IC56	HF4522	2-24					
157	IC57	HF4522	2-24					
158	IC58	HF4522	2-24					
159	IC59	HF4522	2-24					
160	IC60	HF4522	2-24					
161	IC61	HF4522	2-24					
162	IC62	HF4522	2-24					
163	IC63	HF4522	2-24					
164	IC64	HF4522	2-24					
165	IC65	HF4522	2-24					
166	IC66	HF4522	2-24					
167	IC67	HF4522	2-24					
168	IC68	HF4522	2-24					
169	IC69	HF4522	2-24					
170	IC70	HF4522	2-24					
171	IC71	HF4522	2-24					
172	IC72	HF4522	2-24					
173	IC73	HF4522	2-24					
174	IC74	HF4522	2-24					
175	IC75	HF4522	2-24					
176	IC76	HF4522	2-24					
177	IC77	HF4522	2-24					
178	IC78	HF4522	2-24					
179	IC79	HF4522	2-24					
180	IC80	HF4522	2-24					
181	IC81	HF4522	2-24					
182	IC82	HF4522	2-24					
183	IC83	HF4522	2-24					
184	IC84	HF4522	2-24					
185	IC85	HF4522	2-24					
186	IC86	HF4522	2-24					
187	IC87	HF4522	2-24					
188	IC88	HF4522	2-24					
189	IC89	HF4522	2-24					
190	IC90	HF4522	2-24					
191	IC91	HF4522	2-24					
192	IC92	HF4522	2-24					
193	IC93	HF4522	2-24					
194	IC94	HF4522	2-24					
195	IC95	HF4522	2-24					
196	IC96	HF4522	2-24					
197	IC97	HF4522	2-24					
198	IC98	HF4522	2-24					
199	IC99	HF4522	2-24					
200	IC100	HF4522	2-24					



NOTICE (model)  
 (J)..... JAPAN  
 (U)..... U.S.A  
 (C)..... CANADA  
 (R)..... GENERAL  
 (T)..... CHINA  
 (K)..... KOREA  
 (A)..... AUSTRALIA  
 (B)..... BRITISH  
 (E)..... EUROPE  
 (L)..... SINGAPORE  
 (S)..... SOUTH EUROPE  
 (V)..... TAIWAN

VOLTAGE SELECTOR  
 FL models only

VOLTAGE SELECTOR	R	L
200-240V	1-2-5-6	
220V	2-3-6-7	
110V	3-4-7-8	
120V	4-5-8-1	

RESISTOR

REMARKS	PARTS NAME
NO MARK	CARBON FILM RESISTOR (P=5)
□	CARBON FILM RESISTOR (P=10)
△	METAL FILM RESISTOR
◇	METAL OXIDE RESISTOR
○	FIRE PROOF CARBON FILM RESISTOR
●	CEMENT MOLDED RESISTOR
⊙	SEMI VARIABLE RESISTOR
⊕	CHRT. RESISTOR

CAPACITOR

REMARKS	PARTS NAME
NO MARK	ELECTROLYTIC CAPACITOR
□	TANTALUM CAPACITOR
○	CERAMIC CAPACITOR
●	CERAMIC TUBULAR CAPACITOR
◇	POLYESTER FILM CAPACITOR
△	POLYSTYRENE FILM CAPACITOR
○	MICA CAPACITOR
⊙	POLYPROPYLENE FILM CAPACITOR
⊕	SEMICONDUCTIVE CERAMIC CAPACITOR

Interchangeable Parts at Manufacturer-Stage

Part No.	Reference Part No.	Part Name
11	01-4-40-40-144-149	MS104
		155133
		155176
12		
13		
14		
15		

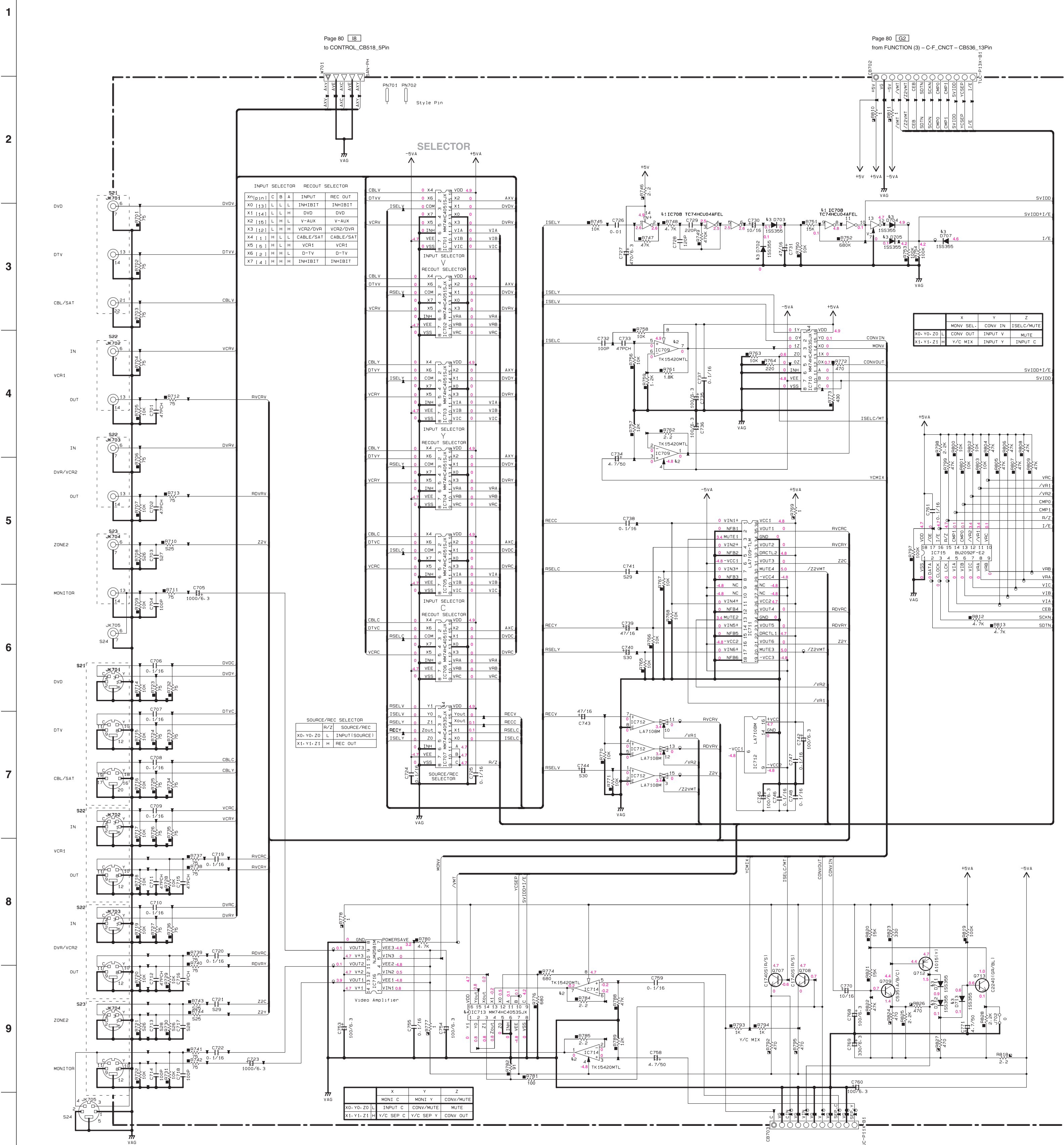
\* All voltages are measured with a 10MΩ/V DC electronic volt meter.  
 \* Components having special characteristics are marked with a star and must be replaced with parts having specifications equal to those originally installed.  
 \* Schematic diagram is subject to change without notice.

● 電圧は、内部抵抗10MΩの電圧計で測定したものです。  
 ● \*印のある部品は、安全性確保部品を示しています。部品の交換が必要な場合、パーツリストに記載されている部品を使用してください。  
 ● 本回路図は標準回路図です。改良のための予告なく変更することがございます。

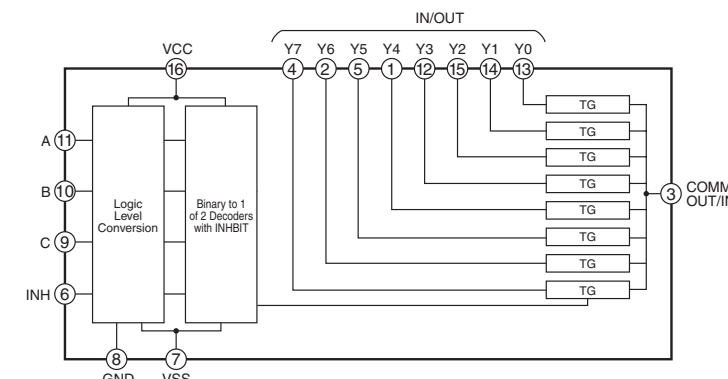




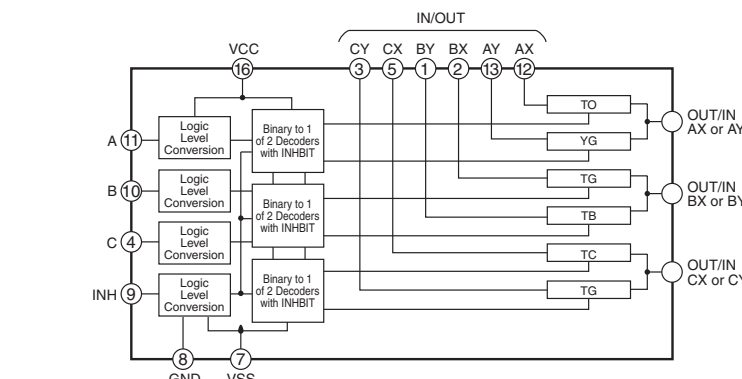




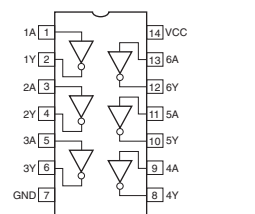
IC701 - 706: MM74HC4051SJX  
8-Channel Analog Multiplexer



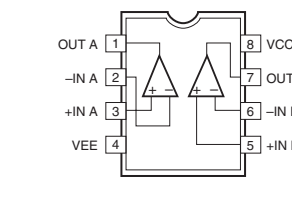
IC707, 710, 713: MM74HC4053SJX  
Triple 2-Channel Analog Multiplexer



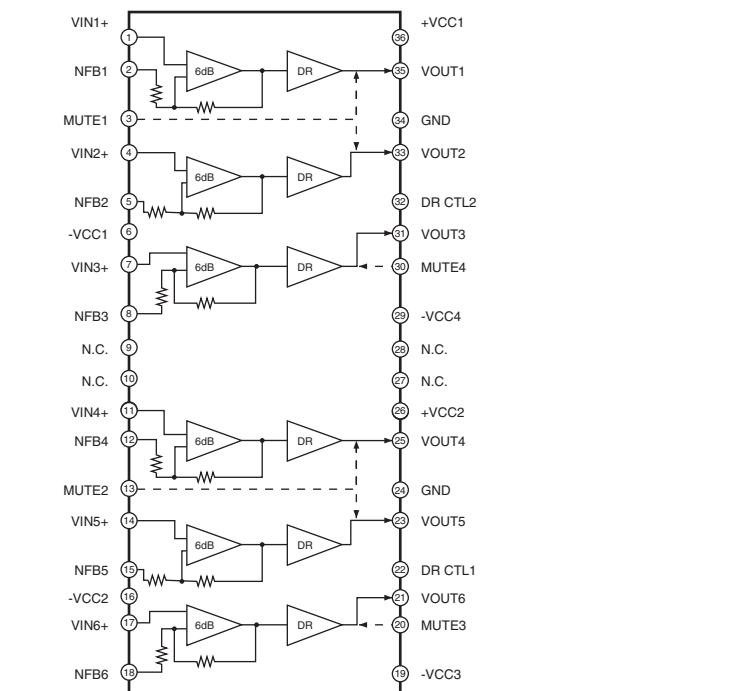
IC708: TC74HC04AFEL  
Hex Inverters



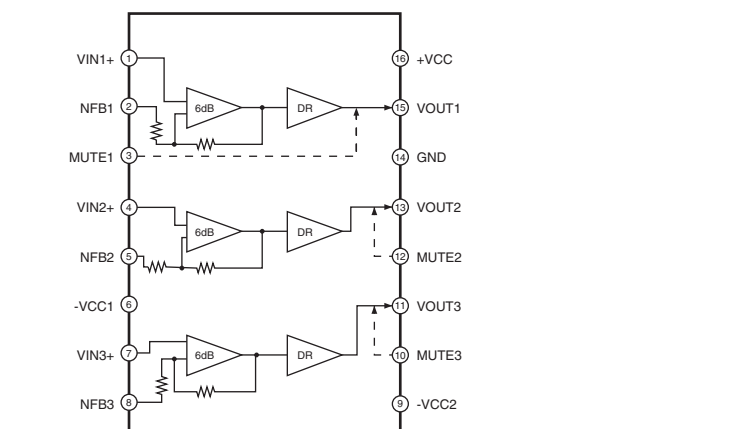
IC709, 714: TK15420M  
Video Amp



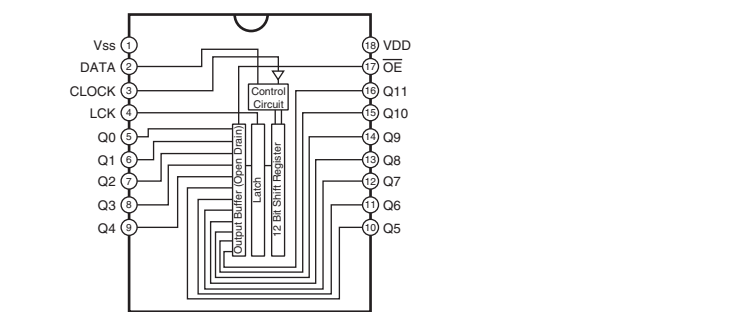
IC711: LA7109  
6CH 75Ω Video Driver



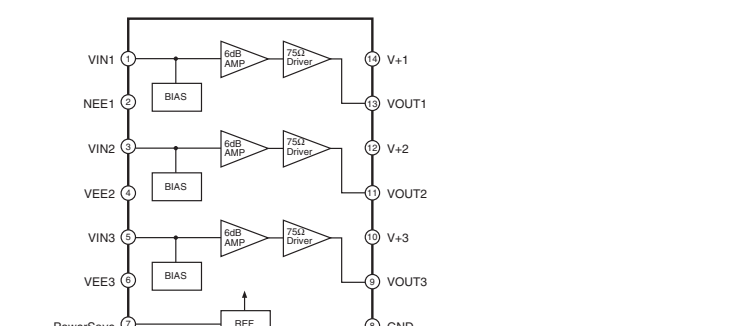
IC712: LA7108M  
Video Amp



IC715: BU2092F-E2  
Serial In/Parallel Out Driver



IC716: NJM2581M  
Video Amp



4	VCC	0V	VCC	1V	VCC
6	2	2V	4	0V	VCC
8	3	3V	5	1Z	X-COM
10	4	4V	6	2	X-COM
12	5	5V	7	3	X-COM
14	6	6V	8	4	X-COM
16	7	7V	9	5	X-COM
18	8	8V	10	6	X-COM
20	9	9V	11	7	X-COM
22	10	10V	12	8	X-COM
24	11	11V	13	9	X-COM
26	12	12V	14	10	X-COM
28	13	13V	15	11	X-COM
30	14	14V	16	12	X-COM
32	15	15V	17	13	X-COM
34	16	16V	18	14	X-COM
36	17	17V	19	15	X-COM
38	18	18V	20	16	X-COM
40	19	19V	21	17	X-COM
42	20	20V	22	18	X-COM
44	21	21V	23	19	X-COM
46	22	22V	24	20	X-COM
48	23	23V	25	21	X-COM
50	24	24V	26	22	X-COM
52	25	25V	27	23	X-COM
54	26	26V	28	24	X-COM
56	27	27V	29	25	X-COM
58	28	28V	30	26	X-COM
60	29	29V	31	27	X-COM
62	30	30V	32	28	X-COM
64	31	31V	33	29	X-COM
66	32	32V	34	30	X-COM
68	33	33V	35	31	X-COM
70	34	34V	36	32	X-COM
72	35	35V	37	33	X-COM
74	36	36V	38	34	X-COM
76	37	37V	39	35	X-COM
78	38	38V	40	36	X-COM
80	39	39V	41	37	X-COM
82	40	40V	42	38	X-COM
84	41	41V	43	39	X-COM
86	42	42V	44	40	X-COM
88	43	43V	45	41	X-COM
90	44	44V	46	42	X-COM
92	45	45V	47	43	X-COM
94	46	46V	48	44	X-COM
96	47	47V	49	45	X-COM
98	48	48V	50	46	X-COM
100	49	49V	51	47	X-COM
102	50	50V	52	48	X-COM
104	51	51V	53	49	X-COM
106	52	52V	54	50	X-COM
108	53	53V	55	51	X-COM
110	54	54V	56	52	X-COM
112	55	55V	57	53	X-COM
114	56	56V	58	54	X-COM
116	57	57V	59	55	X-COM
118	58	58V	60	56	X-COM
120	59	59V	61	57	X-COM
122	60	60V	62	58	X-COM
124	61	61V	63	59	X-COM
126	62	62V	64	60	X-COM
128	63	63V	65	61	X-COM
130	64	64V	66	62	X-COM
132	65	65V	67	63	X-COM
134	66	66V	68	64	X-COM
136	67	67V	69	65	X-COM
138	68	68V	70	66	X-COM
140	69	69V	71	67	X-COM
142	70	70V	72	68	X-COM
144	71	71V	73	69	X-COM
146	72	72V	74	70	X-COM
148	73	73V	75	71	X-COM
150	74	74V	76	72	X-COM
152	75	75V	77	73	X-COM
154	76	76V	78	74	X-COM
156	77	77V	79	75	X-COM
158	78	78V	80	76	X-COM
160	79	79V	81	77	X-COM
162	80	80V	82	78	X-COM
164	81	81V	83	79	X-COM
166	82	82V	84	80	X-COM
168	83	83V	85	81	X-COM
170	84	84V	86	82	X-COM
172	85	85V	87	83	X-COM
174	86	86V	88	84	X-COM
176	87	87V	89	85	X-COM
178	88	88V	90	86	X-COM
180	89	89V	91	87	X-COM
182	90	90V	92	88	X-COM
184	91	91V	93	89	X-COM
186	92	92V	94	90	X-COM
188	93	93V	95	91	X-COM
190	94	94V	96	92	X-COM
192	95	95V	97	93	X-COM
194	96	96V	98	94	X-COM
196	97	97V	99	95	X-COM
198	98	98V	100	96	X-COM

NOTICE (model)  
(J)..... JAPAN  
(U)..... U.S.A  
(C)..... CANADA  
(R)..... GENERAL  
(T)..... CHINA  
(K)..... KOREA  
(A)..... AUSTRALIA  
(B)..... BRITISH  
(G)..... EUROPE  
(L)..... SINGAPORE  
(E)..... SOUTH EUROPE  
(V)..... TAIWAN

Destination Part List	LOC	U-C	R-T-K-L	A-B-G
921	JK701	W039640 LAP5100-1B05F	W039630 LAP5100-1B05F	W039630 LAP5100-1B05F
922	JK702	W039620 LAP5100-1B05F	W039610 LAP5100-1B05F	W039610 LAP5100-1B05F
923	JK704	W039610 LAP5100-1B05F	W039600 LAP5100-1B05F	W039600 LAP5100-1B05F
924	JK705	W064610 LAP5100-3B05F	W064590 LAP5100-3B05F	W064590 LAP5100-3B05F
925	R710 R743 R744	X	R035475 75	X R035475 75
926	R708 R730	X	R035710 10K	X R035710 10K
927	C703	X	US06210 100P	X US06210 100P
928	C713 C717	X	US06147 47PCH	X US06147 47PCH
929	C721 C743	X	US13910 0.1F/50V	X US13910 0.1F/50V
930	C740 C744	X	UR23747 47716	X UR23747 47716

Mark	Reference Parts Number	Parts Name
41	IC708	TC74HC04AFEL MM74HC04SJX
42	IC709-714	TK15420MTL A8065AR
43	D702-706-707-711-713	153396 M4111
44	IC707-710-713	MM74HC4053SJX TC74HC4053AF

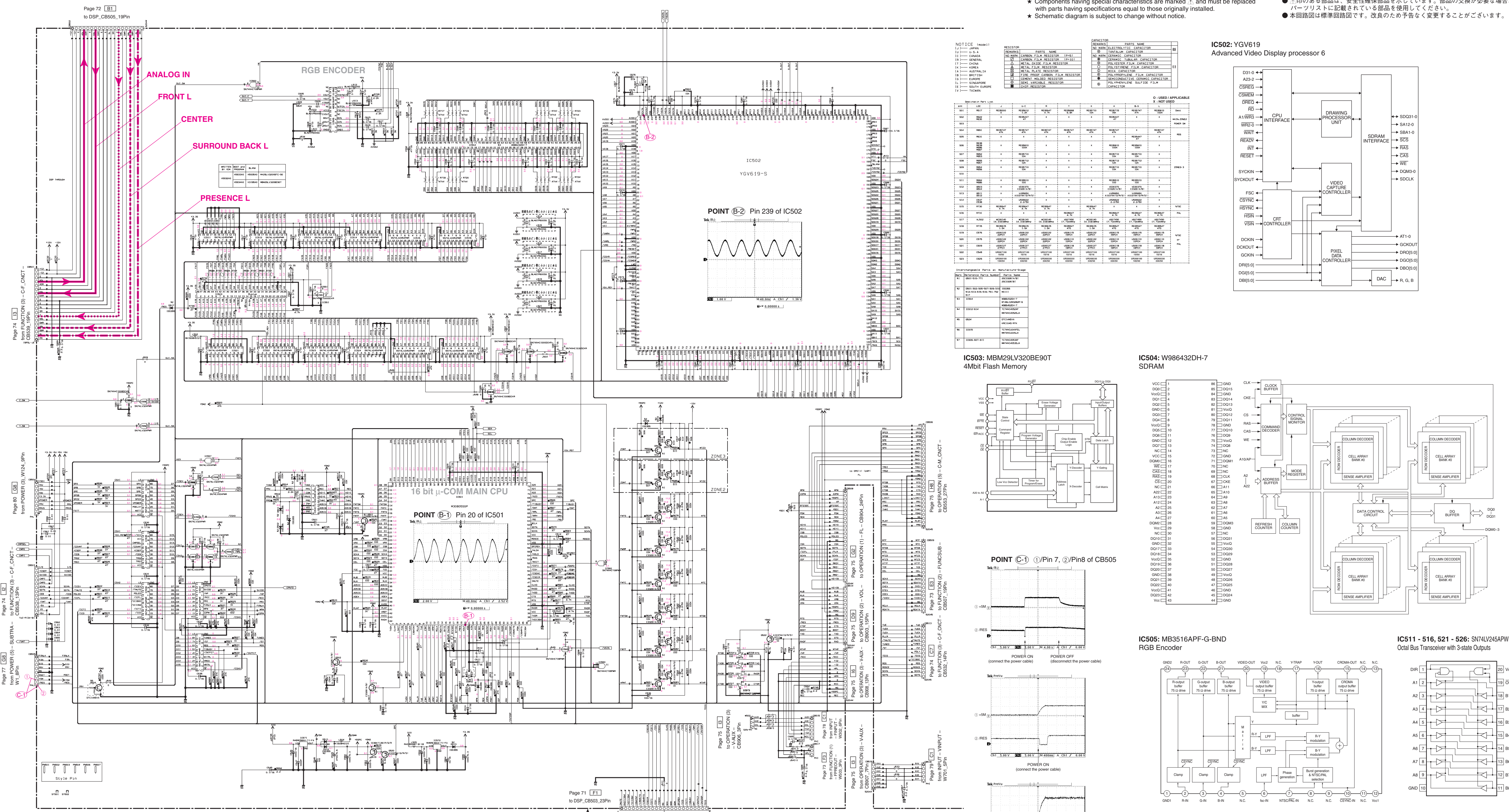
\* All voltages are measured with a 10MΩ/V DC electronic voltmeter.  
\* Components having special characteristics are marked ! and must be replaced with parts having specifications equal to those originally installed.  
\* Schematic diagram is subject to change without notice.

● 電圧は、内部抵抗10MΩの電圧計で測定したものです。  
● !印のある部品は、安全性確保部品を示しています。部品の交換が必要な場合、パーツリストに記載されている部品を使用してください。  
● 本回路図は標準回路図です。改良のため予告なく変更することがございます。



★ All voltages are measured with a 10MΩ/V DC electronic volt meter.  
 ★ Components having special characteristics are marked with a triangle and must be replaced with parts having specifications equal to those originally installed.  
 ★ Schematic diagram is subject to change without notice.

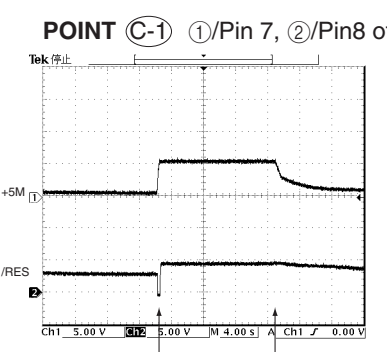
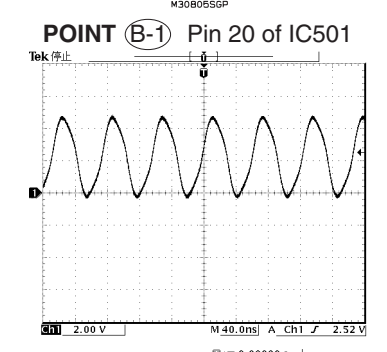
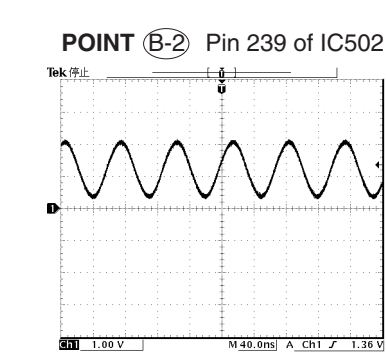
● 電圧は、内部抵抗10MΩの電圧計で測定したものです。  
 ● !印の印の部品は、安全性確保部品を示しています。部品の交換が必要な場合、パーツリストに記載されている部品を使用してください。  
 ● 本回路図は標準回路図です。改良のため予告なく変更することがございます。



NOTICE (Model1)

REMARKS	PARTS NAME	REMARKS	PARTS NAME
①	RESISTOR	①	RESISTOR
②	CAPACITOR	②	CAPACITOR
③	DIODE	③	DIODE
④	TRANSISTOR	④	TRANSISTOR
⑤	IC	⑤	IC
⑥	RELAY	⑥	RELAY
⑦	CONNECTOR	⑦	CONNECTOR
⑧	SWITCH	⑧	SWITCH
⑨	LED	⑨	LED
⑩	OTHER	⑩	OTHER

① USED/APPLICABLE  
 X NOT USED



**Key Input (A-D) Pull-Up Resistance 10 k-ohms**

U. C. A models

Q	0	+1.2k	+1.2k	+1.8k	+2.7k	+3.3k	+4.7k	+8.2k	+18.0k	+47.0k
V	0	-0.27	-0.75	-1.22	-1.76	-2.28	-2.76	-3.24	-3.76	-4.75

R. T. K. L. J models

Q	0	+1.2k	+1.2k	+1.8k	+2.7k	+3.3k	+4.7k	+8.2k	+18.0k	+47.0k
V	0	-0.27	-0.75	-1.22	-1.76	-2.28	-2.76	-3.24	-3.76	-4.75

B. G models

Q	0	+1.2k	+1.2k	+1.8k	+2.7k	+3.3k	+4.7k	+8.2k	+18.0k	+47.0k
V	0	-0.27	-0.75	-1.22	-1.76	-2.28	-2.76	-3.24	-3.76	-4.75

**IC551, 553: SN74AHC1G00DCKR**  
2-Input NAND Gate

**IC552: SN74AHC1G86DCKR**  
Single 2-Input Exclusive-OR Gate

**IC554: SN74AHC1G32DCKR**  
2-Input or Gate

**IC558, 558: SN74LV32APWR**  
Quaduple 2-Input Positive-OR Gates

**IC557: SN74LV00APWR**  
Quaduple 2-Input Positive-NAND Gates

**IC559, 616: SN74AHC1G08DCKR**  
**IC560: SN74AHC1G08PWR**  
Quad 2-Input And Gate

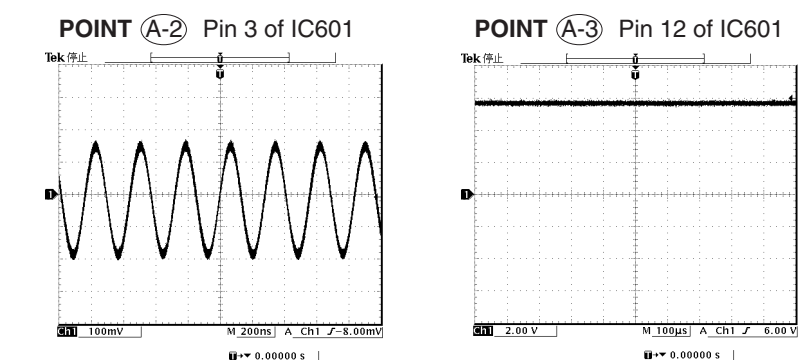
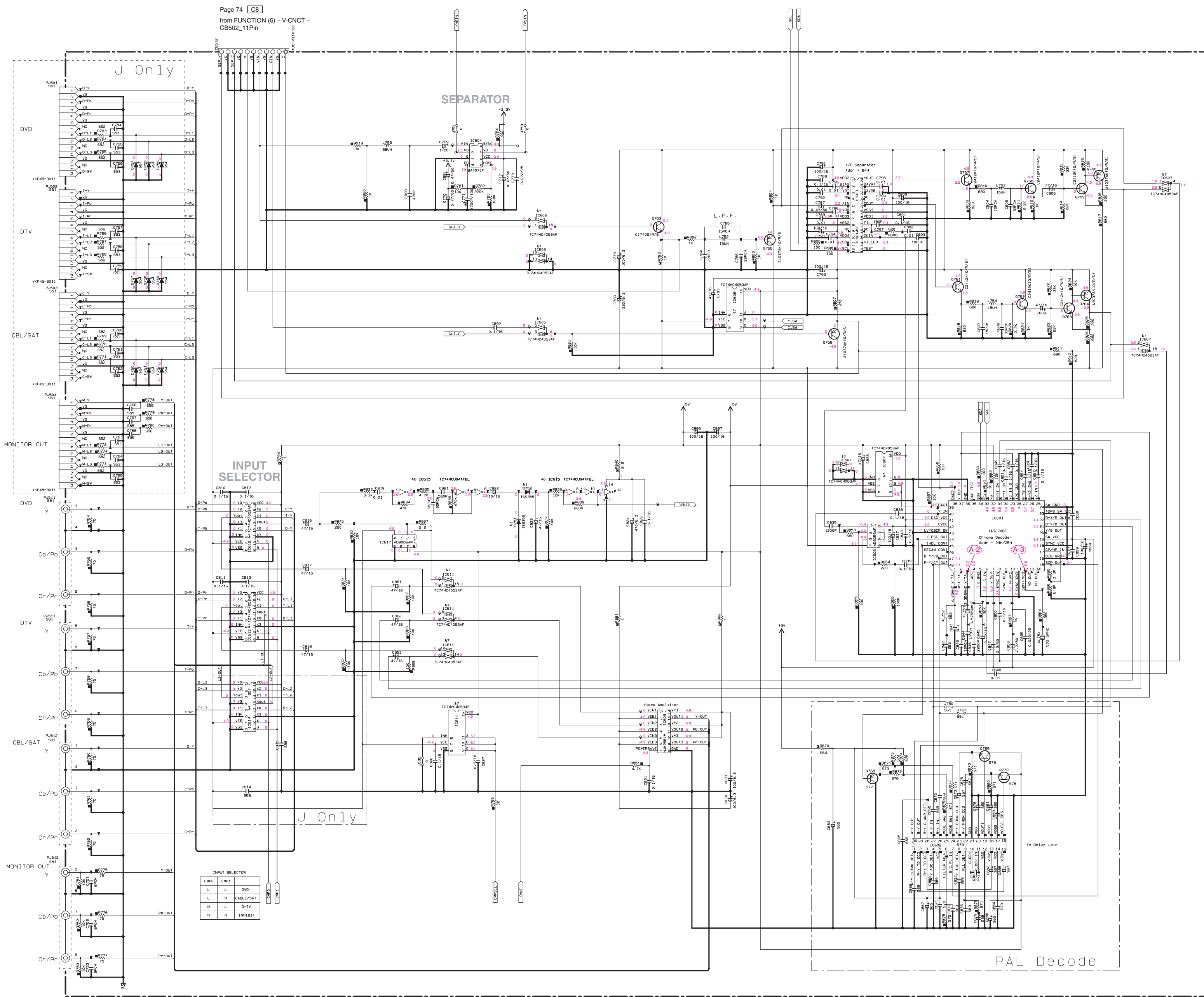
**IC571: RH5RE58AA-T1-FA**  
**IC572: RH5RE39AA-T1-FA**  
Voltage Regulator

**IC573: SN74AHC126PW**  
Quaduple Bus Buffer Gates with 3-state Outputs

**IC531: TC74HC4051AFEL**  
Analog Multiplexer/Demultiplexer

**IC532 - 536: SN74LV573APWR**  
Octal Transparent D-Type Latches with 3-state Outputs





NOTICE (model)

RESISTOR PARTS NAME

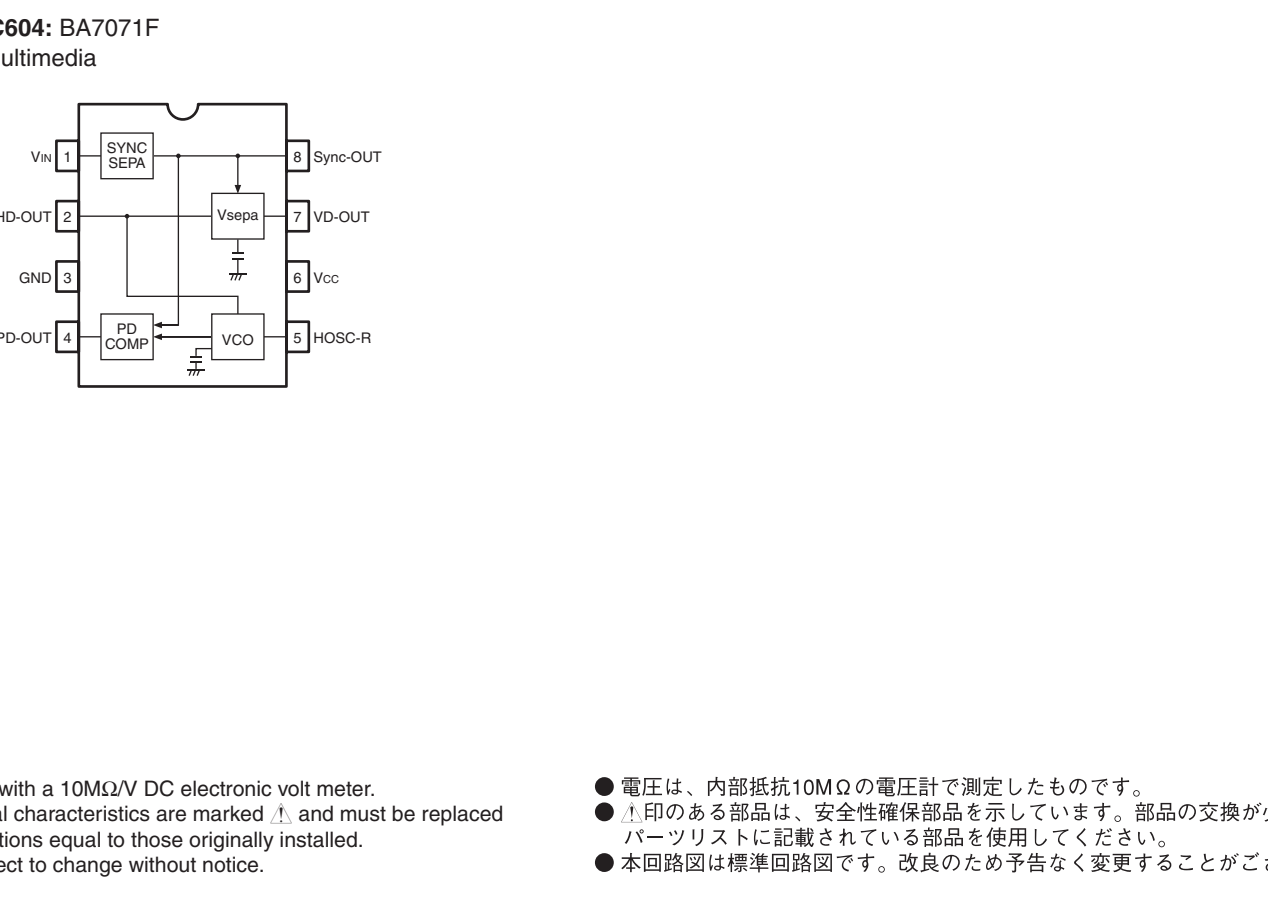
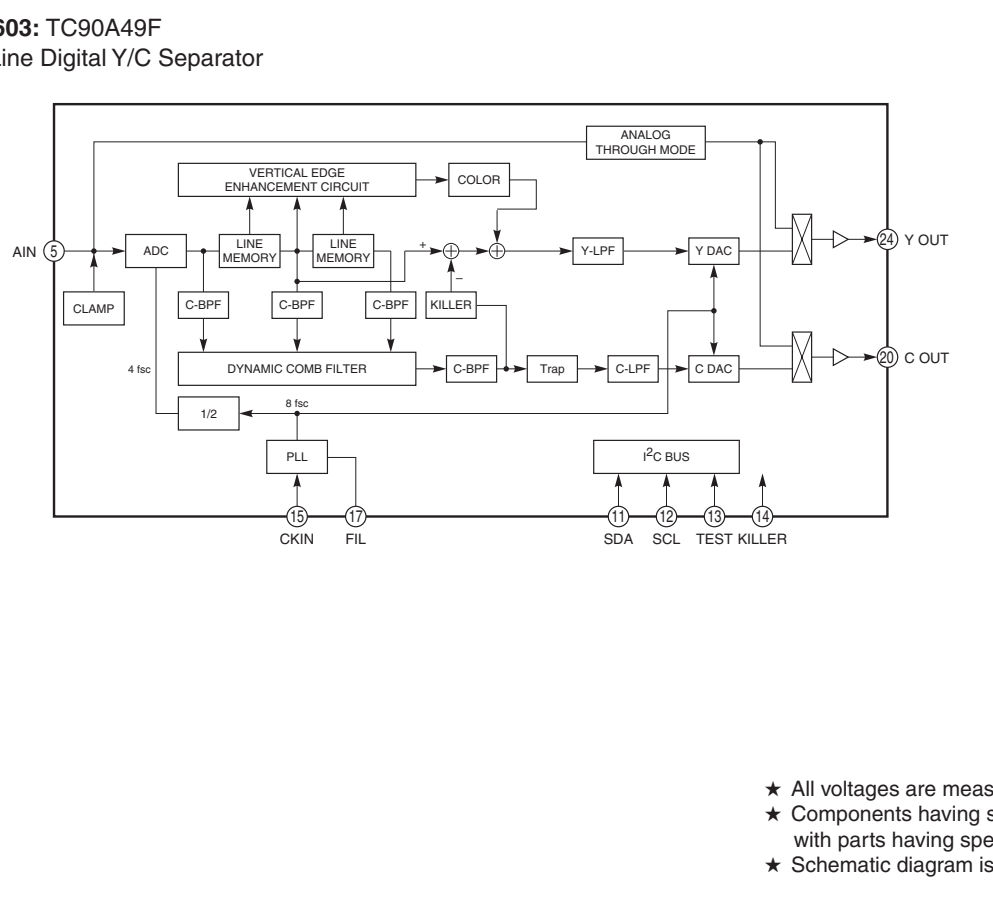
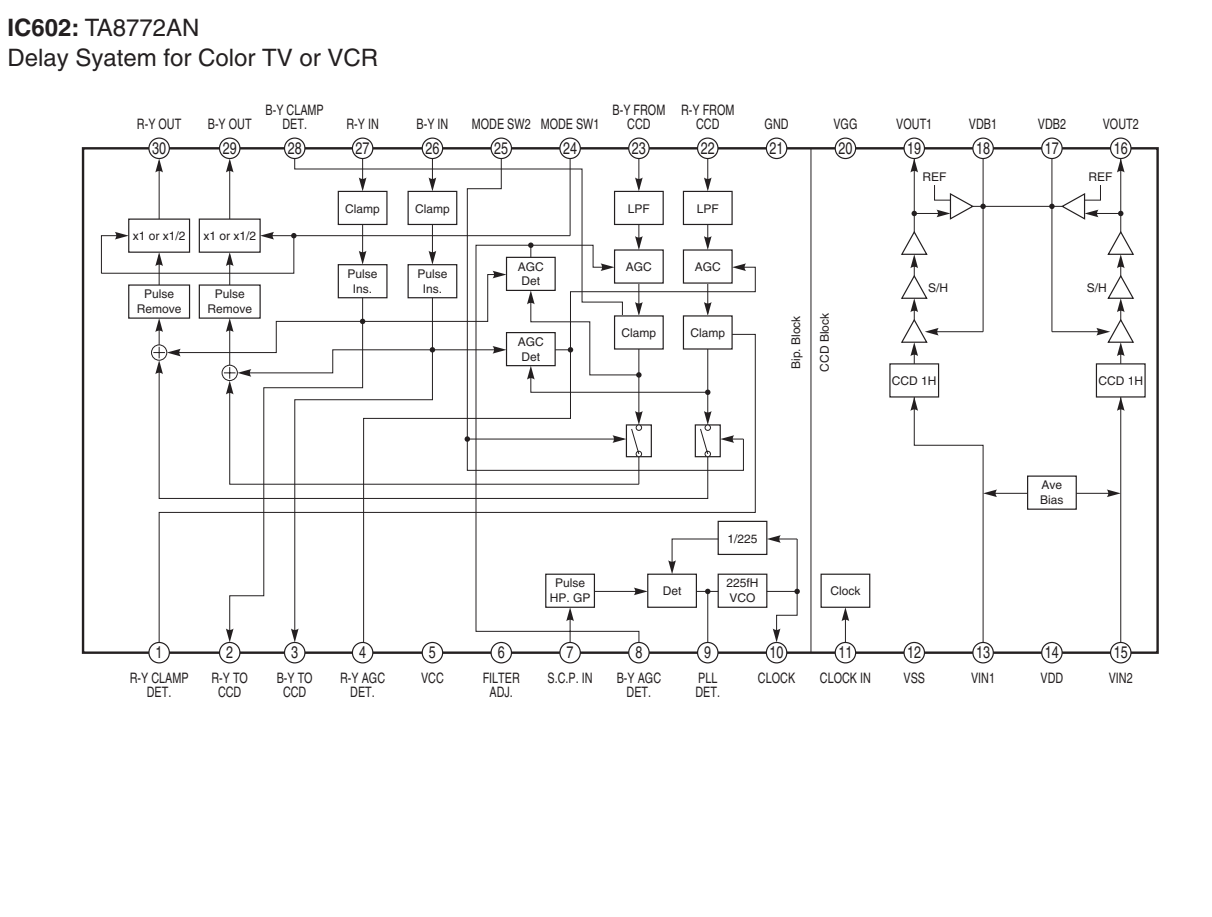
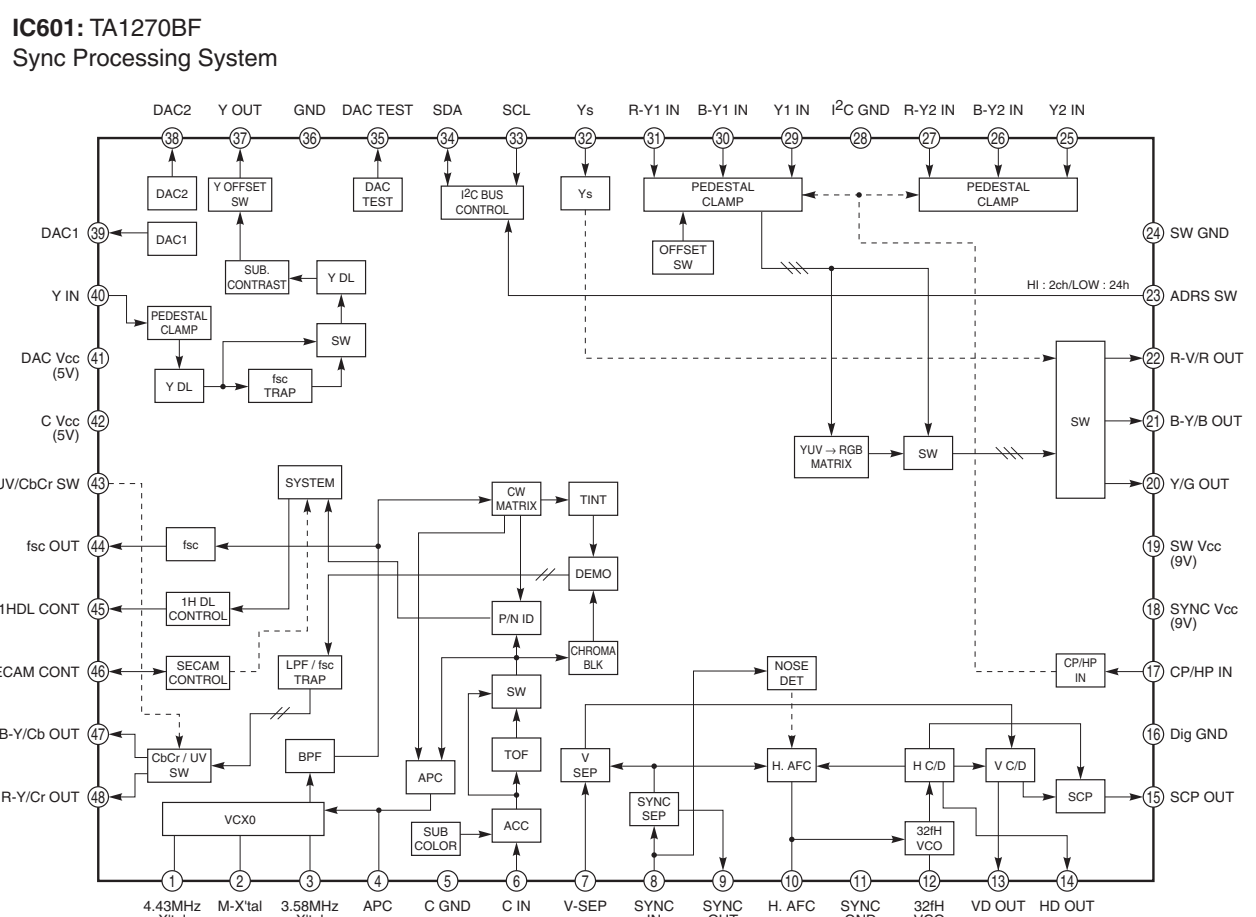
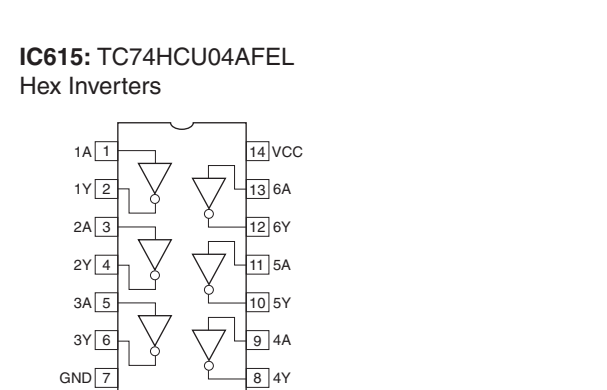
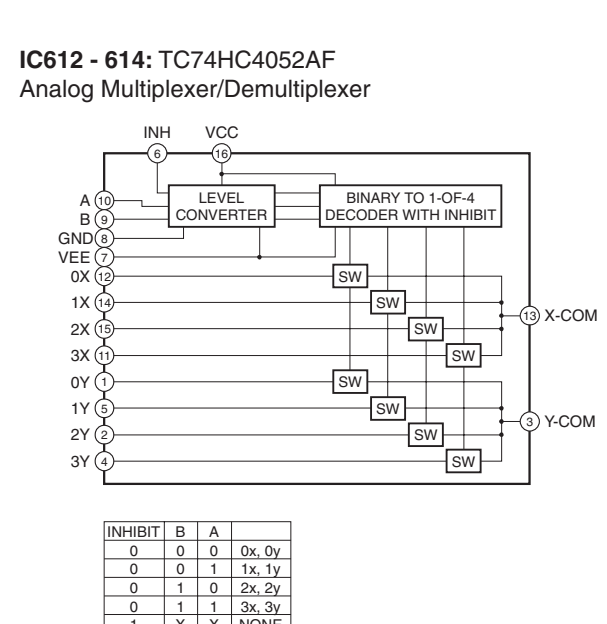
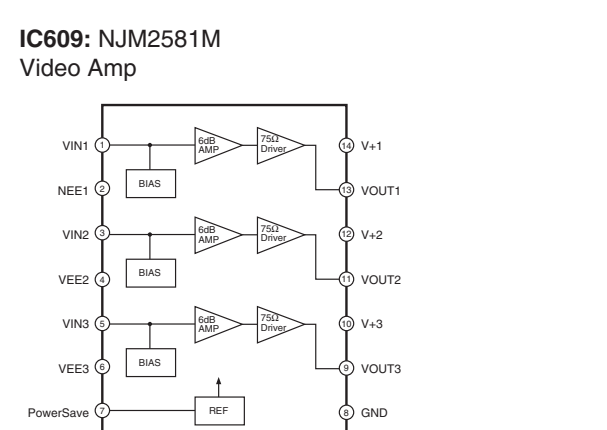
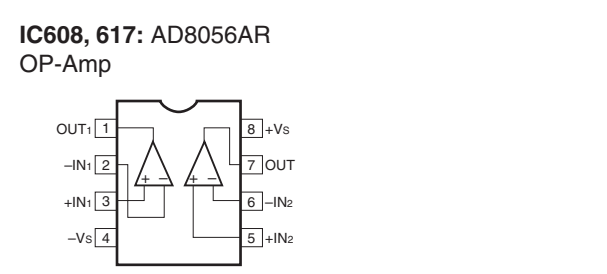
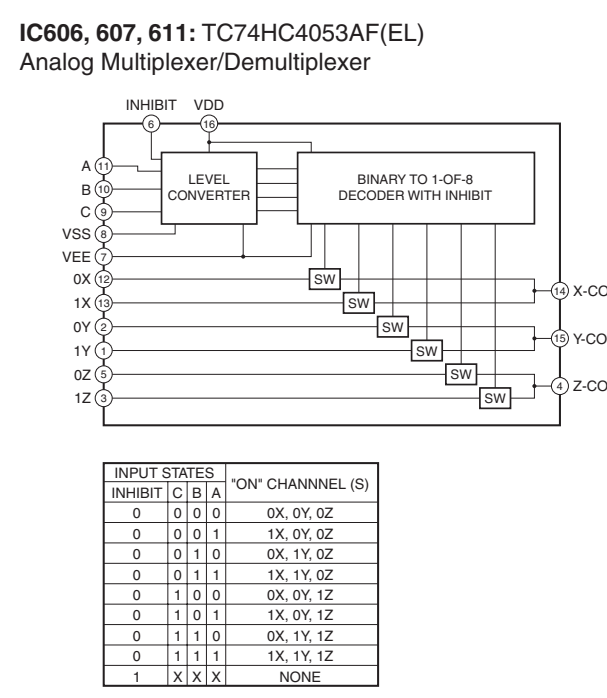
10	U.S.A
11	JAPAN
12	EUROPE
13	CHINA
14	KOREA
15	INDONESIA
16	TAIWAN
17	THAILAND
18	PHILIPPINES
19	SINGAPORE
20	SOUTH KOREA
21	SOUTH AFRICA
22	INDIA
23	NETHERLANDS
24	GERMANY
25	FRANCE
26	ITALY
27	SPAIN
28	UK
29	IRELAND
30	NETHERLANDS
31	GERMANY
32	FRANCE
33	ITALY
34	SPAIN
35	UK
36	IRELAND
37	NETHERLANDS
38	GERMANY
39	FRANCE
40	ITALY
41	SPAIN
42	UK
43	IRELAND
44	NETHERLANDS
45	GERMANY
46	FRANCE
47	ITALY
48	SPAIN
49	UK
50	IRELAND

CAPACITOR PARTS NAME

10	U.S.A
11	JAPAN
12	EUROPE
13	CHINA
14	KOREA
15	INDONESIA
16	TAIWAN
17	THAILAND
18	PHILIPPINES
19	SINGAPORE
20	SOUTH KOREA
21	SOUTH AFRICA
22	INDIA
23	NETHERLANDS
24	GERMANY
25	FRANCE
26	ITALY
27	SPAIN
28	UK
29	IRELAND
30	NETHERLANDS
31	GERMANY
32	FRANCE
33	ITALY
34	SPAIN
35	UK
36	IRELAND
37	NETHERLANDS
38	GERMANY
39	FRANCE
40	ITALY
41	SPAIN
42	UK
43	IRELAND
44	NETHERLANDS
45	GERMANY
46	FRANCE
47	ITALY
48	SPAIN
49	UK
50	IRELAND

IC601: TA1270BF Sync Processing System

Part No.	Model	U.S.A	JAPAN	EUROPE	CHINA	KOREA	INDONESIA	TAIWAN	PHILIPPINES	SINGAPORE	SOUTH KOREA	SOUTH AFRICA	INDIA	NETHERLANDS	GERMANY	FRANCE	ITALY	SPAIN	UK	IRELAND	NETHERLANDS	GERMANY	FRANCE	ITALY	SPAIN	UK	IRELAND	
901	TA1270BF																											
902	TA1270BF																											
903	TA1270BF																											
904	TA1270BF																											
905	TA1270BF																											
906	TA1270BF																											
907	TA1270BF																											
908	TA1270BF																											
909	TA1270BF																											
910	TA1270BF																											
911	TA1270BF																											
912	TA1270BF																											
913	TA1270BF																											
914	TA1270BF																											
915	TA1270BF																											
916	TA1270BF																											
917	TA1270BF																											
918	TA1270BF																											
919	TA1270BF																											
920	TA1270BF																											
921	TA1270BF																											
922	TA1270BF																											
923	TA1270BF																											
924	TA1270BF																											
925	TA1270BF																											
926	TA1270BF																											
927	TA1270BF																											
928	TA1270BF																											
929	TA1270BF																											
930	TA1270BF																											



\* All voltages are measured with a 10MΩ/V dc electronic volt meter.  
 \* Components having special characteristics are marked with a triangle (▲) and must be replaced with parts having specifications equal to those originally installed.  
 \* Schematic diagram is subject to change without notice.

● 電圧は、内部抵抗10MΩの電圧計で測定したものです。  
 ● ▲印のある部品は、安全性確保部品を示しています。部品の交換が必要な場合、パーツリストに記載されている部品を使用してください。  
 ● 本回路図は標準回路図です。改良のため予告なく変更することがございます。

# PARTS LIST

## ■ ELECTRICAL PARTS

### ■ WARNING

- Components having special characteristics are marked  $\triangle$  and must be replaced with parts having specifications equal to those originally installed.

- $\triangle$ 印のある部分は、安全確保部品を示しています。部品の交換が必要な場合、パーツリストに記載されている部品を使用してください。
- 部品価格ランクは、予告なく変更することがあります。

### ABBREVIATIONS IN THIS LIST ARE AS FOLLOWS:

C.A.EL.CHP	: CHIP ALUMI.ELECTROLYTIC CAP	L.EMIT	: LIGHT EMITTING MODULE
C.CE	: CERAMIC CAP	LED.DSPLY	: LED DISPLAY
C.CE.ARRAY	: CERAMIC CAP ARRAY	LED.INFRD	: LED,INFRARED
C.CE.CHP	: CHIP CERAMIC CAP	MODUL.RF	: MODULATOR,RF
C.CE.ML	: MULTILAYER CERAMIC CAP	PHOT.CPL	: PHOTO COUPLER
C.CE.M.CHP	: CHIP MULTILAYER CERAMIC CAP	PHOT.INTR	: PHOTO INTERRUPTER
C.CE.SAFTY	: RECOGNIZED CERAMIC CAP	PHOT.RFLCT	: PHOTO REFLECTOR
C.CE.TUBLR	: CERAMIC TUBULAR CAP	PIN.TEST	: PIN,TEST POINT
C.CE.SMI	: SEMI CONDUCTIVE CERAMIC CAP	PLST.RIVET	: PLASTIC RIVET
C.EL	: ELECTROLYTIC CAP	R.ARRAY	: RESISTOR ARRAY
C.MICA	: MICA CAP	R.CAR.	: CARBON RESISTOR
C.ML.FLM	: MULTILAYER FILM CAP	R.CAR.CHP	: CHIP RESISTOR
C.MP	: METALLIZED PAPER CAP	R.CAR.FP	: FLAME PROOF CARBON RESISTOR
C.MYLAR	: MYLAR FILM CAP	R.FUS	: FUSABLE RESISTOR
C.MYLAR.ML	: MULTILAYER MYLAR FILM CAP	R.MTL.CHP	: CHIP METAL FILM RESISTOR
C.PAPER	: PAPER CAPACITOR	R.MTL.FLM	: METAL FILM RESISTOR
C.PLS	: POLYSTYRENE FILM CAP	R.MTL.OXD	: METAL OXIDE FILM RESISTOR
C.POL	: POLYESTER FILM CAP	R.MTL.PLAT	: METAL PLATE RESISTOR
C.POLY	: POLYETHYLENE FILM CAP	RSNR.CE	: CERAMIC RESONATOR
C.PP	: POLYPROPYLENE FILM CAP	RSNR.CRYS	: CRYSTAL RESONATOR
C.TNTL	: TANTALUM CAP	R.TW.CEM	: TWIN CEMENT FIXED RESISTOR
C.TNTL.CHP	: CHIP TANTALUM CAP	R.WW	: WIRE WOUND RESISTOR
C.TRIM	: TRIMMER CAP	SCR.BND.HD	: BIND HEAD B-TITE SCREW
CN	: CONNECTOR	SCR.BW.HD	: BW HEAD TAPPING SCREW
CN.BS.PIN	: CONNECTOR,BASE PIN	SCR.CUP	: CUP TITE SCREW
CN.CANNON	: CONNECTOR,CANNON	SCR.TERM	: SCREW TERMINAL
CN.DIN	: CONNECTOR,DIN	SCR.TR	: SCREW,TRANSISTOR
CN.FLAT	: CONNECTOR,FLAT CABLE	SUPRT.PCB	: SUPPORT,P.C.B.
CN.POST	: CONNECTOR,BASE POST	SURG.PRTCT	: SURGE PROTECTOR
COIL.MX.AM	: COIL,AM MIX	SW.TACT	: TACT SWITCH
COIL.AT.FM	: COIL,FM ANTENNA	SW.LEAF	: LEAF SWITCH
COIL.DT.FM	: COIL,FM DETECT	SW.LEVER	: LEVER SWITCH
COIL.MX.FM	: COIL,FM MIX	SW.MICRO	: MICRO SWITCH
COIL.OUTPT	: OUTPUT COIL	SW.PUSH	: PUSH SWITCH
DIOD.ARRAY	: DIODE ARRAY	SW.RT.ENC	: ROTARY ENCODER
DIODE.BRG	: DIODE BRIDGE	SW.RT.MTR	: ROTARY SWITCH WITH MOTOR
DIODE.CHP	: CHIP DIODE	SW.RT	: ROTARY SWITCH
DIODE.VAR	: VARACTOR DIODE	SW.SLIDE	: SLIDE SWITCH
DIOD.Z.CHP	: CHIP ZENER DIODE	TERM.SP	: SPEAKER TERMINAL
DIODE.ZENR	: ZENER DIODE	TERM.WRAP	: WRAPPING TERMINAL
DSCR.CE	: CERAMIC DISCRIMINATOR	THRMST.CHP	: CHIP THERMISTOR
FER.BEAD	: FERRITE BEADS	TR.CHP	: CHIP TRANSISTOR
FER.CORE	: FERRITE CORE	TR.DGT	: DIGITAL TRANSISTOR
FET.CHP	: CHIP FET	TR.DGT.CHP	: CHIP DIGITAL TRANSISTOR
FL.DSPLY	: FLUORESCENT DISPLAY	TRANS	: TRANSFORMER
FLTR.CE	: CERAMIC FILTER	TRANS.PULS	: PULSE TRANSFORMER
FLTR.COMB	: COMB FILTER MODULE	TRANS.PWR	: POWER TRANSFORMER ASS'Y
FLTR.LC.RF	: LC FILTER,EMI	TUNER.AM	: TUNER PACK,AM
GND.MTL	: GROUND PLATE	TUNER.FM	: TUNER PACK,FM
GND.TERM	: GROUND TERMINAL	TUNER.PK	: FRONT-ENDTUNER PACK
HOLDER.FUS	: FUSE HOLDER	VR	: ROTARY POTENTIOMETER
IC.PRTCT	: IC PROTECTOR	VR.MTR	: POTENTIOMETER WITH MOTOR
JUMPER.CN	: JUMPER CONNECTOR	VR.SW	: POTENTIOMETER WITH ROTARY SW
JUMPER.TST	: JUMPER,TEST POINT	VR.SLIDE	: SLIDE POTENTIOMETER
L.DTCT	: LIGHT DETECTING MODULE	VR.TRIM	: TRIMMER POTENTIOMETER



## P.C.B. DSP

Schm Ref.	PART NO.	Description	Remarks	Markets	部 品 名	Rank
*	WD650000	P. C. B.	DSP	J	P C B D S P	
*	WD650100	P. C. B.	DSP	UCRTKABGL	P C B D S P	
	CB502	VB858300 CN. BS. PIN	4P		コネクタベースポスト	01
	CB503	VQ045300 CN. BS. PIN	23P		F F Cコネクター	01
	CB505	VQ047400 CN. BS. PIN	19P		F F Cコネクター	01
	CB506	LB919020 CN. BS. PIN	2P		ベース付ポスト	01
	C513	UR237220 C. EL	22uF 16V		ケミコン	
	C514	UR237220 C. EL	22uF 16V		ケミコン	
	C515	UR237220 C. EL	22uF 16V		ケミコン	
	C516	UR238100 C. EL	100uF 16V		ケミコン	
*	C518	UU247470 C. EL	47uF 25V		ケミコン FW	
	C521	UR238100 C. EL	100uF 16V		ケミコン	
	C524	UR237470 C. EL	47uF 16V		ケミコン	
	C528	UR238100 C. EL	100uF 16V		ケミコン	
	C541	UR238100 C. EL	100uF 16V		ケミコン	
	C546	UA654680 C. MYLAR	0.068uF 50V		マイラーコン	02
	C547	UA653100 C. MYLAR	1000pF 50V		マイラーコン	03
	C552	UR238100 C. EL	100uF 16V		ケミコン	
	C558	UR238100 C. EL	100uF 16V		ケミコン	
*	C562	UU267470 C. EL	47uF 50V		ケミコン FW	01
*	C564	UU267470 C. EL	47uF 50V		ケミコン FW	01
	C565	UR238100 C. EL	100uF 16V		ケミコン	
*	C584	UU219100 C. EL	1000uF 6.3V		ケミコン FW	01
*	C587	UU267470 C. EL	47uF 50V		ケミコン FW	01
	C589	UR237100 C. EL	10uF 16V		ケミコン	
	C618	UU267100 C. EL	10uF 50V		ケミコン FW	01
	C628	UR237100 C. EL	10uF 16V		ケミコン	
	C662	UR237470 C. EL	47uF 16V		ケミコン	
	C704	UR238100 C. EL	100uF 16V		ケミコン	
	C705	UR238100 C. EL	100uF 16V		ケミコン	
	C709	UR238100 C. EL	100uF 16V		ケミコン	
	C716	UR237100 C. EL	10uF 16V		ケミコン	
	C723	UR238100 C. EL	100uF 16V		ケミコン	
	C724	UR238100 C. EL	100uF 16V		ケミコン	
	C732	UR237100 C. EL	10uF 16V		ケミコン	
	C746	UR237470 C. EL	47uF 16V		ケミコン	
	C747	UR237470 C. EL	47uF 16V		ケミコン	
	C748	UR266220 C. EL	2.2uF 50V		ケミコン	
	C750	UR237100 C. EL	10uF 16V		ケミコン	
	C751	UR237100 C. EL	10uF 16V		ケミコン	
	C752	UR237220 C. EL	22uF 16V		ケミコン	
	C753	UR237220 C. EL	22uF 16V		ケミコン	
	C756	UR237470 C. EL	47uF 16V		ケミコン	
	C757	UR237470 C. EL	47uF 16V		ケミコン	
*	C758	UU267470 C. EL	47uF 50V		ケミコン FW	01
*	C763	UU247470 C. EL	47uF 25V		ケミコン FW	
	C766	UR237470 C. EL	47uF 16V		ケミコン	
	C767	UR237470 C. EL	47uF 16V		ケミコン	
*	C769	UR238100 C. EL	100uF 16V		ケミコン	
	C770	UA652560 C. MYLAR	560pF 50V		マイラーコン	02
	C771	UA652560 C. MYLAR	560pF 50V		マイラーコン	02
	C772	UA652560 C. MYLAR	560pF 50V		マイラーコン	02
	C773	UA652560 C. MYLAR	560pF 50V		マイラーコン	02
	C774	UA652560 C. MYLAR	560pF 50V		マイラーコン	02

\* New Parts \* 新規部品

## P.C.B. DSP

Schm Ref.	PART NO.	Description	Remarks	Markets	部 品 名	Rank	
C775	UA653390	C. MYLAR	3900pF	50V		マイラーコン	01
C776	UA653390	C. MYLAR	3900pF	50V		マイラーコン	01
C777	UA653390	C. MYLAR	3900pF	50V		マイラーコン	01
C778	UA653390	C. MYLAR	3900pF	50V		マイラーコン	01
C779	UA653390	C. MYLAR	3900pF	50V		マイラーコン	01
C780	UA654680	C. MYLAR	0.068uF	50V		マイラーコン	02
C781	UA654680	C. MYLAR	0.068uF	50V		マイラーコン	02
C782	UA653390	C. MYLAR	3900pF	50V		マイラーコン	01
C783	UA653390	C. MYLAR	3900pF	50V		マイラーコン	01
C784	UA654100	C. MYLAR	0.01uF	50V		マイラーコン	01
C785	UA654100	C. MYLAR	0.01uF	50V		マイラーコン	01
C786	UA652330	C. MYLAR	330pF	50V		マイラーコン	01
C787	UA652330	C. MYLAR	330pF	50V		マイラーコン	01
C788	UA652330	C. MYLAR	330pF	50V		マイラーコン	01
C789	UA652330	C. MYLAR	330pF	50V		マイラーコン	01
C790	UA652330	C. MYLAR	330pF	50V		マイラーコン	01
C791	UA654220	C. MYLAR	0.022uF	50V		マイラーコン	01
C792	UA654220	C. MYLAR	0.022uF	50V		マイラーコン	01
C793	UA652390	C. MYLAR	390pF	50V		マイラーコン	01
C794	UA652390	C. MYLAR	390pF	50V		マイラーコン	01
C795	UA652390	C. MYLAR	390pF	50V		マイラーコン	01
C796	UA652390	C. MYLAR	390pF	50V		マイラーコン	01
C797	UA652330	C. MYLAR	330pF	50V		マイラーコン	01
C798	UA652330	C. MYLAR	330pF	50V		マイラーコン	01
C799	UA652330	C. MYLAR	330pF	50V		マイラーコン	01
C800	UA652330	C. MYLAR	330pF	50V		マイラーコン	01
C801	UA652330	C. MYLAR	330pF	50V		マイラーコン	01
C802	UA654220	C. MYLAR	0.022uF	50V		マイラーコン	01
C803	UA654220	C. MYLAR	0.022uF	50V		マイラーコン	01
C804	UA652390	C. MYLAR	390pF	50V		マイラーコン	01
C805	UA652390	C. MYLAR	390pF	50V		マイラーコン	01
C806	UA652390	C. MYLAR	390pF	50V		マイラーコン	01
C807	UA652390	C. MYLAR	390pF	50V		マイラーコン	01
* C819	UU267100	C. EL	10uF	50V		ケミコン FW	01
* C820	UU267100	C. EL	10uF	50V		ケミコン FW	01
* C821	UU267100	C. EL	10uF	50V		ケミコン FW	01
* C822	UU267100	C. EL	10uF	50V		ケミコン FW	01
* C823	UU267100	C. EL	10uF	50V		ケミコン FW	01
* C824	UU267100	C. EL	10uF	50V		ケミコン FW	01
* C825	UU267100	C. EL	10uF	50V		ケミコン FW	01
C826	UR237100	C. EL	10uF	16V		ケミコン	
C827	UR237100	C. EL	10uF	16V		ケミコン	
* C828	UU267100	C. EL	10uF	50V		ケミコン FW	01
* C829	UU267100	C. EL	10uF	50V		ケミコン FW	01
C842	UR257470	C. EL	47uF	35V		ケミコン	01
C843	UR257470	C. EL	47uF	35V		ケミコン	01
C846	UR257470	C. EL	47uF	35V		ケミコン	01
C847	UR257470	C. EL	47uF	35V		ケミコン	01
C850	UR257470	C. EL	47uF	35V		ケミコン	01
C851	UR257470	C. EL	47uF	35V		ケミコン	01
D501	VT332900	D1ODE	1SS355			ダイオード	01
D502	VT332900	D1ODE	1SS355			ダイオード	01
D503	VT332900	D1ODE	1SS355			ダイオード	01
D504	VT332900	D1ODE	1SS355			ダイオード	01

\* New Parts \* 新規部品

## P.C.B. DSP

Schm Ref.	PART NO.	Description	Remarks	Markets	部 品 名	Rank
D508	VT332900	D10DE	1SS355		ダイオード	01
D509	VT332900	D10DE	1SS355		ダイオード	01
D701	VV220700	D10DE. SHOT	RB501V-40		ショットキーダイオード	01
D702	VV220700	D10DE. SHOT	RB501V-40		ショットキーダイオード	01
D703	VV220700	D10DE. SHOT	RB501V-40		ショットキーダイオード	01
D704	VV220700	D10DE. SHOT	RB501V-40		ショットキーダイオード	01
D705	VV220700	D10DE. SHOT	RB501V-40		ショットキーダイオード	01
D706	VV220700	D10DE. SHOT	RB501V-40		ショットキーダイオード	01
IC501	X3936A00	IC	SN74LVU04APWR		ロジックIC	
IC502	X3018A00	IC	SN74AHCT00PWR NAND		ロジックIC TSOP	01
* IC504	XN518A00	IC	SN74LS151NSR 8-1 S		ロジックIC	04
* IC505	XN518A00	IC	SN74LS151NSR 8-1 S		ロジックIC	04
IC506	X3566A00	IC	LC89057W-VF4-E		IC	05
IC507	X4314A00	IC	PQ012FZ01ZP 1.2V1A		電源IC QFP	04
IC508	XZ003A00	IC	PQ025EZ5MZPH 2.5V		電源IC QFP	03
IC509	XU965A00	IC	uPC29M33T-E1 3.3V		電源IC	03
IC510	X2080A00	IC	SN74AHCT1G32DCKR		ロジックIC	01
IC511	X3824A00	IC	SN74AHCT08PWR		ロジックIC	01
IC513	X3693A00	IC	SN74LV245APWR TRAN		ロジックICTSSOP	
IC514	X0293A00	IC	74VHC157MTCX		ロジックICTSSOP	02
IC515	X2590A00	IC	W981616BH-7 SDRAM		メモリIC 16M	
IC516	X3567A00	IC	YSS930-SZ		IC	08
IC517	XV077B00	IC	MSM514260E-60J3R1		メモリIC 4M	07
IC518	X3567A00	IC	YSS930-SZ		IC	08
* IC519	X5219A00	IC	AK5381VT-E2		A/Dコンバータ	05
IC520	X3505A00	IC	NJM2068MD-TE2		アンプIC SOP	02
IC522	X0661A00	IC	AK4382AVT		IC	07
IC523	X0661A00	IC	AK4382AVT		IC	07
IC524	X4289A00	IC	AK4358VQ		IC	
IC525	X5482A00	IC	NE5532DR		アンプIC SOP	
IC526	X5482A00	IC	NE5532DR		アンプIC SOP	
IC527	X5482A00	IC	NE5532DR		アンプIC SOP	
IC528	X3505A00	IC	NJM2068MD-TE2		アンプIC SOP	02
IC529	X3505A00	IC	NJM2068MD-TE2		アンプIC SOP	02
IC530	X3505A00	IC	NJM2068MD-TE2		アンプIC SOP	02
IC532	X0293A00	IC	74VHC157MTCX		ロジックICTSSOP	02
* PJ501	WB824400	JACK. PIN	YKC21-4228N	J	ピンジャック 3P	04
PJ501	WB491400	JACK. PIN	3P MSD-253V-29 NI	UCRTKABGL	ピンジャック 3P	03
PN501	V9637500	PIN	L=70 #18		スタイルピン	
R504	HV753100	R. CAR. FP	1Ω 1/4W		不燃化カーボン抵抗	01
R505	HV753100	R. CAR. FP	1Ω 1/4W		不燃化カーボン抵抗	01
R515	V8070000	R. MTL. FLM	1Ω 1/4W		金属被膜抵抗	01
R516	V8070000	R. MTL. FLM	1Ω 1/4W		金属被膜抵抗	01
R523	V8070000	R. MTL. FLM	1Ω 1/4W		金属被膜抵抗	01
R555	V8070000	R. MTL. FLM	1Ω 1/4W		金属被膜抵抗	01
R562	HV753100	R. CAR. FP	1Ω 1/4W		不燃化カーボン抵抗	01
R732	HV753470	R. CAR. FP	4.7Ω 1/4W		不燃化カーボン抵抗	01
* R739	V8070100	R. MTL. FLM	2.2Ω 1W		金属被膜抵抗	
* R740	V8070100	R. MTL. FLM	2.2Ω 1W		金属被膜抵抗	
R747	V8070200	R. MTL. FLM	4.7Ω 1W		金属被膜抵抗	
* U501	WB920900	CN. RHOT. SN	1P GP1FA513TZ		光ファイバデータ端子	03
* U502	WB920900	CN. RHOT. SN	1P GP1FA513TZ		光ファイバデータ端子	03
U503	WB547900	CN. RHOT. SN	1P GP1FA513RZ		光ファイバ受信器	03
U504	WB547900	CN. RHOT. SN	1P GP1FA513RZ		光ファイバ受信器	03

\* New Parts \* 新規部品

## P.C.B. DSP &amp; P.C.B. FUNCTION

Schm Ref.	PART NO.	Description	Remarks	Markets	部 品 名	Rank
U505	WB547900	CN. RHOT. SN	1P GP1FA513RZ		光ファイバ受信器	03
U506	WB547900	CN. RHOT. SN	1P GP1FA513RZ		光ファイバ受信器	03
XL501	V6931900	RESONATOR	24.576MHz DS0751SV		水晶発振器	05
	WD650400	P. C. B.	FUNCTION	J	P C B ファンクション	
	WD650500	P. C. B.	FUNCTION	UC	P C B ファンクション	
	WD650600	P. C. B.	FUNCTION	RTKL	P C B ファンクション	
	WD650700	P. C. B.	FUNCTION	A	P C B ファンクション	
	WD650800	P. C. B.	FUNCTION	BG	P C B ファンクション	
	CB501	V7826100	CN		コネクタープラグ	01
	CB502	V7826100	CN		コネクタープラグ	01
	CB504	V7827800	SOCKET		コネクタースOCKET	
	CB505	V0961500	CN. BS. PIN		ハウジング	01
	CB506	V0961500	CN. BS. PIN		ハウジング	01
	CB507	V0044900	CN. BS. PIN		F F C コネクタ	01
	CB508	V7828400	SOCKET		コネクタースOCKET	
	CB510	V7828700	SOCKET		コネクタースOCKET	01
	CB511	V7828000	SOCKET		コネクタースOCKET	
	CB512	V7828000	SOCKET		コネクタースOCKET	
	CB514	V6509500	SOCKET		コネクタースOCKET	04
	CB515	VM929900	CN. BS. PIN	J	F P C コネクタ	01
	CB518	V0963300	CN. BS. PIN		ウエハー	01
	CB519	V0963300	CN. BS. PIN		ウエハー	01
	CB521	V0961500	CN. BS. PIN		ハウジング	01
	CB522	V0961500	CN. BS. PIN		ハウジング	01
	CB523	V7826300	CN		コネクタープラグ	
	CB527	VB858600	CN. BS. PIN		ベースピン	01
	CB529	LB919020	CN. BS. PIN		ベース付ポスト	01
	CB530	V8875600	CN		J E コネクタ	02
	CB531	V7827000	CN		コネクタープラグ	01
	CB532	VF982200	CN. BS. PIN		コネクタ	02
	CB533	V7826100	CN		コネクタープラグ	01
	CB536	V7826300	CN		コネクタープラグ	
	CB537	VM929900	CN. BS. PIN	UCRTKABGL	F P C コネクタ	01
	CB538	V7826300	CN		コネクタープラグ	
	CB539	V9357000	CN		J E コネクタ	
	CB543	V7827000	CN		コネクタープラグ	01
	CB544	V7826300	CN		コネクタープラグ	
	CB548	V7826700	CN		コネクタープラグ	
	CB551	V7826700	CN		コネクタープラグ	
	C556	UA652220	C. MYLAR		マイラーコン	01
	C559	UA652220	C. MYLAR		マイラーコン	01
	C588	UR237100	C. EL	UCABG	ケミコン	
	C589	UR237100	C. EL	UCABG	ケミコン	
	C593	UR237100	C. EL		ケミコン	
	C594	UR237100	C. EL		ケミコン	
	C598	UR238100	C. EL		ケミコン	
	C599	UR238100	C. EL		ケミコン	
	C609	UR237100	C. EL	UCABG	ケミコン	
	C610	UR237100	C. EL	UCABG	ケミコン	
	C615	UR237470	C. EL	UCABG	ケミコン	
	C616	UR237100	C. EL	UCABG	ケミコン	

\* New Parts \* 新規部品

P.C.B. FUNCTION

RX-V2500/  
DSP-AX2500

Schm Ref.	PART NO.	Description	Remarks	Markets	部 品 名	Rank	
C617	UR237100	C. EL	10uF 16V		UCABG ケミコン		
C618	UR237100	C. EL	10uF 16V		UCABG ケミコン		
C619	UR237100	C. EL	10uF 16V		UCABG ケミコン		
C620	UR267470	C. EL	47uF 50V		UCABG ケミコン		
C621	UR237100	C. EL	10uF 16V		UCABG ケミコン		
C622	UR237100	C. EL	10uF 16V		UCABG ケミコン		
C623	UR237470	C. EL	47uF 16V		UCABG ケミコン		
C624	UR267470	C. EL	47uF 50V		UCABG ケミコン		
* C627	UU238100	C. EL	100uF 16V		JBG ケミコン		
C627	UR267470	C. EL	47uF 50V		UCRTKAL ケミコン		
C628	UR267470	C. EL	47uF 50V			ケミコン	
* C629	UU238100	C. EL	100uF 16V		JBG ケミコン		
C629	UR237470	C. EL	47uF 16V		UCRTKAL ケミコン		
C630	UR266330	C. EL	3.3uF 50V			ケミコン	
C631	UR266330	C. EL	3.3uF 50V			ケミコン	
C632	UR267470	C. EL	47uF 50V			ケミコン	
C635	UR266470	C. EL	4.7uF 50V			ケミコン	
C636	UR266470	C. EL	4.7uF 50V			ケミコン	
C637	UR237100	C. EL	10uF 16V			ケミコン	
C638	UR237100	C. EL	10uF 16V			ケミコン	
C639	UR237100	C. EL	10uF 16V			ケミコン	
* C640	UU238100	C. EL	100uF 16V		JBG ケミコン		
C640	UR237470	C. EL	47uF 16V		UCRTKAL ケミコン		
C643	UR266470	C. EL	4.7uF 50V			ケミコン	
C644	UR266470	C. EL	4.7uF 50V			ケミコン	
C645	UR266470	C. EL	4.7uF 50V			ケミコン	
C646	UR237100	C. EL	10uF 16V			ケミコン	
C647	UR267470	C. EL	47uF 50V			ケミコン	
C649	UR237330	C. EL	33uF 16V			ケミコン	
C650	UR237100	C. EL	10uF 16V			ケミコン	
C651	UR237330	C. EL	33uF 16V			ケミコン	
C652	UR237330	C. EL	33uF 16V			ケミコン	
* C653	UU238100	C. EL	100uF 16V		JBG ケミコン		
* C653	UR257470	C. EL	47uF 35V		UCRTKAL ケミコン	01	
C654	UR267100	C. EL	10uF 50V			ケミコン	
C657	UR237330	C. EL	33uF 16V			ケミコン	
C660	UR237470	C. EL	47uF 16V			ケミコン	
C661	UR237470	C. EL	47uF 16V			ケミコン	
C662	UR237330	C. EL	33uF 16V			ケミコン	
C663	UR237100	C. EL	10uF 16V			ケミコン	
C664	UR237100	C. EL	10uF 16V			ケミコン	
C665	UR237330	C. EL	33uF 16V			ケミコン	
C666	UR237330	C. EL	33uF 16V			ケミコン	
C668	V9607800	C. PP	47pF 100V			PPコン	01
C669	V9607800	C. PP	47pF 100V			PPコン	01
C671	UR267470	C. EL	47uF 50V			ケミコン	
C672	UR267470	C. EL	47uF 50V			ケミコン	
C673	UR267470	C. EL	47uF 50V			ケミコン	
C674	UR267470	C. EL	47uF 50V			ケミコン	
C675	UR237100	C. EL	10uF 16V		JBG ケミコン		
C675	UR237220	C. EL	22uF 16V		UCRTKAL ケミコン		
C676	UR237100	C. EL	10uF 16V		JBG ケミコン		
C676	UR237220	C. EL	22uF 16V		UCRTKAL ケミコン		
C677	UR237100	C. EL	10uF 16V		JBG ケミコン		

\* New Parts \* 新規部品



## P.C.B. FUNCTION

Schm Ref.	PART NO.	Description	Remarks	Markets	部 品 名	Rank	
C677	UR237220	C. EL	22uF 16V		UCRTKAL	ケミコン	
C678	UR237100	C. EL	10uF 16V		JBG	ケミコン	
C678	UR237220	C. EL	22uF 16V		UCRTKAL	ケミコン	
C679	UR237220	C. EL	22uF 16V			ケミコン	
C680	UR237220	C. EL	22uF 16V			ケミコン	
C683	UR237100	C. EL	10uF 16V		JBG	ケミコン	
C683	UR237220	C. EL	22uF 16V		UCRTKAL	ケミコン	
C684	UR237100	C. EL	10uF 16V		JBG	ケミコン	
C684	UR237220	C. EL	22uF 16V		UCRTKAL	ケミコン	
C685	UR237470	C. EL	47uF 16V			ケミコン	
C688	UA652470	C. MYLAR	470pF 50V			マイラーコン	01
C689	UA652470	C. MYLAR	470pF 50V			マイラーコン	01
C690	UA652470	C. MYLAR	470pF 50V			マイラーコン	01
C691	UA652470	C. MYLAR	470pF 50V			マイラーコン	01
C692	VE326800	C. MYLAR. ML	0.47uF 50V			積層マイラーコン	01
C693	UA652470	C. MYLAR	470pF 50V			マイラーコン	01
C694	UA652470	C. MYLAR	470pF 50V			マイラーコン	01
C695	UA652470	C. MYLAR	470pF 50V			マイラーコン	01
C723	UR266220	C. EL	2.2uF 50V			ケミコン	
C724	UR237470	C. EL	47uF 16V			ケミコン	
C729	UR237470	C. EL	47uF 16V		BG	ケミコン	
C730	UR237470	C. EL	47uF 16V		BG	ケミコン	
C734	UR237470	C. EL	47uF 16V		BG	ケミコン	
C739	UR237220	C. EL	22uF 16V			ケミコン	
C740	UR237220	C. EL	22uF 16V			ケミコン	
D501	VU993700	D1ODE. ZENR	MA8068-L 6.6V		UCABG	ツェナーダイオード	
D502	VU993700	D1ODE. ZENR	MA8068-L 6.6V		UCABG	ツェナーダイオード	
D504	VU172000	D1ODE. ZENR	UDZS5.6BTE-17 5.6V			ツェナーダイオード	01
D506	VT332900	D1ODE	1SS355		UCABG	ダイオード	01
D507	VT332900	D1ODE	1SS355		UCABG	ダイオード	01
D508	VU993000	D1ODE. ZENR	MA8056-M 5.6V			ツェナーダイオード	01
D509	VU993700	D1ODE. ZENR	MA8068-L 6.6V			ツェナーダイオード	
D510	VU993700	D1ODE. ZENR	MA8068-L 6.6V			ツェナーダイオード	
IC358	XF291A00	IC	uPC4570G2		RTKABGL	IC	03
IC505	X5044A00	IC	NJU7311AM			アナログIC	
IC513	X3505A00	IC	NJM2068MD-TE2			アンプIC SOP	02
* IC515	X5574A00	IC	YAC526-EZE2		UCABG	IC アナログ	
* IC516	X5574A00	IC	YAC526-EZE2		UCABG	IC アナログ	
IC528	XZ545A00	IC	YAC520-EE2			IC	04
IC529	X4325A00	IC	YAC523-EVR2			IC, アナログ	06
IC530	X3505A00	IC	NJM2068MD-TE2			アンプIC SOP	02
IC532	XF291A00	IC	uPC4570G2			IC	03
IC533	XF291A00	IC	uPC4570G2			IC	03
IC534	XF291A00	IC	uPC4570G2			IC	03
IC541	X0082A00	IC	LC72722PM		BG	IC SOP	
IC542	XW863A00	IC	ADM202JRN-REEL7			IC	05
* PJ505	WD498200	JACK. PIN	RJ-1074*10-0553A		J	ピンジャック 6 P	04
* PJ505	WD498000	JACK. PIN	RJ-1074*10-0353A		UCRTKABGL	ピンジャック 6 P	
* PJ506	WD498500	JACK. PIN	RJ-1073*10-0551A		J	ピンジャック 4 P	03
* PJ506	WD498400	JACK. PIN	RJ-1073*10-0351A		UCRTKABGL	ピンジャック 4 P	
* PJ507	WD498500	JACK. PIN	RJ-1073*10-0551A		J	ピンジャック 4 P	03
* PJ507	WD498400	JACK. PIN	RJ-1073*10-0351A		UCRTKABGL	ピンジャック 4 P	
* PJ508	WD498400	JACK. PIN	RJ-1073*10-0351A		UCABG	ピンジャック 4 P	
* PJ509	WD498500	JACK. PIN	RJ-1073*10-0551A		J	ピンジャック 4 P	03

\* New Parts \* 新規部品

## P.C.B. FUNCTION

Schm Ref.	PART NO.	Description	Remarks	Markets	部 品 名	Rank
* PJ509	WD498400	JACK. PIN	RJ-1073*10-0351A		UCRTKABGL	ピンジャック 4 P
* PJ510	WD498800	JACK. PIN	RJ-1073*87-0551A		J	ピンジャック 4 P
* PJ510	WD498700	JACK. PIN	RJ-1073*87-0351A		UCRTKABGL	ピンジャック 4 P
PN501	V9637500	PIN	L=70 #18			スタイルピン
PN508	V9637500	PIN	L=70 #18			スタイルピン
PN509	V9637500	PIN	L=70 #18			スタイルピン
Q501	VZ725900	TR	2SD1938F S, T		UCABG	トランジスタ
Q502	VZ725900	TR	2SD1938F S, T		UCABG	トランジスタ
Q503	VZ725900	TR	2SD1938F S, T		UCABG	トランジスタ
Q506	VZ725900	TR	2SD1938F S, T		UCABG	トランジスタ
Q509	VZ725900	TR	2SD1938F S, T		UCABG	トランジスタ
Q510	VZ725900	TR	2SD1938F S, T		UCABG	トランジスタ
Q511	VZ725900	TR	2SD1938F S, T		UCABG	トランジスタ
Q512	VZ725900	TR	2SD1938F S, T		UCABG	トランジスタ
Q513	VP872700	TR	2SC4488 S, T		UCABG	トランジスタ
Q514	VP872600	TR	2SA1708 S, T		UCABG	トランジスタ
Q515	VP872700	TR	2SC4488 S, T			トランジスタ
Q516	VP872700	TR	2SC4488 S, T			トランジスタ
Q517	VP872600	TR	2SA1708 S, T			トランジスタ
Q520	VZ725900	TR	2SD1938F S, T			トランジスタ
Q521	VZ725900	TR	2SD1938F S, T			トランジスタ
Q522	VZ725900	TR	2SD1938F S, T			トランジスタ
Q523	VZ725900	TR	2SD1938F S, T			トランジスタ
Q526	VZ725900	TR	2SD1938F S, T			トランジスタ
Q527	VZ725900	TR	2SD1938F S, T			トランジスタ
Q528	VZ725900	TR	2SD1938F S, T			トランジスタ
Q529	VZ725900	TR	2SD1938F S, T			トランジスタ
Q530	VZ725900	TR	2SD1938F S, T			トランジスタ
Q531	VZ725900	TR	2SD1938F S, T			トランジスタ
Q532	VZ725900	TR	2SD1938F S, T			トランジスタ
Q533	VZ725900	TR	2SD1938F S, T			トランジスタ
Q534	VZ725900	TR	2SD1938F S, T			トランジスタ
Q535	VZ725900	TR	2SD1938F S, T			トランジスタ
Q536	VZ725900	TR	2SD1938F S, T			トランジスタ
Q537	VZ725900	TR	2SD1938F S, T			トランジスタ
Q538	VZ725900	TR	2SD1938F S, T			トランジスタ
Q539	VZ725900	TR	2SD1938F S, T			トランジスタ
Q540	VZ725900	TR	2SD1938F S, T			トランジスタ
Q541	VZ725900	TR	2SD1938F S, T			トランジスタ
Q542	VD303700	TR	2SC3326 A, B			トランジスタ
Q547	iC181510	TR	2SC1815 Y			トランジスタ
Q548	VD303700	TR	2SC3326 A, B		BG	トランジスタ
R669	HF355470	R. CAR	470Ω 1/2W		UCABG	カーボン抵抗
R670	HF355470	R. CAR	470Ω 1/2W		UCABG	カーボン抵抗
R671	HF355470	R. CAR	470Ω 1/2W		UCABG	カーボン抵抗
R672	HF355470	R. CAR	470Ω 1/2W		UCABG	カーボン抵抗
R719	HV753470	R. CAR. FP	4.7Ω 1/4W			不燃化カーボン抵抗
R739	VP939700	R. MTL. FLM	4.7Ω 1W			金属被膜抵抗
R740	VP939700	R. MTL. FLM	4.7Ω 1W			金属被膜抵抗
R754	HF355330	R. CAR	330Ω 1/2W			カーボン抵抗
R799	HF354470	R. CAR	47Ω 1/2W			カーボン抵抗
R800	HF354470	R. CAR	47Ω 1/2W			カーボン抵抗
R801	HF354470	R. CAR	47Ω 1/2W			カーボン抵抗
R802	HF354470	R. CAR	47Ω 1/2W			カーボン抵抗

\* New Parts \* 新規部品

## P.C.B. FUNCTION &amp; P.C.B. OPERATION

Schm Ref.	PART NO.	Description	Remarks	Markets	部 品 名	Rank
R803	HF354470	R. CAR	47Ω 1/2W		カーボン抵抗	
R804	HF354470	R. CAR	47Ω 1/2W		カーボン抵抗	
R805	HF354470	R. CAR	47Ω 1/2W		カーボン抵抗	
R806	HF354470	R. CAR	47Ω 1/2W		カーボン抵抗	
ST501	V4040500	SCR. TERM	M3		スクリュー/ターミナル	01
* XL501	V7556000	RSNR. CRYST	4.332MHz HC-49U	BG	水晶振動子	
* * *	WD655000	P. C. B.	OPERATION	JRTKL	P C B オペレーション	
	WD655100	P. C. B.	OPERATION	UCA	P C B オペレーション	
	WD655200	P. C. B.	OPERATION	BG	P C B オペレーション	
CB542	VB858600	CN. BS. PIN	7P		ベースピン	01
CB549	V7825900	CN	9P TE TUC SERIES		コネクタープラグ	
CB553	VQ045600	CN. BS. PIN	27P SE		F F Cコネクタ	03
CB901	VQ047200	CN. BS. PIN	9P		F F Cコネクタ	01
CB903	VM929900	CN. BS. PIN	15P		F P Cコネクタ	01
CB904	VP798200	CN. BS. PIN	24P		F F Cコネクタ	01
CB905	VB389900	CN. BS. PIN	3P		ベースピン	01
CB906	VB390000	CN. BS. PIN	4P		ベースピン	01
CB907	VQ047100	CN. BS. PIN	7P		F F Cコネクタ	01
CB908	VM923600	CN. BS. PIN	13P		F F Cコネクタ	01
C903	UM388100	C. EL	100uF 10V		ケミコン	01
C918	UR218330	C. EL	330uF 6.3V		ケミコン	
C928	UM397220	C. EL	22uF 25V		ケミコン	01
C929	UM397220	C. EL	22uF 25V		ケミコン	01
C931	UM397100	C. EL	10uF 16V		ケミコン	01
C932	UA653100	C. MYLAR	1000pF 50V		マイラーコン	03
C934	UA653100	C. MYLAR	1000pF 50V		マイラーコン	03
C935	UM397100	C. EL	10uF 16V		ケミコン	01
C936	UM397100	C. EL	10uF 16V		ケミコン	01
C939	UM387470	C. EL	47uF 16V		ケミコン	01
C940	UR237470	C. EL	47uF 16V		ケミコン	
C944	UA652100	C. MYLAR	100pF 50V		マイラーコン	01
C945	UA652100	C. MYLAR	100pF 50V		マイラーコン	01
C947	UA652100	C. MYLAR	100pF 50V		マイラーコン	01
C948	UA652100	C. MYLAR	100pF 50V		マイラーコン	01
C949	UM397220	C. EL	22uF 25V		ケミコン	01
C953	UR237100	C. EL	10uF 16V		ケミコン	
C954	UR237100	C. EL	10uF 16V		ケミコン	
C959	UM397100	C. EL	10uF 16V		ケミコン	01
C961	WB553000	C. EL	1000uF 16V		ケミコン V K	
C962	WB553000	C. EL	1000uF 16V		ケミコン V K	
D901	VU171500	DIODE. ZENR	UDZ 3.6BTE-17 3.6V		ツェナーダイオード	01
D902	VU171500	DIODE. ZENR	UDZ 3.6BTE-17 3.6V		ツェナーダイオード	01
D903	WB071400	LED	BE SLR343BBT		L E D	03
D904	V2598200	LED	SIR-505ST	UCABG	L E D	
D905	V2598200	LED	SIR-505ST	UCABG	L E D	
D906	VU171900	DIODE. ZENR	UDZ5.1B 5.1V		ツェナーダイオード	01
D907	VV307700	DIODE	1N4002S		ダイオード	01
D908	VV307700	DIODE	1N4002S		ダイオード	01
IC901	X2874A00	IC	M66003-0101FP FLD		アンプ I C	08
IC902	X2080A00	IC	SN74AHCT1G32DCKR		ロジック I C	01
IC903	XP844A00	IC	NJM4556AL		I C	02

\* New Parts \* 新規部品

## P.C.B. OPERATION

Schm Ref.	PART NO.	Description	Remarks	Markets	部 品 名	Rank
IC904	XF291A00	IC	uPC4570G2		IC	03
JK901	V9408200	JACK. PHONE	MSJ-064-05B GR		ホーンジャック	03
JK902	V2589500	CN	1P		ミニD I Nコネクタ	02
JK903	VJ726800	JACK. MNI			モノラルミニジャック	01
PJ901	V6222800	JACK. PIN	3P		ピンジャック	04
PN502	V9637500	PIN	L=70 #18		スタイルピン	
PN901	V9637500	PIN	L=70 #18		スタイルピン	
PN902	V9637500	PIN	L=70 #18		スタイルピン	
PN903	V9637500	PIN	L=70 #18		スタイルピン	
PN904	V9637500	PIN	L=70 #18		スタイルピン	
Q901	VV556400	TR	2SC2412K Q, R, S		トランジスタ	01
Q902	VV556400	TR	2SC2412K Q, R, S		トランジスタ	01
Q903	VV556400	TR	2SC2412K Q, R, S		トランジスタ	01
Q904	VV556400	TR	2SC2412K Q, R, S		トランジスタ	01
Q905	VV556400	TR	2SC2412K Q, R, S		トランジスタ	01
Q908	VV556400	TR	2SC2412K Q, R, S		トランジスタ	01
Q909	VV556400	TR	2SC2412K Q, R, S		トランジスタ	01
Q910	VV556400	TR	2SC2412K Q, R, S		トランジスタ	01
Q911	VD303700	TR	2SC3326 A, B		トランジスタ	01
Q912	VD303700	TR	2SC3326 A, B		トランジスタ	01
Q913	VV556400	TR	2SC2412K Q, R, S		トランジスタ	01
R901	HL005100	R. MTL. OXD	100Ω 1/2W		酸化金属被膜抵抗	
R902	HL005100	R. MTL. OXD	100Ω 1/2W		酸化金属被膜抵抗	
R968	HF355100	R. CAR	100Ω 1/2W		カーボン抵抗	
R969	HF355100	R. CAR	100Ω 1/2W		カーボン抵抗	
R992	HL005220	R. MTL. OXD	220Ω 1/2W		酸化金属被膜抵抗	
R993	HL005220	R. MTL. OXD	220Ω 1/2W		酸化金属被膜抵抗	
ST901	V4040500	SCR. TERM	M3		スクリュー/ターミナル	01
ST902	V4040500	SCR. TERM	M3		スクリュー/ターミナル	01
ST903	V4040500	SCR. TERM	M3		スクリュー/ターミナル	01
ST904	V4040500	SCR. TERM	M3		スクリュー/ターミナル	01
SW901	V4757100	SW. TACT	EVQ11A		タクトSW	01
SW902	V4757100	SW. TACT	EVQ11A		タクトSW	01
SW903	V4757100	SW. TACT	EVQ11A		タクトSW	01
SW904	V4757100	SW. TACT	EVQ11A		タクトSW	01
SW905	V4757100	SW. TACT	EVQ11A		タクトSW	01
SW906	V4757100	SW. TACT	EVQ11A		タクトSW	01
SW907	V4757100	SW. TACT	EVQ11A		タクトSW	01
SW908	V4757100	SW. TACT	EVQ11A		タクトSW	01
SW909	V9281300	SW. RT. ENC	EVEKD2F3024B		ロータリーエンコーダ	02
SW910	V9281200	SW. RT. ENC	EVEGC1F2512B		ロータリーエンコーダ	02
SW911	V4757100	SW. TACT	EVQ11A		タクトSW	01
SW912	V4757100	SW. TACT	EVQ11A		タクトSW	01
SW913	V4757100	SW. TACT	EVQ11A		タクトSW	01
SW914	V4757100	SW. TACT	EVQ11A		タクトSW	01
SW915	V4757100	SW. TACT	EVQ11A		タクトSW	01
SW916	V4757100	SW. TACT	EVQ11A		タクトSW	01
SW917	V4757100	SW. TACT	EVQ11A		タクトSW	01
SW918	V4757100	SW. TACT	EVQ11A	BG	タクトSW	01
SW919	V4757100	SW. TACT	EVQ11A	BG	タクトSW	01
SW920	V9281200	SW. RT. ENC	EVEGC1F2512B		ロータリーエンコーダ	02
SW921	V4757100	SW. TACT	EVQ11A	UCABG	タクトSW	01
SW922	V4757100	SW. TACT	EVQ11A	UCABG	タクトSW	01
SW923	WB544900	SW. RT. ENC	SDB161PH20FS-1-4		ロータリーエンコーダ	07

\* New Parts \* 新規部品



## P.C.B. OPERATION &amp; P.C.B. MAIN

Schm Ref.	PART NO.	Description	Remarks	Markets	部 品 名	Rank
SW924	V4757100	SW. TACT	EVQ11A		タクトSW	01
U901	V8210200	L. DTCT	GP1UD271XK		リモコン受光ユニット	03
U902	V7680700	CN. PHOT. SN	1P GP1FA512RZ		光ファイバ受信器	04
V901	WD507500	FL. DSPLY	17-BT-23GNK		蛍光表示管	09
	V6007000	SHEET			シート/FL	03
	V6007100	SPACER. FL	4.6/10/32		スペーサ FL	
	WD654500	P. C. B.	MAIN		P C B メイン	
	WD654600	P. C. B.	MAIN	J	P C B メイン	
	WD654700	P. C. B.	MAIN	UC	P C B メイン	
	WD654800	P. C. B.	MAIN	RTA	P C B メイン	
	WD654900	P. C. B.	MAIN	KBL	P C B メイン	
				G	P C B メイン	
CB205	V7825800	CN	8P TE TUC SERIES		コネクタープラグ	01
CB206	V7825500	CN	5P TE TUC SERIES		コネクタープラグ	01
CB208	LB918030	CN. BS. PIN	3P		ベース付ポスト	01
CB211	WB127100	CN. BS. PIN	3P TE XH		ベースツキポスト	
CB212	LB932060	CN. BS. PIN	6P		ベースポスト	01
CB215	VB390300	CN. BS. PIN	7P		ベースピン	01
CB216	LB918020	CN. BS. PIN	2P		ベース付ポスト	01
CB217	V7826100	CN	11P TE TUC SERIES		コネクタープラグ	01
CB218	V7825400	CN	4P TE TUC SERIES		コネクタープラグ	01
CB219	VB390400	CN. BS. PIN	8P		ベースピン	01
C201	VJ599100	C. CE. TUBLR	0.1uF 50V		円筒セラコン	01
C202	WE100900	C. PP	220pF 630V		PPコン	
C226	VJ599100	C. CE. TUBLR	0.1uF 50V		円筒セラコン	01
C234	WE100500	C. PP	100pF 630V		PPコン	
C235	UR267470	C. EL	47uF 50V		ケミコン	
C236	WE100500	C. PP	100pF 630V		PPコン	
C237	WE100500	C. PP	100pF 630V		PPコン	
C238	UR267470	C. EL	47uF 50V		ケミコン	
C239	WE100500	C. PP	100pF 630V		PPコン	
C240	WE100500	C. PP	100pF 630V		PPコン	
C241	UR267470	C. EL	47uF 50V		ケミコン	
C242	WE100500	C. PP	100pF 630V		PPコン	
C243	WE100500	C. PP	100pF 630V		PPコン	
C244	UR267470	C. EL	47uF 50V		ケミコン	
C245	WE100500	C. PP	100pF 630V		PPコン	
C246	WE100500	C. PP	100pF 630V		PPコン	
C247	UR267470	C. EL	47uF 50V		ケミコン	
C248	WE100500	C. PP	100pF 630V		PPコン	
C249	WE100500	C. PP	100pF 630V		PPコン	
C250	UR267470	C. EL	47uF 50V		ケミコン	
C251	WE100500	C. PP	100pF 630V		PPコン	
C252	WE100500	C. PP	100pF 630V		PPコン	
C253	UR267470	C. EL	47uF 50V		ケミコン	
C254	WE100500	C. PP	100pF 630V		PPコン	
C255	VR169100	C. MYLAR. ML	EC0-V1H394JL3		積層マイラーコン	01
C256	VR169100	C. MYLAR. ML	EC0-V1H394JL3		積層マイラーコン	01
C257	VR325300	C. MYLAR	0.047uF 100V	JKBGL	マイラーコン	01
C257	UA654470	C. MYLAR	0.047uF 50V	UCRTA	マイラーコン	01
C258	VR325300	C. MYLAR	0.047uF 100V	JKBGL	マイラーコン	01
C258	UA654470	C. MYLAR	0.047uF 50V	UCRTA	マイラーコン	01

\* New Parts \* 新規部品

P.C.B. MAIN

Schm Ref.	PART NO.	Description	Remarks	Markets	部 品 名	Rank
C259	UA654470	C. MYLAR	0.047uF 50V		マイラーコン	01
C260	UA654470	C. MYLAR	0.047uF 50V		マイラーコン	01
C261	VR325300	C. MYLAR	0.047uF 100V	JKBGL	マイラーコン	01
C261	UA654470	C. MYLAR	0.047uF 50V	UCRTA	マイラーコン	01
C262	VR325300	C. MYLAR	0.047uF 100V	JKBGL	マイラーコン	01
C262	UA654470	C. MYLAR	0.047uF 50V	UCRTA	マイラーコン	01
C263	VR325300	C. MYLAR	0.047uF 100V	JKBGL	マイラーコン	01
C263	UA654470	C. MYLAR	0.047uF 50V	UCRTA	マイラーコン	01
C264	UR297100	C. EL	10uF 100V		ケミコン	
C265	UR297100	C. EL	10uF 100V		ケミコン	
C266	UR297100	C. EL	10uF 100V		ケミコン	
C267	UR297100	C. EL	10uF 100V		ケミコン	
C268	UR297100	C. EL	10uF 100V		ケミコン	
C269	UR297100	C. EL	10uF 100V		ケミコン	
C270	UR266470	C. EL	4.7uF 50V		ケミコン	
* C271	UR267330	C. EL	33uF 50V	JKBGL	ケミコン	
C271	UR266470	C. EL	4.7uF 50V	UCRTA	ケミコン	
C275	UA654100	C. MYLAR	0.01uF 50V	UCRTKABGL	マイラーコン	01
C276	UA654100	C. MYLAR	0.01uF 50V	UCRTKABGL	マイラーコン	01
C277	UA654100	C. MYLAR	0.01uF 50V	UCRTKABGL	マイラーコン	01
C278	UA654100	C. MYLAR	0.01uF 50V	UCRTKABGL	マイラーコン	01
C279	UA654220	C. MYLAR	0.022uF 50V	UCRTKABGL	マイラーコン	01
C280	UA654100	C. MYLAR	0.01uF 50V	UCRTKABGL	マイラーコン	01
C281	UA654100	C. MYLAR	0.01uF 50V	UCRTKABGL	マイラーコン	01
* C283	WD925300	C. EL	15000pF 71V		ブロックケミコン	09
* C284	WD925300	C. EL	15000pF 71V		ブロックケミコン	09
C286	UR268330	C. EL	330uF 50V		ケミコン	
C287	UR268100	C. EL	100uF 50V		ケミコン	
C290	UA654220	C. MYLAR	0.022uF 50V	UCRTKABGL	マイラーコン	01
C291	UA654220	C. MYLAR	0.022uF 50V	UCRTKABGL	マイラーコン	01
C292	UA654220	C. MYLAR	0.022uF 50V	UCRTKABGL	マイラーコン	01
C293	UA654220	C. MYLAR	0.022uF 50V	UCRTKABGL	マイラーコン	01
C294	UA654220	C. MYLAR	0.022uF 50V	UCRTKABGL	マイラーコン	01
C295	UA654220	C. MYLAR	0.022uF 50V	UCRTKABGL	マイラーコン	01
C296	UA654100	C. MYLAR	0.01uF 50V	UCRTKABGL	マイラーコン	01
C297	UA654100	C. MYLAR	0.01uF 50V	UCRTKABGL	マイラーコン	01
C299	UA654100	C. MYLAR	0.01uF 50V	UCRTKABGL	マイラーコン	01
C300	UA654100	C. MYLAR	0.01uF 50V	UCRTKABGL	マイラーコン	01
C301	VR324900	C. MYLAR	0.1uF 100V	JKBGL	マイラーコン	01
C301	UA355100	C. MYLAR	0.1uF 50V	UCRTA	マイラーコン	01
C302	VR324900	C. MYLAR	0.1uF 100V	JKBGL	マイラーコン	01
C302	UA355100	C. MYLAR	0.1uF 50V	UCRTA	マイラーコン	01
C303	UA654220	C. MYLAR	0.022uF 50V	UCRTKABGL	マイラーコン	01
C304	UA654220	C. MYLAR	0.022uF 50V	UCRTKABGL	マイラーコン	01
C305	UA654100	C. MYLAR	0.01uF 50V	UCRTKABGL	マイラーコン	01
D207	VD631600	DIODE	1SS133, 176		ダイオード	01
D208	VD631600	DIODE	1SS133, 176		ダイオード	01
D209	VD631600	DIODE	1SS133, 176		ダイオード	01
D210	VD631600	DIODE	1SS133, 176		ダイオード	01
D211	VD631600	DIODE	1SS133, 176		ダイオード	01
D212	VD631600	DIODE	1SS133, 176		ダイオード	01
D213	VD631600	DIODE	1SS133, 176		ダイオード	01
D214	WA180300	DIODE	1SS244		ダイオード	01
D215	WA180300	DIODE	1SS244		ダイオード	01

\* New Parts \* 新規部品

RX-V2500/  
DSP-AX2500

## P.C.B. MAIN

Schm Ref.	PART NO.	Description	Remarks	Markets	部 品 名	Rank
D216	WA180300	DIODE	1SS244		ダイオード	01
D217	WA180300	DIODE	1SS244		ダイオード	01
D218	WA180300	DIODE	1SS244		ダイオード	01
D219	WA180300	DIODE	1SS244		ダイオード	01
D220	WA180300	DIODE	1SS244		ダイオード	01
D221	WA180300	DIODE	1SS244		ダイオード	01
D222	WA180300	DIODE	1SS244		ダイオード	01
D225	VG442600	DIODE. ZENR	MTZJ24C 24V		ツェナーダイオード	01
D227	VG442600	DIODE. ZENR	MTZJ24C 24V		ツェナーダイオード	01
D228	VG443700	DIODE. ZENR	MTZJ33B 33V		ツェナーダイオード	01
D231	VG442600	DIODE. ZENR	MTZJ24C 24V		ツェナーダイオード	01
D233	VG442600	DIODE. ZENR	MTZJ24C 24V		ツェナーダイオード	01
D235	VG442600	DIODE. ZENR	MTZJ24C 24V		ツェナーダイオード	01
D238	VG442600	DIODE. ZENR	MTZJ24C 24V		ツェナーダイオード	01
△ D240	VS997800	DIODE	1T2		ダイオード	01
△ D241	VS997800	DIODE	1T2		ダイオード	01
△ D242	VS997800	DIODE	1T2		ダイオード	01
△ D243	VS997800	DIODE	1T2		ダイオード	01
* △ D246	WD890200	DIODE. BRG	D15XBN20 30A 200V		ダイオードブリッジ	06
D247	VD631600	DIODE	1SS133, 176		ダイオード	01
D248	VD631600	DIODE	1SS133, 176		ダイオード	01
D249	VD631600	DIODE	1SS133, 176		ダイオード	01
D250	VD631600	DIODE	1SS133, 176		ダイオード	01
D251	VD631600	DIODE	1SS133, 176		ダイオード	01
D252	VD631600	DIODE	1SS133, 176		ダイオード	01
D253	VD631600	DIODE	1SS133, 176		ダイオード	01
G201	V5995800	PLATE. GND			アースプレート	
△ IC201	X0515A00	IC	LM61CIZ THERMAL		電源IC	03
△ IC202	X0515A00	IC	LM61CIZ THERMAL		電源IC	03
PN201	V9637500	PIN	L=70 #18		スタイルピン	
PN202	V9637500	PIN	L=70 #18		スタイルピン	
PN203	V9637500	PIN	L=70 #18		スタイルピン	
PN204	V9637500	PIN	L=70 #18		スタイルピン	
PN205	V9637500	PIN	L=70 #18		スタイルピン	
PN206	V9637500	PIN	L=70 #18		スタイルピン	
PN207	V9637500	PIN	L=70 #18		スタイルピン	
△ Q213	VK432900	TR	2SD1915F S, T		トランジスタ	01
△ Q214	VK432900	TR	2SD1915F S, T		トランジスタ	01
△ Q215	iC224030	TR	2SC2240 GR, BL		トランジスタ	01
△ Q216	iC224030	TR	2SC2240 GR, BL		トランジスタ	01
△ Q217	VK432900	TR	2SD1915F S, T		トランジスタ	01
△ Q218	VK432900	TR	2SD1915F S, T		トランジスタ	01
△ Q219	VK432900	TR	2SD1915F S, T		トランジスタ	01
△ Q220A	iX632610	TR	2SA1837 0, Y		トランジスタ	02
△ Q220C	iX632620	TR	2SC4793 0, Y		トランジスタ	02
△ Q221A	iX632610	TR	2SA1837 0, Y		トランジスタ	02
△ Q221C	iX632620	TR	2SC4793 0, Y		トランジスタ	02
△ Q222A	iX632610	TR	2SA1837 0, Y		トランジスタ	02
△ Q222C	iX632620	TR	2SC4793 0, Y		トランジスタ	02
△ Q223A	iX632610	TR	2SA1837 0, Y		トランジスタ	02
△ Q223C	iX632620	TR	2SC4793 0, Y		トランジスタ	02
△ Q224A	iX632610	TR	2SA1837 0, Y		トランジスタ	02
△ Q224C	iX632620	TR	2SC4793 0, Y		トランジスタ	02
△ Q225A	iX632610	TR	2SA1837 0, Y		トランジスタ	02

\* New Parts \* 新規部品

## P.C.B. MAIN

Schm Ref.	PART NO.	Description	Remarks	Markets	部 品 名	Rank
△	Q225C	iX632620 TR	2SC4793 0, Y		トランジスタ	02
* △	Q226	WD281200 TR. PAIR	2SA2151/C6011 OPY	JKBGL	ペアトランジスタ	07
△	Q226A	iX606460 TR	2SA1492 0, P, Y	UCRTA	トランジスタ	05
△	Q226C	iX606470 TR	2SC3856 0, P, Y	UCRTA	トランジスタ	05
* △	Q227	WD281200 TR. PAIR	2SA2151/C6011 OPY	JKBGL	ペアトランジスタ	07
△	Q227A	iX606460 TR	2SA1492 0, P, Y	UCRTA	トランジスタ	05
△	Q227C	iX606470 TR	2SC3856 0, P, Y	UCRTA	トランジスタ	05
* △	Q228	WD281200 TR. PAIR	2SA2151/C6011 OPY	JKBGL	ペアトランジスタ	07
△	Q228A	iX606460 TR	2SA1492 0, P, Y	UCRTA	トランジスタ	05
△	Q228C	iX606470 TR	2SC3856 0, P, Y	UCRTA	トランジスタ	05
* △	Q229	WD281200 TR. PAIR	2SA2151/C6011 OPY	JKBGL	ペアトランジスタ	07
△	Q229A	iX606460 TR	2SA1492 0, P, Y	UCRTA	トランジスタ	05
△	Q229C	iX606470 TR	2SC3856 0, P, Y	UCRTA	トランジスタ	05
* △	Q230	WD281200 TR. PAIR	2SA2151/C6011 OPY	JKBGL	ペアトランジスタ	07
△	Q230A	iX606460 TR	2SA1492 0, P, Y	UCRTA	トランジスタ	05
△	Q230C	iX606470 TR	2SC3856 0, P, Y	UCRTA	トランジスタ	05
* △	Q231	WD281200 TR. PAIR	2SA2151/C6011 OPY	JKBGL	ペアトランジスタ	07
△	Q231A	iX606460 TR	2SA1492 0, P, Y	UCRTA	トランジスタ	05
△	Q231C	iX606470 TR	2SC3856 0, P, Y	UCRTA	トランジスタ	05
* △	Q232	WD281200 TR. PAIR	2SA2151/C6011 OPY	JKBGL	ペアトランジスタ	07
△	Q232A	iX606460 TR	2SA1492 0, P, Y	UCRTA	トランジスタ	05
△	Q232C	iX606470 TR	2SC3856 0, P, Y	UCRTA	トランジスタ	05
△	Q233A	iX632610 TR	2SA1837 0, Y		トランジスタ	02
△	Q233C	iX632620 TR	2SC4793 0, Y		トランジスタ	02
	Q248	VP883100 TR	2SC1890A D, E		トランジスタ	01
	Q249	VP883100 TR	2SC1890A D, E		トランジスタ	01
	Q250	VP883100 TR	2SC1890A D, E		トランジスタ	01
	Q251	VP883100 TR	2SC1890A D, E		トランジスタ	01
	Q252	VP883100 TR	2SC1890A D, E		トランジスタ	01
	Q253	VP883100 TR	2SC1890A D, E		トランジスタ	01
	Q254	VP883100 TR	2SC1890A D, E		トランジスタ	01
	Q255	VP872700 TR	2SC4488 S, T		トランジスタ	01
	Q256	VP872700 TR	2SC4488 S, T		トランジスタ	01
	Q257	iA101510 TR	2SA1015 Y		トランジスタ	01
	Q258	VP872700 TR	2SC4488 S, T		トランジスタ	01
	Q261	VP872700 TR	2SC4488 S, T		トランジスタ	01
	Q262	VP872700 TR	2SC4488 S, T		トランジスタ	01
△	Q263	VR325600 TR	2SC2229 0, Y		トランジスタ	01
	Q264	VR325600 TR	2SC2229 0, Y		トランジスタ	01
△	Q265	VR325600 TR	2SC2229 0, Y		トランジスタ	01
△	Q266	VR325600 TR	2SC2229 0, Y		トランジスタ	01
△	Q267	VR325600 TR	2SC2229 0, Y		トランジスタ	01
△	Q268	VR325600 TR	2SC2229 0, Y		トランジスタ	01
△	Q269	VR325600 TR	2SC2229 0, Y		トランジスタ	01
* △	R201	V3943000 R. MTL. FLM	4.7Ω 1/2W		金属被膜抵抗	01
	R202	HV753470 R. CAR. FP	4.7Ω 1/4W	UCRTKABGL	不燃化カーボン抵抗	01
	R203	HV753470 R. CAR. FP	4.7Ω 1/4W	UCRTKABGL	不燃化カーボン抵抗	01
	R204	HV753470 R. CAR. FP	4.7Ω 1/4W	UCRTKABGL	不燃化カーボン抵抗	01
	R212	HV753470 R. CAR. FP	4.7Ω 1/4W	UCRTKABGL	不燃化カーボン抵抗	01
	R213	HV753470 R. CAR. FP	4.7Ω 1/4W	UCRTKABGL	不燃化カーボン抵抗	01
	R215	HV753470 R. CAR. FP	4.7Ω 1/4W	UCRTKABGL	不燃化カーボン抵抗	01
	R216	HV753470 R. CAR. FP	4.7Ω 1/4W	UCRTKABGL	不燃化カーボン抵抗	01
	R217	HV753470 R. CAR. FP	4.7Ω 1/4W	UCRTKABGL	不燃化カーボン抵抗	01
	R218	HV753470 R. CAR. FP	4.7Ω 1/4W	UCRTKABGL	不燃化カーボン抵抗	01

\* New Parts \* 新規部品



## P.C.B. MAIN

Schm Ref.	PART NO.	Description	Remarks	Markets	部 品 名	Rank	
△ R220	HV753100	R. CAR. FP	1Ω	1/4W		不燃化カーボン抵抗	01
△ R222	HV753100	R. CAR. FP	1Ω	1/4W		不燃化カーボン抵抗	01
△ R263	V3946100	R. MTL. OXD	2.7KΩ	1/2W		酸化金属被膜抵抗	01
△ R264	V3945100	R. MTL. OXD	390Ω	1/2W		酸化金属被膜抵抗	01
△ R265	V3945500	R. MTL. OXD	820Ω	1/2W		酸化金属被膜抵抗	01
△ R266	HV755120	R. CAR. FP	120Ω	1/4W		不燃化カーボン抵抗	01
△ R267	V3946100	R. MTL. OXD	2.7KΩ	1/2W		酸化金属被膜抵抗	01
△ R268	V3945100	R. MTL. OXD	390Ω	1/2W		酸化金属被膜抵抗	01
△ R269	V3945500	R. MTL. OXD	820Ω	1/2W		酸化金属被膜抵抗	01
△ R270	HV755120	R. CAR. FP	120Ω	1/4W		不燃化カーボン抵抗	01
△ R271	V3946100	R. MTL. OXD	2.7KΩ	1/2W		酸化金属被膜抵抗	01
△ R272	V3944900	R. MTL. OXD	270Ω	1/2W		酸化金属被膜抵抗	01
△ R273	V3945600	R. MTL. OXD	1KΩ	1/2W		酸化金属被膜抵抗	01
△ R274	HV755120	R. CAR. FP	120Ω	1/4W		不燃化カーボン抵抗	01
△ R275	V3946100	R. MTL. OXD	2.7KΩ	1/2W		酸化金属被膜抵抗	01
△ R276	V3944900	R. MTL. OXD	270Ω	1/2W		酸化金属被膜抵抗	01
△ R277	V3945600	R. MTL. OXD	1KΩ	1/2W		酸化金属被膜抵抗	01
△ R278	HV755120	R. CAR. FP	120Ω	1/4W		不燃化カーボン抵抗	01
△ R279	V3946100	R. MTL. OXD	2.7KΩ	1/2W		酸化金属被膜抵抗	01
△ R280	V3945100	R. MTL. OXD	390Ω	1/2W		酸化金属被膜抵抗	01
△ R281	V3945500	R. MTL. OXD	820Ω	1/2W		酸化金属被膜抵抗	01
△ R282	HV755120	R. CAR. FP	120Ω	1/4W		不燃化カーボン抵抗	01
△ R283	V3946100	R. MTL. OXD	2.7KΩ	1/2W		酸化金属被膜抵抗	01
△ R284	V3945100	R. MTL. OXD	390Ω	1/2W		酸化金属被膜抵抗	01
△ R285	V3945500	R. MTL. OXD	820Ω	1/2W		酸化金属被膜抵抗	01
△ R286	HV755120	R. CAR. FP	120Ω	1/4W		不燃化カーボン抵抗	01
△ R287	V3946100	R. MTL. OXD	2.7KΩ	1/2W		酸化金属被膜抵抗	01
△ R288	V3945100	R. MTL. OXD	390Ω	1/2W		酸化金属被膜抵抗	01
△ R289	V3945500	R. MTL. OXD	820Ω	1/2W		酸化金属被膜抵抗	01
△ R290	HV755120	R. CAR. FP	120Ω	1/4W		不燃化カーボン抵抗	01
△ R291	V3945600	R. MTL. OXD	1KΩ	1/2W		酸化金属被膜抵抗	01
△ R292	V3945600	R. MTL. OXD	1KΩ	1/2W		酸化金属被膜抵抗	01
△ R293	V3945600	R. MTL. OXD	1KΩ	1/2W		酸化金属被膜抵抗	01
△ R294	V3945600	R. MTL. OXD	1KΩ	1/2W		酸化金属被膜抵抗	01
△ R295	V3945600	R. MTL. OXD	1KΩ	1/2W		酸化金属被膜抵抗	01
△ R296	V3945600	R. MTL. OXD	1KΩ	1/2W		酸化金属被膜抵抗	01
△ R297	V3945600	R. MTL. OXD	1KΩ	1/2W		酸化金属被膜抵抗	01
△ R298	V3944800	R. MTL. OXD	220Ω	1/2W		酸化金属被膜抵抗	01
△ R299	V3944800	R. MTL. OXD	220Ω	1/2W		酸化金属被膜抵抗	01
△ R300	V3944800	R. MTL. OXD	220Ω	1/2W		酸化金属被膜抵抗	01
△ R301	V3944800	R. MTL. OXD	220Ω	1/2W		酸化金属被膜抵抗	01
△ R302	V3944800	R. MTL. OXD	220Ω	1/2W		酸化金属被膜抵抗	01
△ R303	V3944800	R. MTL. OXD	220Ω	1/2W		酸化金属被膜抵抗	01
△ R304	V3944800	R. MTL. OXD	220Ω	1/2W		酸化金属被膜抵抗	01
△ R305	HV753470	R. CAR. FP	4.7Ω	1/4W		不燃化カーボン抵抗	01
△ R306	HV753470	R. CAR. FP	4.7Ω	1/4W		不燃化カーボン抵抗	01
△ R307	HV753470	R. CAR. FP	4.7Ω	1/4W		不燃化カーボン抵抗	01
△ R308	HV753470	R. CAR. FP	4.7Ω	1/4W		不燃化カーボン抵抗	01
△ R309	HV753470	R. CAR. FP	4.7Ω	1/4W		不燃化カーボン抵抗	01
△ R310	HV753470	R. CAR. FP	4.7Ω	1/4W		不燃化カーボン抵抗	01
△ R311	HV753470	R. CAR. FP	4.7Ω	1/4W		不燃化カーボン抵抗	01
△ R312	HV753470	R. CAR. FP	4.7Ω	1/4W		不燃化カーボン抵抗	01
△ R313	HV753470	R. CAR. FP	4.7Ω	1/4W		不燃化カーボン抵抗	01
△ R314	HV753470	R. CAR. FP	4.7Ω	1/4W		不燃化カーボン抵抗	01

\* New Parts \* 新規部品

## P.C.B. MAIN

Schm Ref.	PART NO.	Description	Remarks	Markets	部 品 名	Rank
△	R315	HV753470 R. CAR. FP	4.7Ω 1/4W		不燃化カーボン抵抗	01
△	R316	HV753470 R. CAR. FP	4.7Ω 1/4W		不燃化カーボン抵抗	01
△	R317	HV753470 R. CAR. FP	4.7Ω 1/4W		不燃化カーボン抵抗	01
△	R318	HV753470 R. CAR. FP	4.7Ω 1/4W		不燃化カーボン抵抗	01
	R319	V3873200 R. WW	0.22Ω 3W		セメント抵抗	02
	R320	V3873200 R. WW	0.22Ω 3W		セメント抵抗	02
	R321	WB279900 R. WW	RGC55C 0.22+0.22		セメント抵抗	
	R322	WB279900 R. WW	RGC55C 0.22+0.22		セメント抵抗	
	R325	V3873200 R. WW	0.22Ω 3W		セメント抵抗	02
	R326	WB279900 R. WW	RGC55C 0.22+0.22		セメント抵抗	
	R327	WB279900 R. WW	RGC55C 0.22+0.22		セメント抵抗	
	R349	VP939700 R. MTL. FLM	4.7Ω 1W		金属被膜抵抗	01
	R350	VP939700 R. MTL. FLM	4.7Ω 1W		金属被膜抵抗	01
	R351	VP939700 R. MTL. FLM	4.7Ω 1W		金属被膜抵抗	01
	R352	VP939700 R. MTL. FLM	4.7Ω 1W		金属被膜抵抗	01
	R353	VP939700 R. MTL. FLM	4.7Ω 1W		金属被膜抵抗	01
	R354	VP939700 R. MTL. FLM	4.7Ω 1W		金属被膜抵抗	01
	R355	VP939700 R. MTL. FLM	4.7Ω 1W		金属被膜抵抗	01
	R363	HV754100 R. CAR. FP	10Ω 1/4W		不燃化カーボン抵抗	01
	R364	HV754100 R. CAR. FP	10Ω 1/4W		不燃化カーボン抵抗	01
	R365	HV754100 R. CAR. FP	10Ω 1/4W		不燃化カーボン抵抗	01
	R367	HV754100 R. CAR. FP	10Ω 1/4W		不燃化カーボン抵抗	01
	R371	HV754100 R. CAR. FP	10Ω 1/4W		不燃化カーボン抵抗	01
	R372	HV754100 R. CAR. FP	10Ω 1/4W		不燃化カーボン抵抗	01
	R373	HV754100 R. CAR. FP	10Ω 1/4W		不燃化カーボン抵抗	01
* △	R380	V3942700 R. MTL. FLM	1Ω 1/2W		金属被膜抵抗	01
* △	R381	V3942700 R. MTL. FLM	1Ω 1/2W		金属被膜抵抗	01
* △	R382	V3942700 R. MTL. FLM	1Ω 1/2W		金属被膜抵抗	01
	R387	HV756100 R. CAR. FP	1KΩ 1/4W		不燃化カーボン抵抗	01
△	R389	HV755100 R. CAR. FP	100Ω 1/4W		不燃化カーボン抵抗	01
△	R400	HV754820 R. CAR. FP	82Ω 1/4W		不燃化カーボン抵抗	01
△	R401	HV754820 R. CAR. FP	82Ω 1/4W		不燃化カーボン抵抗	01
△	R402	HV754820 R. CAR. FP	82Ω 1/4W		不燃化カーボン抵抗	01
△	R403	HV754820 R. CAR. FP	82Ω 1/4W		不燃化カーボン抵抗	01
△	R404	HV754390 R. CAR. FP	39Ω 1/4W		不燃化カーボン抵抗	01
△	R410	HV755180 R. CAR. FP	180Ω 1/4W		不燃化カーボン抵抗	01
△	R411	HV755180 R. CAR. FP	180Ω 1/4W		不燃化カーボン抵抗	01
	RY201	V6322600 RELAY	DC DH24D2-0T(M)-SL		リレー 24V	04
	RY202	V6322600 RELAY	DC DH24D2-0T(M)-SL		リレー 24V	04
	RY203	V6322600 RELAY	DC DH24D2-0T(M)-SL		リレー 24V	04
	RY204	V6322600 RELAY	DC DH24D2-0T(M)-SL		リレー 24V	04
	RY205	V6322600 RELAY	DC DH24D2-0T(M)-SL		リレー 24V	04
	RY206	WA544800 RELAY	DC G5PA-28		リレー 24V	04
*	TE201	WD477700 TERM. SP	LTS0810-1019FM	JUCRTA	スピーカターミナル	06
*	TE201	WD477500 TERM. SP	LTS0810-1015FM	KBGL	スピーカターミナル	
*	TE202	WD756900 TERM. SP	LTS3210-1004FM	JUCRTA	スピーカターミナル	
*	TE202	WD757000 TERM. SP	LTS3210-1003FM	KBGL	スピーカターミナル	
*	TE203	WD039300 TERM. SP	LQR2411-0001FM	JUCRTA	スピーカターミナル	04
*	TE203	WD039400 TERM. SP	LQR2411-0003FM	KBGL	スピーカターミナル	
*	TE204	WD477700 TERM. SP	LTS0810-1019FM	JUCRTA	スピーカターミナル	06
*	TE204	WD477500 TERM. SP	LTS0810-1015FM	KBGL	スピーカターミナル	
		EP600140 SCR. BND. HD	3x10 MFZ2BL		バインドBタイトネジ	01

\* New Parts \* 新規部品

## P.C.B. POWER

Schm Ref.	PART NO.	Description	Remarks	Markets	部 品 名	Rank	
*	WD648200	P. C. B.	POWER		J	P C B パワー	
*	WD648300	P. C. B.	POWER		UC	P C B パワー	
*	WD648400	P. C. B.	POWER		R	P C B パワー	
*	WD648500	P. C. B.	POWER		T	P C B パワー	
*	WD648600	P. C. B.	POWER		K	P C B パワー	
*	WD648700	P. C. B.	POWER		A	P C B パワー	
*	WD648800	P. C. B.	POWER		B	P C B パワー	
*	WD648900	P. C. B.	POWER		G	P C B パワー	
*	WD649000	P. C. B.	POWER		L	P C B パワー	
	CB2	WC050700	CLIP.FUSE	EYF52BCY	UCG	ヒューズクリップ	01
	CB3	WC050700	CLIP.FUSE	EYF52BCY	UCG	ヒューズクリップ	01
	CB4	VS996100	HOLDER.FUS	EYF64BC	JUCRL	ヒューズクリップ	01
	CB4	WC050700	CLIP.FUSE	EYF52BCY	TKABG	ヒューズクリップ	01
	CB5	WC050700	CLIP.FUSE	EYF52BCY	TKABG	ヒューズクリップ	01
	CB6	VS996100	HOLDER.FUS	EYF64BC	JUCRL	ヒューズクリップ	01
	CB7	VG879900	CN.BS.PIN	2P		ベースピン	01
*	CB8	V9377900	CN.BS.PIN	4P SE VH SERIES	RL	ベース付ポスト	
*	CB9	V9377800	CN.BS.PIN	3P SE VH SERIES	RL	ベース付ポスト	
	CB10	WC050700	CLIP.FUSE	EYF52BCY	RL	ヒューズクリップ	01
	CB11	WC050700	CLIP.FUSE	EYF52BCY	RL	ヒューズクリップ	01
	CB20	VB389900	CN.BS.PIN	3P		ベースピン	01
	CB21	VB389900	CN.BS.PIN	3P		ベースピン	01
	CB40	VB858700	CN.BS.PIN	8P		ベースピン	01
	CB41	V7827600	SOCKET	9P SE TUC SERIES		コネクターソケット	
	CB42	V7827500	SOCKET	8P SE TUC SERIES		コネクターソケット	
	CB43	V7827200	SOCKET	5P TE TUC SERIES		コネクターソケット	
	CB44	VB858200	CN.BS.PIN	3P		ベースピン	01
	CB46	VB858500	CN.BS.PIN	6P		ベースピン	01
	CB47	V7827800	SOCKET	11P SE TUC SERIES		コネクターソケット	
	CB48	V7827100	SOCKET	4P TE TUC SERIES		コネクターソケット	
	CB124	LB919100	CN.BS.PIN	10P SE XH		ベースツキポスト	02
	CB125	VB858200	CN.BS.PIN	3P		ベースピン	01
	CB131	VB390400	CN.BS.PIN	8P	UCABG	ベースピン	01
	C1	UR866220	C.EL	2.2uF 50V		ケミコン	01
	C2	UR866220	C.EL	2.2uF 50V		ケミコン	01
	C3	UA654100	C.MYLAR	0.01uF 50V		マイラーコン	01
	C4	WB687100	C.POL.MTL	0.047uF 400V	JUC	メタライズドポリコン	01
*	C4	WD054200	C.POL.MTL	0.047uF 630V	R	メタライズドポリコン	
	C4	WC041600	C.PP	0.022uF 630V	TKABGL	PPコン	01
	C5	UR866100	C.EL	1uF 50V		ケミコン	01
	C6	UA653470	C.MYLAR	4700pF 50V		マイラーコン	01
	C7	WB696300	C.POL.MTL	0.1uF 400V	JUC	メタライズドポリコン	
*	C7	WD257600	C.PP	0.047uF 800V	RTKABGL	PPコン	
▲	C8	V6185300	C.CE.SAFTY	0.01uF 275V		規格認定コン	
*	C9	WE102900	C.PP	0.01uF 100V		PPコン	
	C10	UU249330	C.EL	3300uF 50V	JUCTKABGL	ケミコン	03
*	C10	WD047300	C.EL	3300uF 50V	R	ケミコン KMQ	
	C20	UR268100	C.EL	100uF 50V		ケミコン	
	C21	UR267100	C.EL	10uF 50V		ケミコン	
	C22	UR267100	C.EL	10uF 50V		ケミコン	
	C23	UR258470	C.EL	470uF 35V		ケミコン	
*	C40	WE100900	C.PP	220pF 630V		PPコン	
	C41	V9415100	C.EL	10uF 16V	JBG	ケミコン	01
	C41	UR237100	C.EL	10uF 16V	UCRTKAL	ケミコン	

\* New Parts \* 新規部品

## P.C.B. POWER

Schm Ref.	PART NO.	Description	Remarks	Markets	部 品 名	Rank
C42	V9415100	C.EL	10uF 16V		JBG ケミコン	01
C42	UR237100	C.EL	10uF 16V		UCRTKAL ケミコン	
* C43	UU266470	C.EL	4.7uF 50V		JBG ケミコン	
* C43	UR237100	C.EL	10uF 16V		UCRTKAL ケミコン	
* C44	UU266470	C.EL	4.7uF 50V		JBG ケミコン	
* C44	UR237100	C.EL	10uF 16V		UCRTKAL ケミコン	
C45	V9415100	C.EL	10uF 16V		JBG ケミコン	01
C45	UR237100	C.EL	10uF 16V		UCRTKAL ケミコン	
* C46	WE100400	C.PP	47pF 630V		JUC P Pコン	
* C46	WE100500	C.PP	100pF 630V		RTKABGL P Pコン	
C47	UT652220	C.PP	220pF 100V		P Pコン	01
C48	UR267100	C.EL	10uF 50V		ケミコン	
* C49	WE100400	C.PP	47pF 630V		JUC P Pコン	
* C49	WE100500	C.PP	100pF 630V		RTKABGL P Pコン	
C50	UT652220	C.PP	220pF 100V		P Pコン	01
C51	UR267100	C.EL	10uF 50V		ケミコン	
* C52	WE100400	C.PP	47pF 630V		JUC P Pコン	
* C52	WE100500	C.PP	100pF 630V		RTKABGL P Pコン	
C53	UA652220	C.MYLAR	220pF 50V		マイラーコン	01
C54	UR267100	C.EL	10uF 50V		ケミコン	
* C55	WE100400	C.PP	47pF 630V		JUC P Pコン	
* C55	WE100500	C.PP	100pF 630V		RTKABGL P Pコン	
C56	UA652220	C.MYLAR	220pF 50V		マイラーコン	01
C57	UR267100	C.EL	10uF 50V		ケミコン	
* C58	WE100400	C.PP	47pF 630V		JUC P Pコン	
* C58	WE100500	C.PP	100pF 630V		RTKABGL P Pコン	
C59	UT652220	C.PP	220pF 100V		P Pコン	01
* C60	UR267100	C.EL	10uF 50V		ケミコン	
* C61	UU268100	C.EL	100uF 50V		ケミコン	
* C62	UU268100	C.EL	100uF 50V		ケミコン	
C63	UU267470	C.EL	47uF 50V		ケミコン	01
* C64	UU267470	C.EL	47uF 50V		ケミコン	01
* C65	UU268100	C.EL	100uF 50V		ケミコン	
* C66	WE100100	C.PP	15pF 630V		P Pコン	
* C67	WE100100	C.PP	15pF 630V		P Pコン	
* C68	WE100100	C.PP	15pF 630V		P Pコン	
* C69	WE100100	C.PP	15pF 630V		P Pコン	
* C70	WE100100	C.PP	15pF 630V		P Pコン	
* C71	WE101700	C.PP	1000PF 100V		P Pコン	
* C72	WE101700	C.PP	1000PF 100V		P Pコン	
* C73	WE101700	C.PP	1000PF 100V		P Pコン	
* C74	WE101700	C.PP	1000PF 100V		P Pコン	
* C75	WE101700	C.PP	1000PF 100V		P Pコン	
C76	UR266470	C.EL	4.7uF 50V		ケミコン	
C77	UR267470	C.EL	47uF 50V		ケミコン	
C78	UR218220	C.EL	220uF 6.3V		ケミコン	
C79	UR237100	C.EL	10uF 16V		ケミコン	
C80	UR237100	C.EL	10uF 16V		ケミコン	
* C81	WE100400	C.PP	47pF 630V		JUC P Pコン	
* C81	WE100500	C.PP	100pF 630V		RTKABGL P Pコン	
C82	UA652220	C.MYLAR	220pF 50V		マイラーコン	01
C83	UR267100	C.EL	10uF 50V		ケミコン	
* C84	WE100400	C.PP	47pF 630V		JUC P Pコン	
* C84	WE100500	C.PP	100pF 630V		RTKABGL P Pコン	

\* New Parts \* 新規部品



## P.C.B. POWER

Schm Ref.	PART NO.	Description	Remarks	Markets	部 品 名	Rank
C85	UA652220	C. MYLAR	220pF 50V		マイラーコン	01
C86	UR267100	C. EL	10uF 50V		ケミコン	
C87	UR297220	C. EL	22uF 100V		ケミコン	
C88	UR297220	C. EL	22uF 100V		ケミコン	
C89	UR267470	C. EL	47uF 50V		ケミコン	
C90	UR267470	C. EL	47uF 50V		ケミコン	
C91	UA653100	C. MYLAR	1000pF 50V		マイラーコン	03
C92	UA653100	C. MYLAR	1000pF 50V		マイラーコン	03
* C93	WE100100	C. PP	15pF 630V		PPコン	
* C94	WE100100	C. PP	15pF 630V		PPコン	
C95	WE100900	C. PP	220pF 630V	JBG	PPコン	
C95	UA652220	C. MYLAR	220pF 50V	UCRTKAL	マイラーコン	01
C98	UR267470	C. EL	47uF 50V		ケミコン	
C99	UR297220	C. EL	22uF 100V		ケミコン	
C100	UR297220	C. EL	22uF 100V		ケミコン	
C150	VR324900	C. MYLAR	0.1uF 100V		マイラーコン	01
C151	VR324900	C. MYLAR	0.1uF 100V		マイラーコン	01
C152	VR324900	C. MYLAR	0.1uF 100V		マイラーコン	01
C153	VR324900	C. MYLAR	0.1uF 100V		マイラーコン	01
C154	UR249680	C. EL	6800uF 25V		ケミコン	
C155	UR249330	C. EL	3300uF 25V		ケミコン	
C156	UR23A100	C. EL	10000uF 16V		ケミコン	
C157	UR23A100	C. EL	10000uF 16V		ケミコン	
C158	UR23A100	C. EL	10000uF 16V		ケミコン	
C159	UR23A100	C. EL	10000uF 16V		ケミコン	
C160	UR23A100	C. EL	10000uF 16V		ケミコン	
C161	UR23A100	C. EL	10000uF 16V		ケミコン	
C162	UR267100	C. EL	10uF 50V	JBG	ケミコン	
C162	UR237100	C. EL	10uF 16V	UCRTKAL	ケミコン	
C163	UR266100	C. EL	1uF 50V	JBG	ケミコン	
* C163	UR265100	C. EL	0.1uF 50V	UCRTKAL	ケミコン	01
C164	UR237100	C. EL	10uF 16V		ケミコン	
C165	UR237470	C. EL	47uF 16V		ケミコン	
C166	UR267100	C. EL	10uF 50V	JBG	ケミコン	
C166	UR247100	C. EL	10uF 25V	UCRTKAL	ケミコン	
C167	UR267100	C. EL	10uF 50V	JBG	ケミコン	
C167	UR247100	C. EL	10uF 25V	UCRTKAL	ケミコン	
C168	UR237100	C. EL	10uF 16V		ケミコン	
C169	UR237100	C. EL	10uF 16V		ケミコン	
* C170	UR266100	C. EL	1uF 50V	JBG	ケミコン	
* C170	UR265100	C. EL	0.1uF 50V	UCRTKAL	ケミコン	01
* C171	UR266100	C. EL	1uF 50V	JBG	ケミコン	
* C171	UR265100	C. EL	0.1uF 50V	UCRTKAL	ケミコン	01
* C172	UR237470	C. EL	47uF 16V		ケミコン	
* C173	UR265100	C. EL	0.1uF 50V		ケミコン	01
C175	UR238100	C. EL	100uF 16V		ケミコン	
C178	UR237100	C. EL	10uF 16V		ケミコン	
C179	UR267100	C. EL	10uF 50V	JBG	ケミコン	
C179	UR247100	C. EL	10uF 25V	UCRTKAL	ケミコン	
* C180	UU266100	C. EL	1uF 50V	JBG	ケミコン	
* C180	UR265100	C. EL	0.1uF 50V	UCRTKAL	ケミコン	01
C181	UR237100	C. EL	10uF 16V		ケミコン	
C182	UR237470	C. EL	47uF 16V		ケミコン	
* C183	UR238220	C. EL	220uF 16V		ケミコン	01

\* New Parts \* 新規部品

## P.C.B. POWER

Schm Ref.	PART NO.	Description	Remarks	Markets	部 品 名	Rank
C203	VF467000	C. CE. TUBLR 1000pF 50V		UCABG	円筒セラコン	01
C204	VF467000	C. CE. TUBLR 1000pF 50V		UCABG	円筒セラコン	01
C205	VF467000	C. CE. TUBLR 1000pF 50V		UCABG	円筒セラコン	01
C206	VF467000	C. CE. TUBLR 1000pF 50V		UCABG	円筒セラコン	01
C207	VF467300	C. CE. TUBLR 0.01uF 16V		UCABG	円筒セラコン	01
C208	VF467300	C. CE. TUBLR 0.01uF 16V		UCABG	円筒セラコン	01
C209	VF467300	C. CE. TUBLR 0.01uF 16V		UCABG	円筒セラコン	01
* C210	UR297470	C. EL 47uF 100V			ケミコン	01
D1	VD631600	DIODE 1SS133, 176			ダイオード	01
D2	VD631600	DIODE 1SS133, 176			ダイオード	01
D3	VD631600	DIODE 1SS133, 176			ダイオード	01
D4	VD631600	DIODE 1SS133, 176			ダイオード	01
D5	VG435800	DIODE. ZENR MTZJ3.0A 3.0V			ツェナーダイオード	01
D6	VG438300	DIODE. ZENR MTZJ6.8B 6.8V			ツェナーダイオード	01
D7	VG439500	DIODE. ZENR MTZJ10B 10V			ツェナーダイオード	01
D8	VD631600	DIODE 1SS133, 176			ダイオード	01
D9	VG438700	DIODE. ZENR MTZJ7.5C 7.5V			ツェナーダイオード	01
⚠ D10	V4756800	DIODE S1NB60 1.0A 600V			D i スタック	01
⚠ D11	VR253700	DIODE. BRG S1NB20 1A 200V			D l ブリッジ X 4	02
D20	VS997800	DIODE 1T2			ダイオード	01
D21	VG442600	DIODE. ZENR MTZJ24C 24V			ツェナーダイオード	01
D40	VD631600	DIODE 1SS133, 176			ダイオード	01
D41	VD631600	DIODE 1SS133, 176			ダイオード	01
D42	VD631600	DIODE 1SS133, 176			ダイオード	01
D43	WA180300	DIODE 1SS244			ダイオード	01
D44	WA180300	DIODE 1SS244			ダイオード	01
D45	WA180300	DIODE 1SS244			ダイオード	01
D46	VG437200	DIODE. ZENR MTZJ4.7C 4.7V			ツェナーダイオード	01
D47	WA180300	DIODE 1SS244			ダイオード	01
D48	WA180300	DIODE 1SS244			ダイオード	01
D49	WA180300	DIODE 1SS244			ダイオード	01
D50	WA180300	DIODE 1SS244			ダイオード	01
D51	WA180300	DIODE 1SS244			ダイオード	01
D52	WA180300	DIODE 1SS244			ダイオード	01
D53	WA180300	DIODE 1SS244			ダイオード	01
D54	WA180300	DIODE 1SS244			ダイオード	01
D56	VG437400	DIODE. ZENR MTZJ5.1B 5.1V			ツェナーダイオード	01
⚠ D132	V4269600	DIODE. BRG D2SBA20 1.5A 200V			ダイオードブリッジ	
⚠ D133	V4269600	DIODE. BRG D2SBA20 1.5A 200V			ダイオードブリッジ	
D136	VG435900	DIODE. ZENR MTZJ3.0B 3.0V			ツェナーダイオード	01
D144	VD631600	DIODE 1SS133, 176		UCABG	ダイオード	01
D145	VD631600	DIODE 1SS133, 176		UCABG	ダイオード	01
D146	VD631600	DIODE 1SS133, 176		UCABG	ダイオード	01
D147	VD631600	DIODE 1SS133, 176		UCABG	ダイオード	01
D148	VD631600	DIODE 1SS133, 176		UCABG	ダイオード	01
D149	VD631600	DIODE 1SS133, 176		UCABG	ダイオード	01
D150	VU647200	DIODE. SHOT RB4410-40 T-77			ショットキーダイオード	01
⚠ F1	KB001390	FUSE 10A 250V		JUCRL	ヒューズ	03
* ⚠ F1	KB003250	FUSE TL6. 3A		TKABG	ヒューズ	01
⚠ F2	VS823400	FUSE 10A 125V		UC	ヒューズ	01
⚠ F2	VT942900	FUSE T2. 5A 250V		G	ヒューズ	01
* ⚠ F3	KB003250	FUSE TL6. 3A		RL	ヒューズ	01
IC1	V8100500	PHOT. CPL TLP421 GR			フォトカブラ	01
IC2	V8100500	PHOT. CPL TLP421 GR			フォトカブラ	01

\* New Parts \* 新規部品

## P.C.B. POWER

Schm Ref.	PART NO.	Description	Remarks	Markets	部 品 名	Rank
△	IC3	iG001180 IC	TC4013BP FF		ロジック IC	05
△	IC121	XJ607A00 IC	NJM7805FA 5V		IC	02
△	IC123	XJ608A00 IC	NJM7812FA		IC	02
△	IC124	XD343A00 IC	NJM79M12FA		IC	03
△	IC126	XE436A00 IC	NJM79M05FA		IC	03
△	IC127	XJ607A00 IC	NJM7805FA 5V		IC	02
△	IC128	X2530A00 IC	PQ05RD21 +5V 2.0A		電源 IC	03
△	IC129	X4358A00 IC	PQ03RD23		電源 IC	03
* △	IC130	X5290A00 IC	PQ09RF11		電源 IC	05
*	JK122	V9435700 JACK. MNI	MSJ-035-12APC	UCABG	モノラル ミニジャック	
*	JK123	V9435700 JACK. MNI	MSJ-035-12APC	UCABG	モノラル ミニジャック	
*	JK124	V9435700 JACK. MNI	MSJ-035-12APC	UCABG	モノラル ミニジャック	
*	JK125	V9435700 JACK. MNI	MSJ-035-12APC	UCABG	モノラル ミニジャック	
*	JK126	V9435700 JACK. MNI	MSJ-035-12APC	UCABG	モノラル ミニジャック	
*	JK127	V9435700 JACK. MNI	MSJ-035-12APC	UCABG	モノラル ミニジャック	
	PN1	V9637500 PIN	L=70 #18		スタイルピン	
	PN40	V9637500 PIN	L=70 #18		スタイルピン	
	PN41	V9637500 PIN	L=70 #18		スタイルピン	
	PN42	V9637500 PIN	L=70 #18		スタイルピン	
	PN43	V9637500 PIN	L=70 #18		スタイルピン	
	PN44	V9637500 PIN	L=70 #18		スタイルピン	
	PN45	V9637500 PIN	L=70 #18		スタイルピン	
	PN46	V9637500 PIN	L=70 #18		スタイルピン	
	PN47	V9637500 PIN	L=70 #18		スタイルピン	
	PN129	V9637500 PIN	L=70 #18		スタイルピン	
	PN130	V9637500 PIN	L=70 #18	UCABG	スタイルピン	
	Q1	VG722000 TR. DGT	DTC144ES		デジタルトランジスタ	01
	Q2	iC181510 TR	2SC1815 Y		トランジスタ	01
	Q3	iC181510 TR	2SC1815 Y		トランジスタ	01
	Q4	iC181510 TR	2SC1815 Y		トランジスタ	01
	Q5	iC181510 TR	2SC1815 Y		トランジスタ	01
△	Q6	WC741200 FET	2SK3850		F E T	
△	Q20	iC181510 TR	2SC1815 Y		トランジスタ	01
△	Q21	VC141900 TR	2SB941 P,Q		トランジスタ	04
	Q40	VP883100 TR	2SC1890A D,E		トランジスタ	01
	Q41	VP883100 TR	2SC1890A D,E		トランジスタ	01
	Q42	VP883100 TR	2SC1890A D,E		トランジスタ	01
	Q43	VP883100 TR	2SC1890A D,E		トランジスタ	01
	Q44	VP883100 TR	2SC1890A D,E		トランジスタ	01
	Q45	VP883100 TR	2SC1890A D,E		トランジスタ	01
	Q46	VP883100 TR	2SC1890A D,E		トランジスタ	01
	Q47	VP883100 TR	2SC1890A D,E		トランジスタ	01
	Q48	VP883100 TR	2SC1890A D,E		トランジスタ	01
	Q49	VP883100 TR	2SC1890A D,E		トランジスタ	01
△	Q50	V3966800 TR	2SA949 O,Y		トランジスタ	02
△	Q51	V3966800 TR	2SA949 O,Y		トランジスタ	02
△	Q52	V3966800 TR	2SA949 O,Y		トランジスタ	02
△	Q53	V3966800 TR	2SA949 O,Y		トランジスタ	02
△	Q54	V3966800 TR	2SA949 O,Y		トランジスタ	02
	Q55	iA097030 TR	2SA970 GR,BL		トランジスタ	01
	Q56	VP883100 TR	2SC1890A D,E		トランジスタ	01
	Q57	VP883100 TR	2SC1890A D,E		トランジスタ	01
	Q58	VP883100 TR	2SC1890A D,E		トランジスタ	01
	Q59	VP883000 TR	2SA893A D,E		トランジスタ	01

\* New Parts \* 新規部品

## P.C.B. POWER

Schm Ref.	PART NO.	Description	Remarks	Markets	部 品 名	Rank
Q60	VP883100	TR	2SC1890A D, E		トランジスタ	01
Q61	VP883100	TR	2SC1890A D, E		トランジスタ	01
⚠ Q62	VC938500	TR	2SC3852		トランジスタ	02
⚠ Q63	VC614000	TR	2SB1274 Q, R, S		トランジスタ	02
⚠ Q64	V3966800	TR	2SA949 O, Y		トランジスタ	02
⚠ Q65	V3966800	TR	2SA949 O, Y		トランジスタ	02
Q66	VP883000	TR	2SA893A D, E		トランジスタ	01
Q67	VP883100	TR	2SC1890A D, E		トランジスタ	01
Q68	VP883100	TR	2SC1890A D, E		トランジスタ	01
⚠ Q138	VC938500	TR	2SC3852		トランジスタ	02
⚠ Q139	VP872700	TR	2SC4488 S, T		トランジスタ	01
Q140	iC181510	TR	2SC1815 Y		トランジスタ	01
Q141	VD678500	TR. DGT	DTA114ES		デジタルトランジスタ	01
Q142	VG722000	TR. DGT	DTC144ES		デジタルトランジスタ	01
Q151	VP872600	TR	2SA1708 S, T	UCABG	トランジスタ	01
Q152	VP872600	TR	2SA1708 S, T	UCABG	トランジスタ	01
Q153	VG722000	TR. DGT	DTC144ES	UCABG	デジタルトランジスタ	01
Q154	VG722000	TR. DGT	DTC144ES	UCABG	デジタルトランジスタ	01
R9	V6730000	R. CAR.	2.2MΩ 1/2W	UC	放電抵抗	01
R13	VU224000	R. MTL. FLM	0.22Ω 1W		金属被膜抵抗	01
⚠ R20	HV754100	R. CAR. FP	10Ω 1/4W		不燃化カーボン抵抗	01
R23	HV756330	R. CAR. FP	3.3KΩ 1/4W		不燃化カーボン抵抗	01
R24	HV756470	R. CAR. FP	4.7KΩ 1/4W		不燃化カーボン抵抗	01
R25	HV755100	R. CAR. FP	100Ω 1/4W		不燃化カーボン抵抗	01
R26	VP939800	R. MTL. OXD	10Ω 1W		酸化金属被膜抵抗	01
R40	HF353220	R. CAR	2.2Ω 1/2W		カーボン抵抗	
R41	HF358100	R. CAR	100KΩ 1/2W		カーボン抵抗	
R42	HF358100	R. CAR	100KΩ 1/2W		カーボン抵抗	
R45	HF358100	R. CAR	100KΩ 1/2W		カーボン抵抗	
R51	HF355220	R. CAR	220Ω 1/2W		カーボン抵抗	
R52	HF355220	R. CAR	220Ω 1/2W		カーボン抵抗	
R55	HF355220	R. CAR	220Ω 1/2W		カーボン抵抗	
R61	HF357330	R. CAR	33KΩ 1/2W		カーボン抵抗	
R62	HF356220	R. CAR	2.2KΩ 1/2W		カーボン抵抗	
R63	HF356220	R. CAR	2.2KΩ 1/2W		カーボン抵抗	
R67	HF356220	R. CAR	2.2KΩ 1/2W		カーボン抵抗	
R68	HF357330	R. CAR	33KΩ 1/2W		カーボン抵抗	
R70	HF357330	R. CAR	33KΩ 1/2W		カーボン抵抗	
R76	HF356120	R. CAR	1.2KΩ 1/2W		カーボン抵抗	
R77	HF356120	R. CAR	1.2KΩ 1/2W		カーボン抵抗	
R80	HF356120	R. CAR	1.2KΩ 1/2W		カーボン抵抗	
R81	HF357330	R. CAR	33KΩ 1/2W		カーボン抵抗	
R82	HF357330	R. CAR	33KΩ 1/2W		カーボン抵抗	
R85	HF357330	R. CAR	33KΩ 1/2W		カーボン抵抗	
R86	HF355390	R. CAR	390Ω 1/2W		カーボン抵抗	
R87	HF355390	R. CAR	390Ω 1/2W		カーボン抵抗	
R90	HF355390	R. CAR	390Ω 1/2W		カーボン抵抗	
⚠ R91	V3733100	R. MTL. OXD	39Ω 1W		酸化金属被膜抵抗	
R92	HF355470	R. CAR	470Ω 1/2W		カーボン抵抗	
⚠ R93	V3733100	R. MTL. OXD	39Ω 1W		酸化金属被膜抵抗	
R94	HF355470	R. CAR	470Ω 1/2W		カーボン抵抗	
⚠ R95	HV754390	R. CAR. FP	39Ω 1/4W		不燃化カーボン抵抗	01
⚠ R96	HV754390	R. CAR. FP	39Ω 1/4W		不燃化カーボン抵抗	01
⚠ R97	V3733100	R. MTL. OXD	39Ω 1W		酸化金属被膜抵抗	

\* New Parts \* 新規部品



## P.C.B. POWER

Schm Ref.	PART NO.	Description	Remarks	Markets	部 品 名	Rank
R98	HF355470	R. CAR	470Ω 1/2W		カーボン抵抗	
R101	HF357470	R. CAR	47KΩ 1/2W		カーボン抵抗	
R102	HF357470	R. CAR	47KΩ 1/2W		カーボン抵抗	
R105	HF357470	R. CAR	47KΩ 1/2W		カーボン抵抗	
R138	HF353220	R. CAR	2.2Ω 1/2W		カーボン抵抗	
△ R145	HV754390	R. CAR. FP	39Ω 1/4W		不燃化カーボン抵抗	01
△ R146	HV754390	R. CAR. FP	39Ω 1/4W		不燃化カーボン抵抗	01
R153	HV756470	R. CAR. FP	4.7KΩ 1/4W		不燃化カーボン抵抗	01
R154	HV756680	R. CAR. FP	6.8KΩ 1/4W		不燃化カーボン抵抗	01
R155	HV756820	R. CAR. FP	8.2KΩ 1/4W		不燃化カーボン抵抗	
R164	HV757100	R. CAR. FP	10KΩ 1/4W		不燃化カーボン抵抗	01
△ R166	HV754100	R. CAR. FP	10Ω 1/4W		不燃化カーボン抵抗	01
△ R168	HV754100	R. CAR. FP	10Ω 1/4W		不燃化カーボン抵抗	01
△ R189	V8070000	R. MTL. FLM	1Ω 1W	JBG	金属被膜抵抗	01
△ R189	VP939500	R. MTL. FLM	1Ω 1W	UCRTKAL	金属被膜抵抗	01
△ R191	V8070000	R. MTL. FLM	1Ω 1W	JBG	金属被膜抵抗	01
△ R191	VP939500	R. MTL. FLM	1Ω 1W	UCRTKAL	金属被膜抵抗	01
△ R192	HV753100	R. CAR. FP	1Ω 1/4W		不燃化カーボン抵抗	01
△ R193	HV753100	R. CAR. FP	1Ω 1/4W		不燃化カーボン抵抗	01
△ R194	V8070000	R. MTL. FLM	1Ω 1W	JBG	金属被膜抵抗	01
△ R194	VP939500	R. MTL. FLM	1Ω 1W	UCRTKAL	金属被膜抵抗	01
△ R195	V8070000	R. MTL. FLM	1Ω 1W	JBG	金属被膜抵抗	01
△ R195	VP939500	R. MTL. FLM	1Ω 1W	UCRTKAL	金属被膜抵抗	01
R203	VC756700	R. MTL. OXD	15Ω 2W		酸化金属被膜抵抗	01
R204	VC756700	R. MTL. OXD	15Ω 2W		酸化金属被膜抵抗	01
△ R209	HV753100	R. CAR. FP	1Ω 1/4W		不燃化カーボン抵抗	01
△ R211	V8070000	R. MTL. FLM	1Ω 1W	JBG	金属被膜抵抗	01
△ R211	VP939500	R. MTL. FLM	1Ω 1W	UCRTKAL	金属被膜抵抗	01
△ RY1	V9366900	RELAY	DLS9D1-0(M)0.25W		リレー 9V TV-8	05
ST1	V4040500	SCR. TERM	M3		スクリュー/ターミナル	01
ST102	V4040500	SCR. TERM	M3		スクリュー/ターミナル	01
ST103	V4040500	SCR. TERM	M3		スクリュー/ターミナル	01
ST124	V4040500	SCR. TERM	M3	UCABG	スクリュー/ターミナル	01
ST125	V4040500	SCR. TERM	M3	UCABG	スクリュー/ターミナル	01
* △ SW1	WB493700	VOLT. SELCT	R8140246	R	電圧切替器	
* △ SW1	WD073700	VOLT. SELCT	R8140254	L	電圧切替器	
* △ T1	X5916A00	TRANS		J	サブトランス	09
* △ T1	X5917A00	TRANS		UC	サブトランス	
* △ T1	X5918A00	TRANS		R	サブトランス	
* △ T1	X5919A00	TRANS		TKL	サブトランス	
* △ T1	X5920A00	TRANS		A	サブトランス	
* △ T1	X5921A00	TRANS		BG	サブトランス	
△ TE1	VU543100	OUTLET. AC	2P	JUC	ACアウトレット	03
△ TE1	V5867400	OUTLET. AC	2P AC-182-GB-11V	RT	ACアウトレット 2P	
△ TE1	VT915000	OUTLET. AC	1P	A	ACアウトレット	06
△ TE1	VU543300	OUTLET. AC	1P	B	ACアウトレット	05
△ TE1	VU543400	OUTLET. AC	2P	GL	ACアウトレット	05
△ TE2	WB893300	AC INLET	R-30190	J	ACインレット 2P	03
△ TE2	WB782600	AC INLET	R-30190(26)	UCRTKABGL	ACインレット 2P	
	EP600140	SCR. BND. HD	3x10 MFZ2BL		バインドBタイトネジ	01

\* New Parts \* 新規部品

## P.C.B. INPUT

\*  
\*  
\*  
\*  
\*  
\*

Schm Ref.	PART NO.	Description	Remarks	Markets	部 品 名	Rank
	WD651600	P. C. B.	INPUT	J	P C B インプット	
	WD651700	P. C. B.	INPUT	UC	P C B インプット	
	WD651800	P. C. B.	INPUT	RTKL	P C B インプット	
	WD651900	P. C. B.	INPUT	ABG	P C B インプット	
CB301	V8875300	CN. JE	13P SE		J E コネクタープラグ	01
CB302	VQ963300	CN. BS. PIN	12P		ウエハー	01
CB303	V7828700	SOCKET	20P SE TUC SERIES		コネクターソケット	01
CB304	VQ963300	CN. BS. PIN	12P		ウエハー	01
CB305	V7828400	SOCKET	17P SE TUC SERIES		コネクターソケット	
CB702	V7828000	SOCKET	13P SE TUC SERIES		コネクターソケット	
CB703	V7827800	SOCKET	11P SE TUC SERIES		コネクターソケット	
C313	UA652220	C. MYLAR	220pF 50V		マイラーコン	01
C314	UA652220	C. MYLAR	220pF 50V		マイラーコン	01
C317	UA652220	C. MYLAR	220pF 50V		マイラーコン	01
C318	UA652220	C. MYLAR	220pF 50V		マイラーコン	01
C319	UA652220	C. MYLAR	220pF 50V		マイラーコン	01
C320	UA652220	C. MYLAR	220pF 50V		マイラーコン	01
C321	UA652470	C. MYLAR	470pF 50V		マイラーコン	01
C322	UA652220	C. MYLAR	220pF 50V		マイラーコン	01
C323	UR266220	C. EL	2.2uF 50V		ケミコン	
C324	UR218220	C. EL	220uF 6.3V		ケミコン	
C325	UR218220	C. EL	220uF 6.3V		ケミコン	
C326	UA654390	C. MYLAR	0.039uF 50V		マイラーコン	01
C327	UA654390	C. MYLAR	0.039uF 50V		マイラーコン	01
C328	UA654110	C. MYLAR	0.011uF 50V		マイラーコン	01
C329	UA654110	C. MYLAR	0.011uF 50V		マイラーコン	01
C330	UR237100	C. EL	10uF 16V		ケミコン	
C332	UR237100	C. EL	10uF 16V		ケミコン	
C333	UR237100	C. EL	10uF 16V		ケミコン	
C335	UA653100	C. MYLAR	1000pF 50V		マイラーコン	03
C336	UA653100	C. MYLAR	1000pF 50V		マイラーコン	03
C337	UR267470	C. EL	47uF 50V		ケミコン	
C338	UR267470	C. EL	47uF 50V		ケミコン	
C340	UR267470	C. EL	47uF 50V		ケミコン	
C341	UR237100	C. EL	10uF 16V		ケミコン	
C343	UR237100	C. EL	10uF 16V		ケミコン	
C344	UR267470	C. EL	47uF 50V		ケミコン	
C345	UR237470	C. EL	47uF 16V		ケミコン	
C346	UR237470	C. EL	47uF 16V		ケミコン	
C350	UR266470	C. EL	4.7uF 50V		ケミコン	
C351	UR266470	C. EL	4.7uF 50V		ケミコン	
C352	UT652100	C. PP	100pF 100V		P P コン	01
C353	UT652100	C. PP	100pF 100V		P P コン	01
C354	UR266470	C. EL	4.7uF 50V		ケミコン	
C355	UR266470	C. EL	4.7uF 50V		ケミコン	
C358	UR267470	C. EL	47uF 50V		ケミコン	
C359	UR267470	C. EL	47uF 50V		ケミコン	
C362	UR237100	C. EL	10uF 16V		ケミコン	
C363	UR237100	C. EL	10uF 16V		ケミコン	
C364	UR237100	C. EL	10uF 16V		ケミコン	
C365	UR237100	C. EL	10uF 16V		ケミコン	
C368	UR237100	C. EL	10uF 16V		ケミコン	
C369	UR237100	C. EL	10uF 16V		ケミコン	
C370	UR237100	C. EL	10uF 16V		ケミコン	

\* New Parts \* 新規部品

## P.C.B. INPUT

Schm Ref.	PART NO.	Description	Remarks	Markets	部 品 名	Rank
C371	UR237100	C. EL	10uF 16V		ケミコン	
C372	UR237100	C. EL	10uF 16V		ケミコン	
C375	UR237100	C. EL	10uF 16V		ケミコン	
C376	UR237100	C. EL	10uF 16V		ケミコン	
C377	UR238100	C. EL	100uF 16V		ケミコン	
C378	UR238100	C. EL	100uF 16V		ケミコン	
C379	UR238100	C. EL	100uF 16V		ケミコン	
C380	UR238100	C. EL	100uF 16V		ケミコン	
C381	UR238100	C. EL	100uF 16V		ケミコン	
C384	UT652100	C. PP	100pF 100V		P Pコン	01
C385	UT652100	C. PP	100pF 100V		P Pコン	01
C386	UT652100	C. PP	100pF 100V		P Pコン	01
C393	UR267470	C. EL	47uF 50V		ケミコン	
C394	UR267470	C. EL	47uF 50V		ケミコン	
C705	UR219100	C. EL	1000uF 6.3V		ケミコン	
C723	UR219100	C. EL	1000uF 6.3V		ケミコン	
C727	UR218470	C. EL	470uF 6.3V		ケミコン	
C730	UR237100	C. EL	10uF 16V		ケミコン	
C731	UR237470	C. EL	47uF 16V		ケミコン	
C734	UR266470	C. EL	4.7uF 50V		ケミコン	
C735	UR218100	C. EL	100uF 6.3V		ケミコン	
C736	UR218100	C. EL	100uF 6.3V		ケミコン	
C739	UR237470	C. EL	47uF 16V		ケミコン	
C740	UR237470	C. EL	47uF 16V	UCABG	ケミコン	
C742	UR218100	C. EL	100uF 6.3V		ケミコン	
C743	UR237470	C. EL	47uF 16V		ケミコン	
C744	UR237470	C. EL	47uF 16V	UCABG	ケミコン	
C745	UR218100	C. EL	100uF 6.3V		ケミコン	
C753	UR218100	C. EL	100uF 6.3V		ケミコン	
C754	UR218100	C. EL	100uF 6.3V		ケミコン	
C758	UR266470	C. EL	4.7uF 50V		ケミコン	
C760	UR218100	C. EL	100uF 6.3V		ケミコン	
C768	UR218100	C. EL	100uF 6.3V		ケミコン	
C769	UR218330	C. EL	330uF 6.3V		ケミコン	
C770	UR237100	C. EL	10uF 16V		ケミコン	
C771	UR266470	C. EL	4.7uF 50V		ケミコン	
D702	VT332900	D1ODE	1SS355		ダイオード	01
D703	VT332900	D1ODE	1SS355		ダイオード	01
D704	VT332900	D1ODE	1SS355		ダイオード	01
D705	VT332900	D1ODE	1SS355		ダイオード	01
D707	VT332900	D1ODE	1SS355		ダイオード	01
D711	VT332900	D1ODE	1SS355		ダイオード	01
D712	VT332900	D1ODE	1SS355		ダイオード	01
D713	VT332900	D1ODE	1SS355		ダイオード	01
IC301	X5045A00	IC	NJU7312AM		アナログIC	
IC302	X5043A00	IC	NJU7313AM		アナログIC	
IC303	X5044A00	IC	NJU7311AM		アナログIC	
IC304	X5045A00	IC	NJU7312AM		アナログIC	
IC306	X3505A00	IC	NJM2068MD-TE2		アンプIC SOP	02
IC307	X3505A00	IC	NJM2068MD-TE2		アンプIC SOP	02
IC308	X3505A00	IC	NJM2068MD-TE2		アンプIC SOP	02
IC309	X3505A00	IC	NJM2068MD-TE2		アンプIC SOP	02
IC310	X3547A00	IC	BD3841FS		IC	06
IC311	X3505A00	IC	NJM2068MD-TE2		アンプIC SOP	02

\* New Parts \* 新規部品

## P.C.B. INPUT

Schm Ref.	PART NO.	Description	Remarks	Markets	部 品 名	Rank
IC312	X3505A00	IC	NJM2068MD-TE2		アンプ I C S O P	02
IC314	X3505A00	IC	NJM2068MD-TE2		アンプ I C S O P	02
IC701	XY550A00	IC	MM74HC4051SJX		ロジック I C S O P	01
IC702	XY550A00	IC	MM74HC4051SJX		ロジック I C S O P	01
IC703	XY550A00	IC	MM74HC4051SJX		ロジック I C S O P	01
IC704	XY550A00	IC	MM74HC4051SJX		ロジック I C S O P	01
IC705	XY550A00	IC	MM74HC4051SJX		ロジック I C S O P	01
IC706	XY550A00	IC	MM74HC4051SJX		ロジック I C S O P	01
IC707	XY877A00	IC	MM74HC4053SJX		ロジック I C S O P	01
IC708	XD598A00	IC	TC74HCU04AFEL INV		ロジック I C	01
IC709	XW939A00	IC	TK15420M VIDEO AMP		アンプ I C S O P	03
IC710	XY877A00	IC	MM74HC4053SJX		ロジック I C S O P	01
IC711	XY443A00	IC	LA7109 6CH		アンプ I C S O P	05
IC712	XW911A00	IC	LA7108M VIDEO AMP		アンプ I C	04
IC713	XY877A00	IC	MM74HC4053SJX		ロジック I C S O P	01
IC714	XW939A00	IC	TK15420M VIDEO AMP		アンプ I C S O P	03
* IC715	X5897A00	IC	BU2092F-E2 SER/PAR		ロジック I C	05
IC716	X2904A00	IC	NJM2581M VIDEO AMP		アンプ I C S O P	06
* JK701	WD396400	JACK. PIN	LAP5100-1605FC	J	ピンジャック + S	05
* JK701	WD396300	JACK. PIN	LAP5100-1601FC	UCRTKABGL	ピンジャック + S	
* JK702	WD396200	JACK. PIN	LAP5100-1805FC	J	ピンジャック + S	05
* JK702	WD396100	JACK. PIN	LAP5100-1801FC	UCRTKABGL	ピンジャック + S	
* JK703	WD396200	JACK. PIN	LAP5100-1805FC	J	ピンジャック + S	05
* JK703	WD396100	JACK. PIN	LAP5100-1801FC	UCRTKABGL	ピンジャック + S	
* JK704	WD396100	JACK. PIN	LAP5100-1801FC	UCABG	ピンジャック + S	
* JK705	WD646100	JACK. PIN	LAP5100-3505FC	J	ピンジャック + S	04
* JK705	WD645900	JACK. PIN	LAP5100-3501FC	RTKL	ピンジャック + S	
* PJ301	WD498500	JACK. PIN	RJ-1073*10-0551A	J	ピンジャック 4 P	03
* PJ301	WD498400	JACK. PIN	RJ-1073*10-0351A	UCRTKABGL	ピンジャック 4 P	
* PJ302	WD498500	JACK. PIN	RJ-1073*10-0551A	J	ピンジャック 4 P	03
* PJ302	WD498400	JACK. PIN	RJ-1073*10-0351A	UCRTKABGL	ピンジャック 4 P	
* PJ303	WD497900	JACK. PIN	RJ-1073F*10-0551A	J	ピンジャック 4 P	04
* PJ303	WD497800	JACK. PIN	RJ-1073F*10-0351A	UCRTKABGL	ピンジャック 4 P	
* PJ304	WD498300	JACK. PIN	RJ-1074*85-0553A	J	ピンジャック 6 P	03
* PJ304	WD498100	JACK. PIN	RJ-1074*85-0353A	UCRTKABGL	ピンジャック 6 P	
PN301	V9637500	PIN	L=70 #18		スタイルピン	
PN701	V9637500	PIN	L=70 #18		スタイルピン	
PN702	V9637500	PIN	L=70 #18		スタイルピン	
Q303	VZ725900	TR	2SD1938F S, T		トランジスタ	
Q304	VZ725900	TR	2SD1938F S, T		トランジスタ	
Q707	iC174020	TR	2SC1740S QRS		トランジスタ	01
Q708	iC174020	TR	2SC1740S QRS		トランジスタ	01
Q709	iC053540	TR	2SC535 A, B, C		トランジスタ	01
Q712	iA101510	TR	2SA1015 Y		トランジスタ	01
Q713	iC224030	TR	2SC2240 GR, BL		トランジスタ	01
R357	HV755100	R. CAR. FP	100Ω 1/4W		不燃化カーボン抵抗	01
R358	HV755100	R. CAR. FP	100Ω 1/4W		不燃化カーボン抵抗	01
R436	VP939700	R. MTL. FLM	4.7Ω 1W		金属被膜抵抗	01
R437	VP939700	R. MTL. FLM	4.7Ω 1W		金属被膜抵抗	01
R746	HV753220	R. CAR. FP	2.2Ω 1/4W		不燃化カーボン抵抗	01
R769	HV753100	R. CAR. FP	1Ω 1/4W		不燃化カーボン抵抗	01
R777	HV753100	R. CAR. FP	1Ω 1/4W		不燃化カーボン抵抗	01
R778	HV753100	R. CAR. FP	1Ω 1/4W		不燃化カーボン抵抗	01
R792	HV755470	R. CAR. FP	470Ω 1/4W		不燃化カーボン抵抗	01

\* New Parts \* 新規部品



## P.C.B. INPUT &amp; P.C.B. CONTROL

Schm Ref.	PART NO.	Description	Remarks	Markets	部 品 名	Rank
R795	HV755470	R. CAR. FP	470Ω 1/4W		不燃化カーボン抵抗	01
R810	HV753100	R. CAR. FP	1Ω 1/4W		不燃化カーボン抵抗	01
R811	HV753100	R. CAR. FP	1Ω 1/4W		不燃化カーボン抵抗	01
R818	HV753220	R. CAR. FP	2.2Ω 1/4W		不燃化カーボン抵抗	01
R824	HV755470	R. CAR. FP	470Ω 1/4W		不燃化カーボン抵抗	01
R826	HV755470	R. CAR. FP	470Ω 1/4W		不燃化カーボン抵抗	01
R827	HV755470	R. CAR. FP	470Ω 1/4W		不燃化カーボン抵抗	01
	WD652500	P. C. B.	CONTROL		J PCB コントロール	
	WD652600	P. C. B.	CONTROL		UC PCB コントロール	
	WD652700	P. C. B.	CONTROL		R PCB コントロール	
	WD652800	P. C. B.	CONTROL		T PCB コントロール	
	WD652900	P. C. B.	CONTROL		K PCB コントロール	
	WD653000	P. C. B.	CONTROL		A PCB コントロール	
	WD653100	P. C. B.	CONTROL		BG PCB コントロール	
	WD653200	P. C. B.	CONTROL		L PCB コントロール	
	CB501	V9356900	CN. JE	19P SE	J E コネクタープラグ	
	CB502	VQ044900	CN. BS. PIN	19P	F F C コネクター	01
	CB503	V7828000	SOCKET	13P SE TUC SERIES	コネクターソケット	
	CB504	VB858800	CN. BS. PIN	9P	ベースピン	01
	CB505	VB858700	CN. BS. PIN	8P	ベースピン	01
	CB506	VQ047800	CN. BS. PIN	27P	F F C コネクター	02
	CB507	VQ044600	CN. BS. PIN	13P	F F C コネクター	01
	CB508	VP798200	CN. BS. PIN	24P	F F C コネクター	01
	CB509	VQ047400	CN. BS. PIN	19P	F F C コネクター	01
	CB511	VM689000	CN. BS. PIN	23P	F F C コネクター	02
	CB512	V7827800	SOCKET	11P SE TUC SERIES	コネクターソケット	
	CB513	VN394900	CN. BS. PIN	14P	F F C コネクター	01
	CB514	VM929900	CN. BS. PIN	15P	F P C コネクター	01
	CB515	VB390200	CN. BS. PIN	6P	コネクタベースポスト	01
	CB516	VQ044300	CN. BS. PIN	7P	F F C コネクター	01
	CB517	VB389900	CN. BS. PIN	3P	ベースピン	01
	CB518	VB390100	CN. BS. PIN	5P	ベースピン	01
	C504	UR238100	C. EL	100uF 16V	ケミコン	
	C536	UR238100	C. EL	100uF 16V	ケミコン	
	C537	UR266220	C. EL	2.2uF 50V	UCABG ケミコン	
	C538	UR266220	C. EL	2.2uF 50V	UCABG ケミコン	
	C539	UR266220	C. EL	2.2uF 50V	ケミコン	
	C540	UR266220	C. EL	2.2uF 50V	ケミコン	
	C541	UR266220	C. EL	2.2uF 50V	ケミコン	
	C542	UR266220	C. EL	2.2uF 50V	ケミコン	
	C543	UR266220	C. EL	2.2uF 50V	ケミコン	
	C544	UR266220	C. EL	2.2uF 50V	ケミコン	
	C546	UR239100	C. EL	1000uF 16V	ケミコン	
	C548	UR067100	C. EL	10uF 50V	JBG ケミコン	
	C548	UR237100	C. EL	10uF 16V	UCRTKAL ケミコン	
	C549	VT180400	C. EL	4700uF 5.5V	バックアップケミコン	02
	C550	UR219100	C. EL	1000uF 6.3V	ケミコン	
	C551	UR219100	C. EL	1000uF 6.3V	ケミコン	
	C552	UR239100	C. EL	1000uF 16V	ケミコン	
	C554	UR237100	C. EL	10uF 16V	ケミコン	
	C555	UR219100	C. EL	1000uF 6.3V	ケミコン	

\* New Parts \* 新規部品

## P.C.B. CONTROL

Schm Ref.	PART NO.	Description	Remarks	Markets	部 品 名	Rank
C570	UR238100	C. EL 100uF 16V			ケミコン	
C586	UR238100	C. EL 100uF 16V			ケミコン	
C592	UR237470	C. EL 47uF 16V			ケミコン	
C626	UR268100	C. EL 100uF 50V		JBG	ケミコン	
C626	UR268330	C. EL 330uF 50V		UCRTKAL	ケミコン	
C769	UR266100	C. EL 1uF 50V			ケミコン	
C770	UR265470	C. EL 0.47uF 50V			ケミコン	
* C771	UP653470	C. PPS 4700pF 100V			PPSコンデンサ	01
C772	UR265470	C. EL 0.47uF 50V			ケミコン	
C779	UR218100	C. EL 100uF 6.3V			ケミコン	
C780	UR218330	C. EL 330uF 6.3V			ケミコン	
C783	UR237470	C. EL 47uF 16V			ケミコン	
C787	UR265470	C. EL 0.47uF 50V			ケミコン	
C790	UR238100	C. EL 100uF 16V			ケミコン	
C791	UR238100	C. EL 100uF 16V			ケミコン	
C793	UR238100	C. EL 100uF 16V			ケミコン	
C800	UR238100	C. EL 100uF 16V			ケミコン	
C806	UR237470	C. EL 47uF 16V			ケミコン	
C809	UR237470	C. EL 47uF 16V			ケミコン	
C816	UR237470	C. EL 47uF 16V			ケミコン	
C817	UR237470	C. EL 47uF 16V			ケミコン	
C818	UR237470	C. EL 47uF 16V			ケミコン	
C822	UR237100	C. EL 10uF 16V			ケミコン	
C823	UR237470	C. EL 47uF 16V			ケミコン	
C824	UR218470	C. EL 470uF 6.3V			ケミコン	
C833	UR218100	C. EL 100uF 6.3V			ケミコン	
C834	UR218100	C. EL 100uF 6.3V			ケミコン	
C836	UR237470	C. EL 47uF 16V			ケミコン	
C837	UR238100	C. EL 100uF 16V			ケミコン	
C847	UR266220	C. EL 2.2uF 50V			ケミコン	
C853	UR266220	C. EL 2.2uF 50V			ケミコン	
C860	UR238100	C. EL 100uF 16V			ケミコン	
C861	UR237470	C. EL 47uF 16V			ケミコン	
C862	UR237470	C. EL 47uF 16V			ケミコン	
C863	UR237470	C. EL 47uF 16V			ケミコン	
C864	UR237470	C. EL 47uF 16V		RTABGL	ケミコン	
C867	UR237470	C. EL 47uF 16V		RTABGL	ケミコン	
C873	UR265470	C. EL 0.47uF 50V		RTABGL	ケミコン	
C875	UR265470	C. EL 0.47uF 50V		RTABGL	ケミコン	
C878	UR266100	C. EL 1uF 50V		RTABGL	ケミコン	
C879	UR237100	C. EL 10uF 16V		RTABGL	ケミコン	
C880	UR237470	C. EL 47uF 16V		RTABGL	ケミコン	
C881	UR266100	C. EL 1uF 50V		RTABGL	ケミコン	
C882	UR265470	C. EL 0.47uF 50V		RTABGL	ケミコン	
C883	UR266100	C. EL 1uF 50V		RTABGL	ケミコン	
C885	UR265470	C. EL 0.47uF 50V		RTABGL	ケミコン	
C886	UR238100	C. EL 100uF 16V			ケミコン	
C887	UR238100	C. EL 100uF 16V			ケミコン	
C891	UR265470	C. EL 0.47uF 50V			ケミコン	
D501	VT332900	D1ODE 1SS355			ダイオード	01
D502	VT332900	D1ODE 1SS355			ダイオード	01
D505	VT332900	D1ODE 1SS355			ダイオード	01
D506	VT332900	D1ODE 1SS355			ダイオード	01
D507	VT332900	D1ODE 1SS355			ダイオード	01

\* New Parts \* 新規部品

## P.C.B. CONTROL

Schm Ref.	PART NO.	Description	Remarks	Markets	部 品 名	Rank	
D508	VU992600	D10DE. ZENR	MA8051-M 5.1V		ツェナーダイオード	01	
D509	VT332900	D10DE	1SS355		ダイオード	01	
D510	VT332900	D10DE	1SS355		ダイオード	01	
D511	VW833200	D10DE	1SS380		ダイオード	01	
D512	VT332900	D10DE	1SS355		ダイオード	01	
D513	VT332900	D10DE	1SS355		ダイオード	01	
D515	VT332900	D10DE	1SS355		ダイオード	01	
D516	VT332900	D10DE	1SS355		ダイオード	01	
D517	VT332900	D10DE	1SS355		ダイオード	01	
D751	VT332900	D10DE	1SS355		ダイオード	01	
D752	VT332900	D10DE	1SS355		ダイオード	01	
D754	VU992500	D10DE. ZENR	MA8051-L 5.0V	J	ツェナーダイオード	01	
D755	VU992500	D10DE. ZENR	MA8051-L 5.0V	J	ツェナーダイオード	01	
D756	VU992500	D10DE. ZENR	MA8051-L 5.0V	J	ツェナーダイオード	01	
D757	VU992500	D10DE. ZENR	MA8051-L 5.0V	J	ツェナーダイオード	01	
D758	VU992500	D10DE. ZENR	MA8051-L 5.0V	J	ツェナーダイオード	01	
D759	VU992500	D10DE. ZENR	MA8051-L 5.0V	J	ツェナーダイオード	01	
D760	VU992500	D10DE. ZENR	MA8051-L 5.0V	J	ツェナーダイオード	01	
D761	VU992500	D10DE. ZENR	MA8051-L 5.0V	J	ツェナーダイオード	01	
D762	VU992500	D10DE. ZENR	MA8051-L 5.0V	J	ツェナーダイオード	01	
IC501	X2965A00	IC. CPU	M30805SGP		CPU/周辺IC	09	
IC502	X2479A00	IC	YGV619		IC PQFP	12	
*	IC503	X5934A00	IC	MBM29LV320BE90T	unwritten	EEPROM	
IC504	X0176A00	IC	W986432DH-7		メモリIC	15	
IC505	X2314A00	IC	MB3516APF-G-BND		IC	04	
IC511	X3693A00	IC	SN74LV245APWR	TRAN	ロジックIC TSSOP		
IC512	X3693A00	IC	SN74LV245APWR	TRAN	ロジックIC TSSOP		
IC513	X3693A00	IC	SN74LV245APWR	TRAN	ロジックIC TSSOP		
IC514	X3693A00	IC	SN74LV245APWR	TRAN	ロジックIC TSSOP		
IC515	X3693A00	IC	SN74LV245APWR	TRAN	ロジックIC TSSOP		
IC516	X3693A00	IC	SN74LV245APWR	TRAN	ロジックIC TSSOP		
IC521	X3693A00	IC	SN74LV245APWR	TRAN	ロジックIC TSSOP		
IC522	X3693A00	IC	SN74LV245APWR	TRAN	ロジックIC TSSOP		
IC523	X3693A00	IC	SN74LV245APWR	TRAN	ロジックIC TSSOP		
IC524	X3693A00	IC	SN74LV245APWR	TRAN	ロジックIC TSSOP		
IC525	X3693A00	IC	SN74LV245APWR	TRAN	ロジックIC TSSOP		
IC526	X3693A00	IC	SN74LV245APWR	TRAN	ロジックIC TSSOP		
IC531	XY549A00	IC	TC74HC4051AFEL		ロジックIC SOP	02	
IC532	X4285A00	IC	SN74LV573APWR		ロジックIC	02	
IC533	X4285A00	IC	SN74LV573APWR		ロジックIC	02	
IC534	X4285A00	IC	SN74LV573APWR		ロジックIC	02	
IC535	X4285A00	IC	SN74LV573APWR		ロジックIC	02	
IC536	X4285A00	IC	SN74LV573APWR		ロジックIC	02	
*	IC551	X4135A00	IC	SN74AHC1G00DCKR		ロジックIC	01
*	IC552	X4139A00	IC	SN74AHC1G86DCKR		ロジックIC	01
*	IC553	X4135A00	IC	SN74AHC1G00DCKR		ロジックIC	01
*	IC554	X4642A00	IC	SN74AHC1G32DCKR		ロジックICフラット	01
*	IC556	X5647A00	IC	SN74LV32APWR	OR	ロジックIC	01
*	IC557	X4460A00	IC	SN74LV00APWR		ロジックIC	01
*	IC558	X5647A00	IC	SN74LV32APWR	OR	ロジックIC	01
IC559	X3833A00	IC	SN74AHC1G08DCKR		ロジックIC SOP	01	
IC560	X3824A00	IC	SN74AHC1G08DCKR		ロジックIC	01	
*	IC571	X5886A00	IC	RH5RE58AA-T1-FA		電源IC	04
*	IC572	X5662A00	IC	RH5RE39AA-T1-FA		電源IC	04

\* New Parts \* 新規部品

## P.C.B. CONTROL

Schm Ref.	PART NO.	Description	Remarks	Markets	部 品 名	Rank
	IC573	X4536A00 IC	SN74AHCT126PW		ロジックIC	01
*	IC601	X4347A00 IC	TA1270BF		IC アナログ	10
	IC602	X4346A00 IC	TA8772AN	RTABGL	IC アナログ	
*	IC603	X4349A00 IC	TC90A49F		IC デジタル	09
	IC604	X5611A00 IC	BA7071F		IC SOP	05
	IC606	XY879A00 IC	TC74HC4053AF (EL)		ロジックIC SOP	03
	IC607	XY879A00 IC	TC74HC4053AF (EL)		ロジックIC SOP	03
*	IC608	XU951A00 IC	AD8056AR		オペアンプ	04
	IC609	X2904A00 IC	NJM2581M VIDEO AMP		アンプIC SOP	06
	IC611	XY879A00 IC	TC74HC4053AF (EL)		ロジックIC SOP	03
	IC612	XS790A00 IC	TC74HC4052AF MPX		ロジックIC	02
	IC613	XS790A00 IC	TC74HC4052AF MPX		ロジックIC	02
	IC614	XS790A00 IC	TC74HC4052AF MPX	J	ロジックIC	02
	IC615	XD598A00 IC	TC74HCU04AFEL INV		ロジックIC	01
	IC616	X3833A00 IC	SN74AHC1G08DCKR		ロジックIC SOP	01
*	IC617	XU951A00 IC	AD8056AR		オペアンプ	04
*	PJ501	WD398400 CN. DIN	14P YKF45-3011	J	DINコネクタ	05
*	PJ502	WD398400 CN. DIN	14P YKF45-3011	J	DINコネクタ	05
*	PJ503	WD398400 CN. DIN	14P YKF45-3011	J	DINコネクタ	05
*	PJ504	WD398400 CN. DIN	14P YKF45-3011	J	DINコネクタ	05
*	PJ511	WD442800 JACK. PIN	LPR6520-M615FC	J	ピンジャック 6 P	06
*	PJ511	WD442700 JACK. PIN	LPR6520-M610FC	UCRTKABGL	ピンジャック 6 P	
*	PJ512	WD442800 JACK. PIN	LPR6520-M615FC	J	ピンジャック 6 P	06
*	PJ512	WD442700 JACK. PIN	LPR6520-M610FC	UCRTKABGL	ピンジャック 6 P	
	PN501	V9637500 PIN	L=70 #18		スタイルピン	
	PN502	V9637500 PIN	L=70 #18		スタイルピン	
	PN503	V9637500 PIN	L=70 #18		スタイルピン	
	PN504	V9637500 PIN	L=70 #18		スタイルピン	
	PN506	V9637500 PIN	L=70 #18		スタイルピン	
	PN507	V9637500 PIN	L=70 #18		スタイルピン	
	Q501	VD303700 TR	2SC3326 A, B		トランジスタ	01
	Q502	VD303700 TR	2SC3326 A, B		トランジスタ	01
	Q503	VD303700 TR	2SC3326 A, B	UCABG	トランジスタ	01
	Q504	VD303700 TR	2SC3326 A, B	UCABG	トランジスタ	01
	Q505	VD303700 TR	2SC3326 A, B		トランジスタ	01
	Q506	VD303700 TR	2SC3326 A, B		トランジスタ	01
	Q507	VD303700 TR	2SC3326 A, B		トランジスタ	01
	Q508	VD303700 TR	2SC3326 A, B		トランジスタ	01
	Q509	VD303700 TR	2SC3326 A, B		トランジスタ	01
	Q510	VD303700 TR	2SC3326 A, B		トランジスタ	01
	Q511	VV556500 TR	2SA1037K Q, R, S	UCABG	トランジスタ	01
	Q512	VV556500 TR	2SA1037K Q, R, S	UCABG	トランジスタ	01
	Q513	VV556500 TR	2SA1037K Q, R, S		トランジスタ	01
	Q514	VV556500 TR	2SA1037K Q, R, S		トランジスタ	01
	Q515	VV556500 TR	2SA1037K Q, R, S		トランジスタ	01
	Q516	VV556500 TR	2SA1037K Q, R, S		トランジスタ	01
	Q517	VV556500 TR	2SA1037K Q, R, S		トランジスタ	01
	Q518	VV556500 TR	2SA1037K Q, R, S		トランジスタ	01
*	Q519	WD974200 TR	2SA1036KT146 P, Q, R		トランジスタ	01
	Q520	VV556500 TR	2SA1037K Q, R, S		トランジスタ	01
	Q522	VV556500 TR	2SA1037K Q, R, S		トランジスタ	01
	Q524	VV655700 TR. DGT	DTC144EKA		デジタルトランジスタ	01
	Q753	iC174020 TR	2SC1740S QRS		トランジスタ	01
	Q755	VV556500 TR	2SA1037K Q, R, S		トランジスタ	01

\* New Parts \* 新規部品



## P.C.B. CONTROL

Schm Ref.	PART NO.	Description	Remarks	Markets	部 品 名	Rank
Q756	VV556500	TR	2SA1037K Q, R, S		トランジスタ	01
Q757	VV556400	TR	2SC2412K Q, R, S		トランジスタ	01
Q758	VV556400	TR	2SC2412K Q, R, S		トランジスタ	01
Q759	VV556400	TR	2SC2412K Q, R, S		トランジスタ	01
Q760	VV556500	TR	2SA1037K Q, R, S		トランジスタ	01
Q761	VV556400	TR	2SC2412K Q, R, S		トランジスタ	01
Q762	VV556400	TR	2SC2412K Q, R, S		トランジスタ	01
Q763	VV556400	TR	2SC2412K Q, R, S		トランジスタ	01
Q764	VV556500	TR	2SA1037K Q, R, S		トランジスタ	01
Q768	VV556500	TR	2SA1037K Q, R, S	RTABGL	トランジスタ	01
Q769	VV556400	TR	2SC2412K Q, R, S	RTABGL	トランジスタ	01
Q770	VV556400	TR	2SC2412K Q, R, S	RTABGL	トランジスタ	01
Q771	VD303700	TR	2SC3326 A, B		トランジスタ	01
R700	VP939500	R. MTL. FLM	1Ω 1W		金属被膜抵抗	01
R701	HV753100	R. CAR. FP	1Ω 1/4W		不燃化カーボン抵抗	01
R703	HV753100	R. CAR. FP	1Ω 1/4W		不燃化カーボン抵抗	01
R732	HV753100	R. CAR. FP	1Ω 1/4W		不燃化カーボン抵抗	01
R733	HV753100	R. CAR. FP	1Ω 1/4W		不燃化カーボン抵抗	01
R735	VP939800	R. MTL. OXD	10Ω 1W		酸化金属被膜抵抗	01
R793	HV756100	R. CAR. FP	1KΩ 1/4W		不燃化カーボン抵抗	01
R794	HV753100	R. CAR. FP	1Ω 1/4W		不燃化カーボン抵抗	01
R807	HV755470	R. CAR. FP	470Ω 1/4W		不燃化カーボン抵抗	01
R840	HV753220	R. CAR. FP	2.2Ω 1/4W		不燃化カーボン抵抗	01
R870	HV753100	R. CAR. FP	1Ω 1/4W	RTABGL	不燃化カーボン抵抗	01
R881	HV753100	R. CAR. FP	1Ω 1/4W		不燃化カーボン抵抗	01
R882	HV753100	R. CAR. FP	1Ω 1/4W		不燃化カーボン抵抗	01
ST501	V4040500	SCR. TERM	M3		スクリュー/ターミナル	01
ST502	V4040500	SCR. TERM	M3		スクリュー/ターミナル	01
XL501	WB440500	RSNR. CE	CSTCE16MOV53-R0		セラミック発振子	01
XL502	WC061400	RSNR. CRY	14.31818MHz SMD-49	JUCRK	水晶振動子	
XL502	V6074900	RSNR. CRY	17.734475MHz	TABGL	水晶振動子	03
* XL752	WB750000	RSNR. CRY	4.433619MHz	RTABGL	水晶振動子	
XL753	WB749900	RSNR. CRY	3.579545MHz		水晶振動子	
XL754	V5345200	RSNR. CE	CSBLA503KECZF30-B0		セラミック振動子	01

\* New Parts \* 新規部品

## Chip Parts

Schm Ref.	PART NO.	Description	Remarks	Markets	部 品 名	Rank	
	US044220	C. CE. M. CHP	0.022uF	25V		チップセラコン	01
	US060500	C. CE. CHP	5pF	50V		チップセラコン	01
	US060800	C. CE. CHP	8pF	50V		チップセラコン	01
	US061100	C. CE. M. CHP	10pF	50V		チップセラコン	01
	US061120	C. CE. CHP	12pF	50V		チップセラ (CH)	01
	US061150	C. CE. CHP	15pF	50V		チップセラコン	01
	US061180	C. CE. CHP	18pF	50V		チップセラコン	01
	US061220	C. CE. M. CHP	22pF	50V		チップセラコン	01
	US061270	C. CE. M. CHP	27pF	50V		チップセラコン	01
	US061330	C. CE. M. CHP	33pF	50V		チップセラコン	01
	US061470	C. CE. M. CHP	47pF	50V		チップセラコン	01
	US062100	C. CE. M. CHP	100pF	50V		チップセラコン	01
	US062120	C. CE. CHP	120pF	50V		チップセラコン	01
	US062180	C. CE. CHP	180P	50V		チップセラコン	01
	US062220	C. CE. CHP	220pF	50V		チップセラコン	01
	US062330	C. CE. M. CHP	330pF	50V		チップセラコン	01
	US062470	C. CE. M. CHP	470pF	50V		チップセラコン	01
	US062560	C. CE. CHP	560pF	50V		チップセラ (SL)	01
	US063100	C. CE. M. CHP	1000pF	50V		チップセラコン	01
	US063120	C. CE. M. CHP	1200pF	50V		チップセラコン	01
	US063220	C. CE. M. CHP	2200pF	50V		チップセラコン	01
	US063470	C. CE. CHP	4700pF	50V		チップセラコン	01
	US064100	C. CE. M. CHP	0.01uF	50V		チップセラコン	01
	US126100	C. CE. CHP	1uF	10V		チップセラ (F)	01
	US135100	C. CE. CHP	0.1uF	16V		チップセラコン	01
	US135220	C. CE. CHP	0.22uF	16V		チップセラ (F)	01
	RA556220	R. CHP	2.2KΩ	1/10W		チップ抵抗	
	RA557120	R. CHP	12KΩ	1/10W		チップ抵抗	
	RA557240	R. CHP	24KΩ	1/10W		チップ抵抗	
	RD350000	R. CHP	0Ω	1/16W		チップ抵抗	01
	RD353220	R. CHP	2.2Ω	1/16W		チップ抵抗	01
	RD354220	R. CHP	22Ω	1/16W		チップ抵抗	01
	RD354360	R. CHP	36Ω	1/16W		チップ抵抗	01
	RD354470	R. CHP	47Ω	1/16W		チップ抵抗	01
	RD354560	R. CHP	56Ω	1/16W		チップ抵抗	01
	RD354750	R. CHP	75Ω	1/16W		チップ抵抗	01
	RD354820	R. CHP	82Ω	1/16W		チップ抵抗	01
	RD354910	R. CHP	91Ω	1/16W		チップ抵抗	01
	RD355100	R. CHP	100Ω	1/16W		チップ抵抗	01
	RD355120	R. CHP	120Ω	1/16W		チップ抵抗	01
	RD355180	R. CHP	180Ω	1/16W		チップ抵抗	01
	RD355220	R. CHP	220Ω	1/16W		チップ抵抗	01
	RD355270	R. CHP	270Ω	1/16W		チップ抵抗	01
	RD355330	R. CHP	330Ω	1/16W		チップ抵抗	01
	RD355360	R. CHP	360Ω	1/16W		チップ抵抗	01
	RD355430	R. CHP	430Ω	1/16W		チップ抵抗	01
	RD355470	R. CHP	470Ω	1/16W		チップ抵抗	01
	RD355680	R. CHP	680Ω	1/16W		チップ抵抗	01
	RD355820	R. CHP	820Ω	1/16W		チップ抵抗	01
	RD356100	R. CHP	1KΩ	1/16W		チップ抵抗	01
	RD356120	R. CHP	1.2KΩ	1/16W		チップ抵抗	01
	RD356150	R. CHP	1.5KΩ	1/16W		チップ抵抗	01
	RD356180	R. CHP	1.8KΩ	1/16W		チップ抵抗	01
	RD356220	R. CHP	2.2KΩ	1/16W		チップ抵抗	01

\* New Parts \* 新規部品

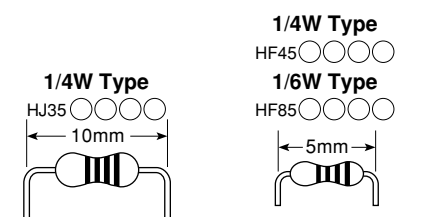
Chip Parts

# Parts List for Carbon Resistors

Schm Ref.	PART NO.	Description	Remarks	Markets	部 品 名	Rank
	RD356270	R. CHP	2.7K Ω	1/16W	チップ抵抗	01
	RD356300	R. CHP	3K Ω	1/16W	チップ抵抗	01
	RD356330	R. CHP	3.3K Ω	1/16W	チップ抵抗	01
	RD356390	R. CHP	3.9K Ω	1/16W	チップ抵抗	01
	RD356470	R. CHP	4.7K Ω	1/16W	チップ抵抗	01
	RD356560	R. CHP	5.6K Ω	1/16W	チップ抵抗	01
	RD356680	R. CHP	6.8K Ω	1/16W	チップ抵抗	01
	RD356820	R. CHP	8.2K Ω	1/16W	チップ抵抗	01
	RD357100	R. CHP	10K Ω	1/16W	チップ抵抗	01
	RD357110	R. CHP	11K Ω	1/16W	チップ抵抗	01
	RD357120	R. CHP	12K Ω	1/16W	チップ抵抗	01
	RD357150	R. CHP	15K Ω	1/16W	チップ抵抗	01
	RD357180	R. CHP	18K Ω	1/16W	チップ抵抗	01
	RD357200	R. CHP	20K Ω	1/16W	チップ抵抗	01
	RD357220	R. CHP	22K Ω	1/16W	チップ抵抗	01
	RD357270	R. CHP	27K Ω	1/16W	チップ抵抗	01
	RD357300	R. CHP	30K Ω	1/16W	チップ抵抗	01
	RD357330	R. CHP	33K Ω	1/16W	チップ抵抗	01
	RD357470	R. CHP	47K Ω	1/16W	チップ抵抗	01
	RD357560	R. CHP	56K Ω	1/16W	チップ抵抗	01
	RD358100	R. CHP	100K Ω	1/16W	チップ抵抗	01
	RD358220	R. CHP	220K Ω	1/16W	チップ抵抗	01
	RD358270	R. CHP	270K Ω	1/16W	チップ抵抗	01
	RD358470	R. CHP	470K Ω	1/16W	チップ抵抗	01
	RD358680	R. CHP	680K Ω	1/16W	チップ抵抗	01
	RD359100	R. CHP	1M Ω	1/16W	チップ抵抗	01
	RF354330	R. CHP	33 Ω	1/16W	チップ抵抗	01
	RF354470	R. CHP	47 Ω	1/16W	チップ抵抗	01
	RF355100	R. CHP	100 Ω	1/16W	チップ抵抗	01
*	RF355120	R. CAR. CHP	120 Ω	1/16W	チップ抵抗	01
*	RF355150	R. CHP	150 Ω	1/16W	チップ抵抗	01
	RF355180	R. CAR. CHP	180 Ω	1/16W	チップ抵抗	01
	RF355330	R. CHP	330 Ω	1/16W	チップ抵抗	01
	RF355470	R. CHP	470 Ω	1/16W	チップ抵抗	01
	RF355680	R. CHP	680 Ω	1/16W	チップ抵抗	01
	RF356160	R. CHP	1.6K Ω	1/16W	チップ抵抗	01
	RF356220	R. CHP	2.2K Ω	1/16W	チップ抵抗	01
	RF356270	R. CHP	2.7K Ω	1/16W	チップ抵抗	01
	RF356300	R. CHP	3K Ω	1/16W	チップ抵抗	01
	RF356330	R. CHP	3.3K Ω	1/16W	チップ抵抗	01
	RF356430	R. CHP	4.3K Ω	1/16W	チップ抵抗	01
	RF356470	R. CHP	4.7K Ω	1/16W	チップ抵抗	01
	RF356560	R. CHP	5.6K Ω	1/16W	チップ抵抗	01
	RF356680	R. CHP	6.8K Ω	1/16W	チップ抵抗	01
	RF357100	R. CHP	10K Ω	1/16W	チップ抵抗	01
	RF357110	R. CHP	11K Ω	1/16W	チップ抵抗	01
	RF357120	R. CHP	12K Ω	1/16W	チップ抵抗	01
	RF357150	R. CHP	15K Ω	1/16W	チップ抵抗	01
	RF357470	R. CHP	47K Ω	1/16W	チップ抵抗	01
	RF357820	R. CHP	82K Ω	1/16W	チップ抵抗	01

\* New Parts \* 新規部品

Value	1/4W Type Part No.	1/6W Type Part No.	Value	1/4W Type Part No.	1/6W Type Part No.
1.0 Ω	HJ35 3100	HF85 3100	10 kΩ	HF45 7100	HF45 7100
1.8 Ω	HJ35 3180	*	11 kΩ	HF45 7110	HF45 7110
2.2 Ω	HJ35 3220	HF85 3220	12 kΩ	HJ35 7120	HF85 7120
3.3 Ω	HJ35 3330	HF85 3330	13 kΩ	HF45 7130	HF45 7130
4.7 Ω	HJ35 3470	HF85 3470	15 kΩ	HF45 7150	HF45 7150
5.6 Ω	HJ35 3560	HF85 3560	18 kΩ	HF45 7180	HF45 7180
10 Ω	HF45 4100	HF45 4100	22 kΩ	HF45 7220	HF45 7220
15 Ω	HJ35 4150	HF85 4150	24 kΩ	HF45 7240	HF45 7240
22 Ω	HF45 4220	HF45 4220	27 kΩ	HJ35 7270	HF85 7270
27 Ω	HJ35 4270	HF85 4270	30 kΩ	HF45 7300	HF45 7300
33 Ω	HF45 4330	HF45 4330	33 kΩ	HF45 7330	HF45 7330
39 Ω	HJ35 4470	HF85 4390	36 kΩ	HF45 7360	HF45 7360
47 Ω	HF45 4470	HF45 4470	39 kΩ	HF45 7390	HF45 7390
56 Ω	HF45 4560	HF45 4560	47 kΩ	HF45 7470	HF45 7470
68 Ω	HF45 4680	HF45 4680	51 kΩ	HF45 7510	HF45 7510
75 Ω	HF45 4750	HF45 4750	56 kΩ	HF45 7560	HF45 7560
82 Ω	HF45 4820	HF45 4820	62 kΩ	HF45 7620	HF45 7620
91 Ω	HF45 4910	HF45 4910	68 kΩ	HF45 7680	HF45 7680
100 Ω	HF45 5100	HF45 5100	82 kΩ	HF45 7820	HF45 7820
110 Ω	HJ35 5110	HF85 5110	91 kΩ	HF45 7910	HF45 7910
120 Ω	HF45 5120	HF45 5120	100 kΩ	HF45 8100	HF45 8100
150 Ω	HF45 5150	HF45 5150	110 kΩ	HF45 8110	HF45 8110
160 Ω	HJ35 5160	*	120 kΩ	HF45 8120	HF45 8120
180 Ω	HF45 5180	HF45 5180	150 kΩ	HF45 8150	HF45 8150
200 Ω	HF45 5200	HF45 5200	180 kΩ	HF45 8180	HF45 8180
220 Ω	HF45 5220	HF45 5220	220 kΩ	HJ35 8220	HF85 8220
270 Ω	HF45 5270	HF45 5270	270 kΩ	HF45 8270	HF45 8270
330 Ω	HF45 5330	HF45 5330	300 kΩ	HF45 8300	HF45 8300
390 Ω	HF45 5390	HF45 5390	330 kΩ	HF45 8330	HF45 8330
430 Ω	HF45 5430	HF45 5430	390 kΩ	HJ35 8390	HF85 8390
470 Ω	HF45 5470	HF45 5470	470 kΩ	HF45 8470	HF45 8470
510 Ω	HF45 5510	HF45 5510	560 kΩ	HJ35 8560	HF85 8560
560 Ω	HF45 5560	HF45 5560	680 kΩ	HJ35 8680	HF85 8680
680 Ω	HF45 5680	HF45 5680	820 kΩ	HJ35 8820	HF85 8820
820 Ω	HF45 5820	HF45 5820	1.0 MΩ	HF45 9100	HF45 9100
910 Ω	HF45 5910	HF45 5910	1.2 MΩ	HJ35 9120	*
1.0 kΩ	HF45 6100	HF45 6100	1.5 MΩ	HJ35 9150	HF85 9150
1.2 kΩ	HF45 6120	HF45 6120	1.8 MΩ	HJ35 9180	HF85 9180
1.5 kΩ	HF45 6150	HF45 6150	2.2 MΩ	HJ35 9220	HF85 9220
1.8 kΩ	HF45 6180	HF45 6180	3.3 MΩ	HJ35 9330	HF85 9330
2.0 kΩ	HJ35 6200	HF85 6200	3.9 MΩ	HJ35 9390	*
2.2 kΩ	HF45 6220	HF45 6220	4.7 MΩ	HJ35 9470	HF85 9470
2.4 kΩ	HJ35 6240	HF85 6240			
2.7 kΩ	HF45 6270	HF45 6270			
3.0 kΩ	HF45 6300	HF45 6300			
3.3 kΩ	HF45 6330	HF45 6330			
3.6 kΩ	HJ35 6360	HF85 6360			
3.9 kΩ	HF45 6390	HF45 6390			
4.7 kΩ	HF45 6470	HF45 6470			
5.1 kΩ	HF45 6510	HF45 6510			
5.6 kΩ	HF45 6560	HF45 6560			
6.8 kΩ	HF45 6680	HF45 6680			
8.2 kΩ	HF45 6820	HF45 6820			
9.1 kΩ	HF45 6910	HF45 6910			



\* : Not available





## MECHANICAL PARTS

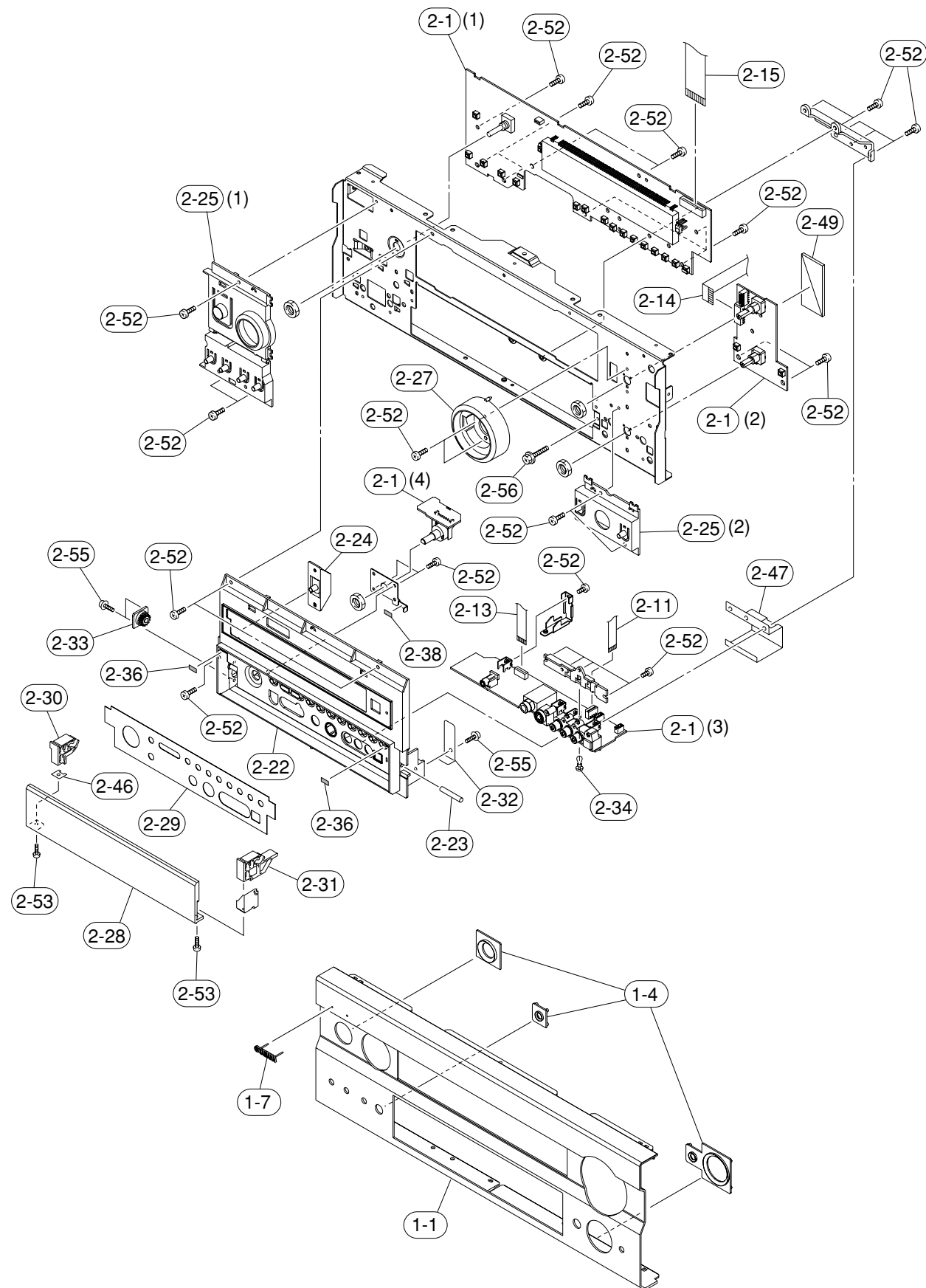
Schm Ref.	PART NO.	Description	Remarks	Markets	部品名	Rank
* 2-1	WD655000	P.C.B. ASS'Y	OPERATION	JRTKL	P C B オペレーション	18
* 2-1	WD655100	P.C.B. ASS'Y	OPERATION	UCA	P C B オペレーション	
* 2-1	WD655200	P.C.B. ASS'Y	OPERATION	BG	P C B オペレーション	
* 3-1	WD654500	P.C.B. ASS'Y	MAIN	J	P C B メイン	
* 3-1	WD654600	P.C.B. ASS'Y	MAIN	UC	P C B メイン	
* 3-1	WD654700	P.C.B. ASS'Y	MAIN	RTA	P C B メイン	
* 3-1	WD654800	P.C.B. ASS'Y	MAIN	KBL	P C B メイン	
* 3-1	WD654900	P.C.B. ASS'Y	MAIN	G	P C B メイン	
* 6	WD650400	P.C.B. ASS'Y	FUNCTION	J	P C B ファンクション	21
* 6	WD650500	P.C.B. ASS'Y	FUNCTION	UC	P C B ファンクション	
* 6	WD650600	P.C.B. ASS'Y	FUNCTION	RTKL	P C B ファンクション	
* 6	WD650700	P.C.B. ASS'Y	FUNCTION	A	P C B ファンクション	
* 6	WD650800	P.C.B. ASS'Y	FUNCTION	BG	P C B ファンクション	
* 7	WD648200	P.C.B. ASS'Y	POWER	J	P C B パワー	22
* 7	WD648300	P.C.B. ASS'Y	POWER	UC	P C B パワー	
* 7	WD648400	P.C.B. ASS'Y	POWER	R	P C B パワー	
* 7	WD648500	P.C.B. ASS'Y	POWER	T	P C B パワー	
* 7	WD648600	P.C.B. ASS'Y	POWER	K	P C B パワー	
* 7	WD648700	P.C.B. ASS'Y	POWER	A	P C B パワー	
* 7	WD648800	P.C.B. ASS'Y	POWER	B	P C B パワー	
* 7	WD648900	P.C.B. ASS'Y	POWER	G	P C B パワー	
* 7	WD649000	P.C.B. ASS'Y	POWER	L	P C B パワー	
* 8	WD650000	P.C.B. ASS'Y	DSP	J	P C B DSP	
* 8	WD650100	P.C.B. ASS'Y	DSP	UCRTKABGL	P C B DSP	
* 9	WD651600	P.C.B. ASS'Y	INPUT	J	P C B インプット	
* 9	WD651700	P.C.B. ASS'Y	INPUT	UC	P C B インプット	
* 9	WD651800	P.C.B. ASS'Y	INPUT	RTKL	P C B インプット	
* 9	WD651900	P.C.B. ASS'Y	INPUT	ABG	P C B インプット	
* 10	WD652500	P.C.B. ASS'Y	CONTROL	J	P C B コントロール	
* 10	WD652600	P.C.B. ASS'Y	CONTROL	UC	P C B コントロール	
* 10	WD652700	P.C.B. ASS'Y	CONTROL	R	P C B コントロール	
* 10	WD652800	P.C.B. ASS'Y	CONTROL	T	P C B コントロール	
* 10	WD652900	P.C.B. ASS'Y	CONTROL	K	P C B コントロール	
* 10	WD653000	P.C.B. ASS'Y	CONTROL	A	P C B コントロール	
* 10	WD653100	P.C.B. ASS'Y	CONTROL	BG	P C B コントロール	
* 10	WD653200	P.C.B. ASS'Y	CONTROL	L	P C B コントロール	
* 11	WD048200	AM/FM TUNER	FAE385-J01F	J	AM/FM チューナ	12
* 11	WD048300	AM/FM TUNER	FAE385-A01F	UCRTL	AM/FM チューナ	
* 11	WD048400	AM/FM TUNER	FAE485-E01F	KABG	AM/FM チューナ	
* 14	X5771A00	POWER TRANSFORMER		J	電源トランス	19
* 14	X5777A00	POWER TRANSFORMER		UC	電源トランス	
* 14	X5773A00	POWER TRANSFORMER		RL	電源トランス	
* 14	X5774A00	POWER TRANSFORMER		TK	電源トランス	
* 14	X5775A00	POWER TRANSFORMER		A	電源トランス	
* 14	X5776A00	POWER TRANSFORMER		BG	電源トランス	
* 22	V8563700	DC FAN MOTOR	3110KL-05W-B40-T21		D C ファンモーター	
* 25	MF114160	FLEXIBLE FLAT CABLE	14P 160mm P=1.25		カード電線 C & C	03
* 28	MF115200	FLEXIBLE FLAT CABLE	15P 200mm P=1.25		カード電線 C & C	02
* 29	MF119200	FLEXIBLE FLAT CABLE	19P 200mm P=1.25		カード電線 C & C	03
* 30	MF119200	FLEXIBLE FLAT CABLE	19P 200mm P=1.25		カード電線 C & C	03
* 31	MF123140	FLEXIBLE FLAT CABLE	23P 140mm P=1.25		カード電線 C & C	04
* 32	MF127140	FLEXIBLE FLAT CABLE	27P 140MM P=1.25		カード電線 C & C	03
* 35	VZ625600	BINDING TIE	SE140 L=140	RL	インシュロックタイ	01
* 101	V9151200	TOP COVER		GD	トップカバー	09
* 101	V9151100	TOP COVER		BL	トップカバー	09
* 101	V9151300	TOP COVER		TI	トップカバー	
* 103	WD423600	REAR PANEL		J	リアパネル	05
* 103	WD423000	REAR PANEL		UC	リアパネル	
* 103	WD423100	REAR PANEL		R	リアパネル	
* 103	WD423200	REAR PANEL		T	リアパネル	
* 103	WD423300	REAR PANEL		K	リアパネル	
* 103	WD423500	REAR PANEL		A	リアパネル	
* 103	WD423700	REAR PANEL		B	リアパネル	
* 103	WD423800	REAR PANEL		G	リアパネル	
* 103	WD423400	REAR PANEL		L	リアパネル	

\* New Parts \* 新規部品

Schm Ref.	PART NO.	Description	Remarks	Markets	部品名	Rank	
120	WC051600	LEG	D56/H21	GD, BL	J	レッグ	08
120	V0042500	LEG	D60xH21	GD	RTKL	レッグ	03
120	VS025000	LEG	D60xH21	BL, TI	UCRABGL	レッグ	02
131	V6001700	KNOB D15	REC OUT	GD		ノブ D 1 5	01
131	V6001600	KNOB D15	REC OUT	BL		ノブ D 1 5	01
* 131	V7624400	KNOB D15	REC OUT	TI		ノブ D 1 5	
132	WC496800	KNOB D48	VOLUME	GD		ノブ D 4 8	07
* 132	WC496700	KNOB D48	VOLUME	BL		ノブ D 4 8	
* 132	WC496900	KNOB D48	VOLUME	TI		ノブ D 4 8	
133	WB312400	KNOB D25	PROGRAM	GD		ノブ D 2 5	01
133	WB312200	KNOB D25	PROGRAM	BL		ノブ D 2 5	01
* 133	WB312500	KNOB D25	PROGRAM	TI		ノブ D 2 5	
134	V9125800	KNOB D26	INPUT	GD		ノブ D 2 6	06
134	V9125700	KNOB D26	INPUT	BL		ノブ D 2 6	06
* 134	V9125900	KNOB D26	INPUT	TI		ノブ D 2 6	
135	WB313000	TRANS/COVER				トランス/カバー	
136	VQ368600	PUSH RIVET	P3555-B			プッシュリベット	01
* 142	WD406300	SHEET				シート/ウィンドウ	04
143	WB312800	PLATE, SIDE		GD		プレート/サイド	
143	WB312600	PLATE, SIDE		BL		プレート/サイド	
* 143	WB312900	PLATE, SIDE		TI		プレート/サイド	
145	V3198100	DAMPER	GUARD			ダンパー	01
146	V8080600	CUSHION	10x20			クッション/10 X 2 0	
151	VZ117100	DAMPER, T2				ダンパー/T 2	01
161	VN413300	BIND HEAD BONDING B-T. SCREW	3x8 MFC2BL			ボンディングBタイトネジ	01
162	EP600830	BIND HEAD B-TIGHT SCREW	3x8 MFC2BL			バインドBタイトネジ	01
164	WC416000	SCREW 1C	3x18-10SP MFC2Y			スクリュー 1 C	01
165	WB881000	SCREW	4x10-10 MFC2Y			スクリュー	
166	EP600250	BIND HEAD B-TIGHT SCREW	3x8 MFC2Y			バインドBタイトネジ	01
167	VT669300	PW HEAD B-TIGHT SCREW	3x8-8 MFC2			PWヘッドBタイトネジ	01
169	VZ893000	SPECIAL SCREW S-TIGHT	4x8-10 MFC133	GD, TI		化粧ネジSタイト	02
169	VK522000	SPECIAL SCREW S-TIGHT	4x8-10 MFC2BL	BL		化粧ネジSタイト	01
170	AA627310	GROUND TERMINAL				GNDターミナル	01
171	VDO69600	PW HEAD S-TIGHT SCREW	4x8-10 MFC133	GD, TI		PWヘッドSタイトネジ	01
171	21991500	PW HEAD S-TIGHT SCREW	4x8-10 MFC2BL	BL		PWヘッドSタイトネジ	01
173	VV220300	BIND HEAD B-TIGHT SCREW	3x30 MFC2BL			バインドBタイトネジ	01
175	V6509600	JACK SCREW	SS6-A47511848			ジャックスクリュー	01
		ACCESSORIES				付属品	
* 200	WD108500	REMOTE CONTROL	RAV352		JUCRTKAL	リモコン	
* 200	WD108600	REMOTE CONTROL	RAV353		BG	リモコン	
200-1	AAX59640	BATTERY COVER		3139 238 08051		電池蓋	02
202	V6267000	INDOOR FM ANTENNA	1.4m 1pc		JUCRTL	F M簡易アンテナ	03
202	VQ147100	INDOOR FM ANTENNA	1.4m 1pc		KABG	F M簡易アンテナ	02
203	VR248500	AM LOOP ANTENNA	1.0m 1pc			A Mループアンテナ	03
204	VE364900	ANTENNA ADAPTER	PAL 75-300Ω		B	整合器	03
205	WB803800	POWER CABLE	2m	J		電源コード	08
205	V7704800	POWER CABLE	2m	UC		電源コード	05
* 205	WD107700	POWER CABLE	2m	R		電源コード	
205	V9358400	POWER CABLE	2m	T		電源コード	05
205	V7704900	POWER CABLE	2m	KGL		電源コード	06
205	WB750900	POWER CABLE	2m	A		電源コード	07
205	WB751000	POWER CABLE	2m	B		電源コード	08
206	WB751000	POWER CABLE	2m	L		電源コード	08
207	WC080100	SPEAKER TERMINAL WRENCH	LTS0090-0002GM			S Pターミナルレンチ	01
208	WB929200	MICROPHONE	6.0m 1pc			マイクロホン	08
		BATTERY	UM-4 4pcs			乾電池 4 p c s	
		SERVICE TOOLS				サービス用部品	
* MF124500	FLEXIBLE FLAT CABLE	24P 500mm P=1.25				カード電線 C & C	
* MF115500	FLEXIBLE FLAT CABLE	15P 500mm P=1.25				カード電線 C & C	
* MF113500	FLEXIBLE FLAT CABLE	13P 500mm P=1.25				カード電線 C & C	05
* MF107500	FLEXIBLE FLAT CABLE	7P 500mm P=1.25				カード電線 C & C	03
* MF127500	FLEXIBLE FLAT CABLE	27P 500mm P=1.25				カード電線 C & C	
* WD635400	CONNECTOR ASS'Y	3/4P 180mm				コネクター A S S Y	

\* New Parts \* 新規部品

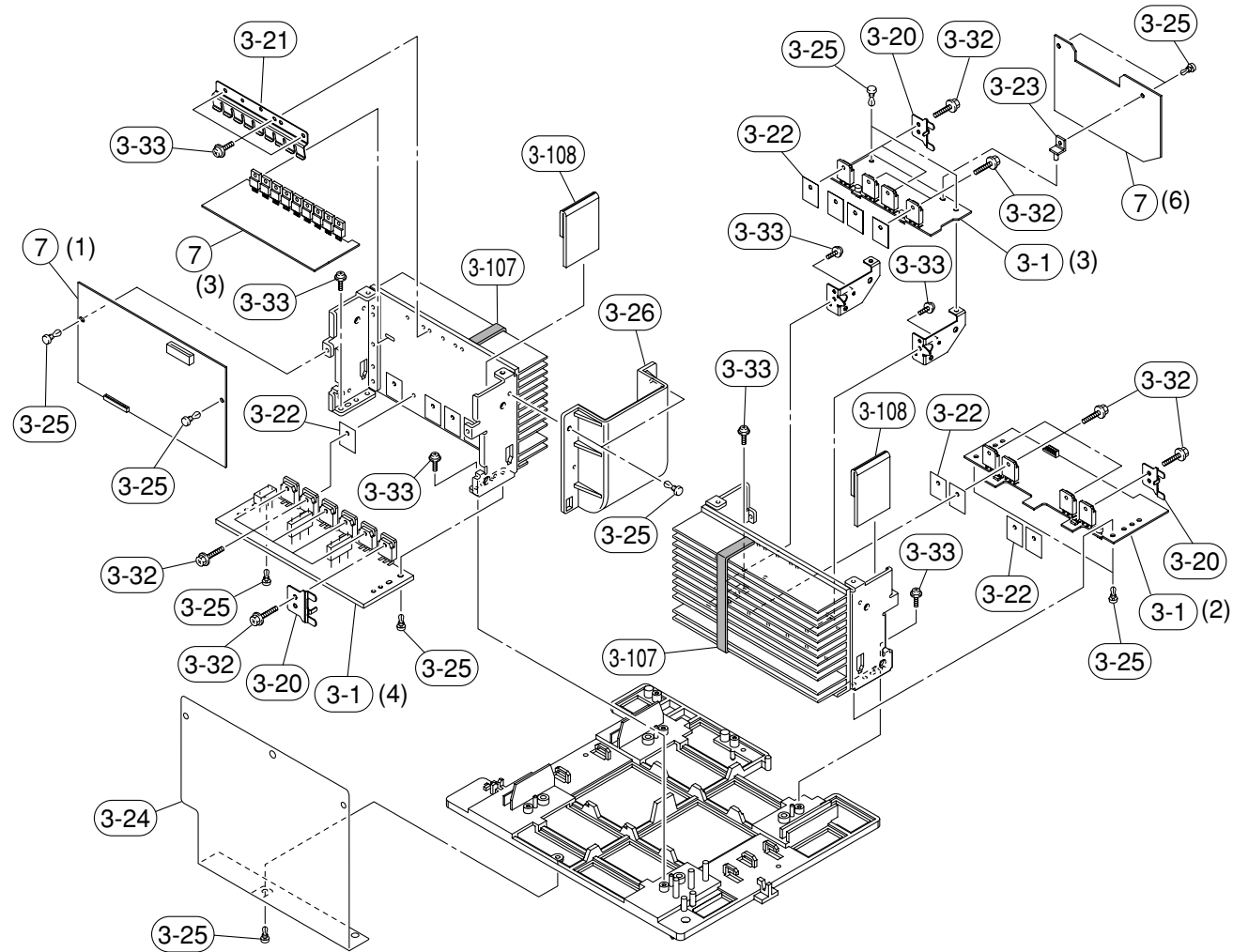
FRONT PANEL & SUB CHASSIS UNIT



Schm Ref.	PART NO.	Description	Remarks	Markets	部 品 名	Rank	
* 1-1	WD429100	FRONT PANEL		GD	J	フロントパネル	13
* 1-1	WD428600	FRONT PANEL		GD	RTKL	フロントパネル	
* 1-1	WD429000	FRONT PANEL		BL	J	フロントパネル	13
* 1-1	WD428500	FRONT PANEL		BL	UCRA	フロントパネル	
* 1-1	WD428900	FRONT PANEL		TI	BG	フロントパネル	
* 1-1	WD784200	FRONT PANEL		TI	L	フロントパネル	
* 1-4	WB315700	ESCUTCHOEN/FRONT		GD		エスカッション/F	
* 1-4	WB315600	ESCUTCHOEN/FRONT		BL		エスカッション/F	
* 1-4	WB315800	ESCUTCHOEN/FRONT		TI		エスカッション/F	
* 1-7	V6034200	EMBLEM		GD		エンブレム	03
* 1-7	V6034100	EMBLEM		BL, TI		エンブレム	03
* 2-1	WD655000	P.C.B. ASS'Y	OPERATION		JRTKL	P C B オペレーション	18
* 2-1	WD655100	P.C.B. ASS'Y	OPERATION		UCA	P C B オペレーション	
* 2-1	WD655200	P.C.B. ASS'Y	OPERATION		BG	P C B オペレーション	
* 2-11	MF107200	FLEXIBLE FLAT CABLE	7P 200mm P=1.25			カード電線 C & C	02
* 2-13	MF113300	FLEXIBLE FLAT CABLE	13P 300MM P=1.25			カード電線 C & C	02
* 2-14	MF115140	FLEXIBLE FLAT CABLE	15P 140mm P=1.25			カード電線 C & C	03
* 2-15	MF124140	FLEXIBLE FLAT CABLE	24P 140mm P=1.25			カード電線 C & C	02
* 2-22	WD431700	SUBPANEL/CASE		GD	JRTKL	サブパネル/ケース	05
* 2-22	WD431600	SUBPANEL/CASE		BL	JR	サブパネル/ケース	
* 2-22	WD431400	SUBPANEL/CASE		BL	UCA	サブパネル/ケース	
* 2-22	WD431200	SUBPANEL/CASE		TI	BG	サブパネル/ケース	
* 2-22	WD557000	SUBPANEL/CASE		TI	L	サブパネル/ケース	
* 2-23	V9126500	SHAFT				シャフト	01
* 2-24	WD476100	BUTTON/LENS				ボタン/レンズ	01
* 2-25	WB311800	BUTTON, PLAY		GD		ボタン/P	
* 2-25	WB311700	BUTTON, PLAY		BL		ボタン/P	
* 2-25	WB311900	BUTTON, PLAY		TI		ボタン/P	
* 2-27	WD728600	ESCUTCHEON		GD		エスカッション	02
* 2-27	WD728400	ESCUTCHEON		BL		エスカッション	
* 2-27	WD728700	ESCUTCHEON		TI		エスカッション	
* 2-28	WC624300	PANEL, LID		GD		パネル/リッド	09
* 2-28	WC624200	PANEL, LID		BL		パネル/リッド	09
* 2-28	WC624400	PANEL, LID		TI		パネル/リッド	
* 2-29	WD434500	PLATE, SP		GD	JRTKL	プレート/SP	04
* 2-29	WD434400	PLATE, SP		BL	JR	プレート/SP	
* 2-29	WD434900	PLATE, SP		BL	UCA	プレート/SP	
* 2-29	WD434800	PLATE, SP		TI	BG	プレート/SP	
* 2-29	WD763400	PLATE, SP		TI	L	プレート/SP	
* 2-30	V6005100	HINGE, L		GD		ヒンジ L	01
* 2-30	V6005000	HINGE, L		BL		ヒンジ L	
* 2-30	V6005200	HINGE, L		TI		ヒンジ L	
* 2-31	V6005400	HINGE, R		GD		ヒンジ R	01
* 2-31	V6005300	HINGE, R		BL		ヒンジ R	
* 2-31	V6005500	HINGE, R		TI		ヒンジ R	
* 2-32	V4593300	SPRING, LID				スプリング/リッド	
* 2-33	V9124600	DAMPER, GEAR				ダンパー/ギヤ	03
* 2-34	VQ368600	PUSH RIVET	P3555-B			プッシュリベット	01
* 2-36	VY940400	CUSHION, LID	T=0.8			クッション/LID	01
* 2-38	WC144500	CUSHION/ 5X10	5x10			クッション/5 X 10	
* 2-46	WC308000	SPACER/HINGE				スペーサ/ヒンジ	01
* 2-47	WE359600	SHEET, GND				シート/アース	
* 2-49	V6742300	DAMPER	3/30/60			ダンパー 3/30/60	
* 2-52	EP600250	BIND HEAD B-TIGHT SCREW	3x8 MFZN2Y			バインドBタイトネジ	01
* 2-53	VG863900	BIND HEAD TAPPING SCREW	2.6x6 MFZN2BL			バインドTPネジ	
* 2-55	VE529700	PW HEAD B-TIGHT SCREW	3x6-8 MFC2BL			PWヘッドBタイトネジ	01
* 2-56	WC416000	SCREW IC	3x18-10SP MFZN2Y			スクリュー IC	01

\* New Parts \* 新規部品

1 ■ AMP UNIT



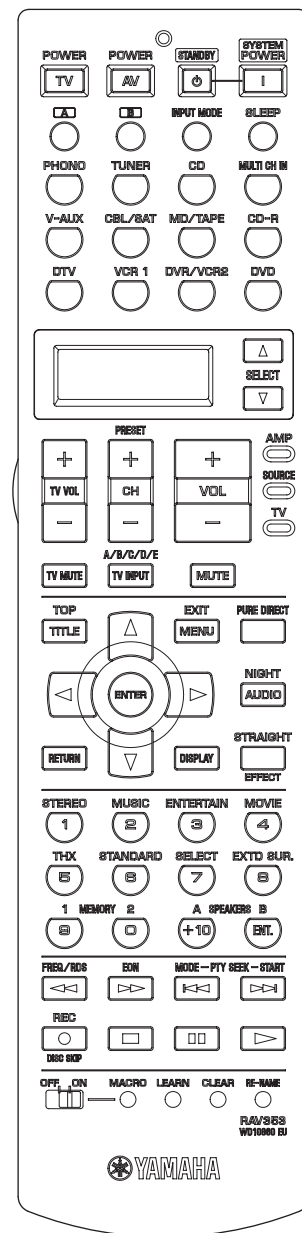
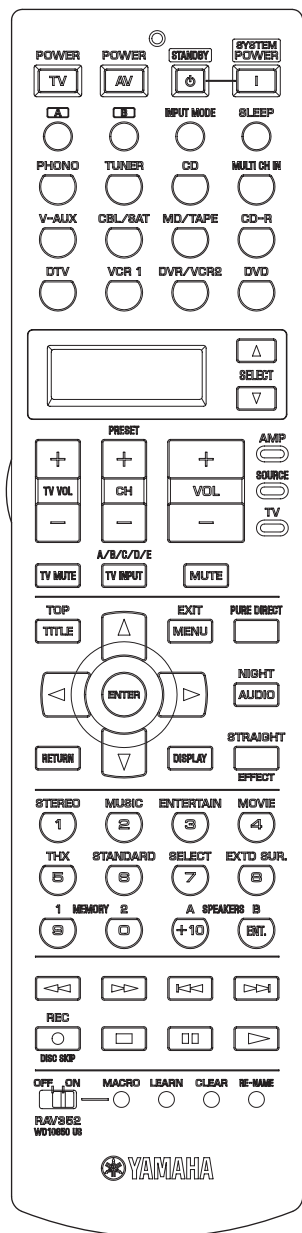
Schm Ref.	PART NO.	Description	Remarks	Markets	部品名	Rank
* ⚠ 3-1	WD654500	P.C.B. ASS'Y	MAIN	J	P C B メイン	
* ⚠ 3-1	WD654600	P.C.B. ASS'Y	MAIN	UC	P C B メイン	
* ⚠ 3-1	WD654700	P.C.B. ASS'Y	MAIN	RTA	P C B メイン	
* ⚠ 3-1	WD654800	P.C.B. ASS'Y	MAIN	KBL	P C B メイン	
* ⚠ 3-1	WD654900	P.C.B. ASS'Y	MAIN	G	P C B メイン	
3-20	WB297600	SUPPORT/TR			サポート/TR	02
* 3-21	WD418800	SUPPORT/TR-9			サポート/TR-9	
3-22	VV849300	RADIATION SHEET	19x24		シート/放熱	01
3-23	CB091290	SUPPORT, P.C.B.	No.1645		基板サポート	01
3-24	WB955600	SHEET/SHIELD			シート/シールド	
3-25	VQ368600	PUSH RIVET	P3555-B		プッシュリベット	01
3-26	V9120600	DUCT			ダクト	02
3-32	VK173200	SCREW, TRANSISTOR	3x15 SP MFC2		スクリューTR	01
3-33	VT669300	PW HEAD B-TIGHT SCREW	3x8-8 MFC2		PWヘッドBタイトネジ	01
3-107	VP922500	DAMPER	2x10x170		ダンパー	01
3-108	V3198100	DAMPER			ダンパー	01
* ⚠ 7	WD648200	P.C.B. ASS'Y	POWER	J	P C B パワー	22
* ⚠ 7	WD648300	P.C.B. ASS'Y	POWER	UC	P C B パワー	
* ⚠ 7	WD648400	P.C.B. ASS'Y	POWER	R	P C B パワー	
* ⚠ 7	WD648500	P.C.B. ASS'Y	POWER	T	P C B パワー	
* ⚠ 7	WD648600	P.C.B. ASS'Y	POWER	K	P C B パワー	
* ⚠ 7	WD648700	P.C.B. ASS'Y	POWER	A	P C B パワー	
* ⚠ 7	WD648800	P.C.B. ASS'Y	POWER	B	P C B パワー	
* ⚠ 7	WD648900	P.C.B. ASS'Y	POWER	G	P C B パワー	
* ⚠ 7	WD649000	P.C.B. ASS'Y	POWER	L	P C B パワー	

\* New Parts \* 新規部品



# REMOTE CONTROL RAV352, RAV353

RAV352 (U, C, R, T, K, A, L, J models) RAV353 (B, G models)



NO	Label	AMP Library	AMP Library	AMP Library : AMP1Z				AMP Library : AMP2Z					
		AMP1	AMP2	MAIN	ZONE2	ZONE3	SYSTM	MAIN	ZONE2	ZONE3	SYSTM		
3	STANDBY	7A-1E	7D-91	7E-7F	7E-BB	7A-EE	7A-1E	7D-B1	7E-BB	7A-EE	7D-91	Sets this unit in the standby mode(MAIN/ZONE2/ZONE3/SYSTEM)	
4	POWER ON	7A-1D	7D-90	7E-7E	7E-BA	7A-ED	7A-1D	7D-B2	7E-BA	7A-ED	7D-90	Turns on this unit's power(MAIN/ZONE2/ZONE3/SYSTEM)	
7	INPUT MODE	7A-C3	7D-80	7A-C3			←	7D-80			←	Sets the priority for the type of input signal	
8	SLEEP	7A-57	7D-93	7A-57			←	7D-93			←	Sets the sleep timer	
9	PHONO	7A-14	7D-88	7A-14	7A-D0	7A-F1	←	7D-88	7A-D0	7A-F1	←	Selects the input source(MAIN/ZONE2/ZONE3)	
10	TUNER	7A-16	7D-89	7A-16	7A-D2	7A-F3	←	7D-89	7A-D2	7A-F3	←		
11	CD	7A-15	7D-87	7A-15	7A-D1	7A-F2	←	7D-87	7A-D1	7A-F2	←		
12	MULTI CH INPUT	7A-87	7D-8C	7A-87			←	7D-8C			←		Selects the input source
13	V-AUX	7A-55	7D-8A	7A-55	7A-D8	7A-F0	←	7D-8A	7A-D8	7A-F0	←		
14	CBL/SAT	7A-C0	7D-96	7A-C0	7A-CC	7A-F7	←	7D-96	7A-CC	7A-F7	←	Selects the input source(MAIN/ZONE2/ZONE3)	
15	MD/TAPE	7A-18	7D-8B	7A-18	7A-D3	7A-F4	←	7D-8B	7A-D3	7A-F4	←		
16	CD-R	7A-19	7D-99	7A-19	7A-D4	7A-F5	←	7D-99	7A-D4	7A-F5	←		
17	DTV	7A-54	7D-84	7A-54	7A-D9	7A-F6	←	7D-84	7A-D9	7A-F6	←		
18	VCR1	7A-0F	7D-81	7A-0F	7A-D6	7A-F9	←	7D-81	7A-D6	7A-F9	←		
19	DVR/VCR2	7A-13	7D-82	7A-13	7A-D7	7A-FA	←	7D-82	7A-D7	7A-FA	←	Increase the volume level(MAIN/ZONE2/ZONE3)	
20	DVD	7A-C1	7D-97	7A-C1	7A-CD	7A-FC	←	7D-97	7A-CD	7A-FC	←		
25	VOL UP	7A-1A	7D-8D	7A-1A	7A-DA	7A-FD	←	7D-8D	7A-DA	7A-FD	←		
28	VOL DOWN	7A-1B	7D-8E	7A-1B	7A-DB	7A-FE	←	7D-8E	7A-DB	7A-FE	←		
31	MUTE	7A-1C	7D-94	7A-1C	7A-DC	7A-FF	←	7D-94	7A-DC	7A-FF	←		
32	TOP	7A-A0	7D-52	7A-A0			←	7D-52			←	Enter GUI top menu	
33	UP	7A-9D	7D-9D	7A-9D			←	7D-9D			←	Operate in GUI and FL mode	
34	EXIT	7A-A1	7D-53	7A-A1			←	7D-53			←	Exit GUI menu	
35	PURE DIRECT	7A-DD	7D-C0	7A-DD			←	7D-C0			←	Turns on or off PURE DIRECT mode	
36	LEFT	7A-9F	7D-9F	7A-9F			←	7D-9F			←	Operate in GUI and FL mode	
37	ENTER	7A-DE	7D-56	7A-DE			←	7D-56			←	Operate in FL mode	
38	RIGHT	7A-9E	7D-9E	7A-9E			←	7D-9E			←	Operate in GUI and FL mode	
39	NIGHT	7A-95	7D-DD	7A-95			←	7D-DD			←	Turns on or off NIGHT mode	
40	RETURN	7A-AA	7D-B5	7A-AA			←	7D-B5			←	Operate in GUI and FL mode	
41	DOWN	7A-9C	7D-9C	7A-9C			←	7D-9C			←	Turns on or off FL mode	
42	SUB MENU	7A-C2	7D-C2	7A-C2			←	7D-C2			←		
43	STRAIGHT	7A-56	7D-C1	7A-56			←	7D-C1			←	Switches the sound fields off or on	
44	STEREO	7A-88	7D-D0	7A-88			←	7D-D0			←	Select the sounds fields	
45	HI-FI	7A-89	7D-D1	7A-89			←	7D-D1			←		
46	ENTERTAIN	7A-8A	7D-D2	7A-8A			←	7D-D2			←		
47	MOVIE	7A-8B	7D-D3	7A-8B			←	7D-D3			←		
48	THX	7A-8C	7D-D4	7A-8C			←	7D-D4			←		
49	SURROUND	7A-8D	7D-D5	7A-8D			←	7D-D5			←	Select 2ch decoder	
50	SELECT	7A-96	7D-DE	7A-96			←	7D-DE			←		
51	SUR.BACK	7A-97	7D-DF	7A-97			←	7D-DF			←		Switches between 5.1 and 6.1/7.1
52	HOME A	7A-A8	7D-B3	7A-A8			←	7D-B3			←	Recall HOME A	
53	HOME B	7A-A9	7D-B4	7A-A9			←	7D-B4			←	Recall HOME B	
54	SPEAKER A	7A-9A	7D-E7	7A-9A			←	7D-E7			←	Turns on or off SPEAKER A	
55	SPEAKER B	7A-9B	7D-E8	7A-9B			←	7D-E8			←	Turns on or off SPEAKER B	

← : Return to previous area. / 前のエリアに戻ります。

2500 cord table(Tuner mode)

NO	TUNER	Yamaha1	NO	TUNER	Yamaha1
24	PRESET+	7A-10	49	P6	7AEA
27	PRESET-	7A-11	50	P7	7AEB
30	A/B/C/D/E	7A12	51	P8	7AEC
44	P1	7AE5	56	FREQ	7A-A4
45	P2	7AE6	57	EON	7A-A5
46	P3	7AE7	58	PTYMODE	7A-A6
47	P4	7AE8	59	PTYSTART	7A-A7
48	P5	7AE9			