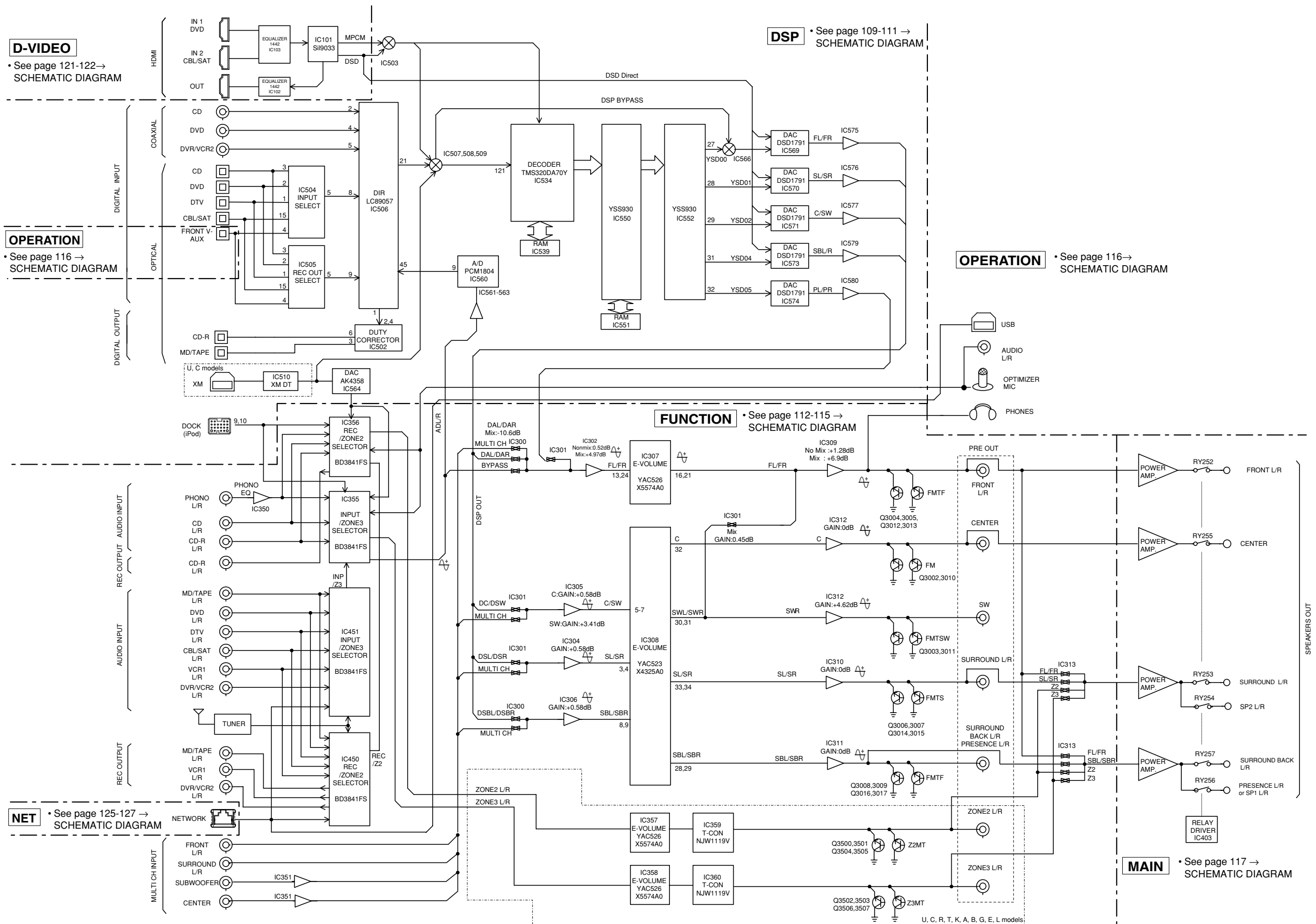


# BLOCK DIAGRAMS

## AUDIO SECTION BLOCK DIAGRAM



**D-VIDEO**  
• See page 121-122 → SCHEMATIC DIAGRAM

**OPERATION**  
• See page 116 → SCHEMATIC DIAGRAM

**DSP** • See page 109-111 → SCHEMATIC DIAGRAM

**FUNCTION** • See page 112-115 → SCHEMATIC DIAGRAM

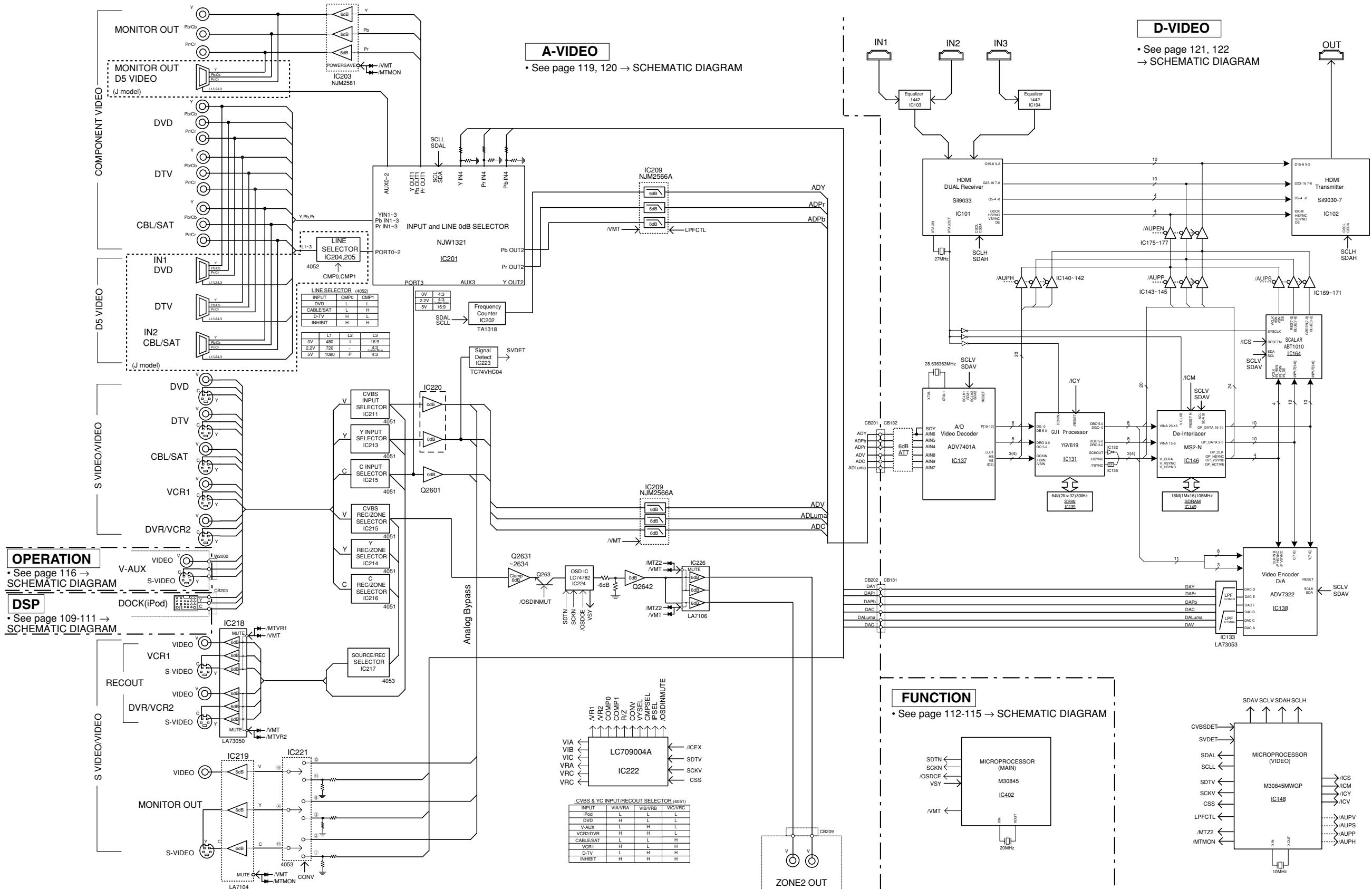
**OPERATION** • See page 116 → SCHEMATIC DIAGRAM

**NET** • See page 125-127 → SCHEMATIC DIAGRAM

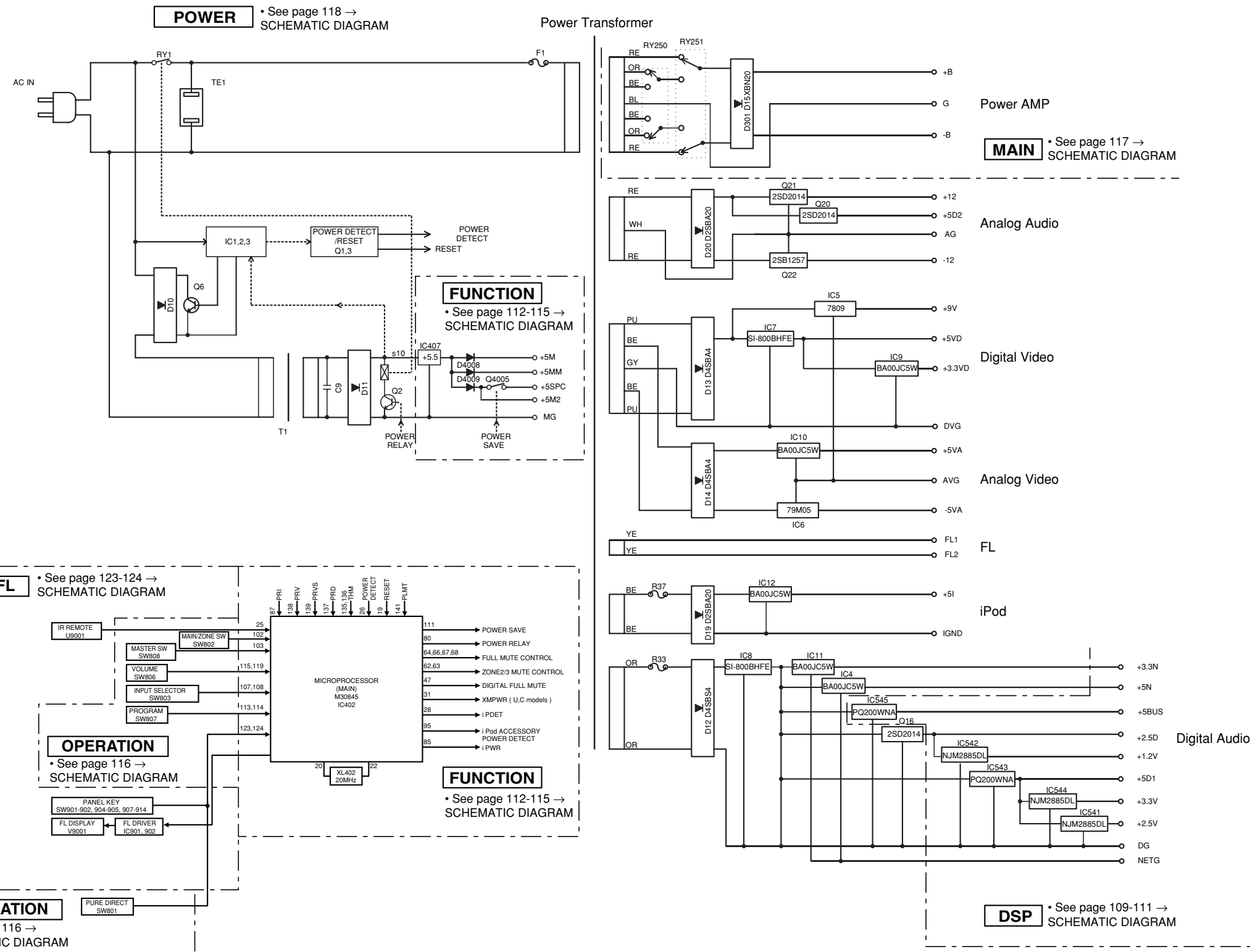
**MAIN** • See page 117 → SCHEMATIC DIAGRAM

U, C, R, T, K, A, B, G, E, L models

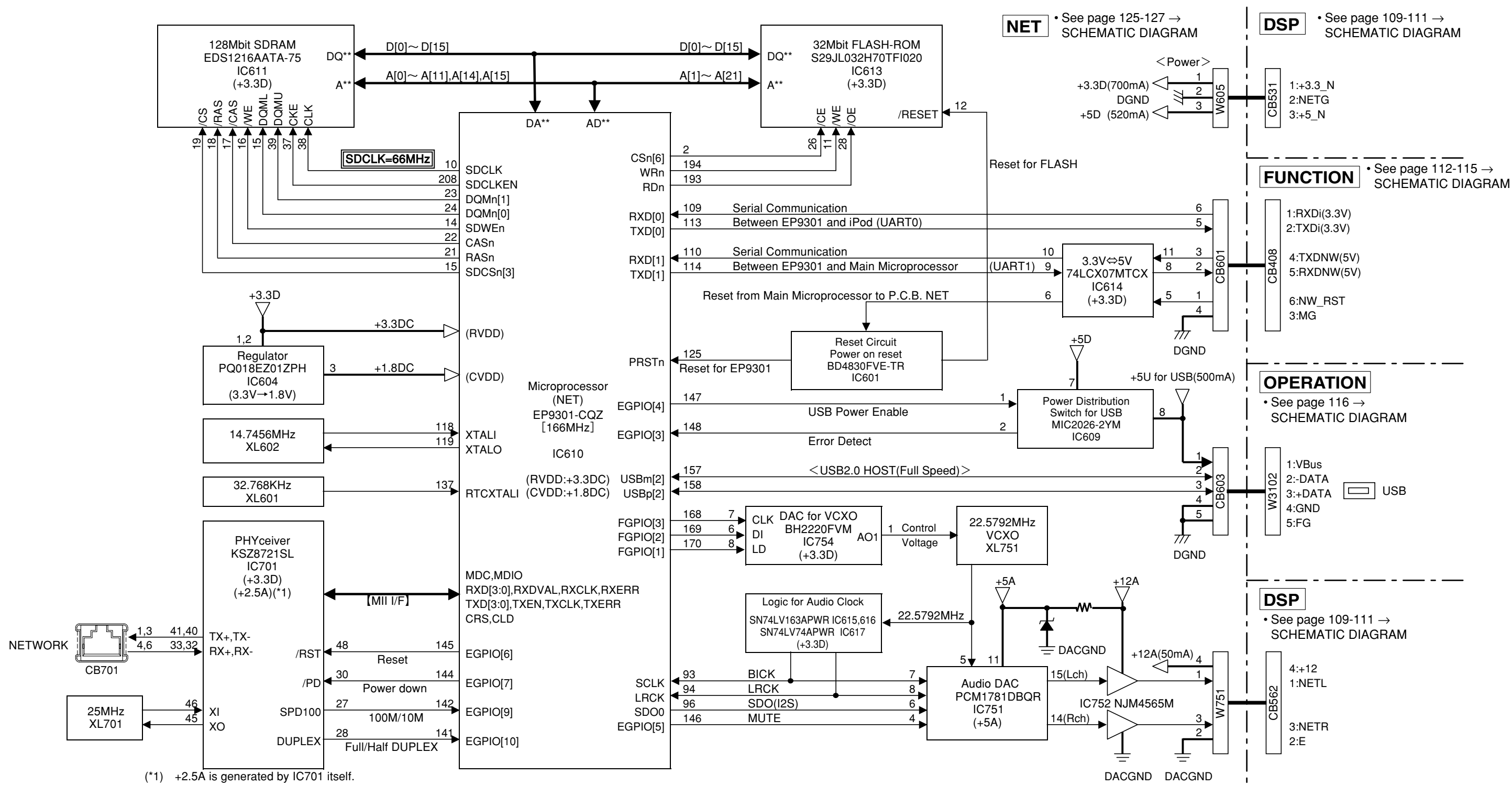
# VIDEO SECTION BLOCK DIAGRAM



### CONTROL/POWER SUPPLY SECTION BLOCK DIAGRAM



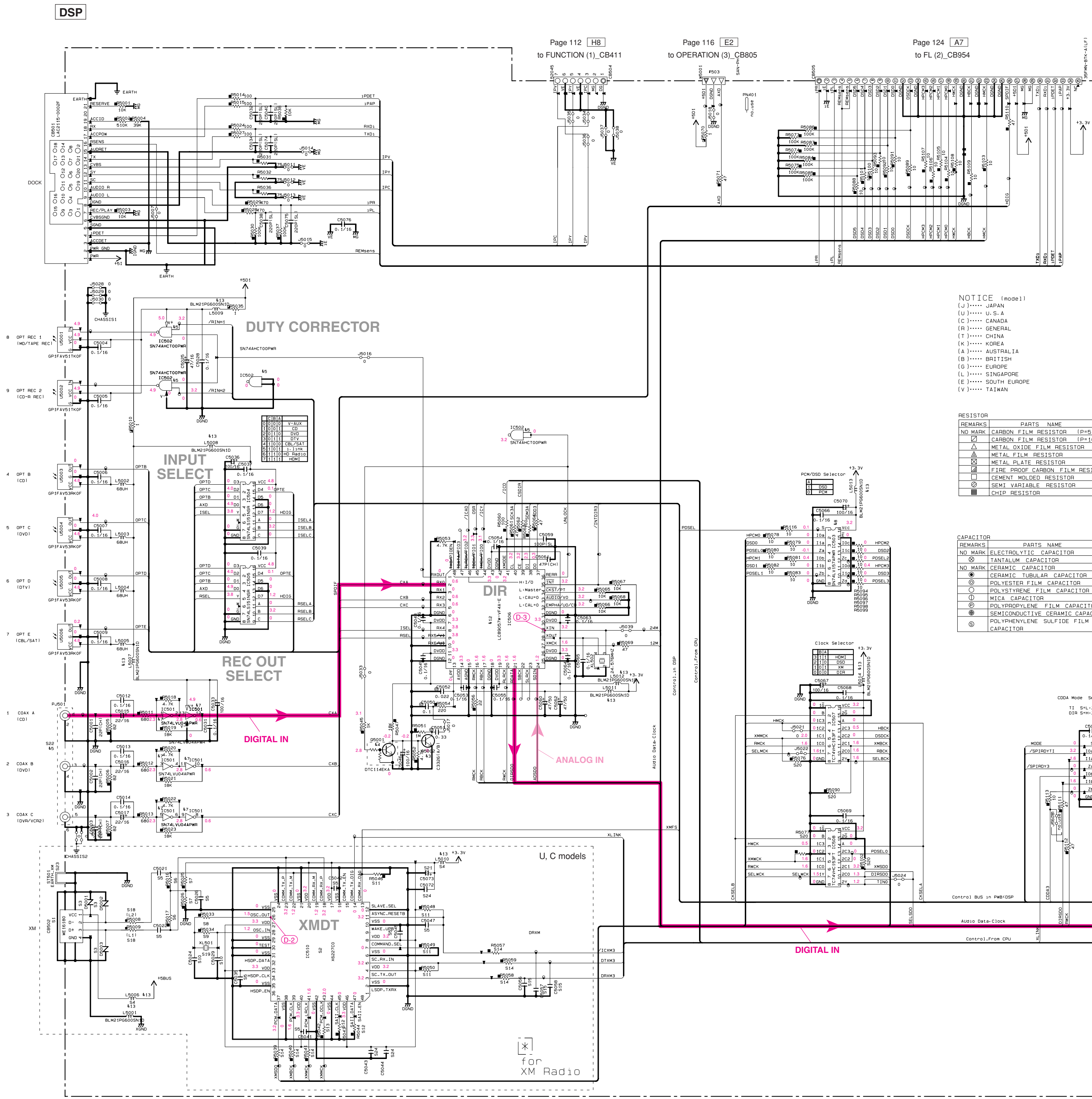
### NETWORK SECTION BLOCK DIAGRAM





SCHEMATIC DIAGRAMS  
DSP 1/3

1  
2  
3  
4  
5  
6  
7  
8  
9  
10



Page 112 [H8] to FUNCTION (1)\_CB411  
Page 116 [E2] to OPERATION (3)\_CB805  
Page 124 [A7] to FL (2)\_CB954

Destination Part List

MARK	LOC	J	U.C	R.T.K.A.B.G.E.L
S1	CB502	X	WE16180 ICAM-1618108	X
S2	IC502	X	4827703 72602-1118	X
S3	CS502	X	WE17460 AVRL16141R1N1B	X
S4	LS506	X	V244990 BLM1P0000N10	X
S5	CS041	X	UD39510 0.1716	X
S6	RS011	X	RD39510 100	X
S7	RS020	X	RD39510 100	X
S8	RS033	X	RD39510 100	X
S9	RS034	X	RD39510 100	X
S10	CS024	X	UD39510 0.1716	X
S11	RS050	X	RD39510 100K	X
S12	RS043	X	RD39510 100K	X
S13	RS044	X	RD39510 100K	X
S14	RS045	X	RD39510 100K	X
S15	CS025	X	UD39510 0.1716	X
S16	RS028	X	RD39510 100	X
S17	RS029	X	RD39510 100	X
S18	RS028	X	RD39510 100	X
S19	RS051	X	RD39510 100K	X
S20	RS052	X	RD39510 100K	X
S21	CS073	X	UD39510 0.1716	X
S22	PJ001	X	MB8440 MSD-37-29K1	X
S23	S1001	X	MSD-37-29K1 MSD-37-29K1	X
S24	CS042	X	UD39510 0.1716	X

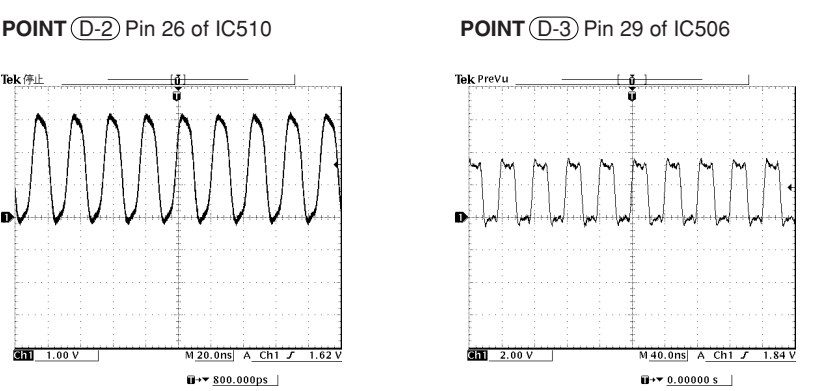
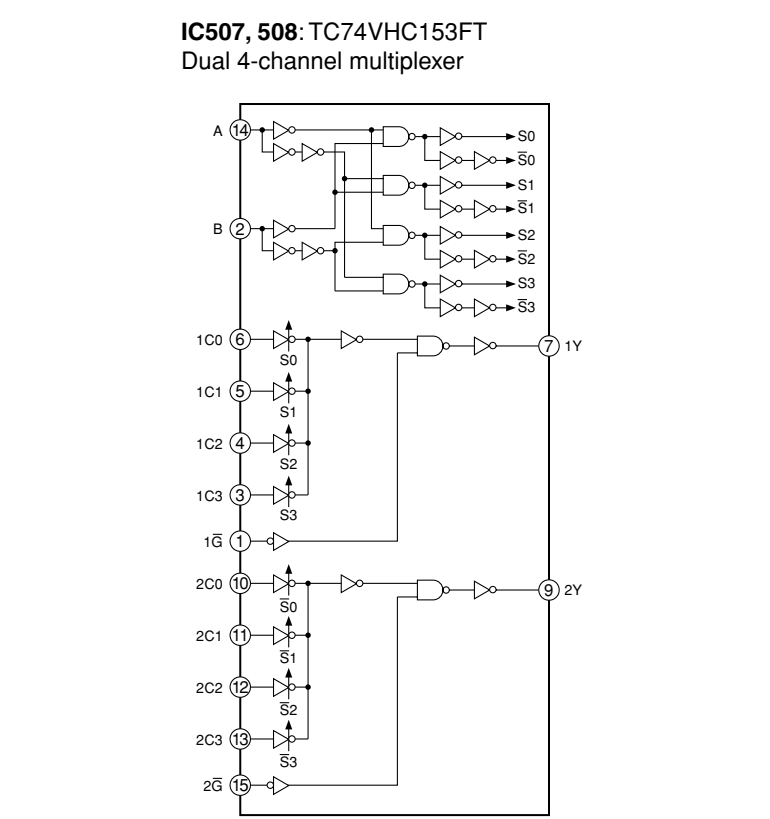
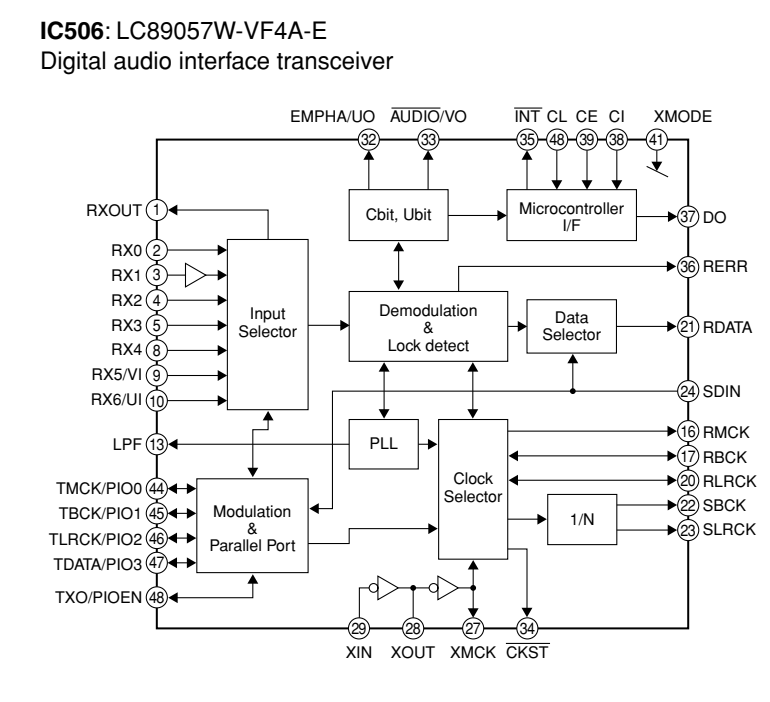
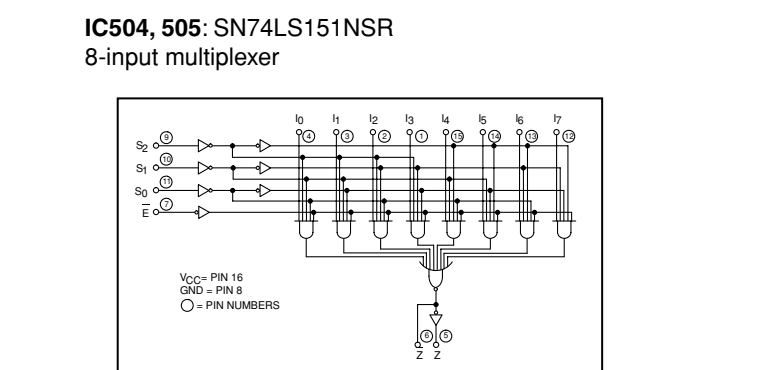
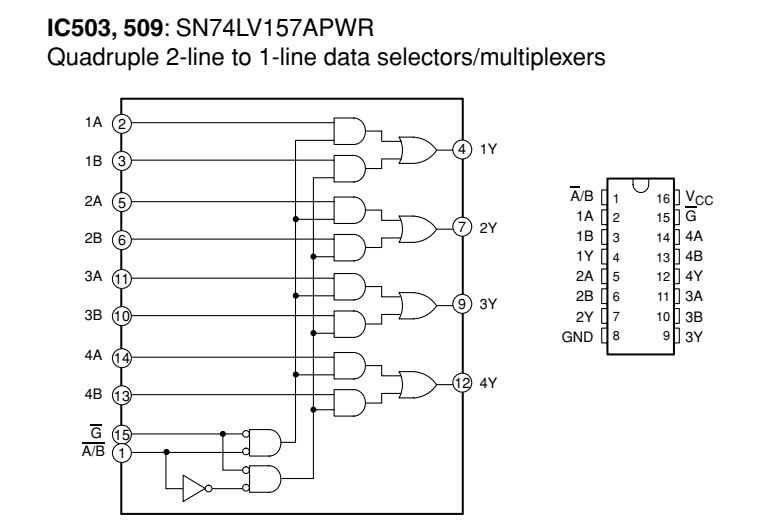
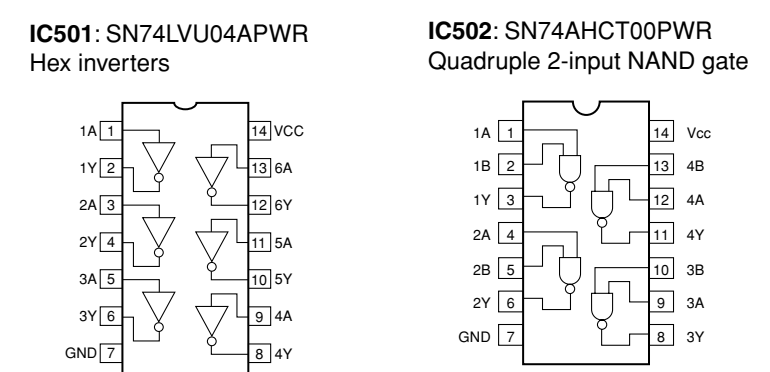
NOTICE (model)  
(J)..... JAPAN  
(U)..... U.S.A  
(C)..... CANADA  
(R)..... GENERAL  
(T)..... CHINA  
(K)..... KOREA  
(A)..... AUSTRALIA  
(B)..... BRITISH  
(G)..... EUROPE  
(L)..... SINGAPORE  
(E)..... SOUTH EUROPE  
(V)..... TAINAN

RESISTOR  
REMARKS PARTS NAME  
NO MARK CARBON FILM RESISTOR (P+6)  
[ ] CARBON FILM RESISTOR (P=10)  
[ ] METAL OXIDE FILM RESISTOR  
[ ] METAL FILM RESISTOR  
[ ] METAL PLATE RESISTOR  
[ ] FINE PORE CARBON FILM RESISTOR  
[ ] CEMENT MOLDED RESISTOR  
[ ] SEMI VARIABLE RESISTOR  
[ ] CHIP RESISTOR

CAPACITOR  
REMARKS PARTS NAME  
NO MARK ELECTROLYTIC CAPACITOR  
[ ] TANTALUM CAPACITOR  
[ ] CERAMIC CAPACITOR  
[ ] CERAMIC TUBULAR CAPACITOR  
[ ] POLYESTER FILM CAPACITOR  
[ ] POLYSTYRENE FILM CAPACITOR  
[ ] MICA CAPACITOR  
[ ] POLYPROPYLENE FILM CAPACITOR  
[ ] SEMICONDUCTIVE CERAMIC CAPACITOR  
[ ] POLYPHENYLENE SULFIDE FILM CAPACITOR

Interchangeable Parts at Manufacture Stage

Mark	Reference Parts Number	Parts Name
A1	CS500-500-500-500	IC505
A2	G6301	25A1037K1G/R/S1 25A129A1E/P1
A3	G6002	25C3201A/B1 25C3201B1 25C3201M1/B1 25C3201K1 K1C3201B
A4	G6001	DT11424A M101020-1R1/R
A5	IC502	SN74AHC100PWR TC74AHC100APTEL-X1
A6	IC505	SN74AHC100PWR TC74AHC100APTEL-X1
A7	IC501	SN74ALV04PWR TC74ALV04PTEL-X1
A8	IC503-500-566	SN74LV157APWR TC74LV157APTEL-X1
A9	IC509	W815500-7 E84910001-1FLTR M1L16161A-710
A10	IC505	M9814200-00-3M1 G1460100-00-4M1 M18161000A-35J M480000-00
A11	IC506-552	Y59300-S2 Y59300-S2
A12	IC506	LC89057W-VF4D-E LC89057W-VF4D-E
A13	LS001-5000-5015- 5301-3000-9500-9509- 9611-9614-9616-9618- 9620-9623	BLM1P0000N10 P20100400-3M1(F)



\* All voltages are measured with a 10MΩ/V DC electronic voltmeter.  
\* Components having special characteristics are marked [ ] and must be replaced with parts having specifications equal to those originally installed.  
\* Schematic diagram is subject to change without notice.  
● 電圧は、内部抵抗10MΩの電圧計で測定したものです。  
● [ ]印のある部品は、安全性確保部品を示しています。部品の交換が必要な場合、パーツリストに記載されている部品を使用してください。  
● 本回路図は標準回路図です。改良のため予告なく変更することがございます。



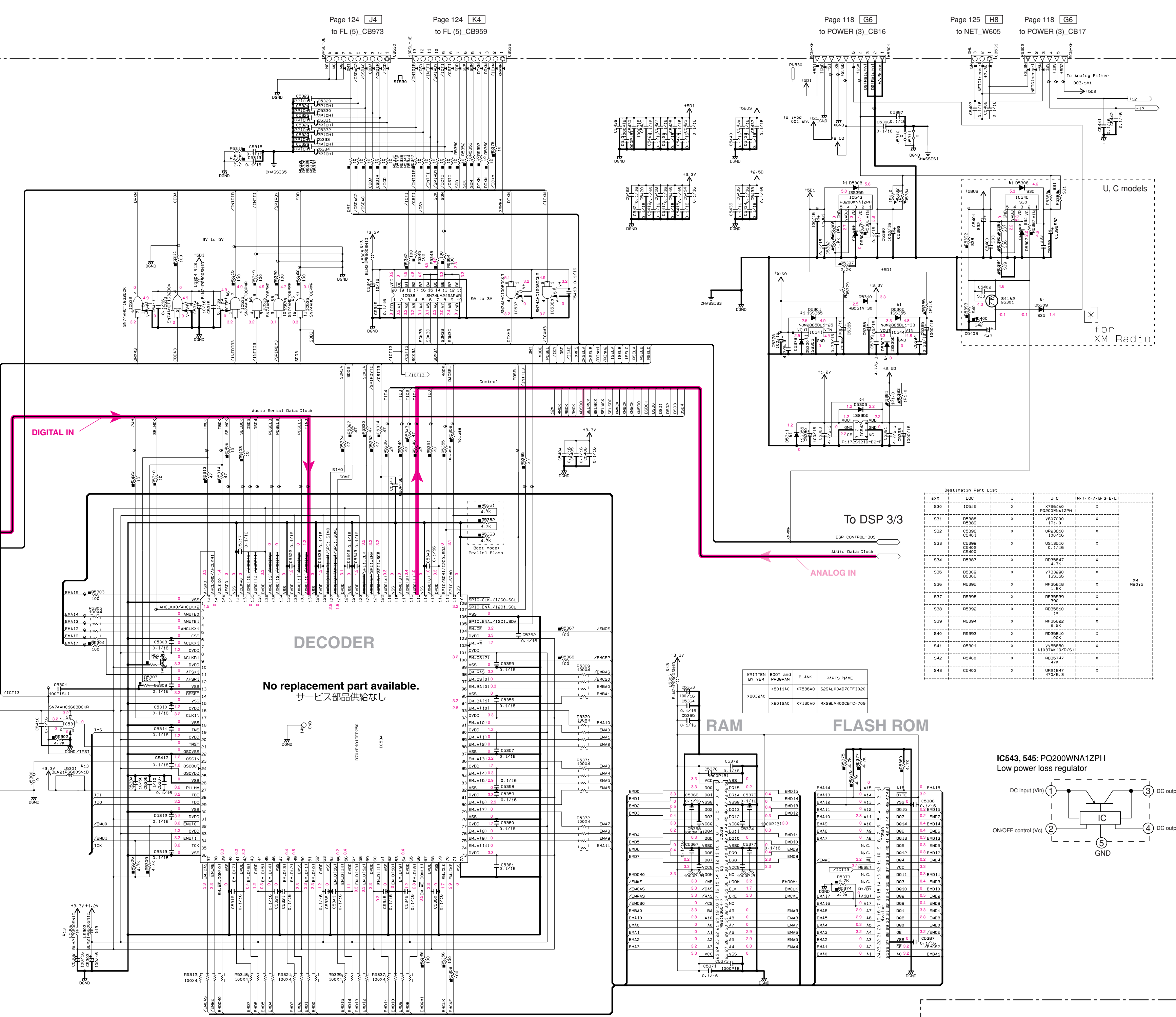
DSP 2/3

DSP

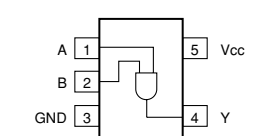
NOTICE (mode1)
(J)..... JAPAN
(U)..... U.S.A
(C)..... CANADA
(R)..... GENERAL
(T)..... CHINA
(K)..... KOREA
(A)..... AUSTRALIA
(B)..... BRITISH
(G)..... EUROPE
(L)..... SINGAPORE
(E)..... SOUTH EUROPE
(V)..... TAIWAN

Table with 2 columns: CAPACITOR, PARTS\_NAME. Lists various capacitor types like ELECTROLYTIC, TANTALUM, CERAMIC, etc.

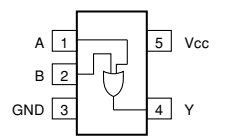
Table with 2 columns: RESISTOR, PARTS\_NAME. Lists various resistor types like CARBON FILM, METAL OXIDE FILM, etc.



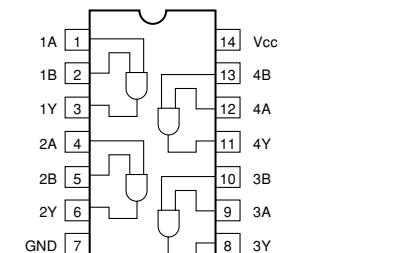
IC531: SN74AHC1G08DCKR 2-input positive-AND gate



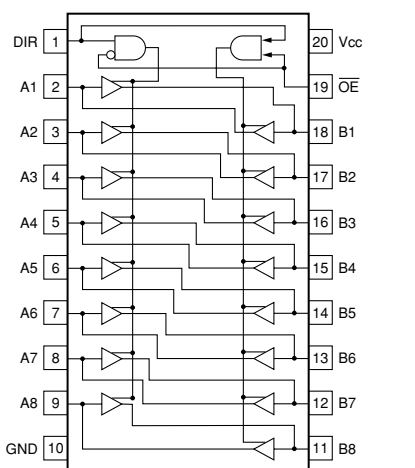
IC532, 533: SN74AHC1G32DCKR Single 2-input positive-OR gate



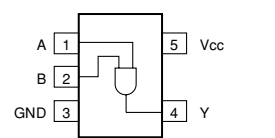
IC535: SN74AHC08PWR Quaduple 2-input positive-AND gates



IC536: SN74LV245APWR Octal bus transceiver with 3-state outputs

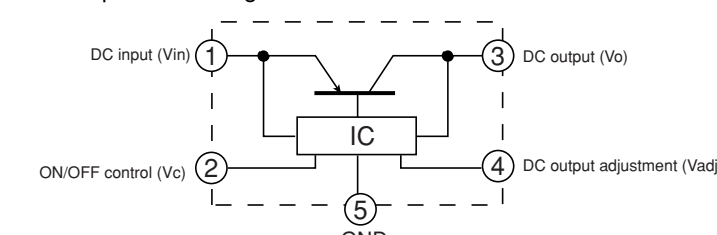


IC537, 538: SN74AHC1G08DCKR 2-input positive-AND gate

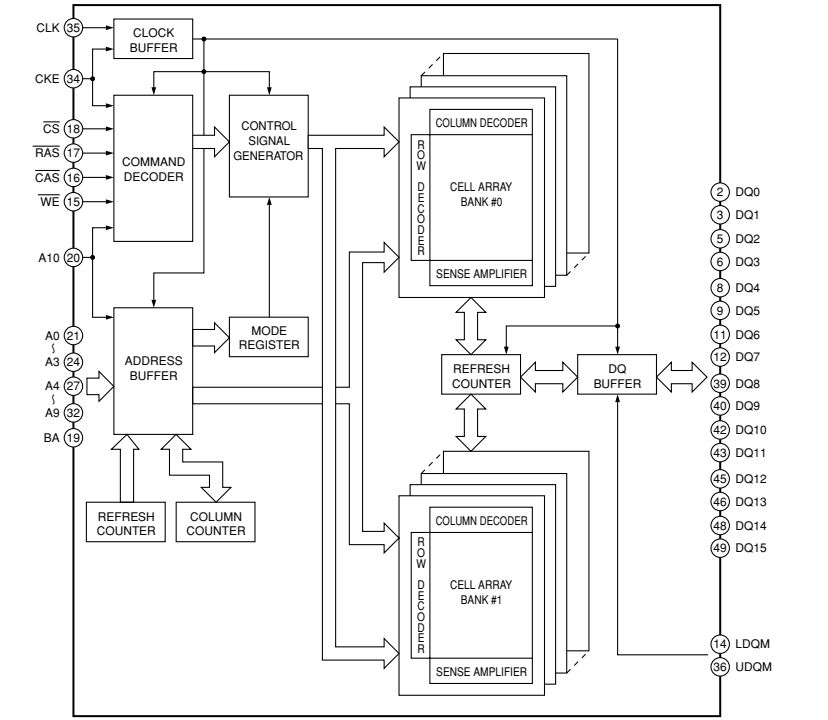


Destination Part List table with columns: SXX, LOC, J, U-C, DR, T, K, A, B, D, E, L. Lists various component locations and part numbers.

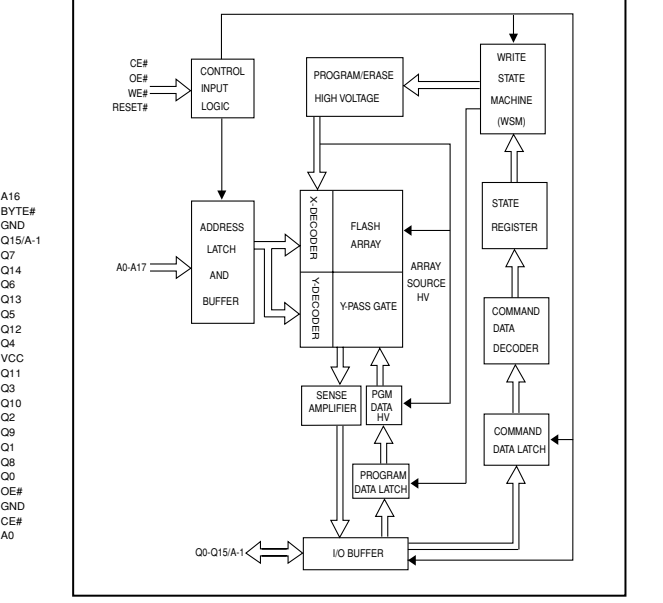
IC543, 545: PQ200WNA1ZPH Low power loss regulator



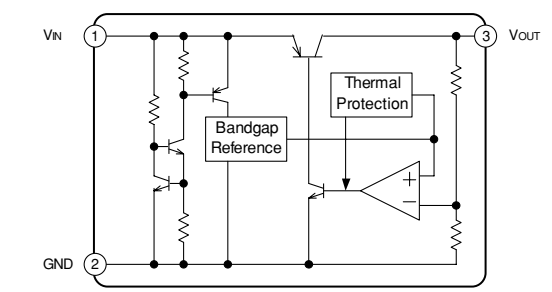
IC539: W9816G6CH-7 512k x 2 banks x 16 bits SDRAM



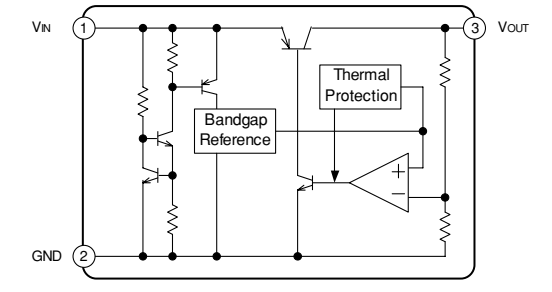
IC540: MX29LV400BTC-70G 4M-bit cmos single voltage 3V only flash memory



IC544: NJM2885DL1-33 Low dropout voltage regulator



IC541: NJM2885DL1-25 Low dropout voltage regulator



IC542: R1172S121D-E2-F

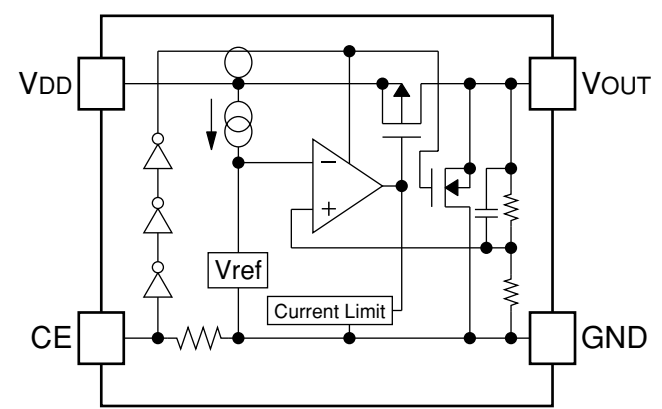


Table with 3 columns: Pin No., Symbol, Description. Lists pins 1 (VOUT), 2, 5 (GND), 3 (CE), 4 (NC), and 6 (VDD).

All voltages are measured with a 10MΩ/V DC electronic voltmeter. Components having special characteristics are marked with a triangle and must be replaced with parts having specifications equal to those originally installed.

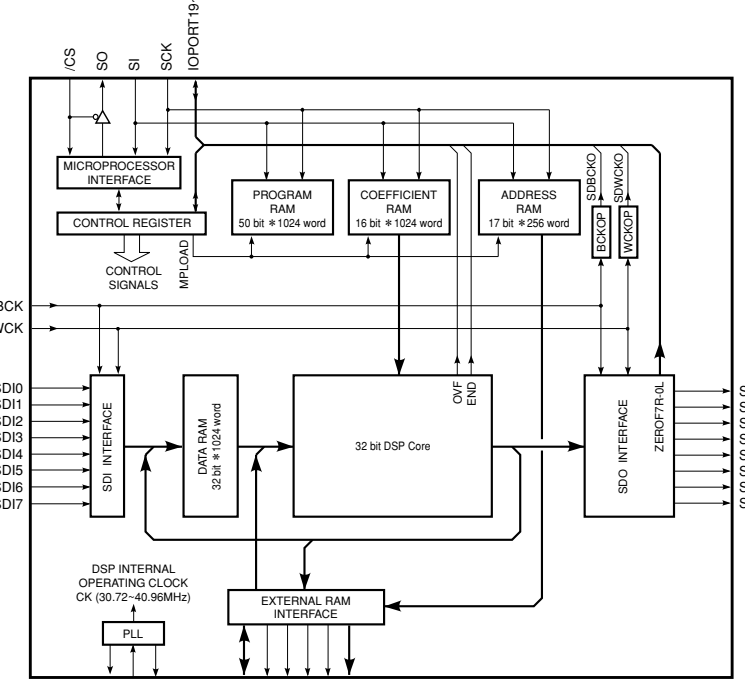
電圧は、内部抵抗10MΩの電圧計で測定したものです。●印のある部品は、安全性確保部品を示しています。部品の交換が必要な場合、パーツリストに記載されている部品を使用してください。



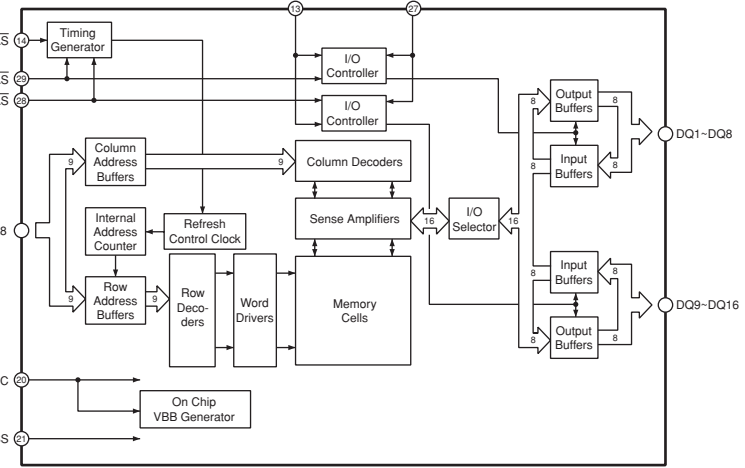
DSP

Page 114 [A5] to FUNCTION (2)\_CB300  
Page 115 [B3] to FUNCTION (2)\_W3503  
Page 127 [L2] to NET\_W751

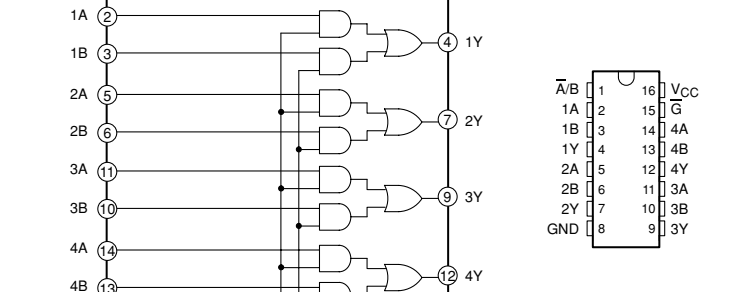
IC550, 552: YSS930B-SZ  
DSP



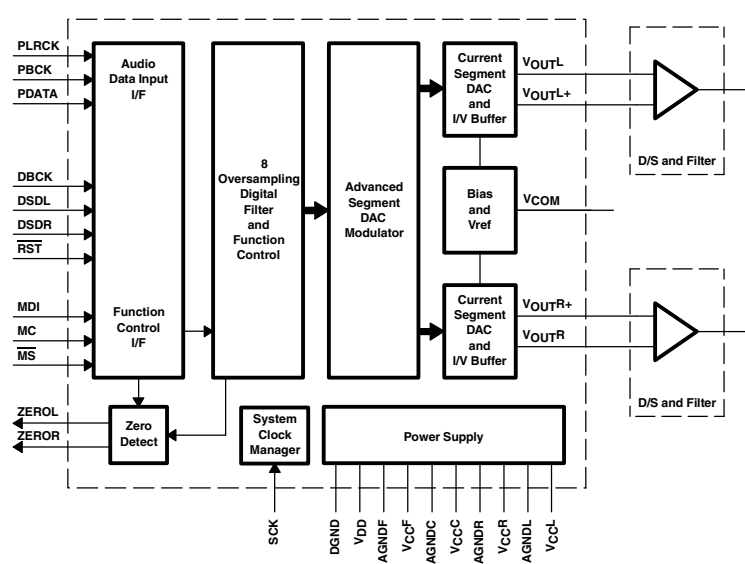
IC551: MSM514260E-60JS  
4M-bit DRAM



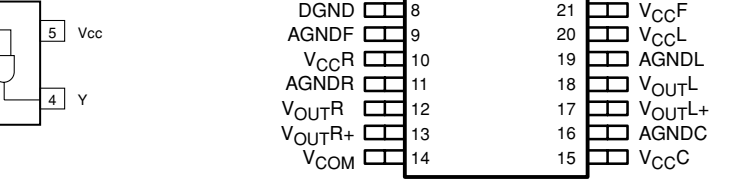
IC566: SN74LV157APWR  
Quaduple 2-line to 1-line data selectors/multiplexers



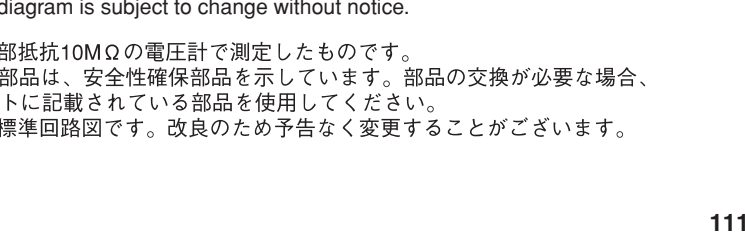
IC569-571, 573, 574: DSD1791DBR  
24-bit, 192kHz sampling, advanced segment, audio stereo digital-to-analog converter



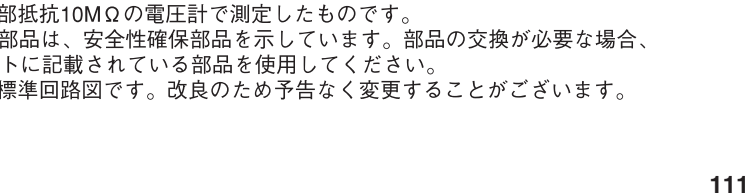
IC575-577: OP275GSR  
Dual bipolar/JFET, audio operational amplifier



IC581: SN74AHC1G08DCKR  
2-input positive-AND gate

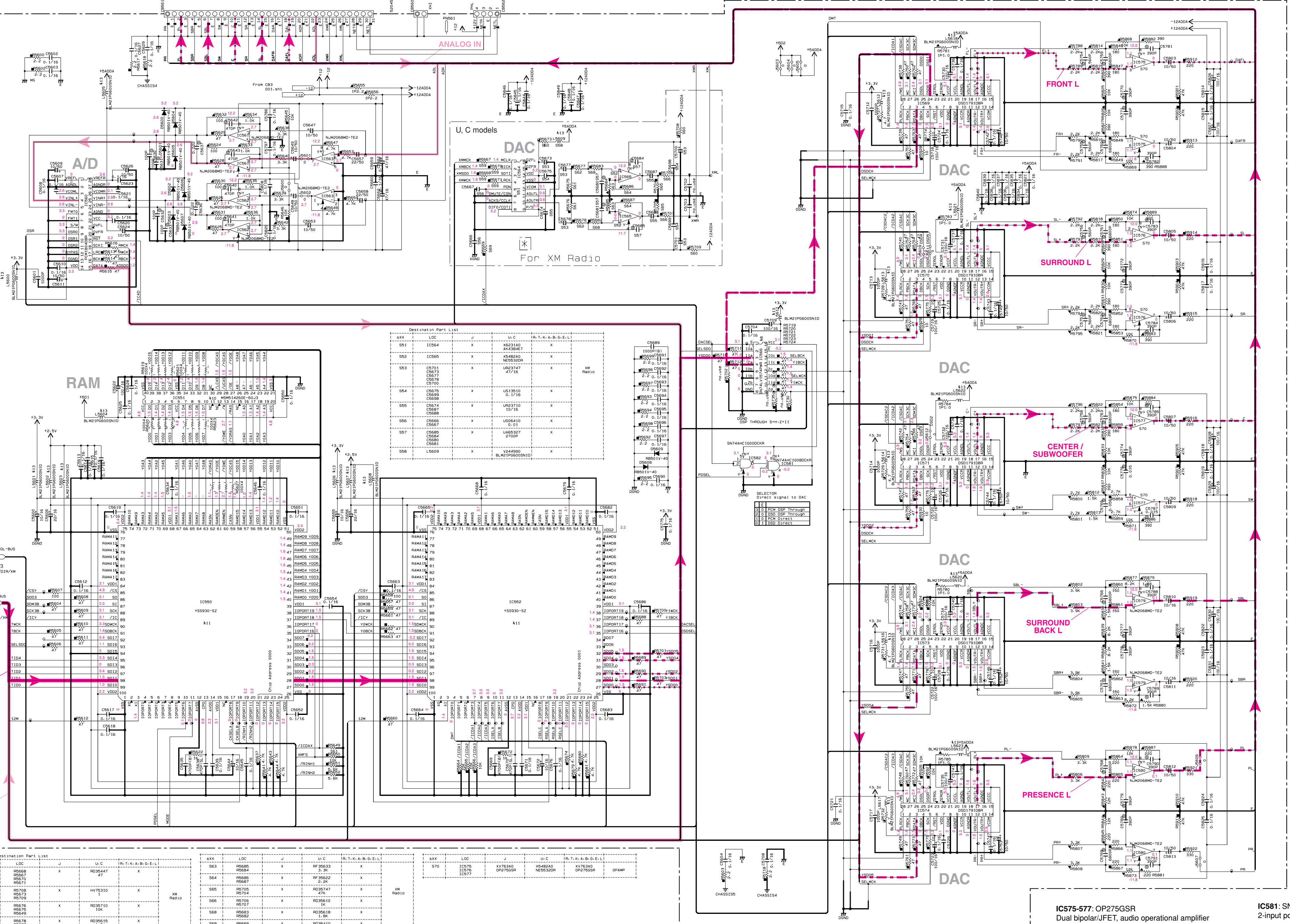


IC582: SN74AHC1G00DCKR  
Single 2-input positive-NAND gate

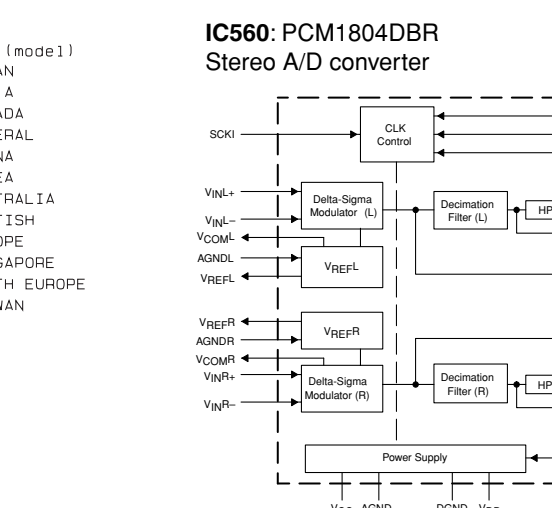


\* All voltages are measured with a 10MΩ/V DC electronic voltmeter.  
\* Components having special characteristics are marked with a triangle and must be replaced with parts having specifications equal to those originally installed.  
\* Schematic diagram is subject to change without notice.

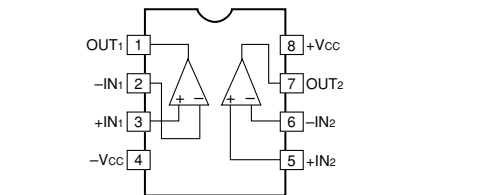
● 電圧は、内部抵抗10MΩの電圧計で測定したものです。  
● 三角形のある部品は、安全な確保部品を示しています。部品の交換が必要な場合、パーツリストに記載されている部品を使用してください。  
● 本回路図は標準回路図です。改良のため予告なく変更することがございます。



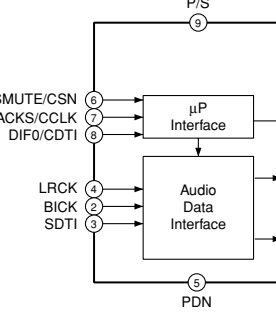
Destination Part List table with columns for SXX, LOC, U-C, and various component identifiers.



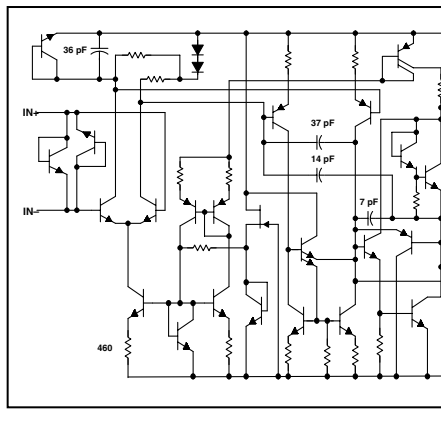
IC561-563, 579, 580: NJM2068MD-TE2  
Dual operational amplifier



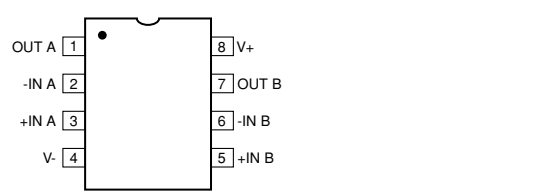
IC564: AK4384ET  
D/A converter



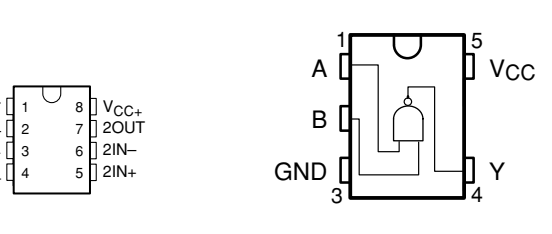
IC565, 575, 577: NE5532DR  
Dual low-noise operational amplifiers



IC575-577: OP275GSR  
Dual bipolar/JFET, audio operational amplifier



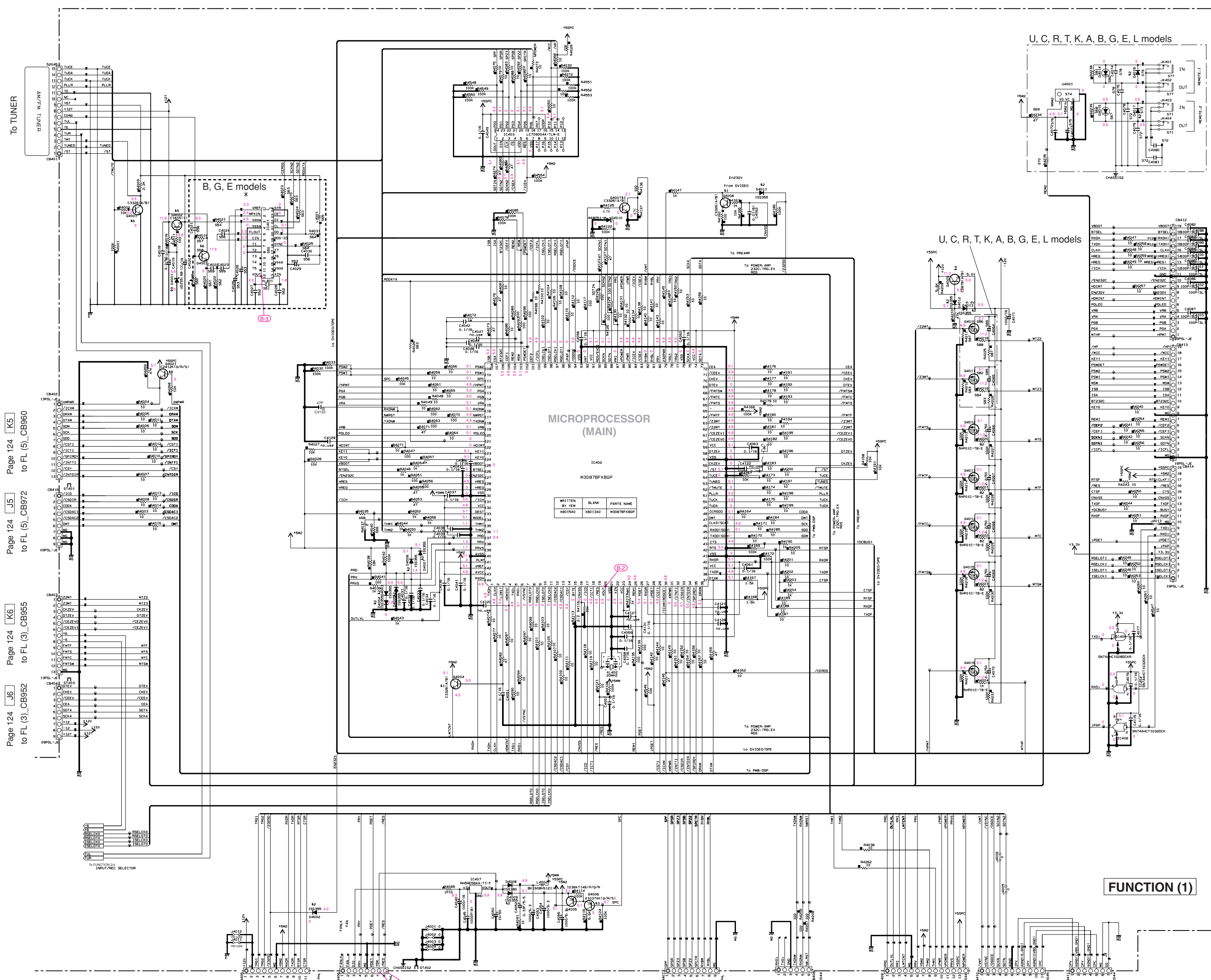
IC582: SN74AHC1G00DCKR  
Single 2-input positive-NAND gate



NOTICE (model)  
(J)..... JAPAN  
(U)..... U.S.A  
(C)..... CANADA  
(R)..... GENERAL  
(T)..... CHINA  
(K)..... KOREA  
(A)..... AUSTRALIA  
(B)..... BRITISH  
(G)..... EUROPE  
(S)..... SINGAPORE  
(E)..... SOUTH EUROPE  
(V)..... TAIWAN



FUNCTION 1/4



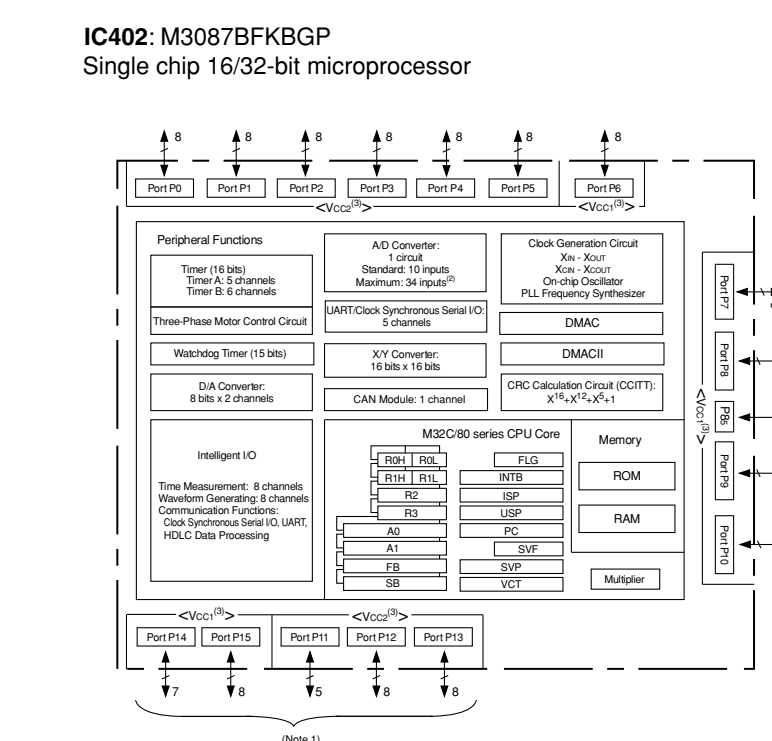
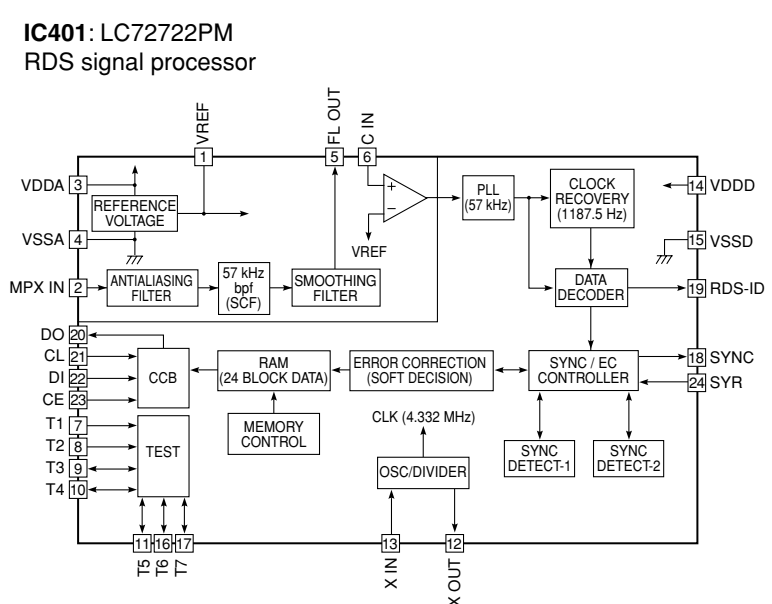
NOTICE (重要)
1.1 米国 (U.S.A.)
1.2 カナダ (CANADA)
1.3 一般 (GENERAL)
1.4 中国 (CHINA)
1.5 韓国 (KOREA)
1.6 台湾 (TAIWAN)
1.7 英国 (U.K.)
1.8 日本 (JAPAN)
1.9 香港 (HONG KONG)
1.10 新加坡 (SINGAPORE)
1.11 東南アジア (SOUTH EAST ASIA)
1.12 台湾 (TAIWAN)

RESISTOR PARTS NAME table with columns for NO, MARK, PARTS NAME, and VALUE.

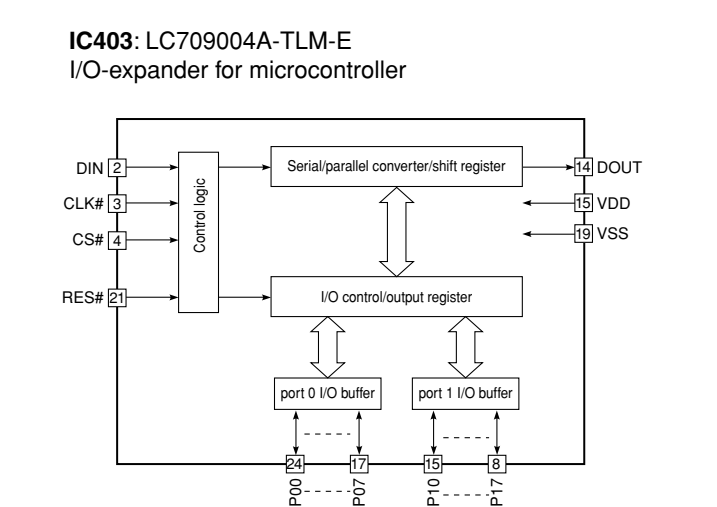
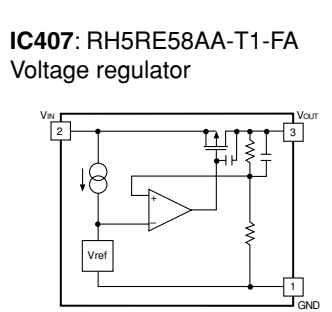
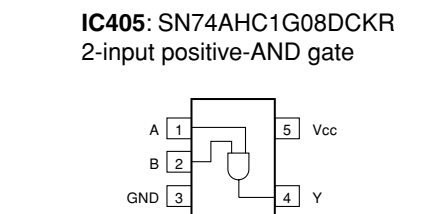
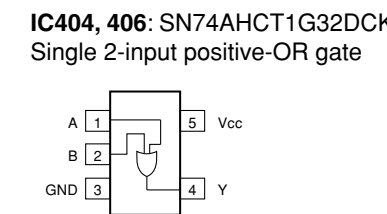
CAPACITOR PARTS NAME table with columns for NO, MARK, PARTS NAME, and VALUE.

Large table listing component part numbers, values, and other specifications.

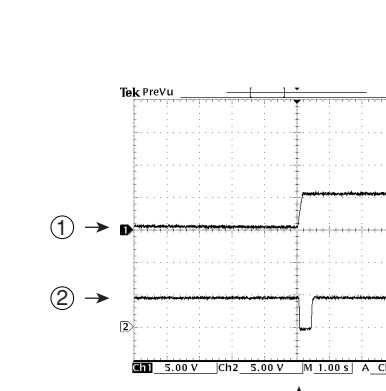
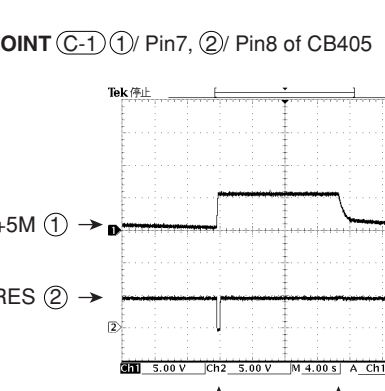
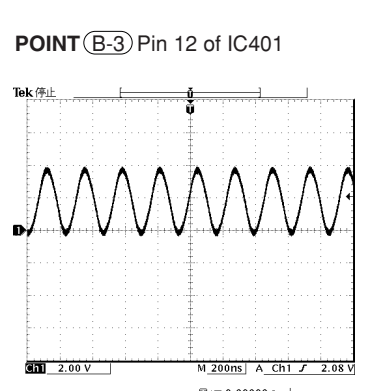
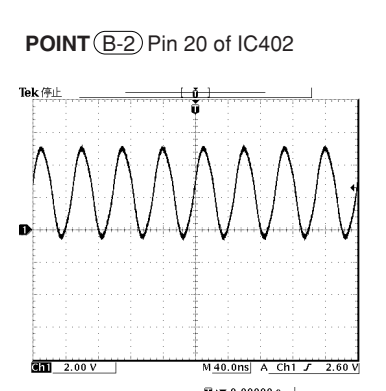
Table listing specific component part numbers and their corresponding values.



NOTES
1. Pins P11 to P15 are provided in the 144-pin package only.
2. Included in the 144-pin package only.
3. The supply voltage of M3087BFKBGP reliability models must be VDD=VDD1.



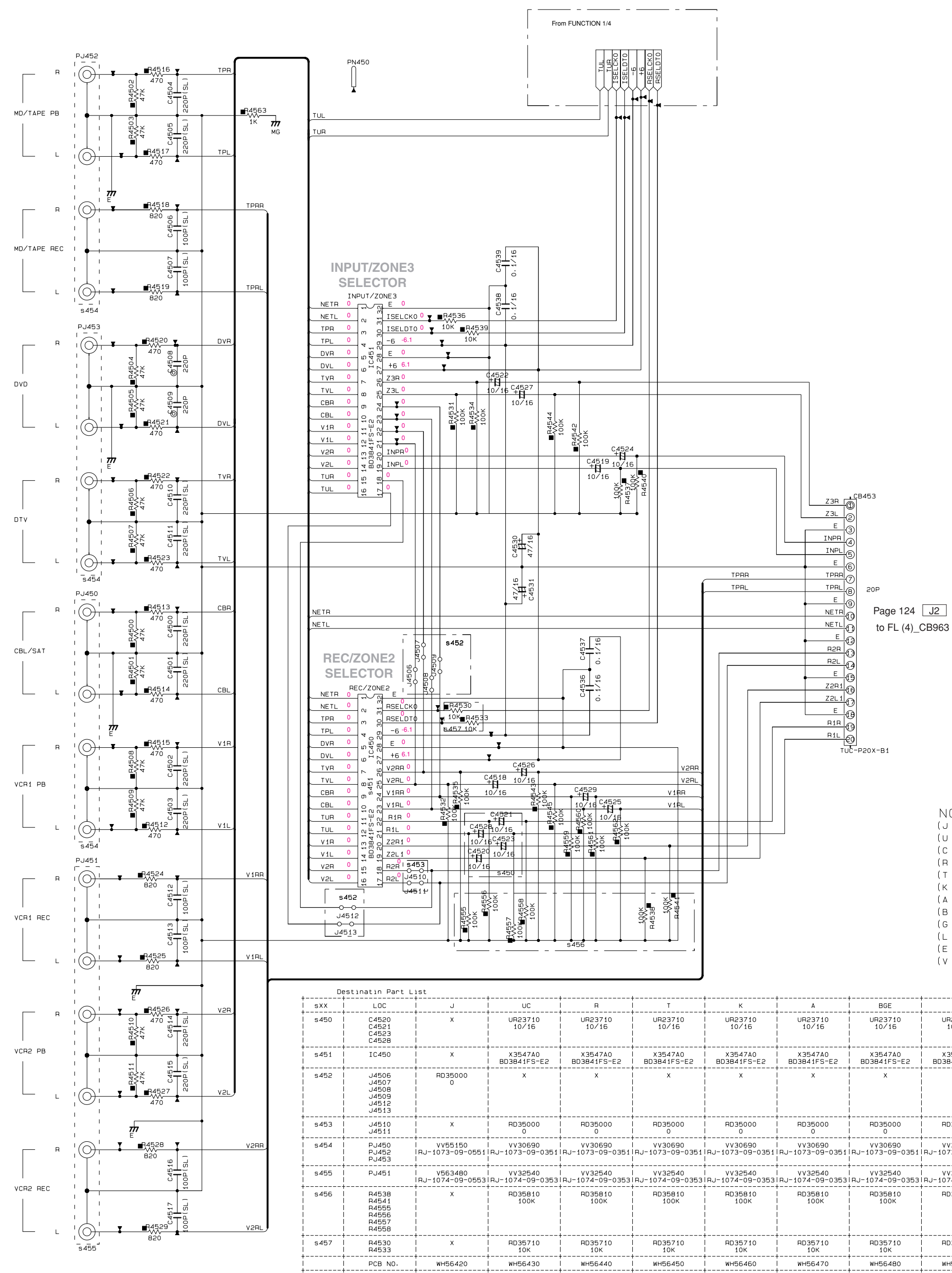
Page 123 [K3] to FL (6)\_W9501
Page 118 [H7] to POWER (4)\_W1
Page 118 [D2] to POWER (3)\_W9
Page 125 [A6] to NET\_CB601
Page 118 [G7] to POWER (3)\_CB18
Page 120 [I2] to A-VIDEO\_CB203
Page 109 [E2] to DSP\_CB504



\* All voltages are measured with a 10MΩ/V DC electronic voltmeter.
\* Components having special characteristics are marked with a triangle and must be replaced with parts having specifications equal to those originally installed.
\* Schematic diagram is subject to change without notice.
● 電圧は、内部抵抗10MΩの電圧計で測定したものです。
● 印のある部品は、安全性確保部品を示しています。部品の交換が必要な場合、パーツリストに記載されている部品を使用してください。
● 本回路図は標準回路図です。改良のため予告なく変更することがございます。

FUNCTION 2/4

FUNCTION (1)



RESISTOR

REMARKS	PARTS NAME
NO MARK	CARBON FILM RESISTOR (P=5)
□	CARBON FILM RESISTOR (P=10)
△	METAL OXIDE FILM RESISTOR
▲	METAL FILM RESISTOR
⊠	METAL PLATE RESISTOR
▨	FILDE PROOF CARBON FILM RESISTOR
■	CEMENT MOLDED RESISTOR
⊙	SEMI VARIABLE RESISTOR
■	CHIP RESISTOR

CAPACITOR

REMARKS	PARTS NAME
NO MARK	ELECTROLYTIC CAPACITOR
⊙	TANTALUM CAPACITOR
NO MARK	CERAMIC CAPACITOR
●	CERAMIC TUBULAR CAPACITOR
⊙	POLYESTER FILM CAPACITOR
○	POLYSTYRENE FILM CAPACITOR
①	MICA CAPACITOR
⊙	POLYPROPYLENE FILM CAPACITOR
●	SEMICONDUCTIVE CERAMIC CAPACITOR
⊙	POLYPHENYLENE SULFIDE FILM CAPACITOR

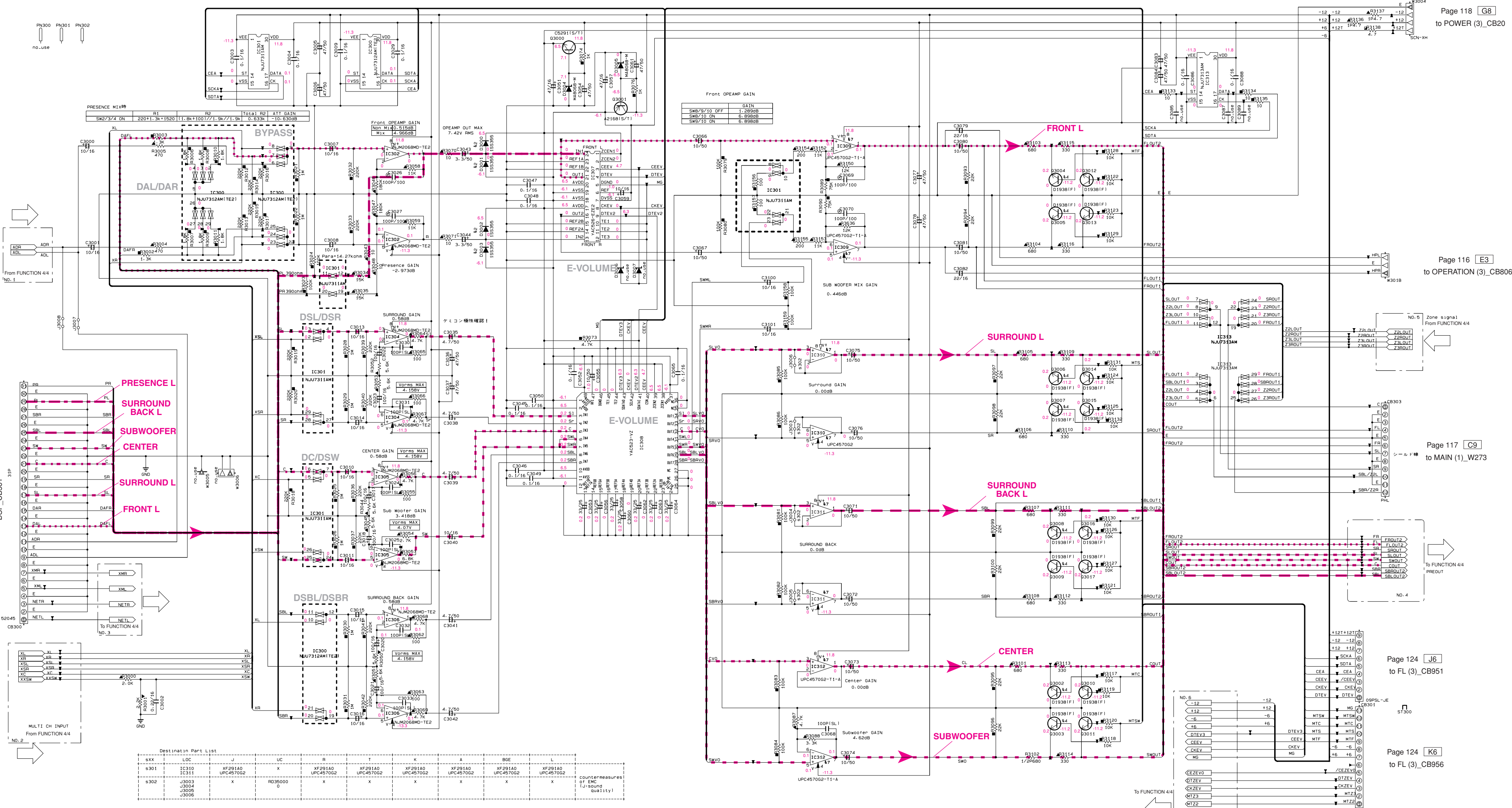
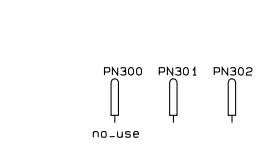
★ All voltages are measured with a 10MΩ/V DC electronic voltmeter.  
 ★ Components having special characteristics are marked with a triangle (▲) and must be replaced with parts having specifications equal to those originally installed.  
 ★ Schematic diagram is subject to change without notice.

● 電圧は、内部抵抗10MΩの電圧計で測定したものです。  
 ● ▲印のある部品は、安全性確保部品を示しています。部品の交換が必要な場合、パーツリストに記載されている部品を使用してください。  
 ● 本回路図は標準回路図です。改良のため予告なく変更することがございます。



FUNCTION 3/4

FUNCTION (2)



Page 118 [G8] to POWER (3)\_CB20

Page 116 [E3] to OPERATION (3)\_CB806

Page 117 [C9] to MAIN (1)\_W273

Page 124 [J6] to FL (3)\_CB951

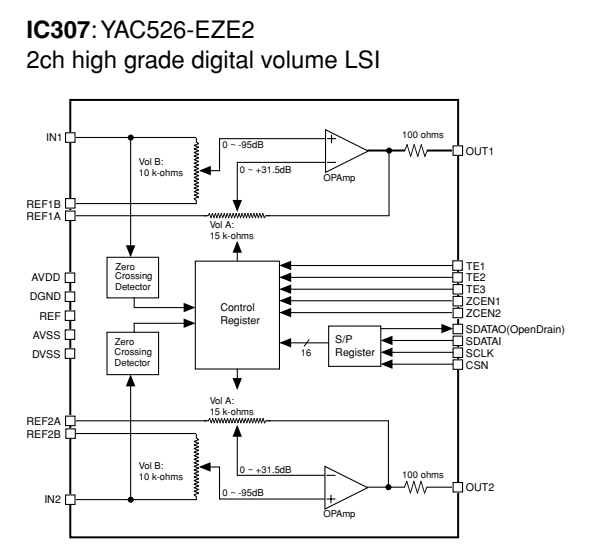
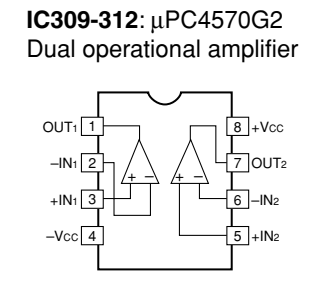
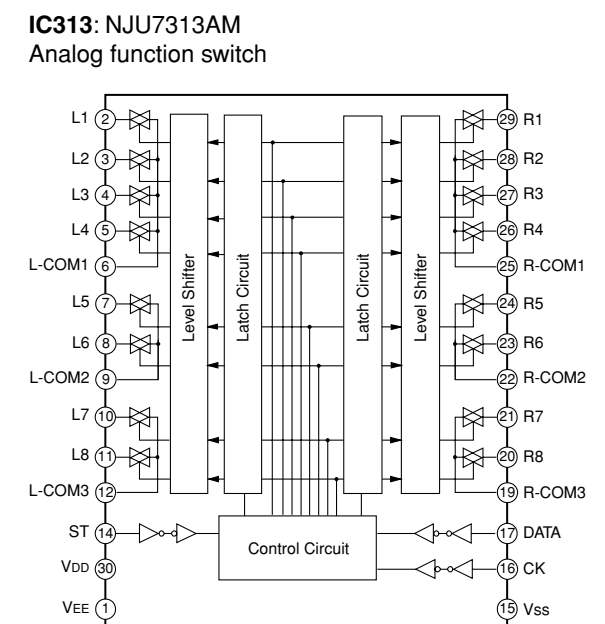
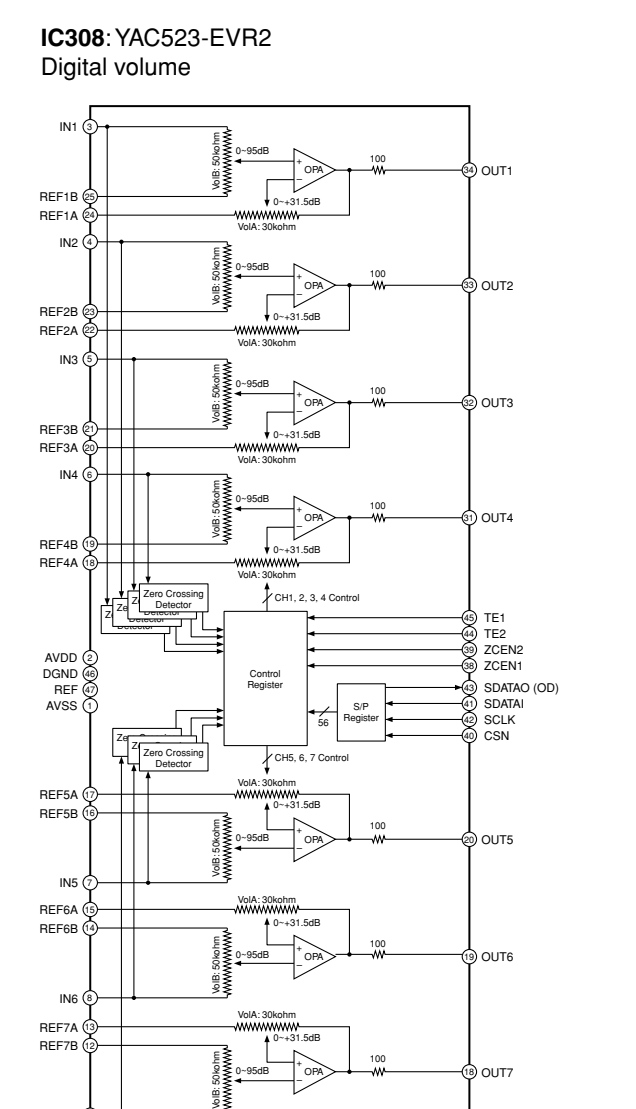
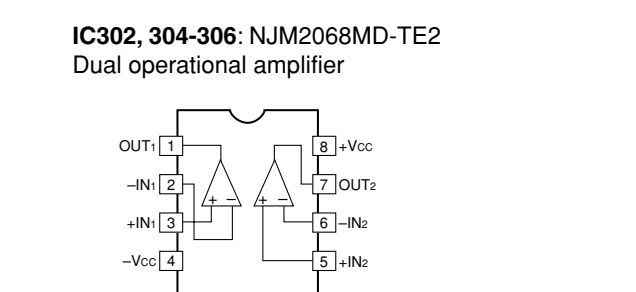
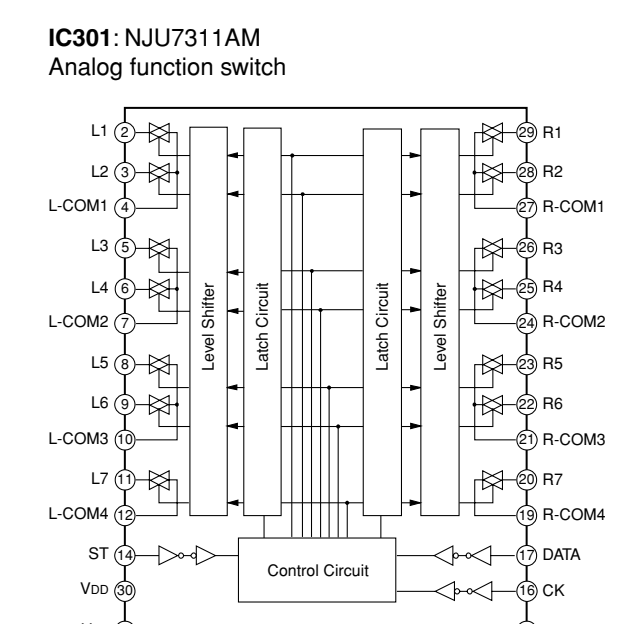
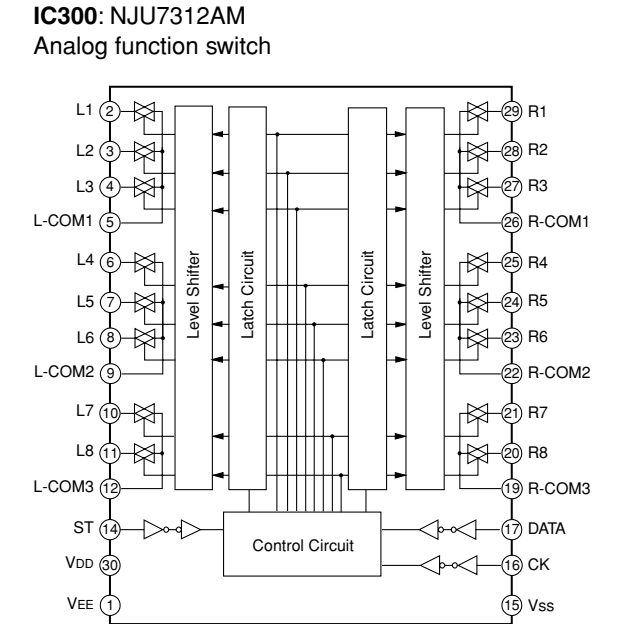
Page 124 [K6] to FL (3)\_CB956

Destination Part List	UC	R	C	A	DOC	Countermeasures of EMC (Reference to Q&A 111)
1901 IC310 HF29140 UPC45702G	X					
1901 IC311 HF29140 UPC45702G	X					
1901 IC312 HF29140 UPC45702G	X					
1901 IC313 HF29140 UPC45702G	X					
1901 IC314 HF29140 UPC45702G	X					
1901 IC315 HF29140 UPC45702G	X					
1901 IC316 HF29140 UPC45702G	X					
1901 IC317 HF29140 UPC45702G	X					
1901 IC318 HF29140 UPC45702G	X					
1901 IC319 HF29140 UPC45702G	X					
1901 IC320 HF29140 UPC45702G	X					
1901 IC321 HF29140 UPC45702G	X					
1901 IC322 HF29140 UPC45702G	X					
1901 IC323 HF29140 UPC45702G	X					
1901 IC324 HF29140 UPC45702G	X					
1901 IC325 HF29140 UPC45702G	X					
1901 IC326 HF29140 UPC45702G	X					
1901 IC327 HF29140 UPC45702G	X					
1901 IC328 HF29140 UPC45702G	X					
1901 IC329 HF29140 UPC45702G	X					
1901 IC330 HF29140 UPC45702G	X					
1901 IC331 HF29140 UPC45702G	X					
1901 IC332 HF29140 UPC45702G	X					
1901 IC333 HF29140 UPC45702G	X					
1901 IC334 HF29140 UPC45702G	X					
1901 IC335 HF29140 UPC45702G	X					
1901 IC336 HF29140 UPC45702G	X					
1901 IC337 HF29140 UPC45702G	X					
1901 IC338 HF29140 UPC45702G	X					
1901 IC339 HF29140 UPC45702G	X					
1901 IC340 HF29140 UPC45702G	X					
1901 IC341 HF29140 UPC45702G	X					
1901 IC342 HF29140 UPC45702G	X					
1901 IC343 HF29140 UPC45702G	X					
1901 IC344 HF29140 UPC45702G	X					
1901 IC345 HF29140 UPC45702G	X					
1901 IC346 HF29140 UPC45702G	X					
1901 IC347 HF29140 UPC45702G	X					
1901 IC348 HF29140 UPC45702G	X					
1901 IC349 HF29140 UPC45702G	X					
1901 IC350 HF29140 UPC45702G	X					
1901 IC351 HF29140 UPC45702G	X					
1901 IC352 HF29140 UPC45702G	X					
1901 IC353 HF29140 UPC45702G	X					
1901 IC354 HF29140 UPC45702G	X					
1901 IC355 HF29140 UPC45702G	X					
1901 IC356 HF29140 UPC45702G	X					
1901 IC357 HF29140 UPC45702G	X					
1901 IC358 HF29140 UPC45702G	X					
1901 IC359 HF29140 UPC45702G	X					
1901 IC360 HF29140 UPC45702G	X					
1901 IC361 HF29140 UPC45702G	X					
1901 IC362 HF29140 UPC45702G	X					
1901 IC363 HF29140 UPC45702G	X					
1901 IC364 HF29140 UPC45702G	X					
1901 IC365 HF29140 UPC45702G	X					
1901 IC366 HF29140 UPC45702G	X					
1901 IC367 HF29140 UPC45702G	X					
1901 IC368 HF29140 UPC45702G	X					
1901 IC369 HF29140 UPC45702G	X					
1901 IC370 HF29140 UPC45702G	X					
1901 IC371 HF29140 UPC45702G	X					
1901 IC372 HF29140 UPC45702G	X					
1901 IC373 HF29140 UPC45702G	X					
1901 IC374 HF29140 UPC45702G	X					
1901 IC375 HF29140 UPC45702G	X					
1901 IC376 HF29140 UPC45702G	X					
1901 IC377 HF29140 UPC45702G	X					
1901 IC378 HF29140 UPC45702G	X					
1901 IC379 HF29140 UPC45702G	X					
1901 IC380 HF29140 UPC45702G	X					
1901 IC381 HF29140 UPC45702G	X					
1901 IC382 HF29140 UPC45702G	X					
1901 IC383 HF29140 UPC45702G	X					
1901 IC384 HF29140 UPC45702G	X					
1901 IC385 HF29140 UPC45702G	X					
1901 IC386 HF29140 UPC45702G	X					
1901 IC387 HF29140 UPC45702G	X					
1901 IC388 HF29140 UPC45702G	X					
1901 IC389 HF29140 UPC45702G	X					
1901 IC390 HF29140 UPC45702G	X					
1901 IC391 HF29140 UPC45702G	X					
1901 IC392 HF29140 UPC45702G	X					
1901 IC393 HF29140 UPC45702G	X					
1901 IC394 HF29140 UPC45702G	X					
1901 IC395 HF29140 UPC45702G	X					
1901 IC396 HF29140 UPC45702G	X					
1901 IC397 HF29140 UPC45702G	X					
1901 IC398 HF29140 UPC45702G	X					
1901 IC399 HF29140 UPC45702G	X					
1901 IC400 HF29140 UPC45702G	X					

10kΩ 14dB	TOTAL	変位計	TOTAL	変位計	TOTAL
FRONT	0.0 12.5 1.5 14.0	FRONT	0.515 12.5 1.289 14.304	FRONT	0.0 12.5 1.5 14.0
CENTER	0.0 14.0 0.0 14.0	CENTER	0.582 14.0 0.0 14.582	CENTER	0.0 14.0 0.0 14.0
SURROUND	0.0 14.0 0.0 14.0	SURROUND	0.582 14.0 0.0 14.582	SURROUND	0.0 14.0 0.0 14.0
SURROUND BACK	0.0 14.0 0.0 14.0	SURROUND BACK	0.582 14.0 0.0 14.582	SURROUND BACK	0.0 14.0 0.0 14.0
SUB WOOFER	0.0 14.0 0.0 14.0	SUB WOOFER	0.582 14.0 0.0 14.582	SUB WOOFER	0.0 14.0 0.0 14.0
ZONE 4 ZONE 3	0.0 14.0 0.0 14.0	ZONE 4 ZONE 3	0.582 14.0 0.0 14.582	ZONE 4 ZONE 3	0.0 14.0 0.0 14.0

RESISTOR	REMARKS	PARTS NAME	CAPACITOR	REMARKS	PARTS NAME
NO MARK	NO MARK	CARBON FILM RESISTOR (P=5)	NO MARK	NO MARK	ELECTROLYTIC CAPACITOR
NO MARK	NO MARK	CARBON FILM RESISTOR (P=10)	NO MARK	NO MARK	TANTALUM CAPACITOR
△	△	METAL OXIDE FILM RESISTOR	◎	◎	CERAMIC TUBULAR CAPACITOR
△	△	METAL FILM RESISTOR	◎	◎	POLYESTER FILM CAPACITOR
△	△	METAL PLATE RESISTOR	◎	◎	POLYSTYRENE FILM CAPACITOR
△	△	FINE PROF. CARBON FILM RESISTOR	◎	◎	MICA CAPACITOR
□	□	CEMENT MOLDED RESISTOR	◎	◎	POLYPROPYLENE FILM CAPACITOR
□	□	SEMI VARIABLE RESISTOR	◎	◎	SEMICONDUCTIVE CERAMIC CAPACITOR
■	■	CHIP RESISTOR	◎	◎	POLYPHENYLENE SULFIDE FILM CAPACITOR

NOTICE (mode 1)  
 (J)..... JAPAN  
 (U)..... U.S.A  
 (C)..... CANADA  
 (A)..... GENERAL  
 (T)..... CHINA  
 (K)..... KOREA  
 (A)..... AUSTRALIA  
 (B)..... BRITAIN  
 (G)..... EUROPE  
 (L)..... SINGAPORE  
 (E)..... SOUTH EUROPE  
 (V)..... TAIWAN



★ All voltages are measured with a 10MΩ/2V DC electronic voltmeter.  
 ★ Components having special characteristics are marked with a triangle (▲), and must be replaced with parts having specifications equal to those originally installed.  
 ★ Schematic diagram is subject to change without notice.  
 ● 電圧は、内部抵抗10MΩの電圧計で測定したものです。  
 ● ▲印のある部品は、安全性確保部品を示しています。部品の交換が必要な場合、パーツリストに記載されている部品を使用してください。  
 ● 本回路図は標準回路図です。改良のため予告なく変更することがございます。

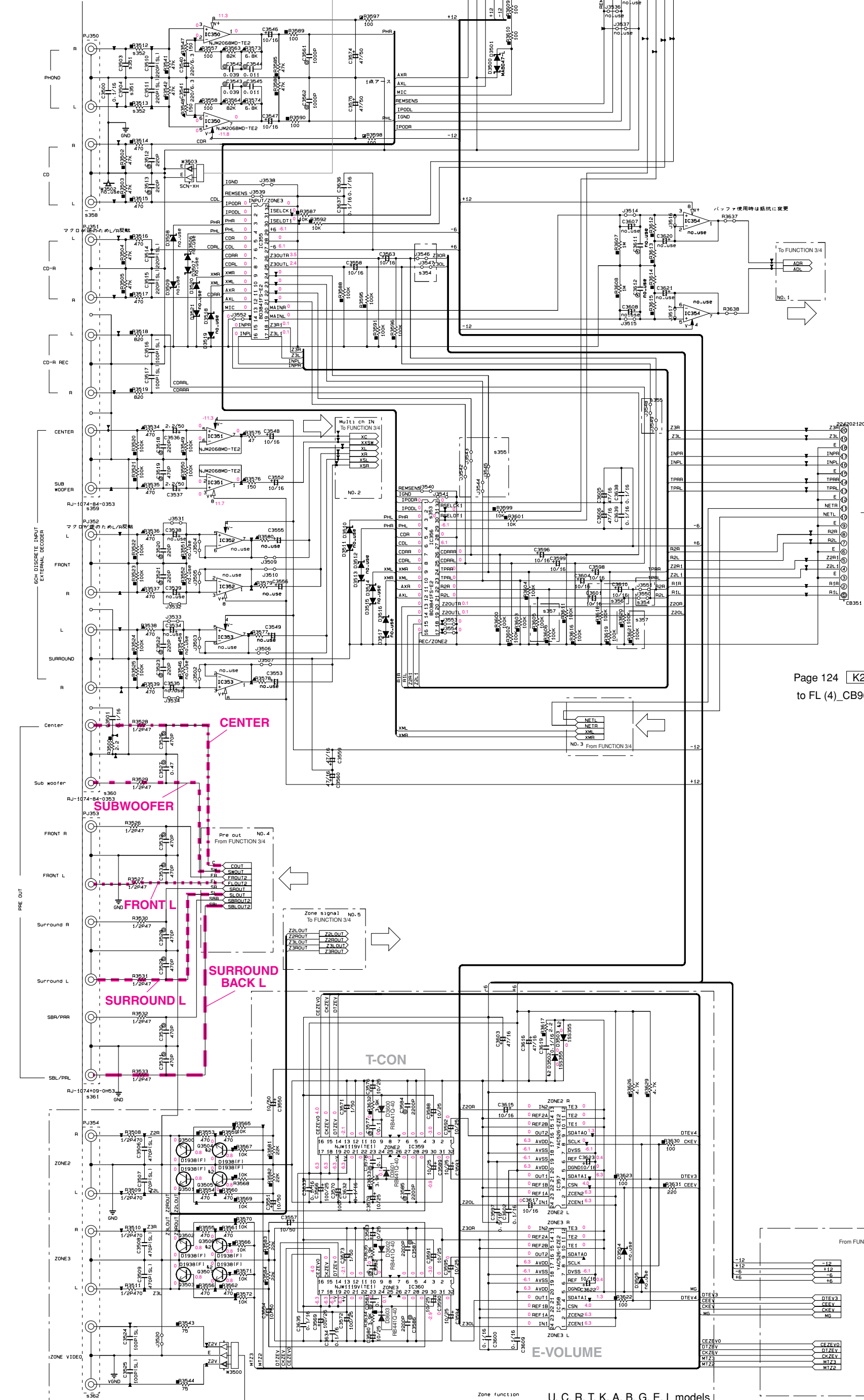


FUNCTION 4/4

Page 116 [E3] to OPERATION (3)\_CB806 Page 124 [G6] to FL (2)\_CB967

FUNCTION (2)

Page 111 [E2] to DSP\_CB560



Page 120 [H8] to A-VIDEO\_CB209

Page 124 [K2] to FL (4)\_CB965

Table with columns for IC part numbers and their pin configurations. Includes a 'NOTICE (model)' section listing regional models (U, J, C, B, T, K, A, B, G, E, L) and a 'RESISTOR' section with a legend for different resistor types (carbon film, metal oxide film, metal film, metal plate, flame proof carbon film, cement held, thin voltage, thick).

NOTICE (model)

- (J) JAPAN
(U) U.S.A.
(C) CANADA
(B) GENERAL
(T) CHINA
(K) KOREA
(A) AUSTRALIA
(B) BRITISH
(G) EUROPE
(L) SINGAPORE
(E) SOUTH EUROPE
(V) TAIWAN

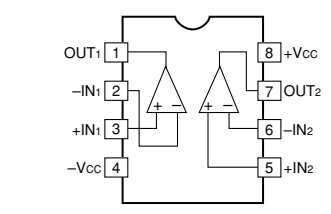
RESISTOR

Legend for resistor types: NO MARK CARBON FILM RESISTOR (P=1), CARBON FILM RESISTOR (P=10), METAL OXIDE FILM RESISTOR, METAL FILM RESISTOR, METAL PLATE RESISTOR, FLAME PROOF CARBON FILM RESISTOR, CEMENT-HOLDED RESISTOR, THIN VOLTAGE RESISTOR, THICK VOLTAGE RESISTOR.

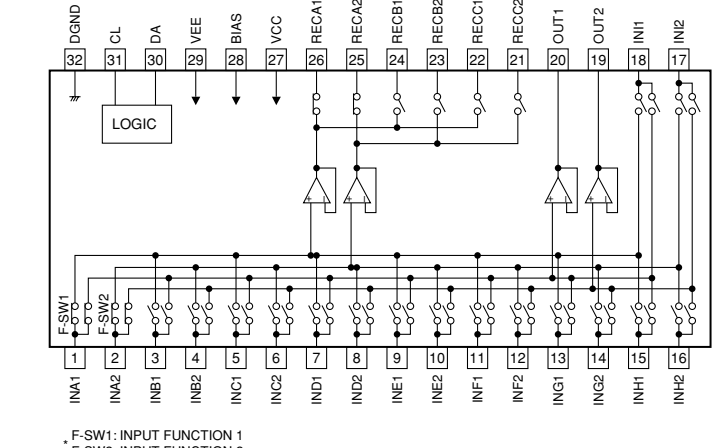
CAPACITOR

Legend for capacitor types: NO MARK ELECTROLYTIC CAPACITOR, TANTALUM CAPACITOR, NO MARK CERAMIC CAPACITOR, CERAMIC SUBSTRATE CAPACITOR, POLYESTER FILM CAPACITOR, POLYETHYLENE FILM CAPACITOR, MICA CAPACITOR, POLYPROPYLENE FILM CAPACITOR, SEMICONDUCTIVE CERAMIC CAPACITOR, POLYETHYLENE SULFIDE FILM CAPACITOR.

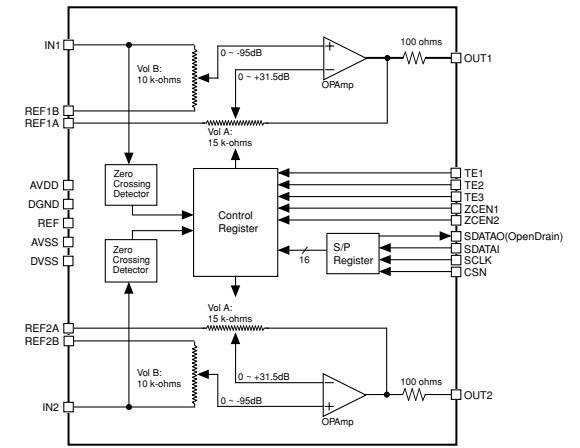
IC350, 351: NJM2068MD-TE2 Dual operational amplifier



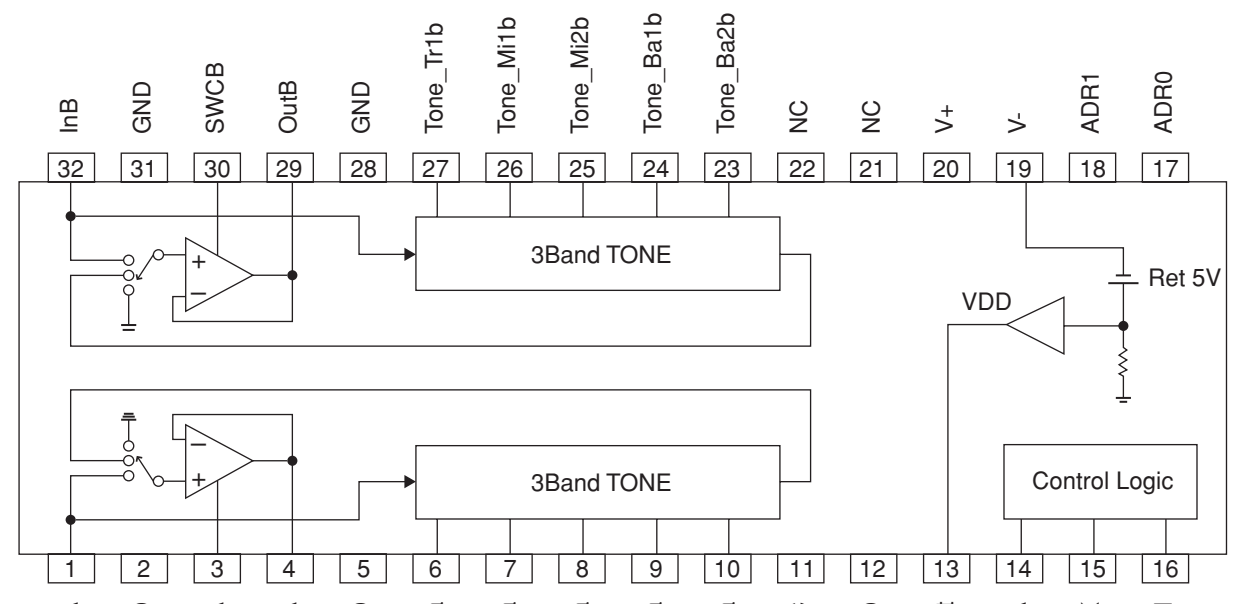
IC355, 356: BD3841FS Function switch



IC357, 358: YAC526-EZE2 2ch high grade digital volume LSI



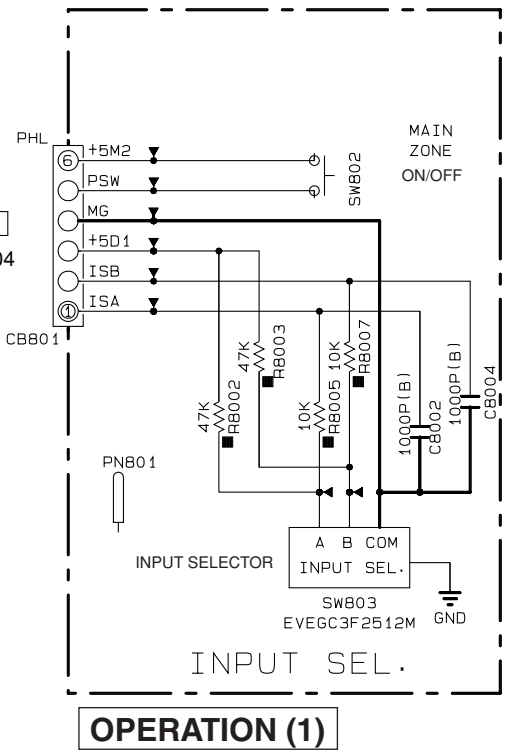
IC359, 360: NJW1119V(Te1) 3band tone control



\* All voltages are measured with a 10MΩ/V DC electronic voltmeter.
\* Components having special characteristics are marked with a triangle and must be replaced with parts having specifications equal to those originally installed.
\* Schematic diagram is subject to change without notice.
● 電圧は、内部抵抗10MΩの電圧計で測定したものです。
● 印のある部品は、安全性確保部品を示しています。部品の交換が必要な場合、パーツリストに記載されている部品を使用してください。
● 本回路図は標準回路図です。改良のため予告なく変更することがございます。

OPERATION

Page 123 [H6]  
to FL (1)\_W9004



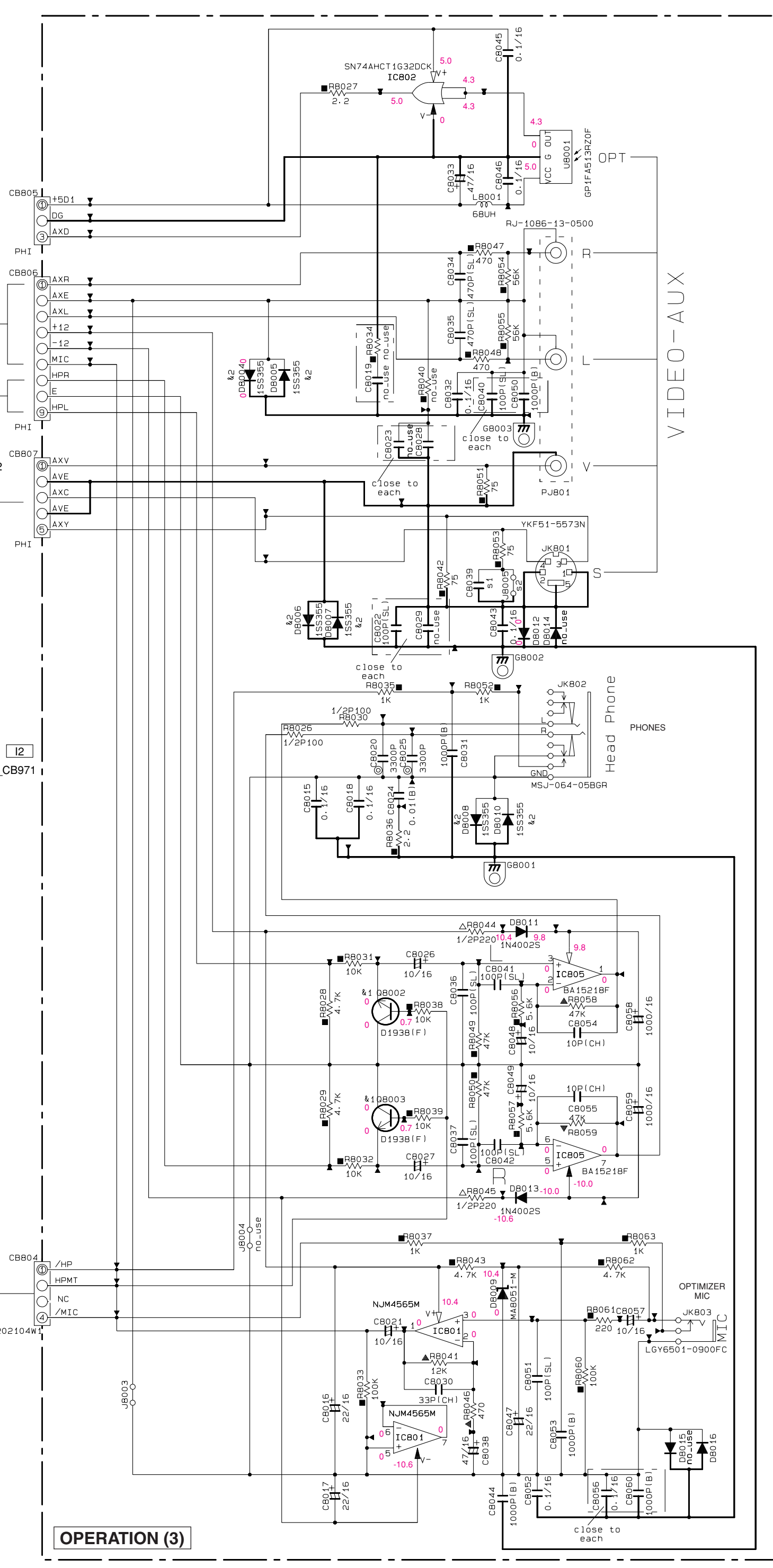
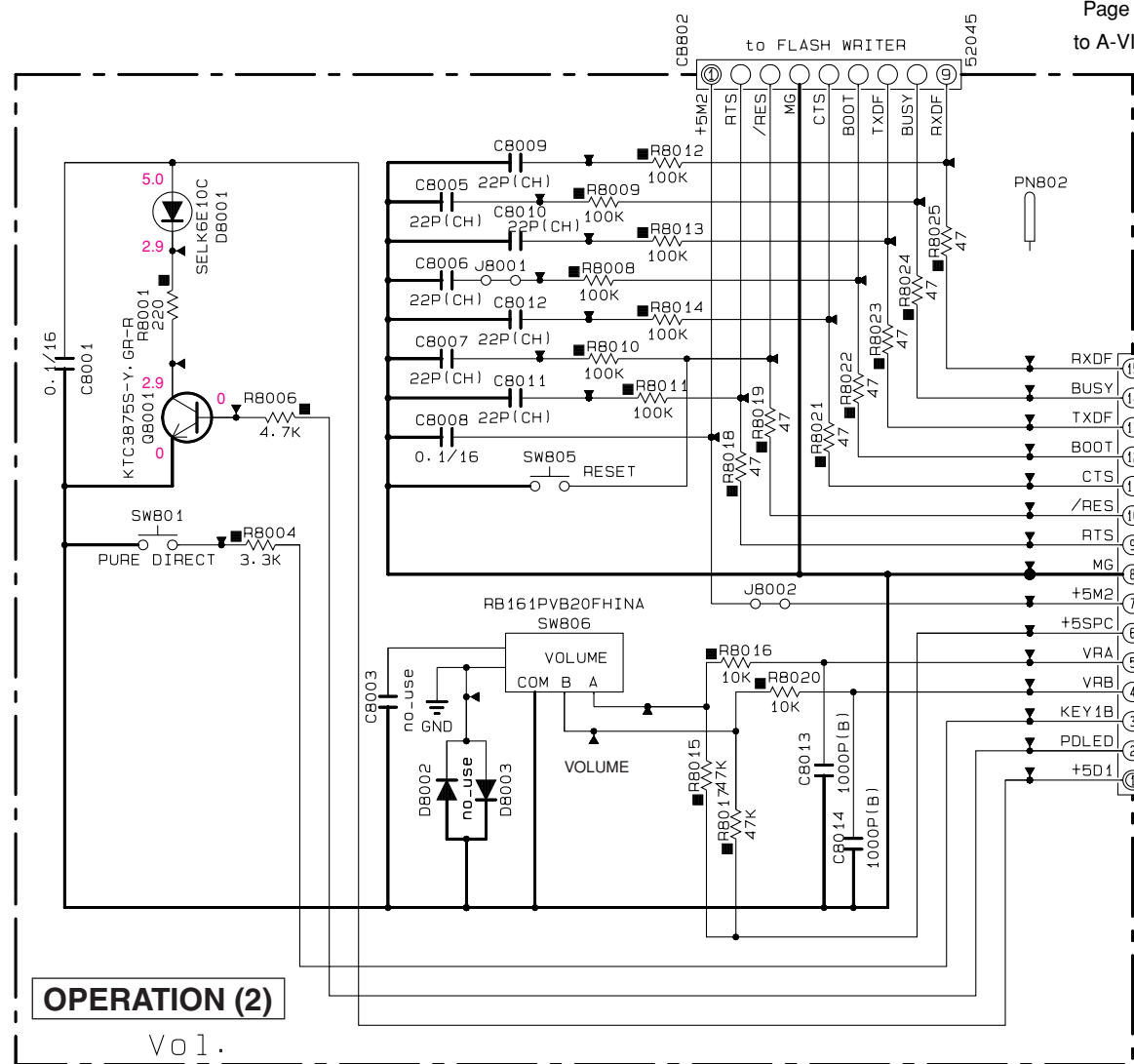
Page 109 [F2]  
to DSP\_W5001

Page 115 [D2]  
to FUNCTION (2)\_W301A

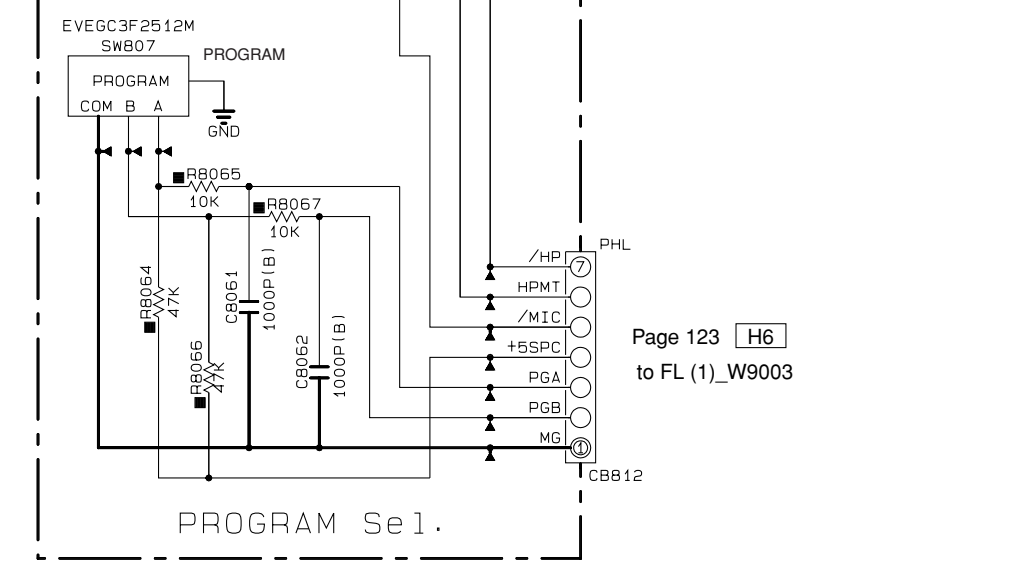
Page 114 [L4]  
to FUNCTION (2)\_W301B

Page 120 [C2]  
to A-VIDEO\_W2002

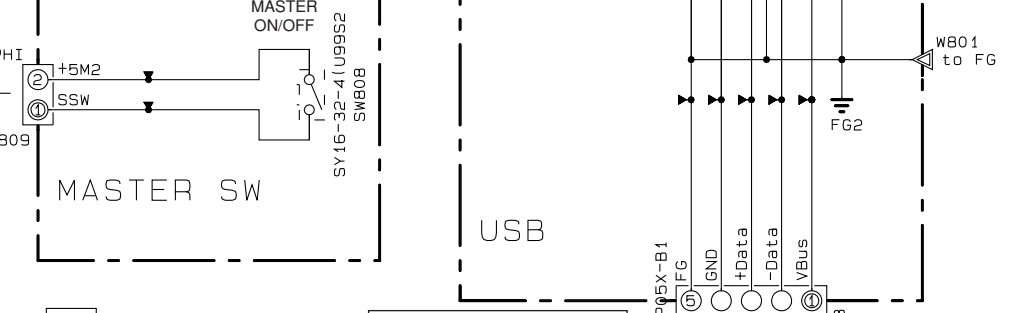
Page 124 [I2]  
to FL (2)\_CB971



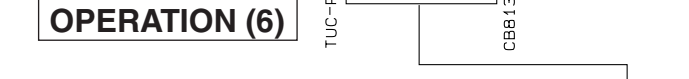
**OPERATION (4)**



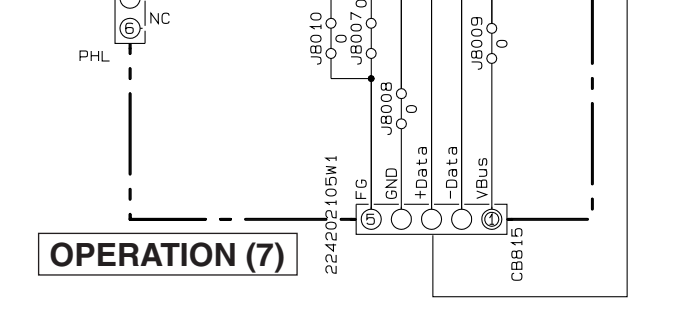
**OPERATION (5)**



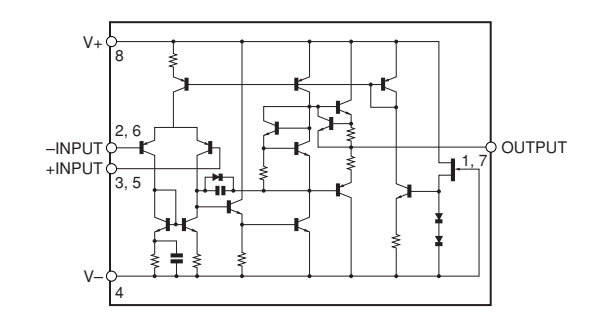
Page 123 [H4]  
to FL (1)\_W9002



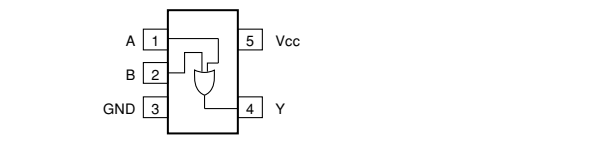
Page 125 [F8]  
to NET\_W603



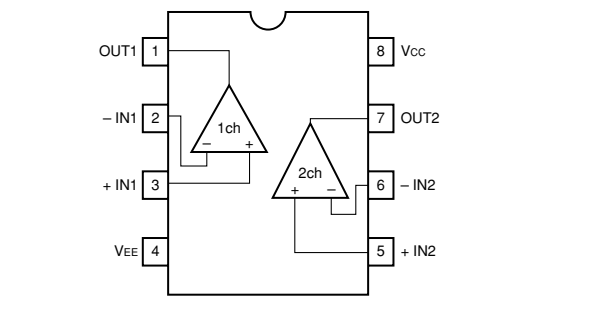
IC801: NJM4565M  
Dual operational amplifier



IC802: SN74AHC1G32DCKR  
Single 2-input positive-OR gate



IC805: BA15218F  
Dual high slew rate, low noise operational amplifier



REMARKS	PARTS NAME
NO MARK	CARBON FILM RESISTOR (P=5)
□	CARBON FILM RESISTOR (P=10)
△	METAL OXIDE FILM RESISTOR
▲	METAL FILM RESISTOR
⊠	METAL PLATE RESISTOR
⊞	FIRE PROOF CARBON FILM RESISTOR
□	CEMENT MOLDED RESISTOR
⊞	SEMI VARIABLE RESISTOR
■	CHIP RESISTOR

REMARKS	PARTS NAME
NO MARK	ELECTROLYTIC CAPACITOR
⊗	TANTALUM CAPACITOR
NO MARK	CERAMIC CAPACITOR
●	CERAMIC TUBULAR CAPACITOR
⊙	POLYESTER FILM CAPACITOR
○	POLYSTYRENE FILM CAPACITOR
⊖	MICA CAPACITOR
⊕	POLYPROPYLENE FILM CAPACITOR
⊙	SEMICONDUCTIVE CERAMIC CAPACITOR

IMPLEMENTATION:  
INPUT SELECTOR  
VOLUME  
VIDEO-AUX  
HEAD PHONE AMP  
MIC AMP  
PROGRAM SELECTOR  
MASTER SWITCH  
USB CONNECTOR

Interchangeable Parts at Manufacture-Stage

Mark	Reference Parts Number	Parts Name
k1	08002-8003	2SD1938(F) 2SC3361(A/B) 2SC5938(A/B) 2SD2704K
k2	D8004-8008-8010	1SS335 MA111 KDS160-RTK/P

Destination Part List			
1	SNK	LOC	JUC
s1			RTKABLE
s2			RD35000

NOTICE (model)

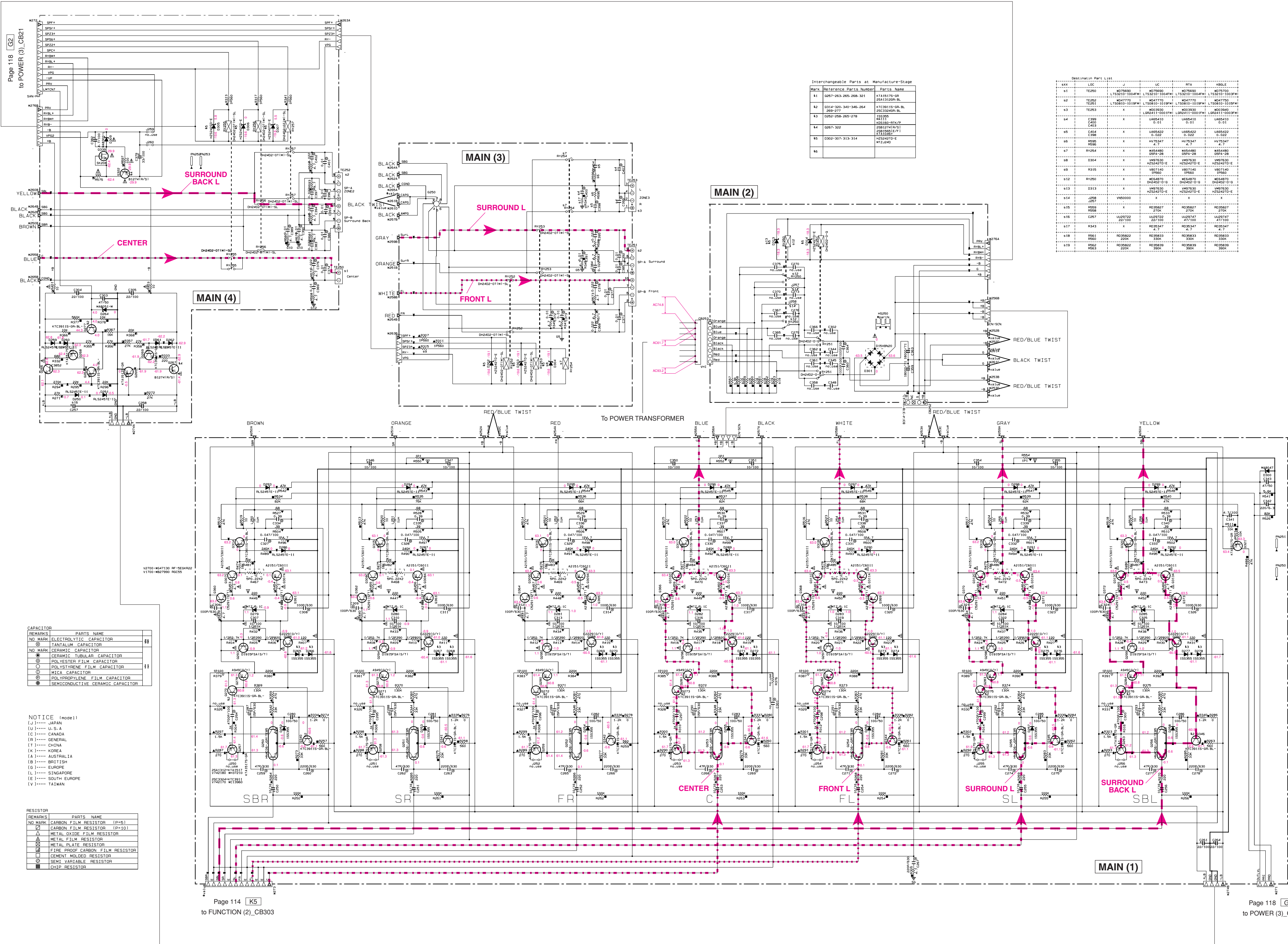
- (J)..... JAPAN
- (U)..... U.S.A
- (C)..... CANADA
- (R)..... GENERAL
- (T)..... CHINA
- (K)..... KOREA
- (A)..... AUSTRALIA
- (B)..... BRITISH
- (G)..... EUROPE
- (L)..... SINGAPORE
- (E)..... SOUTH EUROPE
- (V)..... TAIWAN

★ All voltages are measured with a 10MΩ/V DC electronic voltmeter.  
★ Components having special characteristics are marked with a triangle and must be replaced with parts having specifications equal to those originally installed.  
★ Schematic diagram is subject to change without notice.

●電圧は、内部抵抗10MΩの電圧計で測定したものです。  
●△印のある部品は、安全性確保部品を示しています。部品の交換が必要な場合、パーツリストに記載されている部品を使用してください。  
●本回路図は標準回路図です。改良のため予告なく変更することがございます。



MAIN



CAPACITOR

REMARKS	PARTS NAME
NO MARK	ELECTROLYTIC CAPACITOR
⊗	TANTALUM CAPACITOR
⊙	CERAMIC CAPACITOR
⊖	CERAMIC TUBULAR CAPACITOR
⊕	DIELECTRIC FILM CAPACITOR
⊖	POLYESTER FILM CAPACITOR
⊕	POLYPROPYLENE FILM CAPACITOR
⊖	MICA CAPACITOR
⊕	POLYPROPYLENE FILM CAPACITOR
⊖	PERIODICALLY CERAMIC CAPACITOR

NOTICE (page 1)

(J)..... JAPAN  
 (U)..... U.S.A  
 (C)..... CANADA  
 (B)..... GENERAL  
 (T)..... CHINA  
 (K)..... KOREA  
 (A)..... AUSTRALIA  
 (E)..... BRITISH  
 (G)..... EUROPE  
 (L)..... SINGAPORE  
 (S)..... SOUTH EUROPE  
 (V)..... TAIWAN

RESISTOR

REMARKS	PARTS NAME
NO MARK	CARBON FILM RESISTOR (1/4W)
⊖	CARBON FILM RESISTOR (1/10W)
⊕	METAL OXIDE FILM RESISTOR
⊖	METAL FILM RESISTOR
⊕	METAL CLATE RESISTOR
⊖	FINE POWER CARBON FILM RESISTOR
⊕	CEMENT HOLED RESISTOR
⊖	SEMI-VARIABLE RESISTOR
⊕	DRIP RESISTOR

Page 114 [K5]  
to FUNCTION (2)\_CB303

Page 118 [G8]  
to POWER (3)\_CB19

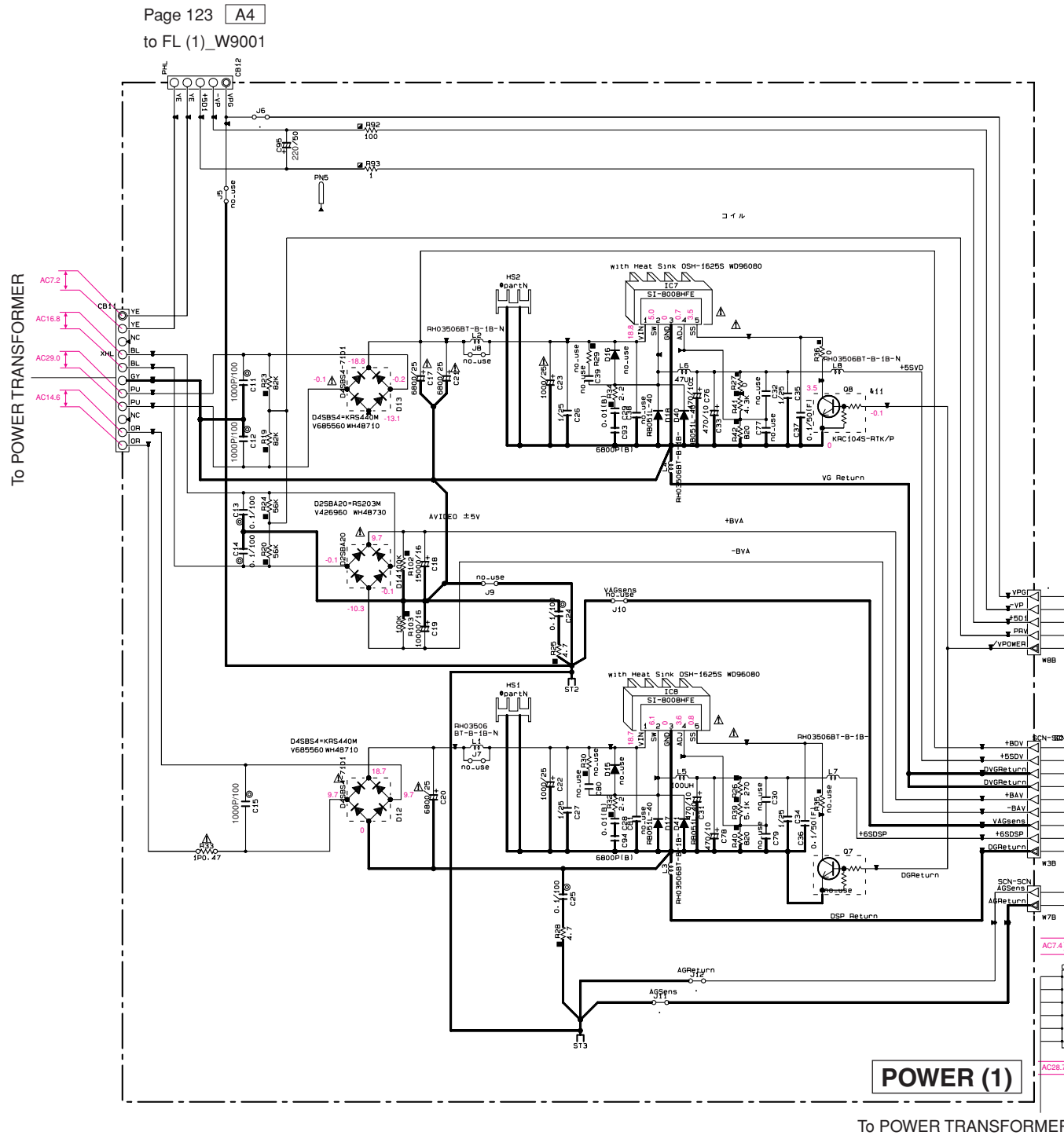
★ All voltages are measured with a 10MΩ/V DC electronic voltmeter.  
 ★ Components having special characteristics are marked ⊕ and must be replaced with parts having specifications equal to those originally installed.  
 ★ Schematic diagram is subject to change without notice.  
 ● 電圧は、内部抵抗10MΩの電圧計で測定したものです。  
 ● ⊕印のある部品は、安全性確保部品を示しています。部品の交換が必要な場合、パーツリストに記載されている部品を使用してください。  
 ● 本回路図は標準回路図です。改良のため予告なく変更することがございます。



POWER

Interchangeable Parts at Manufacture Stage

Part No.	Reference Part Number	Part Name
K1	911	VR5000-R10/P
K2	023-25-27-28-31-32-35-36-39-43	DF1484EX
K3	01-4-21-30	ES036
K4	00	VR5000-R10/P
K5		VR5000-R10/P
K6	010-11	VR5000-R10/P
K7	010-11	VR5000-R10/P
K8	00-3-13-48	VR5000-R10/P
K9	010-41-43	VR5000-R10/P
K10	00-44	VR5000-R10/P
K11	01-4-8-25-26-31-33-34-37-38	VR5000-R10/P
K12	00	VR5000-R10/P



NOTICE [Page 1]

RESISTOR

REMARKS	PARTS NAME
NO MARK	CARBON FILM RESISTOR (P=5)
NO MARK	CARBON FILM RESISTOR (P=10)
NO MARK	METAL OXIDE FILM RESISTOR
NO MARK	METAL FILM RESISTOR
NO MARK	METAL GLAZE RESISTOR
NO MARK	FILM RESISTOR
NO MARK	CEMENT MOLDED RESISTOR
NO MARK	SEMICONDUCTIVE CERAMIC RESISTOR
NO MARK	CHIP RESISTOR

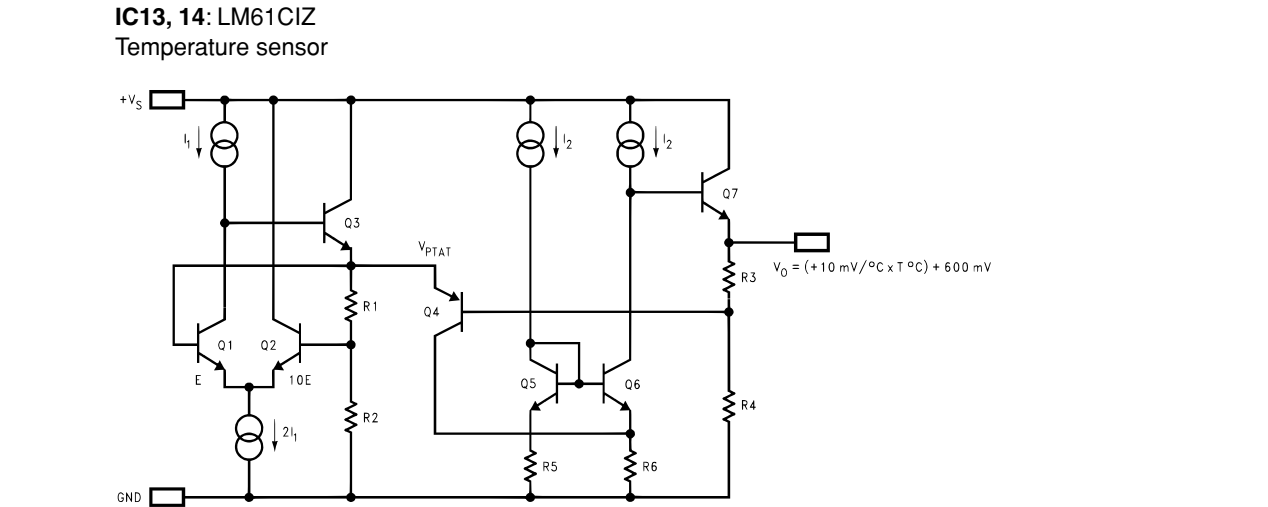
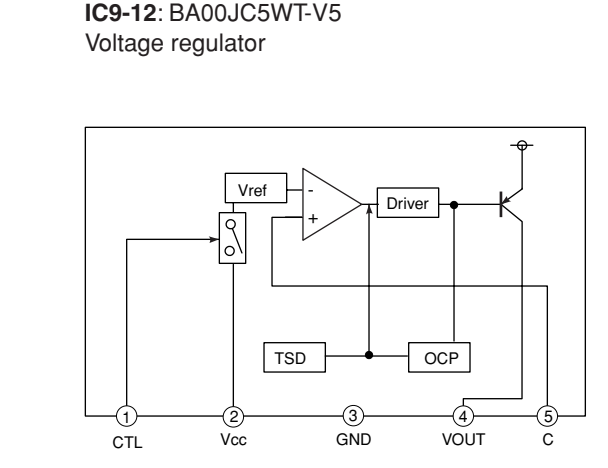
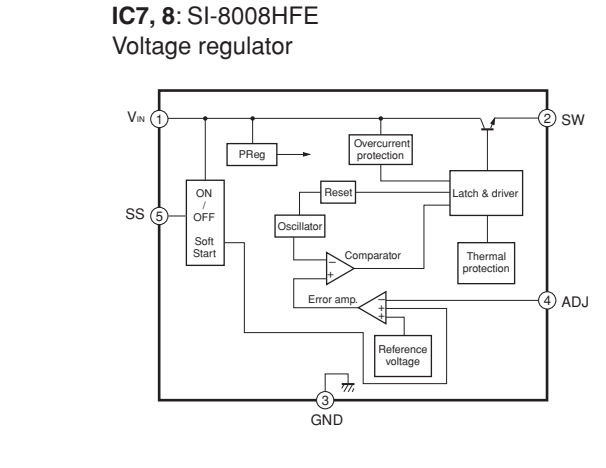
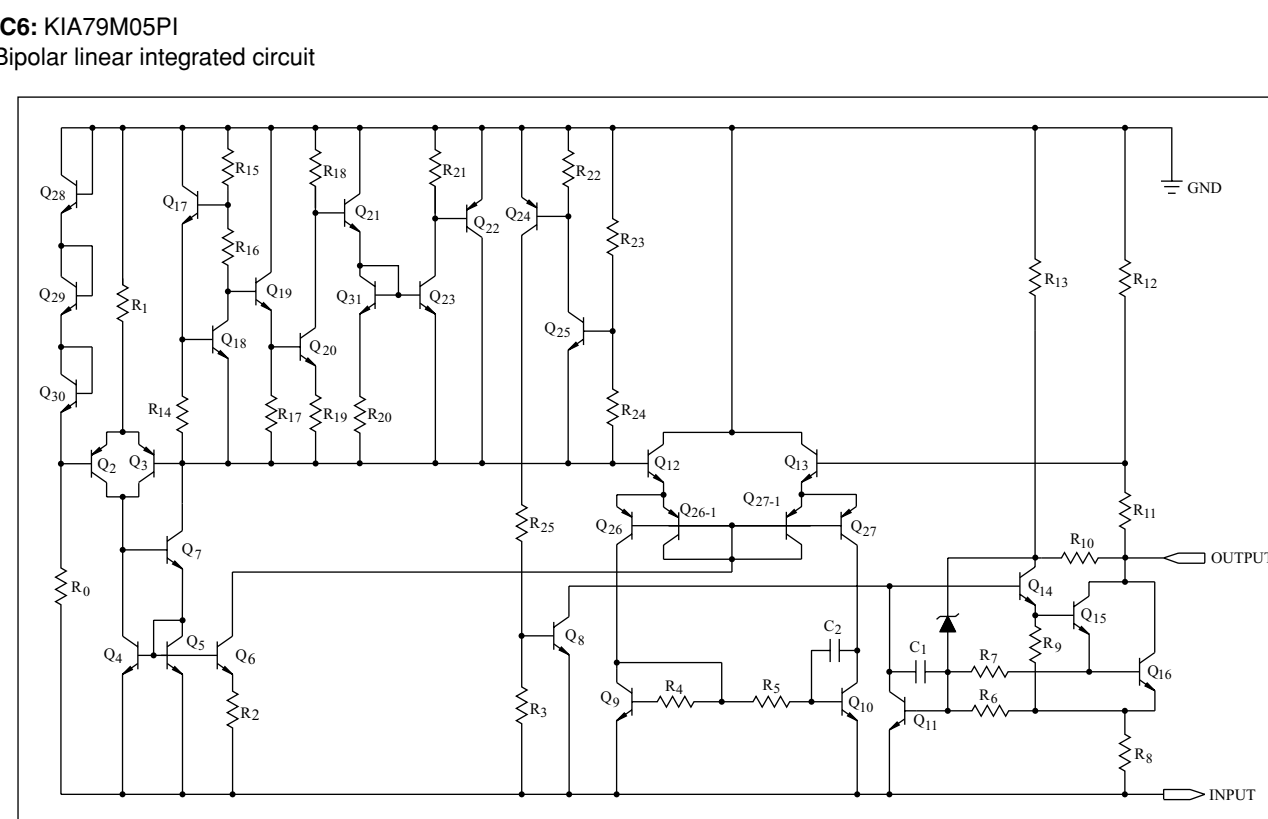
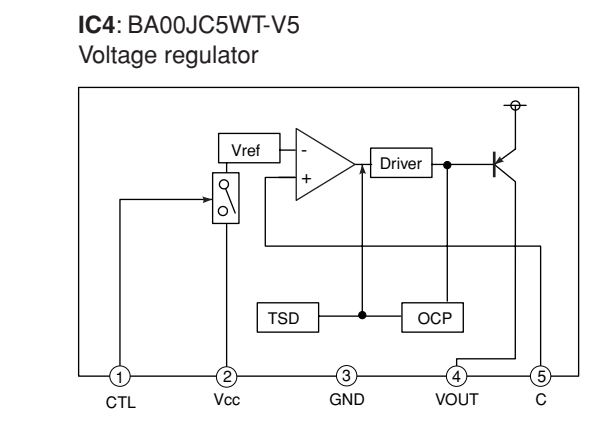
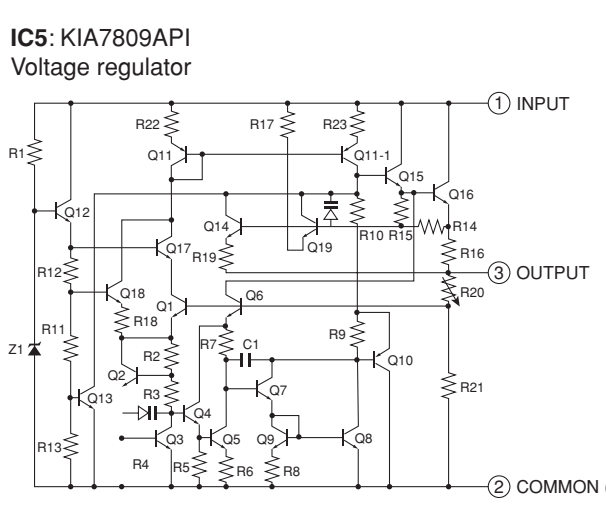
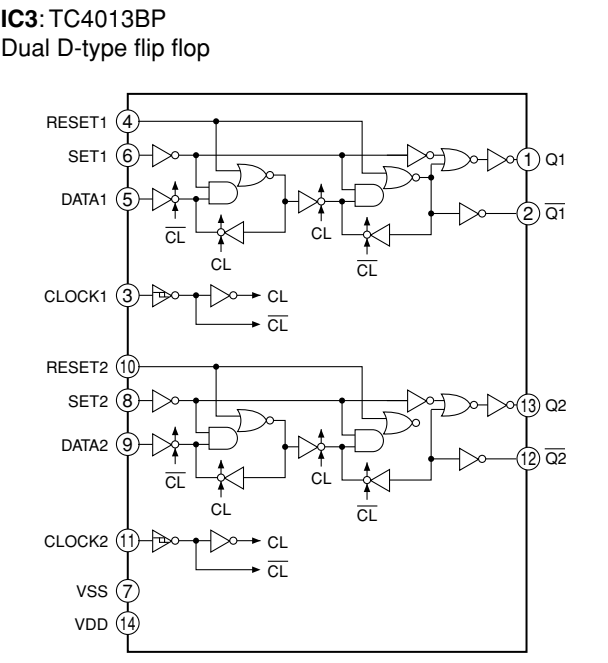
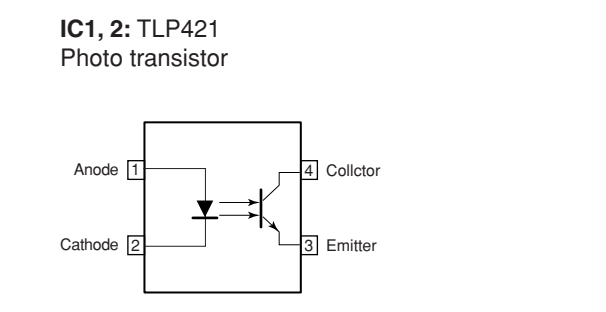
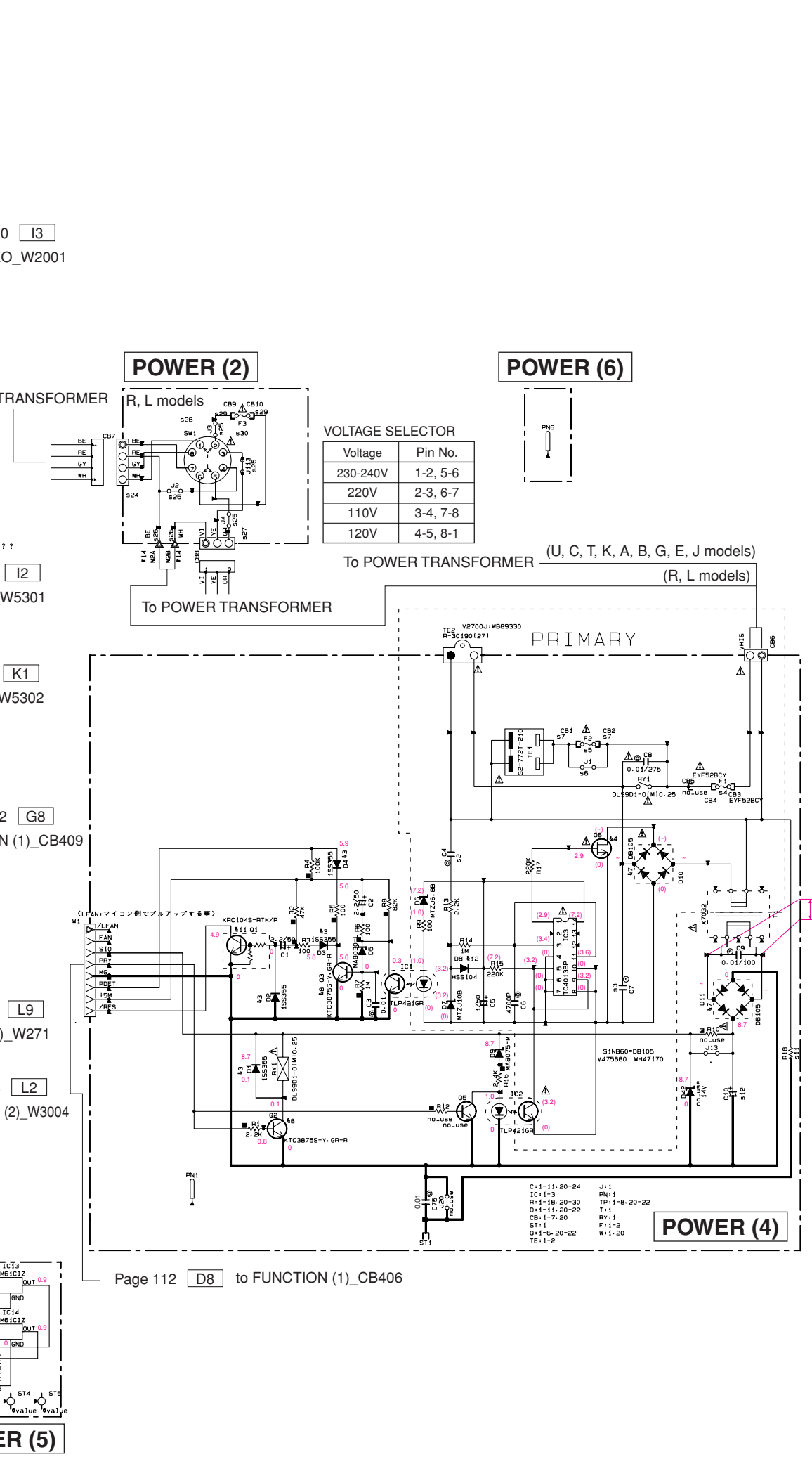
CAPACITOR

REMARKS	PARTS NAME
NO MARK	ELECTROLYTIC CAPACITOR
NO MARK	TANTALUM CAPACITOR
NO MARK	CERAMIC CAPACITOR
NO MARK	POLYESTER FILM CAPACITOR
NO MARK	POLYPROPYLENE FILM CAPACITOR
NO MARK	MICA CAPACITOR
NO MARK	POLYPROPYLENE FILM CAPACITOR
NO MARK	SEMICONDUCTIVE CERAMIC CAPACITOR

- ★ All voltages are measured with a 10MΩ/V DC electronic voltmeter.
- ★ Components having special characteristics are marked with a triangle (▲) and must be replaced with parts having specifications equal to those originally installed.
- ★ Schematic diagram is subject to change without notice.
- 電圧は、内部抵抗10MΩの電圧計で測定したものです。
- ▲印のある部品は、安全性確保部品を示しています。部品の交換が必要な場合、パーツリストに記載されている部品を使用してください。
- 本回路図は標準回路図です。改良のため予告なく変更することがございます。

DEFINITION PART LIST

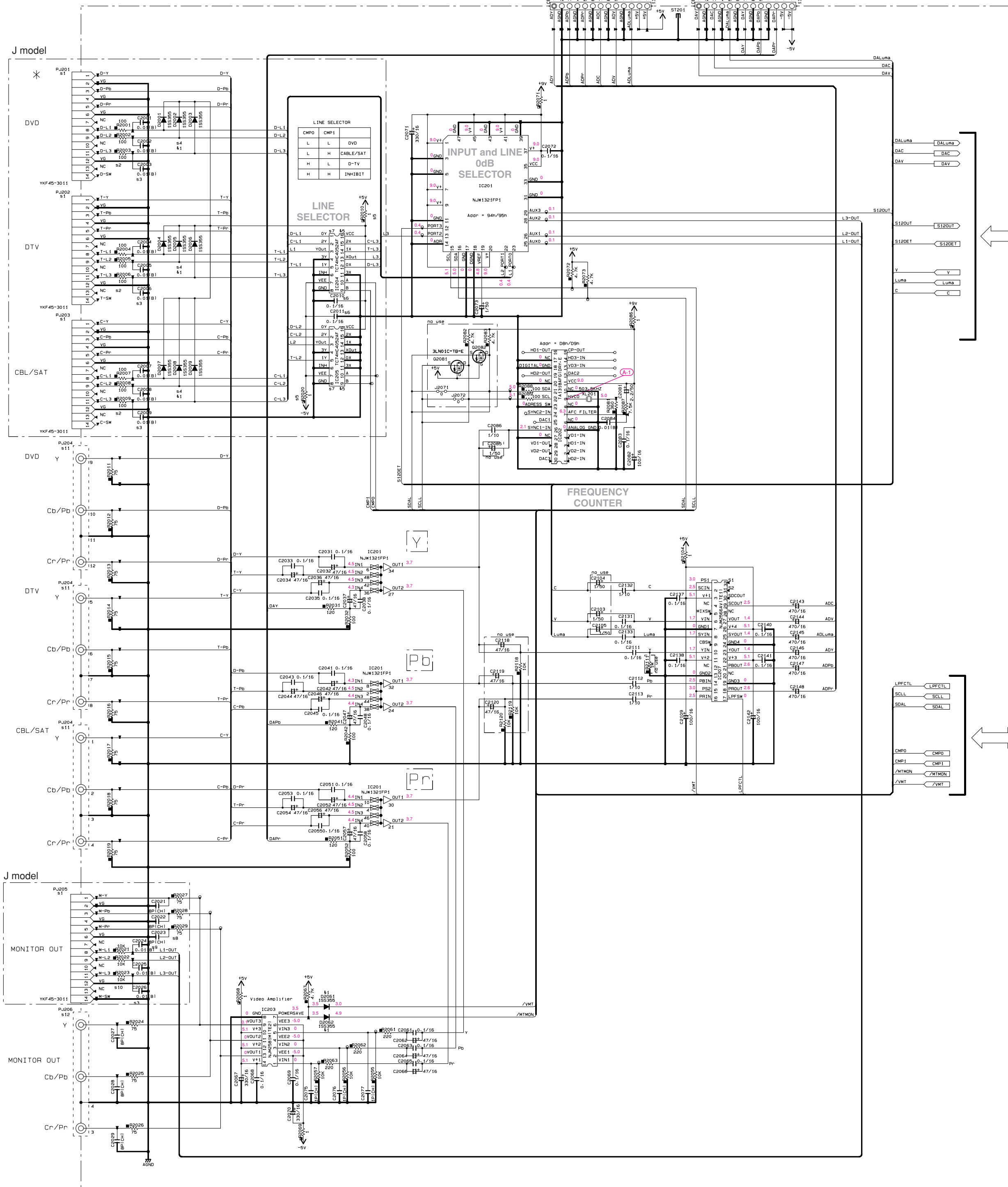
LOC	QTY	LOC	QTY	LOC	QTY	LOC	QTY	LOC	QTY	LOC	QTY
101	1	102	1	103	1	104	1	105	1	106	1
107	1	108	1	109	1	110	1	111	1	112	1
113	1	114	1	115	1	116	1	117	1	118	1
119	1	120	1	121	1	122	1	123	1	124	1
125	1	126	1	127	1	128	1	129	1	130	1
131	1	132	1	133	1	134	1	135	1	136	1
137	1	138	1	139	1	140	1	141	1	142	1
143	1	144	1	145	1	146	1	147	1	148	1
149	1	150	1	151	1	152	1	153	1	154	1
155	1	156	1	157	1	158	1	159	1	160	1
161	1	162	1	163	1	164	1	165	1	166	1
167	1	168	1	169	1	170	1	171	1	172	1
173	1	174	1	175	1	176	1	177	1	178	1
179	1	180	1	181	1	182	1	183	1	184	1
185	1	186	1	187	1	188	1	189	1	190	1
191	1	192	1	193	1	194	1	195	1	196	1
197	1	198	1	199	1	200	1	201	1	202	1
203	1	204	1	205	1	206	1	207	1	208	1
209	1	210	1	211	1	212	1	213	1	214	1
215	1	216	1	217	1	218	1	219	1	220	1
221	1	222	1	223	1	224	1	225	1	226	1
227	1	228	1	229	1	230	1	231	1	232	1
233	1	234	1	235	1	236	1	237	1	238	1
239	1	240	1	241	1	242	1	243	1	244	1
245	1	246	1	247	1	248	1	249	1	250	1
251	1	252	1	253	1	254	1	255	1	256	1
257	1	258	1	259	1	260	1	261	1	262	1
263	1	264	1	265	1	266	1	267	1	268	1
269	1	270	1	271	1	272	1	273	1	274	1
275	1	276	1	277	1	278	1	279	1	280	1
281	1	282	1	283	1	284	1	285	1	286	1
287	1	288	1	289	1	290	1	291	1	292	1
293	1	294	1	295	1	296	1	297	1	298	1
299	1	300	1	301	1	302	1	303	1	304	1
305	1	306	1	307	1	308	1	309	1	310	1
311	1	312	1	313	1	314	1	315	1	316	1
317	1	318	1	319	1	320	1	321	1	322	1
323	1	324	1	325	1	326	1	327	1	328	1
329	1	330	1	331	1	332	1	333	1	334	1
335	1	336	1	337	1	338	1	339	1	340	1
341	1	342	1	343	1	344	1	345	1	346	1
347	1	348	1	349	1	350	1	351	1	352	1
353	1	354	1	355	1	356	1	357	1	358	1
359	1	360	1	361	1	362	1	363	1	364	1
365	1	366	1	367	1	368	1	369	1	370	1
371	1	372	1	373	1	374	1	375	1	376	1
377	1	378	1	379	1	380	1	381	1	382	1
383	1	384	1	385	1	386	1	387	1	388	1
389	1	390	1	391	1	392	1	393	1	394	1
395	1	396	1	397	1	398	1	399	1	400	1





A-VIDEO 1/2

A-VIDEO



Page 122 [A2] to D-VIDEO\_CB132  
 Page 122 [A2] to D-VIDEO\_CB131

**RESISTOR**

REMARKS	PARTS NAME
NO MARK	CARBON FILM RESISTOR (D=5)
□	CARBON FILM RESISTOR (D=10)
△	METAL OXIDE FILM RESISTOR
◇	METAL FILM RESISTOR
○	METAL PLATE RESISTOR
⊕	FINE PROOF CARBON FILM RESISTOR
⊖	CHEMIST MOLDING RESISTOR
⊗	SEMI VARIABLE RESISTOR
■	CHIP RESISTOR

**NOTICE (model)**

(J)..... JAPAN  
 (U)..... U.S.A.  
 (C)..... CANADA  
 (R)..... GENERAL  
 (T)..... CHINA  
 (K)..... KOREA  
 (A)..... AUSTRALIA  
 (B)..... BRITISH  
 (E)..... EUROPE  
 (L)..... SINGAPORE  
 (S)..... SOUTH EUROPE  
 (V)..... TAIWAN

**CAPACITOR**

REMARKS	PARTS NAME
NO MARK	ELECTROLYTIC CAPACITOR
⊗	TANTALUM CAPACITOR
NO MARK	CERAMIC CAPACITOR
⊕	CERAMIC TUBULAR CAPACITOR
⊖	POLYESTER FILM CAPACITOR
○	MICA CAPACITOR
◇	POLYETHYLENE FILM CAPACITOR
⊕	POLYPROPYLENE FILM CAPACITOR
⊖	SEMICONDUCTIVE CERAMIC CAPACITOR
⊗	POLYETHYLENE SULFIDE FILM CAPACITOR

To A-VIDEO 2/2

**Component Part List**

REF	LOC	QTY	U-C	PK	T-1, B-5, L-1
S1	R101	1			
S1	R102	1			
S1	R103	1			
S1	R104	1			
S1	R105	1			
S1	R106	1			
S1	R107	1			
S1	R108	1			
S1	R109	1			
S1	R110	1			
S1	R111	1			
S1	R112	1			
S1	R113	1			
S1	R114	1			
S1	R115	1			
S1	R116	1			
S1	R117	1			
S1	R118	1			
S1	R119	1			
S1	R120	1			
S1	R121	1			
S1	R122	1			
S1	R123	1			
S1	R124	1			
S1	R125	1			
S1	R126	1			
S1	R127	1			
S1	R128	1			
S1	R129	1			
S1	R130	1			
S1	R131	1			
S1	R132	1			
S1	R133	1			
S1	R134	1			
S1	R135	1			
S1	R136	1			
S1	R137	1			
S1	R138	1			
S1	R139	1			
S1	R140	1			
S1	R141	1			
S1	R142	1			
S1	R143	1			
S1	R144	1			
S1	R145	1			
S1	R146	1			
S1	R147	1			
S1	R148	1			
S1	R149	1			
S1	R150	1			
S1	R151	1			
S1	R152	1			
S1	R153	1			
S1	R154	1			
S1	R155	1			
S1	R156	1			
S1	R157	1			
S1	R158	1			
S1	R159	1			
S1	R160	1			
S1	R161	1			
S1	R162	1			
S1	R163	1			
S1	R164	1			
S1	R165	1			
S1	R166	1			
S1	R167	1			
S1	R168	1			
S1	R169	1			
S1	R170	1			
S1	R171	1			
S1	R172	1			
S1	R173	1			
S1	R174	1			
S1	R175	1			
S1	R176	1			
S1	R177	1			
S1	R178	1			
S1	R179	1			
S1	R180	1			
S1	R181	1			
S1	R182	1			
S1	R183	1			
S1	R184	1			
S1	R185	1			
S1	R186	1			
S1	R187	1			
S1	R188	1			
S1	R189	1			
S1	R190	1			
S1	R191	1			
S1	R192	1			
S1	R193	1			
S1	R194	1			
S1	R195	1			
S1	R196	1			
S1	R197	1			
S1	R198	1			
S1	R199	1			
S1	R200	1			

**Interchangeable Parts at Manufacture-Stage**

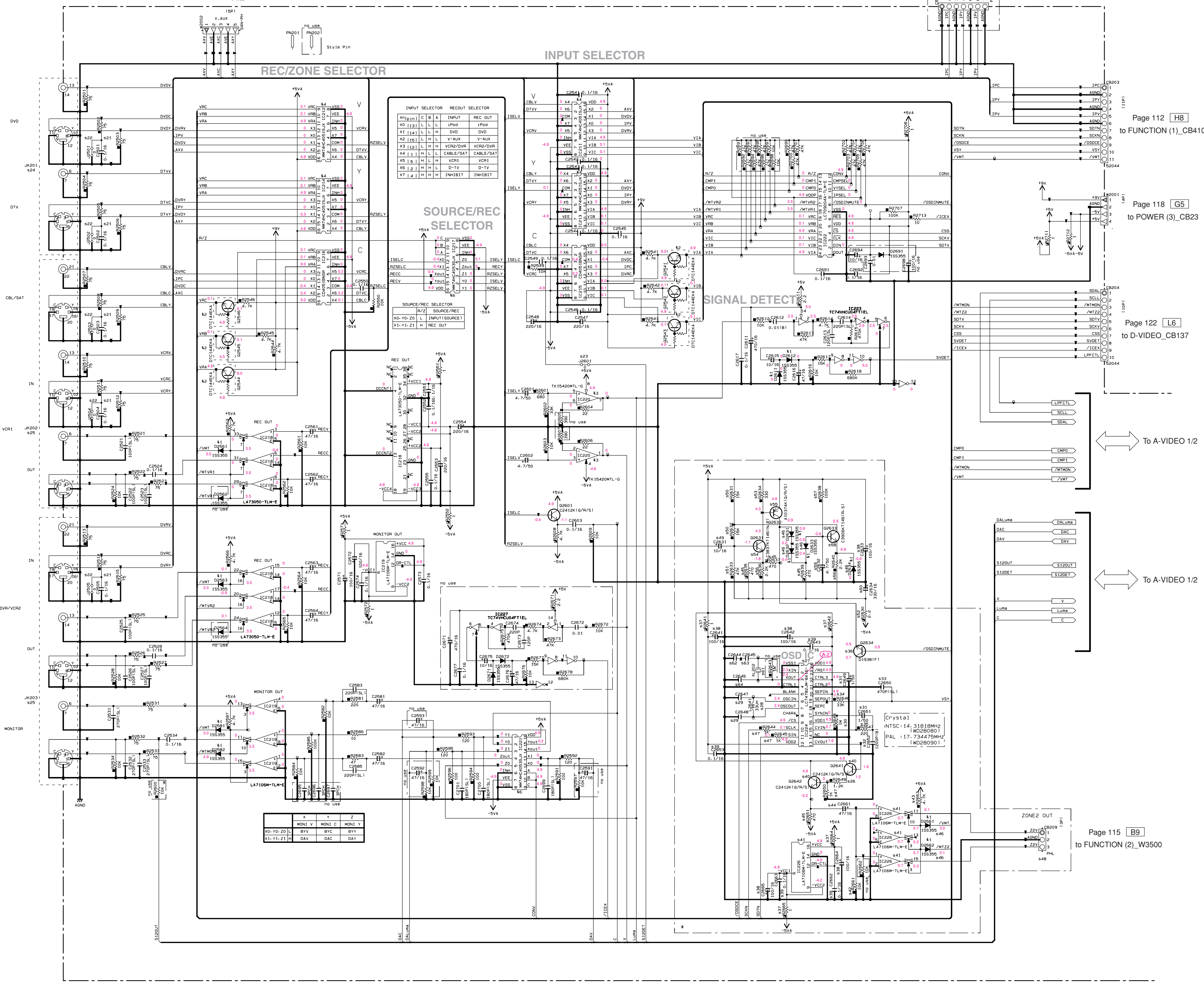
MARK	Reference Parts Number	Parts Name
41	0201-0205-0206-0207-0208-0209-0210-0211-0212-0213-0214-0215-0216-0217-0218-0219-0220-0221-0222-0223-0224-0225-0226-0227-0228-0229-0230-0231-0232-0233-0234-0235-0236-0237-0238-0239-0240-0241-0242-0243-0244-0245-0246-0247-0248-0249-0250-0251-0252-0253-0254-0255-0256-0257-0258-0259-0260-0261-0262-0263-0264-0265-0266-0267-0268-0269-0270-0271-0272-0273-0274-0275-0276-0277-0278-0279-0280-0281-0282-0283-0284-0285-0286-0287-0288-0289-0290-0291-0292-0293-0294-0295-0296-0297-0298-0299-0300-0301-0302-0303-0304-0305-0306-0307-0308-0309-0310-0311-0312-0313-0314-0315-0316-0317-0318-0319-0320-0321-0322-0323-0324-0325-0326-0327-0328-0329-0330-0331-0332-0333-0334-0335-0336-0337-0338-0339-0340-0341-0342-0343-0344-0345-0346-0347-0348-0349-0350-0351-0352-0353-0354-0355-0356-0357-0358-0359-0360-0361-0362-0363-0364-0365-0366-0367-0368-0369-0370-0371-0372-0373-0374-0375-0376-0377-0378-0379-0380-0381-0382-0383-0384-0385-0386-0387-0388-0389-0390-0391-0392-0393-0394-0395-0396-0397-0398-0399-0400-0401-0402-0403-0404-0405-0406-0407-0408-0409-0410-0411-0412-0413-0414-0415-0416-0417-0418-0419-0420-0421-0422-0423-0424-0425-0426-0427-0428-0429-0430-0431-0432-0433-0434-0435-0436-0437-0438-0439-0440-0441-0442-0443-0444-0445-0446-0447-0448-0449-0450-0451-0452-0453-0454-0455-0456-0457-0458-0459-0460-0461-0462-0463-0464-0465-0466-0467-0468-0469-0470-0471-0472-0473-0474-0475-0476-0477-0478-0479-0480-0481-0482-0483-0484-0485-0486-0487-0488-0489-0490-0491-0492-0493-0494-0495-0496-0497-0498-0499-0500-0501-0502-0503-0504-0505-0506-0507-0508-0509-0510-0511-0512-0513-0514-0515-0516-0517-0518-0519-0520-0521-0522-0523-0524-0525-0526-0527-0528-0529-0530-0531-0532-0533-0534-0535-0536-0537-0538-0539-0540-0541-0542-0543-0544-0545-0546-0547-0548-0549-0550-0551-0552-0553-0554-0555-0556-0557-0558-0559-0560-0561-0562-0563-0564-0565-0566-0567-0568-0569-0570-0571-0572-0573-0574-0575-0576-0577-0578-0579-0580-0581-0582-0583-0584-0585-0586-0587-0588-0589-0590-0591-0592-0593-0594-0595-0596-0597-0598-0599-0600-0601-0602-0603-0604-0605-0606-0607-0608-0609-0610-0611-0612-0613-0614-0615-0616-0617-0618-0619-0620-0621-0622-0623-0624-0625-0626-0627-0628-0629-0630-0631-0632-0633-0634-0635-0636-0637-0638-0639-0640-0641-0642-0643-0644-0645-0646-0647-0648-0649-0650-0651-0652-0653-0654-0655-0656-0657-0658-0659-0660-0661-0662-0663-0664-0665-0666-0667-0668-0669-0670-0671-0672-0673-0674-0675-0676-0677-0678-0679-0680-0681-0682-0683-0684-0685-0686-0687-0688-0689-0690-0691-0692-0693-0694-0695-0696-0697-0698-0699-0700-0701-0702-0703-0704-0705-0706-0707-0708-0709-0710-0711-0712-0713-0714-0715-0716-0717-0718-0719-0720-0721-0722-0723-0724-0725-0726-0727-0728-0729-0730-0731-0732-0733-0734-0735-0736-0737-0738-0739-0740-0741-0742-0743-0744-0745-0746-0747-0748-0749-0750-0751-0752-0753-0754-0755-0756-0757-0758-0759-0760-0761-0762-0763-0764-0765-0766-0767-0768-0769-0770-0771-0772-0773-0774-0775-0776-0777-0778-0779-0780-0781-0782-0783-0784-0785-0786-0787-0788-0789-0790-0791-0792-0793-0794-0795-0796-0797-0798-0799-0800-0801-0802-0803-0804-0805-0806-0807-0808-0809-0810-0811-0812-0813-0814-0815-0816-0817-0818-0819-0820-0821-0822-0823-0824-0825-0826-0827-0828-0829-0830-0831-0832-0833-0834-0835-0836-0837-0838-0839-0840-0841-0842-0843-0844-0845-0846-0847-0848-0849-0850-0851-0852-0853-0854-0855-0856-0857-0858-0859-0860-0861-0862-0863-0864-0865-0866-0867-0868-0869-0870-0871-0872-0873-0874-0875-0876-0877-0878-0879-0880-0881-0882-0883-0884-0885-0886-0887-0888-0889-0890-0891-0892-0893-0894-0895-0896-0897-0898-0899-0900-0901-0902-0903-0904-0905-0906-0907-0908-0909-0910-0911-0912-0913-0914-0915-0916-0917-0918-0919-0920-0921-0922-0923-0924-0925-0926-0927-0928-0929-0930-0931-0932-0933-0934-0935-0936-0937-0938-0939-0940-0941-0942-0943-0944-0945-0946-0947-0948-0949-0950-0951-0952-0953-0954-0955-0956-0957-0958-0959-0960-0961-0962-0963-0964-0965-0966-0967-0968-0969-0970-0971-0972-0973-0974-0975-0976-0977-0978-0979-0980-0981-0982-0983-0984-0985-0986-0987-0988-0989-0990-0991-0992-0993-0994-0995-0996-0997-0998-0999-1000-1001-1002-1003-1004-1005-1006-1007-1008-1009-1010-1011-1012-1013-1014-1015-1016-1017-1018-1019-1020-1021-1022-1023-1024-1025-1026-1027-1028-1029-1030-1031-1032-1033-1034-1035-1036-1037-1038-1039-1040-1041-1042-1043-1044-1045-1046-1047-1048-1049-1050-1051-1052-1053-1054-1055-1056-1057-1058-1059-1060-1061-1062-1063-1064-1065-1066-1067-1068-1069-1070-1071-1072-1073-1074-1075-1076-1077-1078-1079-1080-1081-1082-1083-1084-1085-1086-1087-1088-1089-1090-1091-1092-1093-1094-1095-1096-1097-1098-1099-1100-1101-1102-1103-1104-1105-1106-1107-1108-1109-1110-1111-1112-1113-1114-1115-1116-1117-1118-1119-1120-1121-1122-1123-1124-1125-1126-1127-1128-1129-1130-1131-1132-1133-1134-1135-1136-1137-1138-1139-1140-1141-1142-1143-1144-1145-1146-1147-1148-1149-1150-1151-1152-1153-1154-1155-1156-1157-1158-1159-1160-1161-1162-1163-1164-1165-1166-1167-1168-1169-1170-1171-1172-1173-1174-1175-1176-1177-1178-1179-1180-1181-1182-1183-1184-1185-1186-1187-1188-1189-1190-1191-1192-1193-1194-1195-1196-1197-1198-1199-1200-1201-1202-1203-1204-1205-1206-1207-1208-1209-1210-1211-1212-1213-1214-1215-1216-1217-1218-1219-1220-1221-1222-1223-1224-1225-1226-1227-1228-1229-1230-1231-1232-1233-1234-1235-1236-1237-1238-1239-1240-1241-1242-1243-1244-1245-1246-1247-1248-1249-1250-1251-1252-1253-1254-1255-1256-1257-1258-1259-1260-1261-1262-1263-1264-1265-1266-1267-1268-1269-1270-1271-1272-1273-1274-1275-1276-1277-1278-1279-1280-1281-1282-1283-1284-1285-1286-1287-1288-1289-1290-1291-1292-1293-1294-1295-1296-1297-1298-1299-1300-1301-1302-1303-1304-1305-1306-1307-1308-1309-1310-1311-1312-1313-1314-1315-1316-1317-1318-1319-1320-1321-1322-1323-1324-1325-1326-1327-1328-1329-1330-1331-1332-1333-1334-1335-1336-1337-1338-1339-1340-1341-1342-1343-1344-1345-1346-1347-1348-1349-1350-1351-1352-1353-1354-1355-1356-1357-1358-1359-1360-1361-1362-1363-1364-1365-1366-1367-1368-1369-1370-1371-1372-1373-1374-1375-1376-1377-1378-1379-1380-1381-1382-1383-1384-1385-1386-1387-1388-1389-1390-1391-1392-1393-1394-1395-1396-1397-1398-1399-1400-1401-1402-1403-1404-1405-1406-1407-1408-1409-1410-1411-1412-1413-1414-1415-1416-1417-1418-1419-1420-1421-1422-1423-1424-1425-1426-1427-1428-1429-1430-1431-1432-1433-1434-1435-1436-1437-1438-1439-1440-1441-1442-1443-1	



A-VIDEO 2/2

A-VIDEO

Page 116 [E4] to OPERATION (3)\_CB807



NOTICE (mode1)

- (J) JAPAN
(U) U.S.A
(C) CANADA
(R) GENERAL
(T) CHINA
(K) KOREA
(A) AUSTRALIA
(B) BRITISH
(G) EUROPE
(L) SINGAPORE
(E) SOUTH EUROPE
(V) TAIWAN

RESISTOR PARTS NAME table with columns for NO. MARK, RESISTOR, PARTS NAME, and VALUE.

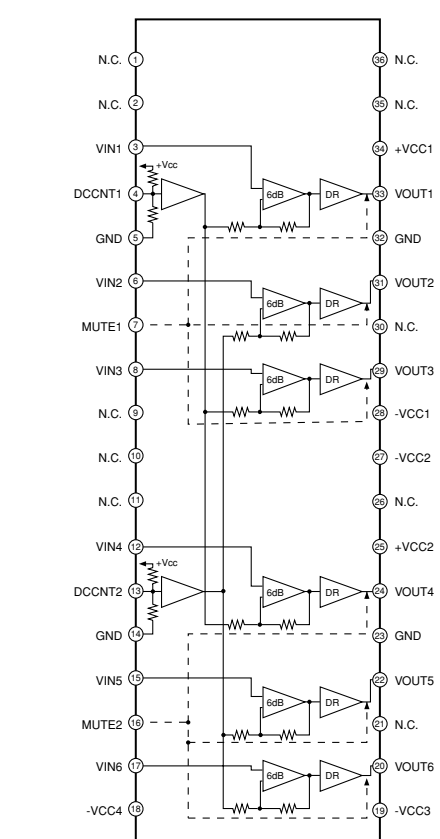
CAPACITOR

CAPACITOR PARTS NAME table with columns for NO. MARK, CAPACITOR, PARTS NAME, and VALUE.

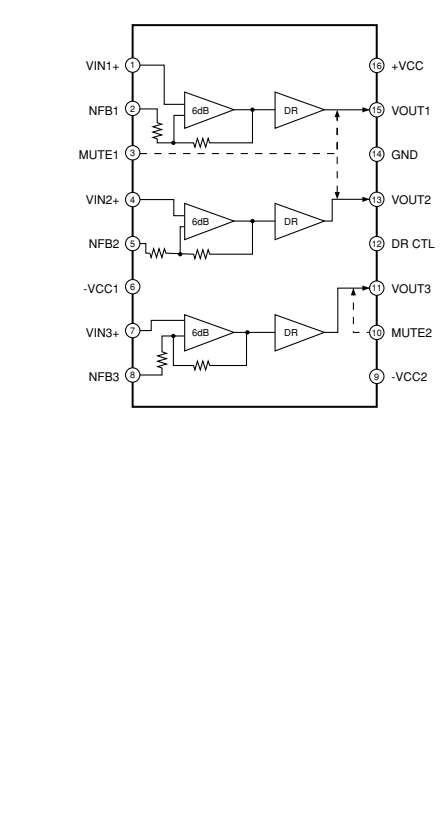
Destination Part List

Destination Part List table with columns for Part No., Loc., Part Name, and Remarks.

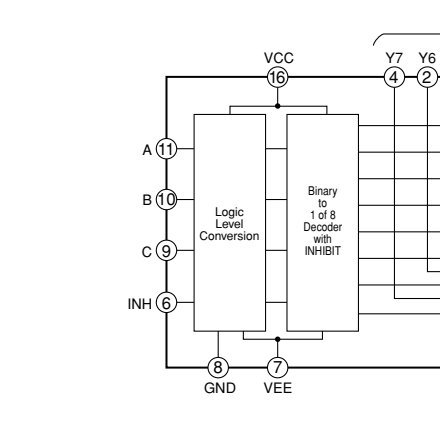
IC218: LA73050-TLM-E Analog dual operational amplifier



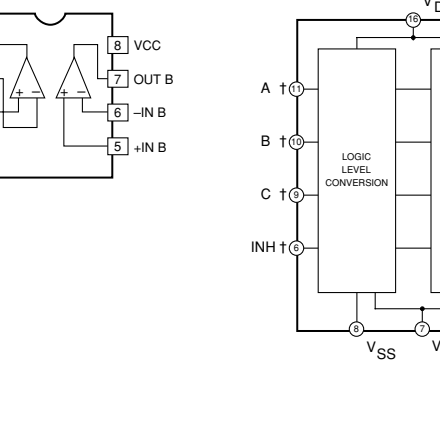
IC219, 226: LA7106M-TLM-E Analog dual operational amplifier



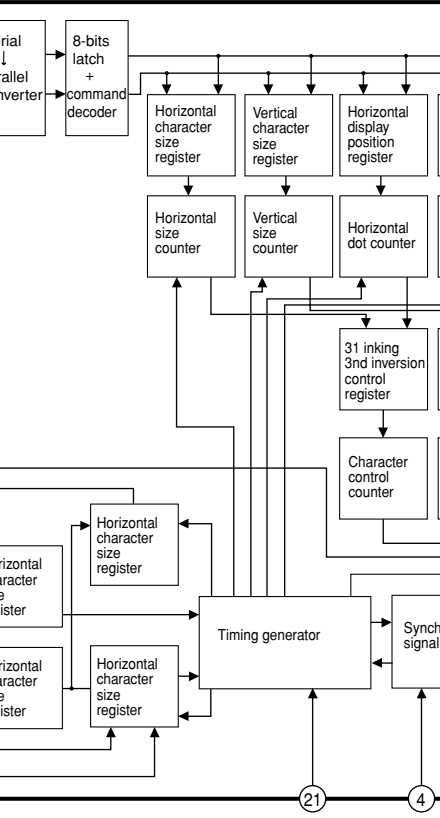
IC211-214: MM74HC4051SJX 8-channel analog multiplexer



IC215, 216: CD4051BNSR Single 8-channel multiplexer



IC224: LC74782JM-8A16-TLM The on-serial display controller LSI

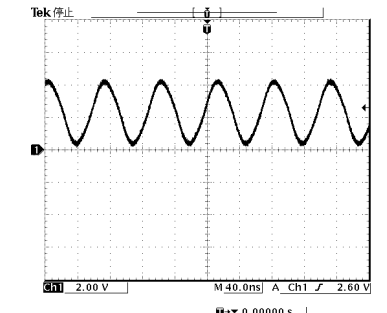


- VSS1 [1]
XstbIN [2]
XstbOUT [3]
CTRL3 [4]
CTRL2 [5]
SEPN [6]
OSCOUT [7]
SEPC [8]
SYNEN [9]
CVN [10]
NC [11]
VDD2 [12]
VDD1 [24]
RST [25]
CTRL1 [22]
CTRL2 [21]
SEPN [20]
OSCOUT [19]
SEPC [18]
SYNEN [17]
VDD1 [16]
CVN [15]
NC [14]
VDD2 [13]

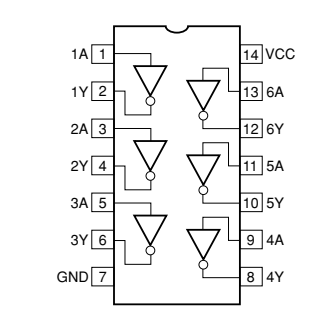
\* All voltages are measured with a 10MΩ/V DC electronic voltmeter.
\* Components having special characteristics are marked with a triangle and must be replaced with parts having specifications equal to those originally installed.
\* Schematic diagram is subject to change without notice.

● 電圧は、内部抵抗10MΩの電圧計で測定したものです。
● 1印のある部品は、安全性確保部品を示しています。部品の交換が必要な場合、パーツリストに記載されている部品を使用してください。
● 本回路図は標準回路図です。改良のため予告なく変更することがございます。

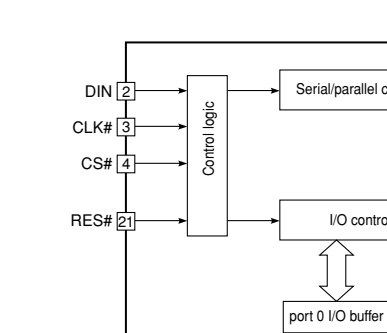
POINT (A-2) Pin 3 of IC224



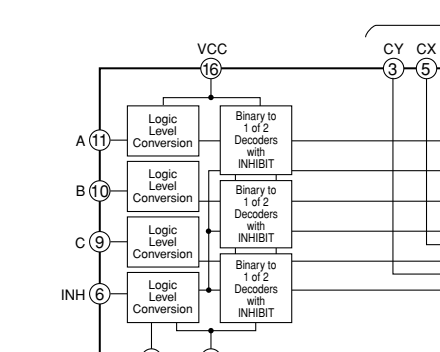
IC223: TC74VHC04FT Hex inverters



IC222: LC709004A-TLM-E I/O-expander for microcontroller



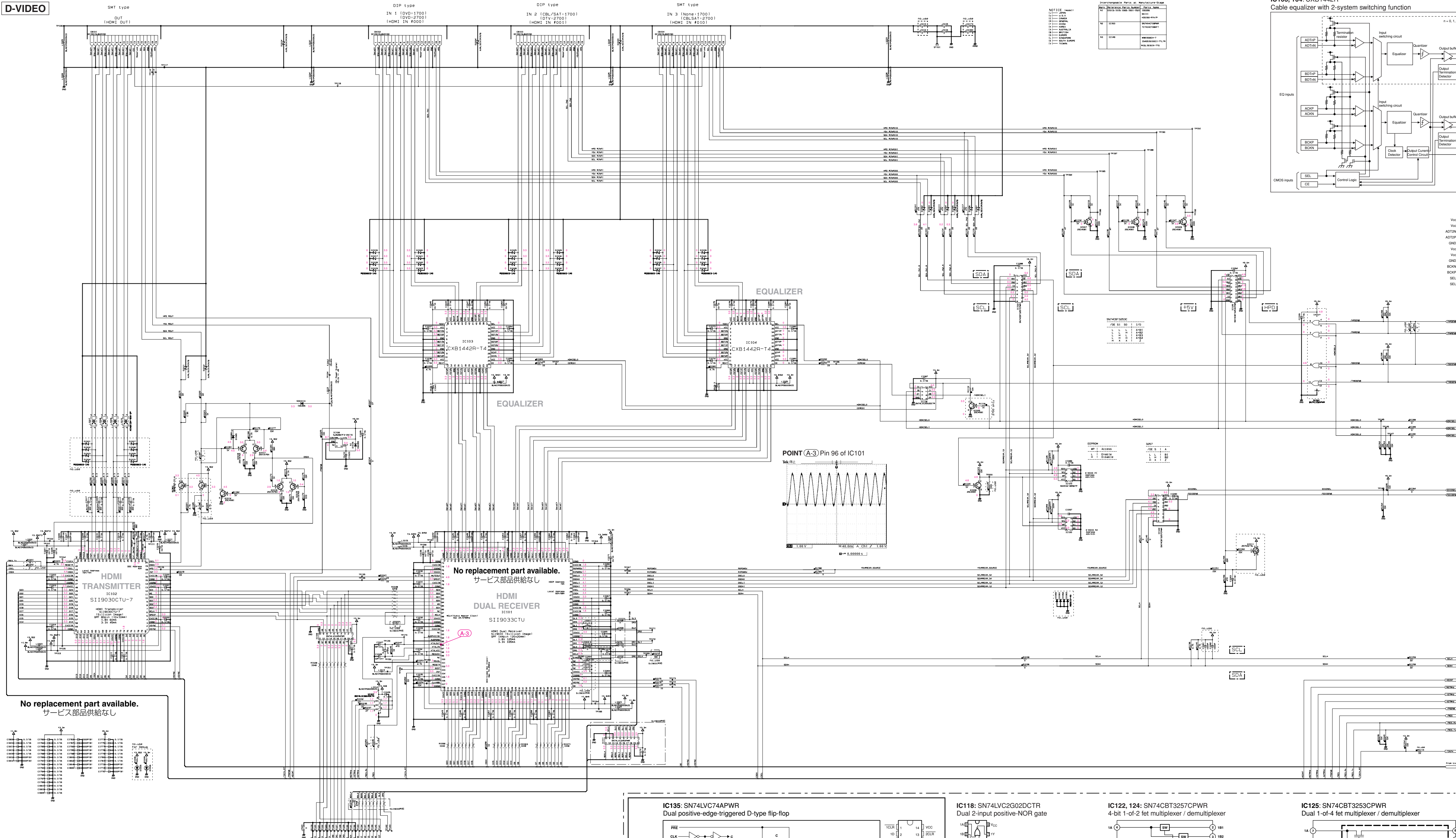
IC217, 221: MM74HC4053SJX Triple 2-channel analog multiplexer



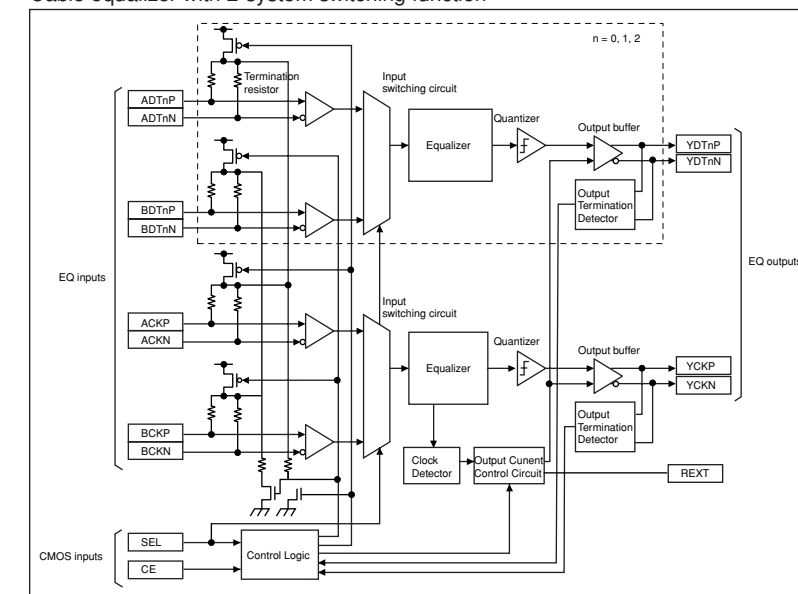


D-VIDEO 1/2

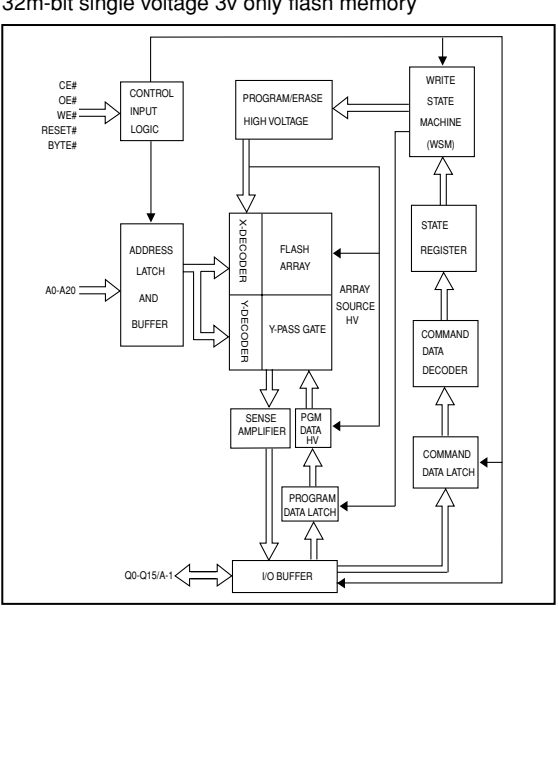
D-VIDEO



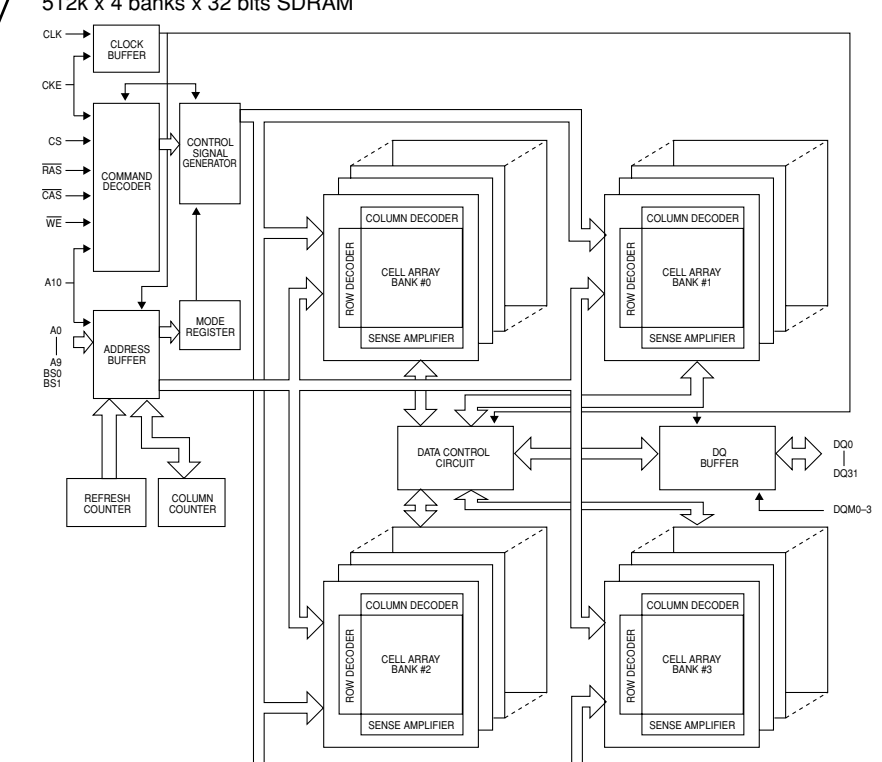
IC103, 104: CXB1442R



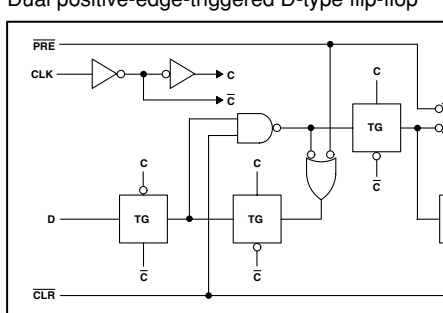
IC147: MX29LV320CBTC-90G



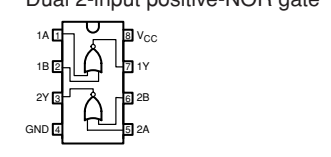
IC139: W9864G2EH-7



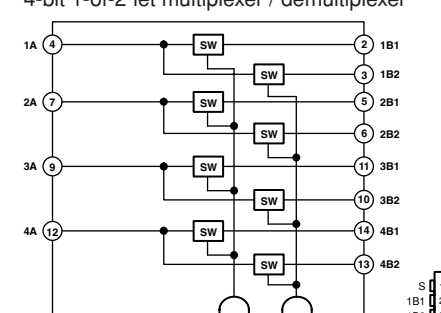
IC135: SN74VLC74APWR



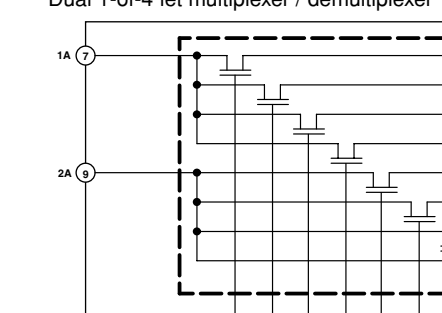
IC118: SN74VLCG02DCTR



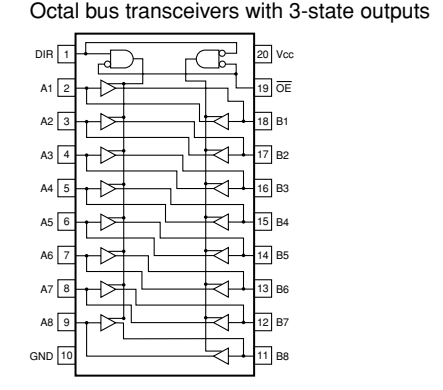
IC122, 124: SN74CBT3253CPWR



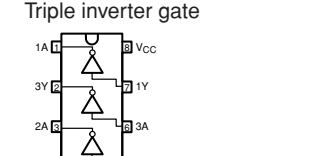
IC125: SN74CBT3253CPWR



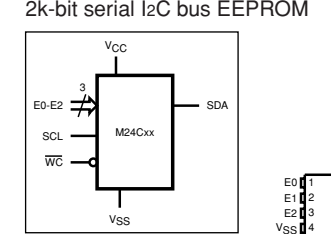
IC106, 111: SN74VLC245APWR



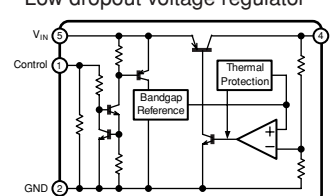
IC107: SN74VLC3G04DCTR



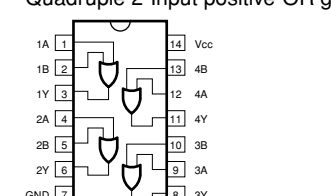
IC120, 123: M24C02-WM6TNP



IC108: NJM2867F3-05 (TE-1)



IC121: SN74V32APWR

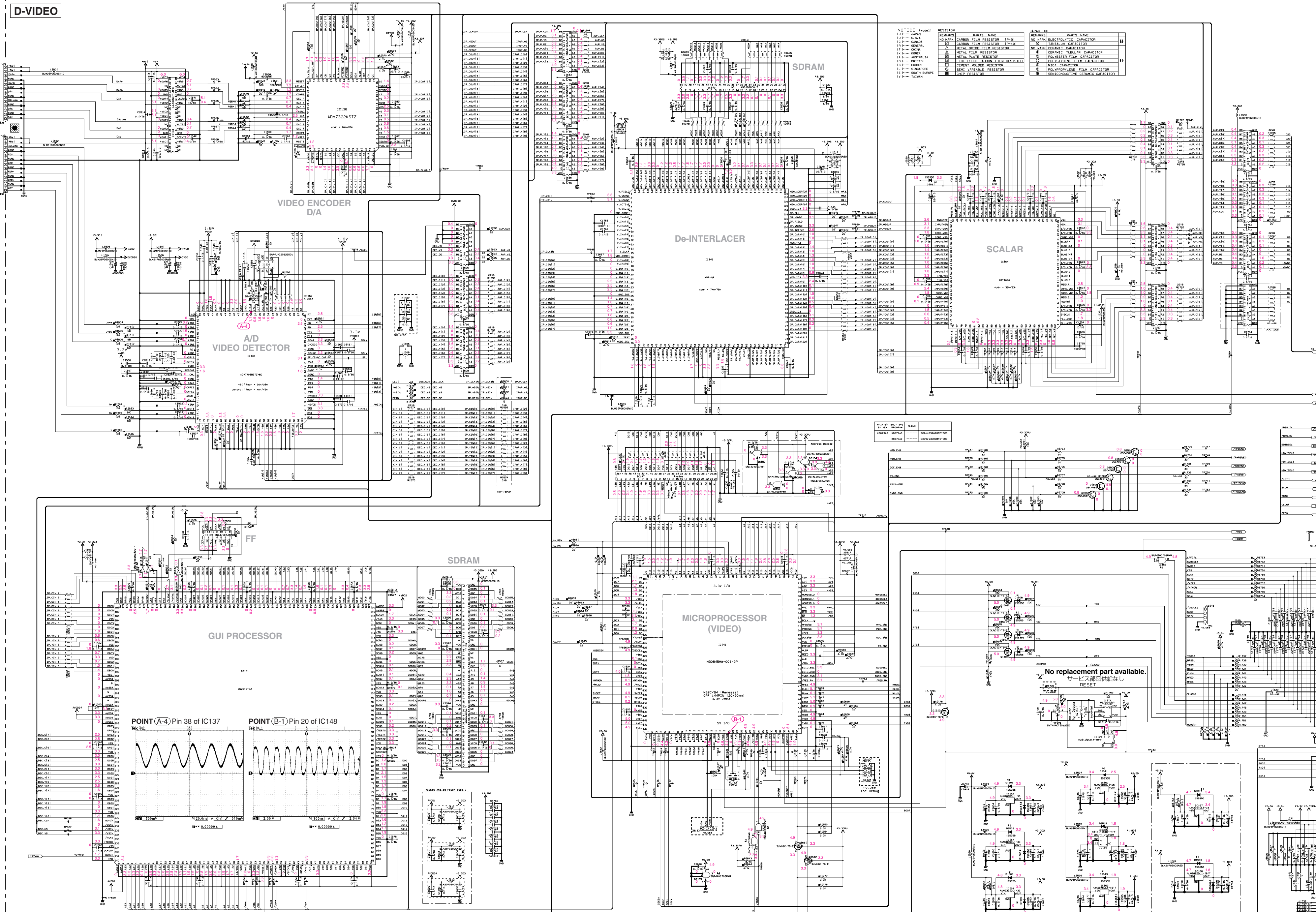


\* All voltages are measured with a 10MΩV DC electronic voltmeter.  
 \* Components having special characteristics are marked with a star and must be replaced with parts having specifications equal to those originally installed.  
 \* Schematic diagram is subject to change without notice.

●電圧は、内部抵抗10MΩの電圧計で測定したものです。  
 ●1印のある部品は、安全性確保部品を示しています。部品の交換が必要な場合、パーツリストに記載されている部品を使用してください。  
 ●本回路図は標準回路図です。改良のため予告なく変更することがございます。



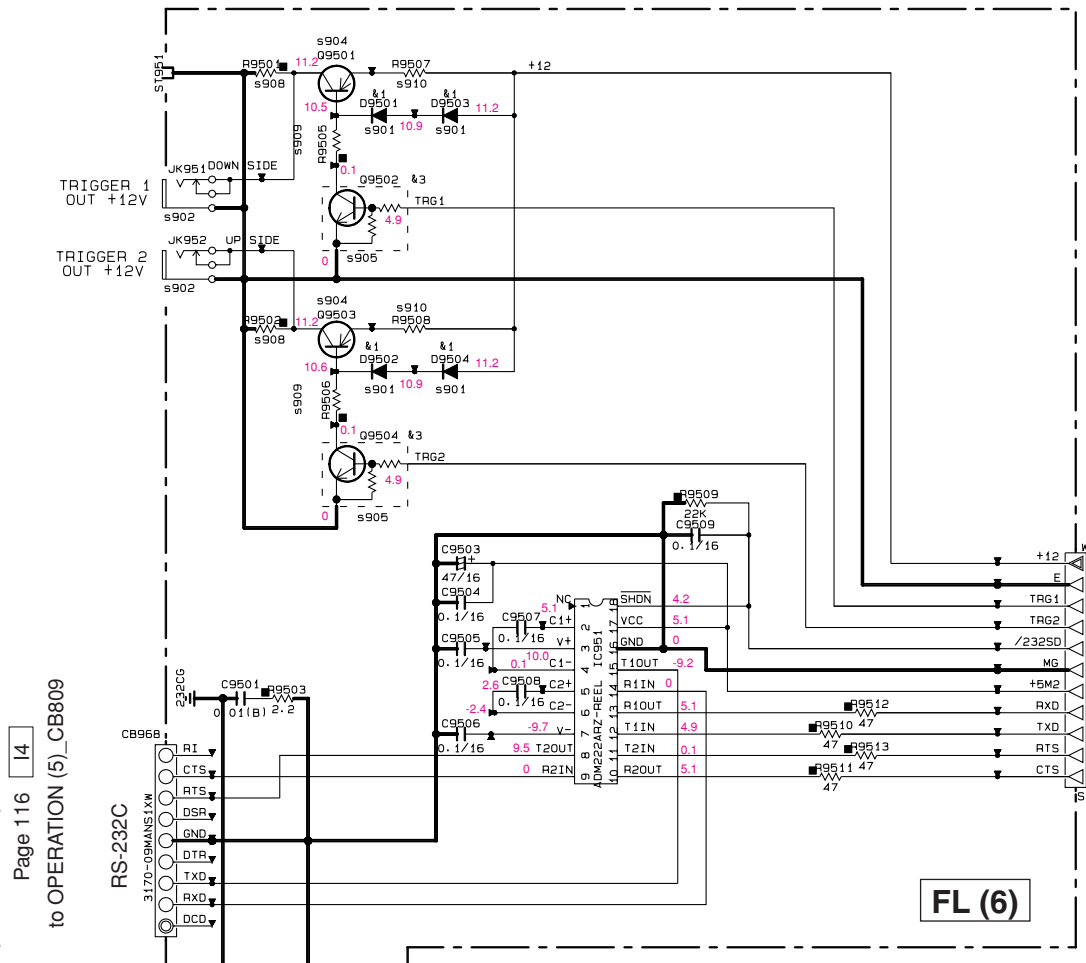
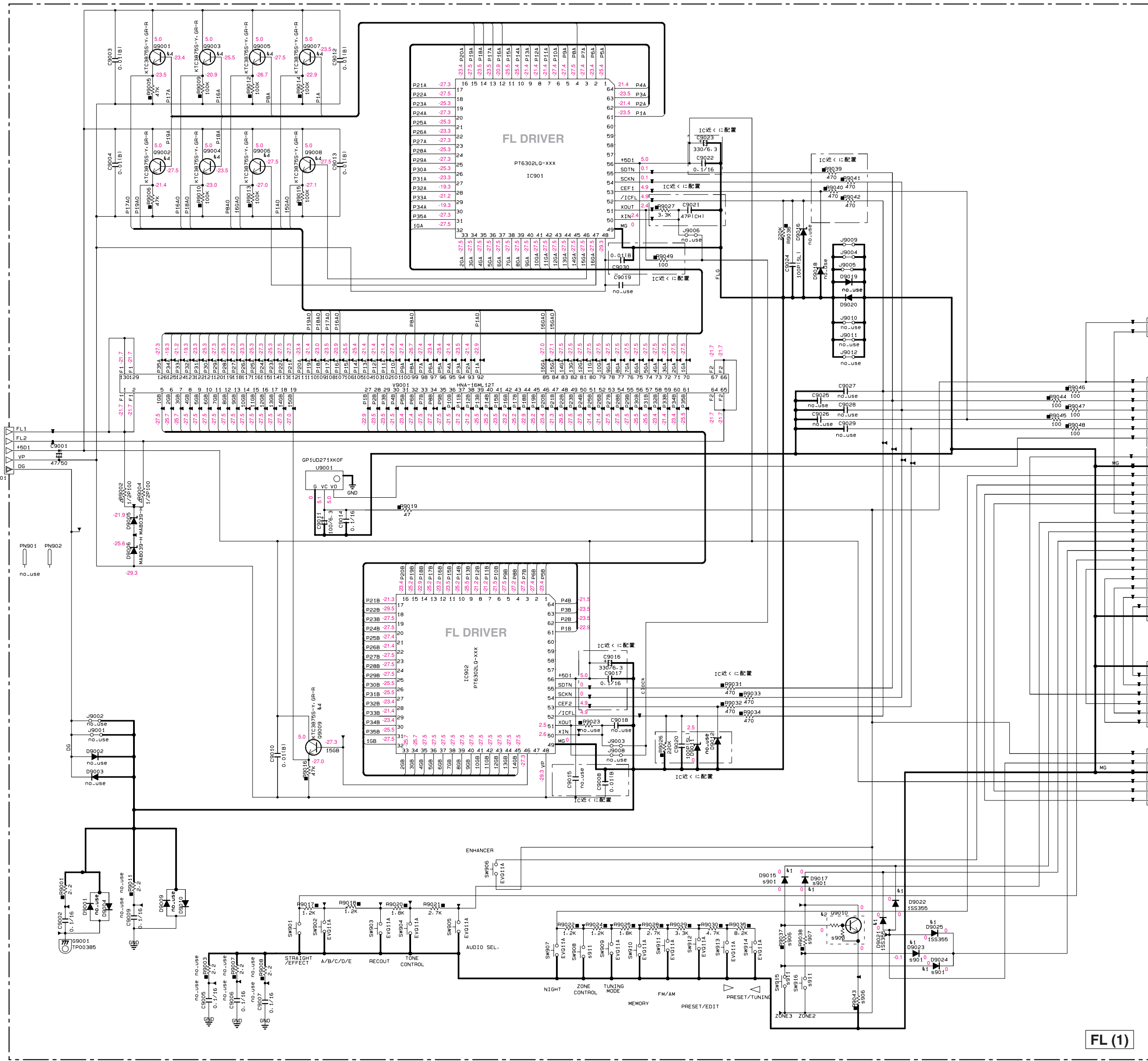
D-VIDEO 2/2



NOTICE (REV.1)

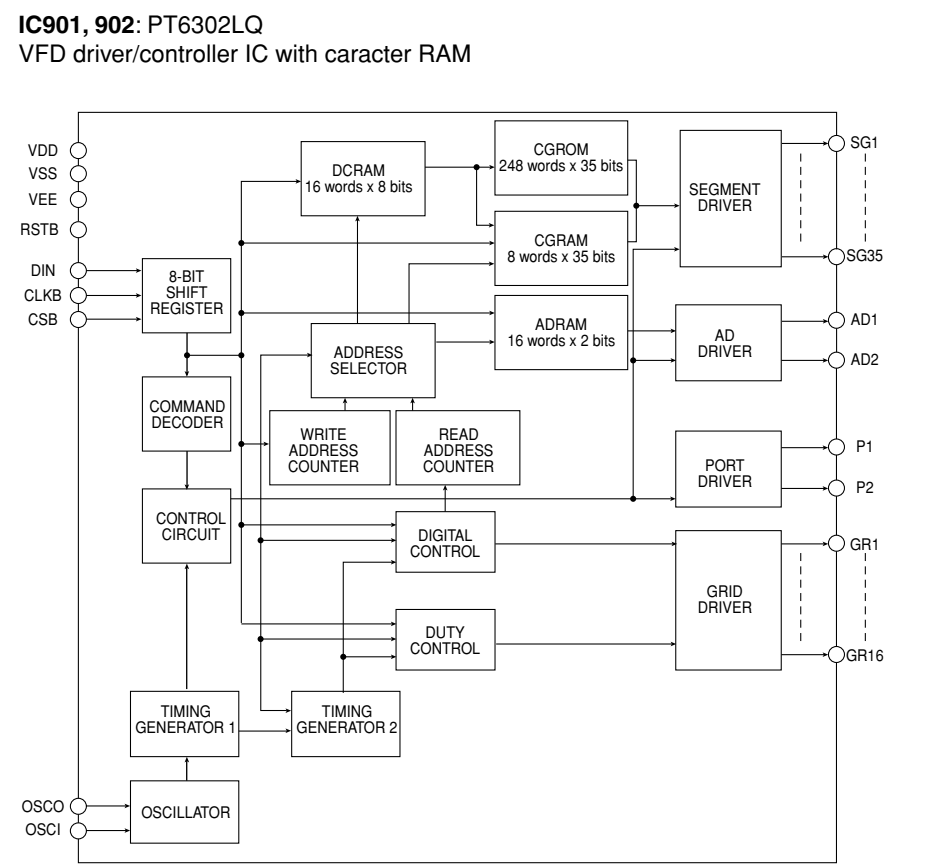
RESISTOR	CODE	UNIT	RESISTANCE	RESISTOR	CODE	UNIT	RESISTANCE
1	0000	Ω	0	10	1000	Ω	1000
2	0001	Ω	10	11	1100	Ω	1100
3	0002	Ω	20	12	1200	Ω	1200
4	0003	Ω	30	13	1300	Ω	1300
5	0004	Ω	40	14	1400	Ω	1400
6	0005	Ω	50	15	1500	Ω	1500
7	0006	Ω	60	16	1600	Ω	1600
8	0007	Ω	70	17	1700	Ω	1700
9	0008	Ω	80	18	1800	Ω	1800
10	0009	Ω	90	19	1900	Ω	1900
11	0010	Ω	100	20	2000	Ω	2000
12	0011	Ω	110	21	2100	Ω	2100
13	0012	Ω	120	22	2200	Ω	2200
14	0013	Ω	130	23	2300	Ω	2300
15	0014	Ω	140	24	2400	Ω	2400
16	0015	Ω	150	25	2500	Ω	2500
17	0016	Ω	160	26	2600	Ω	2600
18	0017	Ω	170	27	2700	Ω	2700
19	0018	Ω	180	28	2800	Ω	2800
20	0019	Ω	190	29	2900	Ω	2900
21	0020	Ω	200	30	3000	Ω	3000
22	0021	Ω	210	31	3100	Ω	3100
23	0022	Ω	220	32	3200	Ω	3200
24	0023	Ω	230	33	3300	Ω	3300
25	0024	Ω	240	34	3400	Ω	3400
26	0025	Ω	250	35	3500	Ω	3500
27	0026	Ω	260	36	3600	Ω	3600
28	0027	Ω	270	37	3700	Ω	3700
29	0028	Ω	280	38	3800	Ω	3800
30	0029	Ω	290	39	3900	Ω	3900
31	0030	Ω	300	40	4000	Ω	4000
32	0031	Ω	310	41	4100	Ω	4100
33	0032	Ω	320	42	4200	Ω	4200
34	0033	Ω	330	43	4300	Ω	4300
35	0034	Ω	340	44	4400	Ω	4400
36	0035	Ω	350	45	4500	Ω	4500
37	0036	Ω	360	46	4600	Ω	4600
38	0037	Ω	370	47	4700	Ω	4700
39	0038	Ω	380	48	4800	Ω	4800
40	0039	Ω	390	49	4900	Ω	4900
41	0040	Ω	400	50	5000	Ω	5000
42	0041	Ω	410	51	5100	Ω	5100
43	0042	Ω	420	52	5200	Ω	5200
44	0043	Ω	430	53	5300	Ω	5300
45	0044	Ω	440	54	5400	Ω	5400
46	0045	Ω	450	55	5500	Ω	5500
47	0046	Ω	460	56	5600	Ω	5600
48	0047	Ω	470	57	5700	Ω	5700
49	0048	Ω	480	58	5800	Ω	5800
50	0049	Ω	490	59	5900	Ω	5900
51	0050	Ω	500	60	6000	Ω	6000
52	0051	Ω	510	61	6100	Ω	6100
53	0052	Ω	520	62	6200	Ω	6200
54	0053	Ω	530	63	6300	Ω	6300
55	0054	Ω	540	64	6400	Ω	6400
56	0055	Ω	550	65	6500	Ω	6500
57	0056	Ω	560	66	6600	Ω	6600
58	0057	Ω	570	67	6700	Ω	6700
59	0058	Ω	580	68	6800	Ω	6800
60	0059	Ω	590	69	6900	Ω	6900
61	0060	Ω	600	70	7000	Ω	7000
62	0061	Ω	610	71	7100	Ω	7100
63	0062	Ω	620	72	7200	Ω	7200
64	0063	Ω	630	73	7300	Ω	7300
65	0064	Ω	640	74	7400	Ω	7400
66	0065	Ω	650	75	7500	Ω	7500
67	0066	Ω	660	76	7600	Ω	7600
68	0067	Ω	670	77	7700	Ω	7700
69	0068	Ω	680	78	7800	Ω	7800
70	0069	Ω	690	79	7900	Ω	7900
71	0070	Ω	700	80	8000	Ω	8000
72	0071	Ω	710	81	8100	Ω	8100
73	0072	Ω	720	82	8200	Ω	8200
74	0073	Ω	730	83	8300	Ω	8300
75	0074	Ω	740	84	8400	Ω	8400
76	0075	Ω	750	85	8500	Ω	8500
77	0076	Ω	760	86	8600	Ω	8600
78	0077	Ω	770	87	8700	Ω	8700
79	0078	Ω	780	88	8800	Ω	8800
80	0079	Ω	790	89	8900	Ω	8900
81	0080	Ω	800	90	9000	Ω	9000
82	0081	Ω	810	91	9100	Ω	9100
83	0082	Ω	820	92	9200	Ω	9200
84	0083	Ω	830	93	9300	Ω	9300
85	0084	Ω	840	94	9400	Ω	9400
86	0085	Ω	850	95	9500	Ω	9500
87	0086	Ω	860	96	9600	Ω	9600
88	0087	Ω	870	97	9700	Ω	9700
89	0088	Ω	880	98	9800	Ω	9800
90	0089	Ω	890	99	9900	Ω	9900
91	0090	Ω	900	100	10000	Ω	10000
92	0091	Ω	910	101	10100	Ω	10100
93	0092	Ω	920	102	10200	Ω	10200
94	0093	Ω	930	103	10300	Ω	10300
95	0094	Ω	940	104	10400	Ω	10400
96	0095	Ω	950	105	10500	Ω	10500
97	0096	Ω	960	106	10600	Ω	10600
98	0097	Ω	970	107	10700	Ω	10700
99	0098	Ω	980	108	10800	Ω	10800
100	0099	Ω	990	109	10900	Ω	10900
101	0100	Ω	1000	110	11000	Ω	11000
110	0110	Ω	1100	120	12000	Ω	12000
120	0120	Ω	1200	130	13000	Ω	13000
130	0130	Ω	1300	140	14000	Ω	14000
140	0140	Ω	1400	150	15000	Ω	15000
150	0150	Ω	1500	160	16000	Ω	16000
160	0160	Ω	1600	170	17000	Ω	17000
170	0170	Ω	1700	180	18000	Ω	18000
180	0180	Ω	1800	190	19000	Ω	19000
190	0190	Ω	1900	200	20000	Ω	20000
200	0200	Ω	2000	210	21000	Ω	21000
210	0210	Ω	2100	220	22000	Ω	22000
220	0220	Ω	2200	230	23000	Ω	23000
230	0230	Ω	2300	240	24000	Ω	24000
240	0240	Ω	2400	250	25000	Ω	25000
250	0250	Ω	2500	260	26000	Ω	26000
260	0260	Ω	2600	270	27000	Ω	27000
270	0270	Ω	2700	280	28000	Ω	28000
280	0280	Ω	2800	290	29000	Ω	29000
290	0290	Ω	2900	300	30000	Ω	30000
300	0300	Ω	3000	310	31000	Ω	31000
310	0310	Ω	3100	320	32000	Ω	32000
320	0320	Ω	3200	330	33000	Ω	33000
330	0330	Ω	3300	340	34000	Ω	34000
340	0340	Ω	3400	350	35000	Ω	35000
350	0350	Ω	3500	360	36000	Ω	36000
360	0360	Ω	3600	370	37000	Ω	37000
370	0370	Ω	3700	380	38000	Ω	38000
380	0380	Ω	3800	390	39000	Ω	39000
390	0390	Ω	3900	400	40000	Ω	40000
400	0400	Ω	4000	410	41000	Ω	41000
410	0410	Ω	4100	420	42000	Ω	42000
420	0420	Ω	4200	430	43000	Ω	43000
430	0430	Ω	4300	440	44000	Ω	44000
440	0440	Ω	4400	450	45000	Ω	45000
450	0450	Ω	4500	460	46000	Ω	46000
460	0460	Ω	4600	470	47000	Ω	47000
470	0470	Ω	4700	480	48000	Ω	48000
480	0480	Ω	4800	490	49000	Ω	49000
490	0490	Ω	4900	500	50000	Ω	50000
500	0500	Ω	5000	510	51000	Ω	51000
510	0510	Ω	5100	520	52000	Ω	52000
520	0520	Ω	5200	530	53000	Ω	53000
530	0530	Ω	5300	540	54000	Ω	54000
540	0540	Ω	5400	550	55000	Ω	55000
550	0550	Ω	5500	560	56000	Ω	56000
560	0560	Ω	5600	570	57000	Ω	57000
570	0570	Ω	5700	580	58000	Ω	58000
580	0580	Ω	5800	590	59000	Ω	59000
590	0590	Ω	5900	600	60000	Ω	60000
600	0600	Ω	6000	610	61000	Ω	61000
610	0610	Ω	6100	620	62000	Ω	62000
620	0620	Ω	6200	630	63000	Ω	63000
630	0630	Ω	6300	640			





Destination Part List

xxx	LOC	J	U.C.R.T.K.A.B.O.L.E.T
s901	09015	X	V33290
s901	09016	X	V33290
s902	09010	X	MS-305-12APC
s903	09010	X	MS-305-12APC
s904	09010	X	MS-305-12APC
s905	09010	X	MS-305-12APC
s906	09010	X	MS-305-12APC
s907	09010	X	MS-305-12APC
s908	09010	X	MS-305-12APC
s909	09010	X	MS-305-12APC
s910	09010	X	MS-305-12APC
s911	09010	X	MS-305-12APC



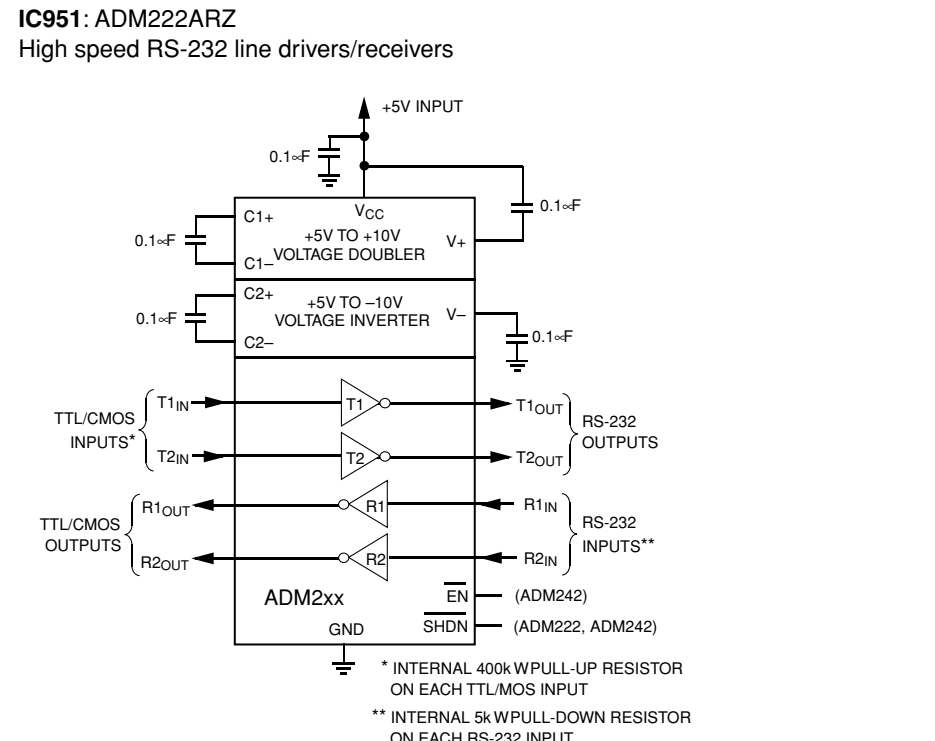
Interchangeable Parts at Manufacture Stage

Mark	Reference Parts Number	Parts Name
k1	09015-9017, 9021-9025, 9001-9004	153395
k2	09010	MS-305-12APC
k3	09002-9004	DIC144K
k4	09001-9009	PT6302LQ
k5		

NOTICE (model)

(J)..... JAPAN  
 (U)..... U.S.A  
 (C)..... CANADA  
 (R)..... GENERAL  
 (T)..... CHINA  
 (K)..... KOREA  
 (A)..... AUSTRALIA  
 (B)..... BRITISH  
 (G)..... EUROPE  
 (L)..... SINGAPORE  
 (E)..... SOUTH EUROPE  
 (V)..... TAIWAN

REMARKS	PARTS NAME	REMARKS	PARTS NAME
NO MARK	CARBON FILM RESISTOR (P=5)	NO MARK	ELECTROLYTIC CAPACITOR
NO MARK	CARBON FILM RESISTOR (P=10)	NO MARK	TANTALUM CAPACITOR
NO MARK	METAL OXIDE FILM RESISTOR	NO MARK	CERAMIC CAPACITOR
NO MARK	METAL FILM RESISTOR	NO MARK	CERAMIC TUBULAR CAPACITOR
NO MARK	METAL PLATE RESISTOR	NO MARK	POLYESTER FILM CAPACITOR
NO MARK	FINE PROOF CARBON FILM RESISTOR	NO MARK	POLYSTYRENE FILM CAPACITOR
NO MARK	CEMENT MOLDED RESISTOR	NO MARK	MICA CAPACITOR
NO MARK	SEMI VARIABLE RESISTOR	NO MARK	POLYPROPYLENE FILM CAPACITOR
NO MARK	CHIP RESISTOR	NO MARK	SEMICONDUCTIVE CERAMIC CAPACITOR
		NO MARK	POLYPHENYLENE SULFIDE FILM CAPACITOR



RX-V2700 (U, C, R, T, K, A, B, G, E, L models)  
Key input (A-D) pull-up resistance 10k-ohms

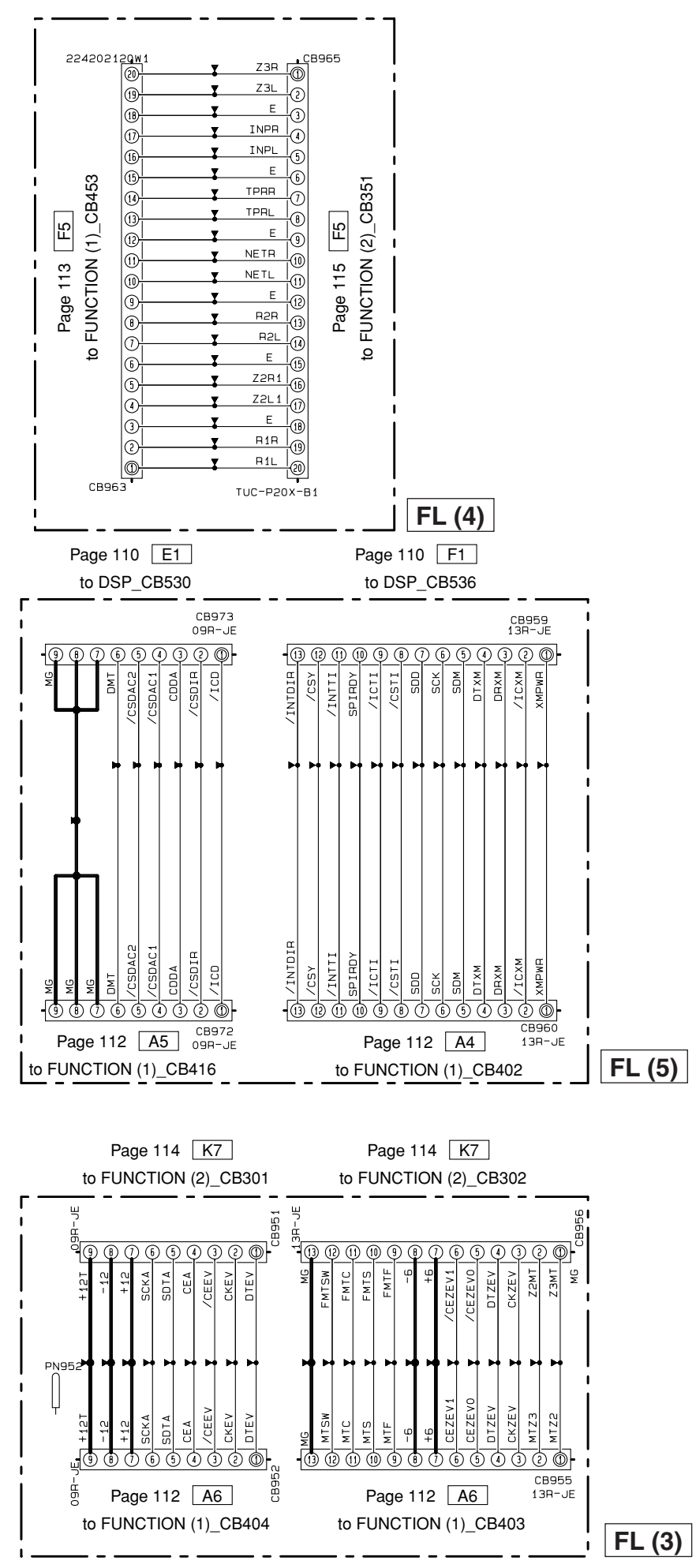
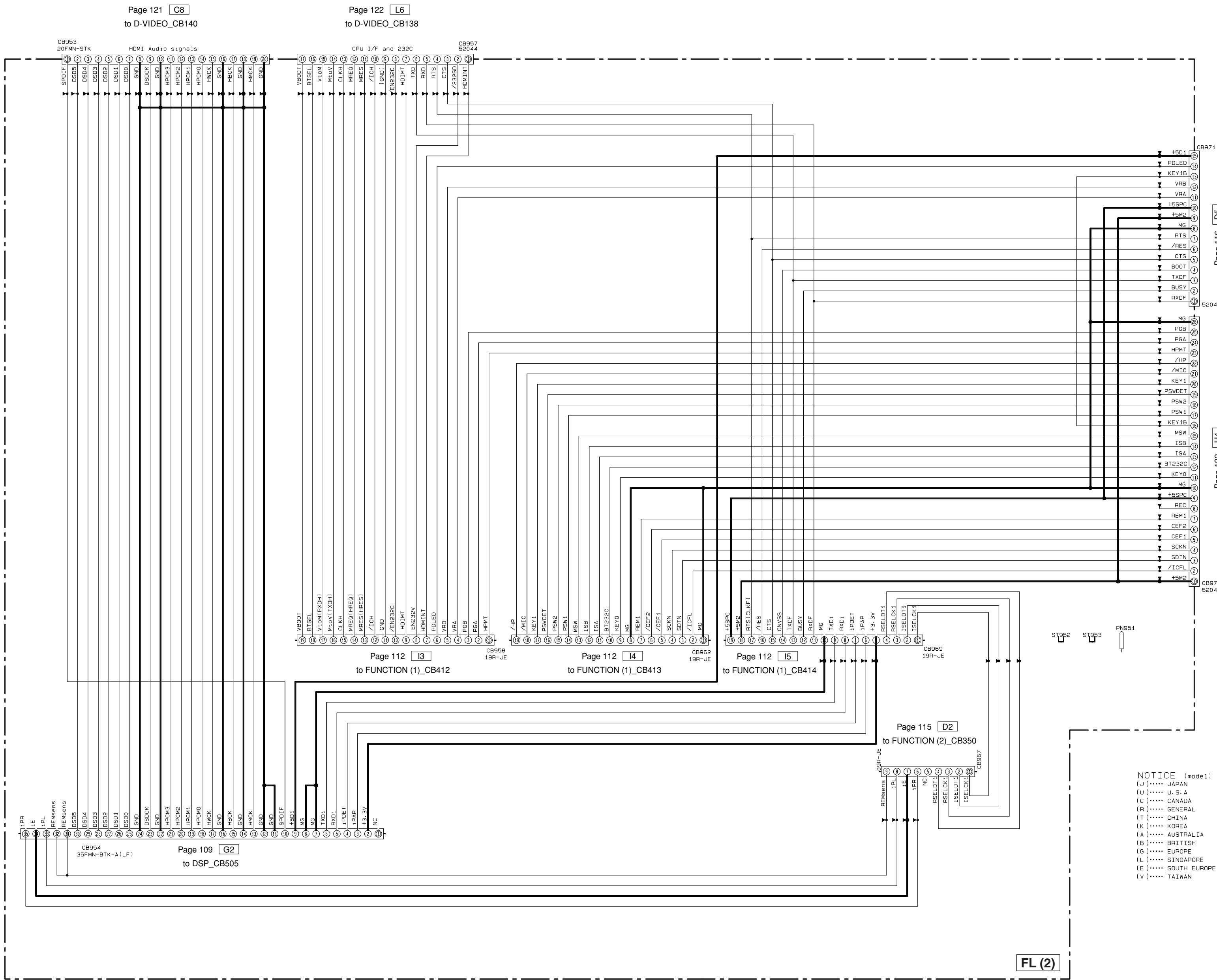
Ohm	0	+1.2k	+1.2k	+1.8k	+2.7k	+3.3k	+4.7k	+8.2k	+18.0k	+47.0k
Key0 (124pin/AN156)	NIGHT	ZONE CONTROLS	TUNING MODE	MEMORY	FM/AM	PRESET/TUNING	PRESET/TUNING	PRESET/TUNING	-	-
Key1 (123pin/AN157)	STRAIGHT/EFFECT	A/B/C/D/E	-	TONE CONTROL	AUDIO SELECT	PURE DIRECT	-	-	-	-

DSP-AX2700 (J model)  
Key input (A-D) pull-up resistance 10k-ohms

Ohm	0	+1.2k	+1.2k	+1.8k	+2.7k	+3.3k	+4.7k	+8.2k	+18.0k	+47.0k
Key0 (124pin/AN156)	NIGHT	-	TUNING MODE	MEMORY	FM/AM	PRESET/TUNING	PRESET/TUNING	PRESET/TUNING	-	-
Key1 (123pin/AN157)	STRAIGHT/EFFECT	A/B/C/D/E	-	TONE CONTROL	AUDIO SELECT	PURE DIRECT	-	-	-	-

\* All voltages are measured with a 10MΩ/V DC electronic voltmeter.  
 \* Components having special characteristics are marked ! and must be replaced with parts having specifications equal to those originally installed.  
 \* Schematic diagram is subject to change without notice.

● 電圧は、内部抵抗10MΩの電圧計で測定したものです。  
 ● !印のある部品は、安全性能確保部品を示しています。部品の交換が必要な場合、パーツリストに記載されている部品を使用してください。  
 ● 本回路図は標準回路図です。改良のため予告なく変更することがございます。

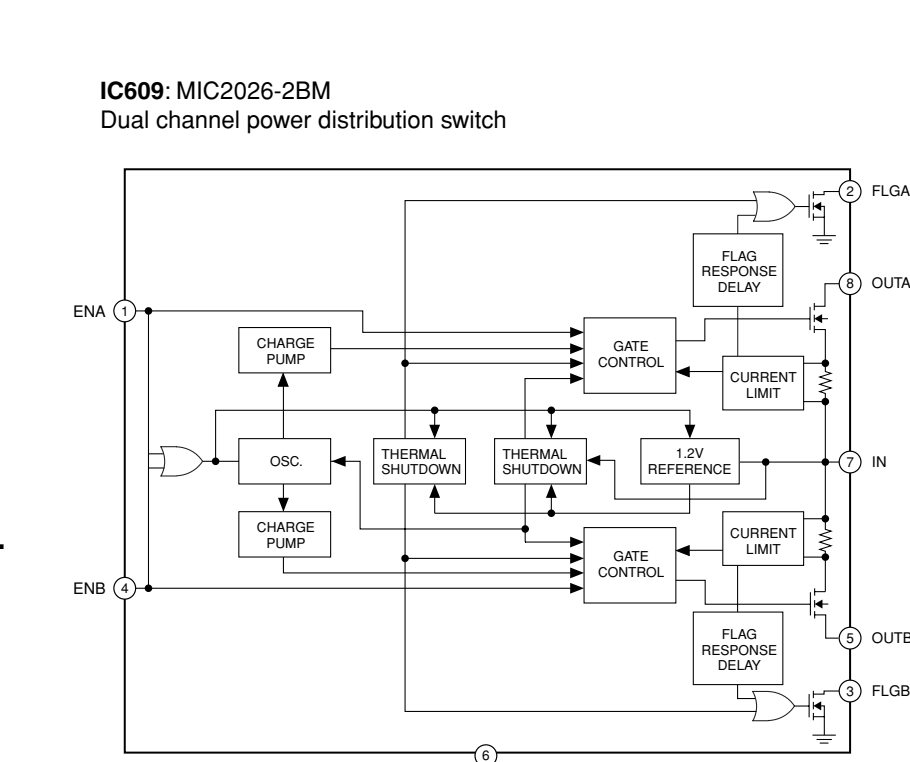
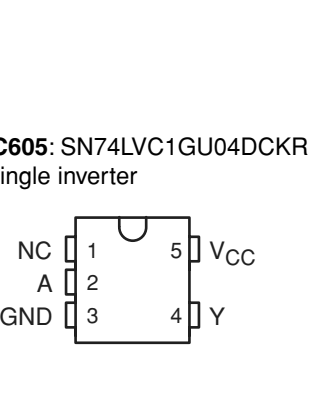
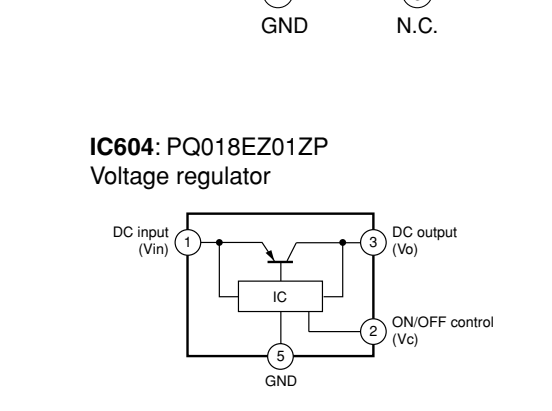
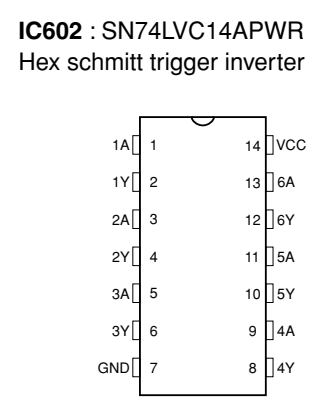
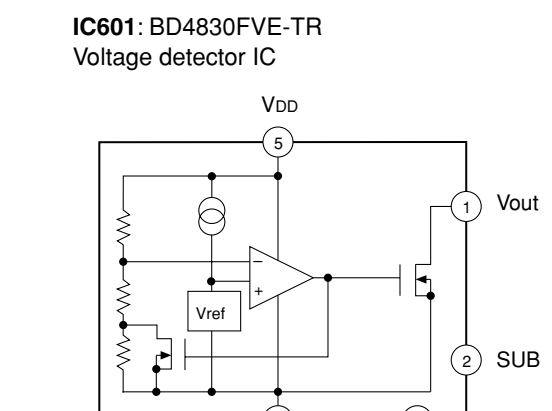
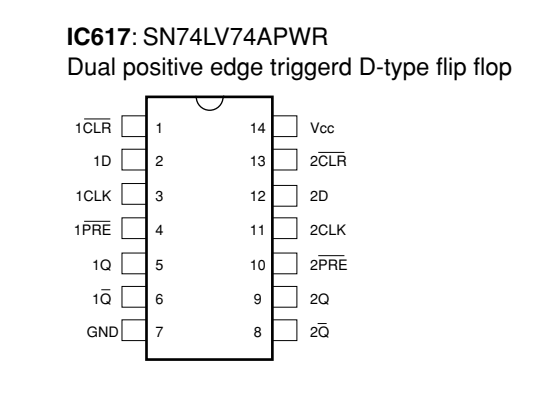
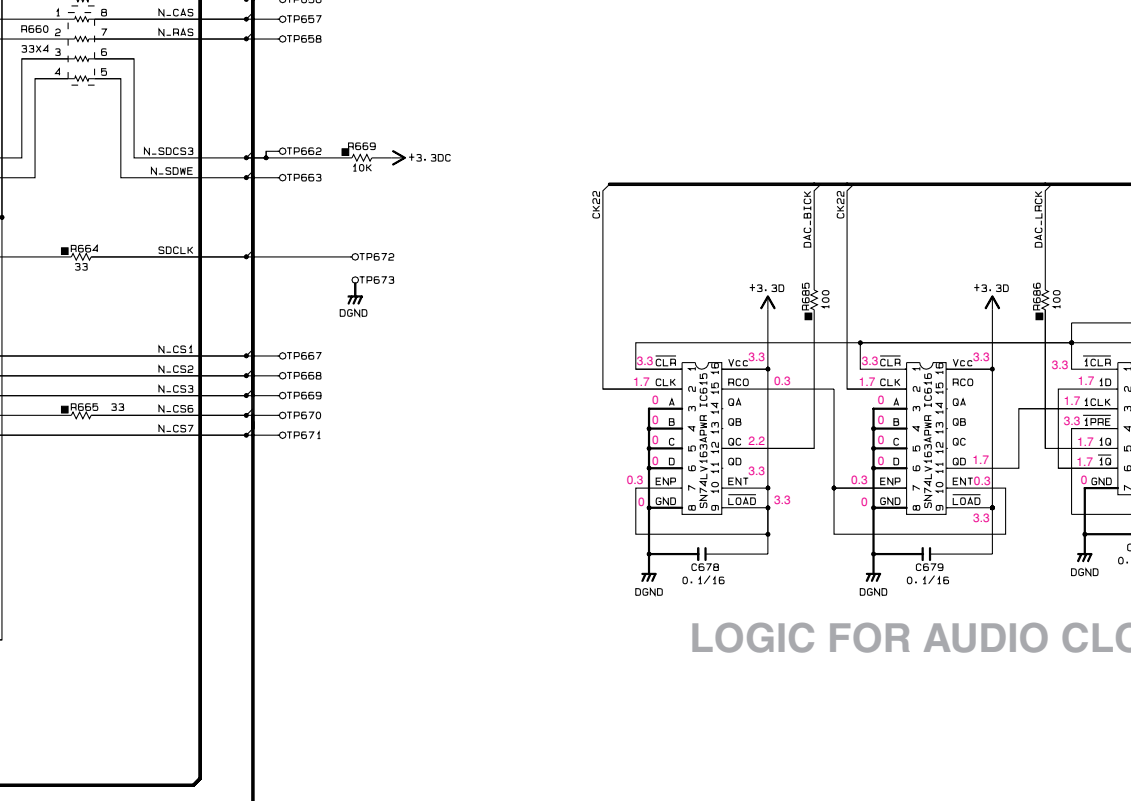
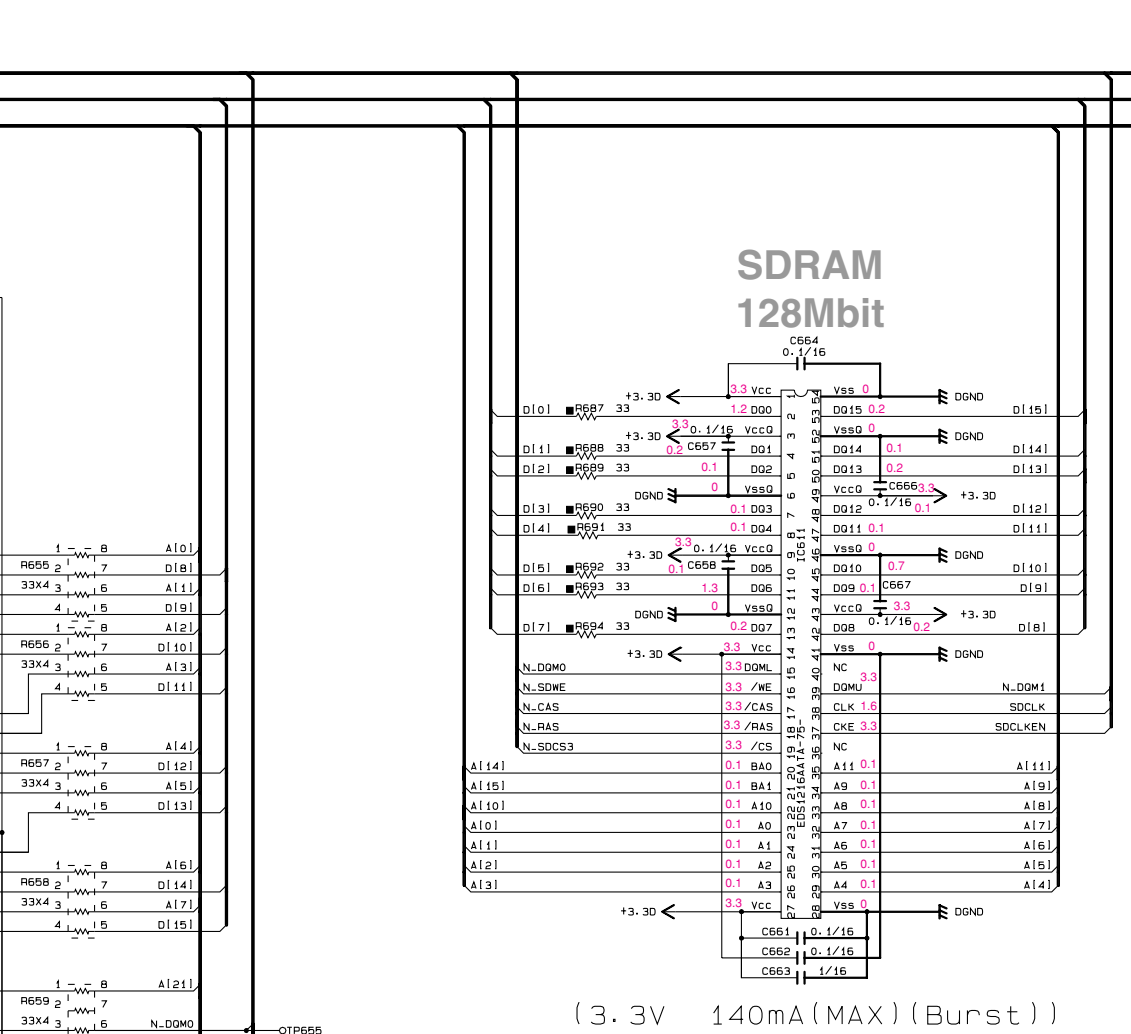
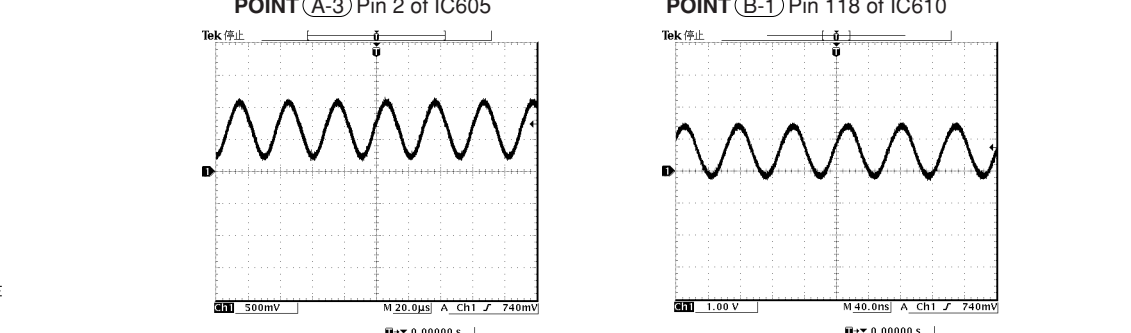
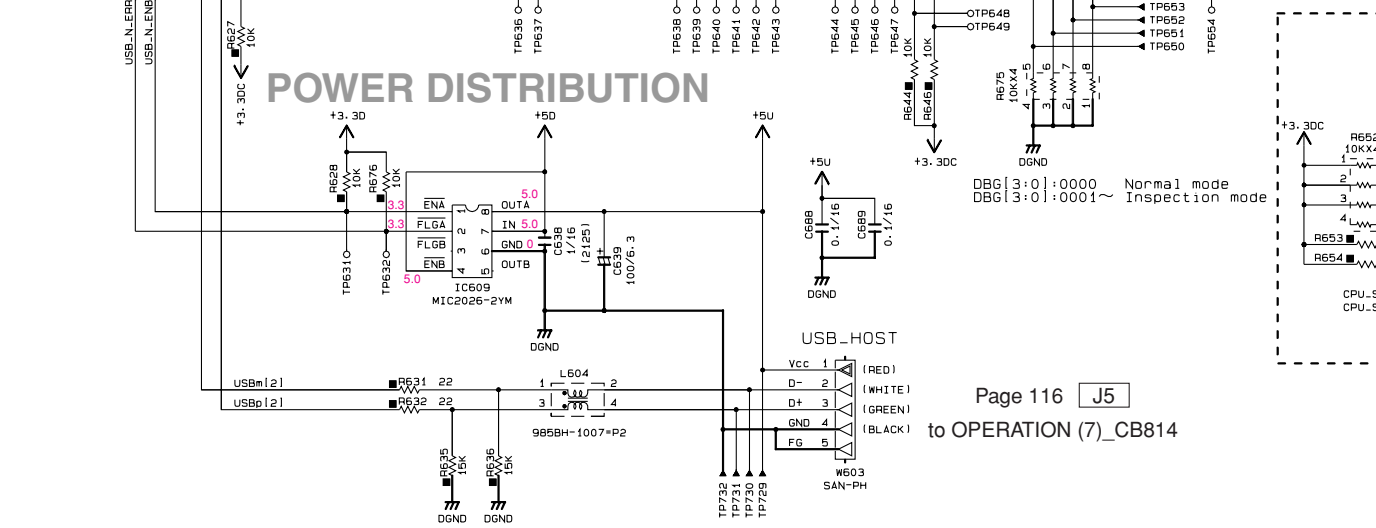
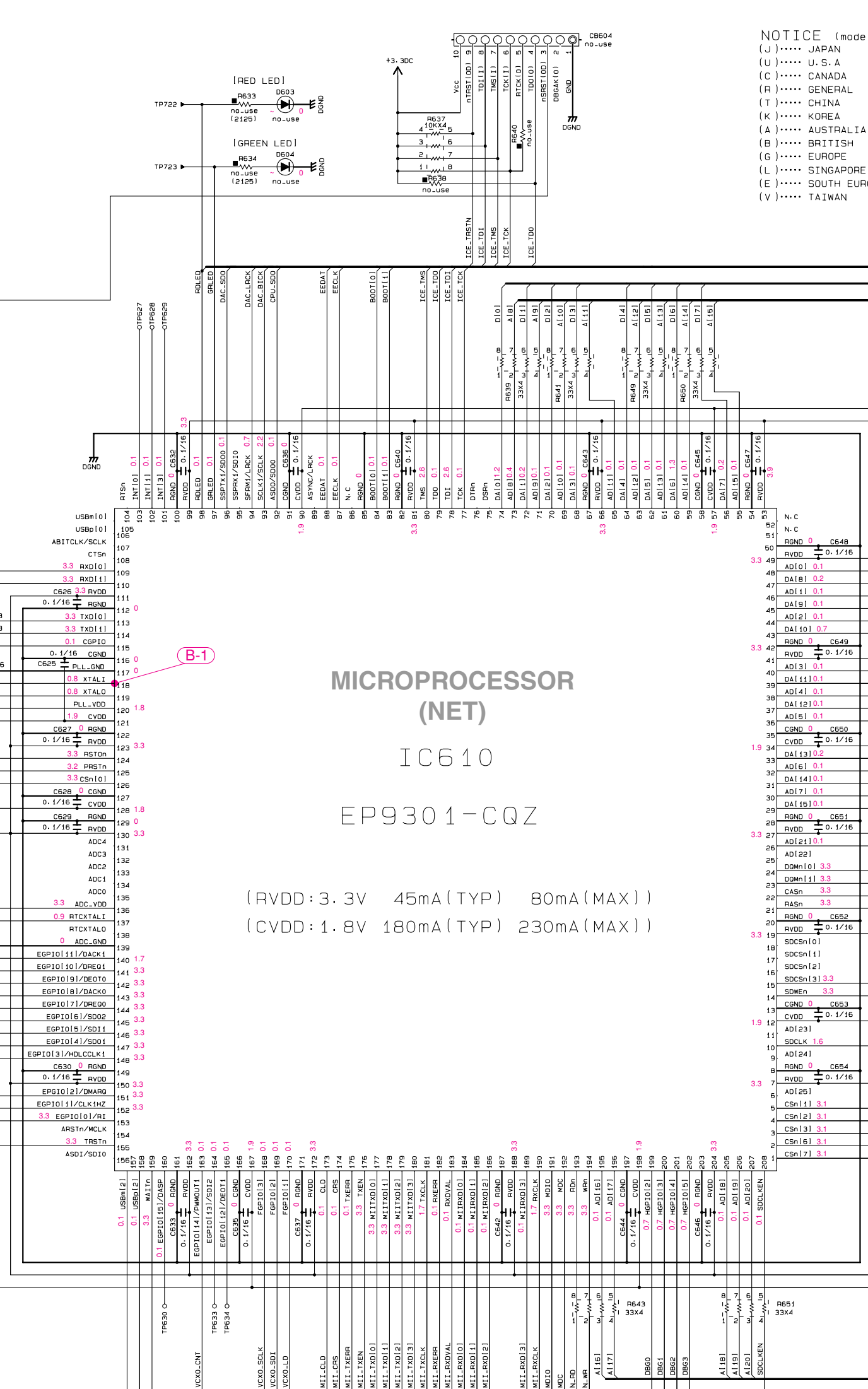
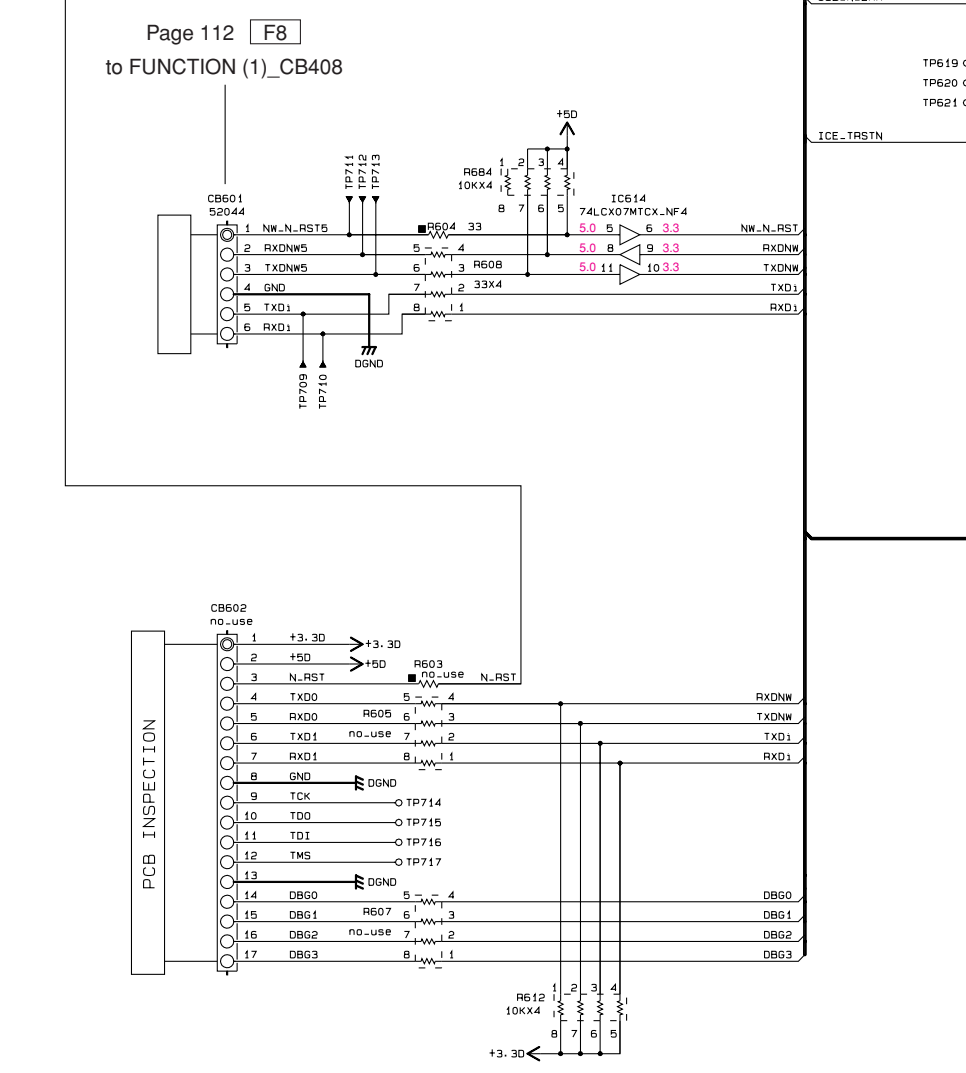
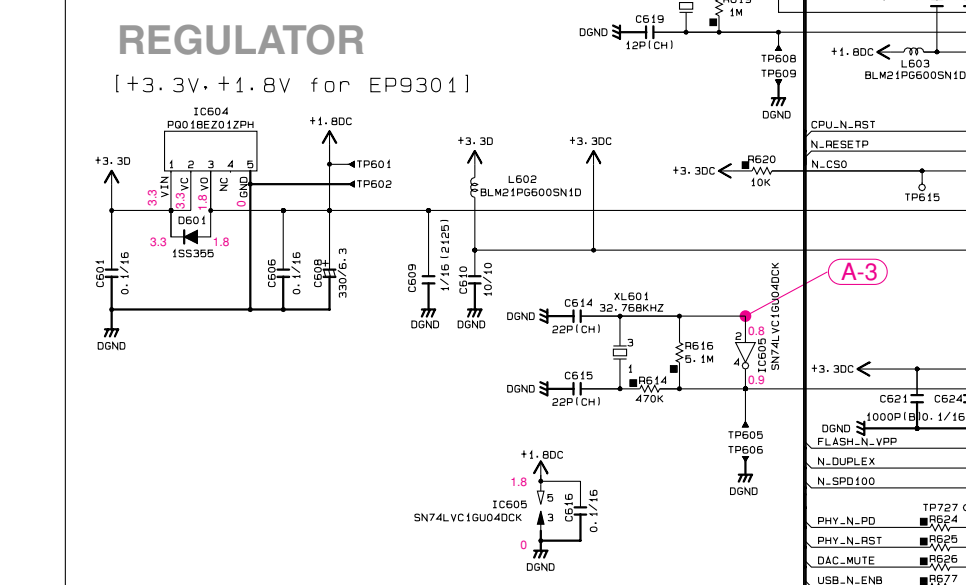
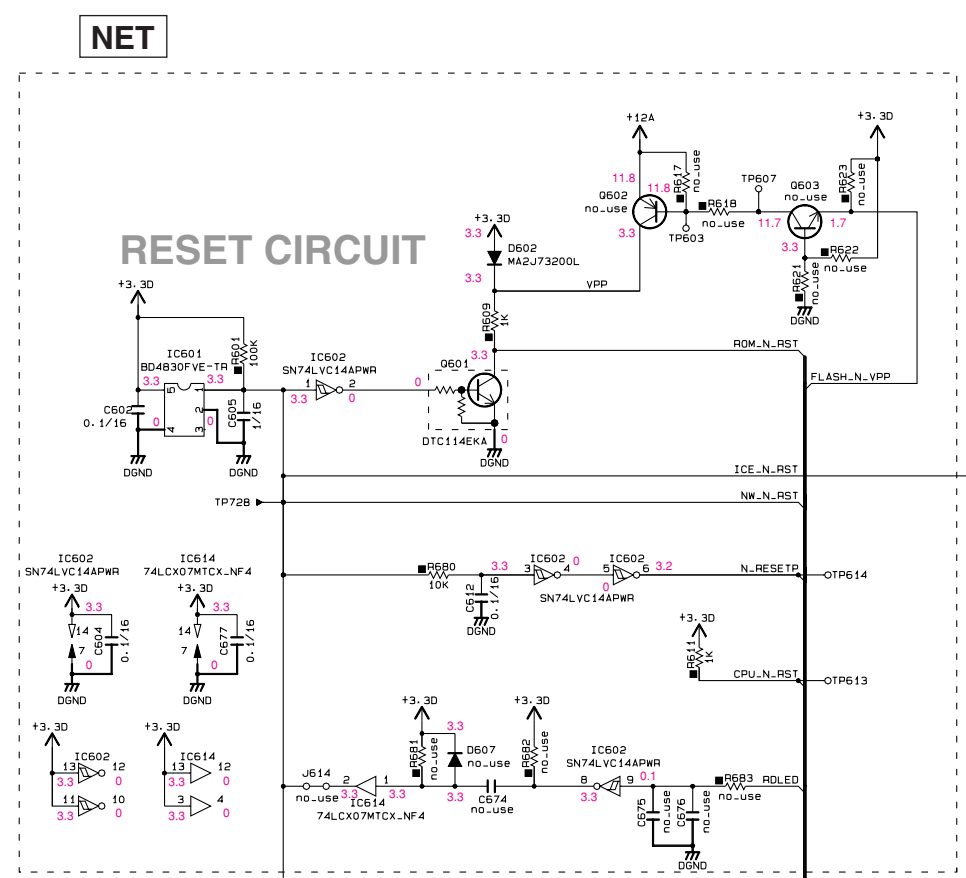


NOTICE (mode)  
 (J)..... JAPAN  
 (U)..... U.S.A.  
 (C)..... CANADA  
 (R)..... GENERAL  
 (T)..... CHINA  
 (K)..... KOREA  
 (A)..... AUSTRALIA  
 (B)..... BRITISH  
 (G)..... EUROPE  
 (L)..... SINGAPORE  
 (E)..... SOUTH EUROPE  
 (V)..... TAIWAN

★ All voltages are measured with a 10MΩ/V DC electronic voltmeter.  
 ★ Components having special characteristics are marked with a triangle and must be replaced with parts having specifications equal to those originally installed.  
 ★ Schematic diagram is subject to change without notice.  
 ● 電圧は、内部抵抗10MΩの電圧計で測定したものです。  
 ● 三角形のある部品は、安全性確保部品を示しています。部品の交換が必要な場合、パーツリストに記載されている部品を使用してください。  
 ● 本回路図は標準回路図です。改良のため予告なく変更することがございます。

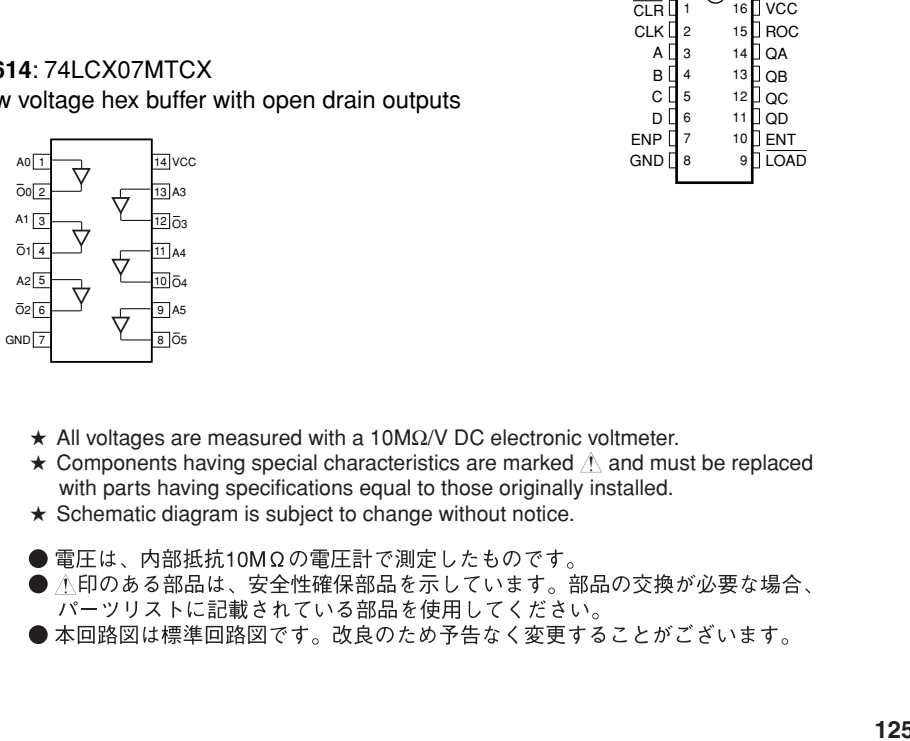
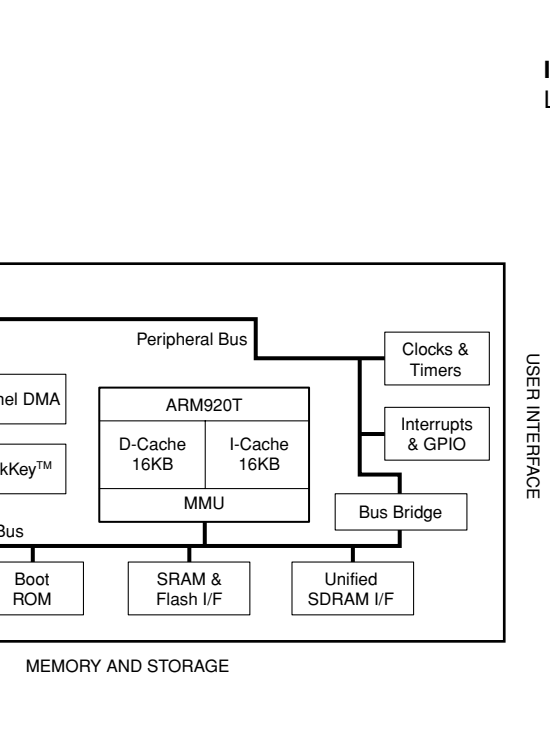
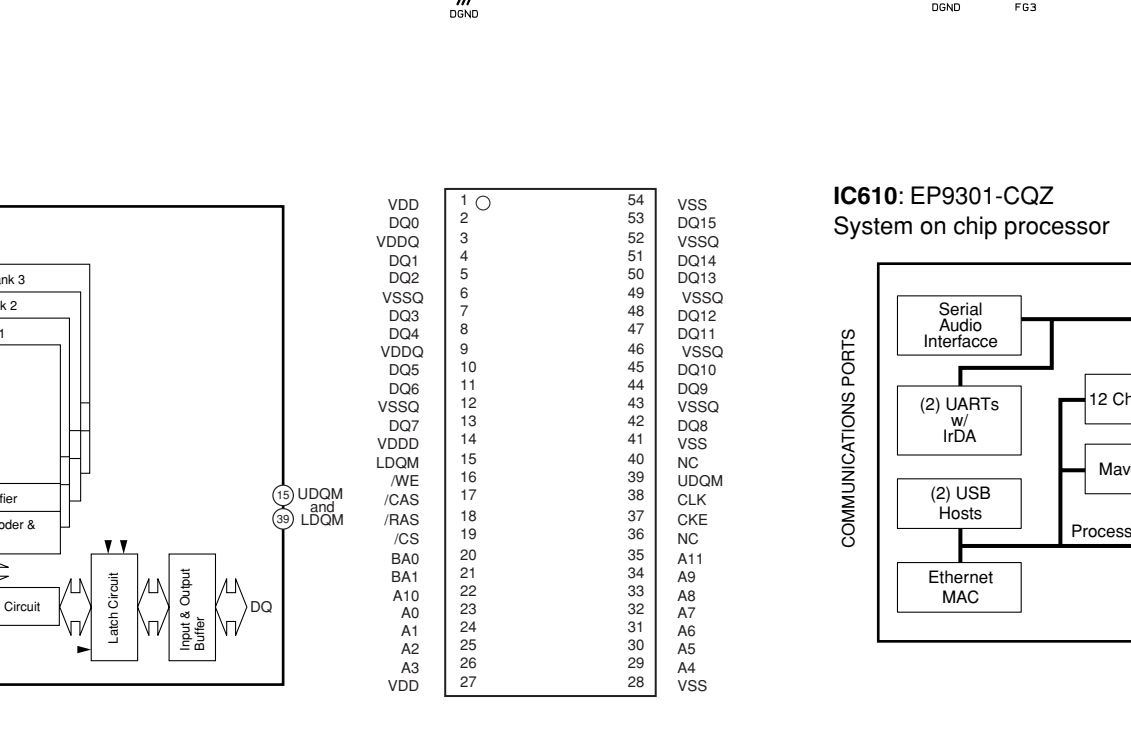
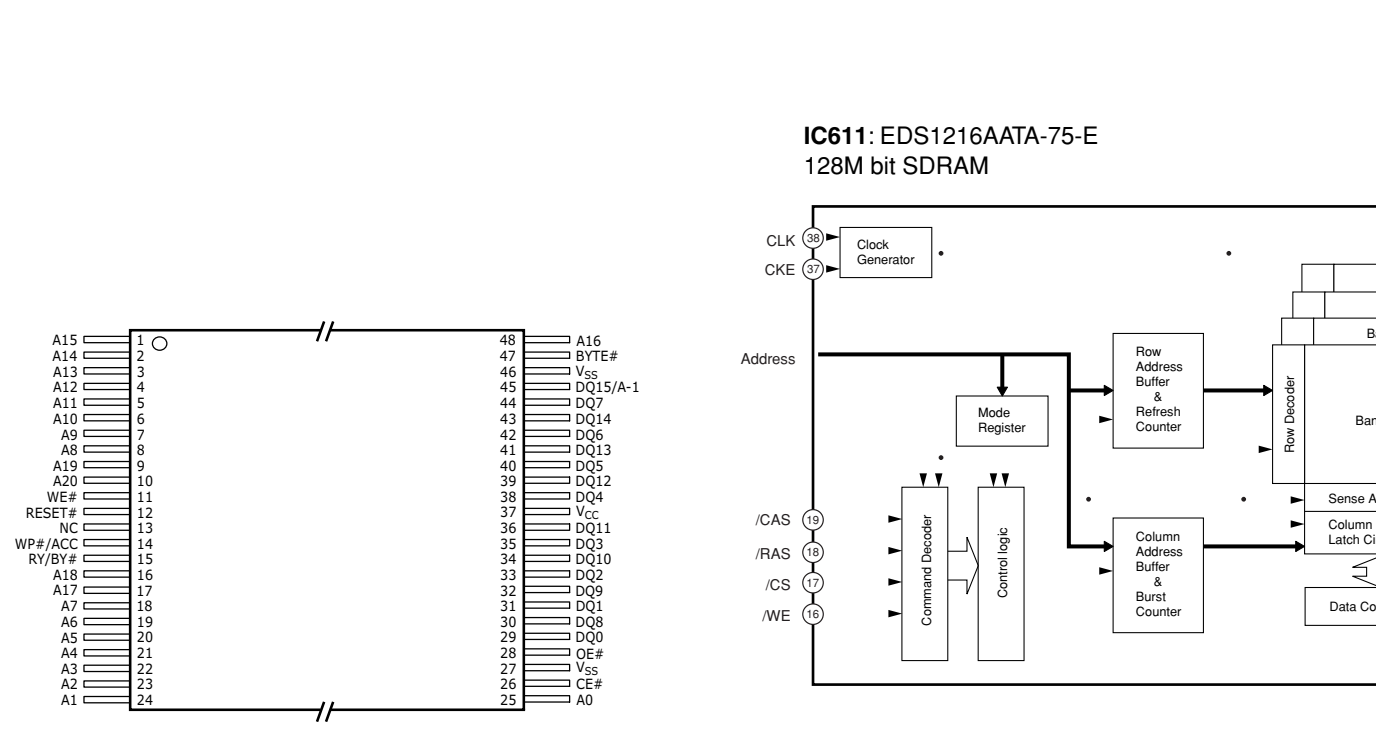
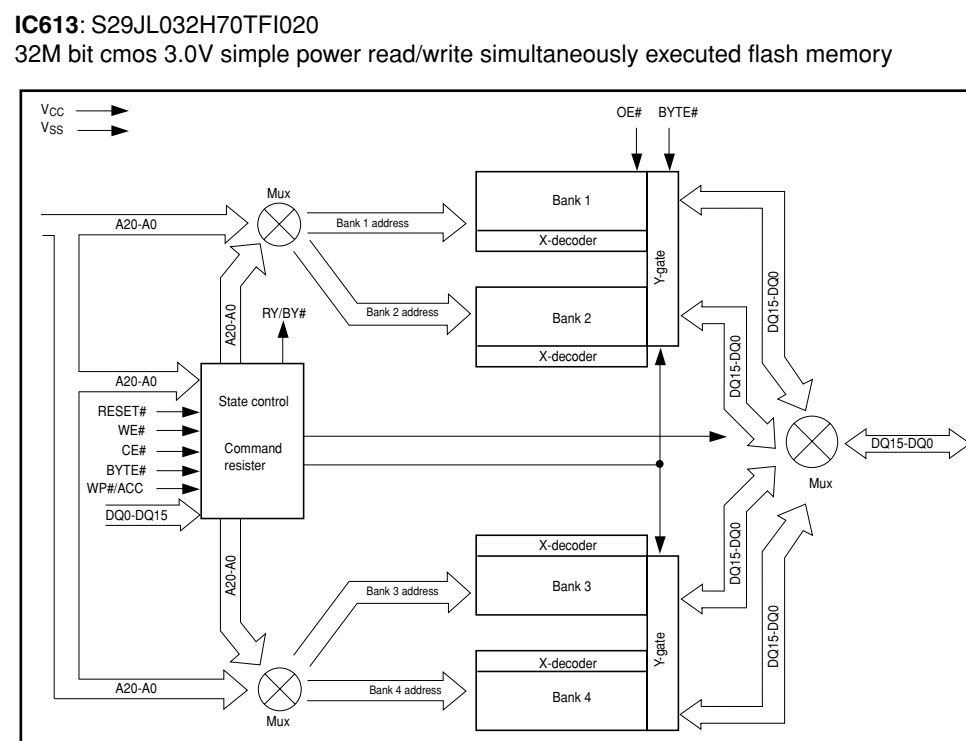
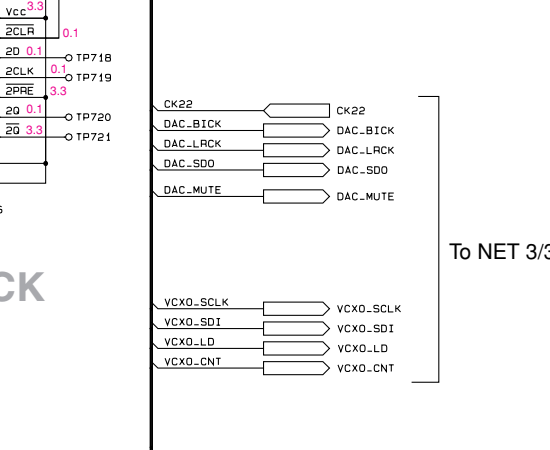


NET/13



Interchangeable Parts at Manufacture-Stage

Mark	Reference	Parts Number	Parts Name
41	IC613	SN74LVC14APWR	Hex schmitt trigger inverter

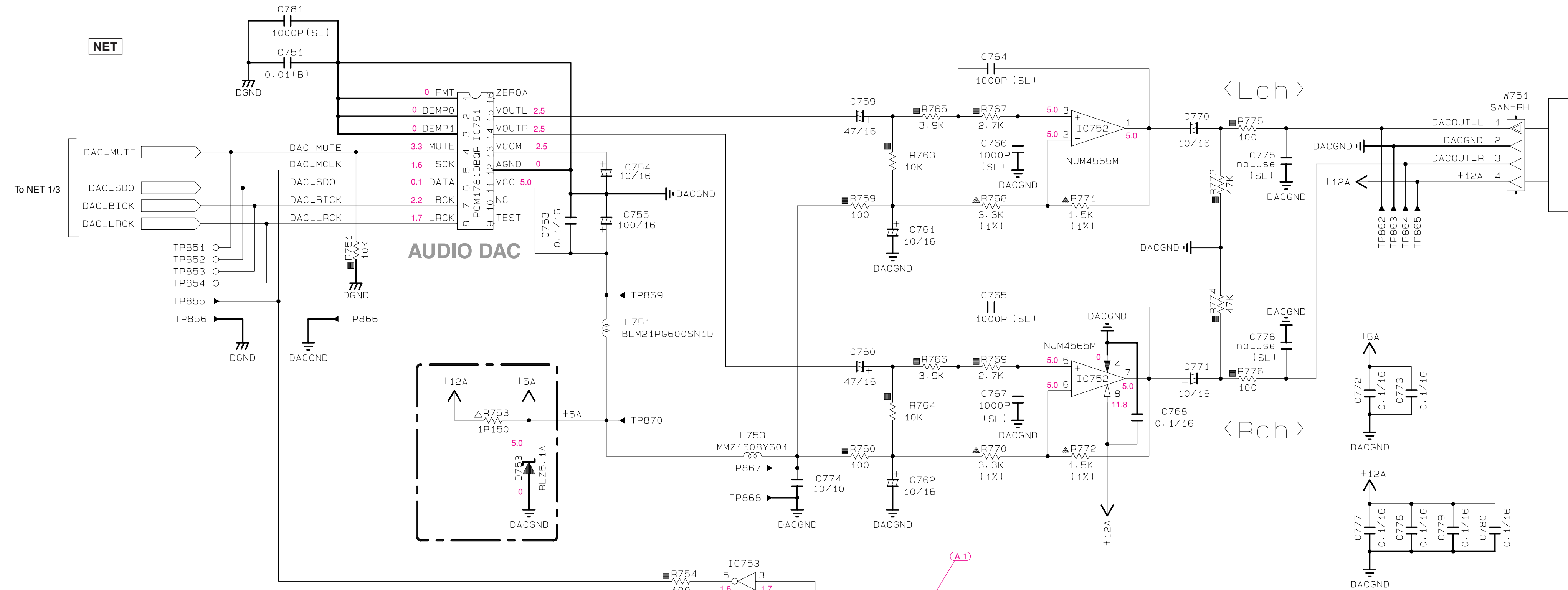


- All voltages are measured with a 10MΩ/V DC electronic voltmeter.
- Components having special characteristics are marked with a triangle (▲) and must be replaced with parts having specifications equal to those originally installed.
- Schematic diagram is subject to change without notice.
- 電圧は、内部抵抗10MΩの電圧計で測定したものです。
- ▲印のある部品は、安全確保部品を示しています。部品の交換が必要な場合、パーツリストに記載されている部品を使用してください。
- 本回路図は標準回路図です。改良のため予告なく変更することがございます。





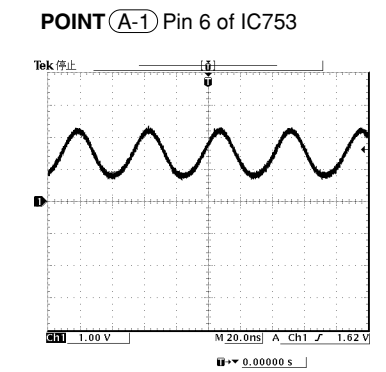
NET 3/3



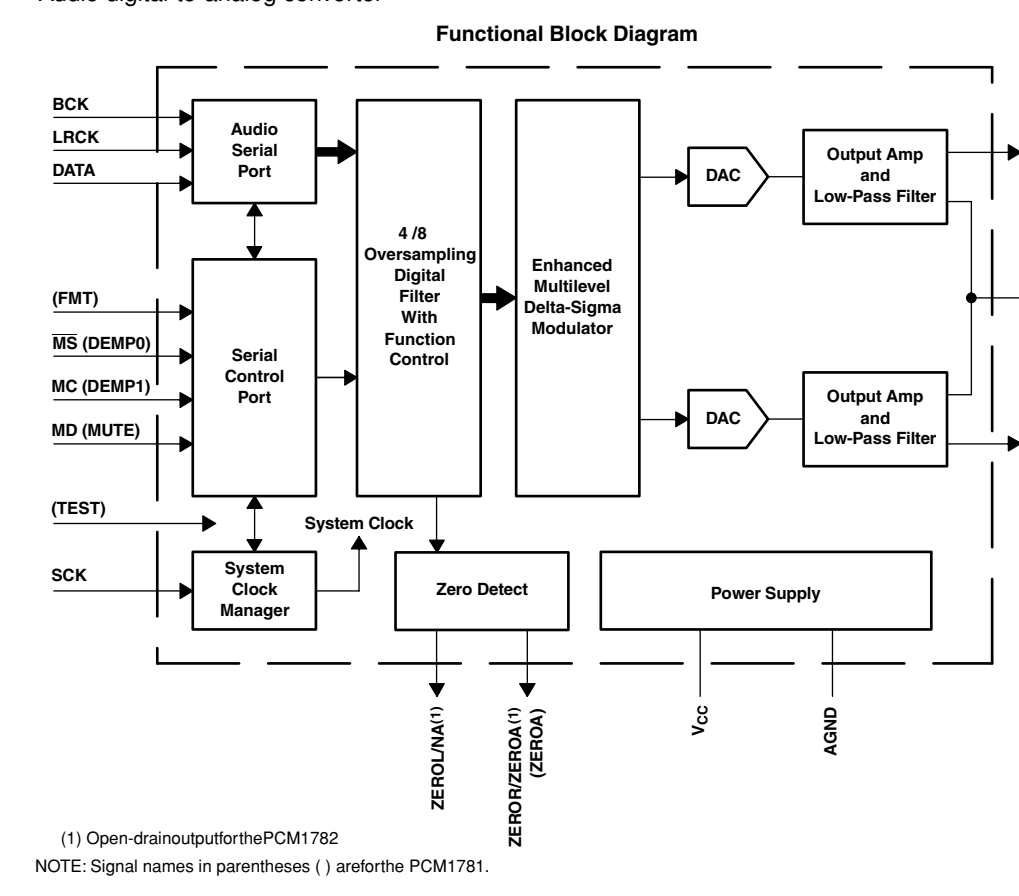
Page 111 [E1] to DSP\_CB562

NOTICE (model)

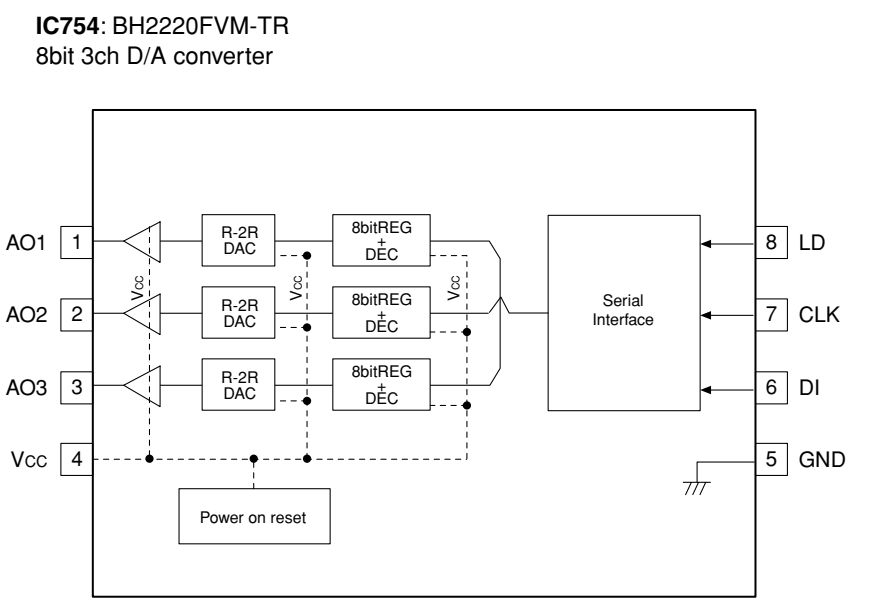
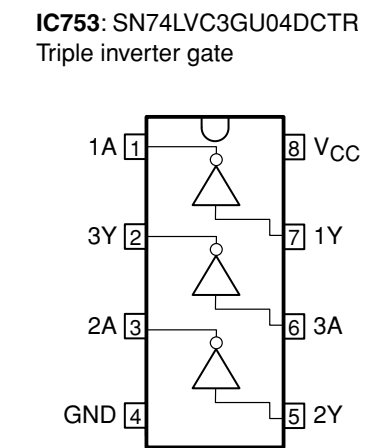
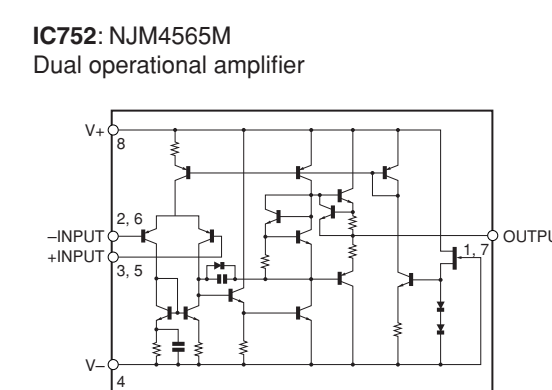
- (J)..... JAPAN
- (U)..... U.S.A
- (C)..... CANADA
- (R)..... GENERAL
- (T)..... CHINA
- (K)..... KOREA
- (A)..... AUSTRALIA
- (B)..... BRITISH
- (G)..... EUROPE
- (L)..... SINGAPORE
- (E)..... SOUTH EUROPE
- (V)..... TAIWAN



IC751: PCM1781DBQR Audio digital-to-analog converter



(1) Open-drainoutputforthePCM1782  
NOTE: Signal names in parentheses ( ) areforthe PCM1781.



- ★ All voltages are measured with a 10MΩ/V DC electronic voltmeter.
- ★ Components having special characteristics are marked with a triangle (▲) and must be replaced with parts having specifications equal to those originally installed.
- ★ Schematic diagram is subject to change without notice.
- 電圧は、内部抵抗10MΩの電圧計で測定したものです。
- ▲印のある部品は、安全性確保部品を示しています。部品の交換が必要な場合、パーツリストに記載されている部品を使用してください。
- 本回路図は標準回路図です。改良のため予告なく変更することがございます。