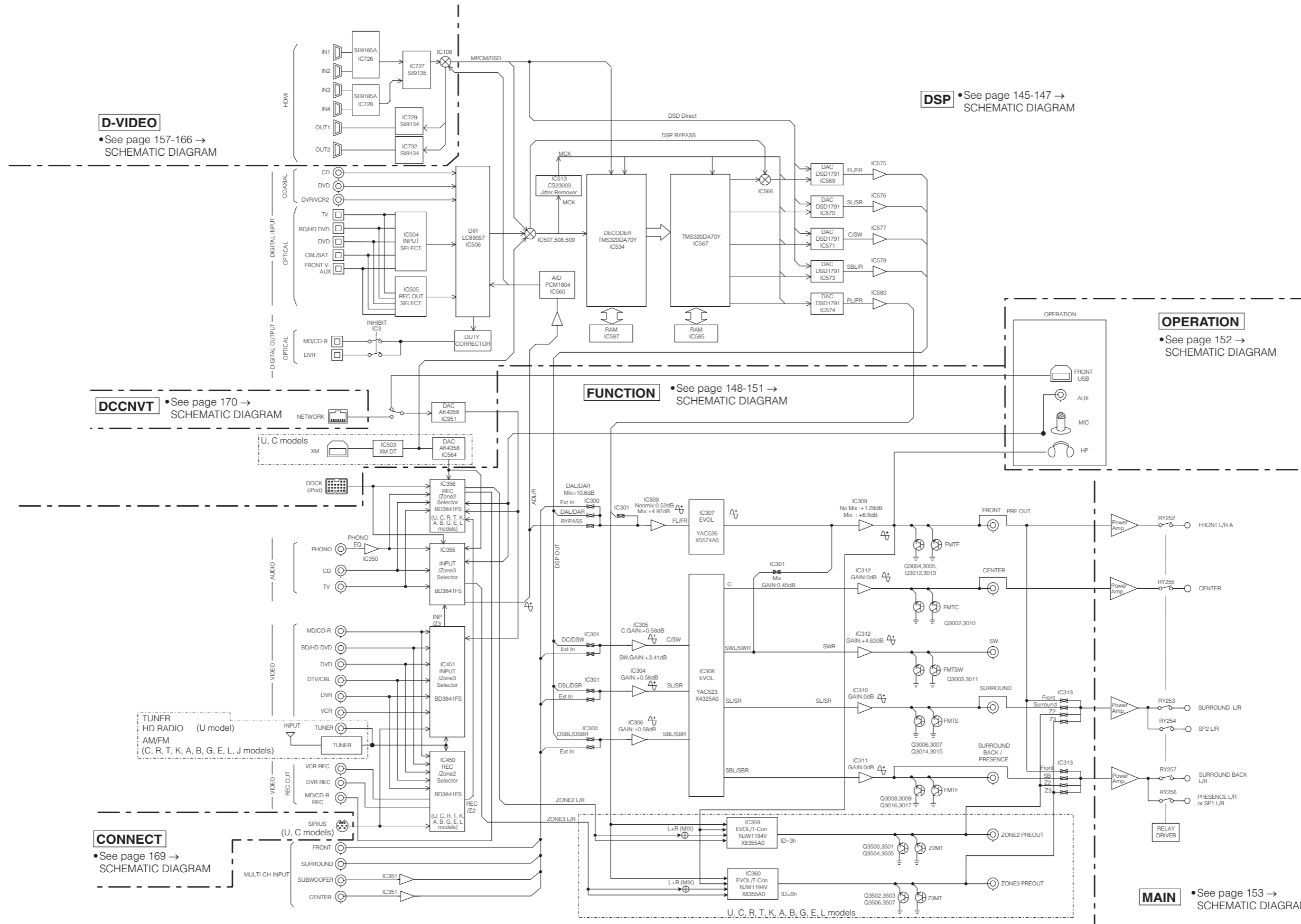
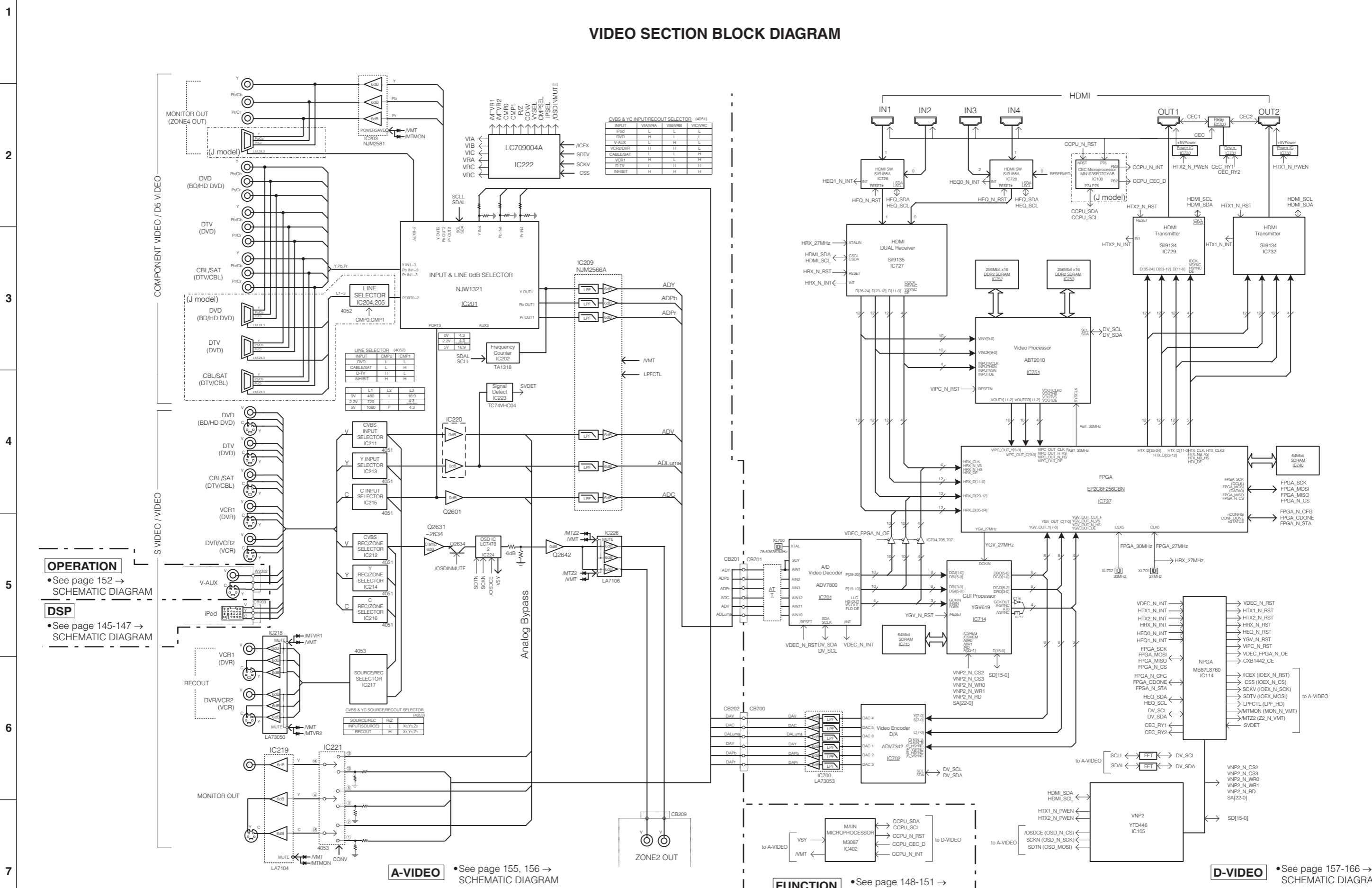


■ BLOCK DIAGRAMS

AUDIO SECTION BLOCK DIAGRAM



VIDEO SECTION BLOCK DIAGRAM



**OPERATION**  
• See page 152 → SCHEMATIC DIAGRAM

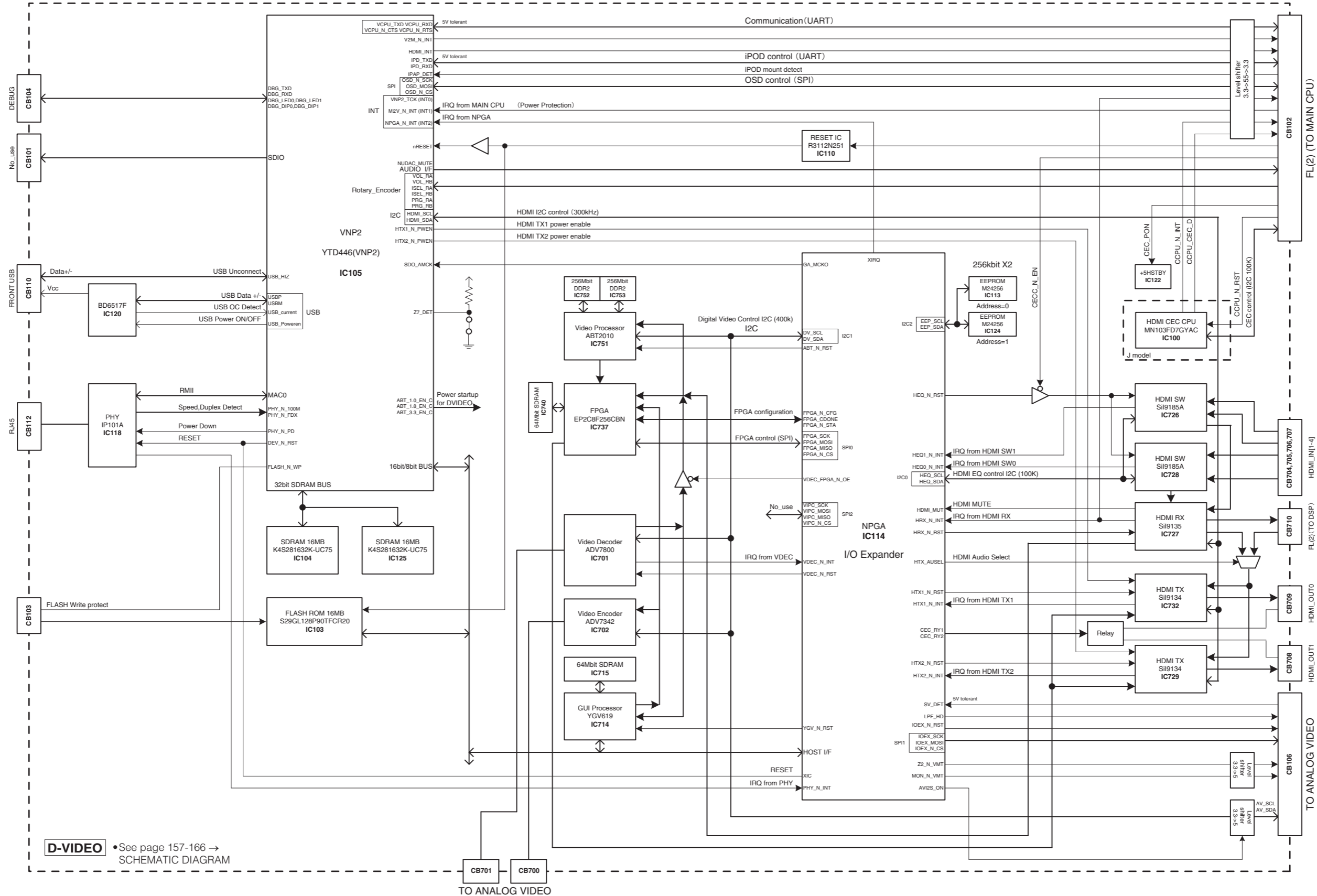
**DSP**  
• See page 145-147 → SCHEMATIC DIAGRAM

**A-VIDEO** • See page 155, 156 → SCHEMATIC DIAGRAM

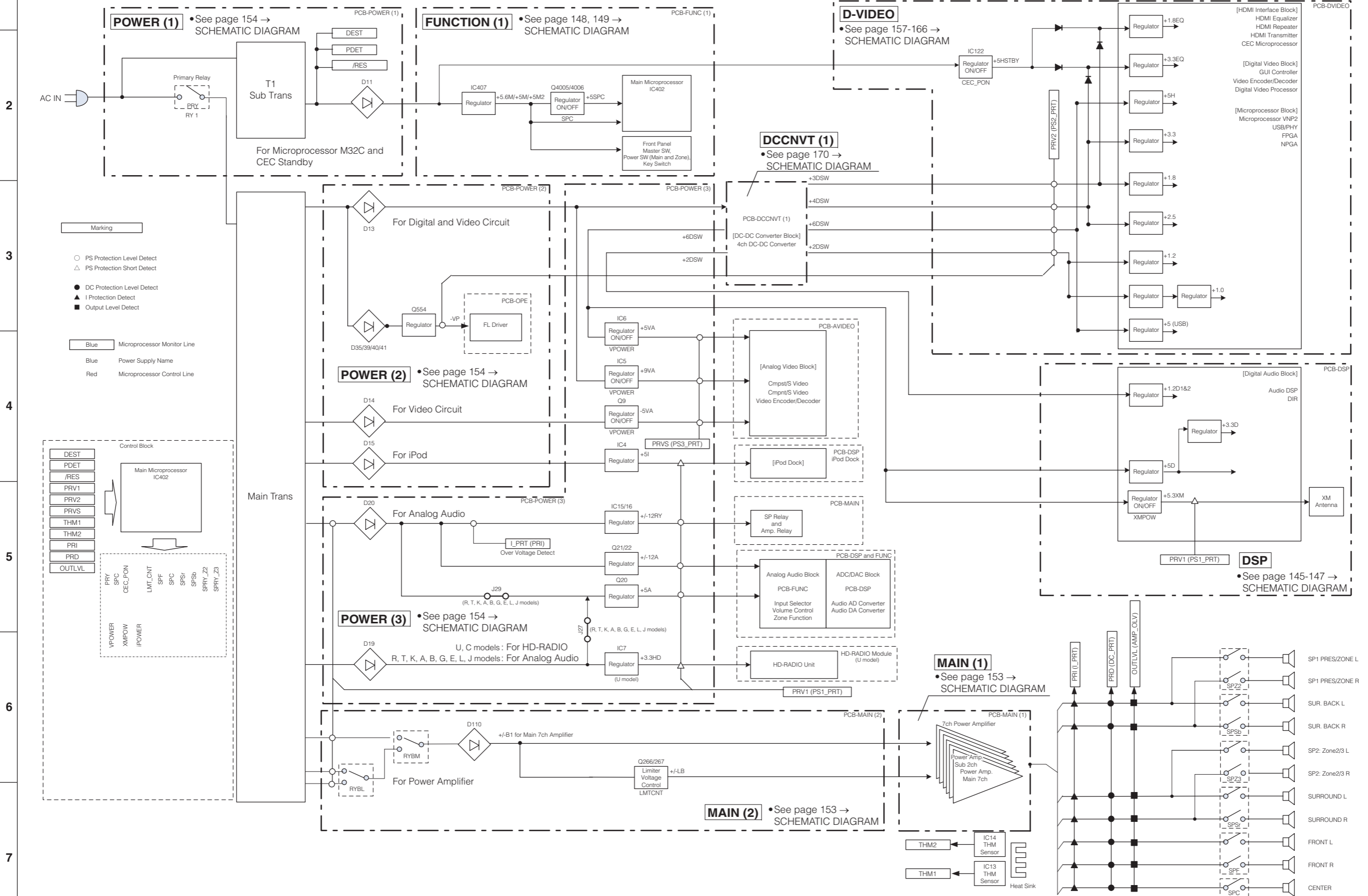
**FUNCTION** • See page 148-151 → SCHEMATIC DIAGRAM

**D-VIDEO** • See page 157-166 → SCHEMATIC DIAGRAM

### D-VIDEO SECTION BLOCK DIAGRAM

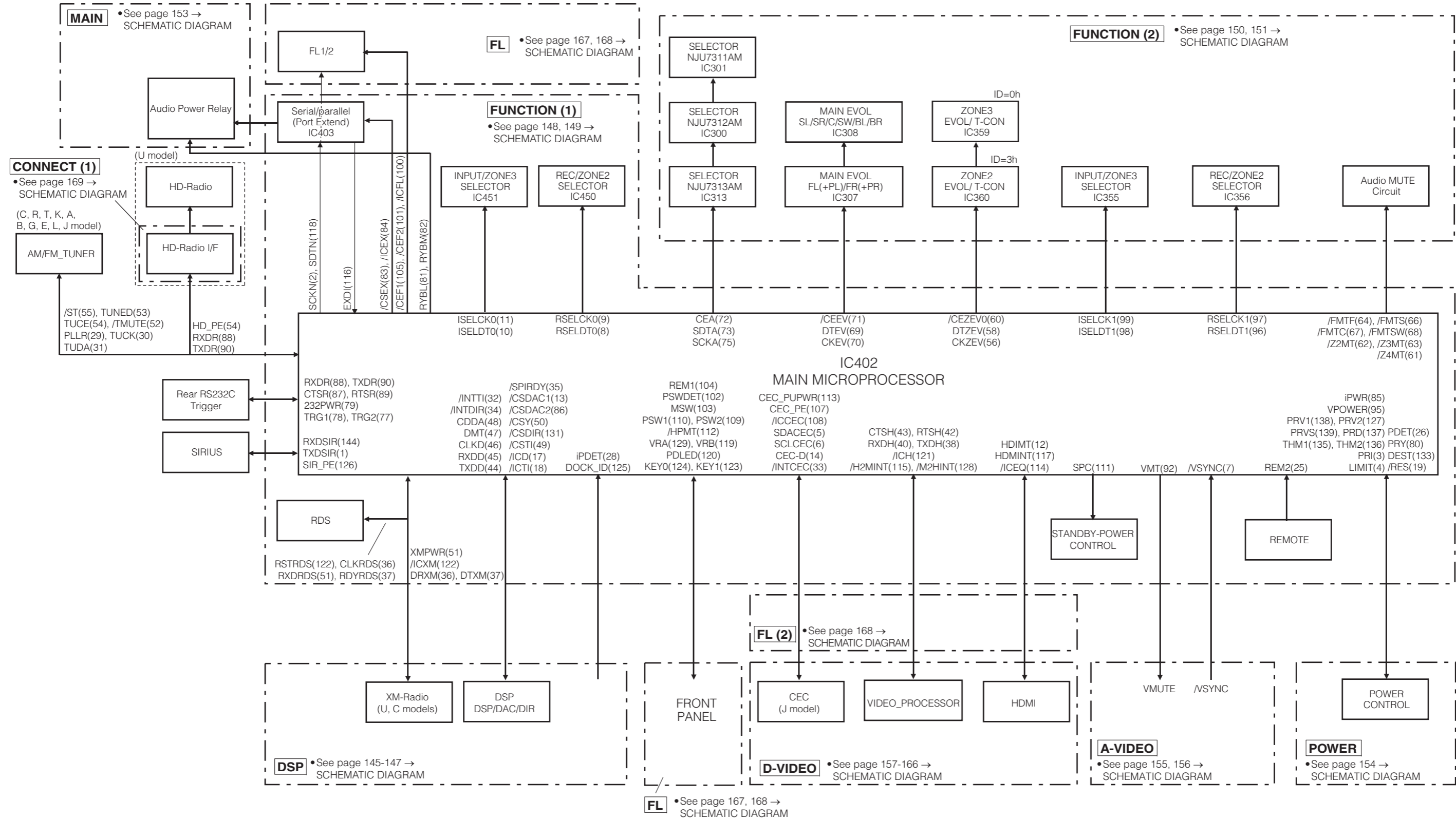


# POWER SECTION BLOCK DIAGRAM





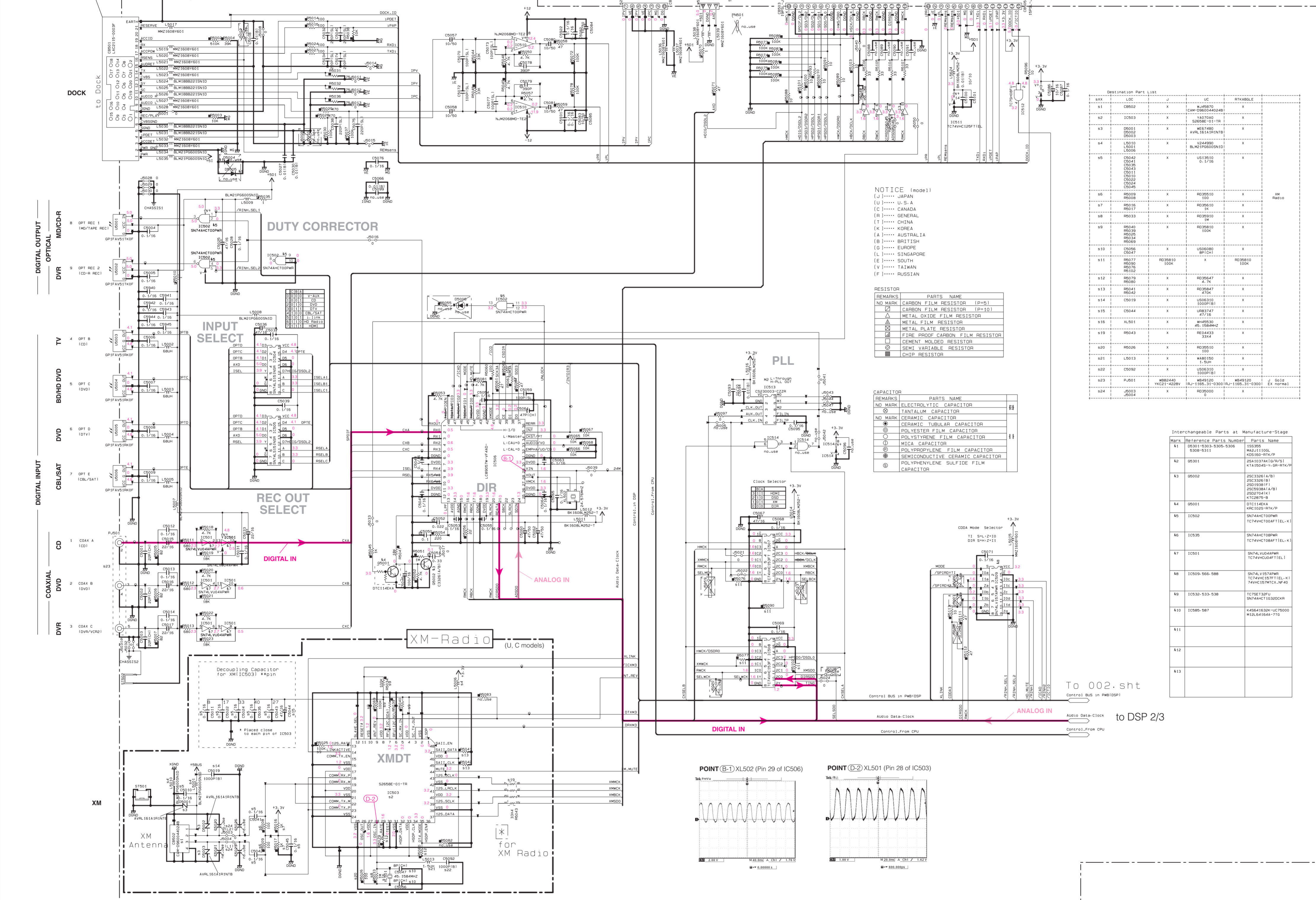
### CONTROL SECTION BLOCK DIAGRAM



SCHEMATIC DIAGRAMS DSP 1/3

No replacement part available. サービス部品供給なし

Page 148 [J8] to FUNCTION (1)\_CB411, Page 152 [F2] to OPERATION (3)\_CB805, Page 168 [B8] to FL (2)\_CB954, Page 168 [E8] to FL (2)\_CB974



NOTICE (made 1) (J)..... JAPAN (U)..... U.S.A (C)..... CANADA (B)..... GENERAL (T)..... CHINA (K)..... KOREA (A)..... AUSTRALIA (B)..... BRITISH (G)..... EUROPE (L)..... SINGAPORE (E)..... SOUTH (V)..... TAIWAN (F)..... RUSSIAN

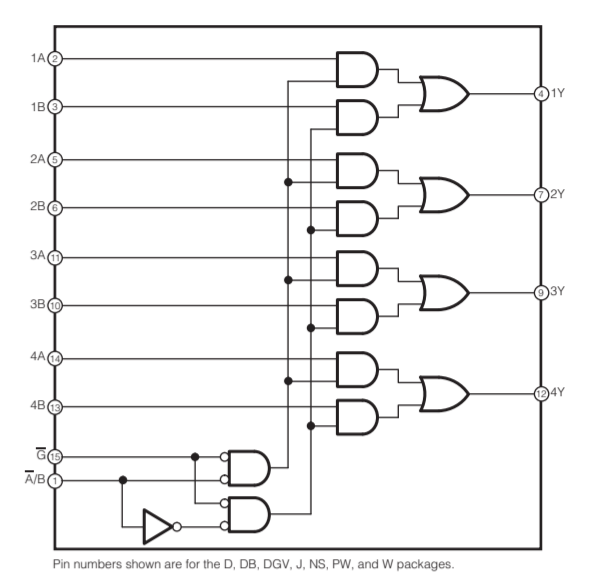
RESISTOR table with columns for Remarks, Parts Name, and various resistor types like Carbon Film Resistor, Metal Oxide Film Resistor, etc.

CAPACITOR table with columns for Remarks, Parts Name, and various capacitor types like Electrolytic Capacitor, Tantalum Capacitor, etc.

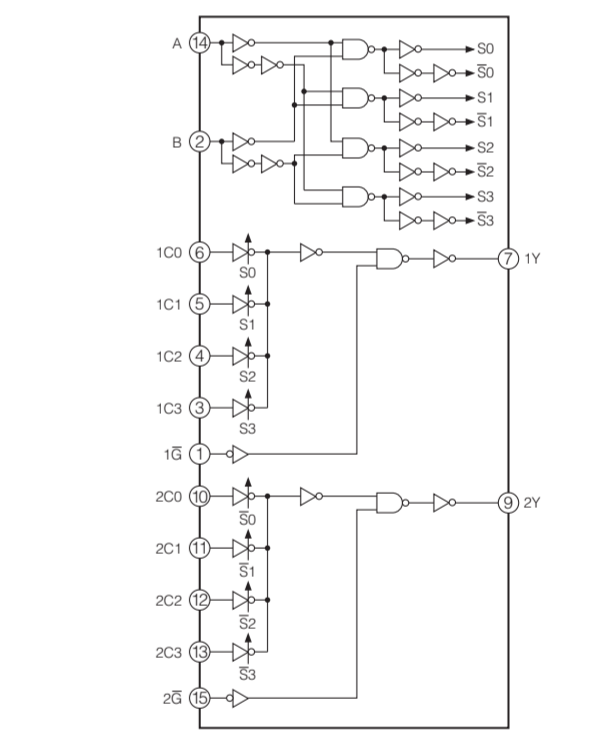
Destination Part List table with columns for SxK, Loc, J, UC, and RTK485LE, listing various components and their locations.

Interchangeable Parts at Manufacture-Stage table with columns for Mark, Reference Parts Number, and Parts Name, listing parts like IC501, IC502, etc.

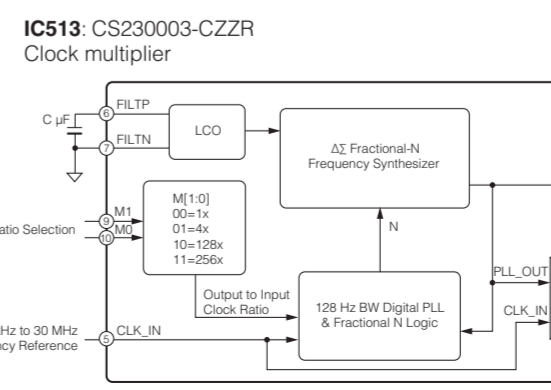
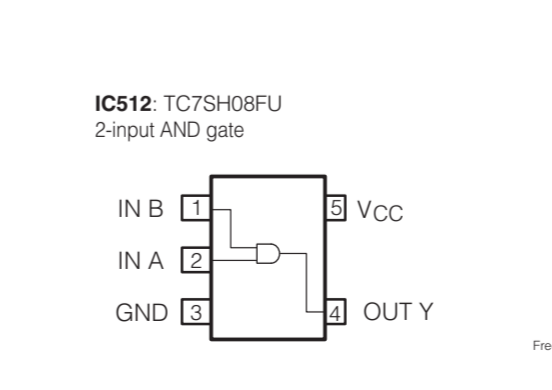
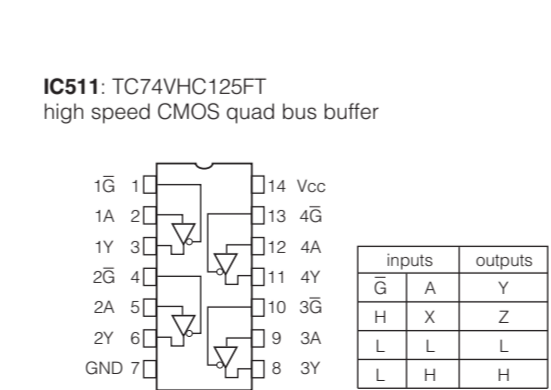
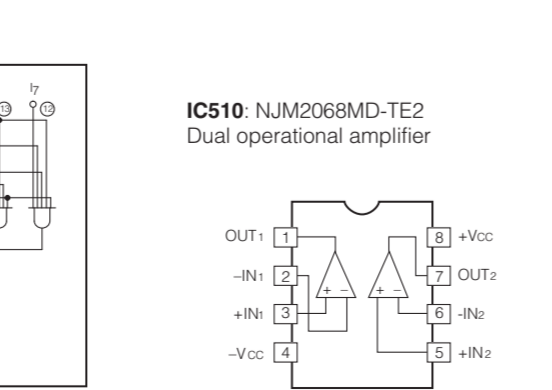
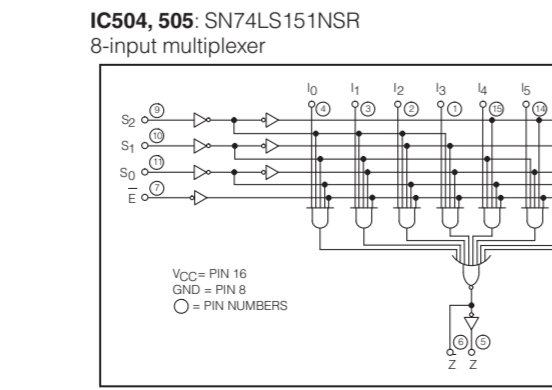
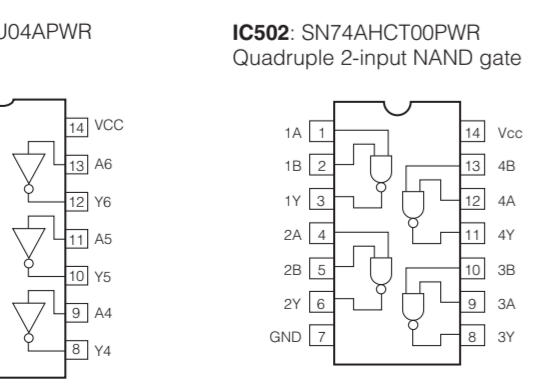
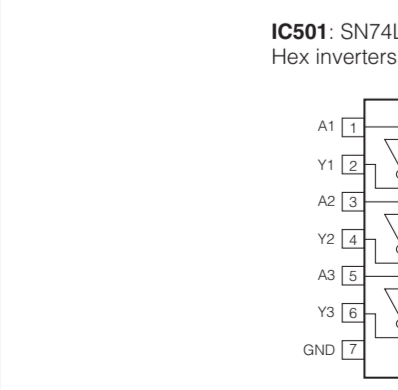
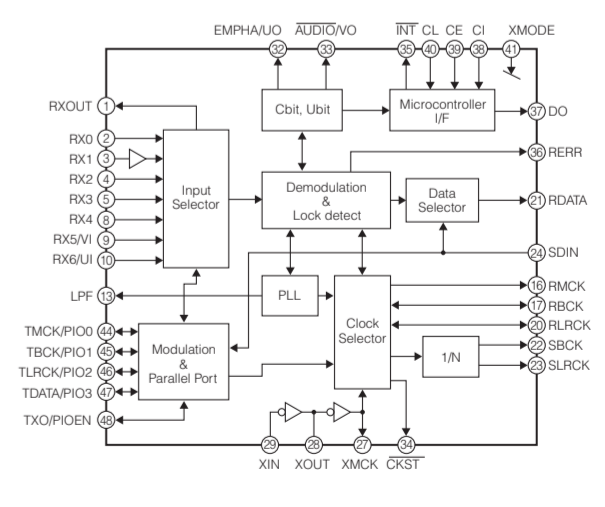
IC509: SN74LV157APWR Quadruple 2-line to 1-line data selectors/multiplexers



IC507, 508: TC74VHC153FT Dual 4-channel multiplexer



IC506: LC89057W-VF4AD-E Digital audio interface transceiver



\* All voltages are measured with a 10MΩ/V DC electronic voltmeter. \* Components having special characteristics are marked with a triangle and must be replaced with parts having specifications equal to those originally installed. \* Schematic diagram is subject to change without notice.



DSP 2/3

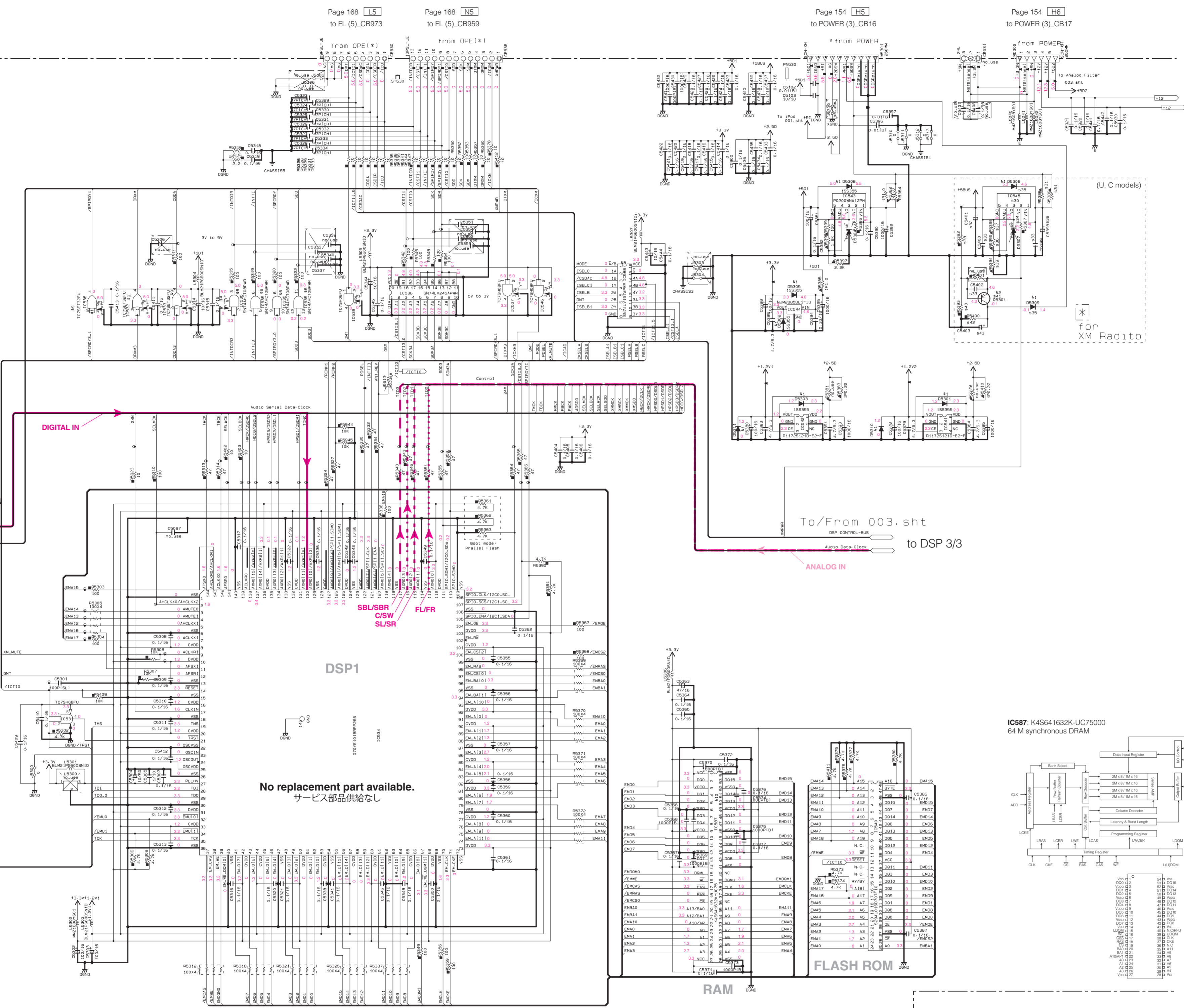
NOTICE (model)
(U) JAPAN
(C) U.S.A
(A) CANADA
(G) GENERAL
(T) CHINA
(K) KOREA
(A) AUSTRALIA
(B) BRITISH
(G) EUROPE
(L) SINGAPORE
(E) SOUTH EUROPE
(V) TAIWAN
(F) RUSSIAN

Table with 2 columns: CAPACITOR, PARTS NAME. Lists various capacitor types like electrolytic, tantalum, ceramic, polyester, mica, polypropylene, and polyphenylene sulfide.

Table with 2 columns: RESISTOR, PARTS NAME. Lists various resistor types like carbon film, metal oxide film, metal plate, fine proof carbon film, cement molded, semi variable, and chip resistors.

To/From 001.sht
Control BUS in PWB(DSP)
AUDIO Data-Clock
Control From CPU
ANALOG IN

To DSP 3/3
To/From 003.sht



Page 168 [L5] to FL(5)\_CB973

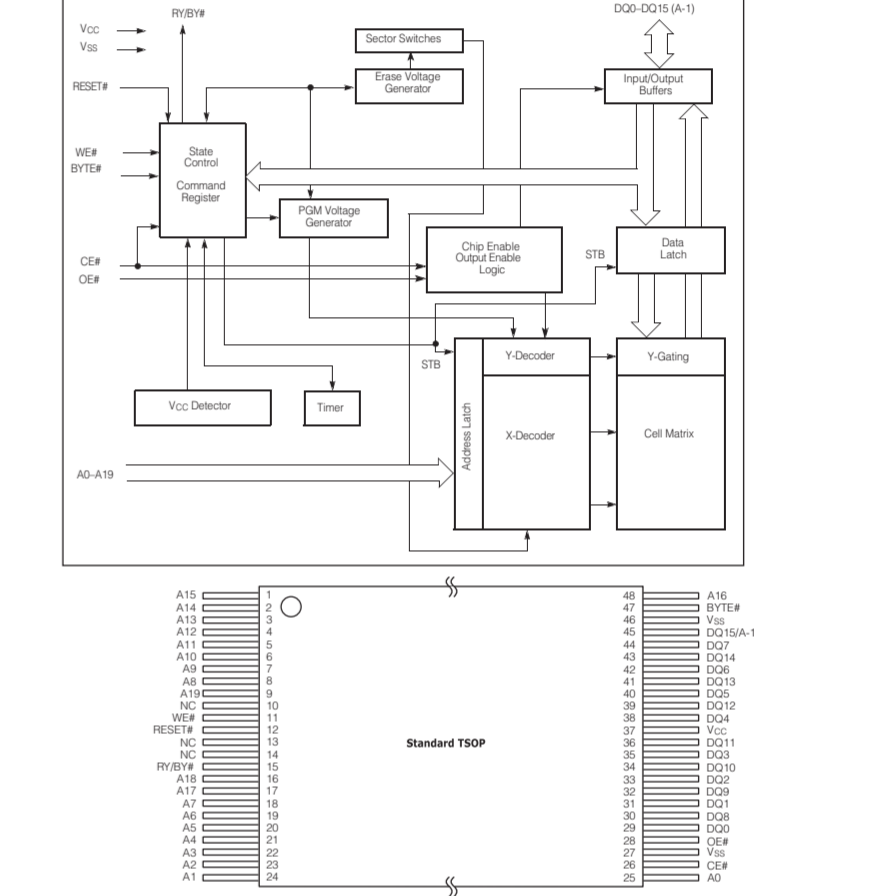
Page 168 [N5] to FL(5)\_CB959

Page 154 [H5] to POWER(3)\_CB16

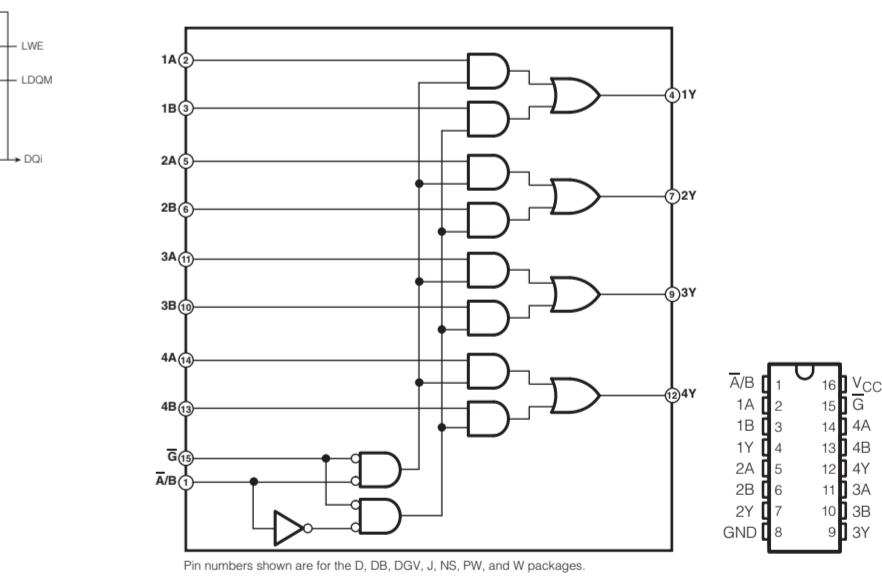
Page 154 [H6] to POWER(3)\_CB17

Destination Part List table with columns: SKT, LOC, UC, RTKABLE. Lists various components and their locations.

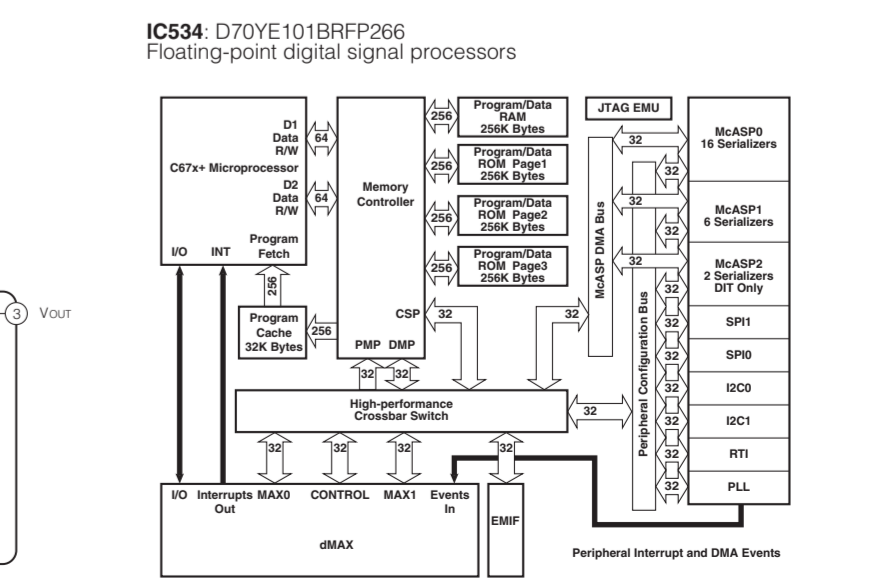
IC540: S29AL016D70TFI020 16-M-bits CMOS 3.0 volt-only boot sector flash memory



IC587: K4S641632K-UC75000 64 M synchronous DRAM



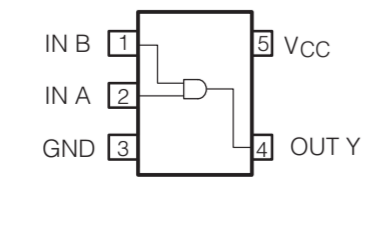
IC534: D70YE101BRFP266 Floating-point digital signal processors



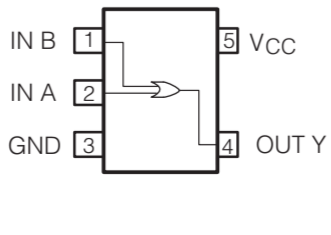
All voltages are measured with a 10MΩ/V DC electronic voltmeter. Components having special characteristics are marked with a star and must be replaced with parts having specifications equal to those originally installed.

電圧は、内部抵抗10MΩの電圧計で測定したものです。★印のある部品は、安全性確保部品を示しています。部品の交換が必要な場合、パーツリストに記載されている部品を使用してください。

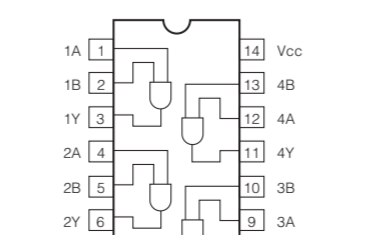
IC531, 537, 539, 546: TC7SH08FU 2-input AND gate



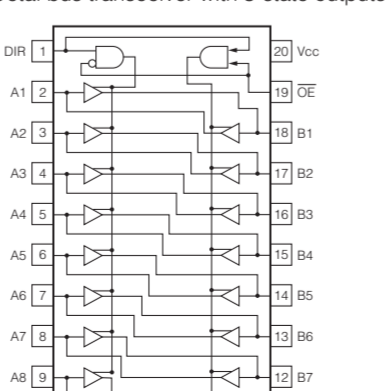
IC532, 533, 538: TC7SET32FU 2-input OR gate



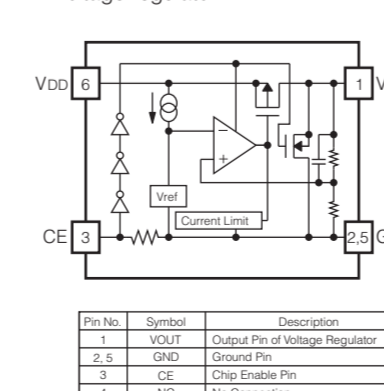
IC535: SN74AHC08PWR Quaduple 2-input positive-AND gates



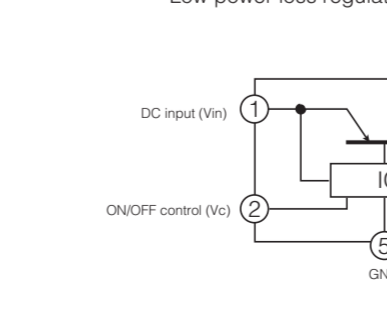
IC536: SN74LV245APWR Octal bus transceiver with 3-state outputs



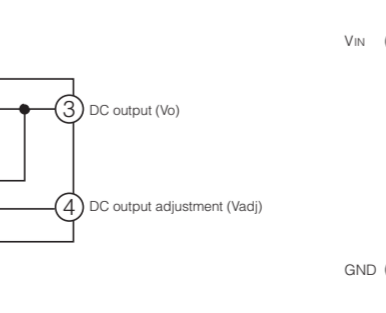
IC541, 542: R1172S121D-E2-F Voltage regulator



IC543, 545: PQ200WNA1ZPH Low power loss regulator



IC544: NJM2885DL1-33 Low dropout voltage regulator

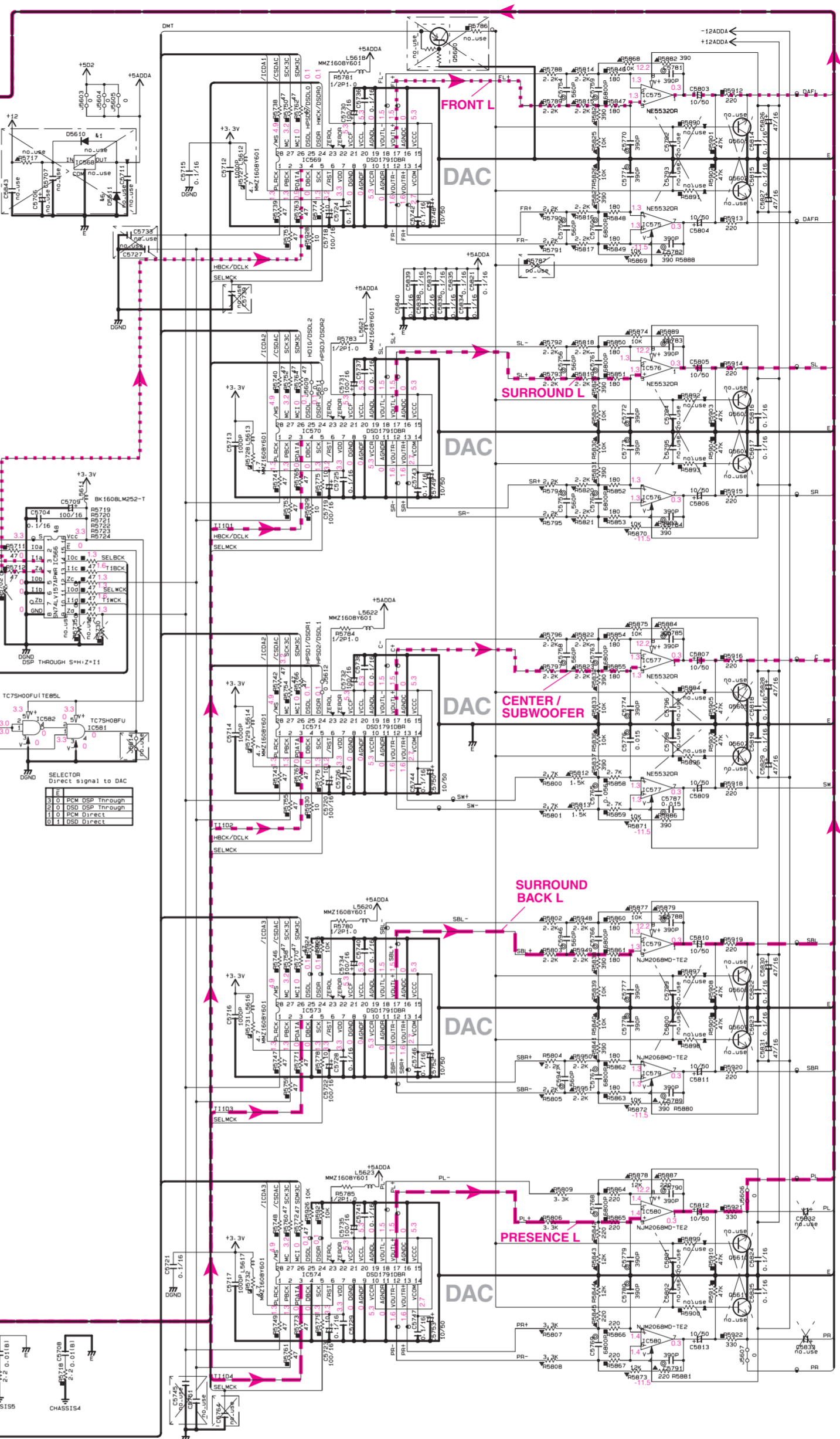
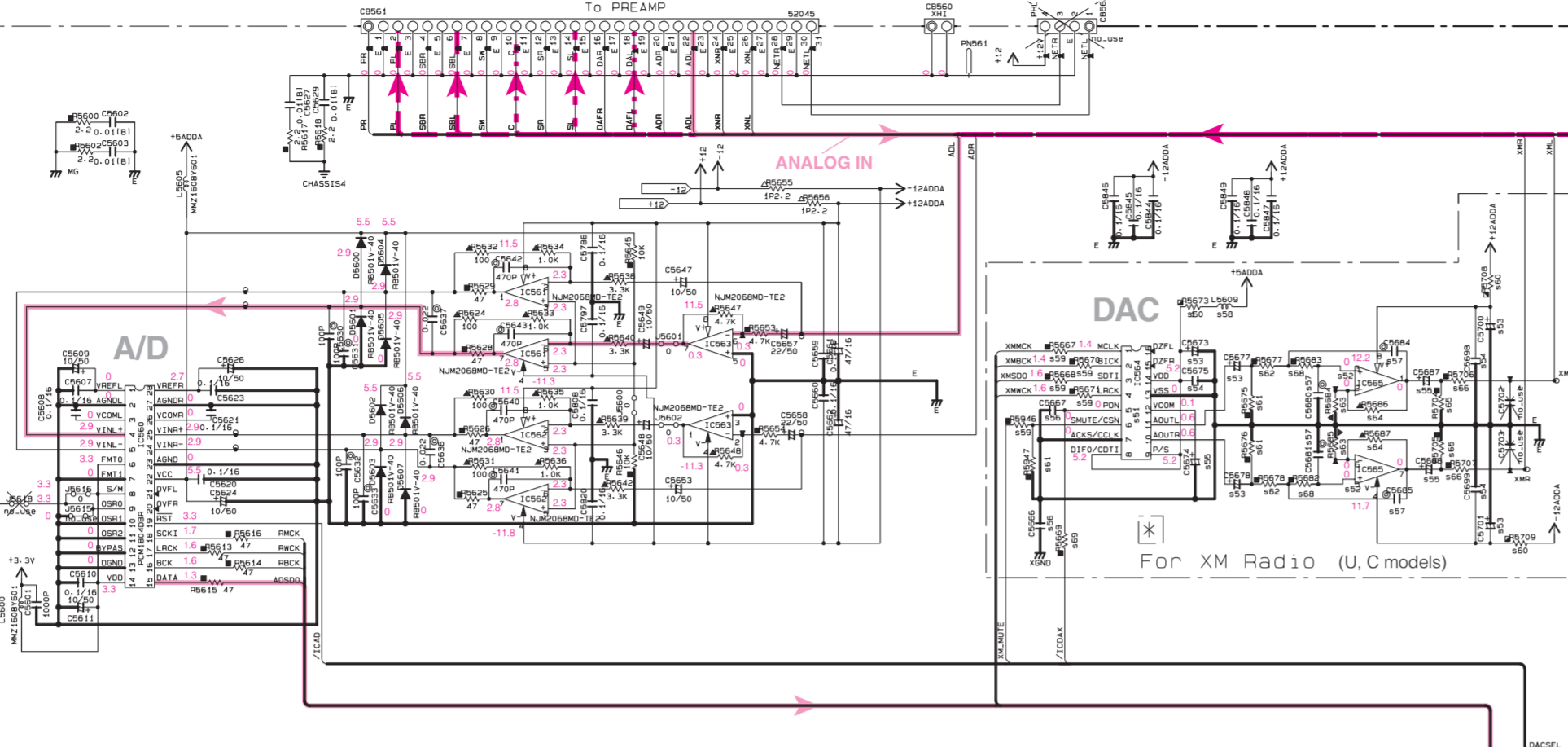




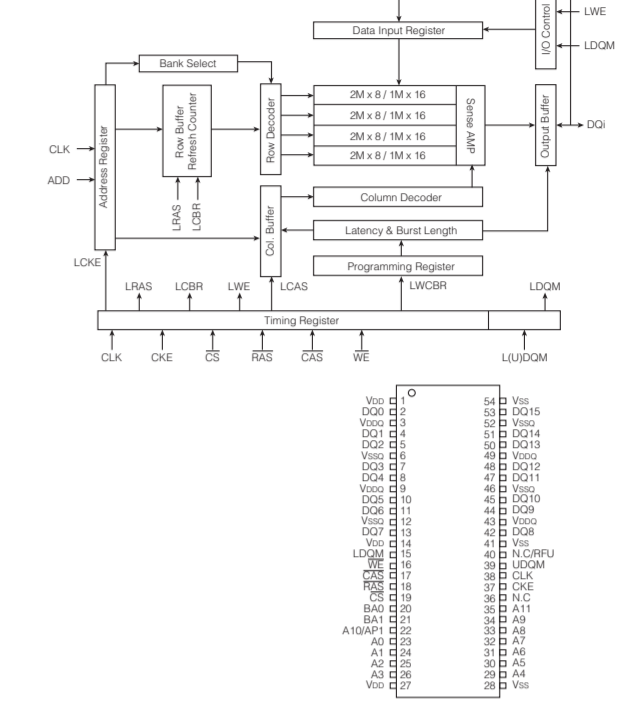
DSP 3/3

Page 150 [B5] to FUNCTION (2)\_CB300  
Page 151 [C3] to FUNCTION (2)\_W3503

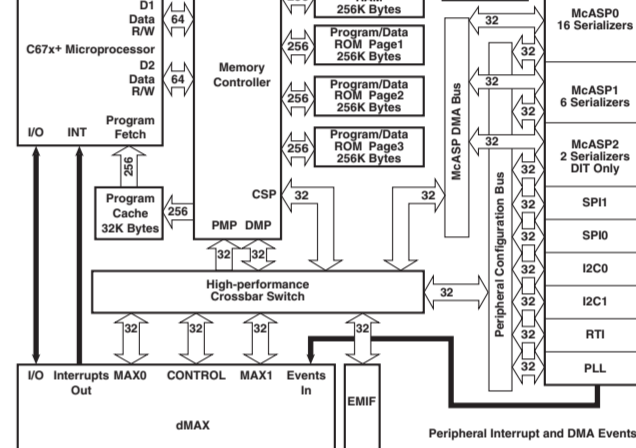
Destination Part List	UC	UC	RT446L2
541	UC1056	UC1056	
542	UC1056	UC1056	
543	UC1056	UC1056	
544	UC1056	UC1056	
545	UC1056	UC1056	
546	UC1056	UC1056	
547	UC1056	UC1056	
548	UC1056	UC1056	
549	UC1056	UC1056	
550	UC1056	UC1056	
551	UC1056	UC1056	
552	UC1056	UC1056	
553	UC1056	UC1056	
554	UC1056	UC1056	
555	UC1056	UC1056	
556	UC1056	UC1056	
557	UC1056	UC1056	
558	UC1056	UC1056	
559	UC1056	UC1056	
560	UC1056	UC1056	
561	UC1056	UC1056	
562	UC1056	UC1056	
563	UC1056	UC1056	
564	UC1056	UC1056	
565	UC1056	UC1056	
566	UC1056	UC1056	
567	UC1056	UC1056	
568	UC1056	UC1056	
569	UC1056	UC1056	



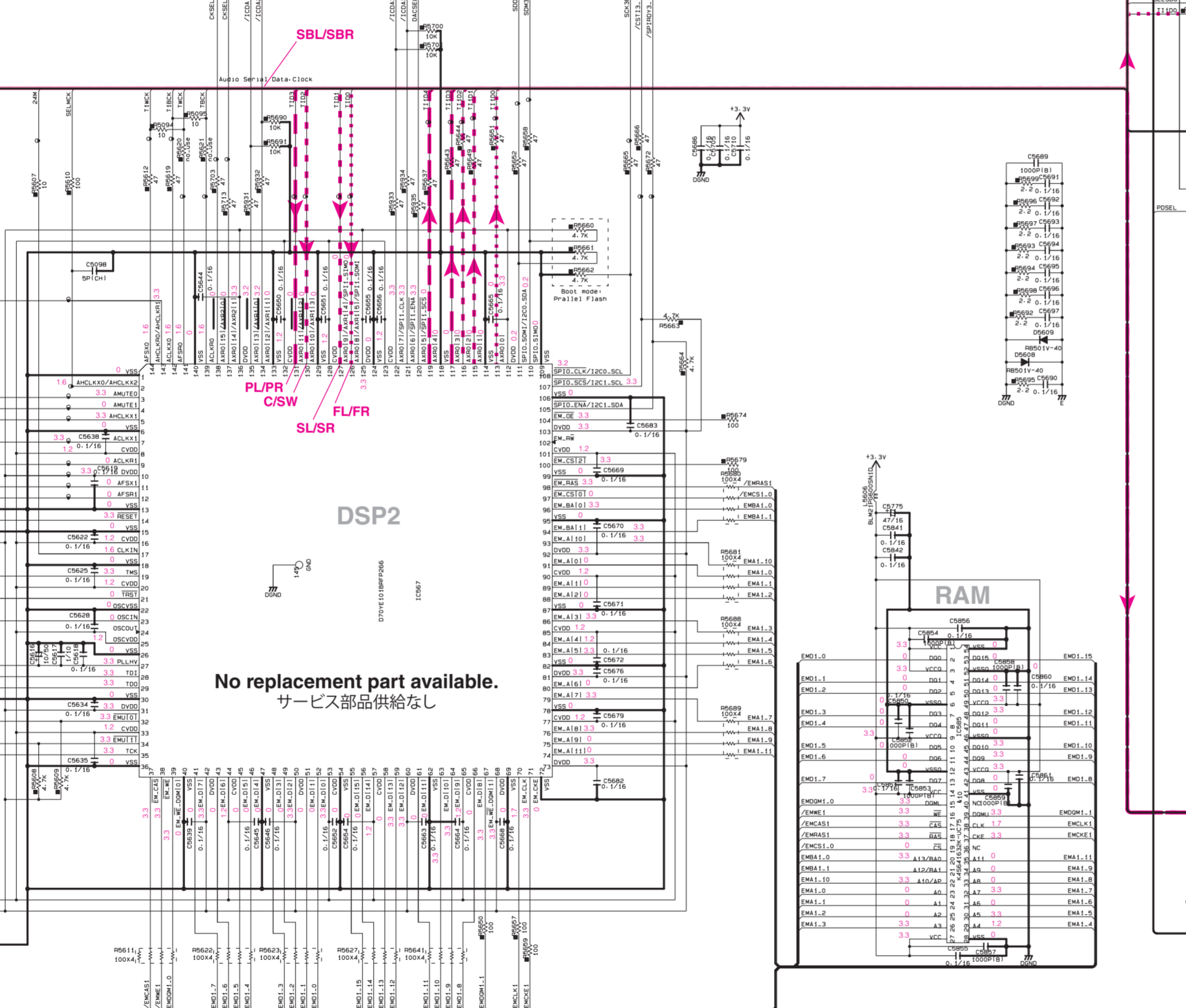
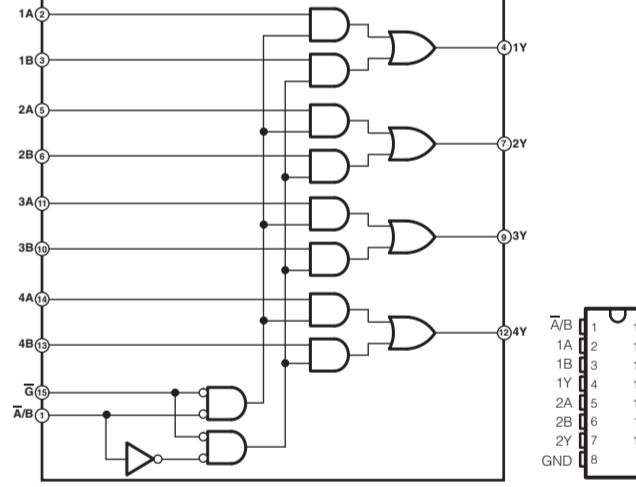
IC585: K4S641632K-UC75000  
64 M synchronous DRAM



IC567: D70YE101BRFP266  
Floating-point digital signal processors



IC566: SN74LV157APWR  
Quaduple 2-line to 1-line data selectors/multiplexers

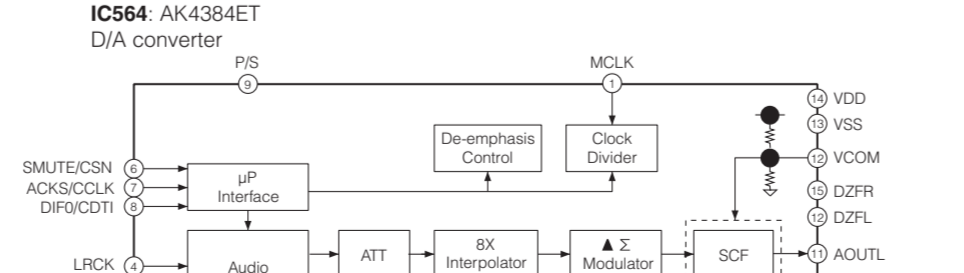
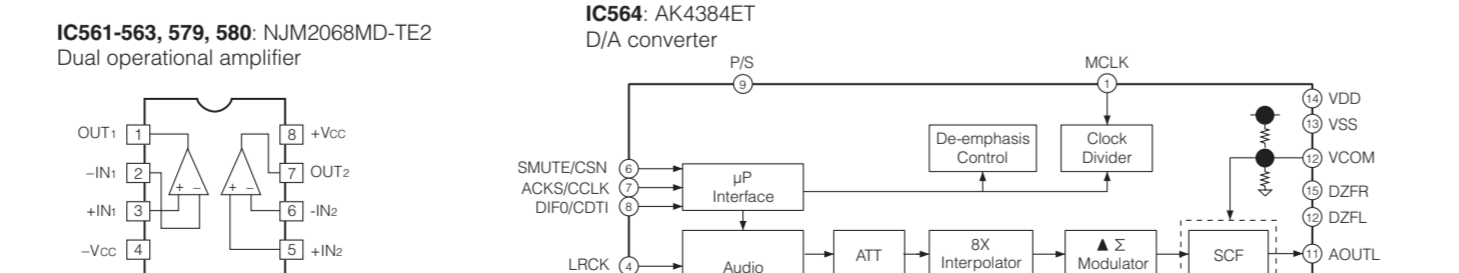
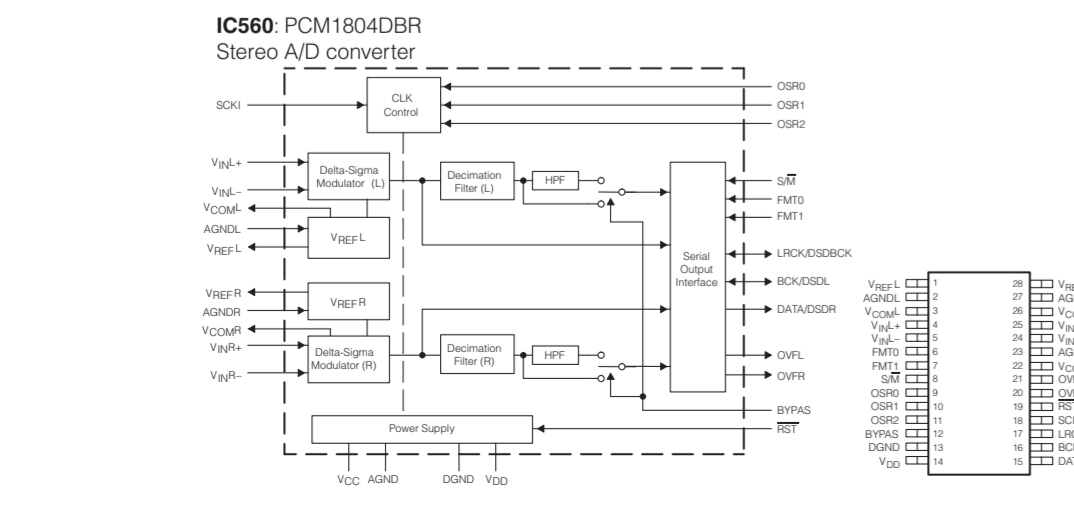


To From 002.sht  
to DSP 2/3

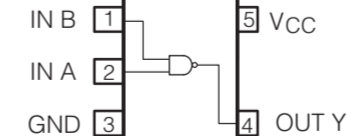
To From 002.sht  
to DSP 2/3

- NOTICE (note1)
- (J)..... JAPAN
  - (U)..... U.S.A
  - (C)..... CANADA
  - (R)..... GENERAL
  - (T)..... CHINA
  - (K)..... KOREA
  - (A)..... AUSTRALIA
  - (B)..... BRITISH
  - (G)..... EUROPE
  - (L)..... SINGAPORE
  - (E)..... SOUTH
  - (V)..... TAIWAN
  - (F)..... RUSSIAN

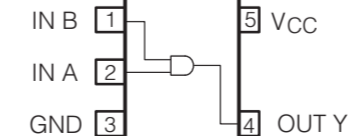
REISTOR	PARTS NAME	REMARKS	PARTS NAME	REMARKS
NO MARK	CARBON FILM RESISTOR (P=5)	NO MARK	ELECTROLYTIC CAPACITOR	!
NO MARK	CARBON FILM RESISTOR (P=10)	NO MARK	FANTALUM CAPACITOR	!
NO MARK	METAL OXIDE FILM RESISTOR	NO MARK	CERAMIC CAPACITOR	!
NO MARK	METAL FILM RESISTOR	NO MARK	POLYESTER FILM CAPACITOR	!
NO MARK	METAL PLATE RESISTOR	NO MARK	POLYETHYLENE FILM CAPACITOR	!
NO MARK	FIRE PROOF CARBON FILM RESISTOR	NO MARK	MICA CAPACITOR	!
NO MARK	CEMENT MOLDED RESISTOR	NO MARK	POLYPROPYLENE FILM CAPACITOR	!
NO MARK	SEM. VARIABLE RESISTOR	NO MARK	SEMICONDUCTIVE CERAMIC CAPACITOR	!
NO MARK	CHIP RESISTOR	NO MARK	POLYPHENYLENE SULFIDE FILM CAPACITOR	!



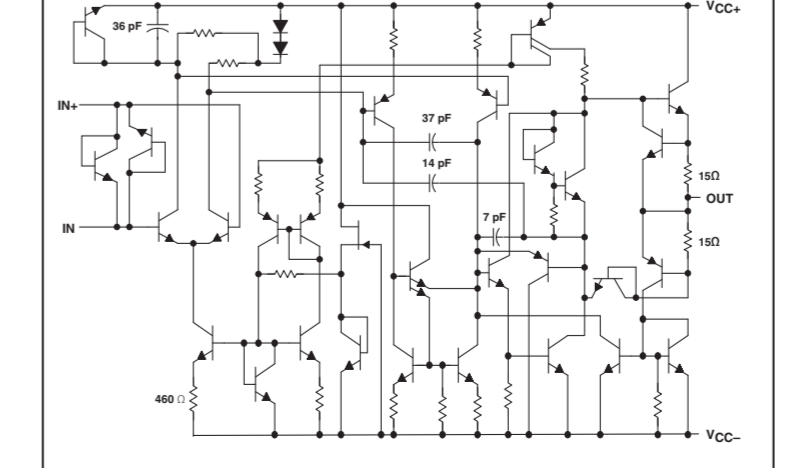
IC582: TC7SH00FU  
Single 2-input positive-AND gate



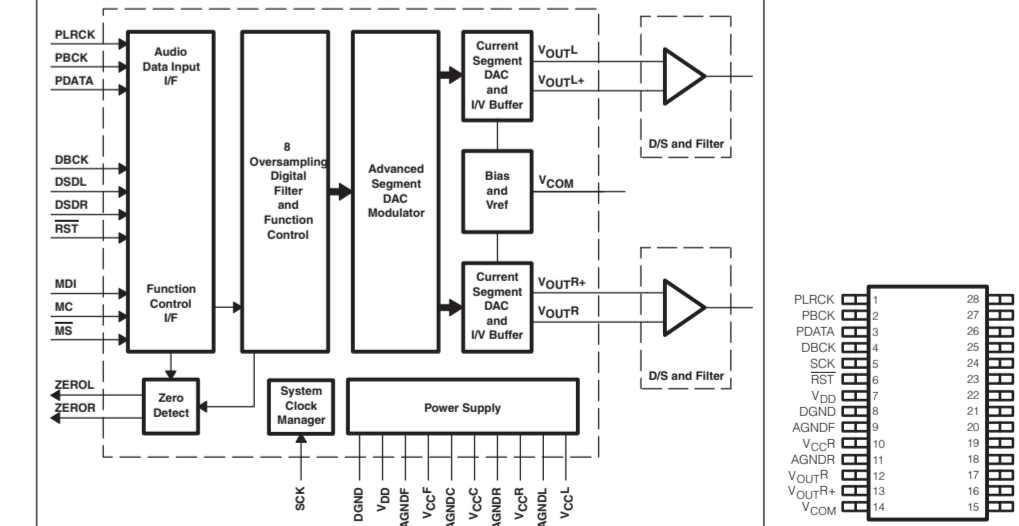
IC581, 583: TC7SH08FU  
2-input AND gate



IC565, 575-577: NE5532DR  
Dual low-noise operational amplifiers



IC569-571, 573, 574: DSD1791DBR  
24-bit, 192 kHz sampling, advanced segment, audio stereo digital-to-analog converter

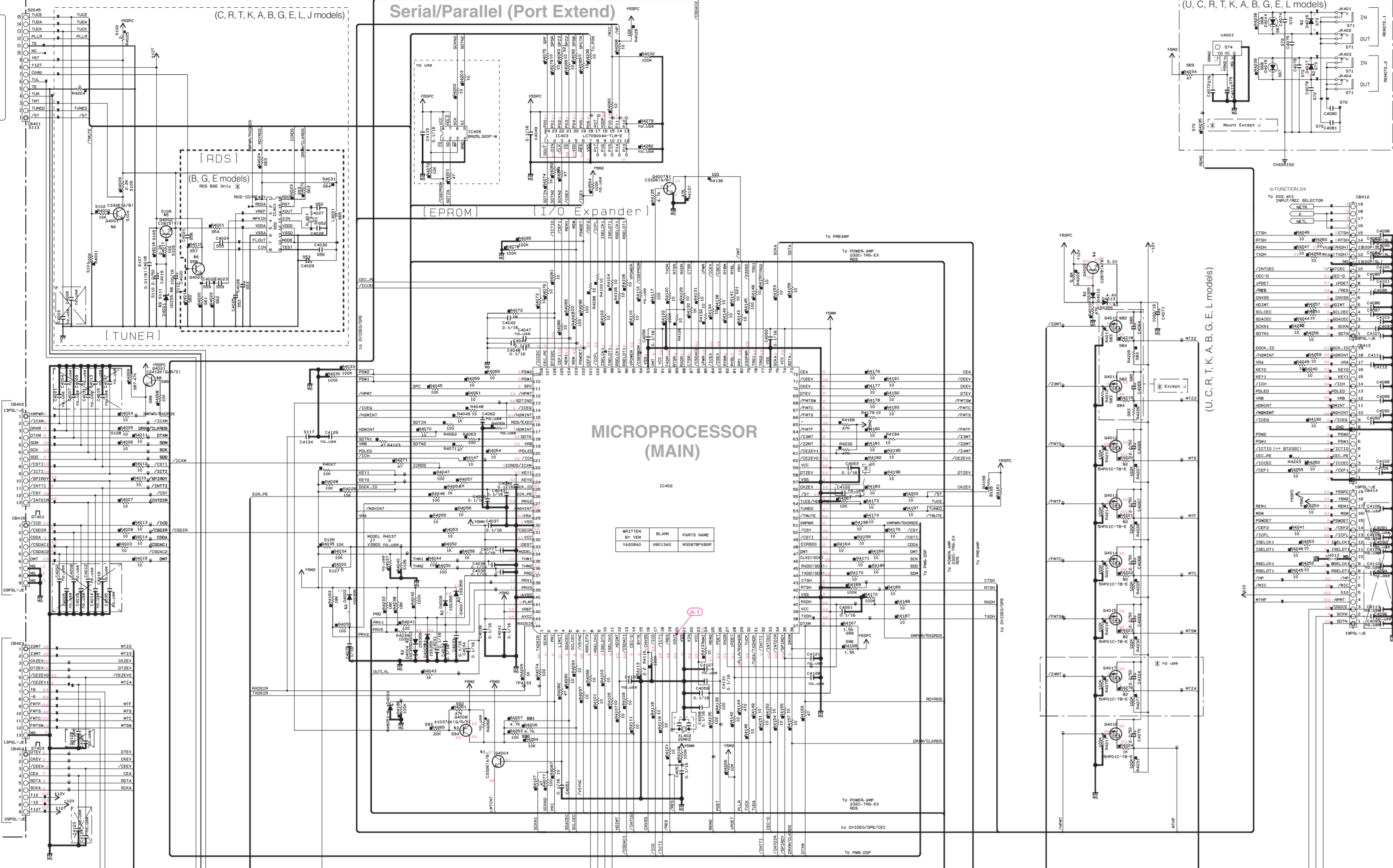


- \* All voltages are measured with a 10MΩ/V DC electronic voltmeter.
- \* Components having special characteristics are marked with !, and must be replaced with parts having specifications equal to those originally installed.
- \* Schematic diagram is subject to change without notice.
- 電圧は、内部抵抗10MΩの電圧計で測定したものです。
- !印のある部品は、安全な確保部品を示しています。部品の交換が必要な場合、パーツリストに記載されている部品を使用してください。
- 本回路図は標準回路図です。改良のため予告なく変更することがございます。



FUNCTION 1/4

Page 169 [B7] to CONNECT (1)\_CB903 (U model) To AM/FM TUNER (C, R, T, K, A, B, G, E, L, J models)



NOTICE (model) (U, C, R, T, K, A, B, G, E, L models)

Table with columns: RESISTOR PARTS NAME, CAPACITOR PARTS NAME, and Interchangeable Parts at Manufacturer's Stage. Lists various electronic components and their part numbers.

Page 168 [M6] to FL (5)\_CB960

Page 168 [L6] to FL (5)\_CB972

Page 168 [N8] to FL (3)\_CB955

Page 168 [M8] to FL (3)\_CB952

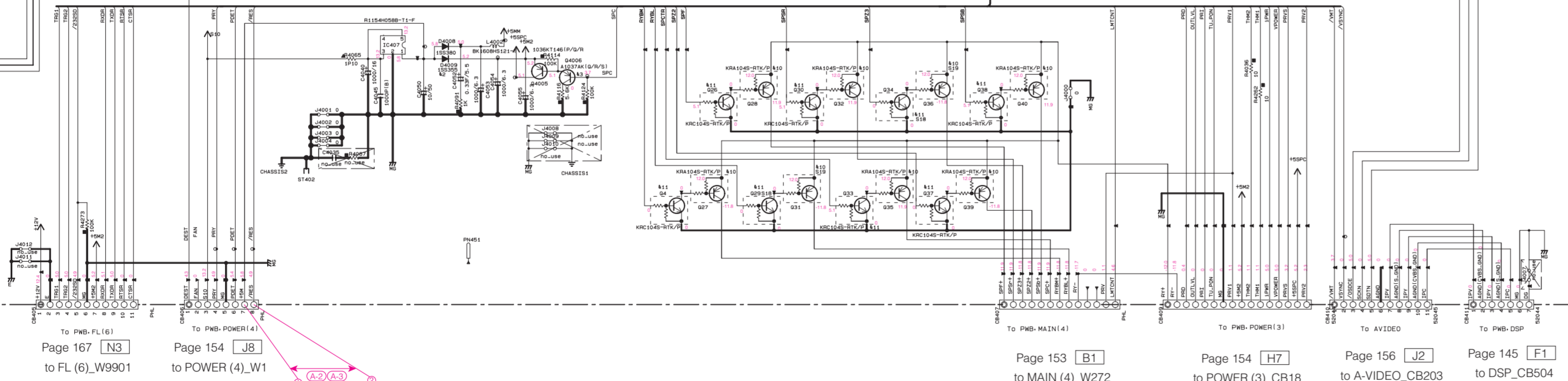
Page 168 [E7] to FL (2)\_CB958

Page 168 [G7] to FL (2)\_CB962

Page 168 [H7] to FL (2)\_CB969

Large table listing component part numbers, manufacturer codes, and interchangeability information for various parts used in the circuit.

RX-V3900 FUNC (1) FUNCTION (1)



Page 167 [N3] to FL (6)\_W9901

Page 154 [J8] to POWER (4)\_W1

Page 154 [B1] to MAIN (4)\_W272

Page 154 [H7] to POWER (3)\_CB18

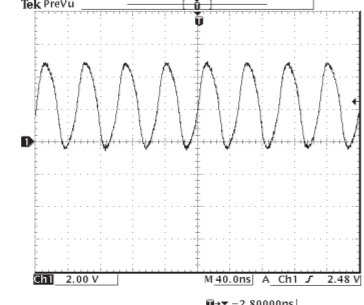
Page 156 [J2] to A-VIDEO\_CB203

Page 145 [F1] to DSP\_CB504

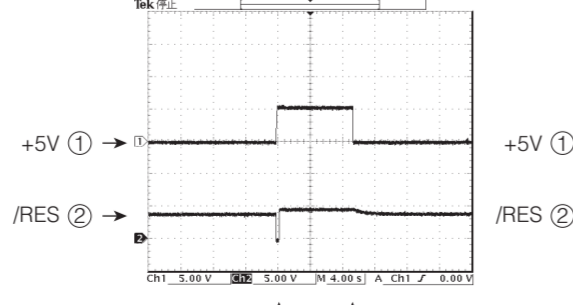
All voltages are measured with a 10MΩ/D.C electronic voltmeter. Components having special characteristics are marked with a star and must be replaced with parts having specifications equal to those originally installed.

電圧は、内部抵抗10MΩの電圧計で測定したものです。★印のある部品は、安全性確保部品を示しています。部品の交換が必要な場合、パーツリストに記載されている部品を使用してください。●本回路図は標準回路図です。改良のため予告なく変更することがございます。

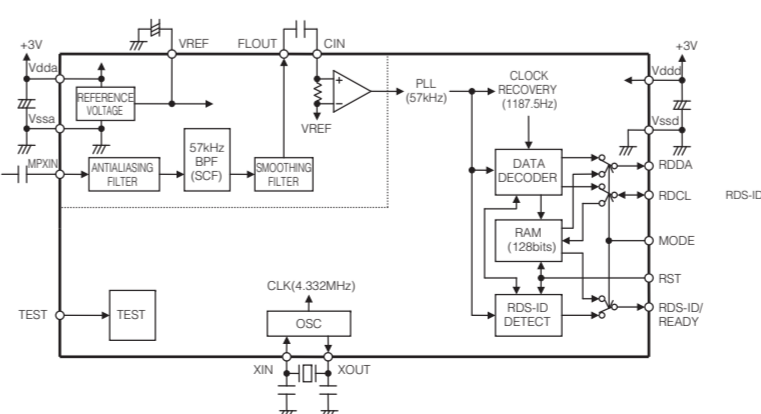
POINT (A-1) XL402 (Pin 20 of IC402)



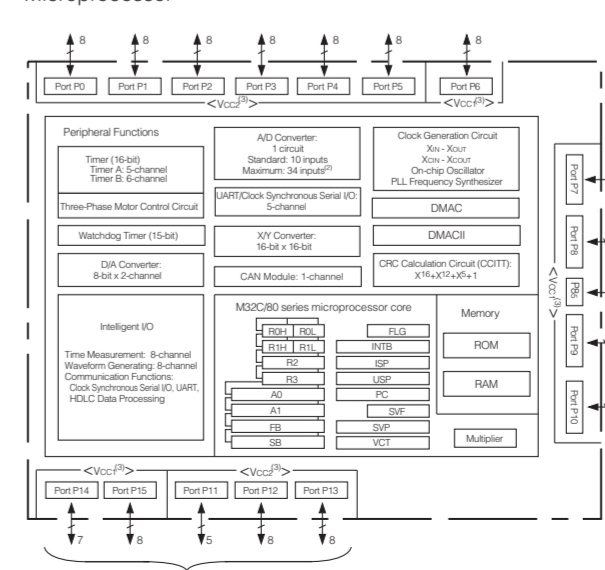
POINT (A-2) (A-3) Pin7, ②/ Pin8 of CB406



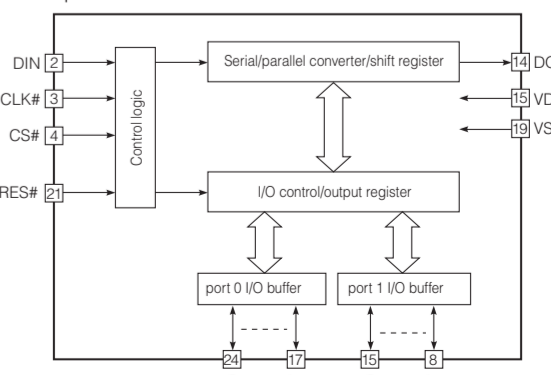
IC401: LC72725KM-UY-TLM-E RDS signal demodulation IC



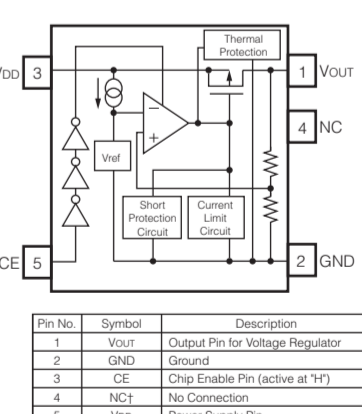
IC402: M3087BFKGGP Microprocessor



IC403: LC79004A-TLM-E I/O-expander for microcontroller

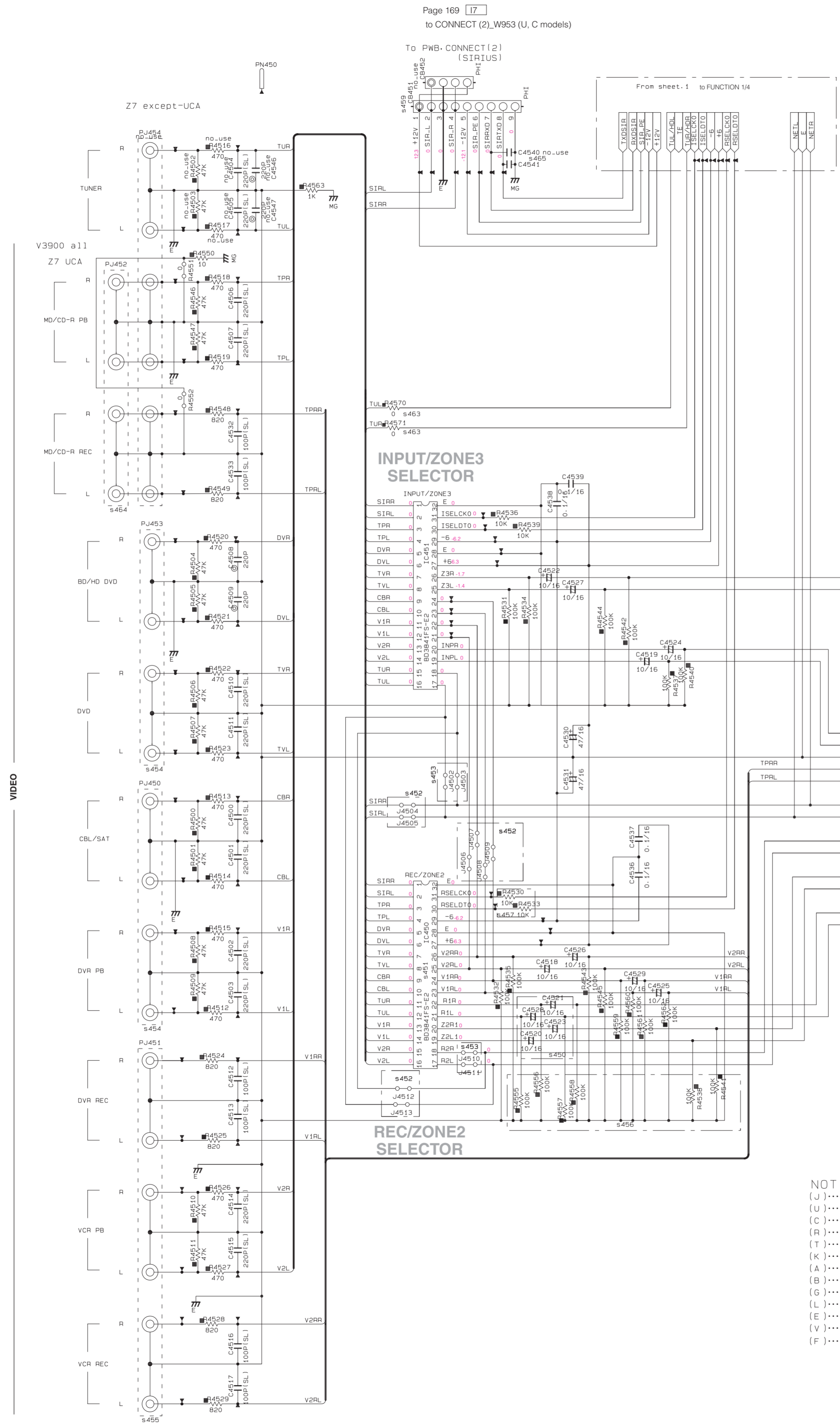


IC407: R1154H058B-T1-F Voltage regulator





FUNCTION 2/4



Destination Part List (V3900\_Sht-2)

SXX	LOC	J	U	C	RTKL	A	BGE
s450	C4523 C4524 C4520 C4528	X	UR23710 10/16	UR23710 10/16	UR23710 10/16	UR23710 10/16	UR23710 10/16
s451	IC450	X	X354740 BD3841FS-E2	X354740 BD3841FS-E2	X354740 BD3841FS-E2	X354740 BD3841FS-E2	X354740 BD3841FS-E2
s452	J4513 J4512 J4508 J4504 J4505 J4507 J4508 J4509		RD35000 0	X	X	X	X
s453	J4511 J4503 J4502	X	RD35000 0	RD35000 0	RD35000 0	RD35000 0	RD35000 0
s454	PJ450 PJ453		RJ-1073-09-0551 RJ-1073-09-0H51	VV30690 RJ-1073-09-0H51	VV30690 RJ-1073-09-0H51	VV30690 RJ-1073-09-0H51	VV30690 RJ-1073-09-0H51
s455	PJ451		VV63480 RJ-1074-09-0553	VV32540 RJ-1074-09-0H53	VV32540 RJ-1074-09-0H53	VV32540 RJ-1074-09-0H53	VV32540 RJ-1074-09-0H53
s456	R4541 R4538 R4555 R4558 R4556 R4557	X	RD35810 100K	RD35810 100K	RD35810 100K	RD35810 100K	RD35810 100K
s457	R4533 R4530	X	RD35710 10K	RD35710 10K	RD35710 10K	RD35710 10K	RD35710 10K
s458	PJ454	X	X	X	X	X	X
s459	CB451	X	PHI VB39050	PHI VB39050	X	X	X
s460	R4502 R4503	X	X	X	X	X	X
s461	R4517 R4516	X	X	X	X	X	X
s462	C4505 C4504	X	X	X	X	X	X
s463	R4570 R4571		RD35000 0	RD35000 0	RD35000 0	RD35000 0	RD35000 0
s464	PJ452		VV55150 RJ-1073-09-0551	VV30690 RJ-1073-09-0H51	VV30690 RJ-1073-09-0H51	VV30690 RJ-1073-09-0H51	VV30690 RJ-1073-09-0H51
s465	C4541	X	US06202 220P(SL)	US06202 220P(SL)	X	X	X

INPUT/ZONE3 SELECTOR

REC/ZONE2 SELECTOR

Page 168 [M3] to FL (4)\_CB965

FUNCTION (1)

NOTICE (model)

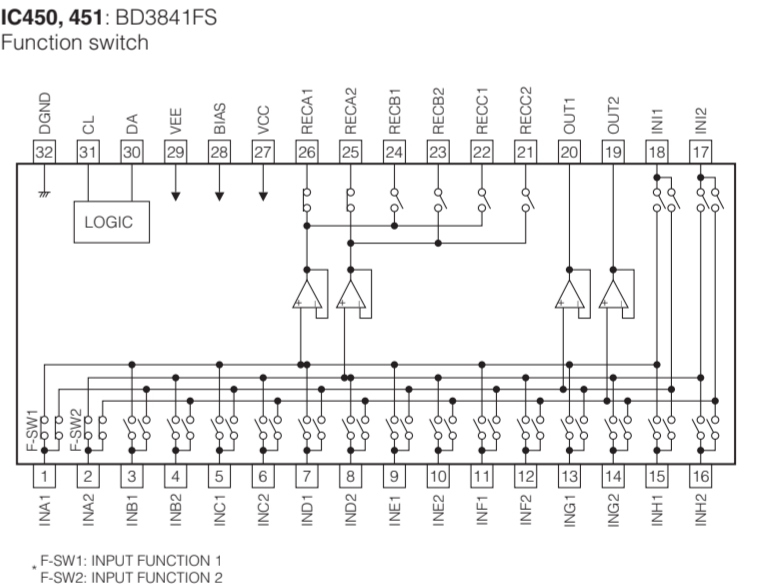
(J)..... JAPAN  
 (U)..... U.S. A  
 (C)..... CANADA  
 (R)..... GENERAL  
 (T)..... CHINA  
 (K)..... KOREA  
 (A)..... AUSTRALIA  
 (B)..... BRITISH  
 (G)..... EUROPE  
 (L)..... SINGAPORE  
 (E)..... SOUTH EUROPE  
 (V)..... TAIWAN  
 (F)..... RUSSIAN

RESISTOR

REMARKS	PARTS NAME
NO MARK	CARBON FILM RESISTOR (P=5)
☑	CARBON FILM RESISTOR (P=10)
△	METAL OXIDE FILM RESISTOR
▲	METAL FILM RESISTOR
⊠	METAL PLATE RESISTOR
⊞	FIRE PROOF CARBON FILM RESISTOR
□	CEMENT MOLDED RESISTOR
⊗	SEMI VARIABLE RESISTOR
■	CHIP RESISTOR

CAPACITOR

REMARKS	PARTS NAME
NO MARK	ELECTROLYTIC CAPACITOR
⊗	TANTALUM CAPACITOR
NO MARK	CERAMIC CAPACITOR
●	CERAMIC TUBULAR CAPACITOR
⊙	POLYESTER FILM CAPACITOR
○	POLYSTYRENE FILM CAPACITOR
⊖	MICA CAPACITOR
⊕	POLYPROPYLENE FILM CAPACITOR
⊗	SEMICONDUCTIVE CERAMIC CAPACITOR
⊖	POLYPHENYLENE SULFIDE FILM CAPACITOR



RX-V3900

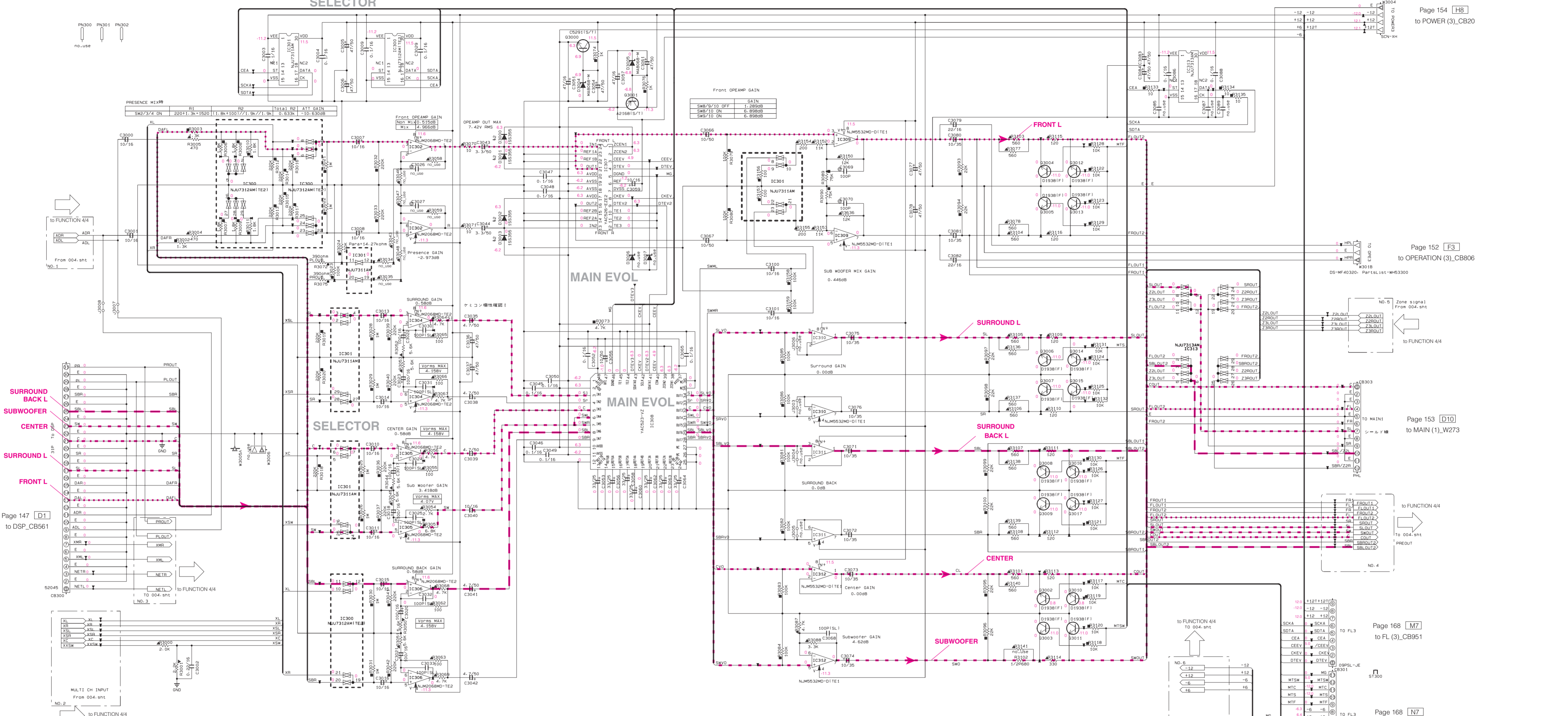
FUNC ( 1 )

- ★ All voltages are measured with a 10MQ/V DC electronic voltmeter.
- ★ Components having special characteristics are marked with a triangle and must be replaced with parts having specifications equal to those originally installed.
- ★ Schematic diagram is subject to change without notice.
- 電圧は、内部抵抗10MQの電圧計で測定したものです。
- 印のある部品は、安全性確保部品を示しています。部品の交換が必要な場合、パーツリストに記載されている部品を使用してください。
- 本回路図は標準回路図です。改良のため予告なく変更することがございます。



FUNCTION 3/4

SELECTOR



Page 154 [HB] to POWER (3)\_CB20

Page 152 [F3] to OPERATION (3)\_CB806

Page 153 [D10] to MAIN (1)\_W273

Page 168 [M7] to FL (3)\_CB951

Page 168 [N7] to FL (3)\_CB956

- SURROUND BACK L
- SUBWOOFER
- CENTER
- SURROUND L
- FRONT L

Page 147 [D1] to DSP\_CB561

52045 CB300

NO. 2

RESISTOR

REMARKS	PARTS NAME
NO MARK	CARBON FILM RESISTOR (P=5)
△	CARBON FILM RESISTOR (P=10)
□	METAL OXIDE FILM RESISTOR
△	METAL FILM RESISTOR
□	METAL PLATE RESISTOR
□	FINE PROOF CARBON FILM RESISTOR
□	CEMENT MOLDED RESISTOR
□	SEMI VARIABLE RESISTOR
■	CHIP RESISTOR

CAPACITOR

REMARKS	PARTS NAME
NO MARK	ELECTROLYTIC CAPACITOR
⊗	TANTALUM CAPACITOR
NO MARK	CERAMIC CAPACITOR
⊙	CERAMIC TUBULAR CAPACITOR
○	POLYESTER FILM CAPACITOR
○	POLYSTYRENE FILM CAPACITOR
⊖	MICA CAPACITOR
⊖	POLYPROPYLENE FILM CAPACITOR
⊖	SEMICONDUCTIVE CERAMIC CAPACITOR
⊖	POLYPHENYLENE SULFIDE FILM CAPACITOR

NOTICE (model)

(J)..... JAPAN  
 (U)..... U.S.A.  
 (C)..... CANADA  
 (R)..... GENERAL  
 (T)..... CHINA  
 (K)..... KOREA  
 (A)..... AUSTRALIA  
 (B)..... BRITISH  
 (G)..... EUROPE  
 (L)..... SINGAPORE  
 (E)..... SOUTH EUROPE  
 (V)..... TAIWAN  
 (F)..... RUSSIAN

RX-V3900 FUNC (2)

設計仕様

	FRONT	CENTER	SURROUND	SURROUND BACK	SUB WOOFER	ZONE 2 & ZONE 3
0.0	12.5	14.0	14.0	14.0	14.0	14.0
1.5	14.0	14.0	14.0	14.0	14.0	14.0
4.5	14.0	14.0	14.0	14.0	14.0	14.0
14.0	14.0	14.0	14.0	14.0	14.0	14.0

定数仕様書

	FRONT	CENTER	SURROUND	SURROUND BACK	SUB WOOFER	ZONE 2 & ZONE 3
0.0	0.515	12.5	11.289	14.304		
1.5	0.584	14.0	0.0	14.984		
4.5	0.784	14.0	0.0	14.984		
14.0	0.584	14.0	0.0	15.984		
0.0	0.0	0.0	0.0	4.119	14.537	
14.0	0.0	0.0	0.0	14.0	0.0	14.000

W100 定数仕様書

	P MIX FRONT	P MIX PRESENCE	SUB WOOFER MIX
4.5	0.0	0.0	0.0
14.984	0.0	0.0	0.0

W100 定数仕様書

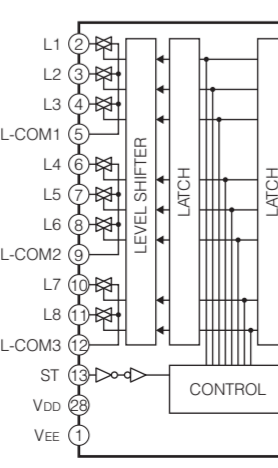
	P MIX FRONT	P MIX PRESENCE	SUB WOOFER MIX
4.5	0.0	0.0	0.0
14.984	0.0	0.0	0.0

→ 40.5dB 自然音響率のため

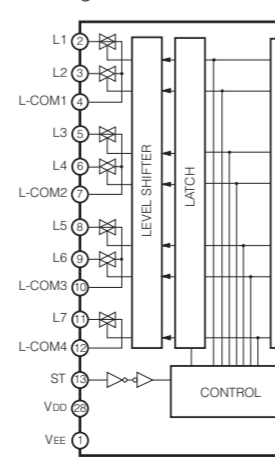
- All voltages are measured with a 10MΩ/DC electronic voltmeter.
- Components having special characteristics are marked with a triangle and must be replaced with parts having specifications equal to those originally installed.
- Schematic diagram is subject to change without notice.

- 電圧は、内部抵抗10MΩの電圧計で測定したものです。
- △印のある部品は、安全性確保部品を示しています。部品の交換が必要な場合、パーツリストに記載されている部品を使用してください。
- 本回路図は標準回路図です。改良のため予告なく変更することがございます。

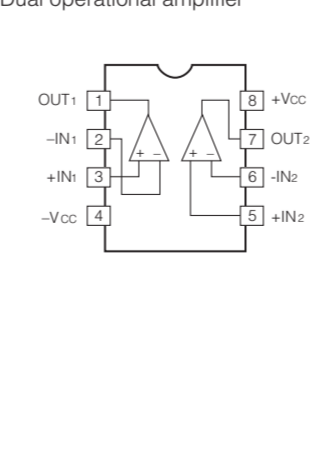
IC300: NJU7312AM Analog function switch



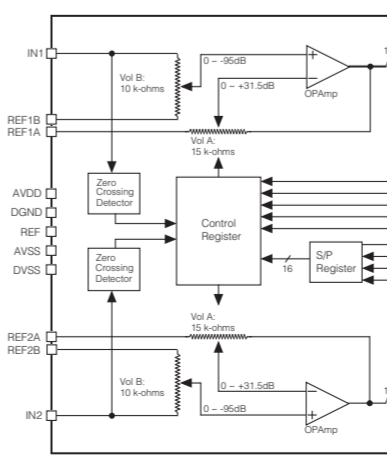
IC301: NJU7311AM Analog function switch



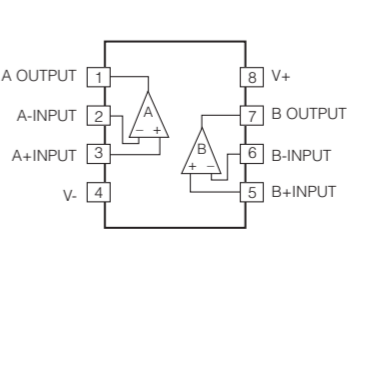
IC302, 304-306: NJM2068MD-TE2 Dual operational amplifier



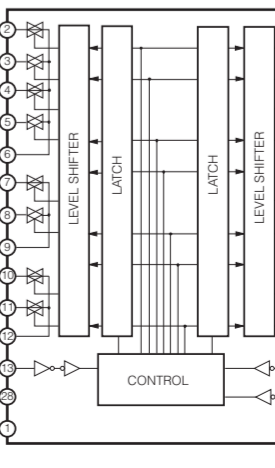
IC307: YAC526-EZE2 2-channel high grade digital volume LSI



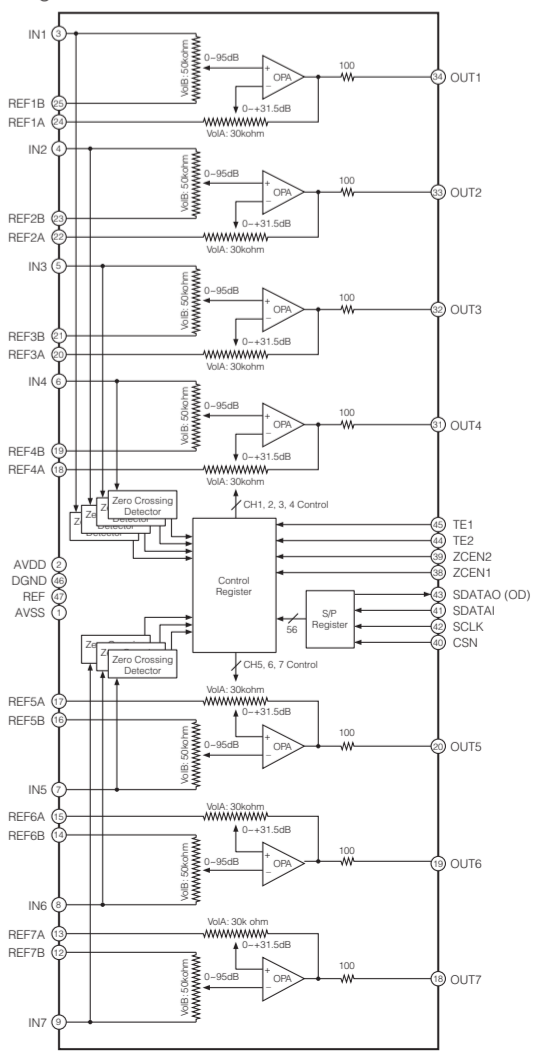
IC309-312: NJM5532M-D Dual low noise operational amplifier



IC313: NJU7313AM Analog function switch



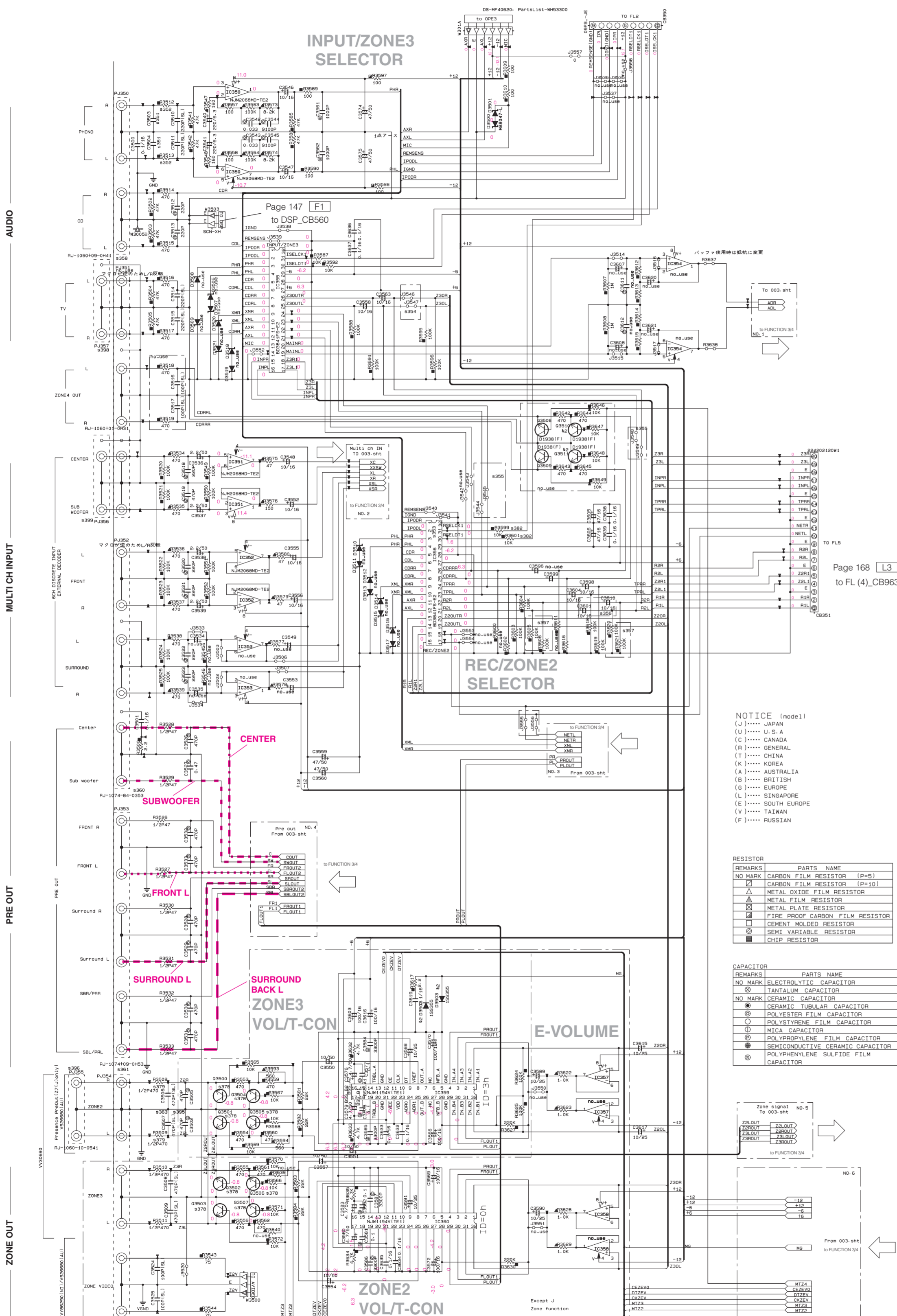
IC308: YAC523-EVR2 Digital volume





FUNCTION 4/4

Page 152 [F3] to OPERATION (3)\_CB906  
Page 168 [L7] to FL (2)\_CB967



Destination Part List (V3900\_DN1-4)

QTY	LOC	J	U	C	RTL	A	BS
3361	C303	X	X	X	U08022	U08022	U08022
3362	B012	RC03447	RC03447	RC03447	RC03447	RC03447	RC03447
3363	IC356	X	X	X	U08022	U08022	U08022
3364	J354	X	X	X	RC03000	RC03000	RC03000
3365	J354	RC03000	X	X	X	X	X
3366	C303	X	X	X	U08022	U08022	U08022
3367	B012	RC03447	RC03447	RC03447	RC03447	RC03447	RC03447
3368	IC356	X	X	X	U08022	U08022	U08022
3369	J354	X	X	X	RC03000	RC03000	RC03000
3370	J354	RC03000	X	X	X	X	X
3371	C303	X	X	X	U08022	U08022	U08022
3372	B012	RC03447	RC03447	RC03447	RC03447	RC03447	RC03447
3373	IC356	X	X	X	U08022	U08022	U08022
3374	J354	X	X	X	RC03000	RC03000	RC03000
3375	J354	RC03000	X	X	X	X	X
3376	C303	X	X	X	U08022	U08022	U08022
3377	B012	RC03447	RC03447	RC03447	RC03447	RC03447	RC03447
3378	IC356	X	X	X	U08022	U08022	U08022
3379	J354	X	X	X	RC03000	RC03000	RC03000
3380	J354	RC03000	X	X	X	X	X
3381	C303	X	X	X	U08022	U08022	U08022
3382	B012	RC03447	RC03447	RC03447	RC03447	RC03447	RC03447
3383	IC356	X	X	X	U08022	U08022	U08022
3384	J354	X	X	X	RC03000	RC03000	RC03000
3385	J354	RC03000	X	X	X	X	X
3386	C303	X	X	X	U08022	U08022	U08022
3387	B012	RC03447	RC03447	RC03447	RC03447	RC03447	RC03447
3388	IC356	X	X	X	U08022	U08022	U08022
3389	J354	X	X	X	RC03000	RC03000	RC03000
3390	J354	RC03000	X	X	X	X	X
3391	C303	X	X	X	U08022	U08022	U08022
3392	B012	RC03447	RC03447	RC03447	RC03447	RC03447	RC03447
3393	IC356	X	X	X	U08022	U08022	U08022
3394	J354	X	X	X	RC03000	RC03000	RC03000
3395	J354	RC03000	X	X	X	X	X
3396	C303	X	X	X	U08022	U08022	U08022
3397	B012	RC03447	RC03447	RC03447	RC03447	RC03447	RC03447
3398	IC356	X	X	X	U08022	U08022	U08022
3399	J354	X	X	X	RC03000	RC03000	RC03000
3400	J354	RC03000	X	X	X	X	X
3401	C303	X	X	X	U08022	U08022	U08022
3402	B012	RC03447	RC03447	RC03447	RC03447	RC03447	RC03447
3403	IC356	X	X	X	U08022	U08022	U08022

NOTICE (model)  
(J)..... JAPAN  
(U)..... U.S.A.  
(C)..... CANADA  
(R)..... GENERAL  
(T)..... CHINA  
(K)..... KOREA  
(A)..... AUSTRALIA  
(B)..... BRITISH  
(G)..... EUROPE  
(L)..... SINGAPORE  
(E)..... SOUTH EUROPE  
(V)..... TAIWAN  
(P)..... RUSSIAN

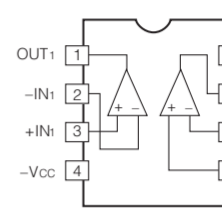
RESISTOR

REMARKS	PARTS NAME
NO MARK	CARBON FILM RESISTOR (P=5)
NO MARK	CARBON FILM RESISTOR (P=10)
△	METAL OXIDE FILM RESISTOR
▲	METAL FILM RESISTOR
□	METAL PLATE RESISTOR
■	FIRE PROOF CARBON FILM RESISTOR
⊞	CEMENT MOLDED RESISTOR
⊚	SEMI VARIABLE RESISTOR
⊛	CHIP RESISTOR

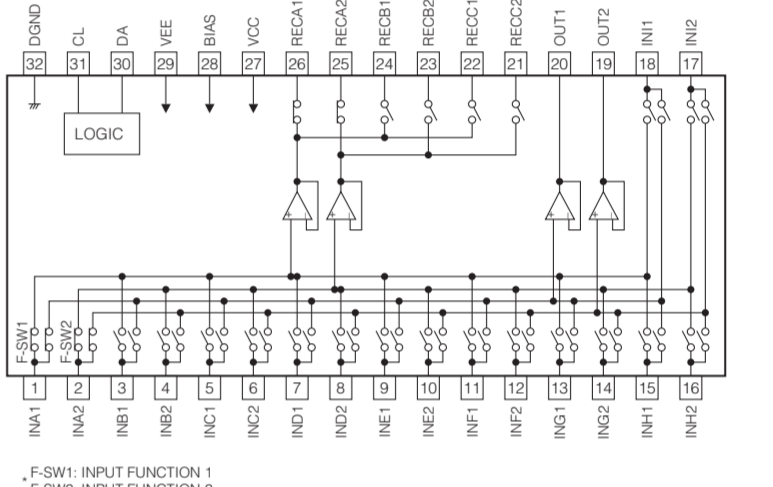
CAPACITOR

REMARKS	PARTS NAME
NO MARK	ELECTROLYTIC CAPACITOR
⊗	TANTALUM CAPACITOR
NO MARK	CERAMIC CAPACITOR
NO MARK	CERAMIC TUBULAR CAPACITOR
⊖	POLYESTER FILM CAPACITOR
⊕	POLYESTER FILM CAPACITOR
⊙	MICA CAPACITOR
⊚	POLYPROPYLENE FILM CAPACITOR
⊛	SEMICONDUCTIVE CERAMIC CAPACITOR
⊞	POLYPHENYLENE SULFIDE FILM CAPACITOR

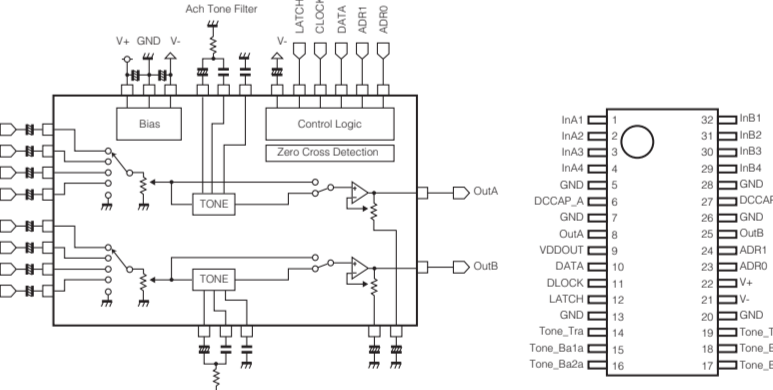
IC350-352: NJM2068MD-TE2  
Dual operational amplifier



IC355, 356: BD3841FS  
Function switch



IC359, 360: NJW1194V  
2-channel electronic volume input selector and tone control



\* All voltages are measured with a 10MΩ/DC electronic voltmeter.  
\* Components having special characteristics are marked with a triangle (▲) and must be replaced with parts having specifications equal to those originally installed.  
\* Schematic diagram is subject to change without notice.

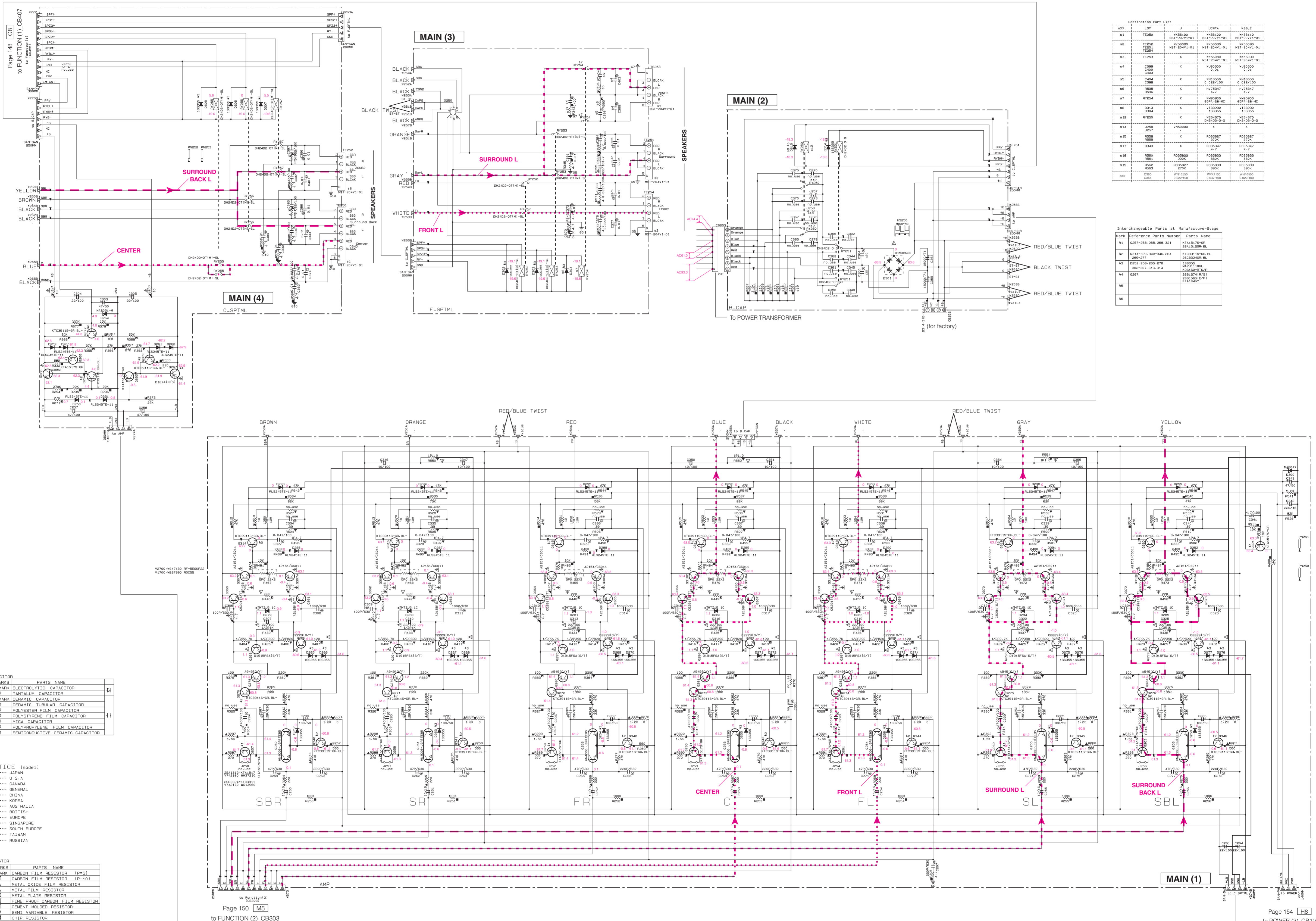
● 電圧は、内部抵抗10MΩの電圧計で測定したものです。  
● 印のある部品は、安全性確保部品を示しています。部品の交換が必要な場合、パーツリストに記載されている部品を使用してください。  
● 本回路図は標準回路図です。改良のため予告なく変更することがございます。







MAIN



QTY	LOC	J	UQTA	QABLE
81	TE950	W56100	W56100	W56110
82	TE950	W56080	W56080	W56090
83	TE950	W56060	W56060	W56070
84	C430	W40550	W40550	W40560
85	C430	W40530	W40530	W40540
86	H950	HV7347	HV7347	HV7347
87	RV254	W56500	W56500	W56500
88	Q313	VT3390	VT3390	VT3390
89	RV250	W54870	W54870	W54870
810	RV250	DH2402-0-0	DH2402-0-0	DH2402-0-0
814	U57	W60000	X	X
815	H950	RD3527	RD3527	RD3527
817	R343	RD3547	RD3547	RD3547
818	H950	RD3527	RD3527	RD3527
819	H950	RD3527	RD3527	RD3527
820	C384	W60000	W60000	W60000

Mark	Reference Parts Number	Parts Name
41	0297-263-268-321	KT1A1575-GR
42	0214-300-346-264	KT3915-GR-RL
43	0297-268-268-278	KT3915-GR-RL
44	302-307-313-314	KT3915-GR-RL
45	0297	KT3915-GR-RL
46		KT3915-GR-RL

REMARKS	PARTS NAME
ND MARK	ELECTROLYTIC CAPACITOR
ND MARK	TANTALUM CAPACITOR
ND MARK	CERAMIC CAPACITOR
ND MARK	CERAMIC TUBULAR CAPACITOR
ND MARK	POLYESTER FILM CAPACITOR
ND MARK	POLYSTYRENE FILM CAPACITOR
ND MARK	MICA CAPACITOR
ND MARK	POLYPROPYLENE FILM CAPACITOR
ND MARK	SEMICONDUCTIVE CERAMIC CAPACITOR

NOTICE (mode1)

(J)..... JAPAN  
 (U)..... U.S.A  
 (C)..... CANADA  
 (R)..... GENERAL  
 (T)..... CHINA  
 (K)..... KOREA  
 (A)..... AUSTRALIA  
 (B)..... BRITISH  
 (E)..... EUROPE  
 (L)..... SINGAPORE  
 (V)..... SOUTH EUROPE  
 (F)..... TAIWAN  
 (R)..... RUSSIAN

REMARKS	PARTS NAME
ND MARK	CARBON FILM RESISTOR (D=6)
ND MARK	CARBON FILM RESISTOR (D=10)
ND MARK	METAL OXIDE FILM RESISTOR
ND MARK	METAL FILM RESISTOR
ND MARK	METAL PLATE RESISTOR
ND MARK	FILM RESISTOR
ND MARK	FILM PROOF CARBON FILM RESISTOR
ND MARK	CEMENT MOLDED RESISTOR
ND MARK	SEMI VARIABLE RESISTOR
ND MARK	CHIP RESISTOR

\* All voltages are measured with a 10MΩ DC electronic voltmeter.  
 \* Components having special characteristics are marked with a triangle and must be replaced with parts having specifications equal to those originally installed.  
 \* Schematic diagram is subject to change without notice.

● 電圧は、内部抵抗10MΩの電圧計で測定したものです。  
 ● 印のある部品は、安全確保部品を示しています。部品の交換が必要な場合、パーツリストに記載されている部品を使用してください。  
 ● 本回路図は標準回路図です。改良のため予告なく変更することがございます。



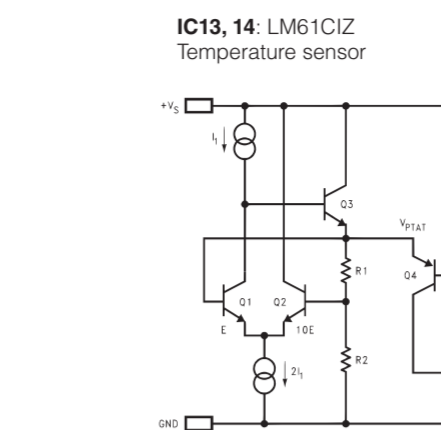
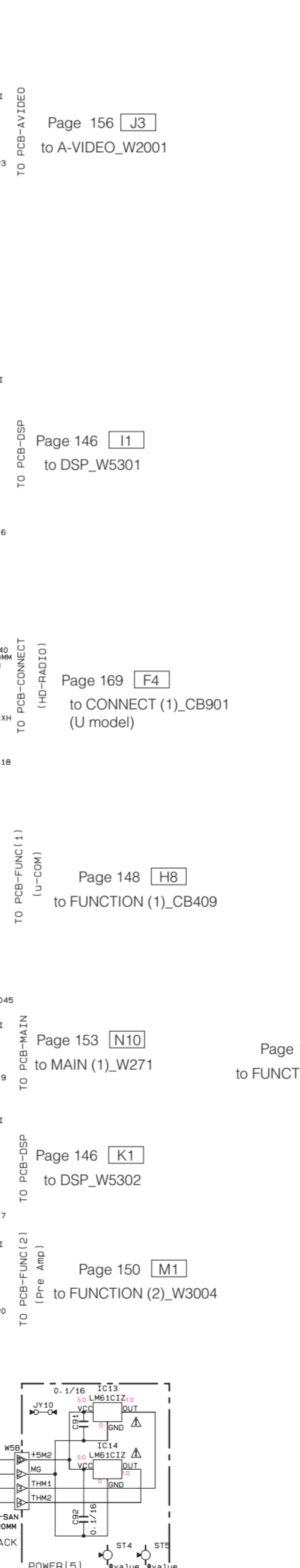
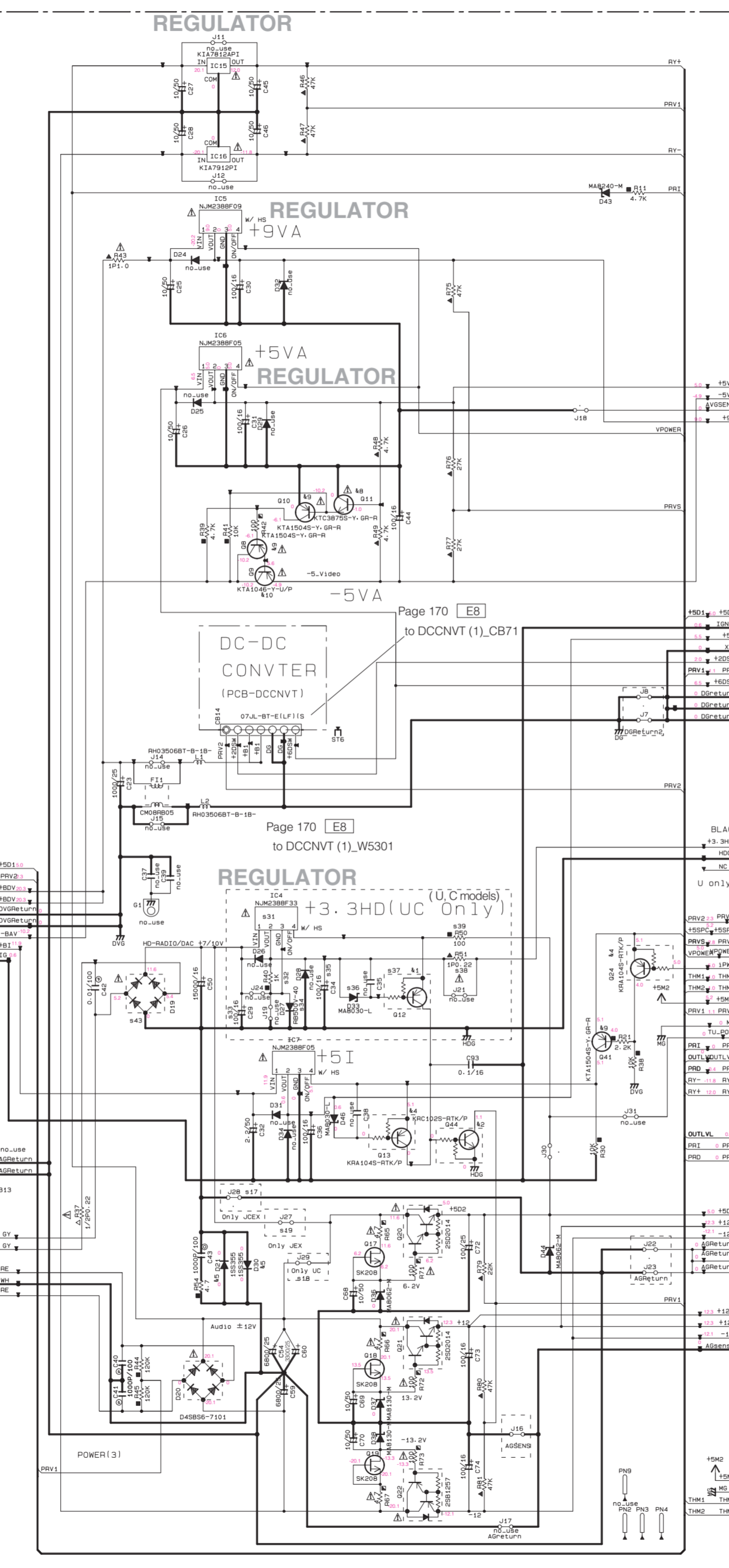
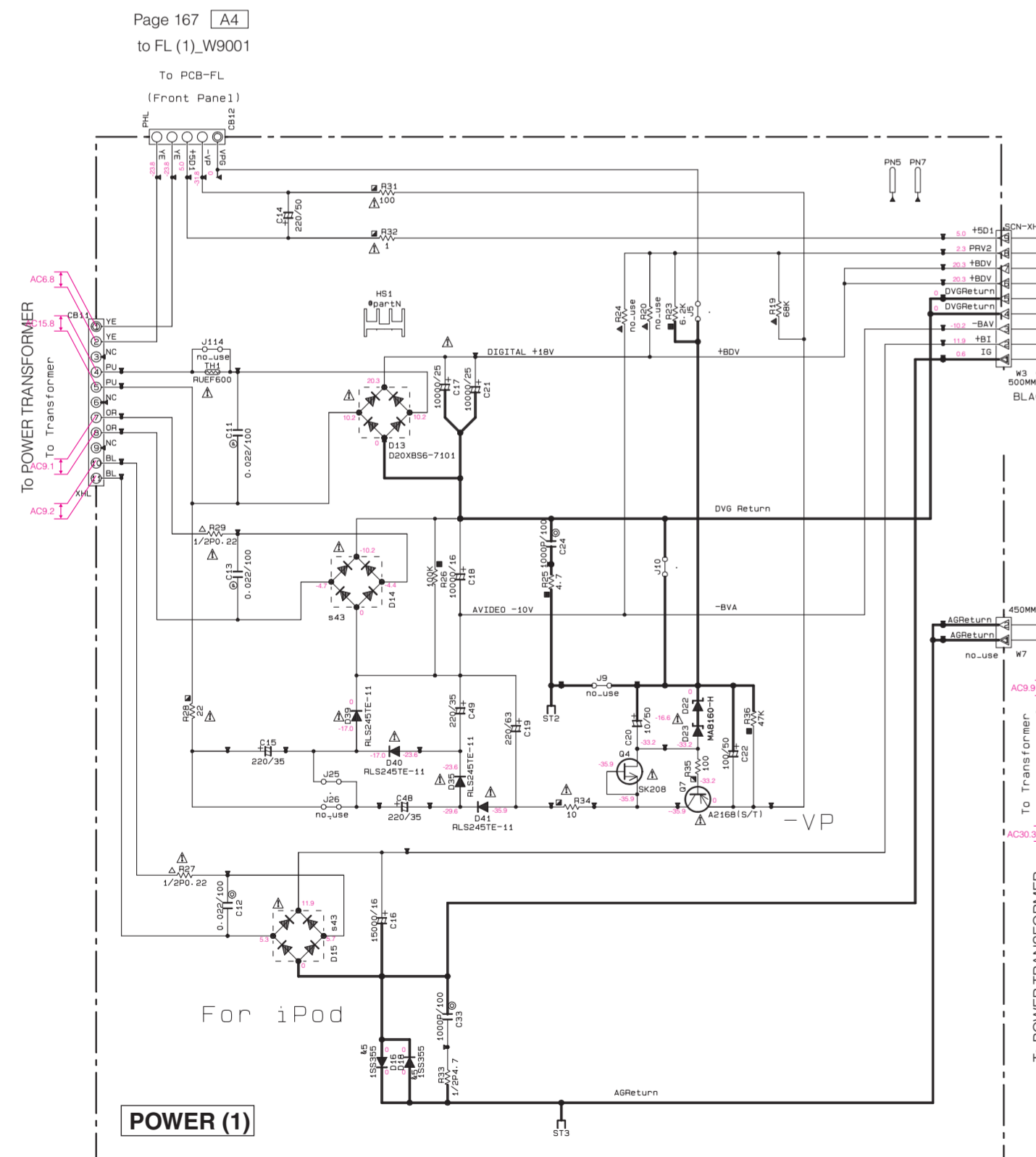
POWER

Destination Part List table with columns for part number, model, and various specifications.

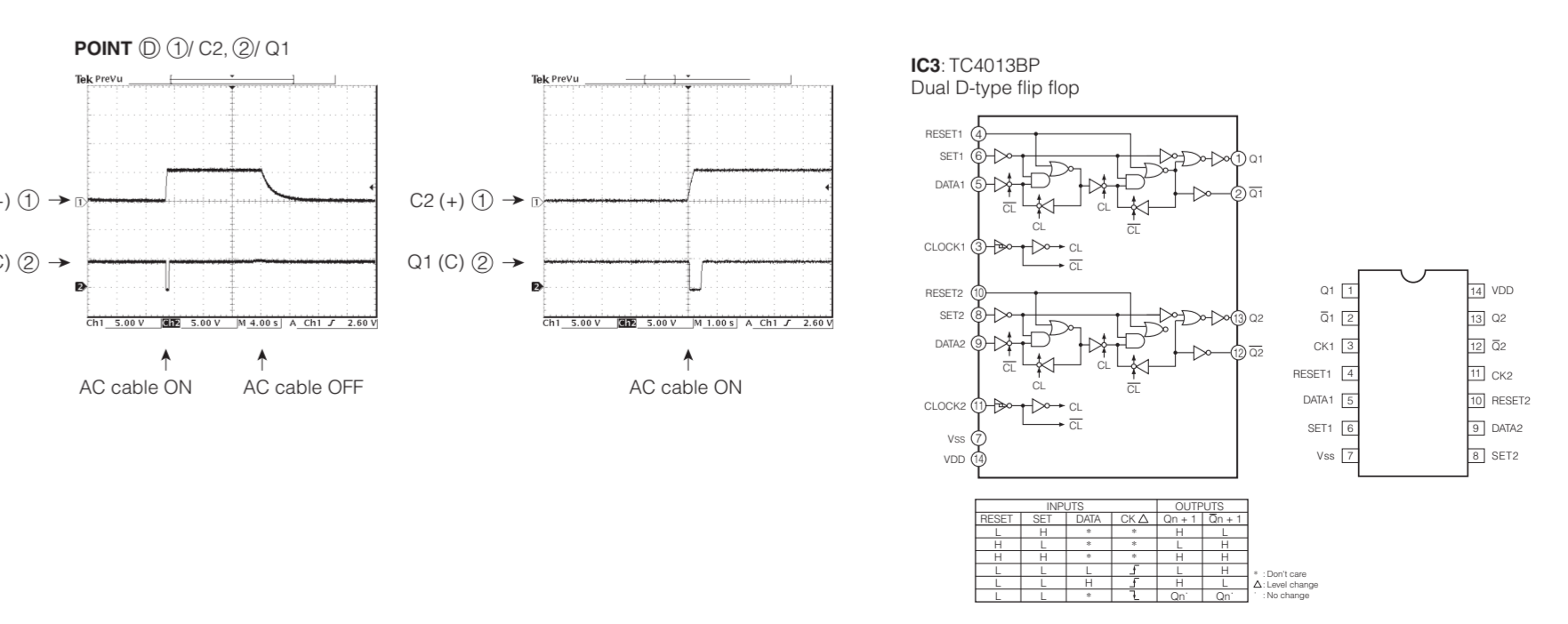
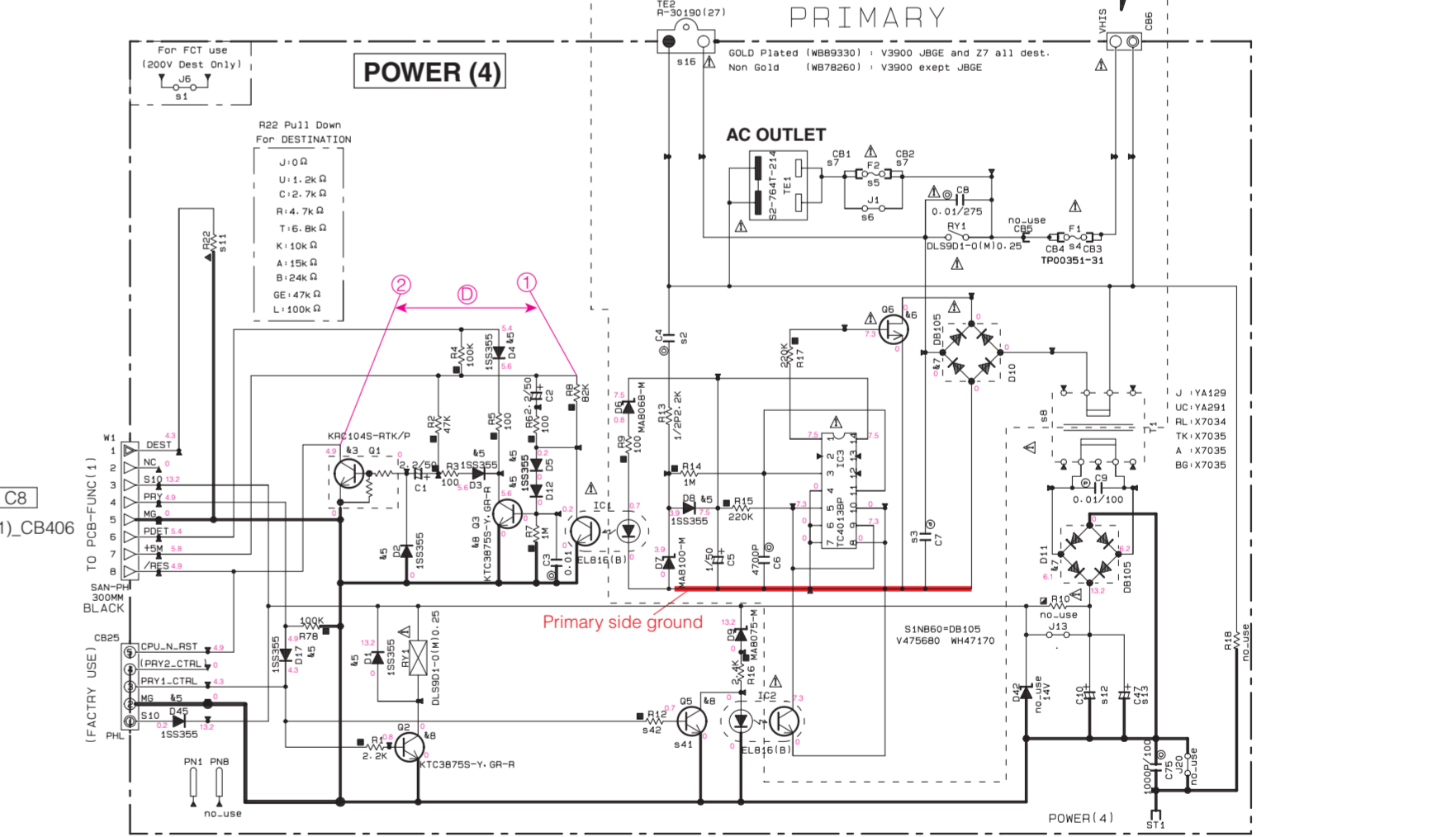
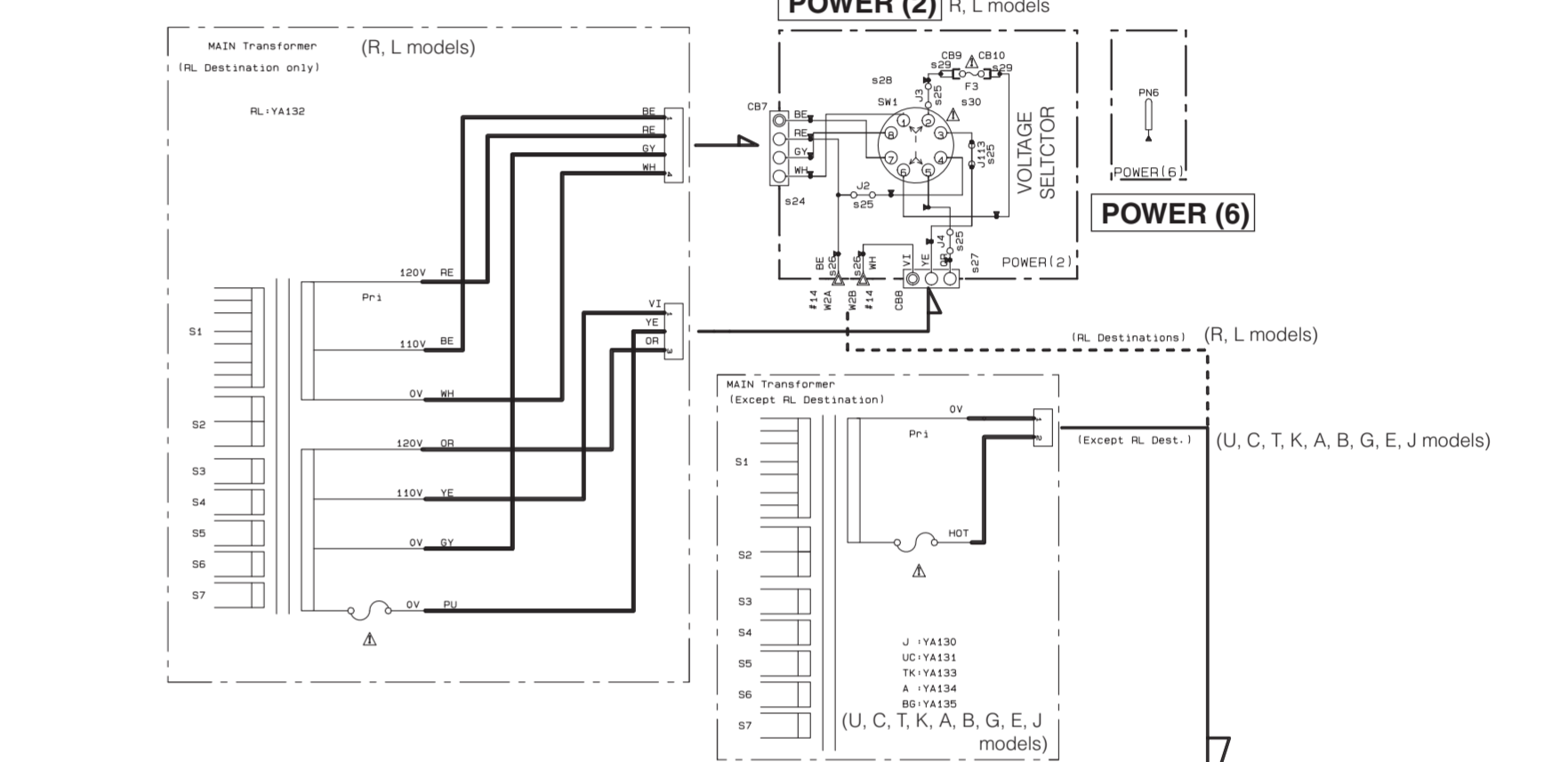
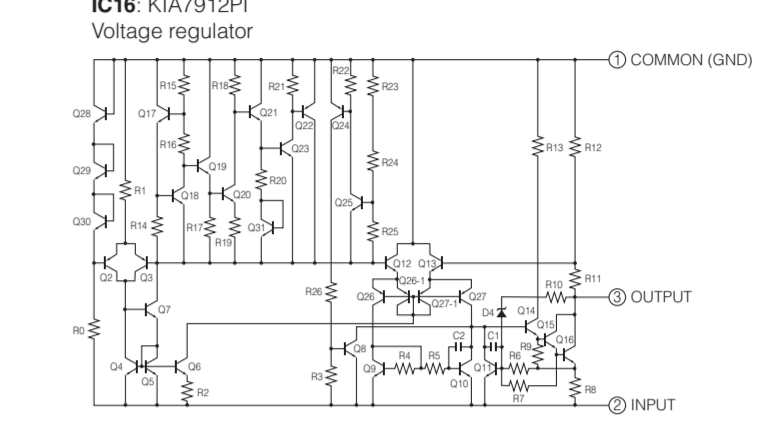
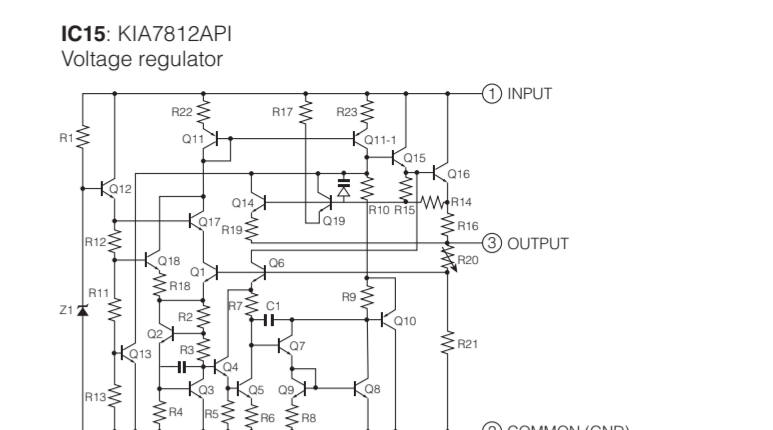
Capacitor and Resistor parts lists with remarks and part names.

NOTICE (Model) listing country codes: (J) JAPAN, (U) U.S.A., (C) CANADA, (R) GENERAL, (T) CHINA, (K) KOREA, (A) AUSTRALIA, (B) BRITISH, (G) EUROPE, (L) SINGAPORE, (E) SOUTH, (Y) TAIWAN, (F) RUSSIAN.

Interchangeable Parts at Manufacture Stage table with Mark, Reference Parts Number, and Parts Name.

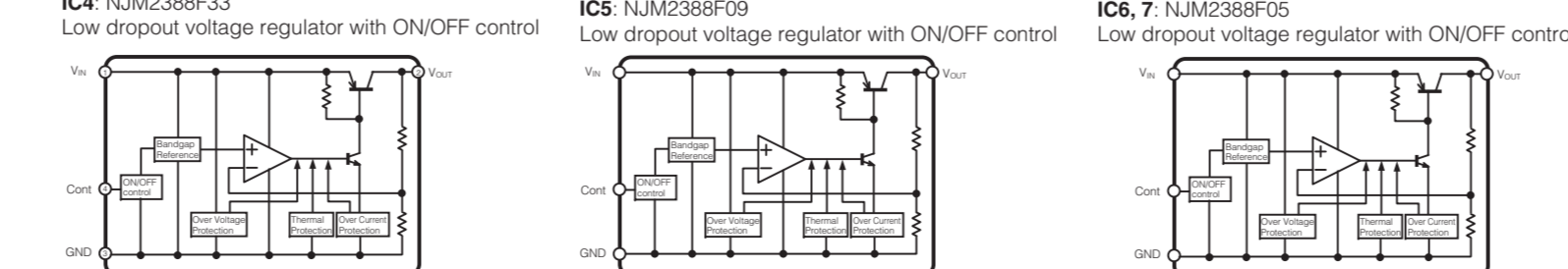


VOLTAGE SELECTOR table with voltage ranges and corresponding switch positions.



\* All voltages are measured with a 10MΩ/V DC electronic voltmeter. \* Components having special characteristics are marked with a triangle.

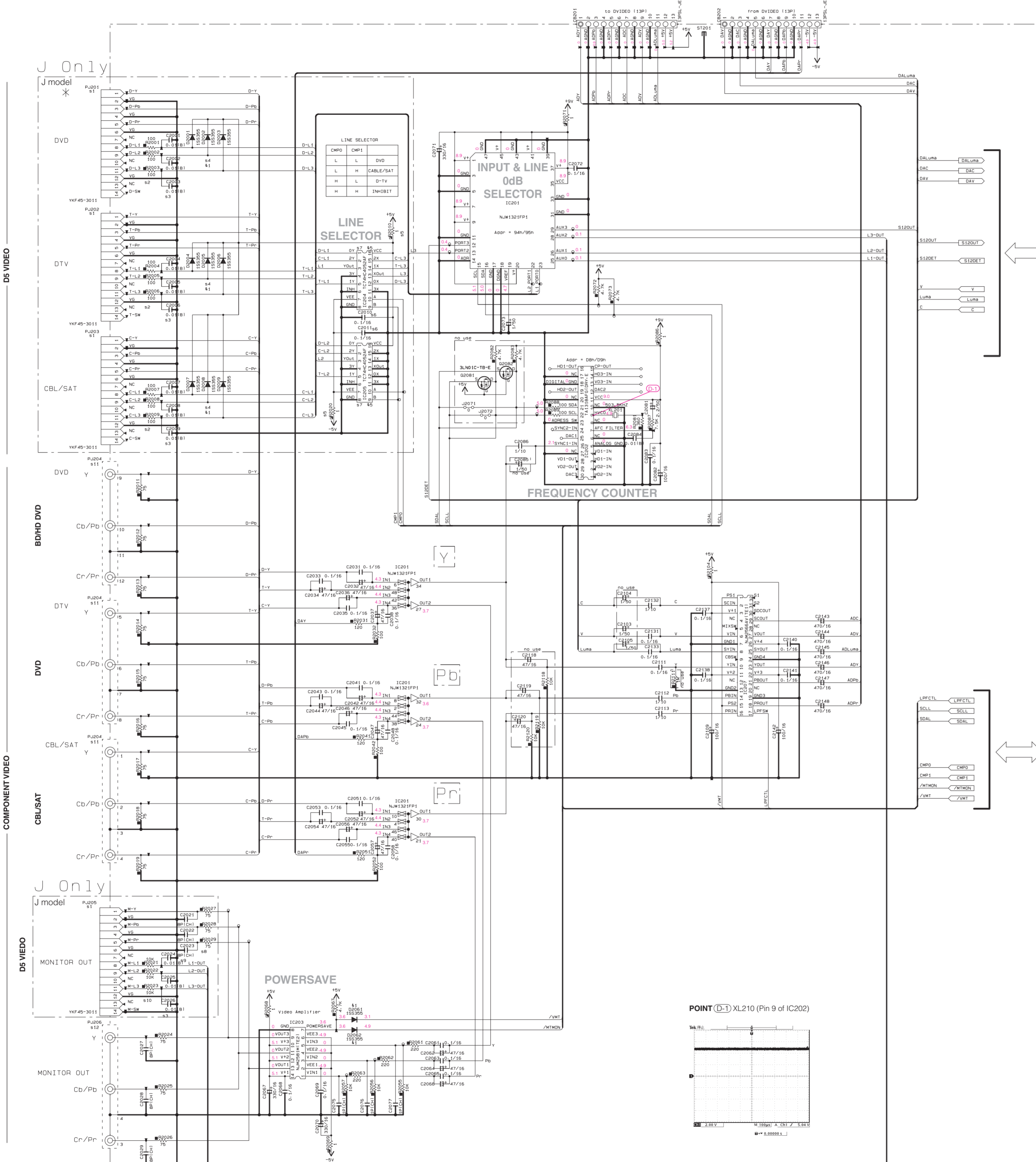
● 電圧は、内部抵抗10MΩの電圧計で測定したものです。 ● 印のある部品は、安全性確保部品を示しています。





A-VIDEO 1/2

Page 157 [A3] to D-VIDEO\_CB701 Page 157 [A2] to D-VIDEO\_CB700



RESISTOR table with columns for Remarks, Parts Name, and values.

CAPACITOR table with columns for Remarks, Parts Name, and values.

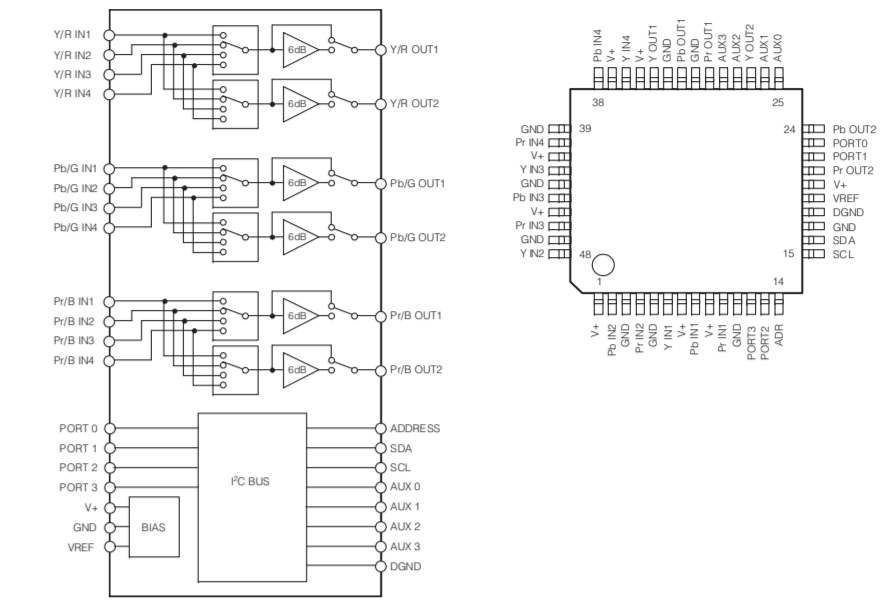
002.sht to A-VIDEO 2/2

Destination Part List table with columns for sxx, LOC, J, U.C.R.K, T.A.B.G.L.E.

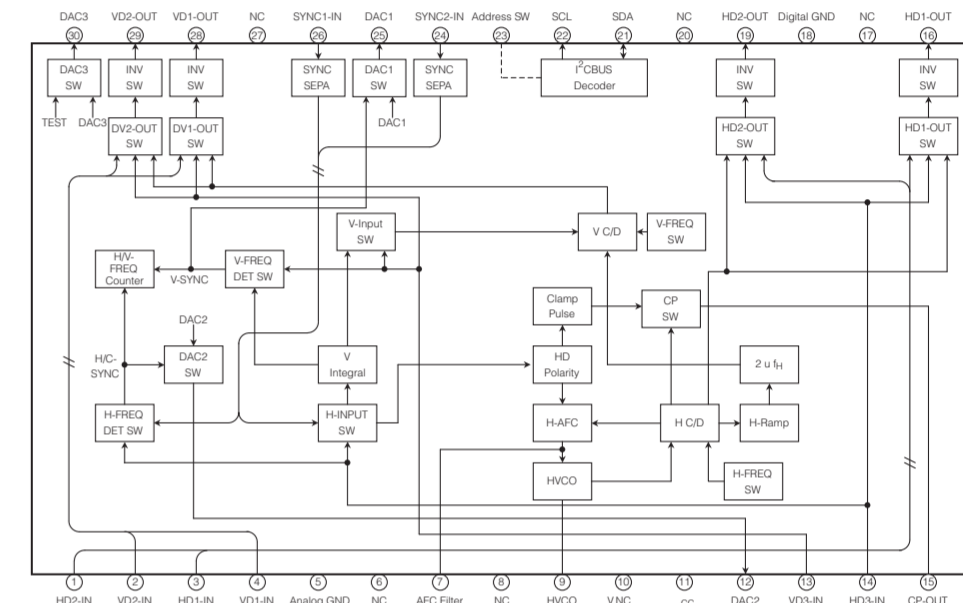
002.sht to A-VIDEO 2/2

Interchangeable Parts at Manufacture-Stage table with columns for Mark, Reference Parts Number, Parts Name.

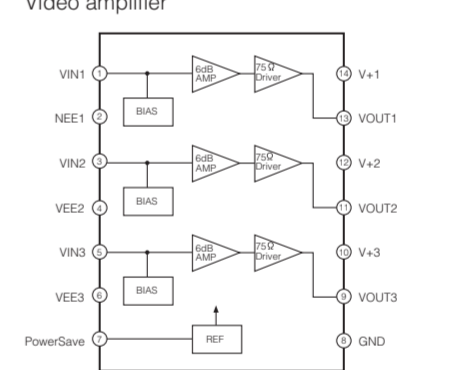
IC201: NJW1321FP1 Wide band video switch with IC bus



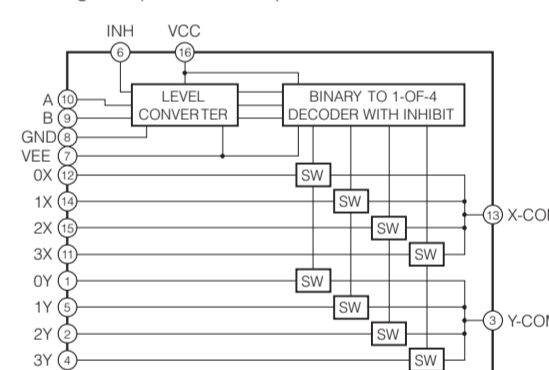
IC202: TA1318AF SYNC processor, frequency counter IC for TV component signals



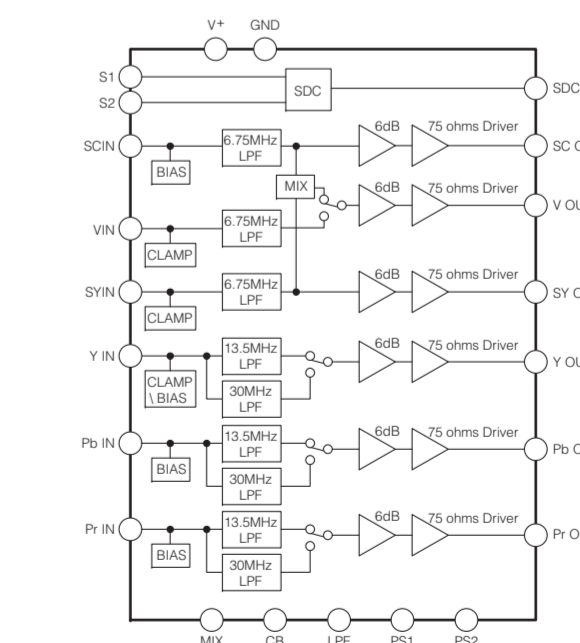
IC203: NJM2581M Video amplifier



IC204, 205: TC74HC4052AF Analog multiplexer/demultiplexer



IC207: NJM2566AV 6-channel video amplifier for DVD

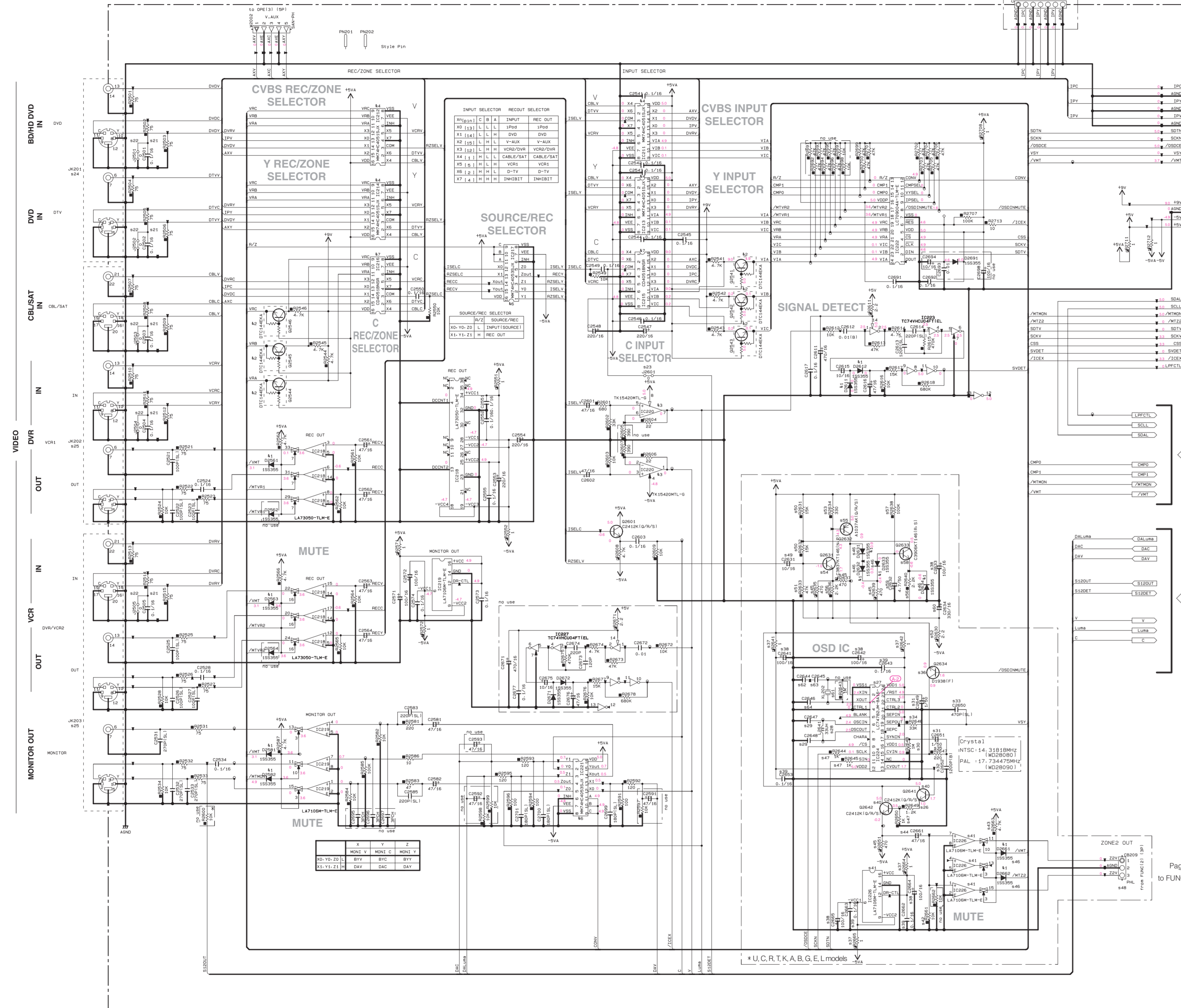


\* All voltages are measured with a 10MΩ DC electronic voltmeter. \* Components having special characteristics are marked 1 and must be replaced with parts having specifications other than those originally installed. \* Schematic diagram is subject to change without notice.

● 電圧は、内部抵抗10MΩの電圧計で測定したものです。 ● 1印のある部品は、安全確保部品を示しています。部品の交換が必要な場合、パーツリストに記載されている部品を使用してください。 ● 本回路図は標準回路図です。改良のため予告なく変更することがございます。



Page 152 [F4] to OPERATION (3)\_CB807



RESISTOR

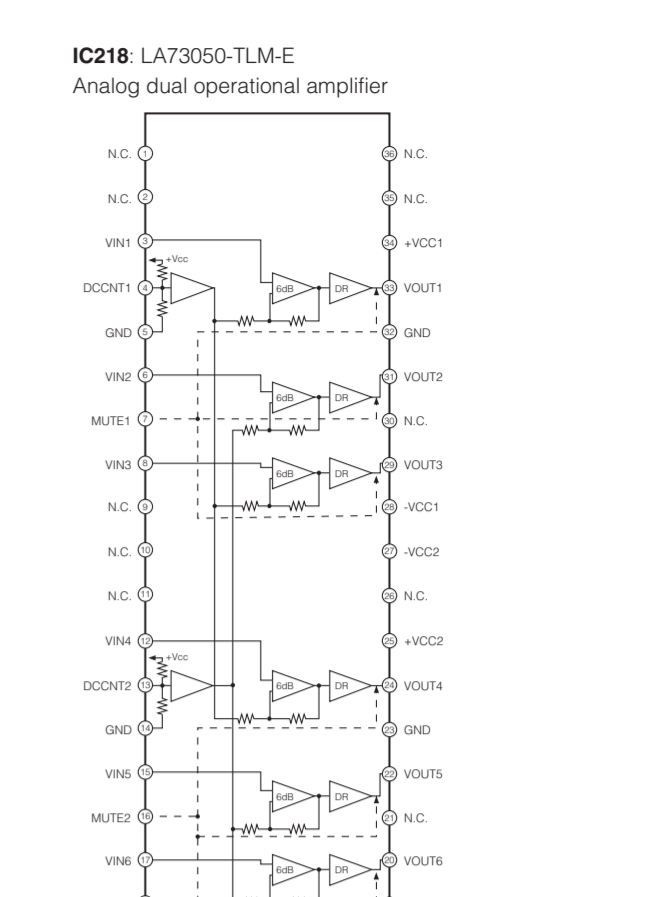
1	VCC	0V	VCC	1V	VCC
2	N	2K	2V	N	2-COM
3	COM	3K	3V	COM	3-COM
4	10K	4K	4V	10K	4-COM
5	100K	5K	5V	100K	5-COM
6	1M	6K	6V	1M	6-COM
7	10M	7K	7V	10M	7-COM
8	100M	8K	8V	100M	8-COM
9	1G	9K	9V	1G	9-COM
10	10G	10K	10V	10G	10-COM
11	100G	11K	11V	100G	11-COM
12	1T	12K	12V	1T	12-COM
13	10T	13K	13V	10T	13-COM
14	100T	14K	14V	100T	14-COM
15	1G	15K	15V	1G	15-COM
16	10G	16K	16V	10G	16-COM
17	100G	17K	17V	100G	17-COM
18	1T	18K	18V	1T	18-COM
19	10T	19K	19V	10T	19-COM
20	100T	20K	20V	100T	20-COM
21	1G	21K	21V	1G	21-COM
22	10G	22K	22V	10G	22-COM
23	100G	23K	23V	100G	23-COM
24	1T	24K	24V	1T	24-COM
25	10T	25K	25V	10T	25-COM
26	100T	26K	26V	100T	26-COM
27	1G	27K	27V	1G	27-COM
28	10G	28K	28V	10G	28-COM
29	100G	29K	29V	100G	29-COM
30	1T	30K	30V	1T	30-COM

NOTICE (made1)

(J)..... JAPAN  
(U)..... U.S.A  
(C)..... CANADA  
(H)..... GENERAL  
(T)..... CHINA  
(K)..... KOREA  
(A)..... AUSTRALIA  
(B)..... BRITISH  
(Q)..... EUROPE  
(E)..... SOUTH EUROPE  
(V)..... TAIWAN  
(F)..... RUSSIAN

RESISTOR PARTS NAME

NO MARK	CARBON FILM RESISTOR (P=5)
□	CARBON FILM RESISTOR (P=10)
△	METAL OXIDE FILM RESISTOR
○	METAL PLATE RESISTOR
■	FINE PROOF CARBON FILM RESISTOR
□	CEMENT MOUNTED RESISTOR
□	SEMI VARIABLE RESISTOR
■	CHIP RESISTOR

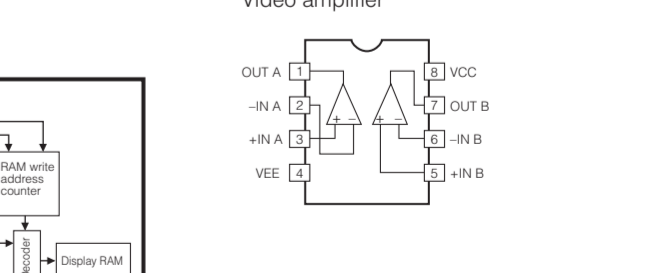
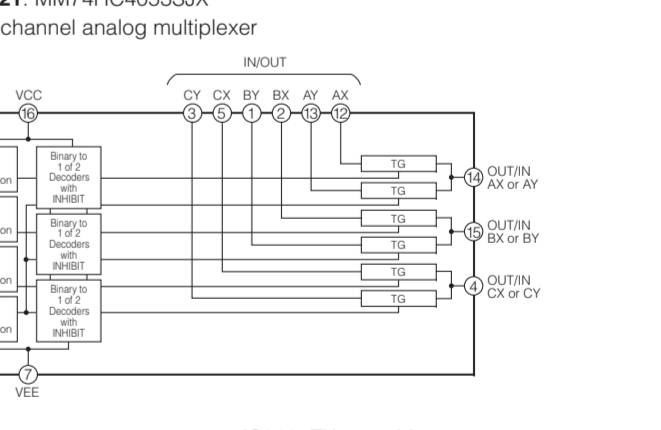
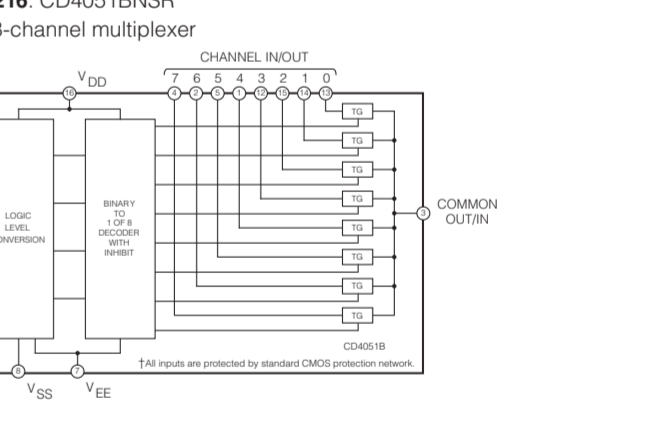
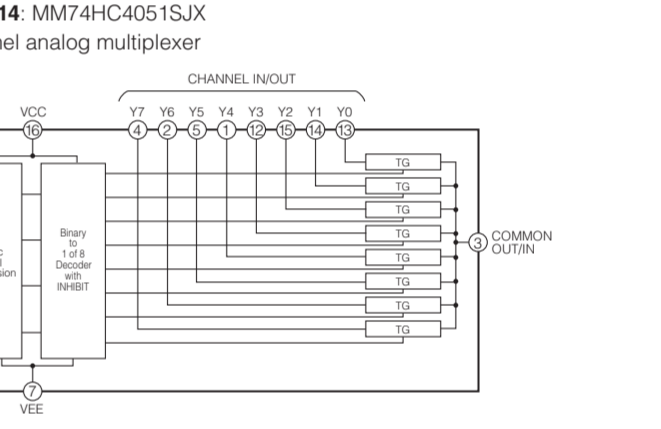
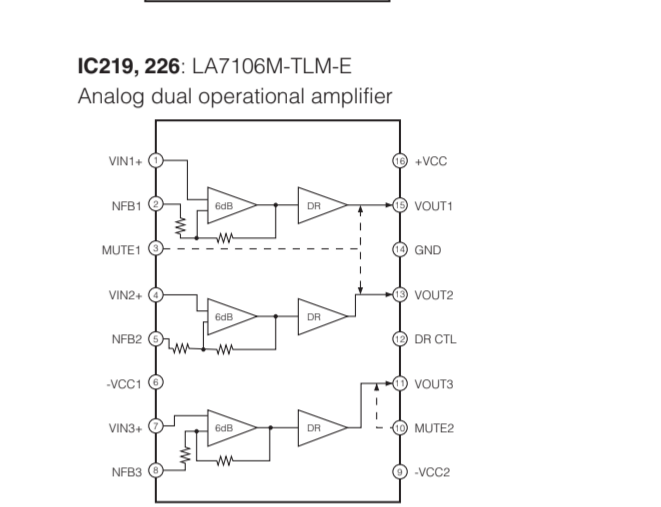


CAPACITOR

NO MARK	ELECTROLYTIC CAPACITOR
□	TANTALUM CAPACITOR
□	CERAMIC CAPACITOR
○	CERAMIC TUBULAR CAPACITOR
○	POLYESTER FILM CAPACITOR
○	POLYSTYRENE FILM CAPACITOR
○	MICA CAPACITOR
○	POLYPROPYLENE FILM CAPACITOR
○	SEMICONDUCTIVE CERAMIC CAPACITOR
○	POLYPHENYLENE SULFIDE FILM CAPACITOR

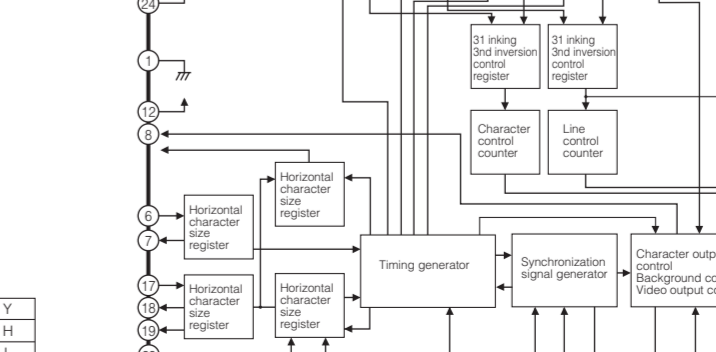
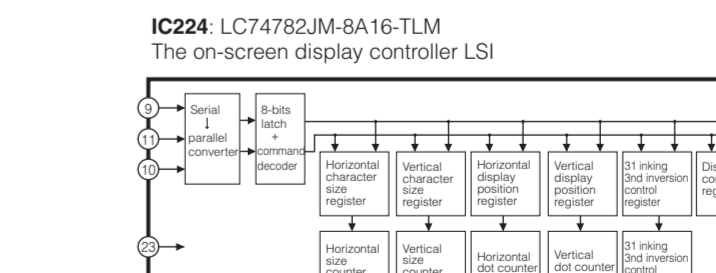
Destination Part List

Part No.	Part Name	U.C.R.K.	T.A.B.G.L.L.E.
821	IC201	HY5710	X
822	IC202	RD39000	X
823	IC203	RD39000	X
824	IC204	RD39000	X
825	IC205	RD39000	X
826	IC206	RD39000	X
827	IC207	RD39000	X
828	IC208	RD39000	X
829	IC209	RD39000	X
830	IC210	RD39000	X
831	IC211	RD39000	X
832	IC212	RD39000	X
833	IC213	RD39000	X
834	IC214	RD39000	X
835	IC215	RD39000	X
836	IC216	RD39000	X
837	IC217	RD39000	X
838	IC218	RD39000	X
839	IC219	RD39000	X
840	IC220	RD39000	X
841	IC221	RD39000	X
842	IC222	RD39000	X
843	IC223	RD39000	X
844	IC224	RD39000	X
845	IC225	RD39000	X
846	IC226	RD39000	X
847	IC227	RD39000	X
848	IC228	RD39000	X
849	IC229	RD39000	X
850	IC230	RD39000	X
851	IC231	RD39000	X
852	IC232	RD39000	X
853	IC233	RD39000	X
854	IC234	RD39000	X
855	IC235	RD39000	X
856	IC236	RD39000	X
857	IC237	RD39000	X
858	IC238	RD39000	X
859	IC239	RD39000	X
860	IC240	RD39000	X
861	IC241	RD39000	X
862	IC242	RD39000	X
863	IC243	RD39000	X
864	IC244	RD39000	X



001.sht to A-VIDEO 1/2

001.sht to A-VIDEO 1/2



VSS1 1 24 VDD1

Xtabin 2 23 RST

Xtabout 3 22 CTRL3

CTAL1 4 21 CTRL2

BLANK 5 20 SEPN

OSCIN 6 19 SEPOUT

OSCOUT 7 18 SEPC

CHARA 8 17 SYNA

CS 9 16 VDD1

SCLK 10 15 CVn

SIN 11 14 NC

VDD2 12 13 CVout

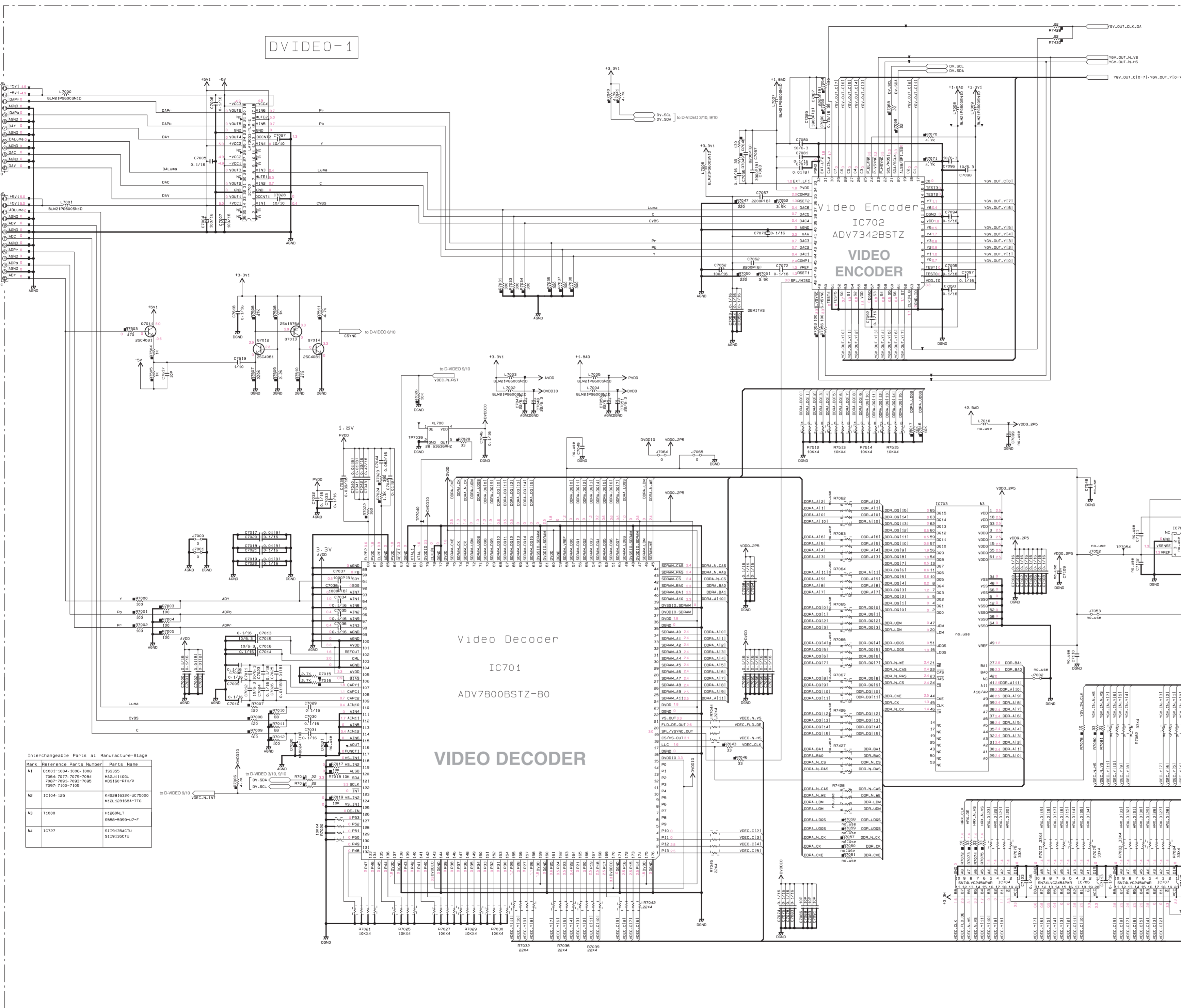
★ All voltages are measured with a 10MΩ/V DC electronic voltmeter.  
★ Components having special characteristics are marked '!' and must be replaced with parts having specifications equal to those originally installed.  
★ Schematic diagram is subject to change without notice.

● 電圧は、内部抵抗10MΩの電圧計で測定したものです。  
● !印のある部品は、安全性確保部品を示しています。部品の交換が必要な場合、パーツリストに記載されている部品を使用してください。  
● 本回路図は標準回路図です。改良のため予告なく変更することがございます。



D-VIDEO 1/10

Page 155 [G2] to A-VIDEO\_CB202  
Page 155 [F2] to A-VIDEO\_CB201



Interchangeable Parts at Manufacture Stage

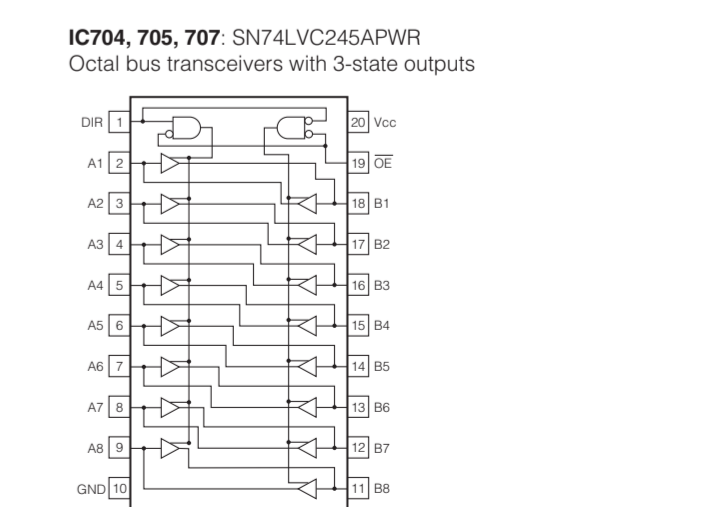
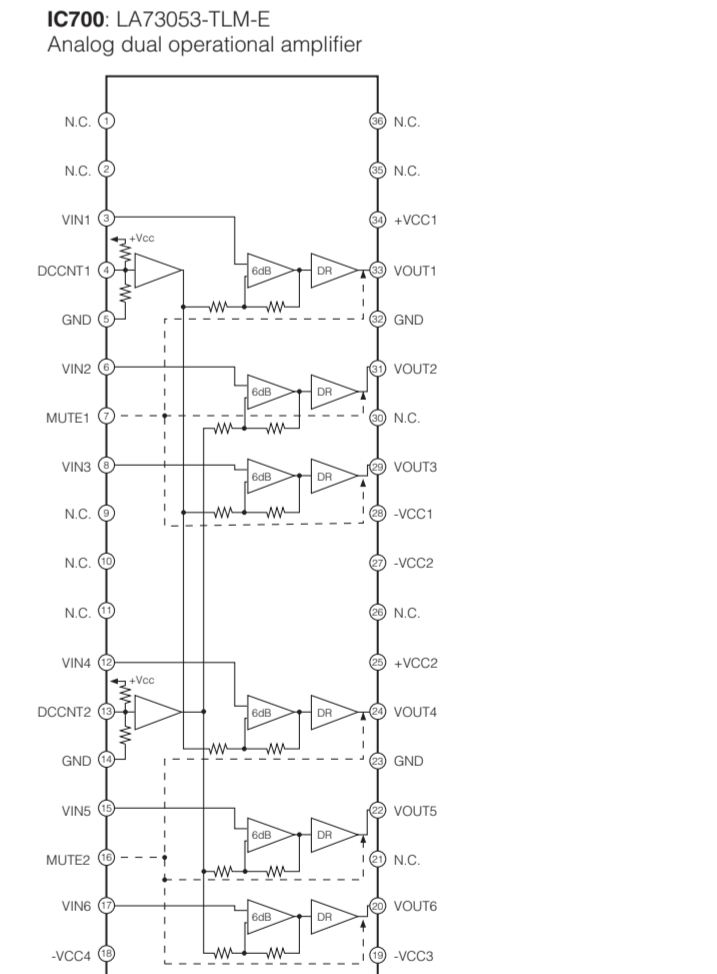
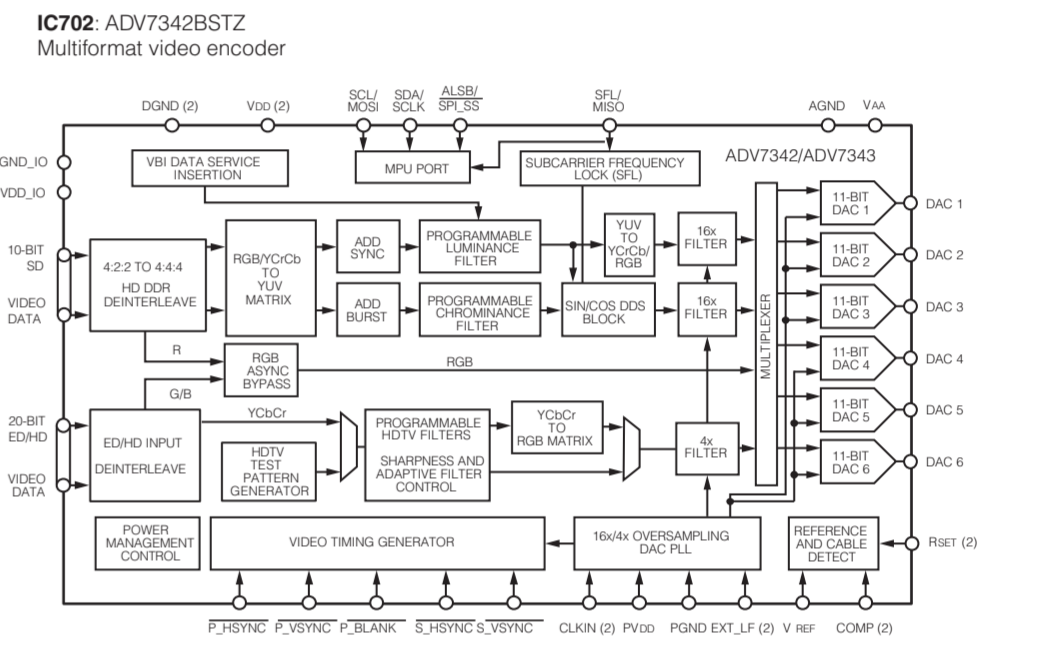
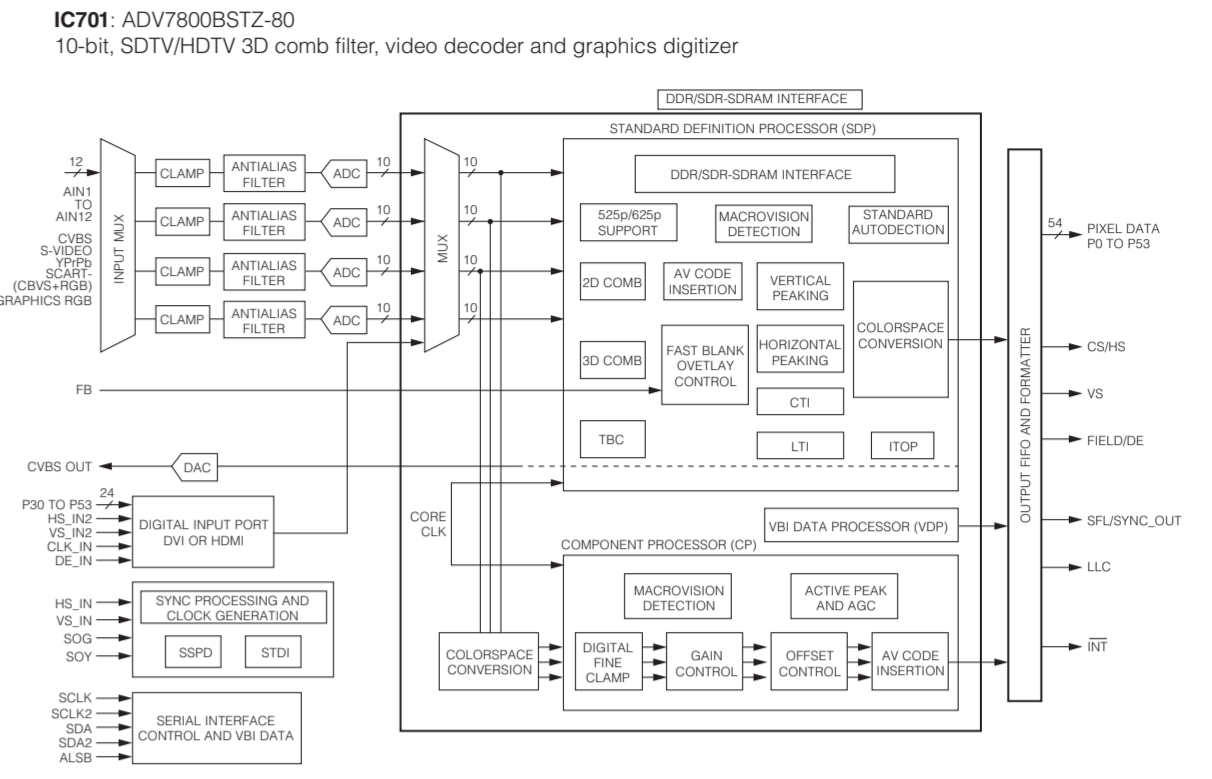
Mark	Reference Parts Number	Parts Name
K1	D1001-1004, 1006-1008, 1004-1100, 1004-1100, 7087-7091, 7093-7095, 7097-7100-7105	RESISTOR
K2	IC104-125	445281632K-UC7000 1/2L128168A-715
K3	T1000	1/2W060L1 5000-9999-U-F
K4	IC797	511919ACTV 511919ACTV

RESISTOR

REMARKS	PARTS NAME
NO MARK	CARBON FILM RESISTOR (P+5)
□	CARBON FILM RESISTOR (P+10)
△	METAL OXIDE FILM RESISTOR
▲	METAL FILM RESISTOR
■	METAL PLATE RESISTOR
◇	FINE PITCH CARBON FILM RESISTOR
□	CEMENT MOLDED RESISTOR
⊙	SEMI VARIABLE RESISTOR
■	CHIP RESISTOR

NOTICE (model)

(J)..... JAPAN  
(U)..... U.S.A.  
(C)..... CANADA  
(R)..... GENERAL  
(T)..... CHINA  
(K)..... KOREA  
(A)..... AUSTRALIA  
(B)..... BRITISH  
(G)..... EUROPE  
(L)..... SINGAPORE  
(E)..... SOUTH EUROPE  
(V)..... TAIWAN  
(F)..... RUSSIAN



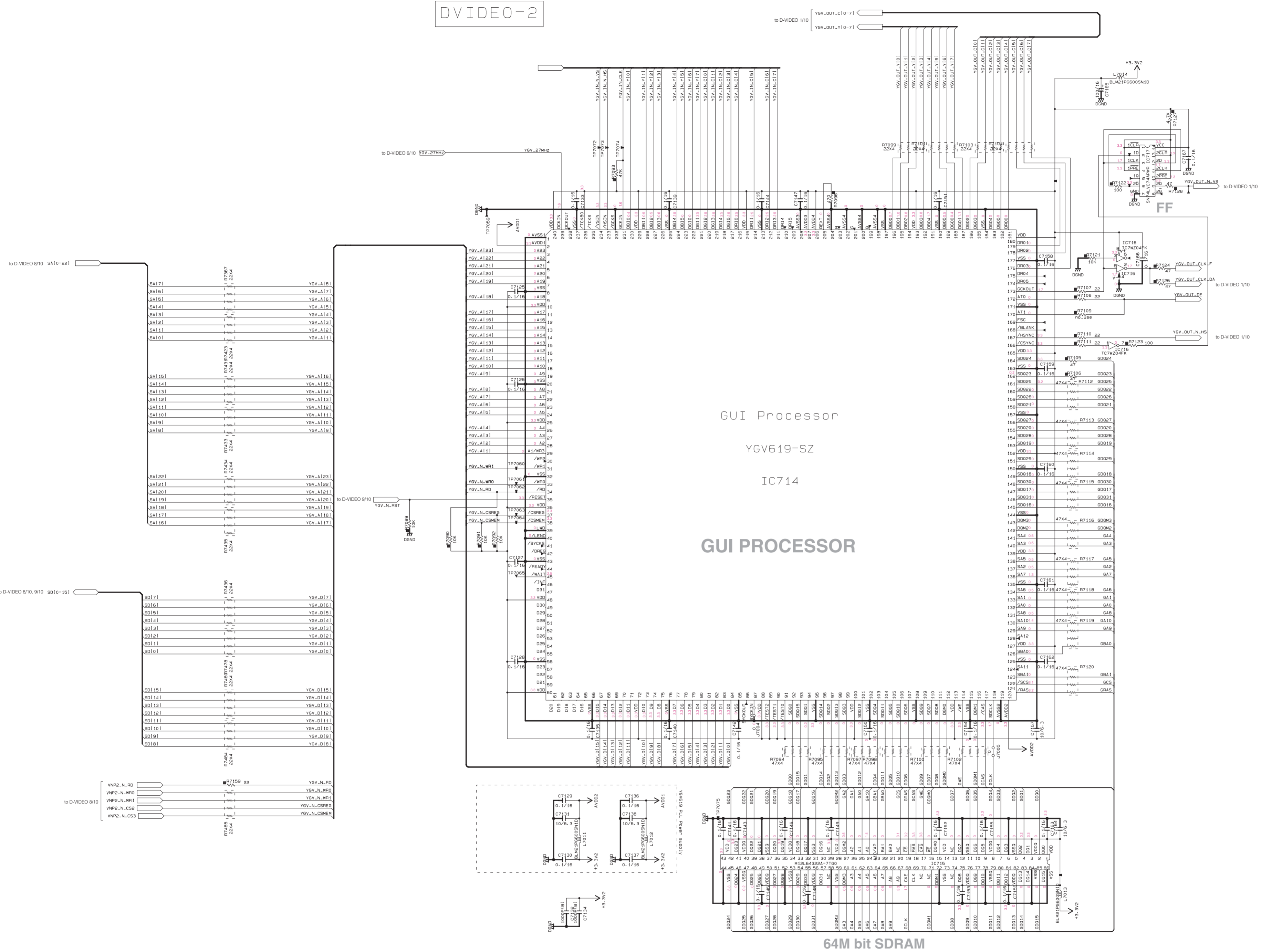
★ All voltages are measured with a 10MΩ/V DC electronic voltmeter.  
★ Components having special characteristics are marked with a triangle (▲) and must be replaced with parts having specifications equal to those originally installed.  
★ Schematic diagram is subject to change without notice.

● 電圧は、内部抵抗10MΩの電圧計で測定したものです。  
● ▲印のある部品は、安全確保部品を示しています。部品の交換が必要な場合、パーツリストに記載されている部品を使用してください。  
● 本回路図は標準回路図です。改良のため予告なく変更することがございます。



D-VIDEO 2/10

DVIDEO-2



GUI Processor  
YGV619-SZ  
IC714

GUI PROCESSOR

64M bit SDRAM

REMARKS	PARTS NAME
NO MARK	CARBON FILM RESISTOR [P=5]
□	CARBON FILM RESISTOR [P=10]
△	METAL OXIDE FILM RESISTOR
⊠	METAL FILM RESISTOR
⊞	FIRE PROOF CARBON FILM RESISTOR
⊞	METAL PLATE RESISTOR
⊞	CEMENT MOLDED RESISTOR
⊞	SEMI VARIABLE RESISTOR
■	CHIP RESISTOR

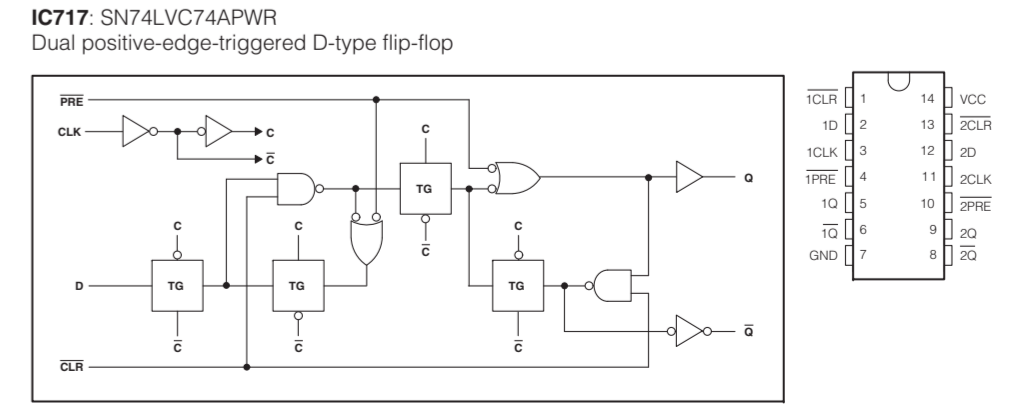
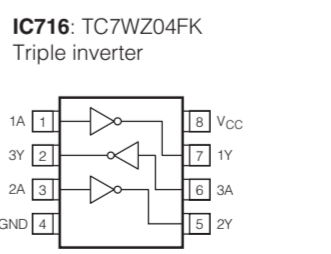
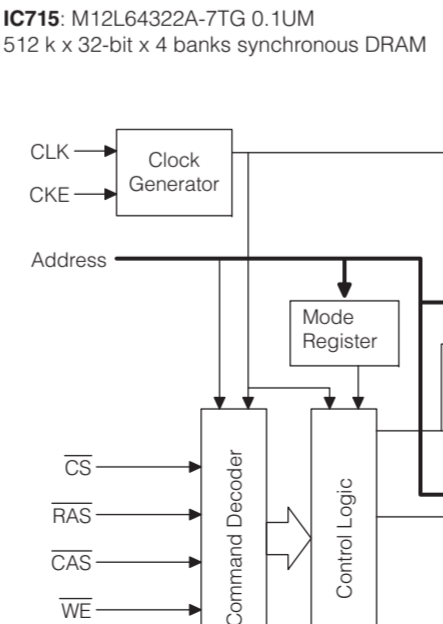
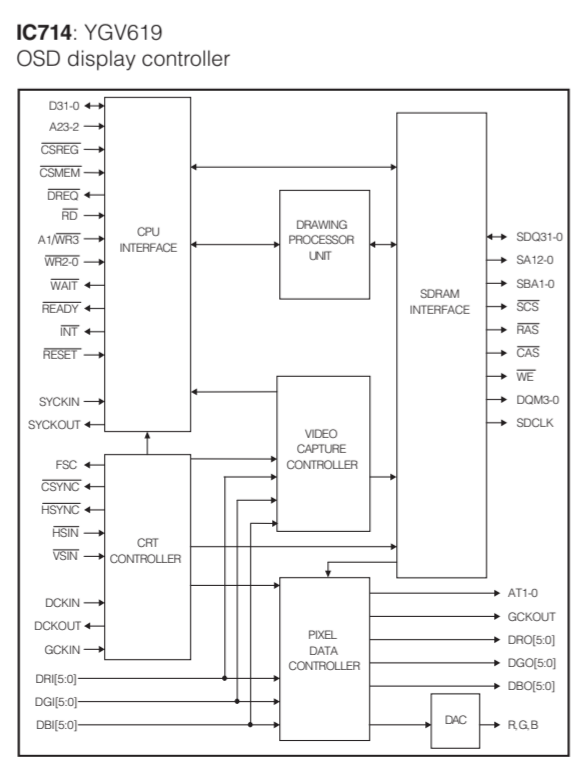
REMARKS	PARTS NAME
NO MARK	ELECTROLYTIC CAPACITOR
○	TANTALUM CAPACITOR
NO MARK	CERAMIC CAPACITOR
⊙	CERAMIC TUBULAR CAPACITOR
⊙	POLYESTER FILM CAPACITOR
⊙	POLYSTYRENE FILM CAPACITOR
⊙	MICA CAPACITOR
⊙	POLYPROPYLENE FILM CAPACITOR
⊙	SEMICONDUCTIVE CERAMIC CAPACITOR

NOTICE (model)

(J)..... JAPAN  
(U)..... U.S.A  
(C)..... CANADA  
(R)..... GENERAL  
(T)..... CHINA  
(K)..... KOREA  
(A)..... AUSTRALIA  
(B)..... BRITISH  
(G)..... EUROPE  
(L)..... SINGAPORE  
(E)..... SOUTH EUROPE  
(V)..... TAIWAN  
(F)..... RUSSIAN

★ All voltages are measured with a 10MΩV DC electronic voltmeter.  
★ Components having special characteristics are marked ♯, and must be replaced with parts having specifications equal to those originally installed.  
★ Schematic diagram is subject to change without notice.

● 電圧は、内部抵抗10MΩの電圧計で測定したものです。  
● ♯印のある部品は、安全性確保部品を示しています。部品の交換が必要な場合、パーツリストに記載されている部品を使用してください。  
● 本回路図は標準回路図です。改良のため予告なく変更することがございます。





D-VIDEO 3/10

DVIDEO-3

REMARKS	NO MARK	PARTS NAME	RESISTOR
	□	CARBON FILM RESISTOR (P=5)	□
	□	CARBON FILM RESISTOR (P=10)	□
	△	METAL OXIDE FILM RESISTOR	△
	◇	METAL FILM RESISTOR	◇
	○	METAL PLATE RESISTOR	○
	○	FIRE PROOF CARBON FILM RESISTOR	○
	□	CEMENT MOUNTED RESISTOR	□
	◇	SEMI VARIABLE RESISTOR	◇
	■	CHIP RESISTOR	■

REMARKS	NO MARK	PARTS NAME	CAPACITOR
	□	ELECTROLYTIC CAPACITOR	□
	□	TANTALUM CAPACITOR	□
	□	CERAMIC CAPACITOR	□
	○	CERAMIC TUBULAR CAPACITOR	○
	○	POLYESTER FILM CAPACITOR	○
	○	POLYETHYLENE FILM CAPACITOR	○
	○	MICA CAPACITOR	○
	○	POLYPROPYLENE FILM CAPACITOR	○
	○	SEMICONDUCTIVE CERAMIC CAPACITOR	○

NOTICE (mode)  
 (J)..... JAPAN  
 (U)..... U. S. A  
 (C)..... CANADA  
 (R)..... GENERAL  
 (T)..... CHINA  
 (K)..... KOREA  
 (A)..... AUSTRALIA  
 (B)..... BRITISH  
 (G)..... EUROPE  
 (L)..... SINGAPORE  
 (E)..... SOUTH  
 (V)..... TAIWAN  
 (F)..... RUSSIAN

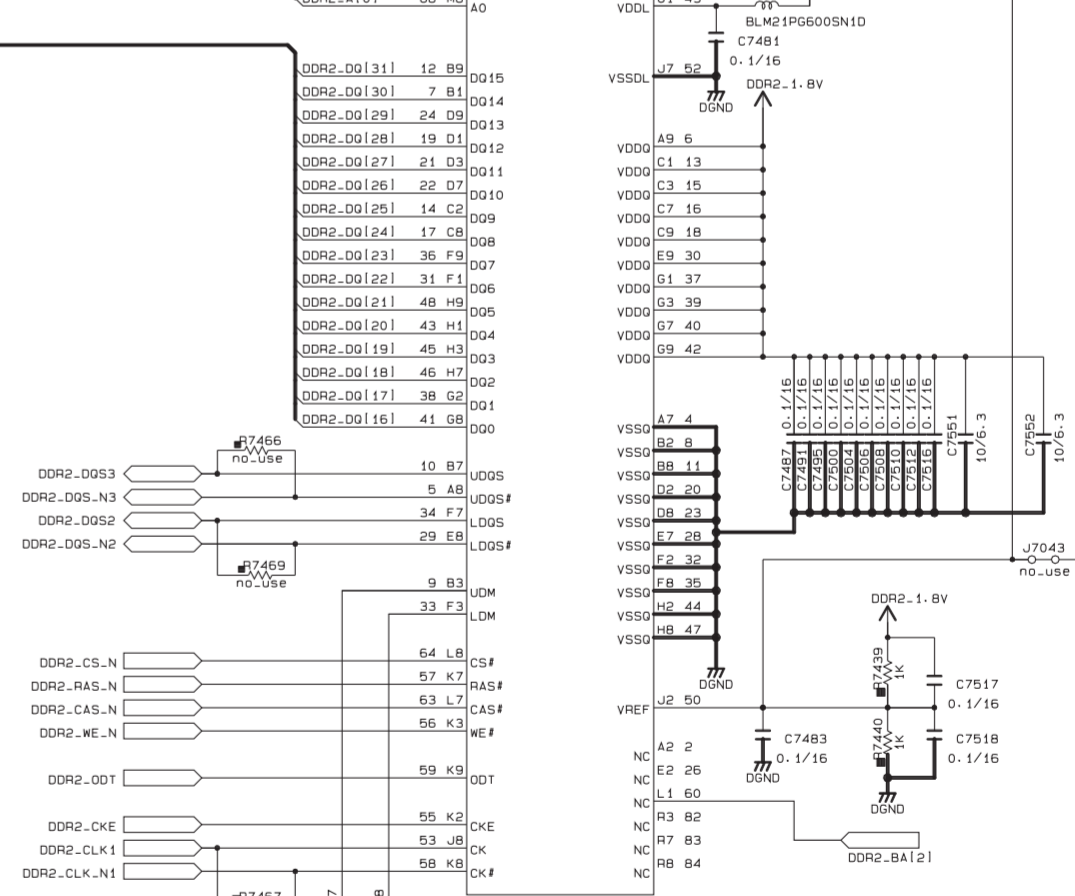
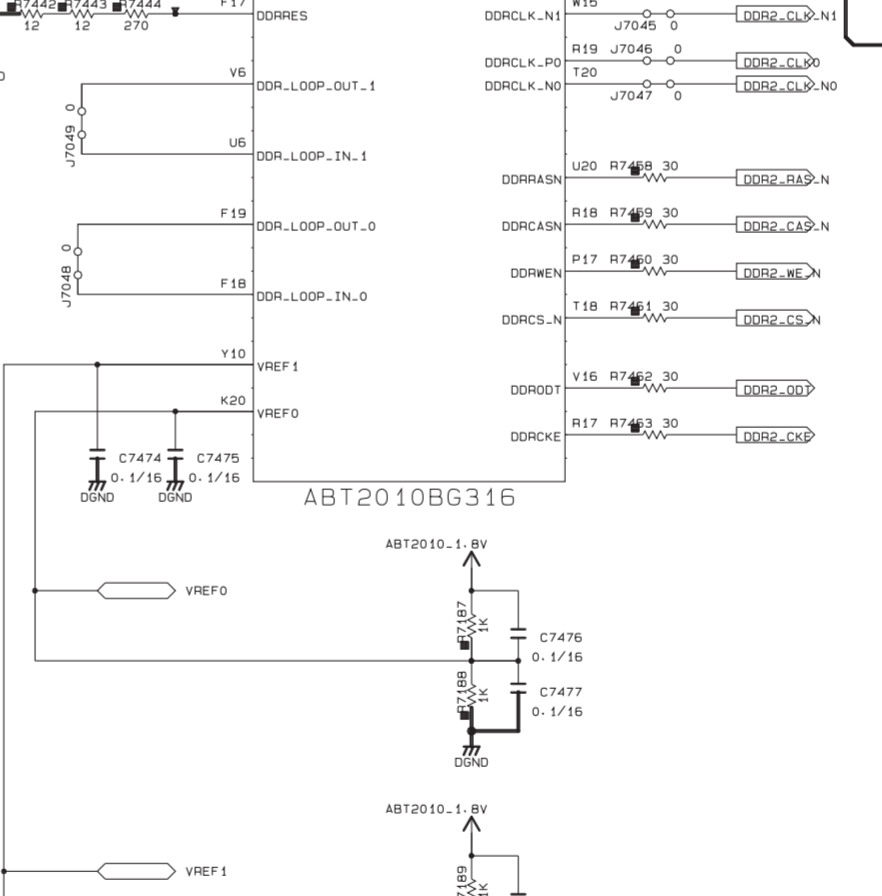
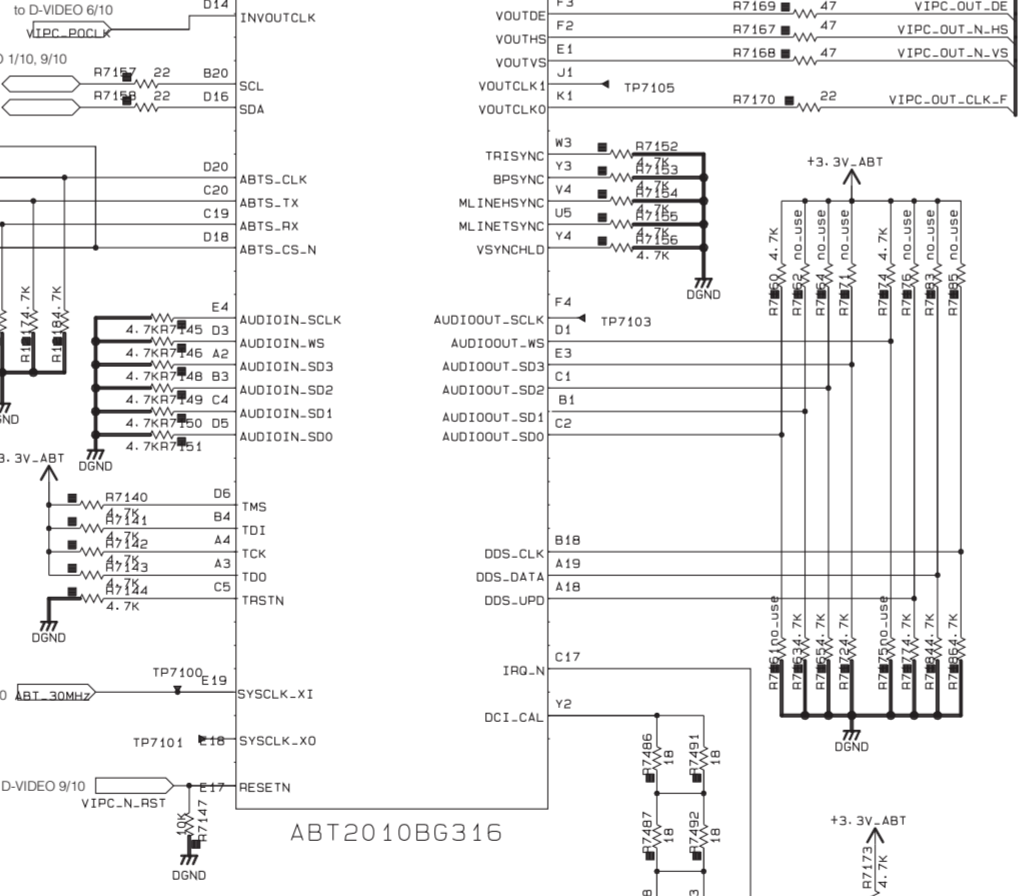
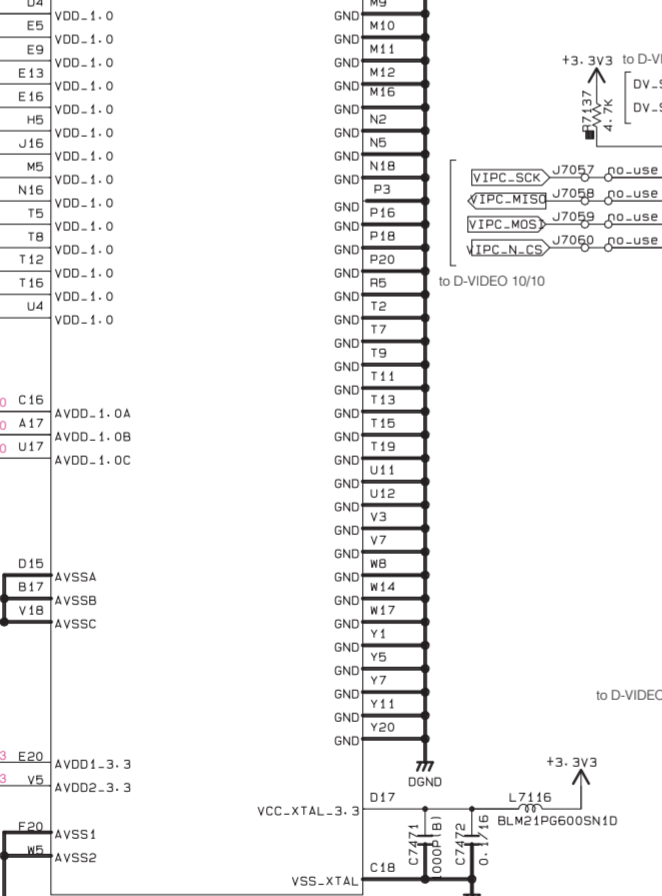
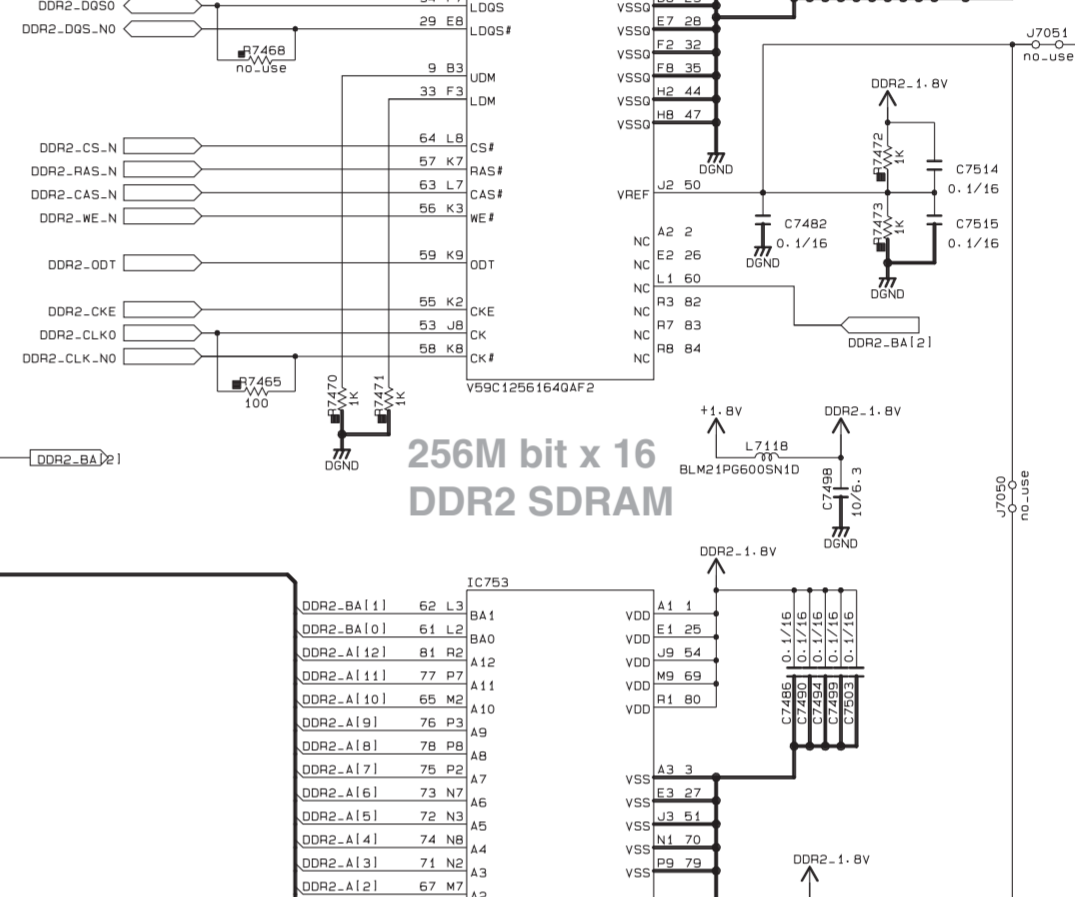
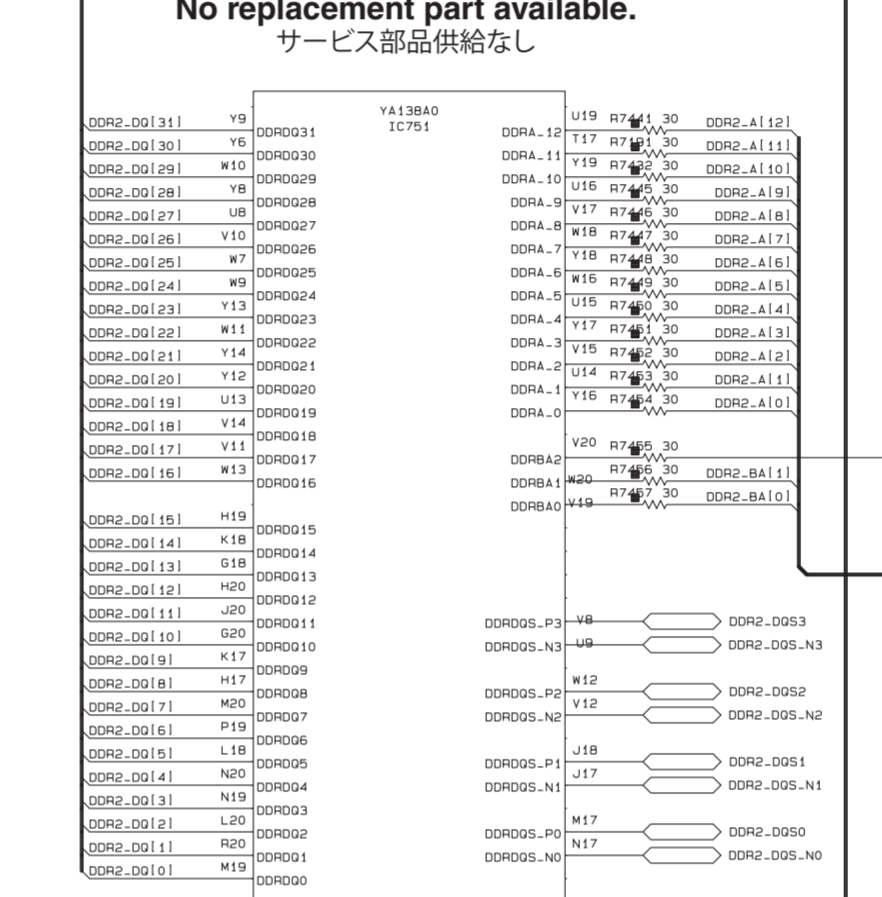
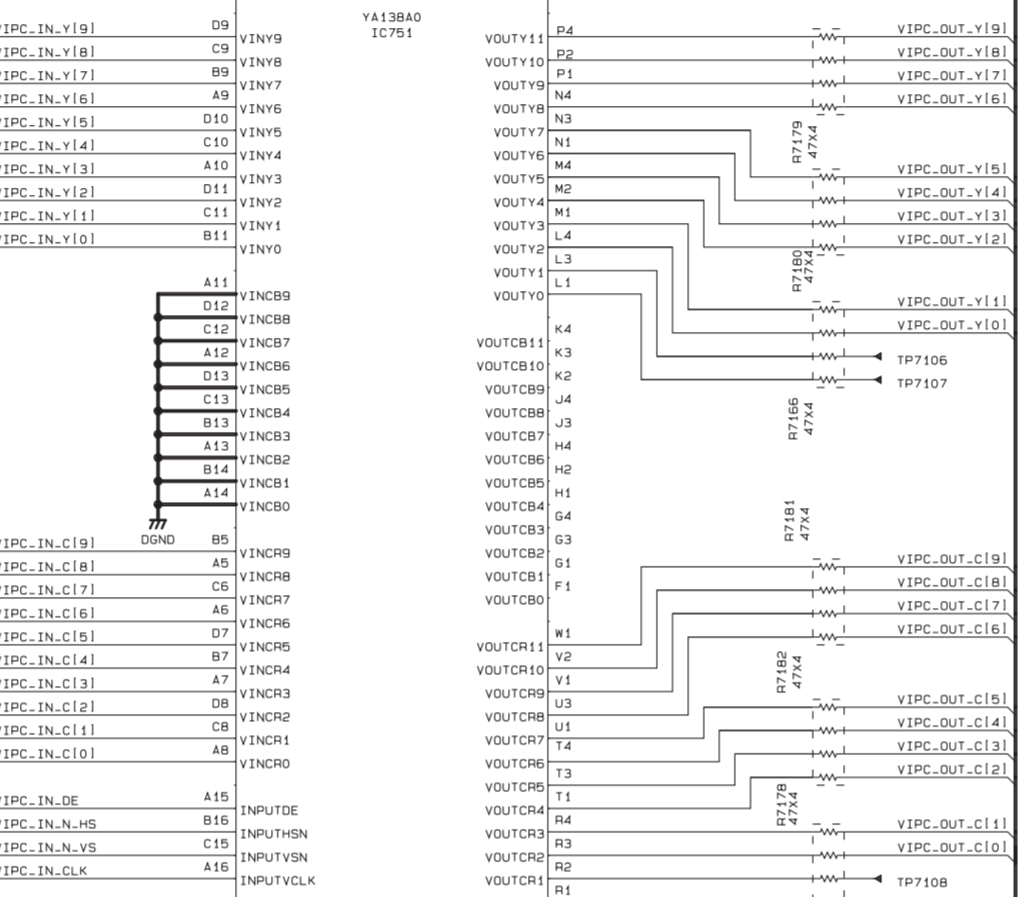
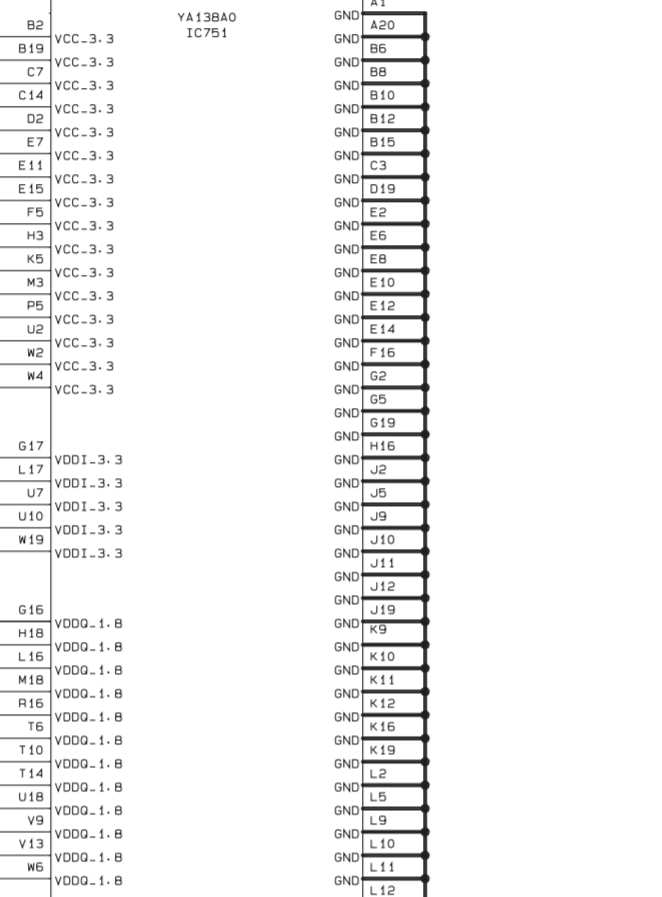
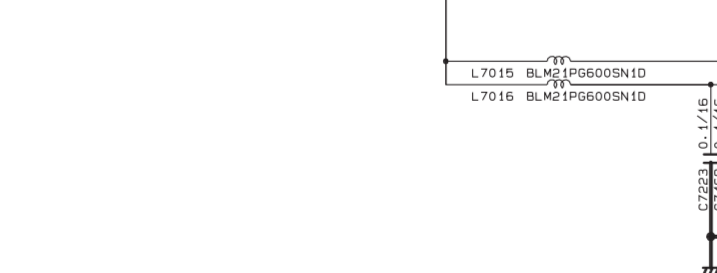
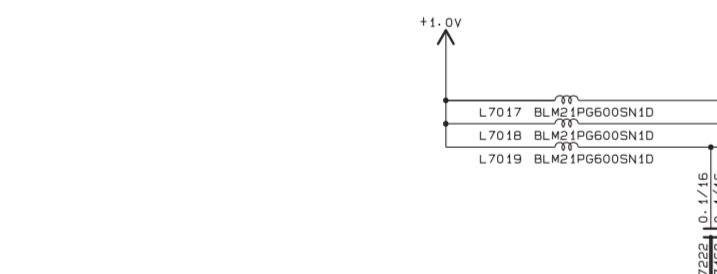
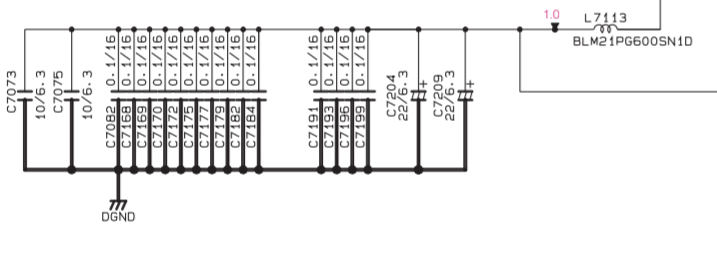
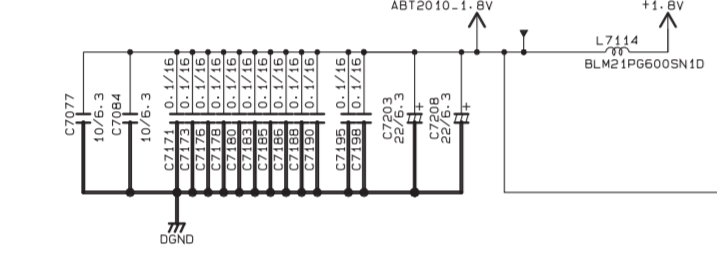
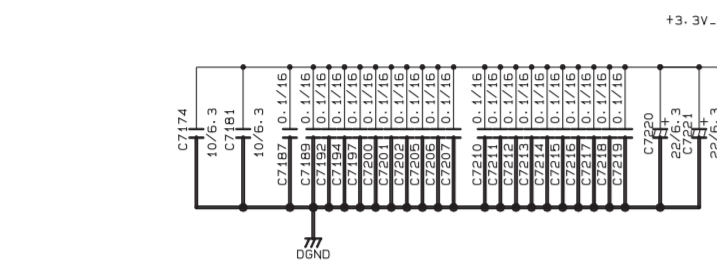
**VIDEO PROCESSOR**  
 No replacement part available.  
 サービス部品供給なし

**VIDEO PROCESSOR**  
 No replacement part available.  
 サービス部品供給なし

**VIDEO PROCESSOR**  
 No replacement part available.  
 サービス部品供給なし

**256M bit x 16 DDR2 SDRAM**

**256M bit x 16 DDR2 SDRAM**



IC752, 753 V59C1256164QAF25  
 256 M-bit DDR2 SDRAM

1	2	3	7	8	9	
VDD	NC	VSS	A	VSSQ	DQS	VDDQ
NC	VSSQ	DM	B	DQS	VSSQ	NC
VDDQ	DQ1	VDDQ	C	VDDQ	DQ0	VDDQ
NC	VSSQ	DQ3	D	DQ2	VSSQ	NC
VDDL	VREF	VSS	E	VSSDL	CK	VDD
NC	CKE	WE	F	RAS	CK	ODT
NC	BA0	BA1	G	CAS	CS	
A10	A1	H	A2	A0	VDD	
VSS	A3	A5	J	A6	A4	
VDD	A7	A9	K	A11	A8	VSS
VDD	A12	NC	L	NC	NC	

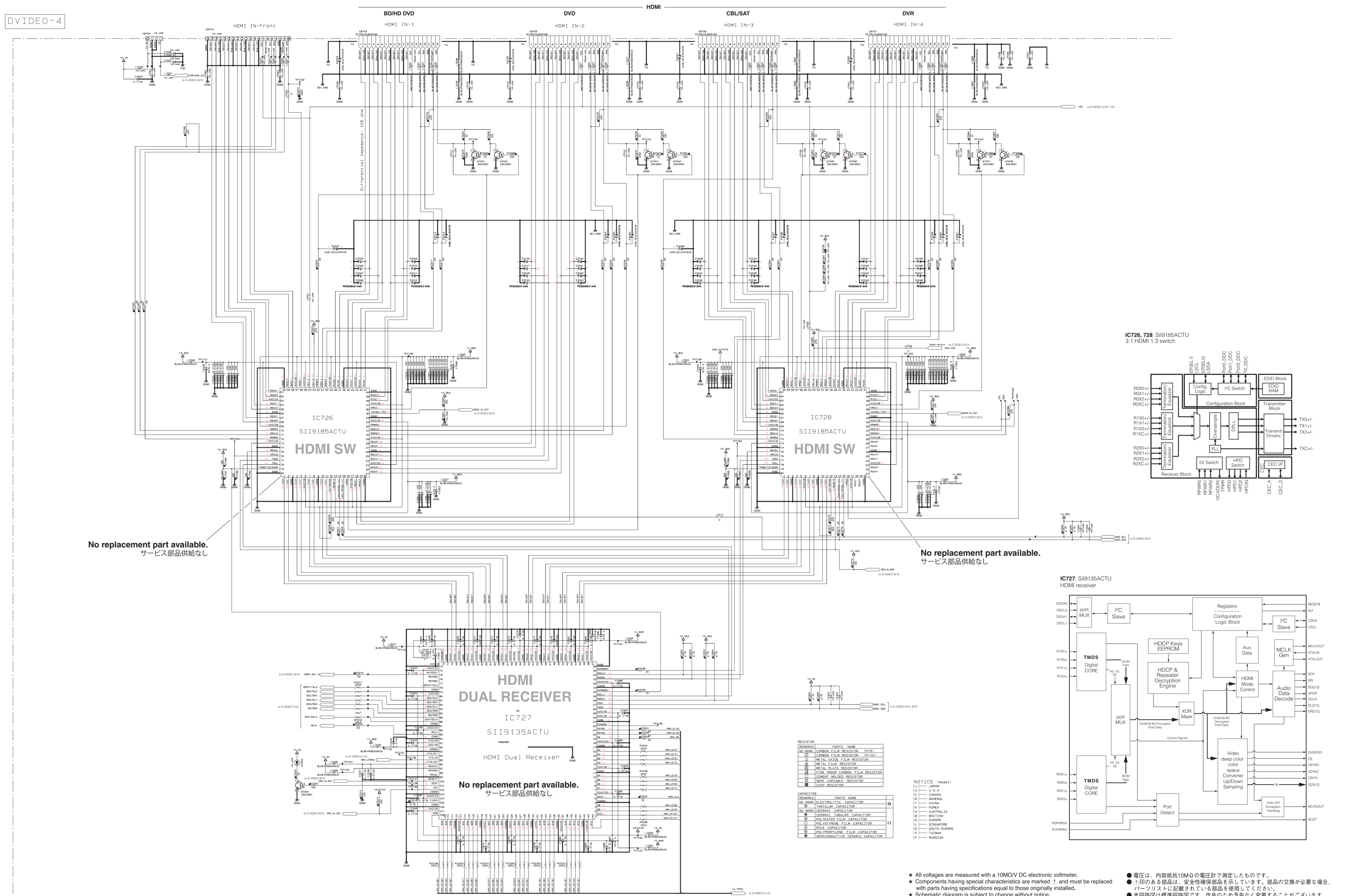
\* All voltages are measured with a 10MΩ/V DC electronic voltmeter.  
 \* Components having special characteristics are marked !, and must be replaced with parts having specifications equal to those originally installed.  
 \* Schematic diagram is subject to change without notice.

● 電圧は、内部抵抗10MΩの電圧計で測定したものです。  
 ● !印のある部品は、安全性確保部品を示しています。部品の交換が必要な場合、パーツリストに記載されている部品を使用してください。  
 ● 本回路図は標準回路図です。改良のため予告なく変更することがございます。

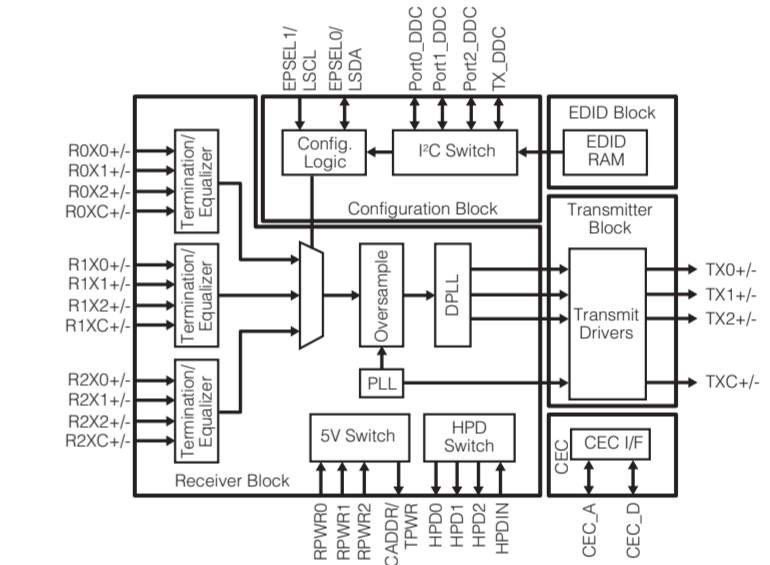


D-VIDEO 4/10

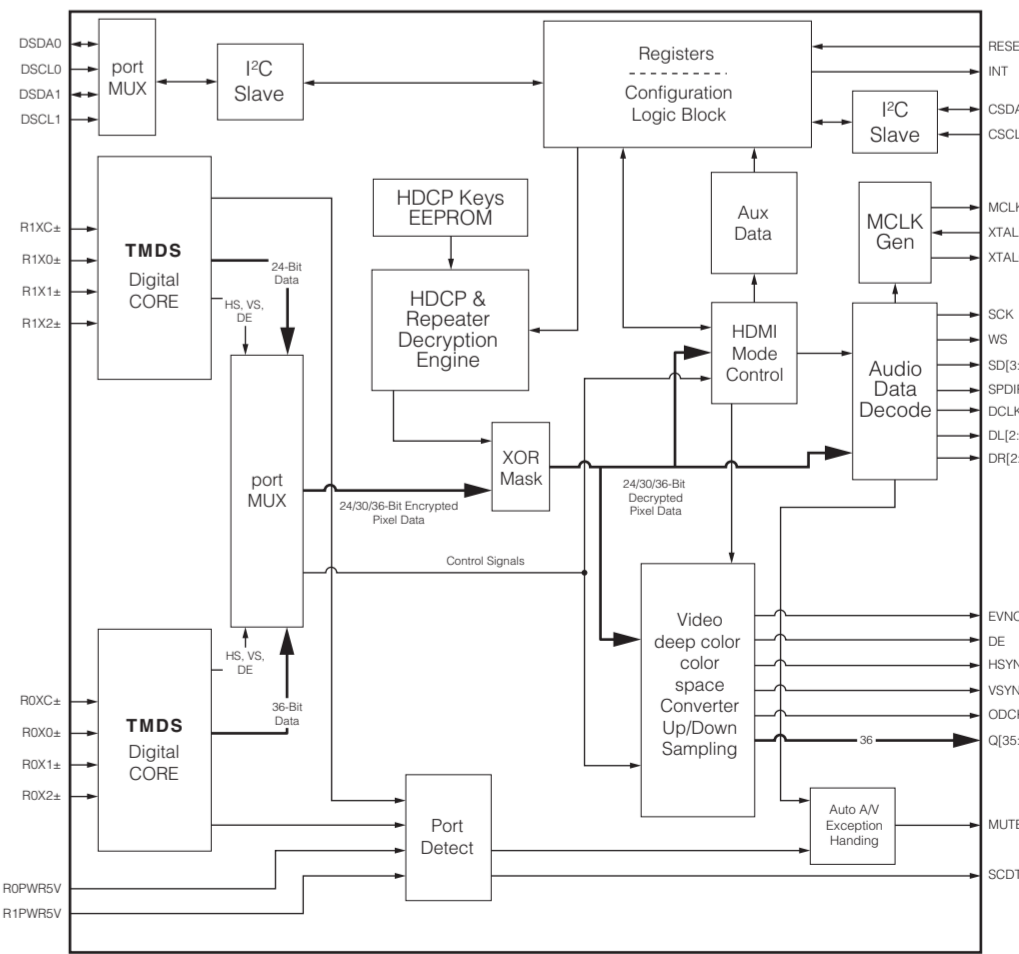
DVIDEO-4



IC726, 728: SI19185ACTU 3.1 HDMI 1.3 switch



IC727: SI19135ACTU HDMI receiver



No replacement part available. サービス部品供給なし

No replacement part available. サービス部品供給なし

HDMI DUAL RECEIVER IC727 SI19135ACTU

No replacement part available. サービス部品供給なし

REMARKS	PARTS NAME	REF
NO MARK	CARBON FILM RESISTOR (E-5)	
NO MARK	CARBON FILM RESISTOR (E-2)	
NO MARK	METAL OXIDE FILM RESISTOR	
NO MARK	METAL FILM RESISTOR	
NO MARK	METAL OXIDE RESISTOR	
NO MARK	FILM PROOF CARBON FILM RESISTOR	
NO MARK	CEMENT RESISTOR	
NO MARK	SEMI VARIABLE RESISTOR	
NO MARK	CHMP-RESISTOR	

REMARKS	PARTS NAME	REF
NO MARK	SELECTOR FILM CAPACITOR	
NO MARK	TANTALUM CAPACITOR	
NO MARK	CERAMIC TUBULAR CAPACITOR	
NO MARK	POLYESTER FILM CAPACITOR	
NO MARK	POLYPROPYLENE FILM CAPACITOR	
NO MARK	NICA CAPACITOR	
NO MARK	POLYIMIDE FILM CAPACITOR	
NO MARK	SEMICONDUCTIVE CERAMIC CAPACITOR	

- ★ All voltages are measured with a 10MQ/V DC electronic voltmeter.
- ★ Components having special characteristics are marked with a triangle (▲) and must be replaced with parts having specifications equal to those originally installed.
- ★ Schematic diagram is subject to change without notice.
- 電圧は、内部抵抗10MQの電圧計で測定したものです。
- ▲印のある部品は、安全性確保部品を示しています。部品の交換が必要な場合、パーツリストに記載されている部品を使用してください。
- 本回路図は標準回路図です。改良のため予告なく変更することがございます。

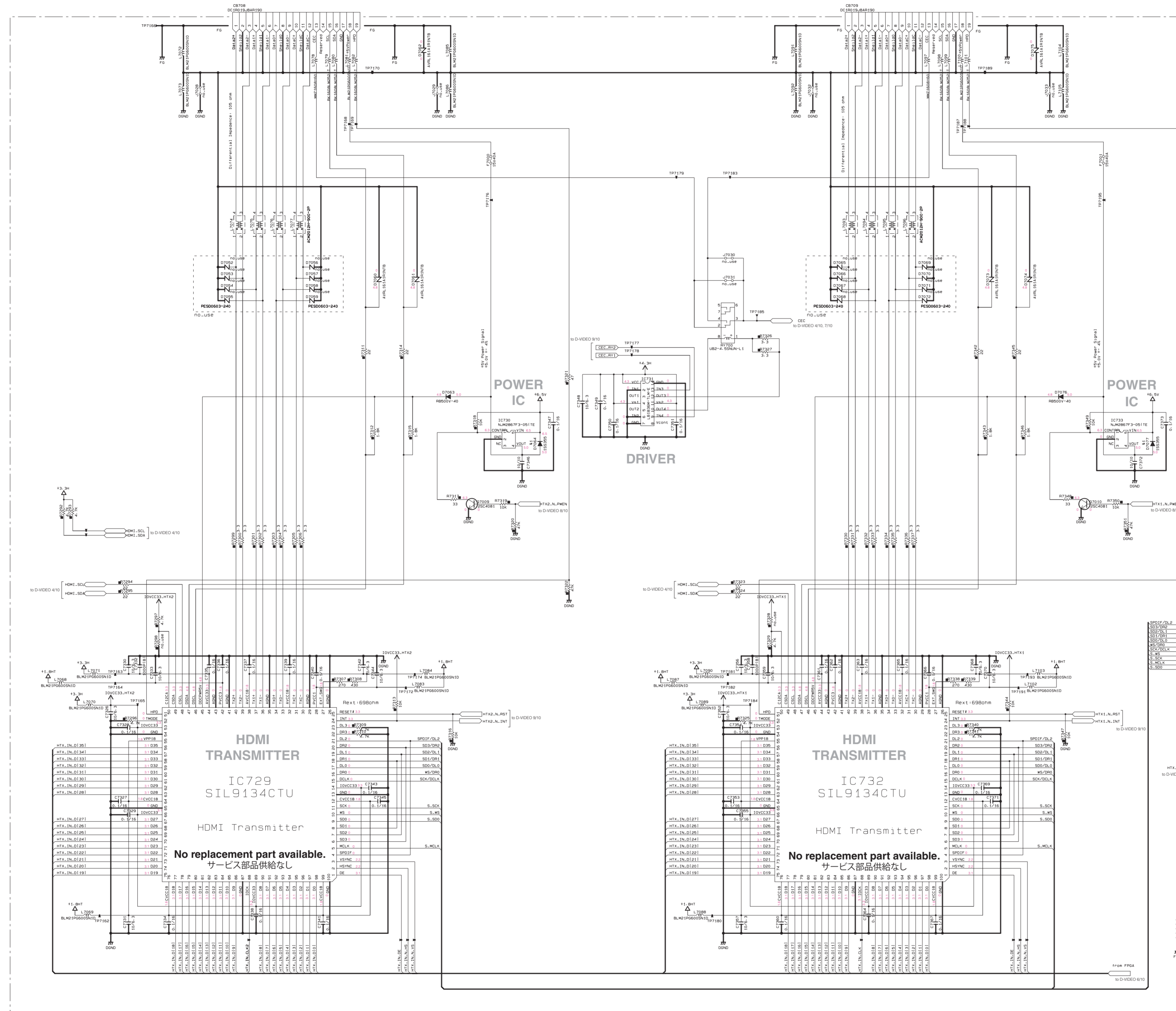
D-VIDEO 5/10

DVIDEO-5

HDMI OUT1

HDMI

HDMI OUT2



IC729, 732: SI9134CTU HDMI transmitter

IC730, 733: NUM2867F3-05 Low dropout voltage regulator

IC731: LB1836M-TLM-E Motor driver IC

IC734: SN74CB3Q3257PWR Low voltage high-bandwidth bus switch

IC735: SN74LVC245APWR Octal bus transceivers with 3-state outputs

**HDMI TRANSMITTER**  
**IC729**  
**SIL9134CTU**  
 HDMI Transmitter

**HDMI TRANSMITTER**  
**IC732**  
**SIL9134CTU**  
 HDMI Transmitter

No replacement part available.  
 サービス部品供給なし

No replacement part available.  
 サービス部品供給なし

REMARKS	PARTS NAME
NO MARK	CARBON FILM RESISTOR (P-S)
⊠	CARBON FILM RESISTOR (P-10)
△	METAL OXIDE FILM RESISTOR
⊙	METAL FILM RESISTOR
□	METAL PLATE RESISTOR
▢	FIBRE PITCH CARBON FILM RESISTOR
■	CEMENT MOLDED RESISTOR
◻	SEMI VARIABLE RESISTOR
⊞	CHIP RESISTOR

REMARKS	PARTS NAME
NO MARK	ELECTROLYTIC CAPACITOR
⊞	TANTALUM CAPACITOR
⊙	CERAMIC CAPACITOR
⊚	CERAMIC TUBULAR CAPACITOR
⊖	POLYESTER FILM CAPACITOR
⊕	POLYESTER FILM CAPACITOR
⊗	MICA CAPACITOR
⊘	POLYPROPYLENE FILM CAPACITOR
⊙	SEMICONDUCTIVE CERAMIC CAPACITOR

NOTICE [mode1]  
 (J)..... JAPAN  
 (U)..... U.S.A  
 (C)..... CANADA  
 (R)..... GENERAL  
 (T)..... CHINA  
 (K)..... KOREA  
 (A)..... AUSTRALIA  
 (B)..... BRITISH  
 (G)..... EUROPE  
 (L)..... SINGAPORE  
 (E)..... SOUTH EUROPE  
 (V)..... TAIWAN  
 (F)..... RUSSIAN

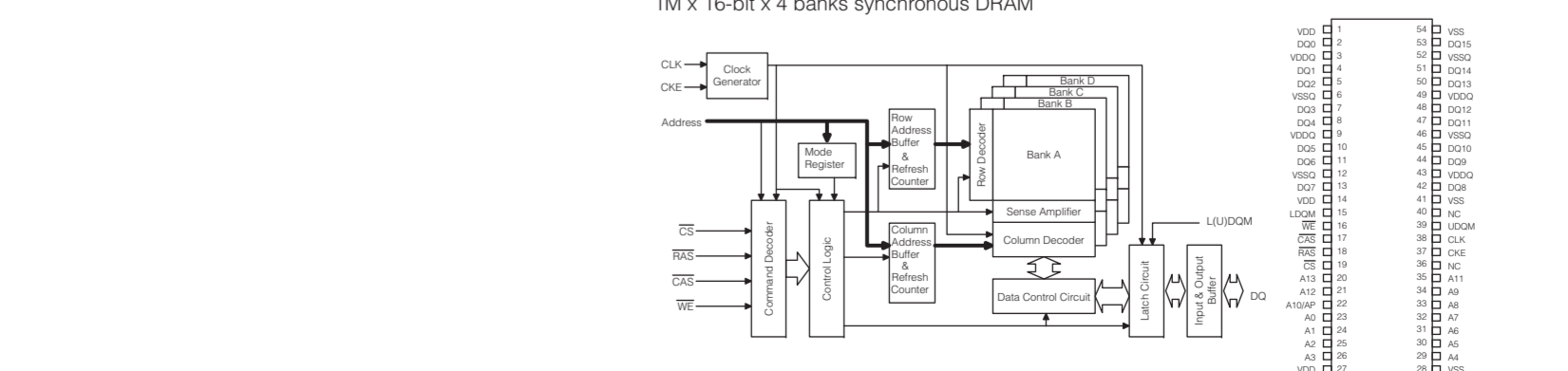
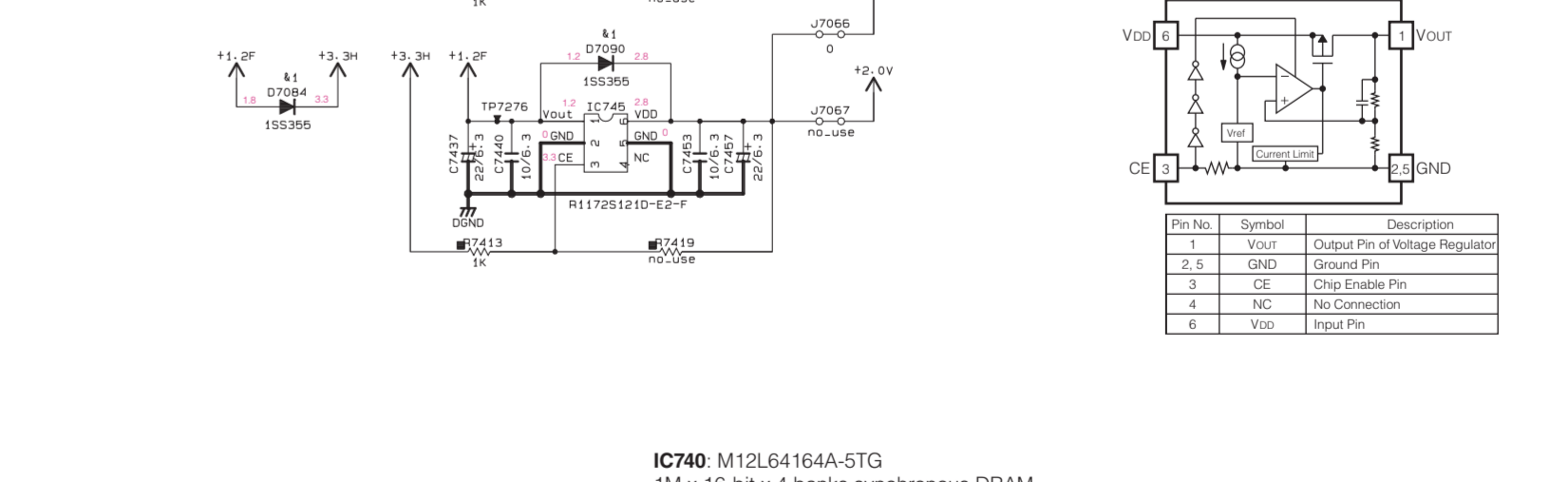
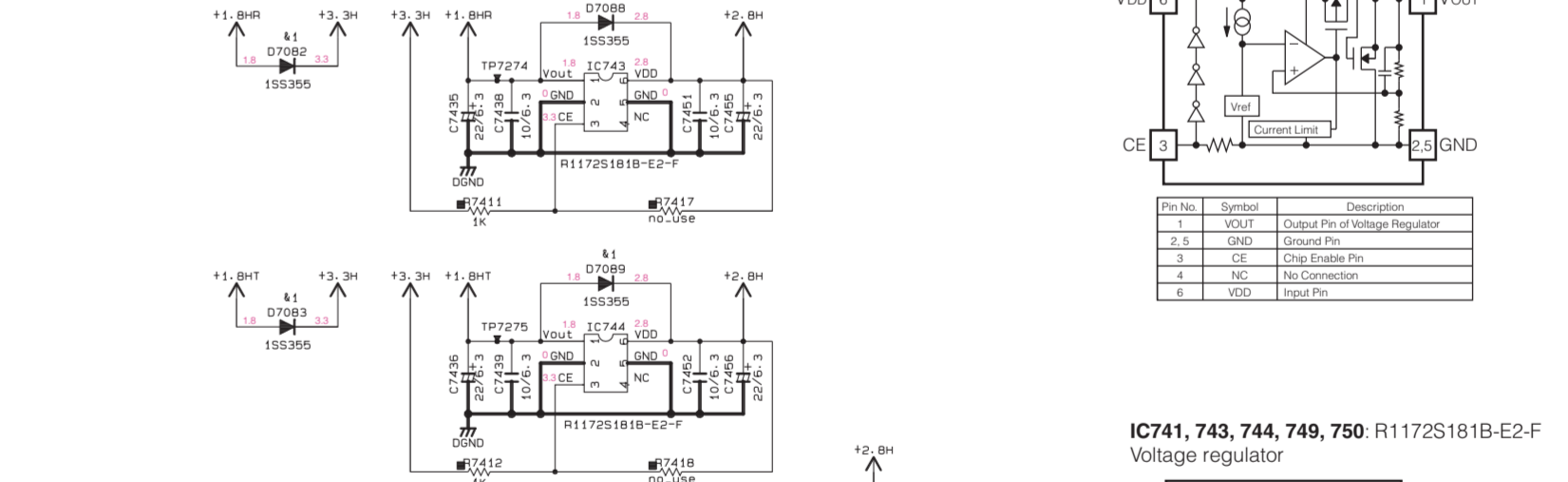
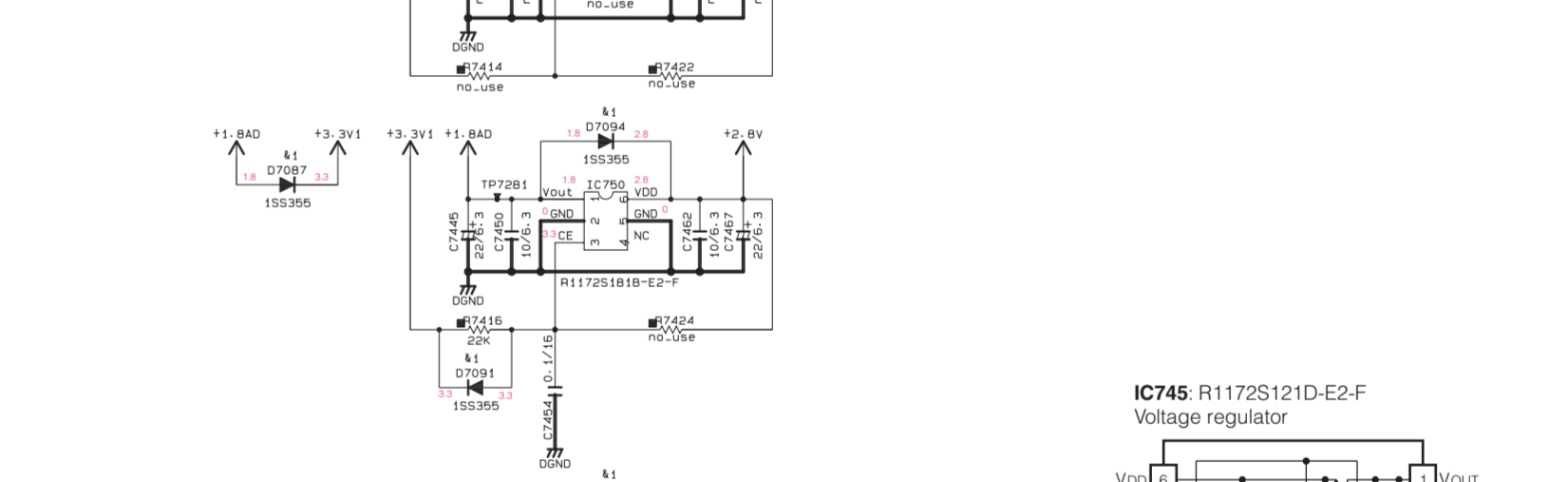
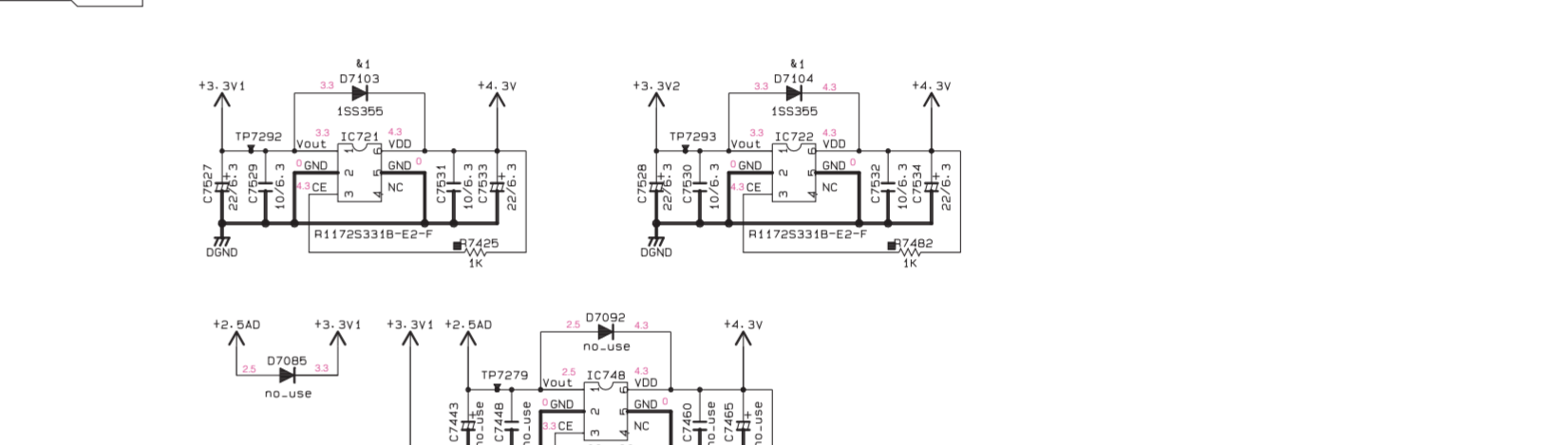
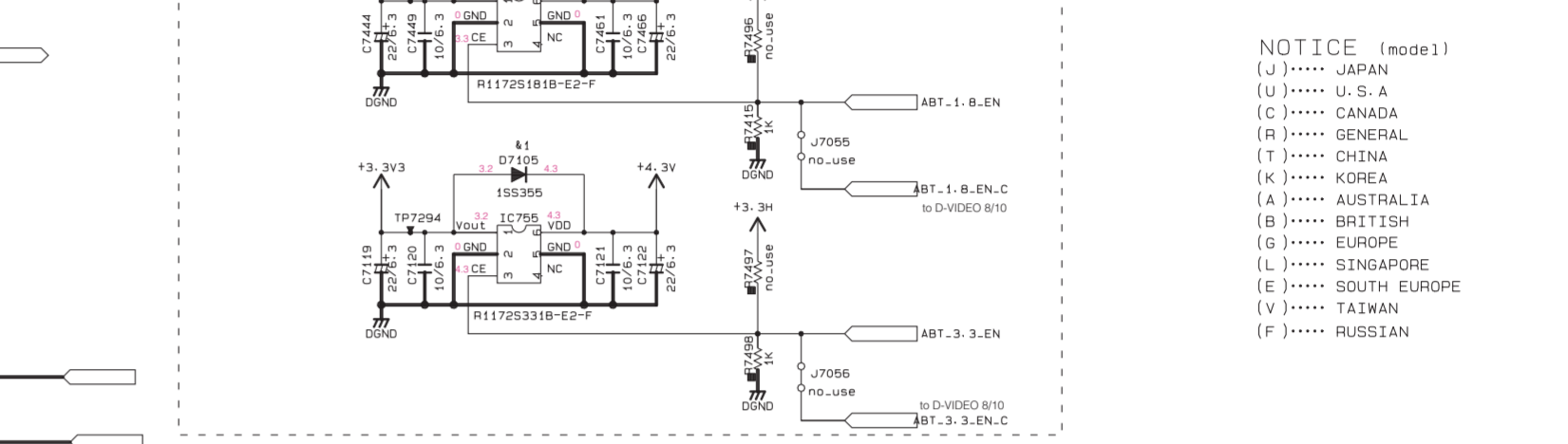
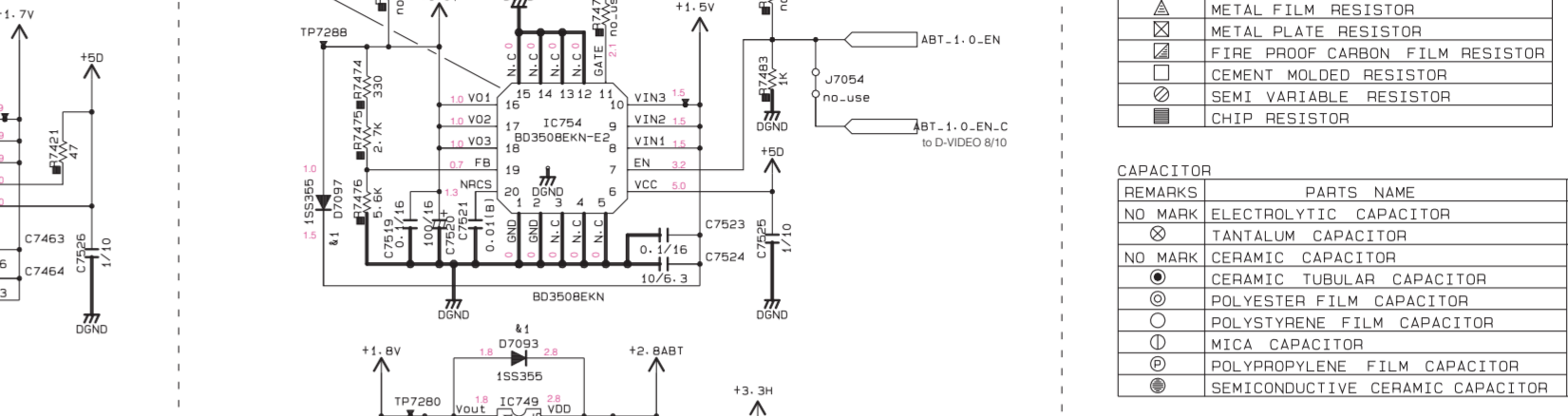
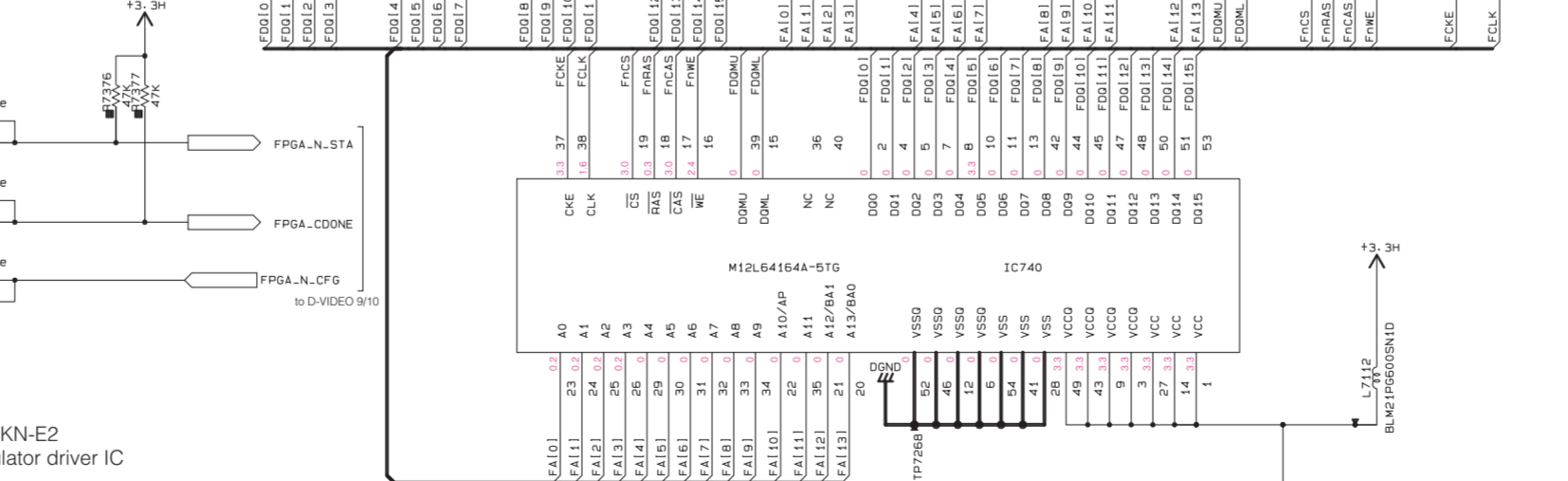
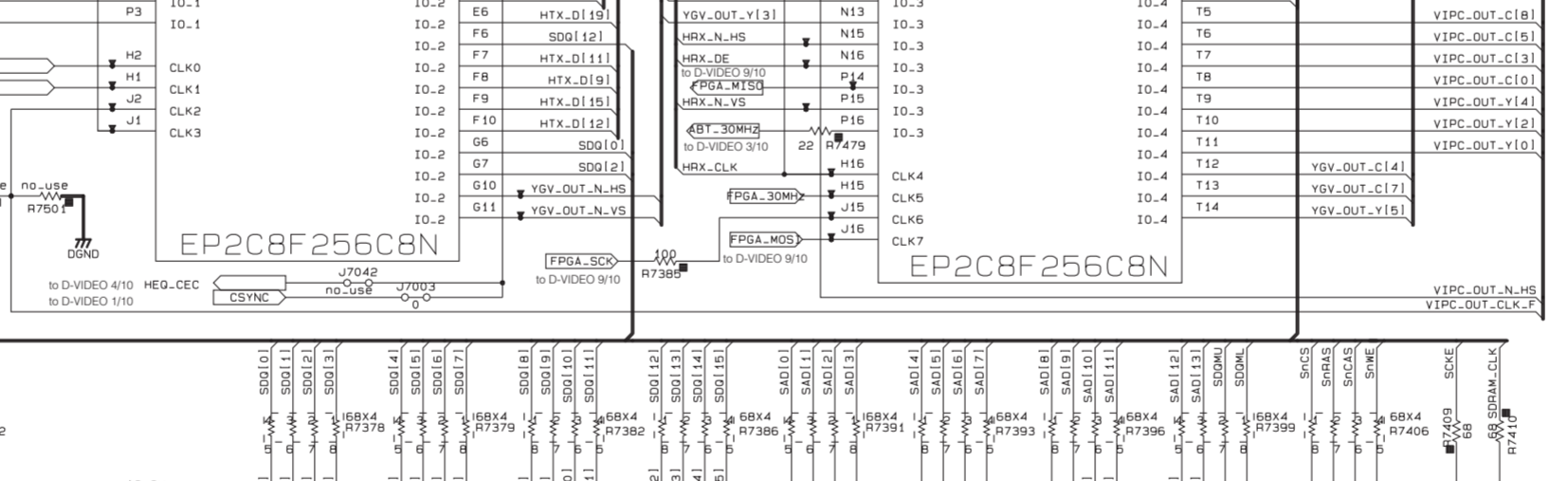
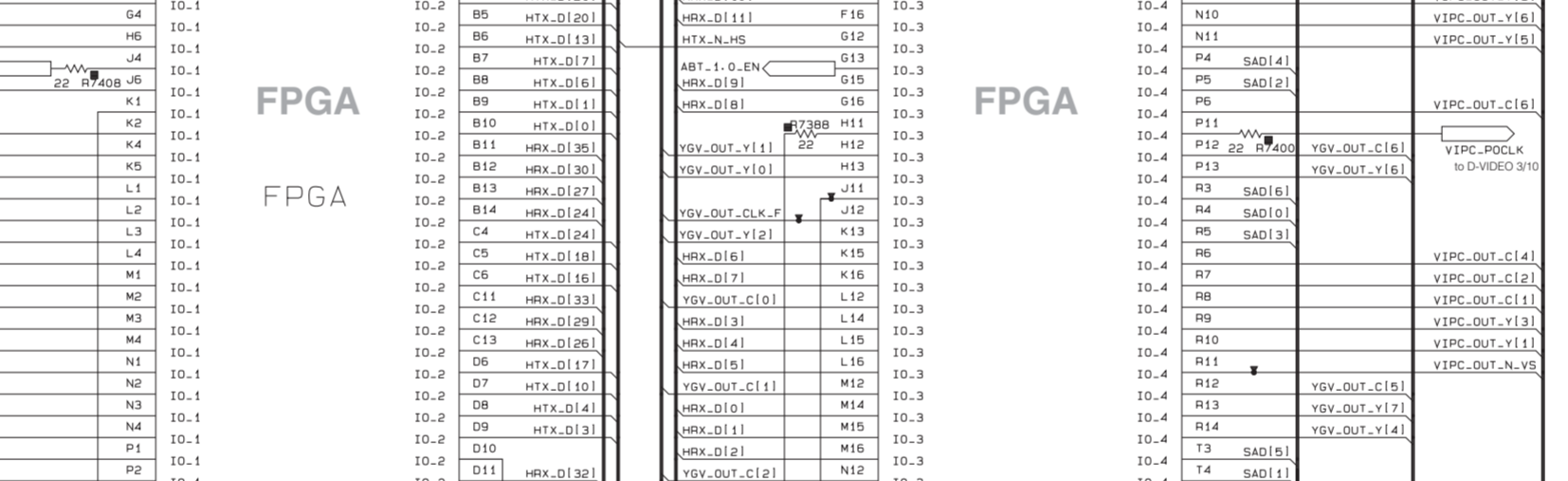
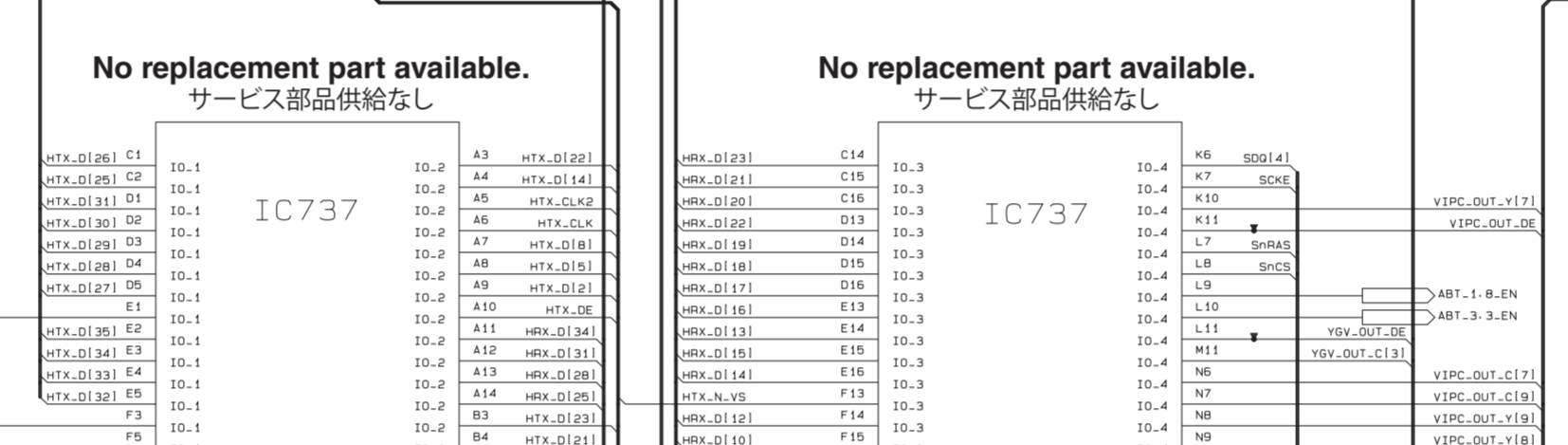
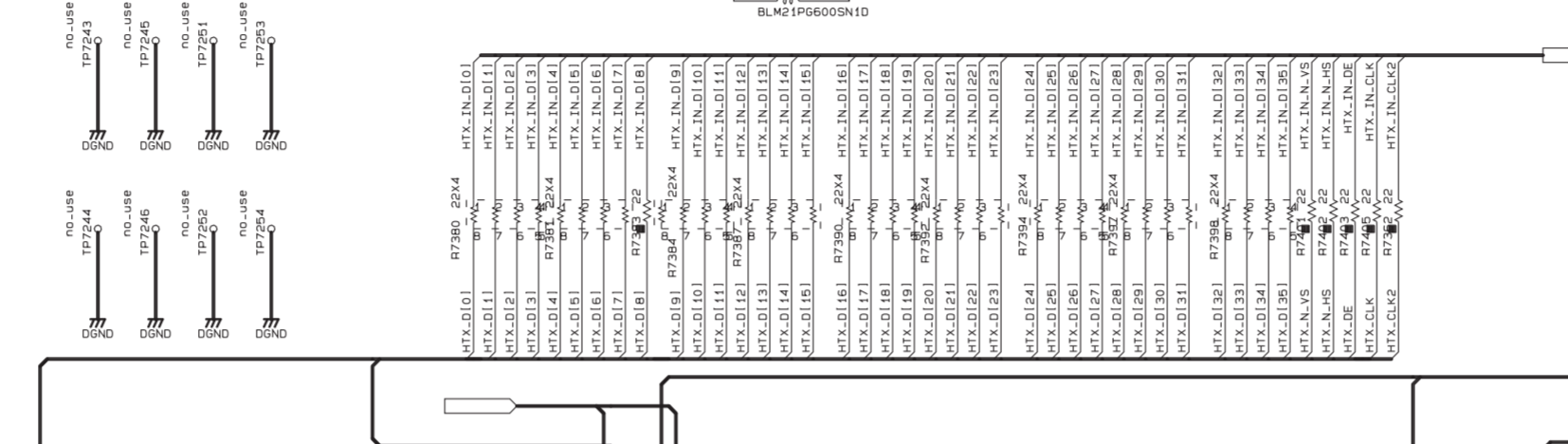
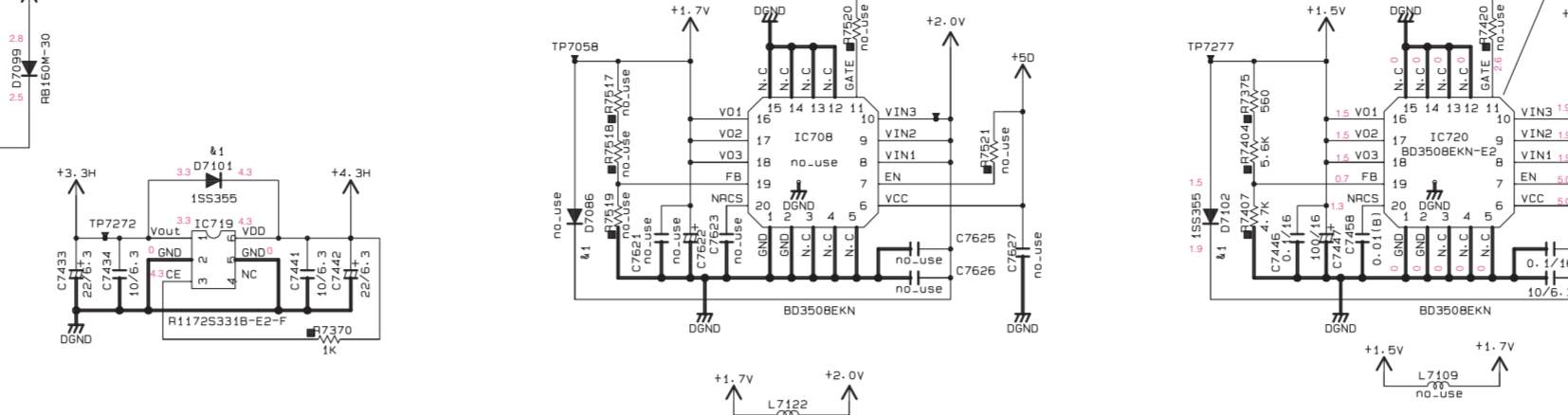
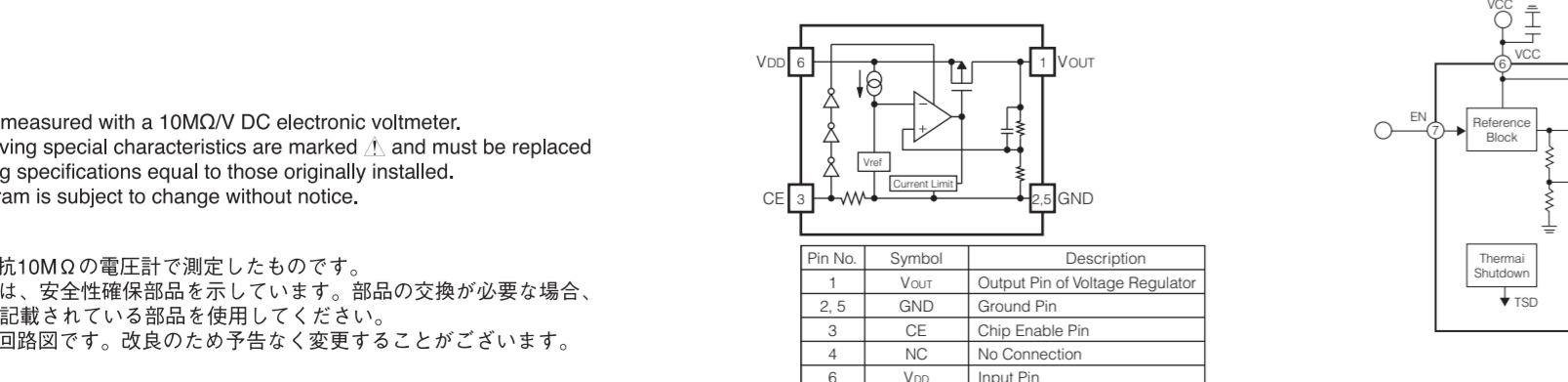
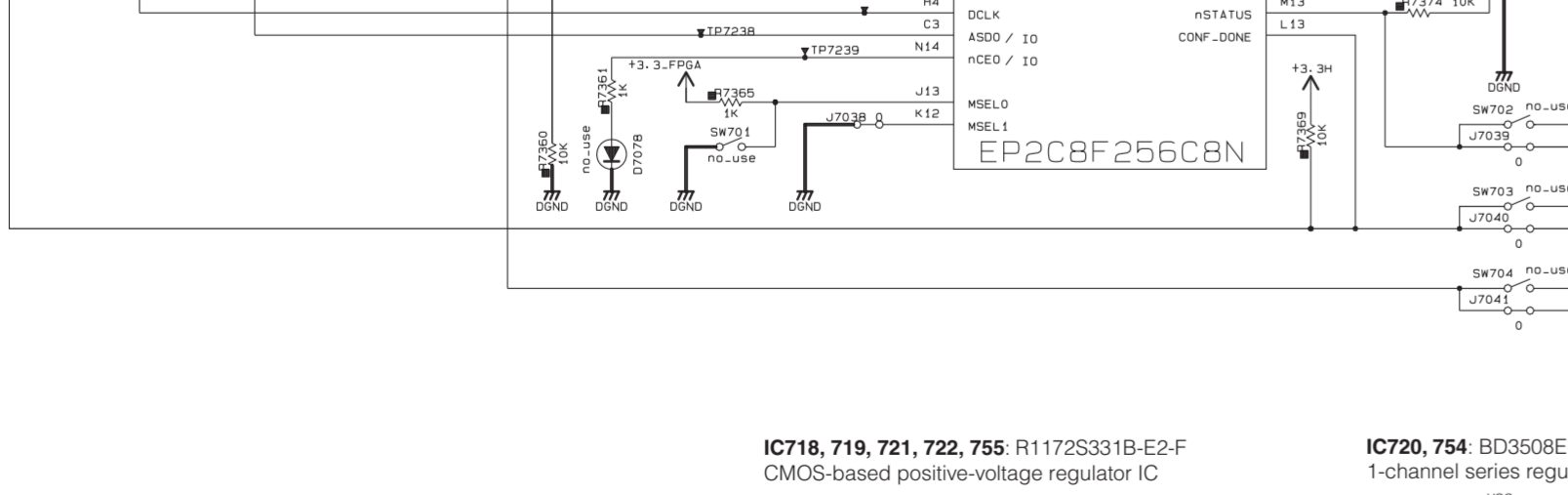
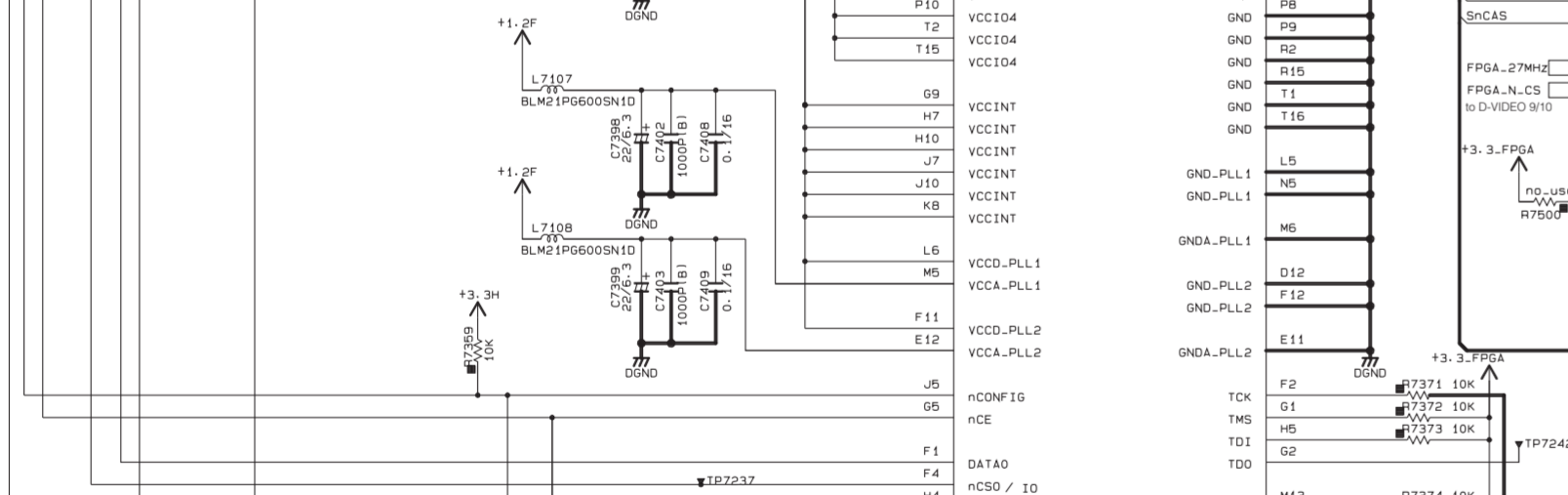
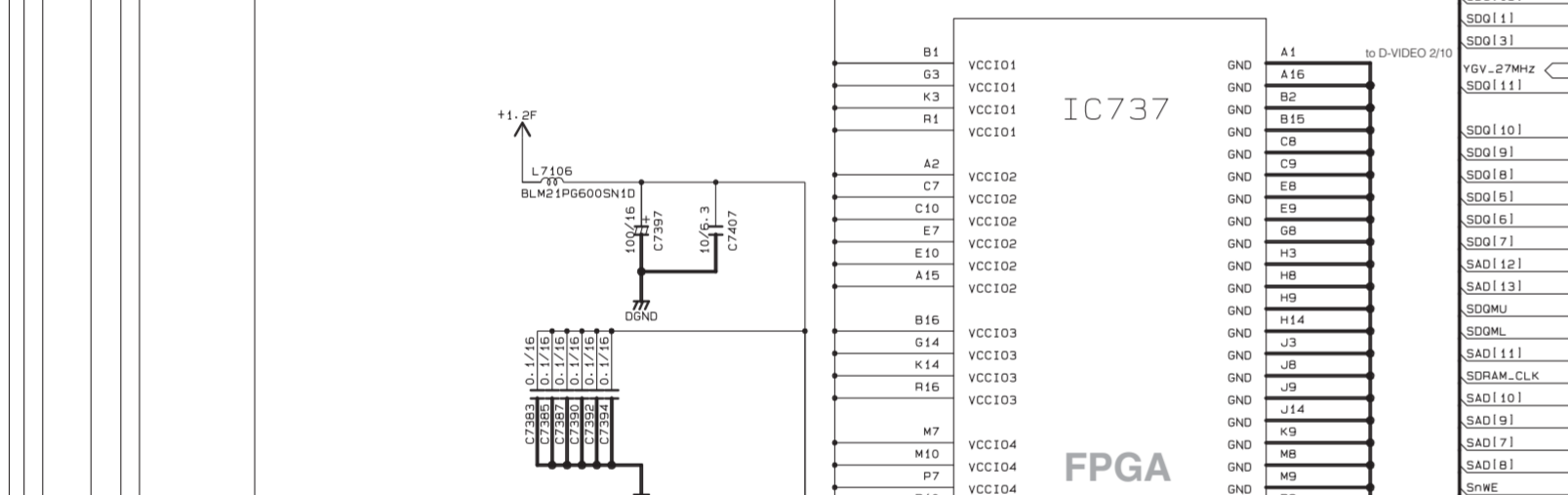
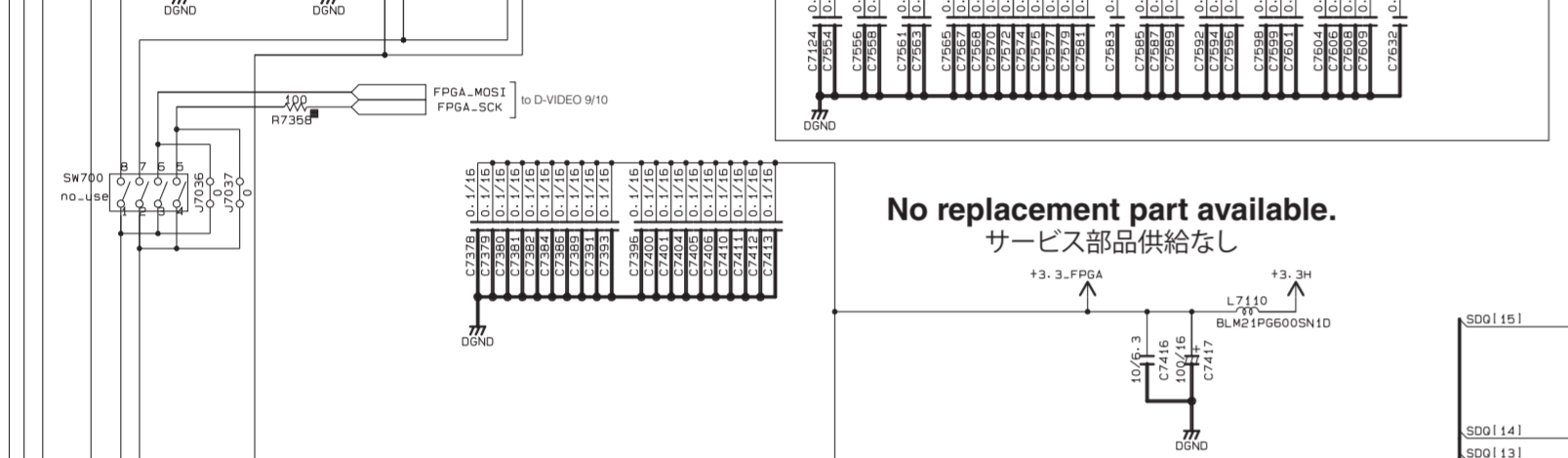
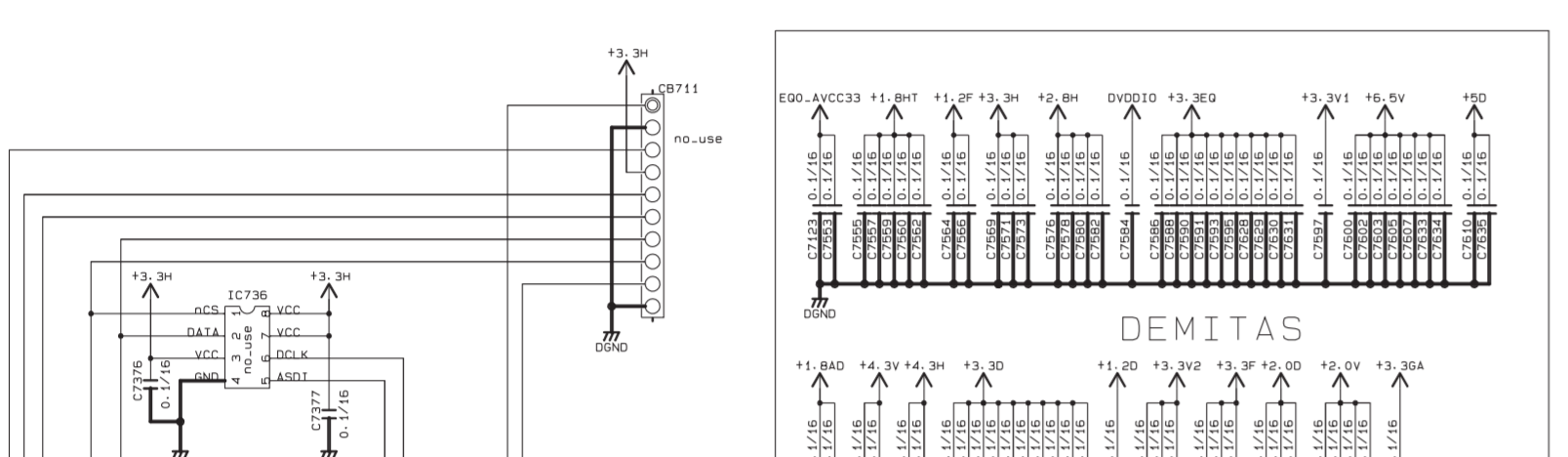
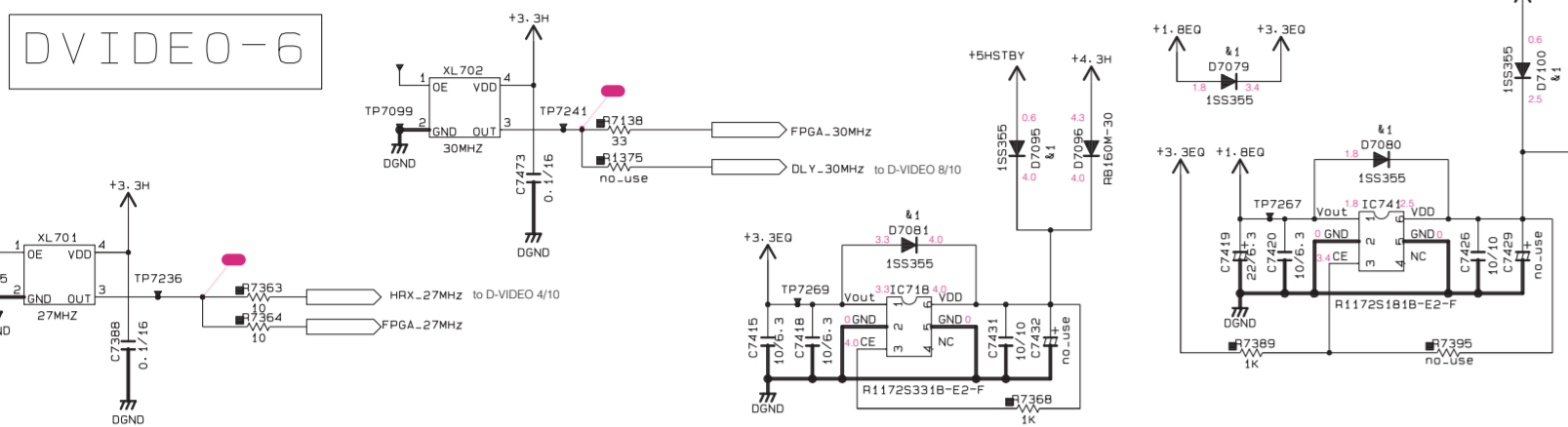
\* All voltages are measured with a 10MΩ/DC electronic voltmeter.  
 \* Components having special characteristics are marked !, and must be replaced with parts having specifications equal to those originally installed.  
 \* Schematic diagram is subject to change without notice.

●電圧は、内部抵抗10MΩの電圧計で測定したものです。  
 ● !印のある部品は、安全性確保部品を示しています。部品の交換が必要な場合、パーツリストに記載されている部品を使用してください。  
 ●本回路図は標準回路図です。改良のため予告なく変更することがございます。



D-VIDEO 6/10

DVIDEO-6



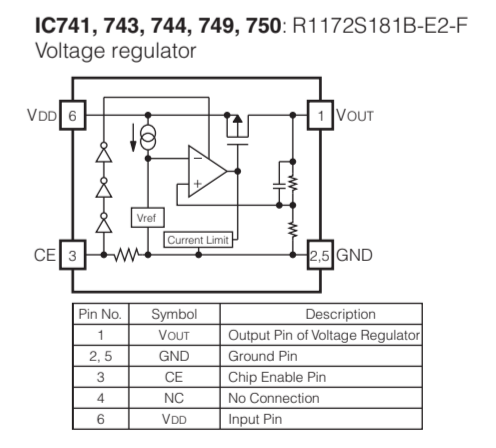
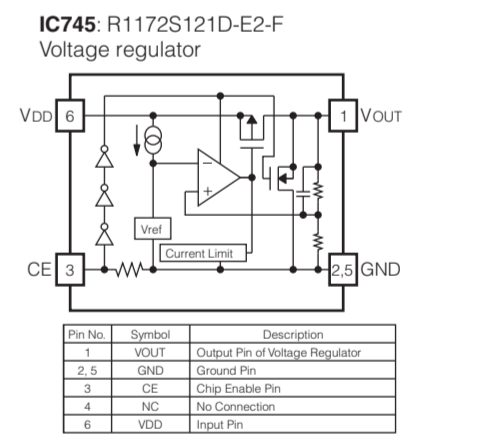
No replacement part available. サービス部品供給なし

ON/OFF

Table with 2 columns: REMARKS, PARTS NAME. Lists various resistor types like CARBON FILM RESISTOR, METAL OXIDE FILM RESISTOR, etc.

Table with 2 columns: REMARKS, PARTS NAME. Lists various capacitor types like ELECTROLYTIC CAPACITOR, TANTALUM CAPACITOR, etc.

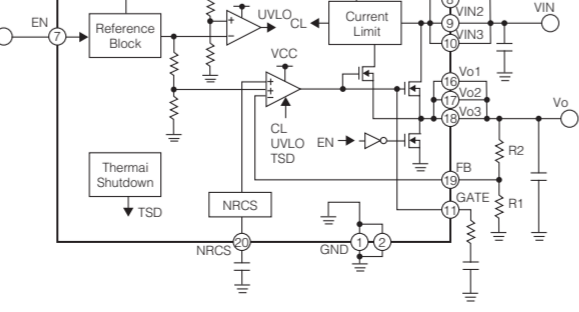
NOTICE (model) (J)..... JAPAN (U)..... U.S.A (C)..... CANADA (R)..... GENERAL (T)..... CHINA (K)..... KOREA (A)..... AUSTRALIA (B)..... BRITISH (E)..... EUROPE (L)..... SINGAPORE (E)..... SOUTH EUROPE (V)..... TAIWAN (F)..... RUSSIAN



All voltages are measured with a 10MQ/V DC electronic voltmeter. Components having special characteristics are marked with a triangle and must be replaced with parts having specifications equal to those originally installed. Schematic diagram is subject to change without notice.

電圧は、内部抵抗10MQの電圧計で測定したものです。印のある部品は、安全性確保部品を示しています。部品の交換が必要な場合、パーツリストに記載されている部品を使用してください。本回路図は標準回路図です。改良のため予告なく変更することがございます。

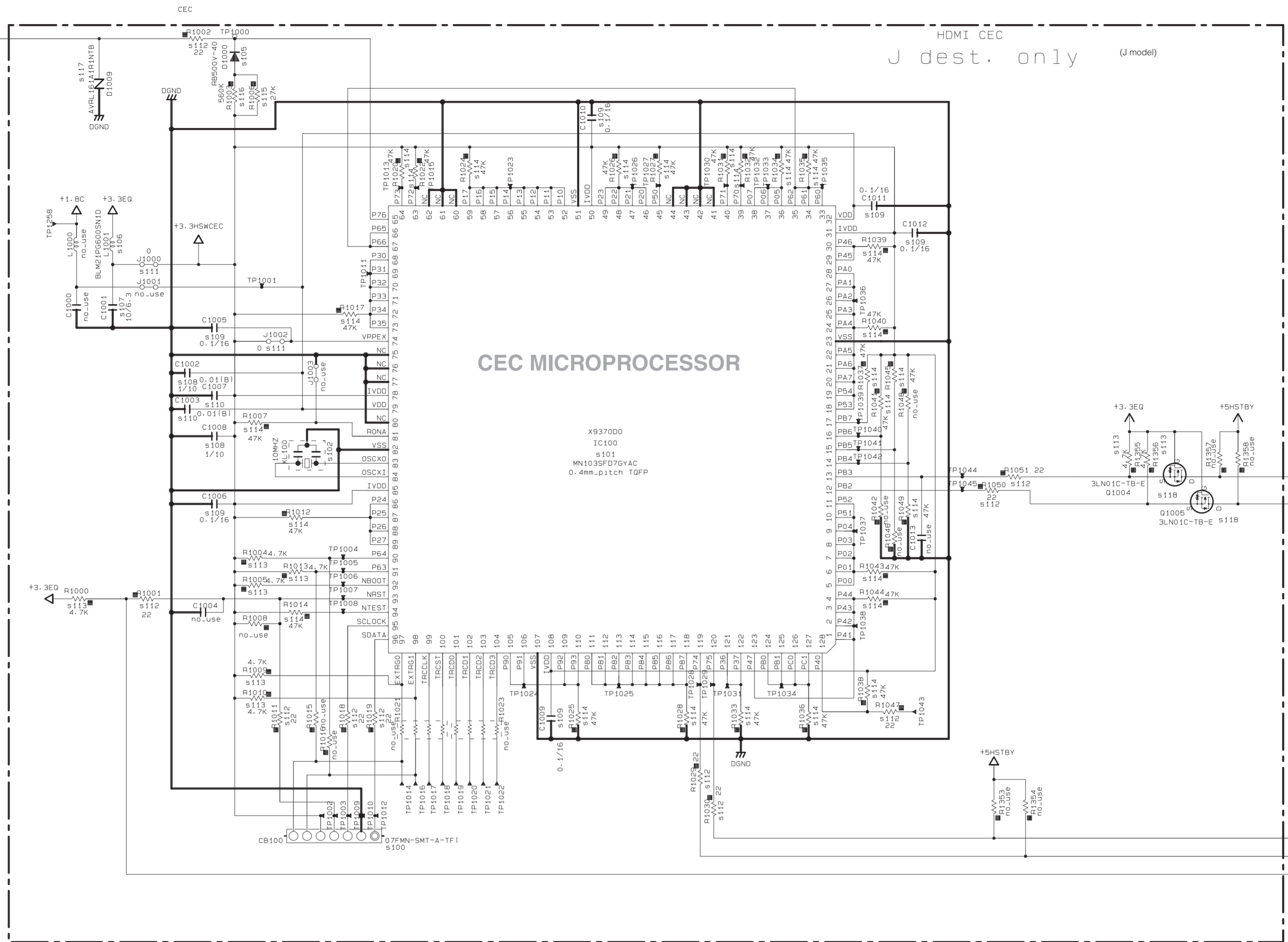
Table with 4 columns: Pin No., Symbol, Output Pin of Voltage Regulator, Description. Lists pins 1 (Vout), 2, 5 (GND), 3 (CE), 4 (NC), 6 (Vcc).





D-VIDEO 7/10

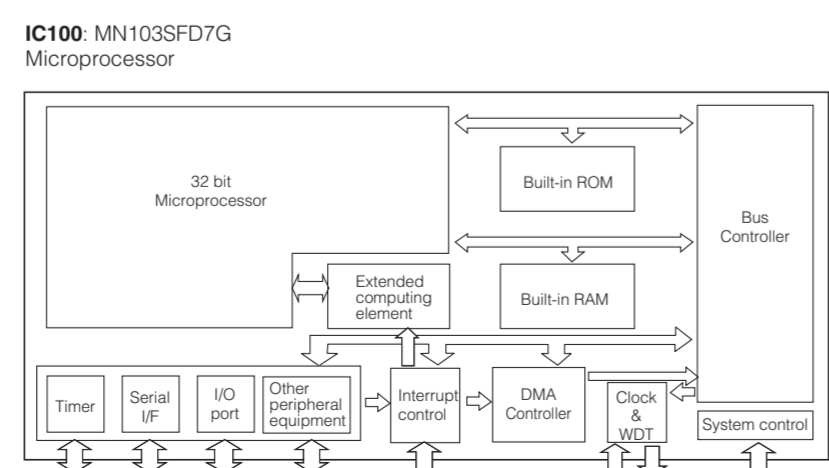
sXX	LOC	J	U
s100	CB100	WA90070 07FMN-SMT-A-TF I	X
s101	IC100	X937000 MN103SFD7G7AC	X
s102	XL100	WM22790 10MHz	X
s105	D1000	V237660 RB500V-40	X
s106	L1001	V244990 BLM21PB600SMDI	X
s107	C1001	WG88930	X
s108	C1008	US12510 1/10	X
s109	C1011 C1005 C1012 C1009 C1010 C1006	US63510 0.1/16	X
s110	C1003 C1007	US06410 0.011B1	X
s111	J1002 J1000	RD35000 0	X
s112	R1029 R1030 R1019 R1018 R1047 R1011 R1001 R1050 R1051 R1002	RD35422 22	X
s113	R1013 R1356 R1004 R1010 R1009 R1005 R1355 R1000	RD35647 4.7K	X
s114	R1026 R1034 R1033 R1028 R1027 R1007 R1032 R1012 R1017 R1031 R1014 R1035 R1030 R1036 R1038 R1049 R1024 R1025 R1043 R1044 R1039 R1040 R1041 R1037 R1022	RD35747 47K	X
s115	R1006	RF45727 27K	X
s116	R1003	RF45856 560K	X
s117	D1009	WE57480 AVRL16141B1NTB1	X
s118	Q1004 Q1005	3LN01C-TB-E	X



REMARKS	PARTS NAME
NO MARK	CARBON FILM RESISTOR (P=5)
□	CARBON FILM RESISTOR (P=10)
△	METAL OXIDE FILM RESISTOR
⊠	METAL PLATE RESISTOR
⊞	FIRE PROOF CARBON FILM RESISTOR
⊞	CEMENT MOLDED RESISTOR
⊞	SEMI VARIABLE RESISTOR
■	CHIP RESISTOR

REMARKS	PARTS NAME
NO MARK	ELECTROLYTIC CAPACITOR
⊗	TANTALUM CAPACITOR
NO MARK	CERAMIC CAPACITOR
⊙	CERAMIC TUBULAR CAPACITOR
⊙	POLYESTER FILM CAPACITOR
⊙	POLYSTYRENE FILM CAPACITOR
⊙	MICA CAPACITOR
⊙	POLYPROPYLENE FILM CAPACITOR
⊙	SEMICONDUCTIVE CERAMIC CAPACITOR

NOTICE (mode1)  
 (J)..... JAPAN  
 (U)..... U.S.A  
 (C)..... CANADA  
 (R)..... GENERAL  
 (T)..... CHINA  
 (K)..... KOREA  
 (A)..... AUSTRALIA  
 (B)..... BRITISH  
 (G)..... EUROPE  
 (L)..... SINGAPORE  
 (E)..... SOUTH EUROPE  
 (V)..... TAIWAN  
 (F)..... RUSSIAN

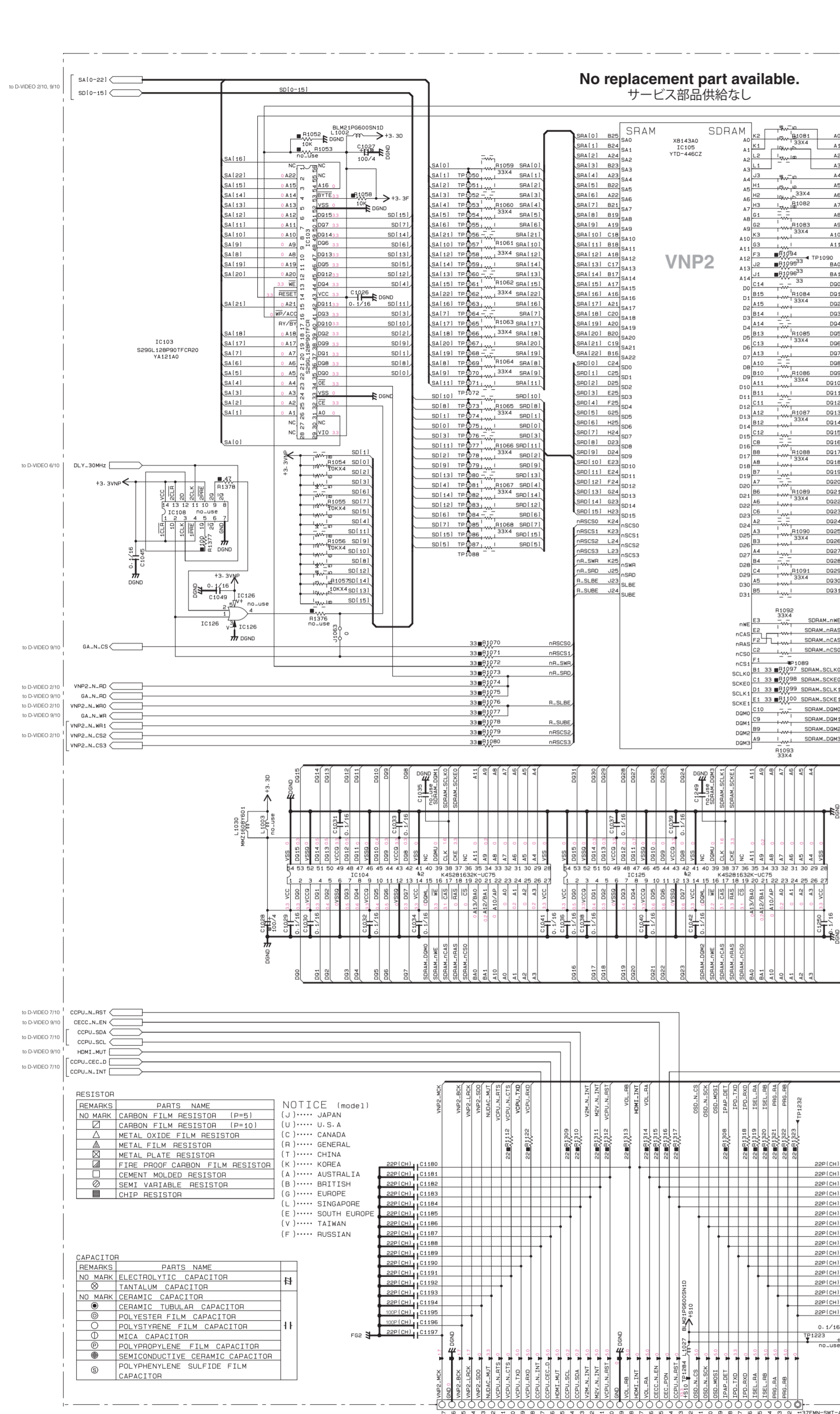


DVIDEO-7

- ★ All voltages are measured with a 10MΩ/V DC electronic voltmeter.
- ★ Components having special characteristics are marked with a triangle (▲) and must be replaced with parts having specifications equal to those originally installed.
- ★ Schematic diagram is subject to change without notice.
- 電圧は、内部抵抗10MΩの電圧計で測定したものです。
- 印のある部品は、安全確保部品を示しています。部品の交換が必要な場合、パーツリストに記載されている部品を使用してください。
- 本回路図は標準回路図です。改良のため予告なく変更することがございます。



D-VIDEO 8/10



No replacement part available.  
サービス部品供給なし

No replacement part available.  
サービス部品供給なし

No replacement part available.  
サービス部品供給なし

**RESISTOR**

REMARKS	PARTS NAME
NO MARK	CARBON FILM RESISTOR (P=5)
⊕	CARBON FILM RESISTOR (P=10)
△	METAL OXIDE FILM RESISTOR
⊙	METAL FILM RESISTOR
⊠	METAL PLATE RESISTOR
⊚	FIRE PROOF CARBON FILM RESISTOR
⊞	CEMENT MOLDED RESISTOR
⊞	SEMI VARIABLE RESISTOR
⊞	CHIP RESISTOR

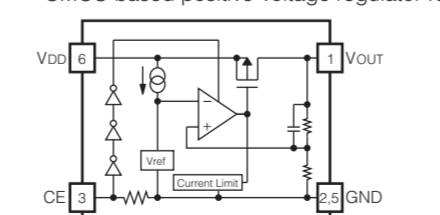
**NOTICE (model)**

(J)..... JAPAN  
(U)..... U.S.A.  
(C)..... CANADA  
(R)..... GENERAL  
(T)..... CHINA  
(K)..... KOREA  
(A)..... AUSTRALIA  
(B)..... BRITISH  
(E)..... EUROPE  
(L)..... SINGAPORE  
(S)..... SOUTH EUROPE  
(V)..... TAIWAN  
(F)..... RUSSIAN

**CAPACITOR**

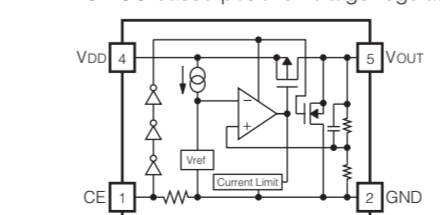
REMARKS	PARTS NAME
NO MARK	ELECTROLYTIC CAPACITOR
⊕	TANTALUM CAPACITOR
⊙	CERAMIC CAPACITOR
⊚	CERAMIC TUBULAR CAPACITOR
⊞	POLYESTER FILM CAPACITOR
⊞	POLYSTYRENE FILM CAPACITOR
⊞	MICA CAPACITOR
⊞	POLYPROPYLENE FILM CAPACITOR
⊞	SEMICONDUCTIVE CERAMIC CAPACITOR
⊞	POLYPHENYLENE SULFIDE FILM CAPACITOR

IC101: R1127S331B-E2-F  
CMOS-based positive-voltage regulator IC



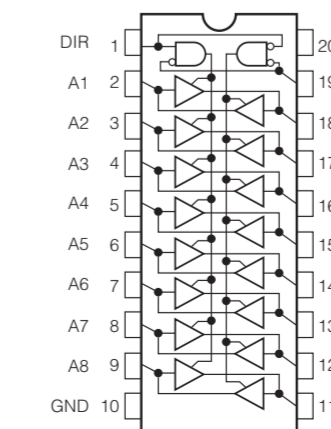
Pin No.	Symbol	Description
1	V <sub>OUT</sub>	Output Pin of Voltage Regulator
2, 5	GND	Ground Pin
3	CE	Chip Enable Pin
4	NC	No Connection
6	V <sub>IO</sub>	Input Pin

IC102: R1172H121D-T1-F  
CMOS-based positive-voltage regulator IC

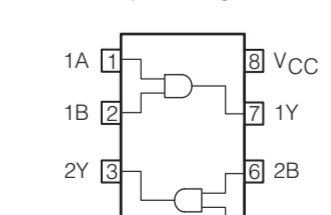


Pin No.	Symbol	Description
1	CE	Chip Enable Pin
2	GND	Ground Pin
3	NC	No Connection
4	V <sub>IO</sub>	Input Pin
5	V <sub>OUT</sub>	Output Pin of Voltage Regulator

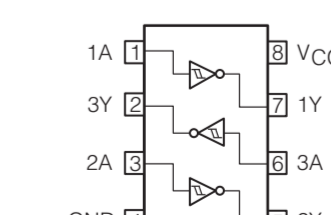
IC106: TC74VHC245AFT  
Octal bus transceiver



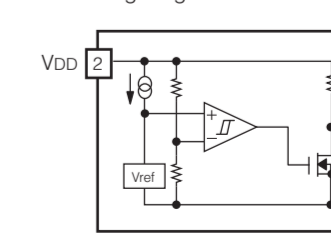
IC107: TC7WH08FK  
CMOS 2-input AND gate



IC109: TC7WH14FK  
Triple schmitt inverter

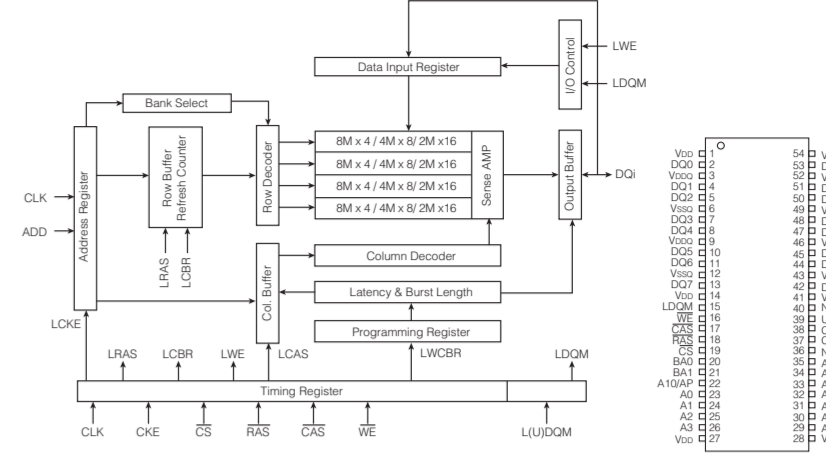


IC110: R3112N251A-TR  
Voltage regulator

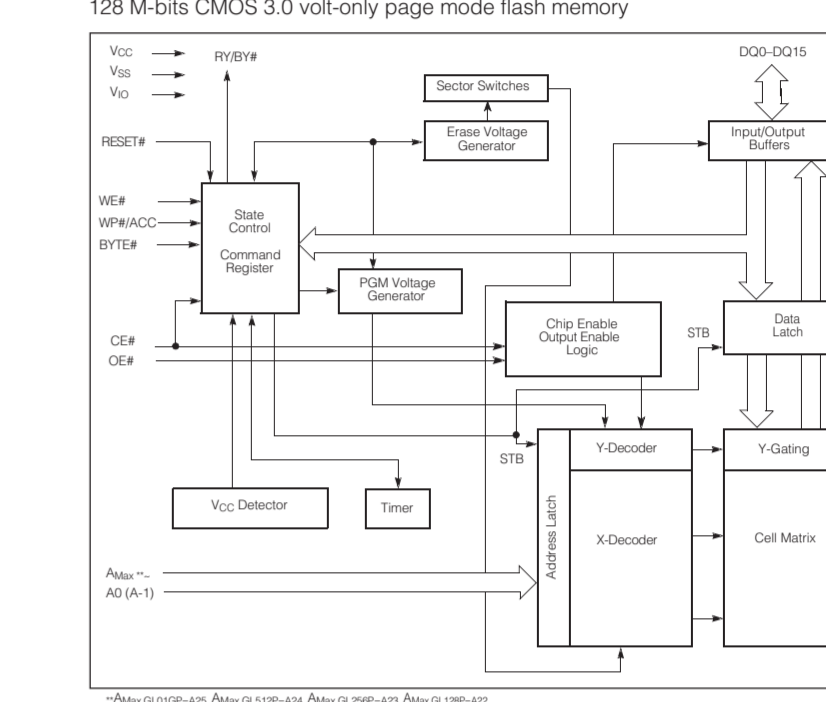


Pin No.	Symbol	Description
1	OUT	Output Pin ("L" at Detect, "H" at Released)
2	V <sub>IO</sub>	Input and power source for device itself
3	GND	Ground Pin
4	NC	No Connection
5	Cd	Pin for external capacitor for setting output delay

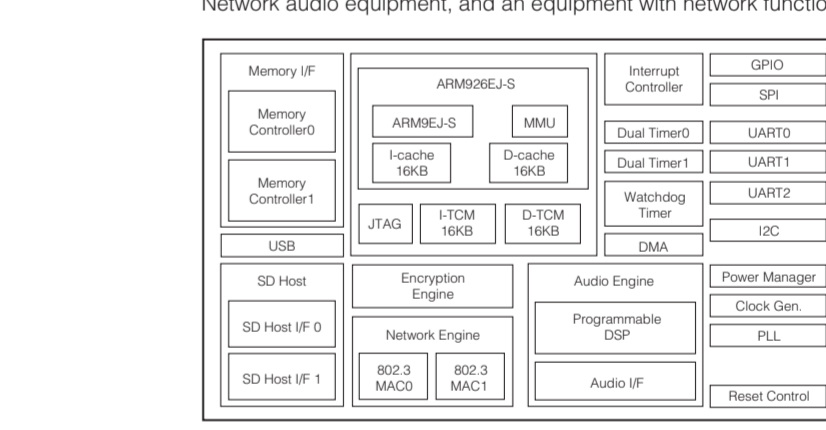
IC104, 125: K4S281632K-UC75000  
128 M synchronous DRAM



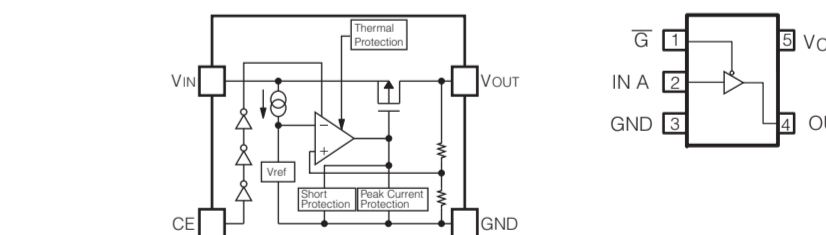
IC103: S29GL128P90TCR20  
128 M-bits CMOS 3.0 volt-only page mode flash memory



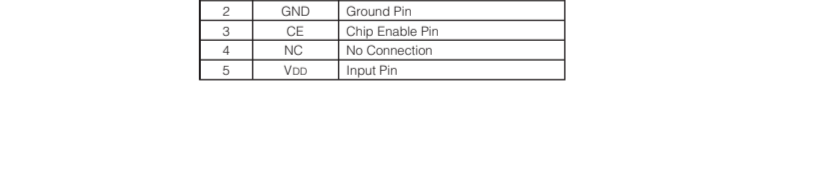
IC105: YTD446-CZ  
Main microprocessor  
Network audio equipment, and an equipment with network function



IC122: R1154H05B-T1-F  
Voltage regulator



IC111: TC75H125FU  
Bus buffer

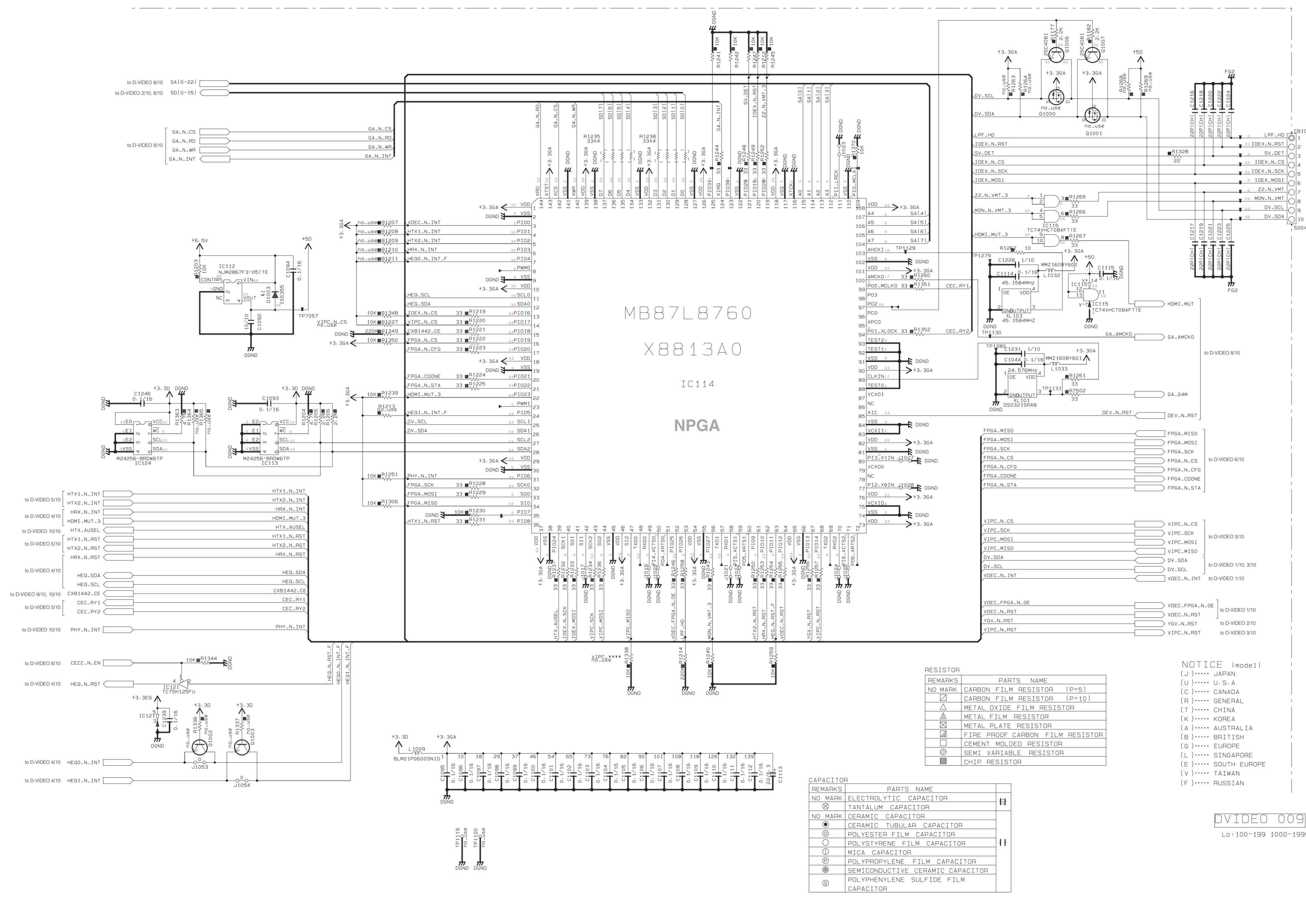


\* All voltages are measured with a 10MΩ/DC electronic voltmeter.  
\* Components having special characteristics are marked △ and must be replaced with parts having specifications equal to those originally installed.  
\* Schematic diagram is subject to change without notice.

●電圧は、内部抵抗10MΩの電圧計で測定したものです。  
●△印のある部品は、安全性確保部品を示しています。部品の交換が必要な場合、パーツリストに記載されている部品を使用してください。  
●本回路図は標準回路図です。改良のため予告なく変更することがございます。



D-VIDEO 9/10



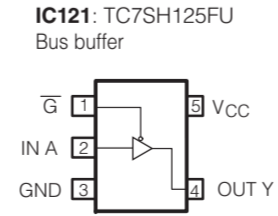
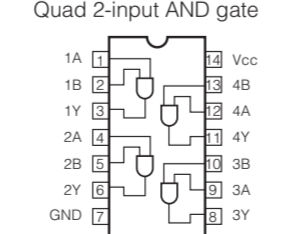
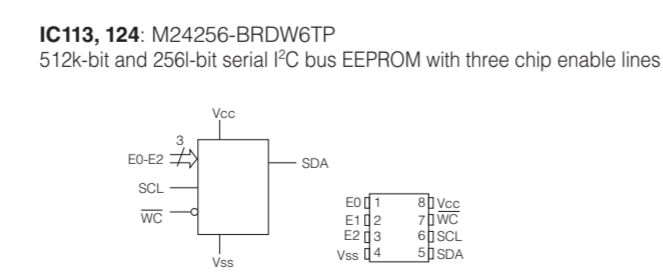
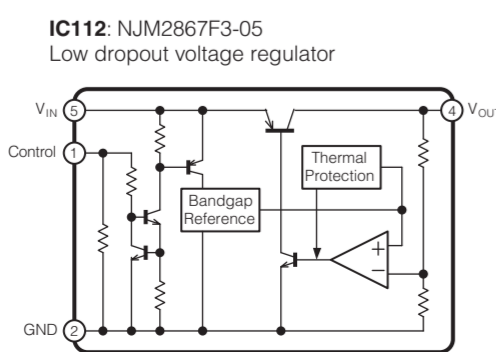
MB87L8760  
X8813A0  
IC114  
NPGA

REMARKS	PARTS NAME
NO MARK	CARBON FILM RESISTOR (P=5)
⊠	CARBON FILM RESISTOR (P=10)
△	METAL OXIDE FILM RESISTOR
⊞	METAL FILM RESISTOR
⊞	METAL PLATE RESISTOR
⊞	FIRE PROOF CARBON FILM RESISTOR
⊞	CEMENT MOLDED RESISTOR
⊞	SEMI VARIABLE RESISTOR
⊞	CHIP RESISTOR

REMARKS	PARTS NAME
NO MARK	ELECTROLYTIC CAPACITOR
⊗	TANTALUM CAPACITOR
NO MARK	CERAMIC CAPACITOR
⊙	CERAMIC TUBULAR CAPACITOR
⊙	POLYESTER FILM CAPACITOR
⊙	POLYSTYRENE FILM CAPACITOR
⊙	MICA CAPACITOR
⊙	POLYPROPYLENE FILM CAPACITOR
⊙	SEMICONDUCTIVE CERAMIC CAPACITOR
⊙	POLYPHENYLENE SULFIDE FILM CAPACITOR

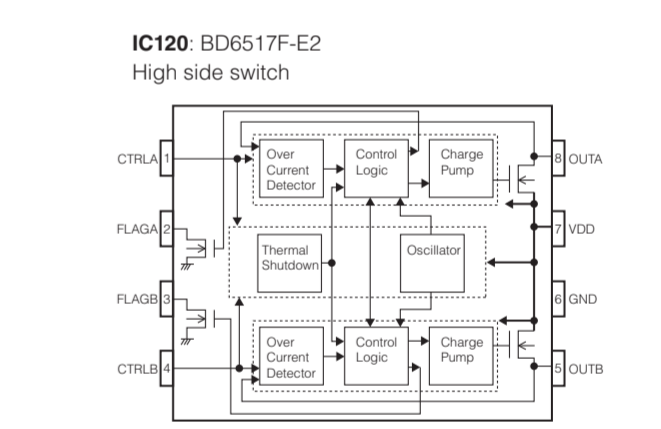
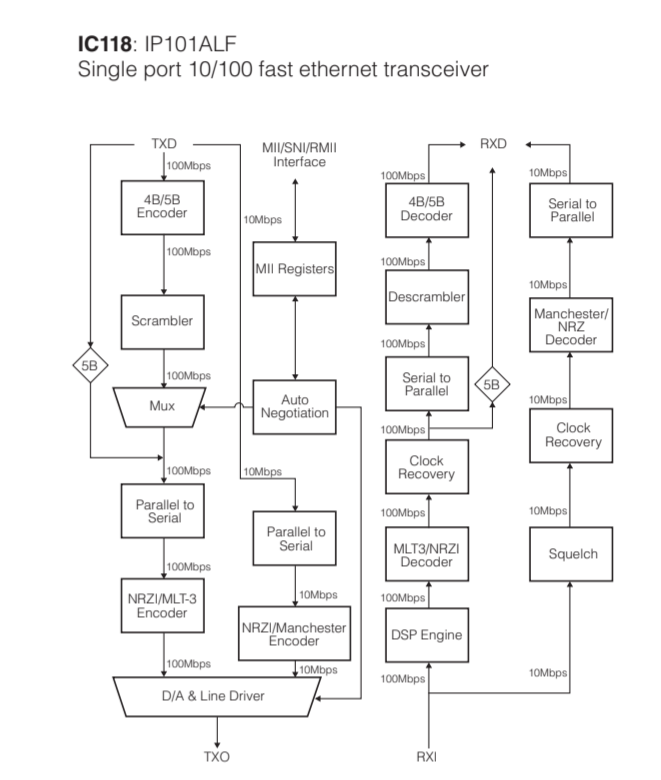
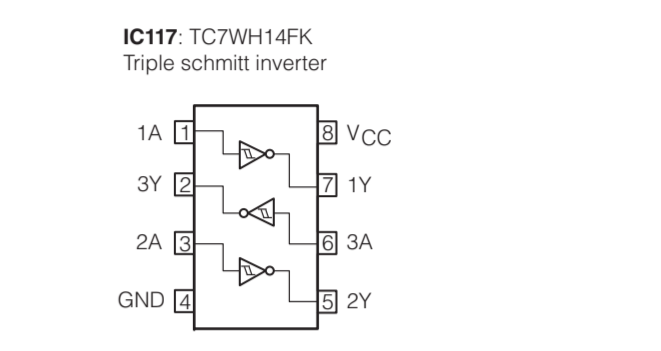
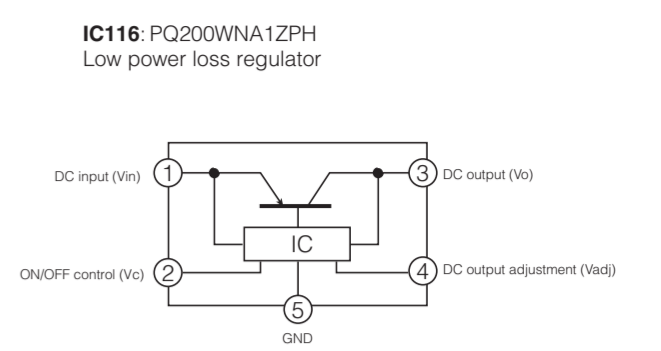
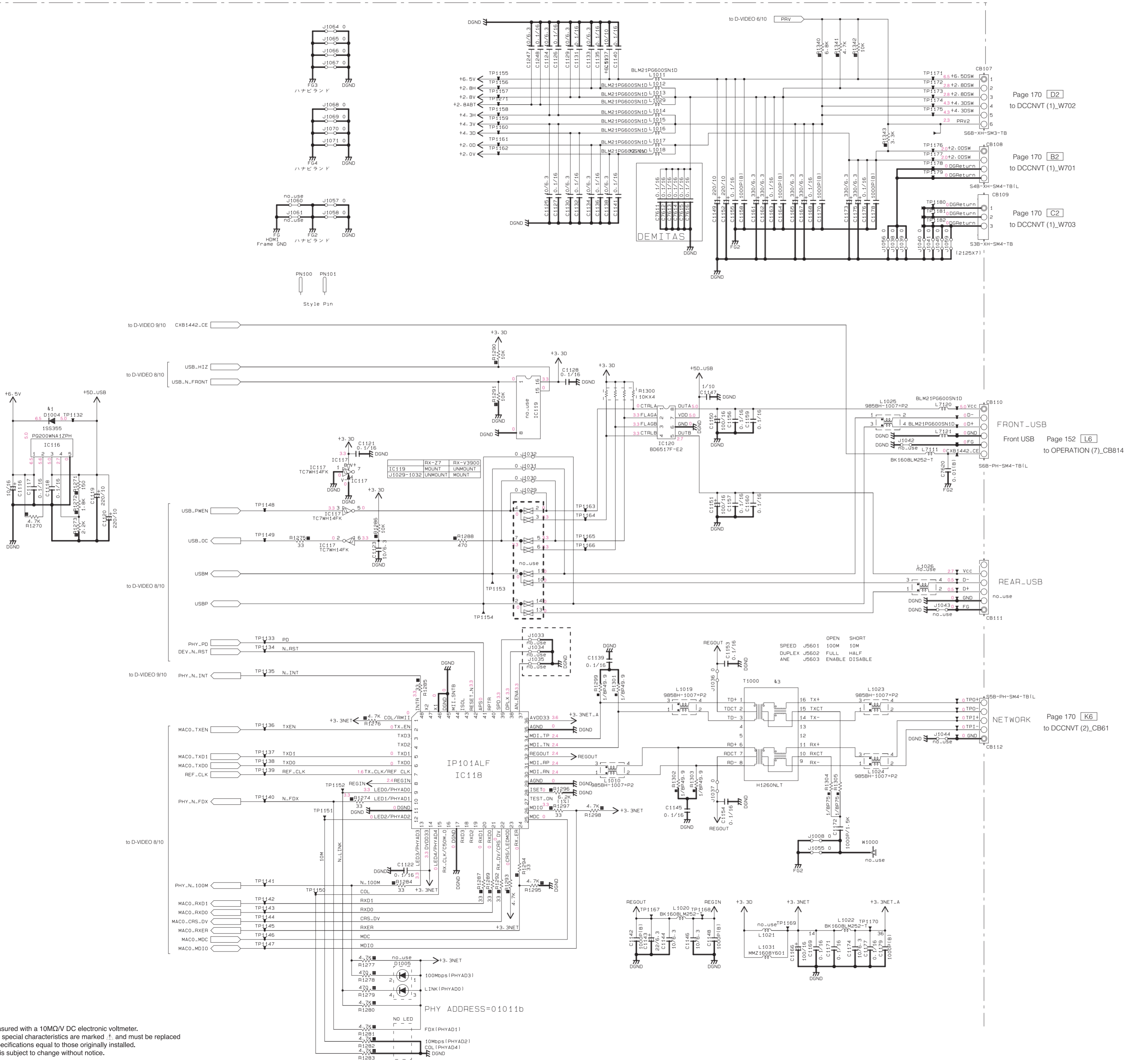
NOTICE (mode1)  
(J)..... JAPAN  
(U)..... U. S. A  
(C)..... CANADA  
(R)..... GENERAL  
(T)..... CHINA  
(K)..... KOREA  
(A)..... AUSTRALIA  
(B)..... BRITISH  
(G)..... EUROPE  
(L)..... SINGAPORE  
(E)..... SOUTH EUROPE  
(V)..... TAIWAN  
(F)..... RUSSIAN

DVIDEO 009  
Lo:100-199 1000-1999



- ★ All voltages are measured with a 10MΩ/V DC electronic voltmeter.
- ★ Components having special characteristics are marked ⊠ and must be replaced with parts having specifications equal to those originally installed.
- ★ Schematic diagram is subject to change without notice.
- 電圧は、内部抵抗10MΩの電圧計で測定したものです。
- ⊠印のある部品は、安全性確保部品を示しています。部品の交換が必要な場合、パーツリストに記載されている部品を使用してください。
- 本回路図は標準回路図です。改良のため予告なく変更することがございます。

D-VIDEO 10/10



**NOTICE** [mode1]  
(J)..... JAPAN  
(U)..... U.S.A  
(C)..... CANADA  
(R)..... GENERAL  
(T)..... CHINA  
(K)..... KOREA  
(A)..... AUSTRALIA  
(B)..... BRITISH  
(G)..... EUROPE  
(L)..... SINGAPORE  
(E)..... SOUTH EUROPE  
(V)..... TAIWAN  
(F)..... RUSSIAN

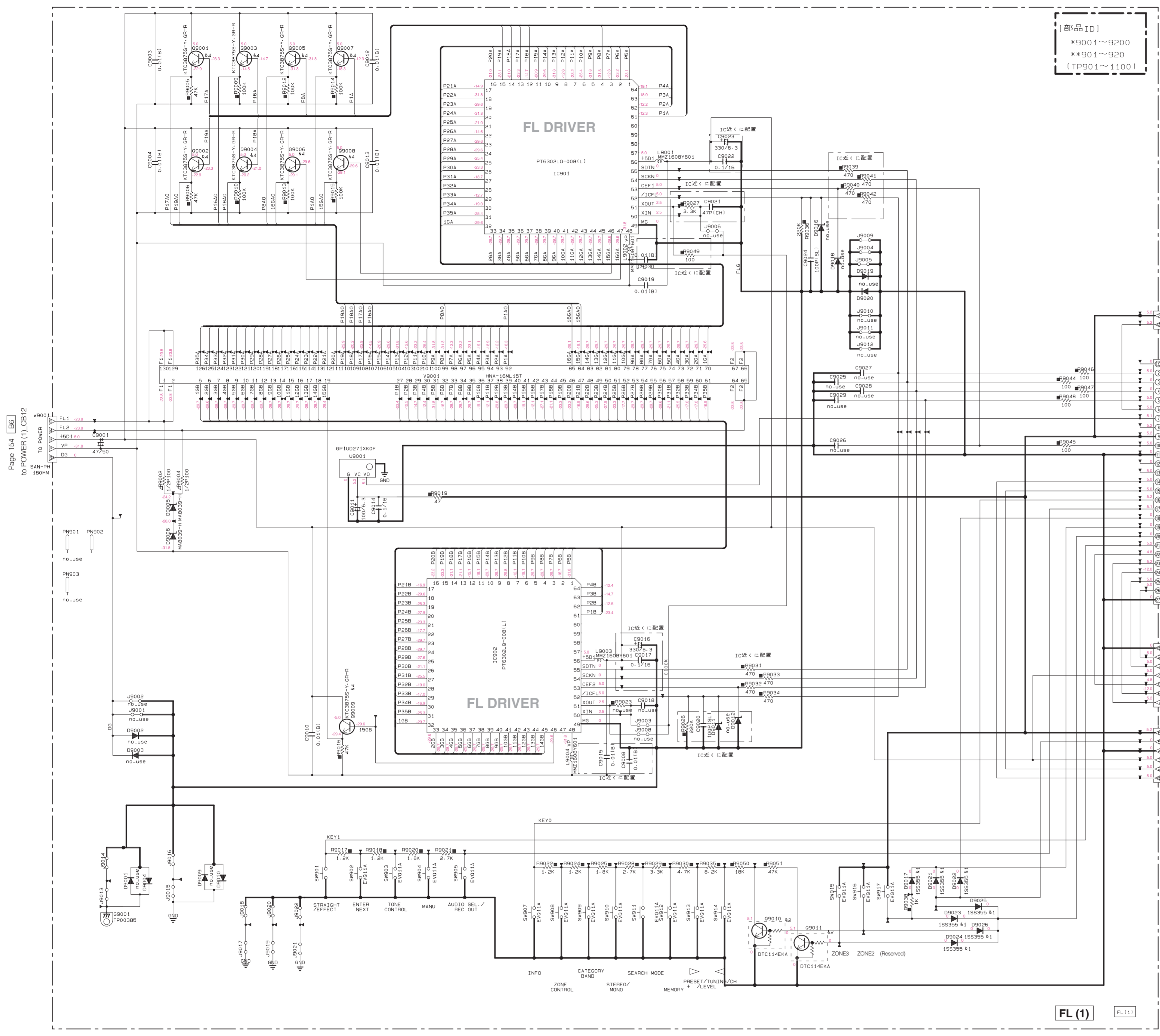
REMARKS	PARTS NAME
NO MARK	CARBON FILM RESISTOR (P=5)
⊠	CARBON FILM RESISTOR (P=10)
△	METAL OXIDE FILM RESISTOR
▲	METAL PLATE RESISTOR
⊞	FIRE PROOF CARBON FILM RESISTOR
⊞	CEMENT MOLDED RESISTOR
⊞	SEMI VARIABLE RESISTOR
⊞	CHIP RESISTOR

REMARKS	PARTS NAME
NO MARK	ELECTROLYTIC CAPACITOR
⊗	TANTALUM CAPACITOR
NO MARK	CERAMIC CAPACITOR
●	CERAMIC TUBULAR CAPACITOR
⊙	POLYESTER FILM CAPACITOR
○	POLYSTYRENE FILM CAPACITOR
⊖	MICA CAPACITOR
⊖	POLYPROPYLENE FILM CAPACITOR
⊖	SEMICONDUCTIVE CERAMIC CAPACITOR
⊖	POLYPHENYLENE SULFIDE FILM CAPACITOR

★ All voltages are measured with a 10MQ/V DC electronic voltmeter.  
★ Components having special characteristics are marked !, and must be replaced with parts having specifications equal to those originally installed.  
★ Schematic diagram is subject to change without notice.

●電圧は、内部抵抗10MΩの電圧計で測定したものです。  
●!印のある部品は、安全性確保部品を示しています。部品の交換が必要な場合、パーツリストに記載されている部品を使用してください。  
●本回路図は標準回路図です。改良のため予告なく変更することがございます。





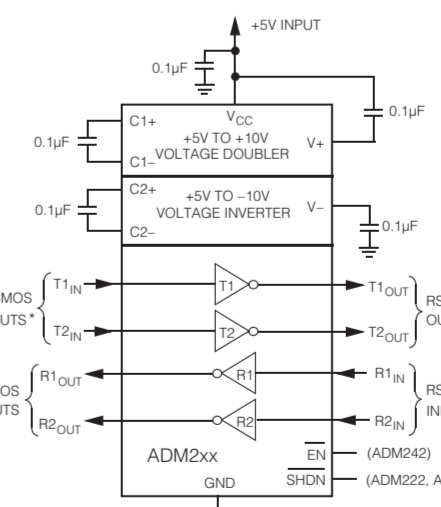
Page 152 [J4] to OPERATION (5)\_CB809

Page 168 [K5] to FL (2)\_CB970

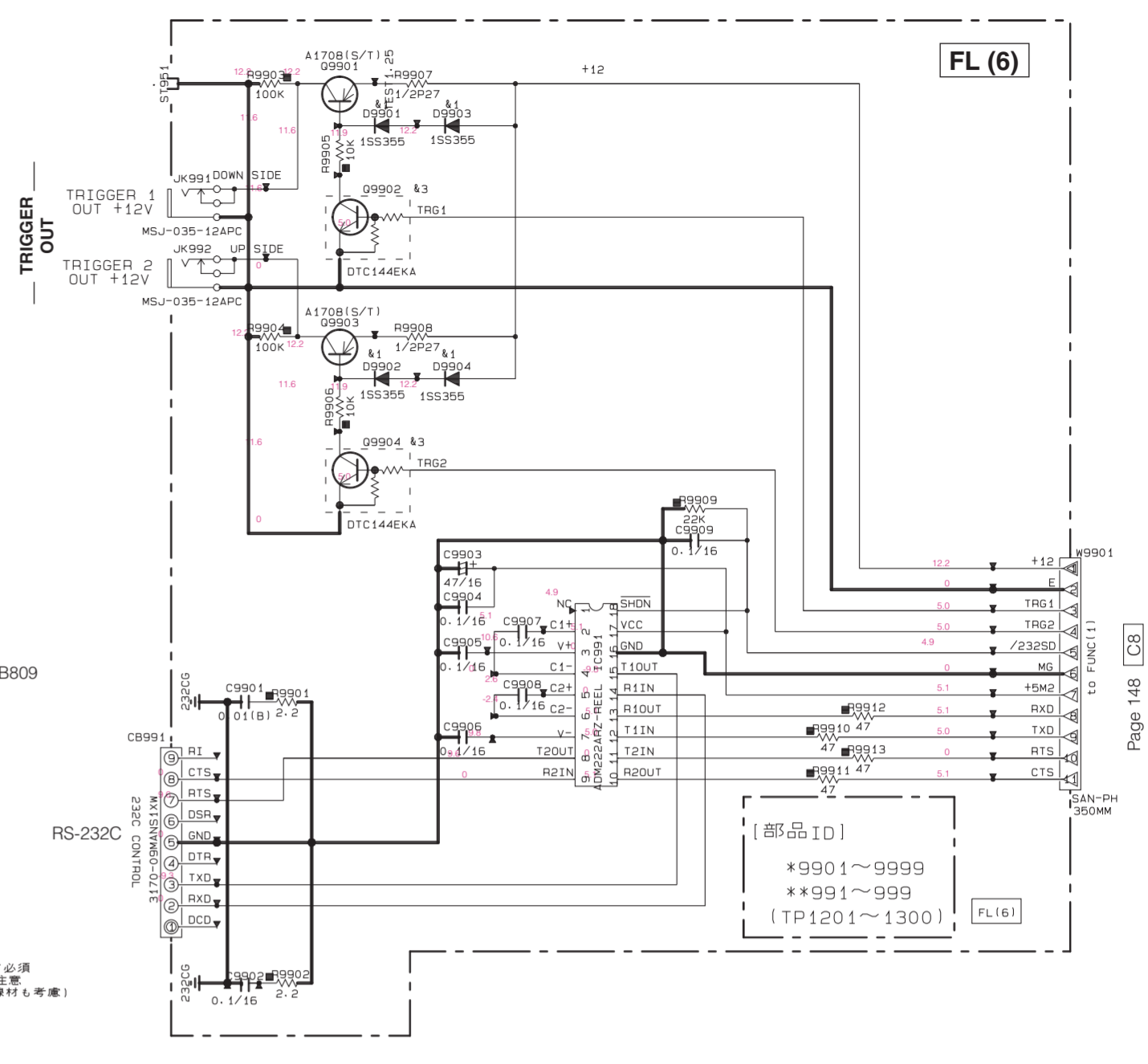
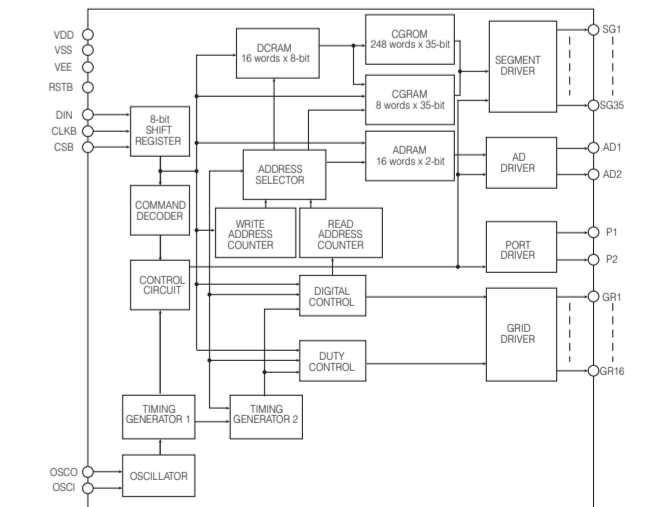
Page 152 [L1] to OPERATION (4)\_CB812

Page 152 [A2] to OPERATION (1)\_CB801

IC901: ADM2242RZ High speed RS-232 line drivers/receivers



IC901, 902: PT6302LQ-008 VFD driver/controller IC with character RAM



Page 148 [C8] to FUNCTION (1)\_CB405

Page 148 [C9] to FUNCTION (1)\_CB405

Page 148 [C9] to FUNCTION (1)\_CB405

Page 148 [C9] to FUNCTION (1)\_CB405

Page 148 [C9] to FUNCTION (1)\_CB405

Page 148 [C9] to FUNCTION (1)\_CB405

Page 148 [C9] to FUNCTION (1)\_CB405

Page 148 [C9] to FUNCTION (1)\_CB405

Page 148 [C9] to FUNCTION (1)\_CB405

Page 148 [C9] to FUNCTION (1)\_CB405

Page 148 [C9] to FUNCTION (1)\_CB405

Page 148 [C9] to FUNCTION (1)\_CB405

Page 148 [C9] to FUNCTION (1)\_CB405

Page 148 [C9] to FUNCTION (1)\_CB405

Page 148 [C9] to FUNCTION (1)\_CB405

Page 148 [C9] to FUNCTION (1)\_CB405

Interchangeable Parts at Manufacture-Stage

Mark	Reference Parts Number	Parts Name
41	09017-9904-9926	15S395
42	09010-9011	MA2J1100L KRC1025-Rtk/P
43	09902-9904	DTC114EKA KRC1025-Rtk/P
44	09001-9009	KTC38755-V-GR-Rtk/P 25C241K1G/R/S1

NOTICE (Model)

(J)..... JAPAN  
(U)..... U.S.A  
(C)..... CANADA  
(A)..... GENERAL  
(T)..... CHINA  
(K)..... KOREA  
(A)..... AUSTRALIA  
(B)..... BRITISH  
(G)..... EUROPE  
(L)..... SINGAPORE  
(E)..... SOUTH EUROPE  
(V)..... TAIWAN  
(F)..... RUSSIAN

RESISTOR

REMARKS	PARTS NAME
NO MARK	CARBON FILM RESISTOR [P=5]
⊗	CARBON FILM RESISTOR [P=10]
△	METAL OXIDE FILM RESISTOR
⊙	METAL FILM RESISTOR
⊠	METAL PLATE RESISTOR
⊡	FIRE PROOF CARBON FILM RESISTOR
□	CEMENT MOLDED RESISTOR
⊕	SEMI VARIABLE RESISTOR
■	CHIP RESISTOR

CAPACITOR

REMARKS	PARTS NAME
NO MARK	ELECTROLYTIC CAPACITOR
⊗	TANTALUM CAPACITOR
NO MARK	CERAMIC CAPACITOR
⊙	CERAMIC TUBULAR CAPACITOR
⊕	POLYESTER FILM CAPACITOR
⊖	POLYSTYRENE FILM CAPACITOR
○	MICA CAPACITOR
⊖	POLYPROPYLENE FILM CAPACITOR
⊕	SEMICONDUCTIVE CERAMIC CAPACITOR
⊖	POLYPHENYLENE SULFIDE FILM CAPACITOR

RX-V3900 (U, C, R, T, K, A, B, G, E, L models)  
Key input(A-D) pull-up resistance 10 k-ohms

Ohm	0	+1.2k	+1.2k	+1.8k	+2.7k	+3.3k	+4.7k	+8.2k	+18.0k	+47.0k
KEY0	-0.26	-0.75	-1.22	-1.76	-2.28	-2.75	-3.24	-4.25	-4.72	-
KEY1	-	-	-	-	-	-	-	-	-	-

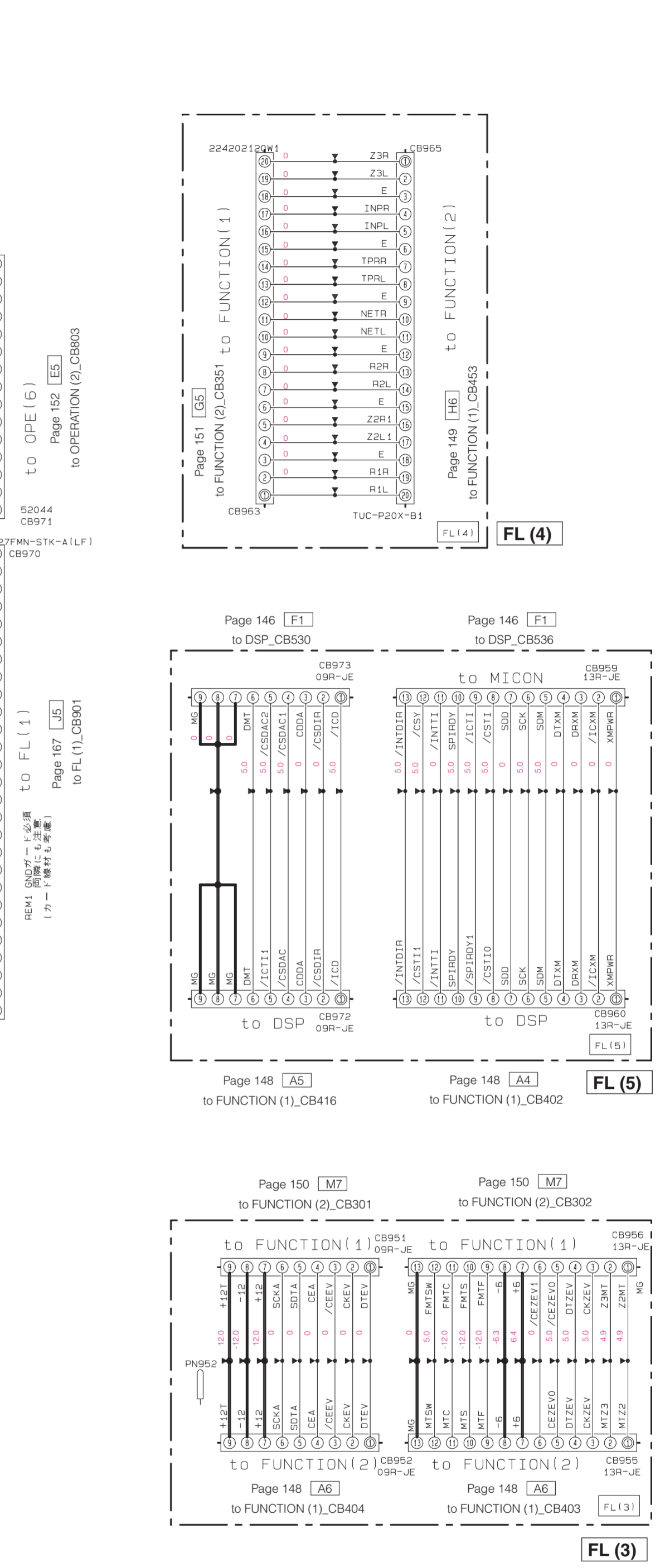
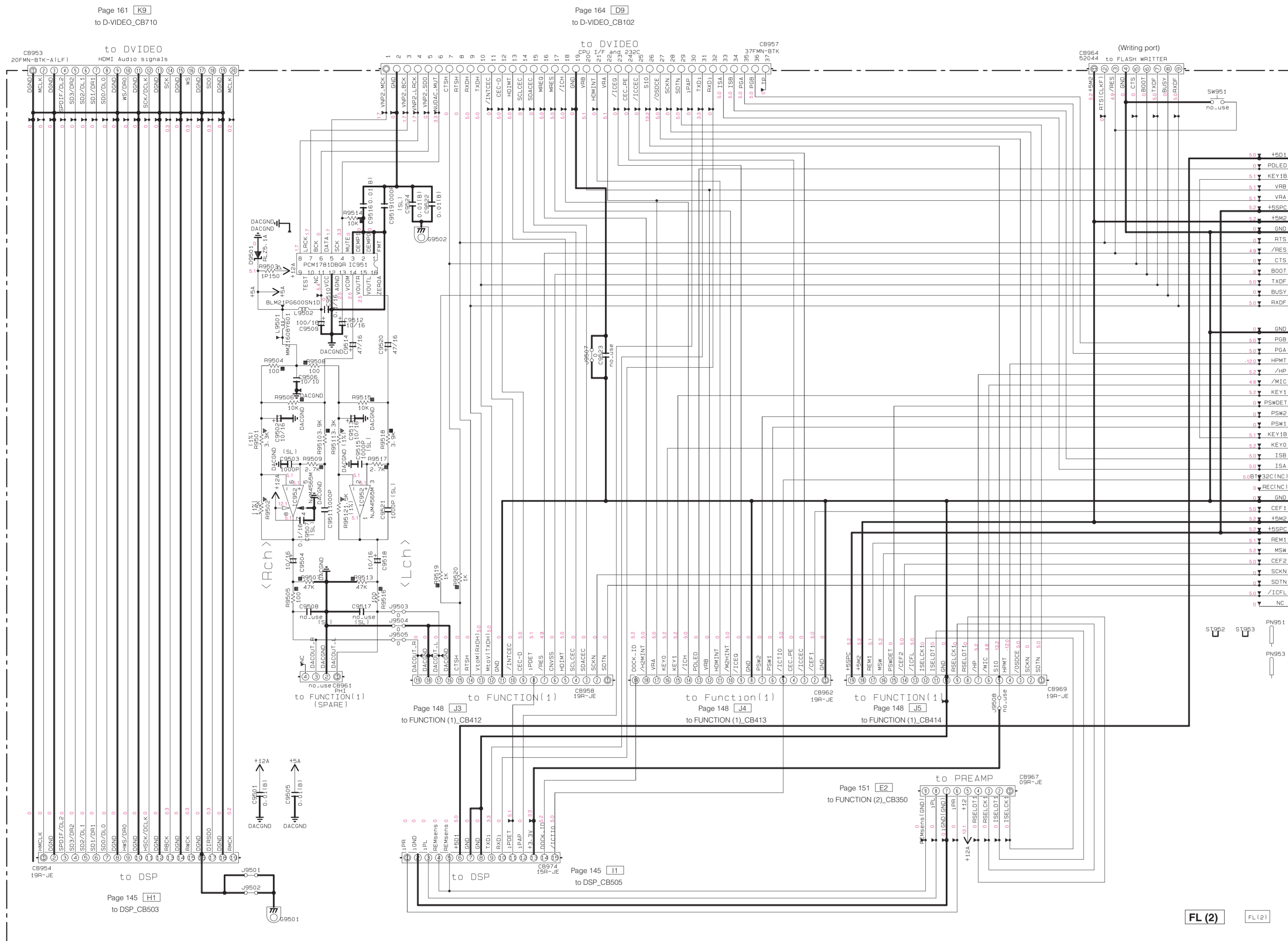
DSP-AX3900 (J model)  
Key input(A-D) pull-up resistance 10 k-ohms

Ohm	0	+1.2k	+1.2k	+1.8k	+2.7k	+3.3k	+4.7k	+8.2k	+18.0k	+47.0k
KEY0	-0.26	-0.75	-1.22	-1.76	-2.28	-2.75	-3.24	-4.25	-4.72	-
KEY1	-	-	-	-	-	-	-	-	-	-

\* All voltages are measured with a 10MΩ/V DC electronic voltmeter.  
\* Components having special characteristics are marked ⊠ and must be replaced with parts having specifications equal to those originally installed.  
\* Schematic diagram is subject to change without notice.

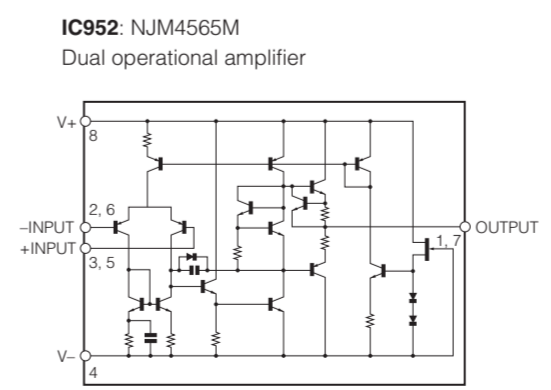
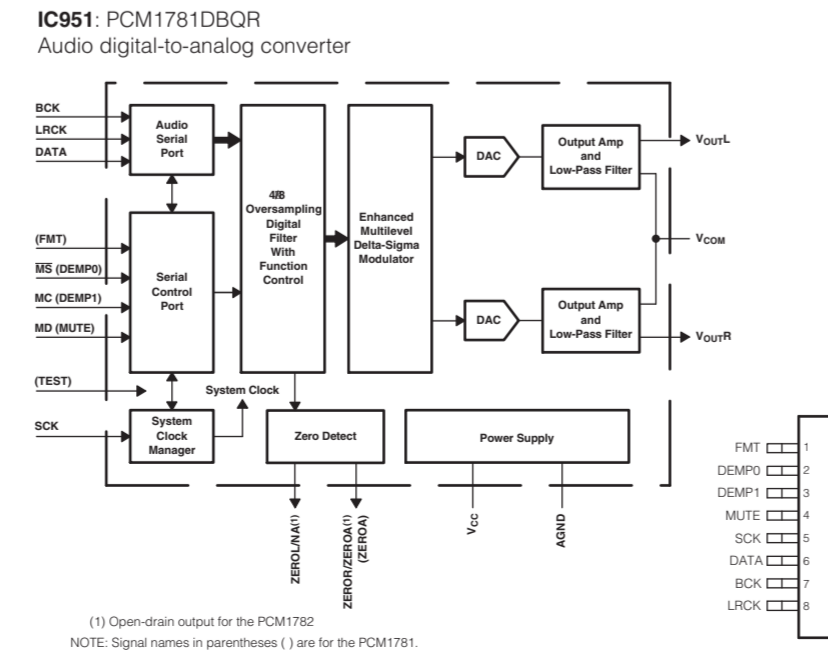
●電圧は、内部抵抗10MΩの電圧計で測定したものです。  
●⊠印のある部品は、安全性確保部品を示しています。部品の交換が必要な場合、パーツリストに記載されている部品を使用してください。  
●本回路図は標準回路図です。改良のため予告なく変更することがございます。





★ All voltages are measured with a 10MQ/V DC electronic voltmeter.  
 ★ Components having special characteristics are marked '!' and must be replaced with parts having specifications equal to those originally installed.  
 ★ Schematic diagram is subject to change without notice.

● 電圧は、内部抵抗10MQの電圧計で測定したものです。  
 ● !印のある部品は、安全性確保部品を示しています。部品の交換が必要な場合、パーツリストに記載されている部品を使用してください。  
 ● 本回路図は標準回路図です。改良のため予告なく変更することがございます。



RESISTOR	
REMARKS	PARTS NAME
NO MARK	CARBON FILM RESISTOR (P=5)
□	CARBON FILM RESISTOR (P=10)
△	METAL OXIDE FILM RESISTOR
◇	METAL FILM RESISTOR
■	METAL PLATE RESISTOR
⊠	FIRE PROOF CARBON FILM RESISTOR
⊞	CEMENT MOLDED RESISTOR
⊚	SEMI VARIABLE RESISTOR
⊛	CHIP RESISTOR

CAPACITOR	
REMARKS	PARTS NAME
U	ELECTROLYTIC CAPACITOR
⊖	TANTALUM CAPACITOR
NO MARK	CERAMIC CAPACITOR
⊙	CERAMIC TUBULAR CAPACITOR
⊕	POLYESTER FILM CAPACITOR
○	POLYSTYRENE FILM CAPACITOR
○	MICA CAPACITOR
⊗	POLYPROPYLENE FILM CAPACITOR
⊙	SEMICONDUCTIVE CERAMIC CAPACITOR

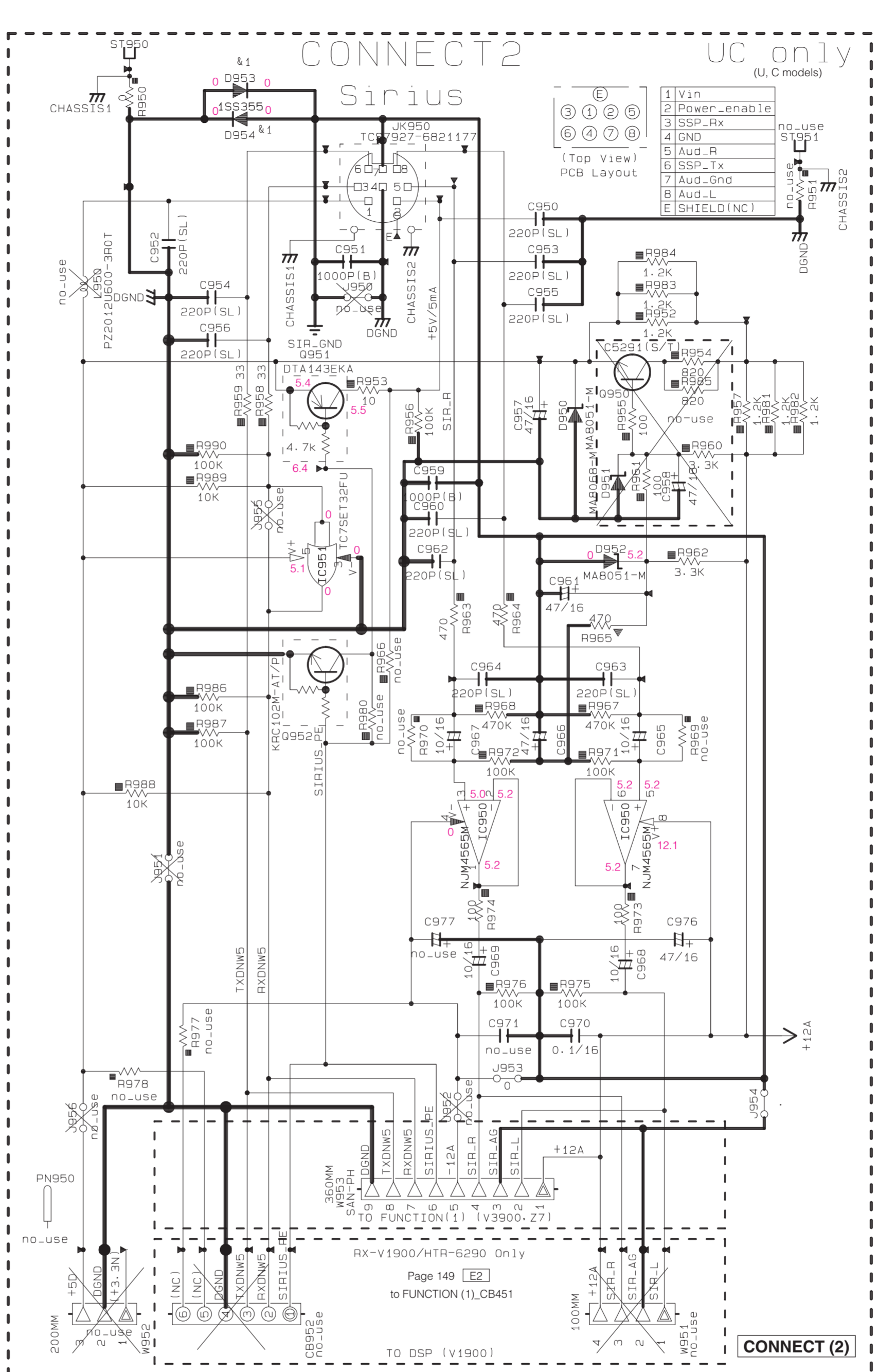
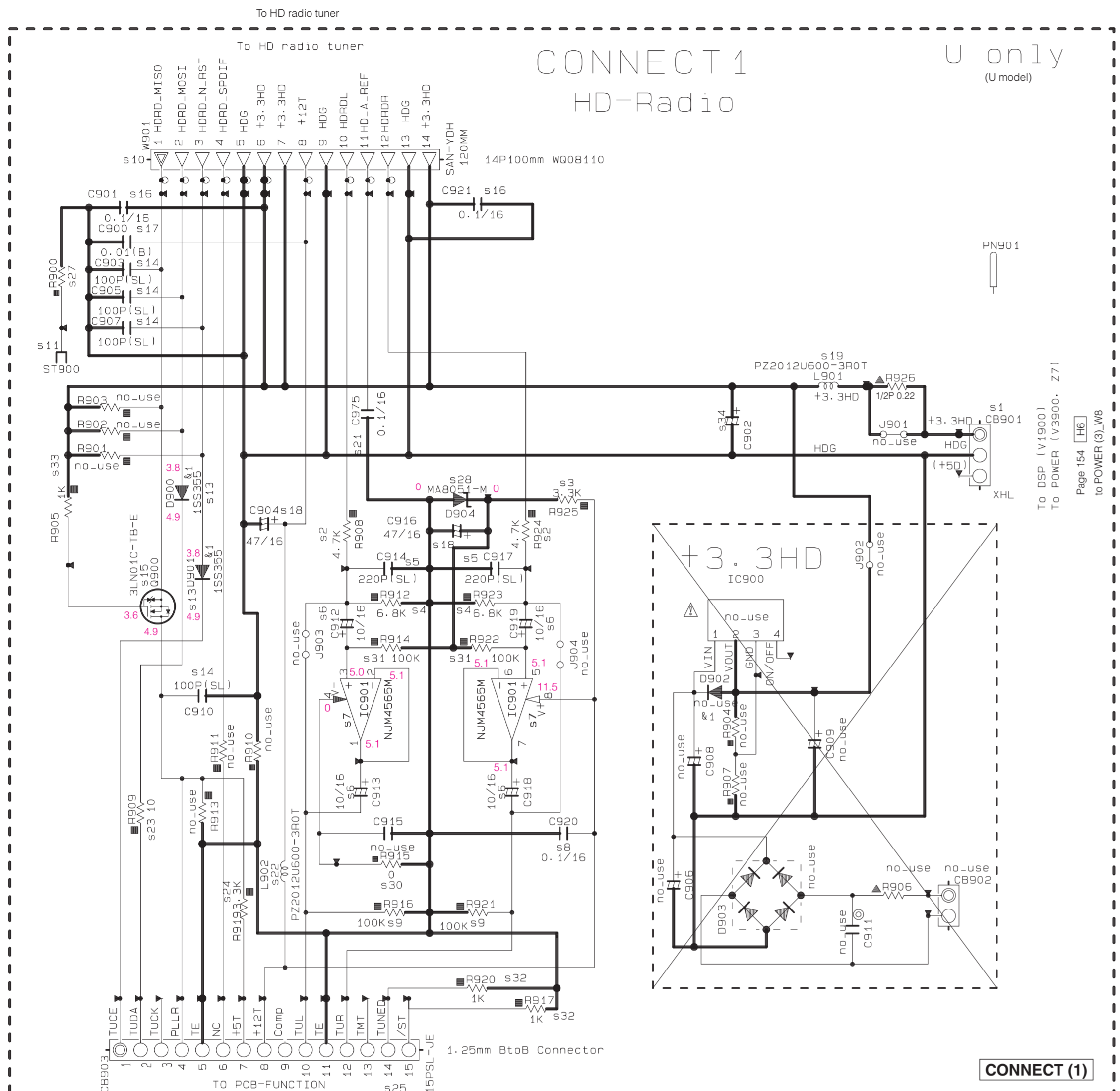
NOTICE (model)  
 (J)..... JAPAN  
 (U)..... U.S.A  
 (C)..... CANADA  
 (R)..... GENERAL  
 (T)..... CHINA  
 (K)..... KOREA  
 (A)..... AUSTRALIA  
 (B)..... BRITISH  
 (G)..... EUROPE  
 (L)..... SINGAPORE  
 (E)..... SOUTH EUROPE  
 (V)..... TAIWAN  
 (F)..... RUSSIAN

部品ID  
 \*9501~9800  
 \*\*951~980  
 (TP2001~2300)

(1) Open-drain output for the PCM1782  
 NOTE: Signal names in parentheses ( ) are for the PCM1781.



CONNECT



sXX	LOC	U	C
s1	CB901	LB91903 XHL	X
s2	R908	RD35647 4.7K	X
s3	R925	RD35633 3.3K	X
s4	R912	RD35668 6.8K	X
s5	C914	US06222 220P(SL)	X
s6	C912	UM39710 10/16	X
s7	IC901	X7378A0 NJM4565M	X
s8	C920	US13510 0.1/16	X
s9	R921	RD35810 100K	X
s10	W901	W008110 SAN-YDH	X
s11	ST900	V404050	X
s13	D901	VT33290 1S5355	X
s14	C907	US06210 100P(SL)	X
s15	D900	WH44500 3LNO1C-TB-E	X
s16	C901	US13510 0.1/16	X
s17	C900	US06410 0.01(B)	X
s18	C916	UM39747 47/16	X
s19	L901	W653720 PZ2012U600-3R0T	X
s21	C975	US13510 0.1/16	X
s22	L902	W653720 PZ2012U600-3R0T	X
s23	R909	RD35410 10	X
s24	R919	RD35633 3.3K	X
s25	CB903	VU44380 15PSL-JE	X
s27	R900	RD35000 0	X
s28	D904	VU99260 MAB051-M	X
s29	PN901	V963750	X
s30	R915	RD35000 0	X
s31	R914	RD35810 100K	X
s32	R920	RD35610 1K	X
s33	R905	RD35610 1K	X
s34	C902	UR21922 220P(S-3)	X
NA No.		WP15650 WP15660	
NC No.		X9907	

Page 148 A2 to FUNCTION (1)\_CB401

**NOTICE (model)**  
 (J)..... JAPAN  
 (U)..... U.S.A  
 (C)..... CANADA  
 (R)..... GENERAL  
 (T)..... CHINA  
 (K)..... KOREA  
 (A)..... AUSTRALIA  
 (B)..... BRITISH  
 (G)..... EUROPE  
 (L)..... SINGAPORE  
 (E)..... SOUTH EUROPE  
 (V)..... TAIWAN  
 (F)..... RUSSIAN

Interchangeable Parts at Manufacture-Stage

Mark	Reference Parts Number	Parts Name
&1	D900.901.953.954	1SS355 MA2J1110GL KDS160-RTK/P

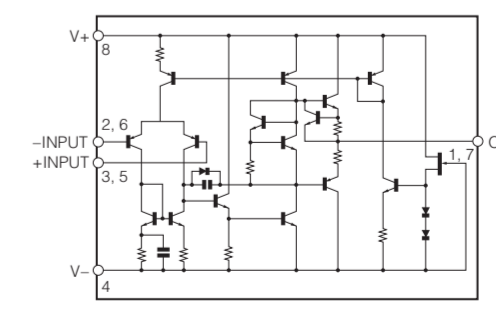
**RESISTOR**

REMARKS	PARTS NAME
NO MARK	ELECTROLYTIC CAPACITOR
⊗	TANTALUM CAPACITOR
NO MARK	CARBON FILM RESISTOR (P=5)
□	CARBON FILM RESISTOR (P=10)
△	METAL OXIDE FILM RESISTOR
▲	METAL FILM RESISTOR
⊠	METAL PLATE RESISTOR
⊞	FIRE PROOF CARBON FILM RESISTOR
□	CEMENT MOLDED RESISTOR
⊘	SEMI VARIABLE RESISTOR
■	CHIP RESISTOR

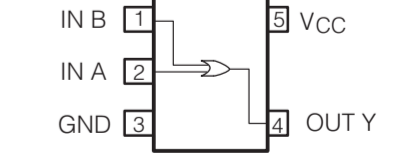
**CAPACITOR**

REMARKS	PARTS NAME
NO MARK	ELECTROLYTIC CAPACITOR
⊗	TANTALUM CAPACITOR
NO MARK	CERAMIC CAPACITOR
●	CERAMIC TUBULAR CAPACITOR
◎	POLYESTER FILM CAPACITOR
○	POLYSTYRENE FILM CAPACITOR
①	MICA CAPACITOR
②	POLYPROPYLENE FILM CAPACITOR
③	SEMICONDUCTIVE CERAMIC CAPACITOR
④	POLYPHENYLENE SULFIDE FILM CAPACITOR

IC901, 950: NJM4565M Dual operational amplifier



IC951: TC7SET32FU 2-input OR gate



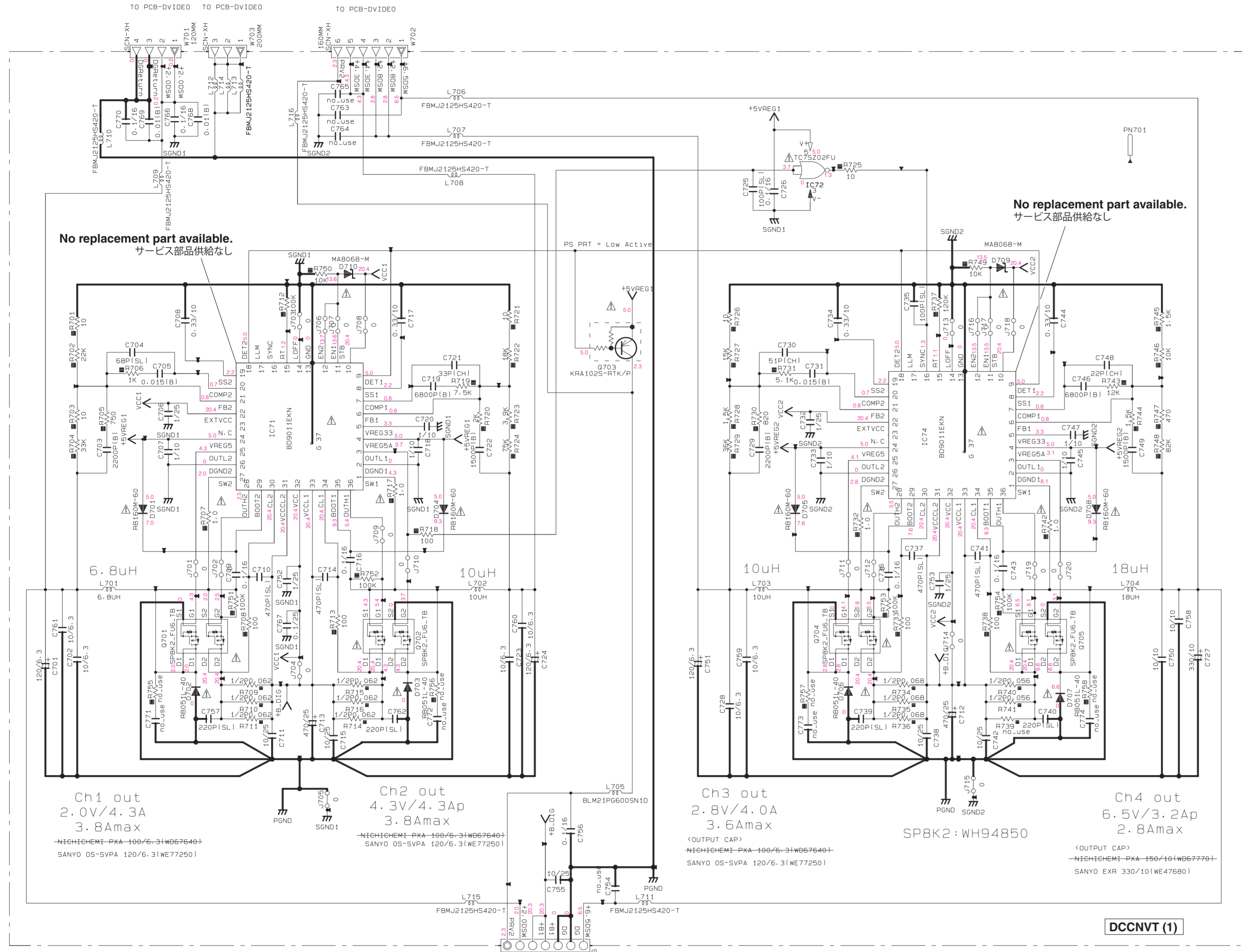
\* All voltages are measured with a 10MΩ/V DC electronic voltmeter.  
 \* Components having special characteristics are marked with a triangle and must be replaced with parts having specifications equal to those originally installed.  
 \* Schematic diagram is subject to change without notice.

●電圧は、内部抵抗10MΩの電圧計で測定したものです。  
 ●△印のある部品は、安全性確保部品を示しています。部品の交換が必要な場合、パーツリストに記載されている部品を使用してください。  
 ●本回路図は標準回路図です。改良のため予告なく変更することがございます。



DCCNVT

Page 166 [J3] to D-VIDEO\_CB108  
Page 166 [J3] to D-VIDEO\_CB109  
Page 166 [J2] to D-VIDEO\_CB107



DCCNVT (1)

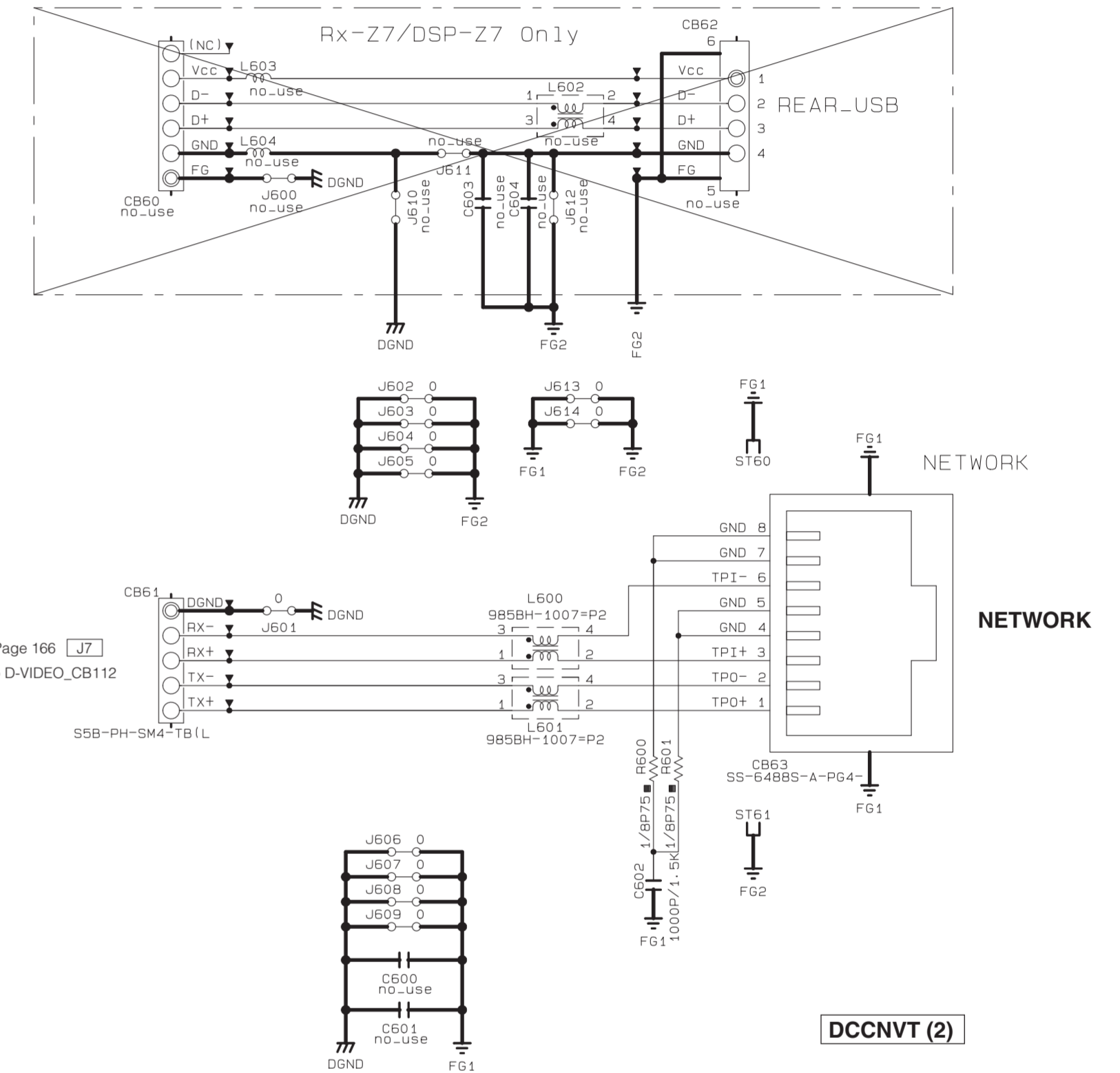
DCCNVT 001

REF : 71 - 80. 701 - 800

Table with 2 columns: REMARKS, PARTS\_NAME. Lists resistor types such as Carbon Film Resistor, Metal Oxide Film Resistor, etc.

Table with 2 columns: REMARKS, PARTS\_NAME. Lists capacitor types such as Electrolytic Capacitor, Tantalum Capacitor, etc.

NOTICE (model) (J)..... JAPAN (U)..... U.S.A (C)..... CANADA (R)..... GENERAL (T)..... CHINA (K)..... KOREA (A)..... AUSTRALIA (B)..... BRITISH (G)..... EUROPE (L)..... SINGAPORE (E)..... SOUTH EUROPE (V)..... TAIWAN (F)..... RUSSIAN



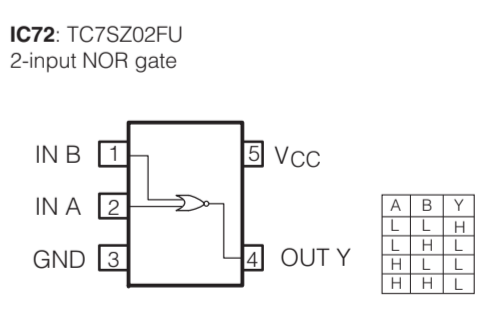
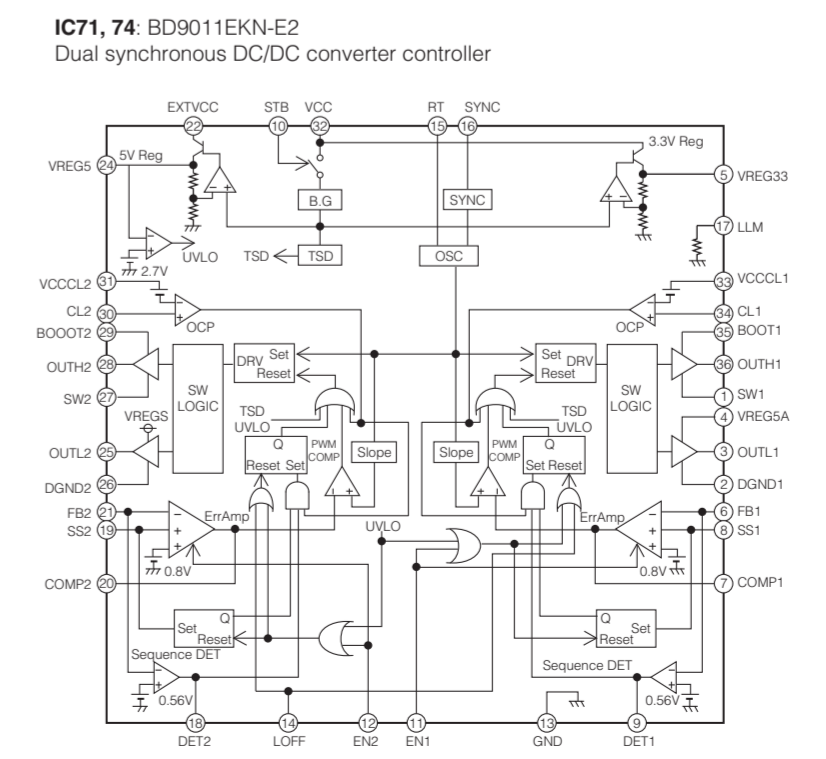
DCCNVT (2)

DCCNVT 002

Lo:60-66 600-669

All voltages are measured with a 10MQ/V DC electronic voltmeter. Components having special characteristics are marked with a star and must be replaced with parts having specifications equal to those originally installed.

電圧は、内部抵抗10MQの電圧計で測定したものです。印のある部品は、安全性確保部品を示しています。部品の交換が必要な場合、パーツリストに記載されている部品を使用してください。本回路図は標準回路図です。改良のため予告なく変更することがございます。



Truth table for IC72: TC7SZ02FU 2-input NOR gate. Columns: A, B, Y. Rows: L, L, L, L, L, L, L, L.