

AV RECEIVER/AV AMPLIFIER RX-V550/HTR-5750 RX-V450/HTR-5740/DSP-AX450 SERVICE MANUAL

RX-V550/HTR-5750
RX-V450/HTR-5740/DSP-AX450

IMPORTANT NOTICE

This manual has been provided for the use of authorized YAMAHA Retailers and their service personnel. It has been assumed that basic service procedures inherent to the industry, and more specifically YAMAHA Products, are already known and understood by the users, and have therefore not been restated.

WARNING: Failure to follow appropriate service and safety procedures when servicing this product may result in personal injury, destruction of expensive components, and failure of the product to perform as specified. For these reasons, we advise all YAMAHA product owners that any service required should be performed by an authorized YAMAHA Retailer or the appointed service representative.

IMPORTANT: The presentation or sale of this manual to any individual or firm does not constitute authorization, certification or recognition of any applicable technical capabilities, or establish a principle-agent relationship of any form.

The data provided is believed to be accurate and applicable to the unit(s) indicated on the cover. The research, engineering, and service departments of YAMAHA are continually striving to improve YAMAHA products. Modifications are, therefore, inevitable and specifications are subject to change without notice or obligation to retrofit. Should any discrepancy appear to exist, please contact the distributor's Service Division.

WARNING: Static discharges can destroy expensive components. Discharge any static electricity your body may have accumulated by grounding yourself to the ground buss in the unit (heavy gauge black wires connect to this buss).

IMPORTANT: Turn the unit OFF during disassembly and part replacement. Recheck all work before you apply power to the unit.

■ CONTENTS

TO SERVICE PERSONNEL	2	AMP ADJUSTMENT / アンプ部調整	43
IMPEDANCE SELECTOR	3	IC DATA	44~49
FRONT PANELS	4~6	BLOCK DIAGRAM	50~51
REAR PANELS	7~15	DISPLAY DATA	52
REMOTE CONTROL PANELS	16	PRINTED CIRCUIT BOARD	53~73
SPECIFICATIONS / 参考仕様	17~18	PIN CONNECTION DIAGRAM	74
INTERNAL VIEW	18	SCHEMATIC DIAGRAM	75~85
DISASSEMBLY PROCEDURES / 分解手順	19~21	PARTS LIST	87~123
SELF DIAGNOSIS FUNCTION (DIAG) / 自己診断機能 (ダイアグ)	22~42	REMOTE CONTROL	124~125



このサービスマニュアルは、エコマーク認定の再生紙を使用しています。
This Service Manual uses recycled paper.

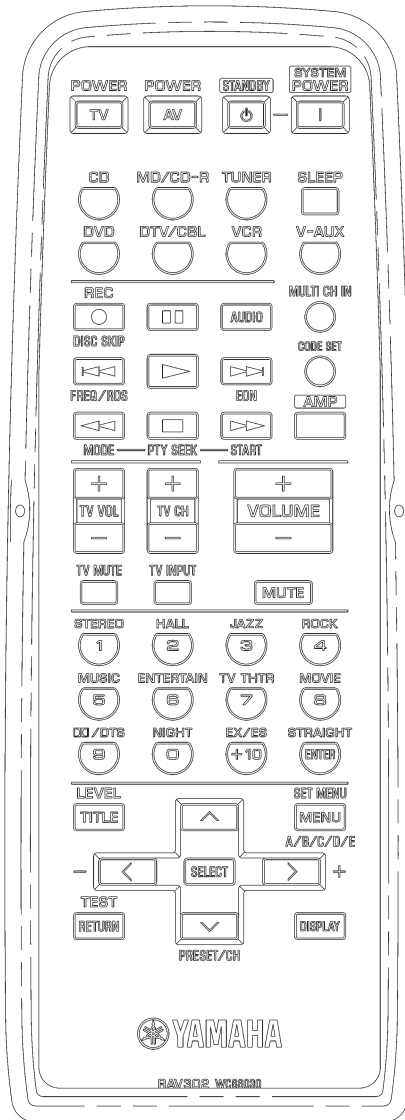
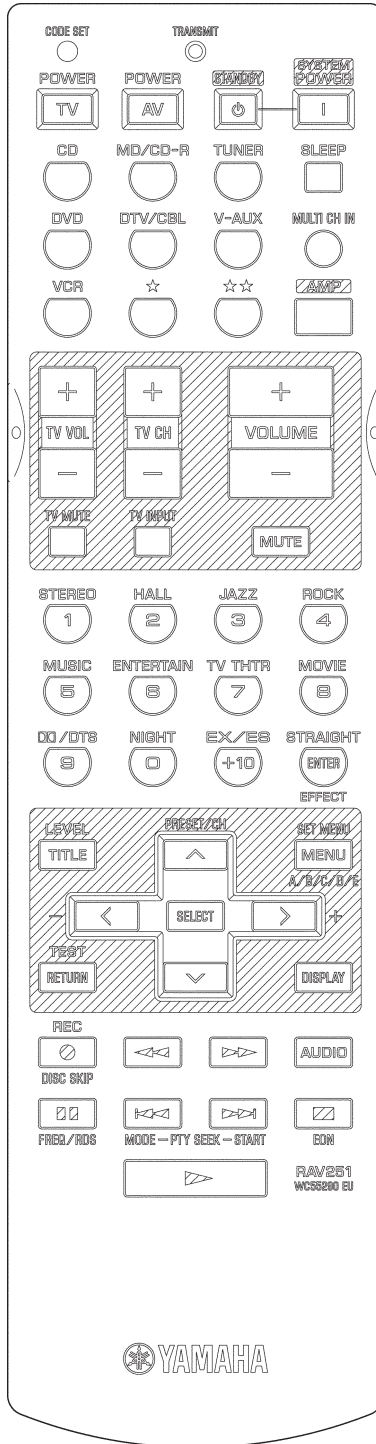
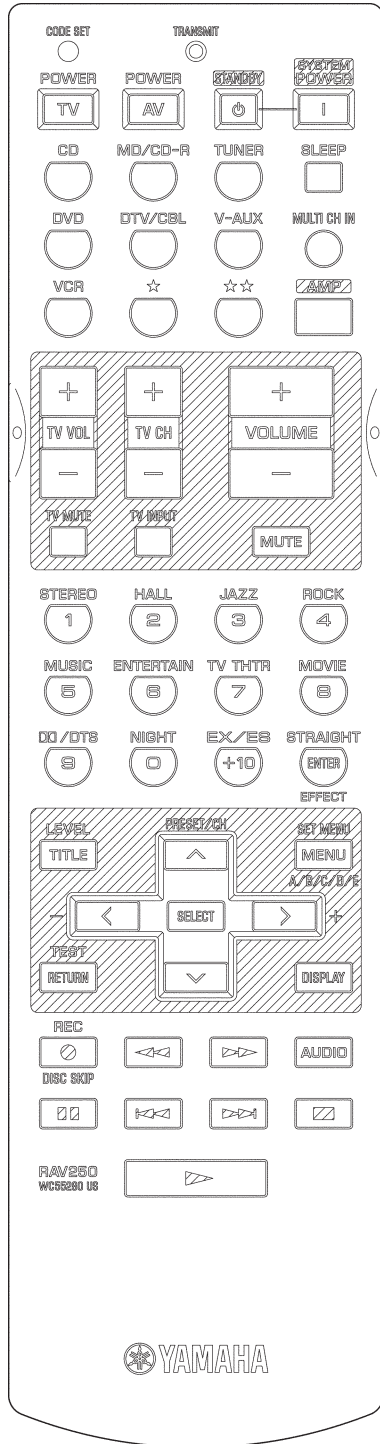


REMOTE CONTROL PANELS

RX-V550 (U, C, A, L, R, T, K models)
 HTR-5750 (U, C, A, T, K models)
 RX-V450 (U, C, A, L, R, T, K models)
 HTR-5740 (U, C, A models)
 DSP-AX450 (J model)

RX-V550 (B, G, E models)

RX-V450 (B, G, E models)
 HTR-5740 (G, E models)



RX-V550/HTR-5750
 RX-V450/HTR-5740/DSP-AX450

■ SPECIFICATIONS / 参考仕様

■ Audio Section / オーディオ部

Minimum RMS Output Power (Power Amp. Section) / 定格出力 (パワーアンプ部)

[RX-V550/HTR-5750]
(20 Hz to 20 kHz, 0.06% THD, 8 ohms)

FRONT L/R	90 W + 90 W
CENTER	90 W
SURROUND L/R	90 W + 90 W
SURROUND BACK	90 W

(1 kHz, 0.7% THD, 8 ohms)

FRONT L/R	105 W + 105 W
CENTER	105 W
SURROUND L/R	105 W + 105 W
SURROUND BACK	105 W

[RX-V450/HTR-5740]
(20 Hz to 20 kHz, 0.06% THD, 8 ohms)

FRONT L/R	85 W + 85 W
CENTER	85 W
SURROUND L/R	85 W + 85 W
SURROUND BACK	85 W

(1 kHz, 0.7% THD, 8 ohms)

FRONT L/R	100 W + 100 W
CENTER	100 W
SURROUND L/R	100 W + 100 W
SURROUND BACK	100 W

[DSP-AX450]
(20 Hz to 20 kHz, 0.09% THD, 6 ohms)

FRONT L/R	85 W + 85 W
CENTER, REAR CENTER	85 W
SURROUND L/R	85 W + 85 W
SURROUND BACK	85 W

Maximum Power / 実用最大出力 (EIAJ) (1kHz, 10% THD)

[RX-V550/HTR-5750] (R, T, K models)

FRONT L/R (8 ohms)	130 W + 130 W
CENTER, REAR CENTER (8 ohms)	130 W
SURROUND L/R (8 ohms)	130 W + 130 W
SURROUND BACK (8 ohms)	130 W

[RX-V450/HTR-5740] (R, T, K models)

FRONT L/R (8 ohms)	125 W + 125 W
CENTER, REAR CENTER (8 ohms)	125 W
SURROUND L/R (8 ohms)	125 W + 125 W
SURROUND BACK (8 ohms)	125 W

[DSP-AX450]

FRONT L/R (6 ohms)	125 W + 125 W
CENTER, REAR CENTER (6 ohms)	125 W
SURROUND L/R (6 ohms)	125 W + 125 W
SURROUND BACK (6 ohms)	125 W

DIN Standard Output Power Per Channel / DINパワー (B, G, E, L models) (1 kHz, 0.7% THD, 4 ohms)

[RX-V550/HTR-5750]

FRONT L/R	135 W + 135 W
CENTER	135 W
SURROUND L/R	135 W + 135 W
SURROUND BACK	135 W

[RX-V450/HTR-5740]

FRONT L/R	130 W + 130 W
CENTER	130 W
SURROUND L/R	130 W + 130 W
SURROUND BACK	130 W

IEC Power / IECパワー [B, G, E, L models]

[RX-V550/HTR-5750]

FRONT L/R (1 kHz, 0.06% THD, 8 ohms)	100 W + 100 W
--------------------------------------	---------------

[RX-V450/HTR-5740]

FRONT L/R (1 kHz, 0.06% THD, 8 ohms)	95 W + 95 W
--------------------------------------	-------------

Dynamic Power Per Channel / ダイナミックパワー (IHF)

[RX-V550/HTR-5750]

FRONT L/R (8/6/4/2 ohms)	120/155/190/235 W
--------------------------	-------------------

[RX-V450/HTR-5740]

FRONT L/R (8/6/4/2 ohms)	115/150/185/230 W
--------------------------	-------------------

[DSP-AX450]

FRONT L/R (8/6/4/2 ohms)	-/125/155/200 W
--------------------------	-----------------

Dynamic Headroom / ダイナミックヘッドルーム (U, C models)

[RX-V550/HTR-5750]

8 ohms	1.25 dB
--------	---------

[RX-V450/HTR-5740]

8 ohms	1.31 dB
--------	---------

Damping Factor / ダンピングファクタ
20 Hz to 20 kHz, SPEAKER-A 100 or more

Input Sensitivity / Input Impedance (入力感度/入力インピーダンス)
CD, etc. 200 mV / 47 k-ohms

MULTI CH IN
FRONT L/R, CENTER, SURROUND L/R, SUB WOOFER
200 mV / 47 k-ohms

Maximum Input Signal Level / 最大許容入力
1 kHz, 0.5% THD 2.0 V or more

Output Level / Output Impedance (出力電圧/出力インピーダンス)
REC OUT 200 mV / 1.2 k-ohms
20Hz SUB WOOFER 4 V / 1.2 k-ohms
ZONE2 (RX-V550 U, C, A models) 200 mV / 1.2 k-ohms

Headphone Jack Rated Output / Impedance
ヘッドフォン出力/出力インピーダンス
CD, etc. (1 kHz, 50 mV, 8 ohms) 150 mV / 100 ohms

Frequency Response / 周波数特性
CD, etc. to FRONT L/R (10 Hz to 100 kHz) +0/-3.0 dB

Total Harmonic Distortion / 全高調波歪率
(20Hz to 20kHz, 40W, 8 ohms)
CD, etc. (Effect Off) to FRONT L/R SP OUT 0.06 % or less

Signal to Noise Ratio / 信号対雑音比 (IHF-A Network)
CD, etc. (Input shorted) SP OUT 250mV 100 dB or more

Residual Noise / 残留ノイズ (IHF-A Network)
FRONT L/R SP OUT 150 µV or less

Channel Separation / チャンネルセパレーション
CD, etc. (Input 5.1 k-ohms shorted, 1 kHz/10 kHz) 60 dB or more/45 dB or more

Tone Control Characteristics / トーンコントロール特性
BASS Boost/Cut ±10 dB (60 Hz)
TREBLE Boost/Cut ±10 dB (20 kHz)

Filter Characteristics / フィルター特性
FRONT L/R, CENTER, SURROUND L/R SURROUND BACK SP Small (H.P.F.)
fc= 40/60/80/90/100/110/120/160/200 Hz / 12 dB/ oct.
SUBWOOFER (L.P.F.)
fc= 40/60/80/90/100/110/120/160/200 Hz / 24 dB/ oct.

■ Video Section / ビデオ部

Video Signal Type / ビデオ信号方式
U, C, R, K, J models NTSC
A, B, G, E, L, T models PAL

Video Signal Level / ビデオ信号
1 Vp-p / 75 ohms

S-Video Signal Level / Sビデオ信号
[RX-V550/HTR-5750/DSP-AX450]
Y 1 Vp-p / 75 ohms
C 0.286 Vp-p / 75 ohms

Component Signal Level (Except J model)
Y 1 Vp-p / 75 ohms
Cb/Cr 0.7 Vp-p / 75 ohms

D4-Video Signal Level / D4端子ビデオ信号 (J model)
Y 1 Vp-p / 75 ohms
Cb/Cr 0.7 Vp-p / 75 ohms

Maximum Input Level / 最大許容入力
1.5 Vp-p or more

Signal to Noise Ratio / 信号対雑音比
50 dB or more

Monitor Out Frequency Response / モニターアウト周波数帯域

[RX-V550/HTR-5750]
Composite Video Signal Level, S-Video Signal Level 5 Hz to 10 MHz, -3 dB
S-Video Signal Level (J model) 5 Hz to 10 MHz, -3 dB
Component Video Signal Level 5 Hz to 60 MHz, -3 dB

[RX-V550/HTR-5750/DSP-AX450]
Composite Video Signal Level 5 Hz to 10 MHz, -3 dB
S-Video Signal Level (J model) 5 Hz to 10 MHz, -3 dB
Component Video Signal Level (Except J model) 5 Hz to 60 MHz, -3 dB

D4-Video Signal Level (J model) 5 Hz to 60 MHz, -3 dB

■ FM Section / FM部

Tuning Range / 受信周波数範囲
U, C models 87.5 to 107.9 MHz
A, B, G, E, T, K models 87.5 to 108.0 MHz
L, R models 87.5 to 108.0 / 87.50 to 108.00 MHz
J model 76.0 to 90.0 MHz

50dB Quiet Sensitivity / 50dB SN感度 (IHF)
(1kHz, 100% Mod.)
Mono 2.0 µV (17.3 dBf)
Stereo 25 µV (39.2 dBf)

Usable Sensitivity / 実用感度 (IHF)
Mono 1.0 µV (11.2 dBf)

Selectivity / 選択度
70 dB

Signal to Noise Ratio / 信号対雑音比 (IHF)
Mono / Stereo 76 dB / 70 dB

Harmonic Distortion / 歪率
(1 kHz)
Mono/Stereo 0.2 / 0.3 %

Stereo Separation / ステレオセパレーション
1 kHz 42 dB

Frequency Response / 周波数特性
20 Hz to 15 kHz +0.5 / -2 dB

Antenna Input / アンテナ入力
75 ohms unbalanced

■ AM Section / AM部

Tuning Range / 受信周波数範囲
U, C models 530 to 1,710 kHz
A, B, G, E, T, K, J models 531 to 1,611 kHz
L, R models 530 to 1,710 / 531 to 1,611 kHz

Usable Sensitivity / 実用感度
300 µV/m

Antenna / アンテナ入力
Loop Antenna

■ General / 総合

Power Supply / 電源電圧
U, C models AC 120 V, 60 Hz
A model AC 240 V, 50 Hz
B, G, E models AC 230 V, 50 Hz
L model AC 220/230-240 V, 50/60 Hz
R model AC 110/120/220/230-240 V, 50/60 Hz
T model AC 220 V, 50 Hz
K model AC 220 V, 60 Hz
J model AC 100V, 50/60 Hz

Power Consumption / 消費電力
U, C models 350 W / 440 VA
A, B, G, E, L, R, T, K models 360 W
J model 245 W

Standby Power Consumption (reference data) / 待機時消費電力
(参考値) AC240 V / 50 Hz 0.1 W

Maximum Power Consumption [R model]
(6ch Drive, 10% THD) 700 W

AC Outlets / ACアウトレット
2 Switched Outlets
U, C, G, E, T, J models 100 W max. total
L, R models 50 W max. total
1 Switched Outlet
A, B models 100 W max.

Dimensions / 寸法 (W x H x D)
RX-V550 435 x 171 x 420 mm (17-1/8" x 6-3/4" x 16-1/2")
HTR-5750/RX-V450/HTR-5740/DSP-AX450 435 x 161 x 416 mm (17-1/8" x 6-5/16" x 16-3/8")

Weight / 質量
11.0 kg (24 lbs. 4 oz.)

Finish / 仕上げ
RX-V550 Gold color (L, R, T, K) models
Black color (U, C, A, B, G, E, R) models
Titanium color (B, G, E models)

HTR-5750 Gold color (T, K) models
Black color (U, C) models
Silver color (U, C, A) models

RX-V450 Gold color (L, R, T, K) models
Black color (U, C, A, B, G, E, R) models
Silver color (C, L, R) models
Titanium color (B, G, E models)

HTR-5740 Gold color (T, K) models
Black color (U, C, G, E) models
Silver color (U, C, A, G, E) models

DSP-AX450 Gold color (J) model
Silver color (J) model

Accessories / 付属品

Remote Control x 1, Batteries (Manganese Dry) x 4 (RAV250/RAV251) / x 2 (RAV302), Indoor FM Antenna x 1, AM Loop Antenna x 1, PAL 75/300 Socket [B model]

* Specifications are subject to change without notice due to product improvements.

※ 参考仕様および外観は予告なく変更されることがあります。

U	U.S.A. model	C	Canadian model
A	Australian model	B	British model
G	European model	E	South European model
L	Singapore model	R	General model
T	Chinese model	K	Korean model
J	Japanese model			



Manufactured under license from Dolby Laboratories. "Dolby", "Pro Logic", "Surround EX", and the double-D symbol are trademarks of Dolby Laboratories.

ドルビーラボラトリーズからの実施権に基づき製造されています。ドルビー、DOLBY、ドルビーデジタル、PRO LOGIC、サラウンドEXおよびダブルD記号は、ドルビーラボラトリーズの商標です。

"SILENT CINEMA" is a trademark of YAMAHA CORPORATION.

[サイレントシアター/SILENT THEATER]はヤマハ株式会社の登録商標です。



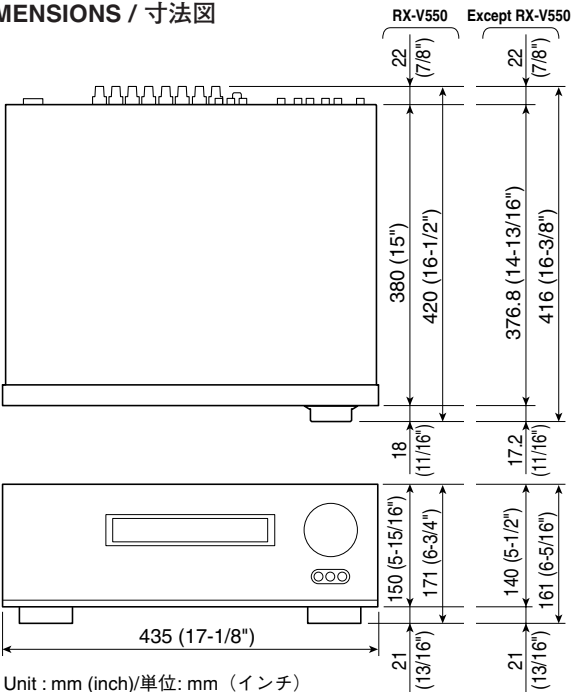
"DTS" and "DTS-ES Digital Surround" and "Neo:6" are trademarks of Digital Theater Systems, Inc.

DTS、DTS-ESデジタルサラウンドおよびNeo:6はデジタルシアターシステムズの登録商標です。



AACロゴマークはドルビーラボラトリーの商標です。

• DIMENSIONS / 寸法図



Unit : mm (inch)/単位: mm (インチ)

• Set Menu Table / セットメニュー

CATEGORY	MAIN MENU	SUB MENU	SELECT MENU	VALUE [INITIAL]	
BASIC SETUP			ROOM : S >M L	S / [M] / L	
			SUBWOOFER : YES	[YES] / NONE	
			SPEAKER : 6spk	2 / 3 / 4 / 5 / [6]	
			>SET CANCEL	[SET] / CANCEL	
MANUAL SETUP	1 SOUND MENU	A) SPEAKER SET	CENTER : SML	NONE / [SML] / LRG	
			FRONT : LARGE	SMALL / [LARGE]	
			SURR LR : SML	NONE / [SML] / LRG	
			SURR B : SML	NONE / [SML] / LRG	
			BASS OUT : BOTH	SWFR / FRONT / [BOTH]	
			Cross Over : 80Hz	40 / 60 / [80] / 100 / 110 / 120 / 160 / 200 Hz	
			SWFR PHASE : NRM	[NRM] / REV	
			B) SP LEVEL	L R	[CENTER] ± 10 step
				C	
		RL			
		RC			
		RR			
		C) SP DISTANCE	UNIT : feet	[feet] / meters	
			FRONT L 10.0ft	feet : 1.0 to 80.0 ft [7.0ft] / 0.5 ft step	
			FRONT R 10.0ft		
			CENTER 10.0ft		
			SURR L 10.0ft		
			SURR R 10.0ft		
			SURR B 7.0ft		
			SWFR 10.0ft		
			FRONT L 3.00m	meters : 0.30 to 24.00 m [3.00m] / 0.10 m step	
			FRONT R 3.00m		
			CENTER 3.00m		
			SURR L 3.00m		
			SURR R 3.00m		
			SURR B 3.00m		
			SWFR 3.00m		
		D) CENTER GEQ	TEST : >OFF ON	[OFF] / ON	
			100Hz - - 0	-6 dB to +6 dB [0 dB] / 0.5 STEP	
			300Hz - - 0		
			1kHz - - 0		
			3kHz - - 0		
		10kHz - - 0			
E) LFE LEVEL	SP LFE : 0	-20 dB to 0 dB [0 dB] / 1 STEP			
	HP LFE : 0	-20 dB to 0 dB [0 dB] / 1 STEP			
F) D . RANGE	SP D . R : MAX	MIN / STD / [MAX]			
	HP D . R : MAX	MIN / STD / [MAX]			
G) AUDIO SET	MUTE : MUTE	-20 dB / [MUTE]			
	DELEY : 0 ms	0 ms to 160 ms / 1 step			
2 INPUT MENU	A) I / O ASSIGN	DUAL MONO : MAIN	[MAIN] / SUB / ALL		
		C . V (A) : DVD	[DVD] / VCR / V-AUX / DTV/CBL		
		C . V (B) : DVT/CBL	DVD / VCR / V-AUX / [DTV/CBL]		
		OUT (1) : MD/CD-R	[MD/CD-R] / CD / VCR / V-AUX / DTV/CBL / DVD		
		IN (2) : MD/CD-R	[MD/CD-R] / CD / VCR / V-AUX / DTV/CBL / DVD		
		IN (3) : DVD	MD/CD-R / CD / VCR / V-AUX / DTV/CBL / [DVD]		
		IN (4) : DTV/CBL	MD/CD-R / CD / VCR / V-AUX / [DTV/CBL] / DVD		
		B) INPUT MODE	> AUTO / LAST	[AUTO] / LAST	
3 OPTION MENU	A) DISPLAY SET	DIMMER : 0	-4 to 0 / 1 step		
		V CONV : ON	OFF / [ON]		
	B) MEMORY GUARD	MEM . GUARD : OFF	[OFF] / ON		
	C) PARAM . INI				
D) ZONE SET	SP B : FRONT	[FRONT] / ZONE B			

• The variable range of the parameter (Min/Max/Step) / パラメーターの可変範囲 (最小/最大/ステップ)

		Unit
DSP LEVEL	-6/+3/1	dB
DELAY	1/99/1	ms

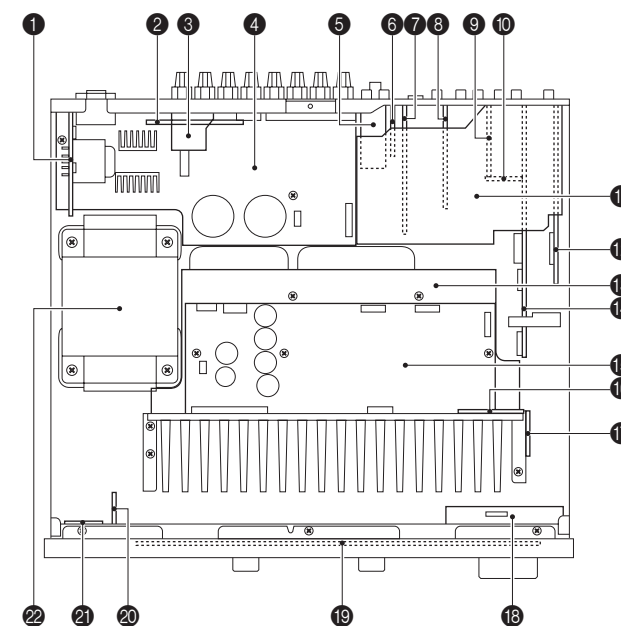
6ch Stereo Parameter		Unit
CT LEVEL	0/100/1	%
SL LEVEL	0/100/1	%
SR LEVEL	0/100/1	%
SB LEVEL	0/100/1	%

Pro Logic IIx Music Parameter		Unit
PLII/PLIIX	PLII/PLIIX	
PANORAMA	OFF/ON	
DIMENSIONS	-3/+3/1	
CT WIDTH	0/7/1	

DTS Neo:6 Music Parameter		Unit
C. IMAGE	0/0.5/0.1	

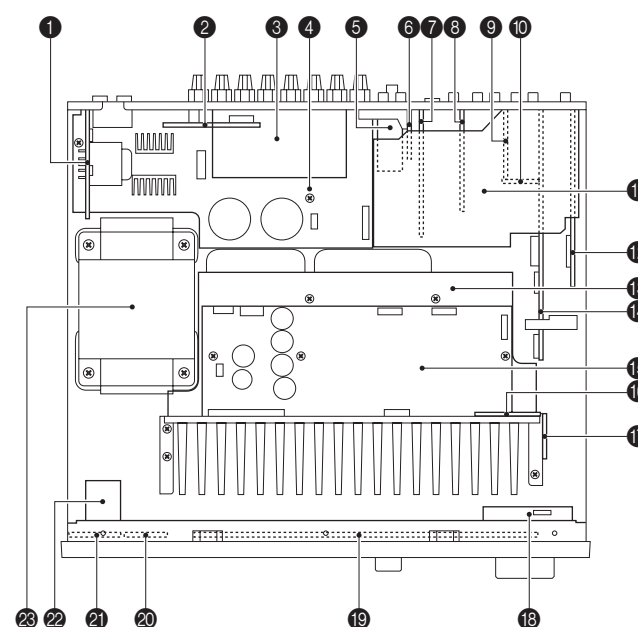
■ INTERNAL VIEW

RX-V550



- 1 SUBTRANS P.C.B.
- 2 POWER (2) P.C.B. (R, L models only)
- 3 FUNCTION (5) P.C.B. (U, C, A models only)
- 4 MAIN (2) P.C.B.
- 5 Tuner
- 6 FUNCTION (7) P.C.B.
- 7 FUNCTION (3) P.C.B.
- 8 FUNCTION (4) P.C.B.
- 9 FUNCTION (8) P.C.B.
- 10 FUNCTION (6) P.C.B.
- 11 FUNCTION (2) P.C.B.
- 12 DSP P.C.B.
- 13 MAIN (1) P.C.B.
- 14 FUNCTION (1) P.C.B.
- 15 POWER (1) P.C.B.
- 16 MAIN (7) P.C.B.
- 17 MAIN (4) P.C.B.
- 18 OPERATION (4) P.C.B.
- 19 OPERATION (1) P.C.B.
- 20 OPERATION (3) P.C.B.
- 21 OPERATION (2) P.C.B.
- 22 Power Transformer

HTR-5750/RX-V450/HTR-5740/DSP-AX450



- 1 SUBTRANS P.C.B.
- 2 POWER (2) P.C.B. (R, L models only)
- 3 VIDEO P.C.B. (DSP-AX450 only)
- 4 MAIN (2) P.C.B.
- 5 Tuner
- 6 FUNCTION (7) P.C.B. (Except DSP-AX450)
- 7 FUNCTION (3) P.C.B. (HTR-5750, DSP-AX450 only)
- 8 FUNCTION (4) P.C.B.
- 9 FUNCTION (8) P.C.B.
- 10 FUNCTION (6) P.C.B.
- 11 FUNCTION (2) P.C.B.
- 12 DSP P.C.B.
- 13 MAIN (1) P.C.B.
- 14 FUNCTION (1) P.C.B.
- 15 POWER (1) P.C.B.
- 16 MAIN (7) P.C.B.
- 17 MAIN (5) P.C.B.
- 18 OPERATION (4) P.C.B.
- 19 OPERATION (1) P.C.B.
- 20 OPERATION (5) P.C.B.
- 21 OPERATION (2) P.C.B.
- 22 OPERATION (3) P.C.B.
- 23 Power Transformer

RX-V550

DISASSEMBLY PROCEDURES

(Remove parts in the order as numbered.)
Disconnect the power cable from the AC outlet.

1. Removal of Top Cover

- Remove 4 screws (1) and 4 screws (2). (Fig. 1)
- Slide the Top Cover rearward to remove it. (Fig. 1)

2. Removal of Front Panel Unit

- Remove 2 Knobs. (Fig. 1)
- Remove 6 screws (3) and then remove the Front Panel Unit. (Fig. 1)

3. Removal of Plate Side

- Remove 2 push rivets (4). (Fig. 1)
- Remove the Plate Side. (Fig. 1)

4. Removal of Sub Chassis Unit

- Remove 2 screws (5) and then slide the Sub Chassis Unit forward. (Fig. 1)
- Loosen the harness fixture fixing the cable.
- Remove CB306, CB309, CB505 and CB863 and then remove the Sub Chassis Unit. (Fig. 1)

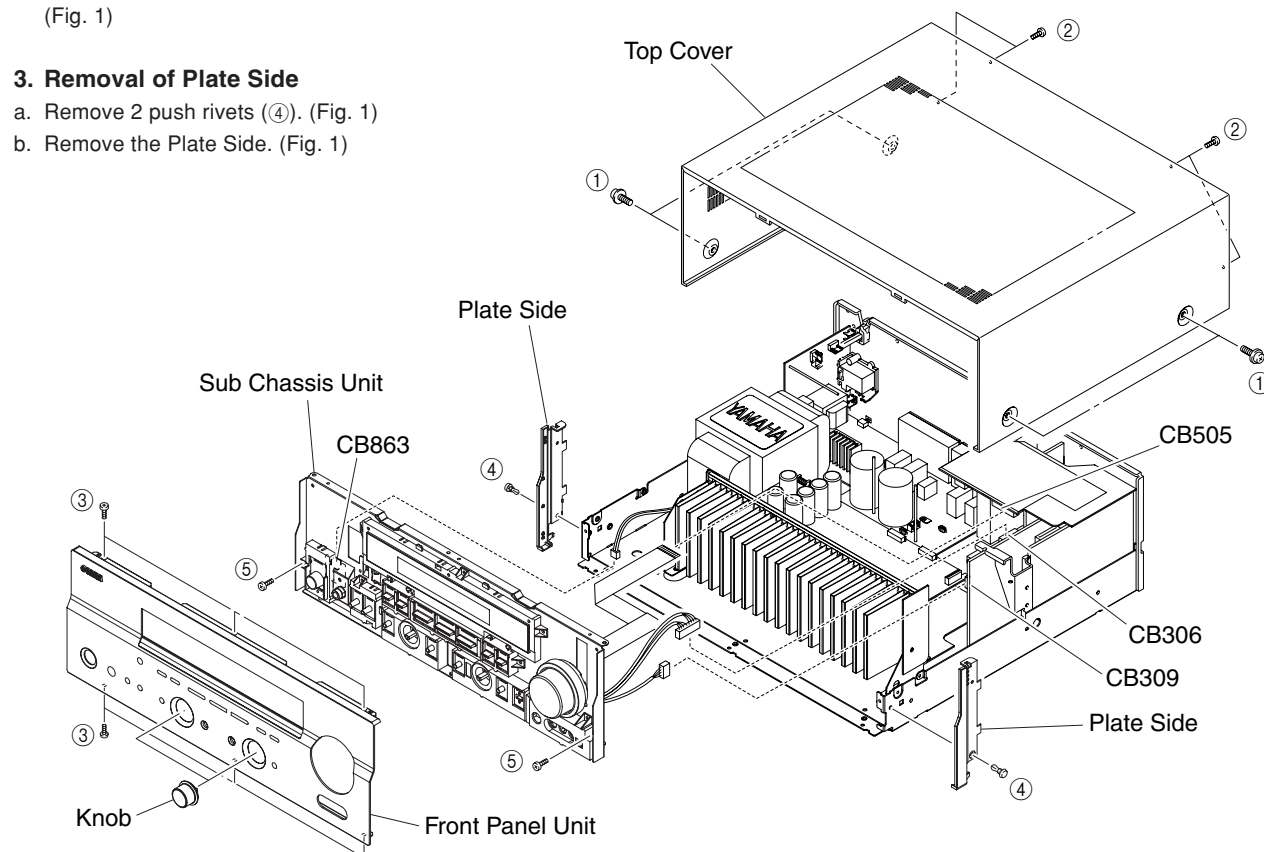


Fig. 1

5. Removal of DSP P.C.B.

- Remove 1 screw (6). (Fig. 2)
- Remove 7 screws (7). (Fig. 3)
- Remove CB2. (Fig. 2)
- Lift up the FUNCTION (2) P.C.B. and remove the CB1. (Fig. 2)
- Remove the DSP P.C.B. with the Support/DSP. (Fig. 2)

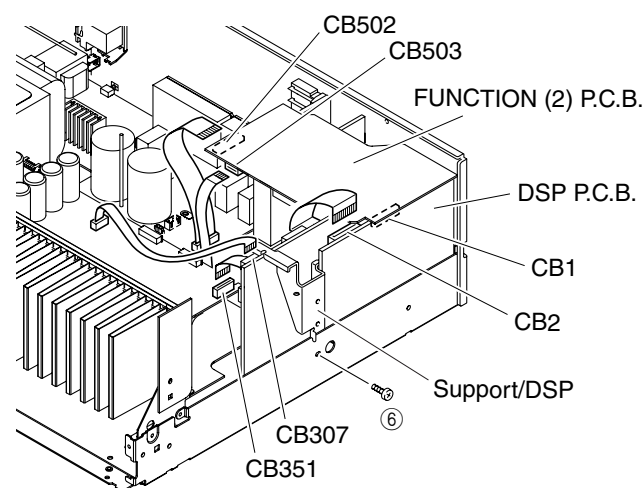


Fig. 2

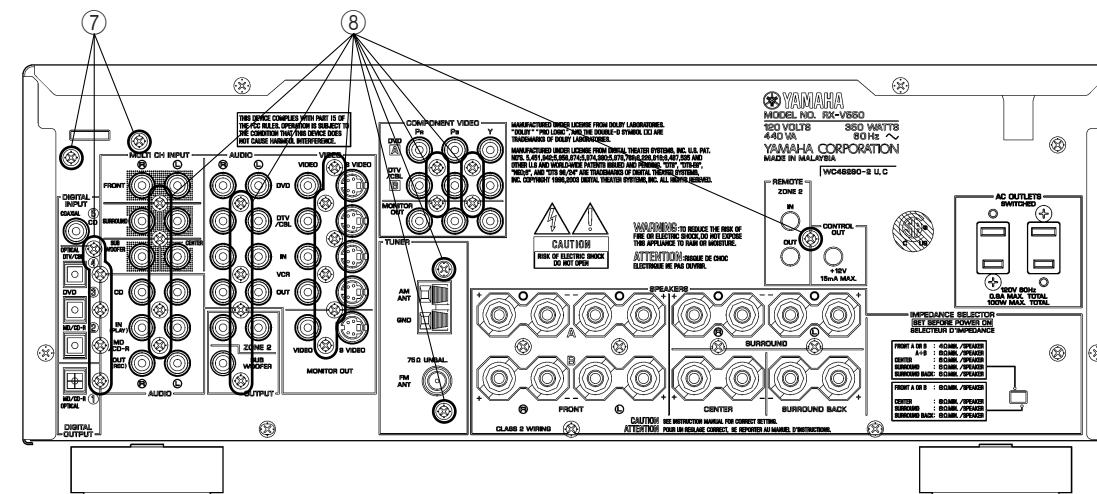


Fig. 3

6. Removal of FUNCTION (1) ~ (8) P.C.B.s and Tuner

- Remove CB307, CB351, CB502 and CB503. (Fig. 2)
- Remove 21 (U, C, A models) / 20 (except U, C, A models) screws (8). (Fig. 3)
- Remove FUNCTION (1) ~ (8) P.C.B.s and the Tuner. (Fig. 4)

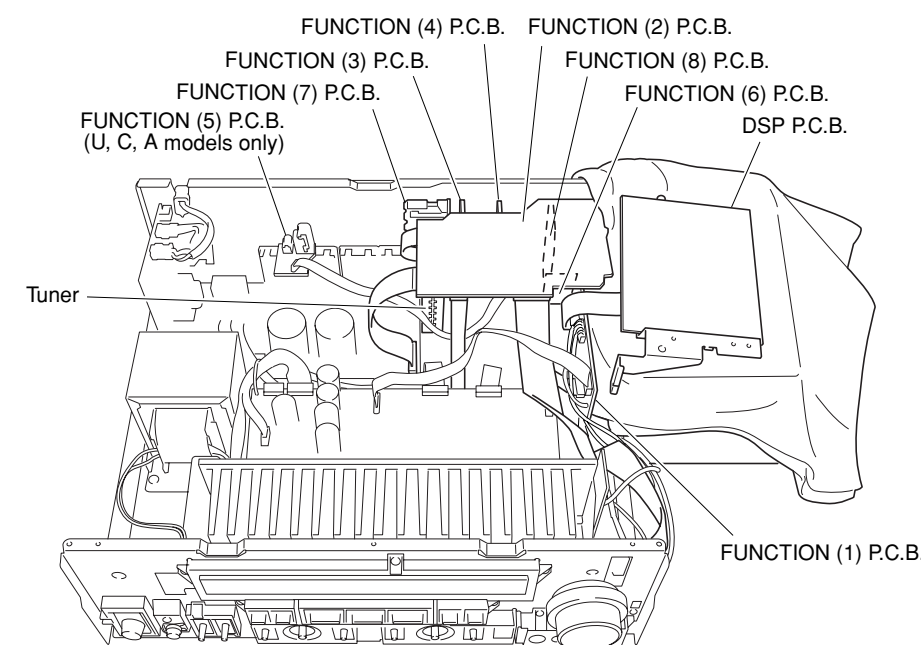


Fig. 4

7. Removal of MAIN (1), MAIN (5), MAIN (7) and POWER (1) P.C.B.s

- Remove CB351, CB354 and CB503. (Fig. 5)
- Remove 2 screws (⑨), 2 screws (⑩) and 3 screws (⑪). (Fig. 5)
- Remove MAIN (1), MAIN (5), MAIN (7) and POWER (1) P.C.B.s.. (Fig. 5)

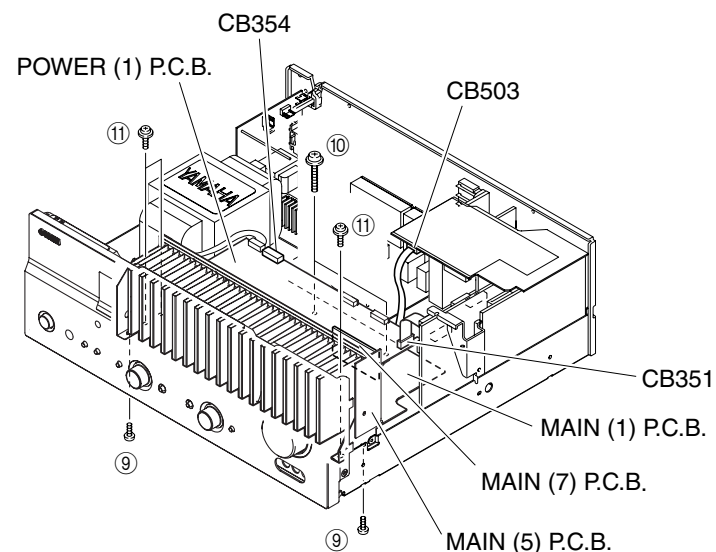


Fig. 5

When checking the P.C.B.:

- Put a Cloth over the equipment. Put the MAIN (1), (5), (7) and POWER (1) P.C.B.s together with the heat sink upright on the Cloth and check them. (Fig. 6)
- Reconnect all cables (connectors) that have been disconnected.
- When connecting the flat cable, use care for the polarity.
- The P.C.B. removed from the rear panel does not work because its grounding is loose. Be sure to connect the ground of each P.C.B. to the chassis or GND with a jumper wire or the like.

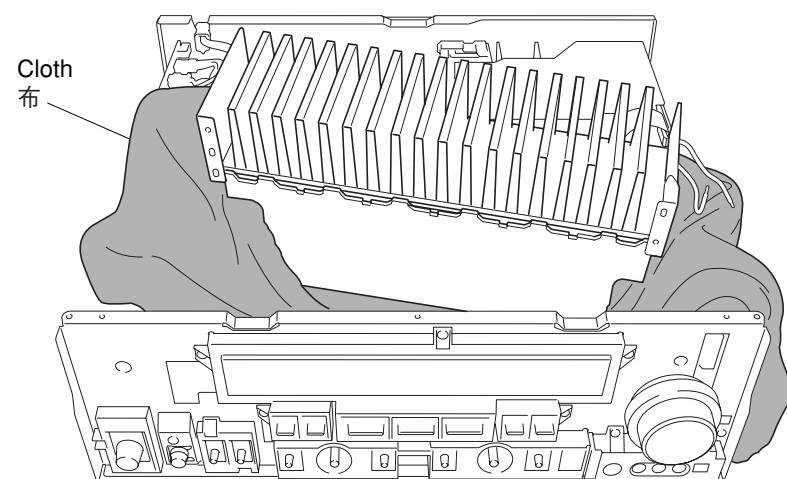


Fig. 6

DISASSEMBLY PROCEDURES / 分解手順

(Remove parts in the order as numbered.)
Disconnect the power cable from the AC outlet.

(番号順に部品を取り外してください。)
AC電源コンセントから、電源コードを抜いてください。

1. Removal of Top Cover

- Remove 4 screws (①) and 4 screws (②). (Fig. 1)
- Slide the Top Cover rearward to remove it. (Fig. 1)

1. トップカバーの外し方

- ①のネジ4本、②のネジ4本を外します。(Fig. 1)
- トップカバーを後方へスライドさせ、取り外します。(Fig. 1)

2. Removal of Front Panel Unit

- Remove 7 screws (③) and then slide the Front Panel Unit forward. (Fig. 1)
- Loosen the harness fixing the cable.
- Remove CB306, CB309, CB505 and CB863 and then remove the Front Panel Unit. (Fig. 1)

2. フロントパネルユニットの外し方

- ③のネジ7本を外し、フロントパネルユニットを前方へ引き出します。(Fig. 1)
- ケーブルを固定している束線止めをゆるめます。
- CB306、CB309、CB505、CB863を外し、フロントパネルユニットを取り外します。(Fig. 1)

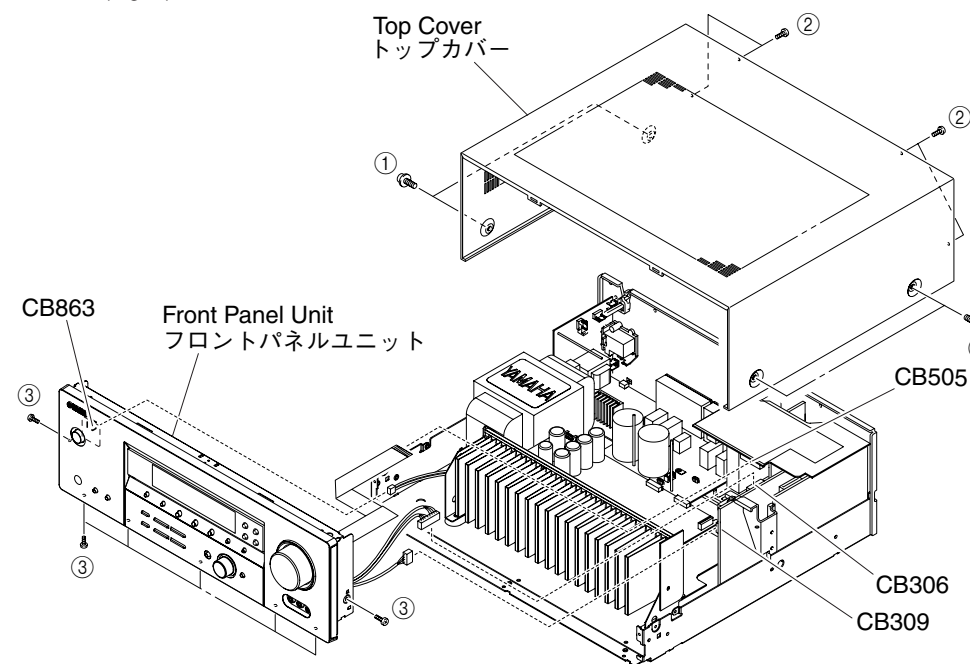


Fig. 1

3. Removal of DSP P.C.B.

- Remove 1 screw (④). (Fig. 2)
- Remove 7 (HTR-5750), 5 (RX-V450, HTR-5740) screws (⑤). (Fig. 3)
- Remove CB2. (Fig. 2)
- Lift up the FUNCTION (2) P.C.B. and remove the CB1. (Fig. 2)
- Remove the DSP P.C.B. with the Support/DSP. (Fig. 2)

3. DSP P.C.B.の外し方

- ④のネジ1本を外します。(Fig. 2)
- ⑤のネジ5本を外します。(Fig. 3)
- CB2を外します。(Fig. 2)
- FUNCTION(2) P.C.B.を上部に浮かせCB1を外します。(Fig. 2)
- DSP P.C.B.をサポート/DSPと共に取り外します。(Fig. 2)

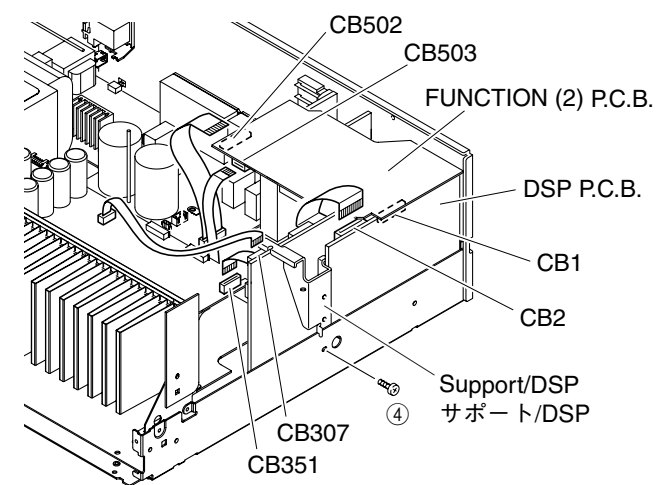
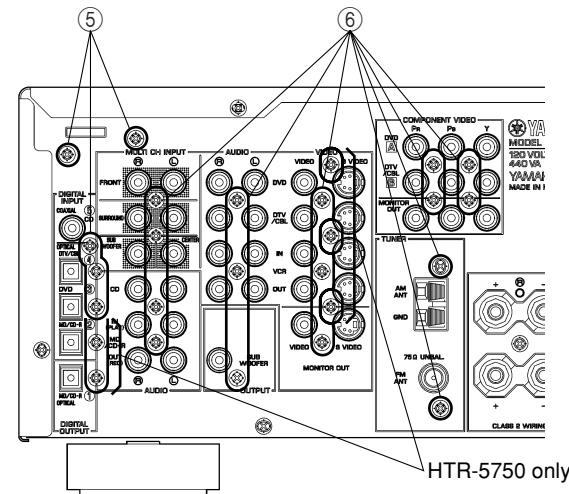


Fig. 2

HTR-5750/RX-V450/HTR-5740



DSP-AX450

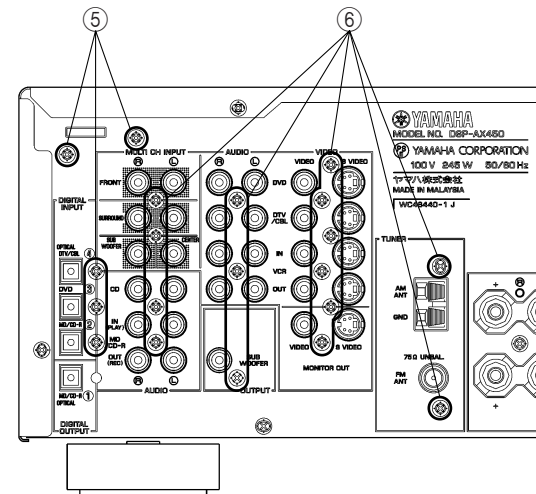


Fig. 3

4. Removal of FUNCTION (1), (2), (4), (6) ~ (8) P.C.B.s and Tuner

- Remove CB307, CB351, CB502 and CB503. (Fig. 2)
- Remove 19 (HTR-5750), 16 (RX-V450, HTR-5740) screws (6). (Fig. 3)
- Remove FUNCTION (1), (2), (4), (6) ~ (8) P.C.B.s. and the Tuner. (Fig. 4)

4. FUNCTION (1)~(4)、(6)~(8)、TUNERの外し方

- CB307、CB351、CB502、CB503を外します。(Fig. 2)
- ⑥のネジ15本を外します。(Fig. 3)
- FUNCTION (1)~(4)、(6)~(8)、TUNERを取り外します。(Fig. 4)

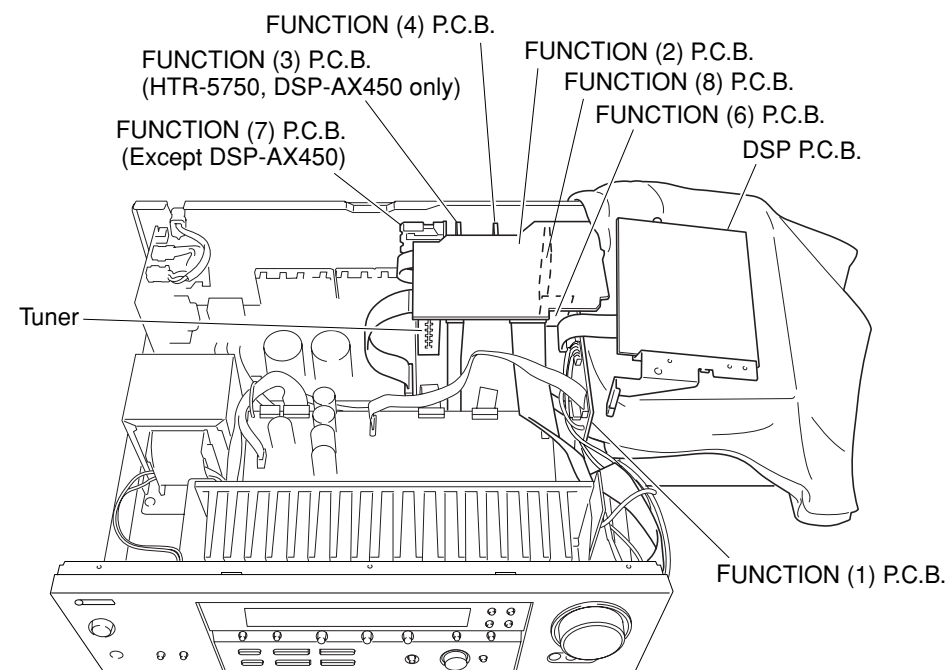


Fig. 4

5. Removal of MAIN (1), MAIN (5), MAIN (7) and POWER (1) P.C.B.s

- Remove CB351, CB354 and CB503. (Fig. 5)
- Remove 2 screws (7), 2 screws (8) and 3 screws (9). (Fig. 5)
- Remove MAIN (1), MAIN (5), MAIN (7) and POWER (1) P.C.B.s.. (Fig. 5)

5. MAIN (1)、MAIN (5)、MAIN (7)、POWER (1) P.C.B.の外し方

- CB351、CB354、CB503を外します。(Fig. 5)
- ⑦のネジ2本、⑧のネジ2本、⑨のネジ3本を外します。(Fig. 5)
- MAIN (1)、MAIN (5)、MAIN (7)、POWER (1) P.C.B.を取り外します。(Fig. 5)

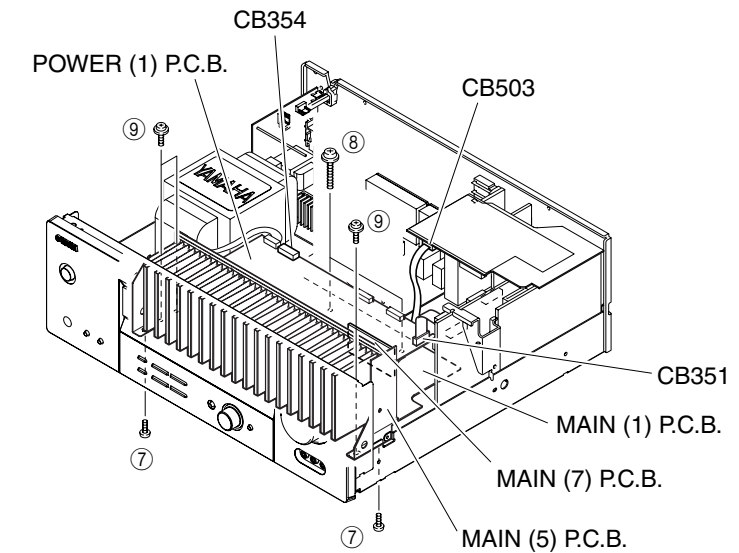


Fig. 5

When checking the P.C.B.:

- Put a Cloth over the equipment. Put the MAIN (1), (5), (7) and POWER (1) P.C.B.s together with the heat sink upright on the Cloth and check them. (Fig. 6)
- Reconnect all cables (connectors) that have been disconnected.
- When connecting the flat cable, use care for the polarity.
- The P.C.B. removed from the rear panel does not work because its grounding is loose. Be sure to connect the ground of each P.C.B. to the chassis or GND with a jumper wire or the like.

P.C.B.チェックをする場合には

- 布を敷きます。その上にMAIN(1)、(5)、(7)、POWER(1) P.C.B.をヒートシンクと一緒に立ててチェックします。
- 外したケーブル(コネクタ)をすべて接続してください。
- フラットケーブルを接続する際、極性に注意してください。
- リアパネルから外したP.C.B.はアースが浮いて動作しませんので、各P.C.B.のアースをリード線等でシャーシまたはGNDに接続してください。

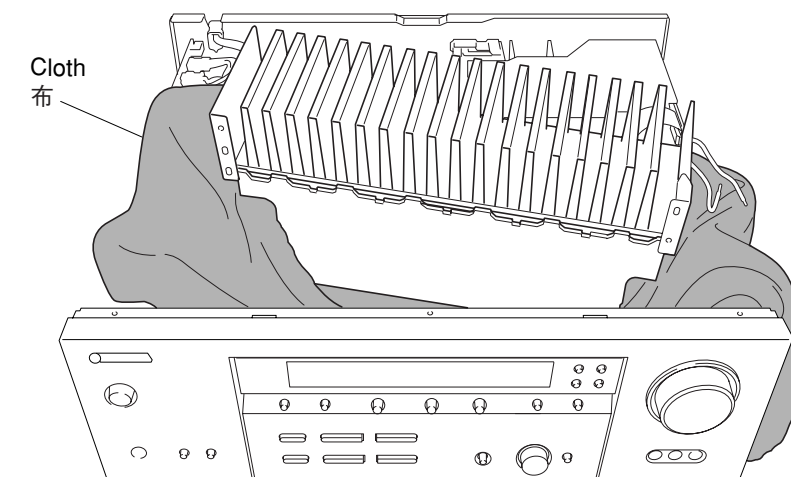


Fig. 6

■ SELF DIAGNOSIS FUNCTION (DIAG) / 自己診断機能 (ダイヤグ)

This unit has self diagnosis functions that are intended for inspection, measurement and location of faulty point.

There are 17 DIAG menu items, each of which has sub-menu items.

Listed in the table below are menu items and sub-menu items.

Note that not all menu items listed will apply to the models covered in this service manual.

本機には、検査、測定、不良個所の発見を目的とした自己診断機能(ダイヤグ)があります。

ダイヤグメニューは17個あり、そのそれぞれにサブメニューがあります。(ダイヤグのメニュー操作は本体で行います。) 下表はメニュー一覧です。

下表の全メニュー項目が、このサービスマニュアル記載のモデルに適用されるとは限りません。

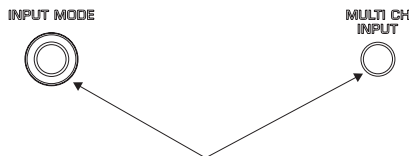
No	DIAG menu	sub-menu
1	DSP THROUGH 1. YSS MARGIN	1. YSS MARGIN 2. YSS FULL BIT
2	BYPASS 2. ANALOG BYPAS	1. ANALOG BYPASS 2. DSP BYPASS
3	RAM THROUGH 3. RAM MARGIN	1. RAM MARGIN 2. RAM FULL BIT
4	PRO LOGIC / NEO6 4. PRO LOGIC I	1. PRO LOGIC I 2. PRO LOGIC II 3. Neo:6
5	SPEAKERS SET 5. FRNT: SML 0dB	1. FRNT: SML 0dB 2. CENTER: NONE 3. LFE/B: FRNT 4. Pres Mix: 5ch 5. FRNT GAIN1 6. FRNT GAIN2 7. SURR B Check
6	EXT-INPUT 6. 6ch INPUT_6	1. 6CH INPUT_6 2. 6CH INPUT_8
7	MIC CHECK 7. MIC CHK --dB	MIC CHK --dB (Not applied to these models / このモデルには適用されません)
8	DISPLAY CHECK 8. VFD CHECK	1. VFD CHECK (Initial display / 初期表示) 2. VFD DISP OFF (All segments OFF / 全セグメント消灯) 3. VFD DISP ALL (All segments ON 100% / 全セグメント点灯100%) 4. VFD DIMMER (All segments ON 50% / 全セグメント点灯50%) 5. CHECKED PATTERN (ON in lattice / 格子状点灯)
9	MANUAL TEST 9. TEST ALL	1. TEST ALL 2. TEST FRNT L 3. TEST CENTER 4. TEST FRNT R 5. TEST SURR R 6. TEST SB R 7. TEST SB L 7. TEST SURR L 8. TEST LFE (Test Tone 35-250Hz)
10	FACTORY PRESET 10. PRESET INHI	1. PRESET INHI (memory initialization inhibited / メモリーの初期化禁止) 2. PRESET RSRV (memory initialized / メモリーの初期化)
11	AD DATA CHECK DC: 98% PS: 38%	1. DC/PS (protection) 2. THM/Fan (Not applied to these models / このモデルには適用されません) 3. REC-OUT (Not applied to these models / このモデルには適用されません) 4. IMP SW/POWER LIMIT 5. KO/K1 (panel key) 6. FAN DRIVE TEST: HIGH (Not applied to these models / このモデルには適用されません) 7. FAN DRIVE TEST: MID (Not applied to these models / このモデルには適用されません) 8. FAN DRIVE TEST: LOW (Not applied to these models / このモデルには適用されません)
12	V_CONV_STATUS L: 11111111	1. LOW BYTE (Not applied to these models / このモデルには適用されません) 2. HIGH BYTE (Not applied to these models / このモデルには適用されません)

No	DIAG menu	sub-menu
13	IF STATUS ISI: 440308C000	1. INSIDE STATUS 1 (5 Byte) 2. INSIDE STATUS 2 (3 Byte) 3. CHANNEL STATUS 1 (5 Byte) 4. CHANNEL STATUS 2 (5 Byte) 5. CHANNEL STATUS 3 (5 Byte) 6. CHANNEL STATUS 4 (5 Byte) 7. CHANNEL STATUS 5 (4 Byte) 8. BSI 1 (5 Byte) 9. BSI 2 (5 Byte) 10. BSI 3 (5 Byte) 11. BSI 4 (5 Byte) 12. BSI 5 (5 Byte) 13. BSI 6 (5 Byte) 14. BSI 7 (2 Byte) 15. TI 1 (5 Byte) 16. TI 2 (1 Byte) 17. Mute Trigger (5 Byte)
14	DSP RAM CHECK YSS BUS: NoEr	1. YSS BUS 2. SD BUS
15	PROTECTION SETTING Not applied to these models. このモデルには適用されません。	1. PS L 2. PS H 3. DC L 4. DC H 5. FAN_0 6. FAN_1 7. FAN_2 8. FAN_3 9. FAN_4 10. FAN_5 11. TEMP 12. PL_8_M_L: 13. PL_8_M_H 14. PL_8_N_L: 15. PL_8_N_H: 16. PL_6_M_L: 17. PL_6_M_H: 18. PL_6_N_L: 19. PL_6_N_H:
16	SOFT SWITCH 16. SW : PCB	1. SW MODE 2. MODEL SETTING 3. TUNER DESTINATION 4. TUNER 5. ZONE 2 6. VIDEO FORMAT
17	ROM VERSION/ CHECK SUM/PORT VER. XXXXX	1. VERSION 2. CHECK SUM ALL/PROGRAM 3. PORT 4. AAC PORT

● Starting DIAG

Press the "STANDBY/ON" key while simultaneously pressing those two keys of the main unit as indicated in the figure below.

Keys of main unit / 本体キー



Turn on the power while pressing these keys.
これらのキーを同時に押しながら、パワーオンする。

● Starting DIAG in the protection cancel mode

If the protection function works and causes hindrance to trouble diagnosis, cancel the protection function as described below, and it will be possible to enter the DIAG mode. (The protection functions other than the excess current detect function will be disabled.)

Press the "STANDBY/ON" key while simultaneously pressing those two keys indicated in the figure above. At this time, keep pressing those two keys for 3 seconds or longer.

In this mode, the "SLEEP" segment of the FL display of the main unit flashes to indicate that the mode is DIAG mode with the protection functions disabled.

CAUTION!

Using this product with the protection function disabled may cause damage to itself. Use special care for this point when using this mode.

● Canceling DIAG

[1] Before canceling DIAG, execute setting for FACTORY PRESET of DIAG menu No.10 (Memory initialization inhibited or Memory initialized).

* In order to keep the user memory stored, be sure to select PRESET INHIBITED (Memory initialization inhibited).

[2] Turn off the power by pressing the "STANDBY/ON" key of the main unit.

● ダイアグの起動

本体の下図に示すキーを同時に押しながら "STANDBY/ON" キーを押すと、ダイアグが起動します。

● プロテクション解除モードでの起動

プロテクションが動作することにより、故障箇所の診断に支障をきたすような場合は、次の方法によりプロテクションを解除した状態でダイアグモードに入ることができます。(過電流検出以外のプロテクション動作を解除する)

上図のキーを同時に押しながら "STANDBY/ON" キーを押します。このとき、上図のキーを3秒以上押し続けてください。

このモードでは本体FLの "SLEEP" セグメントが点滅し、プロテクションを解除した状態でのダイアグモードであることを知らせます。

注意!

プロテクションを解除した状態でのダイアグモードは、危険な状態でもプロテクションが作動しないため、動作させると、機器を破壊することがあります。このモードを使用する場合は十分注意してください。

● ダイアグの解除

① ダイアグを解除する前に、ダイアグメニューNo.10の FACTORY PRESET (メモリーの初期化禁止/またはメモリーの初期化)の設定をします。

※ ユーザーメモリーを保持したい場合は、必ずPRESET INHIBITED(メモリー初期化禁止)を選択してください。

② 本体の "STANDBY/ON" キーを押し、パワーオフにします。

● Display provided when DIAG started

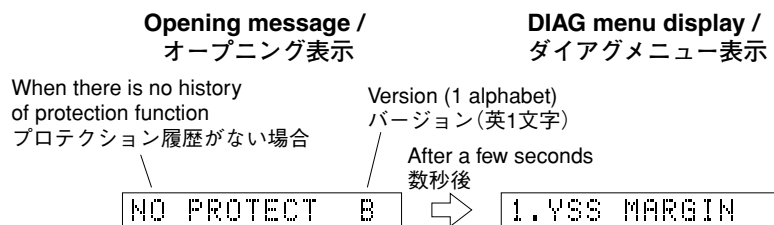
The FL display of the main unit displays the protection function history data and the version (1 alphabet) and the DIAG menu [sub-menu (YSS MARGIN) of DIAG menu No.1 DSP THROUGH] a few seconds later.

● ダイアグ起動時の表示

本体のFLディスプレイにプロテクション履歴情報とバージョン(英1文字)が表示され、数秒後にダイアグメニュー(No.1 DSP THROUGHのサブメニューYSS MARGIN)になります。

When there is no history of protection function:

プロテクション履歴がない場合:



When there is a history of protection function:

プロテクション履歴がある場合:



Cause: An excessive current flowed through the power amplifier.

原因： パワーアンプに過電流が流れた。

Supplementary information: As current of the power transistor is detected, the abnormal channel can be identified by checking the current detect transistor.

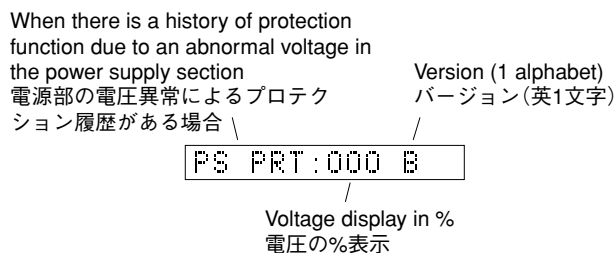
補足： パワートランジスタの電流を検出していますので、電流検出トランジスタをチェックすれば異常チャンネルが特定できます。

Turning on the power without correcting the abnormality will cause the protection function to work immediately and the power supply will instantly be shut off.

異常状態のままパワーオンすると、瞬時にプロテクションがかり、すぐに電源が切れます。

Note)

- Applying the power to a unit without correcting the abnormality can be dangerous and cause additional circuit damage.
- The output transistors in each amplifier channel should be checked for damage before applying any power.
- Amplifier current should be monitored by measuring across the emitter resistors for each channel.



Cause: The voltage in the power supply section is abnormal.

原因： 電源部の電圧が異常。

Supplementary information: The abnormal voltage is displayed in % based on 5V as 100%.

補足： 異常時の電圧の状態を、5Vを100%とした値で%表示します。

Turning on the power without correcting the abnormality will cause the protection function to work 1 second later and the power supply will be shut off.

異常状態のままパワーオンすると、1秒後にプロテクションがかり、電源が切れます。

When there is a history of protection function due to abnormal DC output
DC出力異常によるプロテクション履歴がある場合

Version (1 alphabet)
バージョン(英1文字)

DC PRT: B

Cause: DC output of the power amplifier is abnormal.

Supplementary information: The abnormal voltage is displayed in % based on 5V as 100%.

Turning on the power without correcting the abnormality will cause the protection function to work 3 seconds later and the power supply will be shut off.

原因： パワーアンプのDC出力が異常。

補足： 異常時の電圧の状態を、5Vを100%とした値で%表示します。

異常状態のままパワーオンすると、3秒後にプロテクションがかかり、電源が切れます。

When there is a history of protection function due to excessive heat sink temperature
放熱器の異常温度によるプロテクション履歴がある場合

Version (1 alphabet)
バージョン(英1文字)

TMP PRT:000 B

Voltage display in %
電圧の%表示

Cause: The temperature of the heat sink is excessively high.

Supplementary information: The abnormal voltage is displayed in % based on 5V as 500%.

Turning on the power without correcting the abnormality will cause the protection function to work 1 second later and the power supply will be shut off.

原因： 放熱器の温度が異常。

補足： 異常時の電圧の状態を、5Vを500%とした値で%表示します。

異常状態のままパワーオンすると、1秒後にプロテクションがかかり、電源が切れます。

- * Additional causes of protection can be due to loose connections, associated components, CPU, etc.
- * For the protection voltage value, refer to DIAG menu No.11 described later.

- ※ 前記の異常原因の他に、コネクタのはずれやCPU周辺などに原因がある場合があります。
- ※ プロテクションの電圧値に関しては、後述のダイアグメニューNo.11を参照してください。

● History of protection function

When the protection function has worked, its history is stored in memory with a backup. Even if no abnormality is noted while servicing the unit, an abnormality which has occurred previously can be defined as long as the backup data has been stored.

The history of the protection function is cleared when DIAG is cancelled by selecting PRESET RESERVED (Memory initialized) of DIAG menu No.10 or when the backup data is erased.

● プロテクションの履歴

プロテクションが働いた場合、履歴をバックアップして記憶しています。サービスのときに異常が認められなくても、バックアップが残っていれば、お客様のところで起きた異常を区別できます。

プロテクションの履歴は、ダイアグメニューNo.10でPRESET RESERVED(メモリーの初期化)を選んでダイアグを解除した場合や、バックアップが消えたときにはクリアされます。

● Display during menu operation

During the DIAG operation, the function at work is indicated on the FL indicator. The contents displayed during the function operation are described in the later section on details of functions.

● メニュー動作中の表示

ダイアグ中、本体のFLディスプレイに動作中の機能が表示されます。機能動作中の表示内容については、後述の機能詳細で記述します。

● Operation procedure of DIAG menu and SUB-MENU

There are 17 MENU items, each of which has some SUB-MENU items.

DIAG menu selection

Main unit: Select the menu using the PROGRAM knob.

SUB-MENU selection

Main unit: Select the sub-menu using ▷ (Forward) and ◁ (Reverse) keys of PRESET/TUNING.

● ダイアグメニューとサブメニューの操作

ダイアグにはNo.1～17のメニューがあり、そのそれぞれにサブメニューがあります。

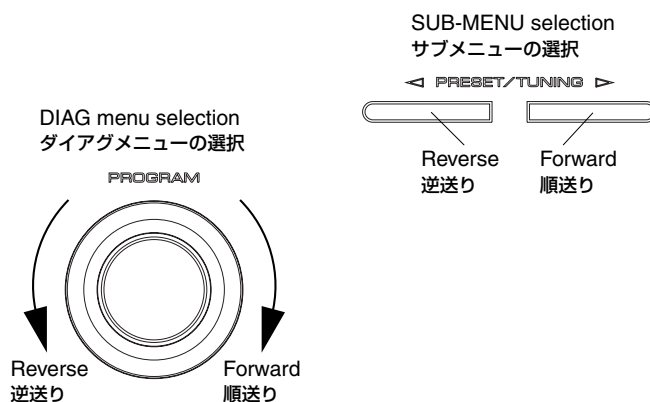
ダイアグメニューの選択

本体キーでの操作： PROGRAMツマミで選択します。

サブメニューの選択

本体キーでの操作： PRESET/TUNING ▷ (順送り), ◁ (逆送り)キーで選択します。

Keys of main unit / 本体キー



● Functions in DIAG mode

In addition to the DIAG menu items, functions as listed below are available.

- Input selection, 6CH input
- Center/Rear/Rear Center/Sub-woofer level adjustment
- Speaker relay control of A and B
- Muting
- Power on/off
- Master volume

* Functions related to the tuner and the set menu are not available.

* It is possible to confirm Menu No.13 IF STATUS while keeping the signal process (operation status) of each DIAG menu by using the INPUT MODE key of the main unit.

● Initial settings used to start DIAG

The following settings are used when starting DIAG.

When DIAG is canceled, these settings are restored to those before starting DIAG.

- Master volume: -20dB
- Input: DVD (6CH INPUT OFF)
- Effect level: 0dB
- Audio mute: OFF
- Speaker relay of A and B: ON
- Speaker setting: LARGE / BASS OUT = BOTH
- DIAG menu: DSP THROUGH (1. YSS MARGIN)

● ダイアグ中の機能

ダイアグメニューの他に、以下の機能が動作します。

- インプット切り換え、6CHインプット
- センター、リア、リアセンター、サブウーファーレベル調整
- スピーカーリレーA/B
- ミューティング
- パワーオン/オフ
- マスターボリューム

※ チューナー関連、セットメニュー関連は機能しません。

※ 本体のINPUT MODEキーにより、各ダイアグメニューの信号処理(動作状態)を維持したままメニューNo.13 "IF STATUS"の確認ができます。

● ダイアグ開始時の初期設定

ダイアグ開始時に以下のような設定になります。ダイアグ解除時にはダイアグ開始前の状態に戻ります。

- マスターボリューム：-20dB
- インプット：DVD (6CH INPUT オフ)
- エフェクトレベル：0dB
- オーディオミュート：オフ
- スピーカーリレーA/B：ON
- スピーカー設定：LARGE / BASS OUT = BOTH
- ダイアグメニュー：DSP THROUGH (1. YSS MARGIN)

● Details of DIAG menu

With full-bit output specified in some modes, it is possible to execute 0dBFS output without head margin in each channel.

1. DSP THROUGH

YSS MARGIN

- The front CH signal including the head margin is output at the main CH.
Head margin (Max):
Front L/R: 15.0dB, Center: 14.0dB,
Surround L/R: 9.0dB, Surround Back: 8.0dB,
SW: 18.0dB

● ダイアグメニュー詳細

一部のモードでフルビット指定することで、各チャンネルのヘッドマージンを廃して0dBFS出力することが可能です。

1. DSP THROUGH

YSS MARGIN

- ヘッドマージンを含んで、フロントCHがメインCHに出力されます。
ヘッドマージン(最大):
Front L/R: 15.0dB, Center: 14.0dB,
Surround L/R: 9.0dB, Surround Back: 8.0dB,
SW: 18.0dB

1. YSS MARGIN

Reference data

INPUT: DVD ANALOG

SWFR: 50Hz, Others: 1kHz

Input level	Volume	SPEAKER OUTPUT (1kHz)				SUBWOOFER OUTPUT (50Hz)
		FRONT L/R	CENTER	SURROUND L/R	SURROUND BACK	
Both ch, -20 dBm	+6.0 dB	+13.0 dBm	+13.0 dBm	+13.0 dBm	+13.0 dBm	-0.5 dBm

YSS FULL BIT

- The signal is output in digital full bit without including the head margin. The SWFR signal is output but not in digital full bit.

YSS FULL BIT

- ヘッドマージンを含まず、デジタルフルビットで出力されます。SWFRは出力されますが、デジタルフルビットではありません。

1. YSS FULL BIT

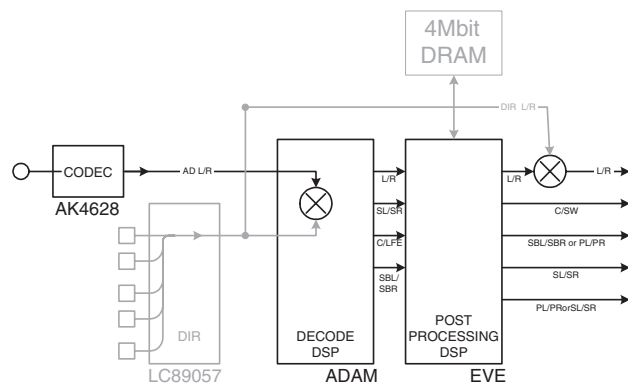
Reference data

INPUT: DVD ANALOG

SWFR: 50Hz, Others: 1kHz

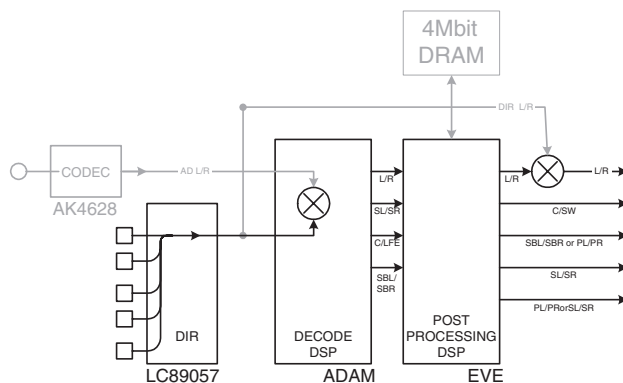
Input level	Volume	SPEAKER OUTPUT (1kHz)				SUBWOOFER OUTPUT (50Hz)
		FRONT L/R	CENTER	SURROUND L/R	SURROUND BACK	
Both ch, -20 dBm	+6.0 dB	+13.0 dBm	+13.0 dBm	+13.0 dBm	+13.0 dBm	-0.5 dBm

DSP THROUGH ANALOG



(Shaded items not used in this example)

DSP THROUGH PCM/DD/DTS/AAC



(Shaded items not used in this example)

2. BYPASS

ANALOG BYPASS

- The signal for L/R is output as it is without passing through the DSP section.

2. ANALOG BYPASS

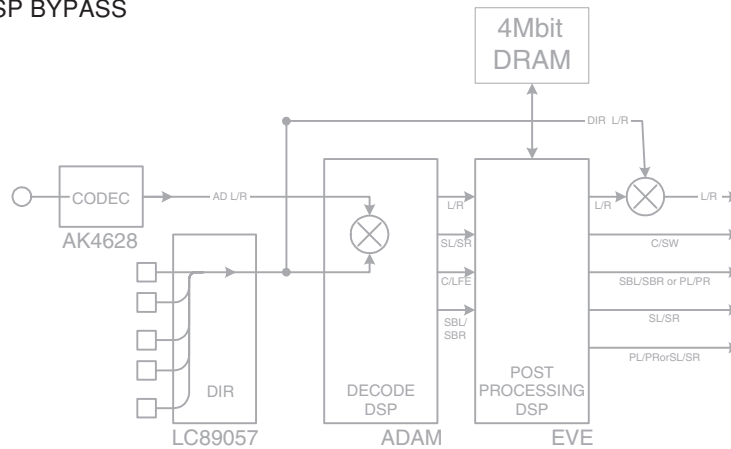
Reference data

INPUT: DVD ANALOG

SWFR: 50Hz, Others: 1kHz

Input level	Volume	SPEAKER OUTPUT (1kHz)				SUBWOOFER OUTPUT (50Hz)
		FRONT L/R	CENTER	SURROUND L/R	SURROUND BACK	
Both ch, -20 dBm	+6.0 dB	+13.0 dBm	- ∞	- ∞	- ∞	∞

ANALOG BYPASS, DSP BYPASS
 ANALOG



(Shaded items not used in this example)

DSP BYPASS

- The signal for L/R is output through the DSP section.

2. DSP BYPASS

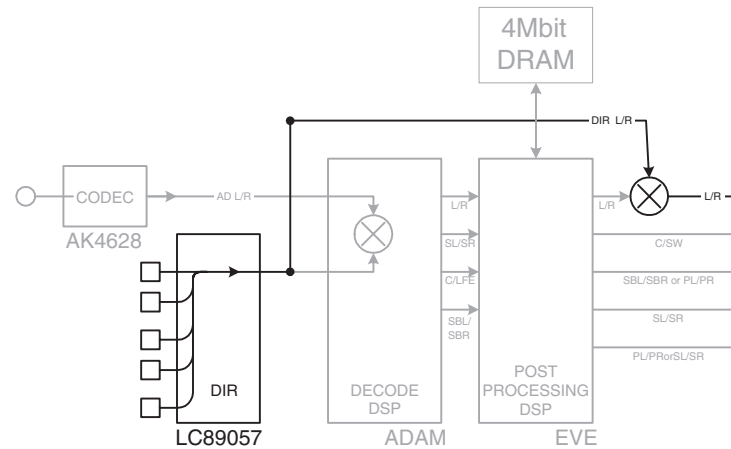
Reference data

INPUT: DVD ANALOG

SWFR: 50Hz, Others: 1kHz

Input level	Volume	SPEAKER OUTPUT (1kHz)				SUBWOOFER OUTPUT (50Hz)
		FRONT L/R	CENTER	SURROUND L/R	SURROUND BACK	
Both ch, -20 dBm	+6.0 dB	- ∞	- ∞	- ∞	- ∞	∞

DSP BYPASS
 PCM



(Shaded items not used in this example)

2. BYPASS

ANALOG BYPASS

- L/Rは、DSP部を通らずにそのまま出力されます。

DSP BYPASS

- L/Rは、DSP部を通して出力されます。

3. RAM THROUGH

Using the sub-menu, it is possible to select the full-bit output at 0dB output level.

When ANALOG and PCM are selected, signals are distributed to each channel by YSS930.

RAM MARGIN

3. RAM MARGIN

Reference data

INPUT: DVD ANALOG

SWFR: 50Hz, Others: 1kHz

Input level	Volume	SPEAKER OUTPUT (1kHz)				SUBWOOFER OUTPUT (50Hz)
		FRONT L/R	CENTER	SURROUND L/R	SURROUND BACK	
Both ch, -20 dBm	+6.0 dB	+13.0 dBm	+13.0 dBm	+13.0 dBm	+13.0 dBm	-0.5 dBm

RAM MARGIN

サブメニューにより出力レベル0dB、フルビット出力が選択可能です。

ANALOGおよびPCMのとき、信号はYSS930で各チャンネルに振り分けられます。

RAM FULL BIT

3. RAM FULL BIT

Reference data

INPUT: DVD ANALOG

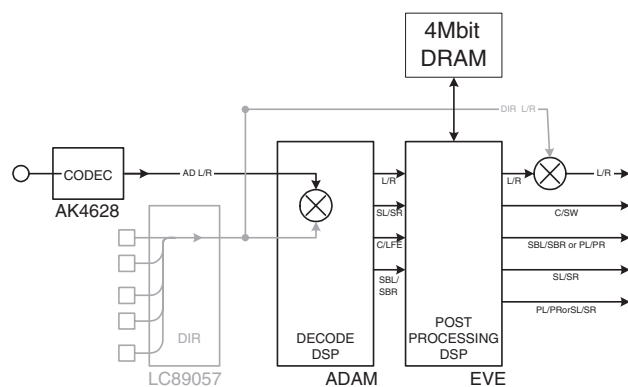
SWFR: 50Hz, Others: 1kHz

Input level	Volume	SPEAKER OUTPUT (1kHz)				SUBWOOFER OUTPUT (50Hz)
		FRONT L/R	CENTER	SURROUND L/R	SURROUND BACK	
Both ch, -20 dBm	+6.0 dB	+13.0 dBm	+13.0 dBm	+13.0 dBm	+13.0 dBm	-0.5 dBm

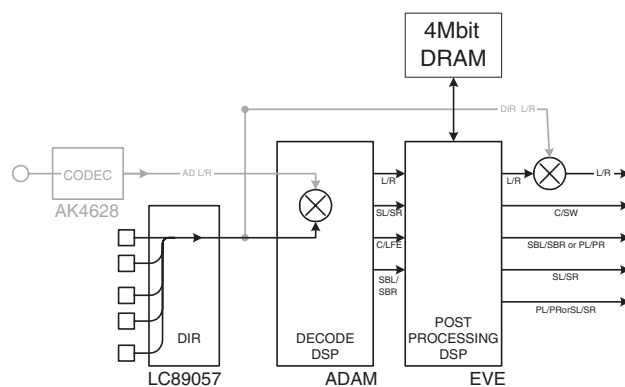
RAM FULL BIT

DSP THROUGH ANALOG

DSP THROUGH PCM/DD/DTS/AAC



(Shaded items not used in this example)



(Shaded items not used in this example)

4. PRO LOGIC

It is possible to select PRO LOGIC I, II (Movie) or Meo:6 by using the sub-menu.

When PRO LOGIC I or II (Movie) is selected, Auto Input Balance is always turned off.

4. PRO LOGIC

サブメニューでPRO LOGIC I、II(Movie)、Meo:6を選択可能です。

PRO LOGIC I、II(Movie)の場合、常時Auto Input Balance offです。

PRO LOGIC I

PRO LOGIC I

4. PRO LOGIC I

Reference data

INPUT: DVD ANALOG

SWFR: 50Hz, Others: 1kHz

Input level	Volume	SPEAKER OUTPUT (1kHz)				SUBWOOFER OUTPUT (50Hz)
		FRONT L/R	CENTER	SURROUND L/R	SURROUND BACK	
Each ch, -20 dBm	+6.0 dB	+13.0 dBm	- ∞	- ∞	- ∞	∞
Both ch, -20 dBm	+6.0 dB	- ∞	+16.0 dBm	- ∞	- ∞	∞

PRO LOGIC II

PRO LOGIC II

4. PRO LOGIC II

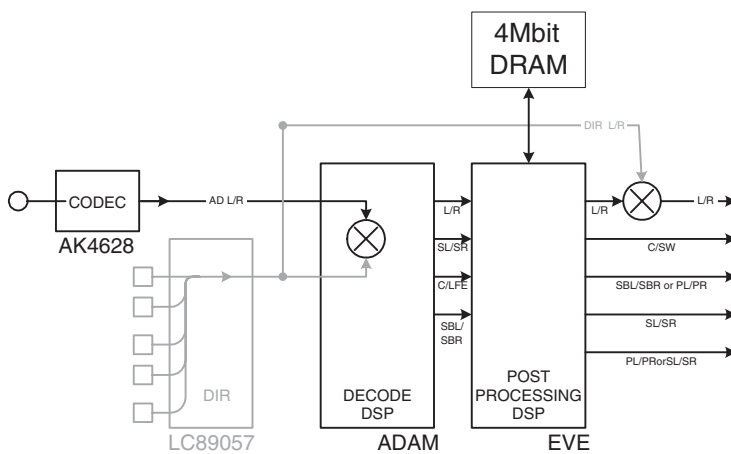
Reference data

INPUT: DVD ANALOG

SWFR: 50Hz, Others: 1kHz

Input level	Volume	SPEAKER OUTPUT (1kHz)				SUBWOOFER OUTPUT (50Hz)
		FRONT L/R	CENTER	SURROUND L/R	SURROUND BACK	
Each ch, -20 dBm	+6.0 dB	+13.0 dBm	- ∞	- ∞	- ∞	∞
Both ch, -20 dBm	+6.0 dB	- ∞	+16.0 dBm	- ∞	- ∞	∞

Dolby Pro Logic/Neo:6
ANALOG



(Shaded items not used in this example)

Neo:6

Neo:6

4 Neo:6

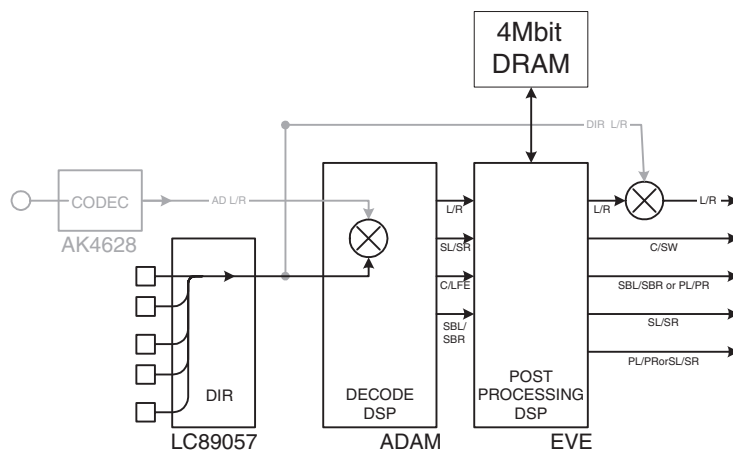
Reference data

INPUT: DVD ANALOG

SWFR: 50Hz, Others: 1kHz

Input level	Volume	SPEAKER OUTPUT (1kHz)				SUBWOOFER OUTPUT (50Hz)
		FRONT L/R	CENTER	SURROUND L/R	SURROUND BACK	
Each ch, -20 dBm	+6.0 dB	+13.0 dBm	- ∞	- ∞	- ∞	∞
Both ch, -20 dBm	+6.0 dB	- ∞	+16.0 dBm	- ∞	- ∞	∞

Dolby Pro Logic/Neo:6
PCM/DD/DTS/AAC



(Shaded items not used in this example)

5. SPEAKERS SET

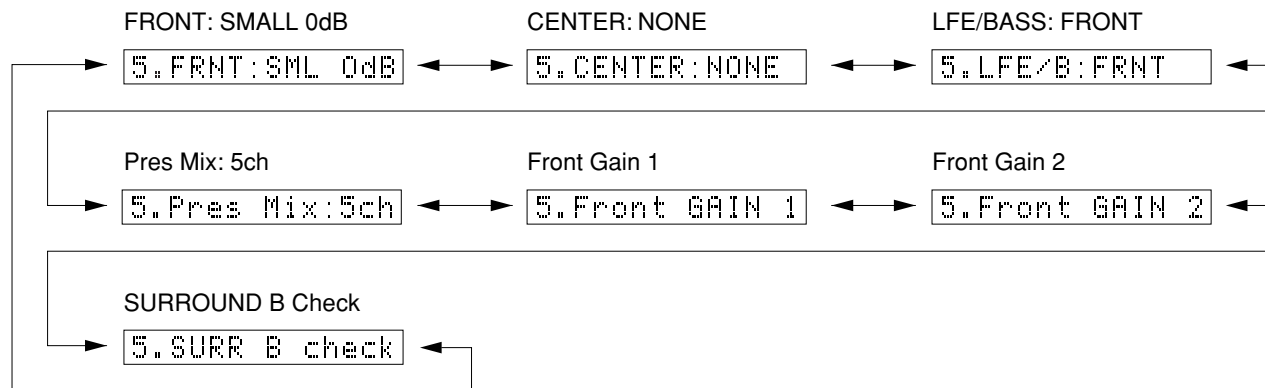
The input signal is automatically identified and switched in the priority order of dts → DOLBY DIGITAL → AAC → PCM AUDIO → Analog (A/D) according to the signal detection.

The signals output from the DSP block are the same as 2. BYPASS: DSP BYPASS.

5. SPEAKERS SET

入力は信号検出によって、dts → DOLBY DIGITAL → AAC → PCM AUDIO → アナログ(A/D)の優先順で自動判別切り換えされます。

DSP部からは、No.2 BYPASSのDSP BYPASSと同様の信号が出力されます。



The analog switch settings for each sub-menu are as shown in the table below.

各サブメニューにおけるアナログスイッチの設定は以下の通りです。

Sub-menu		FRONT SP	CENTER SP	SL/SR	SB	LFE/BASS
1	FRNT: SML 0dB	SMALL	LARGE	LARGE	LARGE	SWFR
2	CENTER: NONE	LARGE	NONE	LARGE	LARGE	BOTH
3	LFE/B: FRNT	LARGE	SMALL	SMALL	SMALL	FRONT
4	Pres Mix: 5ch	LARGE	LARGE	LARGE	LARGE	SWFR
5	FRNT GAIN 1	LARGE	LARGE	LARGE	LARGE	SWFR
6	FRNT GAIN 2	LARGE	LARGE	LARGE	LARGE	SWFR
7	SURR B Check	LARGE	LARGE	NONE	LARGE	SWFR

LARGE: This mode is used with a speaker with high bass reproduction performance (a large unit). Full bandwidth signals are output.

SMALL: This mode is used with a speaker with low bass reproduction performance (a small unit). The signals of 90Hz or less are mixed into the channel specified by LFE/BASS.

NONE: This mode is used with no speaker. The center content is reduced by 3dB and distributed to MAIN L/R.

LARGE: 低音再生能力の高い(ユニットの大きい)スピーカーを使用するモードです。全帯域が出力されます。

SMALL: 低音再生能力の低い(ユニットの小さい)スピーカーを使用するモードです。90Hz以下がLFE/BASSで指定したチャンネルにミックスされます。

NONE: スピーカーを使用しないモードです。センター成分は-3dBされて、MAIN L/R に振り分けられます。

Reference data

INPUT: DVD ANALOG (Both ch)

Sub-menu	Input level	Volume	SPEAKER OUTPUT (1kHz)				SUBWOOFER OUTPUT (50Hz)	
			FRONT L/R	CENTER	SURROUND L/R	SURROUND BACK		
1	FRNT: SML 0dB	1kHz Both ch, -20 dBm	+6.0 dB	+13.0 dBm	+13.0 dBm	+13.0 dBm	+13.0 dBm	+3.5 dBm
2	CENTER: NONE	1kHz Both ch, -20 dBm	+6.0 dB	+10.0 dBm	- ∞	+13.0 dBm	+13.0 dBm	-0.5 dBm
3	LFE/B: FRNT	50Hz Both ch, -20 dBm	+6.0 dB	+25.0 dBm	+3.5 dBm	+3.5 dBm	+3.5 dBm	∞
4	Pres Mix: 5ch	1kHz Both ch, -20 dBm	+6.0 dB	- ∞	+13.0 dBm	+13.0 dBm	+13.0 dBm	-0.5 dBm
5	Front Gain 1	1kHz Both ch, -20 dBm	+6.0 dB	+20.0 dBm	+13.0 dBm	+13.0 dBm	+13.0 dBm	-0.5 dBm
6	Front Gain 2	1kHz Both ch, -20 dBm	+6.0 dB	+20.0 dBm	+13.0 dBm	+13.0 dBm	+13.0 dBm	-0.5 dBm
7	SURR B check	1kHz Both ch, -20 dBm	+6.0 dB	- ∞	- ∞	- ∞	+13.0 dBm	∞

6. EXTERNAL INPUT

The signal input through the 6CH INPUT terminals is output.

The speaker impedance can be selected.

6ch INPUT_6

6. EXTERNAL INPUT

6CH入力した信号が出力されます。

6オーム、8オームが選択できます。

6ch INPUT_6

6.6ch INPUT_6

Reference data

INPUT: 6CH INPUT

SWFR: 50Hz, Others: 1kHz

Input level	Volume	SPEAKER OUTPUT (1kHz)				SUBWOOFER OUTPUT (50Hz)
		FRONT L/R	CENTER	SURROUND L/R	SURROUND BACK	
Both ch, -20 dBm	+6.0 dB	+13.0 dBm	+13.0 dBm	+13.0 dBm	- ∞	-10.0 dBm

6ch INPUT_8

6ch INPUT_8

6.6ch INPUT_8

Reference data

INPUT: 6CH INPUT

SWFR: 50Hz, Others: 1kHz

Input level	Volume	SPEAKER OUTPUT (1kHz)				SUBWOOFER OUTPUT (50Hz)
		FRONT L/R	CENTER	SURROUND L/R	SURROUND BACK	
Both ch, -20 dBm	+6.0 dB	+13.0 dBm	+13.0 dBm	+13.0 dBm	- ∞	-10.0 dBm

7. MIC CHECK

MIC CHK --dB

Not applied to these models.

7. MIC CHECK

MIC CHK --dB

このモデルには適用されません。

7.MIC CHK --dB

8. DISPLAY CHECK

This program is used to check the FL display section. The display condition varies as shown below according to the sub-menu operation. The signals are processed using EFFECT OFF (The L/R signal is output using ANALOG MAIN BYPASS.)

Regarding internal/external synchronization selection of the image signals by the microprocessor control, the internal synchronization is selected when the initial display is provided and when all FL's light up and the external synchronization at any other time.

Also, except when the initial display is provided, 128 characters for confirmation of the OSD driver are displayed as the image output.

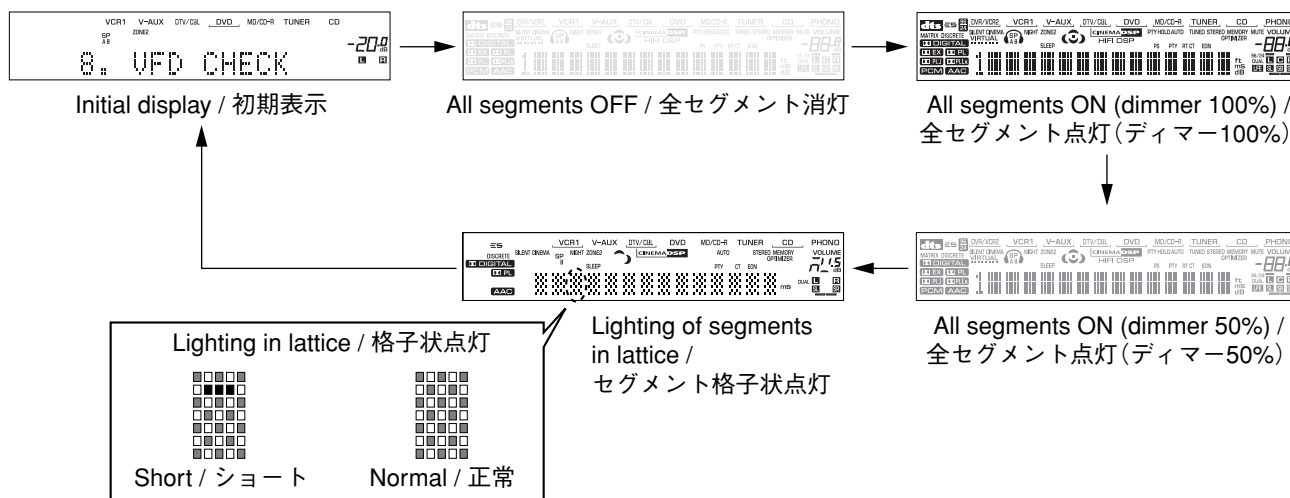
8. DISPLAY CHECK

FL表示部のチェックプログラムです。サブメニュー操作により、表示状態が以下のように変わります。

信号処理はEFFECT OFF (ANALOG MAIN BYPASSでL/Rを出力)です。

マイコン制御による映像信号の内部/外部同期切替は、初期表示とFL全点灯時に内部同期となり、それ以外は強制外部同期となります。

また、初期表示以外で映像出力にOSDドライバ確認用128文字表示が出ます。



Segment conditions of the FL driver and the FL tube are checked by turning ON and OFF all segments. Next, the operation of the FL driver is checked by using the dimmer control. Then a short between segments next to each other is checked by turning ON and OFF all segments alternately (in lattice). (In the above example, the segments in the second row from the top are shorted.)

全セグメント消灯・全セグメント点灯によりFLドライバー、FL管のセグメントの不良を確認します。

次に、ディマーコントロールによってFLドライバーの動作チェックを行います。

さらに全セグメントを交互(格子状)に点灯/消灯することで、隣り合うセグメントのショートをチェックします。

(上図の例では、上から2行目のセグメントがショートしています。)

9. MANUAL TEST

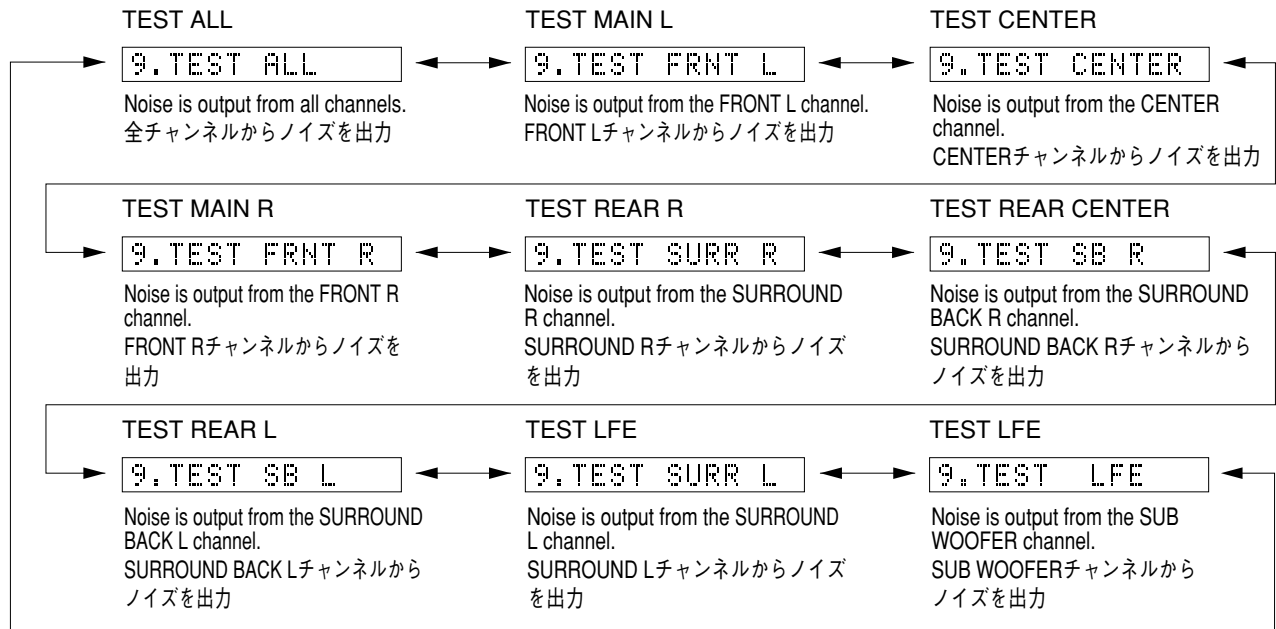
The noise generator circuit built into the DSP outputs the test noise through the channels specified by the sub-menu.

The noise frequency for LFE is 35 to 250 Hz. Other than that, the center frequency is 800Hz.

9. MANUAL TEST

DSP内蔵のノイズ発生回路によって、サブメニューで指定したチャンネルへテストノイズを出力します。

LFE用のノイズ周波数は35～250Hz、それ以外は中心周波数800Hzとなります。



10. FACTORY PRESET

This menu is used to reserve and inhibit initialization of the back-up RAM. The signals are processed in the same way as EFFECT OFF. (The L/R signal is output using ANALOG MAIN BYPASS.)

10. FACTORY PRESET

バックアップ用RAM (音場プログラムのパラメーターやセットメニュー内容など)の初期化を予約/禁止します。

信号処理はEFFECT OFFと同じです(ANALOG MAIN BYPASSで、L/Rを出力)。

10.PRESET INHI



10.PRESET RSRV

PRESET INHIBIT (Initialization inhibited) / **PRESET INHIBIT** (初期化禁止)

RAM initialization is not executed. Select this sub-menu to protect the values set by the user. RAMの初期化は行われません。ユーザーの設定値を保護するときは、こちらを選択してください。

PRESET RESERVED (Initialization reserved) / **PRESET RESERVED** (初期化予約)

Initialization of the back-up RAM is reserved. (Actually, initialization is executed the next time that the power is turned on.) Select this sub-menu to reset to the original factory settings or to reset the RAM.

バックアップRAMの初期化が予約されます。(実際に初期化されるのは、次回の電源投入時です。)工場出荷時やRAMをリセットしたいときは、こちらを選択してください。

CAUTION: Before setting to the PRESET RESERVED for initialization, write down the existing preset memory content of the Tuner in a table as shown below. (This is because initialization will cause the user memory content to be erased.)

注意：PRESET RESERVEDを選んで初期化をする前に、チューナーのユーザーメモリー内容を下表に書き写してください。(初期化をすると、ユーザーメモリーの内容は消えてしまいます。)

Preset group	P1	P2	P3	P4	P5	P6	P7	P8
A								
B								
C								
D								
E								

• PRESET STATIONS / プリセット局

STATION		FM FACTORY PRESET DATA (MHz)			
PAGE	NO.	U, C	R, T, K, A, B, G, L	J	
A/C/E	1	87.5	87.5	76.0	
	2	90.1	90.1	83.0	
	3	95.1	95.1	84.0	
	4	98.1	98.1	86.0	
	5	107.9	108.0	90.0	
	6	88.1	88.1	78.0	
	7	106.1	106.1	88.0	
	8	107.9	108.0	82.1	

STATION		AM FACTORY PRESET DATA (kHz)			
PAGE	NO.	U, C, R, T, K	A, B, G, L		J
B/D	1	630	630		630
	2	1080	1080		1080
	3	1440	1440		1440
	4	530	531		531
	5	1710	1611		1611
	6	900	900		900
	7	1350	1350		1350
	8	1400	1404		1404

11. AD DATA CHECK

This menu is used to display the A/D conversion value of the terminals which detect panel keys of the main unit and protection functions in % using the sub-menu. During signal processing, the condition before execution is maintained.

When K0/K1 menu is selected, keys become non-operable due to detection of the values of all keys. However, it is possible to advance to the next sub-menu by turning the VOLUME knob of the main unit. When using this function, note that turning the VOLUME knob more than 2 clicks will cause the volume value to change.

* The numeric value in the figure is an example for reference.

DC/PS (protection detection)

DC: DC protection value (Normal value: 1 to 13)

When DC is out of the normal value range, the protection function works to turn off the power.

PS: Power supply voltage protection value (Normal value: 21 to 39)

When PS is out of the normal value range, the protection function works to turn off the power.

DC:000 PS:000

THM/Fan (temperature detection/fan drive level)

THM: 500% display of the voltage based on the temperature detected value. Reference voltage : 5V

For the normal voltages, refer to the table below.

Fan: Not applied to these models.

THM:100 Fan.../...

Destination	Normal Voltage
Except R, L	1.7 V or less
R, L	1.6 V or less

11. AD DATA CHECK

本体パネルキー、プロテクションなどを検出している端子のA/D変換の値を、サブメニューで%表示します。信号処理は実行前の状態を維持します。

K0/K1のメニューにすると、全キーの値を検出するためキー操作はできなくなりますが、本体のVOLUMEを回すことにより、次のサブメニューに進めることができます。このとき2クリック以上回すと、ボリューム値が変化するので注意してください。

※図中の数値は参考例です。

DC/PS (プロテクションの検出)

DC: DCプロテクションの値(正常値1~13)

DCは正常値を外れるとプロテクションが働き、電源オフされます。

PS: 電源電圧プロテクションの値(正常値21~39)

PSは正常値を外れるとプロテクションが働き、電源オフされます。

THM/Fan (温度検出/ファン駆動レベル)

THM: 温度検出値で電圧の500%表示、基準電圧は5V
正常電圧値は下表参照。

Fan: このモデルには適用されません。

REC-OUT

Not applied to these models.

REC-OUT :

REC-OUT

このモデルには適用されません。

IMP SW/POWER LIMIT

(Impedance/power limiter detection)

IMP: Not applied to these models.

PL: Power limiter detection value

The voltage value of pin No. 92 of IC502 is displayed, using 5V/256 as standard.

The port (No.3) output is controlled by using the input voltage value of pin No. 92 of IC502.

IMP:8 PL:55%

Not applied to these models.

IMP SW/POWER LIMIT

(インピーダンス/パワーリミッターの検出)

IMP: このモデルには適用されません。

PL: パワーリミッター検出の値

IC502 92ピンの入力電圧値を5V/256を基準にして表示します。

IC502 92ピンの入力電圧値により、ポート(3ピン)を制御します。

K0/K1 (Panel key of main unit)

A/D of the key fails to function properly when the standard value is deviated. In this case, check the constant of partial pressure resistor, solder condition, etc. Refer to table 1.

K0:100%K1:100%

K0/K1 (本体パネルキー)

キーのA/Dは基準値から外れると、正常な動きをしません。Table 1 をご覧になり、各キーの分圧抵抗の定数、ハンダ不良等の確認をしてください。

[Table 1]
RX-V550

Display (%)	K0	K1
0 - 9	TUNING MODE	MULTI CH INPUT
10 - 19	-	MEMORY
20 - 29	INPUT MODE	FM/AM
30 - 39	PRESET/TUNING ▷	PRESET/TUNING
40 - 49	◁ PRESET/TUNING	RDS PTYMODE
50 - 59	A/B/C/D/E	RDS PTYSTART
60 - 69	TONE CONTROL	RDS EON
70 - 79	STRAIGHT	RDS MODE
80 - 89	SPEAKERS B	-
90 - 100	SPEAKERS A	-

[Table 1]
HTR-5750/RX-V450/HTR-5740

Display (%)	K0	K1
0 - 9	TUNING MODE	MULTI CH INPUT
10 - 14	INPUT MODE	MEMORY
15 - 24	BASS/TREBLE +	PRESET/TUNING ▷
25 - 34	- BASS/TREBLE	◁ PRESET/TUNING
35 - 44	CONTROL	FM/AM
45 - 54	PROGRAM ▷	A/B/C/D/E
55 - 64	◁ PROGRAM	PRESET/TUNING
65 - 69	STRAIGHT	RDS PTYMODE
70 - 74	SPEAKERS A	RDS PTYSTART
75 - 84	SPEAKERS B	RDS EON
85 - 100	-	RDS MODE

12. V CONV STATUS

Not applied to these models.

L:11111111

12. V CONV STATUS

このモデルには適用されません。

13. IF STATUS (Input function status)

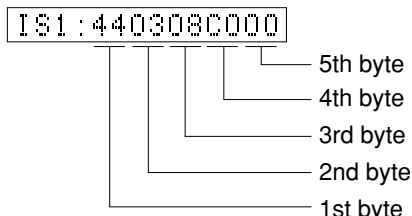
Using the sub-menu, the status data is displayed one after another in the hexadecimal notation.

During signal processing, the status before execution of this menu is maintained.

* The numeric value in the figure is an example for reference.

IS1, 2 (Internal status):

Indicates the status information of the microprocessor.



<1st byte> Digital input/output setting value
Upper 4 bits: REC OUT selected /
lower 4 bits: INPUT selected

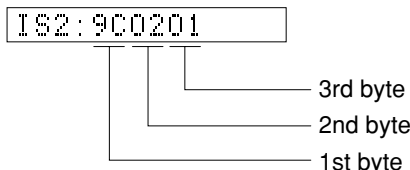
13. IF STATUS

サブメニュー操作により、以下のステータス情報を順次16進数で表示します。信号処理は、本メニュー実行前の状態を維持します。

※図中の数値は参考例です。

IS 1, 2 (内部ステータス):

マイコンのステータス情報を表示します。



<第1バイト>デジタル入出力設定値
上位4bit REC OUT選択 /
下位4bit INPUT選択

Value	Choice	Preset name
0	NONE	
1	OPTA	V-AUX
2	OPTB	MD/CD-R
3	OPTC	DVD
4	OPTD	D-TV/CBL
8	COAXA	CD

<2nd byte> Fs information of reproduction signal

<第2バイト>再生信号のFs情報

Display	00	01	02	03	04	05	06	0A	0B	0C	0D
Fs (kHz)	Analog	32	44.1	48	64	88.2	96	Unknown NRM	Unknown DBL	Unknown QUAD	Not defined

<3rd byte> Audio code mode information of reproduction signal

<第3バイト>再生信号のオーディオコードモード情報

Display	00	01	02	03	04	05	06	07	08	09	0A	0B	0C	0D
Audio Code	1+1	1/0	2/0	3/0	2/1	3/1	2/2	3/2	2/3	3/3	OVER 6.1	MULTI PCE	Unknown	Unknown

<4th byte> Format information of reproduction signal

<第4バイト>再生信号のフォーマット情報

*1: Analog processing used, for digital reproduction is not possible because of a commercial bit or 4-ch audio reason.

*1: 業務用ビットや4chオーディオなどの理由で、デジタル再生できずアナログ処理されます。

Display	Signal format
00	Analog (Unlock)
01	Incorrect digital (*1)
10	PCM Audio
20	Digital Data
21	IEC1937 Data
22	None PCM
23	Unknown
50	dts
51	Red dts
54	dts-ES MATRIX
58	dts-ES DISCRETE
5C	dts-ES (Both flag)
60	AAC
C0	Dolby Digital
C1	D.D. Karaoke
C4	D.D.6.1 (D.D.EX)

<5th byte> Signal processing status information
*2: With digital signals other than 32kHz, 44.1kHz and 48kHz, through processing method is used for reproducible signals.

<第5バイト>信号処理ステータス情報
*2: 32kHz、44.1kHz、48kHz以外のデジタル信号の場合、再生可能な信号についてはスルー処理されます。

bit7	MUTE request	bit3	-
bit6	Red dts flashing	bit2	Through & bypass (*2)
bit5	6.1/EX processing	bit1	-
bit4	FULL MUTE (ON: 1)	bit0	dts analog mute

CS1-5: Indicates channel status information of the input signal.

CS 1-5: 入力信号のチャンネルステータス情報を表示します。

CS1:0299000200 ----- CS5:00000000

BS1-7, TI1-2: Indicates the bit stream information of YSS948.

BS1-7, TI1-2: YSS948のビットストリームインフォメーション情報を表示します。

BS1:000070FFFF ----- BS7:C4

TI1:0000000000 ----- TI2:00

MTT: Mute Trigger

MTT: Mute Trigger

MTT:0020000007

14. DSP RAM CHECK

This menu is used to self-diagnose whether or not the bus connection for the YSS930 and the external RAM is made properly.

During signal processing, the status before execution of this menu is maintained.

The address bus and the data bus are checked and the connection condition is displayed.

When no error is detected, "NoEr" appears on display.

YSS930 Bus Check

YSS BUS:NoEr

Display	Description
WAIT	Bus is being checked.
NoEr	No error detected.
DATA	Data bus shorted or open.
RSCS	/RAS or /CAS shorted or open.
ADDR	Address bus shorted or open.

YSS948 BUS CHECK

SD BUS:NoEr

Display	Description
WAIT	Error detected
NoEr	No error detected.

15. PROTECTION SETTING

Not applied these models.

14. DSP RAM CHECK

YSS930と外付けRAMとのバス接続の正否を自己診断します。信号処理は、このメニューを実行する前の状態を維持します。アドレスバス、データバスのチェックを行い、接続正否を表示します。

エラーが検出されなかった場合は、“NoEr”と表示されます。

YSS930 BUS CHECK

YSS948 BUS CHECK

15. PROTECTION SETTING

このモデルには適用されません。

16. SOFT SW

This menu is used to switch the function settings on P.C.B. through the software so as to activate the product.

The protection function follows the P.C.B. settings. When connected to AC or in the maker preset state, the unit is initialized to the P.C. B. setting. Display of each function after initialization varies depending on settings on P.C.B. The operation mode can be changed by selecting the sub-menu and then using the STRAIGHT key. With SOFT selected for the SW mode, the settings become effective.

SW MODE: PCB or SOFT can be selected.

16. SW : PCB

MODEL SETTING: V550, V450 or H5750 can be selected.

16. MODEL: V550

TUNER DESTINATION: J, UC, ATKBG or RL can be selected.

16. DEST : UC

TUNER: NOT or EXIST can be selected.

16. TUNER: EXIST

RDS: NOT or EXIST can be selected.

16. RDS : NOT

ZONE2: NOT or EXIST can be selected.

16. ZONE2: EXIST

VIDEO FORMAT: NTSC or PAL can be selected.

16. VIDEO: NTSC

16. SOFT SW

P.C.B.上の機能設定をソフト的に切り替えて、製品を動作させる機能です。

プロテクション機能は、P.C.B.の設定にしたいがいます。AC接続またはメーカープリセットで、P.C.B.の設定に初期化されます。初期化後の各機能の表示は、P.C.B.上の設定によります。操作は、サブメニューを選んだ後、STRAIGHTキーで切り替えます。SWモードをSOFTにすると、設定が有効になります。

SW MODE : PCBまたはSOFTを選択できます。

MODEL SETTING : V550、V450、H5750のいずれかを選択できます。

TUNER DESTINATION : J、UC、ATKBG、RLのいずれかを選択できます。

TUNER : NOTまたはEXISTを選択できます。

RDS : NOTまたはEXISTを選択できます。

ZONE2 : NOTまたはEXISTを選択できます。

VIDEO FORMAT : NTSCまたはPALを選択できます。

17. MICROPROCESSOR INFORMATION

There are 4 sub-menu items.

The version, checksum and the port specified by the microprocessor are displayed. The signal is processed using EFFECT OFF. The checksum is obtained by adding the data at every 16 bits for each program area and expressing the result as a 4-figure hexadecimal data.

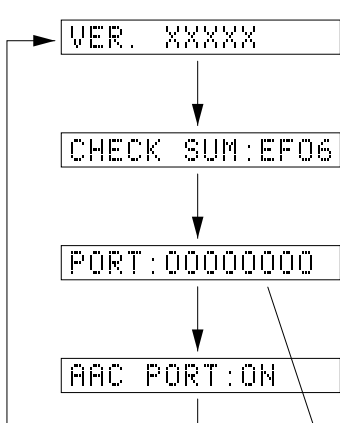
17. マイコン情報

サブメニューは4つあります。

プログラムのバージョン、チェックサム、マイコンの指定ポートを表示します。

信号はエフェクトOFFです。チェックサムは、プログラムエリア別にデータを16ビットごとに加算していき、4桁の16進データで現したものです。

RX-V550/HTR-5750
RX-V450/HTR-5740/DSP-AX450



Version / バージョン情報

Release 1 digit / Main version 2 digit / DSP version 2 digit

Checksum / チェックサム表示

A: All area

Check of port setting for judging microprocessor function

マイコンの機能判定用ポート設定確認

Display of AAC function detection port state

AAC機能検出ポート状態表示

PORT: 00000000
bit 7 6 5 4 3 2 1 0

- Model type 0
- Model type 1
- Model type 2
- Tuner type 0 (*1)
- Tuner type 1 (*1)
- RDS with (1) / without (0)
- ZONE2 with (1) / without (0)
- VIDEO format: PAL (1) / NTSC (0)

Type 2	Type 1	Type 0	Model
0	0	0	RX-V450
0	0	1	HTR-5750
0	1	0	RX-V550

*1

Type	Tuner mode		Port 36 FREQSW(Dest R)	Frequency range	
	1	0		FM	AM
0	0	0	—	76.0-90.0MHz / 100kHz	531-1611kHz / 9kHz
1	1	0	—	87.5-108.0MHz / 50kHz	531-1611kHz / 9kHz
2	0	1	—	87.5-107.9MHz / 200kHz	530-1710kHz / 10kHz
3	1	1	Low	87.5-108.0MHz / 100kHz	530-1710kHz / 10kHz
			High	87.5-108.0MHz / 50kHz	531-1611kHz / 9kHz

■ AMP ADJUSTMENT / アンプ部調整

Confirmation of Idling Current of MAIN (1) P. C. B.

- Right after power is turned on, confirm that each measured voltage across the terminals of R45 (Front Lch), R46 (Front Rch), R50 (Center), R47 (Surround Lch), R48 (Surround Rch), R49 (Surround Back) is between 0.1mV and 10.0mV.
- If it exceeds 10.0mV, open (cutoff) R38 (Front Lch), R39 (Front Rch), R37 (Center), R34 (Surround Lch), R35 (Surround Rch), R36 (Surround Back) and reconfirm the voltage.

Attention

If the measured voltage exceeds 10.0mV after an amplifier repair, first check for a defective component before cutting the bias resistor.

- Confirm that the voltage is 0.2mV ~ 15.0mV after 60 minutes.

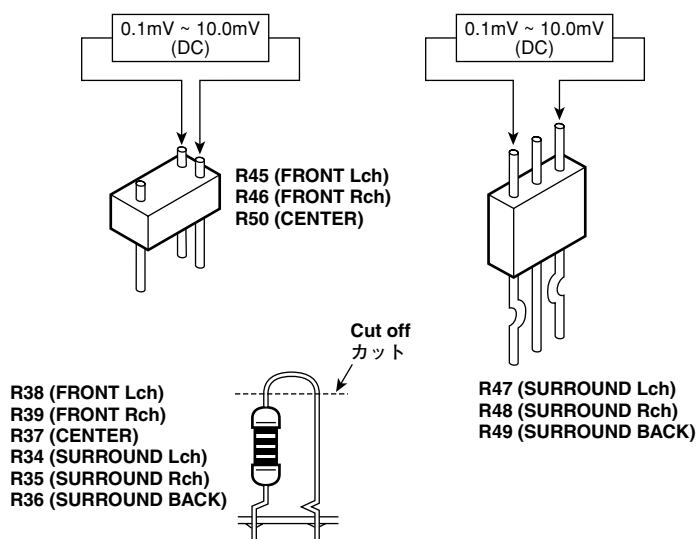
メイン(1)基板のアイドル電流の確認

- 電源投入直後、R45(FRONT Lch)、R46(FRONT Rch)、R50(CENTER)、R47(SURROUND Lch)、R48(SURROUND Rch)、R49(SURROUND BACK)の端子間電圧を測定し、0.1mVから10.0mVの間であることを確認してください。
- 電圧が10mVを超えている場合は、R38(FRONT Lch)、R39(FRONT Rch)、R37(CENTER)、R34(SURROUND Lch)、R35(SURROUND Rch)、R36(SURROUND BACK)をカットし、電圧を再確認してください。

注意

パワーアンプ修理後に10.0mVを超えている場合は、抵抗をカットする前に故障箇所を調べてください。

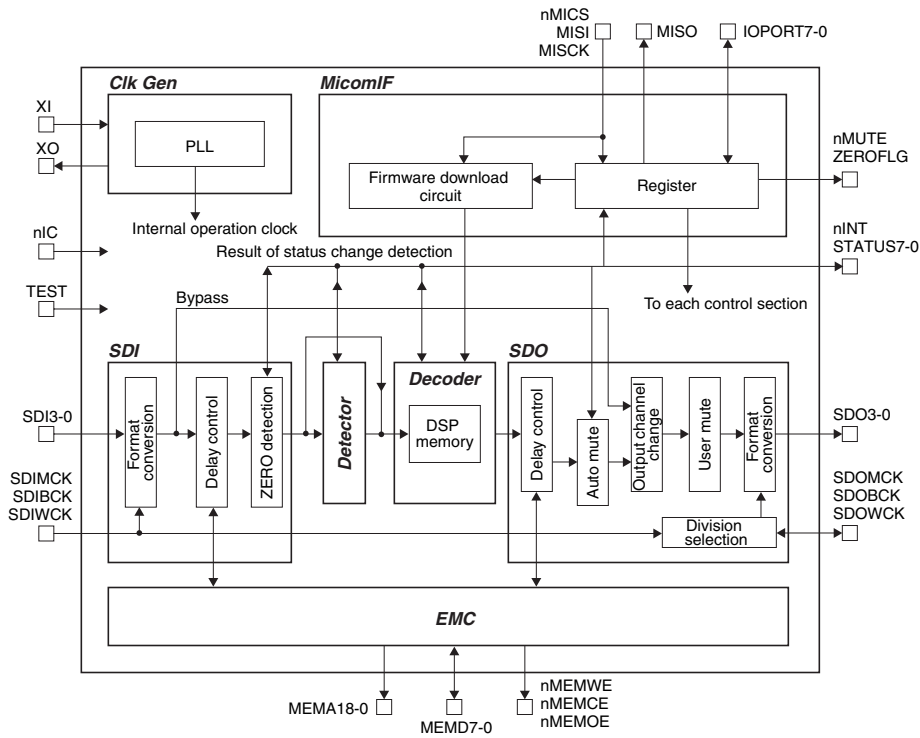
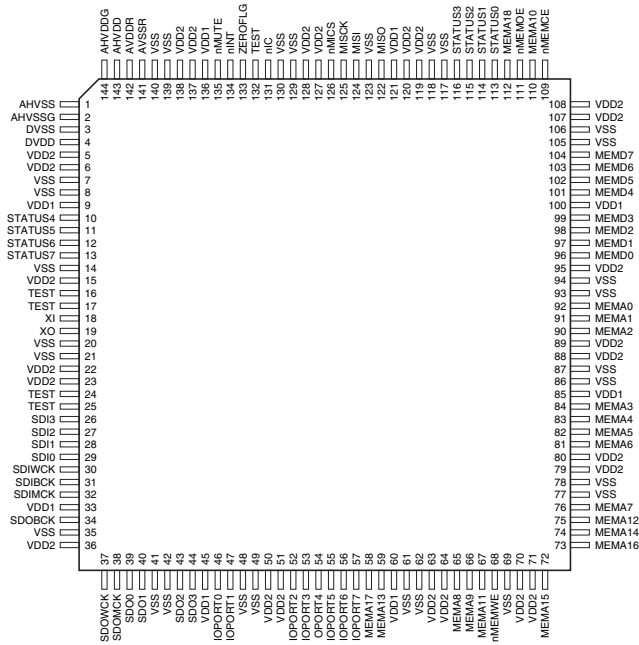
- 60分後、電圧が0.2mV~15.0mVであることを確認してください。



IC DATA

IC5 : YSS948 (DSP P.C.B.)
 DSP (Main Decoder)

RX-V550/HTR-5750
 RX-V450/HTR-5740/DSP-AX450



Block name	Function
ClkGen	Equipped with PLL internally, controls clock supply to each section.
MicomIF	Equipped with firmware download circuit, used for connection to the external microprocessor.
SDI	For audio interface with DIR, ADC, etc.
SDO	For audio interface with DAC, etc.
Detector	For stream judgment
EMC	Used to read and write to the external memory, providing input delay and output delay.
Decoder	Equipped with 32-bit floating decimal DSP, memory (ROM, RAM), etc. Executes various functions using preset ROM codes. Capable of executing functional expansion by downloading firmware.

IC5 : YSS948 (DSP P.C.B.)
DSP (Main Decoder)

Category	Pin No.	Terminal name	I/O Note 1)	Output current	Function
Power supply	9	VDD1	-	-	Power supply terminal for terminal block circuit (Typ. 3.3V)
	33				
	45				
	60				
	85				
	100				
	121				
136					
	5	VDD2	-	-	Power supply terminal for internal circuit (Typ. 1.2V)
	6				
	15				
	22				
	23				
	36				
	50				
	51				
	63				
	64				
	70				
	71				
	79				
	80				
	88				
	89				
	95				
	107				
	108				
	119				
120					
127					
128					
137					
138					
	142	AVDDR	-	-	Power supply terminal 1 for PLL section (Typ. 3.3V) Insert a 0.1μF capacitor between AVDDR terminal and AVSSR terminal.
	143	AHVDD	-	-	Power supply terminal 2 for PLL section (Typ. 3.3V) Insert a 0.1μF capacitor between AHVDD terminal and AHVSS terminal.
	144	AHVDDG	-	-	Power supply terminal 3 for PLL section (Typ. 3.3V) Insert a 0.1μF capacitor between AHVDDG terminal and AHVSSG terminal.
	4	DVDD	-	-	Internal power supply terminal for PLL section (Typ. 1.2V) Insert a 0.1μF capacitor between DVDD terminal and DVSS terminal.
	7	VSS	-	-	Ground terminal
	8				
	14				
	20				
	21				
	35				
	41				
	42				
	48				
	49				
	61				
	62				
	69				
	77				
	78				
	86				
	87				
	93				
	94				
	105				
106					
117					
118					
123					
129					
130					
139					
140					

IC5 : YSS948 (DSP P.C.B.)
DSP (Main Decoder)

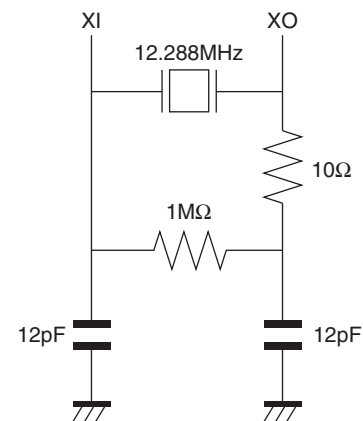
Category	Pin No.	Terminal name	I/O Note 1)	Output current	Function
Power supply	1	AHVSS			Ground terminal 2 for PLL section Insert a 0.1μF capacitor between AHVDD terminal and AHVSS terminal.
	2	AHVSSG			Ground terminal 3 for PLL section Insert a 0.1μF capacitor between AHVDDG terminal and AHVSSG terminal.
	3	DVSS			Ground terminal 4 for PLL section Insert a 0.1μF capacitor between DVDD terminal and DVSS terminal.
	141	AVSSR			Ground terminal 1 for PLL section Insert a 0.1μF capacitor between AVDDR terminal and AVSSR terminal.
Initial clear	131	nIC	Is	-	Hardware reset input terminal The device is initialized at "L" level.
Clock	18	XI	I	-	Clock input terminal Connect 12.288MHz crystal oscillator as shown in circuit example (Note 2). When not connecting crystal oscillator, input 12.28MHz clock to XI terminal.
	19	XO	O	-	Clock output terminal for crystal oscillator oscillation Connect as shown in circuit example (Note 2). When inputting clock directly to XI terminal without connecting crystal oscillator, do not connect anything to XO terminal. Do not use XO terminal for any purpose other than clock oscillation.
Microprocessor interface	126	nMICS	Is	-	Chip select input terminal for microprocessor interface. Input of MISCK and MISI terminals becomes effective at "L" level.
	125	MISCK	Is	-	Clock input terminal for microprocessor interface
	124	MISI	I	-	Address, read/write control and data input terminal for microprocessor interface
	122	MISO	Ot	4mA	Data output terminal for microprocessor interface
Audio interface	32	SDIMCK	Is	-	Master clock input terminal on input side of audio interface Master clock from DIR, ADC, etc. is inputted. Maximum frequency for input is 25MHz. (512fs up to 48kHz of input sampling frequency, 256fs up to 96kHz and 128fs up to 192kHz)
	31	SDIBCK	Is	-	Bit clock input/output terminal on input side of audio interface. 64fs bit clock is inputted.
	30	SDIWCK	I	-	Word clock terminal on input side of audio interface.
	26	SDI3	I	-	Serial data input terminal 3 for input side of audio interface Connect to ground when not using this terminal.
	27	SDI2	I	-	Serial data input terminal 2 for audio interface Connect to ground when not using this terminal.
	28	SDI1	I	-	Serial data input terminal 1 for audio interface Connect to ground when not using this terminal.
	29	SDI0	I	-	Serial data input terminal 0 for audio interface Enter digital audio data (various streams/PCM) coming through IEC60958to this terminal.
	38	SDOMCK	Ot	8mA	Master clock output terminal on output side of audio interface. Master clock to DIT, DAC is output from this terminal Maximum frequency to be output is 25MHz.
	34	SDOBCK	Is/O	4mA	Bit clock input/output terminal on output side of audio interface. 64fs bit clock is inputted or output.
	37	SDOWCK	I/O	4mA	Word clock terminal on output side of audio interface.
	44	SDO3	O	4mA	Serial data output terminal 3 for audio interface.
	43	SDO2	O	4mA	Serial data output terminal 2 for audio interface.
	40	SDO1	O	4mA	Serial data output terminal 1 for audio interface.
39	SDO0	O	4mA	Serial data output terminal 0 for audio interface.	
External memory interface	112	MEMA18	O	4mA	External memory address output terminal 18 to 0
	58	MEMA17			
	73	MEMA16			
	72	MEMA15			
	74	MEMA14			
	59	MEMA13			
	75	MEMA12			
	67	MEMA11			
	110	MEMA10			
	66	MEMA9			
	65	MEMA8			
	76	MEMA7			
	81	MEMA6			
	82	MEMA5			
83	MEMA4				
84	MEMA3				
90	MEMA2				
91	MEMA1				
92	MEMA0				

IC5 : YSS948 (DSP P.C.B.)
DSP (Main Decoder)

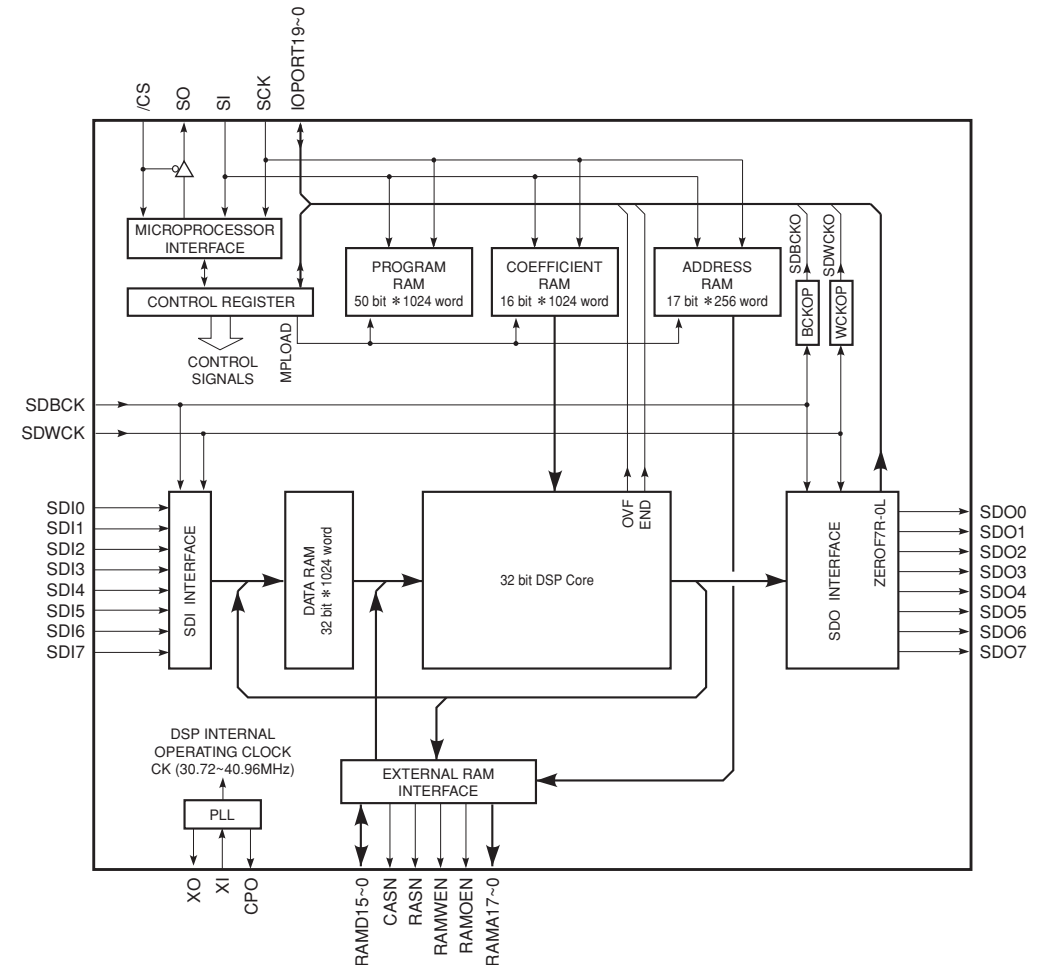
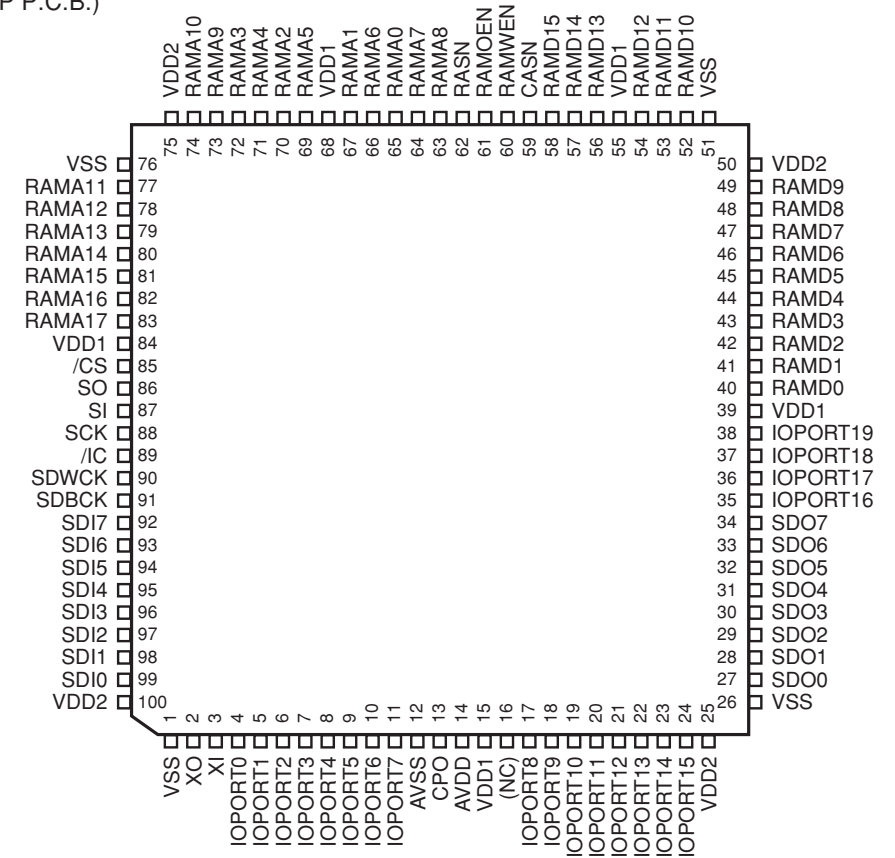
Category	Pin No.	Terminal name	I/O Note 1)	Output current	Function			
External memory interface	104	MEMD7	I/O	4mA	External memory data input/output terminals 7 to 0			
	103	MEMD6						
	102	MEMD5						
	101	MEMD4						
	99	MEMD3						
	98	MEMD2						
	97	MEMD1						
	96	MEMD0						
	109	nMEMCE				O	4mA	External memory chip select output terminal
	111	nMEMOE				O	4mA	External memory output enable output terminal
Status port	68	nMEMWE	O	8mA	External memory write enable output terminal			
	134	nINT	O	2mA	Interrupt request output terminal			
	135	nMUTE	O	2mA	Auto mute period output terminal			
	133	ZEROFLG	O	2mA	Continuous zero data input detect terminal			
	13	STATUS7	O	2mA	Status output terminals 7 to 0. Used for confirmation of firmware operation. Usually leave it unconnected.			
	12	STATUS6						
	11	STATUS5						
	10	STATUS4						
	116	STATUS3						
	115	STATUS2						
114	STATUS1							
113	STATUS0							
General purpose input/output port	57	IOPORT7				I(+)/O	4mA	General purpose input/output port terminals 7 to 0 Input/output selectable by register setting
	56	IOPORT6				I(+)/O	2mA	
	55	IOPORT5						
	54	IOPORT4						
	53	IOPORT3						
	52	IOPORT2						
	47	IOPORT1						
46	IOPORT0							
Test	16	TEST	Is	-	Test terminal Connect to ground.			
	17							
	24							
	25							
	132							

Note 1) I/O symbols
 I : Digital input
 Is : Schmidt input
 O : Digital output
 Ot : 3-state output
 I/O : Digital input/output
 I(+)/O : Pulled up for input, not pulled up for output

Note 2) Example of crystal oscillator connection circuit



IC7 : YSS930-SZ (DSP P.C.B.)
DSP (Post Processor)



IC7 : YSS930-SZ (DSP P.C.B.)
DSP (Post Processor)

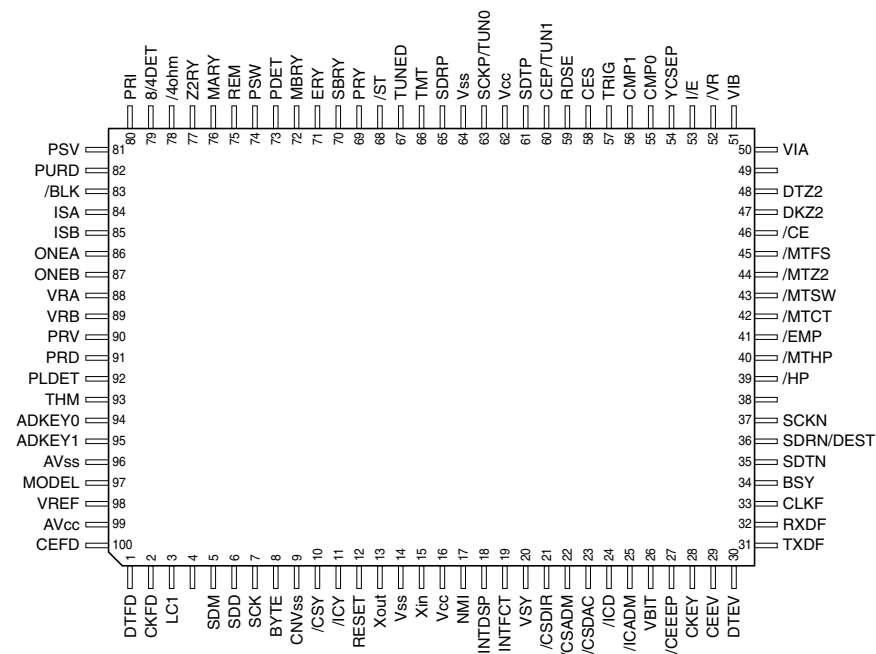
No.	Name	I/O	Function
1	VSS	-	Digital ground terminal
2	XO	O	Terminal for connecting crystal oscillator (Unconnected)
3	XI	I	Terminal for connecting crystal oscillator (12.288 ~ 15.0MHz)
4	IOPORT0	I+/O	General purpose input/output terminal, SDO0 Lch zero-flag output terminal, input/output terminal for branching program conditions
5	IOPORT1	I+/O	General purpose input/output terminal, SDO0 Rch zero-flag output terminal, input/output terminal for branching program conditions
6	IOPORT2	I+/O	General purpose input/output terminal, SDO1 Lch zero-flag output terminal, input/output terminal for branching program conditions
7	IOPORT3	I+/O	General purpose input/output terminal, SDO1 Rch zero-flag output terminal, input/output terminal for branching program conditions
8	IOPORT4	I+/O	General purpose input/output terminal, SDO2 Lch zero-flag output terminal, input/output terminal for branching program conditions
9	IOPORT5	I+/O	General purpose input/output terminal, SDO2 Rch zero-flag output terminal, input/output terminal for branching program conditions
10	IOPORT6	I+/O	General purpose input/output terminal, SDO3 Lch zero-flag output terminal, input/output terminal for branching program conditions
11	IOPORT7	I+/O	General purpose input/output terminal, SDO3 Rch zero-flag output terminal, input/output terminal for branching program conditions
12	AVSS	-	Analog ground terminal (for PLL)
13	CPO	A	Terminal for connecting PLL filter
14	AVDD	-	+2.5V digital power supply (for PLL)
15	VDD1	-	+3.3V digital power supply (for input/output terminal)
16	(NC)	-	(Unconnected)
17	IOPORT8	I+/O	General purpose input/output terminal, SD04 Lch zero-flag output terminal
18	IOPORT9	I+/O	General purpose input/output terminal, SD04 Rch zero-flag output terminal
19	IOPORT10	I+/O	General purpose input/output terminal, SD05 Lch zero-flag output terminal
20	IOPORT11	I+/O	General purpose input/output terminal, SD05 Rch zero-flag output terminal
21	IOPORT12	I+/O	General purpose input/output terminal, SD06 Lch zero-flag output terminal, input terminal 0 for chip address setting
22	IOPORT13	I+/O	General purpose input/output terminal, SD06 Rch zero-flag output terminal, input terminal 1 for chip address setting
23	IOPORT14	I+/O	General purpose input/output terminal, SD07 Lch zero-flag output terminal, input terminal 2 for chip address setting
24	IOPORT15	I+/O	General purpose input/output terminal, SD07 Rch zero-flag output terminal, input terminal 3 for chip address setting
25	VDD2	-	+2.5V digital power supply (for internal circuit)
26	VSS	-	Digital ground terminal
27	SDO0	O	PCM output terminal
28	SDO1	O	PCM output terminal
29	SDO2	O	PCM output terminal
30	SDO3	O	PCM output terminal
31	SDO4	O	PCM output terminal (Unconnected)
32	SDO5	O	PCM output terminal (Unconnected)
33	SDO6	O	PCM output terminal (Unconnected)
34	SDO7	O	PCM output terminal (Unconnected)
35	IOPORT16	I+/O	General purpose input/output terminal, overflow detect output terminal (Unconnected)
36	IOPORT17	I+/O	General purpose input/output terminal, program end detect output terminal (Unconnected)
37	IOPORT18	I+/O	General purpose input/output terminal, 64fs clock output terminal
38	IOPORT19	I+/O	General purpose input/output terminal, fs clock output terminal
39	VDD1	-	+3.3V digital power supply (for input/output terminal)
40	RAMD0	I+/O	Data input/output terminal 0 for external memory
41	RAMD1	I+/O	Data input/output terminal 1 for external memory
42	RAMD2	I+/O	Data input/output terminal 2 for external memory
43	RAMD3	I+/O	Data input/output terminal 3 for external memory
44	RAMD4	I+/O	Data input/output terminal 4 for external memory
45	RAMD5	I+/O	Data input/output terminal 5 for external memory
46	RAMD6	I+/O	Data input/output terminal 6 for external memory
47	RAMD7	I+/O	Data input/output terminal 7 for external memory
48	RAMD8	I+/O	Data input/output terminal 8 for external memory
49	RAMD9	I+/O	Data input/output terminal 9 for external memory
50	VDD2	-	+2.5V digital power supply (for internal circuit)
51	VSS	-	Digital ground terminal
52	RAMD10	I+/O	Data input/output terminal 10 for external memory
53	RAMD11	I+/O	Data input/output terminal 11 for external memory
54	RAMD12	I+/O	Data input/output terminal 12 for external memory
55	VDD1	-	+3.3V digital power supply (for input/output terminal)
56	RAMD13	I+/O	Data input/output terminal 13 for external memory

IC7 : YSS930-SZ (DSP P.C.B.)
DSP (Post Processor)

No.	Name	I/O	Function
57	RAMD14	I+/O	Data input/output terminal 14 for external memory
58	RAMD15	I+/O	Data input/output terminal 15 for external memory
59	CASN	O	Column address strobe output terminal for external DRAM
60	RAMWEN	O	Write enable output terminal for external memory
61	RAMOEN	O	Output enable output terminal for external memory
62	RASN	O	Low address strobe output terminal for external DRAM
63	RAMA8	O	Address output terminal 8 for external memory
64	RAMA7	O	Address output terminal 7 for external memory
65	RAMA0	O	Address output terminal 0 for external memory
66	RAMA6	O	Address output terminal 6 for external memory
67	RAMA1	O	Address output terminal 1 for external memory
68	VDD1	-	+3.3V digital power supply (for input/output terminal)
69	RAMA5	O	Address output terminal 5 for external memory
70	RAMA2	O	Address output terminal 2 for external memory
71	RAMA4	O	Address output terminal 4 for external memory
72	RAMA3	O	Address output terminal 3 for external memory
73	RAMA9	O	Address output terminal 9 for external memory (Unconnected)
74	RAMA10	O	Address output terminal 10 for external memory (Unconnected)
75	VDD2	-	+2.5V digital power supply (for internal circuit)
76	VSS	-	Digital ground terminal
77	RAMA11	O	Address output terminal 11 for external memory (Unconnected)
78	RAMA12	O	Address output terminal 12 for external memory (Unconnected)
79	RAMA13	O	Address output terminal 13 for external memory (Unconnected)
80	RAMA14	O	Address output terminal 14 for external memory (Unconnected)
81	RAMA15	O	Address output terminal 15 for external memory (Unconnected)
82	RAMA16	O	Address output terminal 16 for external memory (Unconnected)
83	RAMA17	O	Address output terminal 17 for external memory (Unconnected)
84	VDD1	-	+3.3V digital power supply (for input/output terminal)
85	/CS	Is	Microprocessor interface chip select input terminal
86	SO	Ot	Microprocessor interface data output terminal
87	SI	Is	Microprocessor interface data input terminal
88	SCK	Is	Microprocessor interface clock input terminal
89	/IC	Is	Initial clear input terminal
90	SDWCK	I	Word clock (fs) input terminal for SDI/SDO interface
91	SDBCK	Is	Bit clock (64fs) input terminal for SDI/SDO interface
92	SDI7	I	PCM input terminal
93	SDI6	I	PCM input terminal
94	SDI5	I	PCM input terminal
95	SDI4	I	PCM input terminal
96	SDI3	I	PCM input terminal
97	SDI2	I	PCM input terminal
98	SDI1	I	PCM input terminal
99	SDI0	I	PCM input terminal
100	VDD2	-	+2.5V digital power supply (for internal circuit)

Is: Schmidt trigger input terminal
I+: Input terminal with pull-up resistor
O: Digital output terminal
Ot: 3-state digital output terminal
A: Analog terminal

IC502: M30622MWP-152FP (FUNCTION P.C.B.)
16bit μ-COM (Main CPU)



Pin	Pin Function	Function	Function name	Detail of Function	Classified	I/O	Comment
1	P96/ANEX1/SOUT4	SOUT4	DTFD	FL Driver TxD	OPE	SO	
2	P95/ANEX0/CLK4	CLK4	CKFD	FL Driver CLOCK	OPE	SCK	
3	P94/DA1/TB4in	DA1	LC1	Power limiter control	Main_1	DA	
4	P93/DA0/TB3in		N.C.				
5	P92/TB2in/SOUT3	SOUT3	SDM	YSS TxD	DSP	SO	
6	P91/TB1in/SIN3	SIN3	SDD	YSS RxD	DSP	SI	
7	P90/TB0in/CLK3	CLK3	SCK	YSS CLOCK	DSP	SCK	
8	BYTE	BYTE	BYTE	When in single chip mode: Vss		Vss	Connected to FLASH write terminal
9	CNVss	CNVss	CNVss	When in single chip mode: Vss, When FLASH writing: Vcc		Vss/Vcc	Connected to FLASH write terminal (for rewriting EEPROM)
10	P87/Xcin	P87	/CSY	YSS CE	DSP	O	
11	P86/Xcout	P86	/ICY	YSS RESET	DSP	O	
12	RESET	RESET	RESET	Reset		I	
13	Xout	Xout	Xout	Oscillation output			
14	Vss	Vss	Vss	Ground for microprocessor		Vss	
15	Xin	Xin	Xin	Oscillation input		16MHz	
16	Vcc	Vcc	Vcc	Power supply for microprocessor +5V		Vcc(BU)	
17	P85/NMI	NMI	NMI	Unused, connected to Vcc		Vcc(BU)	
18	P84/INT2	INT2	INTDSP		DSP	INT	
19	P83/INT1	INT1	INTFCT		DSP	INT	
20	P82/INT0		N.C.				
21	P81/TA4in/U	P81	/CSDIR	DIR CS	DSP	O	
22	P80/TA4out/U	P80	/CSADM	ADM CS	DSP	O	
23	P77/TA3in	P77	/CSDAC	DAC CS	DSP	O	
24	P76/TA3out	P76	/ICD	DIR RESET	DSP	O	

IC502: M30622MWP-152FP (FUNCTION P.C.B.)
16bit μ-COM (Main CPU)

Pin	Pin Function	Function	Function name	Detail of Function	Classified	I/O	Comment
25	P75/TA2in/W	P75	/ICADM	ADM RESET	DSP	O	
26	P74/TA2out/W	P74	VBIT		DSP	I	
27	P73/CTS2/RTS2/TA1in/V	P73	/CEEEP	EEPROM CE	FLASH	O	Connected to FLASH write terminal
28	P72/CLK2/TA1out/V	CLK2	CKEV	Electronic volume IC Clock	FUNC	SCK	
29	P71/RXD2/SCL/TA0in/TB5in		N.C.				
30	P70/TXD2/SDA/TA0out	TXD2	DTEV	Electronic volume IC DATA	FUNC	SO	Pull-up required externally (for Nch OD port)
31	P67/TXD1	TXD1	TXDF	Flash ROM TxD/Selector IC DATA	FLASH/FUNC	SO	Connected to FLASH write terminal
32	P66/RXD1	RXD1	RXDF	Flash ROM RxD	FLASH	SI	Connected to FLASH write terminal
33	P65/CLK1	CLK1	CLKF	Flash ROM Clock/Selector IC Clock	FLASH/FUNC	SCK	Connected to FLASH write terminal
34	P64/CTS1/RTS1/CTS0/CLKS1	P64	BSY	Flash BUSY signal output	FLASH	O	Connected to FLASH write terminal
35	P63/TXD0	TXD0	SDTN	RDS/OSD/S/P conversion IC TxD	TUNER/VIDEO	SO	When /PURD is "L", fixed to OL because of target power supply turned OFF.
36	P62/RXD0	RXD0	SDRN/DEST	RDS RxD / FREQSW(Dest R)	TUNER/VIDEO	SI/I(IPU)	R destination: RDS data received for model having frequency switch and RDSAlways at OL except model without tuner/R destination/RDS destination (OK with hardware opened)For setting details, refer to Function Check Table.
37	P61/CLK0	CLK0	SCKN	RDS/OSD/S/P conversion IC Clock	TUNER/VIDEO	SCK	When /PURD is "L", fixed to OL because of target power supply turned OFF.
38	P60/CTS0/RTS0		N.C.				
39	P57/RDY/CLKout	P57	/HP	HEAD PHONE detection	FUNC	I	
40	P56/ALE	P56	/MTHP	HEAD PHONE MUTE output	FUNC(internal)	O	
41	P55/HOLD		/EMP	For Flash write (LO)		GND	
42	P54/HLDA	P54	/MTCT	MUTE Center	FUNC (internal)	O	
43	P53/BCLK	P53	/MTSW	MUTE SW	FUNC (internal)	O	
44	P52/RD	P52	/MTZ2	Zone 2 MUTE/ZONE2 presence check	FUNC (internal)	O/I	
45	P51/WRH/BHE	P51	/MTFS	MUTE Front/Surround , PreOUT	FUNC/MAIN 2 (internal)	O	
46	P50/WRL/WR		/CE	For Flash write (HI)		I	
47	P47/CS3	P47	CKZ2	Zone2 Selector Clock	FUNC	SCK	
48	P46/CS2	P46	DTZ2	Zone2 Selector DATA	FUNC	SO	
49	P45/CS1		N.C.				
50	P44/CS0	P44	VIA	VIDEO Selector A	VIDEO	O	
51	P43/A19	P43	VIB	VIDEO Selector B	VIDEO	O	
52	P42/A18	P42	/VR	VIDEO RecOut Selector 1	VIDEO	O	
53	P41/A17		N.C.				
54	P40/A16	P40	YCSEP	Y/C separation selection	OSD	O	
55	P37/A15	P37	CMP0	Component Selector 0	COMP	O	
56	P36/A14	P36	CMP1	Component Selector 1	COMP	O	
57	P35/A13	P35	TRIG	Trigger control	Remote	O	(RX-V550 only)
58	P34/A12		N.C.				
59	P33/A11	P33	RDSE	RDS Enable, RDS presence check	TUNER (internal)	O/I	
60	P32/A10	P32	CEP/TUN1	PLL IC Enable / destination check 1	TUNER	O/I	
61	P31/A9	P31	SDTP	PLL IC TxD / TUNER (SE) presence (SE) check	TUNER	SO	
62	Vcc	Vcc	Vcc	Power supply for microprocessor +5V		Vcc(BU)	
63	P30/A8	P30	SCKP/TUN0	PLL IC Clock/Destination check 0	TUNER	O/I	
64	Vss	Vss	Vss	Ground for microprocessor		Vss	
65	P27/A7	P27	SDRP	PLL IC RxD	TUNER	I(IPU)	External pull-up not required because of being pulled up within microprocessor

IC502: M30622MWP-152FP (FUNCTION P.C.B.)
16bit μ-COM (Main CPU)

Pin	Pin Function	Function	Function name	Detail of Function	Classified	I/O	Comment
66	P26/A6	P26	TMT	TUNER MUTE	TUNER	O	(Internally pulled up when microprocessor is used)
67	P25/A5	P25	TUNED	TUNED	TUNER	I(IPU)	External pull-up not required because of being pulled up within microprocessor
68	P24/A4	P24	/ST	TUNER /ST	TUNER	I(IPU)	External pull-up not required because of being pulled up within microprocessor
69	P23/A3	P23	PRY	Power relay output	Main_2	O	
70	P22/A2		N.C.				
71	P21/A1	P21	ERY	Surround SP relay output	Main_2	O	
72	P20/A0	P20	MBRY	Front B SP relay output	Main_2	O	
73	P17/D15/INT5	INT5	PDET	Power Down DETECT INT	Main_2	INT	
74	P16/D14/INT4	INT4	PSW	Standby SW INPUT	OPE	INT	
75	P15/D13/INT3	INT3	REM	Remote controller input	OPE	INT	
76	P14/D12	P14	MARY	Front A SP relay output	Main_2	O	
77	P13/D11		N.C.				
78	P12/D10	P12	/4ohm	IMPEDANCE control	Main_2	O	
79	P11/D9	P11	8/4DET	IMPEDANCE select SW detection	Main_2	I	
80	P10/D8	P10	PRI	Protection excess current detection	Main_1	I	
81	P07/D7	P07	PSV	PowerSave	Internal	O	
82	P06/D6		N.C.				
83	P05/D5	P05	/BLK	FL Driver OFF	OPE	O	
84	P04/D4	P04	ISA	INPUT SEL. Rotary A	OPE	I	
85	P03/D3	P03	ISB	INPUT SEL. Rotary B	OPE	I	
86	P02/D2	P02	TONEA	Tone Con. Rotary A	OPE	I	(RX-V550 only)
87	P01/D1	P01	TONEB	Tone Con. Rotary B	OPE	I	(RX-V550 only)
88	P00/D0	P00	VRA	Volume Rotary A	OPE	I	
89	P107/AN7	P107	VRB	Volume Rotary B	OPE	I	
90	P106/AN6	AN6	PRV	Protection power supply voltage detection	MAIN 1/MAIN 2 (internal)	AD	
91	P105/AN5	AN5	PRD	Protection DC detection	Main_1	AD	
92	P104/AN4	AN4	PLDET	POWER LIMITER DETECT	Main_1	AD	
93	P103/AN3	AN3	THM	Temperature detection	Main_1	AD	
94	P102/AN2	AN2	ADKEY0	Key AD input 0	OPE	AD	
95	P101/AN1	AN1	ADKEY1	Key AD input 1	OPE	AD	
96	Avss	Avss	Avss	AD ground		Vss	
97	P100/AN0	AN0	MODEL	Model check	Internal	AD	
98	Vref	Vref	Vref	AD reference		(+5v)	
99	Avcc	Avcc	Avcc	AD power supply		Vcc(BU)	
100	P97/Adtrg/Sin4	P97	CEFD	FL Driver CE	OPE	O	

RX-V550

Key Input(A-D) Pull-Up Resistance 10 k-Ohms

Ohm	+ 0.0 k	+ 1.0 k	+ 1.0 k	+ 1.5 k	+ 2.2 k	+ 3.3 k	+ 4.7 k	+ 4.7 k	+ 6.8 k	+ 10.0 k	+ 22.0 k
V	~ 0.3	~ 0.7	~ 1.0	~ 1.5	~ 2.0	~ 2.6	~ 3.1	~ 3.1	~ 3.6	~ 4.0	~ 4.4
ADKEY 0 94Pin P102/AN2	TUNING MODE	—	INPUT MODE	PRESET/TUNING >	PRESET/TUNING <	A/B/C/D/E	TONE CONTROL	STRAIGHT	SPEAKER B	SPEAKER A	—
ADKEY 1 93Pin P101/AN1	MULTI-CH INPUT	MEMORY	FM/AM	PRESET/TUNING >	PTYSEEK MODE	PTYSEEK START	EON	RDS MODE	—	—	—

HTR5750, RX-V450, HTR-5740, DSP-AX450

Key Input(A-D) Pull-Up Resistance 10 k-Ohms

Ohm	+ 0.0 k	+ 1.0 k	+ 1.0 k	+ 1.5 k	+ 2.2 k	+ 3.3 k	+ 4.7 k	+ 4.7 k	+ 6.8 k	+ 10.0 k	+ 22.0 k
V	~ 0.3	~ 0.7	~ 1.0	~ 1.5	~ 2.0	~ 2.6	~ 3.1	~ 3.4	~ 3.8	~ 4.1	~ 4.5
ADKEY 0 94Pin P102/AN2	TUNING MODE	INPUT MODE	BASS/TREBLE +	BASS/TREBLE -	CONTROL	PROGRAM >	PROGRAM <	STRAIGHT	SPEAKER A	SPEAKER B	—
ADKEY 1 93Pin P101/AN1	MULTI-CH INPUT	MEMORY	PRESET/TUNING >	PRESET/TUNING <	FM/AM	A/B/C/D/E	PRESET/TUNING	PTYSEEK MODE	PTYSEEK START	EON	RDS MODE

IC502: M30622MWP-152FP (FUNCTION P.C.B.)
16bit μ-COM (Main CPU)

Function Check Table

Pin	Function	Name	Setting value	Remarks	
36	P62/RXD0	FREQSW	0	AM 10kHz step	Commonly used with SDRN (RDS RxD) (after activation of +5s)
			1	AM 9kHz step	At power ON, switched to input instantly and checked (when checking R, L destination only)
44	P52	ZONE2	0	Not present	Commonly used with Zone 2 Mute (/MTZ2) (after activation of +5s)
			1	Present	At reset cancellation, switched to input instantly and checked
58	P34	N_P Format	0	NTSC	Commonly used with CES (OSD Enable) (after activation of VIDEO power supply)
			1	PAL	At power ON, switched to input in an instant and checked
59	P33	RDS	0	Not present	Commonly used with RDSE (RDS Enable) (after activation of +5s)
			1	Present	At reset cancellation and at power ON, switched to input in an instant and checked
61	P31	TUNER	0	Not present	Commonly used with SDTP (PLL IC TxD) (after activation of +5s)
			1	Present	At reset cancellation and at power ON, switched to input in an instant and checked
60,63	P32,P30	TUN1,TUN0	0, 0	J *0	Commonly used with CEP, SCKP (PLL IC Enable, Clock) (after activation of +5s)
			0, 1	UC *1	At reset cancellation and at power ON, switched to input in an instant and checked
			1, 0	ATKBG *2	
			1, 1	RL *3	
97	AN0	MODEL	39~91/255		RX-V550
			9~38/255		HTR-5750
			0~8/255		RX-V450,HTR-5740,DSP-AX450

*0 AM: 531-1611kHz/ 9kHz FM: 76.0- 90.0MHz/100kHz

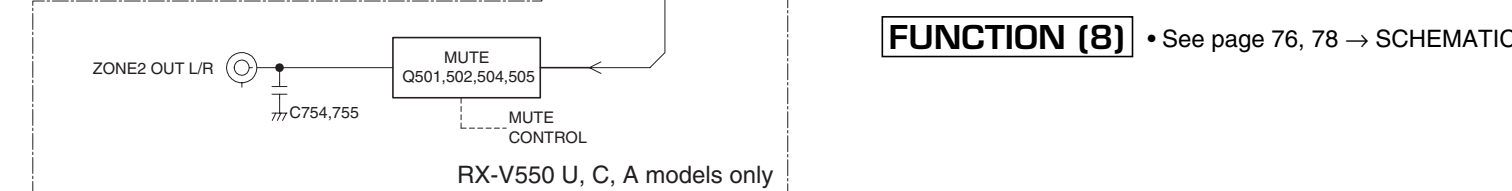
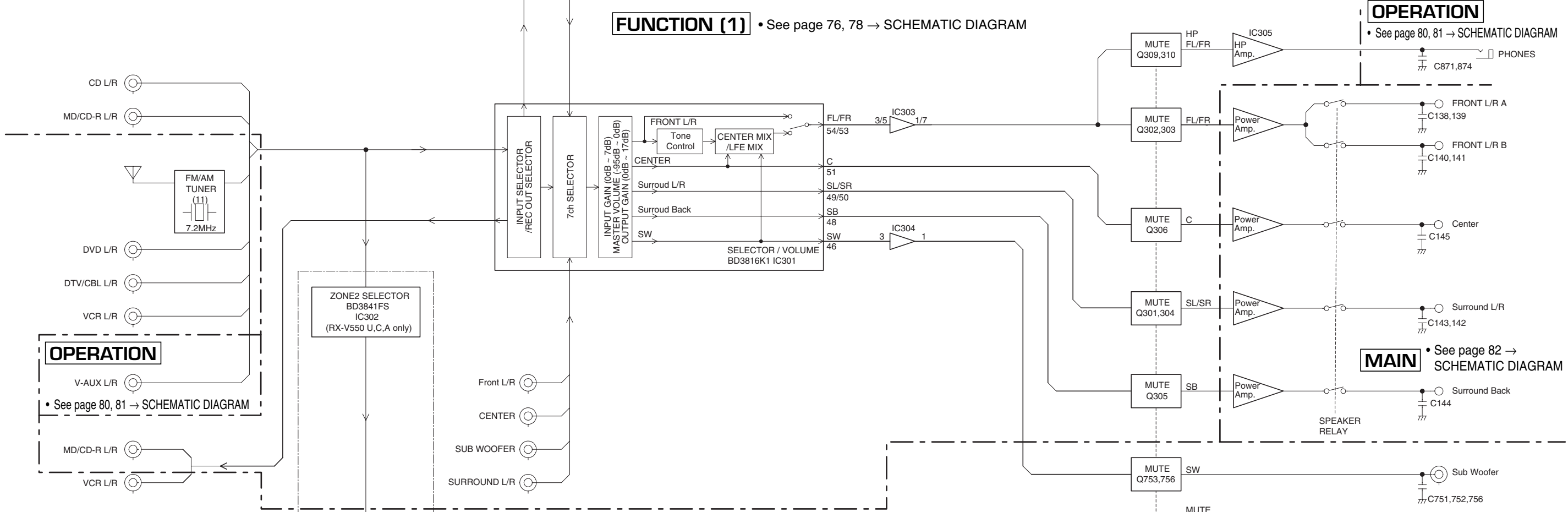
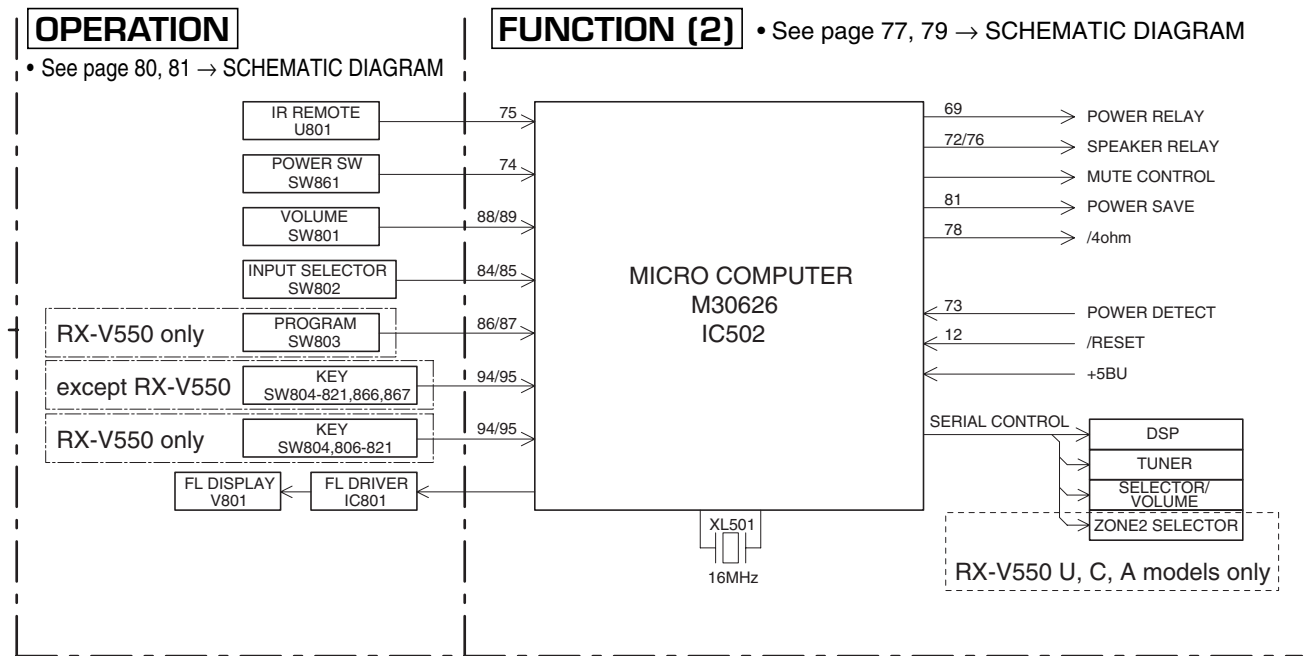
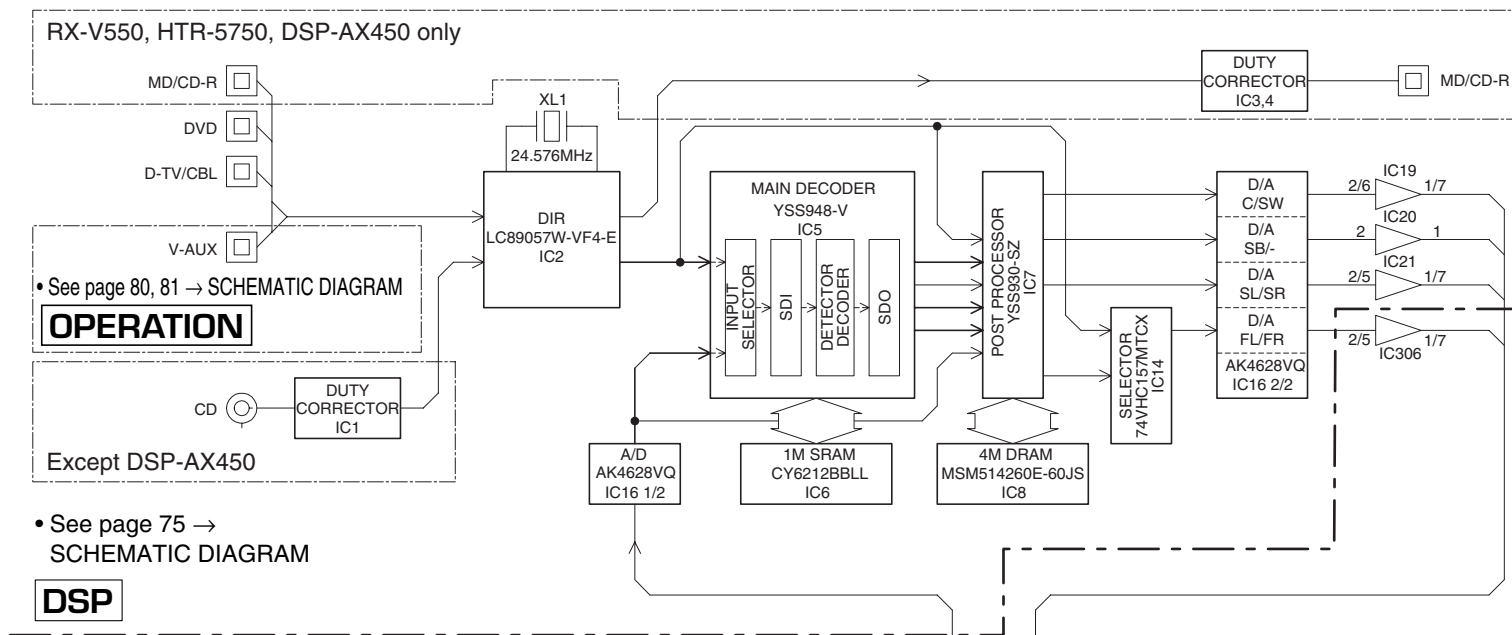
*1 AM: 530-1710kHz/10kHz FM: 87.5-107.9MHz/200kHz

*2 AM: 531-1611kHz/ 9kHz FM: 87.5-108.0MHz/ 50kHz

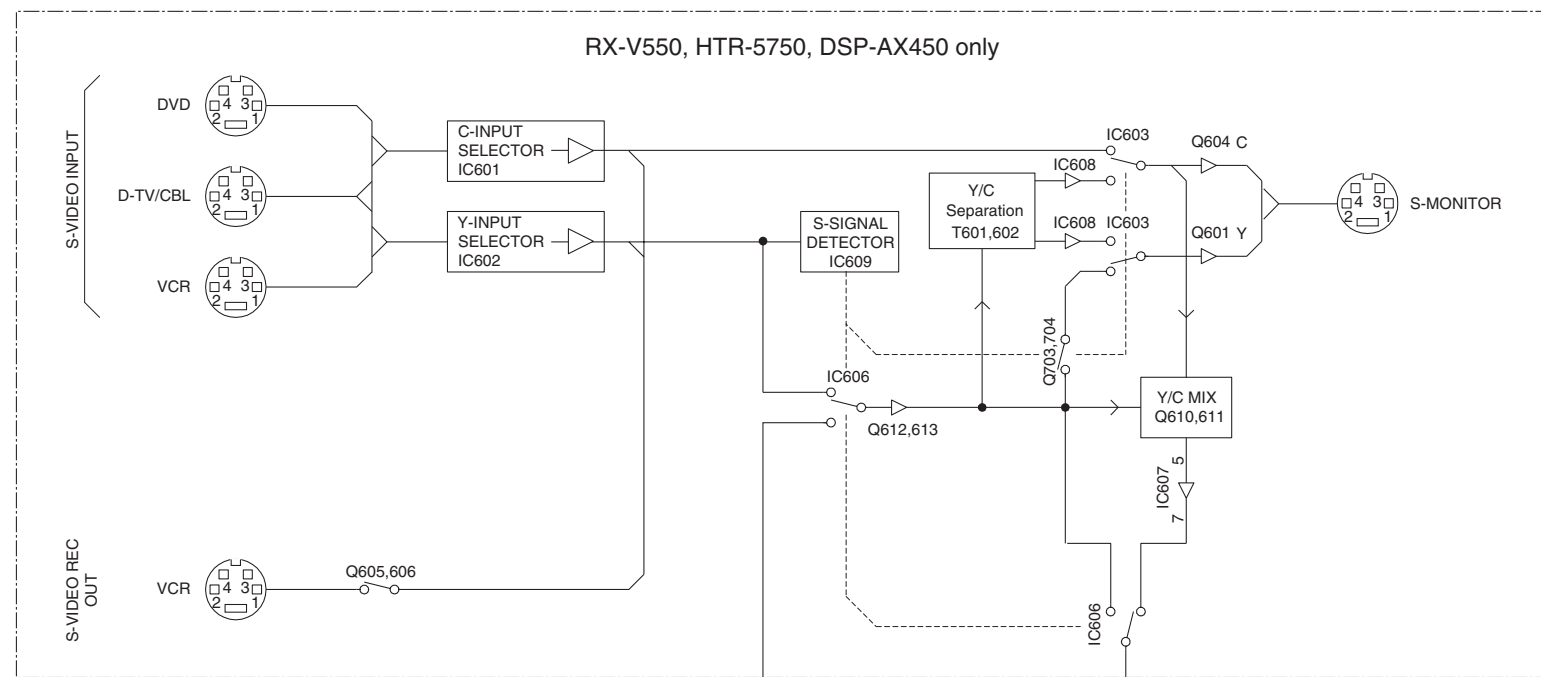
*3 Destination RL : Tuner Frequency is selected by Pin 36

Pin 36	AM	FM
0	530-1710kHz/10kHz	87.5-108.0MHz/100kHz
1	531-1611kHz/ 9kHz	87.5-108.0MHz/ 50kHz

■ BLOCK DIAGRAM (1/2)

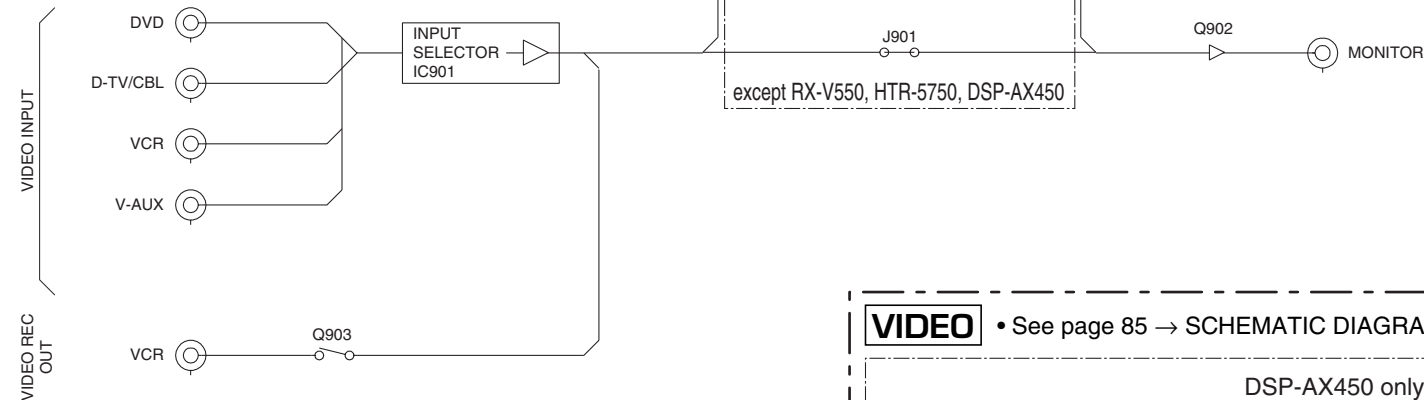


BLOCK DIAGRAM (2/2)

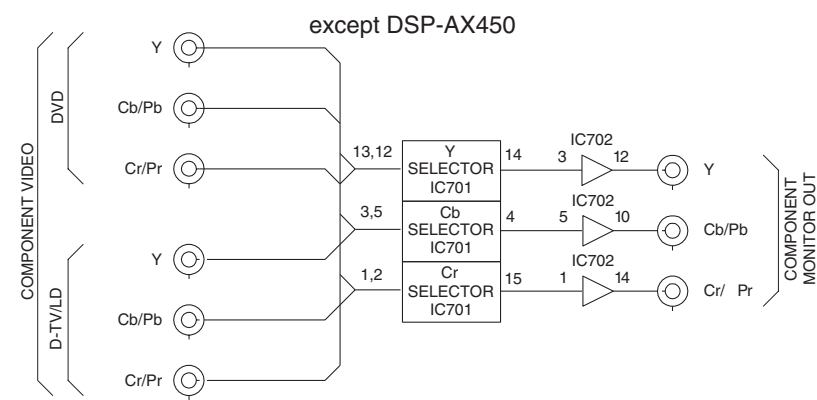


FUNCTION (3) • See page 77, 79 → SCHEMATIC DIAGRAM

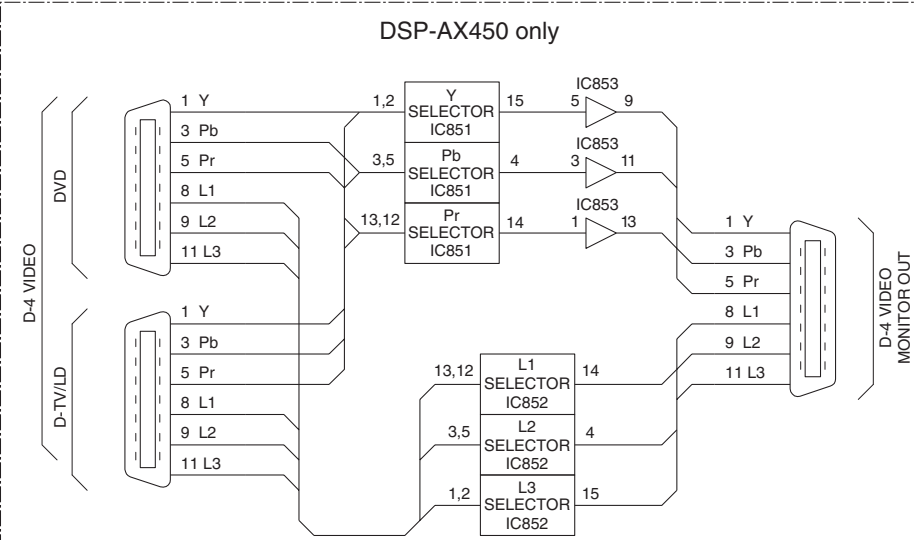
FUNCTION (4) • See page 77, 79 → SCHEMATIC DIAGRAM



FUNCTION (7) • See page 77, 79 → SCHEMATIC DIAGRAM

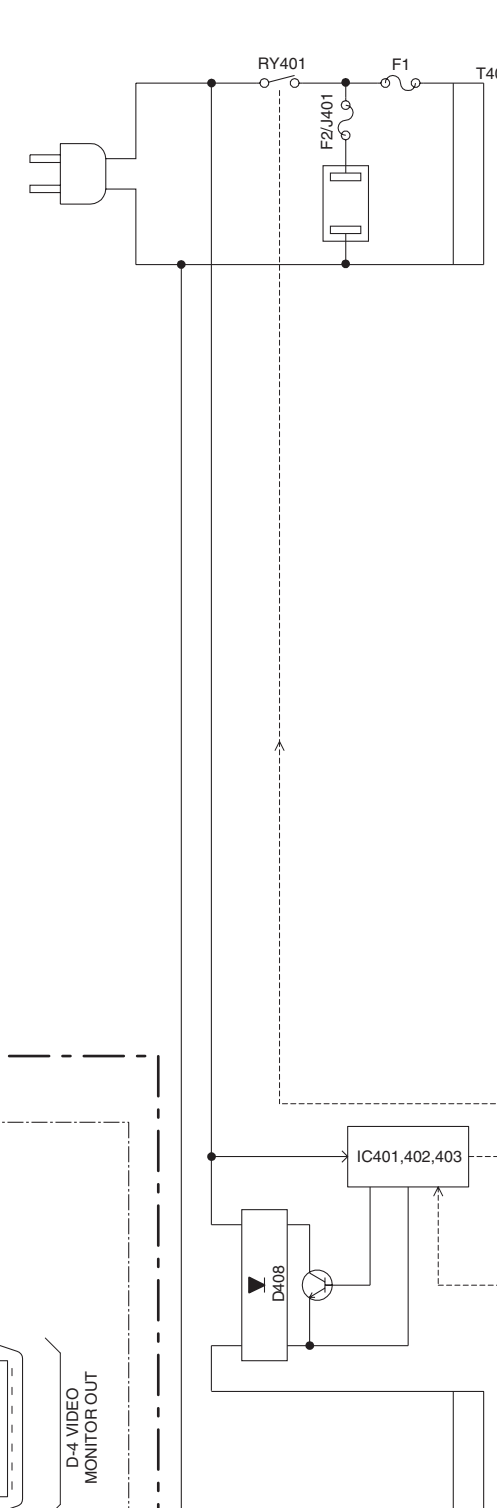


VIDEO • See page 85 → SCHEMATIC DIAGRAM

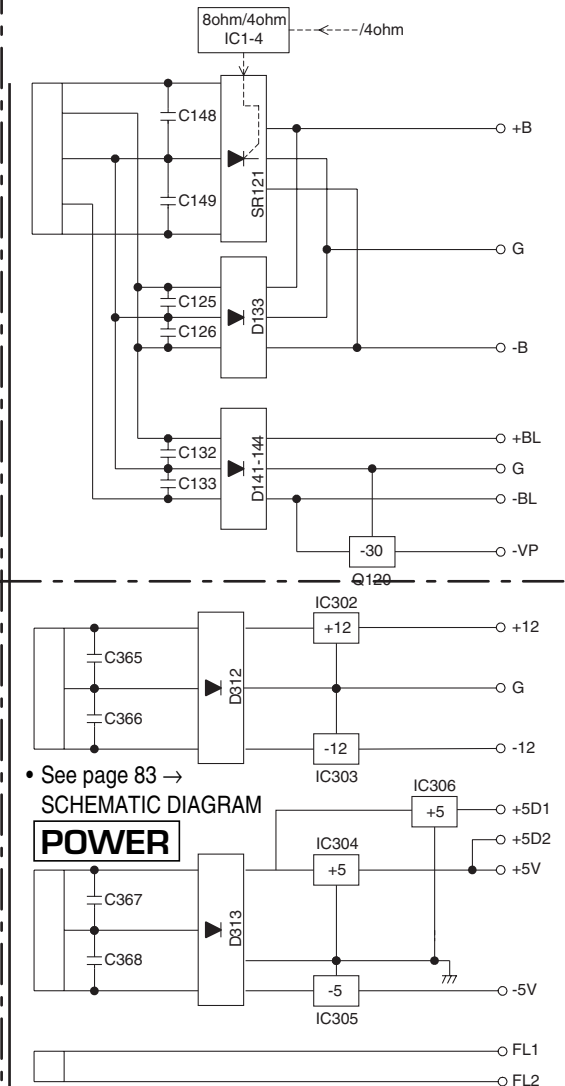


SUB TRANS

• See page 84 → SCHEMATIC DIAGRAM

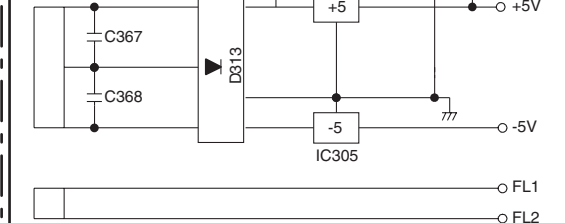


MAIN • See page 82 → SCHEMATIC DIAGRAM



• See page 83 → SCHEMATIC DIAGRAM

POWER

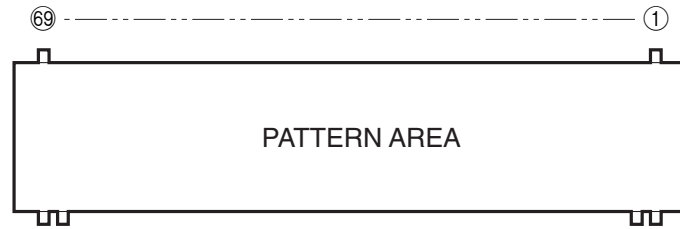


• See page 77, 79 → SCHEMATIC DIAGRAM

FUNCTION (2)

■ DISPLAY DATA

● V801 : 16-BT-122GNK (WC173100)



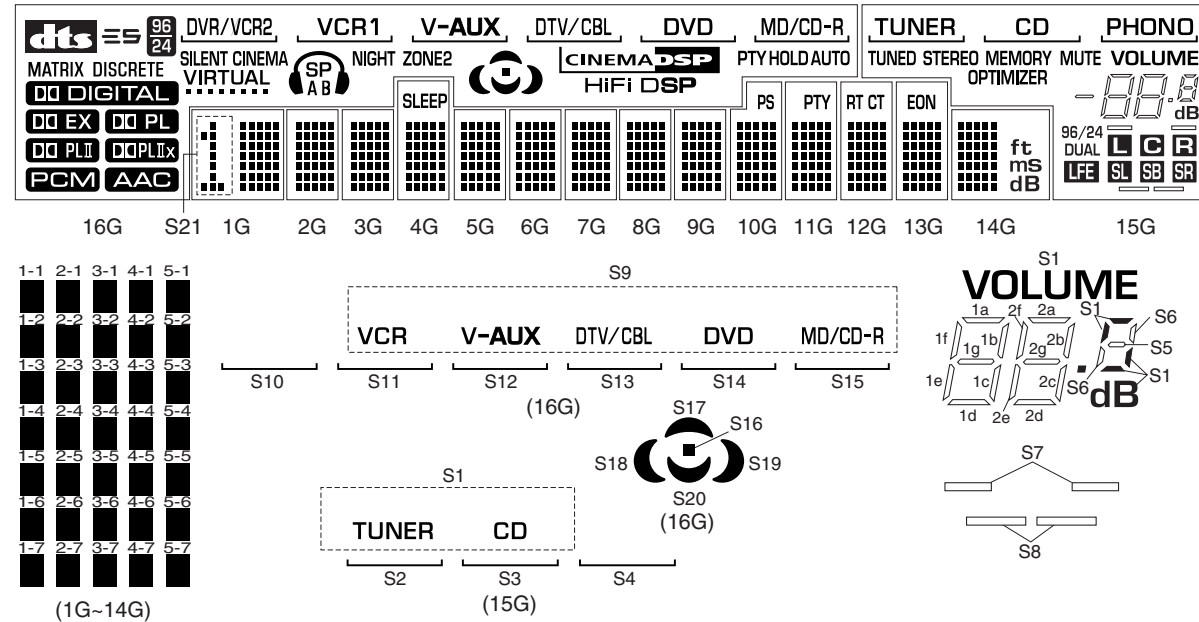
● PIN CONNECTION

Pin No.	69	68	67	66	65	64	63	62	61	60	59	58	57	56	55	54	53	52	51	50	49	48	47	46	45	44	43	42	41	40	39	38	37	36	35
Connection	F2	F2	NP	NP	P1	P2	P3	P4	P5	P6	P7	P8	P9	P10	P11	P12	P13	P14	P15	P16	P17	P18	P19	P20	P21	P22	P23	P24	P25	P26	P27	P28	P29	P30	P31

Pin No.	34	33	32	31	30	29	28	27	26	25	24	23	22	21	20	19	18	17	16	15	14	13	12	11	10	9	8	7	6	5	4	3	2	1
Connection	P32	P33	P34	P35	P36	P37	P38	NX	NX	NX	NX	NX	NX	NX	16G	15G	14G	13G	12G	11G	10G	9G	8G	7G	6G	5G	4G	3G	2G	1G	NP	NP	F1	F1

Note : 1) F1, F2 Filament 2) NP No pin 3) NX No extended 4) DL Datum line 5) 1G ~ 16G Grid

● GRID ASSIGNMENT

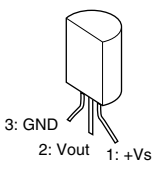
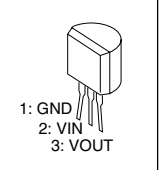
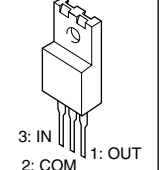
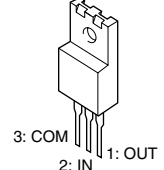
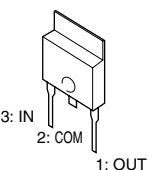
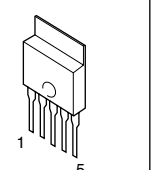
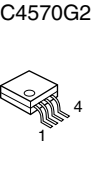
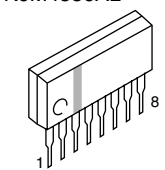
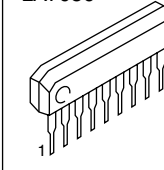
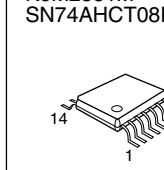
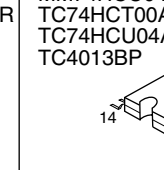
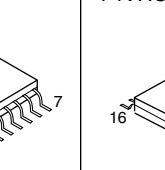
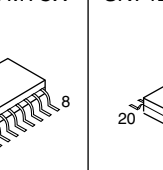
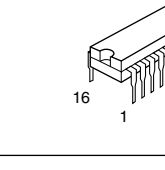
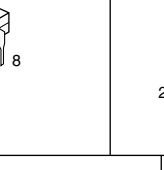
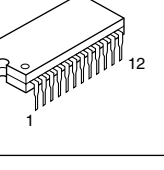
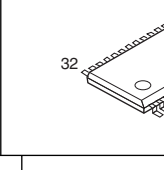
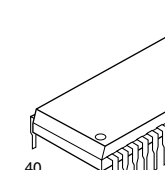
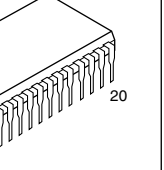
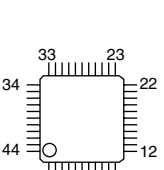
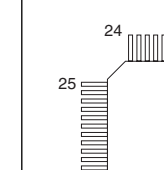

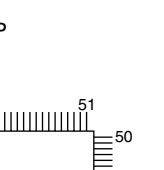
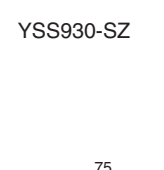
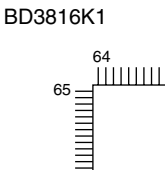


● ANODE CONNECTION

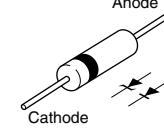
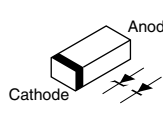
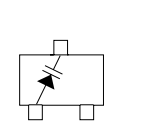
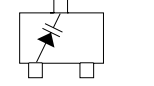
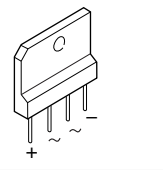
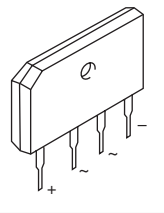
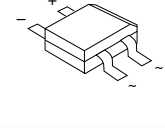
	16G	15G	14G	13G	12G	11G	10G	9G~5G	4G	3G	2G	1G
P1	dts	S1	1-1	1-1	1-1	1-1	1-1	1-1	1-1	1-1	1-1	1-1
P2	ES	S7	2-1	2-1	2-1	2-1	2-1	2-1	2-1	2-1	2-1	2-1
P3	MATRIX	S8	3-1	3-1	3-1	3-1	3-1	3-1	3-1	3-1	3-1	3-1
P4	DISCRETE	—	4-1	4-1	4-1	4-1	4-1	4-1	4-1	4-1	4-1	4-1
P5	96/24	1a	5-1	5-1	5-1	5-1	5-1	5-1	5-1	5-1	5-1	5-1
P6	DIGITAL	1b	1-2	1-2	1-2	1-2	1-2	1-2	1-2	1-2	1-2	1-2
P7	EX	1c	2-2	2-2	2-2	2-2	2-2	2-2	2-2	2-2	2-2	2-2
P8	PL	1d	3-2	3-2	3-2	3-2	3-2	3-2	3-2	3-2	3-2	3-2
P9	PLII	1e	4-2	4-2	4-2	4-2	4-2	4-2	4-2	4-2	4-2	4-2
P10	AAC	1f	5-2	5-2	5-2	5-2	5-2	5-2	5-2	5-2	5-2	5-2
P11	PCM	1g	1-3	1-3	1-3	1-3	1-3	1-3	1-3	1-3	1-3	1-3
P12	ZONE2	2a	2-3	2-3	2-3	2-3	2-3	2-3	2-3	2-3	2-3	2-3
P13	VIRTUAL	2b	3-3	3-3	3-3	3-3	3-3	3-3	3-3	3-3	3-3	3-3
P14	SILENT CINEMA	2c	4-3	4-3	4-3	4-3	4-3	4-3	4-3	4-3	4-3	4-3
P15	SP	2d	5-3	5-3	5-3	5-3	5-3	5-3	5-3	5-3	5-3	5-3
P16	A	2e	1-4	1-4	1-4	1-4	1-4	1-4	1-4	1-4	1-4	1-4
P17	B	2f	2-4	2-4	2-4	2-4	2-4	2-4	2-4	2-4	2-4	2-4
P18	B	2g	3-4	3-4	3-4	3-4	3-4	3-4	3-4	3-4	3-4	3-4
P19	HIFI DSP	S5	4-4	4-4	4-4	4-4	4-4	4-4	4-4	4-4	4-4	4-4
P20	CINEMA DSP	S6	5-4	5-4	5-4	5-4	5-4	5-4	5-4	5-4	5-4	5-4
P21	S16	PHONO	1-5	1-5	1-5	1-5	1-5	1-5	1-5	1-5	1-5	1-5
P22	S17	S2	2-5	2-5	2-5	2-5	2-5	2-5	2-5	2-5	2-5	2-5
P23	S18	S3	3-5	3-5	3-5	3-5	3-5	3-5	3-5	3-5	3-5	3-5
P24	S19	S4	4-5	4-5	4-5	4-5	4-5	4-5	4-5	4-5	4-5	4-5
P25	S20	STEREO	5-5	5-5	5-5	5-5	5-5	5-5	5-5	5-5	5-5	5-5
P26	S9	TUNED	1-6	1-6	1-6	1-6	1-6	1-6	1-6	1-6	1-6	1-6
P27	DVR/VCR2	MEMORY	2-6	2-6	2-6	2-6	2-6	2-6	2-6	2-6	2-6	2-6
P28	1	MUTE	3-6	3-6	3-6	3-6	3-6	3-6	3-6	3-6	3-6	3-6
P29	S10	OPTIMIZER	4-6	4-6	4-6	4-6	4-6	4-6	4-6	4-6	4-6	4-6
P30	S11	96/24	5-6	5-6	5-6	5-6	5-6	5-6	5-6	5-6	5-6	5-6
P31	S12	DUAL	1-7	1-7	1-7	1-7	1-7	1-7	1-7	1-7	1-7	1-7
P32	S13	LFE	2-7	2-7	2-7	2-7	2-7	2-7	2-7	2-7	2-7	2-7
P33	S14	L	3-7	3-7	3-7	3-7	3-7	3-7	3-7	3-7	3-7	3-7
P34	NIGHT	C	4-7	4-7	4-7	4-7	4-7	4-7	4-7	4-7	4-7	4-7
P35	DOLBY	R	5-7	5-7	5-7	5-7	5-7	5-7	5-7	5-7	5-7	5-7
P36	S15	SL	ft	EON	RT	PTY	PS	—	SLEEP	—	—	S21
P37	AUTO	SB	mS	—	CT	—	—	—	—	—	—	—
P38	PTY HOLD	SR	dB	—	—	—	—	—	—	—	—	—

■ PIN CONNECTION DIAGRAM

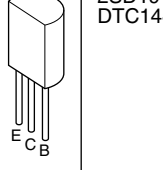
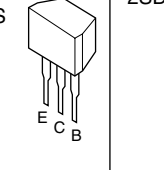
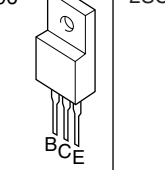
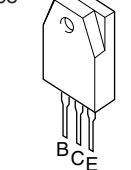
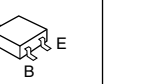
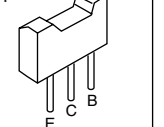
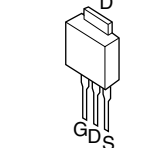
• ICs

<p>LM61CIZ</p>  <p>3: GND 2: Vout 1: +Vs</p>	<p>NJU7201L55</p>  <p>1: GND 2: VIN 3: VOUT</p>	<p>NJM7805FA NJM7812FA</p>  <p>3: IN 2: COM 1: OUT</p>	<p>NJM79M05FA NJM79M12FA</p>  <p>3: COM 2: IN 1: OUT</p>	<p>μPC29M33T-E1</p>  <p>3: IN 2: COM 1: OUT</p>	<p>PQ025EZ5MZP PQ012FZ01ZP</p>  <p>1 5</p>	<p>NJM2068MD NJM2904M TK15420M μPC4570G2</p>  <p>8 1 4</p>
<p>NJM4556AL</p>  <p>1 8</p>	<p>LA7956</p>  <p>1 9</p>	<p>NJM2581M SN74AHCT08PWR</p>  <p>14 1 7</p>	<p>MM74HCU04 TC74HCT00AF TC74HCU04AF TC4013BP</p>  <p>14 1 7</p>	<p>74VHC157MTCX</p>  <p>16 1 8</p>	<p>SN74LV245APWR</p>  <p>20 1 10</p>	
<p>TC74HC4053AF</p>  <p>16 1 8</p>	<p>LC72722</p>  <p>24 1 12</p>	<p>BD3841FS</p>  <p>32 17 16 1</p>	<p>CY62128BLL-70SCT</p>  <p>32 1 16</p>			
<p>MSM514260E-60JS</p>  <p>40 1 20</p>	<p>AK4628VQ</p>  <p>33 23 34 22 44 12 1 11</p>	<p>LC89057W-VF4D-E</p>  <p>24 13 25 12 36 1 37 48</p>	<p>M66003-0101FP</p>  <p>48 33 49 32 64 17 1 16</p>			
<p>M30622MWP-152FP M30626FHPFP</p>  <p>80 51 81 50 100 31 1 30</p>	<p>YSS930-SZ</p>  <p>75 51 76 50 100 26 1 25</p>	<p>YSS948-V</p>  <p>108 73 109 72 144 37 1 36</p>				
<p>BD3816K1</p>  <p>64 41 65 40 80 25 1 24</p>						

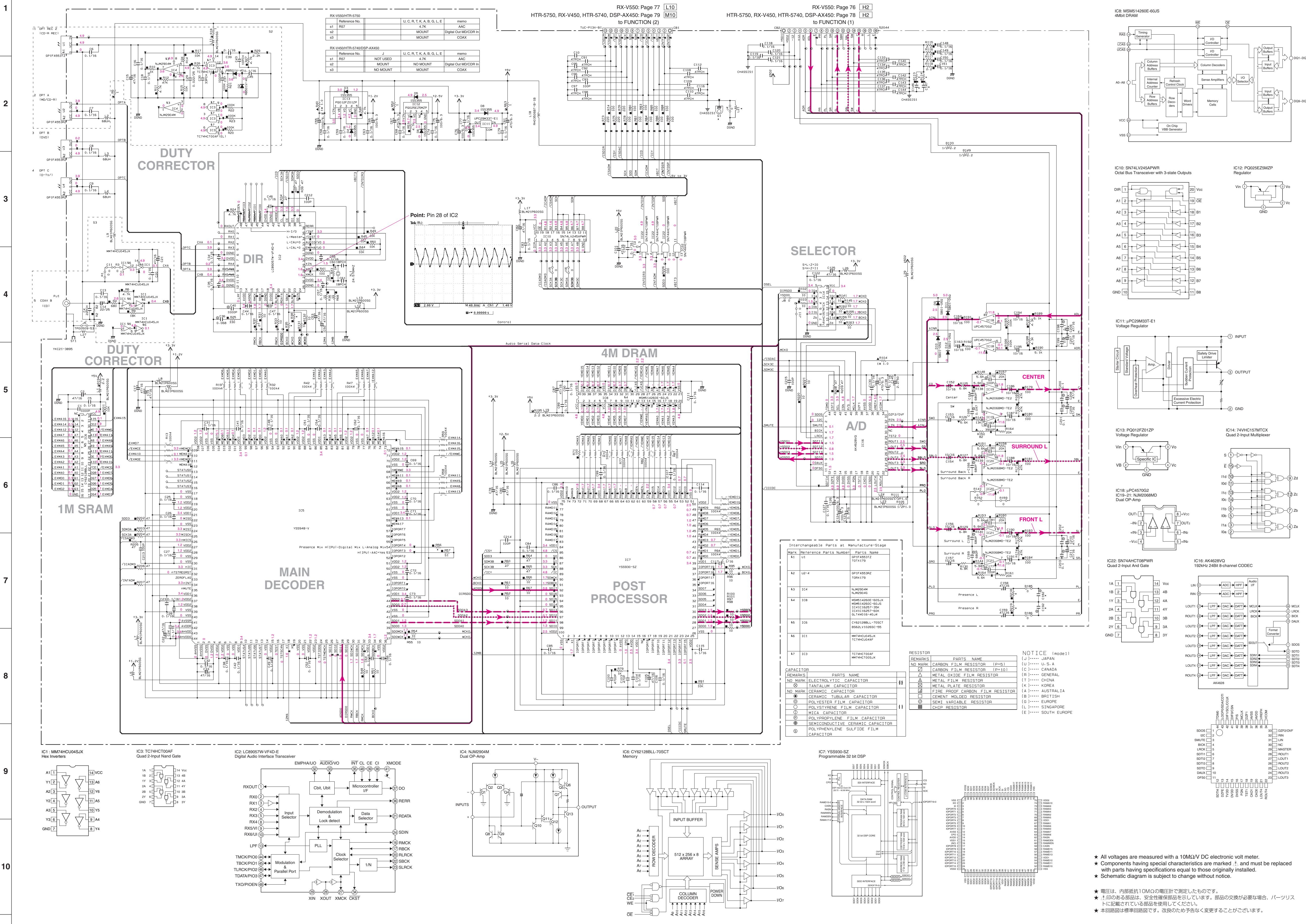
• Diodes

<p>1N4002S 1SS133 1SS176 1SS244 1SS270A 1T2</p>  <p>Anode Cathode</p>	<p>MTZJ10B MTZJ15A MTZJ2.4B MTZJ3.0A MTZJ6.8B MTZJ9.1B MTZJ12.0C MTZJ30.0A</p>  <p>Anode Cathode</p>	<p>1SS355 MA8051-M MA8056-M MA8075-H MA8091-M RB501V-40 UDZ3.6BTE-17 UDZS9.1B</p>  <p>Anode Cathode</p>	<p>SB01-05Q</p> 
<p>TS6P03G</p>  <p>+</p>	<p>KBP103G</p>  <p>+</p>	<p>S1NB20 S1NB60</p>  <p>+</p>	

• Transistors

<p>2SA893A 2SA1015 2SB949 2SC1815 2SC1890A 2SC2229 2SC2240 2SC535 2SA2N5401C 2SC2N5551C</p>  <p>E C B</p>	<p>2SC1740S 2SD1915F DTC144ES</p>  <p>E C B</p>	<p>2SB1274 2SD2396</p>  <p>B C E</p>	<p>2SA1695 2SC4468</p>  <p>B C E</p>
<p>2SA1037K 2SC2412K 2SC3326 DTC144EKA</p>  <p>C B E</p>	<p>2SA1708 2SA1770 2SC4488 2SC4614</p>  <p>E C B</p>	<p>2SK3491</p>  <p>D G S</p>	

SCHEMATIC DIAGRAM (DSP)

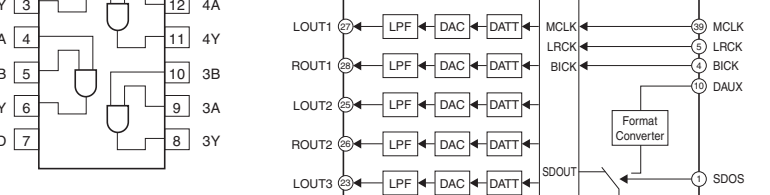
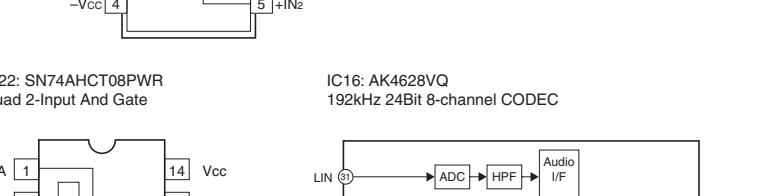
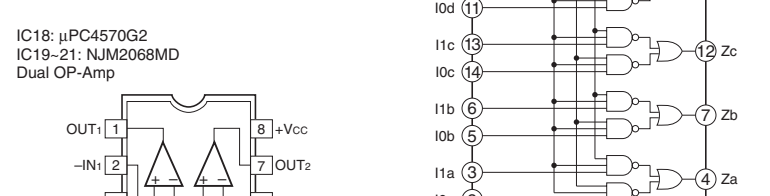
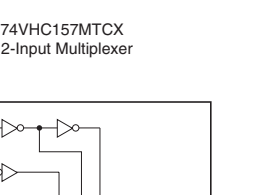
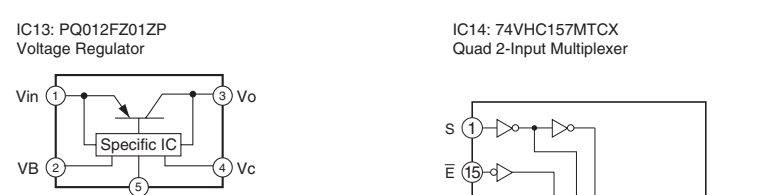
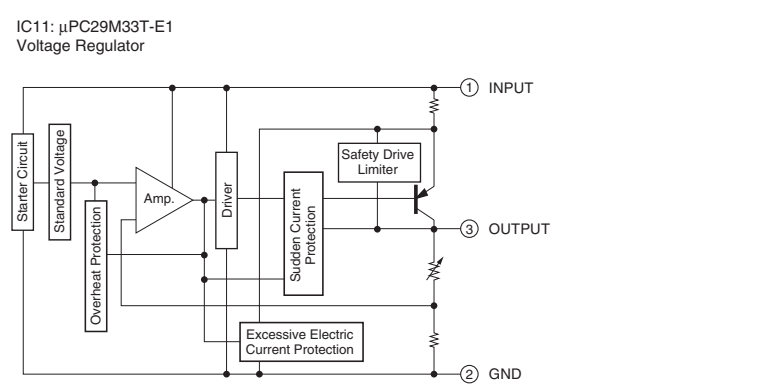
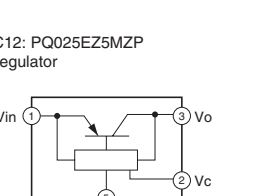
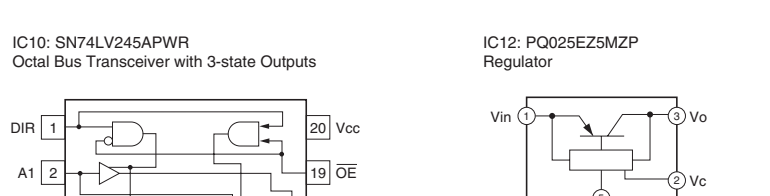
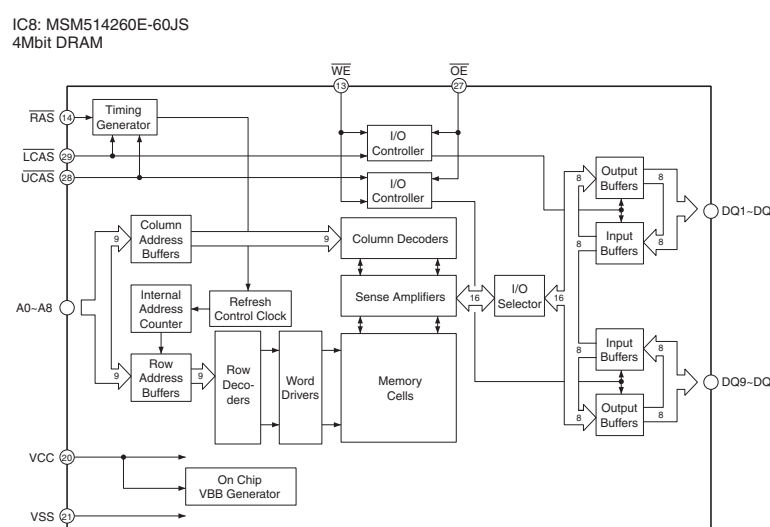


Reference No.	U.C.R.T.K.A.B.G.L.E	memo
s1	ASAC	MEMO
s2	4.7K	MEMO
s3	Digital Out MDCCDR In	COAX

Reference No.	U.C.R.T.K.A.B.G.L.E	memo
s1	NOT USED	MEMO
s2	NO MOUNT	MEMO
s3	NO MOUNT	MEMO

RX-V550: Page 77
HTR-5750, RX-V450, HTR-5740, DSP-AX450: Page 79
to FUNCTION (2)

RX-V550: Page 76
HTR-5750, RX-V450, HTR-5740, DSP-AX450: Page 78
to FUNCTION (1)

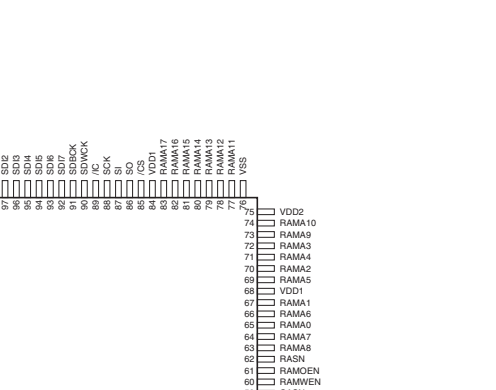
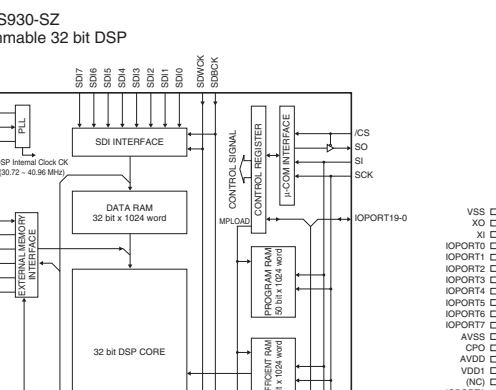
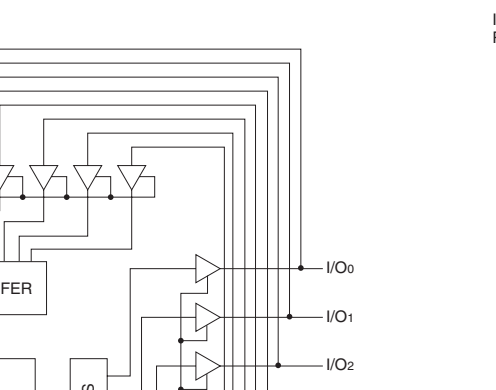
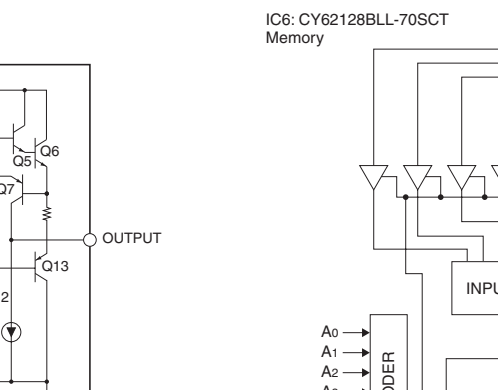
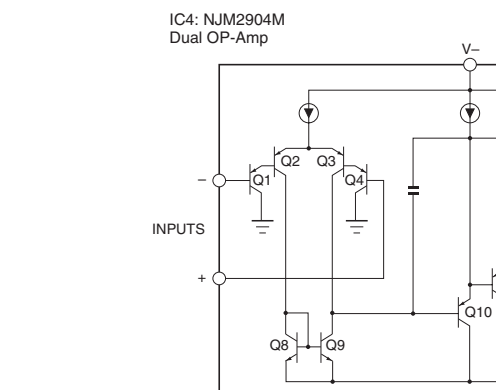
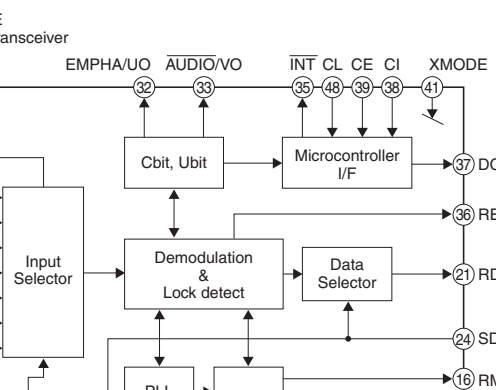
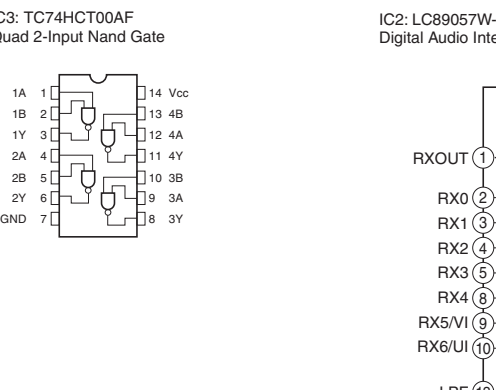
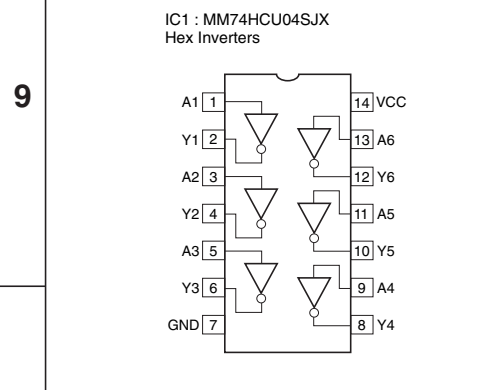


Interchangeable Parts at Manufacture-Stage

Part No.	Reference Parts Number	Parts Name
1	U1	GRF45592Z 10K179
2	U1-4	GRF45592Z 10K179
3	IC4	NM2904M N2904M
4	IC8	MSM514280E-60JSJ MS514280E-60JSJ IC416280E-60K IC416280E-60K
5	IC6	CH2128BL-705CT BS2L11028C-52
6	IC1	MM74HC04S1X TC74HC04F
7	IC3	TC74HC100AF MM74HC100S1X

REMARKS (model)

REMARKS	PARTS NAME
(J)..... JAPAN	NO MARK CARBON FILM RESISTOR (P=5)
(U)..... U.S.A	CARBON FILM RESISTOR (P=10)
(C)..... CANADA	METAL OXIDE FILM RESISTOR
(G)..... GENERAL	METAL FILM RESISTOR
(T)..... CHINA	METAL PLATE RESISTOR
(K)..... KOREA	FINE-PROP. CARBON FILM RESISTOR
(A)..... AUSTRALIA	CERMENT MOLDED RESISTOR
(B)..... BRITISH IS.	POLYESTER FILM CAPACITOR
(L)..... EUROPE	POLYSTYRENE FILM CAPACITOR
(S)..... SINGAPORE	POLYPROPYLENE FILM CAPACITOR
(E)..... SOUTH EUROPE	SEMICONDUCTIVE CERAMIC CAPACITOR
	POLYBENZYL SULFIDE FILM CAPACITOR



★ All voltages are measured with a 10MΩ/V DC electronic volt meter.
 ★ Components having special characteristics are marked with a triangle, and must be replaced with parts having specifications equal to those originally installed.
 ★ Schematic diagram is subject to change without notice.

★ 電圧は、内部抵抗10MΩの電圧計で測定したものです。
 ★ 三角形のある部品は、安全性確保部品を示しています。部品の交換が必要な場合、パーツリストに記載されている部品を使用してください。
 ★ 本回路図は標準回路図です。改良のため予告なく変更することがございます。

SCHEMATIC DIAGRAM (FUNCTION 1/2) RX-V550

	U-C	R	T	K	A	B-G-E	L
91	PJ752	MSP-246V1-01NI V704670	MSP-244V1-01NI V704670	MSP-244V1-01NI V704670	MSP-244V1-01NI V704670	MSP-246V1-01NI V704670	MSP-244V1-01NI V704670
92	0751-752 754-755	C33261A/B1 V303370	X	X	X	C33261A/B1 V303370	X
93	C754-755	47P F665147	X	X	X	47P F665147	X
94	C767-768	10/16 URB3710	X	X	X	10/16 URB3710	X
95	R760-761	100 RD39510	X	X	X	100 RD39510	X
96	R779-780	220 RD39522	X	X	X	220 RD39522	X
97	R782-783	1K RD39510	X	X	X	1K RD39510	X
98	R771-774	10K RD39710	X	X	X	10K RD39710	X
99	R788-789	100K RD39510	X	X	X	100K RD39510	X
100	IC302	BD3841FS X3547AD	X	X	X	BD3841FS X3547AD	X
101	C328-329	0.1/16 US13510	X	X	X	0.1/16 US13510	X
102	C772	0.01 US06410	X	X	X	0.01 US06410	X
103	R791	2-2 RD35322	X	X	X	2-2 RD35322	X
104	R785-786	2-2K RD35622	X	X	X	2-2K RD35622	X

× NOT USED
○ USED/APPLICABLE

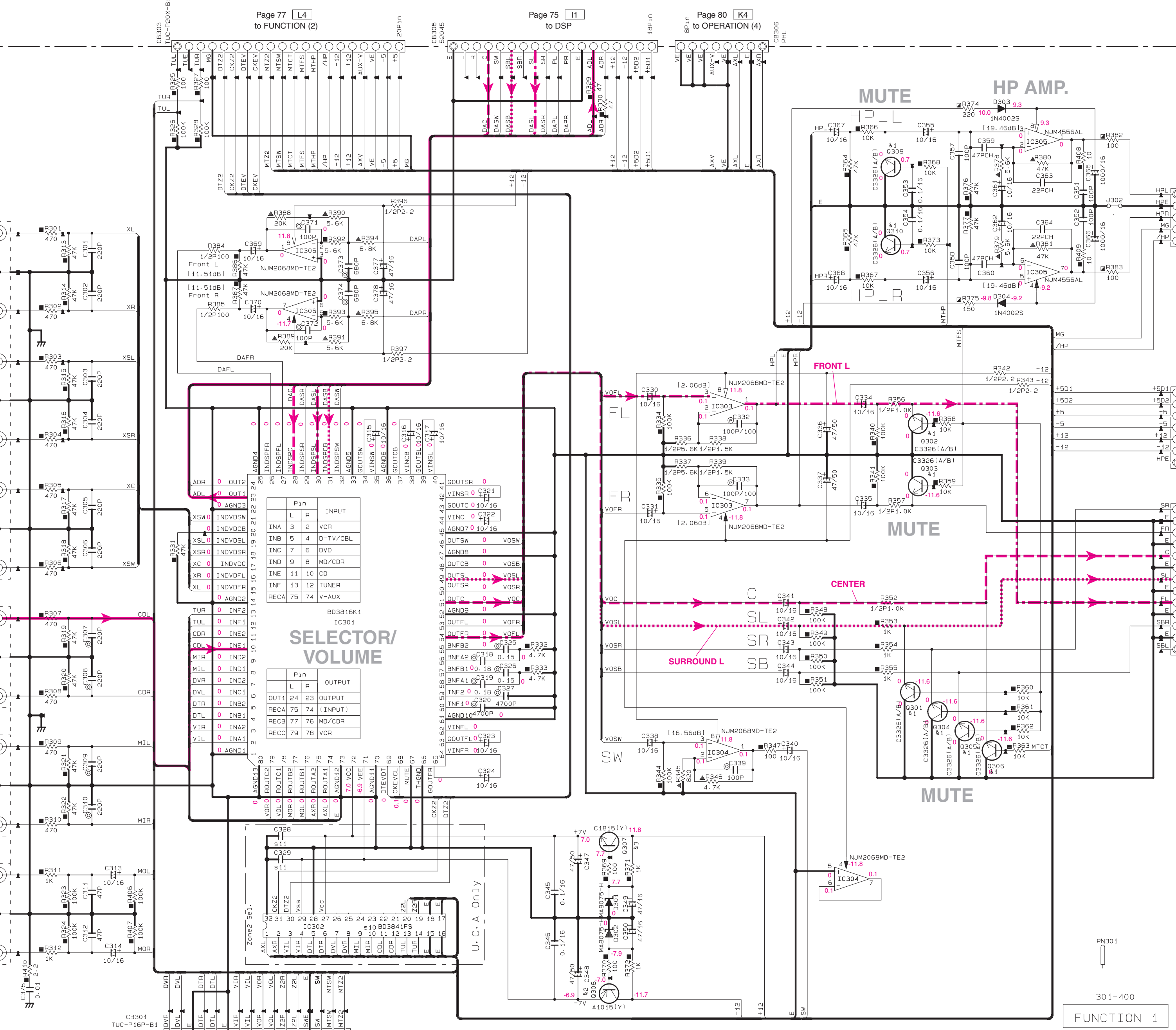
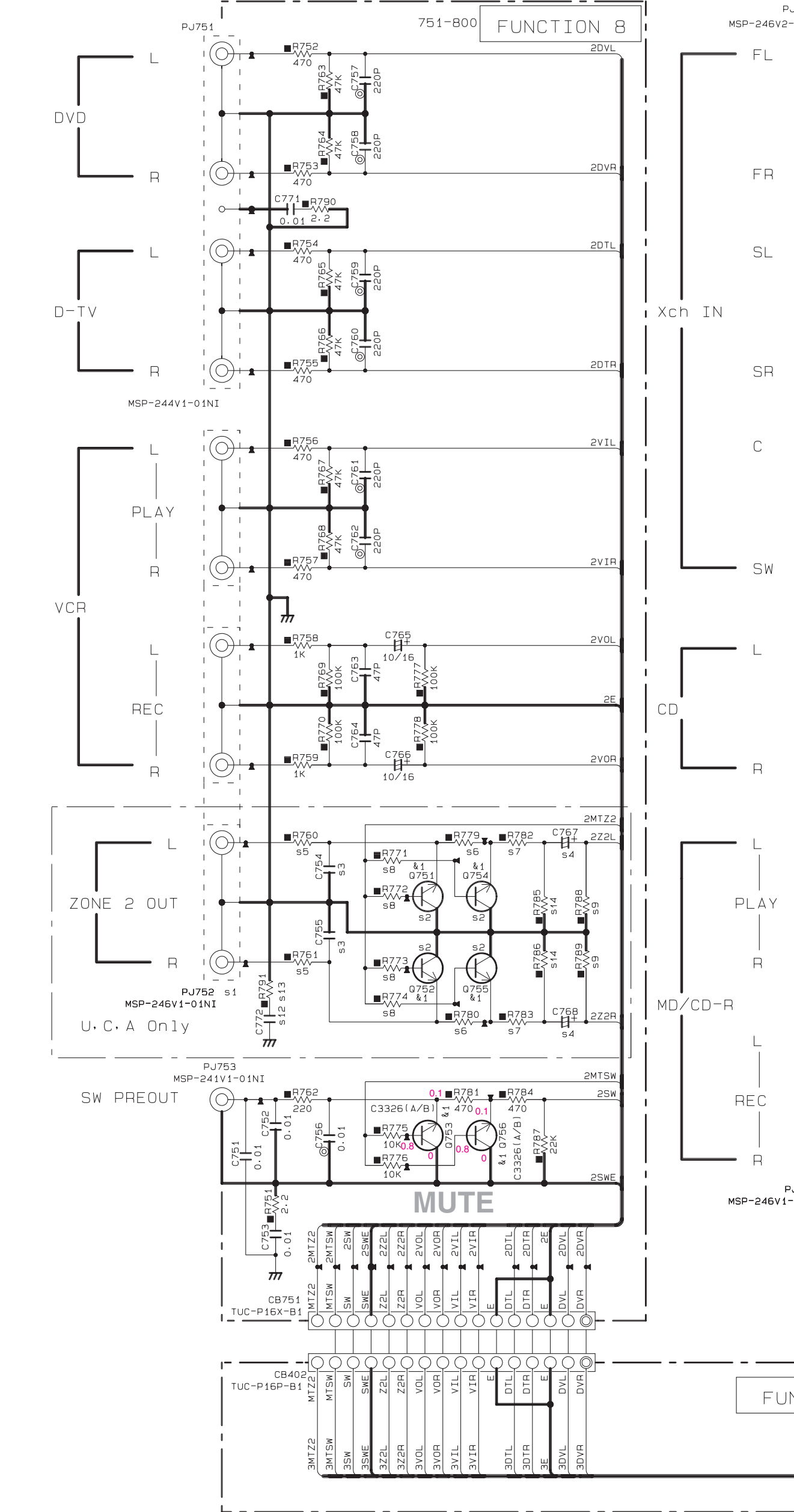
NOTICE (mode1)
(J)..... JAPAN
(U)..... U.S.A
(C)..... CANADA
(A)..... GENERAL
(T)..... CHINA
(K)..... KOREA
(A)..... AUSTRALIA
(B)..... BRITISH
(G)..... EUROPE
(L)..... SINGAPORE
(E)..... SOUTH EUROPE

Interchangeable Parts at Manufacture-Stage

Mark	Reference Parts Number	Parts Name
k1	0301-306.309.310 751-756	2SC33261A/B1 SSD3744A1 2SC33261B1 2SC33261A1/B1
k2	0308	2SA10151Y1 KTA1266
k3	0307	2SC18151Y1 KTC3198

REMARKS	PARTS NAME
NO MARK	CARBON FILM RESISTOR (P=5)
⊠	CARBON FILM RESISTOR (P=10)
⊡	METAL OXIDE FILM RESISTOR
⊢	METAL FILM RESISTOR
⊣	METAL PLATE RESISTOR
⊤	FIRE PROOF CARBON FILM RESISTOR
⊥	CEMENT MOLDED RESISTOR
⊦	SEMI VARIABLE RESISTOR
⊧	CHIP RESISTOR

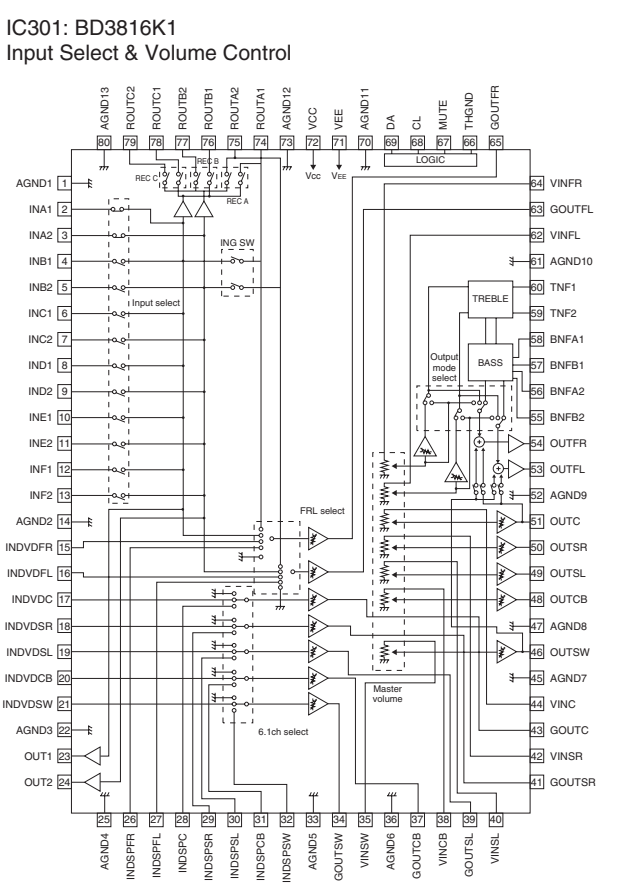
REMARKS	PARTS NAME
NO MARK	ELECTROLYTIC CAPACITOR
⊗	TANTALUM CAPACITOR
NO MARK	CERAMIC CAPACITOR
⊙	CERAMIC TUBULAR CAPACITOR
⊚	POLYESTER FILM CAPACITOR
⊛	POLYSTYRENE FILM CAPACITOR
⊜	MICA CAPACITOR
⊝	POLYPROPYLENE FILM CAPACITOR
⊞	SEMICONDUCTIVE CERAMIC CAPACITOR



Page 80 [H8] to OPERATION (1)

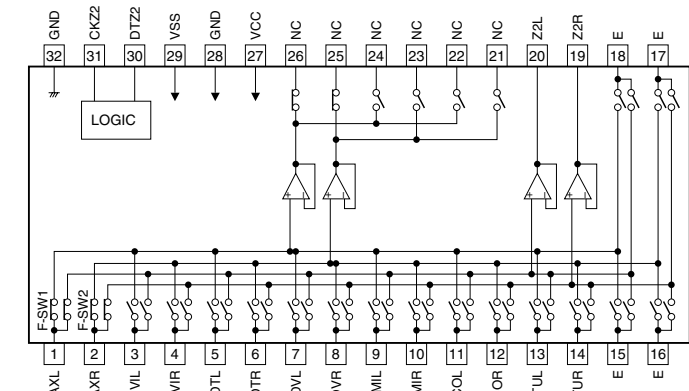
Page 83 [A1] to POWER (1)

Page 83 [A2] to POWER (1)



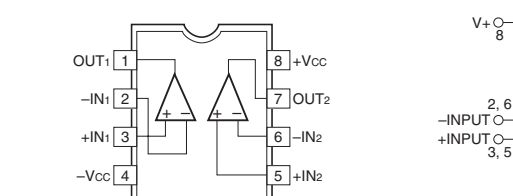
IC302: BD3841FS

Function Switch



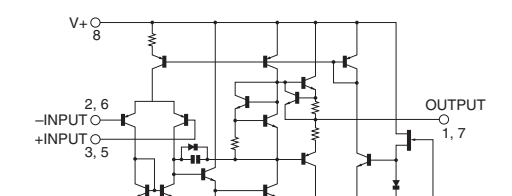
IC303, 304, 306: NJM2068MD

Dual OP-Amp.



IC305: NJM4556AL

Dual OP-Amp



★ All voltages are measured with a 10MΩ/V DC electronic volt meter.
★ Components having special characteristics are marked ⊠, and must be replaced with parts having specifications equal to those originally installed.
★ Schematic diagram is subject to change without notice.

★ 電圧は、内部抵抗10MΩの電圧計で測定したものです。
★ ⊠印のある部品は、安全性確保部品を示しています。部品の交換が必要な場合、パーツリス
トに記載されている部品を使用してください。
★ 本回路図は標準回路図です。改良のため予告なく変更することがございます。

F-SW1: INPUT FUNCTION 1
F-SW2: INPUT FUNCTION 2

SCHEMATIC DIAGRAM (FUNCTION 2/2) RX-V550

RX-V550/HTR-5750/RX-V450/HTR-5740/DSP-AX450

RESISTOR		CAPACITOR	
REMARKS	PARTS NAME	REMARKS	PARTS NAME
NO MARK	CARBON FILM RESISTOR (D=5)	NO MARK	ELECTROLYTIC CAPACITOR
△	CARBON FILM RESISTOR (D=10)	○	TANTALUM CAPACITOR
□	METAL FILM RESISTOR	○	CERAMIC TUBULAR CAPACITOR
◇	METAL OXIDE FILM RESISTOR	○	POLYESTER FILM CAPACITOR
◇	FIRE-PROOF CARBON FILM RESISTOR	○	POLYSTYRENE FILM CAPACITOR
□	CEMENT MOLDED RESISTOR	○	MICA CAPACITOR
○	SEMI-VARIABLE RESISTOR	○	POLYPROPYLENE FILM CAPACITOR
■	CHIP RESISTOR	○	SEMICONDUCTIVE CERAMIC CAPACITOR

Mark	Reference Parts Number	Parts Name
411	IC607-608	TK15420M1
412	IC609	TC74HC4047
413	IC603-606-701	TC74HC4053AF
414	Q502-Q506	2SA1037AF(D/P/S)
415	Q701	2SC2412G(R/S)
416	D481-483-501-503-511	1S335
417	Q482-509	2SC1484CA
418	Q614	2SA1015(V)
419	Q508-601-608-610-612	2SC1740S(R/S)
420	Q507	2SC3311S(R/S)
421	Q507	2SC3311S(V)

NOTICE (mode)
 (J) JAPAN
 (U) U.S.A.
 (C) CANADA
 (R) GENERAL
 (T) CHINA
 (K) KOREA
 (A) AUSTRALIA
 (B) BRITISH
 (G) EUROPE
 (L) SINGAPORE
 (E) SOUTH EUROPE

Tuner / VIDEO

U-C	R	T	X	A	B-G-E	L
416	R549	X	X	X	X	X
417	R553	X	X	X	X	X
418	R552	X	X	X	X	X
419	R555	X	X	X	X	X
420	R562	X	X	X	X	X
421	R563	X	X	X	X	X

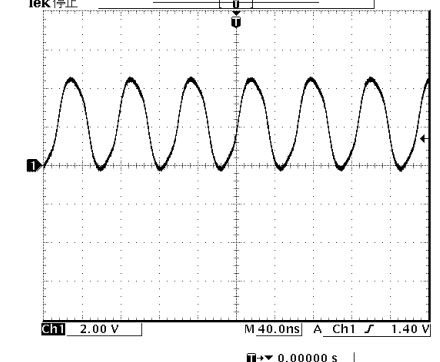
Zone2

U-C	R	T	X	A	B-G-E	L
443	R503	X	X	X	X	X
444	C512	X	X	X	X	X
445	R566	X	X	X	X	X
446	R571	X	X	X	X	X
447	R577	X	X	X	X	X
448	C845-1-504	X	X	X	X	X
449	R503	X	X	X	X	X
450	C528-529-534	X	X	X	X	X
451	R553	X	X	X	X	X
452	R554-595	X	X	X	X	X
453	R556-597	X	X	X	X	X
454	R562	X	X	X	X	X
455	R562	X	X	X	X	X
456	R563	X	X	X	X	X
457	R564	X	X	X	X	X
458	R562	X	X	X	X	X
459	R562	X	X	X	X	X
460	R563	X	X	X	X	X
461	R563	X	X	X	X	X

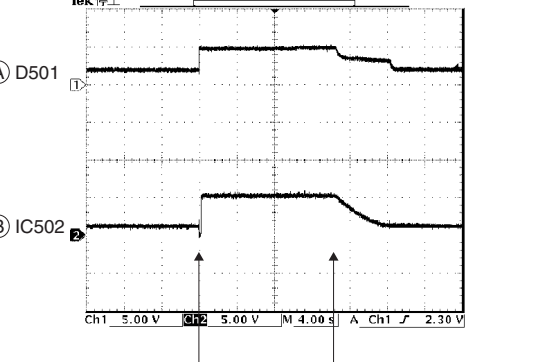
RDS

U-C	R	T	X	A	B-G-E	L
423	IC503	X	X	X	X	X
424	AL502	X	X	X	X	X
425	C531-533	X	X	X	X	X
426	C524-527	X	X	X	X	X
427	C530	X	X	X	X	X
428	C525-532	X	X	X	X	X
429	C528-529-534	X	X	X	X	X
430	R553	X	X	X	X	X
431	R554-595	X	X	X	X	X
432	R556-597	X	X	X	X	X
433	R562	X	X	X	X	X
434	LD01	X	X	X	X	X
435	Q506	X	X	X	X	X
436	R551	X	X	X	X	X
437	R550	X	X	X	X	X
438	R561-599	X	X	X	X	X
439	LD01	X	X	X	X	X

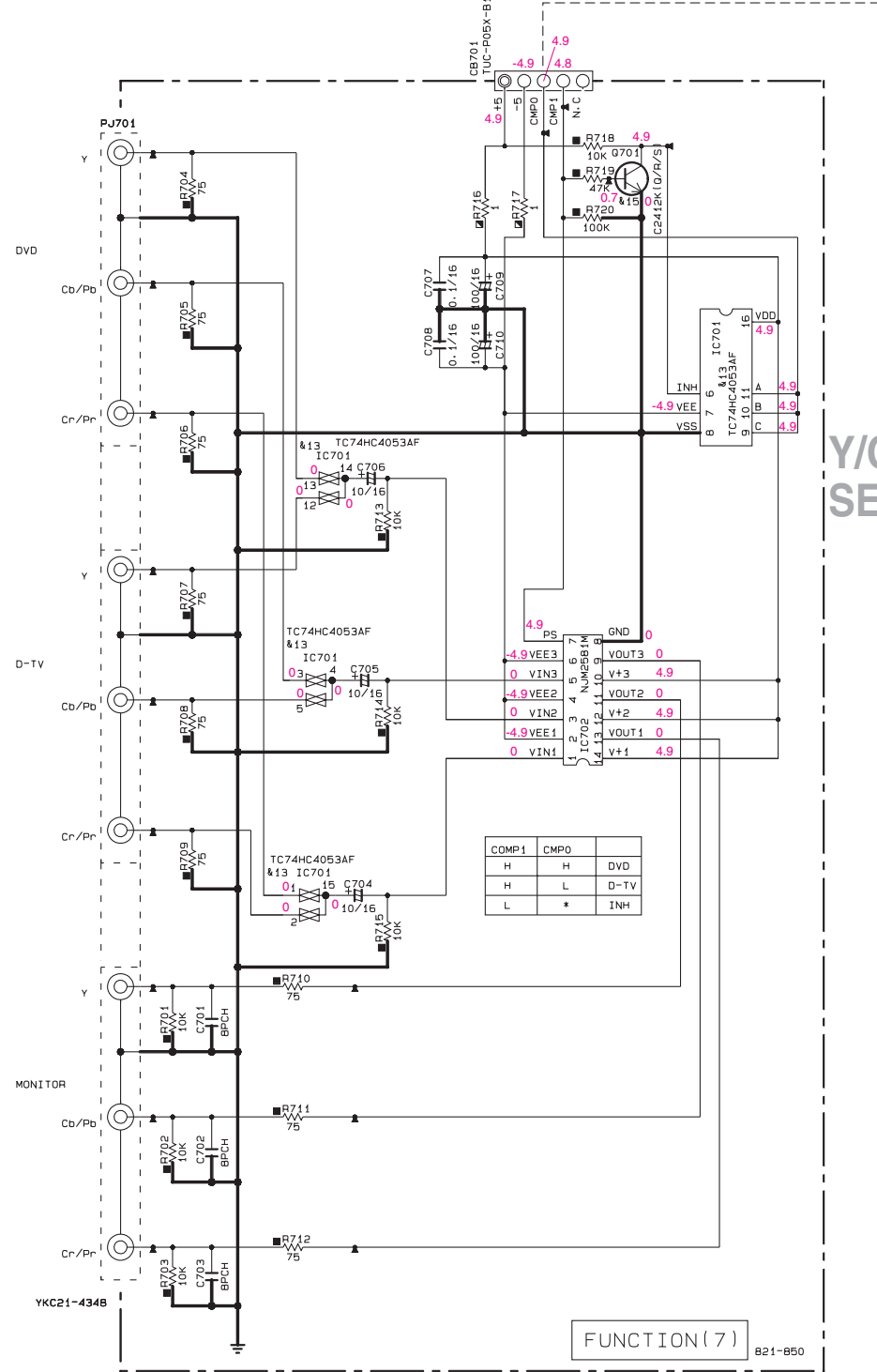
Point ① Pin 13 of IC502



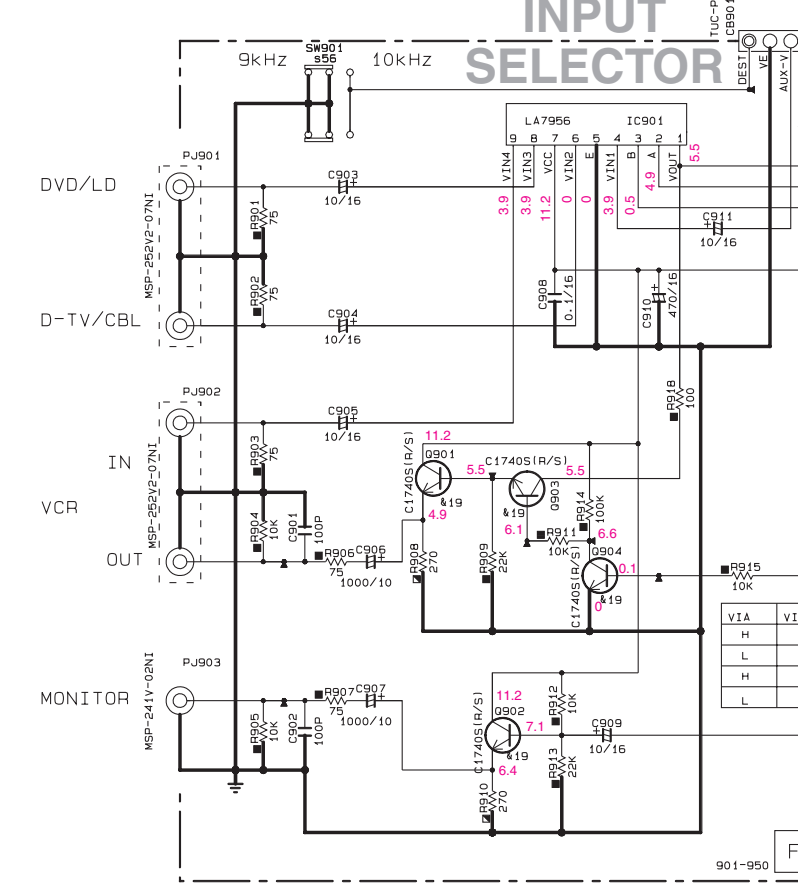
Point ② Cathode of D501 and Pin 12 of IC502



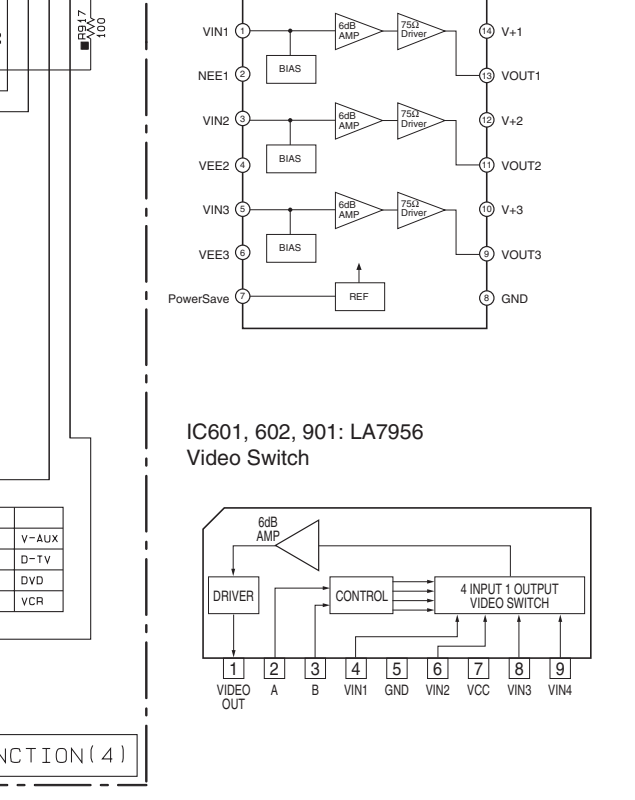
POWER ON (Connect the power cable)
 POWER OFF (Disconnect the power cable)



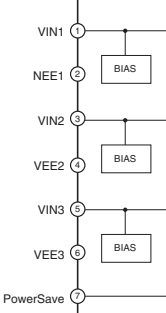
Y/Cb/Cr SELECTOR



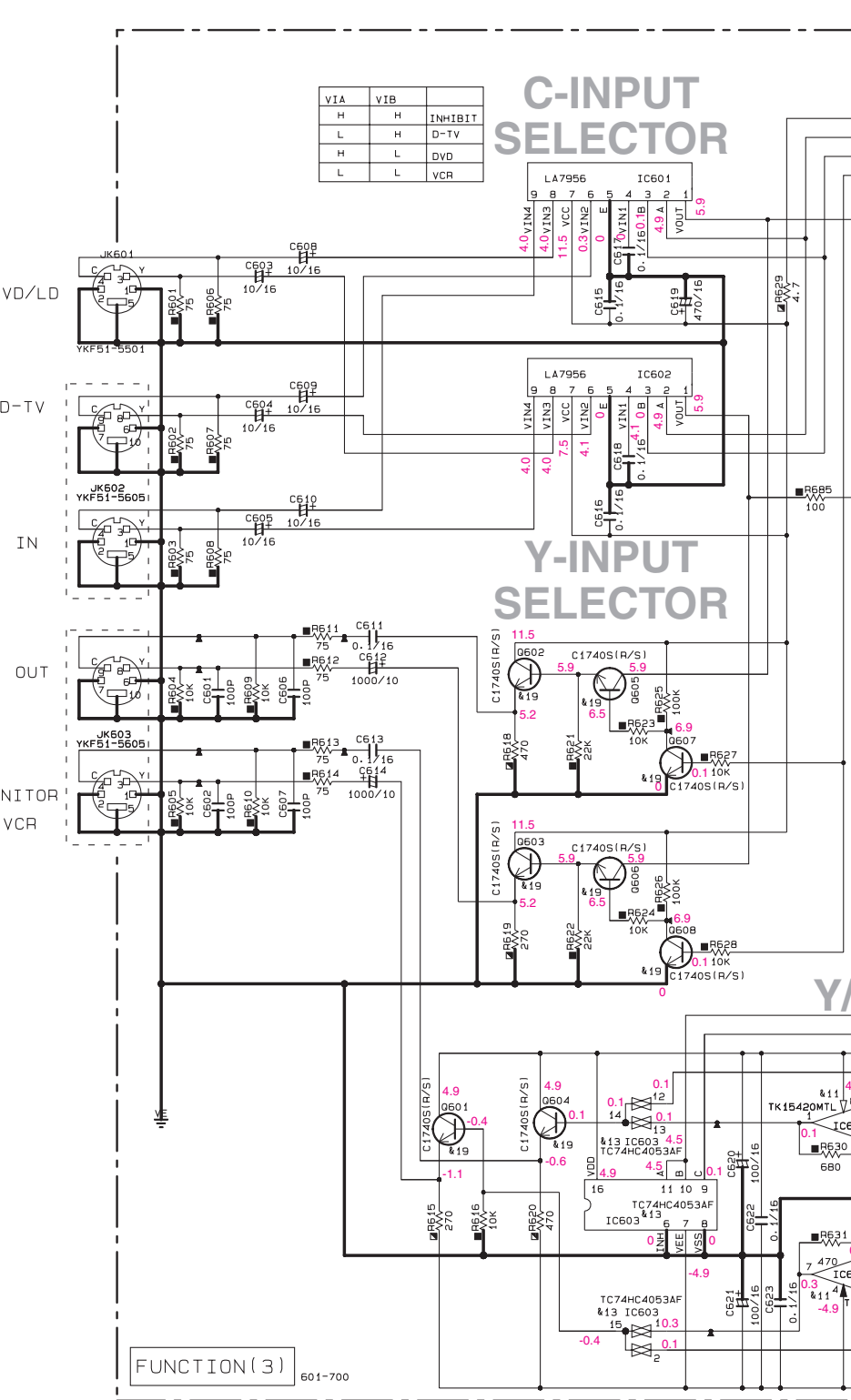
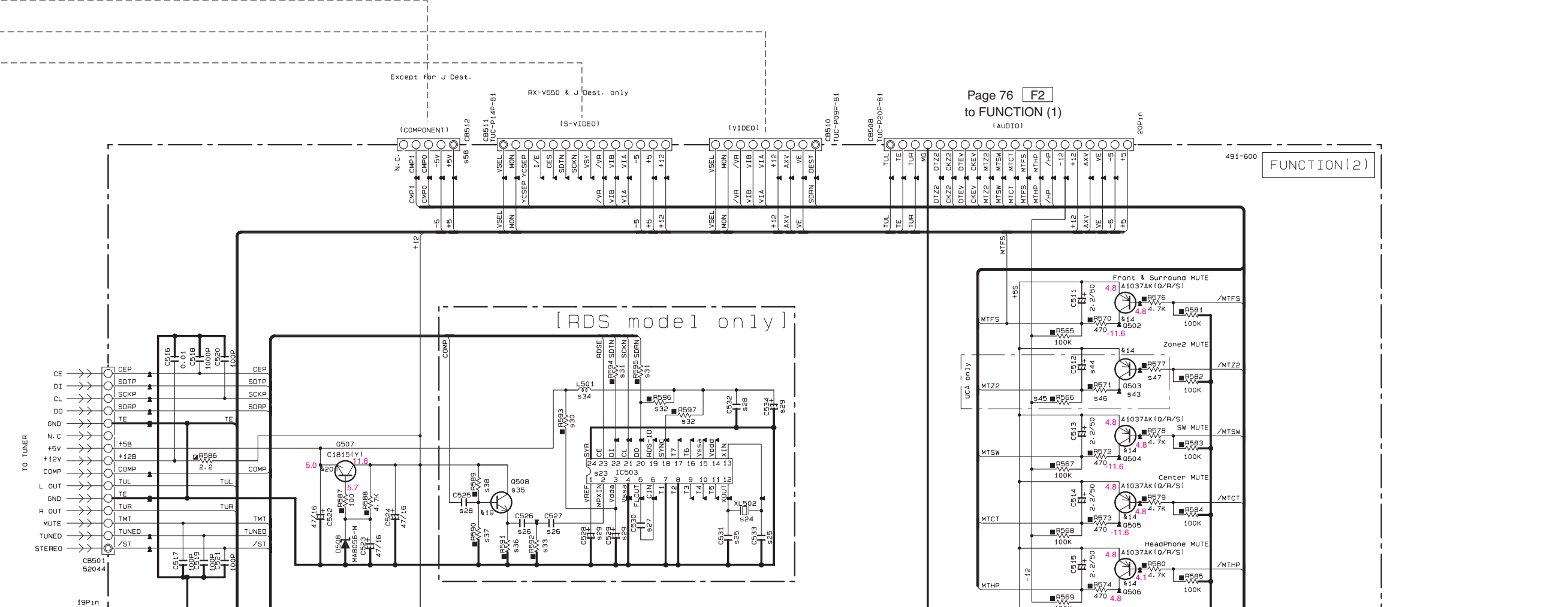
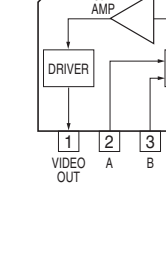
INPUT SELECTOR



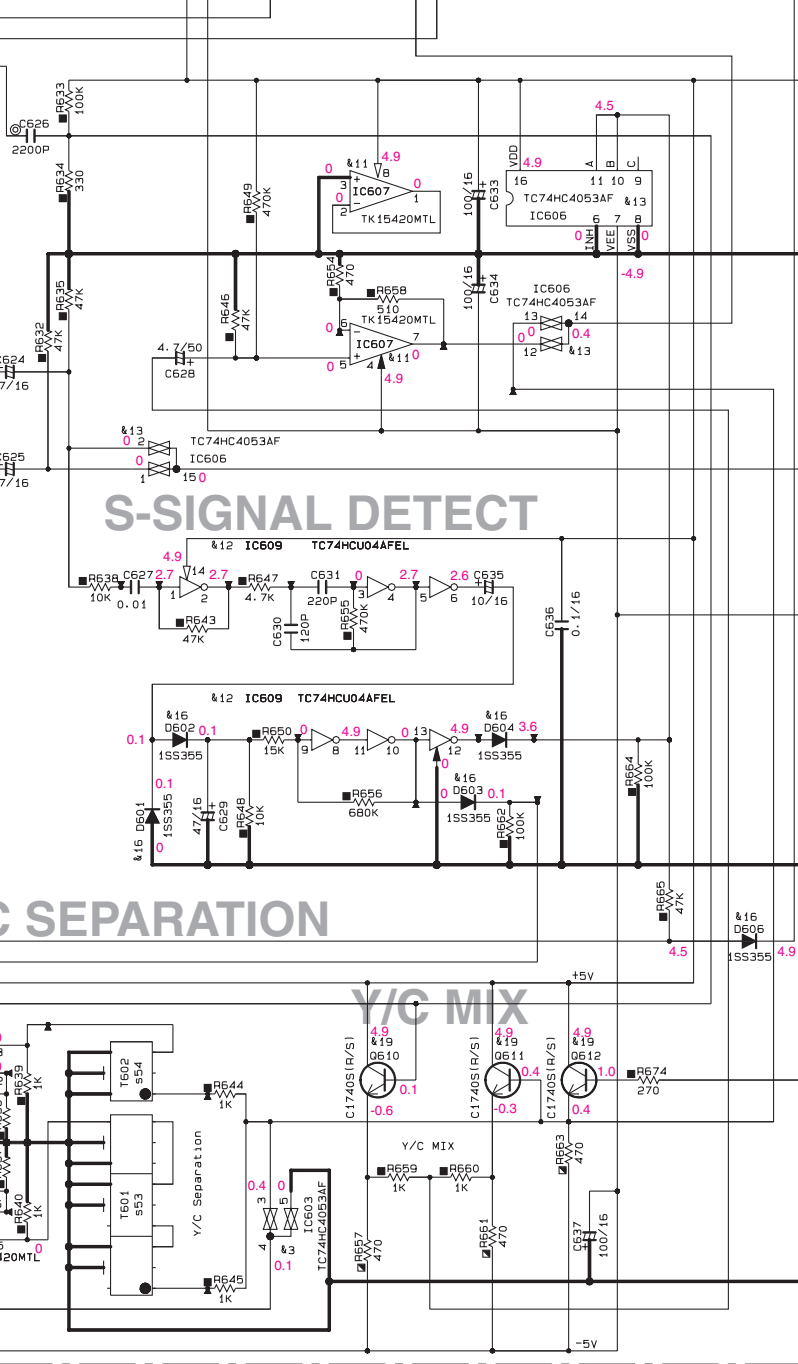
IC702: NJM2581M Video Amp



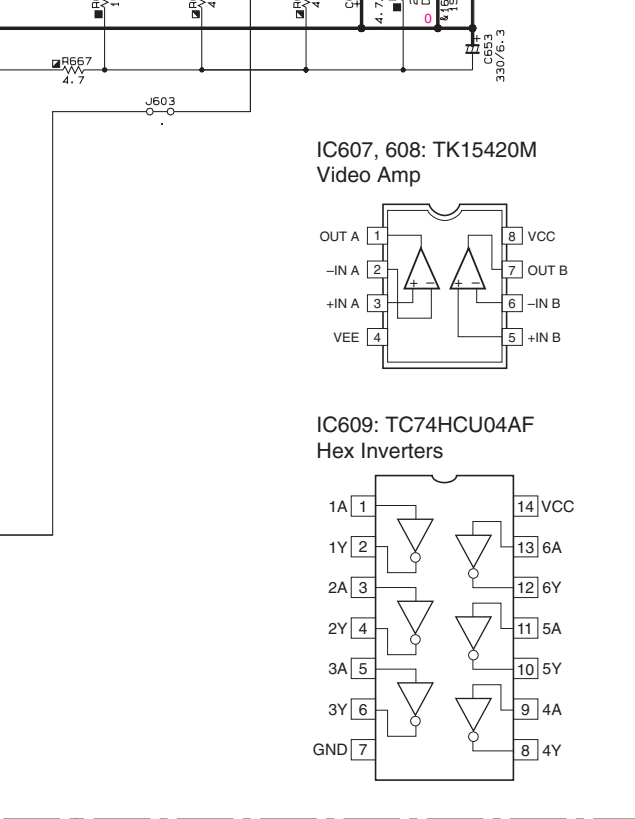
IC601, 602, 901: LA7956 Video Switch



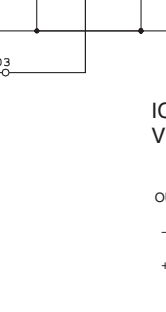
C-INPUT SELECTOR



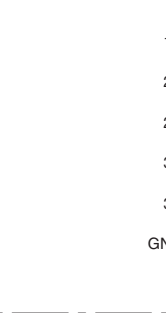
Y-INPUT SELECTOR



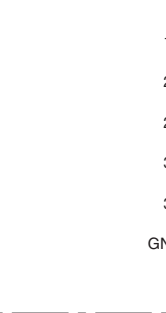
S-SIGNAL DETECT



Y/C SEPARATION



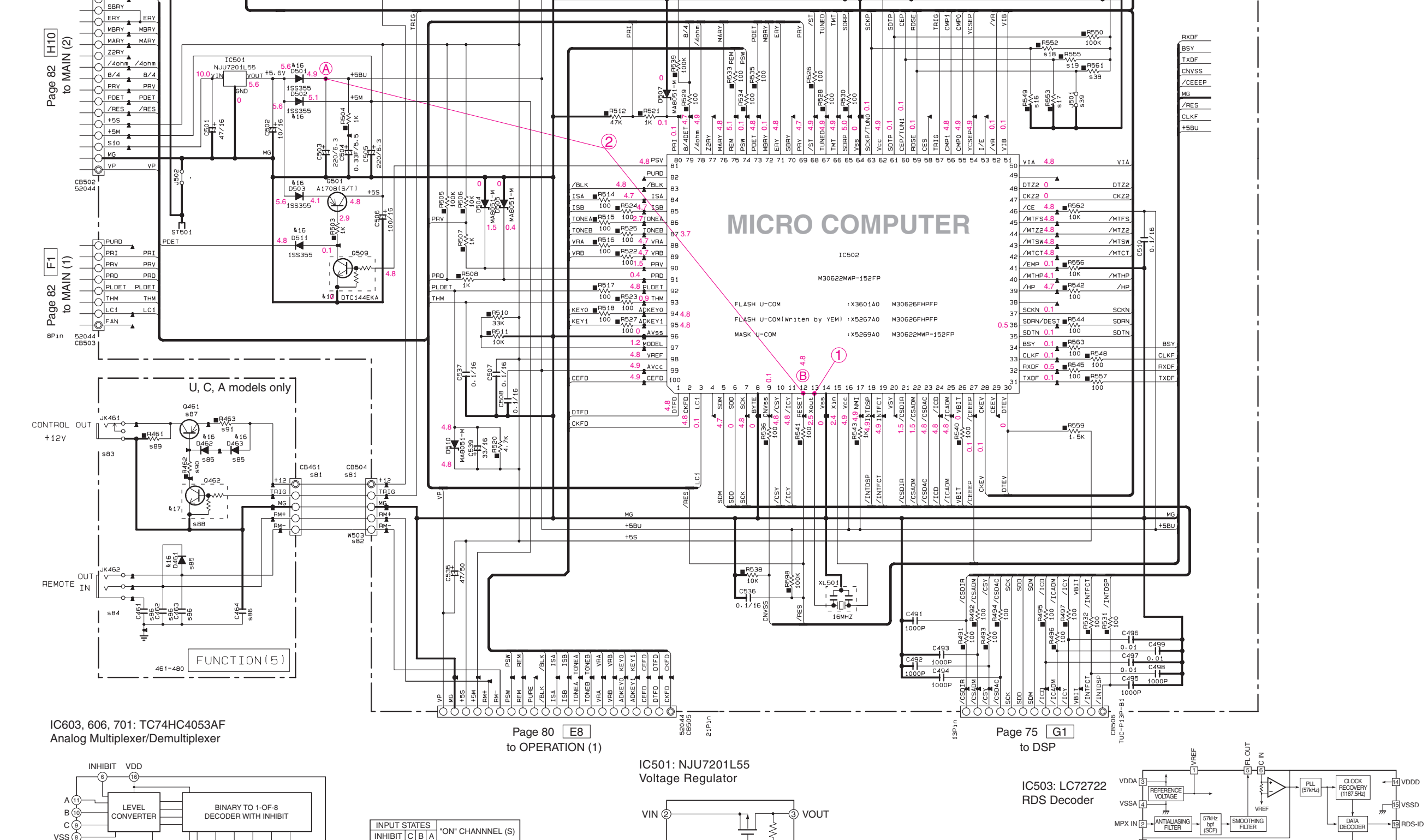
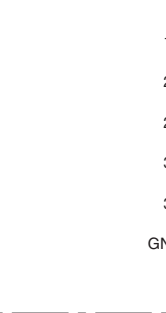
Y/C MIX



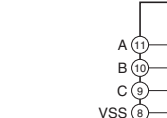
IC607, 608: TK15420M Video Amp



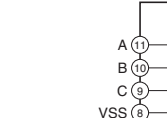
IC609: TC74HC04AF Hex Inverters



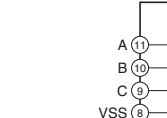
IC603, 606, 701: TC74HC4053AF Analog Multiplexer/Demultiplexer



IC501: NJU7201L55 Voltage Regulator



RDS: LC72722 RDS Decoder



* All voltages are measured with a 10MΩV DC electronic volt meter.
 * Components having special characteristics are marked 1, and must be replaced with parts having specifications equal to those originally installed.
 * Schematic diagram is subject to change without notice.

* 電圧は、内部抵抗10MΩの電圧計で測定したものです。
 * 1印のある部品は、安全性確保部品を示しています。部品の交換が必要な場合、パーツリストに記載されている部品を使用してください。
 * 本回路図は標準回路図です。改良のため予告なく変更することがございます。

Interchangeable Parts at Manufacture-Stage

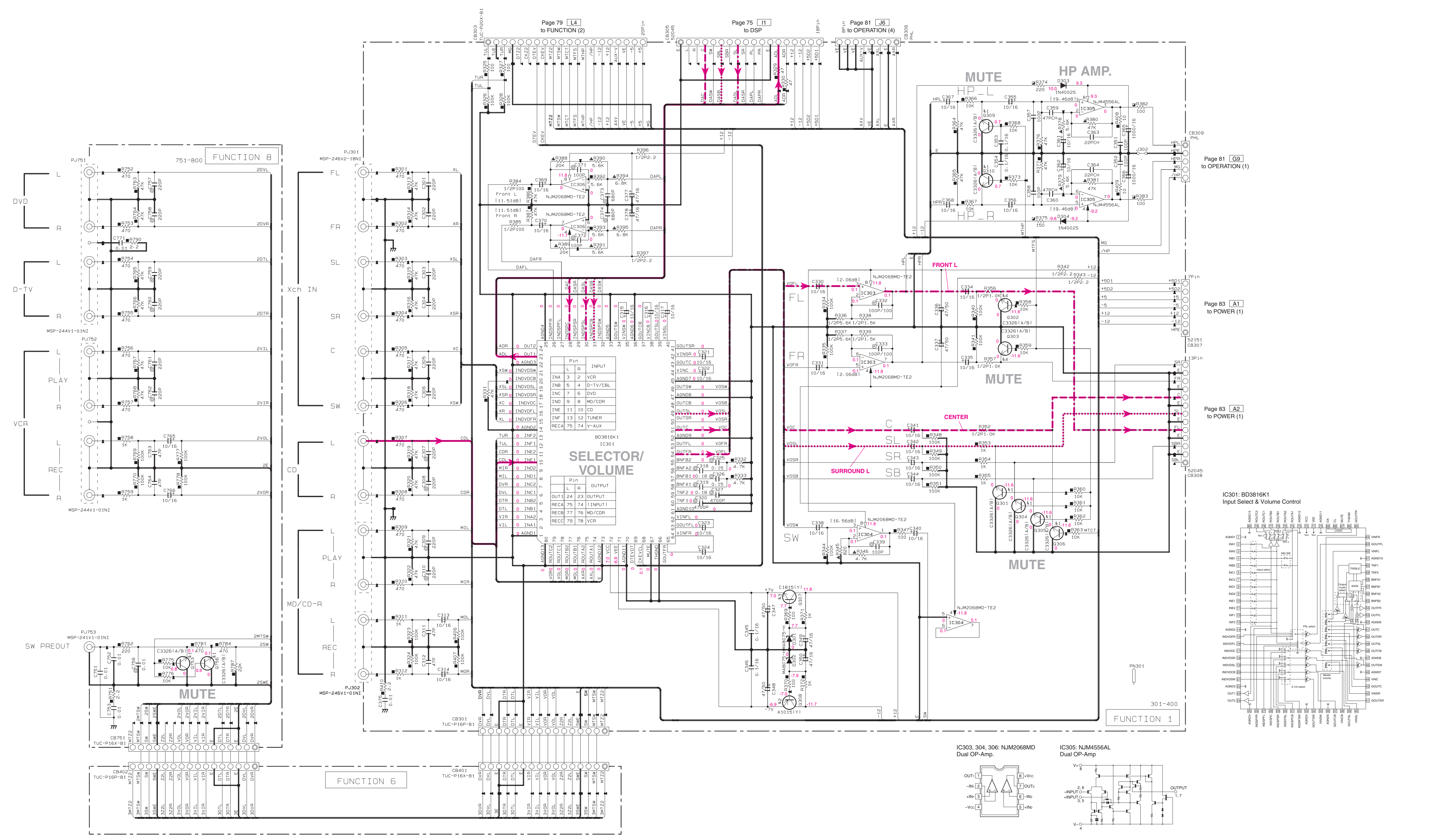
Mark	Reference Parts Number	Parts Name
⊠	0301-306, 309, 310, 753, 756	2SC3326(A/B) 2SC3274(A) 2SC3326(B) 2SC9938(A/B)
⊡	0308	2SA1015(V) KTA1266
⊢	0307	2SC1815(V) KTC3198

RESISTOR

REMARKS	PARTS NAME
NO MARK	CARBON FILM RESISTOR (P=5)
⊠	CARBON FILM RESISTOR (P=10)
⊡	METAL OXIDE FILM RESISTOR
⊢	METAL FILM RESISTOR
⊣	METAL PLATE RESISTOR
⊤	FIRE PROOF CARBON FILM RESISTOR
⊥	CEMENT MOLDED RESISTOR
⊦	SEMI VARIABLE RESISTOR
⊧	CHIP RESISTOR

CAPACITOR

REMARKS	PARTS NAME
NO MARK	ELECTROLYTIC CAPACITOR
⊠	TANTALUM CAPACITOR
NO MARK	CERAMIC CAPACITOR
⊡	CERAMIC TUBULAR CAPACITOR
⊢	POLYESTER FILM CAPACITOR
⊣	POLYSTYRENE FILM CAPACITOR
⊤	MICA CAPACITOR
⊥	POLYPROPYLENE FILM CAPACITOR
⊦	SEMICONDUCTIVE CERAMIC CAPACITOR



★ All voltages are measured with a 10MΩ/V DC electronic volt meter. ★ 電圧は、内部抵抗10MΩの電圧計で測定したものです。
 ★ Components having special characteristics are marked ⊠, and must be replaced with parts having specifications equal to those originally installed. ★ ⊠印のある部品は、安全性確保部品を示しています。部品の交換が必要な場合、パーツリストに記載されている部品を使用してください。
 ★ Schematic diagram is subject to change without notice. ★ 本回路図は標準回路図です。改良のため予告なく変更することがございます。

REMARKS	PARTS NAME	CAPACITOR	PARTS NAME
NO MARK	CARBON FILM RESISTOR (D=5)	NO MARK	ELECTROLYTIC CAPACITOR
△	CARBON FILM RESISTOR (D=10)	△	TANTALUM CAPACITOR
□	METAL OXIDE FILM RESISTOR	○	CERAMIC CAPACITOR
◇	METAL FILM RESISTOR	○	CERAMIC TUBULAR CAPACITOR
◇	METAL PLATE RESISTOR	○	POLYESTER FILM CAPACITOR
◇	FIRE-PROOF CARBON FILM RESISTOR	○	POLYETHYLENE FILM CAPACITOR
◇	CEMENT MOLDED RESISTOR	○	MICA CAPACITOR
◇	SEMI-VARIABLE RESISTOR	○	POLYPROPYLENE FILM CAPACITOR
◇	CHIP RESISTOR	○	SEMICONDUCTIVE CERAMIC CAPACITOR

Mark	Reference Parts Number	Parts Name
411	IC007-608	TK15420M
412	IC009	TC74HC4044FEL
413	IC701-603-608	TC74HC4053AF
414	0500-504-906	MP64C4053AF
415	0701	05C2412(R/S)
416	0501-503-511-601-604	153355
417	0509	05C14484
418	0614	05A10195(V)
419	0508-601-608-810-612	20C174051(R/S)
420	0507	05C131415(R/S)
421		KTC3198

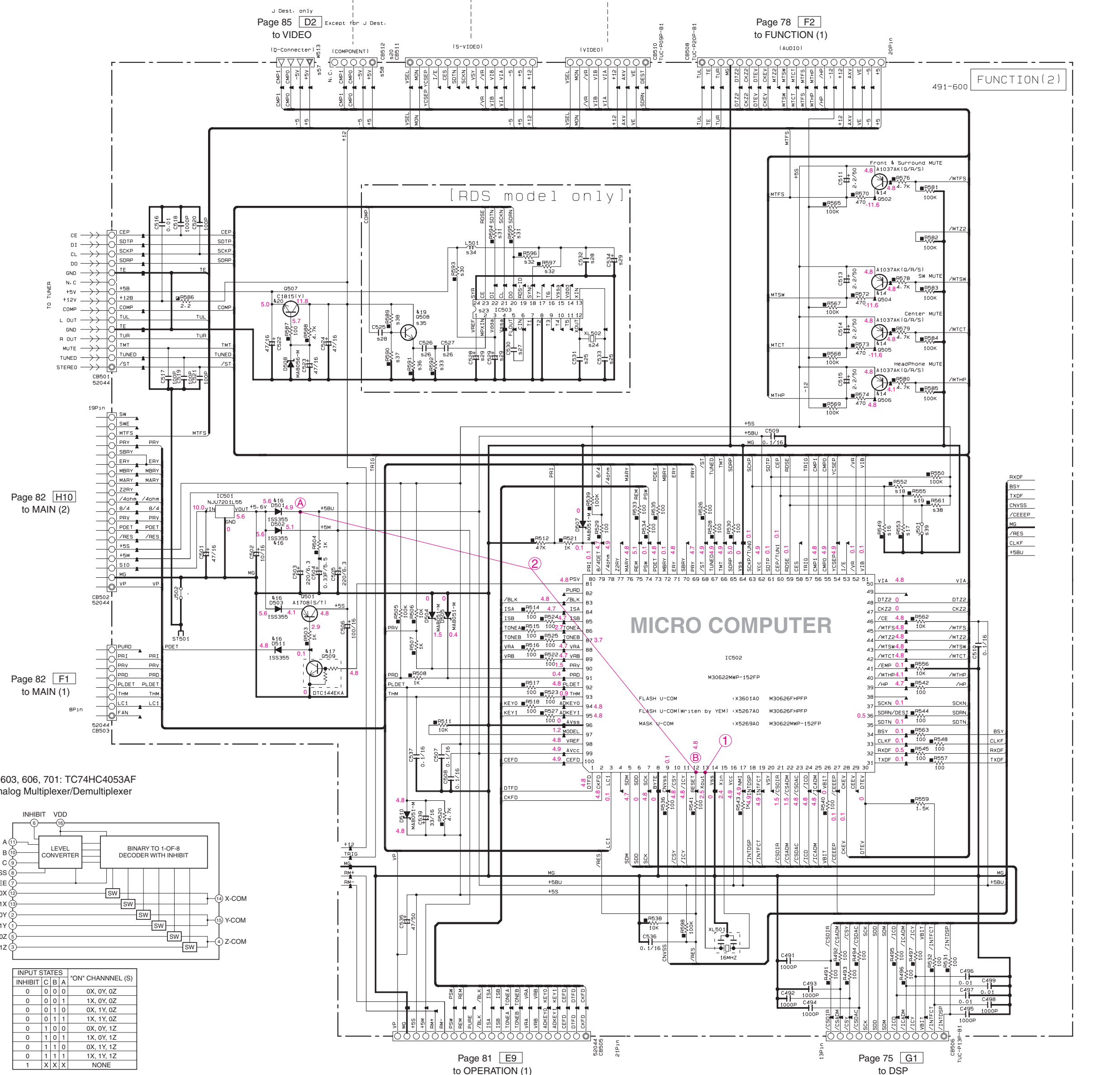
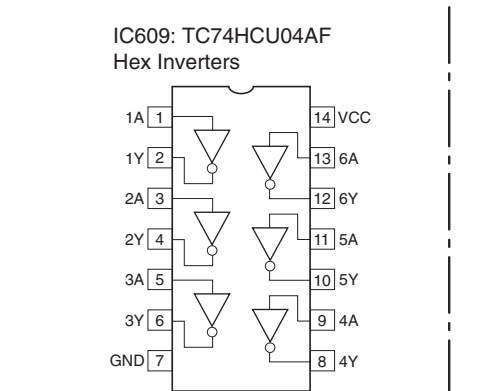
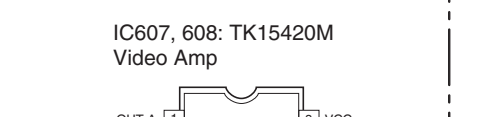
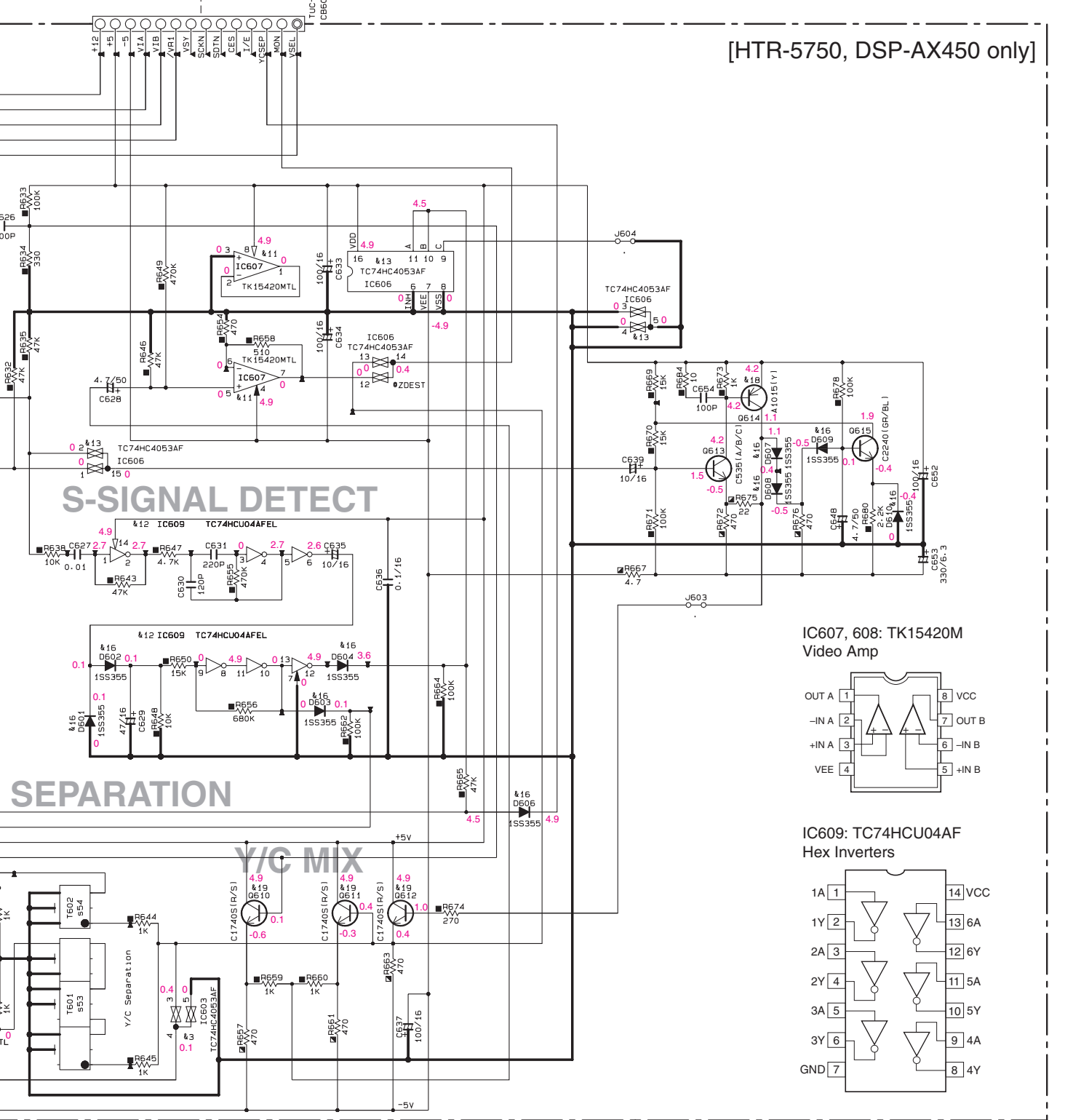
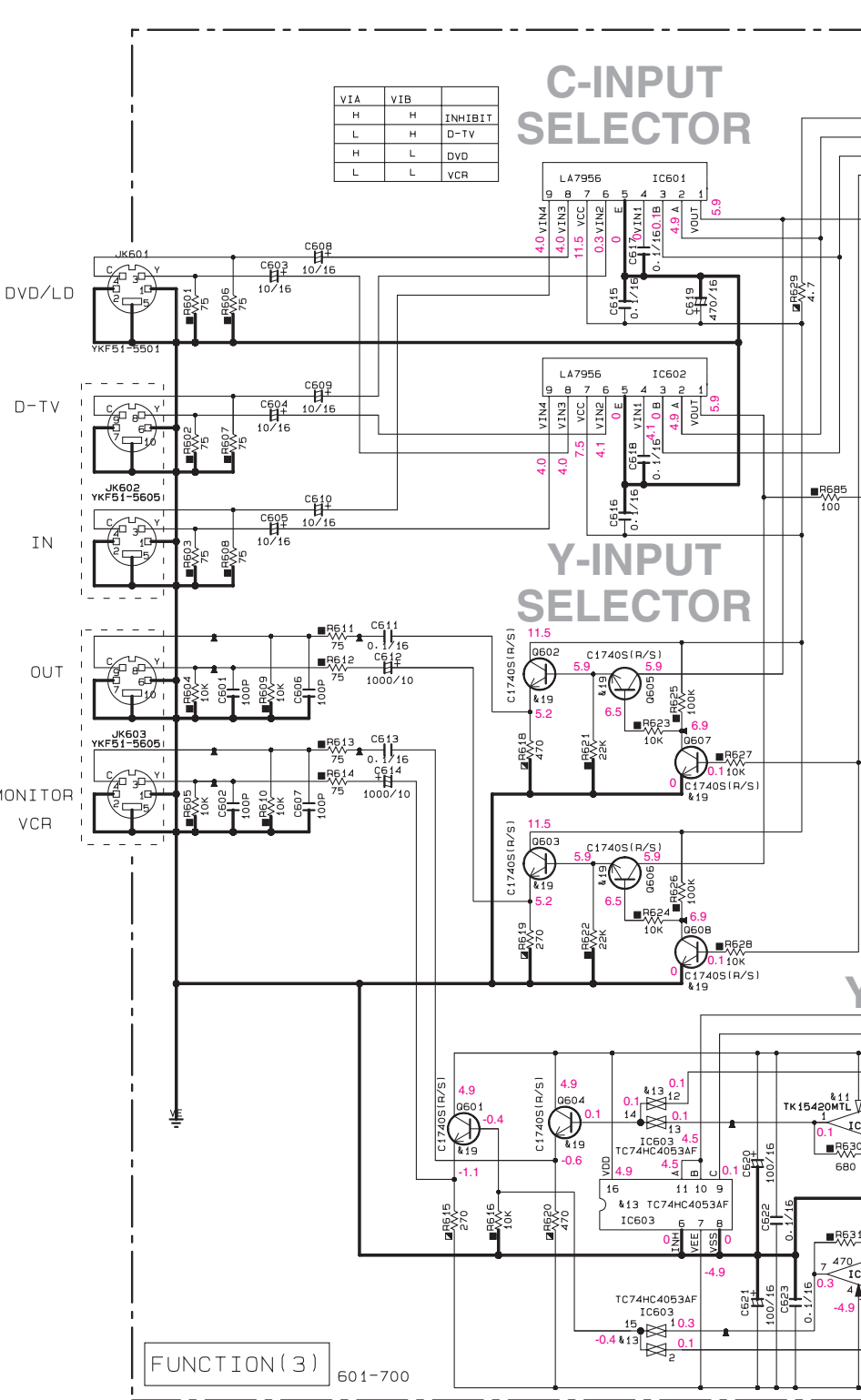
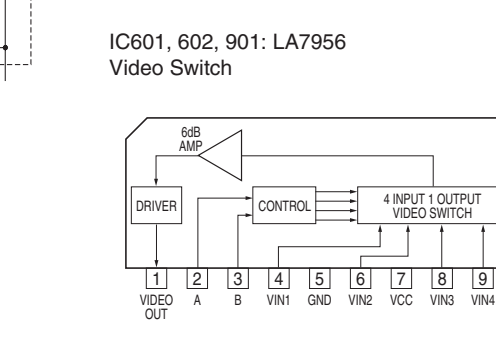
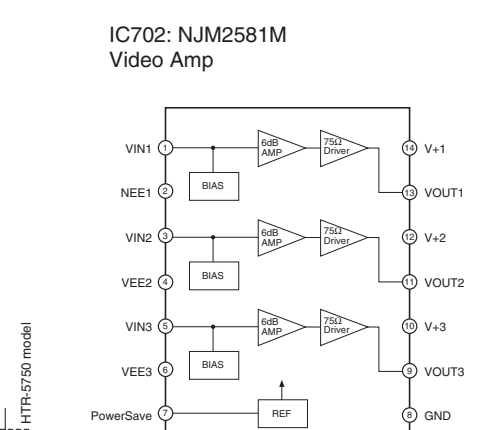
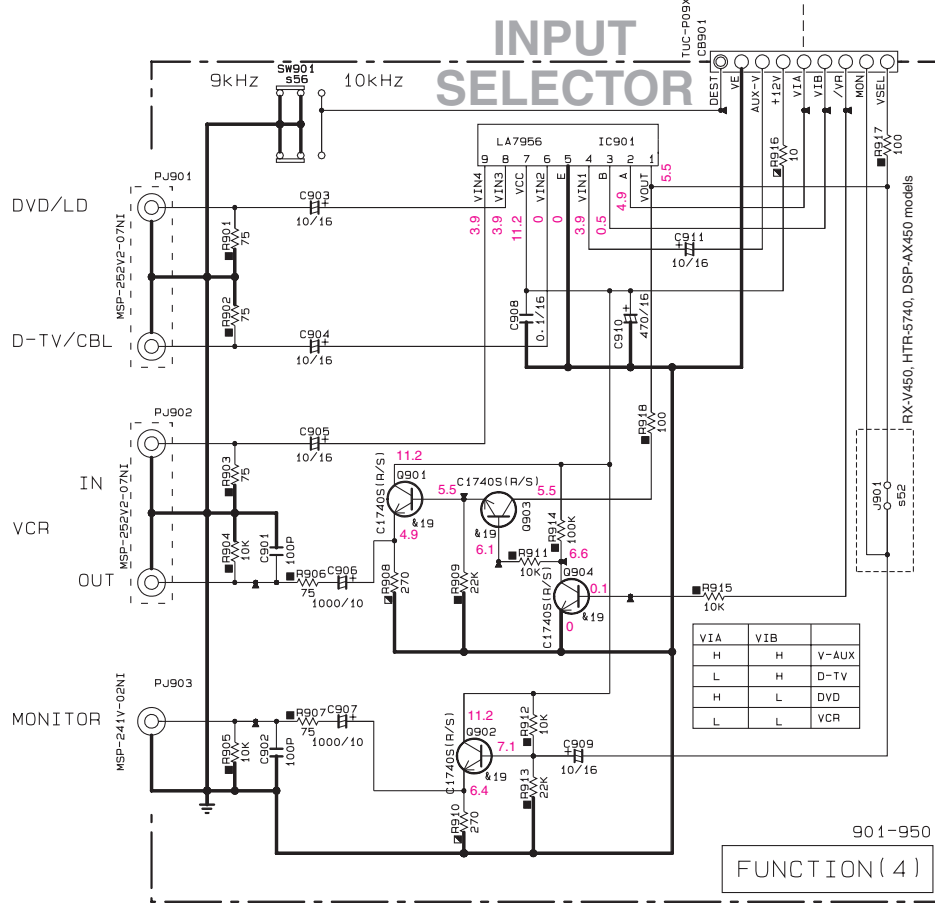
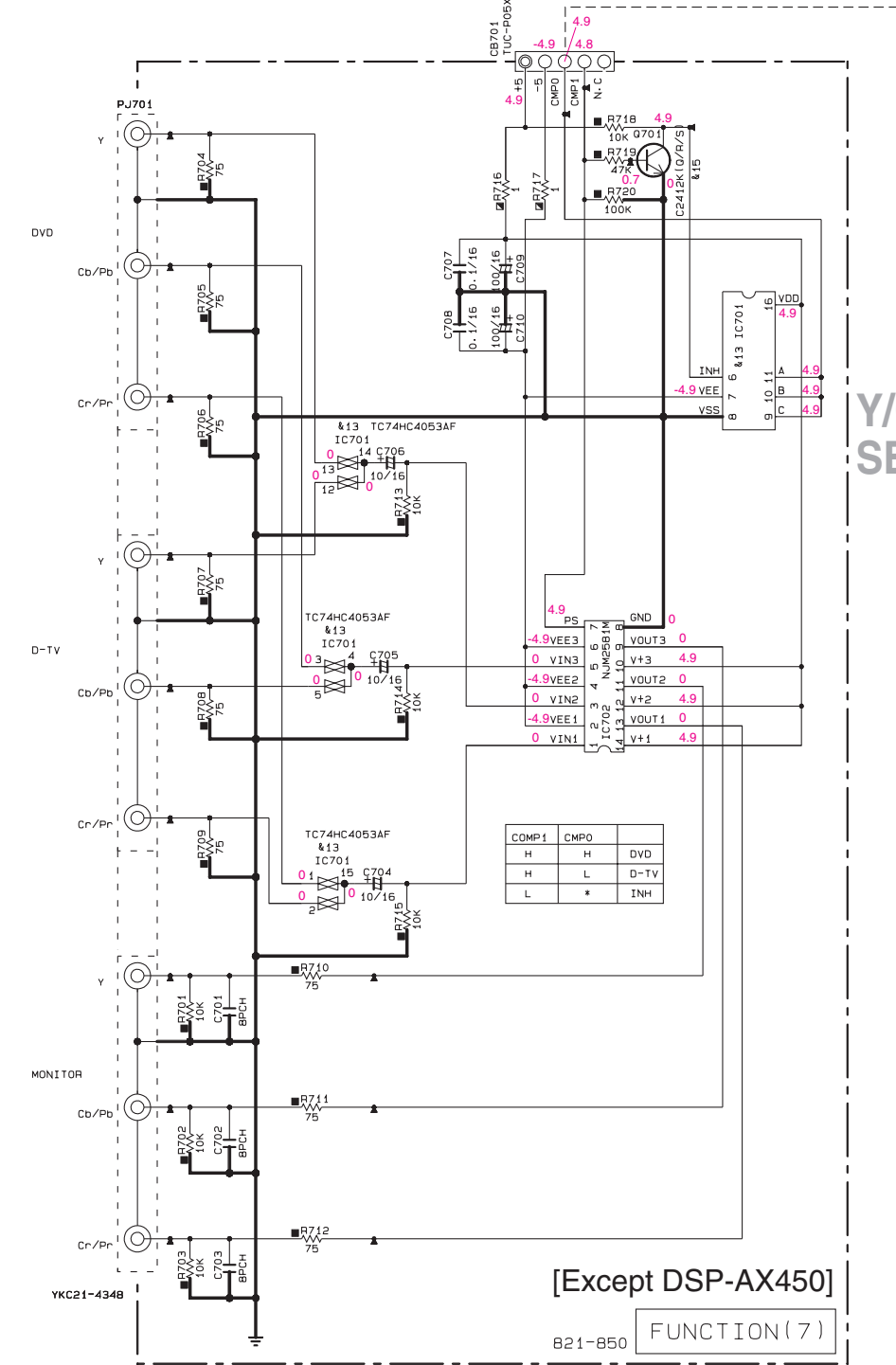
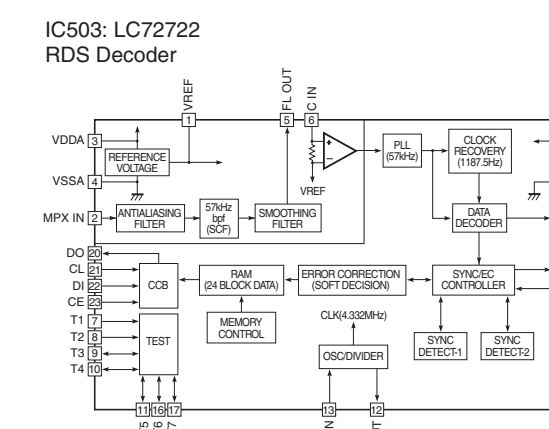
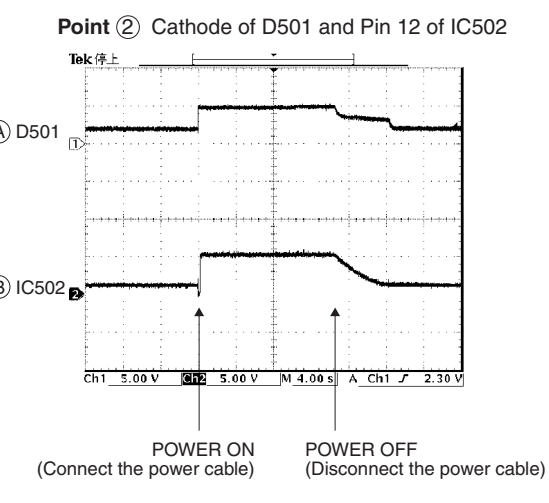
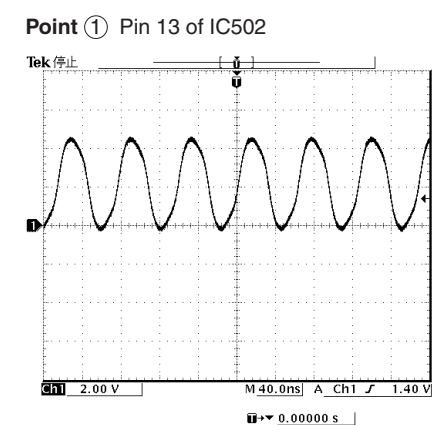
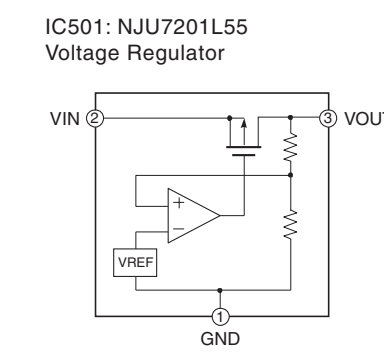
NOTICE (model)
 (J)..... JAPAN
 (U)..... U.S.A.
 (C)..... CANADA
 (R)..... GENERAL
 (T)..... CHINA
 (K)..... KOREA
 (A)..... AUSTRALIA
 (B)..... BRITISH
 (G)..... EUROPE
 (L)..... SINGAPORE
 (E)..... SOUTH EUROPE

Tuner / VIDEO

HTR-5750	UC	T	K	A	B-G-E
416 RS49	100K	X	100K	100K	100K
417 RS53	100K	RD36810	RD36810	RD36810	RD36810
418 RS52	100K	RD36810	X	X	X
419 RS55	X	100K	100K	100K	100K
420 CB111	X	X	X	X	X
426 SW901	X	X	X	X	X
427 WS13	X	X	X	X	X
428 CB512	V782500	V782550	V782550	V782550	
432 T801	WC71660	WC71670	WC71680	WC71670	
434 T802	WC71660	WC71680	WC71680	WC71680	

RDS

RX-V450/HTR-5740/DSP-AX450	J	U-C	R-L	T	K	A	B-G-E
416 RS49	100K	X	X	100K	100K	100K	100K
417 RS53	100K	RD36810	RD36810	RD36810	RD36810	RD36810	RD36810
418 RS52	100K	RD36810	X	X	X	X	X
419 RS55	X	100K	100K	100K	100K	100K	100K
420 CB111	X	X	X	X	X	X	X
426 SW901	X	X	X	X	X	X	X
427 WS13	MF40412	X	X	X	X	X	X
428 CB512	V782500	V782550	V782550	V782550	V782550	V782550	V782550
432 T801	X	O	O	O	O	O	O
434 T802	WC71660	X	X	X	X	X	X
434 T802	WC71680	X	X	X	X	X	X



* All voltages are measured with a 10MΩV DC electronic voltmeter.
 * Components having special characteristics are marked !, and must be replaced with parts having specifications equal to those originally installed.
 * Schematic diagram is subject to change without notice.

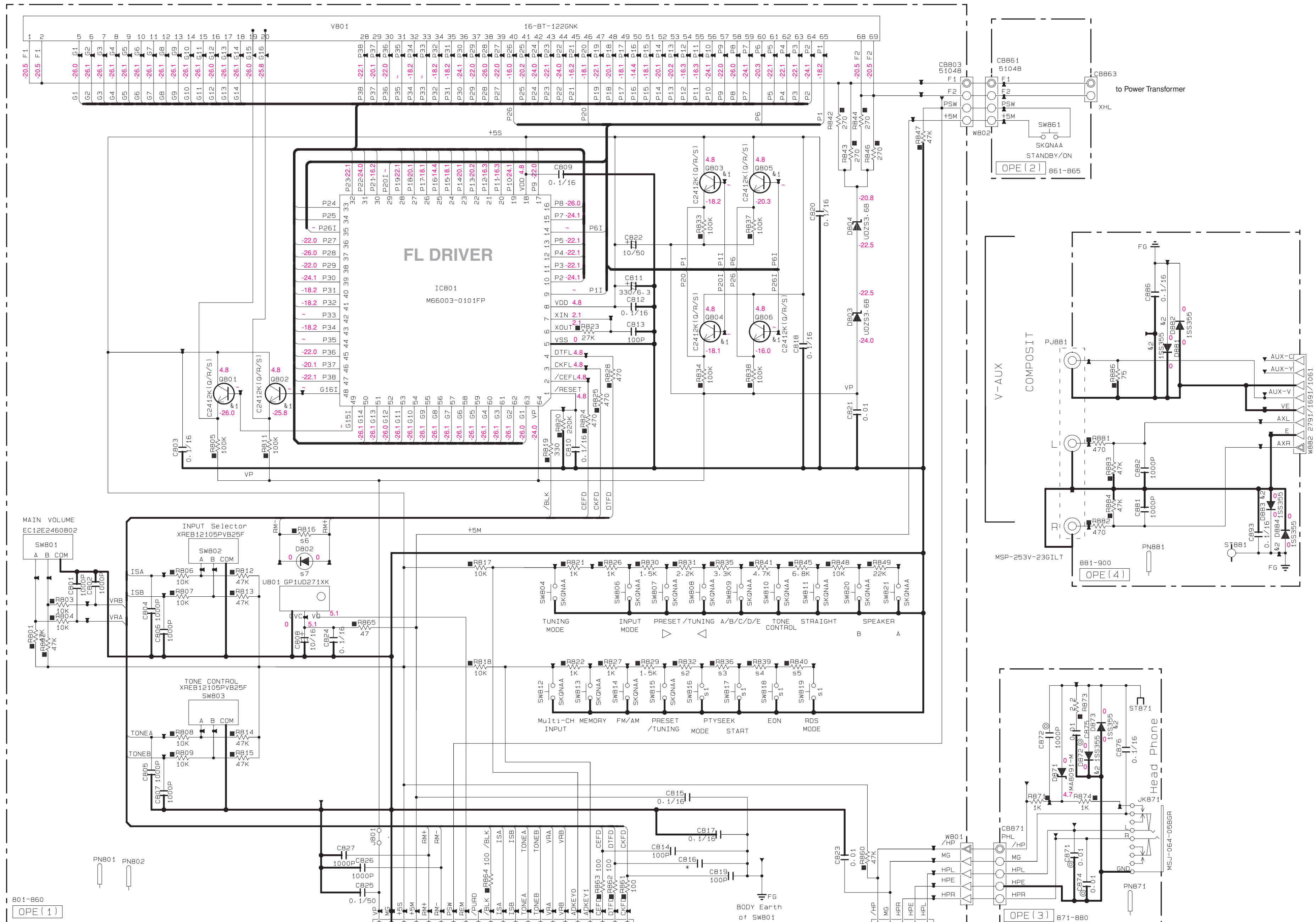
* 電圧は、内部抵抗10MΩの電圧計で測定したものです。
 * !印のある部品は、安全性確保部品を示しています。部品の交換が必要な場合、パーツリストに記載されている部品を使用してください。
 * 本回路図は標準回路図です。改良のため予告なく変更することがございます。

INPUT STATES	INHIBIT (C)	A	B	ON CHANNEL (S)
0	0	0	0	0X, 0Y, 0Z
0	0	0	1	1X, 0Y, 0Z
0	0	1	0	0X, 1Y, 0Z
0	0	1	1	1X, 1Y, 0Z
0	1	0	0	0X, 0Y, 1Z
0	1	0	1	1X, 0Y, 1Z
0	1	1	0	0X, 1Y, 1Z
0	1	1	1	1X, 1Y, 1Z
1	X	X	X	NONE

SCHEMATIC DIAGRAM (OPERATION) RX-V550

FL DISPLAY

FL DRIVER



REMARKS	PARTS NAME	
NO MARK	ELECTROLYTIC CAPACITOR	⊃
⊗	TANTALUM CAPACITOR	⊗
NO MARK	CERAMIC CAPACITOR	○
●	CERAMIC TUBULAR CAPACITOR	●
⊙	POLYESTER FILM CAPACITOR	⊙
○	POLYSTYRENE FILM CAPACITOR	○
○	MICA CAPACITOR	○
⊕	POLYPROPYLENE FILM CAPACITOR	⊕
⊖	SEMICONDUCTIVE CERAMIC CAPACITOR	⊖
⊙	POLYPHENYLENE SULFIDE FILM CAPACITOR	⊙

REMARKS	PARTS NAME	
NO MARK	CARBON FILM RESISTOR (P=5)	□
□	CARBON FILM RESISTOR (P=10)	□
△	METAL OXIDE FILM RESISTOR	△
△	METAL FILM RESISTOR	△
⊗	METAL PLATE RESISTOR	⊗
⊗	FIRE PROOF CARBON FILM RESISTOR	⊗
□	CEMENT MOLDED RESISTOR	□
⊗	SEMI VARIABLE RESISTOR	⊗
⊖	CHIP RESISTOR	⊖

		R-T-K-L	U-C-A	B-G-E	
s1	SW816 - 819	X	X		VV02030
s2	R832	X	X		2.2K RD35622
s3	R836	X	X		3.3K RD35633
s4	R839	X	X		4.7K RD35647
s5	R840	X	X		6.8K RD35668
s6	R816	X			10K RD35710
s7	DB02	X			SIR-505ST V259820

X: NOT USED
O: USED / APPLICABLE

Interchangeable Parts at Manufacture-Stage

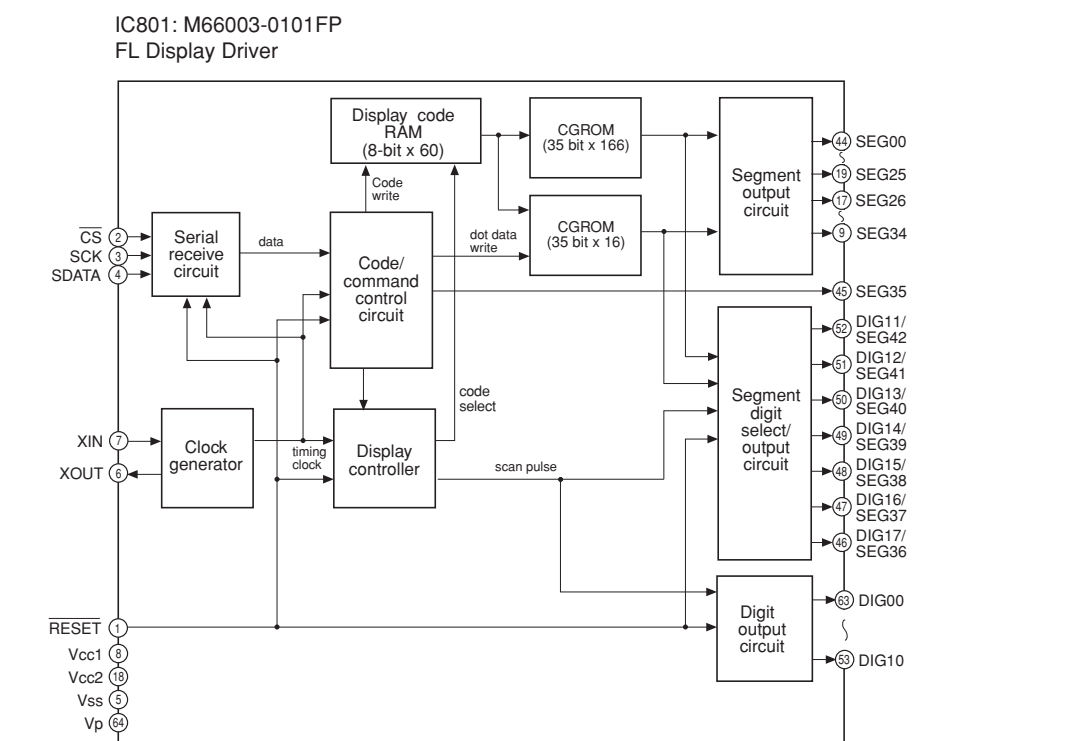
Mark	Reference Parts Number	Parts Name
⊃1	0801-806	2SC2412K1(Q/R/S) 2SD601A(Q/R/S)
⊃2	0872-873-881-884	1SS355 MA111
⊃3		
⊃4		
⊃5		
⊃6		
⊃7		

NOTICE (model)

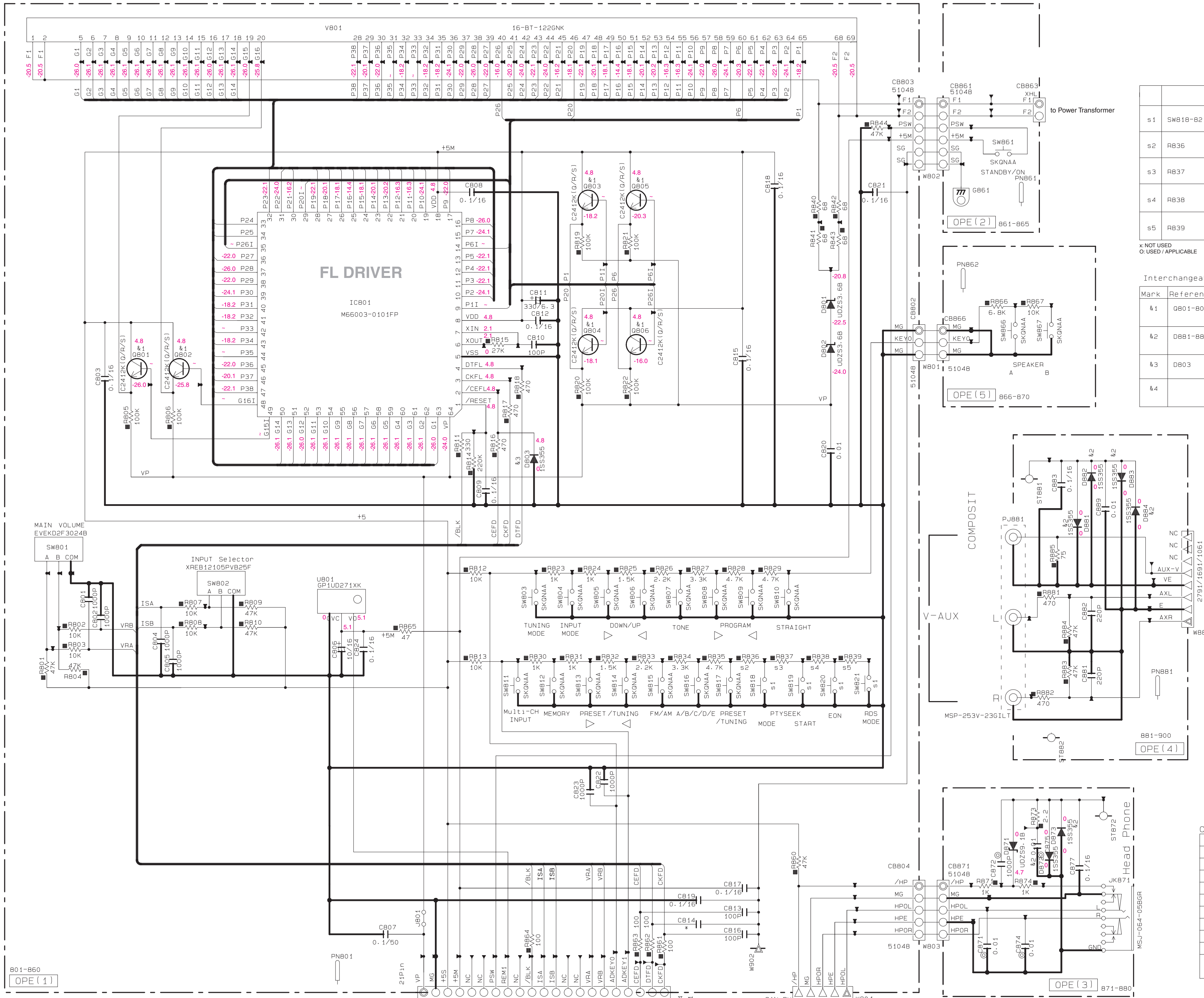
- (J)..... JAPAN
- (U)..... U. S. A
- (C)..... CANADA
- (R)..... GENERAL
- (T)..... CHINA
- (K)..... KOREA
- (A)..... AUSTRALIA
- (B)..... BRITISH
- (G)..... EUROPE
- (L)..... SINGAPORE
- (E)..... SOUTH EUROPE

* All voltages are measured with a 10MΩ/V DC electronic volt meter.
* Components having special characteristics are marked ⊃ and must be replaced with parts having specifications equal to those originally installed.
* Schematic diagram is subject to change without notice.

* 電圧は、内部抵抗10MΩの電圧計で測定したものです。
* ⊃印のある部品は、安全性確保部品を示しています。部品の交換が必要な場合、パーツリストに記載されている部品を使用してください。
* 本回路図は標準回路図です。改良のため予告なく変更することがございます。



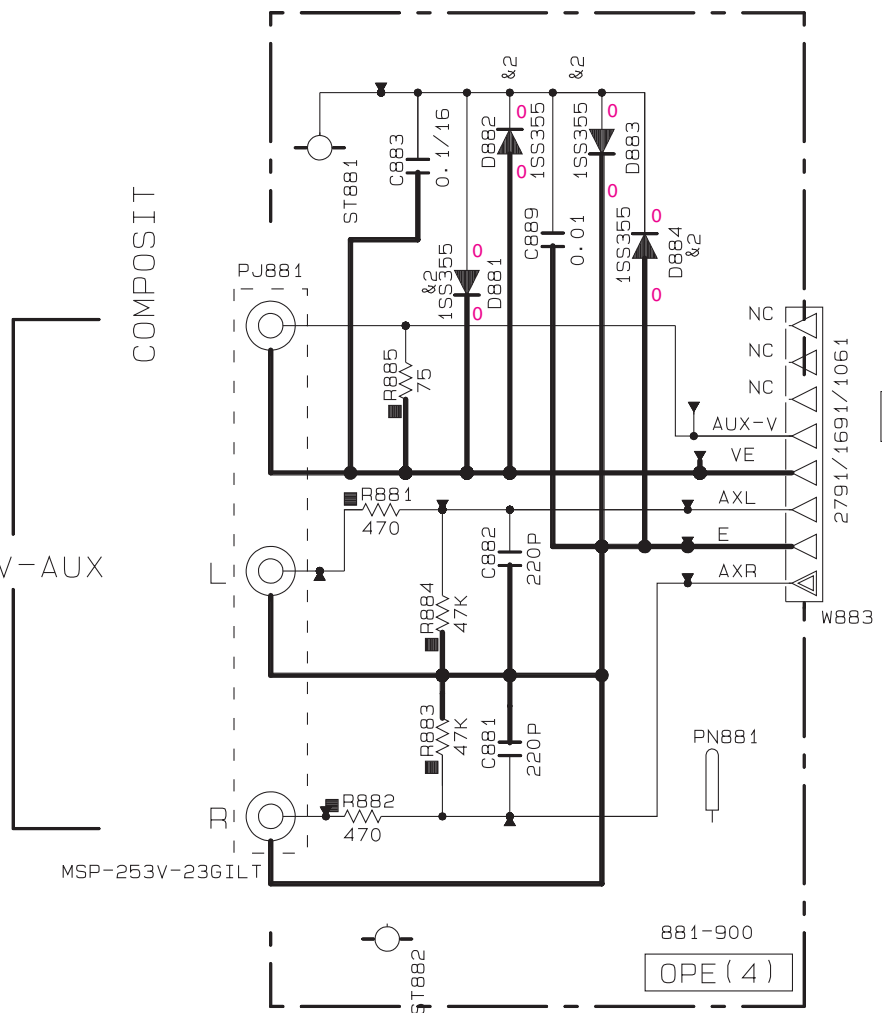
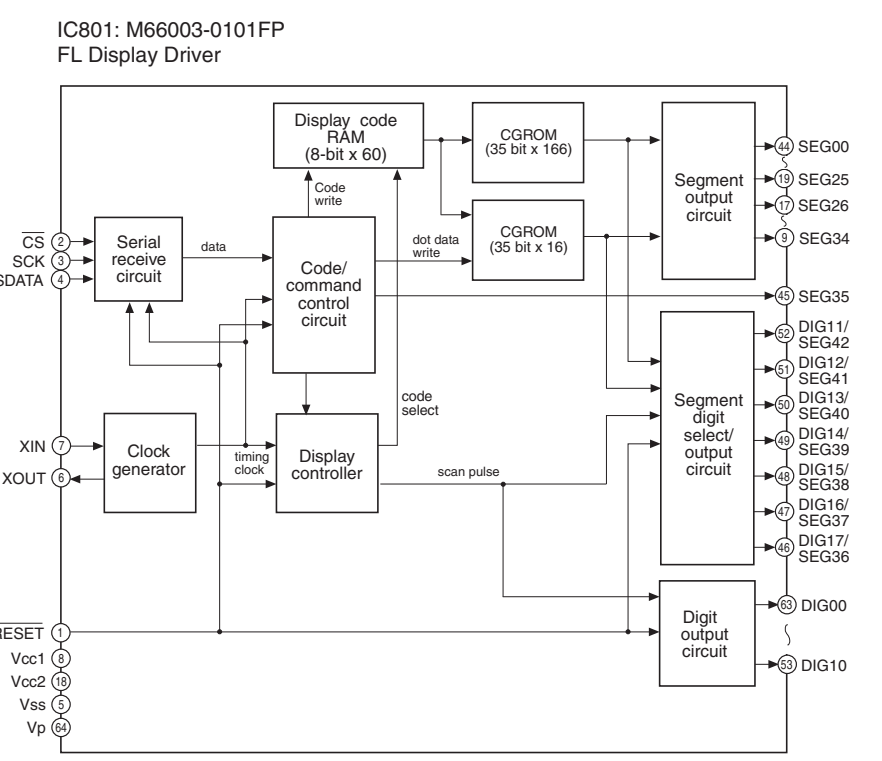
FL DISPLAY



	J. U. C. R. T. K. A. L.	B. G. E.	
S1	SWB18-B21	X	VV02030
S2	RB36	X	RD35647
S3	RB37	X	RD35668
S4	RB38	X	RD35710
S5	RB39	X	RD35722

Interchangeable Parts at Manufacture-Stage

Mark	Reference Parts Number	Parts Name
&1	Q801-806	2SC2412K10/R/S1 2SD601A(TX)10/R/S
&2	D881-884, 872, 873	1SS355
&3	D803	MA111
&4		MA111



NOTICE (mode1)
 (J)..... JAPAN
 (U)..... U. S. A
 (C)..... CANADA
 (R)..... GENERAL
 (T)..... CHINA
 (K)..... KOREA
 (A)..... AUSTRALIA
 (B)..... BRITISH
 (L)..... EUROPE
 (G)..... SINGAPORE
 (E)..... SOUTH EUROPE

RESISTOR

REMARKS	PARTS NAME
NO MARK	CARBON FILM RESISTOR (P=5)
□	CARBON FILM RESISTOR (P=10)
△	METAL OXIDE FILM RESISTOR
▲	METAL FILM RESISTOR
⊠	METAL PLATE RESISTOR
■	FIRE PROOF CARBON FILM RESISTOR
□	CEMENT MOLDED RESISTOR
⊖	SEMI VARIABLE RESISTOR
■	CHIP RESISTOR

CAPACITOR

REMARKS	PARTS NAME
NO MARK	ELECTROLYTIC CAPACITOR
⊗	TANTALUM CAPACITOR
NO MARK	CERAMIC CAPACITOR
●	CERAMIC TUBULAR CAPACITOR
⊙	POLYESTER FILM CAPACITOR
○	POLYSTYRENE FILM CAPACITOR
⊖	MICA CAPACITOR
⊕	POLYPROPYLENE FILM CAPACITOR
⊗	SEMICONDUCTIVE CERAMIC CAPACITOR
⊙	POLYPHENYLENE SULFIDE FILM CAPACITOR

* All voltages are measured with a 10MΩ/V DC electronic volt meter.
 * Components having special characteristics are marked ♯, and must be replaced with parts having specifications equal to those originally installed.
 * Schematic diagram is subject to change without notice.

* 電圧は、内部抵抗10MΩの電圧計で測定したものです。
 * ♯印のある部品は、安全性確保部品を示しています。部品の交換が必要な場合、パーツリストに記載されている部品を使用してください。
 * 本回路図は標準回路図です。改良のため予告なく変更することがございます。

SCHEMATIC DIAGRAM (MAIN)

Page 83 [F10] to POWER (1)

Page 83 [E10] to POWER (1)

Page 83 [E10] to POWER (1)

RX-V550: Page 77 [H7]
HTR-5750, RX-V450, HTR-5740,
DSP-AX450: Page 79 [H6]
to FUNCTION (2)

Page 83 [K3] to POWER (1)

Page 84 [A4] to SUBTRANS

RX-V550: Page 77 [H6]
HTR-5750, RX-V450, HTR-5740,
DSP-AX450: Page 79 [H7]
to FUNCTION (2)

RESISTOR		CAPACITOR	
REMARKS	PARTS NAME	REMARKS	PARTS NAME
NO MARK	CARBON FILM RESISTOR (P-K)	NO MARK	ELECTROLYTIC CAPACITOR
⊖	CARBON FILM RESISTOR (P-K)	⊖	TANTALUM CAPACITOR
⊖	METAL FILM RESISTOR	⊖	CERAMIC CAPACITOR
⊖	METAL FILM RESISTOR	⊖	CERAMIC TUBULAR CAPACITOR
⊖	METAL FILM RESISTOR	⊖	POLYESTER FILM CAPACITOR
⊖	FINE PITCH CARBON FILM RESISTOR	⊖	POLYSTYRENE FILM CAPACITOR
⊖	CEMENT MOUNTED RESISTOR	⊖	MICA CAPACITOR
⊖	SEMI VARIABLE RESISTOR	⊖	POLYPROPYLENE FILM CAPACITOR
⊖	TEMP. RESISTOR	⊖	SEMICONDUCTIVE CERAMIC CAPACITOR
		⊖	POLYPHENYLENE SULFIDE FILM CAPACITOR

NOTICE (page 1)

(J)..... JAPAN
(U)..... U.S.A.
(C)..... CANADA
(R)..... GENERAL
(T)..... CHINA
(K)..... KOREA
(A)..... AUSTRALIA
(B)..... BRITISH
(G)..... EUROPE
(E)..... SINGAPORE
(E)..... SOUTH EUROPE

Interchangeable Parts at Manufacture Stage

Part No.	Interchangeable Part No.	Part Name
41	RY121-124-125	052422-051W1 56P4-28
42	D133	158203-PC1 05500
43	D1-14-251	H5304 155133 155176
44	01	0581749/01 2581561E/01

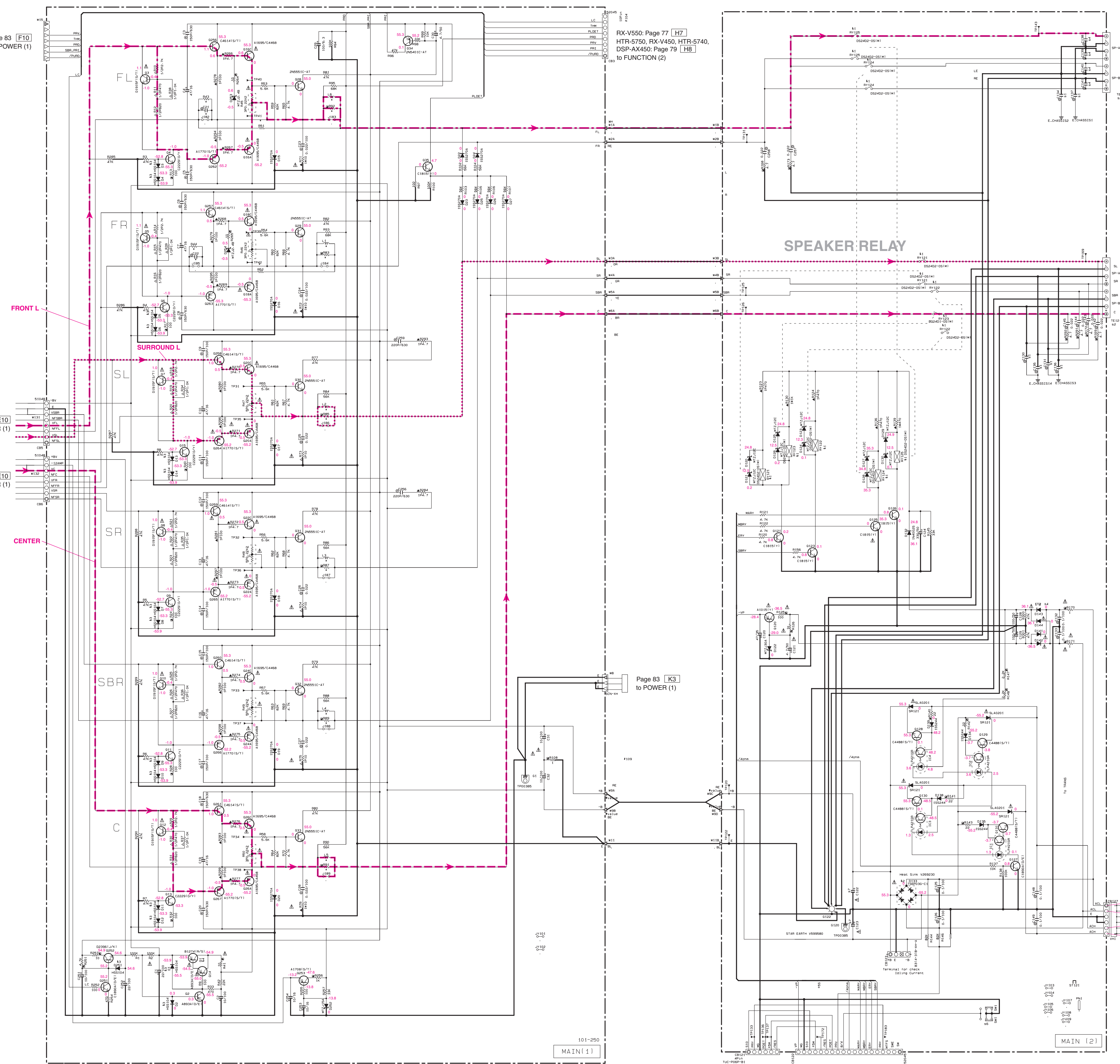
RX-V550/HTR-5750

Part No.	Interchangeable Part No.	Part Name
51	C136-131-134-137	UCC X 5.0 5.0
52	TE150-121	W03190 W03190 W03190 W03190
54	C136-141	X 430P UM5347 UM5347
56	SW1	S5029-P202MB V062430 V062430 V062430
57	C132-123	800071 W03190 W03190 W03190

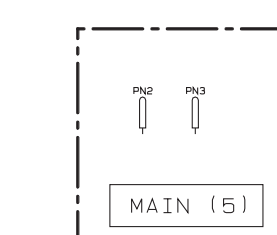
RX-V550/HTR-5740/DSP-AX450

Part No.	Interchangeable Part No.	Part Name
51	C136-131-134-137	X X 5.0 5.0
52	TE150-121	W03190 W03190 W03190 W03190
54	C136-141	X X 430P UM5347
56	SW1	X S5029-P202MB S5029-P202MB S5029-P202MB
57	C132-123	800071 800071 800071 800071

X: NOT USED
O: USED/ APPLICABLE

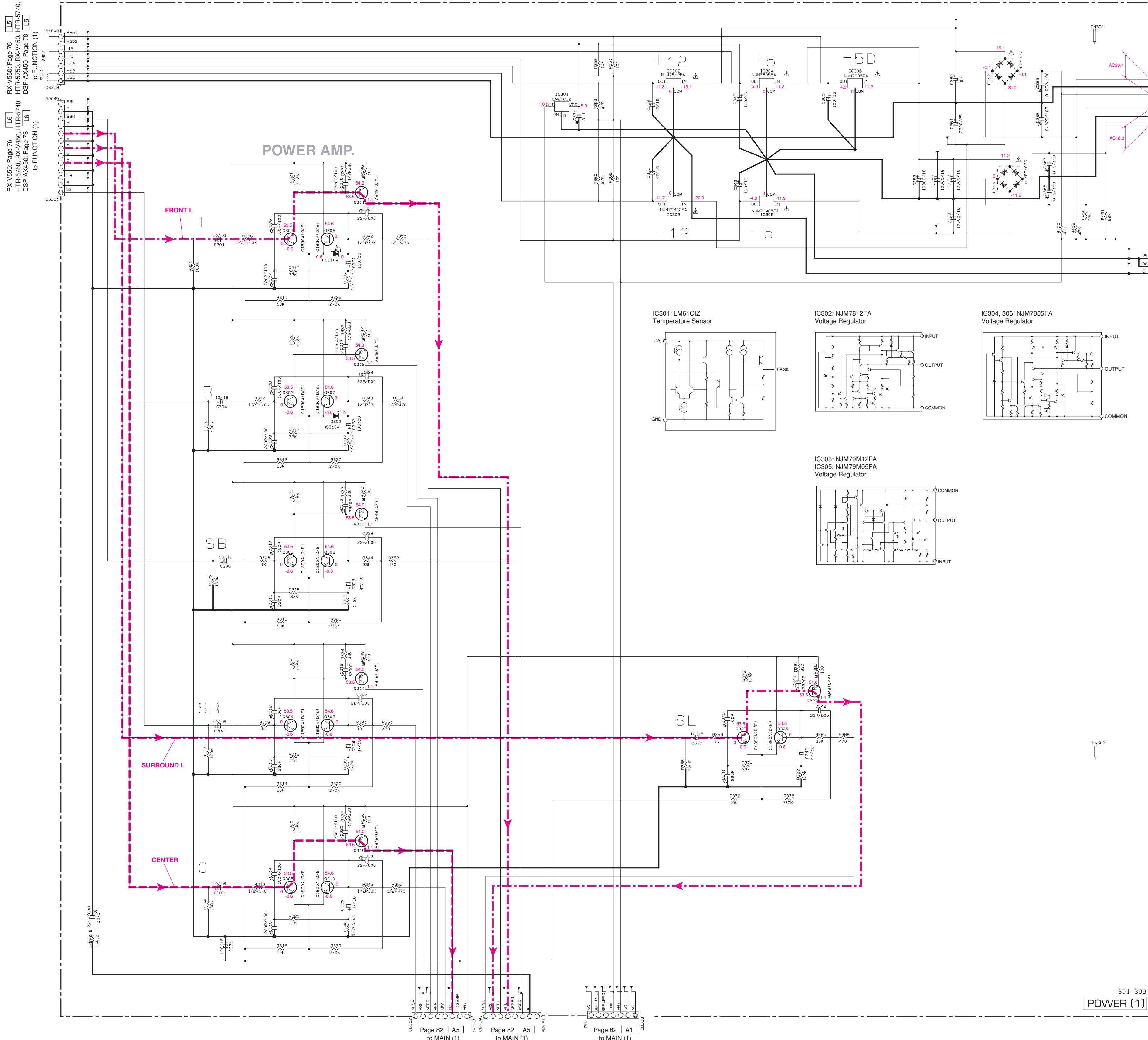


to Power Transformer



- * All voltages are measured with a 10MΩ/DC electronic volt meter.
- * Components having special characteristics are marked with ! and must be replaced with parts having specifications equal to those originally installed.
- * Schematic diagram is subject to change without notice.
- * 電圧は、内部抵抗10MΩの電圧計で測定したものです。
- * !印のある部品は、安全性確保部品を示しています。部品の交換が必要な場合、パーツリストに記載されている部品を使用してください。
- * 本回路図は標準回路図です。改良のため予告なく変更することがございます。

SCHEMATIC DIAGRAM (POWER)



RESISTOR

REMARKS	PARTS NAME
NO MARK	CARBON FILM RESISTOR (D=5)
□	CARBON FILM RESISTOR (D=10)
△	METAL OXIDE FILM RESISTOR
△	METAL FILM RESISTOR
△	METAL PLATE RESISTOR
△	FIRE PROOF CARBON FILM RESISTOR
□	CEMENT MOUNTED RESISTOR
□	SEMI-VARIABLE RESISTOR
■	CHIP RESISTOR

Interchangeable Parts at Manufacture-Stage

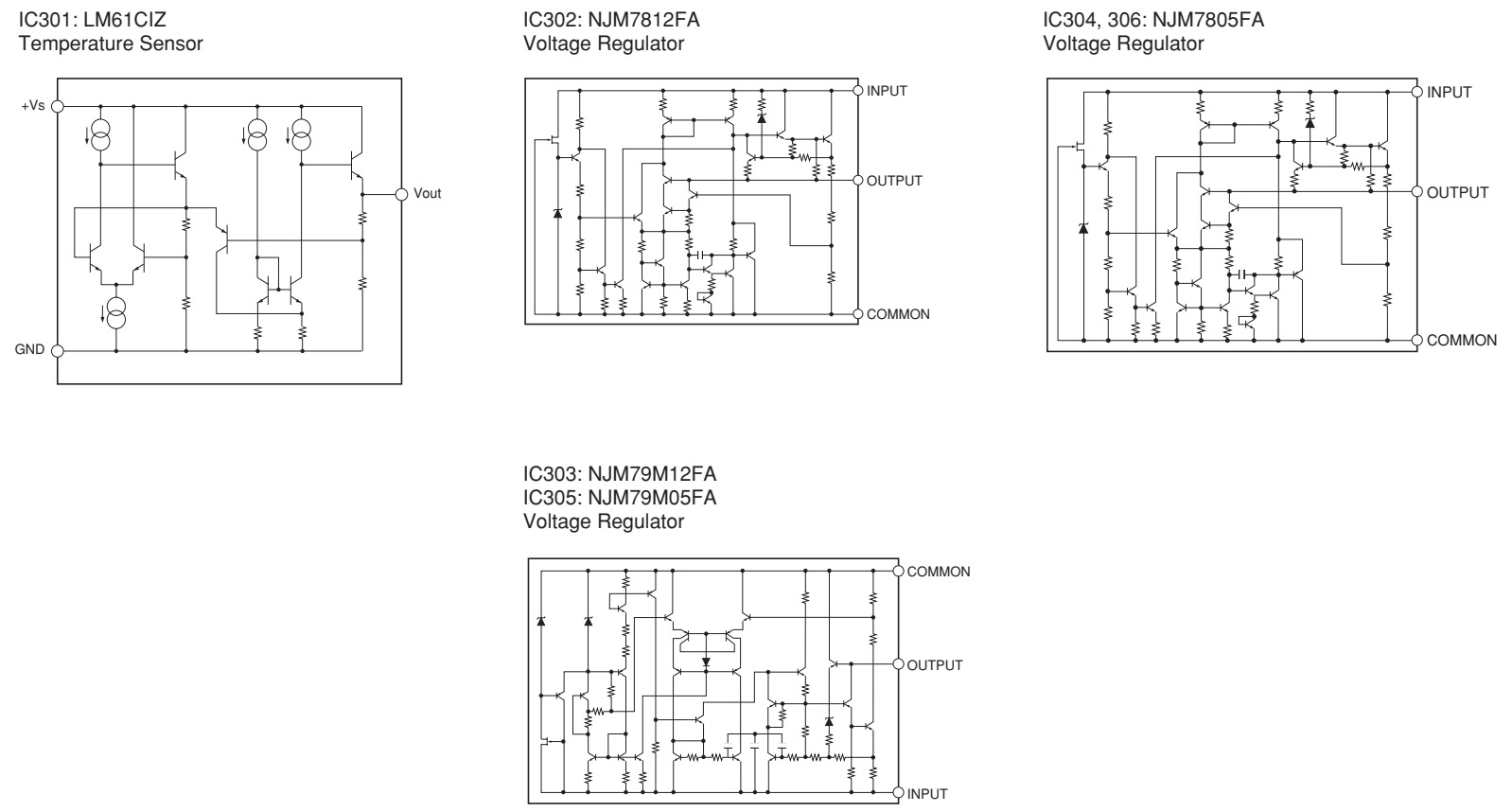
Mark	Reference Parts Number	Parts Name
41	0301-302	HSS104 15513 155176

CAPACITOR

REMARKS	PARTS NAME
○	ELECTROLYTIC CAPACITOR
○	TANTALUM CAPACITOR
NO MARK	CERAMIC CAPACITOR
○	CERAMIC TUBULAR CAPACITOR
○	POLYESTER FILM CAPACITOR
○	POLYSTYRENE FILM CAPACITOR
○	MICA CAPACITOR
○	POLYPROPYLENE FILM CAPACITOR
○	SEMICONDUCTIVE CERAMIC CAPACITOR
○	POLYPHENYLENE SULFIDE FILM CAPACITOR

NOTICE (mode1)

(J)..... JAPAN
 (U)..... U.S.A
 (C)..... CANADA
 (R)..... GENERAL
 (T)..... CHINA
 (K)..... KOREA
 (A)..... AUSTRALIA
 (B)..... BRITISH
 (G)..... EUROPE
 (L)..... SINGAPORE
 (E)..... SOUTH EUROPE



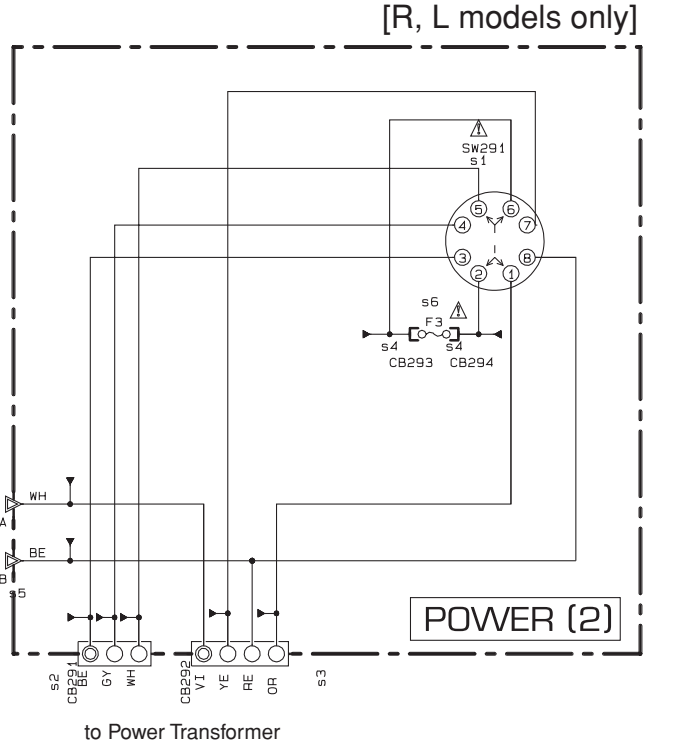
RX-550HTR5750

	U.C.T.K (WC82949)	R (WC82950)	L (WD07280)	A.B.G.E (WC82955)
s1	SW291	X	W848370	W007370
s2	CR291	X	V937780	V937780
s3	CR292	X	V937790	V937790
s4	CR293, 294	X	WC029070	WC029070
s5	W291	X	V941190	V941190
s6	F3	X	T4AL250V K800079	T4AL250V K800079
s7	C360	6800/25	6800/25	6800/25

RX-V450HTR-5740/DSP-AX450

	U.C.T.K (WC83970)	R (WC83980)	L (WD07290)	A.B.G.E (WC83990)
s1	SW291	X	W848370	W007370
s2	CR291	X	V937780	V937780
s3	CR292	X	V937790	V937790
s4	CR293, 294	X	VP20650	VP20650
s5	W291	X	V941190	V941190
s6	F3	X	T4AL250V K800079	T4AL250V K800079
s7	C360	4700/25	4700/25	4700/25

○: NOT USED
 □: USED, APPLICABLE

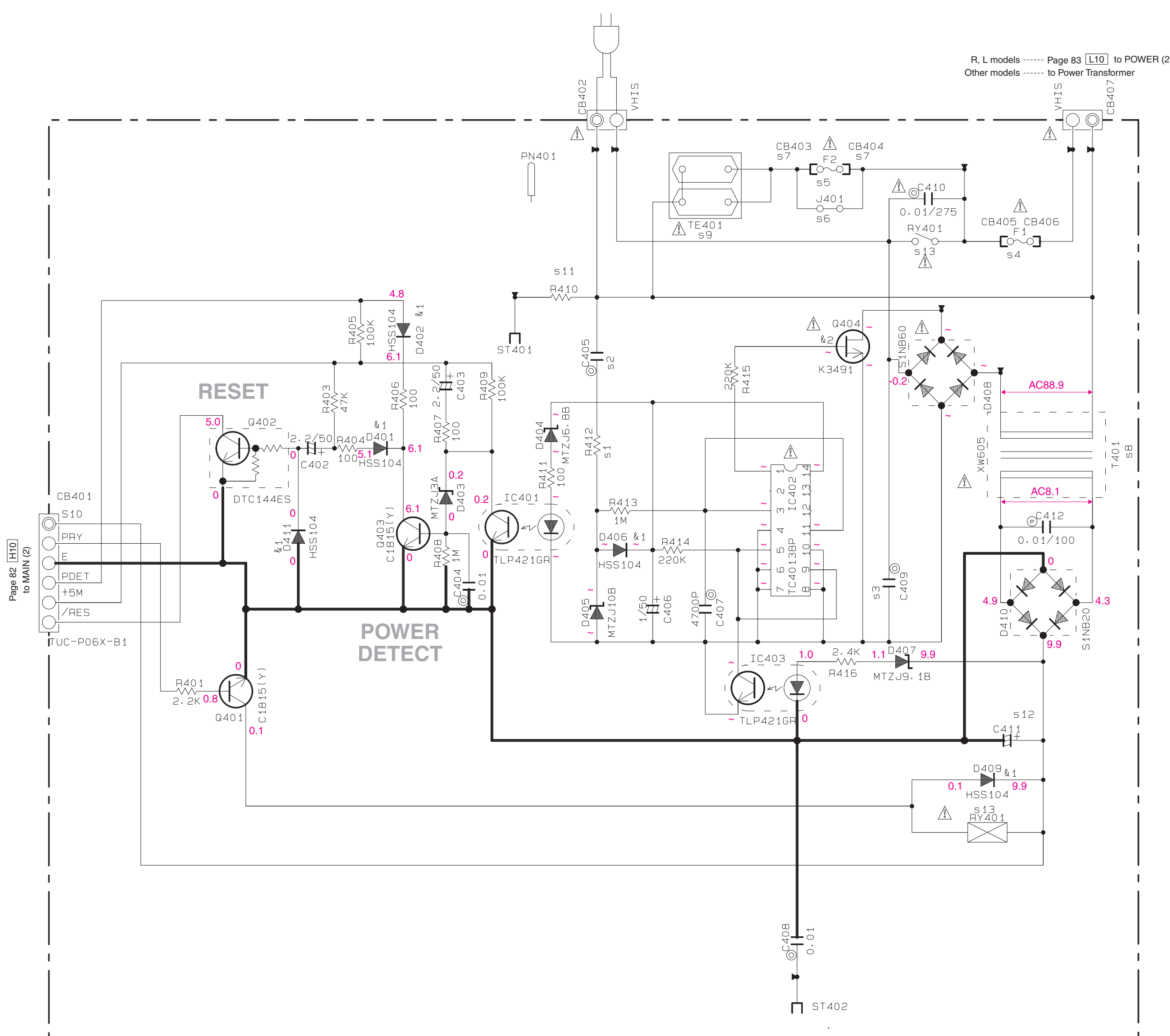


POWER (1)

POWER (2)

* All voltages are measured with a 10MΩ/V DC electronic volt meter.
 * Components having special characteristics are marked with a triangle and must be replaced with parts having specifications equal to those originally installed.
 * Schematic diagram is subject to change without notice.

* 電圧は、内部抵抗10MΩの電圧計で測定したものです。
 * 三角形のある部品は、安全性確保部品を示しています。部品の交換が必要な場合、パーツリストに記載されている部品を使用してください。
 * 本回路図は標準回路図です。改良のため予告なく変更することがございます。



Page 82 [HIO] to MAIN (2)

R, L models Page 83 [L10] to POWER (2)
 Other models to Power Transformer

S1		X5330				X5331			
		J	U. C	R	L	T. K	A	B	G. E
S1	R412	39K HF45739	22K HF45722	2.2K HF45622	2.2K HF45622	2.2K HF45622	2.2K HF45622	2.2K HF45622	2.2K HF45622
S2	C405	0.047/400	0.047/400	0.022/630	0.022/630	0.022/630	0.022/630	0.022/630	0.022/630
S3	C409	0.1/400	0.1/400	0.047/630	0.047/630	0.047/630	0.047/630	0.047/630	0.047/630
S4	F1	8A125V VS82330	8A125V VS82330	8A125V VS82330	8A125V VS82330	T4.0A250V KB00079	T4.0A250V KB00079	T4.0A250V KB00079	T4.0A250V KB00079
S5	F2	X	8A125V VS82330	X	X	X	X	X	T2.5AH250V VT94290
S6	J401	0	X	0	0	0	0	0	X
S7	CB403-404	X	0	X	X	X	X	X	0
S8	T401	XW605	XW606	XV444	XV444	XW608	XW608	XW608	XW608
S9	TE401	VU54310	VU54310	V586740	VU54340	V586740	VT91500	VU54330	VU54340
S10									
S11	R410	X	1/2P2.2M V673000	X	X	X	X	X	X
S12	C411	3300/16	3300/16	3300/50	3300/50	3300/16	3300/16	3300/16	3300/16
S13	RY401	SDT-S-112LMR DG12D1-0[M]-II ALKS321	DLS12D1-0[M]	SDT-S-112LMR DG12D1-0[M]-II ALKS321	SDT-S-112LMR DG12D1-0[M]-II ALKS321	SDT-S-112LMR DG12D1-0[M]-II ALKS321	SDT-S-112LMR DG12D1-0[M]-II ALKS321	SDT-S-112LMR DG12D1-0[M]-II ALKS321	SDT-S-112LMR DG12D1-0[M]-II ALKS321

X: NOT USED
 O: USED / APPLICABLE

Interchangeable Parts at Manufacture-Stage

Mark	Reference Parts Number	Parts Name
&1	D401-402-406-409-411	HSS104 1SS133 1SS176
&2	Q404	2SK3850 2SK3491
&3		
&4		

NOTICE (model)

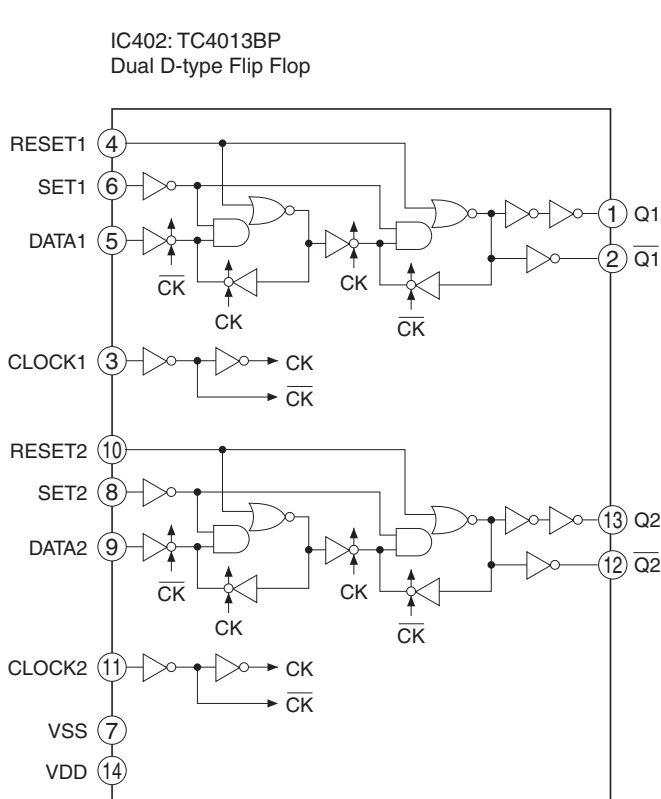
- (J)..... JAPAN
- (U)..... U. S. A
- (C)..... CANADA
- (R)..... GENERAL
- (T)..... CHINA
- (K)..... KOREA
- (A)..... AUSTRALIA
- (B)..... BRITISH
- (G)..... EUROPE
- (L)..... SINGAPORE
- (E)..... SOUTH EUROPE

RESISTOR

REMARKS	PARTS NAME
NO MARK	CARBON FILM RESISTOR (P=5)
☒	CARBON FILM RESISTOR (P=10)
△	METAL OXIDE FILM RESISTOR
▲	METAL FILM RESISTOR
☒	METAL PLATE RESISTOR
☒	FIRE PROOF CARBON FILM RESISTOR
☐	CEMENT MOLDED RESISTOR
⊙	SEMI VARIABLE RESISTOR
■	CHIP RESISTOR

CAPACITOR

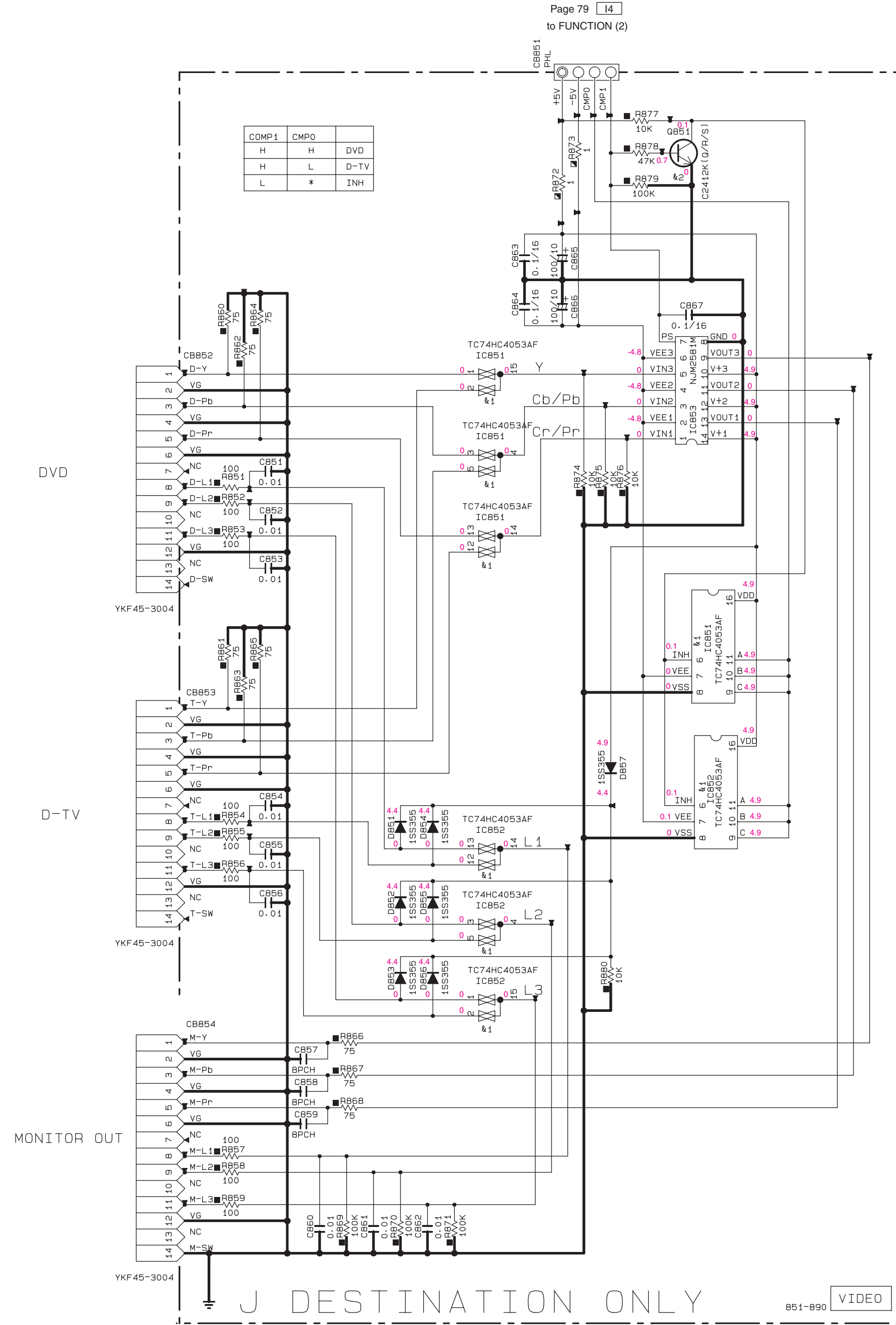
REMARKS	PARTS NAME
NO MARK	ELECTROLYTIC CAPACITOR
⊗	TANTALUM CAPACITOR
NO MARK	CERAMIC CAPACITOR
●	CERAMIC TUBULAR CAPACITOR
⊙	POLYESTER FILM CAPACITOR
○	POLYSTYRENE FILM CAPACITOR
⊖	MICA CAPACITOR
⊕	POLYPROPYLENE FILM CAPACITOR
⊗	SEMICONDUCTIVE CERAMIC CAPACITOR
Ⓢ	POLYPHENYLENE SULFIDE FILM CAPACITOR



* All voltages are measured with a 10MQ/V DC electronic volt meter.
 * Components having special characteristics are marked △ and must be replaced with parts having specifications equal to those originally installed.
 * Schematic diagram is subject to change without notice.

* 電圧は、内部抵抗10MQの電圧計で測定したものです。
 * △印のある部品は、安全性確保部品を示しています。部品の交換が必要な場合、パーツリストに記載されている部品を使用してください。
 * 本回路図は標準回路図です。改良のため予告なく変更することがございます。

Page 79 14
to FUNCTION (2)



NOTICE (model)
(J)..... JAPAN

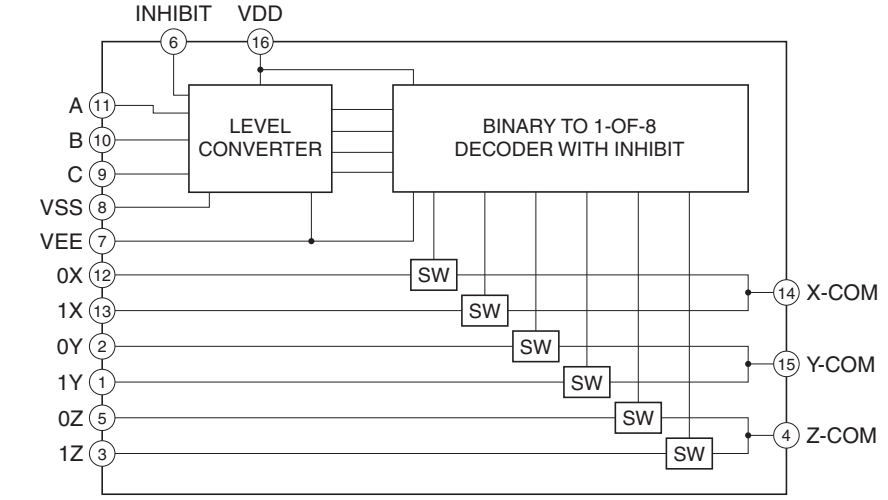
REMARKS	PARTS NAME
NO MARK	CARBON FILM RESISTOR (P=5)
□	CARBON FILM RESISTOR (P=10)
△	METAL OXIDE FILM RESISTOR
⊠	METAL FILM RESISTOR
⊡	METAL PLATE RESISTOR
⊞	FIRE PROOF CARBON FILM RESISTOR
⊞	CEMENT MOLDED RESISTOR
⊞	SEMI VARIABLE RESISTOR
⊞	CHIP RESISTOR

REMARKS	PARTS NAME
NO MARK	ELECTROLYTIC CAPACITOR
⊗	TANTALUM CAPACITOR
NO MARK	CERAMIC CAPACITOR
●	CERAMIC TUBULAR CAPACITOR
⊙	POLYESTER FILM CAPACITOR
○	POLYSTYRENE FILM CAPACITOR
⊖	MICA CAPACITOR
⊕	POLYPROPYLENE FILM CAPACITOR
⊕	SEMICONDUCTIVE CERAMIC CAPACITOR

Interchangeable Parts at Manufacture-Stage

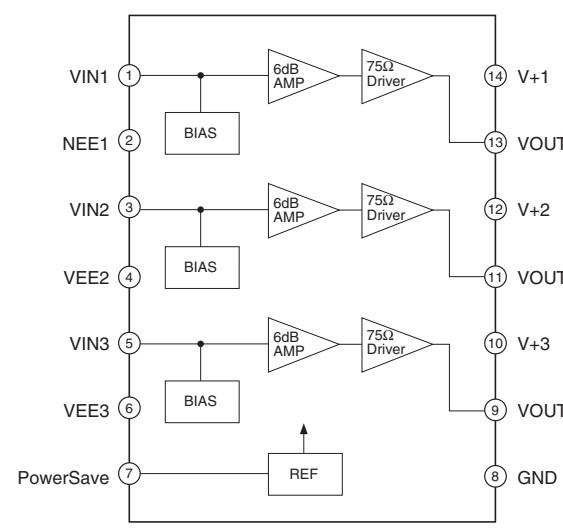
Mark	Reference Parts Number	Parts Name
k1	IC851, 852	TC74HC4053AF MM74HC4053SUX
k2	Q851	C2412K1G/R/S) D601A(G/R/S)

IC851, 852: TC74HC4053AF
Analog Multiplexer/Demultiplexer



INPUT STATES				'ON' CHANNEL (S)
INHIBIT	C	B	A	
0	0	0	0	0X, 0Y, 0Z
0	0	0	1	1X, 0Y, 0Z
0	0	1	0	0X, 1Y, 0Z
0	0	1	1	1X, 1Y, 0Z
0	1	0	0	0X, 0Y, 1Z
0	1	0	1	1X, 0Y, 1Z
0	1	1	0	0X, 1Y, 1Z
0	1	1	1	1X, 1Y, 1Z
1	X	X	X	NONE

IC853: NJM2581M
Video Amp



* All voltages are measured with a 10MQV DC electronic volt meter.
* Components having special characteristics are marked !, and must be replaced with parts having specifications equal to those originally installed.
* Schematic diagram is subject to change without notice.

* 電圧は、内部抵抗10MΩの電圧計で測定したものです。
* 上印のある部品は、安全性確保部品を示しています。部品の交換が必要な場合、パーツリストに記載されている部品を使用してください。
* 本回路図は標準回路図です。改良のため予告なく変更することがございます。

PARTS LIST

■ ELECTRICAL PARTS

■ WARNING

● Components having special characteristics are marked \triangle and must be replaced with parts having specifications equal to those originally installed.

● \triangle 印のある部分は、安全確保部品を示しています。部品の交換が必要な場合、パーツリストに記載されている部品を使用してください。

● 部品価格ランクは、予告なく変更することがあります。

ABBREVIATIONS IN THIS LIST ARE AS FOLLOWS:

C.A.EL.CHP	: CHIP ALUMI.ELECTROLYTIC CAP	L.EMIT	: LIGHT EMITTING MODULE
C.CE	: CERAMIC CAP	LED.DSPLY	: LED DISPLAY
C.CE.ARRAY	: CERAMIC CAP ARRAY	LED.INFRD	: LED,INFRARED
C.CE.CHP	: CHIP CERAMIC CAP	MODUL.RF	: MODULATOR,RF
C.CE.ML	: MULTILAYER CERAMIC CAP	PHOT.CPL	: PHOTO COUPLER
C.CE.M.CHP	: CHIP MULTILAYER CERAMIC CAP	PHOT.INTR	: PHOTO INTERRUPTER
C.CE.SAFTY	: RECOGNIZED CERAMIC CAP	PHOT.RFLCT	: PHOTO REFLECTOR
C.CE.TUBLR	: CERAMIC TUBULAR CAP	PIN.TEST	: PIN,TEST POINT
C.CE.SMI	: SEMI CONDUCTIVE CERAMIC CAP	PLST.RIVET	: PLASTIC RIVET
C.EL	: ELECTROLYTIC CAP	R.ARRAY	: RESISTOR ARRAY
C.MICA	: MICA CAP	R.CAR.	: CARBON RESISTOR
C.ML.FLM	: MULTILAYER FILM CAP	R.CAR.CHP	: CHIP RESISTOR
C.MP	: METALLIZED PAPER CAP	R.CAR.FP	: FLAME PROOF CARBON RESISTOR
C.MYLAR	: MYLAR FILM CAP	R.FUS	: FUSABLE RESISTOR
C.MYLAR.ML	: MULTILAYER MYLAR FILM CAP	R.MTL.CHP	: CHIP METAL FILM RESISTOR
C.PAPER	: PAPER CAPACITOR	R.MTL.FLM	: METAL FILM RESISTOR
C.PLS	: POLYSTYRENE FILM CAP	R.MTL.OXD	: METAL OXIDE FILM RESISTOR
C.POL	: POLYESTER FILM CAP	R.MTL.PLAT	: METAL PLATE RESISTOR
C.POLY	: POLYETHYLENE FILM CAP	RSNR.CE	: CERAMIC RESONATOR
C.PP	: POLYPROPYLENE FILM CAP	RSNR.CRYS	: CRYSTAL RESONATOR
C.TNTL	: TANTALUM CAP	R.TW.CEM	: TWIN CEMENT FIXED RESISTOR
C.TNTL.CHP	: CHIP TANTALUM CAP	R.WW	: WIRE WOUND RESISTOR
C.TRIM	: TRIMMER CAP	SCR.BND.HD	: BIND HEAD B-TITE SCREW
CN	: CONNECTOR	SCR.BW.HD	: BW HEAD TAPPING SCREW
CN.BS.PIN	: CONNECTOR,BASE PIN	SCR.CUP	: CUP TITE SCREW
CN.CANNON	: CONNECTOR,CANNON	SCR.TERM	: SCREW TERMINAL
CN.DIN	: CONNECTOR,DIN	SCR.TR	: SCREW,TRANSISTOR
CN.FLAT	: CONNECTOR,FLAT CABLE	SUPRT.PCB	: SUPPORT,P.C.B.
CN.POST	: CONNECTOR,BASE POST	SURG.PRTCT	: SURGE PROTECTOR
COIL.MX.AM	: COIL,AM MIX	SW.TACT	: TACT SWITCH
COIL.AT.FM	: COIL,FM ANTENNA	SW.LEAF	: LEAF SWITCH
COIL.DT.FM	: COIL,FM DETECT	SW.LEVER	: LEVER SWITCH
COIL.MX.FM	: COIL,FM MIX	SW.MICRO	: MICRO SWITCH
COIL.OUTPT	: OUTPUT COIL	SW.PUSH	: PUSH SWITCH
DIOD.ARRAY	: DIODE ARRAY	SW.RT.ENC	: ROTARY ENCODER
DIODE.BRG	: DIODE BRIDGE	SW.RT.MTR	: ROTARY SWITCH WITH MOTOR
DIODE.CHP	: CHIP DIODE	SW.RT	: ROTARY SWITCH
DIODE.VAR	: VARACTOR DIODE	SW.SLIDE	: SLIDE SWITCH
DIOD.Z.CHP	: CHIP ZENER DIODE	TERM.SP	: SPEAKER TERMINAL
DIODE.ZENR	: ZENER DIODE	TERM.WRAP	: WRAPPING TERMINAL
DSCR.CE	: CERAMIC DISCRIMINATOR	THRMST.CHP	: CHIP THERMISTOR
FER.BEAD	: FERRITE BEADS	TR.CHP	: CHIP TRANSISTOR
FER.CORE	: FERRITE CORE	TR.DGT	: DIGITAL TRANSISTOR
FET.CHP	: CHIP FET	TR.DGT.CHP	: CHIP DIGITAL TRANSISTOR
FL.DSPLY	: FLUORESCENT DISPLAY	TRANS	: TRANSFORMER
FLTR.CE	: CERAMIC FILTER	TRANS.PULS	: PULSE TRANSFORMER
FLTR.COMB	: COMB FILTER MODULE	TRANS.PWR	: POWER TRANSFORMER ASS'Y
FLTR.LC.RF	: LC FILTER,EMI	TUNER.AM	: TUNER PACK,AM
GND.MTL	: GROUND PLATE	TUNER.FM	: TUNER PACK,FM
GND.TERM	: GROUND TERMINAL	TUNER.PK	: FRONT-ENDTUNER PACK
HOLDER.FUS	: FUSE HOLDER	VR	: ROTARY POTENTIOMETER
IC.PRTCT	: IC PROTECTOR	VR.MTR	: POTENTIOMETER WITH MOTOR
JUMPER.CN	: JUMPER CONNECTOR	VR.SW	: POTENTIOMETER WITH ROTARY SW
JUMPER.TST	: JUMPER,TEST POINT	VR.SLIDE	: SLIDE POTENTIOMETER
L.DTCT	: LIGHT DETECTING MODULE	VR.TRIM	: TRIMMER POTENTIOMETER

Note) Those parts marked with “#” are not included in the P.C.B. ass'y.

P.C.B. DSP

Schm Ref.	PART NO.	Description	Remarks	Markets	部 品 名	Rank	
*	WC841800	P. C. B.	DSP	550, 5750		P C B D S P	
*	WC841900	P. C. B.	DSP	450	J	P C B D S P	
*	WC842000	P. C. B.	DSP	450, 5740	UCRTKABGLE	P C B D S P	
CB1	V7828000	SOCKET	13P SE TUC SERIES			コネクターソケット	
CB2	VQ044800	CN. BS. PIN	18P			F F Cコネクター	01
C2	UR837470	C. EL	47uF 16V			ケミコン	01
C14	UR847220	C. EL	22uF 25V		UCRTKABGLE	ケミコン	01
C15	UR237470	C. EL	47uF 16V	550, 5750		ケミコン	
C15	UR237470	C. EL	47uF 16V	450	J	ケミコン	
C17	UR237470	C. EL	47uF 16V			ケミコン	
C19	UU137470	C. EL	47uF 16V			ケミコン	01
C21	UR837470	C. EL	47uF 16V		UCRTKABGLE	ケミコン	01
C22	UR237470	C. EL	47uF 16V			ケミコン	
C33	UU137470	C. EL	47uF 16V			ケミコン	01
C36	UA654680	C. MYLAR	0.068uF 50V			マイラーコン	02
C40	UA653100	C. MYLAR	1000pF 50V			マイラーコン	03
C50	UR237470	C. EL	47uF 16V			ケミコン	
C53	UU137470	C. EL	47uF 16V			ケミコン	01
C55	UU119100	C. EL	1000uF 6.3V			ケミコン	01
C65	UU118100	C. EL	100uF 6.3V			ケミコン	01
*	C67	UR018470	C. EL 470uF 6.3V			ケミコン	
	C75	UU118100	C. EL 100uF 6.3V			ケミコン	01
	C76	UU118100	C. EL 100uF 6.3V			ケミコン	01
	C78	UR237470	C. EL 47uF 16V			ケミコン	
	C80	UR237470	C. EL 47uF 16V			ケミコン	
*	C81	UR018470	C. EL 470uF 6.3V			ケミコン	
	C82	UR237470	C. EL 47uF 16V			ケミコン	
	C87	UR237470	C. EL 47uF 16V			ケミコン	
	C101	UR237470	C. EL 47uF 16V			ケミコン	
	C105	UR237470	C. EL 47uF 16V			ケミコン	
	C124	UU118100	C. EL 100uF 6.3V			ケミコン	01
	C125	UU137470	C. EL 47uF 16V			ケミコン	01
	C126	UU118100	C. EL 100uF 6.3V			ケミコン	01
	C131	UU118470	C. EL 470uF 6.3V			ケミコン F W	01
	C145	UU166220	C. EL 2.2uF 50V			ケミコン	01
	C152	UR037100	C. EL 10uF 16V			ケミコン	01
	C153	UR037100	C. EL 10uF 16V			ケミコン	01
	C154	UR837100	C. EL 10uF 16V			ケミコン	01
	C156	UR837100	C. EL 10uF 16V			ケミコン	01
	C157	UR837100	C. EL 10uF 16V			ケミコン	01
	C158	UR037470	C. EL 47uF 16V			ケミコン	01
	C159	UR037470	C. EL 47uF 16V			ケミコン	01
	C162	UR037100	C. EL 10uF 16V			ケミコン	01
	C163	UR037100	C. EL 10uF 16V			ケミコン	01
	C164	UA652680	C. MYLAR 680pF 50V			マイラーコン	01
	C165	UA654470	C. MYLAR 0.047uF 50V			マイラーコン	01
	C166	UA652680	C. MYLAR 680pF 50V			マイラーコン	01
	C168	UA652680	C. MYLAR 680pF 50V			マイラーコン	01
	C169	UA652680	C. MYLAR 680pF 50V			マイラーコン	01
	C177	UA652100	C. MYLAR 100pF 50V			マイラーコン	01
	C179	UA652100	C. MYLAR 100pF 50V			マイラーコン	01
	C180	UA652100	C. MYLAR 100pF 50V			マイラーコン	01
	C181	UA652100	C. MYLAR 100pF 50V			マイラーコン	01

* New Parts * 新規部品(マーク#の部品は、基板に含まれません)

RX-V550/HTR-5750
RX-V450/HTR-5740/DSP-AX450

P.C.B. DSP

Schm Ref.	PART NO.	Description	Remarks	Markets	部 品 名	Rank
C183	UA653390	C. MYLAR	3900pF 50V		マイラーコン	01
C186	UR037100	C. EL	10uF 16V		ケミコン	01
C187	UR037100	C. EL	10uF 16V		ケミコン	01
C188	UR837100	C. EL	10uF 16V		ケミコン	01
C190	UR837100	C. EL	10uF 16V		ケミコン	01
C191	UR837100	C. EL	10uF 16V		ケミコン	01
C194	UR037100	C. EL	10uF 16V		ケミコン	01
C195	UR037100	C. EL	10uF 16V		ケミコン	01
C198	UA655100	C. MYLAR	0. 1uF 50V		マイラーコン	01
C199	UA655100	C. MYLAR	0. 1uF 50V		マイラーコン	01
C200	UA655100	C. MYLAR	0. 1uF 50V		マイラーコン	01
C201	UA655100	C. MYLAR	0. 1uF 50V		マイラーコン	01
C202	UA655100	C. MYLAR	0. 1uF 50V		マイラーコン	01
C203	UA655100	C. MYLAR	0. 1uF 50V		マイラーコン	01
C206	UR037470	C. EL	47uF 16V		ケミコン	01
C207	UR037470	C. EL	47uF 16V		ケミコン	01
C208	UR037470	C. EL	47uF 16V		ケミコン	01
C209	UR037470	C. EL	47uF 16V		ケミコン	01
C210	UR037470	C. EL	47uF 16V		ケミコン	01
C211	UR037470	C. EL	47uF 16V		ケミコン	01
D1	VV220700	D10DE. SHOT	RB501V-40	550, 5750, AX450	ショットキーダイオード	01
D2	VV220700	D10DE. SHOT	RB501V-40	550, 5750, AX450	ショットキーダイオード	01
D3	VT332900	D10DE	1SS355		ダイオード	01
D4	VT332900	D10DE	1SS355		ダイオード	01
D5	VT332900	D10DE	1SS355		ダイオード	01
D6	VT332900	D10DE	1SS355		ダイオード	01
D7	VT332900	D10DE	1SS355		ダイオード	01
D8	VT332900	D10DE	1SS355		ダイオード	01
D9	WB081800	D10DE	SB01-050		ショットキダイオード	
D10	WB081800	D10DE	SB01-050		ショットキダイオード	
D11	WB081800	D10DE	SB01-050		ショットキダイオード	
D12	WB081800	D10DE	SB01-050		ショットキダイオード	
IC1	XY070A00	IC	MM74HCU04SJX INVER		ロジック IC SOP	01
* IC2	X5444A00	IC	LC89057W-VF4D-E		IC	
IC3	XY120A00	IC	TC74HCT00AF(EL) NA	550, 5750, AX450	ロジック IC SOP	01
IC4	XR038A00	IC	NJM2904M OP AMP	550, 5750, AX450	IC	01
* IC5	X4570A00	IC	YSS948-V		IC デジタル	
* IC6	X2639A00	IC	CY62128BLL-70SCT		メモリ IC	07
IC7	X3567A00	IC	YSS930-SZ		IC	08
IC8	XV077B00	IC	MSM514260E-60JS		メモリ IC 4M	07
IC10	X3693A00	IC	SN74LV245APWR TRAN		ロジック IC TSSOP	
IC11	XU965A00	IC	uPC29M33T-E1 3.3V		電源 IC	03
IC12	XZ003A00	IC	PQ025EZ5MZP 2.5V		電源 IC QFP	03
IC13	X4314A00	IC	PQ012FZ01ZP 1.2V1A		電源 IC QFP	04
IC14	X0293A00	IC	74VHC15MTCX		ロジック IC TSSOP	02
IC16	X3807A00	IC	AK4628VQ		IC	
IC18	XF291A00	IC	uPC4570G2		IC	03
IC19	X3505A00	IC	NJM2068MD-TE2		アンプ IC SOP	02
IC20	X3505A00	IC	NJM2068MD-TE2		アンプ IC SOP	02
IC21	X3505A00	IC	NJM2068MD-TE2		アンプ IC SOP	02
IC22	X3824A00	IC	SN74AHCT08PWR		ロジック IC	01
PJ1	V4483900	JACK. PIN	1P YKC21-3895		ピンジャック	
R5	HV753100	R. CAR. FP	1Ω 1/4W		不燃化カーボン抵抗	01

* New Parts * 新規部品(マーク#の部品は、基板に含まれません)

RX-V550/HTR-5750
RX-V450/HTR-5740/DSP-AX450

RX-V550

P.C.B. DSP & P.C.B. FUNCTION

Schm Ref.	PART NO.	Description	Remarks	Markets	部 品 名	Rank	
R18	HV753100	R. CAR. FP	1Ω 1/4W	550, 5750, AX450	不燃化カーボン抵抗	01	
R40	V8070000	R. MTL. FLM	1Ω 1W		金属被膜抵抗		
R52	HV753100	R. CAR. FP	1Ω 1/4W		不燃化カーボン抵抗	01	
R63	HV753100	R. CAR. FP	1Ω 1/4W		不燃化カーボン抵抗	01	
R104	V8070000	R. MTL. FLM	1Ω 1W		金属被膜抵抗		
R105	HV753100	R. CAR. FP	1Ω 1/4W		不燃化カーボン抵抗	01	
R111	HV753100	R. CAR. FP	1Ω 1/4W		不燃化カーボン抵抗	01	
R194	HV753220	R. CAR. FP	2.2Ω 1/4W		不燃化カーボン抵抗	01	
R195	HV753220	R. CAR. FP	2.2Ω 1/4W		不燃化カーボン抵抗	01	
ST1	V4040500	SCR. TERM	M3		スクリュー/ターミナル	01	
U1	WB001600	CN. PHOT. SN	1P GP1FA553TZ	550, 5750, AX450	光ファイバリンク		
U2	WB001400	CN. PHOT. SN	1P GP1FA553RZ	550, 5750, AX450	光ファイバ受信器	04	
U3	WB001400	CN. PHOT. SN	1P GP1FA553RZ		光ファイバ受信器	04	
U4	WB001400	CN. PHOT. SN	1P GP1FA553RZ		光ファイバ受信器	04	
XL1	V3625700	RSNR. CRYST	24.576MHz		水晶振動子	03	
*	WC844500	P. C. B.	FUNCTION	550	UC	P C B ファンクション	
*	WC844600	P. C. B.	FUNCTION	550	R	P C B ファンクション	
*	WC844700	P. C. B.	FUNCTION	550	T	P C B ファンクション	
*	WC844800	P. C. B.	FUNCTION	550	K	P C B ファンクション	
*	WC844900	P. C. B.	FUNCTION	550	A	P C B ファンクション	
*	WC845000	P. C. B.	FUNCTION	550	BGE	P C B ファンクション	
*	WC845100	P. C. B.	FUNCTION	550	L	P C B ファンクション	
CB301	V7826600	CN	16P TE TUC SERIES	550		コネクタプラグ	01
CB303	V7828700	SOCKET	20P SE TUC SERIES	550		コネクタソケット	01
CB305	VP573800	CN. BS. PIN	18P	550		F F C コネクタ	01
CB306	VB858700	CN. BS. PIN	8P	550		ベースピン	01
CB307	VK026600	CN. BS. PIN	7P	550		ワイヤートラップ	01
CB308	VM923600	CN. BS. PIN	13P	550		F F C コネクタ	01
CB309	VB858400	CN. BS. PIN	5P	550		ベースピン	01
CB401	V7828300	SOCKET	16P TE TUC SERIES	550		コネクタソケット	01
CB402	V7826600	CN	16P TE TUC SERIES	550		コネクタプラグ	01
CB461	Vi878300	CN. BS. PIN	5P	550	UCA	ケーブルホルダー	01
CB501	VM929900	CN. BS. PIN	15P	550		F P C コネクタ	01
CB502	VQ044900	CN. BS. PIN	19P	550		F F C コネクタ	01
CB503	VP682300	CN. BS. PIN	8P	550		F F C コネクタ	01
CB504	Vi878300	CN. BS. PIN	5P	550	UCA	ケーブルホルダー	01
CB505	VQ045100	CN. BS. PIN	21P	550		F F C コネクタ	02
CB506	V7826300	CN	13P TE TUC SERIES	550		コネクタプラグ	
CB508	V7827000	CN	20P TE TUC SERIES	550		コネクタプラグ	01
CB510	V7825900	CN	9P TE TUC SERIES	550		コネクタプラグ	
CB511	V7826400	CN	14P TE TUC SERIES	550		コネクタプラグ	
CB512	V7825500	CN	5P TE TUC SERIES	550		コネクタプラグ	01
CB601	V7828100	SOCKET	14P TE TUC SERIES	550		コネクタソケット	
CB701	V7827200	SOCKET	5P TE TUC SERIES	550		コネクタソケット	
CB751	V7828300	SOCKET	16P TE TUC SERIES	550		コネクタソケット	01
CB901	V7827600	SOCKET	9P SE TUC SERIES	550		コネクタソケット	
C307	UA652220	C. MYLAR	220pF 50V	550		マイラーコン	01
C308	UA652220	C. MYLAR	220pF 50V	550		マイラーコン	01
C309	UA652220	C. MYLAR	220pF 50V	550		マイラーコン	01
C310	UA652220	C. MYLAR	220pF 50V	550		マイラーコン	01

* New Parts * 新規部品(マーク#の部品は、基板に含まれません)

RX-V550/HTR-5750
RX-V450/HTR-5740/DSP-AX450

RX-V550

P.C.B. FUNCTION

Schm Ref.	PART NO.	Description	Remarks	Markets	部 品 名	Rank
C311	FG651470	C. CE	47pF 50V	550	セラコン	01
C312	FG651470	C. CE	47pF 50V	550	セラコン	01
C313	UR837100	C. EL	10uF 16V	550	ケミコン	01
C314	UR837100	C. EL	10uF 16V	550	ケミコン	01
C315	UR837100	C. EL	10uF 16V	550	ケミコン	01
C316	UR837100	C. EL	10uF 16V	550	ケミコン	01
C317	UR837100	C. EL	10uF 16V	550	ケミコン	01
C318	VE326300	C. MYLAR. ML	0.18uF 50V	550	積層マイラーコン	01
C319	VE326300	C. MYLAR. ML	0.18uF 50V	550	積層マイラーコン	01
C320	UA653470	C. MYLAR	4700pF 50V	550	マイラーコン	01
C321	UR837100	C. EL	10uF 16V	550	ケミコン	01
C322	UU137100	C. EL	10uF 16V	550	ケミコン	01
C323	UU137100	C. EL	10uF 16V	550	ケミコン	01
C324	UU137100	C. EL	10uF 16V	550	ケミコン	01
C325	UA655150	C. MYLAR	0.15uF 50V	550	マイラーコン	01
C326	UA655150	C. MYLAR	0.15uF 50V	550	マイラーコン	01
C327	UA653470	C. MYLAR	4700pF 50V	550	マイラーコン	01
C330	UR037100	C. EL	10uF 16V	550	ケミコン	01
C331	UR037100	C. EL	10uF 16V	550	ケミコン	01
C332	UT652100	C. PP	100pF 100V	550	P Pコン	01
C333	UT652100	C. PP	100pF 100V	550	P Pコン	01
C334	UU137100	C. EL	10uF 16V	550	ケミコン	01
C335	UU137100	C. EL	10uF 16V	550	ケミコン	01
C336	VG291200	C. EL	47uF 50V	550	ケミコン	01
C337	VG291200	C. EL	47uF 50V	550	ケミコン	01
C338	UR837100	C. EL	10uF 16V	550	ケミコン	01
C339	UA652100	C. MYLAR	100pF 50V	550	マイラーコン	01
C340	UR837100	C. EL	10uF 16V	550	ケミコン	01
C341	UU137100	C. EL	10uF 16V	550	ケミコン	01
C342	UR837100	C. EL	10uF 16V	550	ケミコン	01
C343	UR837100	C. EL	10uF 16V	550	ケミコン	01
C344	UR837100	C. EL	10uF 16V	550	ケミコン	01
C347	VG291200	C. EL	47uF 50V	550	ケミコン	01
C348	VG291200	C. EL	47uF 50V	550	ケミコン	01
C349	UR037470	C. EL	47uF 16V	550	ケミコン	01
C350	UR037470	C. EL	47uF 16V	550	ケミコン	01
C355	UR837100	C. EL	10uF 16V	550	ケミコン	01
C356	UR837100	C. EL	10uF 16V	550	ケミコン	01
C361	UR837100	C. EL	10uF 16V	550	ケミコン	01
C362	UR837100	C. EL	10uF 16V	550	ケミコン	01
C365	UR239100	C. EL	1000uF 16V	550	ケミコン	
C366	UR239100	C. EL	1000uF 16V	550	ケミコン	
C367	UR837100	C. EL	10uF 16V	550	ケミコン	01
C368	UR837100	C. EL	10uF 16V	550	ケミコン	01
C369	UR037100	C. EL	10uF 16V	550	ケミコン	01
C370	UR037100	C. EL	10uF 16V	550	ケミコン	01
C371	UA652100	C. MYLAR	100pF 50V	550	マイラーコン	01
C372	UA652100	C. MYLAR	100pF 50V	550	マイラーコン	01
C373	UA652680	C. MYLAR	680pF 50V	550	マイラーコン	01
C374	UA652680	C. MYLAR	680pF 50V	550	マイラーコン	01
C377	UR037470	C. EL	47uF 16V	550	ケミコン	01
C378	UR037470	C. EL	47uF 16V	550	ケミコン	01
C501	UR237470	C. EL	47uF 16V	550	ケミコン	

* New Parts * 新規部品(マーク#の部品は、基板に含まれません)

RX-V550

P.C.B. FUNCTION

Schm Ref.	PART NO.	Description	Remarks	Markets	部 品 名	Rank
C502	UR837100	C.EL 10uF 16V	550		ケミコン	01
C503	UR818220	C.EL 220uF 6.3V	550		ケミコン	01
C504	WB165500	C.EL 0.33F 5.5V	550		ゴールドキャパシタ	
C505	UR818220	C.EL 220uF 6.3V	550		ケミコン	01
C506	VG287600	C.EL 100uF 25V	550		ケミコン	01
C511	UR866220	C.EL 2.2uF 50V	550		ケミコン	01
C512	UR866220	C.EL 2.2uF 50V	550	UCA	ケミコン	01
C513	UR866220	C.EL 2.2uF 50V	550		ケミコン	01
C514	UR866220	C.EL 2.2uF 50V	550		ケミコン	01
C515	UR866220	C.EL 2.2uF 50V	550		ケミコン	01
C522	UR237470	C.EL 47uF 16V	550		ケミコン	
C523	UR237470	C.EL 47uF 16V	550		ケミコン	
C524	UR237470	C.EL 47uF 16V	550		ケミコン	
C528	UR237470	C.EL 47uF 16V	550	BGE	ケミコン	
C529	UR237470	C.EL 47uF 16V	550	BGE	ケミコン	
C534	UR237470	C.EL 47uF 16V	550	BGE	ケミコン	
* C535	UR067470	C.EL 47uF 50V	550		ケミコン	
C539	UR837330	C.EL 33uF 16V	550		ケミコン	01
C603	UR837100	C.EL 10uF 16V	550		ケミコン	01
C604	UR837100	C.EL 10uF 16V	550		ケミコン	01
C605	UR837100	C.EL 10uF 16V	550		ケミコン	01
C608	UR837100	C.EL 10uF 16V	550		ケミコン	01
C609	UR837100	C.EL 10uF 16V	550		ケミコン	01
C610	UR837100	C.EL 10uF 16V	550		ケミコン	01
C612	UR829100	C.EL 1000uF 10V	550		ケミコン	01
C614	UR829100	C.EL 1000uF 10V	550		ケミコン	01
* C619	UR238470	C.EL 470uF 16V	550		ケミコン	
C620	UR238100	C.EL 100uF 16V	550		ケミコン	
C621	UR238100	C.EL 100uF 16V	550		ケミコン	
C624	UR837100	C.EL 10uF 16V	550		ケミコン	01
C625	UR837100	C.EL 10uF 16V	550		ケミコン	01
C626	UA653220	C.MYLAR 2200pF 50V	550		マイラーコン	01
C628	UR866470	C.EL 4.7uF 50V	550		ケミコン	01
C629	UR837470	C.EL 47uF 16V	550		ケミコン	01
C633	UR238100	C.EL 100uF 16V	550		ケミコン	
C634	UR238100	C.EL 100uF 16V	550		ケミコン	
C635	UR837100	C.EL 10uF 16V	550		ケミコン	01
C637	UR238100	C.EL 100uF 16V	550		ケミコン	
C639	UR837100	C.EL 10uF 16V	550		ケミコン	01
C648	UR866470	C.EL 4.7uF 50V	550		ケミコン	01
C652	UR238100	C.EL 100uF 16V	550		ケミコン	
C653	UR818330	C.EL 330uF 6.3V	550		ケミコン	01
C704	UR837100	C.EL 10uF 16V	550		ケミコン	01
C705	UR837100	C.EL 10uF 16V	550		ケミコン	01
C706	UR837100	C.EL 10uF 16V	550		ケミコン	01
C709	UR238100	C.EL 100uF 16V	550		ケミコン	
C710	UR238100	C.EL 100uF 16V	550		ケミコン	
C754	FG651470	C.CE 47pF 50V	550	UCA	セラコン	01
C755	FG651470	C.CE 47pF 50V	550	UCA	セラコン	01
C756	UA654100	C.MYLAR 0.01uF 50V	550		マイラーコン	01
C757	UA652220	C.MYLAR 220pF 50V	550		マイラーコン	01
C758	UA652220	C.MYLAR 220pF 50V	550		マイラーコン	01
C759	UA652220	C.MYLAR 220pF 50V	550		マイラーコン	01

* New Parts * 新規部品(マーク#の部品は、基板に含まれません)

RX-V550/HTR-5750
RX-V450/HTR-5740/DSP-AX450

RX-V550

P.C.B. FUNCTION

Schm Ref.	PART NO.	Description	Remarks	Markets	部 品 名	Rank	
C760	UA652220	C. MYLAR	220pF 50V	550		マイラーコン	01
C761	UA652220	C. MYLAR	220pF 50V	550		マイラーコン	01
C762	UA652220	C. MYLAR	220pF 50V	550		マイラーコン	01
C763	FG651470	C. CE	47pF 50V	550		セラコン	01
C764	FG651470	C. CE	47pF 50V	550		セラコン	01
C765	UR837100	C. EL	10uF 16V	550		ケミコン	01
C766	UR837100	C. EL	10uF 16V	550		ケミコン	01
C767	UR837100	C. EL	10uF 16V	550	UCA	ケミコン	01
C768	UR837100	C. EL	10uF 16V	550	UCA	ケミコン	01
C903	UR837100	C. EL	10uF 16V	550		ケミコン	01
C904	UR837100	C. EL	10uF 16V	550		ケミコン	01
C905	UR837100	C. EL	10uF 16V	550		ケミコン	01
C906	UR829100	C. EL	1000uF 10V	550		ケミコン	01
C907	UR829100	C. EL	1000uF 10V	550		ケミコン	01
C909	UR837100	C. EL	10uF 16V	550		ケミコン	01
* C910	UR238470	C. EL	470uF 16V	550		ケミコン	01
C911	UR837100	C. EL	10uF 16V	550		ケミコン	01
D301	VU994300	D10DE. ZENR	MA8075-H 7.7V	550		ツェナーダイオード	
D302	VU994300	D10DE. ZENR	MA8075-H 7.7V	550		ツェナーダイオード	
D303	VV307700	D10DE	1N4002S	550		ダイオード	01
D304	VV307700	D10DE	1N4002S	550		ダイオード	01
D461	VT332900	D10DE	1SS355	550	UCA	ダイオード	01
D462	VT332900	D10DE	1SS355	550	UCA	ダイオード	01
D463	VT332900	D10DE	1SS355	550	UCA	ダイオード	01
D501	VT332900	D10DE	1SS355	550		ダイオード	01
D502	VT332900	D10DE	1SS355	550		ダイオード	01
D503	VT332900	D10DE	1SS355	550		ダイオード	01
D504	VU992600	D10DE. ZENR	MA8051-M 5.1V	550		ツェナーダイオード	01
D505	VU992600	D10DE. ZENR	MA8051-M 5.1V	550		ツェナーダイオード	01
D507	VU992600	D10DE. ZENR	MA8051-M 5.1V	550		ツェナーダイオード	01
D508	VU993000	D10DE. ZENR	MA8056-M 5.6V	550		ツェナーダイオード	01
D510	VU992600	D10DE. ZENR	MA8051-M 5.1V	550		ツェナーダイオード	01
D511	VT332900	D10DE	1SS355	550		ダイオード	01
D601	VT332900	D10DE	1SS355	550		ダイオード	01
D602	VT332900	D10DE	1SS355	550		ダイオード	01
D603	VT332900	D10DE	1SS355	550		ダイオード	01
D604	VT332900	D10DE	1SS355	550		ダイオード	01
D606	VT332900	D10DE	1SS355	550		ダイオード	01
D607	VT332900	D10DE	1SS355	550		ダイオード	01
D608	VT332900	D10DE	1SS355	550		ダイオード	01
D609	VT332900	D10DE	1SS355	550		ダイオード	01
D610	VT332900	D10DE	1SS355	550		ダイオード	01
* IC301	X5092A00	IC	BD3816K1	550		IC	
IC302	X3547A00	IC	BD3841FS	550	UCA	IC	
IC303	X3505A00	IC	NJM2068MD-TE2	550		アンプ IC SOP	02
IC304	X3505A00	IC	NJM2068MD-TE2	550		アンプ IC SOP	02
IC305	XP844A00	IC	NJM4556AL	550		IC	02
IC306	X3505A00	IC	NJM2068MD-TE2	550		アンプ IC SOP	02
IC501	X5041A00	IC	NJU7201L55 5.5V	550		電源 IC SIL	02
* IC502	X5269A00	IC. CPU	M30622MWP-152FP	MASK ROM		IC CPU	
* IC503	X0082A00	IC	LC72722PM	550	BGE	IC SOP	
IC601	XH436A00	IC	LA7956	550		IC	03
IC602	XH436A00	IC	LA7956	550		IC	03

* New Parts * 新規部品(マーク#の部品は、基板に含まれません)

RX-V550

P.C.B. FUNCTION

Schm Ref.	PART NO.	Description	Remarks	Markets	部 品 名	Rank	
IC603	XY879A00	IC	TC74HC4053AF (EL)	550		ロジック IC SOP	03
IC606	XY879A00	IC	TC74HC4053AF (EL)	550		ロジック IC SOP	03
IC607	XW939A00	IC	TK15420M VIDEO AMP	550		アンプ IC SOP	03
IC608	XW939A00	IC	TK15420M VIDEO AMP	550		アンプ IC SOP	03
IC609	XD598A00	IC	TC74HCU04AFEL INV	550		ロジック IC	01
IC701	XY879A00	IC	TC74HC4053AF (EL)	550		ロジック IC SOP	03
IC702	X2904A00	IC	NJM2581M VIDEO AMP	550		アンプ IC SOP	06
IC901	XH436A00	IC	LA7956	550		IC	03
* JK461	V9435700	JACK. MNI	MSJ-035-12APC	550	UCA	モノラル ミニジャック	
* JK462	WD195900	JACK	2P	550	UCA	ミニ ジャック	
JK601	VS867300	CN. DIN	4P YKF51-5501	550		DINコネクタ	03
JK602	V9273500	CN. DIN	2P YKF51-5605	550		DINコネクタ 2P	
JK603	V9273500	CN. DIN	2P YKF51-5605	550		DINコネクタ 2P	
PJ301	V7190400	JACK. PIN	6P	550		ピンジャック	03
PJ302	V7046800	JACK. PIN	6P MSP-246V1-01NI	550		ピンジャック	
PJ701	V8143900	JACK. PIN	9P SHIELD YKC21	550		ピンジャック	04
PJ751	V7046700	JACK. PIN	4P MSP-244V1-01NI	550		ピンジャック	
PJ752	V7046800	JACK. PIN	6P MSP-246V1-01NI	550	UCA	ピンジャック	
PJ752	V7046700	JACK. PIN	4P MSP-244V1-01NI	550	RTKBGEL	ピンジャック	
PJ753	V7189700	JACK. PIN	1P	550		ピンジャック	01
PJ901	V7190000	JACK. PIN	2P	550		ピンジャック	
PJ902	V7190000	JACK. PIN	2P	550		ピンジャック	
PJ903	V7189800	JACK. PIN	1P	550		ピンジャック	01
PN301	V9637500	PIN	L=70 #18	550		スタイルピン	
Q301	VD303700	TR	2SC3326 A, B	550		トランジスタ	01
Q302	VD303700	TR	2SC3326 A, B	550		トランジスタ	01
Q303	VD303700	TR	2SC3326 A, B	550		トランジスタ	01
Q304	VD303700	TR	2SC3326 A, B	550		トランジスタ	01
Q305	VD303700	TR	2SC3326 A, B	550		トランジスタ	01
Q306	VD303700	TR	2SC3326 A, B	550		トランジスタ	01
Q307	iC181510	TR	2SC1815 Y	550		トランジスタ	01
Q308	iA101510	TR	2SA1015 Y	550		トランジスタ	01
Q309	VD303700	TR	2SC3326 A, B	550		トランジスタ	01
Q310	VD303700	TR	2SC3326 A, B	550		トランジスタ	01
Q461	VP872600	TR	2SA1708 S, T	550	UCA	トランジスタ	01
Q462	VV655700	TR. DGT	DTC144EKA	550	UCA	デジタルトランジスタ	01
Q501	VP872600	TR	2SA1708 S, T	550		トランジスタ	01
Q502	VV556500	TR	2SA1037K Q, R, S	550		トランジスタ	01
Q503	VV556500	TR	2SA1037K Q, R, S	550	UCA	トランジスタ	01
Q504	VV556500	TR	2SA1037K Q, R, S	550		トランジスタ	01
Q505	VV556500	TR	2SA1037K Q, R, S	550		トランジスタ	01
Q506	VV556500	TR	2SA1037K Q, R, S	550		トランジスタ	01
Q507	iC181510	TR	2SC1815 Y	550		トランジスタ	01
Q508	iC174020	TR	2SC1740S R, S	550		トランジスタ	01
Q508	iC174020	TR	2SC1740S R, S	550	BGE	トランジスタ	01
Q509	VV655700	TR. DGT	DTC144EKA	550		デジタルトランジスタ	01
Q601	iC174020	TR	2SC1740S R, S	550		トランジスタ	01
Q602	iC174020	TR	2SC1740S R, S	550		トランジスタ	01
Q603	iC174020	TR	2SC1740S R, S	550		トランジスタ	01
Q604	iC174020	TR	2SC1740S R, S	550		トランジスタ	01
Q605	iC174020	TR	2SC1740S R, S	550		トランジスタ	01
Q606	iC174020	TR	2SC1740S R, S	550		トランジスタ	01
Q607	iC174020	TR	2SC1740S R, S	550		トランジスタ	01

* New Parts * 新規部品(マーク#の部品は、基板に含まれません)

RX-V550/HTR-5750
RX-V450/HTR-5740/DSP-AX450

RX-V550

P.C.B. FUNCTION

Schm Ref.	PART NO.	Description	Remarks	Markets	部 品 名	Rank	
0608	iC174020	TR	2SC1740S R, S	550		トランジスタ	01
0610	iC174020	TR	2SC1740S R, S	550		トランジスタ	01
0611	iC174020	TR	2SC1740S R, S	550		トランジスタ	01
0612	iC174020	TR	2SC1740S R, S	550		トランジスタ	01
0613	iC053540	TR	2SC535 A, B, C	550		トランジスタ	01
0614	iA101510	TR	2SA1015 Y	550		トランジスタ	01
0615	iC224030	TR	2SC2240 GR, BL	550		トランジスタ	01
0701	VV556400	TR	2SC2412K Q, R, S	550		トランジスタ	01
0751	VD303700	TR	2SC3326 A, B	550	UCA	トランジスタ	01
0752	VD303700	TR	2SC3326 A, B	550	UCA	トランジスタ	01
0753	VD303700	TR	2SC3326 A, B	550		トランジスタ	01
0754	VD303700	TR	2SC3326 A, B	550	UCA	トランジスタ	01
0755	VD303700	TR	2SC3326 A, B	550	UCA	トランジスタ	01
0756	VD303700	TR	2SC3326 A, B	550		トランジスタ	01
0901	iC174020	TR	2SC1740S R, S	550		トランジスタ	01
0902	iC174020	TR	2SC1740S R, S	550		トランジスタ	01
0903	iC174020	TR	2SC1740S R, S	550		トランジスタ	01
0904	iC174020	TR	2SC1740S R, S	550		トランジスタ	01
R374	HV755220	R. CAR. FP	220Ω 1/4W	550		不燃化カーボン抵抗	01
R375	HV755150	R. CAR. FP	150Ω 1/4W	550		不燃化カーボン抵抗	01
R382	HV755100	R. CAR. FP	100Ω 1/4W	550		不燃化カーボン抵抗	01
R383	HV755100	R. CAR. FP	100Ω 1/4W	550		不燃化カーボン抵抗	01
R586	HV753220	R. CAR. FP	2.2Ω 1/4W	550		不燃化カーボン抵抗	01
R615	HV755270	R. CAR. FP	270Ω 1/4W	550		不燃化カーボン抵抗	01
R618	HV755470	R. CAR. FP	470Ω 1/4W	550		不燃化カーボン抵抗	01
R619	HV755270	R. CAR. FP	270Ω 1/4W	550		不燃化カーボン抵抗	01
R620	HV755470	R. CAR. FP	470Ω 1/4W	550		不燃化カーボン抵抗	01
R629	HV753470	R. CAR. FP	4.7Ω 1/4W	550		不燃化カーボン抵抗	01
R657	HV755470	R. CAR. FP	470Ω 1/4W	550		不燃化カーボン抵抗	01
R661	HV755470	R. CAR. FP	470Ω 1/4W	550		不燃化カーボン抵抗	01
R663	HV755470	R. CAR. FP	470Ω 1/4W	550		不燃化カーボン抵抗	01
R667	HV753470	R. CAR. FP	4.7Ω 1/4W	550		不燃化カーボン抵抗	01
R672	HV755470	R. CAR. FP	470Ω 1/4W	550		不燃化カーボン抵抗	01
R675	HV754220	R. CAR. FP	22Ω 1/4W	550		不燃化カーボン抵抗	01
R676	HV755470	R. CAR. FP	470Ω 1/4W	550		不燃化カーボン抵抗	01
R716	HV753100	R. CAR. FP	1Ω 1/4W	550		不燃化カーボン抵抗	01
R717	HV753100	R. CAR. FP	1Ω 1/4W	550		不燃化カーボン抵抗	01
R908	HV755270	R. CAR. FP	270Ω 1/4W	550		不燃化カーボン抵抗	01
R910	HV755270	R. CAR. FP	270Ω 1/4W	550		不燃化カーボン抵抗	01
R916	HV754100	R. CAR. FP	10Ω 1/4W	550		不燃化カーボン抵抗	01
ST501	V4040500	SCR. TERM	M3	550		スクリュー/ターミナル	01
* SW901	V3624300	SW. SLIDE	SS029-P022MJB-PA6	550	RL	スライドSW	
* T601	WC716600	COIL	K5-MT	550	UCRK	ビデオコイルパック	
* T601	WC716700	COIL	K5-MT	550	TABGEL	ビデオコイルパック	
* T602	WC716800	COIL	K5-MS	550	UCRK	ビデオコイルパック	
* T602	WC716900	COIL	K5-MS	550	TABGEL	ビデオコイルパック	
XL501	WA674700	RSNR. CE	16MHz CSTLS16MOX51	550		セラミック振動子	
XL502	V3930900	RSNR. CRY	4.332MHz	550	BGE	水晶振動子	05

* New Parts * 新規部品(マーク#の部品は、基板に含まれません)

HTR-5750

RX-V450/HTR-5740/DSP-AX450

P.C.B. FUNCTION

RX-V550/HTR-5750
RX-V450/HTR-5740/DSP-AX450

*
*
*
*
*
*
*
*
*
*
*
*

Schm Ref.	PART NO.	Description	Remarks	Markets	部 品 名	Rank	
	WC843700	P. C. B.	FUNCTION	450	J	P C B ファンクション	
	WC843800	P. C. B.	FUNCTION	450, 5740	UC	P C B ファンクション	
	WC843900	P. C. B.	FUNCTION	450	RL	P C B ファンクション	
	WC844000	P. C. B.	FUNCTION	450, 5740	T	P C B ファンクション	
	WC844100	P. C. B.	FUNCTION	450, 5740	K	P C B ファンクション	
	WC844100	P. C. B.	FUNCTION	450, 5740	A	P C B ファンクション	
	WC844200	P. C. B.	FUNCTION	450, 5740	BGE	P C B ファンクション	
	WC845300	P. C. B.	FUNCTION	5750	UC	P C B ファンクション	
	WC845400	P. C. B.	FUNCTION	5750	T	P C B ファンクション	
	WC845500	P. C. B.	FUNCTION	5750	K	P C B ファンクション	
	WC845600	P. C. B.	FUNCTION	5750	A	P C B ファンクション	
CB301	V7826600	CN	16P TE TUC SERIES	450, 5750, 5740		コネクタープラグ	01
CB303	V7828700	SOCKET	20P SE TUC SERIES	450, 5750, 5740		コネクタースOCKET	01
CB305	VP573800	CN. BS. PIN	18P	450, 5750, 5740		F F C コネクタ	01
CB306	VB858700	CN. BS. PIN	8P	450, 5750, 5740		ベースピン	01
CB307	VK026600	CN. BS. PIN	7P	450, 5750, 5740		ワイヤートラップ	01
CB308	VM923600	CN. BS. PIN	13P	450, 5750, 5740		F F C コネクタ	01
CB309	VB858400	CN. BS. PIN	5P	450, 5750, 5740		ベースピン	01
CB401	V7828300	SOCKET	16P TE TUC SERIES	450, 5750, 5740		コネクタースOCKET	01
CB402	V7826600	CN	16P TE TUC SERIES	450, 5750, 5740		コネクタープラグ	01
CB501	VM929900	CN. BS. PIN	15P	450, 5750, 5740		F P C コネクタ	01
CB502	VQ044900	CN. BS. PIN	19P	450, 5750, 5740		F F C コネクタ	01
CB503	VP682300	CN. BS. PIN	8P	450, 5750, 5740		F F C コネクタ	01
CB505	VQ045100	CN. BS. PIN	21P	450, 5750, 5740		F F C コネクタ	02
CB506	V7826300	CN	13P TE TUC SERIES	450, 5750, 5740		コネクタープラグ	
CB508	V7827000	CN	20P TE TUC SERIES	450, 5750, 5740		コネクタープラグ	01
CB510	V7825900	CN	9P TE TUC SERIES	450, 5750, 5740		コネクタープラグ	
CB511	V7826400	CN	14P TE TUC SERIES	5750, AX450		コネクタープラグ	
CB512	V7825500	CN	5P TE TUC SERIES	450, 5750, 5740	UCRTKABGLE	コネクタープラグ	01
CB601	V7828100	SOCKET	14P TE TUC SERIES	5750, AX450		コネクタースOCKET	
CB701	V7827200	SOCKET	5P TE TUC SERIES	450, 5750, 5740	UCRTKABGLE	コネクタースOCKET	
CB751	V7828300	SOCKET	16P TE TUC SERIES	450, 5750, 5740		コネクタースOCKET	01
CB901	V7827600	SOCKET	9P SE TUC SERIES	450, 5750, 5740		コネクタースOCKET	
C307	UA652220	C. MYLAR	220pF 50V	450, 5750, 5740		マイラーコン	01
C308	UA652220	C. MYLAR	220pF 50V	450, 5750, 5740		マイラーコン	01
C309	UA652220	C. MYLAR	220pF 50V	450, 5750, 5740		マイラーコン	01
C310	UA652220	C. MYLAR	220pF 50V	450, 5750, 5740		マイラーコン	01
C311	FG651470	C. CE	47pF 50V	450, 5750, 5740		セラコン	01
C312	FG651470	C. CE	47pF 50V	450, 5750, 5740		セラコン	01
C313	UR837100	C. EL	10uF 16V	450, 5750, 5740		ケミコン	01
C314	UR837100	C. EL	10uF 16V	450, 5750, 5740		ケミコン	01
C315	UR837100	C. EL	10uF 16V	450, 5750, 5740		ケミコン	01
C316	UR837100	C. EL	10uF 16V	450, 5750, 5740		ケミコン	01
C317	UR837100	C. EL	10uF 16V	450, 5750, 5740		ケミコン	01
C318	VE326300	C. MYLAR. ML	0.18uF 50V	450, 5750, 5740		積層マイラーコン	01
C319	VE326300	C. MYLAR. ML	0.18uF 50V	450, 5750, 5740		積層マイラーコン	01
C320	UA653470	C. MYLAR	4700pF 50V	450, 5750, 5740		マイラーコン	01
C321	UR837100	C. EL	10uF 16V	450, 5750, 5740		ケミコン	01
C322	UU137100	C. EL	10uF 16V	450, 5750, 5740		ケミコン	01
C323	UU137100	C. EL	10uF 16V	450, 5750, 5740		ケミコン	01
C324	UU137100	C. EL	10uF 16V	450, 5750, 5740		ケミコン	01
C325	UA655150	C. MYLAR	0.15uF 50V	450, 5750, 5740		マイラーコン	01
C326	UA655150	C. MYLAR	0.15uF 50V	450, 5750, 5740		マイラーコン	01

* New Parts * 新規部品(マーク#の部品は、基板に含まれません)

HTR-5750

RX-V450/HTR-5740/DSP-AX450

P.C.B. FUNCTION

Schm Ref.	PART NO.	Description	Remarks	Markets	部 品 名	Rank	
C327	UA653470	C. MYLAR	4700pF 50V	450, 5750, 5740		マイラーコン	01
C330	UR037100	C. EL	10uF 16V	450, 5750, 5740		ケミコン	01
C331	UR037100	C. EL	10uF 16V	450, 5750, 5740		ケミコン	01
C332	UT652100	C. PP	100pF 100V	450, 5750, 5740		P Pコン	01
C333	UT652100	C. PP	100pF 100V	450, 5750, 5740		P Pコン	01
C334	UU137100	C. EL	10uF 16V	450, 5750, 5740		ケミコン	01
C335	UU137100	C. EL	10uF 16V	450, 5750, 5740		ケミコン	01
C336	VG291200	C. EL	47uF 50V	450, 5750, 5740		ケミコン	01
C337	VG291200	C. EL	47uF 50V	450, 5750, 5740		ケミコン	01
C338	UR837100	C. EL	10uF 16V	450, 5750, 5740		ケミコン	01
C339	UA652100	C. MYLAR	100pF 50V	450, 5750, 5740		マイラーコン	01
C340	UR837100	C. EL	10uF 16V	450, 5750, 5740		ケミコン	01
C341	UU137100	C. EL	10uF 16V	450, 5750, 5740		ケミコン	01
C342	UR837100	C. EL	10uF 16V	450, 5750, 5740		ケミコン	01
C343	UR837100	C. EL	10uF 16V	450, 5750, 5740		ケミコン	01
C344	UR837100	C. EL	10uF 16V	450, 5750, 5740		ケミコン	01
C347	VG291200	C. EL	47uF 50V	450, 5750, 5740		ケミコン	01
C348	VG291200	C. EL	47uF 50V	450, 5750, 5740		ケミコン	01
C349	UR037470	C. EL	47uF 16V	450, 5750, 5740		ケミコン	01
C350	UR037470	C. EL	47uF 16V	450, 5750, 5740		ケミコン	01
C355	UR837100	C. EL	10uF 16V	450, 5750, 5740		ケミコン	01
C356	UR837100	C. EL	10uF 16V	450, 5750, 5740		ケミコン	01
C361	UR837100	C. EL	10uF 16V	450, 5750, 5740		ケミコン	01
C362	UR837100	C. EL	10uF 16V	450, 5750, 5740		ケミコン	01
C365	UR239100	C. EL	1000uF 16V	450, 5750, 5740		ケミコン	
C366	UR239100	C. EL	1000uF 16V	450, 5750, 5740		ケミコン	
C367	UR837100	C. EL	10uF 16V	450, 5750, 5740		ケミコン	01
C368	UR837100	C. EL	10uF 16V	450, 5750, 5740		ケミコン	01
C369	UR037100	C. EL	10uF 16V	450, 5750, 5740		ケミコン	01
C370	UR037100	C. EL	10uF 16V	450, 5750, 5740		ケミコン	01
C371	UA652100	C. MYLAR	100pF 50V	450, 5750, 5740		マイラーコン	01
C372	UA652100	C. MYLAR	100pF 50V	450, 5750, 5740		マイラーコン	01
C373	UA652680	C. MYLAR	680pF 50V	450, 5750, 5740		マイラーコン	01
C374	UA652680	C. MYLAR	680pF 50V	450, 5750, 5740		マイラーコン	01
C377	UR037470	C. EL	47uF 16V	450, 5750, 5740		ケミコン	01
C378	UR037470	C. EL	47uF 16V	450, 5750, 5740		ケミコン	01
C501	UR237470	C. EL	47uF 16V	450, 5750, 5740		ケミコン	
C502	UR837100	C. EL	10uF 16V	450, 5750, 5740		ケミコン	01
C503	UR818220	C. EL	220uF 6.3V	450, 5750, 5740		ケミコン	01
C504	WB165500	C. EL	0.33F 5.5V	450, 5750, 5740		ゴールドキャパシタ	
C505	UR818220	C. EL	220uF 6.3V	450, 5750, 5740		ケミコン	01
C506	VG287600	C. EL	100uF 25V	450, 5750, 5740		ケミコン	01
C511	UR866220	C. EL	2.2uF 50V	450, 5750, 5740		ケミコン	01
C513	UR866220	C. EL	2.2uF 50V	450, 5750, 5740		ケミコン	01
C514	UR866220	C. EL	2.2uF 50V	450, 5750, 5740		ケミコン	01
C515	UR866220	C. EL	2.2uF 50V	450, 5750, 5740		ケミコン	01
C522	UR237470	C. EL	47uF 16V	450, 5750, 5740		ケミコン	
C523	UR237470	C. EL	47uF 16V	450, 5750, 5740		ケミコン	
C524	UR237470	C. EL	47uF 16V	450, 5750, 5740		ケミコン	
C528	UR237470	C. EL	47uF 16V	450, 5740	BGE	ケミコン	
C529	UR237470	C. EL	47uF 16V	450, 5740	BGE	ケミコン	
C534	UR237470	C. EL	47uF 16V	450, 5740	BGE	ケミコン	
C535	UR067470	C. EL	47uF 50V	450, 5750, 5740		ケミコン	

*

* New Parts * 新規部品(マーク#の部品は、基板に含まれません)

RX-V550/HTR-5750
RX-V450/HTR-5740/DSP-AX450

HTR-5750

RX-V450/HTR-5740/DSP-AX450

P.C.B. FUNCTION

Schm Ref.	PART NO.	Description	Remarks	Markets	部 品 名	Rank
C539	UR837330	C. EL 33uF 16V	450, 5750, 5740		ケミコン	01
C603	UR837100	C. EL 10uF 16V	5750, AX450		ケミコン	01
C604	UR837100	C. EL 10uF 16V	5750, AX450		ケミコン	01
C605	UR837100	C. EL 10uF 16V	5750, AX450		ケミコン	01
C608	UR837100	C. EL 10uF 16V	5750, AX450		ケミコン	01
C609	UR837100	C. EL 10uF 16V	5750, AX450		ケミコン	01
C610	UR837100	C. EL 10uF 16V	5750, AX450		ケミコン	01
C612	UR829100	C. EL 1000uF 10V	5750, AX450		ケミコン	01
C614	UR829100	C. EL 1000uF 10V	5750, AX450		ケミコン	01
* C619	UR238470	C. EL 470uF 16V	5750, AX450		ケミコン	
C620	UR238100	C. EL 100uF 16V	5750, AX450		ケミコン	
C621	UR238100	C. EL 100uF 16V	5750, AX450		ケミコン	
C624	UR837100	C. EL 10uF 16V	5750, AX450		ケミコン	01
C625	UR837100	C. EL 10uF 16V	5750, AX450		ケミコン	01
C626	UA653220	C. MYLAR 2200pF 50V	5750, AX450		マイラーコン	01
C628	UR866470	C. EL 4.7uF 50V	5750, AX450		ケミコン	01
C629	UR837470	C. EL 47uF 16V	5750, AX450		ケミコン	01
C633	UR238100	C. EL 100uF 16V	5750, AX450		ケミコン	
C634	UR238100	C. EL 100uF 16V	5750, AX450		ケミコン	
C635	UR837100	C. EL 10uF 16V	5750, AX450		ケミコン	01
C637	UR238100	C. EL 100uF 16V	5750, AX450		ケミコン	
C639	UR837100	C. EL 10uF 16V	5750, AX450		ケミコン	01
C648	UR866470	C. EL 4.7uF 50V	5750, AX450		ケミコン	01
C652	UR238100	C. EL 100uF 16V	5750, AX450		ケミコン	
C653	UR818330	C. EL 330uF 6.3V	5750, AX450		ケミコン	01
C704	UR837100	C. EL 10uF 16V	450, 5750, 5740	UCRTKABGLE	ケミコン	01
C705	UR837100	C. EL 10uF 16V	450, 5750, 5740	UCRTKABGLE	ケミコン	01
C706	UR837100	C. EL 10uF 16V	450, 5750, 5740	UCRTKABGLE	ケミコン	01
C709	UR238100	C. EL 100uF 16V	450, 5750, 5740	UCRTKABGLE	ケミコン	
C710	UR238100	C. EL 100uF 16V	450, 5750, 5740	UCRTKABGLE	ケミコン	
C756	UA654100	C. MYLAR 0.01uF 50V	450, 5750, 5740		マイラーコン	01
C757	UA652220	C. MYLAR 220pF 50V	450, 5750, 5740		マイラーコン	01
C758	UA652220	C. MYLAR 220pF 50V	450, 5750, 5740		マイラーコン	01
C759	UA652220	C. MYLAR 220pF 50V	450, 5750, 5740		マイラーコン	01
C760	UA652220	C. MYLAR 220pF 50V	450, 5750, 5740		マイラーコン	01
C761	UA652220	C. MYLAR 220pF 50V	450, 5750, 5740		マイラーコン	01
C762	UA652220	C. MYLAR 220pF 50V	450, 5750, 5740		マイラーコン	01
C763	FG651470	C. CE 47pF 50V	450, 5750, 5740		セラコン	01
C764	FG651470	C. CE 47pF 50V	450, 5750, 5740		セラコン	01
C765	UR837100	C. EL 10uF 16V	450, 5750, 5740		ケミコン	01
C766	UR837100	C. EL 10uF 16V	450, 5750, 5740		ケミコン	01
C903	UR837100	C. EL 10uF 16V	450, 5750, 5740		ケミコン	01
C904	UR837100	C. EL 10uF 16V	450, 5750, 5740		ケミコン	01
C905	UR837100	C. EL 10uF 16V	450, 5750, 5740		ケミコン	01
C906	UR829100	C. EL 1000uF 10V	450, 5750, 5740		ケミコン	01
C907	UR829100	C. EL 1000uF 10V	450, 5750, 5740		ケミコン	01
C909	UR837100	C. EL 10uF 16V	450, 5750, 5740		ケミコン	01
* C910	UR238470	C. EL 470uF 16V	450, 5750, 5740		ケミコン	
C911	UR837100	C. EL 10uF 16V	450, 5750, 5740		ケミコン	01
D301	VU994300	D10DE. ZENR MA8075-H 7.7V	450, 5750, 5740		ツェナーダイオード	
D302	VU994300	D10DE. ZENR MA8075-H 7.7V	450, 5750, 5740		ツェナーダイオード	
D303	VV307700	D10DE 1N4002S	450, 5750, 5740		ダイオード	01
D304	VV307700	D10DE 1N4002S	450, 5750, 5740		ダイオード	01

* New Parts * 新規部品(マーク#の部品は、基板に含まれません)

RX-V550/HTR-5750
RX-V450/HTR-5740/DSP-AX450

HTR-5750

RX-V450/HTR-5740/DSP-AX450

P.C.B. FUNCTION

Schm Ref.	PART NO.	Description	Remarks	Markets	部 品 名	Rank	
D501	VT332900	D10DE	1SS355	450, 5750, 5740		ダイオード	01
D502	VT332900	D10DE	1SS355	450, 5750, 5740		ダイオード	01
D503	VT332900	D10DE	1SS355	450, 5750, 5740		ダイオード	01
D504	VU992600	D10DE. ZENR	MA8051-M 5.1V	450, 5750, 5740		ツェナーダイオード	01
D505	VU992600	D10DE. ZENR	MA8051-M 5.1V	450, 5750, 5740		ツェナーダイオード	01
D507	VU992600	D10DE. ZENR	MA8051-M 5.1V	450, 5750, 5740		ツェナーダイオード	01
D508	VU993000	D10DE. ZENR	MA8056-M 5.6V	450, 5750, 5740		ツェナーダイオード	01
D510	VU992600	D10DE. ZENR	MA8051-M 5.1V	450, 5750, 5740		ツェナーダイオード	01
D511	VT332900	D10DE	1SS355	450, 5750, 5740		ダイオード	01
D601	VT332900	D10DE	1SS355	5750, AX450		ダイオード	01
D602	VT332900	D10DE	1SS355	5750, AX450		ダイオード	01
D603	VT332900	D10DE	1SS355	5750, AX450		ダイオード	01
D604	VT332900	D10DE	1SS355	5750, AX450		ダイオード	01
D606	VT332900	D10DE	1SS355	5750, AX450		ダイオード	01
D607	VT332900	D10DE	1SS355	5750, AX450		ダイオード	01
D608	VT332900	D10DE	1SS355	5750, AX450		ダイオード	01
D609	VT332900	D10DE	1SS355	5750, AX450		ダイオード	01
D610	VT332900	D10DE	1SS355	5750, AX450		ダイオード	01
* IC301	X5092A00	IC	BD3816K1	450, 5750, 5740		IC	
IC303	X3505A00	IC	NJM2068MD-TE2	450, 5750, 5740		アンプ IC SOP	02
IC304	X3505A00	IC	NJM2068MD-TE2	450, 5750, 5740		アンプ IC SOP	02
IC305	XP844A00	IC	NJM4556AL	450, 5750, 5740		IC	02
IC306	X3505A00	IC	NJM2068MD-TE2	450, 5750, 5740		アンプ IC SOP	02
IC501	X5041A00	IC	NJU7201L55 5.5V	450, 5750, 5740		電源 IC SIL	02
* IC502	X5269A00	IC. CPU	M30622MWP-152FP	MASK ROM		IC CPU	
* IC503	X0082A00	IC	LC72722PM	450, 5740	BGE	IC SOP	
IC601	XH436A00	IC	LA7956	5750, AX450		IC	03
IC602	XH436A00	IC	LA7956	5750, AX450		IC	03
IC603	XY879A00	IC	TC74HC4053AF (EL)	5750, AX450		ロジック IC SOP	03
IC606	XY879A00	IC	TC74HC4053AF (EL)	5750, AX450		ロジック IC SOP	03
IC607	XW939A00	IC	TK15420M VIDEO AMP	5750, AX450		アンプ IC SOP	03
IC608	XW939A00	IC	TK15420M VIDEO AMP	5750, AX450		アンプ IC SOP	03
IC609	XD598A00	IC	TC74HCU04AFEL INV	5750, AX450		ロジック IC	01
IC701	XY879A00	IC	TC74HC4053AF (EL)	450, 5750, 5740	UCRTKABGLE	ロジック IC SOP	03
IC702	X2904A00	IC	NJM2581M VIDEO AMP	450, 5750, 5740	UCRTKABGLE	アンプ IC SOP	06
IC901	XH436A00	IC	LA7956	450, 5750, 5740		IC	03
JK601	VS867300	CN. DIN	4P YKF51-5501	5750, AX450		DINコネクタ	03
JK602	V9273500	CN. DIN	2P YKF51-5605	5750, AX450		DINコネクタ 2P	
JK603	V9273500	CN. DIN	2P YKF51-5605	5750, AX450		DINコネクタ 2P	
PJ301	V7190400	JACK. PIN	6P	450, 5750, 5740		ピンジャック	03
PJ302	V7046800	JACK. PIN	6P MSP-246V1-01N1	450, 5750, 5740		ピンジャック	
PJ701	V8143900	JACK. PIN	9P SHIELD YKC21	450, 5750, 5740	UCRTKABGLE	ピンジャック	04
PJ751	V7046700	JACK. PIN	4P MSP-244V1-01N1	450, 5750, 5740		ピンジャック	
PJ752	V7046700	JACK. PIN	4P MSP-244V1-01N1	450, 5750, 5740		ピンジャック	
PJ753	V7189700	JACK. PIN	1P	450, 5750, 5740		ピンジャック	01
PJ901	V7190000	JACK. PIN	2P	450, 5750, 5740		ピンジャック	
PJ902	V7190000	JACK. PIN	2P	450, 5750, 5740		ピンジャック	
PJ903	V7189800	JACK. PIN	1P	450, 5750, 5740		ピンジャック	01
PN301	V9637500	PIN	L=70 #18	450, 5750, 5740		スタイルピン	
Q301	VD303700	TR	2SC3326 A, B	450, 5750, 5740		トランジスタ	01
Q302	VD303700	TR	2SC3326 A, B	450, 5750, 5740		トランジスタ	01
Q303	VD303700	TR	2SC3326 A, B	450, 5750, 5740		トランジスタ	01
Q304	VD303700	TR	2SC3326 A, B	450, 5750, 5740		トランジスタ	01

* New Parts * 新規部品(マーク#の部品は、基板に含まれません)

RX-V450/HTR-5740/DSP-AX450

HTR-5750 RX-V450/HTR-5740/DSP-AX450

P.C.B. FUNCTION

Schm Ref.	PART NO.	Description	Remarks	Markets	部 品 名	Rank	
Q305	VD303700	TR	2SC3326 A, B	450, 5750, 5740		トランジスタ	01
Q306	VD303700	TR	2SC3326 A, B	450, 5750, 5740		トランジスタ	01
Q307	iC181510	TR	2SC1815 Y	450, 5750, 5740		トランジスタ	01
Q308	iA101510	TR	2SA1015 Y	450, 5750, 5740		トランジスタ	01
Q309	VD303700	TR	2SC3326 A, B	450, 5750, 5740		トランジスタ	01
Q310	VD303700	TR	2SC3326 A, B	450, 5750, 5740		トランジスタ	01
Q501	VP872600	TR	2SA1708 S, T	450, 5750, 5740		トランジスタ	01
Q502	VV556500	TR	2SA1037K Q, R, S	450, 5750, 5740		トランジスタ	01
Q504	VV556500	TR	2SA1037K Q, R, S	450, 5750, 5740		トランジスタ	01
Q505	VV556500	TR	2SA1037K Q, R, S	450, 5750, 5740		トランジスタ	01
Q506	VV556500	TR	2SA1037K Q, R, S	450, 5750, 5740		トランジスタ	01
Q507	iC181510	TR	2SC1815 Y	450, 5750, 5740		トランジスタ	01
Q508	iC174020	TR	2SC1740S R, S	450, 5740	BGE	トランジスタ	01
Q509	VV655700	TR. DGT	DTC144EKA	450, 5750, 5740		デジタルトランジスタ	01
Q601	iC174020	TR	2SC1740S R, S	5750, AX450		トランジスタ	01
Q602	iC174020	TR	2SC1740S R, S	5750, AX450		トランジスタ	01
Q603	iC174020	TR	2SC1740S R, S	5750, AX450		トランジスタ	01
Q604	iC174020	TR	2SC1740S R, S	5750, AX450		トランジスタ	01
Q605	iC174020	TR	2SC1740S R, S	5750, AX450		トランジスタ	01
Q606	iC174020	TR	2SC1740S R, S	5750, AX450		トランジスタ	01
Q607	iC174020	TR	2SC1740S R, S	5750, AX450		トランジスタ	01
Q608	iC174020	TR	2SC1740S R, S	5750, AX450		トランジスタ	01
Q610	iC174020	TR	2SC1740S R, S	5750, AX450		トランジスタ	01
Q611	iC174020	TR	2SC1740S R, S	5750, AX450		トランジスタ	01
Q612	iC174020	TR	2SC1740S R, S	5750, AX450		トランジスタ	01
Q613	iC053540	TR	2SC535 A, B, C	5750, AX450		トランジスタ	01
Q614	iA101510	TR	2SA1015 Y	5750, AX450		トランジスタ	01
Q615	iC224030	TR	2SC2240 GR, BL	5750, AX450		トランジスタ	01
Q701	VV556400	TR	2SC2412K Q, R, S	450, 5750, 5740	UCRTKABGLE	トランジスタ	01
Q753	VD303700	TR	2SC3326 A, B	450, 5750, 5740		トランジスタ	01
Q756	VD303700	TR	2SC3326 A, B	450, 5750, 5740		トランジスタ	01
Q901	iC174020	TR	2SC1740S R, S	450, 5750, 5740		トランジスタ	01
Q902	iC174020	TR	2SC1740S R, S	450, 5750, 5740		トランジスタ	01
Q903	iC174020	TR	2SC1740S R, S	450, 5750, 5740		トランジスタ	01
Q904	iC174020	TR	2SC1740S R, S	450, 5750, 5740		トランジスタ	01
R374	HV755220	R. CAR. FP	220Ω 1/4W	450, 5750, 5740		不燃化カーボン抵抗	01
R375	HV755150	R. CAR. FP	150Ω 1/4W	450, 5750, 5740		不燃化カーボン抵抗	01
R382	HV755100	R. CAR. FP	100Ω 1/4W	450, 5750, 5740		不燃化カーボン抵抗	01
R383	HV755100	R. CAR. FP	100Ω 1/4W	450, 5750, 5740		不燃化カーボン抵抗	01
R586	HV753220	R. CAR. FP	2.2Ω 1/4W	450, 5750, 5740		不燃化カーボン抵抗	01
R615	HV755270	R. CAR. FP	270Ω 1/4W	5750, AX450		不燃化カーボン抵抗	01
R618	HV755470	R. CAR. FP	470Ω 1/4W	5750, AX450		不燃化カーボン抵抗	01
R619	HV755270	R. CAR. FP	270Ω 1/4W	5750, AX450		不燃化カーボン抵抗	01
R620	HV755470	R. CAR. FP	470Ω 1/4W	5750, AX450		不燃化カーボン抵抗	01
R629	HV753470	R. CAR. FP	4.7Ω 1/4W	5750, AX450		不燃化カーボン抵抗	01
R657	HV755470	R. CAR. FP	470Ω 1/4W	5750, AX450		不燃化カーボン抵抗	01
R661	HV755470	R. CAR. FP	470Ω 1/4W	5750, AX450		不燃化カーボン抵抗	01
R663	HV755470	R. CAR. FP	470Ω 1/4W	5750, AX450		不燃化カーボン抵抗	01
R667	HV753470	R. CAR. FP	4.7Ω 1/4W	5750, AX450		不燃化カーボン抵抗	01
R672	HV755470	R. CAR. FP	470Ω 1/4W	5750, AX450		不燃化カーボン抵抗	01
R675	HV754220	R. CAR. FP	22Ω 1/4W	5750, AX450		不燃化カーボン抵抗	01
R676	HV755470	R. CAR. FP	470Ω 1/4W	5750, AX450		不燃化カーボン抵抗	01
R716	HV753100	R. CAR. FP	1Ω 1/4W	450, 5750, 5740	UCRTKABGLE	不燃化カーボン抵抗	01

* New Parts * 新規部品(マーク#の部品は、基板に含まれません)

RX-V550/HTR-5750
RX-V450/HTR-5740/DSP-AX450

HTR-5750

RX-V450/HTR-5740/DSP-AX450

RX-V550

P.C.B. FUNCTION & P.C.B. OPERATION

Schm Ref.	PART NO.	Description	Remarks	Markets	部 品 名	Rank	
R717	HV753100	R. CAR. FP	1 Ω 1/4W	450, 5750, 5740	UCRTKABGLE	不燃化カーボン抵抗	01
R908	HV755270	R. CAR. FP	270 Ω 1/4W	450, 5750, 5740		不燃化カーボン抵抗	01
R910	HV755270	R. CAR. FP	270 Ω 1/4W	450, 5750, 5740		不燃化カーボン抵抗	01
R916	HV754100	R. CAR. FP	10 Ω 1/4W	450, 5750, 5740		不燃化カーボン抵抗	01
ST501	V4040500	SCR. TERM	M3	450, 5750, 5740		スクリュウ/ターミナル	01
* SW901	V3624300	SW. SLIDE	SS029-P022MJB-PA6	450, 5740	RL	スライドSW	
* T601	WC716600	COIL	K5-MT	450	J	ビデオコイルパック	
* T601	WC716600	COIL	K5-MT	5750	UCK	ビデオコイルパック	
* T601	WC716700	COIL	K5-MT	5750	TA	ビデオコイルパック	
* T602	WC716800	COIL	K5-MS	450	J	ビデオコイルパック	
* T602	WC716800	COIL	K5-MS	5750	UCK	ビデオコイルパック	
* T602	WC716900	COIL	K5-MS	5750	TA	ビデオコイルパック	
XL501	WA674700	RSNR. CE	16MHz CSTLS16MOX51	450, 5750, 5740		セラミック振動子	
XL502	V3930900	RSNR. CRYST	4.332MHz	450, 5740	BGE	水晶振動子	05
* * * * *	WC846500	P. C. B.	OPERATION	550	UCA	P C B オペレーション	
* * * * *	WC846600	P. C. B.	OPERATION	550	RTKL	P C B オペレーション	
* * * * *	WC846700	P. C. B.	OPERATION	550	BGE	P C B オペレーション	
CB801	VQ045100	CN. BS. PIN	21P	550		F F C コネクター	02
CB803	Vi878200	CN. BS. PIN	4P	550		ケーブルホルダー	01
CB861	Vi878200	CN. BS. PIN	4P	550		ケーブルホルダー	01
CB863	LB919020	CN. BS. PIN	2P	550		ベース付ポスト	01
CB871	VB858400	CN. BS. PIN	5P	550		ベースピン	01
C808	UM397100	C. EL	10uF 16V	550		ケミコン	01
C811	UM388330	C. EL	330uF 6.3V	550		ケミコン	01
C822	UM417100	C. EL	10uF 50V	550		ケミコン	01
C871	UA654100	C. MYLAR	0.01uF 50V	550		マイラーコン	01
C872	UA653100	C. MYLAR	1000pF 50V	550		マイラーコン	03
C874	UA654100	C. MYLAR	0.01uF 50V	550		マイラーコン	01
C875	UA654100	C. MYLAR	0.01uF 50V	550		マイラーコン	01
D802	V2598200	LED	SIR-505ST	550	UCA	L E D	
D803	VU171500	DIODE. ZENR	UDZ 3.6BTE-17 3.6V	550		ツェナーダイオード	01
D804	VU171500	DIODE. ZENR	UDZ 3.6BTE-17 3.6V	550		ツェナーダイオード	01
D871	VU995000	DIODE. ZENR	MA8091-M 9.1V	550		ツェナーダイオード	
D872	VT332900	DIODE	1SS355	550		ダイオード	01
D873	VT332900	DIODE	1SS355	550		ダイオード	01
D881	VT332900	DIODE	1SS355	550		ダイオード	01
D882	VT332900	DIODE	1SS355	550		ダイオード	01
D883	VT332900	DIODE	1SS355	550		ダイオード	01
D884	VT332900	DIODE	1SS355	550		ダイオード	01
IC801	X2874A00	IC	M66003-0101FP FLD	550		アンプIC	08
JK871	V9408200	JACK. PHONE	MSJ-064-05B GR	550		ホーンジャック	03
PJ881	V7190100	JACK. PIN	3P	550		ピンジャック	
PN801	V9637500	PIN	L=70 #18	550		スタイルピン	
PN802	V9637500	PIN	L=70 #18	550		スタイルピン	
PN871	V9637500	PIN	L=70 #18	550		スタイルピン	
PN881	V9637500	PIN	L=70 #18	550		スタイルピン	
Q801	VV556400	TR	2SC2412K Q, R, S	550		トランジスタ	01
Q802	VV556400	TR	2SC2412K Q, R, S	550		トランジスタ	01
Q803	VV556400	TR	2SC2412K Q, R, S	550		トランジスタ	01
Q804	VV556400	TR	2SC2412K Q, R, S	550		トランジスタ	01

* New Parts * 新規部品(マーク#の部品は、基板に含まれません)

RX-V450/HTR-5740/DSP-AX450

P.C.B. OPERATION

Schm Ref.	PART NO.	Description	Remarks	Markets	部 品 名	Rank	
Q805	VV556400	TR	2SC2412K Q, R, S	550		トランジスタ	01
Q806	VV556400	TR	2SC2412K Q, R, S	550		トランジスタ	01
ST871	V4040500	SCR. TERM	M3	550		スクリュー/ターミナル	01
ST881	WA246200	SCR. TERM	3.5	550		スクリューターミナル	
SW801	V9597100	SW. RT. ENC	EC12E2460802	550		ロータリーエンコーダ	
SW802	V9266400	SW. RT. ENC	XREB12105PVB25F	550		ロータリーエンコーダ	02
SW803	V9266400	SW. RT. ENC	XREB12105PVB25F	550		ロータリーエンコーダ	02
SW804	VV020300	SW. TACT	SKQNAA	550		タクトSW	01
SW806	VV020300	SW. TACT	SKQNAA	550		タクトSW	01
SW807	VV020300	SW. TACT	SKQNAA	550		タクトSW	01
SW808	VV020300	SW. TACT	SKQNAA	550		タクトSW	01
SW809	VV020300	SW. TACT	SKQNAA	550		タクトSW	01
SW810	VV020300	SW. TACT	SKQNAA	550		タクトSW	01
SW811	VV020300	SW. TACT	SKQNAA	550		タクトSW	01
SW812	VV020300	SW. TACT	SKQNAA	550		タクトSW	01
SW813	VV020300	SW. TACT	SKQNAA	550		タクトSW	01
SW814	VV020300	SW. TACT	SKQNAA	550		タクトSW	01
SW815	VV020300	SW. TACT	SKQNAA	550		タクトSW	01
SW816	VV020300	SW. TACT	SKQNAA	550	BGE	タクトSW	01
SW817	VV020300	SW. TACT	SKQNAA	550	BGE	タクトSW	01
SW818	VV020300	SW. TACT	SKQNAA	550	BGE	タクトSW	01
SW819	VV020300	SW. TACT	SKQNAA	550	BGE	タクトSW	01
SW820	VV020300	SW. TACT	SKQNAA	550		タクトSW	01
SW821	VV020300	SW. TACT	SKQNAA	550		タクトSW	01
SW861	VV020300	SW. TACT	SKQNAA	550		タクトSW	01
U801	V8210200	L. DTCT	GP1UD271XK	550		リモコン受光ユニット	03
* V801	WC173100	FL. DSPLY	16-BT-122GNK	550		蛍光表示管	
	V6880300	SHEET		550		シート/FL	
	V6007100	SPACER. FL	4.6/10/32	550		スペーサ FL	
* * * * *	WC846300	P. C. B.	OPERATION	450, 5750, 5740	JUCRTKAL	P C Bオペレーション	
* * * * *	WC846400	P. C. B.	OPERATION	450, 5750, 5740	BGE	P C Bオペレーション	
CB801	VQ045100	CN. BS. PIN	21P	450, 5750, 5740		FFCコネクタ	02
CB802	Vi878100	CN. BS. PIN	3P	450, 5750, 5740		ケーブルホルダー	01
CB803	Vi878400	CN. BS. PIN	6P	450, 5750, 5740		ケーブルホルダー	01
CB804	Vi878300	CN. BS. PIN	5P	450, 5750, 5740		ケーブルホルダー	01
CB861	Vi878400	CN. BS. PIN	6P	450, 5750, 5740		ケーブルホルダー	01
CB863	LB919020	CN. BS. PIN	2P	450, 5750, 5740		ベース付ポスト	01
CB866	Vi878100	CN. BS. PIN	3P	450, 5750, 5740		ケーブルホルダー	01
CB871	Vi878300	CN. BS. PIN	5P	450, 5750, 5740		ケーブルホルダー	01
C806	UM397100	C. EL	10uF 16V	450, 5750, 5740		ケミコン	01
C811	UR818330	C. EL	330uF 6.3V	450, 5750, 5740		ケミコン	01
C822	VF467000	C. CE. TUBLR	1000pF 50V	450, 5750, 5740		円筒セラコン	01
C823	VF467000	C. CE. TUBLR	1000pF 50V	450, 5750, 5740		円筒セラコン	01
C871	UA654100	C. MYLAR	0.01uF 50V	450, 5750, 5740		マイラーコン	01
C872	UA653100	C. MYLAR	1000pF 50V	450, 5750, 5740		マイラーコン	03
C874	UA654100	C. MYLAR	0.01uF 50V	450, 5750, 5740		マイラーコン	01
C875	UA654100	C. MYLAR	0.01uF 50V	450, 5750, 5740		マイラーコン	01
D801	VU171500	D IODE. ZENR	UDZ 3.6BTE-17 3.6V	450, 5750, 5740		ツェナーダイオード	01
D802	VU171500	D IODE. ZENR	UDZ 3.6BTE-17 3.6V	450, 5750, 5740		ツェナーダイオード	01
D803	VT332900	D IODE	1SS355	450, 5750, 5740		ダイオード	01

* New Parts * 新規部品(マーク#の部品は、基板に含まれません)

RX-V550/HTR-5750
RX-V450/HTR-5740/DSP-AX450

HTR-5750 RX-V450/HTR-5740/DSP-AX450

P.C.B. OPERATION

Schm Ref.	PART NO.	Description	Remarks	Markets	部 品 名	Rank	
D871	VU172500	D10DE. ZENR	UDZS9. 1B	450, 5750, 5740		ツェナーダイオード	01
D872	VT332900	D10DE	1SS355	450, 5750, 5740		ダイオード	01
D873	VT332900	D10DE	1SS355	450, 5750, 5740		ダイオード	01
D881	VT332900	D10DE	1SS355	450, 5750, 5740		ダイオード	01
D882	VT332900	D10DE	1SS355	450, 5750, 5740		ダイオード	01
D883	VT332900	D10DE	1SS355	450, 5750, 5740		ダイオード	01
D884	VT332900	D10DE	1SS355	450, 5750, 5740		ダイオード	01
IC801	X2874A00	IC	M66003-0101FP FLD	450, 5750, 5740		アンプ IC	08
JK871	V9408200	JACK. PHONE	MSJ-064-05B GR	450, 5750, 5740		ホーンジャック	03
PJ881	V7190100	JACK. PIN	3P	450, 5750, 5740		ピンジャック	
PN801	V9637500	PIN	L=70 #18	450, 5750, 5740		スタイルピン	
PN861	V9637500	PIN	L=70 #18	450, 5750, 5740		スタイルピン	
PN862	V9637500	PIN	L=70 #18	450, 5750, 5740		スタイルピン	
PN881	V9637500	PIN	L=70 #18	450, 5750, 5740		スタイルピン	
Q801	VV556400	TR	2SC2412K Q, R, S	450, 5750, 5740		トランジスタ	01
Q802	VV556400	TR	2SC2412K Q, R, S	450, 5750, 5740		トランジスタ	01
Q803	VV556400	TR	2SC2412K Q, R, S	450, 5750, 5740		トランジスタ	01
Q804	VV556400	TR	2SC2412K Q, R, S	450, 5750, 5740		トランジスタ	01
Q805	VV556400	TR	2SC2412K Q, R, S	450, 5750, 5740		トランジスタ	01
Q806	VV556400	TR	2SC2412K Q, R, S	450, 5750, 5740		トランジスタ	01
ST872	WA246200	SCR. TERM	3. 5	450, 5750, 5740		スクリューターミナル	
ST881	WA246200	SCR. TERM	3. 5	450, 5750, 5740		スクリューターミナル	
ST882	WA246200	SCR. TERM	3. 5	450, 5750, 5740		スクリューターミナル	
SW801	V9281300	SW. RT. ENC	EVEKD2F3024B	450, 5750, 5740		ロータリーエンコーダ	02
SW802	V9266400	SW. RT. ENC	XREB12105PVB25F	450, 5750, 5740		ロータリーエンコーダ	02
SW803	VV020300	SW. TACT	SKQNAA	450, 5750, 5740		タクトSW	01
SW804	VV020300	SW. TACT	SKQNAA	450, 5750, 5740		タクトSW	01
SW805	VV020300	SW. TACT	SKQNAA	450, 5750, 5740		タクトSW	01
SW806	VV020300	SW. TACT	SKQNAA	450, 5750, 5740		タクトSW	01
SW807	VV020300	SW. TACT	SKQNAA	450, 5750, 5740		タクトSW	01
SW808	VV020300	SW. TACT	SKQNAA	450, 5750, 5740		タクトSW	01
SW809	VV020300	SW. TACT	SKQNAA	450, 5750, 5740		タクトSW	01
SW810	VV020300	SW. TACT	SKQNAA	450, 5750, 5740		タクトSW	01
SW811	VV020300	SW. TACT	SKQNAA	450, 5750, 5740		タクトSW	01
SW812	VV020300	SW. TACT	SKQNAA	450, 5750, 5740		タクトSW	01
SW813	VV020300	SW. TACT	SKQNAA	450, 5750, 5740		タクトSW	01
SW814	VV020300	SW. TACT	SKQNAA	450, 5750, 5740		タクトSW	01
SW815	VV020300	SW. TACT	SKQNAA	450, 5750, 5740		タクトSW	01
SW816	VV020300	SW. TACT	SKQNAA	450, 5750, 5740		タクトSW	01
SW817	VV020300	SW. TACT	SKQNAA	450, 5750, 5740		タクトSW	01
SW818	VV020300	SW. TACT	SKQNAA	450, 5750, 5740	BGE	タクトSW	01
SW819	VV020300	SW. TACT	SKQNAA	450, 5750, 5740	BGE	タクトSW	01
SW820	VV020300	SW. TACT	SKQNAA	450, 5750, 5740	BGE	タクトSW	01
SW821	VV020300	SW. TACT	SKQNAA	450, 5750, 5740	BGE	タクトSW	01
SW861	VV020300	SW. TACT	SKQNAA	450, 5750, 5740		タクトSW	01
SW866	VV020300	SW. TACT	SKQNAA	450, 5750, 5740		タクトSW	01
SW867	VV020300	SW. TACT	SKQNAA	450, 5750, 5740		タクトSW	01
U801	V8210200	L. DTCT	GP1UD271XK	450, 5750, 5740		リモコン受光ユニット	03
* V801	WC173100	FL. DSPLY	16-BT-122GNK	450, 5750, 5740		蛍光表示管	
	V6880300	SHEET		450, 5750, 5740		シート/FL	
	V6007100	SPACER. FL	4. 6/10/32	450, 5750, 5740		スペーサ FL	

* New Parts * 新規部品(マーク#の部品は、基板に含まれません)

P.C.B. MAIN

Schm Ref.	PART NO.	Description	Remarks	Markets	部 品 名	Rank	
*	WC838200	P. C. B.	MAIN	550, 5750	UC	P C B メイン	
*	WC838300	P. C. B.	MAIN	550, 5750	RTA	P C B メイン	
*	WC838400	P. C. B.	MAIN	550, 5750	KBGLE	P C B メイン	
*	WC838500	P. C. B.	MAIN	450	J	P C B メイン	
*	WC838600	P. C. B.	MAIN	450, 5740	UC	P C B メイン	
*	WC838700	P. C. B.	MAIN	450, 5740	RTA	P C B メイン	
*	WC838800	P. C. B.	MAIN	450, 5740	KBGLE	P C B メイン	
	CB3	VP682200	CN. BS. PIN	8P		F F C コネクタ	01
	CB5	Vi878600	CN. BS. PIN	8P		ケーブルホルダー	01
	CB6	Vi878600	CN. BS. PIN	8P		ケーブルホルダー	01
	CB121	V7825600	CN	6P TE TUC SERIES		コネクタプラグ	
	CB122	VQ047400	CN. BS. PIN	19P		F F C コネクタ	01
	CB123	WB127100	CN. BS. PIN	3P TE XH		ベースツキポスト	
	CB127	LB932060	CN. BS. PIN	6P		ベースポスト	01
	C1	V9411200	C. EL	22uF 100V		ケミコン RA-2	01
	C2	UR397100	C. EL	10uF 100V		ケミコン ASF	03
	C3	V8638300	C. PP	150pF 630V		PPコン	
	C4	UR337470	C. EL	47uF 16V		ケミコン ASF	03
	C5	V8638300	C. PP	150pF 630V		PPコン	
	C6	V8638300	C. PP	150pF 630V		PPコン	
	C7	UR337470	C. EL	47uF 16V		ケミコン ASF	03
	C8	V8638300	C. PP	150pF 630V		PPコン	
	C9	UT652150	C. PP	150pF 100V		PPコン	01
	C10	VG287500	C. EL	47uF 50V		ケミコン	01
	C11	UT652150	C. PP	150pF 100V		PPコン	01
	C12	UT652150	C. PP	150pF 100V		PPコン	01
	C13	VG287500	C. EL	47uF 50V		ケミコン	01
	C14	UT652150	C. PP	150pF 100V		PPコン	01
	C15	UT652150	C. PP	150pF 100V		PPコン	01
	C16	VG287500	C. EL	47uF 50V		ケミコン	01
	C17	UT652150	C. PP	150pF 100V		PPコン	01
	C18	V8638300	C. PP	150pF 630V		PPコン	
	C19	UR337470	C. EL	47uF 16V		ケミコン ASF	03
	C20	V8638300	C. PP	150pF 630V		PPコン	
	C23	UT654220	C. PP	0.022uF 100V		PPコン	01
	C24	UT654220	C. PP	0.022uF 100V		PPコン	01
	C25	UA654220	C. MYLAR	0.022uF 50V		マイラーコン	01
	C26	UA654220	C. MYLAR	0.022uF 50V		マイラーコン	01
	C27	UA654220	C. MYLAR	0.022uF 50V		マイラーコン	01
	C28	UT654220	C. PP	0.022uF 100V		PPコン	01
	C29	UR818100	C. EL	100uF 6.3V		ケミコン	01
	C30	UR866470	C. EL	4.7uF 50V		ケミコン	01
▲	C31	UR397100	C. EL	10uF 100V		ケミコン ASF	03
▲	C32	UR397100	C. EL	10uF 100V		ケミコン ASF	03
	C120	UR857470	C. EL	47uF 35V		ケミコン	01
▲	C121	UR866470	C. EL	4.7uF 50V		ケミコン	01
*	C122	WC910800	C. EL	10000uF 71V	550, 5750	UCRTA	
▲	C122	WA744300	C. EL	10000uF 71V	550, 5750	KBGLE	08
▲	C122	WB127200	C. EL	8200uF 71V	450, 5740	JKBGLE	07
*	C122	WC910900	C. EL	8200uF 71V	450, 5740	UCRTA	
*	C123	WC910800	C. EL	10000uF 71V	550, 5750	UCRTA	
▲	C123	WA744300	C. EL	10000uF 71V	550, 5750	KBGLE	08
▲	C123	WB127200	C. EL	8200uF 71V	450, 5740	JKBGLE	07

* New Parts * 新規部品(マーク#の部品は、基板に含まれません)

P.C.B. MAIN

Schm Ref.	PART NO.	Description	Remarks	Markets	部 品 名	Rank	
* △	C123	WC910900 C. EL	8200uF 71V	450, 5740	UCRTA	ケミコン	
*	C124	UR068330 C. EL	330uF 50V			ケミコン	
	C125	VR324900 C. MYLAR	0. 1uF 100V			マイラーコン	01
	C126	VR324900 C. MYLAR	0. 1uF 100V			マイラーコン	01
	C128	VG291300 C. EL	100uF 50V			ケミコン	01
	C129	VG291300 C. EL	100uF 50V			ケミコン	01
	C130	UA654100 C. MYLAR	0. 01uF 50V		RTKABGLE	マイラーコン	01
	C131	UA654100 C. MYLAR	0. 01uF 50V		RTKABGLE	マイラーコン	01
	C132	VR324900 C. MYLAR	0. 1uF 100V			マイラーコン	01
△	C133	VR324900 C. MYLAR	0. 1uF 100V			マイラーコン	01
	C134	UA654100 C. MYLAR	0. 01uF 50V		RTKABGLE	マイラーコン	01
	C135	UA654100 C. MYLAR	0. 01uF 50V		RTKABGLE	マイラーコン	01
	C136	UA654100 C. MYLAR	0. 01uF 50V		RTKABGLE	マイラーコン	01
	C137	UA654100 C. MYLAR	0. 01uF 50V		RTKABGLE	マイラーコン	01
	C138	UA653470 C. MYLAR	4700pF 50V		RTKABGLE	マイラーコン	01
	C139	UA653470 C. MYLAR	4700pF 50V		RTKABGLE	マイラーコン	01
	C140	UA653470 C. MYLAR	4700pF 50V		RTKABGLE	マイラーコン	01
	C141	UA653470 C. MYLAR	4700pF 50V		RTKABGLE	マイラーコン	01
	C142	UA654220 C. MYLAR	0. 022uF 50V			マイラーコン	01
	C143	UA654220 C. MYLAR	0. 022uF 50V			マイラーコン	01
	C144	UA654220 C. MYLAR	0. 022uF 50V			マイラーコン	01
	C145	UA654220 C. MYLAR	0. 022uF 50V			マイラーコン	01
	C148	VR324900 C. MYLAR	0. 1uF 100V			マイラーコン	01
	C149	VR324900 C. MYLAR	0. 1uF 100V			マイラーコン	01
	C251	UR397100 C. EL	10uF 100V			ケミコン A S F	03
	C252	V9411200 C. EL	22uF 100V			ケミコン R A - 2	01
	C253	UU137100 C. EL	10uF 16V			ケミコン	01
	C254	UU137100 C. EL	10uF 16V			ケミコン	01
	C256	V8584600 C. PP	220pF 630V			P Pコン	
	C257	UA654220 C. MYLAR	0. 022uF 50V			マイラーコン	01
	C258	UA654220 C. MYLAR	0. 022uF 50V			マイラーコン	01
	C259	V8584600 C. PP	220pF 630V			P Pコン	
	D1	VD631600 D1ODE	1SS133, 176			ダイオード	01
	D2	VD631600 D1ODE	1SS133, 176			ダイオード	01
	D3	VD631600 D1ODE	1SS133, 176			ダイオード	01
	D4	VD631600 D1ODE	1SS133, 176			ダイオード	01
	D5	VD631600 D1ODE	1SS133, 176			ダイオード	01
	D6	VD631600 D1ODE	1SS133, 176			ダイオード	01
	D7	VD631600 D1ODE	1SS133, 176			ダイオード	01
	D8	VD631600 D1ODE	1SS133, 176			ダイオード	01
	D9	VD631600 D1ODE	1SS133, 176			ダイオード	01
	D10	VD631600 D1ODE	1SS133, 176			ダイオード	01
	D11	VD631600 D1ODE	1SS133, 176			ダイオード	01
	D12	VD631600 D1ODE	1SS133, 176			ダイオード	01
	D13	VD631600 D1ODE	1SS133, 176			ダイオード	01
	D14	VD631600 D1ODE	1SS133, 176			ダイオード	01
	D15	VN008700 D1ODE	1SS270A			ダイオード	01
	D16	VN008700 D1ODE	1SS270A			ダイオード	01
	D17	VN008700 D1ODE	1SS270A			ダイオード	01
	D18	VN008700 D1ODE	1SS270A			ダイオード	01
	D19	VN008700 D1ODE	1SS270A			ダイオード	01
	D20	VN008700 D1ODE	1SS270A			ダイオード	01
	D22	VN008700 D1ODE	1SS270A			ダイオード	01

* New Parts * 新規部品(マーク#の部品は、基板に含まれません)

P.C.B. MAIN

Schm Ref.	PART NO.	Description	Remarks	Markets	部 品 名	Rank
D23	VN008700	DIODE	1SS270A		ダイオード	01
D24	VN008700	DIODE	1SS270A		ダイオード	01
D25	VN008700	DIODE	1SS270A		ダイオード	01
D26	VN008700	DIODE	1SS270A		ダイオード	01
D27	VN008700	DIODE	1SS270A		ダイオード	01
D120	VG440300	DIODE.ZENR	MTZJ12C 12V		ツェナーダイオード	01
D121	VG440300	DIODE.ZENR	MTZJ12C 12V		ツェナーダイオード	01
D122	VG443200	DIODE.ZENR	MTZJ30A 30V		ツェナーダイオード	01
D123	VG440300	DIODE.ZENR	MTZJ12C 12V		ツェナーダイオード	01
D124	VG440300	DIODE.ZENR	MTZJ12C 12V		ツェナーダイオード	01
D125	VG440300	DIODE.ZENR	MTZJ12C 12V		ツェナーダイオード	01
D126	VG440300	DIODE.ZENR	MTZJ12C 12V		ツェナーダイオード	01
D127	VG440300	DIODE.ZENR	MTZJ12C 12V		ツェナーダイオード	01
D128	VG440300	DIODE.ZENR	MTZJ12C 12V		ツェナーダイオード	01
D129	VG440300	DIODE.ZENR	MTZJ12C 12V		ツェナーダイオード	01
D130	VG440300	DIODE.ZENR	MTZJ12C 12V		ツェナーダイオード	01
D132	VV307700	DIODE	1N4002S		ダイオード	01
△ D133	WA653200	DIODE.BRG	TS6P03G 6.0A 200V		ダイオードブリッジ	04
D134	WA180300	DIODE	1SS244		ダイオード	01
D135	WA180300	DIODE	1SS244		ダイオード	01
D138	WA180300	DIODE	1SS244		ダイオード	01
D139	WA180300	DIODE	1SS244		ダイオード	01
△ D141	VS997800	DIODE	1T2		ダイオード	01
△ D142	VS997800	DIODE	1T2		ダイオード	01
△ D143	VS997800	DIODE	1T2		ダイオード	01
△ D144	VS997800	DIODE	1T2		ダイオード	01
D251	VD631600	DIODE	1SS133, 176		ダイオード	01
* D252	VG440700	DIODE.ZENR	MTZJ15A 15V		ツェナーダイオード	
D253	VG435500	DIODE.ZENR	MTZJ2.4B 2.4V		ツェナーダイオード	
D254	VG435500	DIODE.ZENR	MTZJ2.4B 2.4V		ツェナーダイオード	
G122	V5995800	PLATE.GND			アースプレート	
IC1	V8100500	PHOT.CPL	TLP421 GR		フォトカプラ	01
IC2	V8100500	PHOT.CPL	TLP421 GR		フォトカプラ	01
IC3	V8100500	PHOT.CPL	TLP421 GR		フォトカプラ	01
IC4	V8100500	PHOT.CPL	TLP421 GR		フォトカプラ	01
PN1	V9637500	PIN	L=70 #18		スタイルピン	
PN2	V9637500	PIN	L=70 #18		スタイルピン	
PN3	V9637500	PIN	L=70 #18		スタイルピン	
△ Q1	VC614000	TR	2SB1274 O, R, S		トランジスタ	02
Q2	VP883000	TR	2SA893A D, E		トランジスタ	01
△ Q3	VK432900	TR	2SD1915F S, T		トランジスタ	01
Q4	VR325600	TR	2SC2229 O, Y		トランジスタ	01
△ Q5	VK432900	TR	2SD1915F S, T		トランジスタ	01
Q6	VR325600	TR	2SC2229 O, Y		トランジスタ	01
△ Q7	VK432900	TR	2SD1915F S, T		トランジスタ	01
△ Q8	VK432900	TR	2SD1915F S, T		トランジスタ	01
△ Q9	VR325600	TR	2SC2229 O, Y		トランジスタ	01
△ Q10	VK432900	TR	2SD1915F S, T		トランジスタ	01
Q11	VR325600	TR	2SC2229 O, Y		トランジスタ	01
△ Q12	VK432900	TR	2SD1915F S, T		トランジスタ	01
Q13	VR325600	TR	2SC2229 O, Y		トランジスタ	01
△ Q14	VP883000	TR	2SA893A D, E		トランジスタ	01
△ Q15	VR325600	TR	2SC2229 O, Y		トランジスタ	01

* New Parts * 新規部品(マーク#の部品は、基板に含まれません)

RX-V550/HTR-5750
RX-V450/HTR-5740/DSP-AX450

P.C.B. MAIN

Schm Ref.	PART NO.	Description	Remarks	Markets	部 品 名	Rank
△ Q16A	iX630850	TR	2SA1695 0, P, Y		トランジスタ	04
△ Q16C	iX630860	TR	2SC4468 0, P, Y		トランジスタ	04
△ Q18A	iX630850	TR	2SA1695 0, P, Y		トランジスタ	04
△ Q18C	iX630860	TR	2SC4468 0, P, Y		トランジスタ	04
△ Q20A	iX630850	TR	2SA1695 0, P, Y		トランジスタ	04
△ Q20C	iX630860	TR	2SC4468 0, P, Y		トランジスタ	04
△ Q22A	iX630850	TR	2SA1695 0, P, Y		トランジスタ	04
△ Q22C	iX630860	TR	2SC4468 0, P, Y		トランジスタ	04
△ Q24A	iX630850	TR	2SA1695 0, P, Y		トランジスタ	04
△ Q24C	iX630860	TR	2SC4468 0, P, Y		トランジスタ	04
△ Q26A	iX630850	TR	2SA1695 0, P, Y		トランジスタ	04
△ Q26C	iX630860	TR	2SC4468 0, P, Y		トランジスタ	04
* Q28	WC398400	TR	2SC2N5551C-AT		トランジスタ	
* Q29	WC398400	TR	2SC2N5551C-AT		トランジスタ	
* Q30	WC398400	TR	2SC2N5551C-AT		トランジスタ	
* Q31	WC398400	TR	2SC2N5551C-AT		トランジスタ	
* Q32	WC398400	TR	2SC2N5551C-AT		トランジスタ	
* Q33	WC398400	TR	2SC2N5551C-AT		トランジスタ	
* Q34	WC397700	TR	2SA2N5401C-AT		トランジスタ	
Q35	iC181510	TR	2SC1815 Y		トランジスタ	01
△ Q120	iA101510	TR	2SA1015 Y		トランジスタ	01
Q121	iC181510	TR	2SC1815 Y		トランジスタ	01
Q123	iC181510	TR	2SC1815 Y		トランジスタ	01
△ Q125	iC181510	TR	2SC1815 Y		トランジスタ	01
Q126	iC181510	TR	2SC1815 Y		トランジスタ	01
Q127	VP883100	TR	2SC1890A D, E		トランジスタ	01
Q128	VP872700	TR	2SC4488 S, T		トランジスタ	01
Q129	VP872700	TR	2SC4488 S, T		トランジスタ	01
Q130	VP872700	TR	2SC4488 S, T		トランジスタ	01
Q131	VP872700	TR	2SC4488 S, T		トランジスタ	01
Q251	VP883100	TR	2SC1890A D, E		トランジスタ	01
Q252	VR510800	TR	2SD2396 J, K		トランジスタ	02
Q253	VP872600	TR	2SA1708 S, T		トランジスタ	01
Q256	V4096100	TR	2SC4614 S, T		トランジスタ	02
Q257	V4096100	TR	2SC4614 S, T		トランジスタ	02
Q258	V4096100	TR	2SC4614 S, T		トランジスタ	02
△ Q259	V4096100	TR	2SC4614 S, T		トランジスタ	02
Q260	V4096100	TR	2SC4614 S, T		トランジスタ	02
Q261	V4096100	TR	2SC4614 S, T		トランジスタ	02
Q262	V4096000	TR	2SA1770 S, T		トランジスタ	03
Q263	V4096000	TR	2SA1770 S, T		トランジスタ	03
△ Q264	V4096000	TR	2SA1770 S, T		トランジスタ	03
△ Q265	V4096000	TR	2SA1770 S, T		トランジスタ	03
Q266	V4096000	TR	2SA1770 S, T		トランジスタ	03
Q267	V4096000	TR	2SA1770 S, T		トランジスタ	03
R10	HL006270	R. MTL. OXD	2.7KΩ 1/2W		酸化金属被膜抵抗	
R11	HL005470	R. MTL. OXD	470Ω 1/2W		酸化金属被膜抵抗	
R12	HL005820	R. MTL. OXD	820Ω 1/2W		酸化金属被膜抵抗	
R13	HV755100	R. CAR. FP	100Ω 1/4W		不燃化カーボン抵抗	01
R14	HL006270	R. MTL. OXD	2.7KΩ 1/2W		酸化金属被膜抵抗	
R15	HL005470	R. MTL. OXD	470Ω 1/2W		酸化金属被膜抵抗	
R16	HL005820	R. MTL. OXD	820Ω 1/2W		酸化金属被膜抵抗	
R17	HV755100	R. CAR. FP	100Ω 1/4W		不燃化カーボン抵抗	01

* New Parts * 新規部品(マーク#の部品は、基板に含まれません)

RX-V550/HTR-5750
RX-V450/HTR-5740/DSP-AX450

P.C.B. MAIN

Schm Ref.	PART NO.	Description	Remarks	Markets	部 品 名	Rank	
R18	HL006270	R. MTL. OXD	2.7KΩ	1/2W		酸化金属被膜抵抗	
R19	HL005470	R. MTL. OXD	470Ω	1/2W		酸化金属被膜抵抗	
R20	HL005820	R. MTL. OXD	820Ω	1/2W		酸化金属被膜抵抗	
R21	HL006270	R. MTL. OXD	2.7KΩ	1/2W		酸化金属被膜抵抗	
R22	HL005470	R. MTL. OXD	470Ω	1/2W		酸化金属被膜抵抗	
R23	HL005820	R. MTL. OXD	820Ω	1/2W		酸化金属被膜抵抗	
R24	HV755100	R. CAR. FP	100Ω	1/4W		不燃化カーボン抵抗	01
R25	HL006270	R. MTL. OXD	2.7KΩ	1/2W		酸化金属被膜抵抗	
R26	HL005470	R. MTL. OXD	470Ω	1/2W		酸化金属被膜抵抗	
R27	HL005820	R. MTL. OXD	820Ω	1/2W		酸化金属被膜抵抗	
R28	HV755100	R. CAR. FP	100Ω	1/4W		不燃化カーボン抵抗	01
R29	HL006270	R. MTL. OXD	2.7KΩ	1/2W		酸化金属被膜抵抗	
R30	HL005470	R. MTL. OXD	470Ω	1/2W		酸化金属被膜抵抗	
R31	HL005820	R. MTL. OXD	820Ω	1/2W		酸化金属被膜抵抗	
R32	HV755100	R. CAR. FP	100Ω	1/4W		不燃化カーボン抵抗	01
R34	HL006100	R. MTL. OXD	1KΩ	1/2W		酸化金属被膜抵抗	
R35	HL006100	R. MTL. OXD	1KΩ	1/2W		酸化金属被膜抵抗	
R36	HL006100	R. MTL. OXD	1KΩ	1/2W		酸化金属被膜抵抗	
R37	HL006100	R. MTL. OXD	1KΩ	1/2W		酸化金属被膜抵抗	
R38	HL006100	R. MTL. OXD	1KΩ	1/2W		酸化金属被膜抵抗	
R39	HL006100	R. MTL. OXD	1KΩ	1/2W		酸化金属被膜抵抗	
R40	HV755100	R. CAR. FP	100Ω	1/4W		不燃化カーボン抵抗	01
△ R41	HV754100	R. CAR. FP	10Ω	1/4W		不燃化カーボン抵抗	01
△ R45	V3873200	R. WW	0.22Ω	3W		セメント抵抗	02
△ R46	V3873200	R. WW	0.22Ω	3W		セメント抵抗	02
△ R47	WB279900	R. WW	RGC55C	0.22+0.22		セメント抵抗	
△ R48	WB279900	R. WW	RGC55C	0.22+0.22		セメント抵抗	
△ R49	WB279900	R. WW	RGC55C	0.22+0.22		セメント抵抗	
△ R50	V3873200	R. WW	0.22Ω	3W		セメント抵抗	02
* △ R71	WC860900	R. MTL. FLM	10Ω	1W		金属被膜抵抗	
* △ R72	WC860900	R. MTL. FLM	10Ω	1W		金属被膜抵抗	
△ R73	VP939800	R. MTL. OXD	10Ω	1W		酸化金属被膜抵抗	01
△ R74	VP939800	R. MTL. OXD	10Ω	1W		酸化金属被膜抵抗	01
△ R75	VP939800	R. MTL. OXD	10Ω	1W		酸化金属被膜抵抗	01
* △ R76	WC860900	R. MTL. FLM	10Ω	1W		金属被膜抵抗	
△ R108	HV753100	R. CAR. FP	1Ω	1/4W		不燃化カーボン抵抗	01
R123	V8071300	R. MTL. FLM	470Ω	1W		金属被膜抵抗	
R124	V8071300	R. MTL. FLM	470Ω	1W		金属被膜抵抗	
△ R125	HV755100	R. CAR. FP	100Ω	1/4W		不燃化カーボン抵抗	01
△ R126	HV756100	R. CAR. FP	1KΩ	1/4W		不燃化カーボン抵抗	01
* △ R130	V8071600	R. MTL. OXD	1KΩ	1W		金属被膜抵抗	
R136	V8071300	R. MTL. FLM	470Ω	1W		金属被膜抵抗	
* △ R139	WC862900	R. MTL. FLM	470Ω	1W		金属被膜抵抗	
R140	HV754220	R. CAR. FP	22Ω	1/4W		不燃化カーボン抵抗	01
R141	HV754220	R. CAR. FP	22Ω	1/4W		不燃化カーボン抵抗	01
R142	HV754220	R. CAR. FP	22Ω	1/4W		不燃化カーボン抵抗	01
R143	HV754220	R. CAR. FP	22Ω	1/4W		不燃化カーボン抵抗	01
R147	HV756220	R. CAR. FP	2.2KΩ	1/4W		不燃化カーボン抵抗	01
R148	HV756220	R. CAR. FP	2.2KΩ	1/4W		不燃化カーボン抵抗	01
R168	HV753470	R. CAR. FP	4.7Ω	1/4W		不燃化カーボン抵抗	01
R169	HV753470	R. CAR. FP	4.7Ω	1/4W		不燃化カーボン抵抗	01
△ R170	HV753100	R. CAR. FP	1Ω	1/4W		不燃化カーボン抵抗	01
△ R171	HV753100	R. CAR. FP	1Ω	1/4W		不燃化カーボン抵抗	01

* New Parts * 新規部品(マーク#の部品は、基板に含まれません)

RX-V550/HTR-5750
RX-V450/HTR-5740/DSP-AX450

P.C.B. MAIN

Schm Ref.	PART NO.	Description	Remarks	Markets	部 品 名	Rank
R172	HV753470	R. CAR. FP	4.7Ω 1/4W		不燃化カーボン抵抗	01
R173	HV753470	R. CAR. FP	4.7Ω 1/4W		不燃化カーボン抵抗	01
R251	HV756470	R. CAR. FP	4.7KΩ 1/4W		不燃化カーボン抵抗	01
R253	HV754100	R. CAR. FP	10Ω 1/4W		不燃化カーボン抵抗	01
R256	HV756100	R. CAR. FP	1KΩ 1/4W		不燃化カーボン抵抗	01
R264	HV754100	R. CAR. FP	10Ω 1/4W		不燃化カーボン抵抗	01
R265	HV754100	R. CAR. FP	10Ω 1/4W		不燃化カーボン抵抗	01
R266	VP939700	R. MTL. FLM	4.7Ω 1W		金属被膜抵抗	01
R267	VP939700	R. MTL. FLM	4.7Ω 1W		金属被膜抵抗	01
R268	VP939700	R. MTL. FLM	4.7Ω 1W		金属被膜抵抗	01
R269	VP939700	R. MTL. FLM	4.7Ω 1W		金属被膜抵抗	01
R270	VP939700	R. MTL. FLM	4.7Ω 1W		金属被膜抵抗	01
R271	VP939700	R. MTL. FLM	4.7Ω 1W		金属被膜抵抗	01
R272	VP939700	R. MTL. FLM	4.7Ω 1W		金属被膜抵抗	01
R273	VP939700	R. MTL. FLM	4.7Ω 1W		金属被膜抵抗	01
R274	VP939700	R. MTL. FLM	4.7Ω 1W		金属被膜抵抗	01
R275	VP939700	R. MTL. FLM	4.7Ω 1W		金属被膜抵抗	01
R276	VP939700	R. MTL. FLM	4.7Ω 1W		金属被膜抵抗	01
R277	VP939700	R. MTL. FLM	4.7Ω 1W		金属被膜抵抗	01
R278	V8070900	R. MTL. FLM	100Ω 1W		金属被膜抵抗	01
R279	V8070900	R. MTL. FLM	100Ω 1W		金属被膜抵抗	01
R280	V8070900	R. MTL. FLM	100Ω 1W		金属被膜抵抗	01
R281	V8070900	R. MTL. FLM	100Ω 1W		金属被膜抵抗	01
R282	V8070900	R. MTL. FLM	100Ω 1W		金属被膜抵抗	01
R283	V8070900	R. MTL. FLM	100Ω 1W		金属被膜抵抗	01
R284	VP939700	R. MTL. FLM	4.7Ω 1W		金属被膜抵抗	01
R291	HV753470	R. CAR. FP	4.7Ω 1/4W		不燃化カーボン抵抗	01
R292	HV753470	R. CAR. FP	4.7Ω 1/4W		不燃化カーボン抵抗	01
R293	V8070200	R. MTL. FLM	4.7Ω 1W		金属被膜抵抗	01
R294	V8070900	R. MTL. FLM	100Ω 1W		金属被膜抵抗	01
R295	V8070900	R. MTL. FLM	100Ω 1W		金属被膜抵抗	01
R296	V8070900	R. MTL. FLM	100Ω 1W		金属被膜抵抗	01
R297	V8070900	R. MTL. FLM	100Ω 1W		金属被膜抵抗	01
R298	V8070900	R. MTL. FLM	100Ω 1W		金属被膜抵抗	01
R299	V8070900	R. MTL. FLM	100Ω 1W		金属被膜抵抗	01
RY121	V5966300	RELAY	DS24D2-0S(M)		リレー 2 4 V	05
RY122	V5966300	RELAY	DS24D2-0S(M)		リレー 2 4 V	05
RY123	V5178900	RELAY	DC DQ24D1-0S(M)		リレー 2 4 V	05
RY124	V5966300	RELAY	DS24D2-0S(M)		リレー 2 4 V	05
RY125	V5966300	RELAY	DS24D2-0S(M)		リレー 2 4 V	05
* SR121	WC319200	THYRISTOR	SLA0201 5.00A		サイリスタ	
ST121	V4040500	SCR. TERM	M3		スクリュー/ターミナル	01
* SW1	V3624300	SW. SLIDE	SS029-P022MJB-PA6	UCRTKABGLE	スライドSW	
* TE120	WC631900	TERM. SP	LTS0810-1017FM	JUCRTA	スピーカターミナル	
* TE120	WC631800	TERM. SP	LTS0810-1018FM	KBGLE	スピーカターミナル	
* TE121	WC631900	TERM. SP	LTS0810-1017FM	JUCRTA	スピーカターミナル	
* TE121	WC631800	TERM. SP	LTS0810-1018FM	KBGLE	スピーカターミナル	
	EP600140	SCR. BND. HD	3x10 MFZN2BL		バインドBタイトネジ	01

* New Parts * 新規部品(マーク#の部品は、基板に含まれません)

RX-V550/HTR-5750
RX-V450/HTR-5740/DSP-AX450

P.C.B. POWER

Schm Ref.	PART NO.	Description	Remarks	Markets	部 品 名	Rank	
*	WC839400	P. C. B.	POWER	550, 5750	UCTK	P C B 集 成 パワー	
*	WC839500	P. C. B.	POWER	550, 5750	R	P C B 集 成 パワー	
*	WC839600	P. C. B.	POWER	550, 5750	ABGE	P C B 集 成 パワー	
*	WD072800	P. C. B.	POWER	550, 5750	L	P C B 集 成 パワー	
*	WC839700	P. C. B.	POWER	450, 5740	JUCTK	P C B 集 成 パワー	
*	WC839800	P. C. B.	POWER	450	R	P C B 集 成 パワー	
*	WC839900	P. C. B.	POWER	450, 5740	ABGE	P C B 集 成 パワー	
*	WD072900	P. C. B.	POWER	450	L	P C B 集 成 パワー	
*	CB291	V9377800	CN. BS. PIN	3P SE VH SERIES	RL	ベース付ポスト	
*	CB292	V9377900	CN. BS. PIN	4P SE VH SERIES	RL	ベース付ポスト	
*	△	CB293	WC050700	HOLDER. FUS	RL	ヒューズホルダー	
*	△	CB294	WC050700	HOLDER. FUS	RL	ヒューズホルダー	
	CB351	VM923600	CN. BS. PIN	13P		F F C コネクター	01
	CB352	VK026700	CN. BS. PIN	8P		ワイヤートラップ	01
	CB353	VB858600	CN. BS. PIN	7P		ベースピン	01
	CB354	LB919070	CN. BS. PIN	7P		ベース付ポスト	01
	CB355	LB918030	CN. BS. PIN	3P		ベース付ポスト	01
	CB358	Vi878500	CN. BS. PIN	7P		ケーブルホルダー	01
	CB359	VK026700	CN. BS. PIN	8P		ワイヤートラップ	01
	C301	UU137100	C. EL	10uF 16V		ケミコン	01
	C302	UR837100	C. EL	10uF 16V		ケミコン	01
	C303	UU137100	C. EL	10uF 16V		ケミコン	01
	C304	UU137100	C. EL	10uF 16V		ケミコン	01
	C305	UR837100	C. EL	10uF 16V		ケミコン	01
	C306	UT652100	C. PP	100pF 100V		P P コン	01
	C307	UT652220	C. PP	220pF 100V		P P コン	01
	C308	UT652100	C. PP	100pF 100V		P P コン	01
	C309	UT652220	C. PP	220pF 100V		P P コン	01
	C310	UA652100	C. MYLAR	100pF 50V		マイラーコン	01
	C311	UA652220	C. MYLAR	220pF 50V		マイラーコン	01
	C312	UA652100	C. MYLAR	100pF 50V		マイラーコン	01
	C313	UA652220	C. MYLAR	220pF 50V		マイラーコン	01
	C314	UT652100	C. PP	100pF 100V		P P コン	01
	C315	UT652220	C. PP	220pF 100V		P P コン	01
	C316	UT653330	C. PP	3300pF 100V		P P コン	03
	C317	UT653330	C. PP	3300pF 100V		P P コン	03
	C318	UA653330	C. MYLAR	3300pF 50V		マイラーコン	01
	C319	UA653330	C. MYLAR	3300pF 50V		マイラーコン	01
	C320	UT653330	C. PP	3300pF 100V		P P コン	03
	C321	VG291300	C. EL	100uF 50V		ケミコン	01
	C322	VG291300	C. EL	100uF 50V		ケミコン	01
	C323	UR837470	C. EL	47uF 16V		ケミコン	01
	C324	UR837470	C. EL	47uF 16V		ケミコン	01
	C325	VG291200	C. EL	47uF 50V		ケミコン	01
*	C326	WA970300	C. CE	22pF 500V		セラコン (C H)	
	C327	FU451220	C. MICA	22pF 500V		マイカコン	01
	C328	FU451220	C. MICA	22pF 500V		マイカコン	01
*	C329	WA970300	C. CE	22pF 500V		セラコン (C H)	
	C330	FU451220	C. MICA	22pF 500V		マイカコン	01
	C331	VJ599100	C. CE. TUBLR	0.1uF 50V		円筒セラコン	01
	C332	UR337470	C. EL	47uF 16V		ケミコン A S F	03
	C333	UR337470	C. EL	47uF 16V		ケミコン A S F	03
	C337	UR837100	C. EL	10uF 16V		ケミコン	01

* New Parts * 新規部品(マーク#の部品は、基板に含まれません)

RX-V550/HTR-5750
RX-V450/HTR-5740/DSP-AX450

P.C.B. POWER

Schm Ref.	PART NO.	Description	Remarks	Markets	部 品 名	Rank
C340	UA652100	C. MYLAR 100pF 50V			マイラーコン	01
C341	UA652220	C. MYLAR 220pF 50V			マイラーコン	01
C342	UU138100	C. EL 100uF 16V			ケミコン	01
C343	UU138100	C. EL 100uF 16V			ケミコン	01
C346	UA653330	C. MYLAR 3300pF 50V			マイラーコン	01
C347	UR837470	C. EL 47uF 16V			ケミコン	01
* C349	WA970300	C. CE 22pF 500V			セラコン (C H)	
C350	UU138100	C. EL 100uF 16V			ケミコン	01
C353	UR03A100	C. EL 10000uF 16V			ケミコン	
C357	UR03A100	C. EL 10000uF 16V			ケミコン	
C358	UR03A100	C. EL 10000uF 16V			ケミコン	
C359	UR03A100	C. EL 10000uF 16V			ケミコン	
C360	UR049680	C. EL 6800uF 25V	550, 5750		ケミコン	
* C360	UR049470	C. EL 4700uF 25V	450, 5740		ケミコン	
* C361	UR149220	C. EL 2200uF 25V			ケミコン	
C365	VR324700	C. MYLAR 0.022uF 100V			マイラーコン	
C366	VR324700	C. MYLAR 0.022uF 100V			マイラーコン	
C367	VR324900	C. MYLAR 0.1uF 100V			マイラーコン	01
C368	VR324900	C. MYLAR 0.1uF 100V			マイラーコン	01
C370	V8584600	C. PP 220pF 630V			P Pコン	
C371	UU138100	C. EL 100uF 16V			ケミコン	01
D301	VD631600	D1ODE 1SS133, 176			ダイオード	01
D302	VD631600	D1ODE 1SS133, 176			ダイオード	01
△ D312	WA653100	D1ODE. BRG KBP103G 1.0A 200V			ダイオードブリッジ	02
△ D313	WA653100	D1ODE. BRG KBP103G 1.0A 200V			ダイオードブリッジ	02
△ F3	KB000790	FUSE T4A 250V		RL	ヒューズ	01
△ IC301	X0515A00	IC LM61C1Z THERMAL			電源IC	
△ IC302	XJ608A00	IC NJM7812FA			IC	02
△ IC303	XD343A00	IC NJM79M12FA			IC	03
△ IC304	XJ607A00	IC NJM7805FA 5V			IC	02
△ IC305	XE436A00	IC NJM79M05FA			IC	03
△ IC306	XJ607A00	IC NJM7805FA 5V			IC	02
PN301	V9637500	PIN L=70 #18			スタイルピン	
PN302	V9637500	PIN L=70 #18			スタイルピン	
PN304	V9637500	PIN L=70 #18			スタイルピン	
PN305	V9637500	PIN L=70 #18			スタイルピン	
Q301	VP883100	TR 2SC1890A D, E			トランジスタ	01
Q302	VP883100	TR 2SC1890A D, E			トランジスタ	01
Q303	VP883100	TR 2SC1890A D, E			トランジスタ	01
Q304	VP883100	TR 2SC1890A D, E			トランジスタ	01
Q305	VP883100	TR 2SC1890A D, E			トランジスタ	01
Q306	VP883100	TR 2SC1890A D, E			トランジスタ	01
Q307	VP883100	TR 2SC1890A D, E			トランジスタ	01
Q308	VP883100	TR 2SC1890A D, E			トランジスタ	01
Q309	VP883100	TR 2SC1890A D, E			トランジスタ	01
Q310	VP883100	TR 2SC1890A D, E			トランジスタ	01
Q311	V3966800	TR 2SB949 0, Y			トランジスタ	02
Q312	V3966800	TR 2SB949 0, Y			トランジスタ	02
Q313	V3966800	TR 2SB949 0, Y			トランジスタ	02
Q314	V3966800	TR 2SB949 0, Y			トランジスタ	02
Q315	V3966800	TR 2SB949 0, Y			トランジスタ	02
Q323	VP883100	TR 2SC1890A D, E			トランジスタ	01
Q325	VP883100	TR 2SC1890A D, E			トランジスタ	01

* New Parts * 新規部品(マーク#の部品は、基板に含まれません)

P.C.B. POWER & P.C.B. SUBTRANS

Schm Ref.	PART NO.	Description	Remarks	Markets	部 品 名	Rank
Q327	V3966800	TR	2SB949 0, Y		トランジスタ	02
R346	HV755100	R. CAR. FP	100Ω 1/4W		不燃化カーボン抵抗	01
R347	HV755100	R. CAR. FP	100Ω 1/4W		不燃化カーボン抵抗	01
R348	HV755100	R. CAR. FP	100Ω 1/4W		不燃化カーボン抵抗	01
R349	HV755100	R. CAR. FP	100Ω 1/4W		不燃化カーボン抵抗	01
R350	HV755100	R. CAR. FP	100Ω 1/4W		不燃化カーボン抵抗	01
R386	HV755100	R. CAR. FP	100Ω 1/4W		不燃化カーボン抵抗	01
* ⚠ SW291	WB493700	VOLT. SELECT	R8140246	R	電圧切替器	
* ⚠ SW291	WD073700	VOLT. SELECT	R8140254	L	電圧切替器	
* ⚠	WC840800	P. C. B.	SUBTRANS	J	P C B サブトランス	
* ⚠	WC840900	P. C. B.	SUBTRANS	UC	P C B サブトランス	
* ⚠	WC841000	P. C. B.	SUBTRANS	R	P C B サブトランス	
* ⚠	WC841100	P. C. B.	SUBTRANS	TK	P C B サブトランス	
* ⚠	WC841200	P. C. B.	SUBTRANS	A	P C B サブトランス	
* ⚠	WC841300	P. C. B.	SUBTRANS	B	P C B サブトランス	
* ⚠	WC841400	P. C. B.	SUBTRANS	GE	P C B サブトランス	
* ⚠	WC841500	P. C. B.	SUBTRANS	L	P C B サブトランス	
⚠	CB401	V7827300	SOCKET		コネクターソケット	
⚠	CB402	VG879900	CN. BS. PIN		ベースピン	01
⚠	CB403	VP206500	HOLDER. FUS	UCGE	ヒューズホルダー	01
⚠	CB404	VP206500	HOLDER. FUS	UCGE	ヒューズホルダー	01
⚠	CB405	VP206500	HOLDER. FUS		ヒューズホルダー	01
⚠	CB406	VP206500	HOLDER. FUS		ヒューズホルダー	01
⚠	CB407	VG879900	CN. BS. PIN		ベースピン	01
	C402	UR866220	C. EL		ケミコン	01
	C403	UR866220	C. EL		ケミコン	01
	C404	UA654100	C. MYLAR		マイラーコン	01
	C405	WB687100	C. POL. MTL	JUC	メタライズドポリコン	01
	C405	WC041600	C. PP	RTKABGLE	P Pコン	01
	C406	UR866100	C. EL		ケミコン	01
	C407	UA653470	C. MYLAR		マイラーコン	01
	C408	UA654100	C. MYLAR		マイラーコン	01
* ⚠	C409	WB696300	C. POL. MTL	JUC	メタライズドポリコン	
	C409	WD257600	C. PP	RTKABGLE	P Pコン	
	C410	V6185300	C. CE. SAFTY		規格認定コン	
* ⚠	C411	VG288200	C. EL	JUCTKABGE	ケミコン	03
* ⚠	C411	WD047300	C. EL	RL	ケミコン K M Q	
	C412	VL884600	C. PP		P Pコン	
	D401	VD631600	D I O D E		ダイオード	01
	D402	VD631600	D I O D E		ダイオード	01
	D403	VG435800	D I O D E. ZENR		ツェナーダイオード	01
	D404	VG438300	D I O D E. ZENR		ツェナーダイオード	01
	D405	VG439500	D I O D E. ZENR		ツェナーダイオード	01
	D406	VD631600	D I O D E		ダイオード	01
	D407	VG439200	D I O D E. ZENR		ツェナーダイオード	01
⚠	D408	V4756800	D I O D E		D i スタック	01
	D409	VD631600	D I O D E		ダイオード	01
	D410	VR253700	D I O D E. BRG		D I ブリッジ X 4	02
	D411	VD631600	D I O D E		ダイオード	01
⚠	F1	VS823300	FUSE	JUCRL	ヒューズ	02

* New Parts * 新規部品(マーク#の部品は、基板に含まれません)

RX-V550

HTR-5750

RX-V450/HTR-5740/DSP-AX450

DSP-AX450

P.C.B. SUBTRANS & P.C.B. VIDEO

Schm Ref.	PART NO.	Description	Remarks	Markets	部 品 名	Rank	
△ F1	KB000790	FUSE	T4A 250V		TKABGE	ヒューズ	01
△ F2	VS823300	FUSE	T8A 125V		UC	ヒューズ	02
△ F2	VT942900	FUSE	T2.5A 250V		GE	ヒューズ	01
△ IC401	V8100500	PHOT. CPL	TLP421 GR			フォトカプラ	01
△ IC402	iG001180	IC	TC4013BP FF			ロジック IC	05
△ IC403	V8100500	PHOT. CPL	TLP421 GR			フォトカプラ	01
△ PN401	V9637500	PIN	L=70 #18			スタイルピン	
△ Q401	iC181510	TR	2SC1815 Y			トランジスタ	01
△ Q402	VG722000	TR. DGT	DTC144ES			デジタルトランジスタ	01
△ Q403	iC181510	TR	2SC1815 Y			トランジスタ	01
* △ Q404	WD063200	FET	2SK3491			F E T	
△ R410	V6730000	R. CAR.	2.2MΩ 1/2W		UC	放電抵抗	01
△ RY401	V2712300	RELAY	DC SDT-S-112LMR		JRTKABGLE	リレー 1 2 V	05
△ RY401	V6434900	RELAY	DC DLS12D1-0(M)		UC	リレー 1 2 V T V-8	03
△ ST401	V4040500	SCR. TERM	M3			スクリュー/ターミナル	01
△ ST402	V4040500	SCR. TERM	M3			スクリュー/ターミナル	01
△ T401	XW605A00	TRANS. PWR			J	電源トランス	04
* △ T401	XW606A00	TRANS. PWR			UC	電源トランス	
* △ T401	XV444A00	TRANS. PWR			RL	電源トランス	
* △ T401	XW608A00	TRANS. PWR			TKABGE	電源トランス	
△ TE401	VU543100	OUTLET. AC	2P		JUC	A C アウトレット	03
△ TE401	V5867400	OUTLET. AC	2P AC-182-GB-11V		RTK	A C アウトレット 2 P	
△ TE401	VT915000	OUTLET. AC	1P		A	A C アウトレット	06
△ TE401	VU543300	OUTLET. AC	1P		B	A C アウトレット	05
△ TE401	VU543400	OUTLET. AC	2P		GLE	A C アウトレット	05
	WA709000	P. C. B.	VIDEO	AX450		P C B ビデオ	10
△ CB851	VB858300	CN. BS. PIN	4P	AX450		コネクタベースポスト	01
△ CB852	V7684100	CN	14P SE YKF SERIES	AX450		D 端子コネクター	
△ CB853	V7684100	CN	14P SE YKF SERIES	AX450		D 端子コネクター	
△ CB854	V7684100	CN	14P SE YKF SERIES	AX450		D 端子コネクター	
△ C865	UR828100	C. EL	100uF 10V	AX450		ケミコン	01
△ C866	UR828100	C. EL	100uF 10V	AX450		ケミコン	01
△ D851	VT332900	D1ODE	1SS355	AX450		ダイオード	01
△ D852	VT332900	D1ODE	1SS355	AX450		ダイオード	01
△ D853	VT332900	D1ODE	1SS355	AX450		ダイオード	01
△ D854	VT332900	D1ODE	1SS355	AX450		ダイオード	01
△ D855	VT332900	D1ODE	1SS355	AX450		ダイオード	01
△ D856	VT332900	D1ODE	1SS355	AX450		ダイオード	01
△ D857	VT332900	D1ODE	1SS355	AX450		ダイオード	01
△ IC851	XY879A00	IC	TC74HC4053AF (EL)	AX450		ロジック IC SOP	03
△ IC852	XY879A00	IC	TC74HC4053AF (EL)	AX450		ロジック IC SOP	03
△ IC853	X2904A00	IC	NJM2581M VIDEO AMP	AX450		アンプ IC SOP	06
△ Q851	VV556400	TR	2SC2412K Q, R, S	AX450		トランジスタ	01
△ R872	HV753100	R. CAR. FP	1Ω 1/4W	AX450		不燃化カーボン抵抗	01
△ R873	HV753100	R. CAR. FP	1Ω 1/4W	AX450		不燃化カーボン抵抗	01

* New Parts * 新規部品(マーク#の部品は、基板に含まれません)

RX-V450/HTR-5740/DSP-AX450

CHIP PARTS

Schm Ref.	PART NO.	Description	Remarks	Markets	部 品 名	Rank	
	US044220	C. CE. M. CHP	0.022uF	25V		チップセラコン	01
	US060800	C. CE. CHP	8pF	50V		チップセラコン	01
	US061100	C. CE. M. CHP	10pF	50V		チップセラコン	01
	US061180	C. CE. CHP	18pF	50V		チップセラコン	01
	US061220	C. CE. M. CHP	22pF	50V		チップセラコン	01
	US061270	C. CE. M. CHP	27pF	50V		チップセラコン	01
	US061330	C. CE. M. CHP	33pF	50V		チップセラコン	01
	US061470	C. CE. M. CHP	47pF	50V		チップセラコン	01
	US062100	C. CE. M. CHP	100pF	50V		チップセラコン	01
	US062120	C. CE. CHP	120pF	50V		チップセラコン	01
	US062220	C. CE. CHP	220pF	50V		チップセラコン	01
	US062330	C. CE. M. CHP	330pF	50V		チップセラコン	01
	US062470	C. CE. M. CHP	470pF	50V		チップセラコン	01
	US062560	C. CE. CHP	560pF	50V		チップセラ (S L)	01
	US063100	C. CE. M. CHP	1000pF	50V		チップセラコン	01
	US063470	C. CE. CHP	4700pF	50V		チップセラコン	01
	US064100	C. CE. M. CHP	0.01uF	50V		チップセラコン	01
	US065100	C. CE. M. CHP	0.1uF	50V		チップセラ F	
	US135100	C. CE. CHP	0.1uF	16V		チップセラコン	01
	RD350000	R. CHP	0Ω	1/16W		チップ抵抗	01
	RD353220	R. CHP	2.2Ω	1/16W		チップ抵抗	01
	RD354100	R. CHP	10Ω	1/16W		チップ抵抗	01
	RD354270	R. CHP	27Ω	1/16W		チップ抵抗	01
	RD354470	R. CHP	47Ω	1/16W		チップ抵抗	01
	RD354560	R. CHP	56Ω	1/16W		チップ抵抗	01
	RD354680	R. CHP	68Ω	1/16W		チップ抵抗	01
	RD354750	R. CHP	75Ω	1/16W		チップ抵抗	01
	RD354820	R. CHP	82Ω	1/16W		チップ抵抗	01
	RD355100	R. CHP	100Ω	1/16W		チップ抵抗	01
	RD355220	R. CHP	220Ω	1/16W		チップ抵抗	01
	RD355270	R. CHP	270Ω	1/16W		チップ抵抗	01
	RD355330	R. CHP	330Ω	1/16W		チップ抵抗	01
	RD355470	R. CHP	470Ω	1/16W		チップ抵抗	01
	RD355510	R. CHP	510Ω	1/16W		チップ抵抗	01
	RD355680	R. CHP	680Ω	1/16W		チップ抵抗	01
	RD356100	R. CHP	1KΩ	1/16W		チップ抵抗	01
	RD356150	R. CHP	1.5KΩ	1/16W		チップ抵抗	01
	RD356220	R. CHP	2.2KΩ	1/16W		チップ抵抗	01
	RD356330	R. CHP	3.3KΩ	1/16W		チップ抵抗	01
	RD356430	R. CHP	4.3KΩ	1/16W		チップ抵抗	01
	RD356470	R. CHP	4.7KΩ	1/16W		チップ抵抗	01
	RD356510	R. CHP	5.1KΩ	1/16W		チップ抵抗	01
	RD356560	R. CHP	5.6KΩ	1/16W		チップ抵抗	01
	RD356680	R. CHP	6.8KΩ	1/16W		チップ抵抗	01
	RD357100	R. CHP	10KΩ	1/16W		チップ抵抗	01
	RD357130	R. CHP	13KΩ	1/16W		チップ抵抗	01
	RD357150	R. CHP	15KΩ	1/16W		チップ抵抗	01
	RD357180	R. CHP	18KΩ	1/16W		チップ抵抗	01
	RD357220	R. CHP	22KΩ	1/16W		チップ抵抗	01
	RD357270	R. CHP	27KΩ	1/16W		チップ抵抗	01
	RD357330	R. CHP	33KΩ	1/16W		チップ抵抗	01
	RD357470	R. CHP	47KΩ	1/16W		チップ抵抗	01
	RD358100	R. CHP	100KΩ	1/16W		チップ抵抗	01

* New Parts * 新規部品(マーク#の部品は、基板に含まれません)

RX-V550/HTR-5750
RX-V450/HTR-5740/DSP-AX450

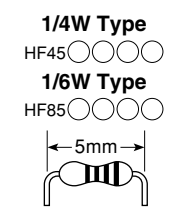
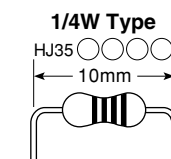
CHIP PARTS

Parts List for Carbon Resistors

Schm Ref.	PART NO.	Description	Remarks	Markets	部 品 名	Rank
	RD358220	R. CHP	220KΩ	1/16W	チップ抵抗	01
	RD358470	R. CHP	470KΩ	1/16W	チップ抵抗	01
	RD358680	R. CHP	680KΩ	1/16W	チップ抵抗	01
	RD359100	R. CHP	1MΩ	1/16W	チップ抵抗	01
*	RF354820	R. CAR. CHP	82Ω	1/16W	チップ抵抗	01
	RF355820	R. CHP	820Ω	1/16W	チップ抵抗	01
	RF356130	R. CHP	1.3KΩ	1/16W	チップ抵抗	01
	RF356470	R. CHP	4.7KΩ	1/16W	チップ抵抗	01
	RF356560	R. CHP	5.6KΩ	1/16W	チップ抵抗	01
	RF356680	R. CHP	6.8KΩ	1/16W	チップ抵抗	01
*	RF357200	R. CHP	20KΩ	1/16W	チップ抵抗	01
	RF357470	R. CHP	47KΩ	1/16W	チップ抵抗	01

* New Parts * 新規部品(マーク#の部品は、基板に含まれません)

Value	1/4W Type Part No.	1/6W Type Part No.	Value	1/4W Type Part No.	1/6W Type Part No.
1.0 Ω	HJ35 3100	HF85 3100	10 kΩ	HF45 7100	HF45 7100
1.8 Ω	HJ35 3180	*	11 kΩ	HF45 7110	HF45 7110
2.2 Ω	HJ35 3220	HF85 3220	12 kΩ	HJ35 7120	HF85 7120
3.3 Ω	HJ35 3330	HF85 3330	13 kΩ	HF45 7130	HF45 7130
4.7 Ω	HJ35 3470	HF85 3470	15 kΩ	HF45 7150	HF45 7150
5.6 Ω	HJ35 3560	HF85 3560	18 kΩ	HF45 7180	HF45 7180
10 Ω	HF45 4100	HF45 4100	22 kΩ	HF45 7220	HF45 7220
15 Ω	HJ35 4150	HF85 4150	24 kΩ	HF45 7240	HF45 7240
22 Ω	HF45 4220	HF45 4220	27 kΩ	HJ35 7270	HF85 7270
27 Ω	HJ35 4270	HF85 4270	30 kΩ	HF45 7300	HF45 7300
33 Ω	HF45 4330	HF45 4330	33 kΩ	HF45 7330	HF45 7330
39 Ω	HJ35 4470	HF85 4390	36 kΩ	HF45 7360	HF45 7360
47 Ω	HF45 4470	HF45 4470	39 kΩ	HF45 7390	HF45 7390
56 Ω	HF45 4560	HF45 4560	47 kΩ	HF45 7470	HF45 7470
68 Ω	HF45 4680	HF45 4680	51 kΩ	HF45 7510	HF45 7510
75 Ω	HF45 4750	HF45 4750	56 kΩ	HF45 7560	HF45 7560
82 Ω	HF45 4820	HF45 4820	62 kΩ	HF45 7620	HF45 7620
91 Ω	HF45 4910	HF45 4910	68 kΩ	HF45 7680	HF45 7680
100 Ω	HF45 5100	HF45 5100	82 kΩ	HF45 7820	HF45 7820
110 Ω	HJ35 5110	HF85 5110	91 kΩ	HF45 7910	HF45 7910
120 Ω	HF45 5120	HF45 5120	100 kΩ	HF45 8100	HF45 8100
150 Ω	HF45 5150	HF45 5150	110 kΩ	HF45 8110	HF45 8110
160 Ω	HJ35 5160	*	120 kΩ	HF45 8120	HF45 8120
180 Ω	HF45 5180	HF45 5180	150 kΩ	HF45 8150	HF45 8150
200 Ω	HF45 5200	HF45 5200	180 kΩ	HF45 8180	HF45 8180
220 Ω	HF45 5220	HF45 5220	220 kΩ	HJ35 8220	HF85 8220
270 Ω	HF45 5270	HF45 5270	270 kΩ	HF45 8270	HF45 8270
330 Ω	HF45 5330	HF45 5330	300 kΩ	HF45 8300	HF45 8300
390 Ω	HF45 5390	HF45 5390	330 kΩ	HF45 8330	HF45 8330
430 Ω	HF45 5430	HF45 5430	390 kΩ	HJ35 8390	HF85 8390
470 Ω	HF45 5470	HF45 5470	470 kΩ	HF45 8470	HF45 8470
510 Ω	HF45 5510	HF45 5510	560 kΩ	HJ35 8560	HF85 8560
560 Ω	HF45 5560	HF45 5560	680 kΩ	HJ35 8680	HF85 8680
680 Ω	HF45 5680	HF45 5680	820 kΩ	HJ35 8820	HF85 8820
820 Ω	HF45 5820	HF45 5820	1.0 MΩ	HF45 9100	HF45 9100
910 Ω	HF45 5910	HF45 5910	1.2 MΩ	HJ35 9120	*
1.0 kΩ	HF45 6100	HF45 6100	1.5 MΩ	HJ35 9150	HF85 9150
1.2 kΩ	HF45 6120	HF45 6120	1.8 MΩ	HJ35 9180	HF85 9180
1.5 kΩ	HF45 6150	HF45 6150	2.2 MΩ	HJ35 9220	HF85 9220
1.8 kΩ	HF45 6180	HF45 6180	3.3 MΩ	HJ35 9330	HF85 9330
2.0 kΩ	HJ35 6200	HF85 6200	3.9 MΩ	HJ35 9390	*
2.2 kΩ	HF45 6220	HF45 6220	4.7 MΩ	HJ35 9470	HF85 9470
2.4 kΩ	HJ35 6240	HF85 6240			
2.7 kΩ	HF45 6270	HF45 6270			
3.0 kΩ	HF45 6300	HF45 6300			
3.3 kΩ	HF45 6330	HF45 6330			
3.6 kΩ	HJ35 6360	HF85 6360			
3.9 kΩ	HF45 6390	HF45 6390			
4.7 kΩ	HF45 6470	HF45 6470			
5.1 kΩ	HF45 6510	HF45 6510			
5.6 kΩ	HF45 6560	HF45 6560			
6.8 kΩ	HF45 6680	HF45 6680			
8.2 kΩ	HF45 6820	HF45 6820			
9.1 kΩ	HF45 6910	HF45 6910			

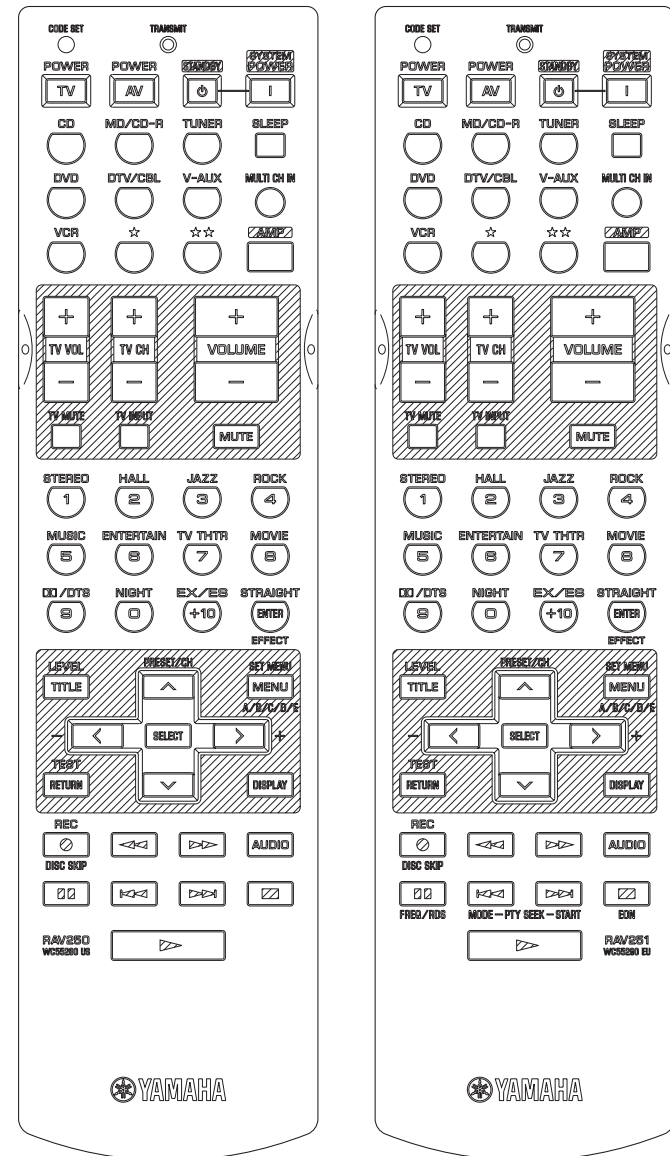
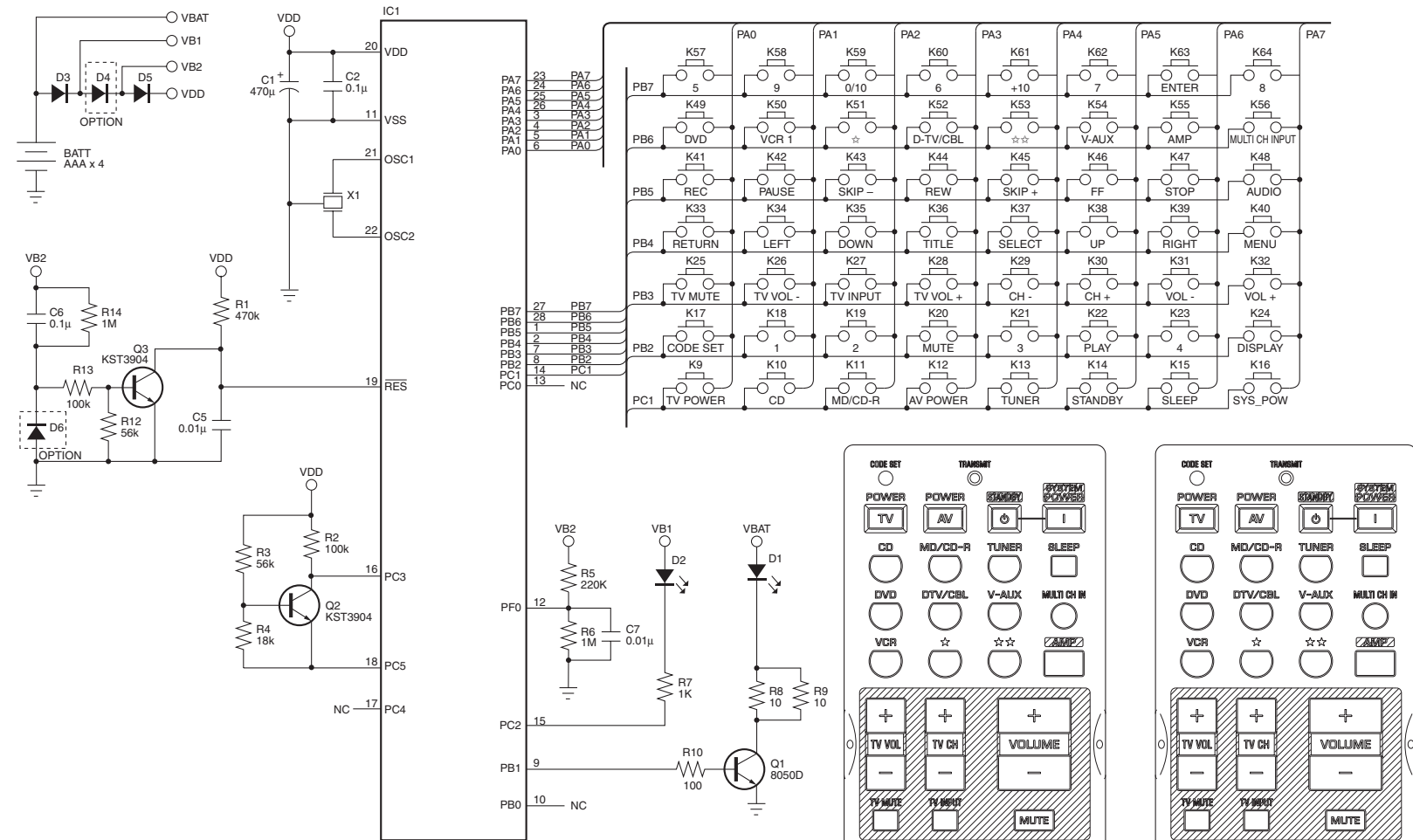


* : Not available

RX-V550/HTR-5750
RX-V450/HTR-5740/DSP-AX450

REMOTE CONTROL RAV250: RX-V550 (U, C, A, L, R, T, K models), HTR-5750, RX-V450/HTR-5740 (U, C, A, L, R, T, K models), DSP-AX450 RAV251: RX-V550 (B, G, E models)

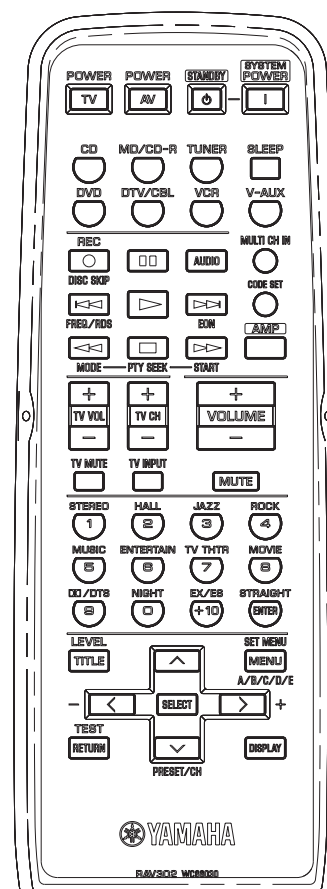
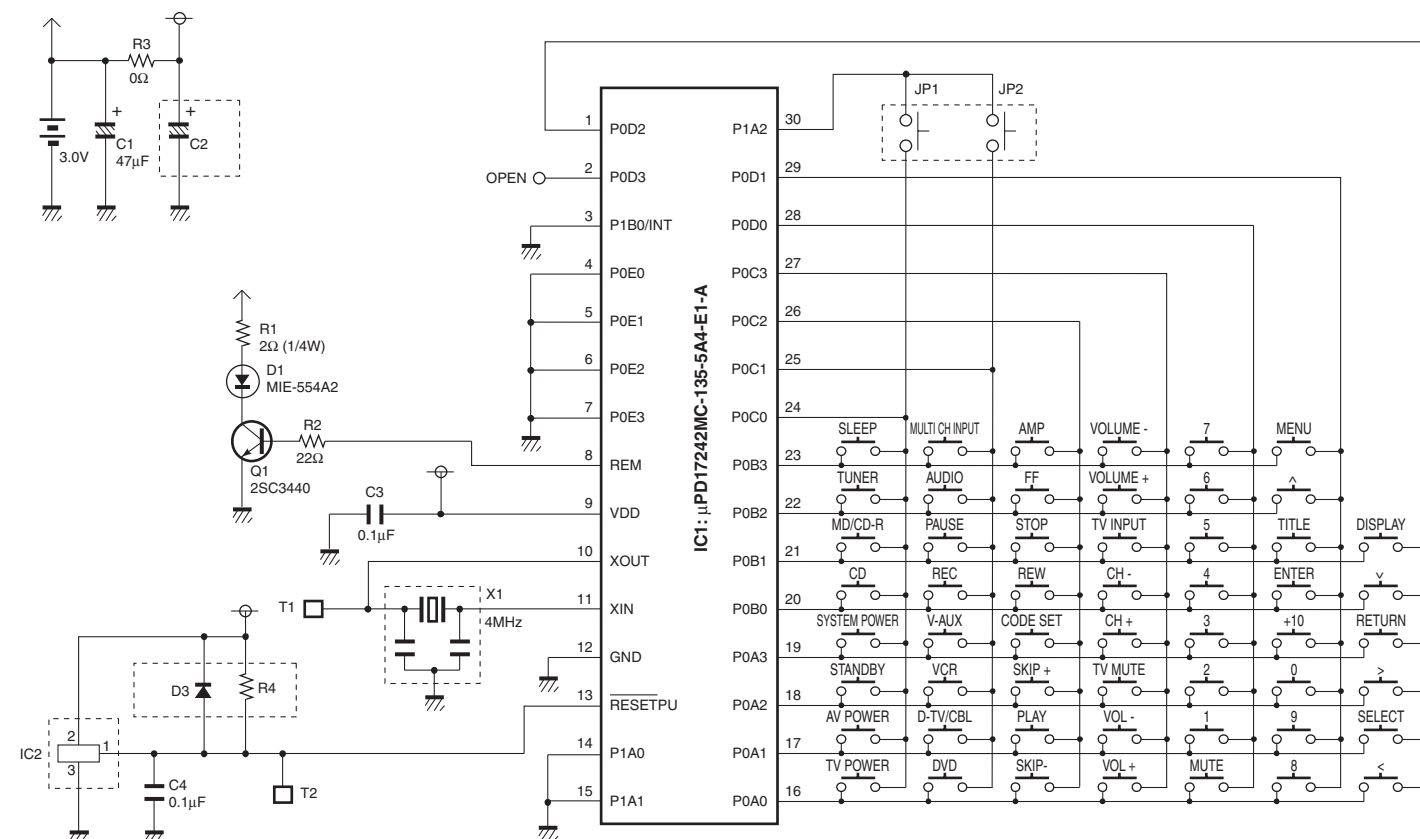
SCHEMATIC DIAGRAM



Key No.	Schematic Key No.	Function	YPC	ZONE2			DVD			LD	CD		CD-R	MD		TAPE		TUNER		AMP
				MAIN	ZONE2	SYSTEM	Yamaha1	Yamaha3	Yamaha4		Yamaha1	Yamaha2		Yamaha1	Yamaha2	Yamaha1	Yamaha2			
1	K17	CODE SET	-	-	-	-	-	-	-	-	-	-	-	-	-	-	-	-	-	-
2	K9	TV POWER	-	-	-	-	-	-	-	-	-	-	-	-	-	-	-	-	-	-
3	K12	AV POWER	-	-	-	-	-	-	-	-	-	-	-	-	-	-	-	-	-	-
4	K14	STANDBY	7A-1E	7E-7F	7E-BB	7A-1E	-	-	-	-	-	-	-	-	-	-	-	-	-	-
5	K16	SYSTEM POWER	7A-1D	7E-7E	7E-BA	7A-1D	-	-	-	-	-	-	-	-	-	-	-	-	-	-
6	K10	CD	7A-15	7A-15	7A-D1	-	-	-	-	-	-	-	-	-	-	-	-	-	-	-
7	K11	MD/CD-R	7A-C9	7A-C9	7A-CF	-	-	-	-	-	-	-	-	-	-	-	-	-	-	-
8	K13	TUNER	7A-16	7A-16	7A-D2	-	-	-	-	-	-	-	-	-	-	-	-	-	-	-
9	K15	SLEEP	7A-57	-	-	-	-	-	-	-	-	-	-	-	-	-	-	-	-	-
10	K49	DVD	7A-C1	7A-C1	7A-CD	-	-	-	-	-	-	-	-	-	-	-	-	-	-	-
11	K52	D-TV/CBL	7A-54	7A-54	7A-D9	-	-	-	-	-	-	-	-	-	-	-	-	-	-	-
12	K54	V-AUX	7A-55	7A-55	7A-D8	-	-	-	-	-	-	-	-	-	-	-	-	-	-	-
13	K56	MULTI CH INPUT	7A-87	7A-87	-	-	-	-	-	-	-	-	-	-	-	-	-	-	-	-
14	K50	VCR	7A-0F	7A-0F	7A-D6	-	-	-	-	-	-	-	-	-	-	-	-	-	-	-
15	K51	★	7A-13	7A-13	7A-D7	-	-	-	-	-	-	-	-	-	-	-	-	-	-	-
16	K53	★★	-	-	-	-	-	-	-	-	-	-	-	-	-	-	-	-	-	-
17	K55	AMP	-	-	-	-	-	-	-	-	-	-	-	-	-	-	-	-	-	-
18	K28	TV VOL +	-	-	-	-	-	-	-	-	-	-	-	-	-	-	-	-	-	-
19	K30	TV CH +	-	-	-	-	-	-	-	-	-	-	-	-	-	-	-	-	-	-
20	K32	VOLUME +	7A-1A	7A-1A	-	-	-	-	-	-	-	-	-	-	-	-	-	-	-	-
21	K26	TV VOL -	-	-	-	-	-	-	-	-	-	-	-	-	-	-	-	-	-	-
22	K29	TV CH -	-	-	-	-	-	-	-	-	-	-	-	-	-	-	-	-	-	-
23	K31	VOLUME -	7A-1B	7A-1B	-	-	-	-	-	-	-	-	-	-	-	-	-	-	-	-
24	K25	TV MUTE	-	-	-	-	-	-	-	-	-	-	-	-	-	-	-	-	-	-
25	K27	TV INPUT	-	-	-	-	-	-	-	-	-	-	-	-	-	-	-	-	-	-
26	K20	MUTE	7A-1C	7A-1C	7A-DC	-	-	-	-	-	-	-	-	-	-	-	-	-	-	-
27	K18	1	-	-	-	-	-	-	-	-	-	-	-	-	-	-	-	-	-	-
28	K19	2	-	-	-	-	-	-	-	-	-	-	-	-	-	-	-	-	-	-
29	K21	3	-	-	-	-	-	-	-	-	-	-	-	-	-	-	-	-	-	-
30	K23	4	-	-	-	-	-	-	-	-	-	-	-	-	-	-	-	-	-	-
31	K57	5	-	-	-	-	-	-	-	-	-	-	-	-	-	-	-	-	-	-
32	K60	6	-	-	-	-	-	-	-	-	-	-	-	-	-	-	-	-	-	-
33	K62	7	-	-	-	-	-	-	-	-	-	-	-	-	-	-	-	-	-	-
34	K64	8	-	-	-	-	-	-	-	-	-	-	-	-	-	-	-	-	-	-
35	K58	9	-	-	-	-	-	-	-	-	-	-	-	-	-	-	-	-	-	-
36	K59	0	-	-	-	-	-	-	-	-	-	-	-	-	-	-	-	-	-	-
37	K61	+10	-	-	-	-	-	-	-	-	-	-	-	-	-	-	-	-	-	-
38	K63	ENTER	-	-	-	-	-	-	-	-	-	-	-	-	-	-	-	-	-	-
39	K36	TITLE	-	-	-	-	-	-	-	-	-	-	-	-	-	-	-	-	-	-
40	K38	▲	-	-	-	-	-	-	-	-	-	-	-	-	-	-	-	-	-	-
41	K40	MENU	-	-	-	-	-	-	-	-	-	-	-	-	-	-	-	-	-	-
42	K34	<	-	-	-	-	-	-	-	-	-	-	-	-	-	-	-	-	-	-
43	K37	SELECT	-	-	-	-	-	-	-	-	-	-	-	-	-	-	-	-	-	-
44	K39	>	-	-	-	-	-	-	-	-	-	-	-	-	-	-	-	-	-	-
45	K33	RETURN	-	-	-	-	-	-	-	-	-	-	-	-	-	-	-	-	-	-
46	K35	v	-	-	-	-	-	-	-	-	-	-	-	-	-	-	-	-	-	-
47	K24	DISPLAY	-	-	-	-	-	-	-	-	-	-	-	-	-	-	-	-	-	-
48	K41	REC	-	-	-	-	-	-	-	-	-	-	-	-	-	-	-	-	-	-
49	K44	REW	-	-	-	-	-	-	-	-	-	-	-	-	-	-	-	-	-	-
50	K46	FF	-	-	-	-	-	-	-	-	-	-	-	-	-	-	-	-	-	-
51	K48	AUDIO	-	-	-	-	-	-	-	-	-	-	-	-	-	-	-	-	-	-
52	K42	PAUSE	-	-	-	-	-	-	-	-	-	-	-	-	-	-	-	-	-	-
53	K43	SKIP -	-	-	-	-	-	-	-	-	-	-	-	-	-	-	-	-	-	-
54	K45	SKIP +	-	-	-	-	-	-	-	-	-	-	-	-	-	-	-	-	-	-
55	K47	STOP	-	-	-	-	-	-	-	-	-	-	-	-	-	-	-	-	-	-
56	K22	PLAY	-	-	-	-	-	-	-	-	-	-	-	-	-	-	-	-	-	-

REMOTE CONTROL RAV302: RX-V450/HTR-5740 (B, G, E models)

SCHEMATIC DIAGRAM



Key No.	Function	CODE								
		AMP	CD	MD	CD-R	TUNER	DVD (P)	DVD (Y)	DVD (M)	DVD-R (P)
1	TV POWER	-	-	-	-	-	-	-	-	-
2	AV POWER	-	-	-	7F-80	-	A5-AA	7C-80	3D-8D	A5-AA
3	STANDBY	7A-1E	-	-	-	-	-	-	-	-
4	SYSTEM POWER	7A-1D	-	-	-	-	-	-	-	-
5	CD	7A-15	-	-	-	-	-	-	-	-
6	MD/CD-R	7A-C9	-	-	-	-	-	-	-	-
7	TUNER	7A-16	-	-	-	-	-	-	-	-
8	SLEEP	7A-57	-	-	-	-	-	-	-	-
9	DVD	7A-C1	-	-	-	-	-	-	-	-
10	D-TV/CBL	7A-54	-	-	-	-	-	-	-	-
11	VCR	7A-0F	-	-	-	-	-	-	-	-
12	V-AUX	7A-55	-	-	-	-	-	-	-	-
13	REC, DISC SKIP	-	7A-4F	79-AF	-	-	55-56	7C-8B	-	56-5A
14	PAUSE	-	7A-09	79-A9	7F-83	-	AA-5A	7C-83	06-B6	AA-5A
15	AUDIO	-	-	-	-	-	95-A6	7C-AD	33-83	95-A6
16	MULTI CH INPUT	7A-87	-	-	-	-	-	-	-	-
17	SKIP -	-	7A-0B	79-AB	7F-86	7A-A4	6A-9A	7C-B9	49-F9	6A-9A
18	PLAY	-	7A-08	79-A8	7F-82	-	A5-9A	7C-82	0A-BA	A5-9A
19	SKIP +	-	7A-0A	79-AE	7F-87	7A-A5	AA-9A	7C-BA	4A-FA	AA-9A
20	CODE SET	-	-	-	-	-	-	-	-	-
21	REW (SEARCH -)	-	7A-0D	79-AC	7F-88	7A-A6	69-9A	7C-86	04-B4	69-9A
22	STOP	-	7A-09	79-AA	7F-84	-	6A-5A	7C-85	00-B0	6A-5A
23	FF (SEARCH +)	-	7A-0C	79-AD	7F-89	7A-A7	A9-9A	7C-87	05-B5	A9-9A
24	AMP	-	-	-	-	-	-	-	-	-
25	TV VOL +	-	-	-	-	-	-	-	-	-
26	TV VOL -	-	-	-	-	-	-	-	-	-
27	TV MUTE	-	-	-	-	-	-	-	-	-
28	TV CH +	-	-	-	-	-	-	-	-	-
29	TV CH -	-	-	-	-	-	-	-	-	-
30	TV INPUT	-	-	-	-	-	-	-	-	-
31	VOLUME +	7A-1A	-	-	-	-	-	-	-	-
32	VOLUME -	7A-1B	-	-	-	-	-	-	-	-
33	MUTE	7A-1C	-	-	-	-	-	-	-	-
34	1	7A-88	79-11	79-85	7F-91	7A-E5	6A-AA	7C-94	10-A0	6A-AA
35	2	7A-89	79-12	79-86	7F-92	7A-E6	9A-AA	7C-95	11-A1	9A-AA
36	3	7A-8A	79-13	79-87	7F-93	7A-E7	5A-AA	7C-96	12-A2	5A-AA
37	4	7A-8B	79-14	79-88	7F-94	7A-E8	A6-AA	7C-97	13-A3	A6-AA
38	5	7A-8C	79-15	79-89	7F-95	7A-E9	66-AA	7C-98	14-A4	66-AA
39	6	7A-8D	79-16	79-8A	7F-96	7A-EA	96-AA	7C-99	15-A5	96-AA
40	7	7A-8E	79-17	79-8B	7F-97	7A-EB	56-AA	7C-9A	16-A6	56-AA
41	8	7A-8F	79-18	79-8C	7F-98	7A-EC	A9-AA	7C-9B	17-A7	A9-AA
42	9	7A-90	79-19	79-8D	7F-99	-	69-AA	7C-9C	18-A8	69-AA
43	0	7A-95	79-10	79-8E	7F-90	-	AA-AA	7C-93	19-A9	AA-AA
44	+10	7A-97	79-1A	79-8F	7F-9A	-	A9-56	7C-9D	89-39	A9-56
45	ENTER	7A-56	79-0B	-	7F-8A	-	A9-A5	7C-9E	-	A9-A5
46	TITLE	7A-86	-	-	-	-	6A-56	7C-B1	9B-2B	6A-56
47	^	7A-98	-	-	-	7A-10	A9-66	7C-B4	85-35	A9-66
48	MENU	7A-9C	-	-	-	7A-12	A6-66	7C-B2	80-30	A6-66
49	<	7A-53	-	-	-	-	99-66	7C-B5	87-37	99-66
50	SELECT	7A-DE	-	-	-	-	A5-66	7C-B8	82-32	A5-66
51	>	7A-52	-	-	-	-	59-66	7C-B6	88-38	59-66
52	RETURN	7A-85	-	-	-	-	5A-A9	7C-B7	81-31	5A-A9
53	v	7A-99	-	-	-	7A-11	69-66	7C-B3	86-36	69-66
54	DISPLAY	-	79-0A	79-A5	7F-9E	-	55-AA	7C-A6	92-22	55-AA

RX-V550/HTR-5750

AX-V450/HTR-5740/DSP-AX450

