

DVD AUDIO/VIDEO SA-CD PLAYER

DVD-S1700

SERVICE MANUAL

IMPORTANT NOTICE

This manual has been provided for the use of authorized YAMAHA Retailers and their service personnel. It has been assumed that basic service procedures inherent to the industry, and more specifically YAMAHA Products, are already known and understood by the users, and have therefore not been restated.

WARNING: Failure to follow appropriate service and safety procedures when servicing this product may result in personal injury, destruction of expensive components, and failure of the product to perform as specified. For these reasons, we advise all YAMAHA product owners that any service required should be performed by an authorized YAMAHA Retailer or the appointed service representative.

IMPORTANT: The presentation or sale of this manual to any individual or firm does not constitute authorization, certification or recognition of any applicable technical capabilities, or establish a principle-agent relationship of any form.

The data provided is believed to be accurate and applicable to the unit(s) indicated on the cover. The research, engineering, and service departments of YAMAHA are continually striving to improve YAMAHA products. Modifications are, therefore, inevitable and specifications are subject to change without notice or obligation to retrofit. Should any discrepancy appear to exist, please contact the distributor's Service Division.

WARNING: Static discharges can destroy expensive components. Discharge any static electricity your body may have accumulated by grounding yourself to the ground buss in the unit (heavy gauge black wires connect to this buss).

IMPORTANT: Turn the unit OFF during disassembly and part replacement. Recheck all work before you apply power to the unit.

CONTENTS

TO SERVICE PERSONNEL	2-4	TROUBLESHOOTING / トラブルシュート	8
PREVENTION OF ELECTROSTATIC DISCHARGE	4	DISASSEMBLY PROCEDURES / 分解手順	9
LOCALE MANAGEMENT INFORMATION	4	DISPLAY DATA	10
FRONT PANEL	5	IC DATA	12-30
REAR PANELS	5-6	BLOCK DIAGRAM	31
REMOTE CONTROL PANEL	7	WIRING DIAGRAM	32
SPECIFICATIONS / 参考仕様	7	PRINTED CIRCUIT BOARDS	33-36
INTERNAL VIEW	8	SCHEMATIC DIAGRAMS	37-42
TRADE MODE / トレードモード	8	REPLACEMENT PARTS LIST	43-45
ERROR MESSAGE / エラーメッセージ	8	REMOTE CONTROL	46



このサービスマニュアルは、エコマーク認定の再生紙を使用しています。
This Service Manual uses recycled paper.

101037

© 2006 YAMAHA CORPORATION. All rights reserved.
This manual is copyrighted by YAMAHA and may not be copied or
redistributed either in print or electronically without permission.



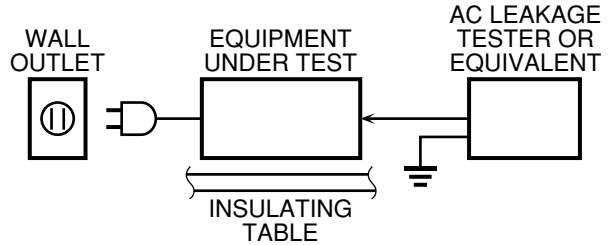
YAMAHA

YAMAHA CORPORATION
P.O.Box 1, Hamamatsu, Japan

06.12

■ TO SERVICE PERSONNEL

1. Critical Components Information
Components having special characteristics are marked ⚠ and must be replaced with parts having specifications equal to those originally installed.
2. Leakage Current Measurement (For 120V Models Only)
When service has been completed, it is imperative to verify that all exposed conductive surfaces are properly insulated from supply circuits.
 - Meter impedance should be equivalent to 1500 ohms shunted by 0.15μF.



- Leakage current must not exceed 0.5mA.
- Be sure to test for leakage with the AC plug in both polarities.

WARNING: CHEMICAL CONTENT NOTICE!

The solder used in the production of this product contains LEAD. In addition, other electrical/electronic and/or plastic (where applicable) components may also contain traces of chemicals found by the California Health and Welfare Agency (and possibly other entities) to cause cancer and/or birth defects or other reproductive harm.

DO NOT PLACE SOLDER, ELECTRICAL/ELECTRONIC OR PLASTIC COMPONENTS IN YOUR MOUTH FOR ANY REASON WHATSOEVER!

Avoid prolonged, unprotected contact between solder and your skin! When soldering, do not inhale solder fumes or expose eyes to solder/flux vapor!

If you come in contact with solder or components located inside the enclosure of this product, wash your hands before handling food.

About lead free solder / 無鉛ハンダについて

All of the P.C.B.s installed in this unit and solder joints are soldered using the lead free solder.

Among some types of lead free solder currently available, it is recommended to use one of the following types for the repair work.

- Sn + Ag + Cu (tin + silver + copper)
- Sn + Cu (tin + copper)
- Sn + Zn + Bi (tin + zinc + bismuth)

本機に搭載されているすべての基板およびハンダ付けによる接合部は無鉛ハンダでハンダ付けされています。

無鉛ハンダにはいくつかの種類がありますが、修理時には下記のような無鉛ハンダの使用を推奨します。

- ・ Sn+Ag+Cu(錫+銀+銅)
- ・ Sn+Cu(錫+銅)
- ・ Sn+Zn+Bi(錫+亜鉛+ビスマス)

Caution:

As the melting point temperature of the lead free solder is about 30°C to 40°C (50°F to 70°F) higher than that of the lead solder, be sure to use a soldering iron suitable to each solder.

注意：

無鉛ハンダの融点温度は通常の鉛入りハンダに比べ30～40℃程度高くなっていますので、それぞれのハンダに合ったハンダごてをご使用ください。

WARNING: Laser Safety

This product contains a laser beam component. This component may emit invisible, as well as visible radiation, which may cause eye damage. To protect your eyes and skin from laser radiation, the following precautions must be used during servicing of the unit.

- 1) When testing and/or repairing any component within the product, keep your eyes and skin more than 30 cm away from the laser pick-up unit at all times. Do not stare at the laser beam at any time.
- 2) Do not attempt to readjust, disassemble or repair the laser pick-up, unless noted elsewhere in this manual.
- 3) CAUTION : Use of controls, adjustments or performance of procedures other than those specified herein may result in hazardous radiation exposure.

Laser Emitting conditions:

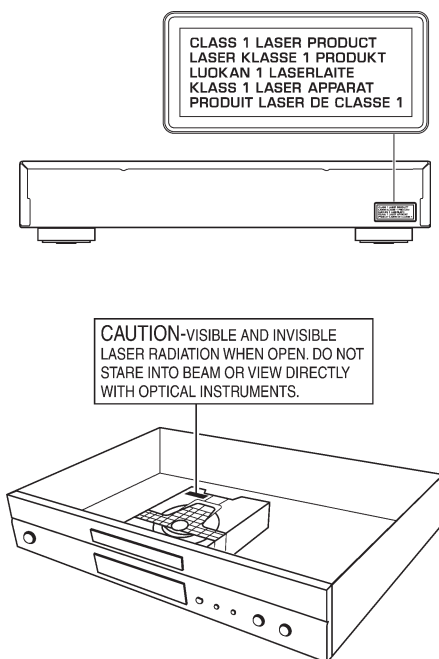
- 1) When the Top Cover is removed, and the STANDBY/ON SW is turned to the "ON" position, the laser component will emit a beam for several seconds to detect if a disc is present. During this time (5-10 sec.) the laser may radiate through the lens of the laser pick-up unit. Do not attempt any servicing during this period!
If no disc is detected, the laser will stop emitting the beam. When a disc is loaded, you will not be exposed to any laser emissions.
- 2) The laser power level can be adjusted with the VR on the pick-up PWB, however, this level has been set by the factory prior to shipping from the factory. Do not adjust this laser level control unless instruction is provided elsewhere in this manual. Adjustment of this control can increase the laser emission level from the device.

Laser Diode Properties

Type:	Semiconductor laser GaAlAs
Wave length:	650 nm (DVD) 790 nm (VCD/CD)
Output Power:	1.45 mW (DVD) 1.13 mW (VCD/CD)
Beam divergence:	60 degrees

VARO! : AVATTAESSA JA SUOJALUKITUS OHITETTAESSA OLET ALTTIINA NÄKYMÄTTÖMÄLLE LASER-SÄTEILYLLE. ÄLÄ KATSO SÄTEESEEN.

VARNING! : OSYNLIG LASERSTRÅLNING NÄR DENNA DEL ÄR ÖPPNAD OCH SPÄRREN ÄR URKOPPLAD. BETRakta EJ STRÅLEN.



CAUTION

VISIBLE AND INVISIBLE LASER RADIATION WHEN OPEN. AVOID EXPOSURE TO BEAM.

ADVARSEL

SYNLIG OG USYNLIG LASERSTRÅLING VED ÅBNING. UNDGÅ UDSÆTTELSE FOR STRÅLING.

ADVARSEL

SYNLIG OG USYNLIG LASERSTRÅLING NÅR DEKSEL ÅPNES. UNNGÅ EKSPONERING FOR STRÅLEN.

VARNING

SYNLIG OCH OSYNLIG LASERSTRÅLNING NÄR DENNA DEL ÄR ÖPPNAD. BETRakta EJ STRÅLEN.

VARO!

AVATTAESSA OLET ALTTIINA NÄKYVÄLLE JA NÄKYMÄTTÖMÄLLE LASER SÄ TEILYLLE. ÄLÄ KATSO SÄTEESEEN.

VORSICHT

SICHTBARE UND UNSICHTBARE LASERSTRAHLUNG WENN ABDECKUNG GEÖFFNET. NICHT DEM STRAHL AUSSETZEN.

DANGER

VISIBLE AND INVISIBLE LASER RADIATION WHEN OPEN. AVOID DIRECT EXPOSURE TO BEAM.

ATTENTION

RAYONNEMENT LASER VISIBLE ET INVISIBLE EN CAS D'OUVERTURE. EXPOSITION DANGEREUSE AU FAISCEAU.

ПРЕДУПРЕЖДЕНИЕ

ПРИ ОТКРЫТИИ УСТРОЙСТВА ВЫ МОЖЕТЕ ПОДВЕРГНУТЬСЯ ВОЗДЕЙСТВИЮ ВИДИМОГО И НЕВИДИМОГО ЛАЗЕРНОГО ИЗЛУЧЕНИЯ. ИЗБЕГАЙТЕ ВОЗДЕЙСТВИЯ ЛУЧА.

Warning for power supply

The primary side of the power supply carries live mains voltage when the player is connected to the mains even when the player is switched off !

This primary area is not shielded so it is possible to touch copper tracks and/or components when servicing the player. Service personnel have to take precautions to prevent touching this area or components in this area.

Note:

The screws on the DVD mechanism may never be touched, removed or re-adjusted.

Handle the DVD mechanism with care when the unit has to be exchanged!

The DVD mechanism is very sensitive for dropping or giving shocks.

■ PREVENTION OF ELECTROSTATIC DISCHARGE

The laser diode in the DVD mechanism may be damaged due to static electricity from clothes or the human body. Use caution to prevent electrostatic damage when servicing or handling the DVD-mechanism.

1. Grounding for electrostatic damage prevention

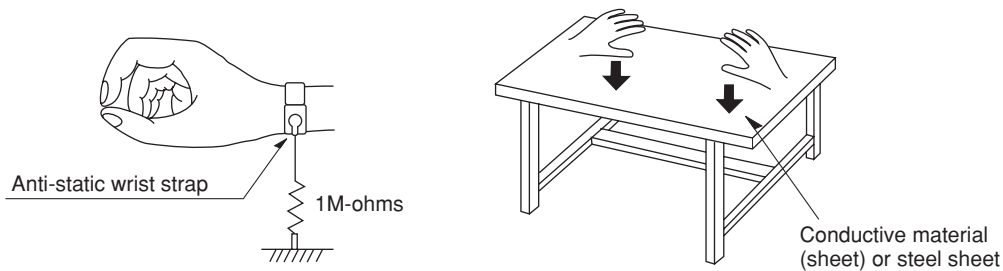
Some devices, such as the DVD player, use an optical pickup (laser diode) that will be damaged by static electricity in the working environment. Only attempt service after ensuring that all grounding procedures have been completed.

1. Worktable grounding

Put a grounded conductive material (sheet) or iron sheet on the area where the optical pickup is placed.

2. Human body grounding

Use an anti-static wrist strap to discharge the static electricity from your body.



2. Handling Precautions for DVD mechanism

1. Handle the DVD mechanism gently, as it is an extremely high-precision assembly.

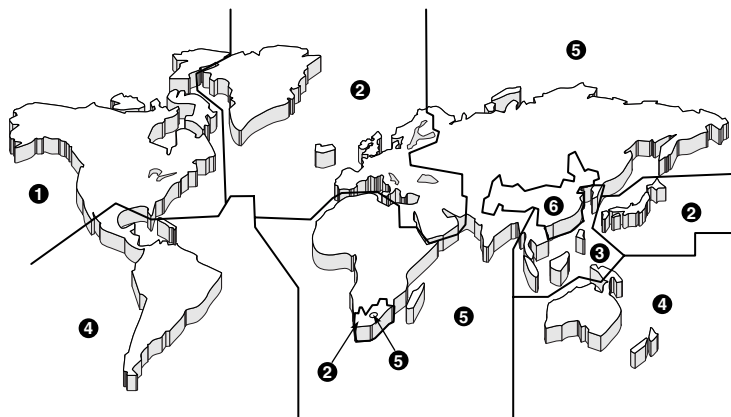
2. The flexible cable lines may break if an excessive force is applied to it. Use caution when handling the cable.

3. The semi-fixed resistor for laser power adjustment should not be adjusted. Do not turn the resistor.

■ LOCALE MANAGEMENT INFORMATION

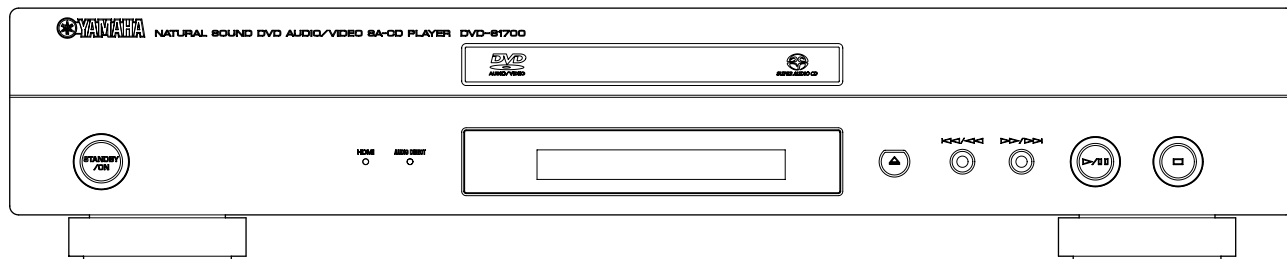
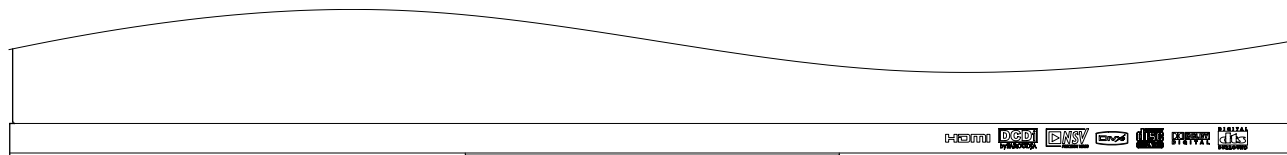
Locale Management Information : This DVD player is designed and manufactured to respond to the Locale Management Information that is recorded on a DVD disc. If the Locale number described on the DVD disc does not correspond to the Locale number of this DVD player, this DVD player cannot play this disc.

This product incorporates copyright protection technology that is protected by method claims of certain U.S. patents and other intellectual property rights owned by Macrovision Corporation and other rights owners. Use of this copyright protection technology must be authorized by Macrovision Corporation, and is intended for home and other limited viewing uses only unless otherwise authorized by Macrovision Corporation. Reverse engineering or disassembly is prohibited.



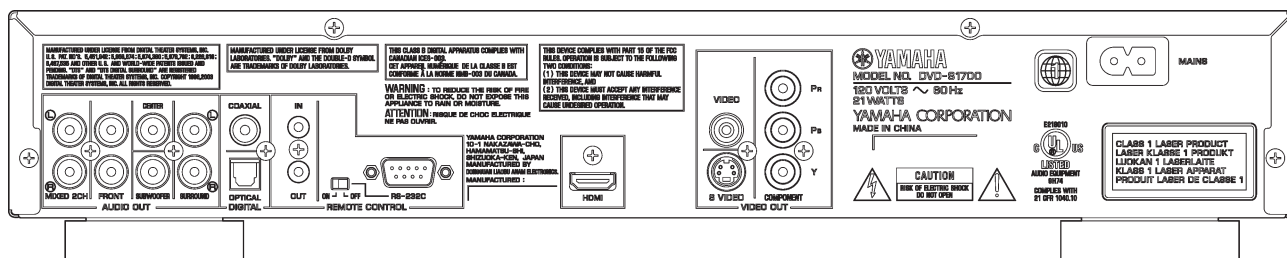
FRONT PANEL

U, T, K, A, G, L, J models

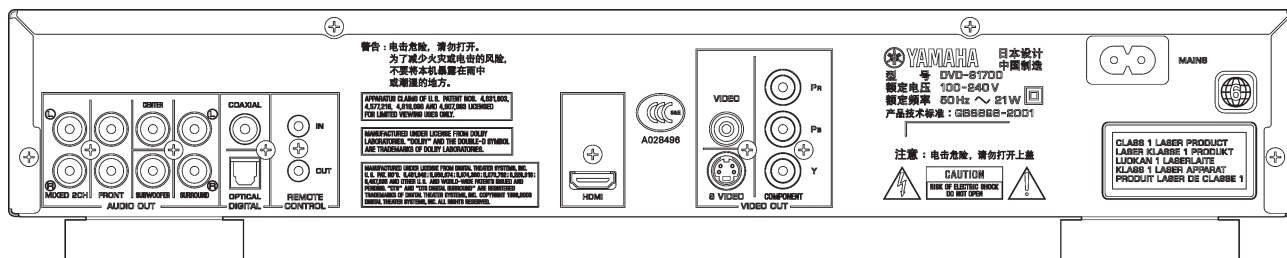


REAR PANELS

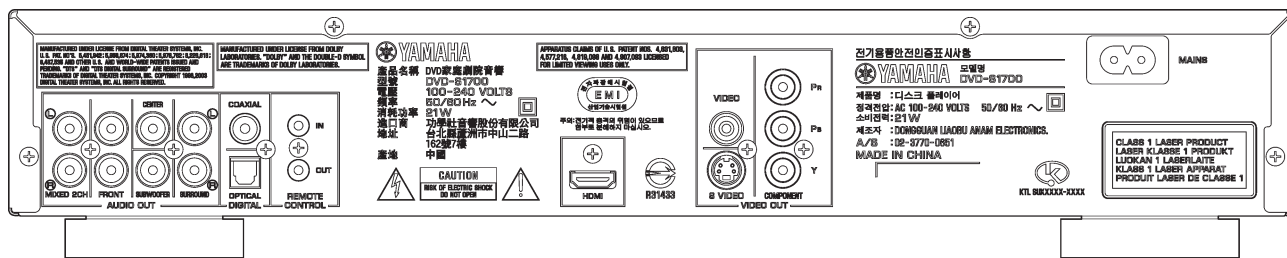
U model



T model

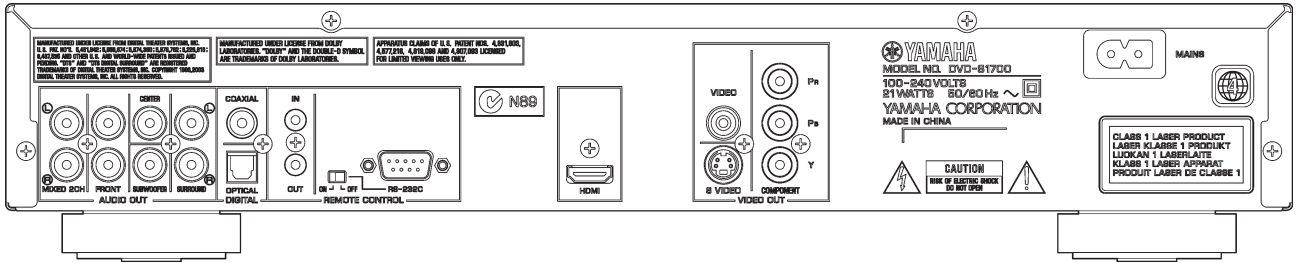


K model

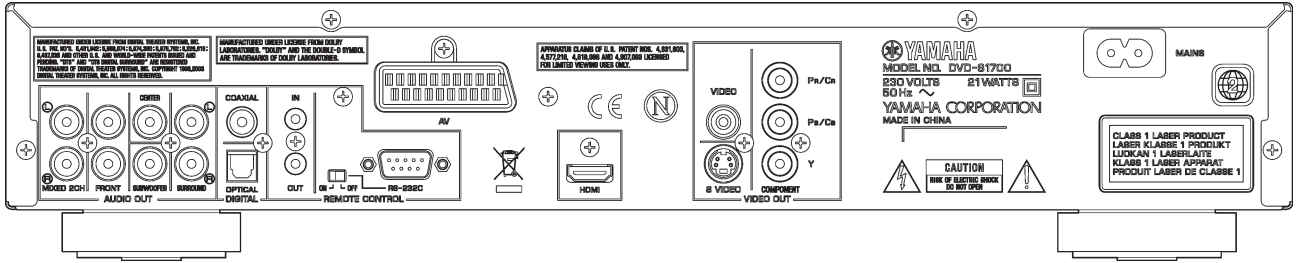


DVD-S1700

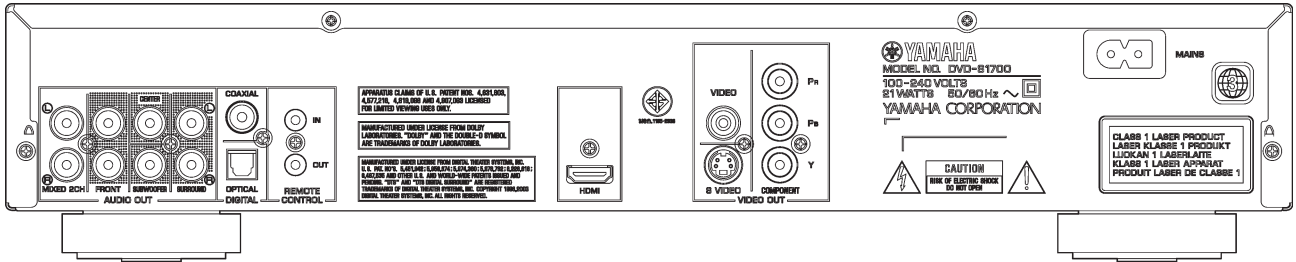
A model



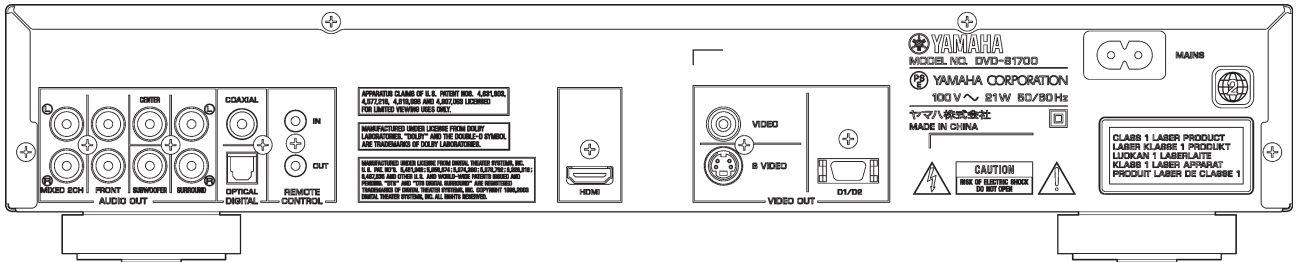
G model



L model

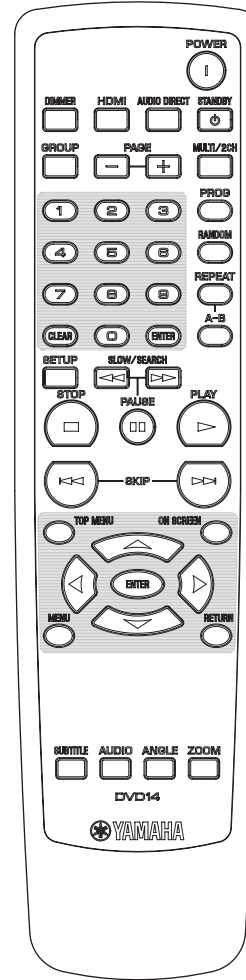


J model



DVD-S1700

■ REMOTE CONTROL PANEL



■ SPECIFICATIONS / 参考仕様

PLAYBACK SYSTEM / 対応ディスク

DVD-video
 DVD-audio
 DVD-R, DVD-RW
 DVD+R, DVD+RW, DVD+R DL
 Video CD, SVCD
 SA-CD multi-channel and SA-CD stereo
 CD
 Picture CD
 CD-R, CD-RW

VIDEO PERFORMANCE / ビデオ部

Video (CVBS) output 1 Vpp into 75 ohms
 S-video output Y: 1 Vpp into 75 ohms
 C: 0.3 Vpp into 75 ohms
 D1/D2 output (J model) Y: 1 Vpp into 75 ohms
 Pb/Cb, Pr/Cr: 0.7 Vpp into 75 ohms
 Component video output (U, T, K, A, G, L models)
 Y: 1 Vpp into 75 ohms
 Pb/Cb, Pr/Cr: 0.7 Vpp into 75 ohms
 RGB (SCART) output (G model)
 0.7 Vpp into 75 ohms
 Black level shift (U model)
 On/Off

AUDIO FORMAT / オーディオフォーマット

Digital Dolby Digital/DTS/MPEG		
PCM	Compressed Digital	16, 20, 24 bits fs 44.1, 48, 88.2, 96 kHz
MP3 (ISO 9660)		32 kbps to 320 kbps fs 16, 22.05, 24, 32, 44.1, 48 kHz
WMA		64 kbps to 320 kbps mono, stereo

Full decoding of Dolby Digital and DTS multi-channel sound
 Analog stereo sound
 Dolby surround compatible downmix from Dolby Digital multi-channel sound

AUDIO PERFORMANCE / オーディオ特性

DA converter	24 bits, 192 kHz
Signal to noise (1 kHz)	115 dB
Dynamic range (1 kHz)	105 dB
DVD	fs 96 kHz 2 Hz to 44 kHz fs 48 kHz 2 Hz to 22 kHz
SVCD	fs 48 kHz 2 Hz to 22 kHz fs 44.1 kHz 2 Hz to 20 kHz
CD/VCD	fs 44.1 kHz 2 Hz to 20 kHz
Distortion and noise (1 kHz)	0.002 %

TV STANDARD (PAL: 50 Hz) (NTSC: 60 Hz)

Number of lines	625	525
Playback	Multistandard	(PAL/NTSC)

CONNECTIONS / 接続端子

Video output	Cinch (yellow) x 1
S-video output	Mini DIN, 4 pins x 1
D1/D2 output (J model)	1
Component video output	
Y output	Cinch (green) x 1
Pb/Cb output	Cinch (blue) x 1
Pr/Cr output	Cinch (red) x 1
SCART (G model)	Euroconnector x 1
Digital output	Coaxial x 1 Optical x 1
HDMI	IEC60958 for CDDA/LPCM, IEC61937 for MPEG 1/2, Dolby Digital and DTS
Audio output	Type A x 1

2 channel analog output	
MIXED 2CH L/R	Cinch (white/red) x 1 pair
Multi channel analog output	
FRONT L/R	Cinch (white/red) x 1 pair
SURROUND L/R	Cinch (white/red) x 1 pair
CENTER	Cinch (black) x 1
SUBWOOFER	Cinch (black) x 1

GENERAL / 一般

Dimensions (W x H x D) / 寸法(幅 x 高さ x 奥行き)	435 x 87 x 284.5 mm (17-1/8" x 3-7/16" x 11-3/16")
Weight / 質量	3.3 Kg (7 lbs. 4 oz)
Finish / 仕上げ	Gold color (K, J models) Black color (U, A, G models) Titanium color (T, G, L models)
Power supply / 電源電圧	AC 120 V, 60 Hz (U model) AC 100-240 V, 50 Hz (T model) AC 100-240 V, 50/60 Hz (K, A, L models) AC 230 V, 50 Hz (G model) AC 100 V, 50/60 Hz (J model)
Power consumption / 消費電力	Approx. 21 W
Standby power consumption / 待機時消費電力	< 0.5 W

ACCESSORIES / 付属品

Remote control	x 1
Battery (AAA, R03, UM-4)	x 2
Power cable (2 m) x 1 (U, T, A, G, L, J models)	
Power cable (2 m) x 2 (K model)	
Video pin cable (1 m) x 1	
Audio pin cable (1 m) x 1	

* Specifications are subject to change without prior notice.

※ 参考仕様および外観は予告なく変更されることがあります。

U	U.S.A. model	T	Chinese model
K	Korean model	A	Australian model
G	European model	L	Singapore model
J	Japanese model		

DOLBY DIGITAL Manufactured under license from Dolby Laboratories. "Dolby" and the double-D symbol are trademarks of Dolby Laboratories.

ドルビーラボラトリーズからの実施権により製造されています。「ドルビー」およびダブルD記号は、ドルビーラボラトリーズの商標です。

DTS SURROUND "DTS" and "DTS Digital Surround" are registered trademarks of Digital Theater Systems, Inc.

DTSおよびDTS Digital Surroundはデジタルシアターシステムズの登録商標です。

DIVX DivX, DivX Certified, and associated logos are trademarks of DivX, Inc. and are used under license.

HOME THEATER DIVX CERTIFIED VIDEO DivX, DivX Certified, および関連するロゴは、DivX, Inc.の商標です。これらの商標は、DivX, Inc.の使用許諾を得て使用しています。

DCDi by FAROUDJA "DCDi" is a trademark of Faroudja, a division of Genesis Microchip, Inc.

DCDiは、Genesis Microchip Inc.の事業部門であるFaroudjaの商標です。

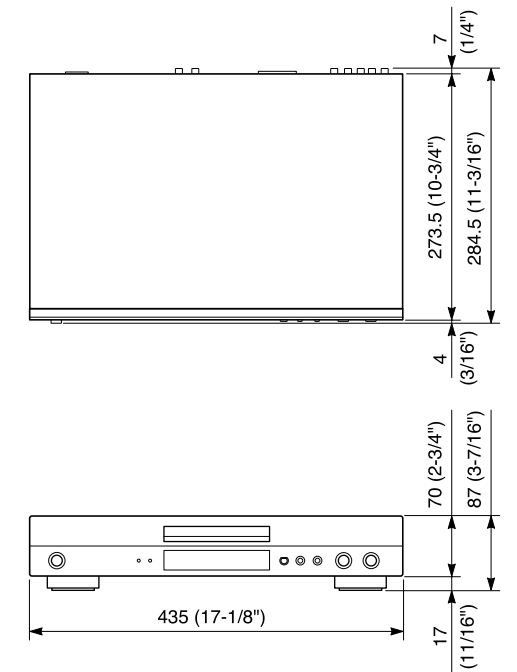
HDMI "HDMI", the "HDMI" logo and "High Definition Multimedia Interface" are trademarks or registered trademark of HDMI Licensing LLC.

HDMI、HDMIロゴおよびHigh-Definition Multimedia Interfaceは、HDMI Licensing LLCの商標または、登録商標です。

This product incorporates copyright protection technology that is protected by method claims of certain U.S. patents and other intellectual property rights owned by Macrovision Corporation and other rights owners. Use of this copyright protection technology must be authorized by Macrovision Corporation, and is intended for home and other limited viewing uses only unless otherwise authorized by Macrovision Corporation. Reverse engineering or disassembly is prohibited.

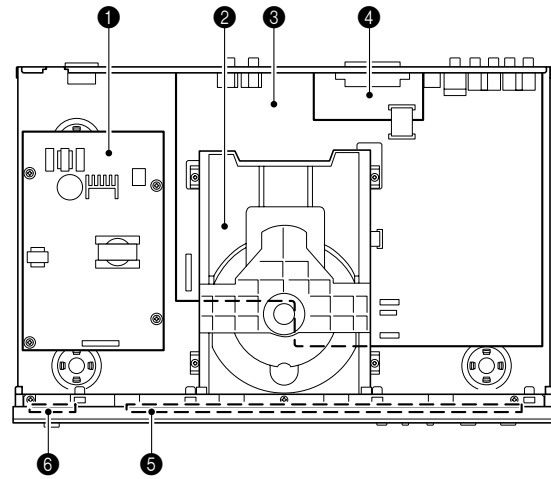
本製品は、著作権保護技術を採用しており、マクロビジョン社及びその他の著作権者が保有する米国特許及びその他の知的財産権によって保護されています。この著作権保護技術の使用は、マクロビジョン社の許可が必要で、またマクロビジョン社の特別な許可がない限り家庭用及びその他の一部の視聴用の使用に制限されています。分解したり、改造することも禁じられています。

• DIMENSIONS



Unit: mm (inch)
 単位: mm (インチ)

INTERNAL VIEW



- ① POWER SUPPLY UNIT
- ② DVD MECHANISM UNIT
- ③ MAIN (1) P.C.B.
- ④ MAIN (4) P.C.B. (G model)
- ⑤ MAIN (2) P.C.B.
- ⑥ MAIN (3) P.C.B.

TRADE MODE / トレードモード

In the TRADE mode, the tray open/close function is stopped temporarily.

Setting TRADE mode

1. Connect the power cable of the main unit to the AC outlet.
2. Press the "STANDBY/ON" key of the main unit or remote controller to turn on the power.
3. Press the "OPEN/CLOSE" key of the main unit to open the tray.
4. Place a disc in the tray and open the "OPEN/CLOSE" key of the main unit to close the tray.
5. While pressing the "SKIP+/SEARCH+" key of the main unit and press the "STOP" key for 3 seconds or longer.
6. When the TRADE mode is set, [TRADE ON] is displayed which then returns to the normal display.

Note: Even after the TRADE mode is set, all functions remain the same as normal except the "OPEN/ CLOSE" key.

Press the "OPEN/CLOSE" key, and [TRAY LOCKED] is displayed.

Canceling TRADE mode

1. With a disc set in the tray, while pressing the "SKIP+/SEARCH+" key of the main unit and press the "STOP" key for 3 seconds or longer.
2. When the TRADE mode is cancelled, [TRADE OFF] is displayed which then returns to the normal display.

トレードモードは、トレイのOPEN/CLOSE機能を一時的に停止する機能です。

トレードモードの起動

1. 本機の電源コードをACコンセントに接続します。
2. 本機またはリモコンの"STANDBY/ON"キーを押し、電源を入れます。
3. 本機の"OPEN/CLOSE"キーを押し、トレイを開きます。
4. トレイにディスクをセットし、本機の"OPEN/CLOSE"キーを押しトレイを閉じます。
5. 本機の"SKIP+/SEARCH+"キーを押しながら次に"STOP"キーを3秒間以上押し続けます。
6. トレードモードが起動し「TRADE ON」と表示した後、通常の表示に戻ります。

注： トレードモード起動後、「OPEN/CLOSE」キー以外の操作は通常通り行うことができます。「OPEN/CLOSE」キーを押すと「TRAY LOCKED」と表示されます。

トレードモードの解除

1. トレイにディスクがセットされている状態で、本機の"SKIP+/SEARCH+"キーを押しながら次に"STOP"キーを3秒間以上押し続けます。
2. トレードモードが解除され「TRADE OFF」と表示した後、通常の表示に戻ります。

ERROR MESSAGE / エラーメッセージ

Display / 表示	Cause / 原因
NO DISC	When no disc is loaded in the tray. / ディスクがトレイにセットされていない場合。
UNKNOWN DISC	When a disc which cannot be played or recognized is loaded in the tray. / 再生できない、または認識できないディスクがトレイにセットされている場合。

TROUBLESHOOTING / トラブルシューティング

HDMI Reset

When no picture is displayed even though the main unit and TV monitor are connected with the HDMI cable

1. Press the "STOP" key of the main unit or on the remote control twice.
2. While pressing the "STOP" key of the main unit, press the "PLAY/PAUSE" key for 3 seconds or longer.
3. [HDMI RESE] is displayed of the main unit which then returns to the normal display.

HDMIリセット

本機とTVモニターをHDMIケーブルで接続しても映像が表示されない場合

1. 本機の"STOP"キーまたは、リモコンの"STOP"キーを2回押します。
2. 本機の"STOP"キーを押しながら"PLAY/PAUSE"キーを3秒間以上押し続けます。
3. 本機のディスプレイに「HDMI RESET」と表示した後、通常の表示に戻ります。

VIDEO Reset

When no picture is displayed or picture is displayed but not properly even though the main unit and TV monitor are connected with the video pin cable or the like

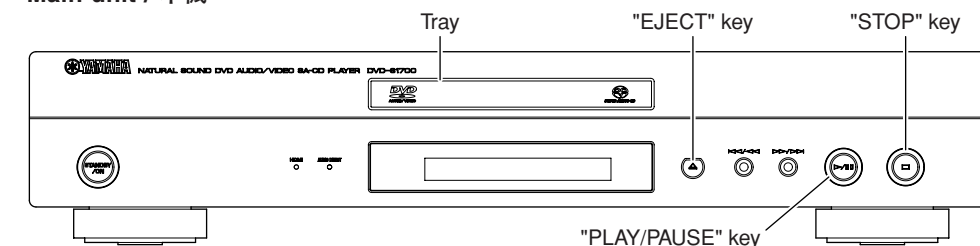
1. Press the "EJECT" key to open the tray.
2. Press the "CLEAR" key on the remote control.
3. Press the "2", "5", "8" and "0" keys on the remote control.
4. Press the "AUDIO" key on the remote control.

ビデオリセット

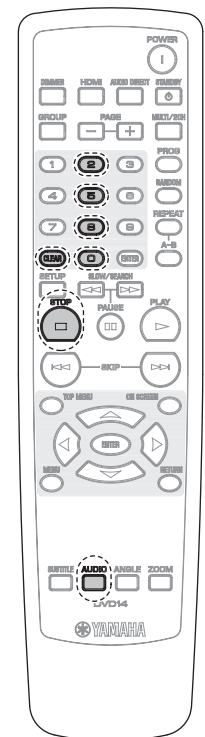
本機とTVモニターを映像ピンケーブルなどで接続しても映像が表示されない、または映像が正しく表示されない場合

1. 本機の"EJECT"キーを押してトレイを開きます。
2. リモコンの"CLEAR"キーを押します。
3. リモコンの"2"、"5"、"8"、"0"キーを押します。
4. リモコンの"AUDIO"キーを押します。

Main unit / 本機



Remote control / リモコン



■ DISASSEMBLY PROCEDURES / 分解手順

(Remove parts in disassembly order as numbered.)
Disconnect the power cable from the AC outlet.

(番号順に部品を取り外してください。)
AC電源コンセントから、電源コードを抜いてください。

1. Removal of Top Cabinet

- Remove 6 screws (①). (Fig. 1)
- Lift up the rear side of the top cover, then remove rearward. (Fig. 1)

1. トップカバーの外し方

- ①のネジ6本を外します。(Fig. 1)
- トップカバーの後ろを持ち上げ、後方へ取り外します。(Fig. 1)

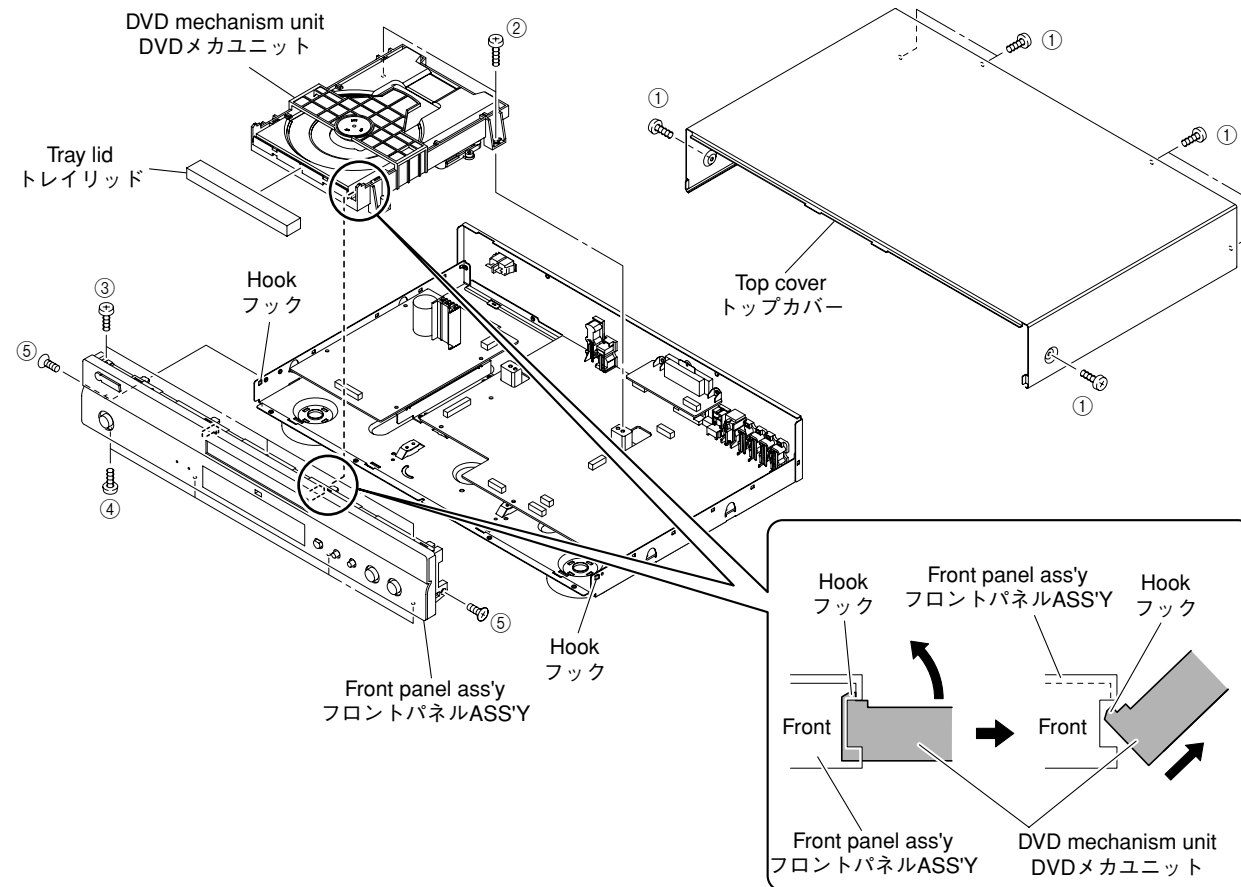


Fig. 1

2. Removal of DVD Mechanism Unit

- Eject the tray. (See "How to manually eject the tray".)
- Remove the tray lid and close the tray. (Fig. 1)
- Remove 2 screws (②). (Fig. 1)
- Solder the lands in the P.C.B. of the DVD mechanism unit with the anti-static soldering iron. (Fig. 2)

2. DVDメカユニットの外し方

- トレイを開きます。("手動でトレイを開く方法"を参照)
- トレイリッドを外し、トレイを閉じます。(Fig. 1)
- ②のネジ2本を外します。(Fig. 1)
- DVDメカユニットの基板上的端子間を静電気対策はんだこてを使用してショートします。(Fig. 2)

Note

- After you have finished repairing, connect the flexible flat cable to CN11 in advance and then remove the solder from the short-circuit location with the anti-static soldering iron.

注意

- 修理終了時は、先にカード電線をCN11に接続し、次に静電気対策はんだこてを使用してショート箇所からはんだを除去します。

- Remove CN11, CN12 and CN13. (Fig. 2)
- Lift up the rear side of the DVD mechanism unit, then remove 2 hooks and remove rearward. (Fig. 1)

- CN11、CN12、CN13を外します。(Fig. 2)
- DVDメカユニットの後ろを持ち上げ、フック2箇所を外し、後方へ取り外します。(Fig. 1)

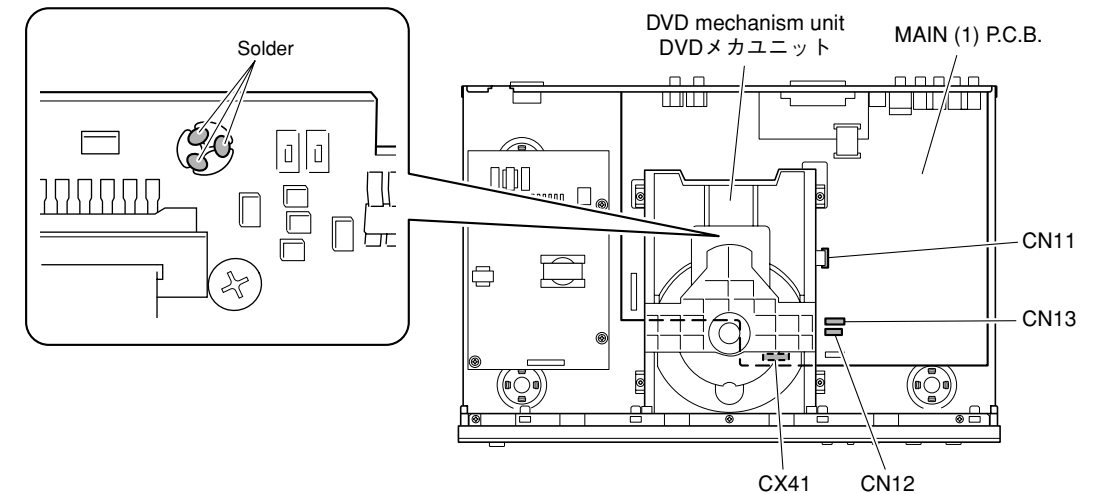


Fig. 2

3. Removal of Front Panel Ass'y

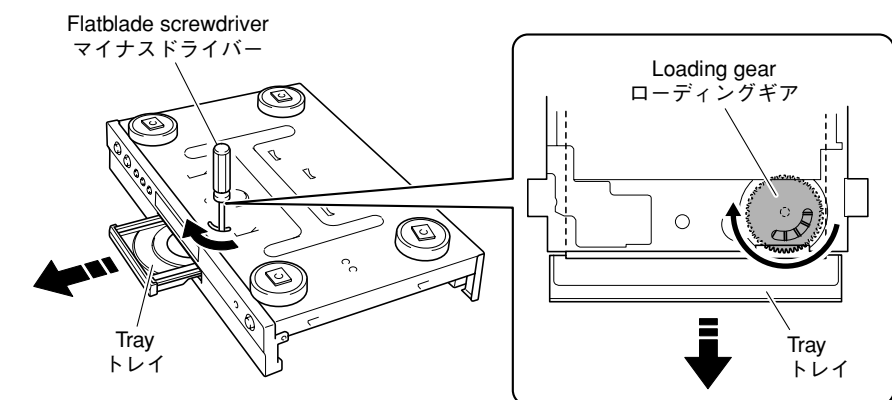
- Remove 3 screws (③) and 4 screws (④). (Fig. 1)
- Remove 2 screws (⑤). (Fig. 1)
- Remove CX41. (Fig. 2)
- Remove 2 hooks and then remove the front panel ass'y forward. (Fig. 1)

3. フロントパネルASS'Yの外し方

- ③のネジ3本、④のネジ4本を外します。(Fig. 1)
- ⑤のネジ2本を外します。(Fig. 1)
- CX41を外します。(Fig. 2)
- フック2箇所を外し、フロントパネルASS'Yを前方へ取り外します。(Fig. 1)

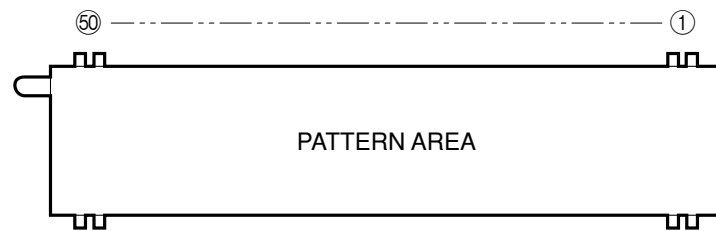
• How to manually eject the tray / 手動でトレイを開く方法

- Turn the unit bottom up.
 - Turn the loading gear in the direction indicated with a flatblade screwdriver until the tray is ejected.
 - Gently pull the tray out.
- 本機を上下反転します。
 - トレイが出てくるまで、マイナスドライバーでローディングギアを図に示す矢印の方向に回転します。
 - トレイをそっと引き出します。



■ DISPLAY DATA

● F401 : HCA14SM16 (AAx80850)



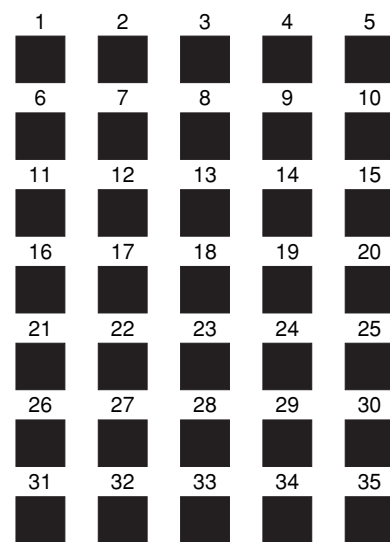
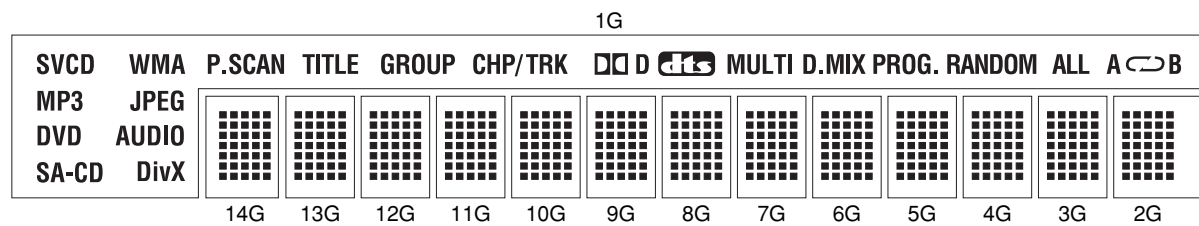
● PIN CONNECTION

Pin No.	50	49	48	47	46	45	44	43	42	41	40	39	38	37	36	35	34	33	32	31	30	29	28	27	26
Connection	F2	F2	NP	NP	NX	NX	NX	NX	NX	NX	NX	NX	NX	NX	NX	NX	NX	NX	NX	NX	NX	NX	NX	NX	NX

Pin No.	25	24	23	22	21	20	19	18	17	16	15	14	13	12	11	10	9	8	7	6	5	4	3	2	1
Connection	NX	NX	NX	NX	NX	NX	NX	NX	NX	1G	NC	GR1	V _{DD}	DIN	CLKB	CSBRSTB	OSCO	OSCI	VEE	GND	NP	NP	F1	F1	

Note : 1) F1, F2 Filament pin 2) NP No pin 3) NC No connection 4) NX No extended pin

● GRID ASSIGNMENT



(2G-14G)

● ANODE CONNECTION

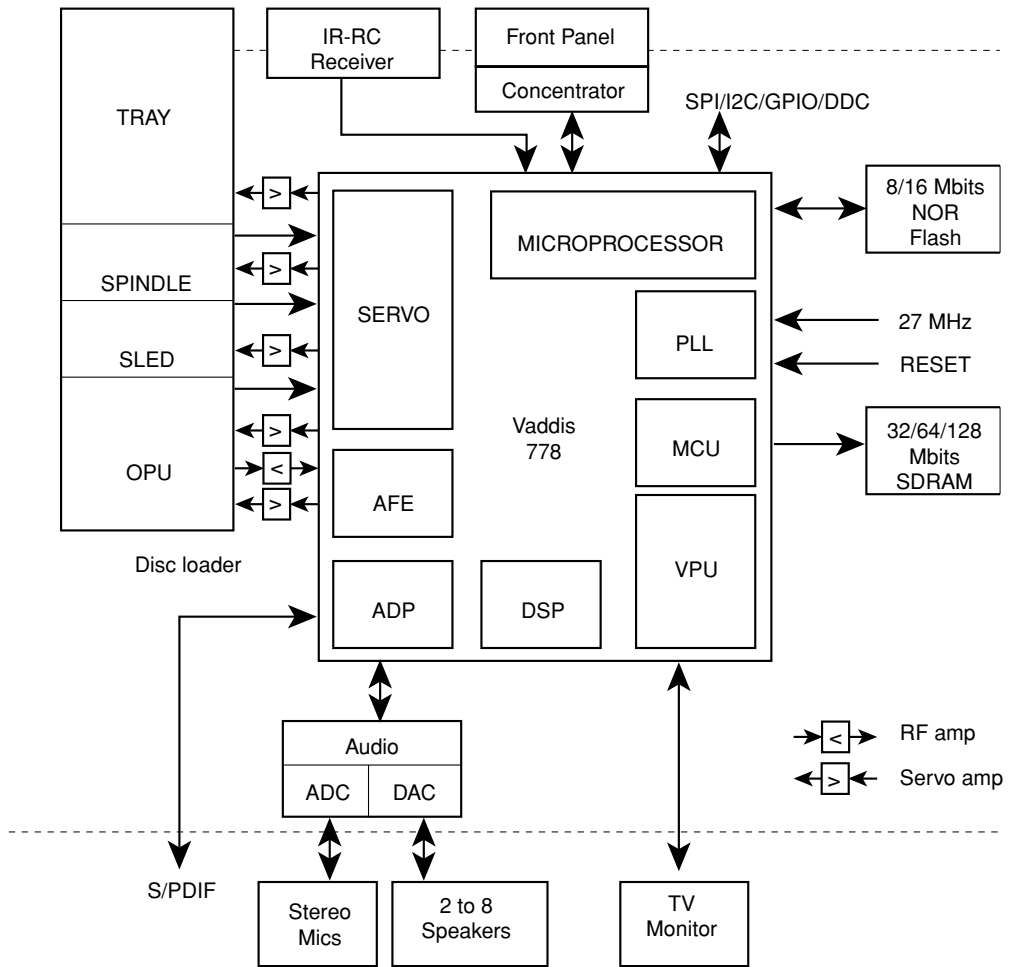
	GR14	GR13	GR12	GR11	GR10	GR9	GR8	GR7	GR6	GR5	GR4	GR3	GR2	GR1
SG1	1	1	1	1	1	1	1	1	1	1	1	1	1	1
SG2	2	2	2	2	2	2	2	2	2	2	2	2	2	2
SG3	3	3	3	3	3	3	3	3	3	3	3	3	3	3
SG4	4	4	4	4	4	4	4	4	4	4	4	4	4	4
SG5	5	5	5	5	5	5	5	5	5	5	5	5	5	5
SG6	6	6	6	6	6	6	6	6	6	6	6	6	6	6
SG7	7	7	7	7	7	7	7	7	7	7	7	7	7	7
SG8	8	8	8	8	8	8	8	8	8	8	8	8	8	8
SG9	9	9	9	9	9	9	9	9	9	9	9	9	9	9
SG10	10	10	10	10	10	10	10	10	10	10	10	10	10	10
SG11	11	11	11	11	11	11	11	11	11	11	11	11	11	11
SG12	12	12	12	12	12	12	12	12	12	12	12	12	12	12
SG13	13	13	13	13	13	13	13	13	13	13	13	13	13	13
SG14	14	14	14	14	14	14	14	14	14	14	14	14	14	14
SG15	15	15	15	15	15	15	15	15	15	15	15	15	15	15
SG16	16	16	16	16	16	16	16	16	16	16	16	16	16	16
SG17	17	17	17	17	17	17	17	17	17	17	17	17	17	17
SG18	18	18	18	18	18	18	18	18	18	18	18	18	18	18
SG19	19	19	19	19	19	19	19	19	19	19	19	19	19	19
SG20	20	20	20	20	20	20	20	20	20	20	20	20	20	20
SG21	21	21	21	21	21	21	21	21	21	21	21	21	21	21
SG22	22	22	22	22	22	22	22	22	22	22	22	22	22	22
SG23	23	23	23	23	23	23	23	23	23	23	23	23	23	23
SG24	24	24	24	24	24	24	24	24	24	24	24	24	24	24
SG25	25	25	25	25	25	25	25	25	25	25	25	25	25	25
SG26	26	26	26	26	26	26	26	26	26	26	26	26	26	26
SG27	27	27	27	27	27	27	27	27	27	27	27	27	27	27
SG28	28	28	28	28	28	28	28	28	28	28	28	28	28	28
SG29	29	29	29	29	29	29	29	29	29	29	29	29	29	29
SG30	30	30	30	30	30	30	30	30	30	30	30	30	30	30
SG31	31	31	31	31	31	31	31	31	31	31	31	31	31	31
SG32	32	32	32	32	32	32	32	32	32	32	32	32	32	32
SG33	33	33	33	33	33	33	33	33	33	33	33	33	33	33
SG34	34	34	34	34	34	34	34	34	34	34	34	34	34	34
SG35	35	35	35	35	35	35	35	35	35	35	35	35	35	35

MEMO



■ IC DATA

IC11: ZR36778 (MAIN P.C.B.)
MPEG decoder



DVD-S1700

No.	Pin Functions	Direction	Description
1	SSCRXD	I	SSC data input
	GPCI/O[17]	I/O	General purpose I/O, monitored/controlled by the microprocessor or DSP or FCU SW
	PM[15]	O	Probe mux data output
2	MEMCS[1]#	O	PNVM/SRAM chip select (active low) output
	GPCI/O[18]	I/O	General purpose I/O, monitored/controlled by the microprocessor or DSP SW
3	VDDP	S	3.3 V digital periphery power supply
4,5	MEMAD[15,16]	O	PNVM/SRAM address bus outputs
	SYSIND[1,0]	I	General purpose system configuration indication input / Level sampled during RESET
6	MEMAD[14]	O	PNVM/SRAM address bus output
	GCLKSEL	I	GCLKPOUT or GCLKA function selection / Level sampled during RESET
7	MEMAD[13]	O	PNVM/SRAM address bus output
	FCUIF[29]	O	Flash card interface unit output signal
8	MEMAD[12]	O	PNVM/SRAM address bus output
	PLLCFGGA	I	Audio PLL configuration input / Level sampled during RESET / In normal operation the pin must be low during RESET
9	MEMDA[15]	I/O	PNVM/SRAM bi-directional data bus
	FCUIF[28]	I/O	Flash card interface unit I/O signal
10	MEMAD[11]	O	PNVM/SRAM address bus output
	PLLCFGP	I	Process PLL configuration input / Level sampled during RESET / In normal operation the pin must be low during RESET
11	MEMDA[7]	I/O	PNVM/SRAM bi-directional data bus
	FCUIF[9]	I/O	Flash card interface unit I/O signals
12	GNDP	S	Digital periphery ground of 3.3 V supply
13	MEMAD[10]	O	PNVM/SRAM address bus output
	FCUIF[20]	O	Flash card interface unit output signal
14	MEMDA[14]	I/O	PNVM/SRAM bi-directional data bus
	FCUIF[27]	I/O	Flash card interface unit I/O signal
15	MEMAD[9]	O	PNVM/SRAM address bus outputs
	FCUIF[19]	O	Flash card interface unit output signal
16	MEMDA[6]	I/O	PNVM/SRAM bi-directional data bus
	FCUIF[8]	I/O	Flash card interface unit I/O signals
17	MEMAD[8]	O	PNVM/SRAM address bus outputs
	FCUIF[18]	O	Flash card interface unit output signal
18-19	MEMDA[13,5]	I/O	PNVM/SRAM bi-directional data bus
	FCUIF[26,7]	I/O	Flash card interface unit I/O signals
20	MEMAD[20]	O	PNVM/SRAM address bus outputs
	MEMCS[2]#	O	PNVM/SRAM chip select (active low) output
	GPCI/O[19]	I/O	General purpose I/O, monitored/controlled by the microprocessor or DSP SW
21	VDDP	S	3.3 V digital periphery power supply
22	MEMDA[12]	I/O	PNVM/SRAM bi-directional data bus
	FCUIF[25]	I/O	Flash card interface unit I/O signal
23	MEMWR#	O	PNVM/SRAM write enable (active low) output
	FCUIF[0]	O	Flash card interface unit output signal
24	MEMDA[4]	I/O	PNVM/SRAM bi-directional data bus
	FCUIF[6]	O	Flash card interface unit output signal
25	VDDC	S	1.8 V digital core power supply
26	MEMDA[11]	I/O	PNVM/SRAM bi-directional data bus
	FCUIF[24]	I/O	Flash card interface unit I/O signal
27	MEMDA[3]	I/O	PNVM/SRAM bi-directional data bus
	FCUIF[5]	I/O	Flash card interface unit I/O signals
28	MEMAD[19]	O	PNVM/SRAM address bus outputs
	PLLSEL	I	PLL frequency selection -108 MHz (low) or 135 MHz (high) / Level sampled during RESET
29	GNDC	S	Digital core ground of 1.8 V supply
30	MEMDA[10]	I/O	PNVM/SRAM bi-directional data bus
	FCUIF[23]	I/O	Flash card interface unit I/O signal
31	MEMAD[18]	O	PNVM/SRAM address bus output
32	GNDP	S	Digital periphery ground of 3.3 V supply
33	MEMDA[2]	I/O	PNVM/SRAM bi-directional data bus
	FCUIF[4]	I/O	Flash card interface unit I/O signals
34	MEMAD[17]	O	PNVM/SRAM address bus output
35	MEMDA[9]	I/O	PNVM/SRAM bi-directional data bus
	FCUIF[22]	I/O	Flash card interface unit I/O signal
36	MEMAD[7]	O	PNVM/SRAM address bus outputs
	FCUIF[17]	O	Flash card interface unit output signal
37	MEMDA[1]	I/O	PNVM/SRAM bi-directional data bus
	FCUIF[3]	I/O	Flash card interface unit I/O signals
38	MEMAD[6]	O	PNVM/SRAM address bus outputs

No.	Pin Functions	Direction	Description
	FCUIF[16]	O	Flash card interface unit output signal
39	MEMDA[8] FCUIF[21]	I/O I/O	PNVM/SRAM bi-directional data bus Flash card interface unit I/O signal
40	MEMAD[5] FCUIF[15]	O O	PNVM/SRAM address bus outputs Flash card interface unit output signal
41	VDDP	S	3.3 V digital periphery power supply
42	MEMDA[0] FCUIF[2]	I/O O	PNVM/SRAM bi-directional data bus Flash card interface unit output signal
43	MEMAD[4] FCUIF[14]	I/O O	PNVM/SRAM address bus outputs Flash card interface unit output signal
44	MEMRD# FCUIF[1]	O I/O	PNVM/SRAM read enable (active low) output Flash card interface unit I/O signal
45-46	MEMAD[3, 2] FCUIF[13, 12]	O O	PNVM/SRAM address bus outputs Flash card interface unit output signal
47	MEMCS[0]#	O	PNVM/SRAM chip select (active low) output
48	MEMAD[1] FCUIF[11] BOOTSEL[2]	O O I	PNVM/SRAM address bus outputs Flash card interface unit output signals Microprocessor SW boot (and execute) source selection: (high, high) - For production testing; (high, low) - Flash+SRAM (for debug monitor); (low, high) - First debug UART (low, low) - Flash (low) or Level sampled during RESET
49	MEMAD[0] FCUIF[10] BOOTSEL[1]	O O I	PNVM/SRAM address bus outputs Flash card interface unit output signals Microprocessor SW boot (and execute) source selection: (high, high) - For production testing; (high, low) - Flash+SRAM (for debug monitor); (low, high) - First debug UART (low, low) - Flash (low) or Level sampled during RESET
50	GNDP	S	Digital periphery ground of 3.3 V supply
51	VDD-IP	S	3.3 V periphery reference voltage
52	VDDP	S	3.3 V digital periphery power supply
53-57	RAMADD [4, 3, 5, 2, 6]	O	SDRAM address bus output
58	VDDP	S	3.3 V digital periphery power supply
59-61	RAMADD [1, 7, 0]	O	SDRAM address bus output
62	GNDP	S	Digital periphery ground of 3.3 V supply
63	RAMADD[8]	O	SDRAM address bus output
64	VDDC	S	1.8 V digital core power supply
65	RAMADD[10]	O	SDRAM address bus output
66	GNDC	S	Digital core ground of 1.8 V supply
67	RAMADD[9]	O	SDRAM address bus output
68	VDDP	S	3.3 V digital periphery power supply
69	RAMADD[11]	O	SDRAM address bus output
70	RAMCS[0]# RAMBA[1]	O O	SDRAM chip select (active low) SDRAM bank select output
71	RAMBA[0]	O	SDRAM bank select output
72	GNDP	S	Digital periphery ground of 3.3 V supply
73	RAMCS[1]#	O	SDRAM chip select (active low) output
74	RAMRAS#	O	SDRAM row select (active low) output
75	RAMCAS#	O	SDRAM column select (active low) output
76	VDDP	S	3.3 V digital periphery power supply
77	RAMWE#	O	SDRAM write enable (active low) output
78	RAMDQM	O	SDRAM data masking (active high) output
79	GNDPCLK	S	Digital ground of filtered 3.3 V supply for PCLK
80	PCLK	O	SDRAM clock output (same as internal processing clock)
81	VDDPCLK	S	3.3 V filtered digital power supply for PCLK
82	RAMDAT[8]	I/O	SDRAM bi-directional data bus
83	GNDP	S	Digital periphery ground of 3.3 V supply
84-86	RAMDAT [7, 9, 6]	I/O	SDRAM bi-directional data bus
87	VDDP	S	3.3 V digital periphery power supply
88-90	RAMDAT [10, 5, 11]	I/O	SDRAM bi-directional data bus
91	GNDP	S	Digital periphery ground of 3.3 V supply

DVD-S1700

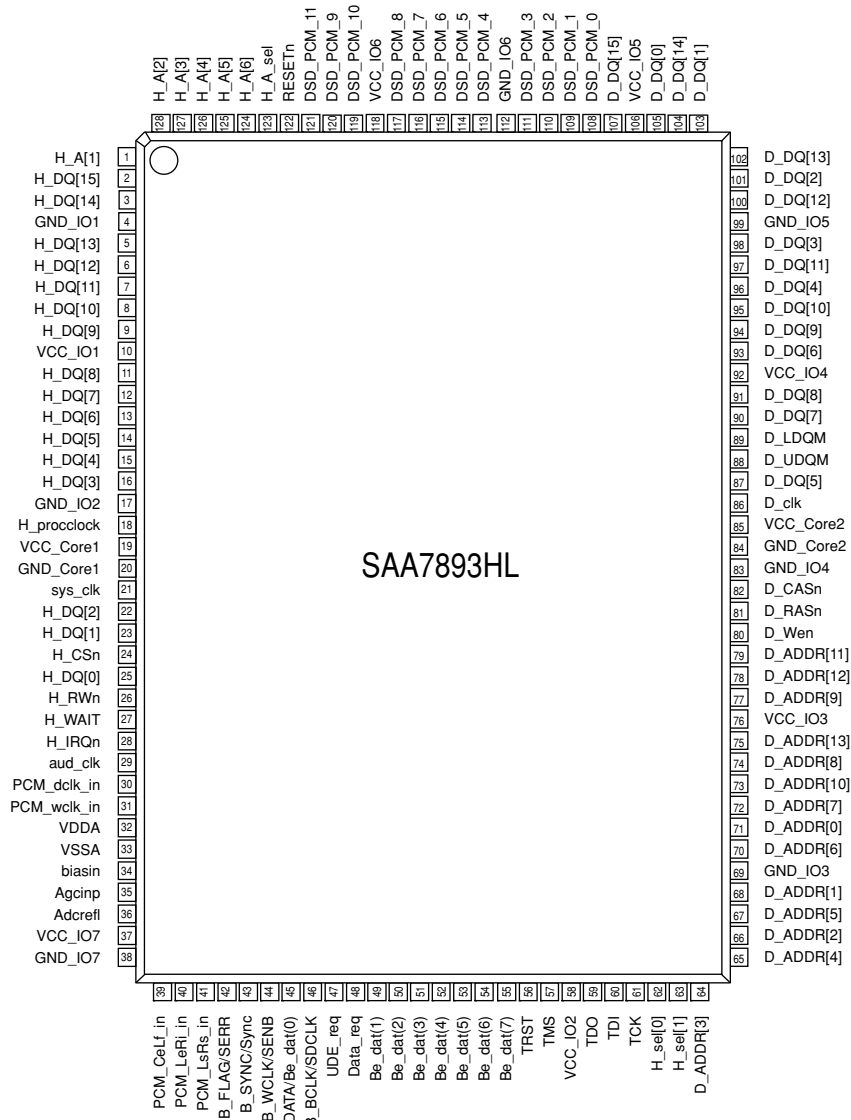
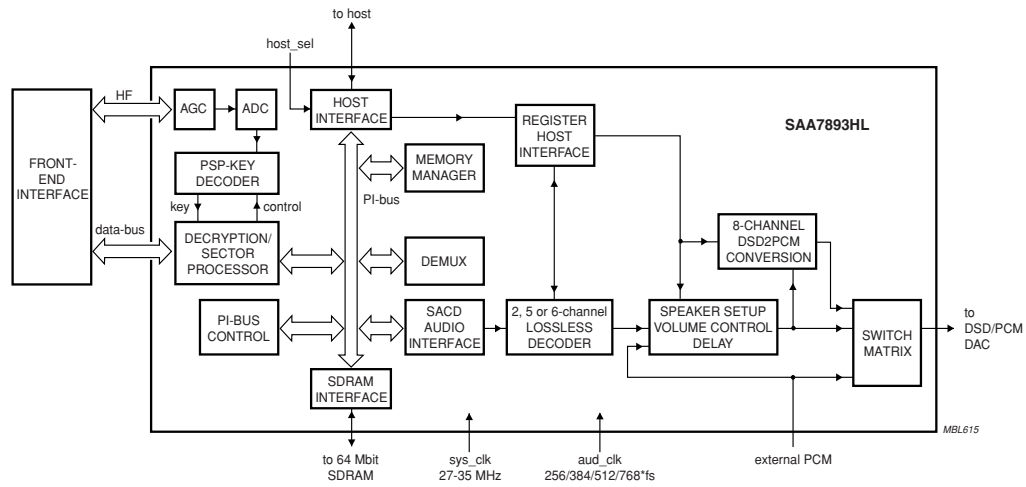
No.	Pin Functions	Direction	Description
92	RAMDAT[4]	I/O	SDRAM bi-directional data bus
93	VDDC	S	1.8 V digital core power supply
94	RAMDAT[12]	I/O	SDRAM bi-directional data bus
95	GNDC	S	Digital core ground of 1.8 V supply
96	RAMDAT[3]	I/O	SDRAM bi-directional data bus
97	VDDP	S	3.3 V digital periphery power supply
98-100	RAMDAT [13, 2, 14]	I/O	SDRAM bi-directional data bus
101	GNDP	S	Digital periphery ground of 3.3 V supply
102-104	RAMDAT [1, 15, 0]	I/O	SDRAM bi-directional data bus
105	VDDP	S	3.3 V digital periphery power supply
106	GPCI/O[20] CPUNMI SDATA[0] PM[0]	I/O I I O	General purpose I/O, monitored/controlled by the microprocessor or DSP SW Microprocessor non-maskable interrupt input SERVO channel sample data input for AFE by-pass Probe mux data output
107	GNDP	S	Digital periphery ground of 3.3 V supply
108	ICGPCI/O[0] AOUT[3] SDATA[1] PM[1]	I/O O I O	General purpose I/O, monitored/controlled by the microprocessor or DSP SW When input, the pin can be used as general purpose external interrupt to the microprocessor Serial output of digital stereo audio SERVO channel sample data input for AFE by-pass Probe mux data output
109	IDGPCI/O[0] RAMCKE SDATA[2] PM[2]	I/O O I O	General purpose I/O, monitored/controlled by the microprocessor or DSP SW When input, the pin can be used as general purpose external interrupt to the DSP Clock enable signal to the SDRAM (for power down) SERVO channel sample data input for AFE by-pass Probe mux data output
110	S/PDIFOUT SDATA[3] PM[3]	O I O	S/PDIF transmitter output for digital coded or reconstructed audio data SERVO channel sample data input for AFE by-pass Probe mux data output
111	AOUT[2] GPCI/O[21] SDATA[4] PM[4]	O I/O I O	Serial outputs of digital stereo audio General purpose I/O, monitored/controlled by the microprocessor or DSP SW SERVO channel sample data inputs for AFE by-pass Probe mux data outputs
112	AOUT[1] GPCI/O[22] PM[5]	O I/O O	Serial output of digital stereo audio General purpose I/O, monitored/controlled by the microprocessor or DSP SW Probe mux data outputs
113	AOUT[0] SDATA[6] PM[6]	O I O	Serial output of digital stereo audio SERVO channel sample data input for AFE by-pass Probe mux data outputs
114	GPAI/O AOUT[3] IDGPCI/O[0] PM[7]	I/O O I/O O	General purpose I/O, monitored/controlled by the ADP SW Serial output of digital stereo audio General purpose I/O, monitored/controlled by the microprocessor or DSP SW When input, the pin can be used as general purpose external interrupt to the DSP Probe mux data output
115	ALRCLK	O	Digital audio left/right select output for the audio port / Square wave, at the sampling frequency / Programmable polarity
116	ABCLK	O	Digital audio bit-clock output / Data on AOUT and AIN is output or latched, respectively, with the rising or falling (programmable) edge of this clock
117	GNDP-A2	S	Digital ground filtered 3.3 V supply for AMCLK
118	AMCLK	I/O	Audio master clock I/O / 128, 192, 256 or 384 times the sampling frequency (programmable)
119	VDDP-A2	S	3.3 V filtered digital power supply for AMCLK
120	AIN GPCI/O[23] PM[8]	I I/O O	Serial input of digital stereo audio General purpose I/O, monitored/controlled by the microprocessor or DSP SW Probe mux data output
121	GNDC	S	Digital core ground of 1.8 V supply
122	VSYNC# HDFI GPI/O[24] DACTEST[9] PM[9]	O I I/O I O	SD digital video vertical sync output signal HD digital video field index input signal General purpose I/O, monitored/controlled by the microprocessor or DSP SW DACs test input Probe mux data output
123	VDDC	S	1.8 V digital core power supply
124	HSYNC# HDHS GPCI/O[25]	O I I/O	SD digital video horizontal sync output signal HD digital video horizontal sync input signal General purpose I/O, monitored/controlled by the microprocessor or DSP SW
125	GNDP	S	Digital periphery ground of 3.3 V supply
126	VCLKx2	O	Digital video clock output / 27,000 (for SD interlaced), 54,000 (SD progressive) or 135,000 (for HD) MHz

No.	Pin Functions	Direction	Description
	COSYNC ICGPCI/O[1]	O I/O	Composite sync output / Active only when component analog output is selected General purpose I/O, monitored/controlled by the microprocessor or DSP SW When input, the pin can be used as general purpose external interrupt to the microprocessor
127	VDDP	S	3.3 V digital periphery power supply
128	VID[7] GPCI/O[26]	O I/O	Digital 4: 2: 2 video luma/chroma output, interleaved U, Y V Y General purpose I/O, monitored/controlled by the microprocessor or DSP SW
129	VID[6] ICGPCI/O[2]	O I/O	Digital 4: 2: 2 video luma/chroma output, interleaved U, Y V Y General purpose I/O, monitored/controlled by the microprocessor or DSP SW When input, the pin can be used as general purpose external interrupt to the microprocessor
130	VID[5] IDGPCI[1]	O I/O	Digital 4: 2: 2 video luma/chroma output, interleaved U, Y V Y General purpose I/O, monitored/controlled by the microprocessor or DSP SW When input, the pin can be used as general purpose external interrupt to the DSP
131	GNDP	S	Digital periphery ground of 3.3 V supply
132	VID[4] GPCI/O[27]	O I/O	Digital 4: 2: 2 video luma/chroma output, interleaved U, Y V Y General purpose I/O, monitored/controlled by the microprocessor or DSP SW
133	VID[3] GPCI/O[28] SERVOCLK	O I/O O	Digital 4: 2: 2 video luma/chroma output, interleaved U, Y V Y General purpose I/O, monitored/controlled by the microprocessor or DSP SW SERVO channel clock output for AFE by-pass
134	VID[2] GPCI/O[29] SSEL[0]	O I/O O	Digital 4: 2: 2 video luma/chroma output, interleaved U, Y V Y General purpose I/O, monitored/controlled by the microprocessor or DSP SW SERVO channel select output for AFE by-pass
135	VDDP	S	3.3 V digital periphery power supply
136	VID[1] GPCI/O[30] SSEL[1]	O I/O O	Digital 4: 2: 2 video luma/chroma output, interleaved U, Y V Y General purpose I/O, monitored/controlled by the microprocessor or DSP SW SERVO channel output for AFE by-pass
137	VID[0] ICGPCI/O[3]	O I/O	Digital 4: 2: 2 video luma/chroma output, interleaved U, Y V Y General purpose I/O, monitored/controlled by the microprocessor or DSP SW When input, the pin can be used as general purpose external interrupt to the microprocessor
138	GNDP	S	Digital periphery ground of 3.3 V supply
139	GND A	S	Ground plane of internal PLL circuit
140	RESET#	ID	Reset input (active low)
141	VDDA	S	1.8 V power supply for internal PLL circuit
142	XO	AO	Output to a crystal that is connected to GCLKP If a crystal is not used at GCLKP, XO must be left not connected.
143	GCLKP	ID	27.000MHz clock or crystal input for main processing clock generation.
144	GCLKA GPCI/O[31] GCLKPOUT	ID I/O O	27.000MHz clock input for audio master clock generation. General purpose I/O, monitored/controlled by the microprocessor or DSP SW GCLKP output
145	VDDP	S	3.3 V digital periphery power supply
146	ICGPCI/O[4]	I/O	General purpose I/O, monitored/controlled by the microprocessor or DSP SW When input, the pin can be used as general purpose external interrupt to the microprocessor
147	S/PDIFIN[0] GPCI/O[33]	I I/O	S/PDIF receiver input for digital coded or reconstructed audio data General purpose I/O, monitored/controlled by the microprocessor or DSP SW
148	ICGPCI/O[5]	I/O	General purpose I/O, monitored/controlled by the microprocessor or DSP SW When input, the pin can be used as general purpose external interrupt to the microprocessor
149	S/PDIFIN[1] GPCI/O[34]	I I/O	S/PDIF receiver input for digital coded or reconstructed audio data General purpose I/O, monitored/controlled by the microprocessor or DSP SW
150	IDGPCI/O[3] FCUIF[33]	I/O I	General purpose I/O, monitored/controlled by the microprocessor or DSP SW When input, the pin can be used as general purpose external interrupt to the DSP Flash card interface unit input signal
151	GNDP	S	Digital periphery ground of 3.3 V supply
152	DUPRD0 GPCI/O[35]	I I/O	First debug UART data input General purpose I/O, monitored/controlled by the microprocessor or DSP SW
153	DUPTD0 GPCI/O[36]	O I/O	First debug UART data output General purpose I/O, monitored/controlled by the microprocessor or DSP SW
154	VDD-IP	S	3.3 V periphery reference voltage
155	DUPRD1 GPCI/O[37]	I I/O	Second debug UART data output General purpose I/O, monitored/controlled by the microprocessor or DSP SW
156	DUPTD1 GPCI/O[38]	O I/O	Second debug UART data output General purpose I/O, monitored/controlled by the microprocessor or DSP SW
157	GNDDACD	S	Ground for the video DACs 3.3 V analog power supply
158	CVBS/G/Y (DAC A)	AO	When the Vaddis 778 outputs composite (SCART or non-SCART) video, this line is CVBS output When the Vaddis 778 outputs RGB, this line is the Green output When the Vaddis 778 outputs YUV, this line is the Y output
159	CVBS/C (DAC D)	AO	When the other Vaddis 778 output are not SCART video, the output on this line can be either CVBS or C / the selection is independent of the specific selection of the other three DACs

No.	Pin Functions	Direction	Description
			When the Vaddis 778 outputs composite SCART video, this line is the Y output
160	VDDDAC	S	3.3 V analog power supply for the video DACs
161	Y/R/V (DAC B)	AO	When the Vaddis 778 outputs composite non-SCART video, this line is Y output When the Vaddis 778 output RGB, this line is the Red output When the Vaddis 778 outputs YUV, this line is the V output When the Vaddis 778 outputs composite SCART video, this line is the C output
162	C/B/U (DAC C)	AO	When the Vaddis 778 outputs composite (SCART or non-SCART) video, this line is C output When the Vaddis 778 outputs RGB, this line is the Blue output When the Vaddis 778 outputs YUV, this line is the U output
163	RSET	AI	Resistive load for gain adjustment of the DACs
164	GNDDACP	S	Ground for the video DACs 3.3 V analog power supply
165	GNDDABS2	S	Common ground for the video and SERVO DACs
166	GNDDACPS	S	Ground for the SERVO DAC 3.3 V analog power
167	DACDRIVE[0]	AO	Drive DACs output signal
168	VDDACS	S	3.3 V SERVO DACs power supply
169	DACDRIVE[1]	AO	Drive DACs output signal
170	GNDDACDS	S	Ground for the SERVO DAC 3.3 V analog power supply
171	VDDAFERF	S	3.3 V analog RF (AFE) power supply
172	RFINP	AI	RF positive input signal (differential input) // RF input signal (single ended)
173	RFINN	AI	RF negative input signal (differential input) // RF reference input signal
174	GNDAFERF	S	Analog RF (AFE) ground of 3.3 V supply
175	VDDAFES	S	3.3 V analog SERVO (AFE) power supply
176	ADCIN[7]	AI	SERVO ADC input signal (e.g. from RF amplifier)
177	ADCIN[6]	AI	SERVO ADC input signal from RF amplifier
178-183	ADCIN[5-0]	AI	SERVO ADC input signal (e.g. from RF amplifier)
184,185	VBIASS[0, 1]	AI	Servo analog signal reference voltage inputs
186	GNDAFES	S	Analog SERVO (AFE) ground of 3.3 V supply
187	PWMACT[0] GPCI/O[39] DVDDAT[0] NRZDATA	O I/O I I	PWM0 output signal General purpose I/O, monitored/controlled by the microprocessor or DSP or FCU SW AV data input for FE by-pass NRZ data input for AFE and DRC by-pass
188	PWMACT[1] GPCI/O[40] DVDDAT[1] NRZCLK	O I/O I I	PWM1 output signal General purpose I/O, monitored/controlled by the microprocessor or DSP or FCU SW AV data input for FE by-pass NRZ clock input for AFE and DRC by-pass
189	PWMCO[0] GPCI/O[41] DVDDAT[2] NRZLOCK	O I/O I I	PWM2 output signal General purpose I/O, monitored/controlled by the microprocessor or DSP SW AV data input for FE by-pass NRZ lock input for AFE and DRC by-pass
190	GNDC	S	Digital core ground of 1.8 V supply
191	PWMCO[1] GPCI/O[42] DVDDAT[3] NRZDFCT	O I/O I I	PWM3 output signal General purpose I/O, monitored/controlled by the microprocessor or DSP SW AV data input for FE by-pass NRZ defect input for AFE and DRC by-pass
192	VDDC	S	1.8 V digital core power supply
193	PWMCO[2] GPCI/O[43] FCUIF[34] DVDDAT[4]	O I/O O I	PWM4 output signal General purpose I/O, monitored/controlled by the microprocessor or DSP SW Flash card interface unit input signal AV data input for FE by-pass
194	PWMCO[3] GPCI[44] FCUIF[35] IDGPCI/O[2] DVDDAT[5]	O I/O I/O I/O I	PWM5 output signal General purpose I/O, monitored/controlled by the microprocessor or DSP SW Flash card interface unit I/O signal General purpose I/O, monitored/controlled by the microprocessor or DSP SW When input, the pin can be used as general purpose external interrupt to the DSP AV data input for FE by-pass
195	GNDPWMS	S	SERVO PWMs ground of 3.3 V supply
196	PWMCO[4] GPCI/O[45] DVDDAT[6]	O I/O I	PWM6 output signal General purpose I/O, monitored/controlled by the microprocessor or DSP SW AV data input for FE by-pass
197	VDDPWMS	S	3.3 V SERVO PWM power supply
198	PWMCO[5] GPCI/O[46] FCUIF[36] DVDDAT[7]	O I/O I/O I	PWM7 output signal General purpose I/O, monitored/controlled by the microprocessor or DSP SW Flash card interface unit I/O signal AV data input for FE by-pass

No.	Pin Functions	Direction	Description
199	PWMC0[6]	O	PMW8 output signal
	IDGPCI/O[4]	I/O	General purpose I/O, monitored/controlled by the microprocessor or DSP SW When input, the pin can be used as general purpose external interrupt to the DSP
	FCUIF[32]	I/O	Flash card interface unit I/O signal
	DVDSTRB	I	AV data input for FE by-pass
	RFDAT[4]	I	RF channel sample data inputs for AFE by-pass
200	DEFFCT	I/O	Disc defect input or output signal
	IDGPCI/O[5]	I/O	General purpose I/O, monitored/controlled by the microprocessor or DSP SW When input, the pin can be used as general purpose external interrupt to the DSP
	FCUIF[37]	I/O	Flash card interface unit I/O signal
	DVDREQ	O	AV data request output for FE by-pass / Programmable polarity
201	ICGPI/O[6]	I/O	General purpose I/O, monitored/controlled by the microprocessor or DSP or FCU SW When input, the pin can be used as general purpose external interrupt to the microprocessor
	DVDVALID	I	AV data valid input for FE by-pass / Programmable polarity
202	GNDP	S	Digital periphery ground of 3.3 V supply
203	ICGPI/O[7]	I/O	General purpose I/O, monitored/controlled by the microprocessor or DSP or FCU SW When input, the pin can be used as general purpose external interrupt to the microprocessor
	DVDERR	I	AV error input for FE by-pass / Programmable polarity
204	VDDP	S	3.3 V digital periphery power supply
205	SLEDPULSE	I	Sled optical encoder input
	IDGPCI/O[6]	I/O	General purpose I/O, monitored/controlled by the microprocessor or DSP SW When input, the pin can be used as general purpose external interrupt to the DSP
	FCUIF[30]	I	Flash card interface unit output signal
	DVDSOS	I	AV start of sector indication input for FE by-pass / Programmable polarity
206	SPIND LEPULSE	I	Spindle optical encoder input
	IDGPCI/O[7]	I/O	General purpose I/O, monitored/controlled by the microprocessor or DSP SW When input, the pin can be used as general purpose external interrupt to the DSP
	FCUIF[31]	I/O	Flash card interface unit I/O signal
207	SSCCLK	I/O	SSC clock input signal
	GPCI/O[47]	I/O	General purpose I/O, monitored/controlled by the microprocessor or DSP or FCU SW
208	SSCTXD	O	SSC data output signal
	GPCI/O[16]	I/O	General purpose I/O, monitored/controlled by the microprocessor or DSP SW

IC20: SAA7893HLC2 (MAIN P.C.B.)
DSD decoder



DVD-S1700

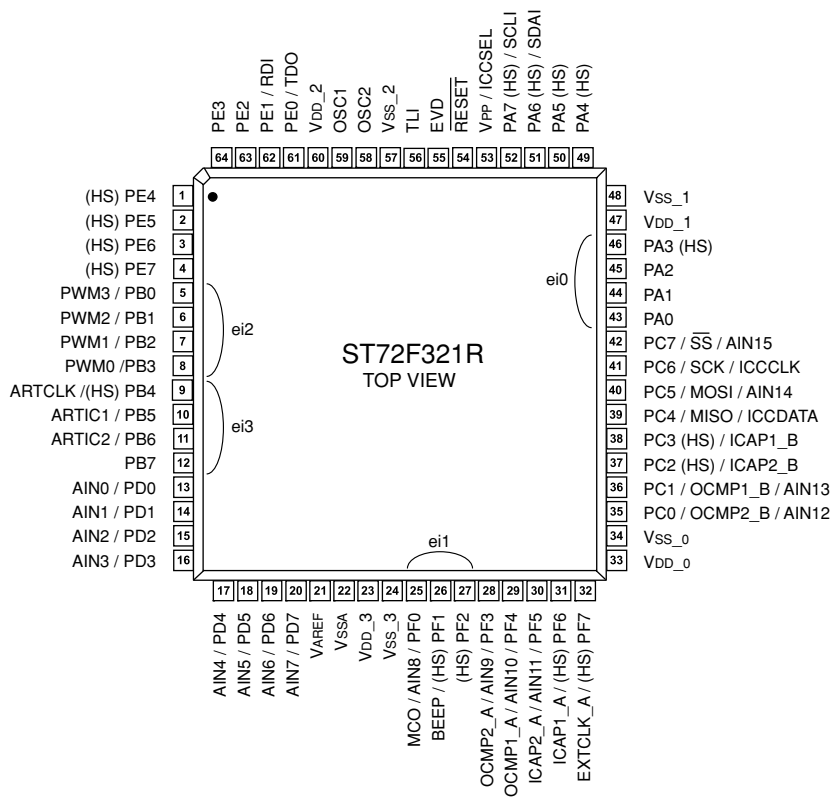
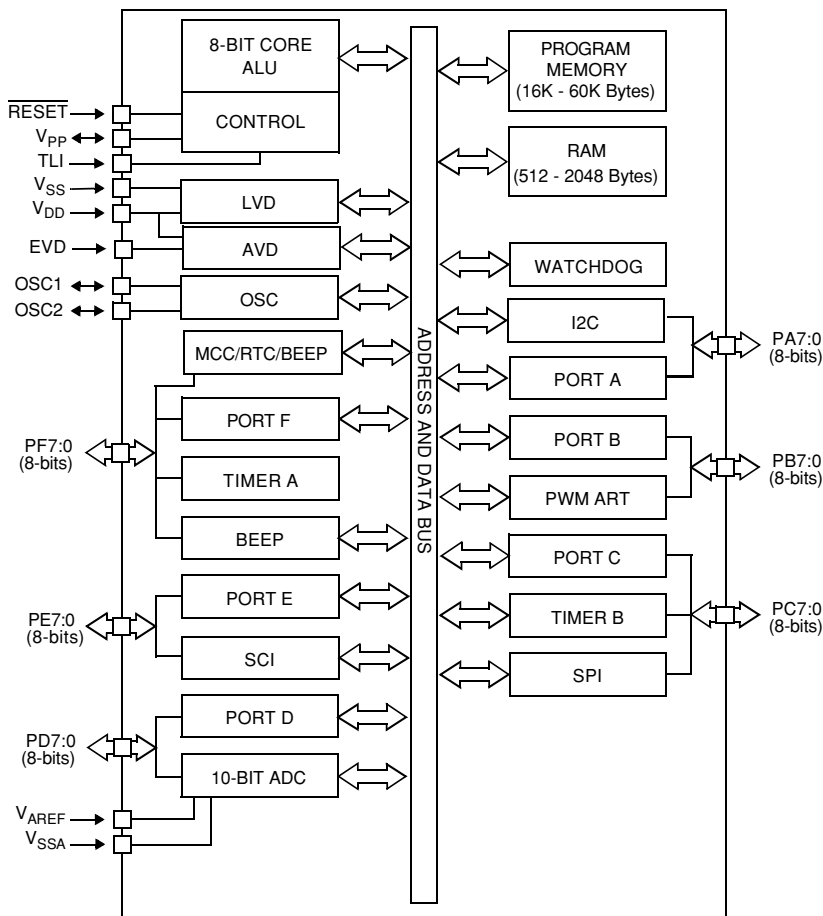
Pin.	Symbol	Type ^[1]	Description	Pin	Symbol	Type[1]	Description
1	H A[1]	IN	Address bus	64	D ADDR[3]	O10	SDRAM address bus
2	H DQ[15]	I/O10	Data bus	65	D ADDR[4]	O10	SDRAM address bus
3	H DQ[14]	I/O10	Data bus	66	D ADDR[2]	O10	SDRAM address bus
4	GND IO1	GND IO	GND I/O pads	67	D ADDR[5]	O10	SDRAM address bus
5	H DQ[13]	I/O10	Data bus	68	D ADDR[1]	O10	SDRAM address bus
6	H DQ[12]	I/O10	Data bus	69	GND IO3	GND IO	GND I/O pads
7	H DQ[11]	I/O10	Data bus	70	D ADDR[6]	O10	SDRAM address bus
8	H DQ[10]	I/O10	Data bus	71	D ADDR[0]	O10	SDRAM address bus
9	H DQ[9]	I/O10	Data bus	72	D ADDR[7]	O10	SDRAM address bus
10	VCC IO1	VCC IO1	Vcc I/O pads	73	D ADDR[10]	O10	SDRAM address bus
11	H DQ[8]	I/O10	Data bus	74	D ADDR[8]	O10	SDRAM address bus
12	H DQ[7]	I/O10	Data bus	75	D ADDR[13]	O10	SDRAM address bus
13	H DQ[6]	I/O10	Data bus	76	VCC IO3	VCC IO	Vcc I/O pads
14	H DQ[5]	I/O10	Data bus	77	D ADDR[9]	O10	SDRAM address bus
15	H DQ[4]	I/O10	Data bus	78	D ADDR[12]	O10	SDRAM address bus
16	H DQ[3]	I/O10	Data bus	79	D ADDR[11]	O10	SDRAM address bus
17	GND IO2	GND IO	GND I/O pads	80	D Wen	O10	Read or write
18	H_procclock	IN	Host processor EMI interface clock	81	D RASn	O10	Row address select; active LOW
19	VCC Core1	VCC core	Core supply voltage	82	D CASn	O10	Column address select; active LOW
20	GND Core1	GND core	Core ground	83	GND IO4	GND IO	GND I/O pads
21	sys_clk	IN	System clock	84	GND Core2	GND core	Core ground
22	H DQ[2]	I/O10	Data bus	85	VCC Core2	VCC core	Core supply voltage
23	H DQ[1]	I/O10	Data bus	86	D clk	O10	Clock signal needed for SDRAM
24	H CSn	IN	Host chip select; active LOW	87	D DQ[5]	I/O10	Data bus
25	H DQ[0]	I/O10	Data bus	88	D UDQM	O10	DQ mask enable (upper)
26	H RWn	IN	Read = 1; Write = 0	89	D LDQM	O10	DQ mask enable (lower)
27	H WAIT	O10	Wait signal	90	D DQ[7]	I/O10	Data bus
28	H IRQn	O10	Interrupt request; active LOW	91	D DQ[8]	I/O10	Data bus
29	aud_clk	IN	DSD audio clock	92	VCC IO4	VCC IO	Vcc I/O pads
30	PCM_dclk_in	IN	PCM data clock	93	D DQ[6]	I/O10	Data bus
31	PCM_wclk_in	IN	PCM word clock	94	D DQ[9]	I/O10	Data bus
32	VDDA	VDDCO	VDD of ADC	95	D DQ[10]	I/O10	Data bus
33	VSSA	VSSCO	Vss of AGC and ADC; Connected to substrate	96	D DQ[4]	I/O10	Data bus
				97	D DQ[11]	I/O10	Data bus
34	biasin	APIO	Bias current input	98	D DQ[3]	I/O10	Data bus
35	Agcinp	APIO	AGC positive input signal; HF in	99	GND IO5	GND IO	GND I/O pads
36	Adcrefl	APIO	ADC decoupling	100	D DQ[12]	I/O10	Data bus
37	Vcc IO7	VCC IO	VCC I/O pads	101	D DQ[2]	I/O10	Data bus
38	GND IO7	GND IO	GND I/O pads	102	D DQ[13]	I/O10	Data bus
39	PCM_CeLf_in	IN	PCM data center or LFE	103	D DQ[1]	I/O10	Data bus
40	PCM_LeRi_in	IN	PCM data left or right	104	D DQ[14]	I/O10	Data bus
41	PCM_LsRs_in	IN	PCM data left or right surround	105	D DQ[0]	I/O10	Data bus
42	B_FLAG/SERR	IN	I ² S-bus flag (EDC flag)	106	VCC IO5	VCC IO	Vcc IO pads
43	B_SYNC/Sync	IN	Sector sync or absolute time sync	107	D DQ[15]	I/O10	Data bus
44	B_WCLK/SENB	IN	I ² S-bus word clock or UDE data sense from host	108	DSD PCM 0	O10	6-channel data output
				109	DSD PCM 1	O10	6-channel data output
45	B_DATA/Be_dat(0)	IN	I ² S-bus data or LSB data of parallel interface	110	DSD PCM 2	O10	6-channel data output
46	B_BCLK/SDCLK	IN	I ² S-bus bit clock	111	DSD PCM 3	O10	6-channel data output
47	UDE_req	IN	Host request data from front-end; routed via the SAA7893HL	112	GND IO6	GND IO	GND I/O pads
				113	DSD PCM 4	O10	6-channel data output
48	Data_req	O10	Data request for UDE	114	DSD PCM 5	O10	6-channel data output
49	Be_dat(1)	IN	Front-end parallel data interface	115	DSD PCM 6	O10	6-channel data output
50	Be_dat(2)	IN	Front-end parallel data interface	116	DSD PCM 7	O10	6-channel data output
51	Be_dat(3)	IN	Front-end parallel data interface	117	DSD PCM 8	O10	2-channel data output
52	Be_dat(4)	IN	Front-end parallel data interface	118	VCC IO6	VCC IO	Vcc I/O pads
53	Be_dat(5)	IN	Front-end parallel data interface	119	DSD PCM 10	O10	2-channel data output
54	Be_dat(6)	IN	Front-end parallel data interface	120	DSD PCM 9	O10	2-channel clock or control
55	Be_dat(7)	IN	Front-end parallel data interface	121	DSD PCM 11	O10	2-channel data output
56	TRST	IN1	Boundary scan reset	122	RESETn	IN	Asynchronous reset; active LOW
57	TMS	IN1	Boundary scan mode select	123	H A_sel	IN	Address select
58	VCC IO2	VCC IO	Vcc I/O pads	124	H A[6]	IN	Address bus
59	TDO	O10	Output	125	H A[5]	IN	Address bus
60	TDI	IN1	Boundary scan data input	126	H A[4]	IN	Address bus
61	TCK	IN	Boundary scan clock	127	H A[3]	IN	Address bus
62	H_sel[0]	IN	Host select signals: SAD16, MAD16 and SAD08	128	H A[2]	IN	Address bus
63	H_sel[1]	IN	Host select signals: SAD16, MAD16 and SAD08				

DVD-S1700

IC41: ST72F321R (MAIN P.C.B.)
Microprocessor

- * No replacement part available.
サービス部品供給なし

Device Block Diagram

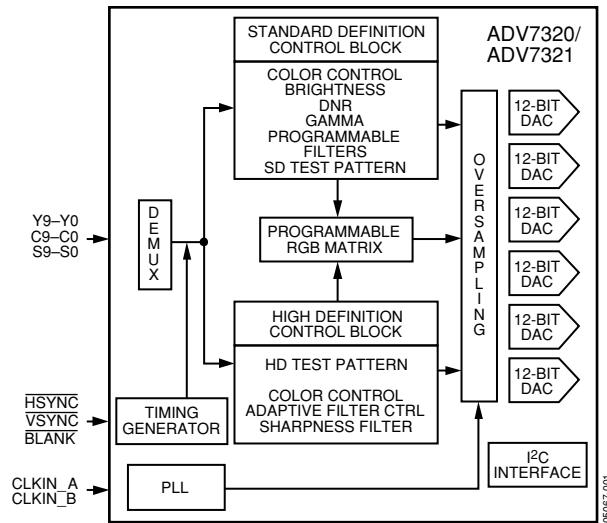


DVD-S1700

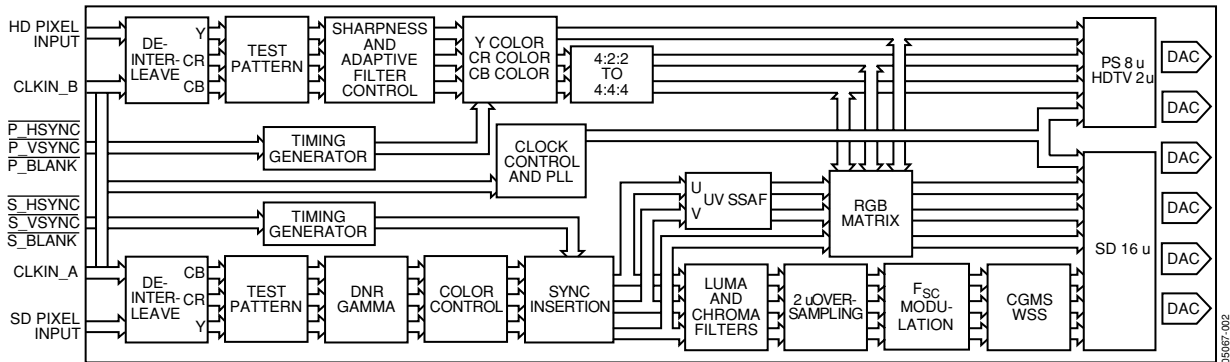
Pin no.	TQFP64	TQFP44	Pin Name	Type	Level		Port						Main function (afterreset)	Alternate function
					Input	Output	Input				Output			
							float	wpu	int	ana	OD	PP		
1	-	RS-232C_RTS	I/O	C _T	HS	X	X				X	X	Port E4	
2	-	RS-232C_CTS	I/O	C _T	HS	X	X				X	X	Port E5	
3	-	VFD_RESET	I/O	C _T	HS	X	X				X	X	Port E6	
4	-	N.C.	I/O	C _T	HS	X	X				X	X	Port E7	
5	2	REMOTE_IN/OUT	I/O	C _T		X		ei2			X	X	Port B0	PWM output 3
6	3	N.C.	I/O	C _T		X		ei2			X	X	Port B1	PWM output 2
7	4	N.C.	I/O	C _T		X		ei2			X	X	Port B2	PWM output 1
8	5	GND	I/O	C _T		X		ei2			X	X	Port B3	PWM output 0
9	6	GND	I/O	C _T	HS	X		ei3			X	X	Port B4	PWM-ART external clock
10	-	HDMI_DET.	I/O	C _T		X		ei3			X	X	Port B5	PWM-ART input capture 1
11	-	HDMI_INT.	I/O	C _T		X		ei3			X	X	Port B6	PWM-ART input capture 2
12	-	N.C.	I/O	C _T		X		ei3			X	X	Port B7	
13	7	KEY#1	I/O	C _T		X	X		X	X	X	X	Port D0	ADC analog input 0
14	8	KEY#2	I/O	C _T		X	X		X	X	X	X	Port D1	ADC analog input 1
15	9	N.C.	I/O	C _T		X	X		X	X	X	X	Port D2	ADC analog input 2
16	10	N.C.	I/O	C _T		X	X		X	X	X	X	Port D3	ADC analog input 3
17	11	PWR_CTL	I/O	C _T		X	X		X	X	X	X	Port D4	ADC analog input 4
18	12	A_MUTE	I/O	C _T		X	X		X	X	X	X	Port D5	ADC analog input 5
19	-	AVMUTE	I/O	C _T		X	X		X	X	X	X	Port D6	ADC analog input 6
20	-	INT/EXT_SEL	I/O	C _T		X	X		X	X	X	X	Port D7	ADC analog input 7
21	13	VAREF	I											Analog reference voltage for ADC
22	14	VSSA	S											Analog ground voltage
23	-	VDD_3	S											Digital main supply voltage
24	-	VSS_3	S											Digital ground voltage
25	15	REMOTE/BUS_IN	I/O	C _T		X		ei1	X	X	X	X	Port F0	Main clock out (fOSC/2) ADC analog input 8
26	16	REMOTE_OUT	I/O	C _T	HS	X		ei1			X	X	Port F1	Beep signal output
27	17	N.C.	I/O	C _T	HS	X		ei1			X	X	Port F2	
28	-	HDMI_RESET	I/O	C _T		X	X		X	X	X	X	Port F3	Timer A output compare 2 ADC analog input 9
29	18	FL_OFF_LED	I/O	C _T		X	X		X	X	X	X	Port F4	Timer A output compare 1 ADC analog input 10
30	-	HDMI_ON_LED	I/O	C _T		X	X		X	X	X	X	Port F5	Timer A input capture 2 ADC analog input 11
31	19	HDMI_LINK_LED	I/O	C _T	HS	X	X		X	X	X	X	Port F6	Timer A input capture 1
32	20	N.C.	I/O	C _T	HS	X	X				X	X	Port F7	Timer A external clock source
33	21	VDD_0	S											Digital main supply voltage
34	22	VSS_0	S											Digital ground voltage
35	23	N.C.	I/O	C _T		X	X		X	X	X	X	Port C0	Timer B output compare 2 ADC analog input 12
36	24	N.C.	I/O	C _T		X	X		X	X	X	X	Port C1	Timer B output compare 1 ADC analog input 13
37	25	N.C.	I/O	C _T	HS	X	X				X	X	Port C2	Timer B input capture 2
38	26	N.C.	I/O	C _T	HS	X	X				X	X	Port C3	Timer B input capture 1
39	27	DSP&DAC_IN	I/O	C _T		X	X		X	X	X	X	Port C4	SPI master in/slave out data ICC data input
40	28	DSP&DAC_OUT	I/O	C _T		X	X		X	X	X	X	Port C5	SPI master out/slave in data ADC analog input 14
41	29	ICCCLK	I/O	C _T		X	X				X	X	Port C6	SPI serial clock ICC clock output
42	-	DSP_FINTREQ.	I/O	C _T		X	X		X	X	X	X	Port C7	SPI slave select (active low) ADC analog input 15
43	-	PMCLK&DMCLK_SEL	I/O	C _T		X		ei0			X	X	Port A0	
44	-	MREQ	I/O	C _T		X		ei0			X	X	Port A1	
45	31	KEY W/U	I/O	C _T		X		ei0			X	X	Port A2	
46	32	MRESET	I/O	C _T	HS	X		ei0			X	X	Port A3	
47	33	VDD_1	S											Digital main supply voltage
48	34	VSS_1	S											Digital ground voltage
49	35	F_REQ	I/O	C _T	HS	X	X				X	X	Port A4	
50	36	GND	I/O	C _T	HS	X	X				X	X	Port A5	
51	37	I2C_DATA	I/O	C _T	HS	X					T		Port A6	I ² C data ¹⁾
52	38	I2C_CLK	I/O	C _T	HS	X					T		Port A7	I ² C clock ¹⁾
53	39	RS232(+12V)	I											Must be tied low. In flash programming mode, this pin acts as the programming voltage input VPP. See section 12.9.2 for more details. High voltage must not be applied to ROM devices.
54	-	RESET	I/O	C _T										Top priority non maskable interrupt
55	-	N.C.												External voltage detector
56	40	N.C.	I	C _T				X						Top level interrupt input pin
57	41	VSS_2	S											Digital ground voltage
58	42	OSC2	I/O											Resonator oscillator inverter output
59	43	OSC1	I											External clock input or resonator oscillator inverter input
60	44	VDD_2	S											Digital main supply voltage
61	1	RS-232C_TX	I/O	C _T		X	X				X	X	Port E0	SCI transmit data out
62	-	RS-232C_RX	I/O	C _T		X	X				X	X	Port E1	SCI receive data in
63	-	GND	I/O	C _T									Port E2	
64	-	N.C.	I/O	C _T		X	X				X	X	Port E3	

DVD-S1700

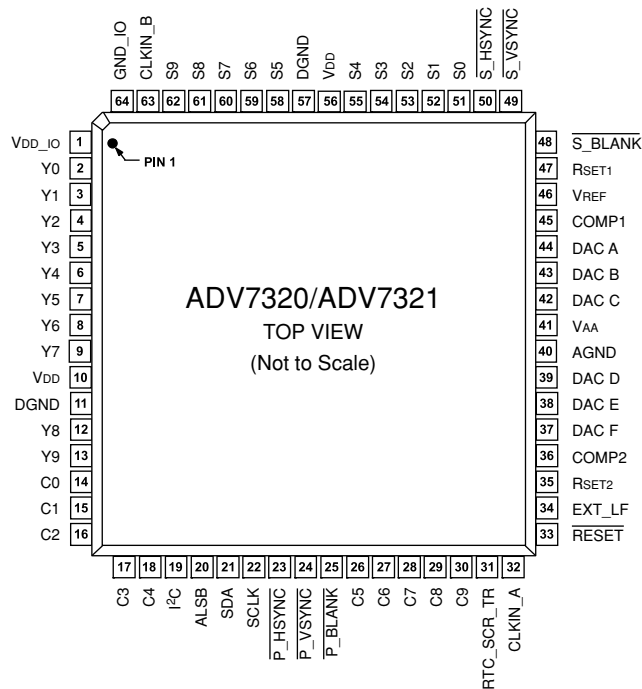
IC51: ADV7320KSTZ (MAIN P.C.B.)
Video encoder



Simplified Functional Block Diagram



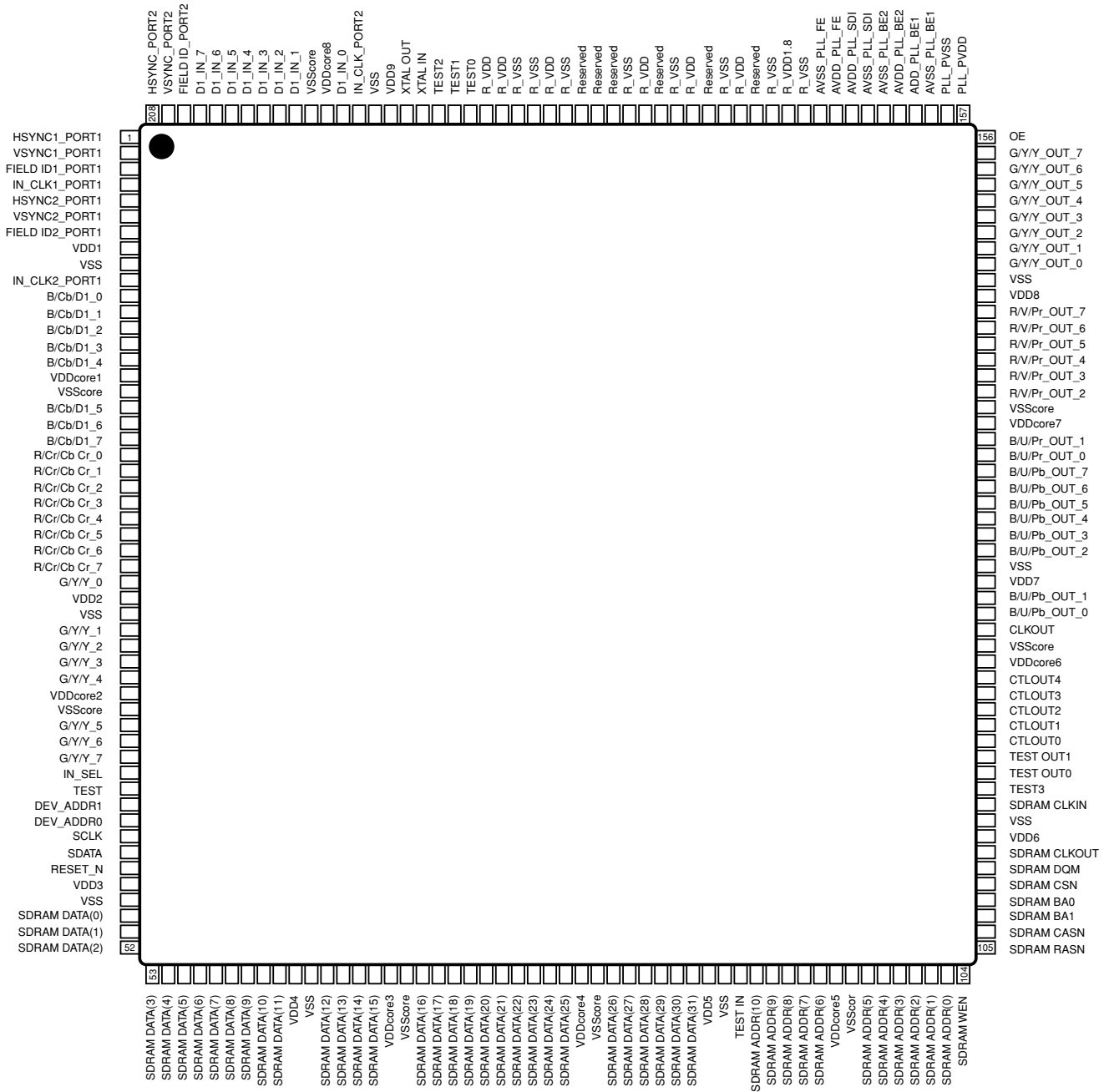
Detailed Functional Block Diagram



Pin No	Mnemonic	Input/Output	Description
1	V _{DD_IO}	P	Power supply for digital inputs and outputs.
2	Y0	I	SD or progressive scan/HDTV input port for Y data. Input port for interleaved progressive scan data. The LSB is set up on pin Y0. For 8-bit data input, LSB is set up on Y2.
3	Y1	I	SD or progressive scan/HDTV input port for Y data. Input port for interleaved progressive scan data. The LSB is set up on pin Y0. For 8-bit data input, LSB is set up on Y2.
4	Y2	I	SD or progressive scan/HDTV input port for Y data. Input port for interleaved progressive scan data. The LSB is set up on pin Y0. For 8-bit data input, LSB is set up on Y2.
5	Y3	I	SD or progressive scan/HDTV input port for Y data. Input port for interleaved progressive scan data. The LSB is set up on pin Y0. For 8-bit data input, LSB is set up on Y2.
6	Y4	I	SD or progressive scan/HDTV input port for Y data. Input port for interleaved progressive scan data. The LSB is set up on pin Y0. For 8-bit data input, LSB is set up on Y2.
7	Y5	I	SD or progressive scan/HDTV input port for Y data. Input port for interleaved progressive scan data. The LSB is set up on pin Y0. For 8-bit data input, LSB is set up on Y2.
8	Y6	I	SD or progressive scan/HDTV input port for Y data. Input port for interleaved progressive scan data. The LSB is set up on pin Y0. For 8-bit data input, LSB is set up on Y2.
9	Y7	I	SD or progressive scan/HDTV input port for Y data. Input port for interleaved progressive scan data. The LSB is set up on pin Y0. For 8-bit data input, LSB is set up on Y2.
10	V _{DD}	P	Digital power supply.
11	DGND	G	Digital ground.
12	Y8	I	SD or progressive scan/HDTV input port for Y data. Input port for interleaved progressive scan data. The LSB is set up on pin Y0. For 8-bit data input, LSB is set up on Y2.
13	Y9	I	SD or progressive scan/HDTV input port for Y data. Input port for interleaved progressive scan data. The LSB is set up on pin Y0. For 8-bit data input, LSB is set up on Y2.
14	C0	I	Progressive scan/HDTV input port 4:4:4 input mode. This port is used for the Cb [Blue/U] data. The LSB is set up on pin C0. For 8-bit data input, LSB is set up on C2.
15	C1	I	Progressive scan/HDTV input port 4:4:4 input mode. This port is used for the Cb [Blue/U] data. The LSB is set up on pin C0. For 8-bit data input, LSB is set up on C2.
16	C2	I	Progressive scan/HDTV input port 4:4:4 input mode. This port is used for the Cb [Blue/U] data. The LSB is set up on Pin C0. For 8-bit data input, LSB is set up on C2.
17	C3	I	Progressive Scan/HDTV Input Port 4:4:4 Input Mode. This port is used for the Cb [Blue/U] data. The LSB is set up on pin C0. For 8-bit data input, LSB is set up on C2.
18	C4	I	Progressive scan/HDTV input port 4:4:4 input mode. This port is used for the Cb [Blue/U] data. The LSB is set up on pin C0. For 8-bit data input, LSB is set up on C2.
19	XSPI/I ² C	I	This input pin must be tied high (V _{DD_IO}) for the ADV7320/ADV7321 to interface over the I ² C port.
20	ALSB_SO	I	TTL Address Input. This signal sets up the LSB of the I ² C address. When this pin is tied low, the I ² C filter is activated, which reduces noise on the I ² C interface.
21	SDA_CLKSP	I/O	I ² C port serial data input/output.
22	SCLK_SI	I	I ² C port serial interface clock input.
23	XP_HSYNC	I	Video horizontal SYNC control signal for HD in simultaneous SD/HD mode and HD only mode.
24	XP_VSYNC	I	Video vertical SYNC control signal for HD in simultaneous SD/HD mode and HD only mode.
25	P_BLANK	I	Video blanking control signal for HD in simultaneous SD/HD mode and HD only mode.
26	C5	I	Progressive scan/HDTV input port 4:4:4 input mode. This port is used for the Cb [Blue/U] data. The LSB is set up on pin C0. For 8-bit data input, LSB is set up on C2.
27	C6	I	Progressive scan/HDTV input port 4:4:4 input mode. This port is used for the Cb [Blue/U] data. The LSB is set up on pin C0. For 8-bit data input, LSB is set up on C2.
28	C7	I	Progressive scan/HDTV input port 4:4:4 input mode. This port is used for the Cb [Blue/U] data. The LSB is set up on pin C0. For 8-bit data input, LSB is set up on C2.
29	C8	I	Progressive scan/HDTV input port 4:4:4 input mode. This port is used for the Cb [Blue/U] data. The LSB is set up on pin C0. For 8-bit data input, LSB is set up on C2.
30	C9	I	Progressive scan/HDTV input port 4:4:4 input mode. This port is used for the Cb [Blue/U] data. The LSB is set up on pin C0. For 8-bit data input, LSB is set up on C2.
31	RTC_SCR_TR	I	Multifunctional input. Real-time control (RTC) input, timing reset input, subcarrier reset input.
32	CLKIN_A	I	Pixel clock input for HD (74.25 MHz only, PS only (27 MHz), SD only (27 MHz)).
33	RESET	I	This input resets the on-chip timing generator and sets the ADV7320/ADV7321 into default register setting. RESET is an active low signal.
34	EXT_LF	I	External loop filter for the internal PLL.

Pin No	Mnemonic	Input/Output	Description
35	RSET2	I	A 3040 ohm resistor must be connected from this pin to AGND and is used to control the amplitudes of the DAC outputs.
36	COMP2	O	Compensation pin for DACs. Connect 0.1 uF capacitor from COMP pin to V _{AA} .
37	DAC_F	O	In SD only mode: Chroma/Red/V analog output; in HD only mode and simultaneous HD/SD. Mode: Pb/Blue [HD] analog output.
38	DAC_E	O	In SD only mode: Luma/Blue/U analog output; in HD only mode and simultaneous HD/SD. Mode: Pr/Red analog output
39	DAC_D	O	In SD only mode: CVBS/Green/Y analog output; in HD only mode and simultaneous HD/SD. Mode: Y/Green [HD] analog output.
40	AGND	G	Analog ground.
41	V _{AA}	P	Analog power supply.
42	DAC_C	O	Luma/Red/V/Pr analog output.
43	DAC_B	O	Chroma/Blue/U/Pb analog output.
44	DAC_A	O	CVBS/Green/Y/Y analog output.
45	COMP1	O	Compensation pin for DACs. Connect 0.1 uF capacitor from COMP pin to V _{AA} .
46	V _{REF}	I/O	Optional external voltage reference input for DACs or voltage reference output (1.235 V).
47	RSET1	I	A 3040 ohm resistor must be connected from this pin to AGND and is used to control the amplitudes of the DAC outputs.
48	XS_BLANK	I/O	Video blanking control signal for SD only.
49	XS_VSYNC	I/O	Video vertical SYNC control signal for SD only.
50	XS_HSYNC	I/O	Video horizontal SYNC control signal for SD only.
51	S0	I	SD or progressive scan/HDTV input port for Cr [Red/V] data in 4:4:4 input mode. LSB is set up on pin S0. For 8-bit data input, LSB is set up on S2.
52	S1	I	SD or progressive scan/HDTV input port for Cr [Red/V] data in 4:4:4 input mode. LSB is set up on pin S0. For 8-bit data input, LSB is set up on S2.
53	S2	I	SD or progressive scan/HDTV input port for Cr [Red/V] data in 4:4:4 input mode. LSB is set up on pin S0. For 8-bit data input, LSB is set up on S2.
54	S3	I	SD or progressive scan/HDTV input port for Cr [Red/V] data in 4:4:4 input mode. LSB is set up on pin S0. For 8-bit data input, LSB is set up on S2.
55	S4	I	SD or progressive scan/HDTV input port for Cr [Red/V] data in 4:4:4 input mode. LSB is set up on pin S0. For 8-bit data input, LSB is set up on S2.
56	V _{DD}	P	Digital power supply.
57	DGND	G	Digital ground.
58	S5	I	SD or progressive scan/HDTV input port for Cr [Red/V] data in 4:4:4 input mode. LSB is set up on pin S0. For 8-bit data input, LSB is set up on S2.
59	S6	I	SD or progressive scan/HDTV input port for Cr [Red/V] data in 4:4:4 input mode. LSB is set up on pin S0. For 8-bit data input, LSB is set up on S2.
60	S7	I	SD or progressive scan/HDTV input port for Cr [Red/V] data in 4:4:4 input mode. LSB is set up on pin S0. For 8-bit data input, LSB is set up on S2.
61	S8	I	SD or progressive scan/HDTV input port for Cr [Red/V] data in 4:4:4 input mode. LSB is set up on pin S0. For 8-bit data input, LSB is set up on S2.
62	S9	I	SD or progressive scan/HDTV input port for Cr [Red/V] data in 4:4:4 input mode. LSB is set up on pin S0. For 8-bit data input, LSB is set up on S2.
63	CLKIN_B	I	Pixel clock input. Requires a 27 MHz reference clock for progressive scan mode or a 74.25 MHz (74.1758 MHz) reference clock in HDTV mode. This clock is only used in dual modes.
64	GND_IO		Digital input/output ground.

IC61: FLI2310LFCF (MAIN P.C.B.)
Digital video converter



NOTES:
 1) *-The connection of these pins depends on the type of external SDRAM used. See Appendix 3
 2) For 16/20 bit Y and muxed C output modes see Appendix 2 for pin configuration

No.	Pin Name	I/O Type	Voltage Tolerance	Drive	Internal Pull-up/ Pull-down	Description
1	HSYNC1_PORT1	Input	5v			Horizontal sync or reference - CTL1 of Port 1
2	VSYNC1_PORT1	Input	5v			Vertical sync or reference - CTL1 of Port 1
3	FIELD ID1_PORT1	Input	5v			Odd/Even field identification - CTL1 of Port 1
4	IN_CLK1_PORT1	Input	5v			Data clock input - CTL1 of Port 1
5	HSYNC2_PORT1	Input	5v			Horizontal sync or reference - CTL2 of Port 1
6	VSYNC2_PORT1	Input	5v			Vertical sync or reference - CTL2 of Port 1
7	FIELD ID2_PORT1	Input	5v			Odd/Even field identification - CTL2 of Port 1
8	VDD1	Power				3.3 V - Power pin for IO
9	VSS	Ground				Ground
10	IN_CLK2_PORT1	Input	5v			Data clock input - CTL2 of Port 1
11	B/Cb/D1_0	Input	5v			Port 1 - Digital video input (Blue/Cb/D1)
12	B/Cb/D1_1	Input	5v			Port 1 - Digital video input (Blue/Cb/D1)
13	B/Cb/D1_2	Input	5v			Port 1 - Digital video input (Blue/Cb/D1)
14	B/Cb/D1_3	Input	5v			Port 1 - Digital video input (Blue/Cb/D1)
15	B/Cb/D1_4	Input	5v			Port 1 - Digital video input (Blue/Cb/D1)
16	VDDcore1	Power				1.8 V - Power pin for core
17	VSScore	Ground				Ground
18	B/Cb/D1_5	Input	5v			Port 1 - Digital video input (Blue/Cb/D1)
19	B/Cb/D1_6	Input	5v			Port 1 - Digital video input (Blue/Cb/D1)
20	B/Cb/D1_7	Input	5v			Port 1 - Digital video input (Blue/Cb/D1)
21	R/Cr/Cb Cr_0	Input	5v			Port 1 - Digital video input (Red/Cr/CrCb)
22	R/Cr/Cb Cr_1	Input	5v			Port 1 - Digital video input (Red/Cr/CrCb)
23	R/Cr/Cb Cr_2	Input	5v			Port 1 - Digital video input (Red/Cr/CrCb)
24	R/Cr/Cb Cr_3	Input	5v			Port 1 - Digital video input (Red/Cr/CrCb)
25	R/Cr/Cb Cr_4	Input	5v			Port 1 - Digital video input (Red/Cr/CrCb)
26	R/Cr/Cb Cr_5	Input	5v			Port 1 - Digital video input (Red/Cr/CrCb)
27	R/Cr/Cb Cr_6	Input	5v			Port 1 - Digital video input (Red/Cr/CrCb)
28	R/Cr/Cb Cr_7	Input	5v			Port 1 - Digital video input (Red/Cr/CrCb)
29	G/Y/Y_0	Input	5v			Port 1 - Digital video input (Green/Y)
30	VDD2	Power				3.3 V - Power pin for IO
31	VSS	Ground				Ground
32	G/Y/Y_1	Input	5v			Port 1 - Digital video input (Green/Y)
33	G/Y/Y_2	Input	5v			Port 1 - Digital video input (Green/Y)
34	G/Y/Y_3	Input	5v			Port 1 - Digital video input (Green/Y)
35	G/Y/Y_4	Input	5v			Port 1 - Digital video input (Green/Y)
36	VDDcore2	Power				1.8 V - Power pin for core
37	VSScore	Ground				Ground
38	G/Y/Y_5	Input	5v			Port 1 - Digital video input (Green/Y)
39	G/Y/Y_6	Input	5v			Port 1 - Digital video input (Green/Y)
40	G/Y/Y_7	Input	5v			Port 1 - Digital video input (Green/Y)
41	IN_SEL	Output	5v	8mA		Output to select external video mux
42	TEST	Input	5v			Connect to ground
43	DEV_ADDR1	Input	5v			Device address setting 1
44	DEV_ADDR0	Input	5v			Device address setting 0
45	SCLK	I/O	5v	8mA		2-wire serial control bus clock
46	SDATA	I/O	5v	8mA		2-wire serial control bus data
47	RESET_N	Input	5v		PU	Reset
48	VDD3	Power				3.3 V - Power pin for IO
49	VSS	Ground				Ground
50	SDRAM DATA(0)	Tristate I/O	5v	4mA	PD	SDRAM data bus *
51	SDRAM DATA(1)	Tristate I/O	5v	4mA	PD	SDRAM data bus *
52	SDRAM DATA(2)	Tristate I/O	5v	4mA	PD	SDRAM data bus *
53	SDRAM DATA(3)	Tristate I/O	5v	4mA	PD	SDRAM data bus *
54	SDRAM DATA(4)	Tristate I/O	5v	4mA	PD	SDRAM data bus *
55	SDRAM DATA(5)	Tristate I/O	5v	4mA	PD	SDRAM data bus *
56	SDRAM DATA(6)	Tristate I/O	5v	4mA	PD	SDRAM data bus *
57	SDRAM DATA(7)	Tristate I/O	5v	4mA	PD	SDRAM data bus *
58	SDRAM DATA(8)	Tristate I/O	5v	4mA	PD	SDRAM data bus *
59	SDRAM DATA(9)	Tristate I/O	5v	4mA	PD	SDRAM data bus *
60	SDRAM DATA(10)	Tristate I/O	5v	4mA	PD	SDRAM data bus *

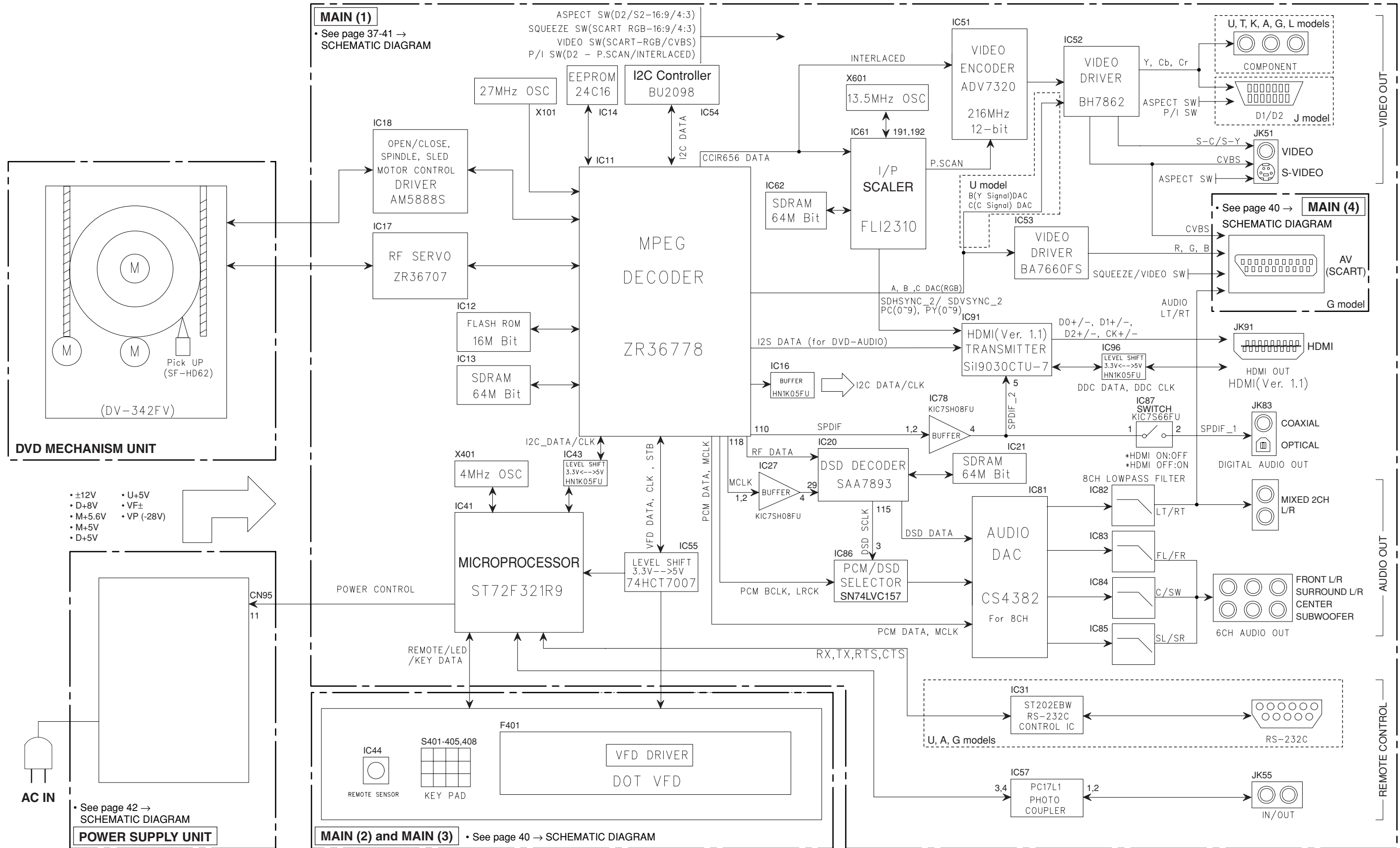
No.	Pin Name	I/O Type	Voltage Tolerance	Drive	Internal Pull-up/ Pull-down	Description
61	SDRAM DATA(11)	Tristate I/O	5v	4mA	PD	SDRAM data bus *
62	VDD4	Power				3.3 V - Power pin for IO
63	VSS	Ground				Ground
64	SDRAM DATA(12)	Tristate I/O	5v	4mA	PD	SDRAM data bus *
65	SDRAM DATA(13)	Tristate I/O	5v	4mA	PD	SDRAM data bus *
66	SDRAM DATA(14)	Tristate I/O	5v	4mA	PD	SDRAM data bus *
67	SDRAM DATA(15)	Tristate I/O	5v	4mA	PD	SDRAM data bus *
68	VDDcore3	Power				1.8 V - Power pin for core
69	VSScore	Ground				Ground
70	SDRAM DATA(16)	Tristate I/O	5v	4mA	PD	SDRAM data bus *
71	SDRAM DATA(17)	Tristate I/O	5v	4mA	PD	SDRAM data bus *
72	SDRAM DATA(18)	Tristate I/O	5v	4mA	PD	SDRAM data bus *
73	SDRAM DATA(19)	Tristate I/O	5v	4mA	PD	SDRAM data bus *
74	SDRAM DATA(20)	Tristate I/O	5v	4mA	PD	SDRAM data bus *
75	SDRAM DATA(21)	Tristate I/O	5v	4mA	PD	SDRAM data bus *
76	SDRAM DATA(22)	Tristate I/O	5v	4mA	PD	SDRAM data bus *
77	SDRAM DATA(23)	Tristate I/O	5v	4mA	PD	SDRAM data bus *
78	SDRAM DATA(24)	Tristate I/O	5v	4mA	PD	SDRAM data bus *
79	SDRAM DATA(25)	Tristate I/O	5v	4mA	PD	SDRAM data bus *
80	VDDcore4	Power				1.8 V - Power pin for core
81	VSScore	Ground				Ground
82	SDRAM DATA(26)	Tristate I/O	5v	4mA	PD	SDRAM data bus *
83	SDRAM DATA(27)	Tristate I/O	5v	4mA	PD	SDRAM data bus *
84	SDRAM DATA(28)	Tristate I/O	5v	4mA	PD	SDRAM data bus *
85	SDRAM DATA(29)	Tristate I/O	5v	4mA	PD	SDRAM data bus *
86	SDRAM DATA(30)	Tristate I/O	5v	4mA	PD	SDRAM data bus *
87	SDRAM DATA(31)	Tristate I/O	5v	4mA	PD	SDRAM data bus *
88	VDD5	Power				3.3 V - Power pin for IO
89	VSS	Ground				Ground
90	TEST IN	Input	5v			Test input - Connect to ground
91	SDRAM ADDR(10)	Tristate O/P	5v	8mA		SDRAM address bus *
92	SDRAM ADDR(9)	Tristate O/P	5v	8mA		SDRAM address bus *
93	SDRAM ADDR(8)	Tristate O/P	5v	8mA		SDRAM address bus *
94	SDRAM ADDR(7)	Tristate O/P	5v	8mA		SDRAM address bus *
95	SDRAM ADDR(6)	Tristate O/P	5v	8mA		SDRAM address bus *
96	VDDcore5	Power				1.8 V - Power pin for core
97	VSScor	Ground				Ground
98	SDRAM ADDR(5)	Tristate O/P	5v	8mA		SDRAM address bus *
99	SDRAM ADDR(4)	Tristate O/P	5v	8mA		SDRAM address bus *
100	SDRAM ADDR(3)	Tristate O/P	5v	8mA		SDRAM address bus *
101	SDRAM ADDR(2)	Tristate O/P	5v	8mA		SDRAM address bus *
102	SDRAM ADDR(1)	Tristate O/P	5v	8mA		SDRAM address bus *
103	SDRAM ADDR(0)	Tristate O/P	5v	8mA		SDRAM address bus *
104	SDRAM WEN	Tristate O/P	5v	8mA		SDRAM write enable *
105	SDRAM RASN	Tristate O/P	5v	8mA		SDRAM row address select *
106	SDRAM CASN	Tristate O/P	5v	8mA		SDRAM column address select *
107	SDRAM BA1	Tristate O/P	5v	8mA		SDRAM bank select 1 *
108	SDRAM BA0	Tristate O/P	5v	8mA		SDRAM bank select 0 *
109	SDRAM CSN	Tristate O/P	5v	4mA		SDRAM CS *
110	SDRAM DQM	Tristate O/P	5v	8mA		SDRAM DQM *
111	SDRAM CLKOUT	Output	5v	12mA		Clock out to SDRAM *
112	VDD6	Power				3.3 V - Power pin for IO
113	VSS	Ground				Ground
114	SDRAM CLKIN	Input	5v			Trace delayed SDRAM clock in
115	TEST3	Input				Test input -Connect to ground
116	TEST OUT0	Output		12mA		Test output - Leave open
117	TEST OUT1	Output		8mA		Test output - Leave open
118	CTLOUT0	Tristate O/P	5v	8mA		Control signal output selectable as HSync1/ CSync/HRef/Monitor coast
119	CTLOUT1	Tristate O/P	5v	8mA		Control signal output selectable as

No.	Pin Name	I/O Type	Voltage Tolerance	Drive	Internal Pull-up/ Pull-down	Description
						VSync1/CRef/VRef/Film indicator
120	CTLOUT2	Tristate O/P	5v	8mA		Control signal output selectable as monitor Coast/HRef/VDD_en/HSync2
121	CTLOUT3	Tristate O/P	5v	8mA		Control signal output selectable as film Indicator/VRef/Backlight_en/VSync2
122	CTLOUT4	Tristate O/P	5v	8mA		Control signal output selectable as CRef/Field ID/CSync/Monitor coast
123	VDDcore6	Power				1.8 V - Power pin for core
124	VSScore	Ground				Ground
125	CLKOUT	Tristate O/P	5v	12mA		Output data rate clock
126	B/U/Pb_OUT_0	Tristate O/P	5v	8mA		Digital video output - Blue/U/Pb
127	B/U/Pb_OUT_1	Tristate O/P	5v	8mA		Digital video output - Blue/U/Pb
128	VDD7	Power				3.3 V - Power pin for IO
129	VSS	Ground				Ground
130	B/U/Pb_OUT_2	Tristate O/P	5v	8mA		Digital video output - Blue/U/Pb
131	B/U/Pb_OUT_3	Tristate O/P	5v	8mA		Digital video output - Blue/U/Pb
132	B/U/Pb_OUT_4	Tristate O/P	5v	8mA		Digital video output - Blue/U/Pb
133	B/U/Pb_OUT_5	Tristate O/P	5v	8mA		Digital video output - Blue/U/Pb
134	B/U/Pb_OUT_6	Tristate O/P	5v	8mA		Digital video output - Blue/U/Pb
135	B/U/Pb_OUT_7	Tristate O/P	5v	8mA		Digital video output - Blue/U/Pb
136	B/U/Pr_OUT_0	Tristate O/P	5v	8mA		Digital video output - Red/V/Pr
137	B/U/Pr_OUT_1	Tristate O/P	5v	8mA		Digital video output - Red/V/Pr
138	VDDcore7	Power				1.8 V - Power pin for core
139	VSScore	Ground				Ground
140	R/V/Pr_OUT_2	Tristate O/P	5v	8mA		Digital video output - Red/V/Pr
141	R/V/Pr_OUT_3	Tristate O/P	5v	8mA		Digital video output - Red/V/Pr
142	R/V/Pr_OUT_4	Tristate O/P	5v	8mA		Digital video output - Red/V/Pr
143	R/V/Pr_OUT_5	Tristate O/P	5v	8mA		Digital video output - Red/V/Pr
144	R/V/Pr_OUT_6	Tristate O/P	5v	8mA		Digital video output - Red/V/Pr
145	R/V/Pr_OUT_7	Tristate O/P	5v	8mA		Digital video output - Red/V/Pr
146	VDD8	Power				3.3 V - Power pin for IO
147	VSS	Ground				Ground
148	G/Y/Y_OUT_0	Tristate O/P	5v	8mA		Digital video output - Green/Y
149	G/Y/Y_OUT_1	Tristate O/P	5v	8mA		Digital video output - Green/Y
150	G/Y/Y_OUT_2	Tristate O/P	5v	8mA		Digital video output - Green/Y
151	G/Y/Y_OUT_3	Tristate O/P	5v	8mA		Digital video output - Green/Y
152	G/Y/Y_OUT_4	Tristate O/P	5v	8mA		Digital video output - Green/Y
153	G/Y/Y_OUT_5	Tristate O/P	5v	8mA		Digital video output - Green/Y
154	G/Y/Y_OUT_6	Tristate O/P	5v	8mA		Digital video output - Green/Y
155	G/Y/Y_OUT_7	Tristate O/P	5v	8mA		Digital video output - Green/Y
156	OE	Input	5v			Output data enable for digital video output
157	PLL_PVDD	Power				1.8 V - Power pin for PLL pads
158	PLL_PVSS	Ground				Ground for PLL pads
159	AVSS_PLL_BE1	Ground				PLL ground
160	AVDD_PLL_BE1	Power				1.8 V - Power pin for PLL
161	AVDD_PLL_BE2	Power				1.9 V - Power pin for PLL
162	AVSS_PLL_BE2	Ground				PLL ground
163	AVSS_PLL_SDI	Ground				PLL ground
164	AVDD_PLL_SDI	Power				1.8 V - Power pin for PLL
165	AVDD_PLL_FE	Power				1.9 V - Power pin for PLL
166	AVSS_PLL_FE	Ground				PLL ground
167	R_VSS	Ground				Ground
168	R_VDD1.8	Power				1.8 V
169	R_VSS	Ground				Ground
170	Reserved	-				Leave open
171	R_VDD	Power				3.3 V
172	R_VSS	Ground				Ground
173	Reserved	-				Leave open
174	R_VDD	Power				3.3 V
175	R_VSS	Ground				Ground

No.	Pin Name	I/O Type	Voltage Tolerance	Drive	Internal Pull-up/Pull-down	Description
176	Reserved	-				Leave open
177	R_VDD	Power				3.3 V
178	R_VSS	Ground				Ground
179	Reserved	-				Leave open
180	Reserved	-				Leave open
181	Reserved	-				Leave open
182	R_VSS	Ground				Ground
183	R_VDD	Power				3.3 V
184	R_VSS	Ground				Ground
185	R_VSS	Ground				Ground
186	R_VDD	Power				3.3 V
187	R_VDD	Power				3.3 V
188	TEST0	Input	5v			Test pin - Connect to ground
189	TEST1	Input	5v			Test pin - Connect to ground
190	TEST2	Input	5v			Test pin - Connect to ground
191	XTAL IN	Input				External parallel crystal oscillator
192	XTAL OUT	Output				External parallel crystal oscillator
193	VDD9	Power				3.3 V - Power pin for IO
194	VSS	Ground				Ground
195	IN_CLK_PORT2	Input	5v	4mA		Port2 - Data clock input
196	D1_IN_0	Input	5v	4mA		Port2 - ITU-R BT656 digital data input
197	VDDcore8	Power				1.8 V - Power pin for core
198	VSScore	Ground				Ground
199	D1_IN_1	Input	5v	4mA		Port2 - ITU-R BT656 digital data input
200	D1_IN_2	Input	5v	4mA		Port2 - ITU-R BT657 digital data input
201	D1_IN_3	Input	5v	4mA		Port2 - ITU-R BT658 digital data input
202	D1_IN_4	Input	5v	4mA		Port2 - ITU-R BT659 digital data input
203	D1_IN_5	Input	5v	4mA		Port2 - ITU-R BT660 digital data input
204	D1_IN_6	Input	5v	4mA		Port2 - ITU-R BT661 digital data input
205	D1_IN_7	Input	5v	4mA		Port2 - ITU-R BT662 digital data input
206	FIELD ID_PORT2	Input	5v	4mA		Port2 - Odd/Even field identification
207	VSYNC_PORT2	Input	5v	4mA		Port2 - Vertical sync or reference
208	HSYNC_PORT2	Input	5v	4mA		Port2 - Horizontal sync or reference

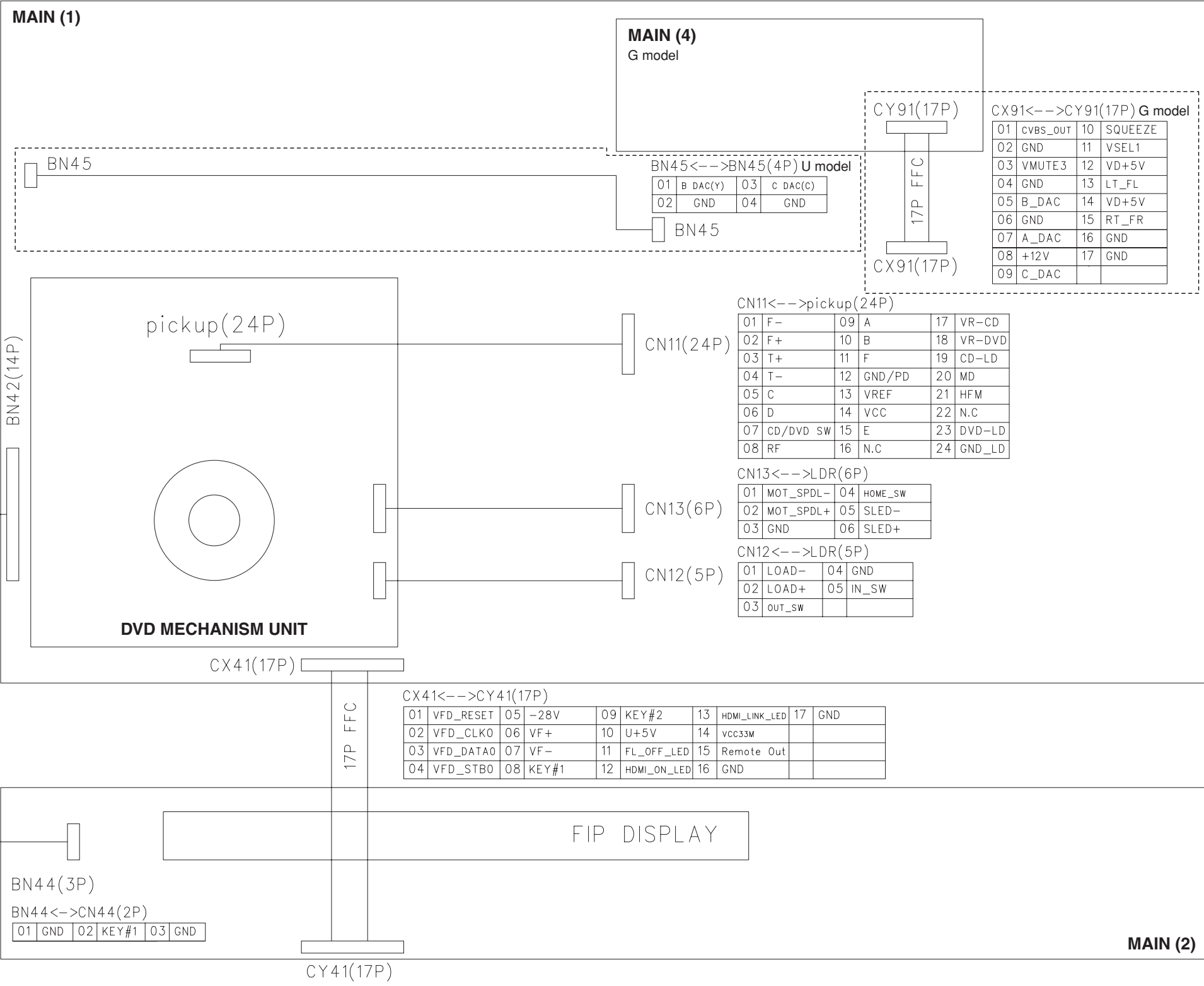
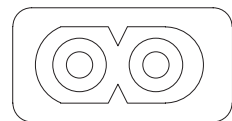
■ BLOCK DIAGRAM

1
2
3
4
5
6
7



■ WIRING DIAGRAM

AC IN



POWER SUPPLY UNIT

CN91(2P)

01	L	02	N
----	---	----	---

BN42<-->CN95(14P)

01	+12V	08	V+5V
02	-12V	09	D+8V
03	-28V	10	M+5.6V
04	VF+	11	U+5V
05	VF-	12	GND
06	Power_Ctrl	13	DGND
07	M+5V	14	DGND

CN95(14P)

DVD MECHANISM UNIT

pickup(24P)

BN42(14P)

CX41(17P)

MAIN (4)
G model

BN45<-->BN45(4P) U model

01	B_DAC(Y)	03	C_DAC(C)
02	GND	04	GND

BN45

CY91(17P)

17P FFC

CX91(17P)

CX91<-->CY91(17P) G model

01	cvbs_out	10	SQUEEZE
02	GND	11	VSEL1
03	VMUTE3	12	VD+5V
04	GND	13	LT_FL
05	B_DAC	14	VD+5V
06	GND	15	RT_FR
07	A_DAC	16	GND
08	+12V	17	GND
09	C_DAC		

CN11<-->pickup(24P)

01	F-	09	A	17	VR-CD
02	F+	10	B	18	VR-DVD
03	T+	11	F	19	CD-LD
04	T-	12	GND/PD	20	MD
05	C	13	VREF	21	HFM
06	D	14	VCC	22	N.C
07	CD/DVD SW	15	E	23	DVD-LD
08	RF	16	N.C	24	GND_LD

CN13<-->LDR(6P)

01	MOT_SPDL-	04	HOME_SW
02	MOT_SPDL+	05	SLED-
03	GND	06	SLED+

CN12<-->LDR(5P)

01	LOAD-	04	GND
02	LOAD+	05	IN_SW
03	OUT_SW		

CX41<-->CY41(17P)

01	VFD_RESET	05	-28V	09	KEY#2	13	HDMI_LINK_LED	17	GND
02	VFD_CLK0	06	VF+	10	U+5V	14	vcc33M		
03	VFD_DATA0	07	VF-	11	FL_OFF_LED	15	Remote Out		
04	VFD_STB0	08	KEY#1	12	HDMI_ON_LED	16	GND		

MAIN (3)

CN44(3P)

FIP DISPLAY

BN44(3P)

BN44<-->CN44(2P)

01	GND	02	KEY#1	03	GND
----	-----	----	-------	----	-----

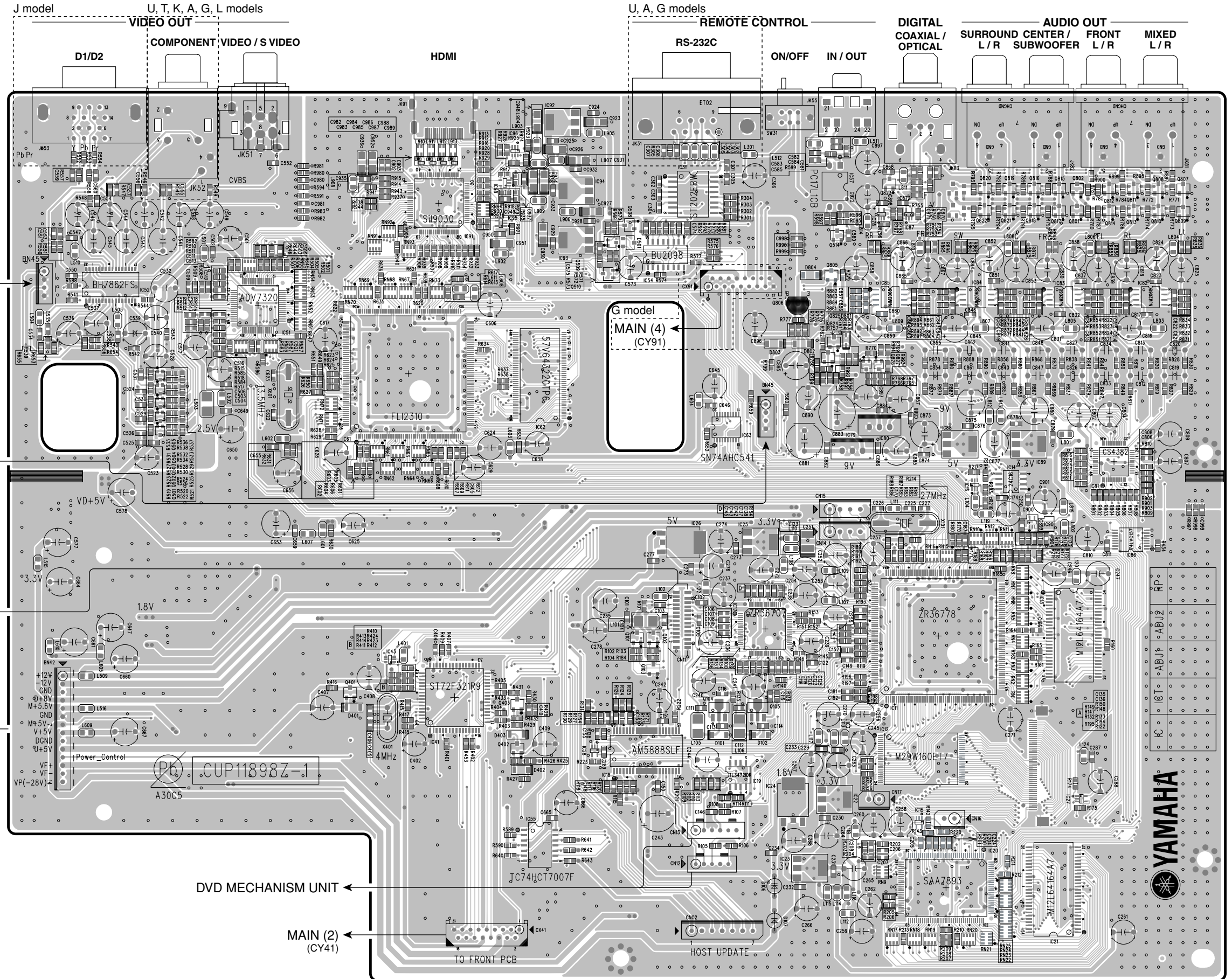
CY41(17P)

MAIN (2)

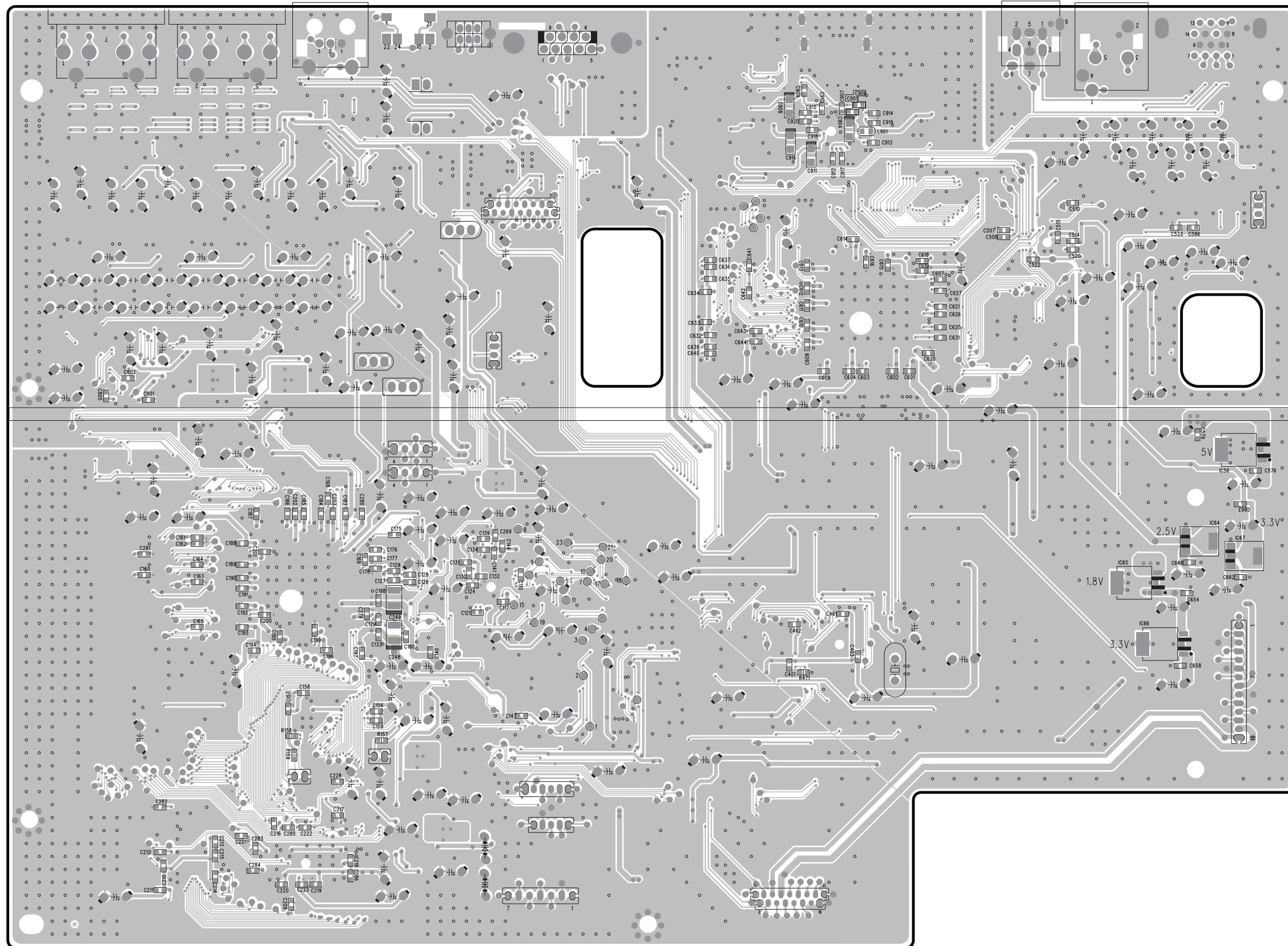
PRINTED CIRCUIT BOARDS

When any part not included in the replacement parts list has failed, replace the P.C.B.
パーツリストに記載されている部品以外は供給できません。部品交換が必要な場合はP.C.B.を交換してください。

MAIN (1) P.C.B.
(Top view)

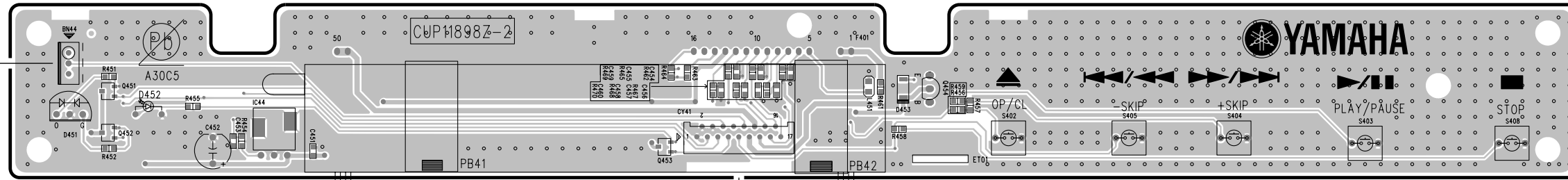


MAIN (1) P.C.B.
(Bottom view)



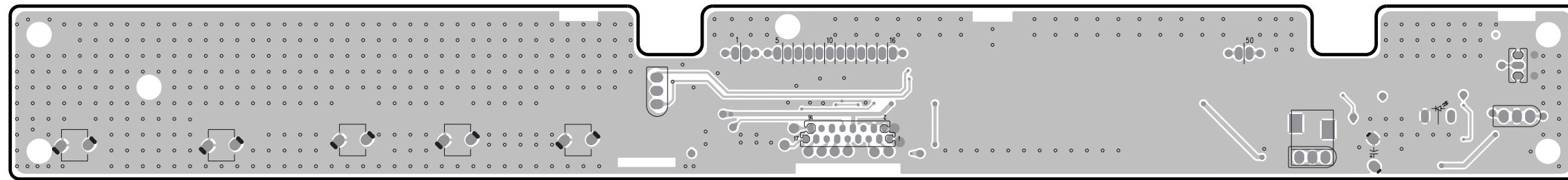
1
2
3
4
5
6
7

MAIN (2) P.C.B. (Top view)

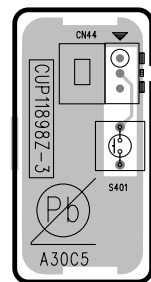


MAIN (1)
(CX41)

MAIN (2) P.C.B. (Bottom view)

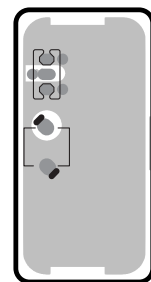


MAIN (3) P.C.B. (Top view)



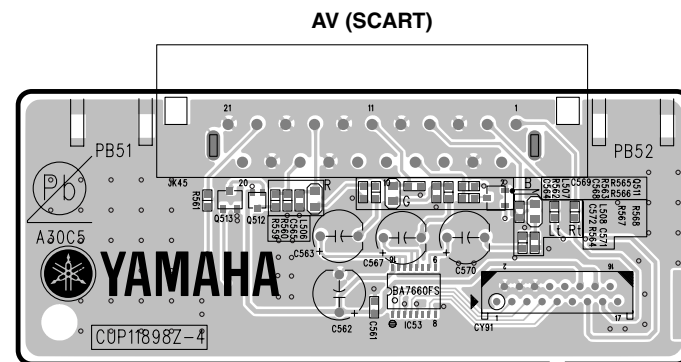
STANDBY /ON

MAIN (3) P.C.B. (Bottom view)



MAIN (4) P.C.B. (Top view)

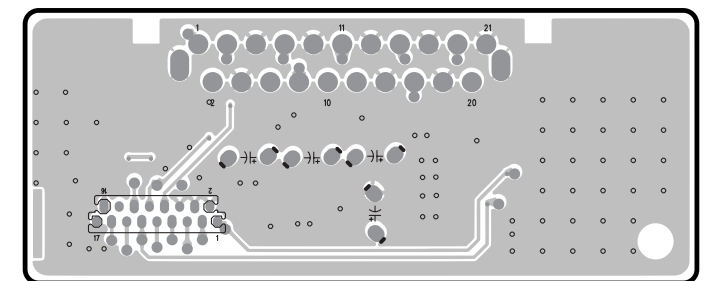
G model



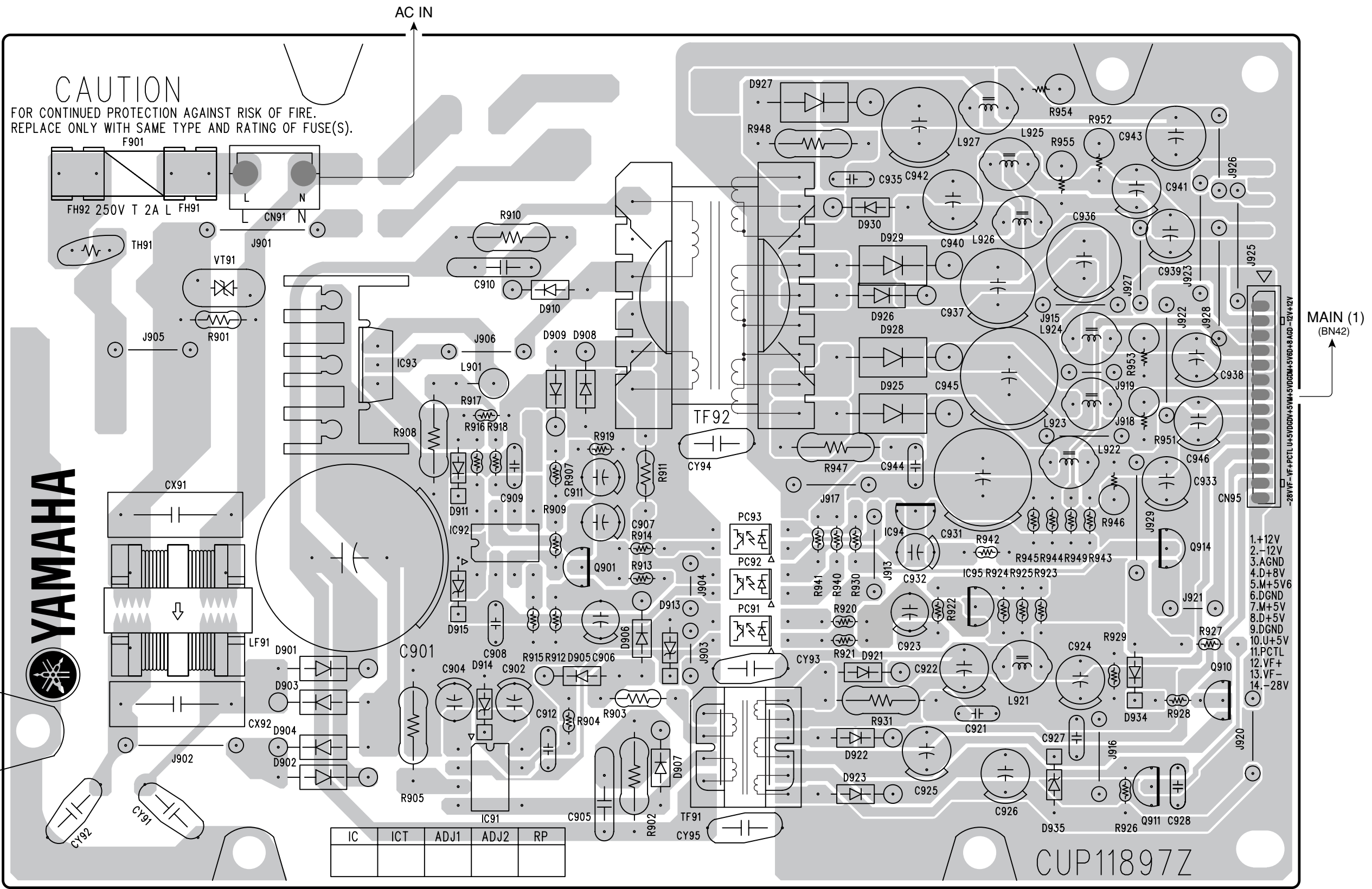
MAIN (1)
(CX91)

MAIN (4) P.C.B. (Bottom view)

G model



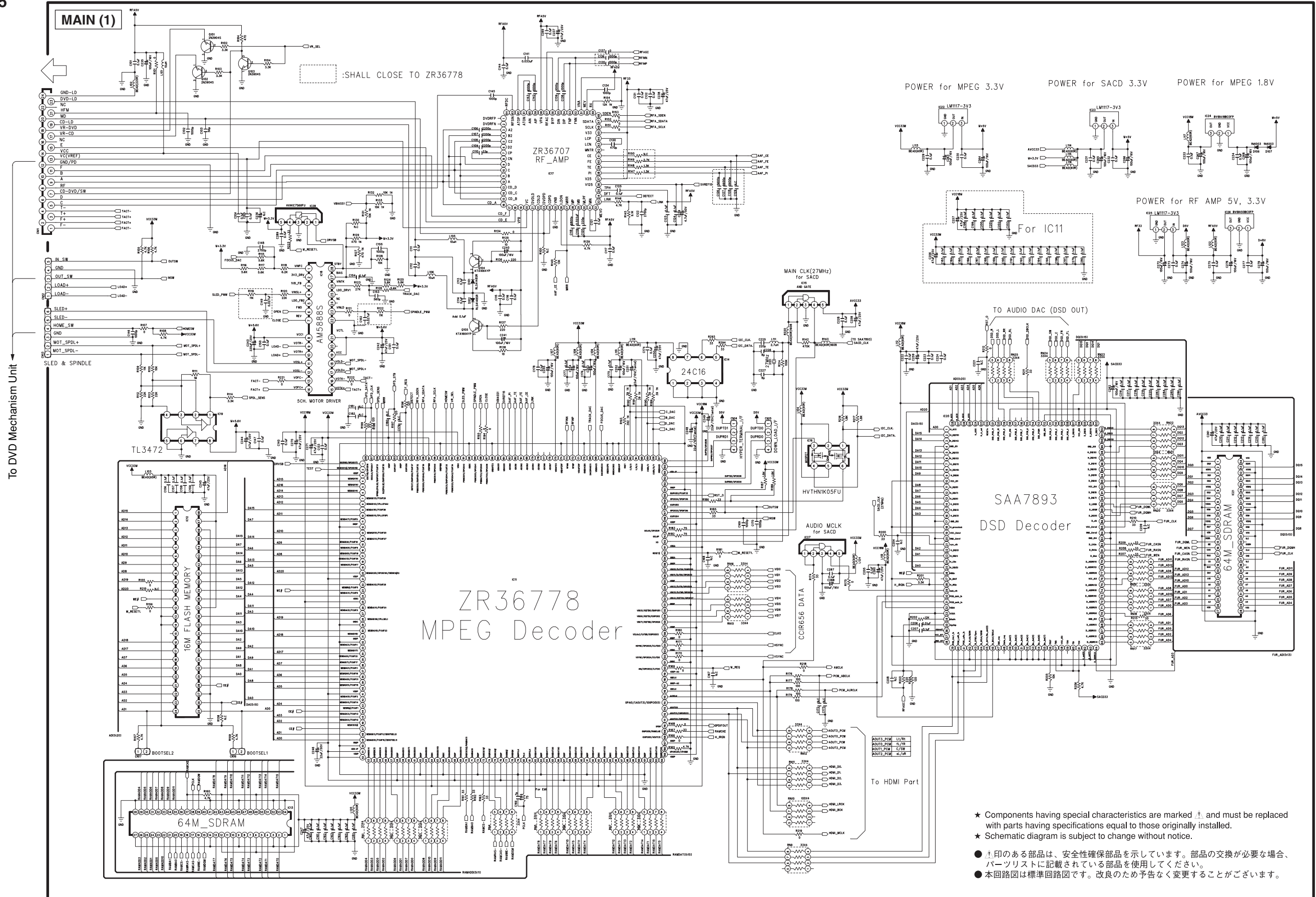
POWER SUPPLY UNIT (Top view)



SCHEMATIC DIAGRAMS

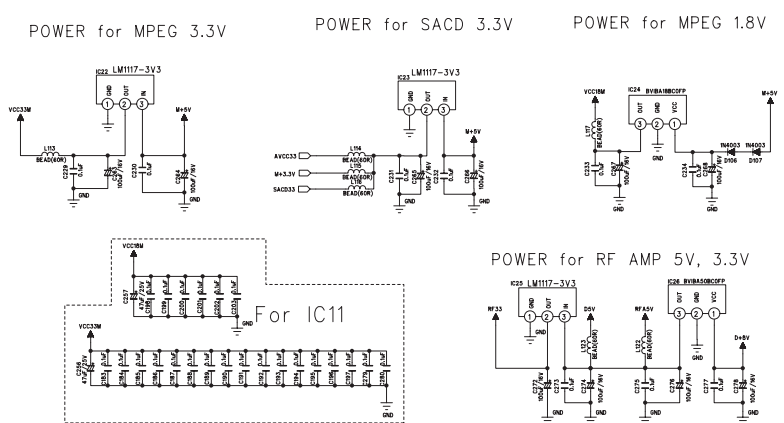
MAIN 1/5

When any part not included in the replacement parts list has failed, replace the P.C.B.
パーツリストに記載されている部品以外は供給できません。部品交換が必要な場合はP.C.B.を交換してください。



ZR36778
MPEG Decoder

SAA7893
DSD Decoder



MAIN CLK(27MHz)

AUDIO MCLK for SACD

CCIR656 DATA

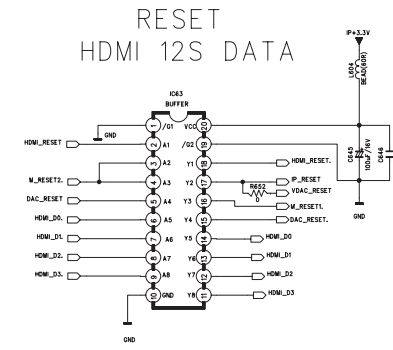
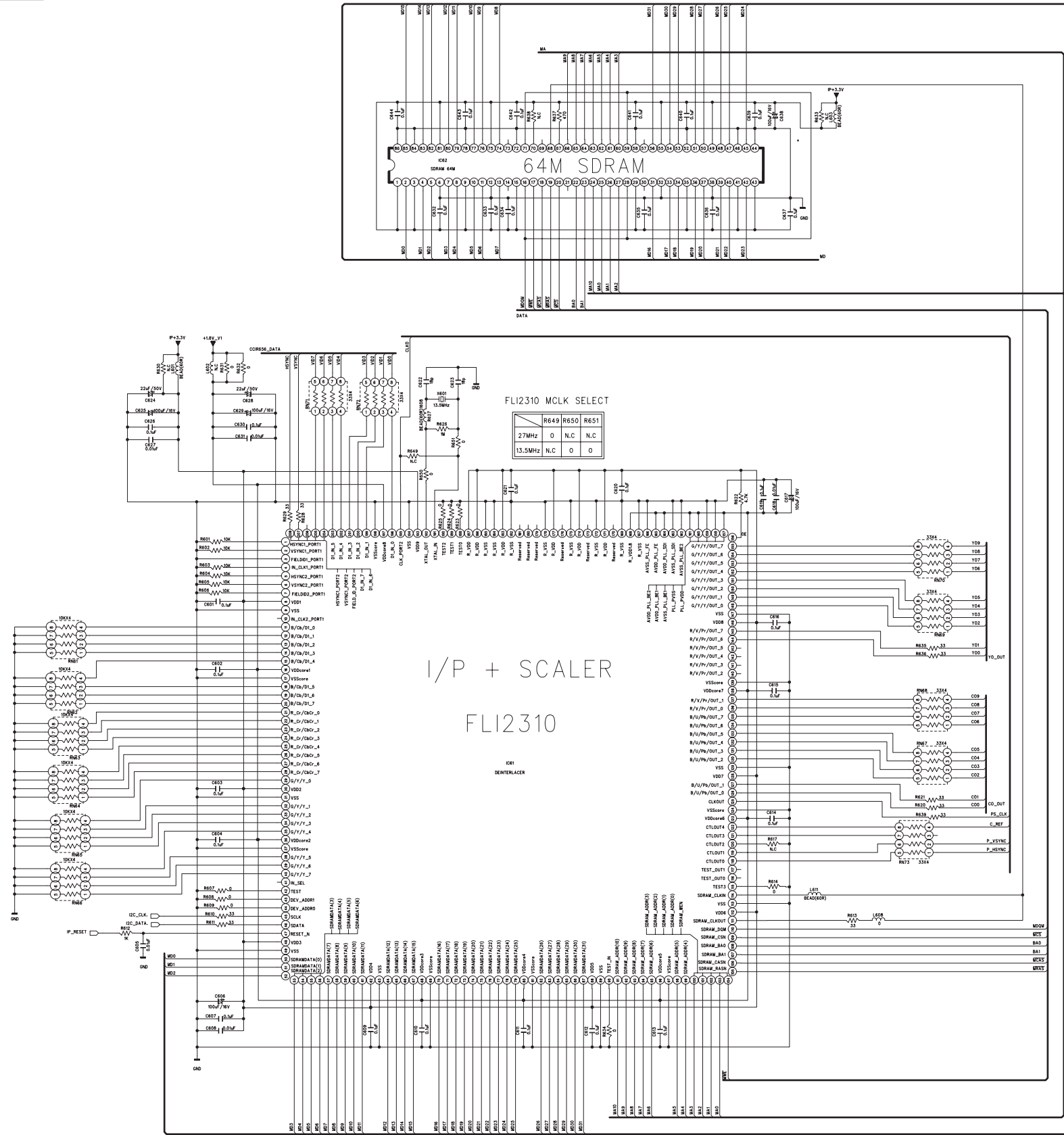
To HDMI Part

TO AUDIO DAC (DSD OUT)

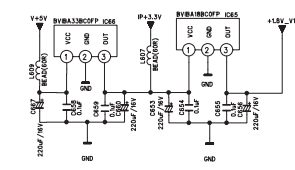
To DVD Mechanism Unit

- ★ Components having special characteristics are marked and must be replaced with parts having specifications equal to those originally installed.
- ★ Schematic diagram is subject to change without notice.
- 印のある部品は、安全性確保部品を示しています。部品の交換が必要な場合、パーツリストに記載されている部品を使用してください。
- 本回路図は標準回路図です。改良のため予告なく変更することがございます。

MAIN (1)

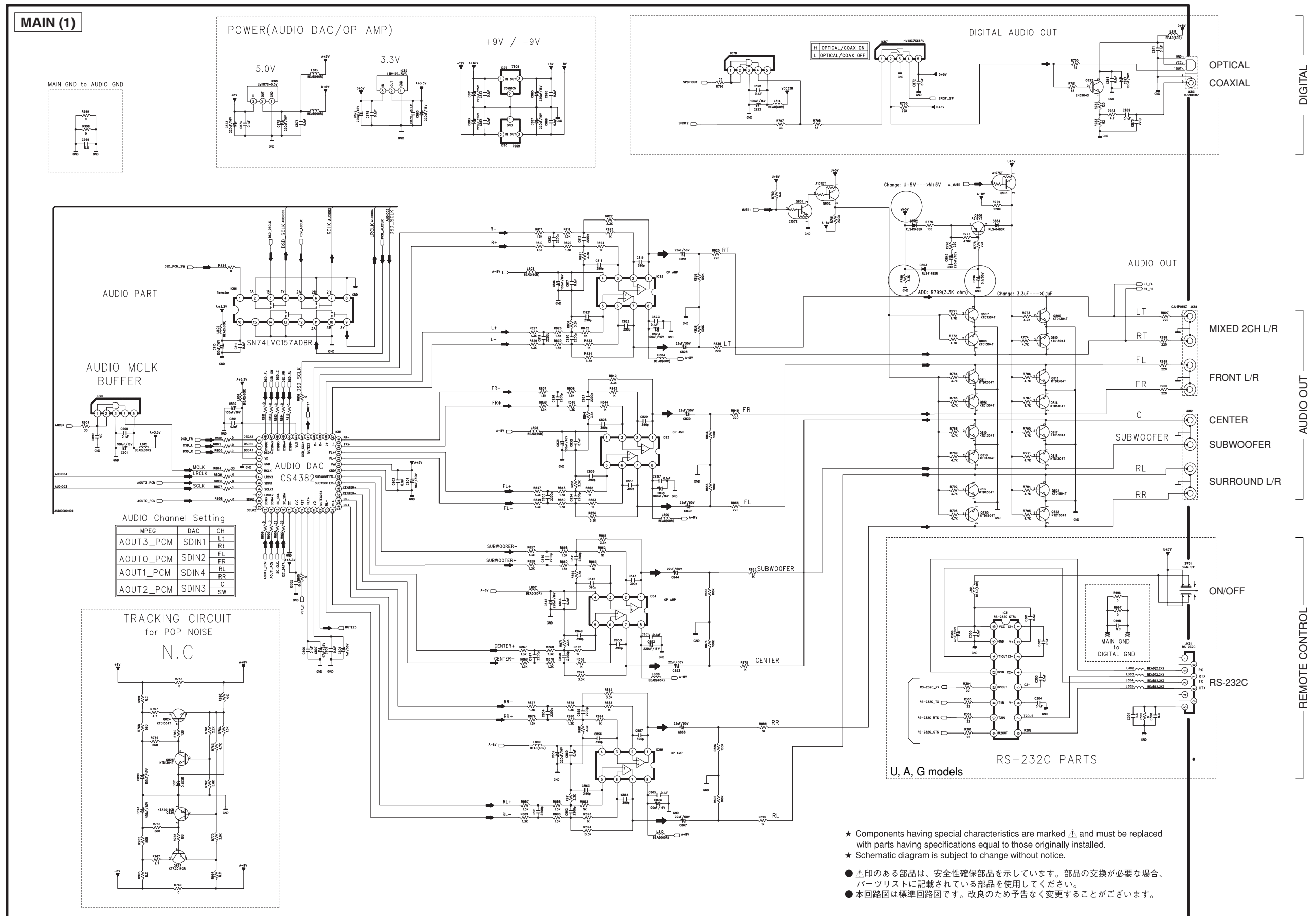


POWER (I/P 3.3V, 1.8V)



- ★ Components having special characteristics are marked with a triangle symbol and must be replaced with parts having specifications equal to those originally installed.
- ★ Schematic diagram is subject to change without notice.
- 印のある部品は、安全性確保部品を示しています。部品の交換が必要な場合、パーツリストに記載されている部品を使用してください。
- 本回路図は標準回路図です。改良のため予告なく変更することがございます。

MAIN 3/5



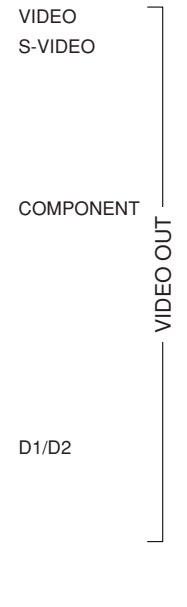
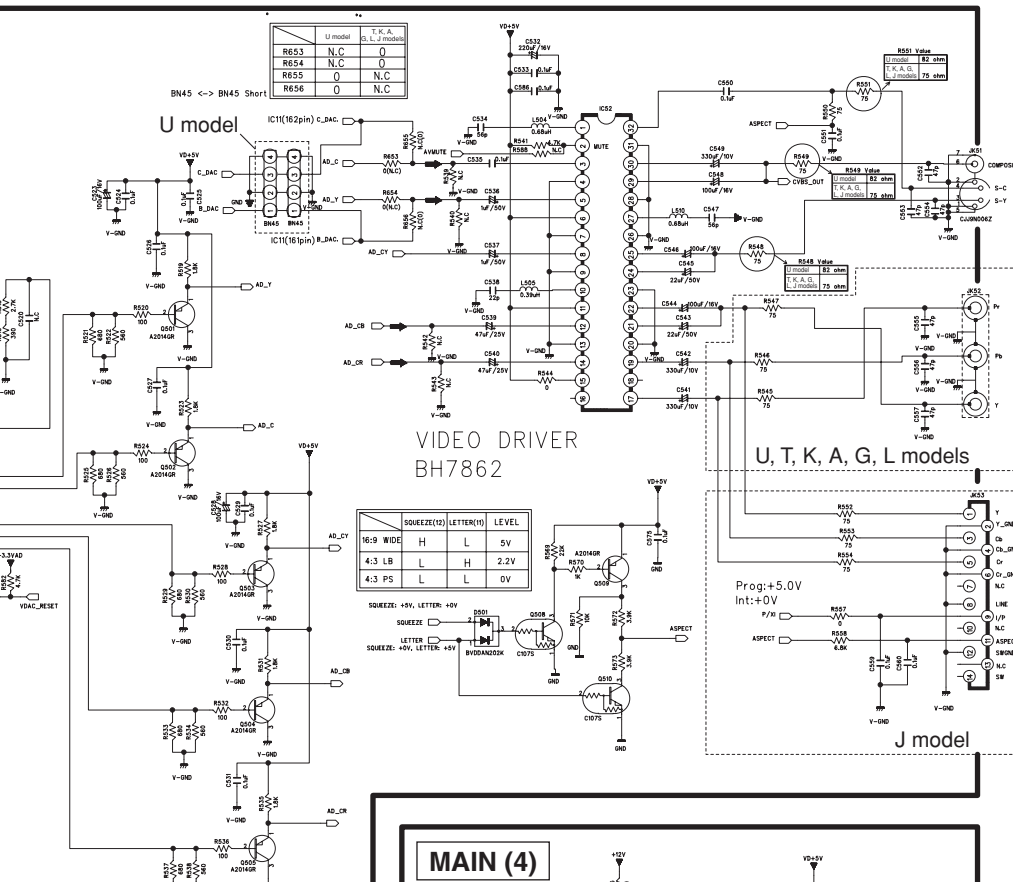
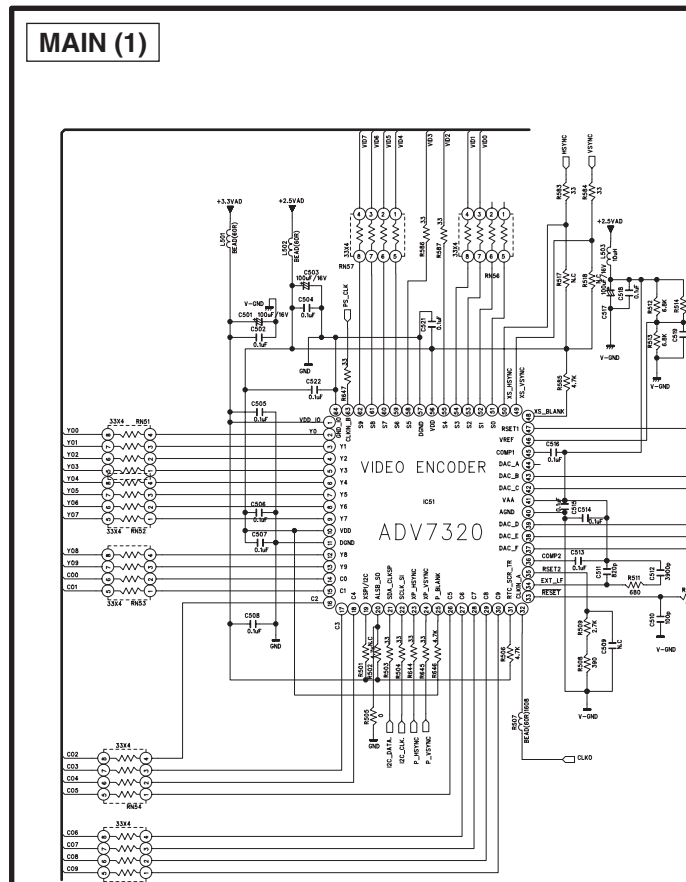
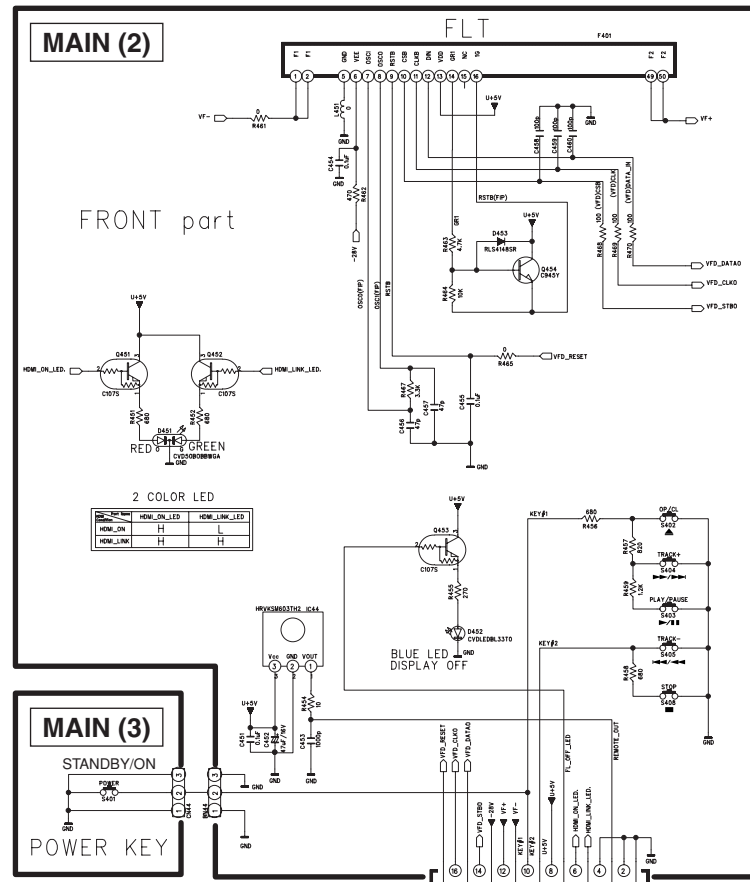
★ Components having special characteristics are marked Δ and must be replaced with parts having specifications equal to those originally installed.
 ★ Schematic diagram is subject to change without notice.

● Δ 印のある部品は、安全性確保部品を示しています。部品の交換が必要な場合、パーツリストに記載されている部品を使用してください。
 ● 本回路図は標準回路図です。改良のため予告なく変更することがございます。

MAIN 4/5

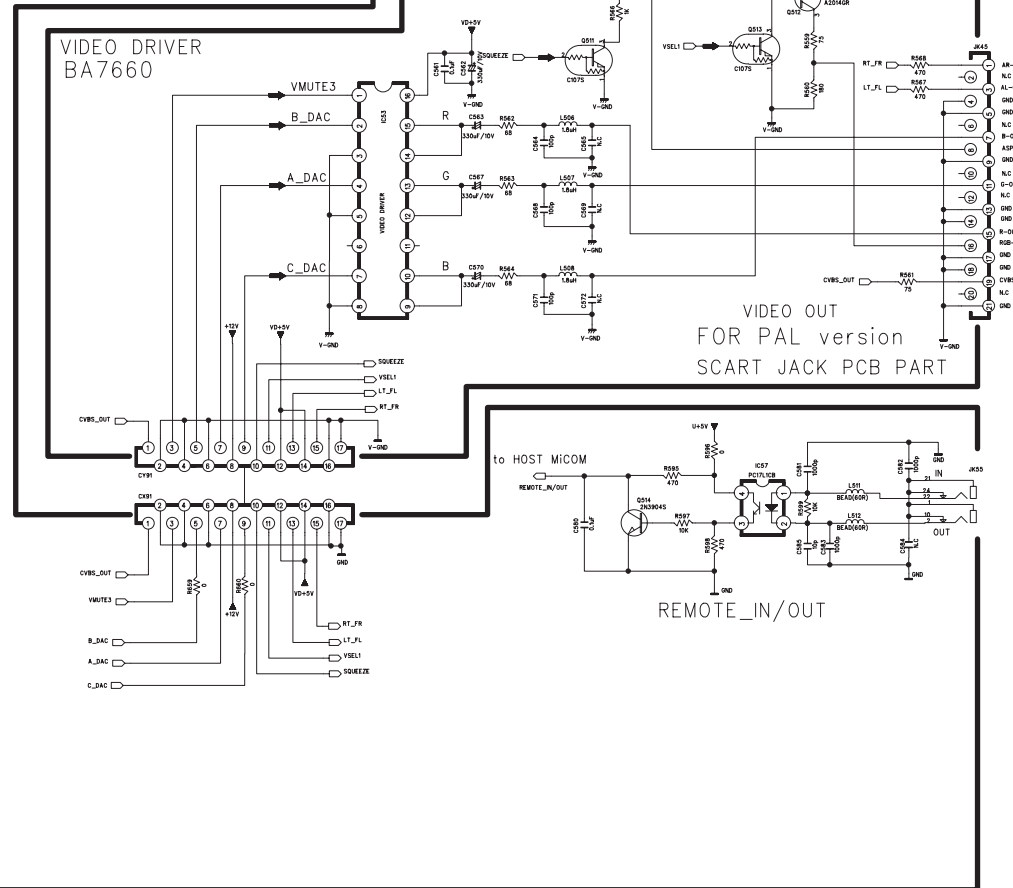
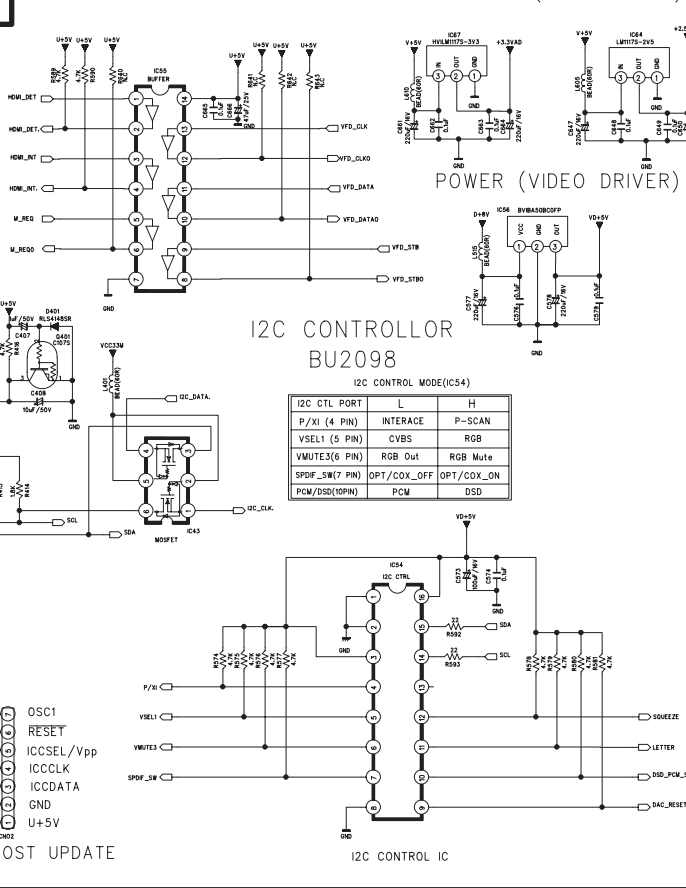
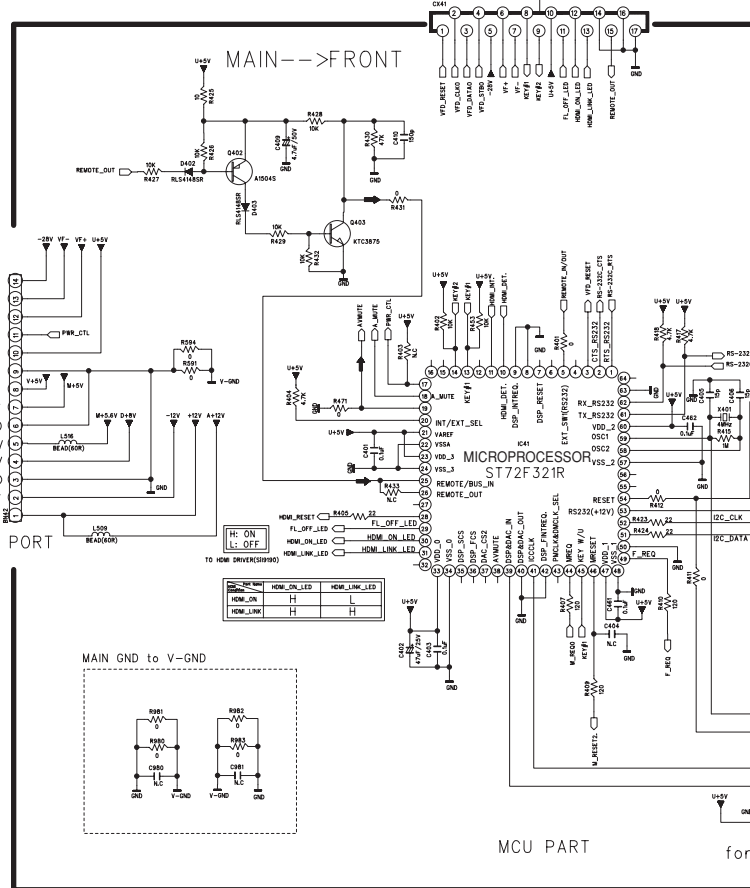
★ Components having special characteristics are marked Δ and must be replaced with parts having specifications equal to those originally installed.
 ★ Schematic diagram is subject to change without notice.

● Δ 印のある部品は、安全性確保部品を示しています。部品の交換が必要な場合、パーツリストに記載されている部品を使用してください。
 ● 本回路図は標準回路図です。改良のため予告なく変更することがございます。



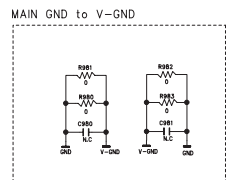
Page 42 13

to POWER SUPPLY UNIT_CN95



I2C CONTROLLER BU2098
 I2C CONTROL MODE (IC54)

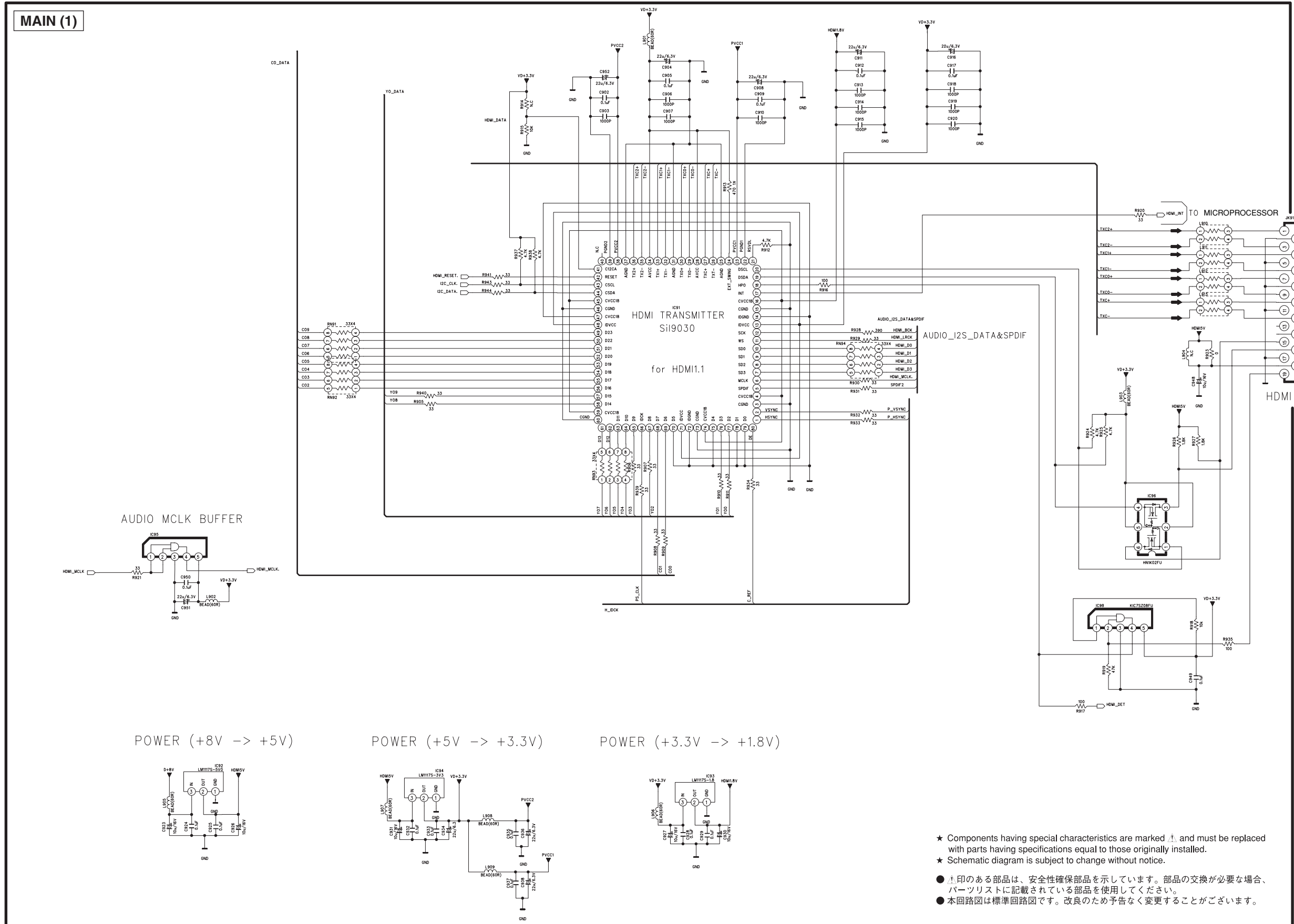
I2C CTL PORT	L	H
P/XI (4 PIN)	INTERACE	P-SCAN
VSEL1 (5 PIN)	CVBS	RGB
VMUTE(6 PIN)	RGB Out	RGB Mute
SPDF_SW(7 PIN)	OPT/COX_OFF	OPT/COX_ON
PCM/DSD(OPN)	PCM	DSD



MCU PART for HOST UPDATE

I2C CONTROL IC

MAIN 5/5

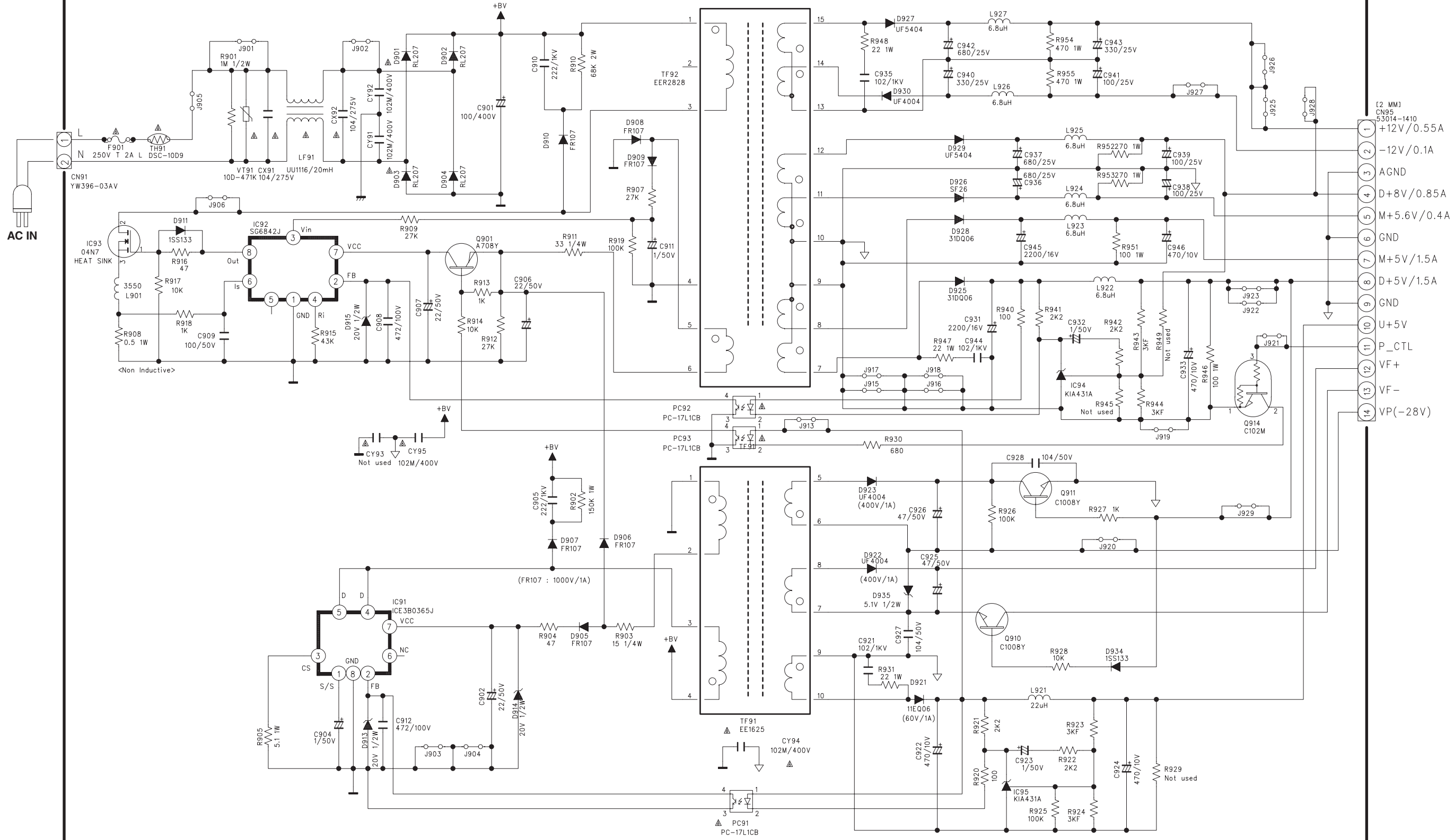


- ★ Components having special characteristics are marked Δ and must be replaced with parts having specifications equal to those originally installed.
- ★ Schematic diagram is subject to change without notice.
- Δ 印のある部品は、安全性確保部品を示しています。部品の交換が必要な場合、パーツリストに記載されている部品を使用してください。
- 本回路図は標準回路図です。改良のため予告なく変更することがございます。

POWER SUPPLY UNIT

★ Components having special characteristics are marked Δ and must be replaced with parts having specifications equal to those originally installed.
 ★ Schematic diagram is subject to change without notice.

● Δ 印のある部品は、安全性確保部品を示しています。部品の交換が必要な場合、パーツリストに記載されている部品を使用してください。
 ● 本回路図は標準回路図です。改良のため予告なく変更することがございます。



Page 40 B5
to MAIN (1)_BN42

■ REPLACEMENT PARTS LIST

● ELECTRICAL COMPONENT PARTS

WARNING

- Components having special characteristics are marked Δ and must be replaced with parts having specifications equal to those originally installed.
- Δ 印のある部分は、安全確保部品を示しています。部品の交換が必要な場合、パーツリストに記載されている部品を使用してください。
- 部品価格ランクは、予告なく変更することがあります。

ABBREVIATIONS IN THIS LIST ARE AS FOLLOWS:

C.A.EL.CHP : CHIP ALUMI.ELECTROLYTIC CAP	L.EMIT : LIGHT EMITTING MODULE
C.CE : CERAMIC CAP	LED.DSPLY : LED DISPLAY
C.CE.ARRAY : CERAMIC CAP ARRAY	LED.INFRD : LED,INFRARED
C.CE.CHP : CHIP CERAMIC CAP	MODUL.RF : MODULATOR,RF
C.CE.ML : MULTILAYER CERAMIC CAP	PHOT.CPL : PHOTO COUPLER
C.CE.M.CHP : CHIP MULTILAYER CERAMIC CAP	PHOT.INTR : PHOTO INTERRUPTER
C.CE.SAFTY : RECOGNIZED CERAMIC CAP	PHOT.RFLCT : PHOTO REFLECTOR
C.CE.TUBLR : CERAMIC TUBULAR CAP	PIN.TEST : PIN,TEST POINT
C.CE.SMI : SEMI CONDUCTIVE CERAMIC CAP	PLST.RIVET : PLASTIC RIVET
C.EL : ELECTROLYTIC CAP	R.ARRAY : RESISTOR ARRAY
C.MICA : MICA CAP	R.CAR. : CARBON RESISTOR
C.ML.FLM : MULTILAYER FILM CAP	R.CAR.CHP : CHIP RESISTOR
C.MP : METALLIZED PAPER CAP	R.CAR.FP : FLAME PROOF CARBON RESISTOR
C.MYLAR : MYLAR FILM CAP	R.FUS : FUSABLE RESISTOR
C.MYLAR.ML : MULTILAYER MYLAR FILM CAP	R.MTL.CHP : CHIP METAL FILM RESISTOR
C.PAPER : PAPER CAPACITOR	R.MTL.FLM : METAL FILM RESISTOR
C.PLS : POLYSTYRENE FILM CAP	R.MTL.OXD : METAL OXIDE FILM RESISTOR
C.POL : POLYESTER FILM CAP	R.MTL.PLAT : METAL PLATE RESISTOR
C.POLY : POLYETHYLENE FILM CAP	RSNR.CE : CERAMIC RESONATOR
C.PP : POLYPROPYLENE FILM CAP	RSNR.CRYS : CRYSTAL RESONATOR
C.TNTL : TANTALUM CAP	R.TW.CEM : TWIN CEMENT FIXED RESISTOR
C.TNTL.CHP : CHIP TANTALUM CAP	R.CEMENT : CEMENT RESISTOR
C.TRIM : TRIMMER CAP	SCR.BND.HD : BIND HEAD B-TIGHT SCREW
CN : CONNECTOR	SCR.BW.HD : BW HEAD TAPPING SCREW
CN.BS.PIN : CONNECTOR,BASE PIN	SCR.CUP : CUP TIGHT SCREW
CN.CANNON : CONNECTOR,CANNON	SCR.TERM : SCREW TERMINAL
CN.DIN : CONNECTOR,DIN	SCR.TR : SCREW,TRANSISTOR
CN.FLAT : CONNECTOR,FLAT CABLE	SUPRT.PCB : SUPPORT,P.C.B.
CN.POST : CONNECTOR,BASE POST	SURG.PRTCT : SURGE PROTECTOR
COIL.MX.AM : COIL,AM MIX	SW.TACT : TACT SWITCH
COIL.AT.FM : COIL,FM ANTENNA	SW.LEAF : LEAF SWITCH
COIL.DT.FM : COIL,FM DETECT	SW.LEVER : LEVER SWITCH
COIL.MX.FM : COIL,FM MIX	SW.MICRO : MICRO SWITCH
COIL.OUTPT : OUTPUT COIL	SW.PUSH : PUSH SWITCH
DIOD.ARRAY : DIODE ARRAY	SW.RT.ENC : ROTARY ENCODER
DIODE.BRG : DIODE BRIDGE	SW.RT.MTR : ROTARY SWITCH WITH MOTOR
DIODE.CHP : CHIP DIODE	SW.RT : ROTARY SWITCH
DIODE.VAR : VARACTOR DIODE	SW.SLIDE : SLIDE SWITCH
DIOD.Z.CHP : CHIP ZENER DIODE	TERM.SP : SPEAKER TERMINAL
DIODE.ZENR : ZENER DIODE	TERM.WRAP : WRAPPING TERMINAL
DSCR.CE : CERAMIC DISCRIMINATOR	THRMST.CHP : CHIP THERMISTOR
FER.BEAD : FERRITE BEADS	TR.CHP : CHIP TRANSISTOR
FER.CORE : FERRITE CORE	TR.DGT : DIGITAL TRANSISTOR
FET.CHP : CHIP FET	TR.DGT.CHP : CHIP DIGITAL TRANSISTOR
FL.DSPLY : FLUORESCENT DISPLAY	TRANS : TRANSFORMER
FLTR.CE : CERAMIC FILTER	TRANS.PULS : PULSE TRANSFORMER
FLTR.COMB : COMB FILTER MODULE	TRANS.PWR : POWER TRANSFORMER ASS'Y
FLTR.LC.RF : LC FILTER,EMI	TUNER.AM : TUNER PACK,AM
GND.MTL : GROUND PLATE	TUNER.FM : TUNER PACK,FM
GND.TERM : GROUND TERMINAL	TUNER.PK : FRONT-ENDTUNER PACK
HOLDER.FUS : FUSE HOLDER	VR : ROTARY POTENTIOMETER
IC.PRTCT : IC PROTECTOR	VR.MTR : POTENTIOMETER WITH MOTOR
JUMPER.CN : JUMPER CONNECTOR	VR.SW : POTENTIOMETER WITH ROTARY SW
JUMPER.TST : JUMPER,TEST POINT	VR.SLIDE : SLIDE POTENTIOMETER
L.DTCT : LIGHT DETECTING MODULE	VR.TRIM : TRIMMER POTENTIOMETER

P.C.B. MAIN

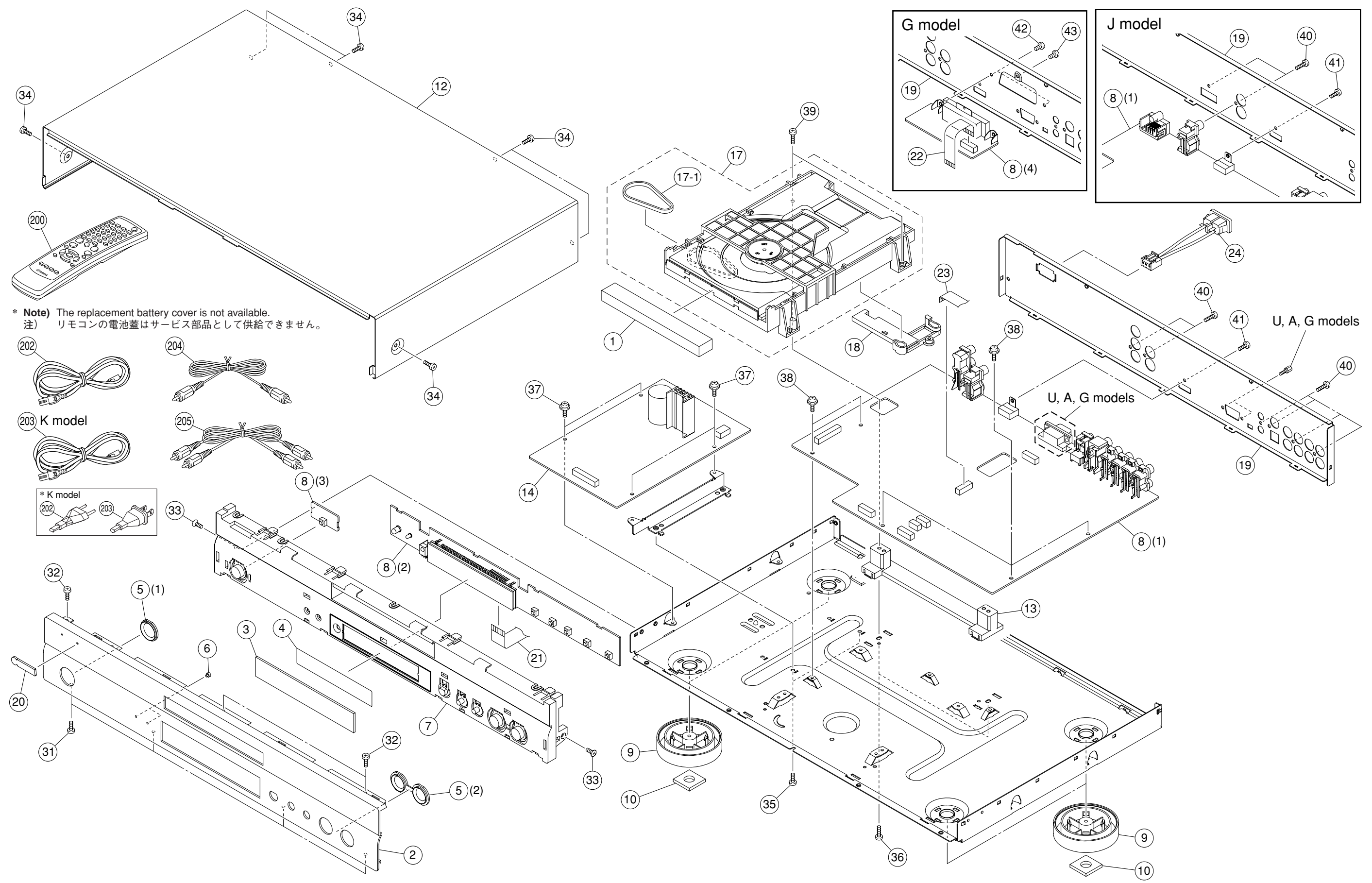
Note) When any part not included in the replacement parts list has failed, replace the P.C.B..

注) パーツリストに記載されている部品以外は供給できません。部品交換が必要な場合はP.C.B.を交換してください。

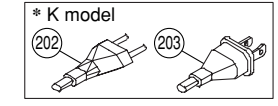
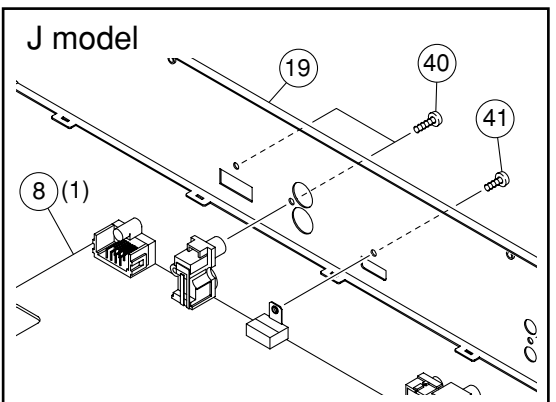
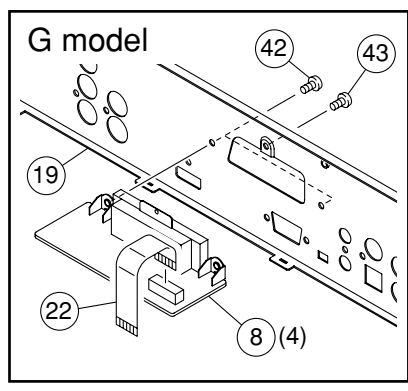
Ref No.	Part No.	Description	Remarks	Markets	部 品 名	ランク	
*	AAX80130	P.C.B.	MAIN	COP11898E	J	P C B メイン	
*	AAX80110	P.C.B.	MAIN	COP11898C	UA	P C B メイン	
*	AAX80120	P.C.B.	MAIN	COP11898D	TKL	P C B メイン	
*	AAX80100	P.C.B.	MAIN	COP11898B	G	P C B メイン	
F401	AAX80850	FIP DSPLY	HCA14SM16	CFLHCA14SM16		F I P 表示器	
IC11	AAX80840	IC	ZR36778	HV1ZR36778		I C	
IC13	AAX80810	IC	M12L64164A7T	HV1M12L64164A7T		I C	
IC17	AAX80830	IC	ZR36707	HV1ZR36707		I C	
IC18	AAX80780	IC	AM5888SLF	HV1AM5888SLF		I C	
IC20	AAX80820	IC	SAA7893HLC2	HV1SAA7893HLC2		I C	
IC21	AAX80810	IC	M12L64164A7T	HV1M12L64164A7T		I C	
IC51	AAX80760	IC	ADV7320KSTZ	CV1ADV7320KSTZ		I C	
IC52	AAX80740	IC	BH7862FS	BV1BH7862FS		I C	
IC53	AAX80790	IC	BA7660FS	HV1BA7660FS	G	I C	
IC61	AAX80770	IC	FL12310LFCF	CV1FL12310LFCF		I C	
IC62	AAX80750	IC	57V643220TP6	CV157V643220TP6		I C	
IC81	AAX80800	IC	CS4382-KQ	HV1CS4382-KQ		I C	
JK31	AAX80150	CN.RS232C	D-SUB 9P	CJJ9V001Z	UAG	R S 2 3 2 C コネクター	
JK45	AAX80350	CN.SCART	SCART	CJJ6K003Z	G	S C A R T コネクター	
JK51	AAX80370	PIN JACK	S-VIDEO/VIDEO	CJJ9N006Z		ピンジャック	
JK52	AAX80440	PIN JACK	3P COMPONENT	CJJ4S014Z	UTKAGL	ピンジャック	
JK53	AAX80050	CN.D2	D2	CJJ9U001ZJ	J	D 2 コネクター	
JK55	AAX80330	JACK	2P REMOTE IN/OUT	HJJ1D002Z		ジャック	
JK81	AAX80320	PIN JACK	4P L/R	CJJ4P019Y		ピンジャック	
JK82	AAX80450	PIN JACK	4P C/SW/SUR.	CJJ4P061Z		ピンジャック	
JK83	AAX80360	JACK	OPTICAL/COAXIAL	CJS9U011Z		ジャック	
JK91	AAX80340	CN.HDMI	HDMI	HJJ9H003Z		H D M I コネクター	
S401-405	AAX74630	SW.TACT	SKHV10910G	CST1A012ZT		タクトスイッチ	01
S408	AAX74630	SW.TACT	SKHV10910G	CST1A012ZT		タクトスイッチ	01
SW31	AAX80380	SW.SLIDE	REMOTE ON/OFF	KSS2B016Z	UAG	スライドスイッチ	

*: New Parts * 新規部品

• OVERALL ASS'Y



* Note) The replacement battery cover is not available.
 注) リモコンの電池蓋はサービス部品として供給できません。



U, A, G models

U, A, G models

Ref No.	Part No.	Description	Remarks	Markets	部品名	ランク	
*	1	AAX80400	TRAY LID	GD	CGR1A401M9YH54	トレイリッド	
*	1	AAX80410	TRAY LID	BL	CGR1A401ZH53	トレイリッド	
*	1	AAX80390	TRAY LID	TI	CGR1A401M7XH55	トレイリッド	
*	2	AAX80470	FRONT PANEL	GD	CKM1A177YC55	フロントパネル	
*	2	AAX80480	FRONT PANEL	BL	CKM1A177ZC59	フロントパネル	
*	2	AAX80460	FRONT PANEL	TI	CKM1A177XC60	フロントパネル	
*	3	AAX80070	WINDOW		CGU1A395Z	F L ウィンドウ	
*	4	AAX80080	FILTER FIP		CMZ1A116Z	F L シート	
*	5	AAX80200	ORNAMENT KNOB	GD	CGR1A402M9D6	エスカッション	
*	5	AAX80180	ORNAMENT KNOB	BL	CGR1A402K128	エスカッション	
*	5	AAX80190	ORNAMENT KNOB	TI	CGR1A402M7G41	エスカッション	
*	6	AAX80090	INDICATOR LED LENS		CGL1A253Z	L E D レンズ	
*	7	AAX80290	SUB PANEL	GD	CGW1A423M9YD6	サブパネル	
*	7	AAX80300	SUB PANEL	BL	CGW1A423ZK128	サブパネル	
*	7	AAX80280	SUB PANEL	TI	CGW1A423M7XG41	サブパネル	
*	8	AAX80130	P.C.B. ASS'Y	MAIN	COP11898E	P C B メイン	J
*	8	AAX80110	P.C.B. ASS'Y	MAIN	COP11898C	P C B メイン	UA
*	8	AAX80120	P.C.B. ASS'Y	MAIN	COP11898D	P C B メイン	TKL
*	8	AAX80100	P.C.B. ASS'Y	MAIN	COP11898B	P C B メイン	G
*	9	AAX78660	FOOT	GD	CKL1A192H57	脚	
*	9	AAX78650	FOOT	BL, TI	CKL1A192H56	脚	
*	10	AAX76760	CUSHION FOOT		CHG1A329	クッション 脚	01
*	12	AAX80040	TOP CABINET	GD	CKC1A173D8	トップカバー	
*	12	AAX78320	TOP CABINET	BL	CKC1A173B11	トップカバー	
*	12	AAX78330	TOP CABINET	TI	CKC1A173G40	トップカバー	
*	13	AAX80310	SUPPORT DVD MECHANISM		CMH1A258	サポート DVD メカ	
*	14	AAX80690	POWER SUPPLY UNIT		COP11897B	電源ユニット	
*	17	AAX80060	DVD MECHANISM UNIT		CJDDVD27YA	DVD メカユニット	
*	17-1	AAX74670	BELT		CHG1A330	ベルト	01
*	18	AAX80270	GUIDE CABLE		CMH1A250	ケーブルガイド	
*	19	AAX80530	PANEL REAR		CKF3A314Z	リアパネル	J
*	19	AAX80520	PANEL REAR		CKF2A314Z	リアパネル	U
*	19	AAX80550	PANEL REAR		CKF4A314Y	リアパネル	T
*	19	AAX80540	PANEL REAR		CKF4A314X	リアパネル	K
*	19	AAX80510	PANEL REAR		CKF2A314Y	リアパネル	A
*	19	AAX80500	PANEL REAR		CKF1A314Z	リアパネル	G
*	19	AAX80560	PANEL REAR		CKF4A314Z	リアパネル	L
*	20	AAX80210	BADGE	GD	CGB1A167Y	エンブレム	
*	20	AAX80220	BADGE	BL, TI	CGB1A167Z	エンブレム	
*	21	AAX80240	FLEXIBLE FLAT CABLE	17P 80mm P=1 A-A	CWC1B4A17A080A	カード電線	
*	22	AAX80250	FLEXIBLE FLAT CABLE	17P 80mm P=1 A-B	CWC1B4A17A080B	カード電線	G
*	23	AAX80260	FLEXIBLE FLAT CABLE	24P 250mm P=0.5	CWC1G2A24G250B	カード電線	
*	24	AAX80160	INLET ASS'Y	2P 100mm	CWZDVD37BN91A	インレット ASSY	JUTKAL
*	24	AAX80170	INLET ASS'Y	2P 100mm	CWZDVD37EUBN91A	インレット ASSY	G
*	31	AAX74180	BIND HEAD BONDING B-T. SCREW	GD, TI 3x8 MFZN2W3	CTBD3+8JFC	ボンディング B タイトネジ	01
*	31	AAX80490	BIND HEAD BONDING B-T. SCREW	BL 3x8 MFZN2B3	CTBD3+8JFZR	ボンディング B タイトネジ	
*	32	AAX78420	BIND HEAD SCREW	3x6 MFZN2Y	CTB3+6JR	バインド小ネジ	
*	33	AAX80600	FLAT HEAD B-TIGHT SCREW	3x8 MFZN2Y	CTS3+8JR	皿 B タイトネジ	
*	34	AAX73500	BIND HEAD B-TIGHT SCREW	GD, TI 3x8 MFZN2W3	CTB3+8JFC	バインド B タイトネジ	01
*	34	AAX78380	BIND HEAD B-TIGHT SCREW	BL 3x8 MFZN2B3	CTB3+8JFZR	バインド B タイトネジ	
*	35	AAX80420	BIND HEAD B-TIGHT SCREW	3x6 MFZN2B3	CTB3+6JR	バインド B タイトネジ	
*	36	AAX78410	BIND HEAD P-TIGHT SCREW	3x10 MFZN2Y	CTB3+10GR	バインド P タイトネジ	
*	37	AAX80140	PW HEAD B-TIGHT SCREW	3x8 MFZN2Y	CTW3+8JR	PW ヘッド B タイトネジ	
*	38	AAX80140	PW HEAD B-TIGHT SCREW	3x8 MFZN2Y	CTW3+8JR	PW ヘッド B タイトネジ	
*	39	AAX78410	BIND HEAD P-TIGHT SCREW	3x10 MFZN2Y	CTB3+10GR	バインド P タイトネジ	
*	40	AAX78400	BIND HEAD P-TIGHT SCREW	3x10 MFZN2B3	CTB3+10GFZR	バインド P タイトネジ	
*	41	AAX80430	BIND HEAD SCREW	3x6 MFZN2B3	CTB3+6FFZR	バインド小ネジ	
*	42	AAX80700	SPECIAL SCREW	3x6	CHD1A055R	特殊ネジ	G
*	43	AAX78370	BIND HEAD B-TIGHT SCREW	3x6 MFZN2B3	CTB3+6JFZR	バインド B タイトネジ	

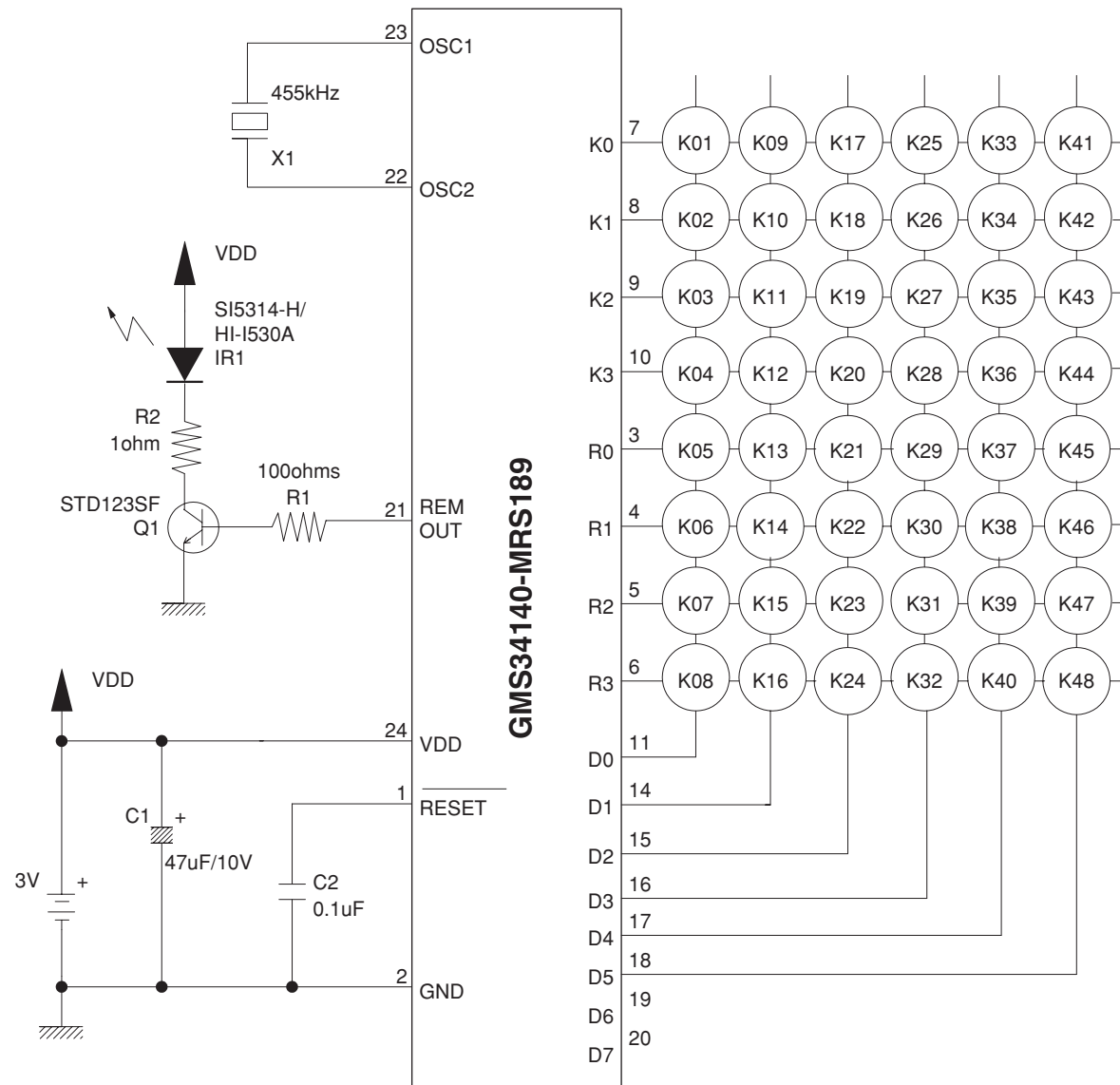
* New Parts * 新規部品

Ref No.	Part No.	Description	Remarks	Markets	部品名	ランク	
*	200	AAX80570	ACCESSORIES			付属品	
*	200	AAX80570	REMOTE CONTROL	DVD-14	CARTDVS1700	リモコン	
*	202	AAX80650	POWER CABLE	2m 1pc	CJA2J091Z	電源コード	J
*	202	AAX80620	POWER CABLE	2m 1pc	CJA2A085Z	電源コード	U
*	202	AAX80670	POWER CABLE	2m 1pc	CJA2N078Z	電源コード	T
*	202	AAX80640	POWER CABLE	2m 1pc	CJA2D089Z	電源コード	K
*	202	AAX80680	POWER CABLE	2m 1pc	CJA2S088Z	電源コード	A
*	202	AAX80630	POWER CABLE	2m 1pc	CJA2B020Z	電源コード	GL
*	203	AAX80660	POWER CABLE	2m 1pc	CJA2L090Z	電源コード	K
*	204	AAX80580	VIDEO PIN CABLE	1P 1m 1pc	CJS4M033Z	映像ピンケーブル	
*	205	AAX80590	AUDIO PIN CABLE	2P 1m 1pc	CJS4N016Z	音声ピンケーブル	
			BATTERY	R03 2pcs		単 4 乾電池	

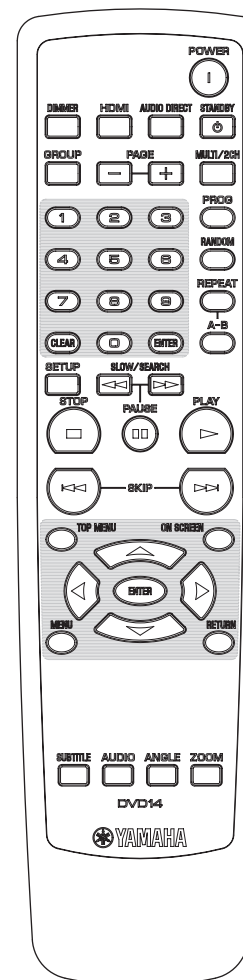
* New Parts * 新規部品

REMOTE CONTROL

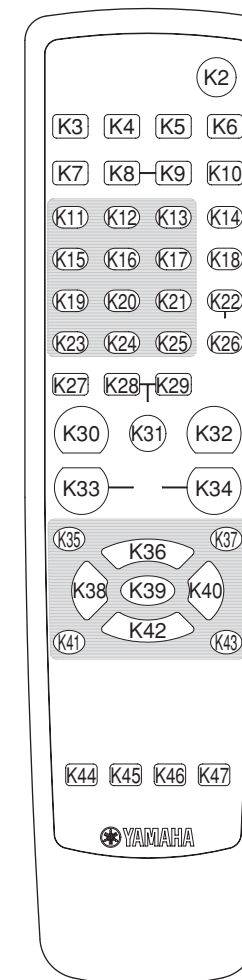
SCHEMATIC DIAGRAM



PANEL



KEY NO. LAYOUT



KEY CODE

Key no.	Function	Custom code
K1	-	-
K2	POWER	7C-F6
K3	DIMMER	7C-A9
K4	HDMI	7C-E5
K5	AUDIO DIRECT	7C-D9
K6	STANDBY	7C-F7
K7	GROUP	7C-DD
K8	PAGE-	7C-DE
K9	PAGE+	7C-DF
K10	MULTI/2CH	7C-E1
K11	1	7C-94
K12	2	7C-95
K13	3	7C-96
K14	PROG	7C-A0
K15	4	7C-97
K16	5	7C-98
K17	6	7C-99
K18	RANDOM	7C-A1
K19	7	7C-9A
K20	8	7C-9B
K21	9	7C-9C
K22	REPEAT	7C-A3
K23	CLEAR	7C-9F
K24	0	7C-93
K25	ENTER	7C-B8
K26	A-B	7C-A4
K27	SETUP	7C-AC
K28	SLOW/SEARCH ◀	7C-86
K29	SLOW/SEARCH ▶	7C-87
K30	STOP ■	7C-85
K31	PAUSE ■■	7C-83
K32	PLAY ▶	7C-82
K33	SKIP ◀◀	7C-B9
K34	SKIP ▶▶	7C-BA
K35	TOP MENU	7C-B1
K36	▲	7C-B4
K37	ON SCREEN	7C-A6
K38	◀	7C-B5
K39	ENTER	7C-B8
K40	▶	7C-B6
K41	MENU	7C-B2
K42	▼	7C-B3
K43	RETURN	7C-B7
K44	SUBTITLE	7C-AA
K45	AUDIO	7C-AD
K46	ANGLE	7C-AE
K47	ZOOM	7C-D7