

MONO BOARD only

The second digit of a component indicates the number of the schematic diagram.

E.g. IC7503 is on the schematic diagram 5.

E.g. R3100 is on the schematic diagram 1.

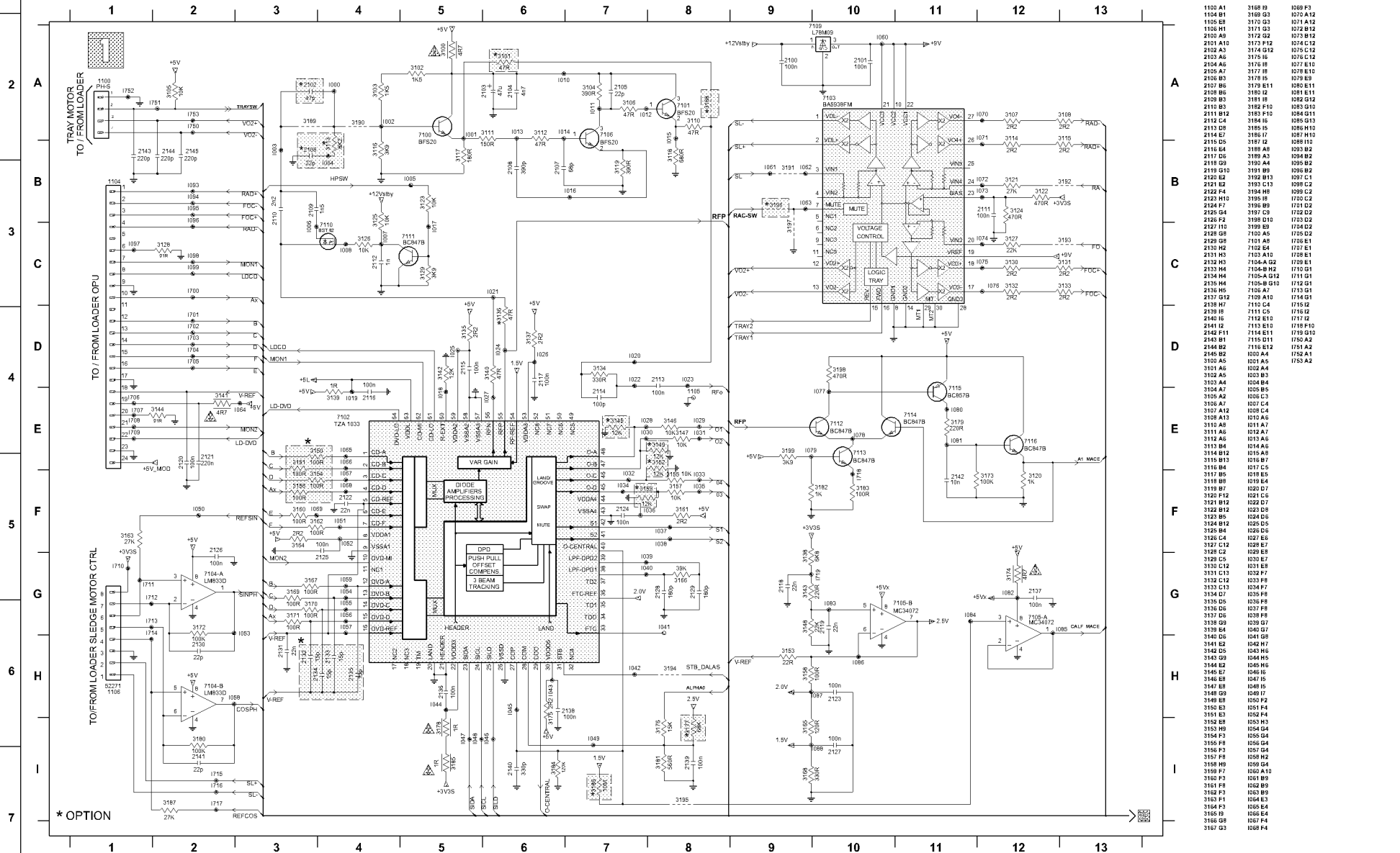
The first digit of a component indicates the component type.

1XXX : Connector    4XXX : SMD jumper    7XXX : Transistor, FET, IC

2XXX : Capacitor    5XXX : Coil    9XXX : Wire jumper

3XXX : Resistor    6XXX : Diode

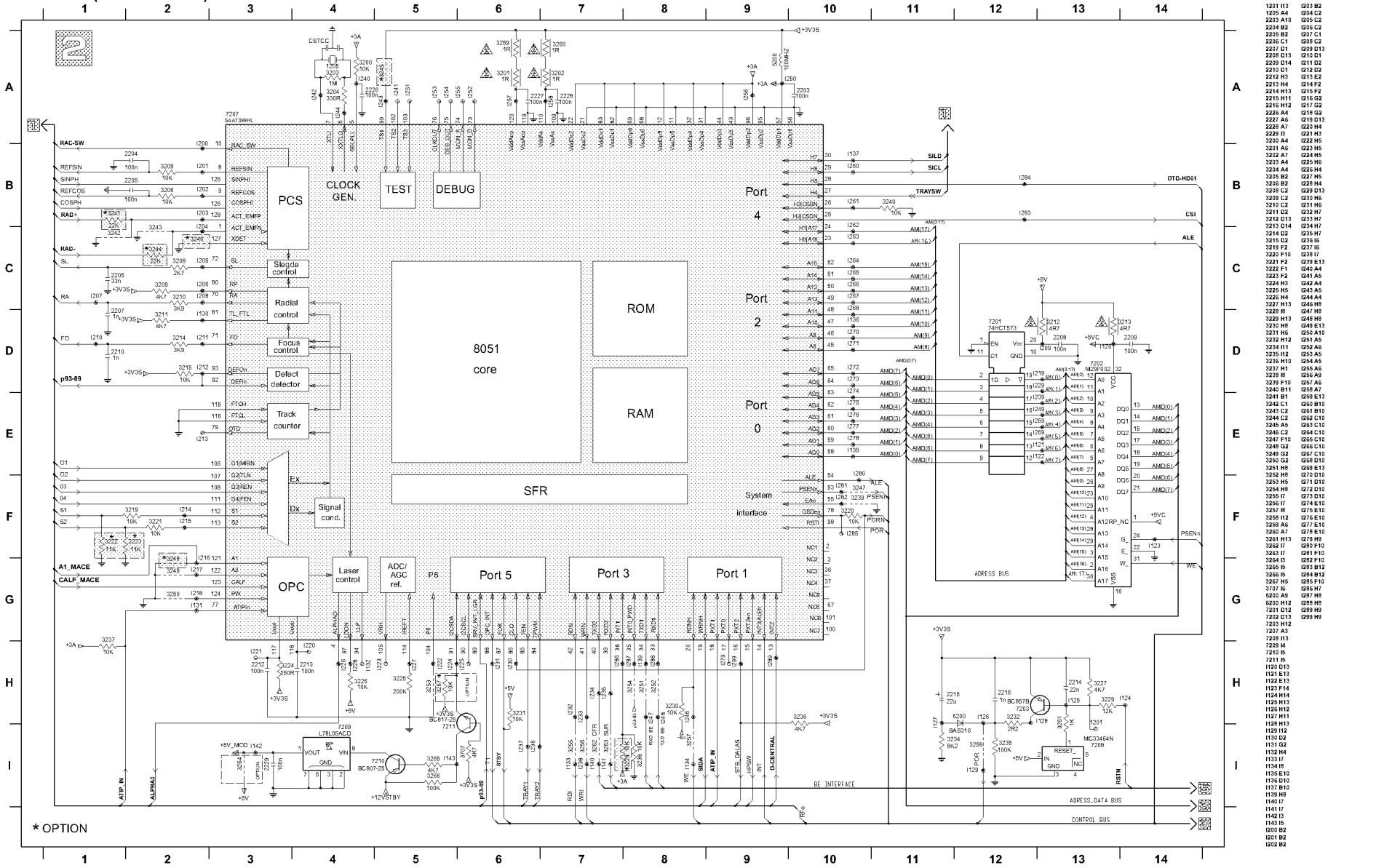
**SCHEMATIC DIAGRAM**  
MONO 1/6 (SERVO DALAS)



MONO BOARD only  
The second digit of a component indicates the number of the schematic diagram.  
E.g. IC7503 is on the schematic diagram 5.  
E.g. R3100 is on the schematic diagram 1.

The first digit of a component indicates the component type.  
1XXX : Connector    4XXX : SMD jumper    7XXX : Transistor, FET, IC  
2XXX : Capacitor    5XXX : Coil    9XXX : Wire jumper  
3XXX : Resistor    6XXX : Diode

SCHEMATIC DIAGRAM  
MONO 2/6 (SERVO MACE)



\* OPTION

MONO BOARD only

The second digit of a component indicates the number of the schematic diagram.

E.g. IC7503 is on the schematic diagram 5.

E.g. R3100 is on the schematic diagram 1.

The first digit of a component indicates the component type.

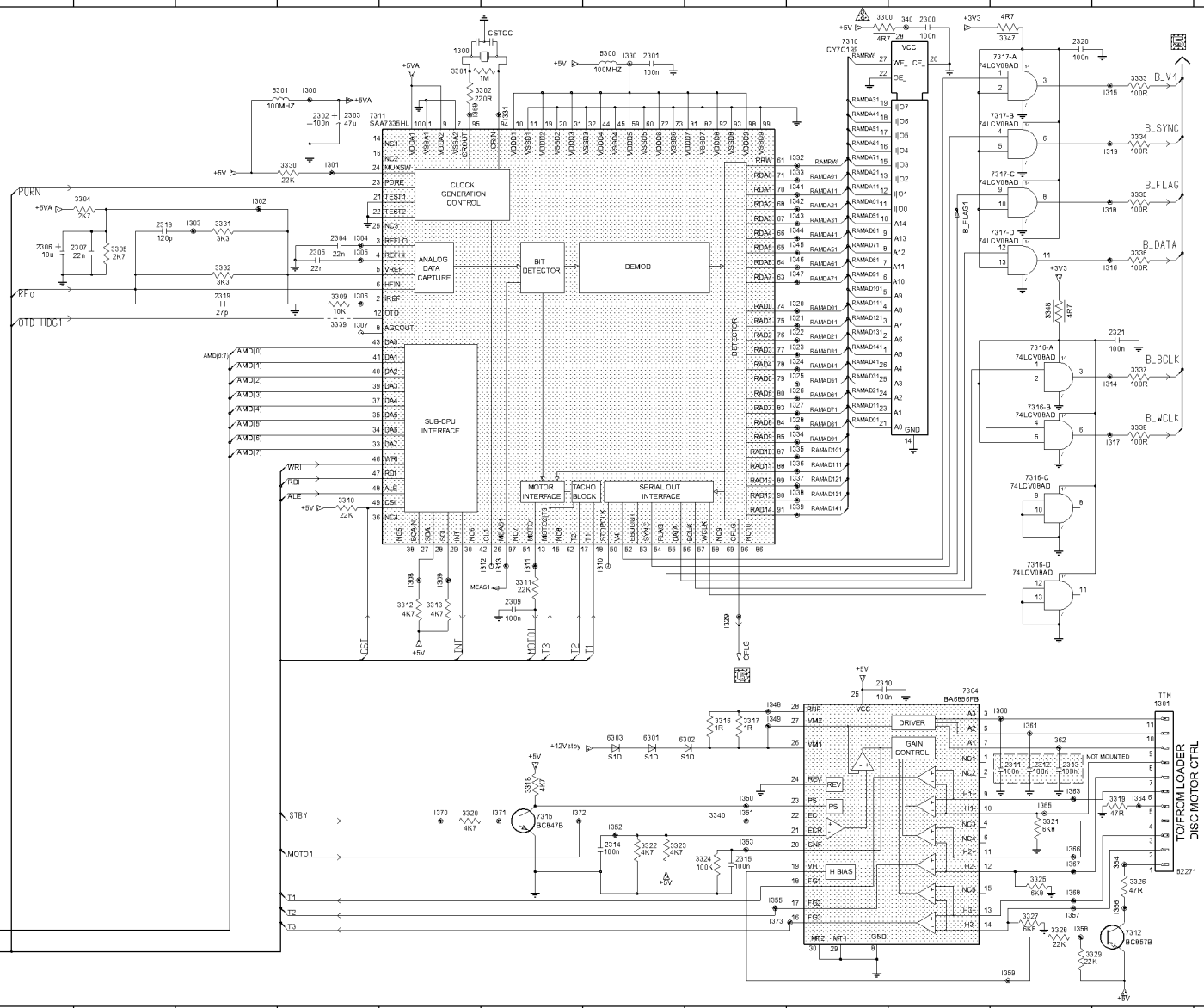
1XXX : Connector      4XXX : SMD jumper      7XXX : Transistor, FET, IC

2XXX : Capacitor      5XXX : Coil      9XXX : Wire jumper

3XXX : Resistor      6XXX : Diode

SCHEMATIC DIAGRAM

MONO 3/6 (Decoder)



ADDRESS-DATA BUS  
CONTROL BUS

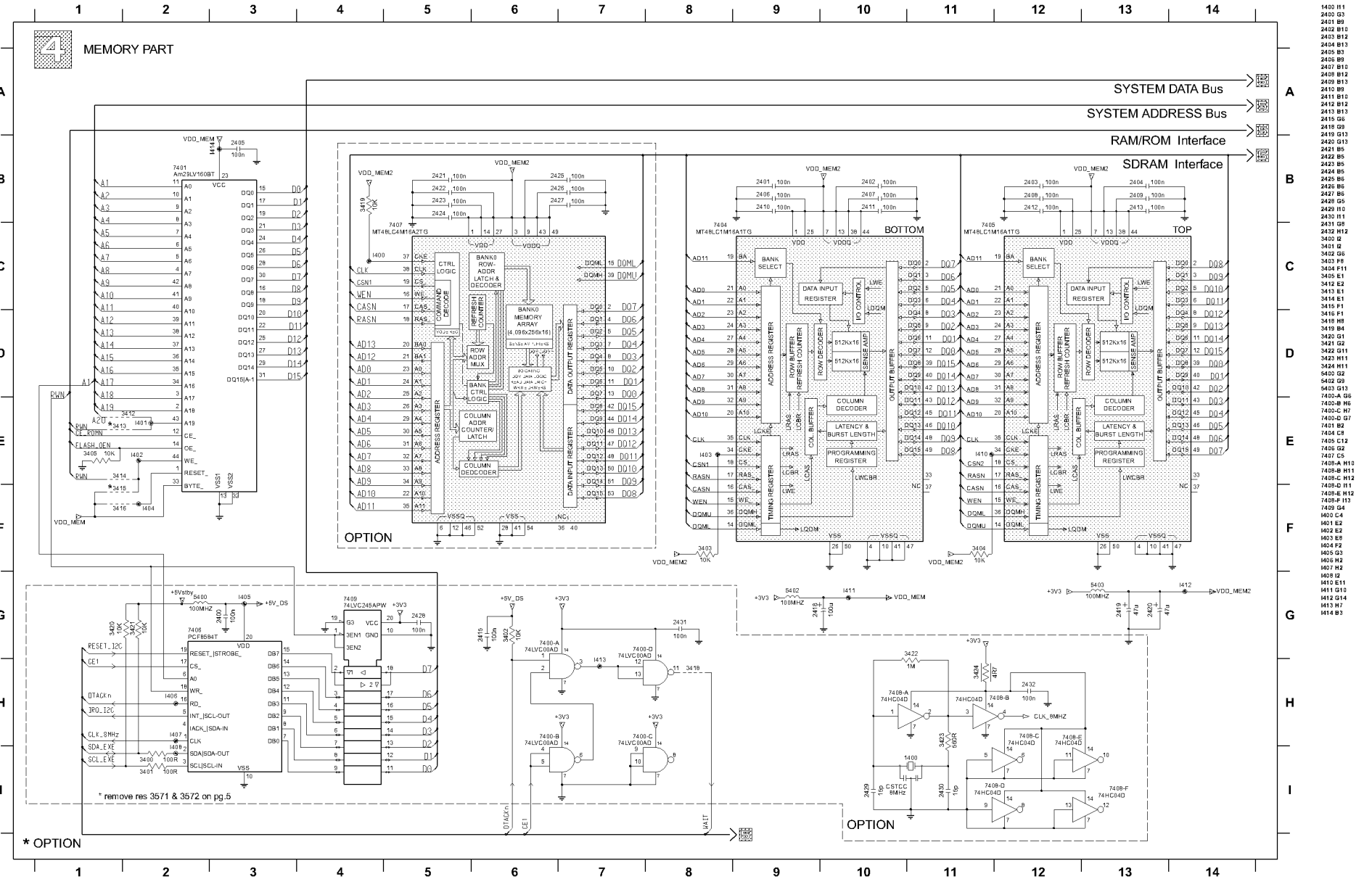
\* OPTION

- 1300 A6
- 1301 Q13
- 1302 A11
- 1303 A10
- 1304 B10
- 1305 A8
- 1306 A10
- 1307 A6
- 1308 A5
- 1309 C10
- 1310 B5
- 1311 C10
- 1312 C5
- 1313 B9
- 1314 G9
- 1315 B7
- 1316 H9
- 1317 F7
- 1318 H9
- 1319 G10
- 1320 H8
- 1321 H12
- 1322 H12
- 1323 H12
- 1324 H12
- 1325 H8
- 1326 H8
- 1327 G10
- 1328 G10
- 1329 G10
- 1330 G10
- 1331 A6
- 1332 A7
- 1333 B3
- 1334 B3
- 1335 B3
- 1336 H12
- 1337 H12
- 1338 E5
- 1339 F7
- 1340 A6
- 1341 B7
- 1342 H6
- 1343 H6
- 1344 B10
- 1345 B10
- 1346 B10
- 1347 C10
- 1348 C5
- 1349 G9
- 1350 G9
- 1351 H9
- 1352 H8
- 1353 H9
- 1354 H13
- 1355 H8
- 1356 H12
- 1357 H12
- 1358 H12
- 1359 H12
- 1360 G12
- 1361 G12
- 1362 G12
- 1363 G12
- 1364 H13
- 1365 H12
- 1366 H12
- 1367 H12
- 1368 H12
- 1369 A6
- 1370 H6
- 1371 H7
- 1372 H7
- 1373 H7
- 1374 H7
- 1375 H7
- 1376 H7
- 1377 H7
- 1378 H7
- 1379 H7
- 1380 H7
- 1381 H7
- 1382 H7
- 1383 H7
- 1384 H7
- 1385 H7
- 1386 H7
- 1387 H7
- 1388 H7
- 1389 H7
- 1390 H7
- 1391 H7
- 1392 H7
- 1393 H7
- 1394 H7
- 1395 H7
- 1396 H7
- 1397 H7
- 1398 H7
- 1399 H7
- 1400 A11

MONO BOARD only  
The second digit of a component indicates the number of the schematic diagram.  
E.g. IC7503 is on the schematic diagram 5.  
E.g. R3100 is on the schematic diagram 1.

The first digit of a component indicates the component type.  
1XXX : Connector    4XXX : SMD jumper    7XXX : Transistor, FET, IC  
2XXX : Capacitor    5XXX : Coil    9XXX : Wire jumper  
3XXX : Resistor    6XXX : Diode

### SCHEMATIC DIAGRAM MONO 4/6 (Memory)

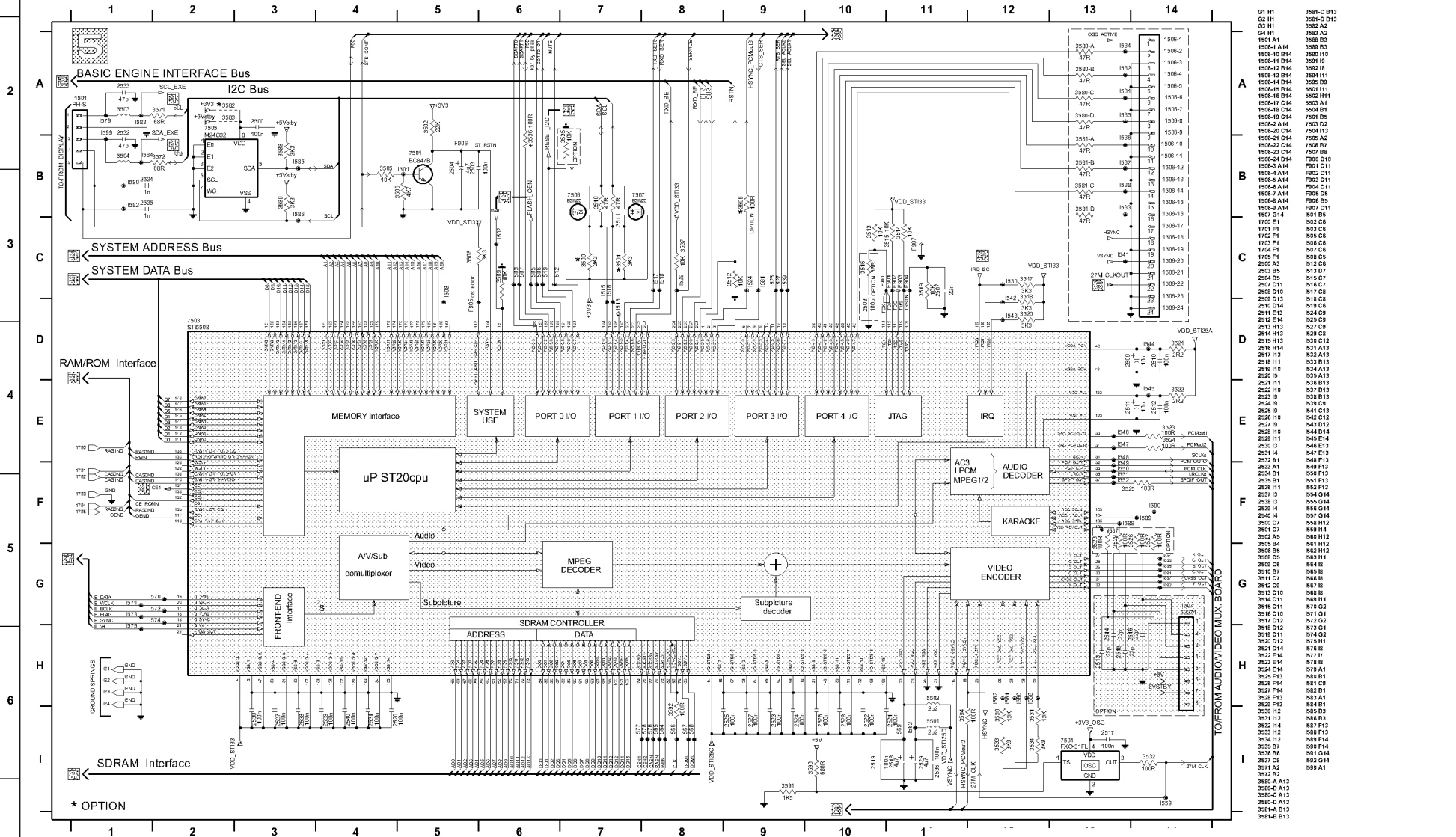


- 1400 H11
- 2400 G3
- 2401 B9
- 2402 B10
- 2403 B12
- 2404 B13
- 2405 B3
- 2406 B9
- 2407 B10
- 2408 B12
- 2409 B13
- 2410 B9
- 2411 B10
- 2412 B12
- 2413 B13
- 2415 G6
- 2416 G9
- 2419 G13
- 2420 G13
- 2421 B5
- 2422 B5
- 2423 B5
- 2424 B5
- 2425 B6
- 2426 B6
- 2427 B6
- 2428 G5
- 2429 H0
- 2430 H11
- 2431 G8
- 2432 H12
- 3400 I2
- 3401 I2
- 3402 G6
- 3403 F8
- 3404 F11
- 3405 E1
- 3412 E2
- 3413 E1
- 3414 E1
- 3415 F1
- 3416 F1
- 3419 B4
- 3420 G1
- 3421 G2
- 3422 G11
- 3423 H11
- 3424 H11
- 6400 G2
- 6402 G2
- 6403 G13
- 7400-A G6
- 7400-B H6
- 7400-C H7
- 7400-D G7
- 7401 B2
- 7404 C8
- 7405 C12
- 7406 G2
- 7407 C5
- 7408-A H10
- 7408-B H11
- 7408-C H12
- 7408-D H1
- 7408-E H12
- 7408-F H3
- 7409 G4
- M00 C4
- 401 E2
- M02 E2
- M03 E8
- 404 F2
- M05 G3
- M06 H2
- 407 H2
- M08 I2
- M10 E11
- M11 G10
- M12 G14
- M13 H7
- M14 B3

■ SCHEMATIC DIAGRAM  
MONO 5/6 (STI 5508)

MONO BOARD only  
The second digit of a component indicates the number of the schematic diagram.  
E.g. IC7503 is on the schematic diagram 5.  
E.g. R3100 is on the schematic diagram 1.

The first digit of a component indicates the component type.  
1XXX : Connector      4XXX : SMD jumper      7XXX : Transistor, FET, IC  
2XXX : Capacitor      5XXX : Coil      9XXX : Wire jumper  
3XXX : Resistor      6XXX : Diode



Project	Loc. 7503	Remarks	Digital YUV Option	Karaoke Option	PLL_CLK chip Option	PLL Rework Issue
SD3.0	SI5508/Cu1.6	Replace 8506	Insert Conn 1508 & R-pk 3580/1	Insert Conn 1507, res 3526-9 & caps 2513-8	As is	Remove 3521; replace 2510 w. jumper
SD3.0	SI5508/Cu2.0	Replace 8506	Insert Conn 1508, R-pk 3580/1 & R3707	Insert Conn 1507, res 3526-9 & caps 2513-8	Don't Insert 7616, 5612, 3696-99, 3703, 2618 & 2648	No Rework

MONO BOARD only

The second digit of a component indicates the number of the schematic diagram.

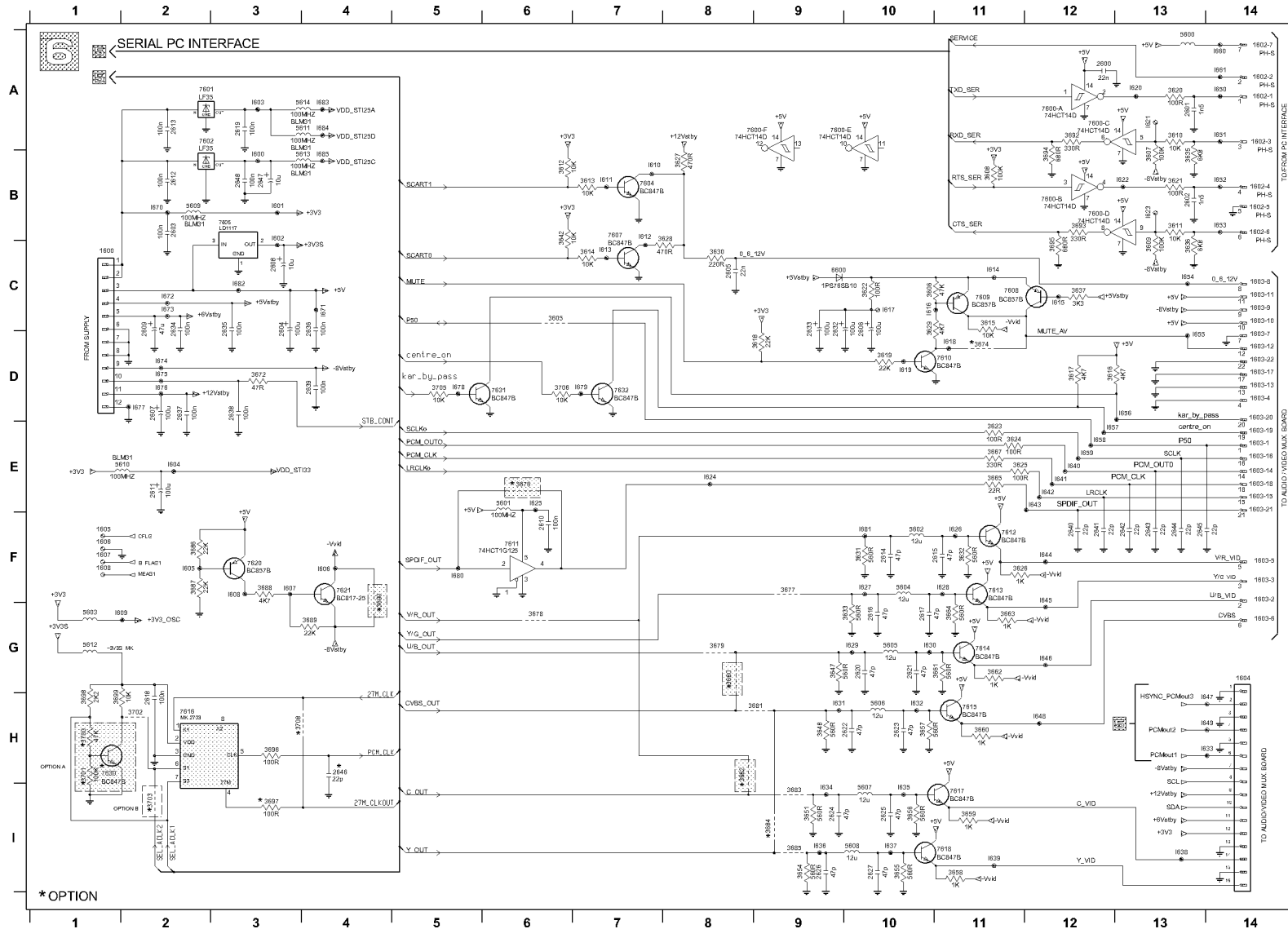
E.g. IC7503 is on the schematic diagram 5.  
E.g. R3100 is on the schematic diagram 1.

The first digit of a component indicates the component type.

1XXX : Connector    4XXX : SMD jumper    7XXX : Transistor, FET, IC  
2XXX : Capacitor    5XXX : Coil    9XXX : Wire jumper  
3XXX : Resistor    6XXX : Diode

# SCHEMATIC DIAGRAM

## MONO 6/6 (Service interface and Back-end)



1600 C1	3654 B	828 F11
1602-1 A14	3655 H0	829 G10
1602-2 A14	3656 H0	830 G10
1602-3 A14	3657 H10	831 H9
1602-4 B14	3658 H10	832 H10
1602-5 B14	3659 H1	833 H14
1602-6 B14	3660 H11	834 B
1602-7 A14	3661 G11	835 H13
1603-1 E14	3662 G11	836 B
1603-10 C14	3663 G11	837 H13
1603-11 C14	3664 G11	838 H13
1603-12 D14	3665 H11	839 H11
1603-13 D14	3666 F11	840 E12
1603-14 E14	3667 D3	841 E2
1603-15 E14	3668 D11	842 E12
1603-16 E14	3669 E3	843 E2
1603-17 D14	3670 F9	844 F12
1603-18 E14	3671 G6	845 F12
1603-19 E14	3672 G8	846 G12
1603-20 D14	3673 G8	847 H14
1603-21 E14	3674 F2	848 H12
1603-22 D14	3675 F2	849 H14
1603-3 F14	3676 F3	850 A4
1603-4 G14	3677 F2	851 A4
1603-5 F14	3678 F2	852 B13
1603-6 G14	3679 F4	853 D13
1603-7 G14	3680 A2	854 E12
1603-8 C14	3681 A2	855 D12
1603-9 C14	3682 B12	856 E12
1604 G14	3683 C12	857 A4
1605 F1	3684 C12	858 A4
1605 A12	3685 D	859 C4
2601 A13	3686 H	860 B2
2601 B13	3687 H	861 C2
2603 B2	3688 H	862 D2
2604 C2	3689 H	863 C2
2605 C2	3690 H	864 D2
2606 C10	3691 H	865 D2
2607 D2	3692 D5	866 D2
2608 C3	3693 D6	867 D2
2609 C2	3694 D6	868 D2
2610 F8	3695 A13	869 F10
2611 E2	3696 F10	870 C2
2612 F10	3697 F10	871 C2
2613 A2	3698 G1	872 C2
2614 F10	3699 G1	873 C2
2615 F11	3700 G10	874 D2
2616 G10	3701 H	875 D2
2617 H2	3702 H2	876 D2
2618 A3	3703 I2	877 D2
2619 A3	3704 D5	878 D2
2620 G10	3705 D5	879 D2
2621 H10	3706 D5	880 D2
2622 H10	3707 D5	881 D2
2623 H10	3708 D5	882 C3
2624 B	3709 D5	883 A4
2625 B	3710 D5	884 A4
2626 B	3711 D5	885 D4
2627 B	3712 D5	
2628 B	3713 D5	
2629 B	3714 D5	
2630 B	3715 D5	
2631 B	3716 D5	
2632 B	3717 D5	
2633 C3	3718 D5	
2634 C2	3719 D5	
2635 C3	3720 D5	
2636 C4	3721 D5	
2637 D2	3722 D5	
2638 D3	3723 D5	
2639 D4	3724 D5	
2640 F12	3725 D5	
2641 F12	3726 D5	
2642 F12	3727 D5	
2643 F12	3728 D5	
2644 F12	3729 D5	
2645 F12	3730 D5	
2646 B3	3731 D5	
2647 B3	3732 D5	
2648 B3	3733 D5	
2649 B3	3734 D5	
2650 C6	3735 D5	
2651 C10	3736 D5	
2652 D10	3737 D5	
2653 D10	3738 D5	
2654 D10	3739 D5	
2655 D10	3740 D5	
2656 D10	3741 D5	
2657 D10	3742 D5	
2658 D10	3743 D5	
2659 D10	3744 D5	
2660 D10	3745 D5	
2661 D10	3746 D5	
2662 D10	3747 D5	
2663 D10	3748 D5	
2664 D10	3749 D5	
2665 D10	3750 D5	
2666 D10	3751 D5	
2667 D10	3752 D5	
2668 D10	3753 D5	
2669 D10	3754 D5	
2670 D10	3755 D5	
2671 D10	3756 D5	
2672 D10	3757 D5	
2673 D10	3758 D5	
2674 D10	3759 D5	
2675 D10	3760 D5	
2676 D10	3761 D5	
2677 D10	3762 D5	
2678 D10	3763 D5	
2679 D10	3764 D5	
2680 D10	3765 D5	
2681 D10	3766 D5	
2682 D10	3767 D5	
2683 D10	3768 D5	
2684 D10	3769 D5	
2685 D10	3770 D5	
2686 D10	3771 D5	
2687 D10	3772 D5	
2688 D10	3773 D5	
2689 D10	3774 D5	
2690 D10	3775 D5	
2691 D10	3776 D5	
2692 D10	3777 D5	
2693 D10	3778 D5	
2694 D10	3779 D5	
2695 D10	3780 D5	
2696 D10	3781 D5	
2697 D10	3782 D5	
2698 D10	3783 D5	
2699 D10	3784 D5	
2700 D10	3785 D5	

The components in the "Option A" block ie. x'tor 7630, res. 3700, 3701 are not required anymore. It was originally used in the Gapfiller project.

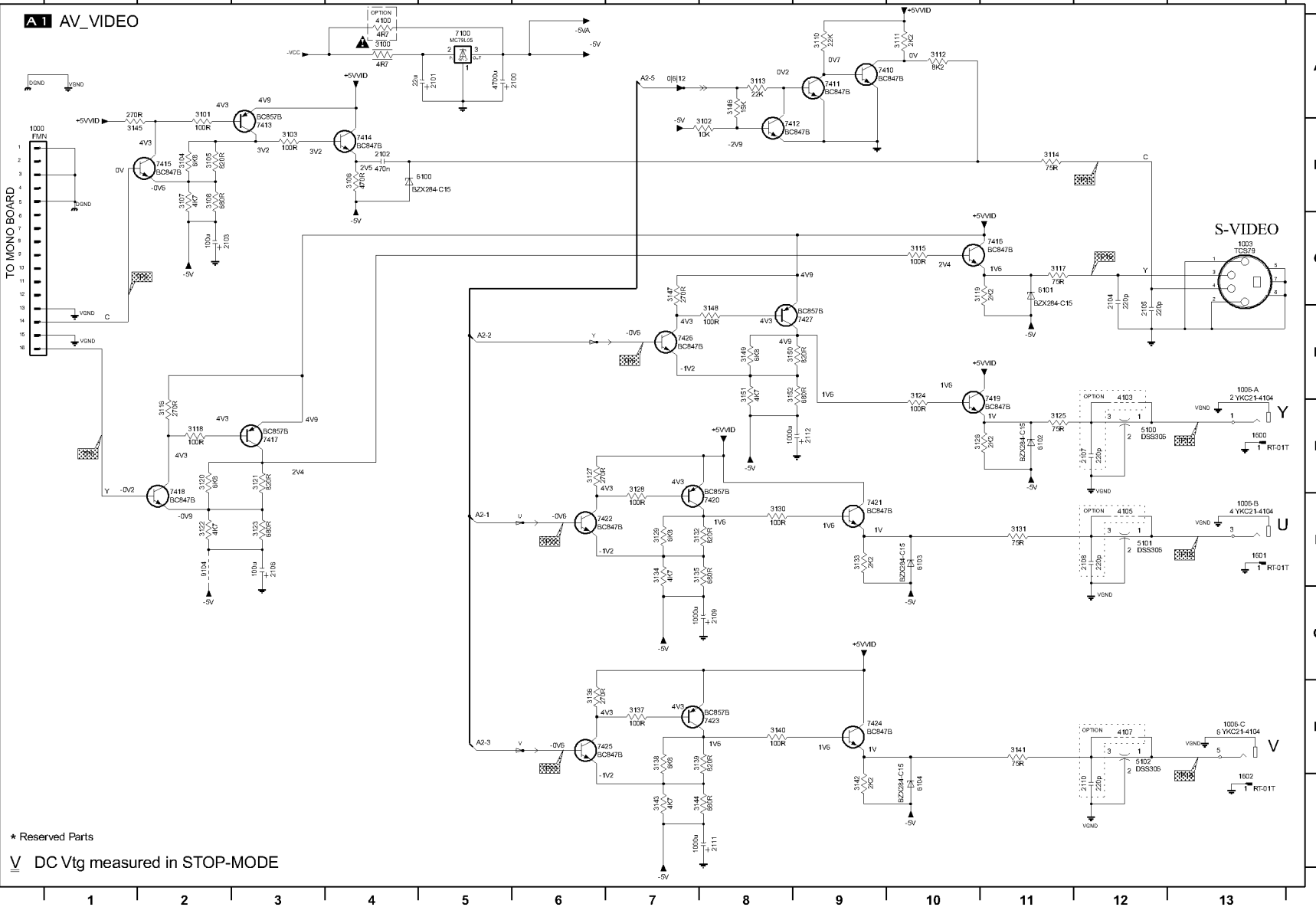
■ SCHEMATIC DIAGRAM

AV (U, C, A, R, T, P) 1/2

The first digit of a component indicates the component type.  
 1XXX : Connector    4XXX : SMD jumper    7XXX : Transistor, FET, IC  
 2XXX : Capacitor    5XXX : Coil    9XXX : Wire jumper  
 3XXX : Resistor    6XXX : Diode

- 1000 B1
- 1003 C13
- 1006-A D13
- 1006-B F13
- 1006-C H13
- 1000 E13
- 1001 F13
- 1002 H13
- 2100 A5
- 2101 A5
- 2102 B4
- 2103 C2
- 2104 C12
- 2105 D12
- 2106 F3
- 2107 E12
- 2108 F12
- 2109 G8
- 2110 H2
- 2111 I8
- 2112 E9
- 3101 A2
- 3102 B4
- 3103 B3
- 3104 B2
- 3105 B2
- 3106 B4
- 3107 B2
- 3108 B2
- 3109 A9
- 3111 A10
- 3112 A10
- 3113 A8
- 3114 B11
- 3115 C10
- 3116 E2
- 3117 C11
- 3118 E2
- 3119 C10
- 3120 E2
- 3121 E3
- 3122 F2
- 3123 F3
- 3124 D10
- 3125 E11
- 3126 E10
- 3127 E8
- 3128 E7
- 3129 F7
- 3130 F8
- 3131 F11
- 3132 F7
- 3133 F9
- 3134 F7
- 3135 F7
- 3136 H6
- 3137 H7
- 3138 H7
- 3139 H7
- 3140 H8
- 3141 H11
- 3142 I9
- 3143 I7
- 3144 I7
- 3145 B1
- 3147 C7
- 3148 D8
- 3149 D8
- 3150 D8
- 3151 D8
- 3152 D8
- 3153 A6
- 3154 A6
- 4100 A4
- 4103 E12
- 4105 F12
- 4107 H12
- 5100 E12
- 5101 F12
- 5102 H12
- 6100 B5
- 6101 C11
- 6102 E11
- 6103 F10
- 6104 I8
- 7100 A5
- 7101 A9
- 7111 A5
- 7141 B8
- 7143 B3
- 7144 B4
- 7145 B2
- 7146 C11
- 7147 E3
- 7148 F2
- 7149 E11
- 7150 B8
- 7151 P9
- 7152 F6
- 7153 H8
- 7154 H8
- 7155 H9
- 7156 H6
- 7157 D7
- 7158 D9
- 9104 F2

A1 AV\_VIDEO



\* Reserved Parts

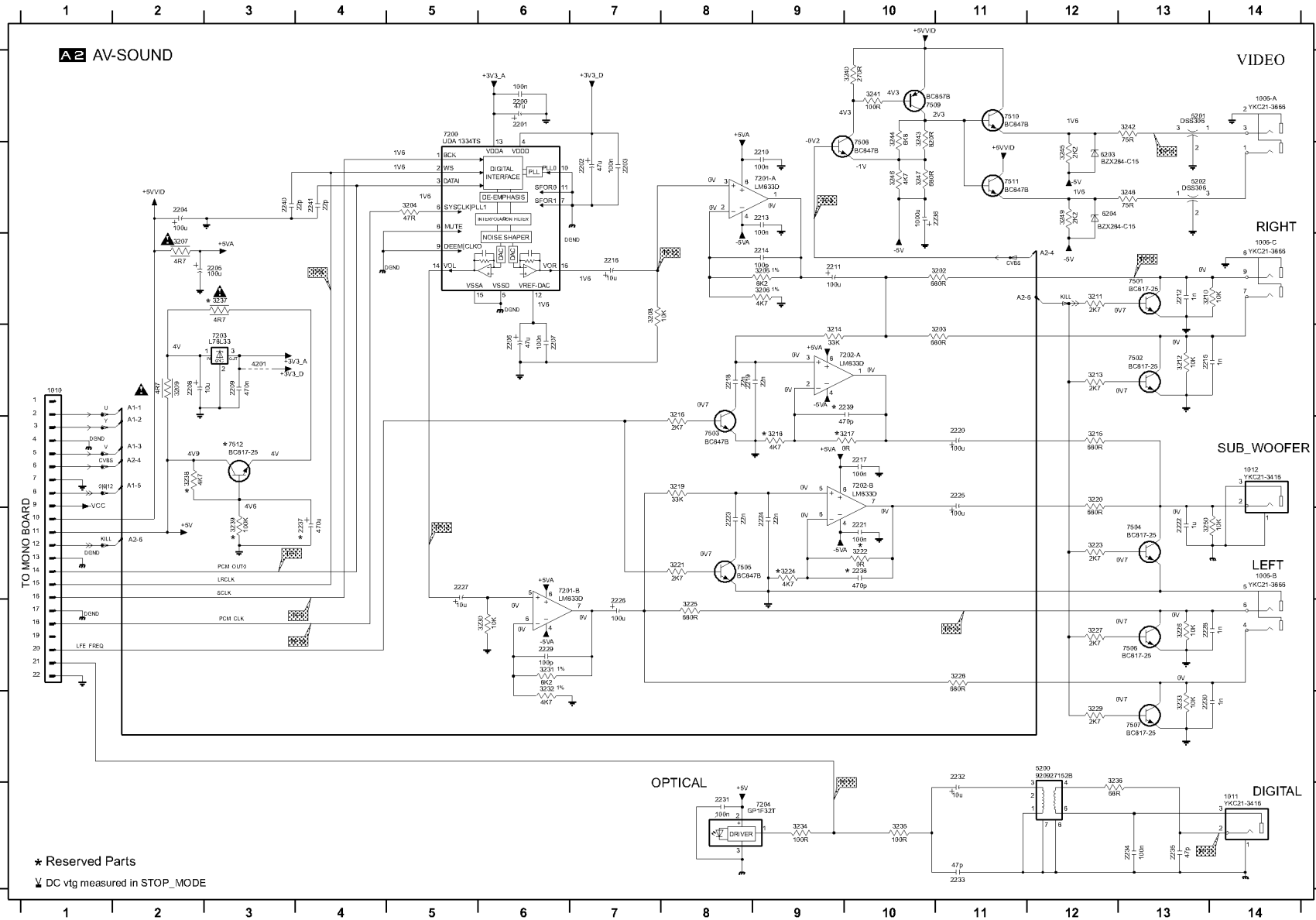
V DC Vtg measured in STOP-MODE

# SCHEMATIC DIAGRAM

## AV (U, C, A, R, T, P) 2/2

The first digit of a component indicates the component type.

- 1XXX : Connector      4XXX : SMD jumper      7XXX : Transistor, FET, IC
- 2XXX : Capacitor      5XXX : Coil      8XXX : Diode
- 3XXX : Resistor      6XXX : Diode



1005-A	A14	7506	F5
1005-B	A14	7506	G13
1005-C	C14	7507	H13
1010	D1	7508	B10
1011	H4	7509	A10
1012	E14	7510	A11
2200	A6	7511	B11
2201	A6	7512	E3
2202	B7		
2203	B7		
2204	B2		
2205	C3		
2206	D6		
2207	D6		
2208	D2		
2209	D3		
2210	B9		
2211	C9		
2212	C9		
2213	B9		
2214	C9		
2215	D13		
2216	C7		
2217	E10		
2218	D8		
2219	D8		
2220	E11		
2221	F10		
2222	F13		
2223	F8		
2224	F9		
2225	E11		
2226	G7		
2227	F5		
2228	G13		
2229	G6		
2230	H13		
2231	B8		
2232	H11		
2233	H11		
2234	H13		
2235	H13		
2236	B10		
2237	F4		
2238	F10		
2239	D10		
2240	B3		
2241	B4		
2242	C11		
2243	D11		
2244	B5		
2245	C9		
2246	C9		
2247	C2		
2248	C7		
2249	D2		
2250	C13		
2251	C12		
2252	D13		
2253	D12		
2254	D9		
2255	E12		
2256	E8		
2257	E10		
2258	E9		
2259	E8		
2260	E12		
2261	F8		
2262	F10		
2263	F12		
2264	F9		
2265	G8		
2266	G13		
2267	G12		
2268	G11		
2269	H12		
2270	G6		
2271	G6		
2272	H13		
2273	H9		
2274	H10		
2275	H12		
2276	H12		
2277	C3		
2278	E2		
2279	F3		
2280	A10		
2281	A10		
2282	A10		
2283	A13		
2284	A10		
2285	B12		
2286	B10		
2287	B10		
2288	B13		
2289	B13		
2290	F13		
4201	D3		
5200	H12		
5201	H12		
5202	B13		
6203	C12		
6204	B12		
7200	A5		
7201-A	B9		
7201-B	F6		
7206-A	D9		
7206-B	E10		
7203	D3		
7204	F9		
7501	C13		
7502	D13		
7503	E9		
7504	F13		

\* Reserved Parts  
 ▽ DC vltg measured in STOP\_MODE



■ SCHEMATIC DIAGRAM

AV (B, G) 1/2

The first digit of a component indicates the component type.  
1XXX : Connector 4XXX : SMD jumper 7XXX : Transistor, FET, IC  
2XXX : Capacitor 5XXX : Coil 9XXX : Wire jumper  
3XXX : Resistor 6XXX : Diode

1

2

3

4

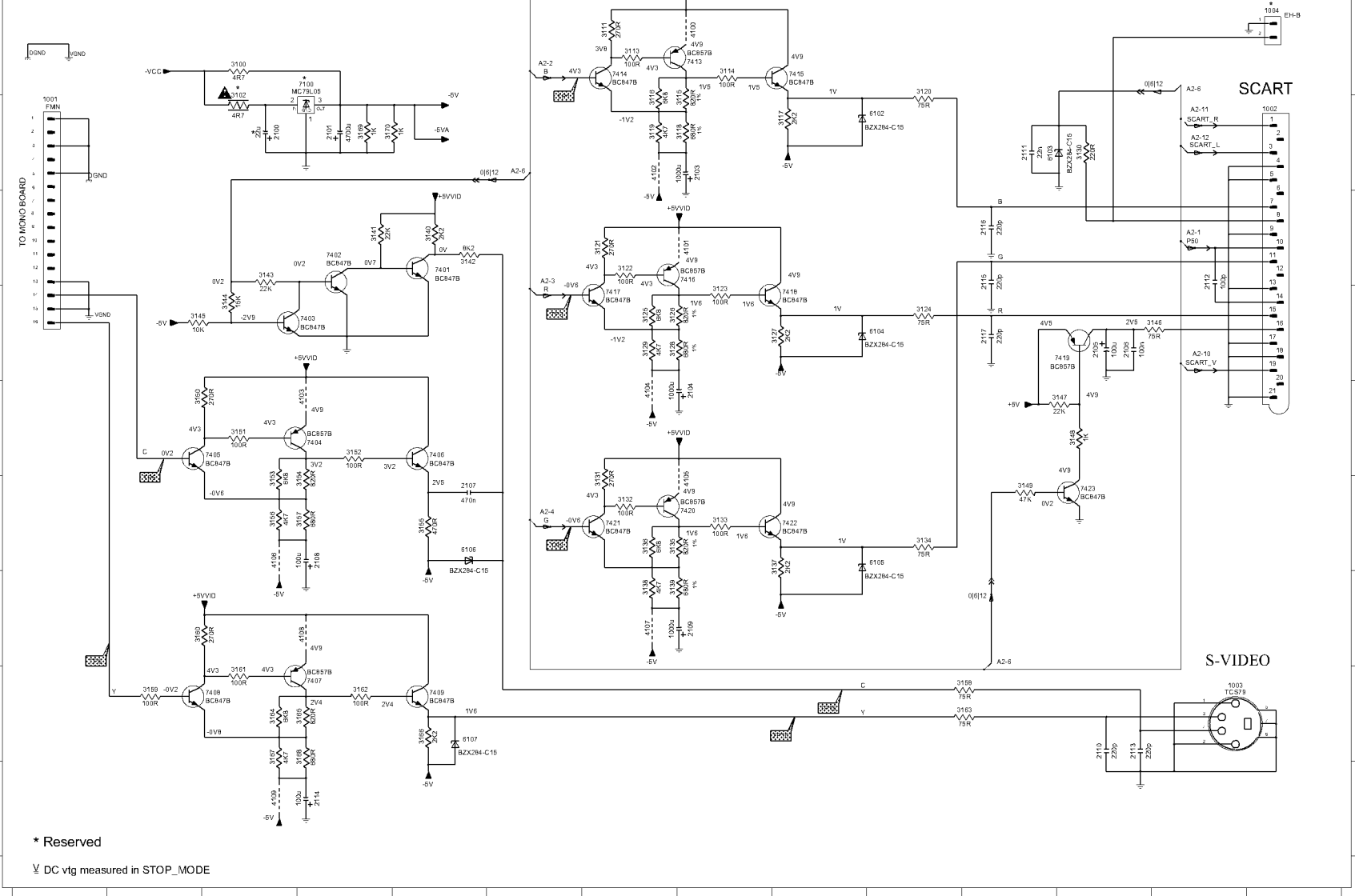
5

6

7

- 1001 B1 7420 F8
- 1002 B14 7421 F7
- 1003 H13 7422 F9
- 1004 A14 7423 F12
- 2100 B3
- 2101 B4
- 2103 B8
- 2104 E8
- 2105 D12
- 2106 D12
- 2107 F5
- 2108 F4
- 2109 G8
- 2110 H12
- 2111 B11
- 2112 C13
- 2113 H12
- 2114 H4
- 2115 C11
- 2116 C11
- 2117 D11
- 3100 A3
- 3102 B3
- 3111 A7
- 3113 A7
- 3114 A8
- 3115 B8
- 3116 B7
- 3117 B9
- 3118 B8
- 3119 B7
- 3120 C10
- 3121 C7
- 3122 C7
- 3123 D8
- 3124 D10
- 3125 D7
- 3126 D7
- 3127 D9
- 3128 D7
- 3129 D7
- 3130 B12
- 3131 F7
- 3132 F7
- 3133 F8
- 3134 F10
- 3135 F7
- 3137 B9
- 3138 G7
- 3139 G7
- 3140 C5
- 3141 C4
- 3142 C5
- 3143 C3
- 3144 D3
- 3145 D2
- 3146 D13
- 3147 E12
- 3148 E12
- 3149 F11
- 3150 E2
- 3151 E3
- 3152 E4
- 3153 F3
- 3154 F4
- 3155 F5
- 3156 F5
- 3157 F4
- 3158 H11
- 3159 H2
- 3160 G2
- 3161 H3
- 3162 H4
- 3163 H11
- 3164 H3
- 3165 H4
- 3166 H3
- 3167 H3
- 3168 H4
- 3169 H4
- 3170 B4
- 4100 A8
- 4101 C8
- 4102 B7
- 4103 B4
- 4104 E7
- 4105 F8
- 4106 F3
- 4107 G7
- 4108 G4
- 4109 D3
- 6102 B10
- 6103 B11
- 6104 D10
- 6105 F10
- 6106 F5
- 6107 F5
- 7100 A4
- 7401 C5
- 7402 C4
- 7403 D4
- 7404 B4
- 7405 E3
- 7406 E5
- 7407 H4
- 7408 H3
- 7409 H5
- 7411 A8
- 7414 A7
- 7415 A9
- 7416 C8
- 7417 D7
- 7418 D9
- 7419 D11

A1 AV\_VIDEO



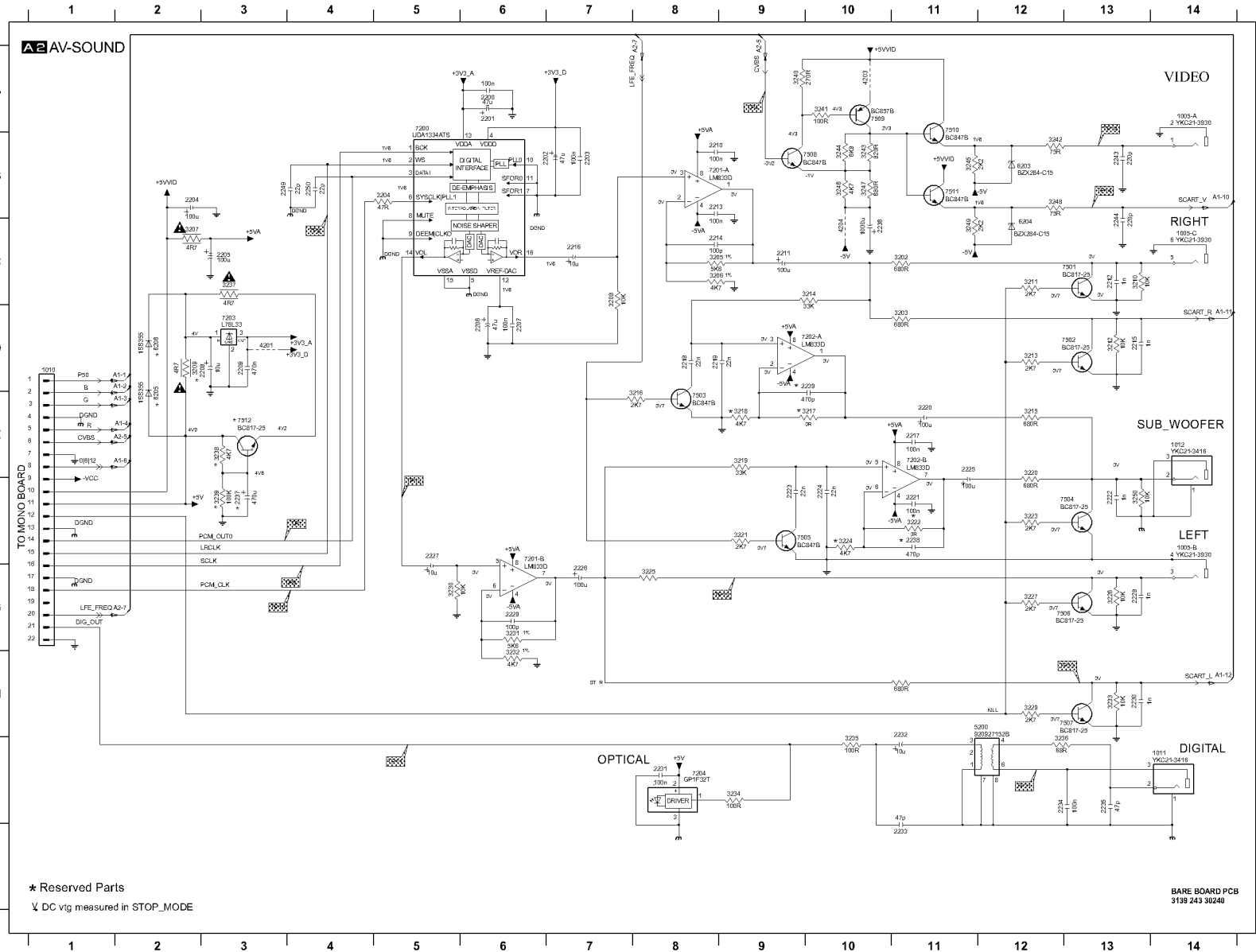
\* Reserved

∇ DC vtg measured in STOP\_MODE

■ SCHEMATIC DIAGRAM

AV (B, G) 2/2

The first digit of a component indicates the component type.  
 1XXX : Connector    4XXX : SMD jumper    7XXX : Transistor, FET, IC  
 2XXX : Capacitor    5XXX : Coil    9XXX : Wire jumper  
 3XXX : Resistor    6XXX : Diode



- 1005-A14
- 1005-B F14
- 1005-C C14
- 1010 D1
- 1011 H4
- 1012 E4
- 1013 B1
- 1013 A6
- 2201 A6
- 2201 B7
- 2201 B7
- 2204 B2
- 2205 C3
- 2205 D6
- 2207 D6
- 2208 D2
- 2209 D2
- 2210 B8
- 2211 C3
- 2212 C3
- 2213 B8
- 2214 C8
- 2215 D13
- 2216 F1
- 2217 E11
- 2218 D8
- 2219 D8
- 2220 E1
- 2221 F11
- 2222 F10
- 2223 F9
- 2224 F10
- 2225 E1
- 2226 F1
- 2227 F5
- 2228 G10
- 2229 D8
- 2230 H13
- 2231 H3
- 2232 H11
- 2233 J11
- 2234 H12
- 2235 H3
- 2236 C10
- 2237 F3
- 2238 F11
- 2239 D10
- 2240 D10
- 2241 D10
- 2242 C1
- 2243 B13
- 2244 C13
- 2245 B1
- 2246 B1
- 2247 C1
- 2248 C1
- 2249 B3
- 2250 B4
- 3202 C11
- 3203 D11
- 3204 F5
- 3205 C8
- 3206 C8
- 3207 C2
- 3208 C7
- 3209 D2
- 3210 C13
- 3211 C12
- 3212 D13
- 3213 D12
- 3214 C10
- 3215 E12
- 3216 E9
- 3217 E10
- 3218 E9
- 3219 E9
- 3220 E2
- 3221 F9
- 3222 F11
- 3223 F12
- 3224 F10
- 3225 C8
- 3226 G13
- 3227 G12
- 3228 H11
- 3229 H12
- 3230 G5
- 3231 G8
- 3232 H8
- 3233 H13
- 3234 I9
- 3235 H0
- 3236 I12
- 3237 C3
- 3238 E3
- 3239 F3
- 3240 A9
- 3241 A10
- 3242 B12
- 3243 B10
- 3244 B10
- 3245 B11
- 3246 B10
- 3247 B10
- 3248 B12
- 3249 F13
- 3250 F13
- 3251 D12
- 3252 G11
- 4021 D3
- 4021 A10
- 4024 C10
- 5000 H11
- 6001 B12
- 6004 C14
- 6205 E2
- 6205 D3
- 7202 A5
- 7201-A B8
- 7201-B F8
- 7202-A D9
- 7202-B C11
- 7202 C3
- 7204 B8
- 7205-A C11

\* Reserved Parts  
 √ DC vlg measured in STOP\_MODE

BARE BOARD PCB  
 3139 243 30240

The first digit of a component indicates the component type.  
1XXX : Connector 4XXX : SMD jumper 7XXX : Transistor, FET, IC  
2XXX : Capacitor 5XXX : Coil 9XXX : Wire jumper  
3XXX : Resistor 6XXX : Diode

■ SCHEMATIC DIAGRAM

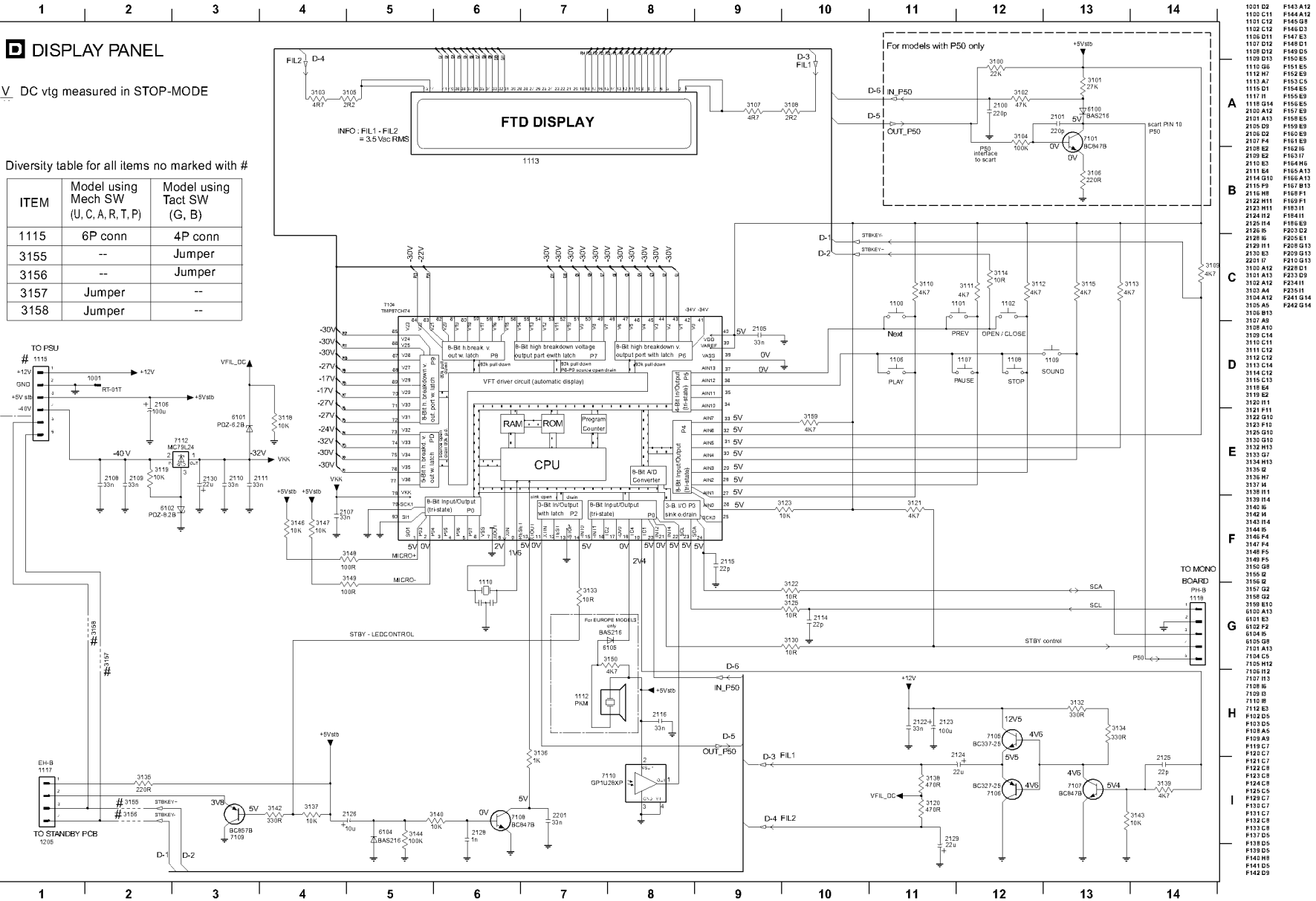
DISPLAY

■ DISPLAY PANEL

V DC vtg measured in STOP-MODE

Diversity table for all items not marked with #

ITEM	Model using Mech SW (U, C, A, R, T, P)	Model using Tact SW (G, B)
1115	6P conn	4P conn
3155	--	Jumper
3156	--	Jumper
3157	Jumper	--
3158	Jumper	--

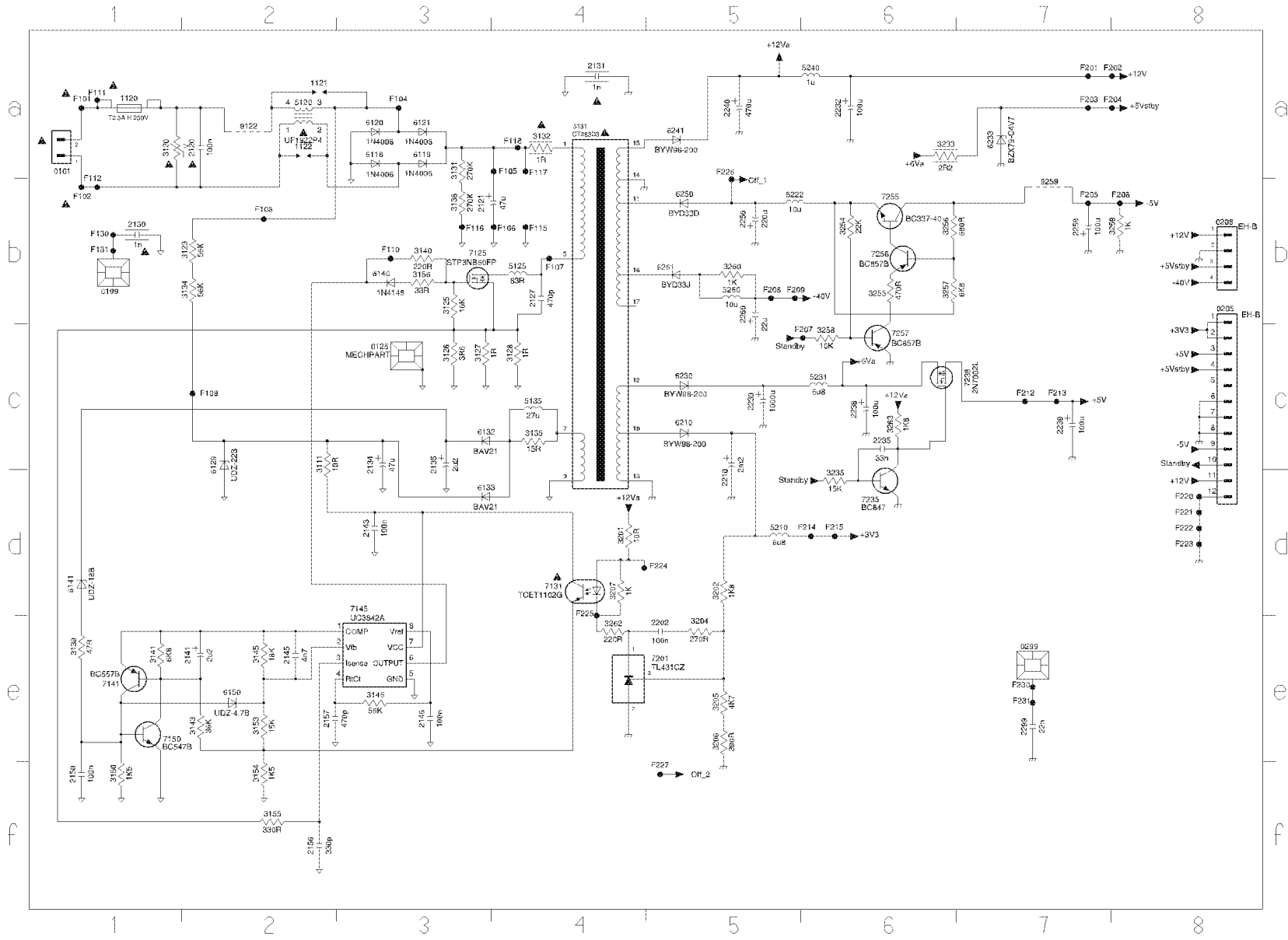


- 1001 D2 F143 A12
- 1100 C11 F144 A12
- 1101 C12 F145 D1
- 1102 C12 F146 D3
- 1106 D11 F147 E3
- 1107 D12 F148 D1
- 1108 D12 F149 D5
- 1109 D13 F150 E5
- 1110 G6 F151 E5
- 1112 H7 F152 E9
- 1115 A7 F153 C5
- 1116 D1 F154 E5
- 1117 H F155 E9
- 1118 G14 F156 E5
- 2100 A12 F157 E9
- 2101 A13 F158 E5
- 2105 D9 F159 E9
- 2106 D2 F160 E9
- 2107 F4 F161 E9
- 2108 E2 F162 I6
- 2109 E2 F163 I7
- 2110 E3 F164 H6
- 2111 E4 F165 A13
- 2114 G10 F166 A13
- 2115 H9 F167 B13
- 2116 H8 F168 F1
- 2122 H11 F169 F1
- 2123 H11 F170 F1
- 2124 I2 F184 I1
- 2125 I4 F185 E9
- 2126 I6 F203 D2
- 2128 I6 F205 E1
- 2129 H11 F206 G13
- 2130 E3 F209 G13
- 2201 I7 F210 G13
- 3100 A12 F218 E1
- 3101 A13 F213 D9
- 3102 A12 F214 H1
- 3104 A12 F241 G14
- 3105 A12 F242 G14
- 3106 B13
- 3107 A9
- 3108 A10
- 3109 C14
- 3110 C11
- 3111 C12
- 3112 C12
- 3113 C14
- 3114 C12
- 3115 C13
- 3116 A4
- 3119 E2
- 3120 H1
- 3122 G10
- 3123 F10
- 3125 G10
- 3130 G10
- 3132 H3
- 3133 G13
- 3134 H13
- 3135 H7
- 3137 H
- 3140 I6
- 3142 H
- 3143 H4
- 3144 H
- 3146 F4
- 3149 F5
- 3150 G8
- 3156 E2
- 3156 Z
- 3157 G2
- 3158 G2
- 3159 E10
- 6100 A13
- 6102 F2
- 6104 B
- 6105 G9
- 7101 A13
- 7104 C5
- 7105 H12
- 7106 H2
- 7107 H3
- 7108 I6
- 7109 B
- 7110 B
- 7112 E3
- F102 D5
- F103 D5
- F108 A5
- F109 A9
- F119 C7
- F120 C7
- F121 C7
- F122 C8
- F123 C8
- F124 C8
- F125 C5
- F126 C7
- F127 C7
- F131 C7
- F132 C8
- F133 C8
- F134 D5
- F135 D5
- F138 D5
- F140 H8
- F141 D5
- F142 D9

■ SCHEMATIC DIAGRAM

POWER (B, G)

The first digit of a component indicates the component type.  
 1XXX : Connector    4XXX : SMD jumper    7XXX : Transistor, FET, IC  
 2XXX : Capacitor    5XXX : Coil    9XXX : Wire jumper  
 3XXX : Resistor    6XXX : Diode



# PARTS LIST

## ■ ELECTRICAL PARTS

### ■ WARNING

Components having special characteristics are marked  $\triangle$  and must be replaced with parts having specifications equal to those originally installed.

- For the parts No. of the chip carbon resistors, refer to last page of ELECTRICAL PARTS LIST.

### ABBREVIATIONS IN THIS LIST ARE AS FOLLOWS:

C.A.EL.CHP	: CHIP ALUMI.ELECTROLYTIC CAP	L.EMIT	: LIGHT EMITTING MODULE
C.CE	: CERAMIC CAP	LED.DSPLY	: LED DISPLAY
C.CE.ARRAY	: CERAMIC CAP ARRAY	LED.INFRD	: LED,INFRARED
C.CE.CHP	: CHIP CERAMIC CAP	MODUL.RF	: MODULATOR,RF
C.CE.ML	: MULTILAYER CERAMIC CAP	PHOT.CPL	: PHOTO COUPLER
C.CE.M.CHP	: CHIP MULTILAYER CERAMIC CAP	PHOT.INTR	: PHOTO INTERRUPTER
C.CE.SAFTY	: RECOGNIZED CERAMIC CAP	PHOT.RFLCT	: PHOTO REFLECTOR
C.CE.TUBLR	: CERAMIC TUBULAR CAP	PIN.TEST	: PIN,TEST POINT
C.CE.SMI	: SEMI CONDUCTIVE CERAMIC CAP	PLST.RIVET	: PLASTIC RIVET
C.EL	: ELECTROLYTIC CAP	R.ARRAY	: RESISTOR ARRAY
C.MICA	: MICA CAP	R.CAR.	: CARBON RESISTOR
C.ML.FLM	: MULTILAYER FILM CAP	R.CAR.CHP	: CHIP RESISTOR
C.MP	: METALLIZED PAPER CAP	R.CAR.FP	: FLAME PROOF CARBON RESISTOR
C.MYLAR	: MYLAR FILM CAP	R.FUS	: FUSABLE RESISTOR
C.MYLAR.ML	: MULTILAYER MYLAR FILM CAP	R.MTL.CHP	: CHIP METAL FILM RESISTOR
C.PAPER	: PAPER CAPACITOR	R.MTL.FLM	: METAL FILM RESISTOR
C.PLS	: POLYSTYRENE FILM CAP	R.MTL.OXD	: METAL OXIDE FILM RESISTOR
C.POL	: POLYESTER FILM CAP	R.MTL.PLAT	: METAL PLATE RESISTOR
C.POLY	: POLYETHYLENE FILM CAP	RSNR.CE	: CERAMIC RESONATOR
C.PP	: POLYPROPYLENE FILM CAP	RSNR.CRYS	: CRYSTAL RESONATOR
C.TNTL	: TANTALUM CAP	R.TW.CEM	: TWIN CEMENT FIXED RESISTOR
C.TNTL.CHP	: CHIP TANTALUM CAP	R.WW	: WIRE WOUND RESISTOR
C.TRIM	: TRIMMER CAP	SCR.BND.HD	: BIND HEAD B-TITE SCREW
CN	: CONNECTOR	SCR.BW.HD	: BW HEAD TAPPING SCREW
CN.BS.PIN	: CONNECTOR,BASE PIN	SCR.CUP	: CUP TITE SCREW
CN.CANNON	: CONNECTOR,CANNON	SCR.TERM	: SCREW TERMINAL
CN.DIN	: CONNECTOR,DIN	SCR.TR	: SCREW,TRANSISTOR
CN.FLAT	: CONNECTOR,FLAT CABLE	SUPRT.PCB	: SUPPORT,P.C.B.
CN.POST	: CONNECTOR,BASE POST	SURG.PRTCT	: SURGE PROTECTOR
COIL.MX.AM	: COIL,AM MIX	SW.TACT	: TACT SWITCH
COIL.AT.FM	: COIL,FM ANTENNA	SW.LEAF	: LEAF SWITCH
COIL.DT.FM	: COIL,FM DETECT	SW.LEVER	: LEVER SWITCH
COIL.MX.FM	: COIL,FM MIX	SW.MICRO	: MICRO SWITCH
COIL.OUTPT	: OUTPUT COIL	SW.PUSH	: PUSH SWITCH
DIOD.ARRAY	: DIODE ARRAY	SW.RT.ENC	: ROTARY ENCODER
DIODE.BRG	: DIODE BRIDGE	SW.RT.MTR	: ROTARY SWITCH WITH MOTOR
DIODE.CHP	: CHIP DIODE	SW.RT	: ROTARY SWITCH
DIODE.VAR	: VARACTOR DIODE	SW.SLIDE	: SLIDE SWITCH
DIOD.Z.CHP	: CHIP ZENER DIODE	TERM.SP	: SPEAKER TERMINAL
DIODE.ZENR	: ZENER DIODE	TERM.WRAP	: WRAPPING TERMINAL
DSCR.CE	: CERAMIC DISCRIMINATOR	THRMST.CHP	: CHIP THERMISTOR
FER.BEAD	: FERRITE BEADS	TR.CHP	: CHIP TRANSISTOR
FER.CORE	: FERRITE CORE	TR.DGT	: DIGITAL TRANSISTOR
FET.CHP	: CHIP FET	TR.DGT.CHP	: CHIP DIGITAL TRANSISTOR
FL.DSPLY	: FLUORESCENT DISPLAY	TRANS	: TRANSFORMER
FLTR.CE	: CERAMIC FILTER	TRANS.PULS	: PULSE TRANSFORMER
FLTR.COMB	: COMB FILTER MODULE	TRANS.PWR	: POWER TRANSFORMER ASS'Y
FLTR.LC.RF	: LC FILTER,EMI	TUNER.AM	: TUNER PACK,AM
GND.MTL	: GROUND PLATE	TUNER.FM	: TUNER PACK,FM
GND.TERM	: GROUND TERMINAL	TUNER.PK	: FRONT-END TUNER PACK
HOLDER.FUS	: FUSE HOLDER	VR	: ROTARY POTENTIOMETER
IC.PRTCT	: IC PROTECTOR	VR.MTR	: POTENTIOMETER WITH MOTOR
JUMPER.CN	: JUMPER CONNECTOR	VR.SW	: POTENTIOMETER WITH ROTARY SW
JUMPER.TST	: JUMPER,TEST POINT	VR.SLIDE	: SLIDE POTENTIOMETER
L.DTCT	: LIGHT DETECTING MODULE	VR.TRIM	: TRIMMER POTENTIOMETER

**Note)** Those parts marked with “#” are not included in the P.C.B. ass'y.

P. C. B. MONO

\*  
\*

Schm Ref.	PART NO.	Description	Remarks
	AAX29590	P. C. B.	MONO (UCARTP)
	AAX29600	P. C. B.	MONO (GB)
1104	AAX22180	CON	BMH 24P FFC
1106	AAX22190	CON	BMH 8P FFC
1205	AAX23320	RSNR. CRY	8.467MHz
1300	AAX23310	RSNR. CRY	6MHz
1301	AAX22360	CON	11P FEMALE
1603	AAX22210	CON	BMV 22P FFC
1604	AAX22200	CON	BMV 16P FFC
2100	US135100	C. CE. CHP	0.1uF 16V
2101	US135100	C. CE. CHP	0.1uF 16V
2103	UF037470	C. EL. CHP	47uF 16V
2104	US063470	C. CE. CHP	4700pF 50V
2105	US061220	C. CE. CHP	22pF 50V
2107	US061680	C. CE. CHP	68PF 50V
2108	US062390	C. CE. CHP	390PF 50V
2109	US063150	C. CE. M. CHP	1500pF 50V
2110	US063220	C. CE. CHP	2200pF 50V
2111	US135100	C. CE. CHP	0.1uF 16V
2112	US063100	C. CE. CHP	1000pF 50V
2113	US135100	C. CE. CHP	0.1uF 16V
2114	US062100	C. CE. CHP	100pF 50V
2115	US135100	C. CE. CHP	0.1uF 16V
2116	US135100	C. CE. CHP	0.1uF 16V
2117	US135100	C. CE. CHP	0.1uF 16V
2118	US044220	C. CE. CHP	0.022uF 25V
2119	US044220	C. CE. CHP	0.022uF 25V
2120	US135100	C. CE. CHP	0.1uF 16V
2121	US135220	C. CE. CHP	0.22uF 16V
2122	US044220	C. CE. CHP	0.022uF 25V
2123	US135100	C. CE. CHP	0.1uF 16V
2124	US135100	C. CE. CHP	0.1uF 16V
2125	US135100	C. CE. CHP	0.1uF 16V
2126	US135100	C. CE. CHP	0.1uF 16V
2127	US135100	C. CE. CHP	0.1uF 16V
2128	US062180	C. CE. CHP	180pF 50V
2129	US062180	C. CE. CHP	180pF 50V
2130	US061220	C. CE. CHP	22pF 50V
2131	US044220	C. CE. CHP	0.022uF 25V
2136	US135100	C. CE. CHP	0.1uF 16V
2137	US135100	C. CE. CHP	0.1uF 16V
2138	US135100	C. CE. CHP	0.1uF 16V
2139	US135100	C. CE. CHP	0.1uF 16V
2140	US062330	C. CE. CHP	330P 50V
2141	US061220	C. CE. CHP	22pF 50V
2142	US064100	C. CE. CHP	0.01uF 50V
2143	US062220	C. CE. CHP	220pF 50V
2144	US062220	C. CE. CHP	220pF 50V
2145	US062220	C. CE. CHP	220pF 50V
2203	US135100	C. CE. CHP	0.1uF 16V
2204	US135100	C. CE. CHP	0.1uF 16V
2205	US135100	C. CE. CHP	0.1uF 16V
2206	US034330	C. CE. CHP	0.033uF 16V
2207	US063100	C. CE. CHP	1000pF 50V
2208	US135100	C. CE. CHP	0.1uF 16V
2209	US135100	C. CE. CHP	0.1uF 16V
2210	US063100	C. CE. CHP	1000pF 50V
2212	US135100	C. CE. CHP	0.1uF 16V
2213	US135100	C. CE. CHP	0.1uF 16V
2214	US044220	C. CE. CHP	0.022uF 25V
2215	UF017220	C. EL. CHP	22uF 6.3V
2216	US063100	C. CE. CHP	1000pF 50V
2226	US135100	C. CE. CHP	0.1uF 16V

\* New Parts

Schm Ref.	PART NO.	Description	Remarks
2227	US135100	C. CE. CHP	0.1uF 16V
2228	US135100	C. CE. CHP	0.1uF 16V
2229	US135100	C. CE. CHP	0.1uF 16V
2300	US135100	C. CE. CHP	0.1uF 16V
2301	US135100	C. CE. CHP	0.1uF 16V
2302	US135100	C. CE. CHP	0.1uF 16V
2303	UF017470	C. EL. CHP	47uF 6.3V
2304	US044220	C. CE. CHP	0.022uF 25V
2305	US044220	C. CE. CHP	0.022uF 25V
2306	UF037100	C. EL. CHP	10uF 16V
2307	US044220	C. CE. CHP	0.022uF 25V
2309	US135100	C. CE. CHP	0.1uF 16V
2310	US135100	C. CE. CHP	0.1uF 16V
2314	US135100	C. CE. CHP	0.1uF 16V
2315	US135100	C. CE. CHP	0.1uF 16V
2318	US062120	C. CE. CHP	120PF 50V
2319	US061270	C. CE. CHP	27PF 50V
2320	US135100	C. CE. CHP	0.1uF 16V
2321	US135100	C. CE. CHP	0.1uF 16V
2401	US135100	C. CE. CHP	0.1uF 16V
2402	US135100	C. CE. CHP	0.1uF 16V
2403	US135100	C. CE. CHP	0.1uF 16V
2404	US135100	C. CE. CHP	0.1uF 16V
2405	US135100	C. CE. CHP	0.1uF 16V
2406	US135100	C. CE. CHP	0.1uF 16V
2407	US135100	C. CE. CHP	0.1uF 16V
2408	US135100	C. CE. CHP	0.1uF 16V
2409	US135100	C. CE. CHP	0.1uF 16V
2410	US135100	C. CE. CHP	0.1uF 16V
2411	US135100	C. CE. CHP	0.1uF 16V
2412	US135100	C. CE. CHP	0.1uF 16V
2413	US135100	C. CE. CHP	0.1uF 16V
2418	UF038100	C. EL. CHP	100uF 16V
2419	UF017470	C. EL. CHP	47uF 6.3V
2420	UF017470	C. EL. CHP	47uF 6.3V
2500	US135100	C. CE. CHP	0.1uF 16V
2503	US135100	C. CE. CHP	0.1uF 16V
2504	UF066470	C. EL. CHP	4.7uF 50V
2507	US044220	C. CE. CHP	0.022uF 25V
2509	UF037100	C. EL. CHP	10uF 16V
2510	US135100	C. CE. CHP	0.1uF 16V
2511	UF037100	C. EL. CHP	10uF 16V
2512	US135100	C. CE. CHP	0.1uF 16V
2513	US061220	C. CE. CHP	22pF 50V
2514	US061220	C. CE. CHP	22pF 50V
2515	US061220	C. CE. CHP	22pF 50V
2516	US061220	C. CE. CHP	22pF 50V
2517	US135100	C. CE. CHP	0.1uF 16V
2518	UF066470	C. EL. CHP	4.7uF 50V
2519	US135100	C. CE. CHP	0.1uF 16V
2520	US135100	C. CE. CHP	0.1uF 16V
2521	US135100	C. CE. CHP	0.1uF 16V
2522	US135100	C. CE. CHP	0.1uF 16V
2523	US135100	C. CE. CHP	0.1uF 16V
2524	US135100	C. CE. CHP	0.1uF 16V
2525	US135100	C. CE. CHP	0.1uF 16V
2526	US135100	C. CE. CHP	0.1uF 16V
2527	US135100	C. CE. CHP	0.1uF 16V
2528	US135100	C. CE. CHP	0.1uF 16V
2529	UF066470	C. EL. CHP	4.7uF 50V
2530	US135100	C. CE. CHP	0.1uF 16V
2531	US135100	C. CE. CHP	0.1uF 16V
2532	US061470	C. CE. CHP	47pF 50V

\* New Parts

DVD-S520/DV-S5450

P. C. B. MONO

Schm Ref.	PART NO.	Description	Remarks
2533	US061470	C. CE. CHP 47pF 50V	4822 122 33777
2534	US063100	C. CE. CHP 1000pF 50V	5322 126 11578
2535	US063100	C. CE. CHP 1000pF 50V	5322 126 11578
2536	US135100	C. CE. CHP 0. 1uF 16V	4822 126 14305
2537	US135100	C. CE. CHP 0. 1uF 16V	4822 126 14305
2538	US135100	C. CE. CHP 0. 1uF 16V	4822 126 14305
2539	US135100	C. CE. CHP 0. 1uF 16V	4822 126 14305
2540	US135100	C. CE. CHP 0. 1uF 16V	4822 126 14305
2600	US044220	C. CE. CHP 0. 022uF 25V	4822 126 14494
2601	US063150	C. CE. CHP 1500pF 50V	4822 126 14247
2602	US063150	C. CE. CHP 1500pF 50V	4822 126 14247
2603	US135100	C. CE. CHP 0. 1uF 16V	4822 122 14305
2604	UF038100	C. EL. CHP 100uF 16V	4822 124 12095
2605	US044220	C. CE. CHP 0. 022uF 25V	4822 126 14494
2606	UF038100	C. EL. CHP 100uF 16V	4822 124 12095
2607	UF038100	C. EL. CHP 100uF 16V	4822 124 12095
2608	UF037100	C. EL. CHP 10uF 16V	4822 124 23002
2609	UF037470	C. EL. CHP 47uF 16V	4822 124 80151
2610	US135100	C. CE. CHP 0. 1uF 16V	4822 126 14305
2611	UF038100	C. EL. CHP 100uF 16V	4822 124 12095
2614	US061470	C. CE. CHP 47pF 50V	4822 122 33777
2615	US061470	C. CE. CHP 47pF 50V	4822 122 33777
2616	US061470	C. CE. CHP 47pF 50V	4822 122 33777
2617	US061470	C. CE. CHP 47pF 50V	4822 122 33777
2618	US135100	C. CE. CHP 0. 1uF 16V	4822 126 14305
2620	US061470	C. CE. CHP 47pF 50V	4822 122 33777
2621	US061470	C. CE. CHP 47pF 50V	4822 122 33777
2622	US061470	C. CE. CHP 47pF 50V	4822 122 33777
2623	US061470	C. CE. CHP 47pF 50V	4822 122 33777
2624	US061470	C. CE. CHP 47pF 50V	4822 122 33777
2625	US061470	C. CE. CHP 47pF 50V	4822 122 33777
2626	US061470	C. CE. CHP 47pF 50V	4822 122 33777
2627	US061470	C. CE. CHP 47pF 50V	4822 122 33777
2632	UF038100	C. EL. CHP 100uF 16V	4822 124 12095
2633	UF038100	C. EL. CHP 100uF 16V	4822 124 12095
2634	US135100	C. CE. CHP 0. 1uF 16V	4822 126 14305
2635	US135100	C. CE. CHP 0. 1uF 16V	4822 126 14305
2636	US135100	C. CE. CHP 0. 1uF 16V	4822 126 14305
2637	US135100	C. CE. CHP 0. 1uF 16V	4822 126 14305
2638	US135100	C. CE. CHP 0. 1uF 16V	4822 126 14305
2639	US135100	C. CE. CHP 0. 1uF 16V	4822 126 14305
2641	US061220	C. CE. CHP 22pF 50V	4822 122 33761
2647	UF037100	C. EL. CHP 10uF 16V	4822 124 23002
2648	US135100	C. CE. CHP 0. 1uF 16V	4822 126 14305
5200	AAX22070	COIL BLM31P500SPT	4822 157 11717
5300	AAX22070	COIL BLM31P500SPT	4822 157 11717
5301	AAX22070	COIL BLM31P500SPT	4822 157 11717
5402	AAX22050	COIL BLM11P600SPT	4822 157 11499
5403	AAX22050	COIL BLM11P600SPT	4822 157 11499
5501	AAX22110	COIL 2. 2uH NL322522T	4822 157 70299
5502	AAX22110	COIL 2. 2uH NL322522T	4822 157 70299
5503	AAX22130	COIL BLM21A601SPT	4822 157 71206
5504	AAX22130	COIL BLM21A601SPT	4822 157 71206
5600	AAX22130	COIL BLM21A601SPT	4822 157 71206
5601	AAX22050	COIL BLM11P600SPT	4822 157 11499
* 5602	AAX29690	COIL 12uH	4822 157 70651
* 5603	AAX22130	COIL BLM21A601SPT	4822 157 71206
* 5604	AAX29690	COIL 12uH	4822 157 70651
* 5605	AAX29690	COIL 12uH	4822 157 70651
* 5606	AAX29690	COIL 12uH	4822 157 70651
* 5607	AAX29690	COIL 12uH	4822 157 70651
* 5608	AAX29690	COIL 12uH	4822 157 70651
5609	AAX22070	COIL BLM31P500SPT	4822 157 11717

\* New Parts

Schm Ref.	PART NO.	Description	Remarks
5610	AAX22070	COIL BLM31P500SPT	4822 157 11717
5611	AAX22070	COIL BLM31P500SPT	4822 157 11717
5612	AAX22050	COIL BLM11P600SPT	4822 157 11499
6200	AAX22630	DIODE. CHP BAS316	4822 130 11397
6301	AAX22690	DIODE. CHP SID	9322 128 69685
6302	AAX22690	DIODE. CHP SID	9322 128 69685
6303	AAX22690	DIODE. CHP SID	9322 128 69685
* 6600	AAX29900	DIODE. CHP RB501V-40	9322 154 46685
6601	AAX22690	DIODE. CHP SID	9322 128 69685
7100	AAX22750	TR. CHP BFS20	5322 130 42718
7101	AAX22750	TR. CHP BFS20	5322 130 42718
7102	AAX21880	IC TZA1033HL	9352 637 37518
7103	AAX21620	IC BA5938FM	4822 209 17229
7104	AAX21660	IC LM833D	4822 209 30095
7105	AAX21690	IC MC34072D	4822 209 32073
7106	AAX22750	TR. CHP BFS20	5322 130 42718
7109	AAX21580	IC AN78M09	4822 209 15083
7110	AAX22760	TR. CHP BST72A	5322 130 60803
7111	AAX22740	TR. CHP BC847B	4822 130 60511
7112	AAX22740	TR. CHP BC847B	4822 130 60511
7113	AAX22740	TR. CHP BC847B	4822 130 60511
7114	AAX22740	TR. CHP BC847B	4822 130 60511
7115	AAX22730	TR. CHP BC856B	4822 130 60373
7116	AAX22740	TR. CHP BC847B	4822 130 60511
7201	AAX21860	IC 74HCT573	9351 869 80118
* 7202	AAX29470	IC AM29F002T	3104 123 85860
7203	AAX22730	TR. CHP BC856B	4822 130 60373
* 7207	AAX29480	IC SAA7399HL	4822 209 17231
7208	AAX21780	IC MC33464N-45A	9322 139 67685
* 7209	AAX29490	IC L78L05ACD	4822 209 90927
* 7210	AAX29930	TR. CHP BC807-25	5322 130 60845
7211	AAX22780	TR. CHP BC817-25	4822 130 42804
7304	AAX21600	IC BA6856FP	4822 209 16877
7310	AAX21590	IC CY7C199-15C	4822 209 15899
* 7311	AAX29530	IC SAA7335HL	9352 622 13557
7312	AAX22730	TR. CHP BC856B	4822 130 60373
7315	AAX22740	TR. CHP BC847B	4822 130 60511
* 7316	AAX29520	IC 74LVC08AD	9352 500 20118
* 7317	AAX29520	IC 74LVC08AD	9352 500 20118
7404	AAX21800	IC MT48LC1M16A1TG-7S	9322 144 59668
7405	AAX21800	IC MT48LC1M16A1TG-7S	9322 144 59668
7501	AAX22740	TR. CHP BC847B	4822 130 60511
* 7503	AAX29500	IC STI5508	9322 159 29671
* 7504	AAX30380	RSNR. CRY5 OSC XTL SM 27MHZ	12722 171 08709
7505	AAX21850	IC M24C32-WMN6TNRSA	9322 156 81668
* 7506	AAX29940	TR. CHP BSN20	5322 130 63289
* 7507	AAX29940	TR. CHP BSN20	5322 130 63289
7600	AAX21740	IC PC74HCT14T	5322 209 71568
7604	AAX22740	TR. CHP BC847B	4822 130 60511
7605	AAX21630	IC LD1117DT33	4822 209 17398
7607	AAX22740	TR. CHP BC847B	4822 130 60511
7608	AAX22730	TR. CHP BC856B	4822 130 60373
7609	AAX22730	TR. CHP BC856B	4822 130 60373
7610	AAX22740	TR. CHP BC847B	4822 130 60511
* 7611	AAX29510	IC 74HCT1G125	9352 456 80115
7612	AAX22740	TR. CHP BC847B	4822 130 60511
7613	AAX22740	TR. CHP BC847B	4822 130 60511
7614	AAX22740	TR. CHP BC847B	4822 130 60511
7615	AAX22740	TR. CHP BC847B	4822 130 60511
7616	AAX21840	IC SM MK2703STR	9322 151 71668
7617	AAX22740	TR. CHP BC847B	4822 130 60511
7618	AAX22740	TR. CHP BC847B	4822 130 60511
7620	AAX22730	TR. CHP BC856B	4822 130 60373

\* New Parts

DVD-S520/DV-S5450