

MEMO

DVD-S540/DV-S5650

YAMAHA

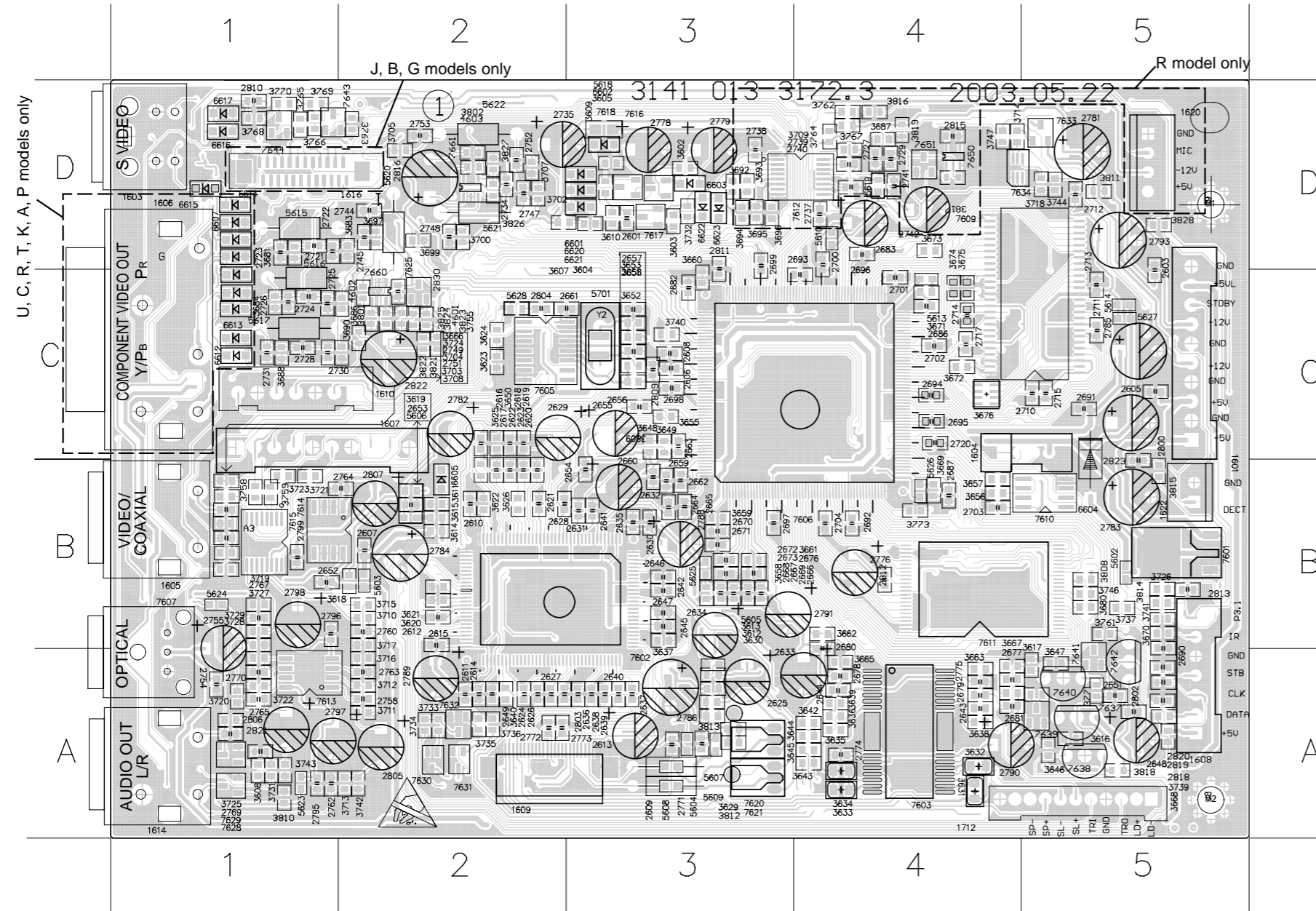
PRINTED CIRCUIT BOARD

SD5.4 MONO Board-Top View

The first digit of a component indicates the component type.

1xxx : Connector 3xxx : Resistor 5xxx : Coil 7xxx : IC, Transistor, FET
 2xxx : Capacitor 4xxx : SMD jumper 6xxx : Diode 9xxx : Wire jumper

1601 C5	2601 D3	2617 B2	2631 B3	2645 B3	2660 B3	2676 B3	2694 C4	2713 C5	2730 C1	2749 B1	2770 A1	2786 A3	2804 C2	3643 A4	3708 B1	3801 C2	6605 B2
1603 D1	2603 C5	2618 C2	2632 B3	2646 B3	2661 C3	2677 A4	2695 C4	2714 C4	2731 C1	2751 B1	2771 A3	2788 B3	2805 A2	3644 A4	3709 D4	3802 D2	6606 D1
1604 C5	2605 C5	2619 C2	2633 A4	2647 B3	2662 B3	2678 A4	2696 D4	2715 C5	2734 D2	2752 D2	2772 A2	2789 A2	2806 A1	3645 A4	3710 B2	3808 B5	6607 D1
1605 B1	2606 C3	2620 B2	2634 B3	2648 A5	2663 C3	2679 A4	2697 B3	2717 C4	2735 D2	2753 D2	2773 A2	2790 A4	2807 B2	3646 A5	3711 A2	3809 C3	6608 C1
1606 C1	2607 B2	2621 B2	2635 B3	2649 A2	2664 B3	2680 A4	2698 C3	2720 C4	2737 D4	2754 A1	2774 A4	2791 B3	2809 C3	3647 A5	3712 A2	3810 A1	6609 C1
1607 C1	2608 C3	2622 B2	2636 A3	2651 A5	2665 B3	2681 A4	2699 D3	2721 D1	2738 D3	2755 B1	2775 A4	2793 D5	2810 D1	3648 C3	3713 A2	3811 D5	6610 C1
1608 A5	2609 A3	2623 B2	2637 A3	2652 B1	2666 B3	2682 C3	2700 D4	2722 D1	2739 D4	2758 A2	2776 B4	2795 A1	2811 D3	3649 C3	3714 D4	3812 A3	6611 D1
1609 A2	2610 B2	2624 A2	2638 A3	2653 B2	2667 B3	2683 D4	2701 C4	2723 D1	2740 D4	2760 B2	2778 D3	2796 B1	2812 B4	3650 C2	3715 B2	3813 A3	6612 C1
1610 C1	2611 A2	2625 A3	2639 A3	2654 B3	2668 B3	2686 C4	2702 C4	2724 C1	2741 D4	2762 A1	2779 D3	2797 A1	2813 B5	3651 C3	3716 A2	3814 B5	6613 C1
1614 A1	2612 B2	2626 A2	2640 A3	2655 C3	2669 B3	2687 B4	2703 B4	2725 C1	2742 D4	2763 A2	2781 D5	2798 B1	2815 D4	3652 C3	3717 B2	3815 B5	6614 D1
1616 D1	2613 A3	2627 A2	2641 B3	2656 C3	2670 B3	2690 B5	2704 B4	2726 C1	2744 D2	2764 B2	2782 C2	2799 B1	2816 D2	3653 C3	3718 D5	3816 D4	6615 D1
1620 D5	2614 A2	2628 B2	2642 B3	2657 C3	2671 B3	2691 C5	2710 C5	2727 D4	2745 C2	2765 A1	2783 B5	2800 C5	2818 A5	3655 C3	3719 B1	3817 D4	6616 D1
1622 B5	2615 B2	2629 C2	2643 A4	2658 C3	2672 B3	2692 B4	2711 C5	2728 C1	2747 D2	2767 B1	2784 B2	2802 A5	2819 A5	3656 B4	3720 A1	3818 A5	6617 D1
1712 A5	2616 C2	2630 B3	2644 A4	2659 B3	2673 B3	2693 C4	2712 D5	2729 D4	2748 D2	2769 A1	2785 C5	2803 A2	2820 A5	3657 B4	3721 B1	3819 D4	6620 D3



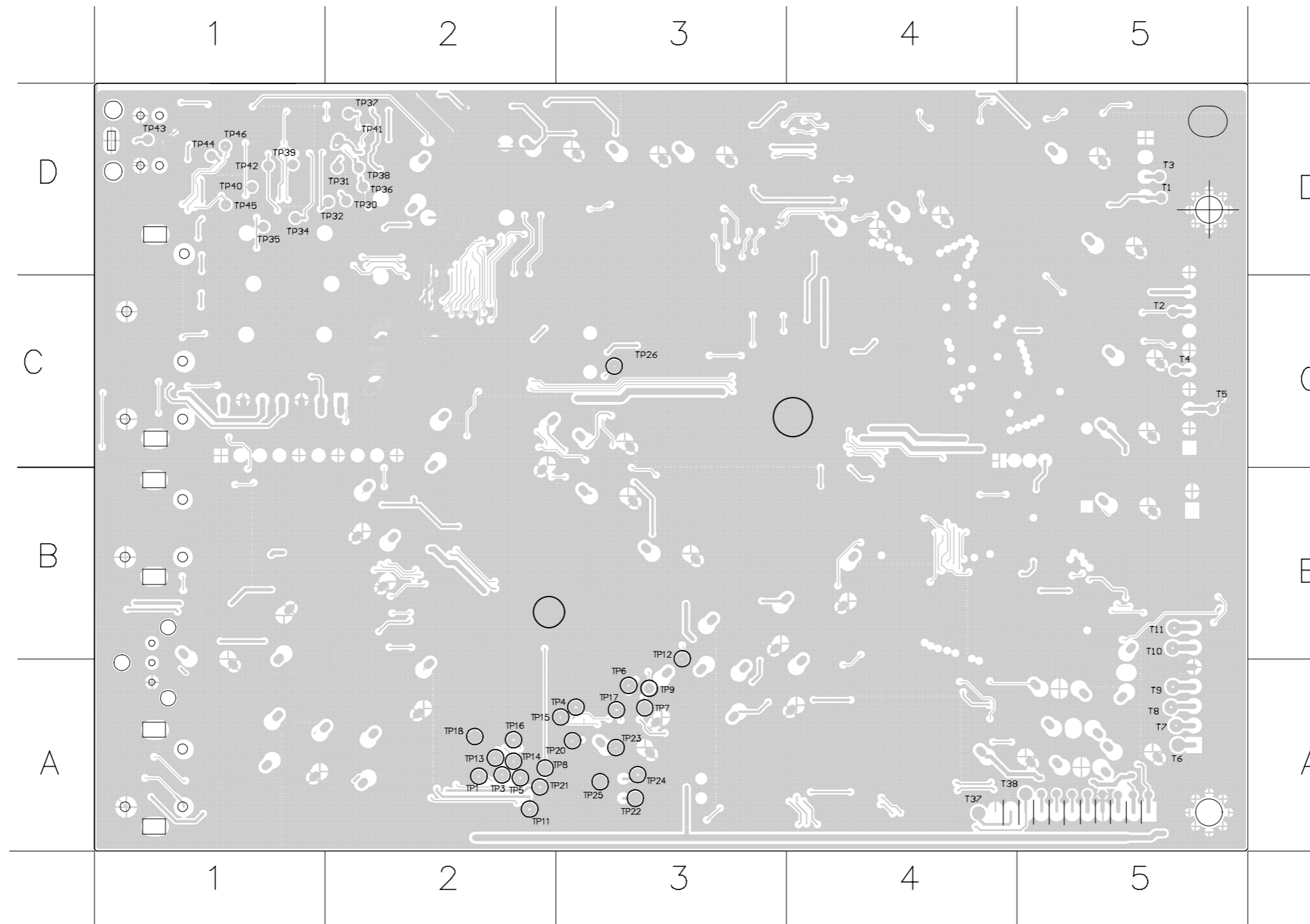
2821 A1	3658 B3	3722 A1	3820 D2	6621 D3
2822 C2	3659 B3	3723 B1	3821 C2	6622 D3
2823 B5	3660 C3	3724 B1	3822 C2	6623 D3
3602 D3	3661 B3	3725 A1	3823 C2	7601 B5
3603 D3	3662 B4	3726 B5	3824 C2	7602 B2
3604 D3	3663 A4	3727 B1	3825 C2	7603 A4
3605 D3	3664 A4	3728 A1	3826 D2	7605 C2
3607 D2	3665 A4	3729 B1	3827 D2	7606 C4
3608 A1	3666 B1	3731 A1	4601 C2	7607 A1
3609 D3	3667 A4	3732 D3	4602 C3	7609 C5
3610 D3	3668 A5	3733 A2	4603 D2	7610 B5
3611 B2	3669 B4	3734 A2	5602 D5	7611 B4
3612 A3	3670 B5	3735 A2	5603 B2	7612 D4
3613 A3	3671 C4	3736 A2	5604 A3	7613 A1
3614 B2	3672 C4	3737 B5	5605 A3	7614 B1
3615 B2	3673 D4	3739 A5	5606 B2	7615 B1
3616 A5	3674 C4	3740 C3	5607 A3	7616 D3
3617 A5	3675 C4	3741 B5	5608 A3	7617 D3
3618 B2	3676 C4	3742 A2	5609 A3	7618 D3
3619 B2	3680 B5	3743 A1	5610 D4	7620 A3
3620 B2	3681 D1	3744 D5	5613 C4	7621 A3
3621 B2	3683 D2	3746 B5	5614 C5	7625 C2
3622 B2	3684 C1	3747 D4	5615 D1	7626 D2
3623 C2	3686 C2	3755 C2	5616 C1	7628 A1
3624 C2	3687 D4	3756 D2	5617 C1	7629 A1
3625 B2	3688 C1	3758 B1	5618 D3	7630 A2
3626 B2	3690 C2	3759 B1	5619 D4	7631 A2
3629 A3	3692 D3	3760 A5	5620 D2	7632 A2
3630 A3	3693 D3	3761 B5	5621 D2	7633 D5
3631 A4	3694 D3	3762 D4	5622 D2	7634 D4
3632 A4	3695 D3	3763 D2	5623 A1	7637 A5
3633 A4	3696 D3	3764 D4	5624 B1	7638 A5
3634 A4	3697 C2	3765 D1	5625 B3	7639 A5
3635 A4	3699 D2	3766 D1	5626 B4	7640 A5
3636 A4	3700 D2	3767 D4	5627 C5	7641 A5
3637 B3	3702 D2	3768 D1	5628 C2	7642 A5
3638 A4	3703 B1	3769 D1	5701 C3	7643 D1
3639 A4	3704 B1	3770 D1	6601 D3	7644 D1
3640 A2	3705 D2	3771 A5	6602 D3	7650 D4
3642 A4	3707 D2	3773 B4	6603 D3	7651 D4
			6604 B5	7660 C2
				7661 C2

The first digit of a component indicates the component type.

1xxx : Connector 3xxx : Resistor 5xxx : Coil 7xxx : IC, Transistor, FET
 2xxx : Capacitor 4xxx : SMD jumper 6xxx : Diode 9xxx : Wire jumper

■ PRINTED CIRCUIT BOARD

SD5.4 MONO Board-Bottom View



T1	D5	TP20	A3
T2	C5	TP21	A2
T3	D5	TP22	A3
T4	C5	TP23	A3
T5	C5	TP24	A3
T6	A5	TP25	A3
T7	A5	TP26	C3
T8	A5	TP27	A3
T9	A5	TP28	A3
T10	B5	TP30	D2
T11	B5	TP31	D2
T37	A4	TP32	D2
T38	A5	TP34	D1
TP1	A2	TP35	D1
TP3	A2	TP36	D2
TP4	A3	TP37	D2
TP5	A2	TP38	D2
TP6	A3	TP39	D1
TP7	A3	TP40	D1
TP8	A2	TP41	D2
TP9	A3	TP42	D1
TP11	A2	TP43	D1
TP12	B3	TP44	D1
TP13	A2	TP45	D1
TP14	A2	TP46	D1
TP15	A3		
TP16	A2		
TP17	A3		
TP18	A2		

■ PRINTED CIRCUIT BOARD

J, B, G models only

VIDEO Board-Top View

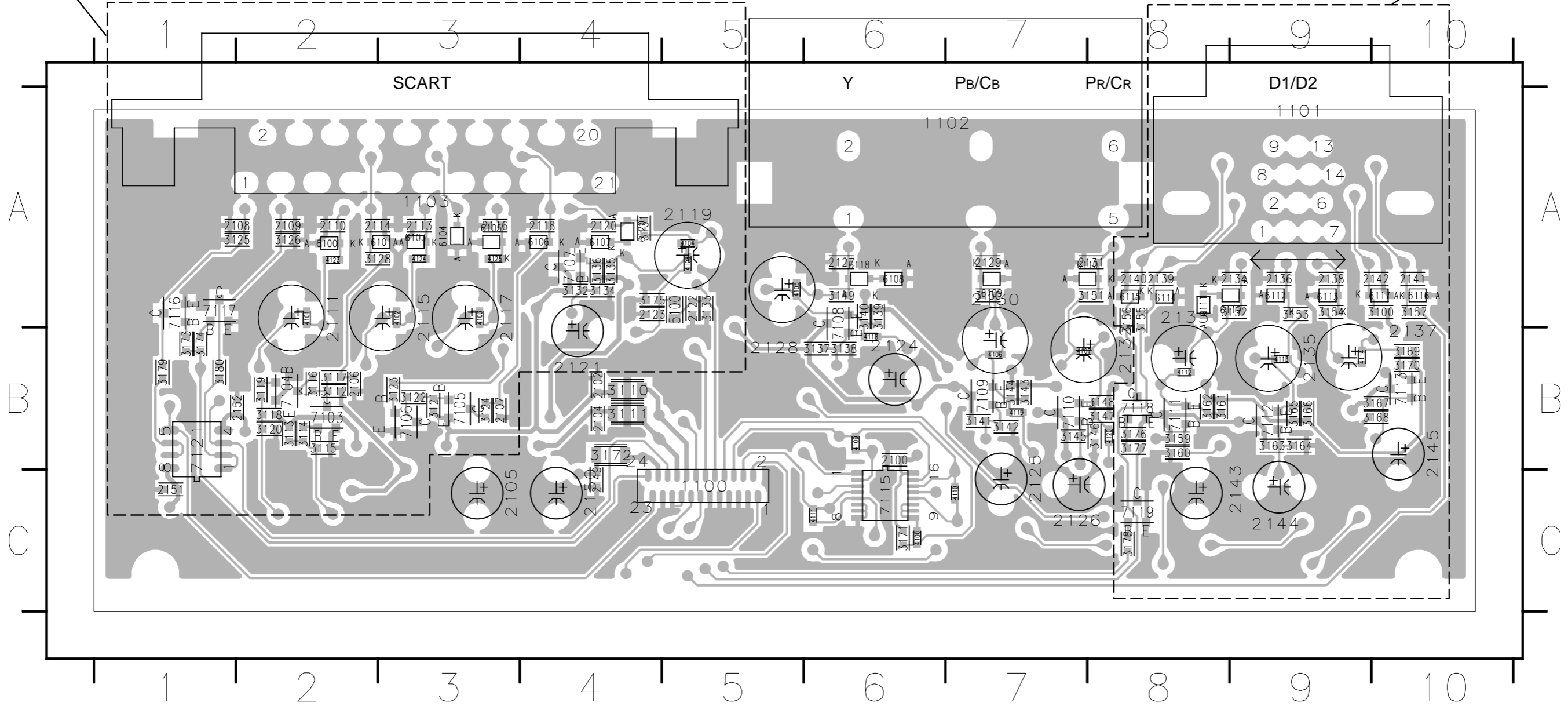
The first digit of a component indicates the component type.

1xxx : Connector 3xxx : Resistor 5xxx : Coil 7xxx : IC, Transistor, FET
 2xxx : Capacitor 4xxx : SMD jumper 6xxx : Diode 9xxx : Wire jumper

11100	C5	21117	A3	21135	B	31112	B	31133	A5	31151	A8	31170	B10	41107	B7	61104	A3	71104	B2
111001	A4	21111	A4	21133	B	31111	B	31134	A4	31152	A9	31171	B6	41108	A5	61105	A3	71105	B3
111002	A3	21119	A5	21137	B	31114	B	31135	A4	31153	A9	31172	B4	41109	A6	61106	A4	71106	B3
111003	A3	21120	A4	21138	A	31115	B	31136	A4	31154	A9	31173	B1	41110	C7	61107	A4	71107	A4
211000	B6	21121	B4	21139	A	31116	B	31137	A4	31155	A8	31174	B1	41111	C6	61108	A6	71108	A6
211002	B4	21122	A5	21140	A	31117	B	31138	A	31156	A8	31175	A4	41112	B8	61109	A7	71109	B7
211004	B4	21123	A4	21141	A	31118	B	31139	A	31157	A8	31176	A4	41113	B8	61110	A7	71110	B7
211005	B3	21124	B6	21142	A	31119	B	31140	A	31158	A8	31177	A4	41114	B8	61111	A8	71111	B8
211006	B3	21125	C7	21143	A	31120	B	31141	A	31159	A8	31178	A4	41115	B8	61112	A9	71112	B9
211007	B3	21126	C7	21144	A	31121	B	31142	A	31160	A8	31179	A4	41116	B8	61113	A9	71113	B9
211008	A2	21127	A6	21145	A	31122	B	31143	A	31161	A8	31180	A4	41117	B8	61114	A9	71114	B9
211009	A2	21128	B7	21146	A	31123	B	31144	A	31162	A8	31181	A4	41118	B8	61115	A8	71115	B9
211010	A2	21129	A7	21147	A	31124	B	31145	A	31163	A8	31182	A4	41119	B8	61116	A8	71116	B9
21111	A2	21130	A7	21148	A	31125	B	31146	A	31164	A8	31183	A4	41120	B8	61117	A10	71117	C6
21113	A3	21131	A8	21149	A	31126	B	31147	A	31165	A8	31184	A4	41121	B8	61118	A10	71118	A1
21114	A2	21132	B8	21150	A	31127	B	31148	A	31166	A8	31185	A4	41122	B8	61119	A10	71119	B8
21115	A3	21133	A8	31110	B4	31128	B	31149	A	31167	A8	31186	A4	41123	B8	61120	A4	71120	C8
21116	A3	21134	A9	31111	B4	31129	B	31150	A7	31168	A8	31187	B7	61121	A3	71121	B1		

B, G models only

J model only



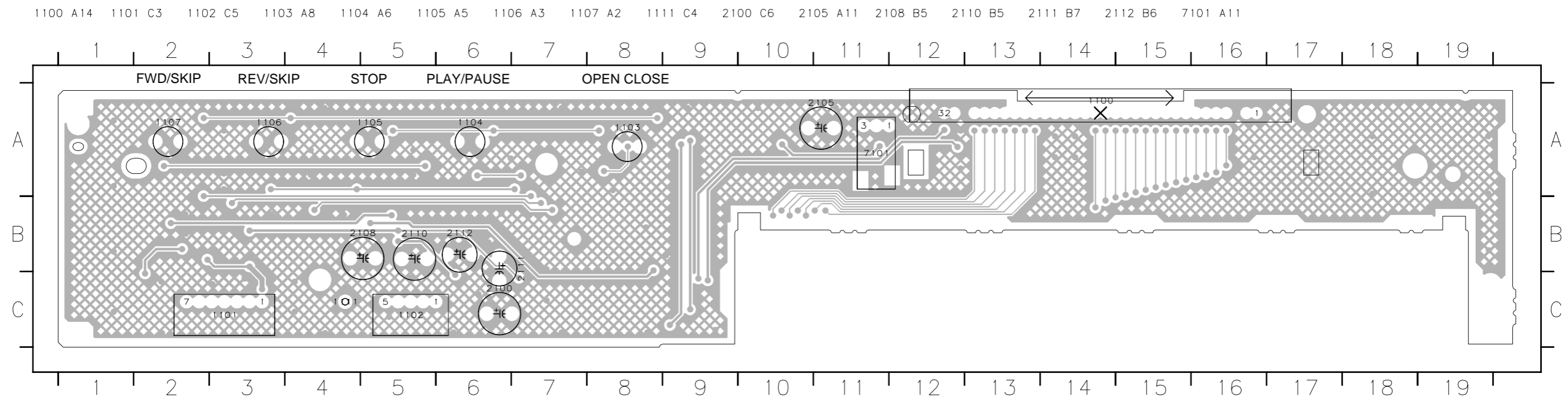
The first digit of a component indicates the component type.

1xxx : Connector 3xxx : Resistor 5xxx : Coil 7xxx : IC, Transistor, FET

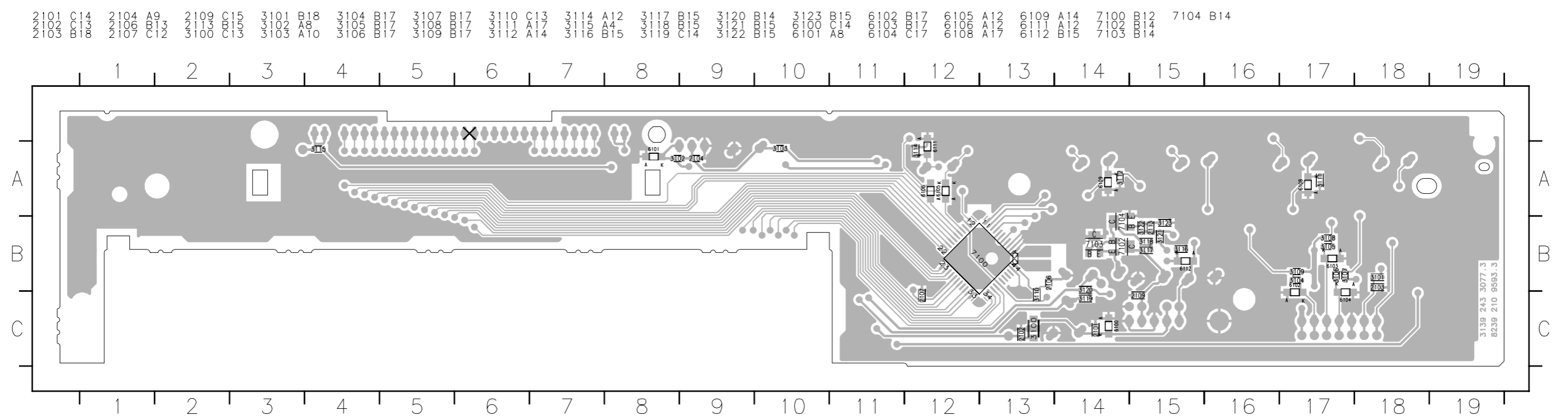
2xxx : Capacitor 4xxx : SMD jumper 6xxx : Diode 9xxx : Wire jumper

■ PRINTED CIRCUIT BOARD

FRONT (1) Display Board-Top View



FRONT (1) Display Board-Bottom View

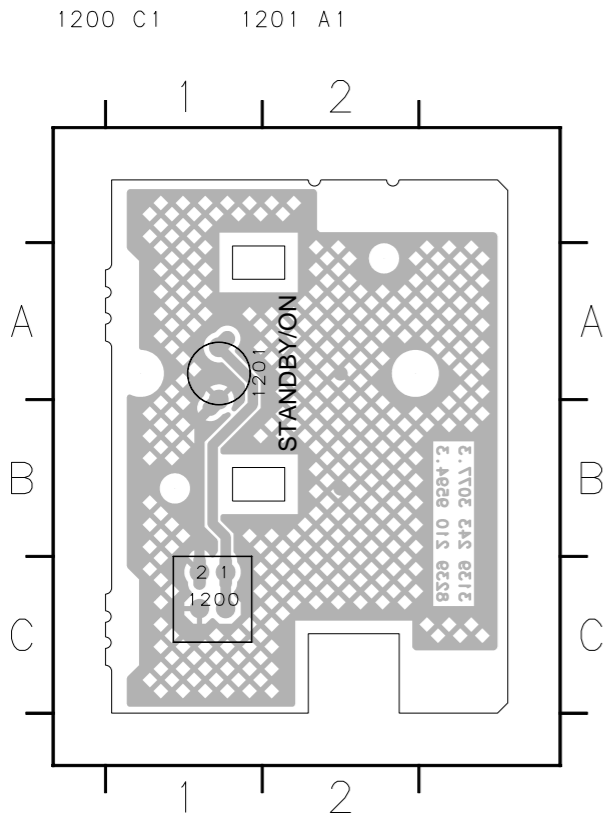


PRINTED CIRCUIT BOARD

The first digit of a component indicates the component type.

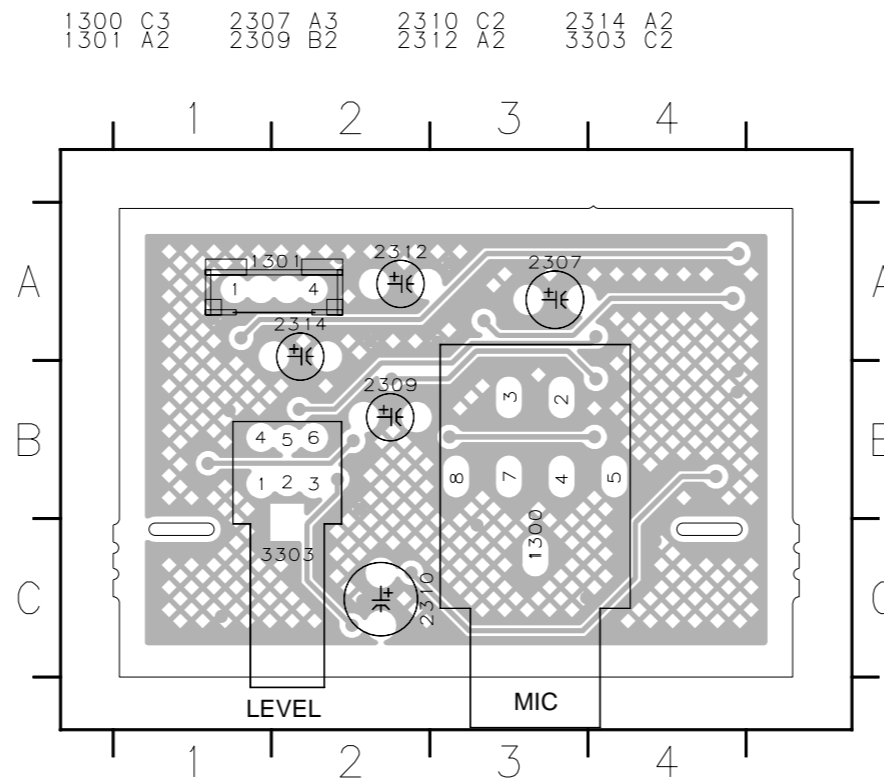
1xxx : Connector 3xxx : Resistor 5xxx : Coil 7xxx : IC, Transistor, FET
 2xxx : Capacitor 4xxx : SMD jumper 6xxx : Diode 9xxx : Wire jumper

FRONT (2) Standby Board-Top View



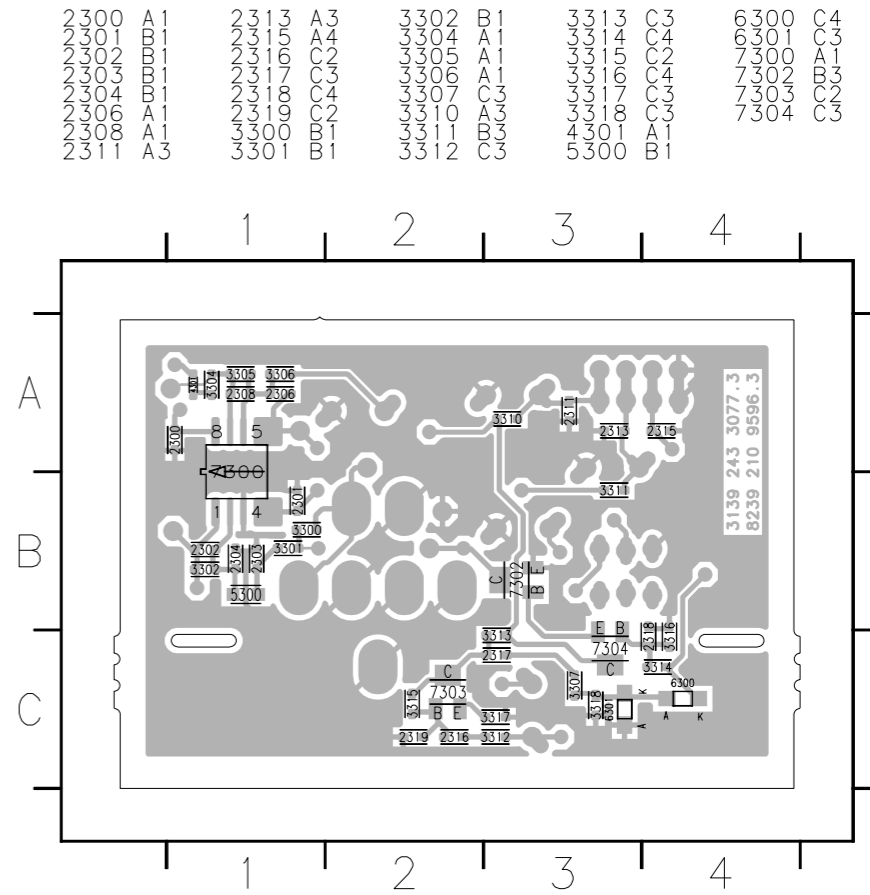
R model only

FRONT (3) KARAOKE Board-Top View



R model only

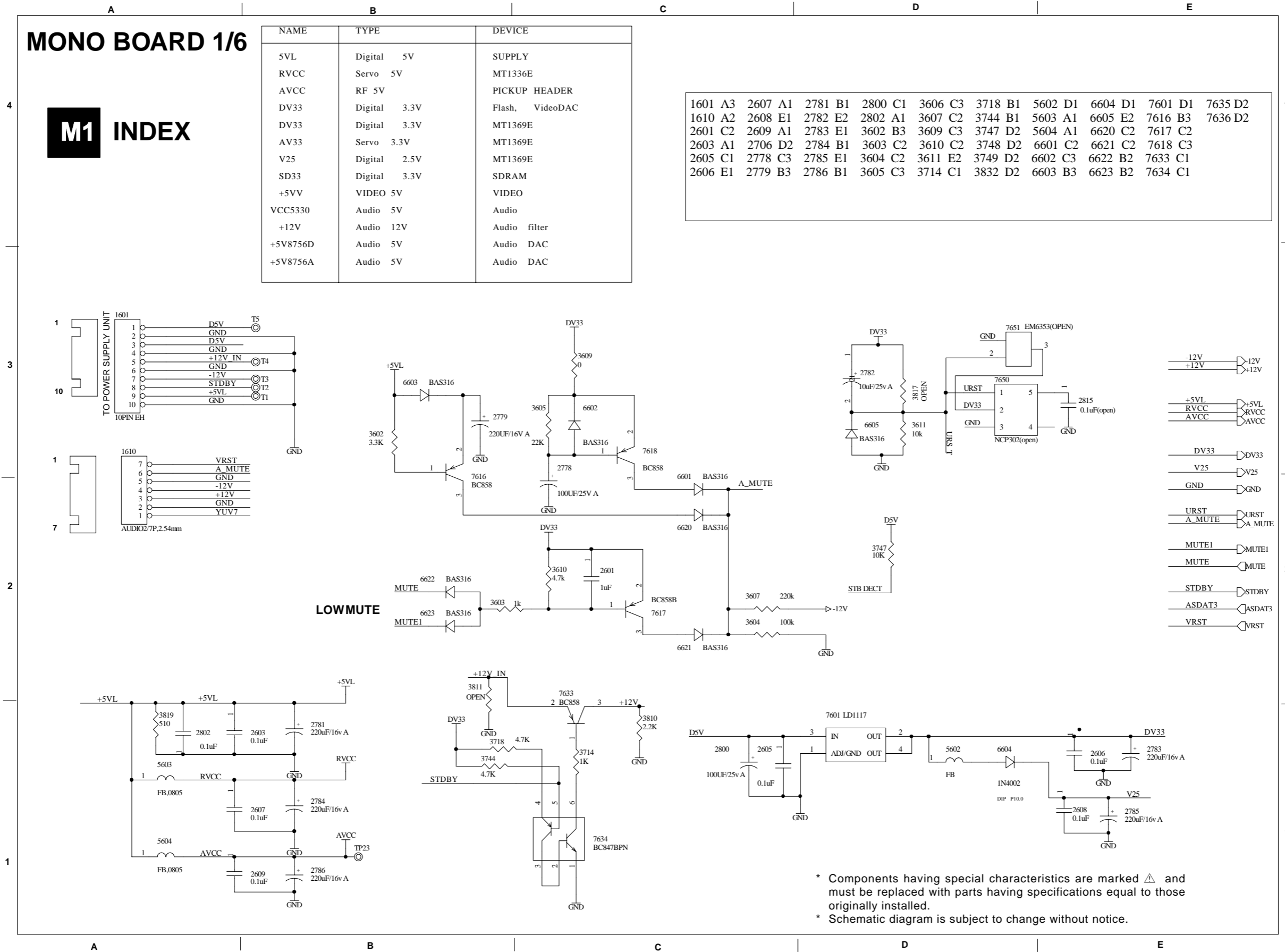
FRONT (3) KARAOKE Board-Bottom View



■ SCHEMATIC DIAGRAM

The first digit of a component indicates the component type.

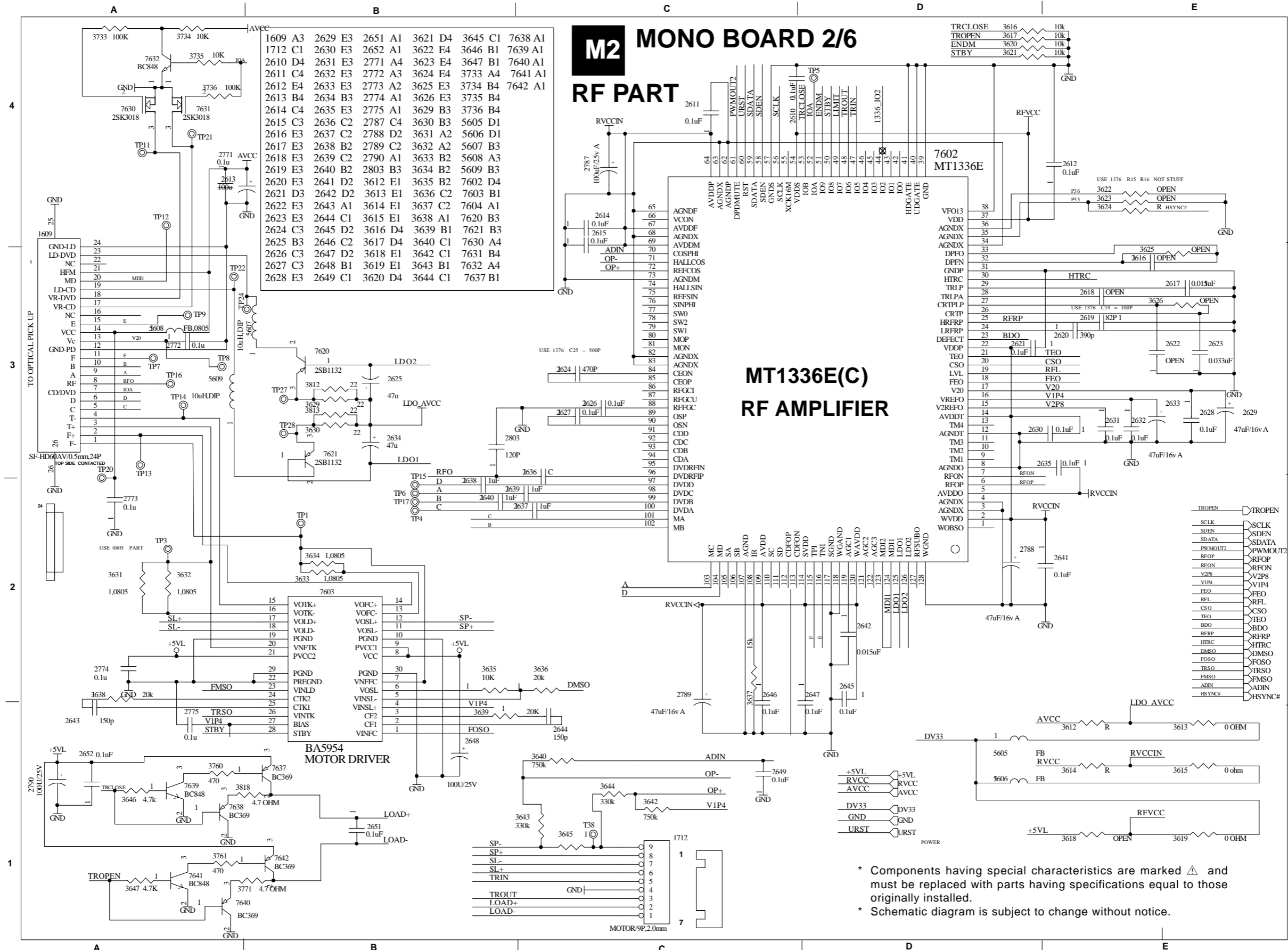
1xxx : Connector 3xxx : Resistor 5xxx : Coil 7xxx : IC, Transistor, FET
 2xxx : Capacitor 4xxx : SMD jumper 6xxx : Diode 9xxx : Wire jumper



■ SCHEMATIC DIAGRAM

The first digit of a component indicates the component type.

- 1xxx : Connector 3xxx : Resistor 5xxx : Coil 7xxx : IC, Transistor, FET
- 2xxx : Capacitor 4xxx : SMD jumper 6xxx : Diode 9xxx : Wire jumper



* Components having special characteristics are marked Δ and must be replaced with parts having specifications equal to those originally installed.
 * Schematic diagram is subject to change without notice.

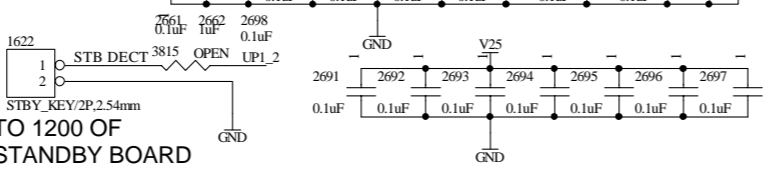
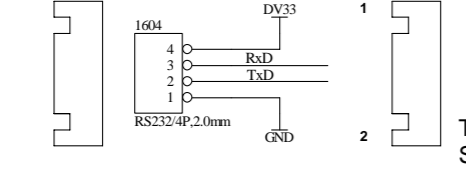
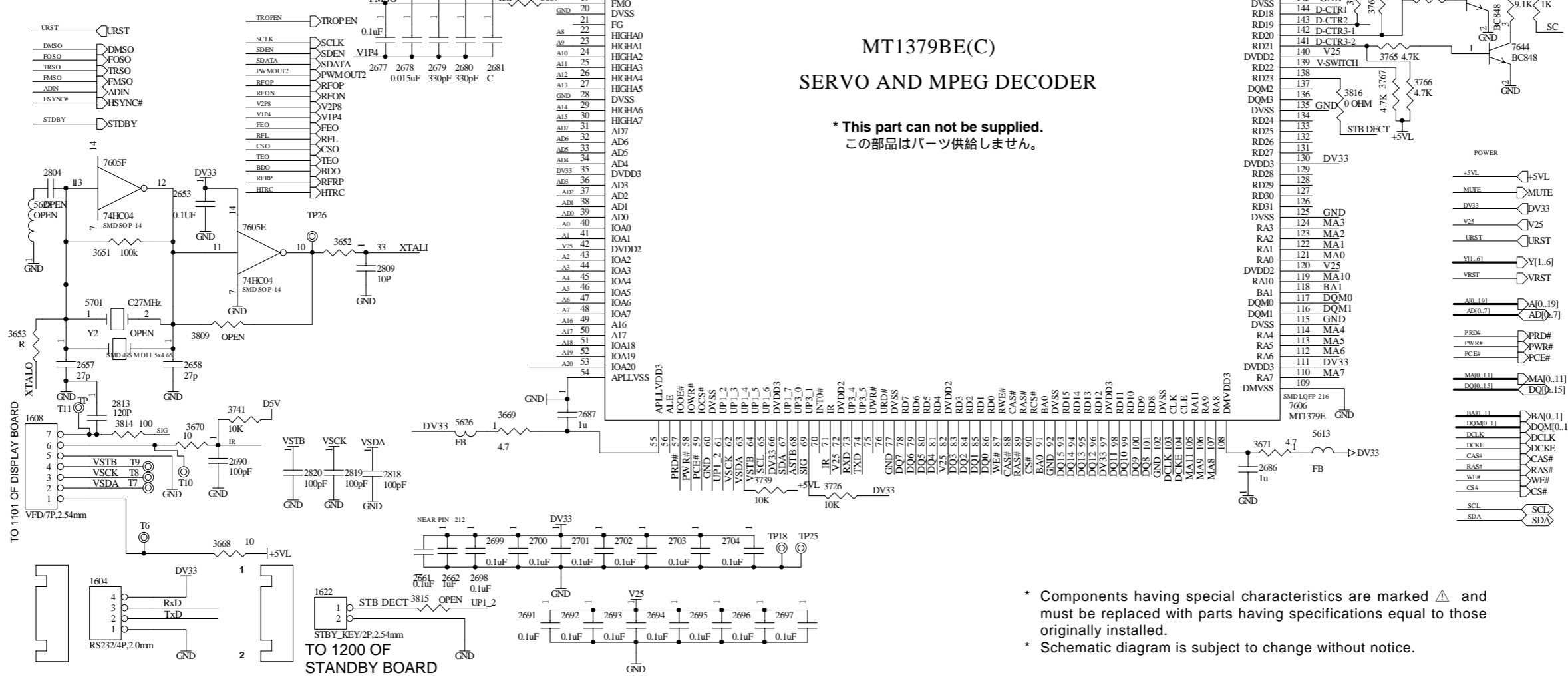
SCHEMATIC DIAGRAM

The first digit of a component indicates the component type.

- 1xxx : Connector
- 2xxx : Capacitor
- 3xxx : Resistor
- 4xxx : SMD jumper
- 5xxx : Coil
- 6xxx : Diode
- 7xxx : IC, Transistor, FET
- 8xxx : Wire jumper
- 9xxx : Wire jumper

MONO BOARD 3/6
M3 SERVO PART

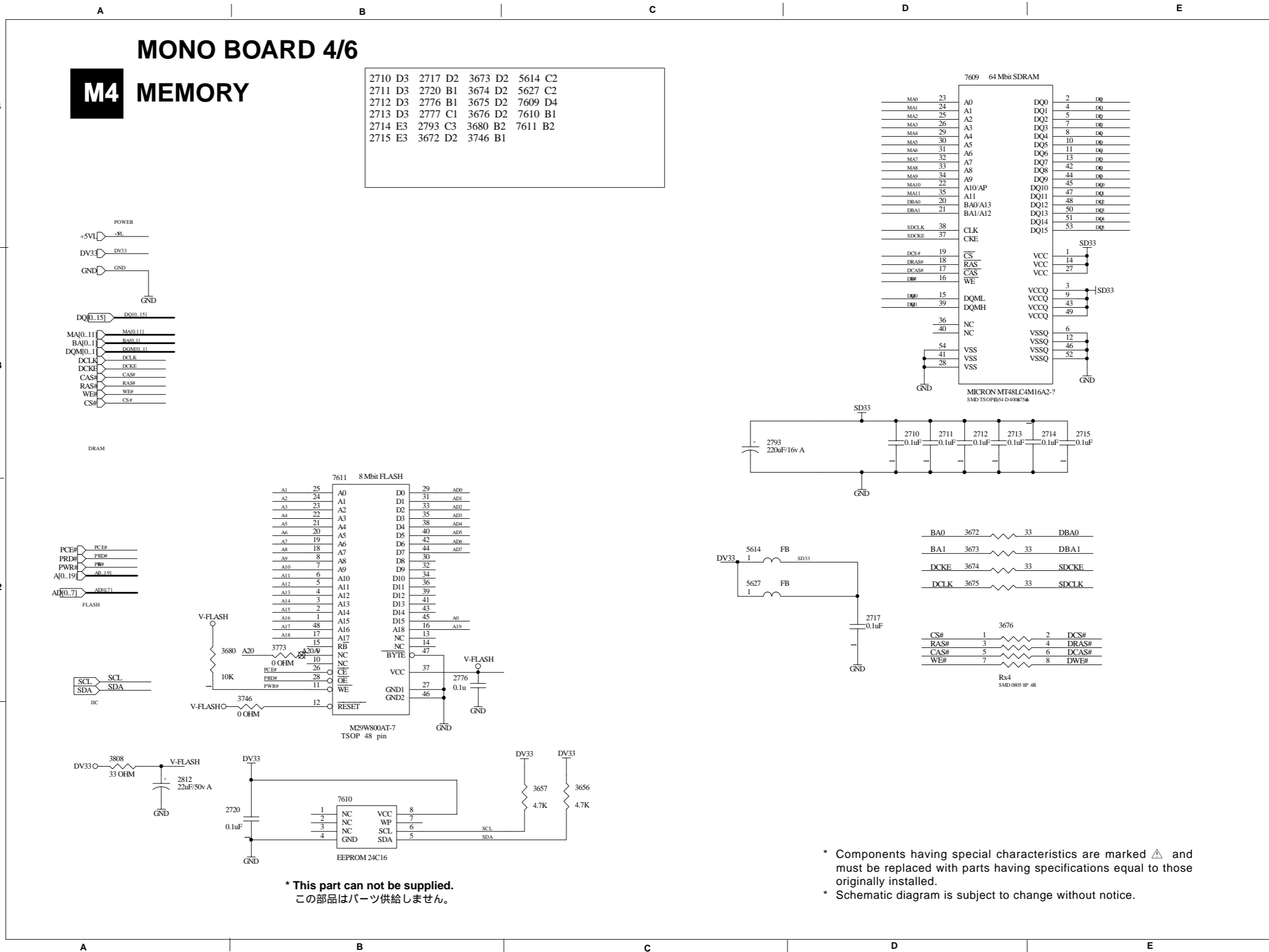
1604 A1	2670 B3	2695 C1	3655 C4	3738 A1
1607 E4	2671 B3	2696 C1	3656 B1	3739 C1
1608 A1	2672 B3	2697 C1	3657 B1	3740 D4
1622 B1	2673 B3	2698 B1	3658 B4	3741 A1
2653 A2	2674 E3	2699 B1	3659 B4	5610 E4
2654 B4	2675 E4	2700 B1	3660 E3	5613 E1
2655 B4	2676 B3	2701 B1	3661 B3	5625 B4
2656 C4	2677 B3	2702 C1	3662 B3	5626 B1
2657 A2	2678 B3	2703 C1	3663 B3	5628 A2
2658 A2	2679 B3	2704 C1	3664 B3	5701 A2
2659 B4	2680 B3	2791 B4	3665 B3	7605 A2
2660 B4	2681 B3	2804 A2	3666 E3	7605 A2
2661 B1	2682 E4	2808 E3	3667 B3	7606 B4
2662 B1	2683 E4	2809 B2	3668 A1	7631 B4
2663 C4	2686 D1	3648 C4	3669 B1	7632 A4
2664 B4	2687 B1	3649 C4	3670 A1	
2665 B4	2690 A1	3650 C4	3671 E1	
2666 B4	2691 B1	3651 A2	3709 E4	
2667 B4	2692 B1	3652 B2	3726 C1	
2668 B4	2693 C1	3653 A2	3732 D4	



■ SCHEMATIC DIAGRAM

The first digit of a component indicates the component type.

- 1xxx : Connector 3xxx : Resistor 5xxx : Coil 7xxx : IC, Transistor, FET
- 2xxx : Capacitor 4xxx : SMD jumper 6xxx : Diode 9xxx : Wire jumper



* Components having special characteristics are marked Δ and must be replaced with parts having specifications equal to those originally installed.
* Schematic diagram is subject to change without notice.

SCHEMATIC DIAGRAM

The first digit of a component indicates the component type.

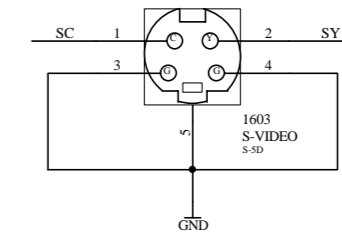
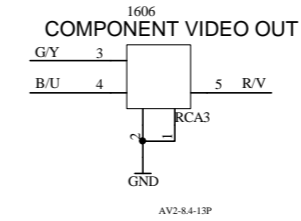
- 1xxx : Connector 3xxx : Resistor 5xxx : Coil 7xxx : IC, Transistor, FET
- 2xxx : Capacitor 4xxx : SMD jumper 6xxx : Diode 9xxx : Wire jumper

MONO BOARD 5/6

M5 VIDEO

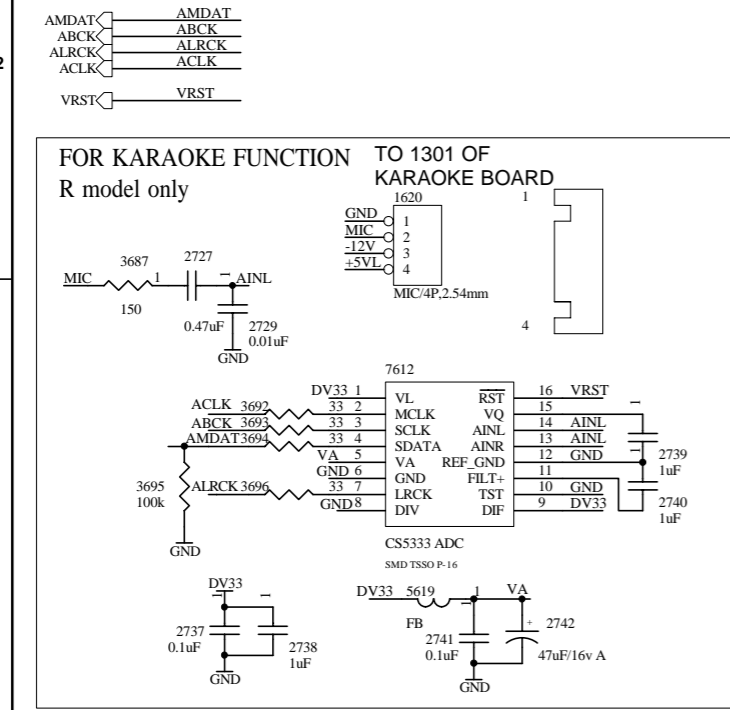
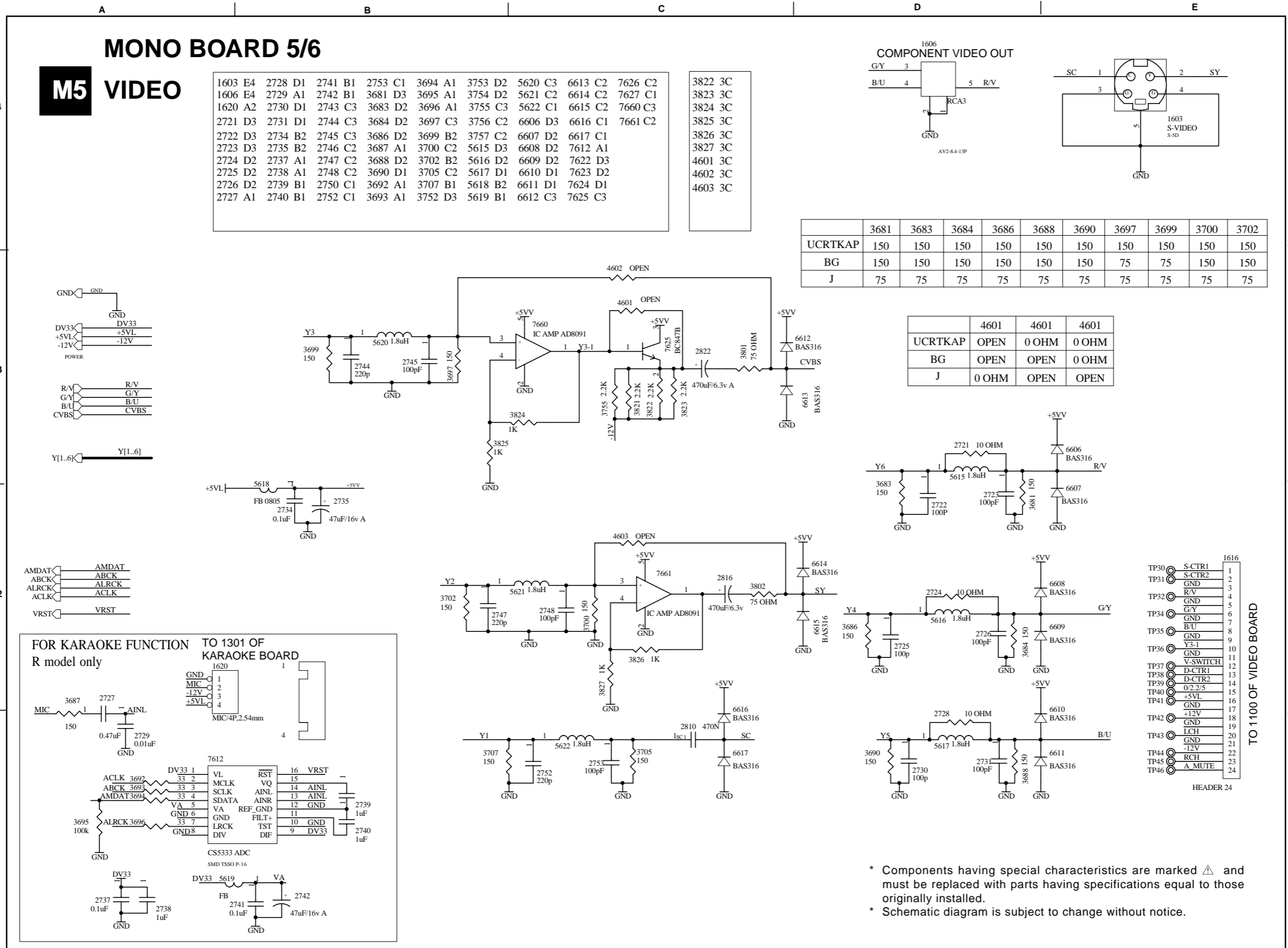
1603 E4	2728 D1	2741 B1	2753 C1	3694 A1	3753 D2	5620 C3	6613 C2	7626 C2
1606 E4	2729 A1	2742 B1	3681 D3	3695 A1	3754 D2	5621 C2	6614 C2	7627 C1
1620 A2	2730 D1	2743 C3	3683 D2	3696 A1	3755 C3	5622 C1	6615 C2	7660 C3
2721 D3	2731 D1	2744 C3	3684 D2	3697 C3	3756 C2	6606 D3	6616 C1	7661 C2
2722 D3	2734 B2	2745 C3	3686 D2	3699 B2	3757 C2	6607 D2	6617 C1	
2723 D3	2735 B2	2746 C2	3687 A1	3700 C2	5615 D3	6608 D2	7612 A1	
2724 D2	2737 A1	2747 C2	3688 D2	3702 B2	5616 D2	6609 D2	7622 D3	
2725 D2	2738 A1	2748 C2	3690 D1	3705 C2	5617 D1	6610 D1	7623 D2	
2726 D2	2739 B1	2750 C1	3692 A1	3707 B1	5618 B2	6611 D1	7624 D1	
2727 A1	2740 B1	2752 C1	3693 A1	3752 D3	5619 B1	6612 C3	7625 C3	

3822 3C
3823 3C
3824 3C
3825 3C
3826 3C
3827 3C
4601 3C
4602 3C
4603 3C



	3681	3683	3684	3686	3688	3690	3697	3699	3700	3702
UCRTKAP	150	150	150	150	150	150	150	150	150	150
BG	150	150	150	150	150	150	75	75	150	150
J	75	75	75	75	75	75	75	75	75	75

	4601	4601	4601
UCRTKAP	OPEN	0 OHM	0 OHM
BG	OPEN	OPEN	0 OHM
J	0 OHM	OPEN	OPEN



TO 1100 OF VIDEO BOARD

TP30	S-CTR1	1
TP31	S-CTR2	2
	GND	3
TP32	R/V	4
	GND	5
TP34	G/Y	6
	GND	7
TP35	B/U	8
	GND	9
TP36	Y3-1	10
	GND	11
TP37	V-SWITCH	12
TP38	D-CTR1	13
TP39	D-CTR2	14
TP40	0.2/2.5	15
TP41	+5V	16
	GND	17
TP42	+12V	18
	GND	19
TP43	LCH	20
	GND	21
TP44	-12V	22
TP45	RCH	23
TP46	A. MUTE	24

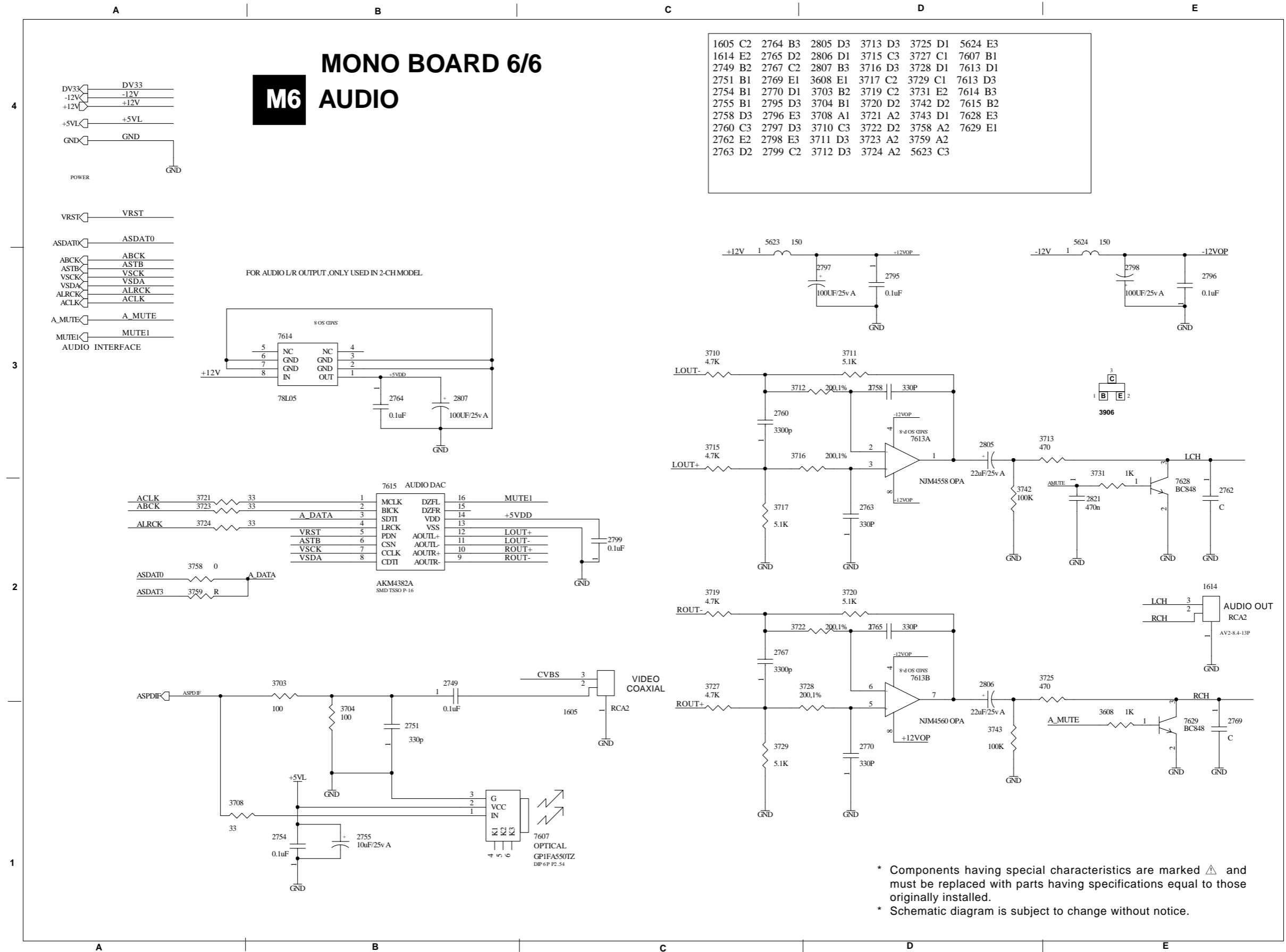
HEADER 24

* Components having special characteristics are marked Δ and must be replaced with parts having specifications equal to those originally installed.
 * Schematic diagram is subject to change without notice.

■ SCHEMATIC DIAGRAM

The first digit of a component indicates the component type.

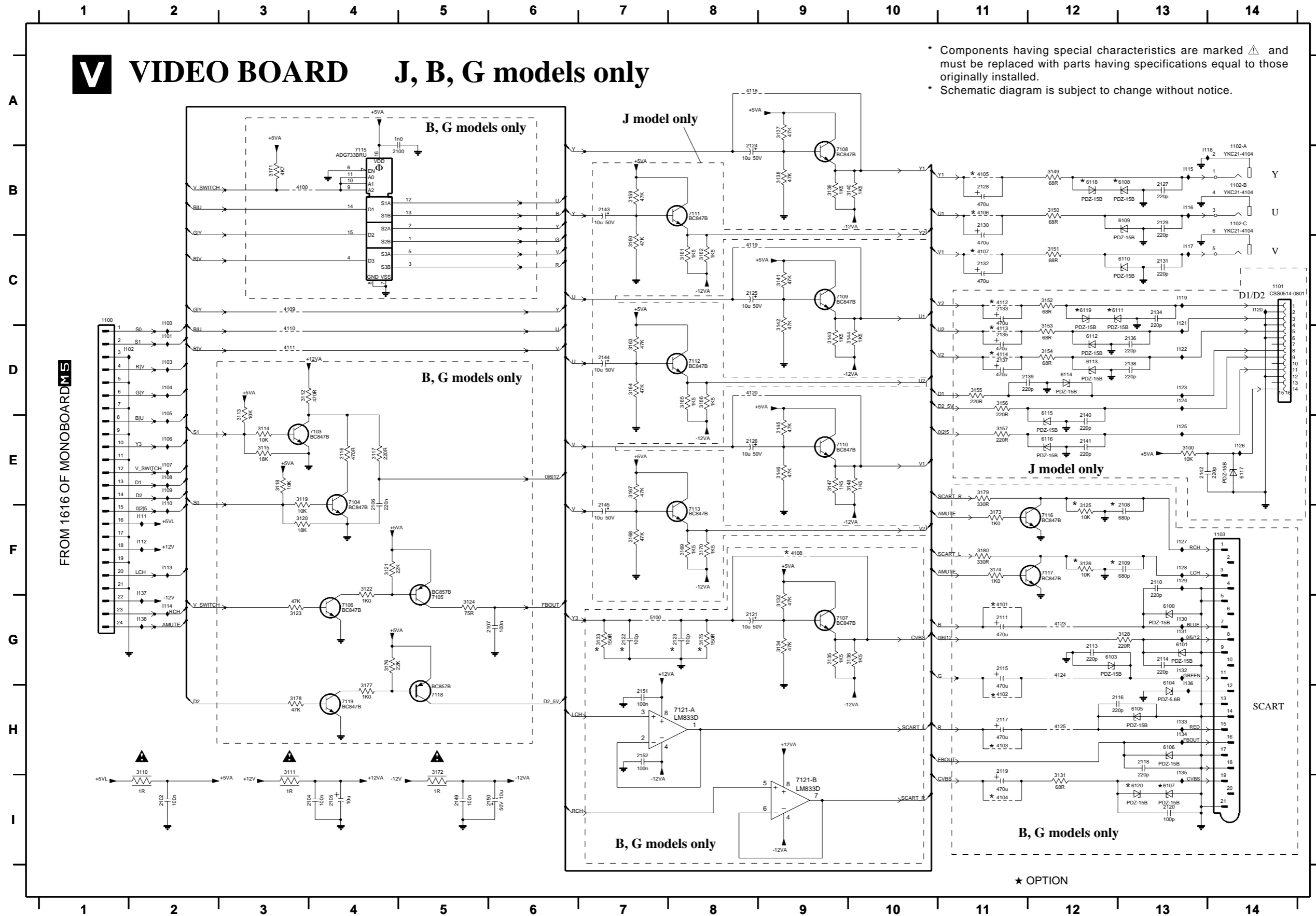
- 1xxx : Connector 3xxx : Resistor 5xxx : Coil 7xxx : IC, Transistor, FET
- 2xxx : Capacitor 4xxx : SMD jumper 6xxx : Diode 9xxx : Wire jumper



SCHEMATIC DIAGRAM

The first digit of a component indicates the component type.

1xxx : Connector 3xxx : Resistor 5xxx : Coil 7xxx : IC, Transistor, FET
 2xxx : Capacitor 4xxx : SMD jumper 6xxx : Diode 9xxx : Wire jumper



1100 C1	3175 G8
1101 C14	3176 G4
1102-A B14	3177 H4
1102-B B14	3178 H3
1102-C B14	3179 E11
1103 F14	3180 F11
2100 B4	4100 B3
2102 I2	4101 G11
2104 I4	4102 D11
2105 I4	4103 H11
2106 E4	4104 H1
2107 G6	4105 B11
2108 F13	4106 B11
2109 F13	4107 C11
2110 F13	4108 F9
2111 G11	4109 C3
2113 G12	4110 D3
2114 G13	4111 D3
2115 G11	4112 C11
2116 H12	4113 D11
2117 H11	4114 D11
2118 H13	4118 A8
2119 H11	4119 C8
2120 H13	4120 D8
2121 G8	4123 G12
2122 G7	4124 G12
2123 G8	4125 H12
2124 B8	5100 G7
2125 C8	6100 G13
2126 E8	6101 G13
2127 B13	6103 G12
2128 B11	6104 G13
2129 B13	6105 H13
2130 B11	6106 H13
2131 C13	6107 H13
2132 C11	6108 B13
2133 C11	6109 B13
2134 C13	6110 C13
2135 D11	6111 C12
2136 D13	6112 D12
2137 D11	6113 D11
2138 D13	6114 D12
2139 D11	6115 D12
2140 E12	6116 E12
2141 E12	6117 E14
2142 E13	6118 B12
2143 B7	6119 C12
2144 D7	6120 H13
2145 F7	7103 E4
2149 I5	7104 E4
2150 I6	7105 G5
2151 H7	7106 G4
2152 H7	7107 G9
3100 E13	7108 B9
3110 H2	7109 C9
3111 H3	7110 E9
3112 D3	7111 B8
3113 D3	7112 D8
3114 E3	7113 F8
3115 E3	7115 B4
3116 E4	7116 F12
3117 E4	7117 F12
3118 H5	7118 H5
3119 E3	7119 H4
3120 F3	7121-A H8
3121 F4	7121 B9
3122 F4	I100 C2
3123 G3	I101 D2
3124 G5	I102 D1
3125 F12	I103 D2
3126 F12	I104 D2
3128 G13	I105 D2
3131 H2	I106 E2
3132 G9	I107 E2
3133 G7	I108 E2
3134 G9	I109 E2
3135 G9	I110 E2
3136 G10	I111 F2
3137 A9	I112 F2
3138 B9	I113 F2
3139 B9	I114 G2
3140 B10	I115 B13
3141 C9	I116 B13
3142 C9	I117 C13
3143 D9	I118 B13
3144 D10	I119 C13
3145 E9	I120 C14
3146 E9	I121 C13
3147 E9	I122 D13
3148 E10	I123 D13
3149 B12	I124 D13
3150 B12	I125 E13
3151 C12	I126 E14
3152 C12	I127 F13
3153 D12	I128 F13
3154 D12	I129 F13
3155 D11	I130 G13
3156 D11	I131 G13
3157 F11	I132 G13
3159 B7	I133 H13
3160 C7	I134 H13
3161 C8	I135 H13
3162 C8	I136 G13
3163 D7	I137 F2
3164 D7	I138 G2
3165 D8	
3166 D8	
3167 E7	
3168 F7	
3169 F8	
3170 F8	
3171 B3	
3172 H5	
3173 F11	
3174 F11	

■ SCHEMATIC DIAGRAM

The first digit of a component indicates the component type.

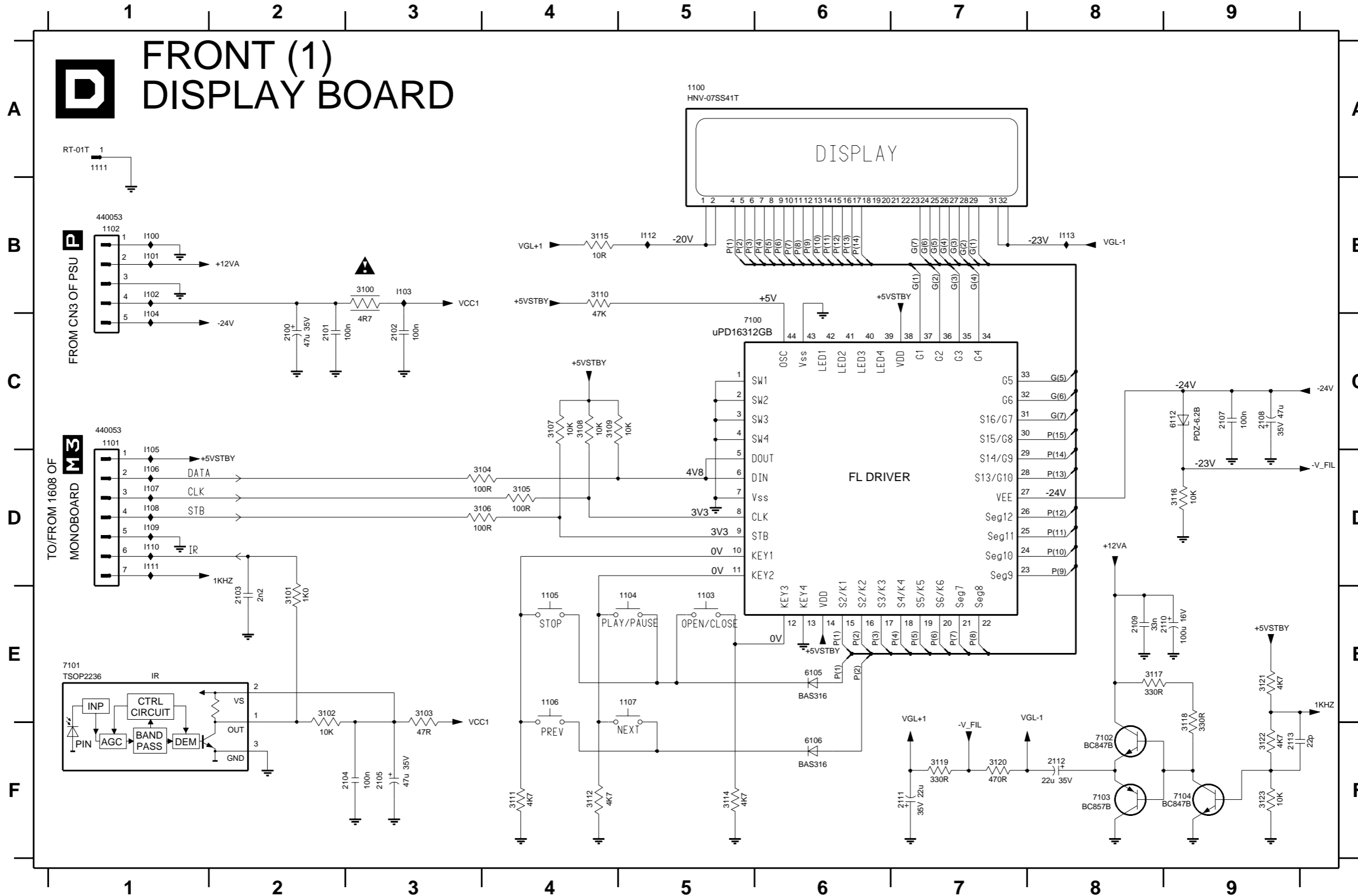
1xxx : Connector 3xxx : Resistor 5xxx : Coil 7xxx : IC, Transistor, FET
 2xxx : Capacitor 4xxx : SMD jumper 6xxx : Diode 9xxx : Wire jumper

- 1100 A5
- 1101 C1
- 1102 B1
- 1103 E5
- 1104 E5
- 1105 E4
- 1106 E4
- 1107 E5
- 1111 A1
- 2100 C2
- 2101 C2
- 2102 C3
- 2103 E2
- 2104 F3
- 2105 F3

- 2107 C9
- 2108 C9
- 2109 E8
- 2110 E9
- 2111 F7
- 2112 F8
- 2113 F9
- 3100 B3
- 3101 E2
- 3102 E2
- 3103 E3
- 3104 D4
- 3105 D4
- 3106 D4
- 3107 C4
- 3108 C4
- 3109 C4
- 3110 B4
- 3111 F4
- 3112 F4
- 3114 F5
- 3115 B4
- 3116 D9
- 3117 E8
- 3118 E9
- 3119 F7
- 3120 F7
- 3121 E9
- 3122 F9
- 3123 F9

- 6105 E6
- 6106 F6

- 6112 C9
- 7100 C6
- 7101 E1
- 7102 F8
- 7103 F8
- 7104 F9
- I100 B1
- I101 B1
- I102 B1
- I103 B3
- I104 C1
- I105 C1
- I106 D1
- I107 D1
- I108 D1
- I109 D1
- I110 D1
- I111 D1

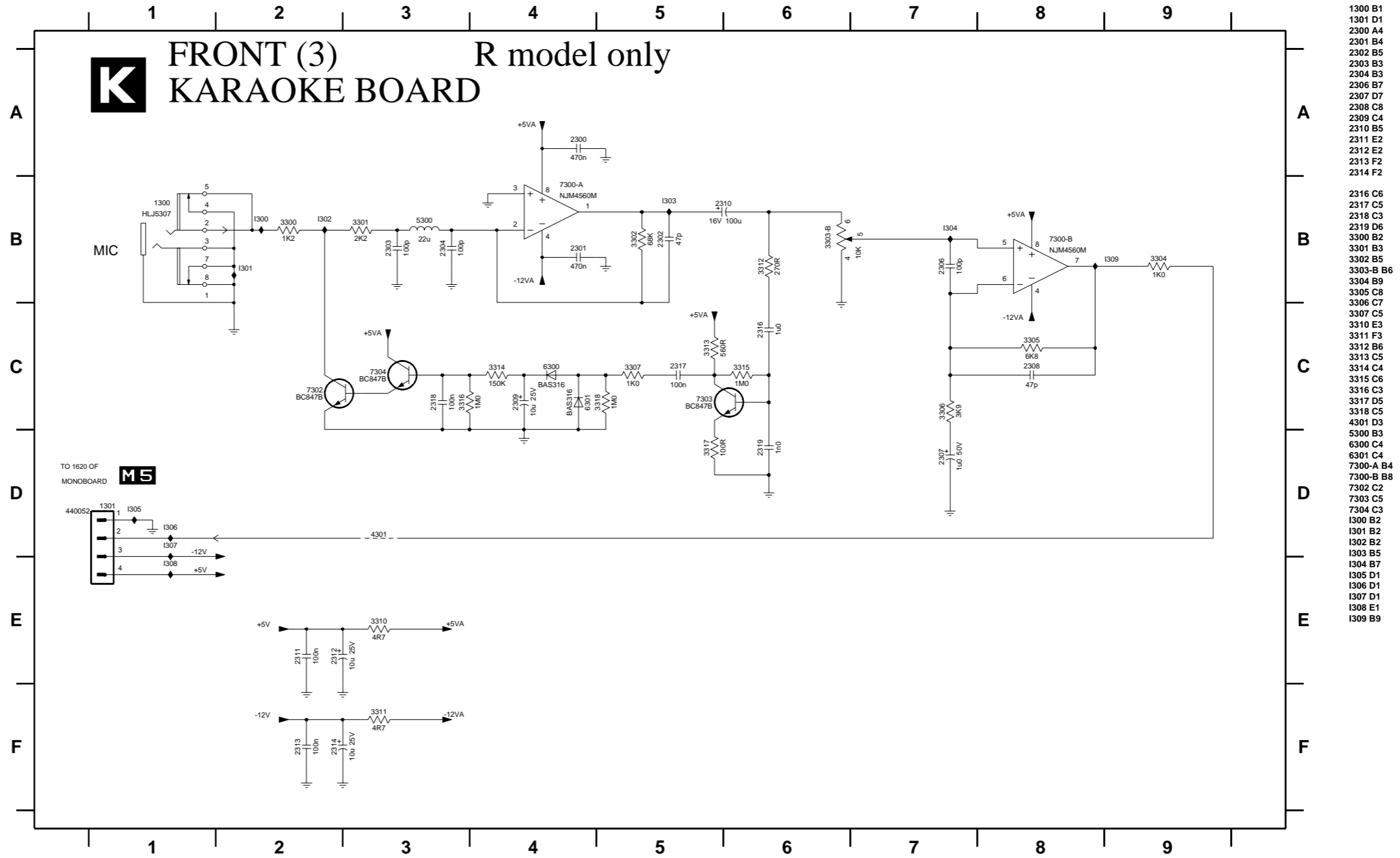
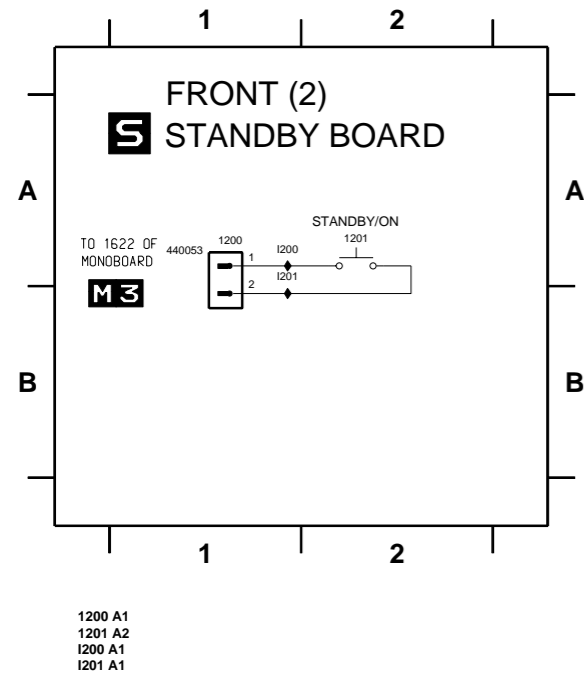


* Components having special characteristics are marked Δ and must be replaced with parts having specifications equal to those originally installed.
 * Schematic diagram is subject to change without notice.

■ SCHEMATIC DIAGRAM

The first digit of a component indicates the component type.

1xxx : Connector 3xxx : Resistor 5xxx : Coil 7xxx : IC, Transistor, FET
 2xxx : Capacitor 4xxx : SMD jumper 6xxx : Diode 9xxx : Wire jumper



* Components having special characteristics are marked Δ and must be replaced with parts having specifications equal to those originally installed.
 * Schematic diagram is subject to change without notice.

DVD PLAYER

DVD-S540/DV-S5650

SERVICE MANUAL

DVD-S540
DV-S5650

IMPORTANT NOTICE

This manual has been provided for the use of authorized YAMAHA Retailers and their service personnel. It has been assumed that basic service procedures inherent to the industry, and more specifically YAMAHA Products, are already known and understood by the users, and have therefore not been restated.

WARNING: Failure to follow appropriate service and safety procedures when servicing this product may result in personal injury, destruction of expensive components, and failure of the product to perform as specified. For these reasons, we advise all YAMAHA product owners that any service required should be performed by an authorized YAMAHA Retailer or the appointed service representative.

IMPORTANT: The presentation or sale of this manual to any individual or firm does not constitute authorization, certification or recognition of any applicable technical capabilities, or establish a principle-agent relationship of any form.

The data provided is believed to be accurate and applicable to the unit(s) indicated on the cover. The research, engineering, and service departments of YAMAHA are continually striving to improve YAMAHA products. Modifications are, therefore, inevitable and specifications are subject to change without notice or obligation to retrofit. Should any discrepancy appear to exist, please contact the distributor's Service Division.

WARNING: Static discharges can destroy expensive components. Discharge any static electricity your body may have accumulated by grounding yourself to the ground buss in the unit (heavy gauge black wires connect to this buss).

IMPORTANT: Turn the unit OFF during disassembly and part replacement. Recheck all work before you apply power to the unit.

CONTENTS

TO SERVICE PERSONNEL	2-4
PREVENTION OF ELECTRO STATIC DISCHARGE	4
LOCALE MANAGEMENT INFORMATION	5
FRONT PANELS	5-6
REMOTE CONTROL PANELS	6
REAR PANELS	7-8
SPECIFICATIONS / 参考仕様	9
SERVICE HINTS / サービスヒント	10
DISASSEMBLY PROCEDURES / 分解手順	11-13

MAINTENANCE FLOW CHART / メンテナンスフローチャート	14-21
BLOCK DIAGRAM	23
PRINTED CIRCUIT BOARD	24-28
WIRING DIAGRAM	29
SCHEMATIC DIAGRAM	30-38
PARTS LIST	39-46

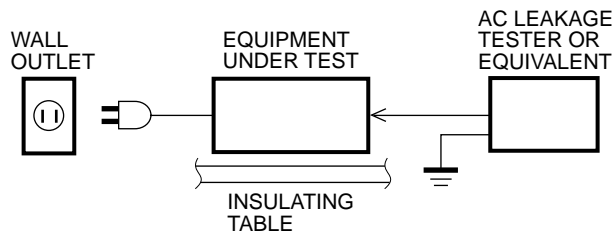


このサービスマニュアルは、エコマーク認定の再生紙を使用しています。
This Service Manual uses recycled paper.



■ TO SERVICE PERSONNEL

1. Critical Components Information
Components having special characteristics are marked \triangle and must be replaced with parts having specifications equal to those originally installed.
 2. Leakage Current Measurement (For 120V Models Only)
When service has been completed, it is imperative to verify that all exposed conductive surfaces are properly insulated from supply circuits.
- Meter impedance should be equivalent to 1500 ohm shunted by 0.15 μ F.



- Leakage current must not exceed 0.5mA.
- Be sure to test for leakage with the AC plug in both polarities.

WARNING: CHEMICAL CONTENT NOTICE!

The solder used in the production of this product contains LEAD. In addition, other electrical/electronic and/or plastic (where applicable) components may also contain traces of chemicals found by the California Health and Welfare Agency (and possibly other entities) to cause cancer and/or birth defects or other reproductive harm.

DO NOT PLACE SOLDER, ELECTRICAL/ELECTRONIC OR PLASTIC COMPONENTS IN YOUR MOUTH FOR ANY REASON WHATSOEVER!

Avoid prolonged, unprotected contact between solder and your skin! When soldering, do not inhale solder fumes or expose eyes to solder/flux vapor!

If you come in contact with solder or components located inside the enclosure of this product, wash your hands before handling food.

WARNING: Laser Safety

This product contains a laser beam component. This component may emit invisible, as well as visible radiation, which may cause eye damage. To protect your eyes and skin from laser radiation, the following precautions must be used during servicing of the unit.

- 1) When testing and/or repairing any component within the product, keep your eyes and skin more than 30 cm away from the laser pick-up unit at all times. Do not stare at the laser beam at any time.
- 2) Do not attempt to readjust, disassemble or repair the laser pick-up, unless noted elsewhere in this manual.
- 3) CAUTION : Use of controls, adjustments or performance of procedures other than those specified herein may result in hazardous radiation exposure.

Laser Emitting conditions:

- 1) When the Top Cover is removed, and the STANDBY/ON SW is turned to the "ON" position, the laser component will emit a beam for several seconds to detect if a disc is present. During this time (5-10 sec.) the laser may radiate through the lens of the laser pick-up unit. Do not attempt any servicing during this period! If no disc is detected, the laser will stop emitting the beam. When a disc is loaded, you will not be exposed to any laser emissions.

警告：レーザーの安全対策

本機はレーザー光線を放射する部品を搭載しています。この部品が放射するレーザー光線は目に損傷を起こします。このレーザー光線から目及び肌を保護するために、本機の修理作業中は下記の注意を厳守してください。

- 1) テスト時または修理時、目及び肌を光ピックアップから30cm以上離してください。いかなる場合もレーザー光線を見つめないでください。
- 2) 光ピックアップの再調整及び分解はしないでください。
- 3) このマニュアル上で指定されている以外の制御、調整、手順はレーザー光線を照射される結果を招く恐れがあります。

レーザー放射条件

- 1) トップカバーを取り外しSTANDBY/ONスイッチをONにすると、ディスク検知のため5～10秒間、光ピックアップからレーザー光線が放射されます。この間、修理はしないでください。ディスクが検知されなければ、レーザー光線の放射は停止します。ディスクがセットされている場合、ディスクで遮られるのでレーザー光線は修理担当者には届きません。

2) The laser power level can be adjusted with the VR on the pick-up PWB, however, this level has been set by the factory prior to shipping from the factory. Do not adjust this laser level control unless instruction is provided elsewhere in this manual. Adjustment of this control can increase the laser emission level from the device.

2) レーザーパワーレベルは光ピックアップ基板上のVRにより調整可能ですが、工場出荷前に調整セット済みなので、このVRは廻さないでください。このVRを廻すと装置からのレーザー光線の放射レベルが上がる恐れがあります。

Laser Diode Properties

Type: Semiconductor laser GaAlAs
 Wave length: 650 nm (DVD)
 780 nm (VCD/CD)
 Output Power: 7 mW (DVD)
 10 mW (VCD/CD)
 Beam divergence: 60 degree

レーザー

タイプ 半導体レーザー GaAlAs
 波長 650 nm (DVD)
 780 nm (VCD/CD)
 出力 7 mW (DVD)
 10 mW (VCD/CD)
 ビーム広がり 60 度

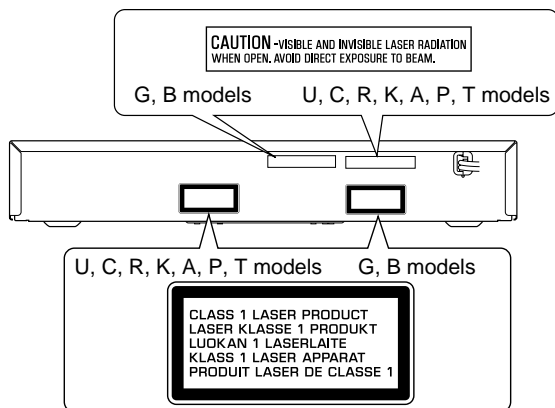
VARO! : AVATTAESSA JA SUOJALUKITUS OHITETTAESSA OLET ALTTIINA NÄKYMÄTTÖMÄLLE LASER-SÄTEILYLLE. ÄLÄ KATSO SÄTEESEEN.

VARNING! : OSYNLIG LASERSTRÅLNING NÄR DENNA DEL ÄR ÖPPNAD OCH SPÄRREN ÄR URKOPPLAD. BETRAKTA EJ STRÅLEN.

WARNING

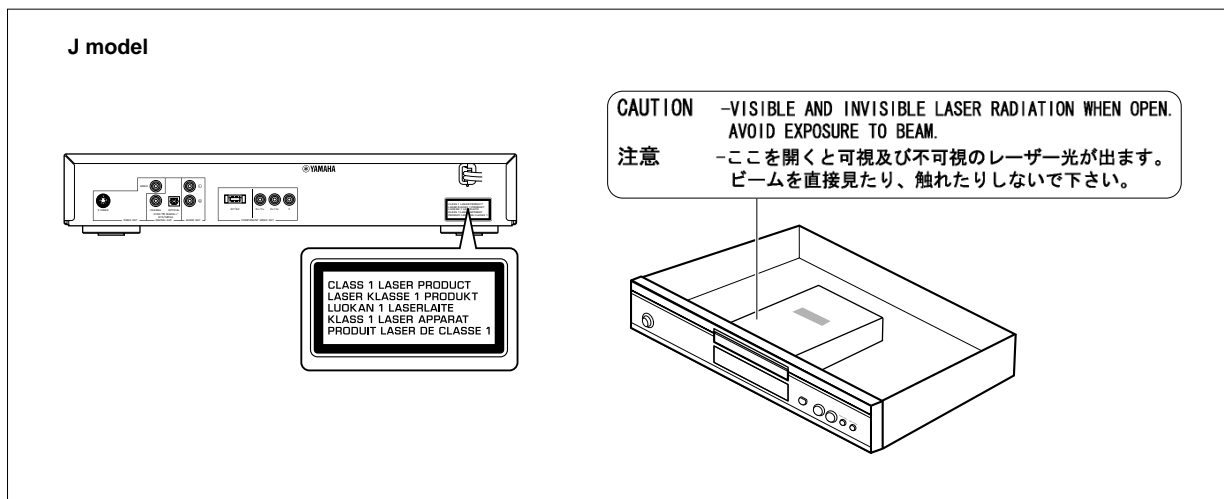
The use of optical instruments with this product will increase eye hazard.

Repair handling should take place as much as possible with a disc loaded inside the player.



WARNING LOCATION: REAR PANEL

CAUTION VISIBLE AND INVISIBLE LASER RADIATION WHEN OPEN. AVOID EXPOSURE TO BEAM
 ADVARSEL SYNLIG OG USYNLIG LASERSTRÅLING VED ÅBNING UNDGÅ UDSÆTTELSE FOR STRÅLING
 ADVARSEL SYNLIG OG USYNLIG LASERSTRÅLING NÄR DEKSEL ÅPNES UNNGÅ EKSPONERING FOR STRÅLEN
 VARNING SYNLIG OCH OSYNLIG LASERSTRÅLNING NÄR DENNA DEL ÄR ÖPPNAD BETRAKTA EJ STRÅLEN
 VARO! AVATT AESSA OLET ALTTIINA NÄKYVÄLLE JA NÄKYMÄTTÖMÄLLE LASER SÄTEILYLLE. ÄLÄ KATSO SÄTEESEEN
 VORSICHT SICHTBARE UND UNSICHTBARE LASERSTRAHLUNG WENN ABDECKUNG GEÖFFNET NICHT DEM STRAHL AUSSETSEN
 DANGER VISIBLE AND INVISIBLE LASER RADIATION WHEN OPEN. AVOID DIRECT EXPOSURE TO BEAM
 ATTENTION RAYONNEMENT LASER VISIBLE ET INVISIBLE EN CAS D'OUVERTURE EXPOSITION DANGEREUSE AU FAISCEAU



Warning for power supply

The primary side of the power supply carries live mains voltage when the player is connected to the mains even when the player is switched off !

This primary area is not shielded so it is possible to touch copper tracks and/or components when servicing the player. Service personnel have to take precautions to prevent touching this area or components in this area .

The primary side of the power supply has been indicated with a lightning stroke and a stripe-marked print on the printed wiring board.

Note:

The screws on the DVD mechanism (position 50 in on the exploded view drawing) may never be touched, removed or re-adjusted.

Handle the DVD mechanism with care when the unit has to be exchanged!

The DVD mechanism is very sensitive for dropping or giving shocks.

■ PREVENTION OF ELECTRO STATIC DISCHARGE

The laser diode in the DVD mechanism may be damaged due to static electricity from clothes or the human body. Use caution to prevent electro static damage when servicing or handling the DVD-mechanism.

1. Grounding for electro static damage prevention

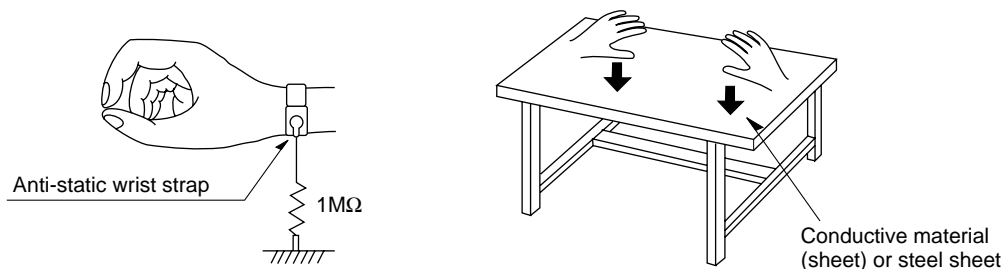
Some devices, such as the DVD player, use an optical pickup (laser diode) that will be damaged by static electricity in the working environment. Only attempt service after ensuring that all grounding procedures have been completed.

1. Worktable grounding

Put a grounded conductive material (sheet) or iron sheet on the area where the optical pickup is placed.

2. Human body grounding

Use an anti-static wrist strap to discharge the static electricity from your body.



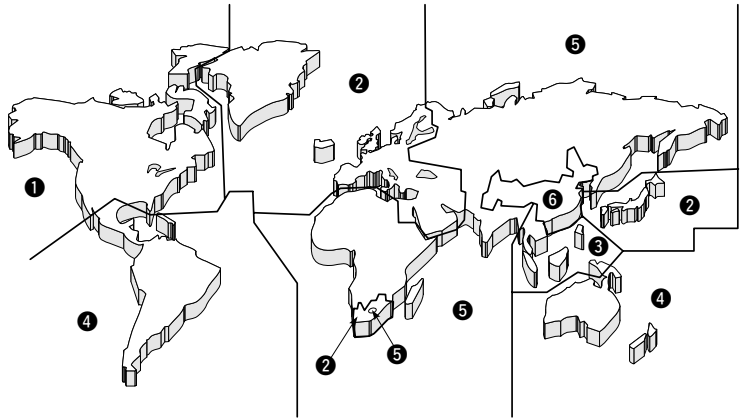
2. Handling Precautions for DVD mechanism

1. Handle the DVD mechanism gently, as it is an extremely high-precision assembly.
2. The flexible cable lines may break if an excessive force is applied to it. Use caution when handling the cable.
3. The semi-fixed resistor for laser power adjustment should not be adjusted. Do not turn the resistor.

■ LOCALE MANAGEMENT INFORMATION

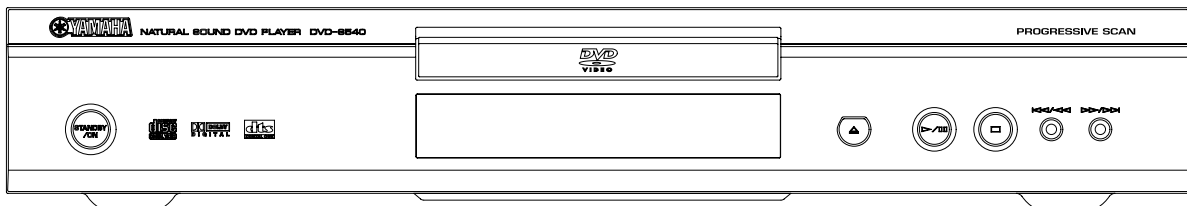
Locale Management Information : This DVD player is designed and manufactured to respond to the Locale Management Information that is recorded on a DVD disc. If the Locale number described on the DVD disc does not correspond to the Locale number of this DVD player, this DVD player cannot play this disc.

This product incorporates copyright protection technology that is protected by method claims of certain U.S. patents and other intellectual property rights owned by Macrovision Corporation and other rights owners. Use of this copyright protection technology must be authorized by Macrovision Corporation, and is intended for home and other limited viewing uses only unless otherwise authorized by Macrovision Corporation. Reverse engineering or disassembly is prohibited.

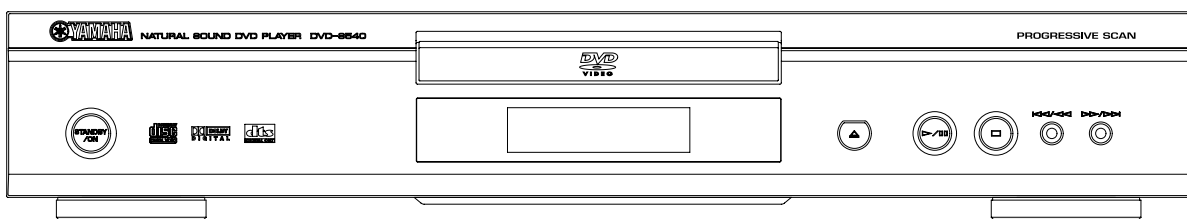


■ FRONT PANELS

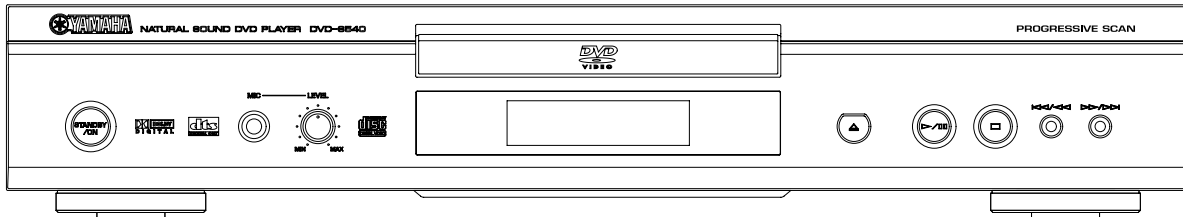
▼ DVD-S540 (U, C models)



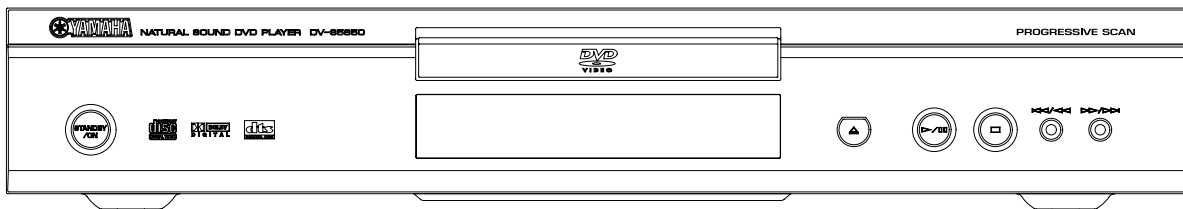
▼ DVD-S540 (A, B, G, P, T, K, J models)



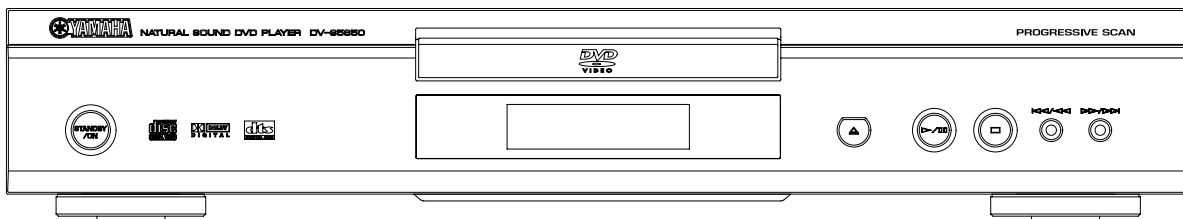
▼ DVD-S540 (R model)



▼ DV-S5650 (U, C model)

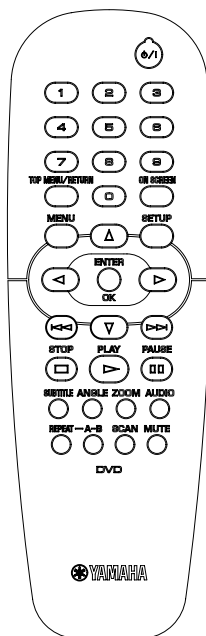


▼ DV-S5650 (A,G models)

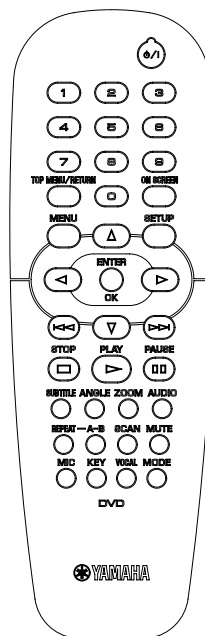


■ REMOTE CONTROL PANELS

▼ U, C, A, B, G, P, T, K, J models

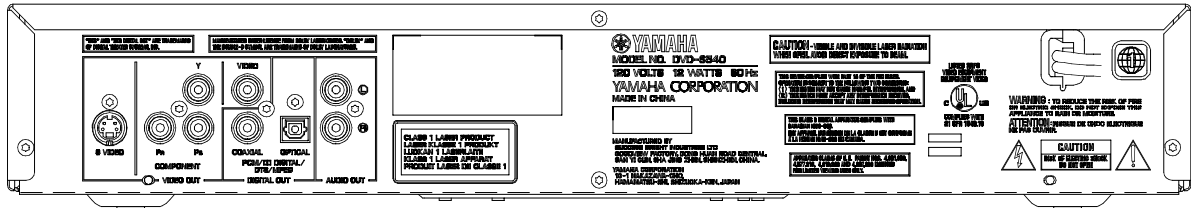


▼ R model

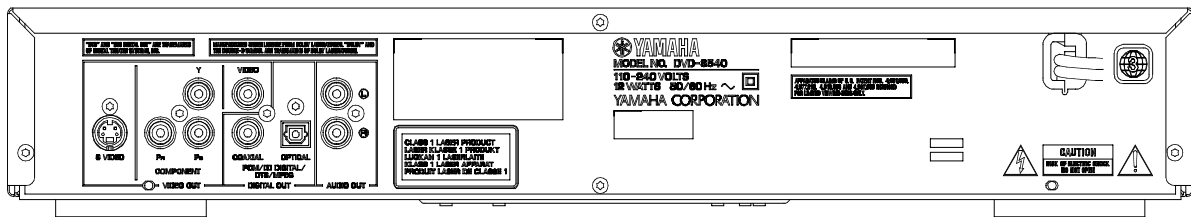


REAR PANELS

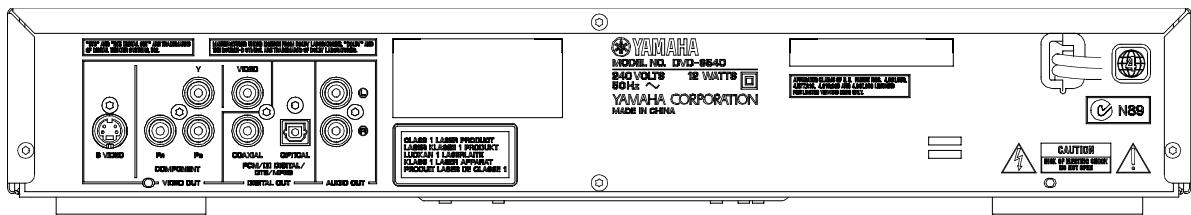
▼ DVD-S540 (U, C models)



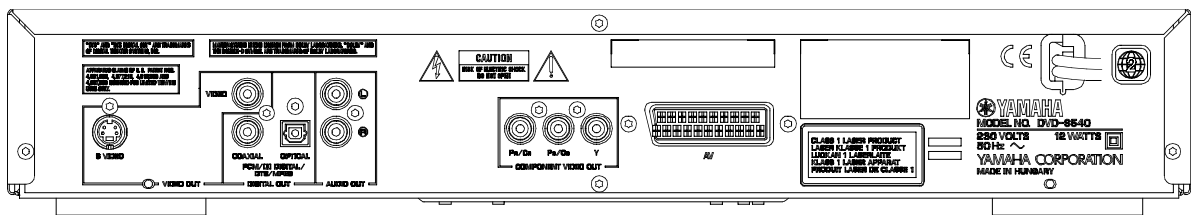
▼ DVD-S540 (R, K models)



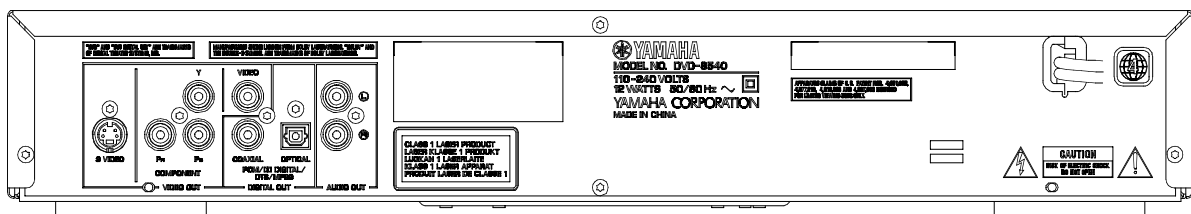
▼ DVD-S540 (A model)



▼ DVD-S540 (G, B models)

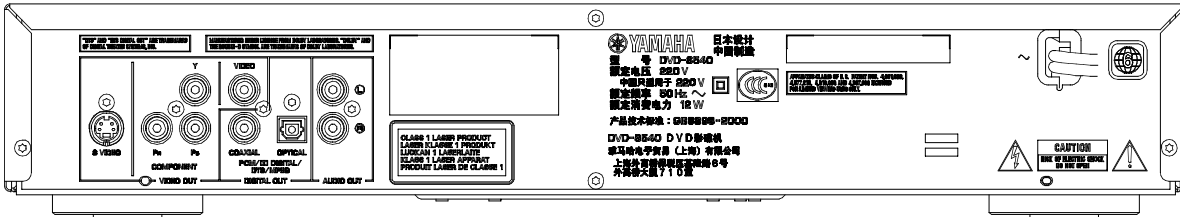


▼ DVD-S540 (P model)

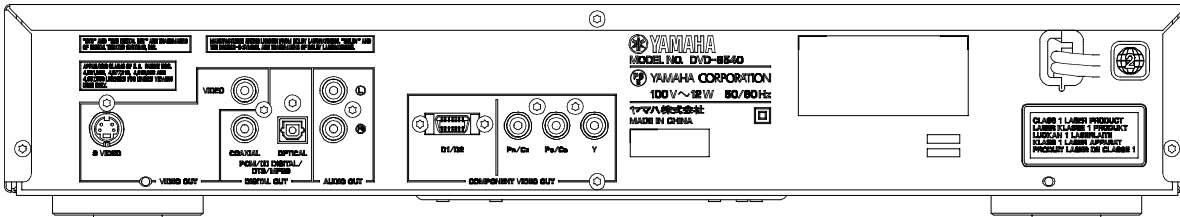


DVD-S540
DV-S5650

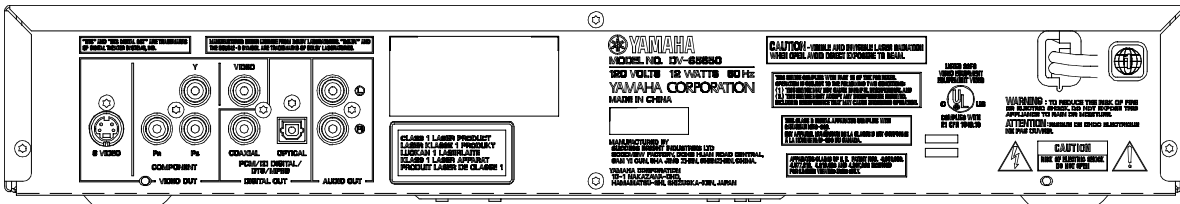
▼ DVD-S540 (T model)



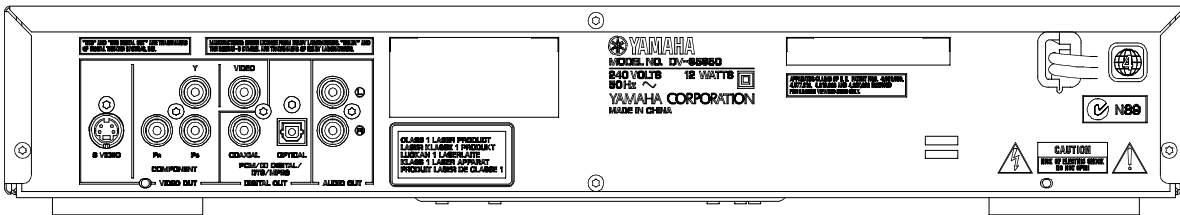
▼ DVD-S540 (J model)



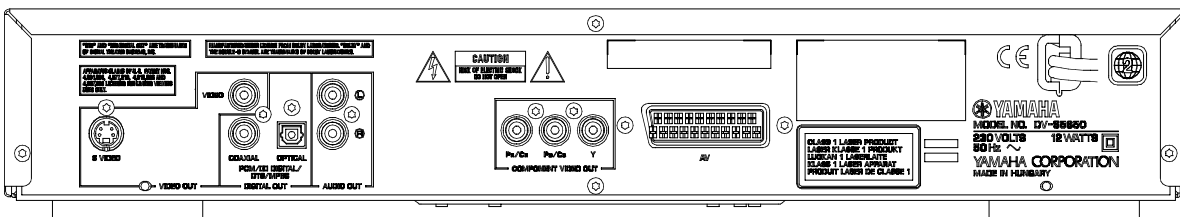
▼ DV-S5650 (U, C models)



▼ DV-S5650 (A model)



▼ DV-S5650 (G model)



DVD-S540
 DV-S5650

■ SPECIFICATIONS / 参考仕様

PLAYBACK SYSTEM /対応ディスク

DVD Video
Video CD & SVCD
CD
PICTURE CD
CD-R, CD-RW
DVD+R, DVD+RW
DVD-R, DVD-RW

VIDEO PERFORMANCE /ビデオ部

Video (CVBS) Output 1 Vpp into 75 ohm
S-Video Output Y: 1Vpp into 75 ohm
C: 0.3Vpp into 75 ohm
Component Video Output Y: 1Vpp into 75 ohm
Pb/Cb Pr/Cr: 0.7Vpp into 75 ohm
RGB (SCART) Output 0.7 Vpp into 75 ohm
Black Level Shift On/Off
Video Shift Left/Right

AUDIO FORMAT /オーディオフォーマット

Digital Mpeg/AC-3/DTS Compressed Digital
PCM 16, 20, 24 bits
fs, 44.1, 48, 96 kHz
MP3(ISO 9660) 24, 32, 56, 64, 96, 128, 256 kbps
fs 16, 22.05, 24, 32, 44.1, 48kHz

Analog Sound Stereo

AUDIO PERFORMANCE /オーディオ特性

DA Converter 24 bits
Signal-Noise (1kHz) 105 dB
Dynamic Range (1kHz) 100 dB
DVD fs 96 kHz 2 Hz - 44 kHz
fs 48 kHz 2 Hz - 22 kHz
SVCD fs 48 kHz 2 Hz - 22 kHz
fs 44.1 kHz 2 Hz - 20 kHz
CD/VCD fs 44.1 kHz 2 Hz - 20 kHz
Distortion and Noise (1kHz) 0.003%

TV STANDARD (PAL/50Hz) (NTSC/60Hz)

Number of lines 625 525
Playback Multistandard (PAL/NTSC)

CONNECTIONS /接続端子

Y Output Cinch (green)
Pb/Cb Output Cinch (blue)
Pr/Cr Output Cinch (red)
SCART Euroconnector (B, G models)
D Terminal (J model)
S-Video Output Mini DIN, 4 pins
Video Output Cinch
Audio Output (L+R) Cinch
Digital Output 1 coaxial, 1 optical
IEC958 for CDDA / LPCM/
MPEG1
IEC1937 for MPEG 2, Dolby
Digital and DTS

GENERAL /一般

Dimensions (w x h x d)
U, C models 435 x 75 x 302 mm
(17-1/8" x 2-15/16" x 11-7/8")
R, T, K, A, B, G, P, J models 435 x 78 x 302 mm
(17-1/8" x 3-1/16" x 11-7/8")
Weight Approx. 2.8 Kg (6 lbs 3 oz)
Finish DVD-S540 Gold (R, T, K, J models)
Black (U, C, A, B, G, P models)
Silver (C, R, T, B, G, P, J models)
Titanium (G model)
DV-S5650 Black (U, C, G models)
Silver (U, A, G models)
Power Supply 120V, 60Hz (U, C models)
230V, 50Hz (B, G models)
240V, 50Hz (A model)
110-240V, 50/60Hz (R, P, K models)
220V, 50Hz (T model)
100V, 50/60Hz (J model)
Power Consumption 12W
Standby Power Consumption (reference data) 1W

ACCESSORIES /付属品

Remote Control, Batteries
Audio/Video Cable (U, C, R, T, K, A, P, J models)
Audio Pin Cable (B, G models)
Video Cable (B, G models)

* *Specifications subject to change without prior notice.*

U **USA model** **R** **General model**
C **Canadian model** **T** **Chinese model**
A **Australian model** **K** **Korean model**
B **British model** **P** **South America model**
G **European model** **J** **Japanese model**

Manufactured under license from Dolby Laboratories.
"Dolby" and the double-D symbol are trademarks of Dolby Laboratories.

ドルビーラボラトリーズからの実施権により製造されています。
「ドルビー」及びダブルD記号は、ドルビーラボラトリーズの商標です。

"DTS" and "DTS Digital Out" are trademarks of Digital Theater Systems, Inc.

DTS および DTS Digital Out はデジタルシアターシステムズの登録商標です。

This product incorporates copyright protection technology that is protected by method claims of certain U.S. patents and other intellectual property rights owned by Macrovision Corporation and other rights owners. Use of this copyright protection technology must be authorized by Macrovision Corporation, and is intended for home and other limited viewing uses only unless otherwise authorized by Macrovision Corporation. Reverse engineering or disassembly is prohibited.

■ SERVICE HINTS / サービスヒント

1 Repair tips

1) Power Supply Unit

The power supply unit has to be replaced in case of failure.

2) DVD Mechanism

The DVD mechanism is a non-repairable unit and in case of failure, it has to be replaced with a complete DVD mechanism.

3) MONO Board

We do not supply the board for exchange. The board has to be repaired down to component level in case of failure.

2 Troubleshooting

In this paragraph some troubleshooting tips are given to diagnose the DVD player. Use MAINTENANCE FLOW CHART for trouble shooting. The diagnostic software is not available in the player.

1 修理についての助言

1)電源ユニット

故障の場合は、電源ユニットを交換してください。

2)DVDメカ

DVDメカは、修理不可能なユニットなので、故障の場合は、DVDメカ全体を交換してください。

3)MONOボード

交換用ボードは供給できません。故障の場合は、部品レベルで修理してください。

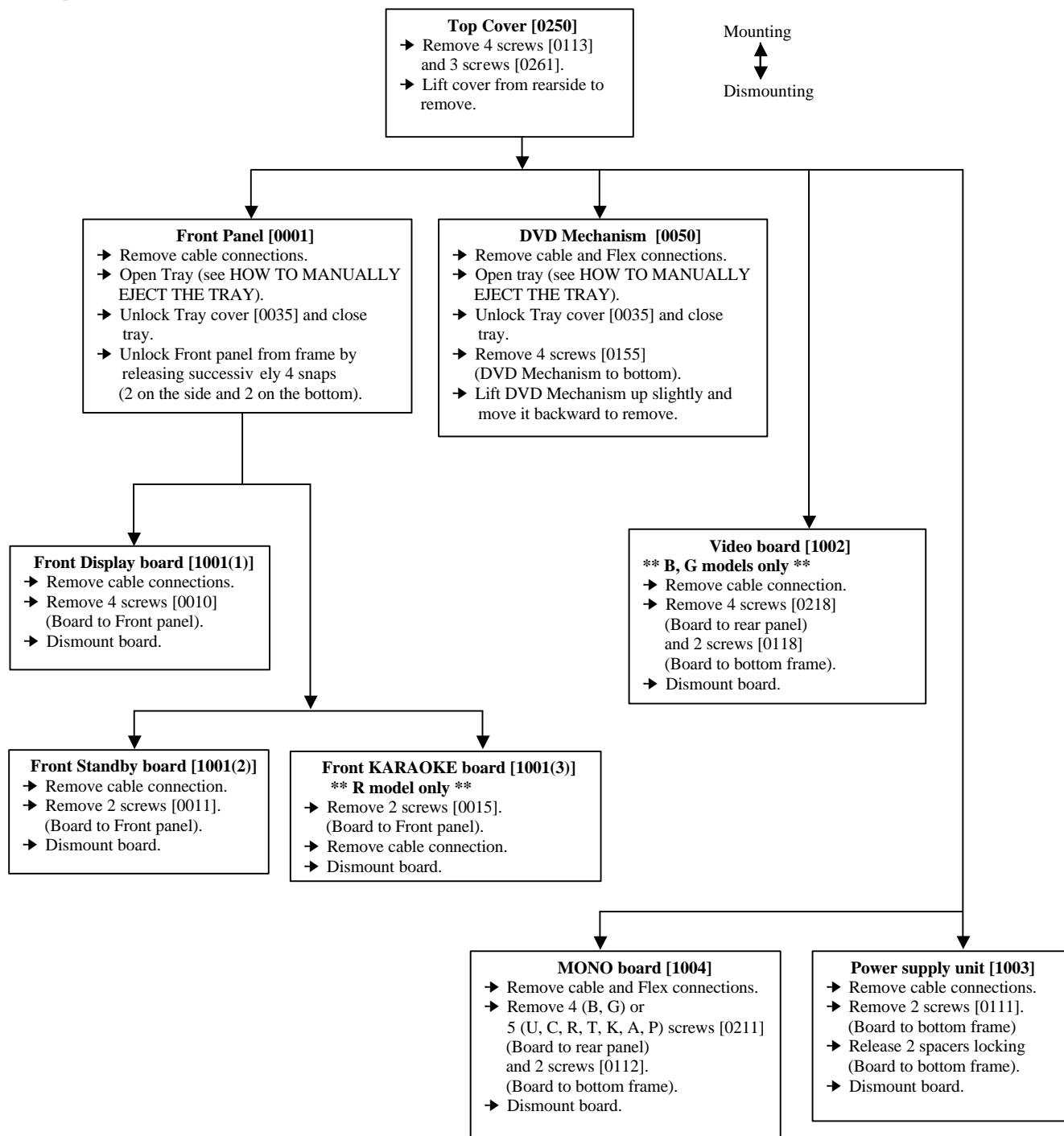
2 トラブルシューティング

トラブルシューティングには、メンテナンスフローチャートを活用してください。

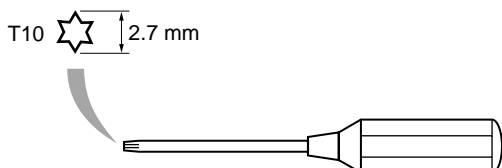
故障診断ソフトウェアは内蔵されていません。

■ DISASSEMBLY PROCEDURES

See exploded view for item numbers.

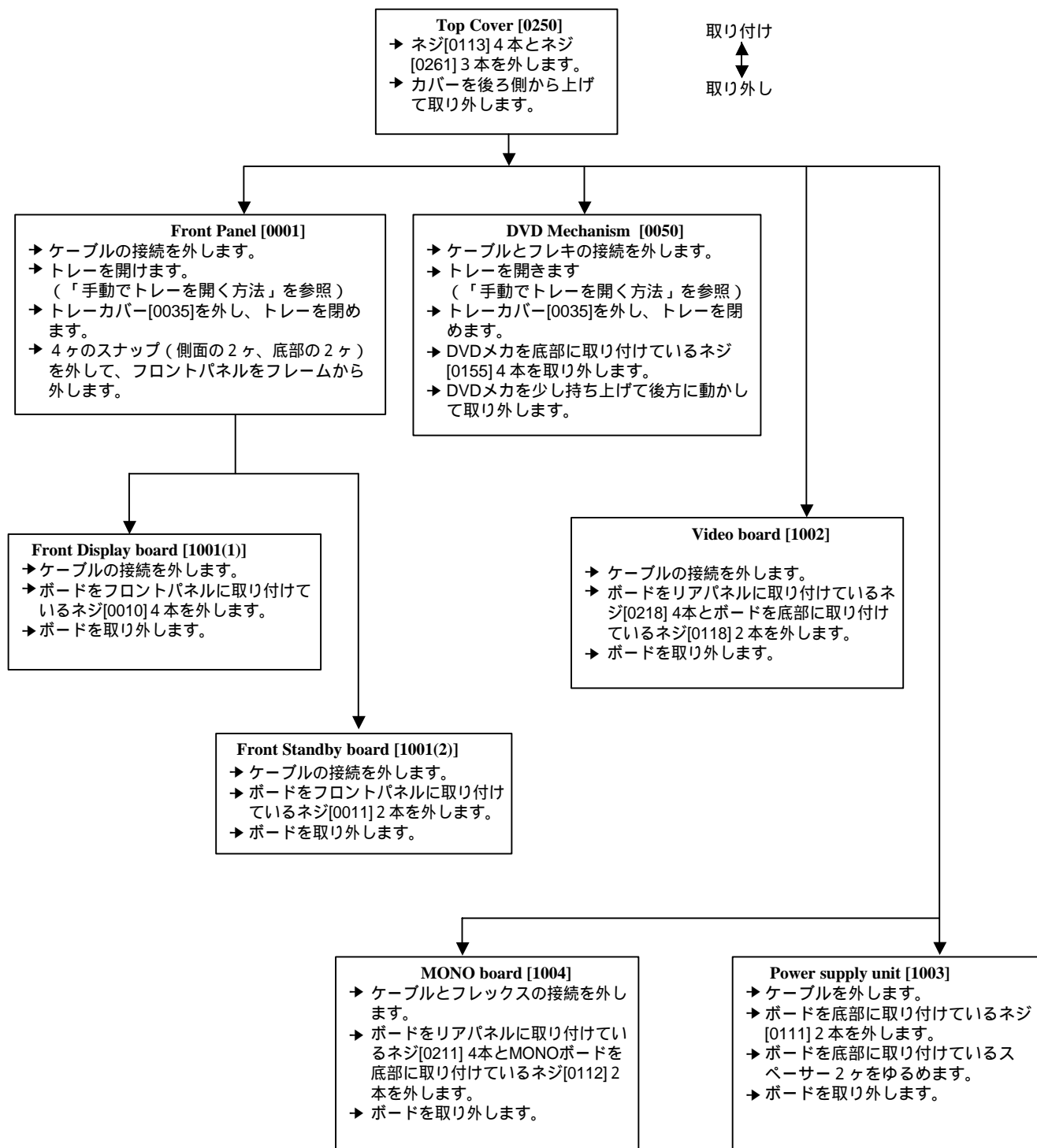


When disassembling, use the special screw driver with tip shape in figure.

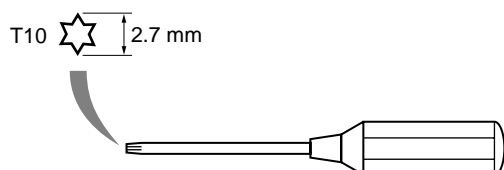


■ 分解手順

項目番号については分解図を参照してください。



分解には図のような特殊ドライバーを使用します。

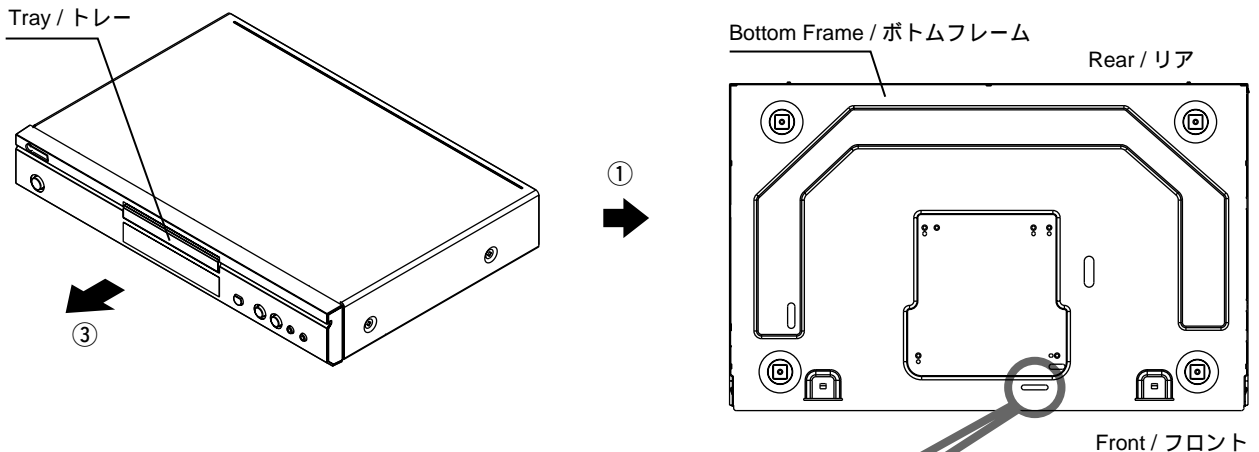


HOW TO MANUALLY EJECT THE TRAY

- Turn the player bottom up.
- Move the slider in the direction indicated with a screw driver until the tray is ejected.
- Gently pull the tray out.

手動でトレーを開く方法

- 本体を上下反転します。
- トレーが出てくるまで、ドライバーでスライダーを図に示す矢印の方向に動かします。
- トレーをそっと引き出します。



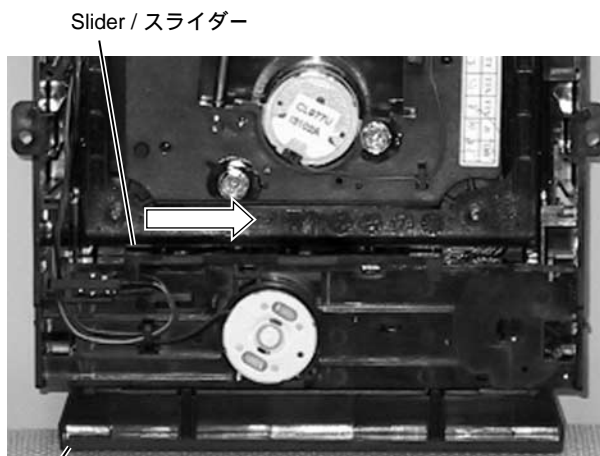
Note)

As this hole is not provided in the products during initial production, open the tray using the following procedure.

- Remove the DVD mechanism from the main unit.
- Turn it upside down and move the slider in the direction indicated.
- Gently pull the tray out.

注)
生産初期の製品はこの孔がないので、下記の方法でトレーを開けてください。

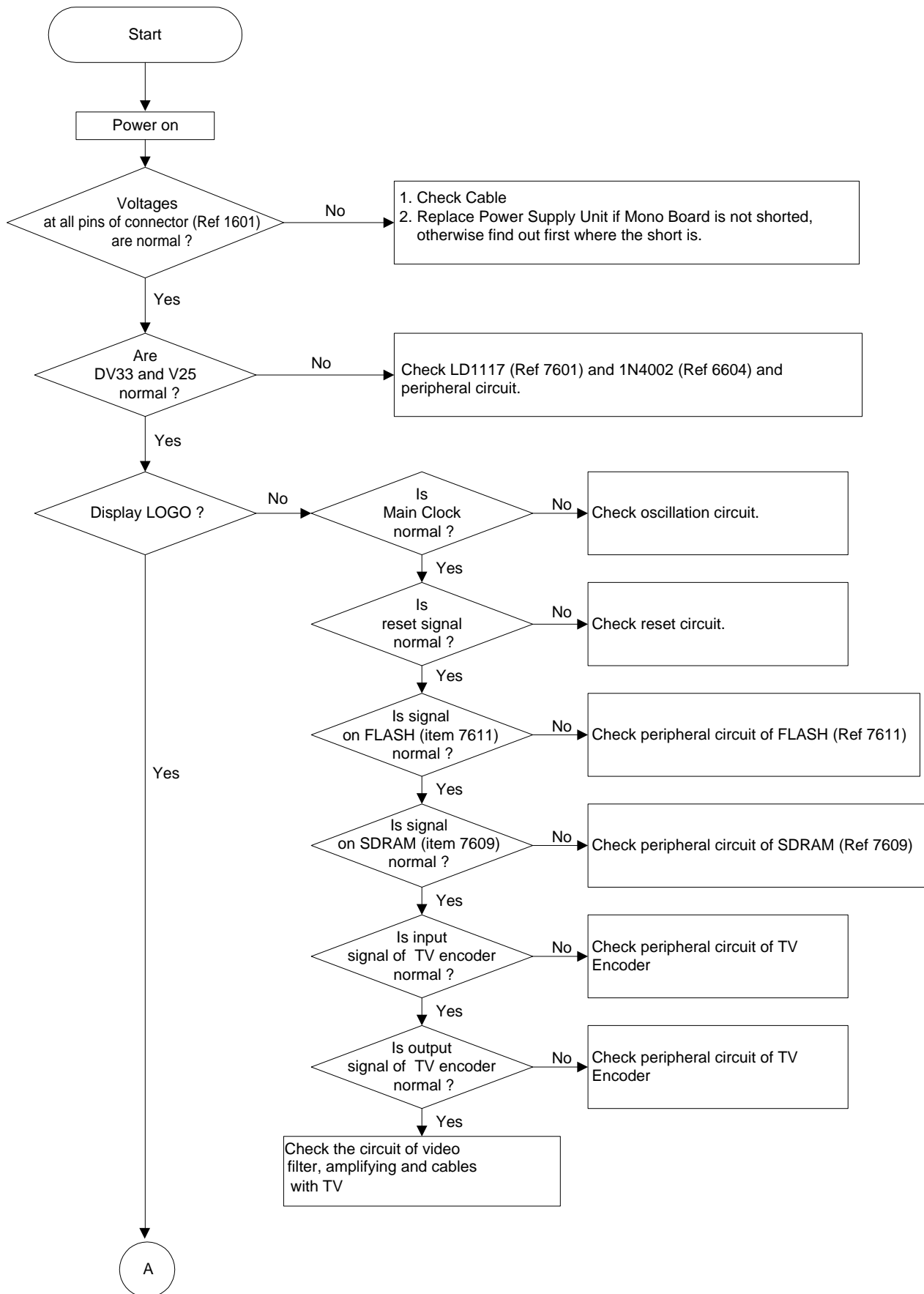
- DVDメカを本体から外します。
- 上下反転します。
スライダーを矢印の方向に動かします。
- トレーをそっと引き出します。



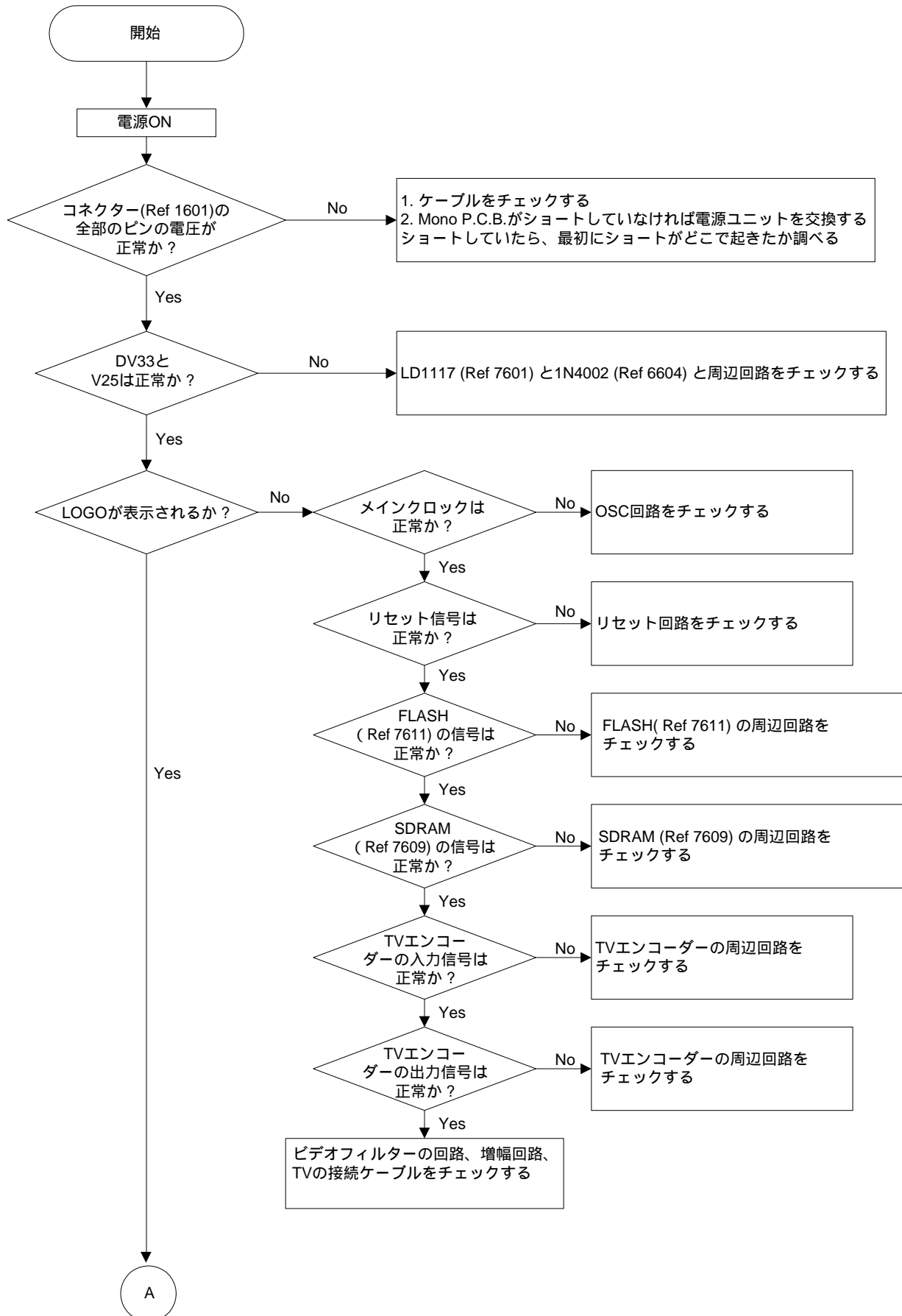
Tray / トレー

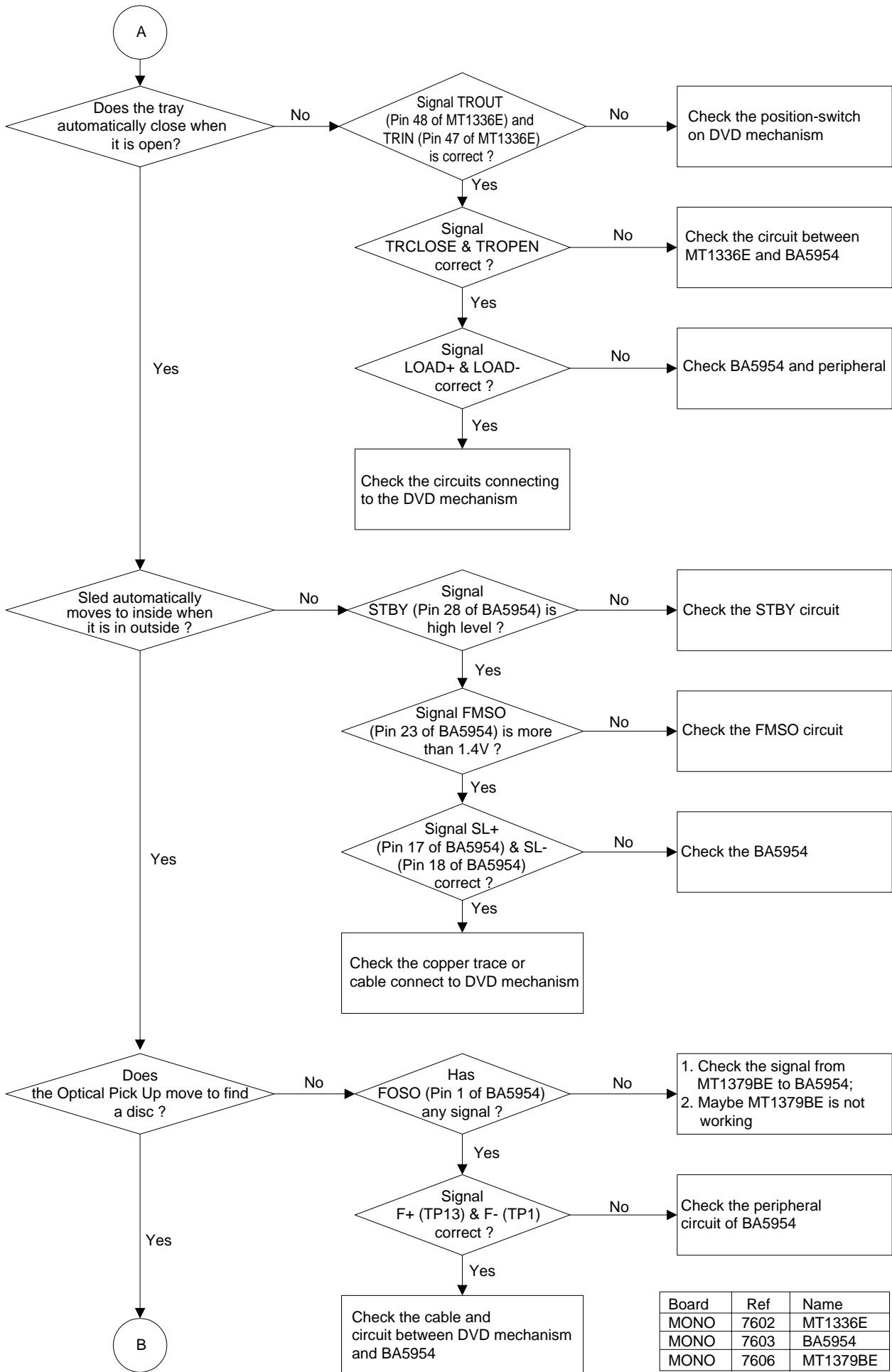
MAINTENANCE FLOW CHART

DVD-S540
DV-S5650

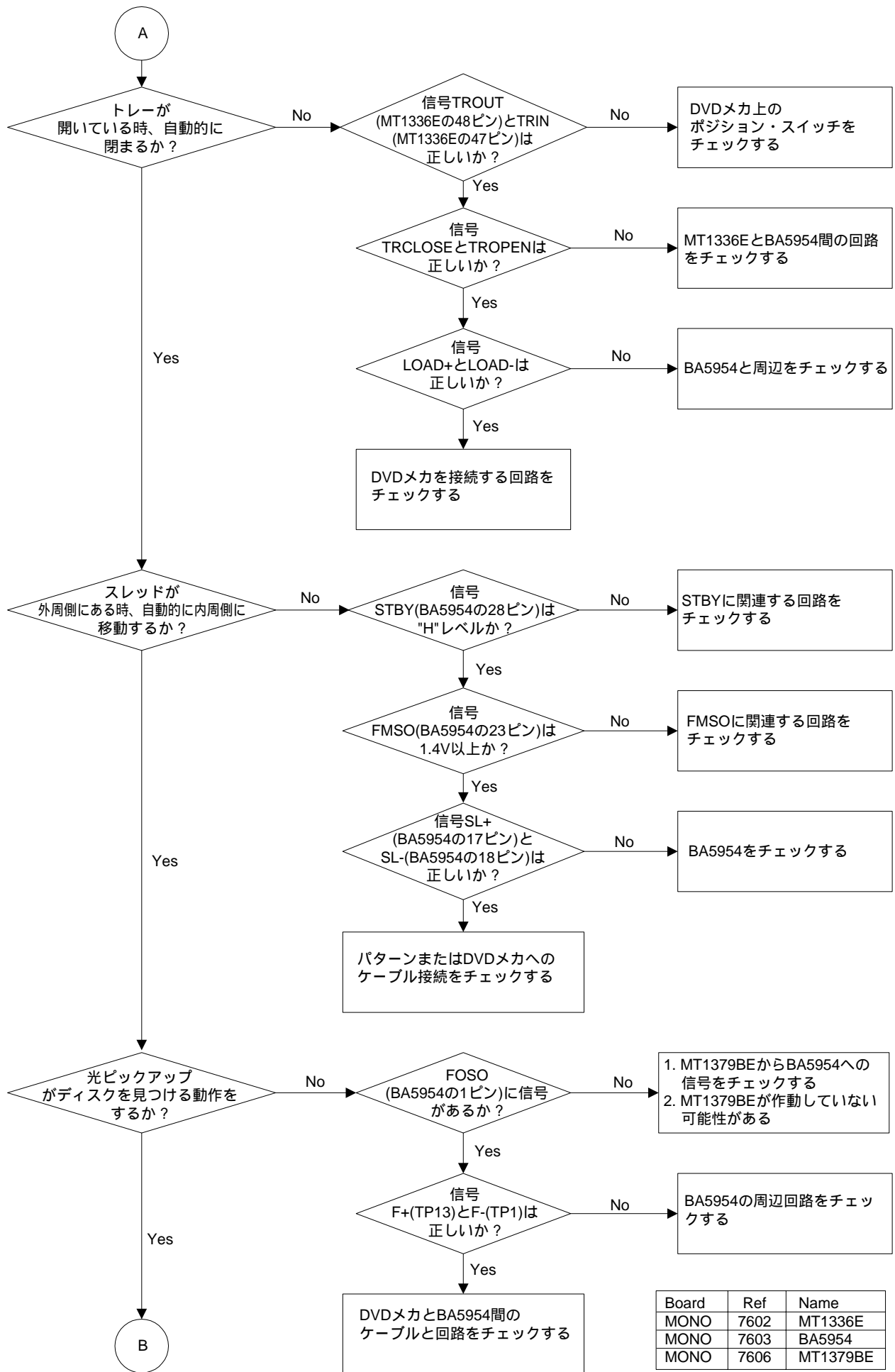


■ メンテナンスフローチャート

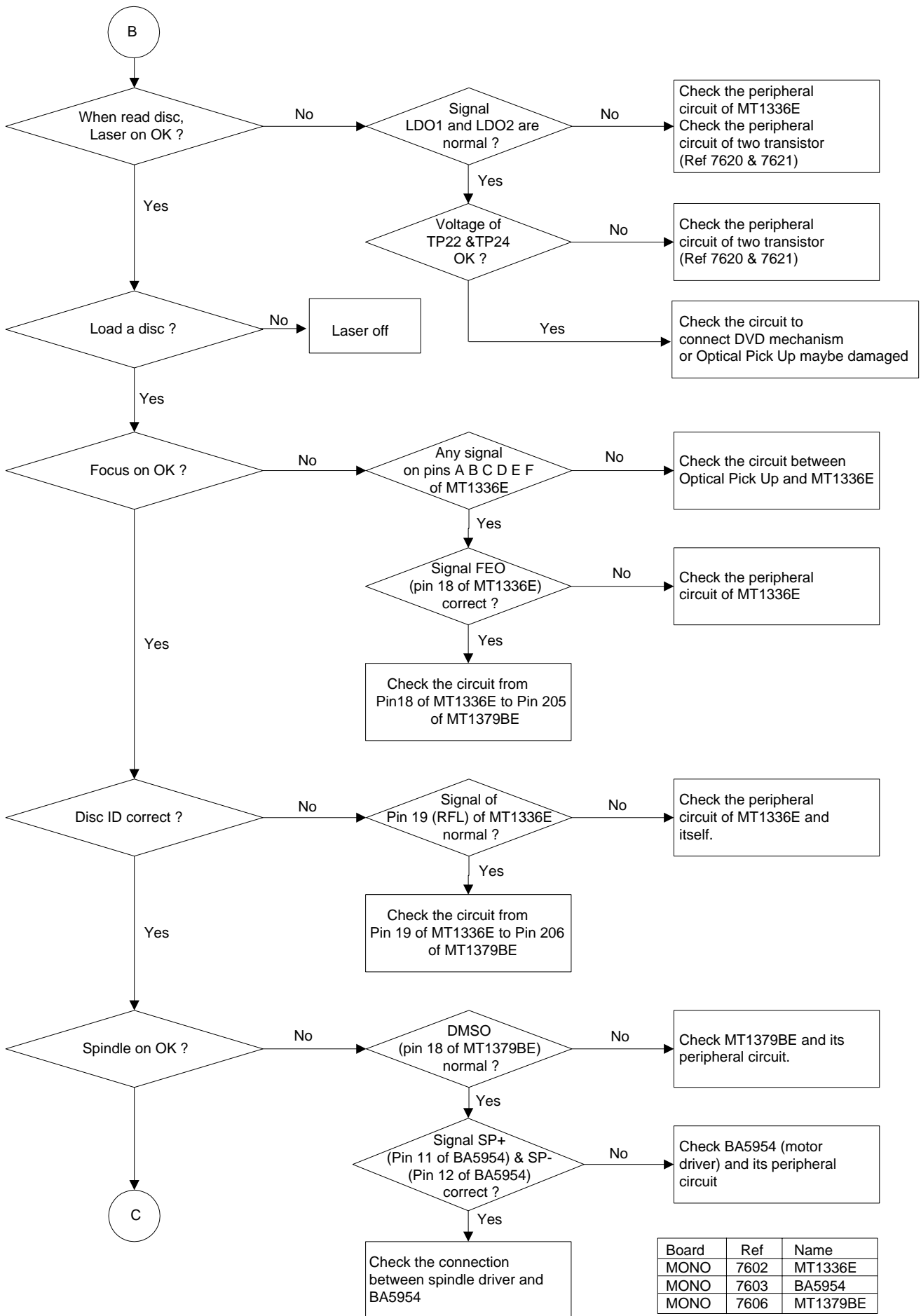




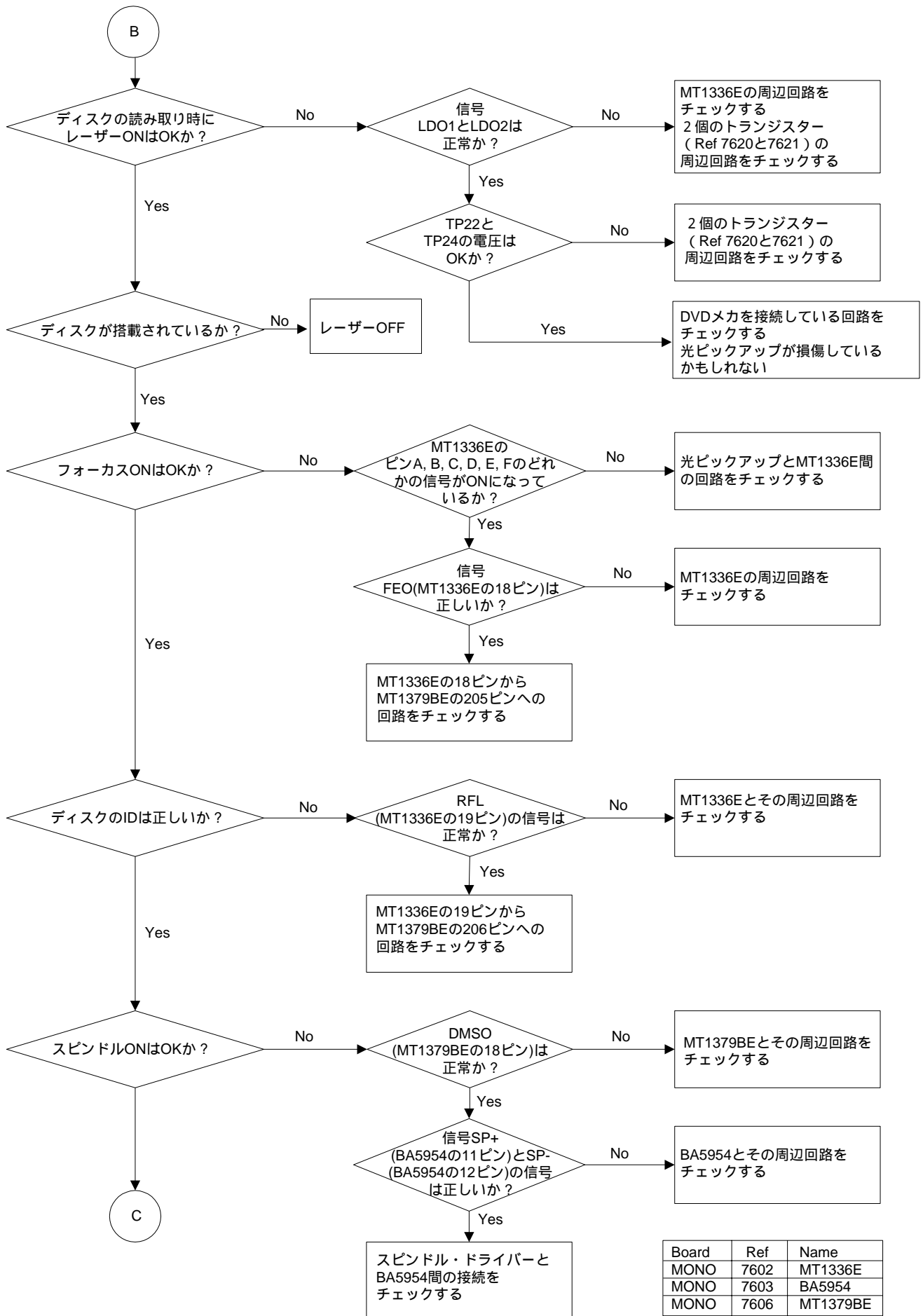
Board	Ref	Name
MONO	7602	MT1336E
MONO	7603	BA5954
MONO	7606	MT1379BE

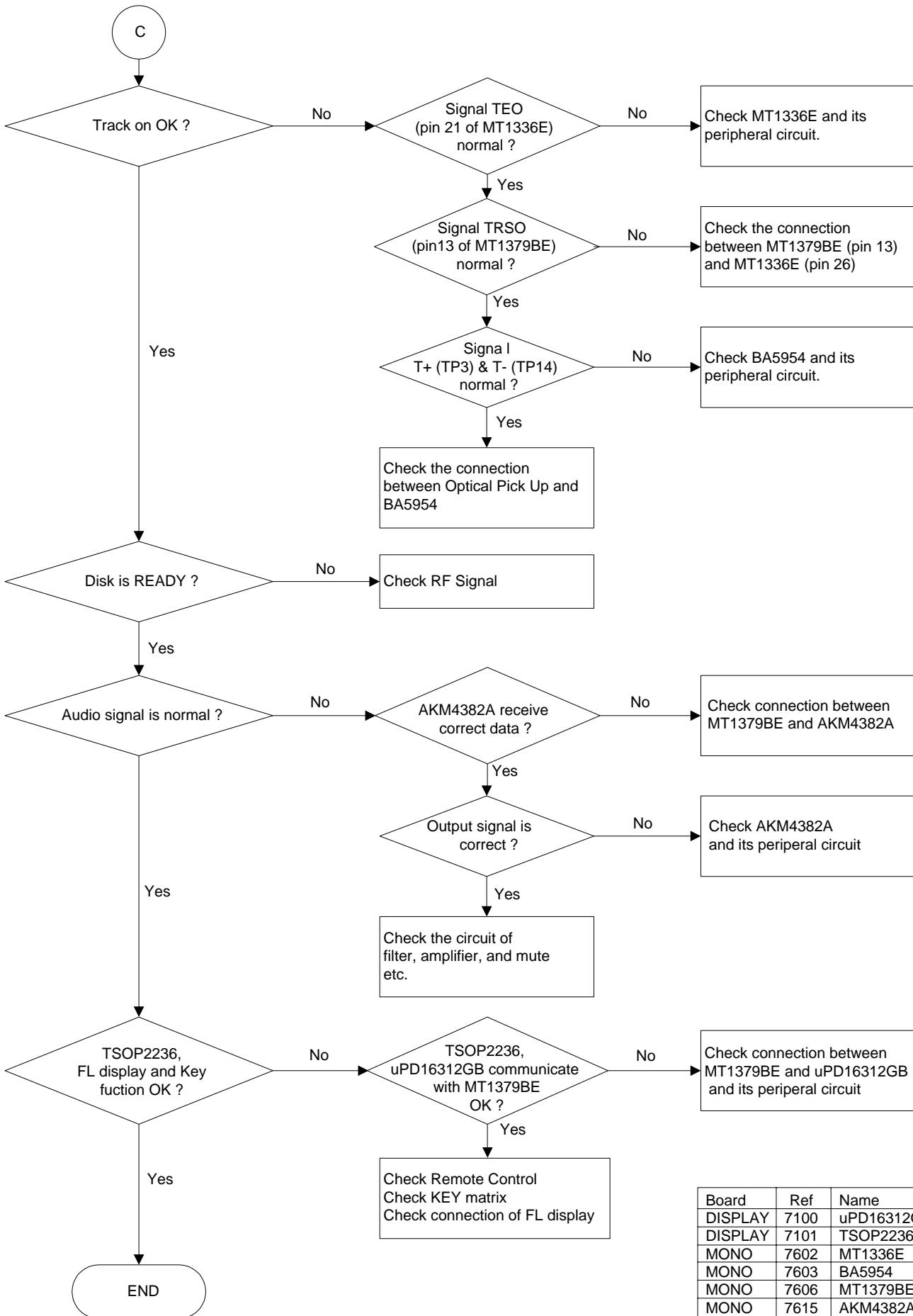


Board	Ref	Name
MONO	7602	MT1336E
MONO	7603	BA5954
MONO	7606	MT1379BE

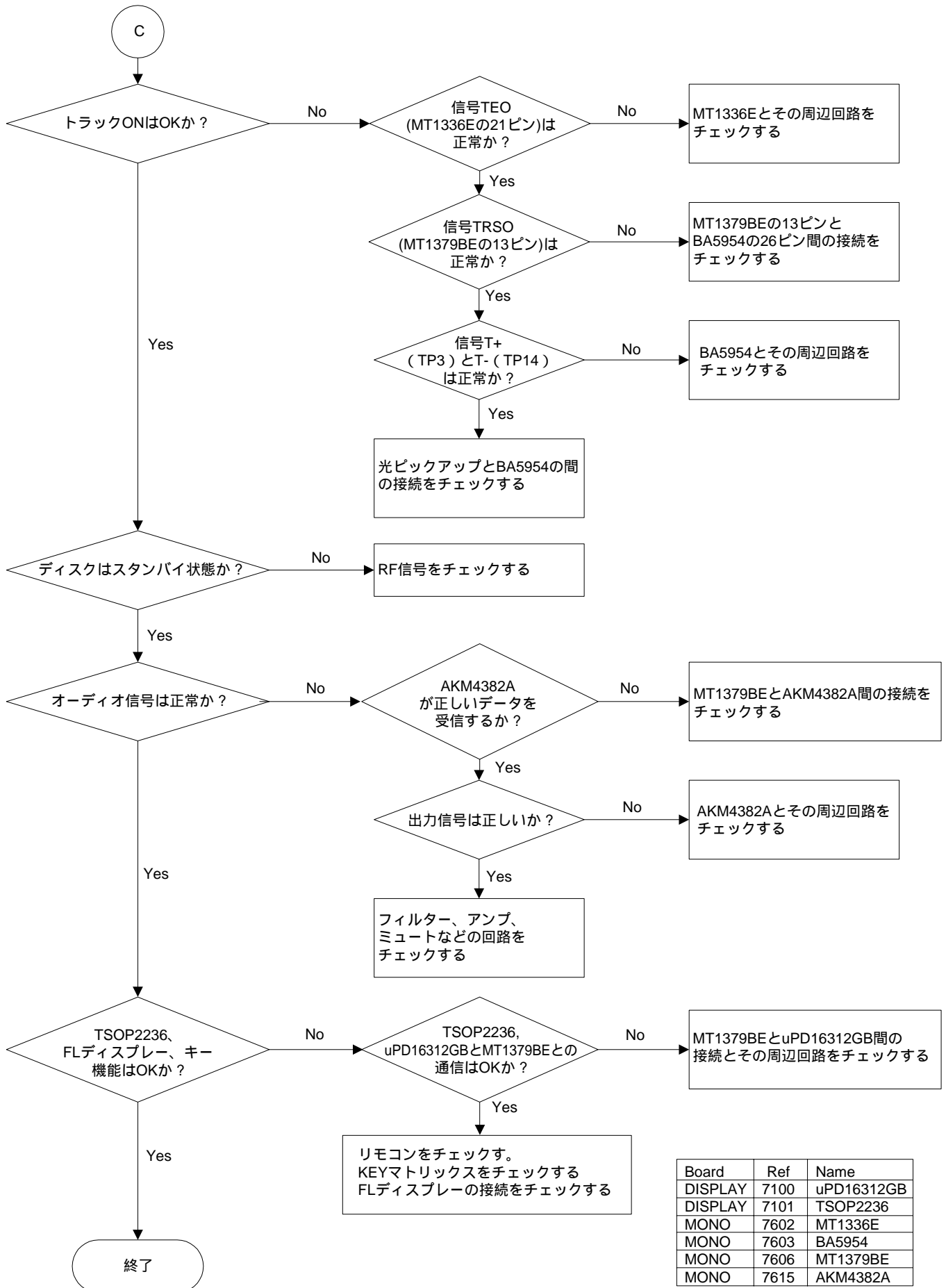


Board	Ref	Name
MONO	7602	MT1336E
MONO	7603	BA5954
MONO	7606	MT1379BE



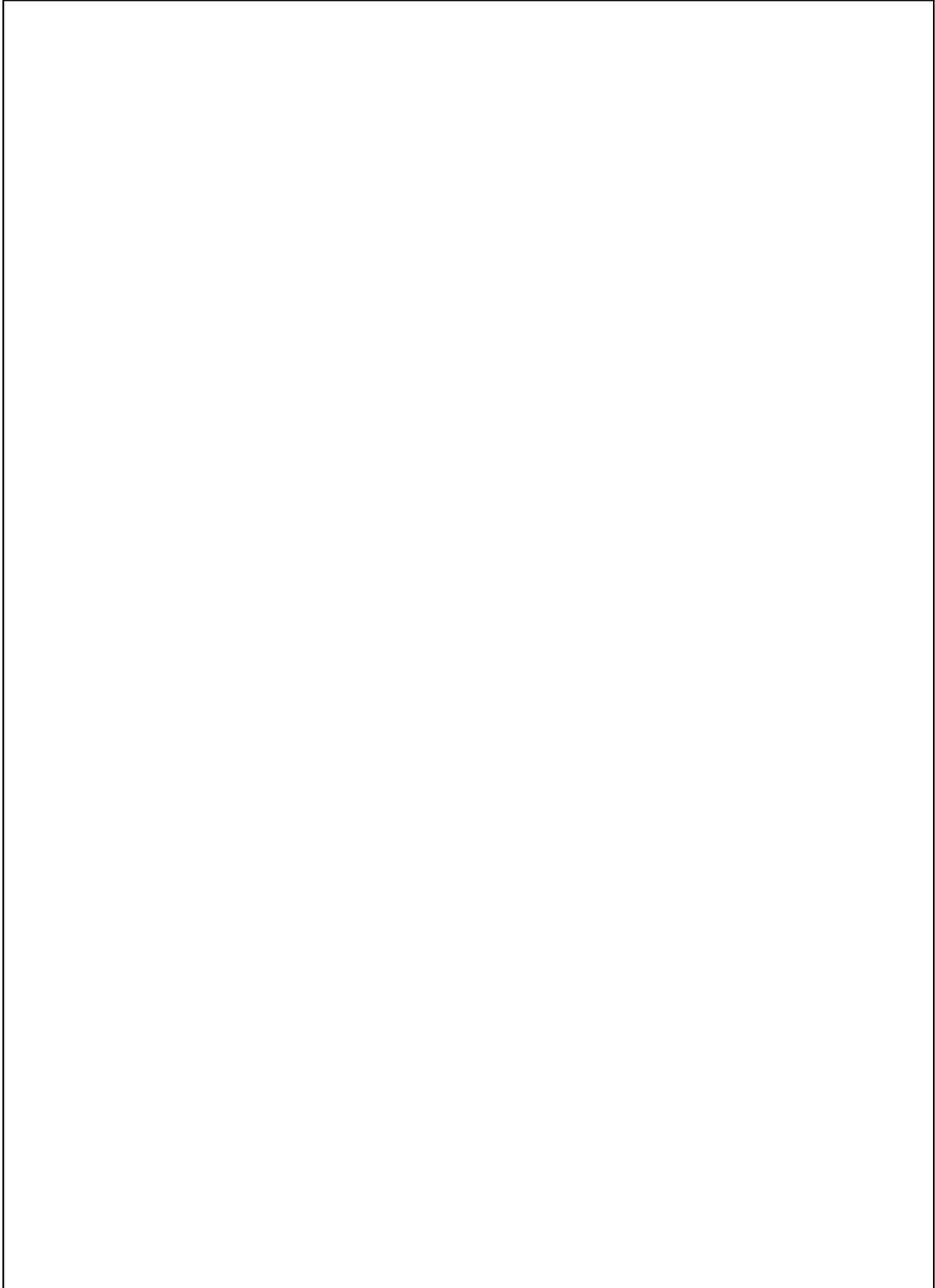


Board	Ref	Name
DISPLAY	7100	uPD16312GB
DISPLAY	7101	TSOP2236
MONO	7602	MT1336E
MONO	7603	BA5954
MONO	7606	MT1379BE
MONO	7615	AKM4382A



Board	Ref	Name
DISPLAY	7100	uPD16312GB
DISPLAY	7101	TSOP2236
MONO	7602	MT1336E
MONO	7603	BA5954
MONO	7606	MT1379BE
MONO	7615	AKM4382A

MEMO



DVD-S540
DV-S5650

■ BLOCK DIAGRAM

1

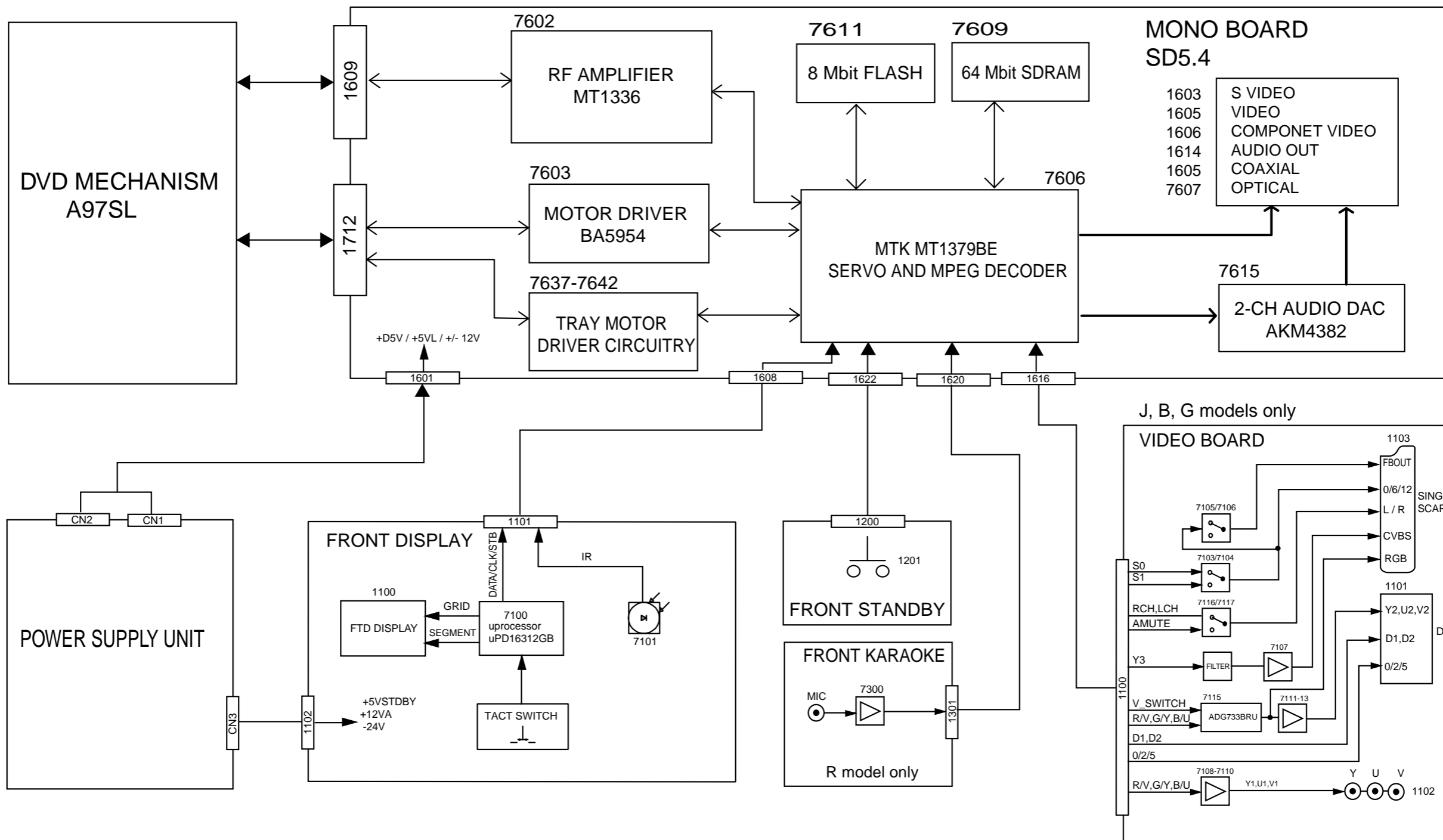
2

3

4

5

6



B, G models only

J model only

WIRING DIAGRAM

1

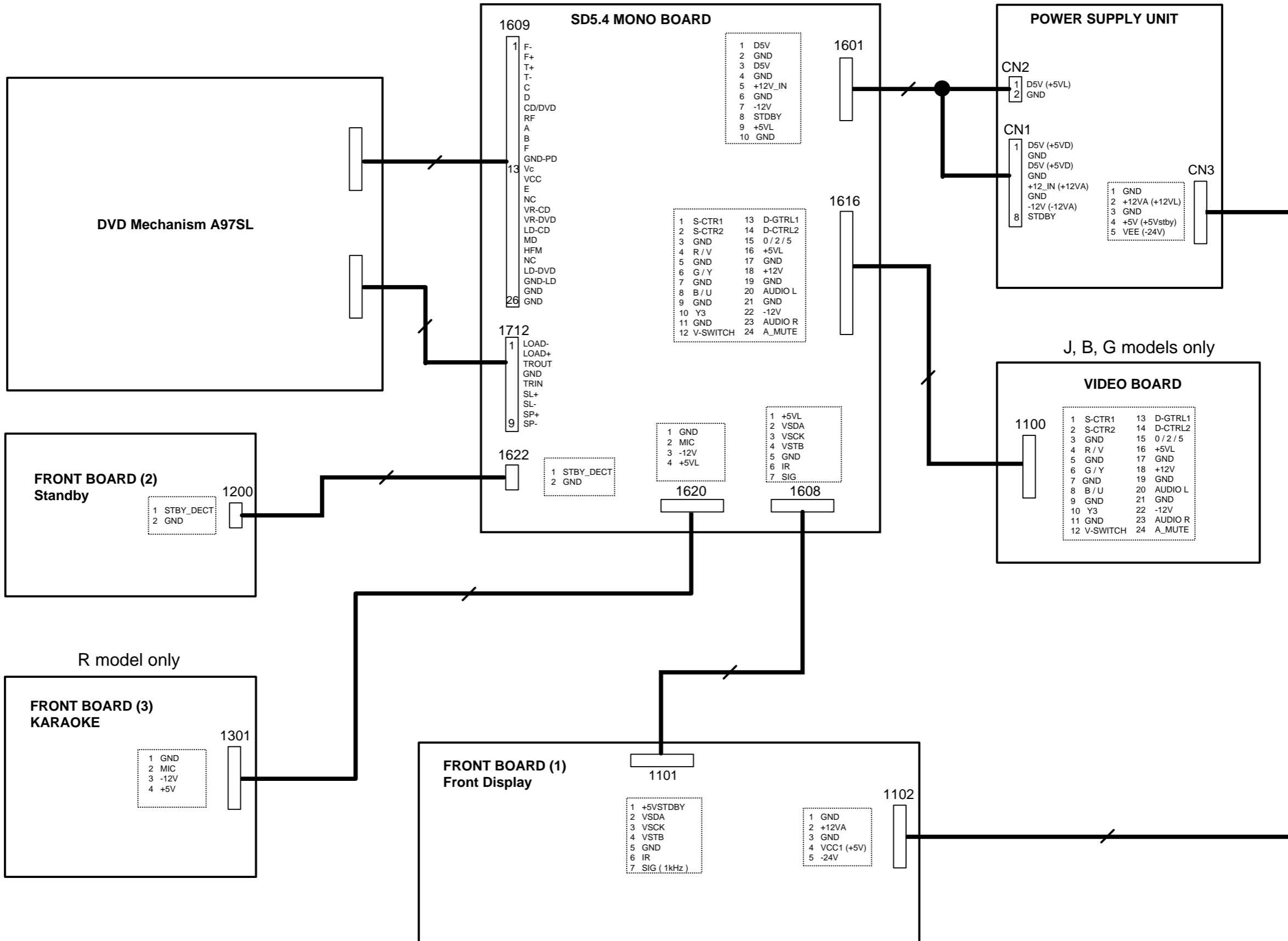
2

3

4

5

6



PARTS LIST

■ ELECTRICAL PARTS

■ WARNING

- Components having special characteristics are marked \triangle and must be replaced with parts having specifications equal to those originally installed.

\triangle 印のある部分は、安全確保部品を示しています。部品の交換が必要な場合、パーツリストに記載されている部品を使用してください。

ABBREVIATIONS IN THIS LIST ARE AS FOLLOWS :

C.A.EL.CHP	: CHIP ALUMI. ELECTROLYTIC CAP	L.DTCT	: LIGHT DETECTING MODULE
C.CE	: CERAMIC CAP	L.EMIT	: LIGHT EMITTING MODULE
C.CE.ARRAY	: CERAMIC CAP ARRAY	LED.DSPLY	: LED DISPLAY
C.CE.CHP	: CHIP CERAMIC CAP	LED.INFRD	: LED, INFRARED
C.CE.ML	: MULTILAYER CERAMIC CAP	MODUL.RF	: MODULATOR, RF
C.CE.M.CHP	: CHIP MULTILAYER CERAMIC CAP	PHOT.CPL	: PHOTO COUPLER
C.CE.SAFTY	: RECOGNIZED CERAMIC CAP	PHOT.INTR	: PHOTO INTERRUPTER
C.CE.TUBLR	: CERAMIC TUBULAR CAP	PHOT.RFLCT	: PHOTO REFLECTOR
C.CE.SMI	: SEMI CONDUCTIVE CERAMIC CAP	PIN.TEST	: PIN, TEST POINT
C.EL	: ELECTROLYTIC CAP	PLST.RIVET	: PLASTIC RIVET
C.MICA	: MICA CAP	R.ARRAY	: RESISTOR ARRAY
C.ML.FLM	: MULTILAYER FILM CAP	R.CAR	: CARBON RESISTOR
C.MP	: METALLIZED PAPER CAP	R.CAR.CHP	: CHIP RESISTOR
C.MYLAR	: MYLAR FILM CAP	R.CAR.FP	: FLAME PROOF CARBON RESISTOR
C.MYLAR.ML	: MULTILAYER MYLAR FILM CAP	R.FUS	: FUSABLE RESISTOR
C.PAPER	: PAPER CAPACITOR	R.MTL.CHP	: CHIP METAL FILM RESISTOR
C.PLS	: POLYSTYRENE FILM CAP	R.MTL.FLM	: METAL FILM RESISTOR
C.POL	: POLYESTER FILM CAP	R.MTL.OXD	: METAL OXIDE FILM RESISTOR
C.POLY	: POLYETHYLENE FILM CAP	R.MTL.PLAT	: METAL PLATE RESISTOR
C.PP	: POLYPROPYLENE FILM CAP	RSNR.CE	: CERAMIC RESONATOR
C.TNTL	: TANTALUM CAP	RSNR.CRYS	: CRYSTAL RESONATOR
C.TNTL.CHP	: CHIP TANTALUM CAP	R.TW.CEM	: TWIN CEMENT FIXED RESISTOR
C.TRIM	: TRIMMER CAP	R.WW	: WIRE WOUND RESISTOR
CN	: CONNECTOR	SCR.BND.HD	: BIND HEAD B-TITE SCREW
CN.BS.PIN	: CONNECTOR, BASE PIN	SCR.BW.HD	: BW HEAD TAPPING SCREW
CN.CANNON	: CONNECTOR, CANNON	SCR.CUP	: CUP TITE SCREW
CN.DIN	: CONNECTOR, DIN	SCR.TERM	: SCREW TERMINAL
CN.FLAT	: CONNECTOR, FLAT CABLE	SCR.TR	: SCREW, TRANSISTOR
CN.POST	: CONNECTOR, BASE POST	SUPRT.PCB	: SUPPORT, P.C.B.
COIL.MX.AM	: COIL, AM MIX	SURG.PRTCT	: SURGE PROTECTOR
COIL.AT.FM	: COIL, FM ANTENNA	SW.TACT	: TACT SWITCH
COIL.DT.FM	: COIL, FM DETECT	SW.LEAF	: LEAF SWITCH
COIL.MX.FM	: COIL, FM MIX	SW.LEVER	: LEVER SWITCH
COIL.OUTPT	: OUTPUT COIL	SW.MICRO	: MICRO SWITCH
DIOD.ARRAY	: DIODE ARRAY	SW.PUSH	: PUSH SWITCH
DIODE.BRG	: DIODE BRIDGE	SW.RT.ENC	: ROTARY ENCODER
DIODE.CHP	: CHIP DIODE	SW.RT.MTR	: ROTARY SWITCH WITH MOTOR
DIODE.SHOT	: SCHOTTKY BARRIER DIODE	SW.RT	: ROTARY SWITCH
DIODE.VAR	: VARACTOR DIODE	SW.SLIDE	: SLIDE SWITCH
DIOD.Z.CHP	: CHIP ZENER DIODE	TERM.SP	: SPEAKER TERMINAL
DIODE.ZENR	: ZENER DIODE	TERM.WRAP	: WRAPPING TERMINAL
DSCR.CE	: CERAMIC DISCRIMINATOR	THRMST.CHP	: CHIP THERMISTOR
FER.BEAD	: FERRITE BEADS	TR.CHP	: CHIP TRANSISTOR
FER.CORE	: FERRITE CORE	TR.DGT	: DIGITAL TRANSISTOR
FET.CHP	: CHIP FET	TR.DGT.CHP	: CHIP DIGITAL TRANSISTOR
FL.DSPLY	: FLUORESCENT DISPLAY	TRANS	: TRANSFORMER
FLTR.CE	: CERAMIC FILTER	TRANS.PULS	: PULSE TRANSFORMER
FLTR.COMB	: COMB FILTER MODULE	TRANS.PWR	: POWER TRANSFORMER ASS'y
FLTR.LC.RF	: LC FILTER, EMI	TUNER.AM	: TUNER PACK, AM
GND.MTL	: GROUND PLATE	TUNER.FM	: TUNER PACK, FM
GND.TERM	: GROUND TERMINAL	TUNER.PK	: FRONT-END TUNER PACK
HOLDER.FUS	: FUSE HOLDER	VR	: ROTARY POTENTIOMETER
IC.PRTCT	: IC PROTECTOR	VR.MTR	: POTENTIOMETER WITH MOTOR
JUMPER.CN	: JUMPER CONNECTOR	VR.SW	: POTENTIOMETER WITH ROTARY SW
JUMPER.TST	: JUMPER, TEST POINT	VR.SLIDE	: SLIDE POTENTIOMETER
		VR.TRIM	: TRIMMER POTENTIOMETER

Ref. No.	PART NO.	Description	Remarks	Markets	部品名	Rank
		P.C.B.	MONO SD5.4		P C B MONO	
* 1603	AAX50440	TERMINAL	S-VIDEO S-5D	3141 010 30422		Sビデオ端子
* 1605	AAX50610	JACK.PIN	2P YE/BL	3141 010 30411		ピンジャック
* 1606	AAX50630	JACK.PIN	3P GR/BE/RE	3141 010 30501	UCRTAPK	ピンジャック
* 1614	AAX50620	JACK.PIN	2P RE/WH	3141 010 30471		ピンジャック
2613	UR848100	C.EL	100uF 25V			ケミコン 01
2625	UR837470	C.EL	47uF 16V			ケミコン 01
2629	UR837470	C.EL	47uF 16V			ケミコン 01
2633	UR837470	C.EL	47uF 16V			ケミコン 01
2634	UR837470	C.EL	47uF 16V			ケミコン 01
2648	UR848100	C.EL	100uF 25V			ケミコン 01
2655	UR837470	C.EL	47uF 16V			ケミコン 01
2660	UR837470	C.EL	47uF 16V			ケミコン 01
2683	UR837470	C.EL	47uF 16V			ケミコン 01
2735	UR837470	C.EL	47uF 16V		JRBR	ケミコン 01
2742	UR837470	C.EL	47uF 16V		R	ケミコン 01
2755	UR847100	C.EL	10uF 25V			ケミコン 01
2778	UR848100	C.EL	100uF 25V			ケミコン 01
2779	UR838220	C.EL	220uF 16V			ケミコン 01
2781	UR838220	C.EL	220uF 16V			ケミコン 01
2782	UR847100	C.EL	10uF 25V			ケミコン 01
2783	UR838220	C.EL	220uF 16V			ケミコン 01
2784	UR838220	C.EL	220uF 16V			ケミコン 01
2785	UR838220	C.EL	220uF 16V			ケミコン 01
2786	UR838220	C.EL	220uF 16V			ケミコン 01
2787	UR848100	C.EL	100uF 25V			ケミコン 01
2788	UR837470	C.EL	47uF 16V			ケミコン 01
2789	UR837470	C.EL	47uF 16V			ケミコン 01
2790	UR848100	C.EL	100uF 25V			ケミコン 01
2791	UR837470	C.EL	47uF 16V			ケミコン 01
2793	UR838220	C.EL	220uF 16V			ケミコン 01
2797	UR848100	C.EL	100uF 25V			ケミコン 01
2798	UR848100	C.EL	100uF 25V			ケミコン 01
2800	UR848100	C.EL	100uF 25V			ケミコン 01
2805	UR867220	C.EL	22uF 50V			ケミコン 01
2806	UR867220	C.EL	22uF 50V			ケミコン 01
2807	UR848100	C.EL	100uF 25V			ケミコン 01
2812	UR867220	C.EL	22uF 50V			ケミコン 01
2816	UR838470	C.EL	470uF 16V		UCTAPK	ケミコン 01
2822	UR838470	C.EL	470uF 16V		UCTAPK	ケミコン 01
* 5701	AAX50950	RSNR.CRYST	27.00MHz	3141 018 80601		水晶振動子
* 6601-03	AAX50460	DIODE	BAS316	9340 549 45115		ダイオード
* 6604	AAX50990	DIODE	1N4002	3141 018 51781		ダイオード
* 6605-17	AAX50460	DIODE	BAS316	9340 549 45115		ダイオード
* 6620-23	AAX50460	DIODE	BAS316	9340 549 45115		ダイオード
* 7601	AAX46700	IC	LD1117DT33	9322 134 45668		IC
* 7602	AAX50320	IC	MT1336E	3141 018 51651		IC
* 7603	AAX50350	IC	BA5954FP	9322 187 63668		IC
* 7605	AAX50370	IC	74HCU04D	9337 140 00653		IC
* 7607	AAX39900	CN.PHOT.SN	GP1FA550TZ	9322 155 28667		光ファイバー受信機
* 7609	AAX50300	IC	MT48LC4M16A2TG-7E	3141 018 51281		IC
* 7611	AAX50290	IC	M29W160DT PROG SD5	3141 017 41011		IC
* 7612	AAX50310	IC	CS5333 ADC	3141 018 51320	R	IC

* New Parts (新規部品)

Note) Those parts marked with “#” are not included in the P.C.B. ass'y. (マーク#の部品は、基板に含まれません)

Ref. No.	PART NO.	Description	Remarks	Markets	部品名	Rank
* 7613	AAX50380	IC	NJM4560M	9338 800 40685		I C
* 7614	AAX50330	IC	MC78L05ACD	9322 043 00668		I C
* 7615	AAX46780	IC	AKM4382AVT	9322 177 09685		I C
* 7616-18	AAX50520	TR	BC858B	9335 897 90215		トランジスタ
* 7620-21	AAX50490	TR	2SB1132	9322 133 00685		トランジスタ
* 7625	AAX47380	TR	BC847B	3198 010 42030	UCTAPK	トランジスタ
* 7628-29	AAX50510	TR	BC848B	9335 896 30215		トランジスタ
* 7630-31	AAX50480	TR	2SK3018	3141 018 51691		トランジスタ
* 7632	AAX50510	TR	BC848B	9335 896 30215		トランジスタ
* 7633	AAX50520	TR	BC858B	9335 897 90215		トランジスタ
* 7634	AAX47490	TR	BC847BPN	9340 425 30115		トランジスタ
* 7637-38	AAX50500	TR	BC369	9332 592 50126		トランジスタ
* 7639	AAX50510	TR	BC848B	9335 896 30215		トランジスタ
* 7640	AAX50500	TR	BC369	9332 592 50126		トランジスタ
* 7641	AAX50510	TR	BC848B	9335 896 30215		トランジスタ
* 7642	AAX50500	TR	BC369	9332 592 50126		トランジスタ
* 7643-44	AAX50510	TR	BC848B	9335 896 30215	JUCTAPK	トランジスタ
* #	AAX50390	P.C.B.	VIDEO	3139 248 82671	J	P C B ビデオ
* #	AAX50400	P.C.B.	VIDEO	3139 248 82681	BG	P C B ビデオ
* 1101	AAX50270	TERM.D	14P F 1.27 CSS5014	2422 025 18145	J	D端子コネクター
* 1102	AAX22250	JACK.PIN	3P	2422 026 05049		ピンジャック
* 1103	AAX29760	TERM.SCART	21P	2422 025 12352	BG	スカート端子
2105	UR867100	C.EL	10uF 50V			ケミコン 01
2111	UR818470	C.EL	470uF 6.3V		BG	ケミコン 01
2115	UR818470	C.EL	470uF 6.3V		BG	ケミコン 01
2117	UR818470	C.EL	470uF 6.3V		BG	ケミコン 01
2119	UR818470	C.EL	470uF 6.3V		BG	ケミコン 01
2121	UR867100	C.EL	10uF 50V		BG	ケミコン 01
2124	UR867100	C.EL	10uF 50V			ケミコン 01
2125	UR867100	C.EL	10uF 50V			ケミコン 01
2126	UR867100	C.EL	10uF 50V			ケミコン 01
2128	UR818470	C.EL	470uF 6.3V			ケミコン 01
2130	UR818470	C.EL	470uF 6.3V			ケミコン 01
2132	UR818470	C.EL	470uF 6.3V			ケミコン 01
2133	UR818470	C.EL	470uF 6.3V		J	ケミコン 01
2135	UR818470	C.EL	470uF 6.3V		J	ケミコン 01
2137	UR818470	C.EL	470uF 6.3V		J	ケミコン 01
2143	UR867100	C.EL	10uF 50V		J	ケミコン 01
2144	UR867100	C.EL	10uF 50V		J	ケミコン 01
2145	UR867100	C.EL	10uF 50V		J	ケミコン 01
2150	UR867100	C.EL	10uF 50V			ケミコン 01
* 6100-01	AAX50470	DIODE.ZENR	PDZ15B	9340 548 53115	BG	ツェナーダイオード
* 6103-06	AAX50470	DIODE.ZENR	PDZ15B	9340 548 53115	BG	ツェナーダイオード
* 6109-10	AAX50470	DIODE.ZENR	PDZ15B	9340 548 53115		ツェナーダイオード
* 6112-17	AAX50470	DIODE.ZENR	PDZ15B	9340 548 53115	J	ツェナーダイオード
* 7103-07	AAX47380	TR	BC847B	3198 010 42030	BG	トランジスタ
* 7108-10	AAX47380	TR	BC847B	3198 010 42030		トランジスタ
* 7111-13	AAX47380	TR	BC847B	3198 010 42030	J	トランジスタ
* 7115	AAX50360	IC	ADG733BRU	9322 195 23668	BG	I C
* 7116-17	AAX47380	TR	BC847B	3198 010 42030	BG	トランジスタ
* 7118	AAX47390	TR	BC857B	3198 010 42150	BG	トランジスタ

* New Parts (新規部品)

Note) Those parts marked with "#” are not included in the P.C.B. ass'y. (マーク#の部品は、基板に含まれません)

Ref. No.	PART NO.	Description	Remarks	Markets	部品名	Rank
* 7119	AAX47380	TR	BC847B	3198 010 42030	BG	トランジスタ
* 7121	AAX46620	IC	LM833D	9322 020 18668	BG	I C
*	AAX50420	P.C.B.	FRONT	3139 248 82661	JUCTKABGP	P C B フロント
*	AAX50410	P.C.B.	FRONT	3139 248 82651	R	P C B フロント
* 1100	AAX50940	FL.DSPLY	HNV-07SS44T	3139 240 50341		蛍光表示管
* 1103-07	AAX39710	SW.TACT		2422 128 02742		タクトスイッチ
* 1201	AAX39710	SW.TACT		2422 128 02742		タクトスイッチ
* 1300	AAX50760	JACK.PHONE	1P HLJ5307	2422 026 05192	R	ホーンジャック
* 3303	AAX51210	VR	10k	2120 375 90001	R	ボリューム
* 6105	AAX47290	DIODE	BAS316	3198 010 10630		ダイオード
* 6106	AAX47290	DIODE	BAS316	3198 010 10630		ダイオード
* 6112	AAX47330	DIODE.ZENR	PDZ6.2B	9340 548 54115		ツェナーダイオード
* 6300-01	AAX47290	DIODE	BAS316	3198 010 10630	R	ダイオード
* 7100	AAX50340	IC	UPD16312GB-3B4	9322 186 03671		I C
* 7101	AAX39880	L.DTCT	TSOP2236LL1	9322 180 04667		リモコン受光ユニット
* 7102	AAX47380	TR	BC847B	3198 010 42030		トランジスタ
* 7103	AAX47390	TR	BC857B	3198 010 42150		トランジスタ
* 7104	AAX47380	TR	BC847B	3198 010 42030		トランジスタ
* 7300	AAX50380	IC	NJM4560M	9338 800 40685	R	I C
* 7302-04	AAX47380	TR	BC847B	3198 010 42030	R	トランジスタ

* New Parts (新規部品)

Note) Those parts marked with “#” are not included in the P.C.B. ass'y. (マーク#の部品は、基板に含まれません)

Parts List for Chip Carbon Resistors

Parts List for Chip Ceramic Capacitors


Value	Part No.	Value	Part No.	Value	Part No.
2pF 50V	US060200	120pF 50V	US062120	0.01uF 50V	US064100
3pF 50V	US060300	150pF 50V	US062150	0.015uF 50V	US064150
5pF 50V	US060500	180pF 50V	US062180	0.022uF 25V	US044220
6pF 50V	US060600	220pF 50V	US062220	0.027uF 50V	UB014270
7pF 50V	US060700	270pF 50V	US062270	0.033uF 16V	US034330
8pF 50V	US060800	330pF 50V	US062330	0.039uF 16V	US034390
10pF 50V	US061100	390pF 50V	US062390	0.047uF 16V	US034470
12pF 50V	US061120	470pF 50V	US062470	0.047uF 25V	UB214470
15pF 50V	US061150	560pF 50V	US062560	0.068uF 25V	UB214680
18pF 50V	US061180	680pF 50V	US062680	0.1uF 25V	UB215100
20pF 50V	US061200	820pF 50V	US062820	0.1uF 25V	UB245100
22pF 50V	US061220	1000pF 50V	US063100	0.15uF 25V	UB245150
24pF 50V	US061240	1200pF 50V	US063120	0.22uF 25V	UB245220
27pF 50V	US061270	1500pF 50V	US063150	0.22uF 16V	US135220
33pF 50V	US061330	1800pF 50V	US063180	0.33uF 16V	US135330
39pF 50V	US061390	2200pF 50V	US063220	0.33uF 16V	UB445330
43pF 50V	US061430	2400pF 50V	UB053240	0.47uF 16V	UB445470
47pF 50V	US061470	2700pF 50V	US063270	0.68uF 16V	UB445680
56pF 50V	US061560	3300pF 50V	US063330	0.1uF 16V	US035100
62pF 50V	US061620	3900pF 50V	US063390	0.1uF 16V	US135100
68pF 50V	US061680	4700pF 50V	US063470	0.1uF 16V	UB445100
75pF 50V	US061750	5600pF 50V	US063560	1uF 16V	UB446100
82pF 50V	UB051820	6800pF 50V	US063680		
100pF 50V	US062100	8200pF 50V	US063820		

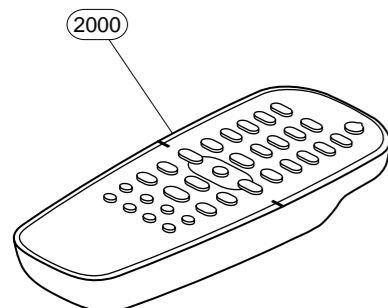
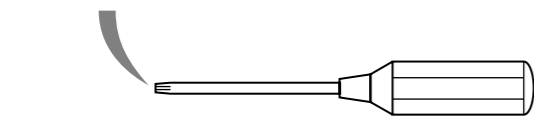
Value	1/10W Type Part No.	Value	1/10W Type Part No.	Value	1/16W Type Part No.
0 Ω	RD35 0000	4.3 kΩ	RD35 6430	0 Ω	HX61 1040
1.0 Ω	RD35 3100	4.7 kΩ	RD35 6470	1.0 Ω	HX61 0750
2.2 Ω	RD35 3220	5.1 kΩ	RD35 6510	10 Ω	HX61 1160
2.4 Ω	RD35 3240	5.6 kΩ	RD35 6560	47 Ω	HX61 1150
4.7 Ω	RD35 3470	6.2 kΩ	RD35 6620	100 Ω	HX61 0900
10 Ω	RD35 4100	6.8 kΩ	RD35 6680	220 Ω	HX61 0960
22 Ω	RD35 4220	7.5 kΩ	RD35 6750	270 Ω	HX61 1120
27 Ω	RD35 4270	8.2 kΩ	RD35 6820	390 Ω	HX61 0990
33 Ω	RD35 4330	9.1 kΩ	RD35 6910	470 Ω	HX61 0890
39 Ω	RD35 4390	10 kΩ	RD35 7100	560 Ω	HX61 1010
43 Ω	RD35 4430	11 kΩ	RD35 7110	1.0 kΩ	HX61 0910
47 Ω	RD35 4470	12 kΩ	RD35 7120	1.2 kΩ	HX61 1100
51 Ω	RD35 4510	13 kΩ	RD35 7130	1.5 kΩ	HX61 1090
62 Ω	RD35 4620	15 kΩ	RD35 7150	1.8 kΩ	HX61 1050
68 Ω	RD35 4680	16 kΩ	RD35 7160	2.7 kΩ	HX61 1140
75 Ω	RD35 4750	18 kΩ	RD35 7180	3.3 kΩ	HX61 0980
82 Ω	RD35 4820	20 kΩ	RD35 7200	4.7 kΩ	HX61 1080
91 Ω	RD35 4910	22 kΩ	RD35 7220	6.8 kΩ	HX61 1030
100 Ω	RD35 5100	24 kΩ	RD35 7240	10 kΩ	HX61 0920
120 Ω	RD35 5120	27 kΩ	RD35 7270	12 kΩ	HX61 0780
130 Ω	RD35 5130	30 kΩ	RD35 7300	15 kΩ	HX61 0950
150 Ω	RD35 5150	33 kΩ	RD35 7330	18 kΩ	HX61 0770
180 Ω	RD35 5180	36 kΩ	RD35 7360	22 kΩ	HX61 1110
200 Ω	RD35 5200	39 kΩ	RD35 7390	27 kΩ	HX61 1130
220 Ω	RD35 5220	43 kΩ	RD35 7430	30 kΩ	HX61 0810
240 Ω	RD35 5240	47 kΩ	RD35 7470	47 kΩ	HX61 1060
270 Ω	RD35 5270	51 kΩ	RD35 7510	56 kΩ	HX61 1020
300 Ω	RD35 5300	56 kΩ	RD35 7560	62 kΩ	HX61 0790
330 Ω	RD35 5330	62 kΩ	RD35 7620	82 kΩ	HX61 1170
390 Ω	RD35 5390	68 kΩ	RD35 7680	100 kΩ	HX61 0930
430 Ω	RD35 5430	75 kΩ	RD35 7750	120 kΩ	HX61 0940
470 Ω	RD35 5470	82 kΩ	RD35 7820	220 kΩ	HX61 0970
510 Ω	RD35 5510	91 kΩ	RD35 7910	390 kΩ	HX61 1000
560 Ω	RD35 5560	100 kΩ	RD35 8100	560 Ω	HX61 1010
620 Ω	RD35 5620	120 kΩ	RD35 8120	1.0 MΩ	HX61 1070
680 Ω	RD35 5680	150 kΩ	RD35 8150		
820 Ω	RD35 5820	160 kΩ	RD35 8160		
910 Ω	RD35 5910	180 kΩ	RD35 8180		
1.0 kΩ	RD35 6100	200 kΩ	RD35 8200		
1.1 kΩ	RD35 6110	220 kΩ	RD35 8220		
1.2 kΩ	RD35 6120	270 kΩ	RD35 8270		
1.3 kΩ	RD35 6130	300 kΩ	RD35 8300		
1.5 kΩ	RD35 6150	330 kΩ	RD35 8330		
1.6 kΩ	RD35 6160	390 kΩ	RD35 8390		
1.8 kΩ	RD35 6180	430 kΩ	RD35 8430		
2.0 kΩ	RD35 6200	470 kΩ	RD35 8470		
2.2 kΩ	RD35 6220	510 kΩ	RD35 8510		
2.4 kΩ	RD35 6240	680 kΩ	RD35 8680		
2.7 kΩ	RD35 6270	1.0 MΩ	RD35 9100		
3.0 kΩ	RD35 6300	1.5 MΩ	RD35 9150		
3.3 kΩ	RD35 6330	2.2 MΩ	RD35 9220		
3.6 kΩ	RD35 6360	4.7 MΩ	RD35 9470		
3.9 kΩ	RD35 6390	10 MΩ	RD35 A100		

DVD-S540/DV-S5650

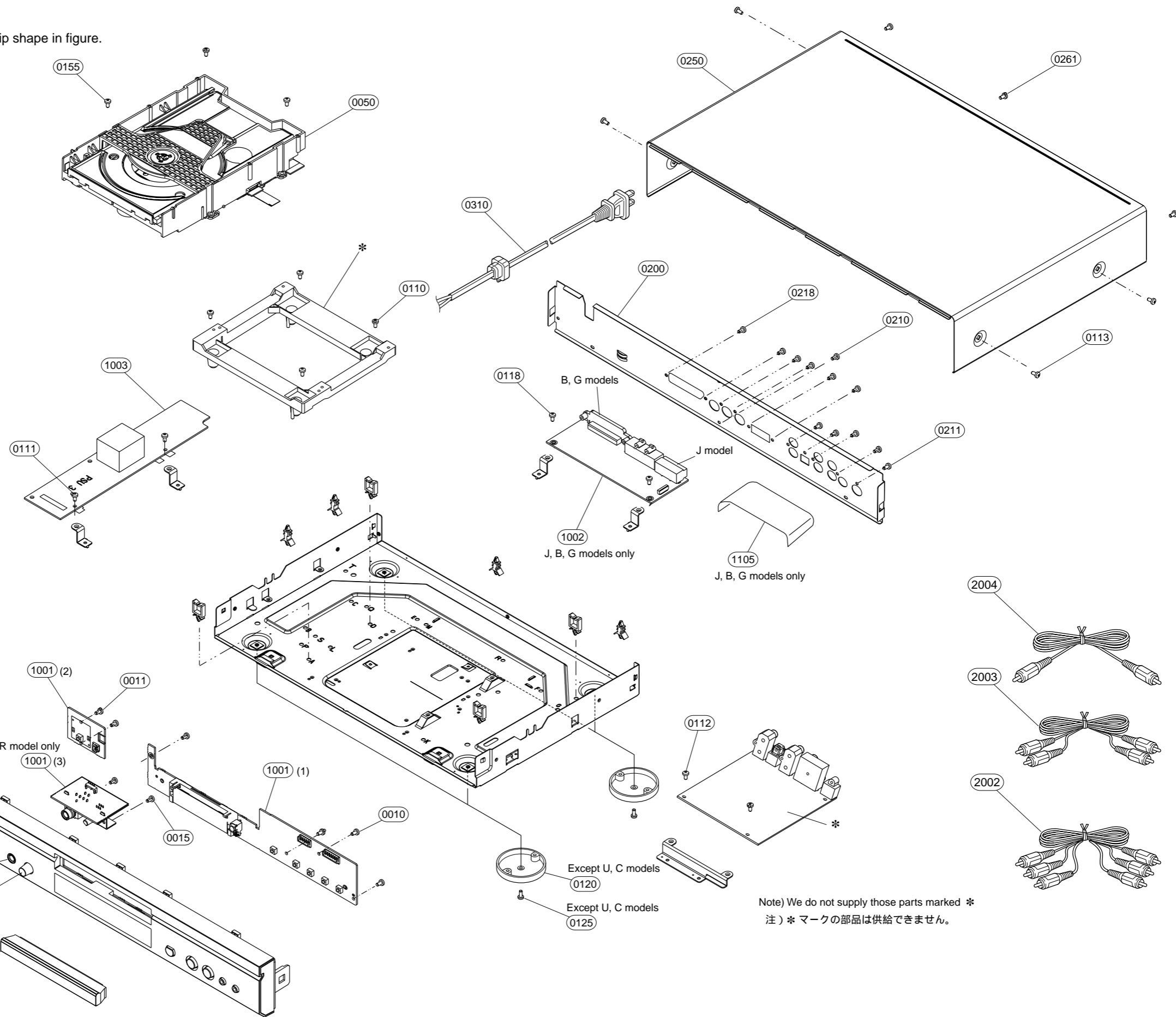
EXPLODED VIEW

When disassembling, use the special screw driver with tip shape in figure.
分解には図のような特殊ドライバーを使用します。

T10  2.7 mm



Note) The battery cover is not available.



Note) We do not supply those parts marked *
注) * マークの部品は供給できません。

MECHANICAL PARTS

WARNING

- Components having special characteristics are marked \triangle and must be replaced with parts having specifications equal to those originally installed.
- \triangle 印のある部分は、安全確保部品を示しています。部品の交換が必要な場合、パーツリストに記載されている部品を使用してください。

Ref. No.	PART NO.	Description	Remarks	Markets	部品名	Rank
* 0001	AAX50710	FRONT PANEL ASS'Y	S540GD	3139 247 59441	JTK	フロントパネル A S S Y
* 0001	AAX50640	FRONT PANEL ASS'Y	S540GD	3139 247 58791	R	フロントパネル A S S Y
* 0001	AAX50750	FRONT PANEL ASS'Y	S540BL	3139 247 59481	UCAP	フロントパネル A S S Y
* 0001	AAX50700	FRONT PANEL ASS'Y	S540BL	3139 247 59241	BG	フロントパネル A S S Y
* 0001	AAX50730	FRONT PANEL ASS'Y	S540SI	3139 247 59461	JCTP	フロントパネル A S S Y
* 0001	AAX50650	FRONT PANEL ASS'Y	S540SI	3139 247 58811	R	フロントパネル A S S Y
* 0001	AAX50690	FRONT PANEL ASS'Y	S540SI	3139 247 59231	BG	フロントパネル A S S Y
* 0001	AAX50680	FRONT PANEL ASS'Y	S540TI	3139 247 59211	G	フロントパネル A S S Y
* 0001	AAX50740	FRONT PANEL ASS'Y	S5650BL	3139 247 59471	UC	フロントパネル A S S Y
* 0001	AAX50670	FRONT PANEL ASS'Y	S5650BL	3139 247 59201	G	フロントパネル A S S Y
* 0001	AAX50720	FRONT PANEL ASS'Y	S5650SI	3139 247 59451	UA	フロントパネル A S S Y
* 0001	AAX50660	FRONT PANEL ASS'Y	S5650SI	3139 247 59191	G	フロントパネル A S S Y
* 0001-1	AAX50780	VOLUME KNOB	GD KOK	3139 247 58781	R	ポリウムツマミ
* 0001-1	AAX50770	VOLUME KNOB	BL KOK	3139 247 58771	R	ポリウムツマミ
* 0010	AAX23630	PAN HEAD TORX P-TITE SCREW	3x10 MFZN2BL	2511 076 50013		ナベトルクス P タイトネジ
* 0011	AAX23630	PAN HEAD TORX P-TITE SCREW	3x10 MFZN2BL	2511 076 50013		ナベトルクス P タイトネジ
* 0015	AAX23630	PAN HEAD TORX P-TITE SCREW	3x10 MFZN2BL	2511 076 50013	R	ナベトルクス P タイトネジ
* 0035	AAX50580	TRAY COVER	S540GD	3139 247 59281	JRTK	トレーカバー
* 0035	AAX50600	TRAY COVER	S540BL	3139 247 59301	UCAP	トレーカバー
* 0035	AAX50550	TRAY COVER	S540BL	3139 247 58901	BG	トレーカバー
* 0035	AAX50590	TRAY COVER	S540SI ,S5650SI	3139 247 59291	JCRTP	トレーカバー
* 0035	AAX50560	TRAY COVER	S540SI ,S5650SI	3139 247 58911	BG	トレーカバー
* 0035	AAX50540	TRAY COVER	S540TI	3139 247 58891	G	トレーカバー
* 0035	AAX50570	TRAY COVER	S5650BL	3139 247 59261	UC	トレーカバー
* 0035	AAX50530	TRAY COVER	S5650BL	3139 247 58821	G	トレーカバー
* 0050	AAX50280	DVD MECHANISM (BASIC ENGINE)	A97SL (NO SERVO)	3141 018 03811		D V D メカニズム
* 0110	AAX23640	PAN HEAD TORX S-TITE SCREW	3x6 MFZN2BL	2511 077 00039		ナベトルクス S タイトネジ
* 0111	AAX23640	PAN HEAD TORX S-TITE SCREW	3x6 MFZN2BL	2511 077 00039		ナベトルクス S タイトネジ
* 0112	AAX23640	PAN HEAD TORX S-TITE SCREW	3x6 MFZN2BL	2511 077 00039		ナベトルクス S タイトネジ
* 0113	AAX23650	PAN HEAD TORX S-TITE SCREW	3x6 MFNI33	2511 077 01039		ナベトルクス S タイトネジ
* 0113	AAX23640	PAN HEAD TORX S-TITE SCREW	3x6 MFZN2BL	2511 077 00039		ナベトルクス S タイトネジ
* 0118	AAX23640	PAN HEAD TORX S-TITE SCREW	3x6 MFZN2BL	2511 077 00039		ナベトルクス S タイトネジ
* 0120	AAX50930	FOOT	GD	3139 247 59101	JRTK	脚
* 0120	AAX50910	FOOT	SI ,TI	3139 247 55521	RTBGP	脚
* 0120	AAX50920	FOOT	BL	3139 247 55571	ABGP	脚
* 0125	AAX23640	PAN HEAD TORX S-TITE SCREW	3x6 MFZN2BL	2511 077 00039		ナベトルクス S タイトネジ
* 0155	AAX23630	PAN HEAD TORX P-TITE SCREW	3x10 MFZN2BL	2511 076 50013	R	ナベトルクス P タイトネジ
* 0200	AAX50860	REAR PANEL	S540	3139 247 58721	J	リアパネル
* 0200	AAX50880	REAR PANEL	S540	3139 247 58741	UC	リアパネル
* 0200	AAX50840	REAR PANEL	S540	3139 247 58701	RK	リアパネル
* 0200	AAX50790	REAR PANEL	S540	3139 247 58651	T	リアパネル
* 0200	AAX50870	REAR PANEL	S540	3139 247 58731	A	リアパネル
* 0200	AAX50810	REAR PANEL	S540	3139 247 58671	BG	リアパネル
* 0200	AAX50850	REAR PANEL	S540	3139 247 58711	P	リアパネル
* 0200	AAX50830	REAR PANEL	S5650	3139 247 58691	UC	リアパネル
* 0200	AAX50820	REAR PANEL	S5650	3139 247 58681	A	リアパネル
* 0200	AAX50800	REAR PANEL	S5650	3139 247 58661	G	リアパネル
* 0210	AAX23640	PAN HEAD TORX S-TITE SCREW	3x6 MFZN2BL	2511 077 00039	JBG	ナベトルクス S タイトネジ
* 0211	AAX23630	PAN HEAD TORX P-TITE SCREW	3x10 MFZN2BL	2511 076 50013		ナベトルクス P タイトネジ
* 0218	AAX23630	PAN HEAD TORX P-TITE SCREW	3x10 MFZN2BL	2511 076 50013	JBG	ナベトルクス P タイトネジ
* 0250	AAX39740	TOP COVER	GD	3139 247 56441		トップカバー
* 0250	AAX39750	TOP COVER	BL	3139 247 56451		トップカバー
* 0250	AAX39730	TOP COVER	SI ,TI	3139 247 56431		トップカバー

* New Parts (新規部品)

Note) Those parts marked with “#” are not included in the P.C.B. ass'y. (マーク#の部品は、基板に含まれません)

Ref. No.	PART NO.	Description	Remarks	Markets	部品名	Rank
* 0261	AAX23640	PAN HEAD TORX S-TITE SCREW	3x6 MFZN2BL	2511 077 00039		ナベトルクス S タイトネジ
\triangle	0310	V2723100 POWER CABLE	1.8m		J	電源コード
\triangle *	0310	V2363800 POWER CABLE	2m		UC	電源コード
\triangle	0310	VZ542500 POWER CABLE	2m		RP	電源コード
\triangle *	0310	WB120600 POWER CABLE	2m		T	電源コード
\triangle *	0310	V8013000 POWER CABLE	2m		K	電源コード
\triangle	0310	V2296800 POWER CABLE	2m		A	電源コード
\triangle	0310	VV437300 POWER CABLE	2m		B	電源コード
\triangle	0310	VN363700 POWER CABLE	2m		G	電源コード
*	1001	AAX50420 P.C.B. ASS'Y	FRONT	3139 248 82661	JUCTKABGP	P C B フロント
*	1001	AAX50410 P.C.B. ASS'Y	FRONT	3139 248 82651	R	P C B フロント
*	1002	AAX50390 P.C.B. ASS'Y	VIDEO	3139 248 82671	J	P C B ビデオ
*	1002	AAX50400 P.C.B. ASS'Y	VIDEO	3139 248 82681	BG	P C B ビデオ
\triangle *	1003	AAX50960 POWER SUPPLY UNIT	VFM2003 WR MIT	3139 248 71722	RTKAP	電源ユニット
\triangle *	1003	AAX50980 POWER SUPPLY UNIT	VFM2003 US MIT	3139 248 71742	JUC	電源ユニット
\triangle *	1003	AAX50970 POWER SUPPLY UNIT	VFM2003 EU MIT	3139 248 71731	BG	電源ユニット
*	1105	AAX50450 FLEXIBLE FOIL CONNECTION	24P 220mm P=0.5mm	3139 241 00341	JBG	カード電線
		ACCESSORY				付属品
*	2000	AAX50890 REMOTE CONTROL	NON-KOK	3139 248 71871	JUCTKABGP	リモコン
*	2000	AAX50900 REMOTE CONTROL	KOK	3139 248 71901	R	リモコン
*	2002	AAX23450 AUDIO/VIDEO CABLE	YE/RD/WH 1.5m 1pc	2422 076 00304	JUCRTKAP	音声 / 映像ピンケーブル
*	2003	AAX21980 AUDIO PIN CABLE	RD/WH 1.5m 1pc	3103 308 92611	BG	ステレオピンケーブル
*	2004	AAX22970 VIDEO CABLE	YE 1.5m 1pc	3104 108 45432	BG	ビデオ用ピンケーブル
		BATTERY				乾電池

* New Parts (新規部品)

Note) Those parts marked with “#” are not included in the P.C.B. ass'y. (マーク#の部品は、基板に含まれません)