

# DVD PLAYER DV-SL100

## SERVICE MANUAL

### IMPORTANT NOTICE

This manual has been provided for the use of authorized YAMAHA Retailers and their service personnel. It has been assumed that basic service procedures inherent to the industry, and more specifically YAMAHA Products, are already known and understood by the users, and have therefore not been restated.

**WARNING:** Failure to follow appropriate service and safety procedures when servicing this product may result in personal injury, destruction of expensive components, and failure of the product to perform as specified. For these reasons, we advise all YAMAHA product owners that any service required should be performed by an authorized YAMAHA Retailer or the appointed service representative.

**IMPORTANT:** The presentation or sale of this manual to any individual or firm does not constitute authorization, certification or recognition of any applicable technical capabilities, or establish a principle-agent relationship of any form.

The data provided is believed to be accurate and applicable to the unit(s) indicated on the cover. The research, engineering, and service departments of YAMAHA are continually striving to improve YAMAHA products. Modifications are, therefore, inevitable and specifications are subject to change without notice or obligation to retrofit. Should any discrepancy appear to exist, please contact the distributor's Service Division.

**WARNING:** Static discharges can destroy expensive components. Discharge any static electricity your body may have accumulated by grounding yourself to the ground buss in the unit (heavy gauge black wires connect to this buss).

**IMPORTANT:** Turn the unit OFF during disassembly and part replacement. Recheck all work before you apply power to the unit.

## ■ CONTENTS

TO SERVICE PERSONNEL .....	2-4
PREVENTION OF ELECTRO STATIC DISCHARGE .....	4
LOCALE MANAGEMENT INFORMATION .....	5
FRONT PANEL .....	5
REMOTE CONTROL PANEL .....	5
REAR PANELS .....	6
SPECIFICATIONS / 参考仕様 .....	7
SERVICE HINTS / サービスヒント .....	8
DISASSEMBLY PROCEDURES / 分解手順 .....	9-11

MAINTENANCE FLOW CHART / メンテナンスフローチャート .....	12-19
BLOCK DIAGRAM .....	21
PRINTED CIRCUIT BOARD .....	22-26
WIRING DIAGRAM .....	27
SCHEMATIC DIAGRAM .....	28-36
PARTS LIST .....	36
MECHANICAL PARTS .....	37

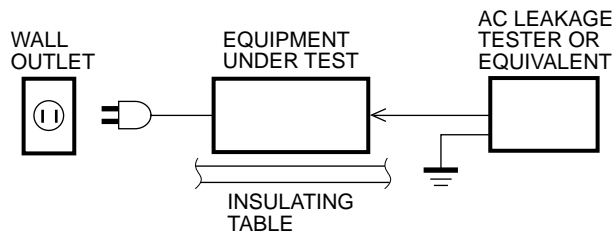


このサービスマニュアルは、エコマーク認定の再生紙を使用しています。  
This Service Manual uses recycled paper.



## ■ TO SERVICE PERSONNEL

1. Critical Components Information  
Components having special characteristics are marked  $\triangle$  and must be replaced with parts having specifications equal to those originally installed.
2. Leakage Current Measurement (For 120V Models Only)  
When service has been completed, it is imperative to verify that all exposed conductive surfaces are properly insulated from supply circuits.
  - Meter impedance should be equivalent to 1500 ohm shunted by 0.15 $\mu$ F.



- Leakage current must not exceed 0.5mA.
- Be sure to test for leakage with the AC plug in both polarities.

## WARNING: CHEMICAL CONTENT NOTICE!

The solder used in the production of this product contains LEAD. In addition, other electrical/electronic and/or plastic (where applicable) components may also contain traces of chemicals found by the California Health and Welfare Agency (and possibly other entities) to cause cancer and/or birth defects or other reproductive harm.

**DO NOT PLACE SOLDER, ELECTRICAL/ELECTRONIC OR PLASTIC COMPONENTS IN YOUR MOUTH FOR ANY REASON WHATSOEVER!**

Avoid prolonged, unprotected contact between solder and your skin! When soldering, do not inhale solder fumes or expose eyes to solder/flux vapor!

If you come in contact with solder or components located inside the enclosure of this product, wash your hands before handling food.

## WARNING: Laser Safety

This product contains a laser beam component. This component may emit invisible, as well as visible radiation, which may cause eye damage. To protect your eyes and skin from laser radiation, the following precautions must be used during servicing of the unit.

- 1) When testing and/or repairing any component within the product, keep your eyes and skin more than 30 cm away from the laser pick-up unit at all times. Do not stare at the laser beam at any time.
- 2) Do not attempt to readjust, disassemble or repair the laser pick-up, unless noted elsewhere in this manual.
- 3) CAUTION : Use of controls, adjustments or performance of procedures other than those specified herein may result in hazardous radiation exposure.

## Laser Emitting conditions:

- 1) When the Top Cover is removed, and the STANDBY/ON SW is turned to the "ON" position, the laser component will emit a beam for several seconds to detect if a disc is present. During this time (5-10 sec.) the laser may radiate through the lens of the laser pick-up unit. Do not attempt any servicing during this period! If no disc is detected, the laser will stop emitting the beam. When a disc is loaded, you will not be exposed to any laser emissions.

## 警告：レーザーの安全対策

本機はレーザー光線を放射する部品を搭載しています。この部品が放射するレーザー光線は目に損傷を起こします。このレーザー光線から目及び肌を保護するために、本機の修理作業中は下記の注意を厳守してください。

- 1) テスト時または修理時、目及び肌を光ピックアップから30cm以上離してください。いかなる場合もレーザー光線を見つめないでください。
- 2) 光ピックアップの再調整及び分解はしないでください。
- 3) このマニュアル上で指定されている以外の制御、調整、手順はレーザー光線を照射される結果を招く恐れがあります。

## レーザー放射条件

- 1) トップカバーを取り外しSTANDBY/ONスイッチをONにすると、ディスク検知のため5～10秒間、光ピックアップからレーザー光線が放射されます。この間、修理はしないでください。ディスクが検知されなければ、レーザー光線の放射は停止します。ディスクがセットされている場合、ディスクで遮られるのでレーザー光線は修理担当者には届きません。

2) The laser power level can be adjusted with the VR on the pick-up PWB, however, this level has been set by the factory prior to shipping from the factory. Do not adjust this laser level control unless instruction is provided elsewhere in this manual. Adjustment of this control can increase the laser emission level from the device.

2) レーザーパワーレベルは光ピックアップ基板上のVRにより調整可能ですが、工場出荷前に調整セット済みなので、このVRは廻さないでください。このVRを廻すと装置からのレーザー光線の放射レベルが上がる恐れがあります。

### Laser Diode Properties

Type: Semiconductor laser GaAlAs  
 Wave length: 650 nm (DVD)  
 780 nm (VCD/CD)  
 Output Power: 7 mW (DVD)  
 10 mW (VCD/CD)  
 Beam divergence: 60 degree

### レーザー

タイプ 半導体レーザー GaAlAs  
 波長 650 nm (DVD)  
 780 nm (VCD/CD)  
 出力 7 mW (DVD)  
 10 mW (VCD/CD)  
 ビーム広がり 60 度

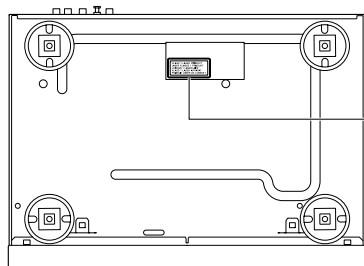
**VARO!** : AVATTAESSA JA SUOJALUKITUS OHITETTAESSA OLET ALTTIINA NÄKYMÄTTÖMÄLLE LASER-SÄTEILYLLE. ÄLÄ KATSO SÄTEESEEN.

**WARNING!** : OSYNLIG LASERSTRÅLNING NÄR DENNA DEL ÄR ÖPPNAD OCH SPÄRREN ÄR URKOPPLAD. BETRAKTA EJ STRÅLEN.

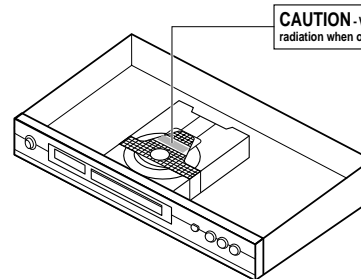
### WARNING

The use of optical instruments with this product will increase eye hazard.

Repair handling should take place as much as possible with a disc loaded inside the player.



CLASS 1 LASER PRODUCT  
 LASER KLASSE 1 PRODUKT  
 LUOKAN 1 LASERLAITE  
 KLASSE 1 LASER APPARAT  
 PRODUIT LASER DE CLASSE 1



**CAUTION** - Visible and invisible laser radiation when open. Avoid exposure to beam.

**CAUTION** VISIBLE AND INVISIBLE LASER RADIATION WHEN OPEN. AVOID EXPOSURE TO BEAM

**ADVARSEL** SYNLIG OG USYNLIG LASERSTRÅLNING VED ÅBNING UNDGÅ UDSÆTTELSE FOR STRÅLNING

**ADVARSEL** SYNLIG OG USYNLIG LASERSTRÅLNING NÄR DEKSEL ÅPNES UNNGÅ EKSPONERING FOR STRÅLEN

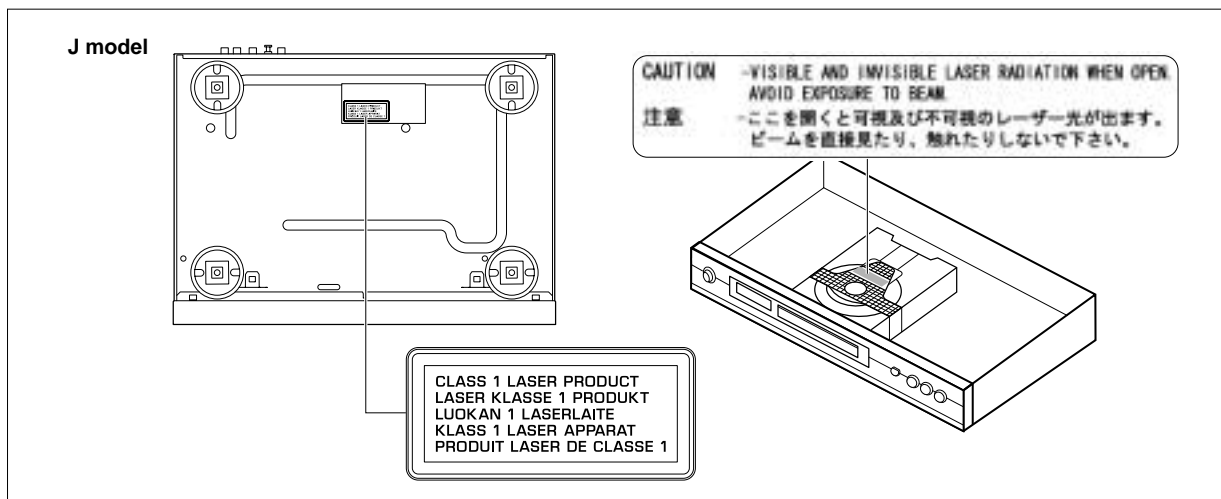
**VARNING** SYNLIG OCH OSYNLIG LASERSTRÅLNING NÄR DENNA DEL ÄR ÖPPNAD BETRAKTA EJ STRÅLEN

**VARO!** AVATT AESSA OLET ALTTIINA NÄKYVÄLLE JA NÄKYMÄTTÖMÄLLE LASER SÄTEILYLLE. ÄLÄ KATSO SÄTEESEEN

**VORSICHT** SICHTBARE UND UNSICHTBARE LASERSTRALUNG WENN ABDECKUNG GEÖFFNET NICHT DEM STRAHL AUSSETZEN

**DANGER** VISIBLE AND INVISIBLE LASER RADIATION WHEN OPEN. AVOID DIRECT EXPOSURE TO BEAM

**ATTENTION** RAYONNEMENT LASER VISIBLE ET INVISIBLE EN CAS D'OUVERTURE EXPOSITION DANGEREUSE AU FAISCEAU



## Warning for power supply

**The primary side of the power supply carries live mains voltage when the player is connected to the mains even when the player is switched off !**

This primary area is not shielded so it is possible to touch copper tracks and/or components when servicing the player.

Service personnel have to take precautions to prevent touching this area or components in this area .

The primary side of the power supply has been indicated with a lightning stroke and a stripe-marked print on the printed wiring board.

### Note:

**The screws on the DVD mechanism may never be touched, removed or re-adjusted.**

**Handle the DVD mechanism with care when the unit has to be exchanged!**

**The DVD mechanism is very sensitive for dropping or giving shocks.**

## ■ PREVENTION OF ELECTRO STATIC DISCHARGE

The laser diode in the DVD mechanism may be damaged due to static electricity from clothes or the human body. Use caution to prevent electro static damage when servicing or handling the DVD-mechanism.

### 1. Grounding for electro static damage prevention

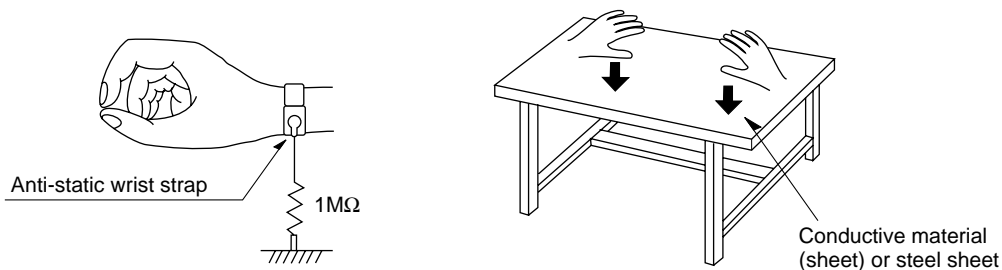
Some devices, such as the DVD player, use an optical pickup (laser diode) that will be damaged by static electricity in the working environment. Only attempt service after ensuring that all grounding procedures have been completed.

#### 1. Worktable grounding

Put a grounded conductive material (sheet) or iron sheet on the area where the optical pickup is placed.

#### 2. Human body grounding

Use an anti-static wrist strap to discharge the static electricity from your body.



### 2. Handling Precautions for DVD mechanism

1. Handle the DVD mechanism gently, as it is an extremely high-precision assembly.

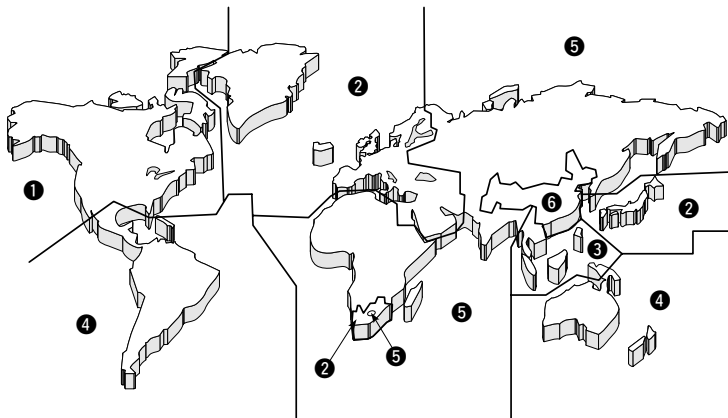
2. The flexible cable lines may break if an excessive force is applied to it. Use caution when handling the cable.

3. The semi-fixed resistor for laser power adjustment should not be adjusted. Do not turn the resistor.

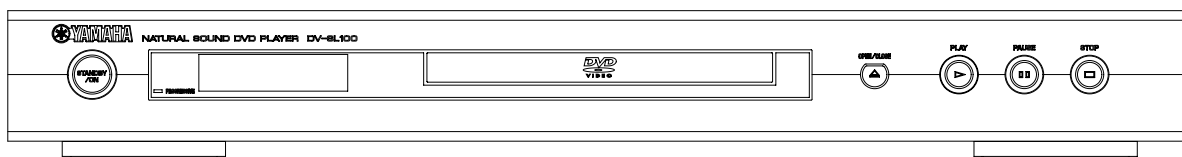
## ■ LOCALE MANAGEMENT INFORMATION

Locale Management Information : This DVD player is designed and manufactured to respond to the Locale Management Information that is recorded on a DVD disc. If the Locale number described on the DVD disc does not correspond to the Locale number of this DVD player, this DVD player cannot play this disc.

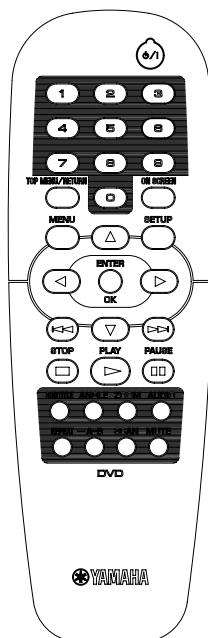
This product incorporates copyright protection technology that is protected by method claims of certain U.S. patents and other intellectual property rights owned by Macrovision Corporation and other rights owners. Use of this copyright protection technology must be authorized by Macrovision Corporation, and is intended for home and other limited viewing uses only unless otherwise authorized by Macrovision Corporation. Reverse engineering or disassembly is prohibited.



## ■ FRONT PANEL

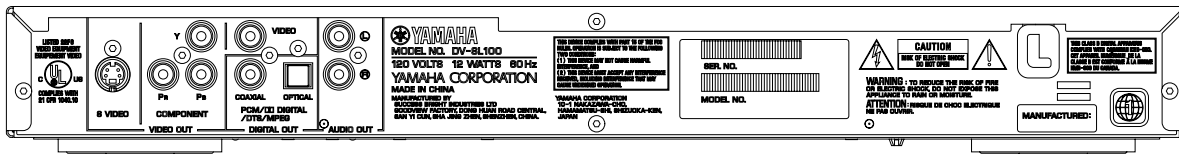


## ■ REMOTE CONTROL PANEL

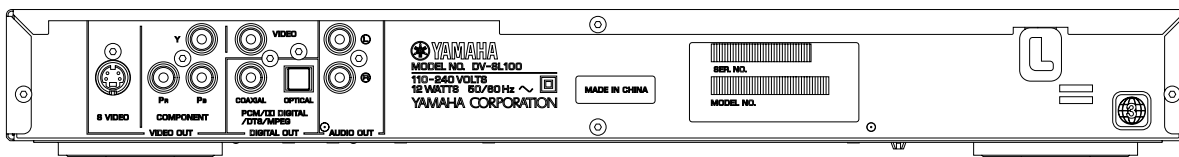


## REAR PANELS

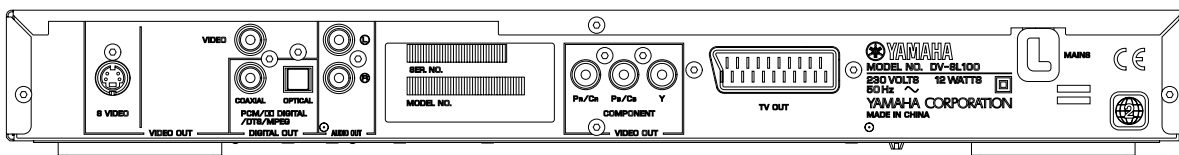
### U model



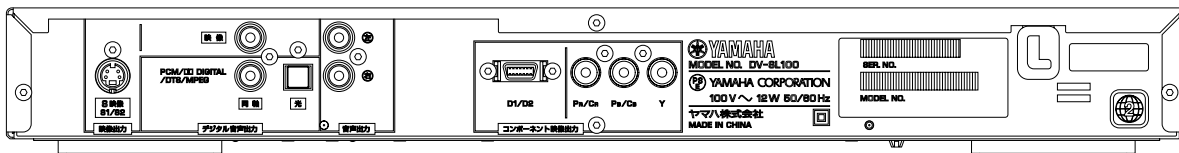
### R model



### G, B models



### J model



## ■ SPECIFICATIONS / 参考仕様

### PLAYBACK SYSTEM /対応ディスク

DVD Video  
Video CD & SVCD  
CD  
PICTURE CD  
CD-R, CD-RW  
DVD+R, DVD+RW  
DVD-R, DVD-RW

### VIDEO PERFORMANCE /ビデオ部

Video (CVBS) Output 1 Vpp into 75 ohm  
S-Video Output Y: 1Vpp into 75 ohm  
C: 0.3Vpp into 75 ohm  
Component Video Output Y: 1Vpp into 75 ohm  
Pb/Cb Pr/Cr: 0.7Vpp into 75 ohm  
RGB (SCART) Output 0.7 Vpp into 75 ohm (B, G models)

### AUDIO FORMAT /オーディオフォーマット

Digital Mpeg/AC-3/DTS Compressed Digital  
PCM 16, 20, 24 bits  
fs, 44.1, 48, 96 kHz  
MP3(ISO 9660) 24, 32, 56, 64, 96, 128, 256 kbps  
fs 16, 22.05, 24, 32, 44.1, 48kHz

Analog Sound Stereo

### AUDIO PERFORMANCE /オーディオ特性

DA Converter 24 bits  
Signal-Noise (1kHz) 105 dB  
Dynamic Range (1kHz) 100 dB  
DVD fs 96 kHz 2 Hz - 44 kHz  
fs 48 kHz 2 Hz - 22 kHz  
SVCD fs 48 kHz 2 Hz - 22 kHz  
fs 44.1 kHz 2 Hz - 20 kHz  
CD/VCD fs 44.1 kHz 2 Hz - 20 kHz  
Distortion and Noise (1kHz) 0.003%

### TV STANDARD (PAL/50Hz) (NTSC/60Hz)

Number of lines 625 525  
Playback Multistandard (PAL/NTSC)

### CONNECTIONS /接続端子

Y Output Cinch (green)  
Pb/Cb Output Cinch (blue)  
Pr/Cr Output Cinch (red)  
SCART Euroconnector (B, G models)  
D Terminal (J model)  
S-Video Output Mini DIN, 4 pins  
Video Output Cinch  
Audio Output (L+R) Cinch  
Digital Output 1 coaxial, 1 optical  
IEC958 for CDDA / LPCM/  
MPEG1  
IEC1937 for MPEG 2, Dolby  
Digital and DTS

### GENERAL /一般

Dimensions (w x h x d) 435 x 55 x 315 mm  
(17-1/8" x 2-3/16" x 12-3/8")  
Weight Approx. 3.0 Kg (6 lbs 9 oz)  
Finish Silver  
Power Supply 120V, 60Hz (U model)  
230V, 50Hz (B, G models)  
110-240V, 50/60Hz (R model)  
100V, 50/60Hz (J model)  
Power Consumption 12W  
Standby Power Consumption (reference data) 1W

### ACCESSORIES /付属品

Remote Control, Batteries  
Audio/Video Cable (U, R, J models)  
Audio Pin Cable (B, G models)  
Video Cable (B, G models)

\* *Specifications subject to change without prior notice.*

**U** ..... *USA model*

**R** ..... *General model*

**B** ..... *British model*

**G** ..... *European model*

**J** ..... *Japanese model*

Manufactured under license from Dolby Laboratories.  
"Dolby" and the double-D symbol are trademarks of Dolby Laboratories.  
ドルビーラボラトリーズからの実施権により製造されています。  
「ドルビー」及びダブルD記号は、ドルビーラボラトリーズの商標です。

"DTS" and "DTS Digital Out" are trademarks of Digital Theater Systems, Inc.  
DTS および DTS Digital Out はデジタルシアターシステムズの登録商標です。

This product incorporates copyright protection technology that is protected by method claims of certain U.S. patents and other intellectual property rights owned by Macrovision Corporation and other rights owners. Use of this copyright protection technology must be authorized by Macrovision Corporation, and is intended for home and other limited viewing uses only unless otherwise authorized by Macrovision Corporation. Reverse engineering or disassembly is prohibited.

## ■ SERVICE HINTS / サービスヒント

### 1 Repair tips

#### 1) Power Supply Unit

The power supply unit has to be replaced in case of failure.

#### 2) DVD Mechanism

The DVD mechanism is a non-repairable unit and in case of failure, it has to be replaced with a complete DVD mechanism.

#### 3) P.C.B. Ass'y

When the P.C.B. Ass'y is found faulty, replace each P.C.B.

### 2 Troubleshooting

In this paragraph some troubleshooting tips are given to diagnose the DVD player. Use MAINTENANCE FLOW CHART for trouble shooting. The diagnostic software is not available in the player.

### 1 修理についての助言

#### 1)電源ユニット

故障の場合は、電源ユニットを交換してください。

#### 2)DVDメカ

DVDメカは、修理不可能なユニットなので、故障の場合は、DVDメカ全体を交換してください。

#### 3)PCB Ass'y

故障の場合は、各PCBを交換してください。

### 2 トラブルシューティング

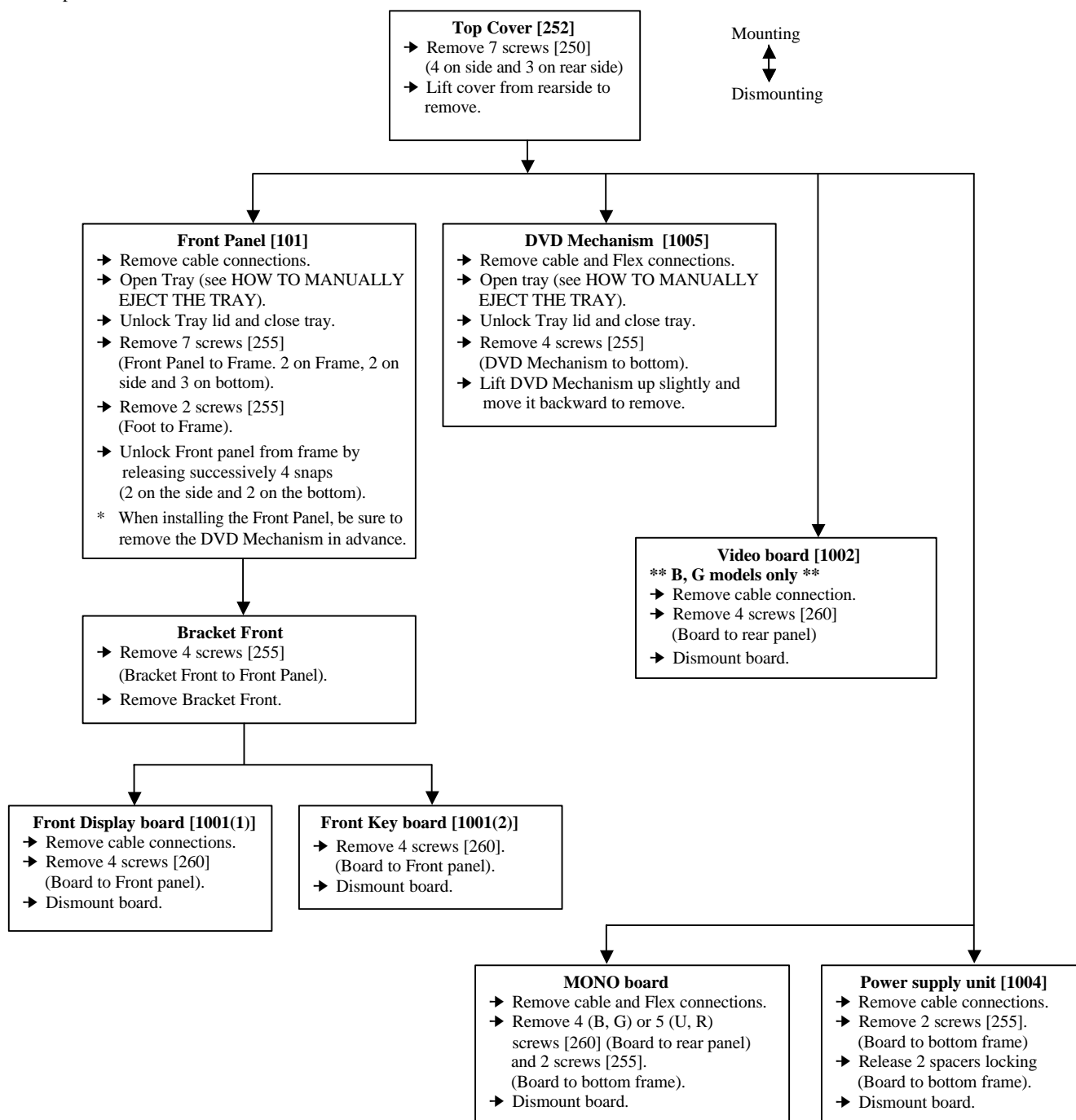
トラブルシューティングには、メンテナンスフローチャートを活用してください。

故障診断ソフトウェアは内蔵されていません。

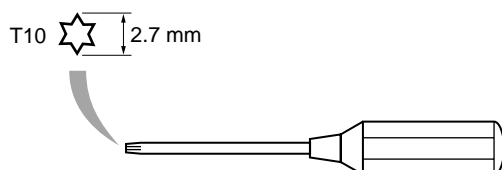


## ■ DISASSEMBLY PROCEDURES

See exploded view for item numbers.

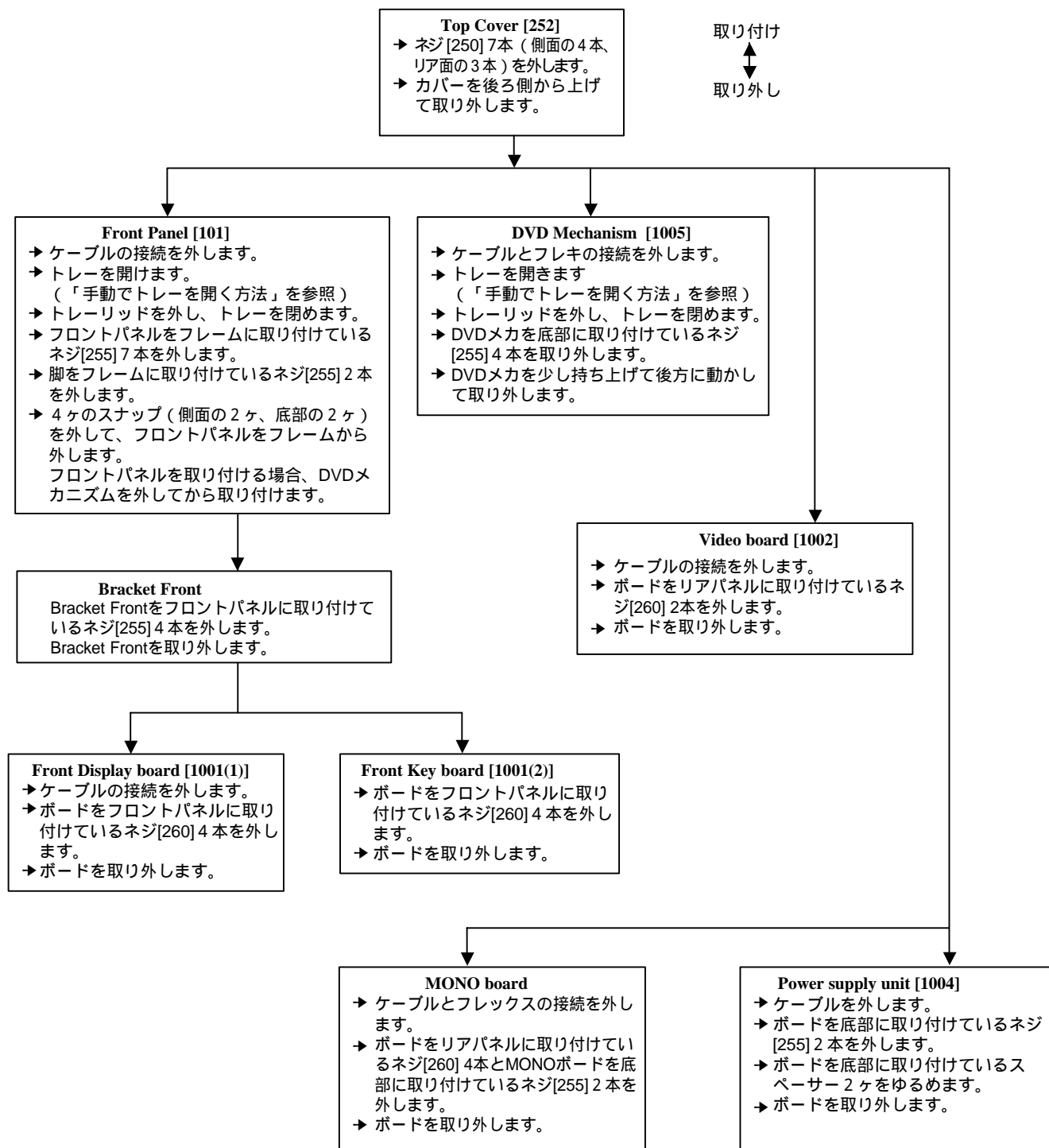


When disassembling, use the special screw driver with tip shape in figure.



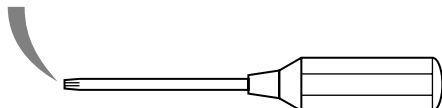
## ■ 分解手順

項目番号については分解図を参照してください。



分解には図のような特殊ドライバーを使用します。

T10  2.7 mm

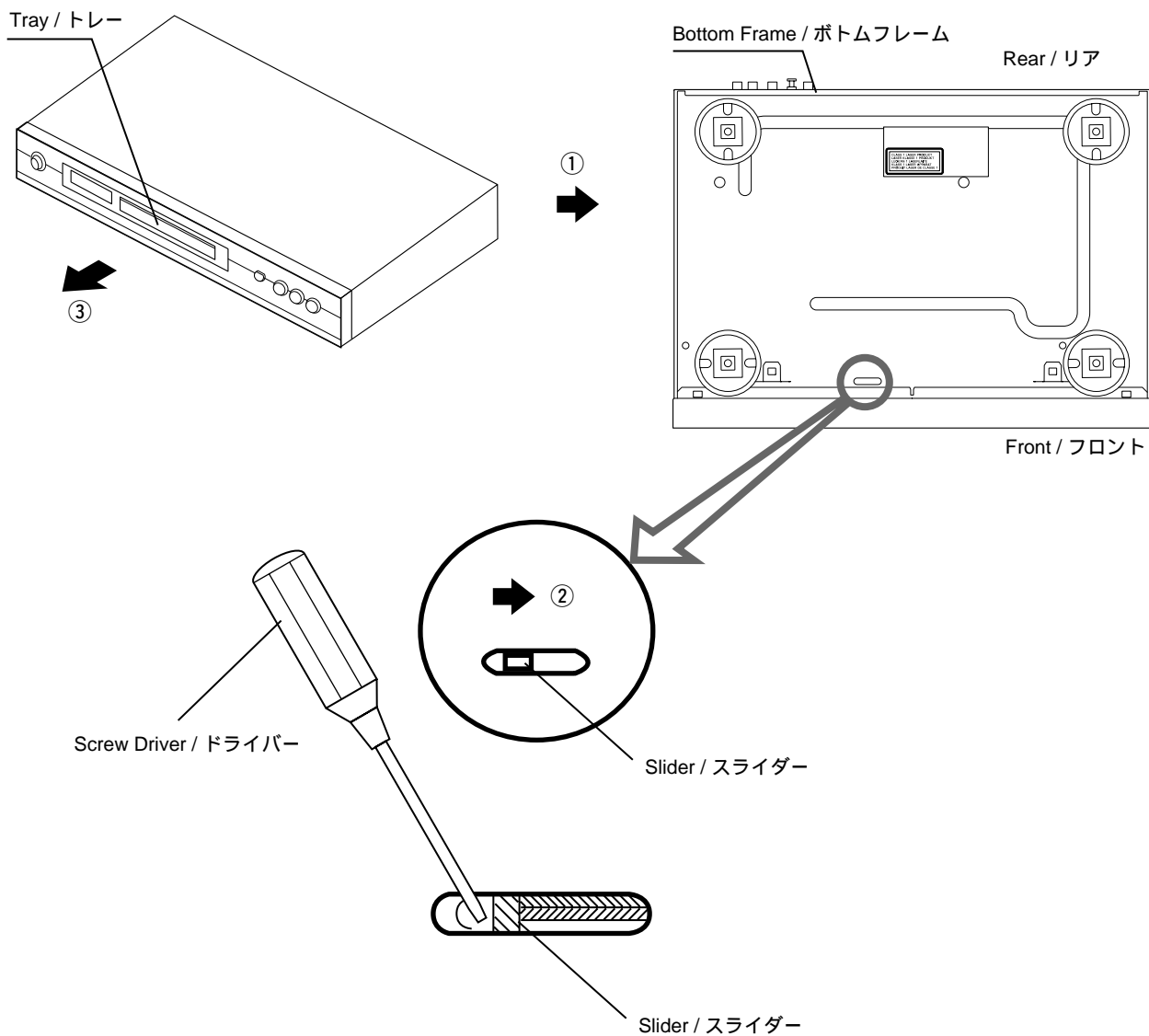


## HOW TO MANUALLY EJECT THE TRAY

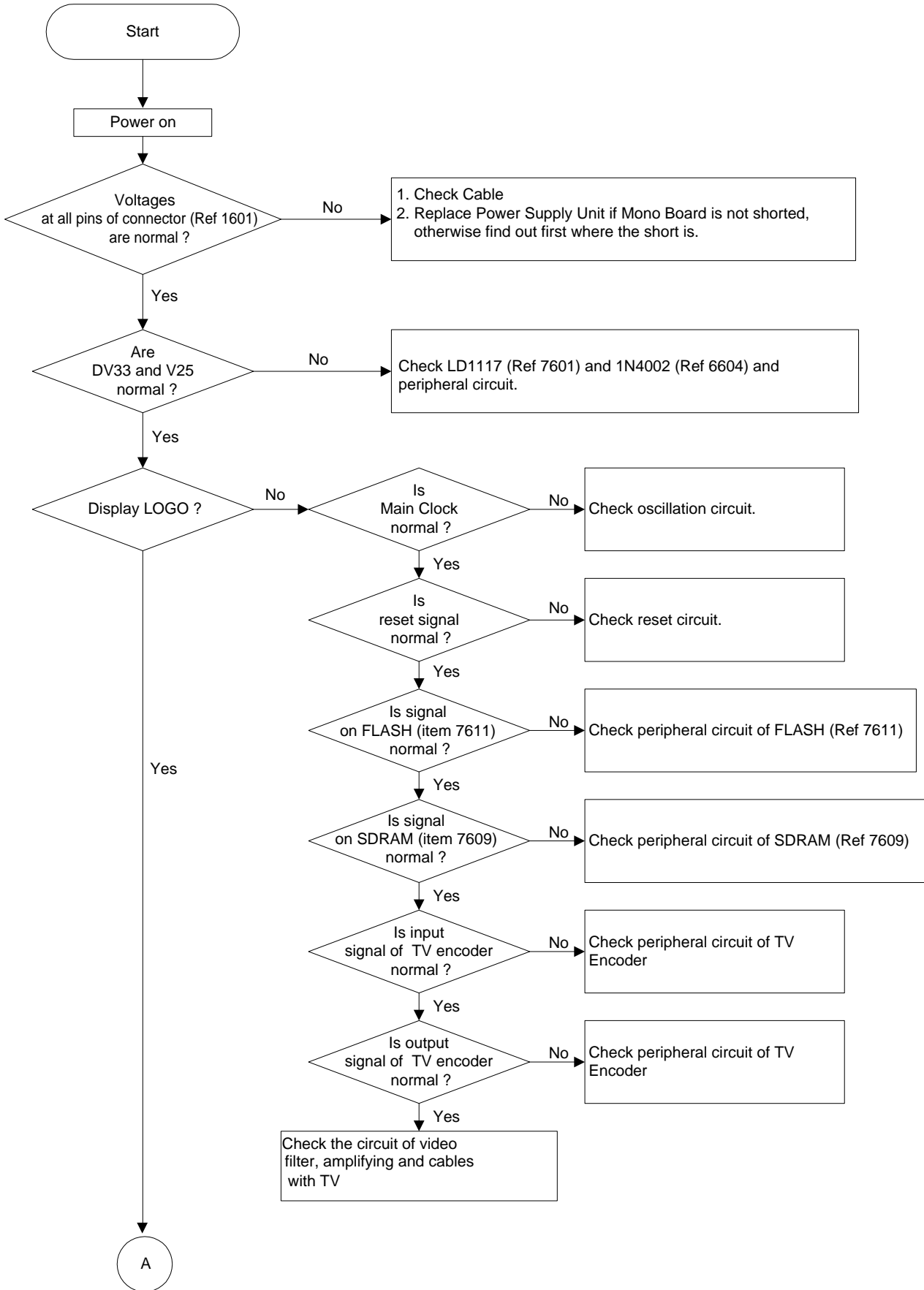
- Turn the player bottom up.
- Move the slider in the direction indicated with a screw driver until the tray is ejected.
- Gently pull the tray out.

## 手動でトレーを開く方法

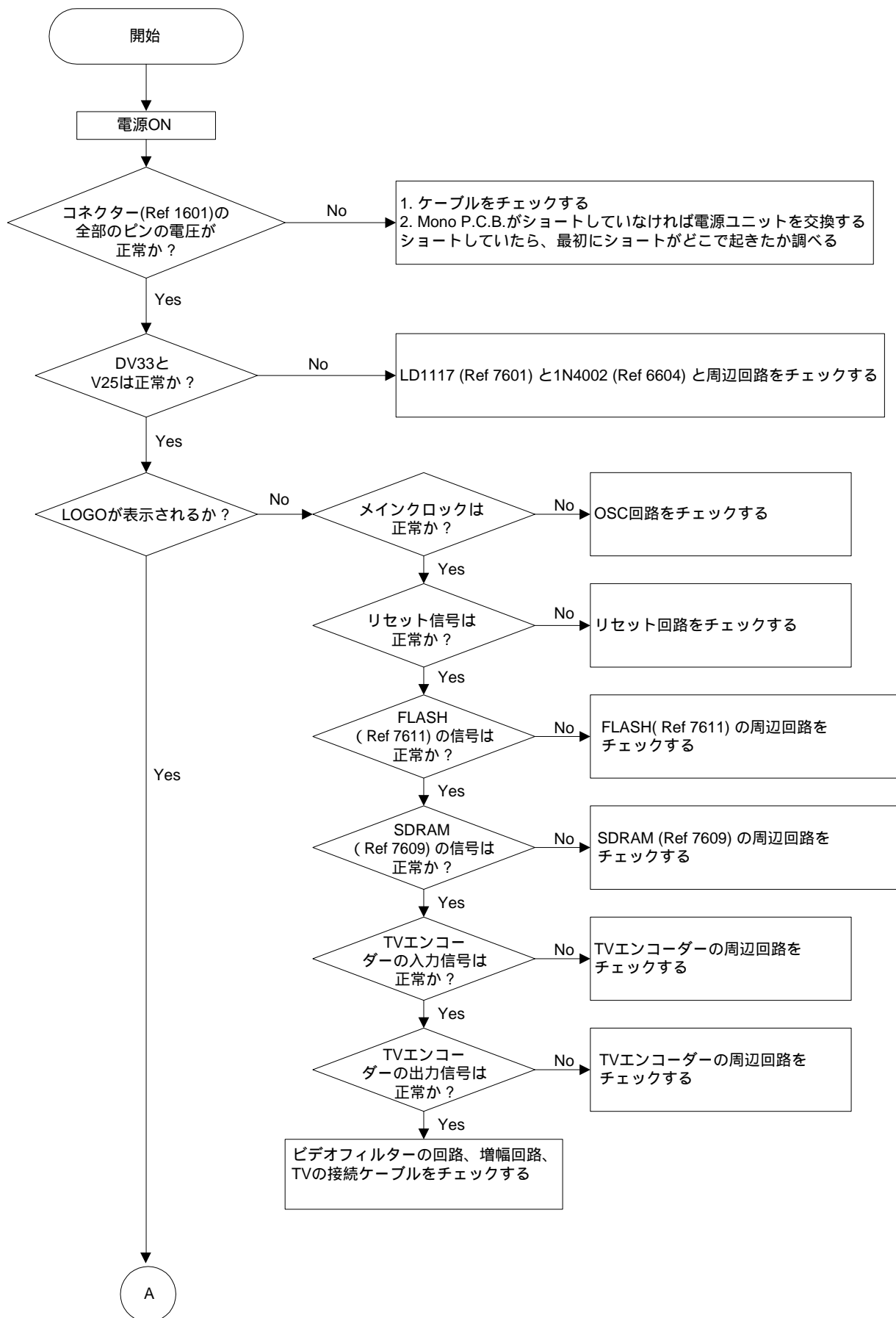
- 本体を上下反転します。
- トレーが出てくるまで、ドライバーでスライダを図に示す矢印の方向に動かします。
- トレーをそっと引き出します。

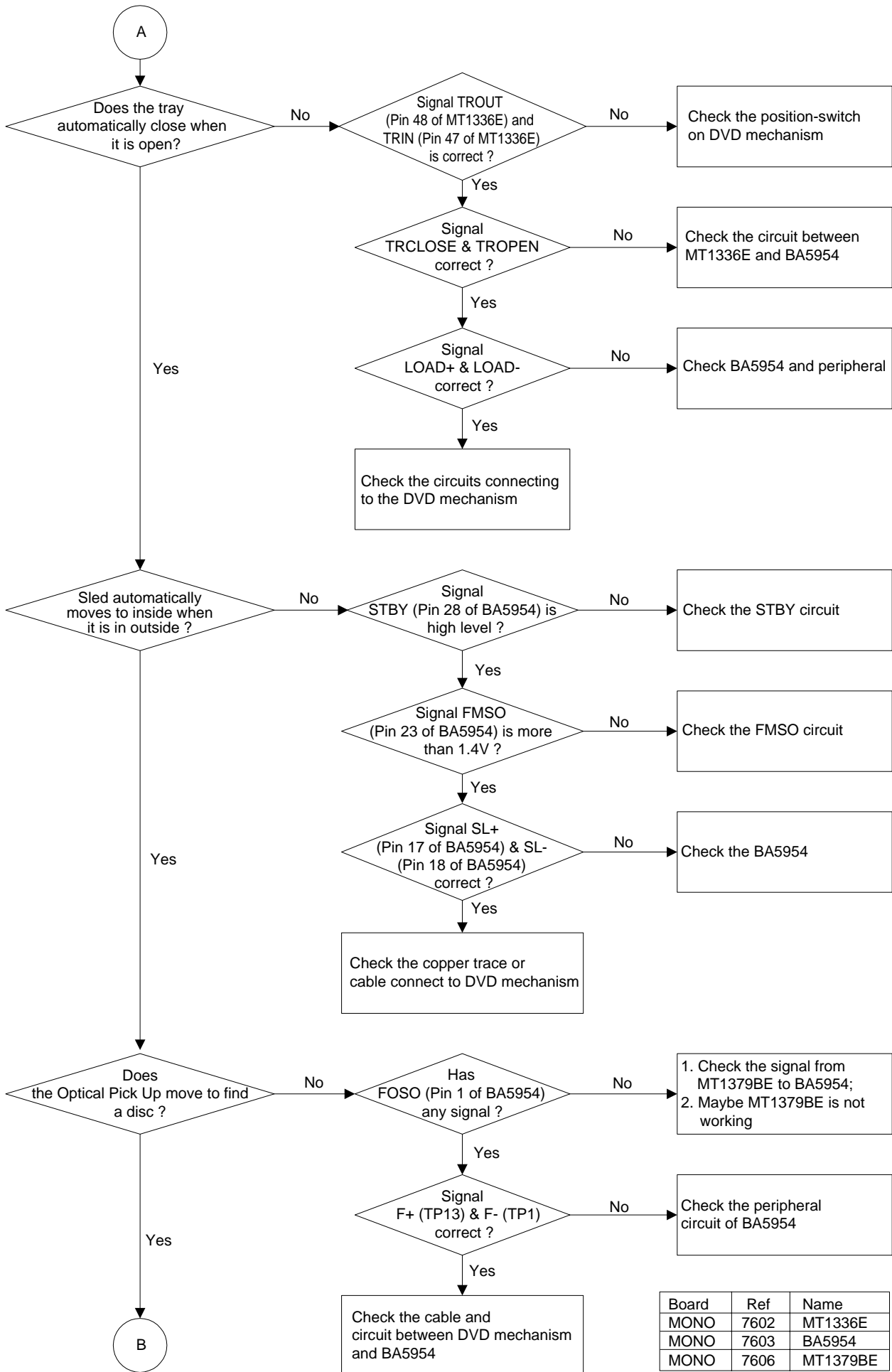


## ■ MAINTENANCE FLOW CHART

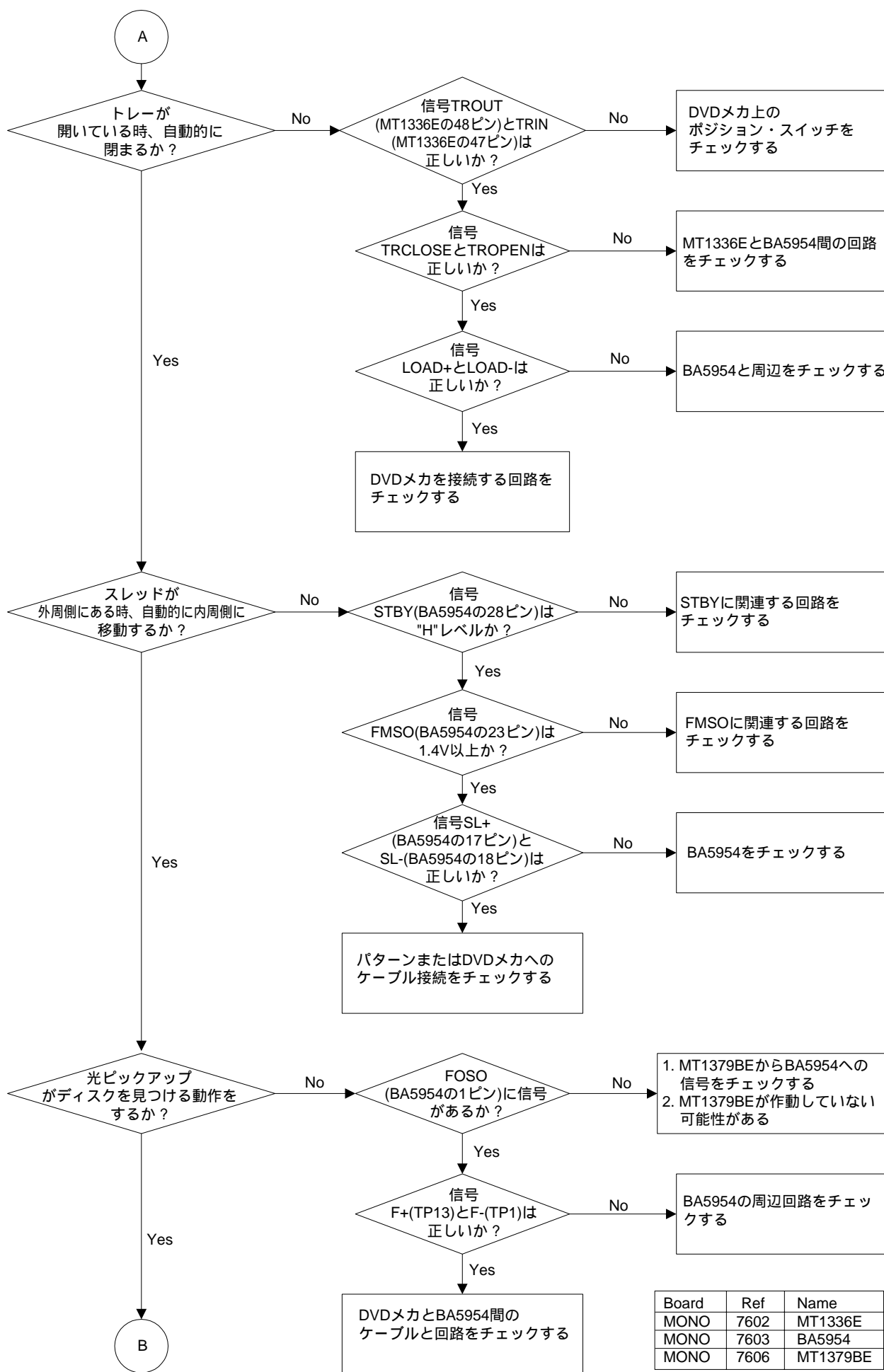


## ■ メンテナンスフローチャート

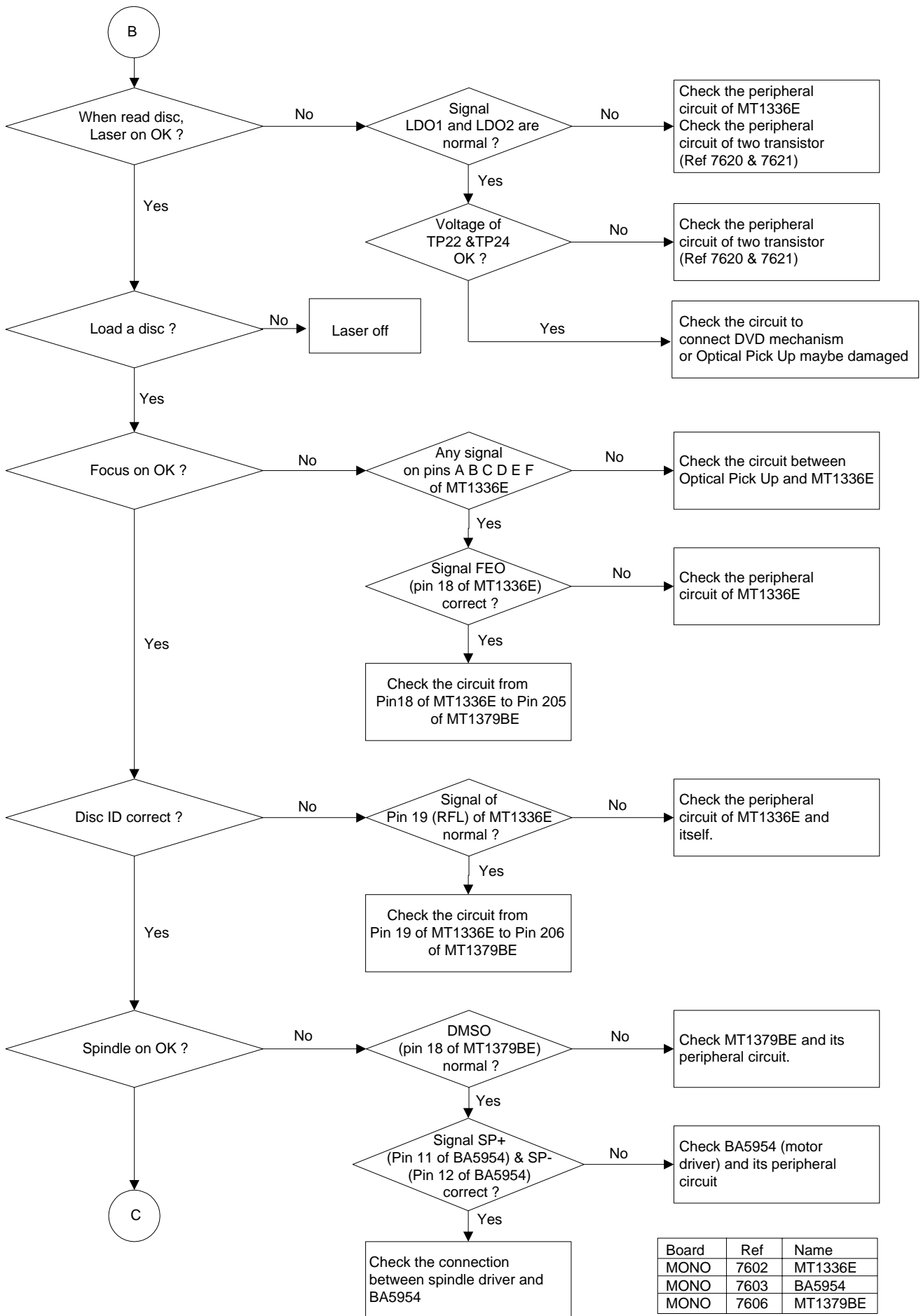




Board	Ref	Name
MONO	7602	MT1336E
MONO	7603	BA5954
MONO	7606	MT1379BE

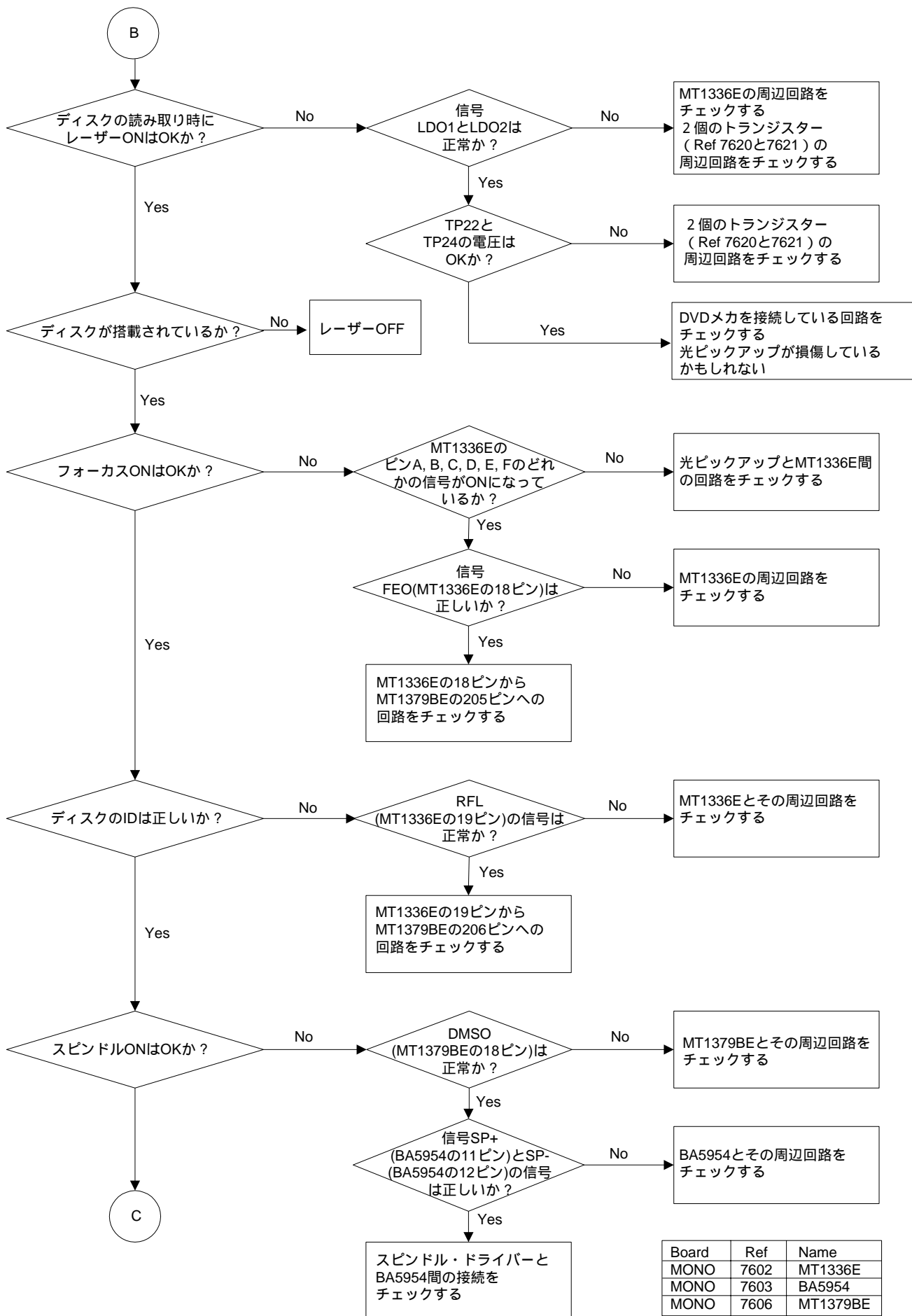


Board	Ref	Name
MONO	7602	MT1336E
MONO	7603	BA5954
MONO	7606	MT1379BE

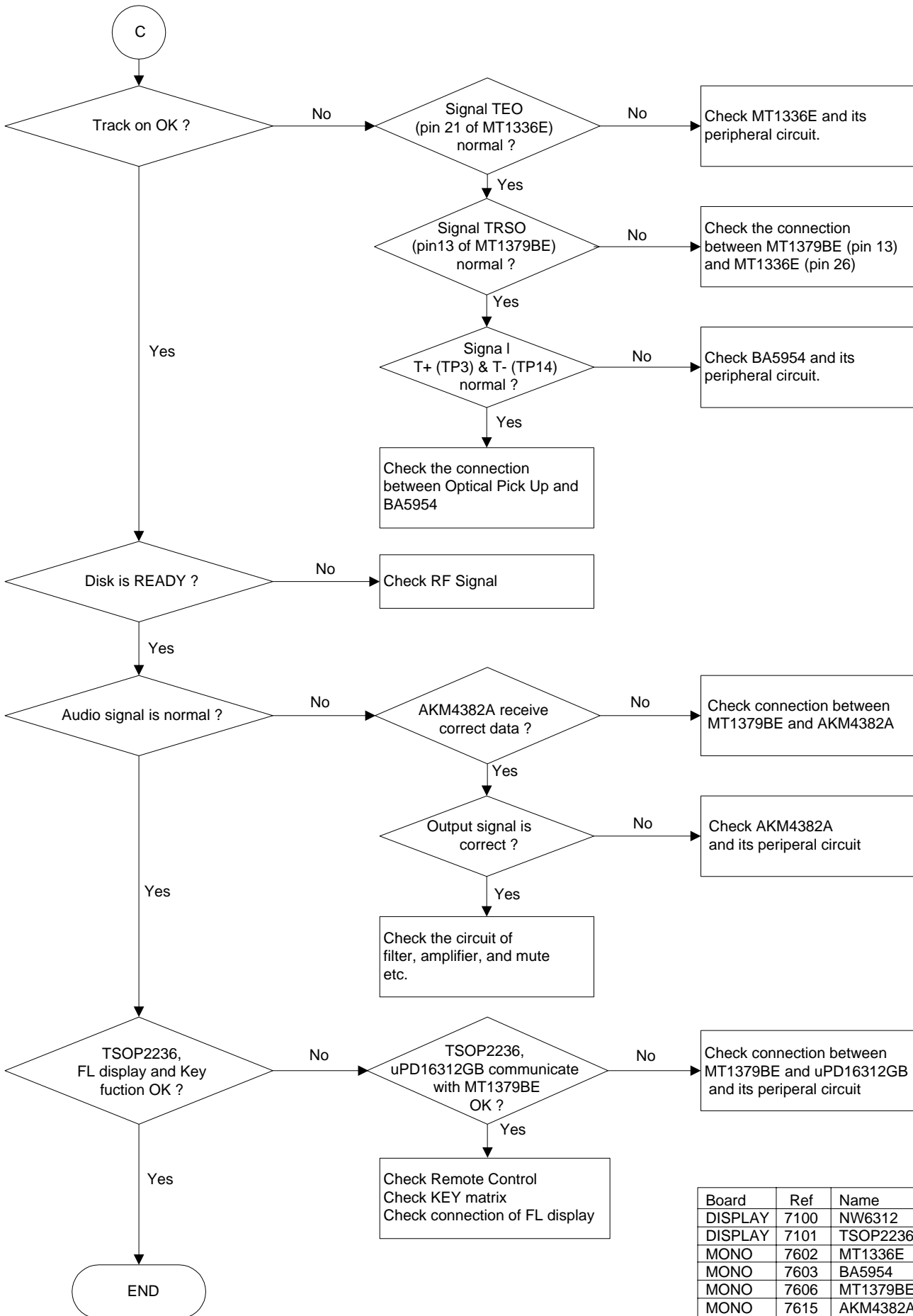


Board	Ref	Name
MONO	7602	MT1336E
MONO	7603	BA5954
MONO	7606	MT1379BE

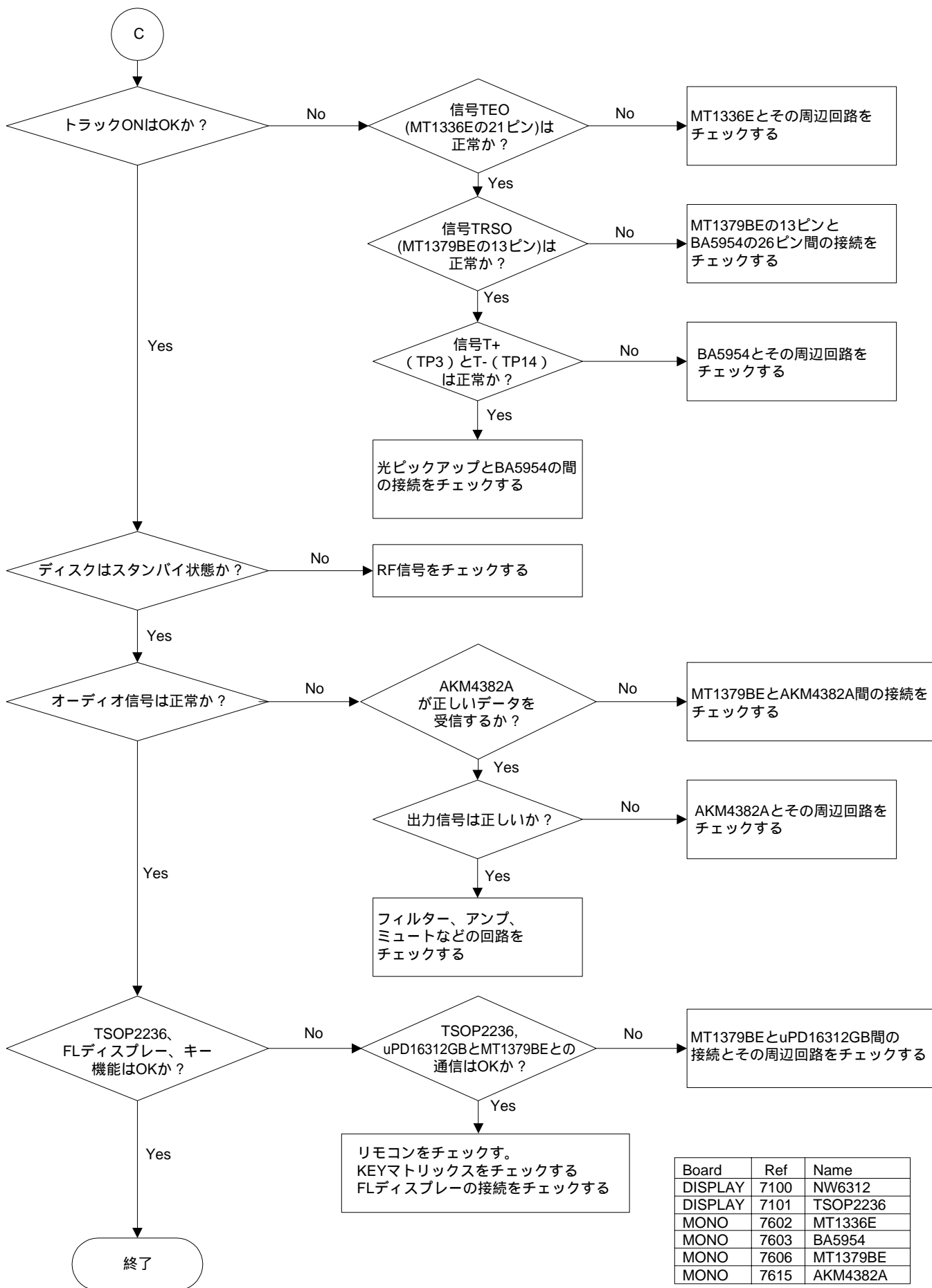




Board	Ref	Name
MONO	7602	MT1336E
MONO	7603	BA5954
MONO	7606	MT1379BE



Board	Ref	Name
DISPLAY	7100	NW6312
DISPLAY	7101	TSOP2236
MONO	7602	MT1336E
MONO	7603	BA5954
MONO	7606	MT1379BE
MONO	7615	AKM4382A



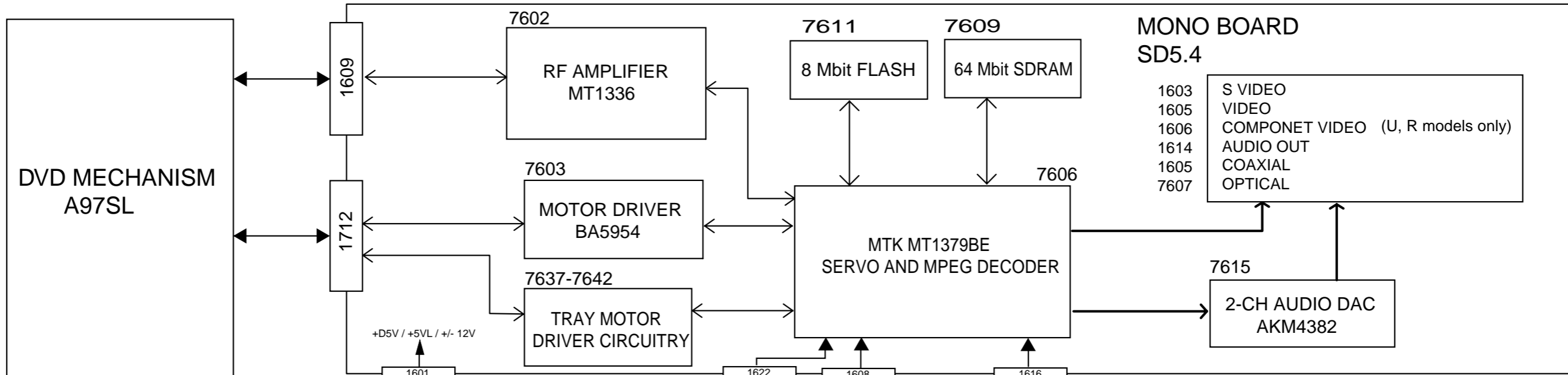
Board	Ref	Name
DISPLAY	7100	NW6312
DISPLAY	7101	TSOP2236
MONO	7602	MT1336E
MONO	7603	BA5954
MONO	7606	MT1379BE
MONO	7615	AKM4382A

MEMO

A large, empty rectangular box with a thin black border, occupying most of the page. It is intended for writing a memo.

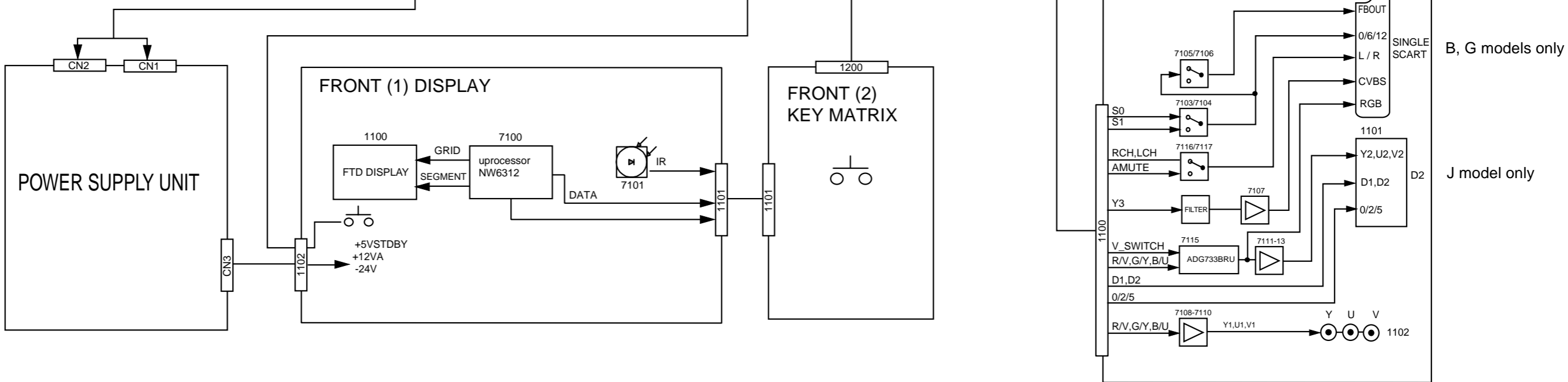
■ BLOCK DIAGRAM

1



2

3



4

5

6

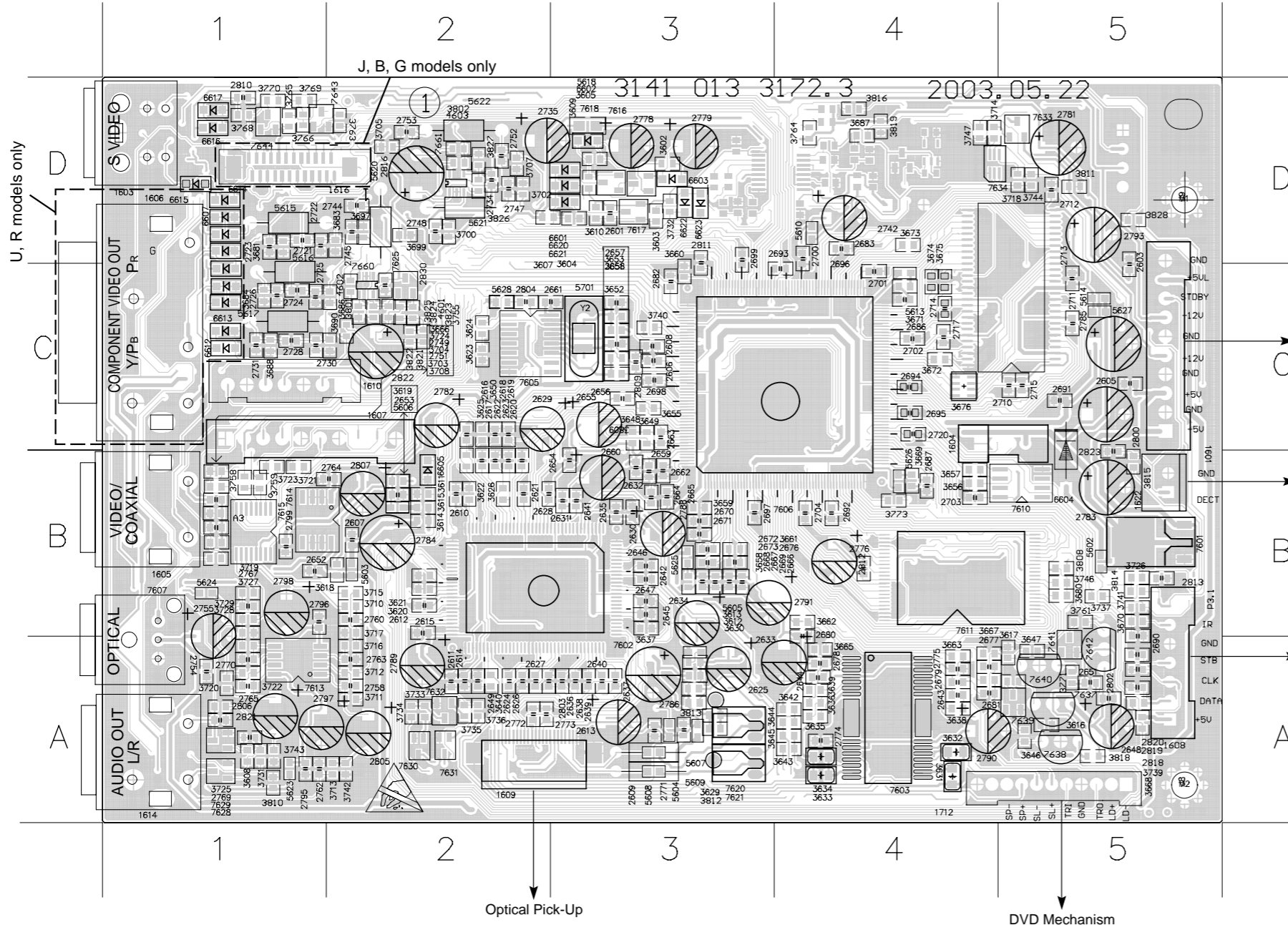
PRINTED CIRCUIT BOARD  
 FOR INFORMATION ONLY (NO SERVICE PARTS WILL BE AVAILABLE)

SD5.4 MONO Board-Top View

The first digit of a component indicates the component type.

1xxx : Connector    3xxx : Resistor    5xxx : Coil    7xxx : IC, Transistor, FET  
 2xxx : Capacitor    4xxx : SMD jumper    6xxx : Diode    9xxx : Wire jumper

1601 C5	2601 D3	2617 B2	2631 B3	2645 B3	2660 B3	2676 B3	2694 C4	2713 C5	2730 C1	2749 B1	2770 A1	2786 A3	2804 C2	3643 A4	3708 B1	3801 C2	6605 B2
1603 D1	2603 C5	2618 C2	2632 B3	2646 B3	2661 C3	2677 A4	2695 C4	2714 C4	2731 C1	2751 B1	2771 A3	2788 B3	2805 A2	3644 A4	3709 D4	3802 D2	6606 D1
1604 C5	2605 C5	2619 C2	2633 A4	2647 B3	2662 B3	2678 A4	2696 D4	2715 C5	2734 D2	2752 D2	2772 A2	2789 A2	2806 A1	3645 A4	3710 B2	3808 B5	6607 D1
1605 B1	2606 C3	2620 B2	2634 B3	2648 A5	2663 C3	2679 A4	2697 B3	2717 C4	2735 D2	2753 D2	2773 A2	2790 A4	2807 B2	3646 A5	3711 A2	3809 C3	6608 C1
1606 C1	2607 B2	2621 B2	2635 B3	2649 A2	2664 B3	2680 A4	2698 C3	2720 C4	2737 D4	2754 A1	2774 A4	2791 B3	2809 C3	3647 A5	3712 A2	3810 A1	6609 C1
1607 C1	2608 C3	2622 B2	2636 A3	2651 A5	2665 B3	2681 A4	2699 D3	2721 D1	2738 D3	2755 B1	2775 A4	2793 D5	2810 D1	3648 C3	3713 A2	3811 D5	6610 C1
1608 A5	2609 A3	2623 B2	2637 A3	2652 B1	2666 B3	2682 C3	2700 D4	2722 D1	2739 D4	2758 A2	2776 B4	2795 A1	2811 D3	3649 C3	3714 D4	3812 A3	6611 D1
1609 A2	2610 B2	2624 A2	2638 A3	2653 B2	2667 B3	2683 D4	2701 C4	2723 D1	2740 D4	2760 B2	2778 D3	2796 B1	2812 B4	3650 C2	3715 B2	3813 A3	6612 C1
1610 C1	2611 A2	2625 A3	2639 A3	2654 B3	2668 B3	2686 C4	2702 C4	2724 C1	2741 D4	2762 A1	2779 D3	2797 A1	2813 B5	3651 C3	3716 A2	3814 B5	6613 C1
1614 A1	2612 B2	2626 A2	2640 A3	2655 C3	2669 B3	2687 B4	2703 B4	2725 C1	2742 D4	2763 A2	2781 D5	2798 B1	2815 D4	3652 C3	3717 B2	3815 B5	6614 D1
1616 D1	2613 A3	2627 A2	2641 B3	2656 C3	2670 B3	2690 B5	2704 B4	2726 C1	2744 D2	2764 B2	2782 C2	2799 B1	2816 D2	3653 C3	3718 D5	3816 D4	6615 D1
1620 D5	2614 A2	2628 B2	2642 B3	2657 C3	2671 B3	2691 C5	2710 C5	2727 D4	2745 C2	2765 A1	2783 B5	2800 C5	2818 A5	3655 C3	3719 B1	3817 D4	6616 D1
1622 B5	2615 B2	2629 C2	2643 A4	2658 C3	2672 B3	2692 B4	2711 C5	2728 C1	2747 D2	2767 B1	2784 B2	2802 A5	2819 A5	3656 B4	3720 A1	3818 A5	6617 D1
1712 A5	2616 C2	2630 B3	2644 A4	2659 B3	2673 B3	2693 C4	2712 D5	2729 D4	2748 D2	2769 A1	2785 C5	2803 A2	2820 A5	3657 B4	3721 B1	3819 D4	6620 D3



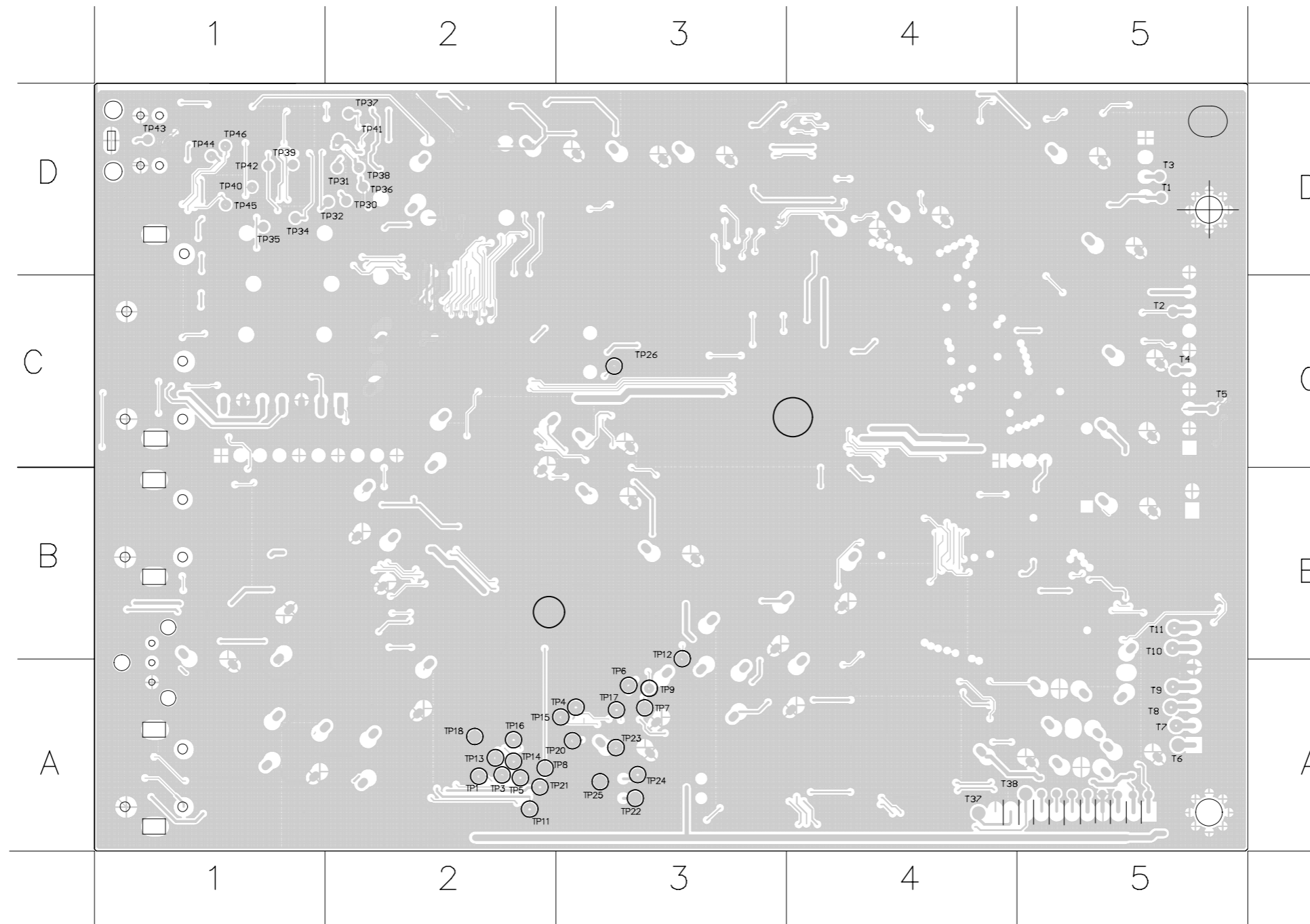
2821 A1	3658 B3	3722 A1	3820 D2	6621 D3
2822 C2	3659 B3	3723 B1	3821 C2	6622 D3
2823 B5	3660 C3	3724 B1	3822 C2	6623 D3
3602 D3	3661 B3	3725 A1	3823 C2	7601 B5
3603 D3	3662 B4	3726 B5	3824 C2	7602 B2
3604 D3	3663 A4	3727 B1	3825 C2	7603 A4
3605 D3	3664 A4	3728 A1	3826 D2	7605 C2
3607 D2	3665 A4	3729 B1	3827 D2	7606 C4
3608 A1	3666 B1	3731 A1	4601 C2	7607 A1
3609 D3	3667 A4	3732 D3	4602 C3	7609 C5
3610 D3	3668 A5	3733 A2	4603 D2	7610 B5
3611 B2	3669 B4	3734 A2	5602 D5	7611 B4
3612 A3	3670 B5	3735 A2	5603 B2	7612 D4
3613 A3	3671 C4	3736 A2	5604 A3	7613 A1
3614 B2	3672 C4	3737 B5	5605 A3	7614 B1
3615 B2	3673 D4	3739 A5	5606 B2	7615 B1
3616 A5	3674 C4	3740 C3	5607 A3	7616 D3
3617 A5	3675 C4	3741 B5	5608 A3	7617 D3
3618 B2	3676 C4	3742 A2	5609 A3	7618 D3
3619 B2	3680 B5	3743 A1	5610 D4	7620 A3
3620 B2	3681 D1	3744 D5	5613 C4	7621 A3
3621 B2	3682 D2	3746 B5	5614 C5	7625 C2
3622 B2	3684 C1	3747 D4	5615 D1	7626 D2
3623 C2	3686 C2	3755 C2	5616 C1	7628 A1
3624 C2	3687 D4	3756 D2	5617 C1	7629 A1
3625 B2	3688 C1	3758 B1	5618 D3	7630 A2
3626 B2	3690 C2	3759 B1	5619 D4	7631 A2
3629 A3	3692 D3	3760 A5	5620 D2	7632 A2
3630 A3	3693 D3	3761 B5	5621 D2	7633 D5
3631 A4	3694 D3	3762 D4	5622 D2	7634 D4
3632 A4	3695 D3	3763 D2	5623 A1	7637 A5
3633 A4	3696 D3	3764 D4	5624 B1	7638 A5
3634 A4	3697 C2	3765 D1	5625 B3	7639 A5
3635 A4	3699 D2	3766 D1	5626 B4	7640 A5
3636 A4	3700 D2	3767 D4	5627 C5	7641 A5
3637 B3	3702 D2	3768 D1	5628 C2	7642 A5
3638 A4	3703 B1	3769 D1	5701 C3	7643 D1
3639 A4	3704 B1	3770 D1	6601 D3	7644 D1
3640 A2	3705 D2	3771 A5	6602 D3	7650 D4
3642 A4	3707 D2	3773 B4	6603 D3	7651 D4
			6604 B5	7660 C2
				7661 C2

■ PRINTED CIRCUIT BOARD  
FOR INFORMATION ONLY (NO SERVICE PARTS WILL BE AVAILABLE)

SD5.4 MONO Board-Bottom View

The first digit of a component indicates the component type.

1xxx : Connector    3xxx : Resistor    5xxx : Coil    7xxx : IC, Transistor, FET  
2xxx : Capacitor    4xxx : SMD jumper    6xxx : Diode    9xxx : Wire jumper



T1	D5	TP20	A3
T2	C5	TP21	A2
T3	D5	TP22	A3
T4	C5	TP23	A3
T5	C5	TP24	A3
T6	A5	TP25	A3
T7	A5	TP26	C3
T8	A5	TP27	A3
T9	A5	TP28	A3
T10	B5	TP30	D2
T11	B5	TP31	D2
T37	A4	TP32	D2
T38	A5	TP34	D1
TP1	A2	TP35	D1
TP3	A2	TP36	D2
TP4	A3	TP37	D2
TP5	A2	TP38	D2
TP6	A3	TP39	D1
TP7	A3	TP40	D1
TP8	A2	TP41	D2
TP9	A3	TP42	D1
TP11	A2	TP43	D1
TP12	B3	TP44	D1
TP13	A2	TP45	D1
TP14	A2	TP46	D1
TP15	A3		
TP16	A2		
TP17	A3		
TP18	A2		

■ PRINTED CIRCUIT BOARD  
FOR INFORMATION ONLY (NO SERVICE PARTS WILL BE AVAILABLE)

J, B, G models only

VIDEO Board-Top View

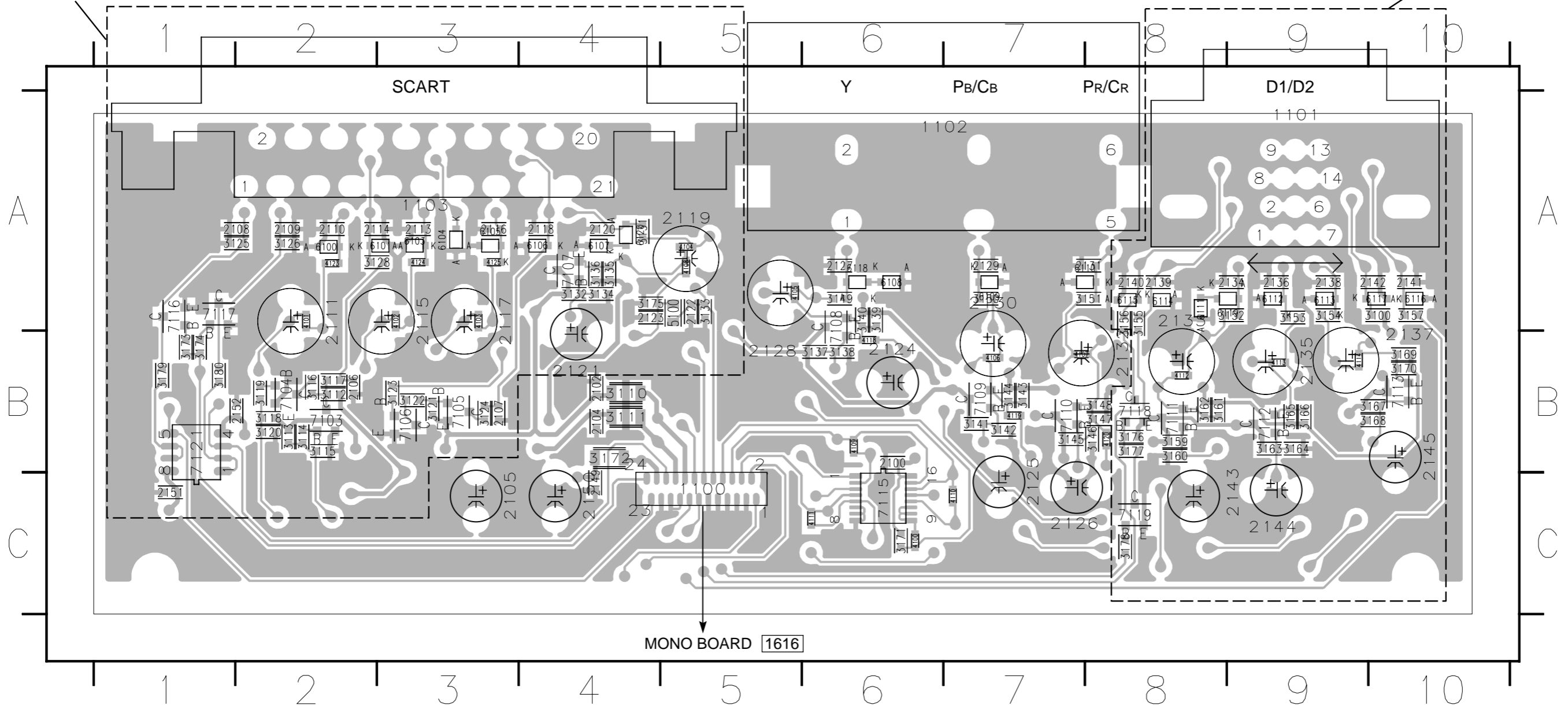
The first digit of a component indicates the component type.

1xxx : Connector    3xxx : Resistor    5xxx : Coil    7xxx : IC, Transistor, FET  
2xxx : Capacitor    4xxx : SMD jumper    6xxx : Diode    9xxx : Wire jumper

1100	C5	2117	A3	2135	B9	3112	B2	3133	A5	3151	A8	3170	B10	4107	B7	6104	A3	7104	B2
1101	A6	2118	A4	2136	B10	3113	B3	3134	A4	3152	A9	3171	B9	4108	A5	6105	A3	7105	B3
1102	A3	2119	A5	2137	A10	3114	B4	3135	A4	3153	A9	3172	B8	4109	A6	6106	A4	7106	B3
1103	A4	2120	A4	2138	A9	3115	B5	3136	A4	3154	A9	3173	B7	4110	A7	6107	A4	7107	A4
2100	B6	2121	B4	2139	A8	3116	B6	3137	B6	3155	A8	3174	B6	4111	A8	6108	A6	7108	A6
2101	B4	2122	A5	2140	A8	3117	B7	3138	B6	3156	A8	3175	A4	4112	A8	6109	A7	7109	B7
2102	B4	2123	A4	2141	A10	3118	B8	3139	A6	3157	A10	3176	B8	4113	A9	6110	A7	7110	B7
2103	C3	2124	B6	2142	A0	3119	B9	3140	A10	3158	A0	3177	B8	4114	A9	6111	A8	7111	B8
2104	B4	2125	A4	2143	A0	3120	B10	3141	A0	3159	A0	3178	B8	4115	A9	6112	A9	7112	B9
2105	C7	2126	C7	2144	A0	3121	B10	3142	A0	3160	A0	3179	B8	4116	A9	6113	A9	7113	B10
2106	B3	2127	C7	2145	A0	3122	B10	3143	A0	3161	A0	3180	B8	4117	A9	6114	A9	7114	B10
2107	B3	2128	C7	2146	A0	3123	B10	3144	A0	3162	A0	3181	B8	4118	A9	6115	A9	7115	B10
2108	A2	2129	A6	2147	A0	3124	B10	3145	A0	3163	A0	3182	B8	4119	A9	6116	A9	7116	B10
2109	A2	2130	B7	2148	A0	3125	B10	3146	A0	3164	A0	3183	B8	4120	A9	6117	A9	7117	B10
2110	A2	2131	A7	2149	A0	3126	B10	3147	A0	3165	A0	3184	B8	4121	A9	6118	A9	7118	B10
2111	A2	2132	A8	2150	A0	3127	B10	3148	A0	3166	A0	3185	B8	4122	A9	6119	A9	7119	B10
2112	A2	2133	A8	3128	B10	3129	B10	3149	A0	3167	A0	3186	B8	4123	A9	6120	A9	7120	B10
2113	A3	2134	A9	3130	B10	3131	B10	3150	A0	3168	A0	3187	B8	4124	A9	6121	A9	7121	B10
2114	A2																		
2115	A3																		
2116	A3																		

B, G models only

J model only



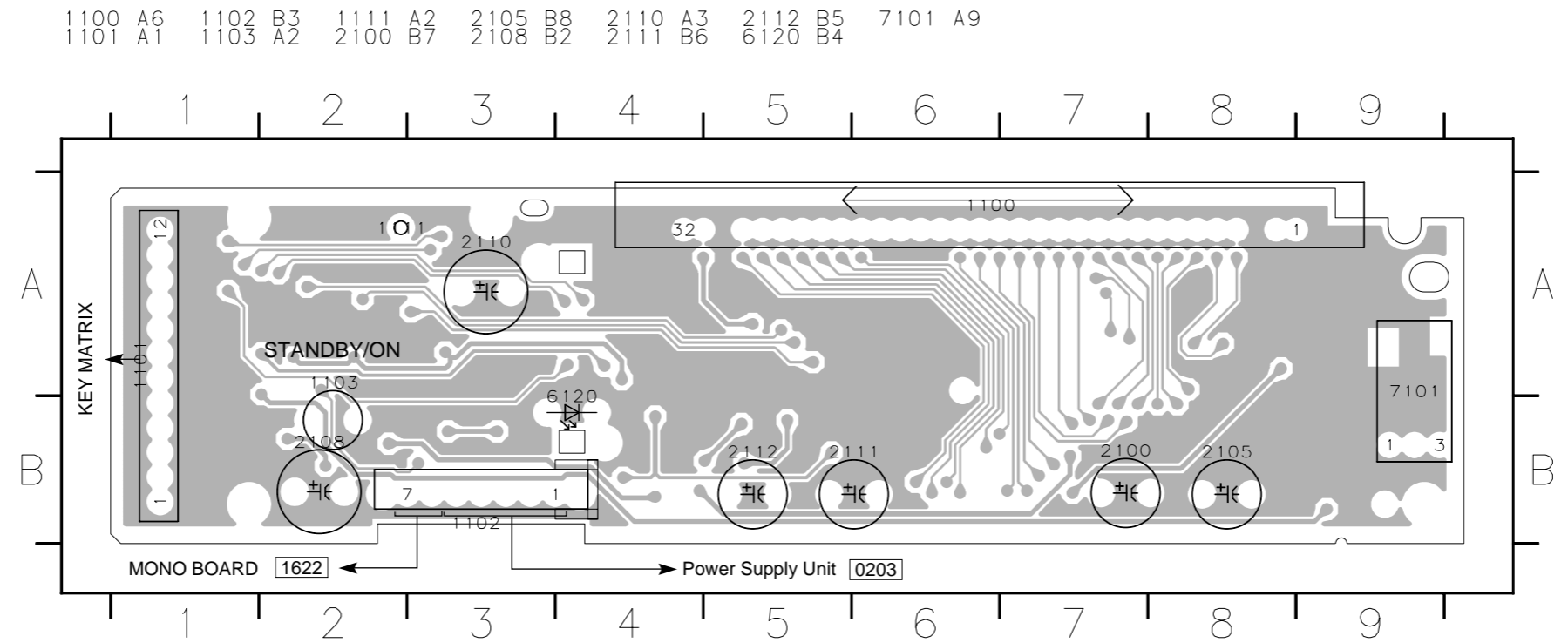


■ PRINTED CIRCUIT BOARD  
FOR INFORMATION ONLY (NO SERVICE PARTS WILL BE AVAILABLE)

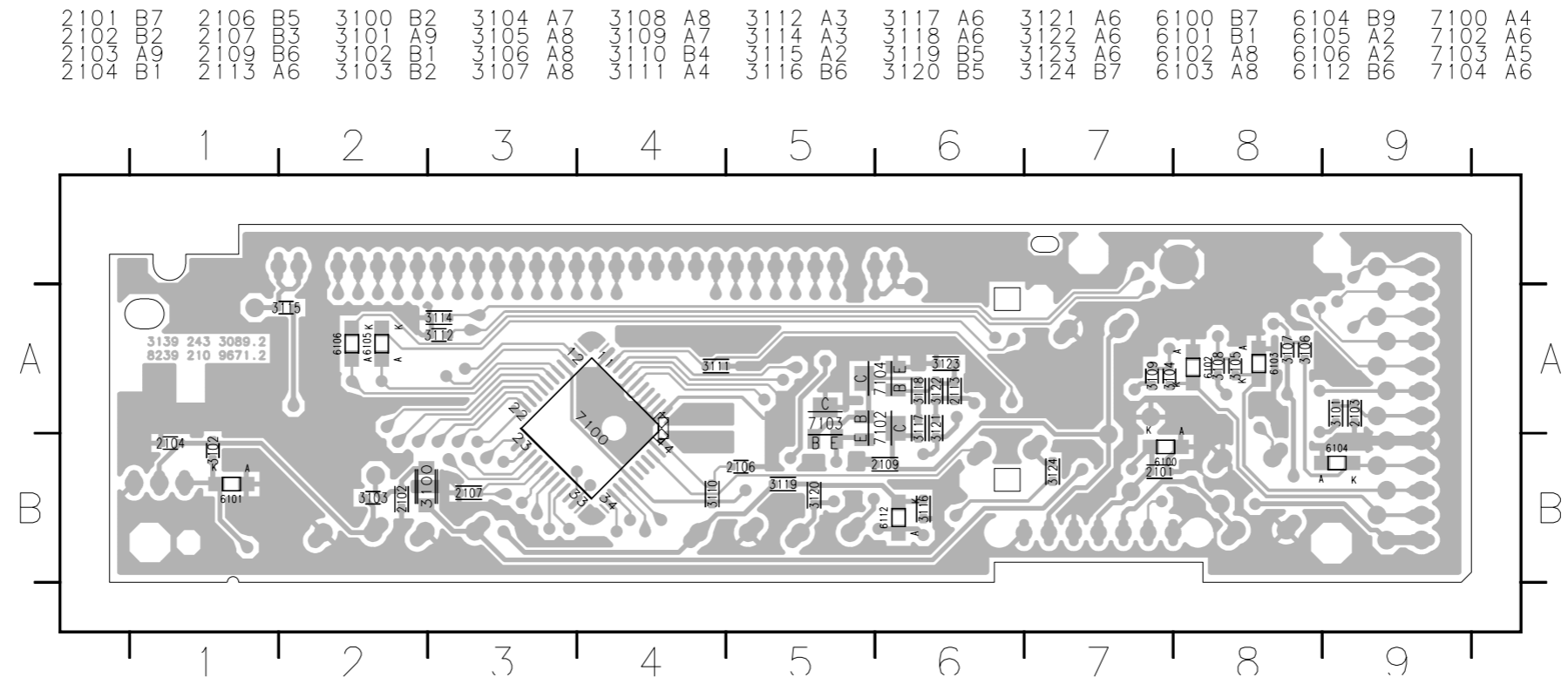
The first digit of a component indicates the component type.

- |                  |                   |              |                            |
|------------------|-------------------|--------------|----------------------------|
| 1xxx : Connector | 3xxx : Resistor   | 5xxx : Coil  | 7xxx : IC, Transistor, FET |
| 2xxx : Capacitor | 4xxx : SMD jumper | 6xxx : Diode | 9xxx : Wire jumper         |

FRONT (1) Display Board-Top View



FRONT (1) Display Board-Bottom View



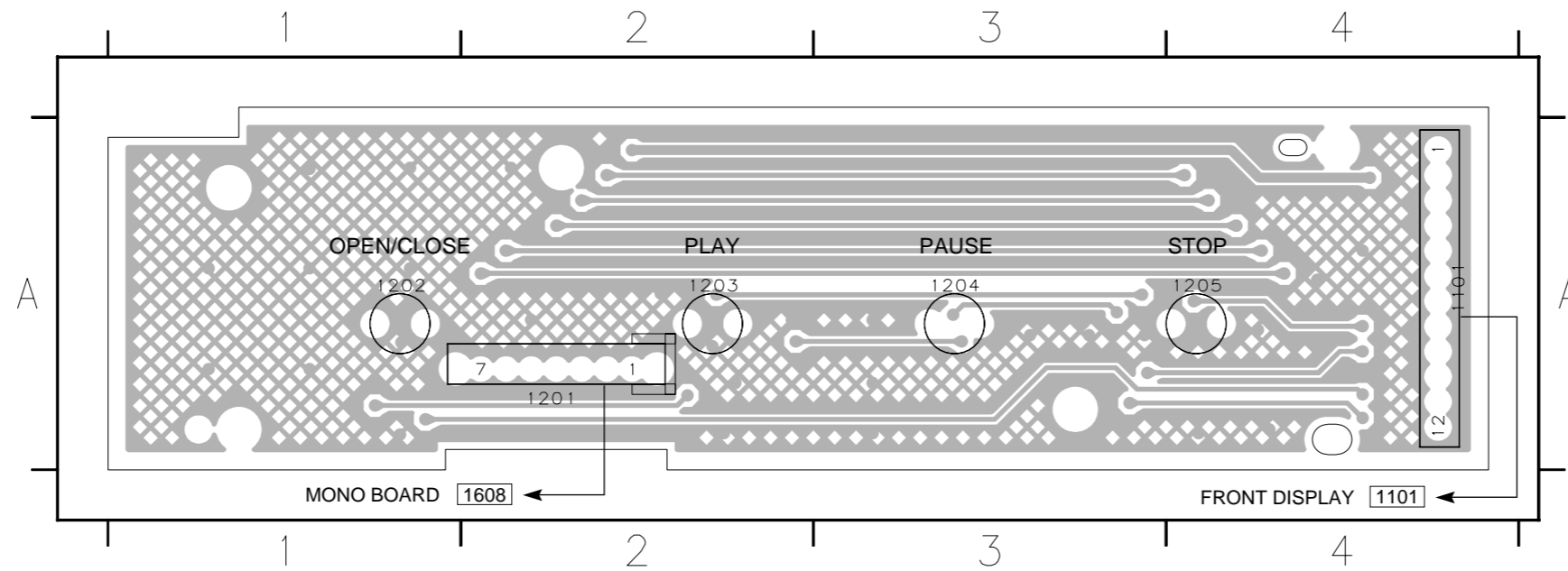
■ PRINTED CIRCUIT BOARD  
FOR INFORMATION ONLY (NO SERVICE PARTS WILL BE AVAILABLE)

The first digit of a component indicates the component type.

1xxx : Connector    3xxx : Resistor    5xxx : Coil    7xxx : IC, Transistor, FET  
2xxx : Capacitor    4xxx : SMD jumper    6xxx : Diode    9xxx : Wire jumper

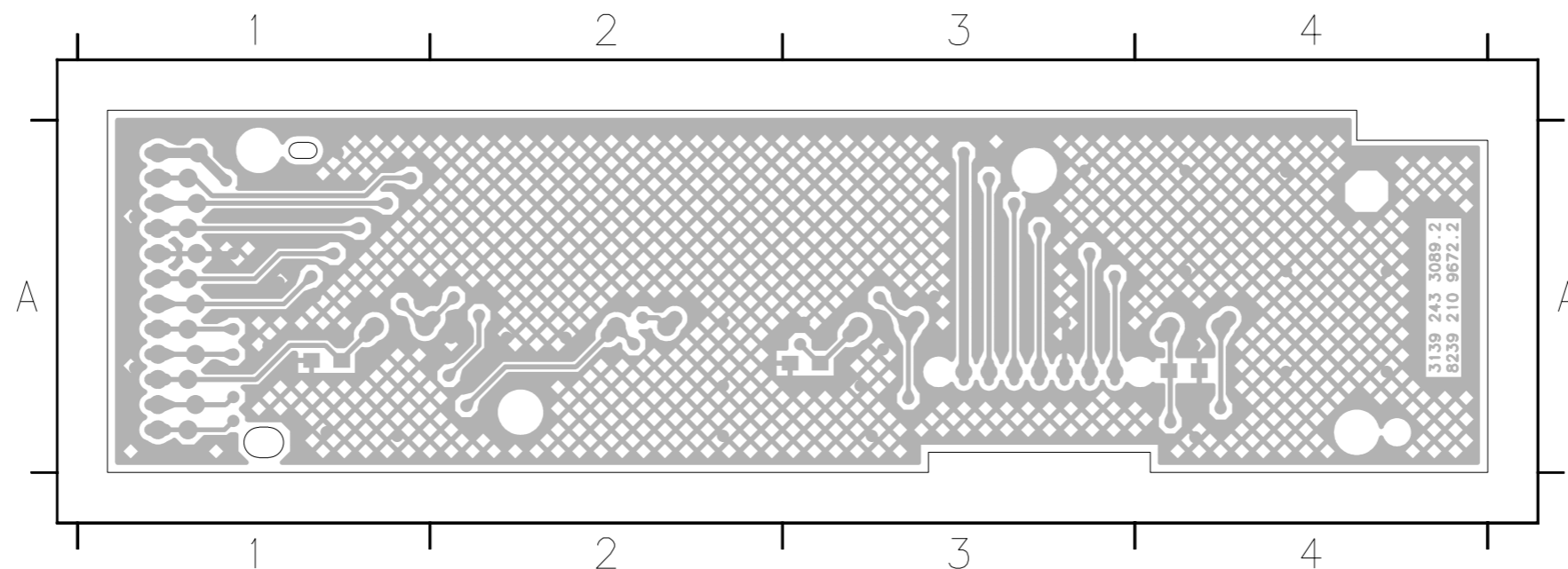
**FRONT (2) Key Matrix Board-Top View**

1101 A4    1201 A2    1202 A1    1203 A2    1204 A3    1205 A4



**FRONT (2) Key Matrix Board-Bottom View**

6200 A1    6201 A4    6202 A3



■ WIRING DIAGRAM

1

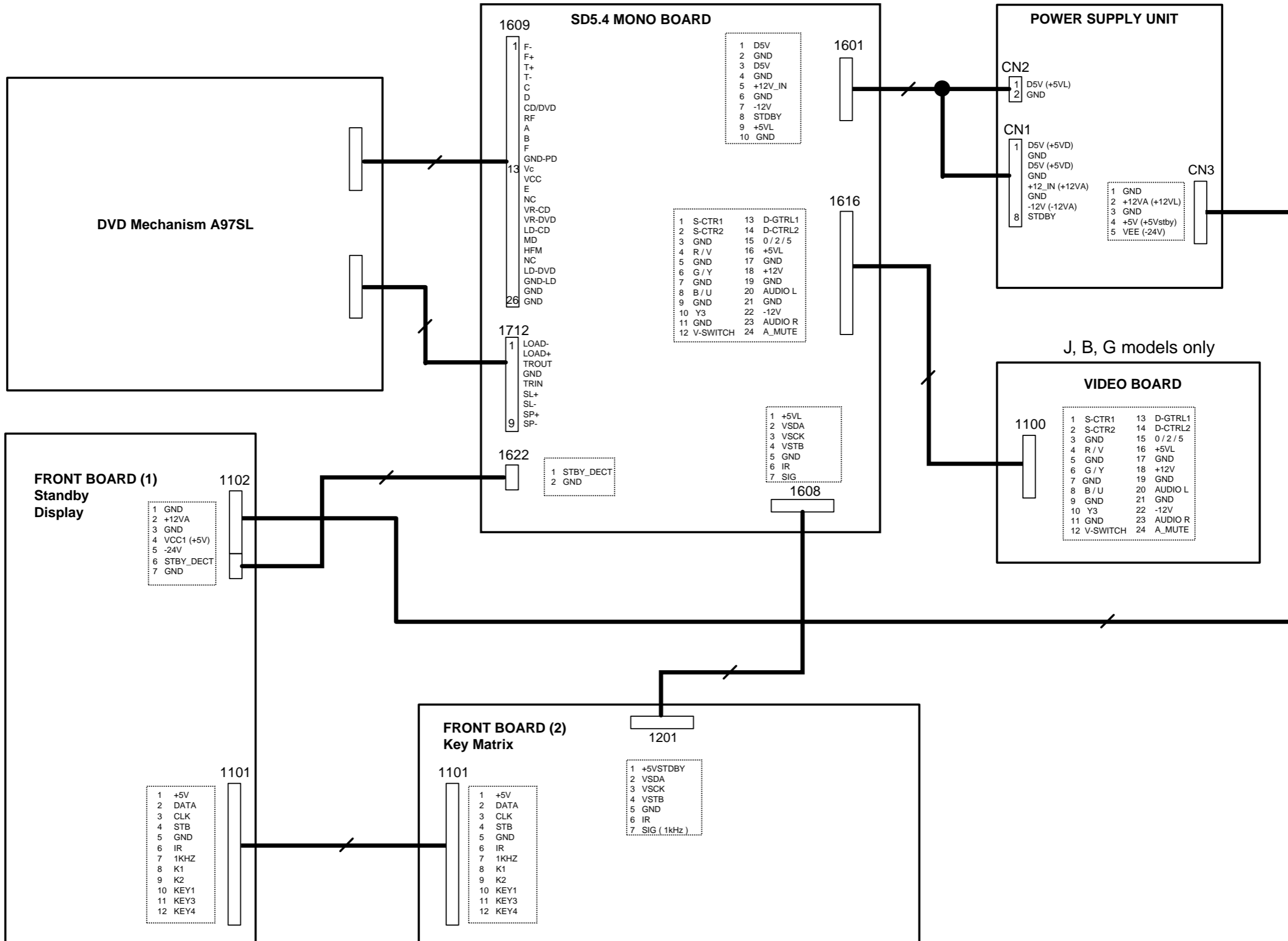
2

3

4

5

6



■ SCHEMATIC DIAGRAM  
FOR INFORMATION ONLY (NO SERVICE PARTS WILL BE AVAILABLE)

The first digit of a component indicates the component type.

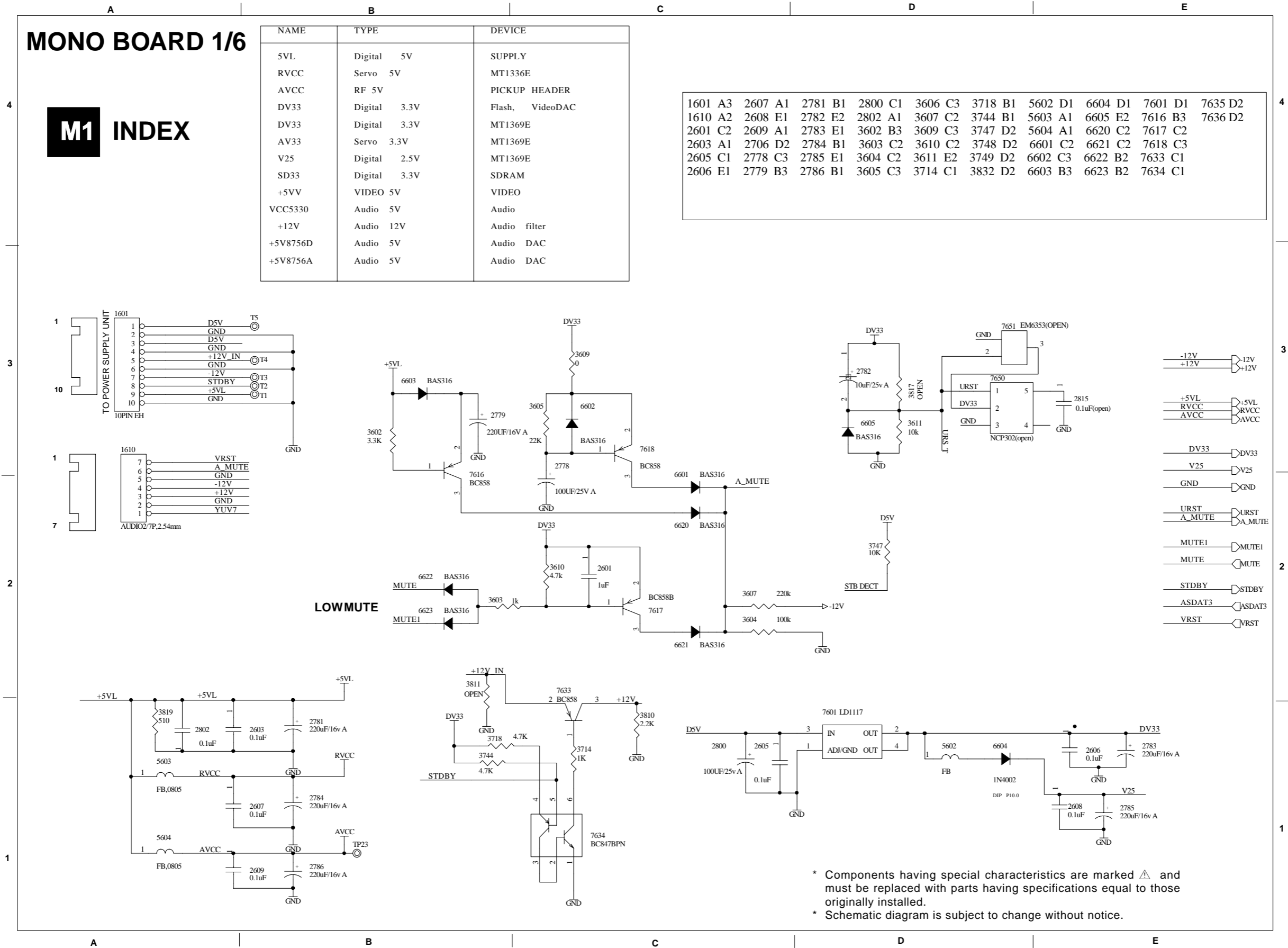
1xxx : Connector    3xxx : Resistor    5xxx : Coil    7xxx : IC, Transistor, FET  
2xxx : Capacitor    4xxx : SMD jumper    6xxx : Diode    9xxx : Wire jumper

MONO BOARD 1/6

M1 INDEX

NAME	TYPE	DEVICE
5VL	Digital 5V	SUPPLY
RVCC	Servo 5V	MT1336E
AVCC	RF 5V	PICKUP HEADER
DV33	Digital 3.3V	Flash, VideoDAC
DV33	Digital 3.3V	MT1369E
AV33	Servo 3.3V	MT1369E
V25	Digital 2.5V	MT1369E
SD33	Digital 3.3V	SDRAM
+5VV	VIDEO 5V	VIDEO
VCC5330	Audio 5V	Audio
+12V	Audio 12V	Audio filter
+5V8756D	Audio 5V	Audio DAC
+5V8756A	Audio 5V	Audio DAC

1601 A3	2607 A1	2781 B1	2800 C1	3606 C3	3718 B1	5602 D1	6604 D1	7601 D1	7635 D2
1610 A2	2608 E1	2782 E2	2802 A1	3607 C2	3744 B1	5603 A1	6605 E2	7616 B3	7636 D2
2601 C2	2609 A1	2783 E1	3602 B3	3609 C3	3747 D2	5604 A1	6620 C2	7617 C2	
2603 A1	2706 D2	2784 B1	3603 C2	3610 C2	3748 D2	6601 C2	6621 C2	7618 C3	
2605 C1	2778 C3	2785 E1	3604 C2	3611 E2	3749 D2	6602 C3	6622 B2	7633 C1	
2606 E1	2779 B3	2786 B1	3605 C3	3714 C1	3832 D2	6603 B3	6623 B2	7634 C1	

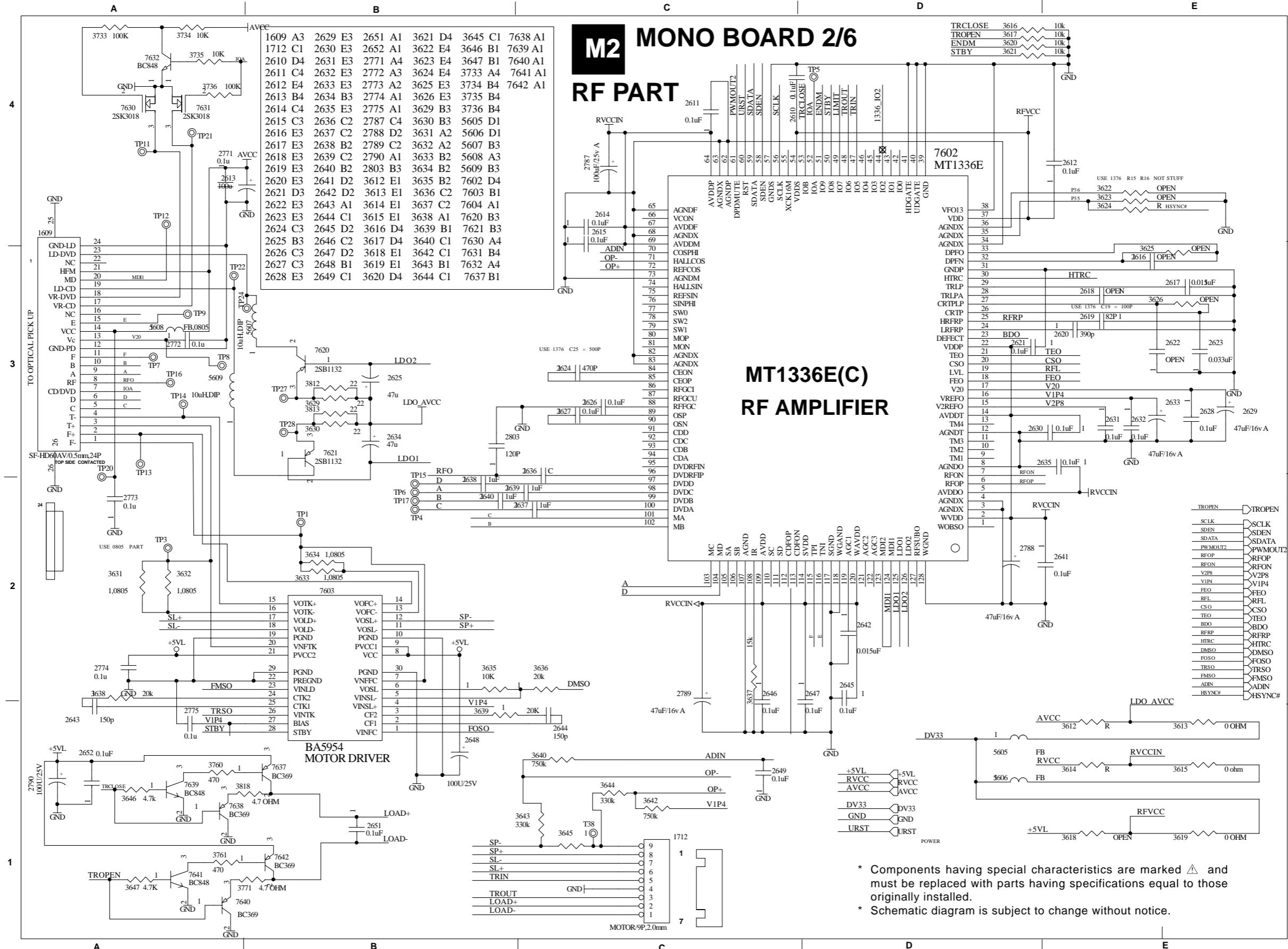


\* Components having special characteristics are marked  $\Delta$  and must be replaced with parts having specifications equal to those originally installed.  
\* Schematic diagram is subject to change without notice.

■ SCHEMATIC DIAGRAM  
FOR INFORMATION ONLY (NO SERVICE PARTS WILL BE AVAILABLE)

The first digit of a component indicates the component type.

- 1xxx : Connector    3xxx : Resistor    5xxx : Coil    7xxx : IC, Transistor, FET
- 2xxx : Capacitor    4xxx : SMD jumper    6xxx : Diode    9xxx : Wire jumper



\* Components having special characteristics are marked  $\Delta$  and must be replaced with parts having specifications equal to those originally installed.  
\* Schematic diagram is subject to change without notice.

SCHEMATIC DIAGRAM  
FOR INFORMATION ONLY (NO SERVICE PARTS WILL BE AVAILABLE)

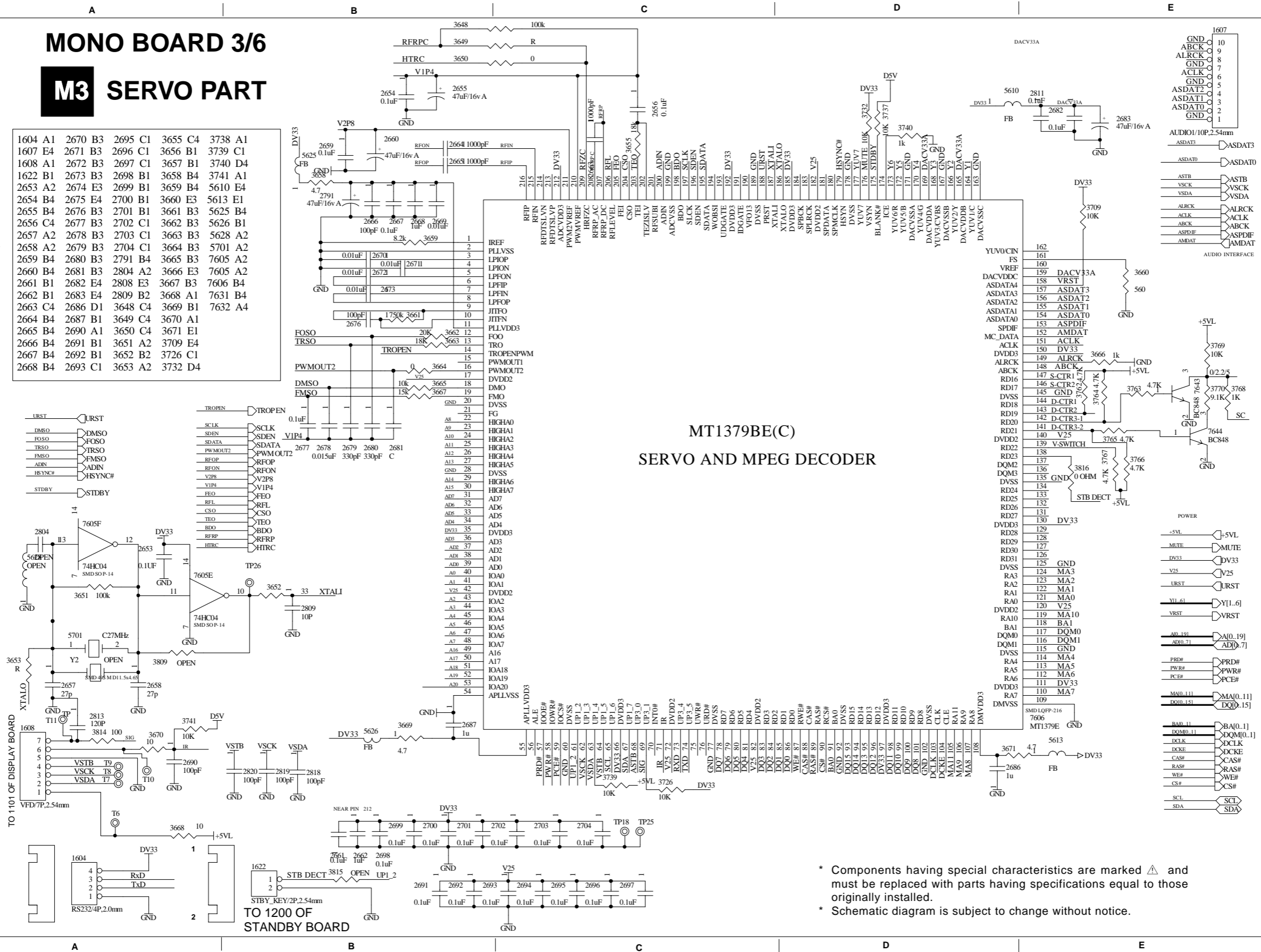
The first digit of a component indicates the component type.

- 1xxx : Connector    3xxx : Resistor    5xxx : Coil    7xxx : IC, Transistor, FET
- 2xxx : Capacitor    4xxx : SMD jumper    6xxx : Diode    9xxx : Wire jumper

MONO BOARD 3/6

M3 SERVO PART

1604 A1	2670 B3	2695 C1	3655 C4	3738 A1
1607 E4	2671 B3	2696 C1	3656 B1	3739 C1
1608 A1	2672 B3	2697 C1	3657 B1	3740 D4
1622 B1	2673 B3	2698 B1	3658 B4	3741 A1
2653 A2	2674 E3	2699 B1	3659 B4	5610 E4
2654 B4	2675 E4	2700 B1	3660 E3	5613 E1
2655 B4	2676 B3	2701 B1	3661 B3	5625 B4
2656 C4	2677 B3	2702 C1	3662 B3	5626 B1
2657 A2	2678 B3	2703 C1	3663 B3	5628 A2
2658 A2	2679 B3	2704 C1	3664 B3	5701 A2
2659 B4	2680 B3	2791 B4	3665 B3	7605 A2
2660 B4	2681 B3	2804 A2	3666 E3	7605 A2
2661 B1	2682 E4	2808 E3	3667 B3	7606 B4
2662 B1	2683 E4	2809 B2	3668 A1	7631 B4
2663 C4	2686 D1	3648 C4	3669 B1	7632 A4
2664 B4	2687 B1	3649 C4	3670 A1	
2665 B4	2690 A1	3650 C4	3671 E1	
2666 B4	2691 B1	3651 A2	3709 E4	
2667 B4	2692 B1	3652 B2	3726 C1	
2668 B4	2693 C1	3653 A2	3732 D4	



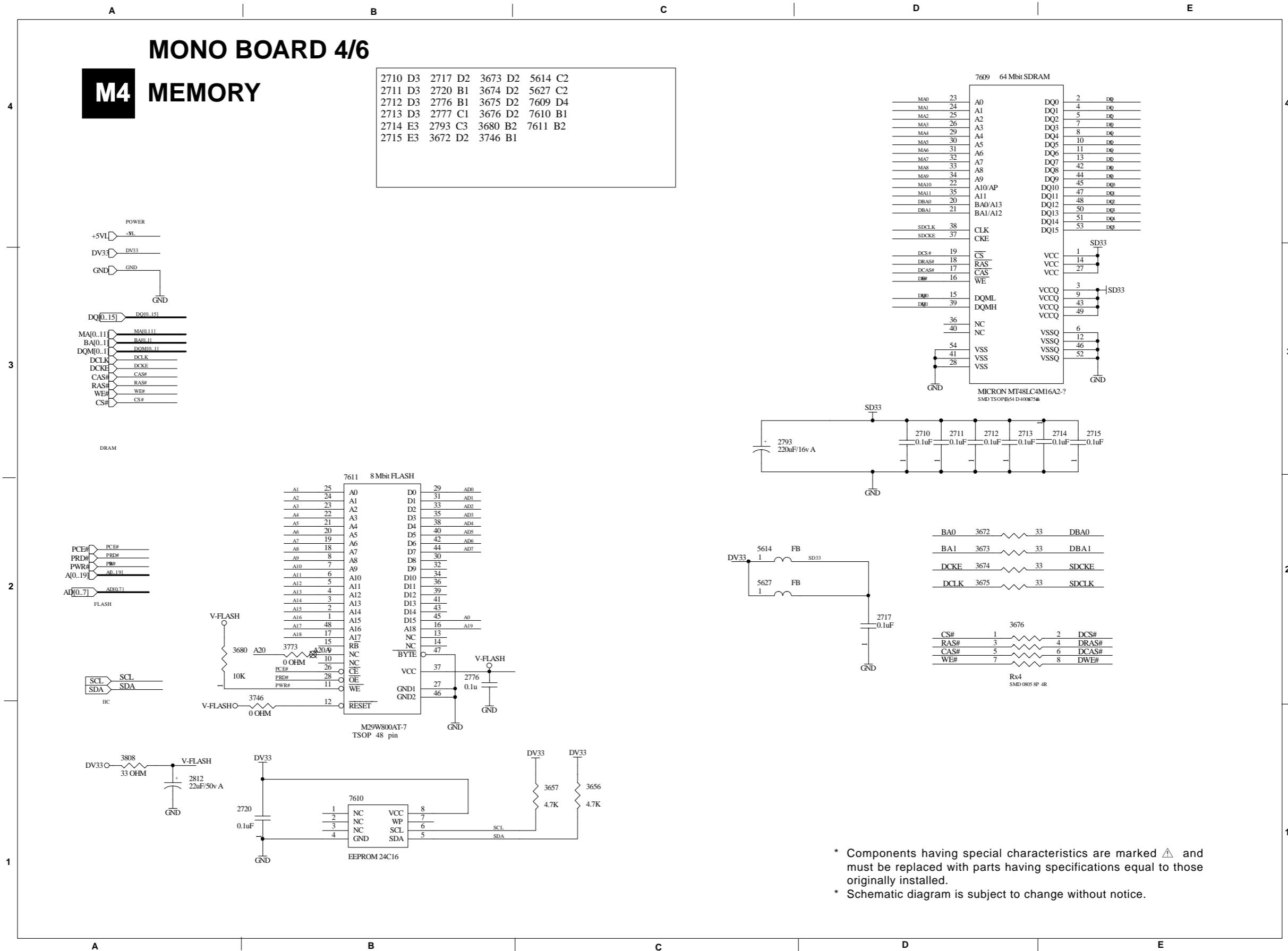
MT1379BE(C)  
SERVO AND MPEG DECODER

\* Components having special characteristics are marked  $\Delta$  and must be replaced with parts having specifications equal to those originally installed.  
\* Schematic diagram is subject to change without notice.

■ SCHEMATIC DIAGRAM  
FOR INFORMATION ONLY (NO SERVICE PARTS WILL BE AVAILABLE)

The first digit of a component indicates the component type.

- 1xxx : Connector    3xxx : Resistor    5xxx : Coil    7xxx : IC, Transistor, FET
- 2xxx : Capacitor    4xxx : SMD jumper    6xxx : Diode    9xxx : Wire jumper



■ SCHEMATIC DIAGRAM  
FOR INFORMATION ONLY (NO SERVICE PARTS WILL BE AVAILABLE)

The first digit of a component indicates the component type.

- 1xxx : Connector    3xxx : Resistor    5xxx : Coil    7xxx : IC, Transistor, FET
- 2xxx : Capacitor    4xxx : SMD jumper    6xxx : Diode    9xxx : Wire jumper

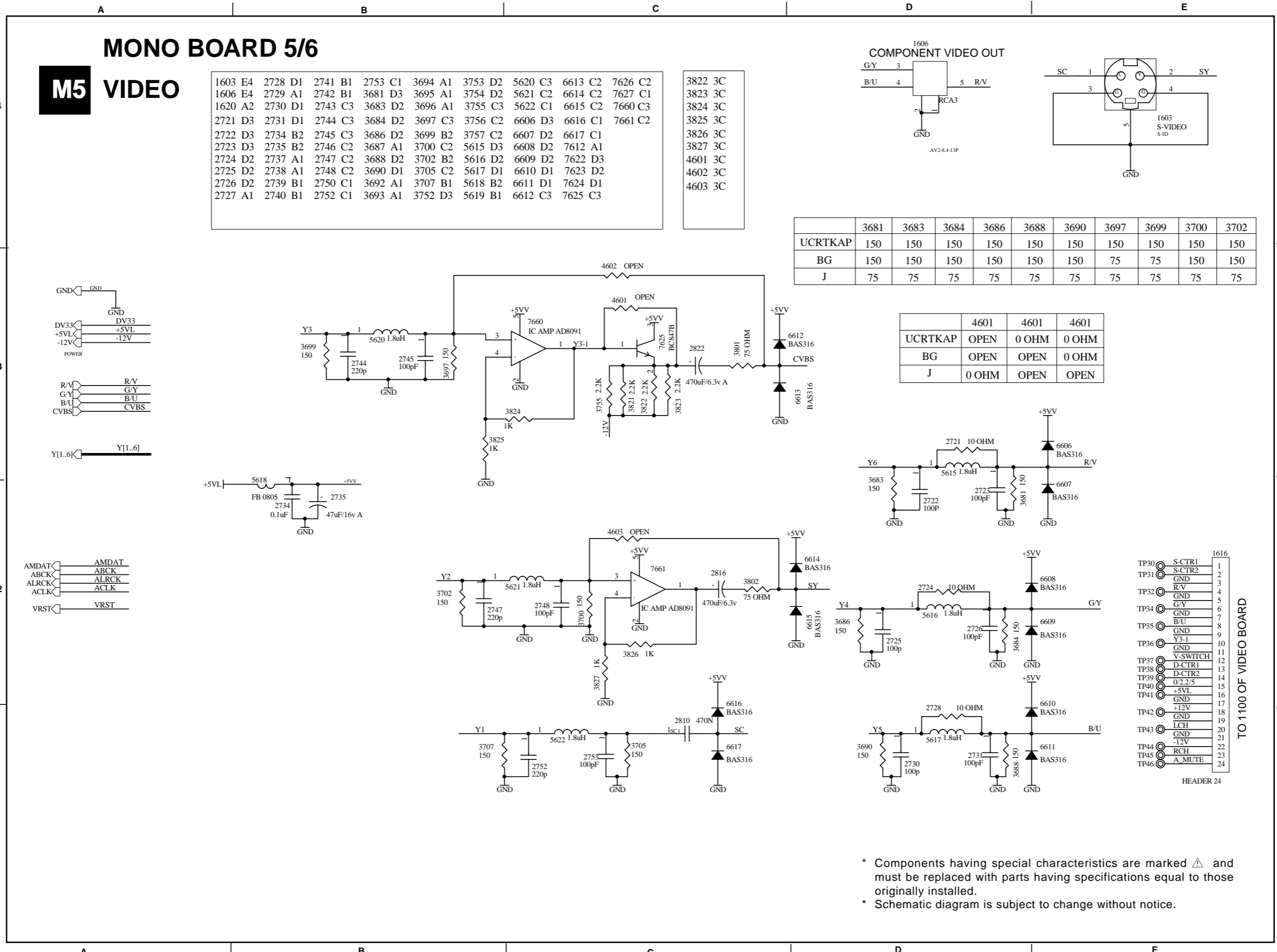
MONO BOARD 5/6

M5 VIDEO

1603 E4	2728 D1	2741 B1	2753 C1	3694 A1	3753 D2	5620 C3	6613 C2	7626 C2	3822 3C
1606 E4	2729 A1	2742 B1	3681 D3	3695 A1	3754 D2	5621 C2	6614 C2	7627 C1	3823 3C
1620 A2	2730 D1	2743 C3	3683 D2	3696 A1	3755 C3	5622 C1	6615 C2	7660 C3	3824 3C
2721 D3	2731 D1	2744 C3	3684 D2	3697 C3	3756 C2	6606 D3	6616 C1	7661 C2	3825 3C
2722 D3	2734 B2	2745 C3	3686 D2	3699 B2	3757 C2	6607 D2	6617 C1		3826 3C
2723 D3	2735 B2	2746 C2	3687 A1	3700 C2	5615 D3	6608 D2	7612 A1		3827 3C
2724 D2	2737 A1	2747 C2	3688 D2	3702 B2	5616 D2	6609 D2	7622 D3		4601 3C
2725 D2	2738 A1	2748 C2	3690 D1	3705 C2	5617 D1	6610 D1	7623 D2		4602 3C
2726 D2	2739 B1	2750 C1	3692 A1	3707 B1	5618 B2	6611 D1	7624 D1		4603 3C
2727 A1	2740 B1	2752 C1	3693 A1	3752 D3	5619 B1	6612 C3	7625 C3		

	3681	3683	3684	3686	3688	3690	3697	3699	3700	3702
UCRTKAP	150	150	150	150	150	150	150	150	150	150
BG	150	150	150	150	150	150	75	75	150	150
J	75	75	75	75	75	75	75	75	75	75

	4601	4601	4601
UCRTKAP	OPEN	0 OHM	0 OHM
BG	OPEN	OPEN	0 OHM
J	0 OHM	OPEN	OPEN



TO 1100 OF VIDEO BOARD

TP30	S-CTR1	1
TP31	S-CTR2	2
	GND	3
TP32	R/V	4
	GND	5
TP34	G/Y	6
	GND	7
TP35	B/U	8
	GND	9
TP36	Y3-1	10
	GND	11
TP37	V-SWITCH	12
TP38	D-CTR1	13
TP39	D-CTR2	14
TP40	0/2/5	15
TP41	+5V	16
	GND	17
TP42	+12V	18
	GND	19
TP43	LCH	20
	GND	21
TP44	-12V	22
TP45	RCH	23
TP46	A MUTE	24

HEADER 24

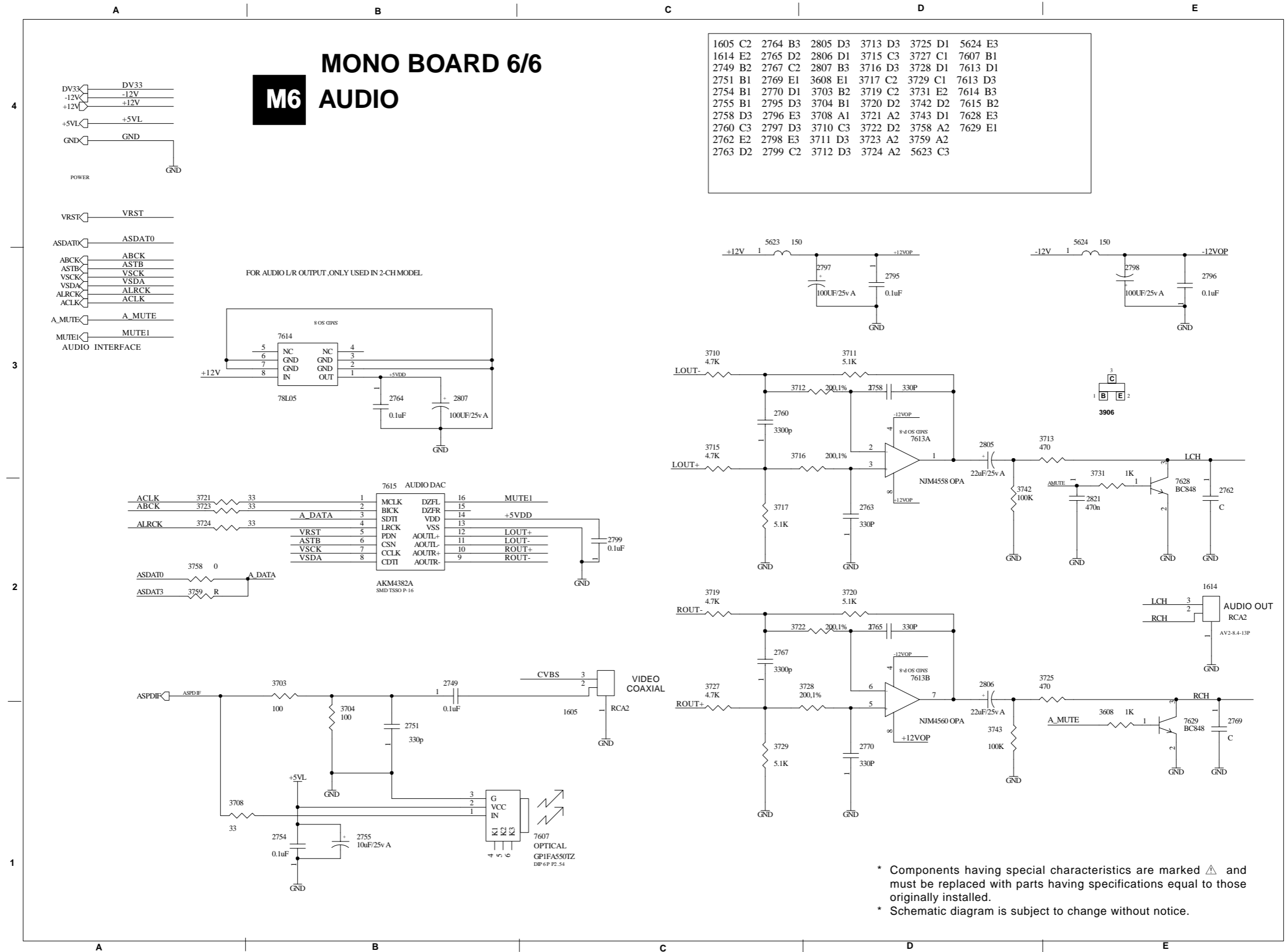
\* Components having special characteristics are marked  $\Delta$  and must be replaced with parts having specifications equal to those originally installed.  
\* Schematic diagram is subject to change without notice.



■ SCHEMATIC DIAGRAM  
FOR INFORMATION ONLY (NO SERVICE PARTS WILL BE AVAILABLE)

The first digit of a component indicates the component type.

- 1xxx : Connector    3xxx : Resistor    5xxx : Coil    7xxx : IC, Transistor, FET
- 2xxx : Capacitor    4xxx : SMD jumper    6xxx : Diode    9xxx : Wire jumper



\* Components having special characteristics are marked  $\Delta$  and must be replaced with parts having specifications equal to those originally installed.  
\* Schematic diagram is subject to change without notice.

SCHEMATIC DIAGRAM FOR INFORMATION ONLY (NO SERVICE PARTS WILL BE AVAILABLE)

The first digit of a component indicates the component type.

1xxx : Connector 3xxx : Resistor 5xxx : Coil 7xxx : IC, Transistor, FET

2xxx : Capacitor 4xxx : SMD jumper 6xxx : Diode 9xxx : Wire jumper

VIDEO BOARD J, B, G models only

\* Components having special characteristics are marked Δ and must be replaced with parts having specifications equal to those originally installed. \* Schematic diagram is subject to change without notice.

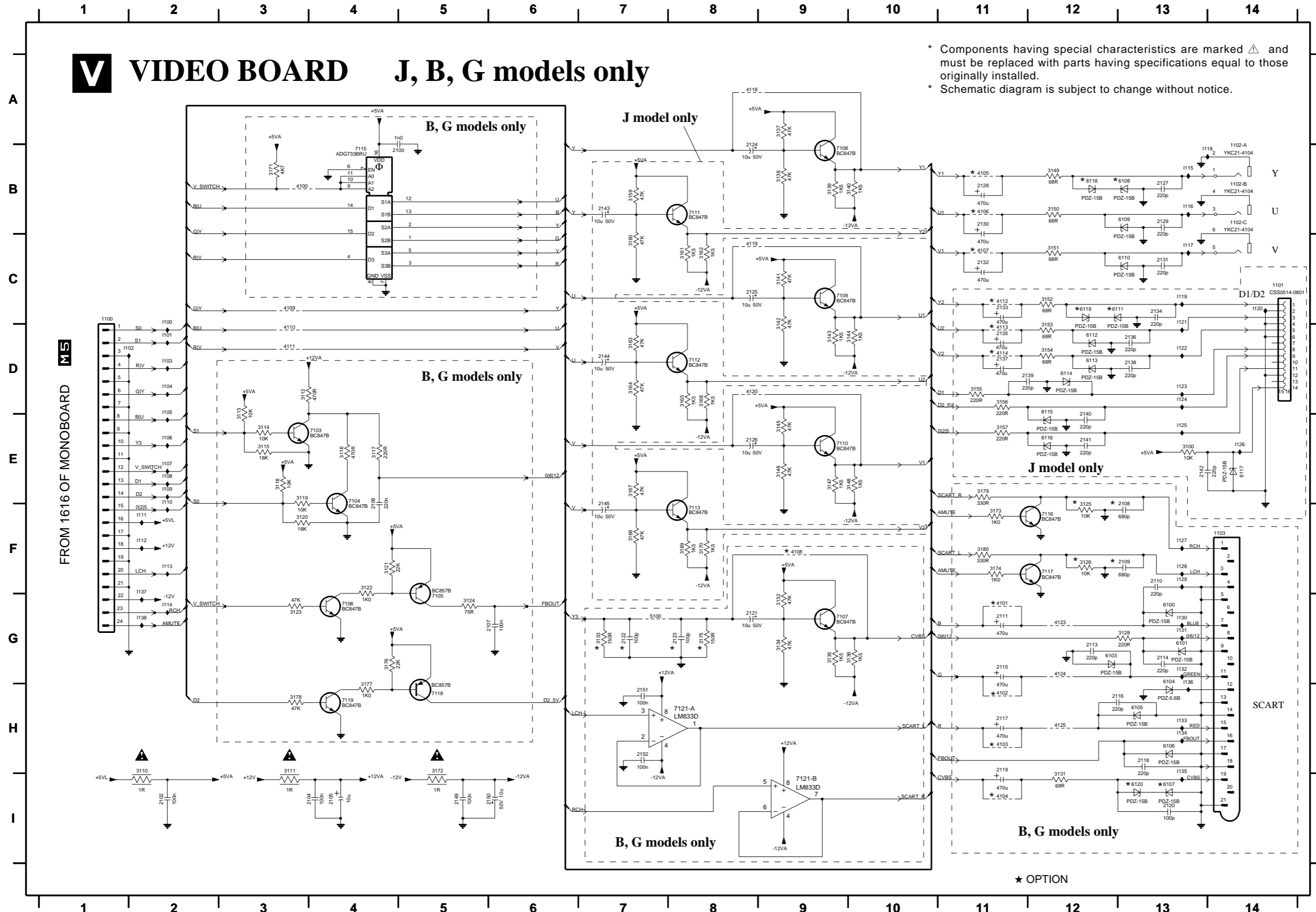


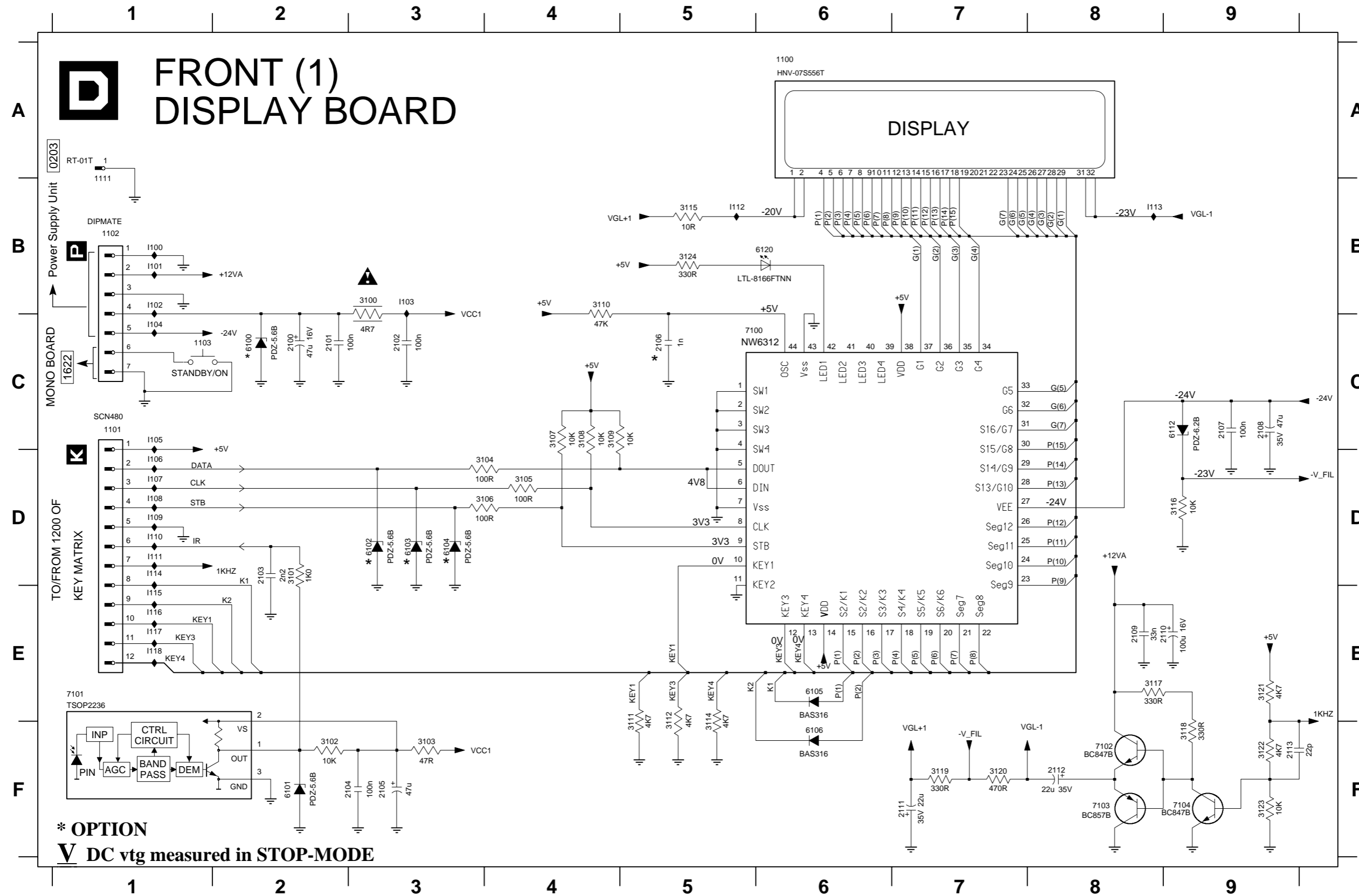
Table of component callouts: 1100 C1, 1101 C14, 1102-A B14, 1102-B B14, 1102-C B14, 1103 F14, 2100 B4, 2102 I2, 2104 I4, 2105 I4, 2106 E4, 2107 G6, 2108 F13, 2109 F13, 2110 F13, 2111 G11, 2113 G12, 2114 G13, 2115 G11, 2116 H12, 2117 H11, 2118 H13, 2119 H11, 2120 H13, 2121 G8, 2122 G7, 2123 G8, 2124 B8, 2125 C8, 2126 E8, 2127 B13, 2128 B11, 2129 B13, 2130 B11, 2131 C13, 2132 C11, 2133 C11, 2134 C13, 2135 D11, 2136 D13, 2137 D11, 2138 D13, 2139 D11, 2140 E12, 2141 E12, 2142 E13, 2143 B7, 2144 D7, 2145 F7, 2149 I5, 2150 I6, 2151 H7, 2152 H7, 3100 E13, 3110 H2, 3111 H3, 3112 D3, 3113 D3, 3114 E3, 3115 E3, 3116 E4, 3117 E4, 3118 H5, 3119 H4, 3120 F4, 3121 F4, 3122 F4, 3123 G5, 3124 G5, 3125 F12, 3126 F12, 3128 G13, 3131 H2, 3132 G9, 3133 G7, 3134 G9, 3135 G9, 3136 G10, 3137 A9, 3138 B9, 3139 B9, 3140 B10, 3141 C9, 3142 C9, 3143 D9, 3144 D10, 3145 E9, 3146 E9, 3147 E9, 3148 E10, 3149 B12, 3150 B12, 3151 C12, 3152 C12, 3153 D12, 3154 D12, 3155 D11, 3156 D11, 3157 F11, 3159 B7, 3160 C7, 3161 C8, 3162 C8, 3163 D7, 3164 D7, 3165 D8, 3166 D8, 3167 E7, 3168 F7, 3169 F8, 3170 F8, 3171 B3, 3172 H5, 3173 F11, 3174 F11, 3175 G8, 3176 G4, 3177 H4, 3178 H3, 3179 E11, 3180 F11, 4100 B3, 4101 G11, 4113 D11, 4103 H11, 4104 H1, 4105 B11, 4106 H1, 4107 C11, 4108 F9, 4109 C3, 4110 D3, 4111 D3, 4112 C11, 4113 D11, 4114 D11, 4118 A8, 4119 C8, 4120 D8, 4123 G12, 4124 G12, 4125 H12, 5100 G7, 6100 G13, 6101 G13, 6103 G12, 6104 G13, 6105 H13, 6106 H13, 6107 H3, 6108 B13, 6109 B13, 6110 C13, 6111 C12, 6112 D12, 6113 D11, 6114 D12, 6116 E12, 6117 E14, 6118 B12, 6119 C12, 6120 H3, 7103 E4, 7104 E4, 7105 G5, 7106 G4, 7107 G9, 7108 B9, 7109 C9, 7110 E9, 7111 B8, 7112 D8, 7113 B4, 7114 B4, 7115 F12, 7116 F12, 7117 F2, 7118 H5, 7119 H4, 7121-A H8, 7121-B H9, 1100 C1, 1101 C14, 1102-A B14, 1102-B B14, 1102-C B14, 1103 F14, 2100 B4, 2102 I2, 2104 I4, 2105 I4, 2106 E4, 2107 G6, 2108 F13, 2109 F13, 2110 F13, 2111 G11, 2113 G12, 2114 G13, 2115 G11, 2116 H12, 2117 H11, 2118 H13, 2119 H11, 2120 H13, 2121 G8, 2122 G7, 2123 G8, 2124 B8, 2125 C8, 2126 E8, 2127 B13, 2128 B11, 2129 B13, 2130 B11, 2131 C13, 2132 C11, 2133 C11, 2134 C13, 2135 D11, 2136 D13, 2137 D11, 2138 D13, 2139 D11, 2140 E12, 2141 E12, 2142 E13, 2143 B7, 2144 D7, 2145 F7, 2149 I5, 2150 I6, 2151 H7, 2152 H7, 3100 E13, 3110 H2, 3111 H3, 3112 D3, 3113 D3, 3114 E3, 3115 E3, 3116 E4, 3117 E4, 3118 H5, 3119 H4, 3120 F4, 3121 F4, 3122 F4, 3123 G5, 3124 G5, 3125 F12, 3126 F12, 3128 G13, 3131 H2, 3132 G9, 3133 G7, 3134 G9, 3135 G9, 3136 G10, 3137 A9, 3138 B9, 3139 B9, 3140 B10, 3141 C9, 3142 C9, 3143 D9, 3144 D10, 3145 E9, 3146 E9, 3147 E9, 3148 E10, 3149 B12, 3150 B12, 3151 C12, 3152 C12, 3153 D12, 3154 D12, 3155 D11, 3156 D11, 3157 F11, 3159 B7, 3160 C7, 3161 C8, 3162 C8, 3163 D7, 3164 D7, 3165 D8, 3166 D8, 3167 E7, 3168 F7, 3169 F8, 3170 F8, 3171 B3, 3172 H5, 3173 F11, 3174 F11

\* OPTION

**SCHEMATIC DIAGRAM**  
**FOR INFORMATION ONLY (NO SERVICE PARTS WILL BE AVAILABLE)**

The first digit of a component indicates the component type.

1xxx : Connector    3xxx : Resistor    5xxx : Coil    7xxx : IC, Transistor, FET  
 2xxx : Capacitor    4xxx : SMD jumper    6xxx : Diode    9xxx : Wire jumper



- 1100 A6
- 1101 C1
- 1102 B1
- 1103 C1
- 1111 A1
- 2100 C2
- 2101 C2
- 2102 C3
- 2103 D2
- 2104 F3
- 2105 F3
- 2106 C5
- 2107 C9
- 2108 C9
- 2109 E8
- 2110 E9
- 2111 F7
- 2112 F8
- 2113 F9
- 3100 B3
- 3101 D2
- 3102 F2
- 3103 F3
- 3104 D4
- 3105 D4
- 3106 D4
- 3107 C4
- 3108 C4
- 3109 C4
- 3110 B4
- 3111 E5
- 3112 E5
- 3114 E5
- 3115 B5
- 3116 D9
- 3117 E8
- 3118 F9
- 3119 F7
- 3120 F7
- 3121 E9
- 3122 F9
- 3123 F9
- 3124 B5
- 6100 C2
- 6101 F2
- 6102 D3
- 6103 D3
- 6104 D3
- 6105 E6
- 6106 F6
- 6112 C9
- 6120 B6
- 7100 C6
- 7101 E1
- 7102 F8
- 7103 F8
- 7104 F9
- I100 B1
- I101 B1
- I102 B1
- I103 B3
- I104 C1
- I105 C1
- I106 D1
- I107 D1
- I108 D1
- I109 D1
- I110 D1
- I111 D1
- I112 B5
- I113 B8
- I114 D1
- I115 E1
- I116 E1

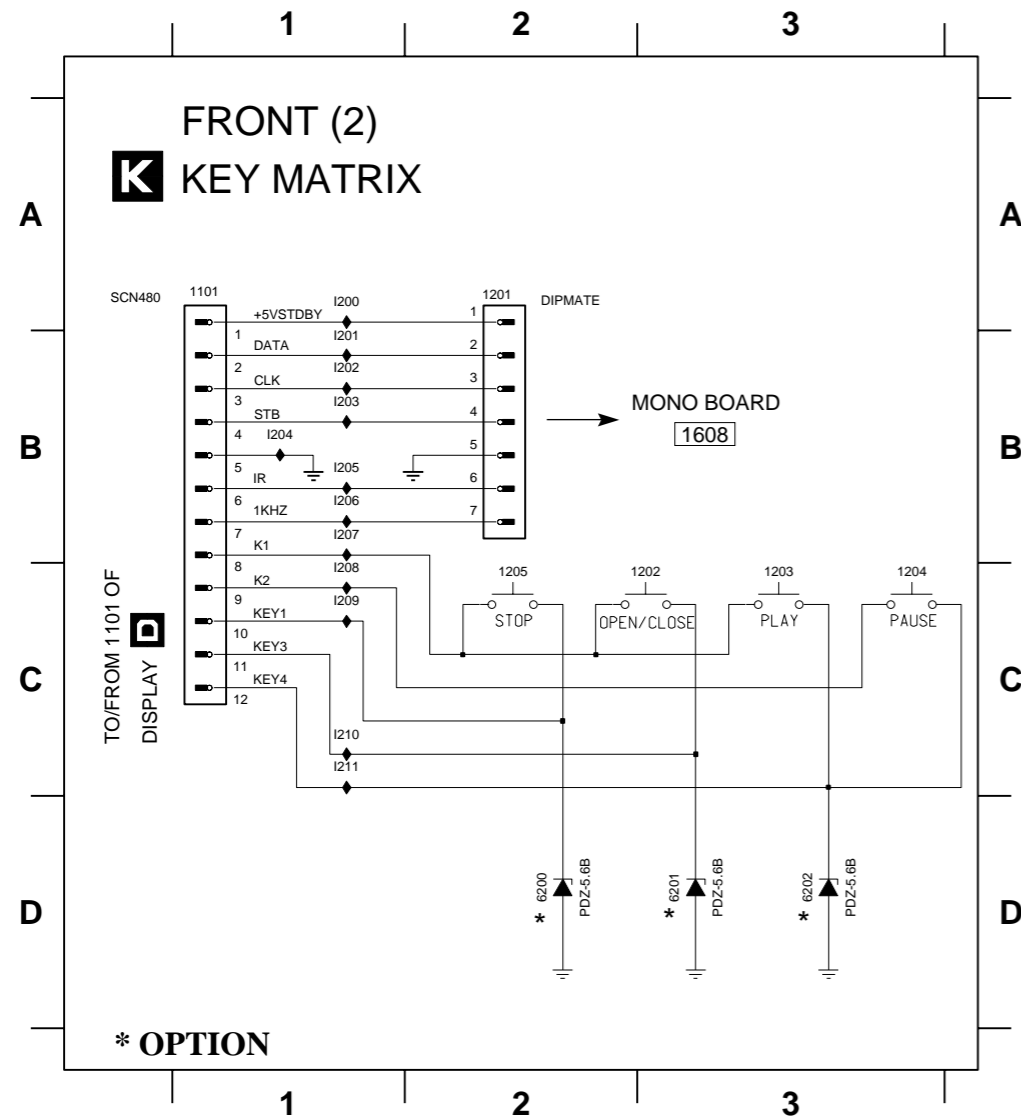
**\* OPTION**  
**V** DC v<sub>tg</sub> measured in STOP-MODE

\* Components having special characteristics are marked  $\Delta$  and must be replaced with parts having specifications equal to those originally installed.  
 \* Schematic diagram is subject to change without notice.

■ SCHEMATIC DIAGRAM  
FOR INFORMATION ONLY (NO SERVICE PARTS WILL BE AVAILABLE)

The first digit of a component indicates the component type.

1xxx : Connector    3xxx : Resistor    5xxx : Coil    7xxx : IC, Transistor, FET  
2xxx : Capacitor    4xxx : SMD jumper    6xxx : Diode    9xxx : Wire jumper

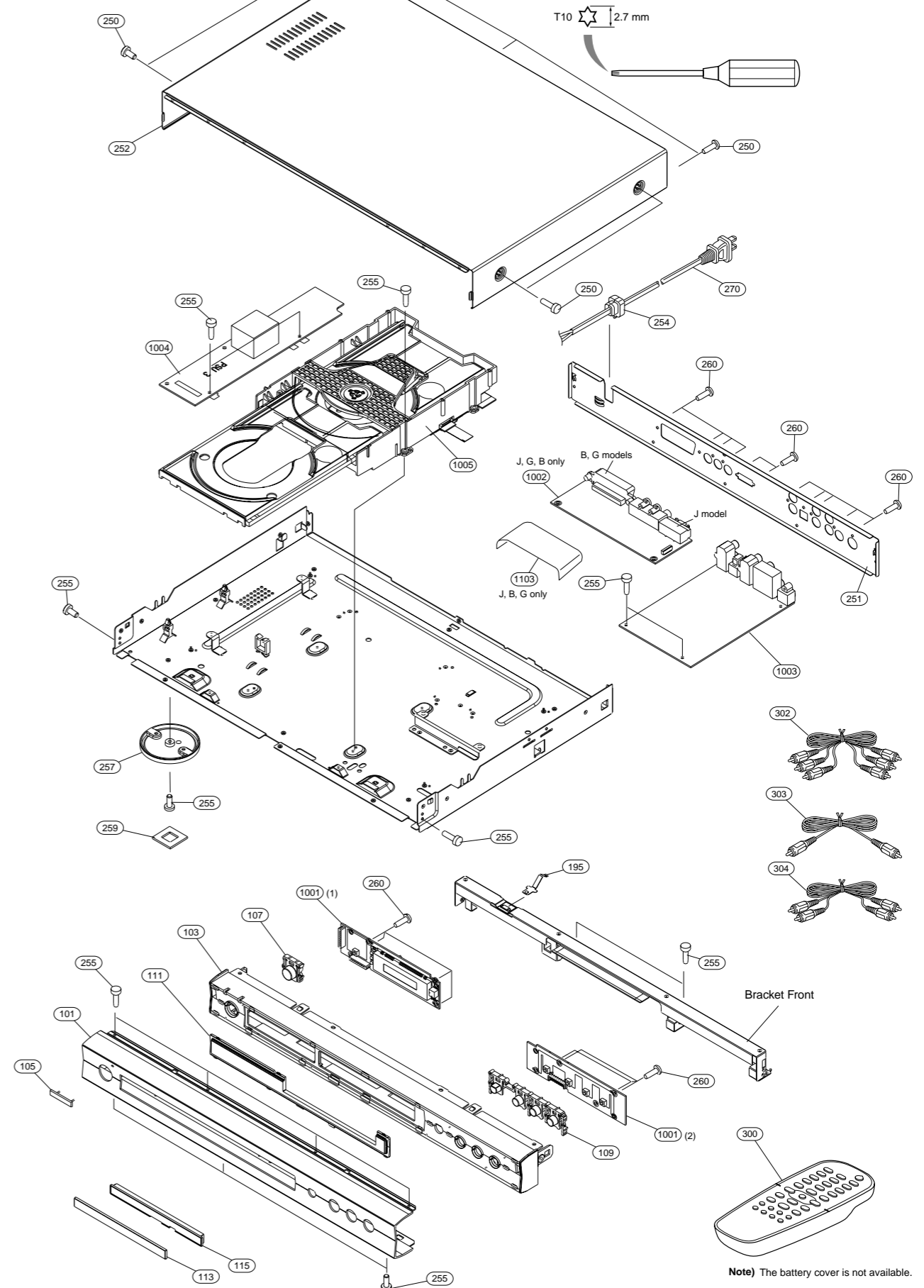


- 1101 A1
- 1201 A2
- 1202 C3
- 1203 C3
- 1204 C3
- 1205 C2
- 6200 D2
- 6201 D3
- 6202 D3
- I200 A1
- I201 B1
- I202 B1
- I203 B1
- I204 B1
- I205 B1
- I206 B1
- I207 B1
- I208 C1
- I209 C1
- I210 C1
- I211 C1

\* Components having special characteristics are marked  $\triangle$  and must be replaced with parts having specifications equal to those originally installed.  
\* Schematic diagram is subject to change without notice.

■ EXPLODED VIEW

When disassembling, use the special screw driver with tip shape in figure.  
分解には図のような特殊ドライバーを使用します。



■ **WARNING**

- Components having special characteristics are marked △ and must be replaced with parts having specifications equal to those originally installed.
- △印のある部分は、安全確保部品を示しています。部品の交換が必要な場合、パーツリストに記載されている部品を使用してください。

■ **MECHANICAL PARTS**

Ref. No.	PART NO.	Description	Remarks	Markets	部品名	Rank
* 101	AAx53530	FRONT PANEL		3139 241 21491		フロントパネル
* 103	AAx54600	SUB PANEL		3139 244 04011		サブパネル
105	AAx22900	BADGE YAMAHA		3139 240 00061		エンブレム
* 107	AAx53560	BUTTON/POWER		3139 244 03981		ボタン/パワー
* 109	AAx53550	BUTTON/CONTROL		3139 244 03971		ボタン/コントロール
* 111	AAx53450	WINDOW DISPLAY		3139 244 03991		ウィンドウ/ディスプレイ
* 113	AAx53500	TRAY LID		3139 244 04001		トレーリッド
* 115	AAx53510	TRAY CATCH		3139 244 03931		トレーキャッチ
* 195	AAx53480	SPRING GROUNDING		3139 111 01471		スプリング/グラウンド
* 250	AAx53440	PW HEAD TORX S-TIGHT SCREW	3x6-8 MFNI33	3104 120 40081		PWヘッドSタイトネジ
* 251	AAx53570	REAR PANEL		3139 241 21511	GB	リアパネル
* 251	AAx53590	REAR PANEL		3139 241 21591	J	リアパネル
* 251	AAx53600	REAR PANEL		3139 241 21691	U	リアパネル
* 251	AAx53580	REAR PANEL		3139 241 21581	R	リアパネル
* 252	AAx53490	TOP COVER		3139 241 21501		トップカバー
* 254	AAx53540	BUSH	450H259010	3139 114 26671		ブッシュ
255	AAx23640	PAN HEAD TORX S-TIGHT SCREW	3x6 MFZN2BL	2511 077 00039		ナベトルクスSタイトネジ
* 257	AAx53620	FOOT		3139 244 03951		脚
* 259	AAx53470	CUSHION		3139 243 10011		クッション
* 260	AAx53520	PAN HEAD TORX P-TIGHT SCREW	3x8 MFZN2BL	2511 076 50012		ナベトルクスPタイトネジ
△* 270	AAx53650	POWER CABLE	1.8m	2422 070 98255	J	電源コード
△ 270	AAx47750	POWER CABLE	1.8m	2422 070 98235	U	電源コード
△* 270	AAx53630	POWER CABLE	1.8m	2422 070 98231	RG	電源コード
△* 270	AAx53640	POWER CABLE	1.8m	2422 070 98236	B	電源コード
* 1001	AAx53430	P.C.B. ASS Y	FRONT	3139 248 82851		P C B フロント
1002	AAx50390	P.C.B. ASS Y	VIDEO	3139 248 82672	J	P C B ビデオ
1002	AAx50400	P.C.B. ASS Y	VIDEO	3139 248 82683	GB	P C B ビデオ
1003	AAx51060	P.C.B. ASS Y	MONO SD5.4	3141 018 04063	J	P C B MONO
1003	AAx51040	P.C.B. ASS Y	MONO SD5.4	3141 018 04043	UR	P C B MONO
1003	AAx51050	P.C.B. ASS Y	MONO SD5.4	3141 018 04053	GB	P C B MONO
△ 1004	AAx50980	POWER SUPPLY UNIT	VFM2003 US MIT	3139 248 71742	JU	電源ユニット
△ 1004		POWER SUPPLY UNIT	USA NON-ECO(P2PS)	3122 429 00142	JU ( )	電源ユニット
△* 1004	AAx50970	POWER SUPPLY UNIT	VFM2003 EU MIT	3139 248 71731	GB	電源ユニット
△ 1004		POWER SUPPLY UNIT	EURO NON-ECO	3122 429 00132	GB ( )	電源ユニット
△* 1004	AAx50960	POWER SUPPLY UNIT	VFM2003 WR MIT	3139 248 71722	R	電源ユニット
△ 1004		POWER SUPPLY UNIT	WR NON-ECO(P2PS)	3122 429 00122	R ( )	電源ユニット
1005	AAx50280	DVD MECHANISM (BASIC ENGINE)	A97SL (NO SERVO)	3141 018 03812		D V Dメカニズム
* 1103	AAx53460	FLEXIBLE FOIL CONNECTION	24P 280mm P=0.5mm	3139 241 00391		カード電線
		ACCESSORY				付属品
* 300	AAx53610	REMOTE CONTROL	RC19133014/00	3139 238 06171		リモコン
302	AAx23450	AUDIO/VIDEO CABLE	YE/RD/WH 1.5m 1pc	2422 076 00304	JUR	音声/映像ピンケーブル
303	AAx22970	VIDEO CABLE	YE 1.5m 1pc	3104 108 45432	GB	ビデオ用ピンケーブル
304	AAx21980	AUDIO PIN CABLE	RD/WH 1.5m 1pc	3103 308 92611	GB	ステレオピンケーブル
		BATTERY				乾電池

\* New Parts (新規部品)

**Note)** Those parts marked with “ ( ) ” are alternative parts. (マーク( )の部品は、代替部品です。)

# DV-SL100

---

# YAMAHA