

DVD HOME THEATER SOUND SYSTEM DVX-S301/DVX-S302

DVR-S300/NX-P301/NX-P302

SERVICE MANUAL

IMPORTANT NOTICE

This manual has been provided for the use of authorized YAMAHA Retailers and their service personnel. It has been assumed that basic service procedures inherent to the industry, and more specifically YAMAHA Products, are already known and understood by the users, and have therefore not been restated.

WARNING: Failure to follow appropriate service and safety procedures when servicing this product may result in personal injury, destruction of expensive components, and failure of the product to perform as specified. For these reasons, we advise all YAMAHA product owners that any service required should be performed by an authorized YAMAHA Retailer or the appointed service representative.

IMPORTANT: The presentation or sale of this manual to any individual or firm does not constitute authorization, certification or recognition of any applicable technical capabilities, or establish a principle-agent relationship of any form.

The data provided is believed to be accurate and applicable to the unit(s) indicated on the cover. The research, engineering, and service departments of YAMAHA are continually striving to improve YAMAHA products. Modifications are, therefore, inevitable and specifications are subject to change without notice or obligation to retrofit. Should any discrepancy appear to exist, please contact the distributor's Service Division.

WARNING: Static discharges can destroy expensive components. Discharge any static electricity your body may have accumulated by grounding yourself to the ground buss in the unit (heavy gauge black wires connect to this buss).

IMPORTANT: Turn the unit OFF during disassembly and part replacement. Recheck all work before you apply power to the unit.

CONTENTS

| | | | |
|---|-------|--------------------------------------|-------|
| TO SERVICE PERSONNEL | 2~3 | DVR-S300 BLOCK DIAGRAM | 25 |
| PREVENTION OF ELECTROSTATIC DISCHARGE | 4 | NX-SW301 BLOCK DIAGRAM | 26~27 |
| LOCALE MANAGEMENT INFORMATION | 4 | DVR-S300 WIRING DIAGRAM | 28 |
| SYSTEM COMPOSITION / システム構成 | 5 | NX-SW301 WIRING DIAGRAM | 29 |
| FRONT PANELS | 6~7 | DVR-S300 PRINTED CIRCUIT BOARD | 30~37 |
| REMOTE CONTROL | 8 | NX-SW301 PRINTED CIRCUIT BOARD | 38~41 |
| REAR PANELS | 8~12 | DVR-S300 SCHEMATIC DIAGRAM | 42~55 |
| SPECIFICATIONS / 参考仕様 | 13~15 | NX-SW301 SCHEMATIC DIAGRAM | 56~60 |
| INTERNAL VIEW | 16 | NX-SW301 PARTS LIST | 61~63 |
| REPAIR NOTES / 修理上の留意点 | 17 | DVR-S300 EXPLODED VIEW | 64~65 |
| DVR-S300 TRADE MODE / | | NX-P301 EXPLODED VIEW | 66~67 |
| DVR-S300 トレードモード | 18 | NX-P302 EXPLODED VIEW | 68 |
| DVR-S300 DISASSEMBLY PROCEDURES / | | | |
| 分解手順 | 19~21 | | |
| NX-SW301 DISASSEMBLY PROCEDURES / | | | |
| 分解手順 | 22~23 | | |



このサービスマニュアルは、エコマーク認定の再生紙を使用しています。
This Service Manual uses recycled paper.

■ TO SERVICE PERSONNEL

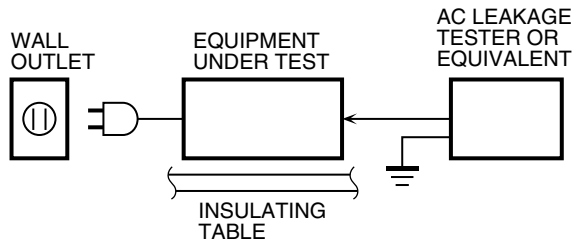
1. Critical Components Information

Components having special characteristics are marked \triangle and must be replaced with parts having specifications equal to those originally installed.

2. Leakage Current Measurement (For 120V Models Only)

When service has been completed, it is imperative to verify that all exposed conductive surfaces are properly insulated from supply circuits.

- Meter impedance should be equivalent to 1500 ohms shunted by 0.15 μ F.



- Leakage current must not exceed 0.5mA.
- Be sure to test for leakage with the AC plug in both polarities.

THE DVD AUDIO/VIDEO PLAYER SHOULD NOT BE ADJUSTED OR REPAIRED BY ANYONE EXCEPT PROPERLY QUALIFIED SERVICE PERSONNEL.

WARNING: CHEMICAL CONTENT NOTICE!

The solder used in the production of this product contains LEAD. In addition, other electrical/electronic and/or plastic (where applicable) components may also contain traces of chemicals found by the California Health and Welfare Agency (and possibly other entities) to cause cancer and/or birth defects or other reproductive harm.

DO NOT PLACE SOLDER, ELECTRICAL/ELECTRONIC OR PLASTIC COMPONENTS IN YOUR MOUTH FOR ANY REASON WHATSOEVER!

Avoid prolonged, unprotected contact between solder and your skin! When soldering, do not inhale solder fumes or expose eyes to solder/flux vapor!

If you come in contact with solder or components located inside the enclosure of this product, wash your hands before handling food.

WARNING: Laser Safety

This product contains a laser beam component. This component may emit invisible, as well as visible radiation, which may cause eye damage. To protect your eyes and skin from laser radiation, the following precautions must be used during servicing of the unit.

- 1) When testing and/or repairing any component within the product, keep your eyes and skin more than 30 cm away from the laser pick-up unit at all times. Do not stare at the laser beam at any time.
- 2) Do not attempt to readjust, disassemble or repair the laser pick-up, unless noted elsewhere in this manual.
- 3) CAUTION : Use of controls, adjustments or performance of procedures other than those specified herein may result in hazardous radiation exposure.

Laser Emitting conditions:

- 1) When the Top Cover is removed, and the STANDBY/ON SW is turned to the "ON" position, the laser component will emit a beam for several seconds to detect if a disc is present. During this time (5-10 sec.) the laser may radiate through the lens of the laser pick-up unit. Do not attempt any servicing during this period! If no disc is detected, the laser will stop emitting the beam. When a disc is loaded, you will not be exposed to any laser emissions.
- 2) The laser power level can be adjusted with the VR on the pick-up PWB, however, this level has been set by the factory prior to shipping from the factory. Do not adjust this laser level control unless instruction is provided elsewhere in this manual. Adjustment of this control can increase the laser emission level from the device.

警告：レーザーの安全対策

本機はレーザー光線を放射する部品を搭載しています。この部品が放射するレーザー光線は目に損傷を起こします。このレーザー光線から目及び肌を保護するために、本機の修理作業中は下記の注意を厳守してください。

- 1) テスト時または修理時、目及び肌を光ピックアップから30cm以上離してください。いかなる場合もレーザー光線を見つめないでください。
- 2) 光ピックアップの再調整及び分解はしないでください。
- 3) このマニュアル上で指定されている以外の制御、調整、手順はレーザー光線を照射される結果を招く恐れがあります。

レーザー放射条件

- 1) トップカバーを取り外しSTANDBY/ONスイッチをONにすると、ディスク検知のため5~10秒間、光ピックアップからレーザー光線が放射されます。この間、修理はしないでください。ディスクが検知されなければ、レーザー光線の放射は停止します。ディスクがセットされている場合、ディスクで遮られるのでレーザー光線は修理担当者には届きません。
- 2) レーザーパワーレベルは光ピックアップ基板上のVRにより調整可能ですが、工場出荷前に調整セット済みなので、このVRは廻さないでください。このVRを廻すと装置からのレーザー光線の放射レベルが上がる恐れがあります。

Laser Diode Properties

Type: Semiconductor laser GaAlAs
 Wave length: 650 nm (DVD)
 784 nm (VCD/CD)
 Output Power: 7 mW (DVD/VCD/CD)
 Beam divergence 60 degree

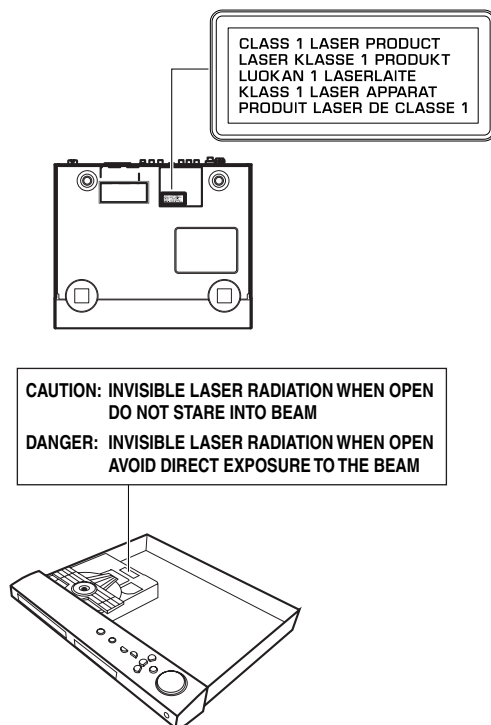
VARO! : AVATTAESSA JA SUOJALUKITUS OHITETTAESSA OLET ALTTIINA NÄKYMÄTTÖMÄLLE LASER-SÄTEILYLLE. ÄLÄ KATSO SÄTEESEEN.

WARNING! : OSYNLIG LASERSTRÅLNING NÄR DENNA DEL ÄR ÖPPNAD OCH SPÄRREN ÄR URKOPPLAD. BETRAKTA EJ STRÅLEN.

WARNING

The use of optical instruments with this product will increase eye hazard.

Repair handling should take place as much as possible with a disc loaded inside the player.



CAUTION VISIBLE AND INVISIBLE LASER RADIATION WHEN OPEN. AVOID EXPOSURE TO BEAM.

ADVARSEL SYNLIG OG USYNLIG LASERSTRÅLING VED ÅBNING. UNDGÅ UDSÆTTELSE FOR STRÅLING.

ADVARSEL SYNLIG OG USYNLIG LASERSTRÅLING NÅR DEKSEL ÅPNES. UNNGÅ EKSPONERING FOR STRÅLEN.

VARNING SYNLIG OCH OSYNLIG LASERSTRÅLNING NÄR DENNA DEL ÄR ÖPPNAD. BETRAKTA EJ STRÅLEN.

VARO! AVATTAESSA OLET ALTTIINA NÄKYVÄLLE JA NÄKYMÄTTÖMÄLLE LASER SÄ TEILYLLE. ÄLÄ KATSO SÄTEESEEN.

VORSICHT SICHTBARE UND UNSICHTBARE LASERSTRAHLUNG WENN ABDECKUNG GEÖFFNET. NICHT DEM STRAHL AUSSETZEN.

DANGER VISIBLE AND INVISIBLE LASER RADIATION WHEN OPEN. AVOID DIRECT EXPOSURE TO BEAM.

ATTENTION RAYONNEMENT LASER VISIBLE ET INVISIBLE EN CAS D'OUVERTURE. EXPOSITION DANGEREUSE AU FAISCEAU

Warning for power supply

The primary side of the power supply carries live mains voltage when the player is connected to the mains even when the player is switched off !

This primary area is not shielded so it is possible to touch copper tracks and/or components when servicing the player. Service personnel have to take precautions to prevent touching this area or components in this area.

Note:

The screws on the DVD mechanism may never be touched, removed or re-adjusted.

Handle the DVD mechanism with care when the unit has to be exchanged!

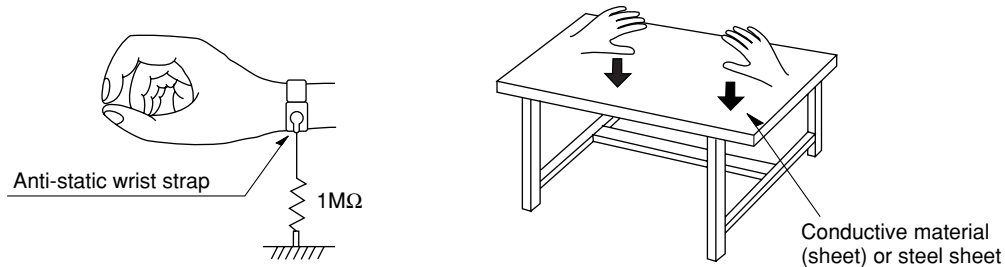
The DVD mechanism is very sensitive for dropping or giving shocks.

■ PREVENTION OF ELECTROSTATIC DISCHARGE

The laser diode in the traverse unit (optical pickup) may be damaged due to static electricity from clothes or the human body. Use caution to prevent electrostatic damage when servicing or handling the laser diode.

1. Grounding for electrostatic damage prevention

1. Worktable grounding
Put a grounded conductive material (sheet) or iron sheet on the area where the optical pickup is placed.
2. Human body grounding
Use an anti-static wrist strap to discharge the static electricity from your body.



2. Handling of the optical pickup

1. To prevent damage to the optical pickup replacement parts during transportation and before installation, both ends of the laser diode are short-circuited. After installing the new part, remove the short circuit according to the correct procedure in this service manual.
2. Do not use a tester to check the laser diode in the optical pickup. The power supply in the tester will damage the laser diode.

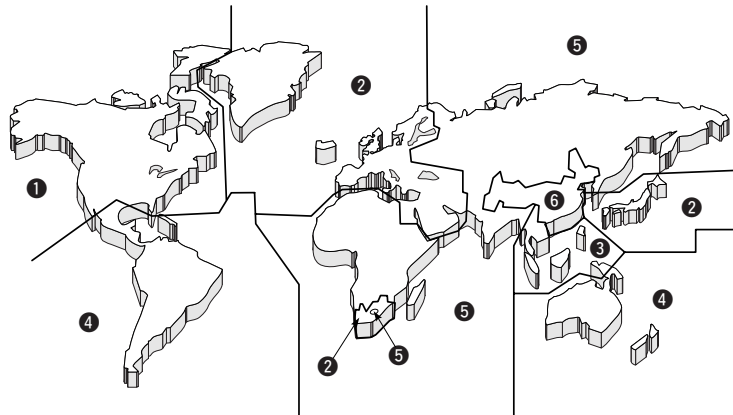
3. Handling Precautions for the Traverse Unit (Optical Pickup)

1. Handle the traverse unit (optical pickup) gently, as it is an extremely high-precision assembly.
2. The flexible cable lines may break if an excessive force is applied to it. Use caution when handling the cable.
3. The semi-fixed resistor for laser power adjustment should not be adjusted. Do not turn the resistor.

■ LOCALE MANAGEMENT INFORMATION

Locale Management Information : This DVD player is designed and manufactured to respond to the Locale Management Information that is recorded on a DVD disc. If the Locale number described on the DVD disc does not correspond to the Locale number of this DVD player, this DVD player cannot play this disc.

This product incorporates copyright protection technology that is protected by method claims of certain U.S. patents and other intellectual property rights owned by Macrovision Corporation and other rights owners. Use of this copyright protection technology must be authorized by Macrovision Corporation, and is intended for home and other limited viewing uses only unless otherwise authorized by Macrovision Corporation. Reverse engineering or disassembly is prohibited.

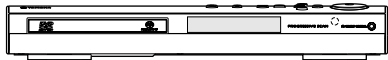


SYSTEM COMPOSITION / システム構成

The DVX-S301 consists of the DVR-S300 and the NX-P301.
 The DVX-S302 consists of the DVR-S300 and the NX-P302.

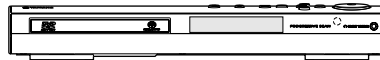
DVX-S301 (C, K, A, B, G, L, V, J models)

DVR-S300



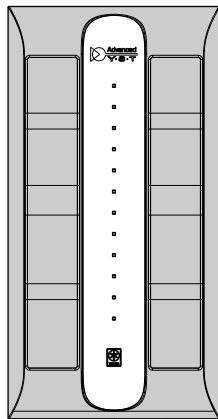
DVX-S302 (C, K, A, B, G, L, V models)

DVR-S300

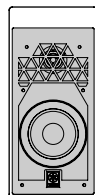


NX-P301

NX-SW301

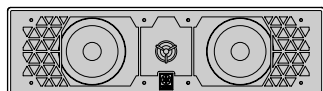


NX-S301



x 4

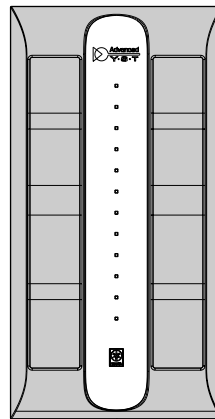
NX-C301



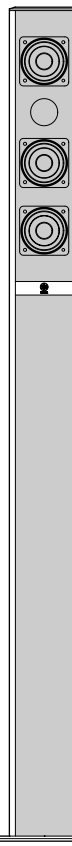
x 1

NX-P302

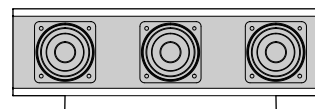
NX-SW301



NX-S302



NX-C302

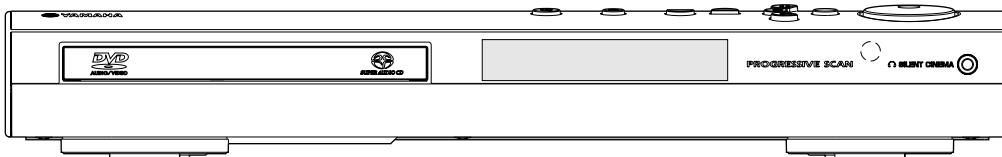
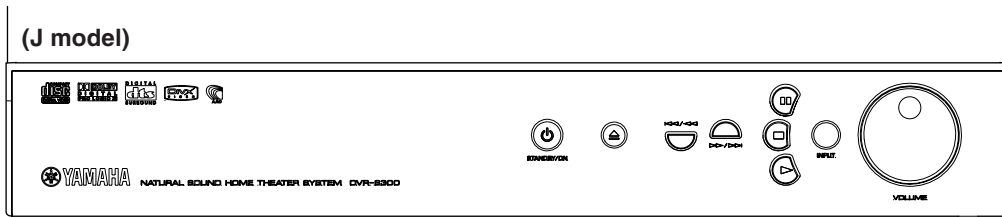
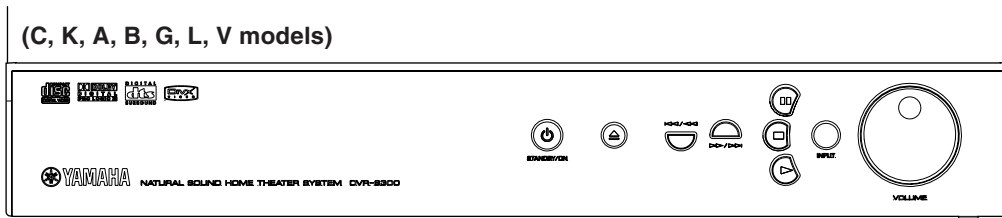


x 1

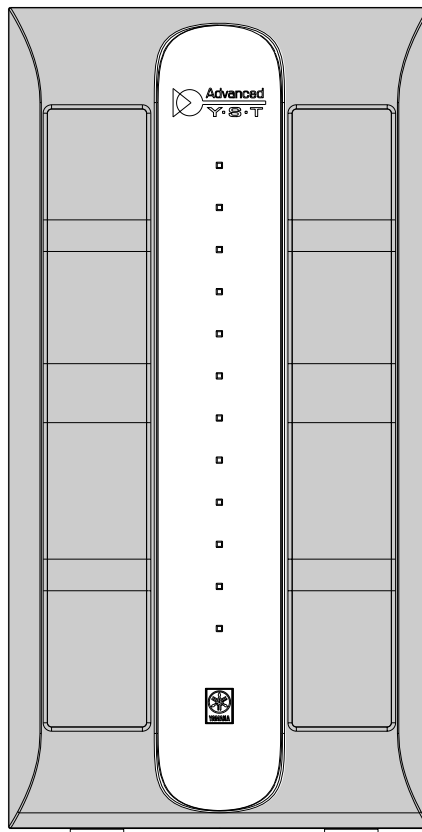
x 4

FRONT PANELS

DVR-S300

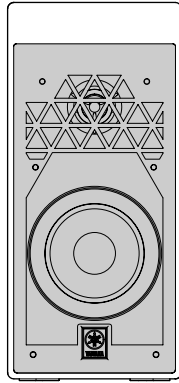


NX-SW301

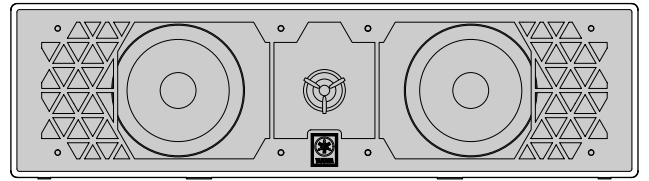


DVR-S300
NX-P301/NX-P302

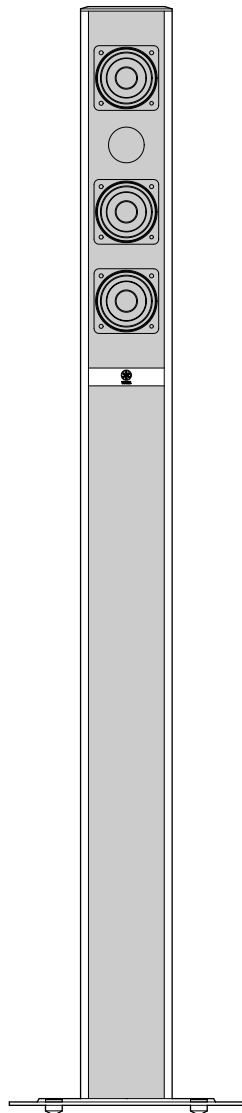
NX-S301



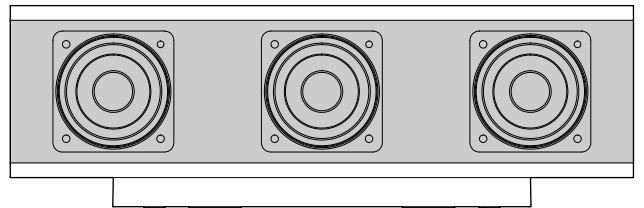
NX-C301



NX-S302



NX-C302

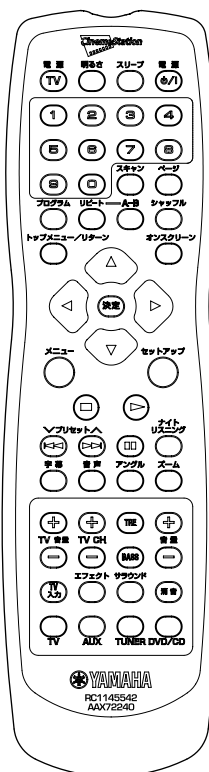
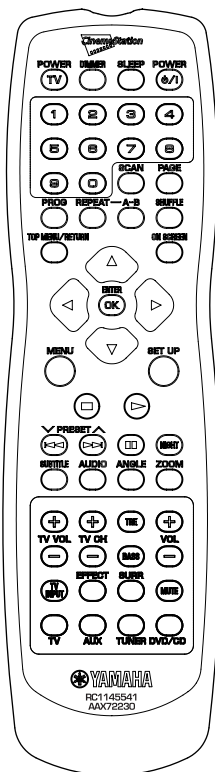


DVR-S300
NX-P301/NX-P302

REMOTE CONTROL

C, K, A, B, G, L, V models

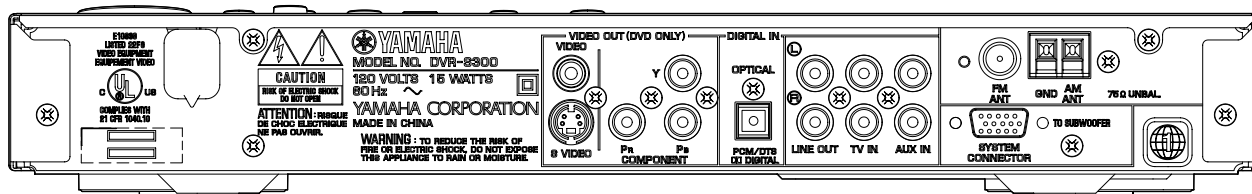
J model



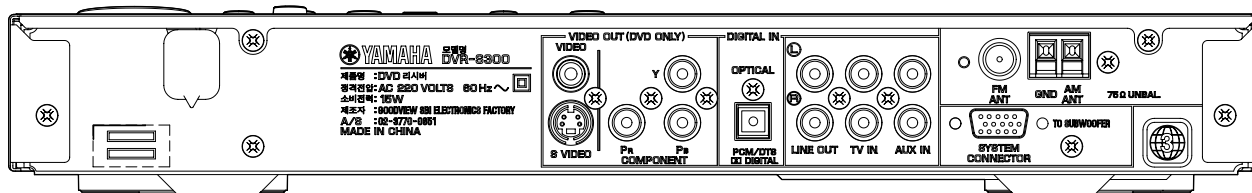
DVR-S300
NX-P301/NX-P302

REAR PANELS

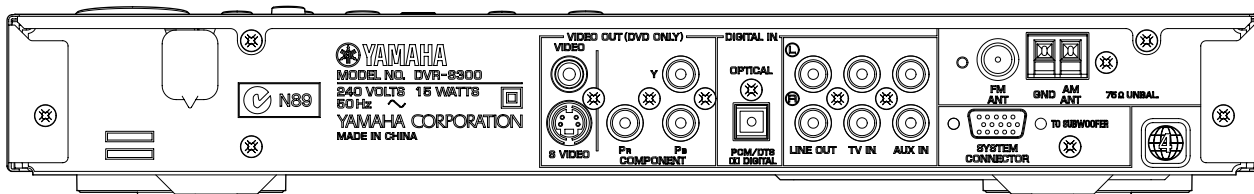
DVR-S300 (C model)



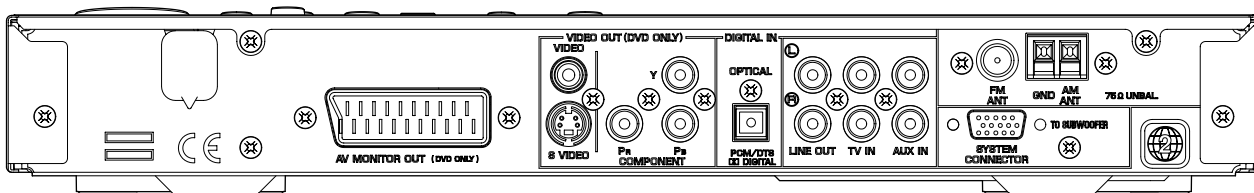
DVR-S300 (K model)



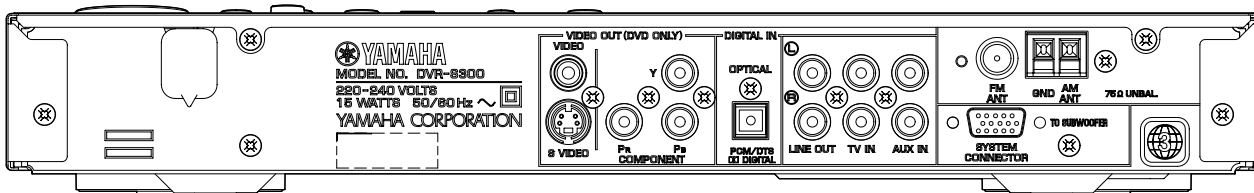
DVR-S300 (A model)



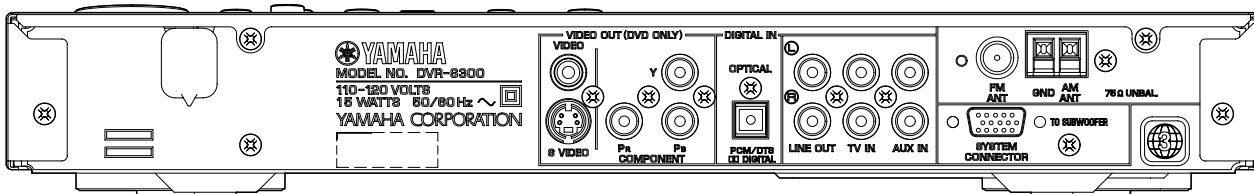
DVR-S300 (B, G models)



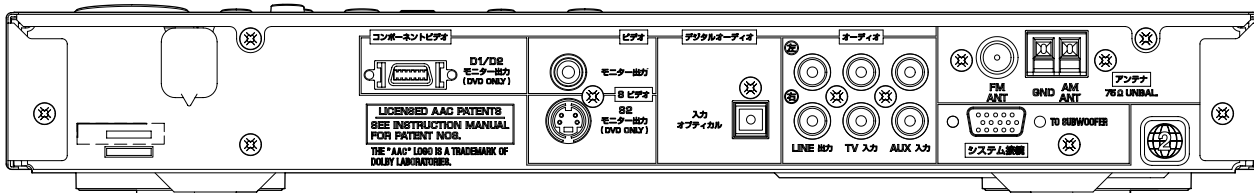
DVR-S300 (L model)



DVR-S300 (V model)

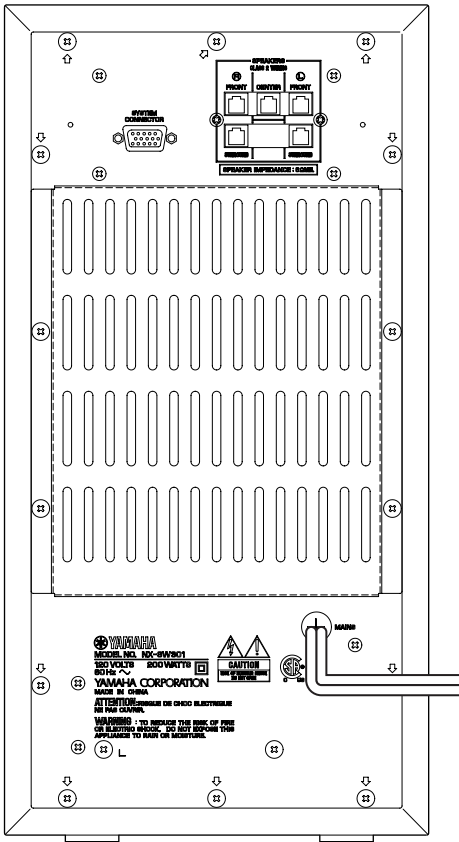


DVR-S300 (J model)

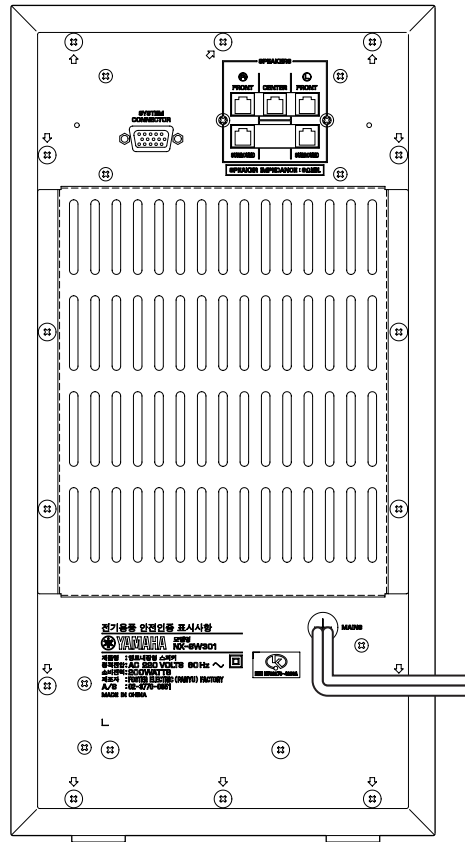


DVR-S300
NX-P301/NX-P302

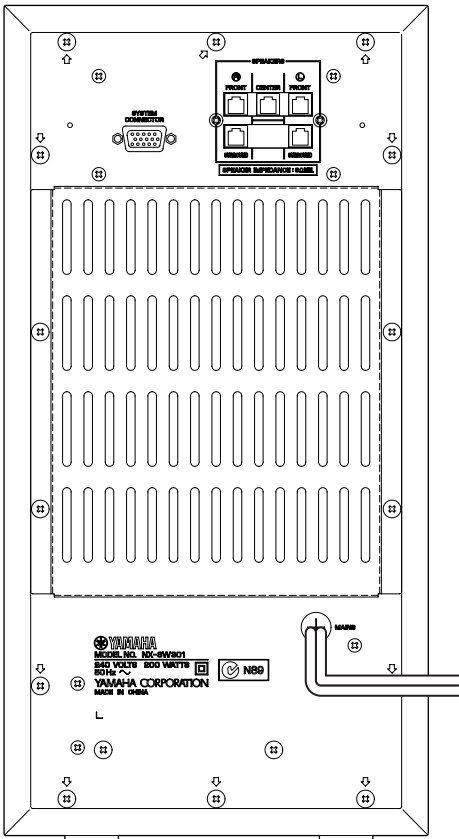
NX-SW301 (C model)



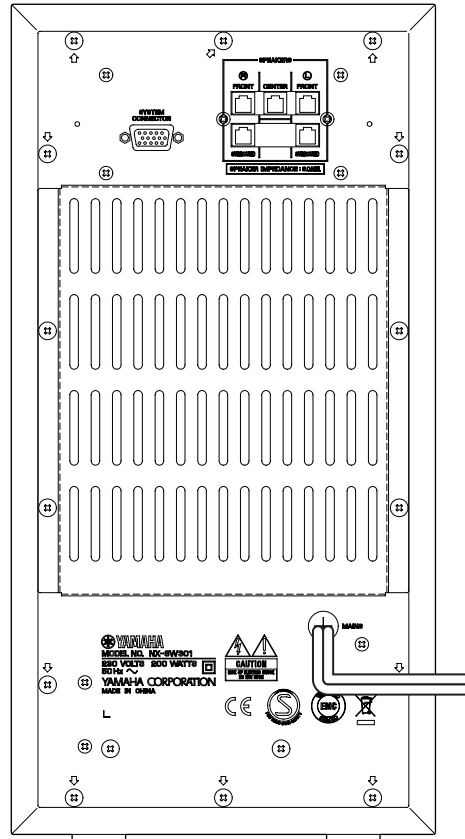
NX-SW301 (K model)



NX-SW301 (A model)

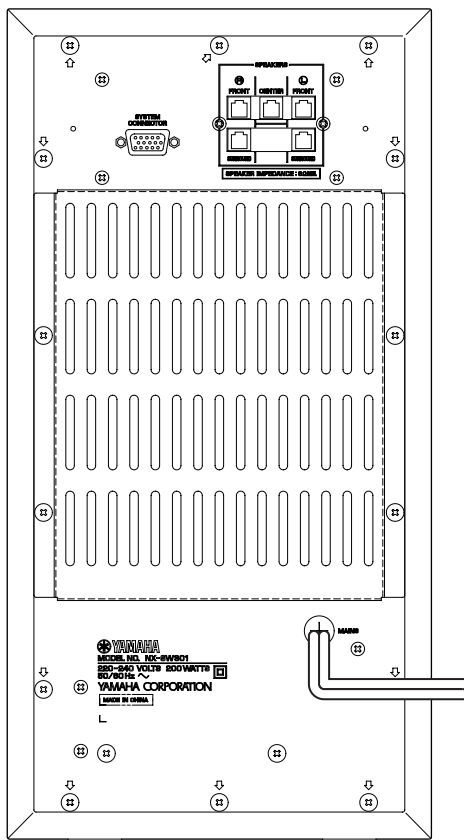


NX-SW301 (B, G models)

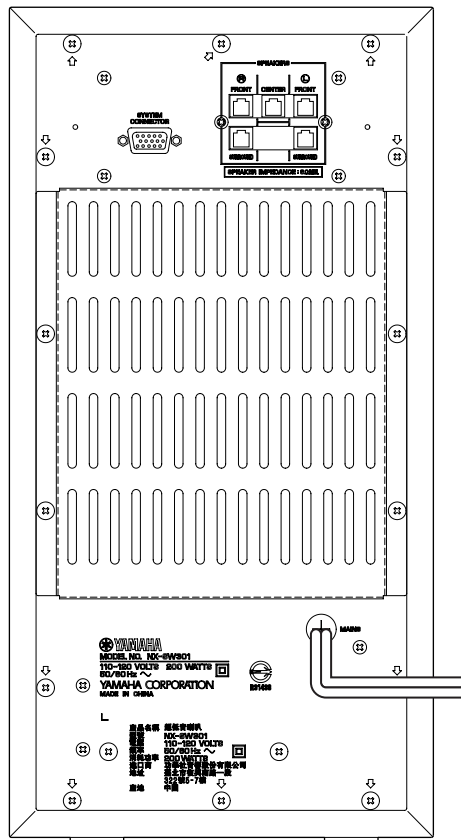


DVR-S300
NX-P301/NX-P302

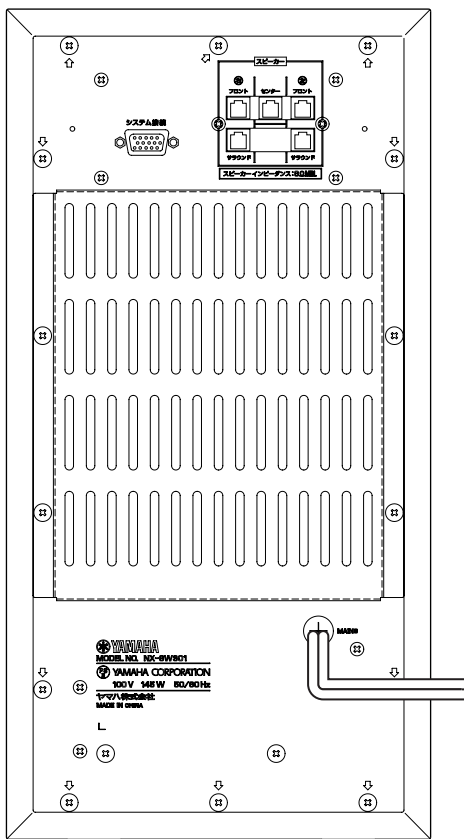
NX-SW301 (L model)



NX-SW301 (V model)



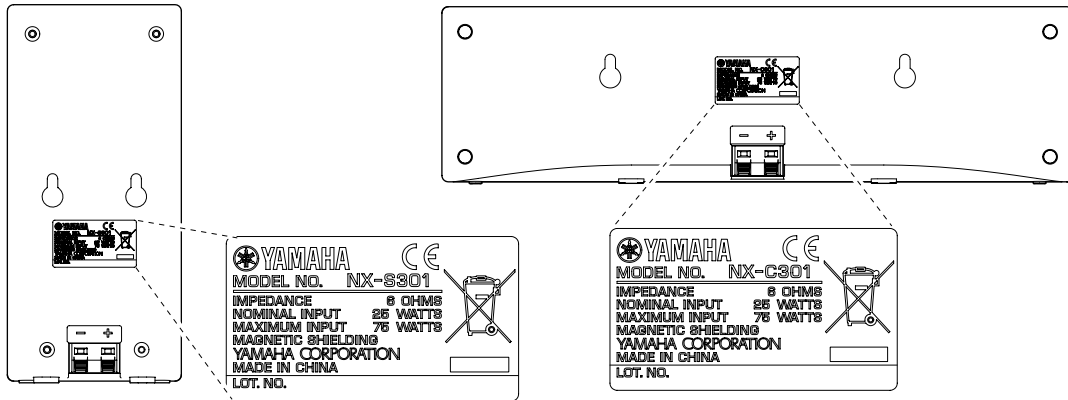
NX-SW301 (J model)



DVR-S300
NX-P301/NX-P302

NX-S301

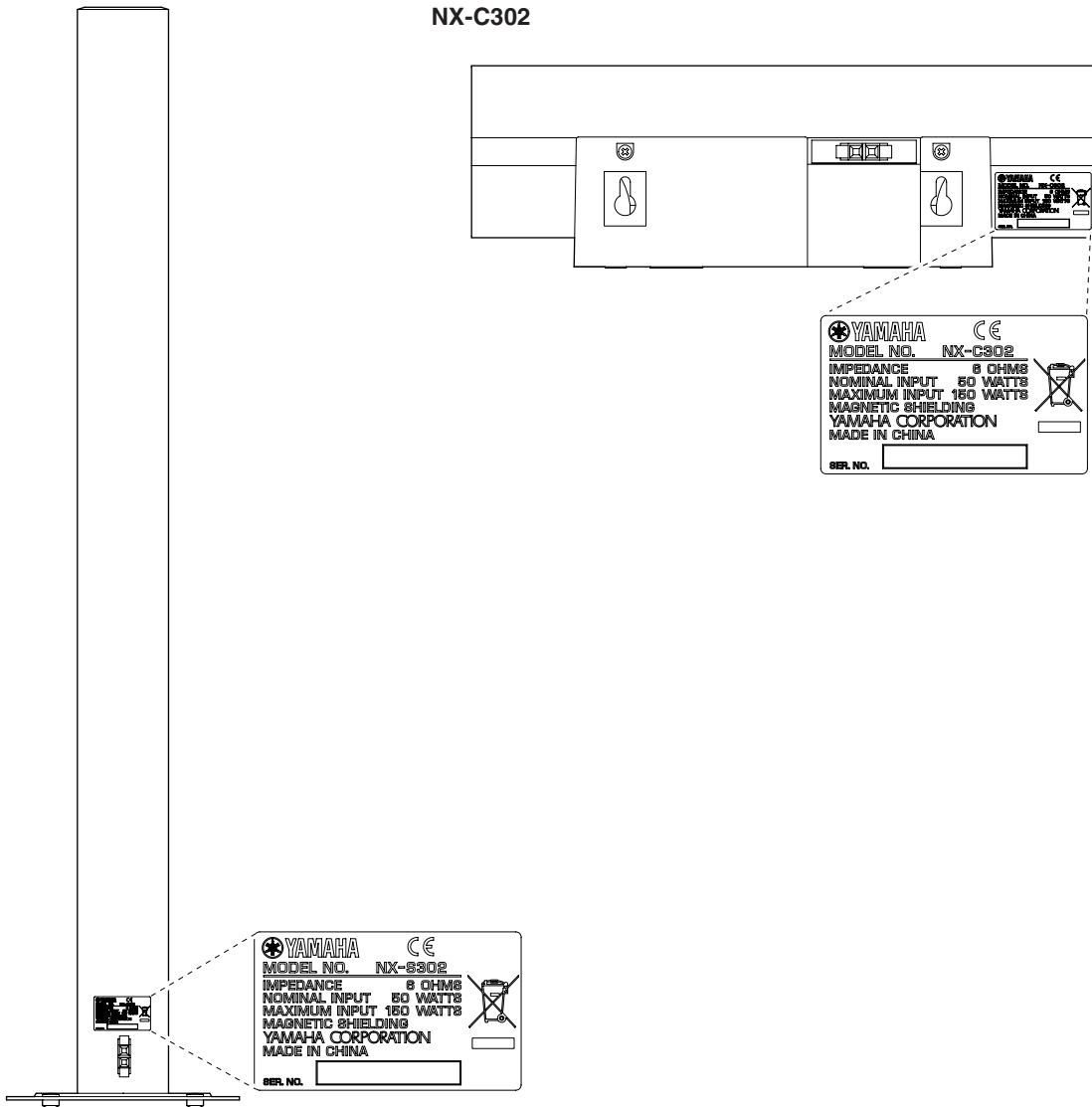
NX-C301



DVR-S300
NX-P301/NX-P302

NX-S302

NX-C302



■ SPECIFICATIONS / 参考仕様

TUNER SECTION

| | |
|------------------------------|---------------------------------|
| FM Tuning Range | |
| - C, K, A, B, G, L, V models | 87.50 to 108.00 MHz |
| - J model | 76.0 to 90.0 MHz |
| AM Tuning Range | |
| - C model | 530 to 1700 kHz |
| - K, A, B, G models | 531 to 1602 kHz |
| - L, V models | 531 to 1602 kHz/530 to 1700 kHz |
| - J model | 531 to 1602 kHz |

DISC SECTION

| | |
|------------------------|---|
| Laser Type | Semiconductor |
| Disc Diametre | 12cm / 8cm |
| Video Decoding | MPEG-1 / MPEG-2 / DivX 3.11, 4.x & 5.x |
| Video DAC | 12 bits/108 MHz |
| Signal System | PAL / NTSC |
| Video Format | 4:3 / 16:9 |
| Composite Video Output | 1.0 Vp-p, 75 ohms |
| S-video Output | Y - 1.0 Vp-p, 75 ohms C - 0.3 Vp-p, 75 ohms |
| RGB (SCART) output | 0.7 Vp-p, 75 ohms (B, G models) |
| Component Video Output | Y - 1.0 Vp-p, 75 ohms PB/CB PR/CR - 0.7 Vp-p, 75 ohms |
| Audio DAC | 24 bits / 192 kHz |
| Frequency Response | 4 Hz to 20 kHz (44.1 kHz) 4 Hz to 22 kHz (48 kHz) 4 Hz to 44 kHz (96 kHz) |
| Audio S/N | 105 dB |
| Distortion | 0.0035 % |
| Dynamic Range | 95 dB |

AUDIO FORMAT

| | |
|--|---|
| Digital | Dolby Digital/DTS/MPEG Compressed Digital |
| PCM | 16, 20, 24 bits fs 44.1, 48, 88.2, 96, 176.4, 192 kHz |
| MP3 (ISO 9660) | 24, 32, 56, 64, 96, 128, 256 kbps fs 16, 22.05, 24, 32, 44.1, 48 kHz |
| WMA | 32 to 192 kbps, Mono, Stereo |
| Full Decoding of Dolby Digital and DTS Multi-channel Sound | |
| Dolby Surround Compatible Downmix from Dolby Digital Multi-channel Sound | |
| Dolby Pro Logic II | |

MAIN UNIT (DVR-S300)

| | |
|------------------------|--|
| Power Supply | |
| - C model | 120 V, 60 Hz |
| - K model | 220 V, 60 Hz |
| - A model | 240 V, 50 Hz |
| - B, G models | 230 V, 50 Hz |
| - L model | 220 - 240 V, 50/60 Hz |
| - V model | 110 - 120 V, 50/60 Hz |
| - J model | 100 V, 50/60 Hz |
| Power Consumption | 15W |
| Frequency Response | 20 Hz to 20 kHz/-3 dB |
| Signal-to-Noise Ratio | > 95 dB |
| Input Sensitivity | |
| - AUX In, TV In | 300 mV |
| - SCART In | 500 mV (B, G models) |
| Dimensions (W x H x D) | 360 x 53 x 310 mm (14-3/16" x 2-1/16" x 12-3/16") |
| Weight | 2.7 kg (5 lbs. 15 oz.) |
| Finish | Silver Color |

SUBWOOFER (NX-SW301)

| | |
|------------------------------|---|
| Power Supply | |
| - C model | 120 V, 60 Hz |
| - K model | 220 V, 60 Hz |
| - A model | 240 V, 50 Hz |
| - B, G models | 230 V, 50 Hz |
| - L model | 220 - 240 V, 50/60 Hz |
| - V model | 110 - 120 V, 50/60 Hz |
| - J model | 100 V, 50/60 Hz |
| Power Consumption | |
| - C, K, A, B, G, L, V models | 200 W |
| - J model | 145 W |
| System | Bass Reflex System |
| Impedance | 6 ohms |
| Driver | 16 cm (6-5/16") Woofer |
| Frequency Response | 40 Hz to 100 Hz |
| Dimensions (W x H x D) | 200 x 390 x 382 mm (7-7/8" x 15-3/8" x 15-1/16") |
| Weight | 11.5 kg (25 lbs. 5 oz.) |
| Finish | Silver Color |

FRONT AND SURROUND SPEAKER

NX-S301

| | |
|------------------------|---|
| System | 2-way System |
| Impedance | 6 ohms |
| Drivers | 7.0 cm (2-3/4") Woofer x 1 1.9 cm (3/4") Tweeter x 1 |
| Frequency Response | 100 Hz to 20 kHz |
| Dimensions (W x H x D) | 83 x 181 x 78 mm (3-1/4" x 7-1/8" x 3-1/16") |
| Weight | 0.6 kg (1 lbs. 5 oz.) |
| Finish | Silver Color |

NX-S302

| | |
|------------------------|---|
| System | Full Range System |
| Impedance | 6 ohms |
| Drivers | 5.0 cm (2") Full Range x 3 2.5 cm (1") Piezo Tweeter x 1 |
| Frequency Response | 100 Hz to 20 kHz |
| Dimensions (W x H x D) | 210 x 994 x 210 mm (8-1/4" x 39-1/8" x 8-1/4") with Stand |
| Weight | 3.0 kg (6 lbs. 9 oz.) |
| Finish | Silver Color |

CENTER SPEAKER

NX-C301

| | |
|------------------------|---|
| System | 2-way System |
| Impedance | 6 ohms |
| Drivers | 7.0 cm (2-3/4") Woofer x 2 1.9 cm (3/4") Tweeter x 1 |
| Frequency Response | 100 Hz to 20 kHz |
| Dimensions (W x H x D) | 300 x 84 x 78 mm (11-13/16" x 3-5/16" x 3-1/16") |
| Weight | 1.0 kg (2 lbs. 3 oz.) |
| Finish | Silver Color |

NX-C302

| | |
|------------------------|---|
| System | Full Range System |
| Impedance | 6 ohms |
| Drivers | 5.0 cm (2") Full Range x 3 |
| Frequency Response | 100 Hz to 20 kHz |
| Dimensions (W x H x D) | 328 x 98 x 64 mm (12-15/16" x 3-7/8" x 2-1/2") |
| Weight | 0.7 kg (1 lbs. 8 oz.) |
| Finish | Silver Color |

ACCESSORIES

| | |
|----------|---|
| DVR-S300 | Remote Control x 1 Indoor FM Antenna x 1 AM Loop Antenna x 1 System Control Cable (4m) x 1 Video Pin Cable (1.5m) x 1 |
| NX-P301 | Speaker Cable Kit (15m) x 2 Speaker Cable Kit (5m) x 3 Fastener x 2 (for NX-C301) Nonskid Pad x 4 (for NX-SW301) |
| NX-P302 | Base x 4 (for NX-S302) Bind Head Screw x 8 (for NX-S302) Washer x 8 (for NX-S302) Fastener x 2 (for NX-C302) |

** Specifications subject to change without prior notice.*

- | | |
|--|---------------------------------------|
| C <i>Canada model</i> | K <i>Korean model</i> |
| A <i>Australian model</i> | B <i>British model</i> |
| G <i>European model</i> | L <i>Singapore model</i> |
| V <i>Taiwan model</i> | J <i>Japanese model</i> |



Manufactured under license from Dolby Laboratories.
“Dolby”, “Pro Logic”, “MLP Lossless” and the double-D symbol are trademarks of Dolby Laboratories.
ドルビーラボラトリーズからの実施権により製造されています。「ドルビー」及びダブルD記号は、ドルビーラボラトリーズの商標です。




“DTS” and “DTS Digital Surround” are registered trademarks of Digital Theater Systems, Inc.
DTS およびDTS Digital Out はデジタルシアターシステムズの登録商標です。



“DivX”, “DivX Certified”, and associated logos are trademarks of DivXNetworks, Inc and are used under license.
DivX, DivX Certified およびそのロゴはDivX Networks Inc の商標であり、ライセンス承諾を得て使用されます。



AACロゴマーク  はドルビーラボラトリーズの商標です。

This product incorporates copyright protection technology that is protected by method claims of certain U.S. patents and other intellectual property rights owned by Macrovision Corporation and other rights owners. Use of this copyright protection technology must be authorized by Macrovision Corporation, and is intended for home and other limited viewing uses only unless otherwise authorized by Macrovision Corporation. Reverse engineering or disassembly is prohibited.
本製品は、著作権保護技術を採用しており、マクロビジョン社及びその他の著作権利者が保有する米国特許及びその他の知的財産権によって保護されています。この著作権保護技術の使用は、マクロビジョン社の許可が必要で、またマクロビジョン社の特別な許可がない限り家庭用及びその他の一部の視聴用の使用に制限されています。分解したり、改造することも禁じられています。

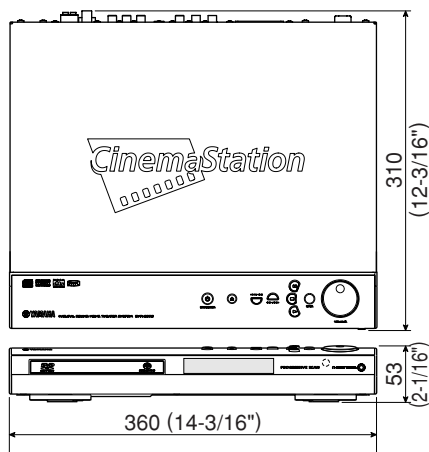


Advanced YST
Active Servo Processing Subwoofer System with built-in power amplifier.
This subwoofer system (NX-SW301) employs Advanced YAMAHA Active Servo Technology which YAMAHA has developed for reproducing higher quality super-bass sound. This super-bass sound adds a more realistic, theater-in-the-home effect to your stereo system.

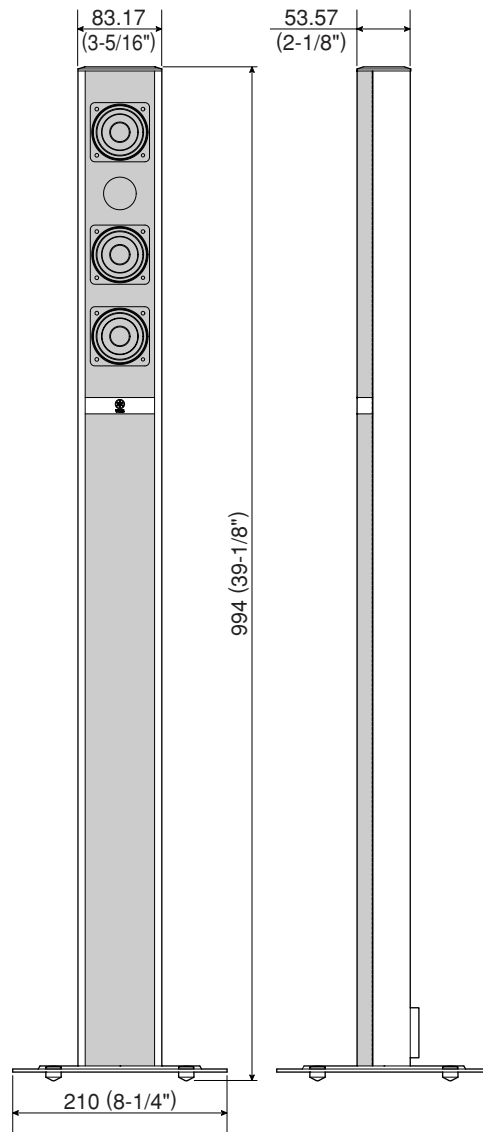
DVR-S300
NX-P301/NX-P302

• DIMENSIONS / 寸法図

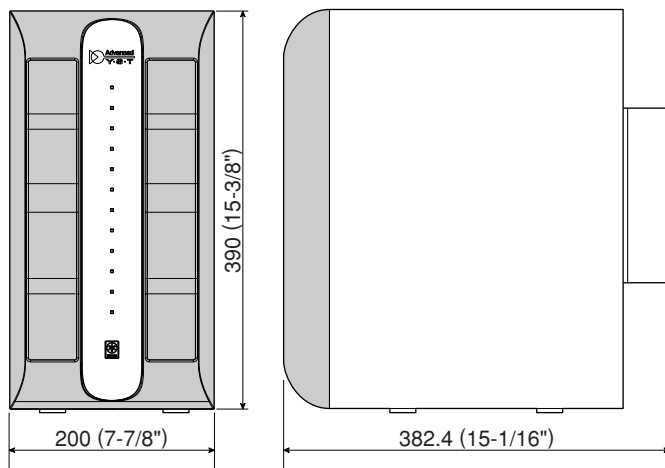
DVR-S300



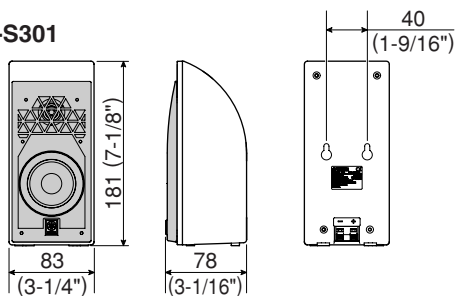
NX-S302



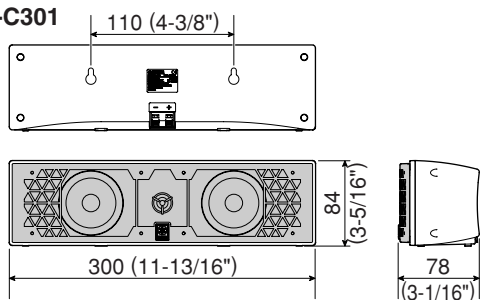
NX-SW301



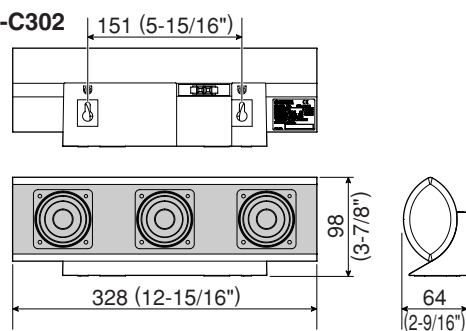
NX-S301



NX-C301



NX-C302

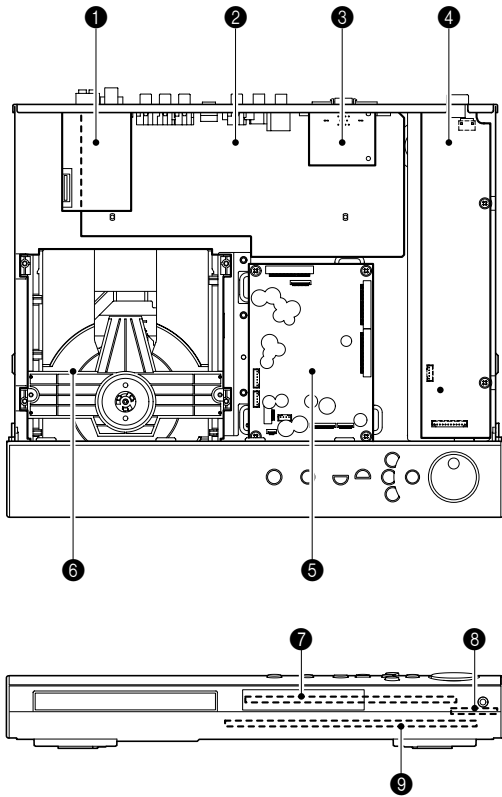


Unit : mm (inch)
単位 : mm (インチ)

DVR-S300
NX-P301/NX-P302

INTERNAL VIEW

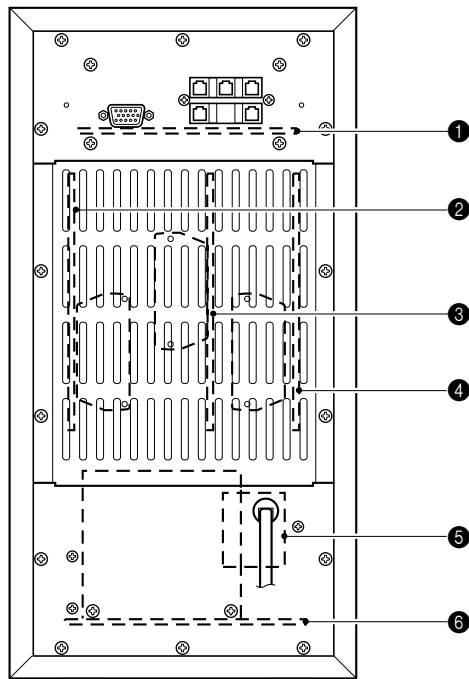
DVR-S300



- ① TUNER
- ② AV P.C.B.
- ③ HDMI D2 P.C.B. (J model)
- ④ POWER SUPPLY UNIT
- ⑤ MONO P.C.B.
- ⑥ DVD MECHANISM
- ⑦ CONTROL P.C.B.
- ⑧ FRONT (2) HP P.C.B.
- ⑨ FRONT (1) DISPLY P.C.B.

DVR-S300
NX-P301/NX-P302

NX-SW301



- ① POWER (3) IN/OUT P.C.B.
- ② AMP (1) FL/FR P.C.B.
- ③ AMP (2) SL/SR P.C.B.
- ④ POWER (1) C/SW P.C.B.
- ⑤ POWER (4) SUBTR P.C.B.
- ⑥ POWER (2) POWER P.C.B.

REPAIR NOTES / 修理上の留意点

● DVR-S300

None of the components of the following units can be supplied separately.

Each unit must be replaced as a whole in case of a failure.

- DVD Mechanism
- MONO P.C.B.
- FRONT P.C.B.
- CONTROL P.C.B.
- AV P.C.B.
- Power Supply Unit

● Power Supply Unit

Never touch the potentiometer (VR301) installed to the Power Supply Unit.

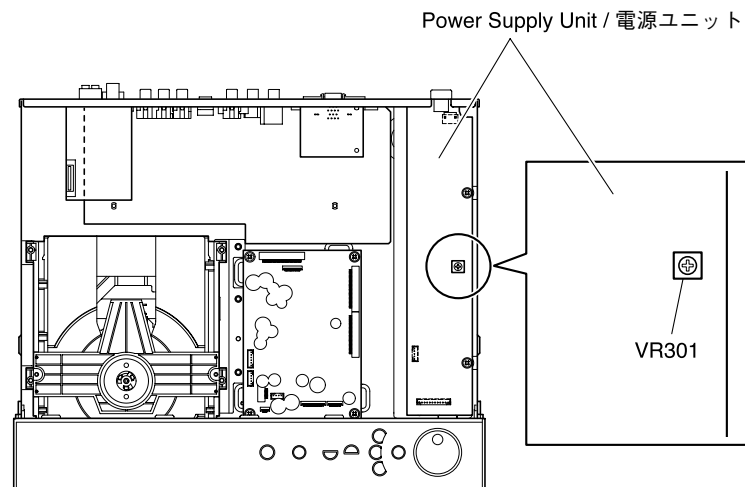
● DVR-S300

下記のユニットは、小部品の部品供給はできません。故障の場合は、各ユニットを交換してください。

- DVDメカ
- MONO P.C.B.
- FRONT P.C.B.
- CONTROL P.C.B.
- AV P.C.B.
- HDMI D2 P.C.B.
- 電源ユニット

● 電源ユニットについて

電源ユニットに搭載されている可変抵抗 (VR301) は、絶対に触らないでください。



● NX-SW301

When turning on the power of NX-SW301 independently for its operation check, refer to “**When checking the P.C.B.**” of “**■ NX-SW301 DISASSEMBLY PROCEDURES**” (on page 23).

● NX-SW301

動作確認のためにNX-SW301単独で電源をONする場合、「**■ NX-SW301分解手順**」の「**P.C.B.動作チェックをする場合**」(23ページ)を参照してください。

■ DVR-S300 TRADE MODE / DVR-S300 トレードモード

This unit has "TRADE MODE" which prevents the tray from opening even when the "▲" (Open/Close) key is pressed.

● Entering TRADE MODE

The power to the main unit should be turned on before entering the TRADE MODE.

1. Press the "▲" key to open the tray. (Fig. 1)
2. Press the "DVD/CD", "⊕", "⊖" and "⊙" buttons on the remote control in that order. (Fig. 2)
3. "TRA ON" appears on the FL display of the main unit and TRADE MODE is activated. (Fig. 3)

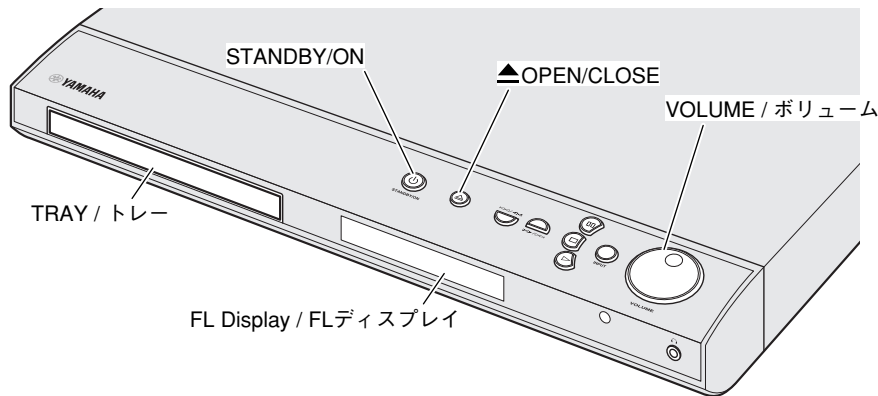


Fig. 1

TRADE MODE display / トレードモード表示



Fig. 3

Enter / 起動

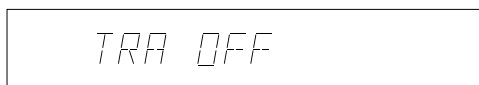


Fig. 4

Cancel / 解除

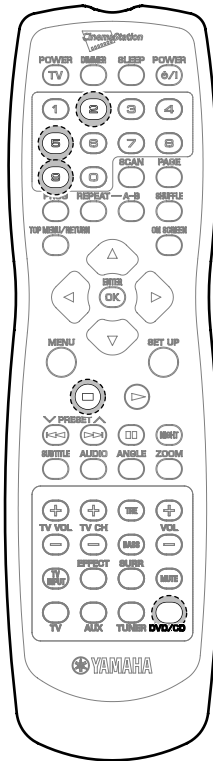


Fig. 2

DVR-S300には、“▲”(オープン/クローズ)キーを押してもトレーが開かない「トレードモード」があります。

● トレードモードの起動

本体の電源をオンの状態から行います。

1. 本体の“▲”キーを押し、トレーを開きます。(Fig. 1)
2. リモコンの“DVD/CD”ボタンを押し、次に“⊕”、“⊖”、“⊙”ボタンを順番に押します。(Fig. 2)
3. 本体FLディスプレイに“TRA ON”が表示され、トレードモードが起動します。(Fig. 3)

* After entering TRADE MODE, it is not possible to operate keys of the main unit as usual except the following keys.

STANDBY/ON (POWER ON only)
VOLUME UP/DOWN

* Operation through the remote control is available as usual.

● Canceling TRADE MODE

The power to the main unit should be turned on before canceling TRADE MODE.

1. Press the "DVD/CD" button and keep pressing the "⊕" button on the remote control. (Fig. 2)
The tray opens after about 2 second.
2. Press the "⊕", "⊖" and "⊙" buttons on the remote control in that order. (Fig. 2)
3. "TRA OFF" appears on the FL display of the main unit and TRADE MODE is cancelled. (Fig. 4)

※ トレードモード起動後、本体は下記のキー以外の操作を通常通り行うことができません。

STANDBY/ON (POWER ONのみ)
VOLUME UP/DOWN

※ リモコンからの操作は通常通り行うことができます。

● トレードモードの解除

本体の電源をオンの状態から行います。

1. リモコンの“DVD/CD”ボタンを押してから、“⊕”ボタンを押し続けます。(Fig. 2)
約2秒後、トレーが開きます。
2. リモコンの“⊕”、“⊖”、“⊙”ボタンを順番に押します。(Fig. 2)
3. 本体FLディスプレイに“TRA OFF”が表示され、トレードモードが解除されます。(Fig. 4)

■ DVR-S300 DISASSEMBLY PROCEDURES / DVR-S300分解手順

(Remove parts in the order as numbered.)

(番号順に部品を取り外してください。)

1. Removal of Top Panel

- Remove 6 screws (①). (Fig. 1)
- Remove the Top Panel by lifting it from the rear.

1. トップパネルの外し方

- ①のネジ6本を外します。(Fig. 1)
- トップカバーを後ろ側から上げて取り外します。

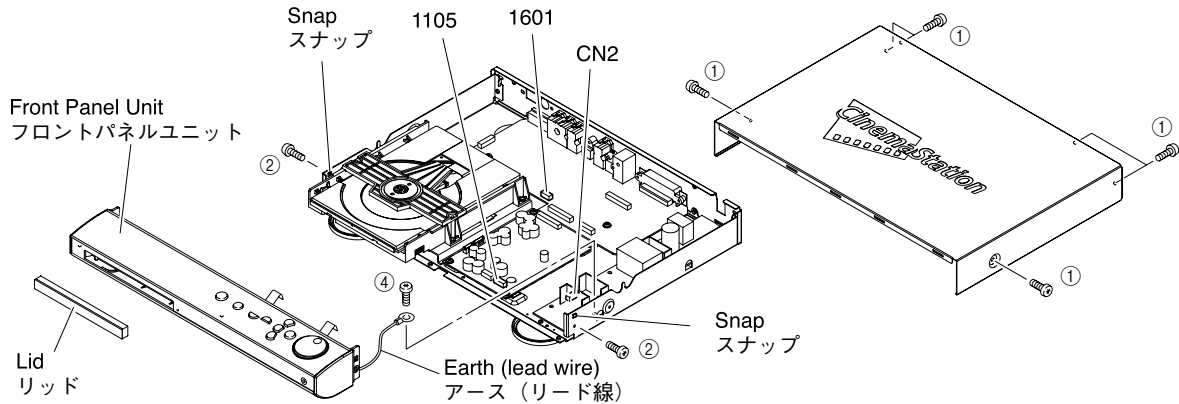


Fig. 1

2. Removal of Front Panel Unit

- Open the tray according to "HOW TO MANUALLY EJECT THE TRAY" and remove the lid.
- Close the tray.
- Remove connectors 1105, 1601 and CN2. (Fig. 1)
- Remove 2 screws (②) and 3 screws (③). (Fig. 1, 2)
- Remove 1 screw (④) and then remove the earth (lead wire). (Fig. 1)
- Release 2 snaps and remove the Front Panel.

2. フロントパネルユニットの外し方

- 「手でトレイを開く方法」でトレイを開き、リッドを外します。
- トレイを閉じます。
- コネクタ1105、1601、CN2を外します。(Fig. 1)
- ②のネジ2本、③のネジ3本を外します。(Fig. 1、2)
- ④のネジ1本を外し、アース(リード線)を外します。(Fig. 1)
- スナップ2箇所を外し、フロントパネルを取り外します。

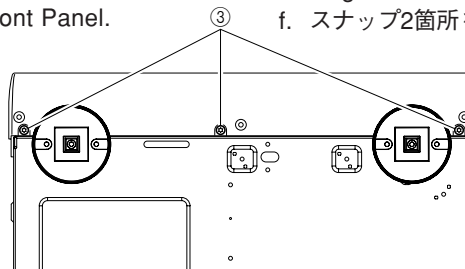


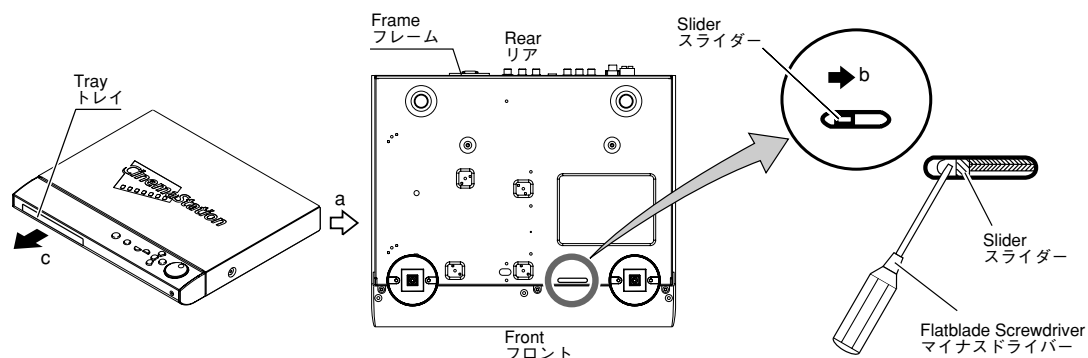
Fig. 2

HOW TO MANUALLY EJECT THE TRAY

- Turn the player bottom up.
- Move the slider in the direction indicated with a flatblade screwdriver until the tray is ejected.
- Gently pull the tray out.

手でトレイを開く方法

- 本体を上下反転します。
- トレイが出てくるまで、マイナスドライバーでスライダを図に示す矢印の方向に動かします。
- トレイをそっと引き出します。



DVR-S300
NX-P301/NX-P302

3. Removal of FRONT (1), (2) and CONTROL P.C.B.s

- a. Remove 3 screws (⑤) and 1 screw (⑥). (Fig. 3)
- * Be sure to use M3 x 6 type for screws (⑥).
- b. Release 2 snaps and remove the Bottom Panel.
- c. Remove the connector 1102. (Fig. 3)
- d. Remove 1 screw (⑦). (Fig. 3)
- e. Remove FRONT (1) DISPLAY P.C.B..
- f. Remove the connector 1103. (Fig. 3)
- g. Remove 1 screw (⑧).
- h. Remove FRONT (2) HP P.C.B..
- i. Remove the Knob Volume.
- j. Remove 4 screws (⑨). (Fig. 3)
- k. Remove CONTROL P.C.B., Button Frame and Button.

3. FRONT(1)、(2)、CONTROL P.C.Bの外し方

- a. ⑤のねじ3本、⑥のネジ1本を外します。(Fig.3)
- * 組立時、⑥のネジは必ずM3×6を使用してください。
- b. スナップ2箇所を外し、ボトムパネルを取り外します。
- c. コネクター1102を外します。(Fig. 3)
- d. ⑦のネジ1本を外します。(Fig. 3)
- e. FRONT(1)DISPLAY P.C.Bを取り外します。
- f. コネクター1103を外します。(Fig. 3)
- g. ⑧のネジ1本を外します。(Fig. 3)
- h. FRONT(2)HP P.C.B.を取り外します。
- i. ノブ/ボリュームを外します。
- j. ⑨のネジ4本を外します。(Fig. 3)
- k. CONTROL P.C.B.、ボタン/フレーム、ボタンを取り外します。

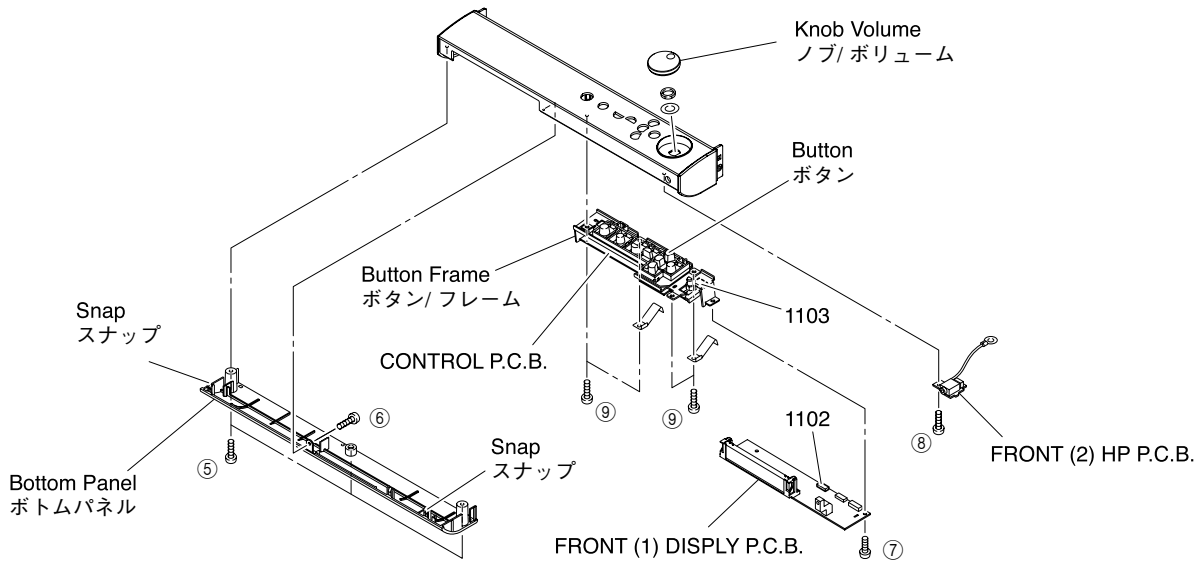


Fig. 3

4. Removal of DVD MECHANISM

- a. Remove connectors 1101, 1102 and 1103. (Fig. 4)
- b. Remove 4 screws (⑩). (Fig. 5)
- c. Remove the DVD MECHANISM.

4. DVDメカの外し方

- a. コネクター1101、1102、1103を外します。(Fig. 4)
- b. ⑩のネジ4本を外します。(Fig. 5)
- c. DVDメカを取り外します。

5. Removal of MONO P.C.B.

- a. Remove connectors 1104, 1105, 1301 and 1302. (Fig. 4)
- b. Remove 4 screws (⑪). (Fig. 5)
- c. Remove MONO P.C.B..

5. MONO P.C.B.の外し方

- a. コネクター1104、1105、1301、1302を外します。(Fig. 4)
- b. ⑪のネジ4本を外します。(Fig. 5)
- c. MONO P.C.B.を取り外します。

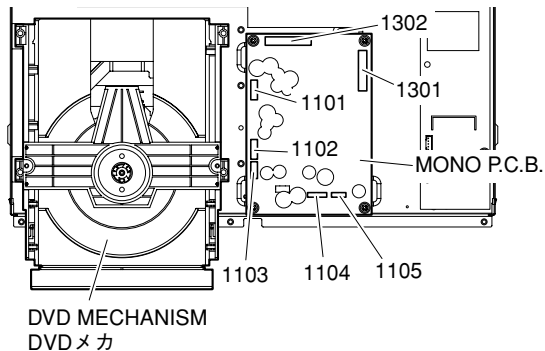


Fig. 4

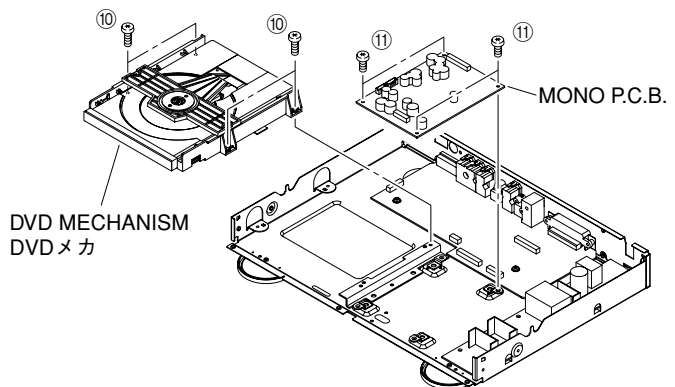


Fig. 5

6. Removal of Tuner

- Remove the connector CN1. (Fig. 6)
- Remove 2 screws (12). (Fig. 7)
- Remove the Tuner.

6. チューナーの外し方

- コネクタ-CN1を外します。(Fig. 6)
- 12のネジ2本を外します。(Fig. 7)
- チューナーを取り外します。

7. Removal of AV P.C.B.

- Remove connectors 1101, 1102, 1201, 1401 and 1601. (Fig. 6)
- Remove 6 screws (C, K, A, L, V models) / 8 screws (B, G models) (14). (Fig. 7)
- Remove 2 jack screws (15). (Fig. 7)
- Remove 2 screws (16). (Fig. 6)
- Remove AV P.C.B..

7. HDMI D2 P.C.B.の外し方 (J model)

- コネクタ-1704を外します。(Fig. 6)
- 13のネジ2本を外します。(Fig. 7)
- HDMI D2 P.C.B.を取り外します。

8. AV P.C.B.の外し方

- コネクタ-1101、1102、1201、1401、1601を外します。(Fig. 6)
- 14のネジ4本を外します。(Fig. 7)
- 15のジャックスクリュー2本を外します。(Fig. 7)
- 16のネジ2本を外します。(Fig. 6)
- AV P.C.B.を取り外します。

8. Removal of Power Supply Unit

- Remove the connector CON1. (Fig. 6)
- Remove 2 screws (17). (Fig. 6)
- Release 2 snaps. (Fig. 6)
- Remove the Power Supply Unit.

9. 電源ユニットの外し方

- コネクタ-CON1を外します。(Fig. 6)
- 17のネジ2本を外します。(Fig. 6)
- スナップ2箇所を外します。(Fig. 6)
- 電源ユニットを取り外します。

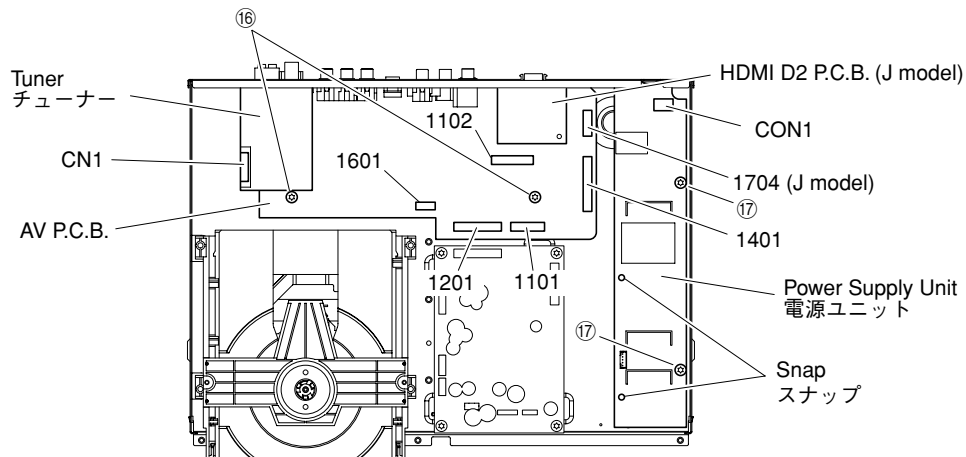


Fig. 6

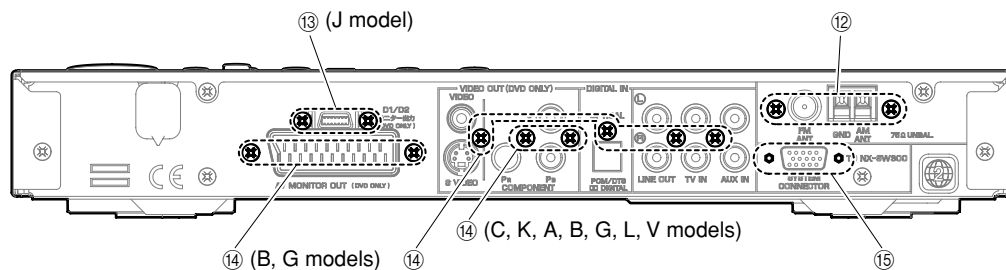


Fig. 7

■ NX-SW301 DISASSEMBLY PROCEDURES / NX-SW301分解手順

(Remove parts in disassembly order as numbered.)

(番号順に部品を取り外してください。)

1. Removal of Front Grille Ass'y

The Front Grille Ass'y is fixed to the cabinet with dowels at 6 locations. As a Flatblade Screwdriver is used for removal, use special care not to cause damage to the cabinet.

- a. Using the Flatblade Screwdriver inserted in the gap between the Front Grille Ass'y and the cabinet (bottom side first), push up the Front Grille Ass'y. (Fig. 1)
- b. Remove the Front Grille Ass'y by lifting it up.
 - * When installing the Front Grille Ass'y, apply quick-drying bond to the dowels and then fit them into dowel holes for secure installation. (The Front Grille Ass'y will come off easily if its dowels are fitted into dowel holes only.)

2. Removal of Rear Panel Ass'y

- a. Remove 4 screws (①) and then remove the Heat Sink Cover. (Fig. 2)
- b. Remove 10 screws (②) and then take out the Rear Panel Ass'y. (Fig. 2)
 - * Arrow Marks (⇒) are printed to identify the screws to be removed.
 - * When assembling the Rear Panel, check to ensure that the packing is not damaged so as to prevent air leakage from occurring.

1. フロントグリルASSYの外し方

フロントグリルASSYは6箇所のダボで固定されています。取り外しの際、本体に傷が付かないよう十分注意してください。

- a. 底側からマイナスドライバー等を差し込み、フロントグリルASSYを押し上げます。(Fig. 1)
- b. 徐々に上面へマイナスドライバー等で押し上げて、フロントグリルASSYを外します。
 - * 取付時には、フロントグリルASSYのダボに速乾ボンドなどを塗って差し込み、固定してください。(フロントグリルASSYを差し込むだけでは、簡単にはずれてしまいます。)

2. リアパネルASSYの外し方

- a. ①のネジ4本を外し、ヒートシンクカバーを外します。(Fig. 2)
- b. ②のネジ10本を外し、リアパネルASSYを取り出します。(Fig. 2)
 - * 取り外すネジの箇所には矢印(⇒)が印刷されています。
 - * 組み立ての際は、パッキングの損傷など無いことを確認し、エアリークが発生しないように組み立ててください。

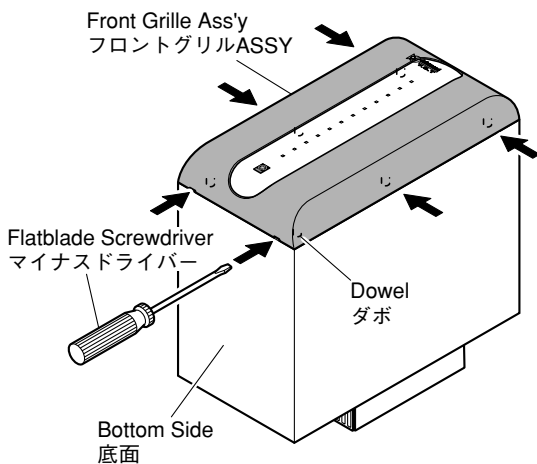


Fig. 1

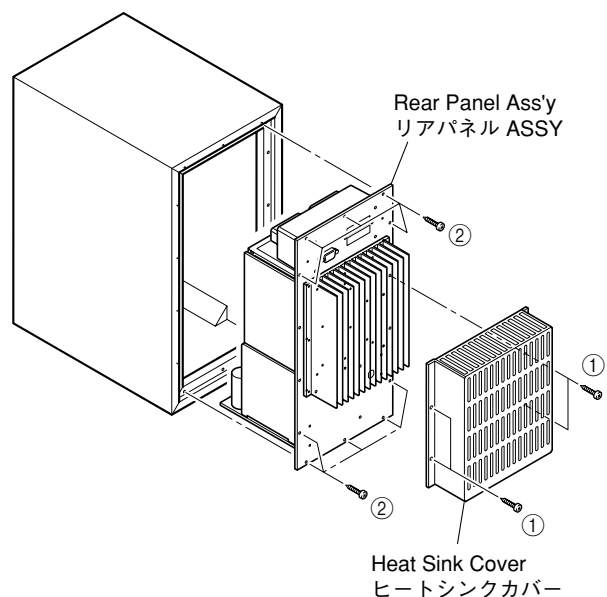


Fig. 2

When checking the P.C.B.

Turn on the power to NX-SW301 according to the following procedure.

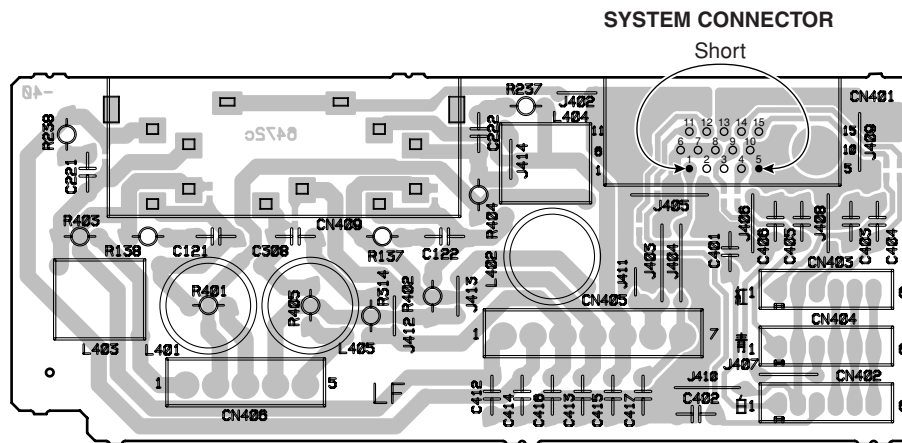
- a. Short between the terminals No.1 and No.5 of SYSTEM CONNECTOR.
- b. Connect the power cable to the AC power outlet.

P.C.B.動作チェックをする場合

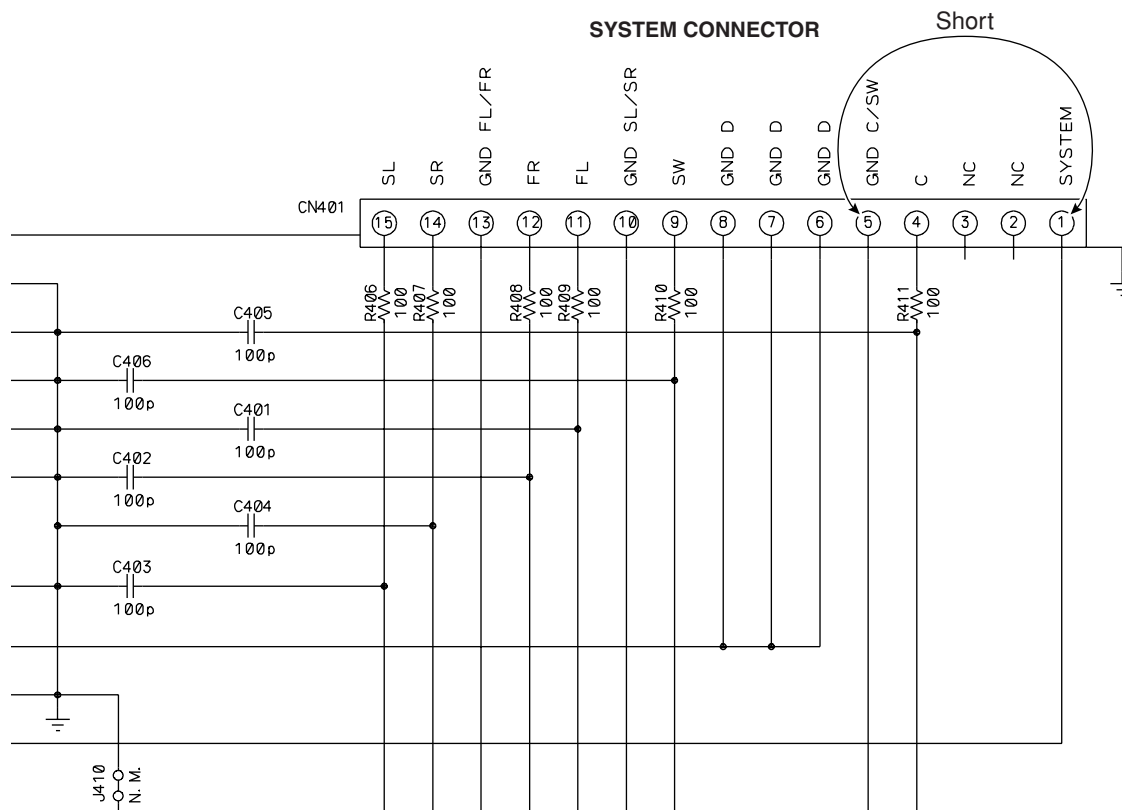
下記の方法により、NX-SW301に電源を投入します。

- a. システムコネクターの端子間(1pin <-> 5pin)をショートします。
- b. 電源コードをAC電源コンセントに接続します。

POWER (3) IN/OUT P.C.B.

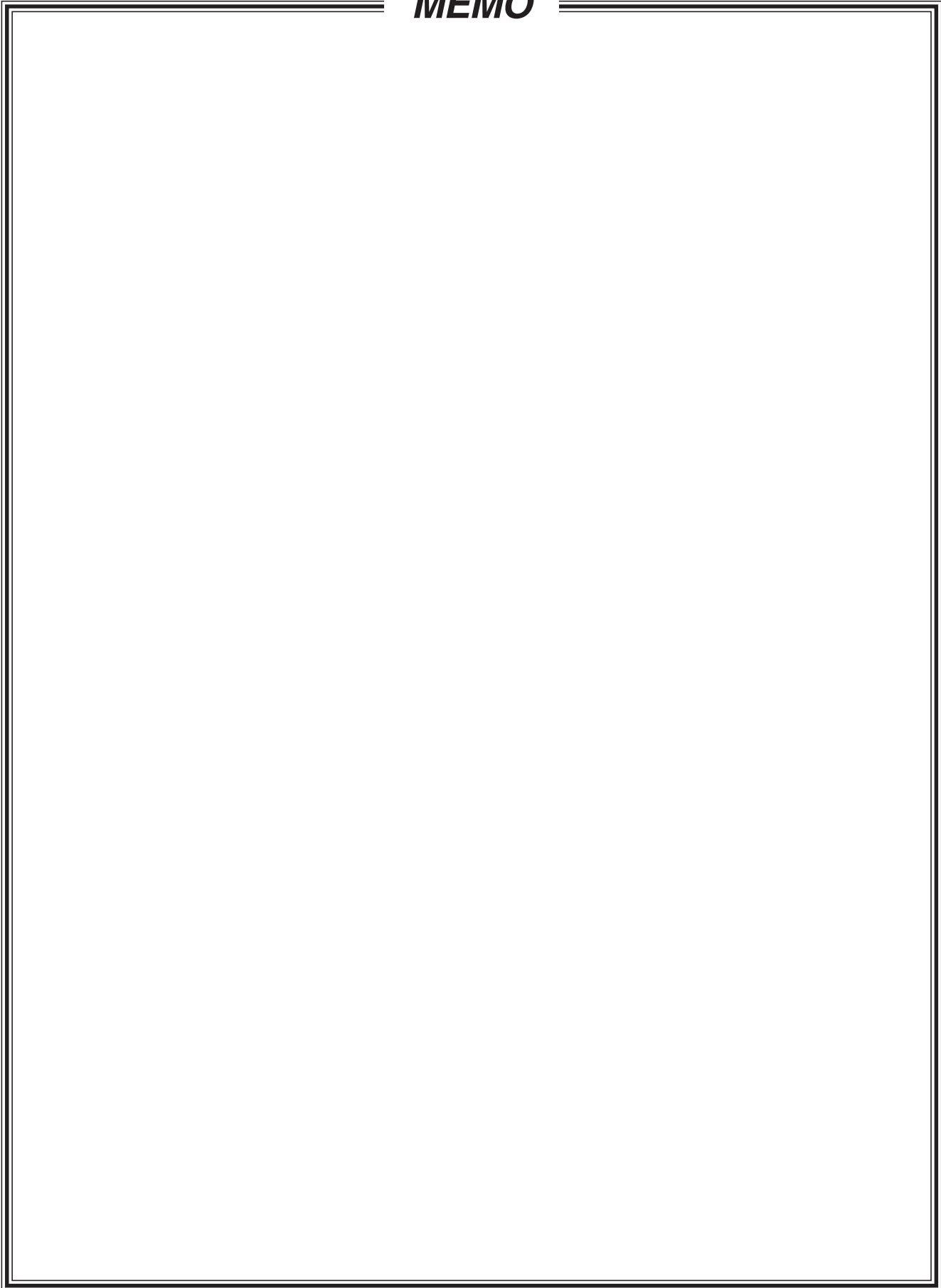


POWER (3) IN/OUT SCHEMATIC DIAGRAM



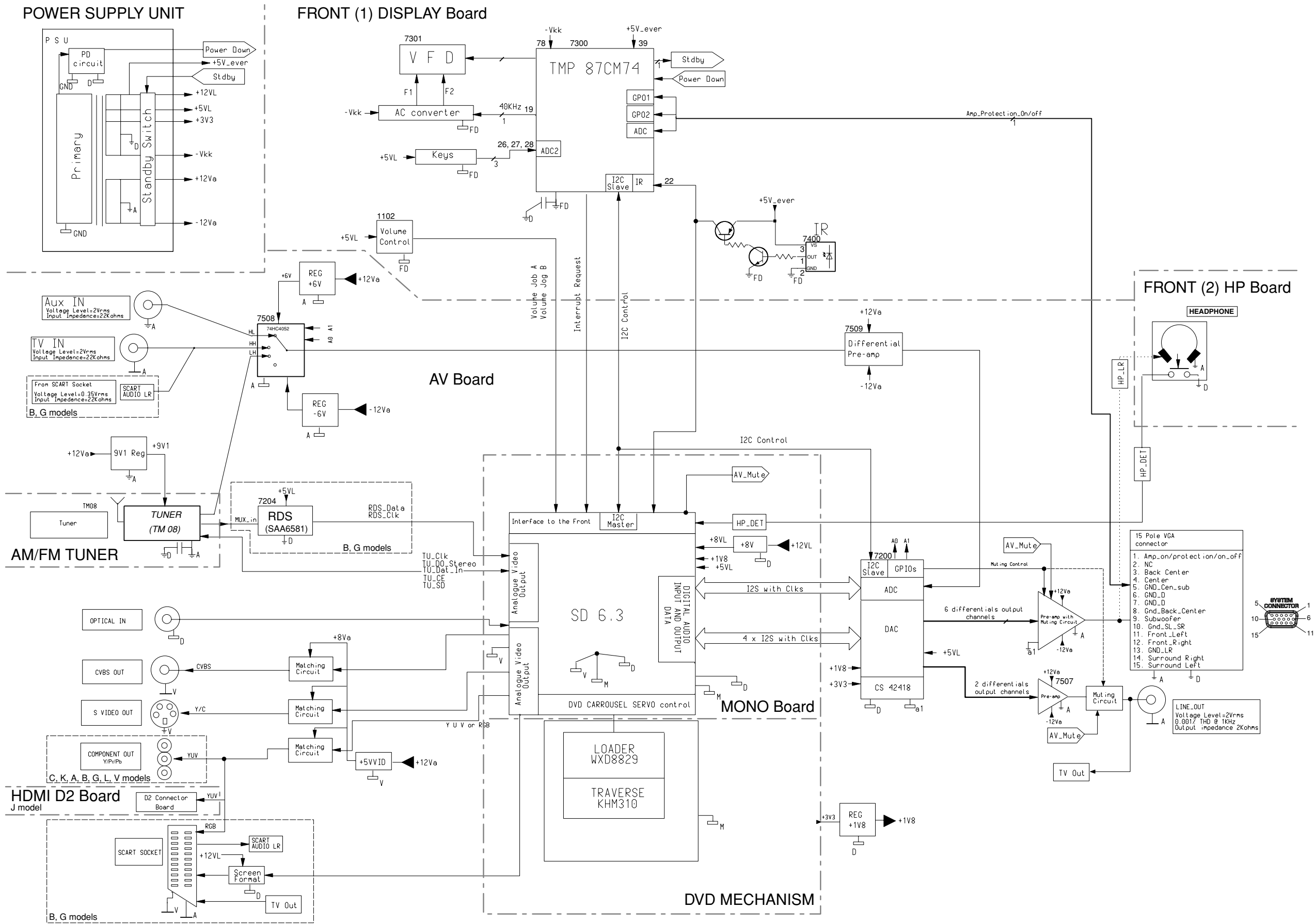
DVR-S300
NX-P301/NX-P302

MEMO

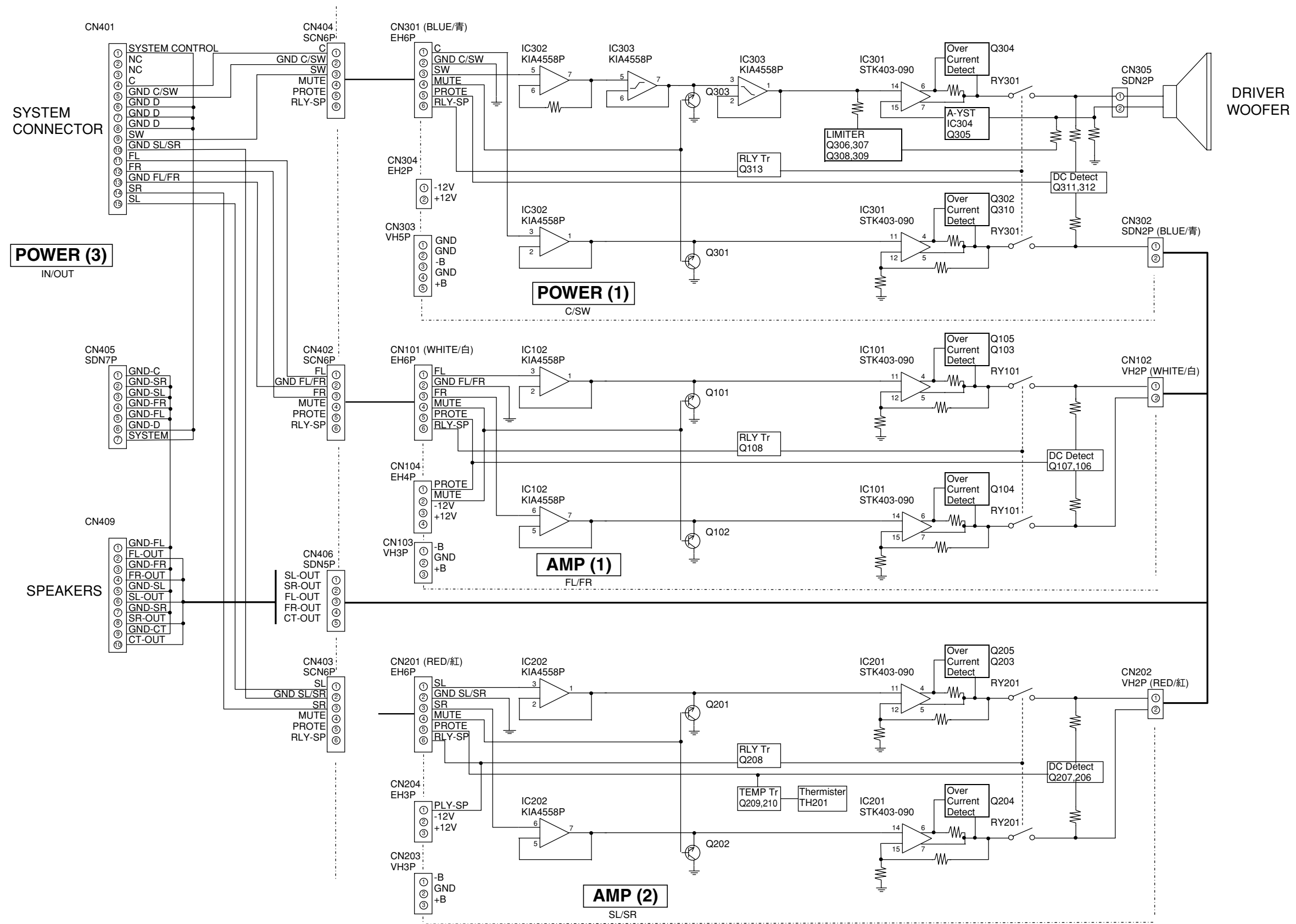


DVR-S300
NX-P301/NX-P302

■ DVR-S300 BLOCK DIAGRAM

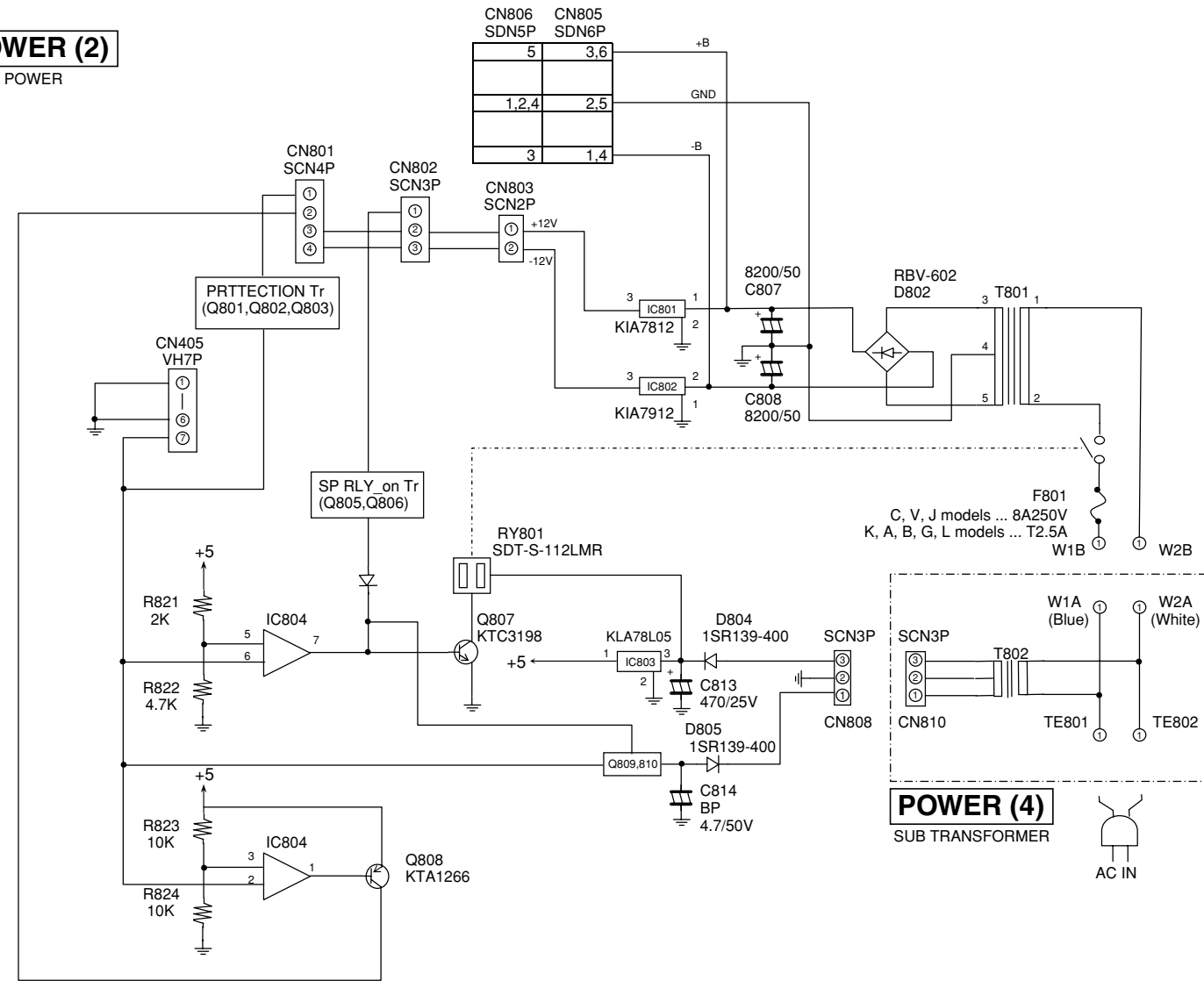


NX-SW301 BLOCK DIAGRAM (1/2)



■ NX-SW301 BLOCK DIAGRAM (2/2)

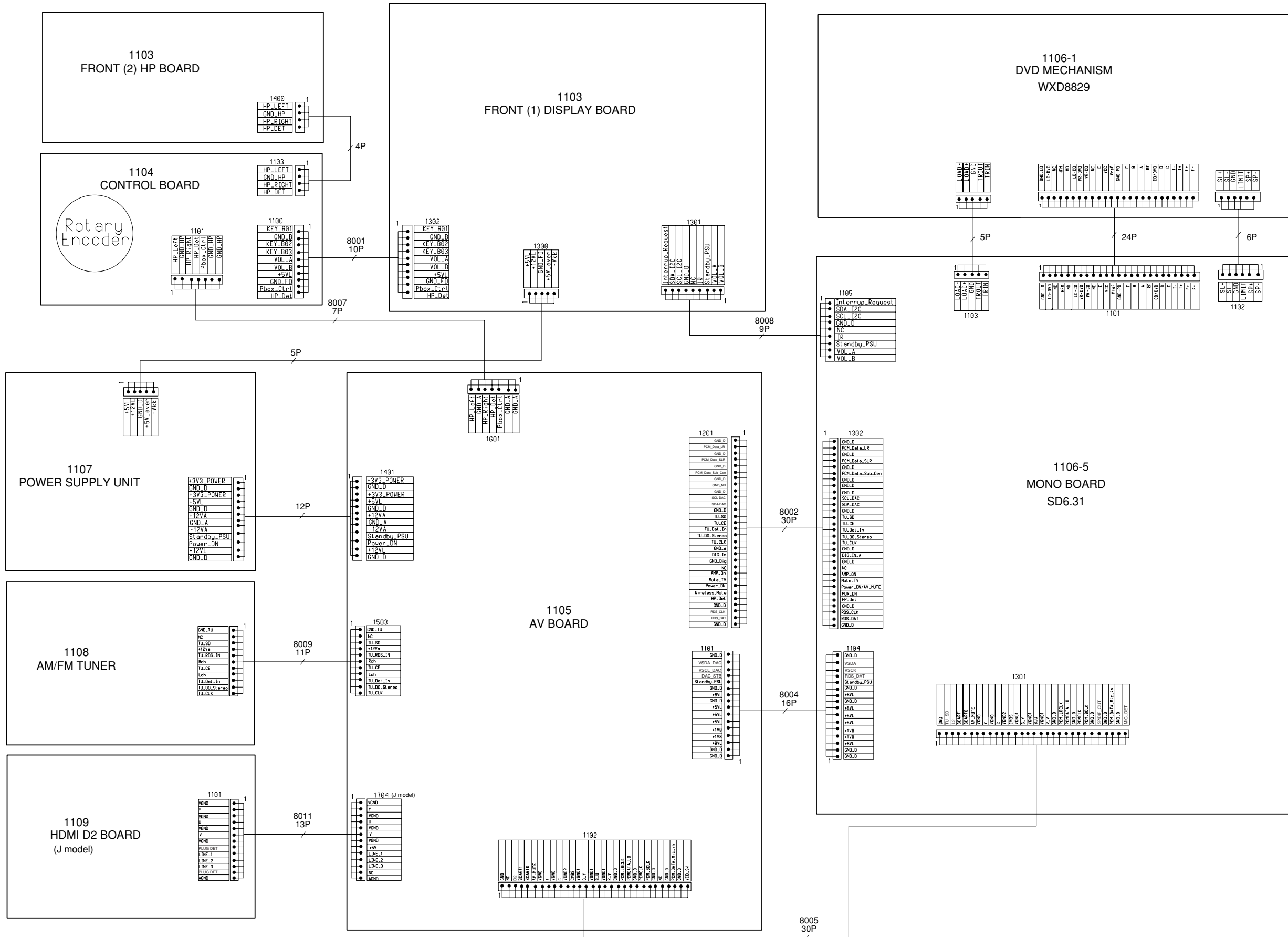
POWER (2)
POWER



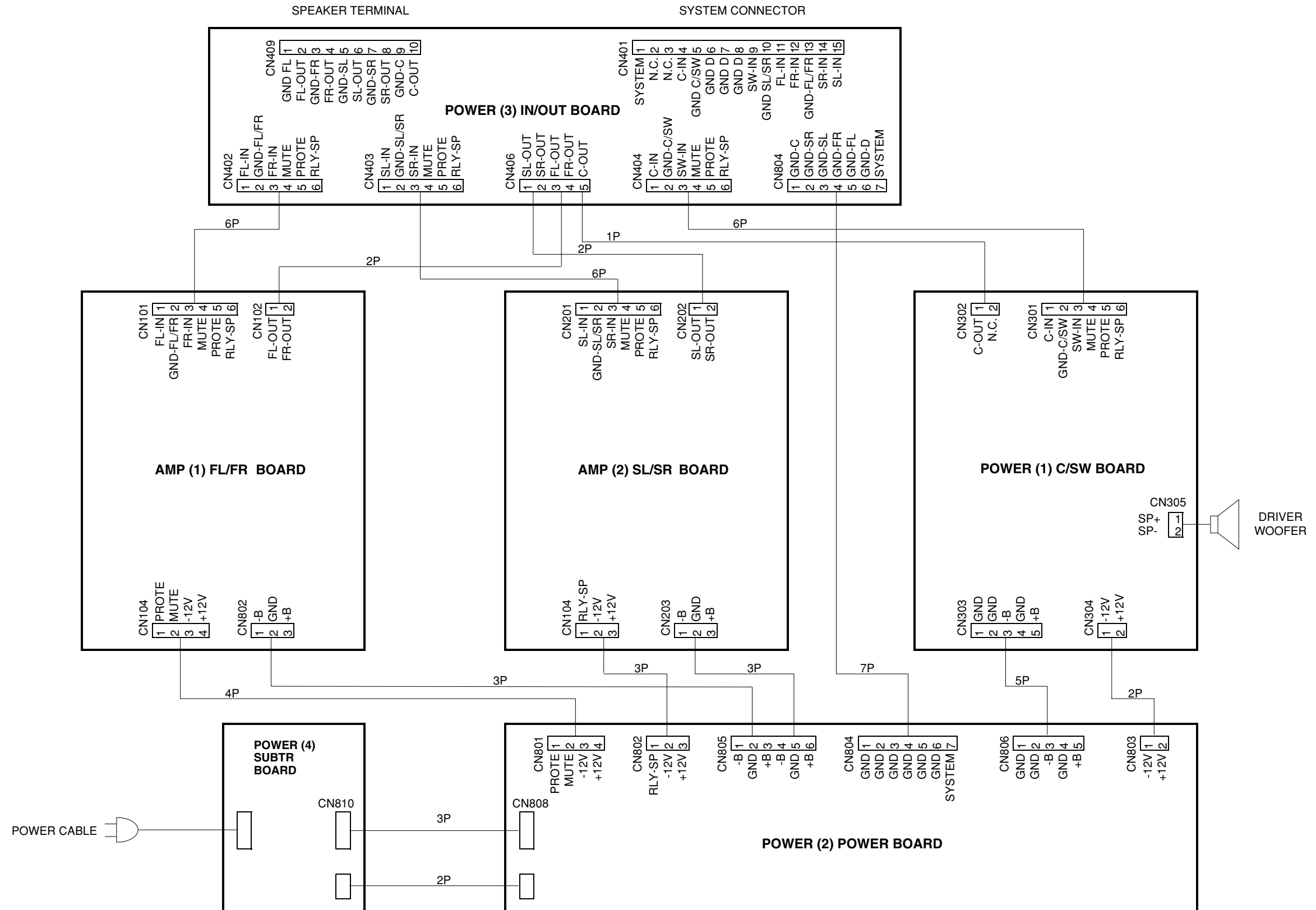
POWER (4)
SUB TRANSFORMER

1
2
3
4
5
6

DVR-S300 WIRING DIAGRAM



NX-SW301 WIRING DIAGRAM



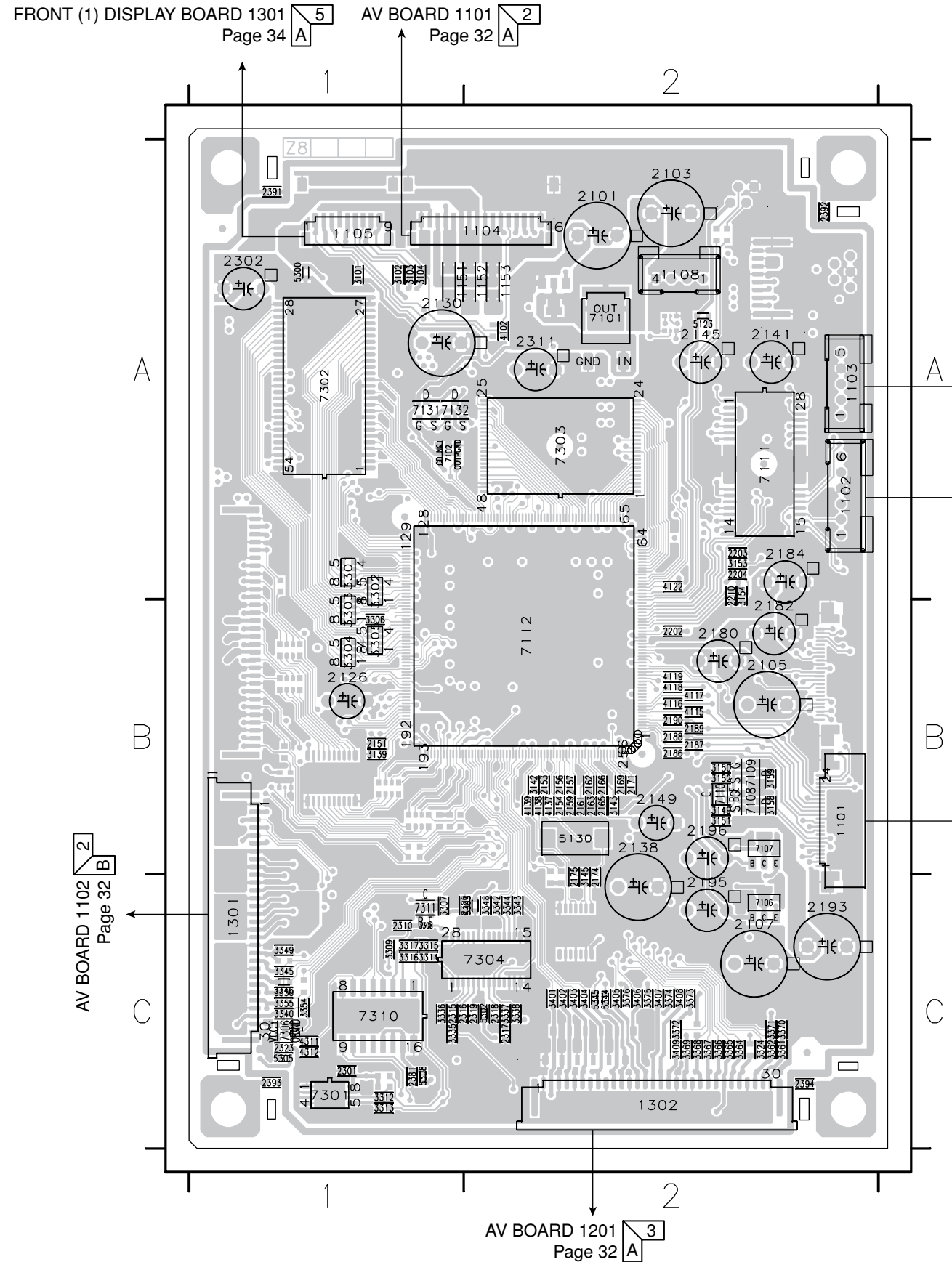
DVR-S300 PRINTED CIRCUIT BOARD

FOR INFORMATION ONLY (NO REPLACEMENT COMPONENT PARTS WILL BE AVAILABLE)

The first digit of a component indicates the component type.

1xxx : Connector 3xxx : Resistor 5xxx : Coil 7xxx : IC, Transistor, FET
 2xxx : Capacitor 4xxx : SMD jumper 6xxx : Diode 9xxx : Wire jumper

MONO Board-Top View



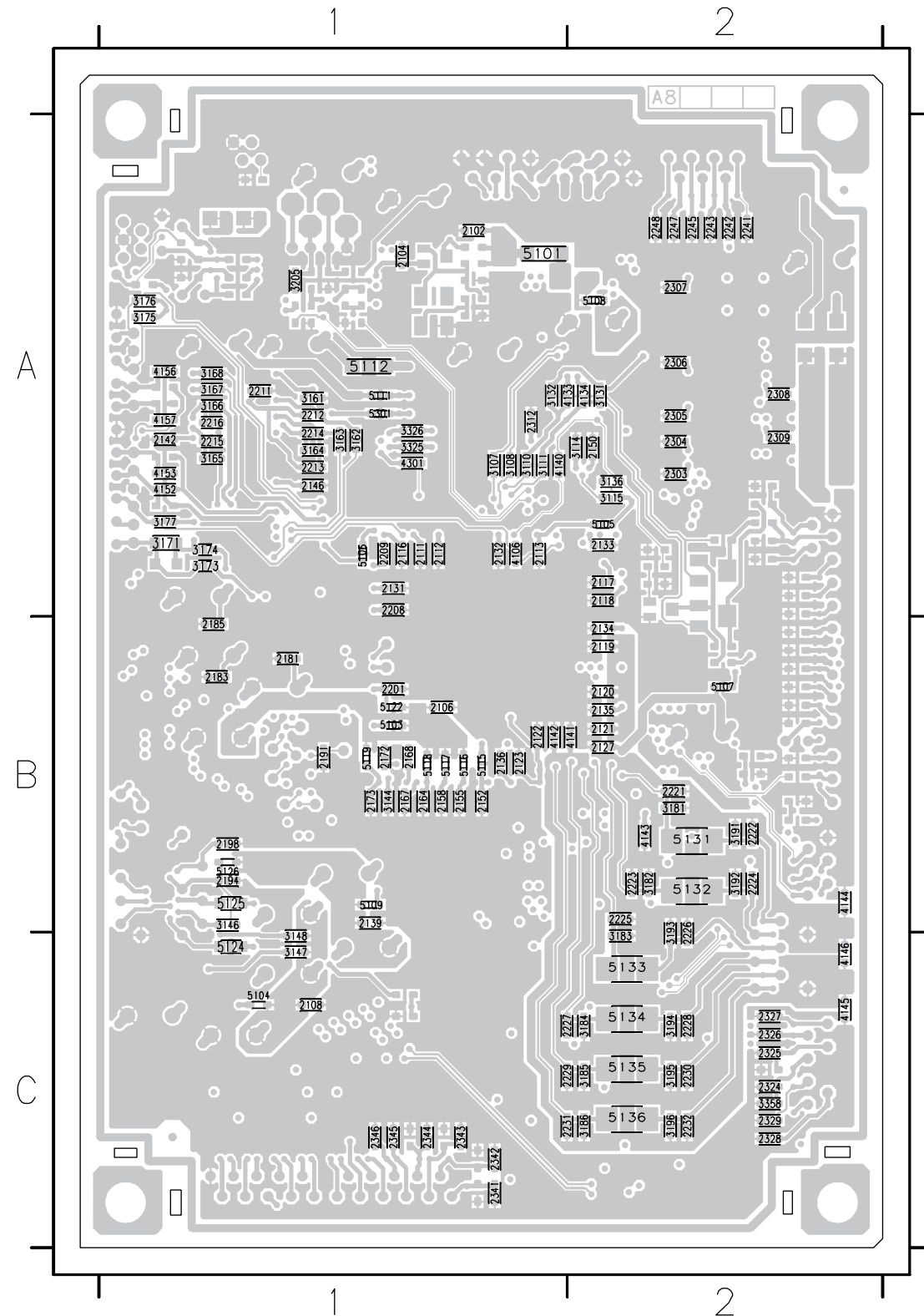
| | | | | | |
|------|----|------|----|------|----|
| 1101 | B2 | 3102 | A1 | 3407 | C2 |
| 1102 | A2 | 3103 | A1 | 3408 | C2 |
| 1103 | A2 | 3104 | A1 | 3409 | C2 |
| 1104 | A2 | 3139 | B1 | 4102 | A2 |
| 1105 | A1 | 3140 | B1 | 4115 | B2 |
| 1108 | A2 | 3142 | B2 | 4116 | B2 |
| 1151 | A1 | 3143 | B2 | 4117 | B2 |
| 1152 | A2 | 3145 | C2 | 4118 | B2 |
| 1153 | A2 | 3149 | B2 | 4119 | B2 |
| 1301 | C1 | 3150 | B2 | 4122 | A2 |
| 1302 | C2 | 3151 | B2 | 4137 | B2 |
| 2101 | A2 | 3152 | B2 | 4138 | B2 |
| 2103 | A2 | 3153 | A2 | 4139 | B2 |
| 2105 | B2 | 3154 | A2 | 4311 | C1 |
| 2107 | C2 | 3158 | B2 | 4312 | C1 |
| 2126 | B1 | 3159 | B2 | 5123 | A2 |
| 2130 | A1 | 3301 | A1 | 5130 | B2 |
| 2138 | B2 | 3302 | A1 | 5300 | A1 |
| 2141 | A2 | 3303 | B1 | 5302 | C2 |
| 2145 | A2 | 3304 | B1 | 5303 | C2 |
| 2149 | B2 | 3305 | B1 | 5305 | C1 |
| 2151 | B1 | 3306 | B1 | 5308 | C1 |
| 2153 | B2 | 3307 | C1 | 5344 | C2 |
| 2154 | B2 | 3308 | C1 | 5345 | C2 |
| 2156 | B2 | 3309 | C1 | 7101 | A2 |
| 2157 | B2 | 3312 | C1 | 7102 | A1 |
| 2159 | B2 | 3313 | C1 | 7106 | C2 |
| 2161 | B2 | 3314 | C1 | 7107 | B2 |
| 2162 | B2 | 3315 | C1 | 7108 | B2 |
| 2163 | B2 | 3316 | C1 | 7109 | B2 |
| 2165 | B2 | 3317 | C1 | 7110 | B2 |
| 2166 | B2 | 3335 | C1 | 7111 | A2 |
| 2169 | B2 | 3336 | C1 | 7112 | B2 |
| 2171 | B2 | 3337 | C2 | 7131 | A1 |
| 2174 | C2 | 3338 | C2 | 7132 | A1 |
| 2175 | C2 | 3340 | C1 | 7301 | C1 |
| 2180 | B2 | 3342 | C2 | 7302 | A1 |
| 2182 | B2 | 3343 | C2 | 7303 | A2 |
| 2184 | A2 | 3344 | C2 | 7304 | C2 |
| 2186 | B2 | 3345 | C1 | 7306 | C1 |
| 2187 | B2 | 3346 | C1 | 7310 | C1 |
| 2188 | B2 | 3348 | C2 | 7311 | C1 |
| 2189 | B2 | 3349 | C1 | | |
| 2190 | B2 | 3350 | C1 | | |
| 2193 | C2 | 3354 | C1 | | |
| 2195 | C2 | 3355 | C1 | | |
| 2196 | B2 | 3361 | C2 | | |
| 2202 | B2 | 3362 | C2 | | |
| 2203 | A2 | 3363 | C2 | | |
| 2204 | A2 | 3364 | C2 | | |
| 2210 | A2 | 3365 | C2 | | |
| 2301 | C1 | 3366 | C2 | | |
| 2302 | C1 | 3367 | C2 | | |
| 2310 | A1 | 3368 | C2 | | |
| 2311 | A2 | 3369 | C2 | | |
| 2315 | C1 | 3370 | C2 | | |
| 2316 | C1 | 3371 | C2 | | |
| 2317 | C2 | 3372 | C2 | | |
| 2318 | C2 | 3373 | C2 | | |
| 2319 | C2 | 3374 | C2 | | |
| 2320 | C2 | 3375 | C2 | | |
| 2323 | C1 | 3376 | C2 | | |
| 2381 | C1 | 3401 | C2 | | |
| 2391 | A1 | 3402 | C2 | | |
| 2392 | A2 | 3403 | C2 | | |
| 2393 | C1 | 3404 | C2 | | |
| 2394 | C2 | 3405 | C2 | | |
| 3101 | A1 | 3406 | C2 | | |

DVD MECHANISM

■ DVR-S300 PRINTED CIRCUIT BOARD

FOR INFORMATION ONLY (NO REPLACEMENT COMPONENT PARTS WILL BE AVAILABLE)

MONO Board-Bottom View



The first digit of a component indicates the component type.

- 1xxx : Connector 3xxx : Resistor 5xxx : Coil 7xxx : IC, Transistor, FET
- 2xxx : Capacitor 4xxx : SMD jumper 6xxx : Diode 9xxx : Wire jumper

| | | | | | |
|------|----|------|----|------|----|
| 2102 | A1 | 2303 | A2 | 3378 | C1 |
| 2104 | A1 | 2304 | A2 | 3379 | C1 |
| 2106 | B1 | 2305 | A2 | 3380 | C1 |
| 2108 | C1 | 2306 | A2 | 3398 | B2 |
| 2111 | A1 | 2307 | A2 | 4106 | A1 |
| 2112 | A1 | 2308 | A2 | 4133 | A2 |
| 2113 | A1 | 2309 | A2 | 4134 | A2 |
| 2116 | A1 | 2312 | A1 | 4135 | A2 |
| 2117 | A2 | 2324 | C2 | 4136 | B2 |
| 2118 | A2 | 2325 | C2 | 4140 | A1 |
| 2119 | B2 | 2326 | C2 | 4141 | B2 |
| 2120 | B2 | 2327 | C2 | 4142 | B1 |
| 2121 | B2 | 2328 | C2 | 4143 | B2 |
| 2122 | B1 | 2329 | C2 | 4144 | B2 |
| 2123 | B1 | 2341 | C1 | 4145 | C2 |
| 2127 | B2 | 2342 | C1 | 4146 | C2 |
| 2131 | A1 | 2343 | C1 | 4151 | A1 |
| 2132 | A1 | 2344 | C1 | 4152 | A1 |
| 2133 | A2 | 2345 | C1 | 4153 | A1 |
| 2134 | B2 | 2346 | C1 | 4154 | A1 |
| 2135 | B2 | 3107 | A1 | 4155 | A1 |
| 2136 | B1 | 3108 | A1 | 4156 | A1 |
| 2139 | B1 | 3110 | A1 | 4157 | A1 |
| 2142 | A1 | 3111 | A1 | 4158 | A1 |
| 2146 | A1 | 3114 | A2 | 4301 | A1 |
| 2150 | A2 | 3115 | A2 | 5101 | A1 |
| 2152 | B1 | 3131 | A2 | 5103 | B1 |
| 2155 | B1 | 3132 | A1 | 5104 | C1 |
| 2158 | B1 | 3136 | A2 | 5105 | A2 |
| 2164 | B1 | 3144 | B1 | 5106 | A1 |
| 2167 | B1 | 3146 | B1 | 5107 | B2 |
| 2168 | B1 | 3147 | C1 | 5108 | A2 |
| 2172 | B1 | 3148 | C1 | 5109 | B1 |
| 2173 | B1 | 3161 | A1 | 5111 | A1 |
| 2181 | B1 | 3162 | A1 | 5112 | A1 |
| 2183 | B1 | 3163 | A1 | 5115 | B1 |
| 2185 | B1 | 3164 | A1 | 5116 | B1 |
| 2191 | B1 | 3165 | A1 | 5117 | B1 |
| 2194 | B1 | 3166 | A1 | 5118 | B1 |
| 2198 | B1 | 3167 | A1 | 5119 | B1 |
| 2201 | B1 | 3168 | A1 | 5122 | B1 |
| 2208 | A1 | 3171 | A1 | 5124 | C1 |
| 2209 | A1 | 3172 | A1 | 5125 | B1 |
| 2211 | A1 | 3173 | A1 | 5126 | B1 |
| 2212 | A1 | 3174 | A1 | 5131 | B2 |
| 2213 | A1 | 3175 | A1 | 5132 | B2 |
| 2214 | A1 | 3176 | A1 | 5133 | C2 |
| 2215 | A1 | 3177 | A1 | 5134 | C2 |
| 2216 | A1 | 3178 | A1 | 5135 | C2 |
| 2221 | B2 | 3181 | B2 | 5136 | C2 |
| 2222 | B2 | 3182 | B2 | 5301 | A1 |
| 2223 | B2 | 3183 | C2 | | |
| 2224 | B2 | 3184 | C2 | | |
| 2225 | B2 | 3185 | C2 | | |
| 2226 | C2 | 3186 | C2 | | |
| 2227 | C1 | 3191 | B2 | | |
| 2228 | C2 | 3192 | B2 | | |
| 2229 | C1 | 3193 | C2 | | |
| 2230 | C2 | 3194 | C2 | | |
| 2231 | C1 | 3195 | C2 | | |
| 2232 | C2 | 3196 | C2 | | |
| 2241 | A2 | 3205 | A1 | | |
| 2242 | A2 | 3325 | A1 | | |
| 2243 | A2 | 3326 | A1 | | |
| 2245 | A2 | 3358 | C2 | | |
| 2247 | A2 | 3359 | C2 | | |
| 2248 | A2 | 3377 | C1 | | |

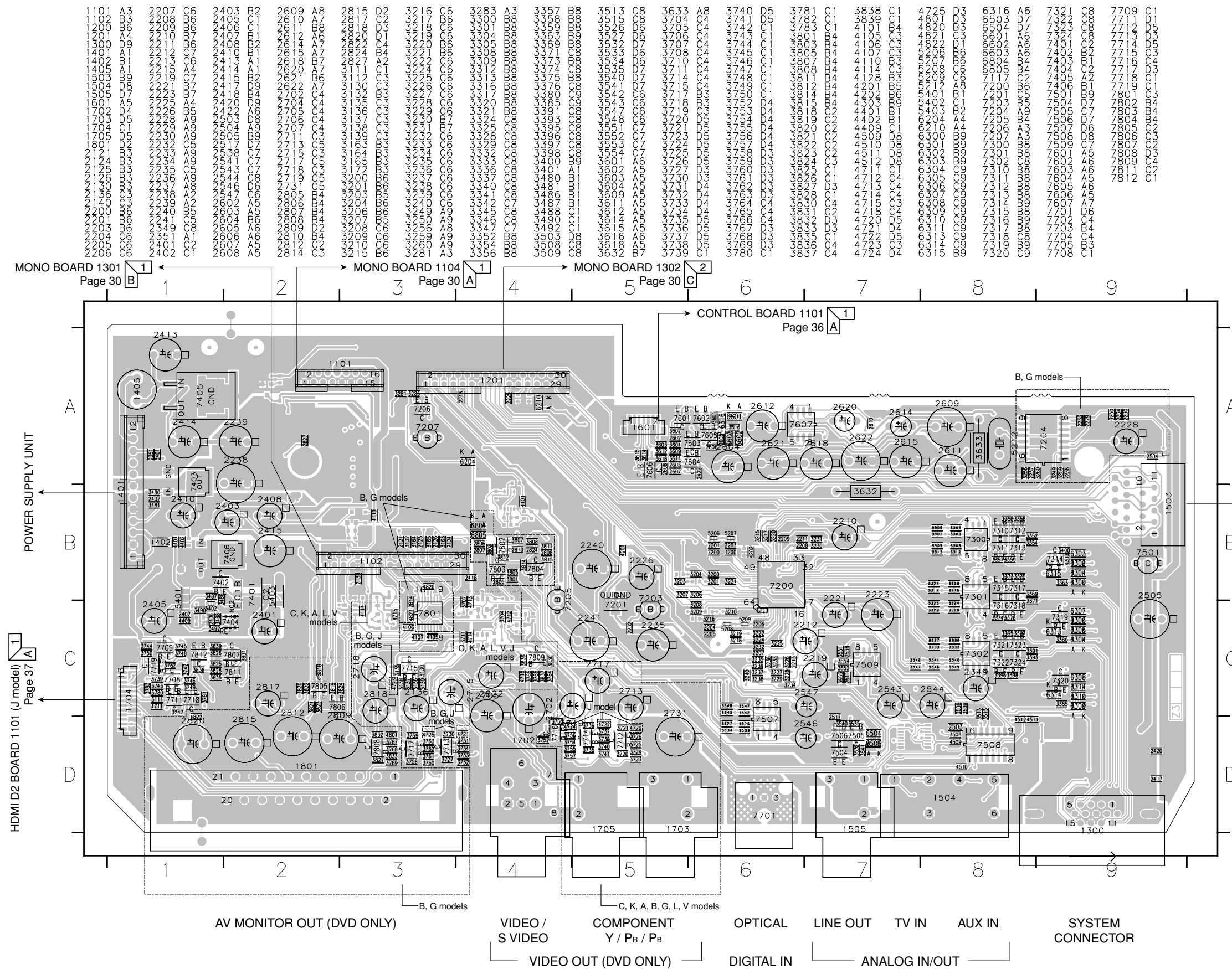
DVR-S300 PRINTED CIRCUIT BOARD

FOR INFORMATION ONLY (NO REPLACEMENT COMPONENT PARTS WILL BE AVAILABLE)

AV Board-Top View

The first digit of a component indicates the component type.

- 1xxx : Connector 3xxx : Resistor 5xxx : Coil 7xxx : IC, Transistor, FET
- 2xxx : Capacitor 4xxx : SMD jumper 6xxx : Diode 9xxx : Wire jumper



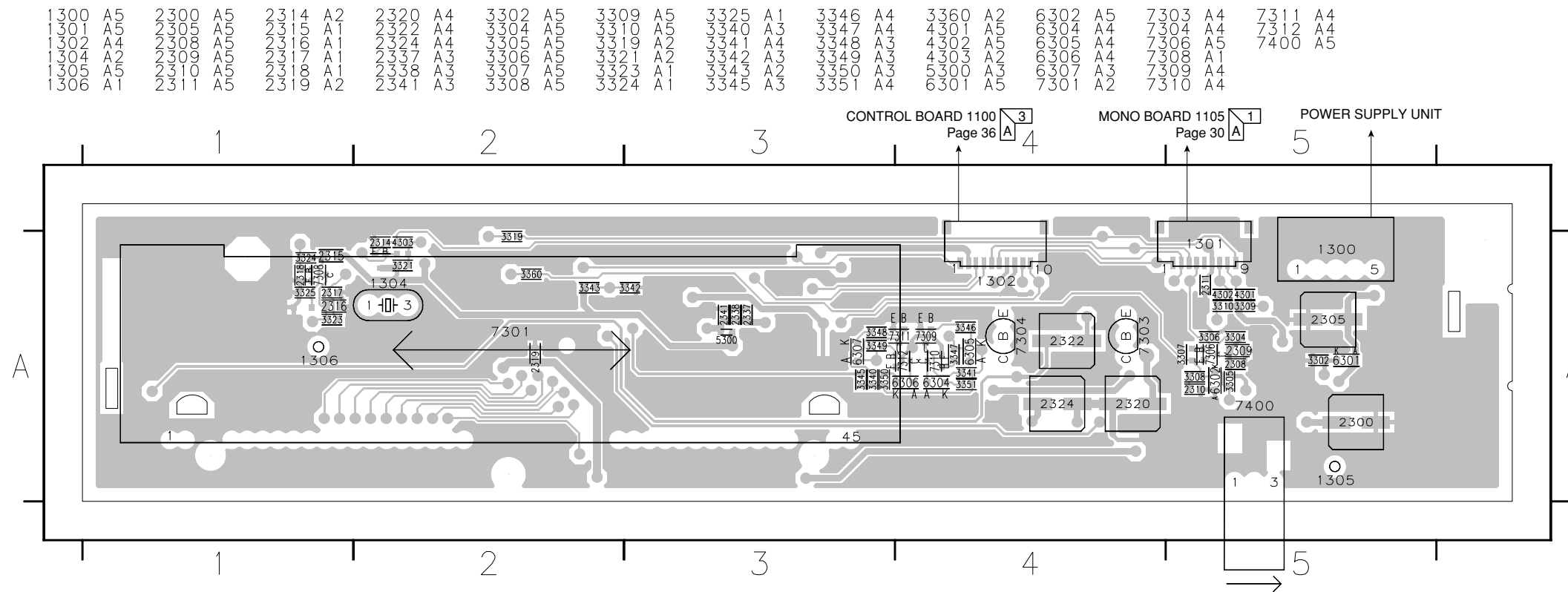
DVR-S300 PRINTED CIRCUIT BOARD

FOR INFORMATION ONLY (NO REPLACEMENT COMPONENT PARTS WILL BE AVAILABLE)

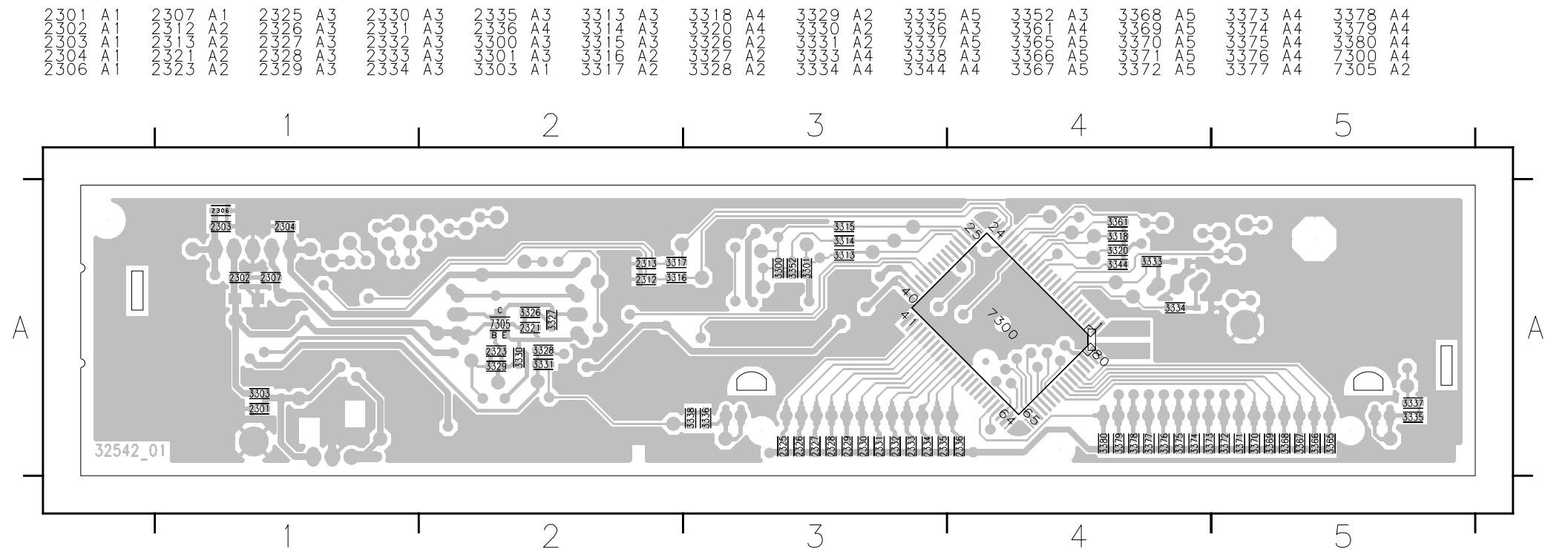
The first digit of a component indicates the component type.

- 1xxx : Connector 3xxx : Resistor 5xxx : Coil 7xxx : IC, Transistor, FET
- 2xxx : Capacitor 4xxx : SMD jumper 6xxx : Diode 9xxx : Wire jumper

FRONT (1) Display Board-Top View



FRONT (1) Display Board-Bottom View



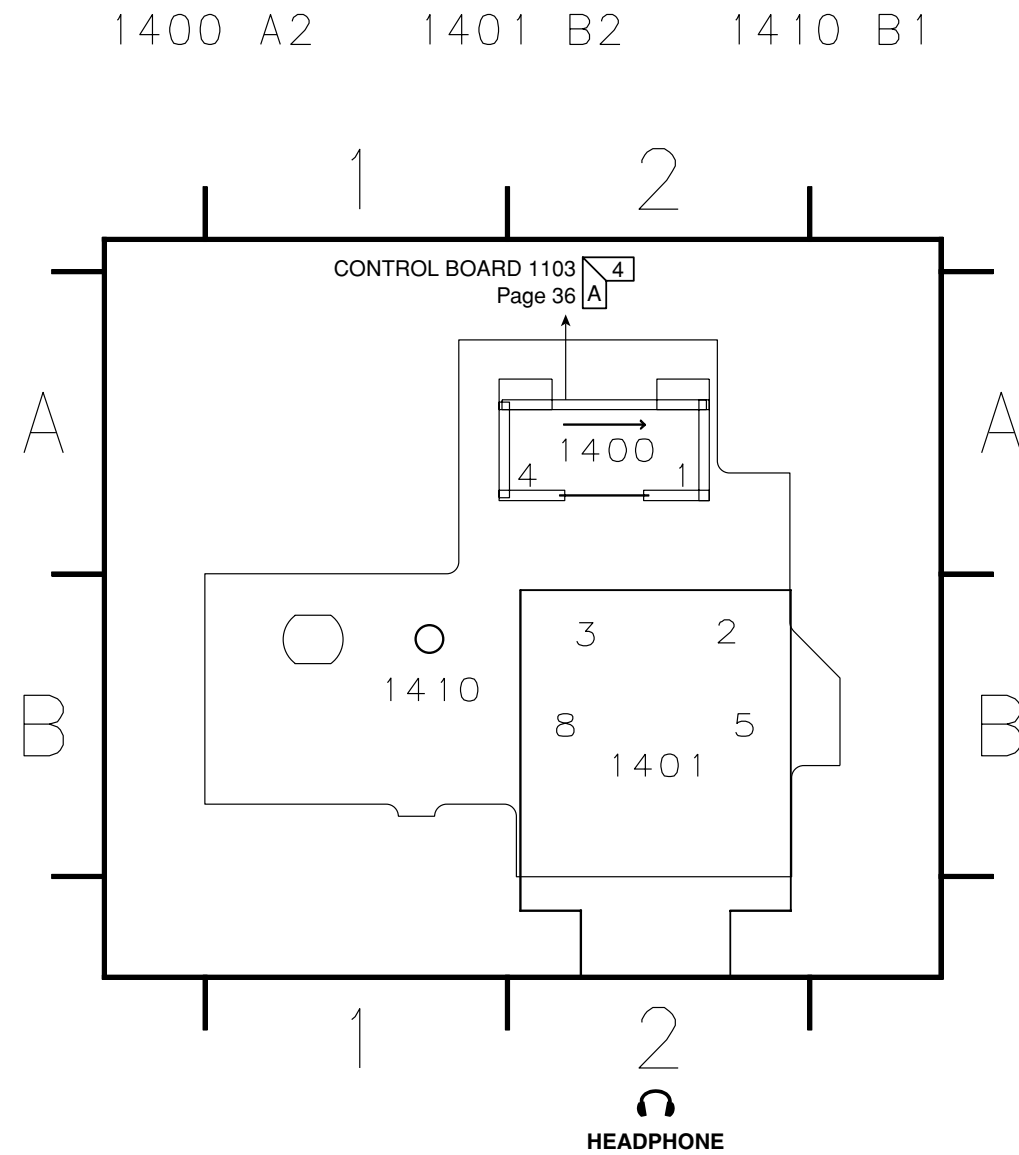
■ **DVR-S300 PRINTED CIRCUIT BOARD**

FOR INFORMATION ONLY (NO REPLACEMENT COMPONENT PARTS WILL BE AVAILABLE)

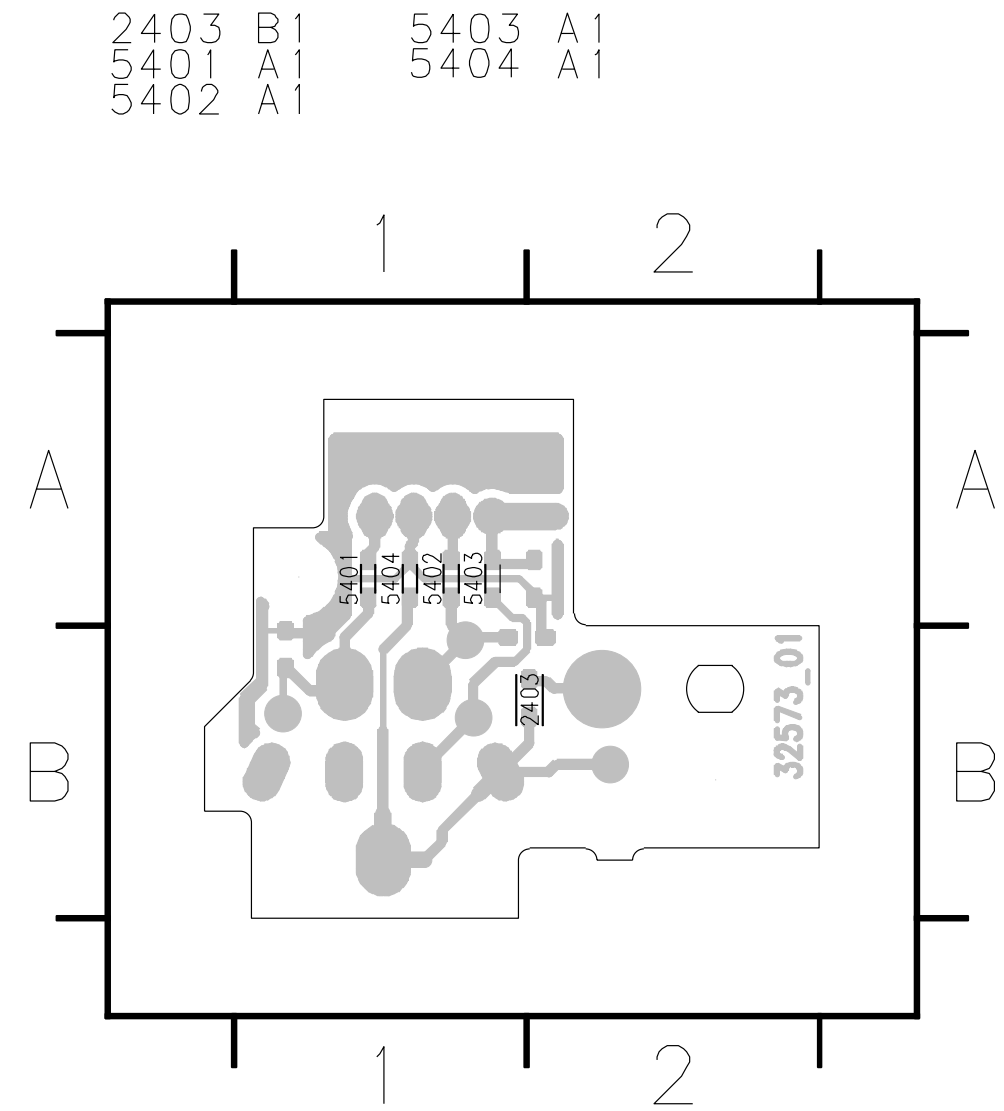
The first digit of a component indicates the component type.

1xxx : Connector 3xxx : Resistor 5xxx : Coil 7xxx : IC, Transistor, FET
 2xxx : Capacitor 4xxx : SMD jumper 6xxx : Diode 9xxx : Wire jumper

FRONT (2) HP Board-Top View



FRONT (2) HP Board-Bottom View



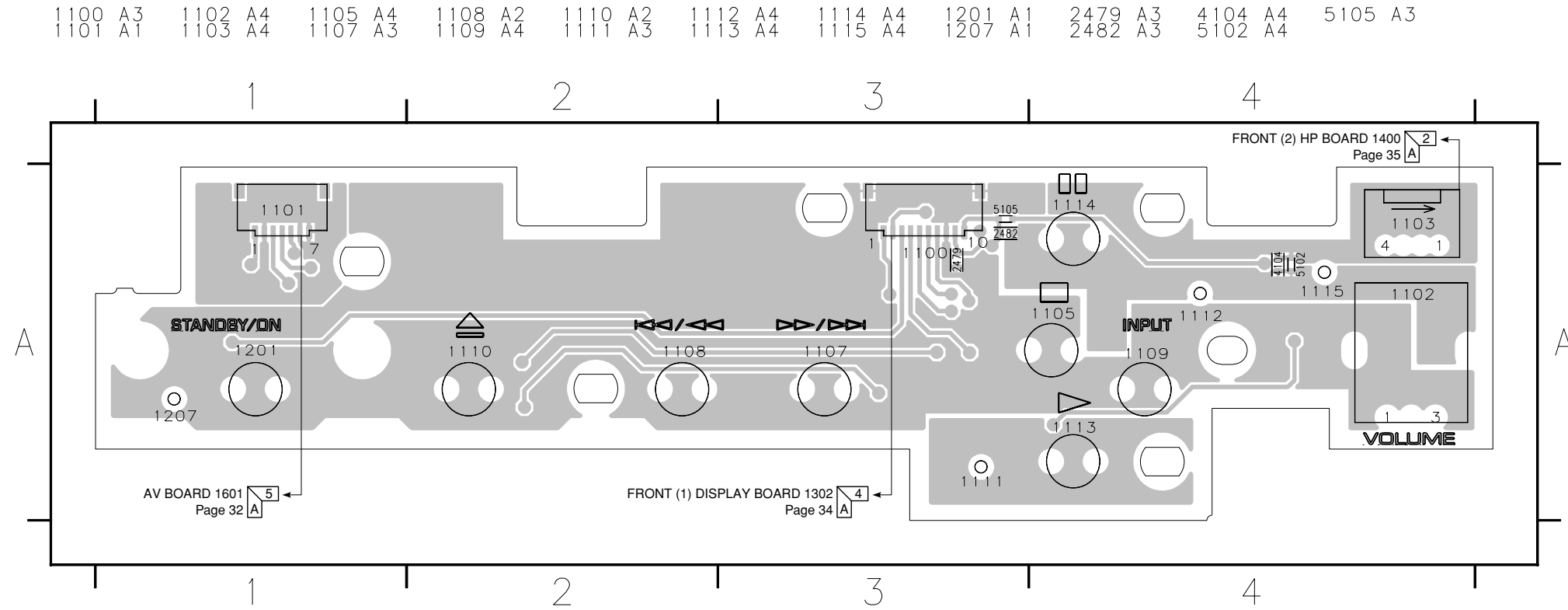
DVR-S300 PRINTED CIRCUIT BOARD

FOR INFORMATION ONLY (NO REPLACEMENT COMPONENT PARTS WILL BE AVAILABLE)

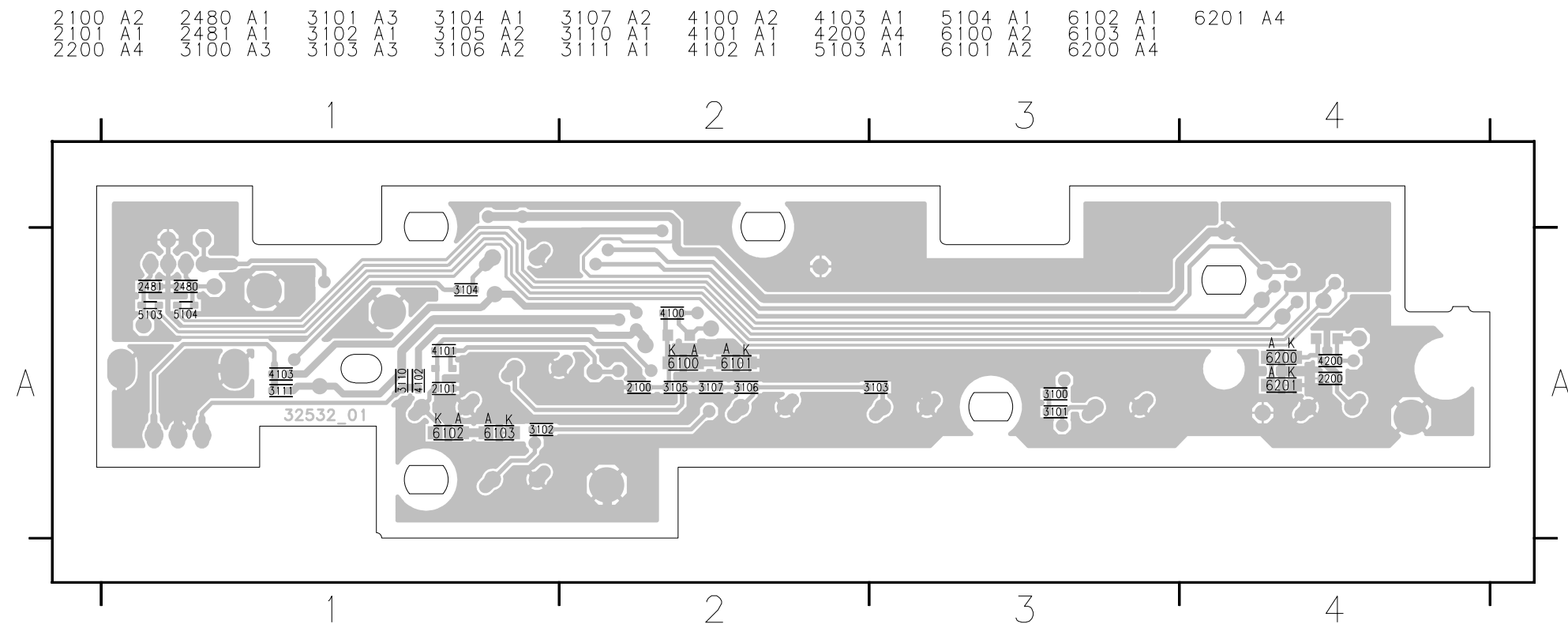
The first digit of a component indicates the component type.

- 1xxx : Connector 3xxx : Resistor 5xxx : Coil 7xxx : IC, Transistor, FET
- 2xxx : Capacitor 4xxx : SMD jumper 6xxx : Diode 9xxx : Wire jumper

CONTROL Board-Top View



CONTROL Board-Bottom View



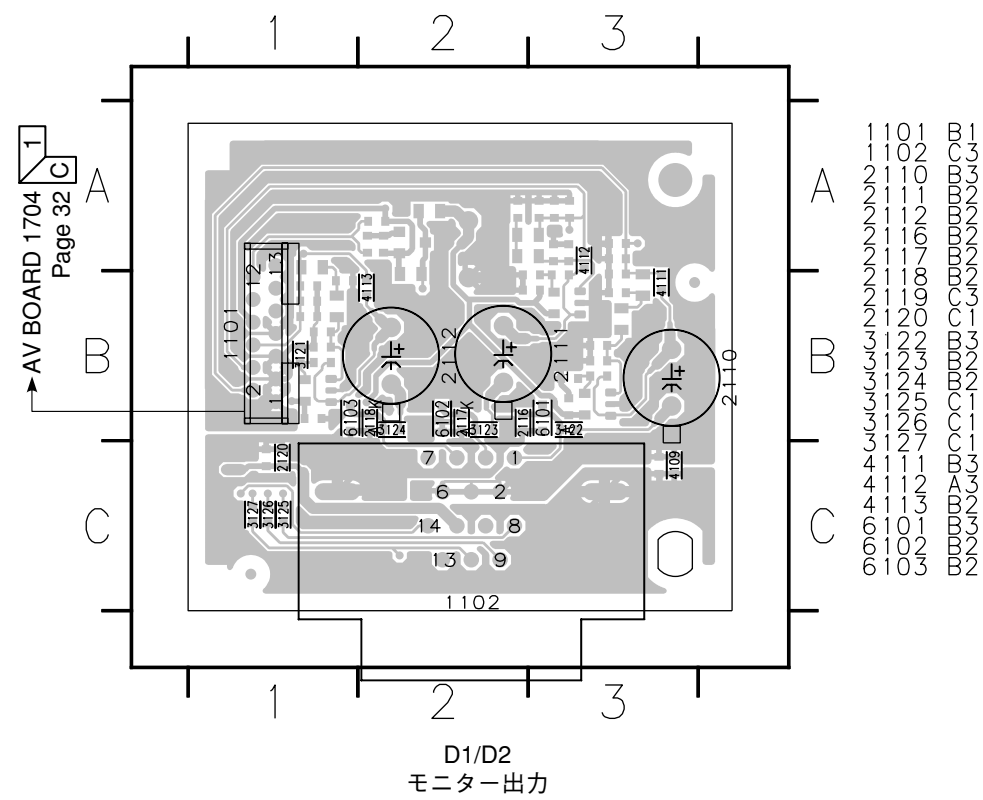
■ **DVR-S300 PRINTED CIRCUIT BOARD**

FOR INFORMATION ONLY (NO REPLACEMENT COMPONENT PARTS WILL BE AVAILABLE)

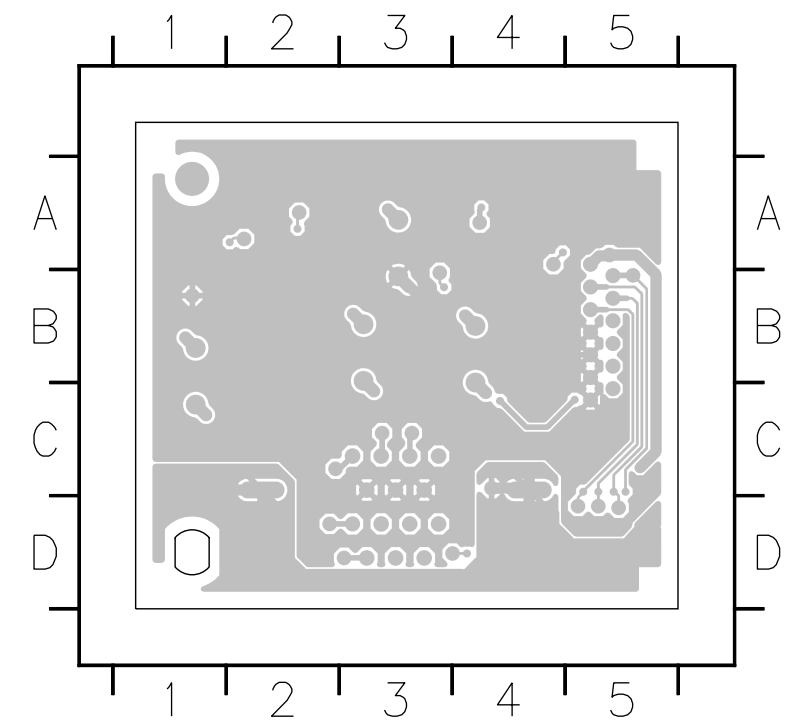
The first digit of a component indicates the component type.

1xxx : Connector 3xxx : Resistor 5xxx : Coil 7xxx : IC, Transistor, FET
 2xxx : Capacitor 4xxx : SMD jumper 6xxx : Diode 9xxx : Wire jumper

HDMI D2 Board-Top View (J model)

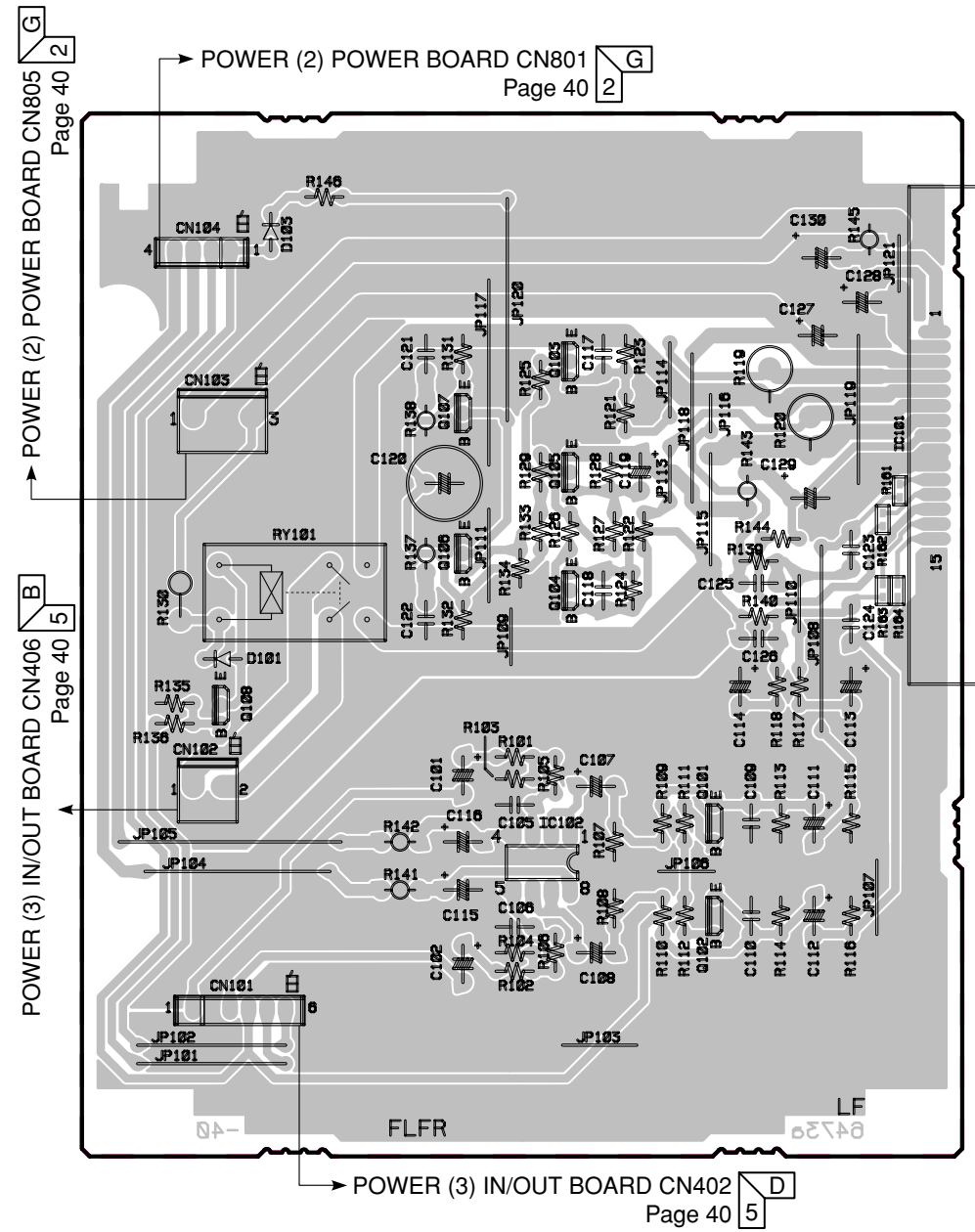


HDMI D2 Board-Bottom View (J model)

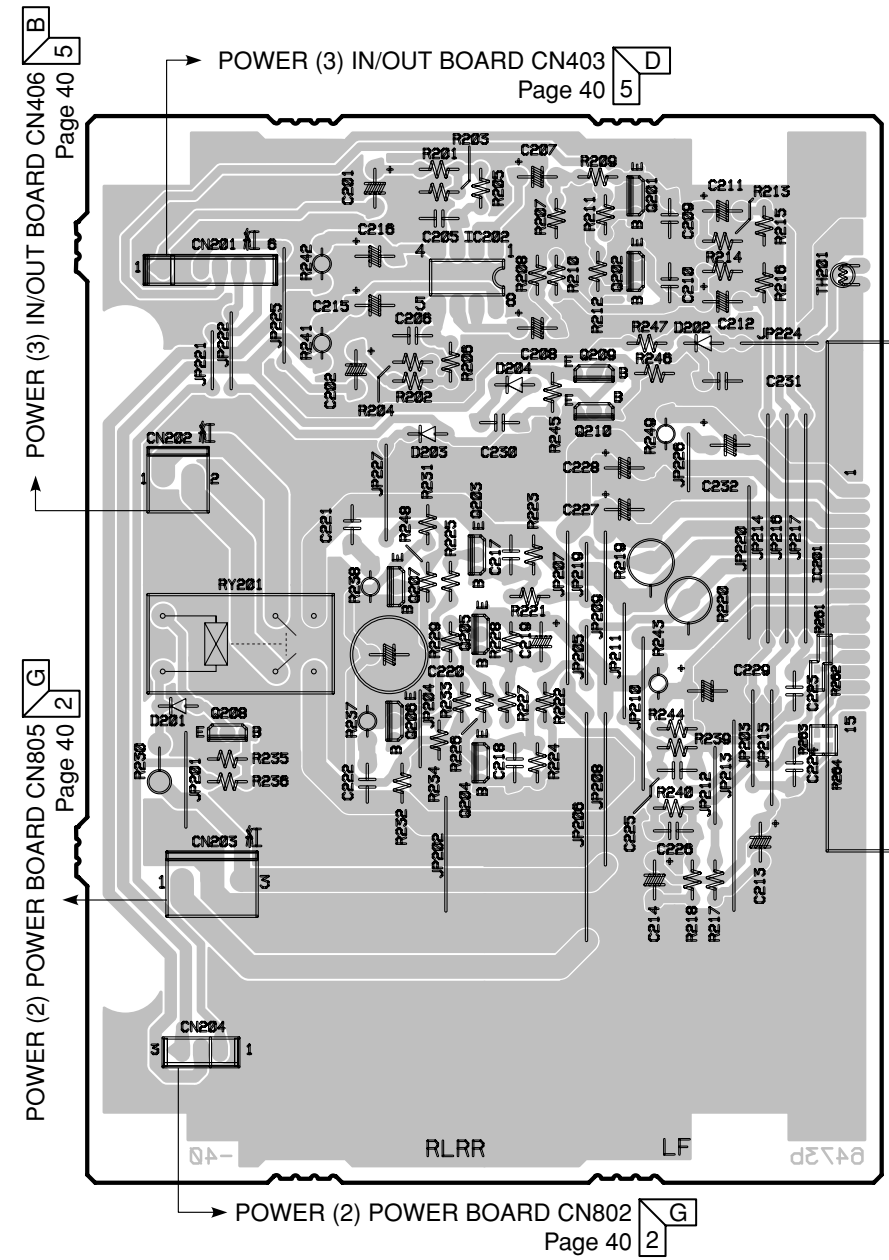


NX-SW301 PRINTED CIRCUIT BOARD

AMP (1) FL/FR Board-Top View



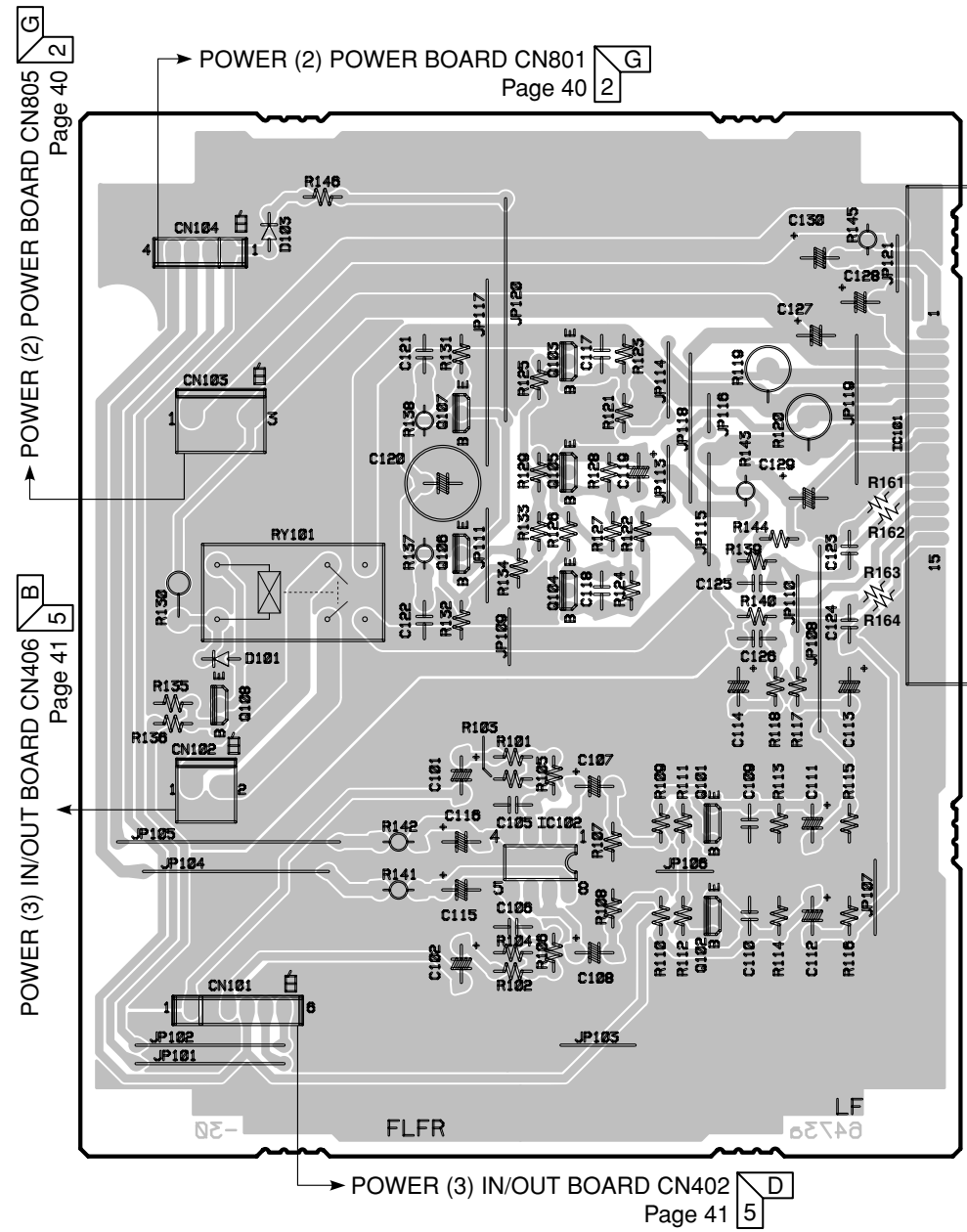
AMP (2) SL/SR Board-Top View



■ NX-SW301 PRINTED CIRCUIT BOARD

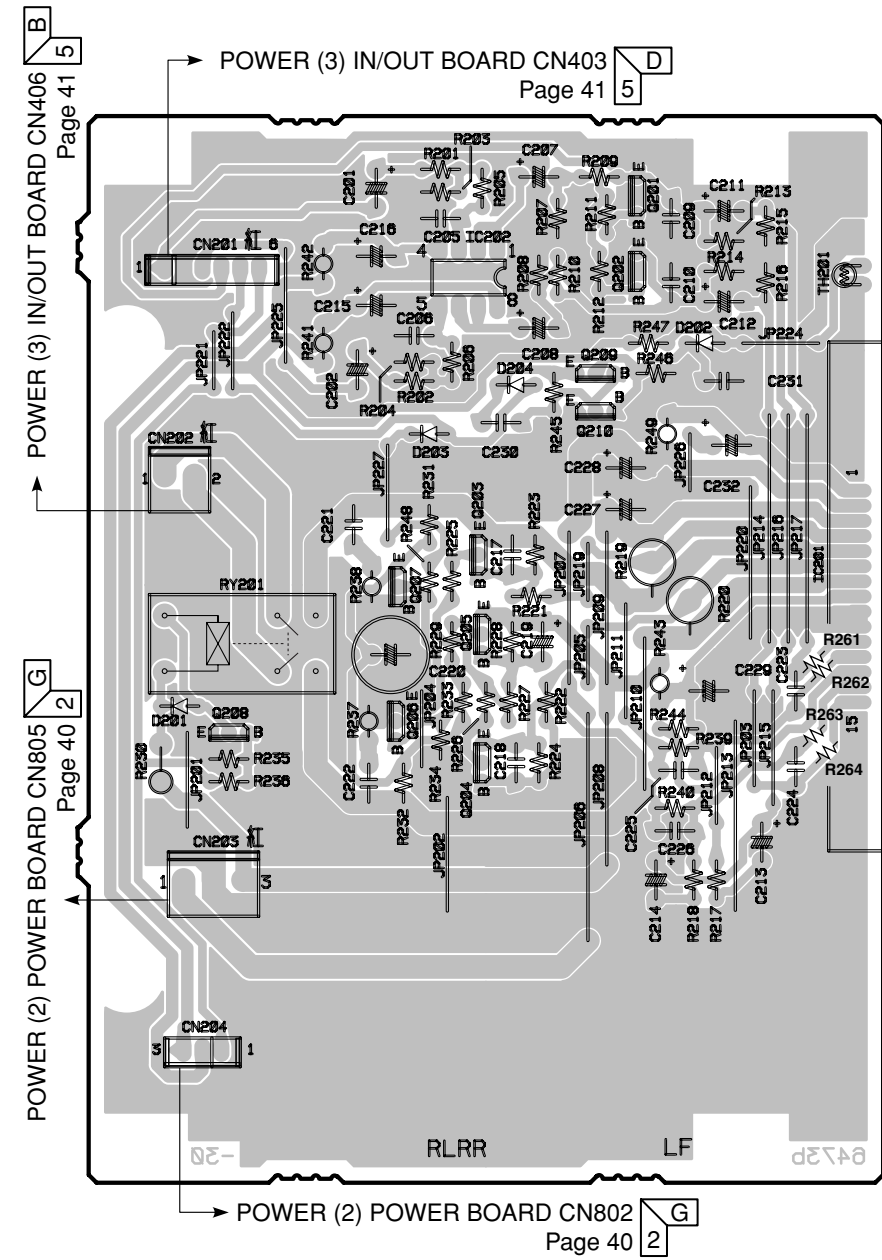
AMP (1) FL/FR Board-Top View

(Specifications for the beginnings of production / 生産初期の仕様)



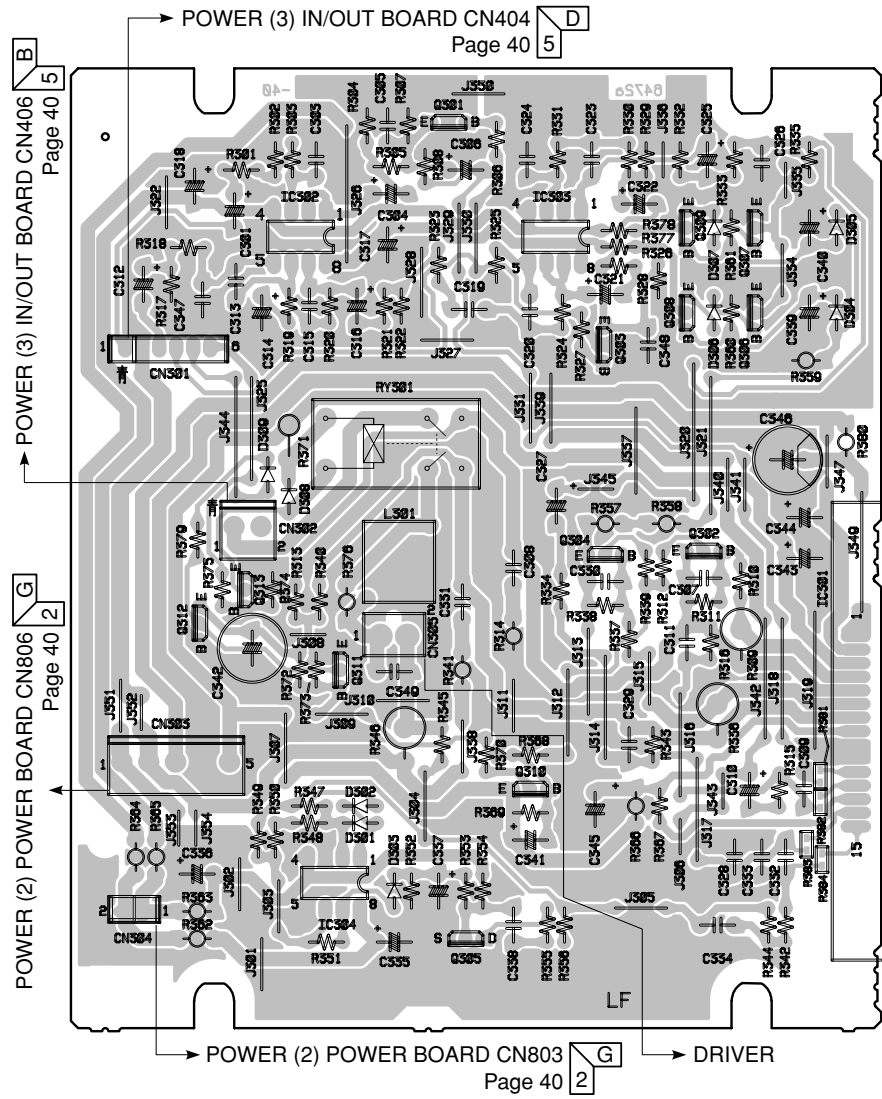
AMP (2) SL/SR Board-Top View

(Specifications for the beginnings of production / 生産初期の仕様)

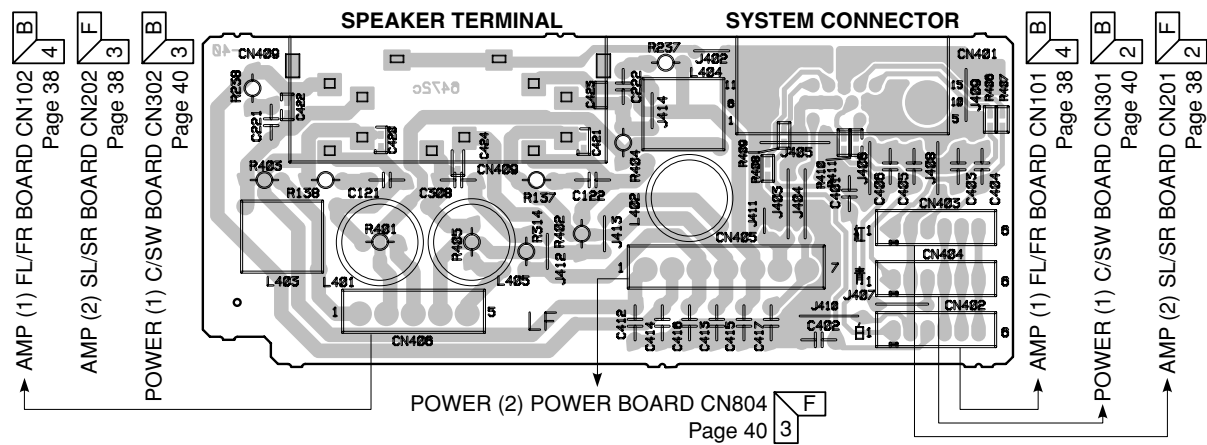


NX-SW301 PRINTED CIRCUIT BOARD

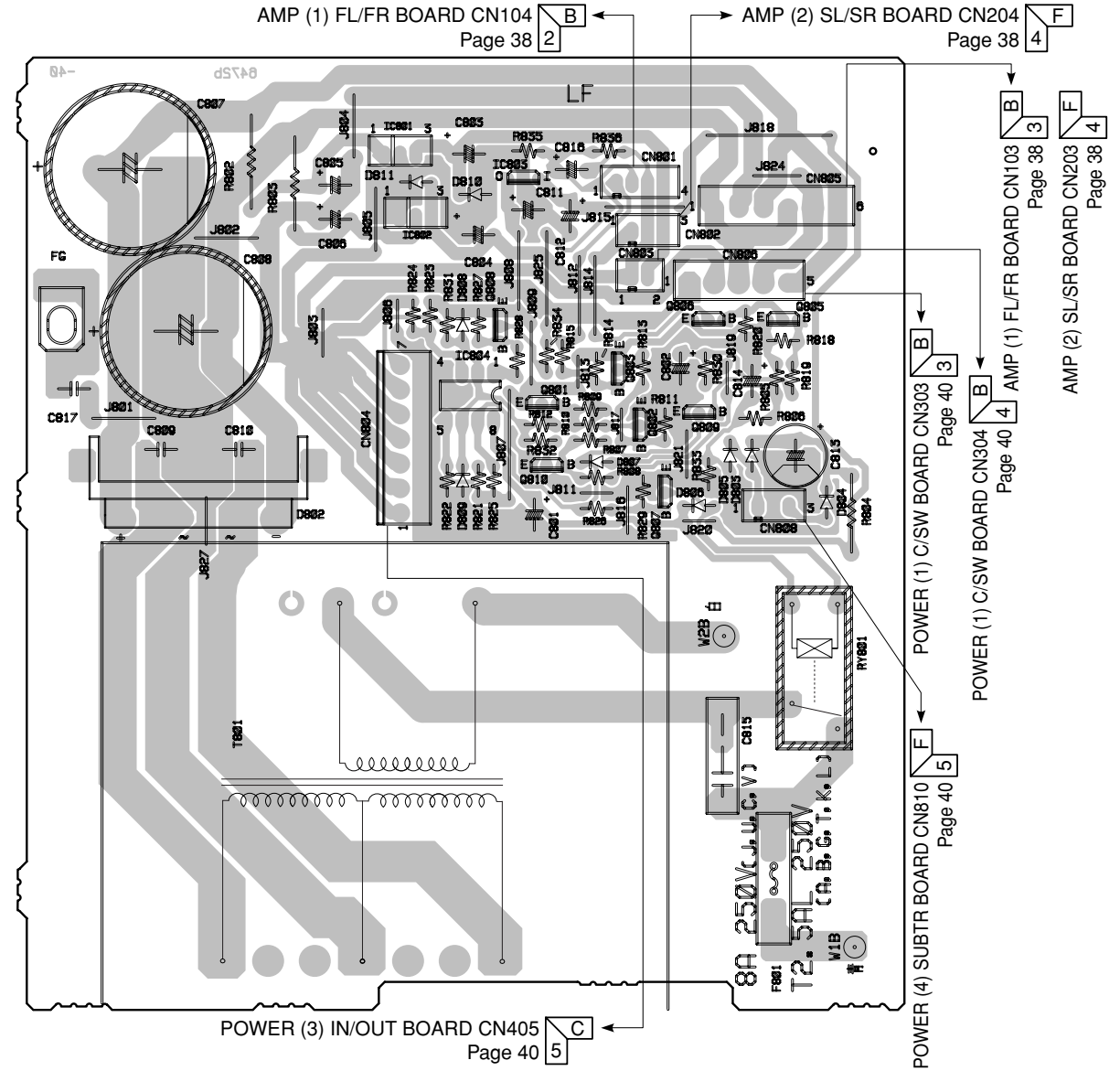
POWER (1) C/SW Board-Top View



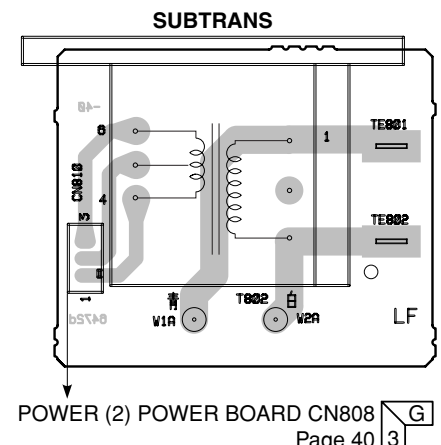
POWER (3) IN/OUT Board-Top View



POWER (2) POWER Board-Top View



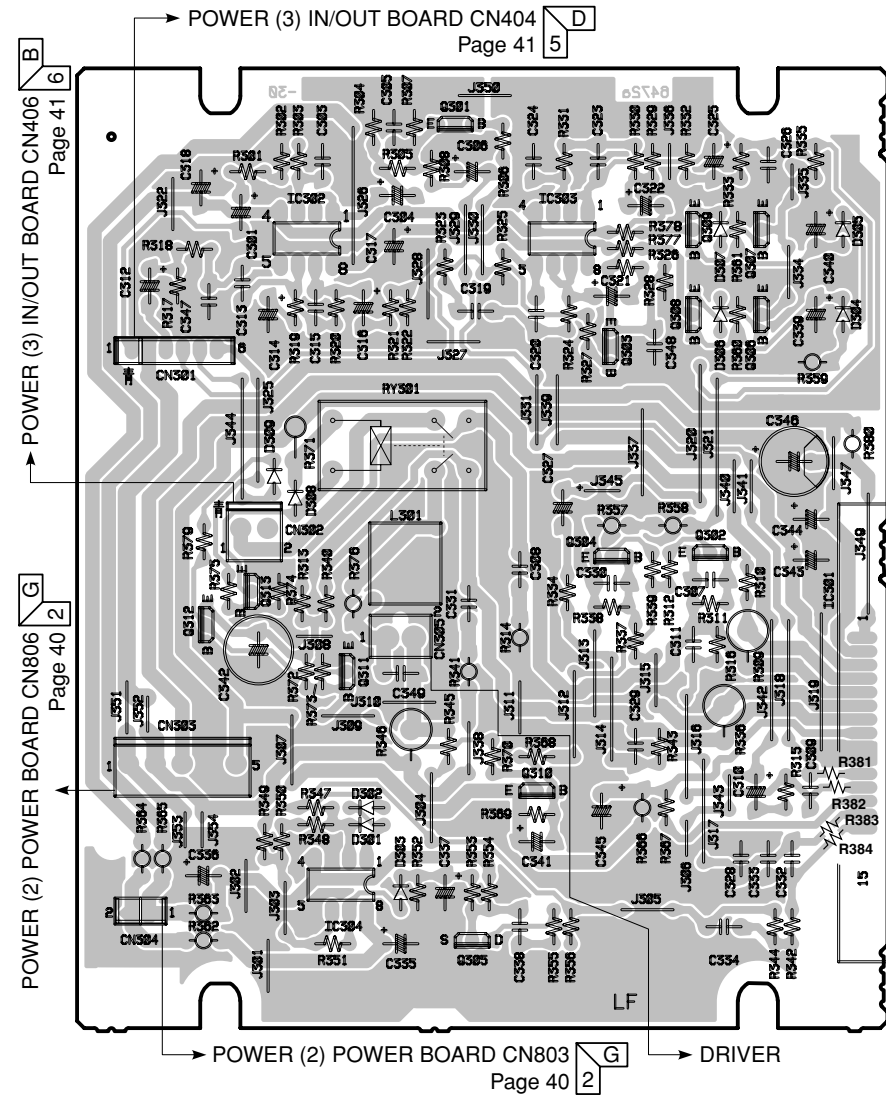
POWER (4) SUBTR Board-Top View



■ NX-SW301 PRINTED CIRCUIT BOARD

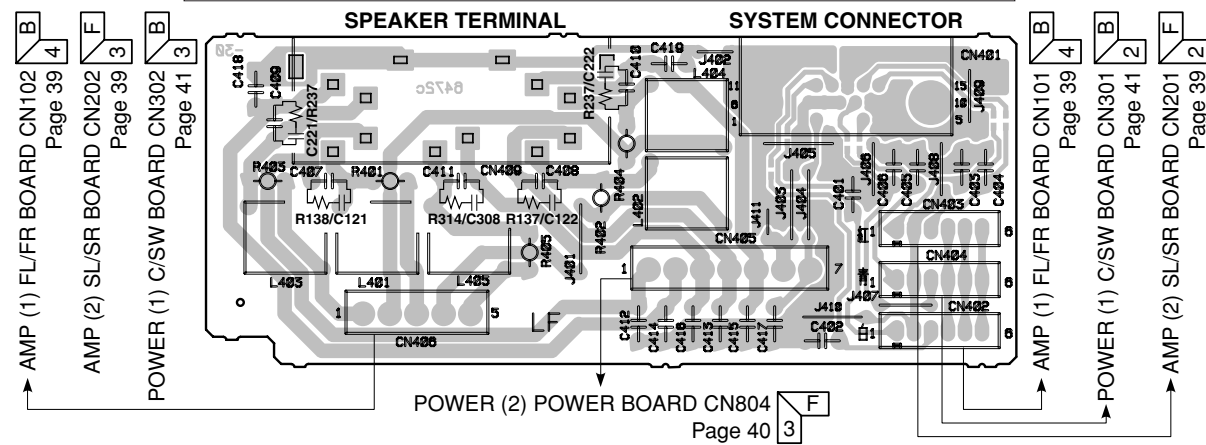
POWER (1) C/SW Board-Top View

(Specifications for the beginnings of production / 生産初期の仕様)



POWER (3) IN/OUT Board-Top View

(Specifications for the beginnings of production / 生産初期の仕様)

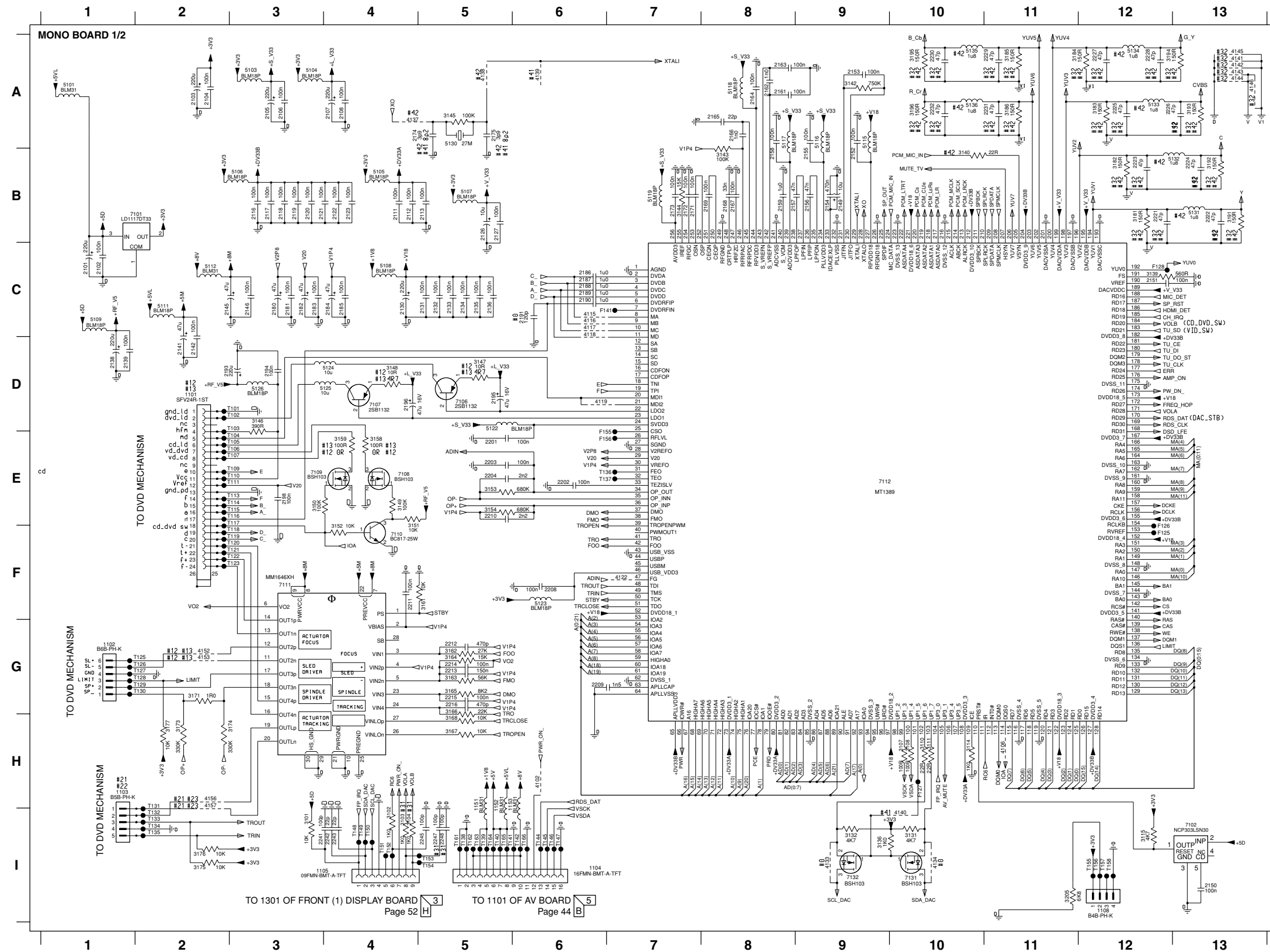


DVR-S300 SCHEMATIC DIAGRAM

FOR INFORMATION ONLY (NO REPLACEMENT COMPONENT PARTS WILL BE AVAILABLE)

The first digit of a component indicates the component type.

- 1xxx : Connector
- 3xxx : Resistor
- 5xxx : Coil
- 7xxx : IC, Transistor, FET
- 2xxx : Capacitor
- 4xxx : SMD jumper
- 6xxx : Diode
- 9xxx : Wire jumper



| | | |
|----------|----------|----------|
| 1101 D2 | 2247 I5 | 7107 D4 |
| 1102 G1 | 2248 I5 | 7108 E4 |
| 1103 H1 | 2232 A10 | 7109 E3 |
| 1104 I6 | 3101 I3 | 7110 F4 |
| 1105 I3 | 3102 I4 | 7111 F3 |
| 1108 I12 | 3103 I4 | 7112 E9 |
| 1110 I4 | 3104 I4 | 7113 H10 |
| 1111 H5 | 3107 H10 | 7132 I9 |
| 1152 H5 | 3108 H10 | F125 F12 |
| 1153 H5 | 3110 H10 | F126 F12 |
| 2101 C1 | 3111 H10 | F127 H10 |
| 2102 C1 | 3112 H10 | F128 C12 |
| 2103 A2 | 3115 I12 | F141 C6 |
| 2104 A2 | 3131 I10 | F155 E6 |
| 2105 A3 | 3132 I9 | F156 E6 |
| 2106 A3 | 3136 I9 | F157 D3 |
| 2107 A4 | 3139 C12 | T101 D3 |
| 2108 A4 | 3140 E10 | T102 D3 |
| 2111 B4 | 3142 A9 | T104 E3 |
| 2112 B4 | 3143 B8 | T105 E3 |
| 2113 B5 | 3144 B7 | T106 E3 |
| 2116 B3 | 3145 A5 | T107 E3 |
| 2117 B3 | 3146 D3 | T108 E3 |
| 2118 B3 | 3147 D5 | T111 E3 |
| 2119 B3 | 3148 D4 | T111 E3 |
| 2120 B3 | 3149 E4 | T113 E3 |
| 2121 B3 | 3150 C3 | T114 E3 |
| 2122 B4 | 3151 F4 | T115 E3 |
| 2123 B4 | 3152 B5 | T122 E3 |
| 2124 B4 | 3153 E5 | T117 E3 |
| 2127 B5 | 3154 E5 | T118 F3 |
| 2130 C4 | 3158 E4 | T119 F3 |
| 2131 C5 | 3159 E4 | T120 F3 |
| 2132 C5 | 3161 F5 | T121 F3 |
| 2133 C5 | 3162 C4 | T122 F3 |
| 2134 C5 | 3163 G5 | T123 F3 |
| 2135 C5 | 3164 G5 | T125 G2 |
| 2136 C5 | 3165 G5 | T126 G2 |
| 2138 D1 | 3166 G5 | T127 G2 |
| 2139 D1 | 3167 H5 | T128 G2 |
| 2141 D1 | 3168 H5 | T129 G2 |
| 2142 D2 | 3171 G2 | T130 G2 |
| 2143 D2 | 3172 H2 | T131 H2 |
| 2144 C3 | 3173 H2 | T132 I2 |
| 2145 C2 | 3174 H2 | T132 I2 |
| 2146 C3 | 3175 I2 | T132 I2 |
| 2149 B9 | 3176 I2 | T132 I2 |
| 2150 H13 | 3177 H2 | T135 I2 |
| 2151 B9 | 3181 B12 | T136 E6 |
| 2152 B9 | 3182 B12 | T137 E6 |
| 2154 B9 | 3183 A12 | T138 I5 |
| 2155 B9 | 3184 A11 | T139 I5 |
| 2156 B9 | 3185 A11 | T140 I5 |
| 2157 B9 | 3186 A11 | T141 I5 |
| 2158 B8 | 3191 B13 | T142 I6 |
| 2159 B8 | 3192 B13 | T144 I6 |
| 2161 A8 | 3193 A13 | T145 I6 |
| 2162 A8 | 3194 A12 | T146 I6 |
| 2163 A8 | 3195 A10 | T147 I6 |
| 2164 A8 | 3196 A10 | T148 I4 |
| 2165 A8 | 3205 I11 | T149 I4 |
| 2167 B8 | 4102 H6 | T150 I4 |
| 2168 B8 | 4106 H11 | T151 I4 |
| 2169 B8 | 4115 C5 | T152 I4 |
| 2171 B7 | 4116 C6 | T153 I5 |
| 2172 B7 | 4117 C6 | T154 I5 |
| 2173 B7 | 4118 C6 | T155 I12 |
| 2174 A4 | 4119 D6 | T156 I12 |
| 2175 A5 | 4122 F7 | T157 I12 |
| 2180 C3 | 4130 C3 | T158 I12 |
| 2181 C3 | 4134 I10 | T161 I5 |
| 2182 C3 | 4137 A4 | T162 I5 |
| 2183 C3 | 4138 A5 | T163 I5 |
| 2184 C4 | 4139 A6 | T164 I5 |
| 2185 C4 | 4140 I10 | T165 I5 |
| 2186 C4 | 4141 A13 | T166 I6 |
| 2187 C6 | 4142 A13 | T167 I1 |
| 2188 C6 | 4143 A13 | |
| 2189 C6 | 4144 A13 | |
| 2190 C6 | 4145 A13 | |
| 2191 C6 | 4146 A13 | |
| 2192 E7 | 4152 G2 | |
| 2193 D3 | 4153 G2 | |
| 2195 D5 | 4156 H2 | |
| 2196 D4 | 4157 H2 | |
| 2198 E3 | 5101 A1 | |
| 2201 E5 | 5103 A3 | |
| 2202 E7 | 5104 A3 | |
| 2203 E5 | 5105 B4 | |
| 2204 E5 | 5106 B3 | |
| 2208 F6 | 5107 B5 | |
| 2209 G6 | 5108 C4 | |
| 2210 E5 | 5109 C1 | |
| 2211 F4 | 5111 C2 | |
| 2212 G5 | 5112 C2 | |
| 2213 G5 | 5115 A9 | |
| 2214 G5 | 5116 A9 | |
| 2215 G5 | 5117 A8 | |
| 2216 G5 | 5118 A8 | |
| 2221 B12 | 5119 B7 | |
| 2222 B13 | 5122 D5 | |
| 2223 B12 | 5123 F6 | |
| 2224 B13 | 5124 D4 | |
| 2225 A12 | 5125 D4 | |
| 2226 A12 | 5126 D3 | |
| 2227 A12 | 5130 A5 | |
| 2228 A12 | 5131 B13 | |
| 2229 A11 | 5132 B13 | |
| 2230 A10 | 5133 A12 | |
| 2231 A11 | 5134 A12 | |
| 2232 A10 | 5135 A10 | |
| 2241 I3 | 5136 A10 | |
| 2242 I4 | 7101 B2 | |
| 2243 I4 | 7102 I13 | |
| 2245 I5 | 7106 D5 | |

| | | | | |
|--------------|------------|--------------|---------------|-------------------|
| #0 PROVISION | #11 DV33 | #21 WXD-8136 | #31 RECEIVERS | #41 DIGITAL VIDEO |
| | #12 DV34 | #22 WXD-8229 | #32 PLAYERS | #42 ANALOG VIDEO |
| | #13 KHM310 | #23 DLM-1D | | |
| | | #24 5CDC | | |

★ Components having special characteristics are marked Δ and must be replaced with parts having specifications equal to those originally installed.
★ Schematic diagram is subject to change without notice.

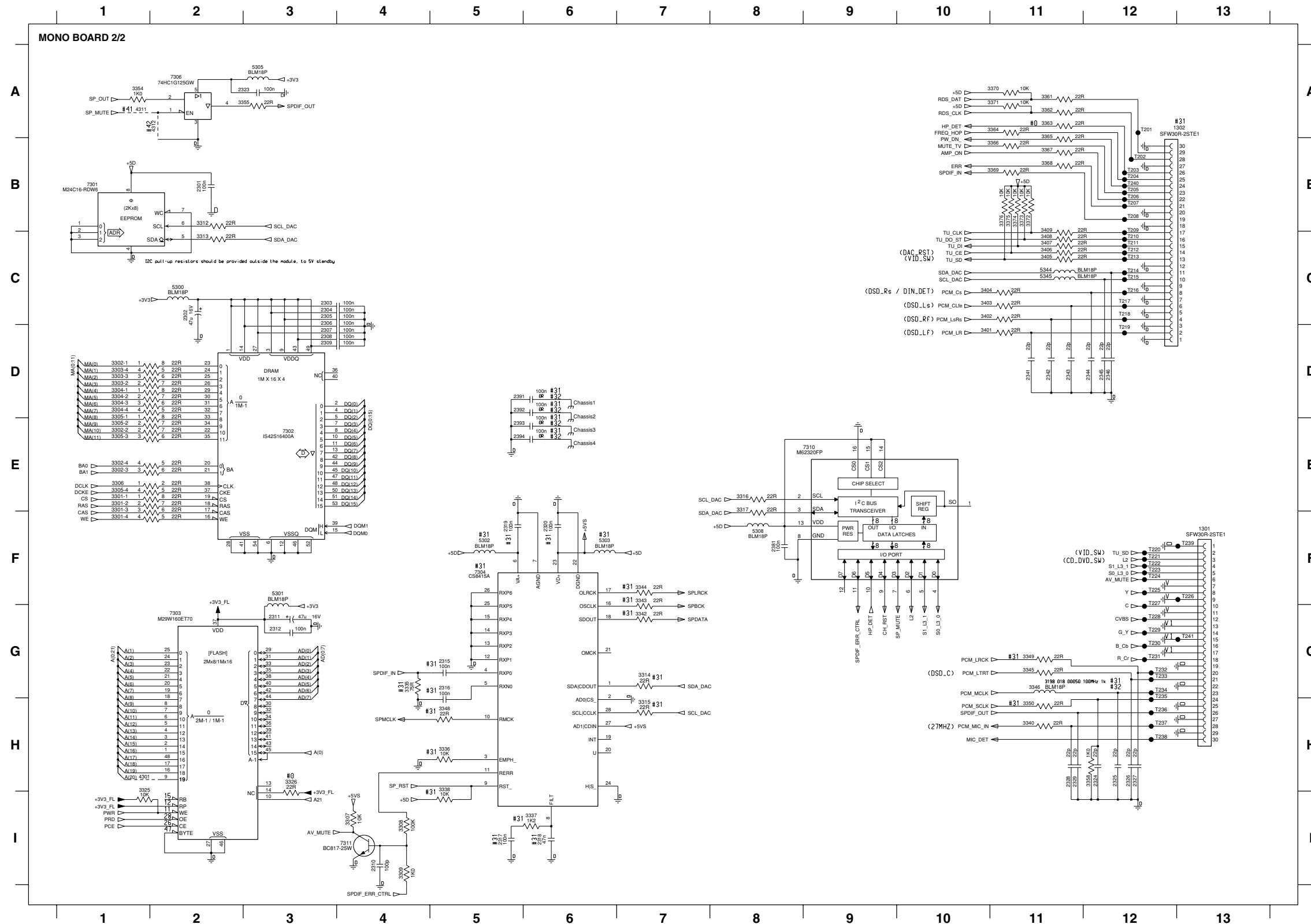
● 印のある部品は、安全性確保部品を示しています。部品の交換が必要な場合、パーツリストに記載されている部品を使用してください。
● 本回路図は標準回路図です。改良のため予告なく変更することがございます。

DVR-S300 SCHEMATIC DIAGRAM

FOR INFORMATION ONLY (NO REPLACEMENT COMPONENT PARTS WILL BE AVAILABLE)

The first digit of a component indicates the component type.

- 1xxx : Connector 3xxx : Resistor 5xxx : Coil 7xxx : IC, Transistor, FET
- 2xxx : Capacitor 4xxx : SMD jumper 6xxx : Diode 9xxx : Wire jumper



| | |
|-----------|----------|
| 1301 F13 | 5300 C2 |
| 1302 A13 | 5301 F3 |
| 2301 B2 | 5302 F5 |
| 2302 C2 | 5303 F6 |
| 2303 C3 | 5305 A3 |
| 2304 C3 | 5308 F8 |
| 2305 C3 | 5344 C11 |
| 2306 D3 | 5345 C11 |
| 2307 D3 | 7301 B1 |
| 2308 D3 | 7302 E3 |
| 2309 D3 | 7303 G2 |
| 2310 I4 | 7304 F5 |
| 2311 G3 | 7306 A2 |
| 2312 G3 | 7310 E8 |
| 2315 G5 | 7311 I4 |
| 2316 G5 | T200 D13 |
| 2317 I5 | T201 A12 |
| 2318 I6 | T202 B12 |
| 2319 F5 | T203 B12 |
| 2320 F5 | T204 B12 |
| 2323 A3 | T205 B12 |
| 2324 H12 | T206 B12 |
| 2325 H12 | T207 B12 |
| 2326 H12 | T208 B12 |
| 2327 H12 | T209 C12 |
| 2328 H11 | T210 C12 |
| 2329 H11 | T211 C12 |
| 2341 D11 | T212 C12 |
| 2342 D11 | T213 C12 |
| 2343 D11 | T214 C12 |
| 2344 D12 | T215 C12 |
| 2345 D12 | T216 C12 |
| 2346 D12 | T217 C12 |
| 2381 F8 | T218 C12 |
| 2391 D5 | T219 D12 |
| 2392 D5 | T220 F12 |
| 2393 E5 | T221 F12 |
| 2394 E5 | T222 F12 |
| 3301-1 E1 | T223 F12 |
| 3301-2 E1 | T224 F12 |
| 3301-3 F1 | T225 F12 |
| 3301-4 F1 | T226 F13 |
| 3302-1 D1 | T227 G12 |
| 3302-2 E1 | T228 G12 |
| 3302-3 E1 | T229 G12 |
| 3302-4 E1 | T230 G12 |
| 3303-2 D1 | T231 G12 |
| 3303-3 D1 | T232 G12 |
| 3303-4 D1 | T233 G12 |
| 3304-1 D1 | T234 G12 |
| 3304-2 D1 | T235 H12 |
| 3304-3 D1 | T236 H12 |
| 3304-4 D1 | T237 H12 |
| 3305-1 E1 | T238 H12 |
| 3305-2 E1 | T239 H12 |
| 3305-3 E1 | T240 H12 |
| 3305-4 E1 | T241 G13 |
| 3306 E1 | T251 C8 |
| 3306 E1 | T252 C8 |
| 3306 E1 | T253 C8 |
| 3309 I4 | T254 C8 |
| 3312 B2 | T255 C8 |
| 3313 C2 | T256 C8 |
| 3314 G7 | T257 C8 |
| 3315 H7 | T258 B8 |
| 3316 E8 | T259 B8 |
| 3317 F8 | T260 B8 |
| 3325 I1 | T261 B8 |
| 3326 H3 | T262 B8 |
| 3335 G4 | T263 A8 |
| 3336 H5 | T264 A8 |
| 3337 I6 | T265 B8 |
| 3338 H5 | T266 B8 |
| 3340 H11 | T267 A8 |
| 3342 G7 | T271 H9 |
| 3343 F7 | T272 H9 |
| 3344 F7 | T273 H9 |
| 3345 G11 | T274 H9 |
| 3346 G11 | T275 I9 |
| 3348 H5 | |
| 3349 G11 | |
| 3350 H11 | |
| 3354 A1 | |
| 3355 A3 | |
| 3358 H12 | |
| 3361 A11 | |
| 3362 A11 | |
| 3363 A11 | |
| 3364 A11 | |
| 3365 B11 | |
| 3366 B11 | |
| 3367 B11 | |
| 3368 B11 | |
| 3369 B11 | |
| 3370 A11 | |
| 3371 A11 | |
| 3372 B11 | |
| 3373 B11 | |
| 3374 B11 | |
| 3375 B11 | |
| 3376 B11 | |
| 3401 D10 | |
| 3402 C10 | |
| 3403 C10 | |
| 3404 C10 | |
| 3405 C11 | |
| 3406 C11 | |
| 3407 C11 | |
| 3408 C11 | |
| 3409 C11 | |
| 4311 A1 | |
| 4312 A2 | |

| | | | | |
|--------------|------------|--------------|---------------|-------------------|
| #0 PROVISION | #11 DV33 | #21 WXD-8136 | #31 RECEIVERS | #41 DIGITAL VIDEO |
| | #12 DV34 | #22 WXD-8229 | #32 PLAYERS | #42 ANALOG VIDEO |
| | #13 KHM310 | #23 DLM-1D | | |
| | | #24 5CDC | | |

★ Components having special characteristics are marked Δ and must be replaced with parts having specifications equal to those originally installed.
 ★ Schematic diagram is subject to change without notice.

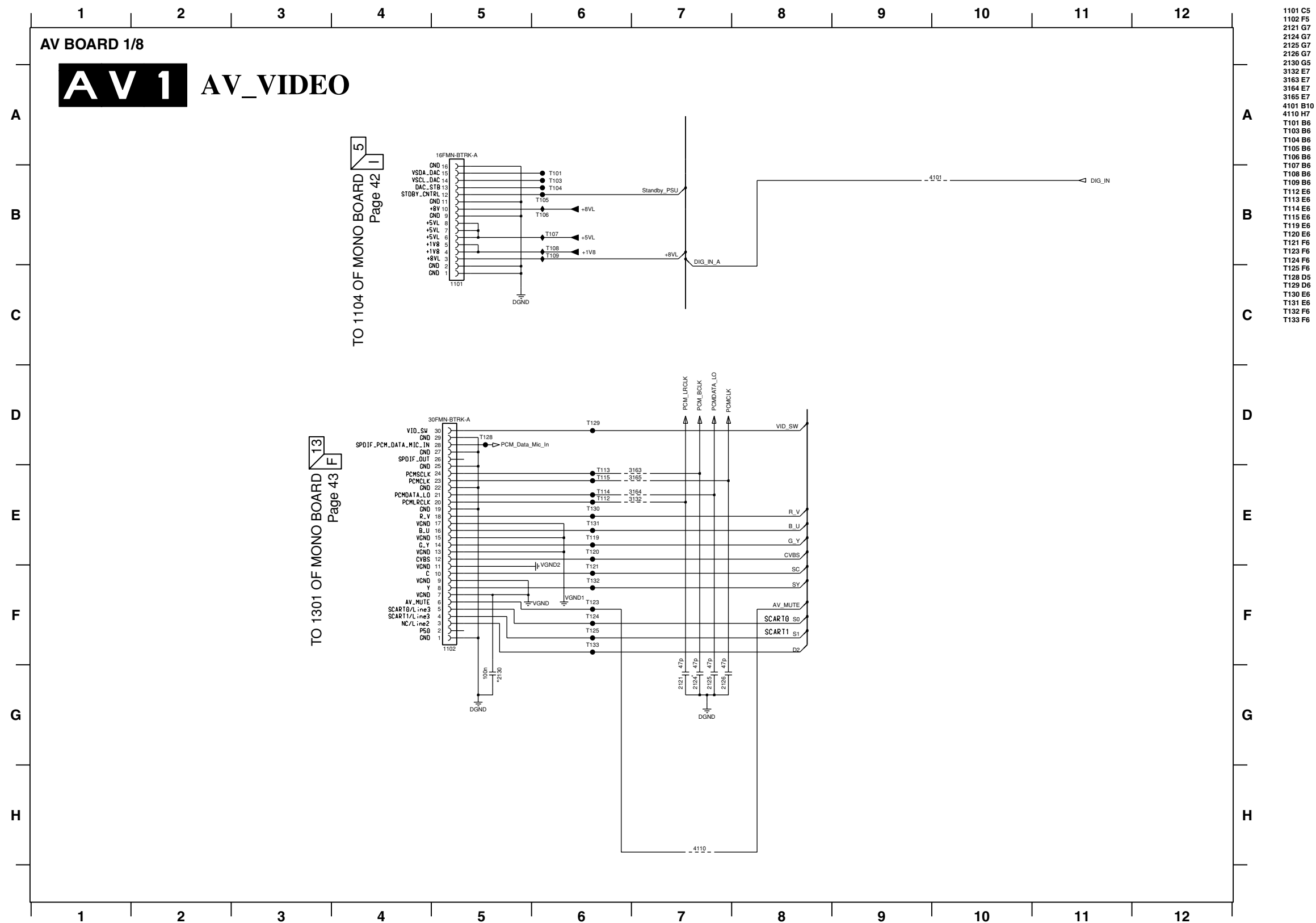
● Δ 印のある部品は、安全性確保部品を示しています。部品の交換が必要な場合、パーツリストに記載されている部品を使用してください。
 ● 本回路図は標準回路図です。改良のため予告なく変更することがございます。

DVR-S300 SCHEMATIC DIAGRAM

FOR INFORMATION ONLY (NO REPLACEMENT COMPONENT PARTS WILL BE AVAILABLE)

The first digit of a component indicates the component type.

- 1xxx : Connector 3xxx : Resistor 5xxx : Coil 7xxx : IC, Transistor, FET
- 2xxx : Capacitor 4xxx : SMD jumper 6xxx : Diode 9xxx : Wire jumper



★ Components having special characteristics are marked Δ and must be replaced with parts having specifications equal to those originally installed.
 ★ Schematic diagram is subject to change without notice.

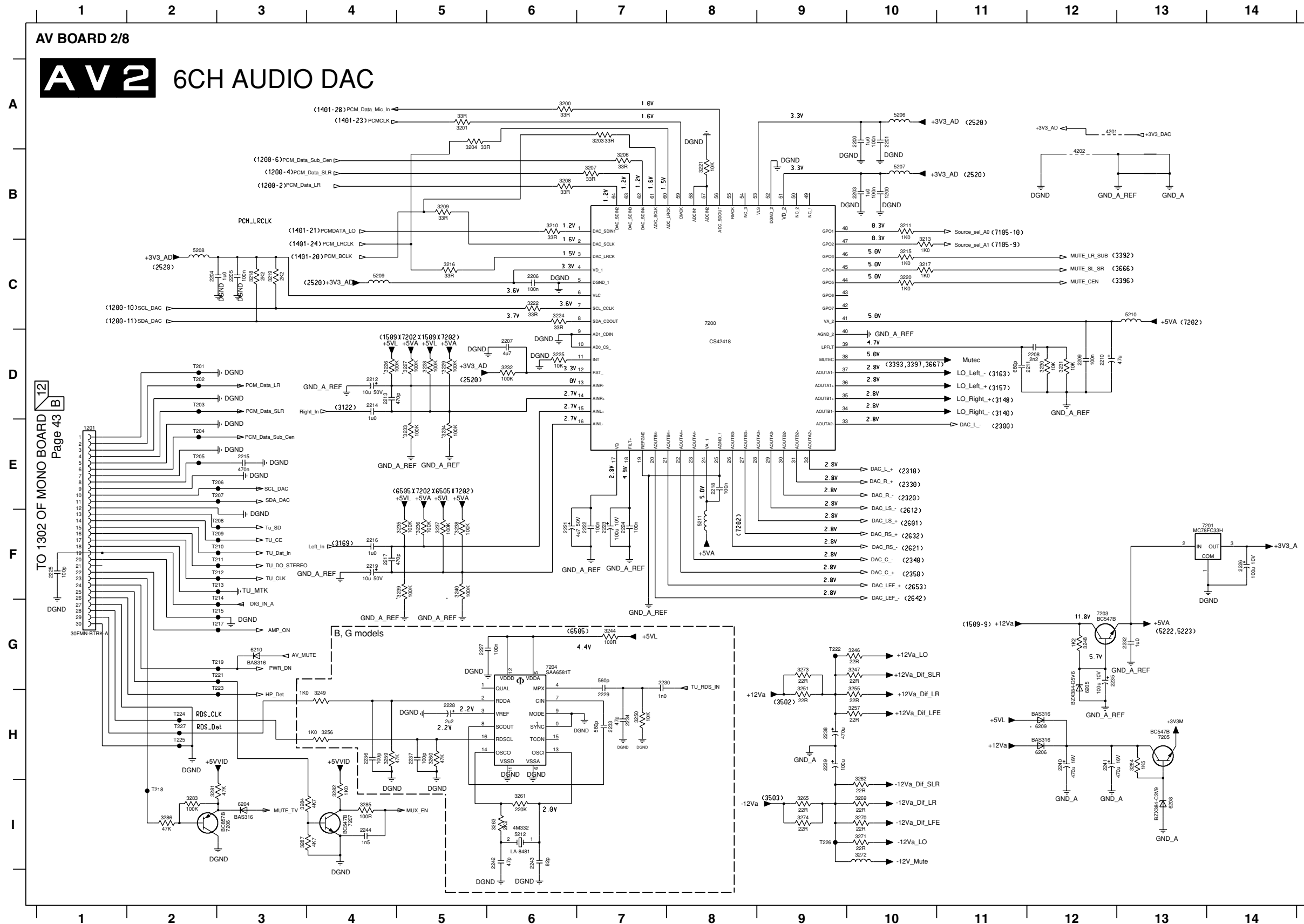
● Δ 印のある部品は、安全性確保部品を示しています。部品の交換が必要な場合、パーツリストに記載されている部品を使用してください。
 ● 本回路図は標準回路図です。改良のため予告なく変更することがございます。

DVR-S300 SCHEMATIC DIAGRAM

FOR INFORMATION ONLY (NO REPLACEMENT COMPONENT PARTS WILL BE AVAILABLE)

The first digit of a component indicates the component type.

- 1xxx : Connector 3xxx : Resistor 5xxx : Coil 7xxx : IC, Transistor, FET
- 2xxx : Capacitor 4xxx : SMD jumper 6xxx : Diode 9xxx : Wire jumper



- 1200 B10
- 1201 E1
- 2200 A10
- 2201 A10
- 2203 B10
- 2204 C2
- 2205 C3
- 2206 C6
- 2207 D6
- 2208 D12
- 2209 D12
- 2210 D12
- 2211 D11
- 2212 D4
- 2213 D4
- 2214 D4
- 2215 E3
- 2216 F4
- 2217 F4
- 2218 E8
- 2219 F4
- 2221 F6
- 2222 F7
- 2223 F7
- 2224 F7
- 2225 F1
- 2226 F14
- 2227 G5
- 2228 H5
- 2229 H7
- 2230 G7
- 2232 G13
- 2233 H7
- 2234 H7
- 2235 G12
- 2236 H4
- 2237 H5
- 2238 H9
- 2239 H9
- 2240 H12
- 2241 H12
- 2242 I6
- 2243 I6
- 2244 I4
- 3200 A6
- 3201 A5
- 3203 A7
- 3204 A5
- 3206 B7
- 3207 B7
- 3208 B6
- 3209 B5
- 3210 B6
- 3211 B10
- 3213 C10
- 3215 C10
- 3216 C5
- 3217 C10
- 3218 C3
- 3219 C3
- 3220 C10
- 3221 B8
- 3222 C6
- 3224 C6
- 3225 D6
- 3226 D4
- 3227 D5
- 3228 D5
- 3229 D5
- 3230 D12
- 3231 D12
- 3232 D6
- 3233 E5
- 3234 E5
- 3235 F5
- 3236 F5
- 3237 F5
- 3238 F5
- 3239 F5
- 3240 F5
- 3244 G7
- 3246 G10
- 3247 G10
- 3248 G12
- 3249 H4
- 3250 H7
- 3251 H9
- 3255 H10
- 3256 H4
- 3257 H10
- 3259 H4
- 3260 H5
- 3261 I6
- 3262 I10
- 3263 I6
- 3264 H13
- 3265 I9
- 3269 I10
- 3270 I10
- 3271 I10
- 3272 I10
- 3273 G9
- 3274 I9
- 3281 I2
- 3282 I4
- 3283 I2
- 3284 I3
- 3285 I4
- 3286 I2
- 3287 I3
- 4201 A12
- 4202 B12
- 5206 A10
- 5207 B10
- 5208 C2
- 5209 C4
- 5210 C13
- 5211 F8
- 5212 I6
- 6204 I3
- 6205 G12
- 6206 H12
- 6208 I13
- 6209 H12
- 6210 G3
- 7200 C8
- 7201 F14
- 7203 G12
- 7204 G6
- 7205 H13
- 7206 I3
- 7207 I4
- 7208 D2
- 7209 D2
- 7210 F3
- 7211 F3
- 7212 F3
- 7213 F3
- 7214 F3
- 7215 G3
- 7217 G3
- 7218 I2
- 7219 G3
- 7221 G3
- 7222 E3
- 7223 F3
- 7224 F3
- 7225 F3
- 7226 F3
- 7227 F3
- 7228 F3
- 7229 F3
- 7230 F3
- 7231 G3
- 7232 G3
- 7233 G3
- 7234 H2
- 7235 H2
- 7236 I9
- 7237 H2

TO 1302 OF MONO BOARD Page 43 B

★ Components having special characteristics are marked Δ and must be replaced with parts having specifications equal to those originally installed.
 ★ Schematic diagram is subject to change without notice.

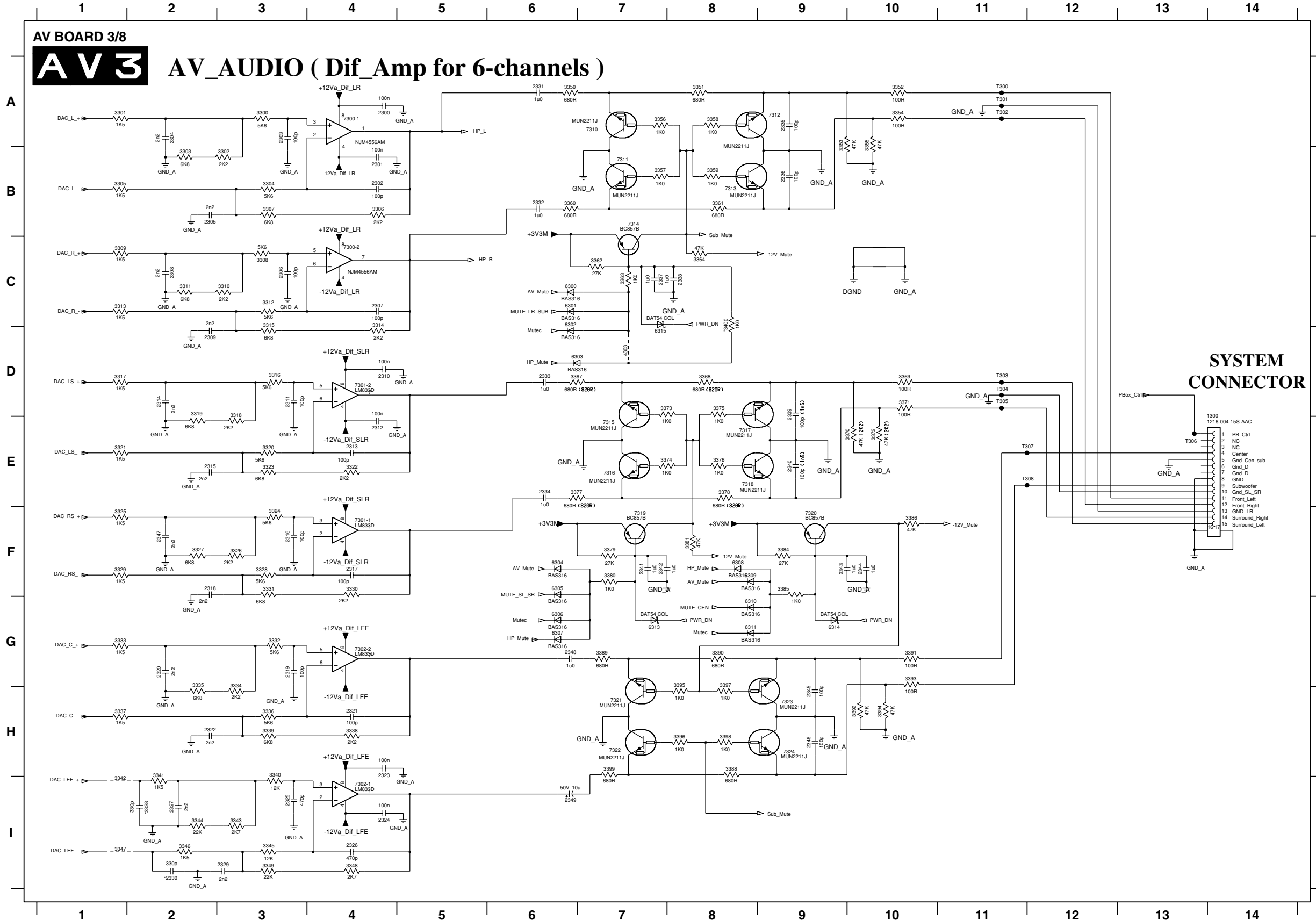
● Δ 印のある部品は、安全性確保部品を示しています。部品の交換が必要な場合、パーツリストに記載されている部品を使用してください。
 ● 本回路図は標準回路図です。改良のため予告なく変更することがございます。

DVR-S300 SCHEMATIC DIAGRAM

FOR INFORMATION ONLY (NO REPLACEMENT COMPONENT PARTS WILL BE AVAILABLE)

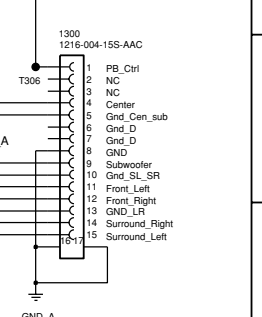
The first digit of a component indicates the component type.

- 1xxx : Connector 3xxx : Resistor 5xxx : Coil 7xxx : IC, Transistor, FET
- 2xxx : Capacitor 4xxx : SMD jumper 6xxx : Diode 9xxx : Wire jumper



| | |
|----------|-----------|
| 1300 E14 | 3367 D6 |
| 2300 A4 | 3368 D8 |
| 2301 B4 | 3369 D10 |
| 2302 B4 | 3370 E10 |
| 2303 A3 | 3371 D10 |
| 2304 A2 | 3372 E10 |
| 2305 B2 | 3373 D7 |
| 2306 C3 | 3374 E7 |
| 2307 C4 | 3375 D8 |
| 2308 C2 | 3376 E8 |
| 2309 D2 | 3377 E6 |
| 2310 D4 | 3378 E8 |
| 2311 D3 | 3379 F7 |
| 2312 E4 | 3380 F7 |
| 2313 E4 | 3381 F8 |
| 2314 D2 | 3382 F9 |
| 2315 E2 | 3385 F9 |
| 2316 F3 | 3386 F10 |
| 2317 F4 | 3388 H8 |
| 2318 F2 | 3389 G7 |
| 2319 G3 | 3390 G8 |
| 2320 G2 | 3391 G10 |
| 2321 H4 | 3392 H10 |
| 2322 H2 | 3393 G10 |
| 2323 H4 | 3394 H10 |
| 2324 I4 | 3395 H8 |
| 2325 I3 | 3396 H8 |
| 2326 I4 | 3397 H8 |
| 2327 I2 | 3398 H8 |
| 2328 I2 | 3399 H7 |
| 2329 I3 | 3400 C8 |
| 2330 I2 | 4300 H6 |
| 2331 A6 | 4303 D7 |
| 2332 B6 | 6300 C6 |
| 2333 D6 | 6301 C6 |
| 2334 E6 | 6302 C6 |
| 2335 A9 | 6303 D6 |
| 2336 B9 | 6304 F6 |
| 2337 C7 | 6305 F6 |
| 2338 C8 | 6306 G6 |
| 2339 D9 | 6307 G6 |
| 2340 E9 | 6308 F8 |
| 2341 F7 | 6309 F8 |
| 2342 F7 | 6310 G8 |
| 2343 F9 | 6311 H8 |
| 2344 F10 | 6313 G7 |
| 2345 H9 | 6314 G9 |
| 2346 H9 | 6315 D7 |
| 2347 F2 | 7300-1 A4 |
| 2348 G6 | 7300-2 C4 |
| 2349 I6 | 7301-1 F4 |
| 3300 A3 | 7301-2 D4 |
| 3301 A1 | 7302-1 I4 |
| 3302 B3 | 7302-2 G4 |
| 3303 B2 | 7310 A7 |
| 3304 B3 | 7311 B7 |
| 3305 B1 | 7312 A9 |
| 3306 B4 | 7313 B8 |
| 3307 B3 | 7314 B7 |
| 3308 C3 | 7315 E7 |
| 3309 C1 | 7316 E7 |
| 3310 C3 | 7317 E8 |
| 3311 C2 | 7318 E8 |
| 3312 C3 | 7319 F7 |
| 3313 C1 | 7320 F9 |
| 3314 D3 | 7321 H7 |
| 3315 D3 | 7322 H7 |
| 3316 D3 | 7323 H9 |
| 3317 D1 | 7324 H9 |
| 3318 E3 | T300 A11 |
| 3319 D2 | T301 A11 |
| 3320 E3 | T302 A11 |
| 3321 E1 | T303 D11 |
| 3322 E4 | T304 D11 |
| 3323 E3 | T305 D11 |
| 3324 F3 | T306 E13 |
| 3325 F1 | T307 E12 |
| 3326 F3 | T308 E12 |
| 3327 F2 | |
| 3328 F3 | |
| 3329 F1 | |
| 3330 F3 | |
| 3331 F3 | |
| 3332 G3 | |
| 3333 G1 | |
| 3334 H3 | |
| 3335 H2 | |
| 3336 H3 | |
| 3337 H1 | |
| 3338 H4 | |
| 3339 H3 | |
| 3340 I3 | |
| 3341 I2 | |
| 3342 I1 | |
| 3343 I3 | |
| 3344 I2 | |
| 3345 I3 | |
| 3346 I2 | |
| 3347 I1 | |
| 3348 I4 | |
| 3349 I3 | |
| 3350 A6 | |
| 3351 A8 | |
| 3352 A10 | |
| 3353 A9 | |
| 3354 A10 | |
| 3355 A10 | |
| 3356 A7 | |
| 3357 B7 | |
| 3358 A8 | |
| 3359 B8 | |
| 3360 B6 | |
| 3361 B8 | |
| 3362 C7 | |
| 3363 C7 | |
| 3364 C8 | |

SYSTEM CONNECTOR



★ Components having special characteristics are marked Δ and must be replaced with parts having specifications equal to those originally installed.
★ Schematic diagram is subject to change without notice.

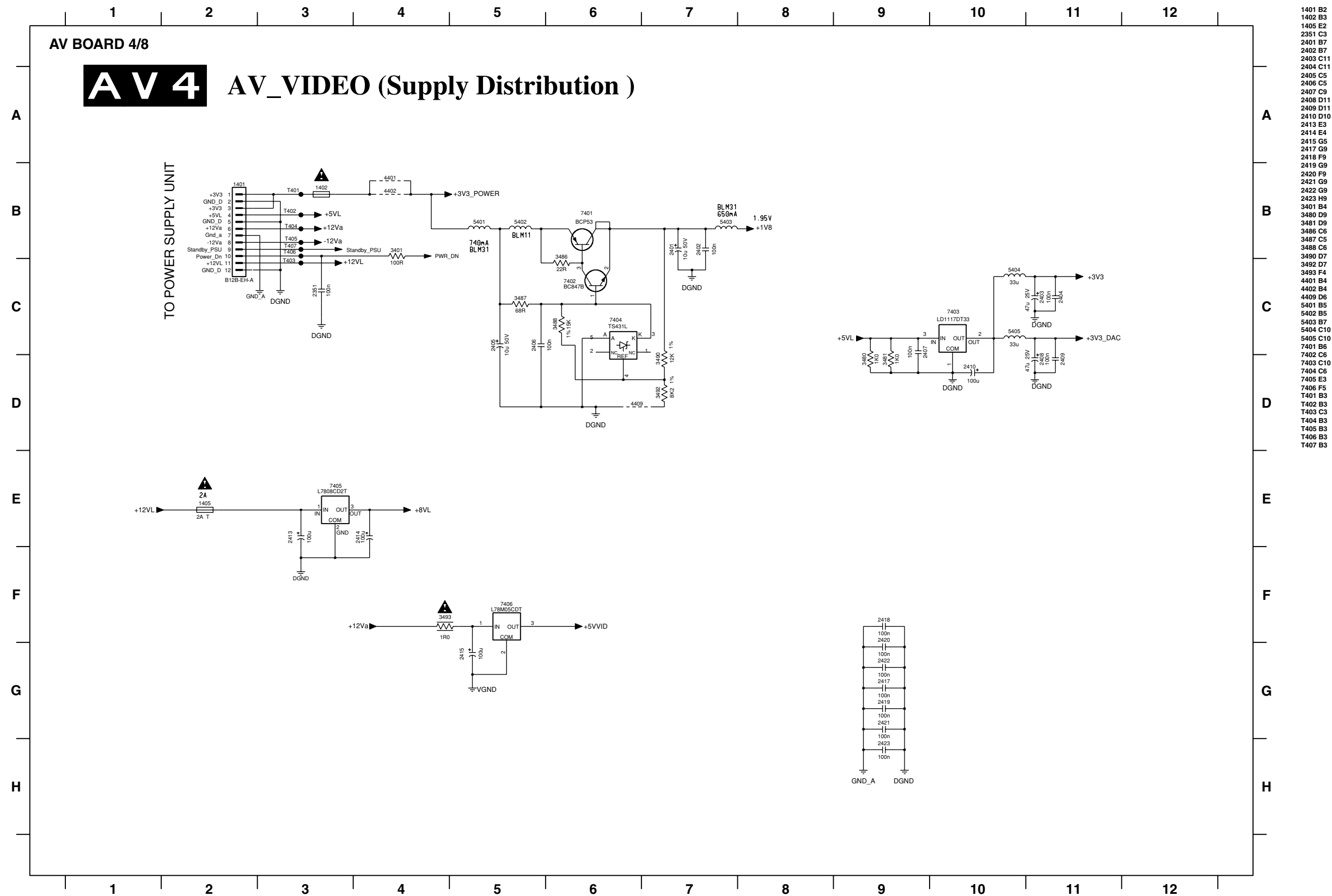
● Δ 印のある部品は、安全性確保部品を示しています。部品の交換が必要な場合、パーツリストに記載されている部品を使用してください。
● 本回路図は標準回路図です。改良のため予告なく変更することがございます。

■ DVR-S300 SCHEMATIC DIAGRAM

FOR INFORMATION ONLY (NO REPLACEMENT COMPONENT PARTS WILL BE AVAILABLE)

The first digit of a component indicates the component type.

1xxx : Connector 3xxx : Resistor 5xxx : Coil 7xxx : IC, Transistor, FET
 2xxx : Capacitor 4xxx : SMD jumper 6xxx : Diode 9xxx : Wire jumper



★ Components having special characteristics are marked and must be replaced with parts having specifications equal to those originally installed.
 ★ Schematic diagram is subject to change without notice.

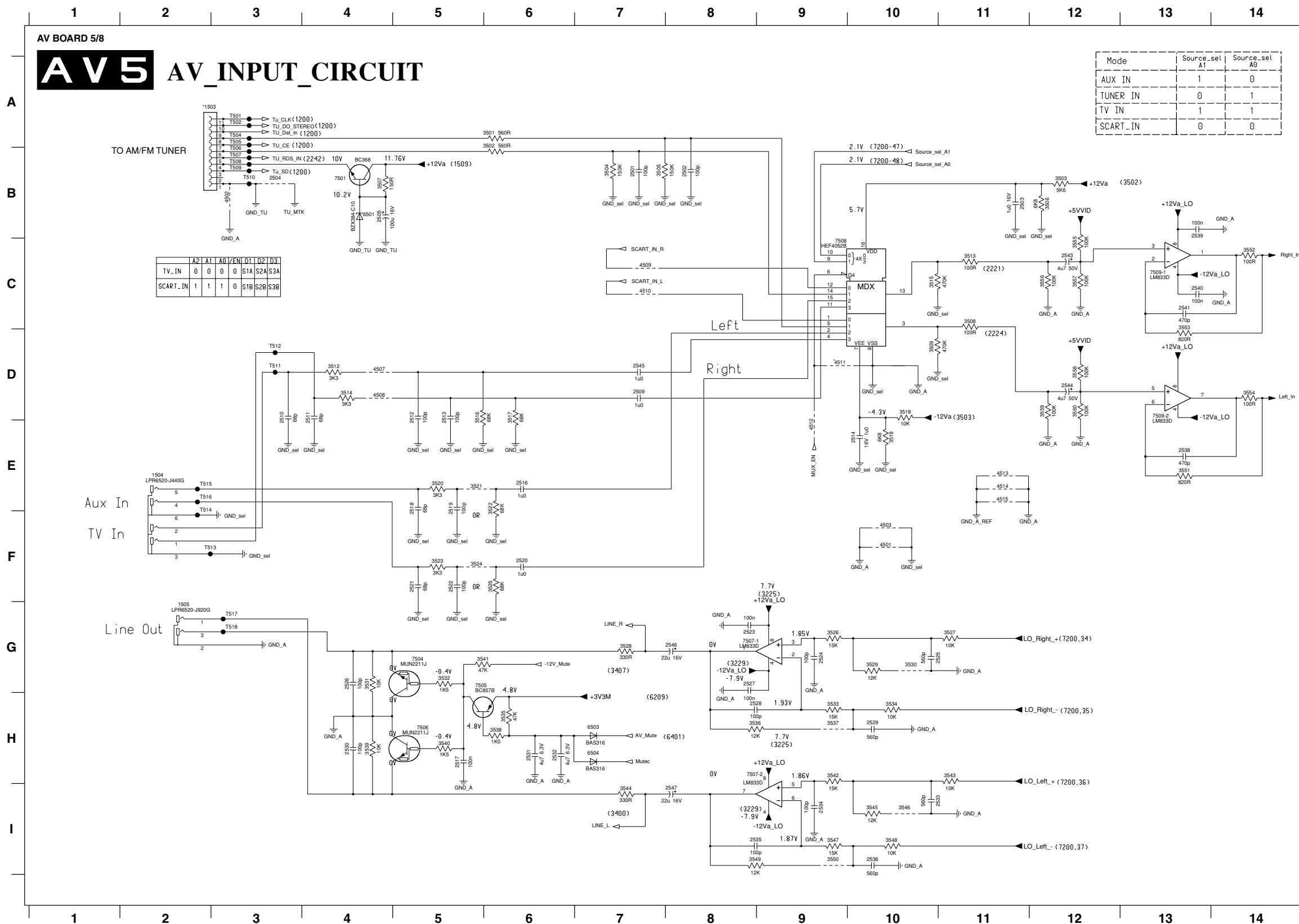
● 印のある部品は、安全性確保部品を示しています。部品の交換が必要な場合、パーツリストに記載されている部品を使用してください。
 ● 本回路図は標準回路図です。改良のため予告なく変更することがございます。

DVR-S300 SCHEMATIC DIAGRAM

FOR INFORMATION ONLY (NO REPLACEMENT COMPONENT PARTS WILL BE AVAILABLE)

The first digit of a component indicates the component type.

- 1xxx : Connector 3xxx : Resistor 5xxx : Coil 7xxx : IC, Transistor, FET
- 2xxx : Capacitor 4xxx : SMD jumper 6xxx : Diode 9xxx : Wire jumper



- 1503 A2
- 1504 E2
- 1505 G2
- 2501 B7
- 2502 B8
- 2503 B11
- 2504 B3
- 2505 B4
- 2509 D7
- 2510 D3
- 2511 D4
- 2512 D5
- 2513 D5
- 2514 E10
- 2516 E6
- 2517 H5
- 2518 E5
- 2519 E5
- 2520 F6
- 2521 F5
- 2522 F5
- 2523 G8
- 2524 G9
- 2525 G10
- 2526 G4
- 2527 G8
- 2528 H8
- 2529 H10
- 2530 H4
- 2531 H6
- 2532 H6
- 2533 I10
- 2534 I9
- 2535 I8
- 2536 I10
- 2538 E13
- 2539 B13
- 2540 C13
- 2541 C13
- 2543 C12
- 2544 D12
- 2545 D7
- 2546 G8
- 2547 I8
- 3501 A6
- 3502 B6
- 3503 B12
- 3504 B7
- 3505 B7
- 3506 B12
- 3507 B4
- 3508 C11
- 3509 D10
- 3512 D4
- 3513 C11
- 3514 D4
- 3515 C10
- 3516 D5
- 3517 D6
- 3518 D10
- 3519 E10
- 3520 E5
- 3521 E5
- 3522 E6
- 3523 F5
- 3524 F5
- 3525 F6
- 3526 G9
- 3527 G11
- 3528 G7
- 3529 G10
- 3530 G10
- 3531 G4
- 3532 G5
- 3533 H9
- 3534 H10
- 3535 H6
- 3536 H8
- 3537 H9
- 3538 H6
- 3539 H4
- 3540 H5
- 3541 G5
- 3542 H9
- 3543 H11
- 3544 I7
- 3545 I10
- 3546 I10
- 3547 I9
- 3548 I10
- 3549 I8
- 3550 I9
- 3551 E13
- 3552 C14
- 3553 D13
- 3554 D14
- 3555 C12
- 3556 C12
- 3557 C12
- 3558 D12
- 3559 D12
- 3560 D12
- 4501 F10
- 4502 B3
- 4503 F10
- 4507 D4
- 4508 D4
- 4509 C7
- 4510 C7
- 4511 D9
- 4512 E9
- 4513 E11
- 4514 E11
- 4515 E11
- 6501 B4
- 6503 H7
- 6504 H7
- 7501 B4
- 7504 G5
- 7505 G5
- 7506 H5
- 7507-1 G9
- 7507-2 H9
- 7508 C9
- 7509-1 C13
- 7509-2 D13
- 7501 A3
- 7502 A3
- 7504 A3
- 7505 A3
- 7506 A3
- 7507 B3
- 7508 B3
- 7509 B3
- 7510 B3
- 7511 D3
- 7512 D3
- 7513 F3
- 7514 E3
- 7515 E3
- 7516 E3
- 7517 G3
- 7518 G3

★ Components having special characteristics are marked Δ and must be replaced with parts having specifications equal to those originally installed.
 ★ Schematic diagram is subject to change without notice.

● Δ 印のある部品は、安全性確保部品を示しています。部品の交換が必要な場合、パーツリストに記載されている部品を使用してください。
 ● 本回路図は標準回路図です。改良のため予告なく変更することがございます。

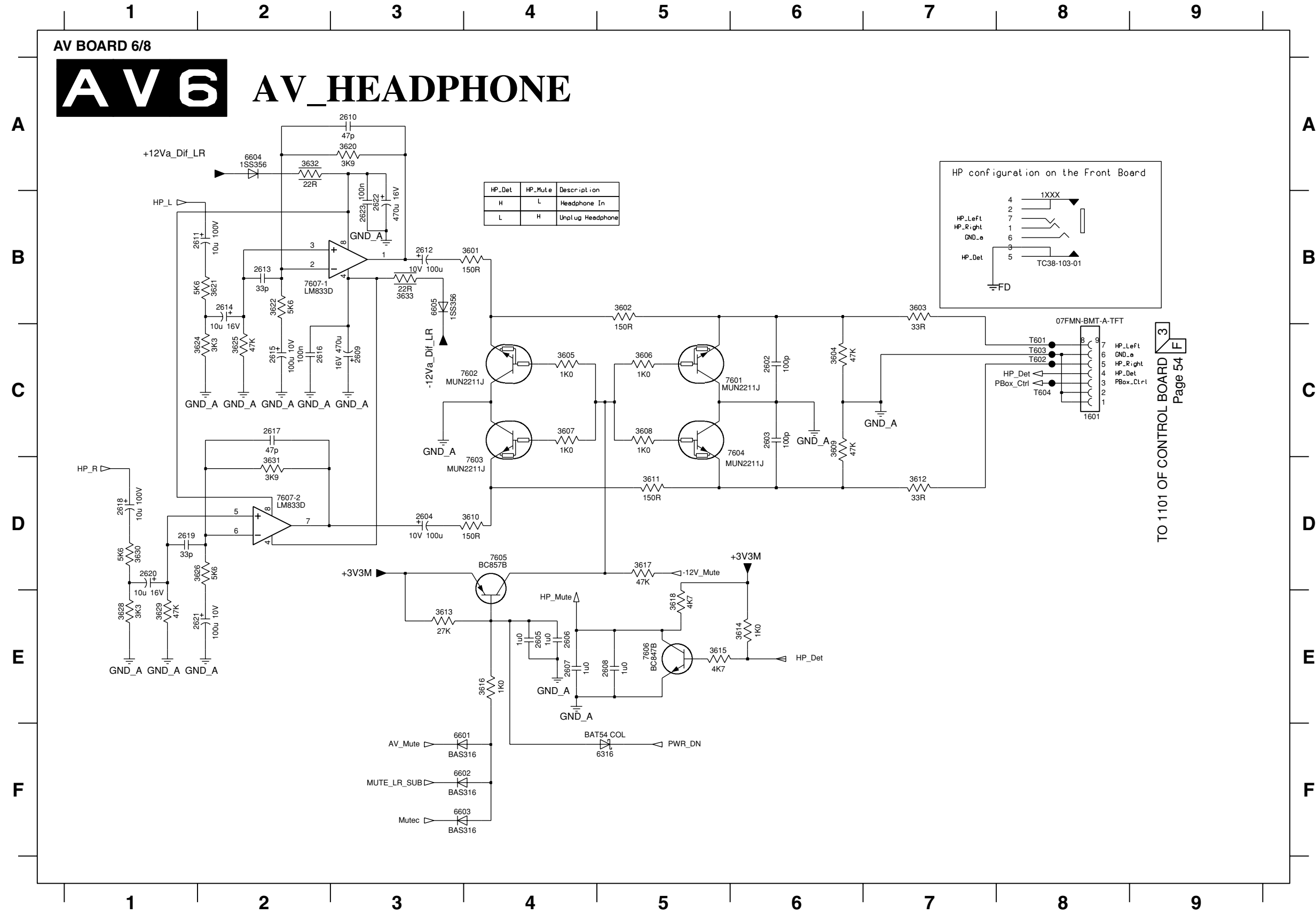
■ DVR-S300 SCHEMATIC DIAGRAM

FOR INFORMATION ONLY (NO REPLACEMENT COMPONENT PARTS WILL BE AVAILABLE)

The first digit of a component indicates the component type.

1xxx : Connector 3xxx : Resistor 5xxx : Coil 7xxx : IC, Transistor, FET

2xxx : Capacitor 4xxx : SMD jumper 6xxx : Diode 9xxx : Wire jumper



- 1601 C8
- 2602 C6
- 2603 C6
- 2604 D3
- 2605 E4
- 2606 E4
- 2607 E4
- 2608 E5
- 2609 C3
- 2610 A3
- 2611 B2
- 2612 B3
- 2613 B2
- 2614 B2
- 2615 C2
- 2616 C2
- 2617 C2
- 2618 D1
- 2619 D1
- 2620 D1
- 2621 E2
- 2622 B3
- 2623 B3
- 3601 B4
- 3602 B5
- 3603 B7
- 3604 C6
- 3605 C4
- 3606 C5
- 3607 C4
- 3608 C5
- 3609 C6
- 3610 D4
- 3611 D5
- 3612 D7
- 3613 E3
- 3614 E6
- 3615 E5
- 3616 E4
- 3617 D5
- 3618 E5
- 3620 A3
- 3621 B2
- 3622 B2
- 3624 C2
- 3625 C2
- 3626 D2
- 3628 E1
- 3629 E1
- 3630 D1
- 3631 D2
- 3632 A2
- 3633 B3
- 6316 F5
- 6601 F3
- 6602 F3
- 6603 F3
- 6604 A2
- 6605 B3
- 7601 C5
- 7602 C4
- 7603 D4
- 7604 C5
- 7605 D4
- 7606 E5
- 7607-1 B2
- 7607-2 D2
- T601 C8
- T602 C8
- T603 C8
- T604 C8

TO 1101 OF CONTROL BOARD Page 54

★ Components having special characteristics are marked Δ and must be replaced with parts having specifications equal to those originally installed.
 ★ Schematic diagram is subject to change without notice.

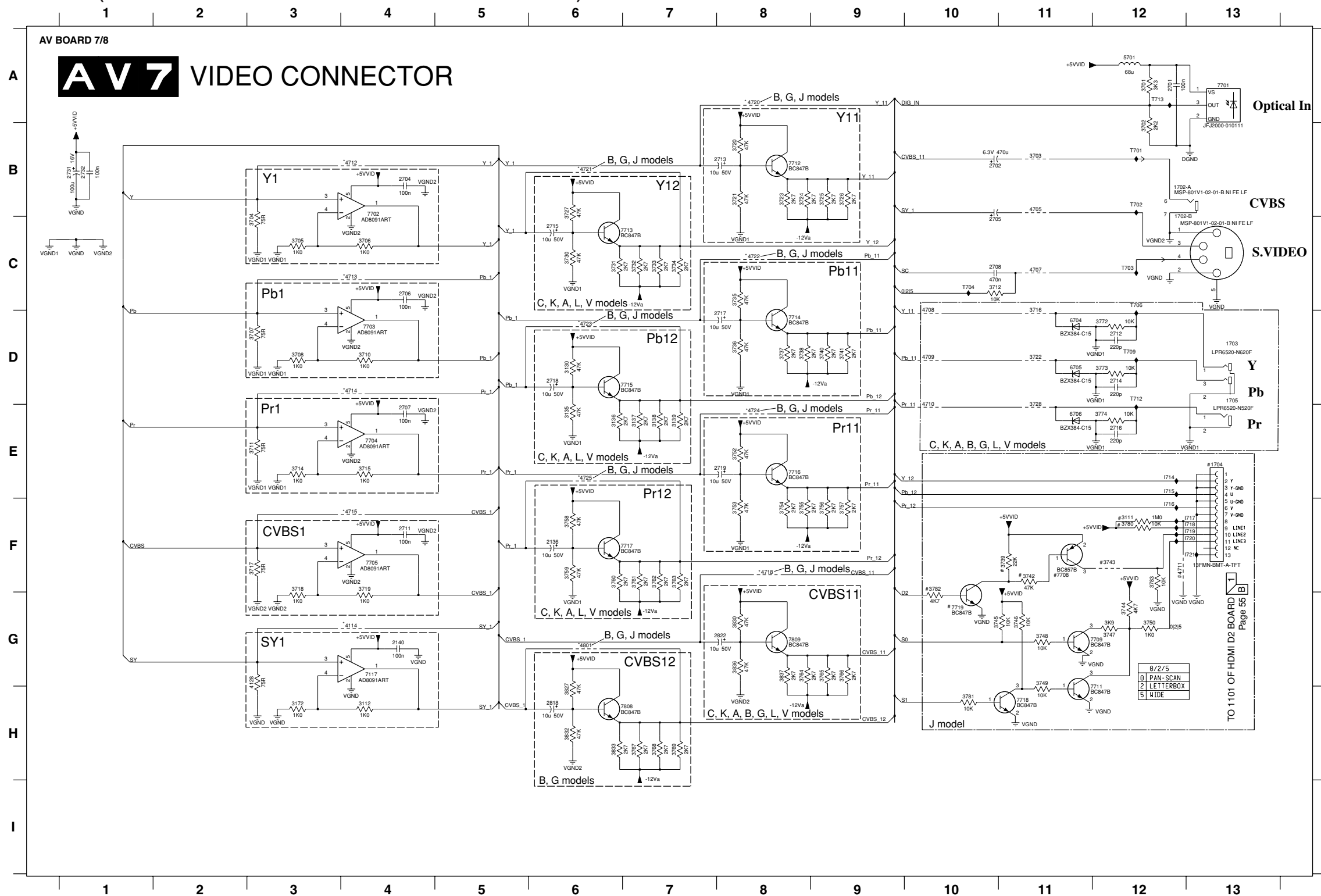
● Δ 印のある部品は、安全性確保部品を示しています。部品の交換が必要な場合、パーツリストに記載されている部品を使用してください。
 ● 本回路図は標準回路図です。改良のため予告なく変更することがございます。

DVR-S300 SCHEMATIC DIAGRAM

FOR INFORMATION ONLY (NO REPLACEMENT COMPONENT PARTS WILL BE AVAILABLE)

The first digit of a component indicates the component type.

- 1xxx : Connector 3xxx : Resistor 5xxx : Coil 7xxx : IC, Transistor, FET
- 2xxx : Capacitor 4xxx : SMD jumper 6xxx : Diode 9xxx : Wire jumper



- 1702-A B12
- 1702-B B12
- 1703 D13
- 1704 E13
- 1705 D13
- 2136 F6
- 2140 G4
- 2701 A12
- 2702 B10
- 2704 B4
- 2705 C10
- 2706 C4
- 2707 E4
- 2708 C10
- 2711 F4
- 2712 D12
- 2713 B8
- 2714 D12
- 2715 C5
- 2716 E12
- 2717 D8
- 2718 D6
- 2719 E8
- 2721 B1
- 2732 B1
- 2818 H6
- 2822 G8
- 3111 F12
- 3112 H4
- 3130 D6
- 3135 E6
- 3136 E6
- 3137 E7
- 3138 E7
- 3139 E7
- 3172 H3
- 3701 A12
- 3702 B12
- 3703 B11
- 3704 C3
- 3705 C3
- 3706 C4
- 3707 D3
- 3708 D3
- 3710 D4
- 3711 E3
- 3712 C10
- 3714 E3
- 3715 E4
- 3716 D11
- 3717 F3
- 3718 F3
- 3719 F4
- 3720 B8
- 3721 B8
- 3722 D11
- 3723 B8
- 3724 B8
- 3725 B9
- 3726 B9
- 3727 B6
- 3728 E11
- 3730 C6
- 3731 C6
- 3732 C7
- 3733 C7
- 3734 C7
- 3735 C8
- 3736 D8
- 3737 D8
- 3738 D8
- 3739 F11
- 3740 D9
- 3741 D9
- 3742 F11
- 3743 F12
- 3744 G12
- 3745 G10
- 3746 G11
- 3747 G12
- 3748 G11
- 3749 G11
- 3750 G12
- 3752 E8
- 3753 F8
- 3754 F8
- 3755 F8
- 3756 F9
- 3757 F9
- 3758 F6
- 3759 F6
- 3760 F6
- 3761 F7
- 3762 F7
- 3763 F7
- 3764 G8
- 3765 G9
- 3766 G9
- 3767 H7
- 3768 H7
- 3769 H7
- 3772 D12
- 3773 D12
- 3774 E12
- 3780 F12
- 3781 H10
- 3782 F10
- 3783 F12
- 3827 H6
- 3830 G8
- 3832 H6
- 3833 H6
- 3836 G8
- 3837 G8
- 4114 G4
- 4128 G3
- 4705 B11
- 4707 C11
- 4708 D10
- 4709 D10
- 4710 E10
- 4711 F12
- 4712 B4
- 4713 C4
- 4714 D4
- 4715 F4
- 4716 F8
- 4720 A8
- 4721 B6
- 4722 C8
- 4723 E8
- 4724 E8
- 4725 E6
- 4801 G6
- 5701 A12
- 6704 D11
- 6705 D11
- 6706 E11
- 7117 G4
- 7701 A13
- 7702 B4
- 7703 D4
- 7704 E4
- 7705 F4
- 7708 F11
- 7709 G11
- 7711 H11
- 7712 B8
- 7713 C6
- 7714 D8
- 7715 D6
- 7716 E8
- 7717 F6
- 7718 H11
- 7719 G10
- 7808 H6
- 7809 G8
- 1714 E12
- 1715 E12
- 1716 F12
- 1717 F13
- 1718 F13
- 1719 F13
- 1720 F13
- 1721 F13
- 1701 B12
- 1702 B12
- 1703 C12
- 1704 C10
- 1706 C12
- 1709 D12
- 1712 D12
- 1713 A12

| Region | Block | | | | | | | | | | | | 4708 4709 4710 | 1703 | |
|--------|----------|----------|----------|----------|----------|----------|----------|----------|----------|----------|----------|----------|----------------------|------|--------|
| | Y1 | Pb1 | Pr1 | CVBS1 | SY1 | Y11 | Y12 | Pb11 | Pb12 | Pr11 | Pr12 | CVBS11 | | | CVBS12 |
| EU | NO(4712) | NO(4713) | NO(4714) | YES | NO(4114) | NO(4720) | - | NO(4722) | - | NO(4724) | - | YES | YES | YES | YES |
| JP | NO(4712) | NO(4713) | NO(4714) | NO(4715) | NO(4114) | NO(4720) | NO(4721) | NO(4722) | NO(4723) | NO(4724) | NO(4725) | NO(4718) | - | NO | NO |
| ROW | NO(4712) | NO(4713) | NO(4714) | NO(4715) | NO(4114) | NO(4720) | - | NO(4722) | - | NO(4724) | - | NO(4718) | - | YES | YES |

★ Components having special characteristics are marked Δ and must be replaced with parts having specifications equal to those originally installed.
★ Schematic diagram is subject to change without notice.

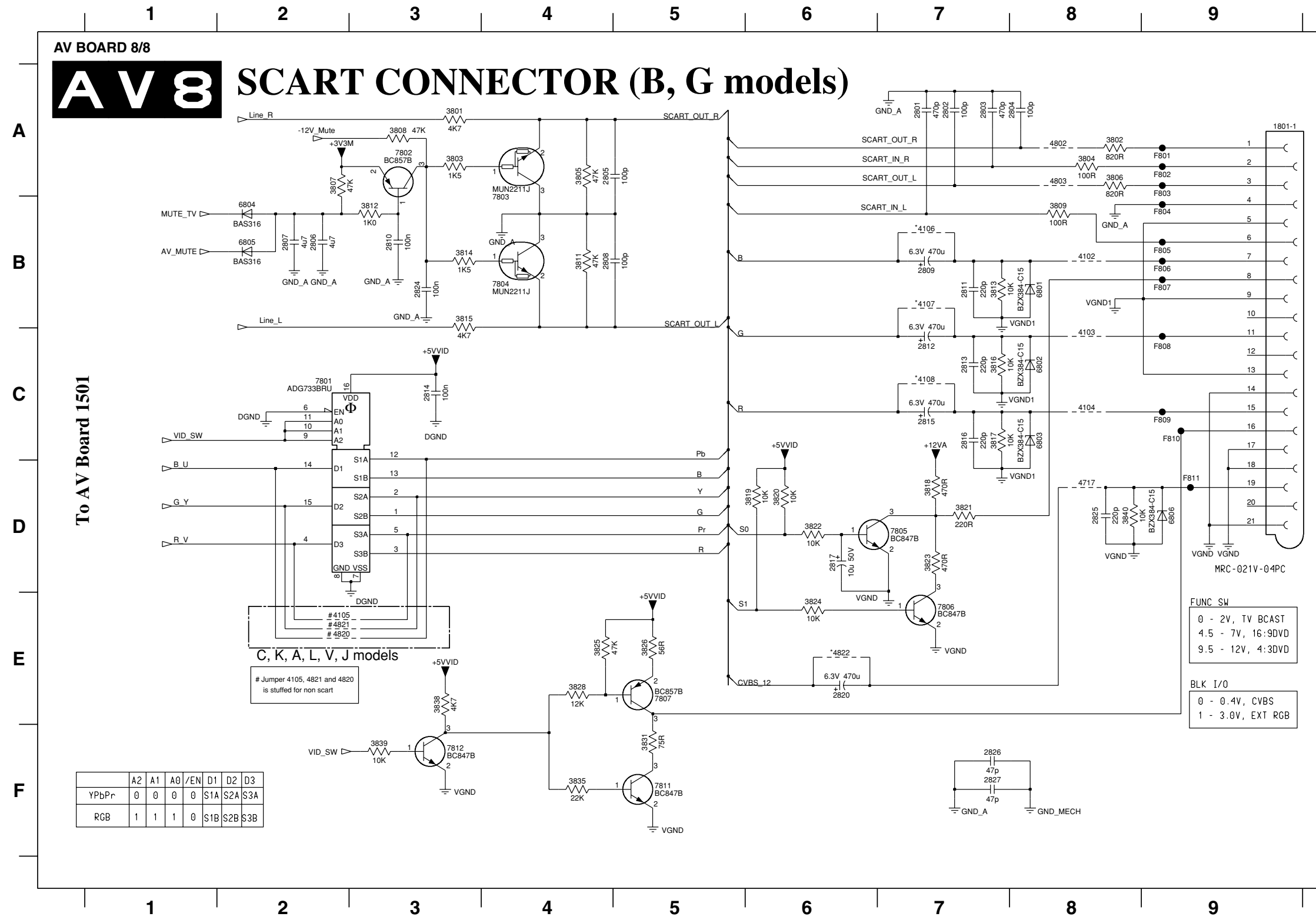
● 印のある部品は、安全性確保部品を示しています。部品の交換が必要な場合、パーツリストに記載されている部品を使用してください。
● 本回路図は標準回路図です。改良のため予告なく変更することがございます。

■ DVR-S300 SCHEMATIC DIAGRAM

FOR INFORMATION ONLY (NO REPLACEMENT COMPONENT PARTS WILL BE AVAILABLE)

The first digit of a component indicates the component type.

- 1xxx : Connector 3xxx : Resistor 5xxx : Coil 7xxx : IC, Transistor, FET
- 2xxx : Capacitor 4xxx : SMD jumper 6xxx : Diode 9xxx : Wire jumper



- 1801-1 A9
- 2801 A7
- 2802 A7
- 2803 A7
- 2804 A8
- 2805 A4
- 2806 B2
- 2807 B2
- 2808 B4
- 2809 B7
- 2810 B3
- 2811 B7
- 2812 C7
- 2813 C7
- 2814 C3
- 2815 C7
- 2816 C7
- 2817 D6
- 2820 E6
- 2824 B3
- 2825 D8
- 2826 F7
- 2827 F7
- 3801 A3
- 3802 A8
- 3803 A3
- 3804 A8
- 3805 A4
- 3806 A8
- 3807 A2
- 3808 A3
- 3809 B8
- 3811 B4
- 3812 B3
- 3813 B7
- 3814 B3
- 3815 B3
- 3816 C7
- 3817 C7
- 3818 D7
- 3819 D6
- 3820 D6
- 3821 D7
- 3822 D6
- 3823 D7
- 3824 E6
- 3825 E4
- 3826 E5
- 3828 E4
- 3831 F5
- 3835 F4
- 3838 E3
- 3839 F3
- 3840 D8
- 4102 B8
- 4103 C8
- 4104 C8
- 4105 E2
- 4106 B7
- 4107 B7
- 4108 C7
- 4717 D8
- 4802 A8
- 4803 A8
- 4820 E2
- 4821 E2
- 4822 E6
- 6801 B8
- 6802 C8
- 6803 C8
- 6804 B2
- 6805 B2
- 6806 D9
- 7801 C2
- 7802 A3
- 7803 A4
- 7804 B4
- 7805 D7
- 7806 E7
- 7807 E5
- 7811 F5
- 7812 F3
- F801 A9
- F802 A9
- F803 A9
- F804 B9
- F805 B9
- F806 B9
- F807 B9
- F808 C9
- F809 C9
- F810 C9
- F811 D9

★ Components having special characteristics are marked Δ and must be replaced with parts having specifications equal to those originally installed.
 ★ Schematic diagram is subject to change without notice.

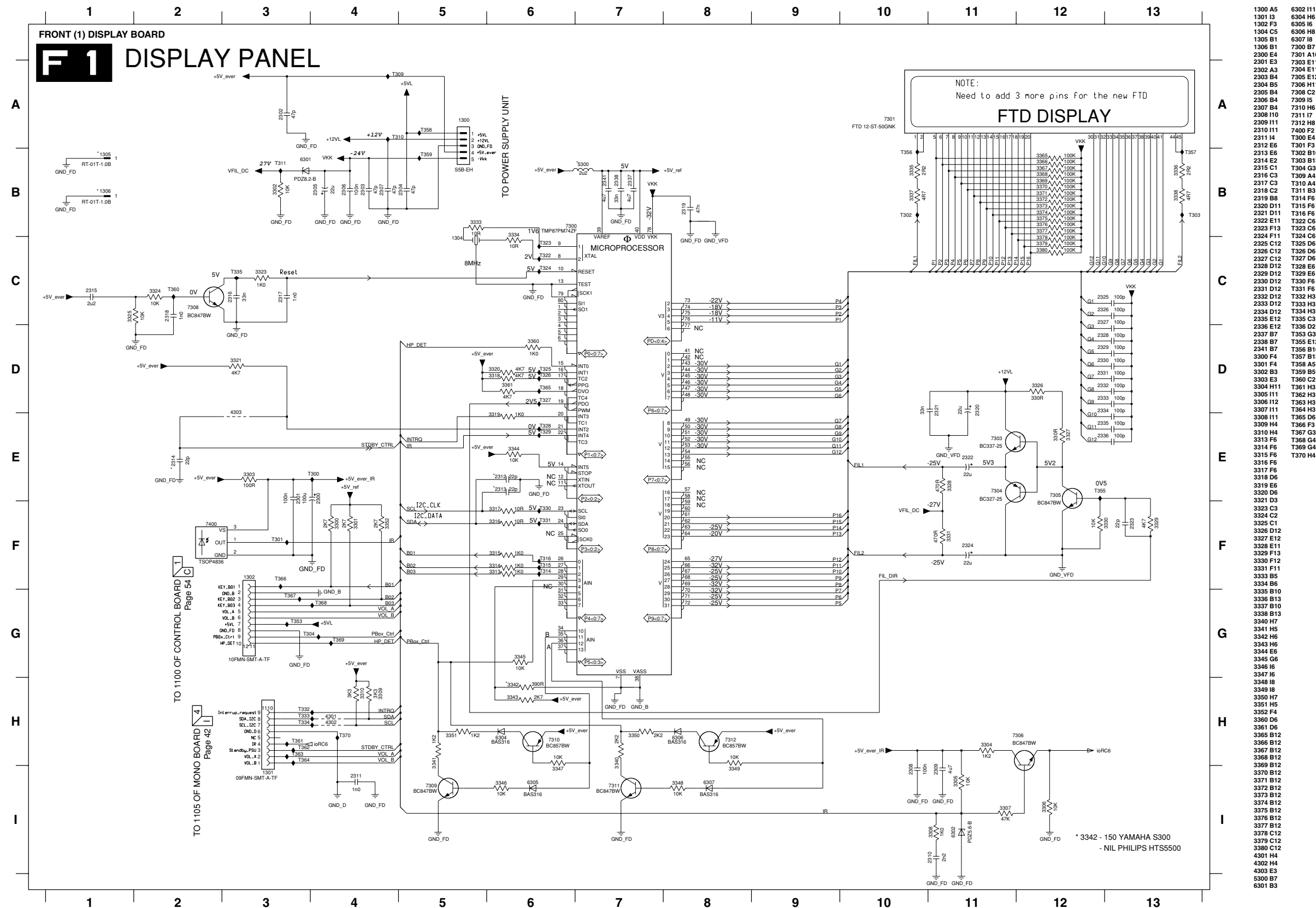
● Δ 印のある部品は、安全性確保部品を示しています。部品の交換が必要な場合、パーツリストに記載されている部品を使用してください。
 ● 本回路図は標準回路図です。改良のため予告なく変更することがございます。

DVR-S300 SCHEMATIC DIAGRAM

FOR INFORMATION ONLY (NO REPLACEMENT COMPONENT PARTS WILL BE AVAILABLE)

The first digit of a component indicates the component type.

- 1xxx : Connector 3xxx : Resistor 5xxx : Coil 7xxx : IC, Transistor, FET
- 2xxx : Capacitor 4xxx : SMD jumper 6xxx : Diode 9xxx : Wire jumper



| | |
|----------|----------|
| 1300 A5 | 6302 I11 |
| 1301 I3 | 6304 H6 |
| 1302 F3 | 6305 I6 |
| 1304 C5 | 6306 H8 |
| 1305 B1 | 6307 I8 |
| 1306 B1 | 7300 B7 |
| 2300 E4 | 7301 A10 |
| 2301 E3 | 7303 E11 |
| 2302 A3 | 7304 E11 |
| 2303 B4 | 7305 E12 |
| 2304 B5 | 7306 H11 |
| 2305 B4 | 7308 C2 |
| 2306 B4 | 7309 I5 |
| 2307 B4 | 7310 H6 |
| 2308 I10 | 7311 I7 |
| 2309 I11 | 7312 H6 |
| 2310 I11 | 7400 F2 |
| 2311 I4 | T300 E4 |
| 2312 E6 | T301 F3 |
| 2313 E9 | T302 B10 |
| 2314 E2 | T303 B13 |
| 2315 C1 | T304 G3 |
| 2316 C3 | T309 A4 |
| 2317 C3 | T310 A4 |
| 2318 C2 | T311 B3 |
| 2319 B8 | T314 F6 |
| 2320 D11 | T315 F6 |
| 2321 D11 | T316 F6 |
| 2322 E11 | T322 C6 |
| 2323 F13 | T323 C6 |
| 2324 F11 | T324 C6 |
| 2325 C12 | T325 D6 |
| 2326 C12 | T326 D6 |
| 2327 C12 | T327 D6 |
| 2328 D12 | T328 E6 |
| 2329 D12 | T329 E6 |
| 2330 D12 | T330 F6 |
| 2331 D12 | T331 F6 |
| 2332 D12 | T332 H3 |
| 2333 D12 | T333 H3 |
| 2334 D12 | T334 H3 |
| 2335 E12 | T335 C3 |
| 2336 E12 | T336 D2 |
| 2337 E7 | T335 G3 |
| 2338 B7 | T355 E12 |
| 2341 B7 | T356 B10 |
| 3300 F4 | T357 B10 |
| 3301 F4 | T358 A5 |
| 3302 B3 | T359 B5 |
| 3303 E3 | T360 C2 |
| 3304 H11 | T361 H3 |
| 3305 I11 | T362 H3 |
| 3306 I12 | T363 H3 |
| 3307 I11 | T364 H3 |
| 3308 I11 | T365 D6 |
| 3309 H4 | T366 F3 |
| 3310 H4 | T367 G3 |
| 3313 F6 | T368 G4 |
| 3314 F6 | T369 G4 |
| 3315 F9 | T370 H4 |
| 3316 F6 | |
| 3317 F6 | |
| 3318 D6 | |
| 3319 E6 | |
| 3320 D3 | |
| 3321 D3 | |
| 3322 C3 | |
| 3324 C2 | |
| 3325 C1 | |
| 3326 D12 | |
| 3327 E12 | |
| 3328 E11 | |
| 3329 F13 | |
| 3330 F12 | |
| 3331 F11 | |
| 3333 B5 | |
| 3334 B6 | |
| 3335 B10 | |
| 3336 B13 | |
| 3337 B10 | |
| 3338 B13 | |
| 3340 H7 | |
| 3341 H5 | |
| 3342 H6 | |
| 3343 H6 | |
| 3344 E6 | |
| 3345 G6 | |
| 3346 I6 | |
| 3347 I6 | |
| 3348 I8 | |
| 3349 I8 | |
| 3350 H7 | |
| 3351 H5 | |
| 3352 F4 | |
| 3350 D6 | |
| 3361 D6 | |
| 3365 B12 | |
| 3366 B12 | |
| 3367 B12 | |
| 3368 B12 | |
| 3369 B12 | |
| 3370 B12 | |
| 3371 B12 | |
| 3372 B12 | |
| 3373 B12 | |
| 3374 B12 | |
| 3375 B12 | |
| 3376 B12 | |
| 3377 B12 | |
| 3378 C12 | |
| 3379 C12 | |
| 3380 C12 | |
| 4301 H4 | |
| 4302 H4 | |
| 4303 E3 | |
| 5300 B7 | |
| 6301 B3 | |

★ Components having special characteristics are marked Δ and must be replaced with parts having specifications equal to those originally installed.
 ★ Schematic diagram is subject to change without notice.

● Δ 印のある部品は、安全性確保部品を示しています。部品の交換が必要な場合、パーツリストに記載されている部品を使用してください。
 ● 本回路図は標準回路図です。改良のため予告なく変更することがございます。

■ DVR-S300 SCHEMATIC DIAGRAM

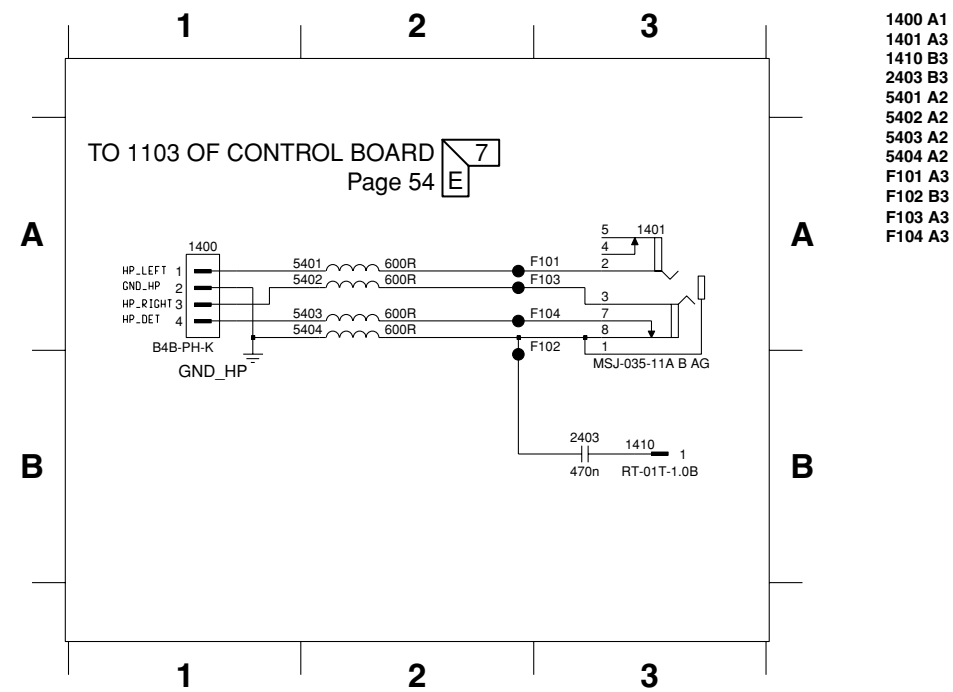
FOR INFORMATION ONLY (NO REPLACEMENT COMPONENT PARTS WILL BE AVAILABLE)

The first digit of a component indicates the component type.

1xxx : Connector 3xxx : Resistor 5xxx : Coil 7xxx : IC, Transistor, FET
 2xxx : Capacitor 4xxx : SMD jumper 6xxx : Diode 9xxx : Wire jumper

FRONT (2) HP BOARD

F 2 FRONT IR_HP



- 1400 A1
- 1401 A3
- 1410 B3
- 2403 B3
- 5401 A2
- 5402 A2
- 5403 A2
- 5404 A2
- F101 A3
- F102 B3
- F103 A3
- F104 A3

★ Components having special characteristics are marked with a triangle symbol and must be replaced with parts having specifications equal to those originally installed.
 ★ Schematic diagram is subject to change without notice.

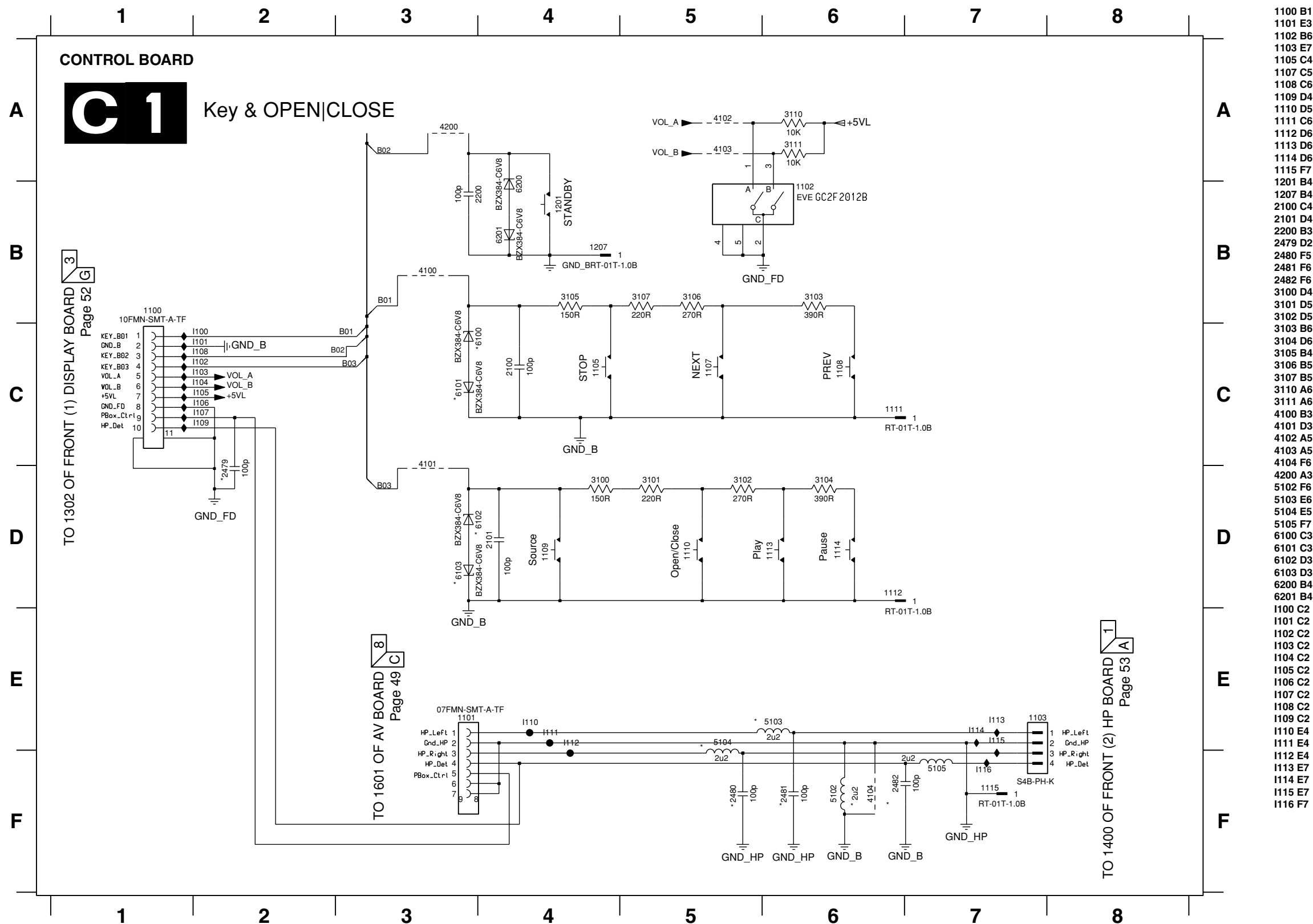
● 印のある部品は、安全性確保部品を示しています。部品の交換が必要な場合、パーツリストに記載されている部品を使用してください。
 ● 本回路図は標準回路図です。改良のため予告なく変更することがございます。

DVR-S300 SCHEMATIC DIAGRAM

FOR INFORMATION ONLY (NO REPLACEMENT COMPONENT PARTS WILL BE AVAILABLE)

The first digit of a component indicates the component type.

- 1xxx : Connector 3xxx : Resistor 5xxx : Coil 7xxx : IC, Transistor, FET
- 2xxx : Capacitor 4xxx : SMD jumper 6xxx : Diode 9xxx : Wire jumper



★ Components having special characteristics are marked Δ and must be replaced with parts having specifications equal to those originally installed.
 ★ Schematic diagram is subject to change without notice.

● Δ 印のある部品は、安全性確保部品を示しています。部品の交換が必要な場合、パーツリストに記載されている部品を使用してください。
 ● 本回路図は標準回路図です。改良のため予告なく変更することがございます。

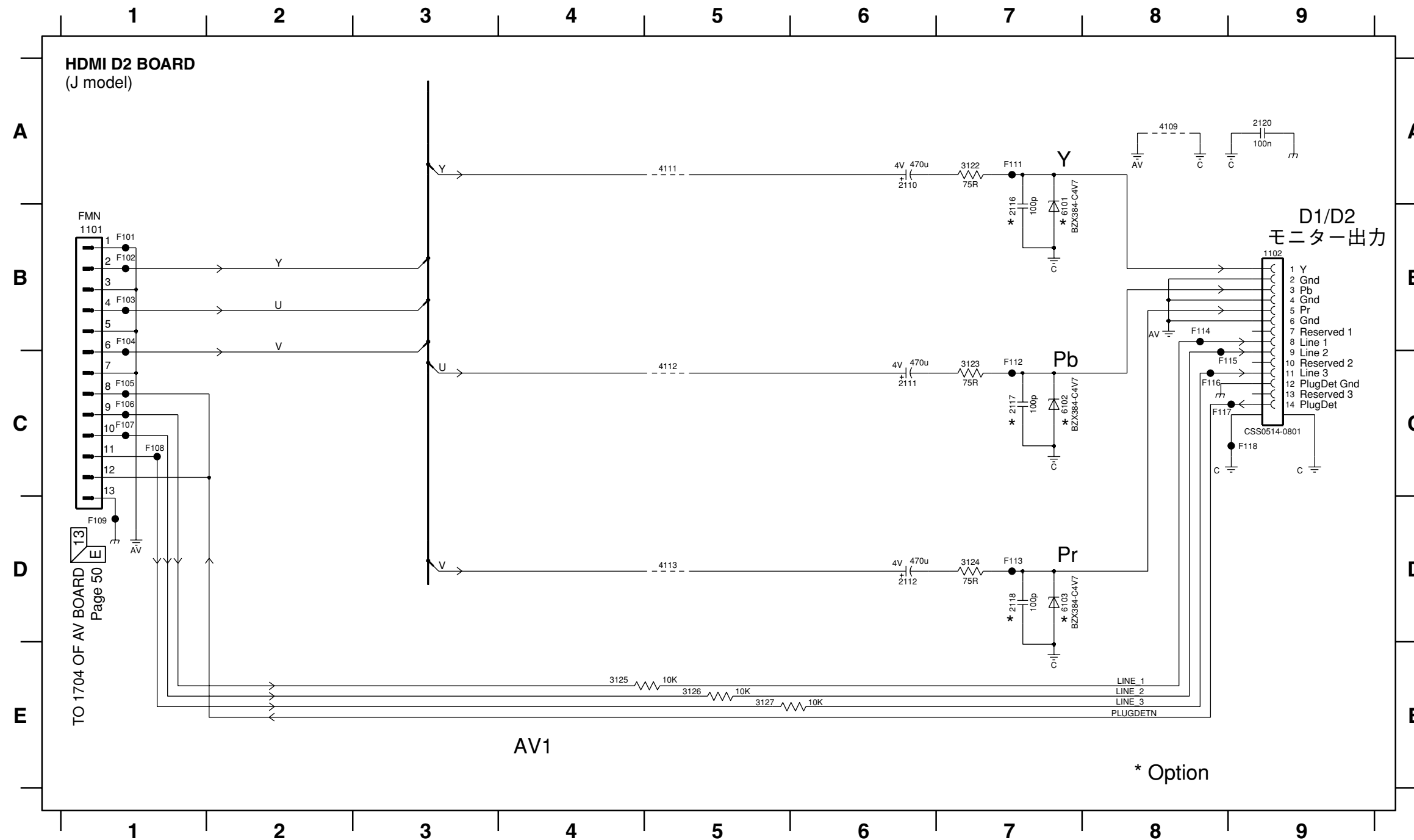
■ DVR-S300 SCHEMATIC DIAGRAM

FOR INFORMATION ONLY (NO REPLACEMENT COMPONENT PARTS WILL BE AVAILABLE)

The first digit of a component indicates the component type.

1xxx : Connector 3xxx : Resistor 5xxx : Coil 7xxx : IC, Transistor, FET
 2xxx : Capacitor 4xxx : SMD jumper 6xxx : Diode 9xxx : Wire jumper

| | | | | |
|---------|---------|---------|---------|---------|
| 1101 B1 | 2120 A9 | 4112 B5 | F105 C1 | F114 B8 |
| 1102 B9 | 3122 A7 | 4113 C5 | F106 C1 | F115 C8 |
| 2110 A6 | 3123 C7 | 6101 B7 | F107 C1 | F116 C8 |
| 2111 C6 | 3124 D7 | 6102 C7 | F108 C1 | F117 C8 |
| 2112 D6 | 3125 E4 | 6103 D7 | F109 D1 | F118 C9 |
| 2116 B7 | 3126 E5 | F101 B1 | F110 C2 | |
| 2117 C7 | 3127 E5 | F102 B1 | F111 A7 | |
| 2118 D7 | 4109 A8 | F103 B1 | F112 C7 | |
| 2119 A8 | 4111 A5 | F104 B1 | F113 D7 | |

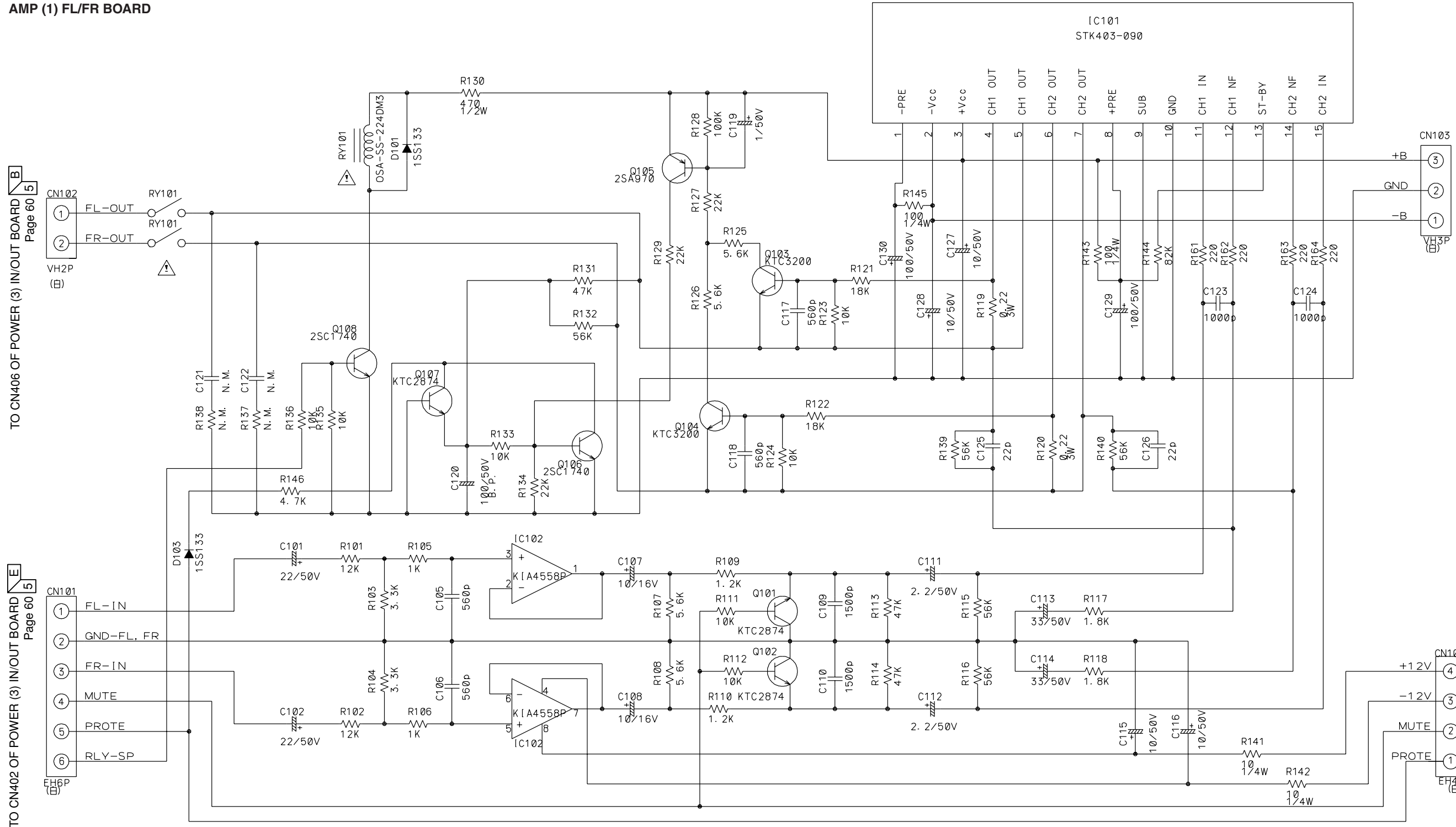


★ Components having special characteristics are marked \triangle and must be replaced with parts having specifications equal to those originally installed.
 ★ Schematic diagram is subject to change without notice.

● \triangle 印のある部品は、安全性確保部品を示しています。部品の交換が必要な場合、パーツリストに記載されている部品を使用してください。
 ● 本回路図は標準回路図です。改良のため予告なく変更することがございます。

NX-SW301 SCHEMATIC DIAGRAM

AMP (1) FL/FR BOARD



TO CN406 OF POWER (3) IN/OUT BOARD
Page 60 | 5

TO CN402 OF POWER (3) IN/OUT BOARD
Page 60 | 5

TO CN805 OF POWER (2) POWER BOARD
Page 59 | 2

TO CN801 OF POWER (2) POWER BOARD
Page 59 | 2

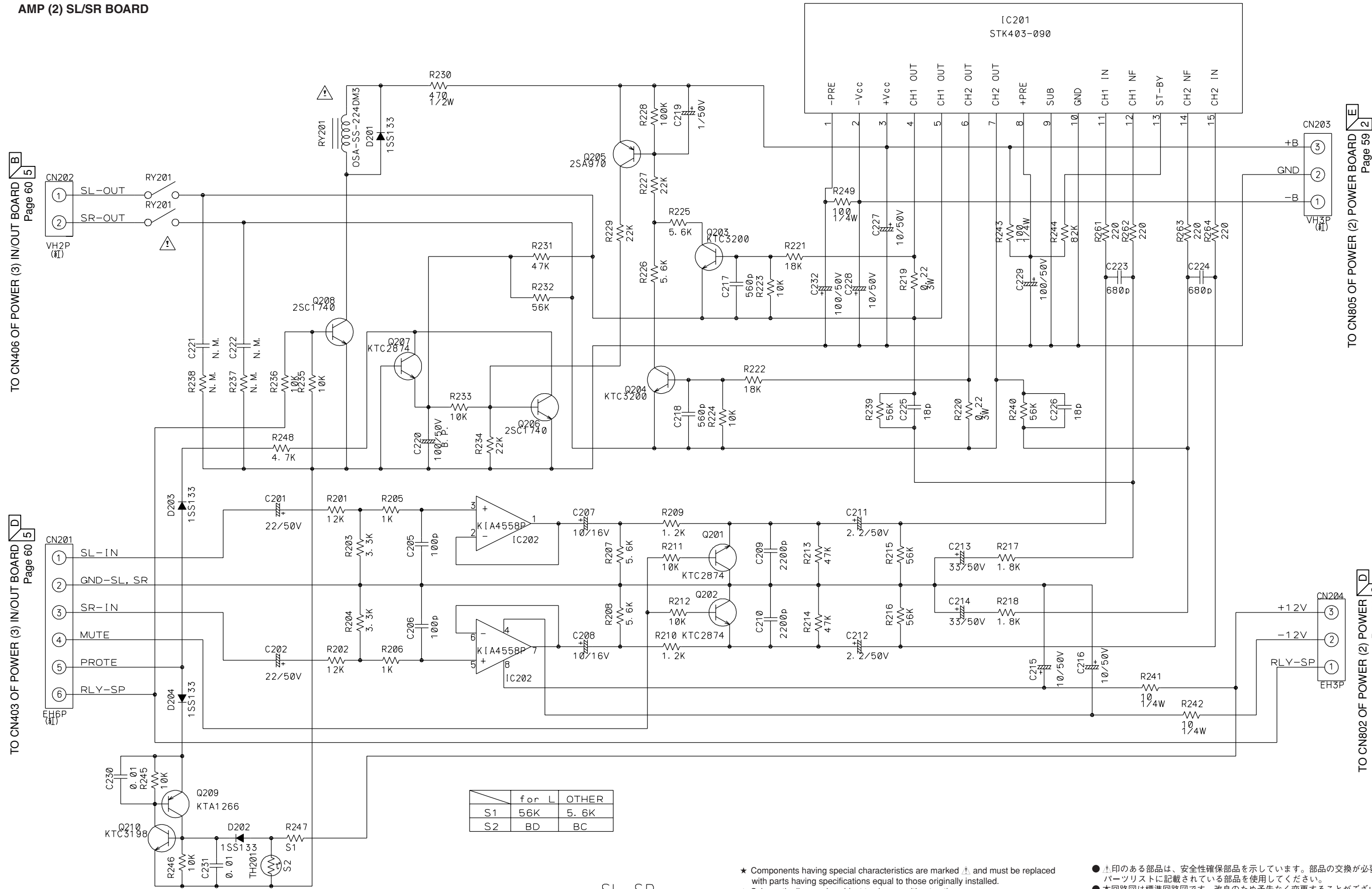
FL/FR


★ Components having special characteristics are marked and must be replaced with parts having specifications equal to those originally installed.
★ Schematic diagram is subject to change without notice.


● 印のある部品は、安全性確保部品を示しています。部品の交換が必要な場合、パーツリストに記載されている部品を使用してください。
● 本回路図は標準回路図です。改良のため予告なく変更することがございます。

NX-SW301 SCHEMATIC DIAGRAM

AMP (2) SL/SR BOARD



★ Components having special characteristics are marked  and must be replaced with parts having specifications equal to those originally installed.
★ Schematic diagram is subject to change without notice.

● 印のある部品は、安全性確保部品を示しています。部品の交換が必要な場合、パーツリストに記載されている部品を使用してください。
● 本回路図は標準回路図です。改良のため予告なく変更することがございます。

SL, SR

TO CN406 OF POWER (3) IN/OUT BOARD Page 60 5

TO CN403 OF POWER (3) IN/OUT BOARD Page 60 5

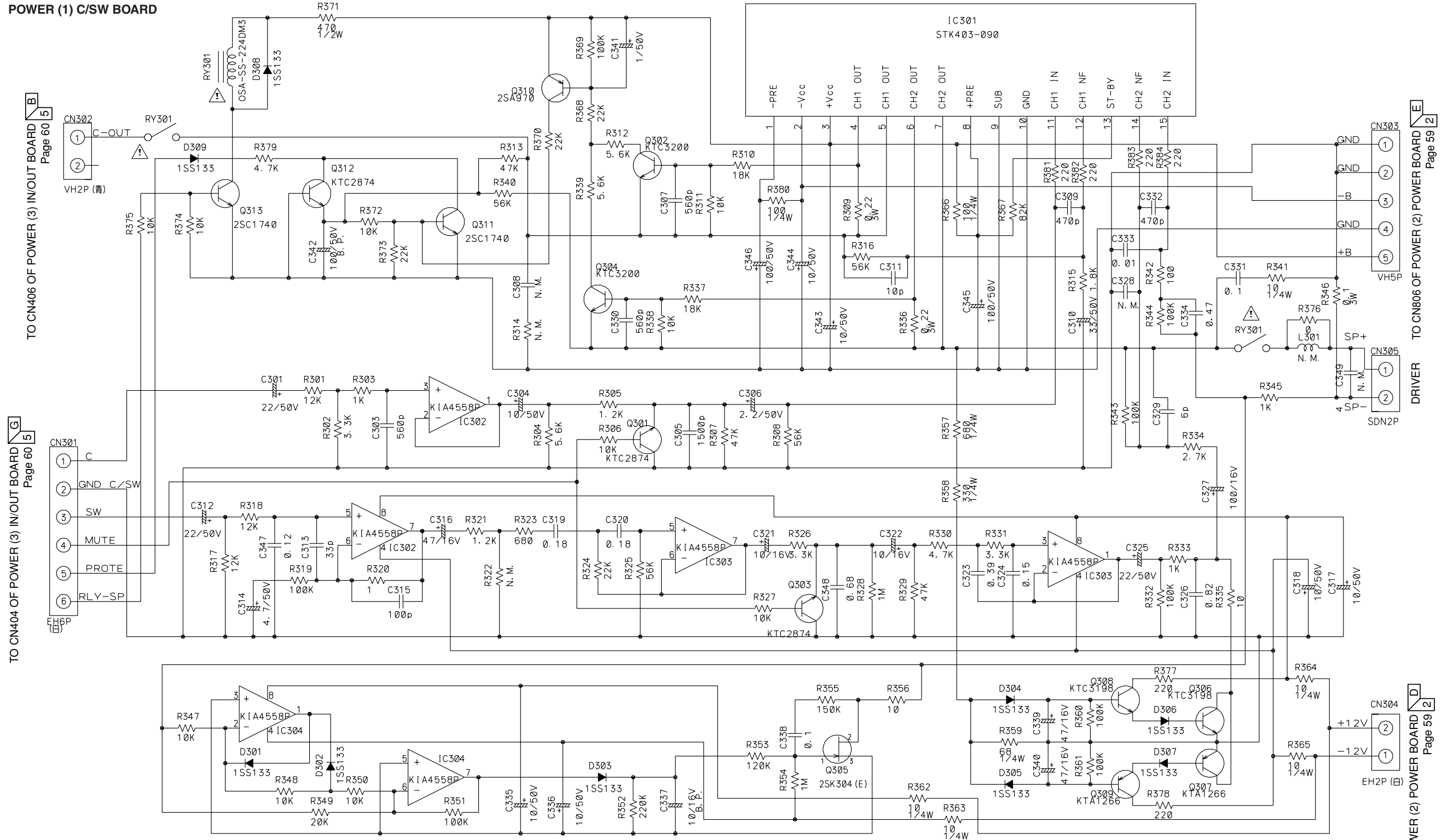
TO CN805 OF POWER (2) POWER BOARD Page 59 2

TO CN802 OF POWER (2) POWER BOARD Page 59 2

1
2
3
4
5
6

NX-SW301 SCHEMATIC DIAGRAM

POWER (1) C/SW BOARD



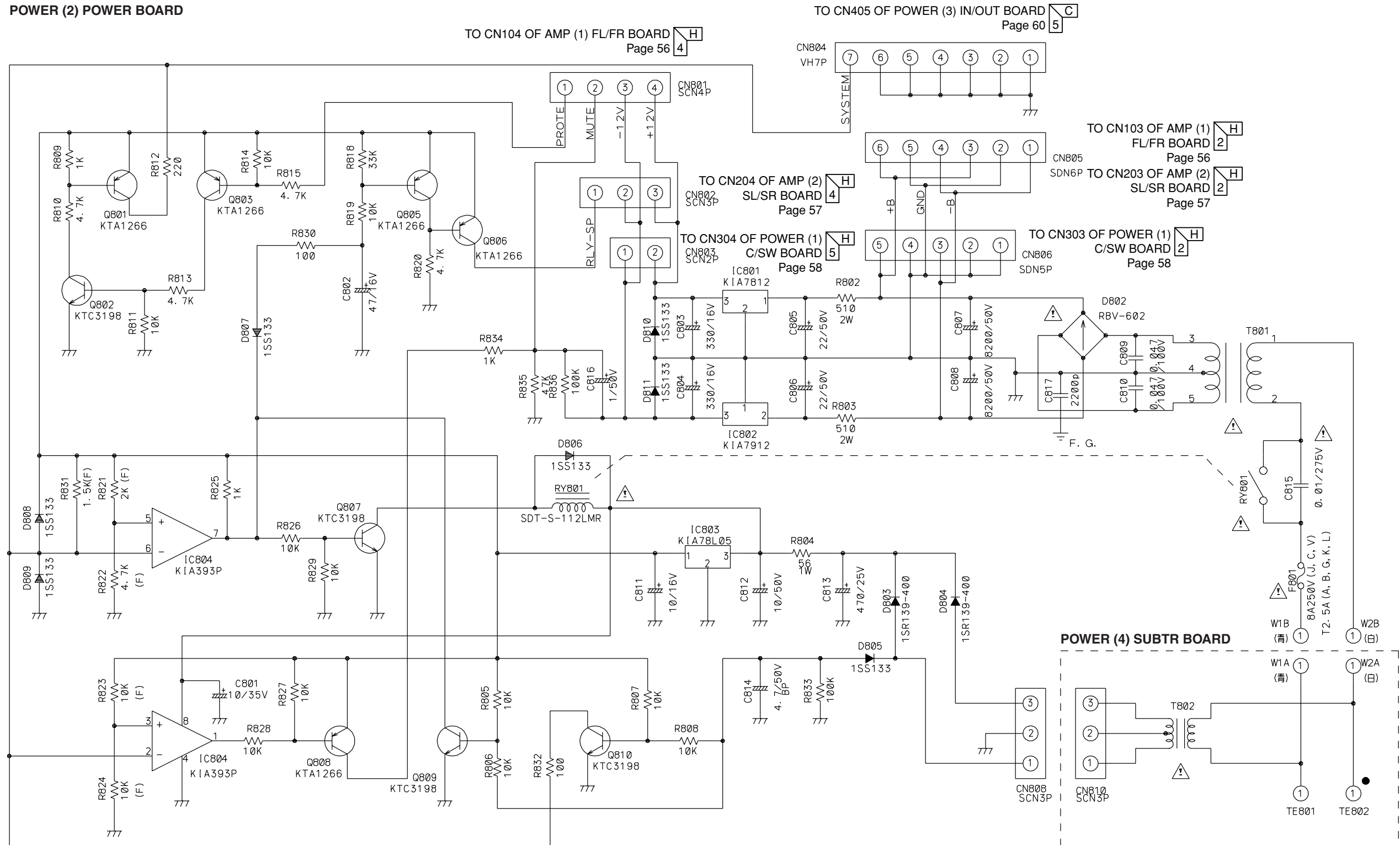
C/SW

★ Components having special characteristics are marked Δ and must be replaced with parts having specifications equal to those originally installed.
★ Schematic diagram is subject to change without notice.

● Δ 印のある部品は、安全性確保部品を示しています。部品の交換が必要な場合、パーツリストに記載されている部品を使用してください。
● 本回路図は標準回路図です。改良のため予告なく変更することがございます。

■ NX-SW301 SCHEMATIC DIAGRAM

POWER (2) POWER BOARD

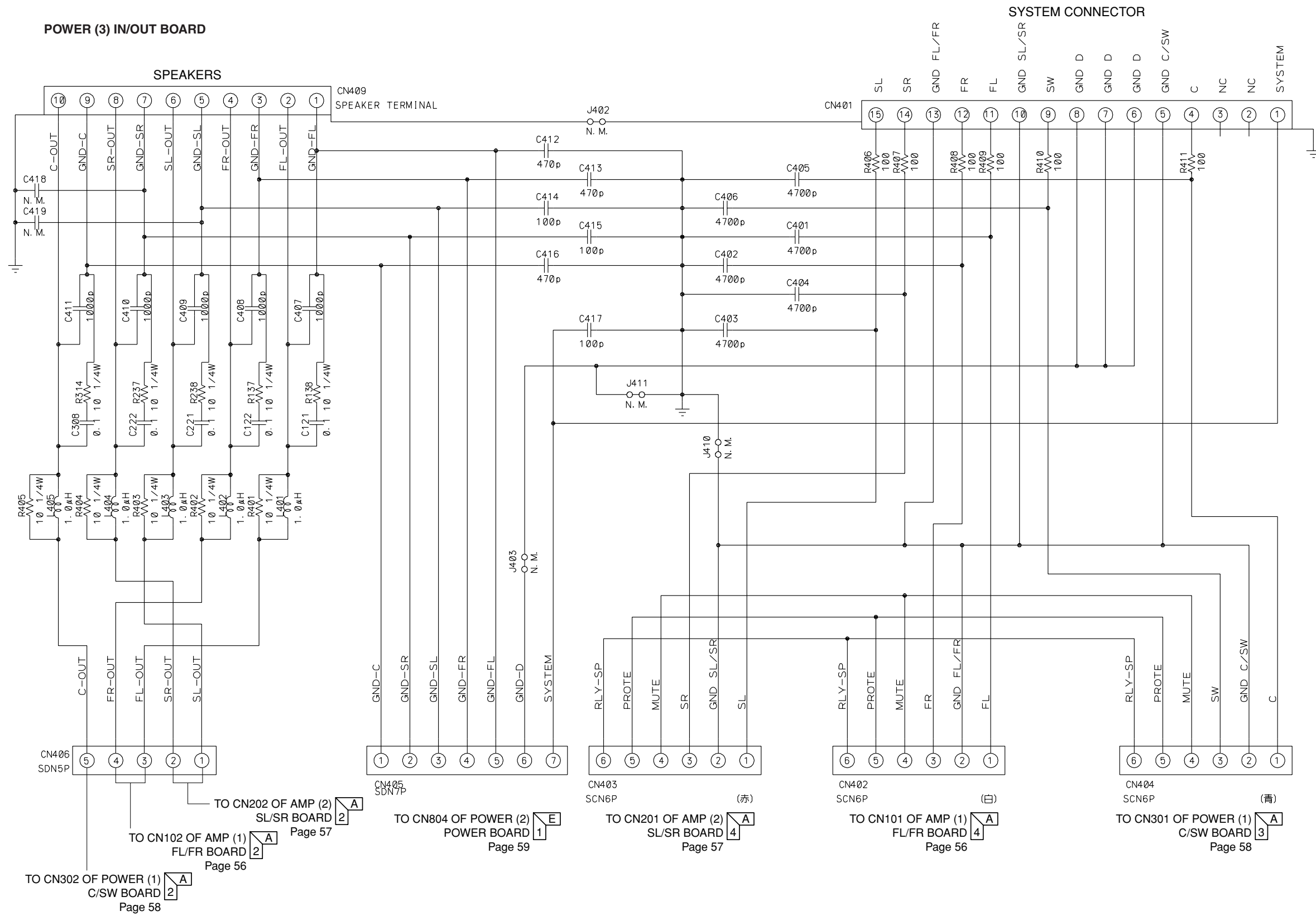


POWER

★ Components having special characteristics are marked ⚠ and must be replaced with parts having specifications equal to those originally installed.
★ Schematic diagram is subject to change without notice.

● ⚠印のある部品は、安全性確保部品を示しています。部品の交換が必要な場合、パーツリストに記載されている部品を使用してください。
● 本回路図は標準回路図です。改良のため予告なく変更することがございます。

NX-SW301 SCHEMATIC DIAGRAM



IN/OUT

★ Components having special characteristics are marked Δ and must be replaced with parts having specifications equal to those originally installed.
★ Schematic diagram is subject to change without notice.

● Δ 印のある部品は、安全性確保部品を示しています。部品の交換が必要な場合、パーツリストに記載されている部品を使用してください。
● 本回路図は標準回路図です。改良のため予告なく変更することがございます。

PARTS LIST

■ ELECTRICAL PARTS

■ WARNING

● Components having special characteristics are marked \triangle and must be replaced with parts having specifications equal to those originally installed.

● \triangle 印のある部分は、安全確保部品を示しています。部品の交換が必要な場合、パーツリストに記載されている部品を使用してください。

● 部品価格ランクは、予告なく変更することがあります。

ABBREVIATIONS IN THIS LIST ARE AS FOLLOWS:

| | | | |
|------------|-------------------------------|------------|--------------------------------|
| C.A.EL.CHP | : CHIP ALUMI.ELECTROLYTIC CAP | L.EMIT | : LIGHT EMITTING MODULE |
| C.CE | : CERAMIC CAP | LED.DSPLY | : LED DISPLAY |
| C.CE.ARRAY | : CERAMIC CAP ARRAY | LED.INFRD | : LED,INFRARED |
| C.CE.CHP | : CHIP CERAMIC CAP | MODUL.RF | : MODULATOR,RF |
| C.CE.ML | : MULTILAYER CERAMIC CAP | PHOT.CPL | : PHOTO COUPLER |
| C.CE.M.CHP | : CHIP MULTILAYER CERAMIC CAP | PHOT.INTR | : PHOTO INTERRUPTER |
| C.CE.SAFTY | : RECOGNIZED CERAMIC CAP | PHOT.RFLCT | : PHOTO REFLECTOR |
| C.CE.TUBLR | : CERAMIC TUBULAR CAP | PIN.TEST | : PIN,TEST POINT |
| C.CE.SMI | : SEMI CONDUCTIVE CERAMIC CAP | PLST.RIVET | : PLASTIC RIVET |
| C.EL | : ELECTROLYTIC CAP | R.ARRAY | : RESISTOR ARRAY |
| C.MICA | : MICA CAP | R.CAR. | : CARBON RESISTOR |
| C.ML.FLM | : MULTILAYER FILM CAP | R.CAR.CHP | : CHIP RESISTOR |
| C.MP | : METALLIZED PAPER CAP | R.CAR.FP | : FLAME PROOF CARBON RESISTOR |
| C.MYLAR | : MYLAR FILM CAP | R.FUS | : FUSABLE RESISTOR |
| C.MYLAR.ML | : MULTILAYER MYLAR FILM CAP | R.MTL.CHP | : CHIP METAL FILM RESISTOR |
| C.PAPER | : PAPER CAPACITOR | R.MTL.FLM | : METAL FILM RESISTOR |
| C.PLS | : POLYSTYRENE FILM CAP | R.MTL.OXD | : METAL OXIDE FILM RESISTOR |
| C.POL | : POLYESTER FILM CAP | R.MTL.PLAT | : METAL PLATE RESISTOR |
| C.POLY | : POLYETHYLENE FILM CAP | RSNR.CE | : CERAMIC RESONATOR |
| C.PP | : POLYPROPYLENE FILM CAP | RSNR.CRYS | : CRYSTAL RESONATOR |
| C.TNTL | : TANTALUM CAP | R.TW.CEM | : TWIN CEMENT FIXED RESISTOR |
| C.TNTL.CHP | : CHIP TANTALUM CAP | R.CEMENT | : CEMENT RESISTOR |
| C.TRIM | : TRIMMER CAP | SCR.BND.HD | : BIND HEAD B-TITE SCREW |
| CN | : CONNECTOR | SCR.BW.HD | : BW HEAD TAPPING SCREW |
| CN.BS.PIN | : CONNECTOR,BASE PIN | SCR.CUP | : CUP TITE SCREW |
| CN.CANNON | : CONNECTOR,CANNON | SCR.TERM | : SCREW TERMINAL |
| CN.DIN | : CONNECTOR,DIN | SCR.TR | : SCREW,TRANSISTOR |
| CN.FLAT | : CONNECTOR,FLAT CABLE | SUPRT.PCB | : SUPPORT,P.C.B. |
| CN.POST | : CONNECTOR,BASE POST | SURG.PRTCT | : SURGE PROTECTOR |
| COIL.MX.AM | : COIL,AM MIX | SW.TACT | : TACT SWITCH |
| COIL.AT.FM | : COIL,FM ANTENNA | SW.LEAF | : LEAF SWITCH |
| COIL.DT.FM | : COIL,FM DETECT | SW.LEVER | : LEVER SWITCH |
| COIL.MX.FM | : COIL,FM MIX | SW.MICRO | : MICRO SWITCH |
| COIL.OUTPT | : OUTPUT COIL | SW.PUSH | : PUSH SWITCH |
| DIOD.ARRAY | : DIODE ARRAY | SW.RT.ENC | : ROTARY ENCODER |
| DIODE.BRG | : DIODE BRIDGE | SW.RT.MTR | : ROTARY SWITCH WITH MOTOR |
| DIODE.CHP | : CHIP DIODE | SW.RT | : ROTARY SWITCH |
| DIODE.VAR | : VARACTOR DIODE | SW.SLIDE | : SLIDE SWITCH |
| DIOD.Z.CHP | : CHIP ZENER DIODE | TERM.SP | : SPEAKER TERMINAL |
| DIODE.ZENR | : ZENER DIODE | TERM.WRAP | : WRAPPING TERMINAL |
| DSCR.CE | : CERAMIC DISCRIMINATOR | THRMST.CHP | : CHIP THERMISTOR |
| FER.BEAD | : FERRITE BEADS | TR.CHP | : CHIP TRANSISTOR |
| FER.CORE | : FERRITE CORE | TR.DGT | : DIGITAL TRANSISTOR |
| FET.CHP | : CHIP FET | TR.DGT.CHP | : CHIP DIGITAL TRANSISTOR |
| FL.DSPLY | : FLUORESCENT DISPLAY | TRANS | : TRANSFORMER |
| FLTR.CE | : CERAMIC FILTER | TRANS.PULS | : PULSE TRANSFORMER |
| FLTR.COMB | : COMB FILTER MODULE | TRANS.PWR | : POWER TRANSFORMER ASS'Y |
| FLTR.LC.RF | : LC FILTER,EMI | TUNER.AM | : TUNER PACK,AM |
| GND.MTL | : GROUND PLATE | TUNER.FM | : TUNER PACK,FM |
| GND.TERM | : GROUND TERMINAL | TUNER.PK | : FRONT-ENDTUNER PACK |
| HOLDER.FUS | : FUSE HOLDER | VR | : ROTARY POTENTIOMETER |
| IC.PRTCT | : IC PROTECTOR | VR.MTR | : POTENTIOMETER WITH MOTOR |
| JUMPER.CN | : JUMPER CONNECTOR | VR.SW | : POTENTIOMETER WITH ROTARY SW |
| JUMPER.TST | : JUMPER,TEST POINT | VR.SLIDE | : SLIDE POTENTIOMETER |
| L.DTCT | : LIGHT DETECTING MODULE | VR.TRIM | : TRIMMER POTENTIOMETER |

NX-SW301 P.C.B. AMP

| Ref. No. | Part No. | Description | Remarks | Markets | 部 品 名 | Rank | |
|-----------|----------|-------------|----------------|-----------------|-----------|------|----|
| * | AA72270 | P. C. B. | AMP | 422164 | P C B アンブ | | |
| CN101 | VC015000 | CN | EH 6P | 081522 | コネクタ | 01 | |
| CN102 | LB932020 | CN. BS. PIN | 2P | 081661 | ベースポスト | 01 | |
| CN103 | AA10570 | CN | B 5P-VH | 081672 | コネクタ | | |
| CN104 | VC014800 | CN | EH 4P | 081493 | コネクタ | 01 | |
| CN201-203 | AA72350 | CN | B6B-EH-R RED | 423583 | コネクタ | | |
| CN204 | AA28370 | CN | B3B-EH | 081465 | コネクタ | | |
| C101-102 | UR867220 | C. EL | 22uF 50V | 356201 | ケミコン | 01 | |
| C105-106 | AA12400 | C. POL | 560pF 50V | 055500 | ポリエステルコン | | |
| C107-108 | UR867100 | C. EL | 10uF 50V | 338565 | ケミコン | 01 | |
| C109-110 | AA11210 | C. POL | 1500pF 50V | 065028 | ポリエステルコン | | |
| C111-112 | UR866220 | C. EL | 2.2uF 50V | 353100 | ケミコン | 01 | |
| C113-114 | UR867330 | C. EL | 33uF 50V | 368200 | ケミコン | 01 | |
| C115-116 | UR867100 | C. EL | 10uF 50V | 338565 | ケミコン | 01 | |
| C117-118 | FG212560 | C. CE | 560pF 50V | 065810 | セラコン | 01 | |
| C119 | UR866100 | C. EL | 1uF 50V | 356367 | ケミコン | 01 | |
| C120 | UR868100 | C. EL | 100uF 50V | 427664 | ケミコン | 01 | |
| C123-124 | FG613100 | C. CE | 1000pF 50V | 065385 | セラコン | 01 | |
| C125-126 | FG651220 | C. CE | 22pF 50V | 065741 | セラコン | 01 | |
| C127-128 | UR867100 | C. EL | 10uF 50V | 338565 | ケミコン | 01 | |
| C129-130 | UR868100 | C. EL | 100uF 50V | 353102 | ケミコン | 01 | |
| C201-202 | UR867220 | C. EL | 22uF 50V | 356201 | ケミコン | 01 | |
| C205-206 | UA652100 | C. MYLAR | 100pF 50V J | 055439 | マイラーコン | 01 | |
| C207-208 | UR867100 | C. EL | 10uF 50V | 338565 | ケミコン | 01 | |
| C209-210 | AA42490 | C. POL | 2200pF 50V | 065055 | ポリエステルコン | 01 | |
| C211-212 | UR866220 | C. EL | 2.2uF 50V | 353100 | ケミコン | 01 | |
| C213-214 | UR867330 | C. EL | 33uF 50V | 368200 | ケミコン | 01 | |
| C215-216 | UR867100 | C. EL | 10uF 50V | 338565 | ケミコン | 01 | |
| C217-218 | FG212560 | C. CE | 560pF 50V | 065810 | セラコン | 01 | |
| C219 | UR866100 | C. EL | 1uF 50V | 356367 | ケミコン | 01 | |
| C220 | UR868100 | C. EL | 100uF 50V | 427664 | ケミコン | 01 | |
| C223-224 | FG612680 | C. CE | 680pF 50V | 065824 | セラコン | 01 | |
| C225-226 | FG211180 | C. CE | 18pF 50V | 065727 | セラコン | 01 | |
| C227-228 | UR867100 | C. EL | 10uF 50V | 338565 | ケミコン | 01 | |
| C229 | UR868100 | C. EL | 100uF 50V | 353102 | ケミコン | 01 | |
| C230-231 | XX698870 | C. POL | 0.01uF 50V | 065000 | ポリエステルコン | 01 | |
| C232 | UR868100 | C. EL | 100uF 50V | 353102 | ケミコン | 01 | |
| D101 | iF004600 | DIODE | 1SS133 | 069460 | ダイオード | 01 | |
| D103 | iF004600 | DIODE | 1SS133 | 069460 | ダイオード | 01 | |
| D201-204 | iF004600 | DIODE | 1SS133 | 069460 | ダイオード | 01 | |
| # | IC101 | AA72250 | IC | STK403-090-E LF | 421556 | IC | |
| # | IC102 | AA41390 | IC | K1A4558P | 353033 | IC | 03 |
| # | IC201 | AA72250 | IC | STK403-090-E LF | 421556 | IC | |
| # | IC202 | AA41390 | IC | K1A4558P | 353033 | IC | 03 |
| Q101-102 | AA41640 | TR | KTC2874 AB AT | 367222 | トランジスタ | 01 | |
| Q103-104 | AA51670 | TR | KTC3200 GR, BL | 358033 | トランジスタ | 01 | |
| Q105 | AA12580 | TR | 2SA970 GR BL | 073509 | トランジスタ | 03 | |
| Q106 | iC174020 | TR | 2SC1740S QRS | 055717 | トランジスタ | 01 | |
| Q107 | AA41640 | TR | KTC2874 AB AT | 367222 | トランジスタ | 01 | |
| Q108 | iC174020 | TR | 2SC1740S QRS | 055717 | トランジスタ | 01 | |
| Q201-202 | AA41640 | TR | KTC2874 AB AT | 367222 | トランジスタ | 01 | |
| Q203-204 | AA51670 | TR | KTC3200 GR, BL | 358033 | トランジスタ | 01 | |
| Q205 | AA12580 | TR | 2SA970 GR BL | 073509 | トランジスタ | 03 | |
| Q206 | iC174020 | TR | 2SC1740S QRS | 055717 | トランジスタ | 01 | |
| Q207 | AA41640 | TR | KTC2874 AB AT | 367222 | トランジスタ | 01 | |
| Q208 | iC174020 | TR | 2SC1740S QRS | 055717 | トランジスタ | 01 | |
| Q209 | AA41660 | TR | KTA1266GR AT | 051819 | トランジスタ | 01 | |
| Q210 | AA41650 | TR | KTC3198GR AT | 051818 | トランジスタ | 01 | |
| R119-120 | VA872100 | R. MTL. OXD | 0.22Ω 3W | 422321 | 酸化金属被膜抵抗 | 01 | |
| R130 | HL005470 | R. MTL. OXD | 470Ω 1/2W | 423581 | 酸化金属被膜抵抗 | | |
| R141-142 | AA11870 | R. CAR. FP | 10Ω 1/4W | 044452 | 不燃化カーボン抵抗 | 01 | |
| R143 | AA11860 | R. CAR. FP | 100Ω 1/4W | 044153 | 不燃化カーボン抵抗 | 01 | |
| R145 | AA11860 | R. CAR. FP | 100Ω 1/4W | 044153 | 不燃化カーボン抵抗 | 01 | |
| R219-220 | VA872100 | R. MTL. OXD | 0.22Ω 3W | 422321 | 酸化金属被膜抵抗 | 01 | |
| R230 | HL005470 | R. MTL. OXD | 470Ω 1/2W | 423581 | 酸化金属被膜抵抗 | | |
| R241-242 | AA11870 | R. CAR. FP | 10Ω 1/4W | 044452 | 不燃化カーボン抵抗 | 01 | |
| R243 | AA11860 | R. CAR. FP | 100Ω 1/4W | 044153 | 不燃化カーボン抵抗 | 01 | |
| R249 | AA11860 | R. CAR. FP | 100Ω 1/4W | 044153 | 不燃化カーボン抵抗 | 01 | |
| RY101 | VU161600 | RELAY | OSA-SS-224DM3 | 079766 | リレー | 05 | |
| RY201 | VU161600 | RELAY | OSA-SS-224DM3 | 079766 | リレー | 05 | |

* New Parts * 新規部品

(Note) Those parts marked with "#" are not included in the P.C.B. ass'y. (マーク#の部品は、基板に含まれません)

NX-SW301 P.C.B. AMP & POWER

NX-SW301 P.C.B. POWER

| Ref. No. | Part No. | Description | Remarks | Markets | 部品名 | Rank |
|-----------|----------|-------------|-------------------------|---------|-----------------|------|
| TH201 | V9792500 | POSISTOR | PTFM04BC471Q2N34B0 | 068554 | ボジスタ | 04 |
| * | AAX72280 | P.C.B. | POWER | 422168 | J P C B パワー | |
| * | AAX72290 | P.C.B. | POWER | 422287 | CV P C B パワー | |
| * | AAX72320 | P.C.B. | POWER | 422290 | K P C B パワー | |
| * | AAX72300 | P.C.B. | POWER | 422288 | AL P C B パワー | |
| * | AAX72310 | P.C.B. | POWER | 422289 | BG P C B パワー | |
| CN301-302 | AAX72360 | CN | B6B-EH-E BLUE | 423584 | コネクター | |
| CN303 | AAX10570 | CN | B 5P-VH | 081672 | コネクター | |
| CN304 | VC014600 | CN | B02B-EH | 081439 | コネクター | 01 |
| CN401 | AAX72330 | CN | KEY-15S-2A3F(LF) (SN)LF | 422365 | V G Aコネクター1 5 P | |
| CN409 | AAX72460 | CN | NAL1-01-008 LF | 421559 | スピーカーターミナル | |
| CN804 | AAX72340 | CN | B 7P-VH | 081677 | コネクター | |
| C121-122 | AAX11180 | C.POL | 0.1uF 50V | 065007 | ポリエステルコン | |
| C221-222 | AAX11180 | C.POL | 0.1uF 50V | 065007 | ポリエステルコン | |
| C301 | UR867220 | C.EL | 22uF 50V | 356201 | ケミコン | 01 |
| C303 | AAX12400 | C.POL | 560pF 50V | 055500 | ポリエステルコン | |
| C304 | UR867100 | C.EL | 10uF 50V | 338565 | ケミコン | 01 |
| C305 | AAX11210 | C.POL | 1500pF 50V | 065028 | ポリエステルコン | |
| C306 | UR866220 | C.EL | 2.2uF 50V | 353100 | ケミコン | 01 |
| C307 | FG212560 | C.CE | 560pF 50V | 065810 | セラコン | 01 |
| C308 | AAX11180 | C.POL | 0.1uF 50V | 065007 | ポリエステルコン | |
| C309 | FG612470 | C.CE | 470pF 50V | 065793 | セラコン | 01 |
| C310 | UR867330 | C.EL | 33uF 50V | 368200 | ケミコン | 01 |
| C311 | FG651100 | C.CE | 10pF 50V | 065696 | セラコン | 01 |
| C312 | UR867220 | C.EL | 22uF 50V | 356201 | ケミコン | 01 |
| C313 | FG651330 | C.CE | 33pF 50V | 065767 | セラコン | 01 |
| C314 | UR866470 | C.EL | 4.7uF 50V | 358225 | ケミコン | 01 |
| C315 | AAX09530 | C.CE | 100pF 50V | 065382 | セラコン | |
| C316 | UR837470 | C.EL | 47uF 16V | 338563 | ケミコン | 01 |
| C317-318 | UR867100 | C.EL | 10uF 50V | 338565 | ケミコン | 01 |
| C319-320 | UA655180 | C.MYLAR | 0.18uF 50V J | 352293 | マイラーコン | 01 |
| C321-322 | UR837100 | C.EL | 10uF 16V | 353104 | ケミコン | 01 |
| C323 | UA555390 | C.MYLAR | 0.39uF 50V | 352300 | マイラーコン | 02 |
| C324 | UA655150 | C.MYLAR | 0.15uF 50V J | 065038 | マイラーコン | 01 |
| C325 | UR867220 | C.EL | 22uF 50V | 356201 | ケミコン | 01 |
| C326 | UA655820 | C.MYLAR | 0.82uF 50V J | 352307 | マイラーコン | 01 |
| C327 | UR838100 | C.EL | 100uF 16V | 353103 | ケミコン | 01 |
| C329 | FG210600 | C.CE | 6pF 50V | 065816 | セラコン | 01 |
| C330 | FG212560 | C.CE | 560pF 50V | 065810 | セラコン | 01 |
| C331 | AAX11180 | C.POL | 0.1uF 50V | 065007 | ポリエステルコン | |
| C332 | FG612470 | C.CE | 470pF 50V | 065793 | セラコン | 01 |
| C333 | FG644100 | C.CE | 0.01uF 50V | 065452 | セラコン | 01 |
| C334 | UA655470 | C.MYLAR | 0.47uF 50V J | 352302 | マイラーコン | 01 |
| C335-336 | UR867100 | C.EL | 10uF 50V | 338565 | ケミコン | 01 |
| C337 | V0529900 | C.EL | 10uF 16V | 066606 | B Pケミコン | |
| C338 | AAX11180 | C.POL | 0.1uF 50V | 065007 | ポリエステルコン | |
| C339-340 | UR837470 | C.EL | 47uF 16V | 338563 | ケミコン | 01 |
| C341 | UR866100 | C.EL | 1uF 50V | 356367 | ケミコン | 01 |
| C342 | UR868100 | C.EL | 100uF 50V | 427664 | ケミコン | 01 |
| C343-344 | UR867100 | C.EL | 10uF 50V | 338565 | ケミコン | 01 |
| C345-346 | UR868100 | C.EL | 100uF 50V | 353102 | ケミコン | 01 |
| C347 | AAX11200 | C.POL | 0.12uF 50V | 065024 | ポリエステルコン | |
| C348 | UA555680 | C.MYLAR | 0.68uF 50V | 352305 | マイラーコン | 03 |
| C349 | AAX11210 | C.POL | 1500pF 50V | 065028 | ポリエステルコン | |
| C401-406 | FG613470 | C.CE | 4700pF 50V | 065428 | セラコン | 01 |
| C407-408 | FG613100 | C.CE | 1000pF 50V | 065385 | セラコン | 01 |
| C409-410 | FG613470 | C.CE | 4700pF 50V | 065428 | セラコン | 01 |
| C411 | FG613100 | C.CE | 1000pF 50V | 065385 | セラコン | 01 |
| C412-413 | FG612470 | C.CE | 470pF 50V | 065793 | セラコン | |
| C414-415 | AAX09530 | C.CE | 100pF 50V | 065382 | セラコン | |
| C416 | FG612470 | C.CE | 470pF 50V | 065793 | セラコン | |
| C417 | AAX09530 | C.CE | 100pF 50V | 065382 | セラコン | |
| C801 | UR857100 | C.EL | 10uF 35V | 367294 | ケミコン | 01 |
| C802 | UR837470 | C.EL | 47uF 16V | 338563 | ケミコン | 01 |
| C803-804 | UR838330 | C.EL | 330uF 16V | 356203 | ケミコン | 01 |
| C805-806 | UR867220 | C.EL | 22uF 50V | 356201 | ケミコン | 01 |
| C807-808 | VT202600 | C.EL | 8200uF 50V | 422366 | ケミコン | 08 |

* New Parts * 新規部品

Note) Those parts marked with "#" are not included in the P.C.B. ass'y. (マーク#の部品は、基板に含まれません)

| Ref. No. | Part No. | Description | Remarks | Markets | 部品名 | Rank |
|------------|-----------|-------------|-------------------|---------|-----------|------|
| * C809-810 | AAX43060 | C.POL | 0.047uF 100V | 065121 | ポリエステルコン | 01 |
| C811 | UR837100 | C.EL | 10uF 16V | 353104 | ケミコン | 01 |
| C812 | UR867100 | C.EL | 10uF 50V | 338565 | ケミコン | 01 |
| C813 | UR848470 | C.EL | 470uF 25V | 338564 | ケミコン | 01 |
| C814 | VU092400 | C.EL | 4.7uF 50V | 066643 | B Pケミコン | |
| * C815 | AAX72440 | C.CE. SAFTY | 0.01uF 275V | 360376 | 規格認定コン | |
| C816 | UR866100 | C.EL | 1uF 50V | 356367 | ケミコン | 01 |
| D301-309 | iF004600 | D1ODE | 1SS133 | 069460 | ダイオード | 01 |
| D802 | AAAX12240 | D1ODE | RBV602 | 069599 | ダイオード | |
| D803-804 | VU264100 | D1ODE | 1SR139, 400 | 069536 | ダイオード | 01 |
| D805-811 | iF004600 | D1ODE | 1SS133 | 069460 | ダイオード | 01 |
| F801-1 | WC050700 | CLIP.FUSE | EYF-52BCY | 404188 | ヒューズクリップ | 01 |
| F801-2 | AAAX72430 | FUSE | 8A 250V | 423492 | ヒューズ | |
| F801-2 | AAAX72420 | FUSE | 2.5A 250V | 386499 | ヒューズ | |
| * IC301 | AAAX72250 | IC | STK403-090-E LF | 421556 | IC | |
| IC302-304 | AAAX41390 | IC | K1A4558P | 353033 | IC | 03 |
| IC801 | X4153A00 | IC | K1A7812API | 354983 | 電源IC | |
| IC802 | X4154A00 | IC | K1A7912PI | 354984 | 電源IC | |
| IC803 | AAAX41450 | IC | K1A78L05BP TO-92L | 368508 | IC | 04 |
| * IC804 | AAAX72260 | IC | K1A393P LF | 422426 | IC | |
| Q301 | AAAX41640 | TR | KTC2874 AB AT | 367222 | トランジスタ | 01 |
| Q302 | AAAX51670 | TR | KTC3200 GR,BL | 358033 | トランジスタ | 01 |
| Q303 | AAAX41640 | TR | KTC2874 AB AT | 367222 | トランジスタ | 01 |
| Q304 | AAAX51670 | TR | KTC3200 GR,BL | 358033 | トランジスタ | 01 |
| Q305 | AAAX09180 | FET | 2SK304 E | 051061 | FET | 03 |
| Q306 | AAAX41650 | TR | KTC3198GR AT | 051818 | トランジスタ | 01 |
| Q307 | AAAX41660 | TR | KTA1266GR AT | 051819 | トランジスタ | 01 |
| Q308 | AAAX41650 | TR | KTC3198GR AT | 051818 | トランジスタ | 01 |
| Q309 | AAAX41660 | TR | KTA1266GR AT | 051819 | トランジスタ | 01 |
| Q310 | AAAX12580 | TR | 2SA970 GR BL | 073509 | トランジスタ | 03 |
| Q311 | iC174020 | TR | 2SC1740S QRS | 055717 | トランジスタ | 01 |
| Q312 | AAAX41640 | TR | KTC2874 AB AT | 367222 | トランジスタ | 01 |
| Q313 | iC174020 | TR | 2SC1740S QRS | 055717 | トランジスタ | 01 |
| Q801 | AAAX41660 | TR | KTA1266GR AT | 051819 | トランジスタ | 01 |
| Q802 | AAAX41650 | TR | KTC3198GR AT | 051818 | トランジスタ | 01 |
| Q803 | AAAX41660 | TR | KTA1266GR AT | 051819 | トランジスタ | 01 |
| Q805-806 | AAAX41660 | TR | KTA1266GR AT | 051819 | トランジスタ | 01 |
| Q807 | AAAX41650 | TR | KTC3198GR AT | 051818 | トランジスタ | 01 |
| Q808 | AAAX41660 | TR | KTA1266GR AT | 051819 | トランジスタ | 01 |
| Q809-810 | AAAX41650 | TR | KTC3198GR AT | 051818 | トランジスタ | 01 |
| R137-138 | AAAX11870 | R. CAR. FP | 10Ω 1/4W | 044452 | 不燃化カーボン抵抗 | 01 |
| R237-238 | AAAX11870 | R. CAR. FP | 10Ω 1/4W | 044452 | 不燃化カーボン抵抗 | 01 |
| R309 | VA872100 | R. MTL. OXD | 0.22Ω 3W | 422321 | 酸化金属被膜抵抗 | 01 |
| R314 | AAAX11870 | R. CAR. FP | 10Ω 1/4W | 044452 | 不燃化カーボン抵抗 | 01 |
| R336 | VA872100 | R. MTL. OXD | 0.22Ω 3W | 422321 | 酸化金属被膜抵抗 | 01 |
| R341 | AAAX11870 | R. CAR. FP | 10Ω 1/4W | 044452 | 不燃化カーボン抵抗 | 01 |
| R346 | VR412900 | R. MTL. OXD | 0.1Ω 3W | 422319 | 酸化金属被膜抵抗 | 01 |
| R357 | HV455680 | R. CAR. FP | 680Ω 1/4W | 332092 | 不燃化カーボン抵抗 | 01 |
| R358 | HV455330 | R. CAR. FP | 330Ω 1/4W | 332097 | 不燃化カーボン抵抗 | 01 |
| R359 | HV754680 | R. CAR. FP | 68Ω 1/4W | 067490 | 不燃化カーボン抵抗 | 01 |
| R362-365 | AAAX11870 | R. CAR. FP | 10Ω 1/4W | 044452 | 不燃化カーボン抵抗 | 01 |
| R366 | AAAX11860 | R. CAR. FP | 100Ω 1/4W | 044153 | 不燃化カーボン抵抗 | 01 |
| R371 | HL005470 | R. MTL. OXD | 470Ω 1/2W | 423581 | 酸化金属被膜抵抗 | |
| R380 | AAAX11860 | R. CAR. FP | 100Ω 1/4W | 044153 | 不燃化カーボン抵抗 | 01 |
| R401-405 | AAAX11870 | R. CAR. FP | 10Ω 1/4W | 044452 | 不燃化カーボン抵抗 | 01 |
| R802-803 | AAAX72450 | R. MTL. OXD | 510Ω 2W | 427590 | 酸化金属被膜抵抗 | |
| R804 | HL314560 | R. MTL. OXD | 56Ω 1W | 422429 | 酸化金属被膜抵抗 | 01 |
| R821 | Vi510100 | R. MTL. FLM | 2KΩ 1/4W | 423588 | 金属被膜抵抗 | |
| R822 | Vi511000 | R. MTL. FLM | 4.7KΩ 1/4W | 423589 | 金属被膜抵抗 | 01 |
| R823-824 | HB027100 | R. MTL. FLM | 10KΩ 1/4W | 366208 | 金属被膜抵抗 | 01 |
| R831 | Vi509800 | R. MTL. FLM | 1.5KΩ 1/4W | 423822 | 金属被膜抵抗 | |
| RY301 | VU161600 | RELAY | OSA-SS-224DM3 | 079766 | リレー | 05 |
| RY801 | AAAX12490 | RELAY | SDT-S-112LMR | 055473 | リレー | 06 |
| T802 | AAAX72370 | TRANS | | 422312 | サブトランス | |
| T802 | AAAX72380 | TRANS | | 422313 | サブトランス | |
| T802 | AAAX72410 | TRANS | | 422316 | サブトランス | |
| T802 | AAAX72390 | TRANS | | 422314 | サブトランス | |
| T802 | AAAX72400 | TRANS | | 422315 | サブトランス | |

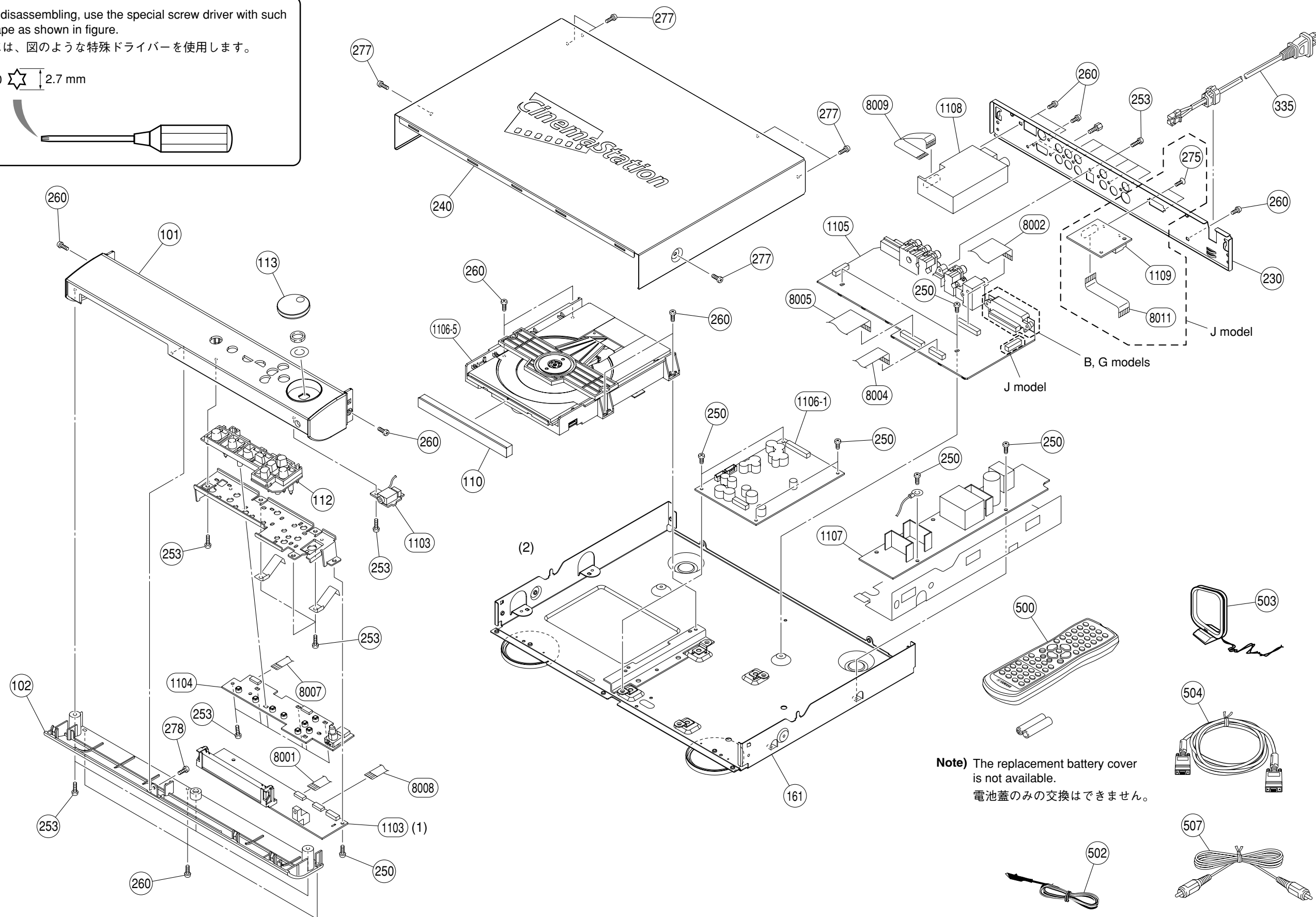
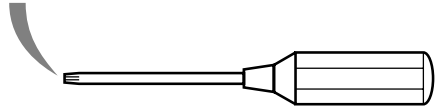
* New Parts * 新規部品

Note) Those parts marked with "#" are not included in the P.C.B. ass'y. (マーク#の部品は、基板に含まれません)

■ DVR-S300 EXPLODED VIEW

When disassembling, use the special screw driver with such tip shape as shown in figure.
分解には、図のような特殊ドライバーを使用します。

T10  2.7 mm



Note) The replacement battery cover is not available.
電池蓋のみの交換はできません。

■ DVR-S300 MECHANICAL PARTS

■ WARNING

- Components having special characteristics are marked △ and must be replaced with parts having specifications equal to those originally installed.
- △印のある部分は、安全確保部品を示しています。部品の交換が必要な場合、パーツリストに記載されている部品を使用してください。

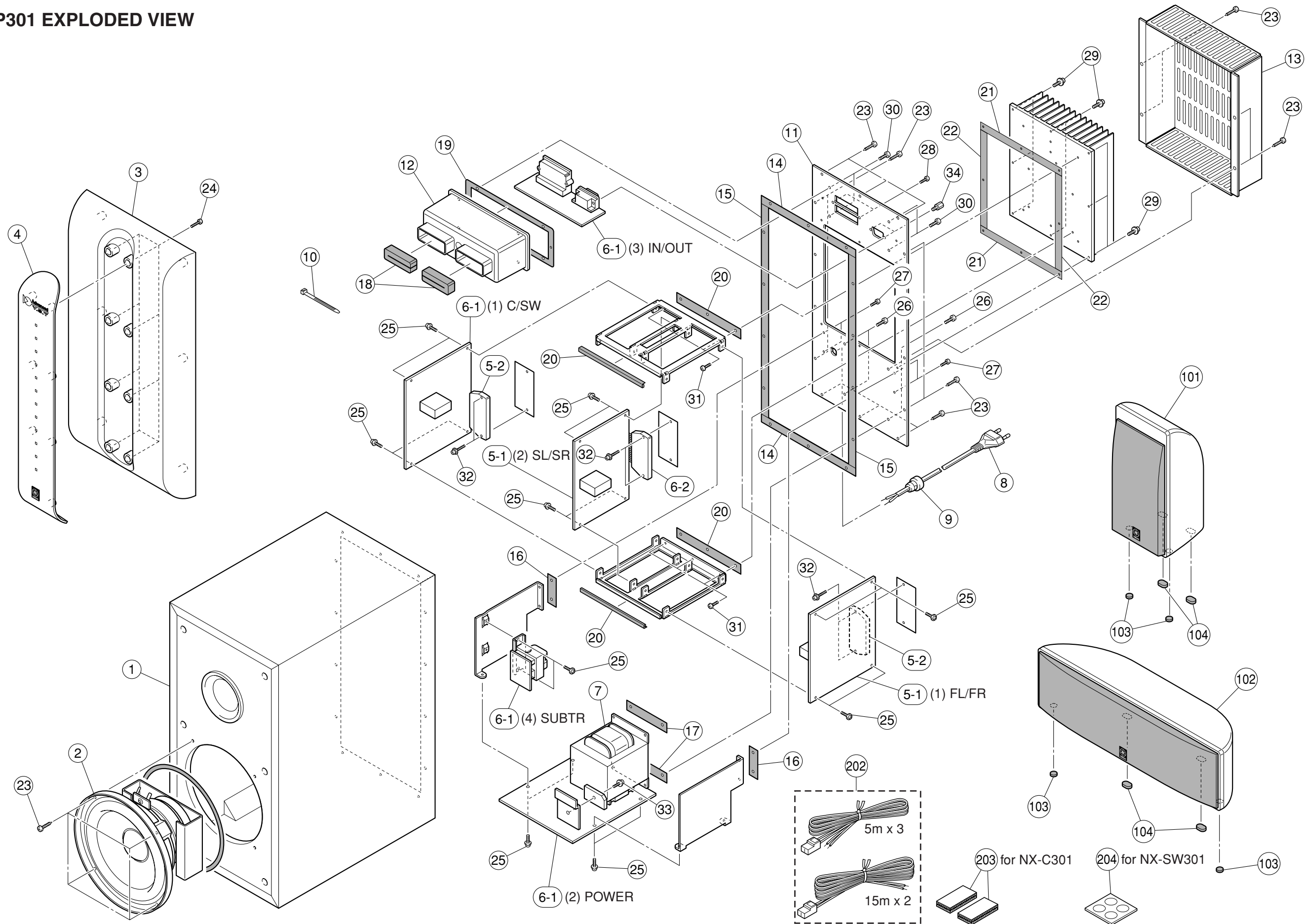
| Ref. No. | Part No. | Description | Remarks | Markets | 部 品 名 | Rank | | |
|----------|----------|-------------|-----------------------------|----------------------|----------------|-----------------|-------------------|--|
| * | 101 | AAX72200 | FRONT PANEL ASS'Y | 3141 079 33331 | | フロントパネル A S S Y | | |
| * | 102 | AAX73170 | BOTTOM PANEL | 3139 244 07771 | | ボトムパネル | | |
| * | 110 | AAX71310 | TRAY COVER ASS'Y | 3141 079 33671 | | トレーカバー A S S Y | | |
| * | 112 | AAX71350 | BUTTON | 3139 244 07751 | | ボタン | | |
| * | 113 | AAX71320 | KNOB VOLUME | 3139 244 07741 | | ノブ/ボリューム | | |
| * | 161 | AAX71330 | FRAME ASS'Y | 3141 079 33341 | | フレーム A S S Y | | |
| * | 230 | AAX71420 | REAR PANEL | 3139 241 23181 | J | リアパネル | | |
| * | 230 | AAX71400 | REAR PANEL | 3139 241 23161 | C | リアパネル | | |
| * | 230 | AAX71380 | REAR PANEL | 3139 241 23141 | K | リアパネル | | |
| * | 230 | AAX71370 | REAR PANEL | 3139 241 23131 | A | リアパネル | | |
| * | 230 | AAX71360 | REAR PANEL | 3139 241 23111 | BG | リアパネル | | |
| * | 230 | AAX71410 | REAR PANEL | 3139 241 23171 | L | リアパネル | | |
| * | 230 | AAX71390 | REAR PANEL | 3139 241 23151 | V | リアパネル | | |
| * | 240 | AAX71300 | TOP COVER | 3139 241 22971 | | トップカバー | | |
| | 250 | AAX23650 | PAN HEAD TORX S-TIGHT SCREW | 3x6 MFN133 | 2511 077 01039 | ナベトルクスSタイトネジ | | |
| | 253 | AAX53520 | PAN HEAD TORX P-TIGHT SCREW | 3x8 MFZN2BL | 2511 076 50012 | ナベトルクスPタイトネジ | | |
| | 260 | AAX23640 | PAN HEAD TORX S-TIGHT SCREW | 3x6 MFZN2BL | 2511 077 00039 | ナベトルクスSタイトネジ | | |
| * | 275 | AAX72200 | FLAT HEAD B-TIGHT SCREW | 3x8 MFZN2BL | 2522 200 00019 | 皿Bタイトネジ | | |
| * | 277 | AAX72220 | PAN HEAD TORX S-TIGHT SCREW | 3x4 MFN133 | 2522 201 00028 | ナベトルクスSタイトネジ | | |
| * | 278 | AAX72210 | PAN HEAD TORX P-TIGHT SCREW | 3x6 MFZN2BL | 2511 076 50011 | ナベトルクスPタイトネジ | | |
| △ | 335 | AAX53650 | POWER CABLE | 1.8m | 2422 070 98255 | J | 電源コード | |
| △ | 335 | AAX47750 | POWER CABLE | 1.8m | 2422 070 98235 | C | 電源コード | |
| △ | 335 | AAX59130 | POWER CABLE | 1.8m | 2422 070 98222 | K | 電源コード | |
| △ | 335 | AAX47740 | POWER CABLE | 1.8m | 2422 070 98233 | A | 電源コード | |
| △ | 335 | AAX53640 | POWER CABLE | 1.8m | 2422 070 98236 | B | 電源コード | |
| △ | 335 | AAX53630 | POWER CABLE | 1.8m | 2422 070 98231 | GL | 電源コード | |
| *△ | 335 | AAX71430 | POWER CABLE | 1.8m | 2422 070 00093 | V | 電源コード | |
| * | 1103 | AAX71250 | P.C.B. ASS'Y | FRONT | 3139 248 85651 | P C B フロント | | |
| * | 1104 | AAX71240 | P.C.B. ASS'Y | CONTROL | 3139 248 85631 | P C B コントロール | | |
| * | 1105 | AAX71220 | P.C.B. ASS'Y | AV | 3139 248 85841 | J | P C B AV | |
| * | 1105 | AAX71230 | P.C.B. ASS'Y | AV | 3139 248 85851 | CKALV | P C B AV | |
| * | 1105 | AAX71210 | P.C.B. ASS'Y | AV | 3139 248 85361 | BG | P C B AV | |
| * | 1106-1 | AAX71260 | P.C.B. ASS'Y | MONO SD6.31 ST A-KEY | 3141 079 33981 | P C B MONO | | |
| * | 1106-5 | AAX71200 | DVD MECHANISM | WXD8829 | 3139 117 11201 | D V Dメカニズム | | |
| *△ | 1107 | AAX71440 | POWER SUPPLY UNIT | 4-20 J | 3139 247 11511 | J | 電源ユニット | |
| *△ | 1107 | AAX67380 | POWER SUPPLY UNIT | 4-20 | 3139 117 11111 | CKABGLV | 電源ユニット | |
| * | 1108 | AAX71190 | AM/FM TUNER | ENG047XX010F | 2422 542 00026 | J | AM/FM チューナー | |
| | 1108 | AAX67090 | AM/FM TUNER | ENG067030F | 2422 542 00022 | CKALV | AM/FM チューナー | |
| * | 1108 | AAX71180 | AM/FM TUNER | ENG077030RF | 2422 542 00024 | BG | AM/FM チューナー | |
| | 1109 | AAX57680 | P.C.B. ASS'Y | HDMI D2 CONNECTOR | 3139 248 82751 | J | P C B H D M I D 2 | |
| * | 8001 | AAX71730 | FLEXIBLE FLAT CABLE | 10P 60mm P=1mm | 3139 241 01441 | | カード電線 C & C | |
| | 8002 | AAX59250 | FLEXIBLE FLAT CABLE | 30P 180mm P=1mm | 3139 241 00421 | | カード電線 C & C | |
| | 8004 | AAX58220 | FLEXIBLE FLAT CABLE | 16P 220mm P=1mm | 3139 111 02421 | | カード電線 C & C | |
| | 8005 | AAX67190 | FLEXIBLE FLAT CABLE | 30P 60mm P=1mm | 3139 111 04271 | | カード電線 C & C | |
| * | 8007 | AAX71720 | FLEXIBLE FLAT CABLE | 7P 220mm P=1mm | 3139 241 01431 | | カード電線 C & C | |
| * | 8008 | AAX71740 | FLEXIBLE FLAT CABLE | 9P 100mm P=1mm | 3139 241 01461 | | カード電線 C & C | |
| | 8009 | AAX67170 | FLEXIBLE FLAT CABLE | 11P 100mm P=1mm | 3103 308 93911 | | カード電線 C & C | |

* New Parts * 新規部品

| Ref. No. | Part No. | Description | Remarks | Markets | 部 品 名 | Rank | | |
|----------|----------|-------------|----------------------|------------------|----------------|---------|-------------|--|
| * | 8011 | AAX71290 | FLEXIBLE FLAT CABLE | 13P 80mm P=1mm | 3139 241 01351 | J | カード電線 C & C | |
| | | | ACCESSORIES | | | | 付属品 | |
| * | 500 | AAX72240 | REMOTE CONTROL | RC1145542/01 | 3139 238 11471 | J | リモコン | |
| * | 500 | AAX72230 | REMOTE CONTROL | RC1145541/01 | 3139 238 11301 | CKABGLV | リモコン | |
| | 502 | AAX67120 | INDOOR FM ANTENNA | 1.0m 1pc | 2422 076 00546 | | F M簡易アンテナ | |
| | 503 | AAX67100 | AM LOOP ANTENNA | 1.0m 1pc | 2422 549 45386 | | A Mループアンテナ | |
| | 504 | AAX67250 | SYSTEM CONTROL CABLE | D-SUB 15P 4m 1pc | 2422 076 00671 | | システム接続ケーブル | |
| | 507 | AAX22970 | VIDEO PIN CABLE | YE 1.5m 1pc | 3104 108 45432 | | ビデオ用ピンケーブル | |
| | | | BATTERY | SUM-3N 2pcs | | | 乾電池 | |

* New Parts * 新規部品

■ NX-P301 EXPLODED VIEW



NX-P301 MECHANICAL PARTS

■ WARNING

- Components having special characteristics are marked Δ and must be replaced with parts having specifications equal to those originally installed.
- Δ 印のある部分は、安全確保部品を示しています。部品の交換が必要な場合、パーツリストに記載されている部品を使用してください。

| Ref. No. | Part No. | Description | Remarks | Markets | 部 品 名 | Rank |
|------------|----------|----------------------------------|-----------------|---------|--------------|------|
| * | 1 | AAX72480 CABINET ASS'Y | | | キャビネットASSY | |
| * | 2 | X4329800 DRIVER WOOFER | 16cm 6Ω | | スピーカーユニット | |
| * | 3 | AAX72750 FRONT GRILLE ASS'Y | | | フロントグリルASSY | |
| * | 4 | AAX72760 FRONT PANEL ASS'Y | | | フロントパネルASSY | |
| * | 5-1 | AAX72270 P.C.B ASS'Y | AMP | | P C B アンプ | |
| *# | 5-2 | AAX72250 IC (IC101, IC102) | STK403-090-E LF | | I C | |
| * | 6-1 | AAX72280 P.C.B ASS'Y | POWER | J | P C B パワー | |
| * | 6-1 | AAX72290 P.C.B ASS'Y | POWER | CV | P C B パワー | |
| * | 6-1 | AAX72320 P.C.B ASS'Y | POWER | K | P C B パワー | |
| * | 6-1 | AAX72300 P.C.B ASS'Y | POWER | AL | P C B パワー | |
| * | 6-1 | AAX72310 P.C.B ASS'Y | POWER | BG | P C B パワー | |
| *# | 6-2 | AAX72250 IC (IC301) | STK403-090-E LF | | I C | |
| * Δ | 7 | AAX72910 POWER TRANSFORMER | | J | 電源トランス | |
| * Δ | 7 | AAX72960 POWER TRANSFORMER | | C | 電源トランス | |
| * Δ | 7 | AAX72950 POWER TRANSFORMER | | K | 電源トランス | |
| * Δ | 7 | AAX72930 POWER TRANSFORMER | | AL | 電源トランス | |
| * Δ | 7 | AAX72940 POWER TRANSFORMER | | BG | 電源トランス | |
| * Δ | 7 | AAX72920 POWER TRANSFORMER | | V | 電源トランス | |
| * Δ | 8 | AAX72880 POWER CABLE | 2m | J | 電源コード | |
| Δ | 8 | V8366300 POWER CABLE | 2m | C | 電源コード | 04 |
| * Δ | 8 | AAX72900 POWER CABLE | 2m | K | 電源コード | |
| * Δ | 8 | AAX72870 POWER CABLE | 2m | A | 電源コード | |
| * Δ | 8 | AAX72860 POWER CABLE | 2m | B | 電源コード | |
| Δ | 8 | V8366400 POWER CABLE | 2m | GL | 電源コード | 04 |
| * Δ | 8 | AAX72890 POWER CABLE | 2m | V | 電源コード | |
| | 9 | AAX12230 CORD STOPPER | SR-4 | | コードストッパー | 01 |
| | 10 | CB069250 BINDING TIE | BK-1 | | 束線止め | 01 |
| * | 11 | AAX72770 REAR PANEL | | J | リアパネル | |
| * | 11 | AAX72780 REAR PANEL | | C | リアパネル | |
| * | 11 | AAX72820 REAR PANEL | | K | リアパネル | |
| * | 11 | AAX72800 REAR PANEL | | A | リアパネル | |
| * | 11 | AAX72810 REAR PANEL | | BG | リアパネル | |
| * | 11 | AAX72830 REAR PANEL | | L | リアパネル | |
| * | 11 | AAX72790 REAR PANEL | | V | リアパネル | |
| * | 12 | AAX72470 COVER SP TERMINAL | | | S P ターミナルカバー | |
| * | 13 | AAX72740 COVER HEATSINK | | | ヒートシンクカバー | |
| | 14 | AAX12910 SEAL | 13x170 t=1 | | シール | 01 |
| | 15 | AAX12920 SEAL | 13x370 t=1 | | シール | 05 |
| * | 16 | AAX72490 CUSHION | 15x45 t=1 | | クッション | |
| * | 17 | AAX72510 CUSHION | 18x100 t=1 | | クッション | |
| * | 18 | AAX72520 CUSHION BUSH | 8x16x48 | | クッション | |
| * | 19 | AAX72530 CUSHION COVER | | | クッション | |
| * | 20 | AAX72540 CUSHION | 15x115 t=1 | | クッション | |
| * | 21 | AAX72500 CUSHION | 10x145 t=1 | | クッション | |
| * | 22 | AAX72550 CUSHION | 10x160 t=1 | | クッション | |
| * | 23 | AAX72730 BIND HEAD TAPPING SCREW | 4x20 MFZN2BL | | バインドTPネジ | |
| * | 24 | AAX72710 BIND HEAD P-TIGHT SCREW | 3x16 MFZN133 | | バインドPタイトネジ | |

* New Parts * 新規部品

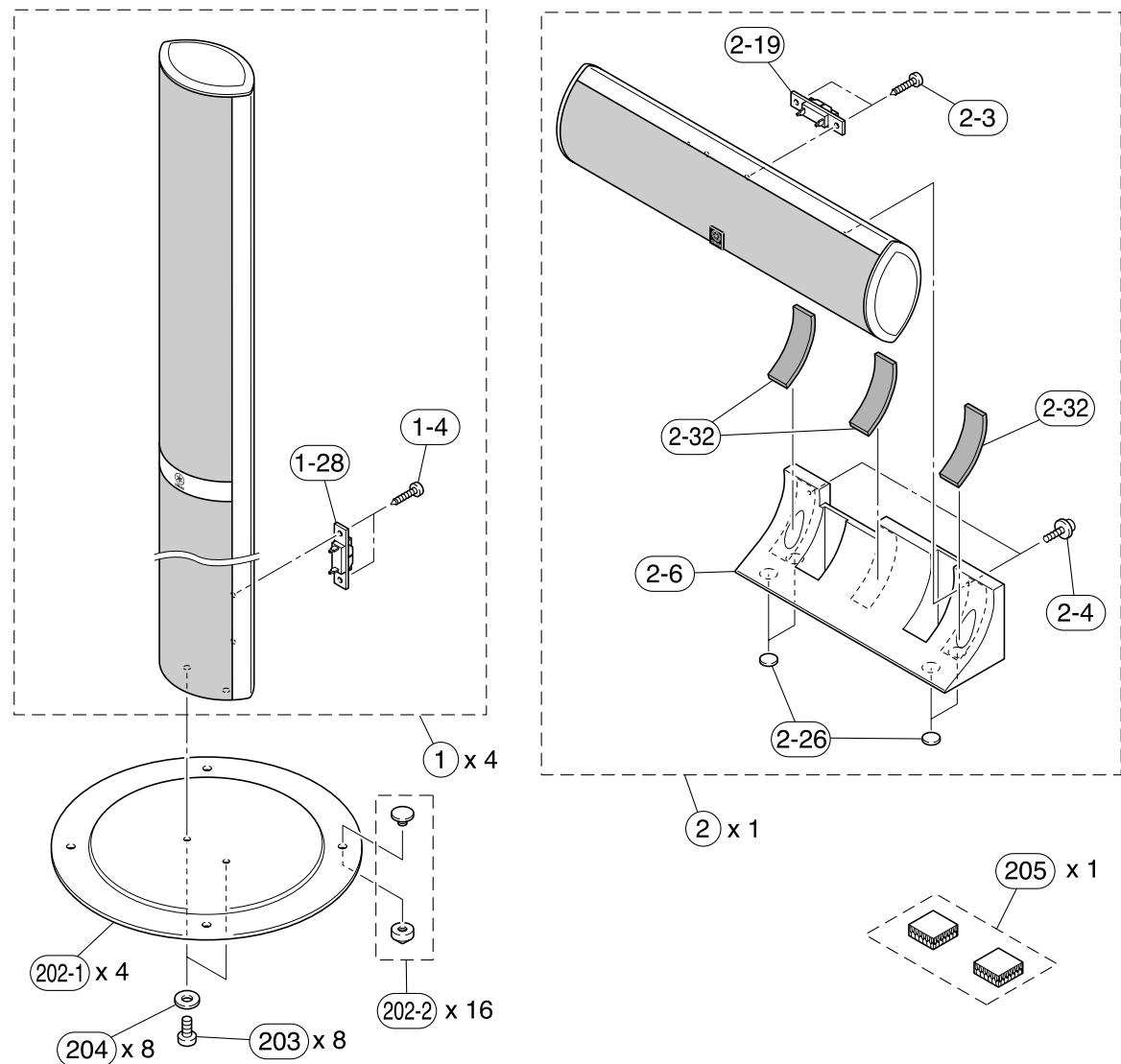
Note) Those parts marked with "#" are not included in the P.C.B. ass'y. (マーク#の部品は、基板に含まれません)

| Ref. No. | Part No. | Description | Remarks | Markets | 部 品 名 | Rank |
|----------|----------|--------------------------------------|-------------------|---------|-------------|------|
| * | 25 | AAX61980 BIND HEAD B-TIGHT SCREW | 3x8 MFZN133 | | バインドBタイトネジ | |
| * | 26 | AAX72670 BIND HEAD B-TIGHT SCREW | 4x8 MFZN2BL | | バインドBタイトネジ | |
| * | 27 | AAX72680 BIND HEAD B-TIGHT SCREW | 3x8 MFZN2BL | | バインドBタイトネジ | |
| * | 28 | AAX72690 BIND HEAD B-TIGHT SCREW | 3x10 MFZN2BL | | バインドBタイトネジ | |
| * | 29 | AAX72620 SEMS PAN HEAD B-TIGHT SCREW | 3x12 MFZN2BL | | セムスナベBタイトネジ | |
| * | 30 | AAX72720 BIND HEAD P-TIGHT SCREW | 3x10 MFZN2BL | | バインドPタイトネジ | |
| * | 31 | AAX72700 BIND HEAD B-TIGHT SCREW | 3x8 MFZN2BL | | バインドBタイトネジ | |
| * | 32 | AAX72610 SEMS PAN HEAD B-TIGHT SCREW | 3x20 MFZN2BL | | セムスナベBタイトネジ | |
| * | 33 | AAX72630 SEMS PAN HEAD B-TIGHT SCREW | 3x10 MFZN133 | | セムスナベBタイトネジ | |
| * | 34 | AAX72590 JACK SCREW | KFS-4S-C1WM | | ジャックスクリュー | |
| * | 101 | AAX72560 SATELLITE SPEAKER UNIT | NX-S301 | J | サテライトSPユニット | |
| * | 101 | AAX72570 SATELLITE SPEAKER UNIT | NX-S301 | CKABG | サテライトSPユニット | |
| * | 101 | AAX72580 SATELLITE SPEAKER UNIT | NX-S301 | LV | サテライトSPユニット | |
| * | 102 | AAX72640 CENTER SPEAKER UNIT | NX-C301 | J | センターSPユニット | |
| * | 102 | AAX72650 CENTER SPEAKER UNIT | NX-C301 | CKABG | センターSPユニット | |
| * | 102 | AAX72660 CENTER SPEAKER UNIT | NX-C301 | LV | センターSPユニット | |
| * | 103 | AAX72840 NONSKID PAD | M8 t1.5 | | 滑止パッド | |
| * | 104 | AAX72850 NONSKID PAD | 8x12 t3 | | 滑止パッド | |
| | | ACCESSORIES | | | 付属品 | |
| | 202 | WC017100 SPEAKER CABLE KIT | 15m 2pcs, 5m 3pcs | | スピーカーコードキット | 10 |
| | 203 | AAX21240 FASTENER for NX-C301 | 51.5x39x3.5 1pair | | 固定テープ | 04 |
| | 204 | V5982400 NONSKID PAD for NX-SW301 | M25 t2 4pcs/set | | 滑止パッド | 03 |

* New Parts * 新規部品

Note) Those parts marked with "#" are not included in the P.C.B. ass'y. (マーク#の部品は、基板に含まれません)

■ NX-P302 EXPLODED VIEW



DVR-S300/NX-P301/NX-P302



| Ref. No. | Part No. | Description | Remarks | Markets | 部品名 | Rank |
|----------|----------|------------------------|--------------------|-----------------|------------|------|
| * 1 | AAx71470 | SPEAKER FINAL ASS'Y | NX-S302 | | スピーカー 総組立 | |
| 1-4 | EM830120 | PAN HEAD TAPPING SCREW | 3x10 MFZN2BL | | ナベTPネジ | 01 |
| * 1-28 | AAx73130 | SPEAKER TERMINAL | 2P PUSH | 420040 | スピーカーターミナル | |
| * 2 | AAx71460 | SPEAKER FINAL ASS'Y | NX-C302 | | スピーカー 総組立 | |
| 2-3 | EM830120 | PAN HEAD TAPPING SCREW | 3x10 MFZN2BL | | ナベTPネジ | 01 |
| 2-4 | VC568100 | PW HEAD TAPPING SCREW | 3x8-10 MFN133 | | PWヘッドTPネジ | 01 |
| * 2-6 | AAx71530 | STAND | for NX-C302 | NX-SP302C000030 | スタンド | |
| * 2-19 | AAx73130 | SPEAKER TERMINAL | 2P PUSH | 420040 | スピーカーターミナル | |
| * 2-26 | AAx71550 | NONSKID PAD | M12 t2 4pcs/set | NX-SP302C000050 | 滑止パッド | |
| * 2-32 | AAx73140 | DAMPER | 20x50 t=1 3pcs/set | NX-SP302C010020 | ダンパー | |
| | | ACCESSORIES | | | 付属品 | |
| * 202-1 | AAx73150 | BASE | for NX-S302 1pc | NX-SP302F000050 | ベース | |
| * 202-2 | AAx71540 | LEG ASS'Y | M15 t=11 1pair | NX-SP302000040 | レッグASSY | |
| 203 | 03753460 | BIND HEAD SCREW | 5x10 MFN133 1pc | | バインド小ネジ | |
| 204 | VZ890800 | WASHER | 5.5x8x0.3 1pc | | ワッシャー | |
| * 205 | AAx73160 | FASTENER | 25x25 2pairs | 57045&57046 | 固定テープ | |

* New Parts * 新規部品