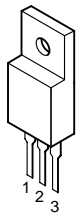
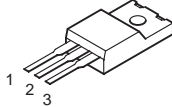
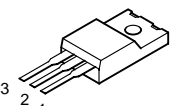
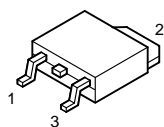


## ■ CIRCUIT DIAGRAMS

### ■ CONTENTS

CIRCUIT DIAGRAM 1/9 (IN8/IN16 1/2) .....	C1
CIRCUIT DIAGRAM 2/9 (IN8/IN16 2/2) .....	C2
CIRCUIT DIAGRAM 3/9 (MAS 1/4) .....	C3
CIRCUIT DIAGRAM 4/9 (MAS 2/4) .....	C4
CIRCUIT DIAGRAM 5/9 (MAS 3/4) .....	C5
CIRCUIT DIAGRAM 6/9 (MAS 4/4) .....	C6
CIRCUIT DIAGRAM 7/9 (DSP-SPX) .....	C7
CIRCUIT DIAGRAM 8/9 (SMPS 1/2, SMPS 2/2) ....	C8
CIRCUIT DIAGRAM 9/9 (PWR) .....	C9

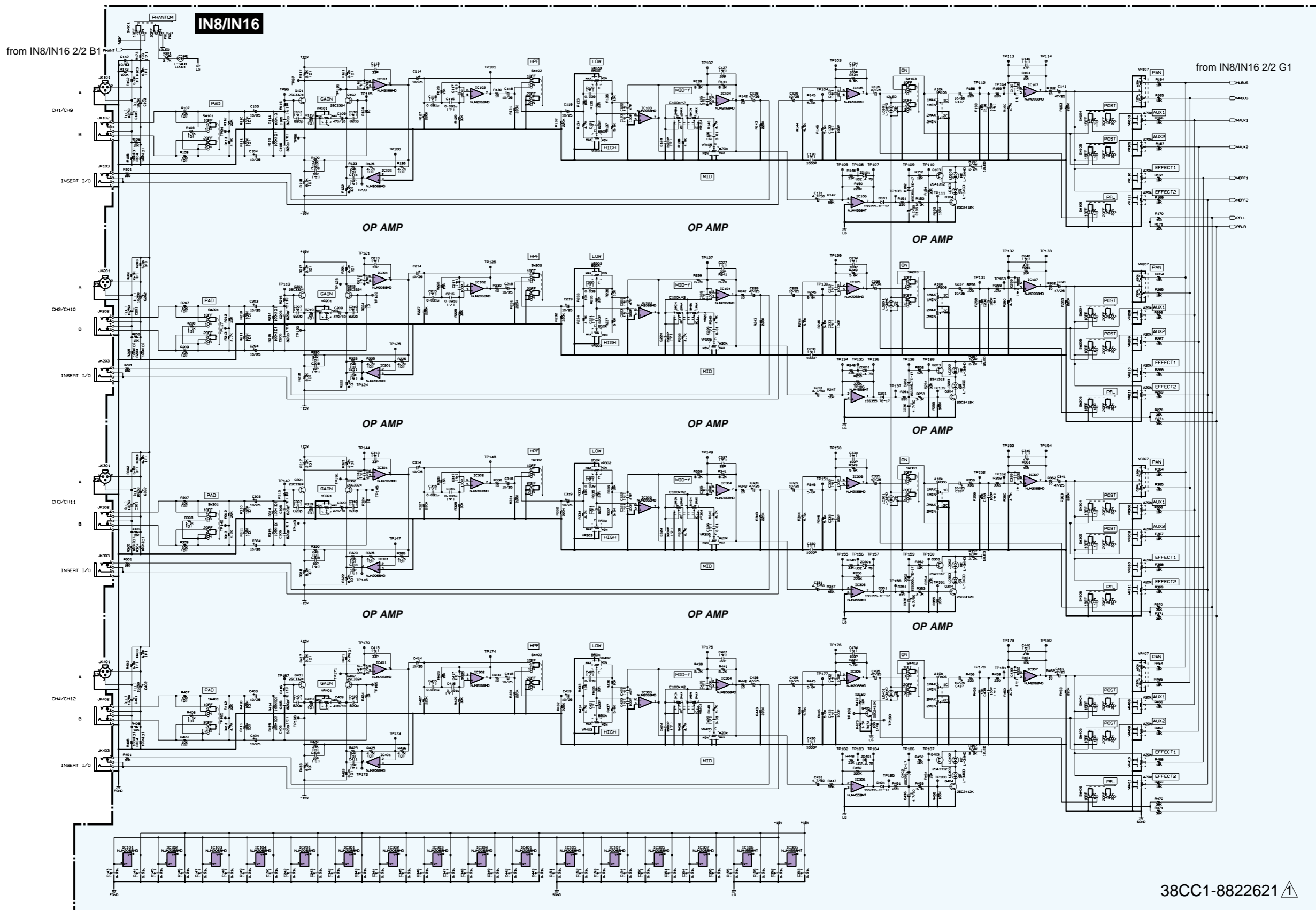
<p>●NJM7805FA (XJ607A00) REGULATOR +5V</p>  <p>1: OUTPUT 2: COMMON 3: INPUT</p>	<p>●NJM7812FA (XJ608A00) REGULATOR +12V ●NJM7815FA (XD853A00) REGULATOR +15V</p>  <p>1: INPUT 2: GND 3: OUTPUT</p>
<p>●NJM7915FA (XD854A00) REGULATOR -15V</p>  <p>1: OUTPUT 2: COMMON 3: INPUT</p>	<p>●UPC29M33T-E1 (XU965A00) REGULATOR +3.3V</p>  <p>1: V IN 2: GND 3: OUTPUT</p>

- (マイカ) : Myca Capacitor  
 (セ) : Ceramic Capacitor  
 (マ) : Mylar Capacitor  
 (F) : Metal Film Resistor  
 (金被) : Metal Film Resistor  
 規格認定コン : Capacitor  
 (フ) : Electrolytic Capacitor  
 酸金 : Oxide Film Resistor  
 (FP) : Flame Proof C.Resistor  
 セメント抵抗 : Wire Wound Resistor

Note : See parts list for details of circuit board component parts.

# EMX5000-12/20 CIRCUIT DIAGRAM 1/9 (IN8/IN16 1/2)

EMX5000-12/20



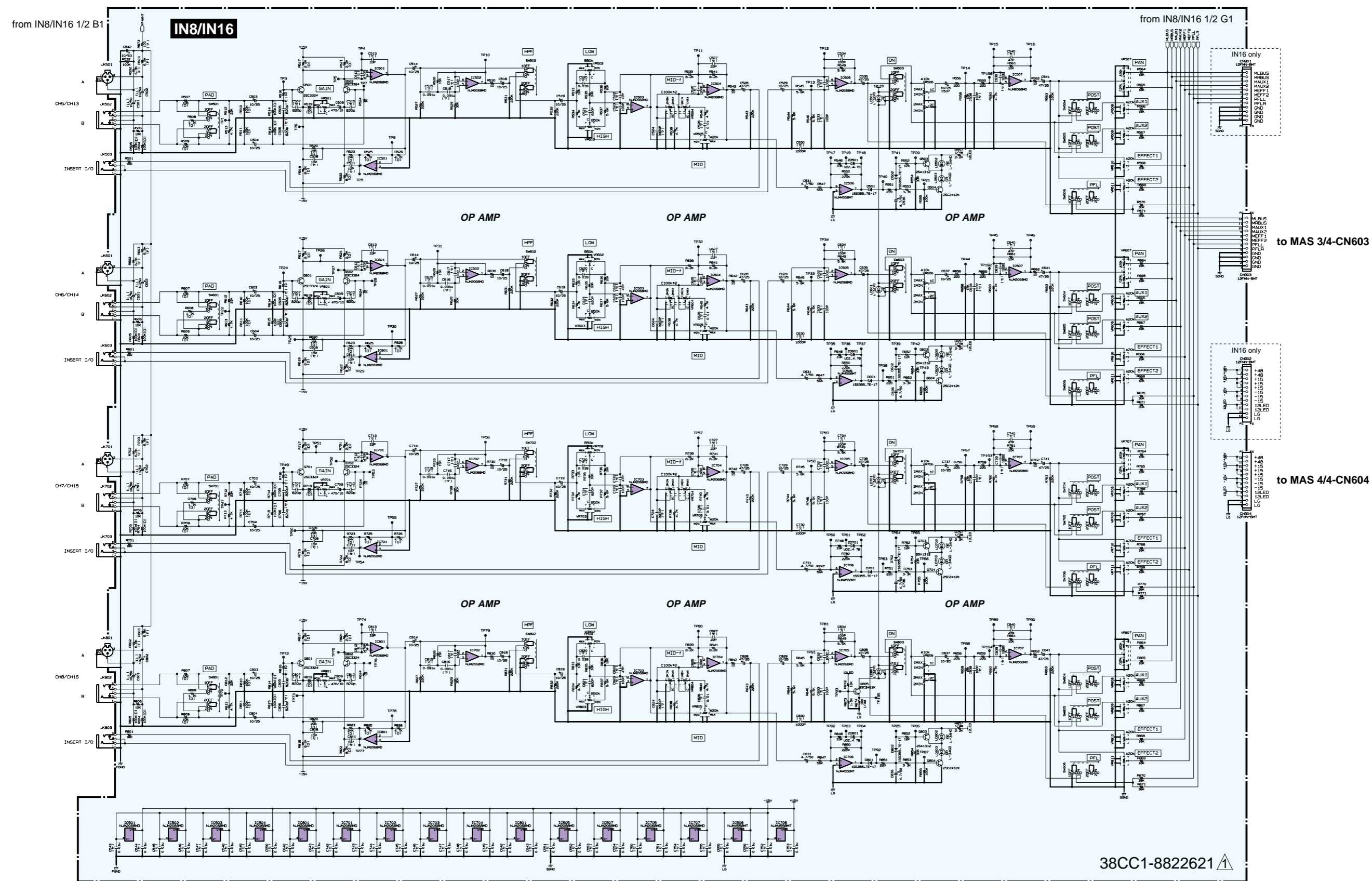
38CC1-8822621

EMX5000-12/20

EMX5000-12/20

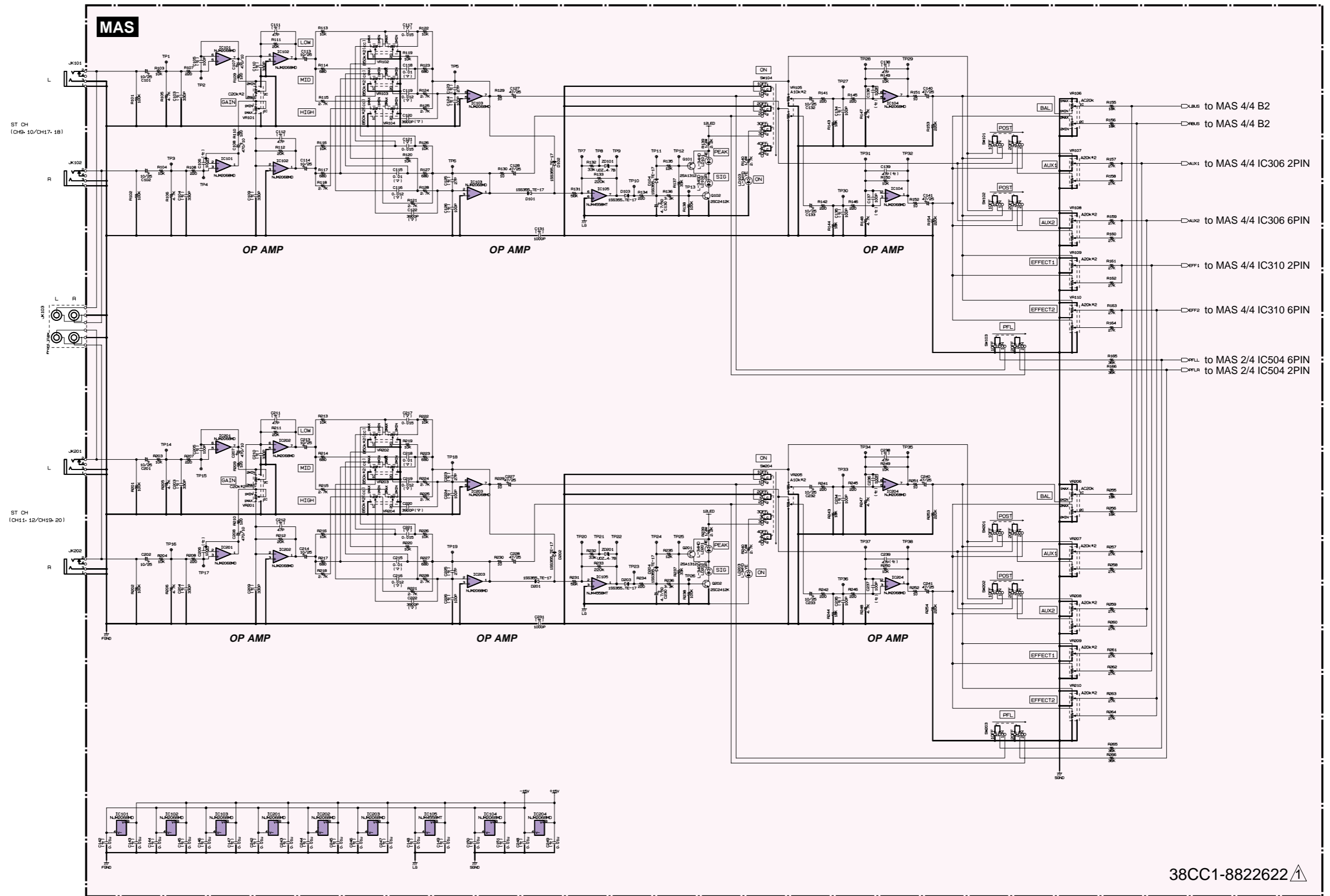
C1

# EMX5000-12/20 CIRCUIT DIAGRAM 2/9 (IN8/IN16 2/2)



# EMX5000-12/20 CIRCUIT DIAGRAM 3/9 (MAS 1/4)

EMX5000-12/20



38CC1-8822622

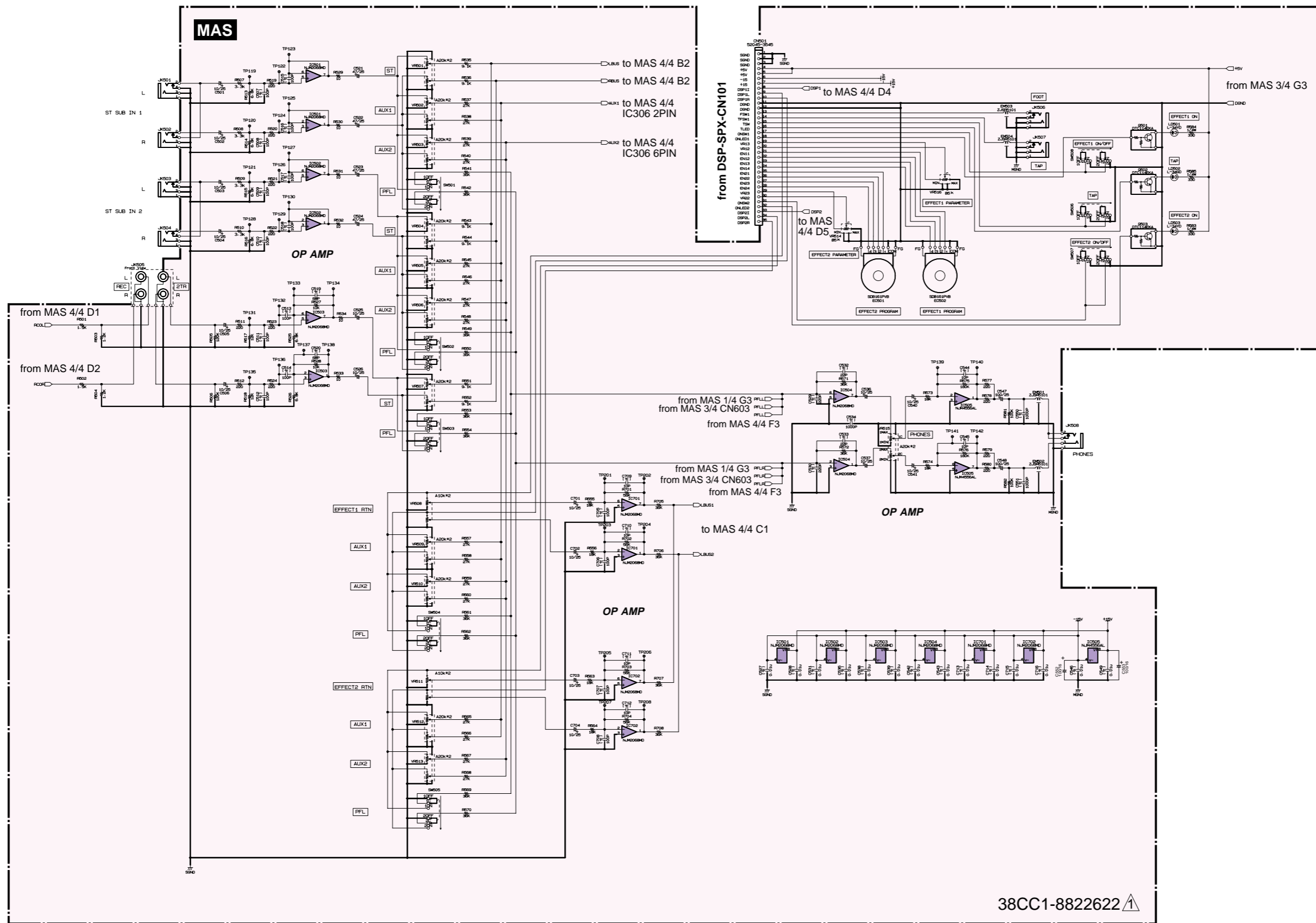
EMX5000-12/20

EMX5000-12/20

C3

# EMX5000-12/20 CIRCUIT DIAGRAM 4/9 (MAS 2/4)

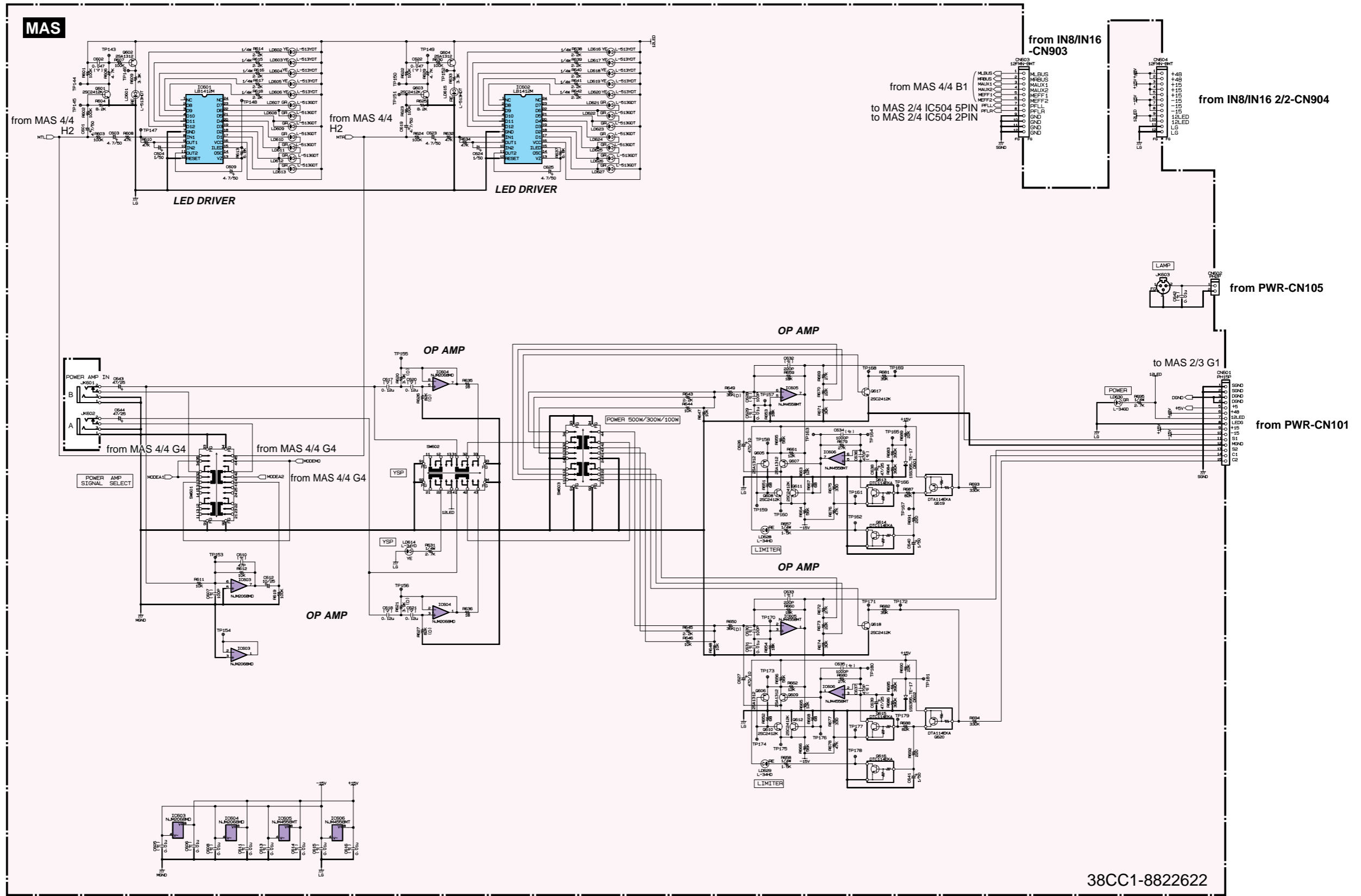
EMX5000-12/20



38CC1-8822622

EMX5000-12/20 CIRCUIT DIAGRAM 5/9 (MAS 3/4)

EMX5000-12/20

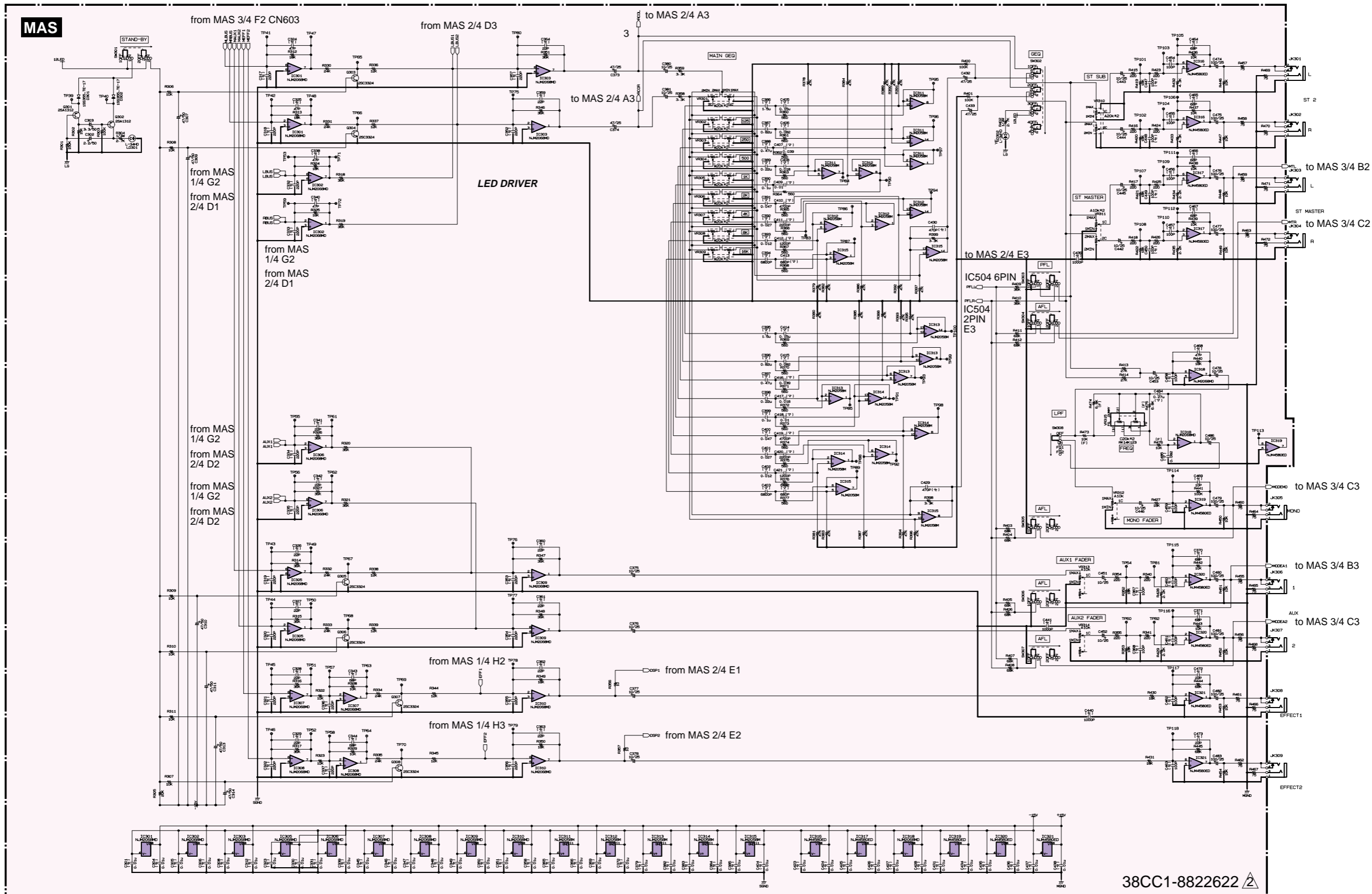


EMX5000-12/20

EMX5000-12/20

38CC1-8822622

EMX5000-12/20 CIRCUIT DIAGRAM 6/9 (MAS 4/4)



38CC1-8822622

1

2

3

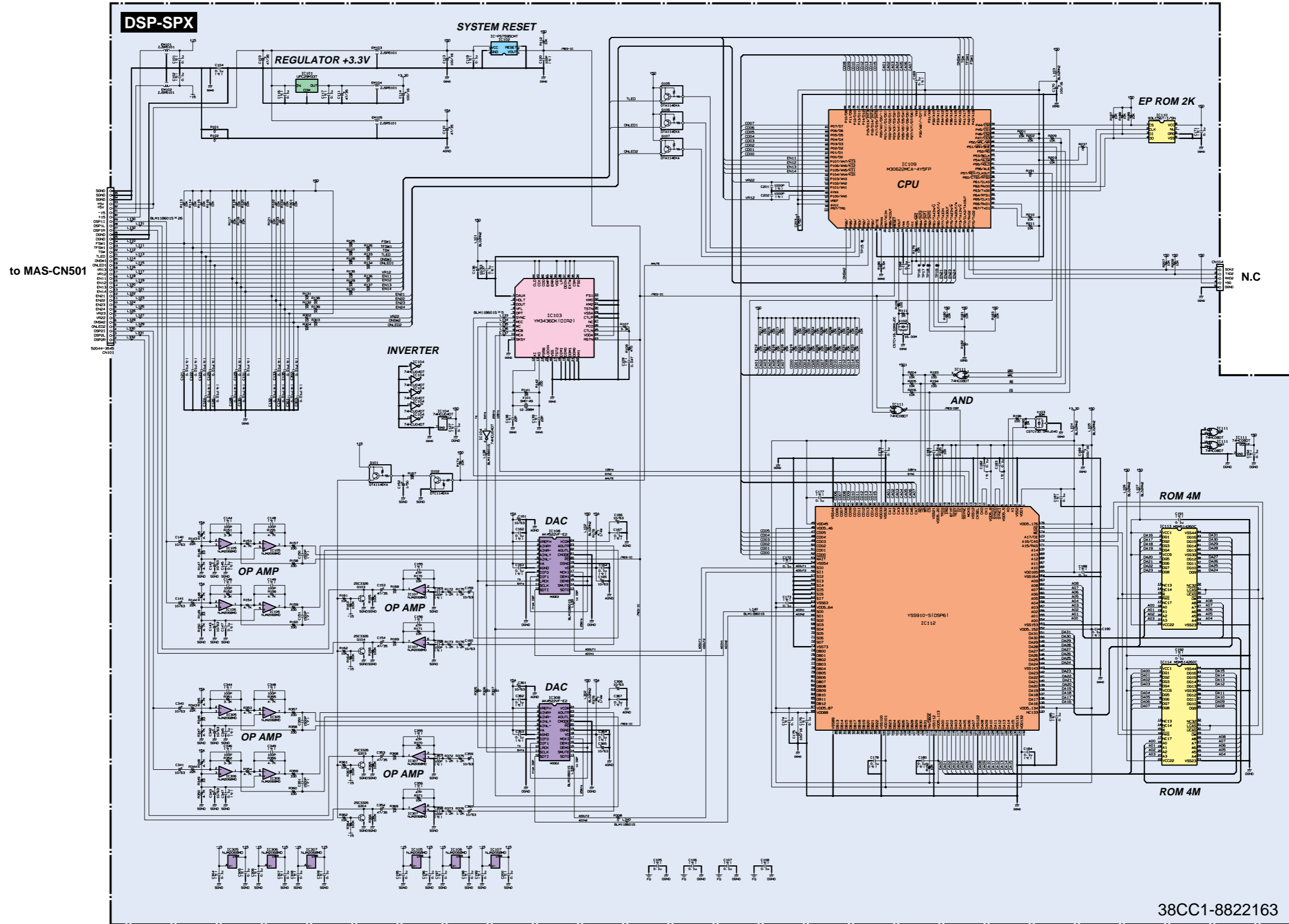
4

5

6

EMX5000-12/20 CIRCUIT DIAGRAM 7/9 (DSP-SPX)

EMX5000-12/20



EMX5000-12/20

EMX5000-12/20

C7

1

2

3

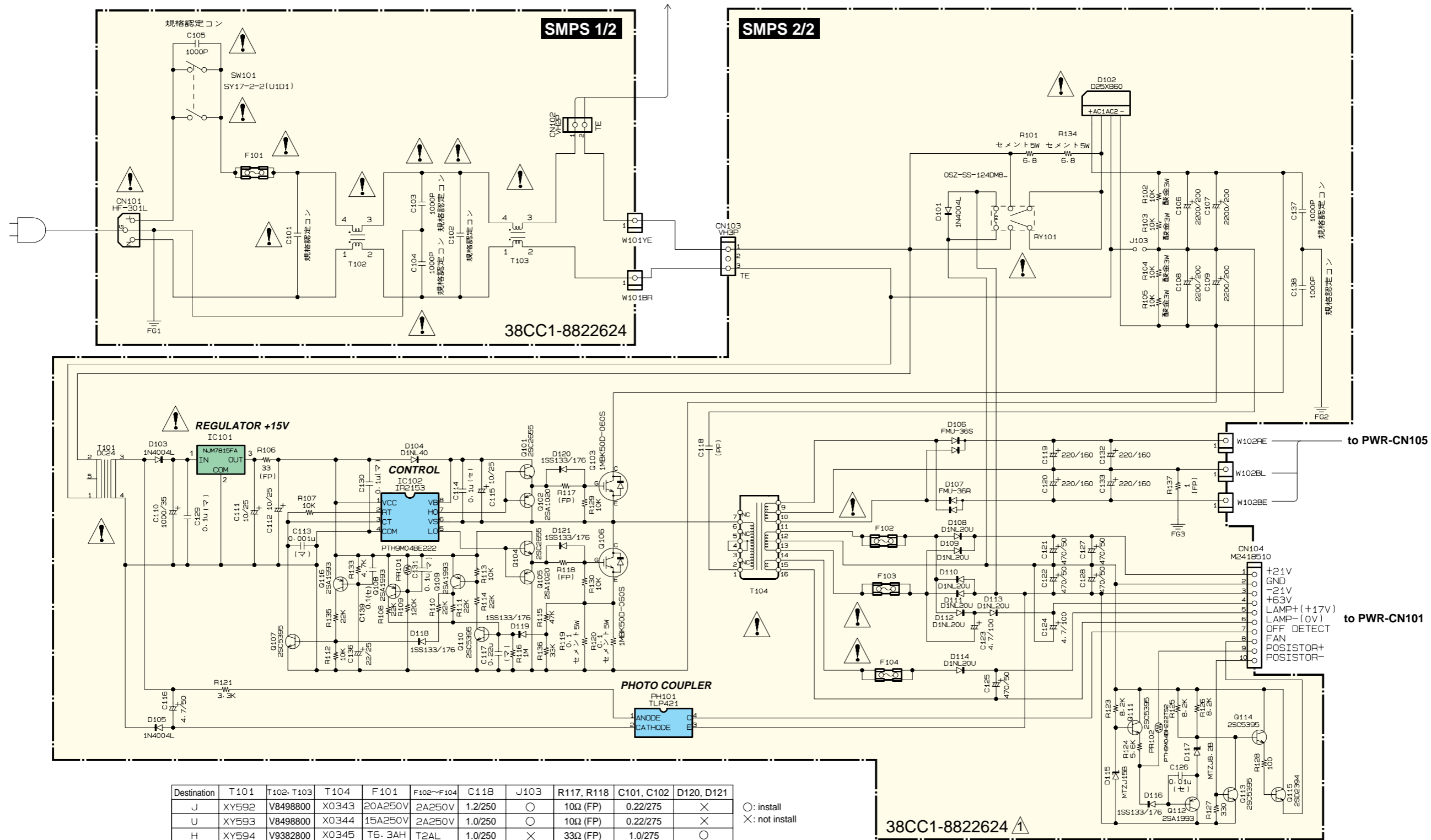
4

5

6

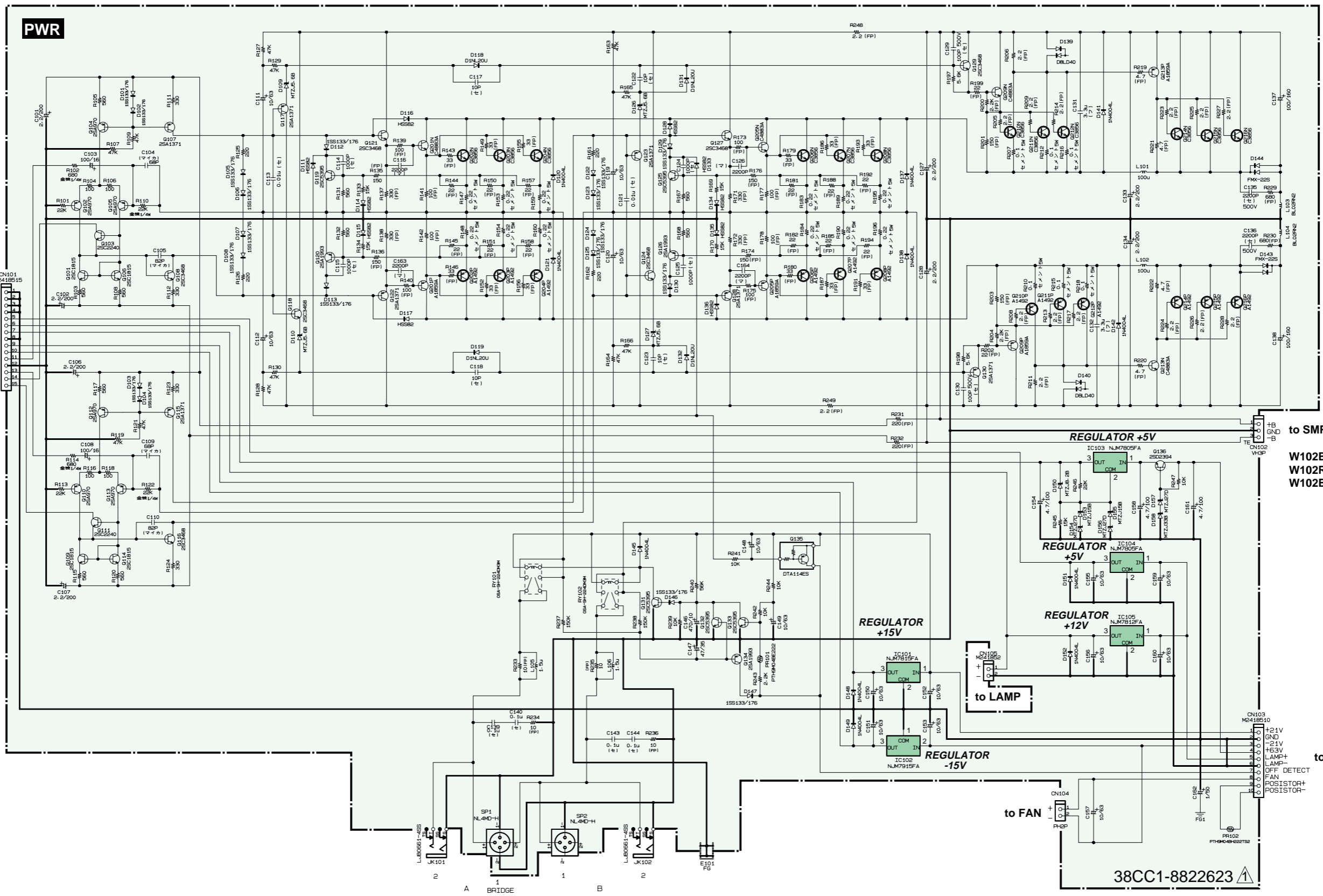


EMX5000-12/20 CIRCUIT DIAGRAM 8/9 (SMPS 1/2, SMPS 2/2)



# EMX5000-12/20 CIRCUIT DIAGRAM 9/9 (PWR)

EMX5000-12/20



EMX5000-12/20

EMX5000-12/20

38CC1-8822623

A B C D E F G H

A B C D E F G H

1  
2  
3  
4  
5  
6