

AV RECEIVER

RX-V467/HTR-4063

SCHEMATIC DIAGRAMS

Each schematic diagram is divided into equal pieces to enable printout by conventional printers.

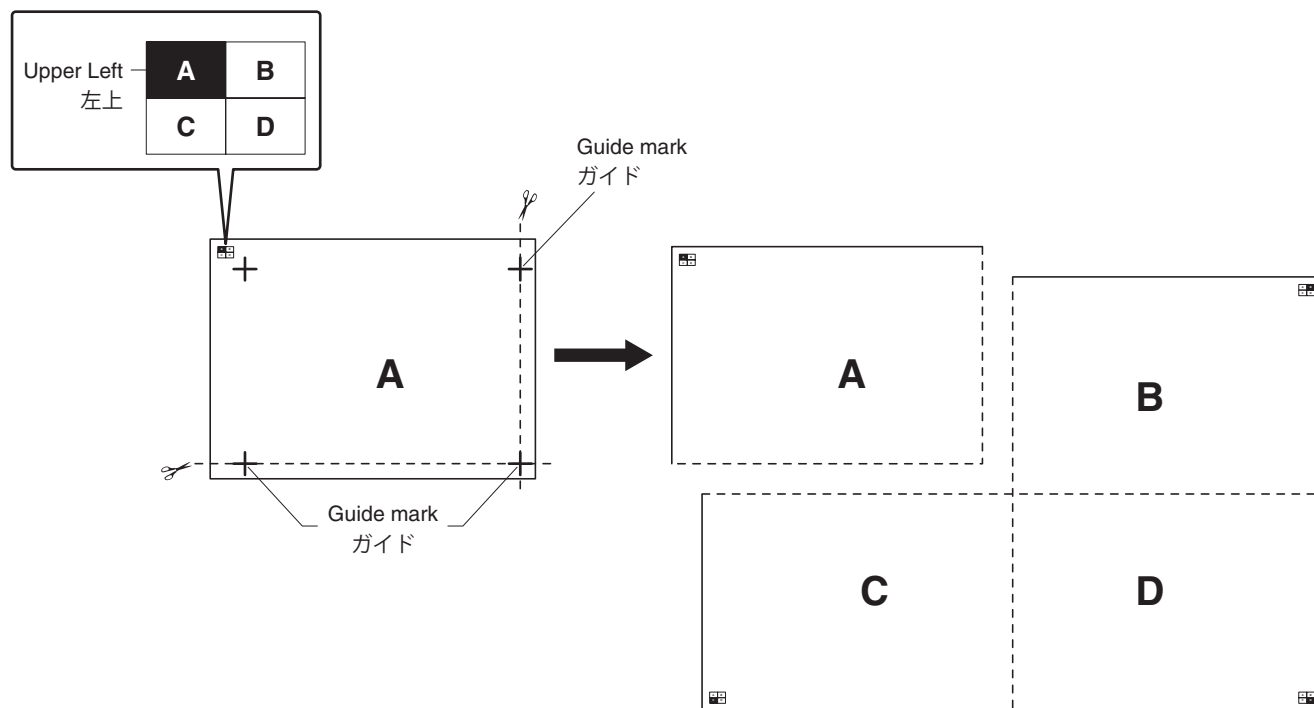
Cut along the guide marks and put them together.

Overall location of each schematic diagram is described by the following symbol.

各回路図は、一般的に使用されているプリンタで印刷できる大きさに分割されています。

印刷した各回路図を、ガイドに沿って切って貼り合わせてください。

各回路図の張り合わせ位置は以下の記号で表しています。

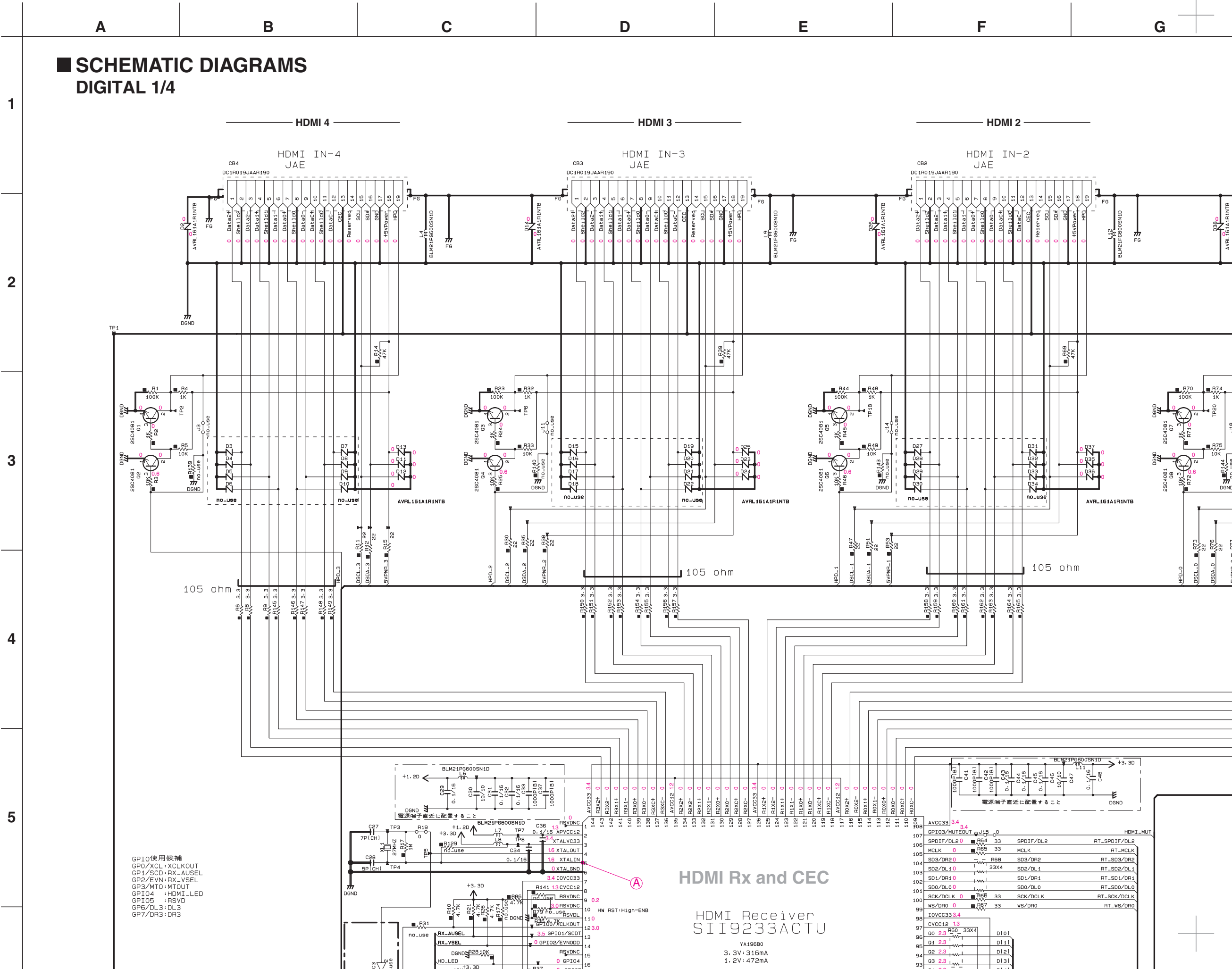


■ CONTENTS

SCHEMATIC DIAGRAMS

DIGITAL Board	93-96
OPERATION Board	97-98
MAIN Board	99-100
VIDEO Board	101-103

■ SCHEMATIC DIAGRAMS
DIGITAL 1/4



GPIO使用候補
GP0/XCL: XCLKOUT
GP1/SCD: RX_AUSEL
GP2/EVN: RX_VSEL
GP3/MTD: MTDOUT
GP104: HDMI_LED
GP105: RSVD
GP6/DL3: DL3
GP7/OR3: DR3

HDMI Rx and CEC

HDMI Receiver
SII9233ACTU

Y4196B0
3.3V: 316mA
1.2V: 472mA

AVCC33	3.4	3.4	
GPIO3/MUTEGOUT	0	0	HDMI_MUT
SPDIF/DL2	0	33	RT_SPDIF/DL2
MCLK	0	33	RT_MCLK
SD3/DR2	0	R68	RT_SD3/DR2
SD2/DL1	0	33X4	RT_SD2/DL1
SD1/DR1	0		RT_SD1/DR1
SD0/DL0	0	1	RT_SD0/DL0
SCK/DCLK	0	R65	RT_SCK/DCLK
WS/DRO	0	33	RT_WS/DRO
IOVCC33	3.4		
CVCC12	1.3		
Q0	23	R60	D[0]
Q1	23		D[1]
Q2	23		D[2]
Q3	23		D[3]

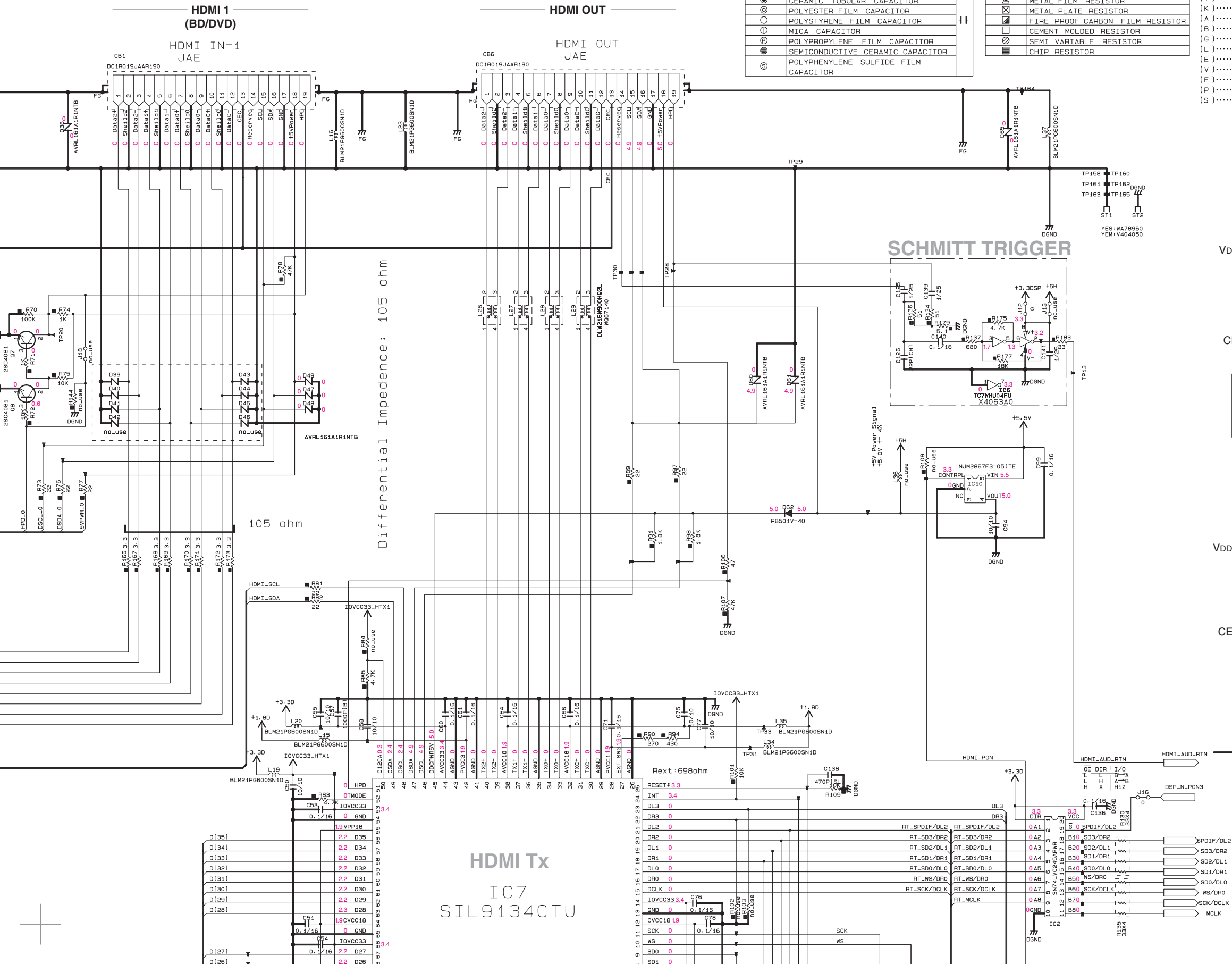
RX-V467/HTR-4063

CAPACITOR	
REMARKS	PARTS NAME
NO MARK	ELECTROLYTIC CAPACITOR
⊗	TANTALUM CAPACITOR
NO MARK	CERAMIC CAPACITOR
⊙	CERAMIC TUBULAR CAPACITOR
⊖	POLYESTER FILM CAPACITOR
○	POLYSTYRENE FILM CAPACITOR
⊕	MICA CAPACITOR
⊖	POLYPROPYLENE FILM CAPACITOR
⊖	SEMICONDUCTIVE CERAMIC CAPACITOR
⊖	POLYPHENYLENE SULFIDE FILM CAPACITOR

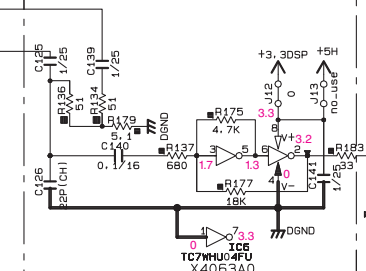
RESISTOR	
REMARKS	PARTS NAME
NO MARK	CARBON FILM RESISTOR (P=5)
⊠	CARBON FILM RESISTOR (P=10)
⊠	METAL OXIDE FILM RESISTOR
⊠	METAL FILM RESISTOR
⊠	METAL PLATE RESISTOR
⊠	FIRE PROOF CARBON FILM RESISTOR
⊠	CEMENT MOLDED RESISTOR
⊠	SEMI VARIABLE RESISTOR
⊠	CHIP RESISTOR

NOTICE (model)

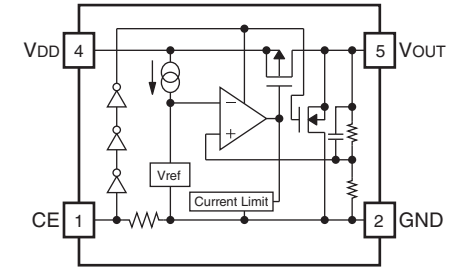
- (J)..... JAPAN
- (U)..... U. S. A
- (C)..... CANADA
- (R)..... GENERAL
- (T)..... CHINA
- (K)..... KOREA
- (A)..... AUSTRALIA
- (B)..... BRITISH
- (G)..... EUROPE
- (L)..... SINGAPORE
- (E)..... SOUTH EUROPE
- (V)..... TAIWAN
- (F)..... RUSSIAN
- (P)..... LATIN AMERICA
- (S)..... BRAZIL



SCHMITT TRIGGER

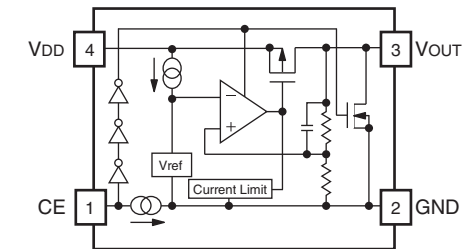


IC13: R1172H501D-T1-F Voltage regulator



Pin No.	Symbol	Description
1	CE	Chip Enable Pin ("H" Active)
2	GND	Ground Pin
3	NC	No Connection
4	VDD	Input Pin
5	VOUT	Output Pin

IC14: RP130Q501D-TR-F Voltage regulator

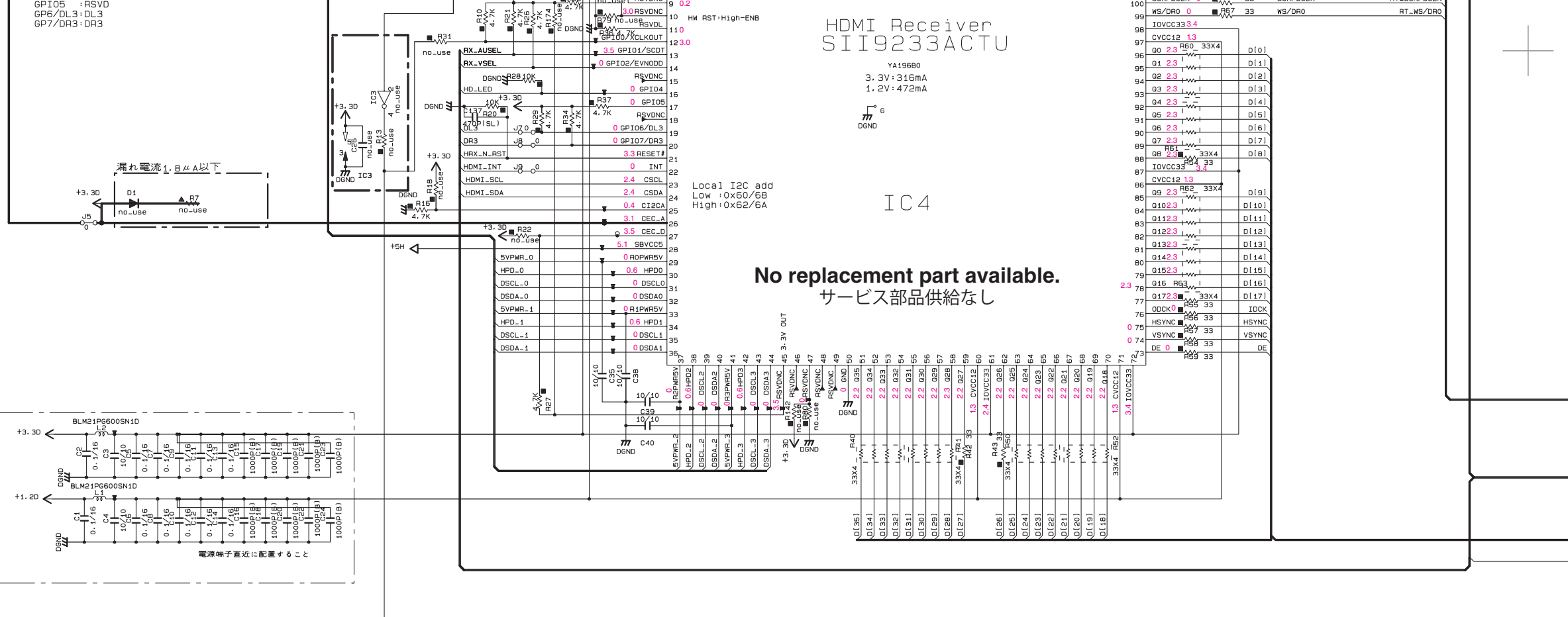


Pin No.	Symbol	Description
1	CE	Chip Enable ("H" Active)
2	GND	Ground Pin
3	VOUT	Output Pin
4	VDD	Input Pin

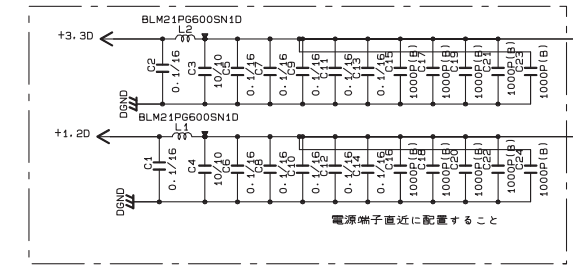
HDMI Tx IC7 SIL9134CTU

To 003_Sht (DSP) To DIGITAL 3/4

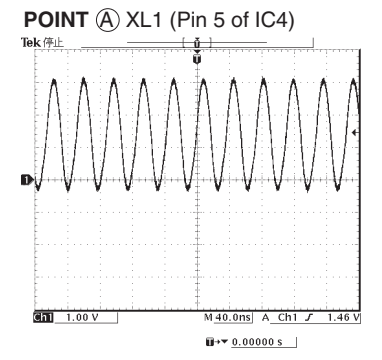
6



7

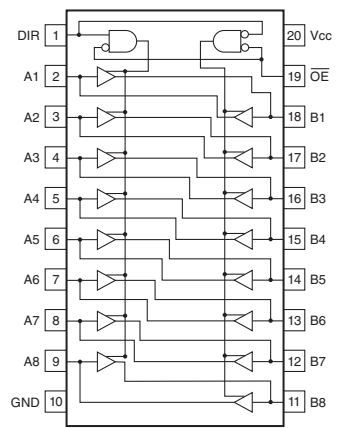


8

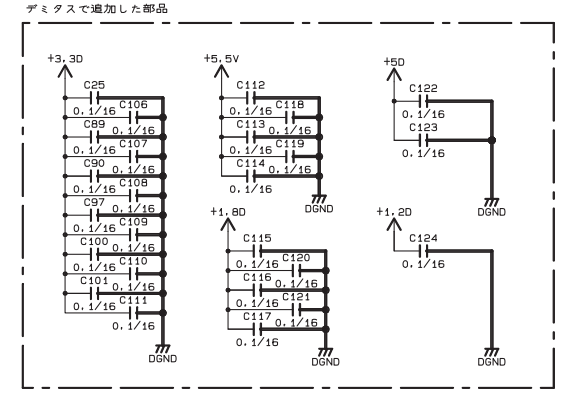
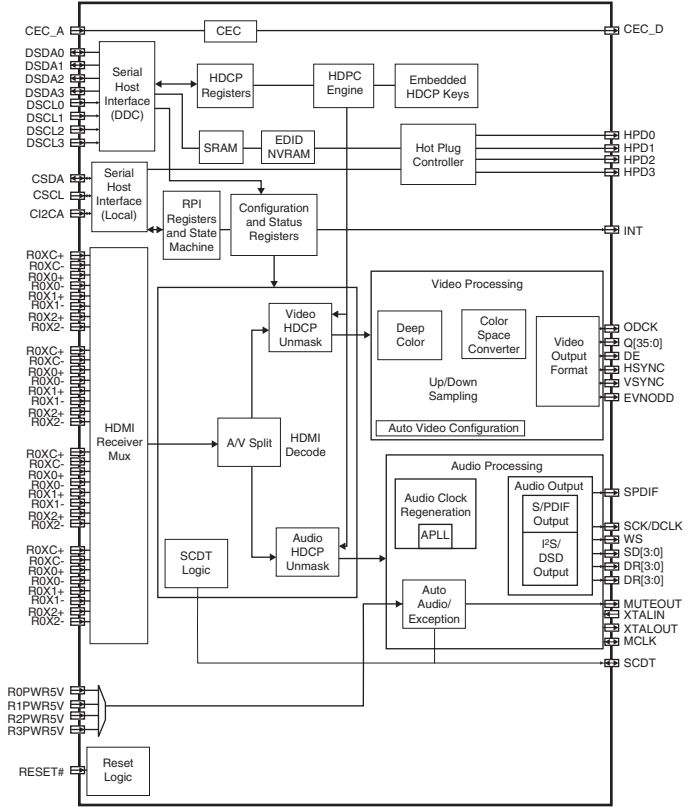


9

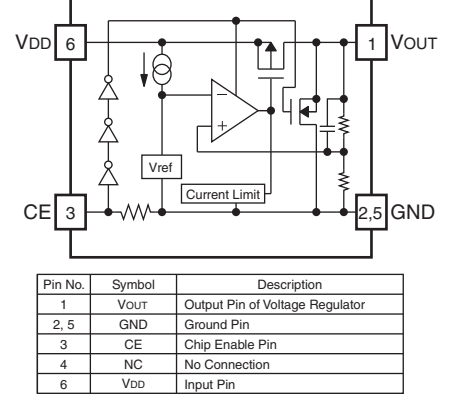
IC2: SN74LVC245APWR
Octal bus transceivers with 3-state outputs



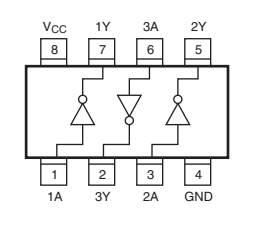
IC4: SiI9233ACTU
HDMI receiver



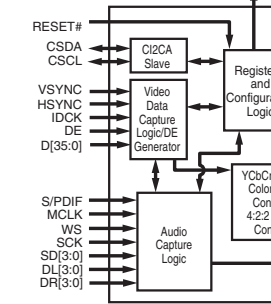
IC5: R1172S121D-E2-F
Voltage regulator

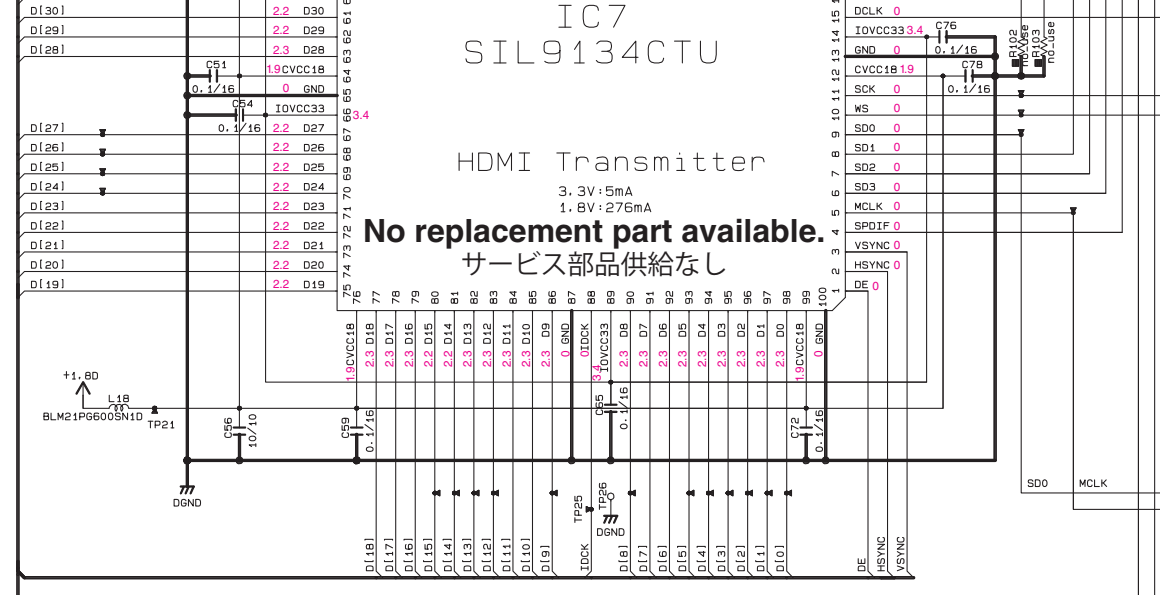


IC6: TC7WHU04FU
Triple inverter



IC7: SiI9134CTU
HDMI transmitter





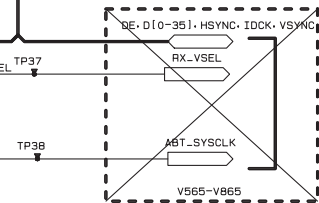
No replacement part available.
サービス部品供給なし

SELECTOR

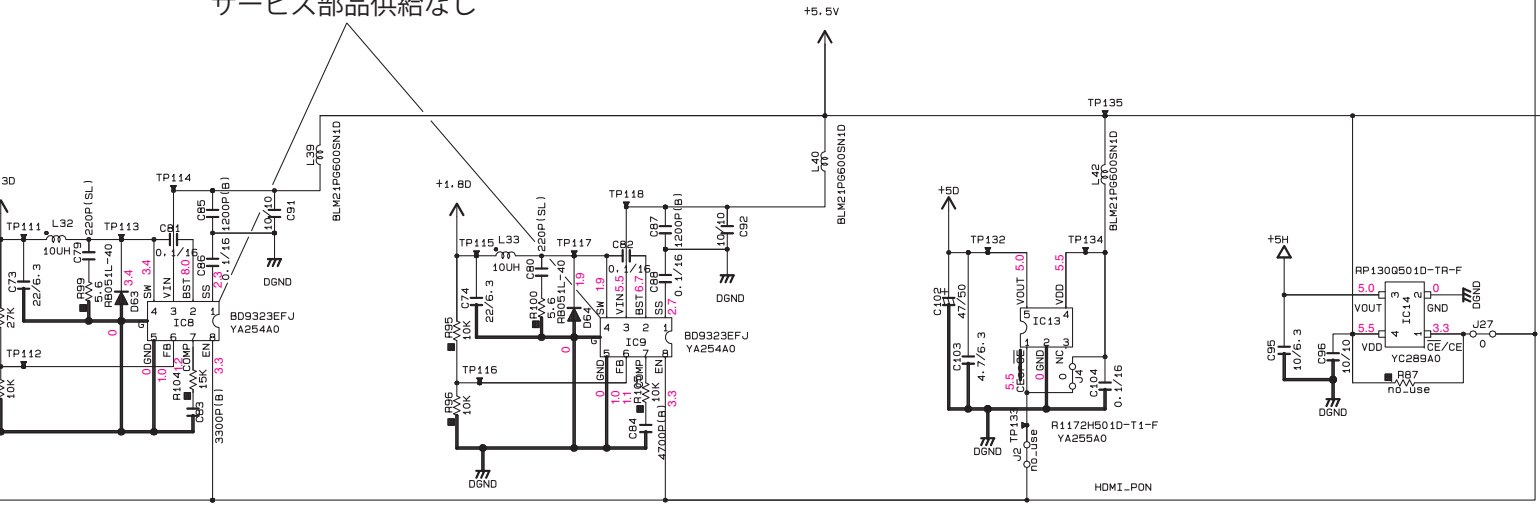
TC74VHC157FT

Vcc: 2.0 - 5.5V
ViH: > 0.7*Vcc
ViL: < 0.3*Vcc

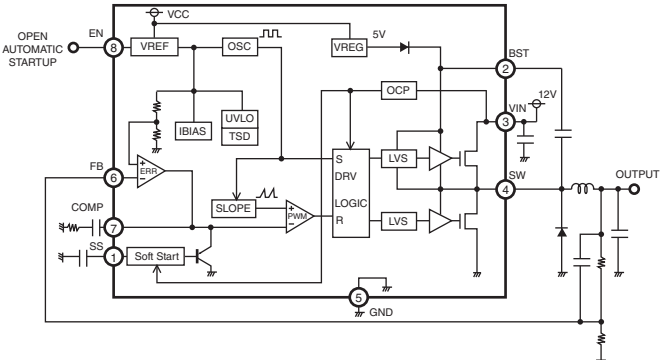
/ST	SEL	I	=	O
L	L			Y=A
L	H			Y=B
H	X			HiZ



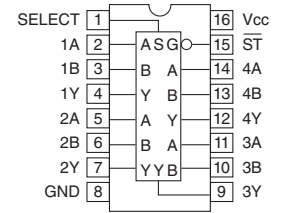
No replacement part available.
サービス部品供給なし



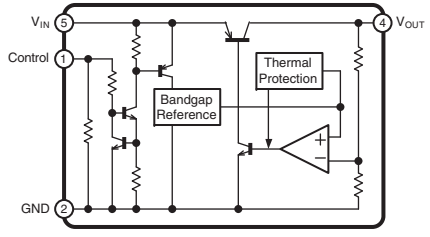
IC8, 9: BD9323EFJ-E2
1-channel step down DC/DC converter



IC11: TC74VHC157FT
Quad 2-channel multiplexer

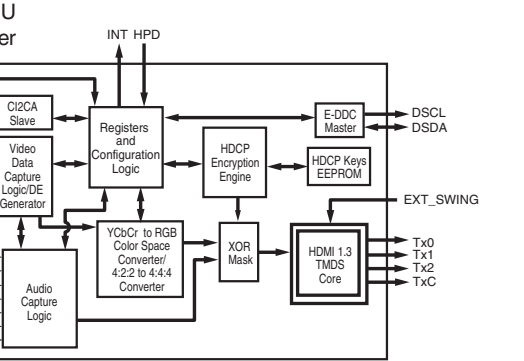


IC10: NJM2867F3-05 (TE1)
Low dropout voltage regulator



- ★ All voltages are measured with a 10MΩ/V DC electronic voltmeter.
- ★ Components having special characteristics are marked Δ and must be replaced with parts having specifications equal to those originally installed.
- ★ Schematic diagram is subject to change without notice.

- 電圧は、内部抵抗 10MΩの電圧計で測定したものです。
- Δ印のある部品は、安全性確保部品を示しています。部品の交換が必要な場合、パーツリストに記載されている部品を使用してください。
- 本回路図は標準回路図です。改良のため予告なく変更することがあります。



Page 103 18
to VIDEO (3)_W3801

A	B
C	D

A	B
C	D

RX-V467/HTR-4063

DIGITAL 2/4

Page 97 H9
to OPERATION (1)_CB401

Page 99 K7
to MAIN (5)_CB157

Page 100 K8
to MAIN (1)_CB156

Page 103 I9
to VIDEO (3)_CB382

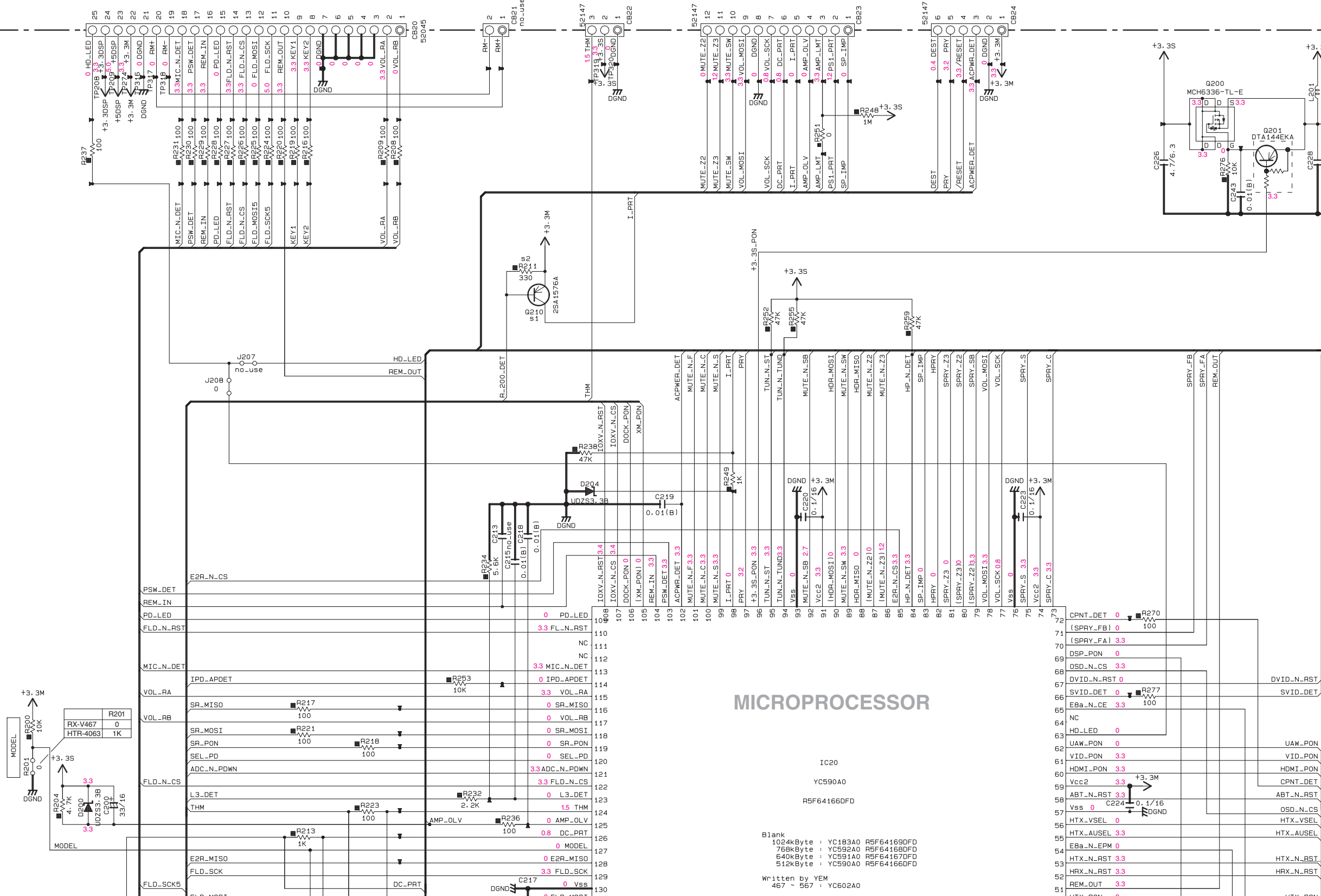
to OPE(1)

to RMT

to THM

to MAIN

to SUB TR



MICROPROCESSOR

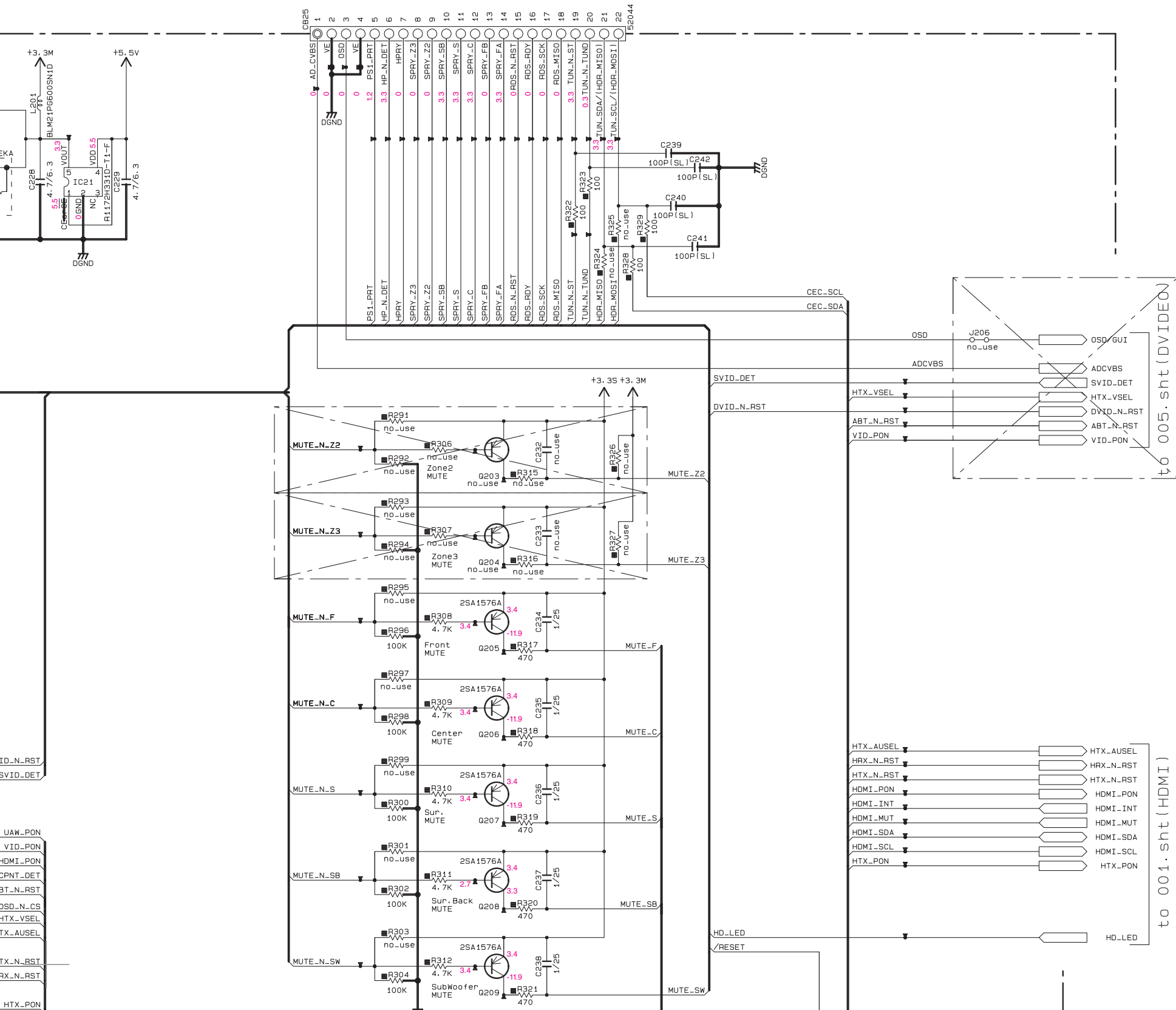
IC20
YC590A0
R5F64166DFD

Blank
1024kByte : YC183A0 R5F64169DFD
768kByte : YC592A0 R5F64168DFD
640kByte : YC591A0 R5F64167DFD
512kByte : YC590A0 R5F64166DFD
Written by YEM
467 - 567 : YC602A0

1
2
3
4
5

Page 102 G8
to VIDEO (1)_CB349

to VIDEO

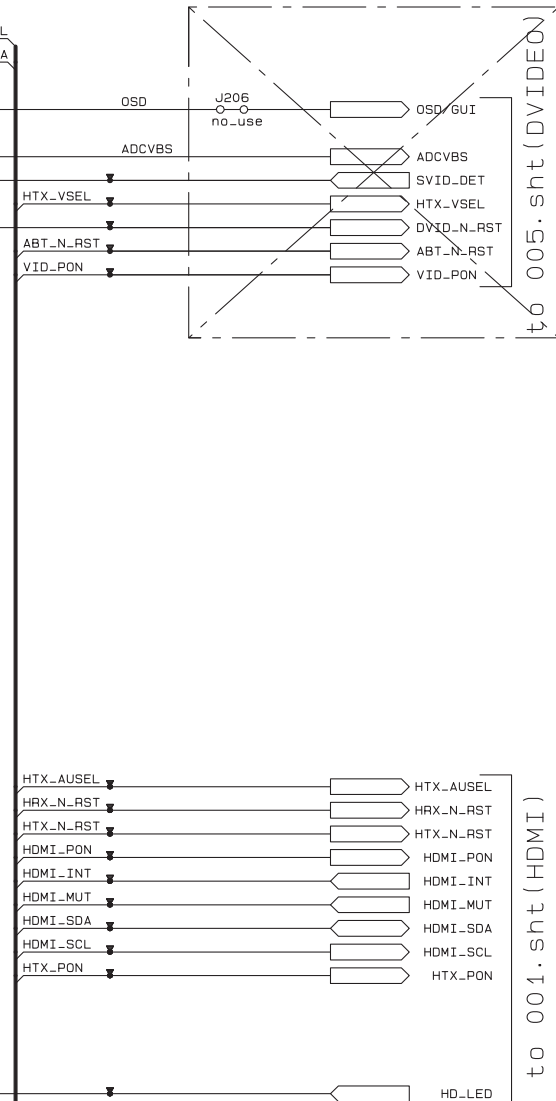


REMARKS	PARTS NAME	
NO MARK	ELECTROLYTIC CAPACITOR	77
⊗	TANTALUM CAPACITOR	
NO MARK	CERAMIC CAPACITOR	
⊙	CERAMIC TUBULAR CAPACITOR	
⊖	POLYESTER FILM CAPACITOR	
○	POLYSTYRENE FILM CAPACITOR	11
Ⓜ	MICA CAPACITOR	
Ⓟ	POLYPROPYLENE FILM CAPACITOR	
Ⓢ	SEMICONDUCTIVE CERAMIC CAPACITOR	
Ⓣ	POLYPHENYLENE SULFIDE FILM CAPACITOR	

REMARKS	PARTS NAME	
NO MARK	CARBON FILM RESISTOR (P=5)	
⊠	CARBON FILM RESISTOR (P=10)	
△	METAL OXIDE FILM RESISTOR	
▲	METAL FILM RESISTOR	
⊞	METAL PLATE RESISTOR	
⊞	FIRE PROOF CARBON FILM RESISTOR	
□	CEMENT MOLDED RESISTOR	
⊕	SEMI VARIABLE RESISTOR	
■	CHIP RESISTOR	

NOTICE (mode1)

- (J)..... JAPAN
- (U)..... U.S.A
- (C)..... CANADA
- (R)..... GENERAL
- (T)..... CHINA
- (K)..... KOREA
- (A)..... AUSTRALIA
- (B)..... BRITISH
- (G)..... EUROPE
- (L)..... SINGAPORE
- (E)..... SOUTH EUROPE
- (V)..... TAIWAN
- (F)..... RUSSIAN
- (P)..... LATIN AMERICA
- (S)..... BRAZIL



6

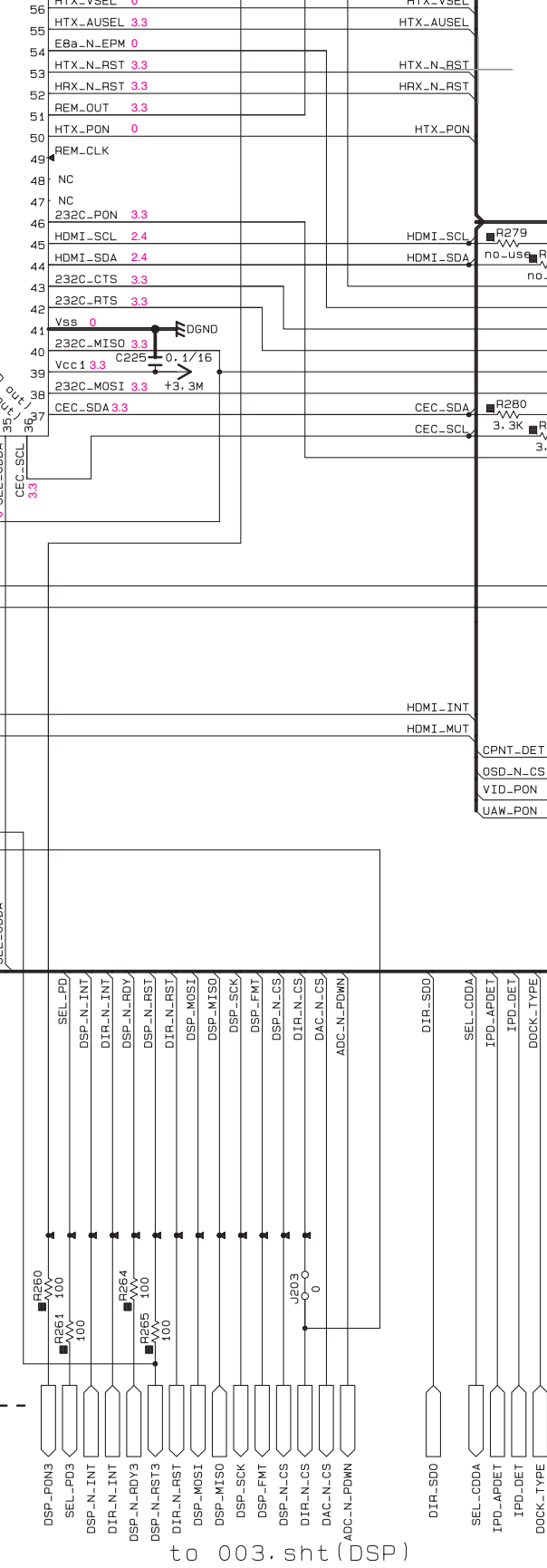
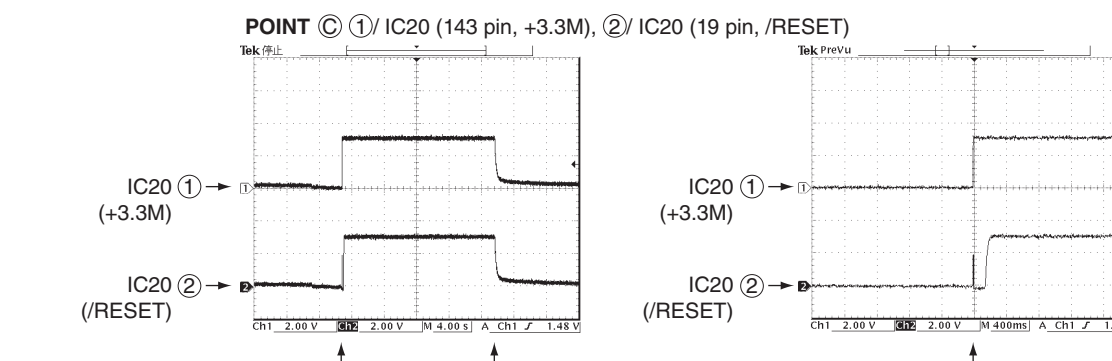
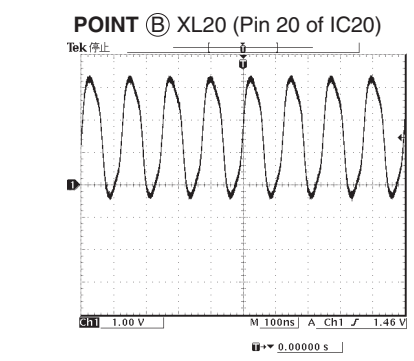
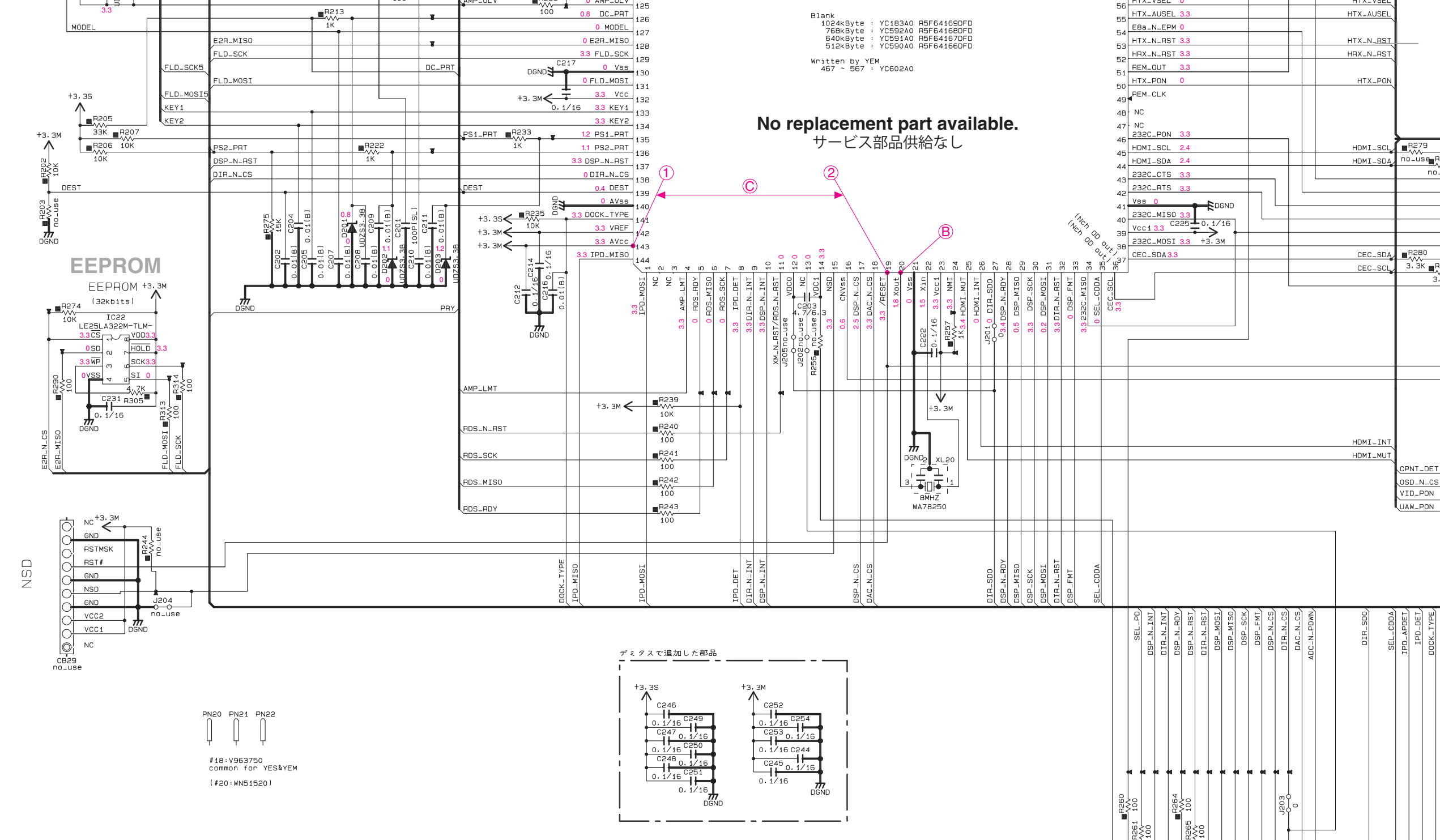
7

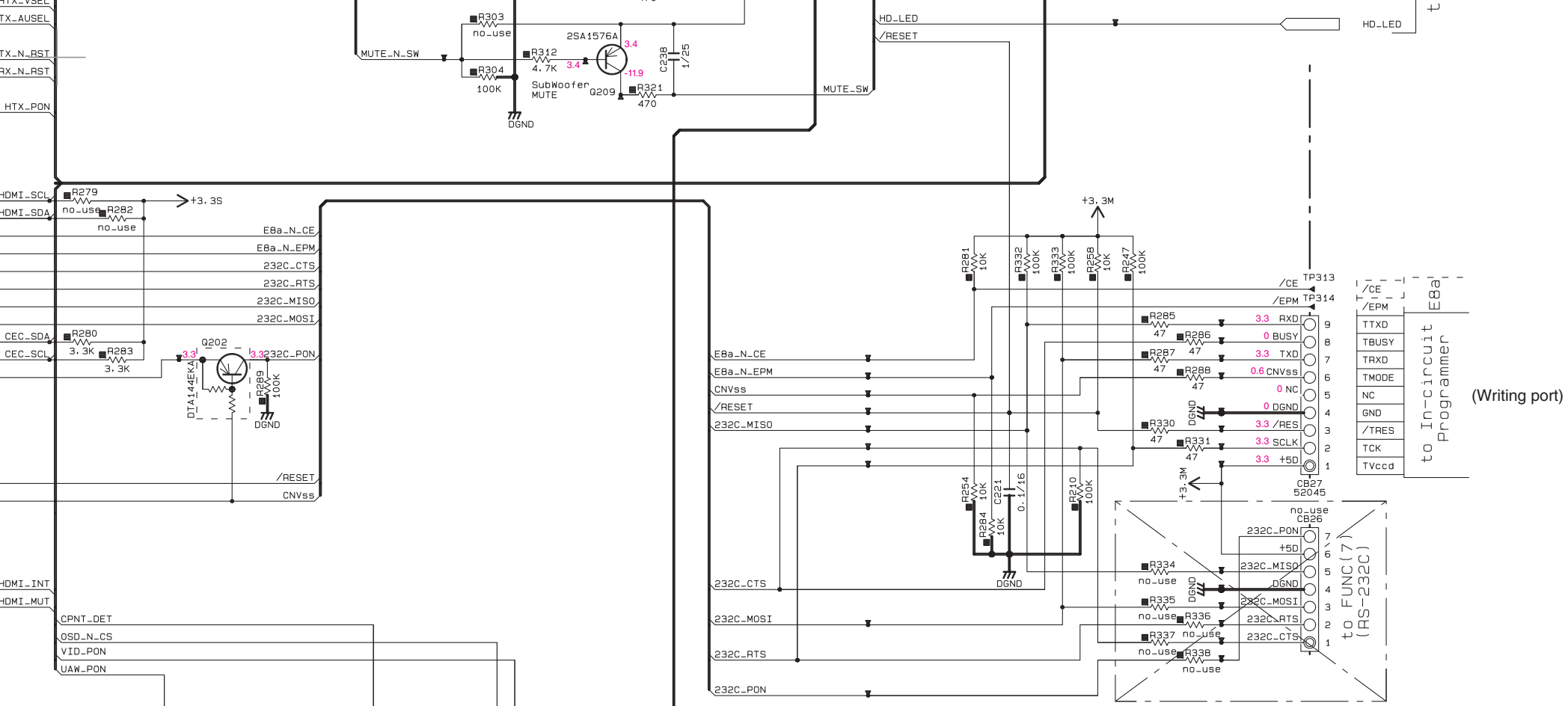
8

9

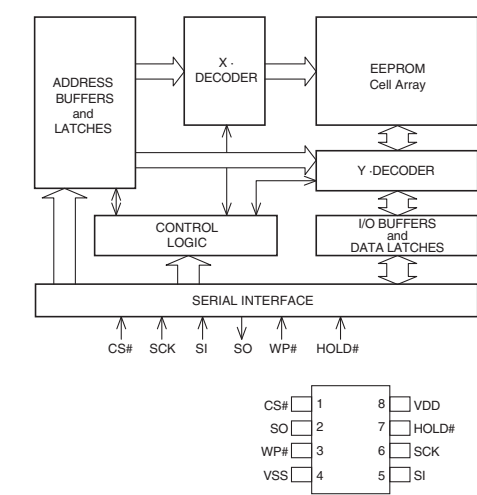
10

94



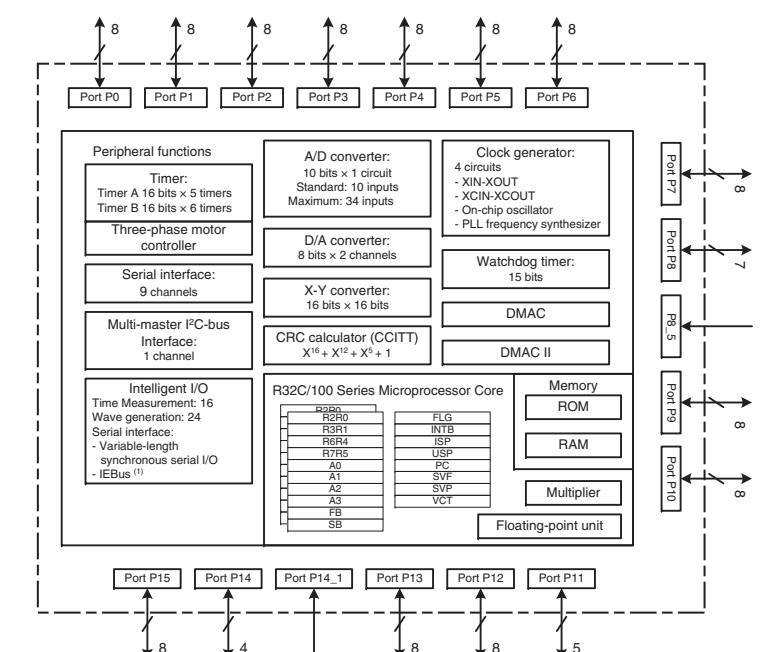


IC22: LE25LA322M-TLM-E
32 k-bit serial SPI EEPROM



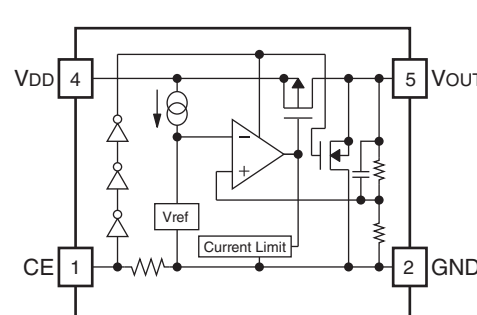
CS#	1	8	VDD
SO	2	7	HOLD#
WP#	3	6	SCK
VSS	4	5	SI

IC20: R5F64166DFD
Single chip 32-bit microprocessor



Note: 1. IEBus is a trademark of NEC Electronics Corporation.

IC21: R1172H331D-T1-F
Voltage regulator



Pin No.	Symbol	Description
1	CE	Chip Enable Pin
2	GND	Ground Pin
3	NC	No Connection
4	VDD	Input Pin
5	VOUT	Output Pin of Voltage Regulator

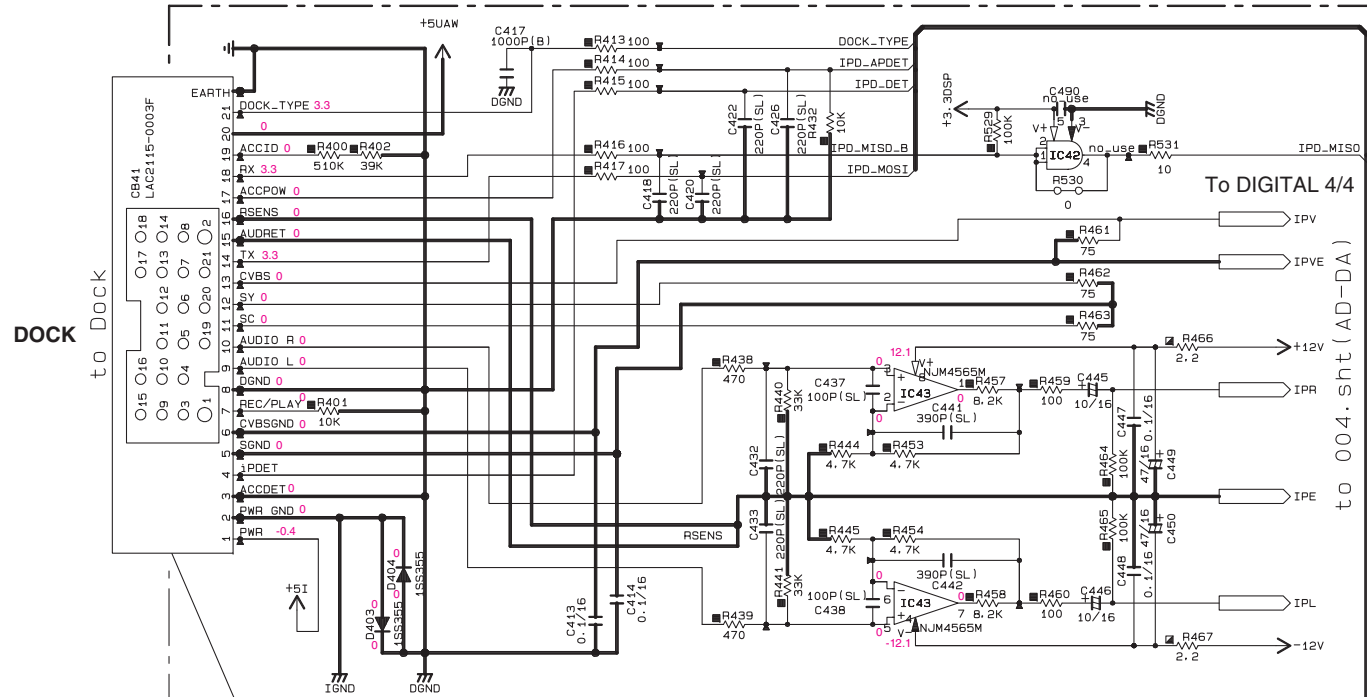
To DIGITAL 4/4

- ★ All voltages are measured with a 10MΩ/V DC electronic voltmeter.
- ★ Components having special characteristics are marked Δ and must be replaced with parts having specifications equal to those originally installed.
- ★ Schematic diagram is subject to change without notice.

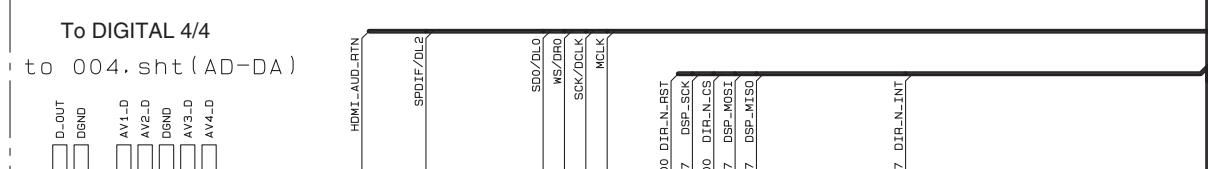
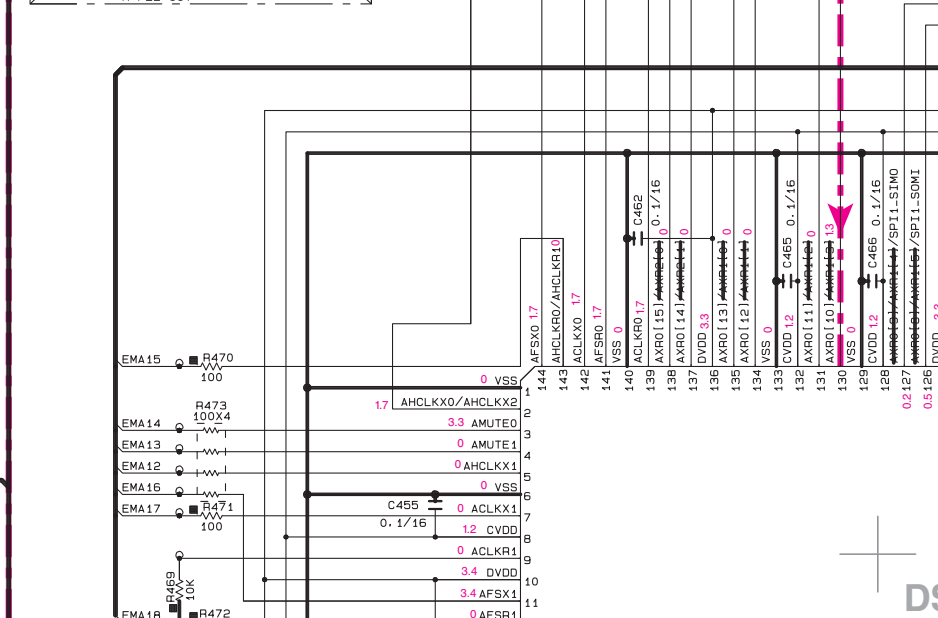
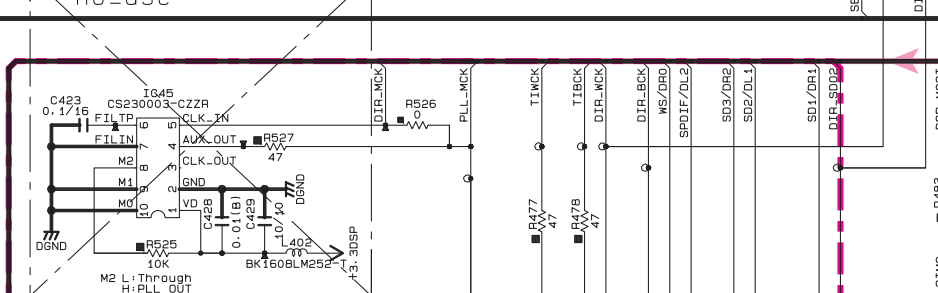
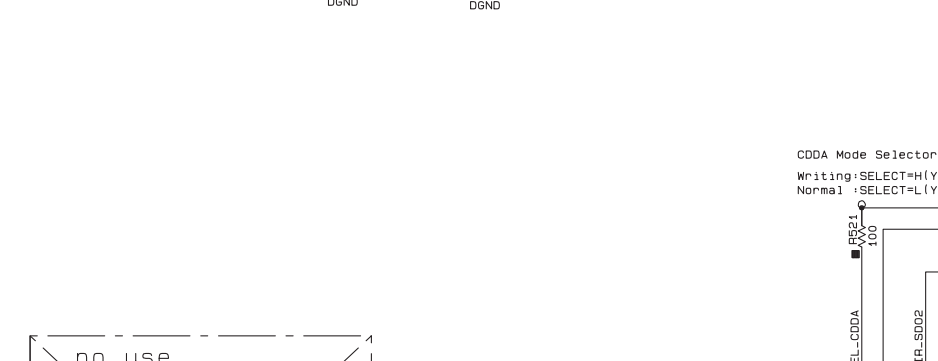
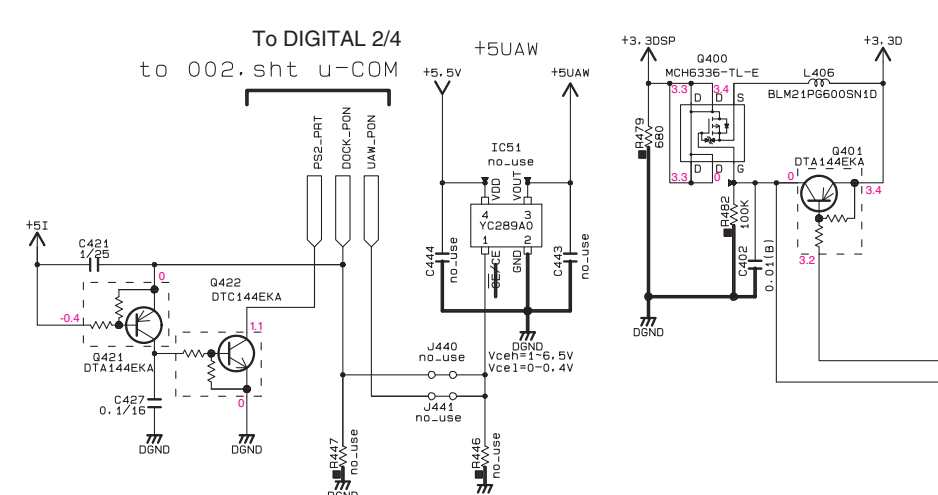
- 電圧は、内部抵抗 10MΩの電圧計で測定したものです。
- Δ印のある部品は、安全性確保部品を示しています。部品の交換が必要な場合、パーツリストに記載されている部品を使用してください。
- 本回路図は標準回路図です。改良のため予告なく変更することがあります。

A	B
C	D

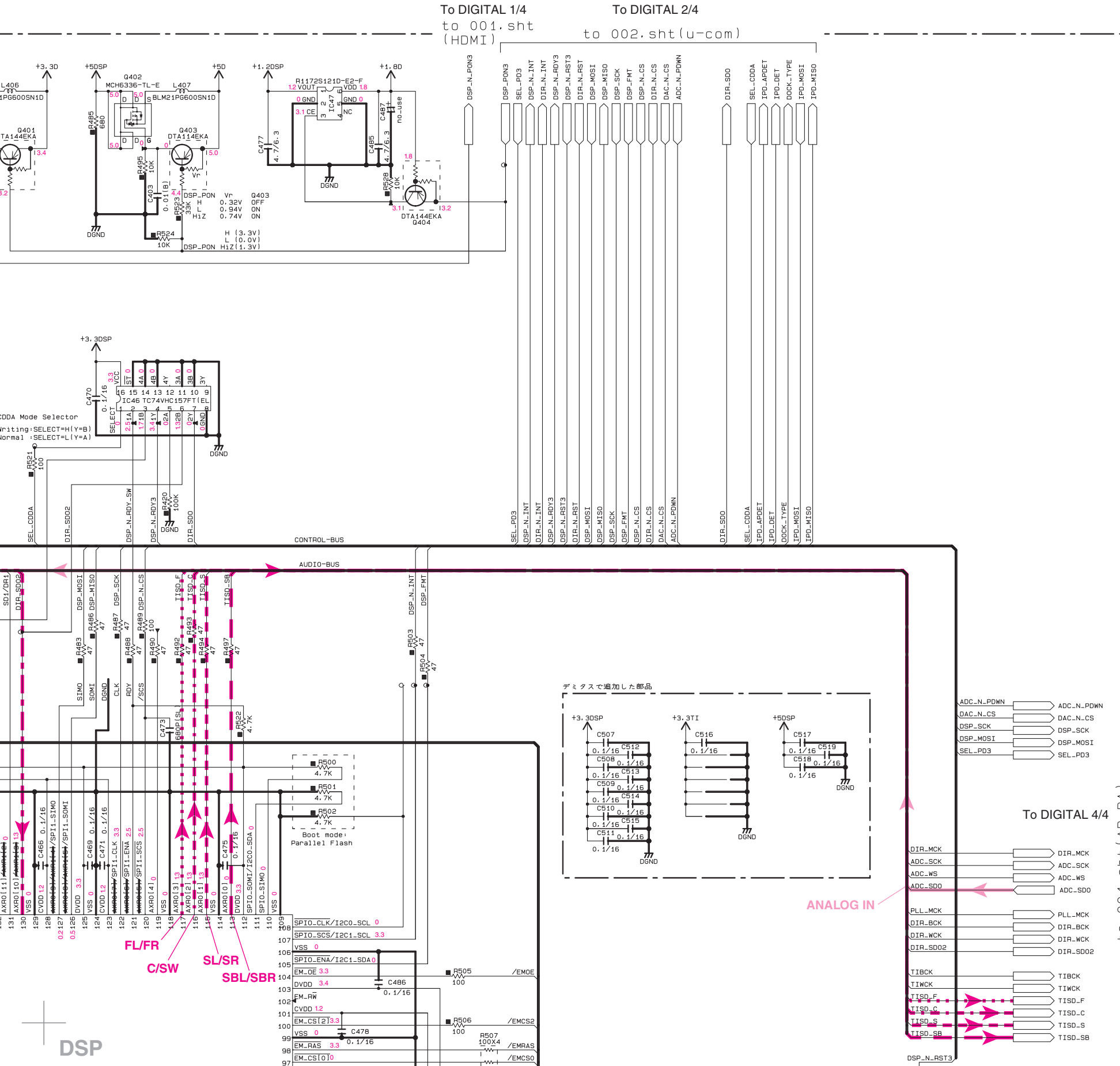
DIGITAL 3/4



No replacement part available.
サービス部品供給なし



CDDA Mode Selector
Writing: SELECT=HIY=B
Normal: SELECT=LIY=A



CAPACITOR

REMARKS	PARTS NAME	
NO MARK	ELECTROLYTIC CAPACITOR	#
⊗	TANTALUM CAPACITOR	
NO MARK	CERAMIC CAPACITOR	#
⊙	CERAMIC TUBULAR CAPACITOR	
○	POLYESTER FILM CAPACITOR	
○	POLYSTYRENE FILM CAPACITOR	
Ⓜ	MICA CAPACITOR	
Ⓟ	POLYPROPYLENE FILM CAPACITOR	
Ⓢ	SEMICONDUCTIVE CERAMIC CAPACITOR	
Ⓣ	POLYPHENYLENE SULFIDE FILM CAPACITOR	

RESISTOR

REMARKS	PARTS NAME
NO MARK	CARBON FILM RESISTOR (P=5)
⊠	CARBON FILM RESISTOR (P=10)
△	METAL OXIDE FILM RESISTOR
▲	METAL FILM RESISTOR
⊞	METAL PLATE RESISTOR
⊞	FIRE PROOF CARBON FILM RESISTOR
□	CEMENT MOLDED RESISTOR
⊞	SEMI VARIABLE RESISTOR
■	CHIP RESISTOR

NOTICE (model)

(J)..... JAPAN
 (U)..... U.S.A
 (C)..... CANADA
 (R)..... GENERAL
 (T)..... CHINA
 (K)..... KOREA
 (A)..... AUSTRALIA
 (B)..... BRITISH
 (G)..... EUROPE
 (L)..... SINGAPORE
 (E)..... SOUTH EUROPE
 (V)..... TAIWAN
 (F)..... RUSSIAN
 (P)..... LATIN AMERICA
 (S)..... BRAZIL

to 004.sht (AD-DA)

6

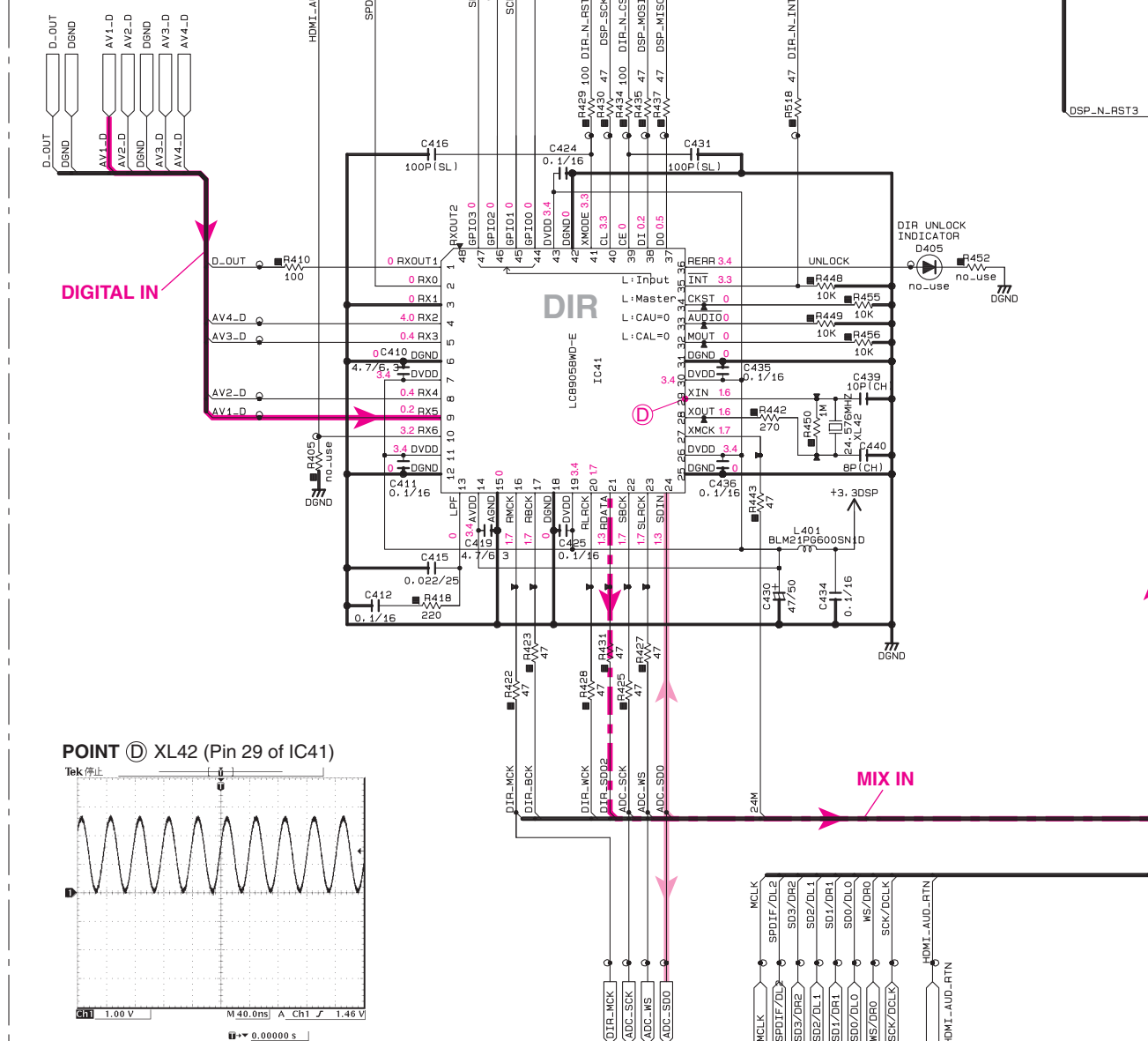
7

8

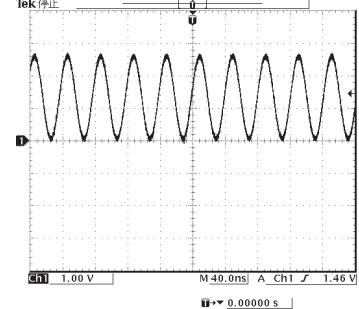
9

10

to 004.sht(AD-DA)

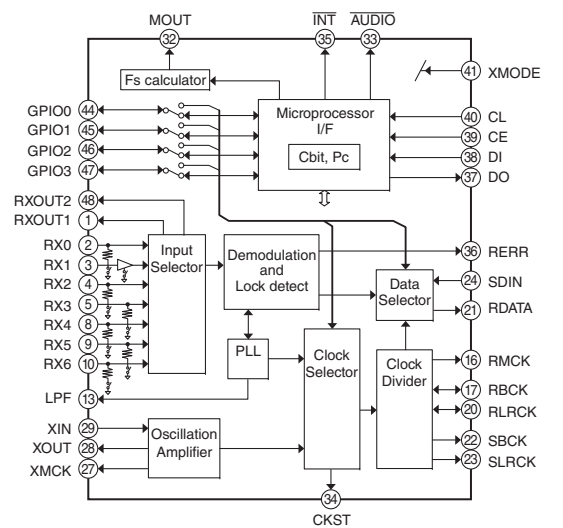


POINT D XL42 (Pin 29 of IC41)

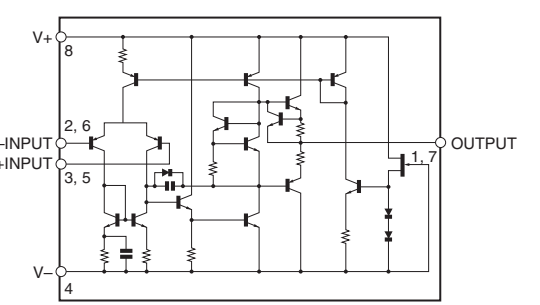


to 001.sht(HDMI)
To DIGITAL 1/4

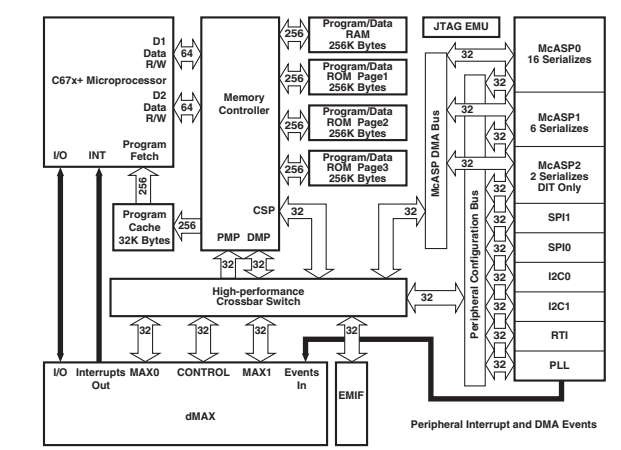
IC41: LC89058WD-E
Digital audio interface receiver



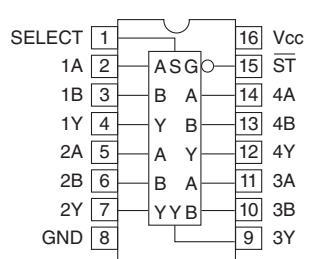
IC43: NJM4565M (TE1)
Dual operational amplifier



IC44: D70YE101BRFP266
Floating-point digital signal processors



IC46: TC74VHC157FT
Quad 2-channel multiplexer



RX-V467/HTR-4063

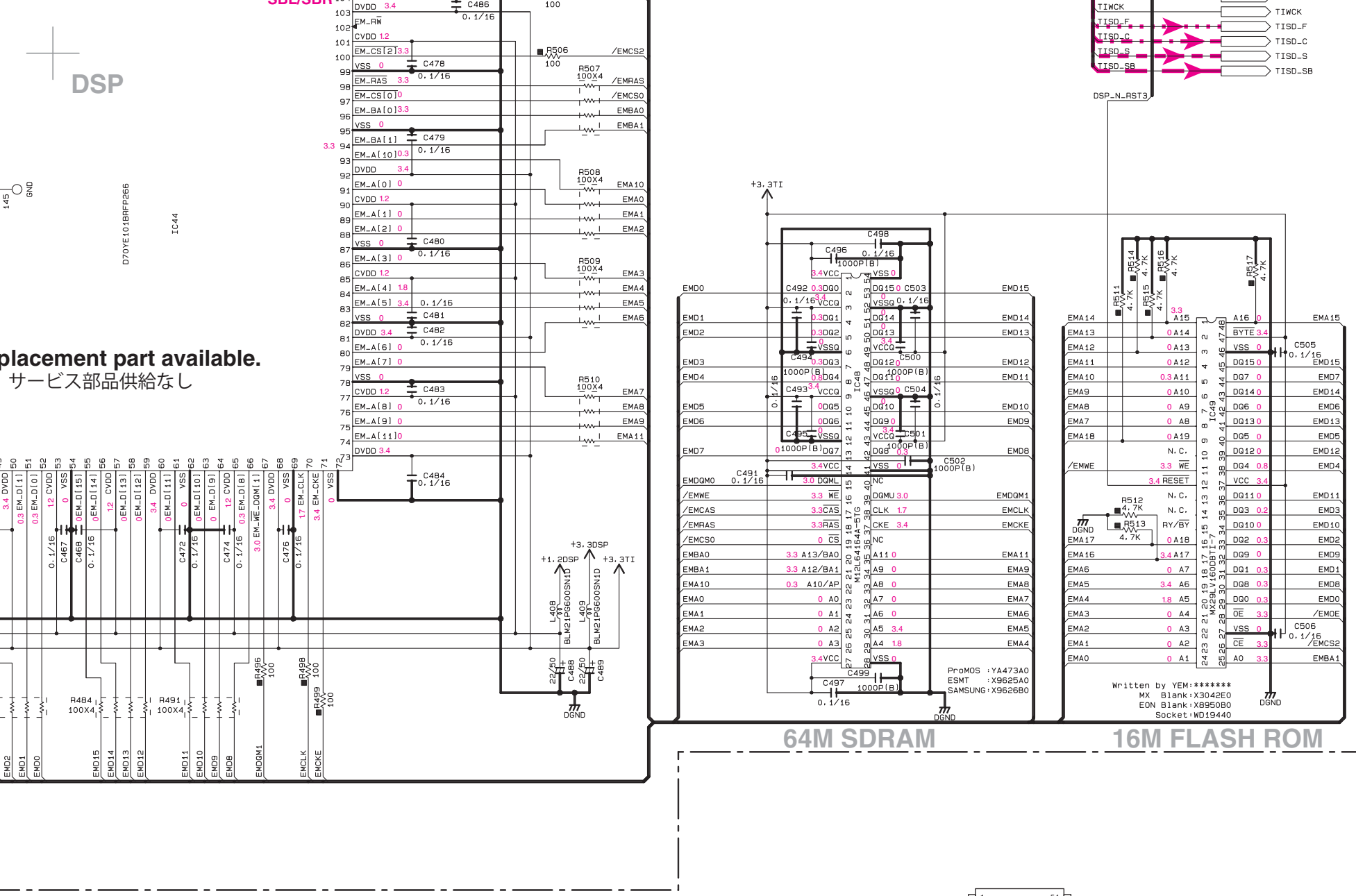
A	B
C	D

DIGITAL 3/4

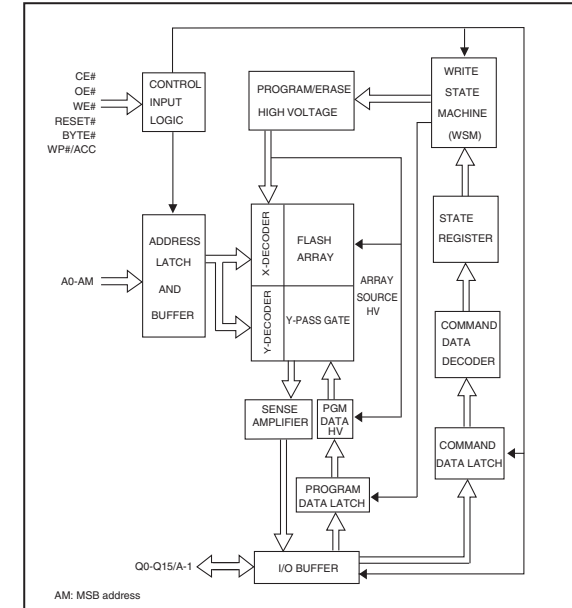
No replacement
サービス部

DSP

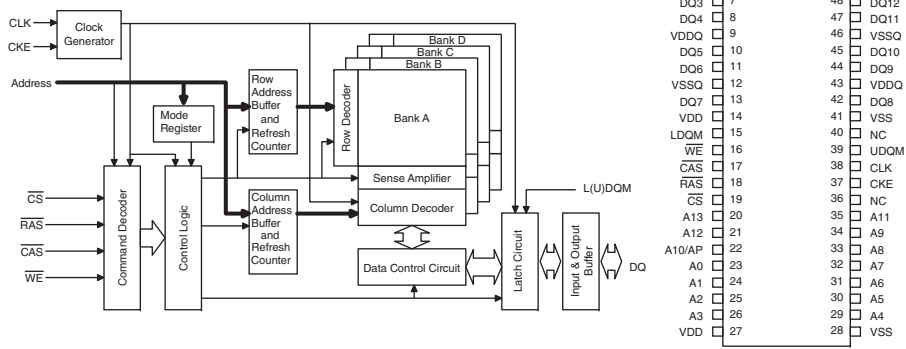
placement part available.
サービス部品供給なし



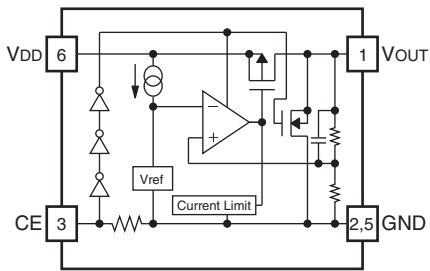
IC49: MX29LV160BTI-70G
16M-bit 3V supply flash memory



IC48: M12L64164A-5TG
1M x 16-bit x 4 banks synchronous DRAM

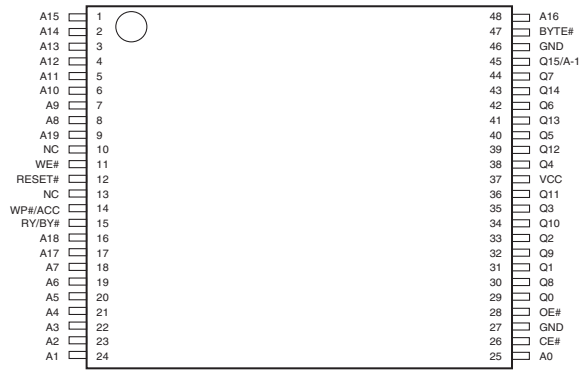
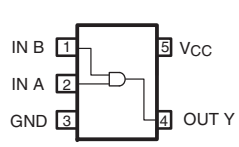


IC47: R1172S121D-E2-F
Voltage regulator



Pin No.	Symbol	Description
1	VOUT	Output Pin of Voltage Regulator
2, 5	GND	Ground Pin
3	CE	Chip Enable Pin
4	NC	No Connection
6	VDD	Input Pin

IC50: TC7SH08FU
2-input AND gate



- ★ All voltages are measured with a 10MΩ/V DC electronic voltmeter.
- ★ Components having special characteristics are marked Δ and must be replaced with parts having specifications equal to those originally installed.
- ★ Schematic diagram is subject to change without notice.

- 電圧は、内部抵抗 10MΩの電圧計で測定したものです。
- Δ印のある部品は、安全性確保部品を示しています。部品の交換が必要な場合、パーツリストに記載されている部品を使用してください。
- 本回路図は標準回路図です。改良のため予告なく変更することがあります。

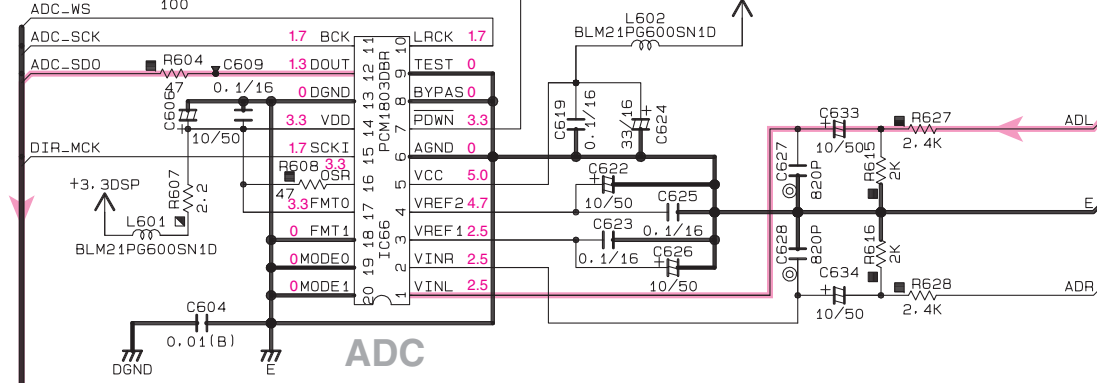
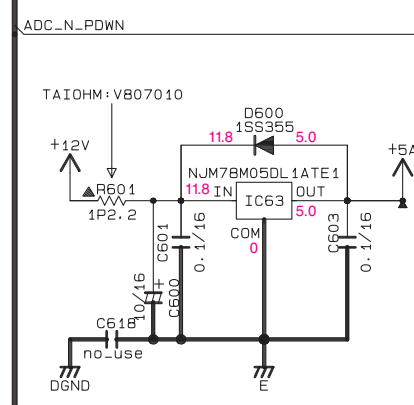
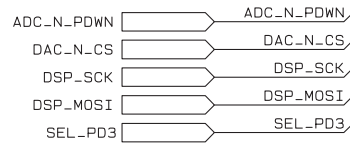
A	B
C	D

A	B
C	D

RX-V467/HTR-4063

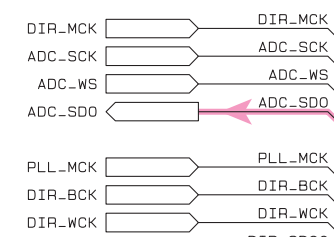
DIGITAL 4/4

CONTROL-BUS



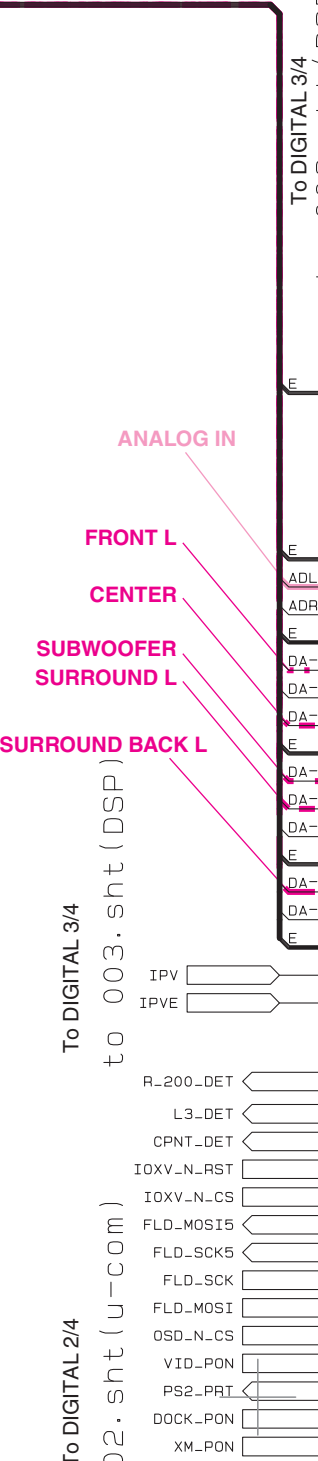
To DIGITAL 3/4

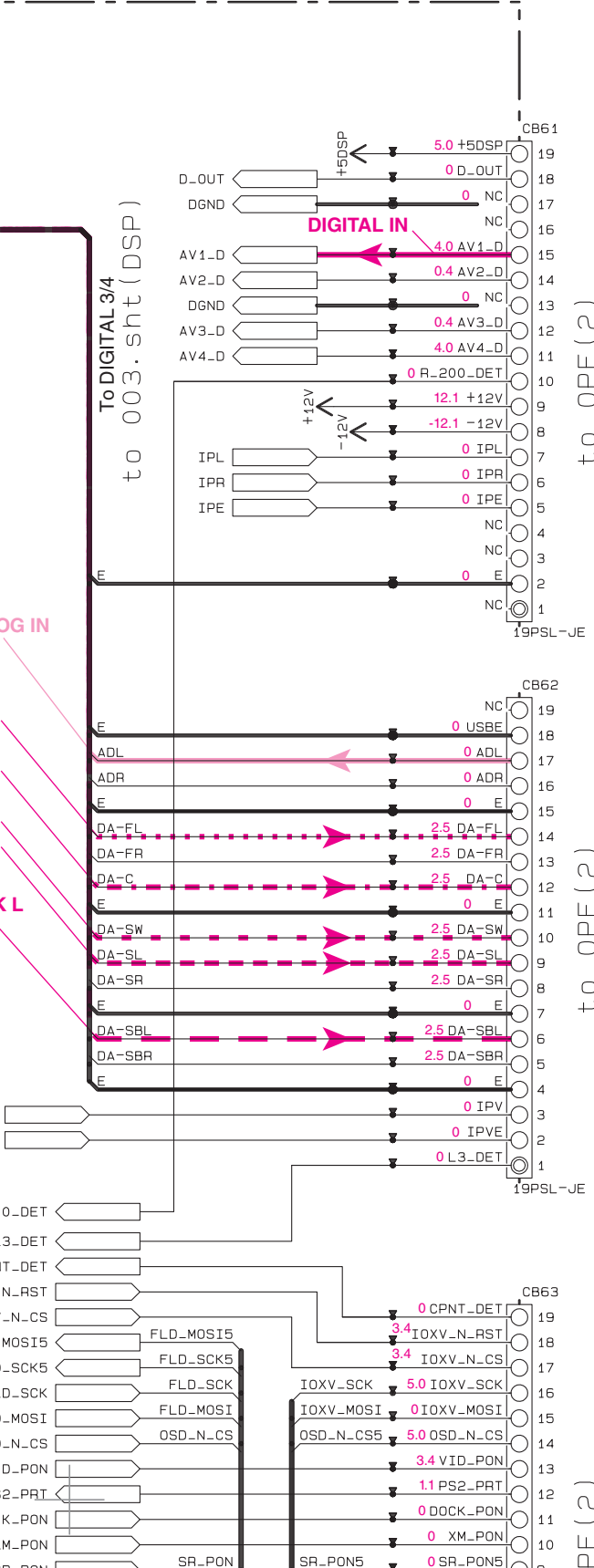
to 003.sht (DSP)



To DIGITAL 3/4

To DIGITAL 2/4





Page 98 **E3**
to OPERATION (2)_CB452

Page 98 **G3**
to OPERATION (2)_CB452

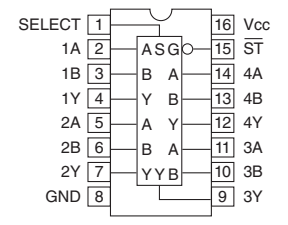
Page 98 **I3**
to OPERATION (2)_CB452

s1 ~19:002.sht(u-com)
s20~54:003.sht(DSP)
s55~89:004.sht(AD-DA)

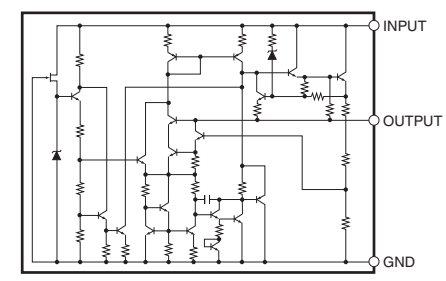
Destination Part List

sXX	LOC	JUCTKABGLEF	RS
s1	Q210	X	VR93630 2SA1576A
s2	R211	X	RD35533 330

IC62: TC74VHC157FT
Quad 2-channel multiplexer



IC63: NJM78M05DL1A (TE1)
Voltage regulator



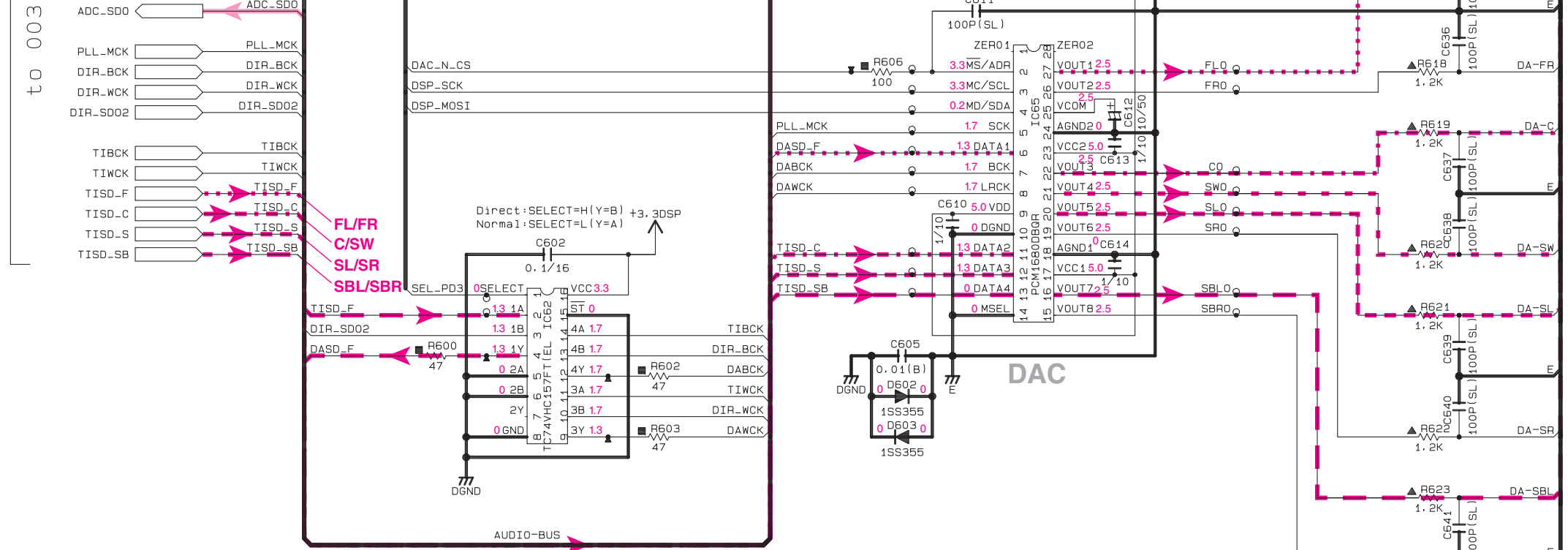
6

7

8

9

10



CAPACITOR

REMARKS	PARTS NAME	
NO MARK	ELECTROLYTIC CAPACITOR	⌘
⊗	TANTALUM CAPACITOR	
NO MARK	CERAMIC CAPACITOR	
●	CERAMIC TUBULAR CAPACITOR	
◎	POLYESTER FILM CAPACITOR	
○	POLYSTYRENE FILM CAPACITOR	
①	MICA CAPACITOR	
Ⓟ	POLYPROPYLENE FILM CAPACITOR	
Ⓢ	SEMICONDUCTIVE CERAMIC CAPACITOR	
Ⓣ	POLYPHENYLENE SULFIDE FILM CAPACITOR	

RESISTOR

REMARKS	PARTS NAME
NO MARK	CARBON FILM RESISTOR (P=5)
□	CARBON FILM RESISTOR (P=10)
△	METAL OXIDE FILM RESISTOR
▲	METAL FILM RESISTOR
⊠	METAL PLATE RESISTOR
▨	FIRE PROOF CARBON FILM RESISTOR
□	CEMENT MOLDED RESISTOR
⊙	SEMI VARIABLE RESISTOR
■	CHIP RESISTOR

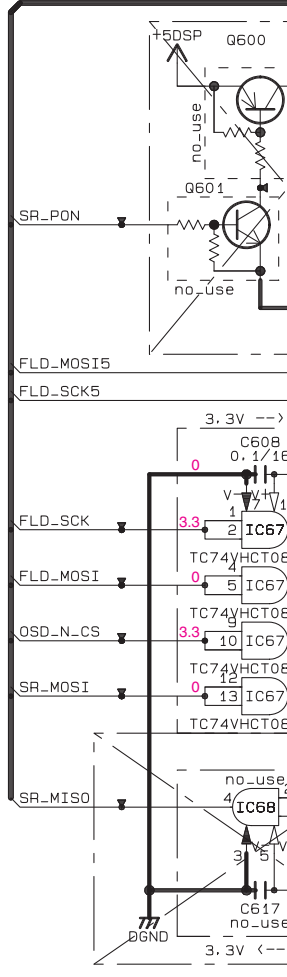
NOTICE (model)

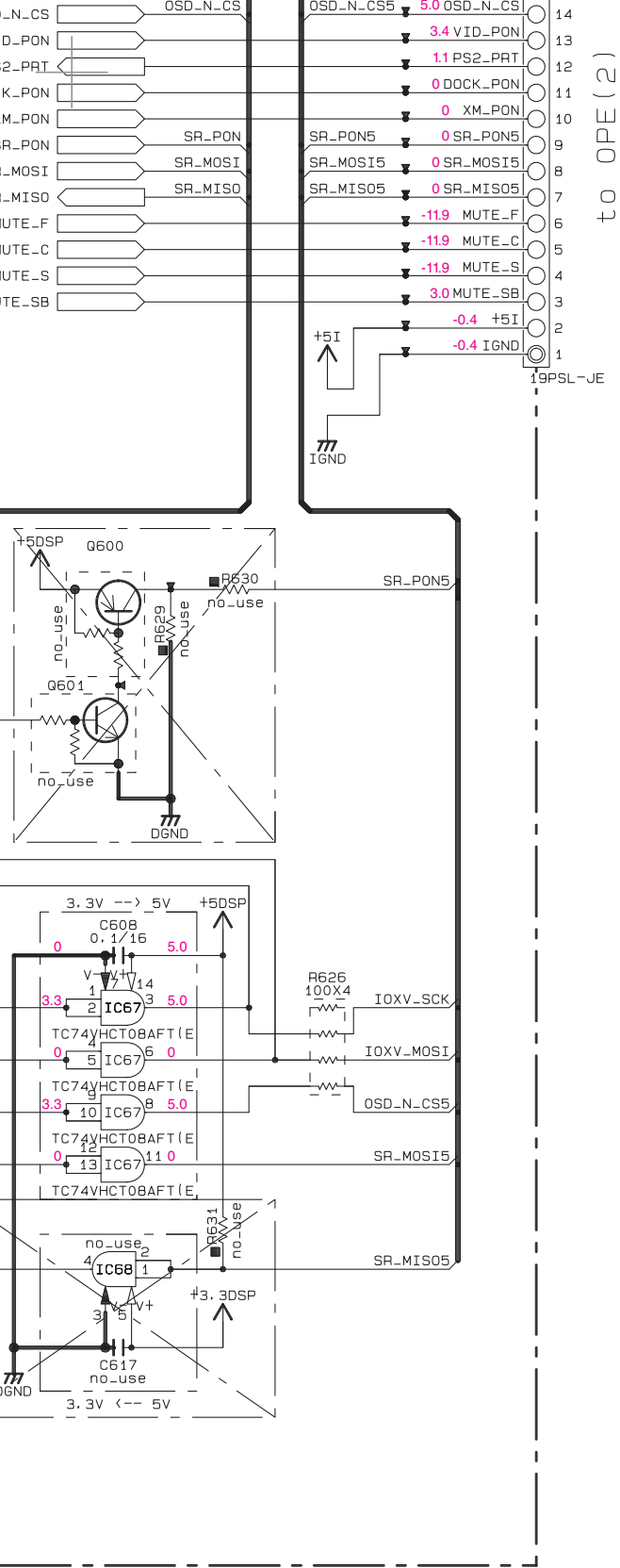
(J)..... JAPAN
 (U)..... U. S. A
 (C)..... CANADA
 (R)..... GENERAL
 (T)..... CHINA
 (K)..... KOREA
 (A)..... AUSTRALIA
 (B)..... BRITISH
 (G)..... EUROPE
 (L)..... SINGAPORE
 (E)..... SOUTH EUROPE
 (V)..... TAIWAN
 (F)..... RUSSIAN
 (P)..... LATIN AMERICA
 (S)..... BRAZIL

- ★ All voltages are measured with a 10MΩ/V DC electronic voltmeter.
- ★ Components having special characteristics are marked Δ and must be replaced with parts having specifications equal to those originally installed.
- ★ Schematic diagram is subject to change without notice.

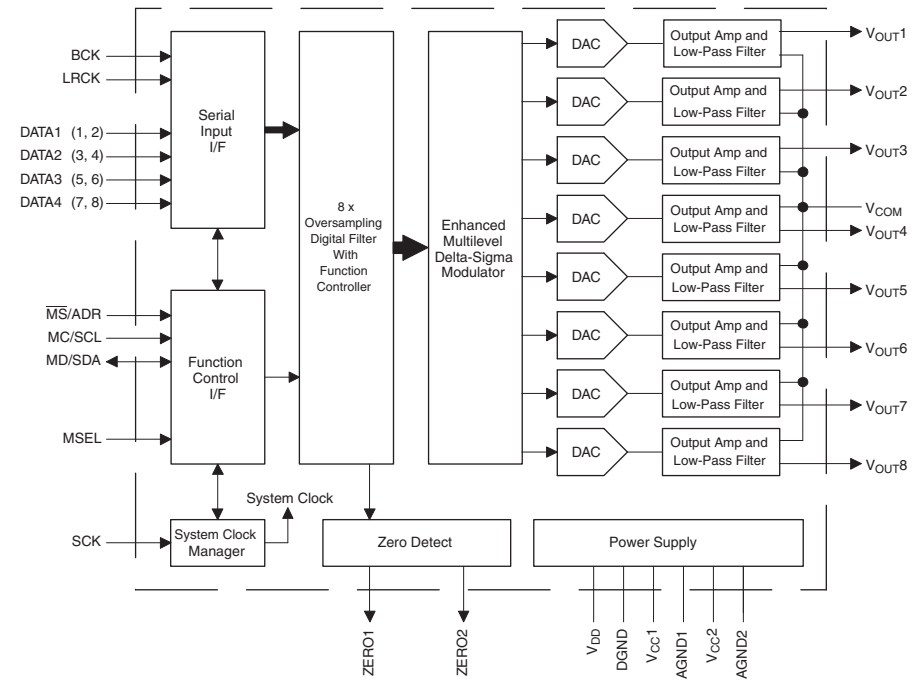
- 電圧は、内部抵抗 10MΩの電圧計で測定したものです。
- Δ印のある部品は、安全性確保部品を示しています。部品の交換が必要な場合、パーツリストに記載されている部品を使用してください。
- 本回路図は標準回路図です。改良のため予告なく変更することがあります。

To DIGITAL 2/4
to 002.sht

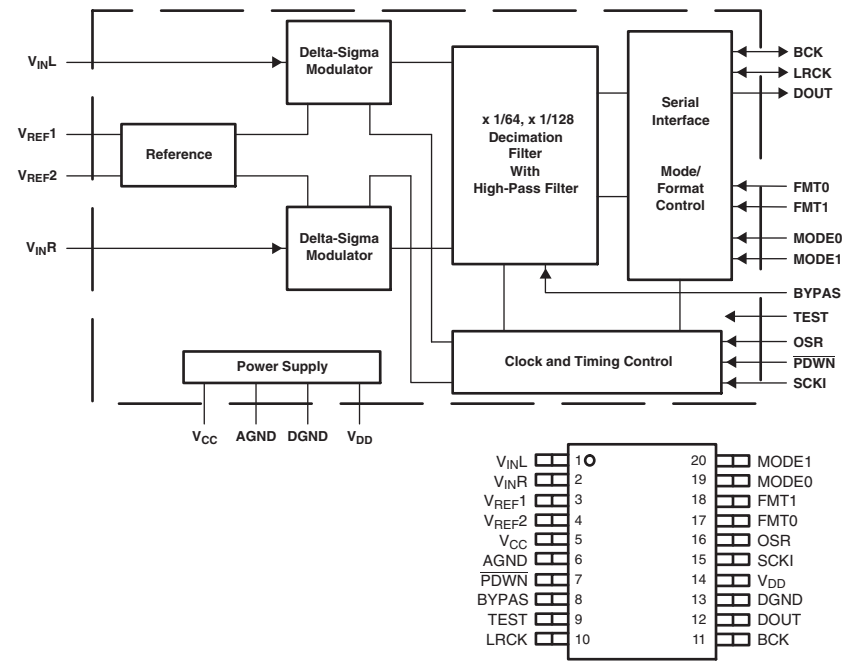




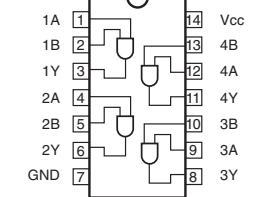
IC65: PCM1680DBQR
Audio digital-to-analog converter



IC66: PCM1803DBR
Stereo A/D converter

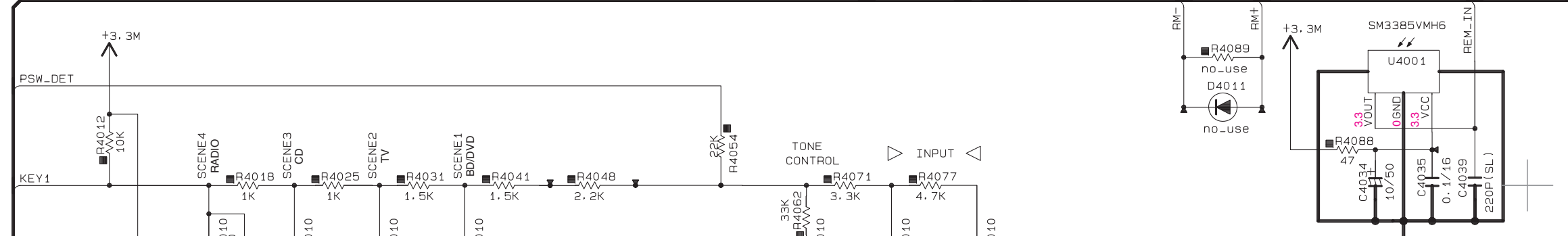
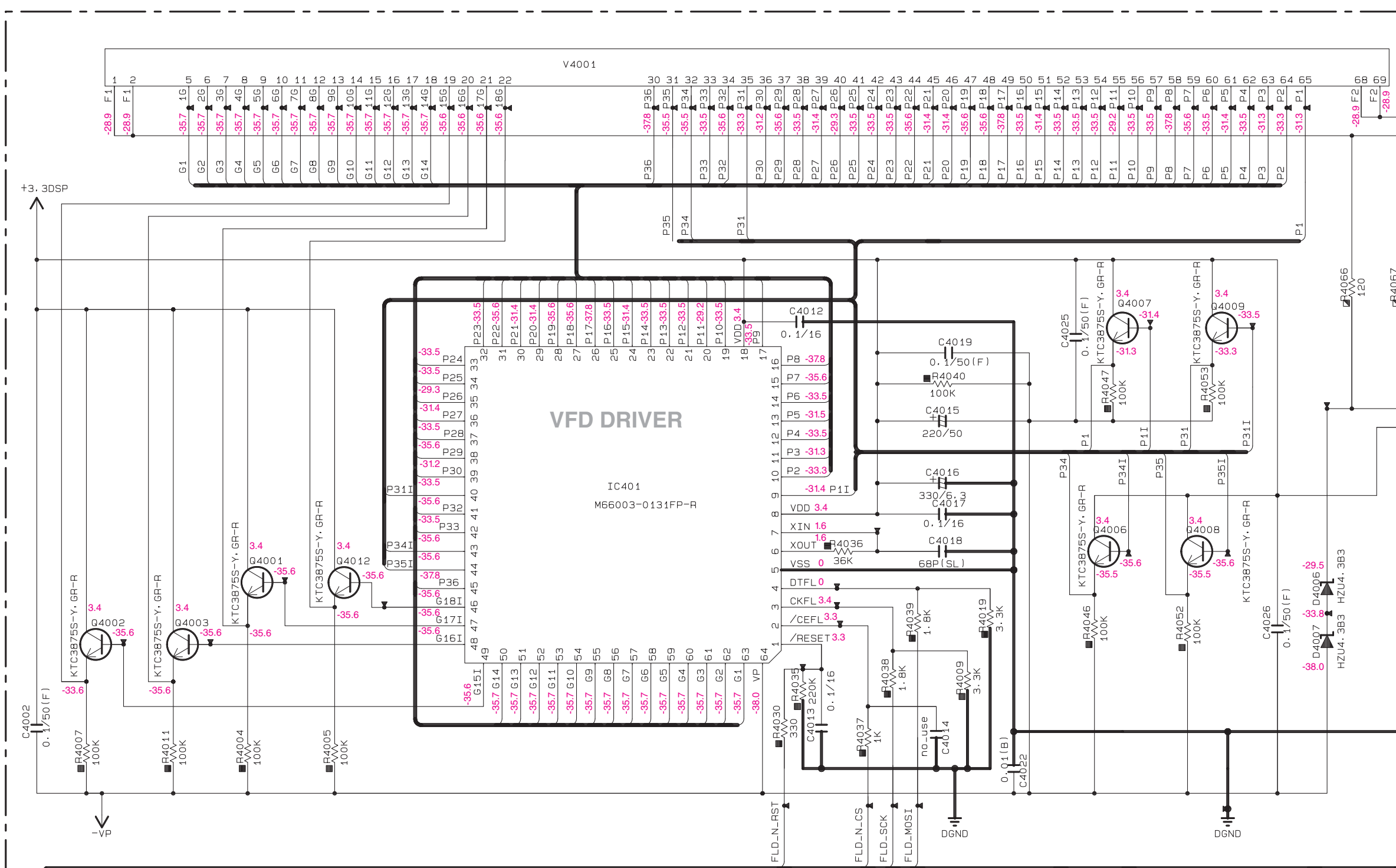


IC67: TC74VHCT08AFT
Quad 2-input AND gate

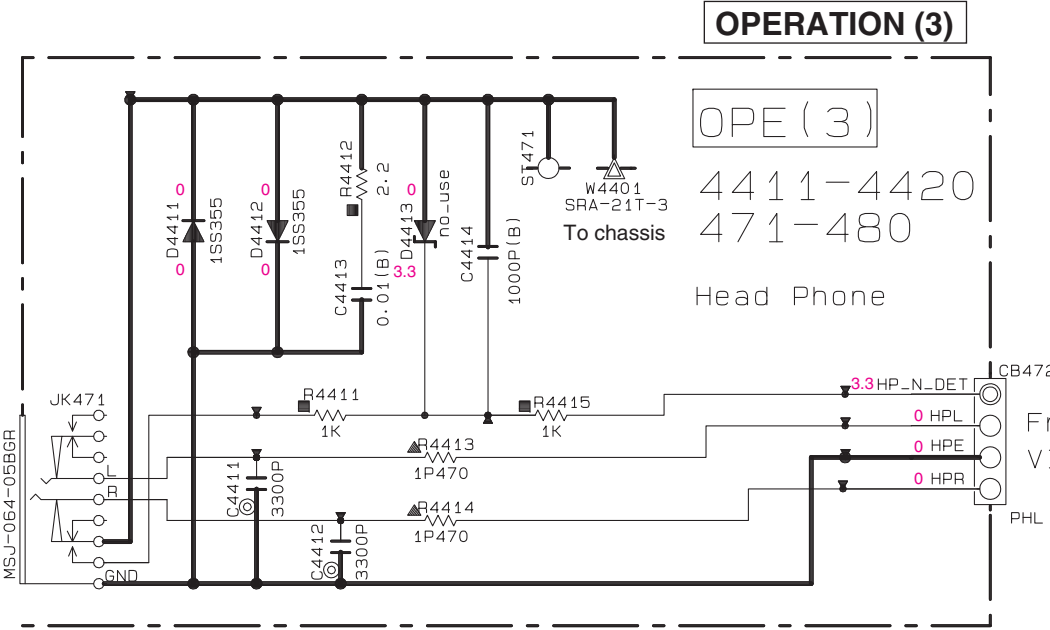
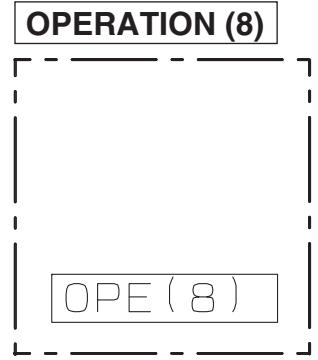
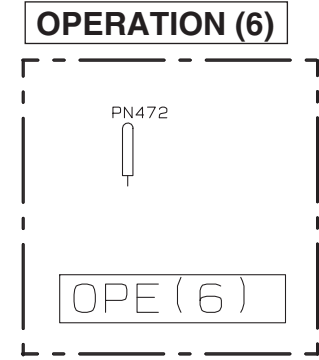
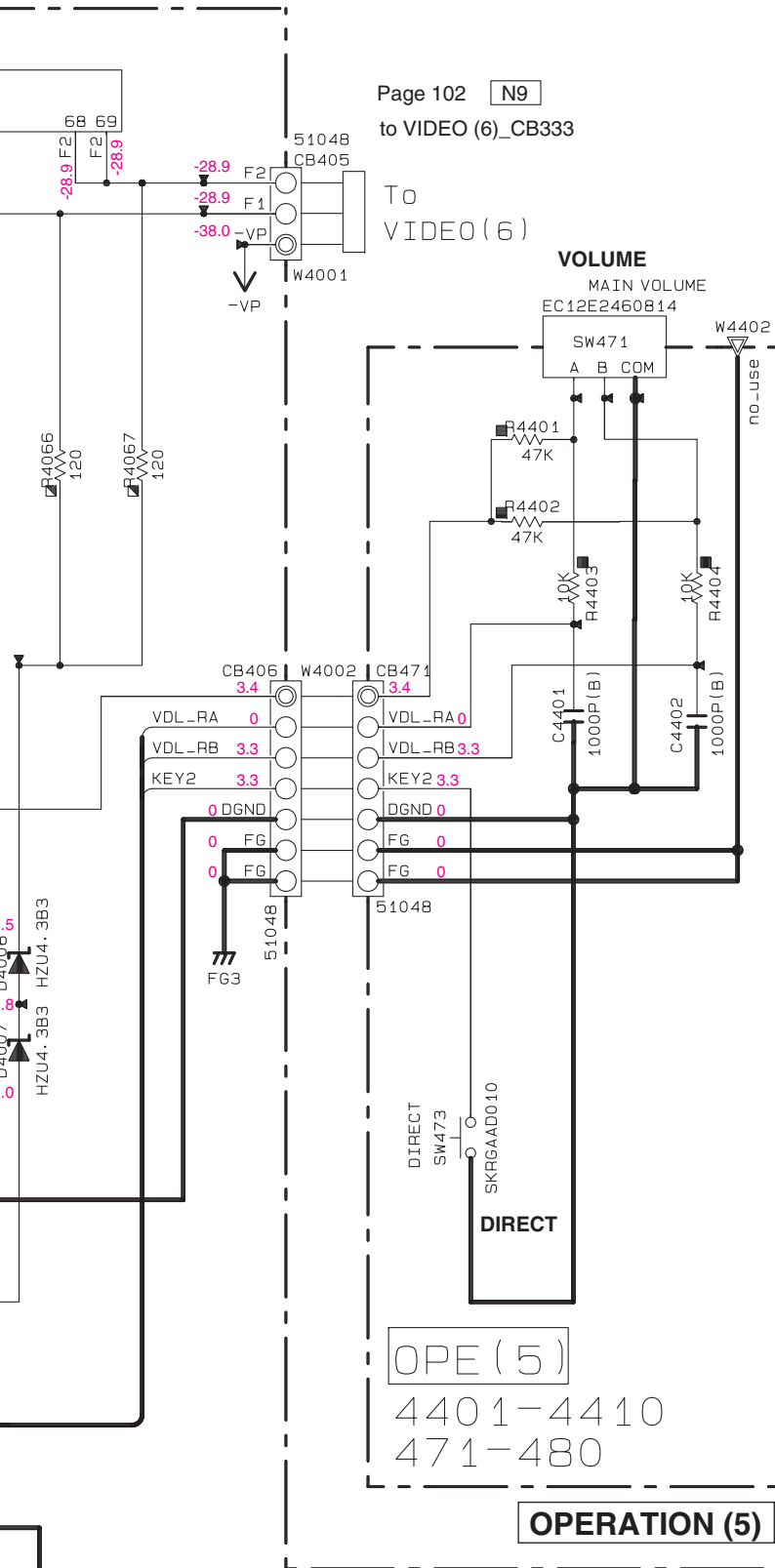


A	B
C	D

OPERATION 1/2



A	B
C	D



CAPACITOR

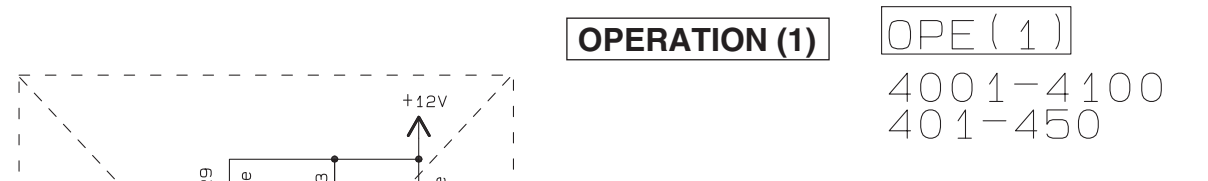
REMARKS	PARTS NAME	
NO MARK	ELECTROLYTIC CAPACITOR	#
⊗	TANTALUM CAPACITOR	
NO MARK	CERAMIC CAPACITOR	
●	CERAMIC TUBULAR CAPACITOR	
⊙	POLYESTER FILM CAPACITOR	
○	POLYSTYRENE FILM CAPACITOR	
⊖	MICA CAPACITOR	
Ⓟ	POLYPROPYLENE FILM CAPACITOR	
⊕	SEMICONDUCTIVE CERAMIC CAPACITOR	
Ⓢ	POLYPHENYLENE SULFIDE FILM CAPACITOR	

RESISTOR

REMARKS	PARTS NAME
NO MARK	CARBON FILM RESISTOR (P=5)
⊠	CARBON FILM RESISTOR (P=10)
△	METAL OXIDE FILM RESISTOR
▲	METAL FILM RESISTOR
⊞	METAL PLATE RESISTOR
⊞	FIRE PROOF CARBON FILM RESISTOR
□	CEMENT MOLDED RESISTOR
⊗	SEMI VARIABLE RESISTOR
■	CHIP RESISTOR

NOTICE (model)

(J)..... JAPAN
 (U)..... U. S. A
 (C)..... CANADA
 (R)..... GENERAL
 (T)..... CHINA
 (K)..... KOREA
 (A)..... AUSTRALIA
 (B)..... BRITISH
 (G)..... EUROPE
 (L)..... SINGAPORE
 (E)..... SOUTH EUROPE
 (V)..... TAIWAN
 (F)..... RUSSIAN
 (P)..... LATIN AMERICA
 (S)..... BRAZIL



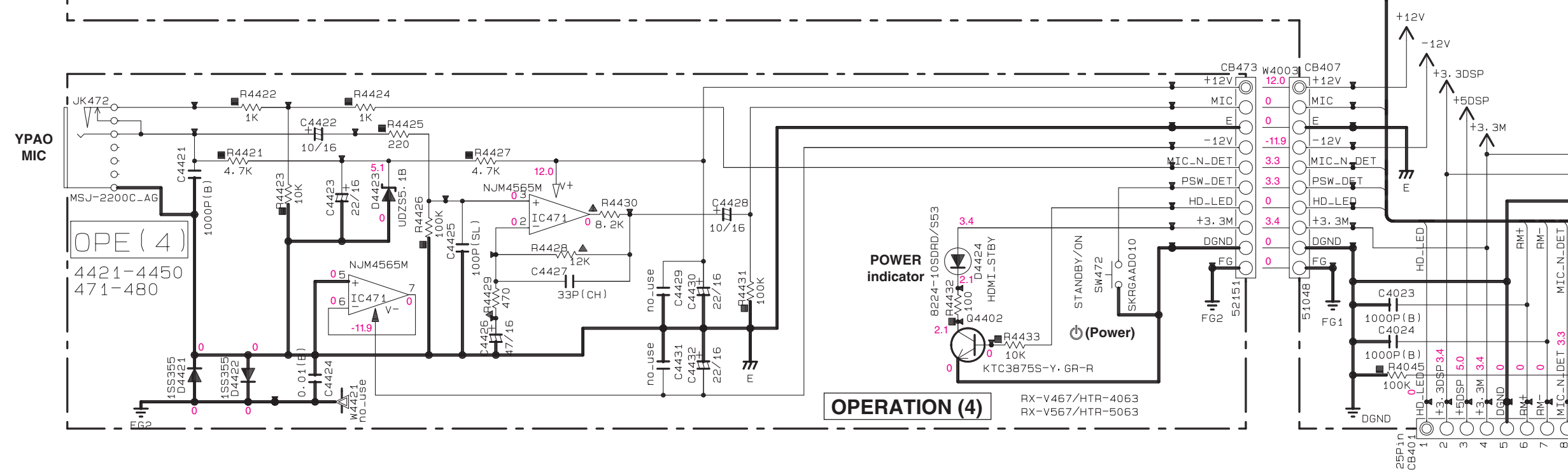
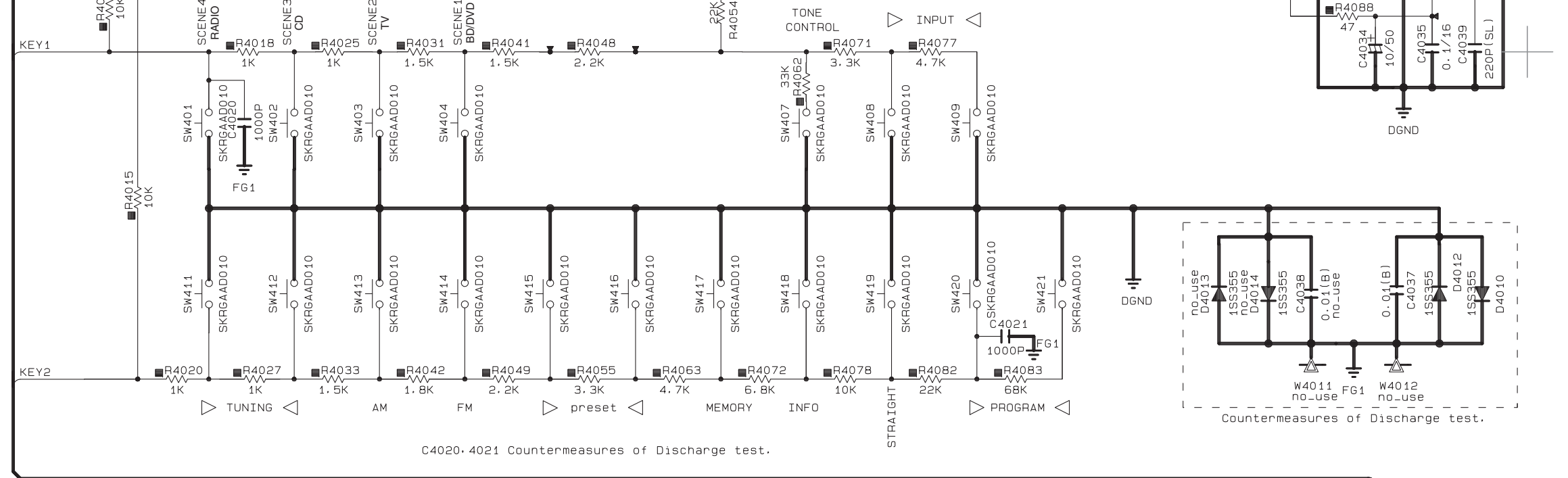
6

7

8

9

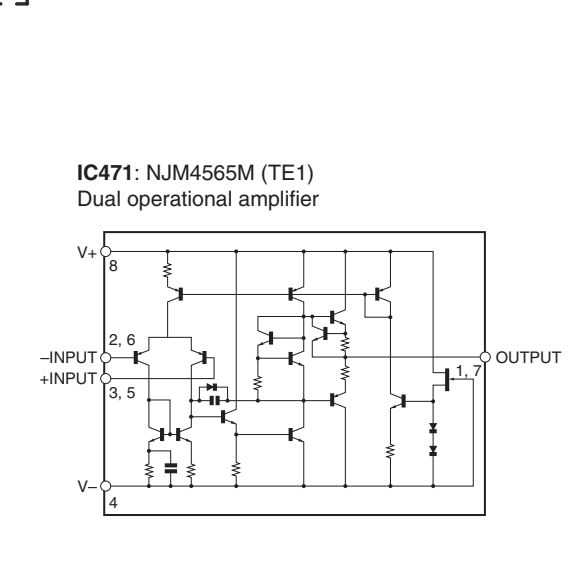
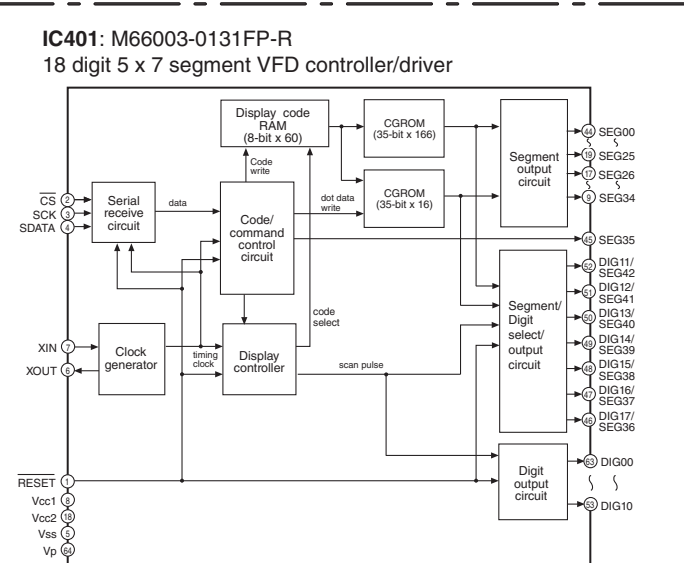
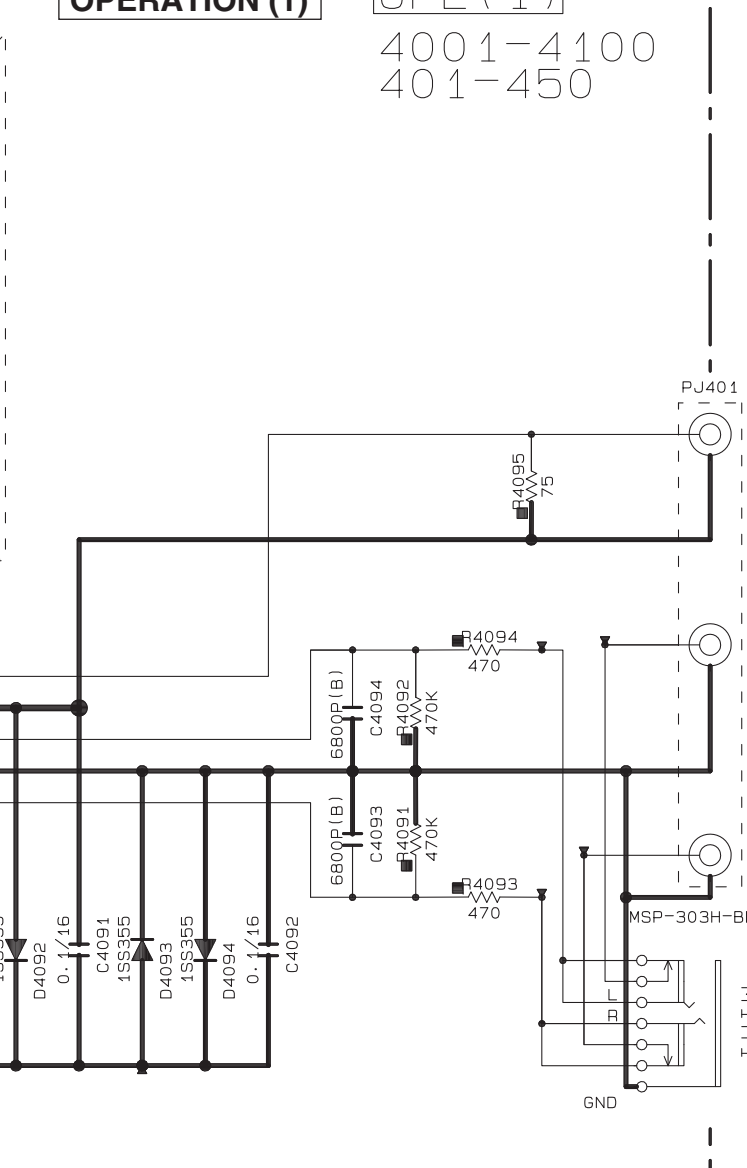
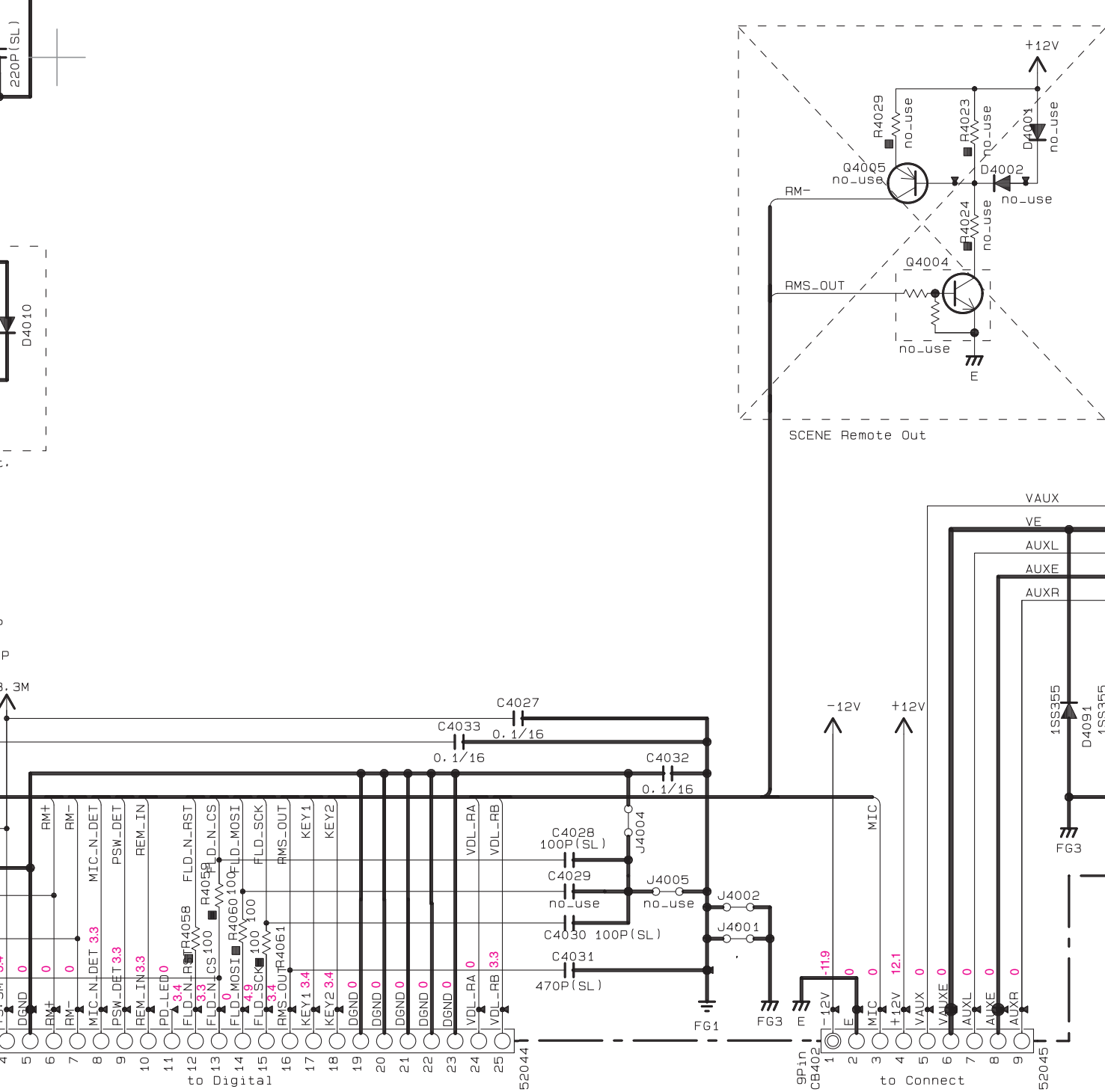
10



Key detection for A/D port
Key input (A/D) pull-up resistance 10 k-ohms

Ohm	0	+ 1.0 k	+ 1.0 k	+ 1.5 k	+ 1.5 k	+ 2.2 k	+ 3.3 k	+ 4.7 k	22.0 k	33.0 k
V	0 - 0.15	0.15 - 0.42	0.43 - 0.70	0.71 - 0.97	0.98 - 1.24	1.25 - 1.53	1.54 - 1.84	1.85 - 2.22	2.23 - 2.62	2.63 - 3.04
A/D value (3.3 V=255)	0 - 11	12 - 32	33 - 54	55 - 75	76 - 96	97 - 119	120 - 142	143 - 163	182 - 197	198 - 209
KEY1 (133 pin)	RADIO (SCENE4)	CD (SCENE3)	TV (SCENE2)	BD/DVD (SCENE1)	-	-	INPUT >	INPUT <	(Power)	TONE CONTROL

Ohm	0	+ 1.0 k	+ 1.0 k	+ 1.5 k	+ 1.8 k	+ 2.2 k	+ 3.3 k	+ 4.7 k	+ 6.8 k	+ 10.0 k	+ 22.0 k	+ 68.0 k
V	0 - 0.15	0.16 - 0.42	0.43-0.70	0.71 - 0.99	1.00 - 1.27	1.28 - 1.56	1.57 - 1.86	1.87 - 2.14	2.15 - 2.39	2.40 - 2.65	2.66 - 2.91	2.92 - 3.17
A/D value (3.3 V=255)	0 - 11	12 - 32	33 - 54	55 - 77	78 - 99	100 - 121	122 - 144	145 - 166	167 - 186	187 - 205	206 - 226	227 - 246
KEY2 (134 pin)	-	TUNING >>	TUNING <<	AM	FM	PRESET >	PRESET <	MEMORY	INFO	STRAIGHT	PROGRAM >	PROGRAM <



Page 94 **B2**
to DIGITAL_CB20

Page 98 **M6**
to OPERATION (2)_CB461

- ★ All voltages are measured with a 10MΩ/V DC electronic voltmeter.
- ★ Components having special characteristics are marked Δ and must be replaced with parts having specifications equal to those originally installed.
- ★ Schematic diagram is subject to change without notice.

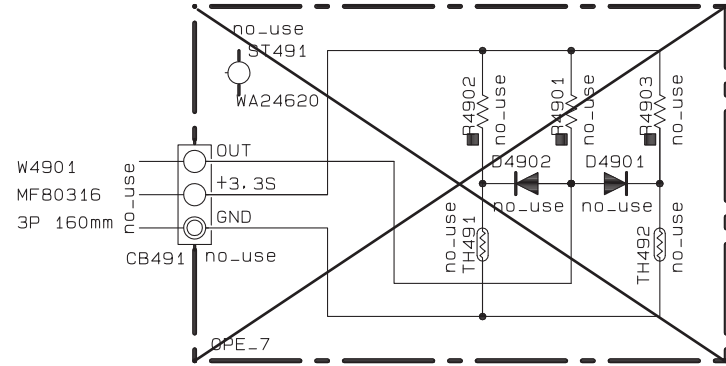
- 電圧は、内部抵抗 10MΩの電圧計で測定したものです。
- Δ印のある部品は、安全性確保部品を示しています。部品の交換が必要な場合、パーツリストに記載されている部品を使用してください。
- 本回路図は標準回路図です。改良のため予告なく変更することがあります。

A	B
C	D

A	B
C	D

RX-V467/HTR-4063

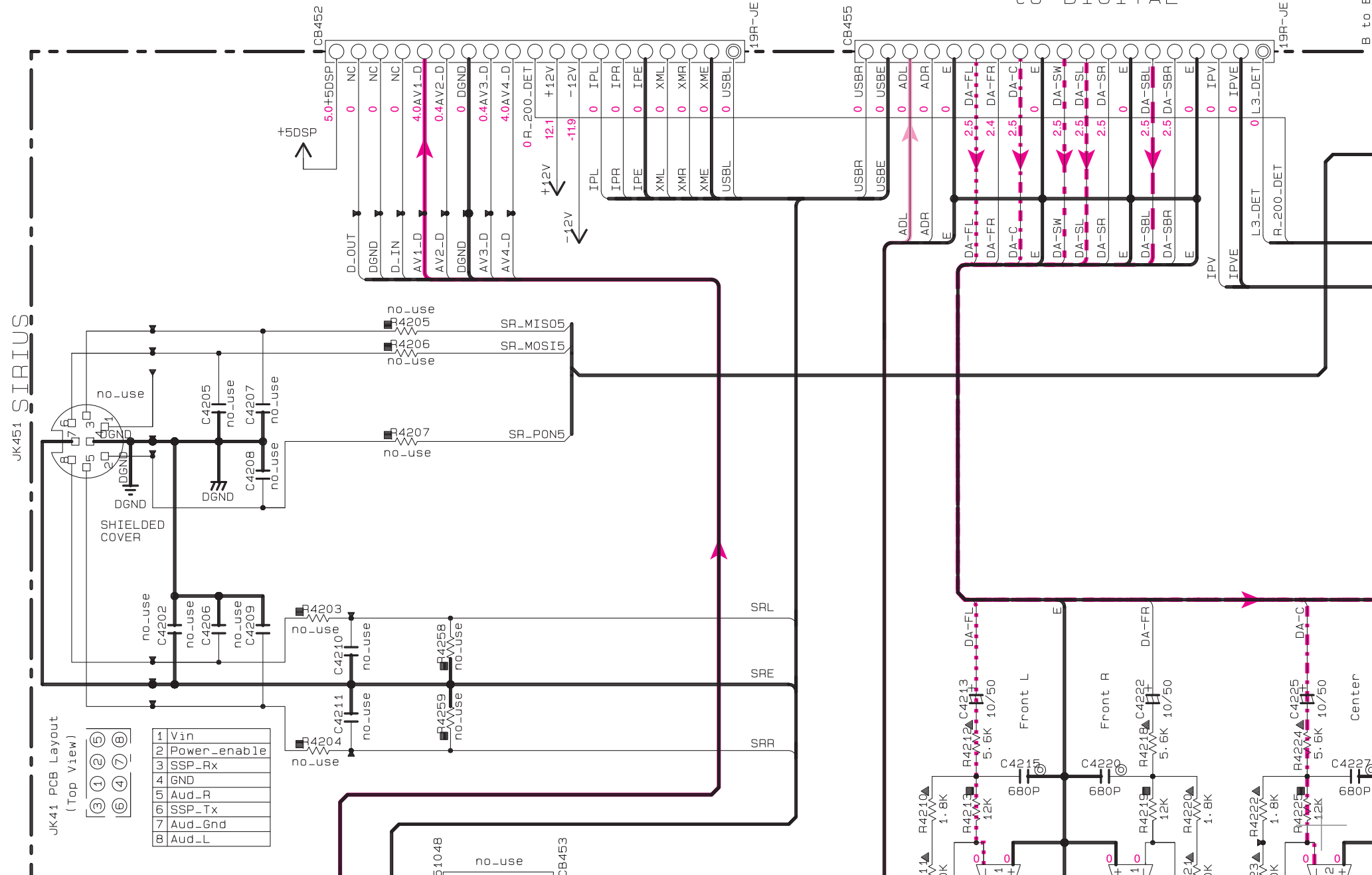
OPERATION 2/2



Page 96 I2
to DIGITAL_CB61

Page 96 I4
to DIGITAL_CB62

to DIGITAL



JK451 SIRIUS

JK41 PCB Layout (Top View)

1	Vin
2	Power_enable
3	SSP_Rx
4	GND
5	Aud_R
6	SSP_Tx
7	Aud_Gnd
8	Aud_L

1

2

3

4

5

A	B
C	D

H

I

J

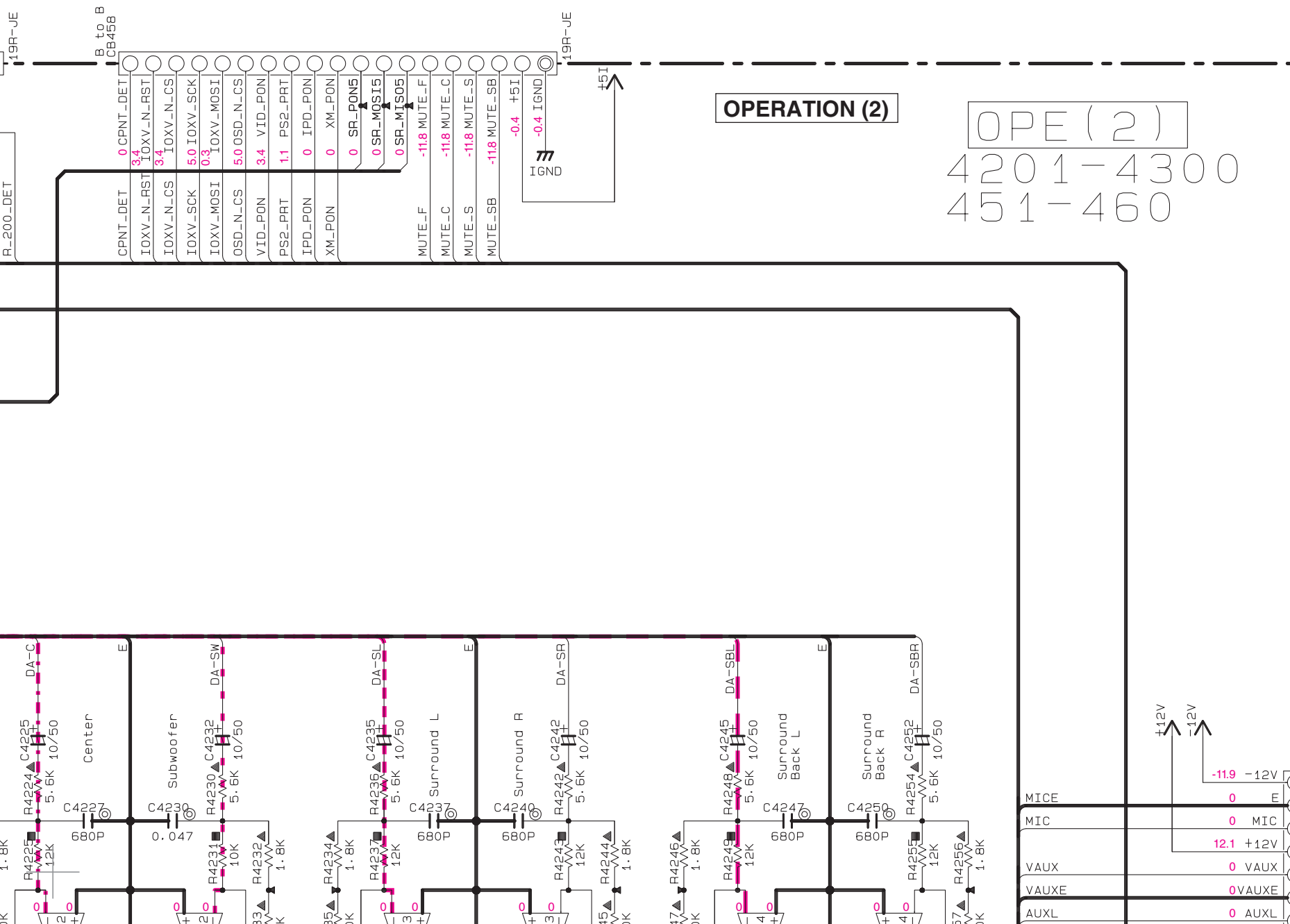
K

L

M

N

Page 96 I6
to DIGITAL_CB63



CAPACITOR

REMARKS	PARTS NAME	
NO MARK	ELECTROLYTIC CAPACITOR	⊘
⊗	TANTALUM CAPACITOR	⊗
NO MARK	CERAMIC CAPACITOR	
●	CERAMIC TUBULAR CAPACITOR	
◎	POLYESTER FILM CAPACITOR	
○	POLYSTYRENE FILM CAPACITOR	
⊖	MICA CAPACITOR	
⊕	POLYPROPYLENE FILM CAPACITOR	
⊙	SEMICONDUCTIVE CERAMIC CAPACITOR	
⊚	POLYPHENYLENE SULFIDE FILM CAPACITOR	

RESISTOR

REMARKS	PARTS NAME
NO MARK	CARBON FILM RESISTOR (P=5)
⊠	CARBON FILM RESISTOR (P=10)
△	METAL OXIDE FILM RESISTOR
▲	METAL FILM RESISTOR
⊠	METAL PLATE RESISTOR
▨	FIRE PROOF CARBON FILM RESISTOR
□	CEMENT MOLDED RESISTOR
⊗	SEMI VARIABLE RESISTOR
■	CHIP RESISTOR

NOTICE (model)

- (J)..... JAPAN
- (U)..... U.S.A
- (C)..... CANADA
- (R)..... GENERAL
- (T)..... CHINA
- (K)..... KOREA
- (A)..... AUSTRALIA
- (B)..... BRITISH
- (G)..... EUROPE
- (L)..... SINGAPORE
- (E)..... SOUTH EUROPE
- (V)..... TAIWAN
- (F)..... RUSSIAN
- (P)..... LATIN AMERICA
- (S)..... BRAZIL

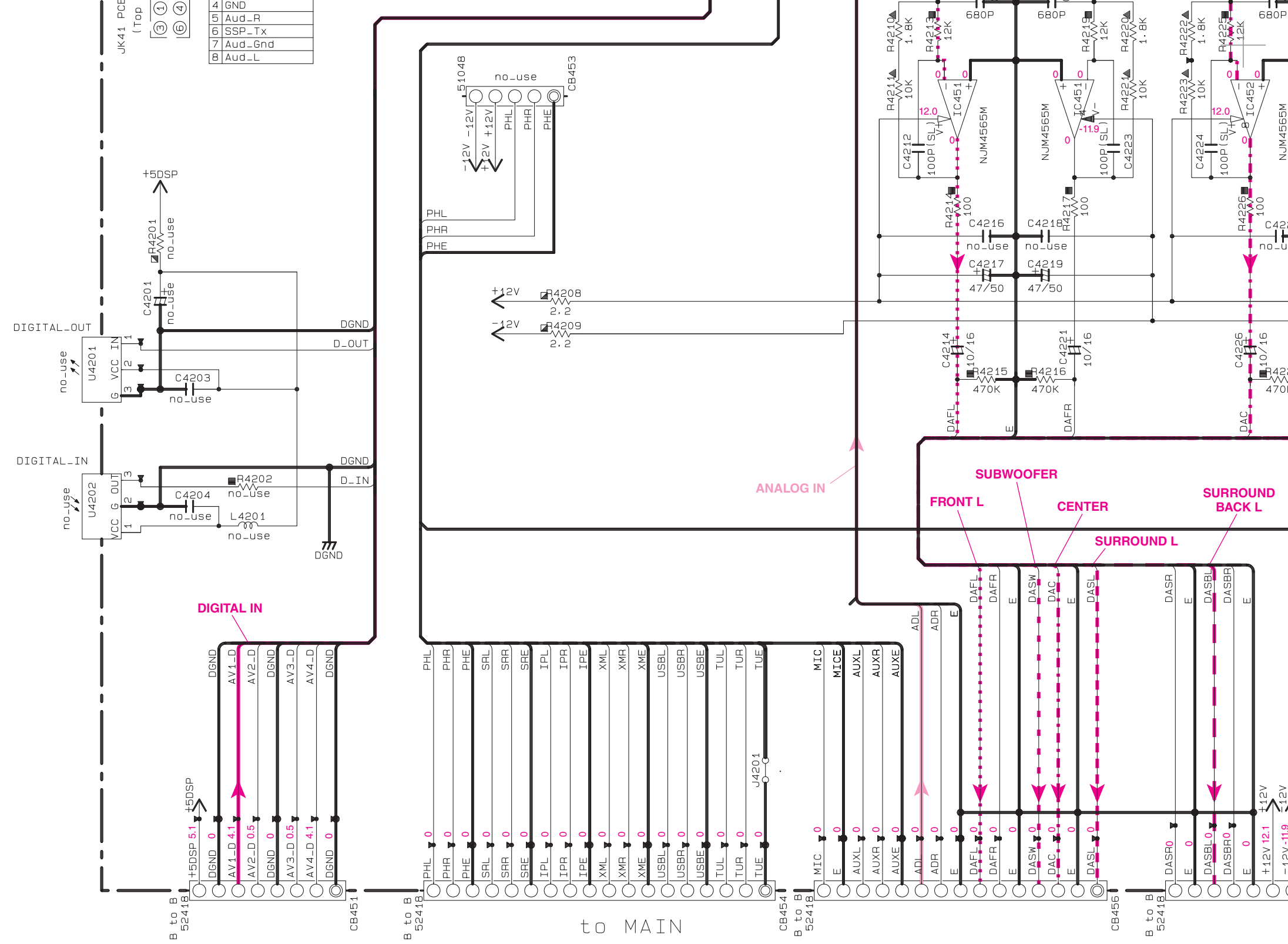
6

7

8

9

10



Page 100 A3 to MAIN (1)_CB152

Page 100 C5 to MAIN (1)_CB153

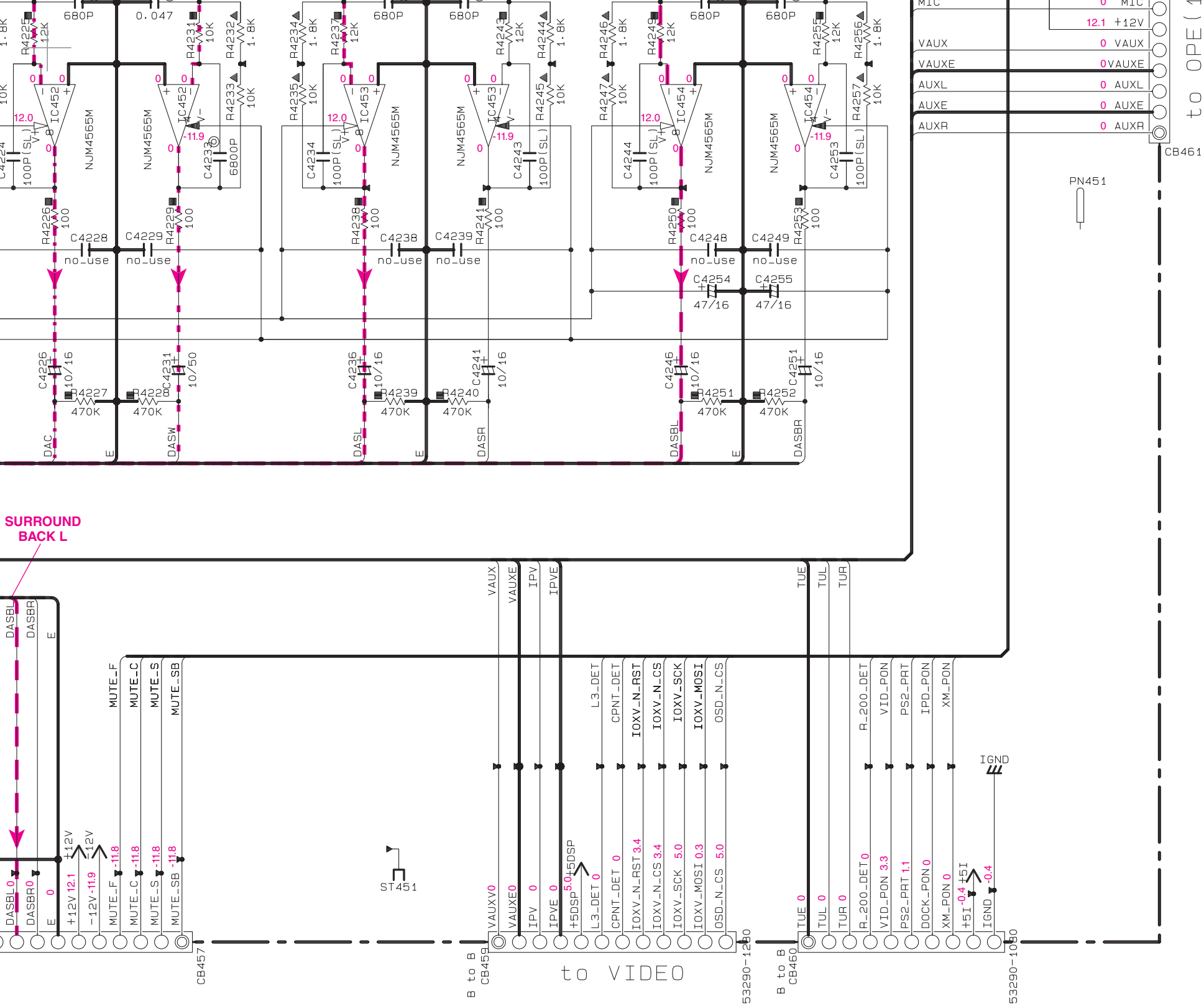
Page 100 C6 to MAIN (1)_CB154

Page 100 to MAIN (1)

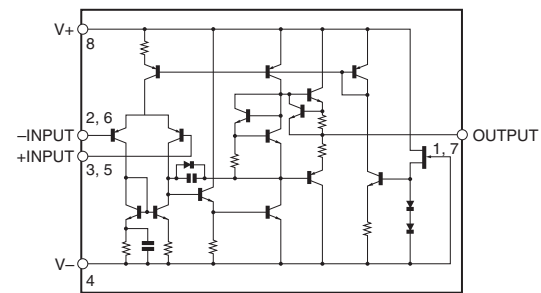
- ★ All voltages are measured with a 10MΩ/V DC electronic voltmeter.
- ★ Components having special characteristics are marked Δ and must be replaced with parts having specifications equal to those originally installed.
- ★ Schematic diagram is subject to change without notice.

- 電圧は、内部抵抗 10MΩの電圧計で測定したものです。
- Δ印のある部品は、安全性確保部品を示しています。部品の交換が必要な場合、パーツリストに記載されている部品を使用してください。
- 本回路図は標準回路図です。改良のため予告なく変更することがあります。

A	B
C	D



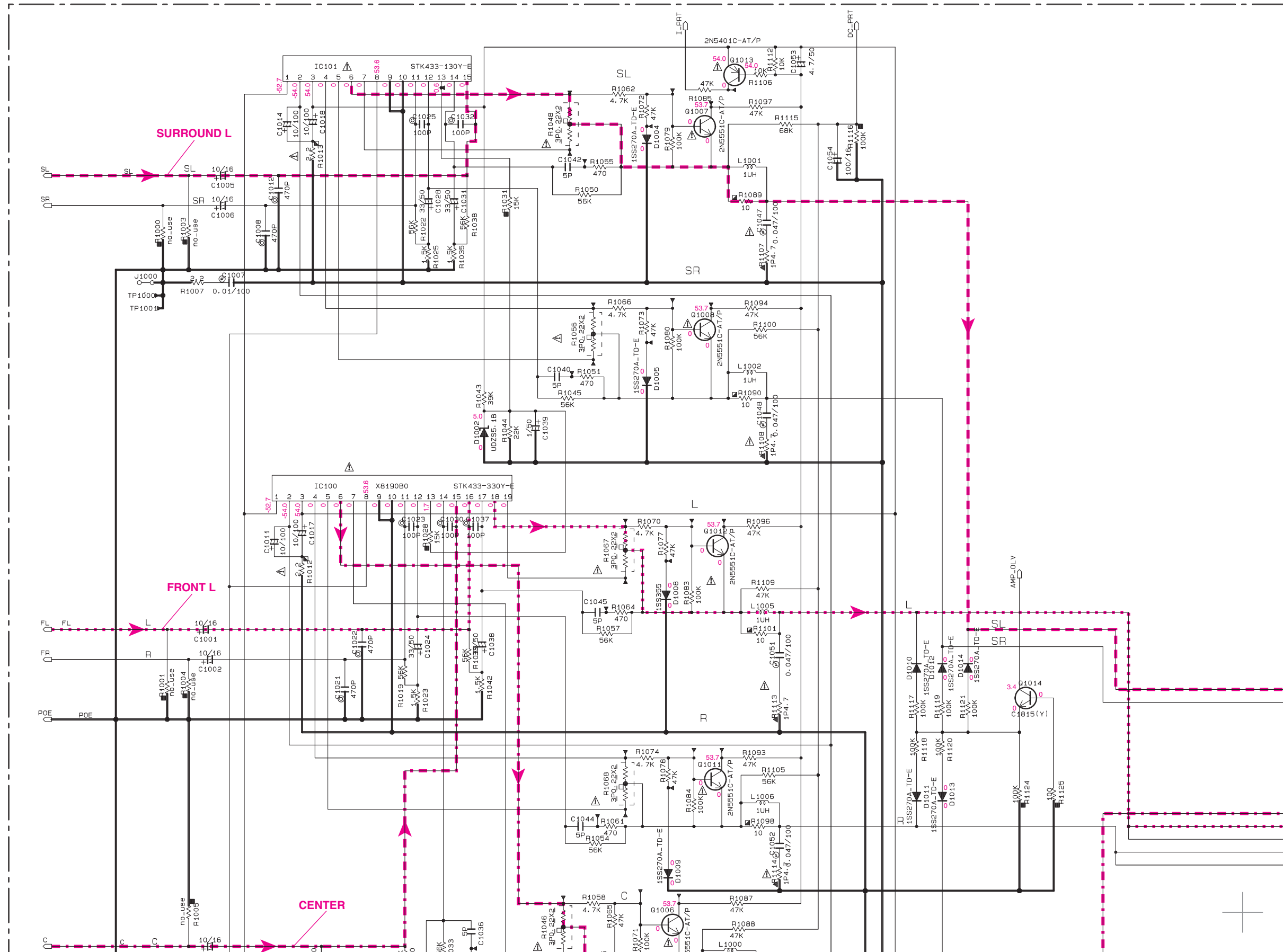
IC451-454: NJM4555M (TE1)
Dual operational amplifier



A	B
C	D

A	B
C	D

MAIN 1/2



H

I

J

K

L

M

N

RX-V467/HTR-4063

MAIN (1)

Destination Part List					
sXX	LOC	JBGF	UCTKA	RS	L
s1	W1005B W1005A	X	X	WA76540 VH-5298T	WA76540 VH-5298T
s2	W1004B W1004A	X	X	MH08030	MH08030
s3	W1000B W1000A	X	X	MH04030	MH04030
s4	W1002B W1002A	X	X	MH03030	MH03030
s5	W1003B W1003A	X	X	MH09030	MH09030
s6	W1005B W1005A	X	X	MH06030	MH06030
s7	W1001B W1001A	X	X	MH02030	MH02030
s9	SW101	X	X	WB49370 RB140246	WD07370 RB140254
s10	F1000	X	X	VV07170 3-15A250V	X
s11	CB158 CB159	X	X	WN07770 PFC5000-0202F	X
s12	C1056 C1055	WN33130 6800/71	WE51420 6800/63	WE51420 6800/63	WE51420 6800/63
s13	J1001	X	X	X	VN50000

RESISTOR

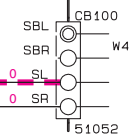
REMARKS	PARTS NAME
NO MARK	CARBON FILM RESISTOR (P=5)
□	CARBON FILM RESISTOR (P=10)
△	METAL OXIDE FILM RESISTOR
▲	METAL FILM RESISTOR
⊠	METAL PLATE RESISTOR
■	FIRE PROOF CARBON FILM RESISTOR
□	CEMENT MOLDED RESISTOR
⊗	SEMI VARIABLE RESISTOR
■	CHIP RESISTOR

CAPACITOR

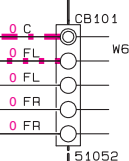
REMARKS	PARTS NAME
NO MARK	ELECTROLYTIC CAPACITOR
⊗	TANTALUM CAPACITOR
NO MARK	CERAMIC CAPACITOR
●	CERAMIC TUBULAR CAPACITOR
⊙	POLYESTER FILM CAPACITOR
○	POLYSTYRENE FILM CAPACITOR
Ⓛ	MICA CAPACITOR
Ⓟ	POLYPROPYLENE FILM CAPACITOR
Ⓢ	SEMICONDUCTIVE CERAMIC CAPACITOR
Ⓣ	POLYPHENYLENE SULFIDE FILM CAPACITOR

NOTICE (model)

- (J)..... JAPAN
- (U)..... U. S. A
- (C)..... CANADA
- (R)..... GENERAL
- (T)..... CHINA
- (K)..... KOREA
- (A)..... AUSTRALIA
- (B)..... BRITISH
- (G)..... EUROPE
- (L)..... SINGAPORE
- (E)..... SOUTH EUROPE
- (V)..... TAIWAN
- (F)..... RUSSIAN
- (P)..... LATIN AMERICA
- (S)..... BRAZIL

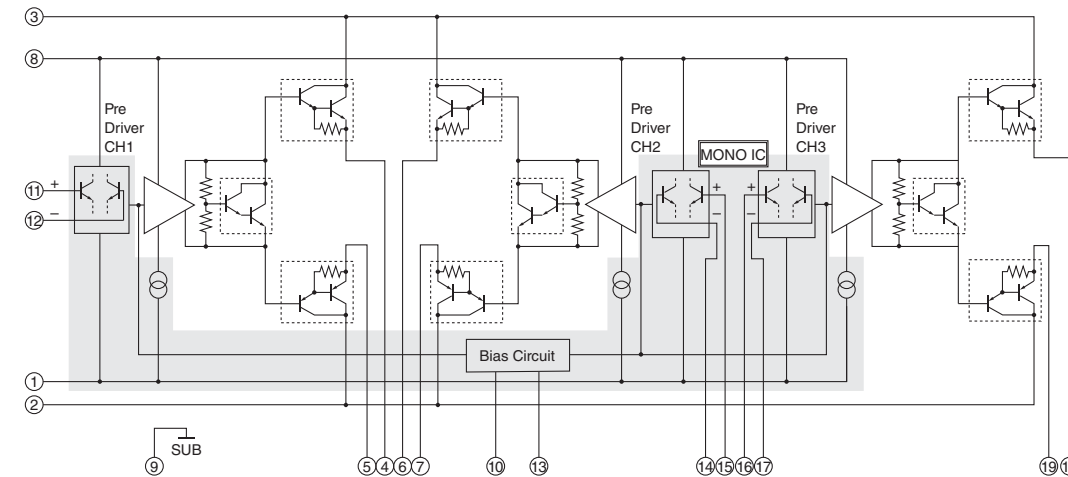


Page 102 B6
to VIDEO (1)_CB343

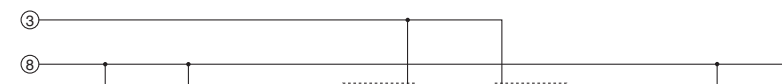


Page 102 B6
to VIDEO (1)_CB342

IC100: STK433-330Y-E
3-channel AF power amplifier, stand-by circuit built-in



IC101: STK433-130Y-E
2-channel AF power amplifier, stand-by circuit built-in



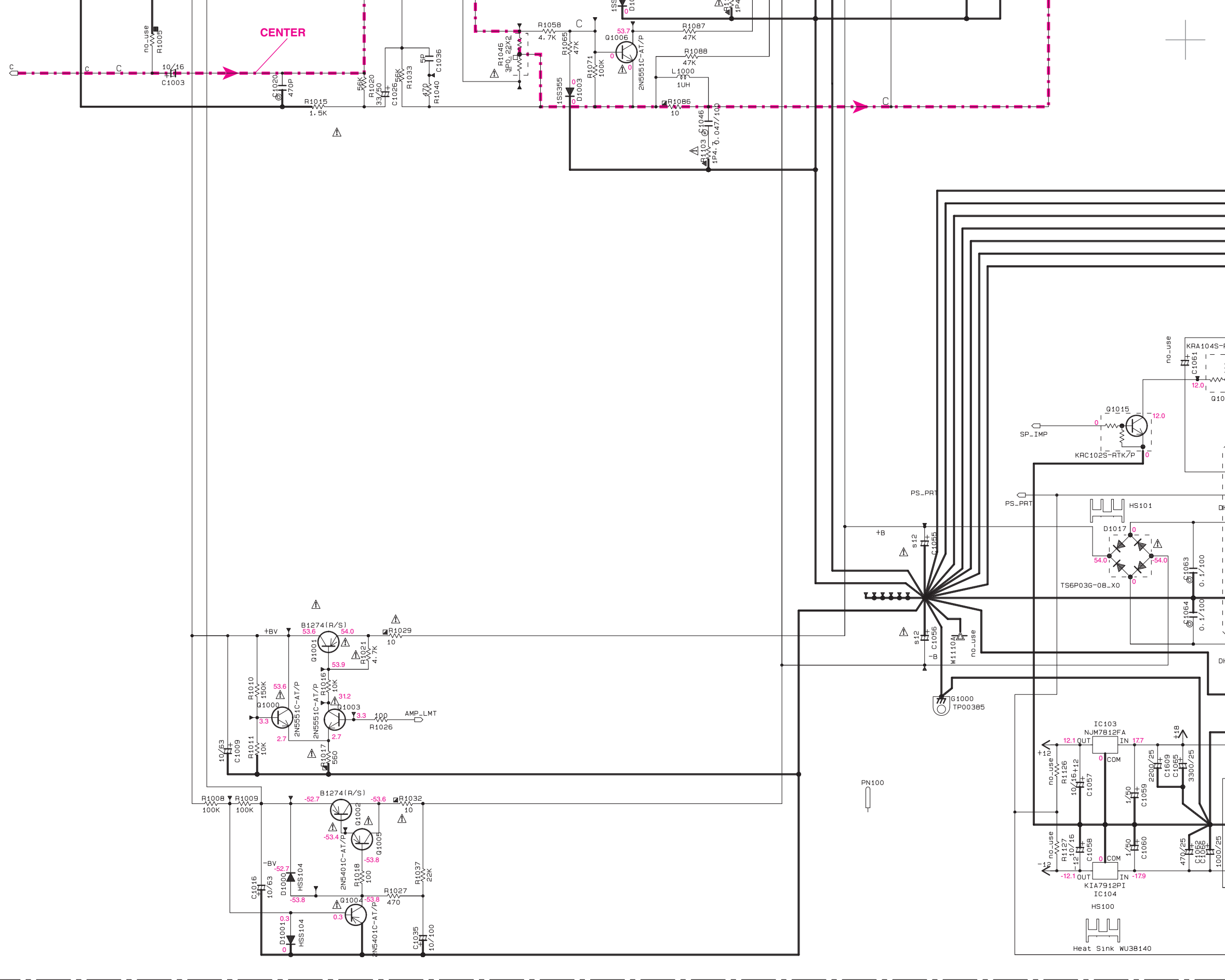
6

7

8

9

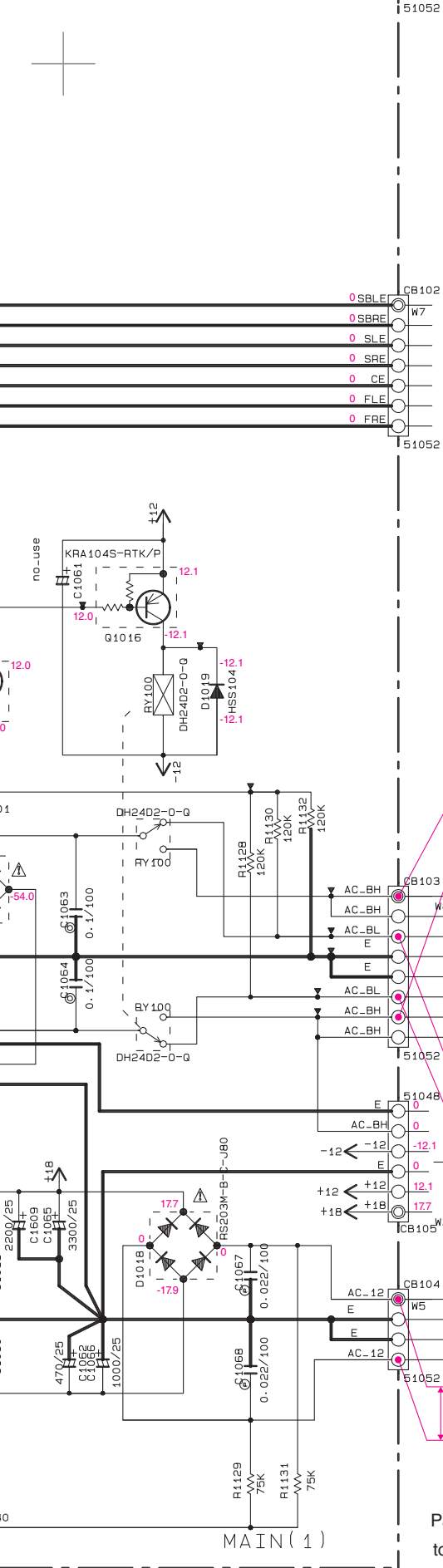
10



RX-V467/HTR-4063

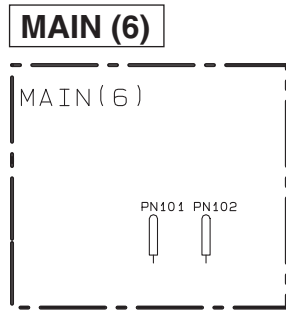
A	B
C	D

MAIN 1/2

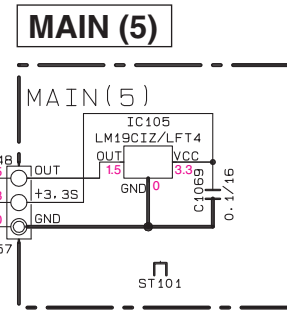


Page 102 B7
to VIDEO (1)_CB344

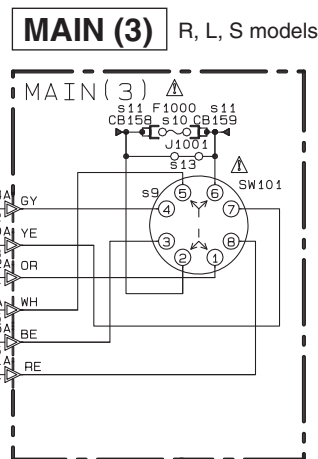
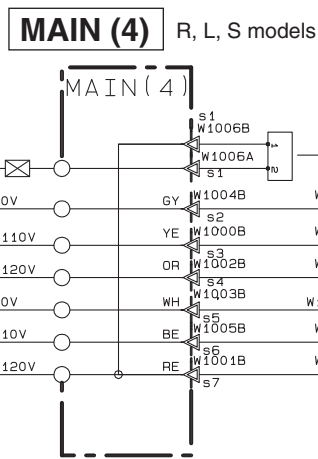
Page 102 B8
to VIDEO (1)_CB345



Page 94 D2
to DIGITAL_CB22



Page 103 D7
to VIDEO (2)_CB378



VOLTAGE SELECTOR

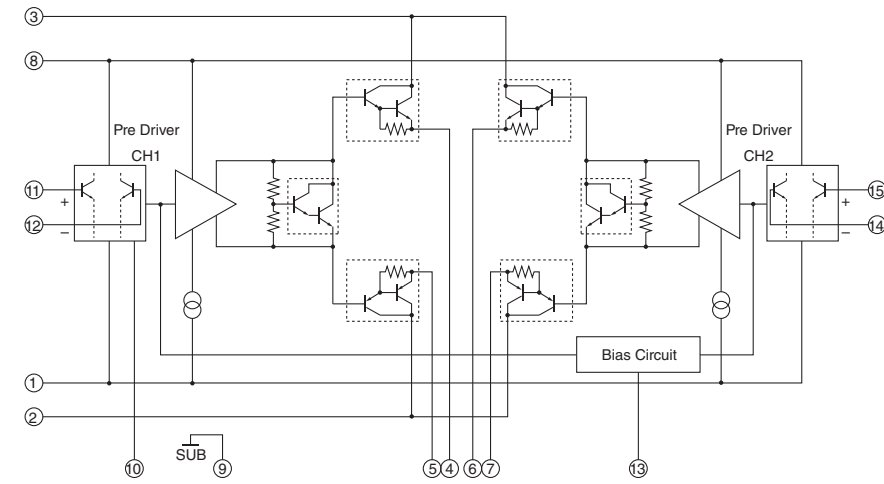
VOLTAGE SELECTOR

230-240V	1-2/5-6	R, L, S models
220V	2-3/6-7	R, L, S models
110V	3-4/7-8	R, S models
120V	4-5/8-1	R, S models

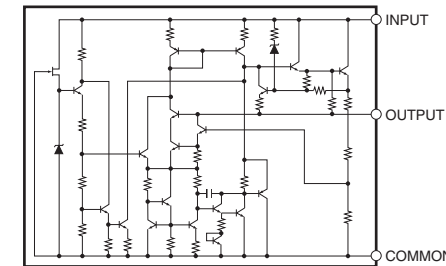
POWER TRANSFORMER

- ★ All voltages are measured with a 10MΩ/V DC electronic voltmeter.
- ★ Components having special characteristics are marked Δ and must be replaced with parts having specifications equal to those originally installed.
- ★ Schematic diagram is subject to change without notice.

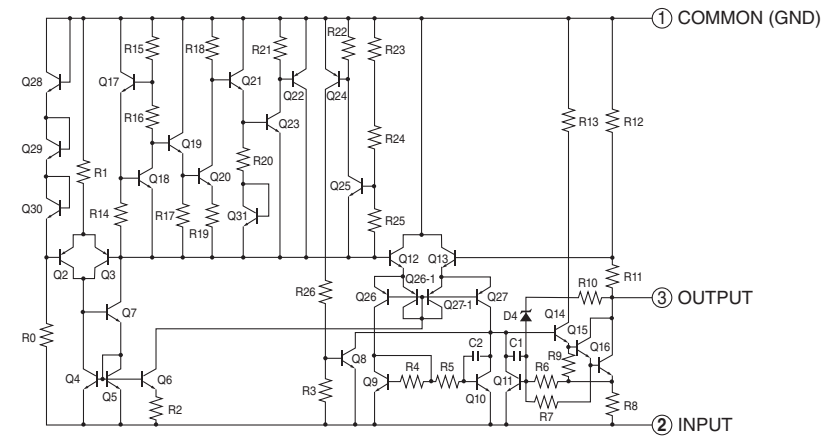
IC101: STK433-130Y-E
2-channel AF power amplifier, stand-by circuit built-in



IC103: NJM7812FA
Voltage regulator



IC104: KIA7912PI
Voltage regulator



- 電圧は、内部抵抗 10MΩの電圧計で測定したものです。
- Δ印のある部品は、安全性確保部品を示しています。部品の交換が必要な場合、パーツリストに記載されている部品を使用してください。
- 本回路図は標準回路図です。改良のため予告なく変更することがあります。

A	B
C	D

A	B
C	D

RX-V467/HTR-4063

MAIN 2/2

1

2

3

4

5

A

B

C

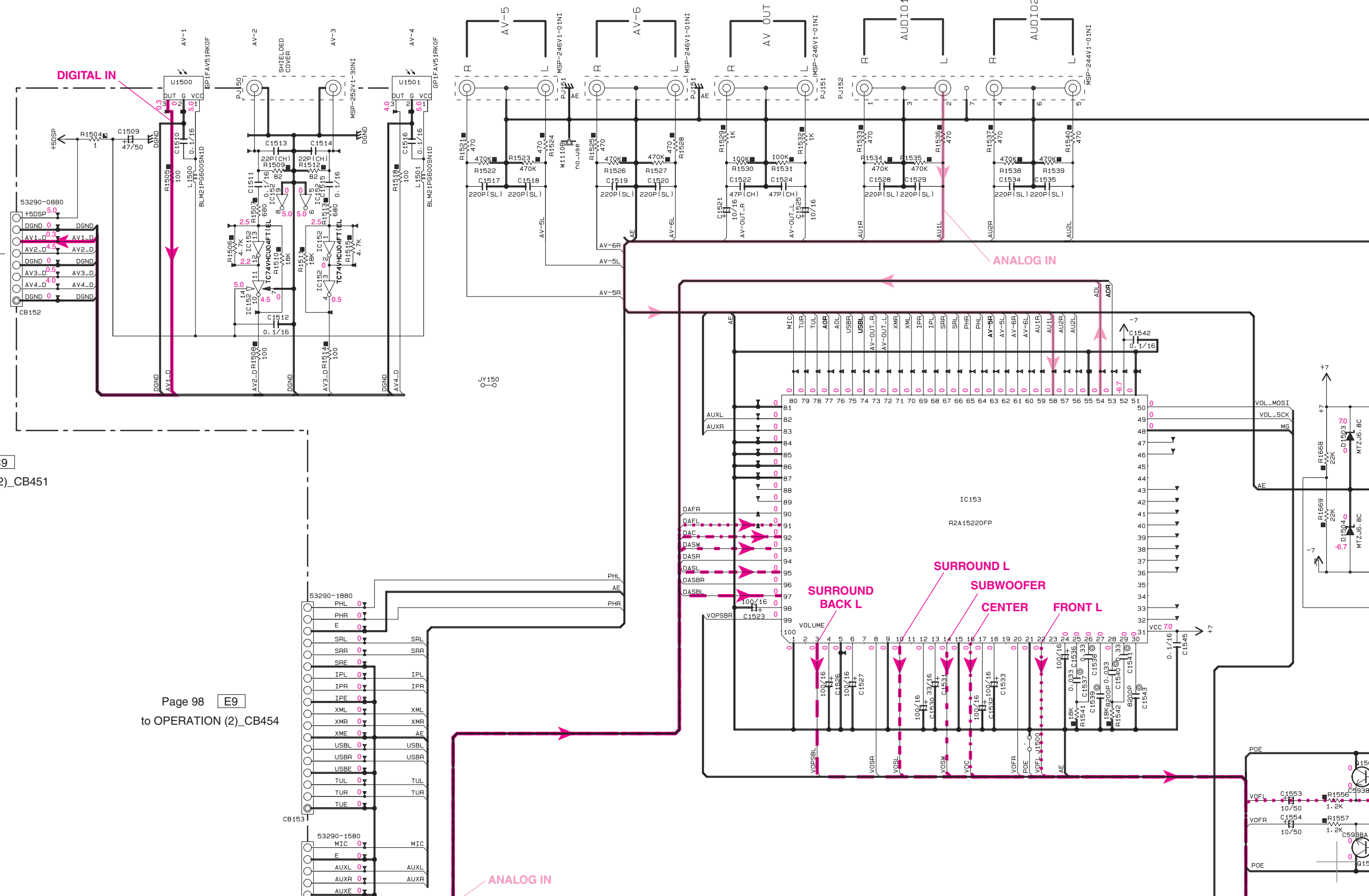
D

E

F

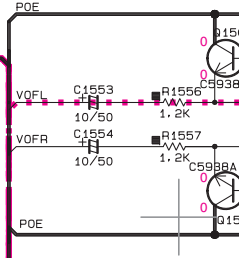
G

— AV 1 — AV 2 — AV 3 — AV 4 — AV 5 — AV 6 — AV OUT — AUDIO1 — AUDIO2 —
 OPTICAL COAXIAL COAXIAL (CD) OPTICAL (TV) MSP-246V1-01NI MSP-246V1-01NI MSP-246V1-01NI MSP-246V1-01NI MSP-246V1-01NI



Page 98 C9 to OPERATION (2)_CB451

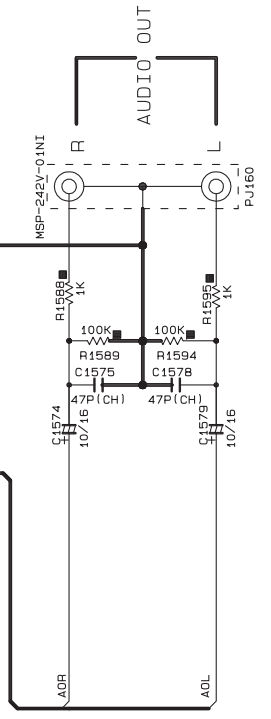
Page 98 E9 to OPERATION (2)_CB454



A	B
C	D



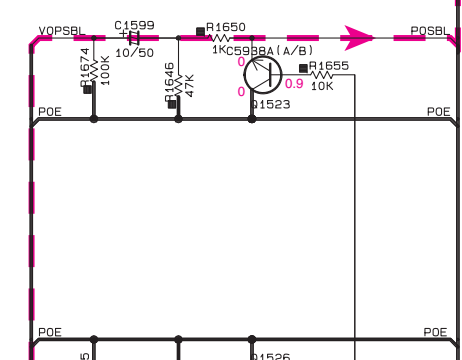
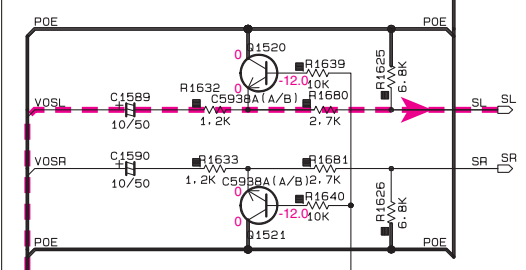
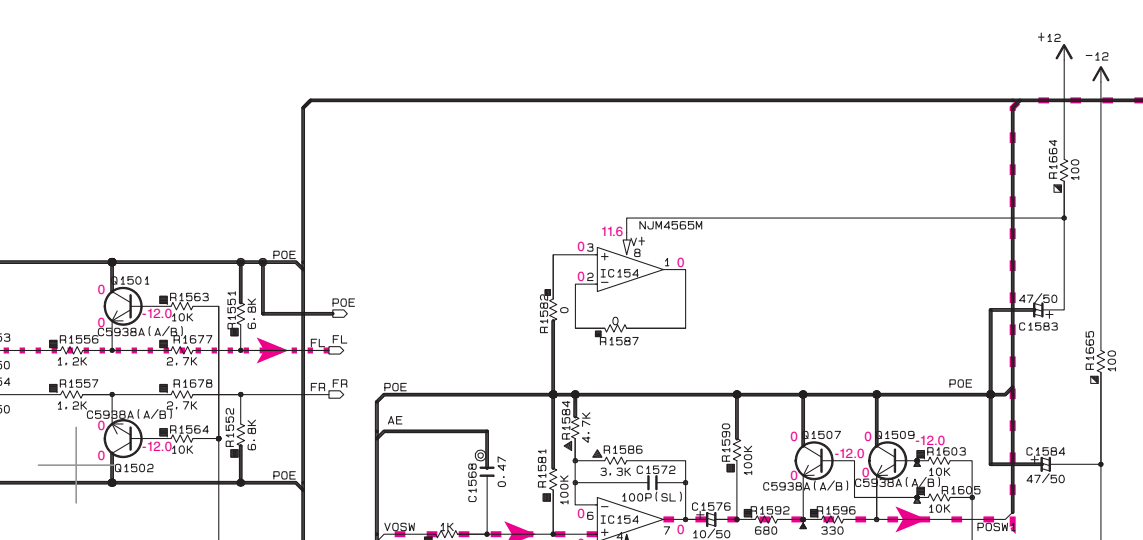
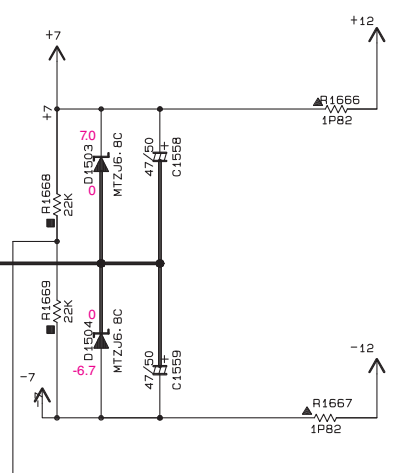
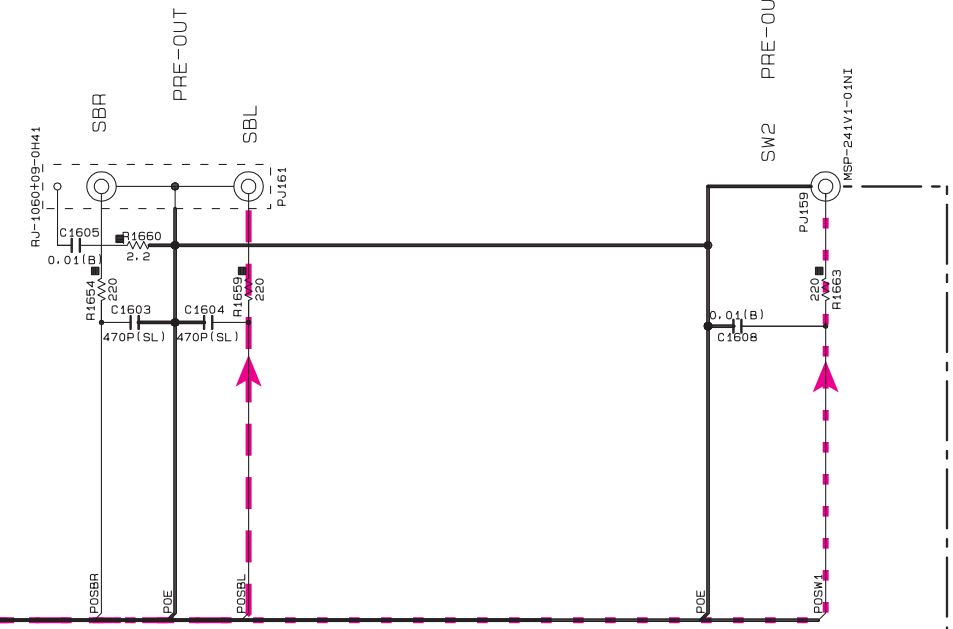
AUDIO OUT



SURROUND BACK

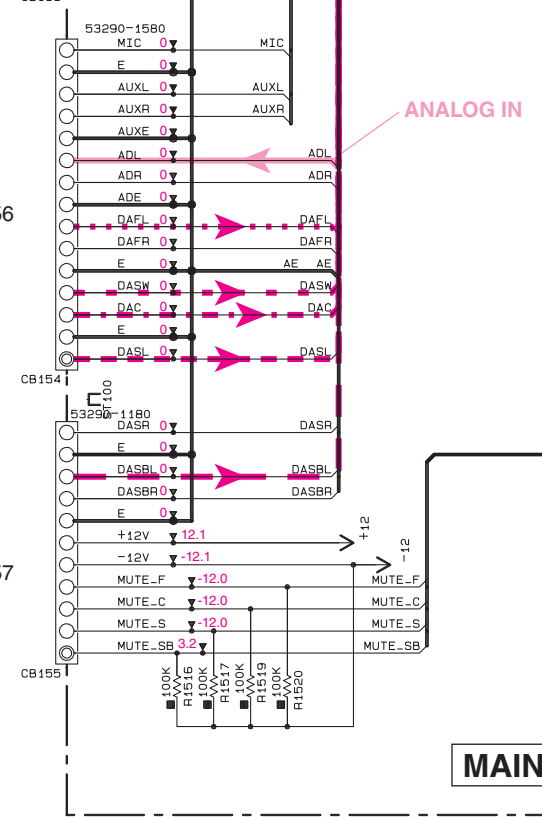
PRE OUT

SUBWOOFER



6

Page 98 G9
to OPERATION (2)_CB456



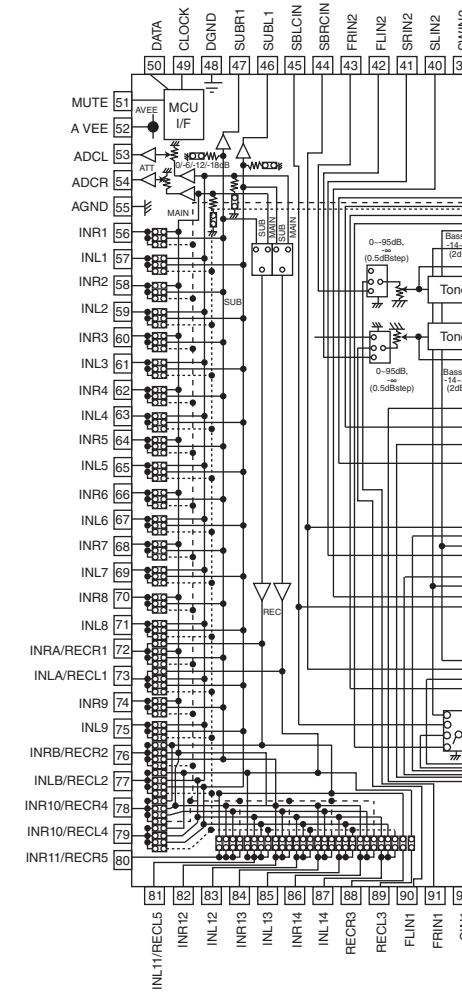
7

Page 98 H9
to OPERATION (2)_CB457

MAIN (1)

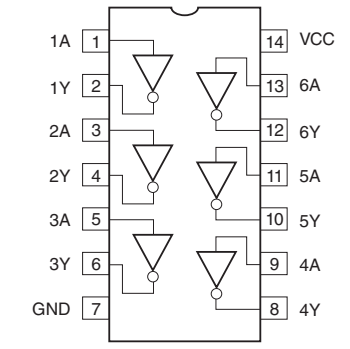
8

IC153: R2A15220FP
8-channel electronic volume with 11 inputs



9

IC152: TC74VHCU04FT
Hex inverters



10

- ★ All voltages are measured with a 10MΩ/V DC electronic voltmeter.
- ★ Components having special characteristics are marked Δ and must be replaced with parts having specifications equal to those originally installed.
- ★ Schematic diagram is subject to change without notice.

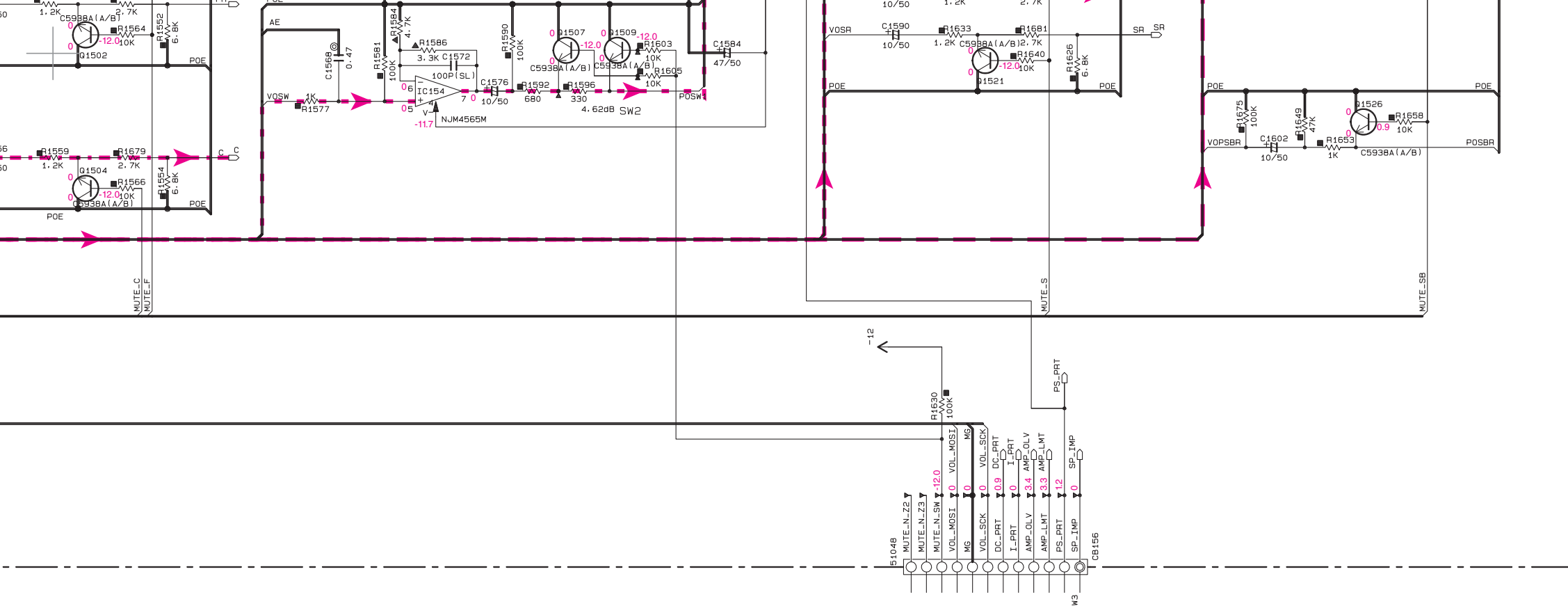
- 電圧は、内部抵抗 10MΩの電圧計で測定したものです。
- Δ印のある部品は、安全性確保部品を示しています。部品の交換が必要な場合、パーツリストに記載されている部品を使用してください。
- 本回路図は標準回路図です。改良のため予告なく変更することがあります。

100

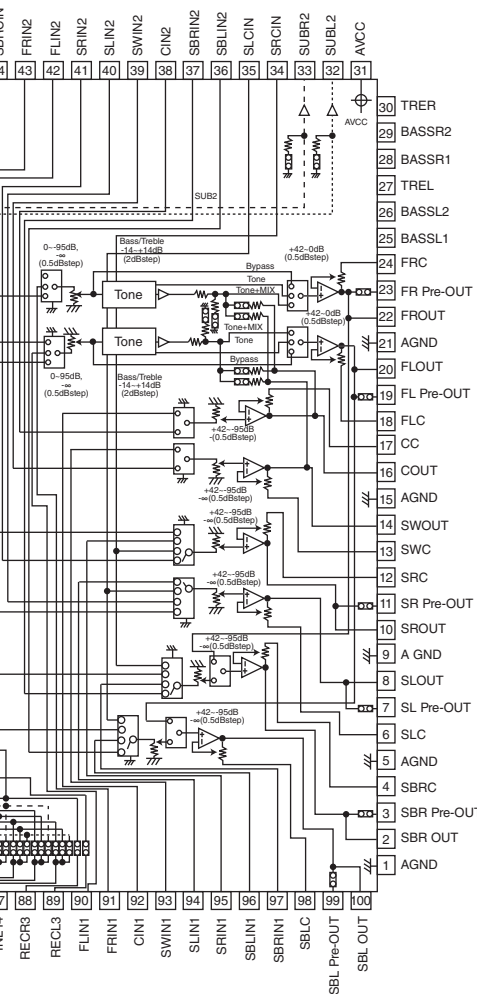
RX-V467/HTR-4063

A	B
C	D

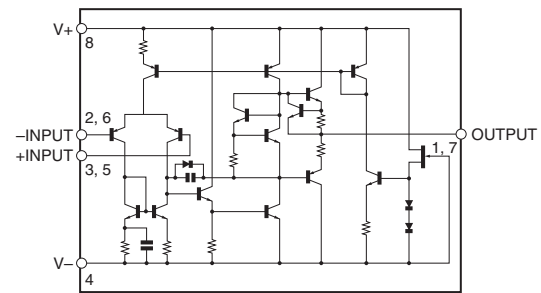
MAIN 2/2



... with 11 input selector and tone control



IC154: NJM4565M (TE1)
Dual operational amplifier



NOTICE (model)
 (J)..... JAPAN
 (U)..... U. S. A
 (C)..... CANADA
 (R)..... GENERAL
 (T)..... CHINA
 (K)..... KOREA
 (A)..... AUSTRALIA
 (B)..... BRITISH
 (G)..... EUROPE
 (L)..... SINGAPORE
 (E)..... SOUTH EUROPE
 (V)..... TAIWAN
 (F)..... RUSSIAN
 (P)..... LATIN AMERICA
 (S)..... BRAZIL

RESISTOR

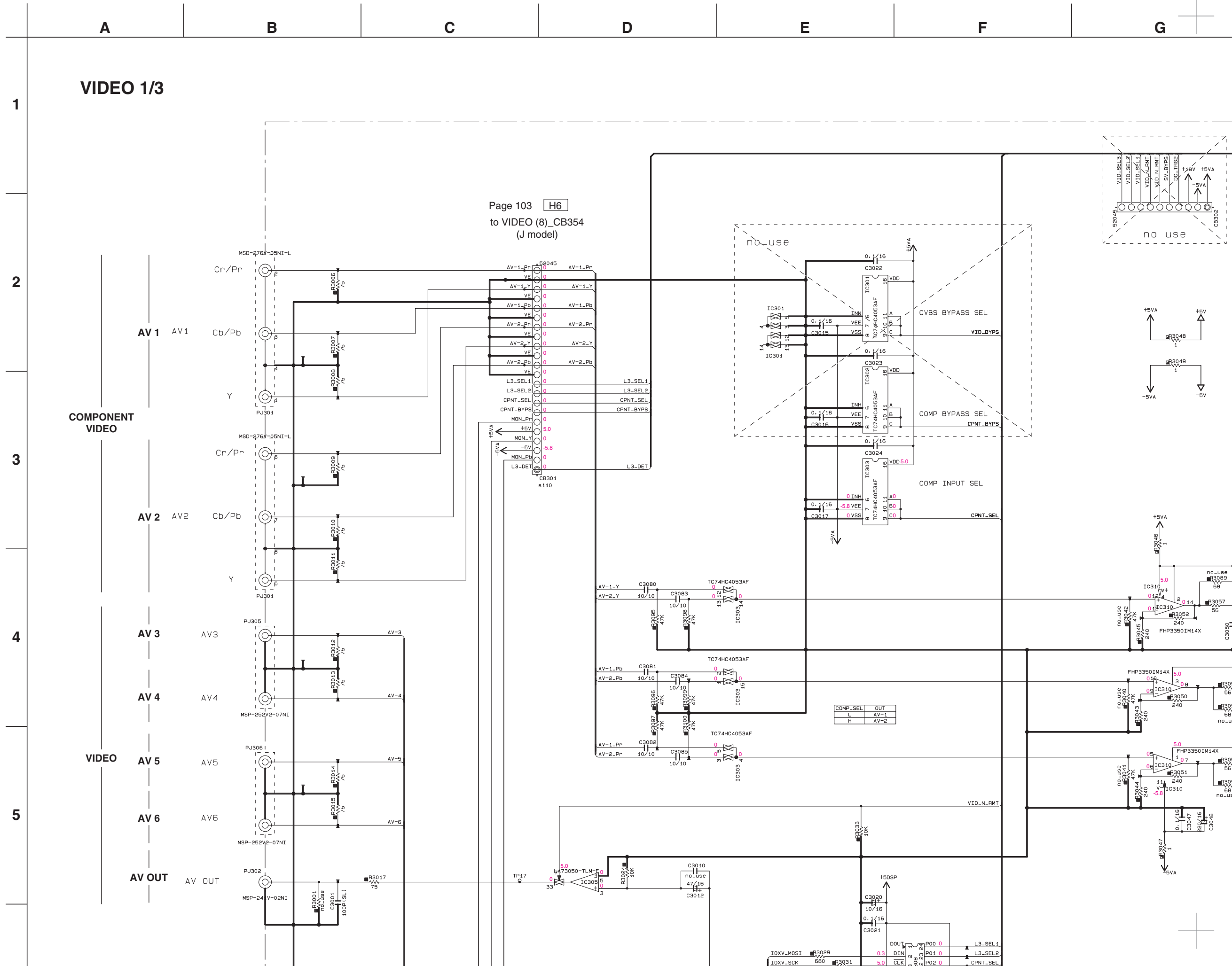
REMARKS	PARTS NAME
NO MARK	CARBON FILM RESISTOR (P=5)
⊠	CARBON FILM RESISTOR (P=10)
△	METAL OXIDE FILM RESISTOR
▲	METAL FILM RESISTOR
⊞	METAL PLATE RESISTOR
⊞	FIRE PROOF CARBON FILM RESISTOR
□	CEMENT MOLDED RESISTOR
⊗	SEMI VARIABLE RESISTOR
■	CHIP RESISTOR

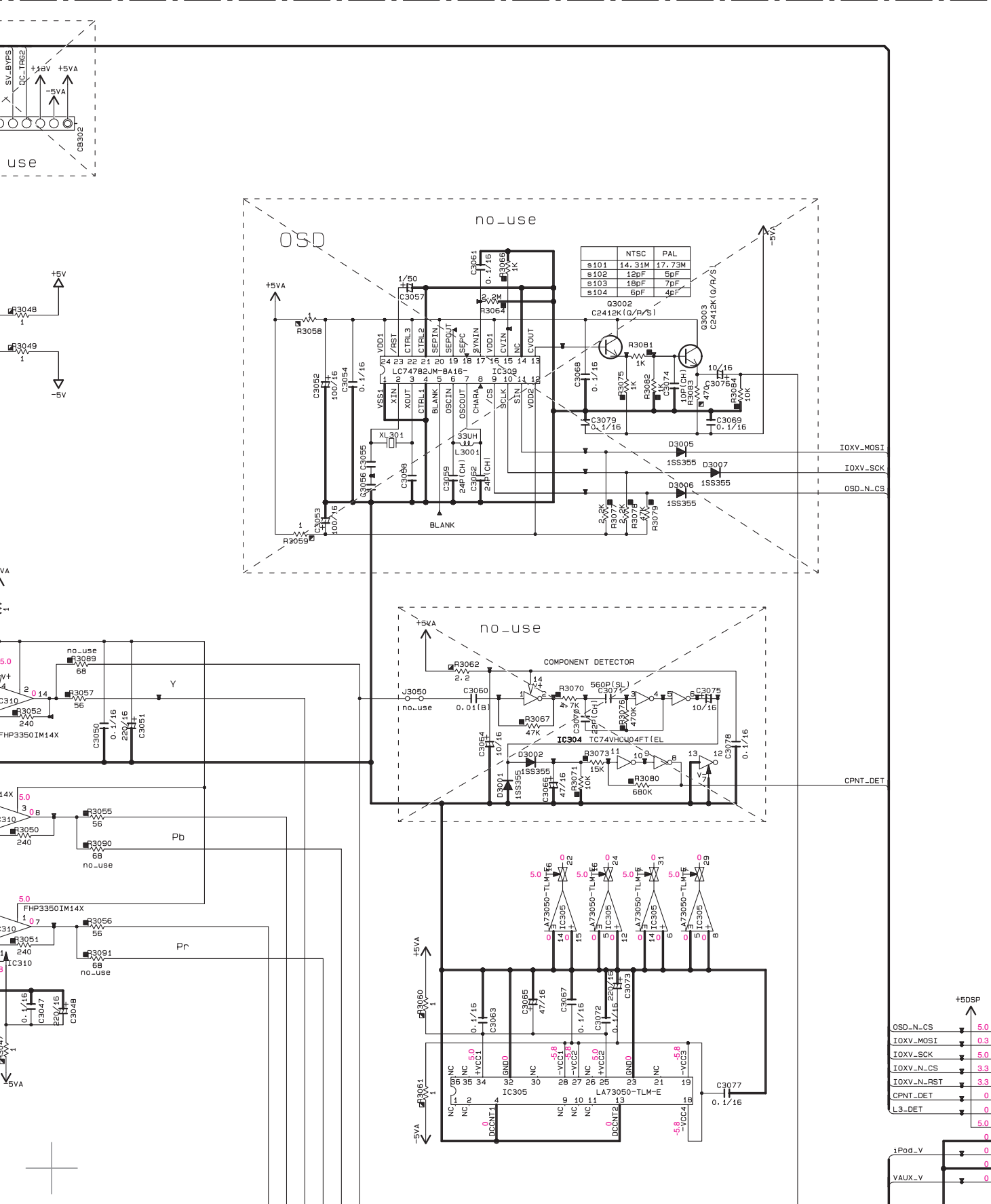
CAPACITOR

REMARKS	PARTS NAME	
NO MARK	ELECTROLYTIC CAPACITOR	#
⊗	TANTALUM CAPACITOR	#
NO MARK	CERAMIC CAPACITOR	
●	CERAMIC TUBULAR CAPACITOR	
⊙	POLYESTER FILM CAPACITOR	
○	POLYSTYRENE FILM CAPACITOR	
⊖	MICA CAPACITOR	
⊕	POLYPROPYLENE FILM CAPACITOR	
⊙	SEMICONDUCTIVE CERAMIC CAPACITOR	

A	B
C	D

VIDEO 1/3





NOTICE (model)

- (J)..... JAPAN
- (U)..... U. S. A
- (C)..... CANADA
- (R)..... GENERAL
- (T)..... CHINA
- (K)..... KOREA
- (A)..... AUSTRALIA
- (B)..... BRITISH
- (G)..... EUROPE
- (L)..... SINGAPORE
- (E)..... SOUTH EUROPE
- (V)..... TAIWAN
- (F)..... RUSSIAN
- (P)..... LATIN AMERICA
- (S)..... BRAZIL

RESISTOR

REMARKS	PARTS NAME
NO MARK	CARBON FILM RESISTOR (P=5)
☑	CARBON FILM RESISTOR (P=10)
△	METAL OXIDE FILM RESISTOR
▲	METAL FILM RESISTOR
⊠	METAL PLATE RESISTOR
■	FIRE PROOF CARBON FILM RESISTOR
□	CEMENT MOLDED RESISTOR
⊗	SEMI VARIABLE RESISTOR
■	CHIP RESISTOR

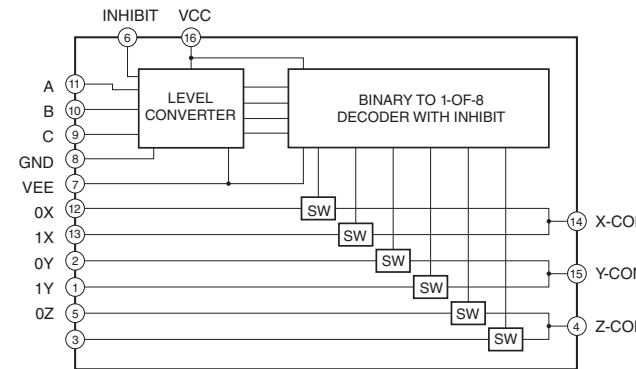
CAPACITOR

REMARKS	PARTS NAME	
NO MARK	ELECTROLYTIC CAPACITOR	14
⊗	TANTALUM CAPACITOR	
NO MARK	CERAMIC CAPACITOR	
●	CERAMIC TUBULAR CAPACITOR	
⊙	POLYESTER FILM CAPACITOR	
○	POLYSTYRENE FILM CAPACITOR	11
⓪	MICA CAPACITOR	
⊕	POLYPROPYLENE FILM CAPACITOR	
⊗	SEMICONDUCTIVE CERAMIC CAPACITOR	

Destination Part List

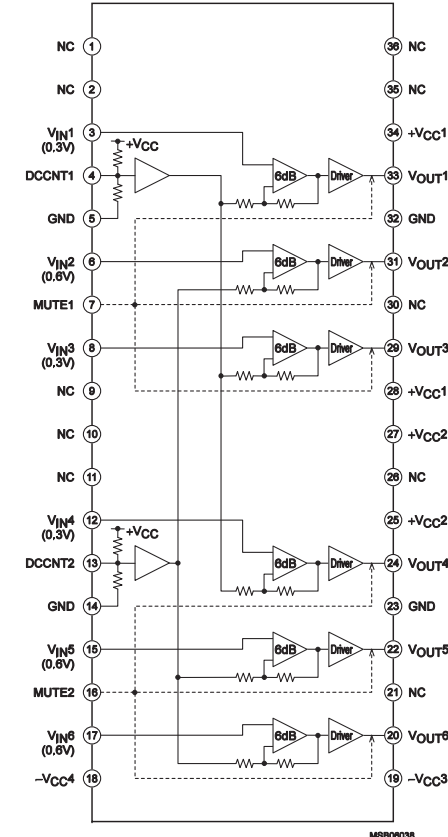
sXX	LOC	J	UC	RS	T	A	BGF	L	K
s110	CB301	V004770 52045	X	X	X	X	X	X	X
s111	R3086 R3087 R3085	R035475 75	X	X	X	X	X	X	X

IC303: TC74HC4053AF
Analog multiplexer/demultiplexer



INPUT STATES				"ON" CHANNEL (S)
INHIBIT	C	B	A	
0	0	0	0	0X, 0Y, 0Z
0	0	0	1	1X, 0Y, 0Z
0	0	1	0	0X, 1Y, 0Z
0	0	1	1	1X, 1Y, 0Z
0	1	0	0	0X, 0Y, 1Z
0	1	0	1	1X, 0Y, 1Z
0	1	1	0	0X, 1Y, 1Z
0	1	1	1	1X, 1Y, 1Z
1	X	X	X	NONE

IC305: LA73050-TLM-E
6-channel 75-ohm video driver



6

7

8

9

10

MONITOR OUT

COMPONENT VIDEO

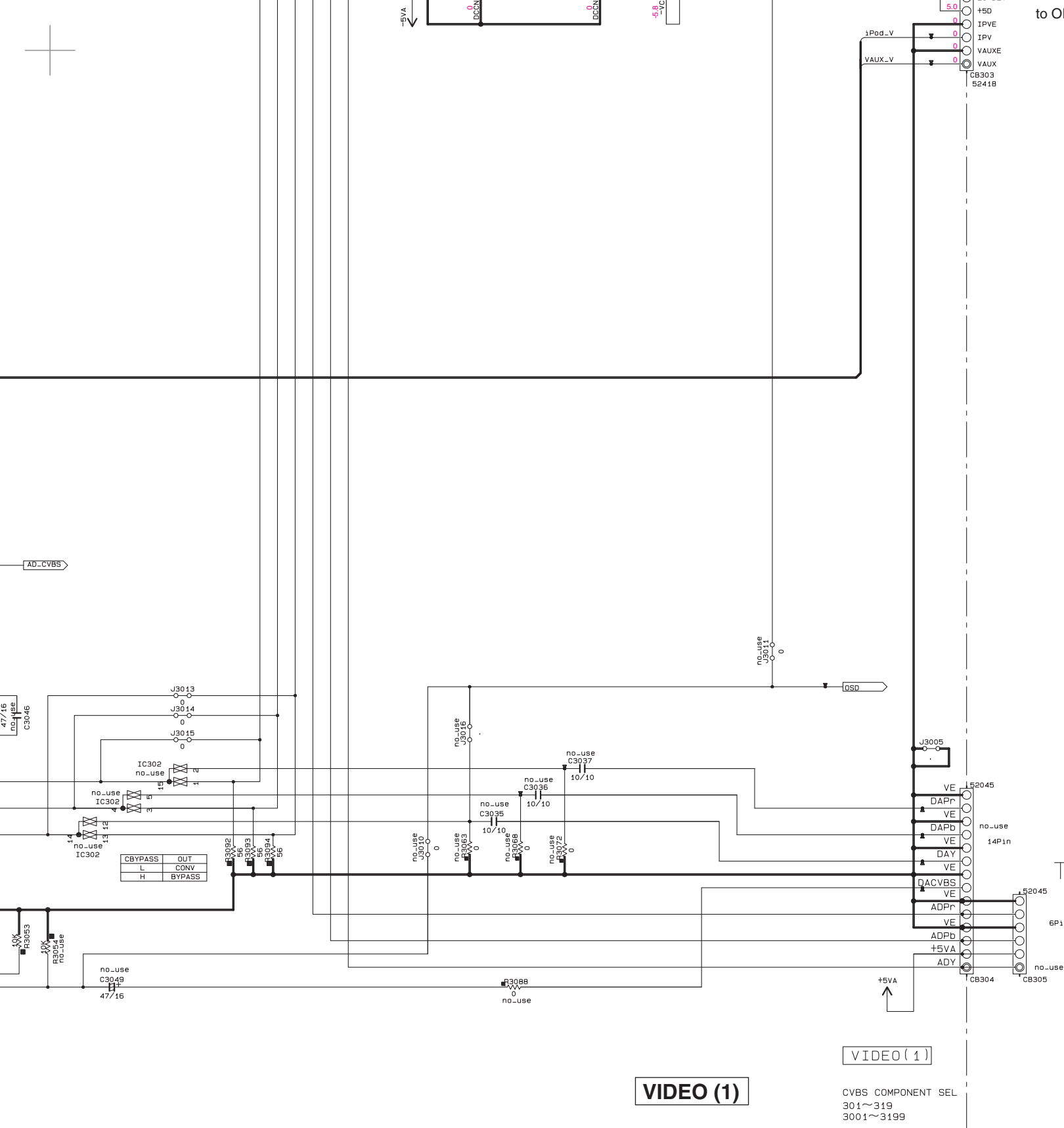
MON OUT VIDEO

VID_SEL3	VID_SEL2	VID_SEL1	OUT
L	L	L	MUTE
L	L	H	AV-5
L	H	L	AV-4
L	H	H	AV-6
H	L	L	AV-3
H	L	H	1Pod
H	H	L	MUTE
H	H	H	V-AUX

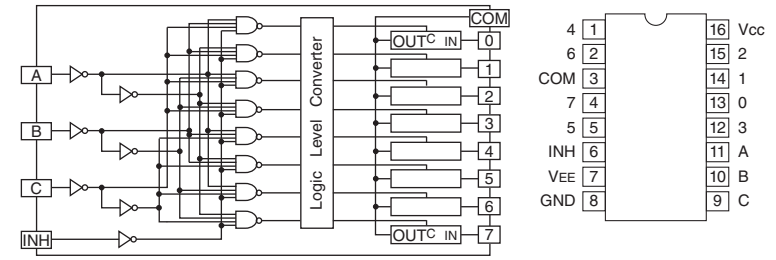
OUTPUT AMP

INPUT SELECTOR

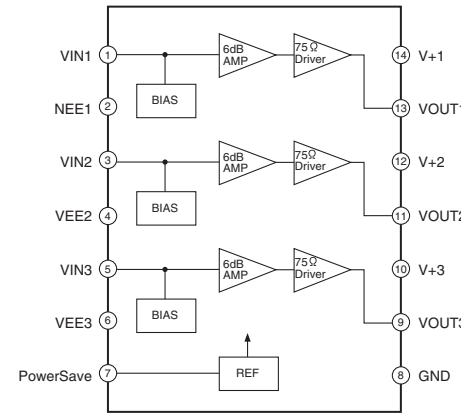
EXTERNAL I/O PORT



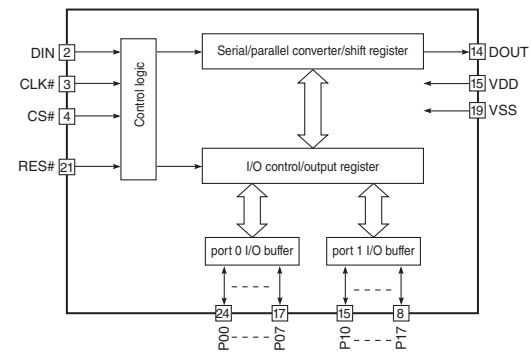
IC307: TC74HC4051AFEL
8-channel analog multiplexer/demultiplexer



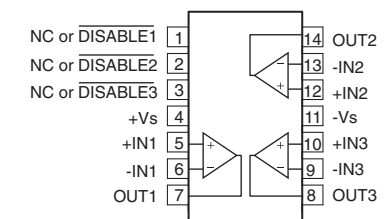
IC306: NJM2581M
Video amplifier



IC308: LC709004A-TLM-E
I/O-expander for microcontroller



IC310: FHP3350IM14X
Triple voltage feedback amplifier



To Digital

VIDEO (1)

VIDEO (1)

CVBS COMPONENT SEL
301~319
3001~3199

- ★ All voltages are measured with a 10MΩ/V DC electronic voltmeter.
- ★ Components having special characteristics are marked Δ and must be replaced with parts having specifications equal to those originally installed.
- ★ Schematic diagram is subject to change without notice.

- 電圧は、内部抵抗 10MΩの電圧計で測定したものです。
- Δ印のある部品は、安全性確保部品を示しています。部品の交換が必要な場合、パーツリストに記載されている部品を使用してください。
- 本回路図は標準回路図です。改良のため予告なく変更することがあります。

A	B
C	D

A	B
C	D

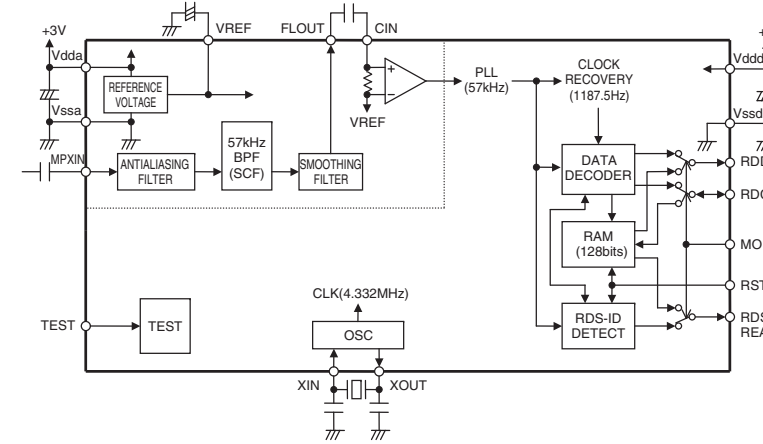
RX-V467/HTR-4063

VIDEO 2/3

Destination Part List

sXX	LOC	J	UC	RS	T	A	BGF	L	K
s201	IC321	X	X	X	X	X	XB235A0 LC72725KM-UY-TL	X	X
s202	XL321	X	X	X	X	X	V273110 4.332MHZ	X	X
s203	C3201 C3203	X	X	X	X	X	US06127 27P(CH)	X	X
s204	C3205 C3204 C3209	X	X	X	X	X	US13510 0.1/16	X	X
s205	R3201 R3203	X	X	X	X	X	RD35510 100	X	X
s206	C3202	X	X	X	X	X	URB3710 10/16	X	X
s207	C3206	X	X	X	X	X	US06256 560P(SL)	X	X
s208	R3202	X	X	X	X	X	RD35651 5.1K	X	X
s209	C3207 C3208	X	X	X	X	X	US06233 330P(SL)	X	X
s210	R3204	X	X	X	X	X	RD35722 22K	X	X
s211	R3205	X	X	X	X	X	RD35633 3.3K	X	X
s212	Q3201	X	X	X	X	X	IC17402 C1740S(R/S)	X	X
s213	R3206	X	X	X	X	X	RD35810 100K	X	X
s214	R3207	X	X	X	X	X	RD35733 33K	X	X
s215	R3208	X	X	X	X	X	HV75568 680	X	X
s216	D3201	X	X	X	X	X	VG43610 MTZJ3.3B	X	X
s217	C3211	X	X	X	X	X	UR23747 47/16	X	X
s281	TE342	WK56100 MST-207V1-01	WK56100 MST-207V1-01	WK56100 MST-207V1-01	WK56100 MST-207V1-01	WK56100 MST-207V1-01	WK56110 MST-207V1-01	WK56110 MST-207V1-01	WK56110 MST-207V1-01
s282	TE341	WK56080 MST-204V1-01	WK56080 MST-204V1-01	WK56080 MST-204V1-01	WK56080 MST-204V1-01	WK56080 MST-204V1-01	WK56090 MST-204V1-01	WK56090 MST-204V1-01	WK56090 MST-204V1-01
s292	R3350	X	X	HF45622 2.2K	X	X	X	X	X
s293	D3350	X	X	VU17280 UDZ512B	X	X	X	X	X

IC321: LC72725KM-UY-TLM-E
RDS signal demodulation IC

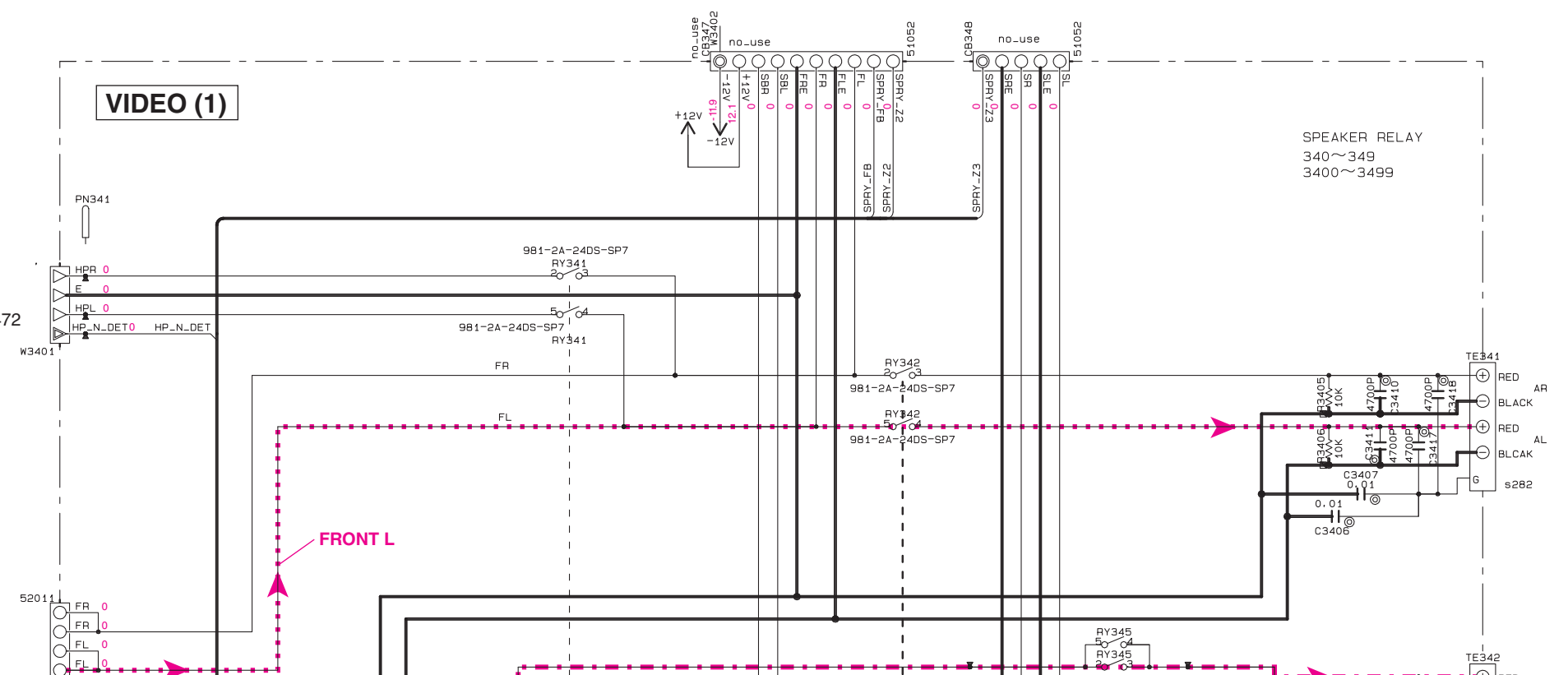


TRIGGER & TUNER
320~329
3200~3299

VIDEO (1)

Page 97 M5
to OPERATION (3)_CB472

Page 99 H5
to MAIN (1)_CB101



FRONT L/R

SPEAKERS

RDS_N_RST
RDS_SCK
RDS_RDY
RDS_MISO

H

I

J

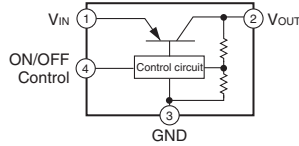
K

L

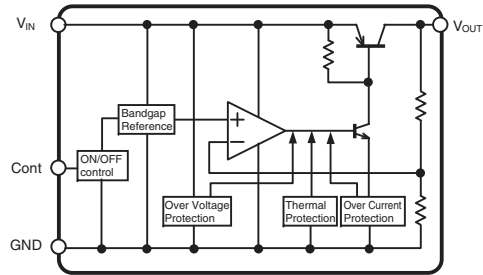
M

N

IC331: NJM2396F05
Low dropout voltage regulator with ON/OFF control



IC334: NJM2388F05
Low dropout voltage regulator with ON/OFF control

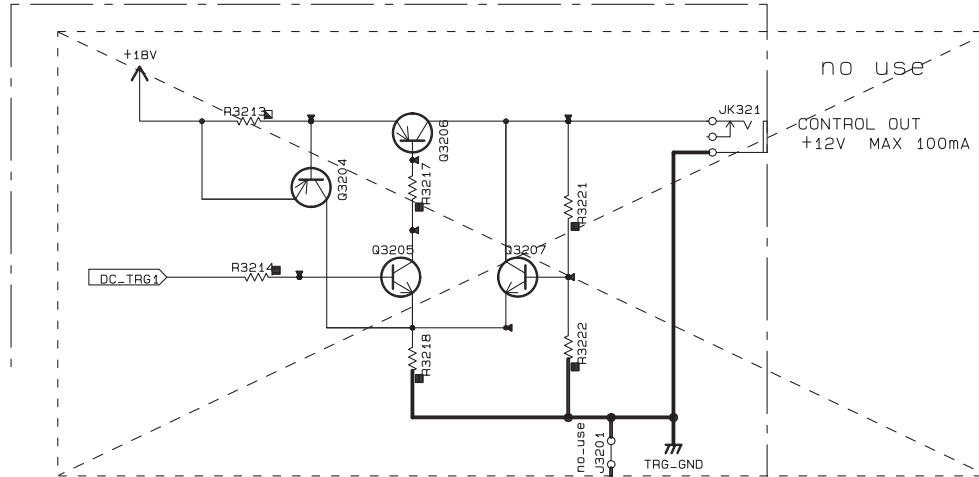
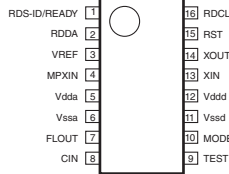
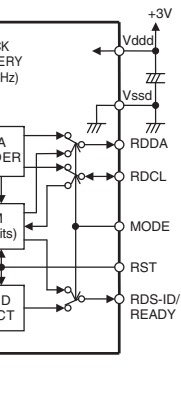


NOTICE (model)

- (J)..... JAPAN
- (U)..... U.S.A
- (C)..... CANADA
- (R)..... GENERAL
- (T)..... CHINA
- (K)..... KOREA
- (A)..... AUSTRALIA
- (B)..... BRITISH
- (G)..... EUROPE
- (L)..... SINGAPORE
- (E)..... SOUTH EUROPE
- (V)..... TAIWAN
- (F)..... RUSSIAN
- (P)..... LATIN AMERICA
- (S)..... BRAZIL

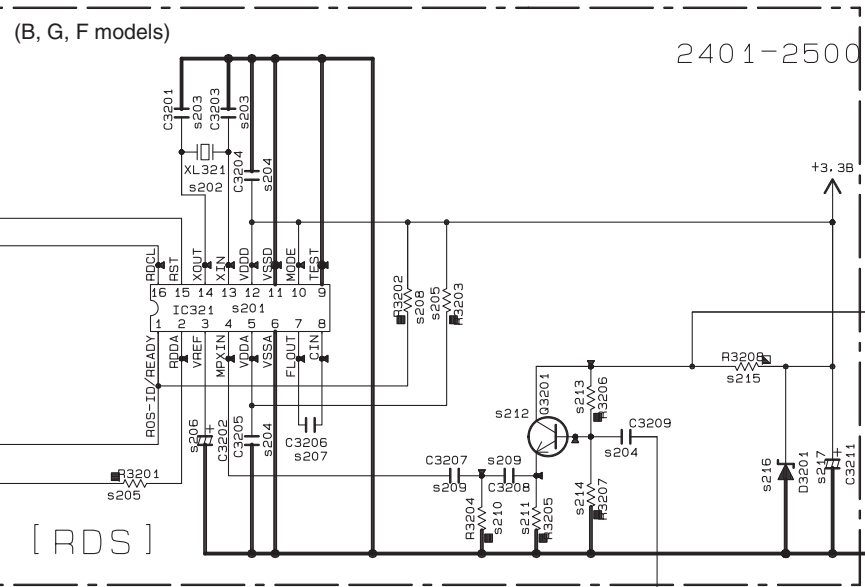
REMARKS	PARTS NAME
NO MARK	CARBON FILM RESISTOR (P=5)
□	CARBON FILM RESISTOR (P=10)
△	METAL OXIDE FILM RESISTOR
⊠	METAL FILM RESISTOR
⊞	METAL PLATE RESISTOR
⊞	FIRE PROOF CARBON FILM RESISTOR
□	CEMENT MOLDED RESISTOR
⊞	SEMI VARIABLE RESISTOR
■	CHIP RESISTOR

REMARKS	PARTS NAME
NO MARK	ELECTROLYTIC CAPACITOR
⊗	TANTALUM CAPACITOR
NO MARK	CERAMIC CAPACITOR
⊙	CERAMIC TUBULAR CAPACITOR
⊙	POLYESTER FILM CAPACITOR
○	POLYSTYRENE FILM CAPACITOR
⊖	MICA CAPACITOR
⊖	POLYPROPYLENE FILM CAPACITOR
⊖	SEMICONDUCTIVE CERAMIC CAPACITOR

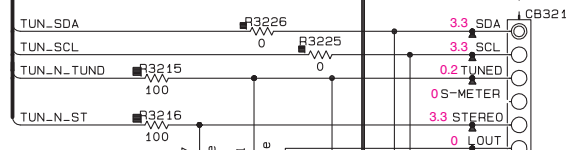


ER & TUNER
329
~3299

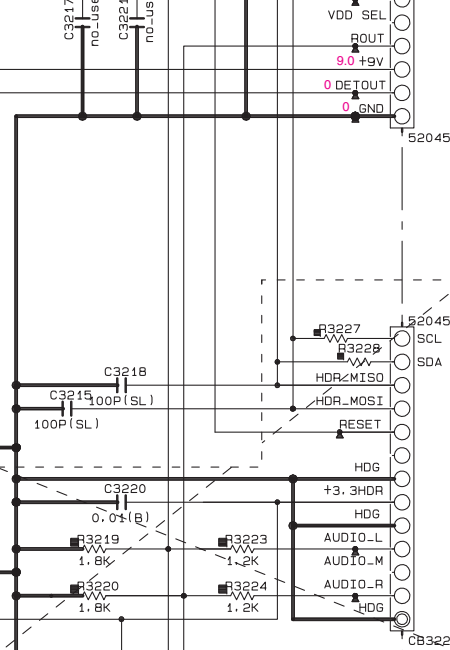
VIDEO (1)



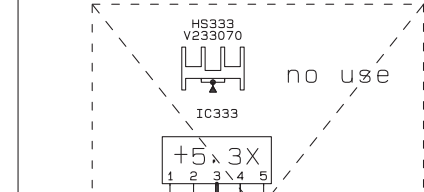
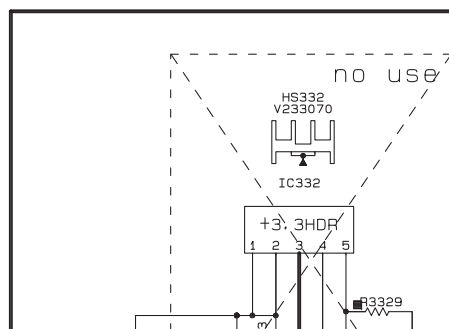
[Tuner]



to TUNER PACK
To AM/FM TUNER



to HD RADIO



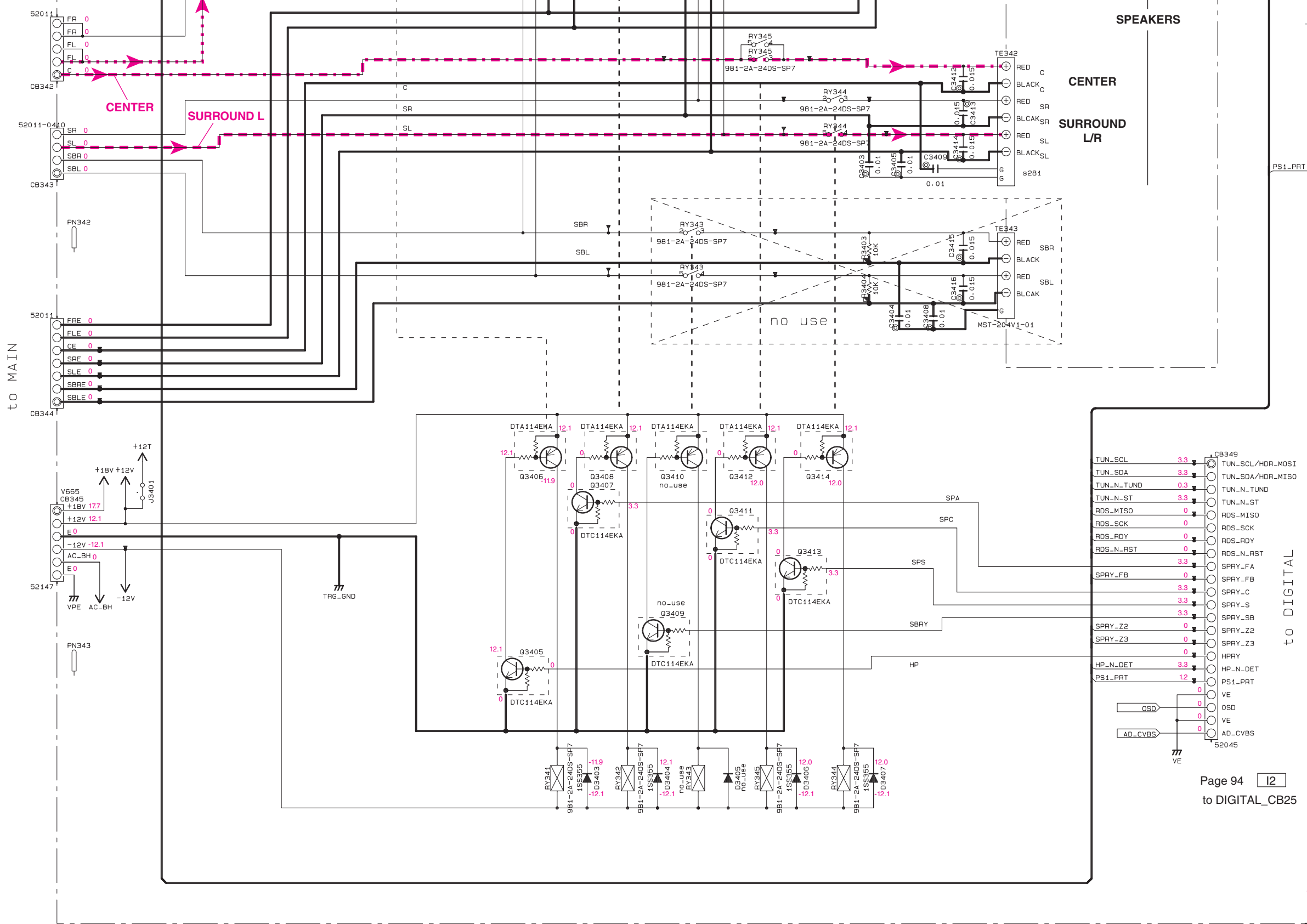
Page 99 H5
to MAIN (1)_CB101

Page 99 H4
to MAIN (1)_CB100

Page 99 H4
to MAIN (1)_CB102

Page 99 H9
to MAIN (1)_CB105

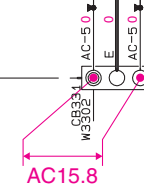
Page 94 I2
to DIGITAL_CB25

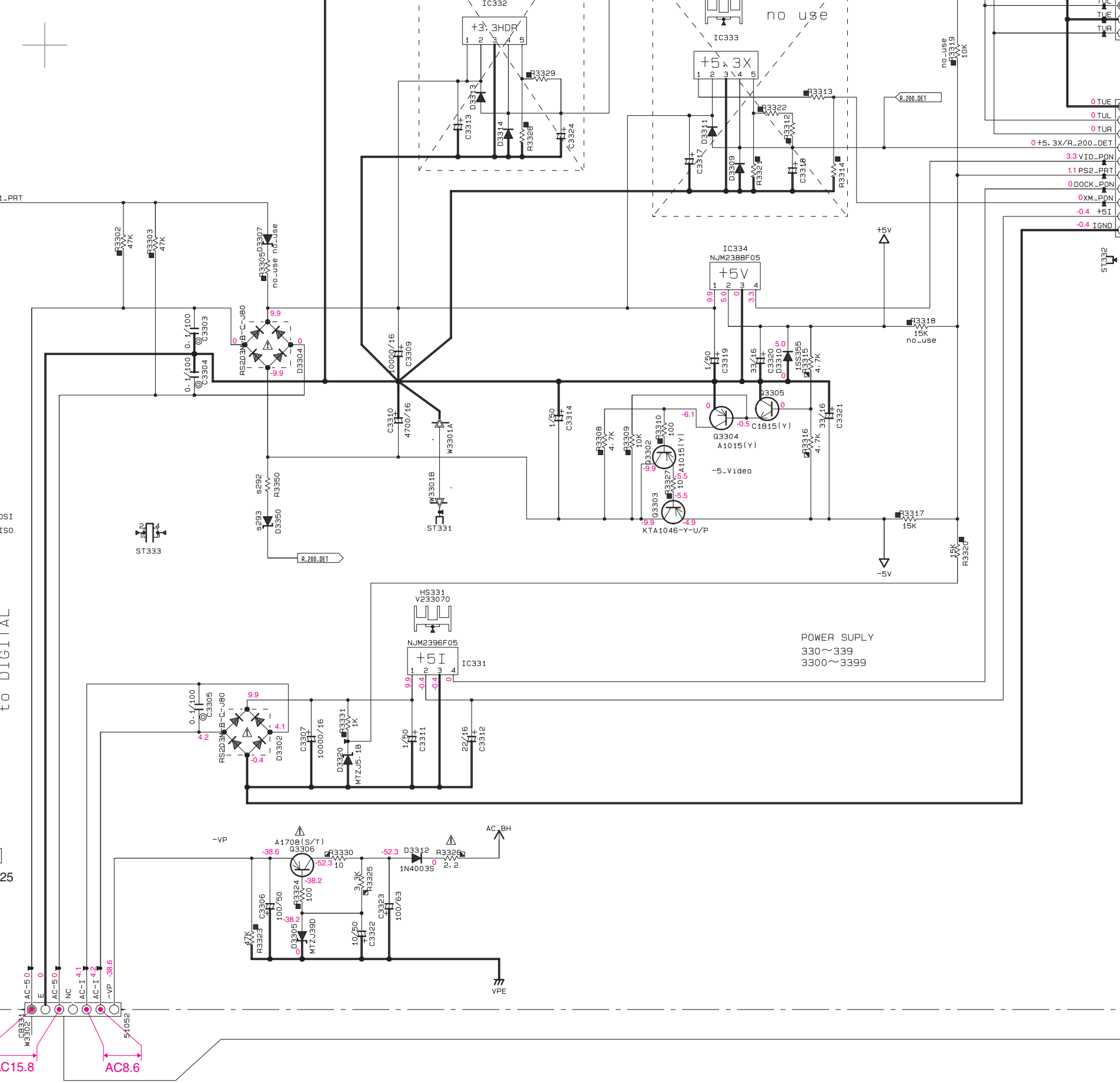


★ All voltages are measured with a 10MΩ/V DC electronic voltmeter.
 ★ Components having special characteristics are marked Δ and must be replaced with parts having specifications equal to those originally installed.
 ★ Schematic diagram is subject to change without notice.

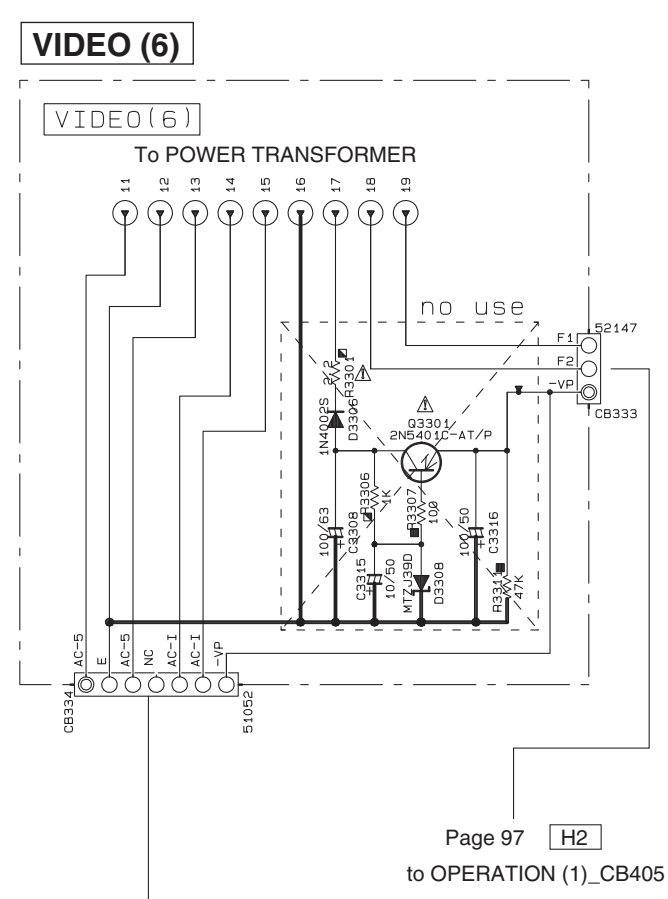
● 電圧は、内部抵抗 10MΩの電圧計で測定したものです。
 ● Δ印のある部品は、安全性確保部品を示しています。部品の交換が必要な場合、パーツリストに記載されている部品を使用してください。
 ● 本回路図は標準回路図です。改良のため予告なく変更することがあります。

A	B
C	D





Page 98 **K9**
to OPERATION (2)_CB460

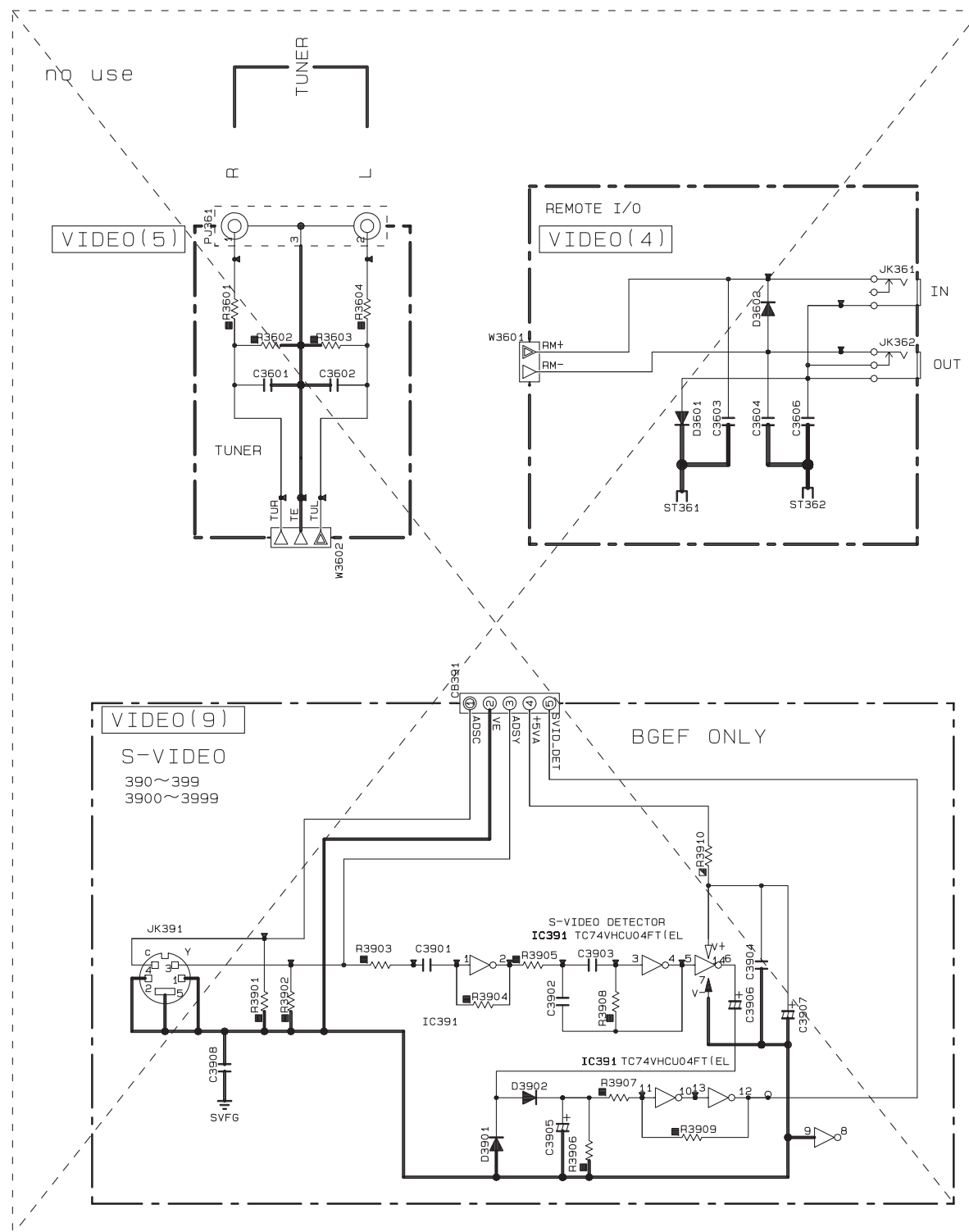


Page 97 **H2**
to OPERATION (1)_CB405

A	B
C	D

A	B
C	D

VIDEO 3/3



VIDEO (8)

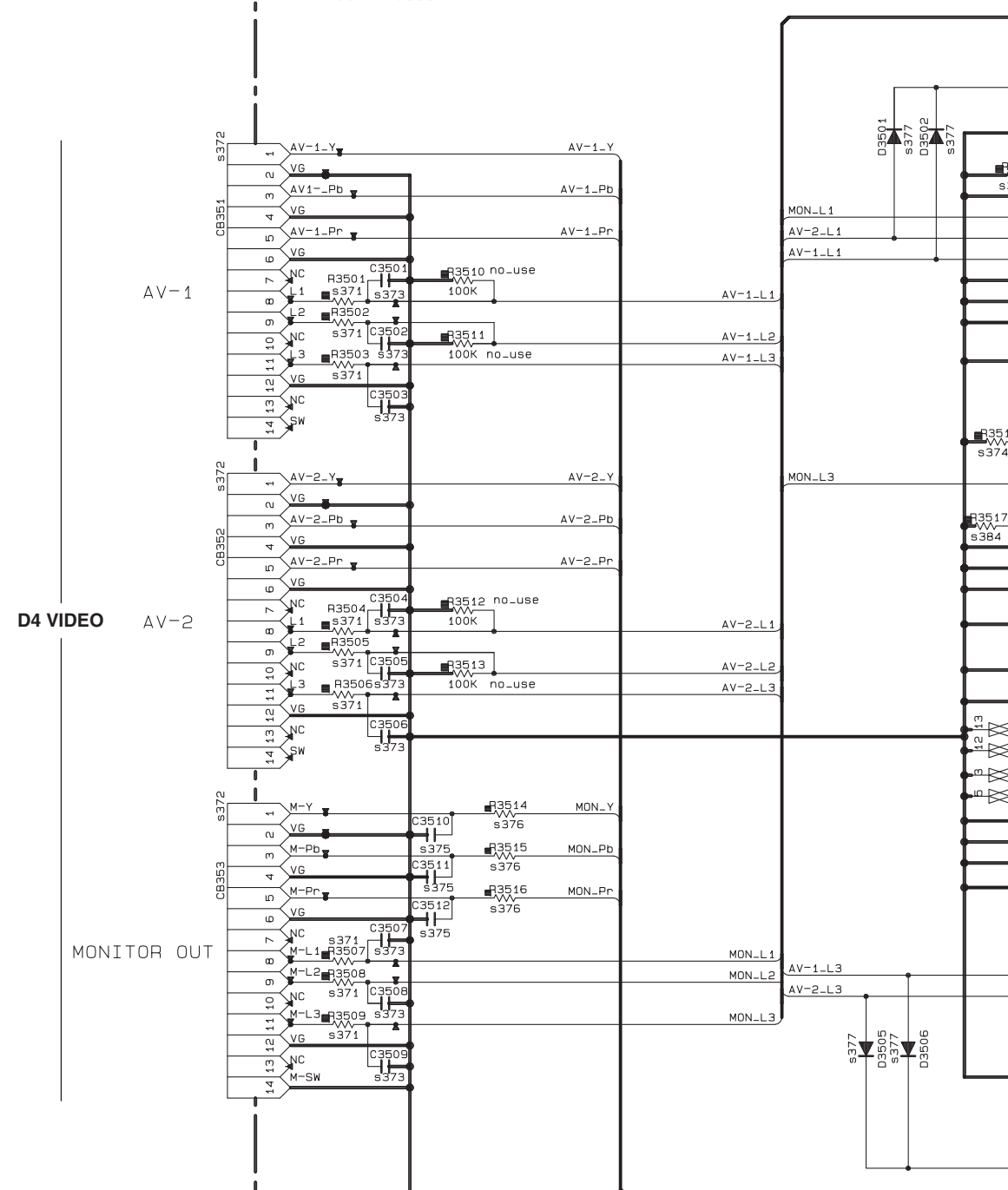
D-TERMINAL

350~359
3500~3599

J ONLY

LINE SELECTOR

COMP_SEL	CBYAPASS	OUT
L	L	4B
L	H	AV
H	L	4B
H	H	AV



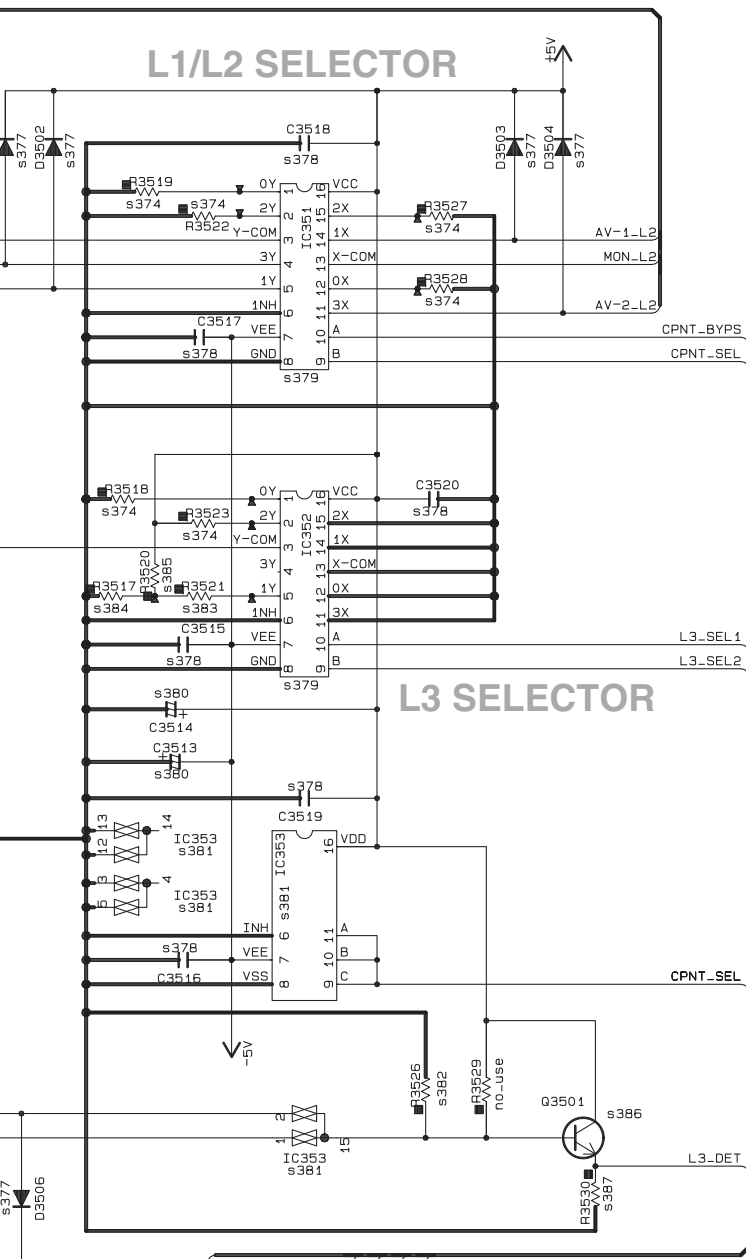
VIDEO (7)

VIDEO (7)

U, C, T, K, A, B, G, F, J models

RX-V467/HTR-4063

LINE SELECTOR		L3 SELECTOR			COMP SELECTOR	
SEL	CBYAPASS	L3B	L3A	L3 OUT	COMP_SEL	OUT
	L	L	L	4:3	L	AV-1
	H	L	H	4:3 LB	H	AV-2
	L	H	L	16:9		
	H	H	H	HIZ		



Destination Part List

sXX	LOC	J	UC	RS	T	A	BGF	L	K
s304	F3701	WB22120 6.00A125V	WB22120 6.00A125V	WB76060 T6.3AL250V	VV07170 T3.15AL250V	VV07170 T3.15AL250V	VV07170 T3.15AL250V	VV07170 T3.15AL250V	VV07170 T3.15AL250V
s309	W3701B W3701A	MH06625	MH06625	X	MH06625	MH06625	MH06625	X	MH06625
s310	W3702A W3702B	MH09625	MH09625	X	MH09625	MH09625	MH09625	X	MH09625
s311	CB378	X	X	VGB7990 VHIS	X	X	X	VGB7990 VHIS	X
s315	C3703	WR08200 100/220	WR08200 100/220	WR08210 100/400	WQB5250 6B/400	WQB5250 6B/400	WQB5250 6B/400	WQB5250 6B/400	WQB5250 6B/400
s321	R3809	RD35000 0	RD35612 1.2K	RD35647 4.7K	RD35668 6.8K	RD35715 15K	RD35747 47K	RD35810 100K	RD35710 10K
s371	R3504 R3501 R3507 R3506 R3505 R3503 R3502 R3508 R3509	RD35510 100	X	X	X	X	X	X	X
s372	CB353 CB351 CB352	WD39B40 YKF45-3011	X	X	X	X	X	X	X
s373	C3501 C3502 C3505 C3503 C3504 C3508 C3507 C3506 C3509	US06410 0.01(B)	X	X	X	X	X	X	X
s374	R3519 R3522 R3518 R3527 R3523 R3528	RD35710 10K	X	X	X	X	X	X	X
s375	C3511 C3512 C3510	US06080 8P(CH)	X	X	X	X	X	X	X
s376	R3515 R3516 R3514	RD35000 0	X	X	X	X	X	X	X
s377	D3503 D3505 D3501 D3506 D3504 D3502	VT33290 1SS355	X	X	X	X	X	X	X
s378	C3515 C3517 C3516 C3518 C3520 C3519	US13510 0.1/16	X	X	X	X	X	X	X
s379	IC351 IC352	XS790A0 TC74HC4052AF	X	X	X	X	X	X	X
s380	C3514 C3513	UR23710 10/16	X	X	X	X	X	X	X
s381	IC353	XY879A0 TC74HC4053AF	X	X	X	X	X	X	X
s382	R3526	RD35B12 120K	X	X	X	X	X	X	X
s383	R3521	RD35633 3.3K	X	X	X	X	X	X	X
s384	R3517	RD35712 12K	X	X	X	X	X	X	X
s385	R3520	RD35715 15K	X	X	X	X	X	X	X
s386	Q3501	VV55640 C2412K(Q/R/S)	X	X	X	X	X	X	X
s387	R3530	RD35668 6.8K	X	X	X	X	X	X	X
s388	R3524 R3525	HV75310 1	X	X	X	X	X	X	X
s389	CB354	VQ04770 52045	X	X	X	X	X	X	X

NOTICE (mode1)

- (J)..... JAPAN
- (U)..... U. S. A
- (C)..... CANADA
- (R)..... GENERAL
- (T)..... CHINA
- (K)..... KOREA
- (A)..... AUSTRALIA
- (B)..... BRITISH
- (G)..... EUROPE
- (L)..... SINGAPORE

RESISTOR

REMARKS	PARTS NAME
NO MARK	CARBON FILM RESISTOR (P=5)
□	CARBON FILM RESISTOR (P=10)
△	METAL OXIDE FILM RESISTOR
▲	METAL FILM RESISTOR
⊠	METAL PLATE RESISTOR
▤	FIRE PROOF CARBON FILM RESISTOR
□	CEMENT MOLDED RESISTOR
⊗	SEMI VARIABLE RESISTOR

CAPACITOR

REMARKS	PARTS NAME	
NO MARK	ELECTROLYTIC CAPACITOR	#
⊗	TANTALUM CAPACITOR	#
NO MARK	CERAMIC CAPACITOR	
●	CERAMIC TUBULAR CAPACITOR	
⊙	POLYESTER FILM CAPACITOR	
○	POLYSTYRENE FILM CAPACITOR	#
⊖	MICA CAPACITOR	
⊕	POLYPROPYLENE FILM CAPACITOR	



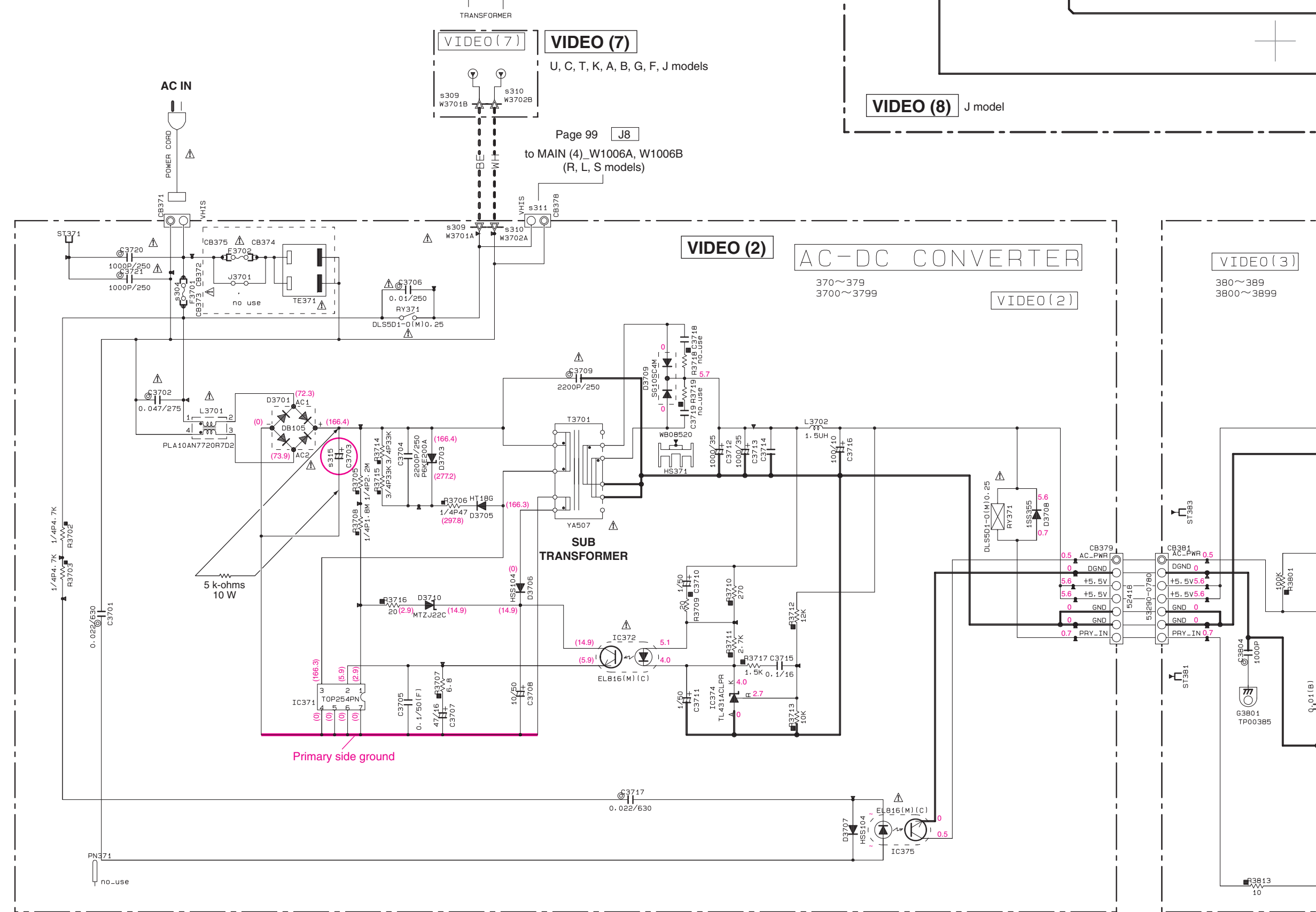
6

7

8

9

10



Notes)

Safety measures

- Some internal parts in this product contain high voltages and are dangerous. Be sure to take safety measures during servicing, such as wearing insulating gloves.
- Note that positions indicated below are dangerous even after the power is turned off because an electric charge remains and a high voltage continues to exist there. Before starting any repair work, perform discharge by connecting a discharge resistor (5k-ohms/10W) between terminals at following positions. The time required for discharging is about 30 seconds.
C3703 on VIDEO (2) P.C.B.

注意)

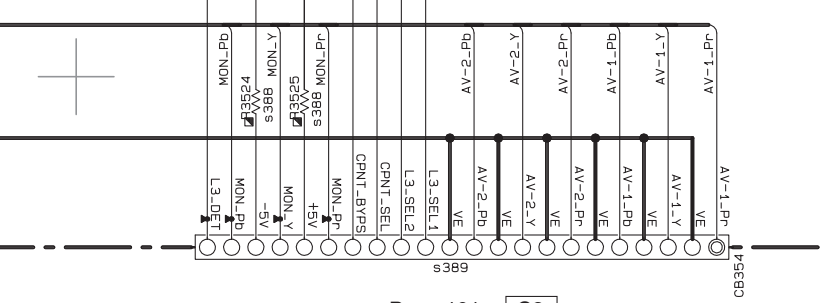
安全対策

- この製品の内部には高電圧部分があり危険です。修理の際は、絶縁性の手袋を使用してください。
- 下記箇所には電源を OFF にした後も電荷が残り、高電圧が維持されており危険です。修理作業前に放電用抵抗 (5 kΩ/10 W) を下記箇所の端子間に接続して放電してください。
VIDEO (2) P.C.B. の C3703

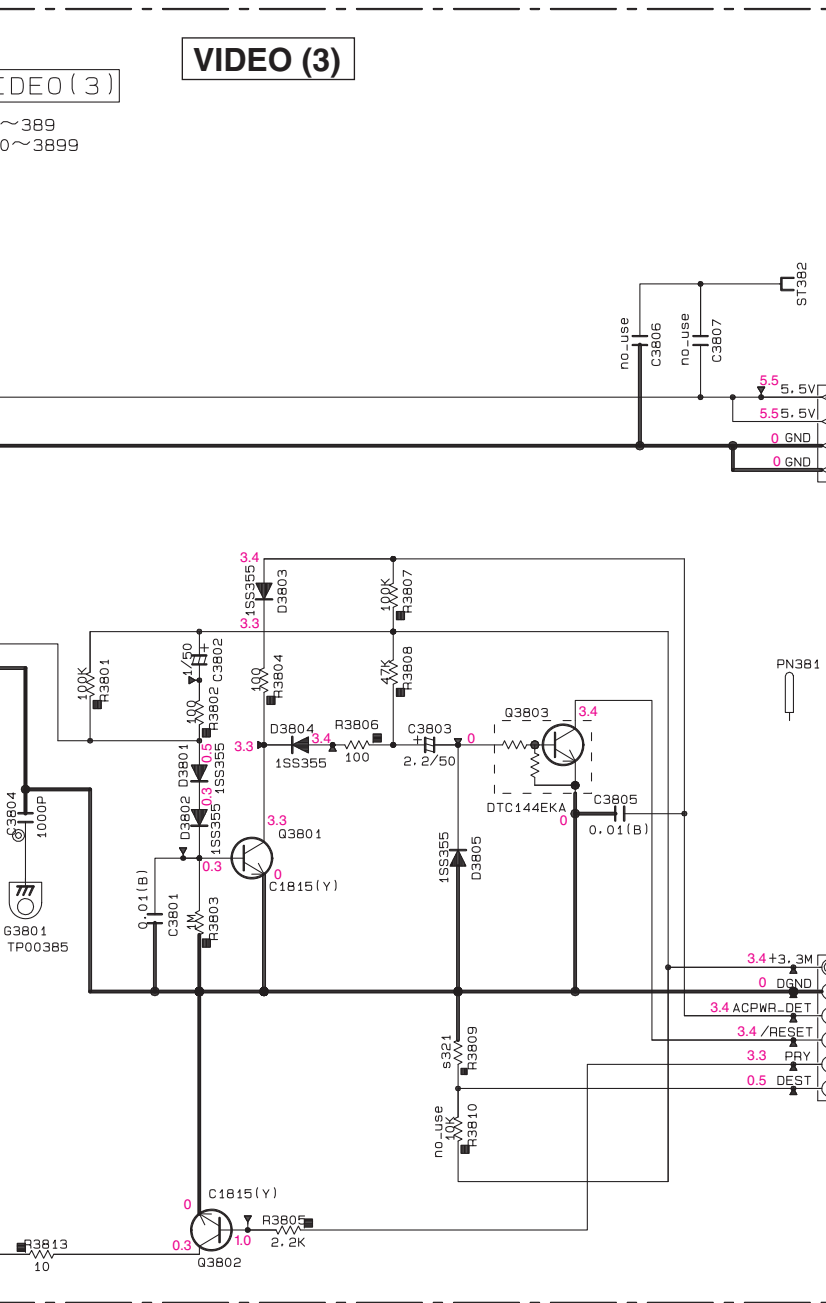
RX-V467/HTR-4063

A	B
C	D

VIDEO 3/3



Page 101 C2
to VIDEO (1)_CB301



Page 93 M8
to DIGITAL_CB7

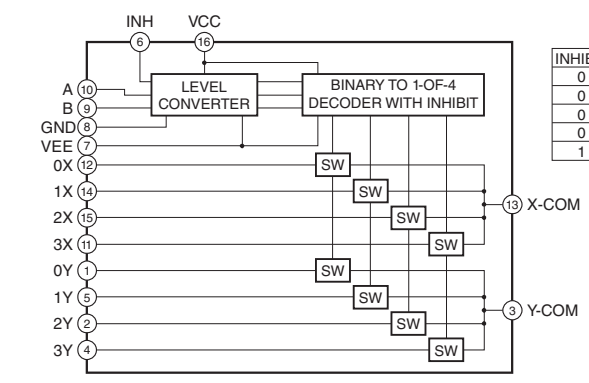
の手袋を使用するなどの安全対策を行ってください。
ており危険です。
して放電してください。放電所用時間は約 30 秒間です。

- (T)..... CHINA
- (K)..... KOREA
- (A)..... AUSTRALIA
- (B)..... BRITISH
- (G)..... EUROPE
- (L)..... SINGAPORE
- (E)..... SOUTH EUROPE
- (V)..... TAIWAN
- (F)..... RUSSIAN
- (P)..... LATIN AMERICA
- (S)..... BRAZIL

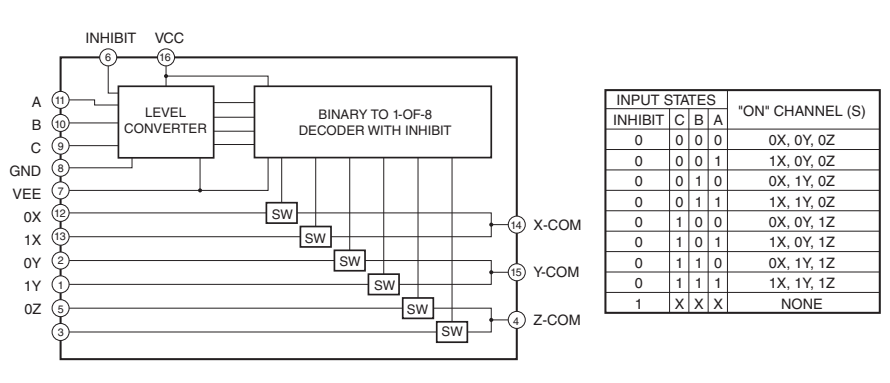
- △ METAL OXIDE FILM RESISTOR
- ⊠ METAL FILM RESISTOR
- ⊞ METAL PLATE RESISTOR
- ⊞ FIRE PROOF CARBON FILM RESISTOR
- CEMENT MOLDED RESISTOR
- ⊞ SEMI VARIABLE RESISTOR
- CHIP RESISTOR

- NO MARK CERAMIC CAPACITOR
- ⊙ CERAMIC TUBULAR CAPACITOR
- ⊙ POLYESTER FILM CAPACITOR
- POLYSTYRENE FILM CAPACITOR
- ⊙ MICA CAPACITOR
- ⊙ POLYPROPYLENE FILM CAPACITOR
- ⊙ SEMICONDUCTIVE CERAMIC CAPACITOR

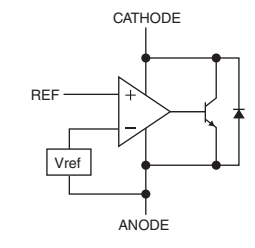
IC351, 352: TC74HC4052AF
Analog multiplexer/demultiplexer



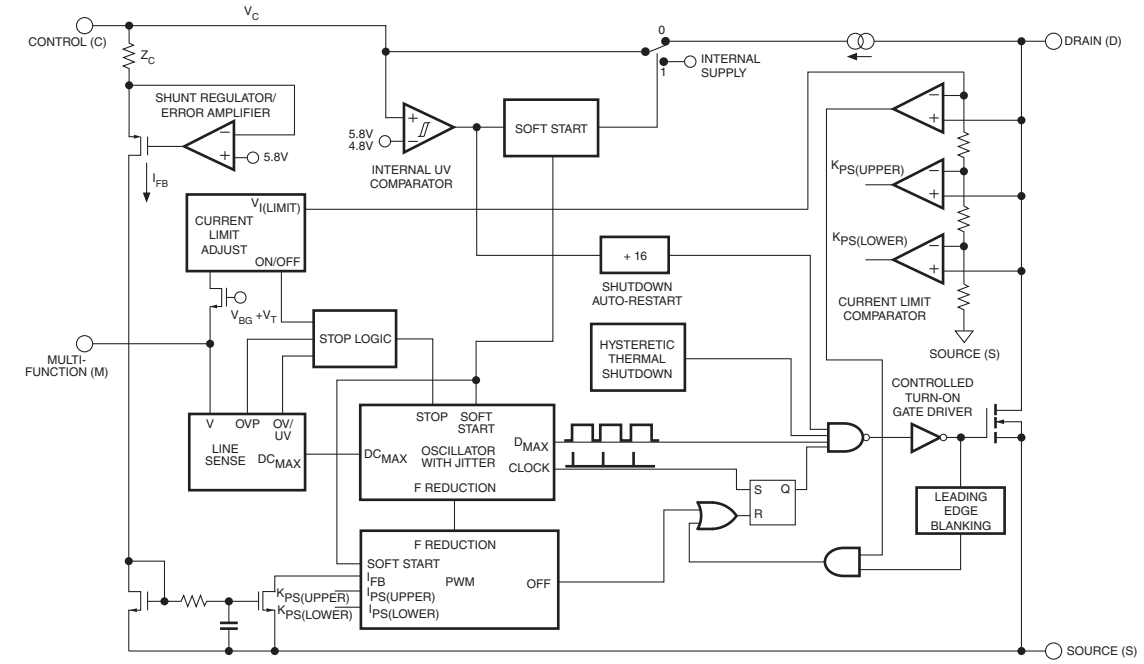
IC353: TC74HC4053AF
Analog multiplexer/demultiplexer



IC374: TL431ACLPR
Adjustable precision shunt regulators



IC371: TOP254PN
TOPswitch-HX



Page 94 F2
to DIGITAL_CB24

- ★ All voltages are measured with a 10MΩ/V DC electronic voltmeter.
- ★ Components having special characteristics are marked △ and must be replaced with parts having specifications equal to those originally installed.
- ★ Schematic diagram is subject to change without notice.

- 電圧は、内部抵抗 10MΩの電圧計で測定したものです。
- △印のある部品は、安全性確保部品を示しています。部品の交換が必要な場合、パーツリストに記載されている部品を使用してください。
- 本回路図は標準回路図です。改良のため予告なく変更することがあります。

A	B
C	D