

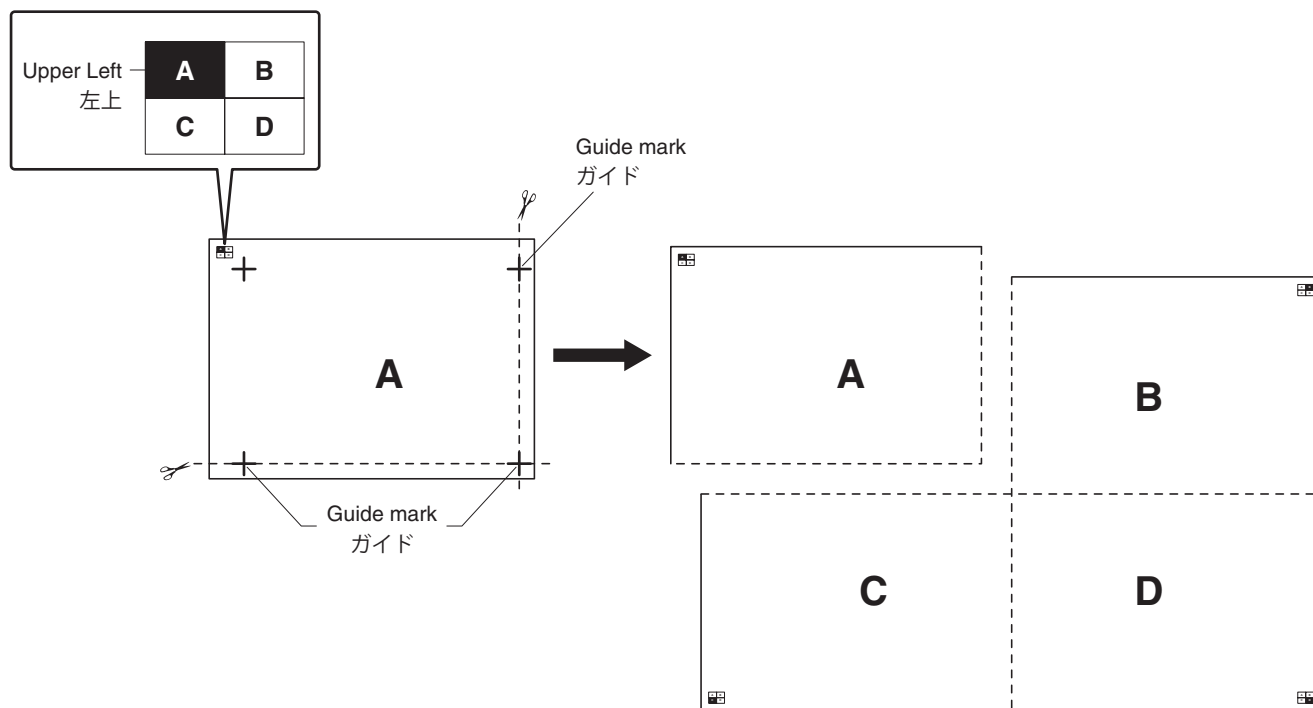
AV RECEIVER

RX-V567/HTR-5063

SCHEMATIC DIAGRAMS

Each schematic diagram is divided into equal pieces to enable printout by conventional printers.
 Cut along the guide marks and put them together.
 Overall location of each schematic diagram is described by the following symbol.

各回路図は、一般的に使用されているプリンタで印刷できる大きさに分割されています。
 印刷した各回路図を、ガイドに沿って切って貼り合わせてください。
 各回路図の張り合わせ位置は以下の記号で表しています。



■ CONTENTS

SCHEMATIC DIAGRAMS

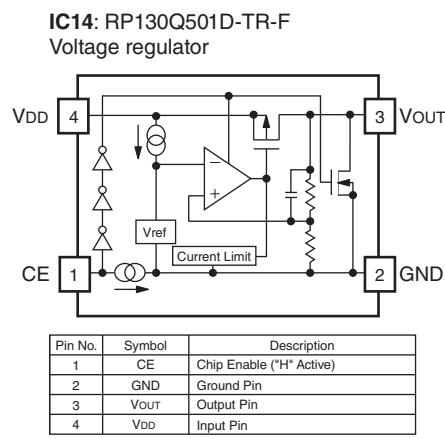
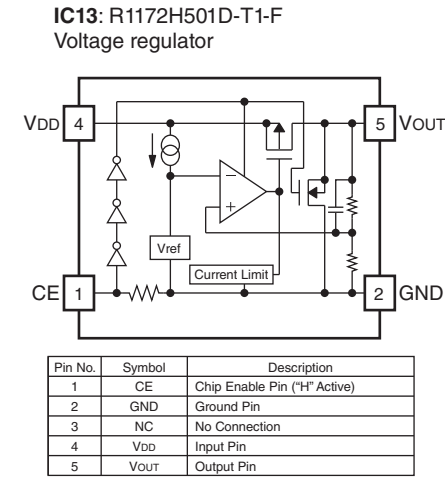
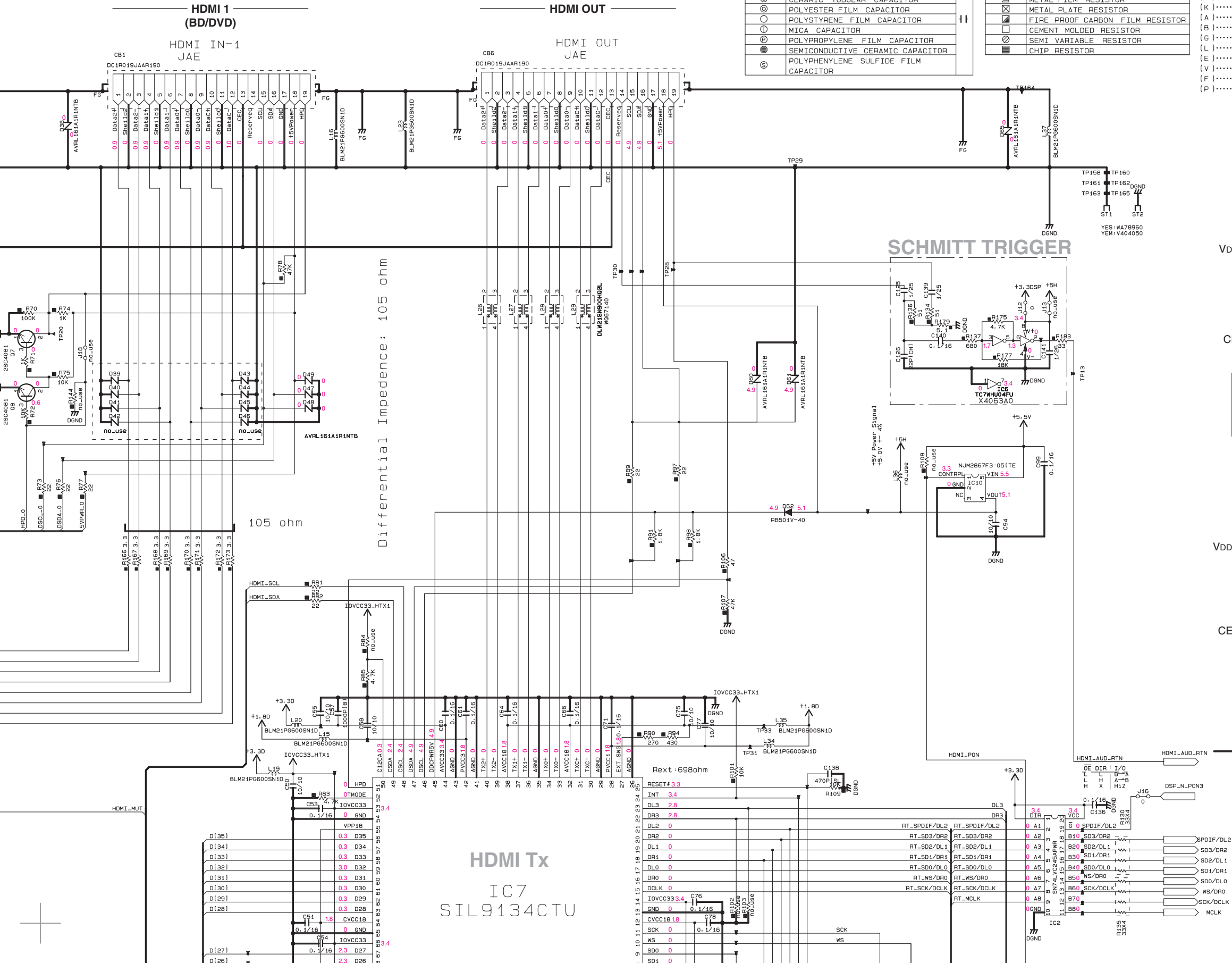
DIGITAL Board	93-97
OPERATION Board	98-99
MAIN Board	100-101
VIDEO Board	102-104

RX-V567/HTR-5063

REMARKS	PARTS NAME	SYMBOL
NO MARK	ELECTROLYTIC CAPACITOR	\square
⊗	TANTALUM CAPACITOR	\square
NO MARK	CERAMIC CAPACITOR	\square
⊙	CERAMIC TUBULAR CAPACITOR	\square
⊖	POLYESTER FILM CAPACITOR	\square
○	POLYSTYRENE FILM CAPACITOR	\square
⊕	MICA CAPACITOR	\square
⊖	POLYPROPYLENE FILM CAPACITOR	\square
⊖	SEMICONDUCTIVE CERAMIC CAPACITOR	\square
⊖	POLYPHENYLENE SULFIDE FILM CAPACITOR	\square

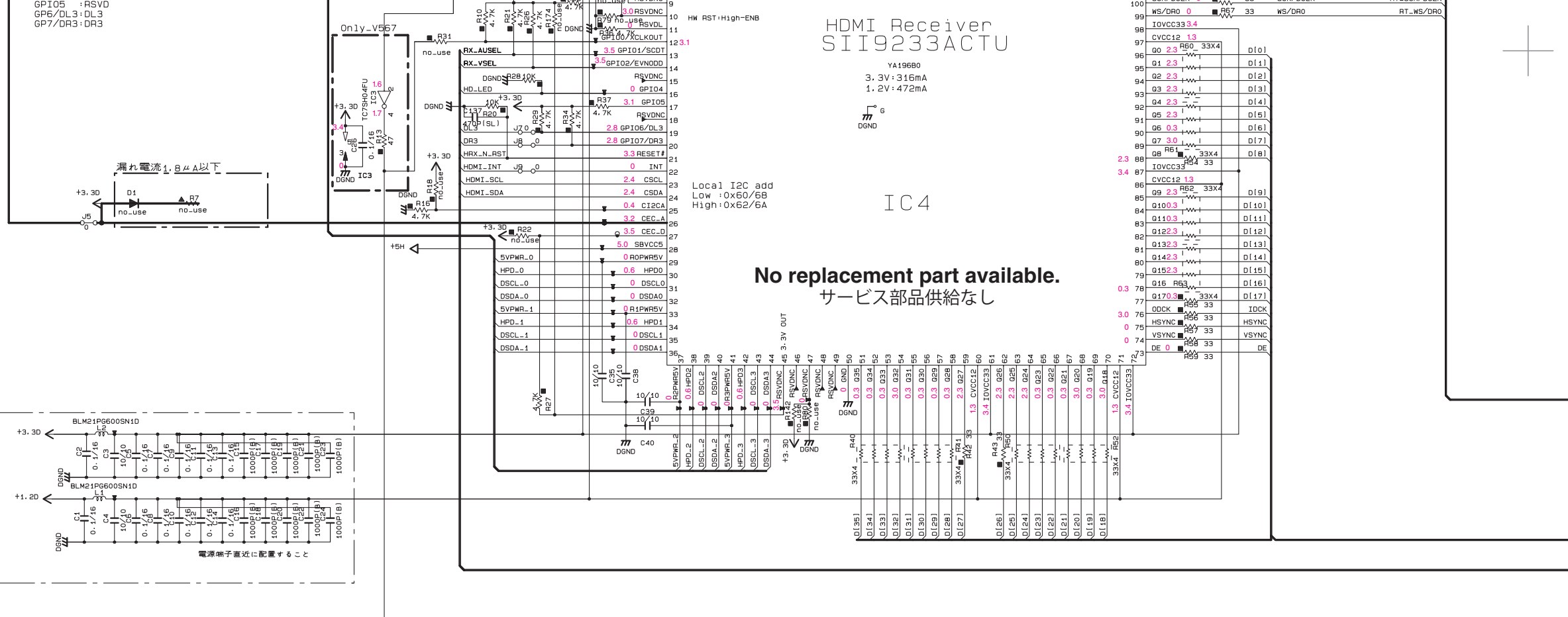
REMARKS	PARTS NAME	SYMBOL
NO MARK	CARBON FILM RESISTOR (P=5)	\square
⊗	CARBON FILM RESISTOR (P=10)	\square
△	METAL OXIDE FILM RESISTOR	\square
⊖	METAL FILM RESISTOR	\square
⊖	METAL PLATE RESISTOR	\square
⊖	FIRE PROOF CARBON FILM RESISTOR	\square
⊖	CEMENT MOLDED RESISTOR	\square
⊖	SEMI VARIABLE RESISTOR	\square
⊖	CHIP RESISTOR	\square

NOTICE (model)
 (J)..... JAPAN
 (U)..... U.S.A
 (C)..... CANADA
 (R)..... GENERAL
 (T)..... CHINA
 (K)..... KOREA
 (A)..... AUSTRALIA
 (B)..... BRITISH
 (G)..... EUROPE
 (L)..... SINGAPORE
 (E)..... SOUTH EUROPE
 (V)..... TAIWAN
 (F)..... RUSSIAN
 (P)..... LATIN AMERICA

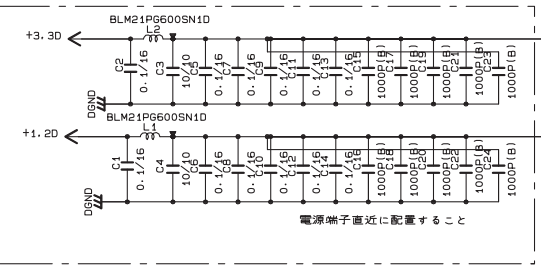


To 003_Sht (DSP) To DIGITAL 3/5

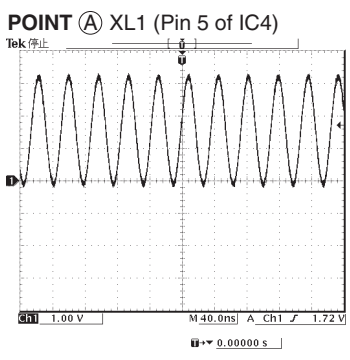
6



7

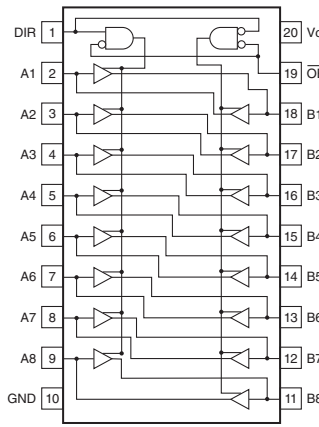


8

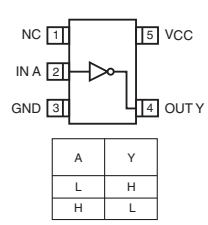


9

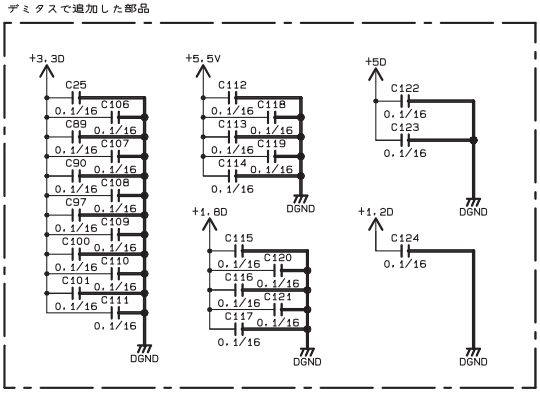
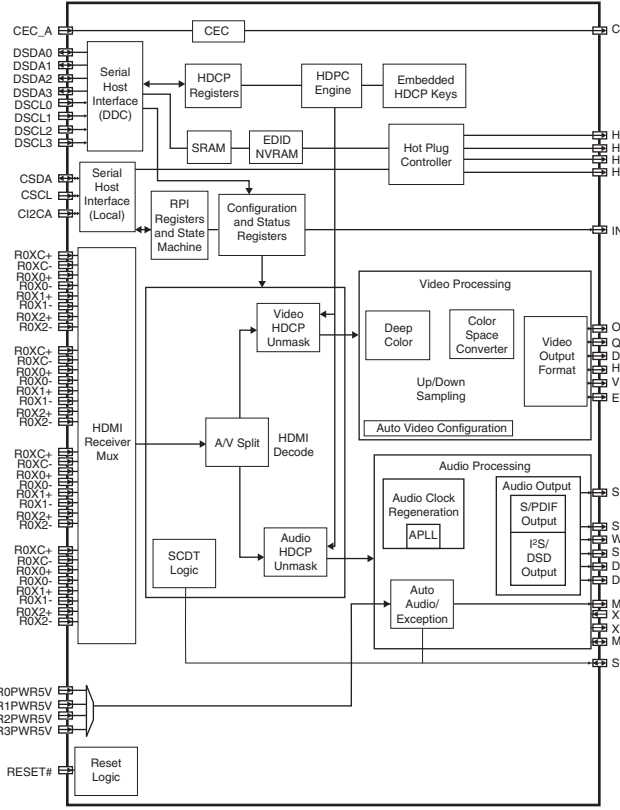
IC2: SN74LVC245APWR
Octal bus transceivers with 3-state outputs



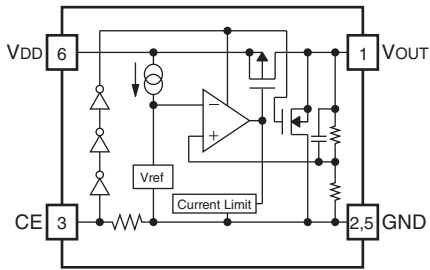
IC3: TC7SH04FU-TE85L
Inverter



IC4: SiI9233ACTU
HDMI receiver

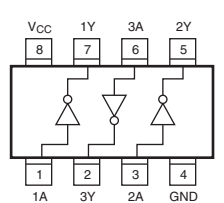


IC5: R1172S121D-E2-F
Voltage regulator

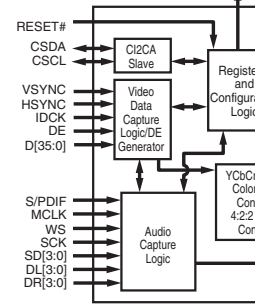


Pin No.	Symbol	Description
1	Vout	Output Pin of Voltage Regulator
2, 5	GND	Ground Pin
3	CE	Chip Enable Pin
4	NC	No Connection
6	VDD	Input Pin

IC6: TC7WHU04FU
Triple inverter



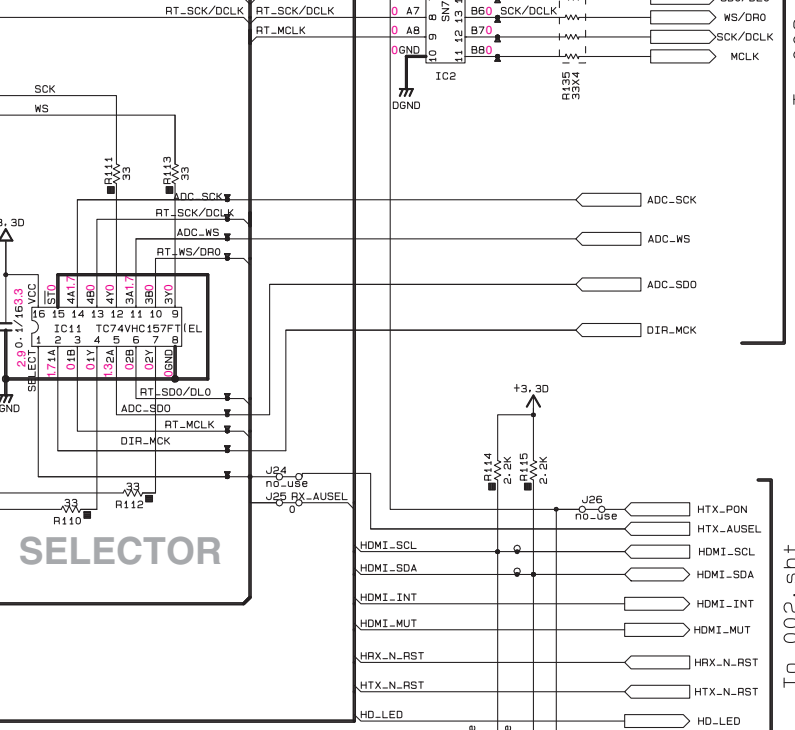
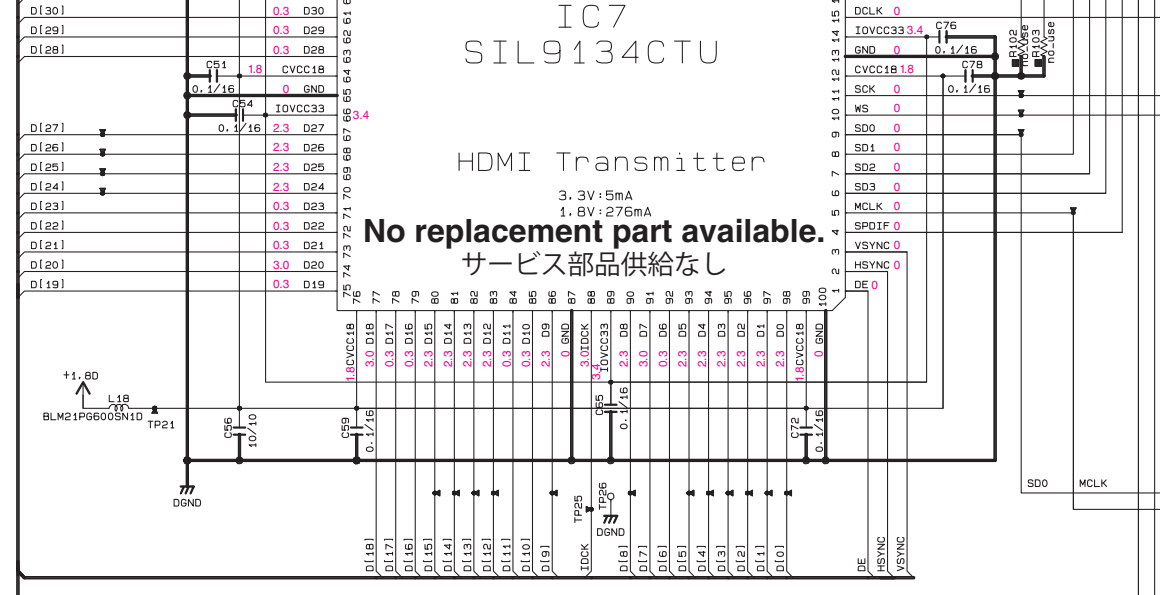
IC7: SiI9134CTU
HDMI transmitter



RX-V567/HTR-5063

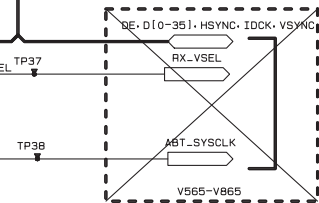
A	B
C	D

DIGITAL 1/5

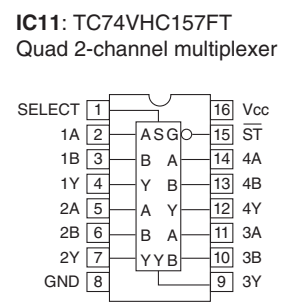
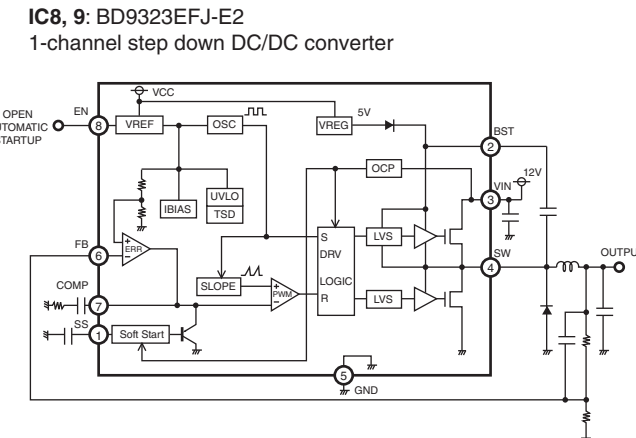
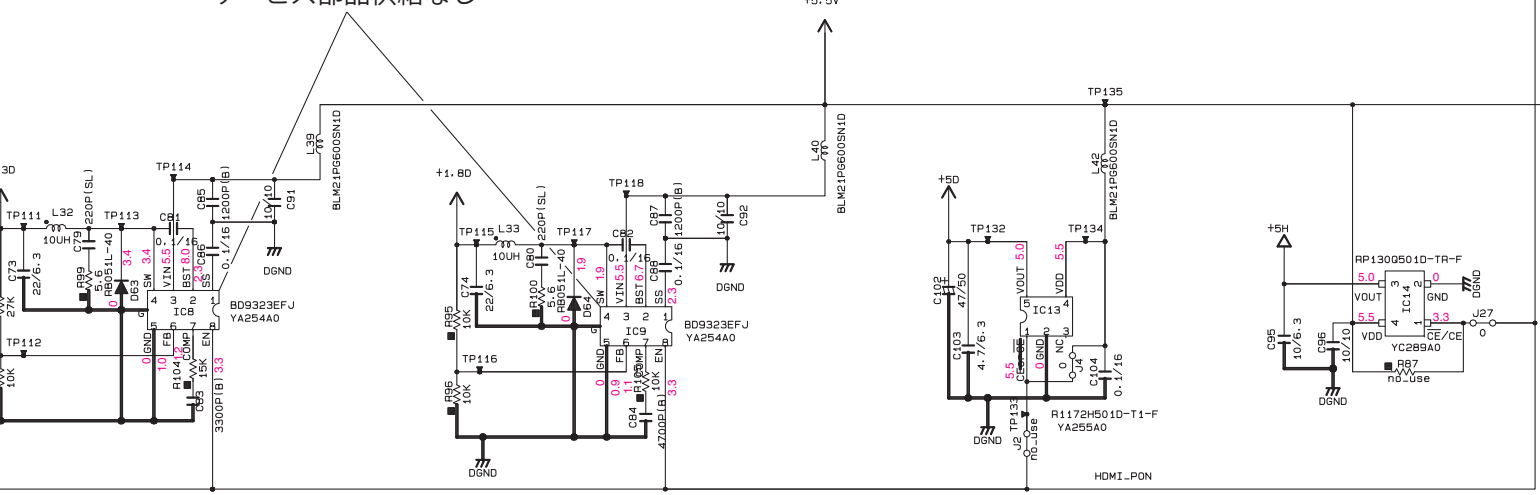


TC74VHC157FT
Vcc: 2.0 - 5.5V
ViH: > 0.7*Vcc
ViL: < 0.3*Vcc

/ST	SEL	I	=0
L	L	Y=A	
L	H	Y=B	
H	X	HiZ	

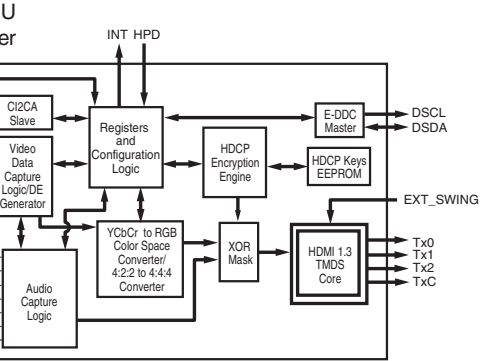


No replacement part available.
サービス部品供給なし



- ★ All voltages are measured with a 10MΩ/V DC electronic voltmeter.
- ★ Components having special characteristics are marked Δ and must be replaced with parts having specifications equal to those originally installed.
- ★ Schematic diagram is subject to change without notice.

- 電圧は、内部抵抗 10MΩの電圧計で測定したものです。
- Δ印のある部品は、安全性確保部品を示しています。部品の交換が必要な場合、パーツリストに記載されている部品を使用してください。
- 本回路図は標準回路図です。改良のため予告なく変更することがあります。



A	B
C	D

A	B
C	D

RX-V567/HTR-5063

DIGITAL 2/5

Page 98 H9
to OPERATION (1)_CB401

Page 100 K7
to MAIN (5)_CB157

Page 101 K8
to MAIN (1)_CB156

Page 104 I9
to VIDEO (3)_CB382

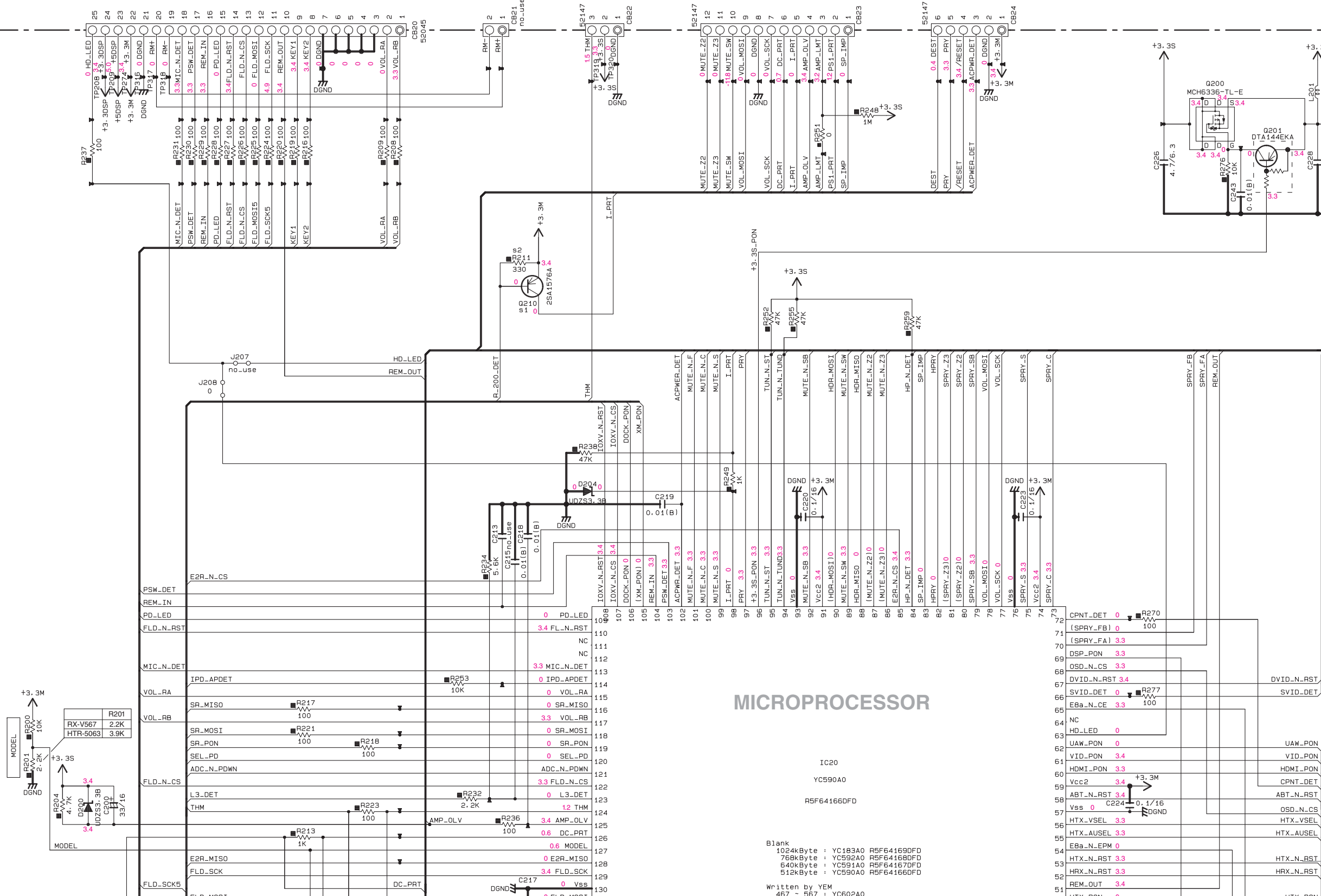
to OPE(1)

to RMT

to THM

to MAIN

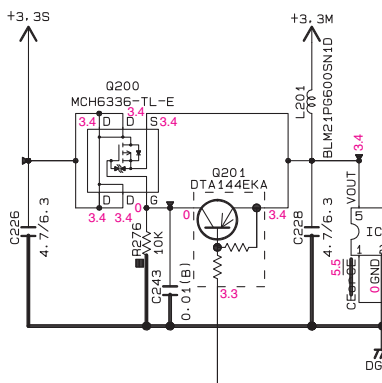
to SUB TR



MICROPROCESSOR

IC20
YC590A0
R5F641660FD

Blank
1024kByte : YC183A0 R5F641690FD
768kByte : YC592A0 R5F641680FD
540kByte : YC591A0 R5F641670FD
512kByte : YC590A0 R5F641660FD
Written by YEM
467 - 567 : YC602A0



1
2
3
4
5

A B C D E F G

H

I

J

K

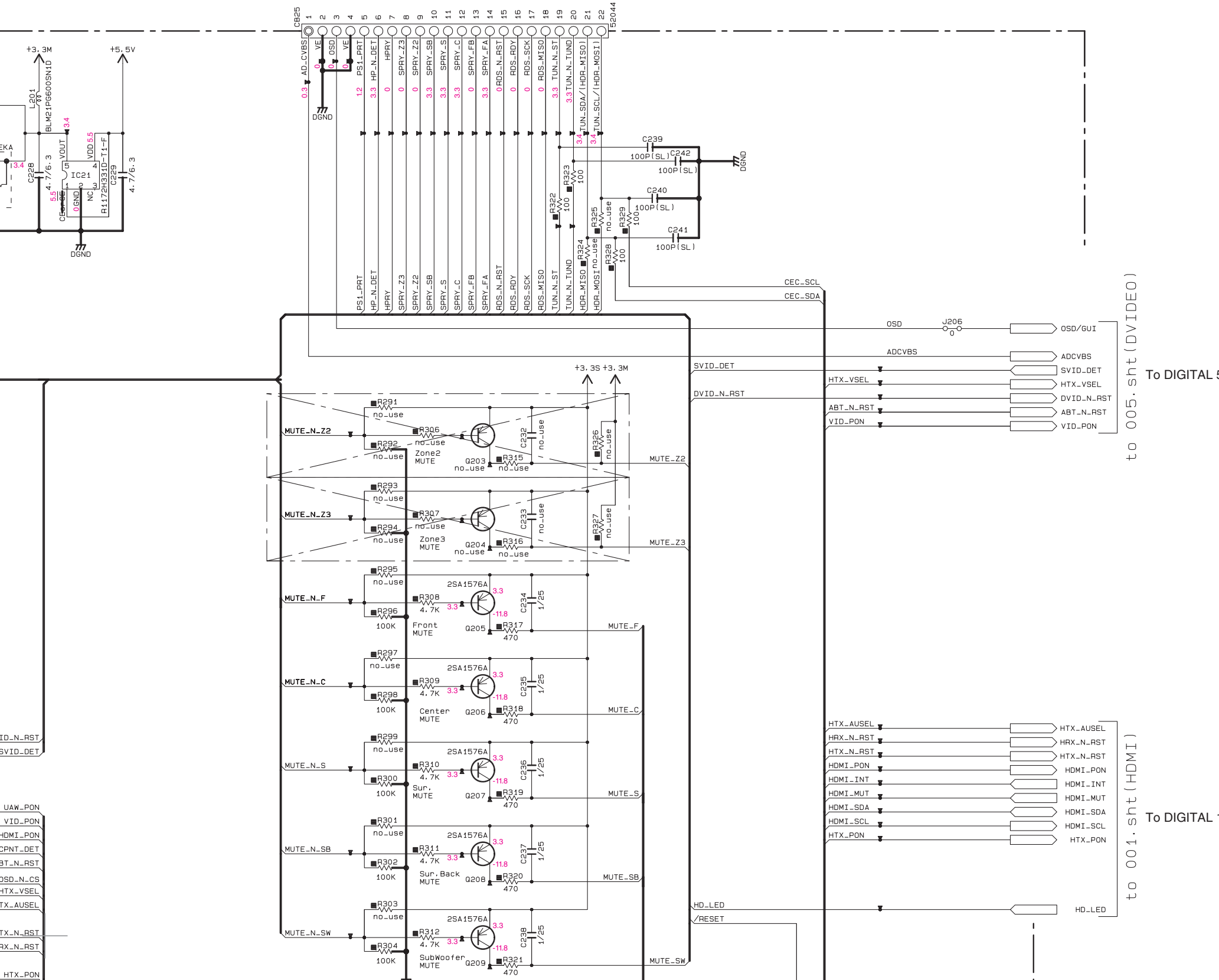
L

M

N

Page 103 G8
to VIDEO (1)_CB349

to VIDEO



CAPACITOR

REMARKS	PARTS NAME	
NO MARK	ELECTROLYTIC CAPACITOR	77
⊗	TANTALUM CAPACITOR	
NO MARK	CERAMIC CAPACITOR	
⊙	CERAMIC TUBULAR CAPACITOR	
⊖	POLYESTER FILM CAPACITOR	
○	POLYSTYRENE FILM CAPACITOR	11
Ⓜ	MICA CAPACITOR	
Ⓟ	POLYPROPYLENE FILM CAPACITOR	
Ⓢ	SEMICONDUCTIVE CERAMIC CAPACITOR	
Ⓣ	POLYPHENYLENE SULFIDE FILM CAPACITOR	

RESISTOR

REMARKS	PARTS NAME
NO MARK	CARBON FILM RESISTOR (P=5)
□	CARBON FILM RESISTOR (P=10)
△	METAL OXIDE FILM RESISTOR
▲	METAL FILM RESISTOR
⊠	METAL PLATE RESISTOR
⊞	FIRE PROOF CARBON FILM RESISTOR
□	CEMENT MOLDED RESISTOR
⊕	SEMI VARIABLE RESISTOR
■	CHIP RESISTOR

NOTICE (mode1)
 (J)..... JAPAN
 (U)..... U.S.A
 (C)..... CANADA
 (R)..... GENERAL
 (T)..... CHINA
 (K)..... KOREA
 (A)..... AUSTRALIA
 (B)..... BRITISH
 (G)..... EUROPE
 (L)..... SINGAPORE
 (E)..... SOUTH EUROPE
 (V)..... TAIWAN
 (F)..... RUSSIAN
 (P)..... LATIN AMERICA

to 005.sht(DVIDEO)

to 001.sht(HDMI)

To DIGITAL 5/5

To DIGITAL 1/5

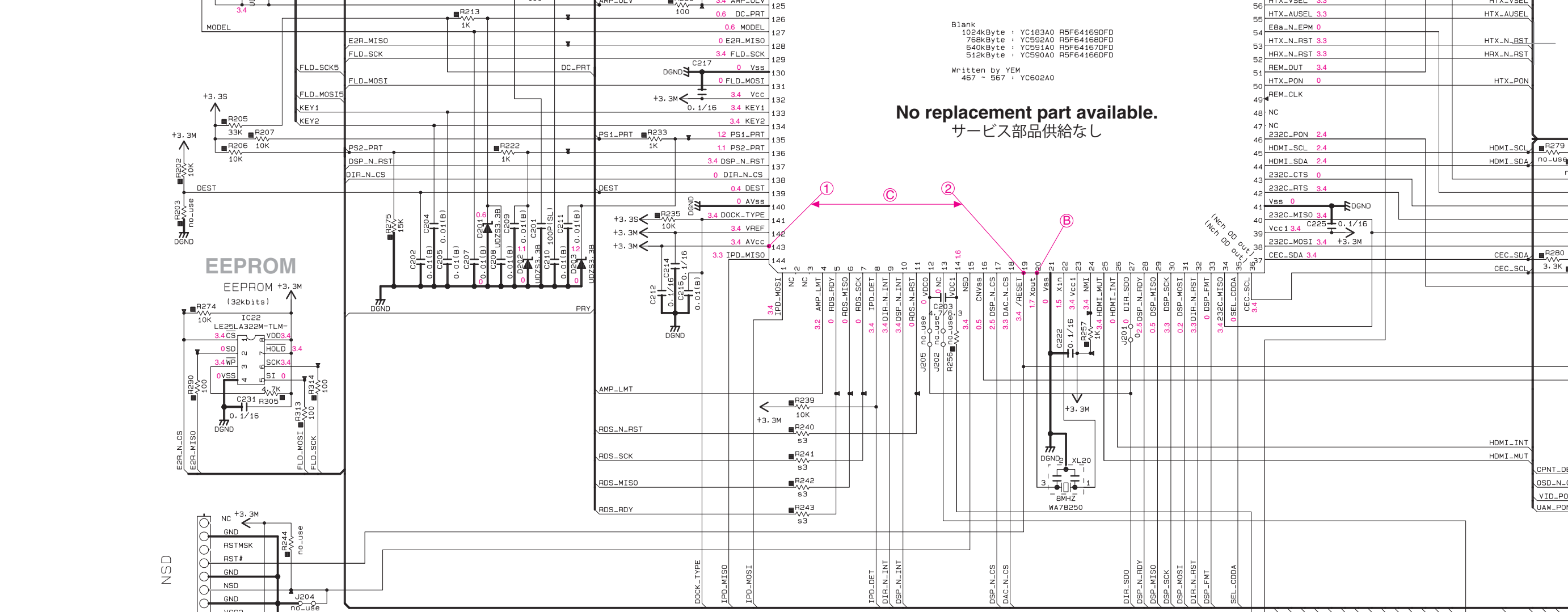
6

7

8

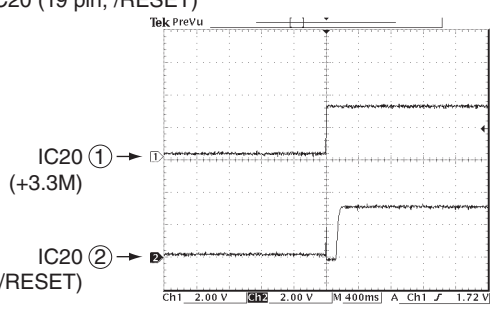
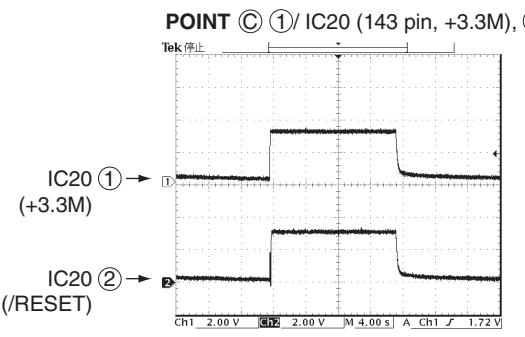
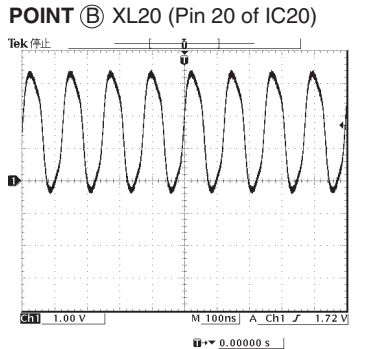
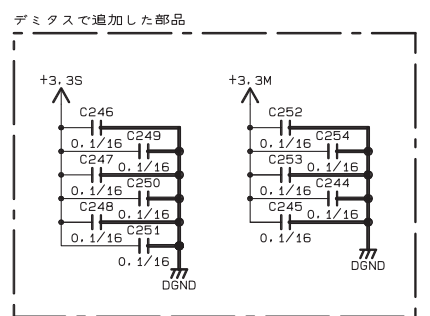
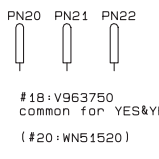
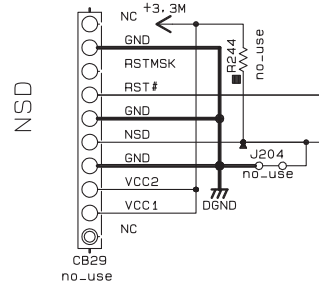
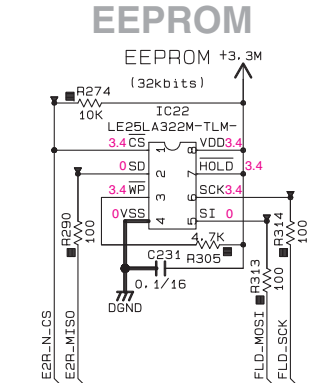
9

10

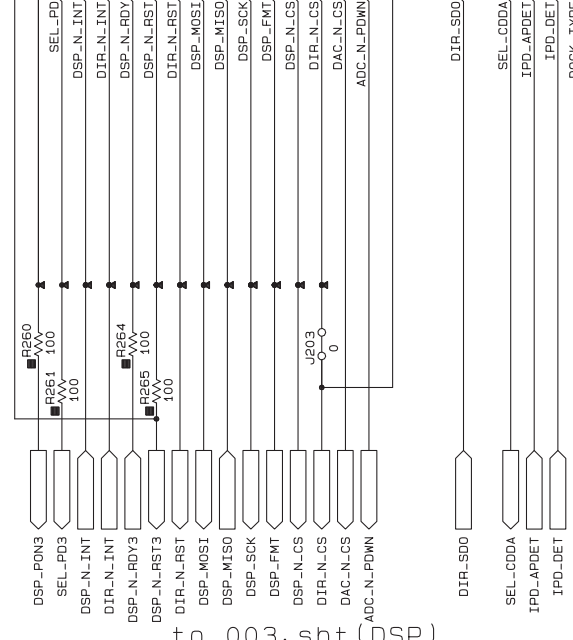


Blank
 1024kByte : YC1B3A0 R5F64169DFD
 768kByte : YC592A0 R5F64168DFD
 640kByte : YC591A0 R5F64167DFD
 512kByte : YC590A0 R5F64166DFD
 Written by YEM
 467 - 567 : YC602A0

No replacement part available.
 サービス部品供給なし



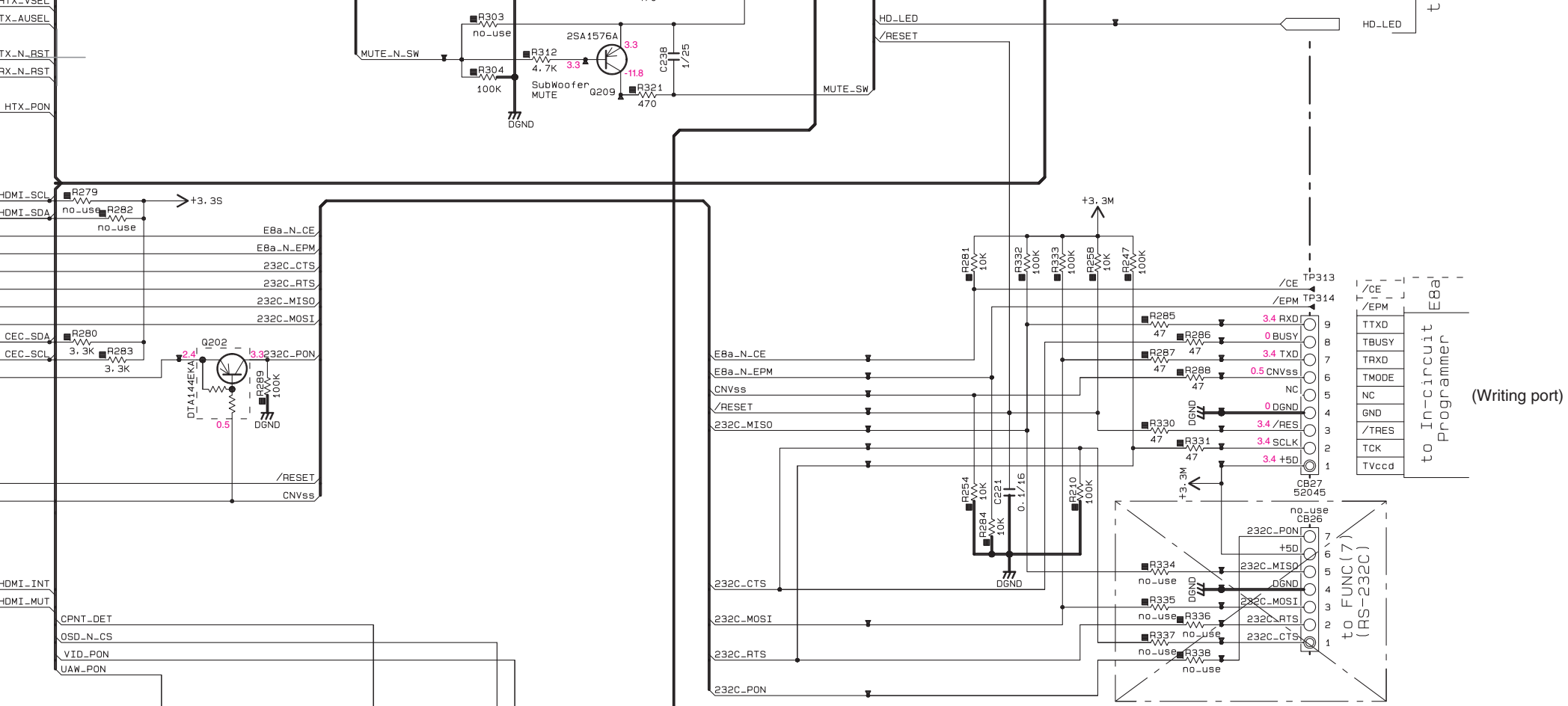
↑ AC POWER ON (Connect the power cable)
 ↑ AC POWER OFF (Disconnect the power cable)
 ↑ AC POWER ON (Connect the power cable)



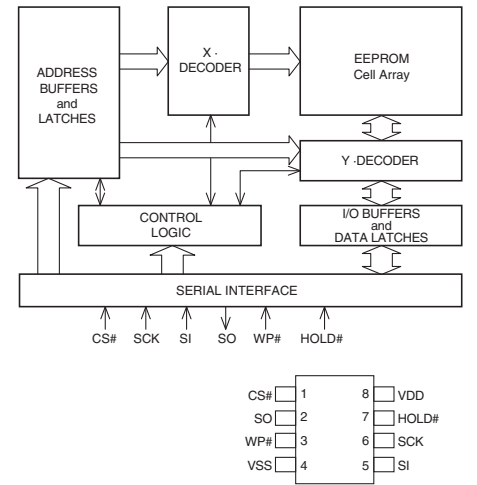
to 003.sht (DSP)

To DIGITAL 3/5

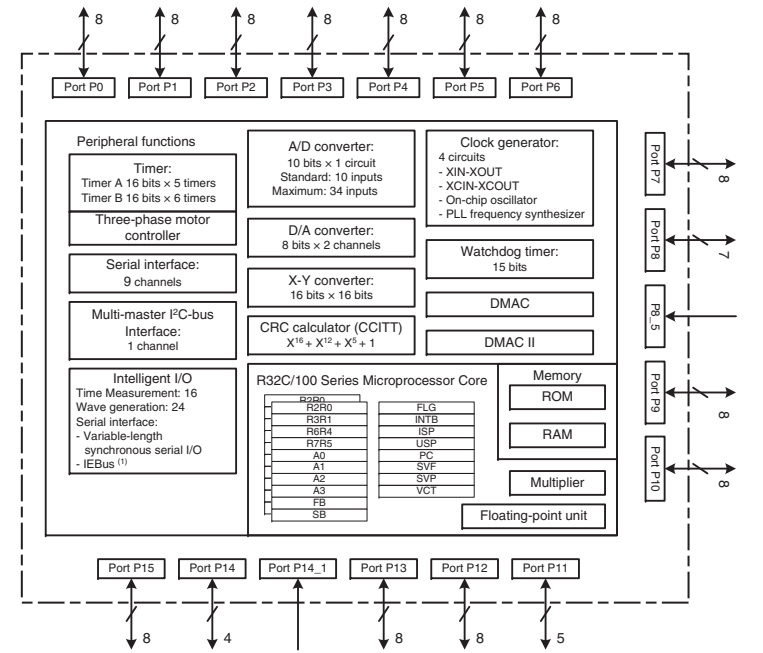
94



IC22: LE25LA322M-TLM-E
32 k-bit serial SPI EEPROM

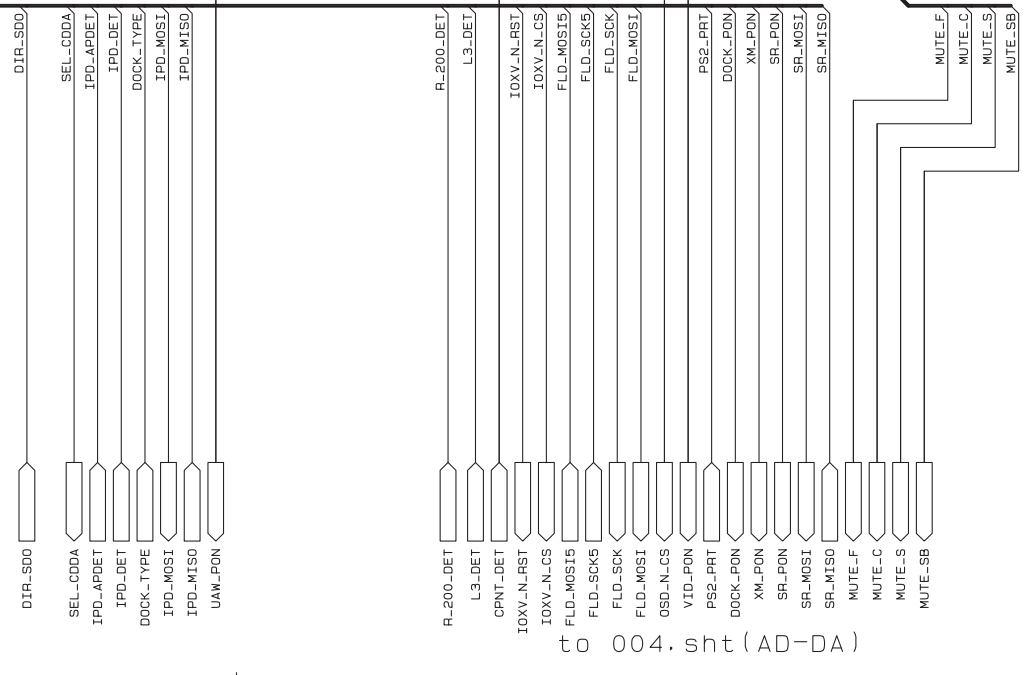
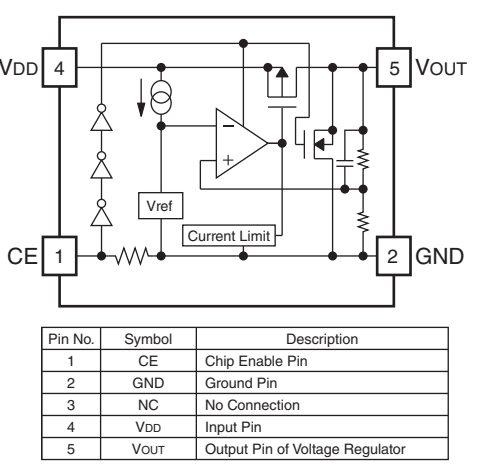


IC20: R5F64166DFD
Single chip 32-bit microprocessor



Note: 1. IEBus is a trademark of NEC Electronics Corporation.

IC21: R1172H331D-T1-F
Voltage regulator



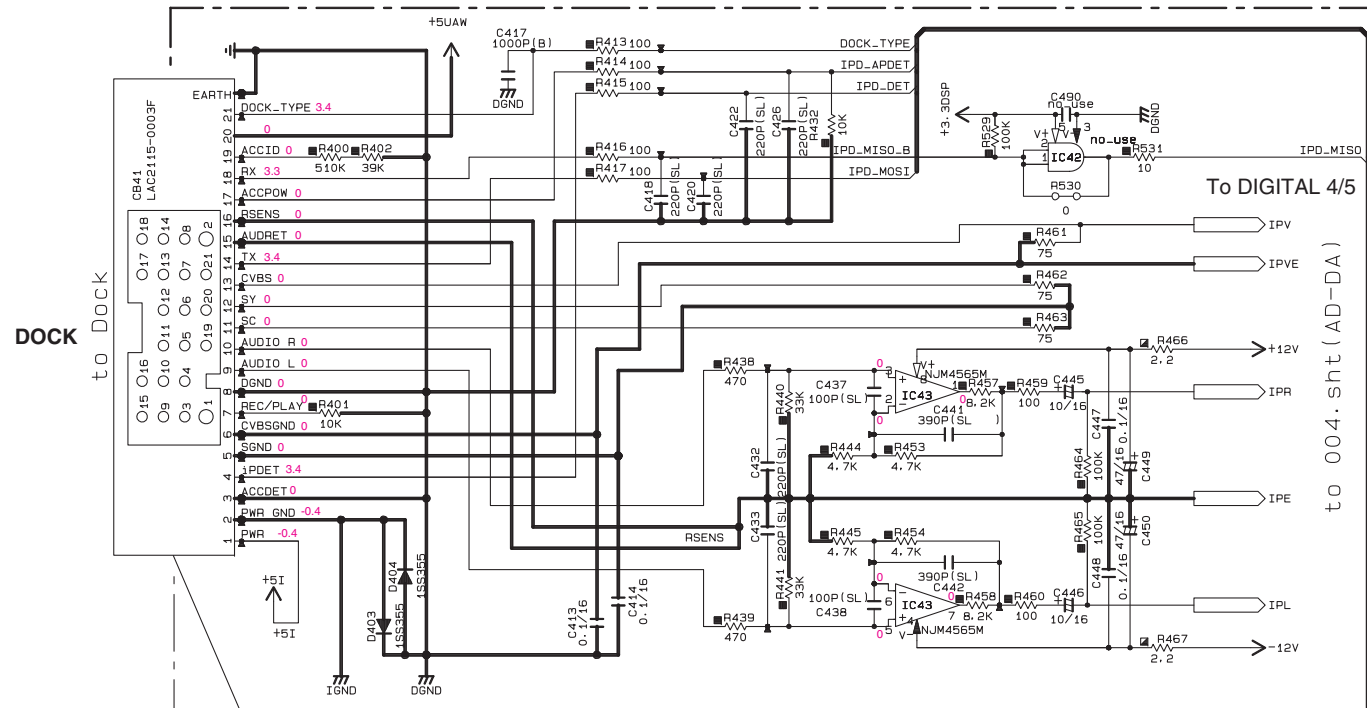
To DIGITAL 4/5

- ★ All voltages are measured with a 10MΩ/V DC electronic voltmeter.
- ★ Components having special characteristics are marked Δ and must be replaced with parts having specifications equal to those originally installed.
- ★ Schematic diagram is subject to change without notice.

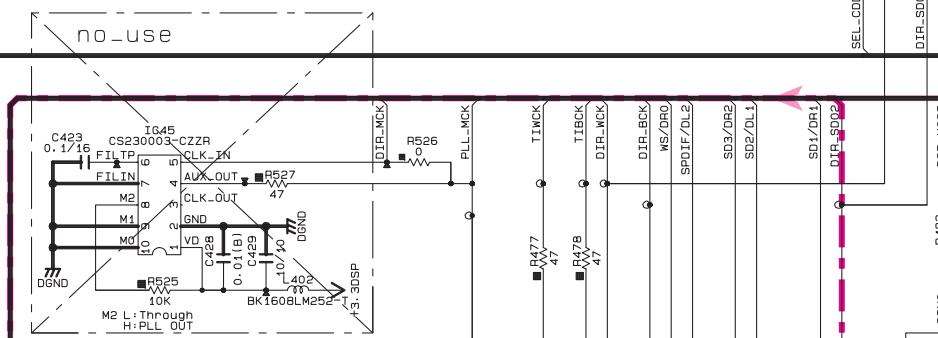
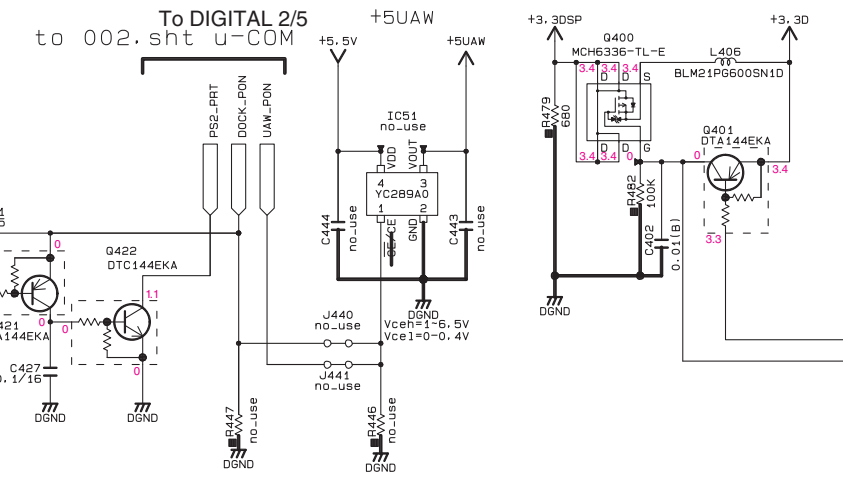
- 電圧は、内部抵抗 10MΩの電圧計で測定したものです。
- Δ印のある部品は、安全性確保部品を示しています。部品の交換が必要な場合、パーツリストに記載されている部品を使用してください。
- 本回路図は標準回路図です。改良のため予告なく変更することがあります。

A	B
C	D

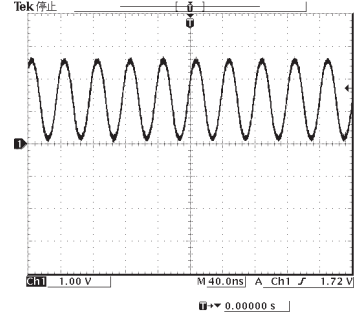
DIGITAL 3/5



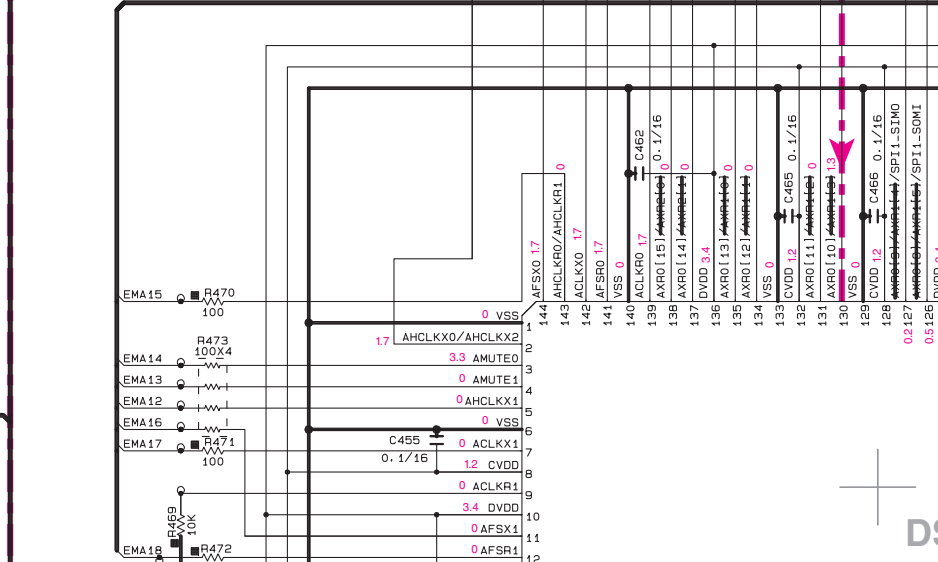
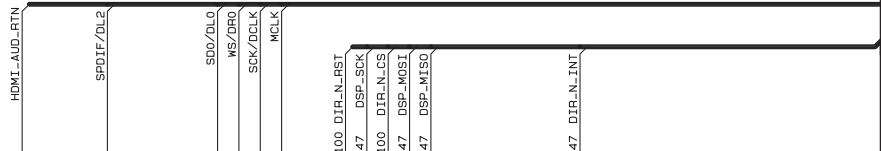
No replacement part available.
サービス部品供給なし

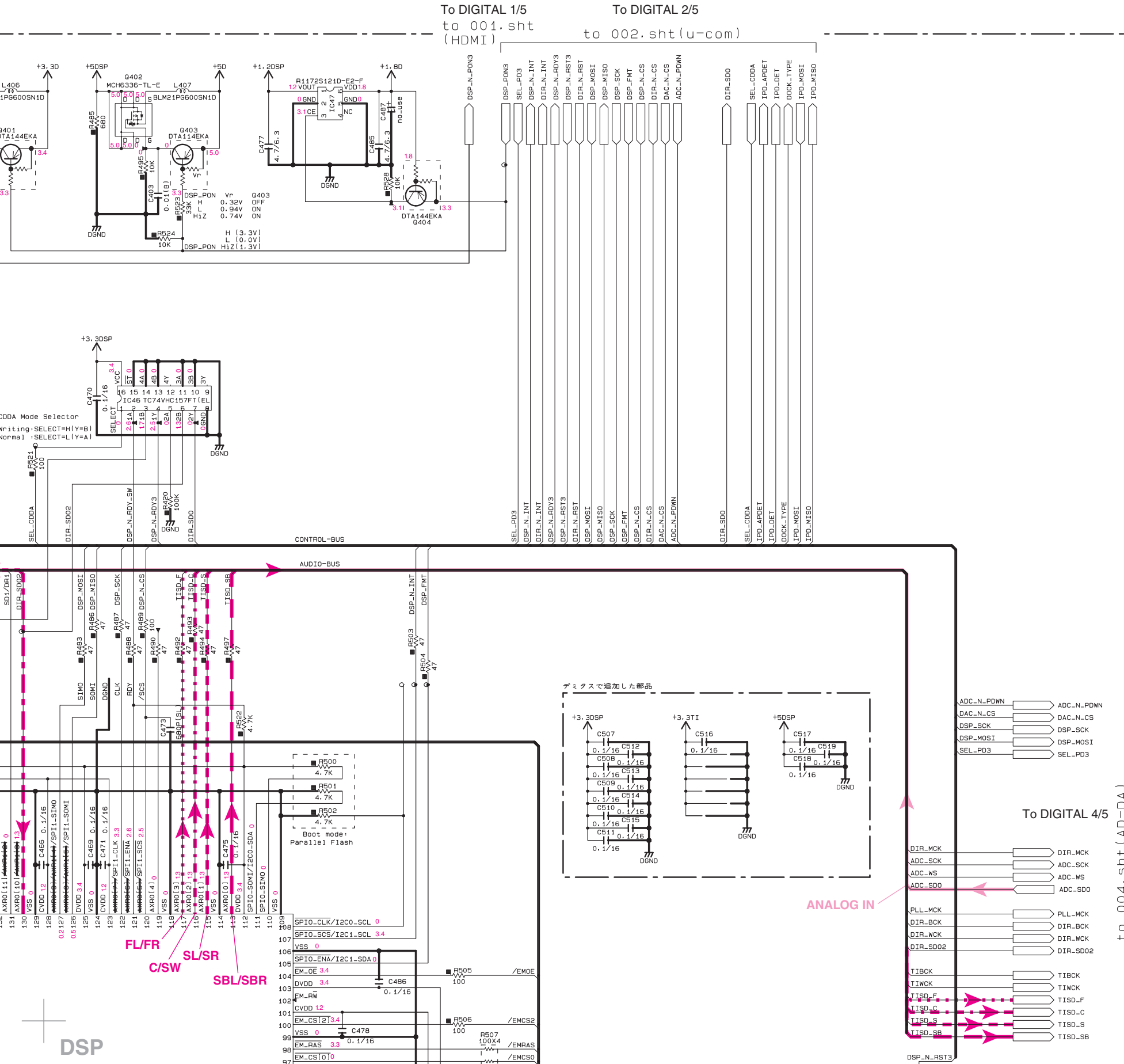


POINT ① XL42 (Pin 29 of IC41)



To DIGITAL 4/5
to 004.sht (AD-DA)





CAPACITOR

REMARKS	PARTS NAME	
NO MARK	ELECTROLYTIC CAPACITOR	#
⊗	TANTALUM CAPACITOR	#
NO MARK	CERAMIC CAPACITOR	#
⊙	CERAMIC TUBULAR CAPACITOR	#
⊖	POLYESTER FILM CAPACITOR	#
○	POLYSTYRENE FILM CAPACITOR	#
⓪	MICA CAPACITOR	#
Ⓢ	POLYPROPYLENE FILM CAPACITOR	#
Ⓣ	SEMICONDUCTIVE CERAMIC CAPACITOR	#
Ⓝ	POLYPHENYLENE SULFIDE FILM CAPACITOR	#

RESISTOR

REMARKS	PARTS NAME
NO MARK	CARBON FILM RESISTOR (P=5)
⊠	CARBON FILM RESISTOR (P=10)
△	METAL OXIDE FILM RESISTOR
▲	METAL FILM RESISTOR
⊞	METAL PLATE RESISTOR
⊞	FIRE PROOF CARBON FILM RESISTOR
Ⓜ	CEMENT MOLDED RESISTOR
Ⓟ	SEMI VARIABLE RESISTOR
■	CHIP RESISTOR

NOTICE (model)

(J)..... JAPAN
 (U)..... U.S.A
 (C)..... CANADA
 (R)..... GENERAL
 (T)..... CHINA
 (K)..... KOREA
 (A)..... AUSTRALIA
 (B)..... BRITISH
 (G)..... EUROPE
 (L)..... SINGAPORE
 (E)..... SOUTH EUROPE
 (V)..... TAIWAN
 (F)..... RUSSIAN
 (P)..... LATIN AMERICA

6

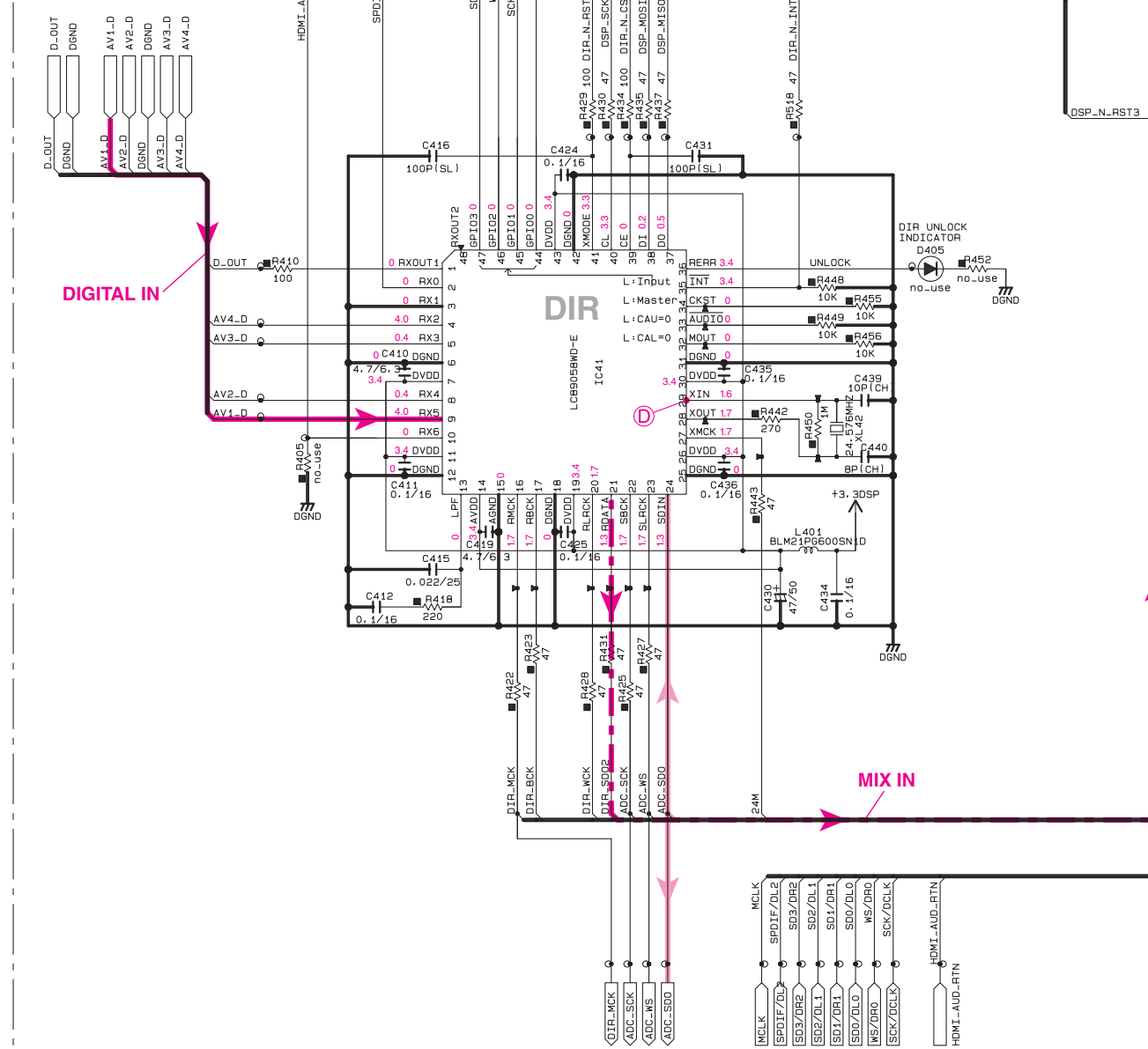
7

8

9

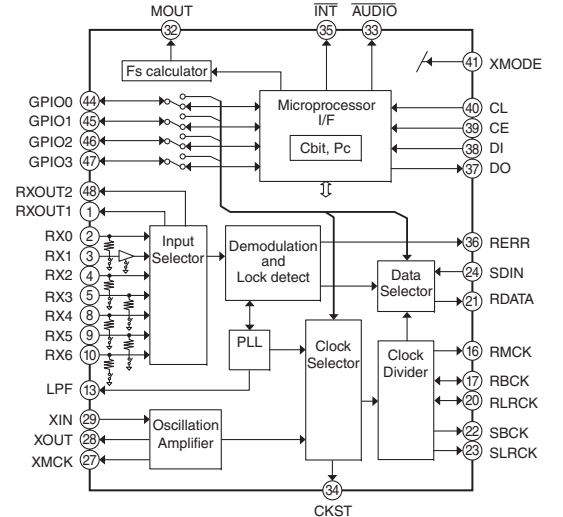
10

to 004.sht(AD-DA)

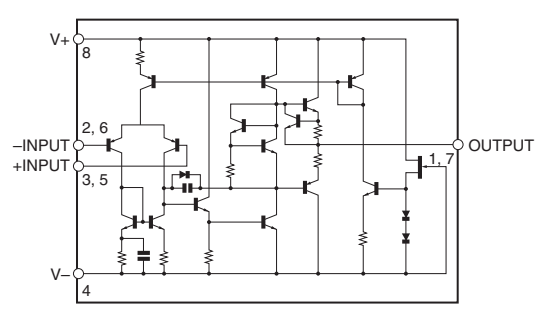


to 001.sht(HDMI)
To DIGITAL 1/5

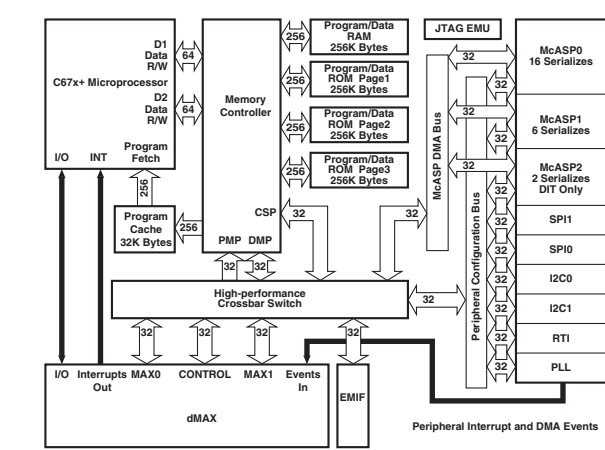
IC41: LC89058WD-E
Digital audio interface receiver



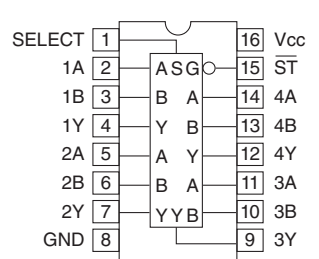
IC43: NJM4565M (TE1)
Dual operational amplifier



IC44: D70YE101BRFP266
Floating-point digital signal processors



IC46: TC74VHC157FT
Quad 2-channel multiplexer

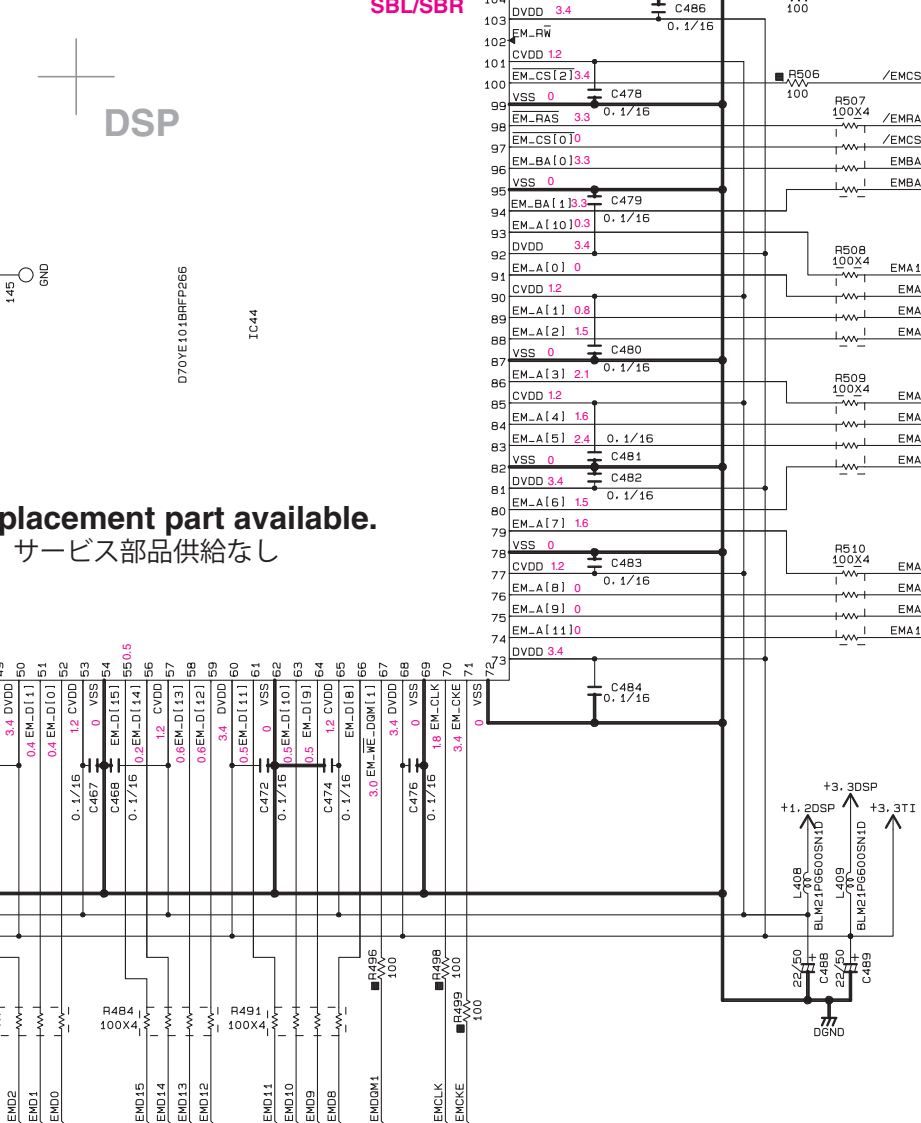


RX-V567/HTR-5063

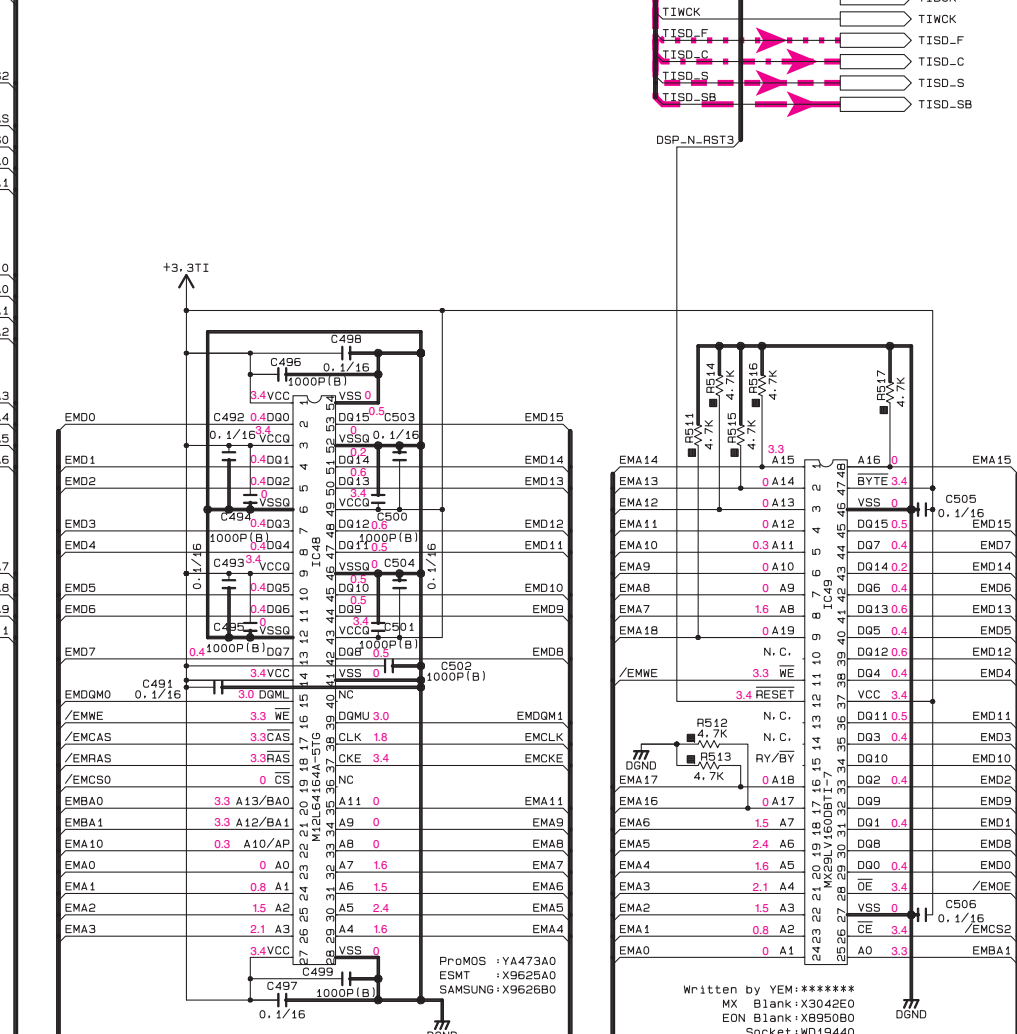
A	B
C	D

DIGITAL 3/5

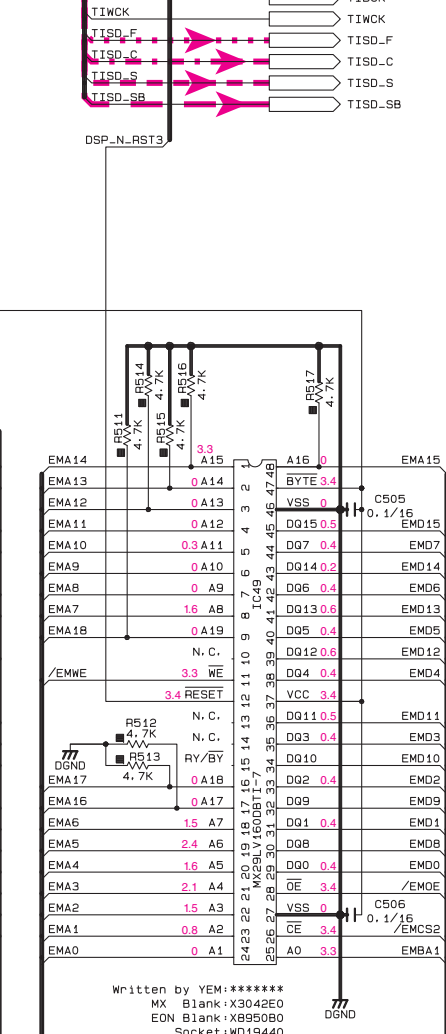
No replacement
サービス部



placement part available.
サービス部品供給なし

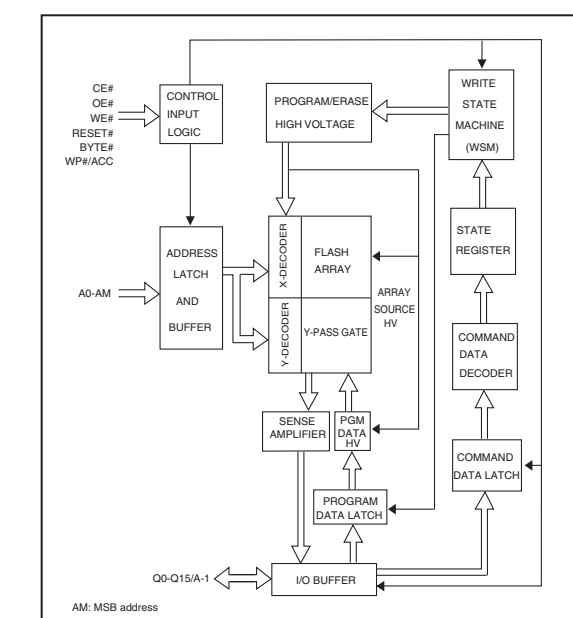


64M SDRAM

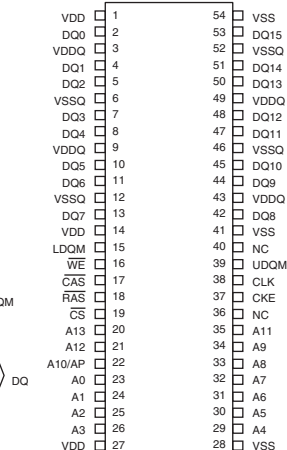
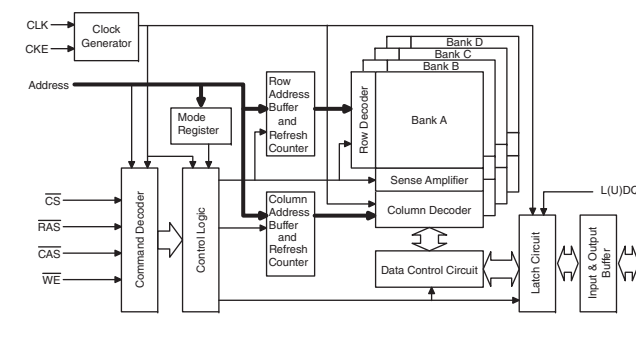


16M FLASH ROM

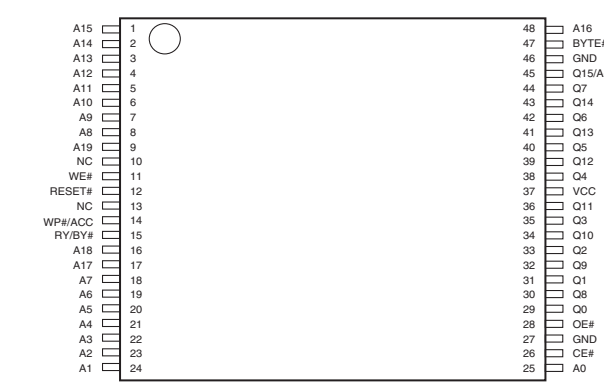
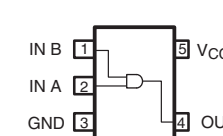
IC49: MX29LV160BTI-70G
16M-bit 3V supply flash memory



IC48: M12L64164A-5TG
1M x 16-bit x 4 banks synchronous DRAM



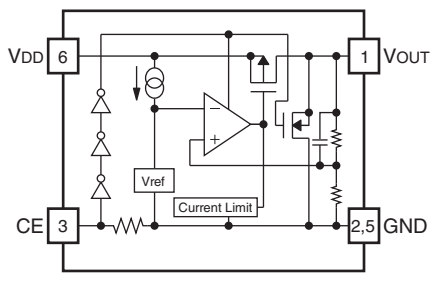
IC50: TC7SH08FU
2-input AND gate



- ★ All voltages are measured with a 10MΩ/V DC electronic voltmeter.
- ★ Components having special characteristics are marked Δ and must be replaced with parts having specifications equal to those originally installed.
- ★ Schematic diagram is subject to change without notice.

- 電圧は、内部抵抗 10MΩの電圧計で測定したものです。
- Δ印のある部品は、安全性確保部品を示しています。部品の交換が必要な場合、パーツリストに記載されている部品を使用してください。
- 本回路図は標準回路図です。改良のため予告なく変更することがあります。

IC47: R1172S121D-E2-F
Voltage regulator



Pin No.	Symbol	Description
1	VOUT	Output Pin of Voltage Regulator
2, 5	GND	Ground Pin
3	CE	Chip Enable Pin
4	NC	No Connection
6	VDD	Input Pin

A	B
C	D

A	B
C	D

RX-V567/HTR-5063

DIGITAL 4/5

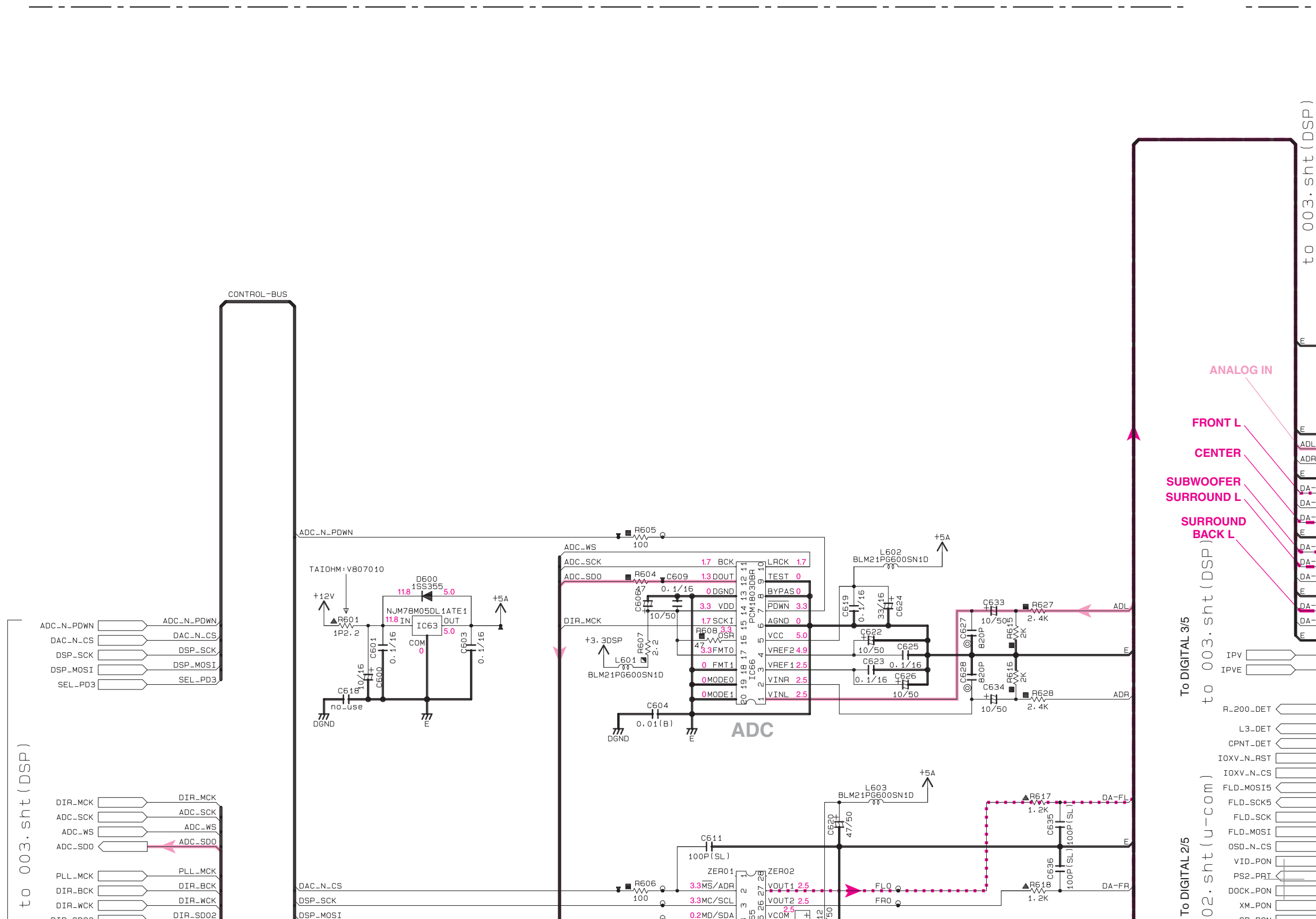
1

2

3

4

5

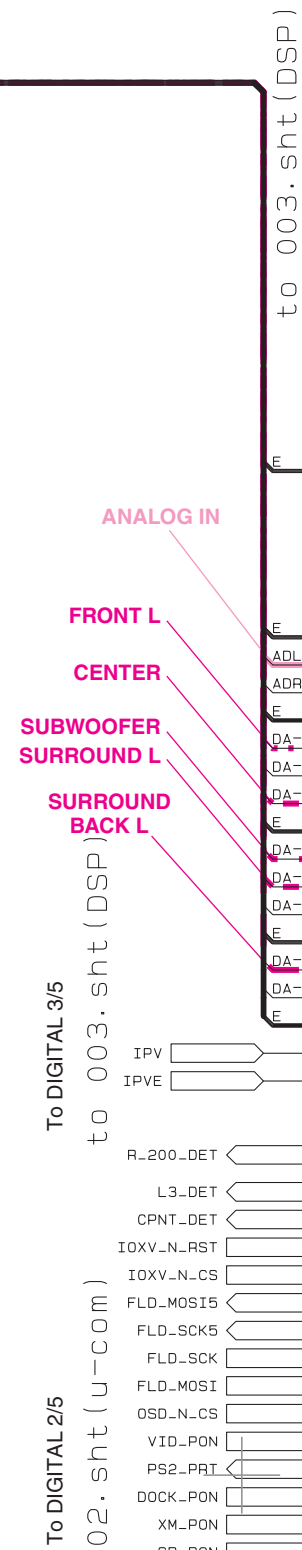


To DIGITAL 3/5

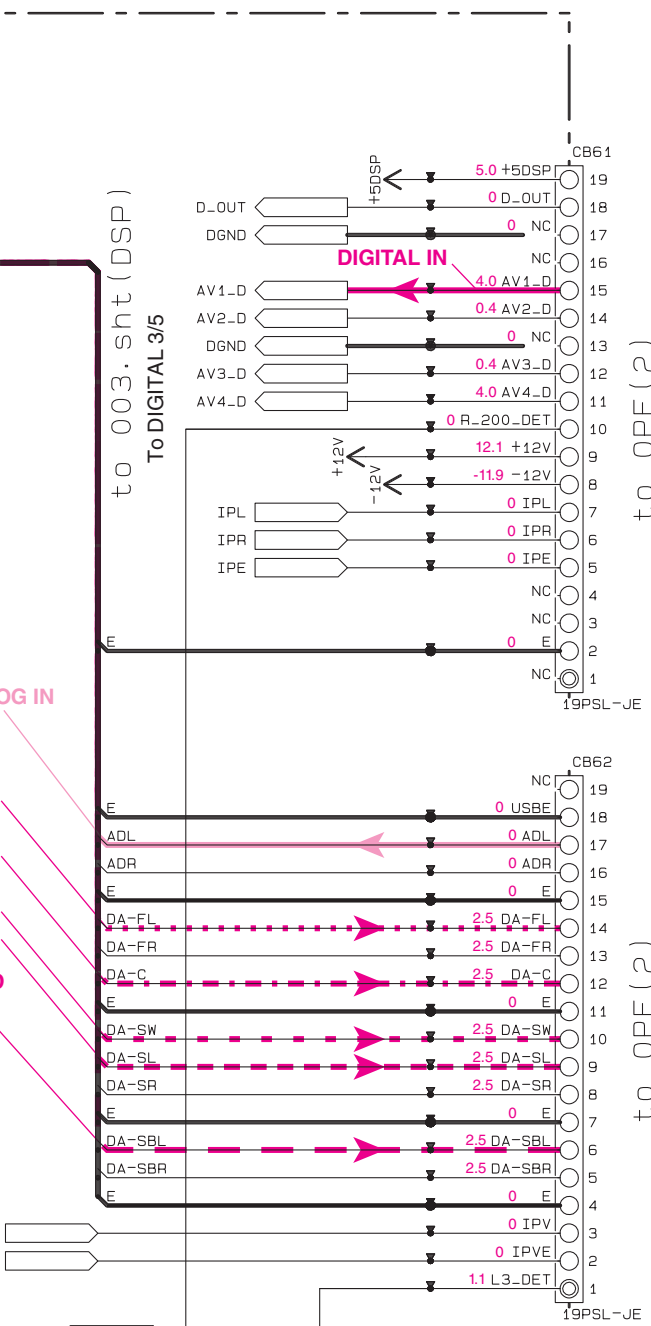
to 003. sht (DSP)

To DIGITAL 3/5

To DIGITAL 2/5

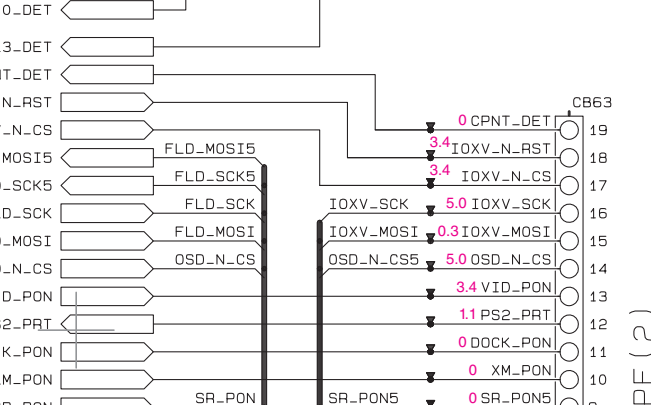


A	B
C	D



Page 99 **D3**
to OPERATION (2)_CB452

Page 99 **F3**
to OPERATION (2)_CB455



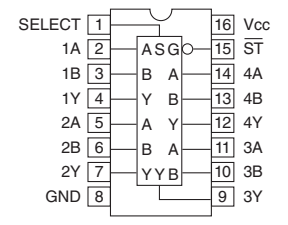
Page 99 **H3**
to OPERATION (2)_CB458

s1 ~ 19:002.sht(u-com)
s20~54:003.sht(DSP)
s55~89:004.sht(AD-DA)
s90~99:005.sht(DVIDEO)

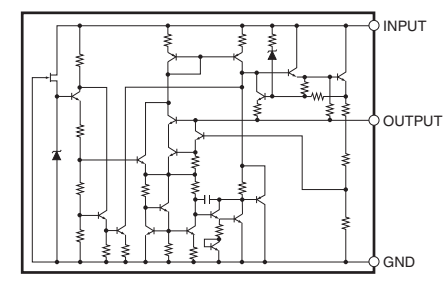
Destination Part List

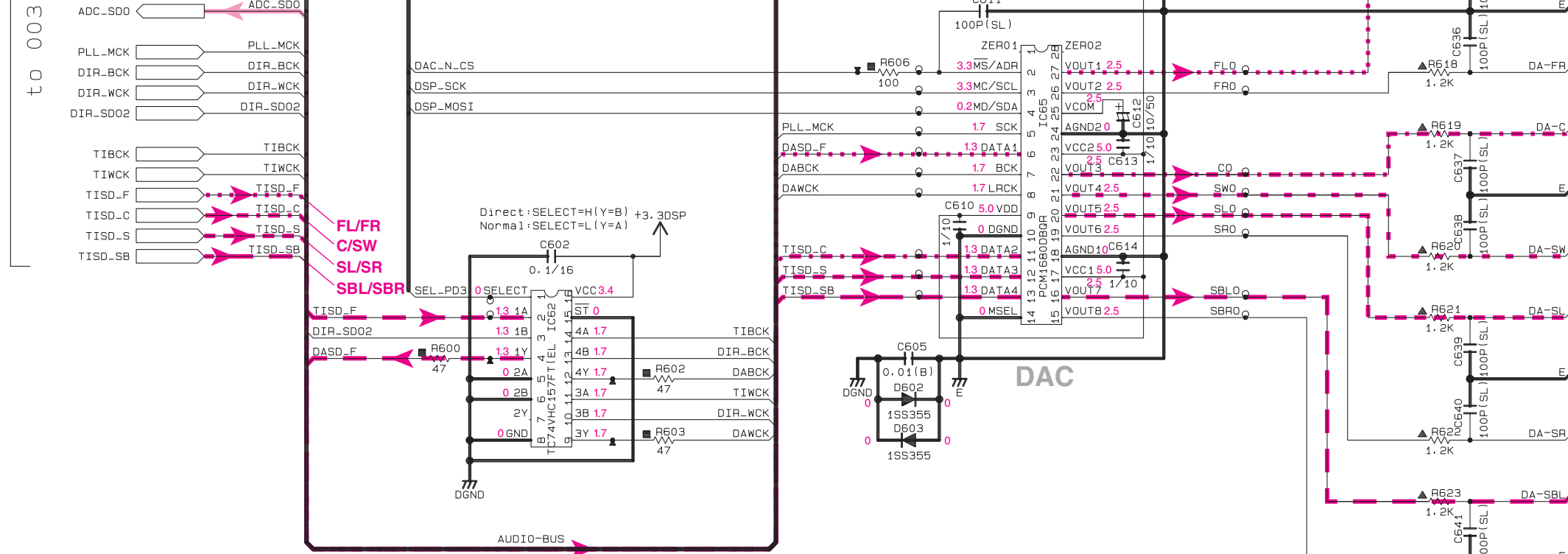
sXX	LOC	JUCTKAL	R	BGF
s1	Q210	X	VR93630 2SA1576A	X
s2	R211	X	RD35533 330	X
s3	R241 R243 R242 R240	X	X	RD35510 100
s90	CB73	X	X	VQ04410 52044
s91	R705 J707 R703	X	X	RD35000 0
s92	R709 R707	RD35000 0	RD35000 0	X
s93	R808	RD35810 100K	RD35810 100K	RD35633 3.3K
s94	R819	X	X	RD35618 1.8K

IC62: TC74VHC157FT
Quad 2-channel multiplexer



IC63: NJM78M05DL1A (TE1)
Voltage regulator





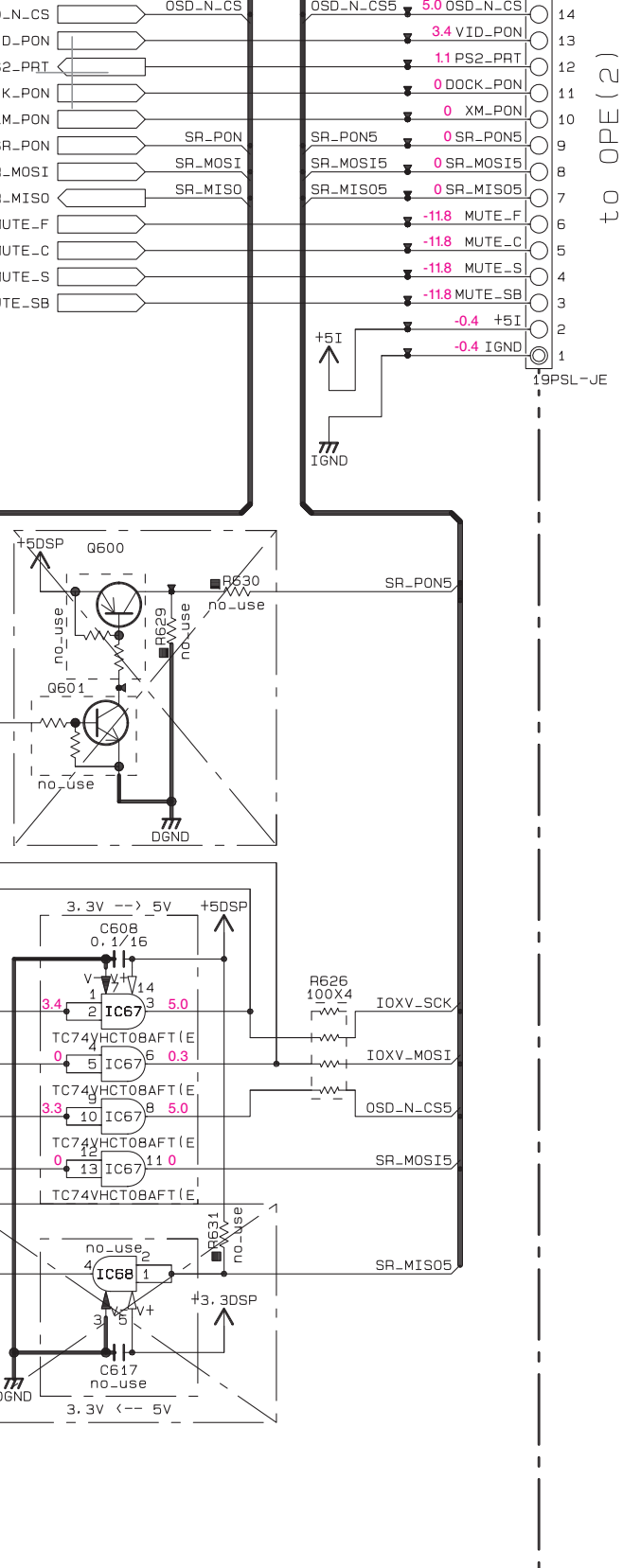
CAPACITOR		
REMARKS	PARTS NAME	
NO MARK	ELECTROLYTIC CAPACITOR	⌘
⊗	TANTALUM CAPACITOR	
NO MARK	CERAMIC CAPACITOR	
●	CERAMIC TUBULAR CAPACITOR	
◎	POLYESTER FILM CAPACITOR	
○	POLYSTYRENE FILM CAPACITOR	
①	MICA CAPACITOR	
Ⓟ	POLYPROPYLENE FILM CAPACITOR	
Ⓢ	SEMICONDUCTIVE CERAMIC CAPACITOR	
Ⓣ	POLYPHENYLENE SULFIDE FILM CAPACITOR	
Ⓝ	POLYPHENYLENE SULFIDE FILM CAPACITOR	

RESISTOR		
REMARKS	PARTS NAME	
NO MARK	CARBON FILM RESISTOR (P=5)	□
⊠	CARBON FILM RESISTOR (P=10)	
△	METAL OXIDE FILM RESISTOR	△
▲	METAL FILM RESISTOR	
⊠	METAL PLATE RESISTOR	⊠
⊠	FIRE PROOF CARBON FILM RESISTOR	
□	CEMENT MOLDED RESISTOR	□
⊙	SEMI VARIABLE RESISTOR	
■	CHIP RESISTOR	■

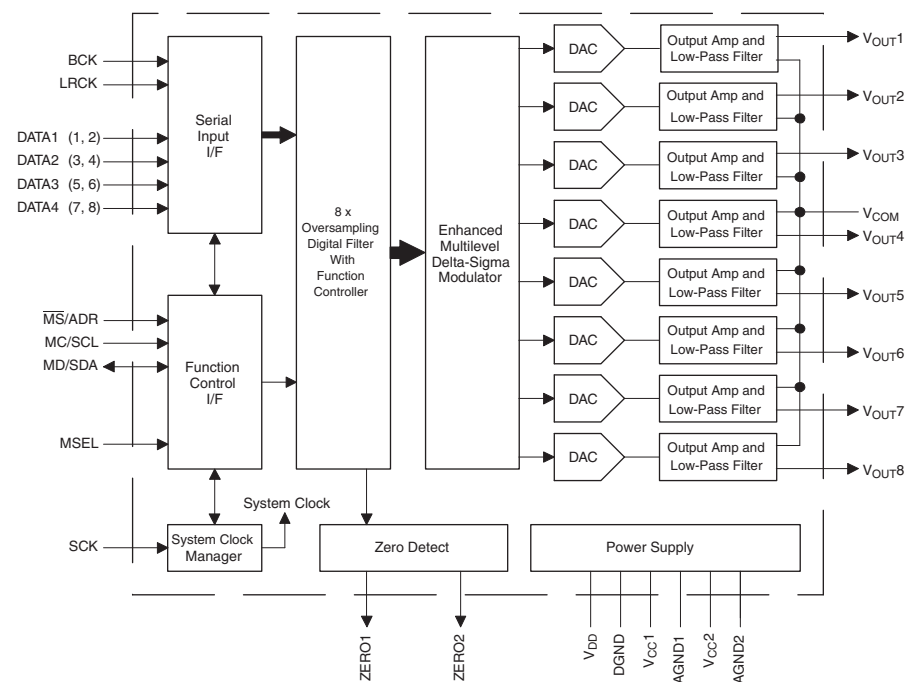
NOTICE (model)
 (J)..... JAPAN
 (U)..... U. S. A
 (C)..... CANADA
 (R)..... GENERAL
 (T)..... CHINA
 (K)..... KOREA
 (A)..... AUSTRALIA
 (B)..... BRITISH
 (G)..... EUROPE
 (L)..... SINGAPORE
 (E)..... SOUTH EUROPE
 (V)..... TAIWAN
 (F)..... RUSSIAN
 (P)..... LATIN AMERICA

- ★ All voltages are measured with a 10MΩ/V DC electronic voltmeter.
- ★ Components having special characteristics are marked △ and must be replaced with parts having specifications equal to those originally installed.
- ★ Schematic diagram is subject to change without notice.

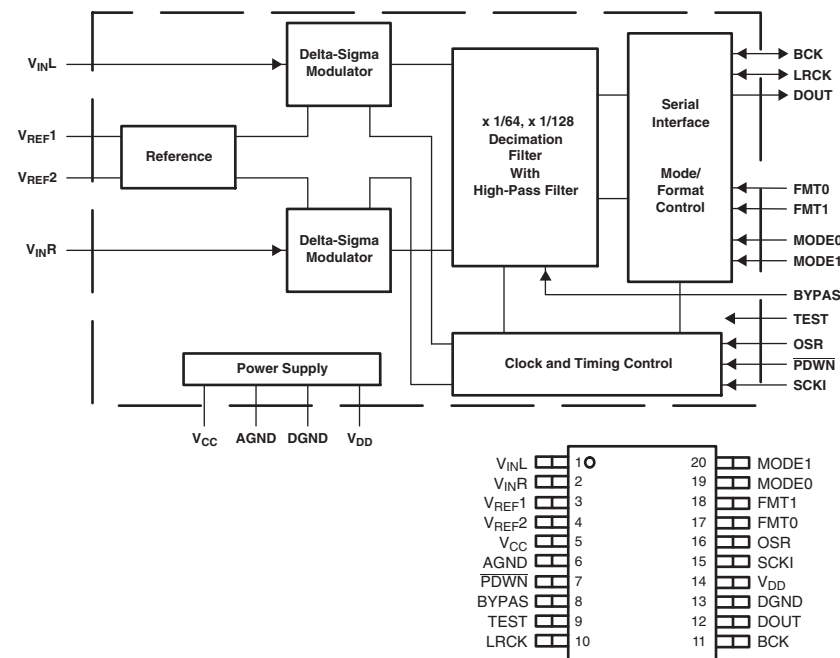
- 電圧は、内部抵抗 10MΩの電圧計で測定したものです。
- △印のある部品は、安全性確保部品を示しています。部品の交換が必要な場合、パーツリストに記載されている部品を使用してください。
- 本回路図は標準回路図です。改良のため予告なく変更することがあります。



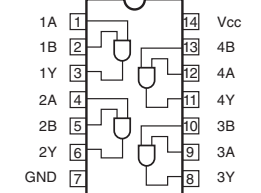
IC65: PCM1680DBQR
Audio digital-to-analog converter



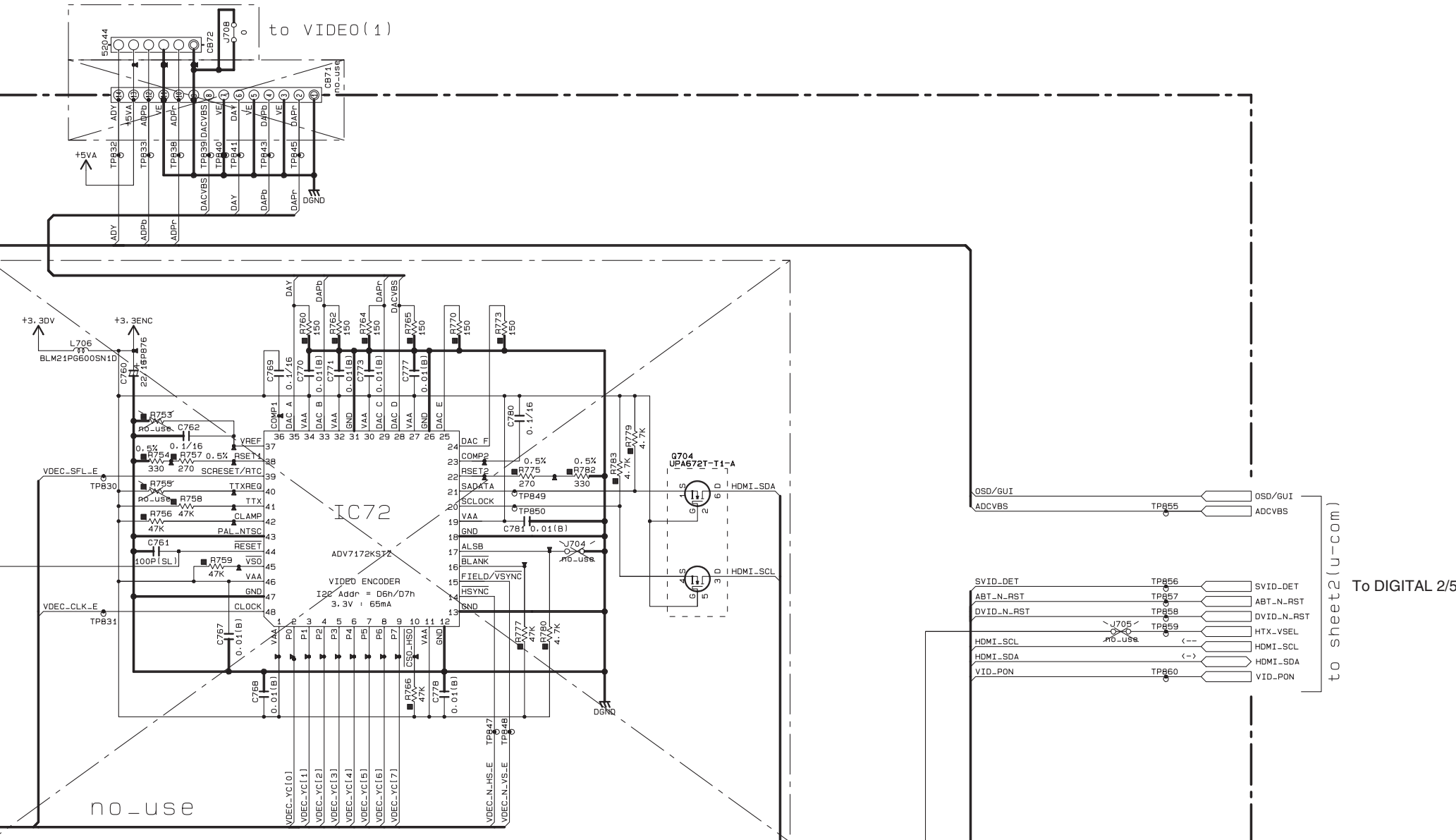
IC66: PCM1803DBR
Stereo A/D converter



IC67: TC74VHCT08AFT
Quad 2-input AND gate



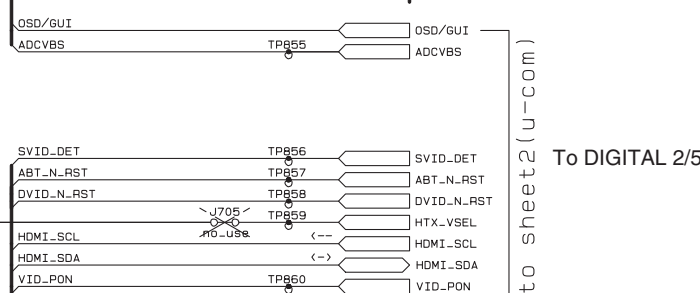
Page 102 K9
to VIDEO (1)_CB305



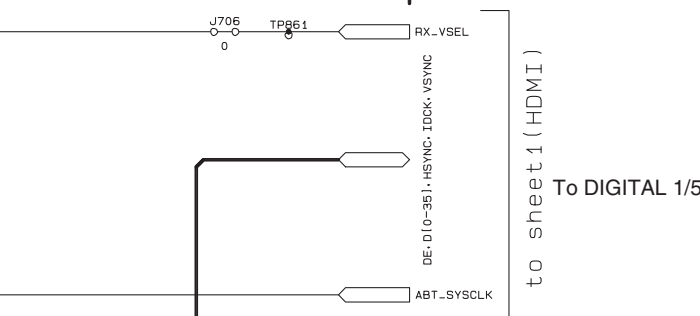
CAPACITOR	
REMARKS	PARTS NAME
NO MARK	ELECTROLYTIC CAPACITOR
⊗	TANTALUM CAPACITOR
NO MARK	CERAMIC CAPACITOR
⊙	CERAMIC TUBULAR CAPACITOR
⊖	POLYESTER FILM CAPACITOR
○	POLYSTYRENE FILM CAPACITOR
⓪	MICA CAPACITOR
⊕	POLYPROPYLENE FILM CAPACITOR
⊗	SEMICONDUCTIVE CERAMIC CAPACITOR
⊙	POLYPHENYLENE SULFIDE FILM CAPACITOR

RESISTOR	
REMARKS	PARTS NAME
NO MARK	CARBON FILM RESISTOR (P=5)
□	CARBON FILM RESISTOR (P=10)
△	METAL OXIDE FILM RESISTOR
▲	METAL FILM RESISTOR
⊠	METAL PLATE RESISTOR
⊞	FIRE PROOF CARBON FILM RESISTOR
⊞	CEMENT MOLDED RESISTOR
⊞	SEMI VARIABLE RESISTOR
⊞	CHIP RESISTOR

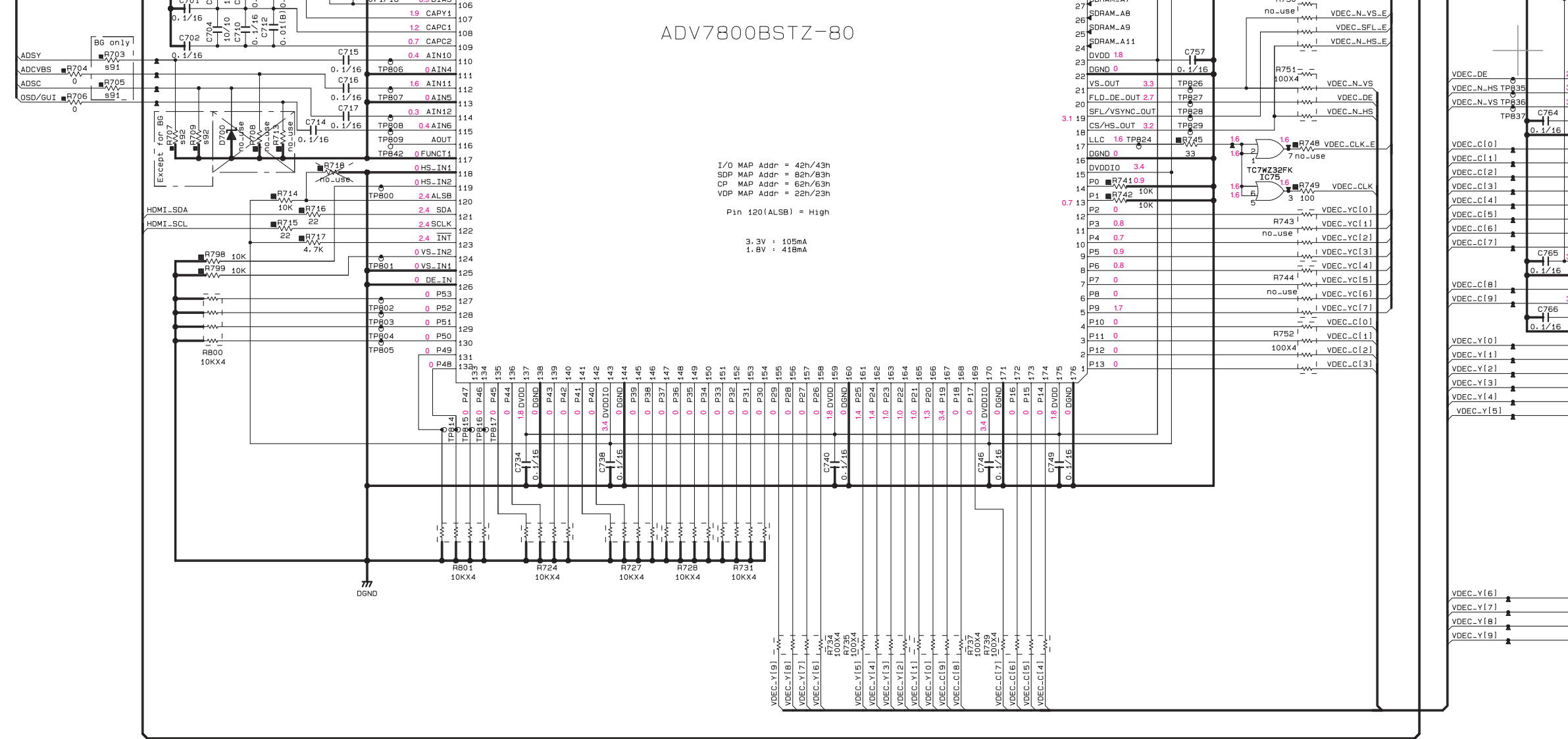
NOTICE (model)
(J)..... JAPAN
(U)..... U.S.A
(C)..... CANADA
(R)..... GENERAL
(T)..... CHINA
(K)..... KOREA
(A)..... AUSTRALIA
(B)..... BRITISH
(G)..... EUROPE
(L)..... SINGAPORE
(E)..... SOUTH EUROPE
(V)..... TAIWAN
(F)..... RUSSIAN
(P)..... LATIN AMERICA



To DIGITAL 2/5
to sheet2(u-com)



To DIGITAL 1/5
to sheet1(HDMI)

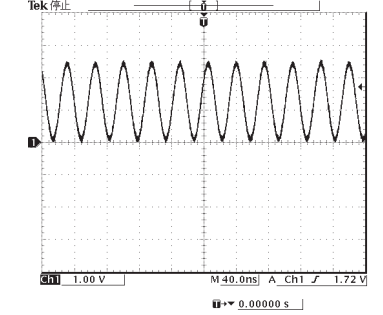


6

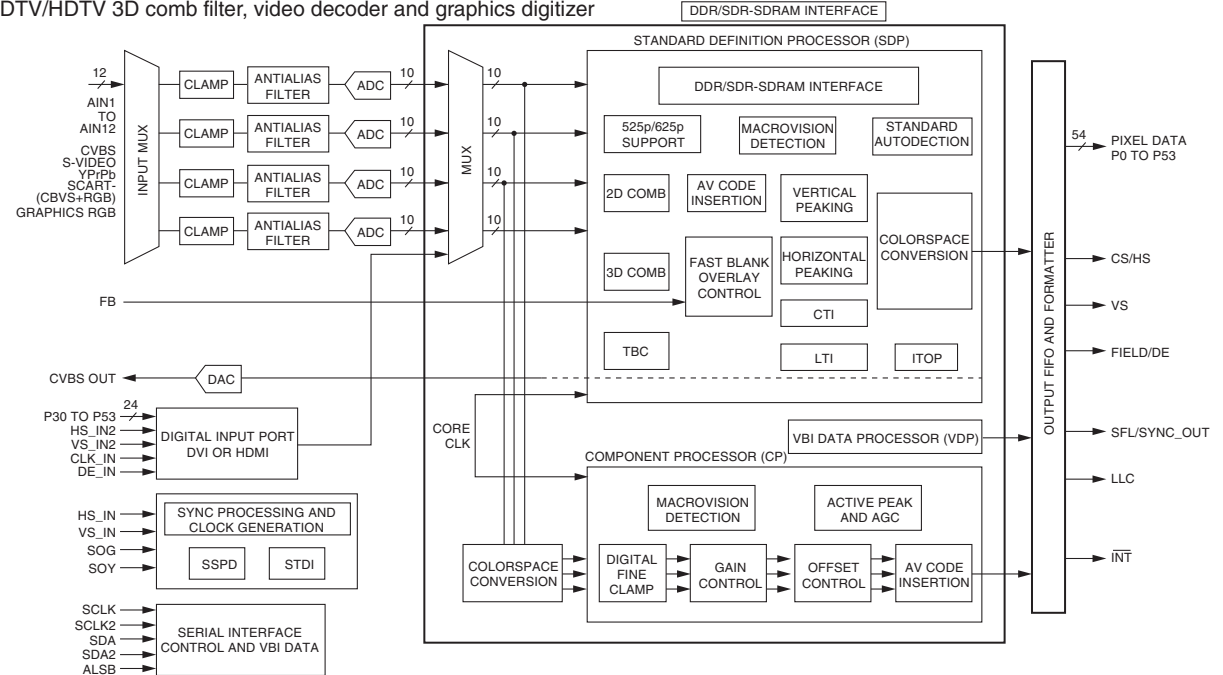
7

8

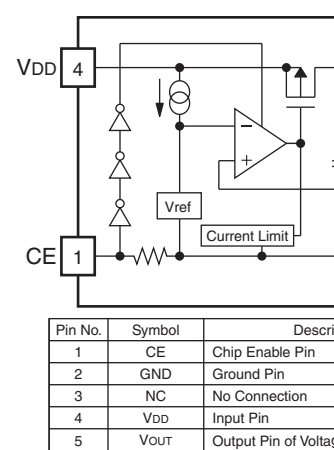
POINT (E) XL70 (Pin 81 of IC70)



IC70: ADV7800BSTZ-80
10-bit, SDTV/HDTV 3D comb filter, video decoder and graphics digitizer

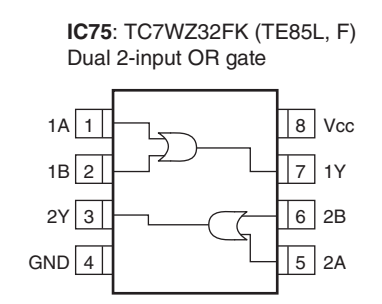
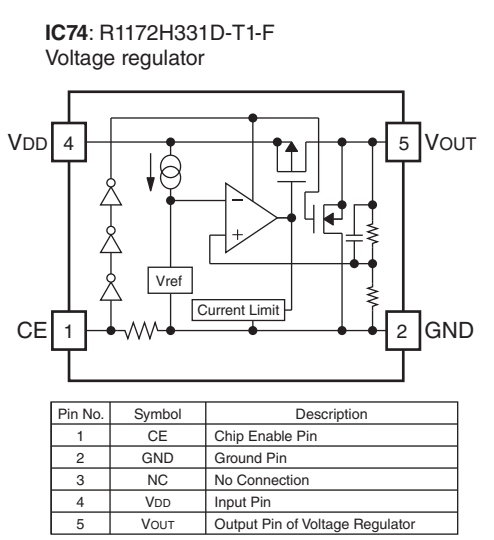
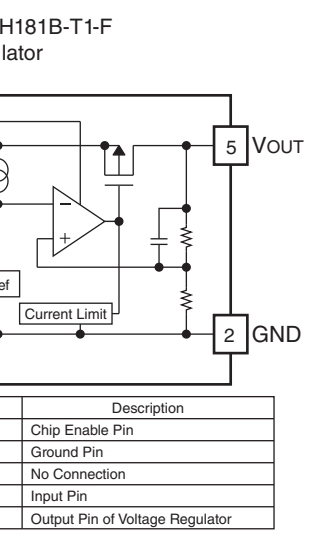
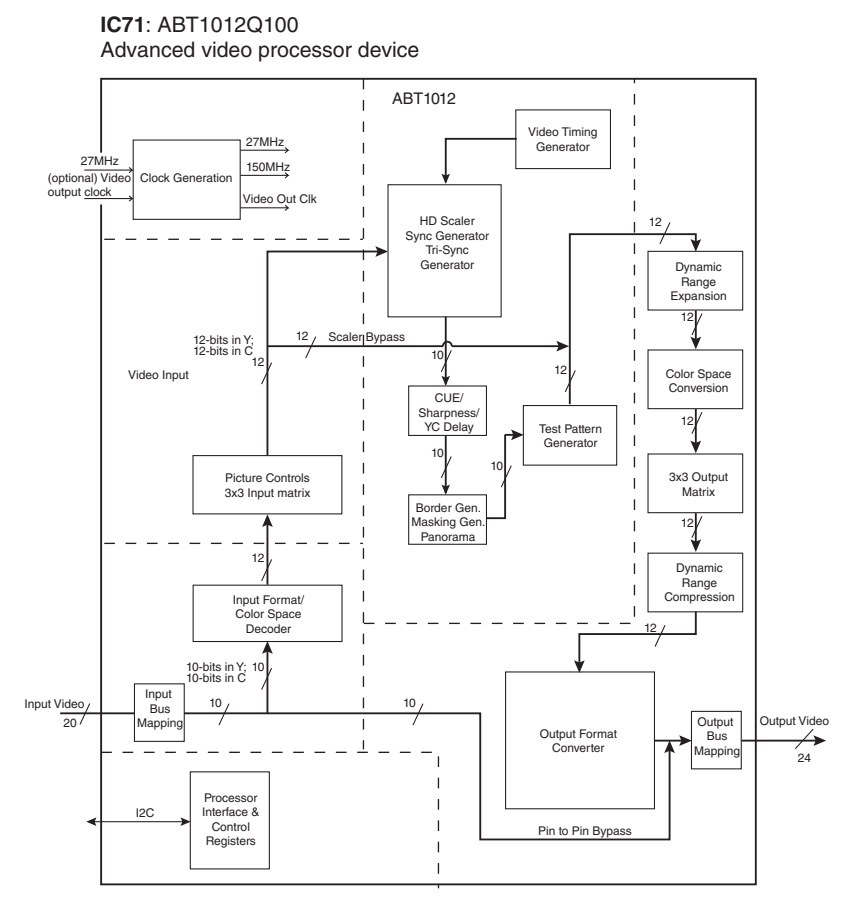
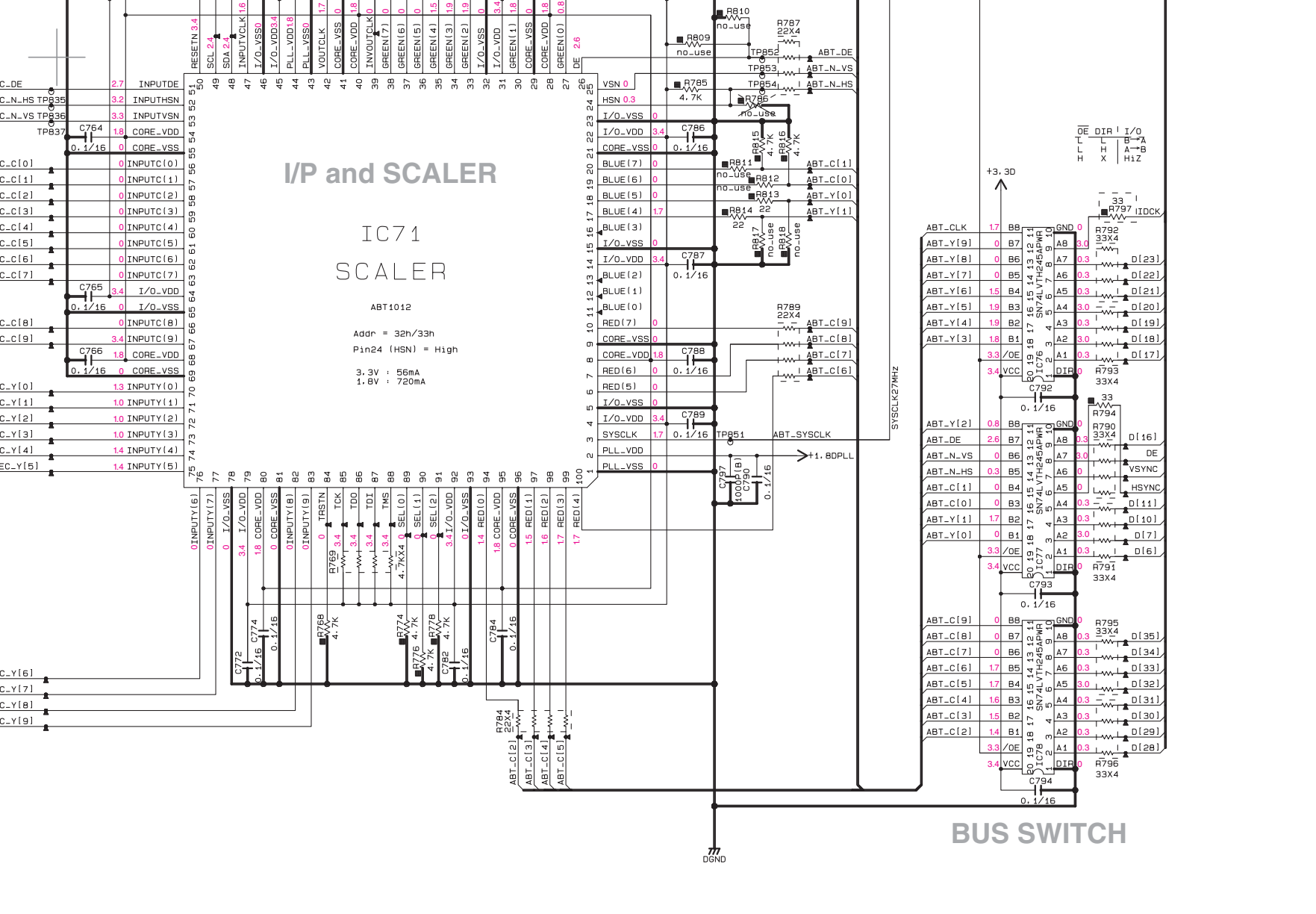


IC73: R1172H181B-T1-F
Voltage regulator



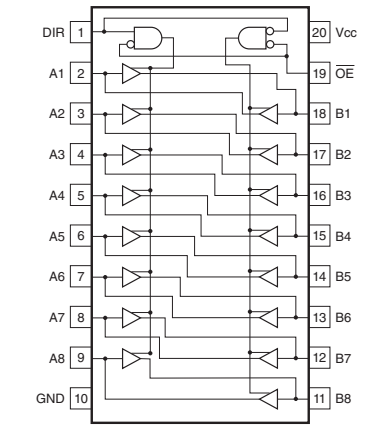
9

10



- ★ All voltages are measured with a 10MΩ/V DC electronic voltmeter.
- ★ Components having special characteristics are marked Δ and must be replaced with parts having specifications equal to those originally installed.
- ★ Schematic diagram is subject to change without notice.

IC76-78: SN74LVTH245APW
3.3 V ABT octal bus transceivers with 3-state outputs



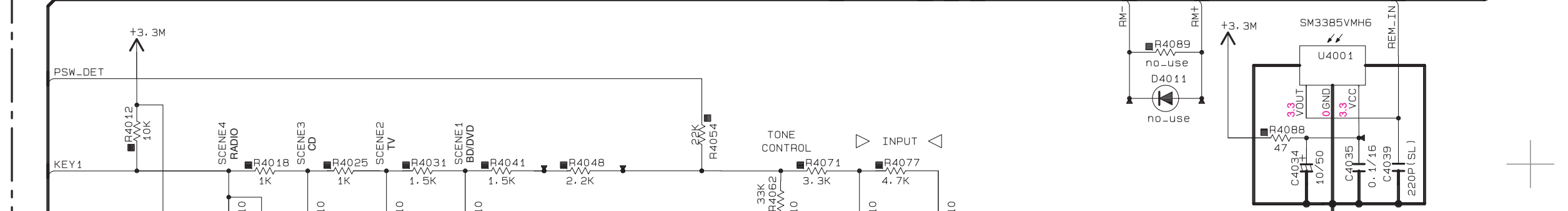
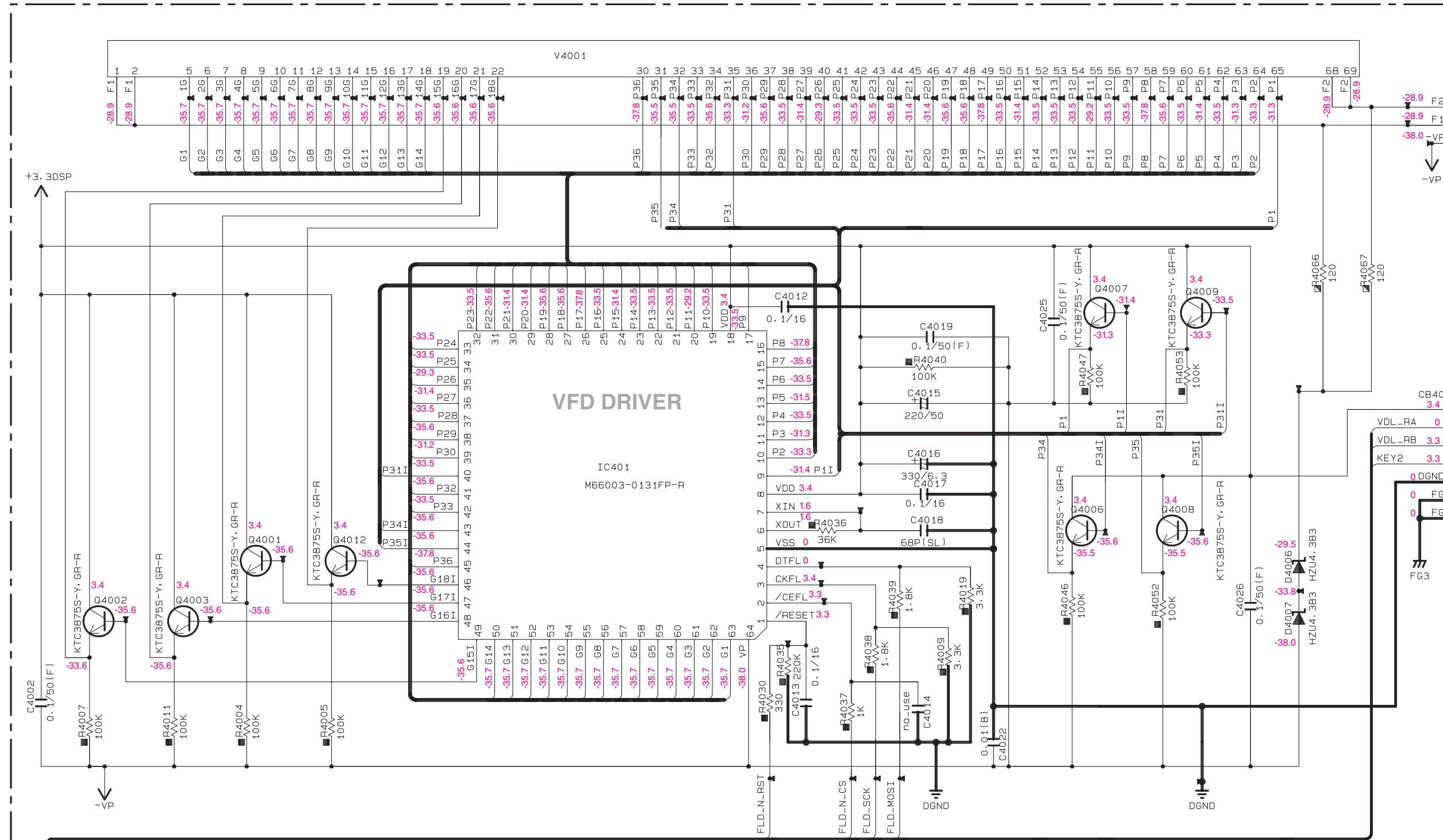
- 電圧は、内部抵抗 10MΩの電圧計で測定したものです。
- Δ印のある部品は、安全性確保部品を示しています。部品の交換が必要な場合、パーツリストに記載されている部品を使用してください。
- 本回路図は標準回路図です。改良のため予告なく変更することがあります。

A	B
C	D

A	B
C	D

RX-V567/HTR-5063

OPERATION 1/2



1
2
3
4
5

A B C D E F G

A	B
C	D

H

I

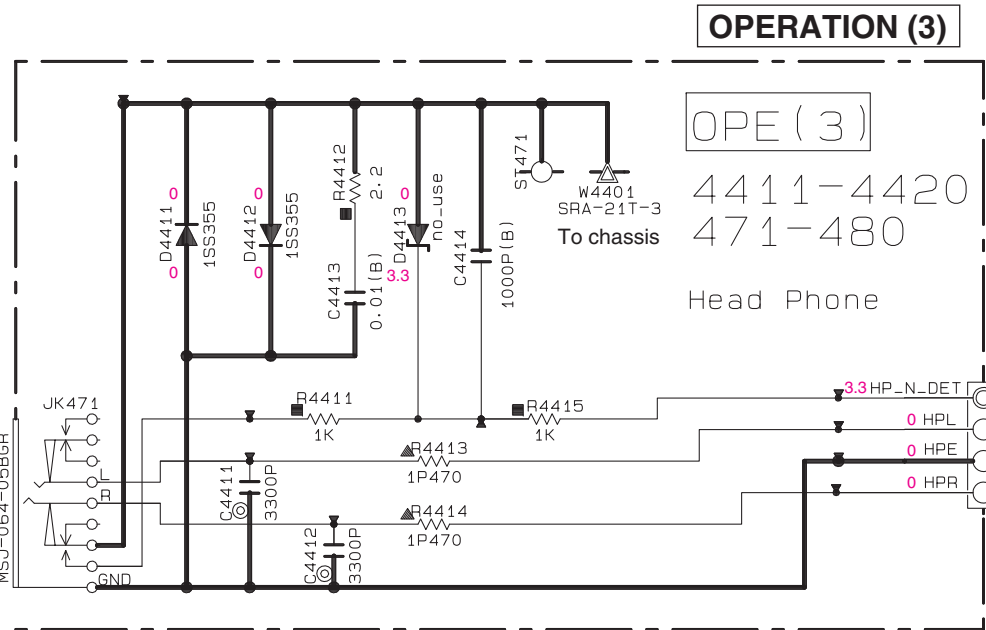
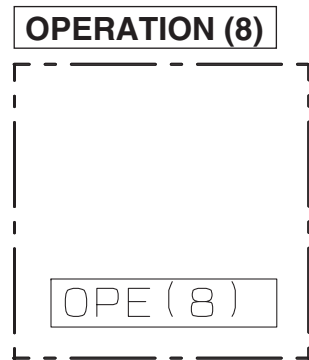
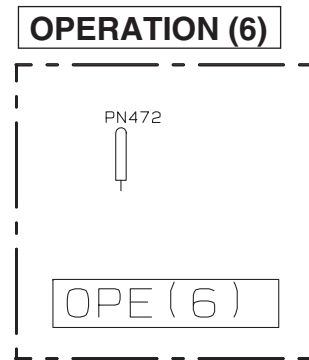
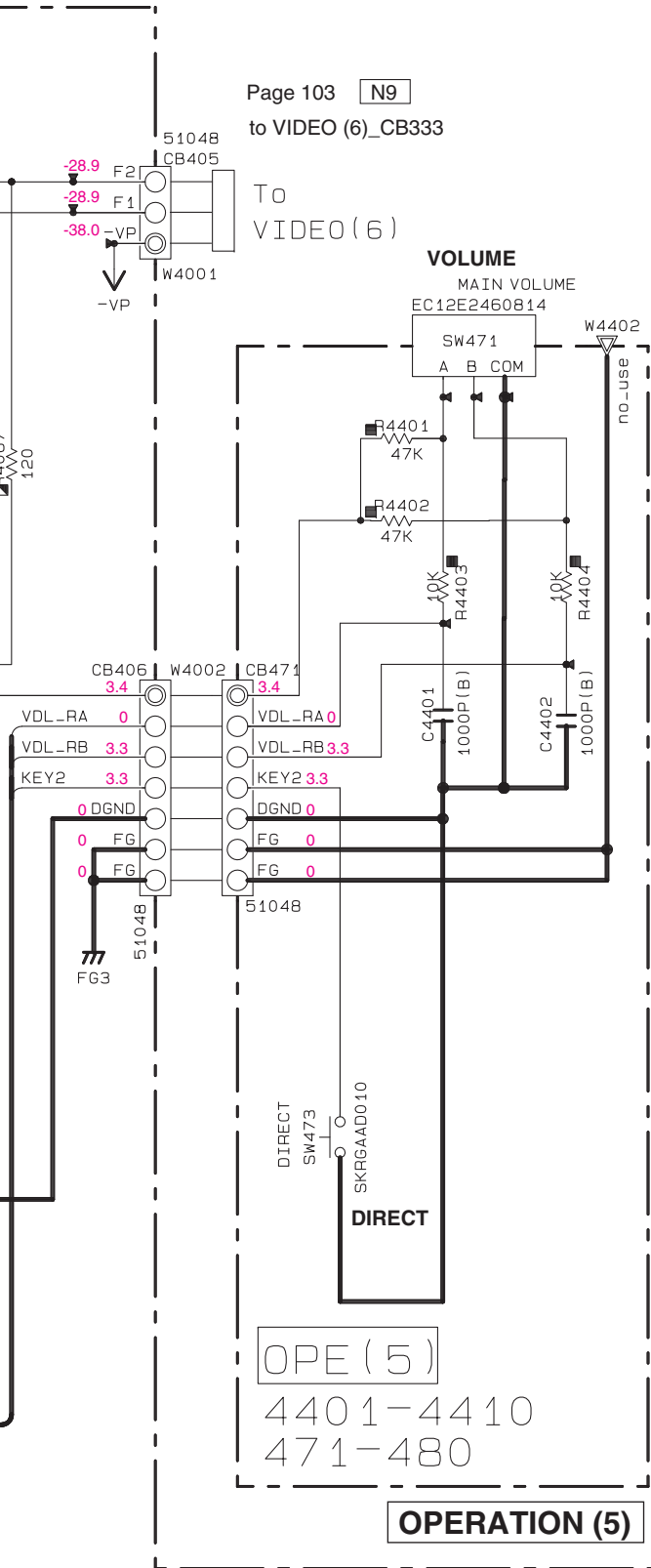
J

K

L

M

N



CAPACITOR

REMARKS	PARTS NAME	
NO MARK	ELECTROLYTIC CAPACITOR	#
⊗	TANTALUM CAPACITOR	#
NO MARK	CERAMIC CAPACITOR	
●	CERAMIC TUBULAR CAPACITOR	
⊙	POLYESTER FILM CAPACITOR	
○	POLYSTYRENE FILM CAPACITOR	
⊖	MICA CAPACITOR	
⊕	POLYPROPYLENE FILM CAPACITOR	
⊗	SEMICONDUCTIVE CERAMIC CAPACITOR	
⊙	POLYPHENYLENE SULFIDE FILM CAPACITOR	

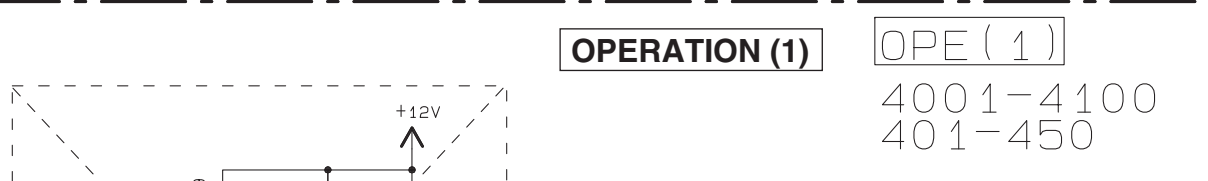
RESISTOR

REMARKS	PARTS NAME
NO MARK	CARBON FILM RESISTOR (P=5)
⊠	CARBON FILM RESISTOR (P=10)
△	METAL OXIDE FILM RESISTOR
▲	METAL FILM RESISTOR
⊠	METAL PLATE RESISTOR
⊠	FIRE PROOF CARBON FILM RESISTOR
□	CEMENT MOLDED RESISTOR
⊗	SEMI VARIABLE RESISTOR
■	CHIP RESISTOR

NOTICE (model)

(J)..... JAPAN
 (U)..... U. S. A
 (C)..... CANADA
 (R)..... GENERAL
 (T)..... CHINA
 (K)..... KOREA
 (A)..... AUSTRALIA
 (B)..... BRITISH
 (G)..... EUROPE
 (L)..... SINGAPORE
 (E)..... SOUTH EUROPE
 (V)..... TAIWAN
 (F)..... RUSSIAN
 (P)..... LATIN AMERICA

Page 103 **B5**
to VIDEO (1)_W3401



6

7

8

9

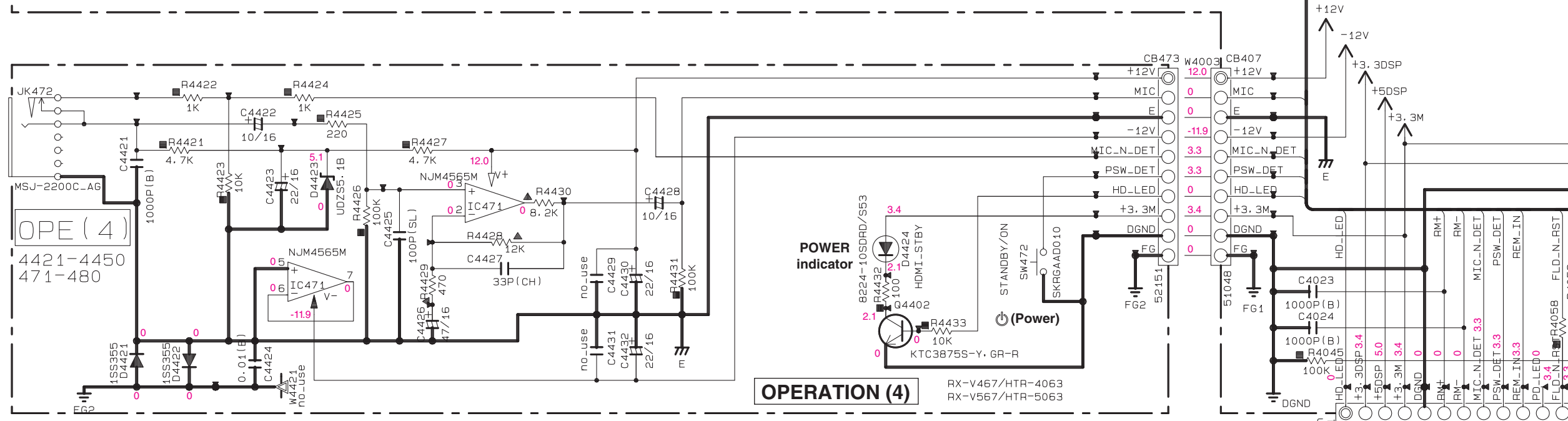
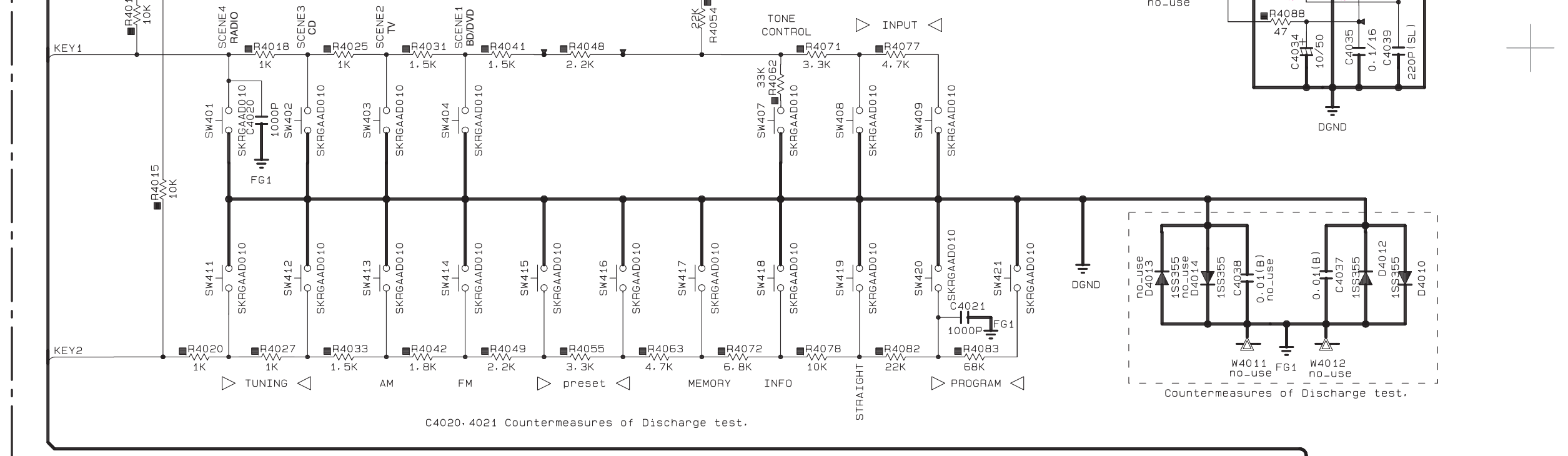
10

98

RX-V567/HTR-5063

A	B
C	D

OPERATION 1/2



Key detection for A/D port
Key input (A/D) pull-up resistance 10 k-ohms

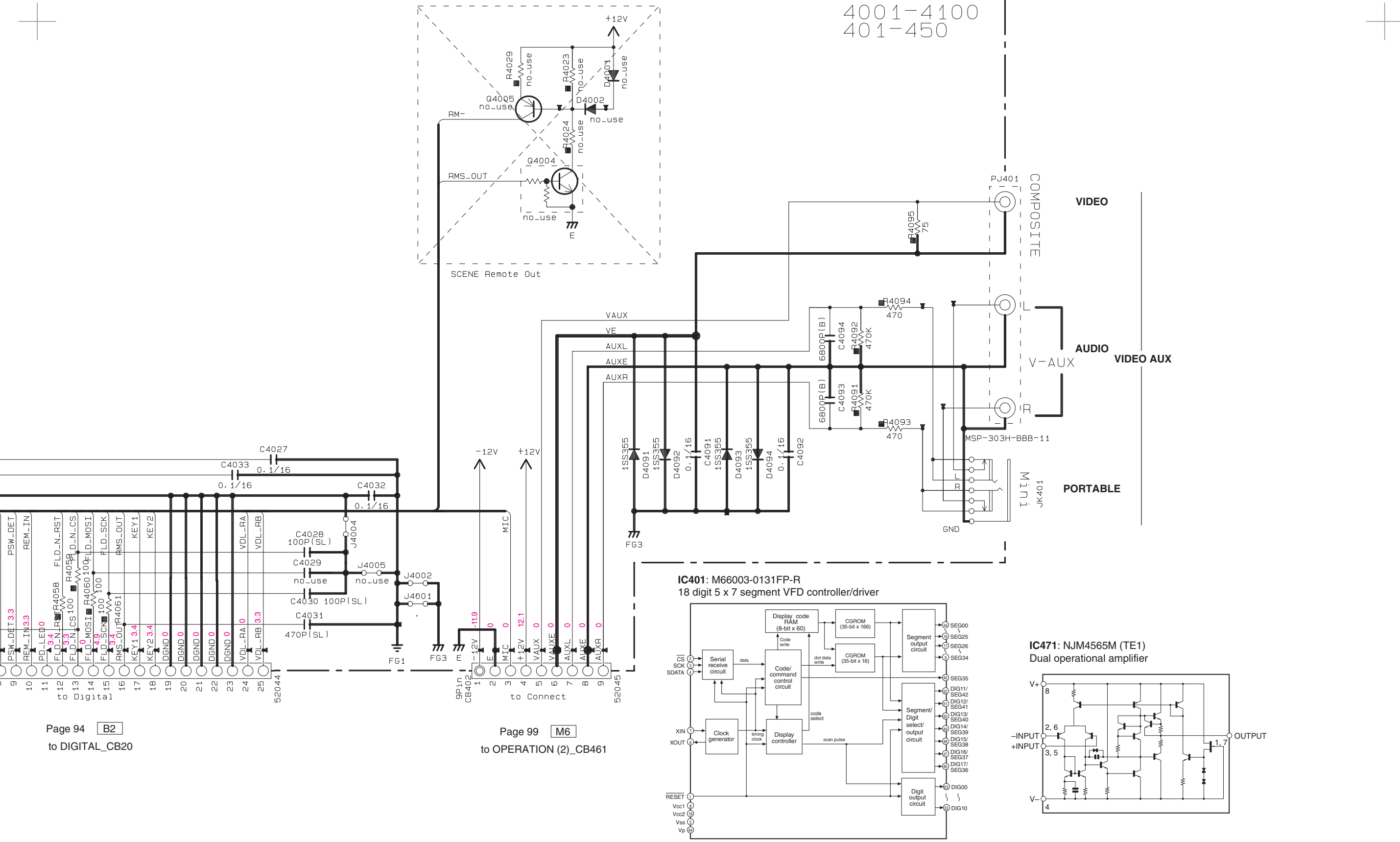
Ohm	0	+ 1.0 k	+ 1.0 k	+ 1.5 k	+ 1.5 k	+ 2.2 k	+ 3.3 k	+ 4.7 k	22.0 k	33.0 k
V	0 - 0.15	0.15 - 0.42	0.43 - 0.70	0.71 - 0.97	0.98 - 1.24	1.25 - 1.53	1.54 - 1.84	1.85 - 2.22	2.23 - 2.62	2.63 - 3.04
A/D value (3.3 V=255)	0 - 11	12 - 32	33 - 54	55 - 75	76 - 96	97 - 119	120 - 142	143 - 163	182 - 197	198 - 209
KEY1 (133 pin)	RADIO (SCENE4)	CD (SCENE3)	TV (SCENE2)	BD/DVD (SCENE1)	-	-	INPUT >	INPUT <	(Power)	TONE CONTROL

Ohm	0	+ 1.0 k	+ 1.0 k	+ 1.5 k	+ 1.8 k	+ 2.2 k	+ 3.3 k	+ 4.7 k	+ 6.8 k	+ 10.0 k	+ 22.0 k	+ 68.0 k
V	0 - 0.15	0.16 - 0.42	0.43-0.70	0.71 - 0.99	1.00 - 1.27	1.28 - 1.56	1.57 - 1.86	1.87 - 2.14	2.15 - 2.39	2.40 - 2.65	2.66 - 2.91	2.92 - 3.17
A/D value (3.3 V=255)	0 - 11	12 - 32	33 - 54	55 - 77	78 - 99	100 - 121	122 - 144	145 - 166	167 - 186	187 - 205	206 - 226	227 - 246
KEY2 (134 pin)	-	TUNING >>	TUNING <<	AM	FM	PRESET >	PRESET <	MEMORY	INFO	STRAIGHT	PROGRAM >	PROGRAM <

Page 6
to DIO

OPERATION (1)

4001-4100
401-450



Page 94 B2
to DIGITAL_CB20

Page 99 M6
to OPERATION (2)_CB461

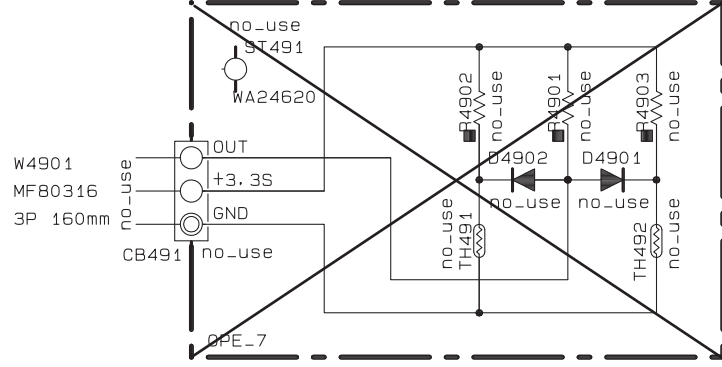
- ★ All voltages are measured with a 10MΩ/V DC electronic voltmeter.
- ★ Components having special characteristics are marked Δ and must be replaced with parts having specifications equal to those originally installed.
- ★ Schematic diagram is subject to change without notice.

- 電圧は、内部抵抗 10MΩの電圧計で測定したものです。
- Δ印のある部品は、安全性確保部品を示しています。部品の交換が必要な場合、パーツリストに記載されている部品を使用してください。
- 本回路図は標準回路図です。改良のため予告なく変更することがあります。

A	B
C	D

A	B
C	D

OPERATION 2/2

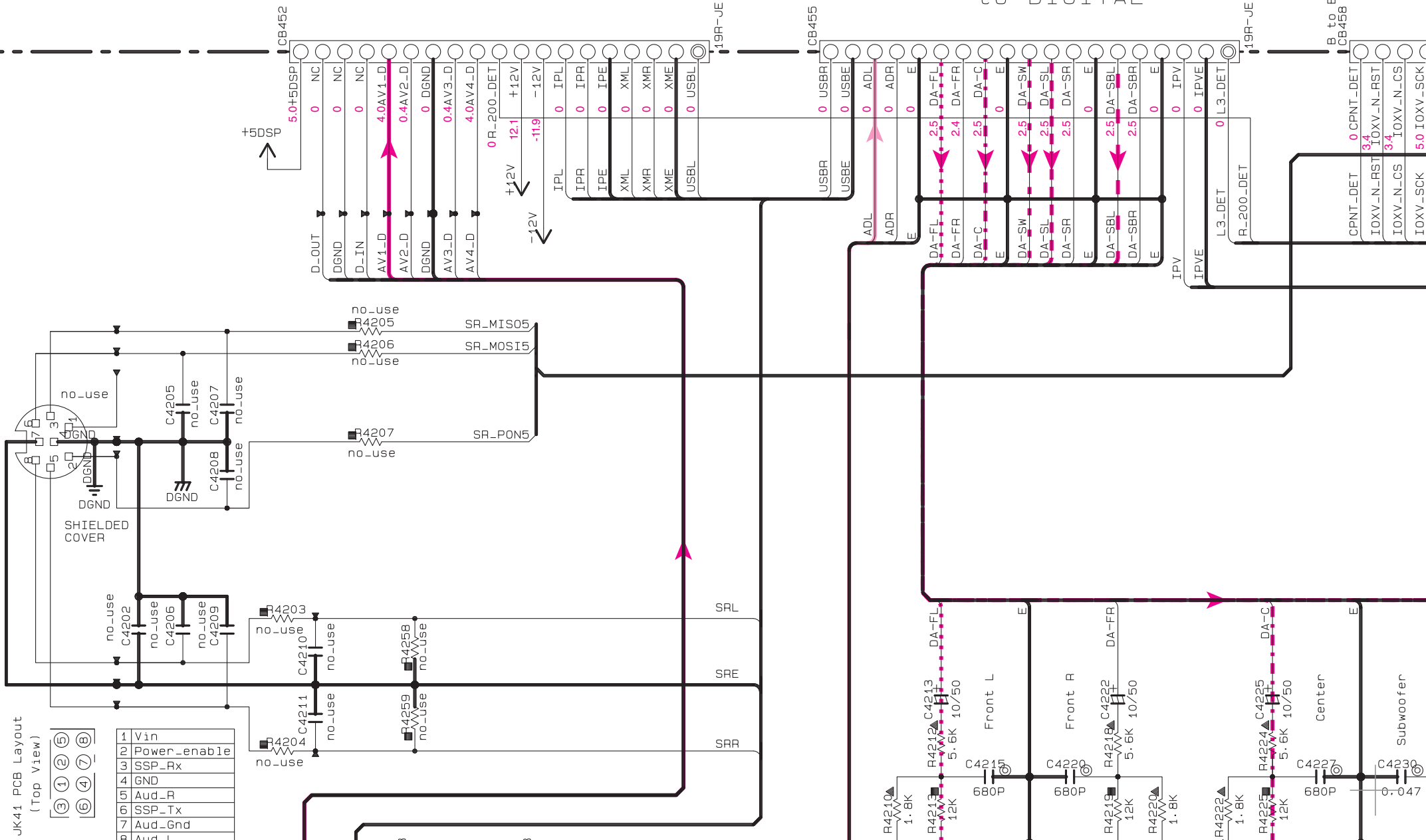


Page 96 I2
to DIGITAL_CB61

Page 96 I4
to DIGITAL_CB62

to DIGITAL

SIRIUS

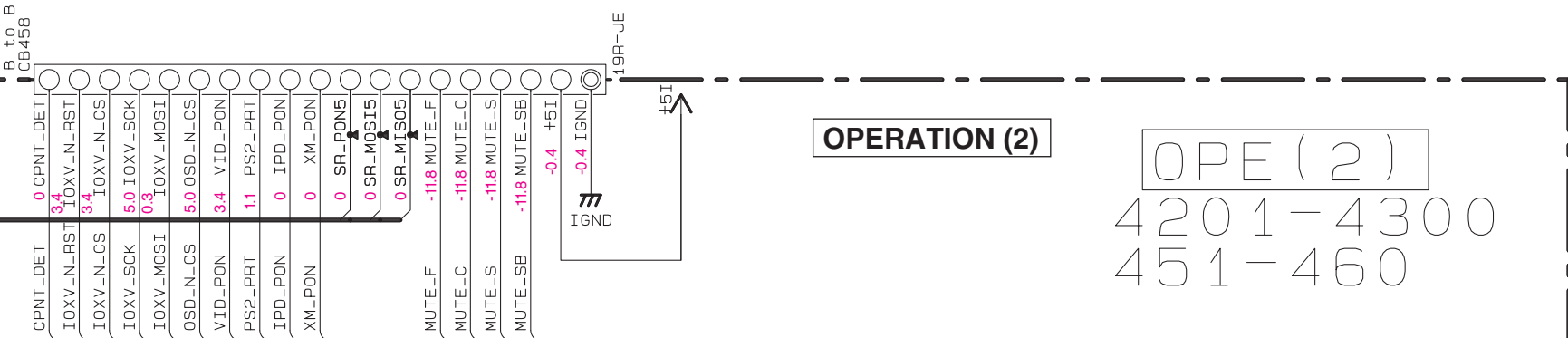


JK41 PCB Layout (Top View)

1	Vin
2	Power_enable
3	SSP_Rx
4	GND
5	Aud_R
6	SSP_Tx
7	Aud_Gnd
8	Aud_L

A	B
C	D

Page 96 I6
to DIGITAL_CB63



OPERATION (2)

OPE (2)
4201-4300
451-460

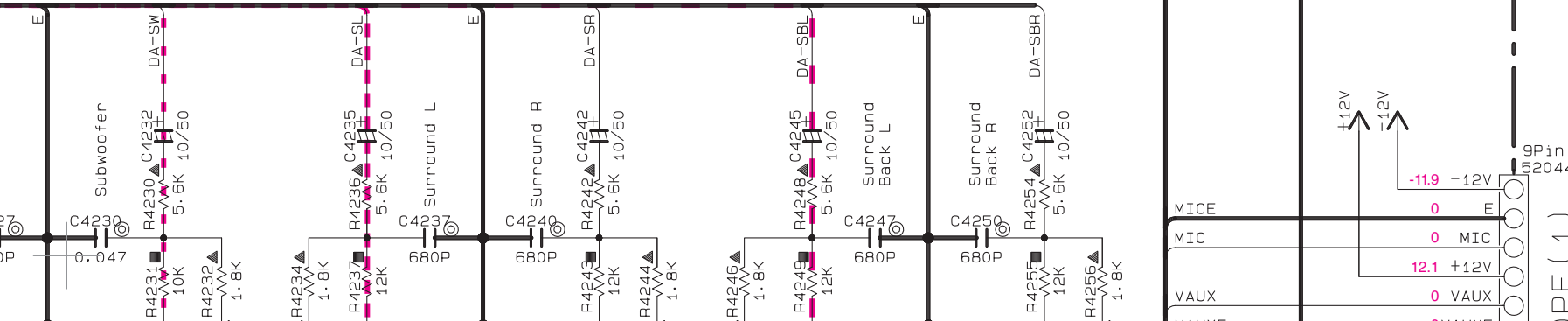
CAPACITOR

REMARKS	PARTS NAME	
NO MARK	ELECTROLYTIC CAPACITOR	≠
⊗	TANTALUM CAPACITOR	
NO MARK	CERAMIC CAPACITOR	≠
●	CERAMIC TUBULAR CAPACITOR	
⊙	POLYESTER FILM CAPACITOR	
○	POLYSTYRENE FILM CAPACITOR	
⊖	MICA CAPACITOR	
⊕	POLYPROPYLENE FILM CAPACITOR	
⊗	SEMICONDUCTIVE CERAMIC CAPACITOR	
Ⓢ	POLYPHENYLENE SULFIDE FILM CAPACITOR	

RESISTOR

REMARKS	PARTS NAME
NO MARK	CARBON FILM RESISTOR (P=5)
⊠	CARBON FILM RESISTOR (P=10)
△	METAL OXIDE FILM RESISTOR
▲	METAL FILM RESISTOR
⊠	METAL PLATE RESISTOR
⊠	FIRE PROOF CARBON FILM RESISTOR
□	CEMENT MOLDED RESISTOR
⊗	SEMI VARIABLE RESISTOR
■	CHIP RESISTOR

NOTICE (model)
(J)..... JAPAN
(U)..... U.S.A
(C)..... CANADA
(R)..... GENERAL
(T)..... CHINA
(K)..... KOREA
(A)..... AUSTRALIA
(B)..... BRITISH
(G)..... EUROPE
(L)..... SINGAPORE
(E)..... SOUTH EUROPE
(V)..... TAIWAN
(F)..... RUSSIAN
(P)..... LATIN AMERICA





6

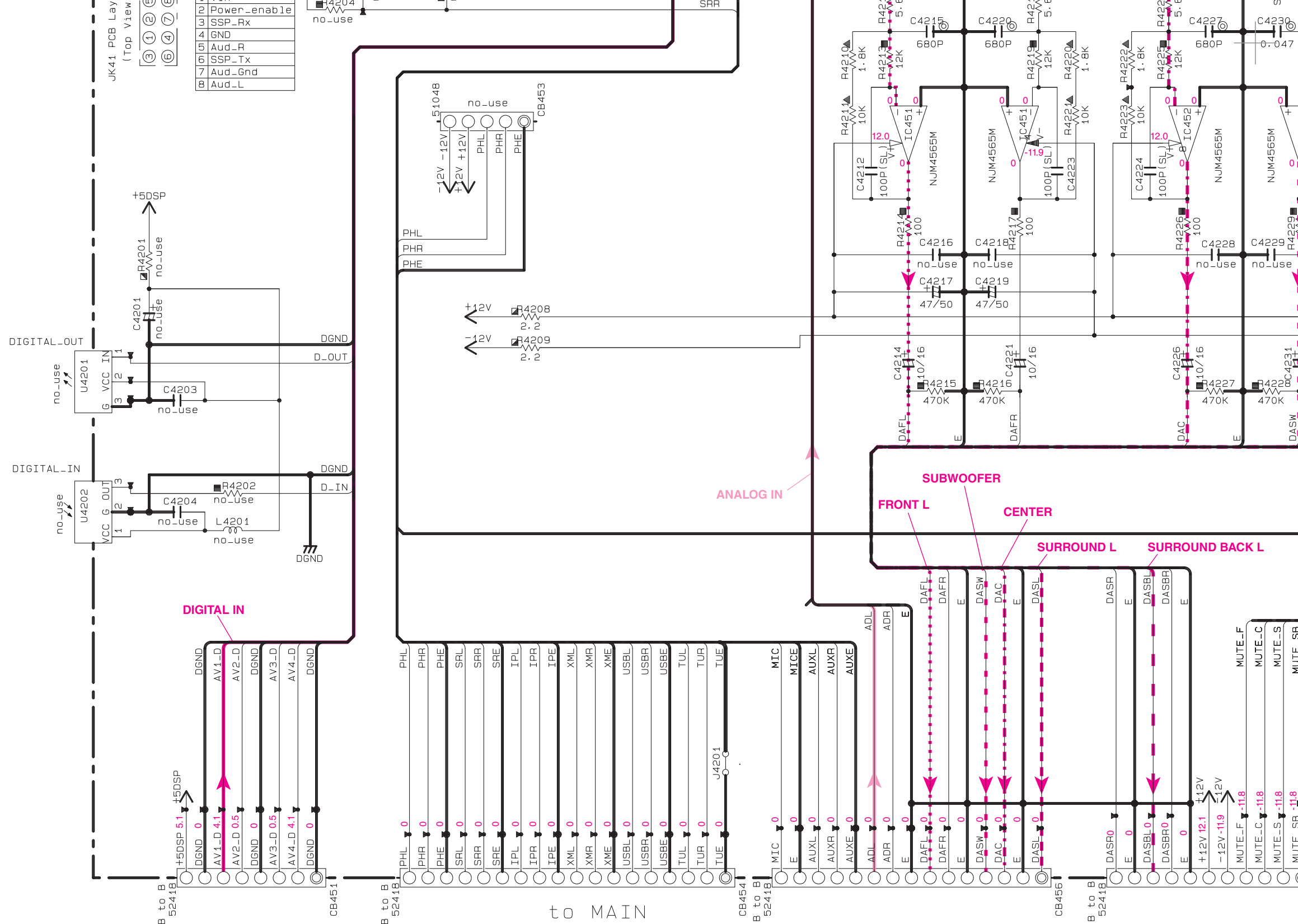
7

8

9

10

1	Power_enable
2	SSP_Rx
3	GND
4	Aud_R
5	SSP_Tx
6	Aud_Gnd
7	Aud_L
8	



Page 101 **A3**
to MAIN (1)_CB152

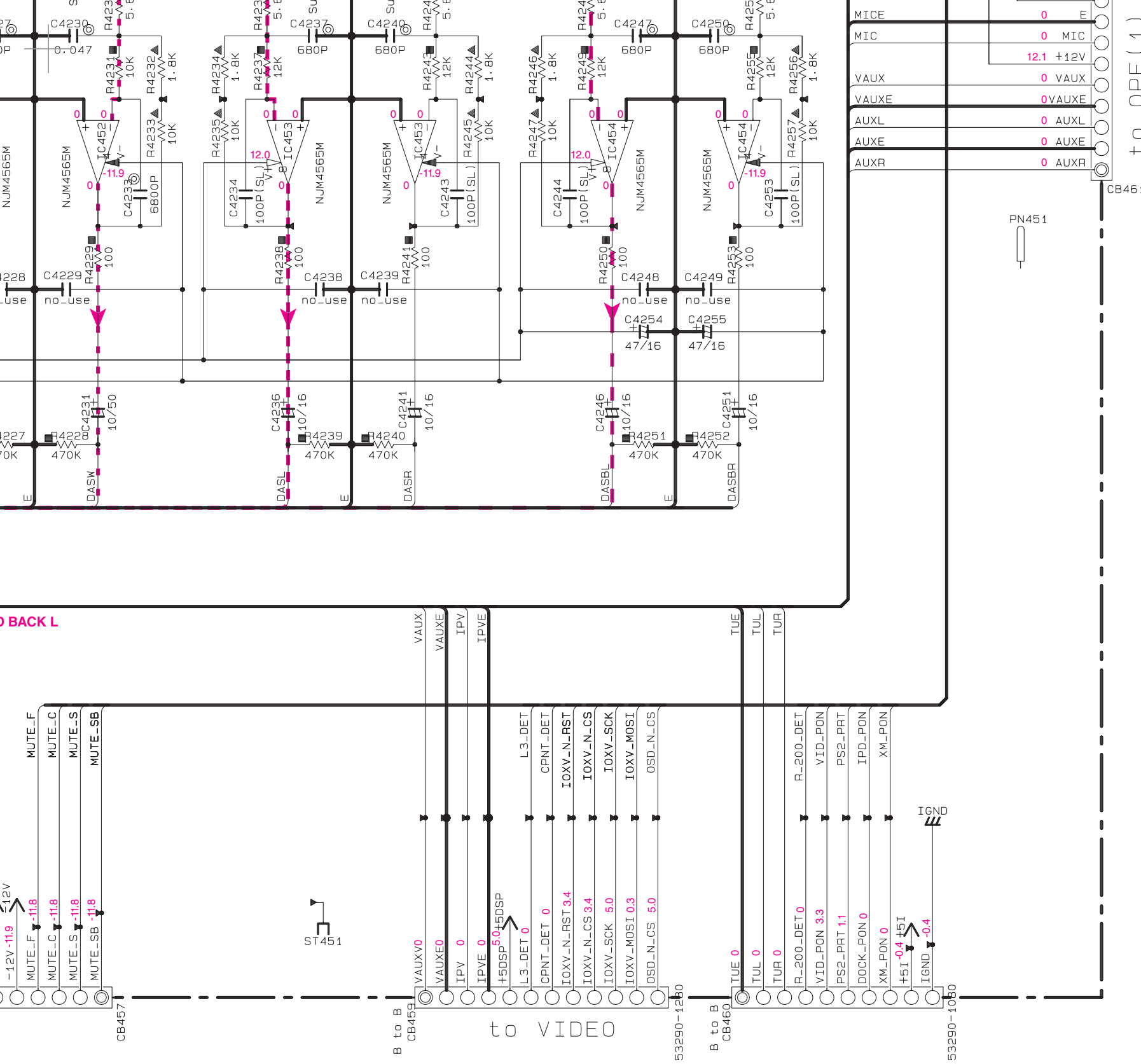
Page 101 **B5**
to MAIN (1)_CB153

Page 101 **B6**
to MAIN (1)_CB154

Page 101 **B7**
to MAIN (1)_CB155

A	B
C	D





to OPE(1)

CB461

PN451

no_use

no_use

no_use

no_use

no_use

no_use

no_use

no_use

no_use

no_use

no_use

no_use

no_use

no_use

no_use

no_use

no_use

no_use

no_use

no_use

no_use

no_use

no_use

no_use

no_use

no_use

no_use

no_use

no_use

no_use

no_use

no_use

no_use

no_use

no_use

no_use

no_use

no_use

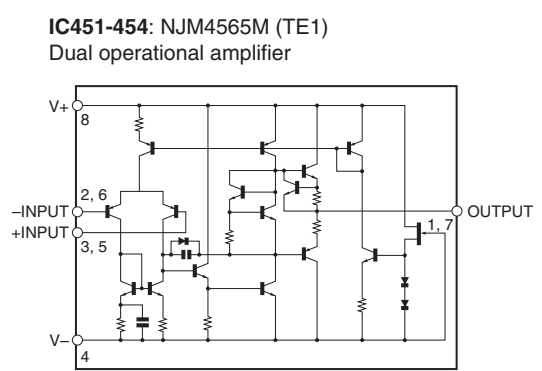
no_use

no_use

no_use

no_use

Page 98 J9
to OPERATION (1)_CB402



B7
(1)_CB155

Page 102 K5
to VIDEO (1)_CB303

Page 103 L6
to VIDEO (1)_CB332

- ★ All voltages are measured with a 10MΩ/V DC electronic voltmeter.
- ★ Components having special characteristics are marked Δ and must be replaced with parts having specifications equal to those originally installed.
- ★ Schematic diagram is subject to change without notice.

- 電圧は、内部抵抗 10MΩの電圧計で測定したものです。
- Δ印のある部品は、安全性確保部品を示しています。部品の交換が必要な場合、パーツリストに記載されている部品を使用してください。
- 本回路図は標準回路図です。改良のため予告なく変更することがあります。



A	B
C	D

RX-V567/HTR-5063

MAIN 1/2

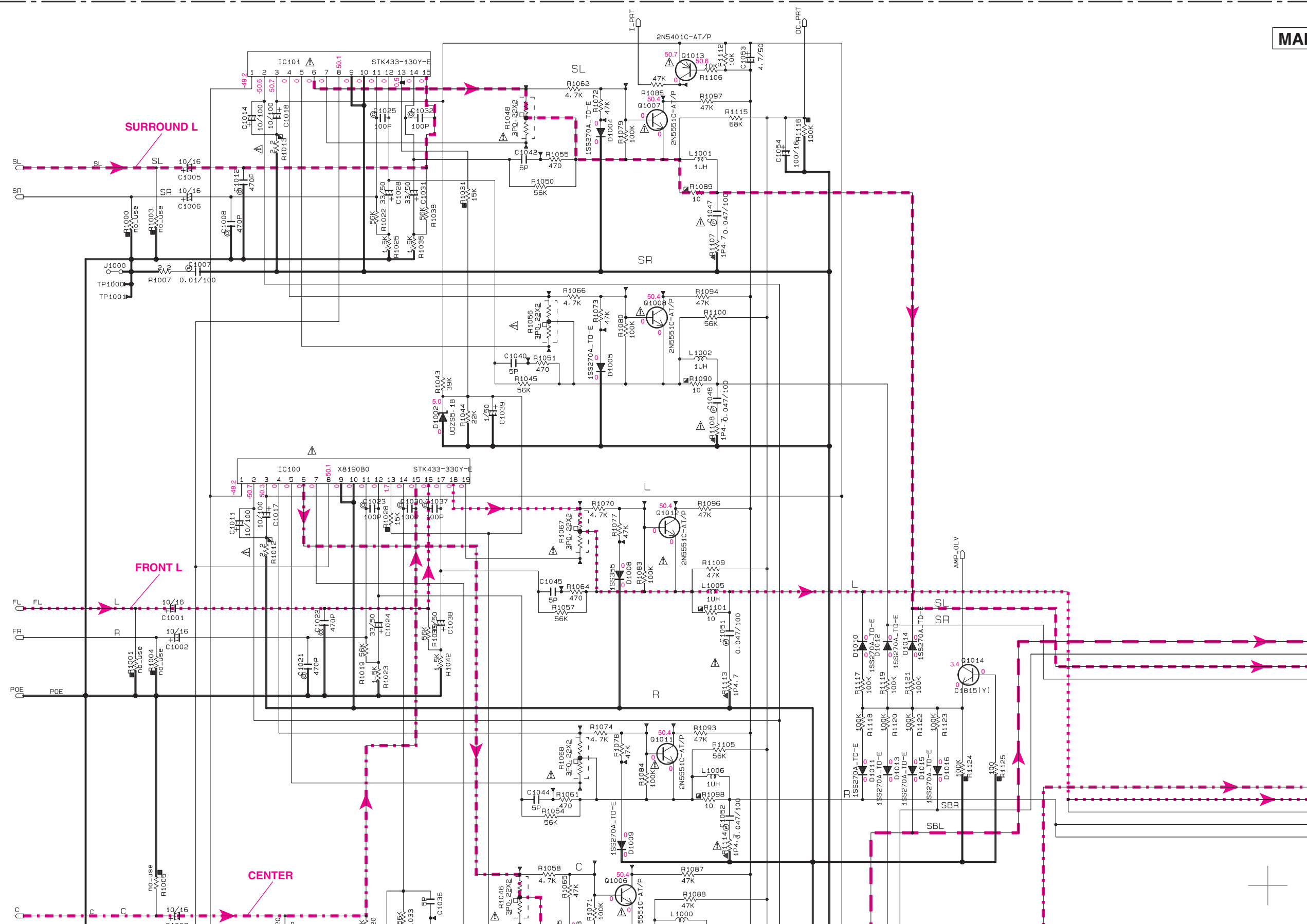
1

2

3

4

5



SURROUND L

FRONT L

CENTER

MAIN

H

I

J

K

L

M

N

MAIN (1)

Destination Part List				
sXX	LOC	JUXTKABGEF	R	L
s1	W1006A W1006B	X	WA76540 VH-5298T	WA76540 VH-5298T
s2	W1004B W1004A	X	MH08030	MH08030
s3	W1000A W1000B	X	MH04030	MH04030
s4	W1002B W1002A	X	MH03030	MH03030
s5	W1003A W1003B	X	MH09030	MH09030
s6	W1005B W1005A	X	MH06030	MH06030
s7	W1001B W1001A	X	MH02030	MH02030
s9	SW101	X	WB49370 RB140246	WD07370 RB140254
s10	F1000	X	VV07170 3.15A250V	X
s11	CB15B CB159	X	WN07770 PFC5000-0202F	X
s12	J1001	X	X	VNS0000

RESISTOR

REMARKS	PARTS NAME
NO MARK	CARBON FILM RESISTOR (P=5)
☒	CARBON FILM RESISTOR (P=10)
△	METAL OXIDE FILM RESISTOR
▲	METAL FILM RESISTOR
☒	METAL PLATE RESISTOR
▨	FIRE PROOF CARBON FILM RESISTOR
□	CEMENT MOLDED RESISTOR
⊗	SEMI VARIABLE RESISTOR
■	CHIP RESISTOR

CAPACITOR

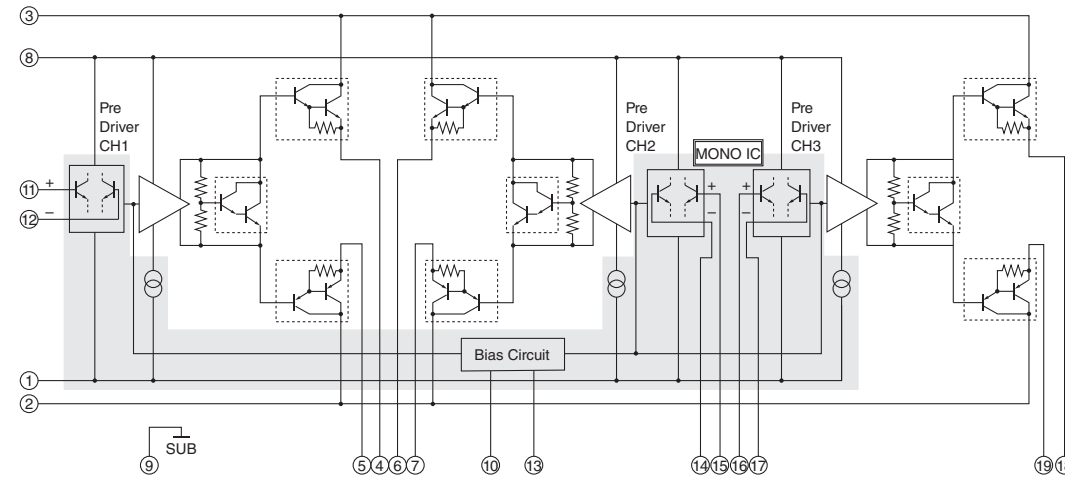
REMARKS	PARTS NAME	
NO MARK	ELECTROLYTIC CAPACITOR	⚡
⊗	TANTALUM CAPACITOR	
NO MARK	CERAMIC CAPACITOR	
●	CERAMIC TUBULAR CAPACITOR	
⊙	POLYESTER FILM CAPACITOR	
○	POLYSTYRENE FILM CAPACITOR	
⊖	MICA CAPACITOR	
⊕	POLYPROPYLENE FILM CAPACITOR	
●	SEMICONDUCTIVE CERAMIC CAPACITOR	
Ⓢ	POLYPHENYLENE SULFIDE FILM CAPACITOR	

NOTICE (mode1)

- (J)..... JAPAN
- (U)..... U. S. A
- (C)..... CANADA
- (R)..... GENERAL
- (T)..... CHINA
- (K)..... KOREA
- (A)..... AUSTRALIA
- (B)..... BRITISH
- (G)..... EUROPE
- (L)..... SINGAPORE
- (E)..... SOUTH EUROPE
- (V)..... TAIWAN
- (F)..... RUSSIAN
- (P)..... LATIN AMERICA

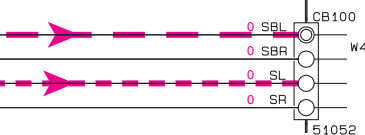
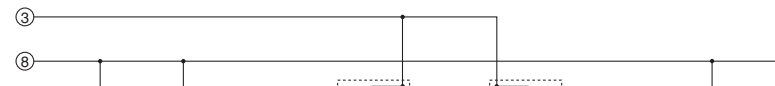
IC100: STK433-330Y-E

3-channel AF power amplifier, stand-by circuit built-in

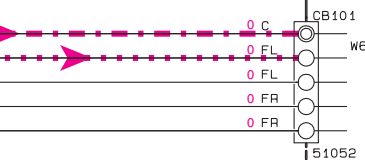


IC101, 102: STK433-130Y-E

2-channel AF power amplifier, stand-by circuit built-in



Page 103 B6
to VIDEO (1)_CB343



Page 103 B6
to VIDEO (1)_CB342

6

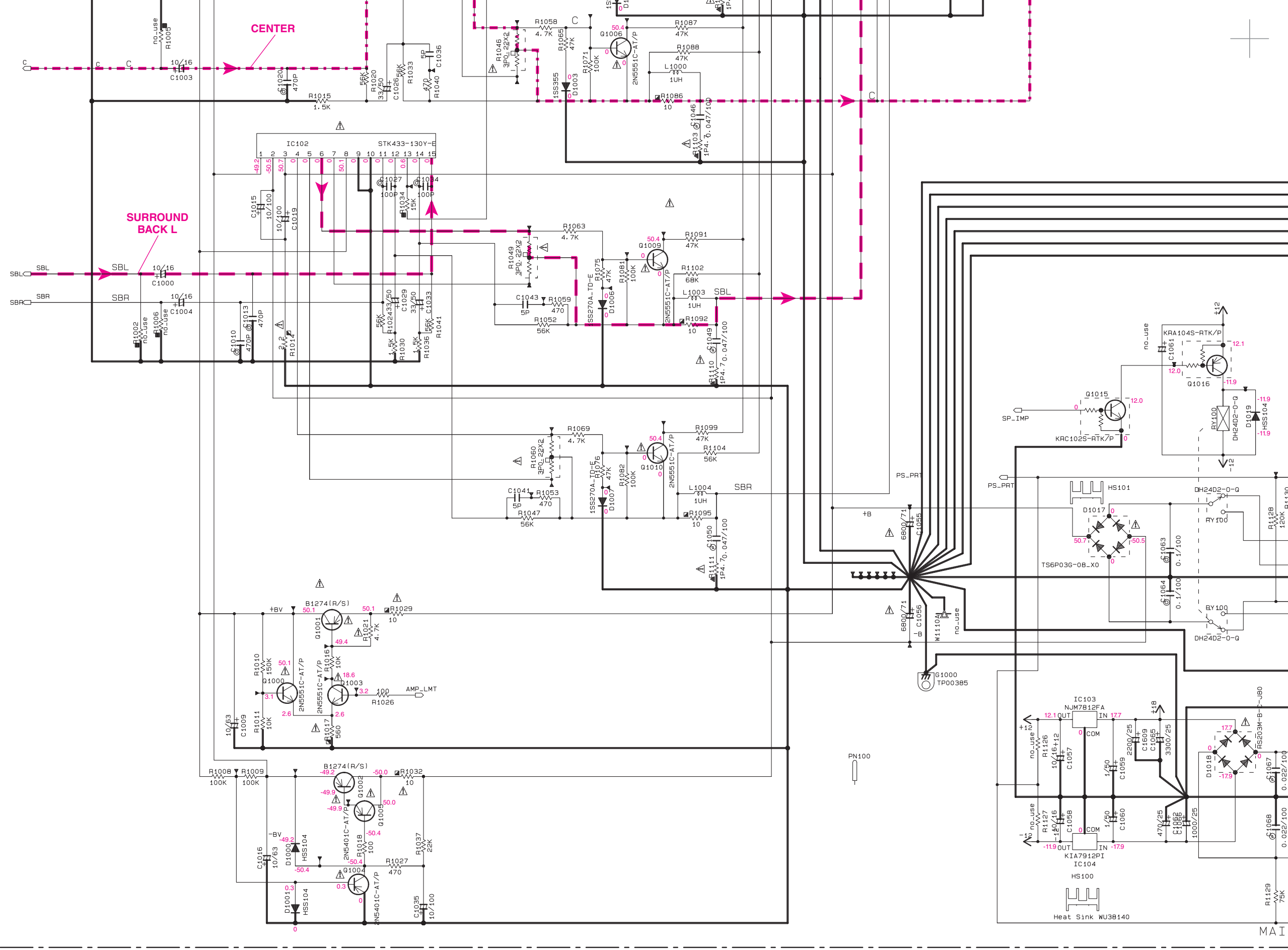
7

8

9

10

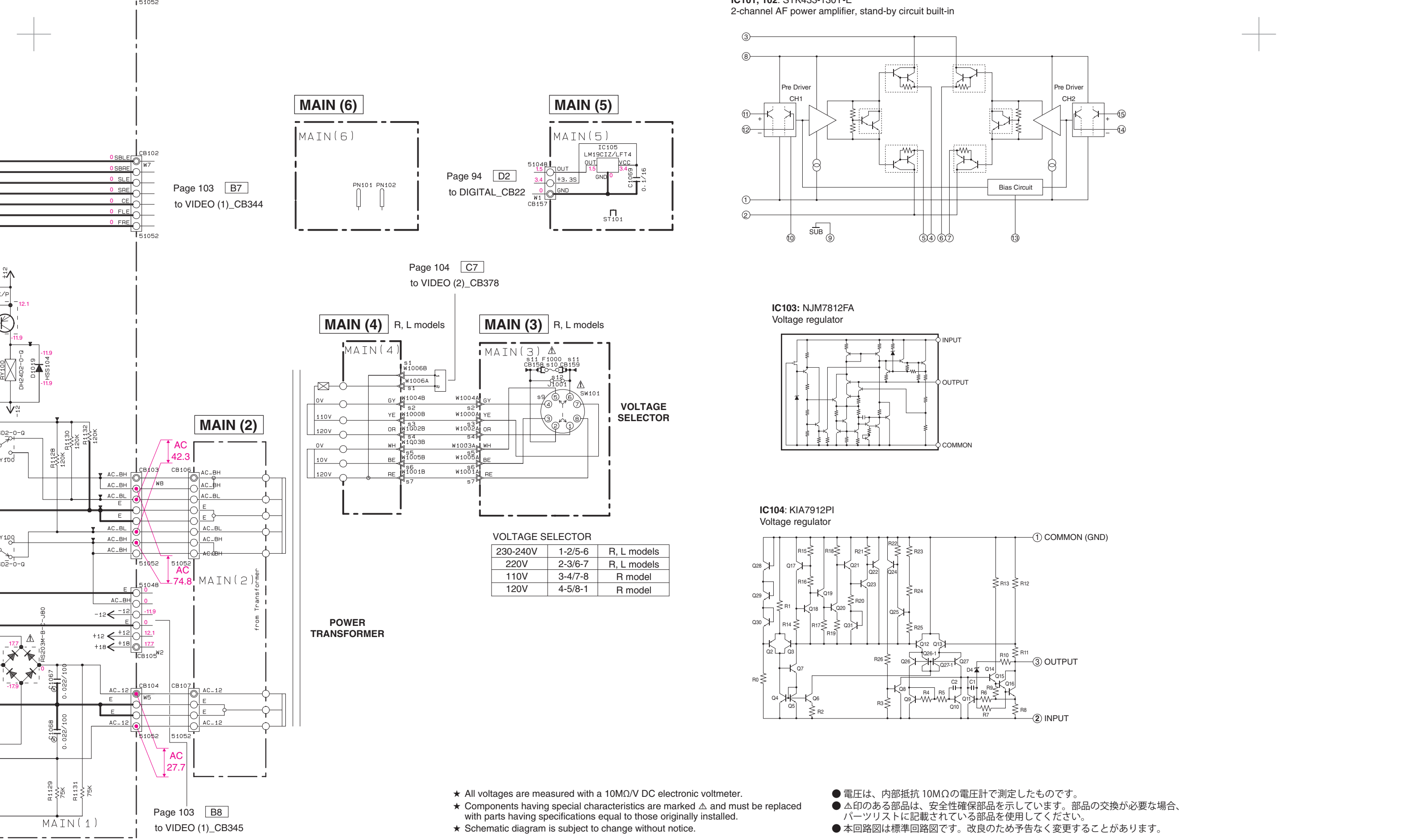
100



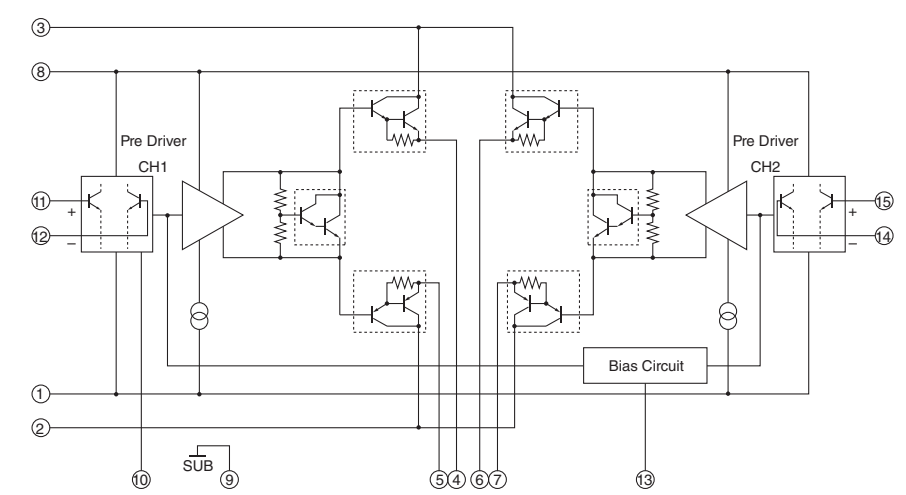
RX-V567/HTR-5063

A	B
C	D

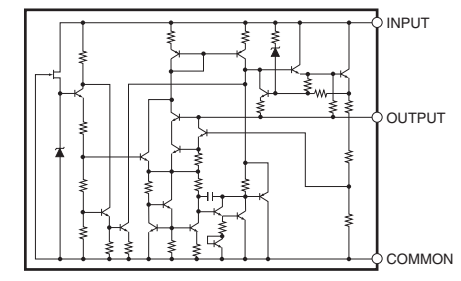
MAIN 1/2



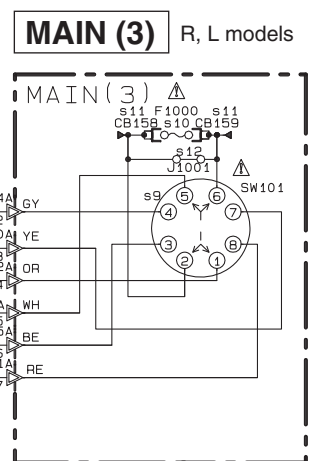
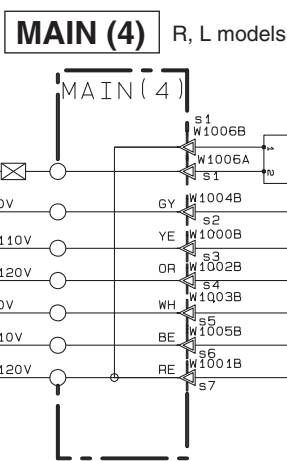
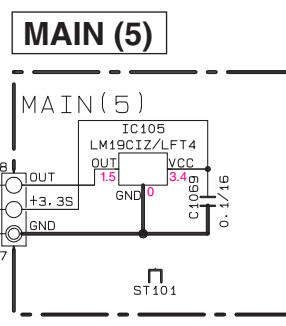
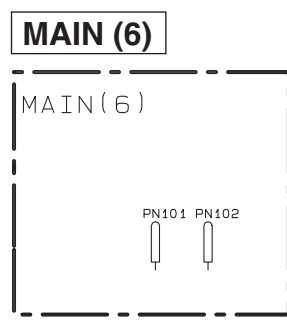
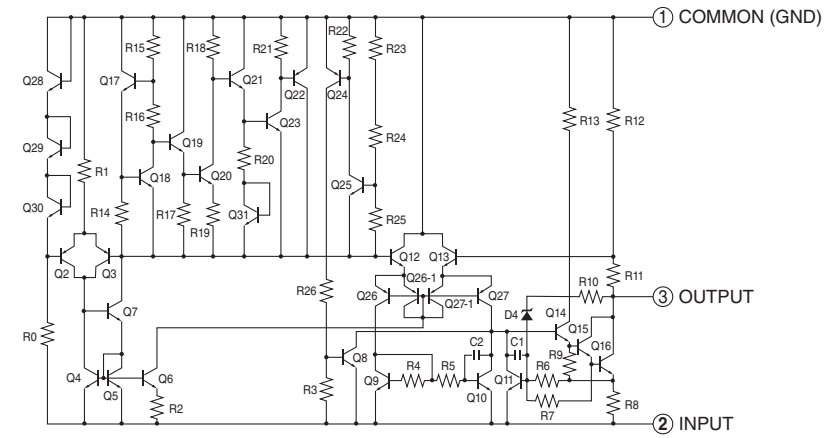
IC101, 102: STR455-1501-L
2-channel AF power amplifier, stand-by circuit built-in



IC103: NJM7812FA
Voltage regulator



IC104: KIA7912PI
Voltage regulator



VOLTAGE SELECTOR

230-240V	1-2/5-6	R, L models
220V	2-3/6-7	R, L models
110V	3-4/7-8	R model
120V	4-5/8-1	R model

POWER TRANSFORMER

Page 103 B7
to VIDEO (1)_CB344

Page 104 C7
to VIDEO (2)_CB378

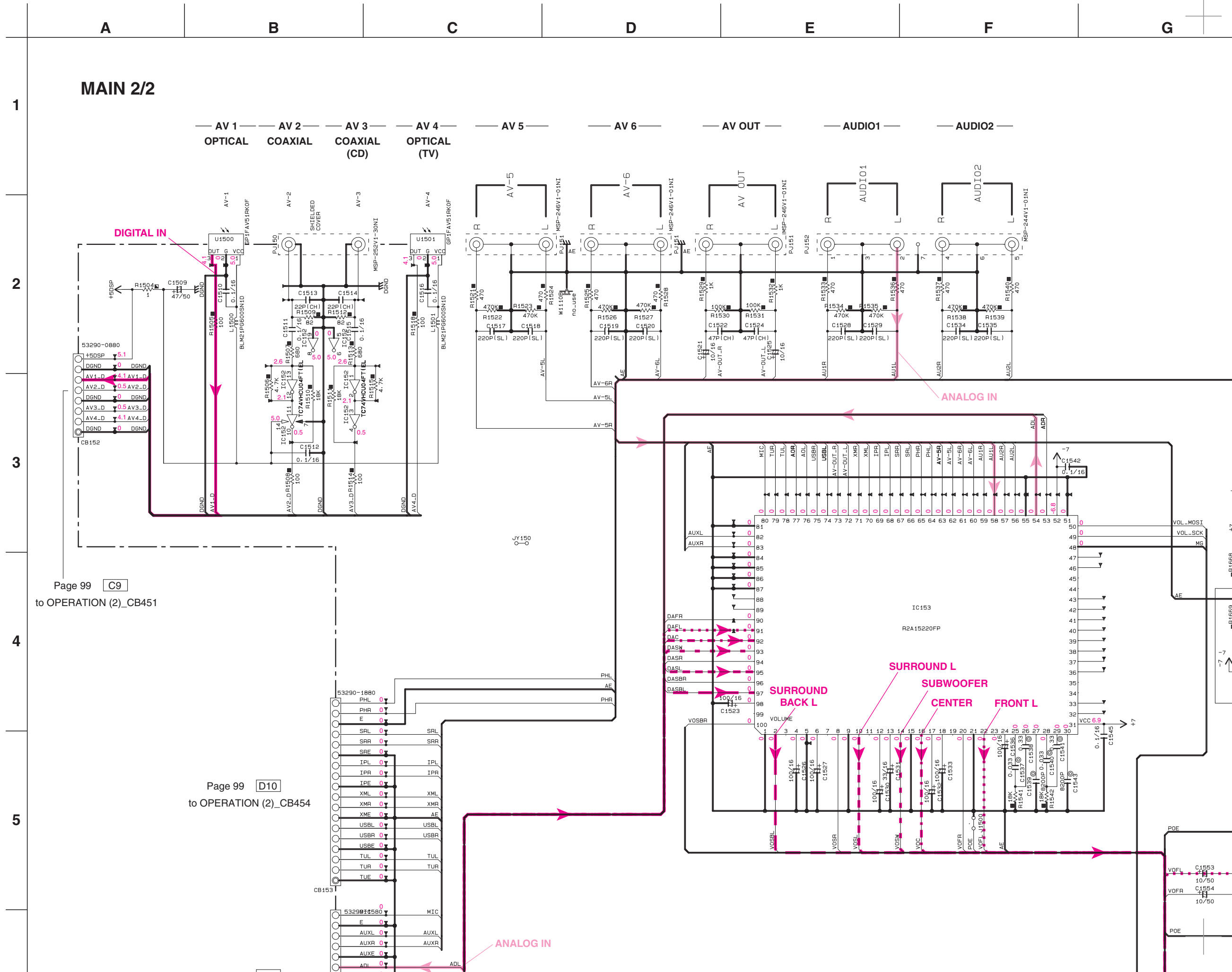
Page 103 B8
to VIDEO (1)_CB345

- ★ All voltages are measured with a 10MΩ/V DC electronic voltmeter.
- ★ Components having special characteristics are marked Δ and must be replaced with parts having specifications equal to those originally installed.
- ★ Schematic diagram is subject to change without notice.

- 電圧は、内部抵抗 10MΩの電圧計で測定したものです。
- Δ印のある部品は、安全性確保部品を示しています。部品の交換が必要な場合、パーツリストに記載されている部品を使用してください。
- 本回路図は標準回路図です。改良のため予告なく変更することがあります。

A	B
C	D

MAIN 2/2



Page 99 C9 to OPERATION (2)_CB451

Page 99 D10 to OPERATION (2)_CB454

1

2

3

4

5



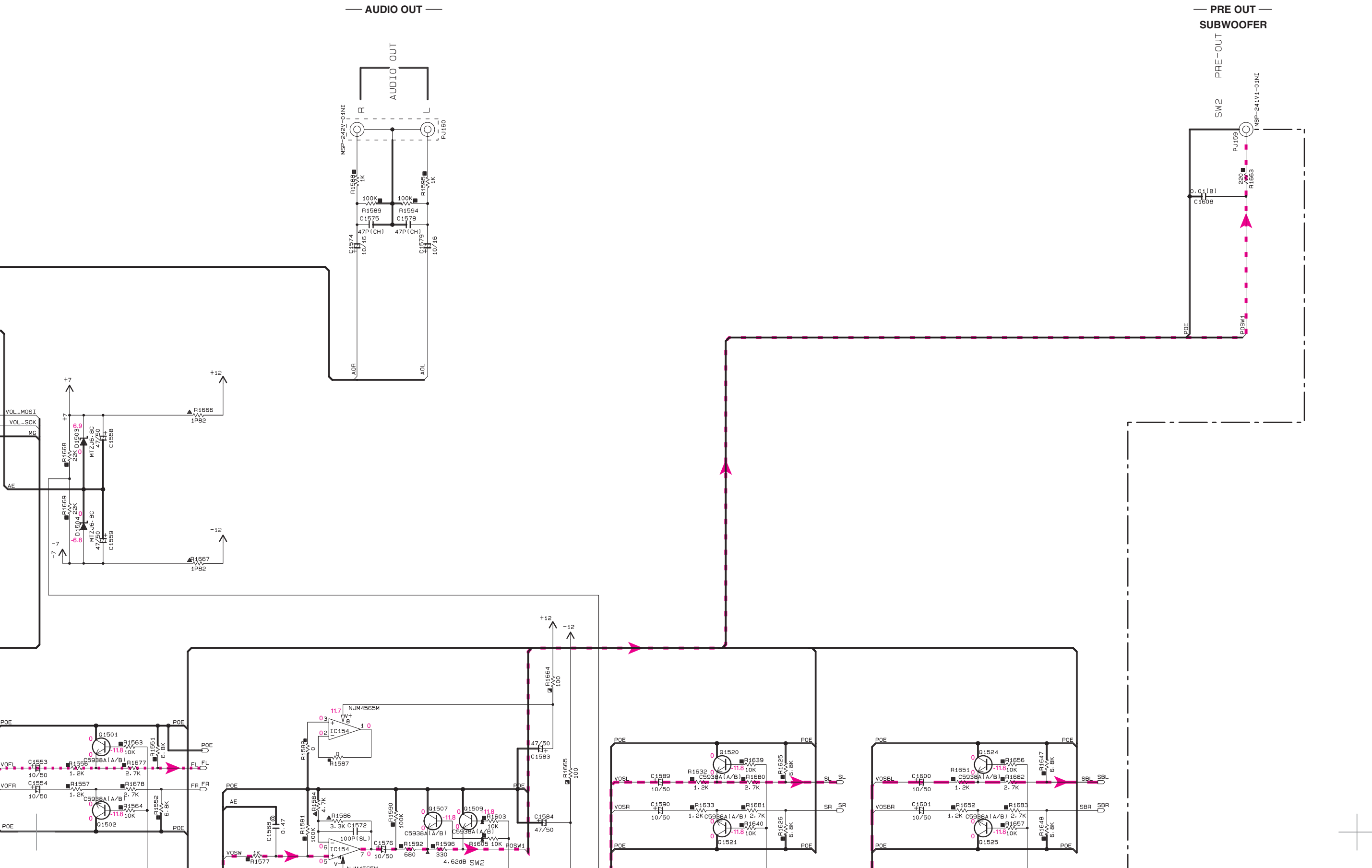
A	B
C	D



RX-V567/HTR-5063

AUDIO OUT

PRE OUT
SUBWOOFER



6

Page 99 **F10**
to OPERATION (2)_CB456

7

Page 99 **G10**
to OPERATION (2)_CB457

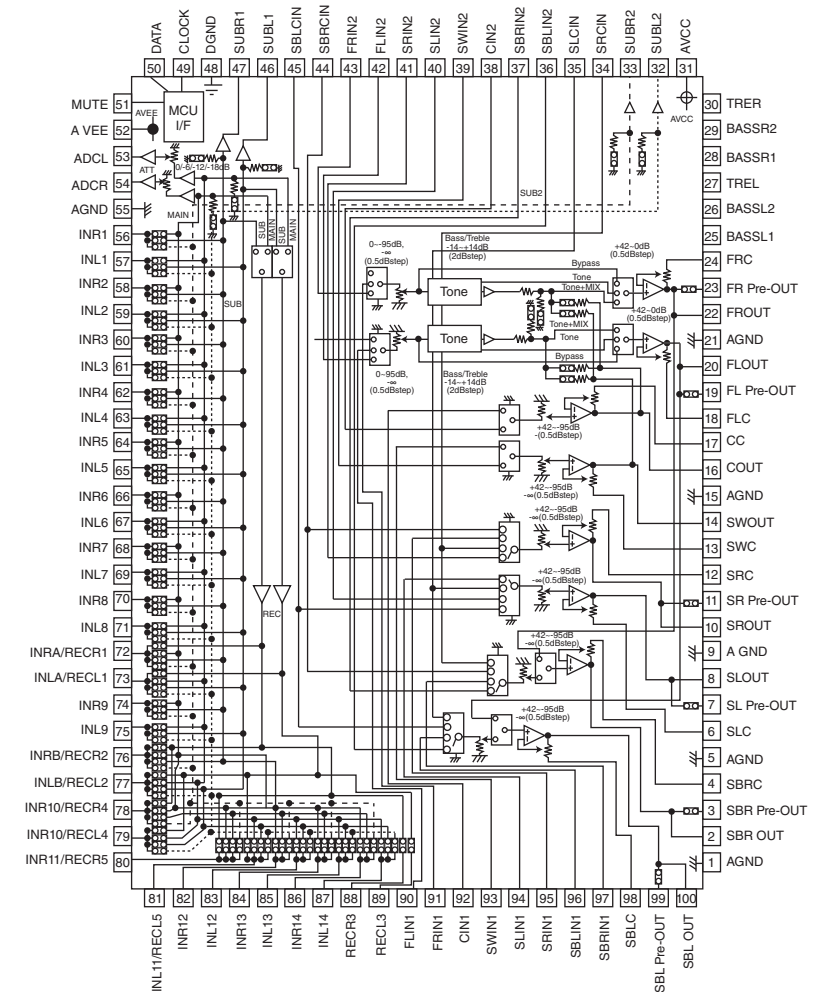
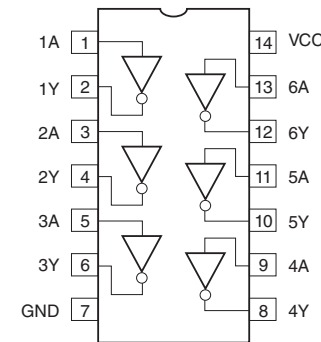
MAIN (1)

8

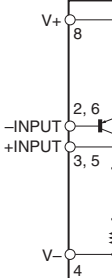
IC153: R2A15220FP
8-channel electronic volume with 11 input selector and tone control

9

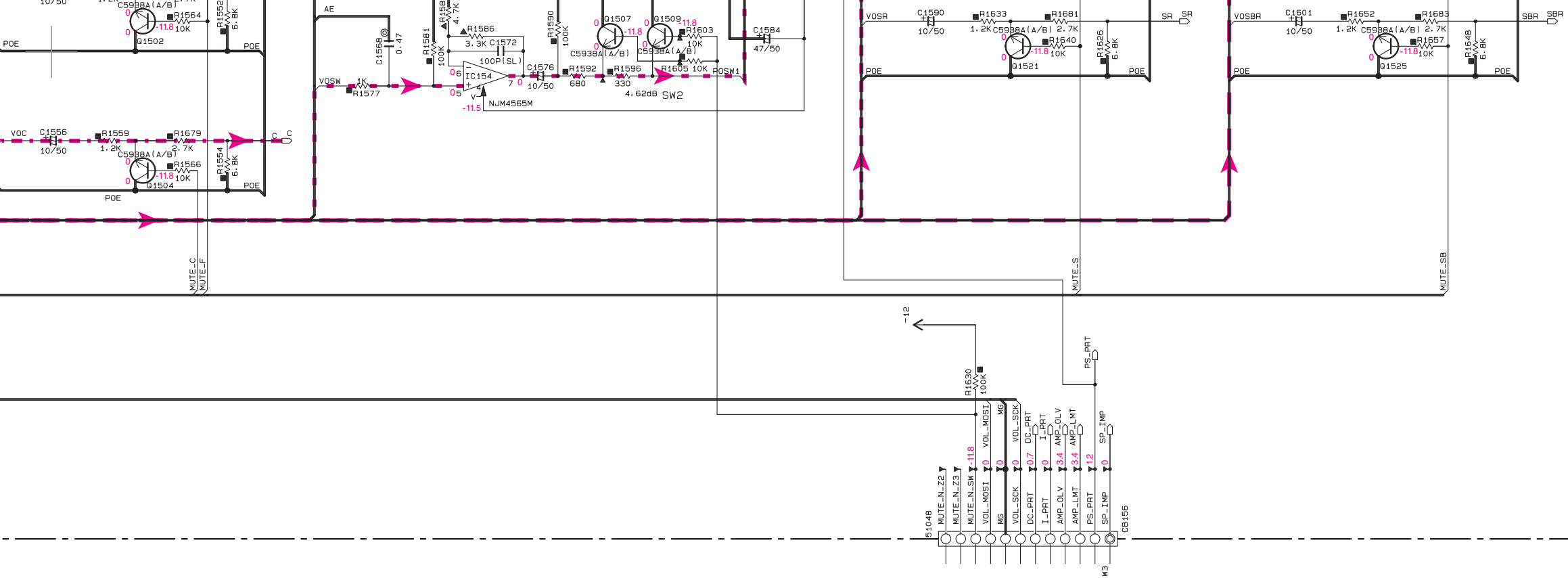
IC152: TC74VHCU04FT
Hex inverters



IC154:
Dual op

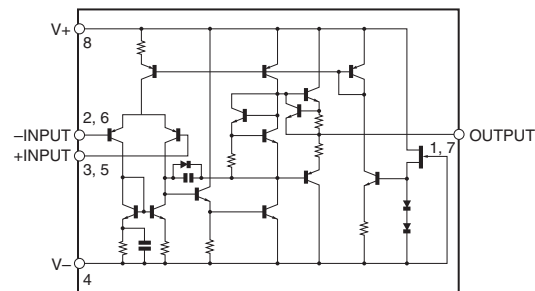


10



Page 94 E2
to DIGITAL_CB23

IC154: NJM4565M (TE1)
Dual operational amplifier



NOTICE (model)
(J)..... JAPAN
(U)..... U. S. A
(C)..... CANADA
(R)..... GENERAL
(T)..... CHINA
(K)..... KOREA
(A)..... AUSTRALIA
(B)..... BRITISH
(G)..... EUROPE
(L)..... SINGAPORE
(E)..... SOUTH EUROPE
(V)..... TAIWAN
(F)..... RUSSIAN
(P)..... LATIN AMERICA

RESISTOR

REMARKS	PARTS NAME
NO MARK	CARBON FILM RESISTOR (P=5)
☒	CARBON FILM RESISTOR (P=10)
△	METAL OXIDE FILM RESISTOR
▲	METAL FILM RESISTOR
☒	METAL PLATE RESISTOR
☒	FIRE PROOF CARBON FILM RESISTOR
□	CEMENT MOLDED RESISTOR
⊙	SEMI VARIABLE RESISTOR
■	CHIP RESISTOR

CAPACITOR

REMARKS	PARTS NAME	
NO MARK	ELECTROLYTIC CAPACITOR	⊘
⊗	TANTALUM CAPACITOR	
NO MARK	CERAMIC CAPACITOR	
●	CERAMIC TUBULAR CAPACITOR	
⊙	POLYESTER FILM CAPACITOR	
○	POLYSTYRENE FILM CAPACITOR	
⊖	MICA CAPACITOR	
⊕	POLYPROPYLENE FILM CAPACITOR	
●	SEMICONDUCTIVE CERAMIC CAPACITOR	

- ★ All voltages are measured with a 10MΩ/V DC electronic voltmeter.
- ★ Components having special characteristics are marked △ and must be replaced with parts having specifications equal to those originally installed.
- ★ Schematic diagram is subject to change without notice.

- 電圧は、内部抵抗 10MΩの電圧計で測定したものです。
- △印のある部品は、安全性確保部品を示しています。部品の交換が必要な場合、パーツリストに記載されている部品を使用してください。
- 本回路図は標準回路図です。改良のため予告なく変更することがあります。

A	B
C	D

A	B
C	D

RX-V567/HTR-5063

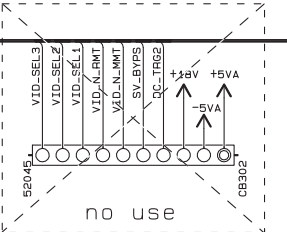
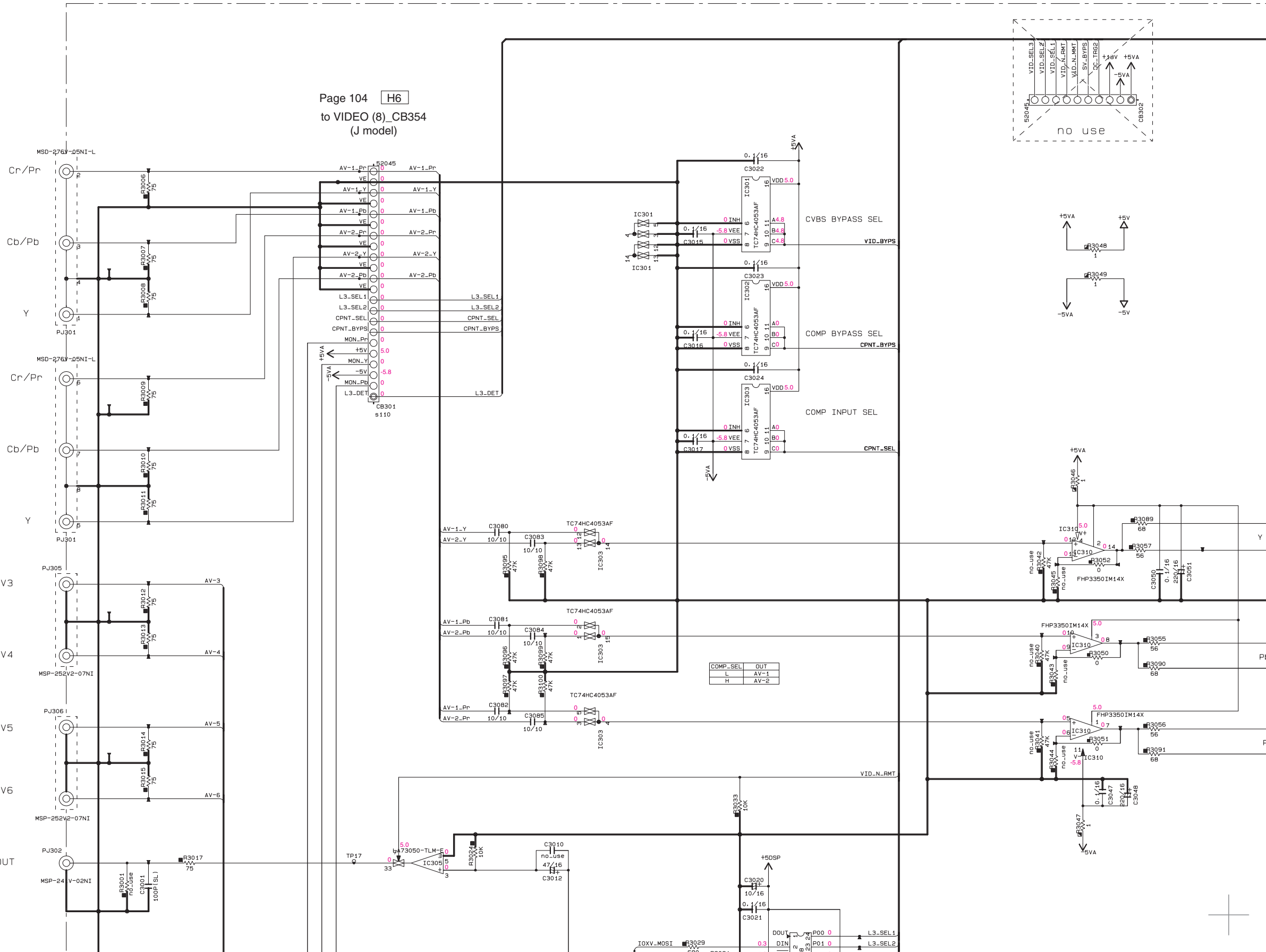
VIDEO 1/3

Page 104 H6
to VIDEO (8)_CB354
(J model)

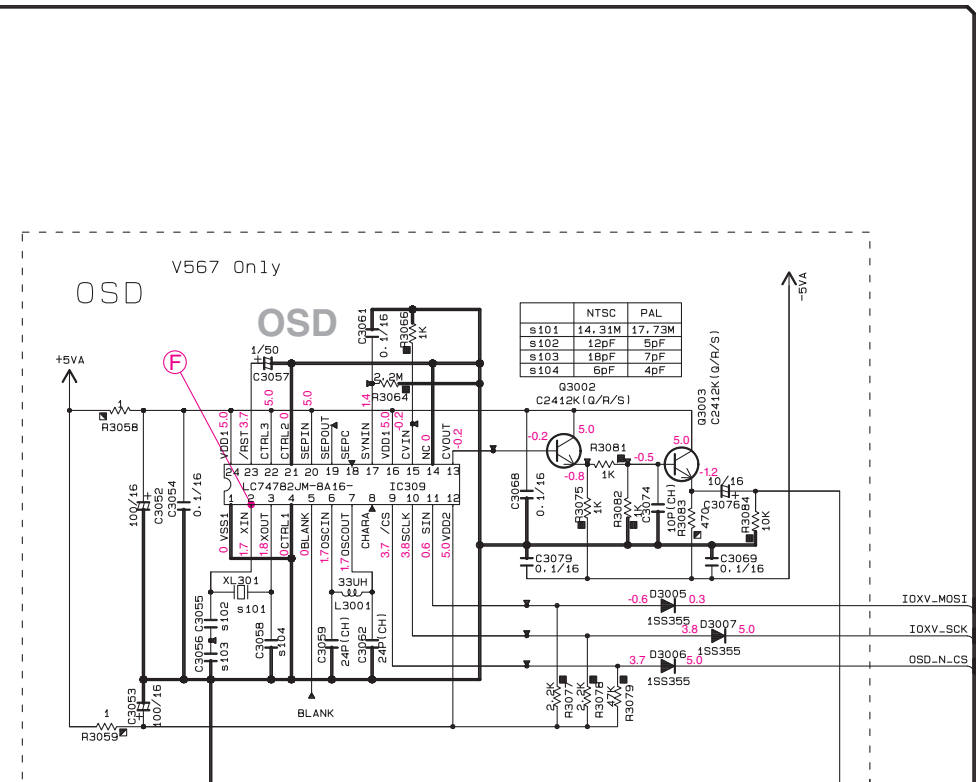
COMPONENT VIDEO

VIDEO

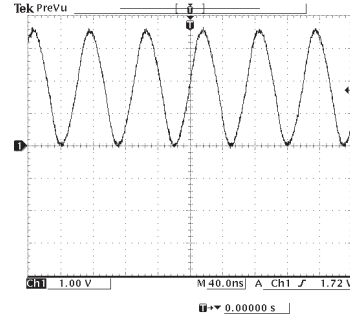
AV OUT



COMP_SEL	OUT
L	AV-1
H	AV-2



POINT F XL301 (Pin 2 of IC309)



REMARKS	PARTS NAME
NO MARK	CARBON FILM RESISTOR (P=5)
☑	CARBON FILM RESISTOR (P=10)
△	METAL OXIDE FILM RESISTOR
▲	METAL FILM RESISTOR
⊠	METAL PLATE RESISTOR
⊞	FIRE PROOF CARBON FILM RESISTOR
□	CEMENT MOLDED RESISTOR
⊙	SEMI VARIABLE RESISTOR
■	CHIP RESISTOR

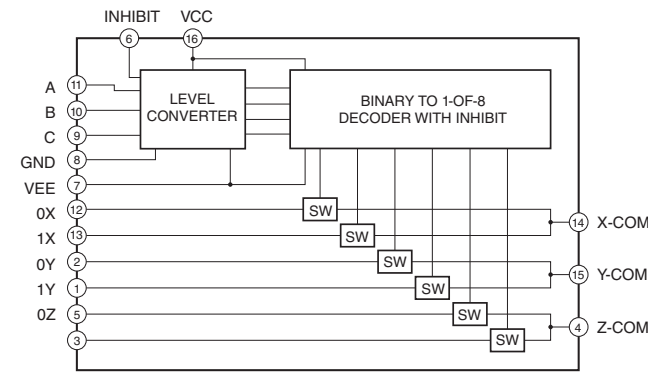
NOTICE (model)

(J)..... JAPAN
 (U)..... U.S.A
 (C)..... CANADA
 (R)..... GENERAL
 (T)..... CHINA
 (K)..... KOREA
 (A)..... AUSTRALIA
 (B)..... BRITISH
 (G)..... EUROPE
 (L)..... SINGAPORE
 (E)..... SOUTH EUROPE
 (V)..... TAIWAN
 (F)..... RUSSIAN
 (P)..... LATIN AMERICA

REMARKS	PARTS NAME	
NO MARK	ELECTROLYTIC CAPACITOR	77
⊗	TANTALUM CAPACITOR	
NO MARK	CERAMIC CAPACITOR	
⊙	CERAMIC TUBULAR CAPACITOR	
⊚	POLYESTER FILM CAPACITOR	11
○	POLYSTYRENE FILM CAPACITOR	
Ⓜ	MICA CAPACITOR	
Ⓟ	POLYPROPYLENE FILM CAPACITOR	
Ⓢ	SEMICONDUCTIVE CERAMIC CAPACITOR	

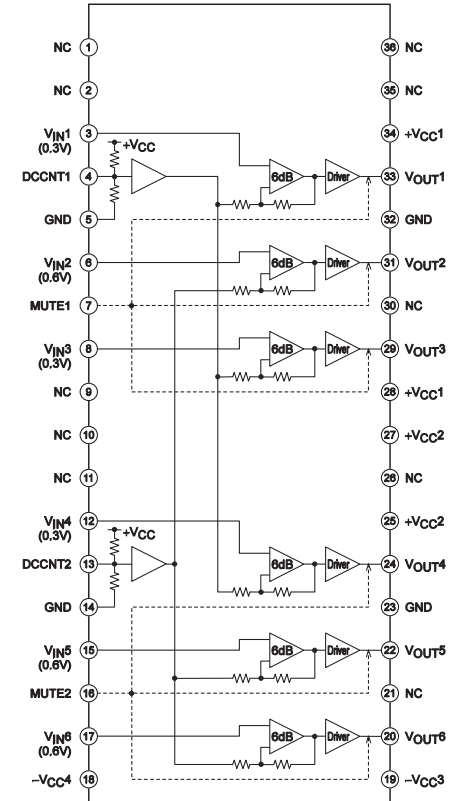
sXX	LDC	J	UC	R	T	A	BGF	L	K
s101	XL301	VV94980 14.31818MHZ	VV94980 14.31818MHZ	VV94980 14.31818MHZ	WK19610 17.734475MHZ	WK19610 17.734475MHZ	WK19610 17.734475MHZ	WK19610 17.734475MHZ	VV94980 14.31818MHZ
s102	C3055	US06112 12P(CH)	US06112 12P(CH)	US06112 12P(CH)	US06050 5P(CH)	US06050 5P(CH)	US06050 5P(CH)	US06050 5P(CH)	US06112 12P(CH)
s103	C3056	US06118 18P(CH)	US06118 18P(CH)	US06118 18P(CH)	US06070 7P(CH)	US06070 7P(CH)	US06070 7P(CH)	US06070 7P(CH)	US06118 18P(CH)
s104	C3058	US06050 5P(CH)	US06050 5P(CH)	US06050 5P(CH)	US06040 4P(CH)	US06040 4P(CH)	US06040 4P(CH)	US06040 4P(CH)	US06050 5P(CH)
s110	CB301	V004770 52045	X	X	X	X	X	X	X
s111	R3085 R3087 R3086	RD35475 75	X	X	X	X	X	X	X

IC301-303: TC74HC4053AF
Analog multiplexer/demultiplexer



INPUT STATES	INHIBIT			"ON" CHANNEL (S)
	C	B	A	
0	0	0	0	0X, 0Y, 0Z
0	0	0	1	1X, 0Y, 0Z
0	0	1	0	0X, 1Y, 0Z
0	0	1	1	1X, 1Y, 0Z
0	1	0	0	0X, 0Y, 1Z
0	1	0	1	1X, 0Y, 1Z
0	1	1	0	0X, 1Y, 1Z
0	1	1	1	1X, 1Y, 1Z
1	X	X	X	NONE

IC305: LA73050-TLM-E
6-channel 75-ohm video driver



6

7

8

9

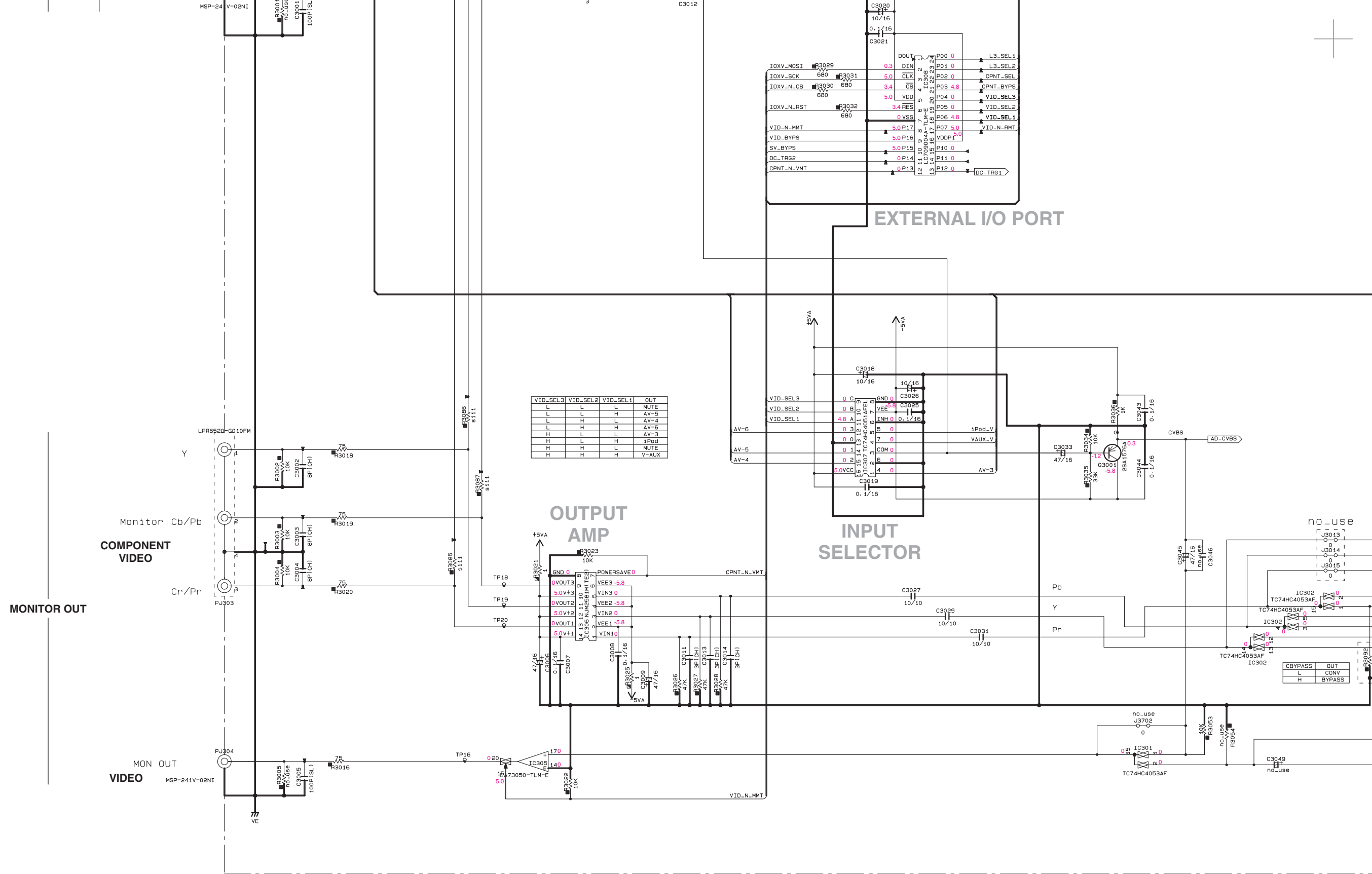
10

102

RX-V567/HTR-5063

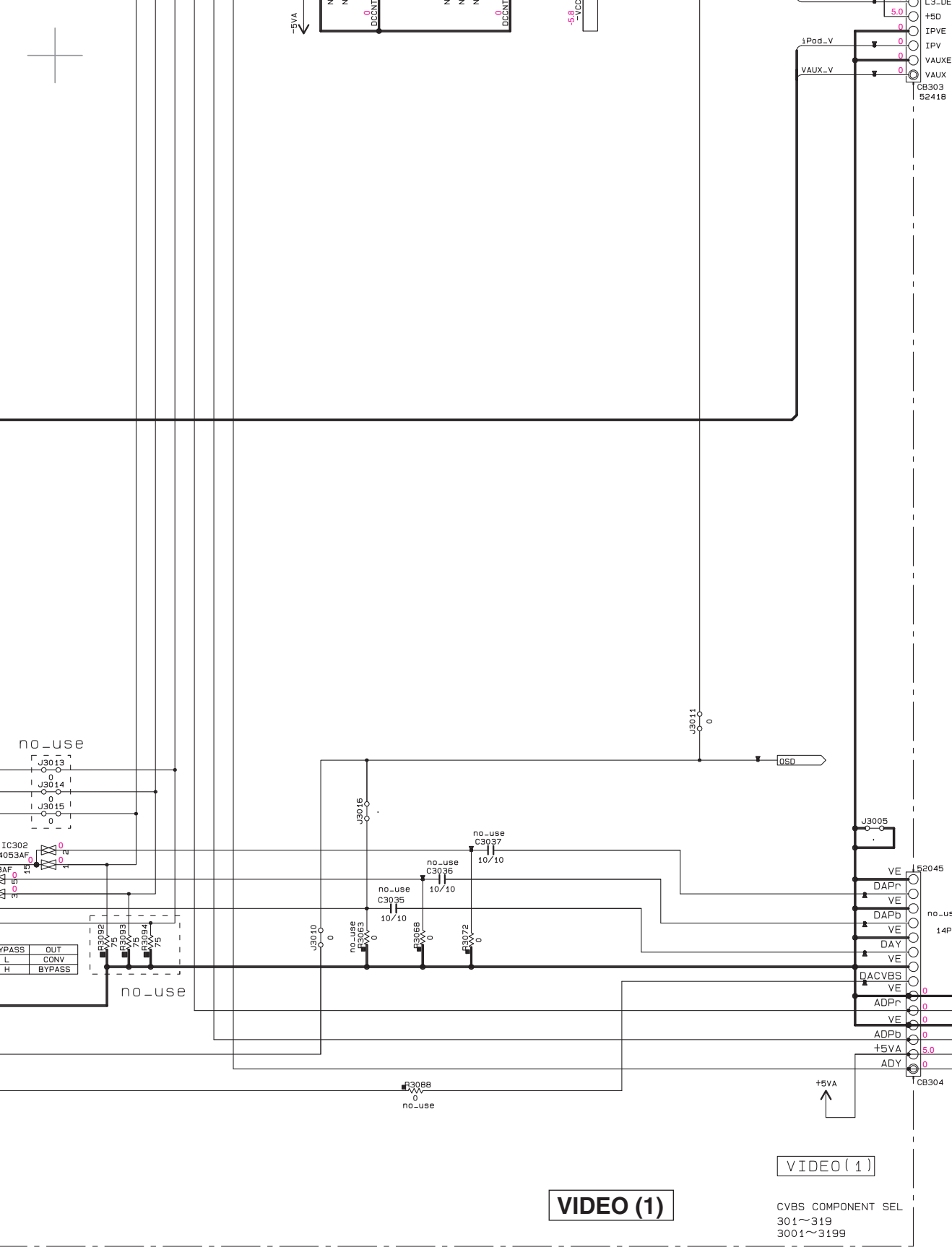
A	B
C	D

VIDEO 1/3



VID_SEL3	VID_SEL2	VID_SEL1	OUT
L	L	L	MUTE
L	L	H	AV-5
L	H	L	AV-4
L	H	H	AV-6
H	L	L	AV-3
H	L	H	IPod
H	H	L	MUTE
H	H	H	V-AUX

CBYPASS	OUT
L	CONV
H	BYPASS

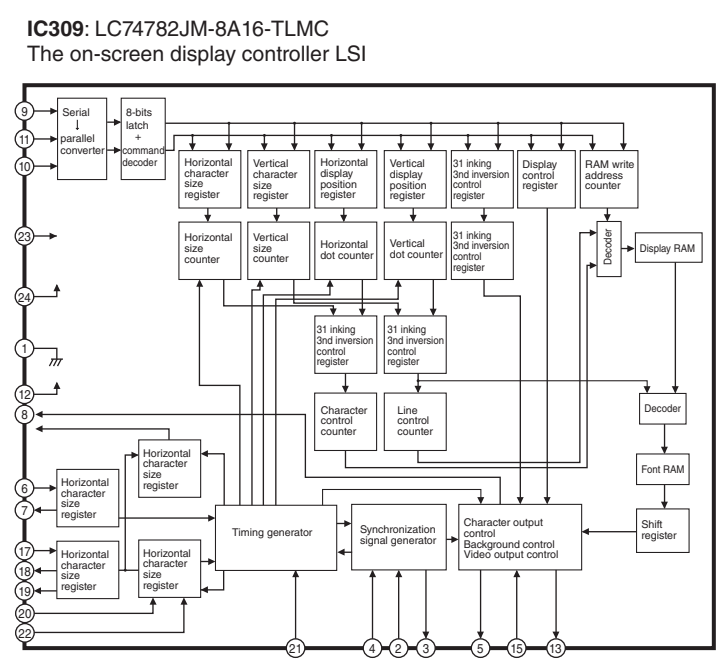
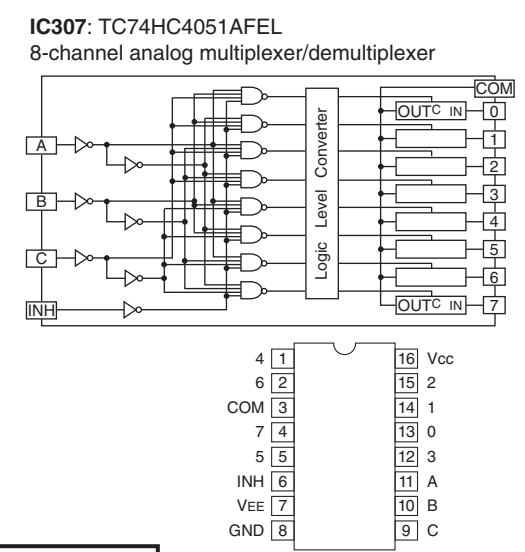
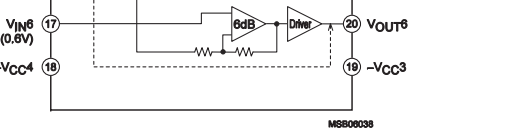
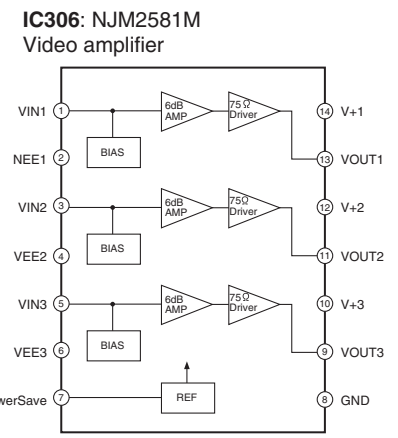


VIDEO (1)

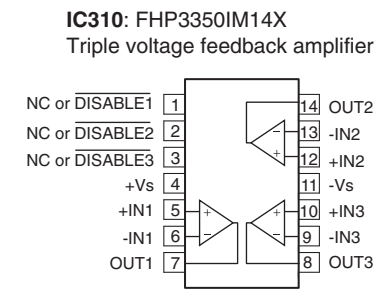
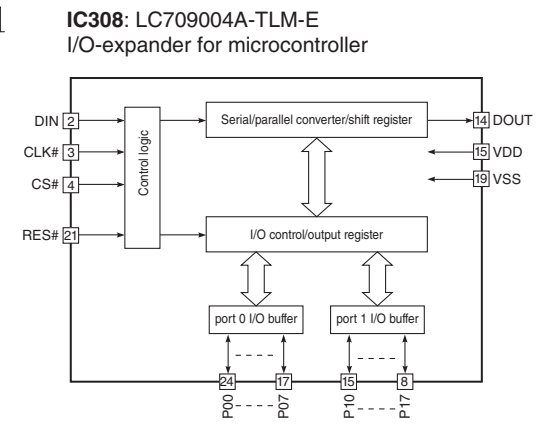
VIDEO (1)
CVBS COMPONENT SEL
301~319
3001~3199

To Digital
Page 97 H1
to DIGITAL_CB72

6P1in



VSS1	1	24	VDD1
XtalIN	2	23	RST
XtalOUT	3	22	CTRL3
CTAL1	4	21	CTRL2
BLANK	5	20	SEPin
OSCIN	6	19	SEPOUT
OSCOUT	7	18	SEPC
CHARA	8	17	SYNIN
CS	9	16	VDD1
SCLK	10	15	CVIN
SIN	11	14	NC
VDD2	12	13	CVOUT



- ★ All voltages are measured with a 10MΩ/V DC electronic voltmeter.
- ★ Components having special characteristics are marked Δ and must be replaced with parts having specifications equal to those originally installed.
- ★ Schematic diagram is subject to change without notice.

- 電圧は、内部抵抗 10MΩの電圧計で測定したものです。
- Δ印のある部品は、安全性確保部品を示しています。部品の交換が必要な場合、パーツリストに記載されている部品を使用してください。
- 本回路図は標準回路図です。改良のため予告なく変更することがあります。

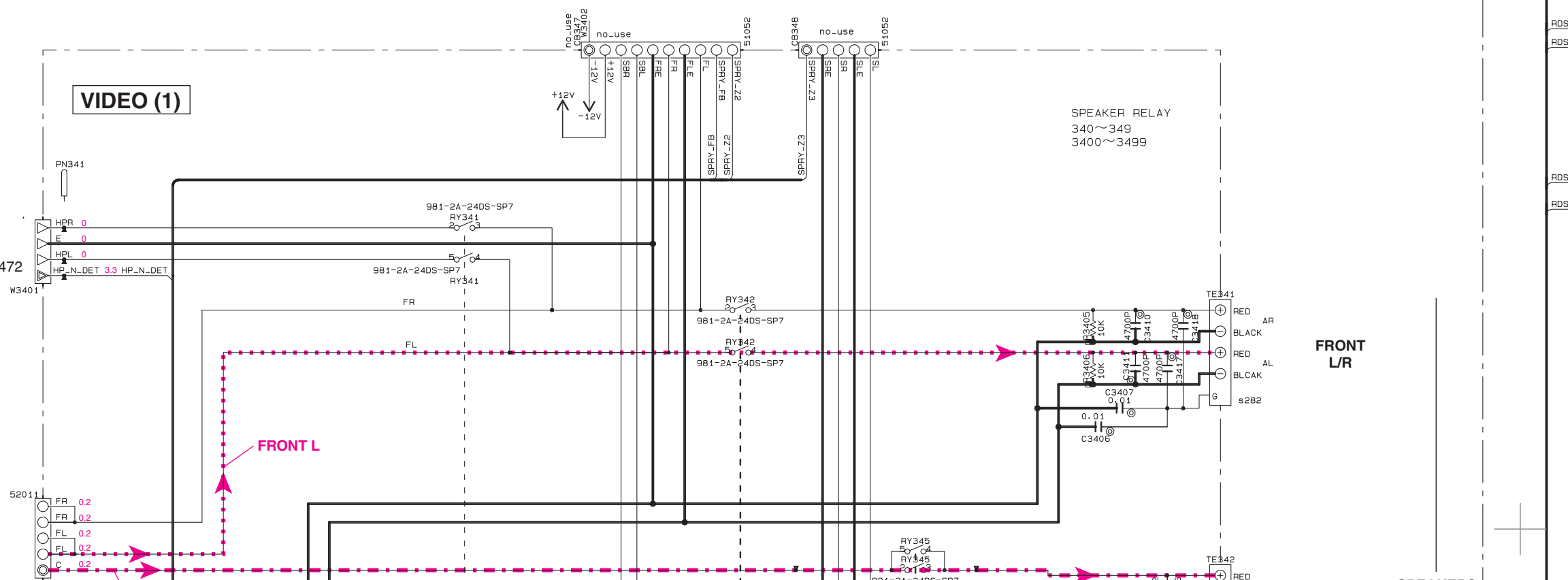
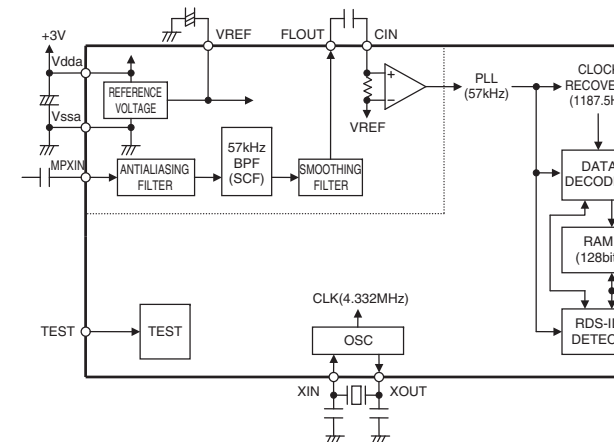
A	B
C	D

A	B
C	D

VIDEO 2/3

Destination Part List									
sXX	LOC	J	UC	R	T	A	BGF	L	K
s201	IC321	X	X	X	X	X	X8235A0 LC72725KM-UY-TL	X	X
s202	XL321	X	X	X	X	X	V273110 4.332MHZ	X	X
s203	C3201 C3203	X	X	X	X	X	U506127 27P(CH)	X	X
s204	C3209 C3205 C3204	X	X	X	X	X	US13510 0.1/16	X	X
s205	R3203 R3201	X	X	X	X	X	RD35510 100	X	X
s206	C3202	X	X	X	X	X	UR83710 10/16	X	X
s207	C3206	X	X	X	X	X	U506256 560P(SL)	X	X
s208	R3202	X	X	X	X	X	RD35651 5.1K	X	X
s209	C3207 C3208	X	X	X	X	X	U506233 330P(SL)	X	X
s210	R3204	X	X	X	X	X	RD35722 22K	X	X
s211	R3205	X	X	X	X	X	RD35633 3.3K	X	X
s212	Q3201	X	X	X	X	X	IC17402 C1740S(R/S)	X	X
s213	R3206	X	X	X	X	X	RD35810 100K	X	X
s214	R3207	X	X	X	X	X	RD35733 33K	X	X
s215	R3208	X	X	X	X	X	HV75568 680	X	X
s216	D3201	X	X	X	X	X	VG43610 MTZJ3.3B	X	X
s217	C3211	X	X	X	X	X	UR23747 47/16	X	X
s281	TE342	WK56100 MST-207V1-01	WK56100 MST-207V1-01	WK56100 MST-207V1-01	WK56100 MST-207V1-01	WK56100 MST-207V1-01	WK56110 MST-207V1-01	WK56110 MST-207V1-01	WK56110 MST-207V1-01
s282	TE343 TE341	WK56080 MST-204V1-01	WK56080 MST-204V1-01	WK56080 MST-204V1-01	WK56080 MST-204V1-01	WK56080 MST-204V1-01	WK56090 MST-204V1-01	WK56090 MST-204V1-01	WK56090 MST-204V1-01
s292	R3350	X	X	HF45622 2.2K	X	X	X	X	X
s293	D3350	X	X	VU17280 UDZ512B	X	X	X	X	X

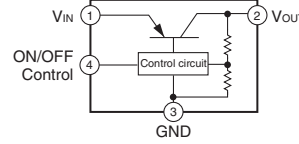
IC321: LC72725KM-UY-TLM-E
RDS signal demodulation IC



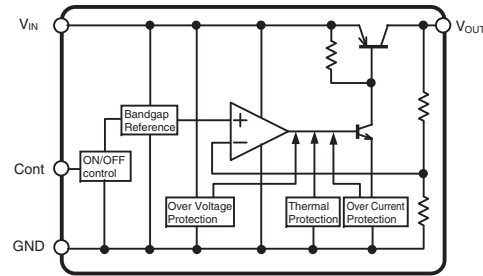
Page 98 M5
to OPERATION (3)_CB472

Page 100 H5
to MAIN (1)_CB101

IC331: NJM2396F05
Low dropout voltage regulator with ON/OFF control



IC334: NJM2388F05
Low dropout voltage regulator with ON/OFF control

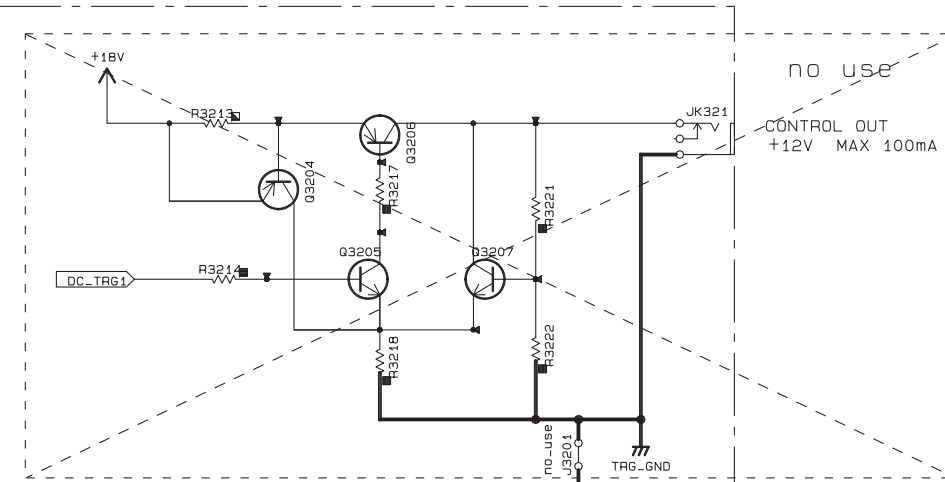
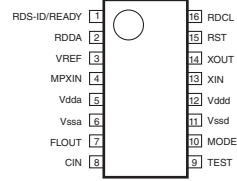
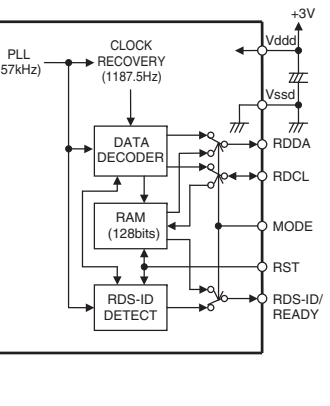


NOTICE (mode1)

- (J)..... JAPAN
- (U)..... U. S. A
- (C)..... CANADA
- (R)..... GENERAL
- (T)..... CHINA
- (K)..... KOREA
- (A)..... AUSTRALIA
- (B)..... BRITISH
- (G)..... EUROPE
- (L)..... SINGAPORE
- (E)..... SOUTH EUROPE
- (V)..... TAIWAN
- (F)..... RUSSIAN
- (P)..... LATIN AMERICA

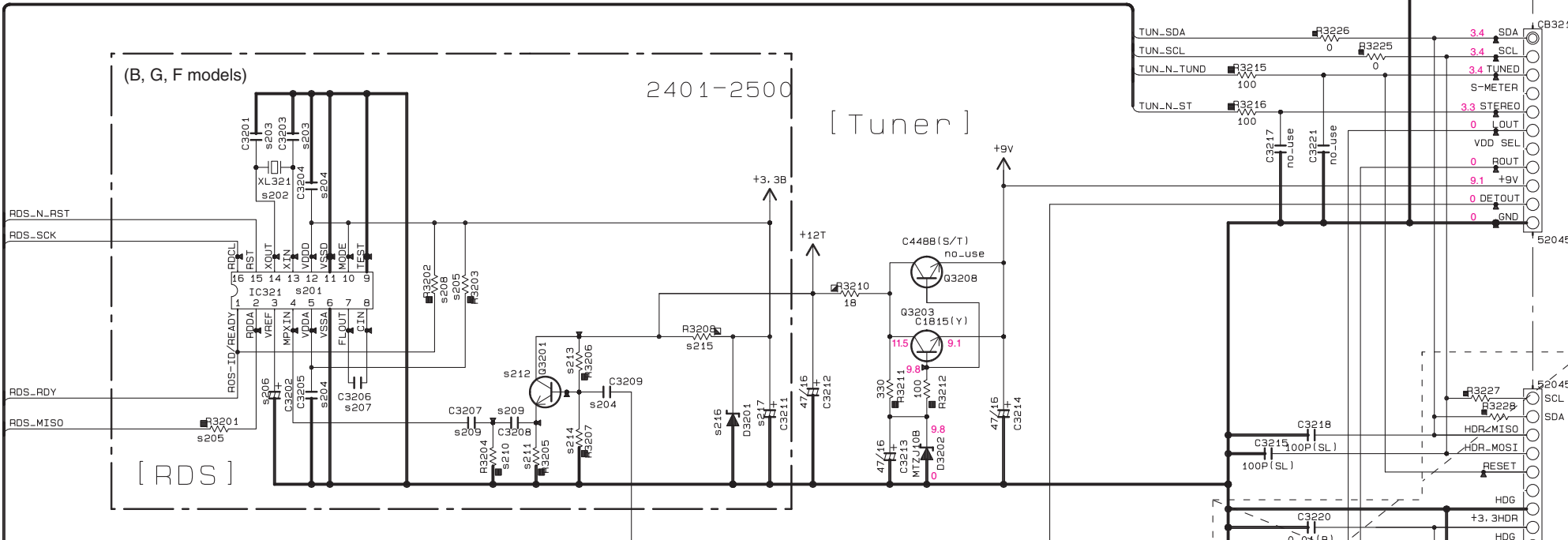
REMARKS	PARTS NAME
NO MARK	CARBON FILM RESISTOR (P=5)
□	CARBON FILM RESISTOR (P=10)
△	METAL OXIDE FILM RESISTOR
▲	METAL FILM RESISTOR
⊠	METAL PLATE RESISTOR
■	FIRE PROOF CARBON FILM RESISTOR
□	CEMENT MOLDED RESISTOR
⊗	SEMI VARIABLE RESISTOR
■	CHIP RESISTOR

REMARKS	PARTS NAME
NO MARK	ELECTROLYTIC CAPACITOR
⊗	TANTALUM CAPACITOR
NO MARK	CERAMIC CAPACITOR
⊙	CERAMIC TUBULAR CAPACITOR
⊕	POLYESTER FILM CAPACITOR
○	POLYSTYRENE FILM CAPACITOR
⊖	MICA CAPACITOR
⊕	POLYPROPYLENE FILM CAPACITOR
⊙	SEMICONDUCTIVE CERAMIC CAPACITOR



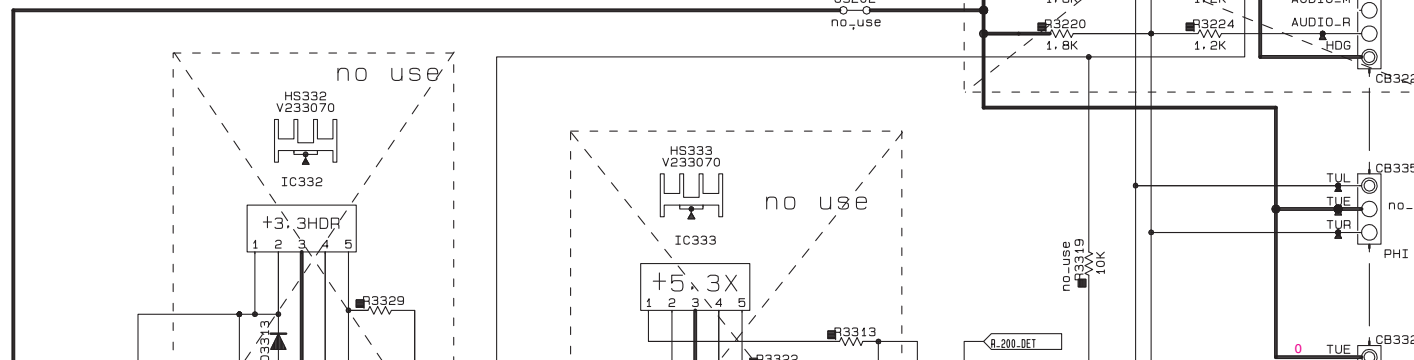
TRIGGER & TUNER
320~329
3200~3299

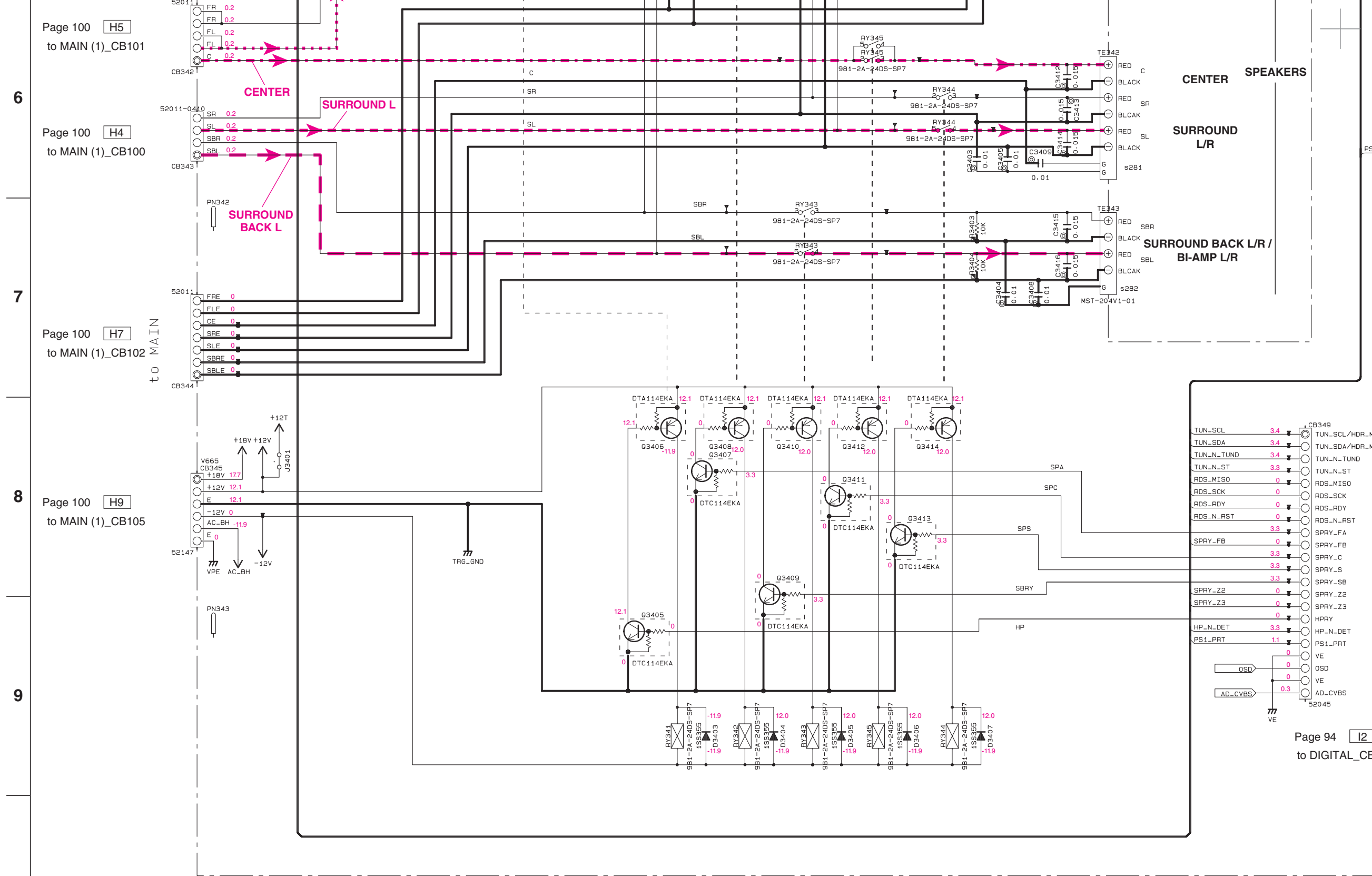
VIDEO (1)



to TUNER PACK
To AM/FM TUNER

to HD RADIO





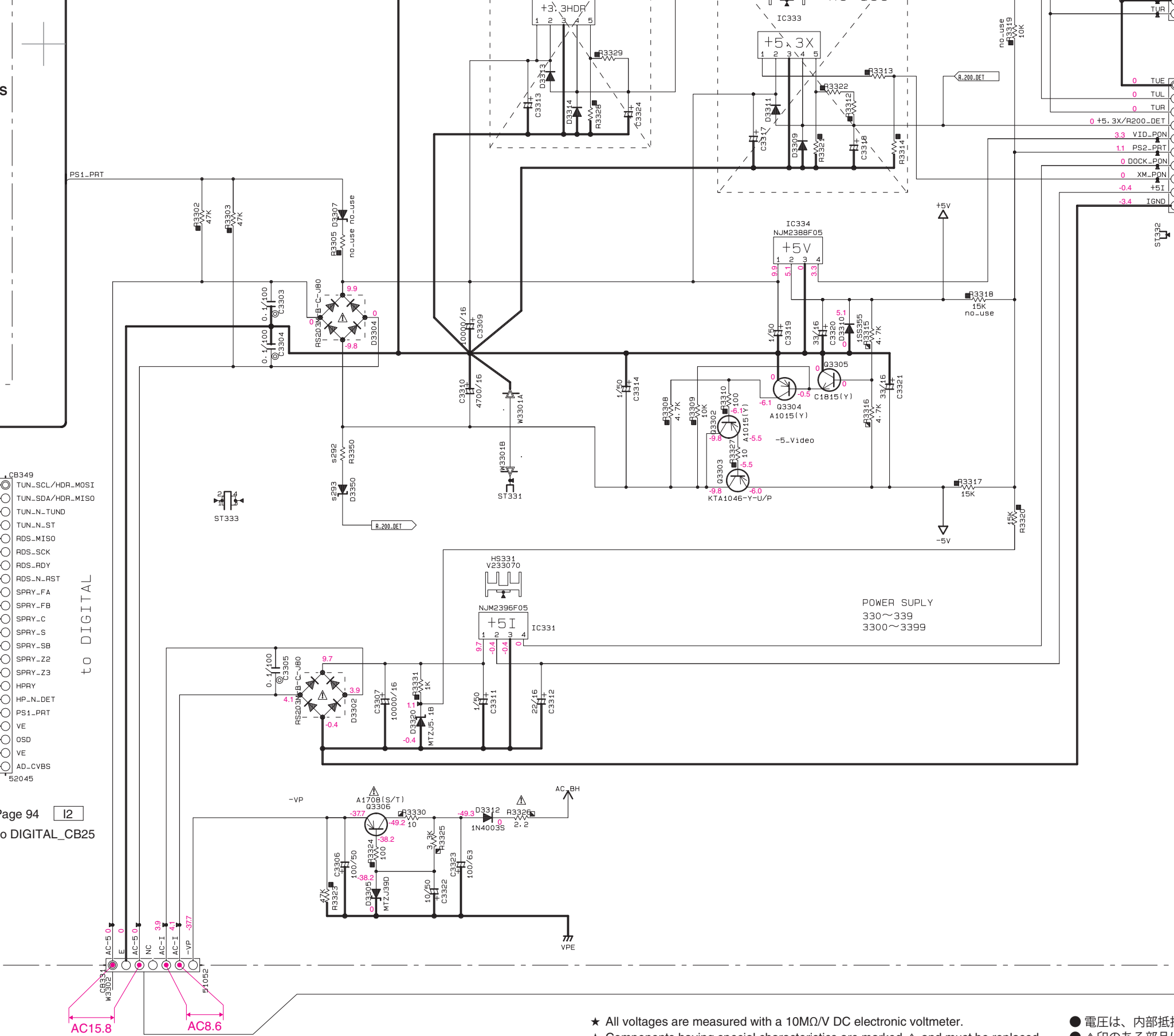
Page 100 **H5**
to MAIN (1)_CB101

Page 100 **H4**
to MAIN (1)_CB100

Page 100 **H7**
to MAIN (1)_CB102

Page 100 **H9**
to MAIN (1)_CB105

Page 94 **I2**
to DIGITAL_CB2



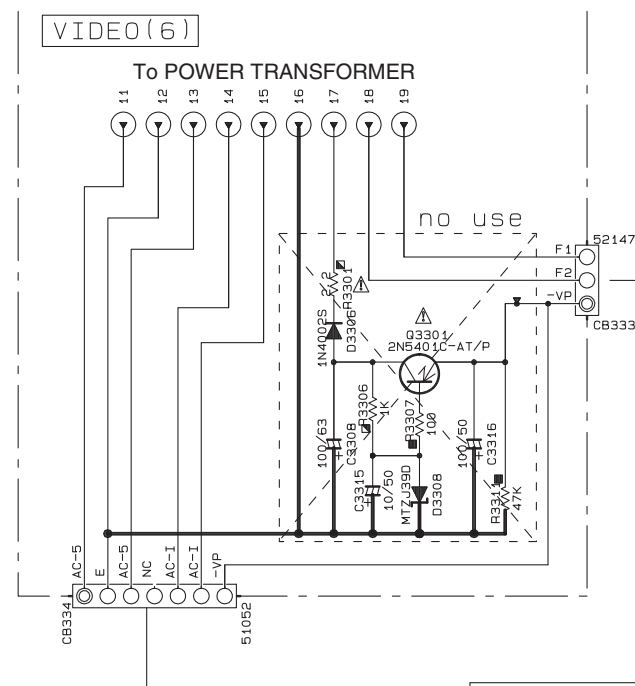
TO DIGITAL
 CB349
 TUN_SCL/HDR_MOSI
 TUN_SDA/HDR_MISO
 TUN_N_TUND
 TUN_N_ST
 RDS_MISO
 RDS_SCK
 RDS_RDY
 RDS_N_RST
 SPRY_FA
 SPRY_FB
 SPRY_C
 SPRY_S
 SPRY_SB
 SPRY_Z2
 SPRY_Z3
 HPRY
 HP_N_DET
 PS1_PRT
 VE
 VE
 AD_CVBS
 52045

Page 94 [I2]
 TO DIGITAL_CB25

no-use
 R3319
 10K

Page 99 [K10]
 to OPERATION (2)_CB460

VIDEO (6)



Page 98 [H2]
 to OPERATION (1)_CB405

- ★ All voltages are measured with a 10MΩ/V DC electronic voltmeter.
- ★ Components having special characteristics are marked Δ and must be replaced with parts having specifications equal to those originally installed.
- ★ Schematic diagram is subject to change without notice.

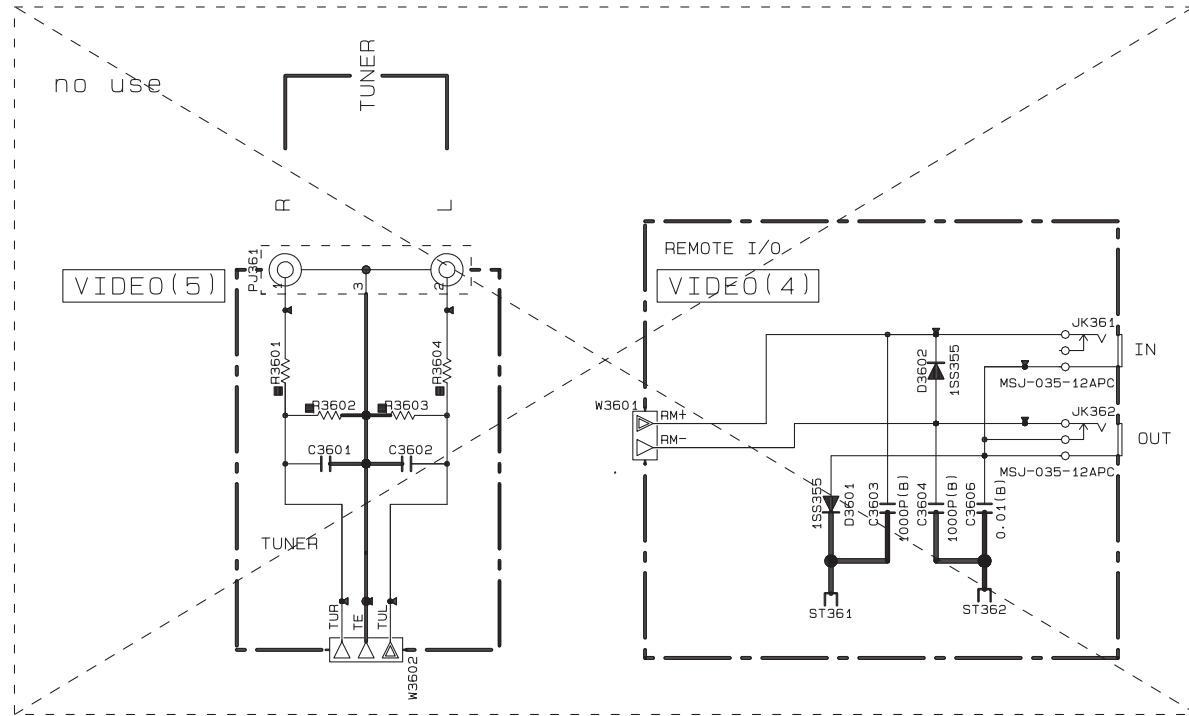
- 電圧は、内部抵抗 10MΩの電圧計で測定したものです。
- Δ印のある部品は、安全性確保部品を示しています。部品の交換が必要な場合、パーツリストに記載されている部品を使用してください。
- 本回路図は標準回路図です。改良のため予告なく変更することがあります。

A	B
C	D

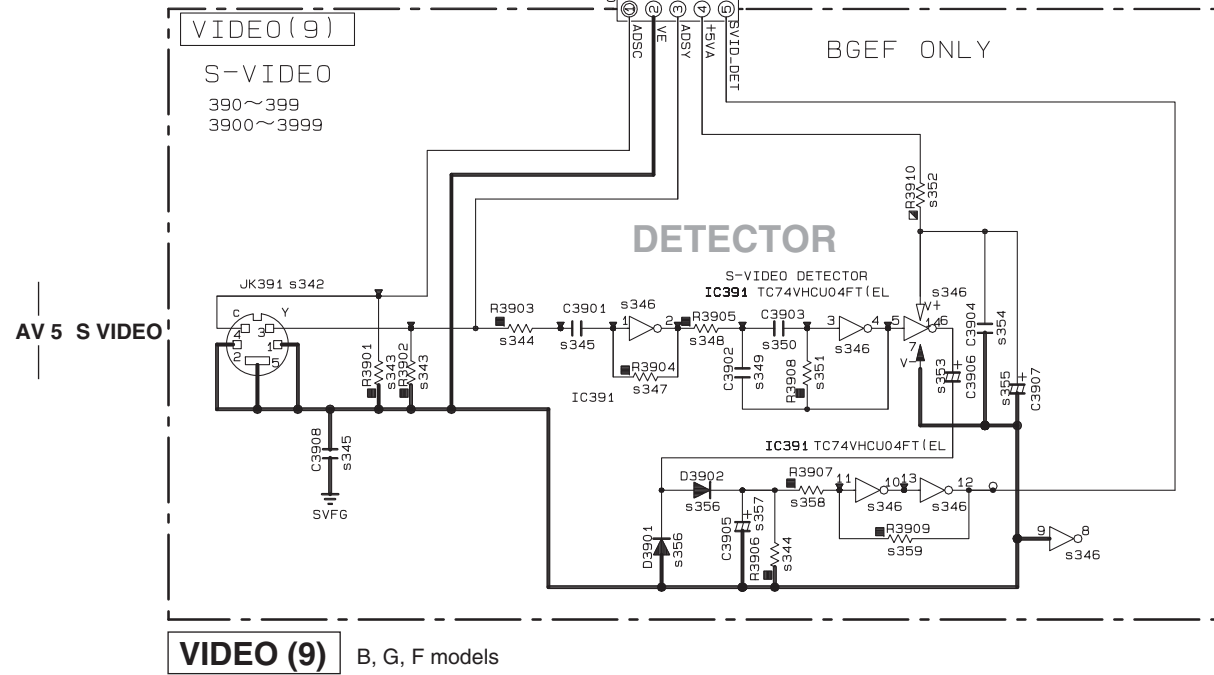
A	B
C	D

RX-V567/HTR-5063

VIDEO 3/3



Page 97 E1
to DIGITAL_CB73



VIDEO (9) B, G, F models



VIDEO (7)

VIDEO (7)

U, C, T, K, A, B, G, F, J models

VIDEO (8)

D-TERMINAL

J ONLY

350~359
3500~3599

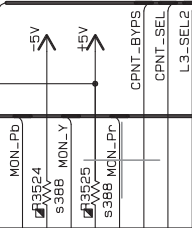
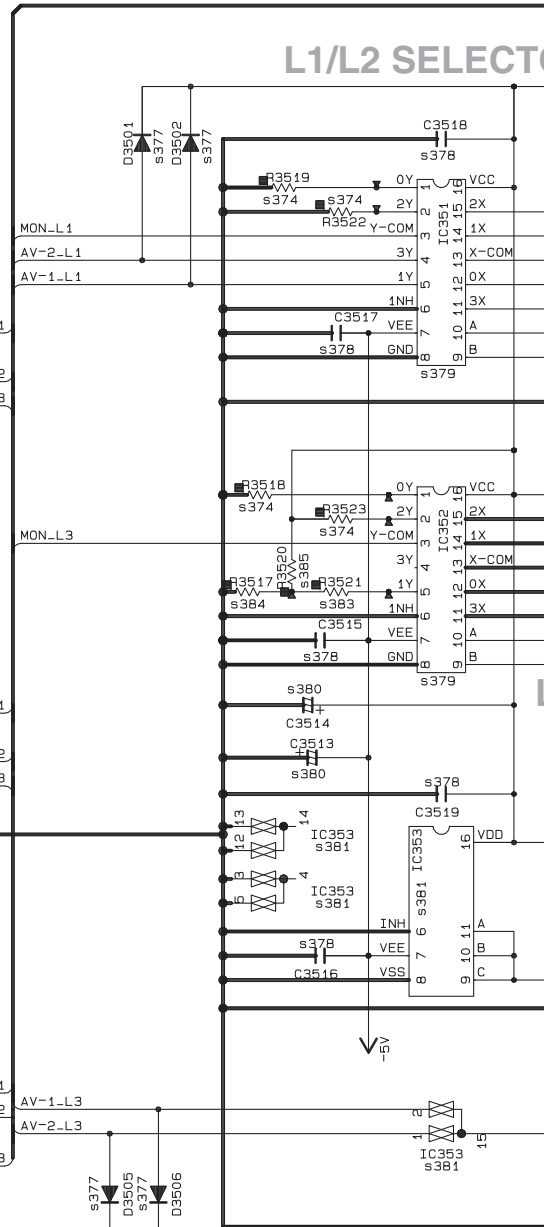
LINE SELECTOR			L3 SELECTOR	
COMP_SEL	CBYAPASS	OUT	L3B	L3A
L	L	4B0I	L	L
L	H	AV-1	L	H
H	L	4B0I	H	L
H	H	AV-2	H	H

L1/L2 SELECTOR

AV-1

AV-2

MONITOR OUT



H

I

J

K

L

M

N

Destination Part List

sXX	LOC	J	UC	R	T	A	BGF	L	K
s304	F3701	WB22120 6.00A125V	WB22120 6.00A125V	WB76060 T6.3AL250V	VV07170 T3.15AL250V	VV07170 T3.15AL250V	VV07170 T3.15AL250V	VV07170 T3.15AL250V	VV07170 T3.15AL250V
s309	W3701B W3701A	MH06625	MH06625	X	MH06625	MH06625	MH06625	X	MH06625
s310	W3702B W3702A	MH09625	MH09625	X	MH09625	MH09625	MH09625	X	MH09625
s311	CB378	X	X	VG87990 VHIS	X	X	X	VG87990 VHIS	X
s315	C3703	WR08200 100/220	WR08200 100/220	WR08210 100/400	WQ85250 68/400	WQ85250 68/400	WQ85250 68/400	WQ85250 68/400	WQ85250 68/400
s321	R3809	RD35000 0	RD35612 1.2K	RD35647 4.7K	RD35668 5. BK	RD35715 15K	RD35747 47K	RD35810 100K	RD35710 10K
s341	CB391	X	X	X	X	X	VQ04410 52044	X	X
s342	JK391	X	X	X	X	X	V693100 YKF51-5506V	X	X
s343	R3901 R3902	X	X	X	X	X	RD35475 75	X	X
s344	R3903 R3906	X	X	X	X	X	RD35710 10K	X	X
s345	C3908 C3901	X	X	X	X	X	US06410 0.01(B)	X	X
s346	IC391	X	X	X	X	X	XZ509A0 TC74VHC04FT(EL)	X	X
s347	R3904	X	X	X	X	X	RD35747 47K	X	X
s348	R3905	X	X	X	X	X	RD35647 4.7K	X	X
s349	C3902	X	X	X	X	X	US06212 120P(SL)	X	X
s350	C3903	X	X	X	X	X	US06222 220P(SL)	X	X
s351	R3908	X	X	X	X	X	RD35847 470K	X	X
s352	R3910	X	X	X	X	X	HV75322 2.2	X	X
s353	C3906	X	X	X	X	X	URB3710 10/16	X	X
s354	C3904	X	X	X	X	X	US13510 0.1/16	X	X
s355	C3907	X	X	X	X	X	UR21847 470/6.3	X	X
s356	D3902 D3901	X	X	X	X	X	VT33290 1SS355	X	X
s357	C3905	X	X	X	X	X	URB3747 47/16	X	X
s358	R3907	X	X	X	X	X	RD35715 15K	X	X
s359	R3909	X	X	X	X	X	RD35868 680K	X	X
s371	R3501 R3504 R3505 R3503 R3508 R3509 R3506 R3507 R3502	RD35510 100	X	X	X	X	X	X	X
s372	CB351 CB353 CB352	WD39840 YKF45-3011	X	X	X	X	X	X	X
s373	C3502 C3506 C3505 C3501 C3504 C3507 C3508 C3503 C3509	US06410 0.01(B)	X	X	X	X	X	X	X
s374	R3519 R3527 R3528 R3522 R3523 R3518	RD35710 10K	X	X	X	X	X	X	X
s375	C3511 C3510 C3512	US06080 8P(CH)	X	X	X	X	X	X	X
s376	R3515 R3514 R3516	RD35000 0	X	X	X	X	X	X	X
s377	D3502 D3504 D3506 D3505 D3503 D3501	VT33290 1SS355	X	X	X	X	X	X	X
s378	C3515 C3520 C3516 C3519 C3517 C3518	US13510 0.1/16	X	X	X	X	X	X	X
s379	IC352 IC351	XS790A0 TC74HC4052AF	X	X	X	X	X	X	X
s380	C3514 C3513	UR23710 10/16	X	X	X	X	X	X	X
s381	IC353	XYB79A0 TC74VHC04AF	X	X	X	X	X	X	X

RESISTOR

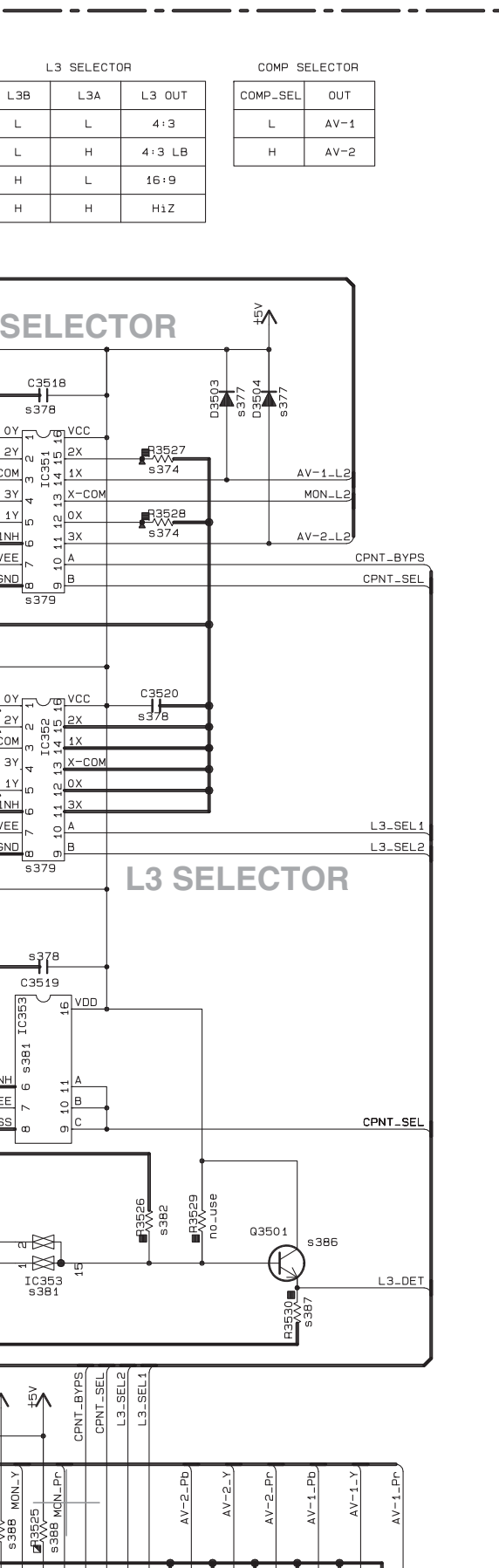
REMARKS	PARTS NAME
NO MARK	CARBON FILM RESISTOR (P=5)
☐	CARBON FILM RESISTOR (P=10)
△	METAL OXIDE FILM RESISTOR
▲	METAL FILM RESISTOR
⊠	METAL PLATE RESISTOR
⊞	FIRE PROOF CARBON FILM RESISTOR
□	CEMENT MOLDED RESISTOR
⊗	SEMI VARIABLE RESISTOR
■	CHIP RESISTOR

CAPACITOR

REMARKS	PARTS NAME
NO MARK	ELECTROLYTIC CAPACITOR
⊗	TANTALUM CAPACITOR
NO MARK	CERAMIC CAPACITOR
●	CERAMIC TUBULAR CAPACITOR
⊙	POLYESTER FILM CAPACITOR
○	POLYSTYRENE FILM CAPACITOR
①	MICA CAPACITOR
⊕	POLYPROPYLENE FILM CAPACITOR
●	SEMICONDUCTIVE CERAMIC CAPACITOR

NOTICE (model)

- (J)..... JAPAN
- (U)..... U.S.A
- (C)..... CANADA
- (R)..... GENERAL
- (T)..... CHINA
- (K)..... KOREA
- (A)..... AUSTRALIA
- (B)..... BRITISH
- (G)..... EUROPE
- (L)..... SINGAPORE
- (E)..... SOUTH EUROPE
- (V)..... TAIWAN
- (F)..... RUSSIAN
- (P)..... LATIN AMERICA



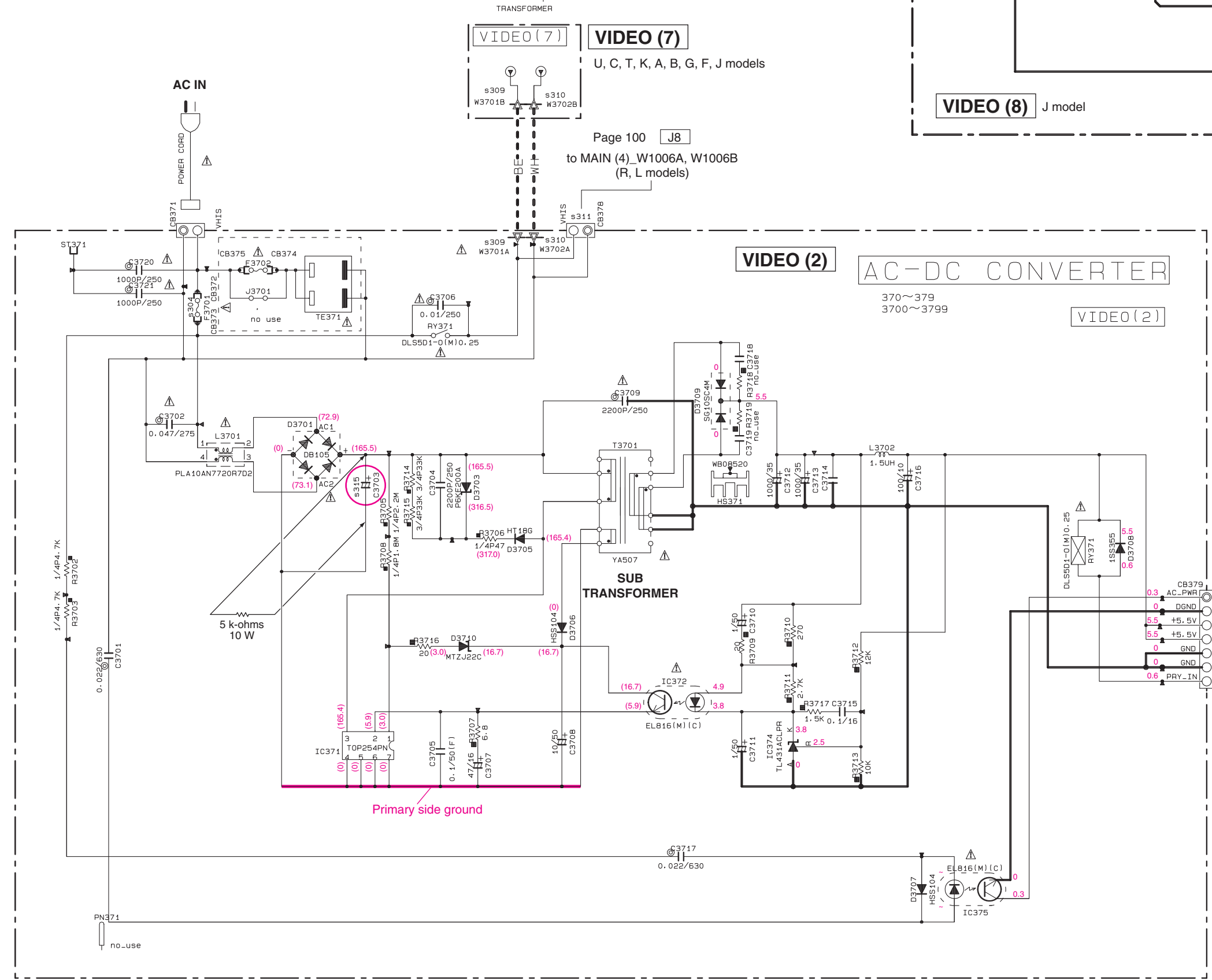
6

7

8

9

10



Notes)

Safety measures

- Some internal parts in this product contain high voltages and are dangerous. Be sure to take safety measures during servicing, such as wearing insulating gloves.
- Note that positions indicated below are dangerous even after the power is turned off because an electric charge remains and a high voltage continues to exist there. Before starting any repair work, perform discharge by connecting a discharge resistor (5k-ohms/10W) between terminals at following positions. The time required for discharging is about 30 seconds.
C3703 on VIDEO (2) P.C.B.

注意)

安全対策

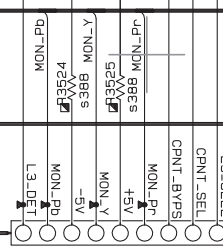
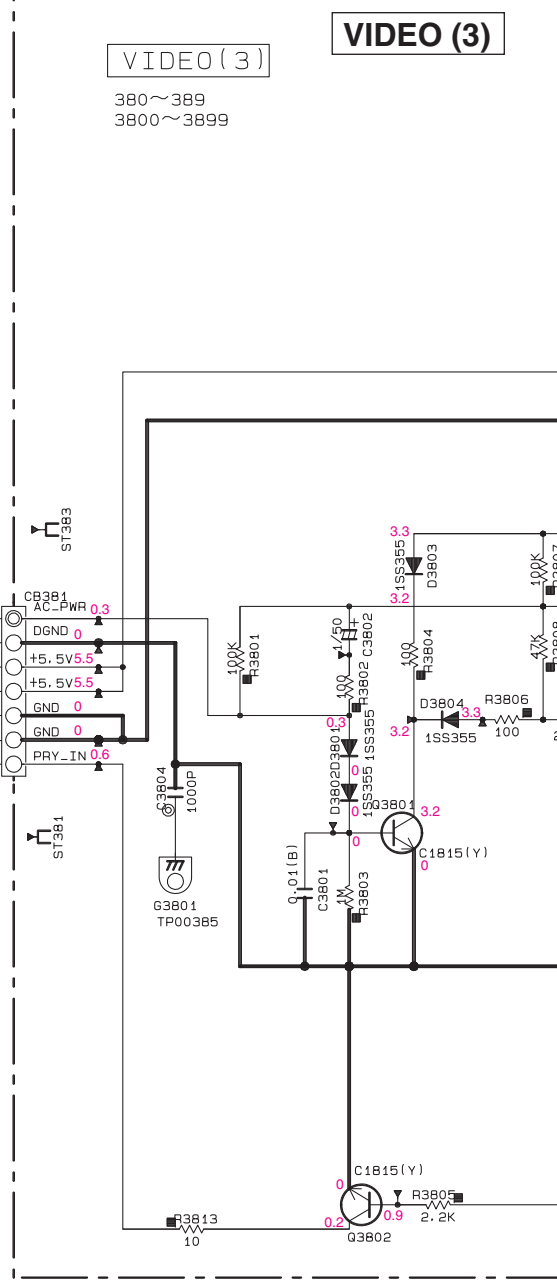
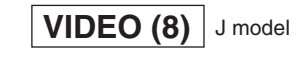
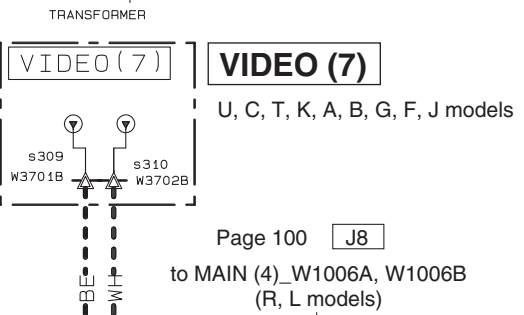
- この製品の内部には高電圧部分があり危険です。修理の際は、絶縁性の手袋を使用するなどの安全対策を行ってください。
- 下記箇所には電源を OFF にした後も電荷が残り、高電圧が維持されており危険です。修理作業前に放電用抵抗 (5 kΩ/10 W) を下記箇所の端子間に接続して放電してください。放電所用時間は約 30 秒です。
VIDEO (2) P.C.B. の C3703

104

RX-V567/HTR-5063

A	B
C	D

VIDEO 3/3



Page 100 J8 to MAIN (4)_W1006A, W1006B (R, L models)

