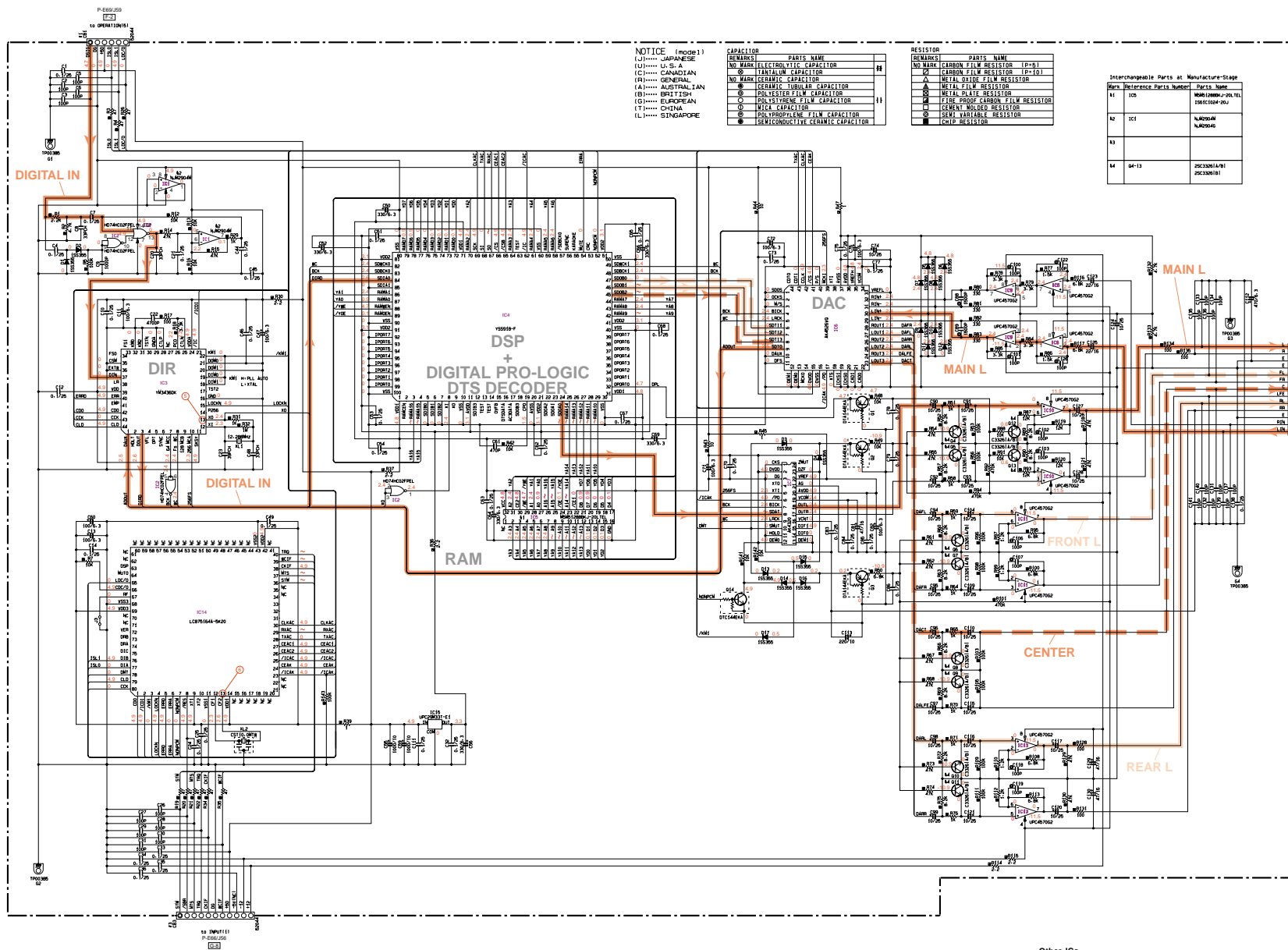


■ SCHEMATIC DIAGRAM (DSP)

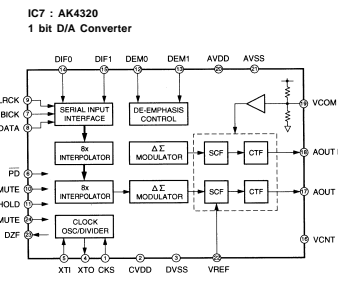
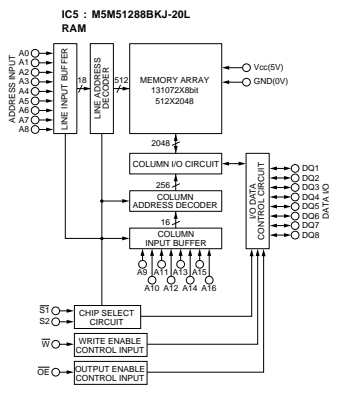
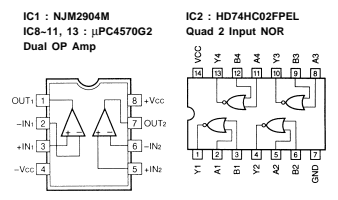


NOTICE (model)
 (J)..... JAPANESE
 (U)..... U.S.A
 (C)..... CANADIAN
 (R)..... GENERAL
 (A)..... AUSTRALIAN
 (B)..... BRITISH
 (G)..... GERMANY
 (T)..... CHINA
 (L)..... SINGAPORE

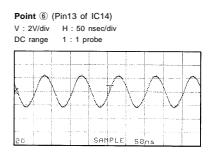
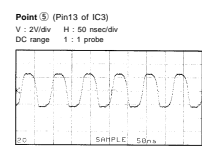
REMARKS	PARTS NAME	REMARKS	PARTS NAME
NO MARK ELECTROLYTIC CAPACITOR	ALUMINUM ELECTROLYTIC CAPACITOR	NO MARK CARBON FILM RESISTOR (P-FIL)	CARBON FILM RESISTOR (P-FIL)
NO MARK CERAMIC CAPACITOR	CERAMIC TUBULAR CAPACITOR	NO MARK METAL OXIDE FILM RESISTOR	METAL OXIDE FILM RESISTOR
NO MARK POLYESTER FILM CAPACITOR	POLYESTER FILM CAPACITOR	NO MARK METAL PLATE RESISTOR	METAL PLATE RESISTOR
NO MARK POLYPROPYLENE FILM CAPACITOR	POLYPROPYLENE FILM CAPACITOR	NO MARK FIBRE SHEET CARBON FILM RESISTOR	FIBRE SHEET CARBON FILM RESISTOR
NO MARK MICA CAPACITOR	MICA CAPACITOR	NO MARK CERAMIC MOLDED RESISTOR	CERAMIC MOLDED RESISTOR
NO MARK TANTALUM FILM CAPACITOR	TANTALUM FILM CAPACITOR	NO MARK THICK FILM RESISTOR	THICK FILM RESISTOR
NO MARK SEMICONDUCTIVE CERAMIC CAPACITOR	SEMICONDUCTIVE CERAMIC CAPACITOR	NO MARK CHIP RESISTOR	CHIP RESISTOR

Interchangeable Parts at Manufacturer's Shop

Part No.	Reference Parts Number	Parts Name
11	105	RAM (M5M5128BKJ-20L 512KX2048)
12	IC1	NUM2904M N4924M N4924S
13		
14	04-13	29C3201A/01 29C3201B/1

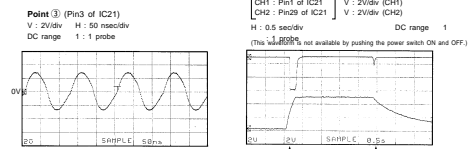
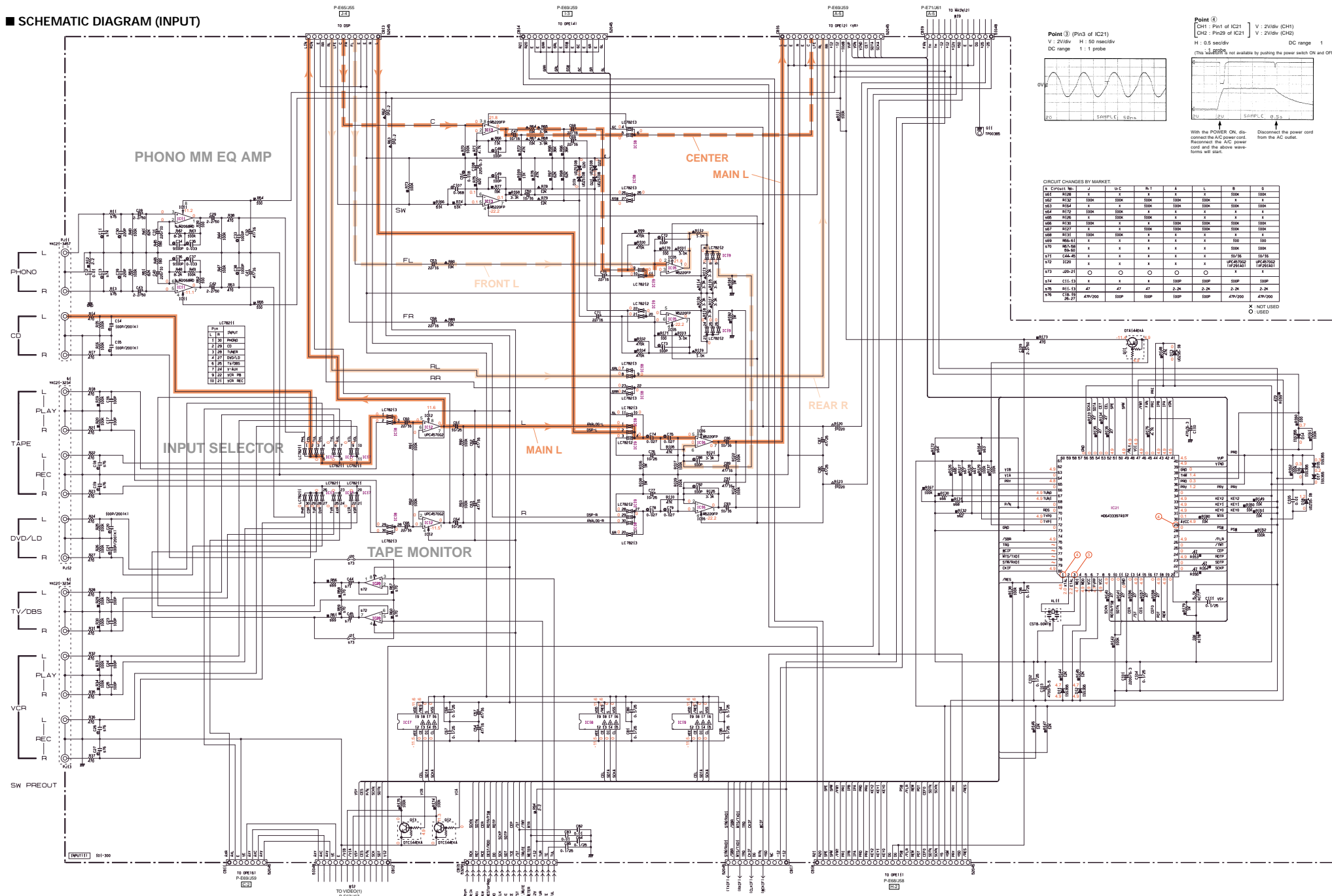


Other ICs
 ● IC3 : YM3436DK → See page E-27/J-23
 ● IC4 : YSS918-F → See page E-28/J-24
 ● IC14 : LC87F5164 → See page E-31/J-27

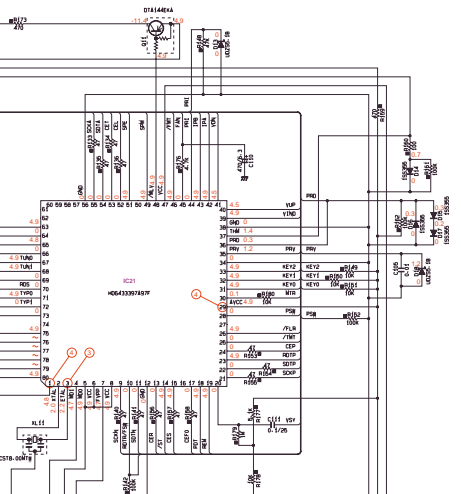


* All voltage are measured with a 10MΩ/DC electric volt meter.
 * Components having special characteristics are marked Δ and must be replaced with parts having specifications equal to those originally installed.
 * Schematic diagram is subject to change without notice.

SCHEMATIC DIAGRAM (INPUT)



CIRCUIT CHANGES BY MARKET. A table with columns for market codes (A, B, C, D, E, F, G, H, I, J, K) and rows for various components (R18, R19, etc.) with 'x' or 'o' indicating presence.



- RESISTOR: PARIS NAME, JAPANESE, U.S.A., CANADIAN, GENERAL, AUSTRALIAN, BRITISH, EUROPEAN, CHINA, SINGAPORE.
CAPACITOR: PARIS NAME, JAPANESE, U.S.A., CANADIAN, GENERAL, AUSTRALIAN, BRITISH, EUROPEAN, CHINA, SINGAPORE.
NOTICE (mode 1)

* All voltage are measured with a 10MΩ/DC electric volt meter.
* Components having special characteristics are marked Δ, and must be replaced with parts having specifications equal to those originally installed.
* Schematic diagram is subject to change without notice.

■ SCHEMATIC DIAGRAM (INPUT & VIDEO)

NOTICE (mode 1)
 (J)..... JAPANESE
 (U)..... U. S. A.
 (C)..... CANADIAN
 (R)..... GENERAL
 (A)..... AUSTRALIAN
 (E)..... BRITISH
 (G)..... EUROPEAN
 (T)..... CHINA
 (L)..... SINGAPORE

Interchangeable Parts at Manufacture Stage

Mark	Reference Parts Number	Parts Name
11	D402-409-709-710	H55104 155133 155176
42	IC401	TC4053BP TP04053BC
43	6401-407-724	95C174051R/S1 95C206151F1 95C31141G/R/S1
44	G414	5S193310/R1 2S411101P1 5S133910/R/S1
46	G402	25D191M15/F11 25C28761A/R1
411	D821	H55104 155133 155176
412	D821	95C174051R/S1 95C206151F1 95C31141G/R/S1

CIRCUIT CHANGES BY MARKET

Circuit No.	U-C	U-T	A	L	B	G
1	CR02	x	x	0299R1 J/K/L	x	x
2	CR01	0	0	100P	0	0
3	CR01	x	x	100P	x	x
4	CR03	x	x	H2512R2	x	x
5	FR02-R23	x	x	5.6K	x	x
6	CR04-R24	x	x	100P/5K	x	x
7	FR02	x	x	1/2W, 2W	x	x
8	FR01	H55142 H55147	H55143 H55148	AT331 T9986	K5584 K5586	K5584 K5586
9	FR02	V04310	V04310	V15100	V04340	V04330
10	CR04-R24	x	x	x	x	x
11	CR02-R26	W90960	W90960	W90960	W90960	W90960
12	FR03	BA15V	BA15V	BA15V	x	x
13	CR04-R24	x	x	x	x	x
14	FR01	x	x	x	x	x
15	CR04-R24	x	x	x	W90960	W90960
16	FR02	330/25	470/25	330/25	330/25	330/25
17	CR03	330/25	470/25	330/25	330/25	330/25
18	FR01	x	x	V48180	x	x
19	CR01-R25	x	x	W90960	x	x
20	CR01-R25	x	x	W90960	0	0
21	FR02	x	x	T4-04L2001	x	x
22	FR03	x	x	MC3340	x	x
23	FR02	x	x	MC1240	x	x
24	FR01	x	x	MC6240	x	x
25	FR02	x	x	MC6240	x	x
26	FR02	x	x	MC6240	x	x
27	FR02	x	x	MC6240	x	x
28	FR02	V27130 V28540	V26930 V28540	V27130 V27340	V27130 V27340	V27130 V27340
29	FR02	x	x	MC6240	x	x
30	FR02	x	x	MC6240	x	x
31	CR06-762	x	x	0.2 0.05	0.2 0.05	0.2 0.05
32	CR06-762	x	x	0.2 0.05	0.2 0.05	0.2 0.05
33	CR06-779	x	x	0.05 0.05	0.05 0.05	0.05 0.05
34	RE701	VY4900	VY4900	VY4900	VY4900	VY4900
35	RE411	VY4900	VY4900	VY4900	VY4900	VY4900

x: NOT USED
 0: USED

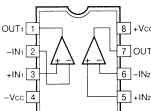
RESISTOR

REMARKS	PARTS NAME
NO MARK	CARBON FILM RESISTOR (P=5)
□	CARBON FILM RESISTOR (P=10)
△	METAL OXIDE FILM RESISTOR
◇	METAL FILM RESISTOR
○	METAL PLATE RESISTOR
◎	FIRE PROOF CARBON FILM RESISTOR
⊙	CEMENT MOLDER RESISTOR
⊕	SEMI VARIABLE RESISTOR
■	CHIP RESISTOR

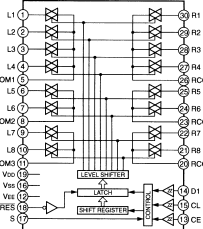
CAPACITOR

REMARKS	PARTS NAME
NO MARK	ELECTROLYTIC CAPACITOR
□	TANTALUM CAPACITOR
NO MARK	CERAMIC CAPACITOR
◎	CERAMIC TUBULAR CAPACITOR
⊙	POLYESTER FILM CAPACITOR
○	POLYSTYRENE FILM CAPACITOR
◇	MICA CAPACITOR
⊕	POLYPROPYLENE FILM CAPACITOR
⊙	SEMICONDUCTIVE CERAMIC CAPACITOR
⊕	POLYPHENYLENE SULFIDE FILM CAPACITOR

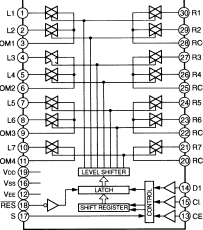
IC11 : NJM2068MD
 IC12, 20 : μPC4570G2
 IC13, 15, 16 : M5220FP
 Dual OP Amp



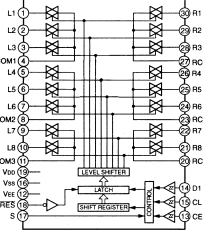
IC17 : LC78211
 Analog Function Switch



IC18 : LC78213
 Analog Function Switch

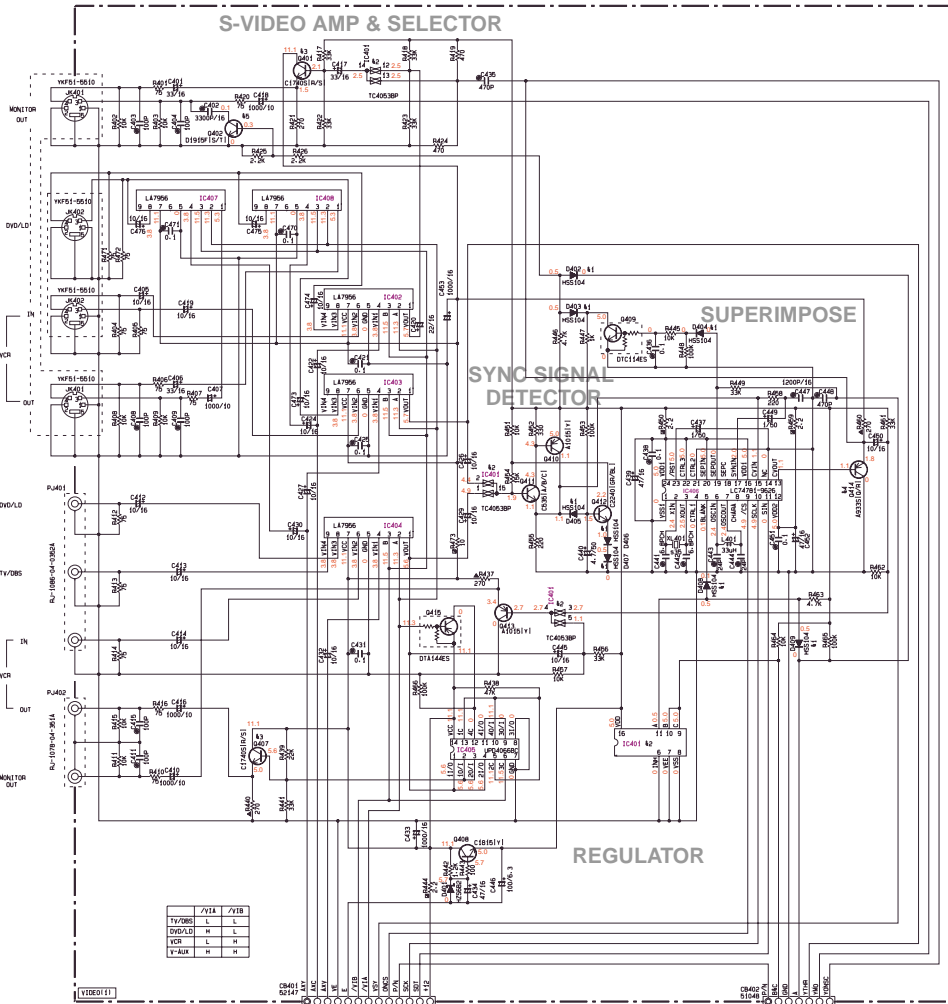


IC19 : LC78212
 Analog Function Switch

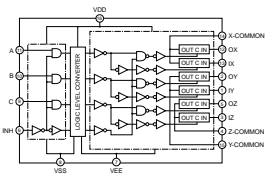


Other ICs
 ● IC21 : HD6433397A97F → See page E-36/J-30
 ● IC406 : LC74781-9626 → See page E-35/J-29

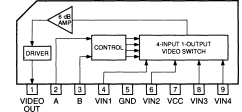
	/714	/718
1/7890	L	L
DVD/LD	H	L
VCR	L	H
V7424	H	H



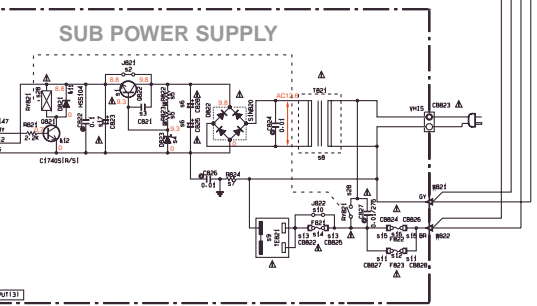
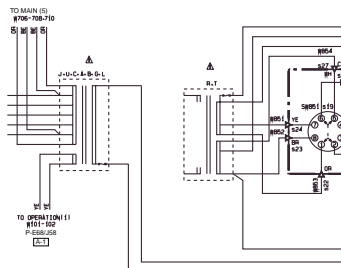
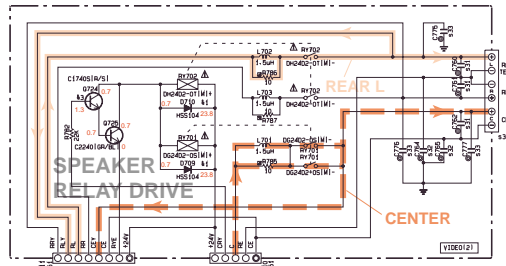
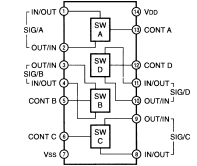
IC401 : TC4053BP
 Triple 2-Channel Analog Multiplexers/
 Demultiplexers



IC402-404, 407, 408 : LA7956
 Video Switch

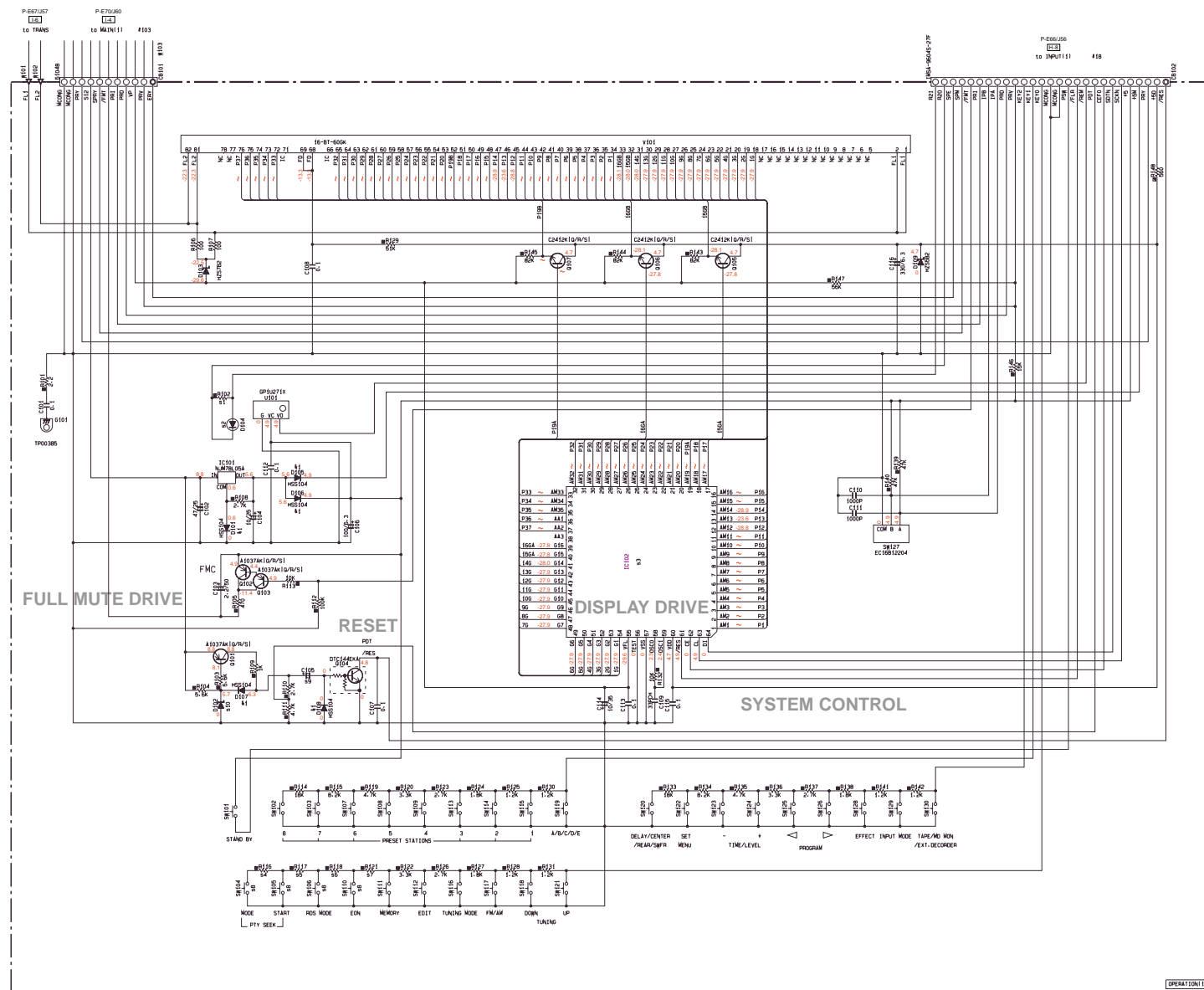


IC405 : μPD4066BC
 Quad Analog Switch/Multiplexer



* All voltage are measured with a 10MΩ/DC electric volt meter.
 * Components having special characteristics are marked △ and must be replaced with parts having specifications equal to those originally installed.
 * Schematic diagram is subject to change without notice.

SCHEMATIC DIAGRAM (OPERATION)



CAPACITOR

REMARKS	PARTS NAME	MARK
NO MARK ELECTROLYTIC CAPACITOR		EH
NO MARK TANTALUM CAPACITOR		TH
NO MARK CERAMIC CAPACITOR		11
NO MARK CERAMIC TUBULAR CAPACITOR		
NO MARK POLYESTER FILM CAPACITOR		
NO MARK POLYPROPYLENE FILM CAPACITOR		
NO MARK METAL CAPACITOR		
NO MARK POLYPROPYLENE FILM CAPACITOR		
NO MARK SEMICONDUCTIVE CERAMIC CAPACITOR		

RESISTOR

REMARKS	PARTS NAME
NO MARK CARBON FILM RESISTOR (P=5J)	
NO MARK CARBON FILM RESISTOR (P=10J)	
NO MARK METAL OXIDE FILM RESISTOR	
NO MARK METAL FILM RESISTOR	
NO MARK METAL PLATE RESISTOR	
NO MARK FIRE PROOF CARBON FILM RESISTOR	
NO MARK CEMENT WOLDED RESISTOR	
NO MARK SEMI VARIABLE RESISTOR	
NO MARK CHIP RESISTOR	

NOTICE (mode1)

(J)..... JAPANESE
 (U)..... U.S.A
 (C)..... CANADIAN
 (R)..... GENERAL
 (A)..... AUSTRALIAN
 (B)..... BRITISH
 (G)..... EUROPEAN
 (T)..... CHINA
 (L)..... SINGAPORE

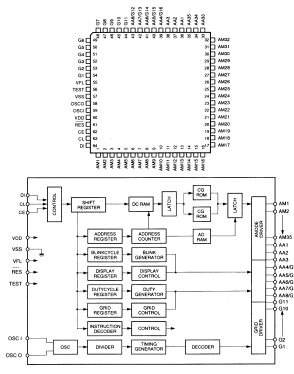
Interchangeable Parts at Manufacture Stage

No.	Reference Parts Number	Parts Name
41	D101C06-108	RES104 RES176
42		
43		

CIRCUIT CHANGES BY MARKET

MODEL No.	DSP-R795a/R4-Y795a/H95M/HTR-5170M			
IC101	J-L	U-C-A	R-T	B-S
1	10100	10100	10100	10100
2	10104	10104	10104	10104
3	IC102	NR188AD	NR188AD	NR188AD
4	RI106	47K	47K	47K
5	RI107	47K	47K	47K
6	RI108	47K	47K	47K
7	RI109	47K	47K	47K
8	IC104-106-110	100	100	100
9	CI05	1/50	1/50	2.2/50
10	DI02	H2968E	H2968E	H2968E

**IC102 : LC7510NE
FL Display Driver**

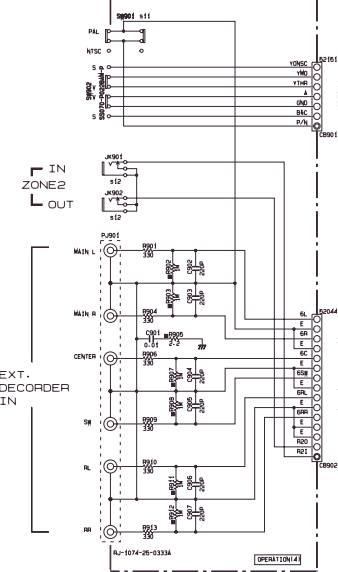
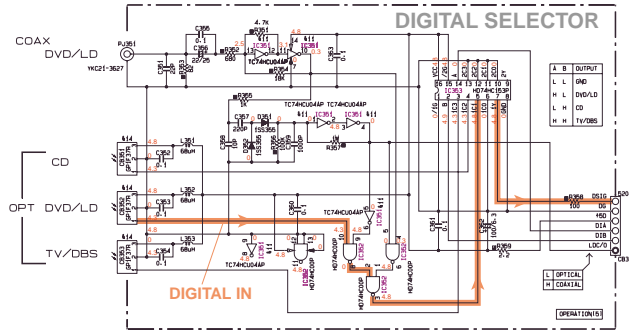
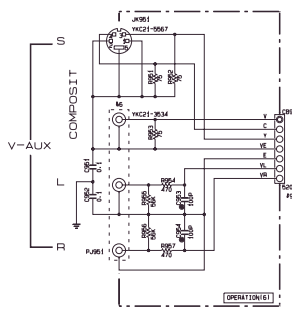


Other IC
 ● IC102 : LC7512E → See page E-35

- All voltage are measured with a 10MΩ/DC electric volt meter.
- Components having special characteristics are marked Δ and must be replaced with parts having specifications equal to those originally installed.
- Schematic diagram is subject to change without notice.

OPERATION

■ SCHEMATIC DIAGRAM (OPERATION)



CAPACITOR

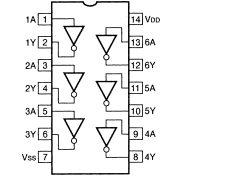
REMARKS	PARTS NAME	MARK
NO MARK	ELECTROLYTIC CAPACITOR	
◎	TANTALUM CAPACITOR	◎
●	NO MARK CERAMIC CAPACITOR	
○	CERAMIC TUBULAR CAPACITOR	○
◇	POLYESTER FILM CAPACITOR	◇
○	POLYSTYRENE FILM CAPACITOR	○
○	MICA CAPACITOR	○
○	POLYPROPYLENE FILM CAPACITOR	○
●	SEMICONDUCTIVE CERAMIC CAPACITOR	●

RESISTOR

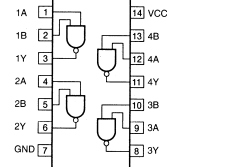
REMARKS	PARTS NAME	MARK
NO MARK	CARBON FILM RESISTOR (P±5)	
◇	CARBON FILM RESISTOR (P±10)	◇
△	METAL OXIDE FILM RESISTOR	△
△	METAL FILM RESISTOR	△
◇	METAL PLATE RESISTOR	◇
◇	FIRE PROOF CARBON FILM RESISTOR	◇
◇	CEMENT MOLDED RESISTOR	◇
◇	SEMI VARIABLE RESISTOR	◇
◇	CHIP RESISTOR	◇

NOTICE (mode 11)
 (J)..... JAPANESE
 (U)..... U.S.A
 (C)..... CANADIAN
 (R)..... GENERAL
 (A)..... AUSTRALIAN
 (B)..... BRITISH
 (G)..... EUROPEAN
 (T)..... CHINA
 (L)..... SINGAPORE

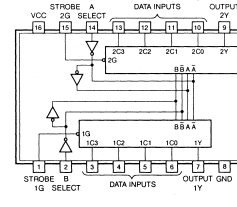
IC351 : TC74HC04AP Hex Inverters



IC352 : HD74HC00P Quaduple 2-Input Positive NAND Gates



IC353 : HD74HC153P Dual 4 to 1 Data Selectors



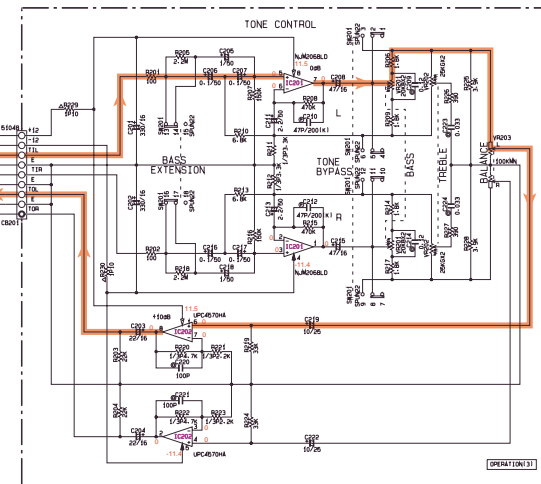
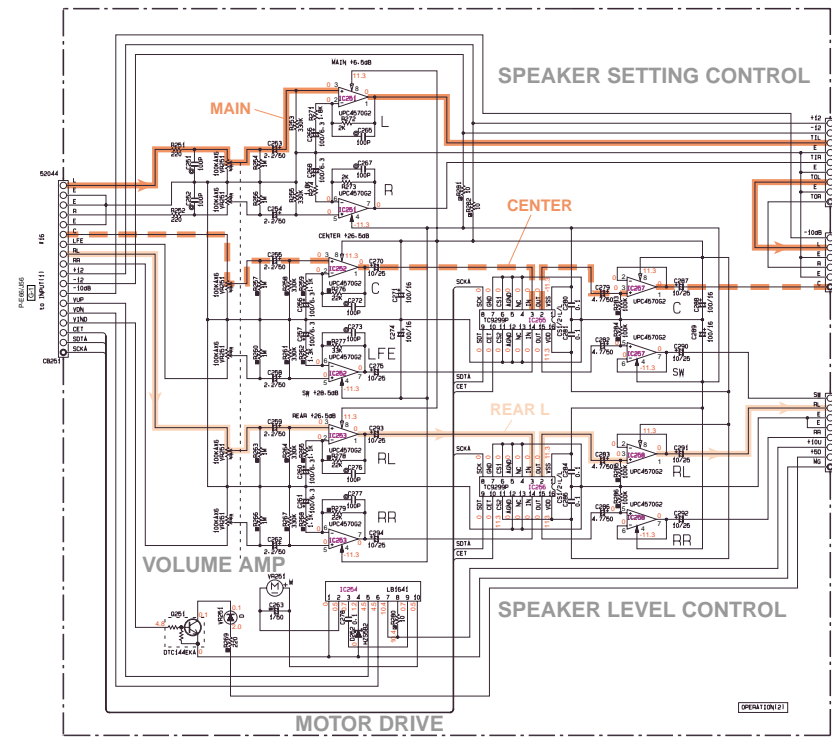
SELECT	STROBE	OUTPUT
B	A	G
L	X	H
L	L	C1
L	H	L
H	L	C2
H	H	L

Interchangeable Parts at Manufacture-Stage

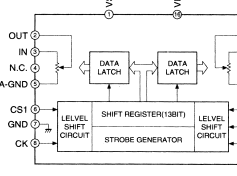
Mark	Reference Parts Number	Parts Name
111	TC74HC04AP	NO-MARK
112	TC74HC04AP	NO-MARK
113	TC74HC04AP	NO-MARK
114	CS301-363	SP10137M
116		TYPE:TRIA

CIRCUIT CHANGES BY MARKET

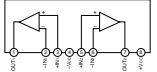
MODEL No.	DSP-R795a/RH-R795a/NO3L/PHI-5170M	B-5
11	11901	X
12	11901	X
13	11901	X
14	11901	X
15	11901	X



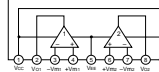
IC255, 256 : TC9299P Electric Controlled Volume



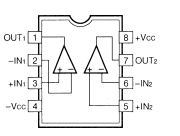
IC201 : NJM2068LD Dual OP Amp



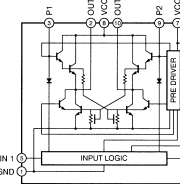
IC202 : μPC4570HA Dual OP-Amp



IC251-253, 257, 258 : μPC4570G2 Dual OP-Amp



IC254 : LB1641 Motor Driver

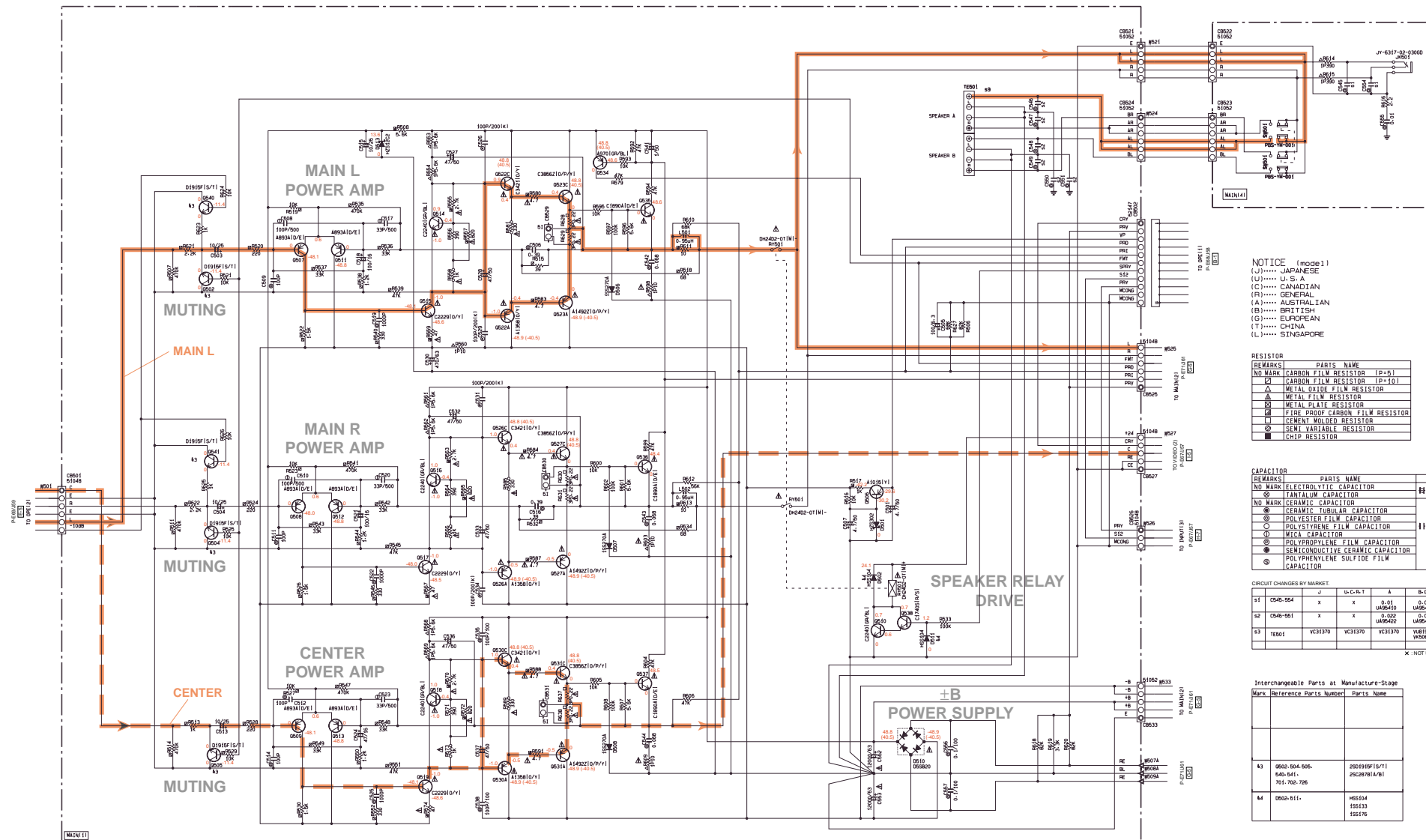


* All voltage are measured with a 10MΩ/DC electric volt meter.
 * Components having special characteristics are marked △ and must be replaced with parts having specifications equal to those originally installed.
 * Schematic diagram is subject to change without notice.

■ SCHEMATIC DIAGRAM (MAIN)

Each voltage given here represents that in the top side of IMPEDANCE SELECTOR, but the one in the parentheses () is that in the bottom side.

1
2
3
4
5
6
7
8



NOTICE (mode1)
 (J)..... JAPANESE
 (U)..... U. S. A.
 (C)..... CANADIAN
 (R)..... GENERAL
 (A)..... AUSTRALIAN
 (B)..... BRITISH
 (G)..... EUROPEAN
 (T)..... CHINA
 (L)..... SINGAPORE

RESISTOR

REMARKS	PARTS NAME
NO MARK	CARBON FILM RESISTOR (P=B)
□	CARBON FILM RESISTOR (P=10)
△	METAL OXIDE FILM RESISTOR
▲	METAL FILM RESISTOR
▢	METAL PLATE RESISTOR
▣	FIRE PROOF CARBON FILM RESISTOR
⊞	CEMENT MOLDED RESISTOR
⊚	VARIABLE RESISTOR
⊙	CHIP RESISTOR

CAPACITOR

REMARKS	PARTS NAME
NO MARK	ELECTROLYTIC CAPACITOR
⊖	TANTALUM CAPACITOR
NO MARK	CERAMIC CAPACITOR
⊕	CERAMIC TUBULAR CAPACITOR
⊙	POLYESTER FILM CAPACITOR
○	POLYSTYRENE FILM CAPACITOR
○	MICA CAPACITOR
⊙	POLYPROPYLENE FILM CAPACITOR
⊕	SEMICONDUCTIVE CERAMIC CAPACITOR
⊙	POLYPHENYLENE SULFIDE FILM CAPACITOR

CIRCUIT CHANGES BY MARKET

	S1	S2	S3	S4	S5
51	C540-554	X	X	0.01 W95X10	0.01 W95X10
52	C540-551	X	X	0.002 W95X02	0.002 W95X02
10	T801	VC31370	VC31370	VC31370	VC31370 V81370 V95020

X: NOT USED

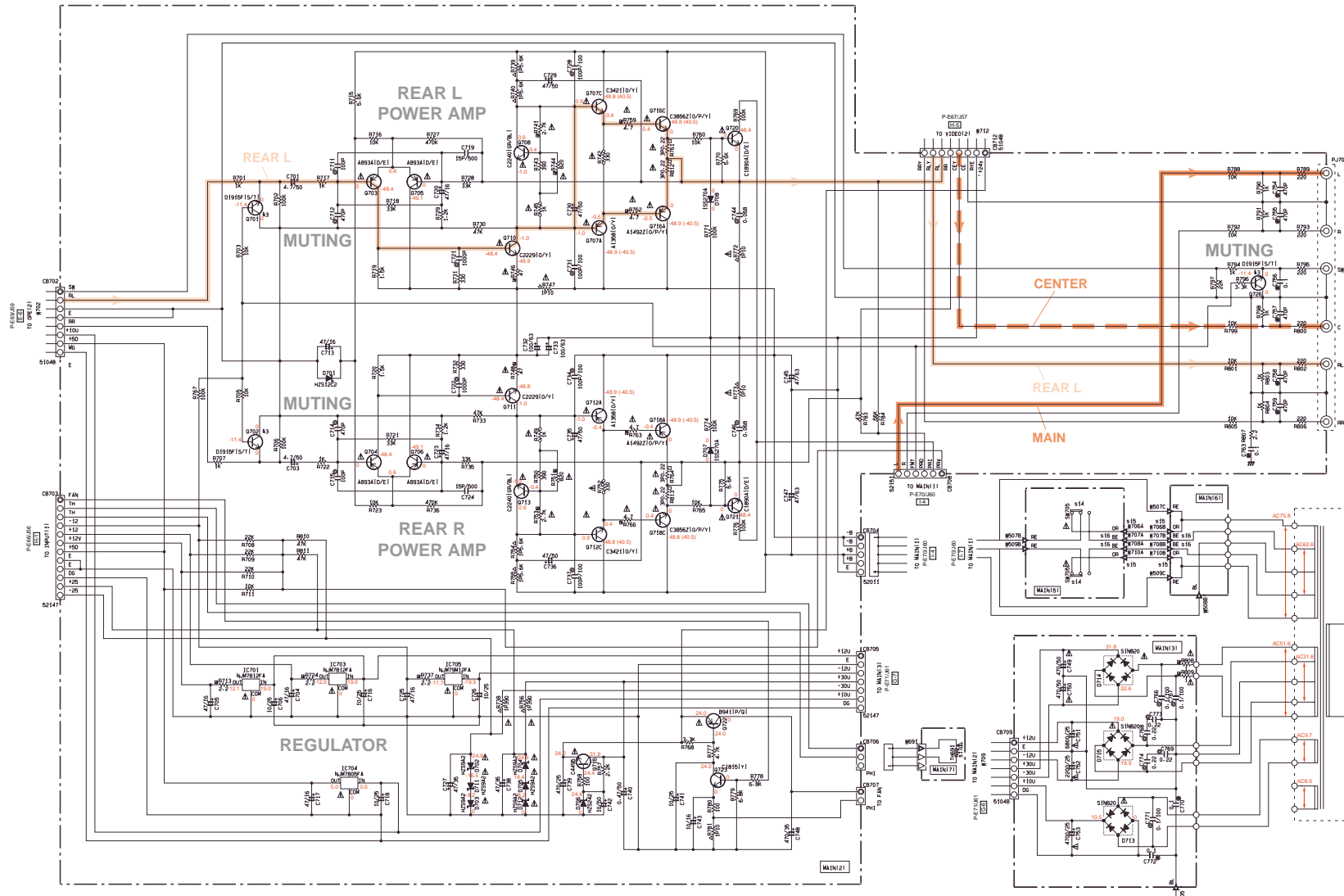
Interchangeable Parts at Manufacture Stage

Mark	Reference	Parts Number	Parts Name
43	0602-504-505, 540-541, 701-702-726	D501915F15/1 25C2B7814/61	
44	0602-511	H55104 155133 155176	

* All voltage are measured with a 10MΩ/DC electric volt meter.
 * Components having special characteristics are marked △, and must be replaced with parts having specifications equal to those originally installed.
 * Schematic diagram is subject to change without notice.

■ SCHEMATIC DIAGRAM (MAIN)

Each voltage given here represents that in the top side of IMPEDANCE SELECTOR, but the one in the parentheses () is that in the bottom side.



NOTICE (mode1)
 (J)..... JAPANESE
 (U)..... U.S.A
 (C)..... CANADIAN
 (R)..... GENERAL
 (A)..... AUSTRALIAN
 (B)..... BRITISH
 (G)..... EUROPEAN
 (T)..... CHINA
 (L)..... SINGAPORE

REMARKS	PARTS NAME
NO MARK	CARBON FILM RESISTOR (P=1)
⊗	CARBON FILM RESISTOR (P=10)
△	METAL OXIDE FILM RESISTOR
▲	METAL FILM RESISTOR
■	METAL PLATE RESISTOR
⊠	FIRE PROOF CARBON FILM RESISTOR
□	CEMENT MOLDED RESISTOR
⊕	SEMI VARIABLE RESISTOR
■	CHIP RESISTOR

REMARKS	PARTS NAME
NO MARK	ELECTROLYTIC CAPACITOR
⊗	TANTALUM CAPACITOR
⊙	CERAMIC TUBULAR CAPACITOR
⊕	POLYESTER FILM CAPACITOR
⊖	POLYSTYRENE FILM CAPACITOR
⊙	MICA CAPACITOR
⊕	POLYPROPYLENE FILM CAPACITOR
⊖	SEMICONDUCTIVE CERAMIC CAPACITOR

CIRCUIT CHANGES BY MARK:

	J	U.C.R.T	A	L.B.G
s11	TH691	VM4220	VM4230	VM4230
s12				
s13				
s14	SH705	x	SL138-022-ANCI VZ36110	SL138-022-ANCI VZ36110
s15	#706-710	x	M423016	M423016
s16	#707-708	x	M423016	M423016
s20				
s21				
s22				
s23				

x: NOT USED

* All voltage are measured with a 10MΩ/DC electric volt meter.
 * Components having special characteristics are marked △ and must be replaced with parts having specifications equal to those originally installed.
 * Schematic diagram is subject to change without notice.

■ SCHEMATIC DIAGRAM (TUNER)

Each voltage given here represents that in the FM (98.1MHz, STEREO) reception mode but the one in the parentheses () is that in the AM (1080kHz, MAN'L) reception mode.

CAPACITOR	REMARKS	PARTS NAME
NO MARK	○	ELECTROLYTIC CAPACITOR
NO MARK	○	TANTALUM CAPACITOR
NO MARK	○	CERAMIC CAPACITOR
○	○	CERAMIC TUBULAR CAPACITOR
○	○	POLYESTER FILM CAPACITOR
○	○	POLYSTYRENE FILM CAPACITOR
○	○	MICA CAPACITOR
○	○	POLYPROPYLENE FILM CAPACITOR
○	○	SEMICONDUCTIVE CERAMIC CAPACITOR

RESISTOR	REMARKS	PARTS NAME
NO MARK	□	CARBON FILM RESISTOR (P=5)
NO MARK	□	CARBON FILM RESISTOR (P=10)
△	△	METAL OXIDE FILM RESISTOR
○	○	METAL FILM RESISTOR
○	○	METAL PLATE RESISTOR
○	○	FIRE PROOF CARBON FILM RESISTOR
○	○	CEMENT MOUNTED RESISTOR
○	○	SEMI VARIABLE RESISTOR
■	■	CHIP RESISTOR

NOTICE (model)
 (J)..... JAPANESE
 (U)..... U.S.A.
 (C)..... CANADIAN
 (R)..... GENERAL
 (A)..... AUSTRALIAN
 (B)..... BRITISH
 (G)..... EUROPEAN
 (L)..... CHINA
 (T)..... SINGAPORE

Interchangeable Parts at Manufacture-Stage

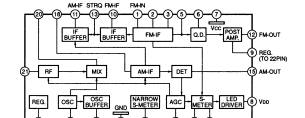
Mark	Reference Parts Number	Parts Name
K1	D1-2	H85104 H85193 H85176

CIRCUIT CHANGES BY MARKET.

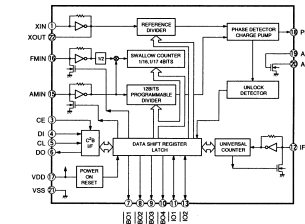
	J	U-C	R-T	A-B-E-L
1 PK1	V251850	V251860	V251870	V251880
2 R46	V290900	V290910	V290910	V271670
4 J41	○	○	○	Y442 Y44680
5 C49	2200P UA95332	2200P UA95332	2200P UA95332	120P UA95212
6 R50	22K	22K	22K	1K
7 C36-37	680P UA95268	1000P UA95310	1000P UA95310	270P UA95227
8 R36-37	75K	70K	75K	180K
9 S91				Y560260
10 J42			○	
11				
12 R55, S7, S8				270K
13 R60				180K
14 R54	10K	10K	10K	27K

X: NOT USED
 O: USED

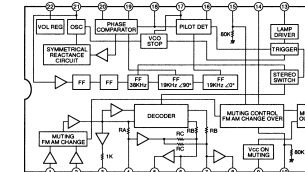
IC1 : LA1266
AM/FM IF



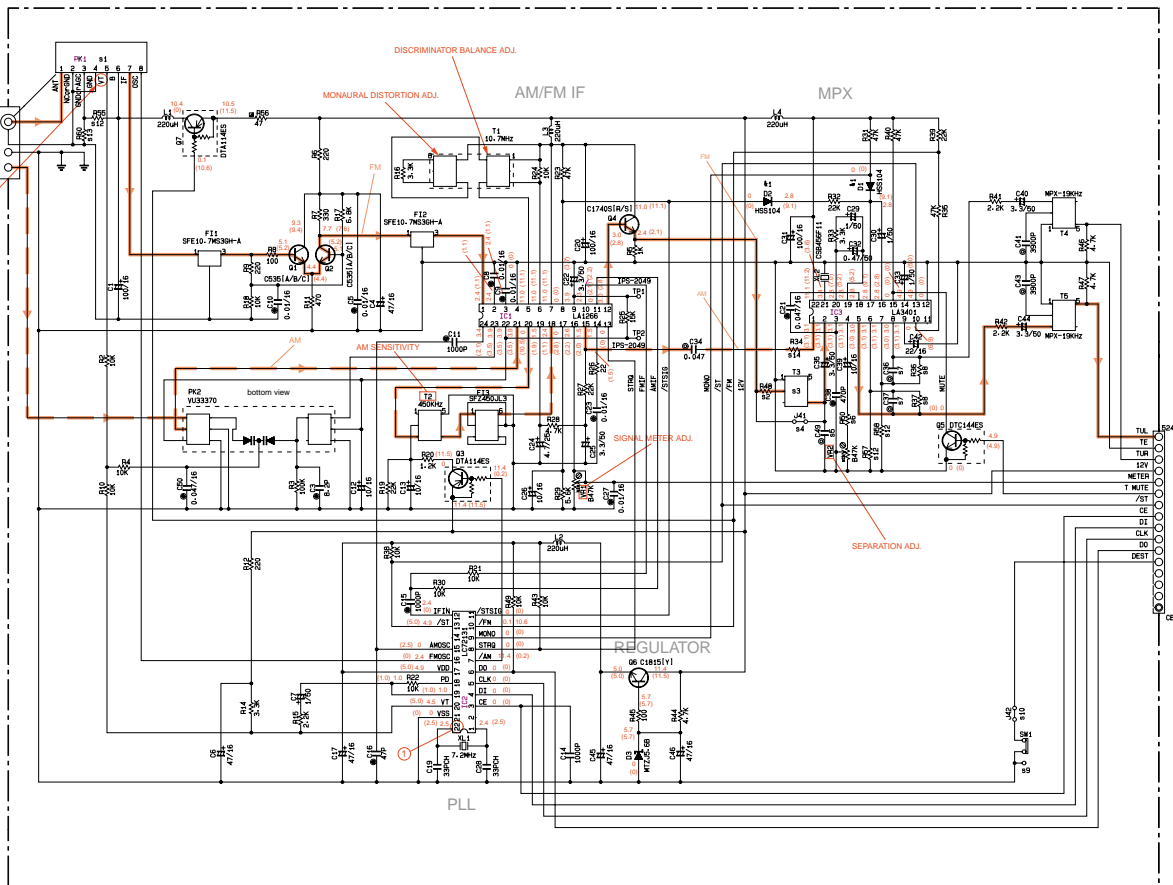
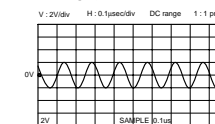
IC2 : LC72131
PLL Controller



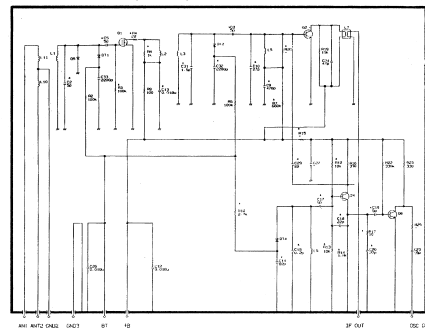
IC3 : LA3401
MPX



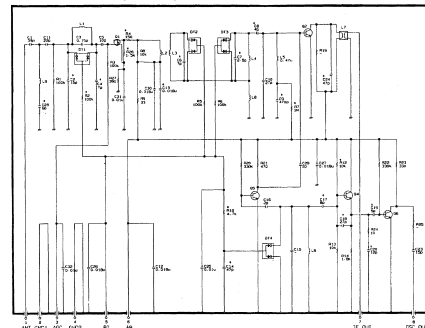
Point (1) (Pin22 of IC2)



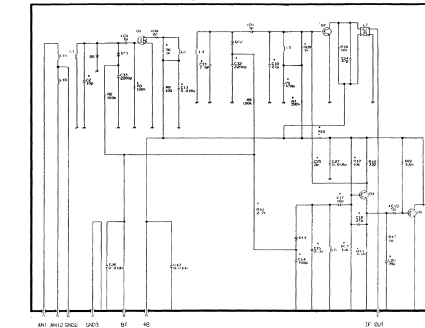
● PK1 : ENV-172A8G1R (V2909100) U, C, R, T models



● PK1 : ENV-172A4G1 (V2716700) A, L models



● PK1 : ENV-142C2G1R (V2909000) J model



* All voltage are measured with a 10MΩ/DC electric volt meter.
 * Components having special characteristics are marked △ and must be replaced with parts having specifications equal to those originally installed.
 * Schematic diagram is subject to change without notice.

SCHEMATIC DIAGRAM (TUNER)

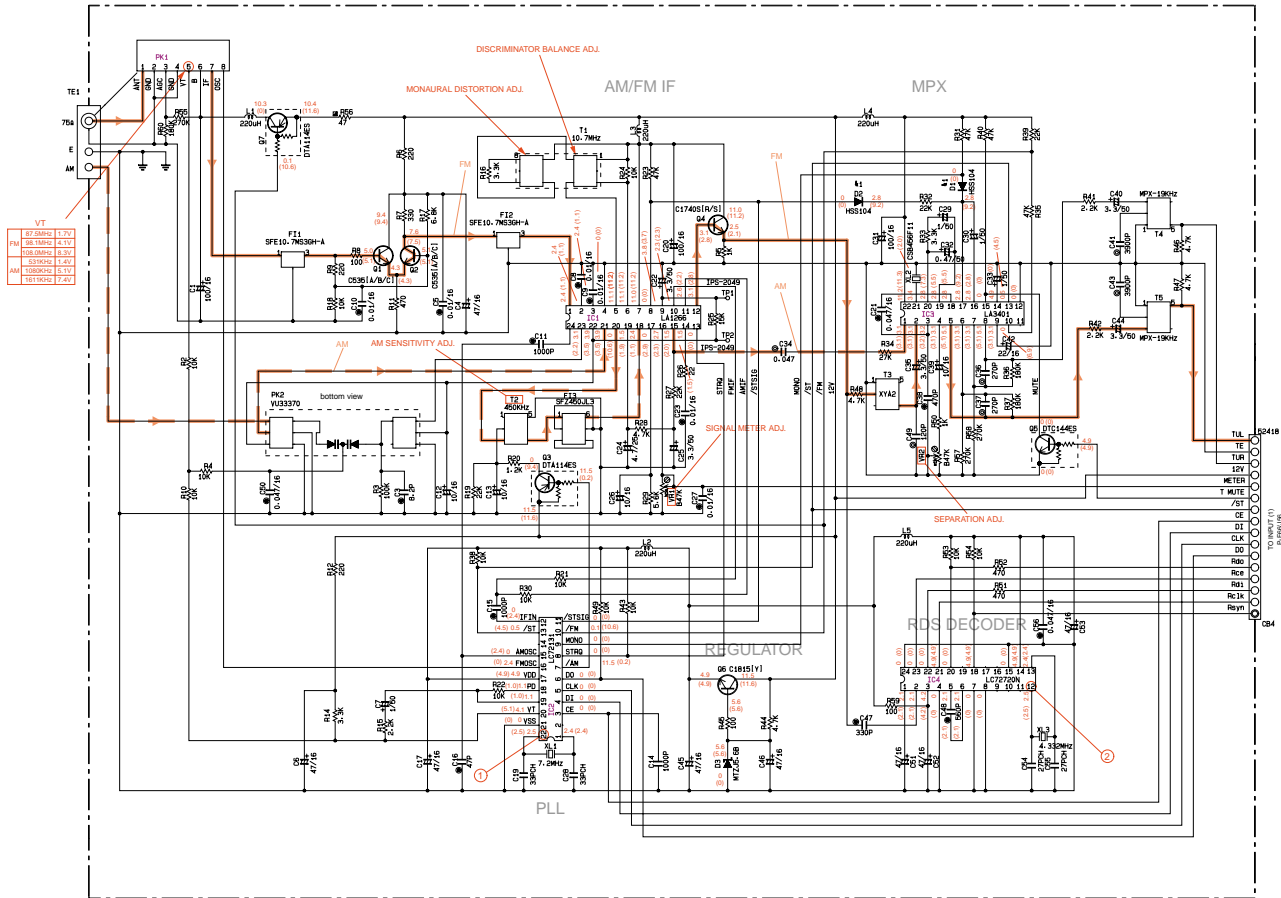
Each voltage given here represents that in the FM (98.1MHz, STEREO) reception mode but the one in the parentheses () is that in the AM (1080kHz, MAN'L) reception mode.

REMARKS	PARTS NAME	REMARKS	PARTS NAME
NO MARK	ELECTROLYTIC CAPACITOR	NO MARK	CARBON FILM RESISTOR (P=6)
⊗	TANTALUM CAPACITOR	△	CARBON FILM RESISTOR (P=10)
NO MARK	CERAMIC CAPACITOR	▽	METAL OXIDE FILM RESISTOR
⊙	CERAMIC TUBULAR CAPACITOR	⊠	METAL FILM RESISTOR
⊗	POLYESTER FILM CAPACITOR	⊡	METAL PLATE RESISTOR
⊙	POLYSTYRENE FILM CAPACITOR	⊢	FIRE PROOF CARBON FILM RESISTOR
⊙	MICA CAPACITOR	⊣	CEMENT MOLDED RESISTOR
⊙	POLYPROPYLENE FILM CAPACITOR	⊤	SEMI VARIABLE RESISTOR
●	SEMICONDUCTIVE CERAMIC CAPACITOR	■	CHIP RESISTOR

REMARKS	PARTS NAME	REMARKS	PARTS NAME
NO MARK	CARBON FILM RESISTOR (P=6)	(J).....	JAPANESE
△	CARBON FILM RESISTOR (P=10)	(U).....	U.S.A
▽	METAL OXIDE FILM RESISTOR	(C).....	CANADIAN
⊠	METAL FILM RESISTOR	(R).....	GENERAL
⊡	METAL PLATE RESISTOR	(A).....	AUSTRALIAN
⊢	FIRE PROOF CARBON FILM RESISTOR	(B).....	BRITISH
⊣	CEMENT MOLDED RESISTOR	(G).....	EUROPEAN
⊤	SEMI VARIABLE RESISTOR	(T).....	CHINA
■	CHIP RESISTOR	(L).....	SINGAPORE

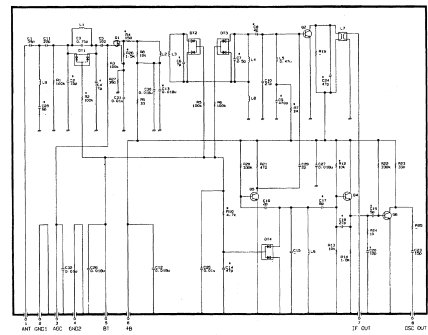
NOTICE (model)
 (J)..... JAPANESE
 (U)..... U.S.A
 (C)..... CANADIAN
 (R)..... GENERAL
 (A)..... AUSTRALIAN
 (B)..... BRITISH
 (G)..... EUROPEAN
 (T)..... CHINA
 (L)..... SINGAPORE

Interchangeable Parts at Manufacture-Stage		
Mark	Reference Parts Number	Parts Name
K1	D1:2	H8S104
		188153
		188176

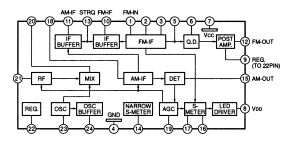


VT
 STEREO (L) V
 FM (R) (L) V
 1080kHz (R) V
 1080kHz (L) V
 1080kHz (L) V

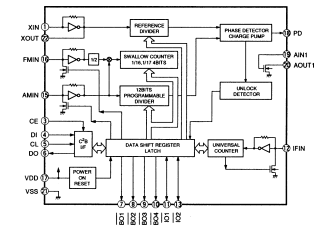
PK1 : ENV-172A4G1 (V2716700)



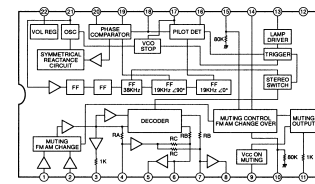
IC1 : LA1266
AM/FM IF



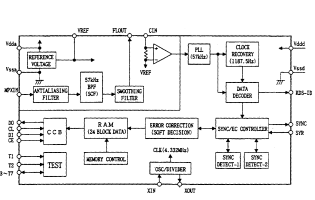
IC2 : LC72131
PLL Controller



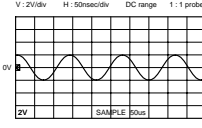
IC3 : LA3401
MPX



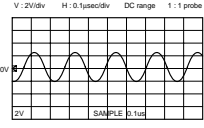
IC4 : LC7270N
RDS Decoder & Controller



Point ① (Pin22 of IC2)
V: 2V/div H: 50ns/div DC range 1:1 probe



Point ② (Pin12 of IC4)
V: 2V/div H: 0.1µs/div DC range 1:1 probe



All voltage are measured with a 10MΩ/DC electric volt meter.
 Components having special characteristics are marked △ and must be replaced with parts having specifications equal to those originally installed.
 Schematic diagram is subject to change without notice.