

# AV RECEIVER/AV AMPLIFIER

## RX-V530/RX-V530RDS/HTR-5550/HTR-5550RDS/DSP-AX530

## RX-V430/RX-V430RDS/HTR-5540/HTR-5540RDS/DSP-AX430

### SERVICE MANUAL

RX-V530/RX-V530RDS/HTR-5550/HTR-5550RDS/DSP-AX530  
RX-V430/RX-V430RDS/HTR-5540/HTR-5540RDS/DSP-AX430

#### IMPORTANT NOTICE

This manual has been provided for the use of authorized YAMAHA Retailers and their service personnel. It has been assumed that basic service procedures inherent to the industry, and more specifically YAMAHA Products, are already known and understood by the users, and have therefore not been restated.

**WARNING:** Failure to follow appropriate service and safety procedures when servicing this product may result in personal injury, destruction of expensive components, and failure of the product to perform as specified. For these reasons, we advise all YAMAHA product owners that any service required should be performed by an authorized YAMAHA Retailer or the appointed service representative.

**IMPORTANT:** The presentation or sale of this manual to any individual or firm does not constitute authorization, certification or recognition of any applicable technical capabilities, or establish a principle-agent relationship of any form.

The data provided is believed to be accurate and applicable to the unit(s) indicated on the cover. The research, engineering, and service departments of YAMAHA are continually striving to improve YAMAHA products. Modifications are, therefore, inevitable and specifications are subject to change without notice or obligation to retrofit. Should any discrepancy appear to exist, please contact the distributor's Service Division.

**WARNING:** Static discharges can destroy expensive components. Discharge any static electricity your body may have accumulated by grounding yourself to the ground buss in the unit (heavy gauge black wires connect to this buss).

**IMPORTANT:** Turn the unit OFF during disassembly and part replacement. Recheck all work before you apply power to the unit.

## ■ CONTENTS

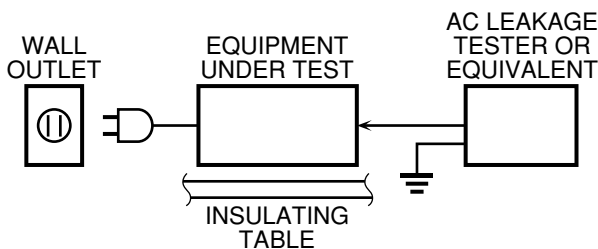
TO SERVICE PERSONNEL .....	2	AMP ADJUSTMENT / アンプ部調整 .....	42
IMPEDANCE SELECTOR .....	2	DISPLAY DATA .....	43~44
FRONT PANELS .....	3~5	IC DATA .....	45~50
REAR PANELS .....	5~12	BLOCK DIAGRAM .....	51~52
REMOTE CONTROL .....	13	PRINTED CIRCUIT BOARD .....	53~64
SPECIFICATIONS .....	14~15	PIN CONNECTION DIAGRAM .....	65~66
INTERNAL VIEW .....	16~17	SCHEMATIC DIAGRAM .....	67~74
DISASSEMBLY PROCEDURES / 分解手順 .....	18~21	PARTS LIST .....	75~100
SELF DIAGNOSIS FUNCTION (DIAG) /		REMOTE CONTROL .....	100~102
自己診断機能 (ダイアグ) .....	22~41		



このサービスマニュアルは、エコマーク認定の再生紙を使用しています。  
This Service Manual uses recycled paper.

## ■ TO SERVICE PERSONNEL

- Critical Components Information  
 Components having special characteristics are marked ⚠ and must be replaced with parts having specifications equal to those originally installed.
  - Leakage Current Measurement (For 120V Models Only)  
 When service has been completed, it is imperative to verify that all exposed conductive surfaces are properly insulated from supply circuits.
- Meter impedance should be equivalent to 1500 ohm shunted by 0.15μF.



- Leakage current must not exceed 0.5mA.
- Be sure to test for leakage with the AC plug in both polarities.



### “CAUTION”

“F922: FOR CONTINUED PROTECTION AGAINST RISK OF FIRE, REPLACE ONLY WITH SAME TYPE 7A, 125V FUSE.”

### CAUTION

F922: REPLACE WITH SAME TYPE 7A, 125V FUSE.

### ATTENTION

F922: UTILISER UN FUSIBLE DE RECHANGE DE MEME TYPE DE 7A, 125V.

## WARNING: CHEMICAL CONTENT NOTICE!

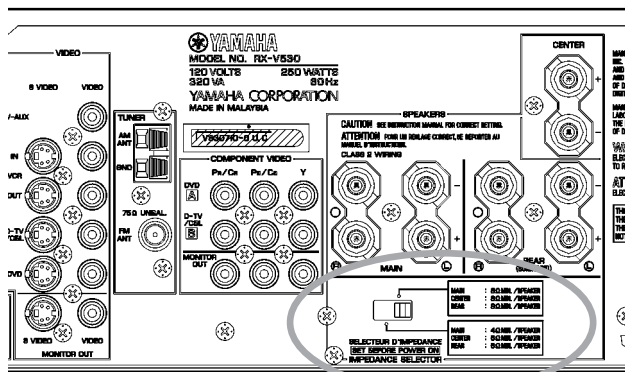
The solder used in the production of this product contains LEAD. In addition, other electrical/electronic and/or plastic (where applicable) components may also contain traces of chemicals found by the California Health and Welfare Agency (and possibly other entities) to cause cancer and/or birth defects or other reproductive harm.

DO NOT PLACE SOLDER, ELECTRICAL/ELECTRONIC OR PLASTIC COMPONENTS IN YOUR MOUTH FOR ANY REASON WHATSOEVER!

Avoid prolonged, unprotected contact between solder and your skin! When soldering, do not inhale solder fumes or expose eyes to solder/flux vapor!

If you come in contact with solder or components located inside the enclosure of this product, wash your hands before handling food.

## ■ IMPEDANCE SELECTOR

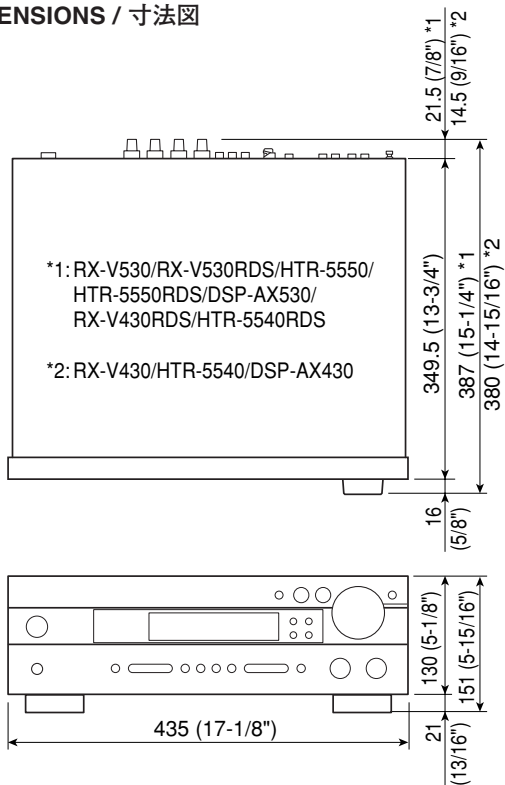


### IMPEDANCE SELECTOR

#### WARNING:

Do not change the IMPEDANCE SELECTOR switch setting while the power to this unit is on, otherwise this unit may be damaged.

## • DIMENSIONS / 寸法図



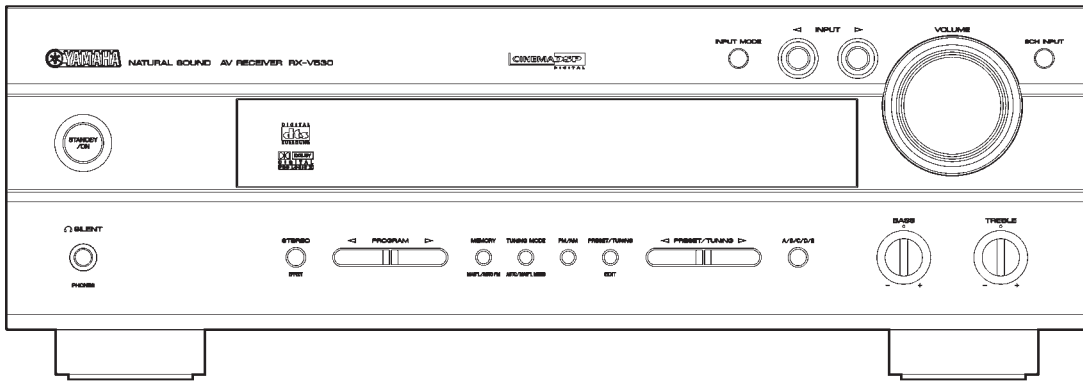
\*1: RX-V530/RX-V530RDS/HTR-5550/  
 HTR-5550RDS/DSP-AX530/  
 RX-V430RDS/HTR-5540RDS

\*2: RX-V430/HTR-5540/DSP-AX430

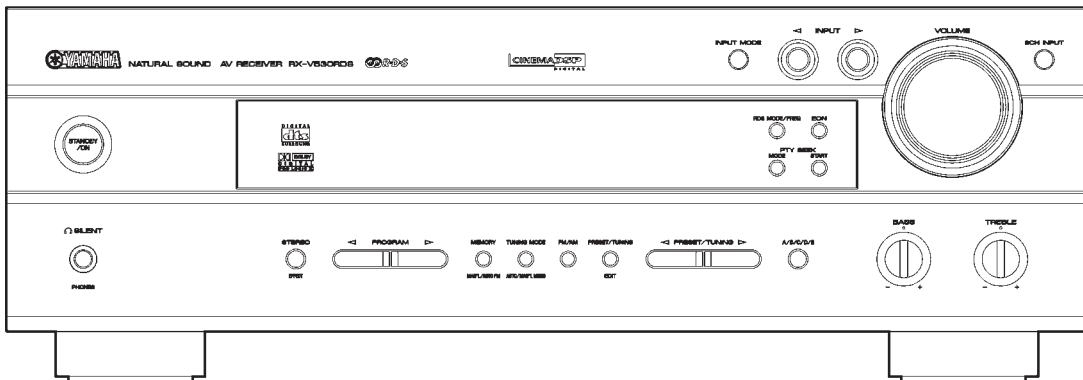
Unit : mm (inch)  
 単位: mm (インチ)

## FRONT PANELS

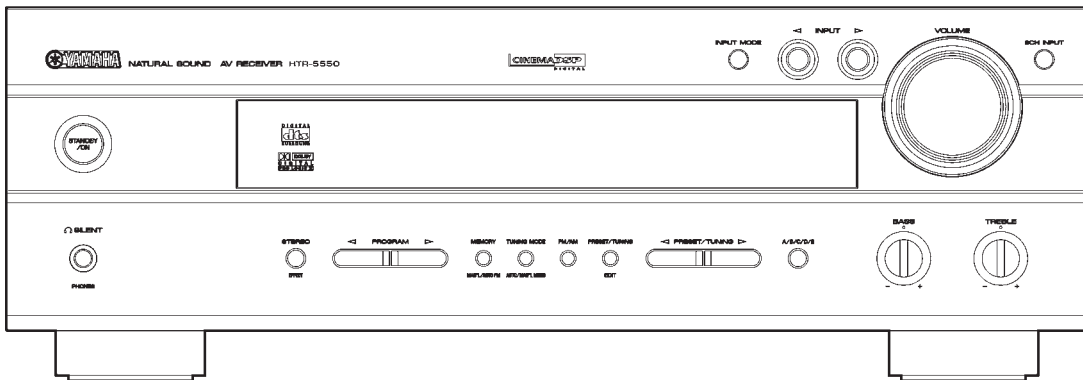
RX-V530 (U, C, A, L, R, T, K models)



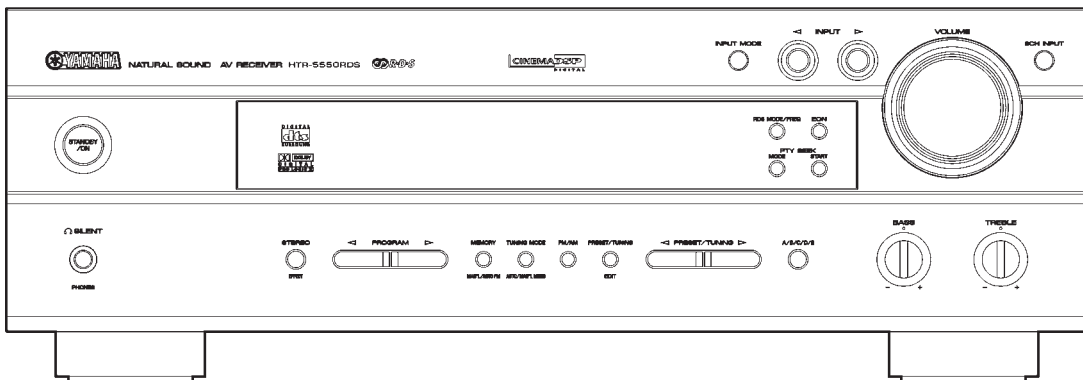
RX-V530RDS (B, G models)



HTR-5550 (U, C, A, T, K models)

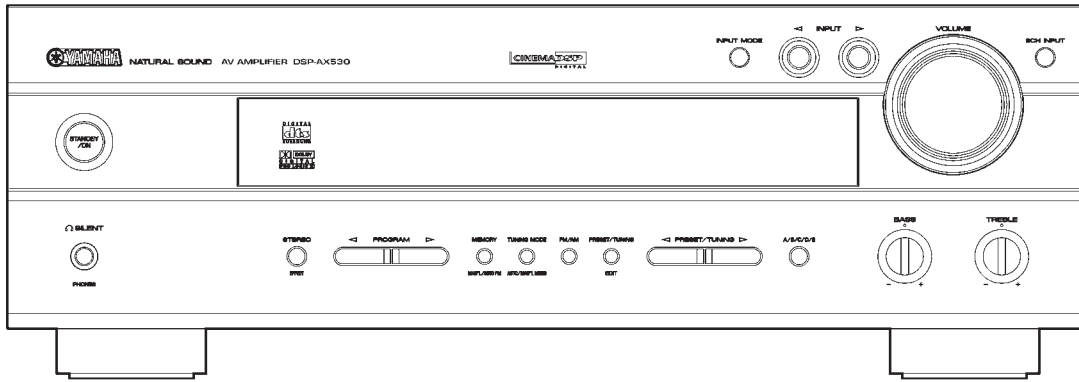


HTR-5550RDS (B, G models)

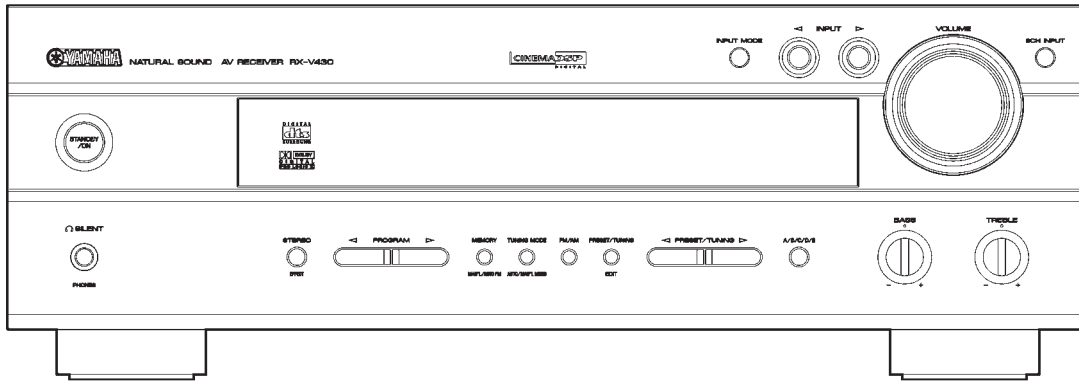


RX-V530/RX-V530RDS/HTR-5550/HTR-5550RDS/DSP-AX530  
 RX-V430/RX-V430RDS/HTR-5540/HTR-5540RDS/DSP-AX430

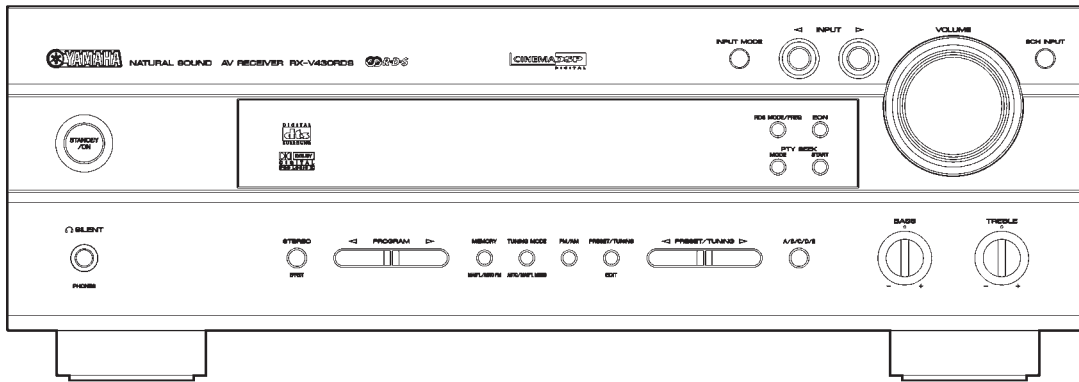
DSP-AX530 (J model)



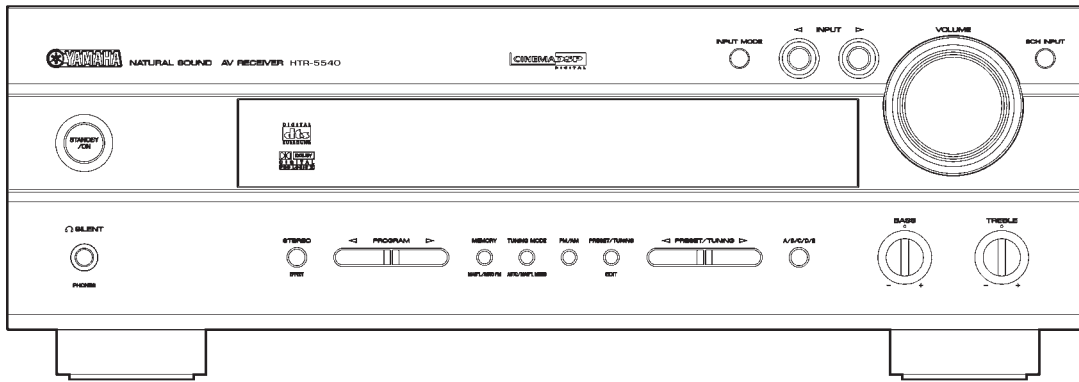
RX-V430 (U, C, A, L, R, T, K models)



RX-V430RDS (B, G models)

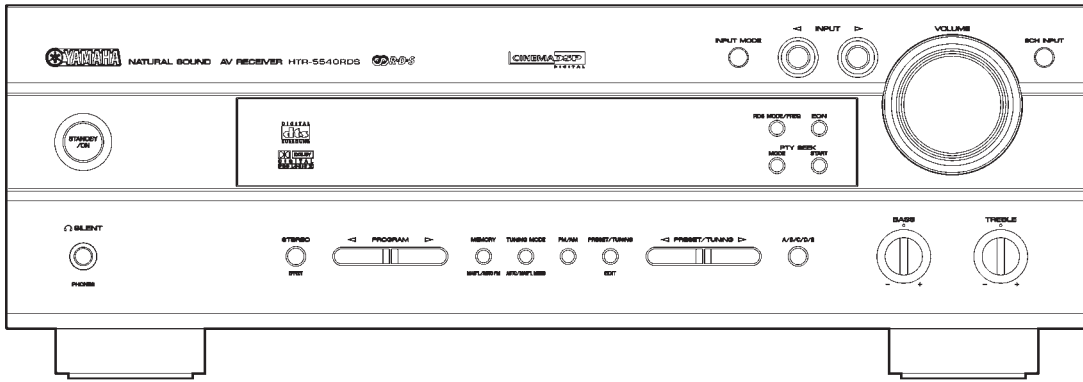


HTR-5540 (U, C, A, T, K models)

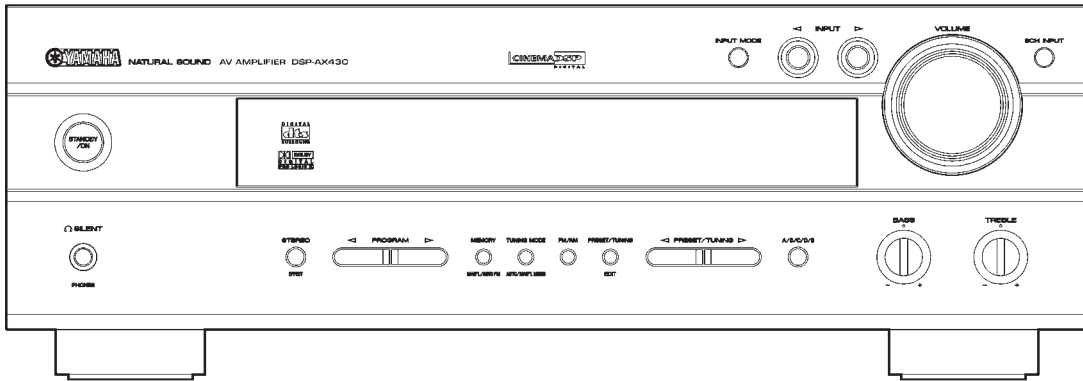


RX-V530/RX-V530RDS/HTR-5550/HTR-5550RDS/DSP-AX530  
 RX-V430/RX-V430RDS/HTR-5540/HTR-5540RDS/DSP-AX430

HTR-5540RDS (B, G models)

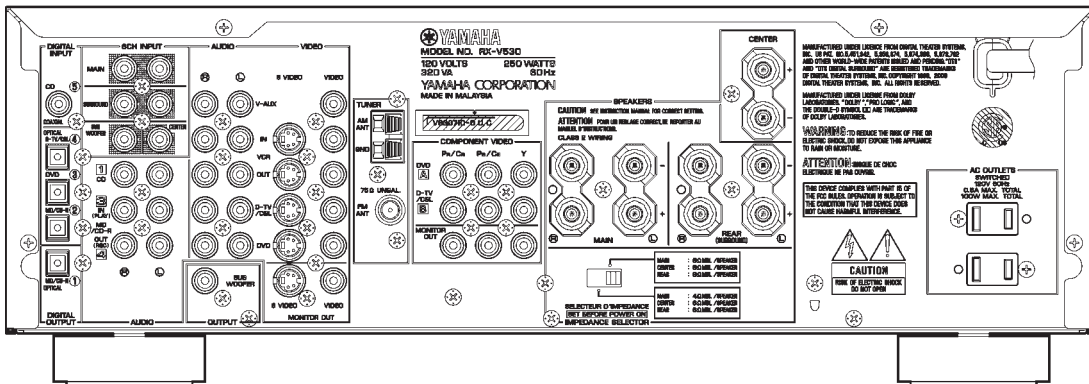


DSP-AX430 (J model)

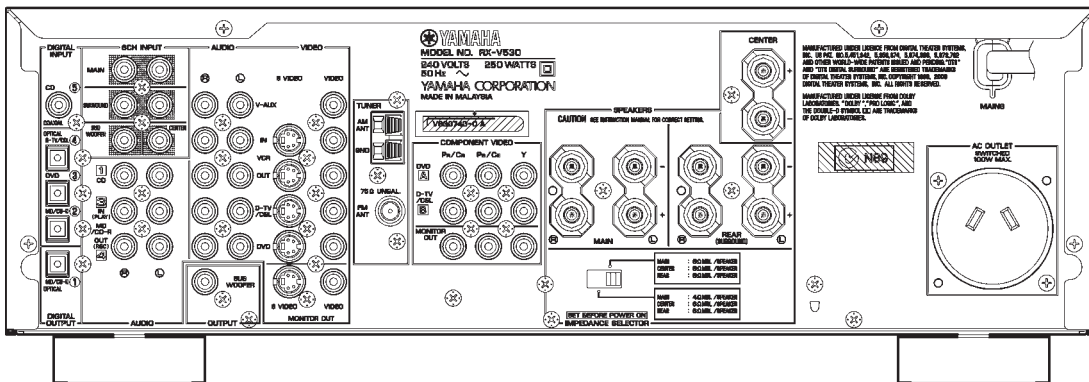


REAR PANELS

RX-V530 (U, C models)

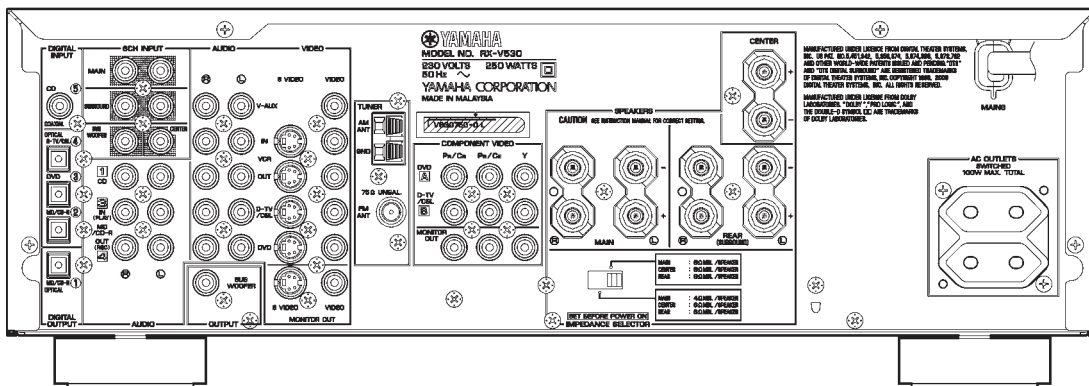


RX-V530 (A model)



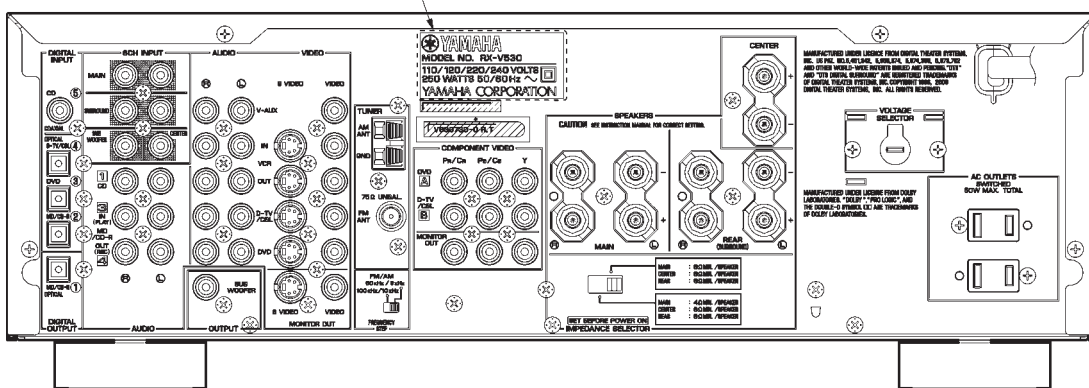
RX-V530/RX-V530RDS/HTR-5550/HTR-5550RDS/DSP-AX530  
 RX-V430/RX-V430RDS/HTR-5540/HTR-5540RDS/DSP-AX430

RX-V530 (L model)

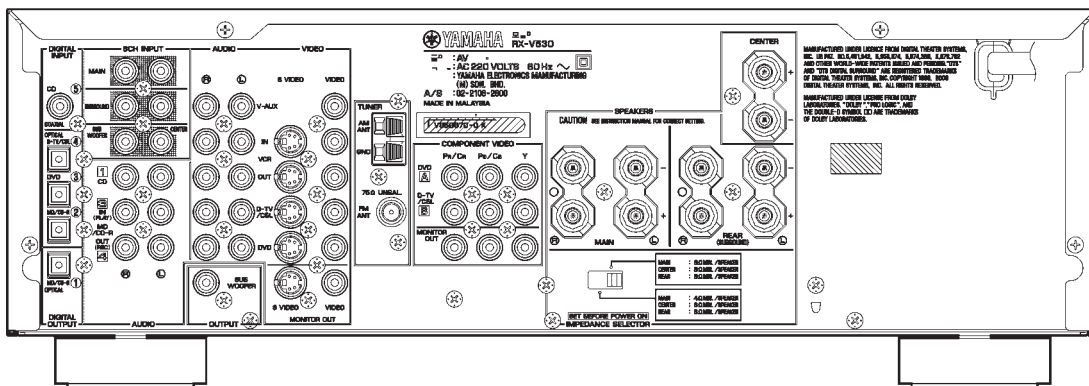


RX-V530 (R, T models)

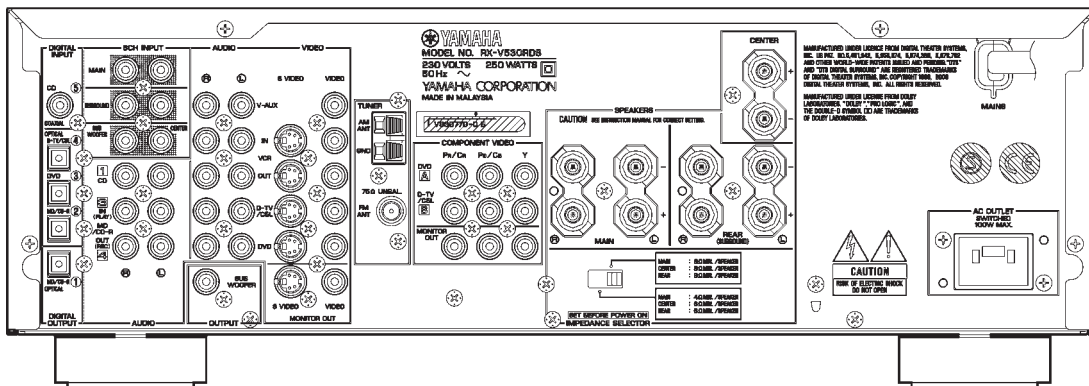
R model



RX-V530 (K model)

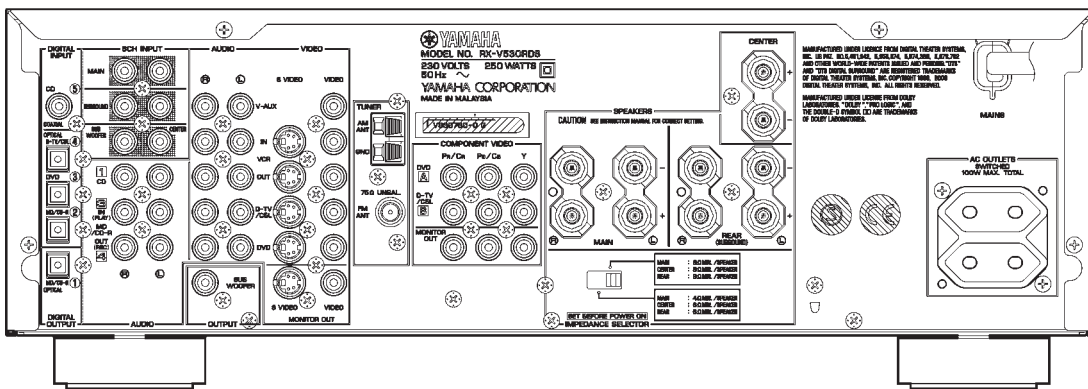


RX-V530RDS (B model)

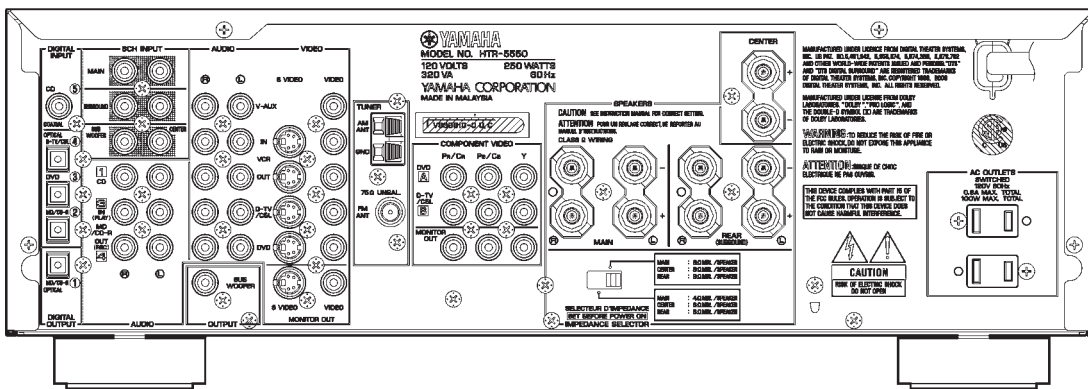


RX-V530/RX-V530RDS/HTR-5550/HTR-5550RDS/DSP-AX530  
 RX-V430/RX-V430RDS/HTR-5540/HTR-5540RDS/DSP-AX430

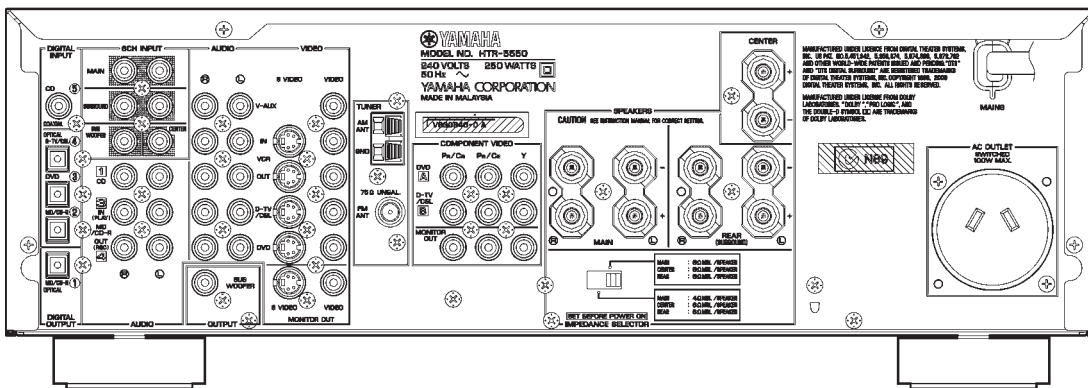
RX-V530RDS (G model)



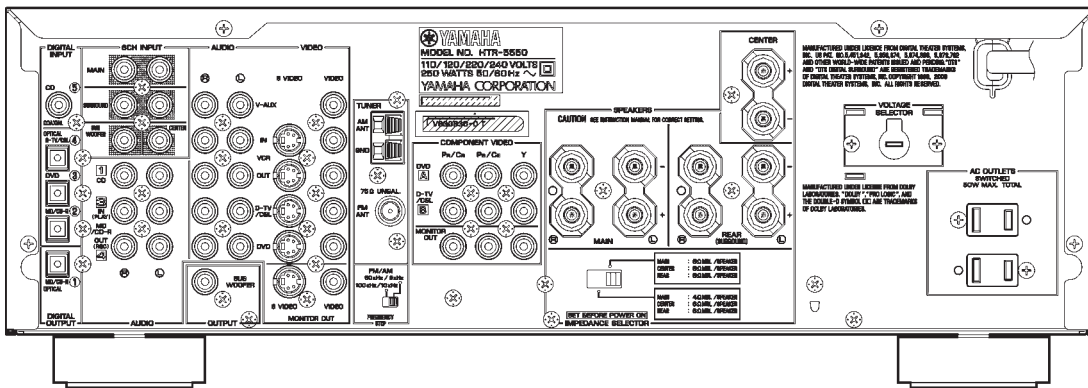
HTR-5550 (U, C models)



HTR-5550 (A model)

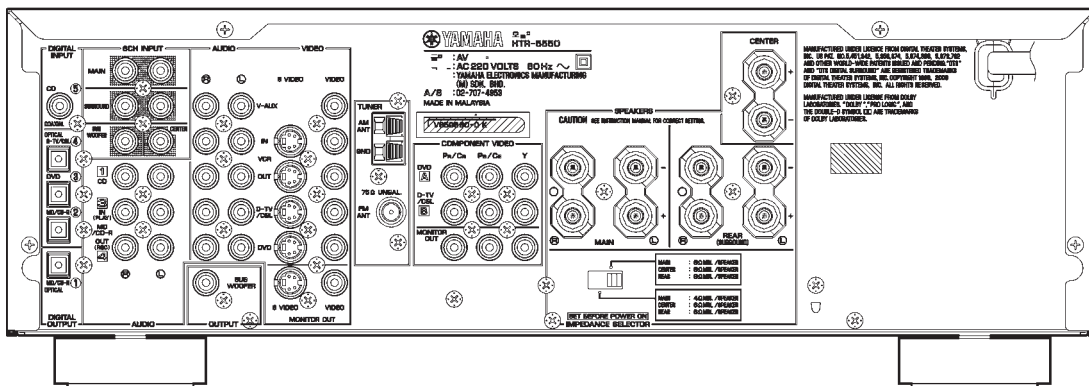


HTR-5550 (T model)

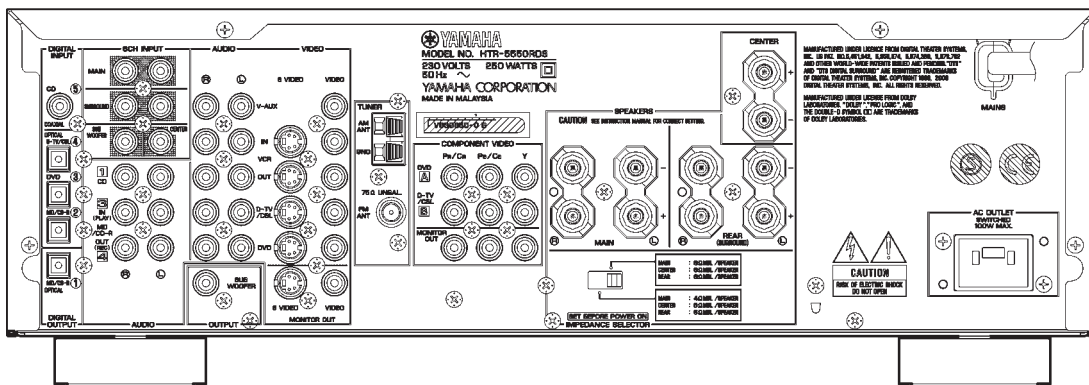


RX-V530/RX-V530RDS/HTR-5550/HTR-5550RDS/DSP-AX530  
 RX-V430/RX-V430RDS/HTR-5540/HTR-5540RDS/DSP-AX430

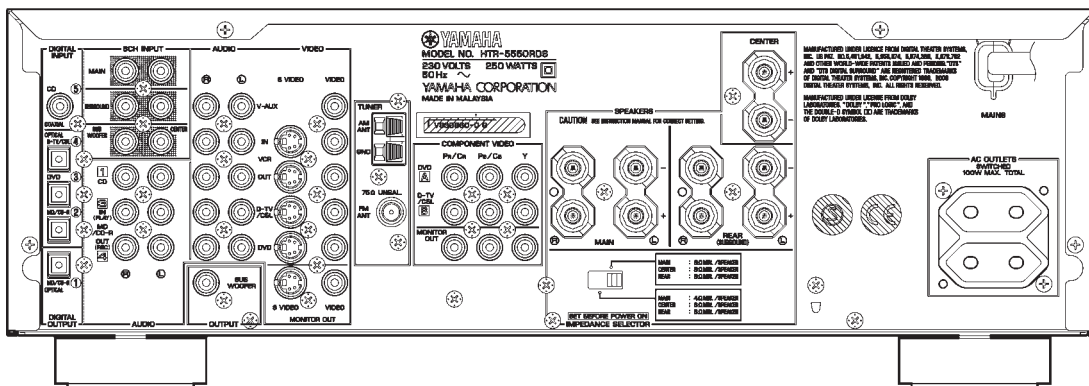
HTR-5550 (K model)



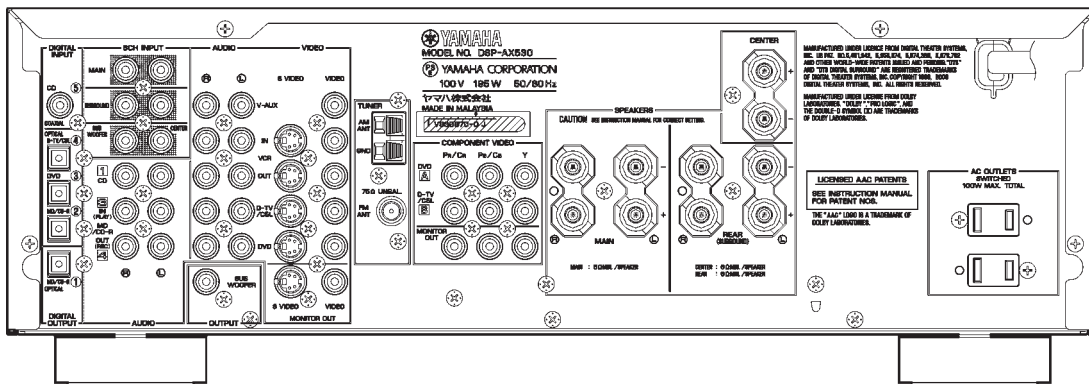
HTR-5550RDS (B model)



HTR-5550RDS (G model)



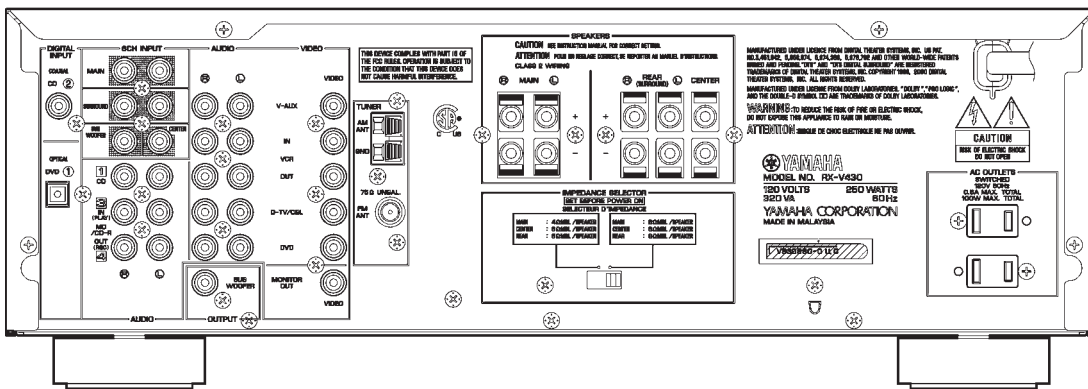
DSP-AX530 (J model)



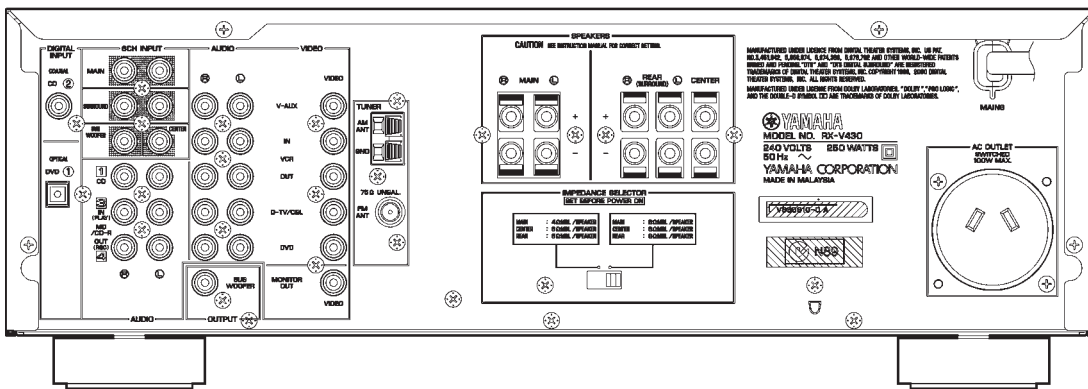
RX-V530/RX-V530RDS/HTR-5550/HTR-5550RDS/DSP-AX530  
 RX-V430/RX-V430RDS/HTR-5540/HTR-5540RDS/DSP-AX430



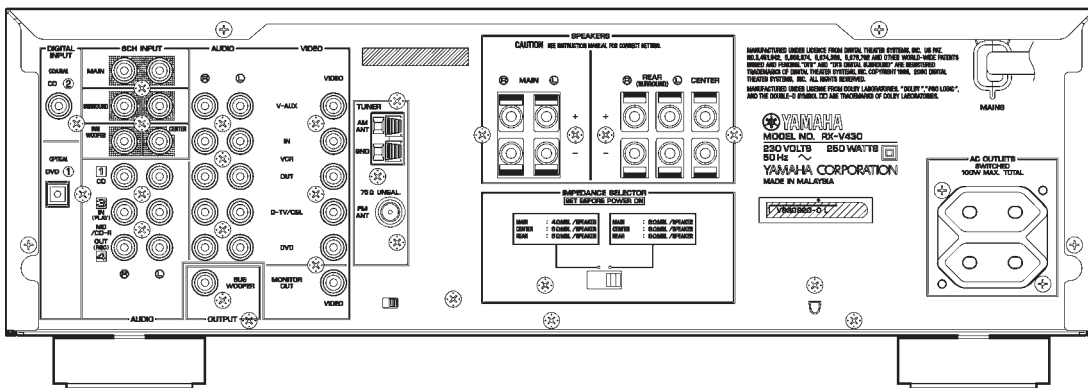
RX-V430 (U, C models)



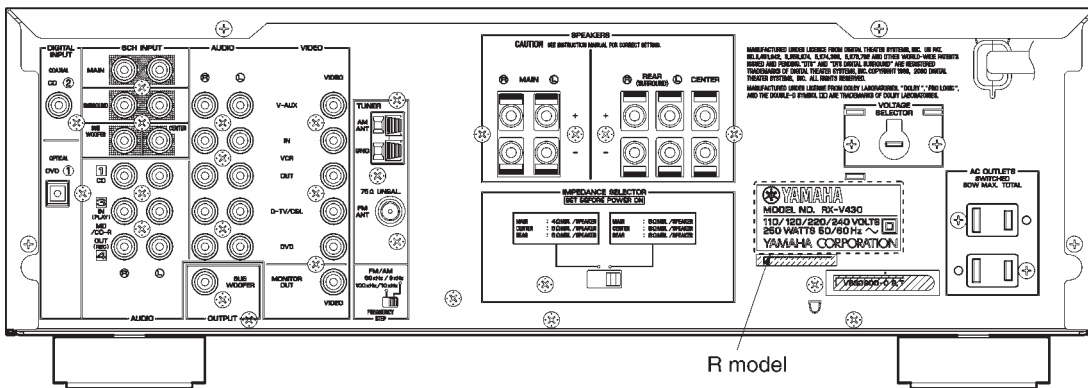
RX-V430 (A model)



RX-V430 (L model)

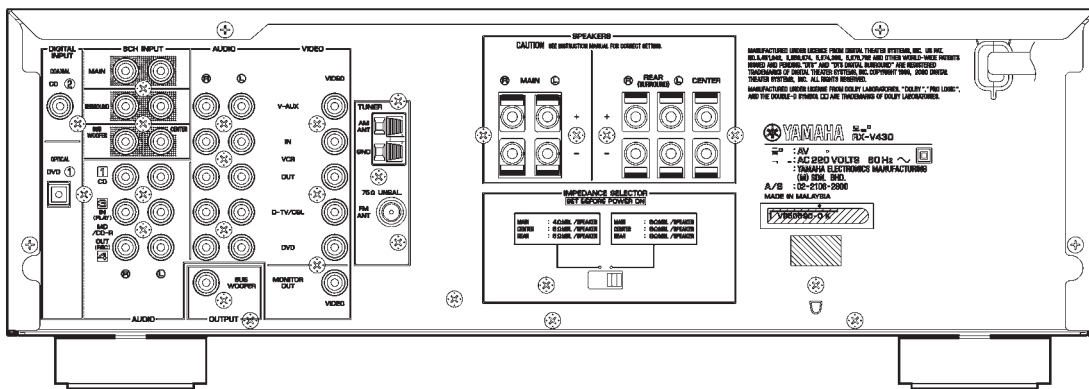


RX-V430 (R, T models)

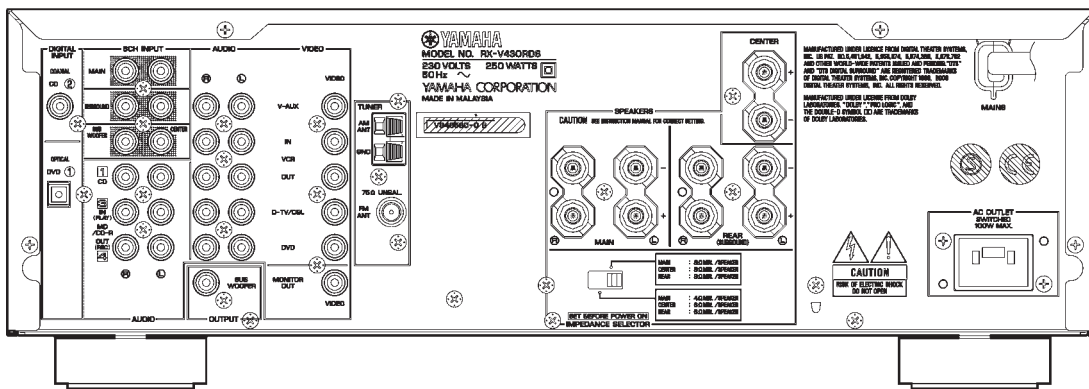


RX-V530/RX-V530RDS/HTR-5550/HTR-5550RDS/DSP-AX530  
 RX-V430/RX-V430RDS/HTR-5540/HTR-5540RDS/DSP-AX430

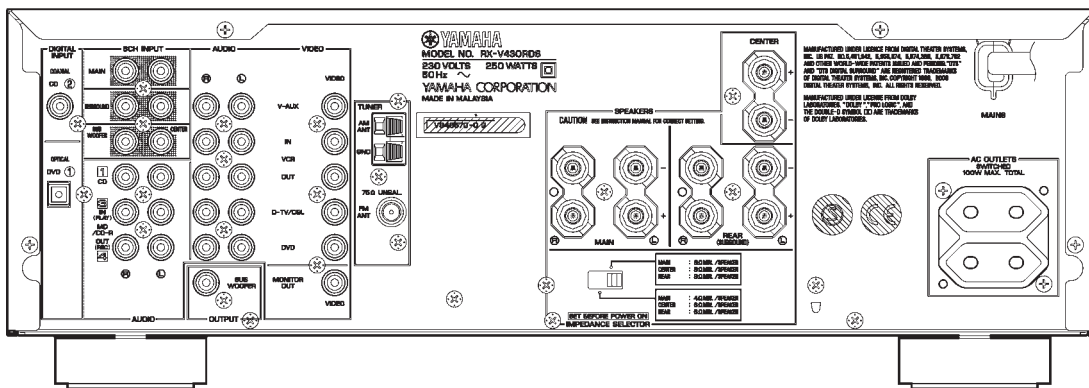
RX-V430 (K model)



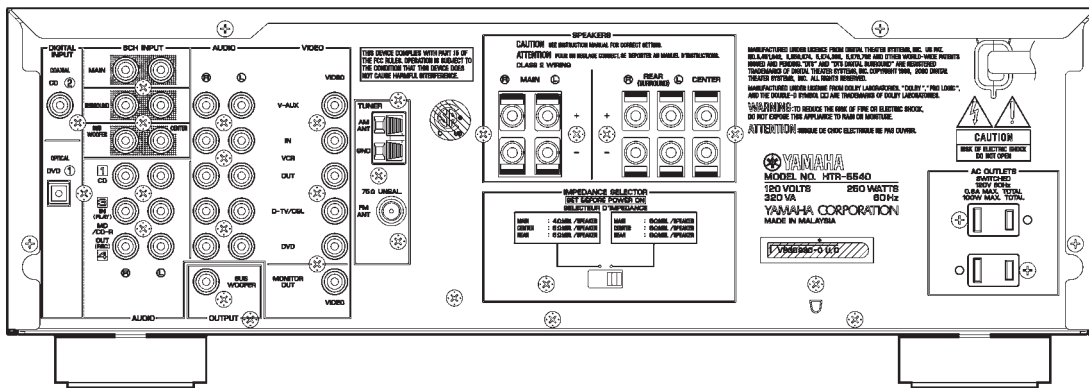
RX-V430RDS (B model)



RX-V430RDS (G model)

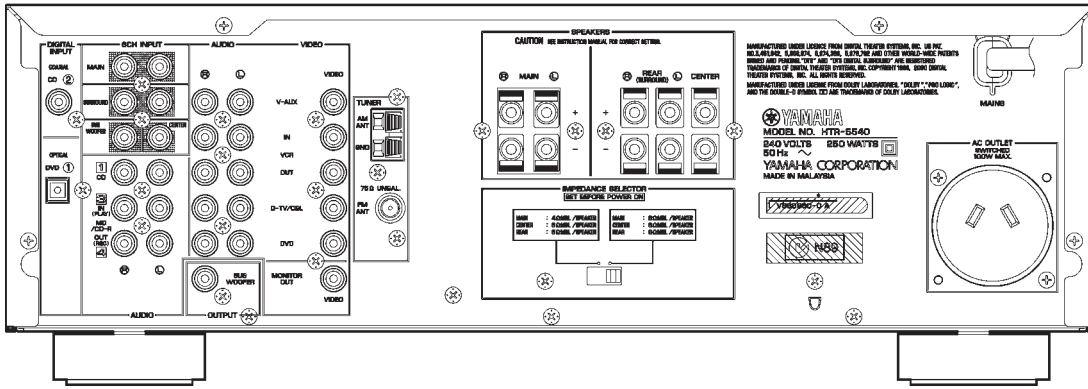


HTR-5540 (U, C models)

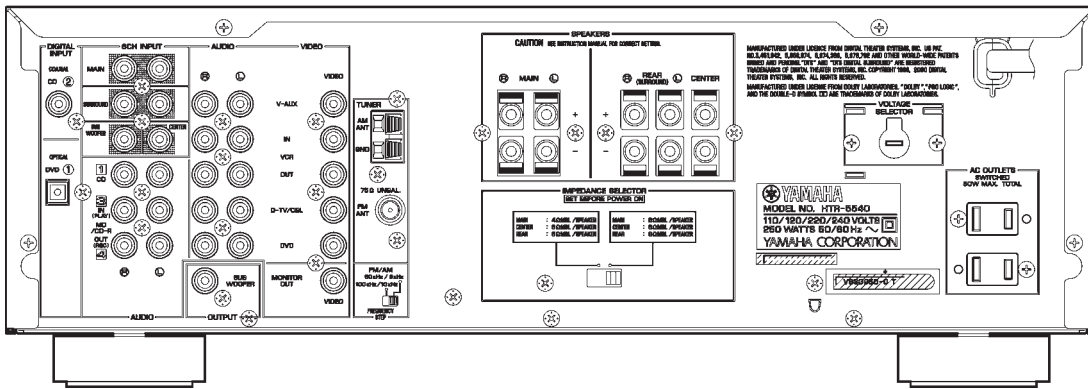


RX-V530/RX-V530RDS/HTR-5550/HTR-5550RDS/DSP-AX530  
 RX-V430/RX-V430RDS/HTR-5540/HTR-5540RDS/DSP-AX430

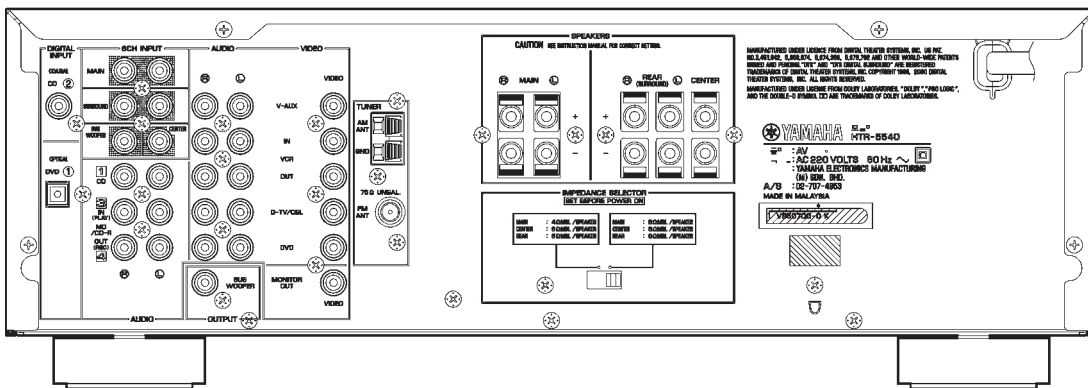
HTR-5540 (A model)



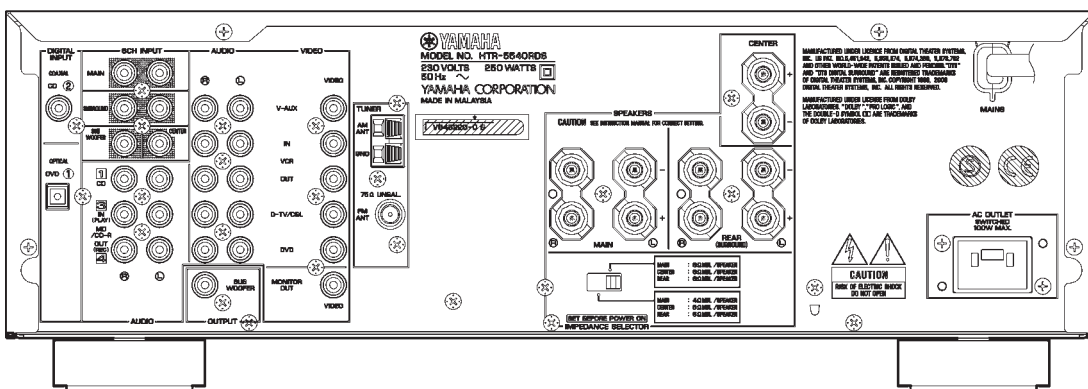
HTR-5540 (T model)



HTR-5540 (K model)

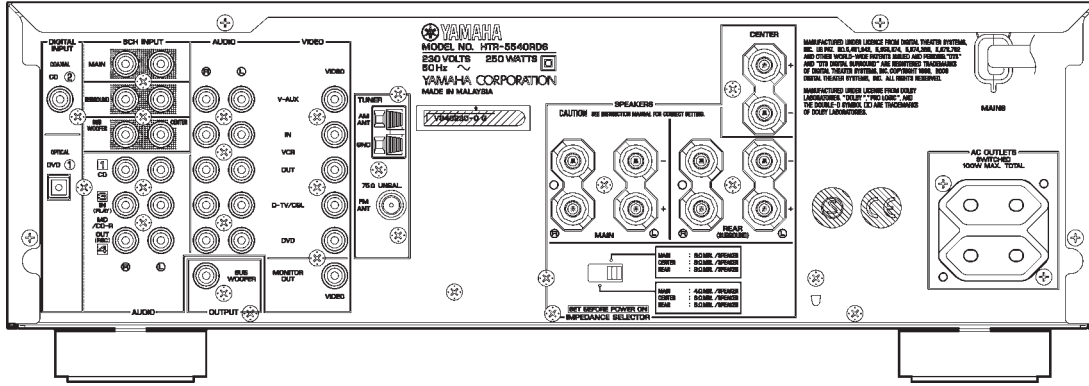


HTR-5540RDS (B model)

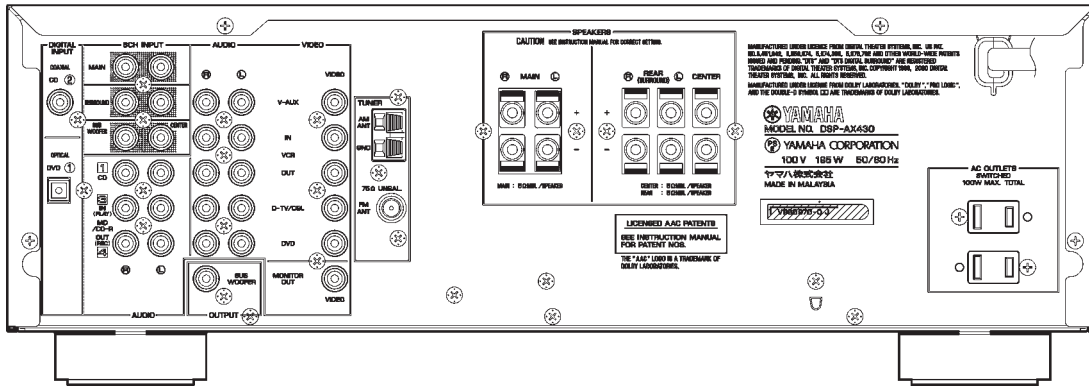


RX-V530/RX-V530RDS/HTR-5550/HTR-5550RDS/DSP-AX530  
 RX-V430/RX-V430RDS/HTR-5540/HTR-5540RDS/DSP-AX430

HTR-5540RDS (G model)



DSP-AX430 (J model)

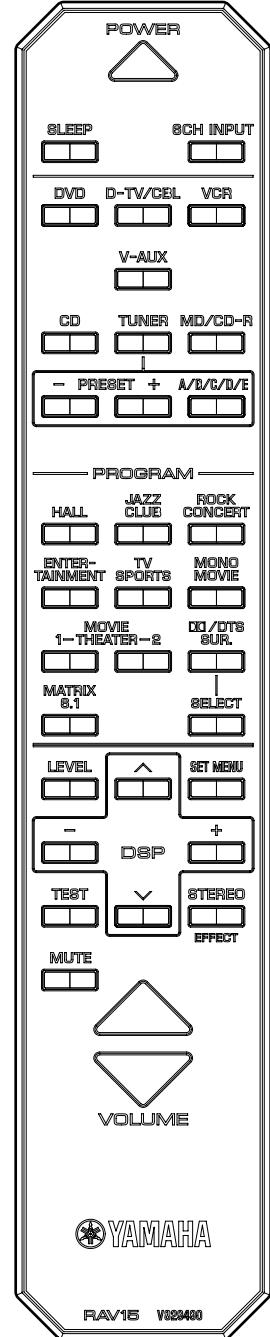
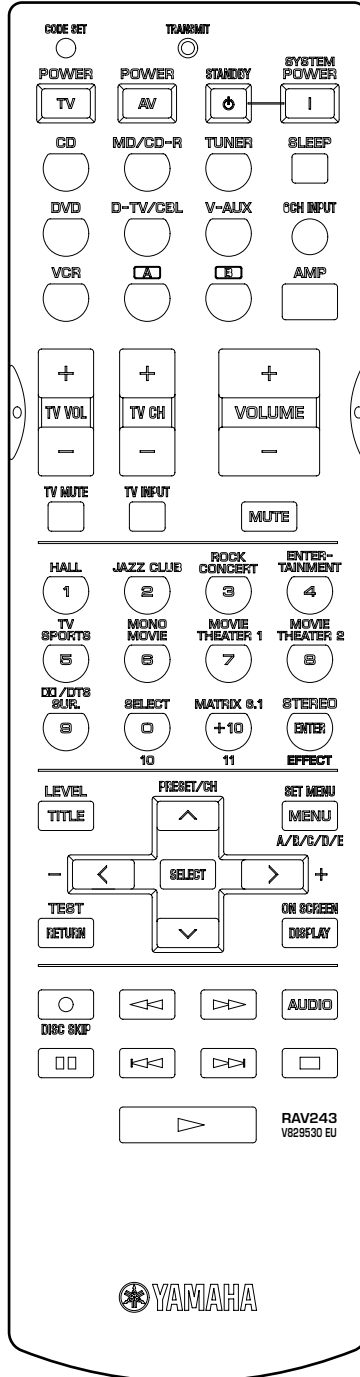
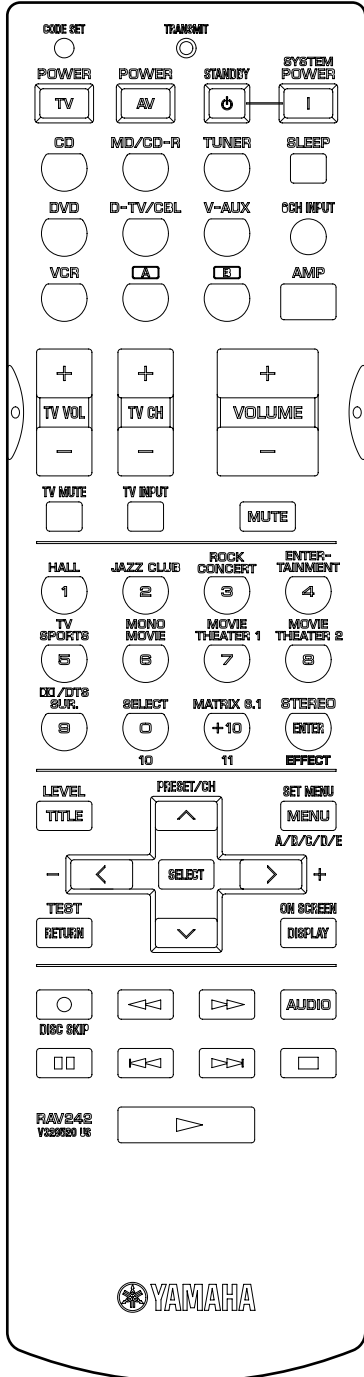


## ■ REMOTE CONTROL

RX-V530 (U, C, A, L, R, T, K models)  
 HTR-5550 (U, C, A, T, K models)  
 DSP-AX530 (J model)  
 RX-V430 (U, C, A, L, R, T, K models)  
 DSP-AX430 (J model)

RX-V530RDS (B, G models)  
 HTR-5550RDS (B, G models)

RX-V430RDS (B, G models)  
 HTR-5540 (U, C, A, T, K models)  
 HTR-5540RDS (B, G models)



RX-V530/RX-V530RDS/HTR-5550/HTR-5550RDS/DSP-AX530  
 RX-V430/RX-V430RDS/HTR-5540/HTR-5540RDS/DSP-AX430

## SPECIFICATIONS

### Audio Section / オーディオ部

#### Minimum RMS Output Power (Power Amp. Section) / 定格出力 (パワーアンプ部)

(20 Hz to 20 kHz, 0.06% THD)

MAIN L/R	
U, C models (8 ohms) .....	75W + 75W
A, B, G, L, R, T, K models (8 ohms) .....	65W + 65W
J model (6 ohms) .....	75W + 75W
CENTER	
U, C models (8 ohms) .....	75W
A, B, G, L, R, T, K models (8 ohms) .....	65W
J model (6 ohms) .....	75W
REAR L/R	
U, C models (8 ohms) .....	75W + 75W
A, B, G, L, R, T, K models (8 ohms) .....	65W + 65W
J model (6 ohms) .....	75W + 75W

(1 kHz, 0.06% THD)

MAIN L/R	
U, C models (8 ohms) .....	80W + 80W
A, B, G, L, R, T, K models (8 ohms) .....	70W + 70W
CENTER	
U, C models (8 ohms) .....	80W
A, B, G, L, R, T, K models (8 ohms) .....	70W
REAR L/R	
U, C models (8 ohms) .....	80W + 80W
A, B, G, L, R, T, K models (8 ohms) .....	70W + 70W

#### Maximum Power / 実用最大出力 (EIAJ, 1kHz, 10% THD)

MAIN L/R	
R, T, K models (8 ohms) .....	95W + 95W
J model (6 ohms) .....	100W + 100W
CENTER	
R, T, K models (8 ohms) .....	95W
J model (6 ohms) .....	100W
REAR L/R	
R, T, K models (8 ohms) .....	95W + 95W
J model (6 ohms) .....	100W + 100W

#### Dynamic Power Per Channel / ダイナミックパワー (IHF)

U, C models (8/6/4/2 ohms) .....	95/115/140/160W
A, B, G, L, R, T, K models (8/6/4/2 ohms) .....	90/110/130/150W
J model (6/4/2 ohms) .....	105/125/145W

#### DIN Standard Output Power Per Channel / DINパワー [G model]

(1 kHz, 0.7% THD, 4 ohms)

MAIN L/R	
.....	110W + 110W
CENTER	
.....	110W
REAR L/R	
.....	110W + 110W

#### Dynamic Headroom / ダイナミックヘッドルーム

U, C models (8 ohms) .....	1.09dB
----------------------------	--------

#### IEC Power / IECパワー [G, L models]

1 kHz, 0.06% THD, 8 ohms .....	70W + 70W
--------------------------------	-----------

#### Damping Factor / ダンピングファクタ

20 Hz to 20 kHz, SPEAKER-A, 8 ohms .....	80 or more
--	------------

#### Input Sensitivity / Input Impedance (入力感度/入力インピーダンス)

CD, etc. ....	150 mV / 47 k-ohms
EXT. DECODER	
MAIN L/R, CENTER, SURROUND L/R, SUB WOOFER	
.....	150 mV / 47 k-ohms

#### Maximum Input Signal Level / 最大許容入力

(1 kHz, 0.5% THD, Effect On)	.....
CD, etc. ....	2.0V

#### Output Level / Output Impedance (出力電圧/出力インピーダンス)

REC OUT .....	150 mV / 1.2 k-ohms
SUB WOOFER (MAIN SP: Small) .....	4 V / 1.2 k-ohms

#### Headphone Jack Rated Output / Impedance (ヘッドフォン出力/入力インピーダンス)

CD, etc. (1 kHz, 150 mV, 8 ohms) .....	0.34 V / 560 ohms
--	-------------------

#### Frequency Response / 周波数特性

CD, etc. to MAIN L/R (10 Hz to 100 kHz) .....	+0/-3.0dB
---	-----------

#### Total Harmonic Distortion / 全高調波歪率

(20Hz to 20kHz, 40W, 8 ohms)	.....
CD, etc. (Effect Off) to MAIN L/R SP OUT .....	0.06% or less

#### Signal to Noise Ratio / 信号対雑音比 (IHF-A network)

CD, etc. (Input shorted, EFFECT OFF) to MAIN L/R	.....
250mV .....	100dB or more

#### Residual Noise / 残留ノイズ (IHF-A network)

MAIN L/R SP OUT .....	150µV or less
-----------------------	---------------

#### Channel Separation / チャンネルセパレーション

(Vol -30 dB, Effect Off)	.....
CD, etc. (Input 5.1 k-ohms shorted, 1 kHz/10 kHz) ...	60 dB or more/45 dB or more

#### Tone Control Characteristics / トーンコントロール特性

BASS	
Boost/Cut .....	±10dB (50Hz)
Turnover Frequency .....	350Hz
TREBLE	
Boost/Cut .....	±10dB (20kHz)
Turnover Frequency .....	3.5kHz

#### Filter Characteristics / フィルター特性

MAIN, REAR L/R SP Small (H.P.F.) .....	90Hz / 12dB oct.
SUBWOOFER (L.P.F.) .....	90Hz / 18dB oct.

### Video Section / ビデオ部

#### Video Signal Type / ビデオ信号方式

U, C, J models .....	NTSC
A, B, G, L models .....	PAL
R, T, K models .....	NTSC or PAL

#### Video Signal Level / ビデオ信号

.....	1 Vp-p / 75 ohms
-------	------------------

#### S-Video Signal Level / Sビデオ信号

[RX-V530/RX-V530RDS/HTR-5550/HTR-5550RDS/DSP-AX530]	.....
Y .....	1 Vp-p / 75 ohms
C .....	0.286 Vp-p / 75 ohms

#### Component Signal Level / コンポーネントビデオ信号

[RX-V530/RX-V530RDS/HTR-5550/HTR-5550RDS/DSP-AX530]	.....
Y .....	1 Vp-p / 75 ohms
Cb/Cr .....	0.7 Vp-p / 75 ohms

#### Maximum Input Level / 最大許容入力

.....	1.5 Vp-p
-------	----------

#### Signal to Noise Ratio / 信号対雑音比

.....	50 dB or more
-------	---------------

#### Monitor Out Frequency Response / モニターアウト周波数帯域

[RX-V530/RX-V530RDS/HTR-5550/HTR-5550RDS/DSP-AX530]	.....
Video Signal Level, S-Video Signal Level ...	5 Hz to 10 MHz, -3 dB
Component Video Signal Level .....	DC to 30 MHz, -3 dB
[RX-V430/RX-V430RDS/HTR-5540/HTR-5540RDS/DSP-AX430]	.....
Video Signal Level .....	5 Hz to 10 MHz, -3 dB

### FM Section / FM部

#### Tuning Range

U, C models .....	87.5 to 107.9 MHz
A, B, G, L, K models .....	87.5 to 108.0 MHz
R, T models .....	87.5 to 108.0 / 87.5 to 108.0 MHz
J model .....	76.0 to 90.0 MHz

#### 50dB Quieting Sensitivity / 50dB SN感度 (IHF)

(1kHz, 100% Mod.)	.....
Mono .....	2.0 µV (17.3 dBf)
Stereo .....	25 µV (39.2 dBf)

#### Usable Sensitivity / 実用感度 (IHF)

Mono .....	1.0 µV (11.2 dBf)
------------	-------------------

#### Selectivity / 選択度

at 400 kHz .....	70 dB
------------------	-------

#### Signal to Noise Ratio / 信号対雑音比 (IHF)

Mono / Stereo .....	76 dB / 70 dB
---------------------	---------------

#### Harmonic Distortion / 歪率

(1 kHz)	.....
Mono/Stereo .....	0.2 / 0.3 %

#### Stereo Separation / ステレオセパレーション

1 kHz .....	45 dB
-------------	-------

#### Frequency Response / 周波数特性

20 Hz to 15 kHz .....	+0.5 / -2 dB
-----------------------	--------------

#### Antenna Input / アンテナ入力

.....	75 ohms unbalanced
-------	--------------------

### AM Section / AM部

#### Tuning Range / 受信周波数範囲

U, C models .....	530 to 1,710 kHz
A, B, G, L, K, J models .....	531 to 1,611 kHz
R, T models .....	530 to 1,710 / 531 to 1,611 kHz

#### Usable Sensitivity / 実用感度

.....	300 µV/m
-------	----------

#### Antenna / アンテナ入力

.....	Loop Antenna
-------	--------------

### General / 総合

#### Power Supply / 電源電圧

U, C models .....	AC 120 V, 60 Hz
A model .....	AC 240 V, 50 Hz
B, G, L models .....	AC 230 V, 50 Hz
R model .....	AC 110/120/220/240 V, 50/60 Hz
T model .....	AC 220 V, 50 Hz
K model .....	AC 220 V, 60 Hz
J model .....	AC 100V, 50/60 Hz

#### Power Consumption / 消費電力

U, C models .....	210 W / 260 VA
A, B, G, L, R, T, K models .....	230 W
J model .....	180 W

#### Standby Power Consumption (reference data) / 待機電力(参考値)

U, C, J models .....	0.6 W
A model .....	0.9 W
B, G, L, K models .....	0.7 W

#### Maximum Power Consumption [R model]

(5ch Drive, 10% THD)

R model .....	500 W
---------------	-------

#### AC Outlets / ACアウトレット

2 switched outlets	
U, C, G, L, J models .....	100 W max. total
R, T models .....	50 W max. total
1 switched outlet	
A, B models .....	100W max.

**Dimensions / 寸法 (W x H x D)**

RX-V530/RX-V530RDS/HTR-5550/HTR-5550RDS/DSP-AX530/  
RX-V430RDS/HTR-5540RDS  
..... 435 x 151 x 387 mm (17-1/8" x 5-15/16" x 15-1/4")  
RX-V430/HTR-5540/DSP-AX430  
..... 435 x 151 x 380 mm (17-1/8" x 5-15/16" x 14-15/16")

**Weight / 重量**

..... 10.0 kg (22 lbs. 1 oz.)

**Finish / 仕上げ**

RX-V530/RX-V430 ..... Gold color (L, R, T, K) models  
Black color (U, C, A, R) models  
RX-V530RDS/RX-V430RDS ... Gold color (G) model  
Black color (B, G) models  
Titan color (B, G) models  
HTR-5550/HTR-5540 ..... Gold color (T, K) models  
Black color (U, C, A) models  
Titan color (U, C) models  
HTR-5550RDS/HTR-5540RDS .. Black color (G) model  
Titan color (B, G) models  
DSP-AX530/DSP-AX430 ..... Gold color (J) model


**Accessories / 付属品**

Remote Control, Batteries (Manganese Dry), Indoor FM Antenna,  
AM Loop Antenna, PAL 75/300 Socket [B model], Video Pin Cable  
[U, C, A models]

U ..... U.S.A. model                    C ..... Canadian model  
A ..... Australian model            B ..... British model  
G ..... European model            L ..... Singapore model  
R ..... General model                T ..... Chinese model  
K ..... Korean model                 J ..... Japanese model



Manufactured under license from Dolby Laboratories.  
“Dolby”, “Pro Logic” and the double-D symbol are trademarks of  
Dolby Laboratories.

ドルビーラボラトリーズからの実施権に基づき製造されていま  
す。ドルビー、DOLBY、ドルビーデジタル、PRO LOGICおよび  
ダブルD記号は、ドルビーラボラトリーズの商標です。



“DTS” and “DTS Digital Surround” are registered trademarks of  
Digital Theater Systems, Inc.

DTS、DTS Digitalサラウンドはデジタルシアターシステムズの登  
録商標です。

\* Specifications are subject to change without notice due to product  
improvements.

※ 参考仕様および外観は予告なく変更されることがあります。

**• Set Menu Table / セットメニュー**

No.	MAIN MENU	SUB MENU: PRESET VALUE		SETTING RANGES
		RX-V530/RX-V530RDS/HTR-5550/ HTR-5550RDS/DSP-AX530	RX-V430/RX-V430RDS/HTR-5540/ HTR-5540RDS/DSP-AX430	
1.	SPEAKER SET	1A. CENTER SP: LARGE 1B. MAIN SP: LARGE 1C. REAR L/R SP: LARGE 1D. LFE/BASS OUT: BOTH 1E. MAIN LEVEL: NORMAL	1A. CENTER SP: LARGE 1B. MAIN SP: LARGE 1C. REAR L/R SP: LARGE 1D. LFE/BASS OUT: BOTH 1E. MAIN LEVEL: NORMAL	LARGE, SMALL, NONE LARGE, SMALL LARGE, SMALL, NONE SW, MAIN, BOTH NORMAL, -10dB
2.	LFE LEVEL	SP LFE LEVEL: 0dB HP LFE LEVEL: 0dB	SP LFE LEVEL: 0dB HP LFE LEVEL: 0dB	-20dB — 0dB (1dB step) -20dB — 0dB (1dB step)
3.	SP DELAY TIME	CENTER DELAY: 0ms	CENTER DELAY: 0ms	0ms — 5ms (1ms step)
4.	DYNAMIC RANGE	SP DYNAMIC RANGE: MAX HP DYNAMIC RANGE: MAX	SP DYNAMIC RANGE: MAX HP DYNAMIC RANGE: MAX	MAX, STD, MIN MAX, STD, MIN
5.	L/R BALANCE	CENTER	CENTER	L, ..., CENTER, ..., R (40 steps)
6.	HP TONE CONTROL	HP BASS: 0dB HP TREBLE: 0dB	HP BASS: 0dB HP TREBLE: 0dB	-6dB — +3dB (1dB step) -6dB — +3dB (1dB step)
7.	I/O ASSIGNING	7A [A]. CV INPUT 1: DVD 7A [B]. CV INPUT 2: D-TV/CBL 7B (1). OPTICAL OUT 1: MD/CD-R 7C (2). OPTICAL IN 1: MD/CD-R 7C (3). OPTICAL IN 2: DVD 7C (4). OPTICAL IN 3: D-TV/CBL 7D (5). COAXIAL IN 1: CD	- - - 7C (1). OPTICAL IN 1: DVD - 7C (2). COAXIAL IN 1: CD	DVD D-TV/CBL MD/CD-R MD/CD-R DVD D-TV/CBL CD
8.	INPUT MODE	AUTO	AUTO	AUTO/LAST
9.	DISPLAY SET	DIMMER: 0	DIMMER: 0	-4 — 0 (1 step)
10.	MEMORY GUARD	OFF	OFF	OFF/ON
11.	DUAL MONO	MAIN	MAIN	MAIN, SUB, ALL

RX-V530/RX-V530RDS/HTR-5550/HTR-5550RDS/DSP-AX530  
RX-V430/RX-V430RDS/HTR-5540/HTR-5540RDS/DSP-AX430

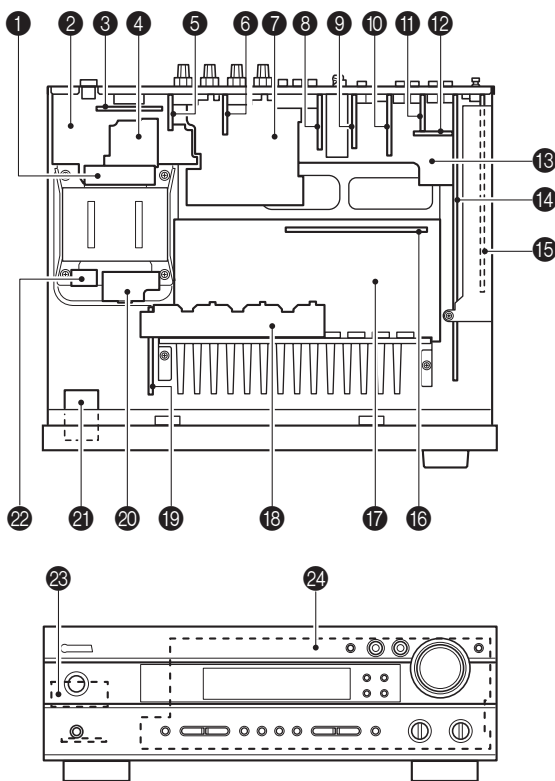
• The variable range of the parameter (Min/Max/Step) / パラメーターの可変範囲 (最小/最大/ステップ)

Parameter name	Pro Logic	Pro Logic II Movie	Pro Logic II Music	2ch	DD/dts/AAC	6.1/ES	Unit
(P.) INIT. DLY	-	-	-	1/99/1	1/99/1	1/99/1	ms
S. DELAY	-	-	-	-	0/15/1	0/15/1	ms
S. INIT. DLY	10/25/1	10/25/1	0/15/1	0/49/1	0/49/1	0/49/1	ms
Panorama	-	OFF	OFF/ON	-	-	-	-
Dimension	-	0 (STD)	-3/+3/1	-	-	-	-
C. Width	-	0	0/7/1	-	-	-	-

5ch Stereo Parameter		Unit
CT. LEVEL	0/100/1	%
RL. LEVEL	0/100/1	%
RR. LEVEL	0/100/1	%

## INTERNAL VIEW

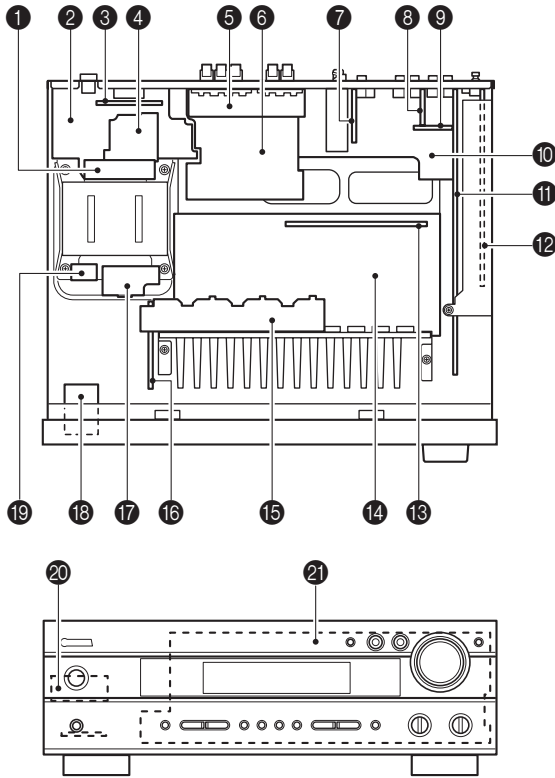
### RX-V530/RX-V530RDS/HTR-5550/HTR-5550RDS/DSP-AX530



- ① FUNCTION (9) P.C.B.
- ② FUNCTION (7) P.C.B.
- ③ FUNCTION (8) P.C.B. (R, T models only)
- ④ MAIN (6) P.C.B.
- ⑤ MAIN (8) P.C.B.
- ⑥ MAIN (7) P.C.B.
- ⑦ MAIN (2) P.C.B.
- ⑧ VIDEO (2) P.C.B.
- ⑨ FUNCTION (3) P.C.B.
- ⑩ VIDEO (1) P.C.B.
- ⑪ FUNCTION (2) P.C.B.
- ⑫ FUNCTION (10) P.C.B.
- ⑬ FUNCTION (4) P.C.B.
- ⑭ FUNCTION (1) P.C.B.
- ⑮ DSP P.C.B.
- ⑯ MAIN (3) P.C.B.
- ⑰ MAIN (1) P.C.B.
- ⑱ MAIN (4) P.C.B.
- ⑲ FUNCTION (5) P.C.B.
- ⑳ FUNCTION (6) P.C.B.
- ㉑ MAIN (5) P.C.B.
- ㉒ OPERATION (3) P.C.B.
- ㉓ OPERATION (2) P.C.B.
- ㉔ OPERATION (1) P.C.B.



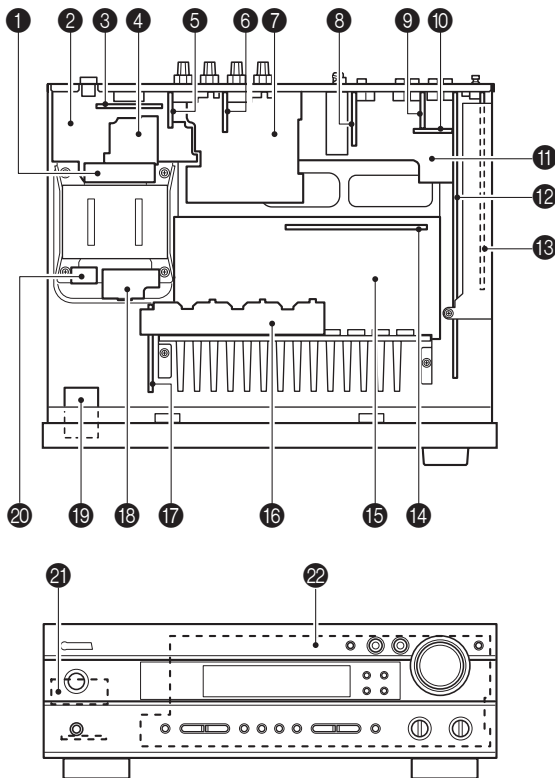
**RX-V430/HTR-5540/DSP-AX430**



- ① FUNCTION (9) P.C.B.
- ② FUNCTION (7) P.C.B.
- ③ FUNCTION (8) P.C.B. (R, T models only)
- ④ MAIN (6) P.C.B.
- ⑤ MAIN (10) P.C.B.
- ⑥ MAIN (2) P.C.B.
- ⑦ FUNCTION (3) P.C.B.
- ⑧ FUNCTION (2) P.C.B.
- ⑨ FUNCTION (10) P.C.B.
- ⑩ FUNCTION (4) P.C.B.
- ⑪ FUNCTION (1) P.C.B.
- ⑫ DSP P.C.B.
- ⑬ MAIN (3) P.C.B.
- ⑭ MAIN (1) P.C.B.
- ⑮ MAIN (4) P.C.B.
- ⑯ FUNCTION (5) P.C.B.
- ⑰ FUNCTION (6) P.C.B.
- ⑱ MAIN (5) P.C.B.
- ⑲ OPERATION (3) P.C.B.
- ⑳ OPERATION (2) P.C.B.
- ㉑ OPERATION (1) P.C.B.

RX-V530/RX-V530RDS/HTR-5550/HTR-5550RDS/DSP-AX530  
 RX-V430/RX-V430RDS/HTR-5540/HTR-5540RDS/DSP-AX430

**RX-V430RDS/HTR-5540RDS**



- ① FUNCTION (9) P.C.B.
- ② FUNCTION (7) P.C.B.
- ③ FUNCTION (8) P.C.B.
- ④ MAIN (6) P.C.B.
- ⑤ MAIN (8) P.C.B.
- ⑥ MAIN (7) P.C.B.
- ⑦ MAIN (2) P.C.B.
- ⑧ FUNCTION (3) P.C.B.
- ⑨ FUNCTION (2) P.C.B.
- ⑩ FUNCTION (10) P.C.B.
- ⑪ FUNCTION (4) P.C.B.
- ⑫ FUNCTION (1) P.C.B.
- ⑬ DSP P.C.B.
- ⑭ MAIN (3) P.C.B.
- ⑮ MAIN (1) P.C.B.
- ⑯ MAIN (4) P.C.B.
- ⑰ FUNCTION (5) P.C.B.
- ⑱ FUNCTION (6) P.C.B.
- ⑲ MAIN (5) P.C.B.
- ⑳ OPERATION (3) P.C.B.
- ㉑ OPERATION (2) P.C.B.
- ㉒ OPERATION (1) P.C.B.

## ■ DISASSEMBLY PROCEDURE / 分解手順

(Remove parts in the order as numbered.)  
 Disconnect the power cord from the AC outlet.

(番号順に部品を取り外してください。)  
 AC電源コンセントから、電源コードを抜いてください。

### 1. Removal of Top Cover

- a. Remove 4 screws (①) and 4 screws (②). (Fig. 1)
- b. Slide the Top Cover rearward to remove it. (Fig. 1)

### 1. トップカバーの外し方

- a. ①のネジ4本、②のネジ4本を外します。(Fig. 1)
- b. トップカバーを後方へスライドさせ、取り外します。(Fig. 1)

### 2. Removal of Front Panel Unit

- a. Remove 5 screws (③) and then remove the Front Panel Unit. (Fig. 1)
- b. Remove 309~311. (Fig. 1)
- c. Loosen the harness fixture fixing the cable.

### 2. フロントパネルユニットの外し方

- a. ③のネジ5本を外し、フロントパネルユニットを取り外します。(Fig. 1)
- b. CB309~311を外します。(Fig. 1)
- c. ケーブルを固定している束線止めをゆるめます。

### 3. Removal of MAIN (5) P.C.B.

- a. Remove 1 screw (④) and then remove the Jack Stopper (⑤) upward. (Fig. 1)
- b. Remove the MAIN (5) P.C.B.. (Fig. 1)

### 3. MAIN (5) P.C.B.の外し方

- a. ④のネジ1本を外し、⑤のジャックストッパーを上方へ外します。(Fig. 1)
- b. MAIN (5) P.C.B.を取り外します。(Fig. 1)

### 4. Removal of DSP P.C.B.

- a. Remove 4 screws (⑥) and 1 screw (⑦), and then remove the Shield Case Cover. (Fig. 2)
- b. Remove 2 screws (⑧). (Fig. 2)
- c. RX-V530/RX-V530RDS/HTR-5550/HTR-5550RDS/  
 DSP-AX530: Remove 5 screws (⑨). (Fig. 3)  
 RX-V430/RX-V430RDS/HTR-5540/HTR-5540RDS/  
 DSP-AX430: Remove 2 screws (⑨). (Fig. 3)
- d. Remove CB308. (Fig. 2)
- e. Remove the Shield Case and the DSP P.C.B.. (Fig. 2)

### 4. DSP P.C.B.の外し方

- a. ⑥のネジ4本、⑦のネジ1本を外し、シールドケースカバーを取り外します。(Fig. 2)
- b. ⑧のネジ2本を外します。(Fig. 2)
- c. RX-V530/RX-V530RDS/HTR-5550/HTR-5550RDS/  
 DSP-AX530: ⑨のネジ5本を外します。(Fig. 3)  
 RX-V430/RX-V430RDS/HTR-5540/HTR-5540RDS/  
 DSP-AX430: ⑨のネジ2本を外します。(Fig. 3)
- d. CB308を外します。(Fig. 2)
- e. シールドケースとDSP P.C.B.を取り外します。(Fig. 2)

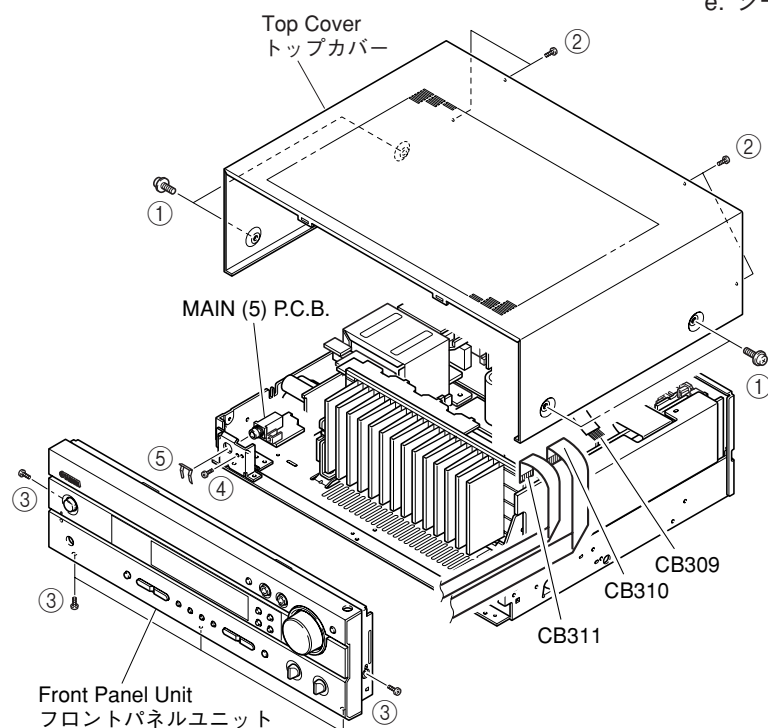


Fig. 1

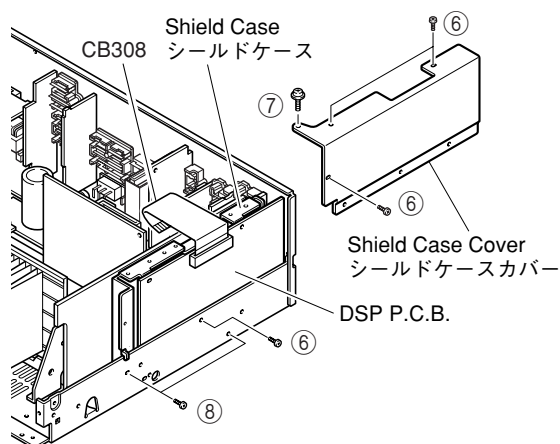


Fig. 2

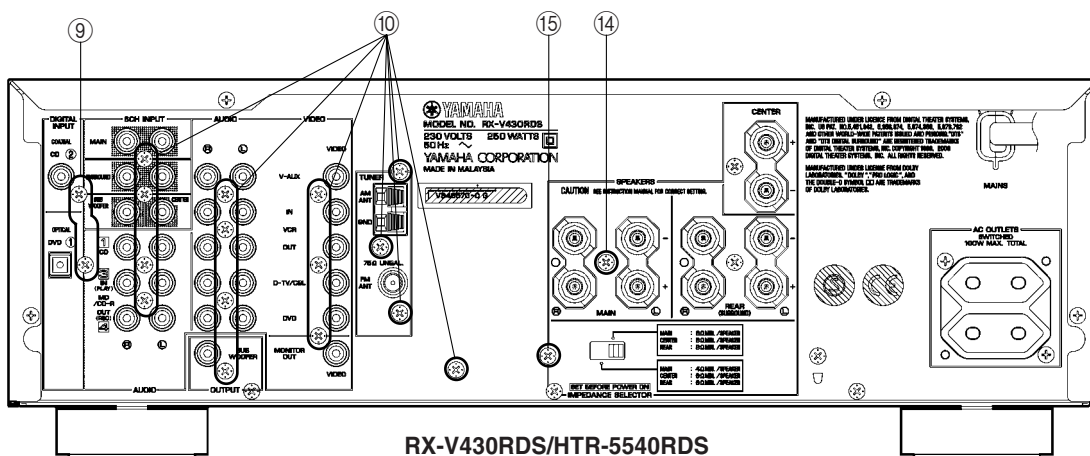
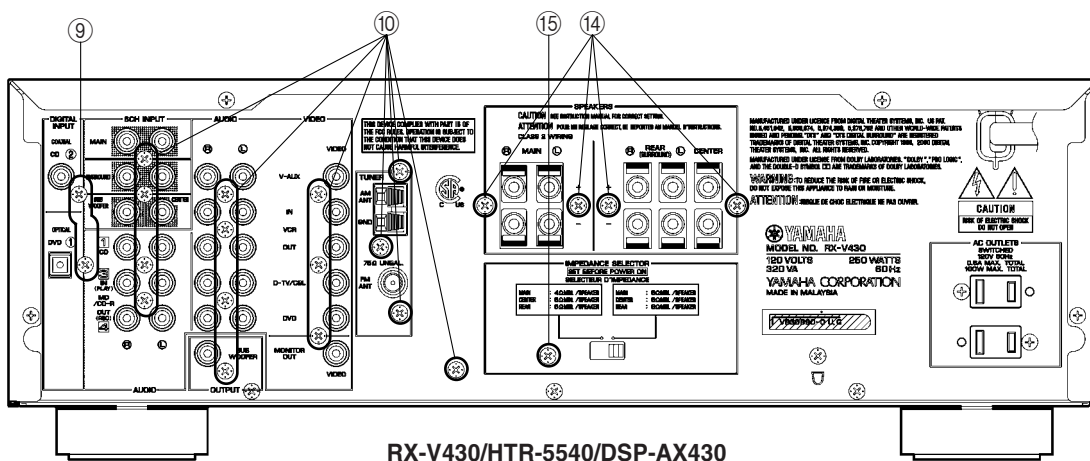
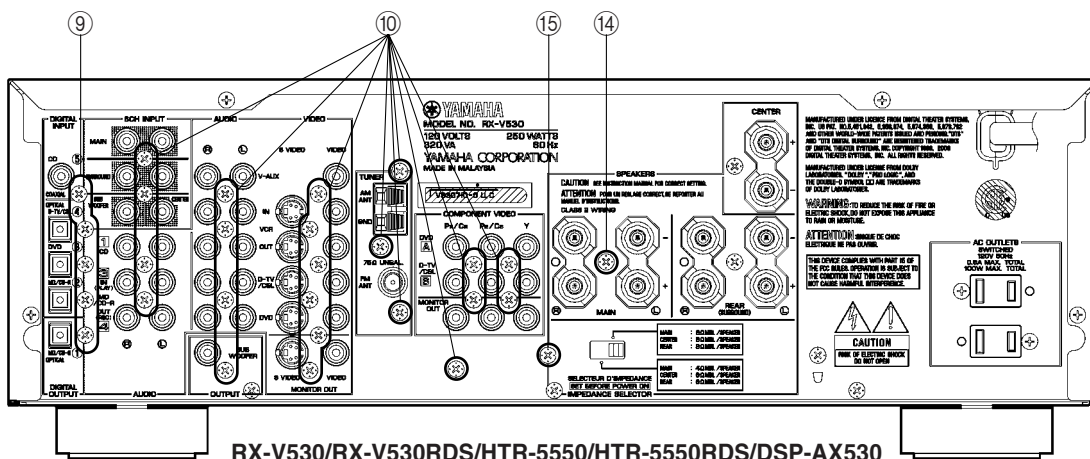


Fig. 3

**5. RX-V530/RX-V530RDS/HTR-5550/HTR-5550RDS/DSP-AX530: Removal of FUNCTION (1) ~ (4), FUNCTION (10), VIDEO (1) and VIDEO (2) P.C.B.s and Tuner**

- a. Remove CB312. (Fig. 4)
- b. Remove 22 screws (10). (Fig. 3)
- c. Remove 1 screw (11). (Fig. 4)
- d. Remove FUNCTION (1) ~ (4), FUNCTION (10), VIDEO (1) and VIDEO (2) P.C.B.s. and the Tuner. (Fig. 4)

**5. RX-V530/RX-V530RDS/HTR-5550/HTR-5550RDS/DSP-AX530: FUNCTION (1)~(4)、FUNCTION (10)、VIDEO (1)、VIDEO (2) P.C.B.、TUNERの外し方**

- a. CB312を外します。(Fig. 4)
- b. 10のネジ22本を外します。(Fig. 3)
- c. 11のネジ1本を外します。(Fig. 4)
- d. FUNCTION (1)~(4)、FUNCTION (10)、VIDEO (1)、VIDEO (2) P.C.B.、TUNERを取り外します。(Fig. 4)

RX-V530/RX-V530RDS/HTR-5550/HTR-5550RDS/DSP-AX530  
 RX-V430/RX-V430RDS/HTR-5540/HTR-5540RDS/DSP-AX430

**5. RX-V430/RX-V430RDS/HTR-5540/HTR-5540RDS/  
 DSP-AX430: Removal of FUNCTION (1) ~ (4),  
 FUNCTION (10) P.C.B.s and Tuner**

- a. Remove CB312. (Fig. 4)
- b. Remove 15 screws (⑩). (Fig. 3)
- c. Remove 1 screw (⑪). (Fig. 4)
- d. Remove FUNCTION (1) ~ (4), FUNCTION (10) P.C.B.s and the Tuner. (Fig. 4)

**When checking the P.C.B.:**

- Put the rubber sheet and a cloth over the equipment. Then place the P.C.B. upside down on the cloth and check it. (Fig. 5)
- Reconnect all cables (connectors) that have been disconnected.
- The P.C.B. removed from the rear panel does not work because its grounding is loose. Be sure to connect the ground of each P.C.B. to the chassis or GND with a jumper wire or the like.

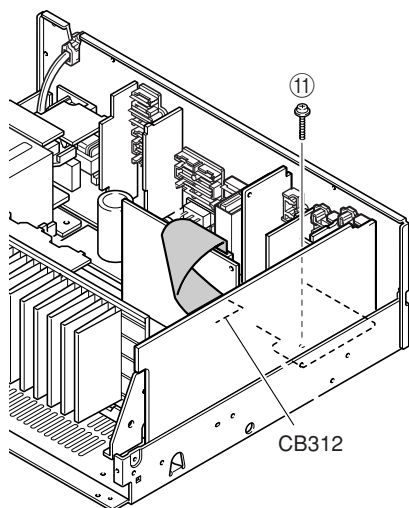


Fig. 4

**6. Removal of MAIN (1), MAIN (3), MAIN (4) and  
 FUNCTION (5) P.C.B.s**

- a. Remove CB253. (Fig. 6)
- b. Remove 1 screw (⑫) and 2 screws (⑬). (Fig. 6)
- c. Remove FUNCTION (1) ~ (4), FUNCTION (10), VIDEO (1) and VIDEO (2) P.C.B.s and the Tuner. (Fig. 6)

**7. RX-V530/RX-V530RDS/HTR-5550/HTR-5550RDS/  
 DSP-AX530/RX-V430RDS/HTR-5540RDS: Removal  
 of MAIN (7) and MAIN (2) P.C.B.s**

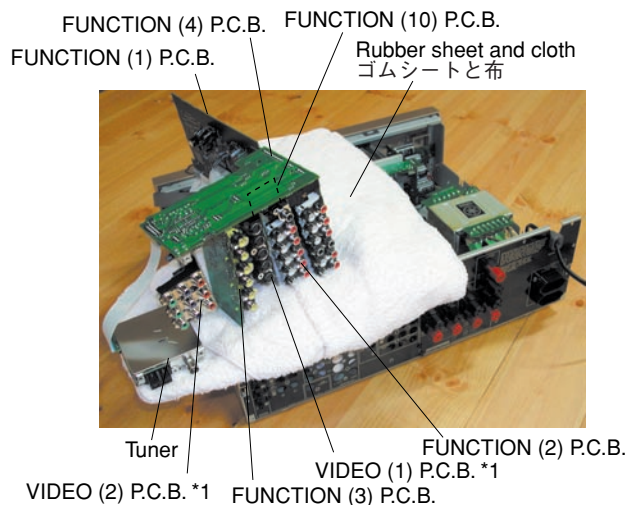
- a. Remove 1 screw (⑭). (Fig. 3)
- b. Remove MAIN (7) P.C.B.. (Fig. 6)
- c. Remove 1 screw (⑮). (Fig. 3)
- d. Remove 1 screw (⑯). (Fig. 6)
- e. Remove MAIN (2) P.C.B.. (Fig. 6)

**5. RX-V430/RX-V430RDS/HTR-5540/HTR-5540RDS/  
 DSP-AX430: FUNCTION (1) ~ (4),  
 FUNCTION (10) P.C.B., TUNERの外し方**

- a. CB312を外します。(Fig. 4)
- b. ⑩のネジ15本を外します。(Fig. 3)
- c. ⑪のネジ1本を外します。(Fig. 4)
- d. FUNCTION (1)~(4)、FUNCTION (10) P.C.B.、TUNERを取り外します。(Fig. 4)

**P.C.B.チェックをする場合には**

- 本機の上にゴムシートと布を敷き、その上にP.C.B.を裏返しに置いてチェックします。(Fig. 5)
- 外したケーブル(コネクタ)をすべて接続してください。
- リアパネルから外したP.C.B.はアースが浮いて動作しませんので、各P.C.B.のアースをリード線等でシャーシまたはGNDに接続してください。



\*1: RX-V530/RX-V530RDS/HTR-5550/HTR-5550RDS/DSP-AX530 only

Fig. 5

**6. MAIN (1)、MAIN (3)、MAIN (4)、FUNCTION  
 (5) P.C.B.の外し方**

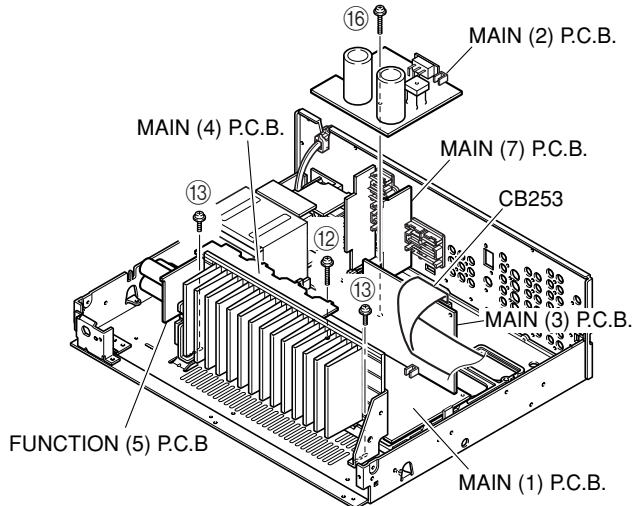
- a. CB253を外します。(Fig. 6)
- b. ⑫のネジ1本、⑬のネジ2本を外します。(Fig. 6)
- c. MAIN (1)、MAIN (3)、MAIN (4)、FUNCTION (5) P.C.B.を取り外します。(Fig. 6)

**7. RX-V530/RX-V530RDS/HTR-5550/HTR-5550RDS/  
 DSP-AX530/RX-V430RDS/HTR-5540RDS: MAIN (7)、MAIN (2) P.C.B.の外し方**

- a. ⑭のネジ1本を外します。(Fig. 3)
- b. MAIN (7) P.C.B.を取り外します。(Fig. 6)
- c. ⑮のネジ1本を外します。(Fig. 3)
- d. ⑯のネジ1本を外します。(Fig. 6)
- e. MAIN (2) P.C.B.を取り外します。(Fig. 6)

**7. RX-V430/HTR-5540/DSP-AX430: Removal of MAIN (10) and MAIN (2) P.C.B.s**

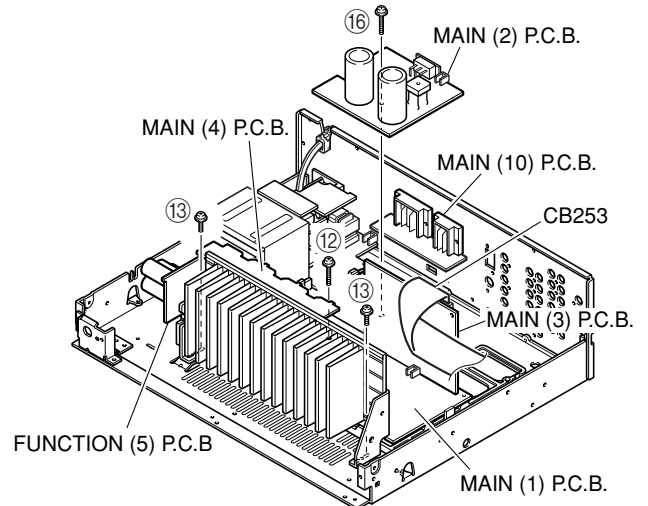
- Remove 4 screws (14). (Fig. 3)
- Remove MAIN (10) P.C.B.. (Fig. 6)
- Remove 1 screw (15). (Fig. 3)
- Remove 1 screw (16). (Fig. 6)
- Remove MAIN (2) P.C.B.. (Fig. 6)



RX-V530/RX-V530RDS/HTR-5550/HTR-5550RDS/DSP-AX530/RX-V430RDS/HTR-5540RDS

**7. RX-V430/HTR-5540/DSP-AX430: MAIN (10)、MAIN (2) P.C.B.の外し方**

- 14のネジ4本を外します。(Fig. 3)
- MAIN (10) P.C.B.を取り外します。(Fig. 6)
- 15のネジ1本を外します。(Fig. 3)
- 16のネジ1本を外します。(Fig. 6)
- MAIN (2) P.C.B.を取り外します。(Fig. 6)



RX-V430/HTR-5540/DSP-AX430

Fig. 6

**Replacement of Power Transistor, Speaker Protective Relay**

It is easy to replace the power transistor and speaker protective relay of this unit according to the following procedure.

- Remove the top cover. (Refer to "1. Top Cover Removal" on p.18.)
- Remove 1 screw (12) and 2 screws (13). (Fig. 6)
- Raise the MAIN P.C.B. (Fig. 7)
- In this state, the power transistor and speaker protective relay can be replaced. To check the operation in this state, it is necessary to connect the grounding cable.

**パワートランジスタ、スピーカー保護リレーの交換手順**

本機は、パワートランジスタおよびスピーカー保護リレーを容易に交換することができます。

- トップカバーを外します。(18ページ "1. トップカバーの外し方"参照)
- 12のネジ1本、13のネジ2本を外します。(Fig. 6)
- MAIN P.C.B.を起こします。(Fig. 7)
- この状態でパワートランジスタ、スピーカー保護リレーを交換することができます。  
 なお、この状態で動作チェックをする場合、アースを接続する必要があります。



Fig. 7

RX-V530/RX-V530RDS/HTR-5550/HTR-5550RDS/DSP-AX530  
 RX-V430/RX-V430RDS/HTR-5540/HTR-5540RDS/DSP-AX430

## ■ SELF DIAGNOSIS FUNCTION (DIAG) / 自己診断機能 (ダイアグ)

There are 14 DIAG menu items, each of which has sub-menu items.

Listed in the table below are menu items and sub-menu items.

Note that not all menu items listed will apply to the models covered in this service manual.

本機には、検査、測定、不良個所の発見を目的にした自己診断機能(ダイアグ)があります。

ダイアグメニューは14個あり、そのそれぞれにサブメニューがあります。(ダイアグのメニュー操作は本体+付属リモコンで行います。) 下表はメニュー一覧です。

No	DIAG menu	sub-menu
1	DSP THROUGH 1. ANALOG BYPASS	1. ANALOG BYPASS
		2. YSS 0dB
		3. YSS Front 0dB
		4. YSS FULL BIT
		5. YSS FULL BIT F
2	RAM THROUGH 2. RAM 0dB	RAM 0dB
3	PRO LOGIC 3. PRO LOGIC I	1. PRO LOGIC I
		2. PRO LOGIC II
4	SPEAKER SET 4. MAIN: SML 0dB	1. MAIN: SMALL 0dB
		2. CENTER: NONE
		3. LFE/BASS: MAIN
		4. Front Mix: 5ch
		5. REAR CENTER (Not used in this model.)
5	MARGIN CHECK 5. MAIN 12dB	1. MAIN 12 dB MARGIN
		2. MAIN 18 dB MARGIN
6	OTHER INPUT 6. EXTERNAL DEC	EXTERNAL DECODER
7	DISPLAY CHECK 7. VFD CHECK	1. VFD CHECK (Initial display / 初期表示)
		2. VFD DISP OFF (All segments OFF / 全セグメント消灯)
		3. VFD DISP ALL (All segments ON 100% / 全セグメント点灯100%)
		4. VFD DIMMER (All segments ON 50% / 全セグメント点灯50%)
		5. CHECKED PATTERN (ON in lattice / 格子状点灯)
8	MANUAL TEST 8. TEST ALL	1. TEST ALL
		2. TEST MAIN L
		3. TEST CENTER
		4. TEST MAIN R
		5. TEST REAR R
		6. TEST REAR CENTER (Not used in this model.)
		7. TEST REAR L
		8. TEST LFE
9	FACTORY PRESET 9. PRESET INHI	1. PRESET INHIBITED (memory initialization inhibited / メモリーの初期化禁止)
		2. PRESET RESERVED (memory initialized / メモリーの初期化)
10	AD DATA CHECK /FAN TEST PS:038	1. PS (protection)
		2. K0/K1 (panel key)
		3. K2 (panel key)
		4. IMP SW/POWER LIMIT
		5. THM/FAN OUT
		6. FAN DRIVE TEST: HIGH (Fan test only applies to models with a fan. / ファン装備モデルに適用)
		7. FAN DRIVE TEST: MID (Fan test only applies to models with a fan. / ファン装備モデルに適用)
		8. FAN DRIVE TEST: LOW (Fan test only applies to models with a fan. / ファン装備モデルに適用)
11	IF STATUS ISI:440308C000	1. INSIDE STATUS 1 (5 Byte)
		2. INSIDE STATUS 2 (3 Byte)
		3. INSIDE STATUS 3 (4 Byte)
		4. CHANNEL STATUS 1 (5 Byte)
		5. CHANNEL STATUS 2 (5 Byte)
		6. CHANNEL STATUS 3 (5 Byte)
		7. CHANNEL STATUS 4 (5 Byte)
		8. CHANNEL STATUS 5 (4 Byte)
		9. BSI (YSS) 1 (5 Byte)
		10. BSI (YSS) 2 (5 Byte)

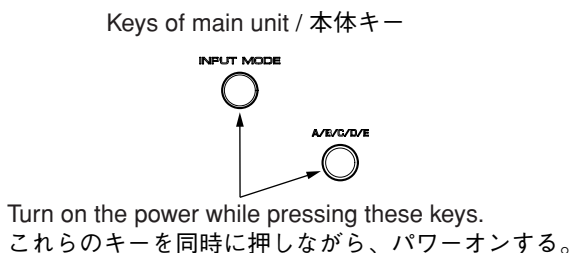
No	DIAG menu	sub-menu
		11. BSI (YSS) 3 (5 Byte)
		12. BSI (YSS) 4 (4 Byte)
		13. BSI (CS) 1 (5 Byte)
		14. BSI (CS) 2 (5 Byte)
		15. BSI (CS) 3 (5 Byte)
		16. BSI (CS) 4 (5 Byte)
		17. BSI (CS) 5 (1 Byte)
		18. YSS938-1 (5 Byte)
		19. YSS938-2 (5 Byte)
		20. YSS938-3 (4 Byte)
		21. CS49329 (3 Byte)
		22. Mute Trigger (5 Byte)
12	DSP RAM CHECK <span style="border: 1px solid black; padding: 2px;">YSS BUS: NoEr</span>	1. YSS938 BUS CHECK 2. PLD/CS BUS CHECK
13	SOFT SWITCH <span style="border: 1px solid black; padding: 2px;">13. SW : PCB</span>	1. SW MODE 2. MODEL SETTING 3. TUNER DESTINATION 4. TUNER EXIST 6. RDS EXIST 7. VIDEO FORMAT
14	ROM VERSION/CHECK SUM/ PORT <span style="border: 1px solid black; padding: 2px;">VER. XXXXX</span>	1. VERSION 2. CHECK SUM ALL/PROGRAM 3. PORT 4. AAC PORT

### ● Starting DIAG

Press the “STANDBY/ON” key while simultaneously pressing those two keys of the main unit as indicated in the figure below.

### ● ダイアグの起動

本体の下図に示すキーを同時に押しながら“STANDBY/ON”キーを押すと、ダイアグが起動します。



### ● Starting DIAG in the protection cancel mode

If the protection function works and causes hindrance to trouble diagnosis, cancel the protection function as described below, and it will be possible to enter the DIAG mode. (The protection functions other than the excess current detect function will be disabled.)

### ● プロテクション解除モードでの起動

プロテクションが動作することにより、故障箇所の診断に支障をきたすような場合は、次の方法によりプロテクションを解除した状態でダイアグモードに入ることが出来ます。(過電流検出以外のプロテクション動作を解除する)

Press the “STANDBY/ON” key while simultaneously pressing those two keys indicated in the figure above. At this time, keep pressing those two keys for 3 seconds or longer.

上図のキーを同時に押しながら“STANDBY/ON”キーを押します。このとき、上図のキーを3秒以上押し続けてください。

このモードでは本体FLの“SLEEP”セグメントが点滅し、プロテクションを解除した状態でのダイアグモードであることを知らせます。

In this mode, the “SLEEP” segment of the FL display of the main unit flashes to indicate that the mode is DIAG mode with the protection functions disabled.

## CAUTION!

Using this product with the protection function disabled may cause damage to itself. Use special care for this point when using this mode.

## ● Canceling DIAG

[1] Before canceling DIAG, execute setting for PRESET of DIAG menu No.9 (Memory initialization inhibited or Memory initialized).

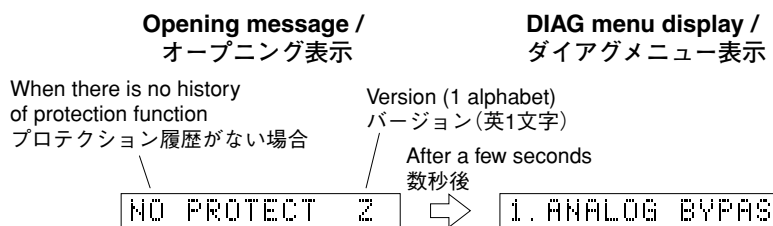
\* In order to keep the user memory stored, be sure to select PRESET INHIBITED (Memory initialization inhibited).

[2] Turn off the power by pressing the “STANDBY/ON” key of the main unit.

## ● Display provided when DIAG started

The FL display of the main unit displays the protection function history data and the version (1 alphabet) and the DIAG menu (sub-menu (ANALOG BYPASS) of DIAG menu No.1 DSP THROUGH) a few seconds later.

### When there is no history of protection function:



### When there is a history of protection function:



**Cause:** An excessive current flowed through the power amplifier.

**Supplementary information:** As current of the power transistor is detected, the abnormal channel can be identified by checking the current detect transistor.

Turning on the power without correcting the abnormality will cause the protection function to work immediately and the power supply will instantly be shut off.

### Note)

- Applying the power to a unit without correcting the abnormality can be dangerous and cause additional circuit damage.
- The output transistors in each amplifier channel should be checked for damage before applying any power.
- Amplifier current should be monitored by measuring across the emitter resistors for each channel.

### 注意!

プロテクションを解除した状態でのダイアグモードは、危険な状態でもプロテクションが作動しないため、動作させると、機器を破壊することがあります。このモードを使用する場合は十分注意してください。

## ● ダイアグの解除

① ダイアグを解除する前に、ダイアグメニューNo.9のFACTORY PRESET (メモリーの初期化禁止/またはメモリーの初期化)の設定をします。

※ ユーザーメモリーを保持したい場合は、必PRESET INHIBITED (メモリー初期化禁止)を選択してください。

② 本体の“STANDBY/ON”キーを押し、パワーオフにします。

## ● ダイアグ起動時の表示

本体のFLディスプレイにプロテクション履歴情報とバージョン(英1文字)が表示され、数秒後にダイアグメニュー (No.1 DSP THROUGHのサブメニューANALOG BYPASS)になります。

プロテクション履歴がない場合:

プロテクション履歴がある場合:

原因: パワーアンプに過電流が流れた。

補足: パワーtransistorsの電流を検出していますので、電流検出transistorsをチェックすれば異常チャンネルが特定できます。

異常状態のままパワーオンすると、瞬時にプロテクションがかかり、すぐに電源が切れます。



When there is a history of protection function due to an abnormal voltage in the power supply section  
 電源部の電圧異常によるプロテクション履歴がある場合

Version (1 alphabet)  
 バージョン(英1文字)

PS PRT:000 Z

Voltage display in %  
 電圧の%表示

**Cause:** The voltage in the power supply section is abnormal.

**Supplementary information:** The abnormal voltage is displayed in % based on 5V as 100%.

Turning on the power without correcting the abnormality will cause the protection function to work 1 second later and the power supply will be shut off.

原因：電源部の電圧が異常。

補足：異常時の電圧の状態を、5Vを100%とした値で%表示します。

異常状態のままパワーオンすると、1秒後にプロテクションがかかり、電源が切れます。

When there is a history of protection function due to abnormal DC output  
 DC出力異常によるプロテクション履歴がある場合

Version (1 alphabet)  
 バージョン(英1文字)

DC PRT: Z

**Cause:** DC output of the power amplifier is abnormal.

Turning on the power without correcting the abnormality will cause the protection function to work 3 seconds later and the power supply will be shut off.

原因：パワーアンプのDC出力が異常。

異常状態のままパワーオンすると、3秒後にプロテクションがかかり、電源が切れます。

When there is a history of protection function due to excessive heat sink temperature  
 放熱器の異常温度によるプロテクション履歴がある場合

Version (1 alphabet)  
 バージョン(英1文字)

TMP PRT:000 Z

Voltage display in %  
 電圧の%表示

**Cause:** The temperature of the heat sink is excessive.

**Supplementary information:** The abnormal voltage is displayed in % based on 5V as 500%.

Turning on the power without correcting the abnormality will cause the protection function to work 1 second later and the power supply will be shut off.

原因：放熱器の温度が異常。

補足：異常時の電圧の状態を、5Vを500%とした値で%表示します。

異常状態のままパワーオンすると、1秒後にプロテクションがかかり、電源が切れます。

\* Additional causes of protection can be due to loose connections, associated components, CPU, etc.

\* For the protection voltage value, refer to DIAG menu No.10 described later.

※ 前記の異常原因の他に、コネクタのはずれやCPU周辺などに原因がある場合があります。

※ プロテクションの電圧値に関しては、後述のダイアグメニューNo.10を参照してください。

● **History of protection function**

When the protection function has worked, its history is stored in memory with a backup. Even if no abnormality is noted while servicing the unit, an abnormality which has occurred previously can be defined as long as the backup data has been stored.

The history of the protection function is cleared when DIAG is cancelled by selecting PRESET RESERVED (Memory initialized) of DIAG menu No.9 or when the backup data is erased.

● **プロテクションの履歴**

プロテクションが働いた場合、履歴をバックアップして記憶しています。サービスのときに異常が認められなくても、バックアップが残っていれば、お客様のところで起きた異常を区別できます。

プロテクションの履歴は、ダイアグメニューNo.9でPRESET RESERVED(メモリーの初期化)を選んでダイアグを解除した場合や、バックアップが消えたときにはクリアされます。

● **Display during menu operation**

During the DIAG operation, the function at work is indicated on the FL indicator. The contents displayed during the function operation are described in the later section on details of functions

● **メニュー動作中の表示**

ダイアグ中、本体のFLディスプレイに動作中の機能が表示されます。機能動作中の表示内容については、後述の機能詳細で記述します。

● **Operation procedure of DIAG menu and SUB-MENU**

There are 14 MENU items, each of which has some SUB-MENU items.

**DIAG menu selection**

Main unit: Select the menu using ▷ (Forward) and ◁ (Reverse) keys of PRESET/TUNING.

Remote control unit: Select the menu using ∨ (Forward) and ∧ (Reverse) keys.

**SUB-MENU selection**

Main unit: Select the sub-menu using ▷ (Forward) and ◁ (Reverse) keys of PROGRAM.

Remote control unit: Select the sub-menu using ▷ (Forward) and ◁ (Reverse) keys.

● **ダイアグメニューとサブメニューの操作**

ダイアグにはNo.1～14のメニューがあり、そのそれぞれにサブメニューがあります。

**ダイアグメニューの選択**

本体キーでの操作： PRESET/TUNING ▷ (順送り), ◁ (逆送り)キーで選択します。

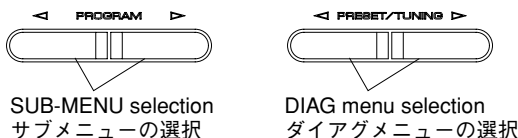
リモコンでの操作： ∨ (順送り), ∧ (逆送り)キーで選択します。

**サブメニューの選択**

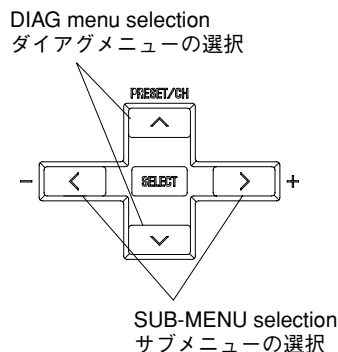
本体キーでの操作： PROGRAM ▷ (順送り), ◁ (逆送り)キーで選択します。

リモコンでの操作： ▷ (順送り), ◁ (逆送り)キーで選択します。

Keys of main unit / 本体キー



Keys of remote control / リモコンキー



## ● Functions in DIAG mode

In addition to the DIAG menu items, functions as listed below are available.

- Input selection, 6CH input
- Center/Rear/Sub-woofer level adjustment
- Muting
- Power on/off
- Master volume

\* Functions related to the tuner and the set menu are not available.

\* It is possible to confirm Menu No.11 IF STATUS while keeping the signal process (operation status) of each DIAG menu by using the input mode key of the main unit.

## ● Initial settings used to start DIAG

The following initial settings are used when starting DIAG. When DIAG is canceled, these settings are restored to those before starting DIAG.

- Master volume: -40dB
- Input: DVD (6CH INPUT OFF)
- Effect level: 0dB
- Audio mute: OFF
- Speaker setting: LARGE / BASS OUT = BOTH
- DIAG menu: DSP THROUGH (1. ANALOG BYPASS)

## ● ダイアグ中の機能

ダイアグメニューの他に、以下の機能が動作します。

- インプット切り換え、6CHインプット
- センター、リア、サブウーファーレベル調整
- ミューティング
- パワーオン/オフ
- マスターボリューム

※ チューナー関連、セットメニュー関連は機能しません。

※ 本体のINPUT MODEキーにより、各ダイアグメニューの信号処理(動作状態)を維持したままメニューNo.11 “IF STATUS”の確認ができます。

## ● ダイアグ開始時の初期設定

ダイアグ開始時に以下のような設定になります。ダイアグ解除時にはダイアグ開始前の状態に戻ります。

- マスターボリューム：-40dB
- インプット：DVD (6CH INPUT オフ)
- エフェクトレベル：0dB
- オーディオミュート：オフ
- スピーカー設定：LARGE / BASS OUT = BOTH
- ダイアグメニュー：DSP THROUGH (1. ANALOG BYPASS)

## ● Details of DIAG menu

With full-bit output specified in some modes, it is possible to execute 0dBFS output without head margin in each channel.

### 1. DSP THROUGH

Main DSP of YSS938 is selected for MAIN L/R output.

### ANALOG BYPASS

- The signal for L/R is output as it is without passing through the DSP section.

## ● ダイアグメニュー詳細

一部のモードでフルビット指定することで、各チャンネルのヘッドマージンを廃して0dBFS出力することが可能です。

### 1. DSP THROUGH

MAIN L/R出力にはYSS938のMain DSPが選択されま  
す。

### ANALOG BYPASS

- L/Rは、DSP部を通らずにそのまま出力されます。

### 1. ANALOG BYPASS

Reference data

INPUT: DVD ANALOG

SWFR: 50Hz, Others: 1kHz

Input level	Volume	SPEAKER OUTPUT (1kHz)			SUBWOOFER OUTPUT (50Hz)
		MAIN L/R	CENTER	RL/RR	
Both ch, -20 dBV	-10 dB	+14.3 dBV	-∞	-∞	-∞

### YSS 0dB

- The signal is output including the head margin.  
Head margin:  
Main L/R: 0dBFS, Center: 0dBFS,  
RL/RR: -12dBFS, SWFR: Add L/R signal at -20dBFS.

### YSS 0dB

- ヘッドマージンを含んで出力されます。  
ヘッドマージン：  
Main L/R: 0dBFS、Center: 0dBFS、  
RL/RR: -12dBFS、SWFR: L/Rを-20dBfsにて加算

### 1. YSS 0dB

Reference data

INPUT: DVD ANALOG

SWFR: 50Hz, Others: 1kHz

Input level	Volume	SPEAKER OUTPUT (1kHz)			SUBWOOFER OUTPUT (50Hz)
		MAIN L/R	CENTER	RL/RR	
Both ch, -20 dBV	-10 dB	+14.0 dBV	+14.0 dBV	+14.0 dBV	-2.5 dBV

### YSS Front 0dB

- The front CH signal including the head margin is output at the main CH.  
Head margin:  
Main L/R: 0dBFS, Center: -6dBFS,  
RL/RR: -12dBFS, SWFR: Add L/R signal at -20dBFS.

### YSS Front 0dB

- ヘッドマージンを含んで、フロントCHがメインCHに出  
力されます。  
ヘッドマージン：  
Main L/R: 0dBFS、Center: -6dBFS、  
RL/RR: -12dBFS、SWFR: L/Rを-20dBfsにて加算

### 1. YSS Front0dB

Reference data

INPUT: DVD ANALOG

SWFR: 50Hz, Others: 1kHz

Input level	Volume	SPEAKER OUTPUT (1kHz)			SUBWOOFER OUTPUT (50Hz)
		MAIN L/R	CENTER	RL/RR	
Both ch, -20 dBV	-10 dB	+25.0 dBV	-∞	-∞	-∞

**YSS FULL BIT**

- The signal is output in digital full bit without including the head margin.

**YSS FULL BIT**

- ヘッドマージンを含まず、デジタルフルビットで出力されます。

1. YSS FULL BIT

Reference data

INPUT: DVD ANALOG

SWFR: 50Hz, Others: 1kHz

Input level	Volume	SPEAKER OUTPUT (1kHz)			SUBWOOFER OUTPUT (50Hz)
		MAIN L/R	CENTER	RL/RR	
Both ch, -20 dBV	-10 dB	+14.6 dBV	+14.4 dBV	+14.5 dBV	-2.5 dBV

**YSS FULL BIT F**

- The front CH signal is output in digital full bit at the main CH.

**YSS FULL BIT F**

- フロントCHがメインCHに、デジタルフルビットで出力されます

1. FULL BIT F

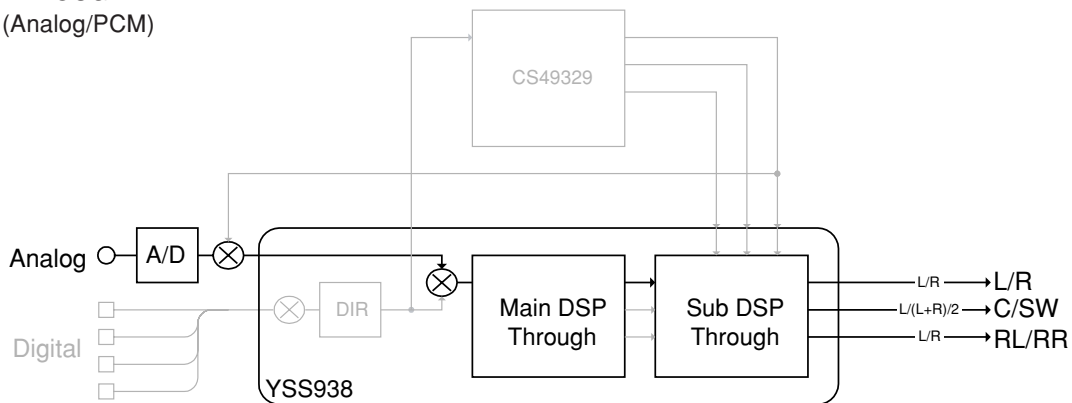
Reference data

INPUT: DVD ANALOG

SWFR: 50Hz, Others: 1kHz

Input level	Volume	SPEAKER OUTPUT (1kHz)			SUBWOOFER OUTPUT (50Hz)
		MAIN L/R	CENTER	RL/RR	
Both ch, -20 dBV	-10 dB	+14.0 dBV	- ∞	- ∞	- ∞

DSP THROUGH ~  
 YSS (Analog/PCM)



RX-V530/RX-V530RDS/HTR-5550/HTR-5550RDS/DSP-AX530  
 RX-V430/RX-V430RDS/HTR-5540/HTR-5540RDS/DSP-AX430

## 2. RAM THROUGH

This function is for YSS938 only.  
 Only the CT signal is output through the Sub DSP - DRAM.

### RAM 0dB

2. RAM 0dB

## 2. RAM THROUGH

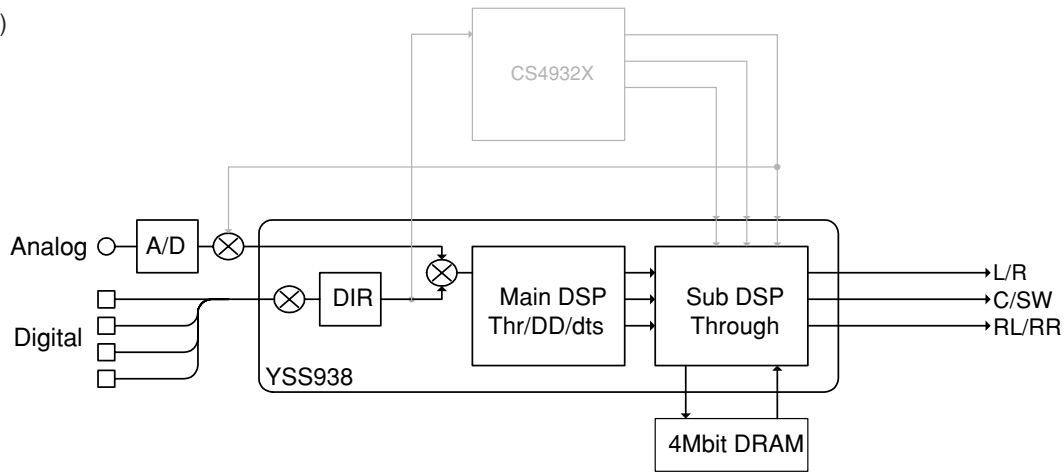
YSS938のみの動作です。  
 CTのみがSub DSP - DRAM経由で出力されます。

### RAM 0dB

Reference data  
 INPUT: DVD ANALOG  
 SWFR: 50Hz, Others: 1kHz

Input level	Volume	SPEAKER OUTPUT (1kHz)			SUBWOOFER OUTPUT (50Hz)
		MAIN L/R	CENTER	RL/RR	
Both ch, -20 dBV	-10 dB	-∞	+14.0 dBV	-∞	-∞

RAM THROUGH ~  
 (Auto)



### 3. PRO LOGIC

The L/C/R/RL/RR signals undergo the Pro-Logic processing and C/RL/RR signals are output through Sub DSP-DRAM. Main DSP is selected for MAIN L/R output. Using the sub-menu, it is possible to select PRO LOGIC I, II (Movie). The Auto Input Balance function is always off. The LFE signal is not output when decoding in the PRO LOGIC I, II mode.

### 3. PRO LOGIC

L/C/R/RL/RRはYSS938によりプロロジック処理され、C/RL/RRはSub DSP-DRAM経由で出力されます。MAIN L/R出力にはMain DSPが選択されます。サブメニューでPRO LOGIC I、II(Movie)を選択可能です。常時Auto Input Balance offです。

AAC入力時はCS49329でデコード後、L/Rはプロロジック処理されます。(J modelのみ)

PRO LOGIC I、IIデコード時は、LFEは出力されません。

#### PRO LOGIC I

#### PRO LOGIC I

#### 3. PRO LOGIC I

Reference data

INPUT: DVD ANALOG

SWFR: 50Hz, Others: 1kHz

Input level	Volume	SPEAKER OUTPUT (1kHz)			SUBWOOFER OUTPUT (50Hz)
		MAIN L/R	CENTER	RL/RR	
Each ch, -20 dBV	-10 dB	+14.2 dBV	-∞	-∞	-∞
Both ch, -20 dBV	-10 dB	-∞	+17.0 dBV	-∞	-∞

#### PRO LOGIC II

#### PRO LOGIC II

#### 3. PRO LOGIC II

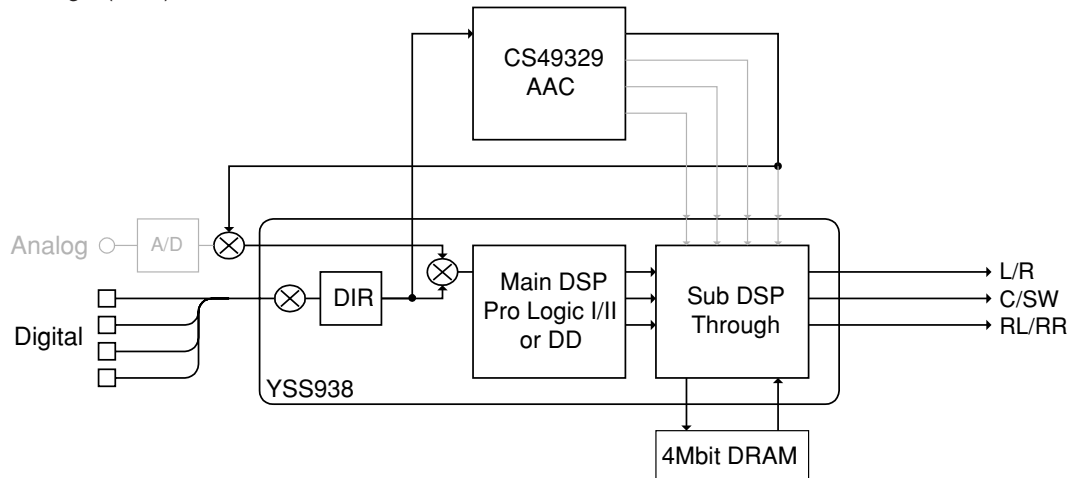
Reference data

INPUT: DVD ANALOG

SWFR: 50Hz, Others: 1kHz

Input level	Volume	SPEAKER OUTPUT (1kHz)			SUBWOOFER OUTPUT (50Hz)
		MAIN L/R	CENTER	RL/RR	
Each ch, -20 dBV	-10 dB	+14.2 dBV	-∞	-∞	-∞
Both ch, -20 dBV	-10 dB	-∞	+17.0 dBV	-∞	-∞

Dolby Pro Logic (Auto)



RX-V530/RX-V530RDS/HTR-5550/HTR-5550RDS/DSP-AX530  
 RX-V430/RX-V430RDS/HTR-5540/HTR-5540RDS/DSP-AX430

#### 4. SPEAKERS SET

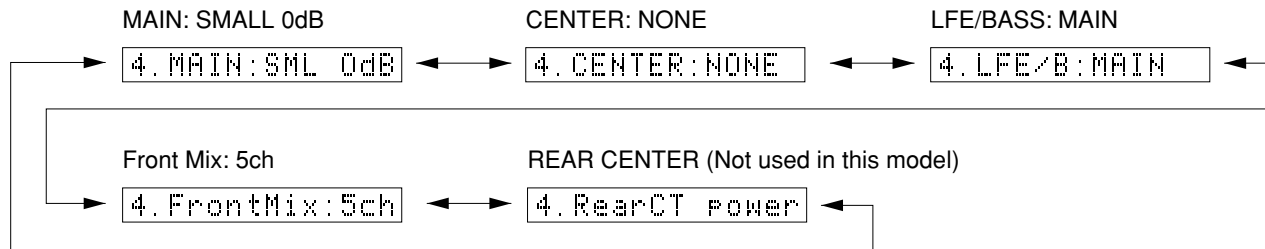
The input signal is automatically identified and switched in the priority order of dts → DOLBY DIGITAL → AAC → PCM AUDIO → Analog (A/D) according to the signal detection.

The signals output from the DSP block are the same as 1.  
 DSP THROUGH: YSS 0dB.

#### 4. SPEAKERS SET

入力は信号検出によって、dts → DOLBY DIGITAL → AAC → PCM AUDIO → アナログ (A/D) の優先順で自動判別切り換えされます。

DSP部からは、No.1 DSP THROUGHのYSS 0dBと同様の信号が出力されます。



The analog switch settings for each sub-menu are as shown in the table below.

各サブメニューにおけるアナログスイッチの設定は以下の通りです。

	Sub-menu	CENTER SP	REAR SP	MAIN SP	MAIN LEVEL	LFE/BASS
1	MAIN: SMALL 0dB	LARGE	LARGE	SMALL	0dB	SWFR
2	CENTER: NONE	NONE	LARGE	LARGE	0dB	BOTH
3	LFE/BASS: MAIN	SMALL	SMALL	LARGE	0dB	MAIN
4	FRONT MIX: 5CH	LARGE	LARGE	LARGE	0dB	BOTH
5	REAR CENTER: POWER	LARGE	LARGE	LARGE	0dB	BOTH

- LARGE:** This mode is used with a speaker with high bass reproduction performance (a large unit). Full bandwidth signals are output.
- SMALL:** This mode is used with a speaker with low bass reproduction performance (a small unit). The signals of 90Hz or less are mixed into the channel specified by LFE/BASS.
- NONE:** This mode is used with no center speaker. The center content is reduced by 3dB and distributed to MAIN L/R.

- LARGE:** 低音再生能力の高い(ユニットの大きい)スピーカーを使用するモードです。全帯域が出力されます。
- SMALL:** 低音再生能力の低い(ユニットの小さい)スピーカーを使用するモードです。90Hz以下がLFE/BASSで指定したチャンネルにミックスされます。
- NONE:** スピーカーを使用しないモードです。センター成分は-3dBされて、MAIN L/R に振り分けられます。

Reference data  
 INPUT: DVD ANALOG (Both ch)

Sub-menu	Input level	Volume	SPEAKER OUTPUT (1kHz)			SUBWOOFER OUTPUT (50Hz)	
			MAIN L/R	CENTER	RL/RR		
1	MAIN: SMALL 0dB	1kHz/90Hz Both ch, -20 dBV	-10 dB	+14.8/+11.5 dBV	- ∞	- ∞	- ∞
2	CENTER: NONE	1kHz Both ch, -20 dBV	-10 dB	+11.9 dBV	+14.1 dBV	- ∞	- ∞
3	LFE/BASS: MAIN	50Hz Both ch, -20 dBV	-10 dB	+13.0 dBV	- ∞	- ∞	- ∞
4	FRONT MIX: 5CH	1kHz Both ch, -20 dBV	-10 dB	+24.0 dBV	- ∞	- ∞	- ∞



### 5. MARGIN CHECK

The signal is output including the head margin.

#### MAIN 12dB MARGIN

5. MAIN 12dB

Reference data

INPUT: DVD ANALOG

SWFR: 50Hz, Others: 1kHz

Input level	Volume	SPEAKER OUTPUT (1kHz)			SUBWOOFER OUTPUT (50Hz)
		MAIN L/R	CENTER	RL/RR	
Both ch, -20 dBV	-10 dB	+14.0 dBV	- ∞	- ∞	- ∞

### 5. MARGIN CHECK

ヘッドマージンを含んで出力されます。

#### MAIN 12dB MARGIN

#### MAIN 18dB MARGIN

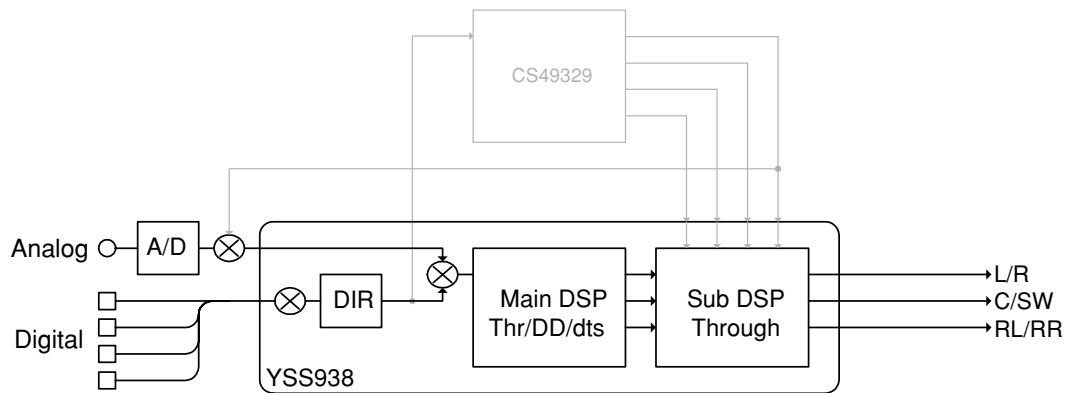
5. MAIN 18dB

Reference data

INPUT: DVD ANALOG

SWFR: 50Hz, Others: 1kHz

Input level	Volume	SPEAKER OUTPUT (1kHz)			SUBWOOFER OUTPUT (50Hz)
		MAIN L/R	CENTER	RL/RR	
Both ch, -20 dBV	-10 dB	+14.0 dBV	- ∞	- ∞	- ∞



RX-V530/RX-V530RDS/HTR-5550/HTR-5550RDS/DSP-AX530  
 RX-V430/RX-V430RDS/HTR-5540/HTR-5540RDS/DSP-AX430

## 6. OTHER INPUT

The signal input through the 6CH INPUT terminals is output.

### EXTERNAL DECODER

#### 6. EXTERNAL DEC

Reference data

INPUT: 6CH INPUT

SWFR: 50Hz, Others: 1kHz

Input level	Volume	SPEAKER OUTPUT (1kHz)			SUBWOOFER OUTPUT (50Hz)
		MAIN L/R	CENTER	RL/RR	
Both ch, -20 dBV	-10 dB	+14.3 dBV	+14.3 dBV	+14.3 dBV	-7.5 dBV

## 7. DISPLAY CHECK

This program is used to check the FL display section. The display condition varies as shown below according to the sub-menu operation. The signals are processed using EFFECT OFF (The L/R signal is output using ANALOG MAIN BYPASS.)

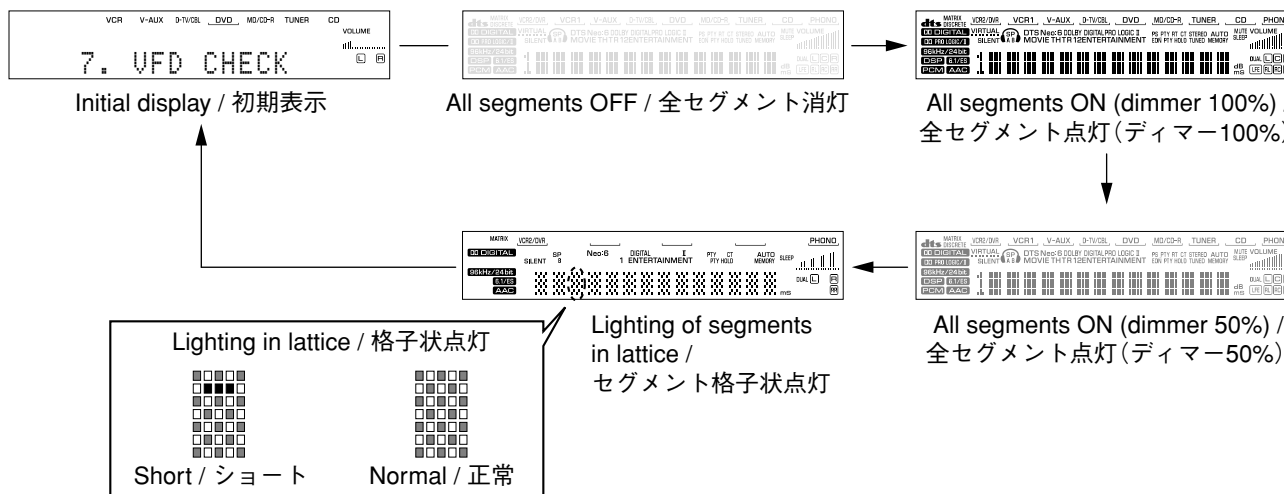
## 6. OTHER INPUT

6CH入力した信号が出力されます。

### EXTERNAL DECODER

## 7. DISPLAY CHECK

FL表示部のチェックプログラムです。サブメニュー操作により、表示状態が以下のように変わります。信号処理はEFFECT OFF (ANALOG MAIN BYPASSでL/Rを出力)です。



Segment conditions of the FL driver and the FL tube are checked by turning ON and OFF all segments. Next, the operation of the FL driver is checked by using the dimmer control. Then a short between segments next to each other is checked by turning ON and OFF all segments alternately (in lattice). (In the above example, the segments in the second row from the top are shorted.)

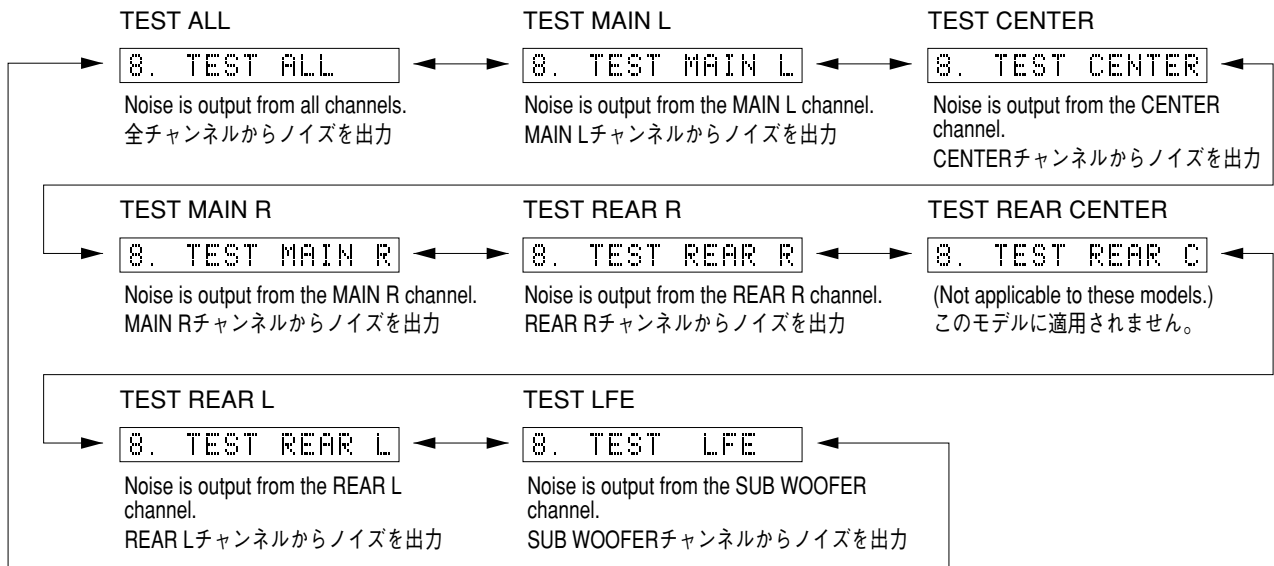
全セグメント消灯・全セグメント点灯によりFLドライバー、FL管のセグメントの不良を確認します。次に、ディマーコントロールによってFLドライバーの動作チェックを行います。さらに全セグメントを交互(格子状)に点灯/消灯することで、隣り合うセグメントのショートをチェックします。

### 8. MANUAL TEST

The noise generator built into the DSP outputs the test noise through the channels specified by the sub-menu.  
The noise frequency for LFE is 35 to 250 Hz. Other than that, the center frequency is 800Hz.

### 8. MANUAL TEST

DSP内蔵のノイズ発生回路によって、サブメニューで指定したチャンネルへテストノイズを出力します。  
LFE用のノイズ周波数は35～250Hz、それ以外は中心周波数800Hzとなります。

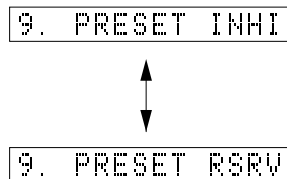


### 9. FACTORY PRESET

This menu is used to reserve and inhibit initialization of the back-up RAM. The signals are processed using EFFECT OFF. (The L/R signal is output using ANALOG MAIN BYPASS.)

### 9. FACTORY PRESET

バックアップ用RAM（音場プログラムのパラメーターやセットメニュー内容等）の初期化を予約/禁止します。  
信号処理はEFFECT OFFと同じです（ANALOG MAIN BYPASSで、L/Rを出力）。



#### PRESET INHIBIT (Initialization inhibited) / PRESET INHIBIT (初期化禁止)

RAM initialization is not executed. Select this sub-menu to protect the values set by the user.  
RAMの初期化は行われません。ユーザーの設定値を保護するときは、こちらを選択してください。

#### PRESET RESERVED (Initialization reserved) / PRESET RESERVED (初期化予約)

Initialization of the back-up RAM is reserved. (Actually, initialization is executed the next time that the power is turned on.) Select this sub-menu to reset to the original factory settings or to reset the RAM.

バックアップRAMの初期化が予約されます。（実際に初期化されるのは、次回の電源投入時です。）工場出荷時やRAMをリセットしたいときは、こちらを選択してください。

**CAUTION:** Before setting to the PRESET RESERVED, write down the existing preset memory content of the Tuner in a table as shown below. (This is because setting to the PRESET RESERVED will cause the user memory content to be erased.)

注意：PRESET RESERVEDを選んで初期化をする前に、チューナーのユーザーメモリー内容を下表に書き写してください。（初期化をすると、ユーザーメモリーの内容は消えてしまいます。）

Preset group	P1	P2	P3	P4	P5	P6	P7	P8
A								
B								
C								
D								
E								

• PRESET STATIONS / プリセット局

STATION		FM FACTORY PRESET DATA (MHz)		
PAGE	NO.	U, C	R, T, K, A, B, G, L	J
A/C/E	1	87.5	87.5	76.0
	2	90.1	90.1	83.0
	3	95.1	95.1	84.0
	4	98.1	98.1	86.0
	5	107.9	108.0	90.0
	6	88.1	88.1	78.0
	7	106.1	106.1	88.0
	8	107.9	108.0	82.1

STATION		AM FACTORY PRESET DATA (kHz)		
PAGE	NO.	U, C, R, T, K	A, B, G, L	J
B/D	1	630	630	630
	2	1080	1080	1080
	3	1440	1440	1440
	4	530	531	531
	5	1710	1611	1611
	6	900	900	900
	7	1350	1350	1350
	8	1400	1404	1404

10. AD DATA CHECK/FAN TEST

This menu is used to display the A/D conversion value of the terminals which detects panel keys of the main unit and protection functions in % using the sub-menu. During signal processing, the condition before execution is maintained.

When K0/K1 or K2 menu is selected, keys become non-operable due to detection of the values of all keys. However, it is possible to advance to the next sub-menu by turning the VOLUME of the main unit. When using this function, note that turning the VOLUME more than 2 click would cause the volume value to change.

\* The figures in the diagram are given as reference only.

PS (protection detection)

Power supply voltage protection value (Normal value: 28 to 47)

\* If PS is out of the normal value range, the protection function works to turn off the power.

PS:038

K0/K1 (Panel key of main unit)

K2 (Panel key of main unit)

A/D of the key fails to function properly when the standard value is deviated. In this case, check the constant of partial pressure resistor, solder condition, etc. Refer to table 1.

K0:100 K1:100

K2:100

[Table 1]

Display	K0	K1	K2
0	STEREO EFFECT	PRESET/TUNING EDIT	INPUT MODE
9	◀ PROGRAM	FM/AM	◀ INPUT
20	PROGRAM ▶	MEMORY	INPUT ▶
37	◀ PRESET/TUNING	MAN'L/AUTO FM TUNING MODE	6CH INPUT
61	PRESET/TUNING ▶	AUTO/MAN'L MONO	-
79	A/B/C/D/E	PTY SEEK MODE	-
90	-	PTY SEEK START	-
97	-	EON	-
		RDS MODE/FREQ	-

10. AD DATA CHECK/FAN TEST

本体パネルキー、プロテクションなどを検出している端子のA/D変換の値を、サブメニューで%表示します。信号処理は実行前の状態を維持します。

K0/K1またはK2のメニューにすると、全キーの値を検出するためキー操作はできなくなりますが、本体のVOLUMEを回すことにより、次のサブメニューに進めることができます。このとき2クリック以上回すと、ボリューム値が変化するので注意してください。

※図中の数値は参考例です。

PS (プロテクションの検出)

電源電圧プロテクションの値(正常値28~47)

※ PSは正常値を外れるとプロテクションが働き、電源オフされます。

K0/K1 (本体パネルキー)

K2 (本体パネルキー)

キーのA/Dは基準値から外れると、正常な動きをしません。Table 1をご覧になり、各キーの分圧抵抗の定数、ハンダ不良等の確認をしてください。

**IMP SW/POWER LIMIT** (Impedance/power limiter detection)

IMP: 8 or 4 ohm impedance switch setting

PL: Power limiter detection value

The voltage value of pin No. 95 of IC301 is displayed, using 5V/256 as standard.

When the power is turned on, the impedance of the speaker being connected is automatically detected, using the input voltage value of pin No. 95 of IC301.

Input voltage value	0 - 460mV	461mV - 5V
Impedance of speaker	4 ohms	8 ohms

The port output is controlled by using the input voltage value of pin No. 95 of IC301.

When higher than VthH, the port output is changed from L to H.

When lower than VthL, the port output is changed from H to L.

Impedance	PORT	VthL	VthH
8/6 ohms	No.10	2.85V	3.30V
4 ohms	No.11	1.88V	2.38V

IMP:8 PL:009

**THM/FAN OUT** (temperature detection/fan drive level)

THM: 500% display of the voltage based on the temperature detected value. Reference voltage : 5V (Normal value: U, C models ..... 30 to 173, Others models ..... 30 to 163)

Fan: Current fan drive level on the left and the past fan drive history on the right.

(Not applicable to these models.)

THM:086Fan: \_/\_

**IMP SW/POWER LIMIT** (インピーダンス/パワーリミッターの検出)

IMP: インピーダンスSW検出の値

PL: パワーリミッター検出の値

IC301 95ピンの電圧値を5V/256を基準にして表示します。

IC301 95ピンの入力電圧値により、ポート出力を制御します。

VthHを越えた場合、ポート出力をLからHにします。

VthLを下回った場合、ポート出力をHからLにします。

PORT	VthL	VthH
No.10	2.50V	2.95V

**THM/FAN OUT** (温度検出/ファン駆動レベル)

THM: 温度検出値で電圧の500%表示、基準電圧は5V (正常値30~163)

Fan: 左側は現在のファン駆動レベル、右側は過去のファン駆動履歴

(このモデルには適用されません。)

### 11. IF STATUS (Input function status)

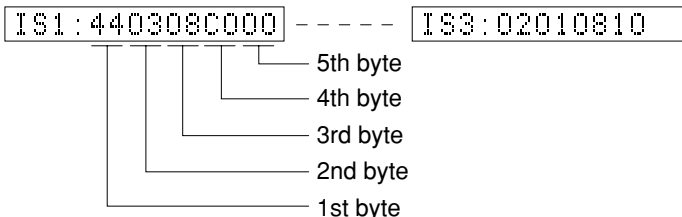
Using the sub-menu, the status data is displayed one after another in the hexadecimal notation.

During signal processing, the status before execution of this menu is maintained.

\* Numeric values in the figure example are for reference.

#### IS1-3 (Internal status):

Indicates the status information of the microprocessor.



<1st byte> Digital input/output setting value  
 Upper 4 bits: REC OUT selected /  
 lower 4 bits: INPUT selected

### 11. IF STATUS

サブメニュー操作により、以下のステータス情報を順次16進数で表示します。信号処理は、本メニュー実行前の状態を維持します。

※図中の数値は参考例です。

#### IS 1-3 (内部ステータス):

マイコンのステータス情報を表示します。

<第1バイト>デジタル入出力設定値  
 上位4bit REC OUT選択 /  
 下位4bit INPUT選択

Value	Choice	Preset name
0	NONE	
1	OPTA	V-AUX
2	OPTB	MD/CD-R
3	OPTC	DVD
4	OPTD	D-TV/CBL
8	COAXA	CD

<2nd byte> Fs information of reproduction signal

<第2バイト>再生信号のFs情報

Display	00	01	02	03	04	05	06	0A	0B	0C	0D
Fs (kHz)	Analog	32	44.1	48	64	88.2	96	Unknown NRM	Unknown DBL	Unknown QUAD	Not defined

<3rd byte> Audio code mode information of reproduction signal

<第3バイト>再生信号のオーディオコードモード情報

Display	00	01	02	03	04	05	06	07	08	09	0A	0B	0C	0D
Audio Code	MULTI MONO	1+1	1/0	2/0	3/0	2/1	3/1	2/2	3/2	2/3	3/3	OVER 6.1	MULTI PCE	Unknown

<4th byte> Format information of reproduction signal

<第4バイト>再生信号のフォーマット情報

\*1: Analog processing used for digital reproduction is not possible because of a commercial bit or 4-ch audio reason.

\*1: 業務用ビットや4chオーディオなどの理由で、デジタル再生できずアナログ処理されます。

Display	Signal format
00	Analog (Unlock)
01	Incorrect digital (*1)
10	PCM Audio
20	Digital Data
21	IEC1937 Data
22	None PCM
23	Unknown
50	dts
51	Red dts
54	dts-ES MATRIX
58	dts-ES DISCRETE
5C	dts-ES (Both flag)
60	AAC
C0	Dolby Digital
C1	D.D. Karaoke
C4	D.D.6.1 (D.D.EX)

<5th byte> Signal processing status information  
 \*2: With digital signals other than 32kHz, 44.1kHz and 48kHz, through processing method is used for reproducible signals.

<第5バイト>信号処理ステータス情報  
 \*2: 32kHz、44.1kHz、48kHz以外のデジタル信号の場合、再生可能な信号についてはスルー処理されます。

bit7	MUTE request	bit3	-
bit6	Red dts flashing	bit2	Through & bypass (*2)
bit5	6.1/ES processing	bit1	-
bit4	FULL MUTE (ON: 1)	bit0	dts analog mute

**CS1-5:** Indicates channel status information of the input signal (IEC60958).

**CS 1-5:** 入力信号のIEC60958チャンネルステータス情報を表示します。

CS1:0299000200 ----- CS5:00000000

**BY1-4:** Indicates information of the bit stream included in the DOLBY DIGITAL signal.

**BY1-4:** DOLBY DIGITAL信号に含まれるビットストリームインフォメーション情報を表示します。

BY1:1E40E1301B ----- BY4:01FFFFFF

**BC1-5:** Indicates information of the bit stream included in the dts signal.

**BC1-5:** dts信号に含まれるビットストリームインフォメーション情報を表示します。

BC1:000070FFFF ----- BC5:C4

**YS1-3:** Indicates device status information of YSS938 (IC600).

**YS1-3:** YSS938 (IC600)のデバイスステータス情報を表示します

\* The numeric value in the figure is an example for reference.

※ 図中数値は参考例です。

YS1:FEO2004F97

YS2:0101418000

YS3:1A41803D

Byte No.	Function
1	YSS MUTE Reg
2	YSS MODE Reg
3	YSS IPORT BIT 7-0
4	YSS IPORT BIT 14-8
5	YSS OPORT

Byte No.	Function
1	IEC 1937 Preamble Pc
2	Data Stream Reg
3	Status Reg
4	YSS ZERO Reg
5	MIREG

Byte No.	Function
1	DIR Status
2	DIR fs
3	DIR fs count
4	YSS ZEROBF

**CS:** CS49329 Unsolicited Messages (AUTODETECT\_RESPONSE)

**CS:** CS49329 Unsolicited Messages (AUTODETECT\_RESPONSE)

CS :000001

**MTT:** Mute Trigger

**MTT:** Mute Trigger

MTT:0020000007

Byte No.	Function
1	Mute condition
2	Factor of the last mute
3	Error count of YSS938-FSCNT
4	Mute count by YSS938-FSCNT
5	Error factor of down load of CS49329

RX-V530/RX-V530RDS/HTR-5550/HTR-5550RDS/DSP-AX530  
 RX-V430/RX-V430RDS/HTR-5540/HTR-5540RDS/DSP-AX430

## 12. DSP RAM CHECK

This menu is used to self-diagnose whether or not the bus connection for the YSS938 and the external RAM is made properly.

During signal processing, the status before execution of this menu is maintained.

The address bus and the data bus are checked and the connection condition is displayed.

When no error is detected, "NoEr" appears on display.

### YSS938 Bus Check

YSS BUS:NoEr

Display	Description
WAIT	Bus is being checked.
NoEr	No error detected.
DATA	Data bus shorted or open.
RSCS	/RAS or /CAS shorted, or open.
ADDR	Address bus shorted or open.

### PLD/SRAM BUS CHECK

CS BUS:NoEr

Display	Description
WAIT	Bus is being checked.
NoEr	No error detected.
DATA	Data bus shorted or open. (XX: 00-07)
ADDR	Address bus shorted or open. (XX: 00-0E)

## 13. SOFT SW

This menu is used to switch the function settings on P.C.B. through the software so as to activate the product.

The protection function follows the P.C.B. settings. When connected to AC or in the maker preset state, the unit is initialized to the P.C. B. setting. Display of each function after initialization varies depending on settings on P.C.B. The operation mode can be changed by selecting the sub-menu and then using the EFFECT key. With SOF selected for the SW mode, the settings become effective.

**SW MODE:** PCB or SOFT can be selected.

13. SW :PCB

**MODEL SETTING:** V430, V530, AX630, V630, V730 or DVX can be selected.

13. MODEL:V530

**TUNER DESTINATION:** J, UC, ALG or R can be selected.

13. DEST :UC

## 12. DSP RAM CHECK

YSS938と外付けRAMとのバス接続の正否を自己診断します。

信号処理は、このメニューを実行する前の状態を維持します。

アドレスバス、データバスのチェックを行い、接続正否を表示します。

エラーが検出されなかった場合は、“NoEr”と表示されません。

### YSS938 BUS CHECK

### PLD/SRAM BUS CHECK

## 13. SOFT SW

P.C.B.上の機能設定をソフト的に切り替えて、製品を動作させる機能です。

プロテクション機能は、P.C.B.の設定に従います。AC接続またはメーカープリセットで、P.C.B.の設定に初期化されます。初期化後の各機能の表示は、P.C.B.上の設定によります。操作は、サブメニューを選んだ後、EFFECTキーで切り替えます。SWモードをSOFTにすると、設定が有効になります。

**SW MODE :** PCBまたはSOFTを選択できます。

**MODEL SETTING :** V430、V530、AX630、V630、V730、DVXのいずれかを選択できます。

**TUNER DESTINATION :** J、UC、ALG、Rのいずれかを選択できます。



**TUNER:** NOT or EXIST can be selected.

**TUNER :** NOTまたはEXISTを選択できます。

13. TUNER:EXIST

**RDS:** NOT or EXIST can be selected.

**RDS :** NOTまたはEXISTを選択できます。

13. RDS :NOT

**VIDEO FORMAT:** NTSC or PAL can be selected.  
 (Not applicable to these models.)

**VIDEO FORMAT :** NTSCまたはPALを選択できます。  
 (このモデルには適用されません。)

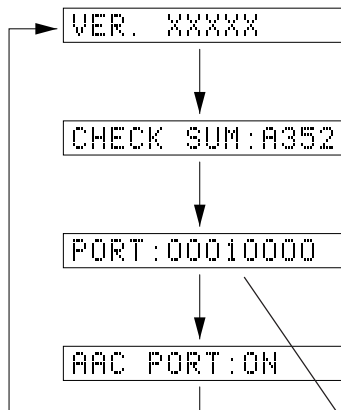
13. VIDEO:NTSC

#### 14. MICROPROCESSOR INFORMATION

The version, checksum and the port specified by the microprocessor are displayed. The signal is processed using EFFECT OFF. The checksum is obtained by adding the data at every 8 bits for each program area and expressing the result as a 4-figure hexadecimal data.

#### 14. マイコン情報

サブメニューは4つあります。プログラムのバージョン、チェックサム、マイコンの指定ポートを表示します。信号はエフェクトOFFです。チェックサムは、プログラムエリア別にデータを8ビットごとに加算していき、4桁の16進データで現したものです。



**Version / バージョン情報**

Release 1 digit / Main version 2 digit / DSP version 2 digit

**Checksum / チェックサム表示**

A: All area

**Check of port setting for judging microprocessor function**

マイコンの機能判定用ポート設定確認

**Display of AAC function detection port state**

AAC機能検出ポート状態表示

“PORT:0 0 0 0 0 0 0”  
 bit 7 6 5 4 3 2 1 0

Model type (\*2)

Tuner mode 0 (\*1)

Tuner mode 1 (\*1)

Tuner with (1) / without (0)

RDS with (1) / without (0)

VIDEO format: PAL (1) / NTSC (0) (Not applicable to these models.)

\*1 (Tuner mode)

Tuner mode 1	Tuner mode 0	Tuner frequency
0	0	AM: 531-1611kHz/9kHz FM: 76.0-90.0MHz/100kHz
1	0	AM: 531-1611kHz/9kHz FM: 87.5-108.0MHz/50kHz
0	1	AM: 530-1710kHz/10kHz FM: 87.5-107.9MHz/200kHz
1	1	R destination, Port6: LOW AM: 530-1710kHz/10kHz FM: 87.5-108.0MHz/100kHz HIGH AM: 531-1611kHz/9kHz FM: 87.5-108.0MHz/50kHz

\*2 (Model type)

bit 2	bit 1	bit 0	Model
0	0	0	RX-V430
0	0	1	RX-V530
0	1	0	DSP-AX630
0	1	1	RX-V630
1	0	0	RX-V730

RX-V530/RX-V530RDS/HTR-5550/HTR-5550RDS/DSP-AX530  
 RX-V430/RX-V430RDS/HTR-5540/HTR-5540RDS/DSP-AX430

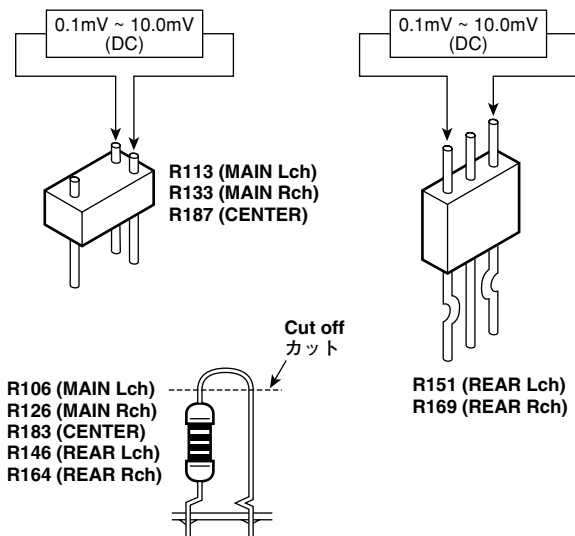
## ■ AMP ADJUSTMENT / アンプ部調整

### Confirmation of Idling Current of Main (1) P. C. B.

- Right after power is turned on, confirm that the voltage across the terminals of R113 (Main Lch), R133 (Main Rch), R187 (Center), R151 (Rear Lch), R169 (Rear Rch) are between 0.1mV and 10.0mV.
- If it exceeds 10.0mV, open (cutoff) R106 (Main Lch), R126 (Main Rch), R183 (Center), R146 (Rear Lch), R164 (Rear Rch) and reconfirm the voltage.
- Confirm that the voltage is 0.2mV ~ 15.0mV after 60 minutes.

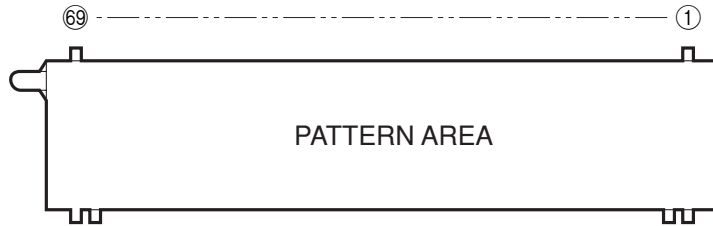
### メイン(1)基板のアイドル電流の確認

- 電源投入直後、R113(MAIN Lch)、R133(MAIN Rch)、R187(CENTER)、R151(REAR Lch)、R169(REAR Rch)の端子間電圧を測定し、0.1mVから10.0mVの間であることを確認してください。
- 電圧が10mVを超えている場合は、R106(MAIN Lch)、R126(MAIN Rch)、R183(CENTER)、R146(REAR Lch)、R164(REAR Rch)をカットし、電圧を再確認してください。
- 60分後、電圧が0.2mV~15.0mVであることを確認してください。



## ■ DISPLAY DATA

### ● V701 : HNA-16MM37 (V8300400)



### ● PIN CONNECTION

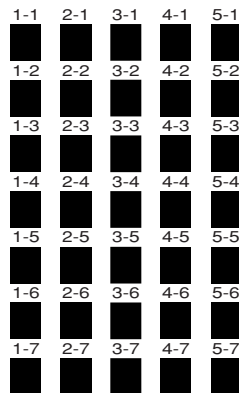
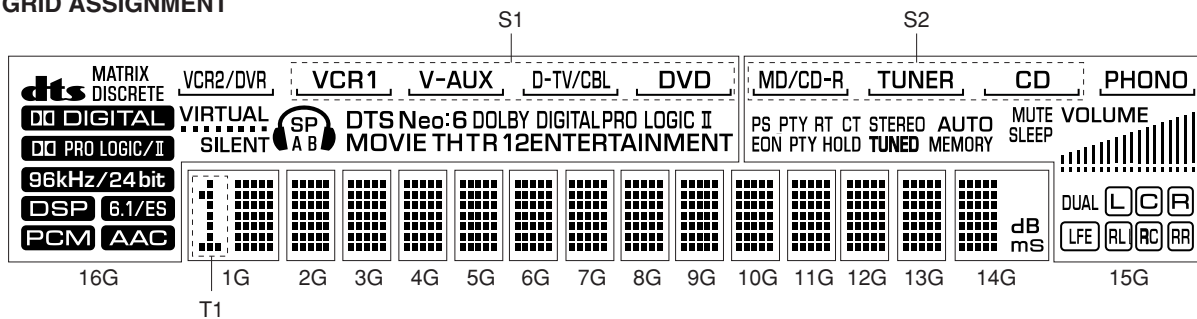
Pin No.	69	68	67	66	65	64	63	62	61	60	59	58	57	56	55	54	53	52	51	50	49	48	47	46	45	44	43	42	41	40	39	38	37	36	35
Connection	F2	F2	NP	NP	P1	P2	P3	P4	P5	P6	P7	P8	P9	P10	P11	P12	P13	P14	P15	P16	P17	P18	P19	P20	P21	P22	P23	P24	P25	P26	P27	P28	P29	P30	P31

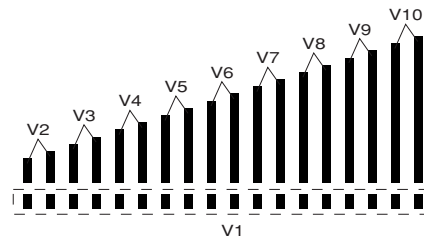
Pin No.	34	33	32	31	30	29	28	27	26	25	24	23	22	21	20	19	18	17	16	15	14	13	12	11	10	9	8	7	6	5	4	3	2	1
Connection	P32	P33	P34	P35	P36	P37	NX	NX	NX	NX	NX	NX	NX	NX	G16	G15	G14	G13	G12	G11	G10	G9	G8	G7	G6	G5	G4	G3	G2	G1	NP	NP	F1	F1

Note : 1) F1, F2 ..... Filament 2) NP ..... No pin 3) G1 ~ 16 ..... Grid 4) NX ..... No extended 5) P1 ~ 37 ..... Anode

### ● GRID ASSIGNMENT



(1G~14G)



(15G)

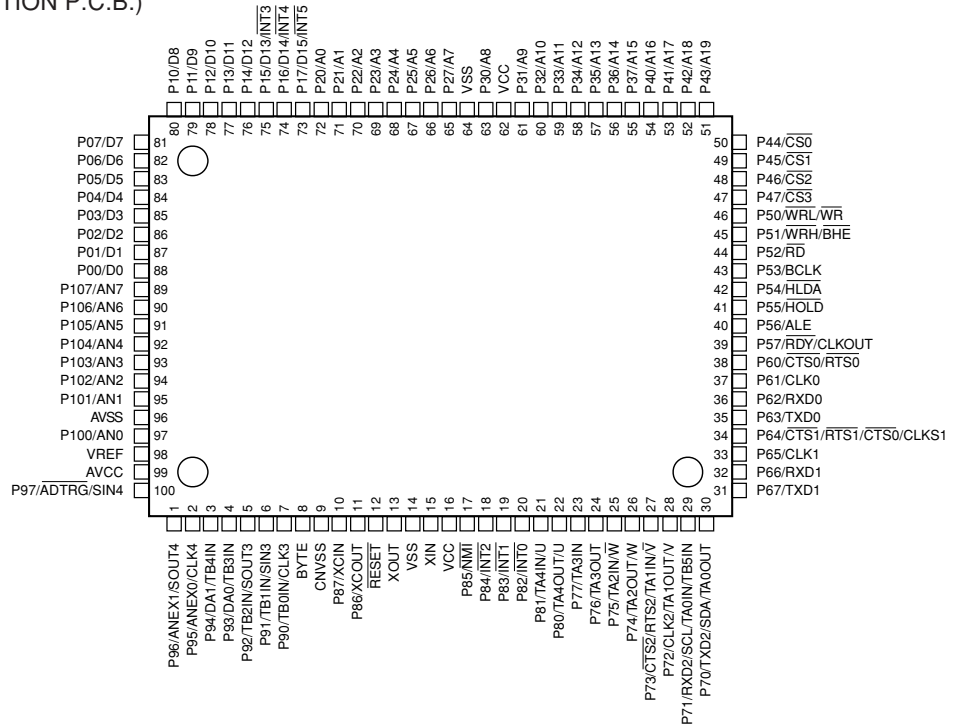
● ANODE CONNECTION

	16G	15G	14G	13G~2G	1G
P1		S2	1-1	1-1	1-1
P2	MATRIX	PHONO	2-1	2-1	2-1
P3	DISCRETE	(MD/CD-R)	3-1	3-1	3-1
P4		(TUNER)	4-1	4-1	4-1
P5		(CD)	5-1	5-1	5-1
P6		(PHONO)	1-2	1-2	1-2
P7		PS	2-2	2-2	2-2
P8		PTY	3-2	3-2	3-2
P9		RT	4-2	4-2	4-2
P10		CT	5-2	5-2	5-2
P11	VIRTUAL	EON	1-3	1-3	1-3
P12	SILENT	PTY HOLD	2-3	2-3	2-3
P13		STEREO	3-3	3-3	3-3
P14	SP	AUTO	4-3	4-3	4-3
P15	A	TUNED	5-3	5-3	5-3
P16	B	MEMORY	1-4	1-4	1-4
P17	DTS	MUTE	2-4	2-4	2-4
P18	Neo:6	SLEEP	3-4	3-4	3-4
P19	DOLBY	VOLUME	4-4	4-4	4-4
P20	DIGITAL	V1	5-4	5-4	5-4
P21	PRO LOGIC	V2	1-5	1-5	1-5
P22	II	V3	2-5	2-5	2-5
P23	MOVIE THTR	V4	3-5	3-5	3-5
P24	1 (2)	V5	4-5	4-5	4-5
P25	2	V6	5-5	5-5	5-5
P26	ENTERTAINMENT	V7	1-6	1-6	1-6
P27	S1	V8	2-6	2-6	2-6
P28	(VCR2/DVR)	V9	3-6	3-6	3-6
P29	(VCR) 1	V10	4-6	4-6	4-6
P30	(VCR2/DVR)	DUAL	5-6	5-6	5-6
P31	(VCR1)		1-7	1-7	1-7
P32	(V-AUX)		2-7	2-7	2-7
P33	(D-TV/CBL)		3-7	3-7	3-7
P34	(DVD)		4-7	4-7	4-7
P35	-		5-7	5-7	5-7
P36	-		dB	-	T1
P37	-		mS	-	-

RX-V530/RX-V530RDS/HTR-5550/HTR-5550RDS/DSP-AX530  
 RX-V430/RX-V430RDS/HTR-5540/HTR-5540RDS/DSP-AX430

## IC DATA

IC301: M30624FGAFP (FUNCTION P.C.B.)  
 16bit  $\mu$ -COM (Main CPU)



No.	Port No.	Function name	I/O	Detail of function
1	SOUT4	DTEV	SO	Electronic Volume IC DATA
2	CLK4	CLEV	SCK	Electronic Volume IC CLOCK
3	DA1	FAN	DA	Fan Control
4	P93	PRI	I	Protection Excess Current Detect
5	SOUT3	SDM	SO	YSS938 TxD
6	SIN3	SDD	SI	YSS938 RxD
7	CLK3	SCK	O	YSS938 CLOCK
8	BYTE	BYTE	VSS	Vss: when single chip mode is used
9	CNVss	CNVss	Vss/Vcc	Vss: when single chip mode is used, Vcc: when flash writing is used
10	P87	RIMA	O	Power Limiter A
11	P86	RIMB	O	Power Limiter B
12	RESET	RESET	I	Reset
13	Xout	Xout	OPEN	Oscillator Out
14	Vss	Vss	Vss	$\mu$ -COM Ground
15	Xin	Xin	10MHz	Oscillator in
16	Vcc	Vcc	Vcc (BU)	$\mu$ -COM power supply, +5V
17	NMI	NMI	Vcc (BU)	Connect to Vcc because it is unused.
18	INT2	VSY	INT	Vertical Synchronization Detect
19	INT1	INT938	INT	YSS938 IPINT/MUTE/DIR
20	P82	ERY	O	Effect SP Relay Output
21	P81	MRY	O	Main SP Relay Output
22	P80	HPRY	SO	Headphone Relay Output
23	P77	/HP	I (IPU)	Effect Detect
24	P76	PRY	O	Power Relay Output
25	P75	DMT	O	DIG FULL MUTE
26	P74	/ICD	O	YSS938 /DA /AD /CODEC /DEM
27	P73	CSY	O	YSS938 CE
28	CLK2	SCK0	O	FL Driver CLOCK
29	RXD2	/CSINT	I (外部PU)	CS-DSP INT
30	TXD2	SDF	O (外部PU)	FL Driver TxD
31	TXD1	TXDF	FLASH	Flash ROM Serial Write Data Transmission
32	RXD1	RXDF	FLASH	Flash ROM Serial Write Data Reception
33	CLK1	CLKF	FLASH	Flash ROM Serial Clock
34	P64	BSY	FLASH	Flash BUSY Signal Output
35	TXD0	SDTR	SO	RDS/OSD TxD
36	RXD0	SDRR	SI	RDS RxD
37	CLK0	SCKR	SCK	RDS/OSD CLOCK
38	P60		O	EEPROM CE
39	P57	CST	I	CS493x TxD
40	P56	CSR	O	CS493x RxD
41			GND	For Flash Writing (LO)
42	P54	CSC	O	CS493x CLOCK
43	P53	/CSCS	O	CS493x CS

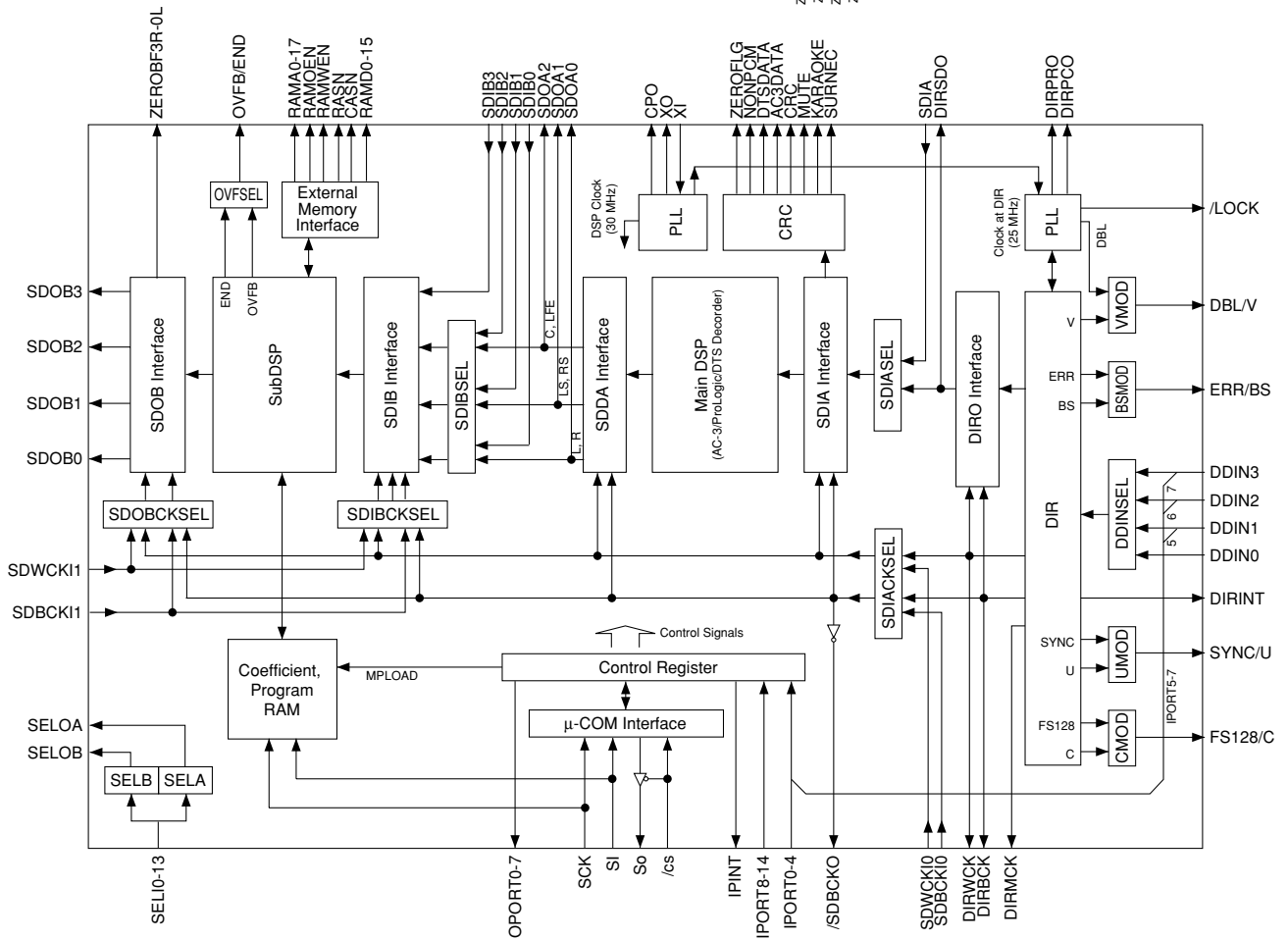
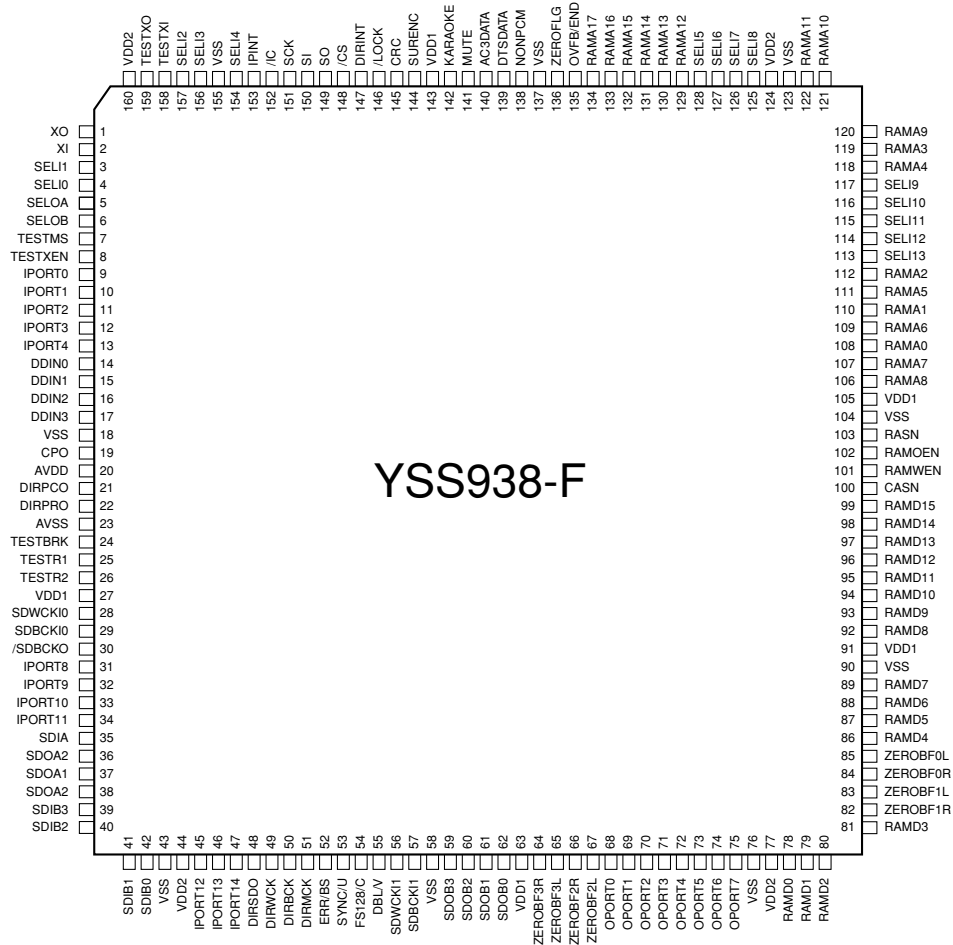
RX-V530/RX-V530RDS/HTR-5550/HTR-5550RDS/DSP-AX530  
 RX-V430/RX-V430RDS/HTR-5540/HTR-5540RDS/DSP-AX430

IC301: M30624FGAFP (FUNCTION P.C.B.)  
 16bit  $\mu$ -COM (Main CPU)

No.	Port No.	Function name	I/O	Detail of function
44	P52	/ICCS	O	CS493x RESET
45	P51	/CSOLD	O	DIG EXTERNAL CONTROL IC CE
46			I	For Flash Writing (HI)
47	P47	CSN	O	Chip Select for DAC
48	P46	VRB	I	Volume Rotary B
49	P45	VRA	I	Volume Rotary A
50	P44	/BLK	O	FL Driver Light Off (Reset)
51	P43	SDTP	SO	PLL IC TxD
52	P42	SDRP	SI	PLL IC RxD
53	P41	SCKP	SCK	PLL IC CLOCK
54	P40	CEFD	O	FL Driver CE
55	P37	/ST	I (IPU)	Tuner Stereo
56	P36	TMT	O	Tuner Mute
57	P35	TUNED	I (IPU)	Tuner Tuned
58	P34	RDSE	O/I (IPU)	RDS Enable/RDS Present/Absent
59	P33	CEP	O	PLL IC Chip Enable
60	P32	DEST	I (IPU)	FREQ SW (R Ver)
61	P31	I/E	O	External/Internal Synchronization Output
62	Vcc	Vcc	Vcc (BU)	Microprocessor Power Supply, +5V
63	P30	CES	O/I (IPU)	OSD Enable/ N/P Format
64	Vss	Vss	Vss	Microprocessor Ground
65	P27	CMP1	O	Component Selector 1
66	P26	CMP0	O	Component Selector 0
67	P25	/VR2	O	VIDEO Rec Out Selector 2
68	P24	/VR1	O	VIDEO Rec Out Selector 1
69	P23	VIC	O	VIDEO Selector C
70	P22	VIB	O	VIDEO Selector B
71	P21	VIA	O	VIDEO Selector A
72	P20			Open
73	INT5	REM1	INT	Remote Control Input
74	INT4	PSW	INT	Standby SW Input
75	INT3	PDET	INT	Power Down Detect INT
76	P14	/MTMR	O	Mute Main /Rear
77	P13	/MTCT	O	Mute Center
78	P12	/MTSW	O	Mute LFE
79	P11	TUN0	I (IPU)	Tuner Destination Identify 0
80	P10	TUN1	I (IPU)	Tuner Destination Identify 1
81	P07	CELC	O	CE for SANYO IC
82	P06	SDT	O	Audio IC Data
83	P05	SCK	O	Audio IC Clock
84	P04	/SWMIX	O	LFE Mix
85	P03	/CTMIX	O	Center Mix
86	P02	SEEV	O	Electronic Volume IC Chip Enable
87	P01	ICN	O	Electronic Volume Reset
88	P00	A2GAIN	O	For A2 Gain Setting
89	AN7	MODEL	AD	Model Identification
90	AN6	ADKEY2	AD	Key AD Input 2
91	AN5	ADKEY1	AD	Key AD Input 1
92	AN4	ADKEY0	AD	Key AD Input 0
93	AN3	THM	AD	Temperature Detect
94	AN2	PRV	AD	Protection Power Supply Voltage Detect
95	AN1	PREMT	AD	Power Limiter Detect
96	Avss	Avss	Vss	AD Ground
97	AN0	PRD	I	Protection DC Detect
98	Vref	Vref	(+5v)	AD Reference
99	Avcc	Avcc	Vcc (BU)	AD Power Supply
100	P97	PRD	AD	DC Protection

IC600 : YSS938-F  
 DSP

# YSS938-F



RX-V530/RX-V530RDS/HTR-5550/HTR-5550RDS/DSP-AX530  
 RX-V430/RX-V430RDS/HTR-5540/HTR-5540RDS/DSP-AX430

IC600 : YSS938-F  
DSP

No.	Name	I/O	Function
1	XO	O	Crystal oscillator connecting terminal
2	XI	I	Crystal oscillator connecting terminal (24.576MHz )
3	SEL11	I+	Built-in selector input 1 (AXD)
4	SEL10	I+	Built-in selector input 0 (GND)
5	SELOA	O+	Built-in selector output A (ISEL)
6	SELOB	O+	Built-in selector output B (RSEL)
7	TESTMS	I+	Test terminal (unconnected)
8	TESTXEN	I+	Test terminal (unconnected)
9	IPORT0	I+	General purpose input terminal (CXDTA)
10	IPORT1	I+	General purpose input terminal (CXDTB)
11	IPORT2	I+	General purpose input terminal
12	IPORT3	I+	General purpose input terminal
13	IPORT4	I+	General purpose input terminal
14	DDIN0	Is	DIR: Digital audio interface data input terminal 0 (ISEL)
15	DDIN1	Is	DIR: Digital audio interface data input terminal 1/General purpose input terminal (Pull down)
16	DDIN2	Is	DIR: Digital audio interface data input terminal 2/General purpose input terminal (Pull down)
17	DDIN3	Is	DIR: Digital audio interface data input terminal 3/General purpose input terminal (Pull down)
18	VSS		Ground terminal
19	CPO	A	PLL filter connecting terminal
20	AVDD		+3.3V power terminal (for DIR)
21	DIRPCO	A	DIR: PLL filter connecting terminal
22	DIRPRO	A	DIR: PLL filter connecting terminal
23	AVSS		Ground terminal (for DIR)
24	TESTBRK	I+	Test terminal (unconnected)
25	TESTR1	I+	PLL initialization signal input terminal for DSP (/ICD)
26	TESTR2	I+	Test terminal (unconnected)
27	VDD1		+3.3V power terminal (for terminal section)
28	SDWCKI0	I+	Word clock input terminal for SDIA, SDOA, SDIB, SDOB interface (Unconnected)
29	SDBCKI0	I+	Bit clock input terminal for SDIA, SDOA, SDIB, SDOB interface (Unconnected)
30	/SDBCK0	O	DIRBCK or SDBCKI0 invert clock output terminal (Unconnected)
31	IPORT8	I+	IPINT general purpose input terminal
32	IPORT9	I+	IPINT general purpose input terminal
33	IPORT10	I+	IPINT general purpose input terminal (NONPCM)
34	IPORT11	I+	IPINT general purpose input terminal (NONPCM)
35	SDIA	I	AC-3/DTS bit stream (or PCM) data input terminal to Main DSP (SDIA)
36	SDOA2	O	PCM output terminal from Main DSP (C/LFE output) (Unconnected)
37	SDOA1	O	PCM output terminal from Main DSP (LS/RS output) (Unconnected)
38	SDOA0	O	PCM output terminal from Main DSP (L/R output)
39	SDIB3	I+	PCM input terminal 3 to Sub DSP
40	SDIB2	I+	PCM input terminal 2 to Sub DSP
41	SDIB1	I+	PCM input terminal 1 to Sub DSP
42	SDIB0	I+	PCM input terminal 0 to Sub DSP
43	VSS		Ground terminal
44	VDD2		+2.5V power terminal (for internal circuit)
45	IPORT12	I+	IPINT general purpose input terminal (MUTE)
46	IPORT13	I+	IPINT general purpose input terminal (DIRINT)
47	IPORT14	I+	IPINT general purpose input terminal (Unconnected)
48	DIRSDO	O	AC-3/DTS bit stream (or PCM) data output terminal from DIR
49	DIRWCK	O	DIR: Serial data word clock (fs) output terminal (WCK)
50	DIRBCK	O	DIR: Serial data bit clock (64fs) output terminal (BCK)
51	DIRMCK	O	DIR: Serial data master clock (256fs or 128fs) output terminal (MCK)
52	ERR/BS	O	DIR: Data error detect output/block start output terminal (Unconnected)
53	SYNC/U	O	DIR: Serial data synchronous timing output/user data output terminal (Unconnected)
54	FS128/C	O	DIR: Serial data master clock 128fs output/channel status output terminal (Unconnected)
55	DBL/V	O	DIR: Double rate clock output/validity flag output terminal (DBL)



IC600 : YSS938-F  
DSP

No.	Name	I/O	Function
56	SDWCKI1	I+	Word clock input terminal for SDIB, SDOB interface (Unconnected)
57	SDBCKI1	I+	Bit clock input terminal for SDIB, SDOB interface (Unconnected)
58	VSS		Ground terminal
59	SDOB3	O	PCM output terminal from Sub DSP
60	SDOB2	O	PCM output terminal from Sub DSP
61	SDOB1	O	PCM output terminal from Sub DSP
62	SDOB0	O	PCM output terminal from Sub DSP
63	VDD1		+3.3V power terminal (for terminal section)
64	ZEROBF3R	O+	SDOB3 Rch zero flag output terminal (ZF3R)
65	ZEROBF3L	O+	SDOB3 Lch zero flag output terminal (ZF3L)
66	ZEROBF2R	O+	SDOB2 Rch zero flag output terminal (ZF2R)
67	ZEROBF2L	O+	SDOB2 Lch zero flag output terminal (ZF2L)
68	OPORT0	O	General purpose output terminal (/RINH1)
69	OPORT1	O	General purpose output terminal (/RINH2)
70	OPORT2	O	General purpose output terminal (/ICCDC)
71	OPORT3	O	General purpose output terminal (DFS)
72	OPORT4	O	General purpose output terminal (ZSEL0)
73	OPORT5	O	General purpose output terminal (ZSEL1)
74	OPORT6	O	General purpose output terminal (/ICCS)
75	OPORT7	O	General purpose output terminal
76	VSS		Ground terminal
77	VDD2		+2.5V power terminal (for internal circuit)
78	RAMD0	I+/O	Sub DSP: External memory data terminal 0
79	RAMD1	I+/O	Sub DSP: External memory data terminal 1
80	RAMD2	I+/O	Sub DSP: External memory data terminal 2
81	RAMD3	I+/O	Sub DSP: External memory data terminal 3
82	ZEROBF1R	O+	SDOB1 Rch zero flag output terminal (ZF1R)
83	ZEROBF1L	O+	SDOB1 Lch zero flag output terminal (ZF1L)
84	ZEROBF0R	O+	SDOB0 Rch zero flag output terminal (ZF0R)
85	ZEROBF0L	O+	SDOB0 Lch zero flag output terminal (ZF0L)
86	RAMD4	I+/O	Sub DSP: External memory data terminal 4
87	RAMD5	I+/O	Sub DSP: External memory data terminal 5
88	RAMD6	I+/O	Sub DSP: External memory data terminal 6
89	RAMD7	I+/O	Sub DSP: External memory data terminal 7
90	VSS		Ground terminal
91	VDD1		+3.3V power terminal (for terminal section)
92	RAMD8	I+/O	Sub DSP: External memory data terminal 8
93	RAMD9	I+/O	Sub DSP: External memory data terminal 9
94	RAMD10	I+/O	Sub DSP: External memory data terminal 10
95	RAMD11	I+/O	Sub DSP: External memory data terminal 11
96	RAMD12	I+/O	Sub DSP: External memory data terminal 12
97	RAMD13	I+/O	Sub DSP: External memory data terminal 13
98	RAMD14	I+/O	Sub DSP: External memory data terminal 14
99	RAMD15	I+/O	Sub DSP: External memory data terminal 15
100	CASN	O	Sub DSP: Column address strobe output terminal for external DRAM
101	RAMWEN	O	Sub DSP: Write enable terminal for external memory
102	RAMOEN	O	Sub DSP: Output enable terminal for external memory
103	RASN	O	Sub DSP: Low address strobe output terminal for external DRAM
104	VSS		Ground terminal
105	VDD1		+3.3V power terminal (for terminal section)
106	RAMA8	O	Sub DSP: External memory address terminal 8
107	RAMA7	O	Sub DSP: External memory address terminal 7
108	RAMA0	O	Sub DSP: External memory address terminal 0
109	RAMA6	O	Sub DSP: External memory address terminal 6
110	RAMA1	O	Sub DSP: External memory address terminal 1

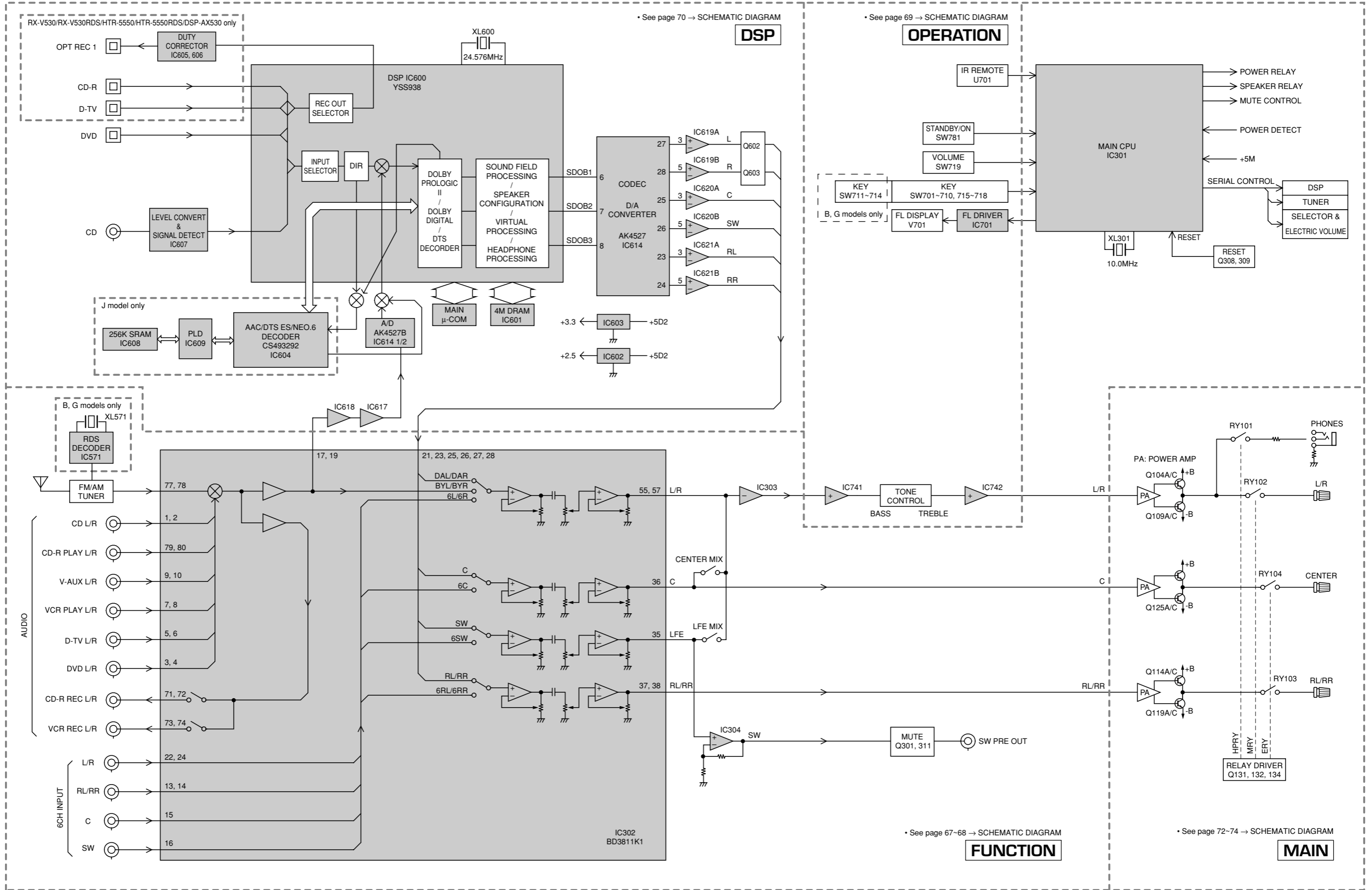
IC600 : YSS938-F  
 DSP

No.	Name	I/O	Function
111	RAMA5	O	Sub DSP: External memory address terminal 5
112	RAMA2	O	Sub DSP: External memory address terminal 2
113	SELI13	I+	Built-in selector input 13 (Unconnected)
114	SELI12	I+	Built-in selector input 12
115	SELI11	I+	Built-in selector input 11 (Unconnected)
116	SELI10	I+	Built-in selector input 10 (Unconnected)
117	SELI9	I+	Built-in selector input 9
118	RAMA4	O	Sub DSP: External memory address terminal 4
119	RAMA3	O	Sub DSP: External memory address terminal 3
120	RAMA9	O	Sub DSP: External memory address terminal 9 (Unconnected)
121	RAMA10	O	Sub DSP: External memory address terminal 10 (Unconnected)
122	RAMA11	O	Sub DSP: External memory address terminal 11 (Unconnected)
123	VSS		Ground terminal
124	VDD2		+2.5V power terminal (for internal circuit)
125	SELI8	I+	Built-in selector input 8 (CXA)
126	SELI7	I+	Built-in selector input 7 (GND)
127	SELI6	I+	Built-in selector input 6 (OPTF)
128	SELI5	I+	Built-in selector input 5 (Unconnected)
129	RAMA12	O	Sub DSP: External memory address terminal 12 (Unconnected)
130	RAMA13	O	Sub DSP: External memory address terminal 13 (Unconnected)
131	RAMA14	O	Sub DSP: External memory address terminal 14 (Unconnected)
132	RAMA15	O	Sub DSP: External memory address terminal 15 (Unconnected)
133	RAMA16	O	Sub DSP: External memory address terminal 16 (Unconnected)
134	RAMA17	O	Sub DSP: External memory address terminal 17 (Unconnected)
135	OVFB/END	O	Sub DSP: Overflow/program end detect terminal (Unconnected)
136	ZEROF LG	O	Main DSP: Zero flag output terminal (Unconnected)
137	VSS		Ground terminal
138	NONPCM	O	Main DSP: Non-PCM data detect terminal
139	DTSDATA	O	Main DSP: DTS data detect terminal (Unconnected)
140	AC3DATA	O	Main DSP: AC3 data detect terminal (Unconnected)
141	MUTE	O	Main DSP: Auto mute detect terminal
142	KARAOKE	O	Main DSP: AC3 KARAOKE data detect terminal (Unconnected)
143	VDD1	+3.3V	power terminal (for terminal section)
144	SURENC	O	Main DSP: AC-3 2/0 mode Dolby surround encode input detect terminal (Unconnected)
145	CRC	O	Main DSP: AC3 CRC error detect terminal (Unconnected)
146	/LOCK	O	DIR: PLL lock detect terminal (Unconnected)
147	DIRINT	O	DIR: Interrupt output terminal
148	/CS	Is	Microprocessor interface chip select input terminal (CSY)
149	SO	Ot	Microprocessor interface data output terminal
150	SI	Is	Microprocessor interface data input terminal (SDM)
151	SCK	Is	Microprocessor interface clock input terminal (SCKY)
152	/IC	Is	Initial clear input terminal (/ICD)
153	IPINT	O+	Interrupt output terminal by IPORT 8-14
154	SELI4	I+	Built-in selector input 4 (OPTD)
155	VSS		Ground terminal
156	SELI3	I+	Built-in selector input 3 (OPTC)
157	SELI2	I+	Built-in selector input 2 (OPTB)
158	TESTXI	I	Test terminal (should be always connected to VSS)
159	TESTXO	O	Test terminal (Unconnected)
160	VDD2	+2.5V	power terminal (for internal circuit)

Is: Schmidt trigger input terminal  
 I+: Input terminal with pull-up resistor  
 O: Digital output terminal  
 Ot: 3-state digital output terminal  
 A: Analog terminal

RX-V530/RX-V530RDS/HTR-5550/HTR-5550RDS/DSP-AX530  
 RX-V430/RX-V430RDS/HTR-5540/HTR-5540RDS/DSP-AX430

1 ■ BLOCK DIAGRAM (1/2)



2

3

4

5

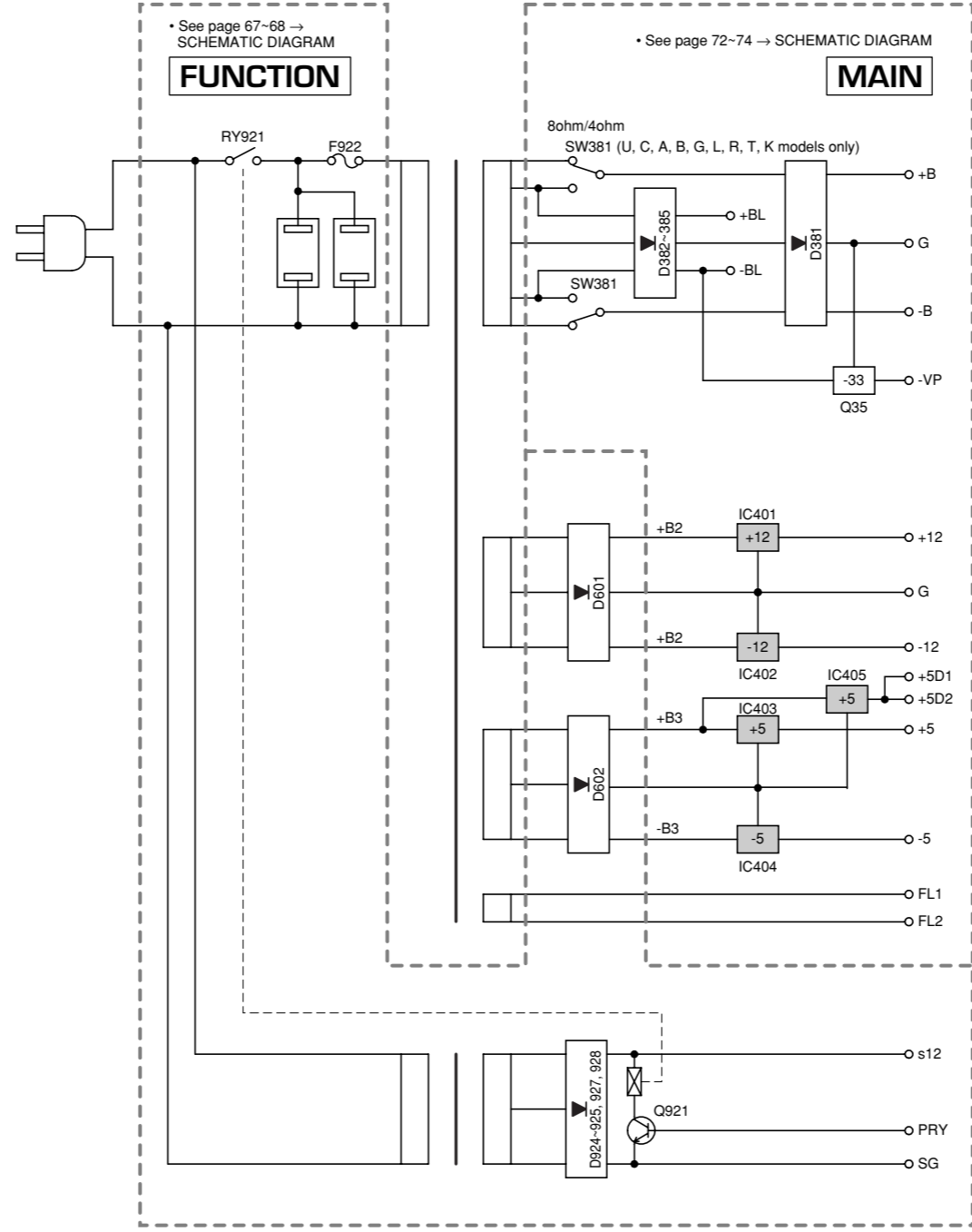
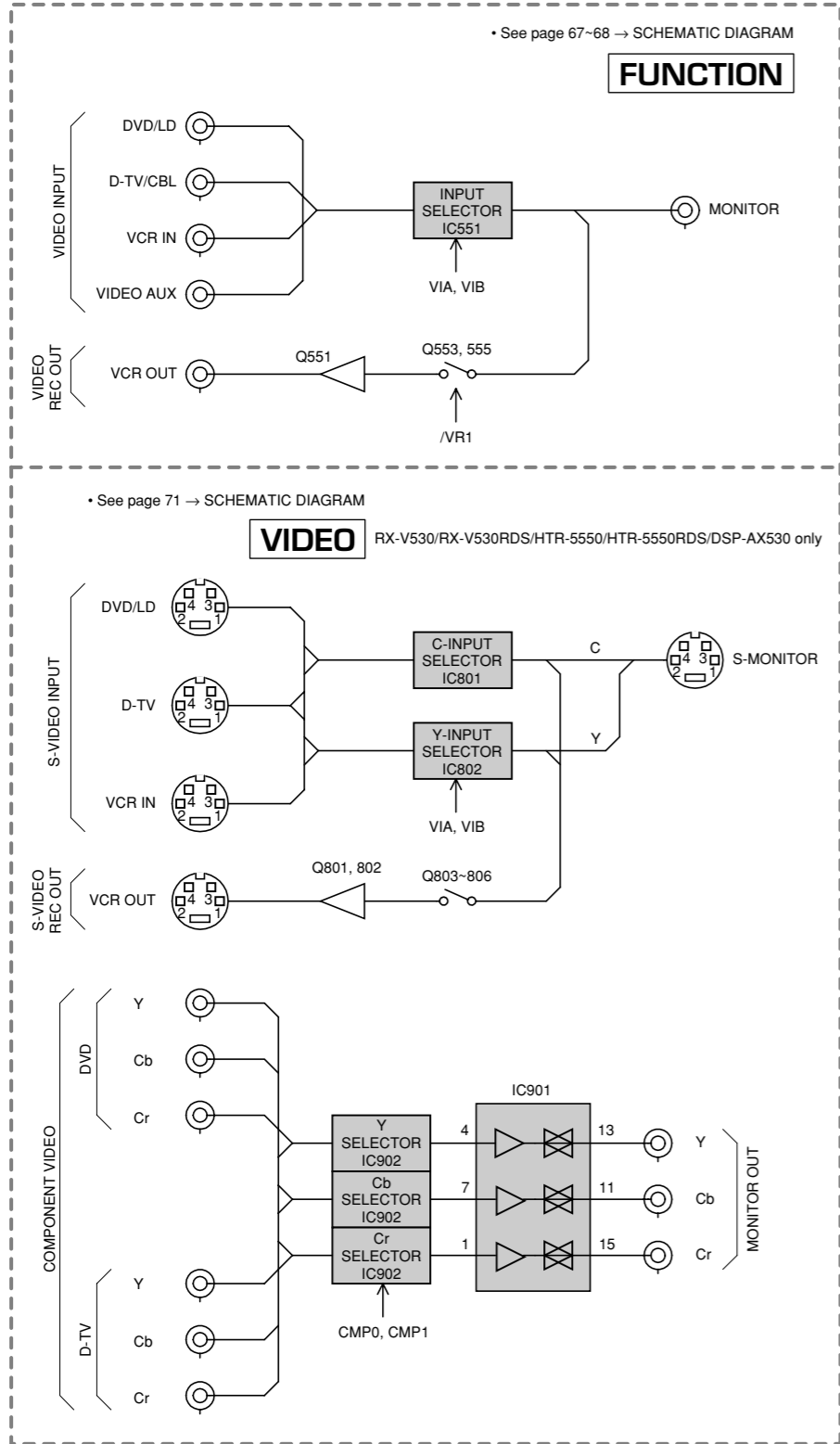
6

7

• See page 67~68 → SCHEMATIC DIAGRAM  
**FUNCTION**

• See page 72~74 → SCHEMATIC DIAGRAM  
**MAIN**

**■ BLOCK DIAGRAM (2/2)**



RX-V530/RX-V530RDS/HTR-5550/HTR-5550RDS/DSP-AX530  
 RX-V430/RX-V430RDS/HTR-5540/HTR-5540RDS/DSP-AX430

**PRINTED CIRCUIT BOARD (Foil side)**

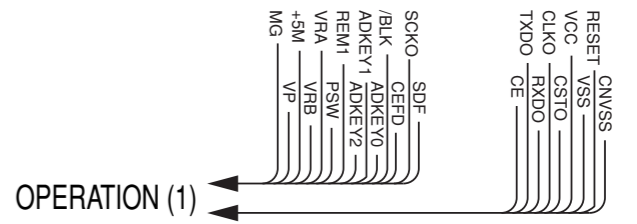
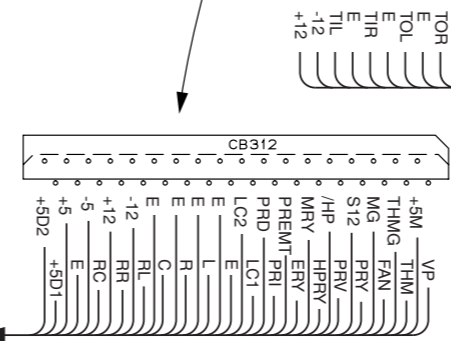
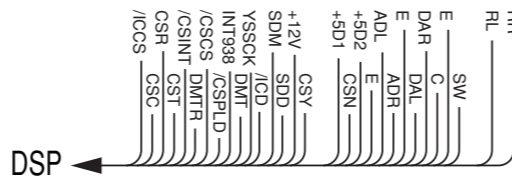
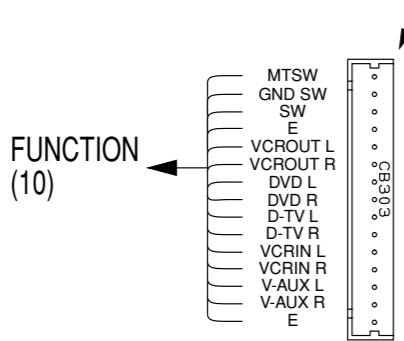
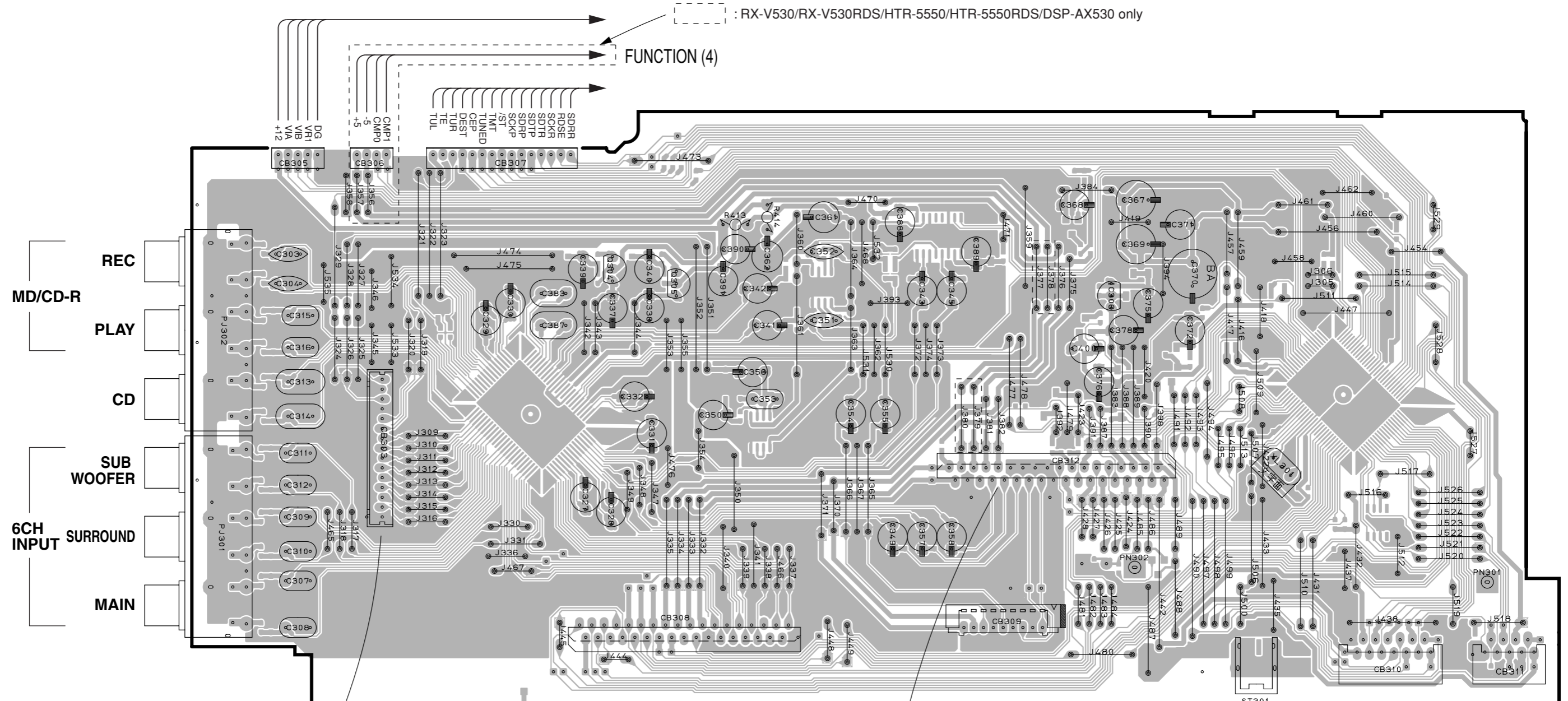
Circuit No.	J	U, C	R, T, K	A, L	B, G
J305	O	O	X	X	X
J306	O	X	X	O	O

**Semiconductor Location**

Ref. No.	Location
IC306	G4
Q304	D3
Q305	E3

X: NOT USED  
 O: USED / APPLICABLE

**FUNCTION (1) P. C. B.** (Lead Type Device)



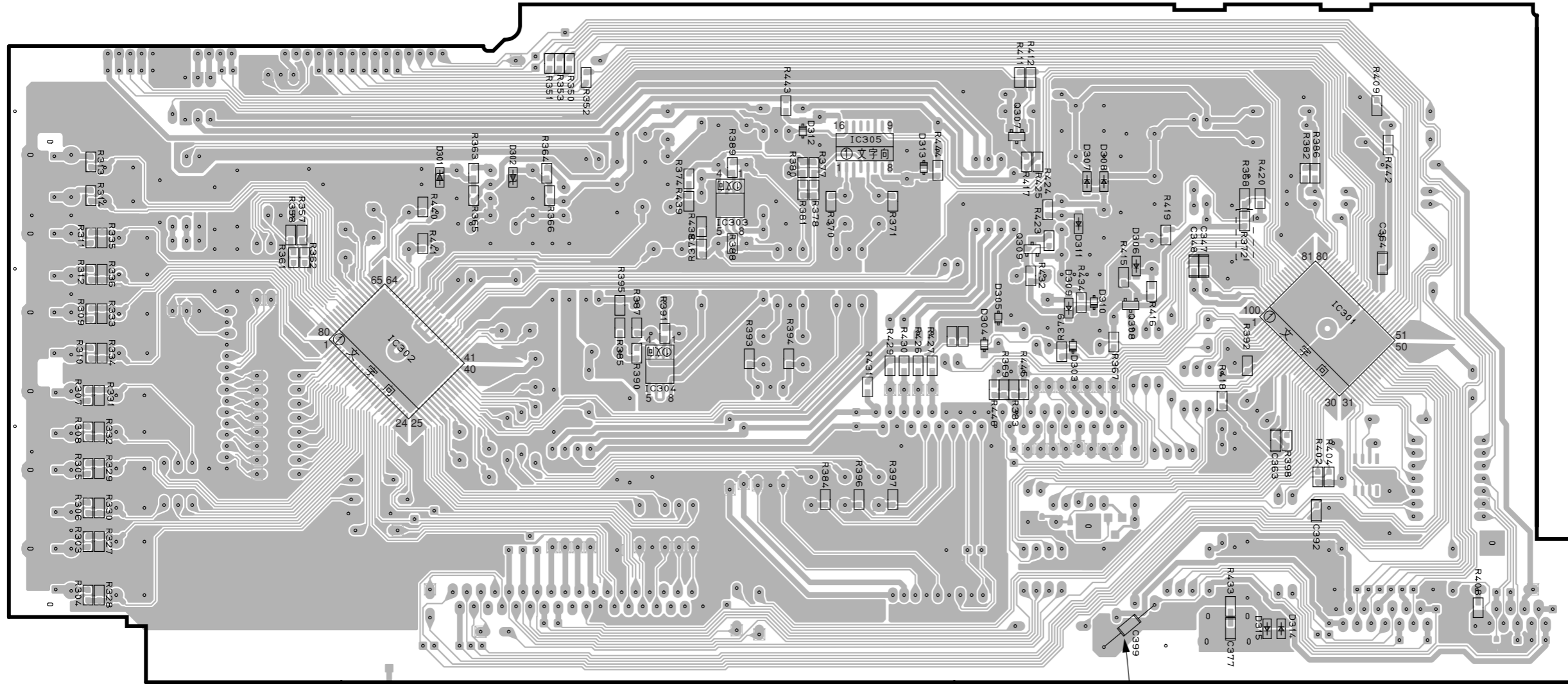
1  
2  
3  
4  
5  
6  
7

PRINTED CIRCUIT BOARD (Foil side)

FUNCTION (1) P. C. B. (Surface Mount Device)

• Semiconductor Location

Ref. No.	Location
D301	C2
D302	D2
D303	F3
D304	F3
D305	F3
D306	G3
D307	G3
D308	G3
D309	F3
D310	G3
D311	F3
D312	E2
D313	F2
D314	H5
D315	G5
IC301	H3
IC302	C3
IC303	E3
IC304	D3
IC305	E2
Q307	F2
Q308	G3
Q309	F3



P.W.B version B & C only

Circuit No.	J	U, C	R, T, K	A, L	B, G
R382	X	X	O	O	O
R386	X	O	O	X	X
R409	O	O	O	O	X

X: NOT USED  
 O: USED / APPLICABLE

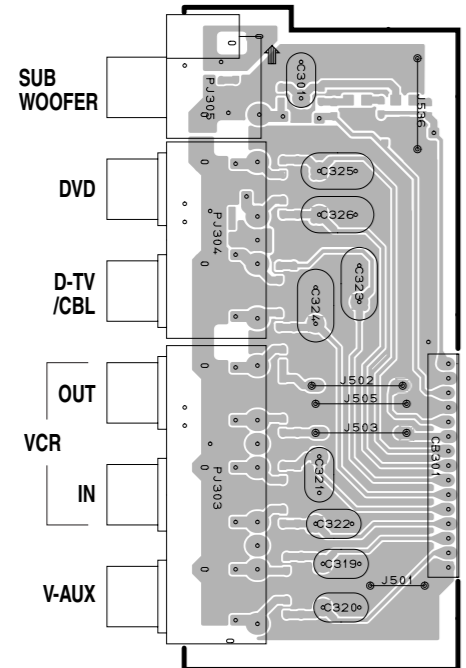
PRINTED CIRCUIT BOARD (Foil side)

Semiconductor Location

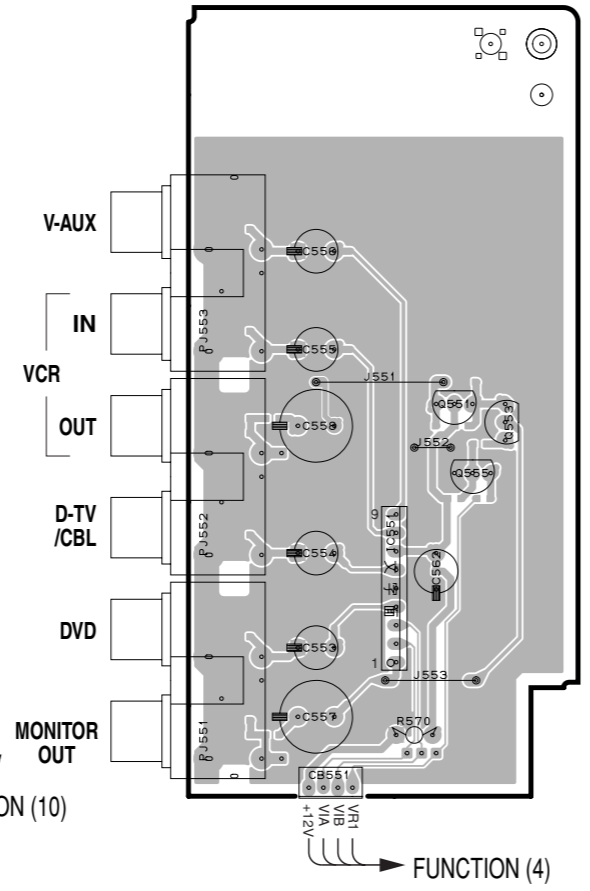
Ref. No.	Location
D571	H5
D572	E5
IC551	D3
IC571	H3
Q301	B5
Q311	B5
Q551	D3
Q553	D3
Q555	D3
Q571	H2
Q572	H3

1  
2  
3  
4  
5  
6  
7

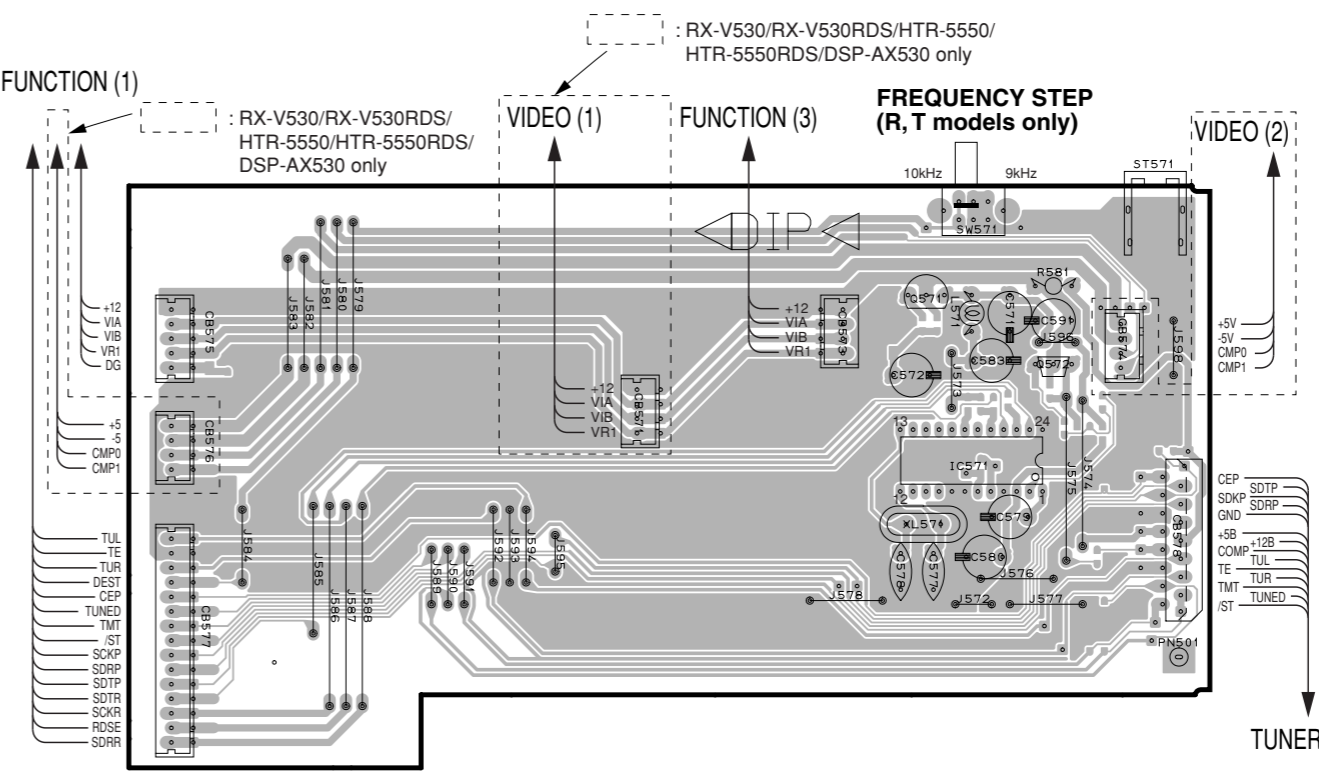
FUNCTION (2) P. C. B. (Lead Type Device)



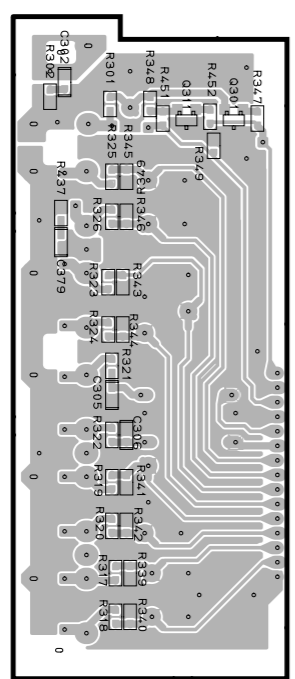
FUNCTION (3) P. C. B. (Lead Type Device)



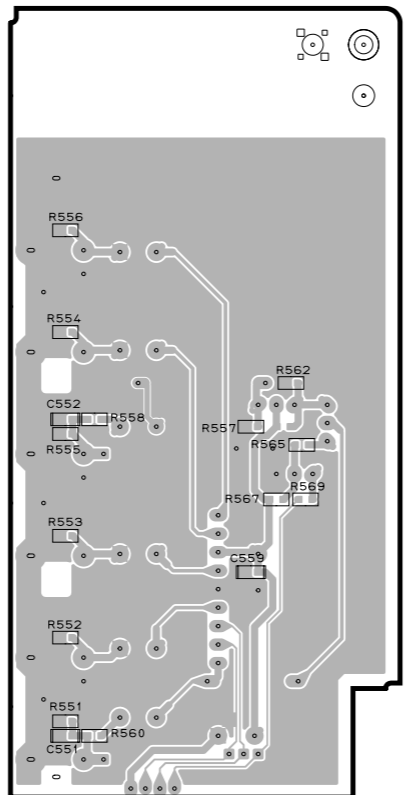
FUNCTION (4) P. C. B. (Lead Type Device)



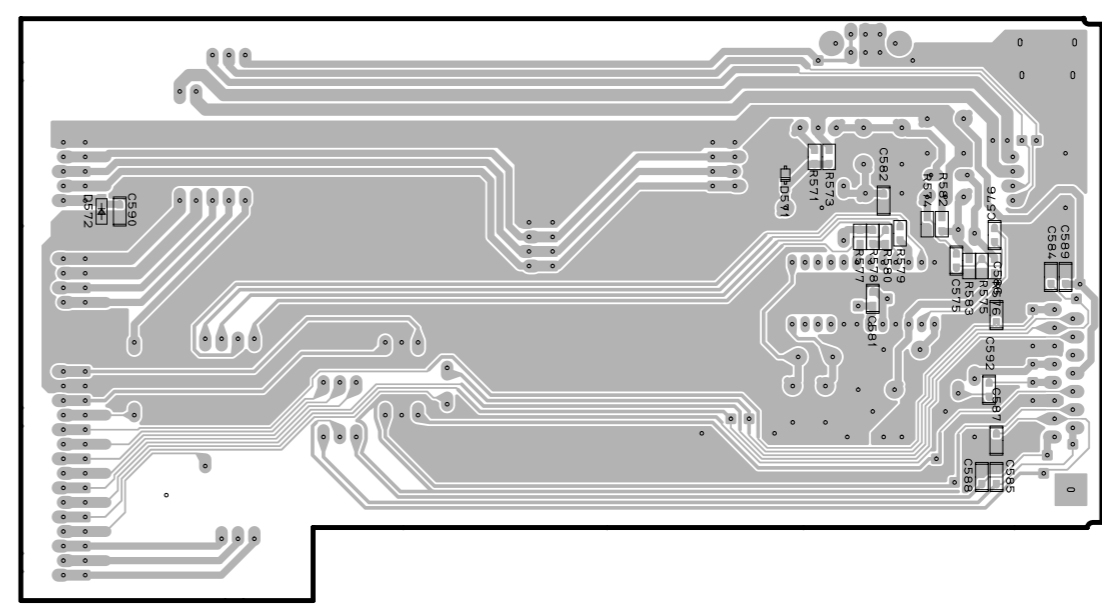
FUNCTION (2) P. C. B. (Surface Mount Device)



FUNCTION (3) P. C. B. (Surface Mount Device)



FUNCTION (4) P. C. B. (Surface Mount Device)



Circuit No.	J	U, C	R, T	A	B	G	L	K
C575-583, 592	X	X	X	X	O	O	X	X
IC571	X	X	X	X	O	O	X	X
L571	X	X	X	X	O	O	X	X
Q572	X	X	X	X	O	O	X	X
R574-580, 582, 583	X	X	X	X	O	O	X	X
SW571, 941	X	X	O	X	X	X	X	X
XL571	X	X	X	X	O	O	X	X

X: NOT USED  
O: USED / APPLICABLE

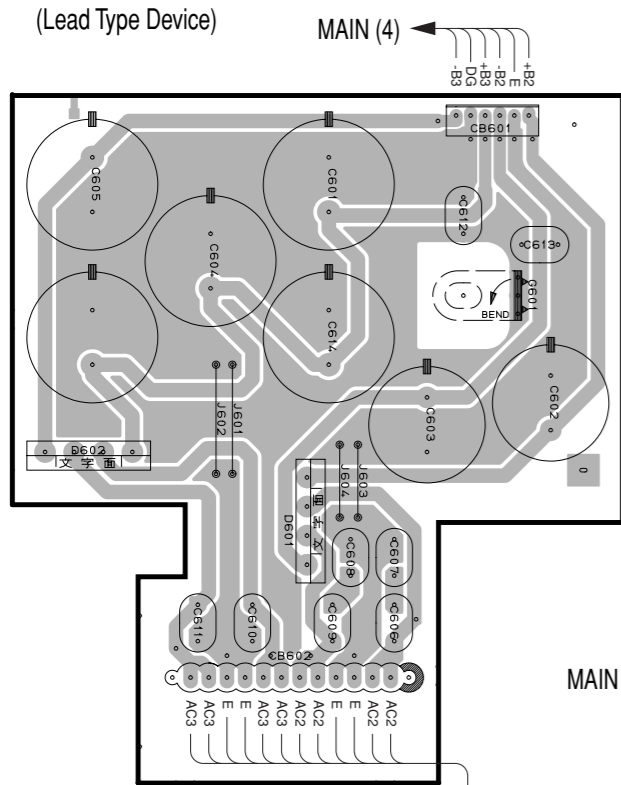
PRINTED CIRCUIT BOARD (Foil side)

• Semiconductor Location

Ref. No.	Location
D601	B3
D602	A3
D921	D5
D922	C6
D923	C6
D924	D3
D925	D3
D926	D3
D927	D2
D928	D2
Q921	D3
Q922	D3
Q923	D3
Q924	D3

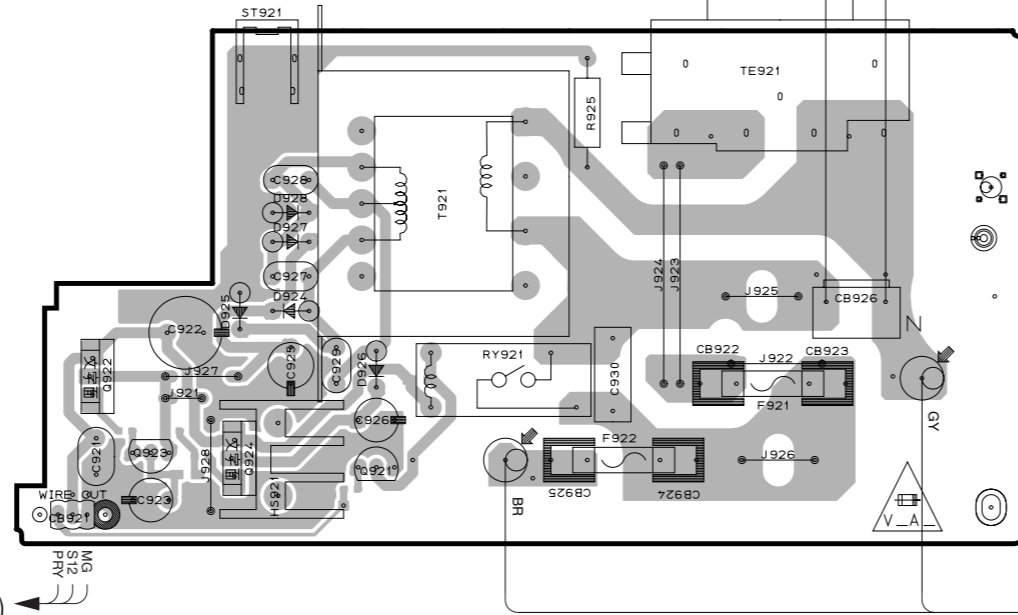
FUNCTION (5) P. C. B.

(Lead Type Device)



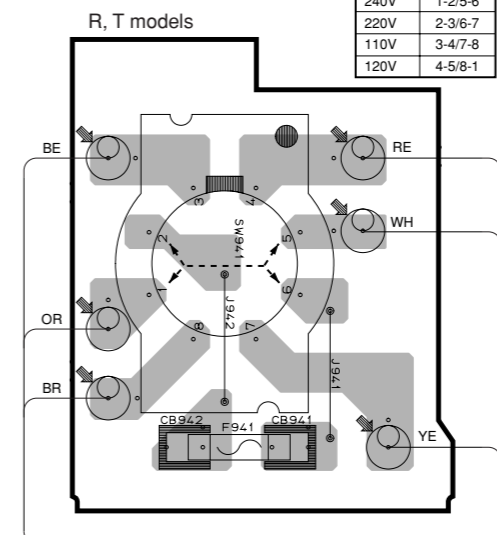
FUNCTION (7) P. C. B.

(Lead Type Device)



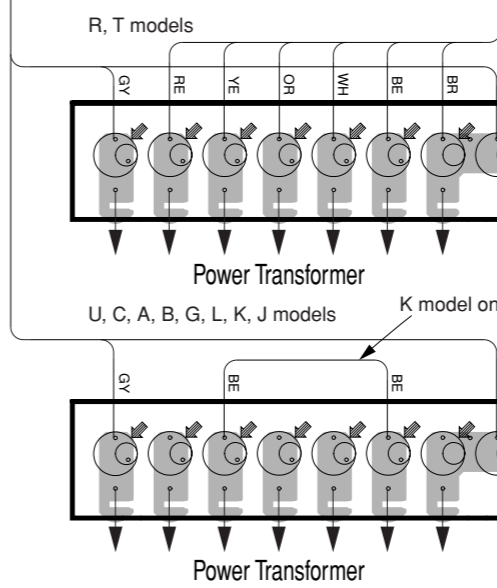
FUNCTION (8) P. C. B.

(Lead Type Device)



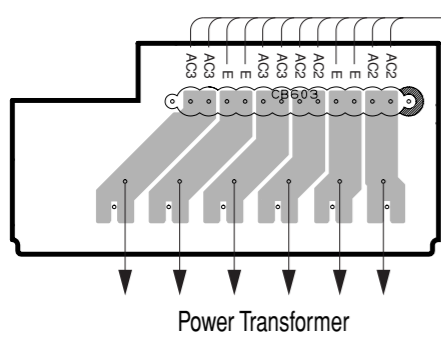
FUNCTION (9) P. C. B.

(Lead Type Device)



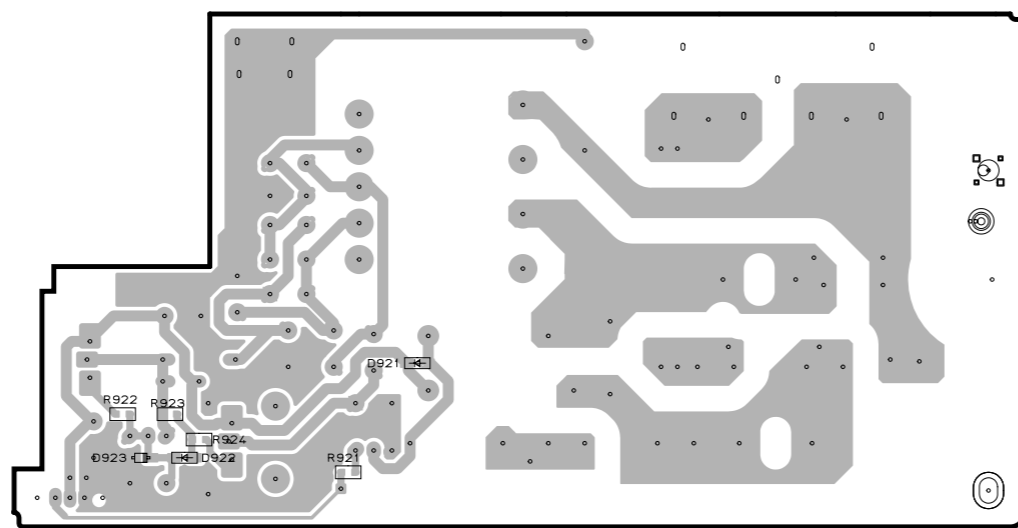
FUNCTION (6) P. C. B.

(Lead Type Device)



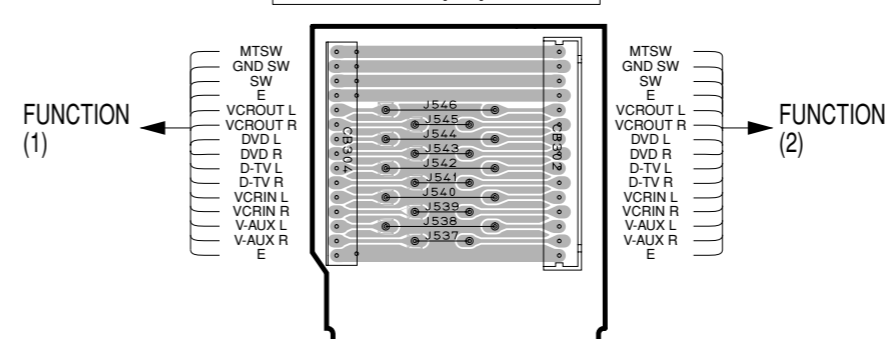
FUNCTION (7) P. C. B.

(Surface Mount Device)



FUNCTION (10) P. C. B.

(Lead Type Device)



Circuit No.	J	U, C	R, T	A	B	G	L	K
C923, 925, 926, 928, 929	X	X	O	X	X	X	X	X
C927	O	O	X	O	O	O	O	O
CB922, 923	X	X	X	X	X	O	O	X
CB941, 942	X	X	O	X	X	X	X	X
D922, 923, 925, 926	X	X	O	X	X	X	X	X
F921	X	X	X	X	X	O	O	X
F941	X	X	O	X	X	X	X	X
J921	O	O	X	O	O	O	O	O
J922	O	O	O	O	O	X	X	X
Q922-924	X	X	O	X	X	X	X	X
R922-924	X	X	O	X	X	X	X	X
R925	X	O	X	X	X	X	X	X
SW941	X	X	O	X	X	X	X	X
TE921	O	O	O	O	O	O	O	X
W941-946	X	X	O	X	X	X	X	X
W947	X	X	X	X	X	X	X	O

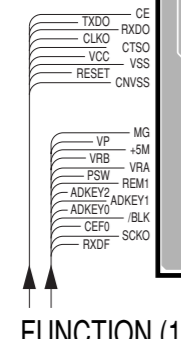
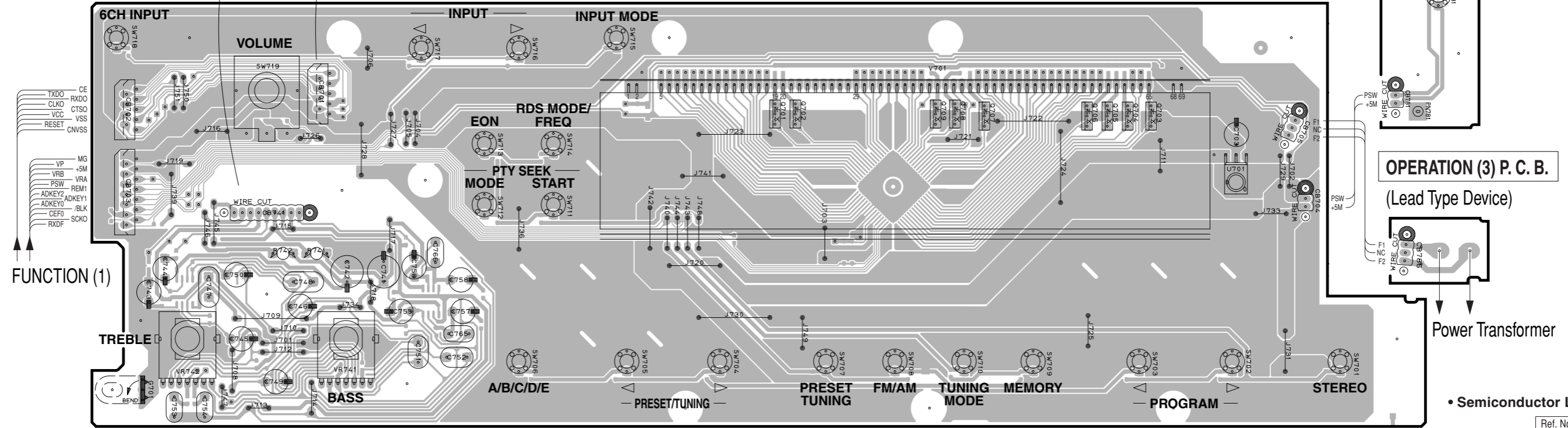
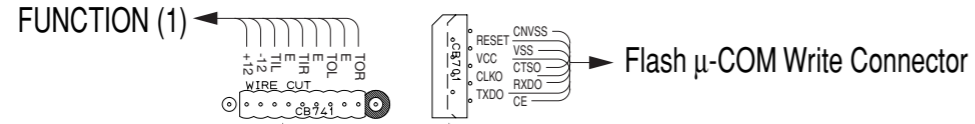
X: NOT USED  
 O: USED / APPLICABLE



1 ■ PRINTED CIRCUIT BOARD (Foil side)

OPERATION (1) P. C. B. (Lead Type Device)

OPERATION (2) P. C. B. (Lead Type Device)



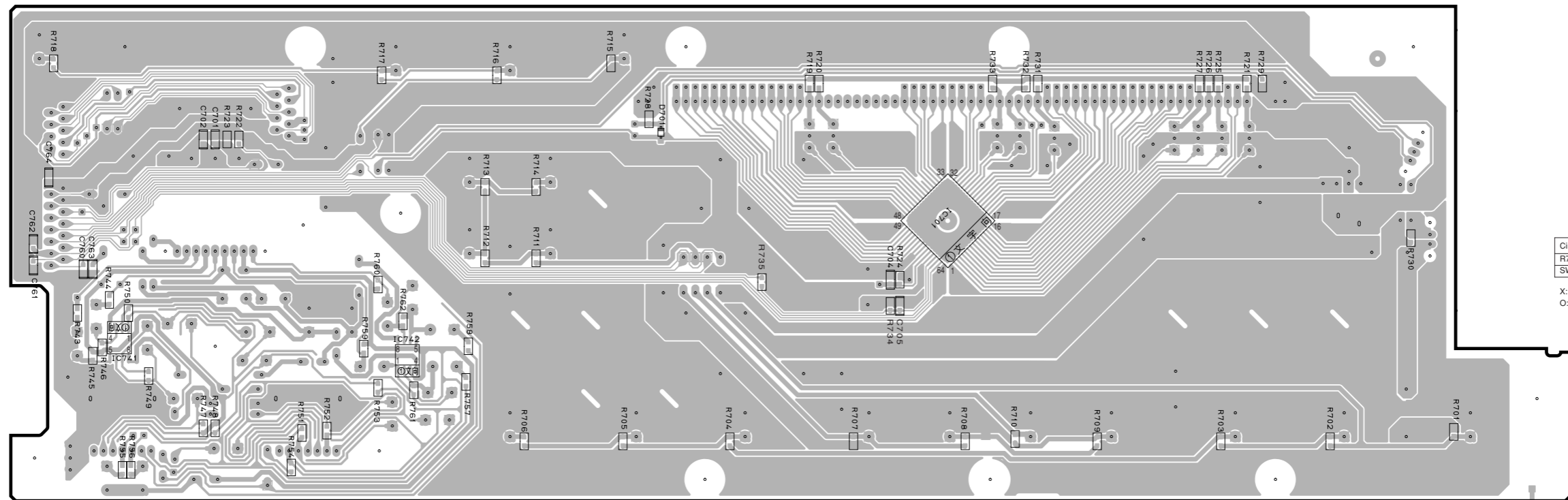
OPERATION (3) P. C. B. (Lead Type Device)

Power Transformer

• Semiconductor Location

Ref. No.	Location
D701	D5
IC701	F6
IC741	B6
IC742	C6
Q701	E3
Q702	E3
Q703	G3
Q704	G3
Q705	G3
Q706	G3
Q707	F3
Q708	F3
Q709	F3

OPERATION (1) P. C. B. (Surface Mount Device)

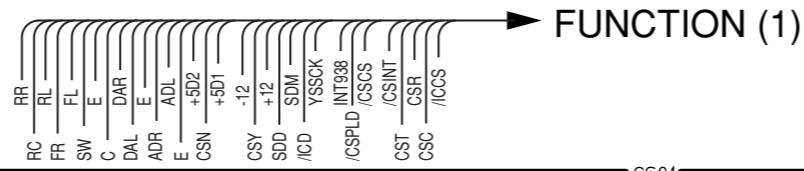


Circuit No.	J	U	C	R	T	K	A	L	B	G
R711-714				X						O
SW711-714				X						O

X: NOT USED  
 O: USED / APPLICABLE

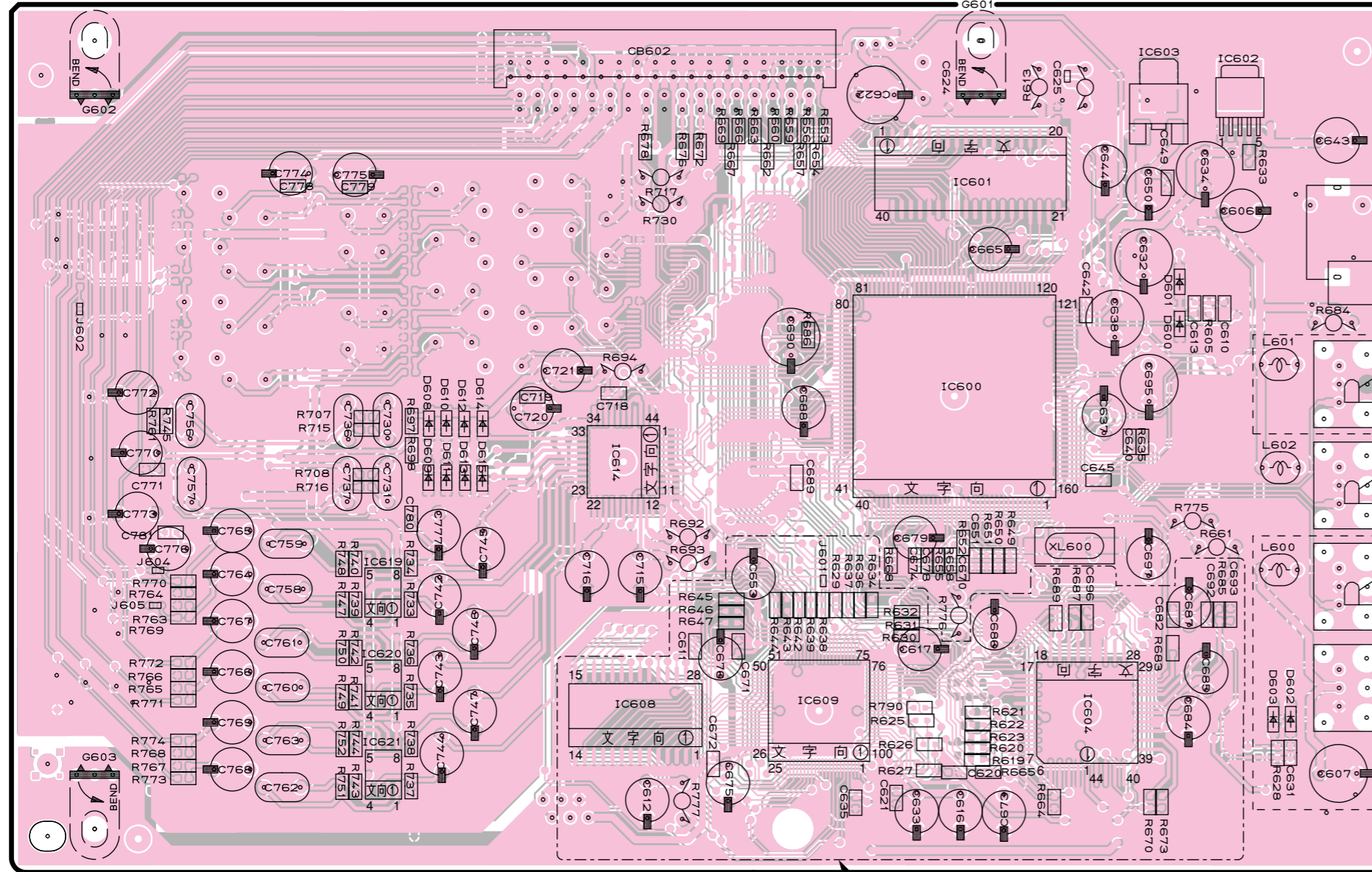
PRINTED CIRCUIT BOARD (Foil side)

DSP P. C. B. (Lead Type Device)



Circuit No.	J	U, C, R, T, K, A, B, G
C658, 661, 666	O	X
J601	X	O
R653, 654, 656, 657, 659, 660, 662	O	X
R668	X	O

X: NOT USED  
 O: USED / APPLICABLE



: RX-V530/RX-V530RDS/  
 HTR-5550/HTR-5550RDS/  
 DSP-AX530 only

CD

D-TV/  
 CBL

DIGITAL  
 INPUT

DVD

MD/  
 CD-R

MD/  
 CD-R

DIGITAL  
 OUTPUT

: RX-V530/RX-V530RDS/  
 HTR-5550/HTR-5550RDS/  
 DSP-AX530 only

• Semiconductor Location

Ref. No.	Location
D600	F3
D601	F3
D602	G5
D603	G5
D608	C4
D609	C4
D610	C4
D611	C4
D612	C4
D613	C4
D614	C4
D615	C4
IC600	E4
IC601	E3
IC602	F2
IC603	F2
IC604	F5
IC608	D5
IC609	E5
IC614	D4
IC619	C4
IC620	C5
IC621	C5

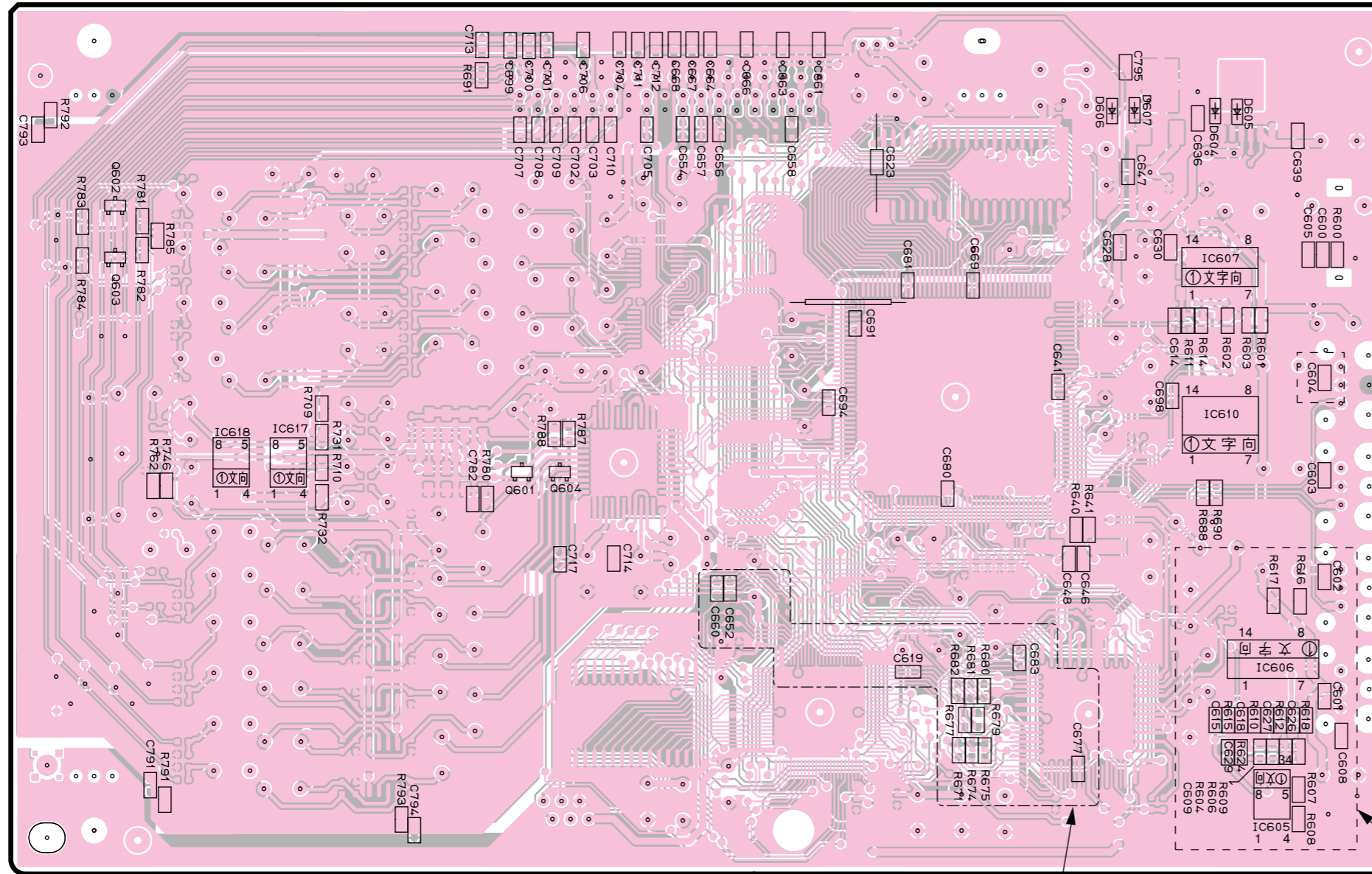
J model only

1 ■ PRINTED CIRCUIT BOARD (Foil side)

DSP P. C. B. (Surface Mount Device)

Circuit No.	J	U, C, R, T, K, A, B, G
C658, 661, 666	O	X
J601	X	O
R653, 654, 656, 657, 659, 660, 662	O	X
R668	X	O

X: NOT USED  
 O: USED / APPLICABLE



• Semiconductor Location

Ref. No.	Location
D604	F2
D605	F2
D606	F2
D607	F2
IC605	G5
IC606	G5
IC607	F3
IC610	F4
IC617	B4
IC618	B4
Q601	C4
Q602	A2
Q603	A3
Q604	C4

J model only

: RX-V530/RX-V530RDS/  
 HTR-5550/HTR-5550RDS/  
 DSP-AX530 only

2

3

4

5

6

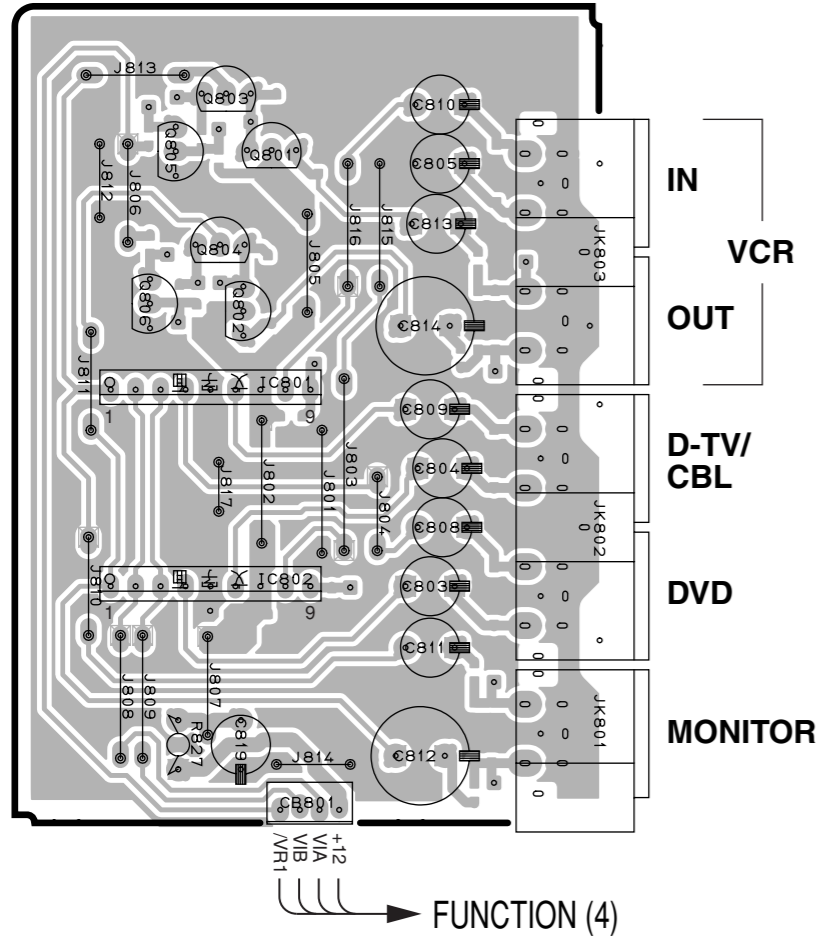
7

■ PRINTED CIRCUIT BOARD (Foil side)

RX-V530/RX-V530RDS/HTR-5550/HTR-5550RDS/DSP-AX530 only

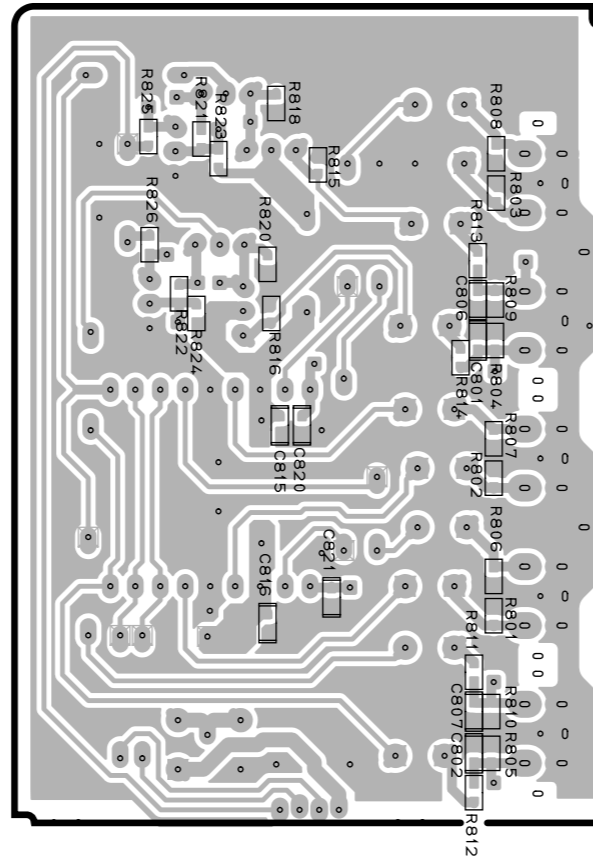
VIDEO (1) P. C. B.

(Lead Type Device)



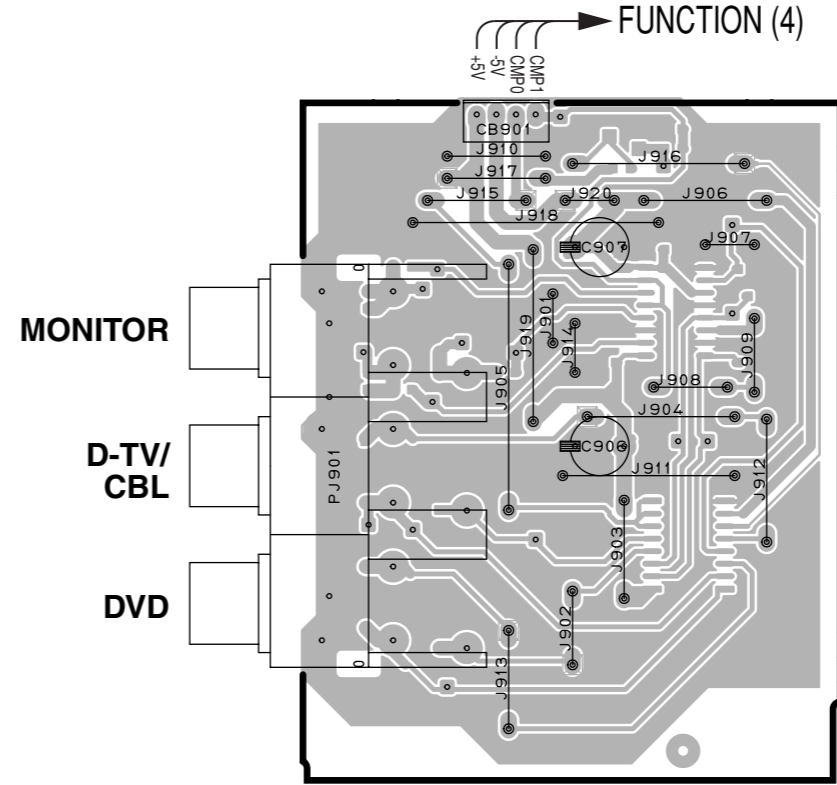
VIDEO (1) P. C. B.

(Surface Mount Device)



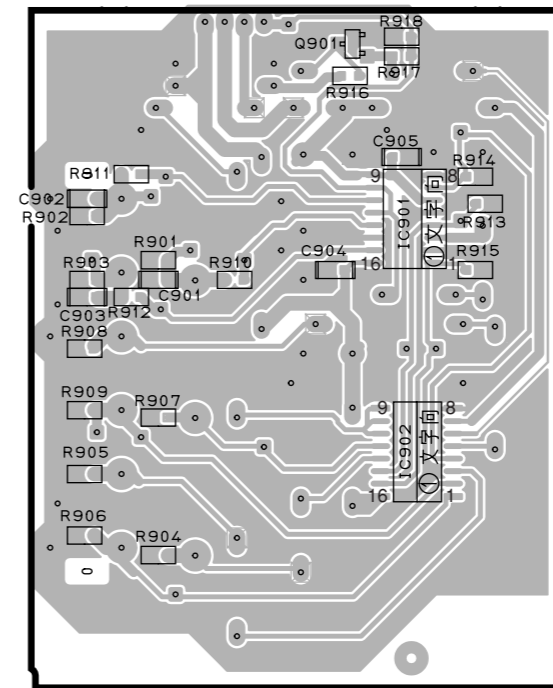
VIDEO (2) P. C. B.

(Lead Type Device)



VIDEO (2) P. C. B.

(Surface Mount Device)



• Semiconductor Location

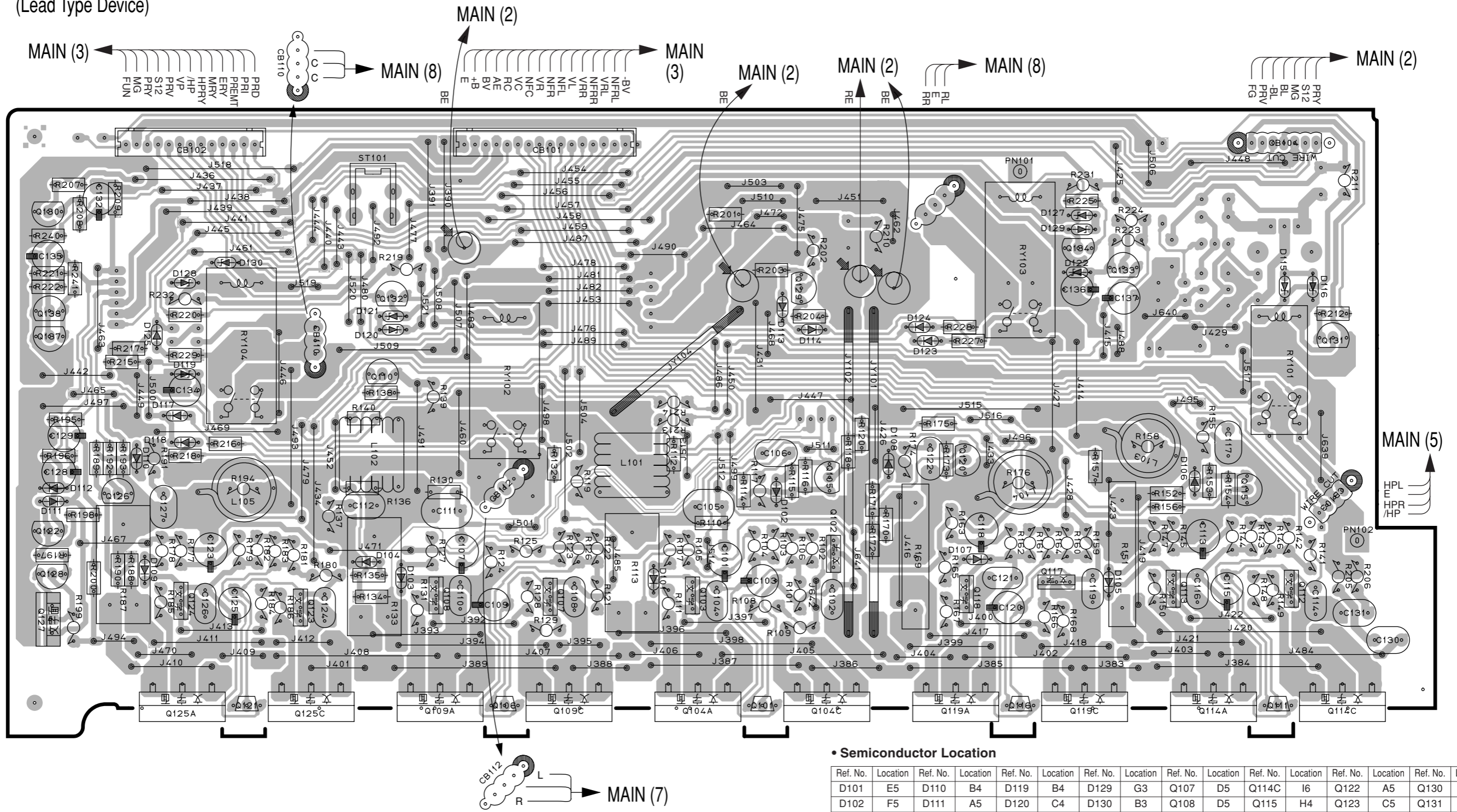
Ref. No.	Location
IC801	B3
IC802	B4
IC901	H6
IC902	H6
Q801	B2
Q802	B3
Q803	B2
Q804	B3
Q805	A2
Q806	A3
Q901	H5

1 ■ PRINTED CIRCUIT BOARD (Foil side)

MAIN (1) P. C. B.

RX-V530/RX-V530RDS/HTR-5550/HTR-5550RDS/DSP-AX530/RX-V430RDS/HTR-5540RDS only

(Lead Type Device)



• Semiconductor Location

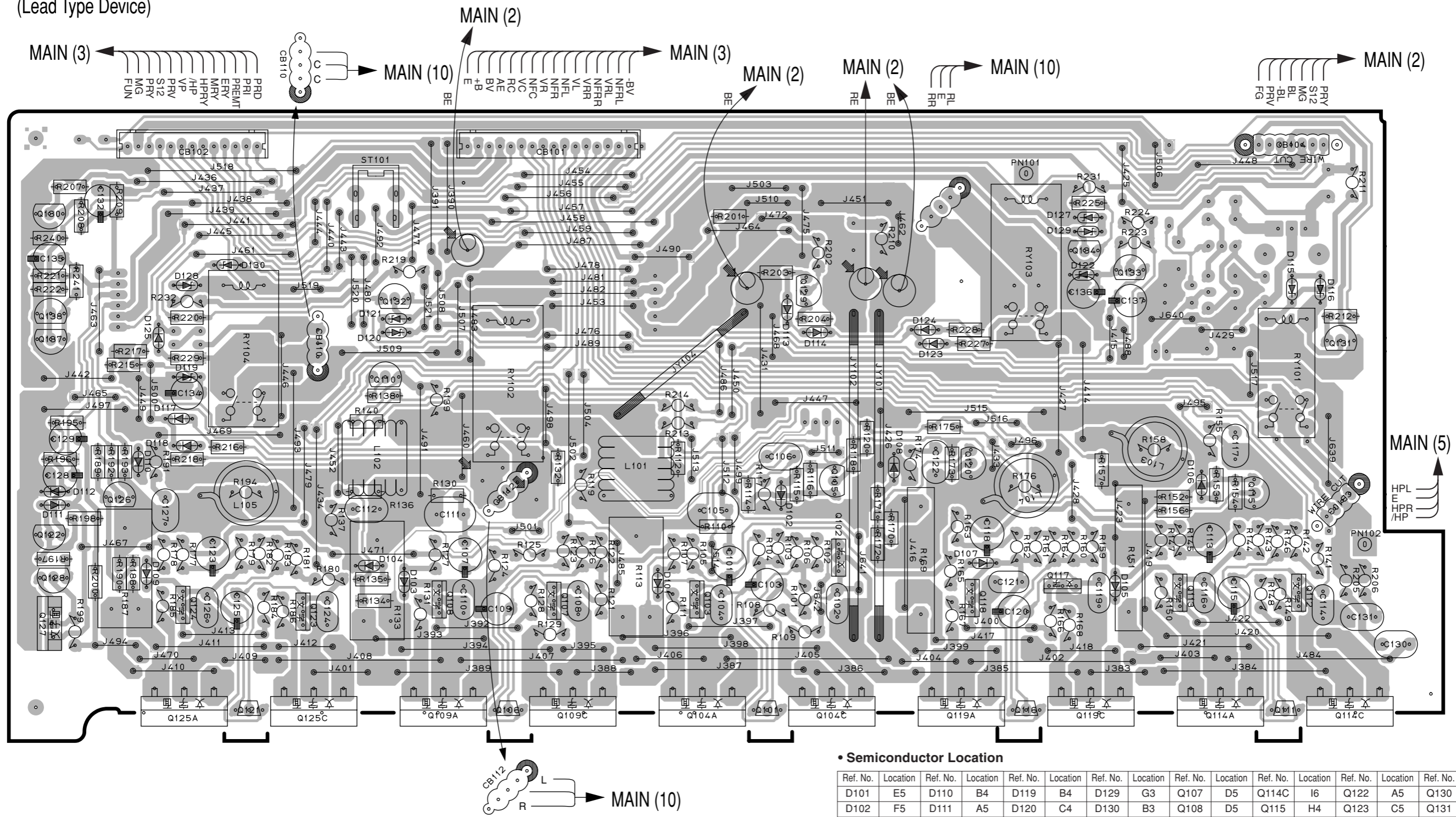
Ref. No.	Location	Ref. No.	Location	Ref. No.	Location	Ref. No.	Location	Ref. No.	Location	Ref. No.	Location	Ref. No.	Location
D101	E5	D110	B4	D119	B4	D129	G3	Q107	D5	Q114C	I6	Q122	A5
D102	F5	D111	A5	D120	C4	D130	B3	Q108	D5	Q115	H4	Q123	C5
D103	C5	D112	A4	D121	C3	Q101	E6	Q109A	D6	Q116	G6	Q124	B5
D104	C5	D113	F3	D122	G3	Q102	F5	Q109C	D6	Q117	G5	Q125A	B6
D105	H5	D114	F4	D123	F4	Q103	E5	Q110	C4	Q118	G5	Q125C	C6
D106	H4	D115	I3	D124	F4	Q104A	E6	Q111	I6	Q119A	G6	Q126	B5
D107	G5	D116	I3	D125	B4	Q104C	F6	Q112	I5	Q119C	G6	Q127	A5
D108	F4	D117	B4	D127	G3	Q105	F4	Q113	H5	Q120	G4	Q128	A5
D109	B5	D118	B4	D128	B3	Q106	D6	Q114A	H6	Q121	B6	Q129	F3

PRINTED CIRCUIT BOARD (Foil side)

MAIN (1) P. C. B.

RX-V430/HTR-5540/DSP-AX430 only

(Lead Type Device)



• Semiconductor Location

Ref. No.	Location	Ref. No.	Location	Ref. No.	Location	Ref. No.	Location	Ref. No.	Location	Ref. No.	Location	Ref. No.	Location
D101	E5	D110	B4	D119	B4	D129	G3	Q107	D5	Q114C	I6	Q122	A5
D102	F5	D111	A5	D120	C4	D130	B3	Q108	D5	Q115	H4	Q123	C5
D103	C5	D112	A4	D121	C3	Q101	F6	Q109A	D6	Q116	G6	Q124	B5
D104	C5	D113	F3	D122	G3	Q102	F5	Q109C	D6	Q117	G5	Q125A	B6
D105	H5	D114	F4	D123	G4	Q103	E5	Q110	C4	Q118	G5	Q125C	C6
D106	H4	D115	I3	D124	F4	Q104A	E6	Q111	I6	Q119A	G6	Q126	B5
D107	G5	D116	I3	D125	B4	Q104C	F6	Q112	I5	Q119C	G6	Q127	A5
D108	F4	D117	B4	D127	G3	Q105	F4	Q113	H5	Q120	G4	Q128	A5
D109	B5	D118	B4	D128	B3	Q106	D6	Q114A	H6	Q121	B6	Q129	F3

1 ■ PRINTED CIRCUIT BOARD (Foil side)

MAIN (2) P. C. B. (Lead Type Device)

RX-V530/RX-V530RDS/HTR-5550/HTR-5550RDS/DSP-AX530

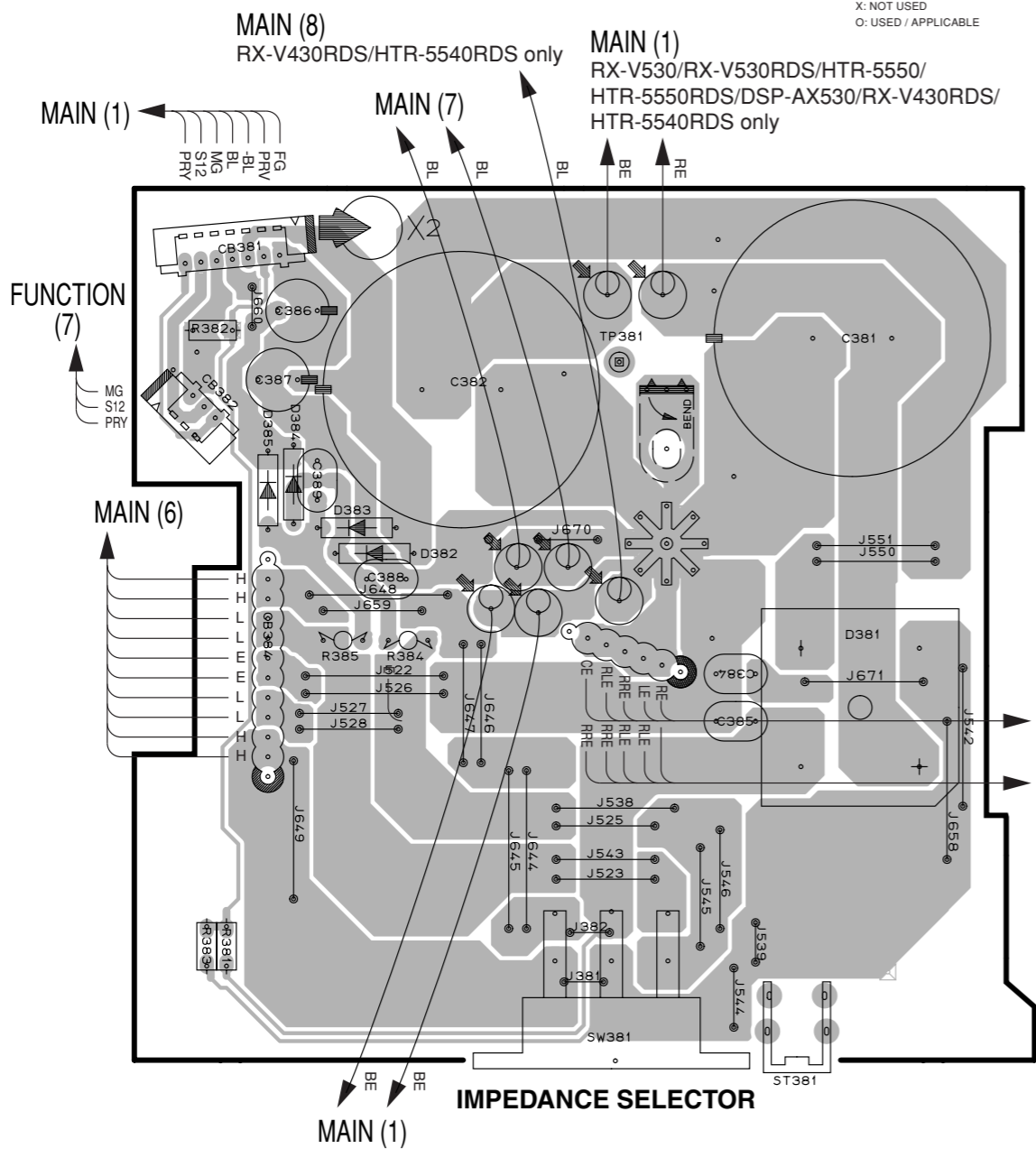
Circuit No.	J	U, C	R, T, K, A, B, G, L
D253	X	O	O
J381, 382	O	X	X
Q251	X	O	O
R252, 253	X	O	O
SW381	X	O	O

X: NOT USED  
 O: USED / APPLICABLE

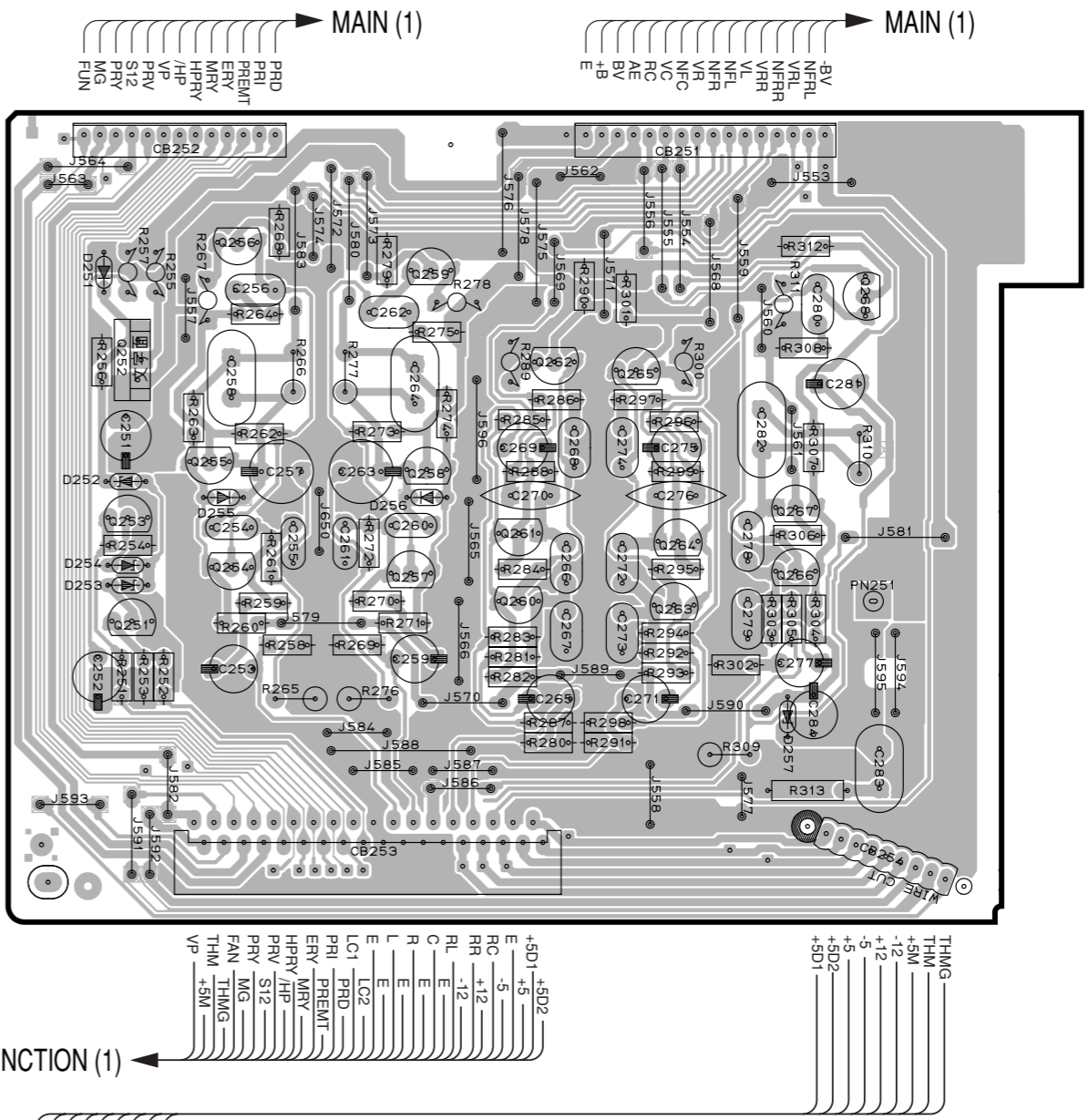
RX-V430/RX-V430RDS/HTR-5540/HTR-5540RDS/DSP-AX430

Circuit No.	J	U, C	R, T, K, A, B, G, L
D253	X	O	O
J381, 382	O	X	X
Q251	X	O	O
R252, 253	X	O	O
SW381	X	O	O

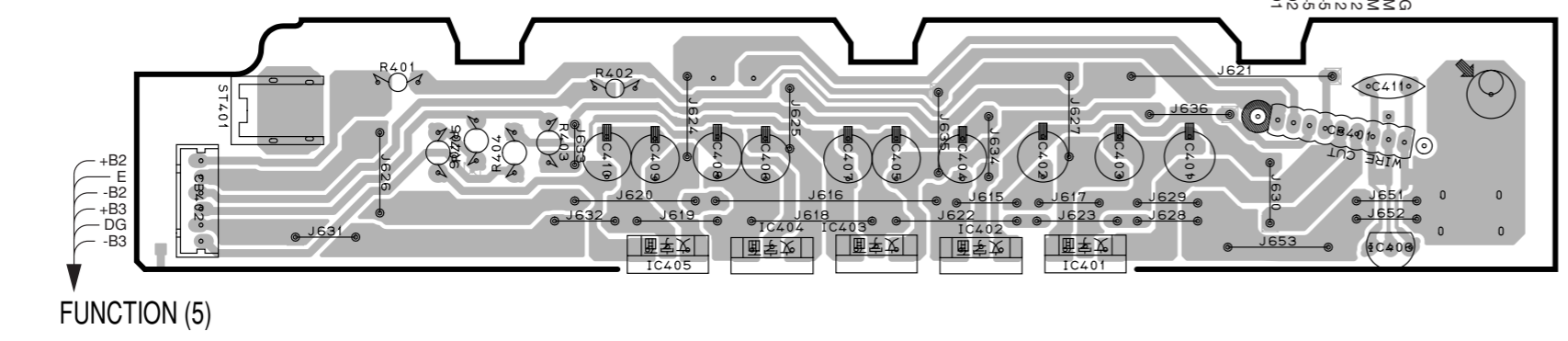
X: NOT USED  
 O: USED / APPLICABLE



MAIN (3) P. C. B. (Lead Type Device)



MAIN (4) P. C. B. (Lead Type Device)



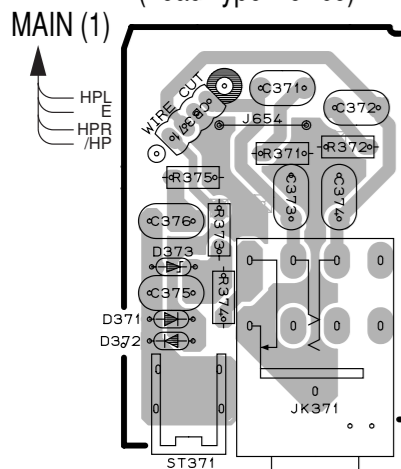
• Semiconductor Location

Ref. No.	Location	Ref. No.	Location	Ref. No.	Location	Ref. No.	Location
D251	F3	D383	B3	Q251	F4	Q260	G4
D252	F4	D384	B3	Q252	F3	Q261	G4
D253	F4	D385	B3	Q253	F4	Q262	G3
D254	F4	IC401	E7	Q254	F4	Q263	H4
D255	F4	IC402	D7	Q255	F3	Q264	H4
D256	G4	IC403	D7	Q256	F3	Q265	G3
D257	H4	IC404	C7	Q257	G4	Q266	H4
D381	D4	IC405	C7	Q258	G3	Q267	H4
D382	B3	IC406	F7	Q259	G3	Q268	H3

PRINTED CIRCUIT BOARD (Foil side)

MAIN (5) P. C. B.

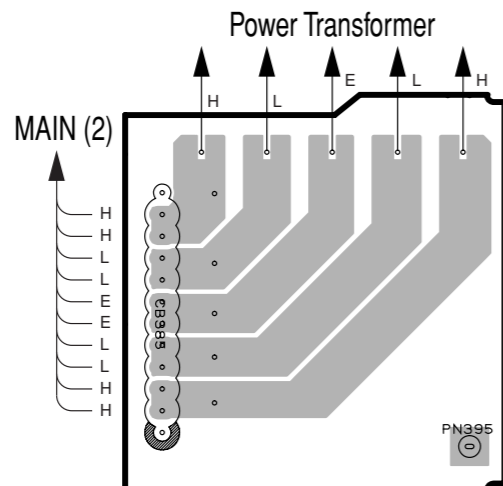
(Lead Type Device)



PHONES

MAIN (6) P. C. B.

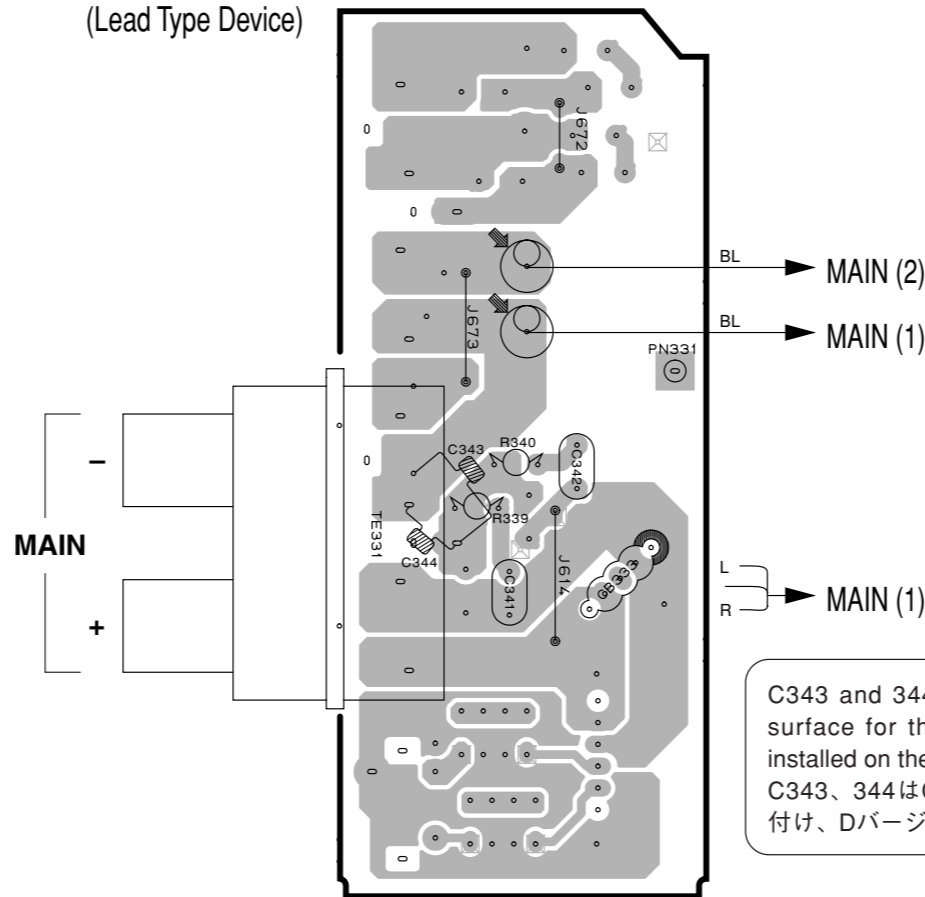
(Lead Type Device)



MAIN (7) P. C. B.

(Lead Type Device)

RX-V530/RX-V530RDS/HTR-5550/HTR-5550RDS/  
 DSP-AX530/RX-V430RDS/HTR-5540RDS only



C343 and 344 are installed on the solder surface for the C version, while they are installed on the part surface for the D version. C343、344はCバージョンではハンダ面取り付け、Dバージョンでは部品面取り付けです。

RX-V530/RX-V530RDS/HTR-5550/HTR-5550RDS/DSP-AX530/RX-V430RDS/HTR-5540RDS

Circuit No.	J	U, C	R, T, K, A, B, G, L
C341-344, 351, 353, 354, 371-374, 376	X	X	O
R339, 340, 351, 353, 354, 371, 372, 375	X	X	O

X: NOT USED  
 O: USED / APPLICABLE

RX-V430/HTR-5540/DSP-AX430

Circuit No.	J	U, C	R, T, K, A, L
C371-374, 376, 390-392, 395, 399, 421, 422	X	X	O
R371, 372, 375, 391-395	X	X	O

X: NOT USED  
 O: USED / APPLICABLE

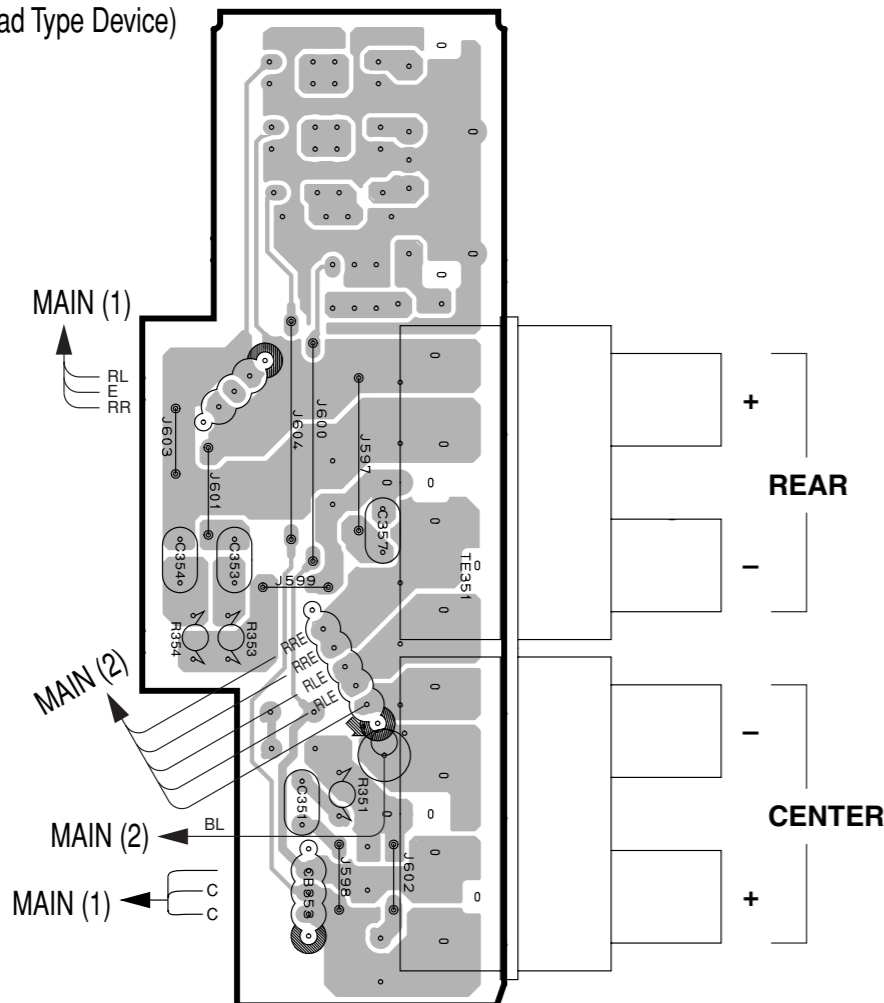
Semiconductor Location

Ref. No.	Location
D371	A3
D372	A3
D373	A2

MAIN (8) P. C. B.

(Lead Type Device)

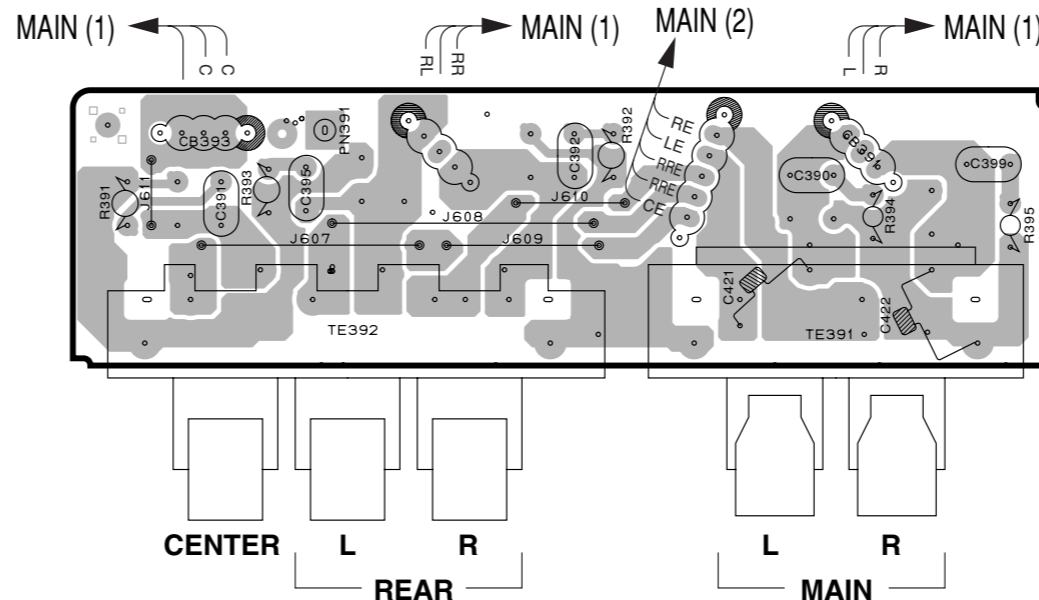
RX-V530/RX-V530RDS/HTR-5550/HTR-5550RDS/  
 DSP-AX530/RX-V430RDS/HTR-5540RDS only



MAIN (10) P. C. B.

(Lead Type Device)

RX-V430/HTR-5540/DSP-AX430 only

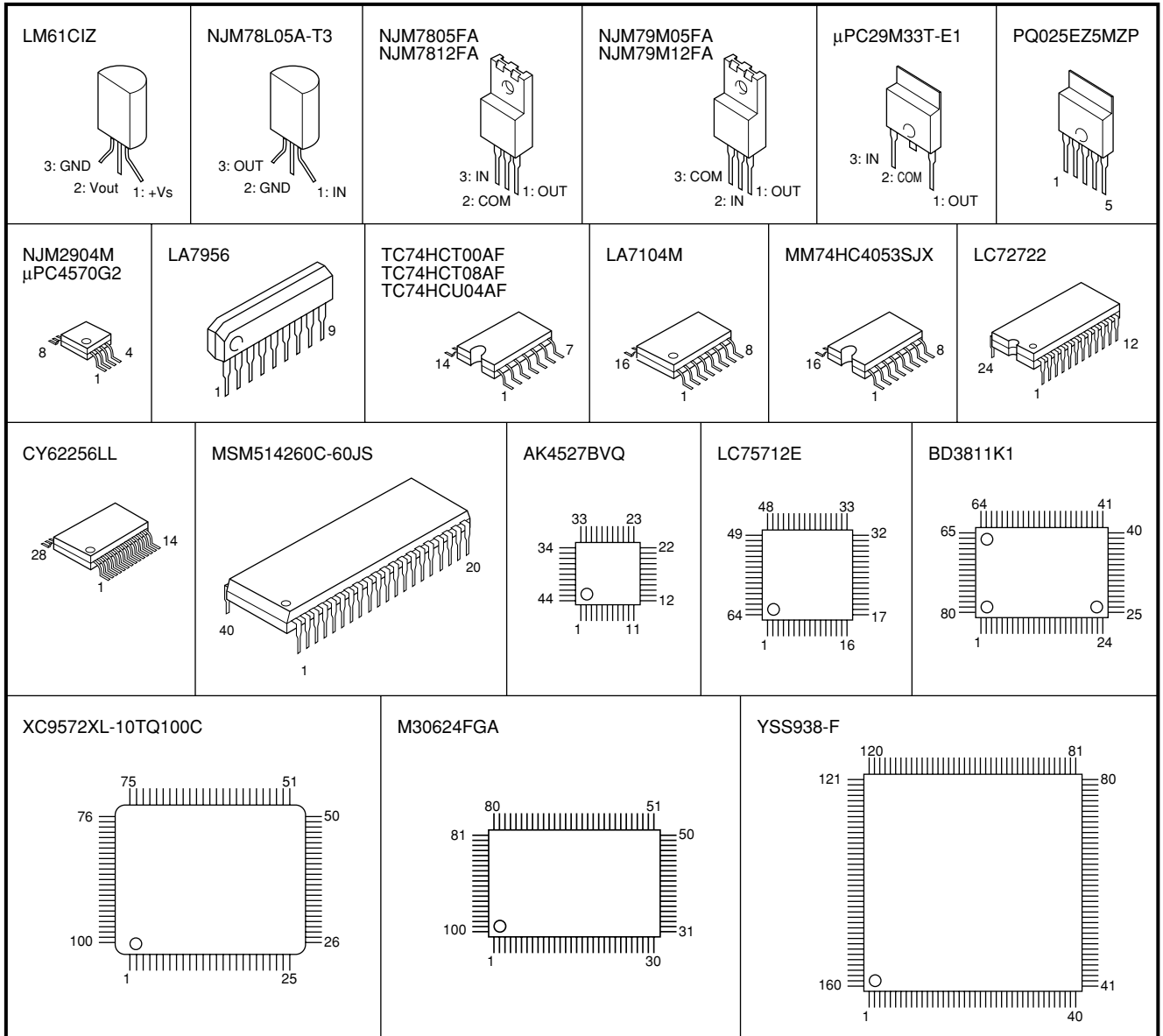


C421 and 422 are installed on the solder surface for the C version, while they are installed on the part surface for the D version. C421、422はCバージョンではハンダ面取り付け、Dバージョンでは部品面取り付けです。

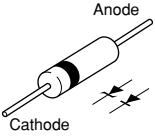
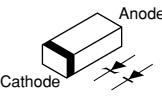
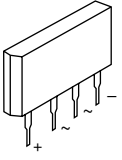
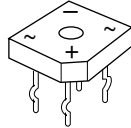


## ■ PIN CONNECTION DIAGRAM

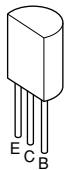
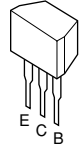
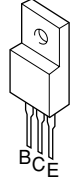
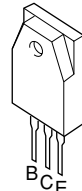
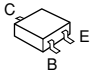
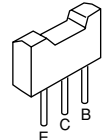
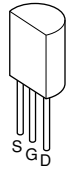
### • ICs



• Diodes

1N4002S 1SS133 1SS176 1SS270A 1T2	MTZJ4.7C MTZJ6.8B MTZJ9.1B MTZJ10.0C MTZJ12.0C MTZJ30.0A		1SS355 MA8075-H RB501V-40 UDZ5.1B UDZ6.2B UDZ7.5B UDZ13B UDZS5.6B UDZS6.8B	
S1VB20 	S5VB20 			

• Transistors

2SA893A 2SA1015 2SB949 2SC1815 2SC1890A		2SC1740S 2SD1915F 2SD1991A		2SB1565 2SD2396		2SA1695 2SC4468	
2SA1037K 2SC2412K 2SC3326 DTA144EK		2SA1770 2SC4614		2SK246			

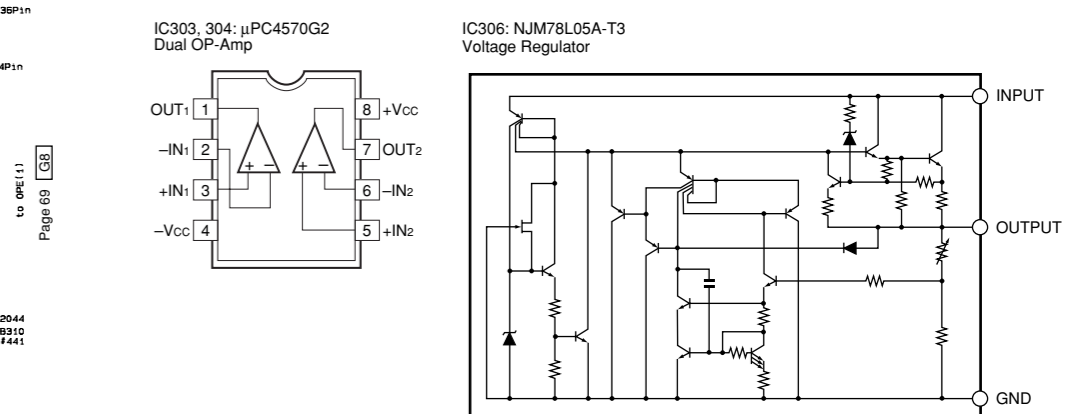
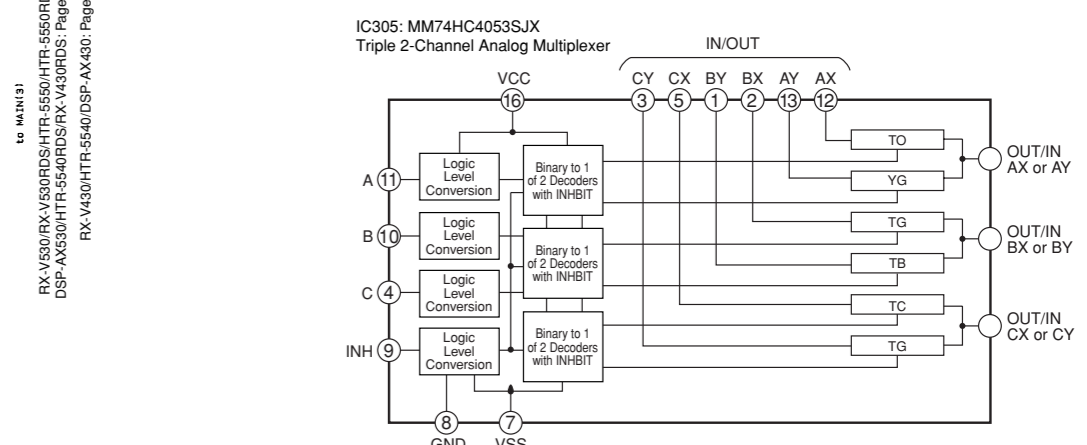
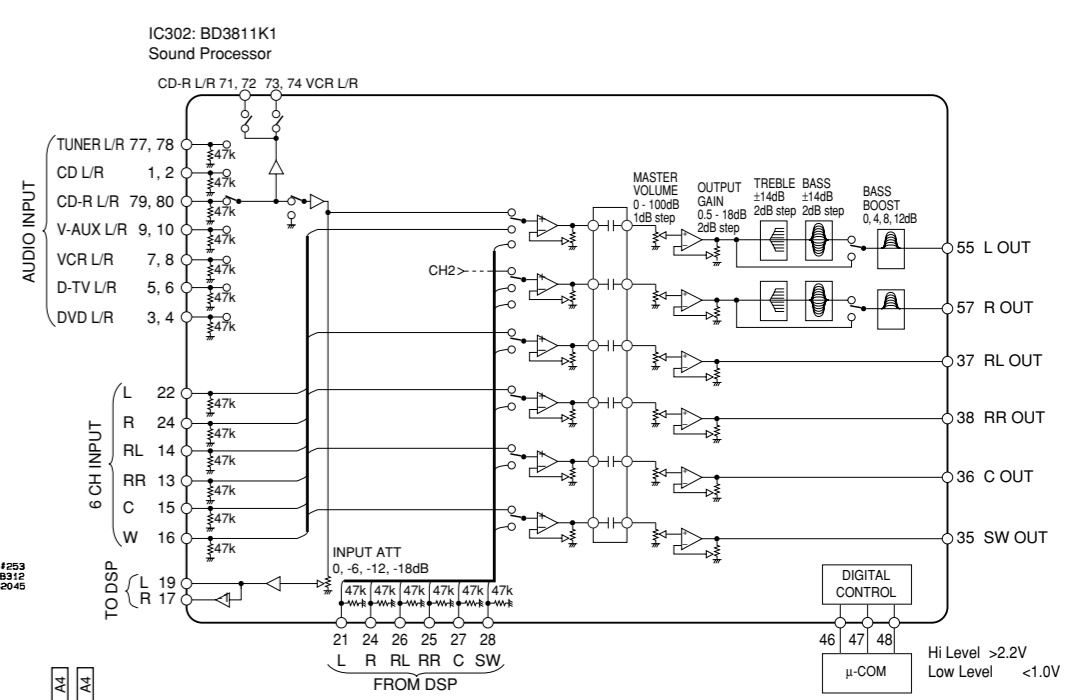
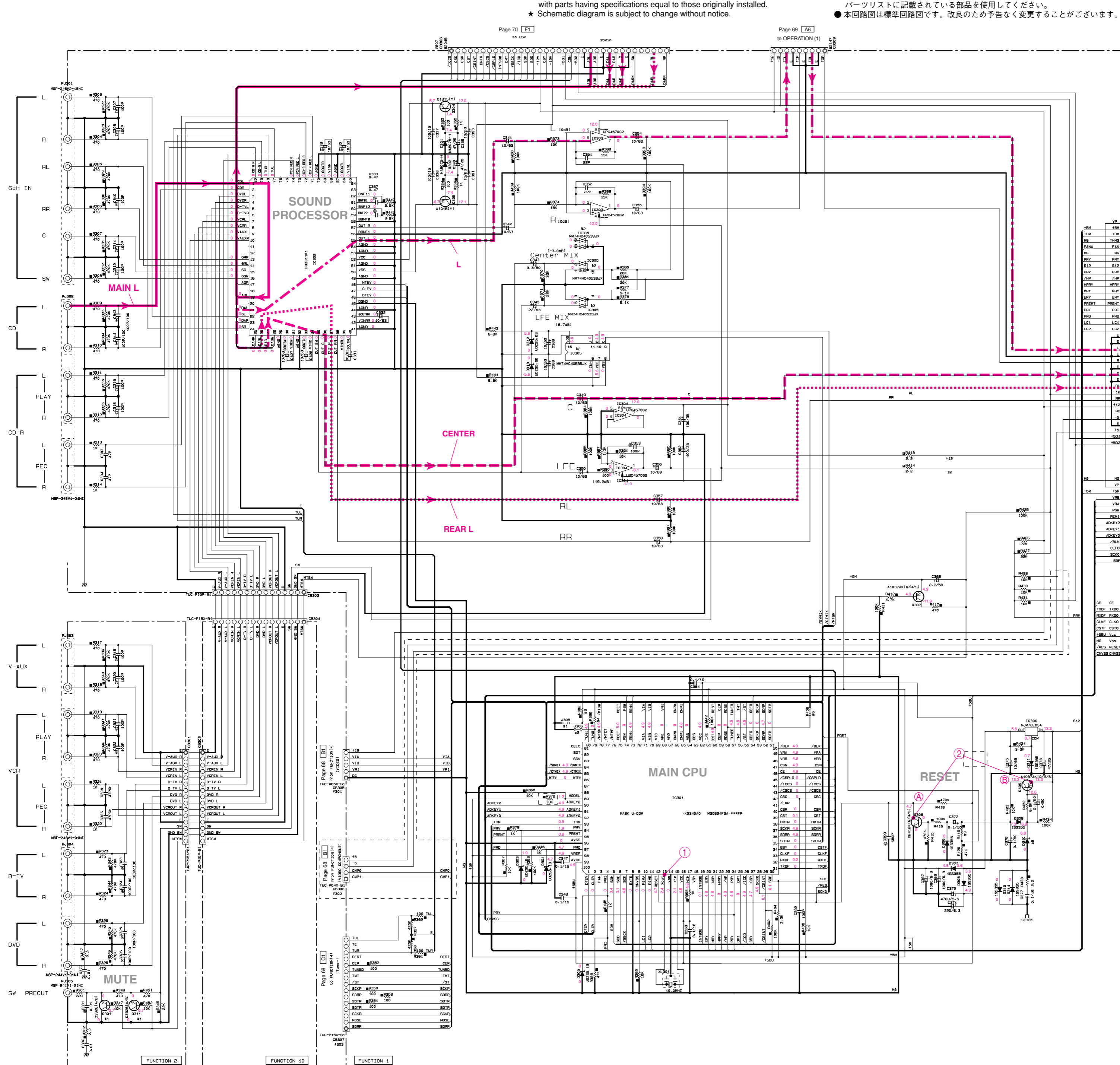
RX-V530/RX-V530RDS/HTR-5550/HTR-5550RDS/DSP-AX530  
 RX-V430/RX-V430RDS/HTR-5540/HTR-5540RDS/DSP-AX430

■ SCHEMATIC DIAGRAM (FUNCTION 1/2)

★ All voltages are measured with a 10MΩ/V DC electric volt meter.  
 ★ Components having special characteristics are marked with a star and must be replaced with parts having specifications equal to those originally installed.  
 ★ Schematic diagram is subject to change without notice.

● 電圧は、内部抵抗10MΩの電圧計で測定したものです。  
 ● 1印のある部品は、安全性確保部品を示しています。部品の交換が必要な場合、パーツリストに記載されている部品を使用してください。  
 ● 本回路図は標準回路図です。改良のため予告なく変更することがございます。

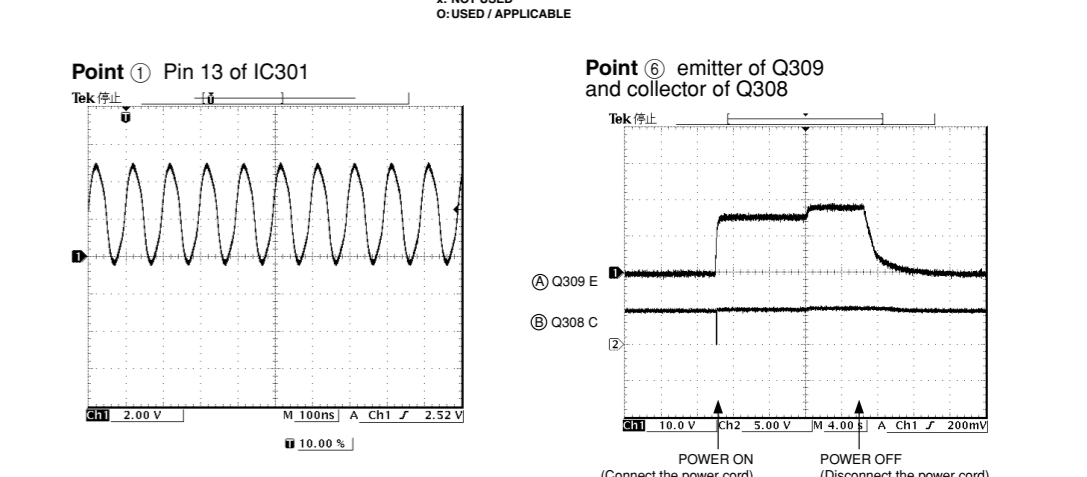
RX-V530/RX-V530RDS/HTR-5550/HTR-5550RDS/DSP-AX530  
 RX-V430/RX-V430RDS/HTR-5540/HTR-5540RDS/DSP-AX430



CAPACITOR		RESISTOR	
REMARKS	PARTS NAME	REMARKS	PARTS NAME
NO MARK	ELECTROLYTIC CAPACITOR	NO MARK	CARBON FILM RESISTOR (P=5)
NO MARK	TANTALUM CAPACITOR	NO MARK	CARBON FILM RESISTOR (P=10)
NO MARK	CERAMIC CAPACITOR	NO MARK	METAL OXIDE FILM RESISTOR
◎	CERAMIC TUBULAR CAPACITOR	◎	METAL FILM RESISTOR
○	POLYESTER FILM CAPACITOR	○	FINE PITCH CARBON FILM RESISTOR
○	POLYSTYRENE FILM CAPACITOR	○	CEMENT MOLDED RESISTOR
⊖	MICA CAPACITOR	⊖	SEMI-VARIABLE RESISTOR
⊖	POLYPROPYLENE FILM CAPACITOR	⊖	CHIP RESISTOR
●	SEMICONDUCTIVE CERAMIC CAPACITOR		

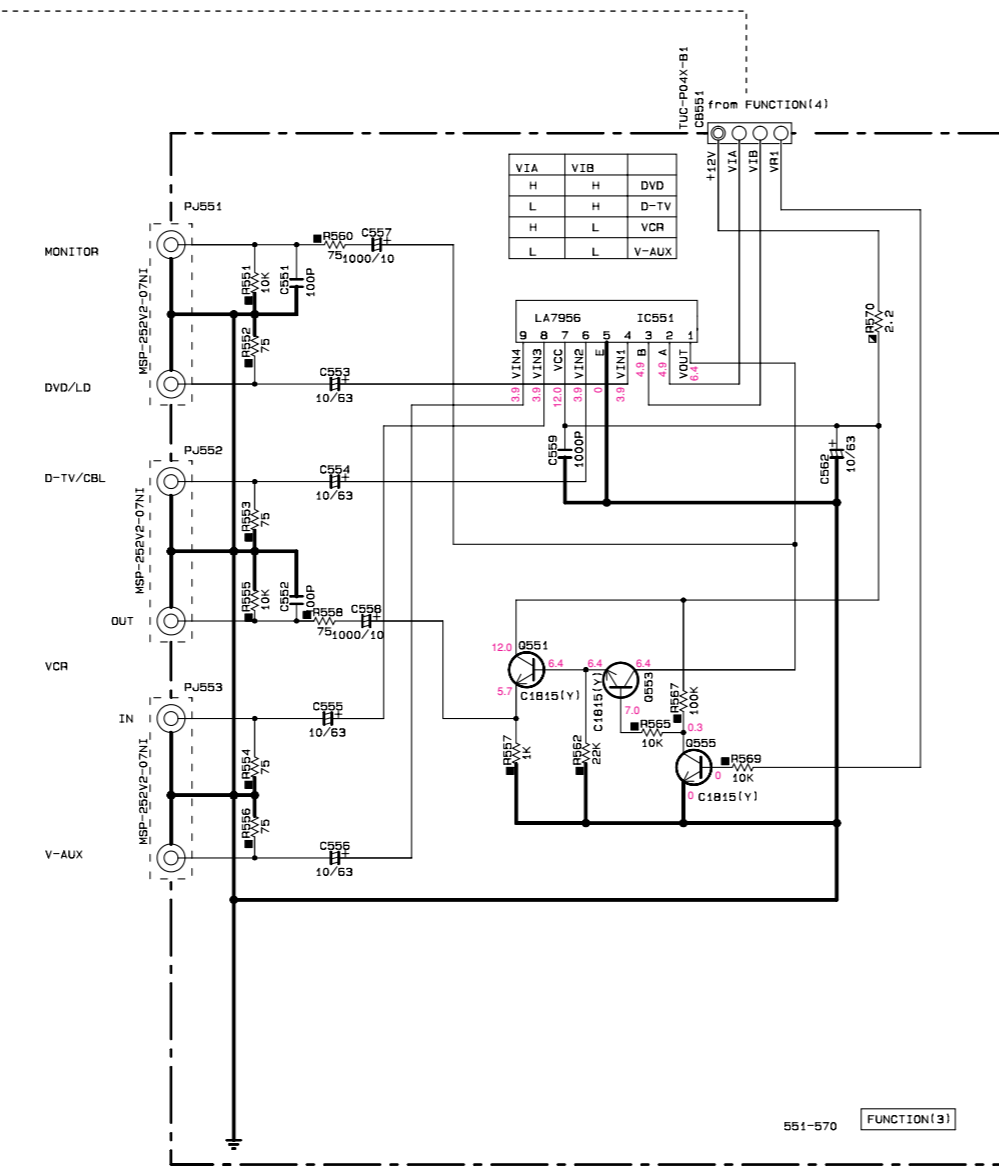
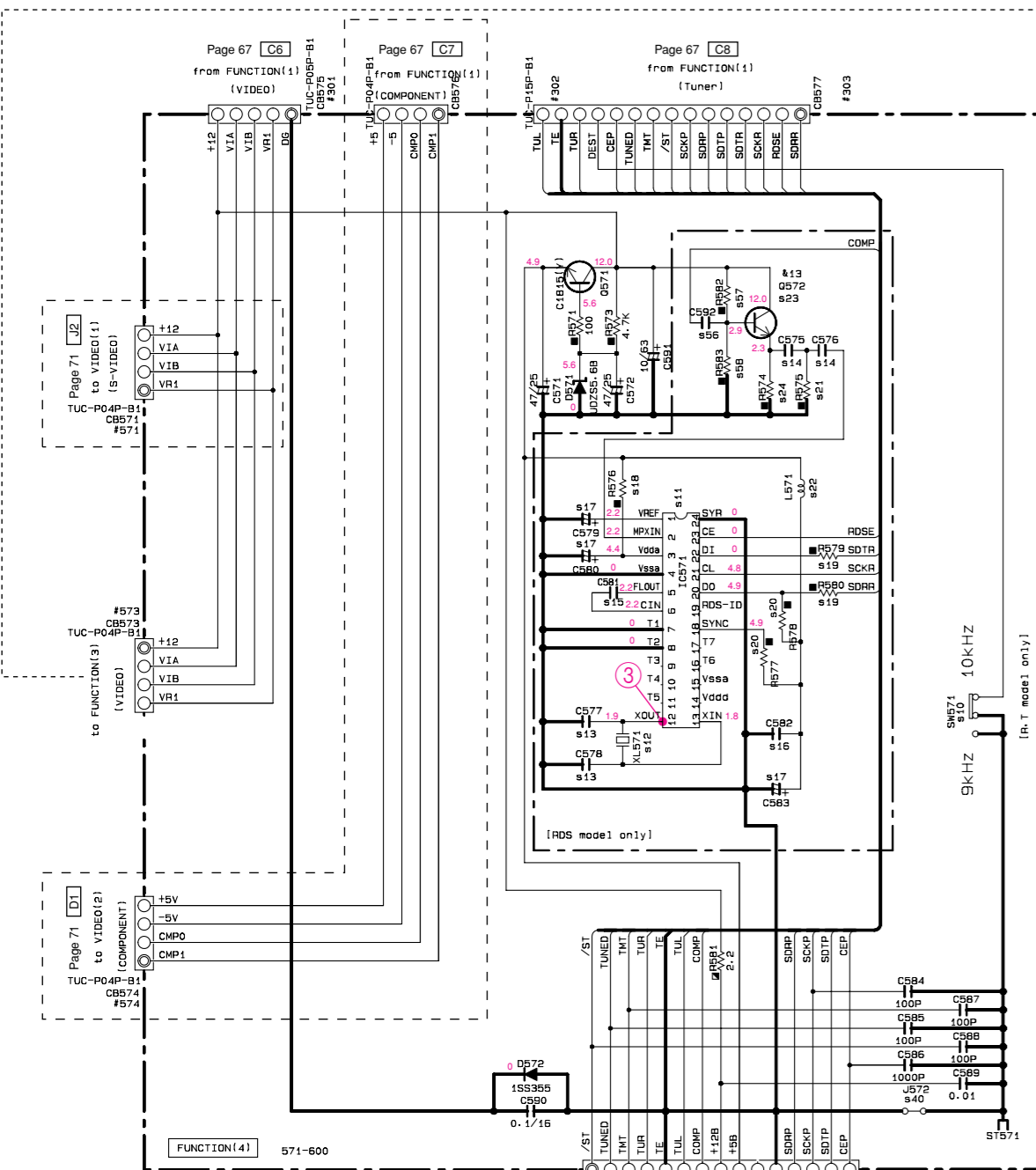
NOTICE (model)  
 (J) ..... JAPANESE  
 (U) ..... U.S.A.  
 (C) ..... CANADIAN  
 (R) ..... GENERAL  
 (A) ..... AUSTRALIAN  
 (B) ..... BRITISH  
 (G) ..... EUROPEAN  
 (T) ..... CHINA  
 (L) ..... SINGAPORE

Interchangeable Parts at Manufacture-Stage		J		U-C		R.T.K		A.L		B-S	
Mark	Reference Parts Number	Part's Name									Manufacture
41	Q301	303335A/01 303335B/01	○	○	○	○	○	○	○	○	
42	IC305	MM74HC4053JX TCT4C4053AF	○	○	○	○	○	○	○	○	
43	R302		×	×	100K	100K	100K	100K	100K	100K	
44	R305		×	100K	100K	100K	100K	100K	100K	100K	
45	R409		○	R305000	○	R305000	○	R305000	○	R305000	×
46	D310			U0756-08 VU17200		U0756-08 VU17200		U0756-08 VU17200		U0756-08 VU17200	
47	R419			20K R039722		10K R039722		20K R039722		20K R039722	



--- : RX-V530/RX-V530RDS/HTR-5550/HTR-5550RDS/DSP-AX530 only

■ SCHEMATIC DIAGRAM (FUNCTION 2/2)



● RX-V530/RX-V530RDS/HTR-5550/HTR-5550RDS/DSP-AX530 only

CAPACITOR

REMARKS	PARTS NAME
NO MARK	ELECTROLYTIC CAPACITOR
⊗	TANTALUM CAPACITOR
NO MARK	CERAMIC CAPACITOR
⊙	CERAMIC TUBULAR CAPACITOR
⊕	POLYESTER FILM CAPACITOR
○	POLYSTYRENE FILM CAPACITOR
□	MICA CAPACITOR
⊖	POLYPROPYLENE FILM CAPACITOR
⊗	SEMICONDUCTIVE CERAMIC CAPACITOR

RESISTOR

REMARKS	PARTS NAME
NO MARK	CARBON FILM RESISTOR (P=5)
□	CARBON FILM RESISTOR (P=10)
△	METAL OXIDE FILM RESISTOR
▲	METAL FILM RESISTOR
⊖	METAL PLATE RESISTOR
⊕	FIRE PROOF CARBON FILM RESISTOR
□	CEMENT MOLDED RESISTOR
⊖	SEMI VARIABLE RESISTOR
■	CHIP RESISTOR

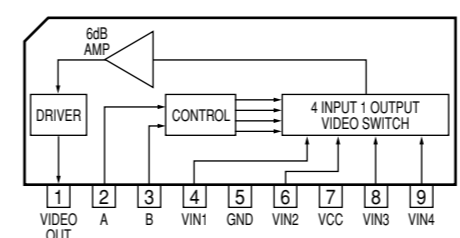
NOTICE (model)

(J)..... JAPANESE  
 (U)..... U.S.A.  
 (C)..... CANADIAN  
 (R)..... GENERAL  
 (A)..... AUSTRALIAN  
 (B)..... BRITISH  
 (G)..... EUROPEAN  
 (T)..... CHINA  
 (L)..... SINGAPORE

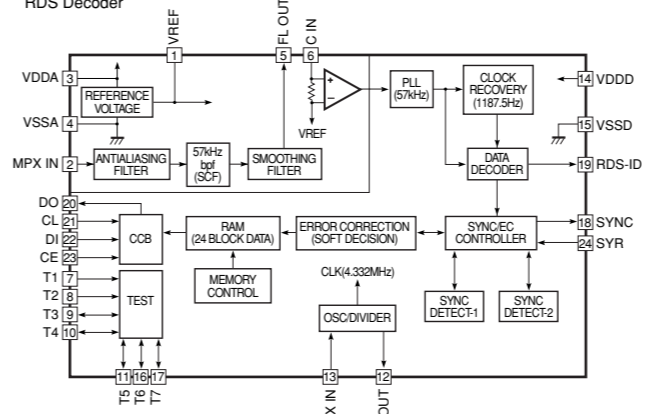
Interchangeable Parts at Manufacture-Stage

Mark	Reference Parts Number	Parts Name
k11		
k12	RY921	SDT-S-112LMR D61201-01M11 ALK9301
k13	Q572	RSC174981A/B1 RSC66391E/F1 RSC331A1Q/A/S1
k14		

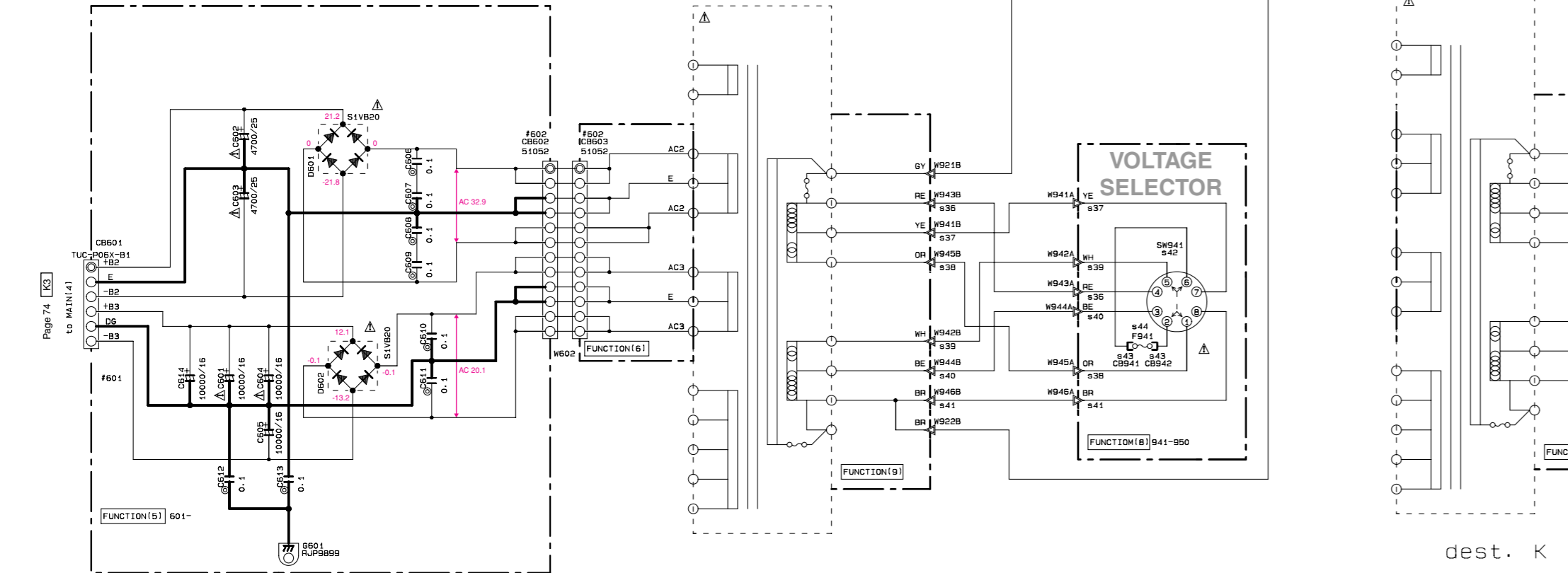
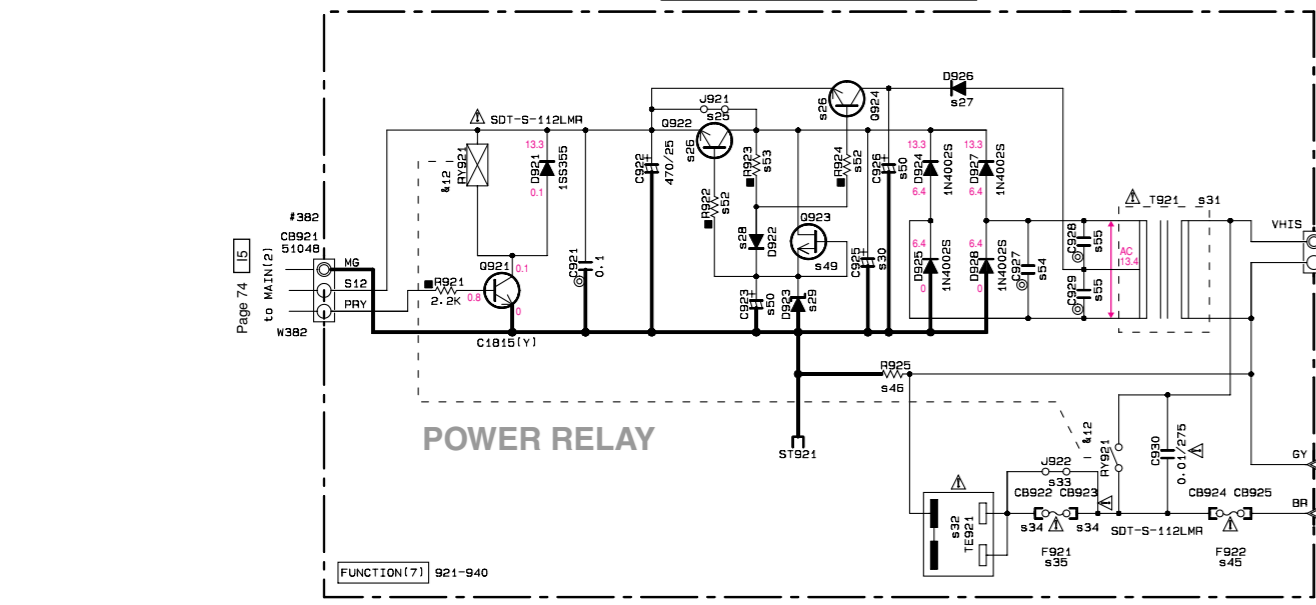
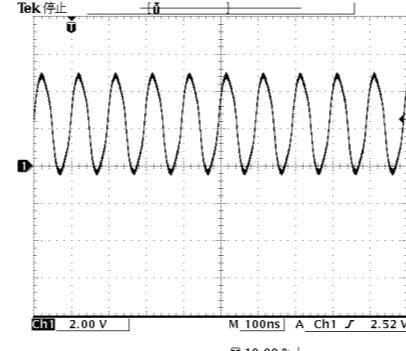
IC551: LA7956



IC571: LC72722



Point ③ Pin 15 of IC571



	J	U.C	R.T	A	B	G	L	K
s10	SW571	X	X	P029M/B V362430	X	X	X	X
s11	IC571	X	X	X	LC72722 XY53440	LC72722 XY53440	X	X
s12	XL571	X	X	X	4.33MHz V393090	4.33MHz V393090	X	X
s13	CS77-578	X	X	X	27PCH VA76110	27PCH VA76110	X	X
s14	CS75-576	X	X	X	330P US06233	330P US06233	X	X
s15	CS81	X	X	X	560P US06256	560P US06256	X	X
s16	CS82	X	X	X	0.1/16 US13510	0.1/16 US13510	X	X
s17	CS79-580-583	X	X	X	47/25 UR83747	47/25 UR83747	X	X
s18	R576	X	X	X	100 R035510	100 R035510	X	X
s19	R579-580	X	X	X	470 R035547	470 R035547	X	X
s20	R577-578	X	X	X	10K R035710	10K R035710	X	X
s21	R575	X	X	X	22K R035722	22K R035722	X	X
s22	L571	X	X	X	200uH VUB8950	200uH VUB8950	X	X
s23	Q572	X	X	X	IC17402	IC17402	X	X
s24	R574	X	X	X	3.3K R035633	3.3K R035633	X	X
s25	J921	0	0	X	0	0	0	0
s26	Q922-924	X	X	DC9961u/K1 V551080	X	X	X	X
s27	D926	X	X	1M40025 V330770	X	X	X	X
s28	D922	X	X	15S305 V133290	X	X	X	X
s29	D923	X	X	UD7138 VU17290	X	X	X	X
s30	CS85	X	X	10/100 UR89710	X	X	X	X
s31	T921	XW605	XW605	XW974	XW608	XW608	XW608	XW608
s32	TE921	VU54310	VU54310	V586740	V191500	VU54330	VU54340	VU54340
s33	J922	0	0	0	0	0	X	X
s34	CB922-923	X	X	X	X	VP20650	VP20650	X
s35	F921	X	X	X	X	T2.15A1250V V184290	T2.15A1250V V184290	X
s36	W943	X	X	MH02614	X	X	X	X
s37	W941	X	X	MH04620	X	X	X	X
s38	W945	X	X	MH03620	X	X	X	X
s39	W942	X	X	MH09618	X	X	X	X
s40	W944	X	X	MH06520	X	X	X	X
s41	W946	X	X	MH01625	X	X	X	X
s42	SW941	X	X	V718230	X	X	X	X
s43	CB941-942	X	X	VP20650	X	X	X	X
s44	F941	X	X	T3.15A1250V V800076	X	X	X	X
s45	F922	7A125V V920990	7A125V V920990	7A125V V920990	T3.15A1250V V800076	T3.15A1250V V800076	T3.15A1250V V800076	T3.15A1250V V800076
s46	R925	X	X	1/250.2W V673000	X	X	X	X
s49	Q923	X	X	K2471Y1 IE10262	X	X	X	X
s50	CS23-926	X	X	10/53 UR87710	X	X	X	X
s52	R922-924	X	X	100 R035510	X	X	X	X
s53	R923	X	X	68K R035768	X	X	X	X
s54	CS27	0.01 UAB5410	0.01 UAB5410	X	0.01 UAB5410	0.01 UAB5410	0.01 UAB5410	0.01 UAB5410
s55	CR28-929	X	X	0.01 UAB5410	X	X	X	X
s56	CS92	X	X	X	100P US06510	100P US06510	X	X
s57	R928	X	X	X	150K R035810	100K R035810	X	X
s58	R933	X	X	X	33K R035733	33K R035733	X	X
s59	W947	X	X	X	X	X	X	MH06607

X: NOT USED  
 O: USED / APPLICABLE

★ All voltages are measured with a 10MΩ/V DC electric volt meter.  
 ★ Components having special characteristics are marked  $\Delta$  and must be replaced with parts having specifications equal to those originally installed.  
 ★ Schematic diagram is subject to change without notice.

● 電圧は、内部抵抗10MΩの電圧計で測定したものです。  
 ●  $\Delta$ 印のある部品は、安全性確保部品を示しています。部品の交換が必要な場合、パーツリストに記載されている部品を使用してください。  
 ● 本回路図は標準回路図です。改良のため予告なく変更することがございます。

# SCHEMATIC DIAGRAM (OPERATION)

CAPACITOR	
REMARKS	PARTS NAME
NO MARK	ELECTROLYTIC CAPACITOR
⊗	TANTALUM CAPACITOR
NO MARK	CERAMIC CAPACITOR
●	CERAMIC TUBULAR CAPACITOR
◎	POLYESTER FILM CAPACITOR
○	POLYSTYRENE FILM CAPACITOR
①	MICA CAPACITOR
⊖	POLYPROPYLENE FILM CAPACITOR
⊕	SEMICONDUCTIVE CERAMIC CAPACITOR
Ⓢ	POLYPHENYLENE SULFIDE FILM CAPACITOR

RESISTOR	
REMARKS	PARTS NAME
NO MARK	CARBON FILM RESISTOR (P=5)
□	CARBON FILM RESISTOR (P=10)
△	METAL OXIDE FILM RESISTOR
▲	METAL FILM RESISTOR
⊠	METAL PLATE RESISTOR
⊞	FIRE PROOF CARBON FILM RESISTOR
⊞	CEMENT MOLDED RESISTOR
⊞	SEMI VARIABLE RESISTOR
■	CHIP RESISTOR

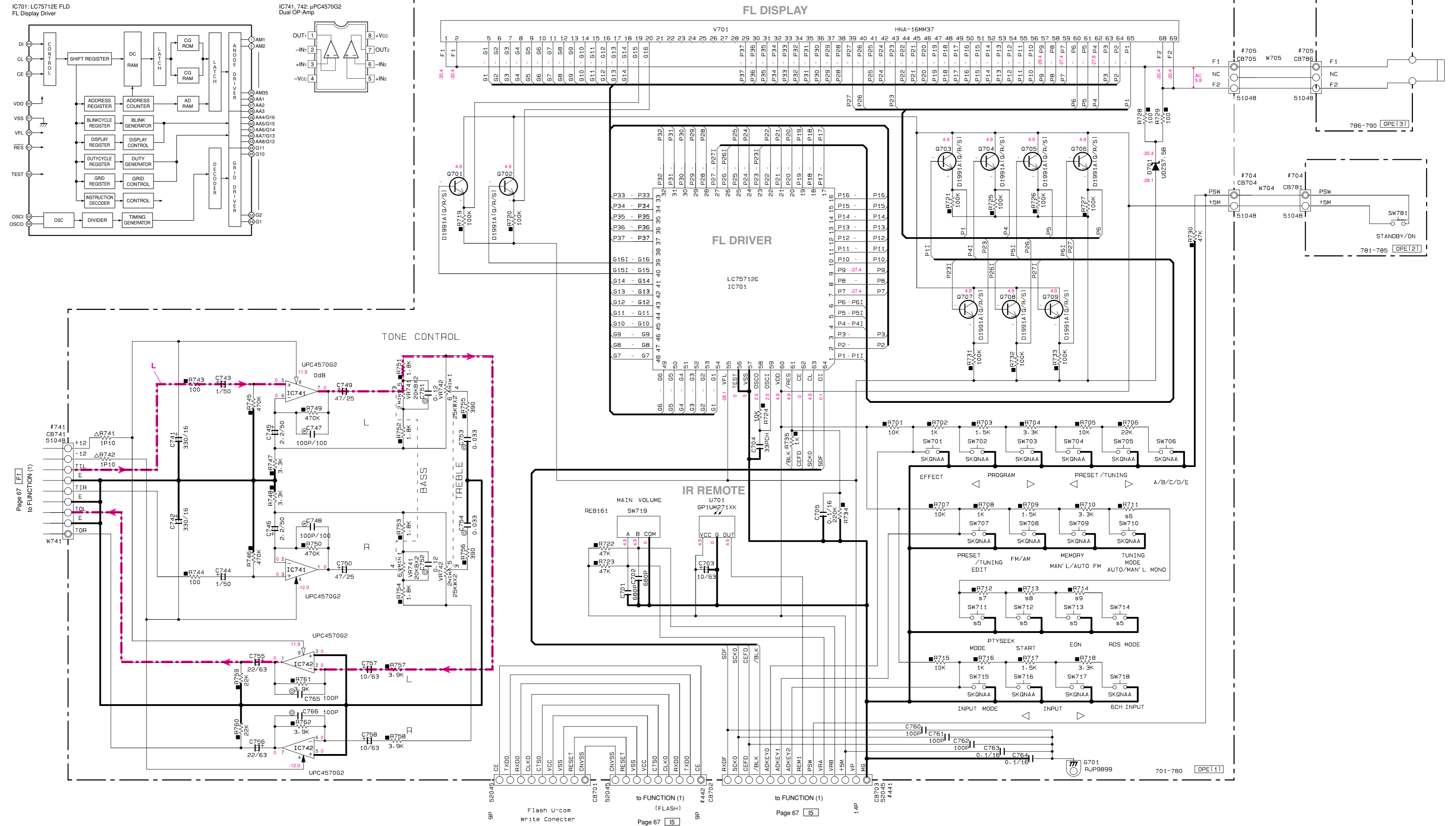
NOTICE (model)  
(J)..... JAPANESE  
(U)..... U.S.A  
(C)..... CANADIAN  
(R)..... GENERAL  
(A)..... AUSTRALIAN  
(B)..... BRITISH  
(G)..... EUROPEAN  
(T)..... CHINA  
(L)..... SINGAPORE

	J. U. C. R. T	B. G	
	K. A. L		
S5	SW711-714	×	VV02030
S6	R711	×	10K RD35710
S7	R712	×	22K RD35722
S8	R713	×	47K RD35747
S9	R714	×	220K RD35822

- ★ All voltages are measured with a 10MΩ/V DC electric volt meter.
- ★ Components having special characteristics are marked / and must be replaced with parts having specifications equal to those originally installed.
- ★ Schematic diagram is subject to change without notice.

- 電圧は、内部抵抗10MΩの電圧計で測定したものです。
- /印のある部品は、安全性確保部品を示しています。部品の交換が必要な場合、パーツリストに記載されている部品を使用してください。
- 本回路図は標準回路図です。改良のため予告なく変更することがございます。

× NOT USED  
○ USED / APPLICABLE



Page 67 [L1] to FUNCTION (1)

Page 67 [L5] to FUNCTION (1)

Page 67 [L5] to FUNCTION (1)

701-780 [OPE(1)]

■ SCHEMATIC DIAGRAM (DSP)

RESISTOR

REMARKS	PARTS NAME
NO MARK	CARBON FILM RESISTOR (P=5)
□	CARBON FILM RESISTOR (P=10)
△	METAL OXIDE FILM RESISTOR
◇	METAL FILM RESISTOR
◇	METAL PLATE RESISTOR
◇	FIRE PROOF CARBON FILM RESISTOR
◇	CEMENT MOLDED RESISTOR
◇	SEMI VARIABLE RESISTOR
◇	CHIP RESISTOR

CAPACITOR

REMARKS	PARTS NAME
NO MARK	ELECTROLYTIC CAPACITOR
□	TANTALUM CAPACITOR
◇	CERAMIC CAPACITOR
○	CERAMIC TUBULAR CAPACITOR
○	POLYESTER FILM CAPACITOR
○	POLYSTYRENE FILM CAPACITOR
○	MICA CAPACITOR
○	POLYPROPYLENE FILM CAPACITOR
○	SEMICONDUCTIVE CERAMIC CAPACITOR
○	POLYPHENYLENE SULFIDE FILM CAPACITOR

IC601: MSM514260C-60JS  
 4Mb DRAM

IC602: PQ05E25MZP  
 Regulator

IC603: μPC29M33T-E1  
 Voltage Regulator

IC604: CS483292-CLR  
 Audio Decoder

IC605: NJM2904M  
 Dual OP-Amp

IC606: TC74HCT04F  
 Quad 2-Input NAND Gate

IC607: TC74HCU04F  
 Hex Inverters

IC608: CV2256LL  
 Static RAM

IC609: XC6572XL-10TQ100C  
 CPLD

IC610: TC74HCT08F  
 Quad 2-Input And Gate

IC611: AK4527BVO  
 24bit CODEC

IC612: μPC45702G  
 Dual OP-Amp

IC613: μPC45703G  
 Dual OP-Amp

IC614: μPC45702G  
 Dual OP-Amp

IC615: μPC45703G  
 Dual OP-Amp

IC616: μPC45702G  
 Dual OP-Amp

IC617: μPC45703G  
 Dual OP-Amp

IC618: μPC45702G  
 Dual OP-Amp

IC619: μPC45703G  
 Dual OP-Amp

IC620: μPC45702G  
 Dual OP-Amp

IC621: μPC45703G  
 Dual OP-Amp

IC622: μPC45702G  
 Dual OP-Amp

IC623: μPC45703G  
 Dual OP-Amp

IC624: μPC45702G  
 Dual OP-Amp

IC625: μPC45703G  
 Dual OP-Amp

IC626: μPC45702G  
 Dual OP-Amp

IC627: μPC45703G  
 Dual OP-Amp

IC628: μPC45702G  
 Dual OP-Amp

IC629: μPC45703G  
 Dual OP-Amp

IC630: μPC45702G  
 Dual OP-Amp

IC631: μPC45703G  
 Dual OP-Amp

IC632: μPC45702G  
 Dual OP-Amp

IC633: μPC45703G  
 Dual OP-Amp

IC634: μPC45702G  
 Dual OP-Amp

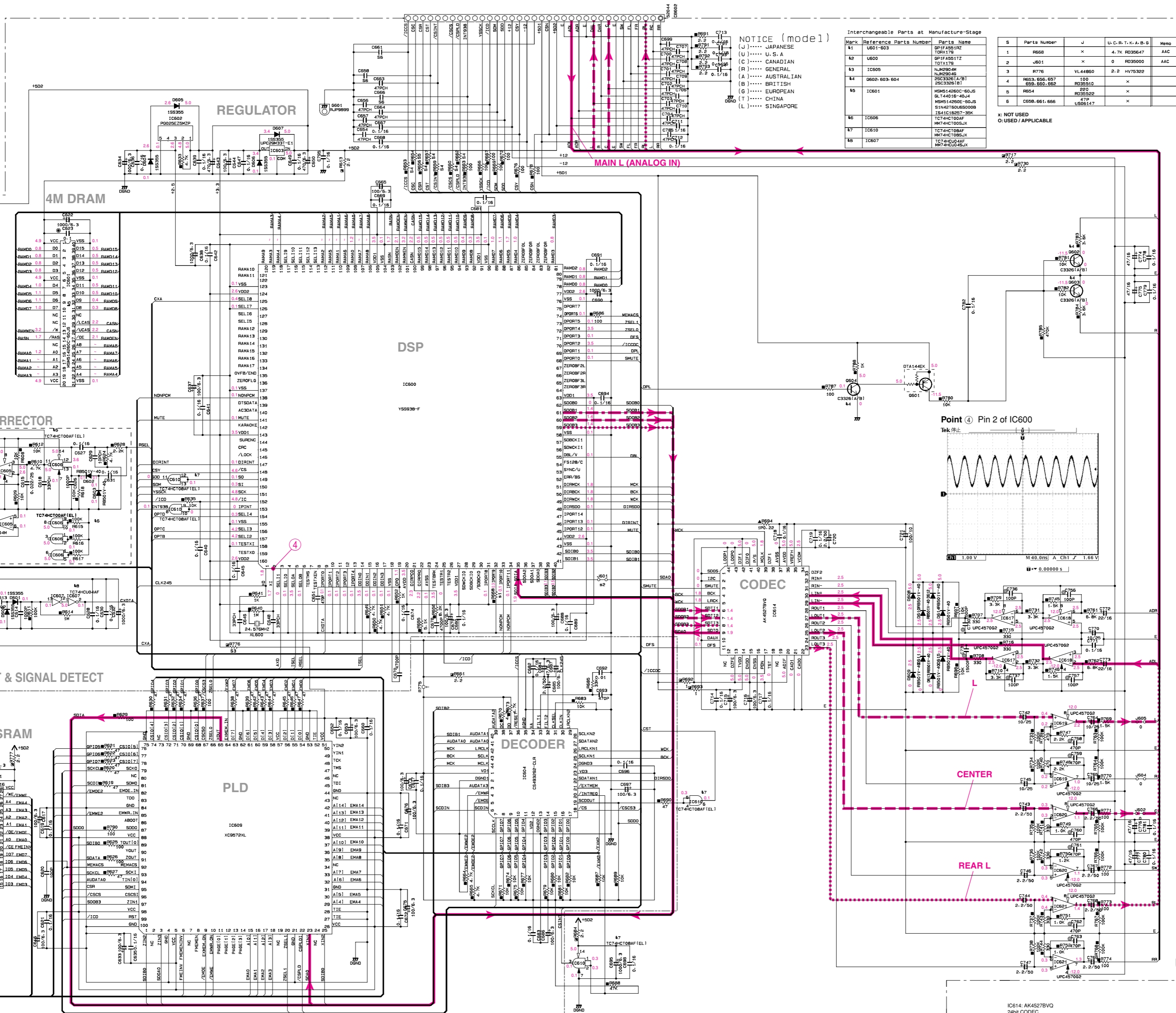
IC635: μPC45703G  
 Dual OP-Amp

IC636: μPC45702G  
 Dual OP-Amp

IC637: μPC45703G  
 Dual OP-Amp

IC638: μPC45702G  
 Dual OP-Amp

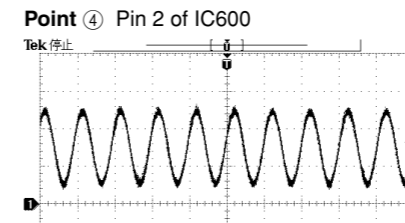
IC639: μPC45703G  
 Dual OP-Amp



NOTICE (model)  
 (J)..... JAPANESE  
 (U)..... U.S.A  
 (C)..... CANADIAN  
 (D)..... GENERAL  
 (A)..... AUSTRALIAN  
 (B)..... BRITISH  
 (G)..... EUROPEAN  
 (T)..... CHINA  
 (L)..... SINGAPORE

Interchangeable Parts at Manufacture Stage

Mark	Reference Parts Number	Parts Name	S	J	U.C.R.T.K.A.B.S	Memo
K1	MS1400	SP1400	×	×	×	
K2	U600	U600	×	×	×	
K3	IC605	IC605	×	×	×	
K4	9002-603-604	9002-603-604	×	×	×	
K5	IC601	MSM514260C-60JS	×	×	×	
K6	IC606	TC74HCT04F	×	×	×	
K7	IC610	TC74HCT08F	×	×	×	
K8	IC607	TC74HCU04F	×	×	×	



: RX-V530/RX-V530RDS/HTR-5550/HTR-5550RDS/DSP-AX530 only

- ★ All voltages are measured with a 10MΩ/DC electric volt meter.
- ★ Components having special characteristics are marked  $\Delta$  and must be replaced with parts having specifications equal to those originally installed.
- ★ Schematic diagram is subject to change without notice.

- 電圧は、内部抵抗10MΩの電圧計で測定したものです。
- $\Delta$ 印のある部品は、安全性確保部品を示しています。部品の交換が必要な場合、パーツリストに記載されている部品を使用してください。
- 本回路図は標準回路図です。改良のため予告なく変更することがございます。

SCHEMATIC DIAGRAM (VIDEO) RX-V530/RX-V530RDS/HTR-5550/HTR-5550RDS/DSP-AX530 only

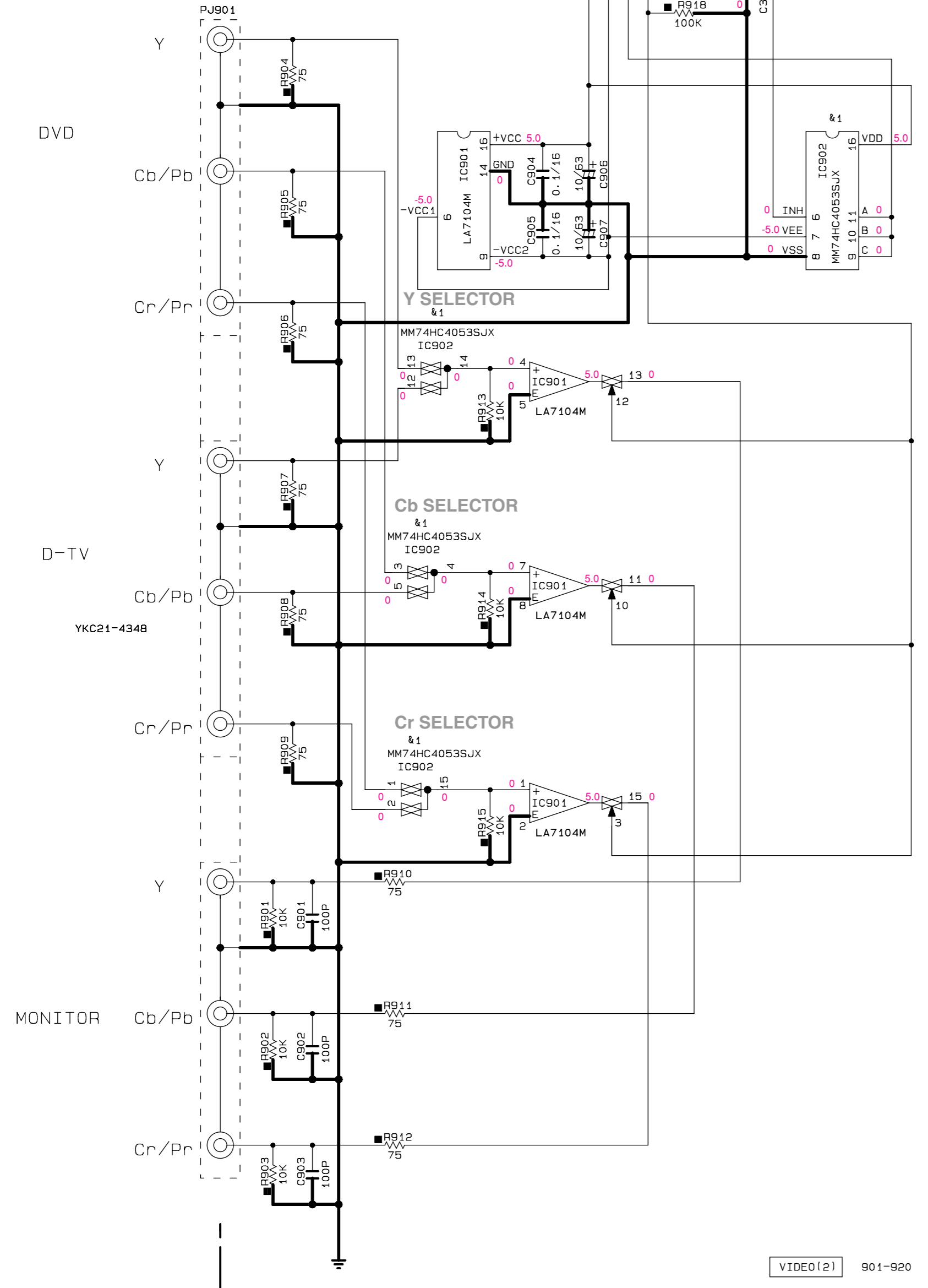
RX-V530/RX-V530RDS/HTR-5550/HTR-5550RDS/DSP-AX530  
RX-V430/RX-V430RDS/HTR-5540/HTR-5540RDS/DSP-AX430

NOTICE (model)

- (J)..... JAPANESE
- (U)..... U.S.A
- (C)..... CANADIAN
- (R)..... GENERAL
- (A)..... AUSTRALIAN
- (B)..... BRITISH
- (G)..... EUROPEAN
- (T)..... CHINA
- (L)..... SINGAPORE

COMP1	CMP0	
H	H	DVD
L	L	D-TV
L	*	INH

TPより CMP0 反転

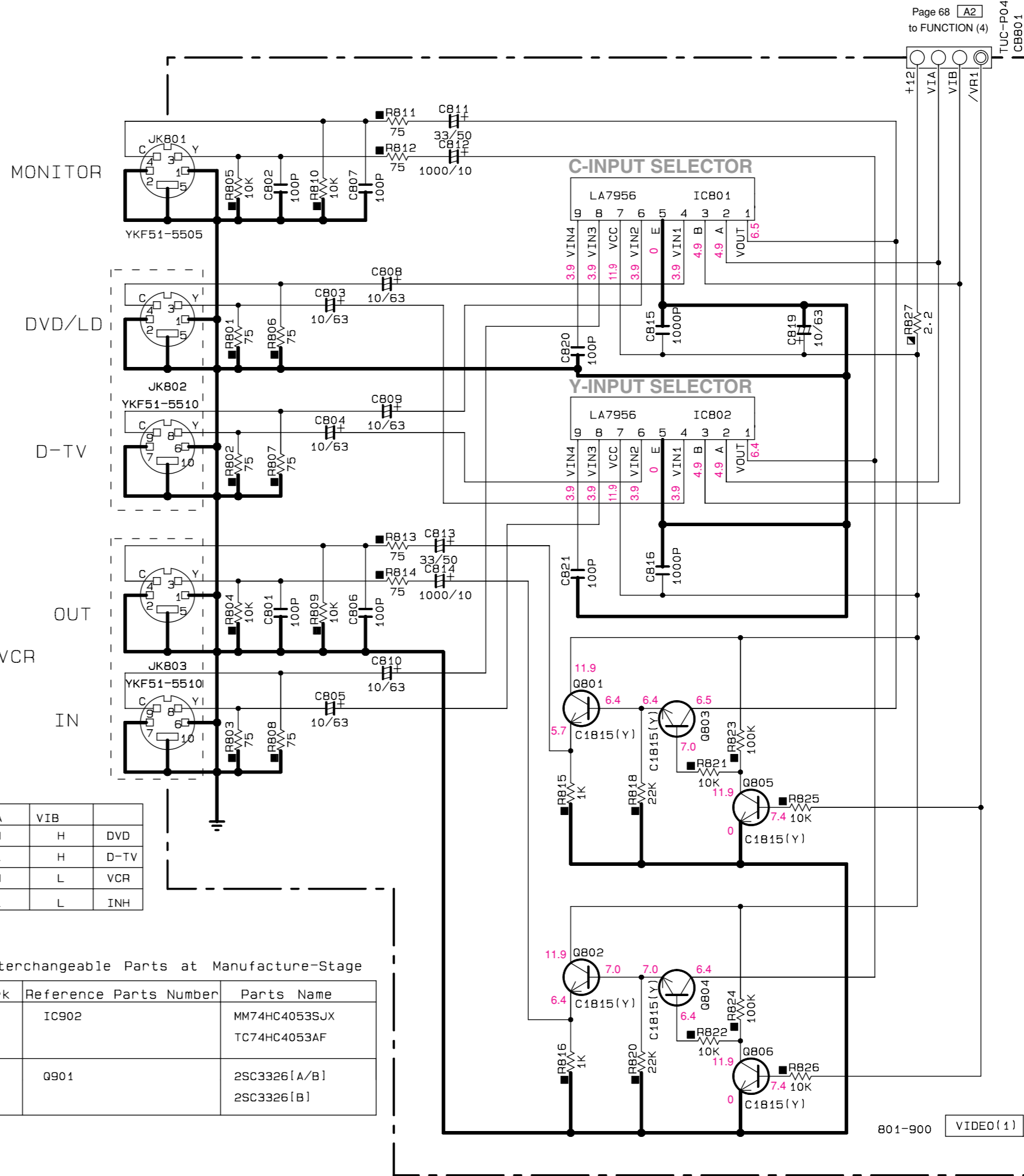


RESISTOR

REMARKS	PARTS NAME
NO MARK	CARBON FILM RESISTOR (P=5)
□	CARBON FILM RESISTOR (P=10)
△	METAL FILM RESISTOR
⊠	METAL PLATE RESISTOR
▢	FIRE PROOF CARBON FILM RESISTOR
■	CEMENT MOLDED RESISTOR
◊	SEMI VARIABLE RESISTOR
■	CHIP RESISTOR

CAPACITOR

REMARKS	PARTS NAME
NO MARK	ELECTROLYTIC CAPACITOR
⊗	TANTALUM CAPACITOR
NO MARK	CERAMIC CAPACITOR
●	CERAMIC TUBULAR CAPACITOR
⊙	POLYESTER FILM CAPACITOR
○	POLYSTYRENE FILM CAPACITOR
⊖	MICA CAPACITOR
Ⓟ	POLYPROPYLENE FILM CAPACITOR
⊕	SEMICONDUCTIVE CERAMIC CAPACITOR

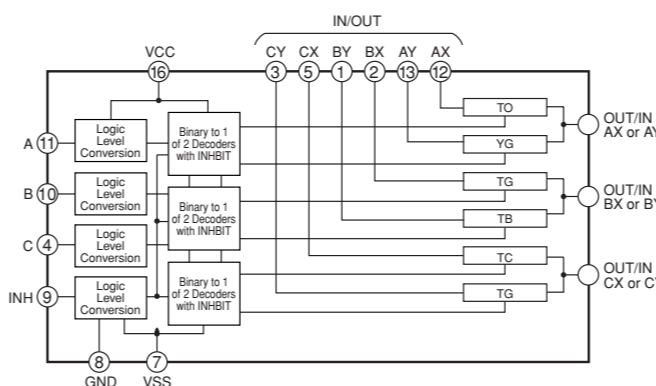


VIA	VIB	
H	H	DVD
L	H	D-TV
H	L	VCR
L	L	INH

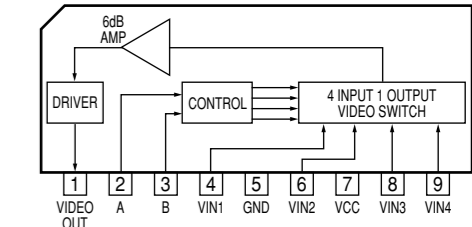
Interchangeable Parts at Manufacture-Stage

Mark	Reference Parts Number	Parts Name
&1	IC902	MM74HC4053SJX TC74HC4053AF
&2	Q901	2SC3326[A/B] 2SC3326[B]

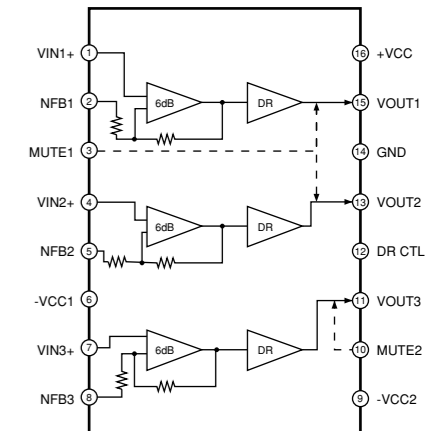
IC902: MM74HC4053SJX  
Triple 2-Channel Analog Multiplexer



IC801, 802: LA7956  
Video Switch

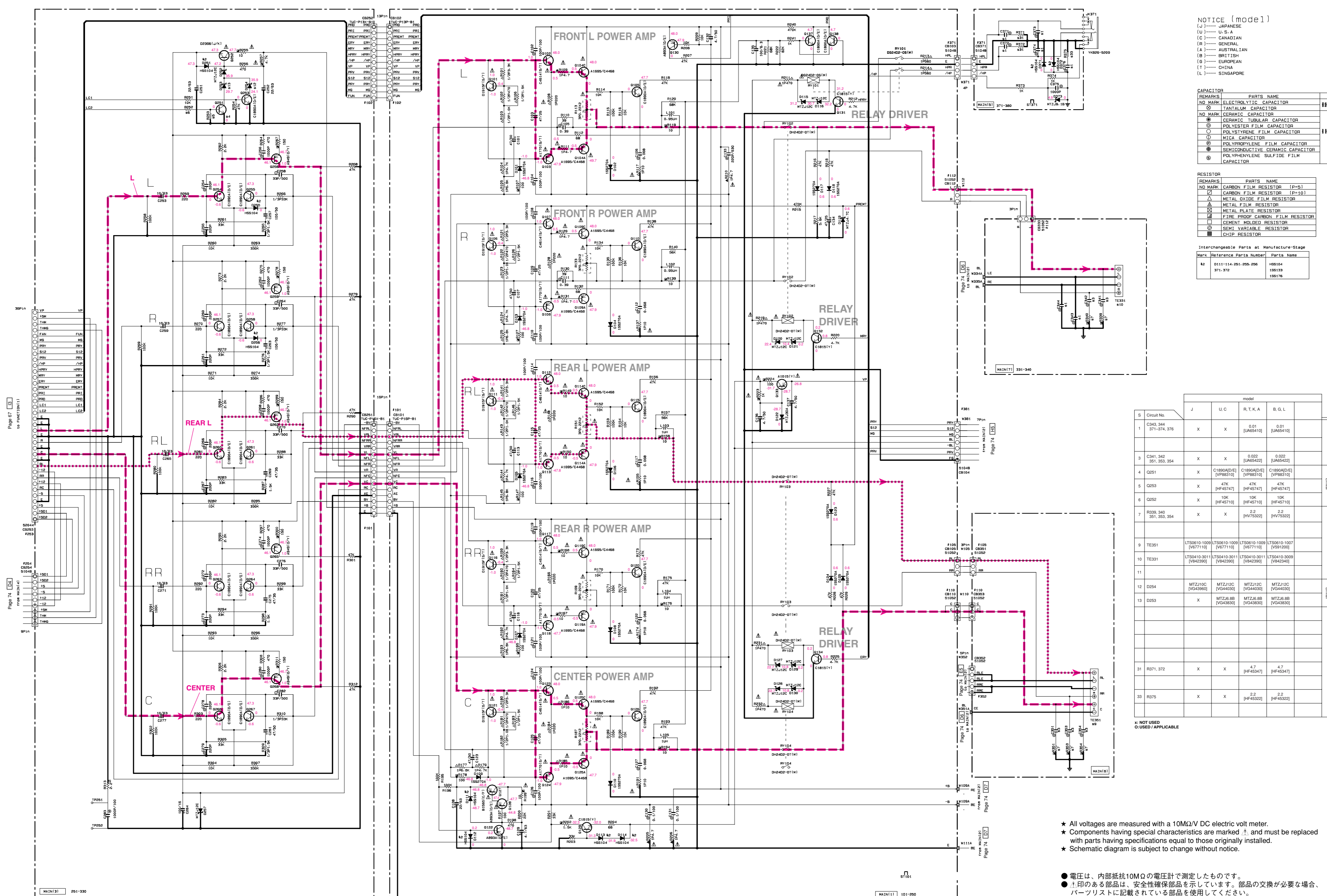


IC901: LA7104M  
Video Amp



- ★ All voltages are measured with a 10MΩ/V DC electric volt meter.
- ★ Components having special characteristics are marked ⚠ and must be replaced with parts having specifications equal to those originally installed.
- ★ Schematic diagram is subject to change without notice.
- 電圧は、内部抵抗10MΩの電圧計で測定したものです。
- ⚠印のある部品は、安全性確保部品を示しています。部品の交換が必要な場合、パーツリストに記載されている部品を使用してください。
- 本回路図は標準回路図です。改良のため予告なく変更することがございます。

**SCHEMATIC DIAGRAM (MAIN 1/2) RX-V530/RX-V530RDS/HTR-5550/HTR-5550RDS/DSP-AX530/RX-V430RDS/HTR-5540RDS only**



NOTICE (model)

(J)..... JAPANESE  
 (U)..... U.S.A.  
 (C)..... CANADIAN  
 (R)..... GENERAL  
 (A)..... AUSTRALIAN  
 (B)..... BRITISH  
 (G)..... EUROPEAN  
 (T)..... CHINA  
 (L)..... SINGAPORE

REMARKS	PARTS NAME
NO MARK	ELECTROLYTIC CAPACITOR
⊙	TANTALUM CAPACITOR
NO MARK	CERAMIC CAPACITOR
⊖	CERAMIC TUBULAR CAPACITOR
⊙	POLYESTER FILM CAPACITOR
○	POLYSTYRENE FILM CAPACITOR
⊖	MICA CAPACITOR
⊖	POLYPROPYLENE FILM CAPACITOR
⊖	SEMICONDUCTIVE CERAMIC CAPACITOR
⊖	POLYPHENYLENE SULFIDE FILM CAPACITOR

REMARKS	PARTS NAME
NO MARK	CARBON FILM RESISTOR (P=5)
⊖	CARBON FILM RESISTOR (P=10)
△	METAL OXIDE FILM RESISTOR
△	METAL FILM RESISTOR
⊖	METAL PLATE RESISTOR
⊖	FIRE PROOF CARBON FILM RESISTOR
⊖	CEMENT MOLDED CARBON FILM RESISTOR
⊖	SEMI VARIABLE RESISTOR
⊖	CHIP RESISTOR

Interchangeable Parts at Manufacture-Stage

Mark	Reference Parts Number	Parts Name
△	D111-114, 201, 206, 206	H68104
△	371-372	188133
		188178

S	Circuit No.	J	U.C	R.T.K.A	B.G.L
1	C343, 344 371-374, 376	X	X	0.01 (UA65410)	0.01 (UA65410)
3	C341, 342 351, 353, 354	X	X	0.022 (UA65422)	0.022 (UA65422)
4	Q251	X		C1890A(D/E) (VFB8310)	C1890A(D/E) (VFB8310)
5	Q253	X		47K (HF45747)	47K (HF45747)
6	Q252	X		10K (HF45710)	10K (HF45710)
7	R339, 340 351, 353, 354	X	X	2.2 (HV75322)	2.2 (HV75322)
9	TE351			LTS0610-1009 (V677110)	LTS0610-1007 (V677110)
10	TE331			LTS0410-3011 (V642390)	LTS0410-3011 (V642390)
11					
12	Q254			MTZJ10C (VG43900)	MTZJ10C (VG44030)
13	D253	X		MTZJ6.8B (VG43830)	MTZJ6.8B (VG43830)
31	R371, 372	X	X	4.7 (HF45347)	4.7 (HF45347)
33	R375	X	X	2.2 (HF45322)	2.2 (HF45322)

X: NOT USED  
 O: USED / APPLICABLE

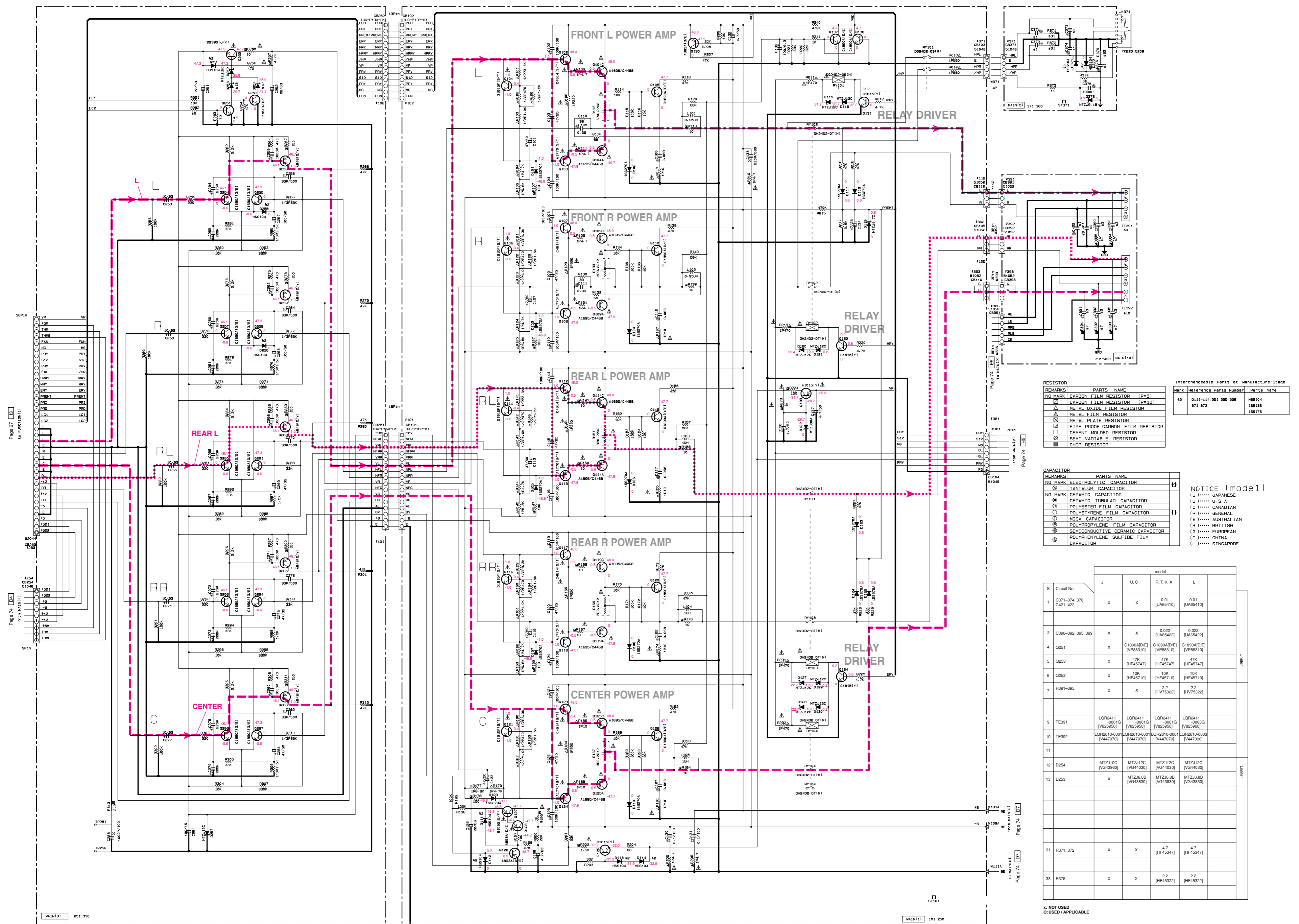
\* All voltages are measured with a 10MΩ/V DC electric volt meter.  
 \* Components having special characteristics are marked △ and must be replaced with parts having specifications equal to those originally installed.  
 \* Schematic diagram is subject to change without notice.

● 電圧は、内部抵抗10MΩの電圧計で測定したものです。  
 ● △印のある部品は、安全性確保部品を示しています。部品の交換が必要な場合、パーツリストに記載されている部品を使用してください。  
 ● 本回路図は標準回路図です。改良のため予告なく変更することがございます。



SCHEMATIC DIAGRAM (MAIN 1/2) RX-V530/HTR-5540/DSP-AX430 only

RX-V530/RX-V530RDS/HTR-5550/HTR-5550RDS/DSP-AX530  
RX-V430/RX-V430RDS/HTR-5540/HTR-5540RDS/DSP-AX430



REMARKS	PARTS NAME	Interchangeable Parts at Manufacture-Stage
NO MARK	CARBON FILM RESISTOR (P=5)	Mark Reference Parts Number Parts Name
□	CARBON FILM RESISTOR (P=10)	40 0111-114, 251, 255-256 H95104
△	METAL OXIDE FILM RESISTOR	371, 372 155133
○	METAL FILM RESISTOR	
□	METAL PLATE RESISTOR	
■	FIRE PROOF CARBON FILM RESISTOR	
□	CEMENT MOLDED RESISTOR	
○	SEMI-VARIABLE RESISTOR	
■	CHIP RESISTOR	

REMARKS	PARTS NAME	NOTICE (model)
NO MARK	ELECTROLYTIC CAPACITOR	(J)..... JAPANESE
○	TANTALUM CAPACITOR	(U)..... U.S.A
□	CERAMIC CAPACITOR	(C)..... CANADIAN
○	CERAMIC TUBULAR CAPACITOR	(R)..... GENERAL
○	POLYSTYRENE FILM CAPACITOR	(A)..... AUSTRALIAN
○	MICA CAPACITOR	(B)..... BRITISH
○	POLYPROPYLENE FILM CAPACITOR	(G)..... EUROPEAN
○	SEMICONDUCTIVE CERAMIC CAPACITOR	(T)..... CHINA
○	POLYPHENYLENE SULFIDE FILM CAPACITOR	(L)..... SINGAPORE

S	Circuit No.	J	U.C	R.T.K.A	L
1	C371-374, 376 C421, 422	X	X	0.01 [UA65410]	0.01 [UA65410]
3	C390-392, 395, 399	X	X	0.022 [UA65422]	0.022 [UA65422]
4	Q251	X		C1890A(D/E) [VP86310] C1890A(D/E) [VP86310] C1890A(D/E) [VP86310]	
5	Q253	X		47K [HF45747] 47K [HF45747]	
6	Q252	X		10K [HF45710] 10K [HF45710]	
7	R391-395	X	X	2.2 [HV75322] 2.2 [HV75322]	
9	TE391	LQR2411 [Q2510] [V825950]	LQR2411 [Q2510] [V825950]	LQR2411 [Q2510] [V825950]	LQR2411 [Q2510] [V825950]
10	TE392	LQR2610-0001 [V447070]	LQR2610-0001 [V447070]	LQR2610-0001 [V447070]	LQR2610-0003 [V447090]
11					
12	D254	MT2J12C [VG43960]	MT2J12C [VG44030]	MT2J12C [VG44030]	MT2J12C [VG44030]
13	D253	X		MT2J6.8B [VG43930]	MT2J6.8B [VG43930]
31	R371, 372	X	X	4.7 [HF45347]	4.7 [HF45347]
33	R375	X	X	2.2 [HF45322]	2.2 [HF45322]

x: NOT USED  
o: USED/APPLICABLE

- ★ All voltages are measured with a 10MΩ/V DC electric volt meter.
- ★ Components having special characteristics are marked ! and must be replaced with parts having specifications equal to those originally installed.
- ★ Schematic diagram is subject to change without notice.

- 電圧は、内部抵抗10MΩの電圧計で測定したものです。
- !印のある部品は、安全性確保部品を示しています。部品の交換が必要な場合、パーツリストに記載されている部品を使用してください。
- 本回路図は標準回路図です。改良のため予告なく変更することがございます。

■ SCHEMATIC DIAGRAM / 総回路図 (MAIN 2/2)

RESISTOR

REMARKS	PARTS NAME
NO MARK	CARBON FILM RESISTOR (P=5)
□	CARBON FILM RESISTOR (P=10)
△	METAL OXIDE FILM RESISTOR
▲	METAL FILM RESISTOR
⊠	METAL PLATE RESISTOR
▨	FIRE PROOF CARBON FILM RESISTOR
□	CEMENT MOLDED RESISTOR
⊗	SEMI VARIABLE RESISTOR
■	CHIP RESISTOR

CAPACITOR

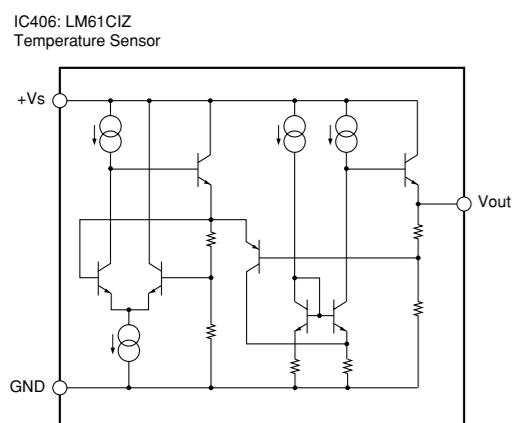
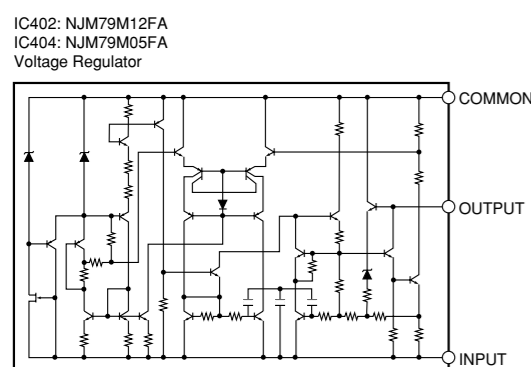
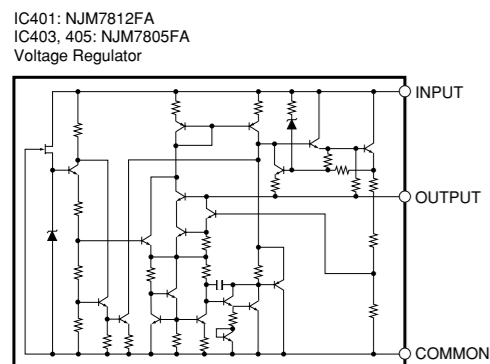
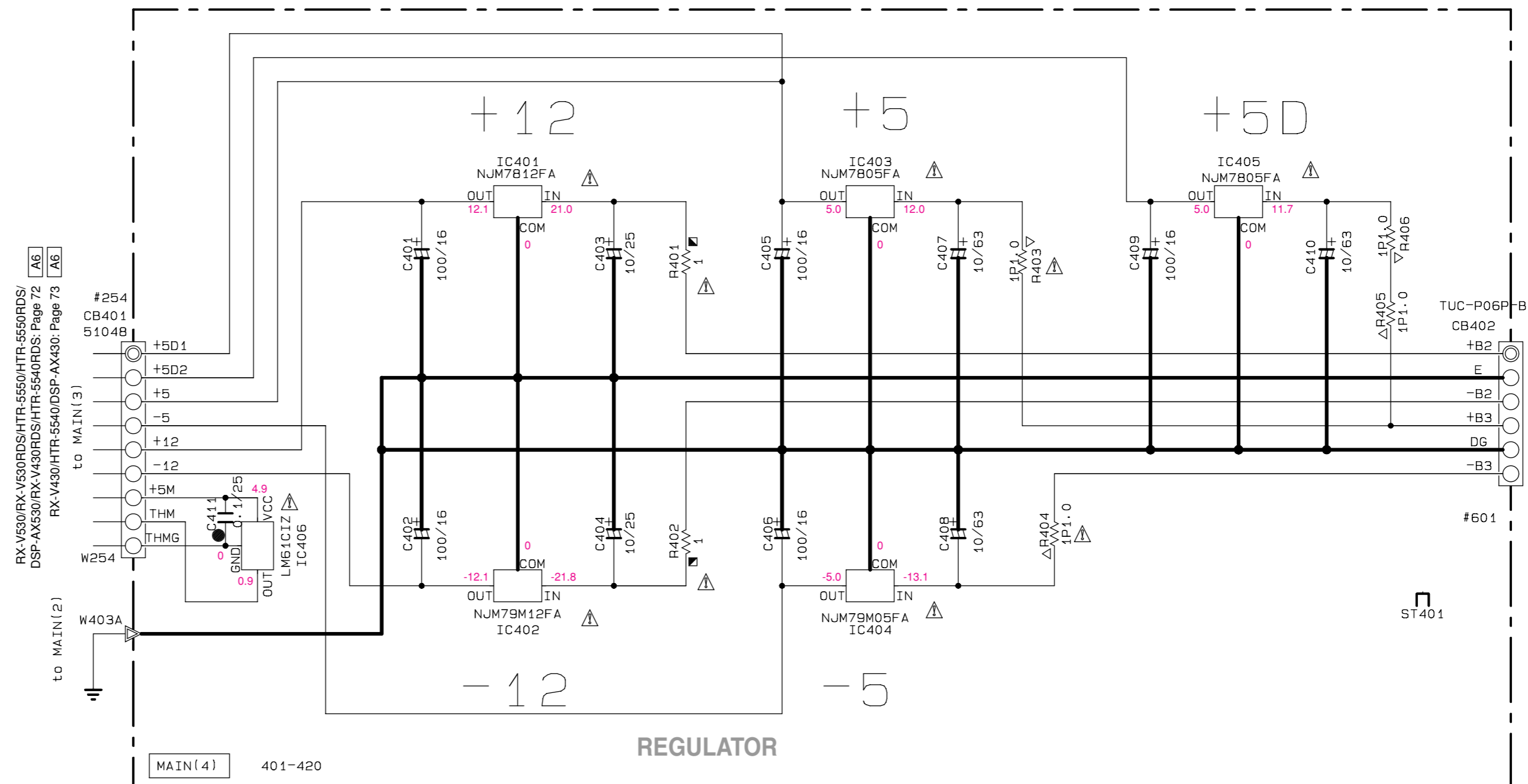
REMARKS	PARTS NAME
NO MARK	ELECTROLYTIC CAPACITOR
⊗	TANTALUM CAPACITOR
NO MARK	CERAMIC CAPACITOR
●	CERAMIC TUBULAR CAPACITOR
◎	POLYESTER FILM CAPACITOR
○	POLYSTYRENE FILM CAPACITOR
①	MICA CAPACITOR
Ⓟ	POLYPROPYLENE FILM CAPACITOR
⊙	SEMICONDUCTIVE CERAMIC CAPACITOR

NOTICE (model)

- (J)..... JAPANESE
- (U)..... U. S. A
- (C)..... CANADIAN
- (R)..... GENERAL
- (A)..... AUSTRALIAN
- (B)..... BRITISH
- (G)..... EUROPEAN
- (T)..... CHINA
- (L)..... SINGAPORE

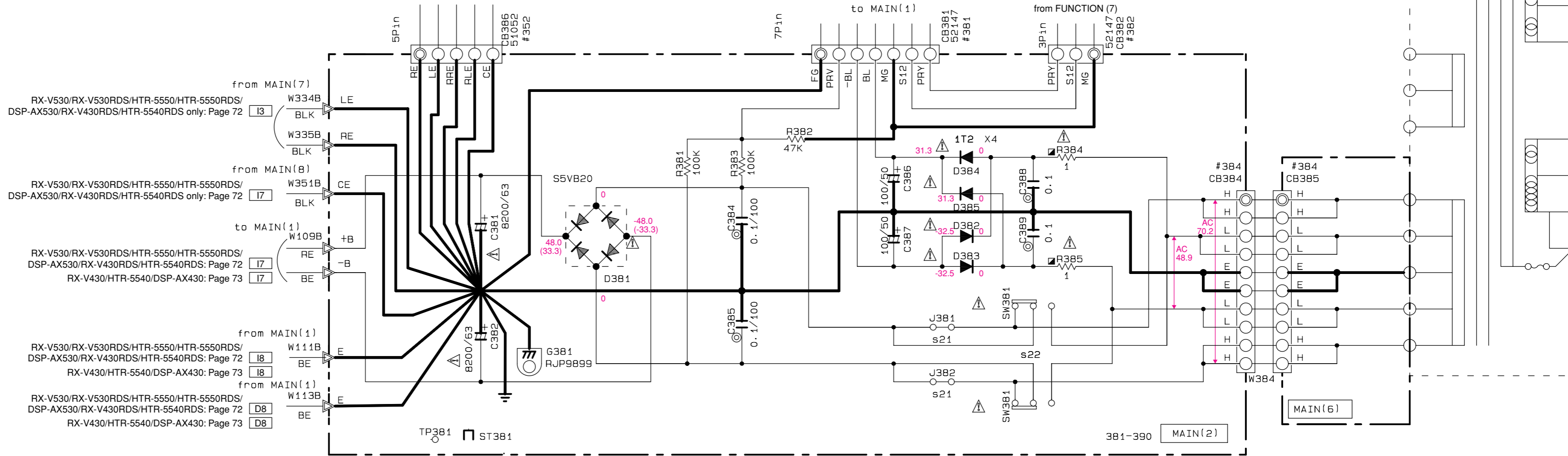
s	Circuit No.	J	U. C. R. T. K A. B. G. L
21	J381, 382	0	X
22	SW381	X	SL13B- 022AMCS [V410420]

x: NOT USED  
 o: USED / APPLICABLE



RX-V530/RX-V530RDS/HTR-5550/HTR-5550RDS/  
 DSP-AX530/RX-V430RDS/HTR-5540RDS: Page 72 to MAIN (8) [I6]  
 RX-V430/HTR-5540/DSP-AX430: Page 73 to MAIN (10) [I4]

RX-V530/RX-V530RDS/HTR-5550/HTR-5550RDS/  
 DSP-AX530/RX-V430RDS/HTR-5540RDS: Page 72 [I4]  
 RX-V430/HTR-5540/DSP-AX430: Page 73 [I4]



\* All voltages are measured with a 10M $\Omega$ /V DC electric volt meter.  
 \* Components having special characteristics are marked  $\Delta$  and must be replaced with parts having specifications equal to those originally installed.  
 \* Schematic diagram is subject to change without notice.

● 電圧は、内部抵抗10M $\Omega$ の電圧計で測定したものです。  
 ●  $\Delta$ 印のある部品は、安全性確保部品を示しています。部品の交換が必要な場合、パーツリストに記載されている部品を使用してください。  
 ● 本回路図は標準回路図です。改良のため予告なく変更することがございます。

# PARTS LIST

## ■ ELECTRICAL PARTS

### ■ WARNING

- Components having special characteristics are marked  $\triangle$  and must be replaced with parts having specifications equal to those originally installed.
- Carbon resistors (1/6W or 1/4W) are not included in the ELECTRICAL PARTS List. For the parts No. of the carbon resistors, refer to last page.
- $\triangle$ 印のある部分は、安全確保部品を示しています。部品の交換が必要な場合、パーツリストに記載されている部品を使用してください。
- 本機に使用しているカーボン抵抗は1/6Wまたは1/4Wです。このパーツリストには、記載しておりませんので、部品番号がHF45○○○○タイプまたは同等品を使用してください。
- 部品価格ランクは、予告なく変更することがあります。

### ABBREVIATIONS IN THIS LIST ARE AS FOLLOWS:

C.A.EL.CHP	: CHIP ALUMI.ELECTROLYTIC CAP	L.EMIT	: LIGHT EMITTING MODULE
C.CE	: CERAMIC CAP	LED.DSPLY	: LED DISPLAY
C.CE.ARRAY	: CERAMIC CAP ARRAY	LED.INFRD	: LED,INFRARED
C.CE.CHP	: CHIP CERAMIC CAP	MODUL.RF	: MODULATOR,RF
C.CE.ML	: MULTILAYER CERAMIC CAP	PHOT.CPL	: PHOTO COUPLER
C.CE.M.CHP	: CHIP MULTILAYER CERAMIC CAP	PHOT.INTR	: PHOTO INTERRUPTER
C.CE.SAFY	: RECOGNIZED CERAMIC CAP	PHOT.RFLCT	: PHOTO REFLECTOR
C.CE.TUBLR	: CERAMIC TUBULAR CAP	PIN.TEST	: PIN,TEST POINT
C.CE.SMI	: SEMI CONDUCTIVE CERAMIC CAP	PLST.RIVET	: PLASTIC RIVET
C.EL	: ELECTROLYTIC CAP	R.ARRAY	: RESISTOR ARRAY
C.MICA	: MICA CAP	R.CAR.	: CARBON RESISTOR
C.ML.FLM	: MULTILAYER FILM CAP	R.CAR.CHP	: CHIPRESISTOR
C.MP	: METALLIZED PAPER CAP	R.CAR.FP	: FLAME PROOF CARBON RESISTOR
C.MYLAR	: MYLAR FILM CAP	R.FUS	: FUSABLE RESISTOR
C.MYLAR.ML	: MULTILAYER MYLAR FILM CAP	R.MTL.CHP	: CHIP METAL FILM RESISTOR
C.PAPER	: PAPER CAPACITOR	R.MTL.FLM	: METAL FILM RESISTOR
C.PLS	: POLYSTYRENE FILM CAP	R.MTL.OXD	: METAL OXIDE FILM RESISTOR
C.POL	: POLYESTER FILM CAP	R.MTL.PLAT	: METAL PLATE RESISTOR
C.POLY	: POLYETHYLENE FILM CAP	RSNR.CE	: CERAMIC RESONATOR
C.PP	: POLYPROPYLENE FILM CAP	RSNR.CRYS	: CRYSTAL RESONATOR
C.TNTL	: TANTALUM CAP	R.TW.CEM	: TWIN CEMENT FIXED RESISTOR
C.TNTL.CHP	: CHIP TANTALUM CAP	R.WW	: WIRE WOUND RESISTOR
C.TRIM	: TRIMMER CAP	SCR.BND.HD	: BIND HEAD B-TITE SCREW
CN	: CONNECTOR	SCR.BW.HD	: BW HEAD TAPPING SCREW
CN.BS.PIN	: CONNECTOR,BASE PIN	SCR.CUP	: CUP TITE SCREW
CN.CANNON	: CONNECTOR,CANNON	SCR.TERM	: SCREW TERMINAL
CN.DIN	: CONNECTOR,DIN	SCR.TR	: SCREW,TRANSISTOR
CN.FLAT	: CONNECTOR,FLAT CABLE	SUPRT.PCB	: SUPPORT,P.C.B.
CN.POST	: CONNECTOR,BASE POST	SURG.PRTCT	: SURGE PROTECTOR
COIL.MX.AM	: COIL,AM MIX	SW.TACT	: TACT SWITCH
COIL.AT.FM	: COIL,FM ANTENNA	SW.LEAF	: LEAF SWITCH
COIL.DT.FM	: COIL,FM DETECT	SW.LEVER	: LEVER SWITCH
COIL.MX.FM	: COIL,FM MIX	SW.MICRO	: MICRO SWITCH
COIL.OUTPT	: OUTPUT COIL	SW.PUSH	: PUSH SWITCH
DIOD.ARRAY	: DIODE ARRAY	SW.RT.ENC	: ROTARY ENCODER
DIODE.BRG	: DIODE BRIDGE	SW.RT.MTR	: ROTARY SWITCH WITH MOTOR
DIODE.CHP	: CHIP DIODE	SW.RT	: ROTARY SWITCH
DIODE.VAR	: VARACTOR DIODE	SW.SLIDE	: SLIDE SWITCH
DIOD.Z.CHP	: CHIP ZENER DIODE	TERM.SP	: SPEAKER TERMINAL
DIODE.ZENR	: ZENER DIODE	TERM.WRAP	: WRAPPING TERMINAL
DSCR.CE	: CERAMIC DISCRIMINATOR	THRMST.CHP	: CHIP THERMISTOR
FER.BEAD	: FERRITE BEADS	TR.CHP	: CHIP TRANSISTOR
FER.CORE	: FERRITE CORE	TR.DGT	: DIGITAL TRANSISTOR
FET.CHP	: CHIP FET	TR.DGT.CHP	: CHIP DIGITAL TRANSISTOR
FL.DSPLY	: FLUORESCENT DISPLAY	TRANS	: TRANSFORMER
FLTR.CE	: CERAMIC FILTER	TRANS.PULS	: PULSE TRANSFORMER
FLTR.COMB	: COMB FILTER MODULE	TRANS.PWR	: POWER TRANSFORMER ASS'Y
FLTR.LC.RF	: LC FILTER,EMI	TUNER.AM	: TUNER PACK,AM
GND.MTL	: GROUND PLATE	TUNER.FM	: TUNER PACK,FM
GND.TERM	: GROUND TERMINAL	TUNER.PK	: FRONT-ENDTUNER PACK
HOLDER.FUS	: FUSE HOLDER	VR	: ROTARY POTENTIOMETER
IC.PRTCT	: IC PROTECTOR	VR.MTR	: POTENTIOMETER WITH MOTOR
JUMPER.CN	: JUMPER CONNECTOR	VR.SW	: POTENTIOMETER WITH ROTARY SW
JUMPER.TST	: JUMPER,TEST POINT	VR.SLIDE	: SLIDE POTENTIOMETER
L.DTCT	: LIGHT DETECTING MODULE	VR.TRIM	: TRIMMER POTENTIOMETER

Note) Those parts marked with “#” are not included in the P.C.B. ass'y.

**P.C.B. FUNCTION**

Schm Ref.	PART NO.	Description	Remarks	Markets	部 品 名	Rank	
	V8703400	P. C. B.	FUNCTION	AX530	J	P C B ファンクション	
*	V8703500	P. C. B.	FUNCTION	V530, 5550	UC	P C B ファンクション	
*	V8703600	P. C. B.	FUNCTION	V530, 5550	RT	P C B ファンクション	
*	V8703700	P. C. B.	FUNCTION	V530, 5550	K	P C B ファンクション	
*	V8703800	P. C. B.	FUNCTION	V530, 5550	A	P C B ファンクション	
*	V8703900	P. C. B.	FUNCTION	V530, 5550	B	P C B ファンクション	
*	V8704000	P. C. B.	FUNCTION	V530, 5550	G	P C B ファンクション	
*	V8704100	P. C. B.	FUNCTION	V530, 5550	L	P C B ファンクション	
*	V8704200	P. C. B.	FUNCTION	AX430	J	P C B ファンクション	
*	V8704300	P. C. B.	FUNCTION	V430, 5540	UC	P C B ファンクション	
*	V8704400	P. C. B.	FUNCTION	V430, 5540	RT	P C B ファンクション	
*	V8704500	P. C. B.	FUNCTION	V430, 5540	K	P C B ファンクション	
*	V8704600	P. C. B.	FUNCTION	V430, 5540	A	P C B ファンクション	
*	V8704700	P. C. B.	FUNCTION	V430, 5540	B	P C B ファンクション	
*	V8704800	P. C. B.	FUNCTION	V430, 5540	G	P C B ファンクション	
*	V8704900	P. C. B.	FUNCTION	V430, 5540	L	P C B ファンクション	
	CB301	V7828200	SOCKET	15P TE TUC SERIES		コネクターソケット	
	CB302	V7826500	CN	15P TE TUC SERIES		コネクタープラグ	01
	CB303	V7826500	CN	15P TE TUC SERIES		コネクタープラグ	01
	CB304	V7828200	SOCKET	15P TE TUC SERIES		コネクターソケット	
	CB305	V7827200	SOCKET	5P TE TUC SERIES		コネクターソケット	
	CB306	V7827100	SOCKET	4P TE TUC SERIES	AX530, V530, 5550	コネクターソケット	
	CB307	V7828200	SOCKET	15P TE TUC SERIES		コネクターソケット	
	CB308	VQ048400	CN	35P		F F C コネクター	01
	CB309	VK025300	CN. BS. PIN	9P		ワイヤートラップ	01
	CB310	VF982200	CN. BS. PIN	14P		コネクター	02
	CB311	VQ044400	CN. BS. PIN	9P		F F C コネクター	01
*	CB312	VQ048500	CN	36P TE		F F C コネクター	02
	CB551	V7827100	SOCKET	4P TE TUC SERIES		コネクターソケット	
	CB571	V7825400	CN	4P TE TUC SERIES		コネクタープラグ	01
	CB573	V7825400	CN	4P TE TUC SERIES		コネクタープラグ	01
	CB574	V7825400	CN	4P TE TUC SERIES	AX530, V530, 5550	コネクタープラグ	01
	CB575	V7825500	CN	5P TE TUC SERIES		コネクタープラグ	01
	CB576	V7825400	CN	4P TE TUC SERIES	AX530, V530, 5550	コネクタープラグ	01
	CB577	V7826500	CN	15P TE TUC SERIES		コネクタープラグ	01
	CB578	VM859600	CN. BS. PIN	15P		F F C コネクター	01
*	CB601	V7827300	SOCKET	6P TE TUC SERIES		コネクターソケット	
*	CB602	VQ585400	CN. BS. PIN	12P TE		ケーブルホルダー	
*	CB603	VQ585400	CN. BS. PIN	12P TE		ケーブルホルダー	
	CB921	Vi878100	CN. BS. PIN	3P		ケーブルホルダー	01
	CB922	VP206500	HOLDER. FUS	EYF-52BCT	GL	ヒューズホルダー	01
	CB923	VP206500	HOLDER. FUS	EYF-52BCT	GL	ヒューズホルダー	01
	CB924	VP206500	HOLDER. FUS	EYF-52BCT		ヒューズホルダー	01
	CB925	VP206500	HOLDER. FUS	EYF-52BCT		ヒューズホルダー	01
	CB926	VG879900	CN. BS. PIN	2P		ベースピン	01
	CB941	VP206500	HOLDER. FUS	EYF-52BCT	RT	ヒューズホルダー	01
	CB942	VP206500	HOLDER. FUS	EYF-52BCT	RT	ヒューズホルダー	01
	C301	UA654100	C. MYLAR	0. 01uF 50V		マイラーコン	01
	C302	US064100	C. CE. M. CHP	0. 01uF 50V		チップセラコン	01
	C303	FG651470	C. CE	47pF 50V		セラコン	01
	C304	FG651470	C. CE	47pF 50V		セラコン	01
	C305	US061470	C. CE. M. CHP	47pF 50V		チップセラコン	01
	C306	US061470	C. CE. M. CHP	47pF 50V		チップセラコン	01

\* New Parts \* 新規部品(マーク#の部品は、基板に含まれません)

RX-V530/RX-V530RDS/HTR-5550/HTR-5550RDS/DSP-AX530  
 RX-V430/RX-V430RDS/HTR-5540/HTR-5540RDS/DSP-AX430

**P.C.B. FUNCTION**

Schm Ref.	PART NO.	Description	Remarks	Markets	部 品 名	Rank	
C307	UA652100	C. MYLAR	100pF	50V		マイラーコン	01
C308	UA652100	C. MYLAR	100pF	50V		マイラーコン	01
C309	UA652100	C. MYLAR	100pF	50V		マイラーコン	01
C310	UA652100	C. MYLAR	100pF	50V		マイラーコン	01
C311	UA652100	C. MYLAR	100pF	50V		マイラーコン	01
C312	UA652100	C. MYLAR	100pF	50V		マイラーコン	01
C313	UA652100	C. MYLAR	100pF	50V		マイラーコン	01
C314	UA652100	C. MYLAR	100pF	50V		マイラーコン	01
C315	UA652100	C. MYLAR	100pF	50V		マイラーコン	01
C316	UA652100	C. MYLAR	100pF	50V		マイラーコン	01
C319	UA652100	C. MYLAR	100pF	50V		マイラーコン	01
C320	UA652100	C. MYLAR	100pF	50V		マイラーコン	01
C321	UA652100	C. MYLAR	100pF	50V		マイラーコン	01
C322	UA652100	C. MYLAR	100pF	50V		マイラーコン	01
C323	UA652100	C. MYLAR	100pF	50V		マイラーコン	01
C324	UA652100	C. MYLAR	100pF	50V		マイラーコン	01
C325	UA652100	C. MYLAR	100pF	50V		マイラーコン	01
C326	UA652100	C. MYLAR	100pF	50V		マイラーコン	01
C327	UR877100	C. EL	10uF	63V		ケミコン	01
C328	UR877100	C. EL	10uF	63V		ケミコン	01
C329	UR877100	C. EL	10uF	63V		ケミコン	01
C330	UR877100	C. EL	10uF	63V		ケミコン	01
C331	UR877100	C. EL	10uF	63V		ケミコン	01
C332	UR877100	C. EL	10uF	63V		ケミコン	01
C337	UR838100	C. EL	100uF	16V		ケミコン	01
C338	UR838100	C. EL	100uF	16V		ケミコン	01
C339	UR847470	C. EL	47uF	25V		ケミコン	01
C340	UR847470	C. EL	47uF	25V		ケミコン	01
C341	UR877100	C. EL	10uF	63V		ケミコン	01
C342	UR877100	C. EL	10uF	63V		ケミコン	01
C343	UR866330	C. EL	3.3uF	50V		ケミコン	01
C345	UR877220	C. EL	22uF	63V		ケミコン	01
C347	US135100	C. CE. CHP	0.1uF	16V		チップセラコン	01
C348	US135100	C. CE. CHP	0.1uF	16V		チップセラコン	01
C349	UR877100	C. EL	10uF	63V		ケミコン	01
C350	UR877100	C. EL	10uF	63V		ケミコン	01
C351	FG651220	C. CE	22pF	50V		セラコン	01
C352	FG651220	C. CE	22pF	50V		セラコン	01
C353	UA652100	C. MYLAR	100pF	50V		マイラーコン	01
C354	UR877100	C. EL	10uF	63V		ケミコン	01
C355	UR877100	C. EL	10uF	63V		ケミコン	01
C356	UR877100	C. EL	10uF	63V		ケミコン	01
C357	UR877100	C. EL	10uF	63V		ケミコン	01
C358	UR877100	C. EL	10uF	63V		ケミコン	01
C361	UR858100	C. EL	100uF	35V		ケミコン	01
C362	UR858100	C. EL	100uF	35V		ケミコン	01
C363	US135100	C. CE. CHP	0.1uF	16V		チップセラコン	01
C364	US135100	C. CE. CHP	0.1uF	16V		チップセラコン	01
C367	UR819100	C. EL	1000uF	6.3V		ケミコン	01
C368	UR866220	C. EL	2.2uF	50V		ケミコン	01
C369	UR819100	C. EL	1000uF	6.3V		ケミコン	01
C370	VT180400	C. EL	4700uF	5.5V		バックアップケミコン	02
C371	UR818220	C. EL	220uF	6.3V		ケミコン	01

\* New Parts \* 新規部品(マーク#の部品は、基板に含まれません)

RX-V530/RX-V530RDS/HTR-5550/HTR-5550RDS/DSP-AX530  
 RX-V430/RX-V430RDS/HTR-5540/HTR-5540RDS/DSP-AX430

P.C.B. FUNCTION

Schm Ref.	PART NO.	Description	Remarks	Markets	部 品 名	Rank	
C372	UR865100	C. EL	0. 1uF	50V		ケミコン	01
C375	UR877100	C. EL	10uF	63V		ケミコン	01
C376	UR865100	C. EL	0. 1uF	50V		ケミコン	01
C377	US135100	C. CE. CHP	0. 1uF	16V		チップセラコン	01
C378	UR847470	C. EL	47uF	25V		ケミコン	01
C379	US064100	C. CE. M. CHP	0. 01uF	50V		チップセラコン	01
C383	UA655470	C. MYLAR	0. 47uF	50V		マイラーコン	01
C387	UA655470	C. MYLAR	0. 47uF	50V		マイラーコン	01
C388	UR877100	C. EL	10uF	63V		ケミコン	01
C389	UR877100	C. EL	10uF	63V		ケミコン	01
C390	UR877100	C. EL	10uF	63V		ケミコン	01
C391	UR877100	C. EL	10uF	63V		ケミコン	01
C392	US062100	C. CE. M. CHP	100pF	50V		チップセラコン	01
C399	VG278900	C. CE. TUBLR	680pF	50V		円筒セラコン	01
C400	UR865100	C. EL	0. 1uF	50V		ケミコン	01
C551	US062100	C. CE. M. CHP	100pF	50V		チップセラコン	01
C552	US062100	C. CE. M. CHP	100pF	50V		チップセラコン	01
C553	UR877100	C. EL	10uF	63V		ケミコン	01
C554	UR877100	C. EL	10uF	63V		ケミコン	01
C555	UR877100	C. EL	10uF	63V		ケミコン	01
C556	UR877100	C. EL	10uF	63V		ケミコン	01
C557	UR829100	C. EL	1000uF	10V		ケミコン	01
C558	UR829100	C. EL	1000uF	10V		ケミコン	01
C559	US063100	C. CE. M. CHP	1000pF	50V		チップセラコン	01
C562	UR877100	C. EL	10uF	63V		ケミコン	01
C571	UR847470	C. EL	47uF	25V		ケミコン	01
C572	UR847470	C. EL	47uF	25V		ケミコン	01
C575	US062330	C. CE. M. CHP	330pF	50V	BG	チップセラコン	01
C576	US062330	C. CE. M. CHP	330pF	50V	BG	チップセラコン	01
C577	VA761100	C. CE	27pF	50V	BG	セラコン	01
C578	VA761100	C. CE	27pF	50V	BG	セラコン	01
C579	UR837470	C. EL	47uF	16V	BG	ケミコン	01
C580	UR837470	C. EL	47uF	16V	BG	ケミコン	01
C581	US062560	C. CE. CHP	560pF	50V	BG	チップセラ ( S L )	01
C582	US135100	C. CE. CHP	0. 1uF	16V	BG	チップセラコン	01
C583	UR837470	C. EL	47uF	16V	BG	ケミコン	01
C584	US062100	C. CE. M. CHP	100pF	50V		チップセラコン	01
C585	US062100	C. CE. M. CHP	100pF	50V		チップセラコン	01
C586	US063100	C. CE. M. CHP	1000pF	50V		チップセラコン	01
C587	US062100	C. CE. M. CHP	100pF	50V		チップセラコン	01
C588	US062100	C. CE. M. CHP	100pF	50V		チップセラコン	01
C589	US064100	C. CE. M. CHP	0. 01uF	50V		チップセラコン	01
C590	US135100	C. CE. CHP	0. 1uF	16V		チップセラコン	01
C591	UR877100	C. EL	10uF	63V		ケミコン	01
C592	US062100	C. CE. M. CHP	100pF	50V	BG	チップセラコン	01
▲ C601	UR73A100	C. EL	10000uF	16V		ケミコン	03
▲ C602	UR749470	C. EL	4700uF	25V		ケミコン	05
▲ C603	UR749470	C. EL	4700uF	25V		ケミコン	05
▲ C604	UR73A100	C. EL	10000uF	16V		ケミコン	03
C605	UR73A100	C. EL	10000uF	16V		ケミコン	03
C606	VE326000	C. MYLAR. ML	0. 1uF	50V		積層マイラーコン	01
C607	VE326000	C. MYLAR. ML	0. 1uF	50V		積層マイラーコン	01
C608	VE326000	C. MYLAR. ML	0. 1uF	50V		積層マイラーコン	01

\* New Parts \* 新規部品(マーク#の部品は、基板に含まれません)

RX-V530/RX-V530RDS/HTR-5550/HTR-5550RDS/DSP-AX530  
RX-V430/RX-V430RDS/HTR-5540/HTR-5540RDS/DSP-AX430

P.C.B. FUNCTION

Schm Ref.	PART NO.	Description	Remarks	Markets	部 品 名	Rank
C609	VE326000	C. MYLAR. ML 0.1uF 50V			積層マイラーコン	01
C610	VE326000	C. MYLAR. ML 0.1uF 50V			積層マイラーコン	01
C611	VE326000	C. MYLAR. ML 0.1uF 50V			積層マイラーコン	01
C612	VE326000	C. MYLAR. ML 0.1uF 50V			積層マイラーコン	01
C613	VE326000	C. MYLAR. ML 0.1uF 50V			積層マイラーコン	01
C614	UR73A100	C. EL 10000uF 16V			ケミコン	03
C921	UA655100	C. MYLAR 0.1uF 50V			マイラーコン	01
* C922	UR748470	C. EL 470uF 25V			ケミコン	
C923	UR877100	C. EL 10uF 63V		RT	ケミコン	01
C925	UR897100	C. EL 10uF 100V		RT	ケミコン	01
C926	UR877100	C. EL 10uF 63V		RT	ケミコン	01
C927	UA654100	C. MYLAR 0.01uF 50V		JUCKABGL	マイラーコン	01
C928	UA654100	C. MYLAR 0.01uF 50V		RT	マイラーコン	01
C929	UA654100	C. MYLAR 0.01uF 50V		RT	マイラーコン	01
△ C930	V6185300	C. CE. SAFTY 0.01uF 275V			規格認定コン	
* D301	VU994300	DIODE. ZENR MA8075-H 7.7V			ツェナーダイオード	
* D302	VU994300	DIODE. ZENR MA8075-H 7.7V			ツェナーダイオード	
D303	VU171900	DIODE. ZENR UDZ5.1B 5.1V			ツェナーダイオード	01
D304	VU171900	DIODE. ZENR UDZ5.1B 5.1V			ツェナーダイオード	01
D305	VU171900	DIODE. ZENR UDZ5.1B 5.1V			ツェナーダイオード	01
D306	VT332900	DIODE 1SS355			ダイオード	01
D307	VT332900	DIODE 1SS355			ダイオード	01
D308	VT332900	DIODE 1SS355			ダイオード	01
D309	VT332900	DIODE 1SS355			ダイオード	01
D310	VU172200	DIODE. ZENR UDZ6.8B 6.8V		JUCABGL	ツェナーダイオード	01
D310	VU172100	DIODE. ZENR UDZS6.2B 6.2V		RTK	ツェナーダイオード	01
D311	VT332900	DIODE 1SS355			ダイオード	01
D312	VU172000	DIODE. ZENR UDZS5.6B 5.6V			ツェナーダイオード	01
D313	VU172000	DIODE. ZENR UDZS5.6B 5.6V			ツェナーダイオード	01
D314	VT332900	DIODE 1SS355			ダイオード	01
D315	VT332900	DIODE 1SS355			ダイオード	01
D571	VU172000	DIODE. ZENR UDZS5.6B 5.6V			ツェナーダイオード	01
D572	VT332900	DIODE 1SS355			ダイオード	01
△ D601	VQ379300	DIODE. BRG S1VB20 1A 200V			ダイオード	02
△ D602	VQ379300	DIODE. BRG S1VB20 1A 200V			ダイオード	02
D921	VT332900	DIODE 1SS355			ダイオード	01
D922	VT332900	DIODE 1SS355		RT	ダイオード	01
* D923	VU172900	DIODE. ZENR UDZ 13B 13V		RT	ツェナーダイオード	
D924	VV307700	DIODE 1N4002S			ダイオード	01
D925	VV307700	DIODE 1N4002S			ダイオード	01
D926	VV307700	DIODE 1N4002S		RT	ダイオード	01
D927	VV307700	DIODE 1N4002S			ダイオード	01
D928	VV307700	DIODE 1N4002S			ダイオード	01
△ F921	VT942900	FUSE TH2.5A 250V		GL	ヒューズ	01
△ F922	VP909900	FUSE T7A 125V		JUCRT	ヒューズ	02
F922	KB000760	FUSE T3.15A 250V		KABGL	ヒューズ	01
F941	KB000760	FUSE T3.15A 250V		RT	ヒューズ	01
G601	V8880000	TERM. GND M3.5 RJP9899			アース端子	
* IC301	X2340A00	IC M30624MGA	MASK ROM		マイコンマスクROM	
* IC302	X2261A00	IC BD3811K1			IC	
IC303	XF291A00	IC uPC4570G2			IC	03
IC304	XF291A00	IC uPC4570G2			IC	03
IC305	XY877A00	IC MM74HC4053SJX			ロジックIC SOP	

\* New Parts \* 新規部品(マーク#の部品は、基板に含まれません)

RX-V530/RX-V530RDS/HTR-5550/HTR-5550RDS/DSP-AX530  
RX-V430/RX-V430RDS/HTR-5540/HTR-5540RDS/DSP-AX430

**P.C.B. FUNCTION**

Schm Ref.	PART NO.	Description	Remarks	Markets	部 品 名	Rank
IC306	XJ757A00	IC	NJM78L05A-T3		I C	01
IC551	XH436A00	IC	LA7956		I C	03
IC571	XY534A00	IC	LC72722	BG	R D S デ コ ー ダ I C	06
L571	VU889500	COIL	220uH		円筒形固定コイル	01
PJ301	V7190400	JACK. PIN	6P		ピンジャック 6 P	
PJ302	V7046800	JACK. PIN	MSP-246V1-01NI		ピンジャック 6 P	
PJ303	V7046800	JACK. PIN	MSP-246V1-01NI		ピンジャック 6 P	
PJ304	V7046700	JACK. PIN	MSP-244V1-01NI		ピンジャック 4 P	
PJ305	V7189700	JACK. PIN	1P		ピンジャック 1 P	
PJ551	V7190000	JACK. PIN	2P		ピンジャック 2 P	
PJ552	V7190000	JACK. PIN	2P		ピンジャック 2 P	
PJ553	V7190000	JACK. PIN	2P		ピンジャック 2 P	
PN301	V3750200	PIN	L=70		スタイルピン	
PN302	V3750200	PIN	L=70		スタイルピン	
PN501	V3750200	PIN	L=70		スタイルピン	
PN601	V3750200	PIN	L=70		スタイルピン	
Q301	VD303700	TR	2SC3326 A, B		トランジスタ	01
Q304	iC1815I0	TR	2SC1815 Y		トランジスタ	01
Q305	iA1015I0	TR	2SA1015 Y		トランジスタ	01
Q307	VV556500	TR	2SA1037K Q, R, S		トランジスタ	01
Q308	VV556400	TR	2SC2412K Q, R, S		トランジスタ	01
Q309	VV556500	TR	2SA1037K Q, R, S		トランジスタ	01
Q311	VD303700	TR	2SC3326 A, B		トランジスタ	01
Q551	iC1815I0	TR	2SC1815 Y		トランジスタ	01
Q553	iC1815I0	TR	2SC1815 Y		トランジスタ	01
Q555	iC1815I0	TR	2SC1815 Y		トランジスタ	01
Q571	iC1815I0	TR	2SC1815 Y		トランジスタ	01
Q572	iC174020	TR	2SC1740S R, S	BG	トランジスタ	01
Q921	iC1815I0	TR	2SC1815 Y		トランジスタ	01
Q922	VR510800	TR	2SD2396 J, K	RT	トランジスタ	02
Q923	iE102620	FET	2SK246 Y	RT	F E T	01
Q924	VR510800	TR	2SD2396 J, K	RT	トランジスタ	02
R413	HV753220	R. CAR. FP	2.2Ω 1/4W		不燃化カーボン抵抗	01
R414	HV753220	R. CAR. FP	2.2Ω 1/4W		不燃化カーボン抵抗	01
R570	HV753220	R. CAR. FP	2.2Ω 1/4W		不燃化カーボン抵抗	01
R581	HV753220	R. CAR. FP	2.2Ω 1/4W		不燃化カーボン抵抗	01
R925	V6730000	R. CAR.	2.2MΩ 1/2W	UC	放電抵抗	01
▲ RY921	V2712300	RELAY	DC SDT-S-112LMR		リレー 1 2 V	05
ST301	V4040500	SCR. TERM	M3		スクリュー/ターミナル	01
ST571	V4040500	SCR. TERM	M3		スクリュー/ターミナル	01
ST921	V4040500	SCR. TERM	M3		スクリュー/ターミナル	01
* SW571	V3624300	SW. SLIDE	SS029-P022MJB-PA6	RT	スライド S W	
* ▲ SW941	V7182300	VOLT. SELECT	R8140213	RT	電圧切替器	
▲ T921	XW605A00	TRANS. PWR		J	電源トランス	04
* ▲ T921	XW606A00	TRANS. PWR		UC	電源トランス	
▲ T921	XW974A00	TRANS. PWR		RT	電源トランス	05
* ▲ T921	XW608A00	TRANS. PWR		KABGL	電源トランス	
▲ TE921	VU543100	OUTLET. AC	2P	JUC	A C アウトレット	03
▲ TE921	V5867400	OUTLET. AC	2P	RT	A C アウトレット 2 P	
▲ TE921	VT915000	OUTLET. AC	2P	A	A C アウトレット	06
▲ TE921	VU543300	OUTLET. AC	1P	B	A C アウトレット	05
▲ TE921	VU543400	OUTLET. AC	2P	GL	A C アウトレット	05
XL301	V7718300	RSNR. CE	CSTLS10M0G53-B0		セラミック振動子	02

\* New Parts \* 新規部品(マーク#の部品は、基板に含まれません)



**P.C.B. FUNCTION & P.C.B. OPERATION**

Schm Ref.	PART NO.	Description	Remarks	Markets	部 品 名	Rank
XL571	V3930900	RSNR. CRYSCR. BND. HD	4.332MHz 3x10 MFZ2BL	BG RT	水晶振動子 バインドBタイトネジ	05 01
	V8705200 V8705300	P. C. B. P. C. B.	OPERATION OPERATION	JUCRTKAL BG	P C B オペレーション P C B オペレーション	
CB701	VQ047200	CN. BS. PIN	9P		F F Cコネクター	01
CB702	VQ047200	CN. BS. PIN	9P		F F Cコネクター	01
CB703	VN394900	CN. BS. PIN	14P		F F Cコネクター	01
CB704	Vi878000	CN. BS. PIN	2P		ケーブルホルダー	01
CB705	Vi878100	CN. BS. PIN	3P		ケーブルホルダー	01
CB741	Vi878700	CN. BS. PIN	9P		ケーブルホルダー	01
CB781	Vi878000	CN. BS. PIN	2P		ケーブルホルダー	01
CB786	Vi878100	CN. BS. PIN	3P		ケーブルホルダー	01
C701	US062680	C. CE. M. CHP	680pF 50V		チップセラコン	01
C702	US062680	C. CE. M. CHP	680pF 50V		チップセラコン	01
C703	UR877100	C. EL	10uF 63V		ケミコン	01
C704	US061330	C. CE. M. CHP	33pF 50V		チップセラコン	01
C705	US135100	C. CE. CHP	0.1uF 16V		チップセラコン	01
C741	UR838330	C. EL	330uF 16V		ケミコン	01
C742	UR838330	C. EL	330uF 16V		ケミコン	01
C743	UR866100	C. EL	1uF 50V		ケミコン	01
C744	UR866100	C. EL	1uF 50V		ケミコン	01
C745	UR866220	C. EL	2.2uF 50V		ケミコン	01
C746	UR866220	C. EL	2.2uF 50V		ケミコン	01
C747	UT652100	C. PP	100pF 100V		P Pコン	01
C748	UT652100	C. PP	100pF 100V		P Pコン	01
C749	UR847470	C. EL	47uF 25V		ケミコン	01
C750	UR847470	C. EL	47uF 25V		ケミコン	01
C751	UA655120	C. MYLAR	0.12uF 50V		マイラーコン	01
C752	UA655120	C. MYLAR	0.12uF 50V		マイラーコン	01
C753	UA654330	C. MYLAR	0.033uF 50V		マイラーコン	01
C754	UA654330	C. MYLAR	0.033uF 50V		マイラーコン	01
C755	UR877220	C. EL	22uF 63V		ケミコン	01
C756	UR877220	C. EL	22uF 63V		ケミコン	01
C757	UR877100	C. EL	10uF 63V		ケミコン	01
C758	UR877100	C. EL	10uF 63V		ケミコン	01
C760	US062100	C. CE. M. CHP	100pF 50V		チップセラコン	01
C761	US062100	C. CE. M. CHP	100pF 50V		チップセラコン	01
C762	US062100	C. CE. M. CHP	100pF 50V		チップセラコン	01
C763	US135100	C. CE. CHP	0.1uF 16V		チップセラコン	01
C764	US135100	C. CE. CHP	0.1uF 16V		チップセラコン	01
C765	UA652100	C. MYLAR	100pF 50V		マイラーコン	01
C766	UA652100	C. MYLAR	100pF 50V		マイラーコン	01
D701	VU172300	DIODE. ZENR	UDZ7.5B 7.5V		ツェナーダイオード	01
G701	V8880000	TERM. GND	M3.5 RJP9899		アース端子	
IC701	XV160A00	IC	LC75712E FLD		ロジックIC フラット	07
IC741	XF291A00	IC	uPC4570G2		IC	03
IC742	XF291A00	IC	uPC4570G2		IC	03
PN781	V3750200	PIN	L=70		スタイルピン	
Q701	VV900500	TR	2SD1991A Q, R, S		トランジスタ	01
Q702	VV900500	TR	2SD1991A Q, R, S		トランジスタ	01

\*  
\*

\* New Parts \* 新規部品(マーク#の部品は、基板に含まれません)

RX-V530/RX-V530RDS/HTR-5550/HTR-5550RDS/DSP-AX530  
RX-V430/RX-V430RDS/HTR-5540/HTR-5540RDS/DSP-AX430

**P.C.B. OPERATION & P.C.B. DSP**

Schm Ref.	PART NO.	Description	Remarks	Markets	部 品 名	Rank	
Q703	VV900500	TR	2SD1991A Q, R, S		トランジスタ	01	
Q704	VV900500	TR	2SD1991A Q, R, S		トランジスタ	01	
Q705	VV900500	TR	2SD1991A Q, R, S		トランジスタ	01	
Q706	VV900500	TR	2SD1991A Q, R, S		トランジスタ	01	
Q707	VV900500	TR	2SD1991A Q, R, S		トランジスタ	01	
Q708	VV900500	TR	2SD1991A Q, R, S		トランジスタ	01	
Q709	VV900500	TR	2SD1991A Q, R, S		トランジスタ	01	
* R741	V8070300	R. MTL. FLM	10Ω 1W		金属被膜抵抗		
* R742	V8070300	R. MTL. FLM	10Ω 1W		金属被膜抵抗		
SW701	VV020300	SW. TACT	SKQNAA		タクト SW	01	
SW702	VV020300	SW. TACT	SKQNAA		タクト SW	01	
SW703	VV020300	SW. TACT	SKQNAA		タクト SW	01	
SW704	VV020300	SW. TACT	SKQNAA		タクト SW	01	
SW705	VV020300	SW. TACT	SKQNAA		タクト SW	01	
SW706	VV020300	SW. TACT	SKQNAA		タクト SW	01	
SW707	VV020300	SW. TACT	SKQNAA		タクト SW	01	
SW708	VV020300	SW. TACT	SKQNAA		タクト SW	01	
SW709	VV020300	SW. TACT	SKQNAA		タクト SW	01	
SW710	VV020300	SW. TACT	SKQNAA		タクト SW	01	
SW711	VV020300	SW. TACT	SKQNAA	BG	タクト SW	01	
SW712	VV020300	SW. TACT	SKQNAA	BG	タクト SW	01	
SW713	VV020300	SW. TACT	SKQNAA	BG	タクト SW	01	
SW714	VV020300	SW. TACT	SKQNAA	BG	タクト SW	01	
SW715	VV020300	SW. TACT	SKQNAA		タクト SW	01	
SW716	VV020300	SW. TACT	SKQNAA		タクト SW	01	
SW717	VV020300	SW. TACT	SKQNAA		タクト SW	01	
SW718	VV020300	SW. TACT	SKQNAA		タクト SW	01	
SW719	V6322700	SW. RT. ENC	REB161 (9X7)PVB		ロータリーエンコーダ	04	
SW781	VV020300	SW. TACT	SKQNAA		タクト SW	01	
* U701	V8444900	L. DTCT	GP1UM271XK		リモコン受光ユニット		
* V701	V8300400	FL. DSPLY	HNA-16MM37		蛍光表示管		
VR741	V7455900	VR	B 20K RK14K1240		二連ロータリーVR	04	
VR742	V7456000	VR	W 25K RK14K1240		二連ロータリーVR	04	
	V6880300	SHEET			シート/FL		
	V6007100	SPACER	4.6/10/32		スペーサ FL		
* * * * *	V8701700	P. C. B.	DSP	AX530	J	P C B D S P	
	V8701800	P. C. B.	DSP	V530, 5550	UCRTKABGL	P C B D S P	
	V8701900	P. C. B.	DSP	AX430	J	P C B D S P	
	V8702000	P. C. B.	DSP	V430, 5540	UCRTKABGL	P C B D S P	
CB602	VQ046400	CN. BS. PIN	35P SE			FFCコネクター	01
C600	US061220	C. CE. M. CHP	22pF 50V			チップセラコン	01
C601	US135100	C. CE. CHP	0. 1uF 16V	AX530, V530, 5550		チップセラコン	01
C602	US135100	C. CE. CHP	0. 1uF 16V	AX530, V530, 5550		チップセラコン	01
C603	US135100	C. CE. CHP	0. 1uF 16V	AX530, V530, 5550		チップセラコン	01
C604	US135100	C. CE. CHP	0. 1uF 16V	AX530, V530, 5550		チップセラコン	01
C605	US135100	C. CE. CHP	0. 1uF 16V	AX530, V530, 5550		チップセラコン	01
C606	UR847220	C. EL	22uF 25V			ケミコン	01
C607	UR819100	C. EL	1000uF 6. 3V	AX530, V530, 5550		ケミコン	01
C608	US135100	C. CE. CHP	0. 1uF 16V	AX530, V530, 5550		チップセラコン	01
C609	US135100	C. CE. CHP	0. 1uF 16V	AX530, V530, 5550		チップセラコン	01

\* New Parts \* 新規部品 (マーク#の部品は、基板に含まれません)

RX-V530/RX-V530RDS/HTR-5550/HTR-5550RDS/DSP-AX530  
RX-V430/RX-V430RDS/HTR-5540/HTR-5540RDS/DSP-AX430

P.C.B. DSP

Schm Ref.	PART NO.	Description	Remarks	Markets	部 品 名	Rank
C610	US061100	C. CE. M. CHP	10pF 50V		チップセラコン	01
C611	US135100	C. CE. CHP	0.1uF 16V		チップセラコン	01
C612	UR818100	C. EL	100uF 6.3V	J	ケミコン	01
C613	US062220	C. CE. CHP	220pF 50V		チップセラコン	01
C614	US063100	C. CE. M. CHP	1000pF 50V		チップセラコン	01
C615	US044220	C. CE. M. CHP	0.022uF 25V	AX530, V530, 5550	チップセラコン	01
C616	UR818100	C. EL	100uF 6.3V	J	ケミコン	01
C617	UR818100	C. EL	100uF 6.3V	J	ケミコン	01
C618	US061330	C. CE. M. CHP	33pF 50V	AX530, V530, 5550	チップセラコン	01
C619	US135100	C. CE. CHP	0.1uF 16V	J	チップセラコン	01
C620	US062100	C. CE. M. CHP	100pF 50V	J	チップセラコン	01
C621	US135100	C. CE. CHP	0.1uF 16V	J	チップセラコン	01
C622	UR819100	C. EL	1000uF 6.3V		ケミコン	01
C623	VJ599100	C. CE. TUBLR	0.1uF 50V		円筒セラコン	01
C626	US063100	C. CE. M. CHP	1000pF 50V	AX530, V530, 5550	チップセラコン	01
C627	US135100	C. CE. CHP	0.1uF 16V	AX530, V530, 5550	チップセラコン	01
C628	US135100	C. CE. CHP	0.1uF 16V		チップセラコン	01
C629	US061100	C. CE. M. CHP	10pF 50V	AX530, V530, 5550	チップセラコン	01
C630	US135100	C. CE. CHP	0.1uF 16V		チップセラコン	01
C631	US135100	C. CE. CHP	0.1uF 16V	AX530, V530, 5550	チップセラコン	01
C632	UR819100	C. EL	1000uF 6.3V		ケミコン	01
C633	UR818100	C. EL	100uF 6.3V	J	ケミコン	01
C634	UR819100	C. EL	1000uF 6.3V		ケミコン	01
C635	US135100	C. CE. CHP	0.1uF 16V	J	チップセラコン	01
C636	US135100	C. CE. CHP	0.1uF 16V		チップセラコン	01
C637	UR818100	C. EL	100uF 6.3V		ケミコン	01
C638	UR819100	C. EL	1000uF 6.3V		ケミコン	01
C639	US135100	C. CE. CHP	0.1uF 16V		チップセラコン	01
C640	US135100	C. CE. CHP	0.1uF 16V		チップセラコン	01
C641	US135100	C. CE. CHP	0.1uF 16V		チップセラコン	01
C642	US135100	C. CE. CHP	0.1uF 16V		チップセラコン	01
C643	UR818470	C. EL	470uF 6.3V		ケミコン	01
C644	UR818100	C. EL	100uF 6.3V		ケミコン	01
C645	US135100	C. CE. CHP	0.1uF 16V		チップセラコン	01
C646	US061330	C. CE. M. CHP	33pF 50V		チップセラコン	01
C647	US135100	C. CE. CHP	0.1uF 16V		チップセラコン	01
C648	US061330	C. CE. M. CHP	33pF 50V		チップセラコン	01
C649	US135100	C. CE. CHP	0.1uF 16V		チップセラコン	01
C650	UR818470	C. EL	470uF 6.3V		ケミコン	01
C651	US062470	C. CE. M. CHP	470pF 50V		チップセラコン	01
C652	US135100	C. CE. CHP	0.1uF 16V	J	チップセラコン	01
C653	UR818100	C. EL	100uF 6.3V	J	ケミコン	01
C654	US061470	C. CE. M. CHP	47pF 50V		チップセラコン	01
C656	US061470	C. CE. M. CHP	47pF 50V		チップセラコン	01
C657	US061470	C. CE. M. CHP	47pF 50V		チップセラコン	01
C658	US061470	C. CE. M. CHP	47pF 50V	J	チップセラコン	01
C660	US135100	C. CE. CHP	0.1uF 16V	J	チップセラコン	01
C661	US061470	C. CE. M. CHP	47pF 50V	J	チップセラコン	01
C663	US061470	C. CE. M. CHP	47pF 50V		チップセラコン	01
C664	US061470	C. CE. M. CHP	47pF 50V		チップセラコン	01
C665	UR818100	C. EL	100uF 6.3V		ケミコン	01
C666	US061470	C. CE. M. CHP	47pF 50V	J	チップセラコン	01
C667	US135100	C. CE. CHP	0.1uF 16V		チップセラコン	01

\* New Parts \* 新規部品(マーク#の部品は、基板に含まれません)

RX-V530/RX-V530RDS/HTR-5550/HTR-5550RDS/DSP-AX530  
RX-V430/RX-V430RDS/HTR-5540/HTR-5540RDS/DSP-AX430

P.C.B. DSP

Schm Ref.	PART NO.	Description	Remarks	Markets	部 品 名	Rank
C668	US135100	C. CE. CHP	0. 1uF 16V		チップセラコン	01
C669	US135100	C. CE. CHP	0. 1uF 16V		チップセラコン	01
C670	US063470	C. CE. CHP	4700pF 50V		チップセラコン	01
C671	US135100	C. CE. CHP	0. 1uF 16V	J	チップセラコン	01
C672	US135100	C. CE. CHP	0. 1uF 16V	J	チップセラコン	01
C673	UR818100	C. EL	100uF 6. 3V	J	ケミコン	01
C674	US135100	C. CE. CHP	0. 1uF 16V		チップセラコン	01
C675	UR818100	C. EL	100uF 6. 3V	J	ケミコン	01
C676	UR818100	C. EL	100uF 6. 3V	J	ケミコン	01
C677	US135100	C. CE. CHP	0. 1uF 16V	J	チップセラコン	01
C678	US063470	C. CE. CHP	4700pF 50V		チップセラコン	01
C679	UR818100	C. EL	100uF 6. 3V		ケミコン	01
C680	US135100	C. CE. CHP	0. 1uF 16V		チップセラコン	01
C681	US135100	C. CE. CHP	0. 1uF 16V		チップセラコン	01
C682	US135100	C. CE. CHP	0. 1uF 16V	J	チップセラコン	01
C683	US135100	C. CE. CHP	0. 1uF 16V	J	チップセラコン	01
C684	UR817470	C. EL	47uF 6. 3V	J	ケミコン	01
C685	UR866220	C. EL	2. 2uF 50V	J	ケミコン	01
C686	UR818100	C. EL	100uF 6. 3V	J	ケミコン	01
C687	UR818100	C. EL	100uF 6. 3V	J	ケミコン	01
C688	UR818100	C. EL	100uF 6. 3V		ケミコン	01
C689	US135100	C. CE. CHP	0. 1uF 16V		チップセラコン	01
C690	UR819100	C. EL	1000uF 6. 3V		ケミコン	01
C691	US135100	C. CE. CHP	0. 1uF 16V		チップセラコン	01
C692	US064100	C. CE. M. CHP	0. 01uF 50V	J	チップセラコン	01
C693	US062470	C. CE. M. CHP	470pF 50V	J	チップセラコン	01
C694	US135100	C. CE. CHP	0. 1uF 16V		チップセラコン	01
C695	UR819100	C. EL	1000uF 6. 3V		ケミコン	01
C696	US135100	C. CE. CHP	0. 1uF 16V	J	チップセラコン	01
C697	UR818100	C. EL	100uF 6. 3V	J	ケミコン	01
C698	US135100	C. CE. CHP	0. 1uF 16V		チップセラコン	01
C699	US061470	C. CE. M. CHP	47pF 50V		チップセラコン	01
C700	US061470	C. CE. M. CHP	47pF 50V		チップセラコン	01
C701	US061470	C. CE. M. CHP	47pF 50V		チップセラコン	01
C702	US061470	C. CE. M. CHP	47pF 50V		チップセラコン	01
C703	US061470	C. CE. M. CHP	47pF 50V		チップセラコン	01
C704	US061470	C. CE. M. CHP	47pF 50V		チップセラコン	01
C705	US061470	C. CE. M. CHP	47pF 50V		チップセラコン	01
C706	US061470	C. CE. M. CHP	47pF 50V		チップセラコン	01
C707	US061470	C. CE. M. CHP	47pF 50V		チップセラコン	01
C708	US061470	C. CE. M. CHP	47pF 50V		チップセラコン	01
C709	US061470	C. CE. M. CHP	47pF 50V		チップセラコン	01
C710	US061470	C. CE. M. CHP	47pF 50V		チップセラコン	01
C711	US135100	C. CE. CHP	0. 1uF 16V		チップセラコン	01
C712	US135100	C. CE. CHP	0. 1uF 16V		チップセラコン	01
C713	US135100	C. CE. CHP	0. 1uF 16V		チップセラコン	01
C714	US135100	C. CE. CHP	0. 1uF 16V		チップセラコン	01
C715	UR818100	C. EL	100uF 6. 3V		ケミコン	01
C716	UR818100	C. EL	100uF 6. 3V		ケミコン	01
C717	US135100	C. CE. CHP	0. 1uF 16V		チップセラコン	01
C718	US135100	C. CE. CHP	0. 1uF 16V		チップセラコン	01
C719	US135100	C. CE. CHP	0. 1uF 16V		チップセラコン	01
C720	UR866220	C. EL	2. 2uF 50V		ケミコン	01

\* New Parts \* 新規部品(マーク#の部品は、基板に含まれません)

P.C.B. DSP

Schm Ref.	PART NO.	Description	Remarks	Markets	部 品 名	Rank	
C721	UR828100	C. EL	100uF	10V		ケミコン	01
C730	UA653150	C. MYLAR	1500pF	50V		マイラーコン	01
C731	UA653150	C. MYLAR	1500pF	50V		マイラーコン	01
C736	UA652100	C. MYLAR	100pF	50V		マイラーコン	01
C737	UA652100	C. MYLAR	100pF	50V		マイラーコン	01
C742	UR847100	C. EL	10uF	25V		ケミコン	01
C743	UR866220	C. EL	2.2uF	50V		ケミコン	01
C744	UR866220	C. EL	2.2uF	50V		ケミコン	01
C745	UR847100	C. EL	10uF	25V		ケミコン	01
C746	UR866220	C. EL	2.2uF	50V		ケミコン	01
C747	UR866220	C. EL	2.2uF	50V		ケミコン	01
C756	UA652100	C. MYLAR	100pF	50V		マイラーコン	01
C757	UA652100	C. MYLAR	100pF	50V		マイラーコン	01
C758	UA652470	C. MYLAR	470pF	50V		マイラーコン	01
C759	UA652470	C. MYLAR	470pF	50V		マイラーコン	01
C760	UA652470	C. MYLAR	470pF	50V		マイラーコン	01
C761	UA652470	C. MYLAR	470pF	50V		マイラーコン	01
C762	UA652470	C. MYLAR	470pF	50V		マイラーコン	01
C763	UA652470	C. MYLAR	470pF	50V		マイラーコン	01
C764	UR847100	C. EL	10uF	25V		ケミコン	01
C765	UR847100	C. EL	10uF	25V		ケミコン	01
C766	UR866220	C. EL	2.2uF	50V		ケミコン	01
C767	UR866220	C. EL	2.2uF	50V		ケミコン	01
C768	UR866220	C. EL	2.2uF	50V		ケミコン	01
C769	UR866220	C. EL	2.2uF	50V		ケミコン	01
C770	UR847100	C. EL	10uF	25V		ケミコン	01
C771	US135100	C. CE. CHP	0.1uF	16V		チップセラコン	01
C772	UR847220	C. EL	22uF	25V		ケミコン	01
C773	UR847220	C. EL	22uF	25V		ケミコン	01
C774	UR837470	C. EL	47uF	16V		ケミコン	01
C775	UR837470	C. EL	47uF	16V		ケミコン	01
C776	UR837470	C. EL	47uF	16V		ケミコン	01
C777	UR837470	C. EL	47uF	16V		ケミコン	01
C778	US135100	C. CE. CHP	0.1uF	16V		チップセラコン	01
C779	US135100	C. CE. CHP	0.1uF	16V		チップセラコン	01
C780	US135100	C. CE. CHP	0.1uF	16V		チップセラコン	01
C781	US135100	C. CE. CHP	0.1uF	16V		チップセラコン	01
C782	US135100	C. CE. CHP	0.1uF	16V		チップセラコン	01
C791	US135100	C. CE. CHP	0.1uF	16V		チップセラコン	01
C793	US135100	C. CE. CHP	0.1uF	16V		チップセラコン	01
C794	US135100	C. CE. CHP	0.1uF	16V		チップセラコン	01
C795	US135100	C. CE. CHP	0.1uF	16V		チップセラコン	01
D600	VT332900	DIODE	1SS355			ダイオード	01
D601	VT332900	DIODE	1SS355			ダイオード	01
D602	VV220700	DIODE. SHOT	RB501V-40	AX530, V530, 5550		ショットキーダイオード	01
D603	VV220700	DIODE. SHOT	RB501V-40	AX530, V530, 5550		ショットキーダイオード	01
D604	VT332900	DIODE	1SS355			ダイオード	01
D605	VT332900	DIODE	1SS355			ダイオード	01
D606	VT332900	DIODE	1SS355			ダイオード	01
D607	VT332900	DIODE	1SS355			ダイオード	01
D608	VV220700	DIODE. SHOT	RB501V-40			ショットキーダイオード	01
D609	VV220700	DIODE. SHOT	RB501V-40			ショットキーダイオード	01
D610	VV220700	DIODE. SHOT	RB501V-40			ショットキーダイオード	01

\* New Parts \* 新規部品(マーク#の部品は、基板に含まれません)

RX-V530/RX-V530RDS/HTR-5550/HTR-5550RDS/DSP-AX530  
RX-V430/RX-V430RDS/HTR-5540/HTR-5540RDS/DSP-AX430

P.C.B. DSP

Schm Ref.	PART NO.	Description	Remarks	Markets	部 品 名	Rank
D611	VV220700	DIODE. SHOT	RB501V-40		ショットキーダイオード	01
D612	VV220700	DIODE. SHOT	RB501V-40		ショットキーダイオード	01
D613	VV220700	DIODE. SHOT	RB501V-40		ショットキーダイオード	01
D614	VV220700	DIODE. SHOT	RB501V-40		ショットキーダイオード	01
D615	VV220700	DIODE. SHOT	RB501V-40		ショットキーダイオード	01
G601	V8880000	TERM. GND	M3.5 RJP9899		アース端子	
G602	V8880000	TERM. GND	M3.5 RJP9899		アース端子	
G603	V8880000	TERM. GND	M3.5 RJP9899		アース端子	
IC600	X0238A00	IC	YSS938-F		IC	12
IC601	XV077A00	IC	MSM514260C-60JS		メモリ IC 4M	07
IC602	XZ003A00	IC	PQ025EZ5MZP 2.5V		電源 IC QFP	03
IC603	XU965A00	IC	uPC29M33T-E1 3.3V		電源 IC	03
IC604	X0202A00	IC	CS493292-CLR		IC	
IC605	XR038A00	IC	NJM2904M OP AMP	AX530, V530, 5550	IC	01
IC606	XY120A00	IC	TC74HCT00AF(EL) NA	AX530, V530, 5550	ロジック IC SOP	01
IC607	XD660A00	IC	TC74HCU04AF-TP1		IC	01
IC608	XW433A00	IC	CY62256LL-70SNCT		メモリ IC 256K	05
IC609	X0318C00	IC	XC9572XL-10TQ100C		IC	08
IC610	XZ012A00	IC	TC74HCT08AF(EL)		ロジック IC SOP	01
IC614	X0237A00	IC	AK4527BVQ		IC	
IC617	XF291A00	IC	uPC4570G2		IC	03
IC618	XF291A00	IC	uPC4570G2		IC	03
IC619	XF291A00	IC	uPC4570G2		IC	03
IC620	XF291A00	IC	uPC4570G2		IC	03
IC621	XF291A00	IC	uPC4570G2		IC	03
L600	V2726500	COIL	68uH	AX530, V530, 5550	コイル	01
L601	V2726500	COIL	68uH	AX530, V530, 5550	コイル	01
L602	V2726500	COIL	68uH		コイル	01
PJ600	V4483900	JACK. PIN	YKC21-3895		ピンジャック 1P	
Q601	VC124000	TR. DGT	DTA144EK		デジタルトランジスタ	03
Q602	VD303700	TR	2SC3326 A, B		トランジスタ	01
Q603	VD303700	TR	2SC3326 A, B		トランジスタ	01
Q604	VD303700	TR	2SC3326 A, B		トランジスタ	01
R613	HV753220	R. CAR. FP	2.2Ω 1/4W		不燃化カーボン抵抗	01
R661	HV753220	R. CAR. FP	2.2Ω 1/4W		不燃化カーボン抵抗	01
R684	HV753220	R. CAR. FP	2.2Ω 1/4W		不燃化カーボン抵抗	01
R692	HV753100	R. CAR. FP	1Ω 1/4W		不燃化カーボン抵抗	01
R693	HV753100	R. CAR. FP	1Ω 1/4W		不燃化カーボン抵抗	01
R694	VU224000	R. MTL. FLM	0.22Ω 1W		金属被膜抵抗	01
R717	HV753220	R. CAR. FP	2.2Ω 1/4W		不燃化カーボン抵抗	01
R730	HV753220	R. CAR. FP	2.2Ω 1/4W		不燃化カーボン抵抗	01
R776	HV753220	R. CAR. FP	2.2Ω 1/4W		不燃化カーボン抵抗	01
R777	HV753220	R. CAR. FP	2.2Ω 1/4W		不燃化カーボン抵抗	01
R794	HV753100	R. CAR. FP	1Ω 1/4W		不燃化カーボン抵抗	01
U600	V6022800	CN. FBRLINK	1P GP1FA551TZ	AX530, V530, 5550	光ファイバデータリンク	03
U601	V5478200	CN. PHOT. SN	1P GP1FA551RZ	AX530, V530, 5550	光ファイバ受信器	06
U602	V5478200	CN. PHOT. SN	1P GP1FA551RZ		光ファイバ受信器	06
U603	V5478200	CN. PHOT. SN	1P GP1FA551RZ	AX530, V530, 5550	光ファイバ受信器	06
XL600	V3625700	RSNR. CRYST	24.576MHz		水晶振動子	03

\* New Parts \* 新規部品(マーク#の部品は、基板に含まれません)

RX-V530/RX-V530RDS/HTR-5550/HTR-5550RDS/DSP-AX530  
 RX-V430/RX-V430RDS/HTR-5540/HTR-5540RDS/DSP-AX430

P.C.B. VIDEO

Schm Ref.	PART NO.	Description	Remarks	Markets	部 品 名	Rank
	V8706100	P. C. B.	VIDEO	AX530, V530, 5550	P C B ビデオ	
CB801	V7827100	SOCKET	4P TE TUC SERIES		コネクタースocket	
CB901	V7827100	SOCKET	4P TE TUC SERIES		コネクタースocket	
C801	US062100	C. CE. M. CHP	100pF 50V		チップセラコン	01
C802	US062100	C. CE. M. CHP	100pF 50V		チップセラコン	01
C803	UR877100	C. EL	10uF 63V		ケミコン	01
C804	UR877100	C. EL	10uF 63V		ケミコン	01
C805	UR877100	C. EL	10uF 63V		ケミコン	01
C806	US062100	C. CE. M. CHP	100pF 50V		チップセラコン	01
C807	US062100	C. CE. M. CHP	100pF 50V		チップセラコン	01
C808	UR877100	C. EL	10uF 63V		ケミコン	01
C809	UR877100	C. EL	10uF 63V		ケミコン	01
C810	UR877100	C. EL	10uF 63V		ケミコン	01
C811	UR867330	C. EL	33uF 50V		ケミコン	01
C812	UR829100	C. EL	1000uF 10V		ケミコン	01
C813	UR867330	C. EL	33uF 50V		ケミコン	01
C814	UR829100	C. EL	1000uF 10V		ケミコン	01
C815	US063100	C. CE. M. CHP	1000pF 50V		チップセラコン	01
C816	US063100	C. CE. M. CHP	1000pF 50V		チップセラコン	01
C819	UR877100	C. EL	10uF 63V		ケミコン	01
C820	US062100	C. CE. M. CHP	100pF 50V		チップセラコン	01
C821	US062100	C. CE. M. CHP	100pF 50V		チップセラコン	01
C901	US062100	C. CE. M. CHP	100pF 50V		チップセラコン	01
C902	US062100	C. CE. M. CHP	100pF 50V		チップセラコン	01
C903	US062100	C. CE. M. CHP	100pF 50V		チップセラコン	01
C904	US135100	C. CE. CHP	0. 1uF 16V		チップセラコン	01
C905	US135100	C. CE. CHP	0. 1uF 16V		チップセラコン	01
C906	UR877100	C. EL	10uF 63V		ケミコン	01
C907	UR877100	C. EL	10uF 63V		ケミコン	01
IC801	XH436A00	IC	LA7956		IC	03
IC802	XH436A00	IC	LA7956		IC	03
IC901	XZ177A00	IC	LA7104M VIDEO AMP		アンプIC SOP	04
IC902	XY877A00	IC	MM74HC4053SJX		ロジックIC SOP	
JK801	VU245200	CN. DIN	1P		DINコネクタ	02
JK802	VP113600	CN. DIN	2P		DINコネクタ	03
JK803	VP113600	CN. DIN	2P		DINコネクタ	03
PJ901	V8143900	JACK PIN	SHIELD YKC21-4348		ピンジャック 9 P	04
Q801	iC1815I0	TR	2SC1815 Y		トランジスタ	01
Q802	iC1815I0	TR	2SC1815 Y		トランジスタ	01
Q803	iC1815I0	TR	2SC1815 Y		トランジスタ	01
Q804	iC1815I0	TR	2SC1815 Y		トランジスタ	01
Q805	iC1815I0	TR	2SC1815 Y		トランジスタ	01
Q806	iC1815I0	TR	2SC1815 Y		トランジスタ	01
Q901	VD303700	TR	2SC3326 A, B		トランジスタ	01
R827	HV753220	R. CAR. FP	2. 2Ω 1/4W		不燃化カーボン抵抗	01

\* New Parts \* 新規部品(マーク#の部品は、基板に含まれません)

RX-V530/RX-V530RDS/HTR-5550/HTR-5550RDS/DSP-AX530  
 RX-V430/RX-V430RDS/HTR-5540/HTR-5540RDS/DSP-AX430

P.C.B. MAIN

Schm Ref.	PART NO.	Description	Remarks	Markets	部 品 名	Rank	
*	V8700500	P. C. B.	MAIN	AX530	J	P C B メイン	
*	V8700600	P. C. B.	MAIN	V530, 5550	UC	P C B メイン	
*	V8700700	P. C. B.	MAIN	V530, 5550	RTKA	P C B メイン	
*	V8700800	P. C. B.	MAIN	V530, 5550	BG	P C B メイン	
*	V8700900	P. C. B.	MAIN	V530, 5550	L	P C B メイン	
*	V8701000	P. C. B.	MAIN	AX430	J	P C B メイン	
*	V8701100	P. C. B.	MAIN	V430, 5540	UC	P C B メイン	
*	V8701200	P. C. B.	MAIN	V430, 5540	RTKA	P C B メイン	
*	V8700800	P. C. B.	MAIN	V430, 5540	BG	P C B メイン	
*	V8701400	P. C. B.	MAIN	V430, 5540	L	P C B メイン	
*	CB101	V7826600	CN	16P TE TUC SERIES		コネクタープラグ	01
*	CB102	V7826300	CN	13P TE TUC SERIES		コネクタープラグ	
	CB103	Vi878200	CN. BS. PIN	4P		ケーブルホルダー	01
	CB104	Vi878500	CN. BS. PIN	7P		ケーブルホルダー	01
	CB105	VR428800	CN. BS. PIN	3P		ケーブルホルダー	01
	CB110	VR428800	CN. BS. PIN	3P		ケーブルホルダー	01
	CB112	VR428800	CN. BS. PIN	3P		ケーブルホルダー	01
	CB251	V7828300	SOCKET	16P TE TUC SERIES		コネクターソケット	01
*	CB252	V7828000	SOCKET	13P TE TUC SERIES		コネクターソケット	
*	CB253	VQ046500	CN. BS. PIN	36P SE		F F C コネクター	01
	CB254	Vi878700	CN. BS. PIN	9P		ケーブルホルダー	01
	CB332	VR428900	CN. BS. PIN	4P	AX530, V530, 5550	ケーブルホルダー	01
	CB333	VR428800	CN. BS. PIN	3P	AX530, V530, 5550	ケーブルホルダー	01
	CB351	VR428800	CN. BS. PIN	3P	AX530, V530, 5550	ケーブルホルダー	01
	CB352	VQ584700	CN. BS. PIN	5P	AX530, V530, 5550	ケーブルホルダー	01
	CB353	VR428800	CN. BS. PIN	3P	AX530, V530, 5550	ケーブルホルダー	01
	CB371	Vi878200	CN. BS. PIN	4P		ケーブルホルダー	01
	CB381	VK025100	CN. BS. PIN	7P		ワイヤートラップ	01
	CB382	VK024700	CN. BS. PIN	3P		ワイヤートラップ	01
	CB384	VQ585200	CN. BS. PIN	10P		ケーブルホルダー	
	CB385	VQ585200	CN. BS. PIN	10P		ケーブルホルダー	
	CB386	VQ584700	CN. BS. PIN	5P		ケーブルホルダー	01
	CB391	VR428800	CN. BS. PIN	3P	AX430, V430, 5540	ケーブルホルダー	01
	CB392	VR428800	CN. BS. PIN	3P	AX430, V430, 5540	ケーブルホルダー	01
	CB393	VR428800	CN. BS. PIN	3P	AX430, V430, 5540	ケーブルホルダー	01
	CB394	VQ584700	CN. BS. PIN	5P	AX430, V430, 5540	ケーブルホルダー	01
	CB401	Vi878700	CN. BS. PIN	9P		ケーブルホルダー	01
*	CB402	V7825600	CN	6P TE TUC SERIES		コネクタープラグ	
	C101	UR867470	C. EL	47uF 50V		ケミコン	01
	C102	VR325000	C. MYLAR	100pF 100V		マイラーコン	01
	C103	UR847470	C. EL	47uF 25V		ケミコン	01
	C104	VR325000	C. MYLAR	100pF 100V		マイラーコン	01
	C105	VK399200	C. MYLAR. ML	0.39uF 50V		積層マイラーコン	01
	C106	UA654680	C. MYLAR	0.068uF 50V		マイラーコン	02
	C107	UR867470	C. EL	47uF 50V		ケミコン	01
	C108	VR325000	C. MYLAR	100pF 100V		マイラーコン	01
	C109	UR847470	C. EL	47uF 25V		ケミコン	01
	C110	VR325000	C. MYLAR	100pF 100V		マイラーコン	01
	C111	VK399200	C. MYLAR. ML	0.39uF 50V		積層マイラーコン	01
	C112	UA654680	C. MYLAR	0.068uF 50V		マイラーコン	02
	C113	UR867470	C. EL	47uF 50V		ケミコン	01
	C114	VR325000	C. MYLAR	100pF 100V		マイラーコン	01
	C115	UR847470	C. EL	47uF 25V		ケミコン	01

\* New Parts \* 新規部品(マーク#の部品は、基板に含まれません)

RX-V530/RX-V530RDS/HTR-5550/HTR-5550RDS/DSP-AX530  
 RX-V430/RX-V430RDS/HTR-5540/HTR-5540RDS/DSP-AX430



P.C.B. MAIN

Schm Ref.	PART NO.	Description	Remarks	Markets	部 品 名	Rank
C116	VR325000	C. MYLAR	100pF	100V	マイラーコン	01
C117	UA654680	C. MYLAR	0.068uF	50V	マイラーコン	02
C118	UR867470	C. EL	47uF	50V	ケミコン	01
C119	VR325000	C. MYLAR	100pF	100V	マイラーコン	01
C120	UR847470	C. EL	47uF	25V	ケミコン	01
C121	VR325000	C. MYLAR	100pF	100V	マイラーコン	01
C122	UA654680	C. MYLAR	0.068uF	50V	マイラーコン	02
C123	UR867470	C. EL	47uF	50V	ケミコン	01
C124	VR325000	C. MYLAR	100pF	100V	マイラーコン	01
C125	UR847470	C. EL	47uF	25V	ケミコン	01
C126	VR325000	C. MYLAR	100pF	100V	マイラーコン	01
C127	UA654680	C. MYLAR	0.068uF	50V	マイラーコン	02
C128	UR877220	C. EL	22uF	63V	ケミコン	01
* C129	UR876470	C. EL	4.7uF	63V	ケミコン	
C130	VT898000	C. MYLAR	0.1uF	100V	マイラーコン	
C131	VT898000	C. MYLAR	0.1uF	100V	マイラーコン	
* C132	UR866470	C. EL	4.7uF	50V	ケミコン	01
* C133	V8584600	C. PP	220pF	630V	P P コン	
C134	UR847470	C. EL	47uF	25V	ケミコン	01
C135	UR818100	C. EL	100uF	6.3V	ケミコン	01
C136	UR866470	C. EL	4.7uF	50V	ケミコン	01
C137	UR866470	C. EL	4.7uF	50V	ケミコン	01
C251	UR877220	C. EL	22uF	63V	ケミコン	01
C252	UR877220	C. EL	22uF	63V	ケミコン	01
C253	UR877100	C. EL	10uF	63V	ケミコン	01
C254	VQ462600	C. MYLAR	220pF	50V	マイラーコン	01
C255	VQ462600	C. MYLAR	220pF	50V	マイラーコン	01
C256	UA653100	C. MYLAR	1000pF	50V	マイラーコン	03
C257	UR868100	C. EL	100uF	50V	ケミコン	01
* C258	V8584300	C. PP	33pF	630V	P P コン	
C259	UR877100	C. EL	10uF	63V	ケミコン	01
C260	VQ462600	C. MYLAR	220pF	50V	マイラーコン	01
C261	VQ462600	C. MYLAR	220pF	50V	マイラーコン	01
C262	UA653100	C. MYLAR	1000pF	50V	マイラーコン	03
C263	UR868100	C. EL	100uF	50V	ケミコン	01
* C264	V8584300	C. PP	33pF	630V	P P コン	
C265	UR877100	C. EL	10uF	63V	ケミコン	01
C266	UA652220	C. MYLAR	220pF	50V	マイラーコン	01
C267	UA652220	C. MYLAR	220pF	50V	マイラーコン	01
C268	UA653100	C. MYLAR	1000pF	50V	マイラーコン	03
C269	UR857470	C. EL	47uF	35V	ケミコン	01
C270	VS696700	C. CE	33pF	500V	セラコン	01
C271	UR877100	C. EL	10uF	63V	ケミコン	01
C272	UA652220	C. MYLAR	220pF	50V	マイラーコン	01
C273	UA652220	C. MYLAR	220pF	50V	マイラーコン	01
C274	UA653100	C. MYLAR	1000pF	50V	マイラーコン	03
C275	UR857470	C. EL	47uF	35V	ケミコン	01
C276	VS696700	C. CE	33pF	500V	セラコン	01
C277	UR877100	C. EL	10uF	63V	ケミコン	01
C278	VQ462600	C. MYLAR	220pF	50V	マイラーコン	01
C279	UA652220	C. MYLAR	220pF	50V	マイラーコン	01
C280	UA653100	C. MYLAR	1000pF	50V	マイラーコン	03
C281	UR867470	C. EL	47uF	50V	ケミコン	01

\* New Parts \* 新規部品(マーク#の部品は、基板に含まれません)

RX-V530/RX-V530RDS/HTR-5550/HTR-5550RDS/DSP-AX530  
RX-V430/RX-V430RDS/HTR-5540/HTR-5540RDS/DSP-AX430

P.C.B. MAIN

Schm Ref.	PART NO.	Description	Remarks	Markets	部 品 名	Rank
* C282	V8584300	C. PP	33pF 630V		P P コン	
C283	UT653100	C. PP	1000pF 100V		P P コン	01
C284	UR838100	C. EL	100uF 16V		ケミコン	01
C341	UA654220	C. MYLAR	0.022uF 50V	V530, 5550, 430RDS, 5540RDS	RTKABGL マイラーコン	01
C342	UA654220	C. MYLAR	0.022uF 50V	V530, 5550, 430RDS, 5540RDS	RTKABGL マイラーコン	01
C343	UA654100	C. MYLAR	0.01uF 50V	V530, 5550, 430RDS, 5540RDS	RTKABGL マイラーコン	01
C344	UA654100	C. MYLAR	0.01uF 50V	V530, 5550, 430RDS, 5540RDS	RTKABGL マイラーコン	01
C351	UA654220	C. MYLAR	0.022uF 50V	V530, 5550, 430RDS, 5540RDS	RTKABGL マイラーコン	01
C353	UA654220	C. MYLAR	0.022uF 50V	V530, 5550, 430RDS, 5540RDS	RTKABGL マイラーコン	01
C354	UA654220	C. MYLAR	0.022uF 50V	V530, 5550, 430RDS, 5540RDS	RTKABGL マイラーコン	01
C371	UA654100	C. MYLAR	0.01uF 50V		RTKABGL マイラーコン	01
C372	UA654100	C. MYLAR	0.01uF 50V		RTKABGL マイラーコン	01
C373	UA654100	C. MYLAR	0.01uF 50V		RTKABGL マイラーコン	01
C374	UA654100	C. MYLAR	0.01uF 50V		RTKABGL マイラーコン	01
C375	UA653100	C. MYLAR	1000pF 50V		マイラーコン	03
C376	UA654100	C. MYLAR	0.01uF 50V		RTKABGL マイラーコン	01
△ C381	V4926300	C. EL	8200uF 63V		ケミコン	
△ C382	V4926300	C. EL	8200uF 63V		ケミコン	
C384	VT898000	C. MYLAR	0.1uF 100V		マイラーコン	
C385	VT898000	C. MYLAR	0.1uF 100V		マイラーコン	
C386	VG291300	C. EL	100uF 50V		ケミコン	01
C387	VG291300	C. EL	100uF 50V		ケミコン	01
C388	UA655100	C. MYLAR	0.1uF 50V		マイラーコン	01
C389	UA655100	C. MYLAR	0.1uF 50V		マイラーコン	01
C390	UA654220	C. MYLAR	0.22uF 50V		RTKAL マイラーコン	01
C391	UA654220	C. MYLAR	0.22uF 50V		RTKAL マイラーコン	01
C392	UA654220	C. MYLAR	0.22uF 50V		RTKAL マイラーコン	01
C395	UA654220	C. MYLAR	0.22uF 50V		RTKAL マイラーコン	01
C399	UA654220	C. MYLAR	0.22uF 50V		RTKAL マイラーコン	01
C401	VG287600	C. EL	100uF 25V		ケミコン	01
C402	VG287600	C. EL	100uF 25V		ケミコン	01
C403	VG288500	C. EL	10uF 25V		ケミコン	01
C404	VG288500	C. EL	10uF 25V		ケミコン	01
C405	UR838100	C. EL	100uF 16V		ケミコン	01
C406	UR838100	C. EL	100uF 16V		ケミコン	01
C407	UR877100	C. EL	10uF 63V		ケミコン	01
C408	UR877100	C. EL	10uF 63V		ケミコン	01
C409	UR838100	C. EL	100uF 16V		ケミコン	01
C410	UR877100	C. EL	10uF 63V		ケミコン	01
C411	VD930900	C. CE. SMI	0.1uF 25V		半導体セラコン	01
C421	UA654100	C. MYLAR	0.01uF 50V		RTKAL マイラーコン	01
C422	UA654100	C. MYLAR	0.01uF 50V		RTKAL マイラーコン	01
D101	VN008700	DIODE	1SS270A		ダイオード	01
D102	VN008700	DIODE	1SS270A		ダイオード	01
D103	VN008700	DIODE	1SS270A		ダイオード	01
D104	VN008700	DIODE	1SS270A		ダイオード	01
D105	VN008700	DIODE	1SS270A		ダイオード	01
D106	VN008700	DIODE	1SS270A		ダイオード	01
D107	VN008700	DIODE	1SS270A		ダイオード	01
D108	VN008700	DIODE	1SS270A		ダイオード	01
D109	VN008700	DIODE	1SS270A		ダイオード	01
D110	VN008700	DIODE	1SS270A		ダイオード	01
D111	VD631600	DIODE	1SS133, 176		ダイオード	01

\* New Parts \* 新規部品(マーク#の部品は、基板に含まれません)

RX-V530/RX-V530RDS/HTR-5550/HTR-5550RDS/DSP-AX530  
 RX-V430/RX-V430RDS/HTR-5540/HTR-5540RDS/DSP-AX430

P.C.B. MAIN

Schm Ref.	PART NO.	Description	Remarks	Markets	部 品 名	Rank
D112	VD631600	DIODE	1SS133, 176		ダイオード	01
D113	VD631600	DIODE	1SS133, 176		ダイオード	01
D114	VD631600	DIODE	1SS133, 176		ダイオード	01
D115	VG440300	DIODE. ZENR	MTZJ12C 12V		ツェナーダイオード	01
D116	VG440300	DIODE. ZENR	MTZJ12C 12V		ツェナーダイオード	01
D117	VN008700	DIODE	1SS270A		ダイオード	01
D118	VN008700	DIODE	1SS270A		ダイオード	01
D119	VG437200	DIODE. ZENR	MTZJ4.7C 4.7V		ツェナーダイオード	01
D120	VG440300	DIODE. ZENR	MTZJ12C 12V		ツェナーダイオード	01
D121	VG440300	DIODE. ZENR	MTZJ12C 12V		ツェナーダイオード	01
D122	VG443200	DIODE. ZENR	MTZJ30A 30V		ツェナーダイオード	01
D123	VN008700	DIODE	1SS270A		ダイオード	01
D124	VN008700	DIODE	1SS270A		ダイオード	01
D125	VN008700	DIODE	1SS270A		ダイオード	01
D127	VG440300	DIODE. ZENR	MTZJ12C 12V		ツェナーダイオード	01
D128	VG440300	DIODE. ZENR	MTZJ12C 12V		ツェナーダイオード	01
D129	VG440300	DIODE. ZENR	MTZJ12C 12V		ツェナーダイオード	01
D130	VG440300	DIODE. ZENR	MTZJ12C 12V		ツェナーダイオード	01
D251	VD631600	DIODE	1SS133, 176		ダイオード	01
D252	VG440300	DIODE. ZENR	MTZJ12C 12V		ツェナーダイオード	01
D253	VG438300	DIODE. ZENR	MTZJ6.8B 6.8V	UCRTRKABGL	ツェナーダイオード	01
D254	VG439600	DIODE. ZENR	MTZJ10C 10V	J	ツェナーダイオード	01
D254	VG440300	DIODE. ZENR	MTZJ12C 12V	UCRTRKABGL	ツェナーダイオード	01
D255	VD631600	DIODE	1SS133, 176		ダイオード	01
D256	VD631600	DIODE	1SS133, 176		ダイオード	01
D257	VG440300	DIODE. ZENR	MTZJ12C 12V		ツェナーダイオード	01
D371	VD631600	DIODE	1SS133, 176		ダイオード	01
D372	VD631600	DIODE	1SS133, 176		ダイオード	01
D373	VG439200	DIODE. ZENR	MTZJ9.1B 9.1V		ツェナーダイオード	01
△ D381	VM702000	DIODE. BRG	S5VB20 3.5A 200V		ダイオード	04
△ D382	VS997800	DIODE	1T2		ダイオード	01
△ D383	VS997800	DIODE	1T2		ダイオード	01
△ D384	VS997800	DIODE	1T2		ダイオード	01
△ D385	VS997800	DIODE	1T2		ダイオード	01
G381	V8880000	TERM. GND	M3.5 RJP9899		アース端子	
△ IC401	XJ608A00	IC	NJM7812FA		I C	02
△ IC402	XD343A00	IC	NJM79M12FA		I C	03
△ IC403	XJ607A00	IC	NJM7805FA 5V		I C	02
△ IC404	XE436A00	IC	NJM79M05FA		I C	03
△ IC405	XJ607A00	IC	NJM7805FA 5V		I C	02
△ IC406	X0515A00	IC	LM61CIZ THERMAL		電源 I C	
JK371	V4164400	JACK. PHONE	YKB21-5209		ホンジャック	03
L101	VU038200	COIL	0.95uH		空芯コイル	02
L102	VU038200	COIL	0.95uH		空芯コイル	02
L103	V2604200	COIL	1uH		空芯コイル	01
L104	V2604200	COIL	1uH		空芯コイル	01
L105	V2604200	COIL	1uH		空芯コイル	01
PN101	V3750200	PIN	L=70		スタイルピン	
PN102	V3750200	PIN	L=70		スタイルピン	
PN251	V3750200	PIN	L=70		スタイルピン	
PN331	V3750200	PIN	L=70		スタイルピン	
PN351	V3750200	PIN	L=70		スタイルピン	
PN395	V3750200	PIN	L=70		スタイルピン	

\* New Parts \* 新規部品(マーク#の部品は、基板に含まれません)

RX-V530/RX-V530RDS/HTR-5550/HTR-5550RDS/DSP-AX530  
 RX-V430/RX-V430RDS/HTR-5540/HTR-5540RDS/DSP-AX430

P.C.B. MAIN

Schm Ref.	PART NO.	Description	Remarks	Markets	部 品 名	Rank
▲ Q101	VK432900	TR 2SD1915F S, T			トランジスタ	01
▲ Q102	V4096100	TR 2SC4614 S, T			トランジスタ	02
▲ Q103	V4096000	TR 2SA1770 S, T			トランジスタ	03
▲ Q104A	iX630850	TR 2SA1695 O, P, Y			トランジスタ	04
▲ Q104C	iX630860	TR 2SC4468 O, P, Y			トランジスタ	04
▲ Q105	VP883100	TR 2SC1890A D, E			トランジスタ	01
▲ Q106	VK432900	TR 2SD1915F S, T			トランジスタ	01
▲ Q107	V4096100	TR 2SC4614 S, T			トランジスタ	02
▲ Q108	V4096000	TR 2SA1770 S, T			トランジスタ	03
▲ Q109A	iX630850	TR 2SA1695 O, P, Y			トランジスタ	04
▲ Q109C	iX630860	TR 2SC4468 O, P, Y			トランジスタ	04
▲ Q110	VP883100	TR 2SC1890A D, E			トランジスタ	01
▲ Q111	VK432900	TR 2SD1915F S, T			トランジスタ	01
▲ Q112	V4096100	TR 2SC4614 S, T			トランジスタ	02
▲ Q113	V4096000	TR 2SA1770 S, T			トランジスタ	03
▲ Q114A	iX630850	TR 2SA1695 O, P, Y			トランジスタ	04
▲ Q114C	iX630860	TR 2SC4468 O, P, Y			トランジスタ	04
▲ Q115	VP883100	TR 2SC1890A D, E			トランジスタ	01
▲ Q116	VK432900	TR 2SD1915F S, T			トランジスタ	01
▲ Q117	V4096100	TR 2SC4614 S, T			トランジスタ	02
▲ Q118	V4096000	TR 2SA1770 S, T			トランジスタ	03
▲ Q119A	iX630850	TR 2SA1695 O, P, Y			トランジスタ	04
▲ Q119C	iX630860	TR 2SC4468 O, P, Y			トランジスタ	04
▲ Q120	VP883100	TR 2SC1890A D, E			トランジスタ	01
▲ Q121	VK432900	TR 2SD1915F S, T			トランジスタ	01
▲ Q122	VP883000	TR 2SA893A D, E			トランジスタ	01
▲ Q123	V4096100	TR 2SC4614 S, T			トランジスタ	02
▲ Q124	V4096000	TR 2SA1770 S, T			トランジスタ	03
▲ Q125A	iX630850	TR 2SA1695 O, P, Y			トランジスタ	04
▲ Q125C	iX630860	TR 2SC4468 O, P, Y			トランジスタ	04
▲ Q126	VP883100	TR 2SC1890A D, E			トランジスタ	01
▲ Q127	VS883300	TR 2SB1565 E, F			トランジスタ	02
▲ Q128	VP883000	TR 2SA893A D, E			トランジスタ	01
▲ Q129	iC1815I0	TR 2SC1815 Y			トランジスタ	01
▲ Q130	VP883000	TR 2SA893A D, E			トランジスタ	01
▲ Q131	iC1815I0	TR 2SC1815 Y			トランジスタ	01
▲ Q132	iC1815I0	TR 2SC1815 Y			トランジスタ	01
▲ Q133	iA1015I0	TR 2SA1015 Y			トランジスタ	01
▲ Q134	iC1815I0	TR 2SC1815 Y			トランジスタ	01
▲ Q137	VP883100	TR 2SC1890A D, E			トランジスタ	01
▲ Q138	VP883100	TR 2SC1890A D, E			トランジスタ	01
▲ Q251	VP883100	TR 2SC1890A D, E		UCRTKABGL	トランジスタ	01
▲ Q252	VR510800	TR 2SD2396 J, K			トランジスタ	02
▲ Q253	VP883100	TR 2SC1890A D, E			トランジスタ	01
▲ Q254	VP883100	TR 2SC1890A D, E			トランジスタ	01
▲ Q255	VP883100	TR 2SC1890A D, E			トランジスタ	01
▲ Q256	V3966800	TR 2SB949 O, Y			トランジスタ	
▲ Q257	VP883100	TR 2SC1890A D, E			トランジスタ	01
▲ Q258	VP883100	TR 2SC1890A D, E			トランジスタ	01
▲ Q259	V3966800	TR 2SB949 O, Y			トランジスタ	
▲ Q260	VP883100	TR 2SC1890A D, E			トランジスタ	01
▲ Q261	VP883100	TR 2SC1890A D, E			トランジスタ	01
▲ Q262	V3966800	TR 2SB949 O, Y			トランジスタ	

\* New Parts \* 新規部品 (マーク#の部品は、基板に含まれません)

RX-V530/RX-V530RDS/HTR-5550/HTR-5550RDS/DSP-AX530  
 RX-V430/RX-V430RDS/HTR-5540/HTR-5540RDS/DSP-AX430

P.C.B. MAIN

Schm Ref.	PART NO.	Description	Remarks	Markets	部 品 名	Rank
Q263	VP883100	TR	2SC1890A D, E		トランジスタ	01
Q264	VP883100	TR	2SC1890A D, E		トランジスタ	01
Q265	V3966800	TR	2SB949 0, Y		トランジスタ	
Q266	VP883100	TR	2SC1890A D, E		トランジスタ	01
Q267	VP883100	TR	2SC1890A D, E		トランジスタ	01
Q268	V3966800	TR	2SB949 0, Y		トランジスタ	
* R101	HL006270	R. MTL. OXD	2.7K $\Omega$ 1/2W		酸化金属被膜抵抗	
* R102	HL005390	R. MTL. OXD	390 $\Omega$ 1/2W		酸化金属被膜抵抗	
* R103	HL005820	R. MTL. OXD	820 $\Omega$ 1/2W		酸化金属被膜抵抗	
* R104	V8072100	R. MTL. OXD	5.6K $\Omega$ 1W		酸化金属被膜抵抗	
* R105	V8072100	R. MTL. OXD	5.6K $\Omega$ 1W		酸化金属被膜抵抗	
* R106	HL006100	R. MTL. OXD	1K $\Omega$ 1/2W		酸化金属被膜抵抗	
R107	HV755100	R. CAR. FP	100 $\Omega$ 1/4W		不燃化カーボン抵抗	01
* $\Delta$ R108	V8071100	R. MTL. FLM	220 $\Omega$ 1W		金属被膜抵抗	
* $\Delta$ R109	V8070200	R. MTL. FLM	4.7 $\Omega$ 1W		金属被膜抵抗	
* $\Delta$ R111	V8070200	R. MTL. FLM	4.7 $\Omega$ 1W		金属被膜抵抗	
$\Delta$ R113	V3873200	R. WW	0.22 $\Omega$ 3W		セメント抵抗	
* $\Delta$ R117	V8070300	R. MTL. FLM	10 $\Omega$ 1W		金属被膜抵抗	
R119	HV754100	R. CAR. FP	10 $\Omega$ 1/4W		不燃化カーボン抵抗	01
* R121	HL006270	R. MTL. OXD	2.7K $\Omega$ 1/2W		酸化金属被膜抵抗	
* R122	HL005390	R. MTL. OXD	390 $\Omega$ 1/2W		酸化金属被膜抵抗	
* R123	HL005820	R. MTL. OXD	820 $\Omega$ 1/2W		酸化金属被膜抵抗	
* R124	V8072100	R. MTL. OXD	5.6K $\Omega$ 1W		酸化金属被膜抵抗	
* R125	V8072100	R. MTL. OXD	5.6K $\Omega$ 1W		酸化金属被膜抵抗	
* R126	HL006100	R. MTL. OXD	1K $\Omega$ 1/2W		酸化金属被膜抵抗	
R127	HV755100	R. CAR. FP	100 $\Omega$ 1/4W		不燃化カーボン抵抗	01
* $\Delta$ R128	V8071100	R. MTL. FLM	220 $\Omega$ 1W		金属被膜抵抗	
* $\Delta$ R129	V8070200	R. MTL. FLM	4.7 $\Omega$ 1W		金属被膜抵抗	
* $\Delta$ R131	V8070200	R. MTL. FLM	4.7 $\Omega$ 1W		金属被膜抵抗	
$\Delta$ R133	V3873200	R. WW	0.22 $\Omega$ 3W		セメント抵抗	
* $\Delta$ R137	V8070300	R. MTL. FLM	10 $\Omega$ 1W		金属被膜抵抗	
R139	HV754100	R. CAR. FP	10 $\Omega$ 1/4W		不燃化カーボン抵抗	01
* R141	HL006270	R. MTL. OXD	2.7K $\Omega$ 1/2W		酸化金属被膜抵抗	
* R142	HL005390	R. MTL. OXD	390 $\Omega$ 1/2W		酸化金属被膜抵抗	
* R143	HL005820	R. MTL. OXD	820 $\Omega$ 1/2W		酸化金属被膜抵抗	
* R144	V8072100	R. MTL. OXD	5.6K $\Omega$ 1W		酸化金属被膜抵抗	
* R145	V8072100	R. MTL. OXD	5.6K $\Omega$ 1W		酸化金属被膜抵抗	
* R146	HL006100	R. MTL. OXD	1K $\Omega$ 1/2W		酸化金属被膜抵抗	
R147	HV755100	R. CAR. FP	100 $\Omega$ 1/4W		不燃化カーボン抵抗	01
* $\Delta$ R148	V8071100	R. MTL. FLM	220 $\Omega$ 1W		金属被膜抵抗	
$\Delta$ R149	HV754100	R. CAR. FP	10 $\Omega$ 1/4W		不燃化カーボン抵抗	01
$\Delta$ R150	HV754100	R. CAR. FP	10 $\Omega$ 1/4W		不燃化カーボン抵抗	01
$\Delta$ R151	VU981700	R. MTL. PLAT	0.22 $\Omega$ +0.22 3W		金属板抵抗	02
* $\Delta$ R155	V8070300	R. MTL. FLM	10 $\Omega$ 1W		金属被膜抵抗	
R158	HV754100	R. CAR. FP	10 $\Omega$ 1/4W		不燃化カーボン抵抗	01
* R159	HL006270	R. MTL. OXD	2.7K $\Omega$ 1/2W		酸化金属被膜抵抗	
* R160	HL005390	R. MTL. OXD	390 $\Omega$ 1/2W		酸化金属被膜抵抗	
* R161	HL005820	R. MTL. OXD	820 $\Omega$ 1/2W		酸化金属被膜抵抗	
* R162	V8072100	R. MTL. OXD	5.6K $\Omega$ 1W		酸化金属被膜抵抗	
* R163	V8072100	R. MTL. OXD	5.6K $\Omega$ 1W		酸化金属被膜抵抗	
* R164	HL006100	R. MTL. OXD	1K $\Omega$ 1/2W		酸化金属被膜抵抗	
R165	HV755100	R. CAR. FP	100 $\Omega$ 1/4W		不燃化カーボン抵抗	01
* $\Delta$ R166	V8071100	R. MTL. FLM	220 $\Omega$ 1W		金属被膜抵抗	

\* New Parts \* 新規部品(マーク#の部品は、基板に含まれません)

RX-V530/RX-V530RDS/HTR-5550/HTR-5550RDS/DSP-AX530  
 RX-V430/RX-V430RDS/HTR-5540/HTR-5540RDS/DSP-AX430

P.C.B. MAIN

Schm Ref.	PART NO.	Description	Remarks	Markets	部 品 名	Rank
△	R167 HV754100	R. CAR. FP 10Ω 1/4W			不燃化カーボン抵抗	01
△	R168 HV754100	R. CAR. FP 10Ω 1/4W			不燃化カーボン抵抗	01
△	R169 VU981700	R. MTL. PLAT 0.22Ω+0.22 3W			金属板抵抗	02
* △	R174 V8070300	R. MTL. FLM 10Ω 1W			金属被膜抵抗	
	R176 HV754100	R. CAR. FP 10Ω 1/4W			不燃化カーボン抵抗	01
*	R177 V8072100	R. MTL. OXD 5.6KΩ 1W			酸化金属被膜抵抗	
	R178 HV755100	R. CAR. FP 100Ω 1/4W			不燃化カーボン抵抗	01
*	R179 V8072100	R. MTL. OXD 5.6KΩ 1W			酸化金属被膜抵抗	
*	R180 HL006270	R. MTL. OXD 2.7KΩ 1/2W			酸化金属被膜抵抗	
*	R181 HL005390	R. MTL. OXD 390Ω 1/2W			酸化金属被膜抵抗	
*	R182 HL005820	R. MTL. OXD 820Ω 1/2W			酸化金属被膜抵抗	
*	R183 HL006100	R. MTL. OXD 1KΩ 1/2W			酸化金属被膜抵抗	
* △	R184 V8071100	R. MTL. FLM 220Ω 1W			金属被膜抵抗	
* △	R185 V8070300	R. MTL. FLM 10Ω 1W			金属被膜抵抗	
* △	R186 V8070300	R. MTL. FLM 10Ω 1W			金属被膜抵抗	
△	R187 V3873200	R. WW 0.22Ω 3W			セメント抵抗	
* △	R191 V8070300	R. MTL. FLM 10Ω 1W			金属被膜抵抗	
	R194 HV754100	R. CAR. FP 10Ω 1/4W			不燃化カーボン抵抗	01
△	R199 HV754100	R. CAR. FP 10Ω 1/4W			不燃化カーボン抵抗	01
△	R202 HV756150	R. CAR. FP 1.5KΩ 1/4W			不燃化カーボン抵抗	01
* △	R205 V8070200	R. MTL. FLM 4.7Ω 1W			金属被膜抵抗	
* △	R206 V8070200	R. MTL. FLM 4.7Ω 1W			金属被膜抵抗	
* △	R210 V8070200	R. MTL. FLM 4.7Ω 1W			金属被膜抵抗	
* △	R211 V8071300	R. MTL. FLM 470Ω 1W			金属被膜抵抗	
*	R213 V8071400	R. MTL. FLM 560Ω 1W			金属被膜抵抗	
*	R214 V8071400	R. MTL. FLM 560Ω 1W			金属被膜抵抗	
* △	R219 V8071300	R. MTL. FLM 470Ω 1W			金属被膜抵抗	
△	R223 HV756100	R. CAR. FP 1KΩ 1/4W			不燃化カーボン抵抗	01
△	R224 HV755100	R. CAR. FP 100Ω 1/4W			不燃化カーボン抵抗	01
* △	R231 V8071300	R. MTL. FLM 470Ω 1W			金属被膜抵抗	
* △	R232 V8071300	R. MTL. FLM 470Ω 1W			金属被膜抵抗	
△	R255 HV754100	R. CAR. FP 10Ω 1/4W			不燃化カーボン抵抗	01
△	R257 HV756470	R. CAR. FP 4.7KΩ 1/4W			不燃化カーボン抵抗	01
	R267 HV755100	R. CAR. FP 100Ω 1/4W			不燃化カーボン抵抗	01
	R278 HV755100	R. CAR. FP 100Ω 1/4W			不燃化カーボン抵抗	01
	R289 HV755100	R. CAR. FP 100Ω 1/4W			不燃化カーボン抵抗	01
	R300 HV755100	R. CAR. FP 100Ω 1/4W			不燃化カーボン抵抗	01
	R311 HV755100	R. CAR. FP 100Ω 1/4W			不燃化カーボン抵抗	01
	R339 HV753220	R. CAR. FP 2.2Ω 1/4W	V530, 5530, 430RDS, 55410RDS	RTKABGL	不燃化カーボン抵抗	01
	R340 HV753220	R. CAR. FP 2.2Ω 1/4W	V530, 5530, 430RDS, 55410RDS	RTKABGL	不燃化カーボン抵抗	01
	R351 HV753220	R. CAR. FP 2.2Ω 1/4W	V530, 5530, 430RDS, 55410RDS	RTKABGL	不燃化カーボン抵抗	01
	R353 HV753220	R. CAR. FP 2.2Ω 1/4W	V530, 5530, 430RDS, 55410RDS	RTKABGL	不燃化カーボン抵抗	01
	R354 HV753220	R. CAR. FP 2.2Ω 1/4W	V530, 5530, 430RDS, 55410RDS	RTKABGL	不燃化カーボン抵抗	01
△	R384 HV753100	R. CAR. FP 1Ω 1/4W			不燃化カーボン抵抗	01
△	R385 HV753100	R. CAR. FP 1Ω 1/4W			不燃化カーボン抵抗	01
	R391 HV753220	R. CAR. FP 2.2Ω 1/4W	AX530, V530, 5550	RTKAL	不燃化カーボン抵抗	01
	R392 HV753220	R. CAR. FP 2.2Ω 1/4W	AX530, V530, 5550	RTKAL	不燃化カーボン抵抗	01
	R393 HV753220	R. CAR. FP 2.2Ω 1/4W	AX530, V530, 5550	RTKAL	不燃化カーボン抵抗	01
	R394 HV753220	R. CAR. FP 2.2Ω 1/4W	AX530, V530, 5550	RTKAL	不燃化カーボン抵抗	01
	R395 HV753220	R. CAR. FP 2.2Ω 1/4W	AX530, V530, 5550	RTKAL	不燃化カーボン抵抗	01
△	R401 HV753100	R. CAR. FP 1Ω 1/4W			不燃化カーボン抵抗	01
△	R402 HV753100	R. CAR. FP 1Ω 1/4W			不燃化カーボン抵抗	01
* △	R403 V8070000	R. MTL. FLM 1Ω 1W			金属被膜抵抗	

\* New Parts \* 新規部品(マーク#の部品は、基板に含まれません)

P.C.B. MAIN

Schm Ref.	PART NO.	Description	Remarks	Markets	部 品 名	Rank
* ⚠ R404	V8070000	R. MTL. FLM	1Ω 1W		金属被膜抵抗	
* R405	V8070000	R. MTL. FLM	1Ω 1W		金属被膜抵抗	
* R406	V8070000	R. MTL. FLM	1Ω 1W		金属被膜抵抗	
⚠ RY101	VU566700	RELAY	DG24D2-0S/M		リレー	05
⚠ RY102	VK438300	RELAY	DH24D2-0T/M2		リレー	04
⚠ RY103	VK438300	RELAY	DH24D2-0T/M2		リレー	04
⚠ RY104	VK438300	RELAY	DH24D2-0T/M2		リレー	04
ST101	V4040500	SCR. TERM	M3		スクリュー/ターミナル	01
ST371	V4040500	SCR. TERM	M3		スクリュー/ターミナル	01
ST381	V4040500	SCR. TERM	M3		スクリュー/ターミナル	01
ST401	V4040500	SCR. TERM	M3		スクリュー/ターミナル	01
⚠ SW381	V4104200	SW. SLIDE	SL13B-022-AMCS		スライドSW	03
* TE331	V8423900	TERM. SP	LTS0410-3011	AX530, V530, 5550	JUCRTKA	スピーカターミナル 4P
* TE331	V8423400	TERM. SP	LTS0410-3009	V530, 5550, 430RDS, 5540RDS	BGL	スピーカターミナル 4P
* TE351	V6771100	TERM. SP	6P LTS0610	AX530, V530, 5550	JUCRTKA	スピーカターミナル 6P
* TE351	V5912000	TERM. SP	6P LTS0610	V530, 5550, 430RDS, 5540RDS	BGL	スピーカターミナル 6P
* TE391	V8259500	TERM. SP	LQR2411-0001G	AX430, V430, 5540	JUCRTKA	スピーカターミナル 4P
* TE391	V8259600	TERM. SP	LQR2411-0003G	V430, 5540	L	スピーカターミナル 4P
* TE392	V4470700	TERM. SP	6P	AX430, V430, 5540	JUCRTKA	スピーカターミナル 6P
* TE392	V4470900	TERM. SP	6P	V430, 5540	L	スピーカターミナル 6P
TP381	VT969000	PIN. TEST	IRS-2049		テストポイントピン	01
	V5995800	PLATE. GND			アースプレート	

\* New Parts \* 新規部品(マーク#の部品は、基板に含まれません)

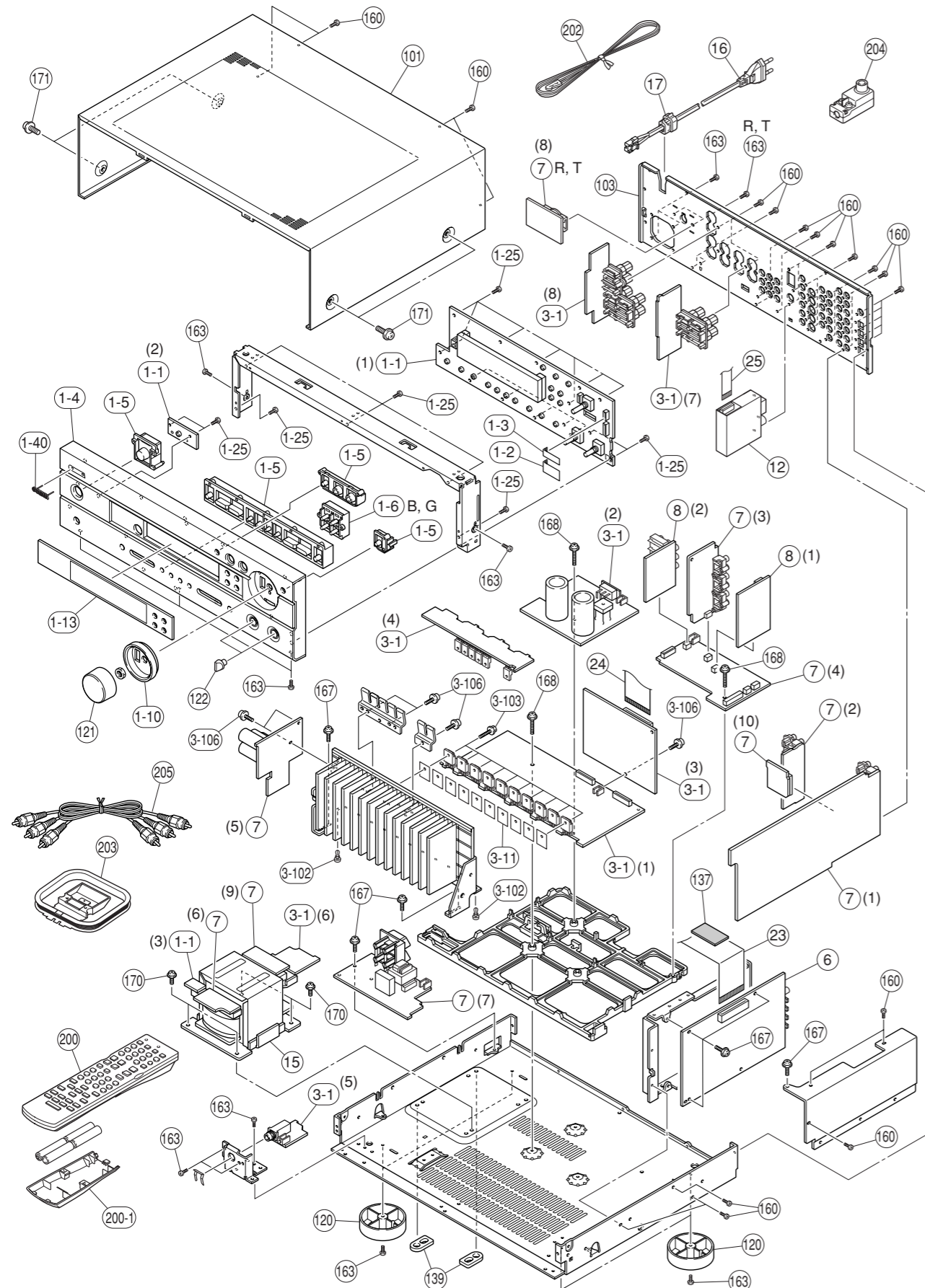
Chip Resistors

Schm Ref.	PART NO.	Description	Remarks	Markets	部 品 名	Rank
	RD350000	R. CAR. CHP	0Ω 1/10W		チップ抵抗	01
	RD353220	R. CAR. CHP	2.2Ω 1/10W		チップ抵抗	01
	RD354470	R. CAR. CHP	47Ω 1/10W		チップ抵抗	01
	RD354750	R. CAR. CHP	75Ω 1/10W		チップ抵抗	01
	RD354820	R. CAR. CHP	82Ω 1/10W		チップ抵抗	01
	RD355100	R. CAR. CHP	100Ω 1/10W		チップ抵抗	01
	RD355220	R. CAR. CHP	220Ω 1/10W		チップ抵抗	01
	RD355330	R. CAR. CHP	330Ω 1/10W		チップ抵抗	01
	RD355390	R. CAR. CHP	390Ω 1/10W		チップ抵抗	01
	RD355470	R. CAR. CHP	470Ω 1/10W		チップ抵抗	01
	RD355680	R. CAR. CHP	680Ω 1/10W		チップ抵抗	01
	RD356100	R. CAR. CHP	1KΩ 1/10W		チップ抵抗	01
	RD356120	R. CAR. CHP	1.2KΩ 1/10W		チップ抵抗	01
	RD356130	R. CAR. CHP	1.3KΩ 1/10W		チップ抵抗	01
	RD356150	R. CAR. CHP	1.5KΩ 1/10W		チップ抵抗	01
	RD356180	R. CAR. CHP	1.8KΩ 1/10W		チップ抵抗	01
	RD356220	R. CAR. CHP	2.2KΩ 1/10W		チップ抵抗	01
	RD356330	R. CAR. CHP	3.3KΩ 1/10W		チップ抵抗	01
	RD356360	R. CAR. CHP	3.6KΩ 1/10W		チップ抵抗	01
	RD356390	R. CAR. CHP	3.9KΩ 1/10W		チップ抵抗	01
	RD356470	R. CAR. CHP	4.7KΩ 1/10W		チップ抵抗	01
	RD356510	R. CAR. CHP	5.1KΩ 1/10W		チップ抵抗	01
	RD356680	R. CAR. CHP	6.8KΩ 1/10W		チップ抵抗	01
	RD356820	R. CAR. CHP	8.2KΩ 1/10W		チップ抵抗	01
	RD357100	R. CAR. CHP	10KΩ 1/10W		チップ抵抗	01
	RD357150	R. CAR. CHP	15KΩ 1/10W		チップ抵抗	01
	RD357180	R. CAR. CHP	18KΩ 1/10W		チップ抵抗	01
	RD357200	R. CAR. CHP	20KΩ 1/10W		チップ抵抗	01
	RD357220	R. CAR. CHP	22KΩ 1/10W		チップ抵抗	01
	RD357330	R. CAR. CHP	33KΩ 1/10W		チップ抵抗	01
	RD357470	R. CAR. CHP	47KΩ 1/10W		チップ抵抗	01
	RD358100	R. CAR. CHP	100KΩ 1/10W		チップ抵抗	01
	RD358220	R. CAR. CHP	220KΩ 1/10W		チップ抵抗	01
	RD358470	R. CAR. CHP	470KΩ 1/10W		チップ抵抗	01
	RD359100	R. CAR. CHP	1MΩ 1/10W		チップ抵抗	01

\* New Parts \* 新規部品(マーク#の部品は、基板に含まれません)

**RX-V530/RX-V530RDS/HTR-5550/HTR-5550RDS/DSP-AX530**

**EXPLODED VIEW**



**RX-V530/RX-V530RDS/HTR-5550/HTR-5550RDS/DSP-AX530**

**MECHANICAL PARTS**

Schm Ref.	PART NO.	Description	Remarks	Markets	部品名	Rank
* 1-1	V8705200	P. C. B. ASS'Y	OPERATION		JUCRTKAL	PCB オペレーション
* 1-1	V8705300	P. C. B. ASS'Y	OPERATION		BG	PCB オペレーション
1-2	MF114180	FLEXIBLE FLAT CABLE	14P 180mm P=1.25			カード電線 C&C 02
* 1-3	MF109140	FLEXIBLE FLAT CABLE	9P 140mm P=1.25			カード電線 C&C 01
1-4	V8400500	FRONT PANEL		AX530GD		フロントパネル
* 1-4	V8399600	FRONT PANEL		V530GD		フロントパネル
* 1-4	V8399800	FRONT PANEL		V530RDSGD		フロントパネル
* 1-4	V8312200	FRONT PANEL		V530BL		フロントパネル
* 1-4	V8312400	FRONT PANEL		V530RDSBL		フロントパネル
* 1-4	V8399900	FRONT PANEL		V530RDSSTS		フロントパネル
* 1-4	V8400100	FRONT PANEL		5550GD		フロントパネル
* 1-4	V8312700	FRONT PANEL		5550BL		フロントパネル
* 1-4	V8313000	FRONT PANEL		5550RDSBL		フロントパネル
* 1-4	V8400200	FRONT PANEL		5550TS		フロントパネル
* 1-4	V8400400	FRONT PANEL		5550RDSSTS		フロントパネル
* 1-5	V8315100	BUTTONCASE		V530GD, 5550GD		ボタンケース
* 1-5	V8315000	BUTTONCASE		V530BL		ボタンケース
* 1-5	V8315300	BUTTONCASE		5550BL		ボタンケース
* 1-5	V8315200	BUTTONCASE		V530TS, 5550TS		ボタンケース
* 1-6	V8315600	BUTTON, RDS		GD	BG	ボタン/RDS
* 1-6	V8315500	BUTTON, RDS		BL	BG	ボタン/RDS
* 1-6	V8315700	BUTTON, RDS		TS	BG	ボタン/RDS
* 1-10	V8315900	ESCUTCHEON, VOL		V530GD		エスカッション/VOL
* 1-10	V8315800	ESCUTCHEON, VOL		V530BL, 5550BL		エスカッション/VOL
* 1-10	V8316000	ESCUTCHEON, VOL		V530TS, 5550GDTTS		エスカッション/VOL
* 1-13	V8317500	SHEET, WINDOW		AX530, V530, 5550		シート/ウインドウ
* 1-13	V8317700	SHEET, WINDOW		V530RDS		シート/ウインドウ
* 1-13	V8317800	SHEET, WINDOW		5550RDSBL		シート/ウインドウ
* 1-13	V8317700	SHEET, WINDOW		5550RDSSTS		シート/ウインドウ
1-25	EP630220	BIND HEAD P-TITE SCREW	3x8 MFZ2BL			バインドPタイトネジ 01
1-40	V6034200	EMBLEM		V530GD, 5550GDBL		エンブレム
1-40	V6034100	EMBLEM		V530BLTS, 5550TS		エンブレム
* 3-1	V8700500	P. C. B. ASS'Y	MAIN		J	PCB メイン
* 3-1	V8700600	P. C. B. ASS'Y	MAIN		UC	PCB メイン
* 3-1	V8700700	P. C. B. ASS'Y	MAIN		RTKA	PCB メイン
* 3-1	V8700800	P. C. B. ASS'Y	MAIN		BG	PCB メイン
* 3-1	V8700900	P. C. B. ASS'Y	MAIN		L	PCB メイン
3-11	VV849300	SHEET	19x24			シート/放熱 01
3-102	VQ368600	PUSH RIVET	P3555-B			プッシュリベット 01
3-103	VK173200	SCREW, TRANSISTOR	3x15 SP MFC2			スクリューTR 01
3-106	VT669300	PW HEAD B-TITE SCREW	3x8-8 MFC2			PWヘッドBタイトネジ 01
* 6	V8701700	P. C. B. ASS'Y	DSP		J	PCB DSP
* 6	V8701800	P. C. B. ASS'Y	DSP		UCRTKABGL	PCB DSP
* 7	V8703400	P. C. B. ASS'Y	FUNCTION		J	PCB ファンクション
* 7	V8703500	P. C. B. ASS'Y	FUNCTION		UC	PCB ファンクション
* 7	V8703600	P. C. B. ASS'Y	FUNCTION		RT	PCB ファンクション
* 7	V8703700	P. C. B. ASS'Y	FUNCTION		K	PCB ファンクション
* 7	V8703800	P. C. B. ASS'Y	FUNCTION		A	PCB ファンクション
* 7	V8703900	P. C. B. ASS'Y	FUNCTION		B	PCB ファンクション
* 7	V8704000	P. C. B. ASS'Y	FUNCTION		G	PCB ファンクション
* 7	V8704100	P. C. B. ASS'Y	FUNCTION		L	PCB ファンクション
* 8	V8706100	P. C. B. ASS'Y	VIDEO			PCB ビデオ
12	V6782200	AM/FM TUNER	TFCE1J117A		J	AM/FM チューナ
12	V6782300	AM/FM TUNER	TFCE1U115A		UCRTK	AM/FM チューナ

\* New Parts \* 新規部品(マーク#の部品は、基板に含まれません)



**RX-V530/RX-V530RDS/HTR-5550/HTR-5550RDS/DSP-AX530**

Schm Ref.	PART NO.	Description	Remarks	Markets	部 品 名	Rank	
	12	V6782400	AM/FM TUNER	TFCE1E317A	ABGL	A M / F M チューナ	
* 15	X2370A00	POWER TRANSFORMER		J		電源トランス	
* 15	X2372A00	POWER TRANSFORMER		UC		電源トランス	
* 15	X2544A00	POWER TRANSFORMER		RTK		電源トランス	
* 15	X2421A00	POWER TRANSFORMER		A		電源トランス	
* 15	X2375A00	POWER TRANSFORMER		BGL		電源トランス	
* 16	V2723100	POWER CABLE	1.8m	J		電源コード	07
* 16	V2363800	POWER CABLE	2m	UC		電源コード	
* 16	VZ542500	POWER CABLE	2m	RT		電源コード	05
* 16	V8013000	POWER CABLE	2m	K		電源コード	
* 16	V2296800	POWER CABLE	2m	A		電源コード	
* 16	VV437300	POWER CABLE	2m	B		電源コード	08
* 16	VN363700	POWER CABLE	2m	GL		電源コード	04
	17	V2438700	CORD STOPPER	10P1		コードストッパー	02
* 23	MF135100	FLEXIBLE FLAT CABLE	35P 100mm P=1.25			カード電線 C&C	
* 24	MF136140	FLEXIBLE FLAT CABLE	36P 140mm P=1.25			カード電線 C&C	02
	25	MF115120	FLEXIBLE FLAT CABLE	15P 120mm P=1.25		カード電線 C&C	
* 101	V8349200	TOP COVER		GD		トップカバー	
* 101	V8349000	TOP COVER		BL		トップカバー	
* 101	V8349100	TOP COVER		TS		トップカバー	
* 103	V8308700	REAR PANEL		AX530	J	リヤパネル	
* 103	V8307100	REAR PANEL		V530	UC	リヤパネル	
* 103	V8307300	REAR PANEL		V530	RT	リヤパネル	
* 103	V8506700	REAR PANEL		V530	K	リヤパネル	
* 103	V8307400	REAR PANEL		V530	A	リヤパネル	
* 103	V8307700	REAR PANEL		V530RDS	B	リヤパネル	
* 103	V8307800	REAR PANEL		V530RDS	G	リヤパネル	
* 103	V8307500	REAR PANEL		V530	L	リヤパネル	
* 103	V8308100	REAR PANEL		HTR5550	UC	リヤパネル	
* 103	V8308300	REAR PANEL		HTR5550	T	リヤパネル	
* 103	V8506800	REAR PANEL		HTR5550	K	リヤパネル	
* 103	V8308400	REAR PANEL		HTR5550	A	リヤパネル	
* 103	V8308500	REAR PANEL		HTR5550RDS	B	リヤパネル	
* 103	V8308600	REAR PANEL		HTR5550RDS	G	リヤパネル	
	120	V0042500	LEG	D60xH21	V530GD, 5550GD	レッグ	03
	120	VS025000	LEG	D60xH21	V530BLTS, 5550TS	レッグ	02
	120	VV544300	LEG	D60xH21	5550BL	レッグ	02
	121	V6002300	KNOB D43		GD	ノブ D 4 3	02
* 121	V6002200	KNOB D43		BL		ノブ D 4 3	
* 121	V7623800	KNOB D43		TS		ノブ D 4 3	
	122	V6001700	KNOB D15		GD	ノブ D 1 5	01
* 122	V6001600	KNOB D15		BL		ノブ D 1 5	
* 122	V7624400	KNOB D15		TS		ノブ D 1 5	
	137	V3422200	DAMPER			ダンパー	01
	139	V7616600	DAMPER			ダンパー	
	160	VN413300	BIND HEAD BONDING B-T. SCREW	3x8 MFZN2BL		ボンディングBタイトネジ	01
	163	EP600250	BIND HEAD B-TITE SCREW	3x8 MFZN2Y		バインドBタイトネジ	01
	167	VT669300	PW HEAD B-TITE SCREW	3x8-8 MFC2		PWヘッドBタイトネジ	01
	168	VT669400	PW HEAD B-TITE SCREW	3x15-8 MFC2		PWヘッドBタイトネジ	01
	170	21991500	PW HEAD S-TITE SCREW	4x8-10 MFC2BL		PWヘッドSタイトネジ	01
	171	VD069600	PW HEAD S-TITE SCREW	4x8-10 MFNI33	V530GD, 5550GD	PWヘッドSタイトネジ	01
	171	21991500	PW HEAD S-TITE SCREW	4x8-10 MFC2BL	V530BL, 5550BL	PWヘッドSタイトネジ	01
	171	VH313200	BW HEAD S-TITE SCREW	4x8-10 MFNI3BL	V530TS, 5550TS	BWヘッドSタイトネジ	01

\* New Parts \* 新規部品(マーク#の部品は、基板に含まれません)

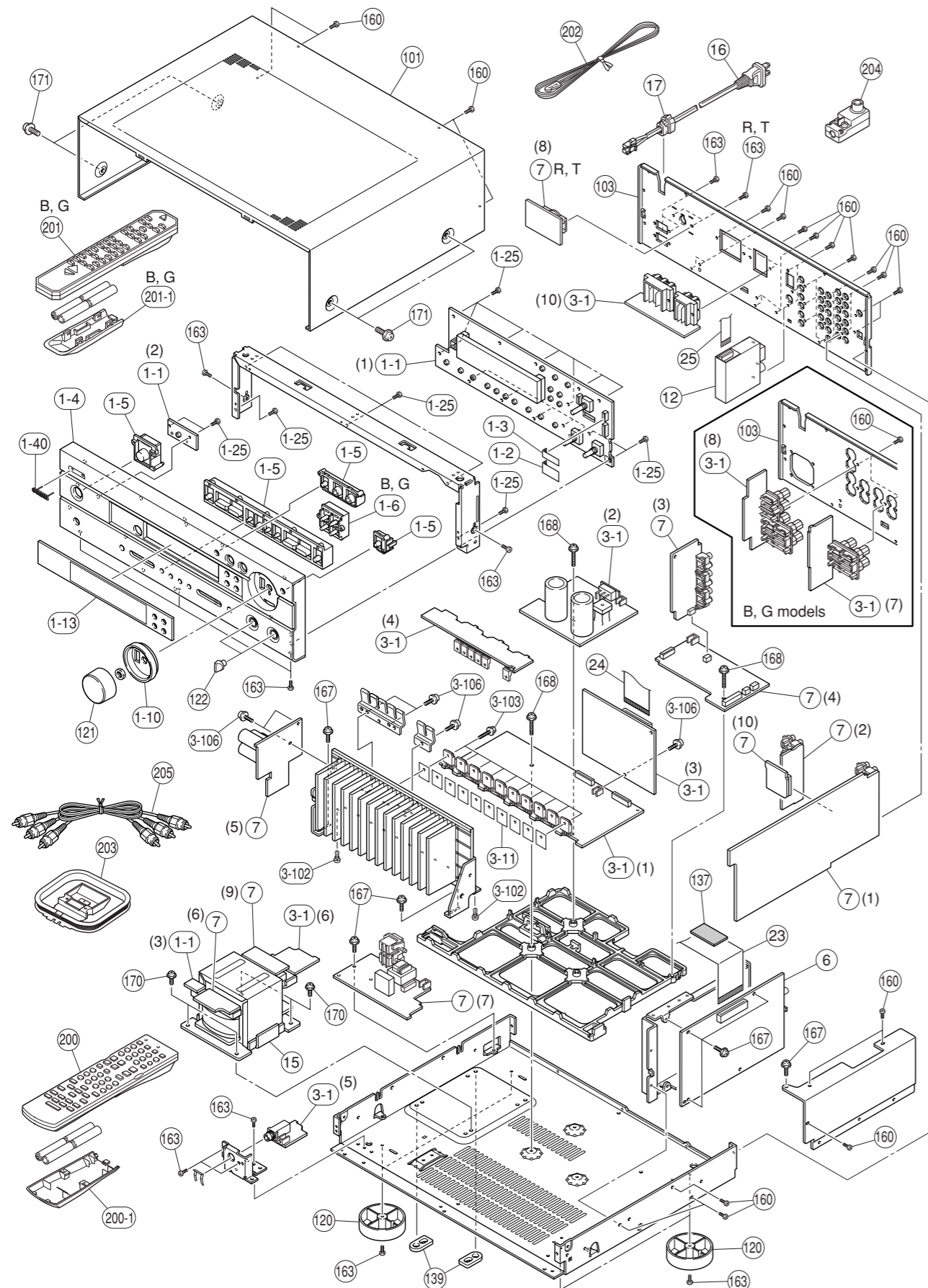
**RX-V530/RX-V530RDS/HTR-5550/HTR-5550RDS/DSP-AX530**

Schm Ref.	PART NO.	Description	Remarks	Markets	部 品 名	Rank	
	200	V8295200	ACCESSORIES			付属品	
* 200	V8295200	REMOTE CONTROL	RAV242	BW0912	JUCRTKAL	リモコン	
* 200	V8295300	REMOTE CONTROL	RAV243	BW0913	BG	リモコン	
* 200-1	AAK34140	LID		71-0910-02000		電池蓋	
* 202	V6267000	INDOOR FM ANTENNA	1.4m 1pc		JUCRTK	F M簡易アンテナ	03
* 202	VQ147100	INDOOR FM ANTENNA	1.4m 1pc		ABGL	F M簡易アンテナ	02
* 203	VR248500	AM LOOP ANTENNA	1.0m 1pc			A Mループアンテナ	03
* 204	VE364900	ANTENNA ADAPTER	PAL 75-300Ω		B	整合器	03
* 205	V8901300	VIDEO PIN CABLE	3P 1.5m RE/WH/YE		UCA	ビデオ用ピンケーブル	
		BATTERY, MANGANESE	UM-4NE (2PC)			マンガン電池 2 P C	

\* New Parts \* 新規部品(マーク#の部品は、基板に含まれません)

**RX-V430/RX-V430RDS/HTR-5540/HTR-5540RDS/DSP-AX430**

**EXPLODED VIEW**



**RX-V430/RX-V430RDS/HTR-5540/HTR-5540RDS/DSP-AX430**

**MECHANICAL PARTS**

Schm Ref.	PART NO.	Description	Remarks	Markets	部品名	Rank
* 1-1	V8705200	P. C. B. ASS'Y	OPERATION	JUCRTKAL	PCB オペレーション	
* 1-1	V8705300	P. C. B. ASS'Y	OPERATION	BG	PCB オペレーション	
1-2	MF114180	FLEXIBLE FLAT CABLE	14P 180mm P=1.25		カード電線 C&C	02
* 1-3	MF109140	FLEXIBLE FLAT CABLE	9P 140mm P=1.25		カード電線 C&C	01
* 1-4	V8474600	FRONT PANEL		AX430GD	フロントパネル	
* 1-4	V8400700	FRONT PANEL		V430GD	フロントパネル	
* 1-4	V8400900	FRONT PANEL		V430RDSGD	フロントパネル	
* 1-4	V8313200	FRONT PANEL		V430BL	フロントパネル	
* 1-4	V8462400	FRONT PANEL		V430RDSBL	フロントパネル	
* 1-4	V8401000	FRONT PANEL		V430RDSTS	フロントパネル	
* 1-4	V8474200	FRONT PANEL		5540GD	フロントパネル	
* 1-4	V8313400	FRONT PANEL		5540BL	フロントパネル	
* 1-4	V8313600	FRONT PANEL		5540RDSBL	フロントパネル	
* 1-4	V8474300	FRONT PANEL		5540TS	フロントパネル	
* 1-4	V8474500	FRONT PANEL		5540RDSTS	フロントパネル	
* 1-5	V8315100	BUTTONCASE		V430GD, 5540GD	ボタンケース	
* 1-5	V8315000	BUTTONCASE		V430BL	ボタンケース	
* 1-5	V8315300	BUTTONCASE		5540BL	ボタンケース	
* 1-5	V8315200	BUTTONCASE		V430TS, 5540TS	ボタンケース	
* 1-6	V8315600	BUTTON, RDS		GD	ボタン/RDS	
* 1-6	V8315500	BUTTON, RDS		BL	ボタン/RDS	
* 1-6	V8315700	BUTTON, RDS		TS	ボタン/RDS	
* 1-10	V8315900	ESCUTCHEON, VOL		V430GD	エスカッション/VOL	
* 1-10	V8315800	ESCUTCHEON, VOL		V430BL, 5540BL	エスカッション/VOL	
* 1-10	V8316000	ESCUTCHEON, VOL		V430TS, 5540DTS	エスカッション/VOL	
* 1-13	V8317500	SHEET, WINDOW		AX430, V430, 5540	シート/ウインドウ	
* 1-13	V8317700	SHEET, WINDOW		V430RDS	シート/ウインドウ	
* 1-13	V8317800	SHEET, WINDOW		5540RDSBL	シート/ウインドウ	
* 1-13	V8317700	SHEET, WINDOW		5540RDSTS	シート/ウインドウ	
1-25	EP630220	BIND HEAD P-TITE SCREW	3x8 MFZN2BL		バインドPタイトネジ	01
1-40	V6034200	EMBLEM		V430GD, 5540GDBL	エンブレム	
1-40	V6034100	EMBLEM		V430BLTS, 5540TS	エンブレム	
* 3-1	V8701000	P. C. B. ASS'Y	MAIN	J	PCB メイン	
* 3-1	V8701100	P. C. B. ASS'Y	MAIN	UC	PCB メイン	
* 3-1	V8701200	P. C. B. ASS'Y	MAIN	RTKA	PCB メイン	
* 3-1	V8700800	P. C. B. ASS'Y	MAIN	BG	PCB メイン	
* 3-1	V8701400	P. C. B. ASS'Y	MAIN	L	PCB メイン	
3-11	VV849300	SHEET	19x24		シート/放熱	01
3-102	VQ368600	PUSH RIVET	P3555-B		プッシュリベット	01
3-103	VK173200	SCREW, TRANSISTOR	3x15 SP MFC2		スクリューTR	01
3-106	VT669300	PW HEAD B-TITE SCREW	3x8-8 MFC2		PWヘッドBタイトネジ	01
* 6	V8701900	P. C. B. ASS'Y	DSP	J	PCB DSP	
* 6	V8702000	P. C. B. ASS'Y	DSP	UCRTKABGL	PCB DSP	
* 7	V8704200	P. C. B. ASS'Y	FUNCTION	J	PCBファンクション	
* 7	V8704300	P. C. B. ASS'Y	FUNCTION	UC	PCBファンクション	
* 7	V8704400	P. C. B. ASS'Y	FUNCTION	RT	PCBファンクション	
* 7	V8704500	P. C. B. ASS'Y	FUNCTION	K	PCBファンクション	
* 7	V8704600	P. C. B. ASS'Y	FUNCTION	A	PCBファンクション	
* 7	V8704700	P. C. B. ASS'Y	FUNCTION	B	PCBファンクション	
* 7	V8704800	P. C. B. ASS'Y	FUNCTION	G	PCBファンクション	
* 7	V8704900	P. C. B. ASS'Y	FUNCTION	L	PCBファンクション	
12	V6782200	AM/FM TUNER	TFCE1J117A	J	AM/FM チューナ	
12	V6782300	AM/FM TUNER	TFCE1U115A	UCRTK	AM/FM チューナ	
12	V6782400	AM/FM TUNER	TFCE1E317A	ABGL	AM/FM チューナ	

\* New Parts \* 新規部品(マーク#の部品は、基板に含まれません)

RX-V430/RX-V430RDS/HTR-5540/HTR-5540RDS/DSP-AX430

Schm Ref.	PART NO.	Description	Remarks	Markets	部 品 名	Rank
* 15	X2370A00	POWER TRANSFORMER		J	電源トランス	
* 15	X2372A00	POWER TRANSFORMER		UC	電源トランス	
* 15	X2544A00	POWER TRANSFORMER		RTK	電源トランス	
* 15	X2421A00	POWER TRANSFORMER		A	電源トランス	
* 15	X2371A00	POWER TRANSFORMER		BGL	電源トランス	
* 16	V2723100	POWER CABLE	1.8m	J	電源コード	07
* 16	V2363800	POWER CABLE	2m	UC	電源コード	
* 16	VZ542500	POWER CABLE	2m	RT	電源コード	05
* 16	V8013000	POWER CABLE	2m	K	電源コード	
* 16	V2296800	POWER CABLE	2m	A	電源コード	
* 16	VV437300	POWER CABLE	2m	B	電源コード	08
* 16	VN363700	POWER CABLE	2m	GL	電源コード	04
17	V2438700	CORD STOPPER	10P1		コードストッパー	02
* 23	MF135100	FLEXIBLE FLAT CABLE	35P 100mm P=1.25		カード電線 C&C	
* 24	MF136140	FLEXIBLE FLAT CABLE	36P 140mm P=1.25		カード電線 C&C	02
25	MF115120	FLEXIBLE FLAT CABLE	15P 120mm P=1.25		カード電線 C&C	
* 101	V8349200	TOP COVER		GD	トップカバー	
* 101	V8349000	TOP COVER		BL	トップカバー	
* 101	V8349100	TOP COVER		TS	トップカバー	
* 103	V8309700	REAR PANEL		AX430	リヤパネル	
* 103	V8308800	REAR PANEL		V430	リヤパネル	
* 103	V8309000	REAR PANEL		V430	リヤパネル	
* 103	V8506900	REAR PANEL		V430	リヤパネル	
* 103	V8309100	REAR PANEL		V430	リヤパネル	
* 103	V8465600	REAR PANEL		V430RDS	リヤパネル	
* 103	V8465700	REAR PANEL		V430RDS	リヤパネル	
* 103	V8309200	REAR PANEL		V430	リヤパネル	
* 103	V8309300	REAR PANEL		5540	リヤパネル	
* 103	V8309500	REAR PANEL		5540	リヤパネル	
* 103	V8507000	REAR PANEL		5540	リヤパネル	
* 103	V8309600	REAR PANEL		5540	リヤパネル	
* 103	V8462200	REAR PANEL		5540RDS	リヤパネル	
* 103	V8462300	REAR PANEL		5540RDS	リヤパネル	
120	V0042500	LEG	D60xH21	V430GD, 5540GD	レッグ	03
120	V5025000	LEG	D60xH21	V430BLTS, 5540TS	レッグ	02
120	VV544300	LEG	D60xH21	5540BL	レッグ (BK)	02
121	V6002300	KNOB D43		GD	ノブ D43	02
* 121	V6002200	KNOB D43		BL	ノブ D43	
* 121	V7623800	KNOB D43		TS	ノブ D43	
122	V6001700	KNOB D15		GD	ノブ D15	01
* 122	V6001600	KNOB D15		BL	ノブ D15	
* 122	V7624400	KNOB D15		TS	ノブ D15	
137	V3422200	DAMPER			ダンパー	01
139	V7616600	DAMPER			ダンパー	
160	VN413300	BIND HEAD BONDING B-T. SCREW	3x8	MFZN2BL	ボンディングBタイトネジ	01
163	EP600250	BIND HEAD B-TITE SCREW	3x8	MFZN2Y	バインドBタイトネジ	01
167	VT669300	PW HEAD B-TITE SCREW	3x8-8	MFC2	PWヘッドBタイトネジ	01
168	VT669400	PW HEAD B-TITE SCREW	3x15-8	MFC2	PWヘッドBタイトネジ	01
170	21991500	PW HEAD S-TITE SCREW	4x8-10	MFC2BL	PWヘッドSタイトネジ	01
171	VD069600	PW HEAD S-TITE SCREW	4x8-10	MFNI33	PWヘッドSタイトネジ	01
171	21991500	PW HEAD S-TITE SCREW	4x8-10	MFC2BL	PWヘッドSタイトネジ	01
171	VH313200	BW HEAD S-TITE SCREW	4x8-10	MFNI3BL	BWヘッドSタイトネジ	01

\* New Parts \* 新規部品(マーク#の部品は、基板に含まれません)

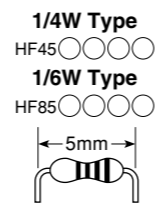
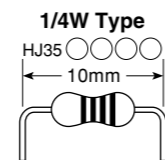
RX-V430/RX-V430RDS/HTR-5540/HTR-5540RDS/DSP-AX430

Schm Ref.	PART NO.	Description	Remarks	Markets	部 品 名	Rank
		ACCESSORIES			付属品	
* 200	V8295200	REMOTE CONTROL	RAV242	BW0912	JUCRTKAL	リモコン
* 200-1	AAK34140	LID	71-0910-02000	71-0910-02000	JUCRTKAL	電池蓋
* 201	V8294900	REMOTE CONTROL	RAV15	RC7060-01-0026	UCATKBG	リモコン
* 201-1	AAK13340	LID	BLJYE 60050001	60050001	UCATKBG	電池蓋
202	V6267000	INDOOR FM ANTENNA	1.4m 1pc		JUCRTK	F M簡易アンテナ
202	VQ147100	INDOOR FM ANTENNA	1.4m 1pc		ABGL	F M簡易アンテナ
203	VR248500	AM LOOP ANTENNA	1.0m 1pc			A Mループアンテナ
204	VE364900	ANTENNA ADAPTER	PAL 75-300Ω		B	整合器
* 205	V8901300	VIDEO PIN CABLE	3P 1.5m RE/WH/YE		UCA	ビデオ用ピンケーブル
		BATTERY, MANGANESE	UM-4NE (2PC)		JUCRTKAL	マンガン電池 2 P C
		BATTERY, MANGANESE	SUM-3, AA, R06		UCATKBG	マンガン電池

\* New Parts \* 新規部品(マーク#の部品は、基板に含まれません)

# Parts List for Carbon Resistors

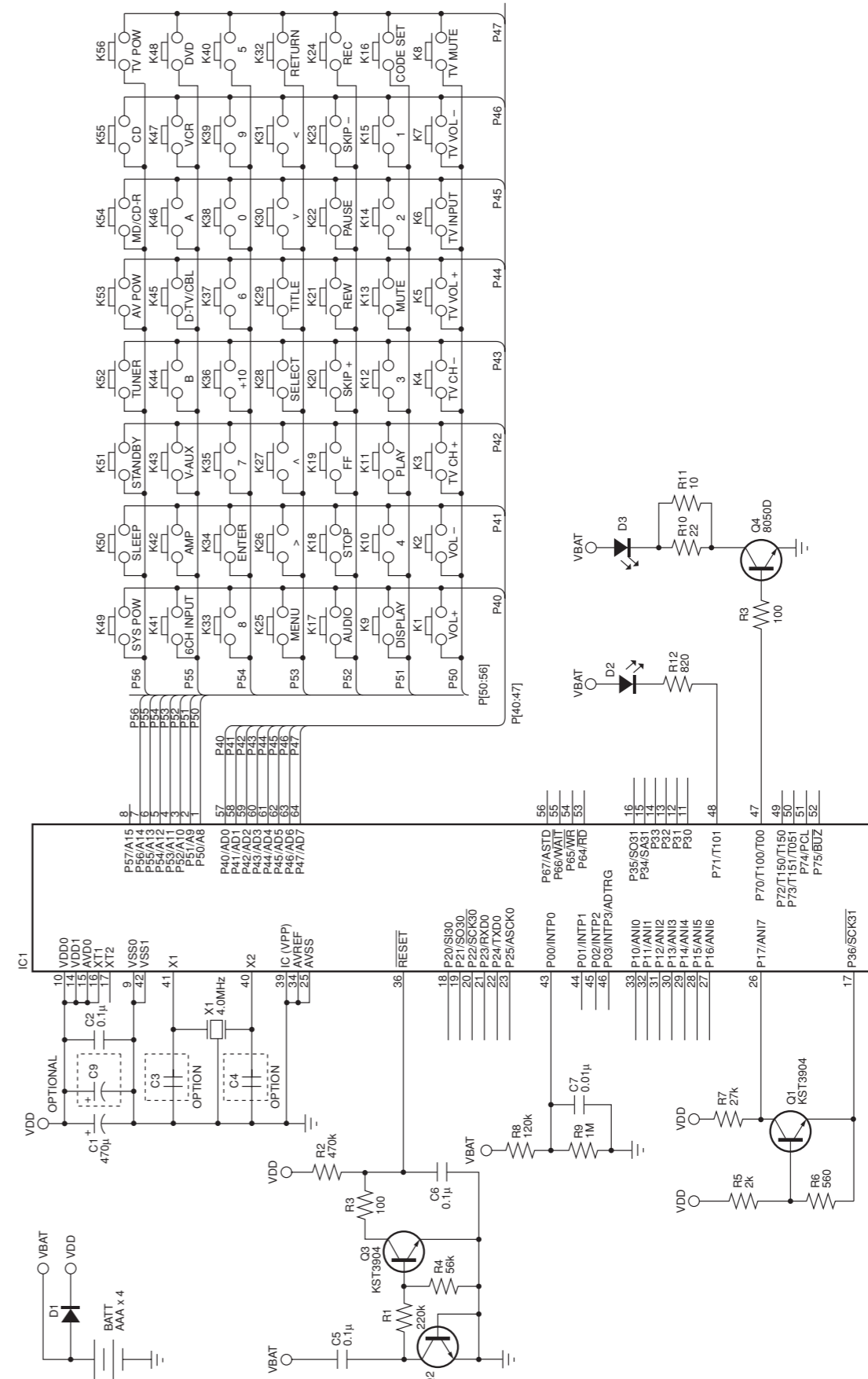
Value	1/4W Type Part No.	1/6W Type Part No.	Value	1/4W Type Part No.	1/6W Type Part No.
1.0	HJ35 3100	HF85 3100	10 k	HF45 7100	HF45 7100
1.8	HJ35 3180	*	11 k	HF45 7110	HF45 7110
2.2	HJ35 3220	HF85 3220	12 k	HJ35 7120	HF85 7120
3.3	HJ35 3330	HF85 3330	13 k	HF45 7130	HF45 7130
4.7	HJ35 3470	HF85 3470	15 k	HF45 7150	HF45 7150
5.6	HJ35 3560	HF85 3560	18 k	HF45 7180	HF45 7180
10	HF45 4100	HF45 4100	22 k	HF45 7220	HF45 7220
15	HJ35 4150	HF85 4150	24 k	HF45 7240	HF45 7240
22	HF45 4220	HF45 4220	27 k	HJ35 7270	HF85 7270
27	HJ35 4270	HF85 4270	30 k	HF45 7300	HF45 7300
33	HF45 4330	HF45 4330	33 k	HF45 7330	HF45 7330
39	HJ35 4470	HF85 4390	36 k	HF45 7360	HF45 7360
47	HF45 4470	HF45 4470	39 k	HF45 7390	HF45 7390
56	HF45 4560	HF45 4560	47 k	HF45 7470	HF45 7470
68	HF45 4680	HF45 4680	51 k	HF45 7510	HF45 7510
75	HF45 4750	HF45 4750	56 k	HF45 7560	HF45 7560
82	HF45 4820	HF45 4820	62 k	HF45 7620	HF45 7620
91	HF45 4910	HF45 4910	68 k	HF45 7680	HF45 7680
100	HF45 5100	HF45 5100	82 k	HF45 7820	HF45 7820
110	HJ35 5110	HF85 5110	91 k	HF45 7910	HF45 7910
120	HF45 5120	HF45 5120	100 k	HF45 8100	HF45 8100
150	HF45 5150	HF45 5150	110 k	HF45 8110	HF45 8110
160	HJ35 5160	*	120 k	HF45 8120	HF45 8120
180	HF45 5180	HF45 5180	150 k	HF45 8150	HF45 8150
200	HF45 5200	HF45 5200	180 k	HF45 8180	HF45 8180
220	HF45 5220	HF45 5220	220 k	HJ35 8220	HF85 8220
270	HF45 5270	HF45 5270	270 k	HF45 8270	HF45 8270
330	HF45 5330	HF45 5330	300 k	HF45 8300	HF45 8300
390	HF45 5390	HF45 5390	330 k	HF45 8330	HF45 8330
430	HF45 5430	HF45 5430	390 k	HJ35 8390	HF85 8390
470	HF45 5470	HF45 5470	470 k	HF45 8470	HF45 8470
510	HF45 5510	HF45 5510	560 k	HJ35 8560	HF85 8560
560	HF45 5560	HF45 5560	680 k	HJ35 8680	HF85 8680
680	HF45 5680	HF45 5680	820 k	HJ35 8820	HF85 8820
820	HF45 5820	HF45 5820	1.0 M	HF45 9100	HF45 9100
910	HF45 5910	HF45 5910	1.2 M	HJ35 9120	*
1.0 k	HF45 6100	HF45 6100	1.5 M	HJ35 9150	HF85 9150
1.2 k	HF45 6120	HF45 6120	1.8 M	HJ35 9180	HF85 9180
1.5 k	HF45 6150	HF45 6150	2.2 M	HJ35 9220	HF85 9220
1.8 k	HF45 6180	HF45 6180	3.3 M	HJ35 9330	HF85 9330
2.0 k	HJ35 6200	HF85 6200	3.9 M	HJ35 9390	*
2.2 k	HF45 6220	HF45 6220	4.7 M	HJ35 9470	HF85 9470
2.4 k	HJ35 6240	HF85 6240			
2.7 k	HF45 6270	HF45 6270			
3.0 k	HF45 6300	HF45 6300			
3.3 k	HF45 6330	HF45 6330			
3.6 k	HJ35 6360	HF85 6360			
3.9 k	HF45 6390	HF45 6390			
4.7 k	HF45 6470	HF45 6470			
5.1 k	HF45 6510	HF45 6510			
5.6 k	HF45 6560	HF45 6560			
6.8 k	HF45 6680	HF45 6680			
8.2 k	HF45 6820	HF45 6820			
9.1 k	HF45 6910	HF45 6910			

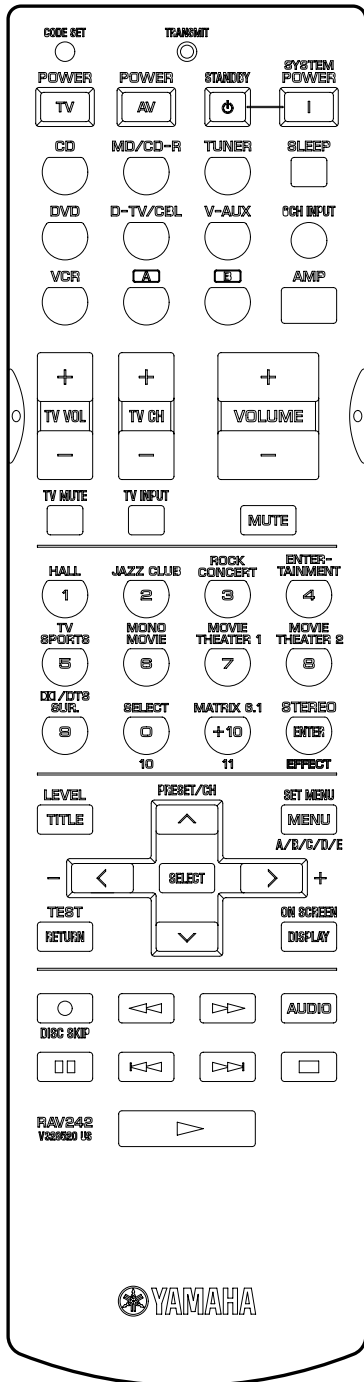


\* : Not available

## REMOTE CONTROL RAV242, RAV243 (RX-V530/RX-V530RDS/HTR-5550/HTR-5550RDS/DSP-AX530/RX-V430/DSP-AX430)

### SCHEMATIC DIAGRAM





Key No.	Function	Default Code	Schematic Key No.
1	TV POWER	-	K56
2	AV POWER	004.012	K53
3	STANDBY	7A-1E	K51
4	SYSTEM POWER	7A-1D	K49
5	CD	7A-15	K55
6	MD/CD-R	7A-C9	K54
7	TUNER	7A-16	K52
8	SLEEP	7A-57	K50
9	DVD	7A-C1	K48
10	D-TV/CBL	7A-54	K45
11	V-AUX	7A-55	K43
12	6CH INPUT	7A-87	K41
13	VCR	7A-0F	K47
14	A	7A-13	K46
15	B	-	K44
16	TV VOL +	-	K5
17	TV CH +	-	K3
18	VOLUME +	7A-1A	K1
19	TV VOL -	-	K7
20	TV CH -	-	K4
21	VOLUME -	7A-1B	K2
22	TV MUTE	-	K8
23	TV INPUT	-	K6
24	MUTE	7A-1C	K13
25	1	004.001	K15
26	2	004.002	K14
27	3	004.003	K12
28	4	004.004	K10
29	5	004.005	K40
30	6	004.006	K37
31	7	004.007	K35
32	8	004.008	K33
33	9	004.009	K39
34	0	004.000	K38
35	+10	004.120	K36
36	ENTER	-	K34
37	TITLE	004.113	K29
38	^	004.088	K27
39	MENU	004.084	K25
40	<	004.090	K31
41	SELECT	004.092	K28
42	>	004.091	K26
43	RETURN	004.131	K32
44	v	004.089	K30
45	DISPLAY	004.015	K9
46	REC	-	K24
47	REW	004.041	K21
48	FF	004.040	K19
49	AUDIO	-	K17
50	PAUSE	004.048	K22
51	SKIP -	004.033	K23
52	SKIP +	004.032	K20
53	STOP	004.049	K18
54	PLAY	004.044	K11

RX-V530/RX-V530RDS/HTR-5550/HTR-5550RDS/DSP-AX530  
 RX-V430/RX-V430RDS/HTR-5540/HTR-5540RDS/DSP-AX430

# ■ REMOTE CONTROL RAV15 (RX-V430RDS/HTR-5540/HTR-5540RDS)

## ● SCHEMATIC DIAGRAM

