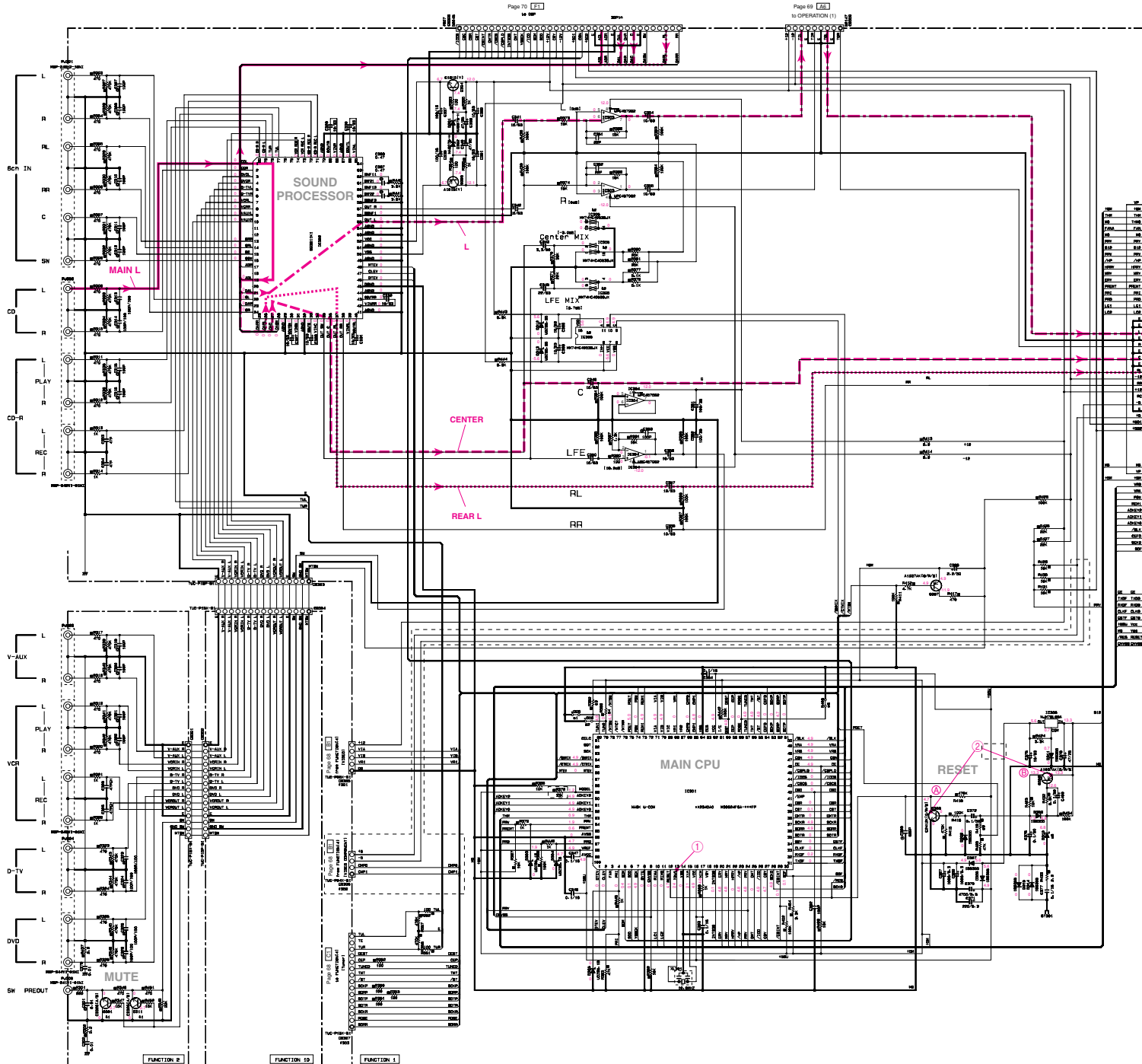
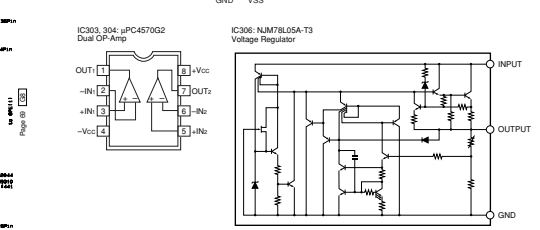
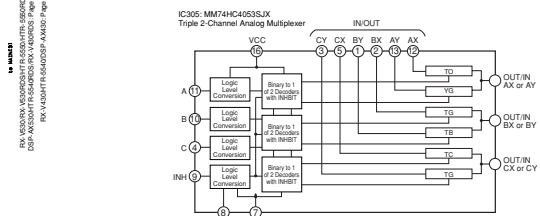
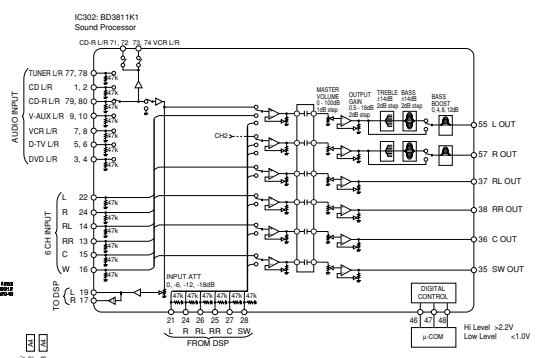


■ SCHEMATIC DIAGRAM (FUNCTION 1/2)

- * All voltages are measured with a 10MΩ/V DC electric volt meter.
- * Components having special characteristics are marked Δ , and must be replaced with parts having specifications equal to those originally installed.
- * Schematic diagram is subject to change without notice.
- 電圧は、内部抵抗10MΩの電圧計で測定したものです。
- Δ 印のある部品は、安全性確保部品を示しています。部品の交換が必要な場合、パーツリストに記載されている部品を使用してください。
- 本回路図は標準回路図です。改良のため予告なく変更することがございます。



RX-V530/RX-V530RDS/HTR-5550/HTR-5550RDS/DSP-AX530
RX-V430/RX-V430RDS/HTR-5540/HTR-5540RDS/DSP-AX430

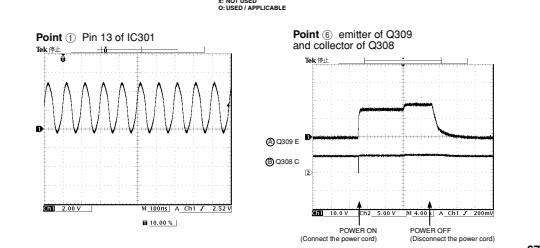


CAPACITOR		RESISTOR	
REMARKS	PARTS NAME	REMARKS	PARTS NAME
NO MARK	ELECTROLYTIC CAPACITOR	NO MARK	CARBON FILM RESISTOR (P-5)
①	TANTALUM CAPACITOR	①	CARBON FILM RESISTOR (P-10)
NO MARK	CERAMIC CAPACITOR	②	METAL OXIDE FILM RESISTOR
②	CERAMIC TUBULAR CAPACITOR	③	METAL FILM RESISTOR
③	POLYESTER FILM CAPACITOR	④	METAL OXIDE FILM RESISTOR
④	POLYPROPYLENE FILM CAPACITOR	⑤	FILM WOUND CARBON FILM RESISTOR
⑤	MYICA CAPACITOR	⑥	PRECISION HOLED RESISTOR
⑥	POLYPROPYLENE FILM CAPACITOR	⑦	DUCT VARIABLE RESISTOR
⑦	BIPOCONDUCTIVE CERAMIC CAPACITOR	⑧	DUCT RESISTOR

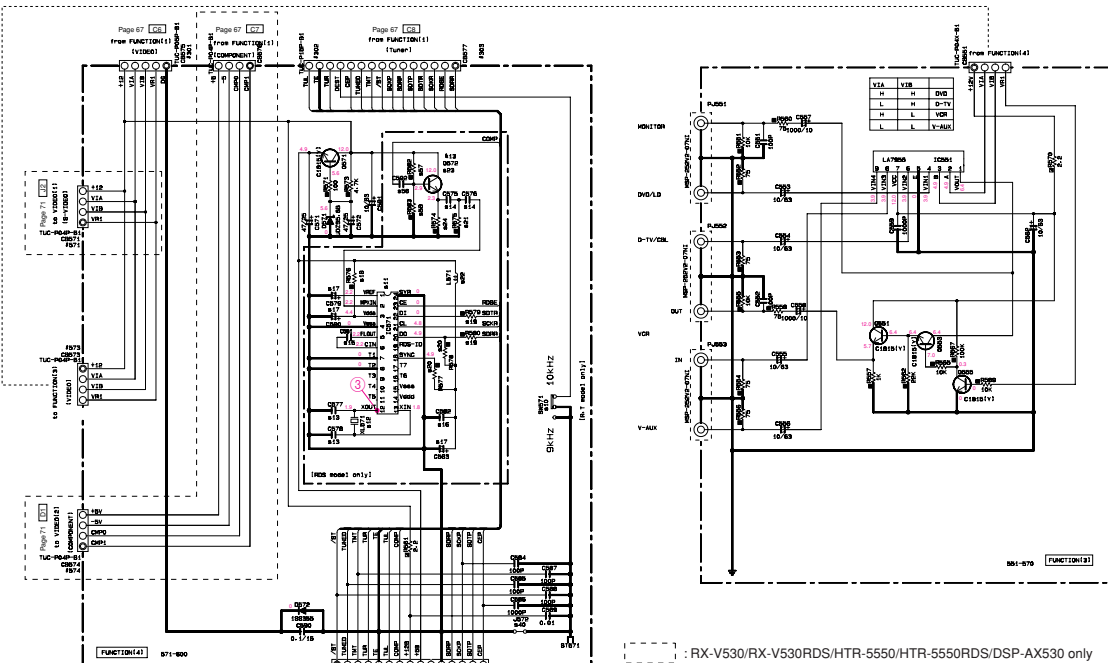
NOTICE (model)

(J) JAPAN
(U) U.S.A.
(C) CANADIAN
(R) GENERAL
(A) AUSTRALIAN
(B) BRITISH
(E) EUROPEAN
(I) ITALIAN
(L) SINGAPORE

Part No.	Part Name	QTY	Remarks
41	RES	1	10K
42	RES	1	100K
43	RES	1	100K
44	RES	1	100K
45	RES	1	100K
46	RES	1	100K
47	RES	1	100K
48	RES	1	100K
49	RES	1	100K
50	RES	1	100K



■ SCHEMATIC DIAGRAM (FUNCTION 2/2)



■ RX-V530/RX-V530RDS/HTR-5550/HTR-5550RDS/DSP-AX530 only

REMARKS	PARTS NAME	REMARKS	PARTS NAME
NO MARK	ELECTROLYTIC CAPACITOR	NO MARK	CARBON FILM RESISTOR (P=5)
⊖	TANTALUM CAPACITOR	⊖	CARBON FILM RESISTOR (P=10)
NO MARK	CERAMIC CAPACITOR	△	METAL OXIDE FILM RESISTOR
⊖	CERAMIC TUBULAR CAPACITOR	□	METAL FILM RESISTOR
⊖	POLYESTER FILM CAPACITOR	⊖	METAL PLATE RESISTOR
⊖	POLYETHYLENE FILM CAPACITOR	⊖	FINE PITCH CARBON FILM RESISTOR
⊖	MICA CAPACITOR	⊖	CEMENT MOLDED RESISTOR
⊖	POLYPROPYLENE FILM CAPACITOR	⊖	SEMI-VARIABLE RESISTOR
●	SEMICONDUCTIVE CERAMIC CAPACITOR	■	CHIP RESISTOR

REMARKS	PARTS NAME	REMARKS	PARTS NAME
NO MARK	CARBON FILM RESISTOR (P=5)	(J)	JAPANESE
⊖	CARBON FILM RESISTOR (P=10)	(U)	U.S.A.
△	METAL OXIDE FILM RESISTOR	(C)	CANADIAN
□	METAL FILM RESISTOR	(E)	GENERAL
⊖	METAL PLATE RESISTOR	(A)	AUSTRALIAN
⊖	FINE PITCH CARBON FILM RESISTOR	(B)	BRITISH
⊖	CEMENT MOLDED RESISTOR	(G)	EUROPEAN
⊖	SEMI-VARIABLE RESISTOR	(T)	CHINA
■	CHIP RESISTOR	(L)	SINGAPORE

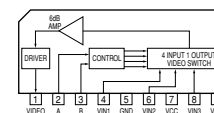
NOTICE (model)

(J) JAPANESE
 (U) U.S.A.
 (C) CANADIAN
 (E) GENERAL
 (A) AUSTRALIAN
 (B) BRITISH
 (G) EUROPEAN
 (T) CHINA
 (L) SINGAPORE

Interchangeable Parts at Manufacture Stage

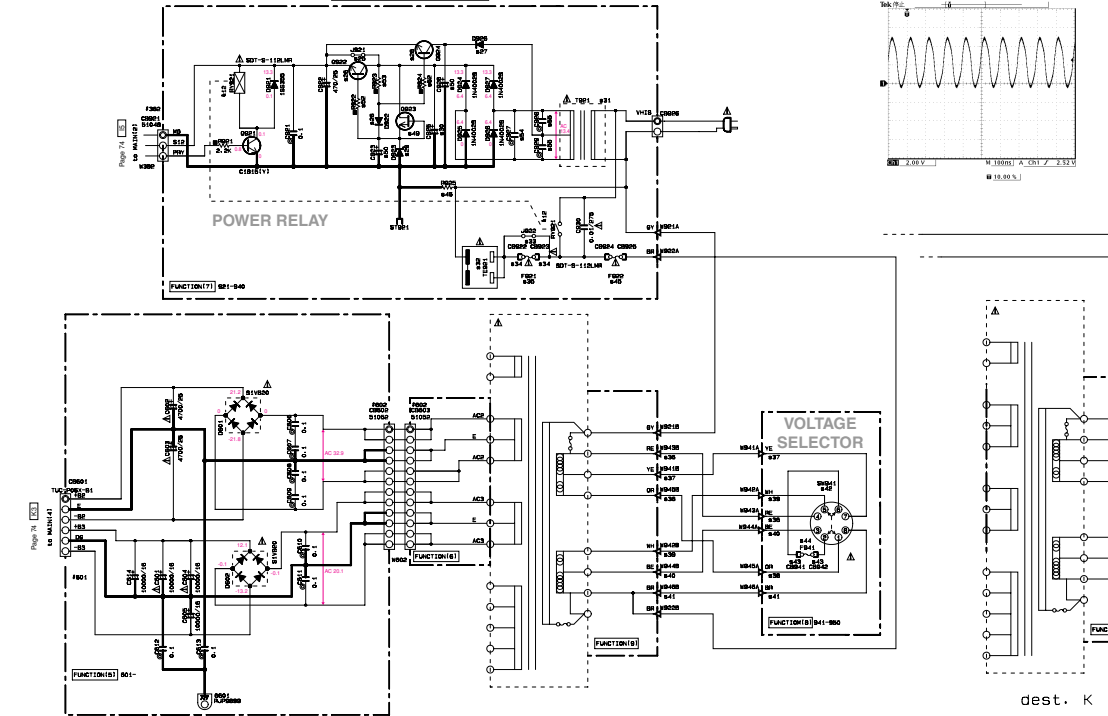
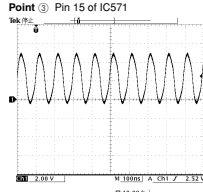
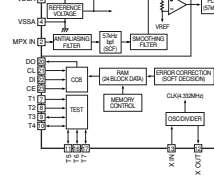
Mark	Reference Number	Parts Name
N11		
N12	R1001	80T-S-1134R
		80101+10111
		AL4321
N13	C870	99C1748(1R/3)
		99C849(1R/1)
		99C831(1G/1R/1)
N14		

IC551: LA7956



IC571: LC7222

RDS Decoder



dest. K

	J	U.C	R.T	A	B	G	L	K
N10	80071	X	X	VP0004B	X	X	X	X
N11	82871	X	X	X	X	X	X	X
N12	AL871	X	X	X	X	4.3004R	4.3004R	VP00000
N13	C877-878	X	X	X	X	270H	270H	V478110
N14	C878-879	X	X	X	X	LM85833	LM85833	X
N15	C881	X	X	X	X	800H	800H	LM85836
N16	C882	X	X	X	X	800H	800H	LM85836
N17	C878-563-563	X	X	X	X	0.1/16	0.1/16	LM85747
N18	R875	X	X	X	X	100	100	RC02810
N19	R878-880	X	X	X	X	470	470	RC02847
N20	R877-878	X	X	X	X	10K	10K	RC02810
N21	R875	X	X	X	X	20K	20K	RC02732
N22	L871	X	X	X	X	200uH	200uH	V488850
N23	8870	X	X	X	X	IC17400	IC17400	X
N24	R874	X	X	X	X	0.3K	0.3K	RC02833
N25	V801	0	0	X	0	0	0	0
N26	0000-804	X	X	00388(L*1)	X	X	X	X
N27	0008	X	X	1M40000	X	X	X	X
N28	0003	X	X	1S8300	X	X	X	X
N29	0003	X	X	1S8300	X	X	X	X
N30	0003	X	X	1S8300	X	X	X	X
N31	1881	X	X	X	X	X	X	X
N32	1882	X	X	X	X	X	X	X
N33	1880	X	X	X	X	X	X	X
N34	0000-803	X	X	X	X	VP00060	VP00060	X
N35	F801	X	X	X	X	TR-8A4800V	TR-8A4800V	TR-8A4800V
N36	F843	X	X	H00814	X	X	X	X
N37	H841	X	X	H04800	X	X	X	X
N38	V845	X	X	H04800	X	X	X	X
N39	V843	X	X	H00818	X	X	X	X
N40	V844	X	X	H04800	X	X	X	X
N41	V846	X	X	H04800	X	X	X	X
N42	H844	X	X	V718330	X	X	X	X
N43	C841-842	X	X	VP00050	X	X	X	X
N44	F841	X	X	TR-15A1200V	X	X	X	X
N45	F800	7A120V	7A120V	7A120V	7A120V	7A120V	7A120V	7A120V
N46	F800	1/200_0N	1/200_0N	VP00078	VP00078	VP00078	VP00078	VP00078
N47	0003	X	X	X	X	X	X	X
N48	0003	X	X	IC211(1)	X	X	X	X
N49	C883-888	X	X	1S733	X	X	X	X
N50	F800-804	X	X	100	X	X	X	X
N51	F803	X	X	80K	X	X	X	X
N52	C886-889	X	X	0.01	0.01	0.01	0.01	0.01
N53	C886-889	X	X	0.01	0.01	0.01	0.01	0.01
N54	C887	X	X	X	X	X	X	X
N55	C886-889	X	X	X	X	X	X	X
N56	C880	X	X	X	X	X	X	X
N57	F800	X	X	X	X	X	X	X
N58	F800	X	X	X	X	X	X	X
N59	H847	X	X	X	X	X	X	X

X: NOT USED
 0: USED / APPLICABLE

* All voltages are measured with a 10MΩ/V DC electric volt meter.
 * Components having special characteristics are marked 1, and must be replaced with parts having specifications equal to those originally installed.
 * Schematic diagram is subject to change without notice.
 ● 電圧は、内部抵抗10MΩの電圧計で測定したものです。
 ● 1印のある部品は、安全性確保部品を示しています。部品の交換が必要な場合、パーツリストに記載されている部品を参照してください。
 ● 本回路図は標準回路図です。改良のため予告なく変更することがございます。

■ SCHEMATIC DIAGRAM (OPERATION)

REMARKS	PARTS NAME	
NO MARK	ELECTROLYTIC CAPACITOR	11
⊗	TANTALUM CAPACITOR	
NO MARK	CERAMIC CAPACITOR	
⊙	CERAMIC TUBULAR CAPACITOR	
⊖	POLYESTER FILM CAPACITOR	
⊕	POLYSTYRENE FILM CAPACITOR	11
Ⓜ	MICA CAPACITOR	
Ⓟ	POLYPROPYLENE FILM CAPACITOR	
Ⓢ	SEMICONDUCTIVE CERAMIC CAPACITOR	
Ⓣ	POLYPHENYLENE SULFIDE FILM CAPACITOR	

REMARKS	PARTS NAME	
NO MARK	CARBON FILM RESISTOR (P=5)	
□	CARBON FILM RESISTOR (P=10)	
△	METAL OXIDE FILM RESISTOR	
▲	METAL FILM RESISTOR	
⊠	METAL PLATE RESISTOR	
⊞	FIRE PROOF CARBON FILM RESISTOR	
Ⓜ	CEMENT MOLDED RESISTOR	
Ⓡ	SEMI VARIABLE RESISTOR	
■	CHIP RESISTOR	

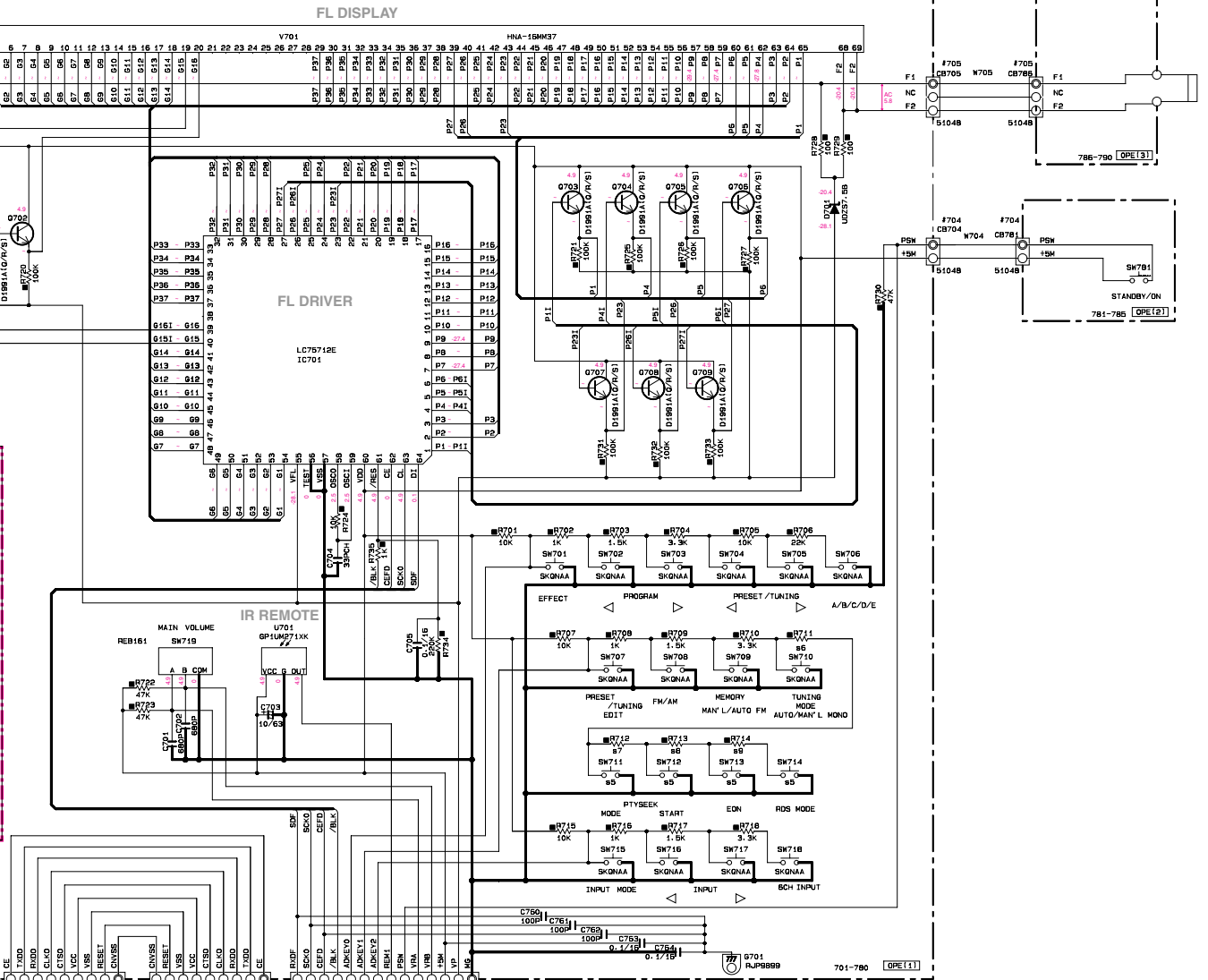
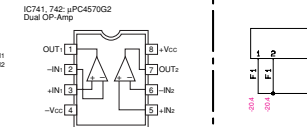
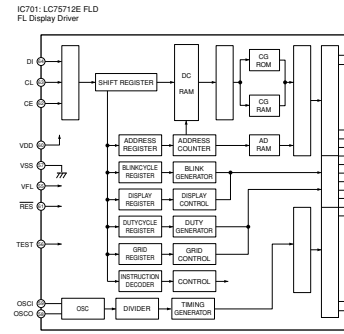
NOTICE (model)

- (J)..... JAPANESE
- (U)..... U. S. A.
- (C)..... CANADIAN
- (R)..... GENERAL
- (A)..... AUSTRALIAN
- (B)..... BRITISH
- (G)..... EUROPEAN
- (T)..... CHINA
- (L)..... SINGAPORE

	J-U-C-R-T K-A-L	B-G
#5 SW711-714	×	VV02030
#6 R711	×	10K R036710
#7 R712	×	20K R036722
#8 R713	×	47K R036747
#9 R714	×	200K R036822

- * All voltages are measured with a 10M Ω /V DC electric volt meter.
- * Components having special characteristics are marked 1, and must be replaced with parts having specifications equal to those originally installed.
- * Schematic diagram is subject to change without notice.

- 電圧は、内部抵抗10M Ω の電圧計で測定したものです。
- 1印のある部品は、安全性確保部品を示しています。部品の交換が必要な場合、パーツリストに記載されている部品を使用してください。
- 本回路図は標準回路図です。改良のため予告なく変更することがございます。



Page 57 [LT] to FUNCTION (1)

Flash U-con Write Connector

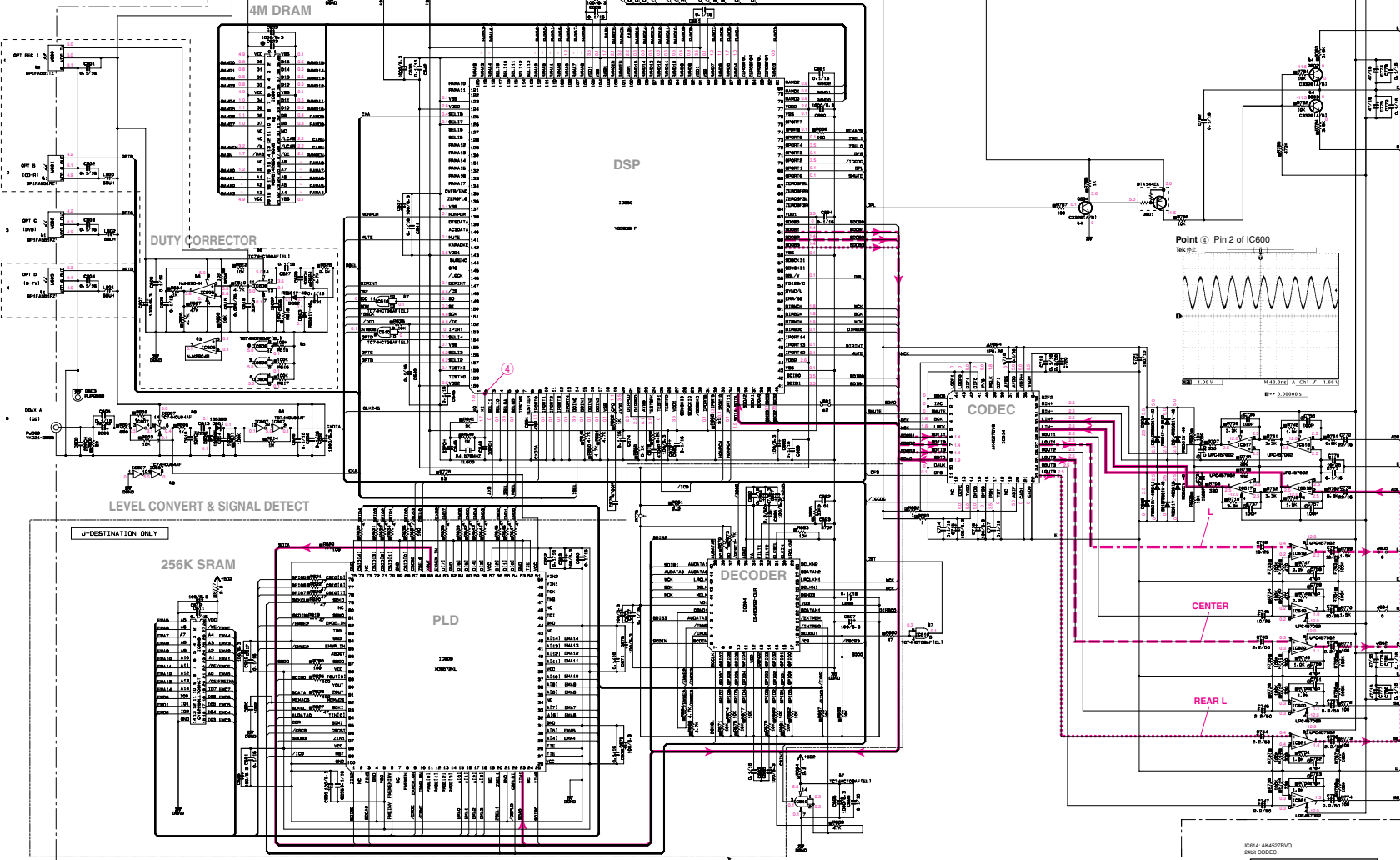
Page 57 [S]

701-790 [OPE11]

■ SCHEMATIC DIAGRAM (DSP)

REMARKS	PARTS NAME
NO MARK	CARBON FILM RESISTOR (P-6)
□	CARBON FILM RESISTOR (P-10)
△	METAL OXIDE FILM RESISTOR
◇	METAL FILM RESISTOR
○	METAL PLATE RESISTOR
○	THICK PROOF CARBON FILM RESISTOR
○	CONDUCTIVE NON-IND. RESISTOR
○	SEMI-VARIABLE RESISTOR
○	CHIP RESISTOR

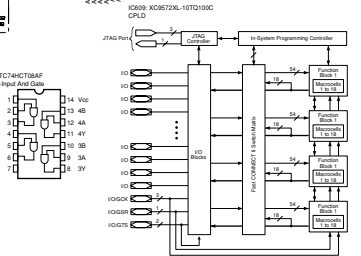
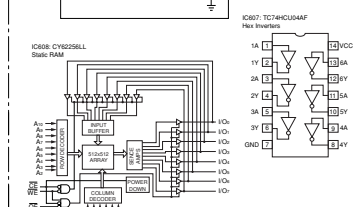
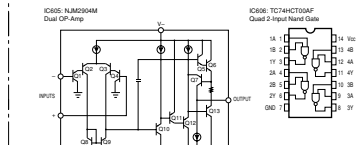
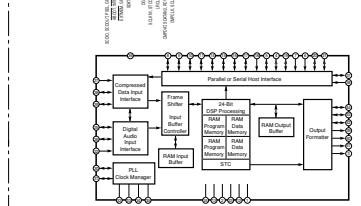
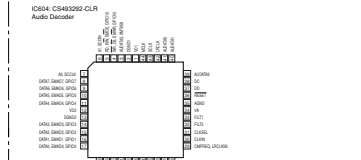
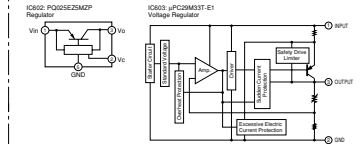
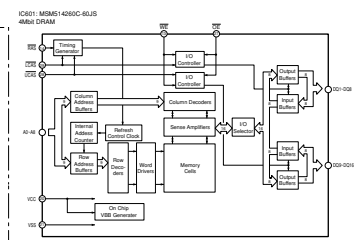
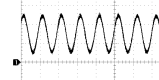
REMARKS	PARTS NAME
NO MARK	ELECTROLYTIC CAPACITOR
○	FANTAIL CAPACITOR
○	CERAMIC CAPACITOR
○	CERAMIC TUBULAR CAPACITOR
○	POLYMER FILM CAPACITOR
○	NON-POLYMER FILM CAPACITOR
○	MICA CAPACITOR
○	POLYPROPYLENE FILM CAPACITOR
○	PERFORMANCE CERAMIC CAPACITOR
○	POLYPROPYLENE SULFIDE FILM CAPACITOR



NOTICE (model)
 J model only
 (DSP-AX530/DSP-AX430)

Interchangeable Parts at Manufacture Stage

Part No.	Part Name	U.S. Part No.	U.S. Part Name
IC1	REGULATOR	IC1	REGULATOR
IC2	4M DRAM	IC2	4M DRAM
IC3	DUTY CORRECTOR	IC3	DUTY CORRECTOR
IC4	LEVEL CONVERT & SIGNAL DETECT	IC4	LEVEL CONVERT & SIGNAL DETECT
IC5	256K SRAM	IC5	256K SRAM
IC6	PLD	IC6	PLD
IC7	DECODER	IC7	DECODER
IC8	CODEC	IC8	CODEC
IC9	MAIN I (ANALOG IN)	IC9	MAIN I (ANALOG IN)

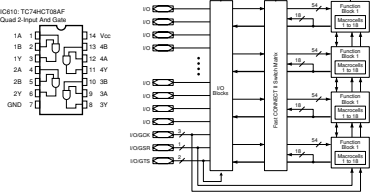
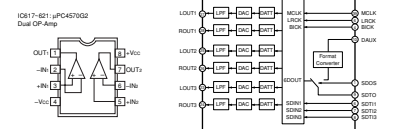


□ : RX-V530/RX-V530RDS/HTR-5550/HTR-5550RDS/DSP-AX530 only

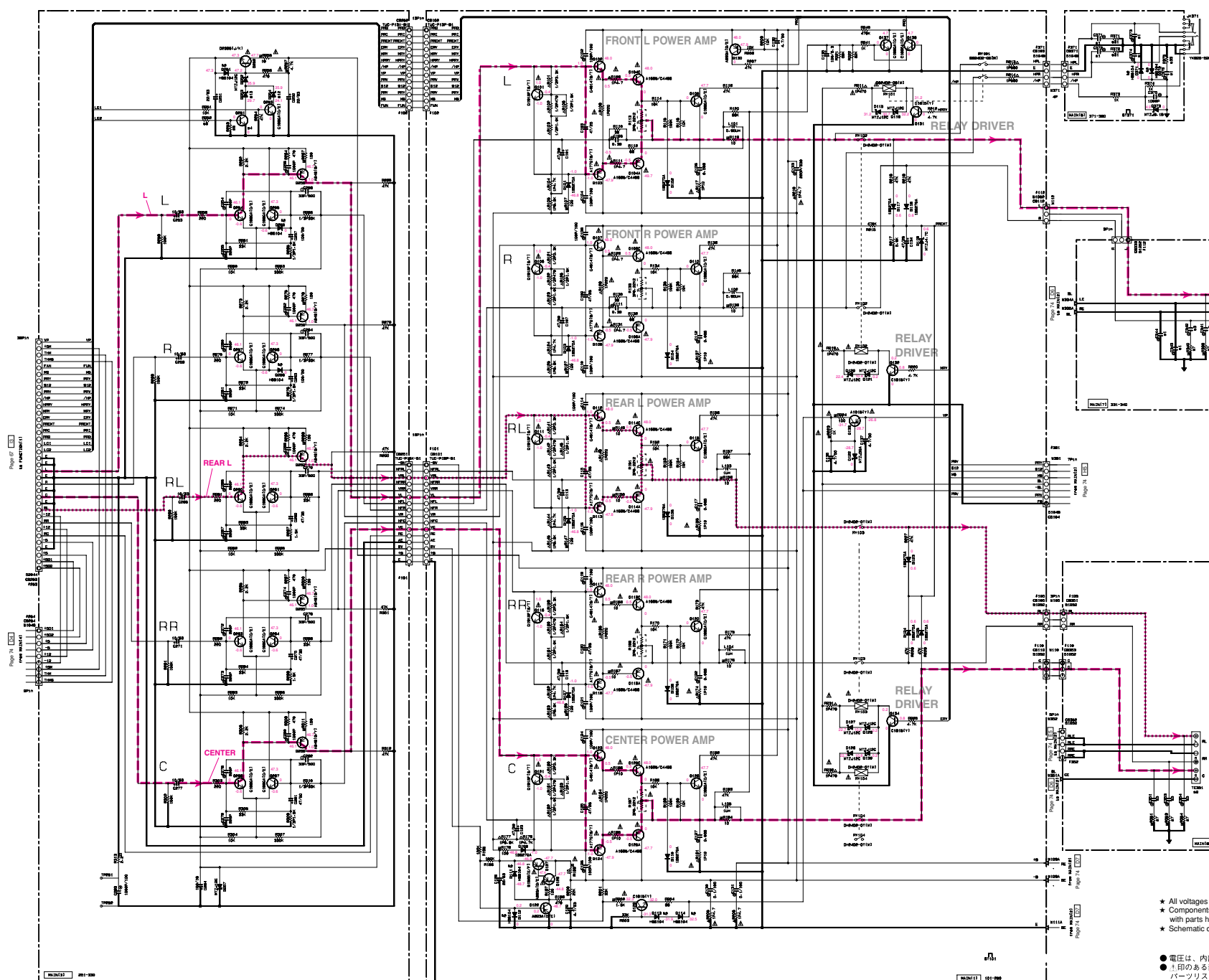
J model only (DSP-AX530/DSP-AX430)

- ★ All voltages are measured with a 10MΩ/V DC electric volt meter.
- ★ Components having special characteristics are marked * and must be replaced with parts having specifications equal to those originally installed.
- ★ Schematic diagram is subject to change without notice.

- 電圧は、内部抵抗10MΩの電圧計で測定したものです。
- *印のある部品は、安全性確保部品を示しています。部品の交換が必要な場合、パーツリストに記載されている部品を使用してください。
- 本回路図は標準回路図です。改良のため予告なく変更することがございます。



■ SCHEMATIC DIAGRAM (MAIN 1/2) RX-V530/RX-V530RDS/HTR-5550/HTR-5550RDS/DSP-AX530/RX-V430RDS/HTR-5540RDS only



NOTICE (model)
 (J)..... JAPANESE
 (U)..... U.S.A.
 (C)..... CANADIAN
 (R)..... GENERAL
 (A)..... AUSTRALIAN
 (B)..... BRITISH
 (E)..... EUROPEAN
 (T)..... CHINA
 (L)..... SINGAPORE

CAPACITOR

REMARKS	PARTS NAME	UNIT
NO MARK	ELECTROLYTIC CAPACITOR	μF
◎	TANTALUM CAPACITOR	μF
○	CEMICAP CERAMIC CAPACITOR	μF
○	NON-VARIABLE FILM CAPACITOR	μF
○	POLYESTER FILM CAPACITOR	μF
○	MICA CAPACITOR	μF
○	POLYPROPYLENE FILM CAPACITOR	μF
○	BIPOLECTIVE CERAMIC CAPACITOR	μF
○	POLYPROPYLENE SULFIDE FILM CAPACITOR	μF

RESISTOR

REMARKS	PARTS NAME	UNIT
NO MARK	CARBON FILM RESISTOR (1/4W)	Ω
□	CARBON FILM RESISTOR (1/10W)	Ω
△	METAL FILM RESISTOR	Ω
◇	METAL PLATE RESISTOR	Ω
○	FILM THICK CARBON FILM RESISTOR	Ω
○	CEMENT MOUNTED RESISTOR	Ω
■	CHIP RESISTOR	Ω

Interchangeable Parts at Manufacture Stage

Part	Reference Part Number	Part Name
M	D111-114-001-000-000	4000A
	071-070	1000R
		1001R

8	Circuit No.	J	U.C	model	R.T.K.A	E.G.L
	C245-344 271-374-376	X	X	0.01 [UAG5410]	0.01 [UAG5410]	
	C241-342 351-353-354	X	X	0.002 [UAG5402]	0.002 [UAG5402]	
	C201	X		0.000001 [VFB6310]	0.000001 [VFB6310]	
	D203	X	X	47K [HF45710]	47K [HF45710]	
	D205	X	X	10K [HF45710]	10K [HF45710]	
	R233-340 351-353-354	X	X	2.2 [HV73202]	2.2 [HV73202]	
	TE01			1700010-1000 [W77110]	1700010-1000 [W77110]	
	TE03			170410-3011 [VAG2001]	170410-3011 [VAG2001]	
	D204	X	X	MF21.00 [VGA4000]	MF21.00 [VGA4000]	
	D205	X	X	MF2.00 [VGA4000]	MF2.00 [VGA4000]	
	R201-372	X	X	4.7 [HF45247]	4.7 [HF45247]	
	R270	X	X	2.2 [HF45202]	2.2 [HF45202]	

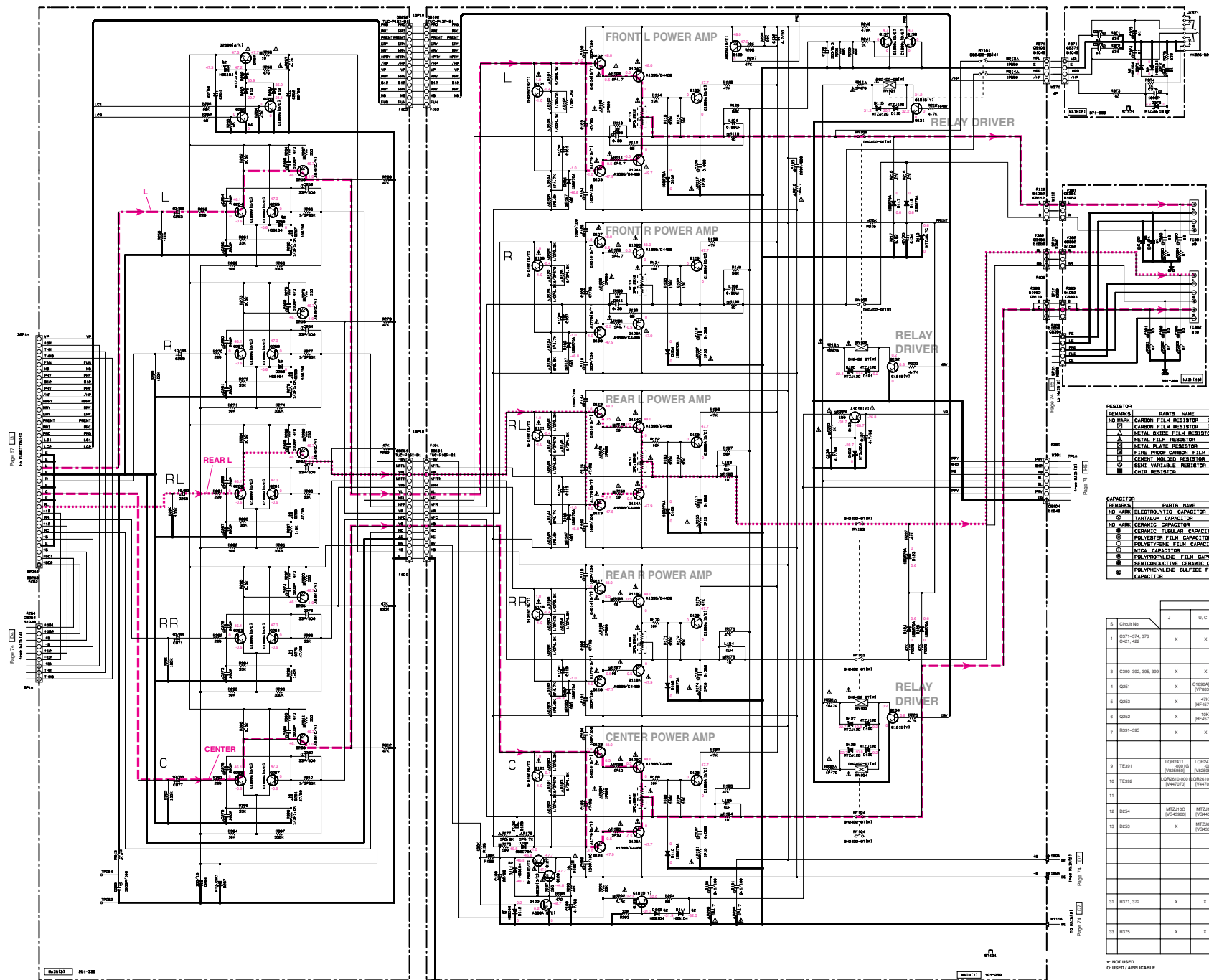
○ NOT USED
 □ CIRCLED / APPLICABLE

★ All voltages are measured with a 10MΩ/V DC electric volt meter.
 ★ Components having special characteristics are marked ! and must be replaced with parts having specifications equal to those originally installed.
 ★ Schematic diagram is subject to change without notice.

● 電圧は、内部抵抗10MΩの電圧計で測定したものです。
 ● !印のある部品は、安全性確保部品を示しています。部品の交換が必要な場合、パーツリストに記載されている部品を使用してください。
 ● 本回路図は標準回路図です。改良のため予告なく変更することがございます。

■ SCHEMATIC DIAGRAM (MAIN 1/2) RX-V530/HTR-5540/DSP-AX430 only

RX-V530/RX-V530RDS/HTR-5550/HTR-5550RDS/DSP-AX530
RX-V430/RX-V430RDS/HTR-5540/HTR-5540RDS/DSP-AX430



RESISTOR

RESISMS	PARTS NAME	MANUFACTURE NUMBER	RESIS. VALUE
NO MARK	CARBON FILM RESISTOR (F-D)		
□	CARBON FILM RESISTOR (F-D)		
△	METAL OXIDE FILM RESISTOR		
○	METAL FILM RESISTOR		
■	METAL PLATE RESISTOR		
◇	FINE PITCH CARBON FILM RESISTOR		
◇	CONDUIT HOLED RESISTOR		
◇	SEMI VARIABLE RESISTOR		
◇	CHIP RESISTOR		

CAPACITOR

RESISMS	PARTS NAME	MANUFACTURE NUMBER	RESIS. VALUE
NO MARK	ELECTROLYTIC CAPACITOR		
○	TANTALUM CAPACITOR		
○	CERAMIC CAPACITOR		
○	GENERAL TUNABLE CAPACITOR		
○	POLYESTER FILM CAPACITOR		
○	POLYPROPYLENE FILM CAPACITOR		
○	FOIL CAPACITOR		
○	POLYPROPYLENE FILM CAPACITOR		
○	NONINDUCTIVE CERAMIC CAPACITOR		
○	POLYETHYLENE SULFIDE FILM CAPACITOR		

NOTICE (model)

J JAPANESE
 U U.S.A.
 C CANADIAN
 R GENERAL
 A AUSTRALIAN
 B BRITISH
 E EUROPEAN
 T CHINA
 L SINGAPORE

Chart No.	J	U.C.	R.T.K.A.	L
1 C271-274, 376 C281-322	X	X	0.01 [JMS410]	0.01 [JMS410]
2 C390-392, 395, 399	X	X	0.02 [JMS420]	0.02 [JMS420]
4 G251	X		C180A(4E) [YF8510]	C180A(4E) [YF8510]
5 G255	X		47K [HF45747]	47K [HF45747]
6 G252	X		10K [HF45710]	10K [HF45710]
7 R311-315	X	X	2.2 [YF75202]	2.2 [YF75202]
9 TE301	LCR2411 [Y447011]	LCR2411 [Y447011]	LCR2411 [Y447011]	LCR2411 [Y447011]
10 TE302	LCR2511-0000 [Y447011]	LCR2511-0000 [Y447011]	LCR2511-0000 [Y447011]	LCR2511-0000 [Y447011]
11				
12 D254	MTZ12C [Y443830]	MTZ12C [Y443830]	MTZ12C [Y443830]	MTZ12C [Y443830]
13 D253	X		MTZ16.6B [Y443835]	MTZ16.6B [Y443835]
31 R371, 372	X	X	4.7 [HF45247]	4.7 [HF45247]
33 R375	X	X	2.2 [HF45222]	2.2 [HF45222]

○ NOT USED
○ USED / APPLICABLE

* All voltages are measured with a 10MΩ/V DC electric volt meter.
 * Components having special characteristics are marked with a triangle and must be replaced with parts having specifications equal to those originally installed.
 * Schematic diagram is subject to change without notice.

● 電圧は、内部抵抗10MΩの電圧計で測定したものです。
 ● 印のある部品は、安全確保部品を示しています。部品の交換が必要な場合、パーツリストに記載されている部品を使用してください。
 ● 本回路図は標準回路図です。改良のため予告なく変更することがございます。

■ SCHEMATIC DIAGRAM / (MAIN 2/2)

RESISTOR

REMARKS	PARTS NAME
NO MARK	CARBON FILM RESISTOR (P=5)
☒	CARBON FILM RESISTOR (P=10)
△	METAL OXIDE FILM RESISTOR
⊠	METAL FILM RESISTOR
⊡	METAL PLATE RESISTOR
■	FIRE PROOF CARBON FILM RESISTOR
□	CEMENT MOLDED RESISTOR
⊙	SEMI VARIABLE RESISTOR
■	CHIP RESISTOR

CAPACITOR

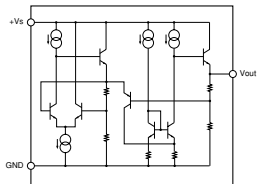
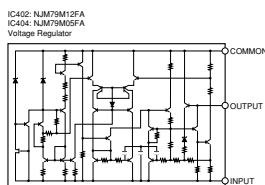
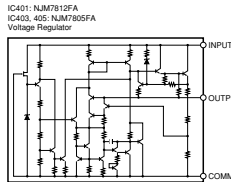
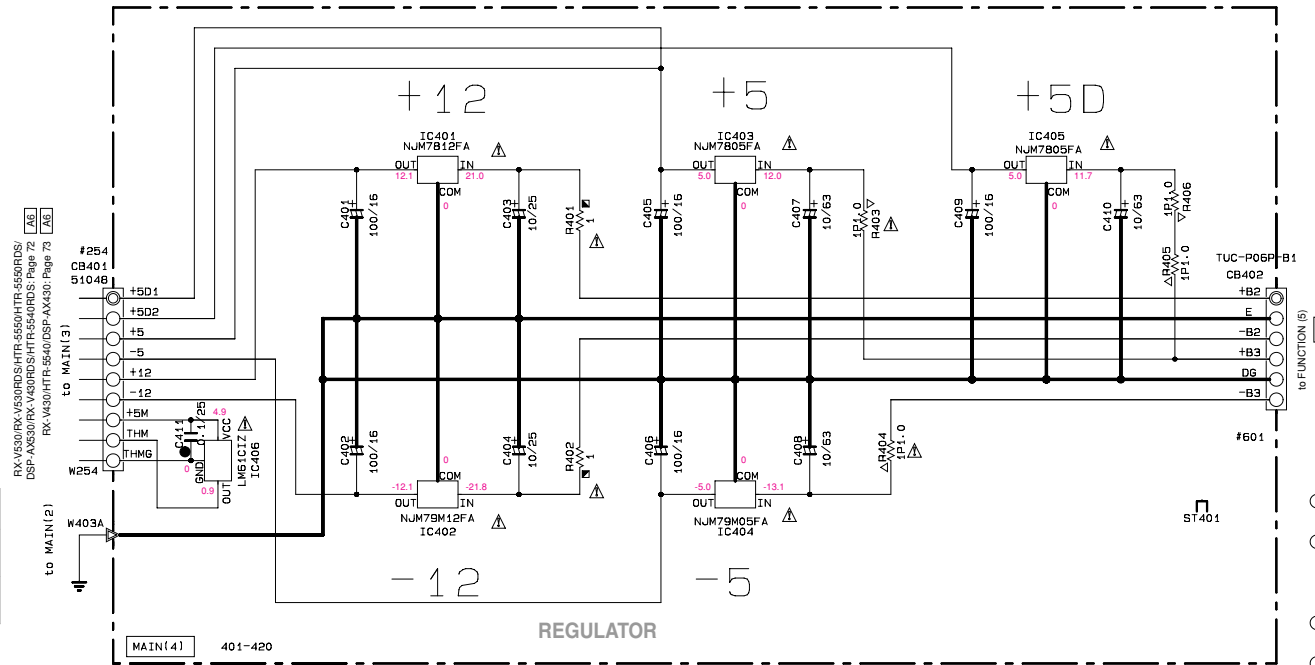
REMARKS	PARTS NAME
NO MARK	ELECTROLYTIC CAPACITOR
⊗	TANTALUM CAPACITOR
NO MARK	CERAMIC CAPACITOR
●	CERAMIC TUBULAR CAPACITOR
⊙	POLYESTER FILM CAPACITOR
○	POLYSTYRENE FILM CAPACITOR
⊖	MICA CAPACITOR
⊕	POLYPROPYLENE FILM CAPACITOR
⊗	SEMICONDUCTIVE CERAMIC CAPACITOR

NOTICE (model)

- (J)..... JAPANESE
- (U)..... U. S. A
- (C)..... CANADIAN
- (R)..... GENERAL
- (A)..... AUSTRALIAN
- (B)..... BRITISH
- (G)..... EUROPEAN
- (T)..... CHINA
- (L)..... SINGAPORE

6	Circuit No.	J	U. C. R. T. K
21	J3B1, 3B2	D	X
22	SW3B1	X	SL13B-022AMCS [V410420]

x: NOT USED
 o: USED/APPLICABLE



RX-V530/RX-V530RDS/HTR-5550/HTR-5550RDS/
 DSP-AX530/RX-V430RDS/HTR-5540RDS: Page 72 to MAIN (8)
 RX-V430/HTR-5540/DSP-AX430: Page 73 to MAIN (10)

RX-V530/RX-V530RDS/HTR-5550/HTR-5550RDS/
 DSP-AX530/RX-V430RDS/HTR-5540RDS: Page 72
 RX-V430/HTR-5540/DSP-AX430: Page 73

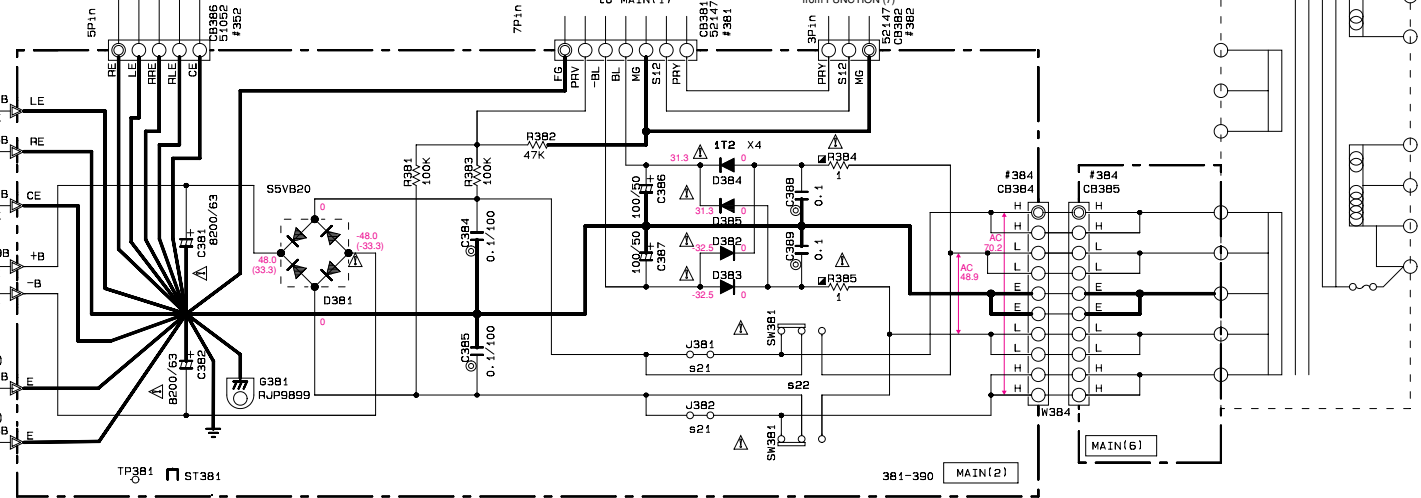
RX-V530/RX-V530RDS/HTR-5550/HTR-5550RDS/
 DSP-AX530/RX-V430RDS/HTR-5540RDS only: Page 72

RX-V530/RX-V530RDS/HTR-5550/HTR-5550RDS/
 DSP-AX530/RX-V430RDS/HTR-5540RDS only: Page 72

RX-V530/RX-V530RDS/HTR-5550/HTR-5550RDS/
 DSP-AX530/RX-V430RDS/HTR-5540RDS: Page 72
 RX-V430/HTR-5540/DSP-AX430: Page 73

RX-V530/RX-V530RDS/HTR-5550/HTR-5550RDS/
 DSP-AX530/RX-V430RDS/HTR-5540RDS: Page 72
 RX-V430/HTR-5540/DSP-AX430: Page 73

RX-V530/RX-V530RDS/HTR-5550/HTR-5550RDS/
 DSP-AX530/RX-V430RDS/HTR-5540RDS: Page 72
 RX-V430/HTR-5540/DSP-AX430: Page 73



★ All voltages are measured with a 10M Ω /V DC electric volt meter.
 ★ Components having special characteristics are marked Δ and must be replaced with parts having specifications equal to those originally installed.
 ★ Schematic diagram is subject to change without notice.

● 電圧は、内部抵抗10M Ω の電圧計で測定したものです。
 ● Δ 印のある部品は、安全性確保部品を示しています。部品の交換が必要な場合、パーツリストに記載されている部品を使用してください。
 ● 本回路図は標準回路図です。改良のため予告なく変更することがございます。