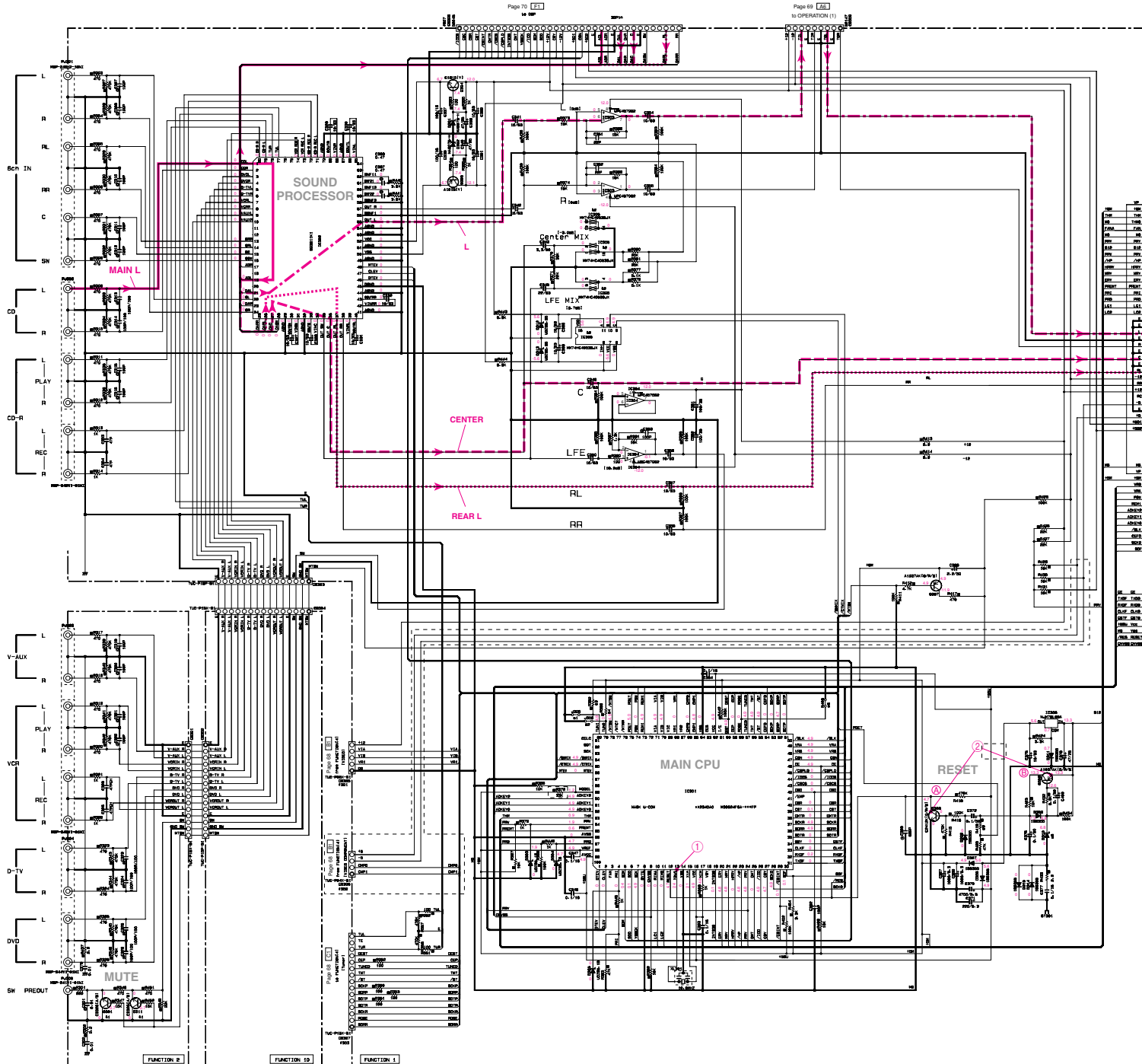


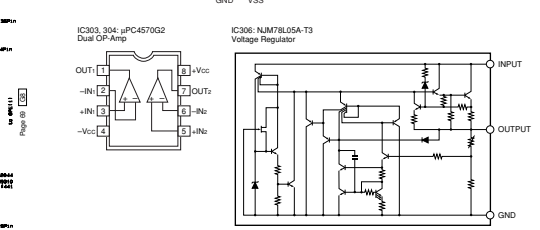
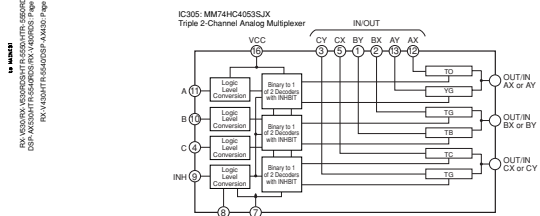
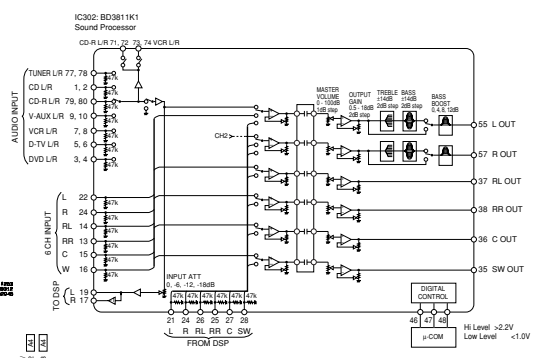
■ SCHEMATIC DIAGRAM (FUNCTION 1/2)

* All voltages are measured with a 10MΩ/V DC electric volt meter.
 * Components having special characteristics are marked Δ , and must be replaced with parts having specifications equal to those originally installed.
 * Schematic diagram is subject to change without notice.

● 電圧は、内部抵抗10MΩの電圧計で測定したものです。
 ● Δ 印のある部品は、安全性確保部品を示しています。部品の交換が必要な場合、パーツリストに記載されている部品を使用してください。
 ● 本回路図は標準回路図です。改良のため予告なく変更することがございます。



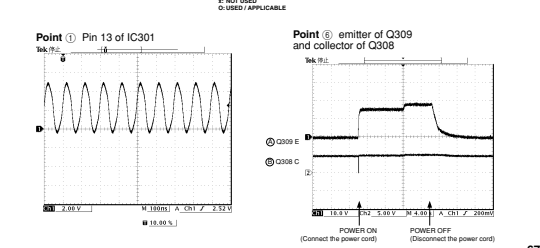
RX-V530/RX-V530RDS/HTR-5550/HTR-5550RDS/DSP-AX530
 RX-V430/RX-V430RDS/HTR-5540/HTR-5540RDS/DSP-AX430



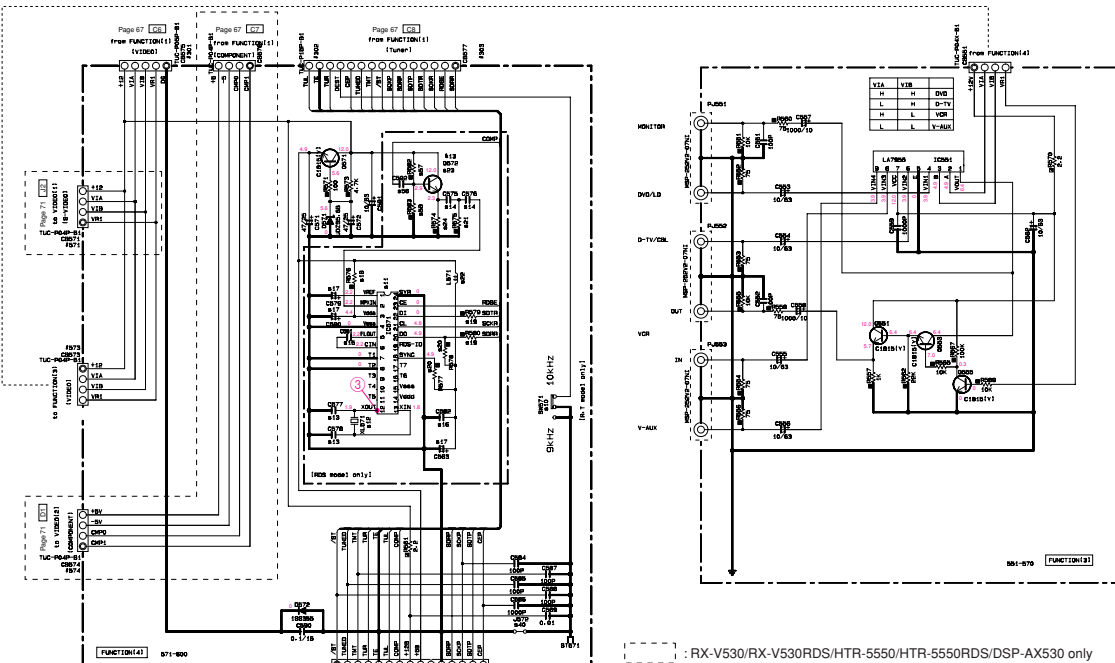
CAPACITOR		RESISTOR	
REMARKS	PARTS NAME	REMARKS	PARTS NAME
NO MARK	ELECTROLYTIC CAPACITOR	NO MARK	CARBON FILM RESISTOR (P-5)
①	TANTALUM CAPACITOR	①	CARBON FILM RESISTOR (P-10)
NO MARK	CERAMIC CAPACITOR	②	METAL OXIDE FILM RESISTOR
②	CERAMIC TUNABLE CAPACITOR	③	METAL FILM RESISTOR
③	POLYESTER FILM CAPACITOR	④	METAL OXIDE FILM RESISTOR
④	POLYPROPYLENE FILM CAPACITOR	⑤	FILM WOUND CARBON FILM RESISTOR
⑤	MYICA CAPACITOR	⑥	PRECISION HOLED RESISTOR
⑥	POLYPROPYLENE FILM CAPACITOR	⑦	CHINA VARIABLE RESISTOR
⑦	NEOCONDUCTIVE CERAMIC CAPACITOR	⑧	CHINA VARIABLE RESISTOR

NOTICE (model)
 (J) JAPAN
 (U) U.S.A.
 (C) CANADIAN
 (R) GENERAL
 (A) AUSTRALIAN
 (B) BRITISH
 (E) EUROPEAN
 (I) CHINA
 (L) SINGAPORE

Part No.	Part Name	QTY	Remarks
41	RES	1	100K
42	RES	1	100K
43	RES	1	100K
44	RES	1	100K
45	RES	1	100K
46	RES	1	100K
47	RES	1	100K
48	RES	1	100K
49	RES	1	100K
50	RES	1	100K



■ SCHEMATIC DIAGRAM (FUNCTION 2/2)



: RX-V530/RX-V530RDS/HTR-5550/HTR-5550RDS/DSP-AX530 only

REMARKS	PARTS NAME	QTY
NO MARK	ELECTROLYTIC CAPACITOR	10
①	TANTALUM CAPACITOR	10
NO MARK	CERAMIC CAPACITOR	10
②	CERAMIC TUBULAR CAPACITOR	10
③	POLYESTER FILM CAPACITOR	10
④	POLYETHYLENE FILM CAPACITOR	10
⑤	MICA CAPACITOR	10
⑥	POLYPROPYLENE FILM CAPACITOR	10
⑦	SEMICONDUCTIVE CERAMIC CAPACITOR	10

REMARKS	PARTS NAME	QTY
NO MARK	CARBON FILM RESISTOR (P=5)	10
①	CARBON FILM RESISTOR (P=10)	10
②	METAL OXIDE FILM RESISTOR	10
③	METAL FILM RESISTOR	10
④	METAL PLATE RESISTOR	10
⑤	FINE PROOF CARBON FILM RESISTOR	10
⑥	CEMENT MOUNTED RESISTOR	10
⑦	SEMI-VARIABLE RESISTOR	10
⑧	CHIP RESISTOR	10

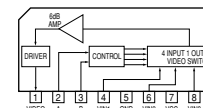
NOTICE (model)

- (J)..... JAPANESE
- (U)..... U.S.A
- (C)..... CANADIAN
- (E)..... EUROPEAN
- (A)..... AUSTRALIAN
- (B)..... BRITISH
- (G)..... EUROPEAN
- (T)..... CHINA
- (L)..... SINGAPORE

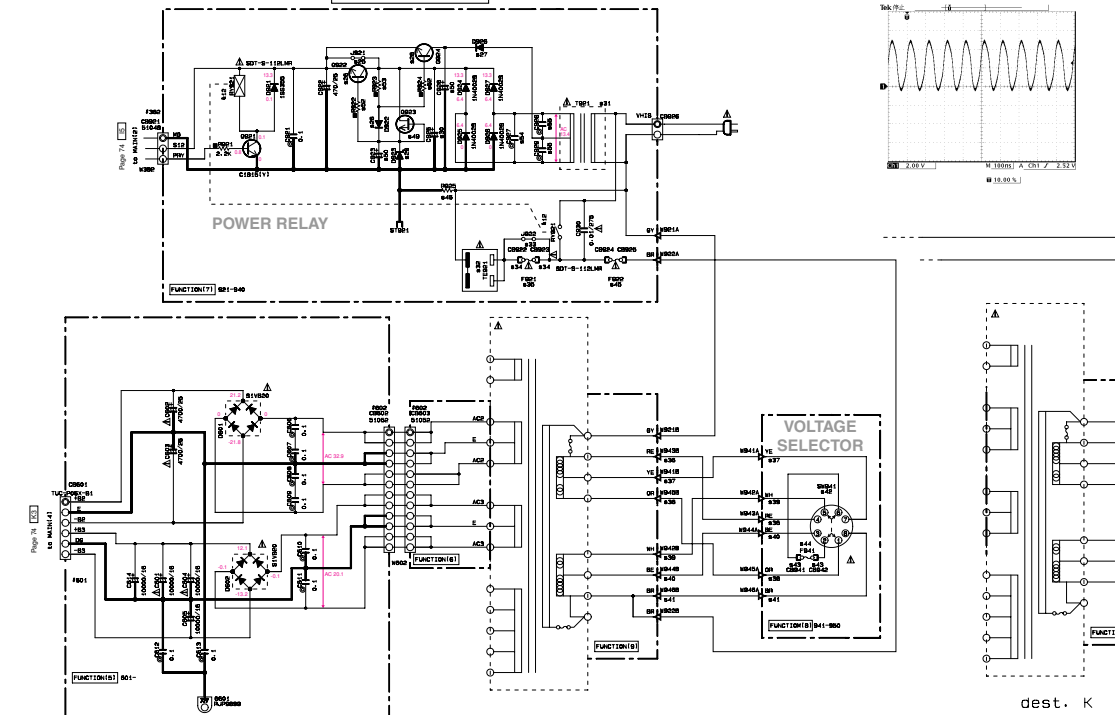
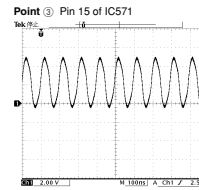
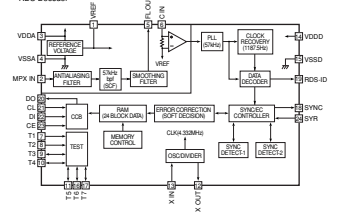
Interchangeable Parts at Manufacture-Stage

Mark	Reference Number	Parts Name
S12	R1001	80T-S-113AR 80101+10111 AL3021
S13	C010	99C1740(1743) 99C080(1671) 99C031(1674/1)

IC551: LA7956
Video Switch



IC571: LC7222
RDS Decoder



dest. K

	J	U.C	R.T	A	B	G	L	K
S10	80071	X	X	9000A8 Y800A0	X	X	X	X
S11	80071	X	X	X	X	X	X	X
S12	AL871	X	X	X	X	4.300K4 V80000	X	X
S13	8077-878	X	X	X	X	270H V478110	X	X
S14	8078-878	X	X	X	X	LM808F3	X	X
S15	C081	X	X	X	X	800H LM808F6	X	X
S16	C080	X	X	X	X	0.1/16 LM80747	X	X
S17	8078-503-503	X	X	X	X	0.1/16 LM80747	X	X
S18	8078	X	X	X	X	100 R030810	X	X
S19	8078-800	X	X	X	X	470 R030847	X	X
S20	8077-878	X	X	X	X	10K R030710	X	X
S21	8078	X	X	X	X	20K R030732	X	X
S22	L871	X	X	X	X	200uH V480000	X	X
S23	8070	X	X	X	X	1C1740P 1C1740P	X	X
S24	8074	X	X	X	X	0.3K R030833	X	X
S25	V001	0	0	X	0	0	0	0
S26	0000-804	X	X	0030H(L*1) V81000	X	X	X	X
S27	0000	X	X	104000 V71000	X	X	X	X
S28	0003	X	X	10000 V70000	X	X	X	X
S29	0003	X	X	100100 V117200	X	X	X	X
S30	0005	X	X	10100 LM80710	X	X	X	X
S31	1801	X	X	X	X	X	X	X
S32	1801	V00A310	V00A310	V00B740	V101000	V00A300	V00A340	V00A340
S33	1800	0	0	0	0	0	0	0
S34	0000-803	X	X	X	X	V00000	V00000	X
S35	F001	X	X	X	X	TR-8A400V V10000	TR-8A400V V10000	X
S36	F003	X	X	H00014	X	X	X	X
S37	H001	X	X	H00000	X	X	X	X
S38	V000	X	X	H00000	X	X	X	X
S39	F000	X	X	H00010	X	X	X	X
S40	V004	X	X	H00000	X	X	X	X
S41	V006	X	X	H00000	X	X	X	X
S42	H0041	X	X	V10030	X	X	X	X
S43	00041-040	X	X	V00000	X	X	X	X
S44	F001	X	X	TR-10A100V R000070	X	X	X	X
S45	F000	7A100V V00000	7A100V V00000	7A100V V00000	TR-10A100V R000070	TR-10A100V R000070	TR-10A100V R000070	TR-10A100V R000070
S46	F000	X	X	1/200, 0W V00000	X	X	X	X
S48	0003	X	X	0.01/1 Z10000	X	X	X	X
S49	0003-800	X	X	0.1/10 LM80710	X	X	X	X
S50	F000-804	X	X	100 R030810	X	X	X	X
S53	F003	X	X	50K R030738	X	X	X	X
S54	0007	0-01 LM80410	0-01 LM80410	X	0-01 LM80410	0-01 LM80410	0-01 LM80410	0-01 LM80410
S55	0000-800	X	X	0-01 LM80410	X	X	X	X
S56	C000	X	X	X	100K LM80810	100K LM80810	X	X
S57	F000	X	X	X	100K R030810	100K R030810	X	X
S58	F000	X	X	X	10K R030733	10K R030733	X	X
S59	H017	X	X	X	X	X	X	H00007

X: NOT USED
0: USED / APPLICABLE

- * All voltages are measured with a 10MΩ/V DC electric volt meter.
- * Components having special characteristics are marked 1, and must be replaced with parts having specifications equal to those originally installed.
- * Schematic diagram is subject to change without notice.

- 電圧は、内部抵抗10MΩの電圧計で測定したものです。
- 1印のある部品は、安全性確保部品を示しています。部品の交換が必要な場合、パーツリストに記載されている部品を参照してください。
- 本回路図は標準回路図です。改良のため予告なく変更することがございます。

■ SCHEMATIC DIAGRAM (OPERATION)

REMARKS	PARTS NAME	
NO MARK	ELECTROLYTIC CAPACITOR	☐
⊗	TANTALUM CAPACITOR	☐
NO MARK	CERAMIC CAPACITOR	
⊙	CERAMIC TUBULAR CAPACITOR	
⊖	POLYESTER FILM CAPACITOR	
⊕	POLYSTYRENE FILM CAPACITOR	
Ⓜ	MICA CAPACITOR	
Ⓟ	POLYPROPYLENE FILM CAPACITOR	
Ⓢ	SEMICONDUCTIVE CERAMIC CAPACITOR	
Ⓣ	POLYPHENYLENE SULFIDE FILM CAPACITOR	

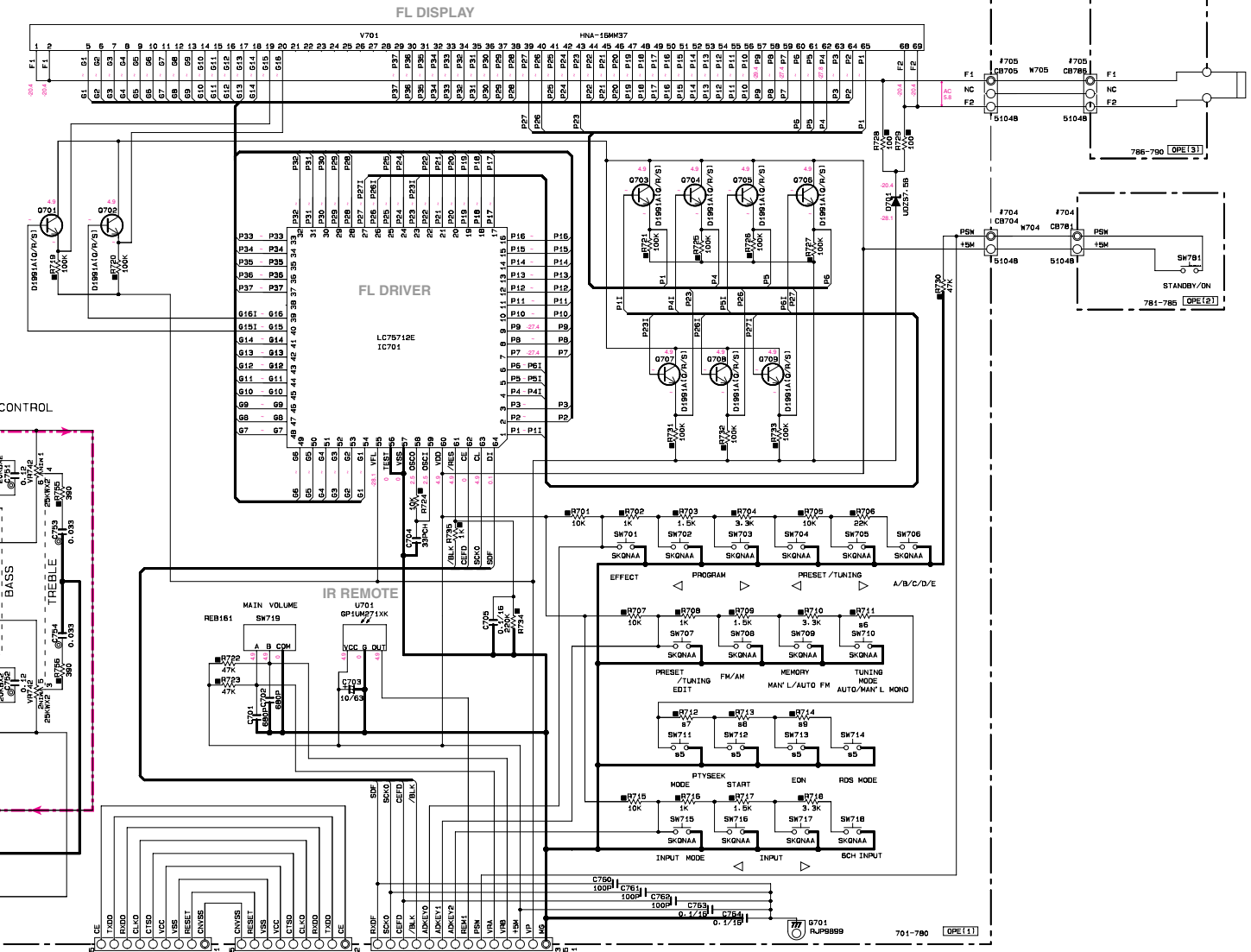
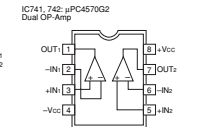
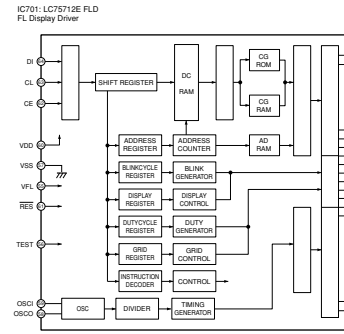
REMARKS	PARTS NAME	
NO MARK	CARBON FILM RESISTOR (P=5)	□
□	CARBON FILM RESISTOR (P=10)	□
△	METAL OXIDE FILM RESISTOR	
▲	METAL FILM RESISTOR	
⊠	METAL PLATE RESISTOR	
⊞	FIRE PROOF CARBON FILM RESISTOR	
Ⓜ	CEMENT MOLDED RESISTOR	
Ⓡ	SEMI VARIABLE RESISTOR	
■	CHIP RESISTOR	

NOTICE (model)

- (J)..... JAPANESE
- (U)..... U. S. A.
- (C)..... CANADIAN
- (R)..... GENERAL
- (A)..... AUSTRALIAN
- (B)..... BRITISH
- (G)..... EUROPEAN
- (T)..... CHINA
- (L)..... SINGAPORE

	J-U-C-R-T K-A-L	B-G
#5	SW711-714	×
#6	R711	×
#7	R712	×
#8	R713	×
#9	R714	×

- * All voltages are measured with a 10M Ω /V DC electric volt meter.
 - * Components having special characteristics are marked ①, and must be replaced with parts having specifications equal to those originally installed.
 - * Schematic diagram is subject to change without notice.
- 電圧は、内部抵抗10M Ω の電圧計で測定したものです。
● ①印のある部品は、安全性確保部品を示しています。部品の交換が必要な場合、パーツリストに記載されている部品を使用してください。
● 本回路図は標準回路図です。改良のため予告なく変更することがございます。



Page 57 [LT] to FUNCTION (1)

Flash U-con Write Connector Page 67 [S]

Page 67 [S]

701-790 [OPE11]

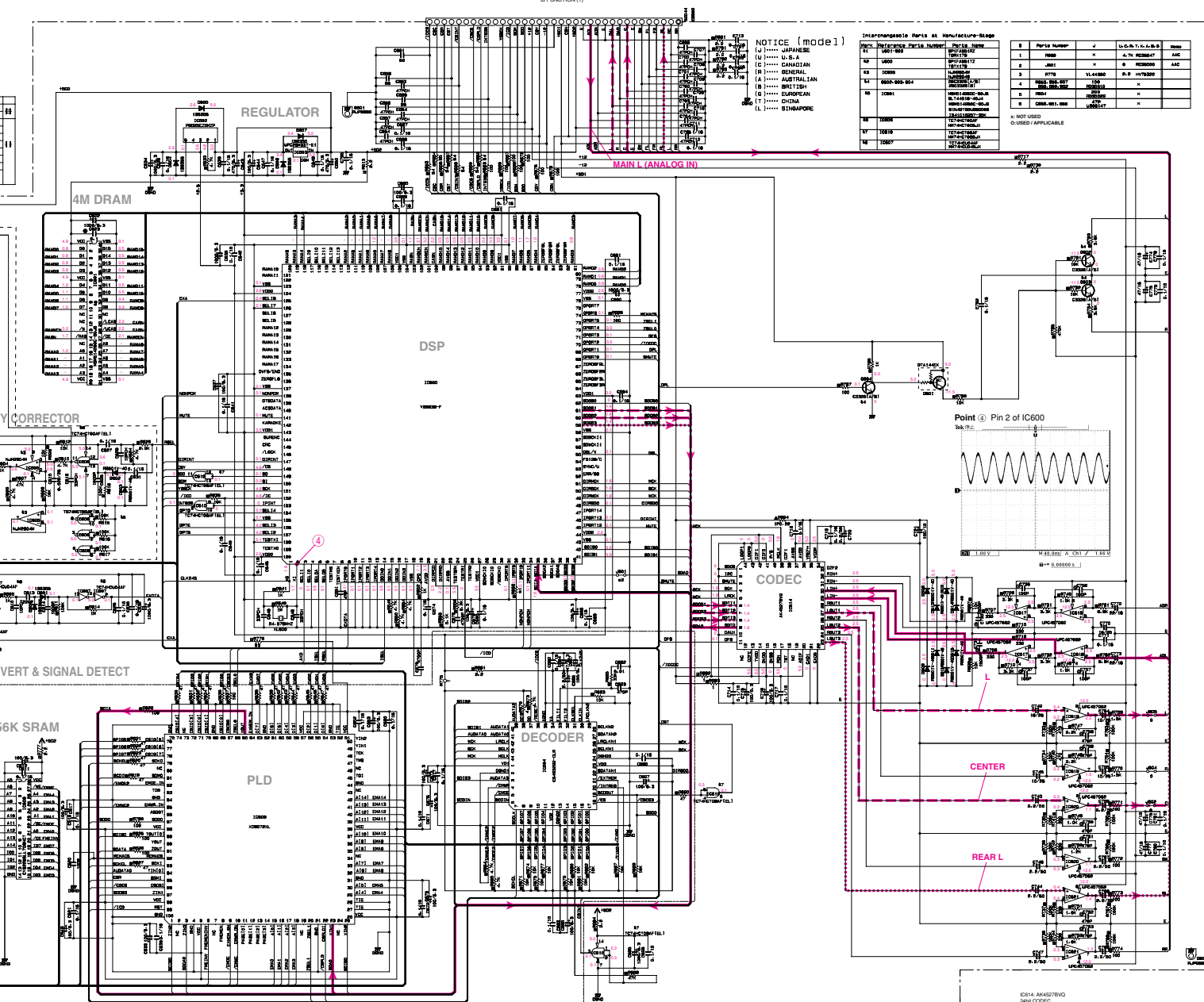
■ SCHEMATIC DIAGRAM (DSP)

RESISTOR

REMARKS	PARTS NAME
NO MARK	CARBON FILM RESISTOR (P-6)
□	CARBON FILM RESISTOR (P-10)
△	METAL OXIDE FILM RESISTOR
○	METAL FILM RESISTOR
◇	METAL PLATE RESISTOR
◇	FILM PROOF CARBON FILM RESISTOR
◇	CONCRETE MOUNT RESISTOR
◇	HEMI VARIABLE RESISTOR
◇	CHIP RESISTOR

CAPACITOR

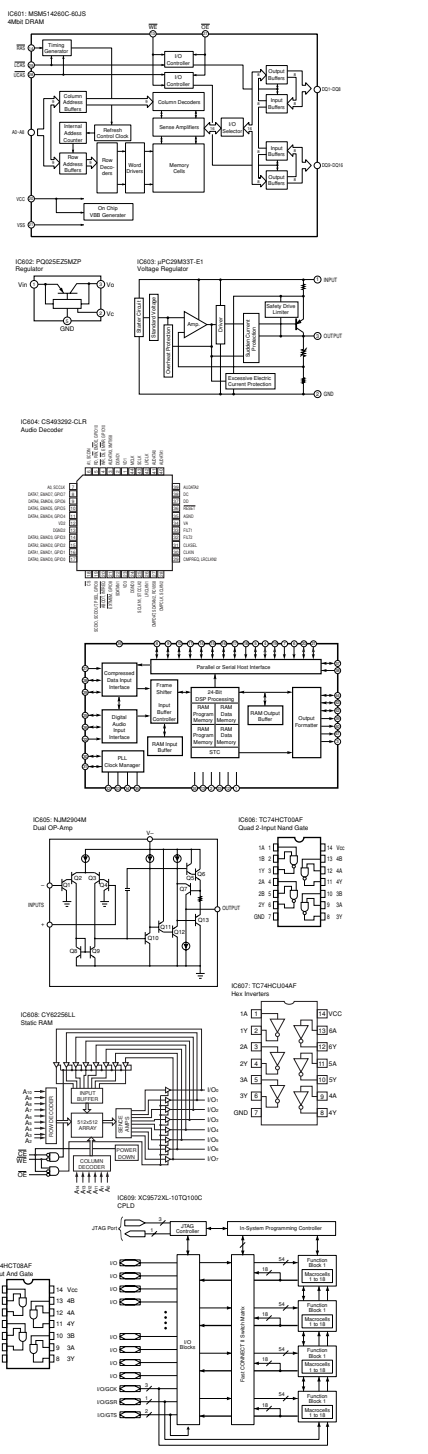
REMARKS	PARTS NAME
NO MARK	ELECTROLYTIC CAPACITOR
□	PANTALUM CAPACITOR
○	CERAMIC CAPACITOR
○	CERAMIC TUNABLE CAPACITOR
○	POLYMER FILM CAPACITOR
○	POLYETHYLENE FILM CAPACITOR
○	NICA CAPACITOR
○	POLYPROPYLENE FILM CAPACITOR
○	PERFORMANCE CERAMIC CAPACITOR
○	POLYETHYLENE SULFIDE FILM CAPACITOR



NOTICE (model)
 J model only (DSP-AX530/DSP-AX430)

Interchangeable Parts at Manufacture Stage

Part No.	Part Name	Manufacturer	Part No.	Part Name	Manufacturer
601	IC601	ROHM	602	IC602	ROHM
603	IC603	ROHM	604	IC604	ROHM
605	IC605	ROHM	606	IC606	ROHM
607	IC607	ROHM	608	IC608	ROHM
609	IC609	ROHM	610	IC610	ROHM
611	IC611	ROHM	612	IC612	ROHM
613	IC613	ROHM	614	IC614	ROHM
615	IC615	ROHM	616	IC616	ROHM
617	IC617	ROHM	618	IC618	ROHM
619	IC619	ROHM	620	IC620	ROHM
621	IC621	ROHM	622	IC622	ROHM
623	IC623	ROHM	624	IC624	ROHM
625	IC625	ROHM	626	IC626	ROHM
627	IC627	ROHM	628	IC628	ROHM
629	IC629	ROHM	630	IC630	ROHM
631	IC631	ROHM	632	IC632	ROHM
633	IC633	ROHM	634	IC634	ROHM
635	IC635	ROHM	636	IC636	ROHM
637	IC637	ROHM	638	IC638	ROHM
639	IC639	ROHM	640	IC640	ROHM
641	IC641	ROHM	642	IC642	ROHM
643	IC643	ROHM	644	IC644	ROHM
645	IC645	ROHM	646	IC646	ROHM
647	IC647	ROHM	648	IC648	ROHM
649	IC649	ROHM	650	IC650	ROHM
651	IC651	ROHM	652	IC652	ROHM
653	IC653	ROHM	654	IC654	ROHM
655	IC655	ROHM	656	IC656	ROHM
657	IC657	ROHM	658	IC658	ROHM
659	IC659	ROHM	660	IC660	ROHM
661	IC661	ROHM	662	IC662	ROHM
663	IC663	ROHM	664	IC664	ROHM
665	IC665	ROHM	666	IC666	ROHM
667	IC667	ROHM	668	IC668	ROHM
669	IC669	ROHM	670	IC670	ROHM
671	IC671	ROHM	672	IC672	ROHM
673	IC673	ROHM	674	IC674	ROHM
675	IC675	ROHM	676	IC676	ROHM
677	IC677	ROHM	678	IC678	ROHM
679	IC679	ROHM	680	IC680	ROHM
681	IC681	ROHM	682	IC682	ROHM
683	IC683	ROHM	684	IC684	ROHM
685	IC685	ROHM	686	IC686	ROHM
687	IC687	ROHM	688	IC688	ROHM
689	IC689	ROHM	690	IC690	ROHM
691	IC691	ROHM	692	IC692	ROHM
693	IC693	ROHM	694	IC694	ROHM
695	IC695	ROHM	696	IC696	ROHM
697	IC697	ROHM	698	IC698	ROHM
699	IC699	ROHM	700	IC700	ROHM

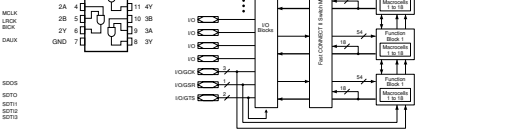
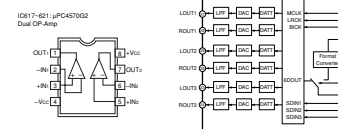


□ : RX-V530/RX-V530RDS/HTR-5550/HTR-5550RDS/DSP-AX530 only

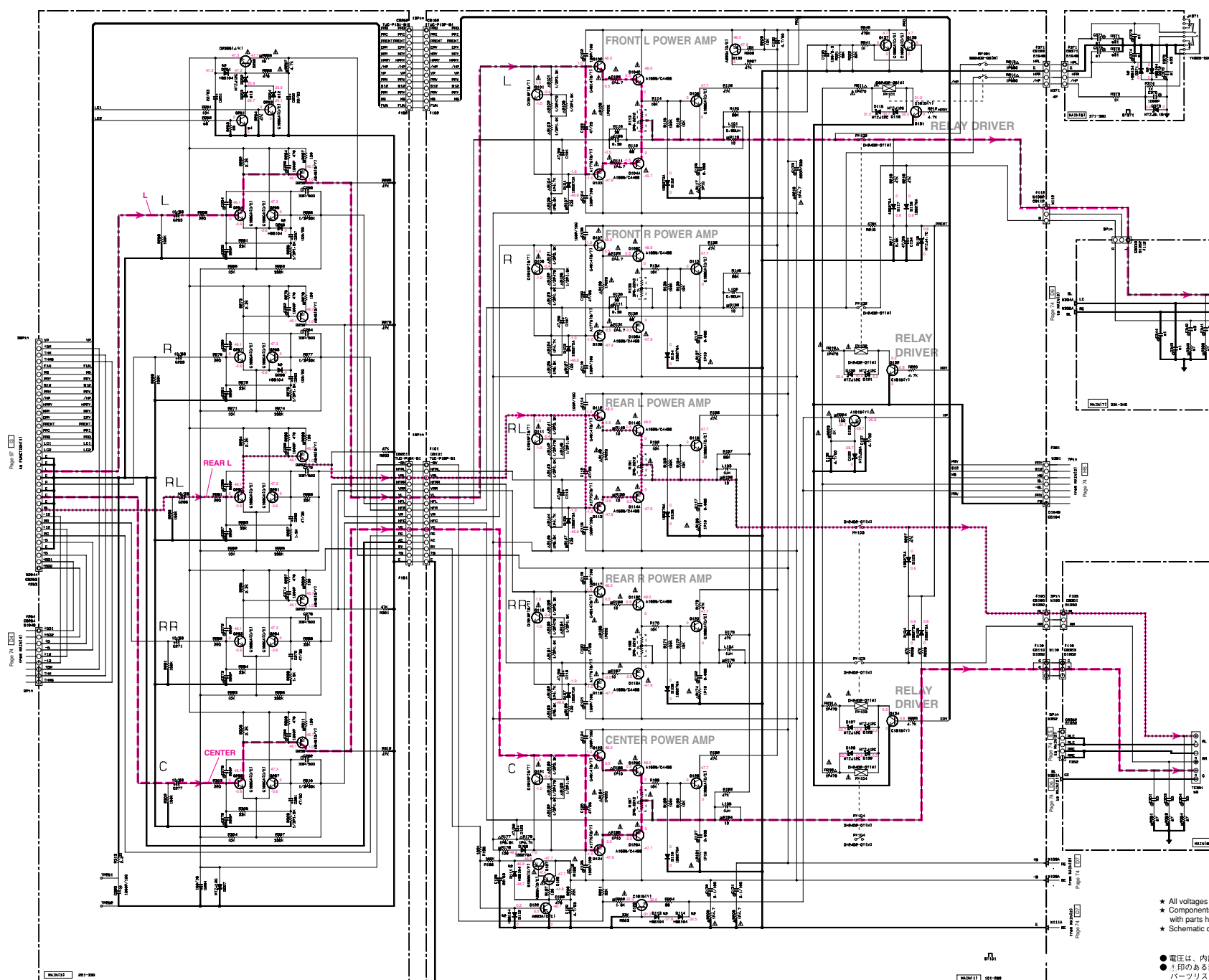
○ (J model only) (DSP-AX530/DSP-AX430)

- ★ All voltages are measured with a 10MΩ/V DC electric volt meter.
- ★ Components having special characteristics are marked * and must be replaced with parts having specifications equal to those originally installed.
- ★ Schematic diagram is subject to change without notice.

- 電圧は、内部抵抗10MΩの電圧計で測定したものです。
- *印のある部品は、安全性確保部品を示しています。部品の交換が必要な場合、パーツリストに記載されている部品を使用してください。
- 本回路図は標準回路図です。改良のため予告なく変更することがございます。



■ SCHEMATIC DIAGRAM (MAIN 1/2) RX-V530/RX-V530RDS/HTR-5550/HTR-5550RDS/DSP-AX530/RX-V430RDS/HTR-5540RDS only



NOTICE (model)
 (J)..... JAPANESE
 (U)..... U.S.A.
 (C)..... CANADIAN
 (R)..... GENERAL
 (A)..... AUSTRALIAN
 (B)..... BRITISH
 (E)..... EUROPEAN
 (T)..... CHINA
 (L)..... SINGAPORE

CAPACITOR

REMARKS	PARTS NAME	UNIT
NO MARK	ELECTROLYTIC CAPACITOR	μF
◎	TANTALUM CAPACITOR	μF
○	CEMICAP CERAMIC CAPACITOR	μF
○	NON-VARIABLE FILM CAPACITOR	μF
○	POLYESTER FILM CAPACITOR	μF
○	MICA CAPACITOR	μF
○	FOR VIBROLINE FILM CAPACITOR	μF
○	BI-DIRECTIONAL CERAMIC CAPACITOR	μF
○	POLYPROPYLENE SULFIDE FILM CAPACITOR	μF

RESISTOR

REMARKS	PARTS NAME	UNIT
NO MARK	CARBON FILM RESISTOR (1/4W)	Ω
□	CARBON FILM RESISTOR (1/10W)	Ω
△	METAL FILM RESISTOR	Ω
◇	METAL PLATE RESISTOR	Ω
○	FILM THICK CARBON FILM RESISTOR	Ω
○	CEMENT MOUNTED RESISTOR	Ω
■	CHIP RESISTOR	Ω

Interchangeable Parts at Manufacture Stage

Part	Reference Part Number	Part Name
M	D111-114-001-000-000	4000A
	071-070	1000R
		1001R

8	Circuit No.	J	U.C	model	R.T.K.A	E.G.L	
	C245-344 271-374-376	X	X	0.01 [UAG5410]	0.01 [UAG5410]		
	C241-342 351-353-354	X	X	0.002 [UAG5402]	0.002 [UAG5402]		
	C201	X		0.000001 [VFB6310]	0.000001 [VFB6310]		
	D203	X	X	47K [HF45710]	47K [HF45710]		
	D205	X	X	10K [HF45710]	10K [HF45710]		
	R233-340 351-353-354	X	X	2.2 [HV73202]	2.2 [HV73202]		
	TE301			1700410-1000 [W67110]	1700410-1000 [W67110]	1700410-1000 [W67110]	
	TE301			1704410-3011 [VAG2001]	1704410-3011 [VAG2001]	1704410-3009 [VAG2001]	
	D204			MF21100 [VGA4000]	MF21100 [VGA4000]	MF21100 [VGA4000]	
	D203	X	X	MF210.0B [VGA4000]	MF210.0B [VGA4000]	MF210.0B [VGA4000]	
	R201-372	X	X	4.7 [HF45247]	4.7 [HF45247]		
	R210	X	X	2.2 [HF45202]	2.2 [HF45202]		

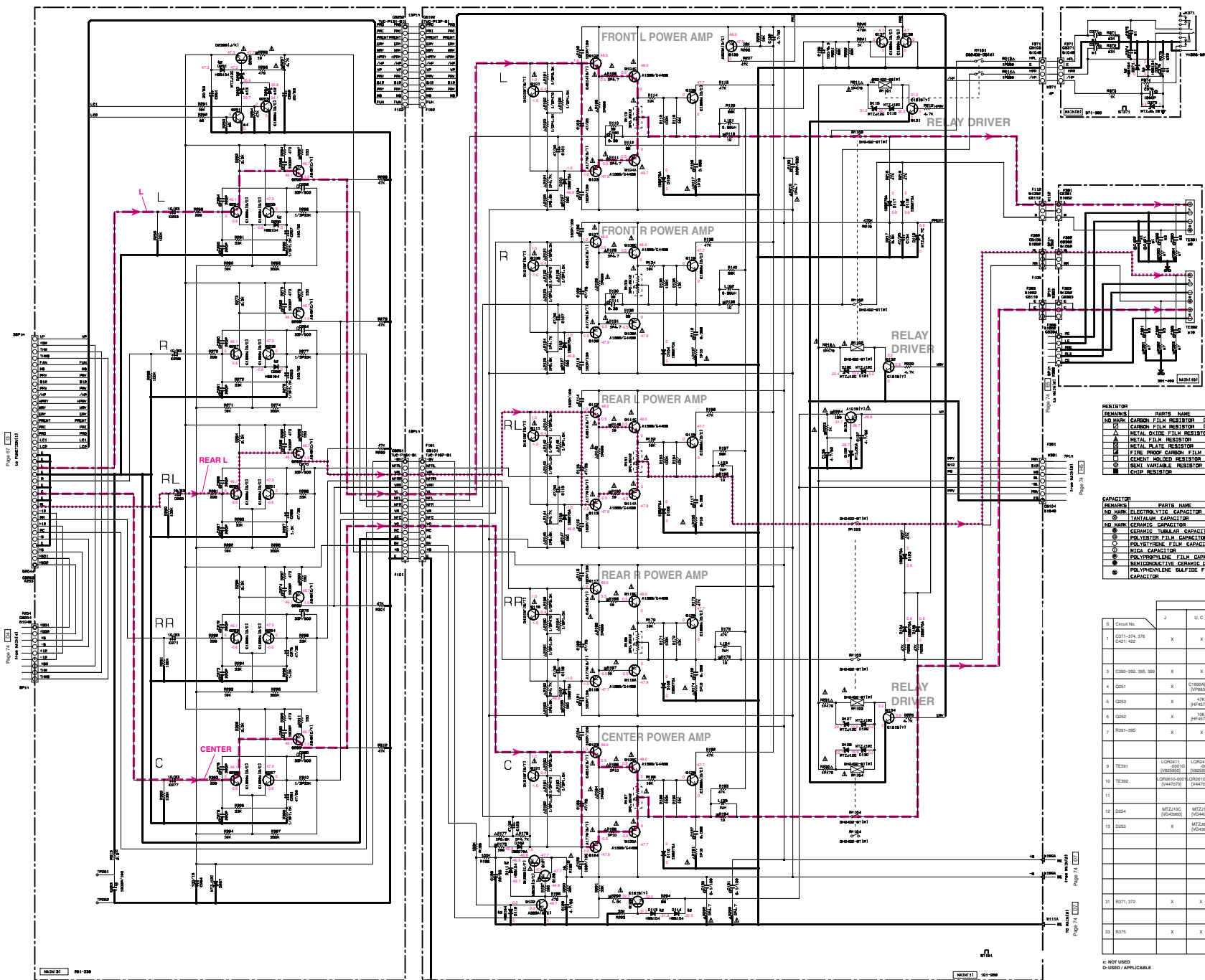
○ NOT USED
 □ CIRCLED / APPLICABLE

★ All voltages are measured with a 10MΩ/V DC electric volt meter.
 ★ Components having special characteristics are marked ! and must be replaced with parts having specifications equal to those originally installed.
 ★ Schematic diagram is subject to change without notice.

● 電圧は、内部抵抗10MΩの電圧計で測定したものです。
 ● !印のある部品は、安全性確保部品を示しています。部品の交換が必要な場合、パーツリストに記載されている部品を使用してください。
 ● 本回路図は標準回路図です。改良のため予告なく変更することがございます。

■ SCHEMATIC DIAGRAM (MAIN 1/2) RX-V530/HTR-5540/DSP-AX430 only

RX-V530/RX-V530RDS/HTR-5550/HTR-5550RDS/DSP-AX530
RX-V430/RX-V430RDS/HTR-5540/HTR-5540RDS/DSP-AX430



RESISTOR

RESISTOR	PARTS NAME	MANUFACTURE PARTS NO.	MANUFACTURE NUMBER
NO MARK	CARBON FILM RESISTOR (F-D)		
□	CARBON FILM RESISTOR (F-D)		
△	METAL OXIDE FILM RESISTOR		
○	METAL FILM RESISTOR		
■	METAL PLATE RESISTOR		
◇	FINE PITCH CARBON FILM RESISTOR		
◇	CONDUIT HOLED RESISTOR		
◇	SEMI VARIABLE RESISTOR		
◇	CHIP RESISTOR		

CAPACITOR

RESISTOR	PARTS NAME	MANUFACTURE PARTS NO.	MANUFACTURE NUMBER
NO MARK	ELECTROLYTIC CAPACITOR		
○	TANTALUM CAPACITOR		
○	CERAMIC CAPACITOR		
○	GENERAL PURPOSE CAPACITOR		
○	POLYESTER FILM CAPACITOR		
○	POLYPROPYLENE FILM CAPACITOR		
○	FOIL CAPACITOR		
○	POLYPROPYLENE FILM CAPACITOR		
○	NONINDUCTIVE CERAMIC CAPACITOR		
○	POLYPROPYLENE SULFIDE FILM CAPACITOR		

NOTICE (model)

J JAPANESE
 U U.S.A.
 C CANADIAN
 R GENERAL
 A AUSTRALIAN
 B BRITISH
 E EUROPEAN
 T CHINA
 L SINGAPORE

Chart No.	J	U.C.	R.T.K.A.	L
1 C271-274, 376 C281-322	X	X	0.01 [JMS410]	0.01 [JMS410]
2 C390-392, 395, 399	X	X	0.02 [JMS420]	0.02 [JMS420]
4 G251	X		C180A(4E) [YF8510]	C180A(4E) [YF8510]
5 G255	X		47K [YF45747]	47K [YF45747]
6 G252	X		10K [YF45710]	10K [YF45710]
7 R311-315	X	X	2.2 [YF75202]	2.2 [YF75202]
9 TE301	LCR2411 [Y447011]	LCR2411 [Y447011]	LCR2411 [Y447011]	LCR2411 [Y447011]
10 TE302	LCR2511-0000 [Y447011]	LCR2511-0000 [Y447011]	LCR2511-0000 [Y447011]	LCR2511-0000 [Y447011]
11				
12 D254	MTZ12C [Y434300]	MTZ12C [Y434300]	MTZ12C [Y434300]	MTZ12C [Y434300]
13 D253	X		MTZ16.8B [Y434300]	MTZ16.8B [Y434300]
21 R371, 372	X	X	4.7 [YF45747]	4.7 [YF45747]
23 R375	X	X	2.2 [YF45202]	2.2 [YF45202]

○ NOT USED
○ USED / APPLICABLE

* All voltages are measured with a 10MΩV DC electric volt meter.
 * Components having special characteristics are marked with a triangle and must be replaced with parts having specifications equal to those originally installed.
 * Schematic diagram is subject to change without notice.

● 電圧は、内部抵抗10MΩの電圧計で測定したものです。
 ● 印のある部品は、安全確保部品を示しています。部品の交換が必要な場合、パーツリストに記載されている部品を使用してください。
 ● 本回路図は標準回路図です。改良のため予告なく変更することがございます。

■ SCHEMATIC DIAGRAM / (MAIN 2/2)

RESISTOR

REMARKS	PARTS NAME
NO MARK	CARBON FILM RESISTOR (P=5)
☒	CARBON FILM RESISTOR (P=10)
△	METAL OXIDE FILM RESISTOR
⊠	METAL FILM RESISTOR
⊡	METAL PLATE RESISTOR
▣	FIRE PROOF CARBON FILM RESISTOR
□	CEMENT MOLDED RESISTOR
⊕	SEMI VARIABLE RESISTOR
■	CHIP RESISTOR

CAPACITOR

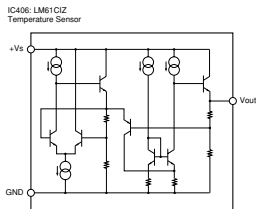
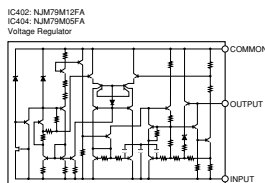
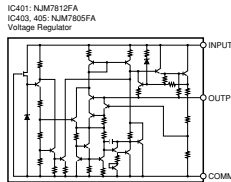
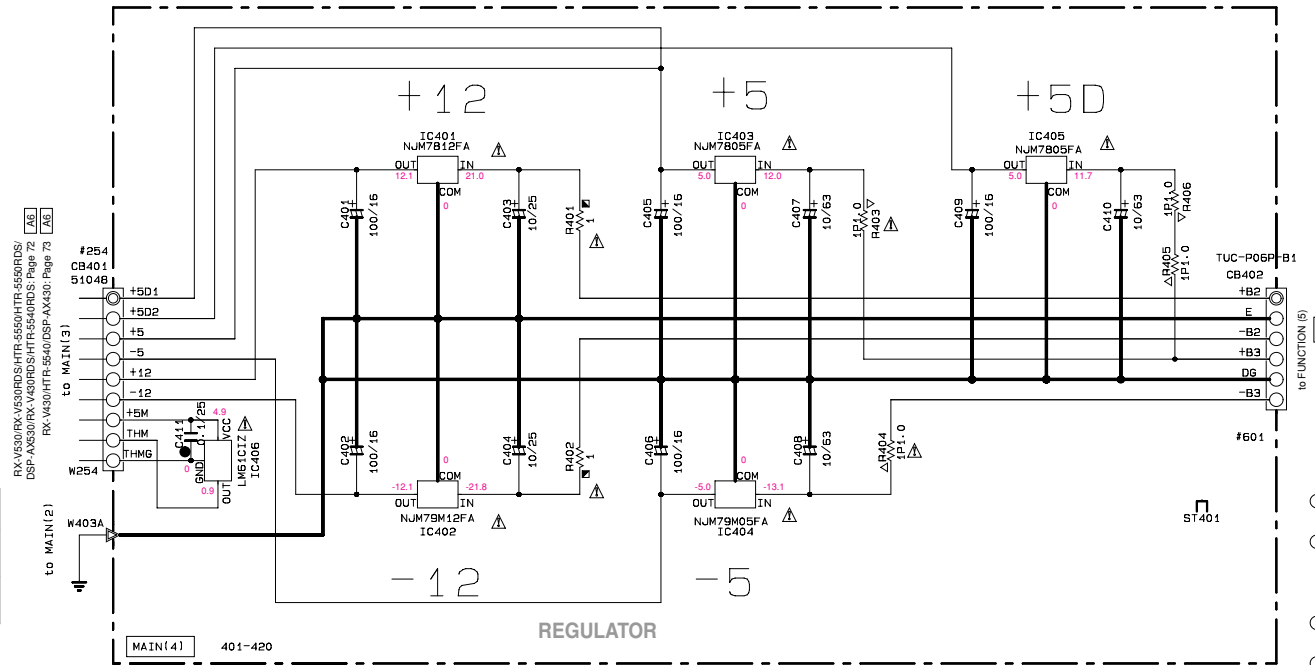
REMARKS	PARTS NAME
NO MARK	ELECTROLYTIC CAPACITOR
⊗	TANTALUM CAPACITOR
NO MARK	CERAMIC CAPACITOR
●	CERAMIC TUBULAR CAPACITOR
⊙	POLYESTER FILM CAPACITOR
○	POLYSTYRENE FILM CAPACITOR
⊖	MICA CAPACITOR
⊕	POLYPROPYLENE FILM CAPACITOR
⊗	SEMICONDUCTIVE CERAMIC CAPACITOR

NOTICE (model)

- (J)..... JAPANESE
- (U)..... U. S. A
- (C)..... CANADIAN
- (R)..... GENERAL
- (A)..... AUSTRALIAN
- (B)..... BRITISH
- (G)..... EUROPEAN
- (T)..... CHINA
- (L)..... SINGAPORE

6	Circuit No.	J	U. C. R. T. K
21	J3B1, 3B2	D	X
22	SW3B1	X	SL13B-022AMCS [V410420]

x: NOT USED
 o: USED/APPLICABLE



RX-V530/RX-V530RDS/HTR-5550/HTR-5550RDS/
 DSP-AX530/RX-V430RDS/HTR-5540RDS: Page 72 to MAIN (8)
 RX-V430/HTR-5540/DSP-AX430: Page 73 to MAIN (10)

RX-V530/RX-V530RDS/HTR-5550/HTR-5550RDS/
 DSP-AX530/RX-V430RDS/HTR-5540RDS: Page 72
 RX-V430/HTR-5540/DSP-AX430: Page 73

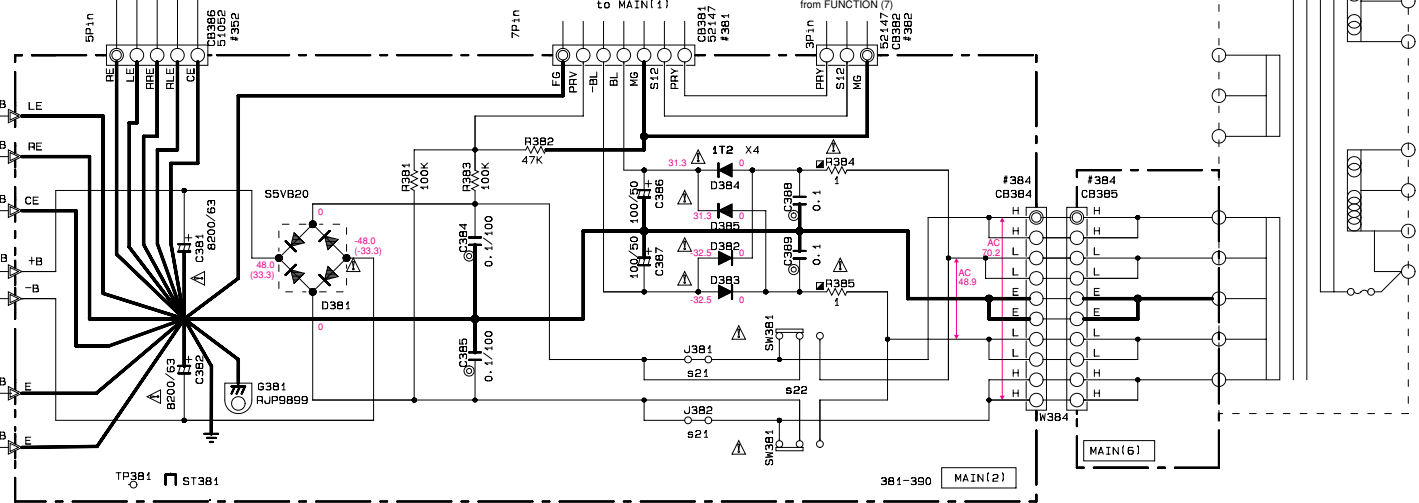
RX-V530/RX-V530RDS/HTR-5550/HTR-5550RDS/
 DSP-AX530/RX-V430RDS/HTR-5540RDS only: Page 72

RX-V530/RX-V530RDS/HTR-5550/HTR-5550RDS/
 DSP-AX530/RX-V430RDS/HTR-5540RDS only: Page 72

RX-V530/RX-V530RDS/HTR-5550/HTR-5550RDS/
 DSP-AX530/RX-V430RDS/HTR-5540RDS: Page 72
 RX-V430/HTR-5540/DSP-AX430: Page 73

RX-V530/RX-V530RDS/HTR-5550/HTR-5550RDS/
 DSP-AX530/RX-V430RDS/HTR-5540RDS: Page 72
 RX-V430/HTR-5540/DSP-AX430: Page 73

RX-V530/RX-V530RDS/HTR-5550/HTR-5550RDS/
 DSP-AX530/RX-V430RDS/HTR-5540RDS: Page 72
 RX-V430/HTR-5540/DSP-AX430: Page 73



★ All voltages are measured with a 10MΩ/V DC electric volt meter.
 ★ Components having special characteristics are marked △, and must be replaced with parts having specifications equal to those originally installed.
 ★ Schematic diagram is subject to change without notice.

● 電圧は、内部抵抗10MΩの電圧計で測定したものです。
 ● △印のある部品は、安全性確保部品を示しています。部品の交換が必要な場合、パーツリストに記載されている部品を使用してください。
 ● 本回路図は標準回路図です。改良のため予告なく変更することがございます。