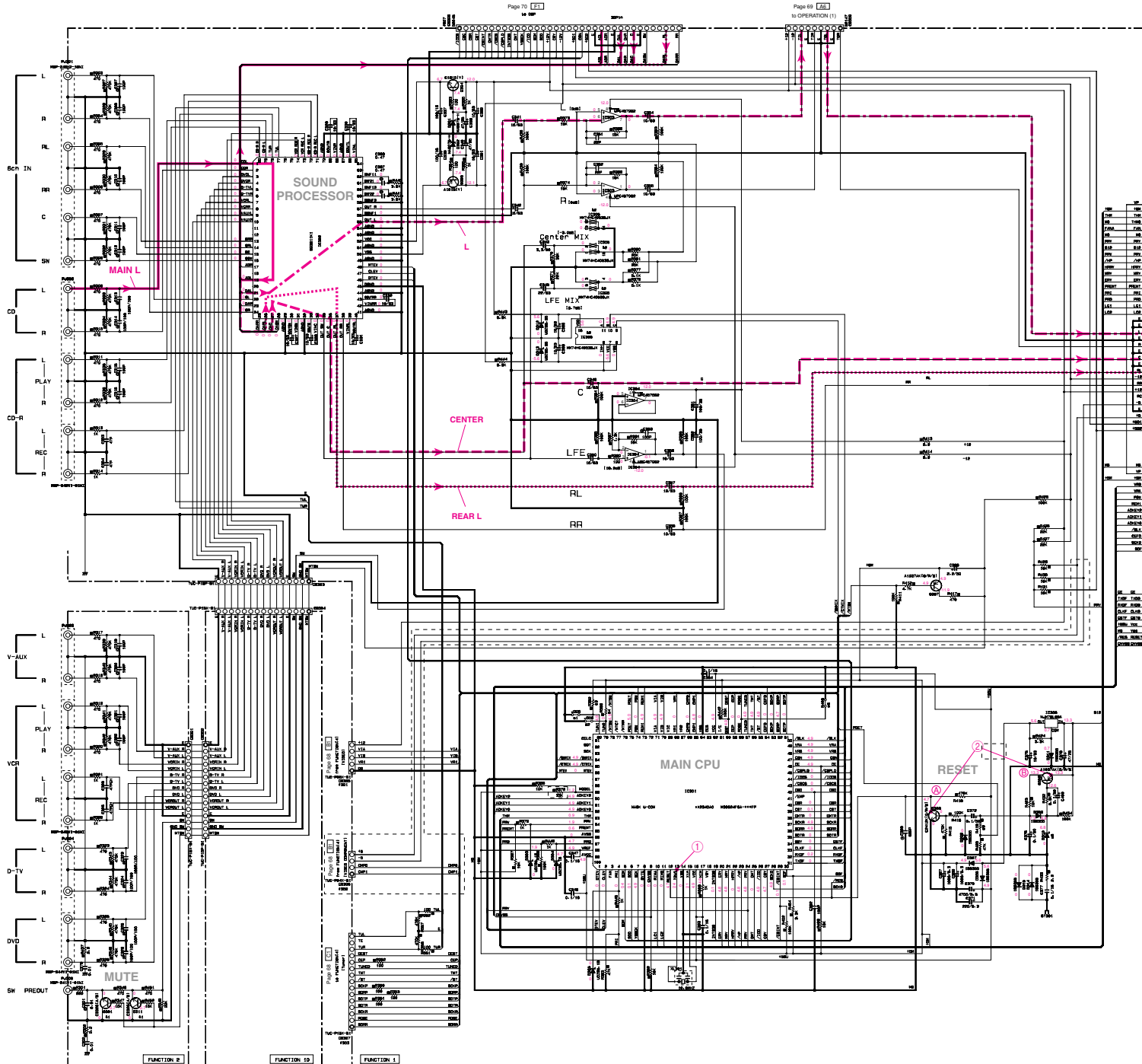


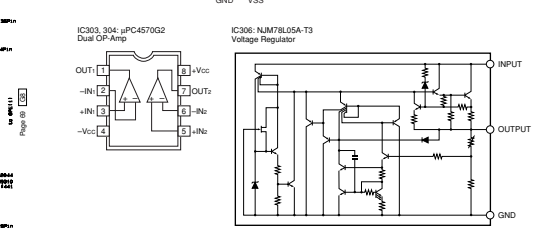
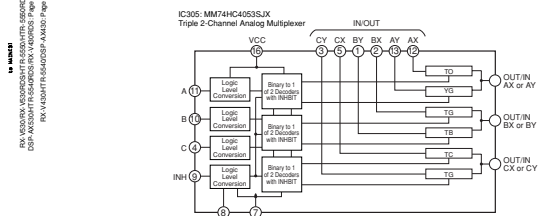
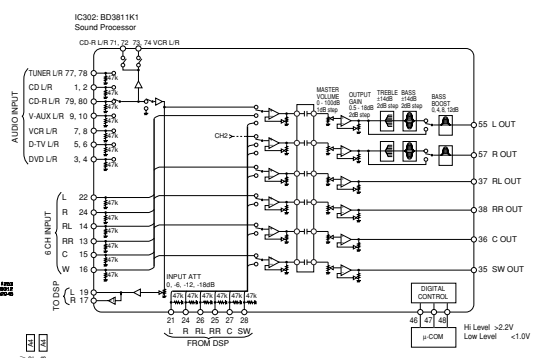
■ SCHEMATIC DIAGRAM (FUNCTION 1/2)

\* All voltages are measured with a 10MΩ/V DC electric volt meter.  
 \* Components having special characteristics are marked  $\Delta$ , and must be replaced with parts having specifications equal to those originally installed.  
 \* Schematic diagram is subject to change without notice.

● 電圧は、内部抵抗10MΩの電圧計で測定したものです。  
 ● 印のある部品は、安全性確保部品を示しています。部品の交換が必要な場合、パーツリストに記載されている部品を使用してください。  
 ● 本回路図は標準回路図です。改良のため予告なく変更することがございます。



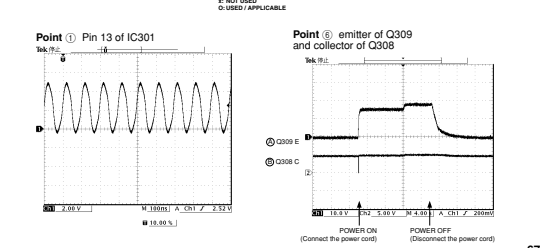
RX-V530/RX-V530RDS/HTR-5550/HTR-5550RDS/DSP-AX530  
 RX-V430/RX-V430RDS/HTR-5540/HTR-5540RDS/DSP-AX430



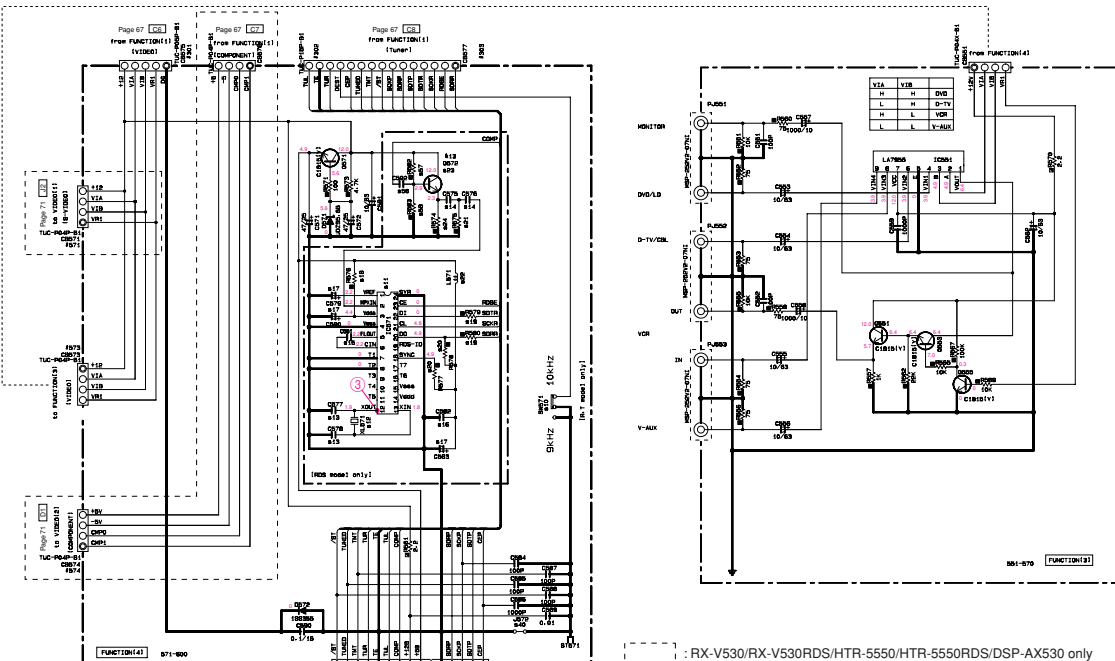
CAPACITOR		RESISTOR	
REMARKS	PARTS NAME	REMARKS	PARTS NAME
NO MARK	ELECTROLYTIC CAPACITOR	NO MARK	CARBON FILM RESISTOR (P-5)
①	TANTALUM CAPACITOR	①	CARBON FILM RESISTOR (P-10)
NO MARK	CERAMIC CAPACITOR	△	METAL OXIDE FILM RESISTOR
②	CERAMIC TUNABLE CAPACITOR	□	METAL FILM RESISTOR
③	POLYESTER FILM CAPACITOR	④	METAL PLATE RESISTOR
④	POLYPROPYLENE FILM CAPACITOR	⑤	FILM WOUND CARBON FILM RESISTOR
⑤	MYICA CAPACITOR	⑥	PRECISION HOLED RESISTOR
⑥	POLYPROPYLENE FILM CAPACITOR	⑦	CHISEL VARIABLE RESISTOR
⑦	BIPOCONDUCTIVE CERAMIC CAPACITOR	⑧	DRIFT RESISTOR

**NOTICE (model)**  
 (J) JAPAN  
 (U) U.S.A.  
 (C) CANADIAN  
 (R) GENERAL  
 (A) AUSTRALIAN  
 (B) BRITISH  
 (E) EUROPEAN  
 (I) ITALIAN  
 (L) SINGAPORE

Part No.	Part Name	QTY	Remarks
41	RES	1	RES
42	RES	1	RES
43	RES	1	RES
44	RES	1	RES
45	RES	1	RES
46	RES	1	RES
47	RES	1	RES
48	RES	1	RES
49	RES	1	RES
50	RES	1	RES



■ SCHEMATIC DIAGRAM (FUNCTION 2/2)



● RX-V530/RX-V530RDS/HTR-5550/HTR-5550RDS/DSP-AX530 only

REMARKS	PARTS NAME	QTY
NO MARK	ELECTROLYTIC CAPACITOR	1
①	TANTALUM CAPACITOR	1
NO MARK	CERAMIC CAPACITOR	1
②	CERAMIC TUBULAR CAPACITOR	1
③	POLYESTER FILM CAPACITOR	1
④	POLYETHYLENE FILM CAPACITOR	1
⑤	MICA CAPACITOR	1
⑥	POLYPROPYLENE FILM CAPACITOR	1
⑦	SEMICONDUCTIVE CERAMIC CAPACITOR	1

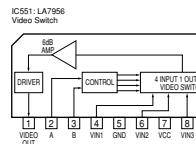
REMARKS	PARTS NAME	QTY
NO MARK	CARBON FILM RESISTOR (P=5)	1
①	CARBON FILM RESISTOR (P=10)	1
②	METAL OXIDE FILM RESISTOR	1
③	METAL FILM RESISTOR	1
④	METAL PLATE RESISTOR	1
⑤	THICK FILM RESISTOR	1
⑥	CEMENT MOUNTED RESISTOR	1
⑦	SEMIVARIABLE RESISTOR	1
⑧	CHIP RESISTOR	1

NOTICE (model)

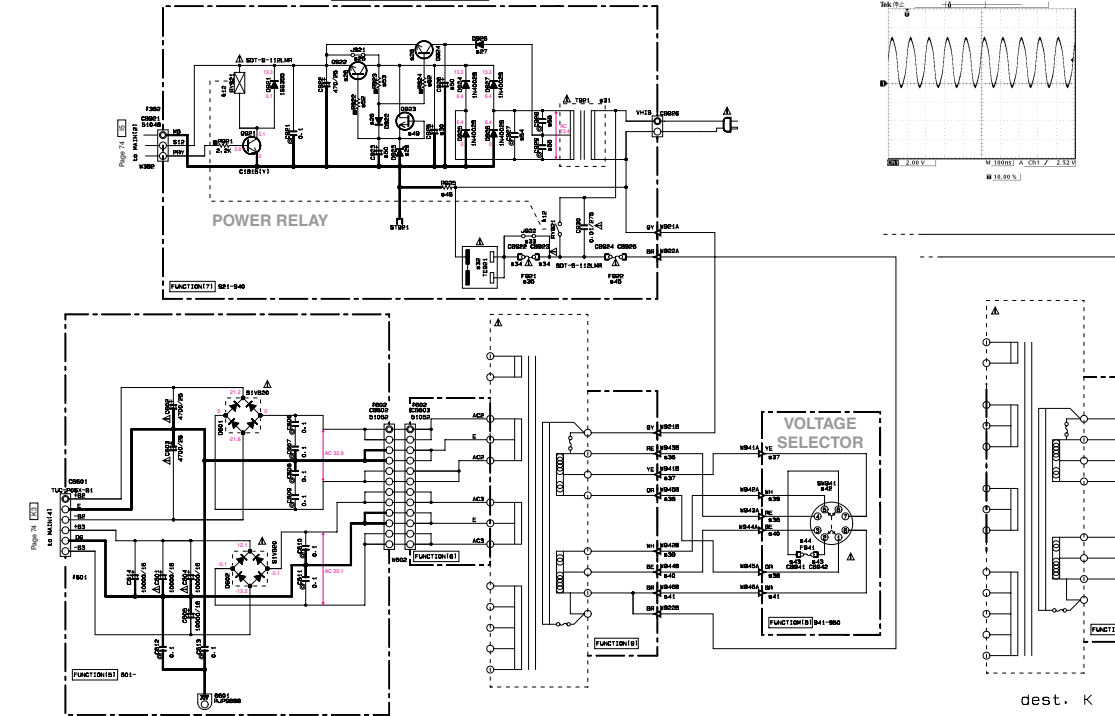
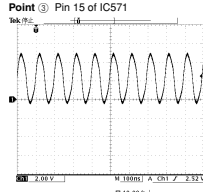
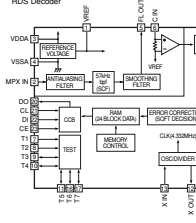
- (J)..... JAPANESE
- (U)..... U.S.A
- (C)..... CANADIAN
- (E)..... EUROPEAN
- (A)..... AUSTRALIAN
- (B)..... BRITISH
- (G)..... EUROPEAN
- (T)..... CHINA
- (L)..... SINGAPORE

Interchangeable Parts at Manufacture Stage

Mark	Reference Number	Parts Name
N11		
N12	R101	50T-S-1234R 50101+10111 AL3021
N13	C870	50C1740(1740) 50C800(800) 50C811(810/81)
N14		



IC571: LC7222 RDS Decoder



dest. K

	J	U.C	R.T	A	B	G	L	K
N10	80071	X	X	VP0004B	X	X	X	X
N11	80071	X	X	X	X	X	X	X
N12	AL871	X	X	X	X	4.3000R	4.3000R	4.3000R
N13	8077-878	X	X	X	X	2700	2700	2700
N14	8078-878	X	X	X	X	100	100	100
N15	8087	X	X	X	X	100	100	100
N16	8089	X	X	X	X	0.1/16	0.1/16	0.1/16
N17	8078-503-503	X	X	X	X	4778	4778	4778
N18	8078	X	X	X	X	100	100	100
N19	8078-800	X	X	X	X	470	470	470
N20	8077-878	X	X	X	X	10K	10K	10K
N21	8078	X	X	X	X	20K	20K	20K
N22	LB71	X	X	X	X	2000H	2000H	2000H
N23	8078	X	X	X	X	10K	10K	10K
N24	8074	X	X	X	X	20K	20K	20K
N25	VR1	0	0	0	0	0	0	0
N26	8000-804	X	X	02000(L=K)	X	X	X	X
N27	8008	X	X	X	X	X	X	X
N28	8003	X	X	X	X	X	X	X
N29	8003	X	X	X	X	X	X	X
N30	8005	X	X	X	X	X	X	X
N31	1B1	X	X	X	X	X	X	X
N32	1E01	X	X	X	X	X	X	X
N33	VR0	0	0	0	0	0	0	0
N34	VR00-803	X	X	X	X	VR0000	VR0000	VR0000
N35	FR1	X	X	X	X	TR-8A400V	TR-8A400V	TR-8A400V
N36	VR3	X	X	H00014	X	X	X	X
N37	VR4	X	X	H00000	X	X	X	X
N38	VR5	X	X	H00000	X	X	X	X
N39	VR6	X	X	H00010	X	X	X	X
N40	VR4	X	X	H00000	X	X	X	X
N41	VR6	X	X	H00000	X	X	X	X
N42	VR4	X	X	V710030	X	X	X	X
N43	VR4	X	X	VR0000	X	X	X	X
N44	FR4	X	X	TR-15A120V	X	X	X	X
N45	FR0	7A120V	7A120V	7A120V	7A120V	7A120V	7A120V	7A120V
N46	FR0	1/200.00	1/200.00	1/200.00	1/200.00	1/200.00	1/200.00	1/200.00
N47	VR0	X	X	X	X	X	X	X
N48	VR0	X	X	H00111	X	X	X	X
N49	VR0	X	X	1/20	X	X	X	X
N50	FR0-804	X	X	100	X	X	X	X
N51	FR0	X	X	50K	X	X	X	X
N52	FR0	X	X	100K	X	X	X	X
N53	FR0	X	X	100K	X	X	X	X
N54	FR0	X	X	100K	X	X	X	X
N55	FR0	X	X	100K	X	X	X	X
N56	FR0	X	X	100K	X	X	X	X
N57	FR0	X	X	100K	X	X	X	X
N58	FR0	X	X	100K	X	X	X	X
N59	VR1	X	X	X	X	X	X	X

\* NOT USED  
 0 USED / APPLICABLE

\* All voltages are measured with a 10MΩ/V DC electric volt meter.  
 \* Components having special characteristics are marked 1, and must be replaced with parts having specifications equal to those originally installed.  
 \* Schematic diagram is subject to change without notice.  
 ● 電圧は、内部抵抗10MΩの電圧計で測定したものです。  
 ● 1印のある部品は、安全性確保部品を示しています。部品の交換が必要な場合、パーツリストに記載されている部品を参照してください。  
 ● 本回路図は標準回路図です。改良のため予告なく変更することがございます。

■ SCHEMATIC DIAGRAM (OPERATION)

REMARKS	PARTS NAME	
NO MARK	ELECTROLYTIC CAPACITOR	☐
⊗	TANTALUM CAPACITOR	☐
NO MARK	CERAMIC CAPACITOR	
⊙	CERAMIC TUBULAR CAPACITOR	
⊖	POLYESTER FILM CAPACITOR	
⊕	POLYSTYRENE FILM CAPACITOR	
Ⓜ	MICA CAPACITOR	
Ⓟ	POLYPROPYLENE FILM CAPACITOR	
Ⓢ	SEMICONDUCTIVE CERAMIC CAPACITOR	
Ⓣ	POLYPHENYLENE SULFIDE FILM CAPACITOR	

REMARKS	PARTS NAME	
NO MARK	CARBON FILM RESISTOR (P=5)	□
□	CARBON FILM RESISTOR (P=10)	□
△	METAL OXIDE FILM RESISTOR	
▲	METAL FILM RESISTOR	
⊠	METAL PLATE RESISTOR	
⊞	FIRE PROOF CARBON FILM RESISTOR	
Ⓜ	CEMENT MOLDED RESISTOR	
Ⓡ	SEMI VARIABLE RESISTOR	
■	CHIP RESISTOR	

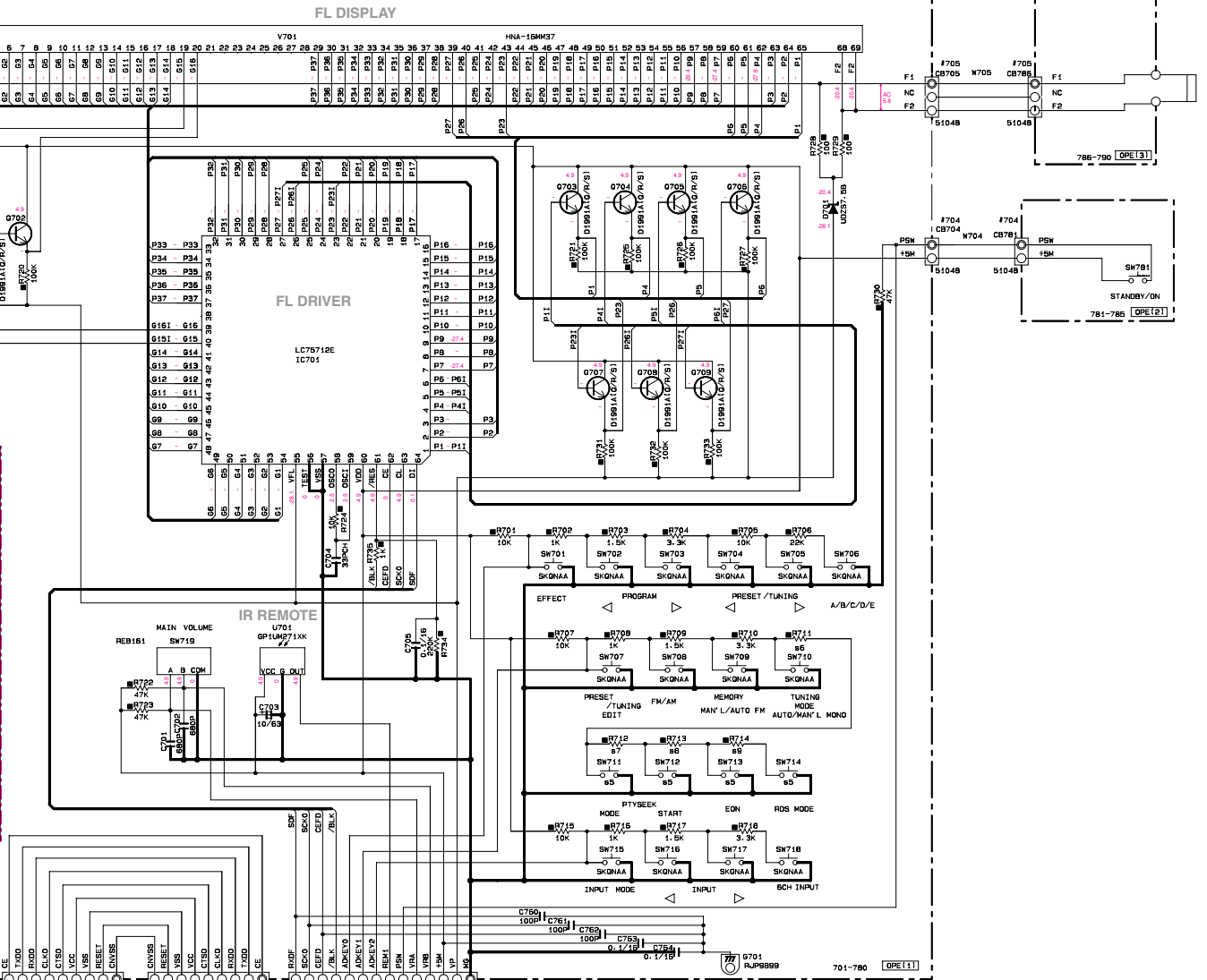
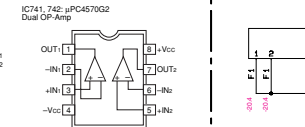
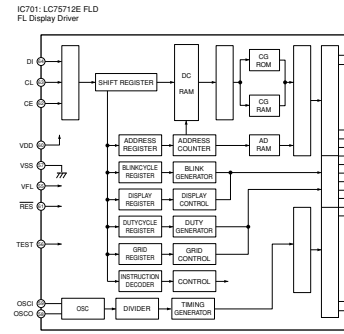
NOTICE (model)

- (J)..... JAPANESE
- (U)..... U. S. A.
- (C)..... CANADIAN
- (R)..... GENERAL
- (A)..... AUSTRALIAN
- (B)..... BRITISH
- (G)..... EUROPEAN
- (T)..... CHINA
- (L)..... SINGAPORE

	J-U-C-R-T K-A-L	B-G
#5	SW711-714	X
#6	R711	X
#7	R712	X
#8	R713	X
#9	R714	X

- \* All voltages are measured with a 10M $\Omega$ /V DC electric volt meter.
- \* Components having special characteristics are marked ①, and must be replaced with parts having specifications equal to those originally installed.
- \* Schematic diagram is subject to change without notice.

- 電圧は、内部抵抗10M $\Omega$ の電圧計で測定したものです。
- ①印のある部品は、安全性確保部品を示しています。部品の交換が必要な場合、パーツリストに記載されている部品を使用してください。
- 本回路図は標準回路図です。改良のため予告なく変更することがございます。



Page 57 [LT] to FUNCTION (1)

Flash U-con Write Connector

Page 57 [S]

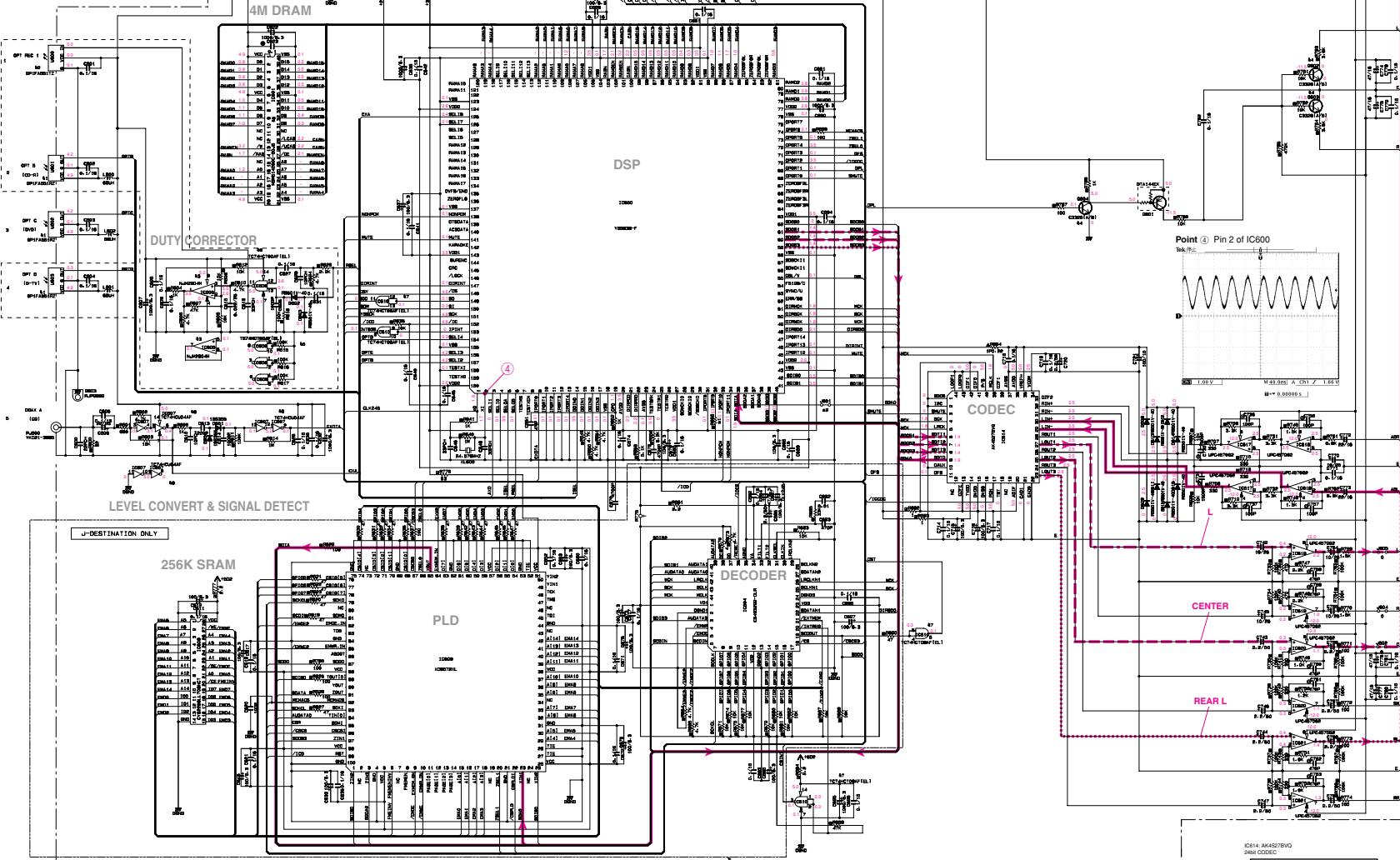
701-790 [OPE11]

SCHEMATIC DIAGRAM (DSP)

REMARKS	PARTS NAME
NO MARK	CARBON FILM RESISTOR (P-6)
□	CARBON FILM RESISTOR (P-10)
△	METAL OXIDE FILM RESISTOR
◇	METAL FILM RESISTOR
○	METAL PLATE RESISTOR
◇	THICK PROOF CARBON FILM RESISTOR
○	CONDUCTIVE NON-IND. RESISTOR
○	SEMI-VARIABLE RESISTOR
○	CHIP RESISTOR

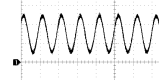
REMARKS	PARTS NAME
NO MARK	ELECTROLYTIC CAPACITOR
○	ALUMINUM ELECTROLYTIC CAPACITOR
○	TANTALUM CAPACITOR
○	CERAMIC CAPACITOR
○	CERAMIC TUBULAR CAPACITOR
○	POLYMER FILM CAPACITOR
○	NON-POLYMER FILM CAPACITOR
○	MICA CAPACITOR
○	POLYPROPYLENE FILM CAPACITOR
○	PERFORMANCE CERAMIC CAPACITOR
○	POLYETHYLENE SULFIDE FILM CAPACITOR



NOTICE (model)  
 J model only  
 (DSP-AX530/DSP-AX430)

Interchangeable Parts at Manufacture Stage

Part No.	Part Name	Manufacturer	Part No.	Part Name	Manufacturer
IC601	MEM14260C-6U3	48M DRAM	IC602	PO05E2M2P	Regulator
IC603	PC65M5T E1	Voltage Regulator	IC604	CS43020 CLR	Audio Decoder
IC605	NM305M	Dual OP-Amp	IC606	TC74HC256F	Quad 2-Input NAND Gate
IC607	TC74VC04AF	Hex Inverters	IC608	CV6225ELL	Basic RAM
IC609	XC6202XL-10T0100C	CPLD	IC610	TC74HC76M	Quad 2-Input And Gate

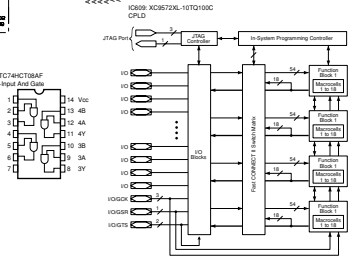
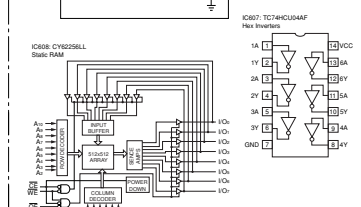
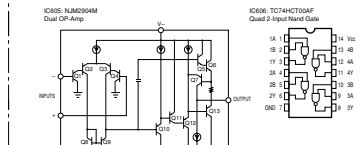
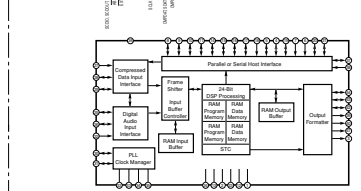
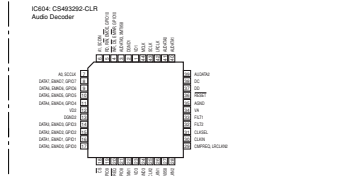
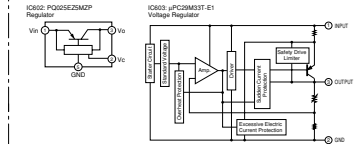
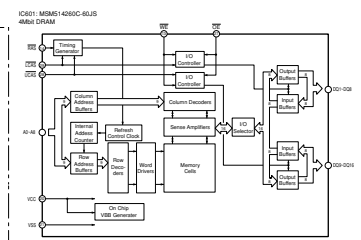


: RX-V530/RX-V530RDS/HTR-5550/HTR-5550RDS/DSP-AX530 only

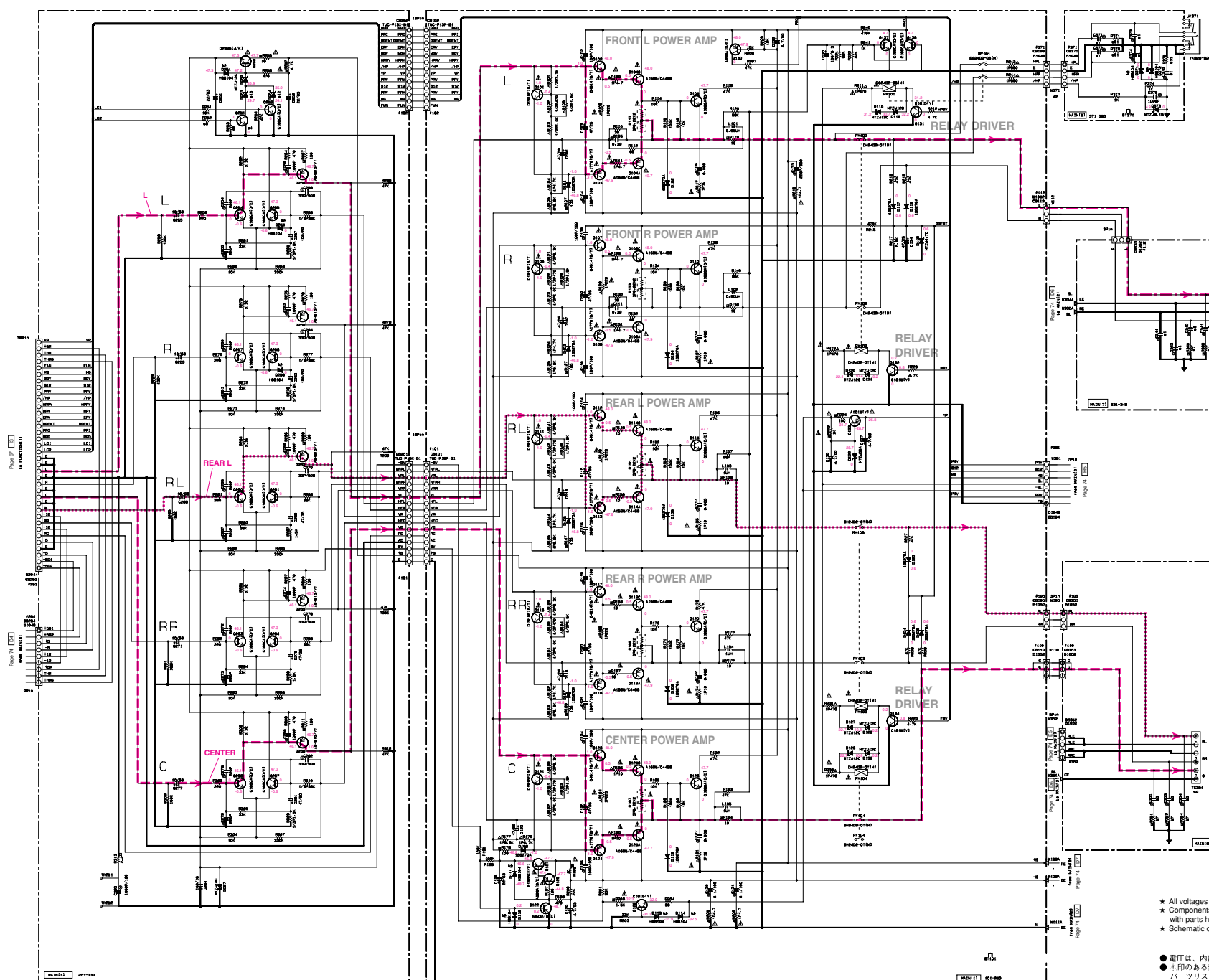
J model only  
 (DSP-AX530/DSP-AX430)

- \* All voltages are measured with a 10MΩ/V DC electric volt meter.
- \* Components having special characteristics are marked \* and must be replaced with parts having specifications equal to those originally installed.
- \* Schematic diagram is subject to change without notice.

- 電圧は、内部抵抗10MΩの電圧計で測定したものです。
- \*印のある部品は、安全性確保部品を示しています。部品の交換が必要な場合、パーツリストに記載されている部品を使用してください。
- 本回路図は標準回路図です。改良のため予告なく変更することがございます。



■ SCHEMATIC DIAGRAM (MAIN 1/2) RX-V530/RX-V530RDS/HTR-5550/HTR-5550RDS/DSP-AX530/RX-V430RDS/HTR-5540RDS only



NOTICE (model)  
 (J)..... JAPANESE  
 (U)..... U.S.A.  
 (C)..... CANADIAN  
 (R)..... GENERAL  
 (A)..... AUSTRALIAN  
 (E)..... BRITISH  
 (D)..... EUROPEAN  
 (T)..... CHINA  
 (L)..... SINGAPORE

CAPACITOR

REMARKS	PARTS NAME	UNIT
NO MARK	ELECTROLYTIC CAPACITOR	μF
◎	TANTALUM CAPACITOR	μF
○	CEMICAP CERAMIC CAPACITOR	μF
○	NON-VARIABLE FILM CAPACITOR	μF
○	POLYESTER FILM CAPACITOR	μF
○	MICA CAPACITOR	μF
○	FOR VIBROLINE FILM CAPACITOR	μF
○	BI-DIRECTIONAL CERAMIC CAPACITOR	μF
○	POLYPROPYLENE SULFIDE FILM CAPACITOR	μF

RESISTOR

REMARKS	PARTS NAME	RESISTANCE	UNIT
NO MARK	CARBON FILM RESISTOR (P-W)	Ω, kΩ, MΩ	Ω, kΩ, MΩ
○	CARBON FILM RESISTOR (P-10)	Ω, kΩ, MΩ	Ω, kΩ, MΩ
△	METAL FILM RESISTOR	Ω, kΩ, MΩ	Ω, kΩ, MΩ
□	METAL PLATE RESISTOR	Ω, kΩ, MΩ	Ω, kΩ, MΩ
○	FILM THICK CARBON FILM RESISTOR	Ω, kΩ, MΩ	Ω, kΩ, MΩ
○	CEMENT MOUNTED RESISTOR	Ω, kΩ, MΩ	Ω, kΩ, MΩ
■	CHIP RESISTOR	Ω, kΩ, MΩ	Ω, kΩ, MΩ

Interchangeable Parts at Manufacture Stage

Part No.	Reference Part No.	Part No.	Part Name
M	D111-114, 101-100, 100	4864A	RELAY
	101-076	1861B	RELAY

Model	J	U.C	R.T.K.A	E.G.L
2	C245 344 271-374, 376	X	X	0.01 (JAE5410) 0.01 (JAE5410)
3	C241 342 351, 353, 354	X	X	0.002 (JAE5420) 0.002 (JAE5420)
4	C201	X		0.00001 (F98310) 0.00001 (F98310)
5	D253	X	X	47k (HF4570) 47k (HF4570)
6	D252	X	X	10k (HF4570) 10k (HF4570)
7	R235 340 351, 353, 354	X	X	2.2 (HV7320) 2.2 (HV7320)
9	TE31			170010-1000 (W67110) 170010-1000 (W67110)
10	TE31			170410-3011 (V46200) 170410-3011 (V46200)
11				170410-3009 (V46400) 170410-3009 (V46400)
12	D254	X	X	MF21100 (V64400) MF21100 (V64400)
13	D255	X	X	MF21000 (V64300) MF21000 (V64300)
31	R211 372	X	X	4.7 (HF4547) 4.7 (HF4547)
33	R215	X	X	2.2 (HF4520) 2.2 (HF4520)

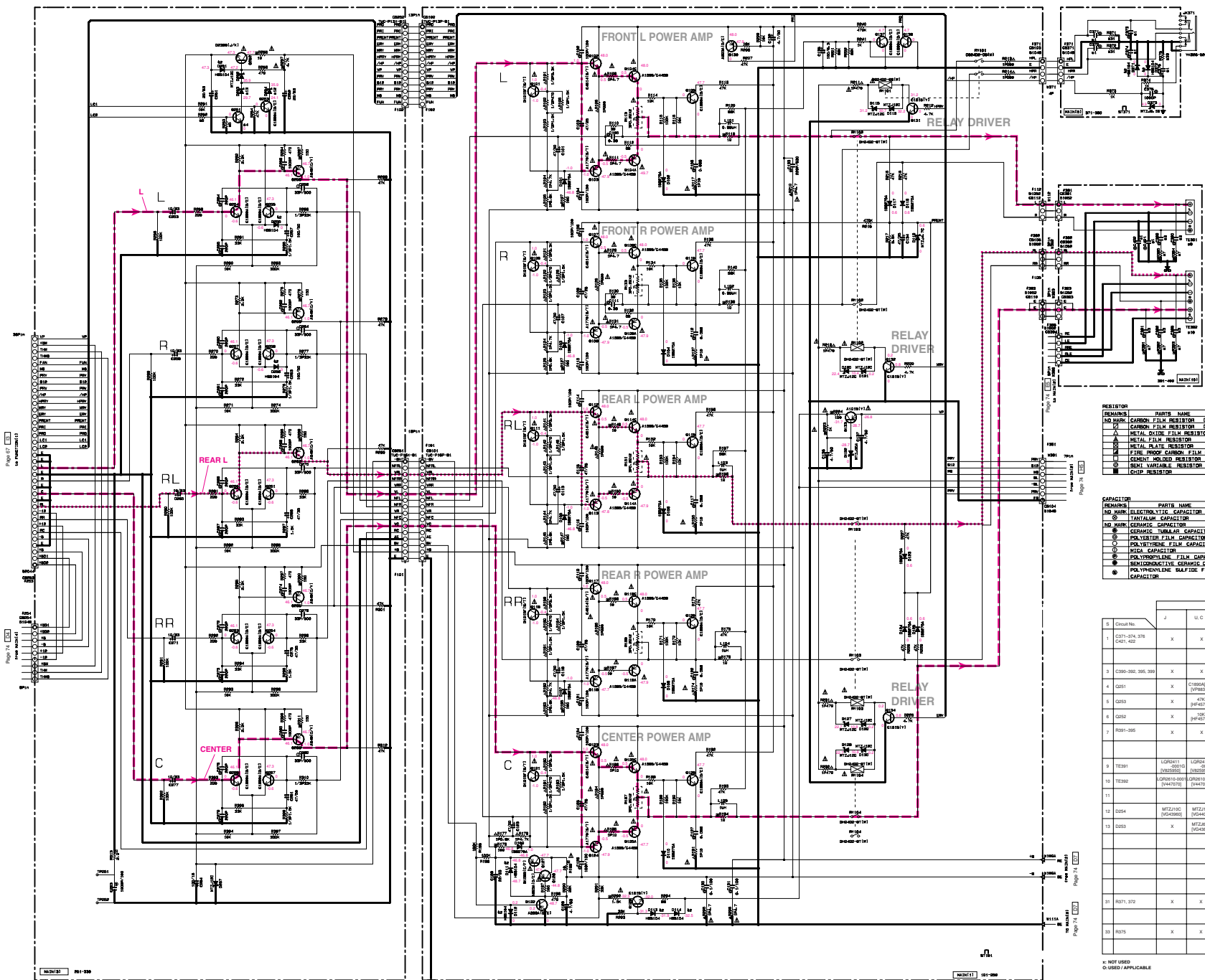
○ NOT USED  
 □ CLOSED / APPLICABLE

★ All voltages are measured with a 10MΩ/V DC electric volt meter.  
 ★ Components having special characteristics are marked ! and must be replaced with parts having specifications equal to those originally installed.  
 ★ Schematic diagram is subject to change without notice.

● 電圧は、内部抵抗10MΩの電圧計で測定したものです。  
 ● !印のある部品は、安全性確保部品を示しています。部品の交換が必要な場合、パーツリストに記載されている部品を使用してください。  
 ● 本回路図は標準回路図です。改良のため予告なく変更することがございます。

■ SCHEMATIC DIAGRAM (MAIN 1/2) RX-V530/HTR-5540/DSP-AX430 only

RX-V530/RX-V530RDS/HTR-5550/HTR-5550RDS/DSP-AX530  
RX-V430/RX-V430RDS/HTR-5540/HTR-5540RDS/DSP-AX430



**RESISTOR**

RESISMS	PARTS NAME	MANUFACTURE PARTS NO.	MANUFACTURE NUMBER
NO MARK	CARBON FILM RESISTOR (F-D)		
□	CARBON FILM RESISTOR (F-D)		
△	METAL OXIDE FILM RESISTOR		
◇	METAL FILM RESISTOR		
■	METAL PLATE RESISTOR		
○	FINE PITCH CARBON FILM RESISTOR		
◎	CONDUCT. COATED RESISTOR		
○	SEMI VARIABLE RESISTOR		
○	CHIP RESISTOR		

**CAPACITOR**

RESISMS	PARTS NAME	MANUFACTURE PARTS NO.	MANUFACTURE NUMBER
NO MARK	ELECTROLYTIC CAPACITOR		
○	TANTALUM CAPACITOR		
NO MARK	CERAMIC CAPACITOR		
○	GENERAL THERMAL CAPACITOR		
○	POLYESTER FILM CAPACITOR		
○	POLYPROPYLENE FILM CAPACITOR		
○	FOIL CAPACITOR		
○	POLYPROPYLENE FILM CAPACITOR		
○	NONINDUCTIVE CERAMIC CAPACITOR		
○	POLYETHYLENE SULFIDE FILM CAPACITOR		

**NOTICE (model)**

○ J ..... JAPANESE  
 U ..... U.S.A.  
 C ..... CANADIAN  
 R ..... GENERAL  
 A ..... AUSTRALIAN  
 B ..... BRITISH  
 E ..... EUROPEAN  
 T ..... CHINA  
 L ..... SINGAPORE

Chart No.	J	U.C.	R.T.K.A.	L
1 C271-274, 376 C281-322	X	X	0.01 [JMS410]	0.01 [JMS410]
2 C390-392, 395, 399	X	X	0.02 [JMS420]	0.02 [JMS420]
4 G251	X		C180A(4E) [YF8510]	C180A(4E) [YF8510]
5 G255	X		47K [YF45747]	47K [YF45747]
6 G252	X		10K [YF45710]	10K [YF45710]
7 R311-315	X	X	2.2 [YF75202]	2.2 [YF75202]
9 TE301	CGP2411 [Y462011]	CGP2411 [Y462011]	CGP2411 [Y462011]	CGP2411 [Y462011]
10 TE302	CGP2411-0000 [Y447010]	CGP2411-0000 [Y447010]	CGP2411-0000 [Y447010]	CGP2411-0000 [Y447010]
11				
12 D254	MTZ12C [Y543800]	MTZ12C [Y543800]	MTZ12C [Y543800]	MTZ12C [Y543800]
13 D253	X		MTZ16.8B [Y543805]	MTZ16.8B [Y543805]
21 R371, 372	X	X	4.7 [YF45471]	4.7 [YF45471]
23 R375	X	X	2.2 [YF45222]	2.2 [YF45222]

○ NOT USED  
 X USED / APPLICABLE

WIRE NO. TO WATER Page 74

\* All voltages are measured with a 10MΩV DC electric volt meter.  
 \* Components having special characteristics are marked with a triangle and must be replaced with parts having specifications equal to those originally installed.  
 \* Schematic diagram is subject to change without notice.

● 電圧は、内部抵抗10MΩの電圧計で測定したものです。  
 ● 印のある部品は、安全確保部品を示しています。部品の交換が必要な場合、パーツリストに記載されている部品を使用してください。  
 ● 本回路図は標準回路図です。改良のため予告なく変更することがございます。

■ SCHEMATIC DIAGRAM / (MAIN 2/2)

RESISTOR

REMARKS	PARTS NAME
NO MARK	CARBON FILM RESISTOR (P=5)
☒	CARBON FILM RESISTOR (P=10)
△	METAL OXIDE FILM RESISTOR
⊠	METAL FILM RESISTOR
⊡	METAL PLATE RESISTOR
▨	FIRE PROOF CARBON FILM RESISTOR
□	CEMENT MOLDED RESISTOR
⊕	SEMI VARIABLE RESISTOR
■	CHIP RESISTOR

CAPACITOR

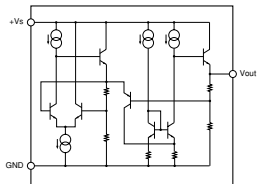
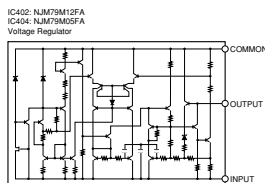
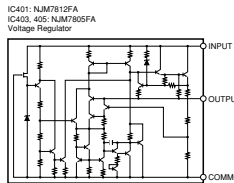
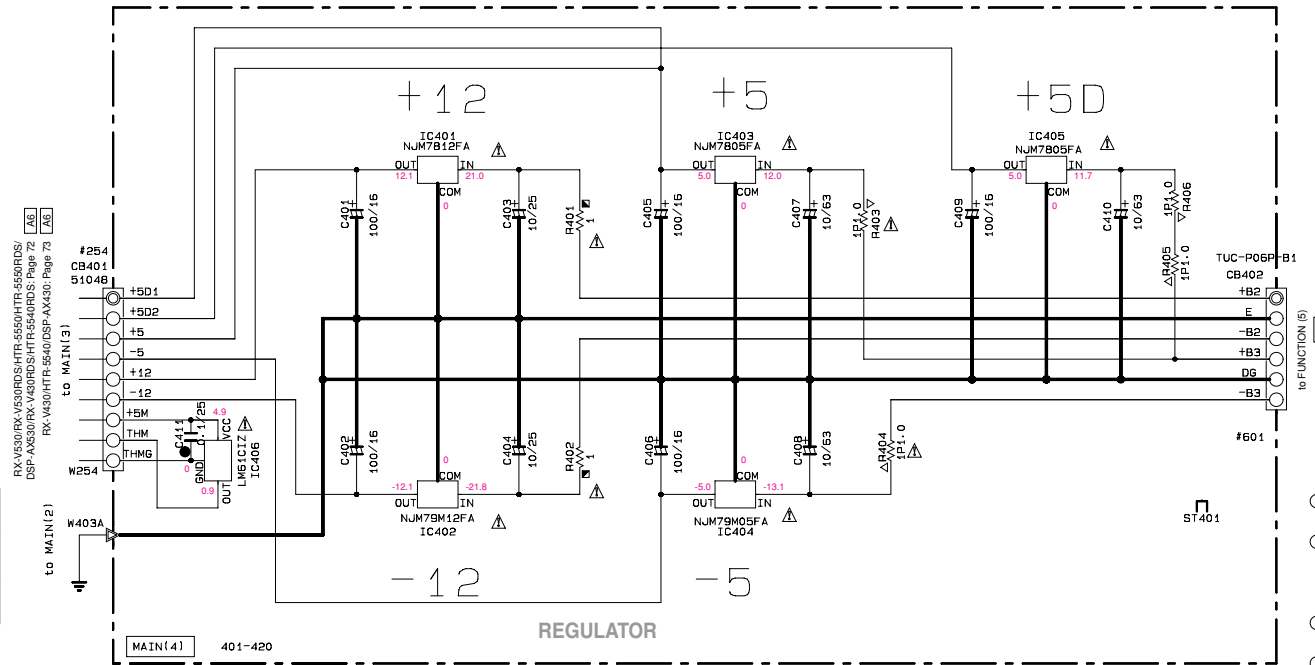
REMARKS	PARTS NAME
NO MARK	ELECTROLYTIC CAPACITOR
⊗	TANTALUM CAPACITOR
NO MARK	CERAMIC CAPACITOR
●	CERAMIC TUBULAR CAPACITOR
⊙	POLYESTER FILM CAPACITOR
○	POLYSTYRENE FILM CAPACITOR
⊖	MICA CAPACITOR
⊕	POLYPROPYLENE FILM CAPACITOR
⊗	SEMICONDUCTIVE CERAMIC CAPACITOR

NOTICE (model)

- (J)..... JAPANESE
- (U)..... U. S. A
- (C)..... CANADIAN
- (R)..... GENERAL
- (A)..... AUSTRALIAN
- (B)..... BRITISH
- (G)..... EUROPEAN
- (T)..... CHINA
- (L)..... SINGAPORE

6	Circuit No.	J	U. C. R. T. K
21	J3B1, 3B2	D	X
22	SW3B1	X	SL13B-022AMCS [V410420]

x: NOT USED  
 o: USED/APPLICABLE



RX-V530/RX-V530RDS/HTR-5550/HTR-5550RDS/  
 DSP-AX530/RX-V430RDS/HTR-5540RDS: Page 72 to MAIN (8)  
 RX-V430/HTR-5540/DSP-AX430: Page 73 to MAIN (10)

RX-V530/RX-V530RDS/HTR-5550/HTR-5550RDS/  
 DSP-AX530/RX-V430RDS/HTR-5540RDS: Page 72  
 RX-V430/HTR-5540/DSP-AX430: Page 73

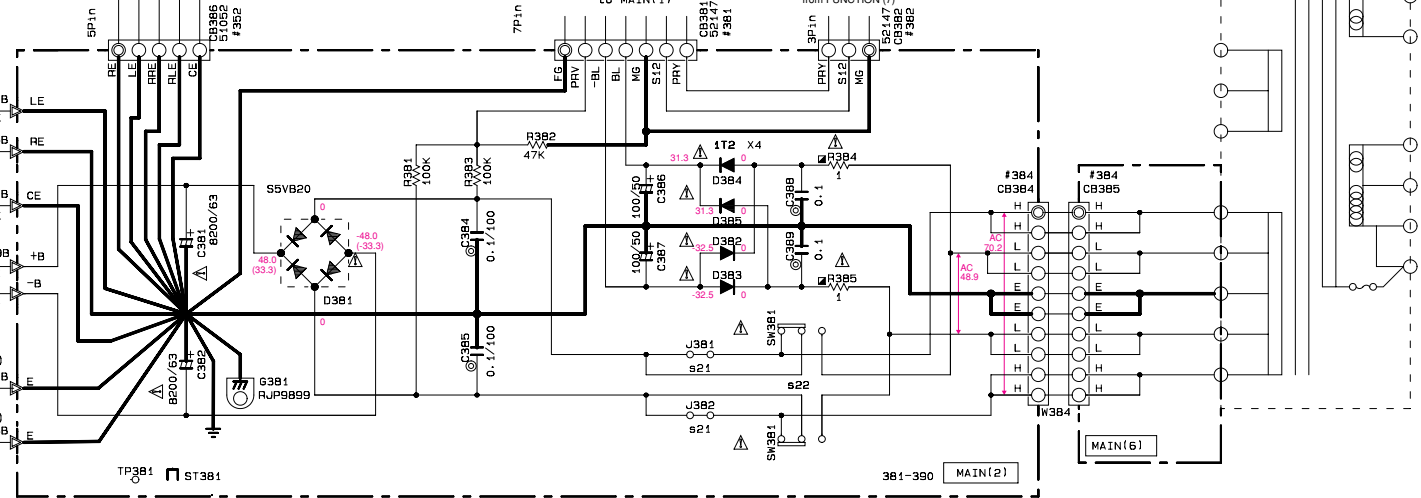
RX-V530/RX-V530RDS/HTR-5550/HTR-5550RDS/  
 DSP-AX530/RX-V430RDS/HTR-5540RDS only: Page 72

RX-V530/RX-V530RDS/HTR-5550/HTR-5550RDS/  
 DSP-AX530/RX-V430RDS/HTR-5540RDS only: Page 72

RX-V530/RX-V530RDS/HTR-5550/HTR-5550RDS/  
 DSP-AX530/RX-V430RDS/HTR-5540RDS: Page 72  
 RX-V430/HTR-5540/DSP-AX430: Page 73

RX-V530/RX-V530RDS/HTR-5550/HTR-5550RDS/  
 DSP-AX530/RX-V430RDS/HTR-5540RDS: Page 72  
 RX-V430/HTR-5540/DSP-AX430: Page 73

RX-V530/RX-V530RDS/HTR-5550/HTR-5550RDS/  
 DSP-AX530/RX-V430RDS/HTR-5540RDS: Page 72  
 RX-V430/HTR-5540/DSP-AX430: Page 73



★ All voltages are measured with a 10MΩ/V DC electric volt meter.  
 ★ Components having special characteristics are marked △, and must be replaced with parts having specifications equal to those originally installed.  
 ★ Schematic diagram is subject to change without notice.

● 電圧は、内部抵抗10MΩの電圧計で測定したものです。  
 ● △印のある部品は、安全性確保部品を示しています。部品の交換が必要な場合、パーツリストに記載されている部品を使用してください。  
 ● 本回路図は標準回路図です。改良のため予告なく変更することがございます。