

AV RECEIVER/AV AMPLIFIER RX-V730/RX-V730RDS/RX-V630/RX-V630RDS HTR-5560/HTR-5560RDS/DSP-AX630/DSP-AX630SE

SERVICE MANUAL

IMPORTANT NOTICE

This manual has been provided for the use of authorized YAMAHA Retailers and their service personnel. It has been assumed that basic service procedures inherent to the industry, and more specifically YAMAHA Products, are already known and understood by the users, and have therefore not been restated.

WARNING: Failure to follow appropriate service and safety procedures when servicing this product may result in personal injury, destruction of expensive components, and failure of the product to perform as specified. For these reasons, we advise all YAMAHA product owners that any service required should be performed by an authorized YAMAHA Retailer or the appointed service representative.

IMPORTANT: The presentation or sale of this manual to any individual or firm does not constitute authorization, certification or recognition of any applicable technical capabilities, or establish a principle-agent relationship of any form.

The data provided is believed to be accurate and applicable to the unit(s) indicated on the cover. The research, engineering, and service departments of YAMAHA are continually striving to improve YAMAHA products. Modifications are, therefore, inevitable and specifications are subject to change without notice or obligation to retrofit. Should any discrepancy appear to exist, please contact the distributor's Service Division.

WARNING: Static discharges can destroy expensive components. Discharge any static electricity your body may have accumulated by grounding yourself to the ground buss in the unit (heavy gauge black wires connect to this buss).

IMPORTANT: Turn the unit OFF during disassembly and part replacement. Recheck all work before you apply power to the unit.

■ CONTENTS

TO SERVICE PERSONNEL	2	AMP ADJUSTMENT / アンプ部調整	40
IMPEDANCE SELECTOR	2	DISPLAY DATA	41~42
FRONT PANELS	3~4	IC DATA	43~48
REAR PANELS	5~10	PIN CONNECTION DIAGRAM	49
REMOTE CONTROL	11	BLOCK DIAGRAM	50~51
SPECIFICATIONS	12~14	PRINTED CIRCUIT BOARD	52~66
INTERNAL VIEW	14	SCHEMATIC DIAGRAM	67~74
DISASSEMBLY PROCEDURES / 分解手順	15~18	PARTS LIST	75~109
SELF DIAGNOSIS FUNCTION (DIAG) / 自己診断機能 (ダイアグ)	19~39	REMOTE CONTROL	110~113
		Parts List for Carbon Resistors	114



このサービスマニュアルは、エコマーク認定の再生紙を使用しています。
This Service Manual uses recycled paper.


100800

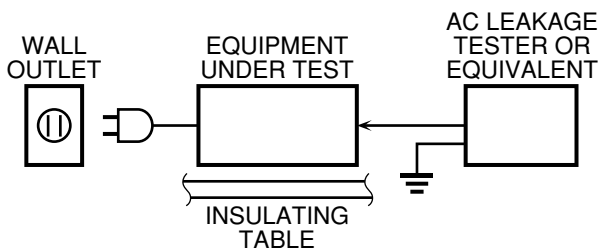


YAMAHA

YAMAHA CORPORATION
P.O.Box 1, Hamamatsu, Japan

■ TO SERVICE PERSONNEL

- Critical Components Information
Components having special characteristics are marked  and must be replaced with parts having specifications equal to those originally installed.
 - Leakage Current Measurement (For 120V Models Only)
When service has been completed, it is imperative to verify that all exposed conductive surfaces are properly insulated from supply circuits.
- Meter impedance should be equivalent to 1500 ohm shunted by 0.15μF.



- Leakage current must not exceed 0.5mA.
- Be sure to test for leakage with the AC plug in both polarities.



“CAUTION”

“F922: FOR CONTINUED PROTECTION AGAINST RISK OF FIRE, REPLACE ONLY WITH SAME TYPE 8A, 125V FUSE.”

CAUTION

F922: REPLACE WITH SAME TYPE 8A, 125V FUSE.

ATTENTION

F922: UTILISER UN FUSIBLE DE RECHANGE DE MEME TYPE DE 8A, 125V.

WARNING: CHEMICAL CONTENT NOTICE!

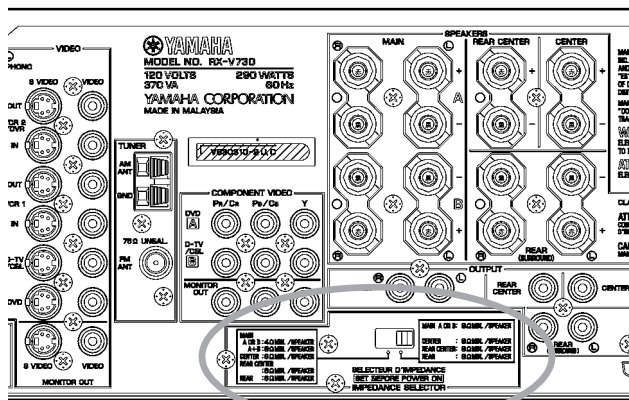
The solder used in the production of this product contains LEAD. In addition, other electrical/electronic and/or plastic (where applicable) components may also contain traces of chemicals found by the California Health and Welfare Agency (and possibly other entities) to cause cancer and/or birth defects or other reproductive harm.

DO NOT PLACE SOLDER, ELECTRICAL/ELECTRONIC OR PLASTIC COMPONENTS IN YOUR MOUTH FOR ANY REASON WHATSOEVER!

Avoid prolonged, unprotected contact between solder and your skin! When soldering, do not inhale solder fumes or expose eyes to solder/flux vapor!

If you come in contact with solder or components located inside the enclosure of this product, wash your hands before handling food.

■ IMPEDANCE SELECTOR

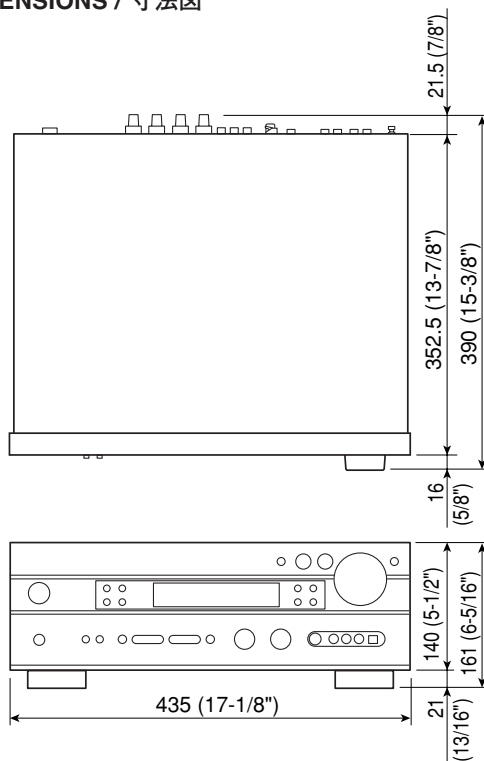


IMPEDANCE SELECTOR

WARNING:

Do not change the IMPEDANCE SELECTOR switch setting while the power to this unit is on, otherwise this unit may be damaged.

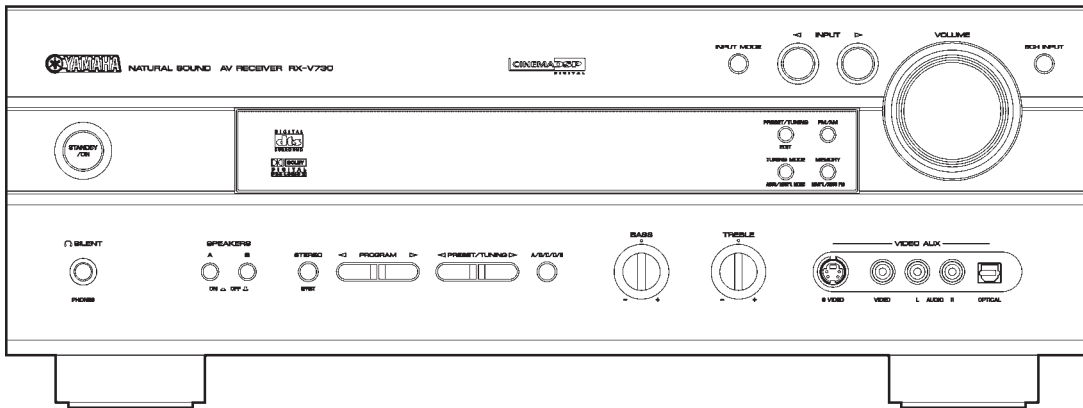
• DIMENSIONS / 寸法図



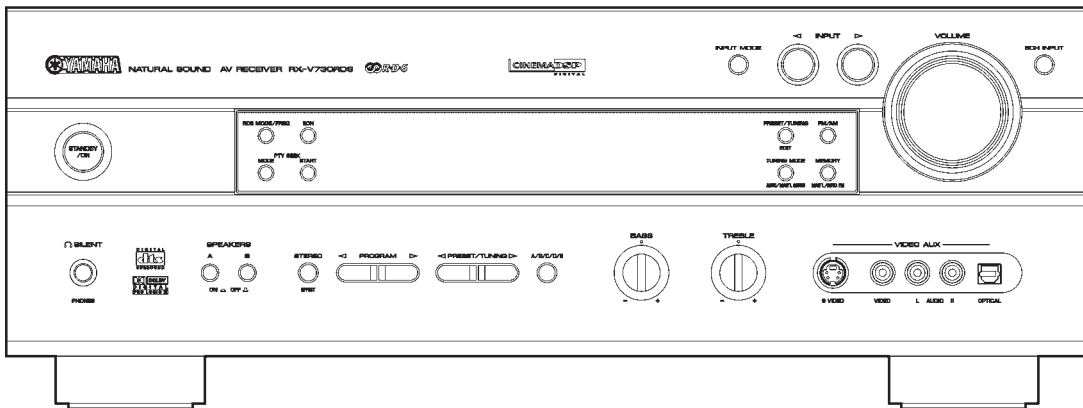
Unit : mm (inch)
単位: mm (インチ)

FRONT PANELS

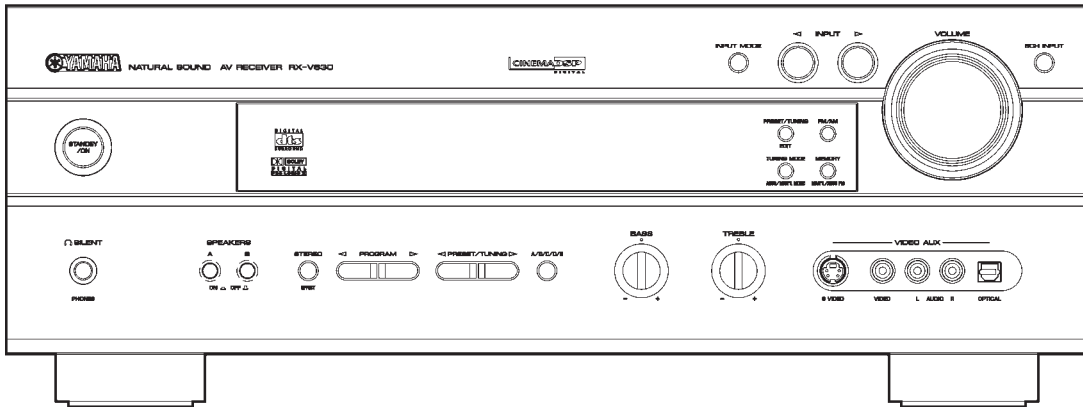
RX-V730 (U, C, A, L, R, T, K models)



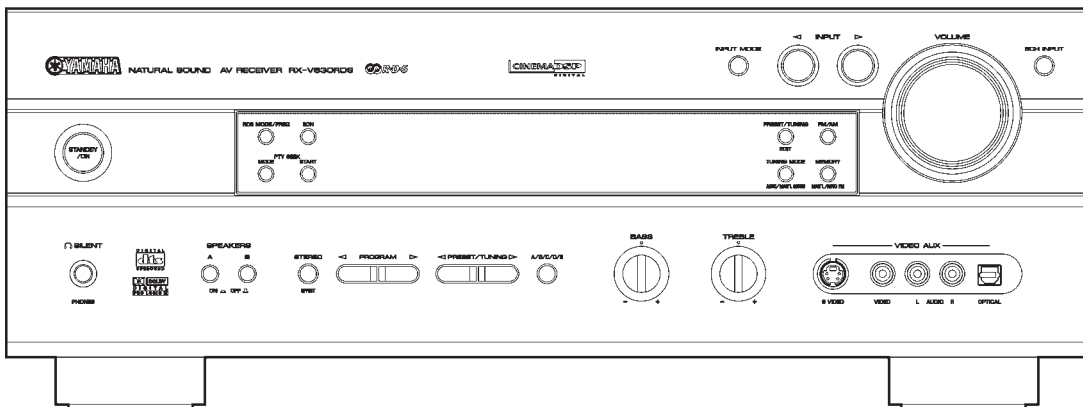
RX-V730RDS (B, G models)



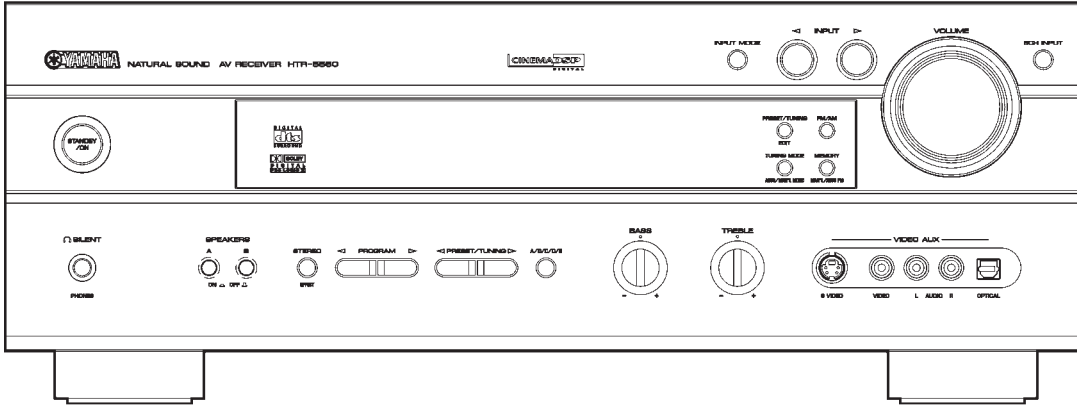
RX-V630 (U, C, A, L, R, T, K models)



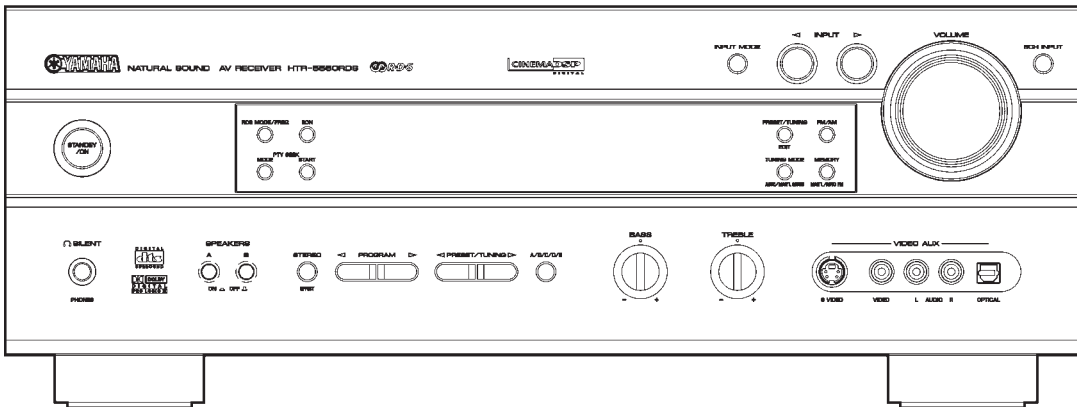
RX-V630RDS (B, G models)



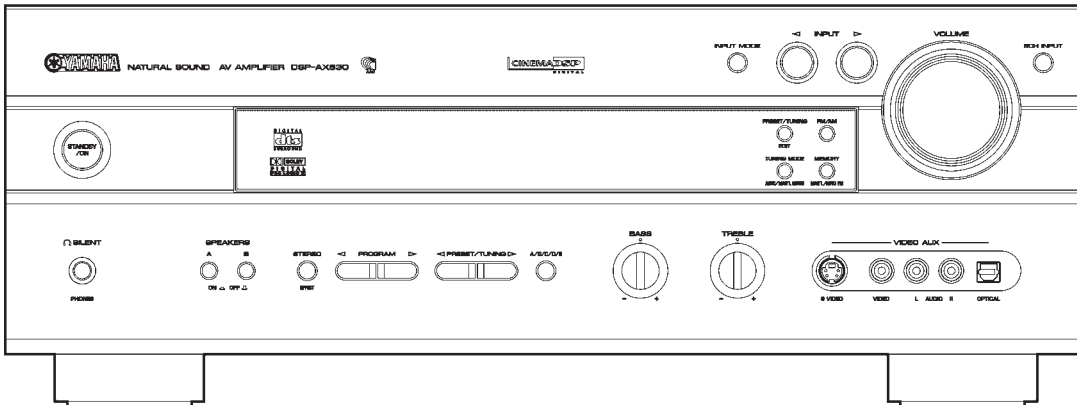
HTR-5560 (U, C, A, T, K models)



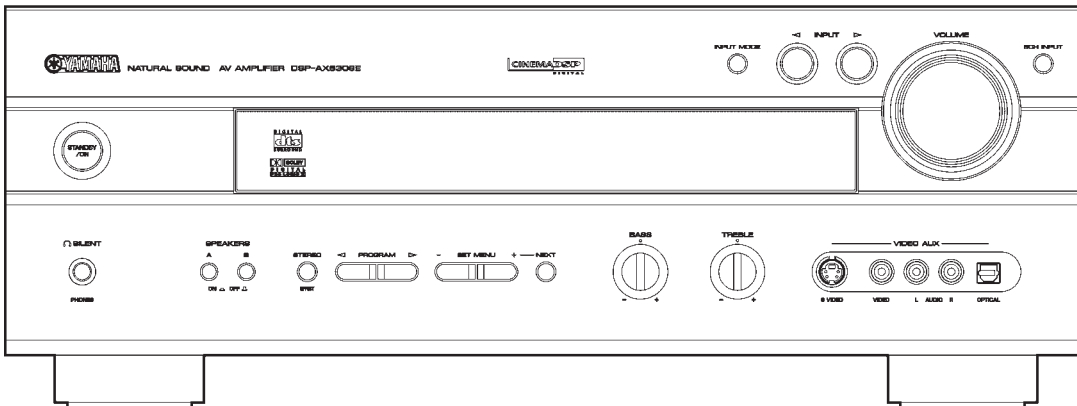
HTR-5560RDS (G model)



DSP-AX630 (J model)

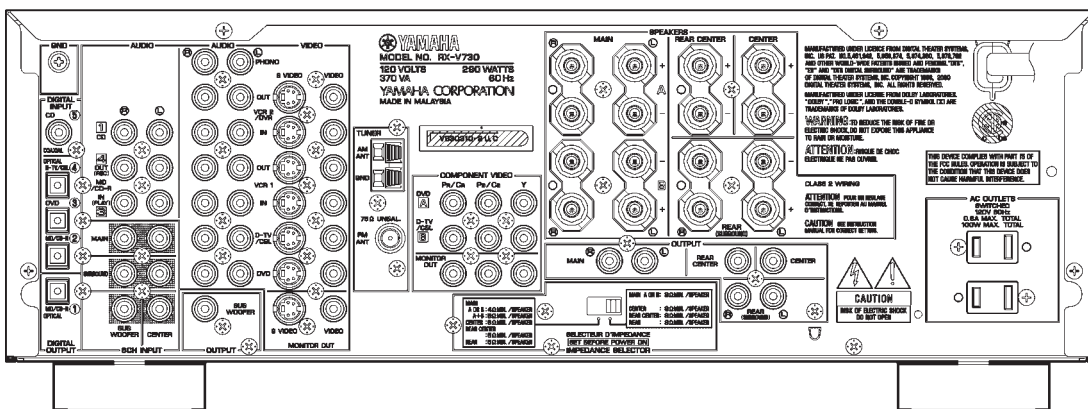


DSP-AX630SE (B, G models)

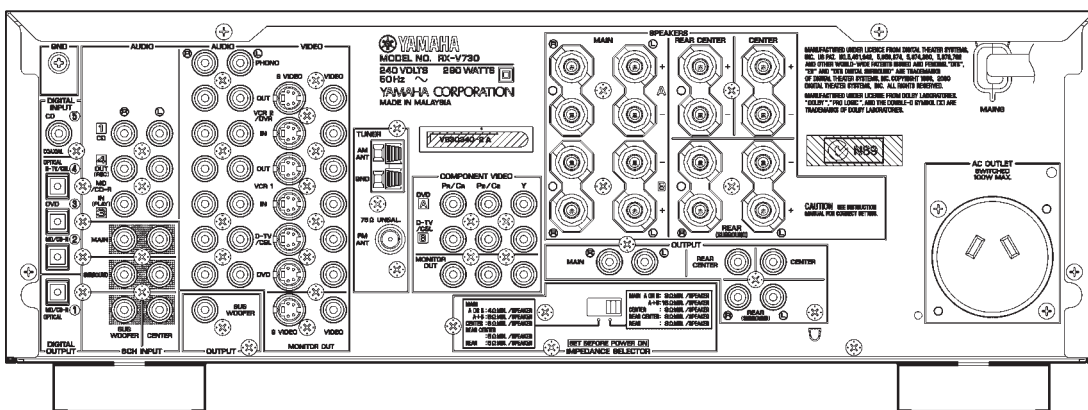


REAR PANELS

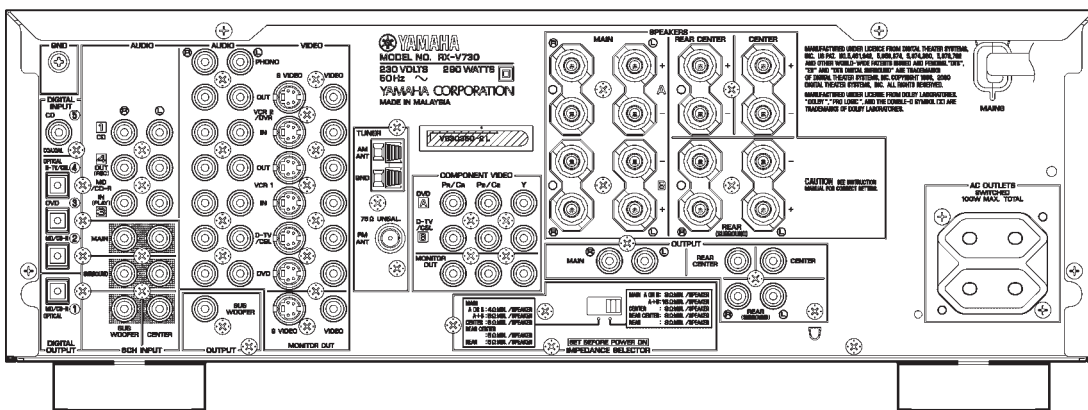
RX-V730 (U, C models)



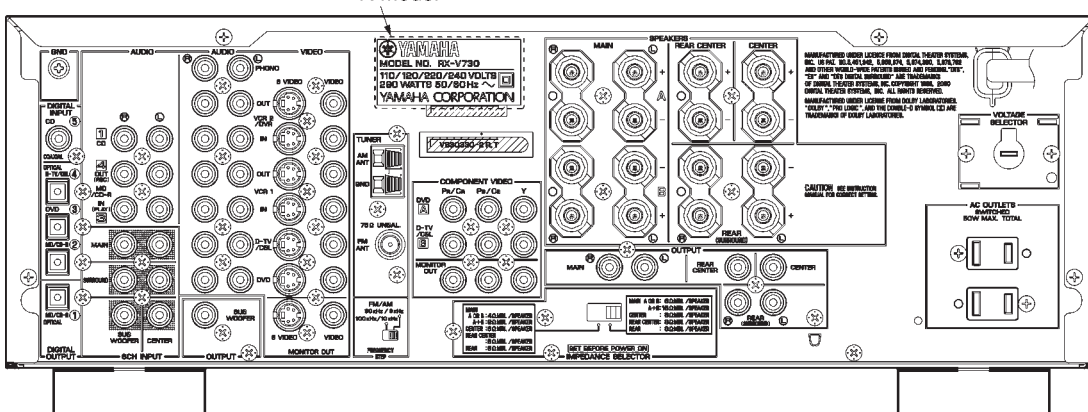
RX-V730 (A model)



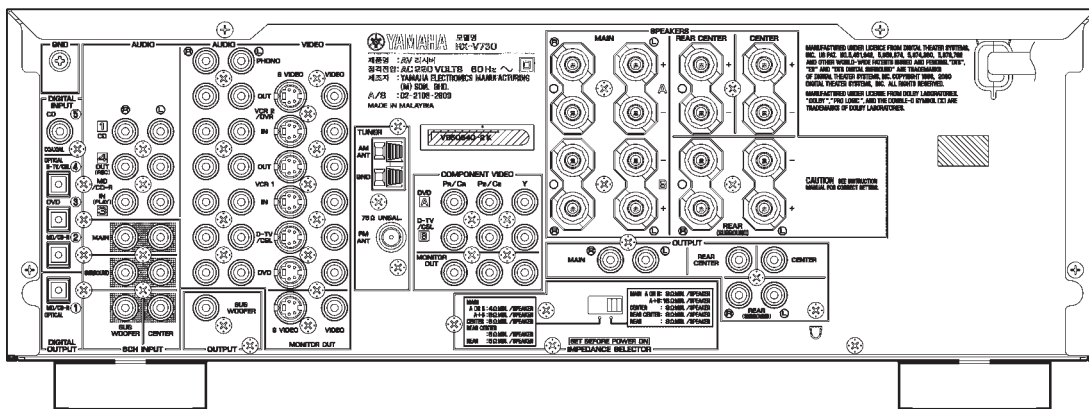
RX-V730 (L model)



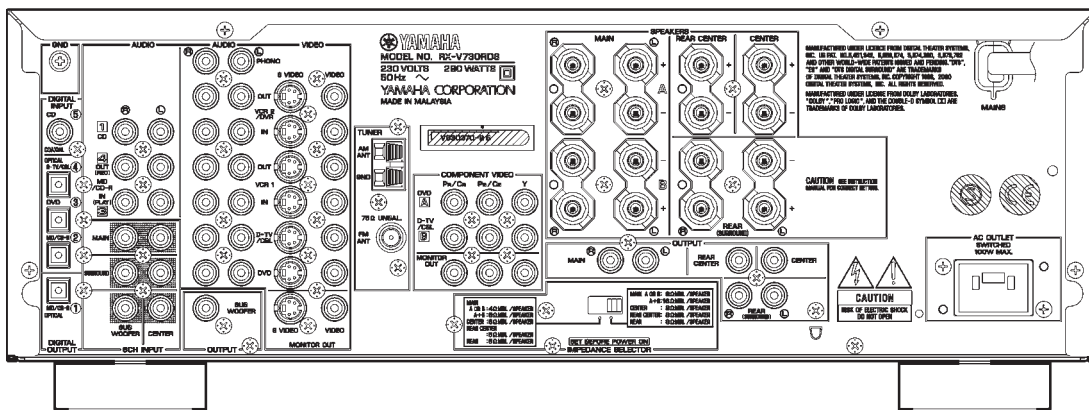
RX-V730 (R, T models)



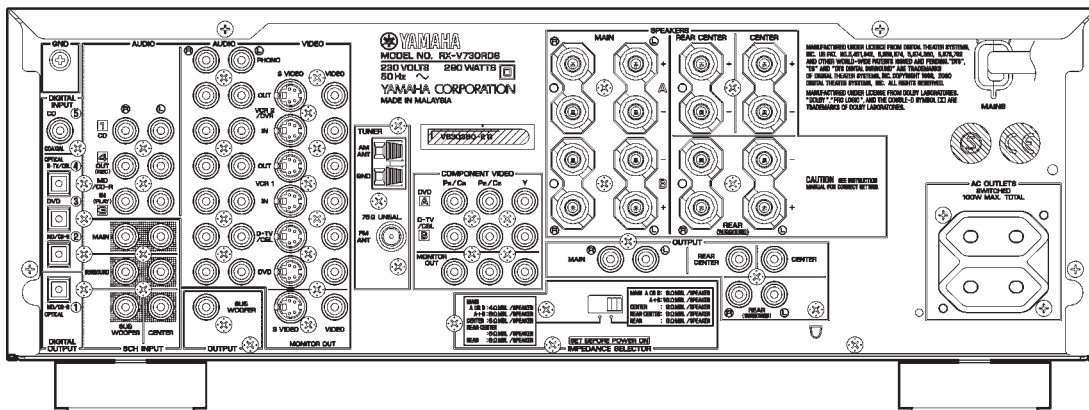
RX-V730 (K model)



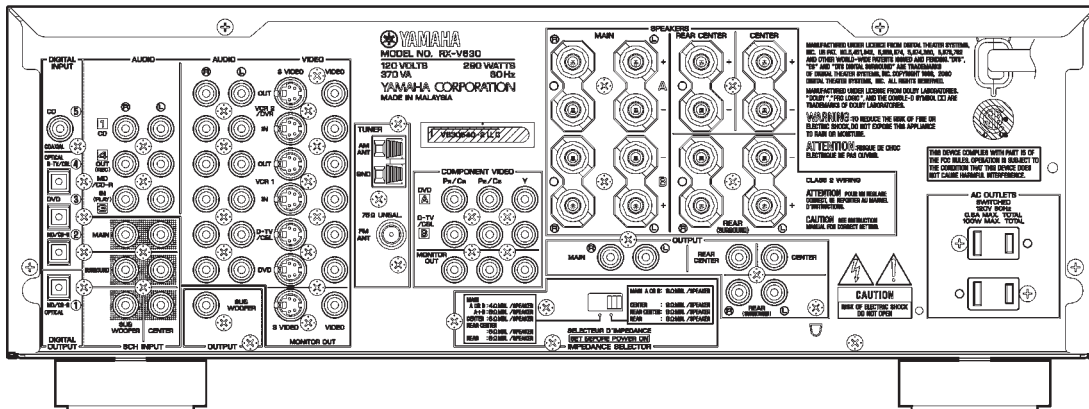
RX-V730RDS (B model)



RX-V730RDS (G model)

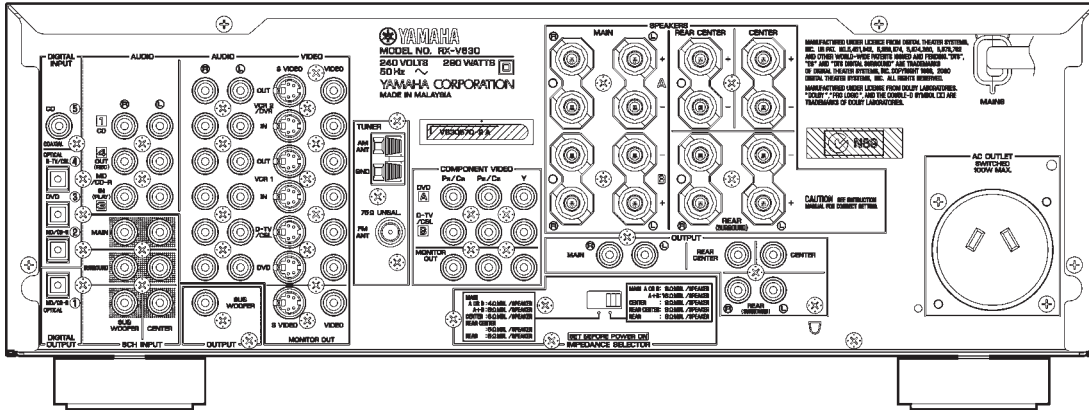


RX-V630 (U, C models)

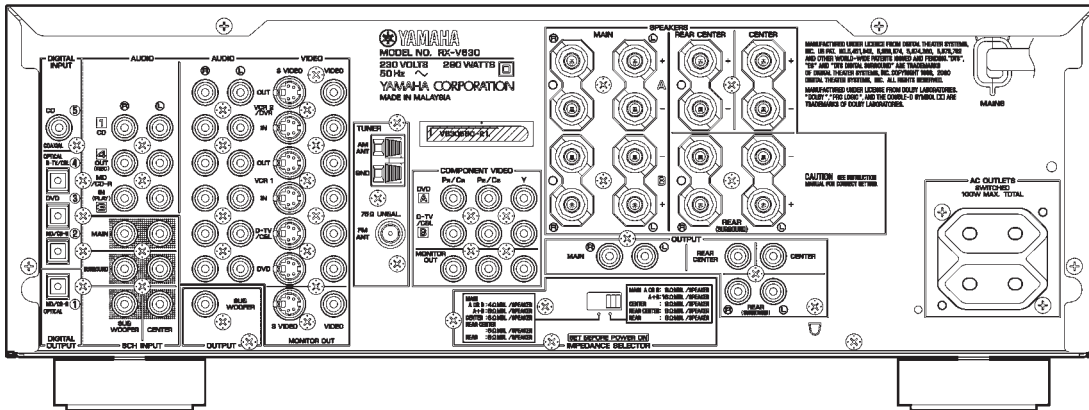


RX-V730/RX-V730RDS/RX-V630/RX-V630RDS
 HTR-5560/HTR-5560RDS/DSP-AX630/DSP-AX630SE

RX-V630 (A model)

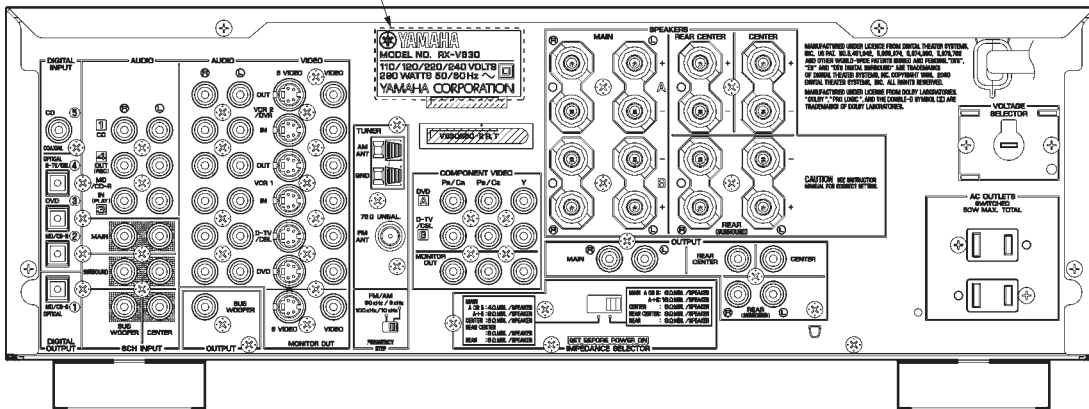


RX-V630 (L model)

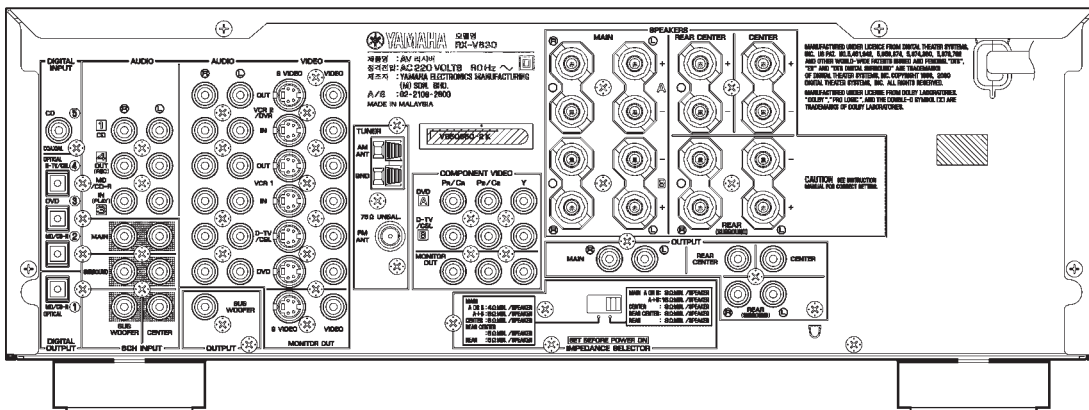


RX-V630 (R, T models)

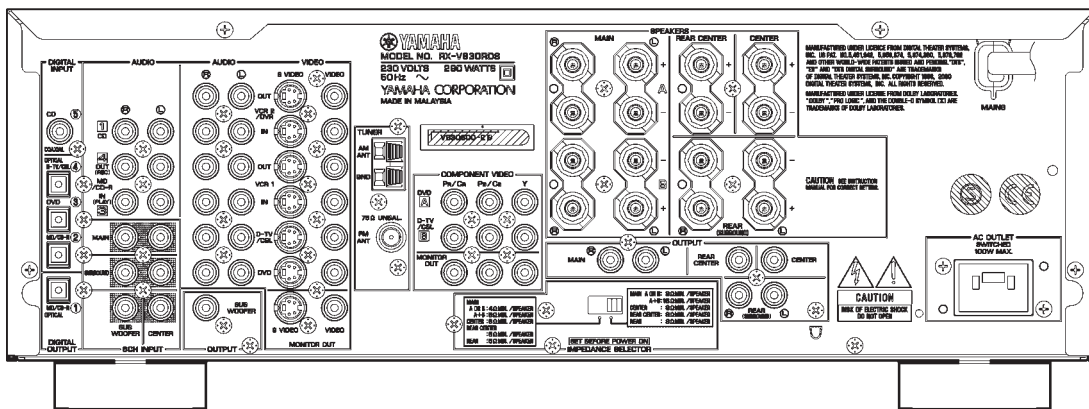
R model



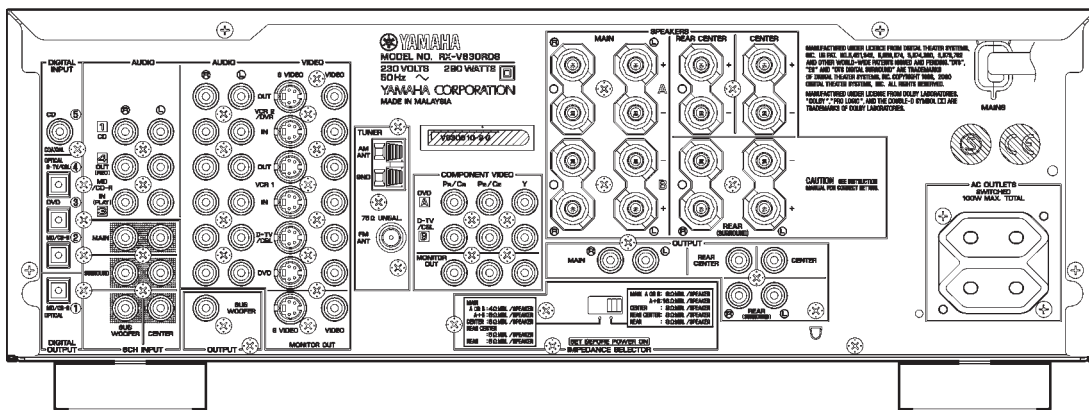
RX-V630 (K model)



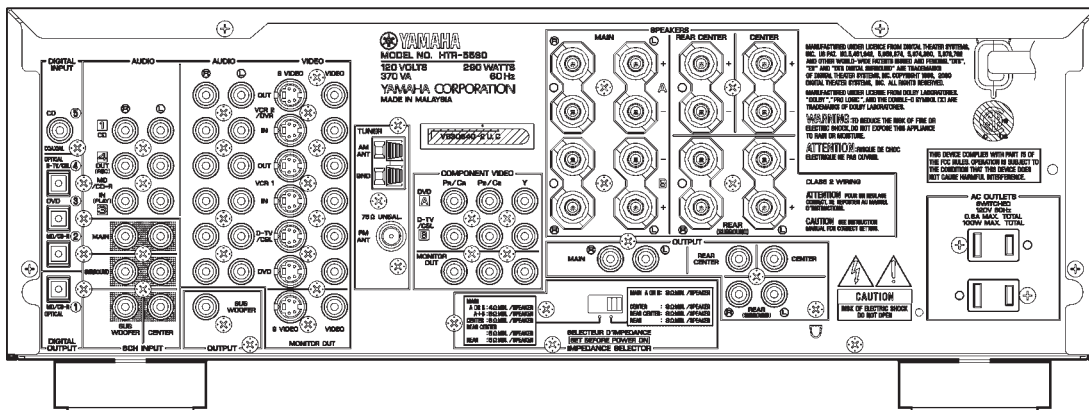
RX-V630RDS (B model)



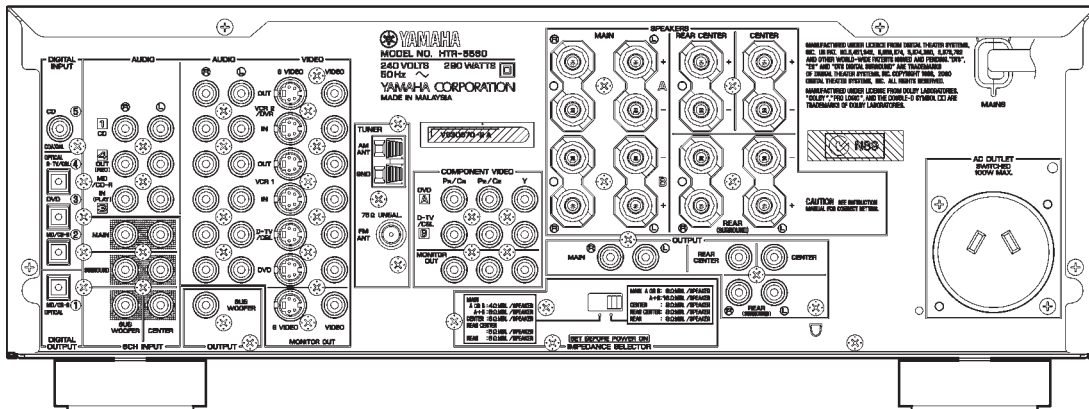
RX-V630RDS (G model)



HTR-5560 (U, C models)

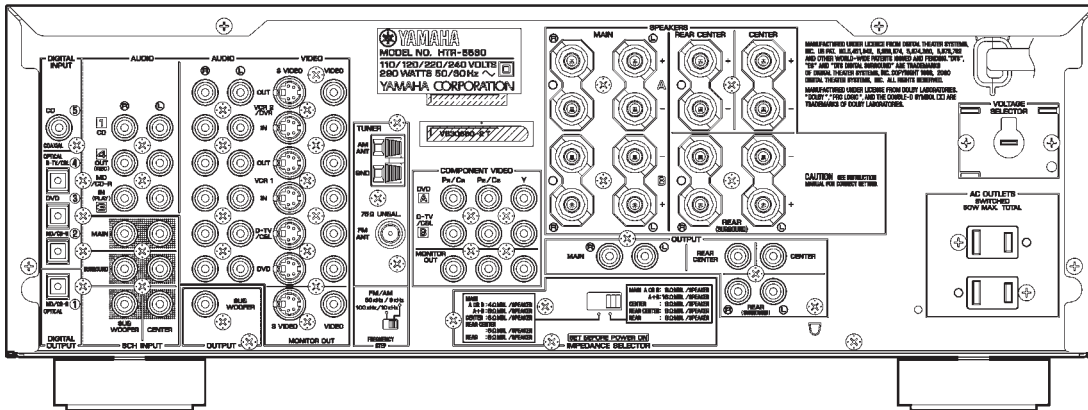


HTR-5560 (A model)

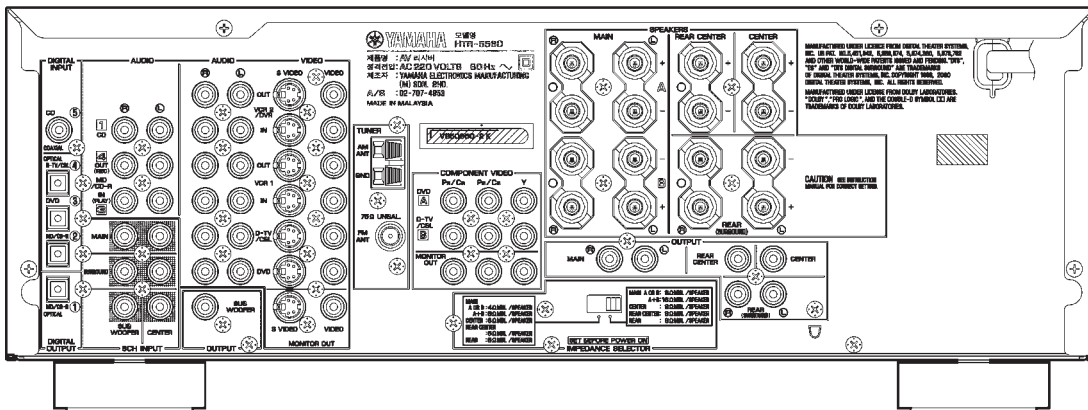


RX-V730/RX-V730RDS/RX-V630/RX-V630RDS
 HTR-5560/HTR-5560RDS/DSP-AX630/DSP-AX630SE

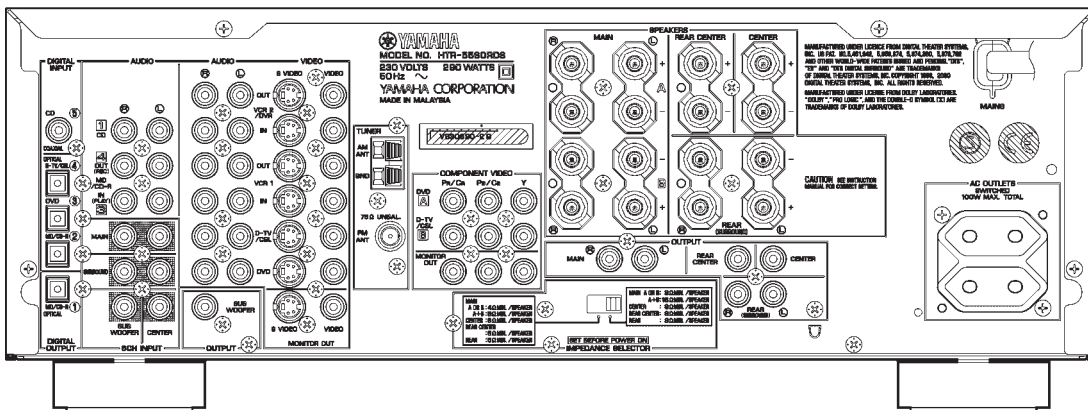
HTR-5560 (T model)



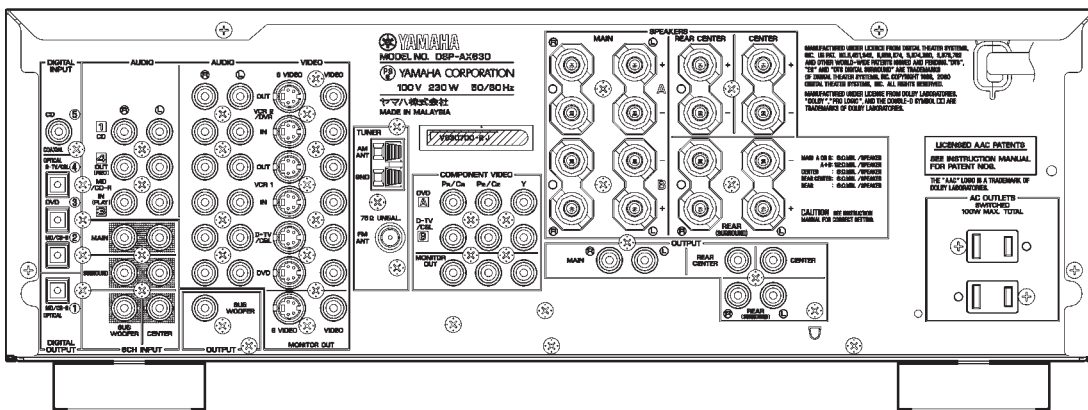
HTR-5560 (K model)



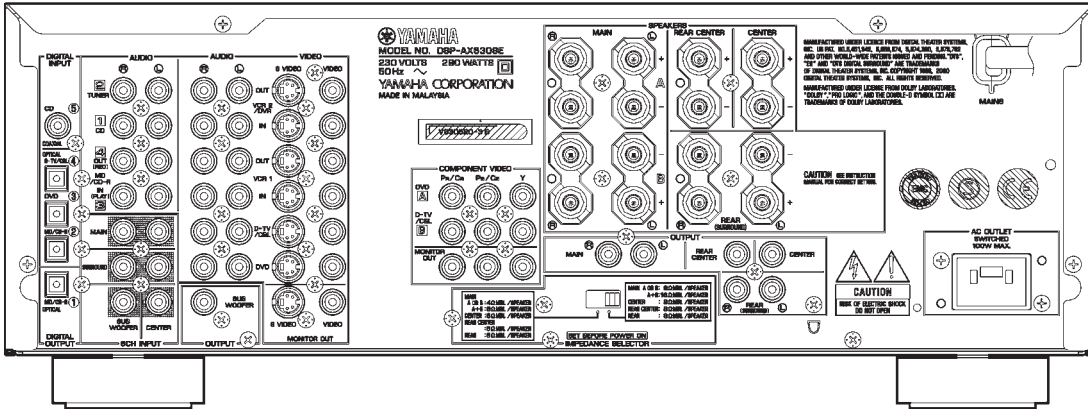
HTR-5560RDS (G model)



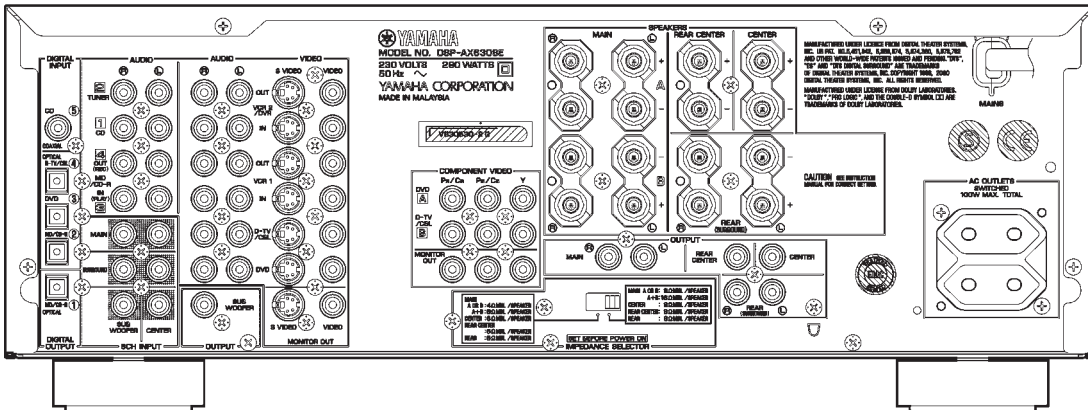
DSP-AX630 (J model)



DSP-AX630SE (B model)



DSP-AX630SE (G model)

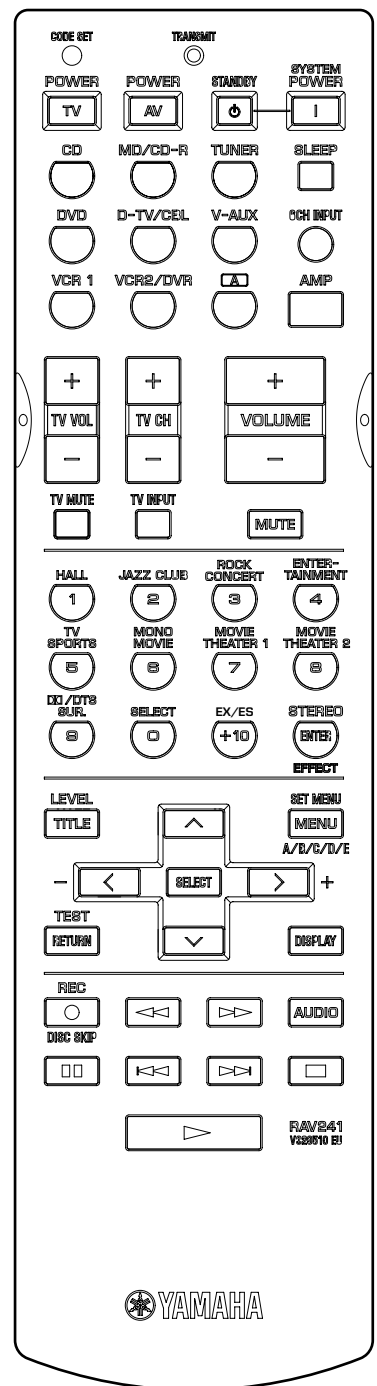
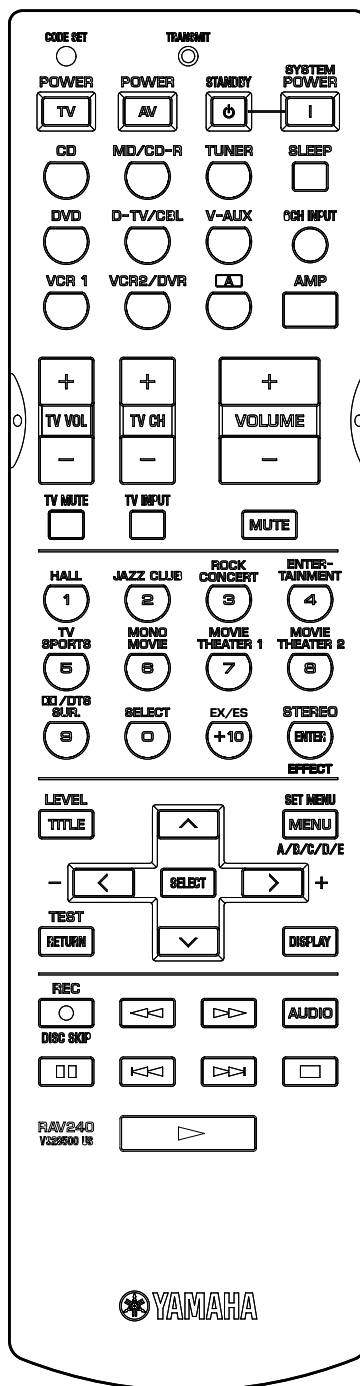
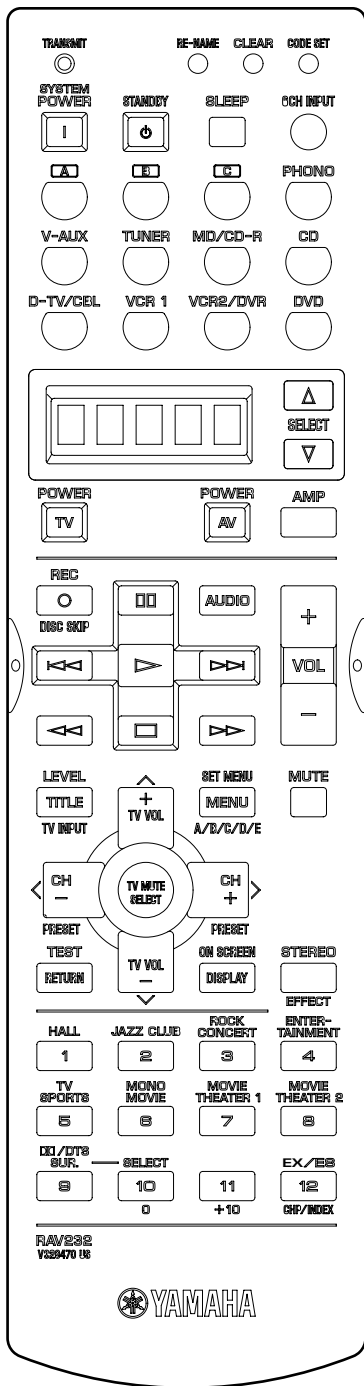


■ REMOTE CONTROL

RX-V730 (U, C, A, L, R, T, K models)

RX-V630 (U, C, A, L, R, T, K models)
HTR-5560 (U, C, A, T, K models)
DSP-AX630 (J model)

RX-V630RDS (B, G models)
HTR-5560RDS (G model)
DSP-AX630SE (B, G models)



RX-V730RDS (B, G models)



SPECIFICATIONS / 参考仕様

Audio Section / オーディオ部

Minimum RMS Output Power (Power Amp. Section) / 定格出力 (パワーアンプ部)

(20 Hz to 20 kHz, 0.06% THD)

MAIN L/R	
U, C, A, B, G, L, R, T, K models (8 ohms)	75W + 75W
J model (6 ohms)	75W + 75W
CENTER	
U, C, A, B, G, L, R, T, K models (8 ohms)	75W
J model (6 ohms)	75W
REAR L/R	
U, C, A, B, G, L, R, T, K models (8 ohms)	75W + 75W
J model (6 ohms)	75W + 75W
REAR CENTER	
U, C, A, B, G, L, R, T, K models (8 ohms)	75W
J model (6 ohms)	75W

(1 kHz, 0.06% THD)

MAIN L/R	
U, C, A, B, G, L, R, T, K models (8 ohms)	80W + 80W
CENTER	
U, C, A, B, G, L, R, T, K models (8 ohms)	80W
REAR L/R	
U, C, A, B, G, L, R, T, K models (8 ohms)	80W + 80W
REAR CENTER	
U, C, A, B, G, L, R, T, K models (8 ohms)	80W

Maximum Power / 実用最大出力 (EIAJ, 1kHz, 10% THD)

MAIN L/R	
R, T, K models (8 ohms)	110W + 110W
J model (6 ohms)	110W + 110W
CENTER	
R, T, K models (8 ohms)	110W
J model (6 ohms)	110W
REAR L/R	
R, T, K models (8 ohms)	110W + 110W
J model (6 ohms)	110W + 110W
REAR CENTER	
R, T, K models (8 ohms)	110W
J model (6 ohms)	110W

Dynamic Power Per Channel / ダイナミックパワー (IHF)

U, C, A, B, G, L, R, T, K models (8/6/4/2 ohms)	95/120/150/180W
J model (6/4/2 ohms)	105/125/150W

DIN Standard Output Power Per Channel / DINパワー [G model]

(1 kHz, 0.7% THD, 4 ohms)

MAIN L/R	125W + 125W
CENTER	125W
REAR L/R	125W + 125W
REAR CENTER	125W

Dynamic Headroom / ダイナミックヘッドルーム

U, C models (8 ohms)	1.14dB
----------------------	--------

IEC Power / IECパワー [G model]

1 kHz, 0.06% THD, 8 ohms	80W + 80W
--------------------------	-----------

Damping Factor / ダンピングファクタ

20 Hz to 20 kHz, SPEAKER-A, 8 ohms	80 or more
------------------------------------	------------

Input Sensitivity / Input Impedance (入力感度/入力インピーダンス)

PHONO (MM)	2.5 mV / 47 k-ohms
CD, etc.	150 mV / 47 k-ohms
EXT. DECODER	
MAIN L/R, CENTER, SURROUND L/R, SUB WOOFER	150 mV / 47 k-ohms

Maximum Input Signal Level / 最大許容入力

RX-V730/RX-V730RDS	
PHONO (MM) (1 kHz, 0.1% THD)	100mV
CD, etc. (1 kHz, 0.5% THD, Effect On)	2.2V

Output Level / Output Impedance (出力電圧/出力インピーダンス)

REC OUT	150 mV / 1.2 k-ohms
PRE OUT	2.2 V / 1.2 k-ohms
SUB WOOFER (MAIN SP: Small)	4 V / 1.2 k-ohms

Headphone Jack Rated Output / Impedance (ヘッドフォン出力/出力インピーダンス)

CD, etc. (1 kHz, 150 mV, 8 ohms)	0.34 V / 560 ohms
----------------------------------	-------------------

Frequency Response / 周波数特性

CD, etc. to MAIN L/R (10 Hz to 100 kHz)	+0/-3.0dB
---	-----------

RIAA Equalization Deviation / RIAA偏差

PHONO (MM)	0±0.5dB
------------	---------

Total Harmonic Distortion / 全高調波歪率 (20Hz to 20kHz)

PHONO (MM) to REC OUT (1V)	0.02% or less
CD, etc. (Effect Off) to MAIN L/R SP OUT (45W, 8 ohms)	0.06% or less

Signal to Noise Ratio / 信号対雑音比 (IHF-A network)

PHONO (MM) (Input shorted) to REC OUT	
U, C, R, T, K models (5mV)	86dB or more
A, B, G, L models (5mV)	81dB or more
J model (2.5mV)	80dB or more
CD, etc. (Input shorted, EFFECT OFF) to MAIN L/R SP OUT	
250mV	100dB or more

Residual Noise / 残留ノイズ (IHF-A network)

MAIN L/R SP OUT	150µV or less
-----------------	---------------

Channel Separation / チャンネルセパレーション

(Vol -30 dB, Effect Off)	
PHONO (Input shorted, 1 kHz/10 kHz)	60dB or more/55dB or more
CD, etc. (Input 5.1 k-ohms shorted, 1 kHz/10 kHz)	60dB or more/45dB or more

Tone Control Characteristics / トーンコントロール特性

BASS	
Boost/Cut	±10dB (50Hz)
Turnover Frequency	350Hz
TREBLE	
Boost/Cut	±10dB (20kHz)
Turnover Frequency	3.5kHz

Filter Characteristics / フィルター特性

MAIN, REAR L/R SP Small (H.P.F.)	90Hz / 12dB oct.
SUBWOOFER (L.P.F.)	90Hz / 18dB oct.

Video Section / ビデオ部

Video Signal Type / ビデオ信号方式

U, C, J models	NTSC
A, B, G, L models	PAL
R, T, K models	NTSC or PAL

Video Signal Level / ビデオ信号

	1 Vp-p / 75 ohms
--	------------------

S-Video Signal Level / Sビデオ信号

Y	1 Vp-p / 75 ohms
C	0.286 Vp-p / 75 ohms

Component Signal Level / コンポーネントビデオ信号

Y	1 Vp-p / 75 ohms
Cb/Cr	0.7 Vp-p / 75 ohms

Maximum Input Level / 最大許容入力

	1.5 Vp-p
--	----------

Signal to Noise Ratio / 信号対雑音比

	50 dB or more
--	---------------

Monitor Out Frequency Response / モニターアウト周波数帯域

Video Signal Level, S-Video Signal Level	5 Hz to 10 MHz, -3 dB
Component Video Signal Level	DC to 30 MHz, -3 dB

FM Section / FM部 (except DSP-AX630SE)

Tuning Range

U, C models	87.5 to 107.9 MHz
A, B, G, L, K models	87.5 to 108.0 MHz
R, T models	87.5 to 108.0 / 87.50 to 108.00 MHz
J model	76.0 to 90.0 MHz

50dB Quieting Sensitivity / 50dB SN感度 (IHF)

(1kHz, 100% Mod.)	
Mono	2.0 µV (17.3 dBf)
Stereo	25 µV (39.2 dBf)

Usable Sensitivity / 実用感度 (IHF)

Mono	1.0 µV (11.2 dBf)
------	-------------------

Selectivity / 選択度

at 400 kHz	70 dB
------------	-------

Signal to Noise Ratio / 信号対雑音比 (IHF)

Mono / Stereo	76 dB / 70 dB
---------------	---------------

Harmonic Distortion / 歪率

(1 kHz)	
Mono/Stereo	0.2 / 0.3 %

Stereo Separation / ステレオセパレーション

1 kHz	45 dB
-------	-------

Frequency Response / 周波数特性

20 Hz to 15 kHz	+0.5 / -2 dB
-----------------	--------------

Antenna Input / アンテナ入力

	75 ohms unbalanced
--	--------------------

AM Section / AM部 (except DSP-AX630SE)

Tuning Range / 受信周波数範囲

U, C models	530 to 1,710 kHz
A, B, G, L, K, J models	531 to 1,611 kHz
R, T models	530 to 1,710 / 531 to 1,611 kHz

Usable Sensitivity / 実用感度

	300 µV/m
--	----------

Antenna / アンテナ入力

	Loop Antenna
--	--------------

General / 総合

Power Supply / 電源電圧

U, C models	AC 120 V, 60 Hz
A model	AC 240 V, 50 Hz
B, G, L models	AC 230 V, 50 Hz
R model	AC 110/120/220/240 V, 50/60 Hz
T model	AC 220 V, 50 Hz
K model	AC 220 V, 60 Hz
J model	AC 100V, 50/60 Hz

Power Consumption / 消費電力

U, C models	290 W / 370 VA
A, B, G, L, R, T, K models	290 W
J model	230 W

Standby Power Consumption (reference data) / 待機電力(参考値)

U, C, A, T, K, J models	0.6 W
A, B, G, L models	0.7 W

Maximum Power Consumption

(6ch Drive, 10% THD)	
R model	660 W

AC Outlets / ACアウトレット

2 switched outlets
U, C, G, L, J models 100 W max. total
R, T models 50 W max. total
1 switched outlet
A, B models 100W max.

Dimensions / 寸法 (W x H x D)

..... 435 x 161 x 390 mm (17-1/8" x 6-5/16" x 15-3/8")

Weight / 重量

..... 11.5 kg (25 lbs. 6 oz.)

Finish / 仕上げ

RX-V730/RX-V630 Gold color (L, R, T, K) models
Black color (U, C, A, R) models
RX-V730RDS Gold color (G) model
Black color (B, G) models
Titan color (G) model
RX-V630RDS Gold color (G) model
Black color (B, G) models
Titan color (B, G) models
HTR-5560 Gold color (T, K) model
Black color (U, C, A) models
Titan color (U, C) models
HTR-5560RDS Black color (G) model
Titan color (G) model
DSP-AX630 Gold color (J) model
DSP-AX630SE Gold color (G) model
Black color (B, G) models
Titan color (B, G) models

Accessories / 付属品

Remote Control, Batteries (Manganese Dry), Indoor FM Antenna,
AM Loop Antenna, PAL 75/300 Socket [B model]


* Specifications are subject to change without notice due to product improvements.

※ 参考仕様および外観は予告なく変更されることがあります。

U U.S.A. model
A Australian model
G European model
R General model
K Korean model
C Canadian model
B British model
L Singapore model
T Chinese model
J Japanese model



Manufactured under license from Dolby Laboratories.
“Dolby”, “Pro Logic” and the double-D symbol are trademarks of Dolby Laboratories.

ドルビーラボラトリーズからの実施権に基づき製造されています。ドルビー、DOLBY、ドルビーデジタル、PRO LOGICおよびダブルD記号は、ドルビーラボラトリーズの商標です。



“DTS” and “DTS Digital Surround” are registered trademarks of Digital Theater Systems, Inc.

DTS、DTS Digitalサラウンドはデジタルシアターシステムズの登録商標です。

• Set Menu Table / セットメニュー

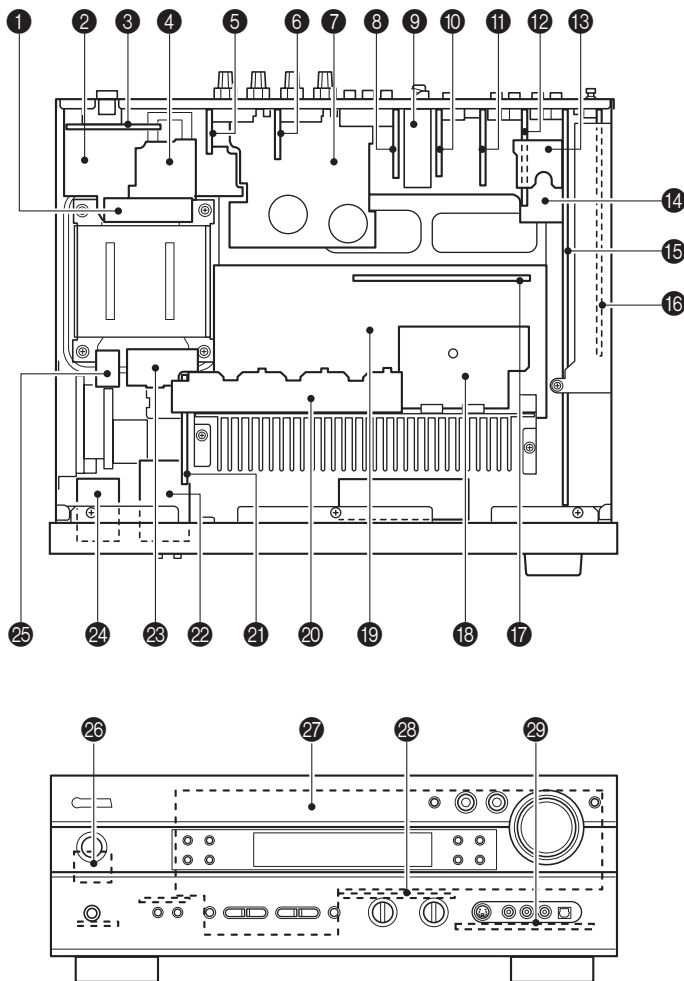
No.	MAIN MENU	SUB MENU: PRESET VALUE		SETTING RANGES
		RX-V730/RX-V730RDS	RX-V630/RX-V630RDS/HTR-5560/ HTR-5560RDS/DSP-AX630/DSP-AX630SE	
1.	SPEAKER SET	1A. CENTER SP: LARGE 1B. MAIN SP: LARGE 1C. REAR L/R SP: LARGE 1D. REAR CT SP: LARGE 1E. LFE/BASS OUT: BOTH 1F. MAIN LEVEL: NORMAL	1A. CENTER SP: LARGE 1B. MAIN SP: LARGE 1C. REAR L/R SP: LARGE 1D. REAR CT SP: LARGE 1E. LFE/BASS OUT: BOTH 1F. MAIN LEVEL: NORMAL	LARGE, SMALL, NONE LARGE, SMALL LARGE, SMALL, NONE LARGE, SMALL, NONE SW, MAIN, BOTH NORMAL, -10dB
2.	LFE LEVEL	SP LFE LEVEL: 0dB HP LFE LEVEL: 0dB	SP LFE LEVEL: 0dB HP LFE LEVEL: 0dB	-20dB — 0dB (1dB step) -20dB — 0dB (1dB step)
3.	SP DELAY TIME	CENTER DELAY: 0ms REAR CENTER DELAY: 3ms	CENTER DELAY: 0ms REAR CENTER DELAY: 3ms	0ms — 5ms (1ms step) 0ms — 30ms (1ms step)
4.	DYNAMIC RANGE	SP DYNAMIC RANGE: MAX HP DYNAMIC RANGE: MAX	SP DYNAMIC RANGE: MAX HP DYNAMIC RANGE: MAX	MAX, STD, MIN MAX, STD, MIN
5.	L/R BALANCE	CENTER	CENTER	L, ..., CENTER, ..., R (40 steps)
6.	HP TONE CONTROL	HP BASS: 0dB HP TREBLE: 0dB	HP BASS: 0dB HP TREBLE: 0dB	-6dB — +3dB (1dB step) -6dB — +3dB (1dB step)
7.	INPUT RENAME	DVD → __ DVD __	-	
8.	I/O ASSIGNING	8A [A]. CV INPUT 1: DVD 8A [B]. CV INPUT 2: D-TV/CBL 8B (1). OPTICAL OUT 1: MD/CD-R 8C (2). OPTICAL IN 1: MD/CD-R 8C (3). OPTICAL IN 2: DVD 8C (4). OPTICAL IN 3: D-TV/CBL 8D (5). COAXIAL IN 1: CD	7A [A]. CV INPUT 1: DVD 7A [B]. CV INPUT 2: D-TV/CBL 7B (1). OPTICAL OUT 1: MD/CD-R 7C (2). OPTICAL IN 1: MD/CD-R 7C (3). OPTICAL IN 2: DVD 7C (4). OPTICAL IN 3: D-TV/CBL 7D (5). COAXIAL IN 1: CD	DVD D-TV/CBL MD/CD-R MD/CD-R DVD D-TV/CBL CD
9.	INPUT MODE	AUTO	AUTO	AUTO/LAST
10.	DISPLAY SET	BLUE BACK: AUTO OSD SHIFT: 0 DIMMER: 0	- - DIMMER: 0	AUTO/OFF -5 — +5 (1 step) -4 — 0 (1 step)
11.	MEMORY GUARD	OFF	OFF	OFF/ON
12.	DUAL MONO	MAIN (Not applicable)	MAIN (Applicable to J model only)	MAIN, SUB, ALL

• The variable range of the parameter (Min/Max/Step) / パラメーターの可変範囲 (最小/最大/ステップ)

Parameter name	Pro Logic	Pro Logic II Movie	Pro Logic II Music	2ch	DD/dts/AAC	6.1/ES	Unit
(P.) INIT. DLY	-	-	-	1/99/1	1/99/1	1/99/1	ms
(P.) ROOM SIZE	-	-	-	0.1/2.0/0.1	0.1/2.0/0.1	0.1/2.0/0.1	-
(P.) LIVENESS	-	-	-	0/10/1	0/10/1	0/10/1	-
S. DELAY	-	-	-	-	0/15/1	0/15/1	ms
S. INIT. DLY	10/25/1	10/25/1	0/15/1	0/49/1	0/49/1	0/49/1	ms
S. ROOM SIZE	-	-	-	0.1/2.0/0.1	0.1/2.0/0.1	0.1/2.0/0.1	-
S. LIVENESS	-	-	-	0/10/1	0/10/1	0/10/1	-
RC. INT. DLY	-	-	-	-	-	1/49/1	ms
RC. ROOM SIZE	-	-	-	-	-	0.1/2.0/0.1	-
RC. LIVENESS	-	-	-	-	-	0/10/1	-
REV. TIME	-	-	-	1.0/5.0/0.1	1.0/5.0/0.1	1.0/5.0/0.1	s
REV. DELAY	-	-	-	0/250/1	0/250/1	0/250/1	ms
REV. LEVEL	-	-	-	0/100/1	0/100/1	0/100/1	%
Panorama	-	OFF	OFF/ON	-	-	-	-
Dimension	-	0 (STD)	-3/+3/1	-	-	-	-
C. Width	-	0	0/7/1	-	-	-	-

6ch Stereo Parameter		Unit
CT. LEVEL	0/100/1	%
RL. LEVEL	0/100/1	%
RC. LEVEL	0/100/1	%
RR. LEVEL	0/100/1	%

■ INTERNAL VIEW



- ① POWER (3) P.C.B.
- ② POWER (1) P.C.B.
- ③ POWER (2) P.C.B. (R, T models only)
- ④ MAIN (6) P.C.B.
- ⑤ MAIN (8) P.C.B.
- ⑥ MAIN (7) P.C.B.
- ⑦ MAIN (2) P.C.B.
- ⑧ POWER (8) P.C.B.
- ⑨ TUNER
- ⑩ FUNCTION (3) P.C.B.
- ⑪ FUNCTION (5) P.C.B.
- ⑫ FUNCTION (2) P.C.B.
- ⑬ FUNCTION (6) P.C.B.
- ⑭ FUNCTION (4) P.C.B.
- ⑮ FUNCTION (1) P.C.B.
- ⑯ DSP P.C.B.
- ⑰ MAIN (3) P.C.B.
- ⑱ POWER (4) P.C.B.
- ⑲ MAIN (1) P.C.B.
- ⑳ MAIN (4) P.C.B.
- ㉑ POWER (5) P.C.B.
- ㉒ MAIN (9) P.C.B.
- ㉓ POWER (6) P.C.B.
- ㉔ MAIN (5) P.C.B.
- ㉕ OPERATION (3) P.C.B.
- ㉖ OPERATION (2) P.C.B.
- ㉗ OPERATION (1) P.C.B.
- ㉘ OPERATION (5) P.C.B.
- ㉙ OPERATION (4) P.C.B.

■ DISASSEMBLY PROCEDURE / 分解手順

(Remove parts in the order as numbered.)
Disconnect the power cord from the AC outlet.

1. Removal of Top Cover

- Remove 4 screws (①) and 4 screws (②). (Fig. 1)
- Slide the Top Cover rearward to remove it. (Fig. 1)

2. Removal of Front Panel

- Remove the BASS and TREBLE knobs (③). (Fig. 1)
- Remove 6 screws (④) and then remove the Front Panel. (Fig. 1)

3. Removal of Sub Chassis

- Remove 2 push rivets (⑤) and then remove the Side Plates. (Fig. 1)
- Remove 2 screws (⑥) and then remove the Sub Chassis. (Fig. 2)
- Remove CB307, 441~443. (Fig. 2)
- Loosen the harness fixture fixing the cable.

(番号順に部品を取り外してください。)
AC電源コンセントから、電源コードを抜いてください。

1. トップカバーの外し方

- ①のネジ4本、②のネジ4本を外します。(Fig. 1)
- トップカバーを後方へスライドさせ、取り外します。(Fig. 1)

2. フロントパネルの外し方

- ③のBASSつまみ、TREBLEを外します。(Fig. 1)
- ④のネジ6本を外し、フロントパネルを取り外します。(Fig. 1)

3. サブシャーシの外し方

- ⑤のプッシュリベット2本を外し、サイドプレートを取り外します。(Fig. 1)
- ⑥のネジ2本を外し、サブシャーシを取り外します。(Fig. 2)
- CB307、441~443を外します。
- ケーブルを固定している束線止めをゆるめます。

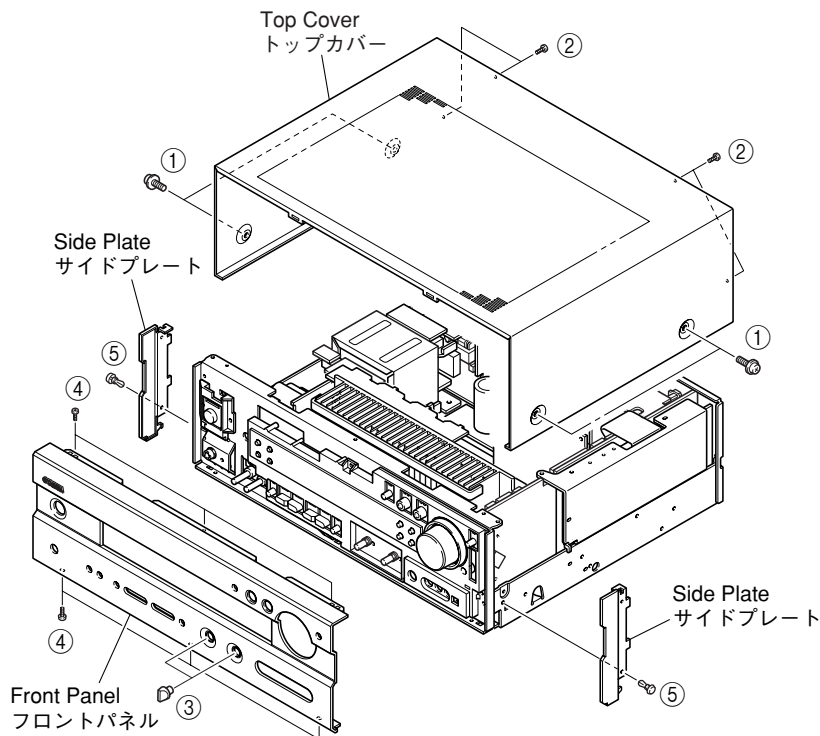


Fig. 1

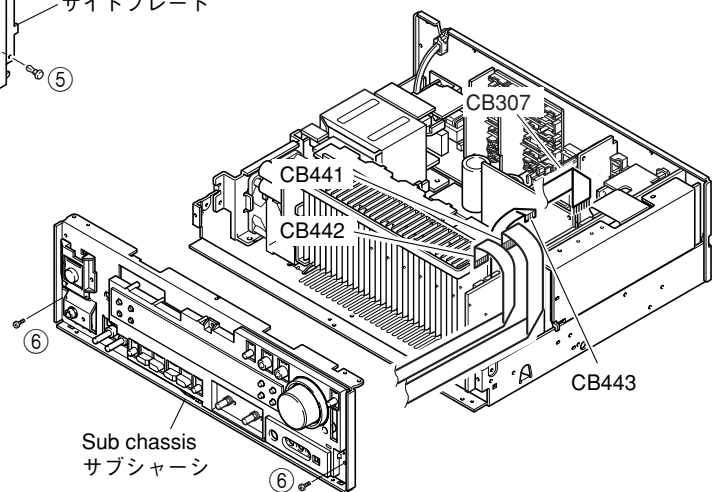


Fig. 2

4. Removal of DSP P.C.B.

- Remove 4 screws (7) and 1 screw (8), and then remove the Shield Case Cover. (Fig. 3)
- Remove 2 screws (9). (Fig. 3)
- Remove 5 screws (10). (Fig. 4)
- Remove CB306. (Fig. 3)
- Remove the Shield Case and the DSP P.C.B.. (Fig. 3)

4. DSP P.C.B.の外し方

- 7のネジ4本、8のネジ1本を外し、シールドケースカバーを取り外します。(Fig. 3)
- 9のネジ2本を外します。(Fig. 3)
- 10のネジ5本を外します。(Fig. 4)
- CB306を外します。(Fig. 3)
- シールドケースとDSP P.C.B.を取り外します。(Fig. 3)

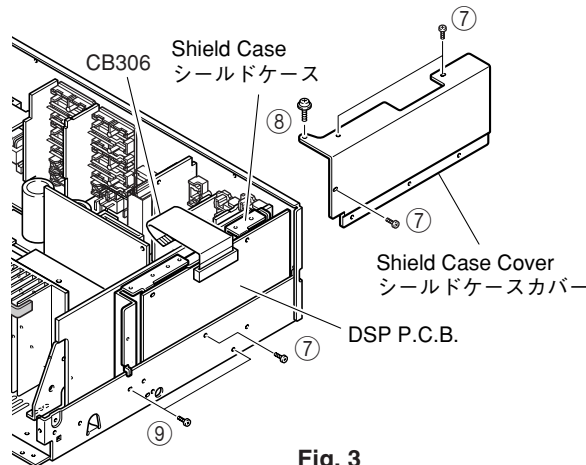


Fig. 3

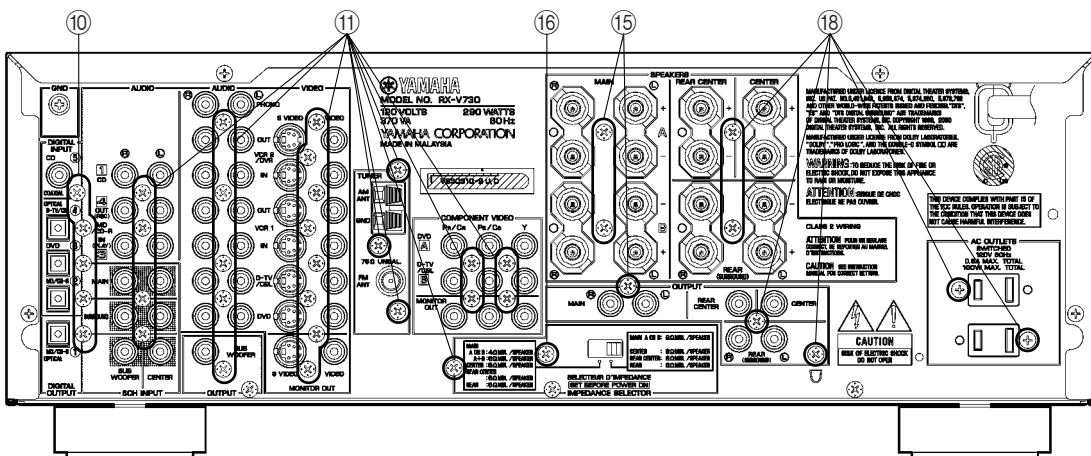


Fig. 4

5. Removal of FUNCTION (1) ~ (6), POWER (8) P.C.B.s and Tuner

- Remove CB308. (Fig. 5)
- Remove 25 screws (11). (Fig. 4)
- Remove 1 screw (12). (Fig. 5)
- Remove FUNCTION (1) ~ (6), POWER (8) P.C.B.s and the Tuner. (Fig. 5)

5. FUNCTION (1) ~ (6)、POWER (8) P.C.B.、TUNERの外し方

- CB308を外します。(Fig. 5)
- 11のネジ25本を外します。(Fig. 4)
- 12のネジ1本を外します。(Fig. 5)
- FUNCTION (1)~(6)、POWER (8) P.C.B.、TUNERを取り外します。(Fig. 5)

When checking the P.C.B.:

- Put a rubber sheet and a cloth over the equipment. Then place the P.C.B. upside down on the cloth and check it. (Fig. 6)
- Reconnect all cables (connectors) that have been disconnected.
- The P.C.B. removed from the rear panel no longer has a ground connection. Be sure to connect the ground of each P.C.B. to the chassis or GND with a jumper wire or the like.

P.C.B.チェックをする場合は

- 本機の上にゴムシートと布を敷き、その上にP.C.B.を裏返しに置いてチェックします。(Fig. 6)
- 外したケーブル(コネクタ)をすべて接続してください。
- リアパネルから外したP.C.B.はアースが浮いて動作しませんので、各P.C.B.のアースをリード線等でシャーシまたはGNDに接続してください。

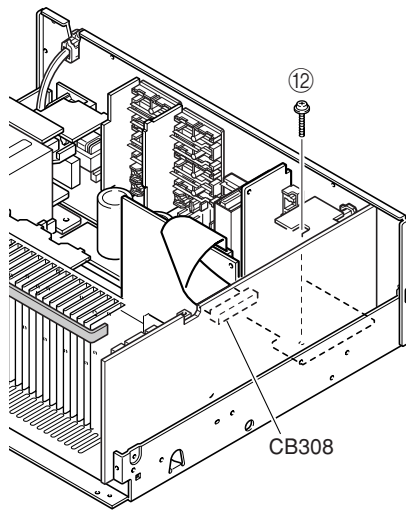


Fig. 5

6. Removal of MAIN (1), MAIN (3), MAIN (4), POWER (4) and POWER (5) P.C.B.s

- Remove CB253. (Fig. 7)
- Remove 1 screw (13) and 4 screws (14). (Fig. 7)
- Remove MAIN (1), MAIN (3), MAIN (4), POWER (4) and the POWER (5). (Fig. 7)

7. Removal of MAIN (7) and MAIN (2) P.C.B.s

- Remove 3 screws (15). (Fig. 4)
- Remove MAIN (7) P.C.B.. (Fig. 7)
- Remove 1 screw (16). (Fig. 4)
- Remove 1 screw (17). (Fig. 7)
- Remove MAIN (2) P.C.B.. (Fig. 7)

8. Removal of MAIN (8) P.C.B.

- Remove 6 screws (18). (Fig. 4)
- Remove 1 screw (19). (Fig. 8)
- Remove MAIN (8) P.C.B. while moving POWER (1) P.C.B. toward the front panel side.

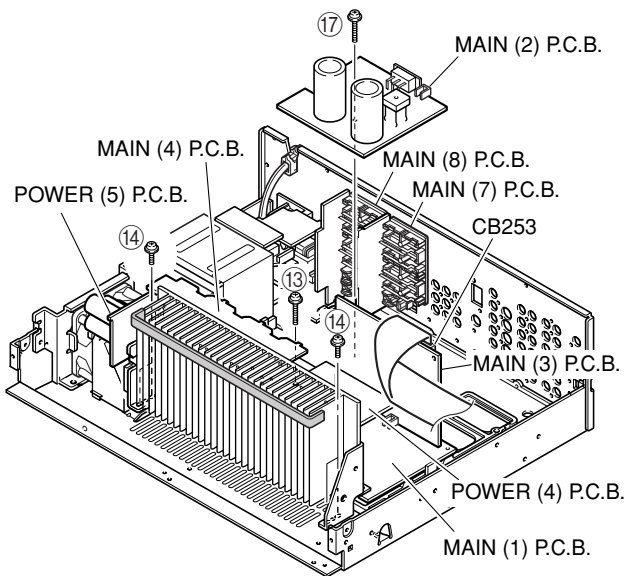


Fig. 7

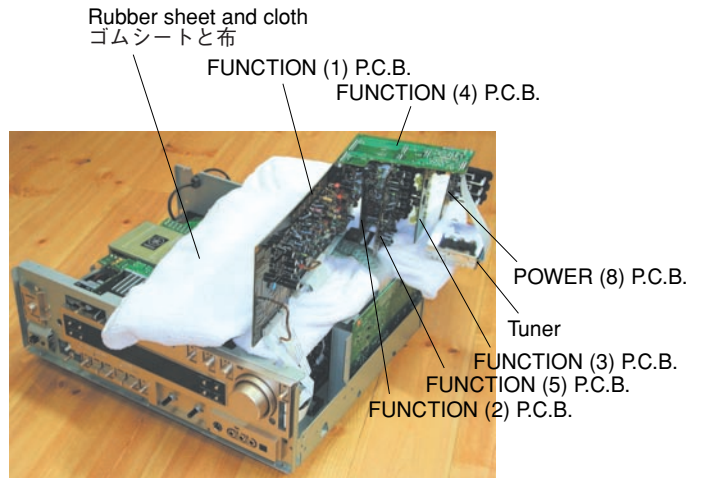


Fig. 6

6. MAIN (1)、MAIN (3)、MAIN (4)、POWER (4)、POWER (5) P.C.B.の外し方

- CB253を外します。(Fig. 7)
- ⑬のネジ1本、⑭のネジ4本を外します。(Fig. 7)
- MAIN (1)、MAIN (3)、MAIN (4)、POWER (4) P.C.B.、POWER (5) P.C.B.を取り外します。(Fig. 7)

7. MAIN (7)、MAIN (2) P.C.B.の外し方

- ⑮のネジ3本を外します。(Fig. 4)
- MAIN (7) P.C.B.を取り外します。(Fig. 7)
- ⑯のネジ1本を外します。(Fig. 4)
- ⑰のネジ1本を外します。(Fig. 7)
- MAIN (2) P.C.B.を取り外します。(Fig. 7)

8. MAIN (8) P.C.B.の外し方

- ⑱のネジ6本を外します。(Fig. 4)
- ⑲のネジ1本を外します。(Fig. 8)
- POWER (1) P.C.B.をフロントパネル側にずらしながら、MAIN (8) P.C.B.を取り外します。

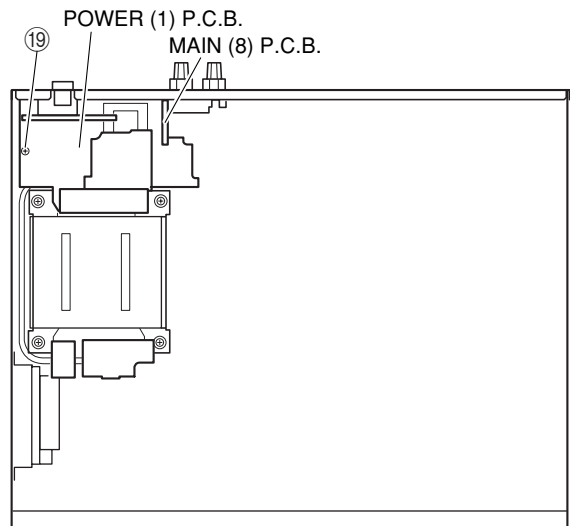


Fig. 7

Replacement of Power Transistor, Speaker Protection Relay

It is easy to replace the power transistor and speaker protection relay of this unit according to the following procedure.

- a. Remove the top cover. (Refer to "1. Top Cover Removal" on p.15.)
- b. Remove 1 screw (13) and 4 screws (14). (Fig. 7)
- c. Replace the flexible flat cable connecting CB253 of MAIN (3) P.C.B. and CB308 or FUNCTION (1) P.C.B. with the extension cable specified below. (Fig. 9)
Extension cable: MF136300
- d. Raise the MAIN P.C.B. (Fig. 10)
- e. In this state, the power transistor and speaker protection relay can be replaced.

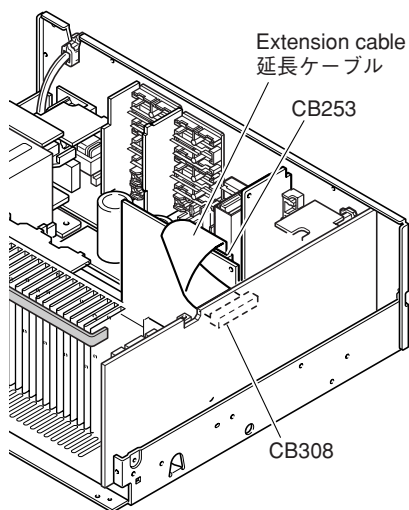


Fig. 9

パワートランジスタ、スピーカー保護リレーの交換手順

本機は、パワートランジスタおよびスピーカー保護リレーを容易に交換することができます。

- a. トップカバーを外します。(15ページ “1. トップカバーの外し方”参照)
- b. ⑬のネジ1本、⑭のネジ4本を外します。(Fig. 7)
- c. MAIN (3) P.C.B.のCB253とFUNCTION (1) P.C.B.のCB308を接続するFLEXIBLE FLAT CABLEを、下記のサービス用延長ケーブルに交換します。(Fig. 9)
延長ケーブル：MF136300
- d. MAIN P.C.B.を起こします。(Fig. 10)
- e. この状態でパワートランジスタ、スピーカー保護リレーを交換することができます。



Fig. 10

■ SELF DIAGNOSIS FUNCTION (DIAG) / 自己診断機能 (ダイアグ)

There are 14 DIAG menu items, each of which has sub-menu items.

Listed in the table below are menu items and sub-menu items.

本機には、検査、測定、不良個所の発見を目的にした自己診断機能(ダイアグ)があります。

ダイアグメニューは14個あり、そのそれぞれにサブメニューがあります。(ダイアグのメニュー操作は本体十付属リモコンで行います。) 下表はメニュー一覧です。

No	DIAG menu	sub-menu
1	DSP THROUGH 1. ANALOG BYPASS	1. ANALOG BYPASS
		2. YSS 0dB
		3. YSS Front 0dB
		4. YSS FULL BIT
		5. YSS FULL BIT F
2	RAM THROUGH 2. RAM 0dB	RAM 0dB
3	PRO LOGIC 3. PRO LOGIC I	1. PRO LOGIC I
		2. PRO LOGIC II
4	SPEAKER SET 4. MAIN: SML 0dB	1. MAIN: SMALL 0dB
		2. CENTER: NONE
		3. LFE/BASS: MAIN
		4. Front Mix: 5ch
		5. REAR CENTER
5	MARGIN CHECK 5. MAIN 12dB	1. MAIN 12 dB MARGIN
		2. MAIN 18 dB MARGIN
6	OTHER INPUT 6. EXTERNAL DEC	EXTERNAL DECODER
7	DISPLAY CHECK 7. VFD CHECK	1. VFD CHECK (Initial display / 初期表示)
		2. VFD DISP OFF (All segments OFF / 全セグメント消灯)
		3. VFD DISP ALL (All segments ON 100% / 全セグメント点灯100%)
		4. VFD DIMMER (All segments ON 50% / 全セグメント点灯50%)
		5. CHECKED PATTERN (ON in lattice / 格子状点灯)
8	MANUAL TEST 8. TEST ALL	1. TEST ALL
		2. TEST MAIN L
		3. TEST CENTER
		4. TEST MAIN R
		5. TEST REAR R
		6. TEST REAR CENTER
		7. TEST REAR L
		8. TEST LFE
9	FACTORY PRESET 9. PRESET INHI	1. PRESET INHIBITED (memory initialization inhibited / メモリーの初期化禁止)
		2. PRESET RESERVED (memory initialized / メモリーの初期化)
10	AD DATA CHECK / FAN TEST PS: 038	1. PS (protection)
		2. K0/K1 (panel key)
		3. K2 (panel key)
		4. IMP SW/POWER LIMIT
		5. THM/FAN OUT
		6. FAN DRIVE TEST: HIGH (Fan test only applies to models with a fan. / ファン装備モデルに適用)
		7. FAN DRIVE TEST: MID (Fan test only applies to models with a fan. / ファン装備モデルに適用)
		8. FAN DRIVE TEST: LOW (Fan test only applies to models with a fan. / ファン装備モデルに適用)
11	IF STATUS IS1: 440308C000	1. INSIDE STATUS 1 (5 Byte)
		2. INSIDE STATUS 2 (3 Byte)
		3. INSIDE STATUS 3 (4 Byte)
		4. CHANNEL STATUS 1 (5 Byte)
		5. CHANNEL STATUS 2 (5 Byte)
		6. CHANNEL STATUS 3 (5 Byte)
		7. CHANNEL STATUS 4 (5 Byte)
		8. CHANNEL STATUS 5 (4 Byte)
		9. BSI (YSS) 1 (5 Byte)
		10. BSI (YSS) 2 (5 Byte)

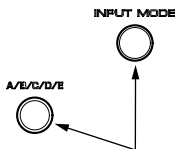
No	DIAG menu	sub-menu
		11. BSI (YSS) 3 (5 Byte)
		12. BSI (YSS) 4 (4 Byte)
		13. BSI (CS) 1 (5 Byte)
		14. BSI (CS) 2 (5 Byte)
		15. BSI (CS) 3 (5 Byte)
		16. BSI (CS) 4 (5 Byte)
		17. BSI (CS) 5 (1 Byte)
		18. YSS938-1 (5 Byte)
		19. YSS938-2 (5 Byte)
		20. YSS938-3 (4 Byte)
		21. CS49329 (3 Byte)
		22. Mute Trigger (5 Byte)
12	DSP RAM CHECK <input type="text" value="VSS"/> <input type="text" value="BUS:NoEr"/>	1. YSS938 BUS CHECK 2. PLD/CS BUS CHECK
13	SOFT SWITCH <input type="text" value="13.SW"/> <input type="text" value=":PCB"/>	1. SW MODE 2. MODEL SETTING 3. TUNER DESTINATION 4. TUNER EXIST 6. RDS EXIST 7. VIDEO FORMAT
14	ROM VERSION/CHECK SUM/ PORT <input type="text" value="VER. XXXXX"/>	1. VERSION 2. CHECK SUM ALL/PROGRAM 3. PORT 4. AAC PORT

● Starting DIAG

Press the "STANDBY/ON" key while simultaneously pressing those two keys of the main unit as indicated in the figure below.

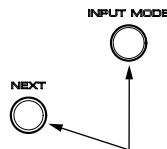
Keys of main unit / 本体キー

except DSP-AX630SE / DSP-AX630SE以外



Turn on the power while pressing these keys.
これらのキーを同時に押しながら、パワーオンする。

DSP-AX630SE



Turn on the power while pressing these keys.
これらのキーを同時に押しながら、パワーオンする。

● Starting DIAG in the protection cancel mode

If the protection function works and causes hindrance to trouble diagnosis, cancel the protection function as described below, and it will be possible to enter the DIAG mode. (The protection functions other than the excess current detect function will be disabled.)

Press the "STANDBY/ON" key while simultaneously pressing those two keys indicated in the figure above. At this time, keep pressing those two keys for 3 seconds or longer.

In this mode, the "SLEEP" segment of the FL display of the main unit flashes to indicate that the mode is DIAG mode with the protection functions disabled.

● ダイアグの起動

本体の下図に示すキーを同時に押しながら"STANDBY/ON"キーを押すと、ダイアグが起動します。

● プロテクション解除モードでの起動

プロテクションが動作することにより、故障箇所の診断に支障をきたすような場合は、次の方法によりプロテクションを解除した状態でダイアグモードに入ることが出来ます。(過電流検出以外のプロテクション動作を解除する)

上図のキーを同時に押しながら"STANDBY/ON"キーを押します。このとき、上図のキーを3秒以上押し続けてください。

このモードでは本体FLの"SLEEP"セグメントが点滅し、プロテクションを解除した状態でのダイアグモードであることを知らせます。

CAUTION!

Using this product with the protection function disabled may cause damage to itself. Use special care for this point when using this mode.

注意！

プロテクションを解除した状態でのダイアグモードは、危険な状態でもプロテクションが作動しないため、動作させると、機器を破壊することがあります。このモードを使用する場合は十分注意してください。

● Canceling DIAG

[1] Before canceling DIAG, execute setting for PRESET of DIAG menu No.9 (Memory initialization inhibited or Memory initialized).

* In order to keep the user memory stored, be sure to select PRESET INHIBITED (Memory initialization inhibited). Protection history will remain memory.

[2] Turn off the power by pressing the “STANDBY/ON” key of the main unit.

● ダイアグの解除

① ダイアグを解除する前に、ダイアグメニューNo.9のFACTORY PRESET (メモリーの初期化禁止/またはメモリーの初期化)の設定をします。

※ ユーザーメモリーを保持したい場合は、必PRESET INHIBITED(メモリー初期化禁止)を選択してください。

② 本体の“STANDBY/ON”キーを押し、パワーオフにします。

● Display provided when DIAG started

RX-V730/RX-V730RDS: When the monitor is connected, DIAGNOSTIC MENU appears on its screen as shown in the figure. (It remains on display until DIAG is cancelled.)

● ダイアグ起動時の表示

RX-V730/RX-V730RDS: モニターを接続してある場合は、モニターの画面に図のようにダイアグメニューの一覧が表示されます。(ダイアグを解除するまで、この表示が保持されます)

DIAGNOSTIC MENU	
1. DSP THR	10. AD/FAN
2. RAM THR	11. IF STATUS
3. PRO LOGIC	12. DSP RAM
4. SP SET	13. SOFT SW
5. MARGIN	14. VER/SUM/P
6. OTHER INP	
7. VFD CHECK	
8. MAN' L TEST	
9. PRESET	

The FL display of the main unit displays the protection function history data and the version (1 alphabet) and the DIAG menu [sub-menu (ANALOG BYPASS) of DIAG menu No.1 DSP THROUGH] a few seconds later.

本体のFLディスプレイにプロテクション履歴情報とバージョン(英1文字)が表示され、数秒後にダイアグメニュー(No.1 DSP THROUGHのサブメニューANALOG BYPASS)になります。

When there is no history of protection function:

Opening message /
オープニング表示

プロテクション履歴がない場合:

DIAG menu display /
ダイアグメニュー表示

When there is no history
of protection function
プロテクション履歴が
ない場合

Version (1 alphabet)
バージョン(英1文字)

After a few seconds
数秒後

NO PROTECT Z

1. ANALOG BYPAS

When there is a history of protection function:

プロテクション履歴がある場合:

When there is a history of protection
function due to excess current
過電流によるプロテクション
履歴がある場合

Version (1 alphabet)
バージョン(英1文字)

I PROTECT Z

Cause: An excessive current flowed through the power amplifier.

Supplementary information: As current of the power transistor is detected, the abnormal channel can be identified by checking the current detect transistor.

Turning on the power without correcting the abnormality will cause the protection function to work immediately and the power supply will instantly be shut off.

原因：パワーアンプに過電流が流れた。

補足：パワートランジスタの電流を検出していますので、電流検出トランジスタをチェックすれば異常チャンネルが特定できます。

異常状態のままパワーオンすると、瞬時にプロテクションがかかり、すぐに電源が切れます。

Note)

- Applying the power to a unit without correcting the abnormality can be dangerous and cause additional circuit damage.
- The output transistors in each amplifier channel should be checked for damage before applying any power.
- Amplifier current should be monitored by measuring across the emitter resistors for each channel.

When there is a history of protection function due to abnormal voltage in the power supply section
電源部の電圧異常によるプロテクション履歴がある場合 \

Version (1 alphabet)
バージョン(英1文字)

PS PRT: 000 Z

Voltage display in %
電圧の%表示

Cause: The voltage in the power supply section is abnormal.

Supplementary information: The abnormal voltage is displayed in % based on 5V as 100%.

Turning on the power without correcting the abnormality will cause the protection function to work 1 second later and the power supply will be shut off.

原因：電源部の電圧が異常。

補足：異常時の電圧の状態を、5Vを100%とした値で%表示します。

異常状態のままパワーオンすると、1秒後にプロテクションがかかり、電源が切れます。

When there is a history of protection function due to abnormal DC output
DC出力異常によるプロテクション履歴がある場合 \

Version (1 alphabet)
バージョン(英1文字)

DC PRT: Z

Cause: DC output of the power amplifier is abnormal.

Turning on the power without correcting the abnormality will cause the protection function to work 3 seconds later and the power supply will be shut off.

原因：パワーアンプのDC出力が異常。

異常状態のままパワーオンすると、3秒後にプロテクションがかかり、電源が切れます。

When there is a history of protection function due to excessive heat sink temperature

放熱器の異常温度によるプロテクション履歴がある場合

Version (1 alphabet)

バージョン(英1文字)

TMP PRT:000 Z

Voltage display in %
電圧の%表示

Cause: The temperature of the heat sink is excessive.

Supplementary information: The abnormal voltage is displayed in % based on 5V as 500%.

Turning on the power without correcting the abnormality will cause the protection function to work 1 second later and the power supply will be shut off.

- * Additional causes of protection can be due to loose connections, associated components, CPU, etc.
- * For the protection voltage value, refer to DIAG menu No.10 described later.

● History of protection function

When the protection function has worked, its history is stored in memory with a backup. Even if no abnormality is noted while servicing the unit, an abnormality which has occurred previously can be defined as long as the backup data has been stored.

The history of the protection function is cleared when DIAG is cancelled by selecting PRESET RESERVED (Memory initialized) of DIAG menu No.9 or when the backup data is erased.

● Display during menu operation

During the DIAG operation, the function at work is indicated on the FL indicator. The contents displayed during the function operation are described in the later section on details of functions

原因：放熱器の温度が異常。

補足：異常時の電圧の状態を、5Vを500%とした値で%表示します。

異常状態のままパワーオンすると、1秒後にプロテクションがかかり、電源が切れます。

※ 前記の異常原因の他に、コネクタのはずれやCPU周辺などに原因があります。

※ プロテクションの電圧値に関しては、後述のダイアグメニューNo.10を参照してください。

● プロテクションの履歴

プロテクションが働いた場合、履歴をバックアップして記憶しています。サービスのときに異常が認められなくても、バックアップが残っていれば、お客様のところで起きた異常を区別できます。

プロテクションの履歴は、ダイアグメニューNo.9でPRESET RESERVED(メモリーの初期化)を選んでダイアグを解除した場合や、バックアップが消えたときにはクリアされます。

● メニュー動作中の表示

ダイアグ中、本体のFLディスプレイに動作中の機能が表示されます。機能動作中の表示内容については、後述の機能詳細で記述します。

● Operation procedure of DIAG menu and SUB-MENU

There are 14 MENU items, each of which has some SUB-MENU items.

DIAG menu selection

Main unit [except DSP-AX630SE]: Select the menu using ▷ (Forward) and ◁ (Reverse) keys of PRESET/TUNING.

Main unit [DSP-AX630SE]: Select the menu using + (Forward) and - (Reverse) keys of SET MENU.

Remote control unit: Select the menu using ∨ (Forward) and ∧ (Reverse) keys.

SUB-MENU selection

Main unit: Select the sub-menu using ▷ (Forward) and ◁ (Reverse) keys of PROGRAM.

Remote control unit: Select the sub-menu using > (Forward) and < (Reverse) keys.

● ダイアグメニューとサブメニューの操作

ダイアグにはNo.1～14のメニューがあり、そのそれぞれにサブメニューがあります。

ダイアグメニューの選択

本体キーでの操作： PRESET/TUNING ▷ (順送り), ◁ (逆送り)キーで選択します。

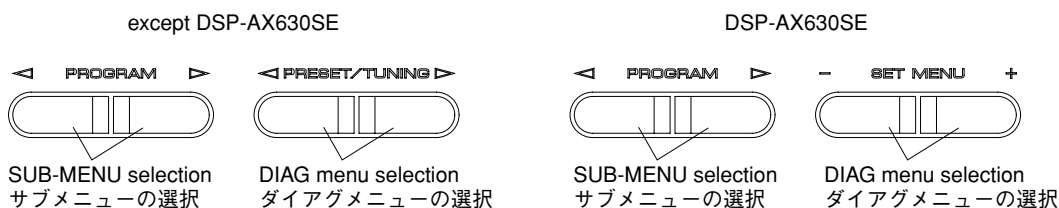
リモコンでの操作： ∨ (順送り), ∧ (逆送り)キーで選択します。

サブメニューの選択

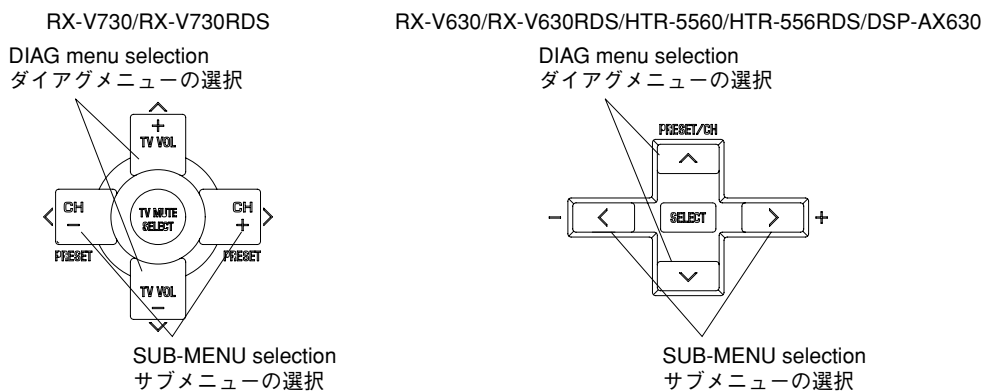
本体キーでの操作： PROGRAM ▷ (順送り), ◁ (逆送り)キーで選択します。

リモコンでの操作： > (順送り), < (逆送り)キーで選択します。

Keys of main unit / 本体キー



Keys of remote control / リモコンキー



● Functions in DIAG mode

In addition to the DIAG menu items, functions as listed below are available.

- Input selection, 6CH input
- Center/Rear/Sub-woofer level adjustment
- Muting
- Power on/off
- Master volume

* Functions related to the tuner and the set menu are not available.

* It is possible to confirm Menu No.11 IF STATUS while keeping the signal process (operation status) of each DIAG menu by using the input mode key of the main unit.

● Initial settings used to start DIAG

The following initial settings are used when starting DIAG. When DIAG is canceled, these settings are restored to those before starting DIAG.

- Master volume: -40dB
- Input: DVD (6CH INPUT OFF)
- Effect level: 0dB
- Audio mute: OFF
- Speaker setting: LARGE / BASS OUT = BOTH
- DIAG menu: DSP THROUGH (1. ANALOG BYPASS)

● ダイアグ中の機能

ダイアグメニューの他に、以下の機能が動作します。

- インプット切り換え、6CHインプット
- センター、リア、サブウーファーレベル調整
- ミューティング
- パワーオン/オフ
- マスターボリューム

※ チューナー関連、セットメニュー関連は機能しません。

※ 本体のINPUT MODEキーにより、各ダイアグメニューの信号処理(動作状態)を維持したままメニューNo.11 “IF STATUS”の確認ができます。

● ダイアグ開始時の初期設定

ダイアグ開始時に以下のような設定になります。ダイアグ解除時にはダイアグ開始前の状態に戻ります。

- マスターボリューム：-40dB
- インプット：DVD (6CH INPUT オフ)
- エフェクトレベル：0dB
- オーディオミュート：オフ
- スピーカー設定：LARGE / BASS OUT = BOTH
- ダイアグメニュー：DSP THROUGH (1. ANALOG BYPASS)

● **Details of DIAG menu**

With full-bit output specified in some modes, it is possible to execute 0dBFS output without head margin in each channel.

1. DSP THROUGH

Main DSP of YSS938 is selected for MAIN L/R output.

ANALOG BYPASS

- The signal for L/R is output as it is without passing through the DSP section.

1. ANALOG BYPASS

Reference data

INPUT: DVD ANALOG

SWFR: 50Hz, Others: 1kHz

Input level	Volume	SPEAKER OUTPUT (1kHz)				SUBWOOFER OUTPUT (50Hz)
		MAIN L/R	CENTER	REAR CENTER	RL/RR	
Both ch, -20 dBV	-10 dB	+14.3 dBV	- ∞	- ∞	- ∞	- ∞

YSS 0dB

- The signal is output including the head margin.
Head margin:
Main L/R: 0dBFS, Center: 0dBFS,
RL/RR: -12dBFS, SWFR: Add L/R signal at -20dBFS.

1. YSS 0dB

Reference data

INPUT: DVD ANALOG

SWFR: 50Hz, Others: 1kHz

Input level	Volume	SPEAKER OUTPUT (1kHz)				SUBWOOFER OUTPUT (50Hz)
		MAIN L/R	CENTER	REAR CENTER	RL/RR	
Both ch, -20 dBV	-10 dB	+14.0 dBV	+14.0 dBV	+14.0 dBV	+14.0 dBV	-2.5 dBV

YSS Front 0dB

- The front CH signal including the head margin is output at the main CH.
Head margin:
Main L/R: 0dBFS, Center: -6dBFS,
RL/RR: -12dBFS, SWFR: Add L/R signal at -20dBFS.

1. YSS Front 0dB

Reference data

INPUT: DVD ANALOG

SWFR: 50Hz, Others: 1kHz

Input level	Volume	SPEAKER OUTPUT (1kHz)				SUBWOOFER OUTPUT (50Hz)
		MAIN L/R	CENTER	REAR CENTER	RL/RR	
Both ch, -20 dBV	-10 dB	+14.0 dBV	- ∞	- ∞	- ∞	- ∞

● **ダイアグメニュー詳細**

一部のモードでフルビット指定することで、各チャンネルのヘッドマージンを廃して0dBFS出力することが可能です。

1. DSP THROUGH

MAIN L/R出力にはYSS938のMain DSPが選択されません。

ANALOG BYPASS

- L/Rは、DSP部を通らずにそのまま出力されます。

YSS 0dB

- ヘッドマージンを含んで出力されます。
ヘッドマージン:
Main L/R: 0dBFS, Center: 0dBFS,
RL/RR: -12dBFS、SWFR: L/Rを-20dBfsにて加算

YSS Front 0dB

- ヘッドマージンを含んで、フロントCHがメインCHに出力されます。
ヘッドマージン:
Main L/R: 0dBFS, Center: -6dBFS,
RL/RR: -12dBFS、SWFR: L/Rを-20dBfsにて加算

YSS FULL BIT

- The signal is output in digital full bit without including the head margin.
- The SWFR signal is output but not in digital full bit.

YSS FULL BIT

- ヘッドマージンを含まず、デジタルフルビットで出力されます。
- SWFRは出力されますが、デジタルフルビットではありません。

1. YSS FULL BIT

Reference data

INPUT: DVD ANALOG

SWFR: 50Hz, Others: 1kHz

Input level	Volume	SPEAKER OUTPUT (1kHz)				SUBWOOFER OUTPUT (50Hz)
		MAIN L/R	CENTER	REAR CENTER	RL/RR	
Both ch, -20 dBV	-10 dB	+14.6 dBV	+14.4 dBV	+14.0 dBV	+14.5 dBV	-2.5 dBV

YSS FULL BIT F

- The front CH signal is output in digital full bit at the main CH.

YSS FULL BIT F

- フロントCHがメインCHに、デジタルフルビットで出力されます

1. FULL BIT F

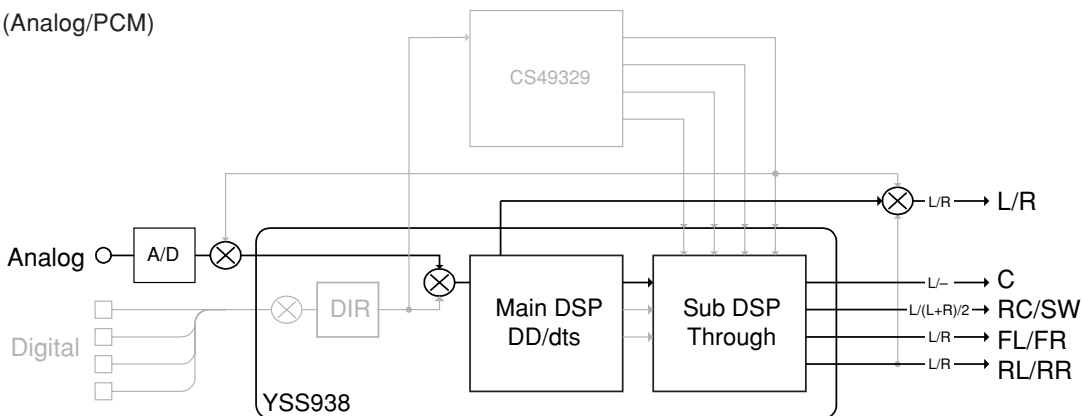
Reference data

INPUT: DVD ANALOG

SWFR: 50Hz, Others: 1kHz

Input level	Volume	SPEAKER OUTPUT (1kHz)				SUBWOOFER OUTPUT (50Hz)
		MAIN L/R	CENTER	REAR CENTER	RL/RR	
Both ch, -20 dBV	-10 dB	+14.0 dBV	- ∞	- ∞	- ∞	- ∞

DSP THROUGH ~
YSS (Analog/PCM)



2. RAM THROUGH

This function is for YSS938 only.
Only the CT signal is output through the Sub DSP - DRAM.

RAM 0dB

2. RAM THROUGH

YSS938のみの動作です。
CTのみがSub DSP - DRAM経由で出力されます。

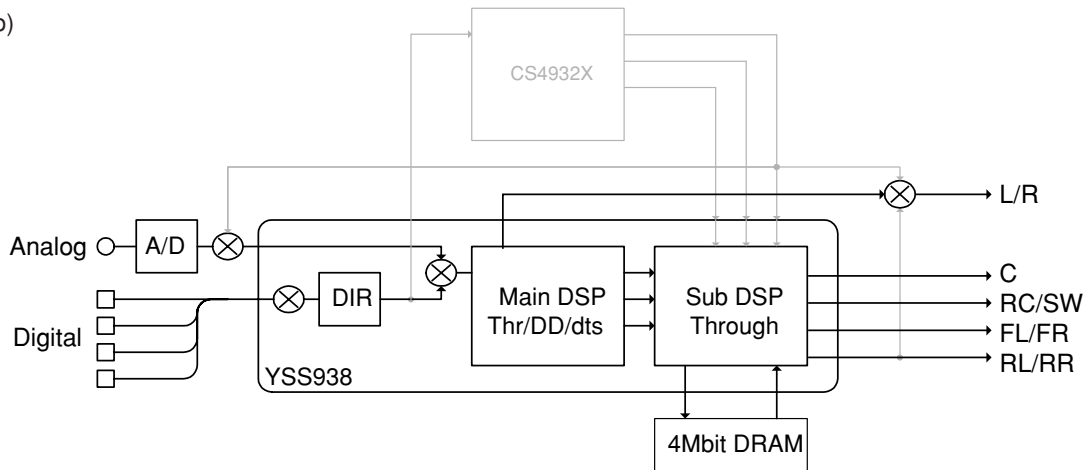
RAM 0dB

2. RAM 0dB

Reference data
INPUT: DVD ANALOG
SWFR: 50Hz, Others: 1kHz

Input level	Volume	SPEAKER OUTPUT (1kHz)				SUBWOOFER OUTPUT (50Hz)
		MAIN L/R	CENTER	REAR CENTER	RL/RR	
Both ch, -20 dBV	-10 dB	-∞	+14.0 dBV	-∞	-∞	-∞

RAM THROUGH ~
(Auto)



3. PRO LOGIC

The L/C/R/RL/RR signals undergo the Pro-Logic processing and C/RL/RR signals are output through Sub DSP-DRAM. Main DSP is selected for MAIN L/R output. Using the sub-menu, it is possible to select PRO LOGIC I, II (Movie). The Auto Input Balance function is always off. The LFE signal is not output when decoding in the PRO LOGIC I, II mode.

3. PRO LOGIC

L/C/R/RL/RRはYSS938によりプロロジック処理され、C/RL/RRはSub DSP-DRAM経由で出力されます。MAIN L/R出力にはMain DSPが選択されます。サブメニューでPRO LOGIC I、II(Movie)を選択可能です。常時Auto Input Balance offです。

AAC入力時はCS49329でデコード後、L/Rはプロロジック処理されます。(J modelのみ)
PRO LOGIC I、IIデコード時は、LFEは出力されません。

PRO LOGIC I

PRO LOGIC I

3. PRO LOGIC I

Reference data
INPUT: DVD ANALOG
SWFR: 50Hz, Others: 1kHz

Input level	Volume	SPEAKER OUTPUT (1kHz)				SUBWOOFER OUTPUT (50Hz)
		MAIN L/R	CENTER	REAR CENTER	RL/RR	
Each ch, -20 dBV	-10 dB	+14.2 dBV	- ∞	- ∞	- ∞	- ∞
Both ch, -20 dBV	-10 dB	- ∞	+17.0 dBV	- ∞	- ∞	- ∞

PRO LOGIC II

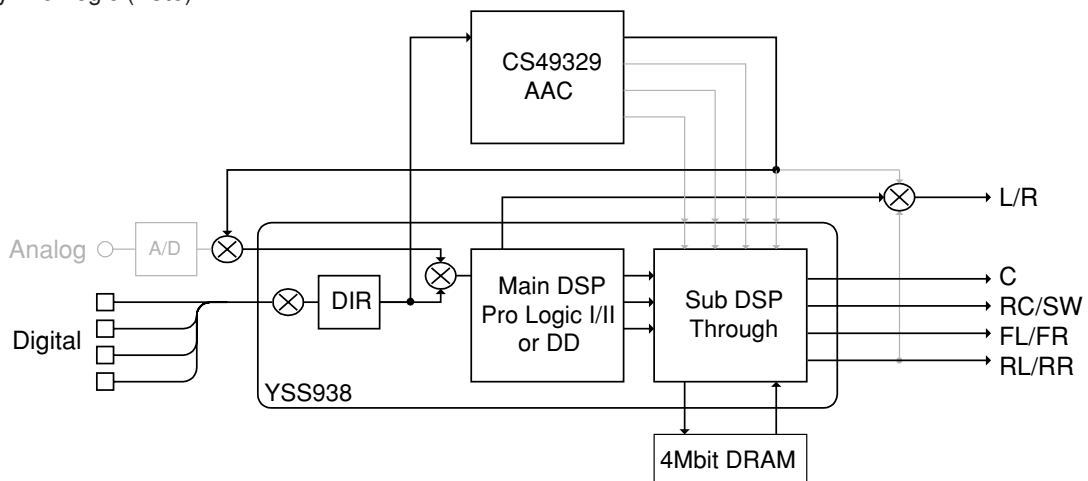
PRO LOGIC II

3. PRO LOGIC II

Reference data
INPUT: DVD ANALOG
SWFR: 50Hz, Others: 1kHz

Input level	Volume	SPEAKER OUTPUT (1kHz)				SUBWOOFER OUTPUT (50Hz)
		MAIN L/R	CENTER	REAR CENTER	RL/RR	
Each ch, -20 dBV	-10 dB	+14.2 dBV	- ∞	- ∞	- ∞	- ∞
Both ch, -20 dBV	-10 dB	- ∞	+17.0 dBV	- ∞	- ∞	- ∞

Dolby Pro Logic (Auto)



4. SPEAKERS SET

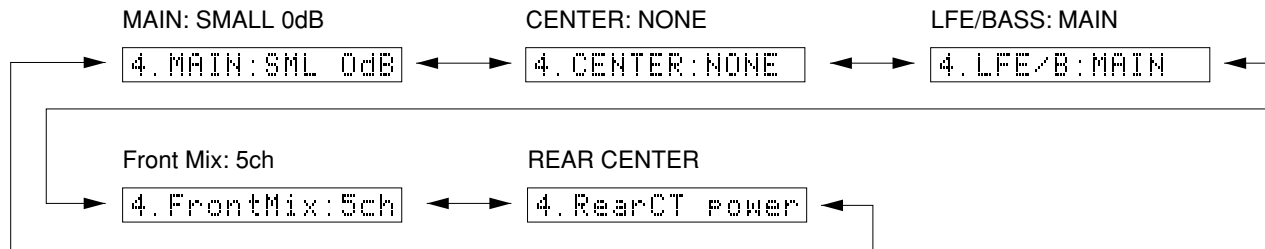
The input signal is automatically identified and switched in the priority order of dts → DOLBY DIGITAL → AAC → PCM AUDIO → Analog (A/D) according to the signal detection.

The signals output from the DSP block are the same as 1.
DSP THROUGH: YSS 0dB.

4. SPEAKERS SET

入力は信号検出によって、dts → DOLBY DIGITAL → AAC → PCM AUDIO → アナログ (A/D) の優先順で自動判別切り換えされます。

DSP部からは、No.1 DSP THROUGHのYSS 0dBと同様の信号が出力されます。



The analog switch settings for each sub-menu are as shown in the table below.

各サブメニューにおけるアナログスイッチの設定は以下の通りです。

Sub-menu		CENTER SP	REAR SP	MAIN SP	MAIN LEVEL	LFE/BASS
1	MAIN: SMALL 0dB	LARGE	LARGE	SMALL	0dB	SWFR
2	CENTER: NONE	NONE	LARGE	LARGE	0dB	BOTH
3	LFE/BASS: MAIN	SMALL	SMALL	LARGE	0dB	MAIN
4	FRONT MIX: 5CH	LARGE	LARGE	LARGE	0dB	BOTH
5	REAR CENTER: POWER	LARGE	LARGE	LARGE	0dB	BOTH

LARGE: This mode is used with a speaker with high bass reproduction performance (a large unit). Full bandwidth signals are output.

SMALL: This mode is used with a speaker with low bass reproduction performance (a small unit). The signals of 90Hz or less are mixed into the channel specified by LFE/BASS.

NONE: This mode is used with no center speaker. The center content is reduced by 3dB and distributed to MAIN L/R.

LARGE: 低音再生能力の高い(ユニットの大きい)スピーカーを使用するモードです。全帯域が出力されます。

SMALL: 低音再生能力の低い(ユニットの小さい)スピーカーを使用するモードです。90Hz以下がLFE/BASSで指定したチャンネルにミックスされます。

NONE: スピーカーを使用しないモードです。センター成分は-3dBされて、MAIN L/R に振り分けられます。

Reference data

INPUT: DVD ANALOG (Both ch)

Sub-menu	Input level	Volume	SPEAKER OUTPUT (1kHz)				SUBWOOFER OUTPUT (50Hz)	
			MAIN L/R	CENTER	REAR CENTER	RL/RR		
1	MAIN: SMALL 0dB	1kHz/90Hz Both ch, -20 dBV	-10 dB	+14.8/+11.5 dBV	- ∞	- ∞	- ∞	- ∞
2	CENTER: NONE	1kHz Both ch, -20 dBV	-10 dB	+11.9 dBV	- ∞	- ∞	- ∞	- ∞
3	LFE/BASS: MAIN	50Hz Both ch, -20 dBV	-10 dB	+13.0 dBV	- ∞	- ∞	- ∞	- ∞
4	FRONT MIX: 5CH	1kHz Both ch, -20 dBV	-10 dB	+19.0 dBV	- ∞	- ∞	- ∞	- ∞
5	REAR CENTER: POWER	1kHz Both ch, -20 dBV	-10 dB	- ∞	- ∞	+14.0 dBV	- ∞	- ∞

5. MARGIN CHECK

The signal is output including the head margin.

MAIN 12dB MARGIN

5. MAIN 12dB

Reference data

INPUT: DVD ANALOG

SWFR: 50Hz, Others: 1kHz

Input level	Volume	SPEAKER OUTPUT (1kHz)				SUBWOOFER OUTPUT (50Hz)
		MAIN L/R	CENTER	REAR CENTER	RL/RR	
Both ch, -20 dBV	-10 dB	+17.0 dBV	- ∞	- ∞	- ∞	- ∞

5. MARGIN CHECK

ヘッドマージンを含んで出力されます。

MAIN 12dB MARGIN

MAIN 18dB MARGIN

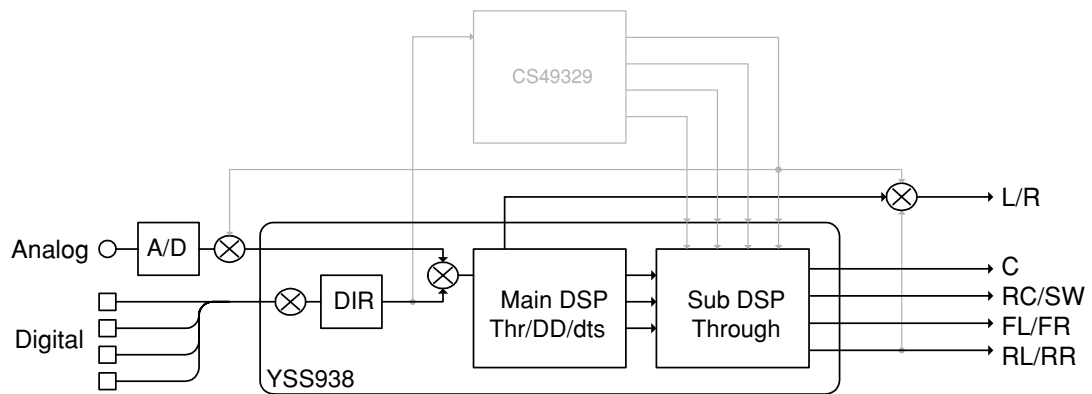
5. MAIN 18dB

Reference data

INPUT: DVD ANALOG

SWFR: 50Hz, Others: 1kHz

Input level	Volume	SPEAKER OUTPUT (1kHz)				SUBWOOFER OUTPUT (50Hz)
		MAIN L/R	CENTER	REAR CENTER	RL/RR	
Both ch, -20 dBV	-10 dB	+14.0 dBV	- ∞	- ∞	- ∞	- ∞



6. OTHER INPUT

The signal input through the 6CH INPUT terminals is output.

EXTERNAL DECODER

6. EXTERNAL DEC

Reference data

INPUT: 6CH INPUT

SWFR: 50Hz, Others: 1kHz

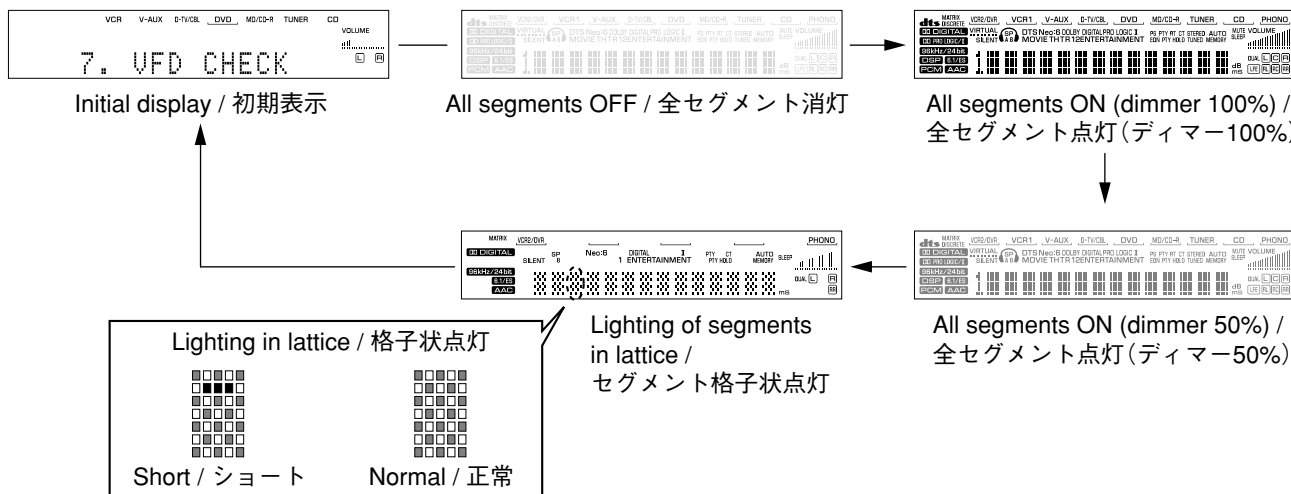
Input level	Volume	SPEAKER OUTPUT (1kHz)				SUBWOOFER OUTPUT (50Hz)
		MAIN L/R	CENTER	REAR CENTER	RL/RR	
Both ch, -20 dBV	-10 dB	+14.3 dBV	+14.3 dBV	- ∞	+14.3 dBV	-7.5 dBV

7. DISPLAY CHECK

This program is used to check the FL display section. The display condition varies as shown below according to the sub-menu operation. The signals are processed using EFFECT OFF (The L/R signal is output using ANALOG MAIN BYPASS.)

7. DISPLAY CHECK

FL表示部のチェックプログラムです。サブメニュー操作により、表示状態が以下のように変わります。信号処理はEFFECT OFF (ANALOG MAIN BYPASSでL/Rを出力)です。



Segment conditions of the FL driver and the FL tube are checked by turning ON and OFF all segments. Next, the operation of the FL driver is checked by using the dimmer control. Then a short between segments next to each other is checked by turning ON and OFF all segments alternately (in lattice). (In the above example, the segments in the second row from the top are shorted.)

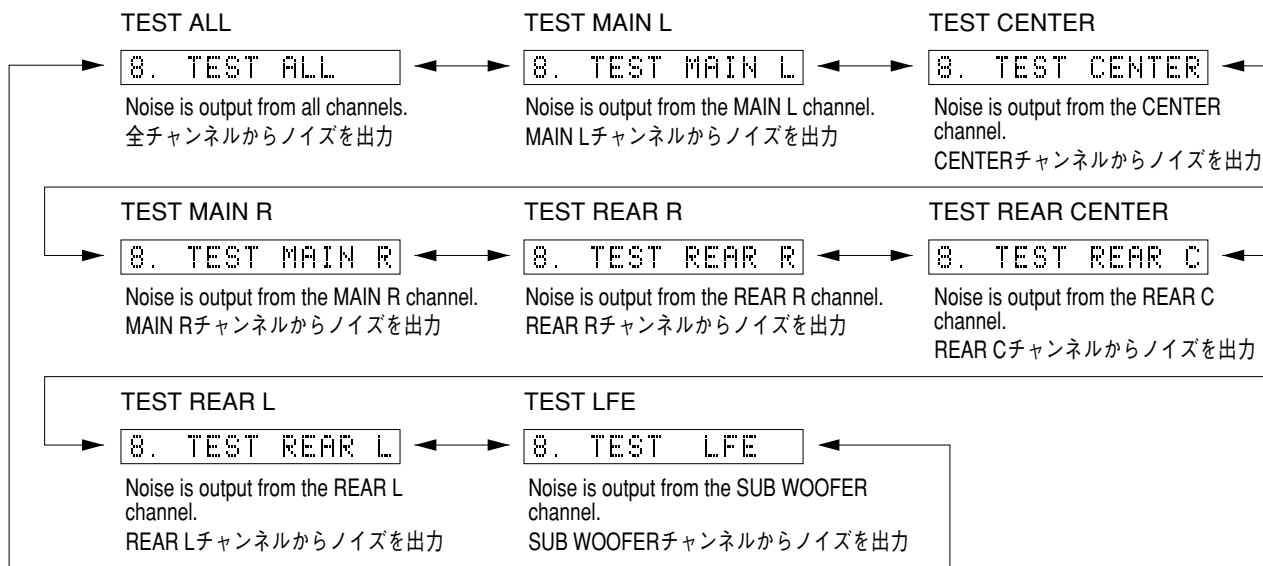
全セグメント消灯・全セグメント点灯によりFLドライバー、FL管のセグメントの不良を確認します。次に、ディマーコントロールによってFLドライバーの動作チェックを行います。さらに全セグメントを交互(格子状)に点灯/消灯することで、隣り合うセグメントのショートをチェックします。

8. MANUAL TEST

The noise generator built into the DSP outputs the test noise through the channels specified by the sub-menu. The noise frequency for LFE is 35 to 250 Hz. Other than that, the center frequency is 800Hz.

8. MANUAL TEST

DSP内蔵のノイズ発生回路によって、サブメニューで指定したチャンネルへテストノイズを出力します。LFE用のノイズ周波数は35～250Hz、それ以外は中心周波数800Hzとなります。



9. FACTORY PRESET

This menu is used to reserve and inhibit initialization of the back-up RAM. The signals are processed using EFFECT OFF. (The L/R signal is output using ANALOG MAIN BYPASS.)

9. FACTORY PRESET

バックアップ用RAM（音場プログラムのパラメーターやセットメニュー内容等）の初期化を予約/禁止します。信号処理はEFFECT OFFと同じです（ANALOG MAIN BYPASSで、L/Rを出力）。

9. PRESET INHI



9. PRESET RSRV

PRESET INHIBIT (Initialization inhibited) / PRESET INHIBIT (初期化禁止)

RAM initialization is not executed. Select this sub-menu to protect the values set by the user. Note: The protection history will not be erased using PRESET INHIBIT.

RAMの初期化は行われません。ユーザーの設定値を保護するときは、こちらを選択してください。

PRESET RESERVED (Initialization reserved) / PRESET RESERVED (初期化予約)

Initialization of the back-up RAM is reserved. (Actually, initialization is executed the next time that the power is turned on.) Select this sub-menu to reset to the original factory settings or to reset the RAM. Use PRESET RESERVED to erase the protection history.

バックアップRAMの初期化が予約されます。（実際に初期化されるのは、次回の電源投入時です。）工場出荷時やRAMをリセットしたいときは、こちらを選択してください。

CAUTION: Before setting to the PRESET RESERVED, write down the existing preset memory content of the Tuner in a table as shown below. (This is because setting to the PRESET RESERVED will cause the user memory content to be erased.)

注意：PRESET RESERVEDを選んで初期化をする前に、チューナーのユーザーメモリー内容を下表に書き写してください。（初期化をすると、ユーザーメモリーの内容は消えてしまいます。）

Preset group	P1	P2	P3	P4	P5	P6	P7	P8
A								
B								
C								
D								
E								

• PRESET STATIONS / プリセット局

STATION		FM FACTORY PRESET DATA (MHz)			
PAGE	NO.	U, C	R, T, K, A, B, G, L	J	
A/C/E	1	87.5	87.5	76.0	
	2	90.1	90.1	83.0	
	3	95.1	95.1	84.0	
	4	98.1	98.1	86.0	
	5	107.9	108.0	90.0	
	6	88.1	88.1	78.0	
	7	106.1	106.1	88.0	
	8	107.9	108.0	82.1	

STATION		AM FACTORY PRESET DATA (kHz)			
PAGE	NO.	U, C, R, T, K	A, B, G, L	J	
B/D	1	630	630	630	
	2	1080	1080	1080	
	3	1440	1440	1440	
	4	530	531	531	
	5	1710	1611	1611	
	6	900	900	900	
	7	1350	1350	1350	
	8	1400	1404	1404	

10. AD DATA CHECK/FAN TEST

This menu is used to display the A/D conversion value of the terminals which detects panel keys of the main unit and protection functions in % using the sub-menu. During signal processing, the condition before execution is maintained.

When K0/K1 or K2 menu is selected, keys become non-operable due to detection of the values of all keys. However, it is possible to advance to the next sub-menu by turning the VOLUME of the main unit. When using this function, note that turning the VOLUME more than 2 clicks will cause the volume value to change.

* The figures in the diagram are given as reference only.

PS (protection detection)

Power supply voltage protection value (Normal value: 28 to 47)

* If PS is out of the normal value range, the protection function works to turn off the power within 1 second.

PS: 038

K0/K1 (Panel key of main unit)

K2 (Panel key of main unit)

A/D of the key fails to function properly when the standard value is deviated. In this case, check the constant of partial pressure resistor, solder condition, etc. Refer to table 1.

K0: 100 K1: 100

K2: 100

10. AD DATA CHECK/FAN TEST

本体パネルキー、プロテクションなどを検出している端子のA/D変換の値を、サブメニューで%表示します。信号処理は実行前の状態を維持します。

K0/K1またはK2のメニューにすると、全キーの値を検出するためキー操作はできなくなりますが、本体のVOLUMEを回すことにより、次のサブメニューに進めることができます。このとき2クリック以上回すと、ボリューム値が変化するので注意してください。

※図中の数値は参考例です。

PS (プロテクションの検出)

電源電圧プロテクションの値(正常値28~47)

※ PSは正常値を外れるとプロテクションが働き、電源オフされます。

K0/K1 (本体パネルキー)

K2 (本体パネルキー)

キーのA/Dは基準値から外れると、正常な動きをしません。Table 1をご覧になり、各キーの分圧抵抗の定数、ハンダ不良等の確認をしてください。

[Table 1]

Display	K0	K1	K2
0 %	STEREO EFFECT	PRESET/TUNING EDIT	INPUT MODE
9 %	◁ PROGRAM	FM/AM	◁ INPUT
20 %	PROGRAM ▷	MEMORY	INPUT ▷
37 %	◁ PRESET/TUNING	MAN'L/AUTO FM TUNING MODE	6CH INPUT
61 %	PRESET/TUNING ▷	AUTO/MAN'L MONO	-
79 %	A/B/C/D/E	PTY SEEK MODE	-
90 %	-	PTY SEEK START	-
97 %	-	EON	-
		RDS MODE /FREQ	-

IMP SW/POWER LIMIT (Impedance/power limiter detection)

IMP: 8 or 4 ohm impedance switch setting

PL: Power limiter detection value

The voltage value of pin No. 95 of IC441 is displayed, using 5V/256 as standard.

When the power is turned on, the speaker impedance switch setting is automatically detected, using the input voltage value of pin No. 95 of IC441.

Input voltage value	0 - 460mV	461mV - 5V
Impedance switch setting	4 ohms	8 ohms

The port output is controlled by using the input voltage value of pin No. 95 of IC441.

When higher than VthH, the port output is changed from L to H.

When lower than VthL, the port output is changed from H to L.

Markets	Impedance	PORT	VthL	VthH
U, C, R, T, K, L	8/6 ohms	No.10	3.00V	3.50V
	4 ohms	No.11	2.28V	2.78V
A, B, G	8/6 ohms	No.10	3.07V	3.57V
	4 ohms	No.11	2.35V	2.85V

IMP SW/POWER LIMIT (インピーダンス/パワーリミッターの検出)

IMP: インピーダンスSW検出の値

PL: パワーリミッター検出の値

IC441 95ピンの電圧値を5V/256を基準にして表示します。

IC441 95ピンの入力電圧値により、ポート出力を制御します。

VthHを越えた場合、ポート出力をLからHにします。

VthLを下回った場合、ポート出力をHからLにします。

PORT	VthL	VthH
No.10	2.80V	3.30V

IMP:8 PL:029

THM/FAN OUT (temperature detection/fan drive level)

THM: 500% display of the voltage based on the temperature detected value. Reference voltage : 5V=500% (Normal value: U, C models 30 to 173,

Others models 30 to 163)

Fan: Current fan drive level on the left and the past fan drive history on the right.

THM/FAN OUT (温度検出/ファン駆動レベル)

THM: 温度検出値で電圧の500%表示、基準電圧は5V (正常値: UCモデル…30~173、他…30~163)

Fan: 左側は現在のファン駆動レベル、右側は過去のファン駆動履歴

注) J仕向けモデルにはファンが装備されていません。

THM:086Fan: _/_

Display	H	M	L
fan drive level	HIGH	MID	LOW

FAN DRIVE TEST (For models so equipped)

For models equipped with a fan

HIGH

FAN DRIVE TEST (ファン駆動テスト)

ファン装備モデルに適用

HIGH: ファン駆動強

FAN TEST:HIGH

FAN DRIVE TEST (For models so equipped)

For models equipped with a fan

MID

FAN DRIVE TEST (ファン駆動テスト)

ファン装備モデルに適用

MID: ファン駆動中

FAN TEST:MID

FAN DRIVE TEST (For models so equipped)

For models equipped with a fan

LOW

FAN DRIVE TEST (ファン駆動テスト)

ファン装備モデルに適用

LOW: ファン駆動弱

FAN TEST:LOW

11. IF STATUS (Input function status)

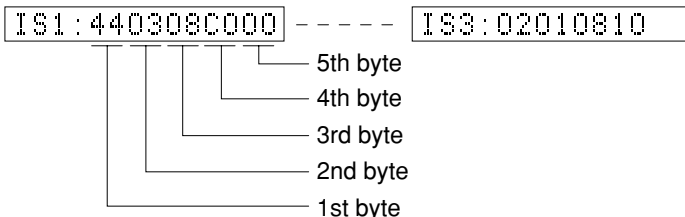
Using the sub-menu, the status data is displayed one after another in the hexadecimal notation.

During signal processing, the status before execution of this menu is maintained.

* Numeric values in the figure example are for reference.

IS1-3 (Internal status):

Indicates the status information of the microprocessor.



<1st byte> Digital input/output setting value
Upper 4 bits: REC OUT selected /
lower 4 bits: INPUT selected

11. IF STATUS

サブメニュー操作により、以下のステータス情報を順次16進数で表示します。信号処理は、本メニュー実行前の状態を維持します。

※図中の数値は参考例です。

IS 1-3 (内部ステータス):

マイコンのステータス情報を表示します。

<第1バイト> デジタル入出力設定値
上位4bit REC OUT選択 /
下位4bit INPUT選択

Value	Choice	Preset name
0	NONE	
1	OPTA	V-AUX
2	OPTB	MD/CD-R
3	OPTC	DVD
4	OPTD	D-TV/CBL
8	COAXA	CD

<2nd byte> Fs information of reproduction signal

<第2バイト> 再生信号のFs情報

Display	00	01	02	03	04	05	06	0A	0B	0C	0D
Fs (kHz)	Analog	32	44.1	48	64	88.2	96	Unknown NRM	Unknown DBL	Unknown QUAD	Not defined

<3rd byte> Audio code mode information of reproduction signal

<第3バイト> 再生信号のオーディオコードモード情報

Display	00	01	02	03	04	05	06	07	08	09	0A	0B	0C	0D
Audio Code	MULTI MONO	1+1	1/0	2/0	3/0	2/1	3/1	2/2	3/2	2/3	3/3	OVER 6.1	MULTI PCE	Unknown

<4th byte> Format information of reproduction signal

<第4バイト> 再生信号のフォーマット情報

*1: Analog processing used for digital reproduction is not possible because of a commercial bit or 4-ch audio reason.

*1: 業務用ビットや4chオーディオなどの理由で、デジタル再生できずアナログ処理されます。

Display	Signal format
00	Analog (Unlock)
01	Incorrect digital (*1)
10	PCM Audio
20	Digital Data
21	IEC1937 Data
22	None PCM
23	Unknown
50	dts
51	Red dts
54	dts-ES MATRIX
58	dts-ES DISCRETE
5C	dts-ES (Both flag)
60	AAC
C0	Dolby Digital
C1	D.D. Karaoke
C4	D.D.6.1 (D.D.EX)

<5th byte> Signal processing status information
*2: With digital signals other than 32kHz, 44.1kHz and 48kHz, through processing method is used for reproducible signals.

<第5バイト>信号処理ステータス情報
*2: 32kHz、44.1kHz、48kHz以外のデジタル信号の場合、再生可能な信号についてはスルー処理されます。

bit7	MUTE request	bit3	-
bit6	Red dts flashing	bit2	Through & bypass (*2)
bit5	6.1/ES processing	bit1	-
bit4	FULL MUTE (ON: 1)	bit0	dts analog mute

CS1-5: Indicates channel status information of the input signal (IEC60958).

CS 1-5: 入力信号のIEC60958チャンネルステータス情報を表示します。

CS1:0299000200 - - - - - CS5:00000000

BY1-4: Indicates information of the bit stream included in the DOLBY DIGITAL signal.

BY1-4: DOLBY DIGITAL信号に含まれるビットストリームインフォメーション情報を表示します。

BY1:1E40E1301B - - - - - BY4:01FFFFFF

BC1-5: Indicates information of the bit stream included in the dts signal.

BC1-5: dts信号に含まれるビットストリームインフォメーション情報を表示します。

BC1:000070FFFF - - - - - BC5:C4

YS1-3: Indicates device status information of YSS938 (IC600).

YS1-3: YSS938 (IC600)のデバイスステータス情報を表示します

* The numeric value in the figure is an example for reference.

※ 図中数値は参考例です。

YS1:FE02004F97

YS2:0101418000

YS3:1A41803D

Byte No.	Function
1	YSS MUTE Reg
2	YSS MODE Reg
3	YSS IPORT BIT 7-0
4	YSS IPORT BIT 14-8
5	YSS OPORT

Byte No.	Function
1	IEC 1937 Preamble Pc
2	Data Stream Reg
3	Status Reg
4	YSS ZERO Reg
5	MIREG

Byte No.	Function
1	DIR Status
2	DIR fs
3	DIR fs count
4	YSS ZEROBF

CS: CS49329 Unsolicited Messages (AUTODETECT_RESPONSE)

CS: CS49329 Unsolicited Messages (AUTODETECT_RESPONSE)

CS :000001

MTT: Mute Trigger

MTT: Mute Trigger

MTT:0020000007

Byte No.	Function
1	Mute condition
2	Factor of the last mute
3	Error count of YSS938-FSCNT
4	Mute count by YSS938-FSCNT
5	Error factor of down load of CS49329

12. DSP RAM CHECK

This menu is used to self-diagnose whether or not the bus connection for the YSS938 and the external RAM is made properly.

During signal processing, the status before execution of this menu is maintained.

The address bus and the data bus are checked and the connection condition is displayed.

When no error is detected, "NoEr" appears on display.

YSS938 Bus Check

YSS BUS:NoEr

Display	Description
WAIT	Bus is being checked.
NoEr	No error detected.
DATA	Data bus shorted or open.
RSCS	/RAS or /CAS shorted, or open.
ADDR	Address bus shorted or open.

PLD/SRAM BUS CHECK

CS BUS:NoEr

Display	Description
WAIT	Bus is being checked.
NoEr	No error detected.
DATA	Data bus shorted or open. (XX: 00-07)
ADDR	Address bus shorted or open. (XX: 00-0E)

13. SOFT SW

This menu is used to switch the function settings on P.C.B. through the software so as to activate the product.

The protection function follows the P.C.B. settings. When connected to AC or in the maker preset state, the unit is initialized to the P.C. B. setting. Display of each function after initialization varies depending on settings on P.C.B. The operation mode can be changed by selecting the sub-menu and then using the EFFECT key. With SOF selected for the SW mode, the settings become effective.

SW MODE: PCB or SOFT can be selected.

13. SW :PCB

MODEL SETTING: V430, V530, AX630, V630, V730 or DVX can be selected.

13. MODEL:V730

TUNER DESTINATION: J, UC, ALG or R can be selected.

13. DEST :UC

12. DSP RAM CHECK

YSS938と外付けRAMとのバス接続の正否を自己診断します。

信号処理は、このメニューを実行する前の状態を維持します。

アドレスバス、データバスのチェックを行い、接続正否を表示します。

エラーが検出されなかった場合は、“NoEr”と表示されません。

YSS938 BUS CHECK

PLD/SRAM BUS CHECK

13. SOFT SW

P.C.B.上の機能設定をソフト的に切り替えて、製品を動作させる機能です。

プロテクション機能は、P.C.B.の設定に従います。AC接続またはメーカープリセットで、P.C.B.の設定に初期化されます。初期化後の各機能の表示は、P.C.B.上の設定によります。操作は、サブメニューを選んだ後、EFFECTキーで切り替えます。SWモードをSOFTにすると、設定が有効になります。

SW MODE : PCBまたはSOFTを選択できます。

MODEL SETTING : V430、V530、AX630、V630、V730、DVXのいずれかを選択できます。

TUNER DESTINATION : J、UC、ALG、Rのいずれかを選択できます。

TUNER: NOT or EXIST can be selected.

TUNER : NOTまたはEXISTを選択できます。

13. TUNER:EXIST

RDS: NOT or EXIST can be selected.

RDS : NOTまたはEXISTを選択できます。

13. RDS :NOT

VIDEO FORMAT: NTSC or PAL can be selected.

VIDEO FORMAT : NTSCまたはPALを選択できます。

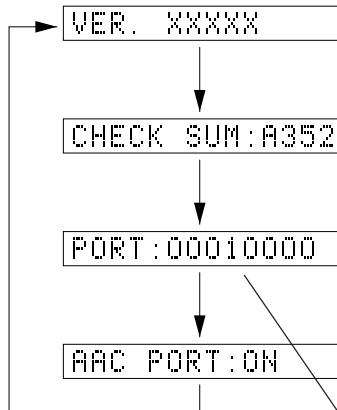
13. VIDEO:NTSC

14. MICROPROCESSOR INFORMATION

The version, checksum and the port specified by the microprocessor are displayed. The signal is processed using EFFECT OFF. The checksum is obtained by adding the data at every 8 bits for each program area and expressing the result as a 4-figure hexadecimal data.

14. マイコン情報

サブメニューは4つあります。プログラムのバージョン、チェックサム、マイコンの指定ポートを表示します。信号はエフェクトOFFです。チェックサムは、プログラムエリア別にデータを8ビットごとに加算していき、4桁の16進データで現したものです。



Version / バージョン情報

Release 1 digit / Main version 2 digit / DSP version 2 digit

Checksum / チェックサム表示

A: All area

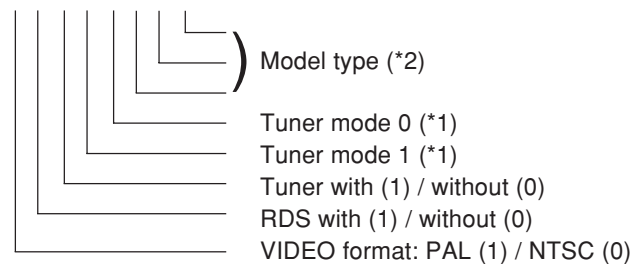
Check of port setting for judging microprocessor function

マイコンの機能判定用ポート設定確認

Display of AAC function detection port state

AAC機能検出ポート状態表示

“PORT:0 0 0 0 0 0 0 0”
bit 7 6 5 4 3 2 1 0



*1 (Tuner mode)

Tuner mode 1	Tuner mode 0	Tuner frequency
0	0	AM: 531-1611kHz/9kHz FM: 76.0-90.0MHz/100kHz
1	0	AM: 531-1611kHz/9kHz FM: 87.5-108.0MHz/50kHz
0	1	AM: 530-1710kHz/10kHz FM: 87.5-107.9MHz/200kHz
1	1	R destination, Port6: LOW AM: 530-1710kHz/10kHz FM: 87.5-108.0MHz/100kHz HIGH AM: 531-1611kHz/9kHz FM: 87.5-108.0MHz/50kHz

*2 (Model type)

bit 2	bit 1	bit 0	Model
0	0	0	RX-V430
0	0	1	RX-V530
0	1	0	DSP-AX630
0	1	1	RX-V630
1	0	0	RX-V730

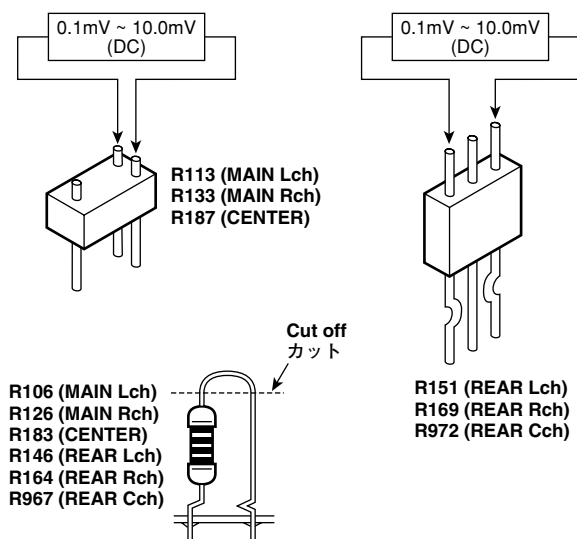
■ AMP ADJUSTMENT / アンプ部調整

Confirmation of Idling Current of Main (1) and POWER (4) P. C. B.

- Right after power is turned on, confirm that the voltage across the terminals of R113 (Main Lch), R133 (Main Rch), R187 (Center), R151 (Rear Lch), R169 (Rear Rch), R972 (Rear Center) are between 0.1mV and 10.0mV.
- If it exceeds 10.0mV, open (cutoff) R106 (Main Lch), R126 (Main Rch), R183 (Center), R146 (Rear Lch), R164 (Rear Rch), R967 (Rear Cch) and reconfirm the voltage.
- Confirm that the voltage is 0.2mV ~ 15.0mV after 60 minutes.

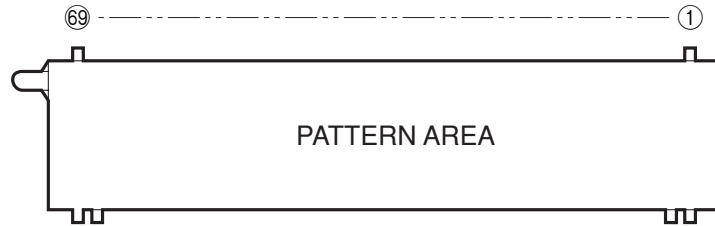
メイン(1)とパワー(4)基板のアイドリング 電流の確認

- 電源投入直後、R113 (MAIN Lch)、R133 (MAIN Rch)、R187 (CENTER)、R151 (REAR Lch)、R169 (REAR Rch)、R972 (REAR Center)の端子間電圧を測定し、0.1mVから10.0mVの間であることを確認してください。
- 電圧が10mVを超えている場合は、R106 (MAIN Lch)、R126 (MAIN Rch)、R183 (CENTER)、R146 (REAR Lch)、R164 (REAR Rch)、R967 (REAR Cch)をカットし、電圧を再確認してください。
- 60分後、電圧が0.2mV~15.0mVであることを確認してください。



■ DISPLAY DATA

● V701 : 16-BT-94GNK (V8270900)



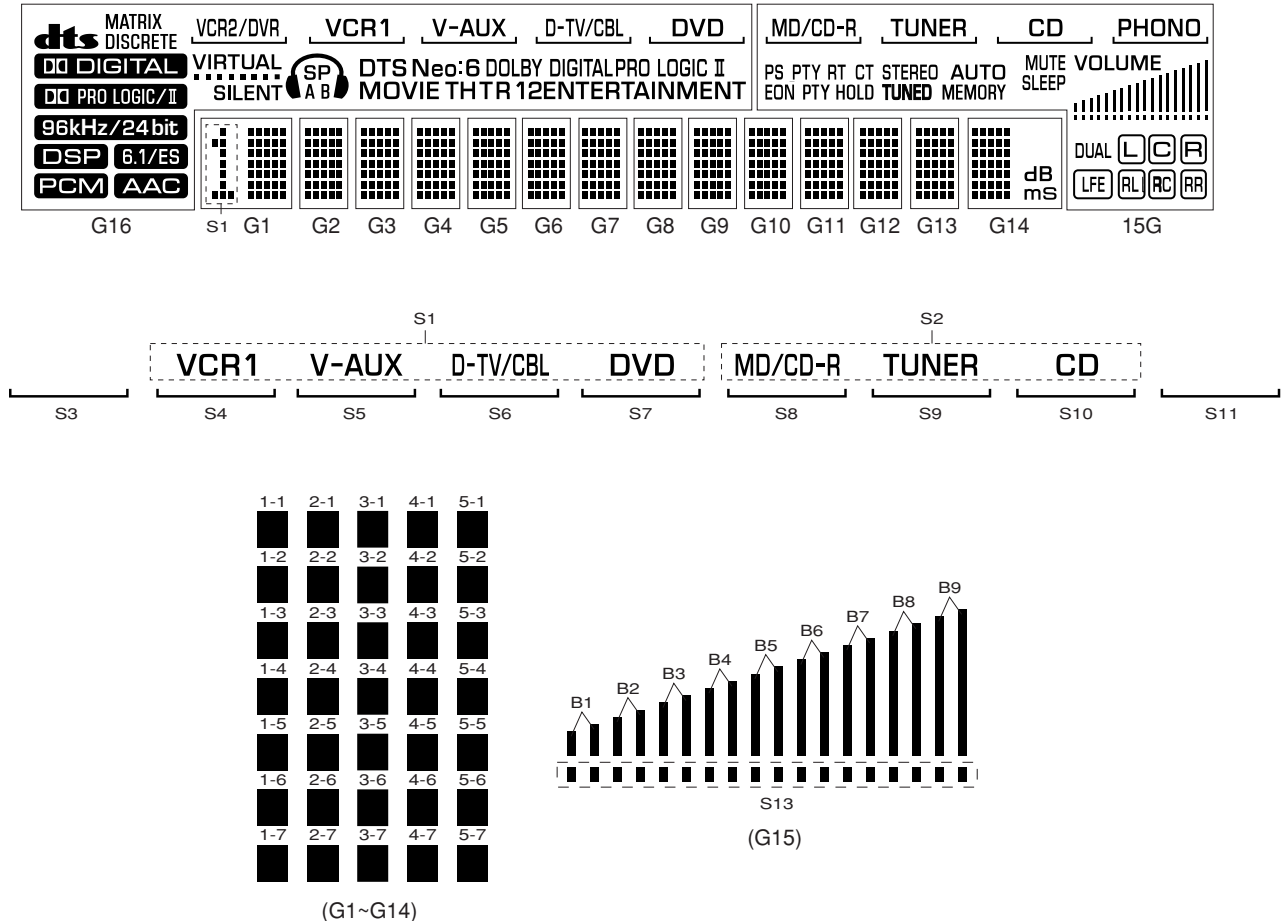
● PIN CONNECTION

Pin No.	69	68	67	66	65	64	63	62	61	60	59	58	57	56	55	54	53	52	51	50	49	48	47	46	45	44	43	42	41	40	39	38	37	36	35
Connection	F2	F2	NP	NP	P1	P2	P3	P4	P5	P6	P7	P8	P9	P10	P11	P12	P13	P14	P15	P16	P17	P18	P19	P20	P21	P22	P23	P24	P25	P26	P27	P28	P29	P30	P31

Pin No.	34	33	32	31	30	29	28	27	26	25	24	23	22	21	20	19	18	17	16	15	14	13	12	11	10	9	8	7	6	5	4	3	2	1
Connection	P32	P33	P34	P35	P36	P37	NX	NX	NX	NX	NX	NX	NX	NX	G16	G15	G14	G13	G12	G11	G10	G9	G8	G7	G6	G5	G4	G3	G2	G1	NP	NP	F1	F1

Note : 1) F1, F2 Filament 2) NP No pin 3) G1 ~ 16 Grid 4) NX No extened 5) P1 ~ 37 Anode

● GRID ASSIGNMENT

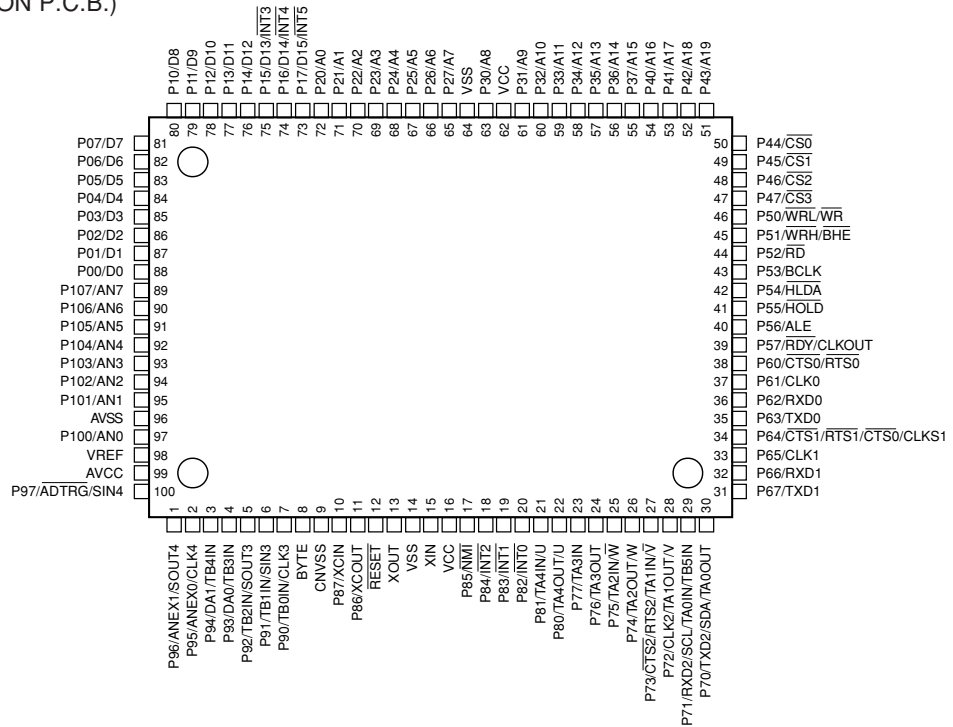


● ANODE CONNECTION

	G16	G15	G14	G13~G2	G1
P1		S2	1-1	1-1	1-1
P2	MATRIX	PHONO	2-1	2-1	2-1
P3	DISCRETE	S8	3-1	3-1	3-1
P4		S9	4-1	4-1	4-1
P5		S10	5-1	5-1	5-1
P6		S11	1-2	1-2	1-2
P7		PS	2-2	2-2	2-2
P8		PTY	3-2	3-2	3-2
P9		RT	4-2	4-2	4-2
P10		CT	5-2	5-2	5-2
P11		EON	1-3	1-3	1-3
P12	SILENT	PTY HOLD	2-3	2-3	2-3
P13		STEREO	3-3	3-3	3-3
P14	SP	AUTO	4-3	4-3	4-3
P15	A	TUNED	5-3	5-3	5-3
P16	B	MEMORY	1-4	1-4	1-4
P17	DTS	MUTE	2-4	2-4	2-4
P18	Nec:6	SLEEP	3-4	3-4	3-4
P19	DOLBY	VOLUME	4-4	4-4	4-4
P20	DIGITAL	S13	5-4	5-4	5-4
P21	PRO LOGIC	B1	1-5	1-5	1-5
P22	II	B2	2-5	2-5	2-5
P23	MOVIE THTR	B3	3-5	3-5	3-5
P24	1	B4	4-5	4-5	4-5
P25	2	B5	5-5	5-5	5-5
P26	ENTERTAINMENT	B6	1-6	1-6	1-6
P27	S1	B7	2-6	2-6	2-6
P28		B8	3-6	3-6	3-6
P29	1	B9	4-6	4-6	4-6
P30	S3	DUAL	5-6	5-6	5-6
P31	S4		1-7	1-7	1-7
P32	S5		2-7	2-7	2-7
P33	S6		3-7	3-7	3-7
P34	S7		4-7	4-7	4-7
P35	-		5-7	5-7	5-7
P36	-		dB	-	S12
P37	-		ms	-	-

IC DATA

IC441: M30624MGA (FUNCTION P.C.B.)
16bit μ -COM (Main CPU)



No.	Port No.	Function name	I/O	Detail of function
1	SOUT4	DTEV	SO	Electronic Volume IC DATA
2	CLK4	CLEV	SCK	Electronic Volume IC CLOCK
3	DA1	FAN	DA	Fan Control
4	P93	PRI	I	Protection Excess Current Detect
5	SOUT3	SDM	SO	YSS938 TxD
6	SIN3	SDD	SI	YSS938 RxD
7	CLK3	SCK	O	YSS938 CLOCK
8	BYTE	BYTE	VSS	Vss: when single chip mode is used
9	CNVss	CNVss	Vss/Vcc	Vss: when single chip mode is used, Vcc: when flash writing is used
10	P87	RIMA	O	Power Limiter A
11	P86	RIMB	O	Power Limiter B
12	RESET	RESET	I	Reset
13	Xout	Xout	OPEN	Oscillator Out
14	Vss	Vss	Vss	μ -COM Ground
15	Xin	Xin	10MHz	Oscillator in
16	Vcc	Vcc	Vcc (BU)	μ -COM power supply, +5V
17	NMI	NMI	Vcc (BU)	Connect to Vcc because it is unused.
18	INT2	VSY	INT	Vertical Synchronization Detect
19	INT1	INT938	INT	YSS938 IPINT/MUTE/DIR
20	P82	ERY	O	Effect SP Relay Output
21	P81	MRY	O	Main SP Relay Output
22	P80	HPRY	SO	Headphone Relay Output
23	P77	/HP	I (IPU)	Effect Detect
24	P76	PRY	O	Power Relay Output
25	P75	DMT	O	DIG FULL MUTE
26	P74	/ICD	O	YSS938 /DA /AD /CODEC /DEM
27	P73	CSY	O	YSS938 CE
28	CLK2	SCK0	O	FL Driver CLOCK
29	RXD2	/CSINT	I (外部PU)	CS-DSP INT
30	TXD2	SDF	O (外部PU)	FL Driver TxD
31	TXD1	TXDF	FLASH	Flash ROM Serial Write Data Transmission
32	RXD1	RXDF	FLASH	Flash ROM Serial Write Data Reception
33	CLK1	CLKF	FLASH	Flash ROM Serial Clock
34	P64	BSY	FLASH	Flash BUSY Signal Output
35	TXD0	SDTR	SO	RDS/OSD TxD
36	RXD0	SDRR	SI	RDS RxD
37	CLK0	SCKR	SCK	RDS/OSD CLOCK
38	P60		O	EEPROM CE
39	P57	CST	I	CS493x TxD
40	P56	CSR	O	CS493x RxD
41			GND	For Flash Writing (LO)
42	P54	CSC	O	CS493x CLOCK
43	P53	/CSCS	O	CS493x CS

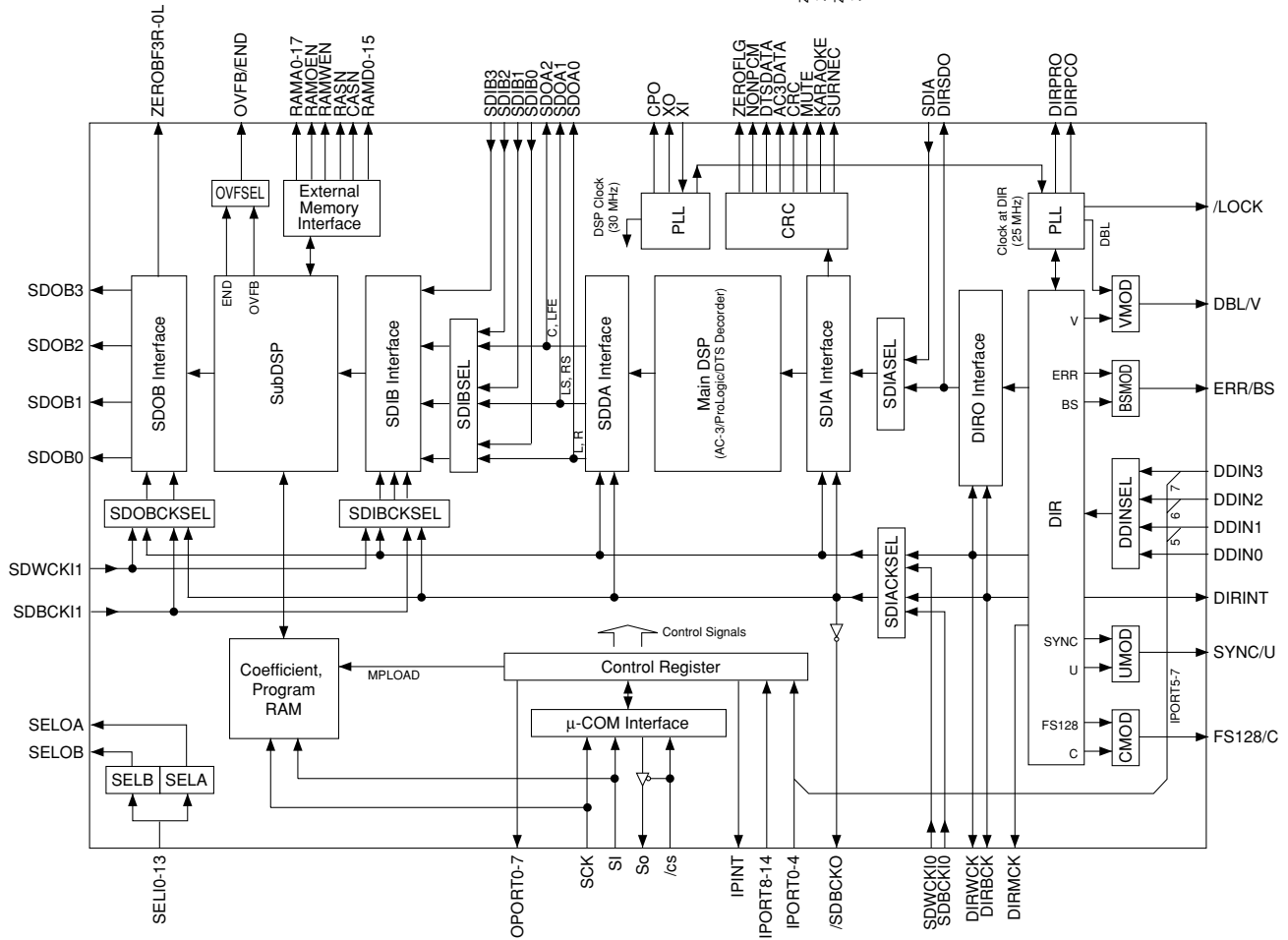
IC441: M30624MGA (FUNCTION P.C.B.)

16bit μ -COM (Main CPU)

No.	Port No.	Function name	I/O	Detail of function
44	P52	/ICCS	O	CS493x RESET
45	P51	/CSOLD	O	DIG EXTERNAL CONTROL IC CE
46			I	For Flash Writing (HI)
47	P47	CSN	O	Chip Select for DAC
48	P46	VRB	I	Volume Rotary B
49	P45	VRA	I	Volume Rotary A
50	P44	/BLK	O	FL Driver Light Off (Reset)
51	P43	SDTP	SO	PLL IC TxD
52	P42	SDRP	SI	PLL IC RxD
53	P41	SCKP	SCK	PLL IC CLOCK
54	P40	CEFD	O	FL Driver CE
55	P37	/ST	I (IPU)	Tuner Stereo
56	P36	TMT	O	Tuner Mute
57	P35	TUNED	I (IPU)	Tuner Tuned
58	P34	RDSE	O/I (IPU)	RDS Enable/RDS Present/Absent
59	P33	CEP	O	PLL IC Chip Enable
60	P32	DEST	I (IPU)	FREQ SW (R Ver)
61	P31	I/E	O	External/Internal Synchronization Output
62	Vcc	Vcc	Vcc (BU)	Microprocessor Power Supply, +5V
63	P30	CES	O/I (IPU)	OSD Enable/ N/P Format
64	Vss	Vss	Vss	Microprocessor Ground
65	P27	CMP1	O	Component Selector 1
66	P26	CMP0	O	Component Selector 0
67	P25	/VR2	O	VIDEO Rec Out Selector 2
68	P24	/VR1	O	VIDEO Rec Out Selector 1
69	P23	VIC	O	VIDEO Selector C
70	P22	VIB	O	VIDEO Selector B
71	P21	VIA	O	VIDEO Selector A
72	P20			Open
73	INT5	REM1	INT	Remote Control Input
74	INT4	PSW	INT	Standby SW Input
75	INT3	PDET	INT	Power Down Detect INT
76	P14	/MTMR	O	Mute Main /Rear
77	P13	/MTCT	O	Mute Center
78	P12	/MTSW	O	Mute LFE
79	P11	TUN0	I (IPU)	Tuner Destination Identify 0
80	P10	TUN1	I (IPU)	Tuner Destination Identify 1
81	P07	CELC	O	CE for SANYO IC
82	P06	SDT	O	Audio IC Data
83	P05	SCK	O	Audio IC Clock
84	P04	/SWMIX	O	LFE Mix
85	P03	/CTMIX	O	Center Mix
86	P02	SEEV	O	Electronic Volume IC Chip Enable
87	P01	ICN	O	Electronic Volume Reset
88	P00	A2GAIN	O	For A2 Gain Setting
89	AN7	MODEL	AD	Model Identification
90	AN6	ADKEY2	AD	Key AD Input 2
91	AN5	ADKEY1	AD	Key AD Input 1
92	AN4	ADKEY0	AD	Key AD Input 0
93	AN3	THM	AD	Temperature Detect
94	AN2	PRV	AD	Protection Power Supply Voltage Detect
95	AN1	PREMT	AD	Power Limiter Detect
96	Avss	Avss	Vss	AD Ground
97	AN0	PRD	I	Protection DC Detect
98	Vref	Vref	(+5v)	AD Reference
99	Avcc	Avcc	Vcc (BU)	AD Power Supply
100	P97	PRD	AD	Open

IC600 : YSS938
DSP

YSS938



Pin Number	Signal Name	Pin Number	Signal Name
160	VDD2	120	RAMA9
159	TESTXO	119	RAMA3
158	TESTXI	118	RAMA4
157	SEL2	117	SEL9
156	SEL3	116	SEL10
155	VSS	115	SEL11
154	SEL4	114	SEL12
153	IPINT	113	SEL13
152	/IC	112	RAMA2
151	SCK	111	RAMA5
150	SI	110	RAMA1
149	SO	109	RAMA6
148	/CS	108	RAMA0
147	DIRINT	107	RAMA7
146	/LOCK	106	RAMA8
145	CRC	105	VDD1
144	SURENC	104	VSS
143	VDD1	103	RASN
142	KARAOKE	102	RAMOEN
141	MUTE	101	RAMWEN
140	AC3DATA	100	CASN
139	DTSDATA	99	RAMD15
138	NONPCM	98	RAMD14
137	VSS	97	RAMD13
136	ZEROFGL	96	RAMD12
135	OVFBEND	95	RAMD11
134	RAMA17	94	RAMD10
133	RAMA16	93	RAMD9
132	RAMA15	92	RAMD8
131	RAMA14	91	VDD1
130	RAMA13	90	VSS
129	RAMA12	89	RAMD7
128	SEL5	88	RAMD6
127	SEL6	87	RAMD5
126	SEL7	86	RAMD4
125	SEL8	85	ZEROBF0L
124	VDD2	84	ZEROBF0R
123	RAMA11	83	ZEROBF1L
122	RAMA10	82	ZEROBF1R
121		81	RAMD3
41	SDIB1	42	SDIB0
43	VSS	44	VDD2
45	IPORT12	46	IPORT13
47	IPORT14	48	DIRSDO
49	DIRWCK	50	DIRBCK
51	DIRMCK	52	ERR/BS
53	SYNCO	54	FS128/C
55	DBLV	56	SDWCKI1
57	SDBCKI1	58	VSS
59	SDOB3	60	SDOB2
61	SDOB1	62	SDOB0
63	VDD1	64	ZEROBF3R
65	ZEROBF2R	66	ZEROBF2L
67	ZEROBF1L	68	OPORT0
69	OPORT1	70	OPORT2
71	OPORT3	72	OPORT4
73	OPORT5	74	OPORT6
75	OPORT7	76	VSS
77	VDD2	78	RAMD0
79	RAMD1	80	RAMD2

**RX-V730/RX-V730RDS/RX-V630/RX-V630RDS
HTR-5560/HTR-5560RDS/DSP-AX630/DSP-AX630SE**

IC600 : YSS938

DSP

No.	Name	I/O	Function
1	XO	O	Crystal oscillator connecting terminal
2	XI	I	Crystal oscillator connecting terminal (24.576MHz)
3	SEL11	I+	Built-in selector input 1 (AXD)
4	SEL10	I+	Built-in selector input 0 (GND)
5	SELOA	O+	Built-in selector output A (ISEL)
6	SELOB	O+	Built-in selector output B (RSEL)
7	TESTMS	I+	Test terminal (unconnected)
8	TESTXEN	I+	Test terminal (unconnected)
9	IPORT0	I+	General purpose input terminal (CXDTA)
10	IPORT1	I+	General purpose input terminal (CXDTB)
11	IPORT2	I+	General purpose input terminal
12	IPORT3	I+	General purpose input terminal
13	IPORT4	I+	General purpose input terminal
14	DDIN0	Is	DIR: Digital audio interface data input terminal 0 (ISEL)
15	DDIN1	Is	DIR: Digital audio interface data input terminal 1/General purpose input terminal (Pull down)
16	DDIN2	Is	DIR: Digital audio interface data input terminal 2/General purpose input terminal (Pull down)
17	DDIN3	Is	DIR: Digital audio interface data input terminal 3/General purpose input terminal (Pull down)
18	VSS		Ground terminal
19	CPO	A	PLL filter connecting terminal
20	AVDD		+3.3V power terminal (for DIR)
21	DIRPCO	A	DIR: PLL filter connecting terminal
22	DIRPRO	A	DIR: PLL filter connecting terminal
23	AVSS		Ground terminal (for DIR)
24	TESTBRK	I+	Test terminal (unconnected)
25	TESTR1	I+	PLL initialization signal input terminal for DSP (/ICD)
26	TESTR2	I+	Test terminal (unconnected)
27	VDD1		+3.3V power terminal (for terminal section)
28	SDWCKI0	I+	Word clock input terminal for SDIA, SDOA, SDIB, SDOB interface (Unconnected)
29	SDBCKI0	I+	Bit clock input terminal for SDIA, SDOA, SDIB, SDOB interface (Unconnected)
30	/SDBCK0	O	DIRBCK or SDBCKI0 invert clock output terminal (Unconnected)
31	IPORT8	I+	IPINT general purpose input terminal
32	IPORT9	I+	IPINT general purpose input terminal
33	IPORT10	I+	IPINT general purpose input terminal (NONPCM)
34	IPORT11	I+	IPINT general purpose input terminal (NONPCM)
35	SDIA	I	AC-3/DTS bit stream (or PCM) data input terminal to Main DSP (SDIA)
36	SDOA2	O	PCM output terminal from Main DSP (C/LFE output) (Unconnected)
37	SDOA1	O	PCM output terminal from Main DSP (LS/RS output) (Unconnected)
38	SDOA0	O	PCM output terminal from Main DSP (L/R output)
39	SDIB3	I+	PCM input terminal 3 to Sub DSP
40	SDIB2	I+	PCM input terminal 2 to Sub DSP
41	SDIB1	I+	PCM input terminal 1 to Sub DSP
42	SDIB0	I+	PCM input terminal 0 to Sub DSP
43	VSS		Ground terminal
44	VDD2		+2.5V power terminal (for internal circuit)
45	IPORT12	I+	IPINT general purpose input terminal (MUTE)
46	IPORT13	I+	IPINT general purpose input terminal (DIRINT)
47	IPORT14	I+	IPINT general purpose input terminal (Unconnected)
48	DIRSDO	O	AC-3/DTS bit stream (or PCM) data output terminal from DIR
49	DIRWCK	O	DIR: Serial data word clock (fs) output terminal (WCK)
50	DIRBCK	O	DIR: Serial data bit clock (64fs) output terminal (BCK)
51	DIRMCK	O	DIR: Serial data master clock (256fs or 128fs) output terminal (MCK)
52	ERR/BS	O	DIR: Data error detect output/block start output terminal (Unconnected)
53	SYNC/U	O	DIR: Serial data synchronous timing output/user data output terminal (Unconnected)
54	FS128/C	O	DIR: Serial data master clock 128fs output/channel status output terminal (Unconnected)
55	DBL/V	O	DIR: Double rate clock output/validity flag output terminal (DBL)

IC600 : YSS938
DSP

No.	Name	I/O	Function
56	SDWCKI1	I+	Word clock input terminal for SDIB, SDOB interface (Unconnected)
57	SDBCKI1	I+	Bit clock input terminal for SDIB, SDOB interface (Unconnected)
58	VSS		Ground terminal
59	SDOB3	O	PCM output terminal from Sub DSP
60	SDOB2	O	PCM output terminal from Sub DSP
61	SDOB1	O	PCM output terminal from Sub DSP
62	SDOB0	O	PCM output terminal from Sub DSP
63	VDD1		+3.3V power terminal (for terminal section)
64	ZEROBF3R	O+	SDOB3 Rch zero flag output terminal (ZF3R)
65	ZEROBF3L	O+	SDOB3 Lch zero flag output terminal (ZF3L)
66	ZEROBF2R	O+	SDOB2 Rch zero flag output terminal (ZF2R)
67	ZEROBF2L	O+	SDOB2 Lch zero flag output terminal (ZF2L)
68	OPORT0	O	General purpose output terminal (/RINH1)
69	OPORT1	O	General purpose output terminal (/RINH2)
70	OPORT2	O	General purpose output terminal (/ICCDC)
71	OPORT3	O	General purpose output terminal (DFS)
72	OPORT4	O	General purpose output terminal (ZSEL0)
73	OPORT5	O	General purpose output terminal (ZSEL1)
74	OPORT6	O	General purpose output terminal (/ICCS)
75	OPORT7	O	General purpose output terminal
76	VSS		Ground terminal
77	VDD2		+2.5V power terminal (for internal circuit)
78	RAMD0	I+/O	Sub DSP: External memory data terminal 0
79	RAMD1	I+/O	Sub DSP: External memory data terminal 1
80	RAMD2	I+/O	Sub DSP: External memory data terminal 2
81	RAMD3	I+/O	Sub DSP: External memory data terminal 3
82	ZEROBF1R	O+	SDOB1 Rch zero flag output terminal (ZF1R)
83	ZEROBF1L	O+	SDOB1 Lch zero flag output terminal (ZF1L)
84	ZEROBF0R	O+	SDOB0 Rch zero flag output terminal (ZF0R)
85	ZEROBF0L	O+	SDOB0 Lch zero flag output terminal (ZF0L)
86	RAMD4	I+/O	Sub DSP: External memory data terminal 4
87	RAMD5	I+/O	Sub DSP: External memory data terminal 5
88	RAMD6	I+/O	Sub DSP: External memory data terminal 6
89	RAMD7	I+/O	Sub DSP: External memory data terminal 7
90	VSS		Ground terminal
91	VDD1		+3.3V power terminal (for terminal section)
92	RAMD8	I+/O	Sub DSP: External memory data terminal 8
93	RAMD9	I+/O	Sub DSP: External memory data terminal 9
94	RAMD10	I+/O	Sub DSP: External memory data terminal 10
95	RAMD11	I+/O	Sub DSP: External memory data terminal 11
96	RAMD12	I+/O	Sub DSP: External memory data terminal 12
97	RAMD13	I+/O	Sub DSP: External memory data terminal 13
98	RAMD14	I+/O	Sub DSP: External memory data terminal 14
99	RAMD15	I+/O	Sub DSP: External memory data terminal 15
100	CASN	O	Sub DSP: Column address strobe output terminal for external DRAM
101	RAMWEN	O	Sub DSP: Write enable terminal for external memory
102	RAMOEN	O	Sub DSP: Output enable terminal for external memory
103	RASN	O	Sub DSP: Low address strobe output terminal for external DRAM
104	VSS		Ground terminal
105	VDD1		+3.3V power terminal (for terminal section)
106	RAMA8	O	Sub DSP: External memory address terminal 8
107	RAMA7	O	Sub DSP: External memory address terminal 7
108	RAMA0	O	Sub DSP: External memory address terminal 0
109	RAMA6	O	Sub DSP: External memory address terminal 6
110	RAMA1	O	Sub DSP: External memory address terminal 1

RX-V730/RX-V730RDS/RX-V630/RX-V630RDS
HTR-5560/HTR-5560RDS/DSP-AX630/DSP-AX630SE

IC600 : YSS938

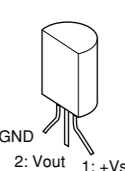
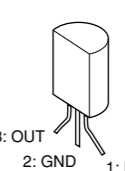
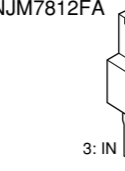

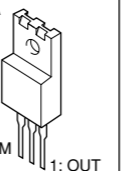
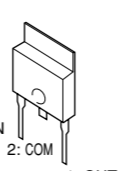
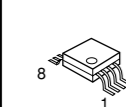
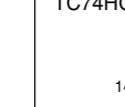
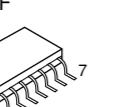
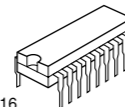
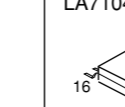

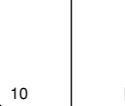
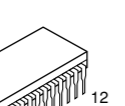
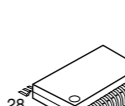

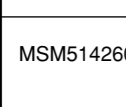
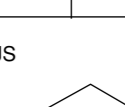
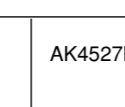

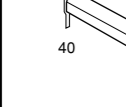

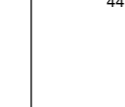
DSP

No.	Name	I/O	Function
111	RAMA5	O	Sub DSP: External memory address terminal 5
112	RAMA2	O	Sub DSP: External memory address terminal 2
113	SELI13	I+	Built-in selector input 13 (Unconnected)
114	SELI12	I+	Built-in selector input 12
115	SELI11	I+	Built-in selector input 11 (Unconnected)
116	SELI10	I+	Built-in selector input 10 (Unconnected)
117	SELI9	I+	Built-in selector input 9
118	RAMA4	O	Sub DSP: External memory address terminal 4
119	RAMA3	O	Sub DSP: External memory address terminal 3
120	RAMA9	O	Sub DSP: External memory address terminal 9 (Unconnected)
121	RAMA10	O	Sub DSP: External memory address terminal 10 (Unconnected)
122	RAMA11	O	Sub DSP: External memory address terminal 11 (Unconnected)
123	VSS		Ground terminal
124	VDD2		+2.5V power terminal (for internal circuit)
125	SELI8	I+	Built-in selector input 8 (CXA)
126	SELI7	I+	Built-in selector input 7 (GND)
127	SELI6	I+	Built-in selector input 6 (OPTF)
128	SELI5	I+	Built-in selector input 5 (Unconnected)
129	RAMA12	O	Sub DSP: External memory address terminal 12 (Unconnected)
130	RAMA13	O	Sub DSP: External memory address terminal 13 (Unconnected)
131	RAMA14	O	Sub DSP: External memory address terminal 14 (Unconnected)
132	RAMA15	O	Sub DSP: External memory address terminal 15 (Unconnected)
133	RAMA16	O	Sub DSP: External memory address terminal 16 (Unconnected)
134	RAMA17	O	Sub DSP: External memory address terminal 17 (Unconnected)
135	OVFB/END	O	Sub DSP: Overflow/program end detect terminal (Unconnected)
136	ZEROF LG	O	Main DSP: Zero flag output terminal (Unconnected)
137	VSS		Ground terminal
138	NONPCM	O	Main DSP: Non-PCM data detect terminal
139	DTSDATA	O	Main DSP: DTS data detect terminal (Unconnected)
140	AC3DATA	O	Main DSP: AC3 data detect terminal (Unconnected)
141	MUTE	O	Main DSP: Auto mute detect terminal
142	KARAOKE	O	Main DSP: AC3 KARAOKE data detect terminal (Unconnected)
143	VDD1	+3.3V	power terminal (for terminal section)
144	SURENC	O	Main DSP: AC-3 2/0 mode Dolby surround encode input detect terminal (Unconnected)
145	CRC	O	Main DSP: AC3 CRC error detect terminal (Unconnected)
146	/LOCK	O	DIR: PLL lock detect terminal (Unconnected)
147	DIRINT	O	DIR: Interrupt output terminal
148	/CS	Is	Microprocessor interface chip select input terminal (CSY)
149	SO	Ot	Microprocessor interface data output terminal
150	SI	Is	Microprocessor interface data input terminal (SDM)
151	SCK	Is	Microprocessor interface clock input terminal (SCKY)
152	/IC	Is	Initial clear input terminal (/ICD)
153	IPINT	O+	Interrupt output terminal by IPORT 8-14
154	SELI4	I+	Built-in selector input 4 (OPTD)
155	VSS		Ground terminal
156	SELI3	I+	Built-in selector input 3 (OPTC)
157	SELI2	I+	Built-in selector input 2 (OPTB)
158	TESTXI	I	Test terminal (should be always connected to VSS)
159	TESTXO	O	Test terminal (Unconnected)
160	VDD2	+2.5V	power terminal (for internal circuit)

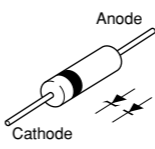
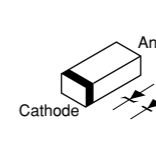
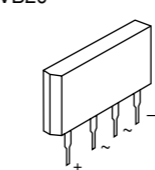
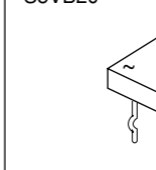
Is: Schmidt trigger input terminal
I+: Input terminal with pull-up resistor
O: Digital output terminal
Ot: 3-state digital output terminal
A: Analog terminal

1 ■ PIN CONNECTION DIAGRAM


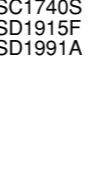
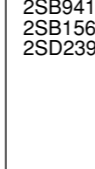

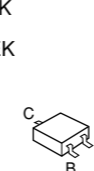
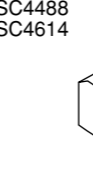

• ICs

LM61CIZ 	NJM78L05A-T3 	NJM7805FA NJM7812FA 	NJM79M05FA NJM79M12FA 	μ PC29M33T-E1 	PQ025EZ5MZP 
NJM2904M μ PC4570G2 	TC74HCT00AF TC74HCT08AF TC74HCU04AF 	TC74HC4053AF 	AK4382AVT LA7108M LA7104M 	TC74HC4051AFEL 	
YAC520-EE2 	LC72722 	CY62256LL 	LC78211 LC78213 	LA7109 	
MSM514260C-60JS 	AK4527BVQ 	CS493292-CLR 	LC75712E 		
XC9572XL-10TQ100C 	M30624MGA 	YSS938 			

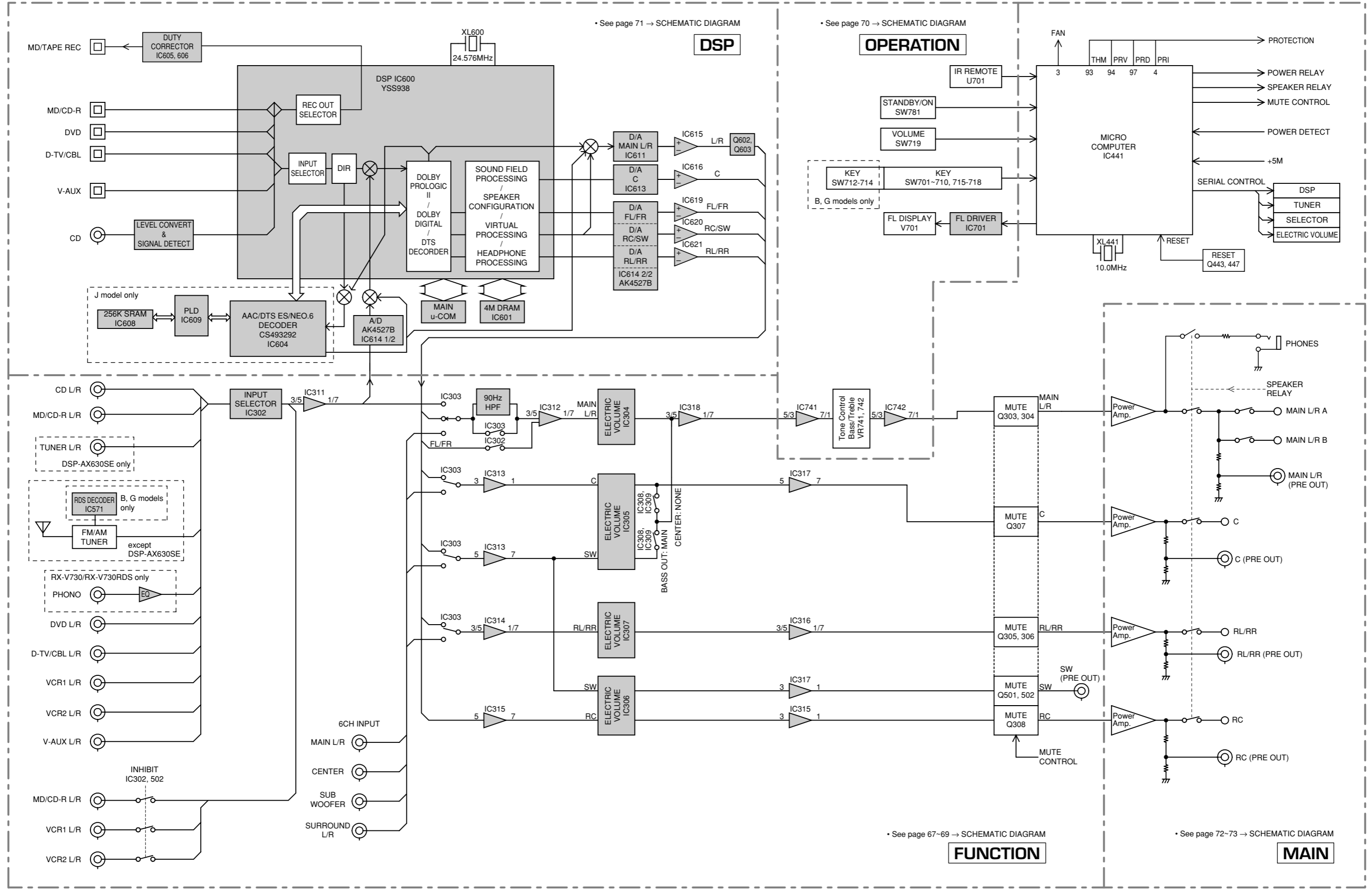
• Diodes

1N4002S 1SS133 1SS176 1SS270A 1T2	MTZJ4.7C MTZJ6.8B MTZJ8.2B MTZJ9.1B MTZJ12.0B MTZJ12.0C MTZJ15.0B MTZJ24.0C MTZJ30.0A		1SS355 MA8056-M RB501V-40 UDZ5.1B UDZ6.8B UDZ7.5B UDZ13B UDZS5.6B UDZS6.2B	
S1VB20 	S5VB20 			

• Transistors

2SA893A 2SA1015 2SB949 2SC1815 2SC1890A 2SC2240 	2SC1740S 2SD1915F 2SD1991A 	2SB941 2SB1565 2SD2396 	2SA1695 2SC4468 
2SA1037K 2SC2412K 2SC3326 DTA144EK 	2SA1770 2SC4488 2SC4614 	2SK246 	

BLOCK DIAGRAM (1/2)

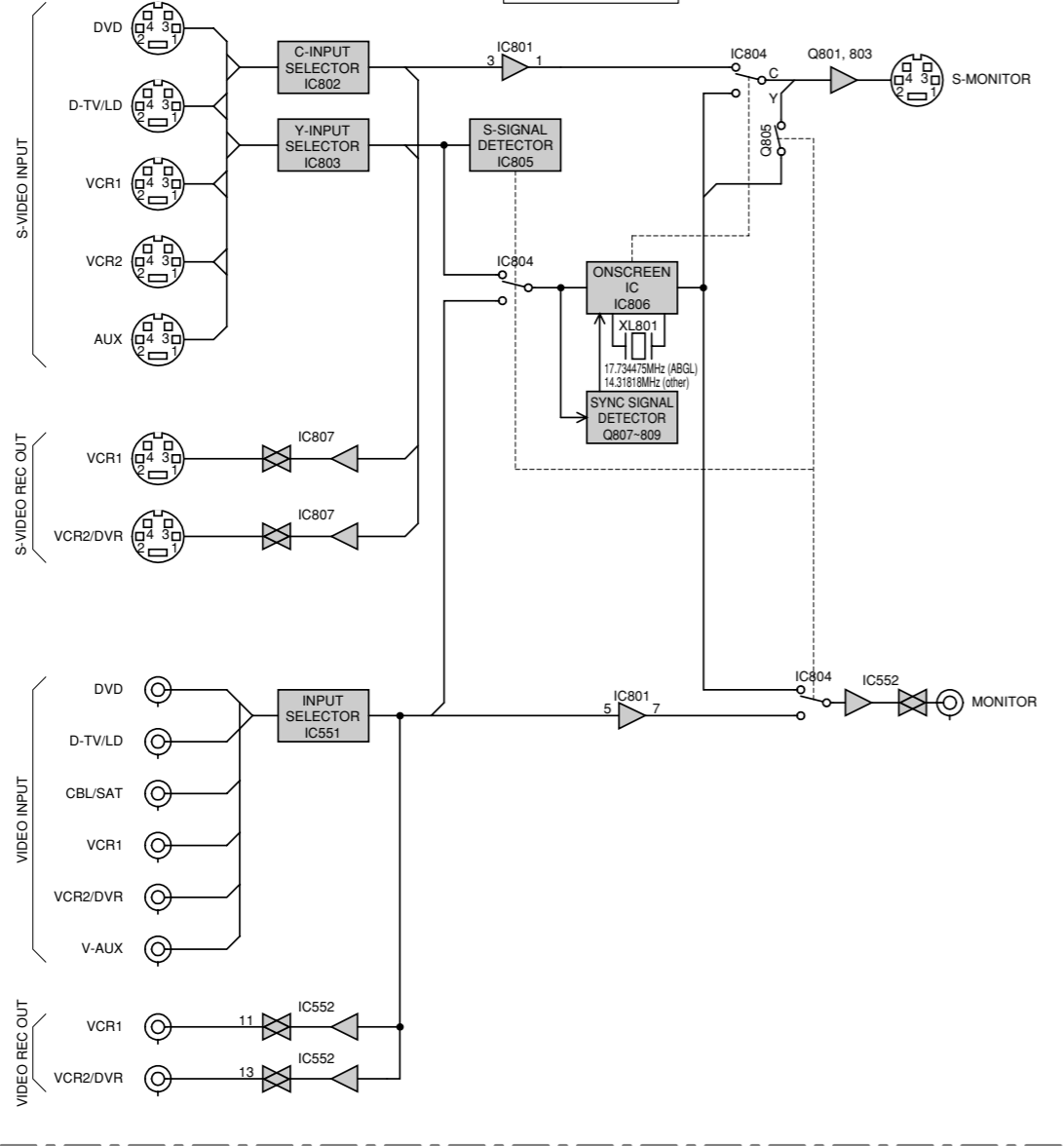


BLOCK DIAGRAM (2/2)

RX-V730/RX-V730RDS

• See page 67-68 → SCHEMATIC DIAGRAM

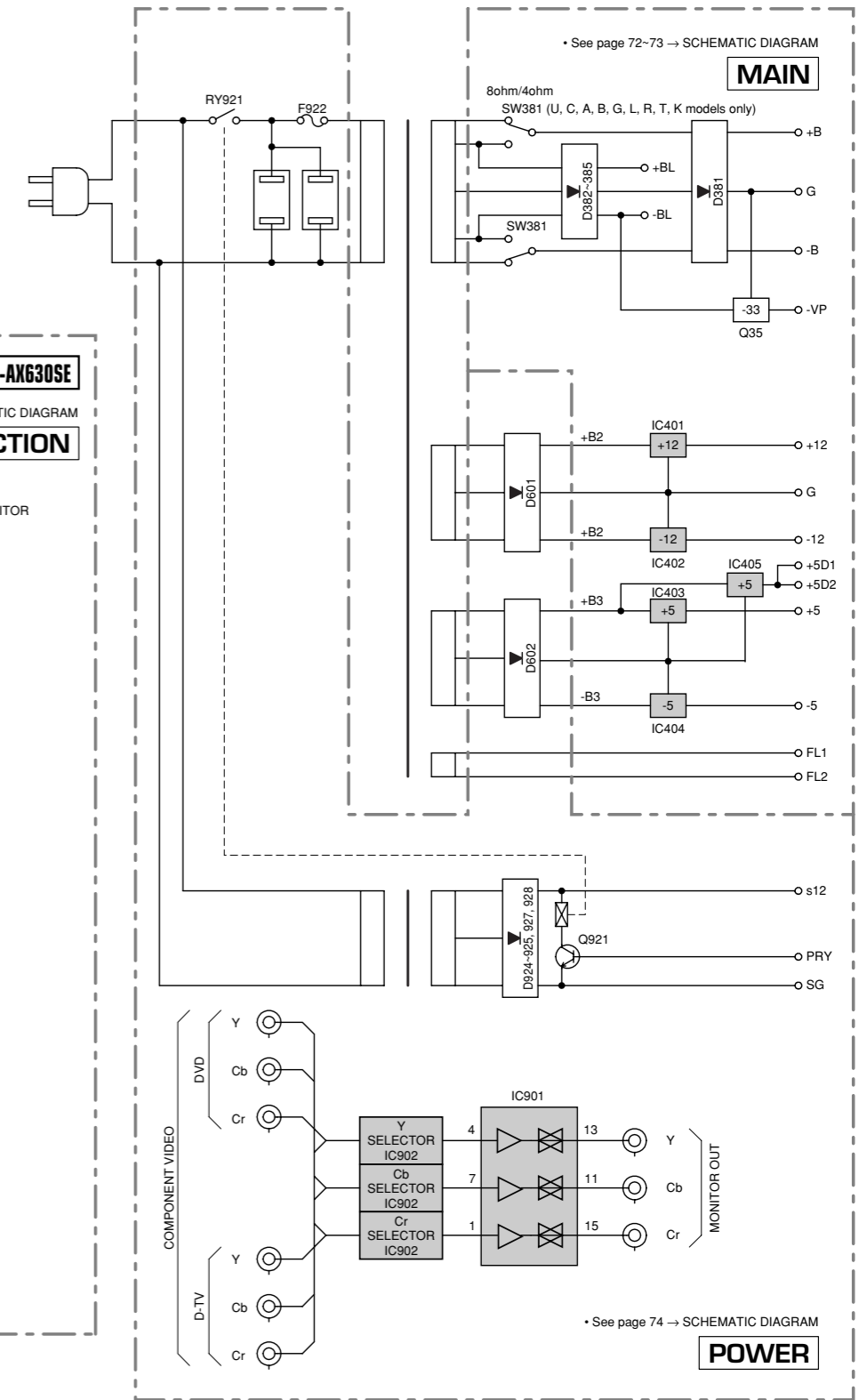
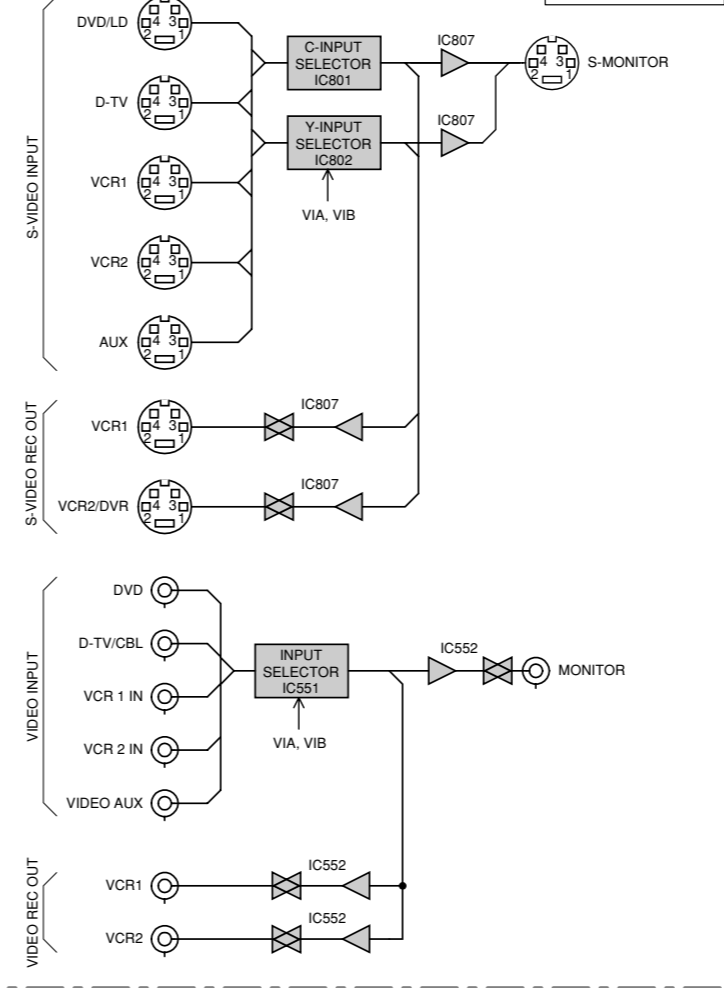
FUNCTION



RX-V630/RX-V630RDS/HTR-5560/HTR-5560RDS/DSP-AX630/DSP-AX630SE

• See page 67, 69 → SCHEMATIC DIAGRAM

FUNCTION



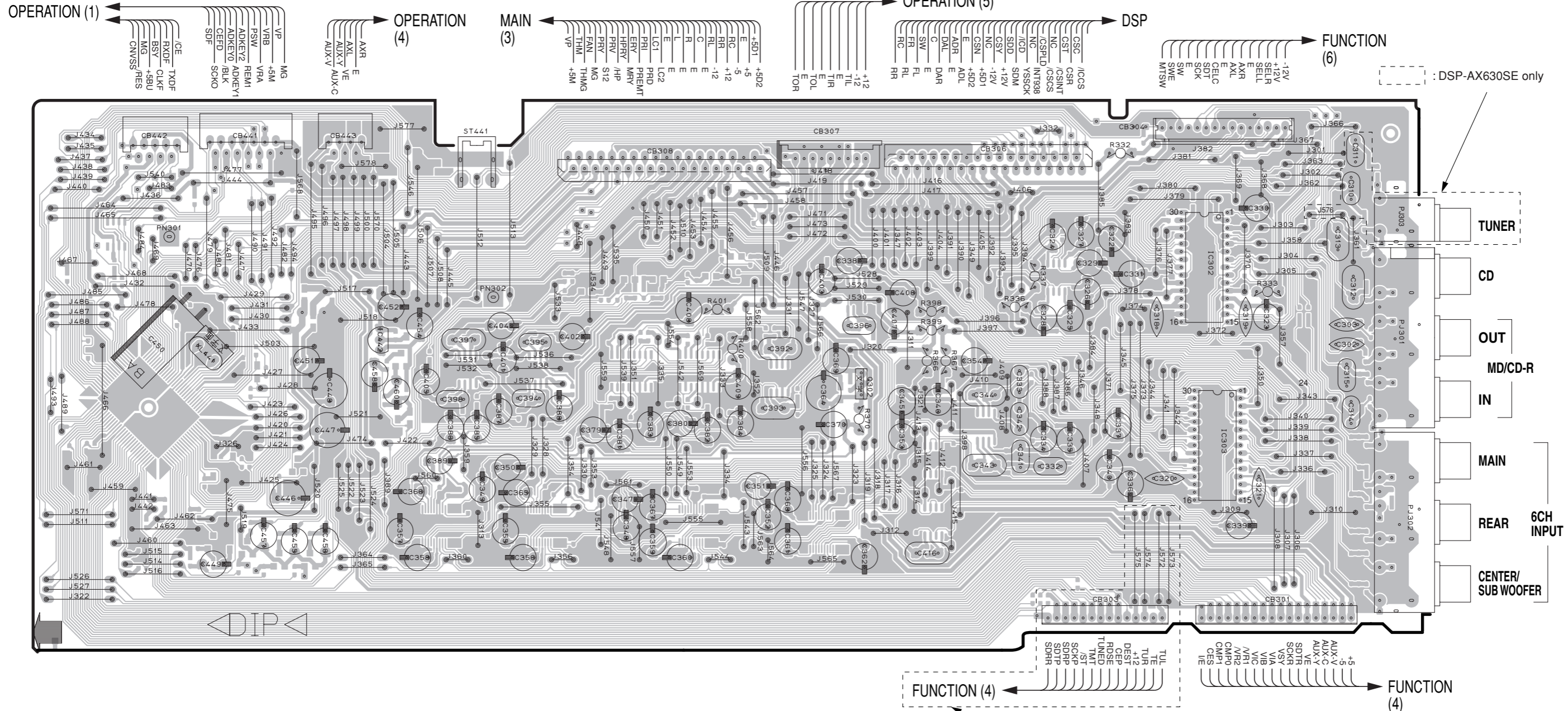
• See page 74 → SCHEMATIC DIAGRAM

POWER

1
2
3
4
5
6
7

PRINTED CIRCUIT BOARD (Foil side)

FUNCTION (1) P. C. B. (Lead Type Device)



Semiconductor Location

Ref. No.	Location
IC302	H4
IC303	H5
Q302	F4

Circuit No.	J	U.C	R, T, K	A, L	B, G
C445, 446	X	X	O	O	O
J441	O	O	X	X	X
J442	O	X	X	O	O
Q441	X	X	O	O	O
R447, 460	X	X	O	O	O
R449	X	O	O	X	X
R457	X	O	O	X	X
R459	O	O	O	O	X

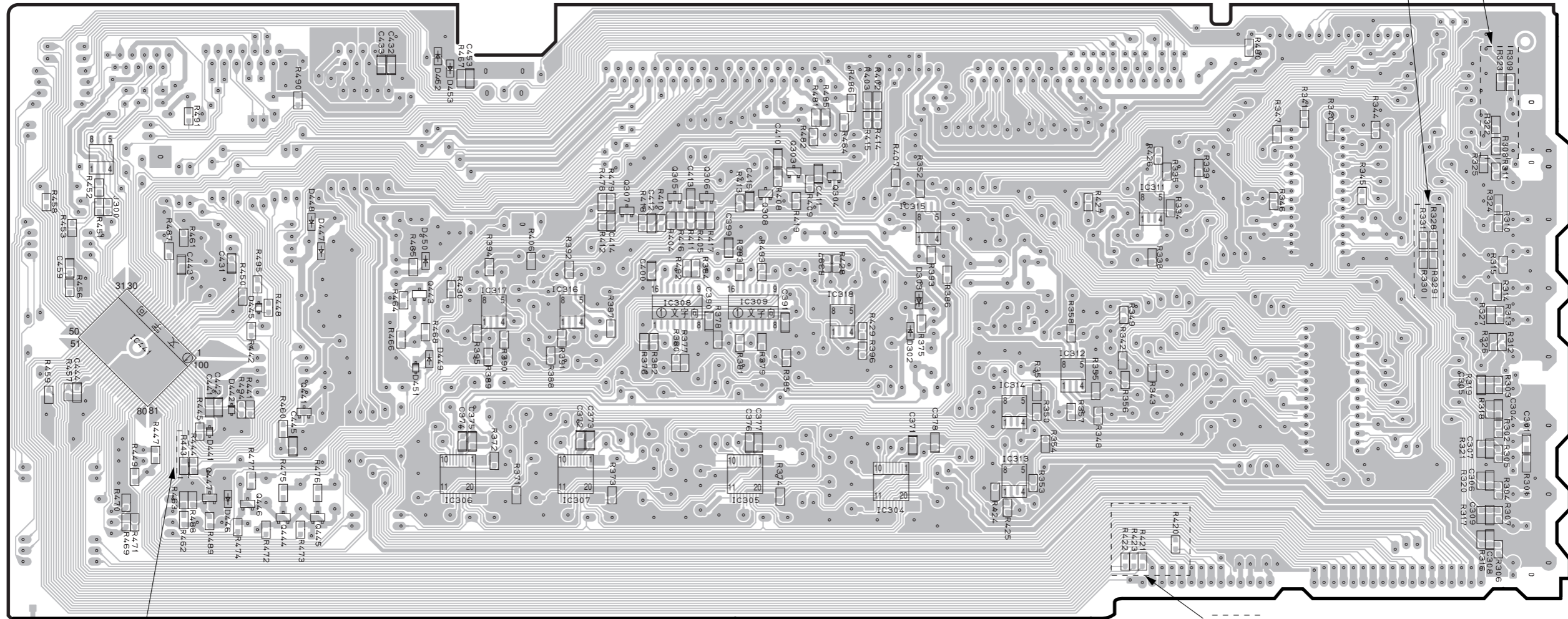
X: NOT USED
O: USED / APPLICABLE

1 ■ PRINTED CIRCUIT BOARD (Foil side)

FUNCTION (1) P. C. B. (Surface Mount Device)

: except DSP-AX630SE

: DSP-AX630 only



: RX-V630/RX-V630RDS/DSP-AX630/DSP-AX630SE only

: except DSP-AX630SE

6 • Semiconductor Location

Ref. No.	Location	Ref. No.	Location	Ref. No.	Location	Ref. No.	Location	Ref. No.	Location
D302	F3	D450	C3	IC309	E3	IC441	B4	Q443	C3
D303	F3	D451	C4	IC311	G3	IC442	A2	Q444	B4
D441	B4	D452	C2	IC312	G4	Q303	E3	Q445	C4
D442	B4	D453	C2	IC313	F4	Q304	E3	Q446	B4
D445	B3	IC304	F4	IC314	F4	Q305	D3	Q447	B4
D446	B4	IC305	E4	IC315	F3	Q306	E3		
D447	C3	IC306	C4	IC316	D3	Q307	D3		
D448	C3	IC307	D4	IC317	D3	Q308	E3		
D449	C4	IC308	D3	IC318	E3	Q441	C4		

Circuit No.	J	U, C	R, T, K	A, L	B, G
C445, 446	X	X	O	O	O
J441	O	X	X	X	X
J442	O	X	X	O	O
Q441	X	X	O	O	O
R447, 460	X	X	O	O	O
R449	X	O	O	X	X
R457	X	O	O	X	X
R459	O	O	O	O	X

X: NOT USED
O: USED / APPLICABLE

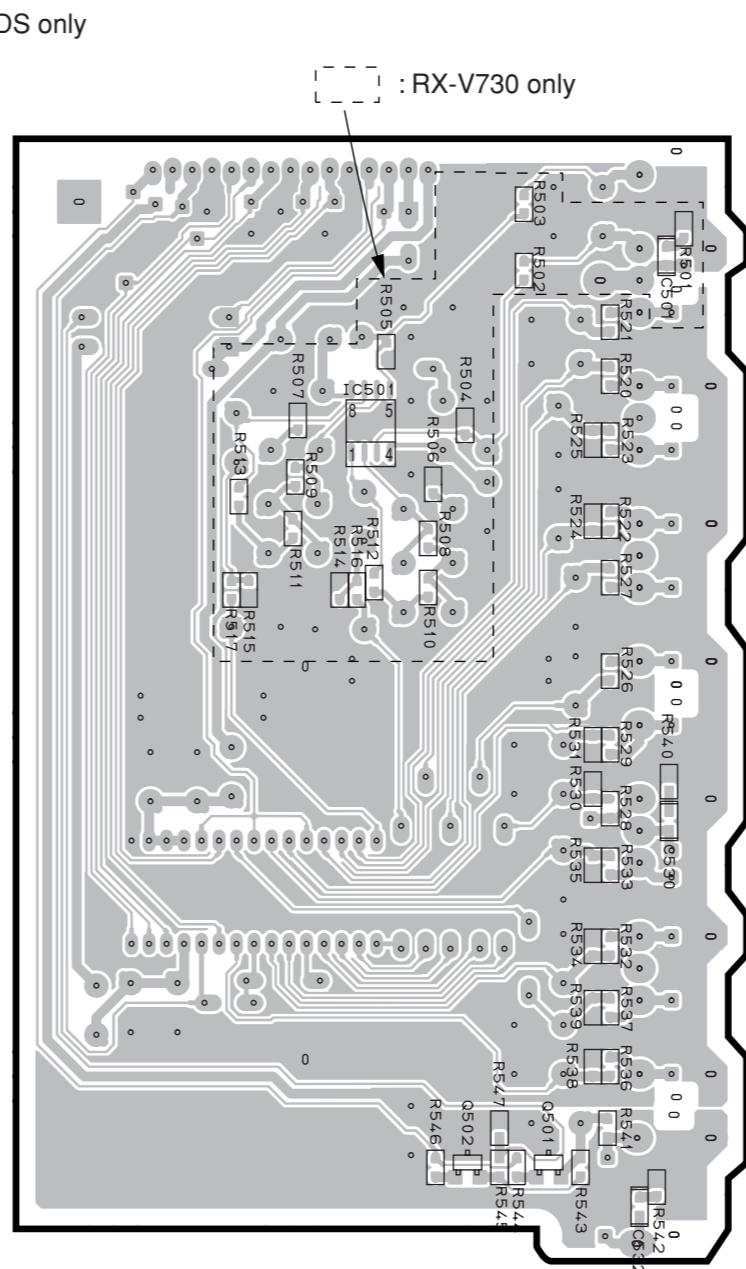
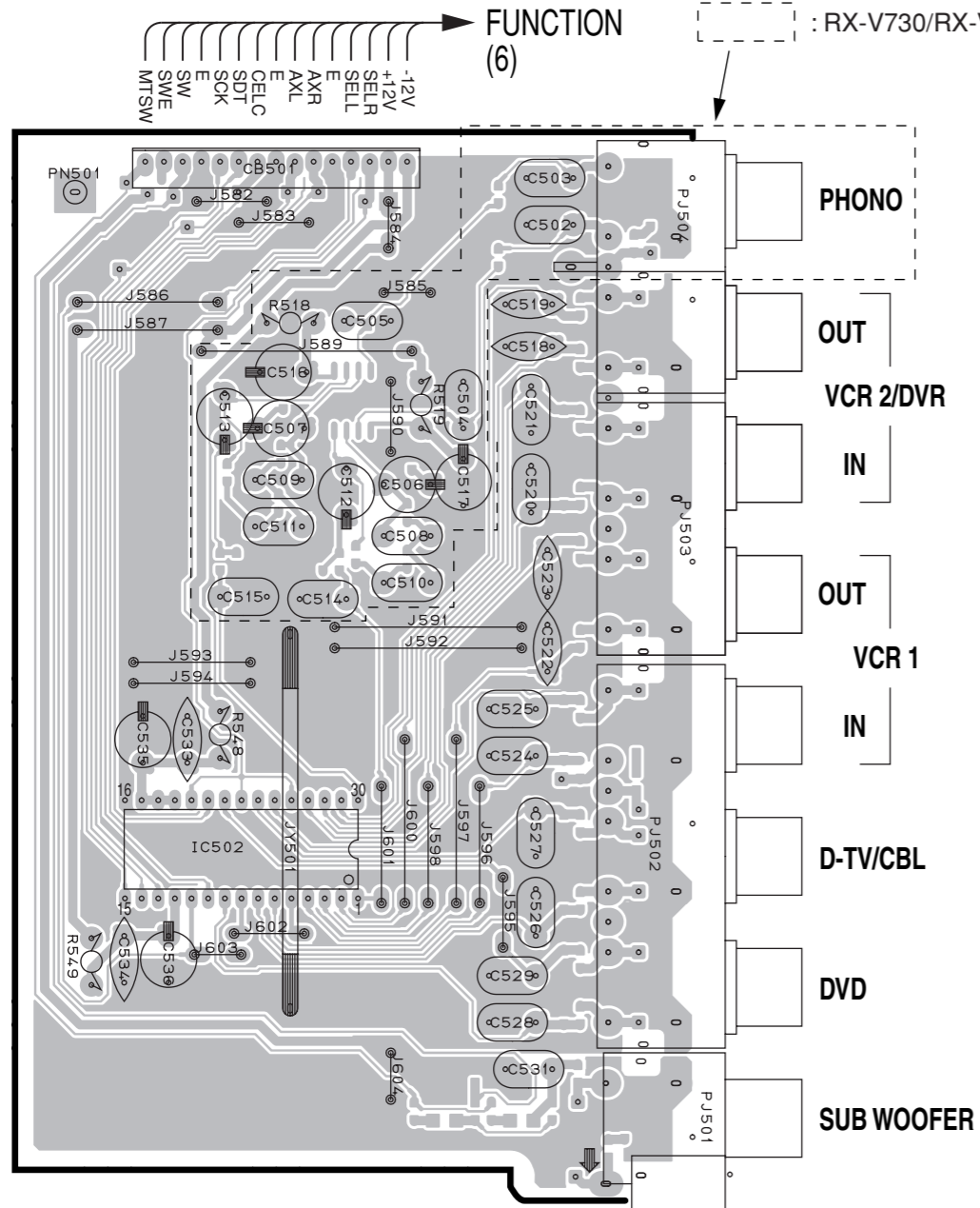
PRINTED CIRCUIT BOARD (Foil side)

FUNCTION (2) P. C. B.

(Lead Type Device)

FUNCTION (2) P. C. B.

(Surface Mount Device)



• Semiconductor Location

Ref. No.	Location
IC501	F3
IC502	B5
Q501	F5
Q502	F5

Circuit No.	J, U, C, K	R, T	B, G	A, L
C502, 503	X	X	O	O

X: NOT USED
O: USED / APPLICABLE

1 ■ PRINTED CIRCUIT BOARD (Foil side)

FUNCTION (3) P. C. B.

(Lead Type Device)

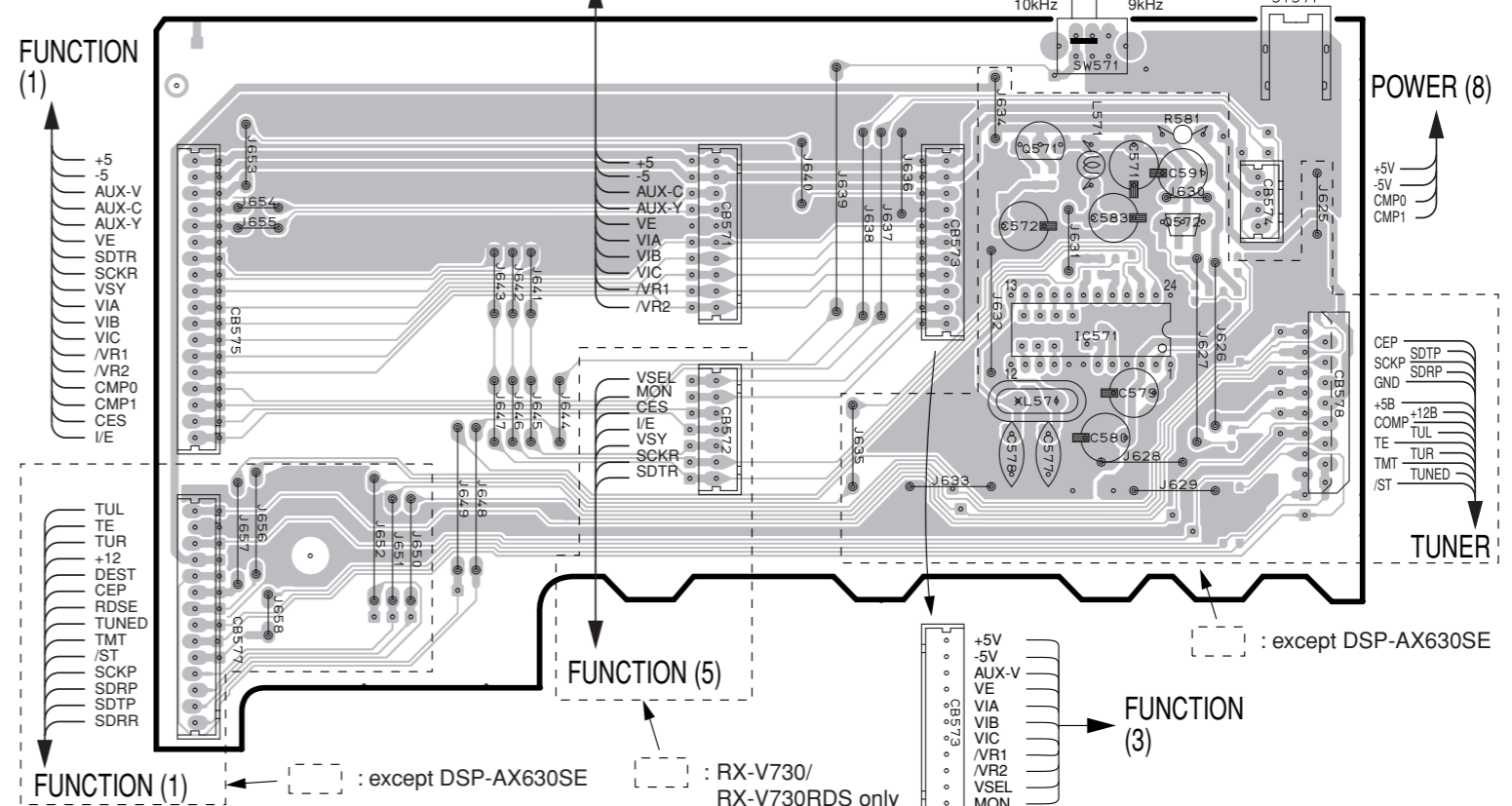
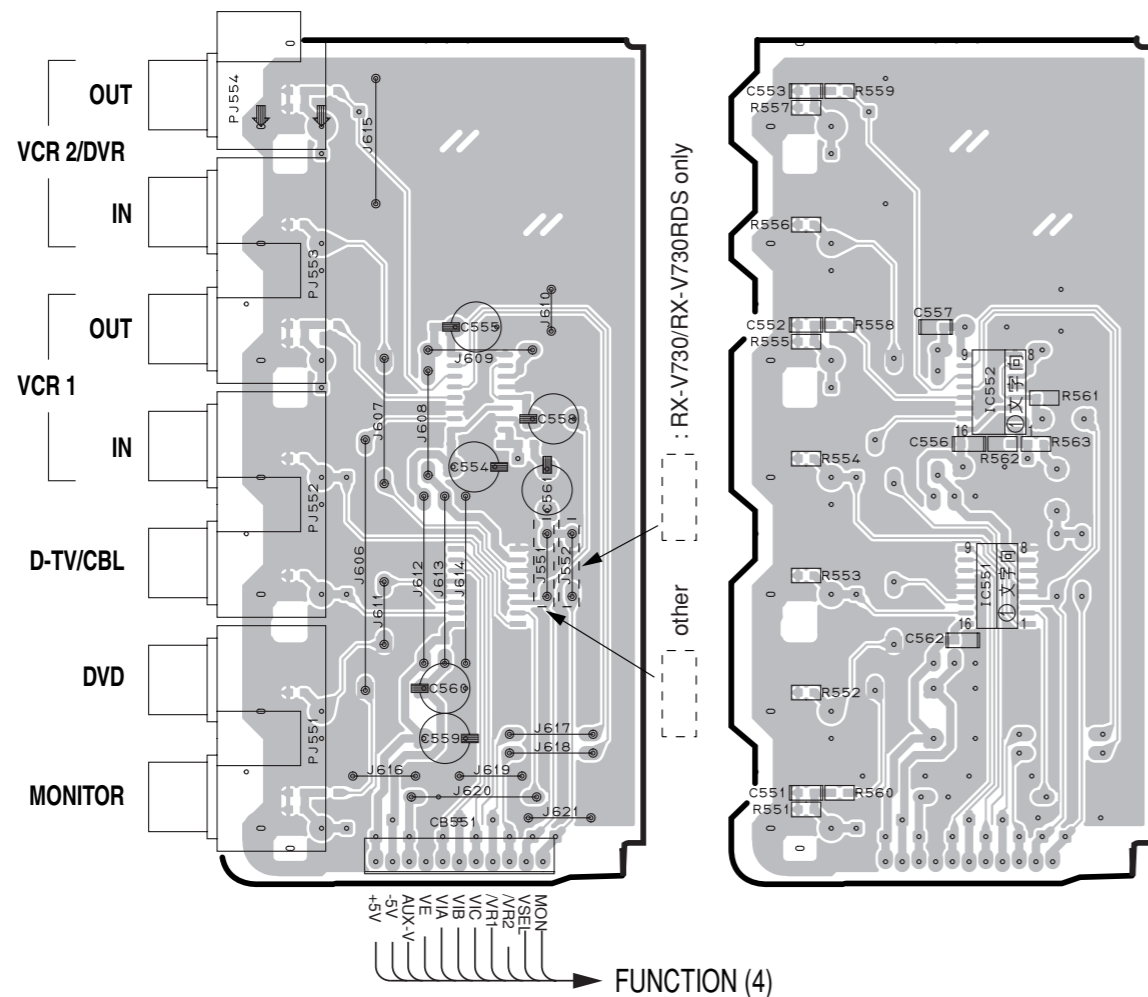
FUNCTION (3) P. C. B.

(Surface Mount Device)

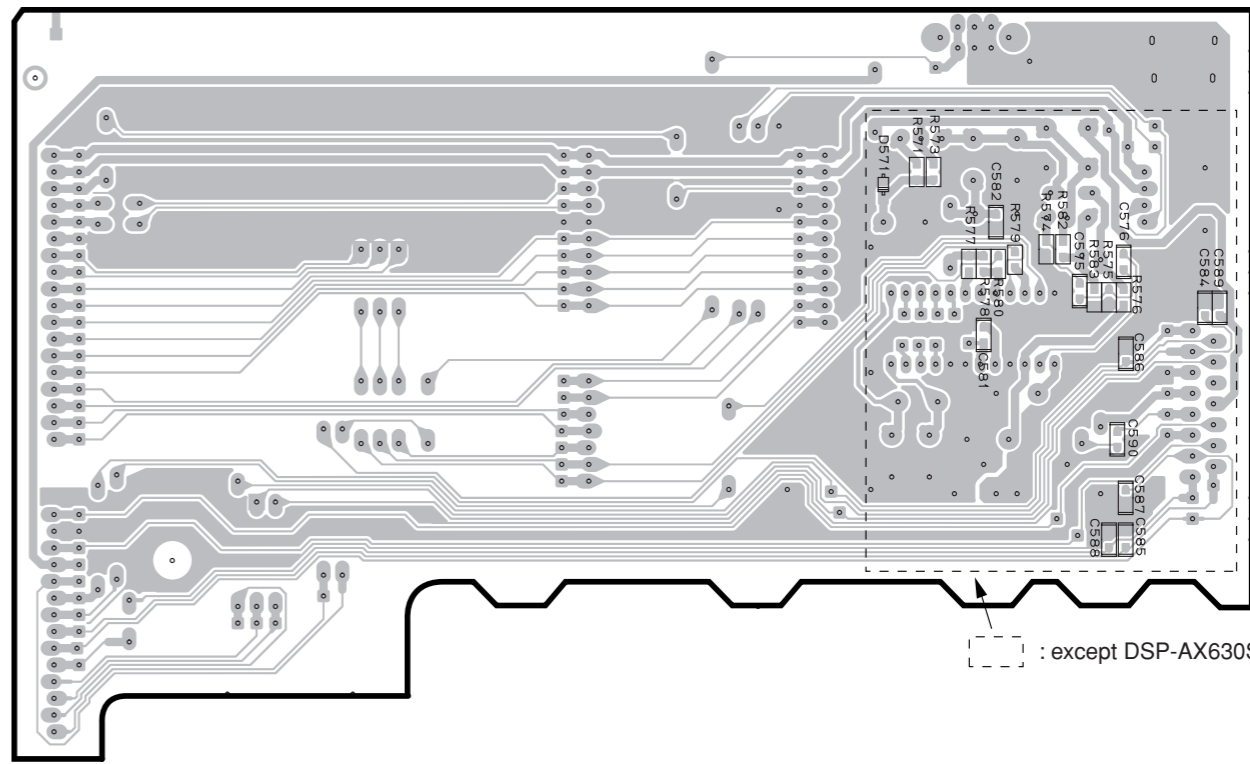
FUNCTION (4) P. C. B.

(Lead Type Device)

FREQUENCY STEP
(R, T models only)



FUNCTION (4) P. C. B. (Surface Mount Device)



• Semiconductor Location

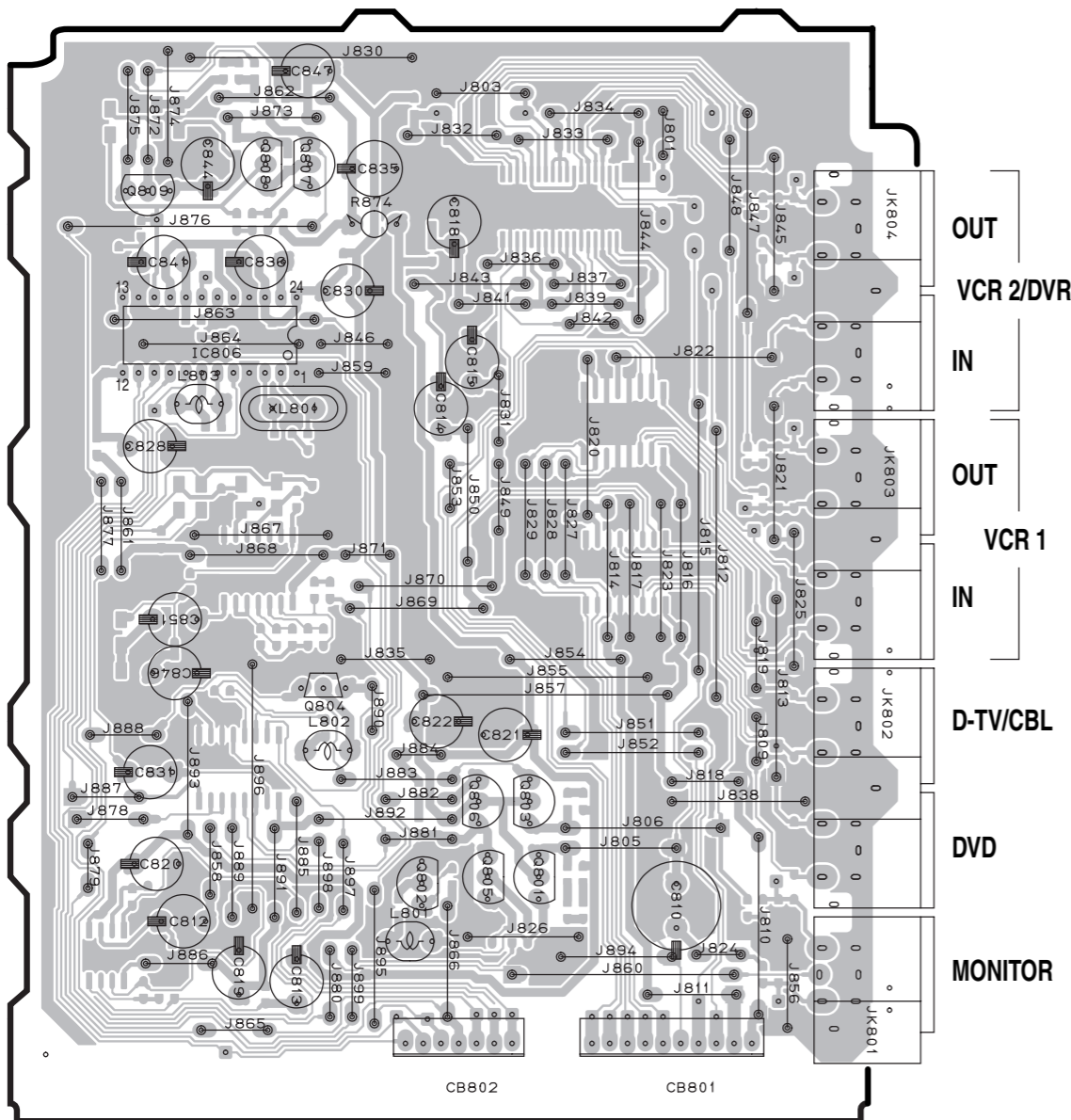
Ref. No.	Location
D571	H5
IC551	D4
IC552	D3
IC571	I3
Q571	H2
Q572	I2

Circuit No.	J, U, C, K	R, T	B, G	A, L
C502, 503	X	X	O	O
C575-583, 590	X	X	O	X
L571	X	X	O	X
Q572, 574	X	X	O	X
R575-580, 582, 583	X	X	O	X
IC571	X	X	O	X
SW571	X	O	X	X
XL571	X	X	O	X

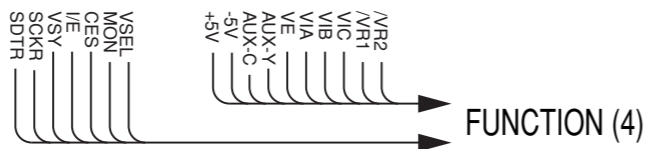
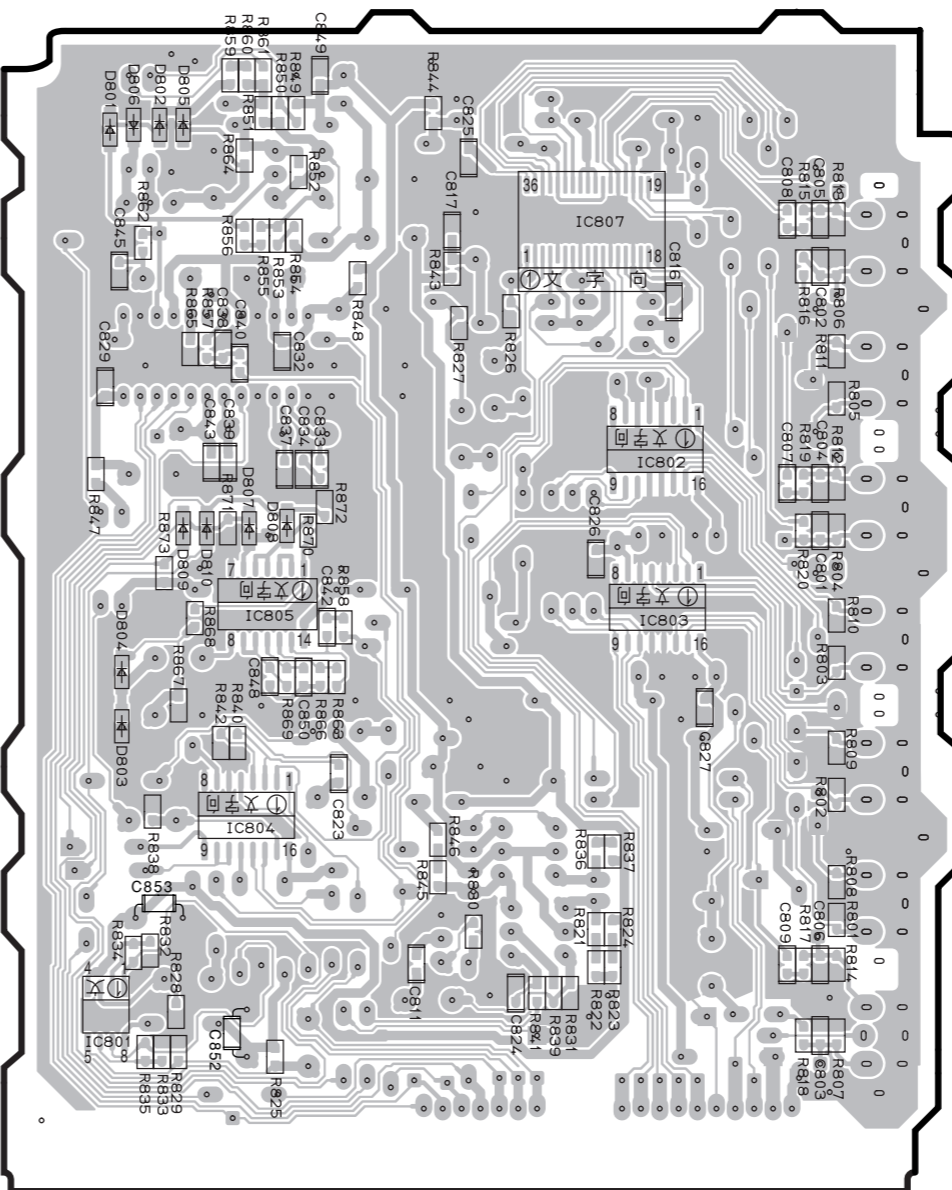
X: NOT USED
O: USED / APPLICABLE

PRINTED CIRCUIT BOARD (Foil side) RX-V730/RX-V730RDS

FUNCTION (5) P. C. B. (Lead Type Device)

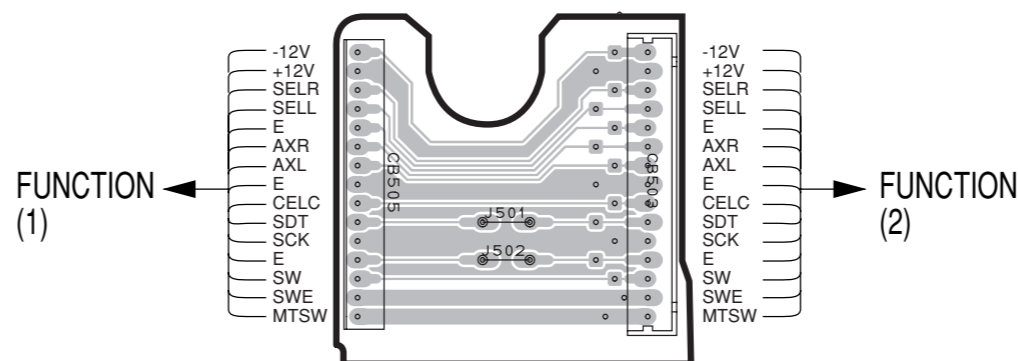


FUNCTION (5) P. C. B. (Surface Mount Device)



FUNCTION (6) P. C. B.

(Lead Type Device)



Semiconductor Location

Ref. No.	Location
IC802	G3
IC803	G3
IC807	G2

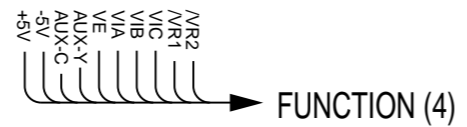
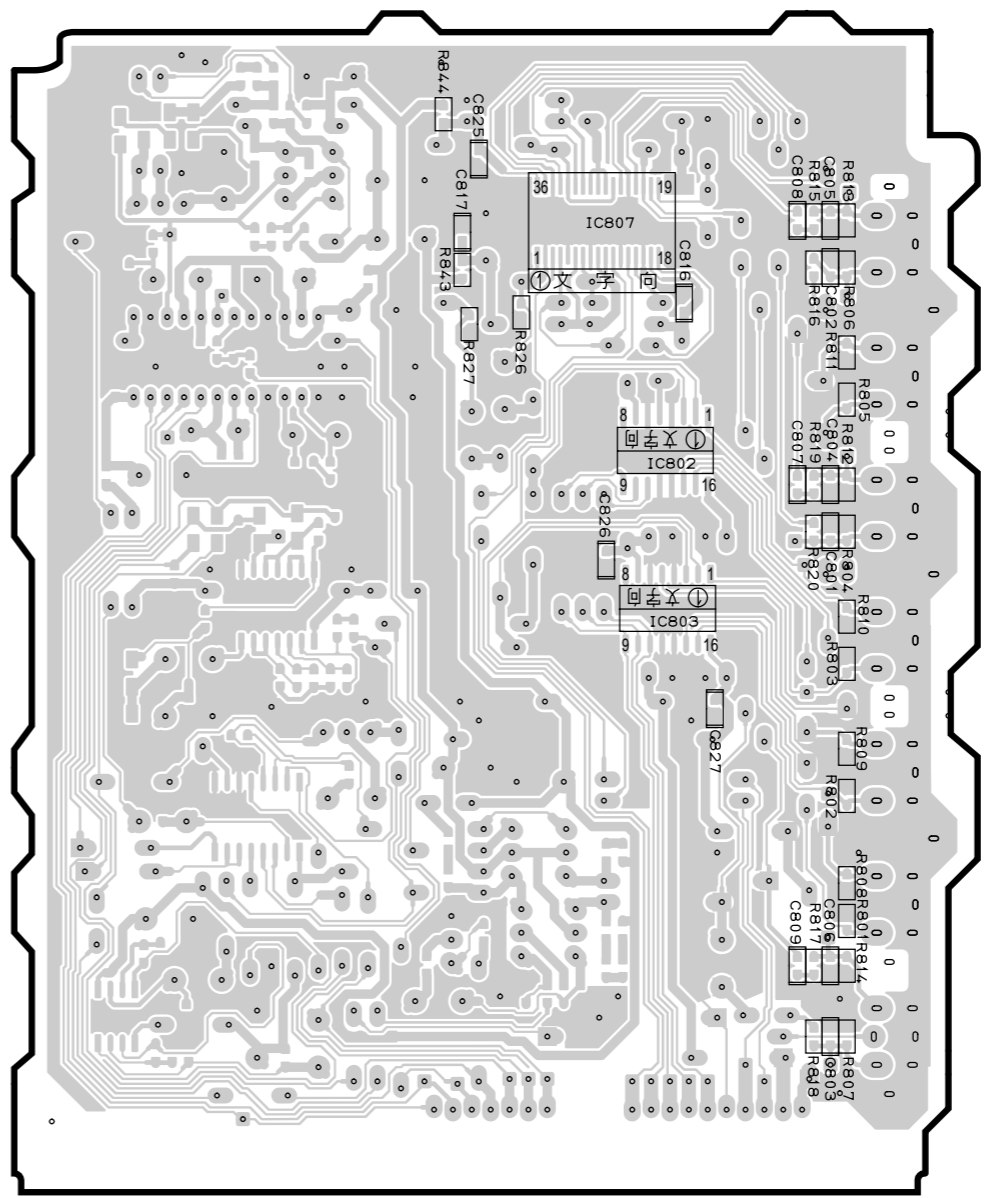
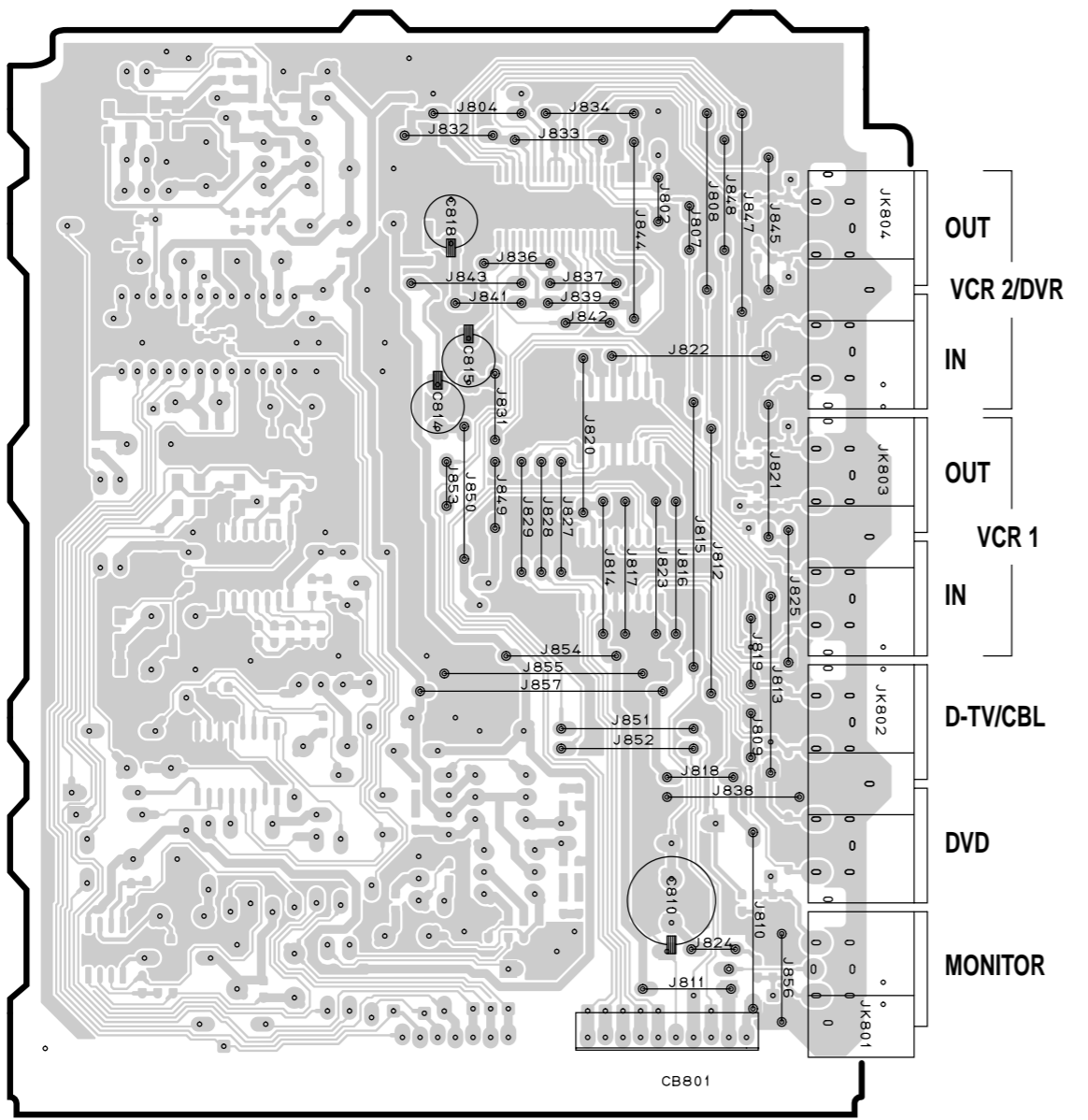
Circuit No.	U, C, K	R, T	B, G	A, L
C502, 503	X	X	O	O
C575-583, 590	X	X	O	X
L571	X	X	O	X
Q572, 574	X	X	O	X
R575-580, 582, 583	X	X	O	X
IC571	X	X	O	X
SW571	X	O	X	X
XL571	X	X	O	X

X: NOT USED
 O: USED / APPLICABLE

1 ■ PRINTED CIRCUIT BOARD (Foil side) RX-V630/RX-V630RDS/HTR-5560/HTR-5560RDS/DSP-AX630/DSP-AX630SE

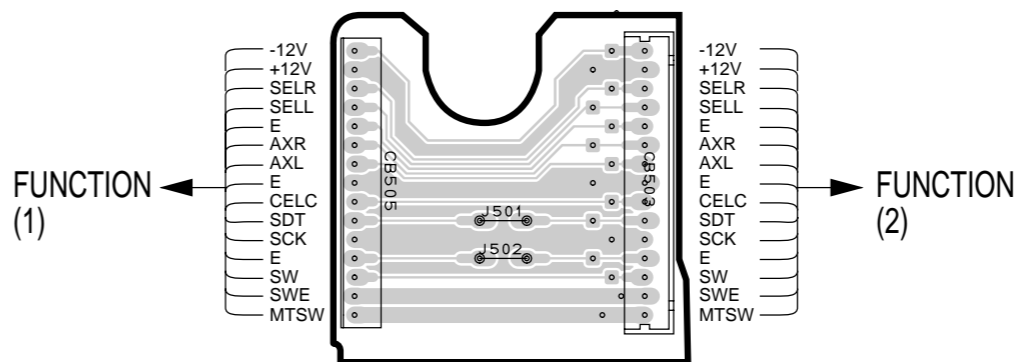
FUNCTION (5) P. C. B. (Lead Type Device)

FUNCTION (5) P. C. B. (Surface Mount Device)



FUNCTION (6) P. C. B.

(Lead Type Device)



7 • Semiconductor Location

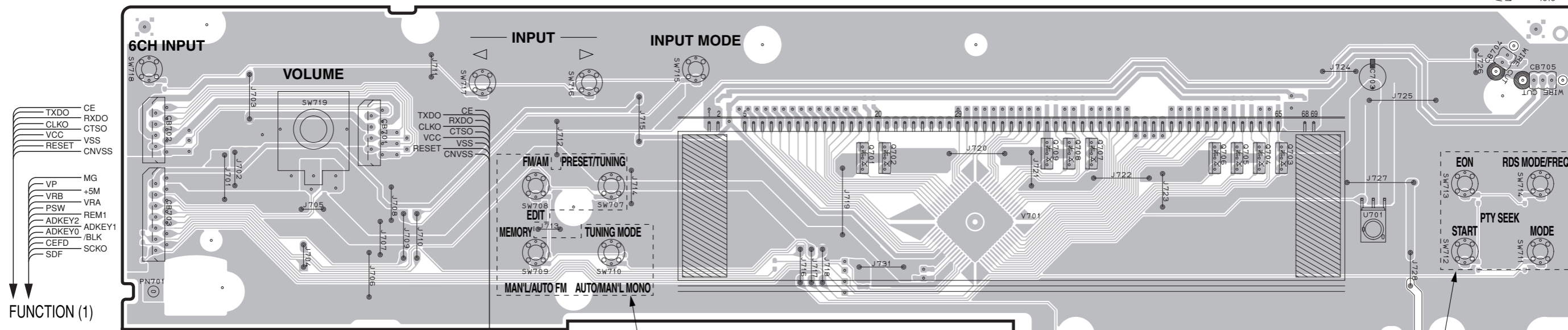
Ref. No.	Location
IC802	G3
IC803	G3
IC807	G2

Circuit No.	J, U, C, K	R, T	B, G	A, L
C502, 503	X	X	O	O
C575-583, 590	X	X	O	X
L571	X	X	O	X
Q572, 574	X	X	O	X
R575-580, 582, 583	X	X	O	X
IC571	X	X	O	X
SW571	X	O	X	X
XL571	X	X	O	X

X: NOT USED
O: USED / APPLICABLE

PRINTED CIRCUIT BOARD (Foil side)

OPERATION (1) P. C. B. (Lead Type Device)



TXDO
RXDO
CLKO
CTSO
VCC
VSS
CNVSS
RESET
CE

VP
VRB
PSW
ADKEY2
ADKEY0
CEFD
SDF
MG
+5M
VRA
REM1
/BLK
SCKO

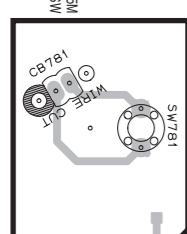
FUNCTION (1)

OPERATION (3)
OPERATION (2)

OPERATION (2) P. C. B. (Lead Type Device)

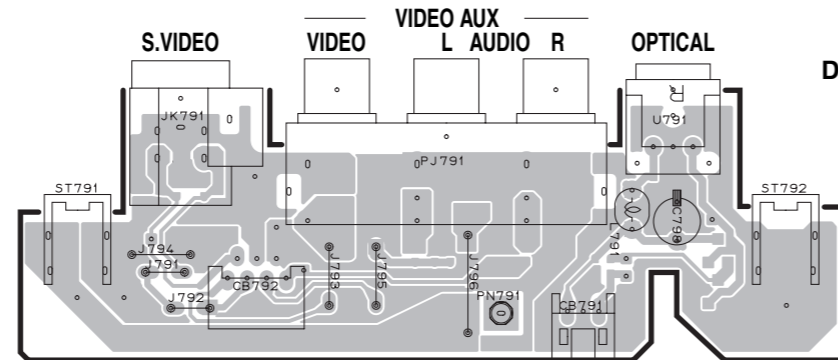
Flash μ -COM Write Connector

OPERATION (1)



STANDBY /ON

OPERATION (4) P. C. B. (Lead Type Device)



S.VIDEO
VIDEO
VIDEO AUX L
AUDIO R
OPTICAL
DSP

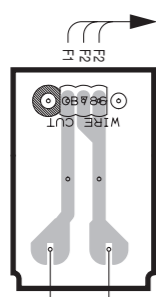
FUNCTION (1)

DSP-AX630SE NEXT + SET MENU -

except DSP-AX630SE
: RX-V730RDS/RX-V630RDS/
HTR-5560RDS only

OPERATION (3) P. C. B. (Lead Type Device)

OPERATION (1)



Power Transformer

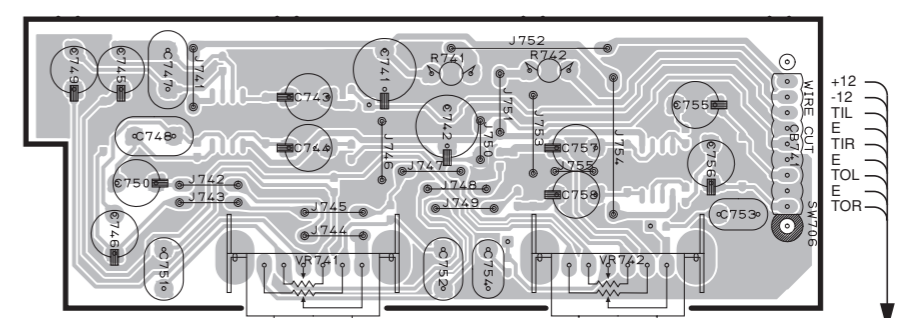
• Semiconductor Location

Ref. No.	Location
Q701	F2
Q702	F2
Q703	H2
Q704	H2
Q705	H2
Q706	H2
Q707	G2
Q708	G2
Q709	G2

Circuit No.	J, U, C, R, T, K, A, L	B, G
SW711-714	X	O

X: NOT USED
O: USED / APPLICABLE

OPERATION (5) P. C. B. (Lead Type Device)



BASS

TREBLE

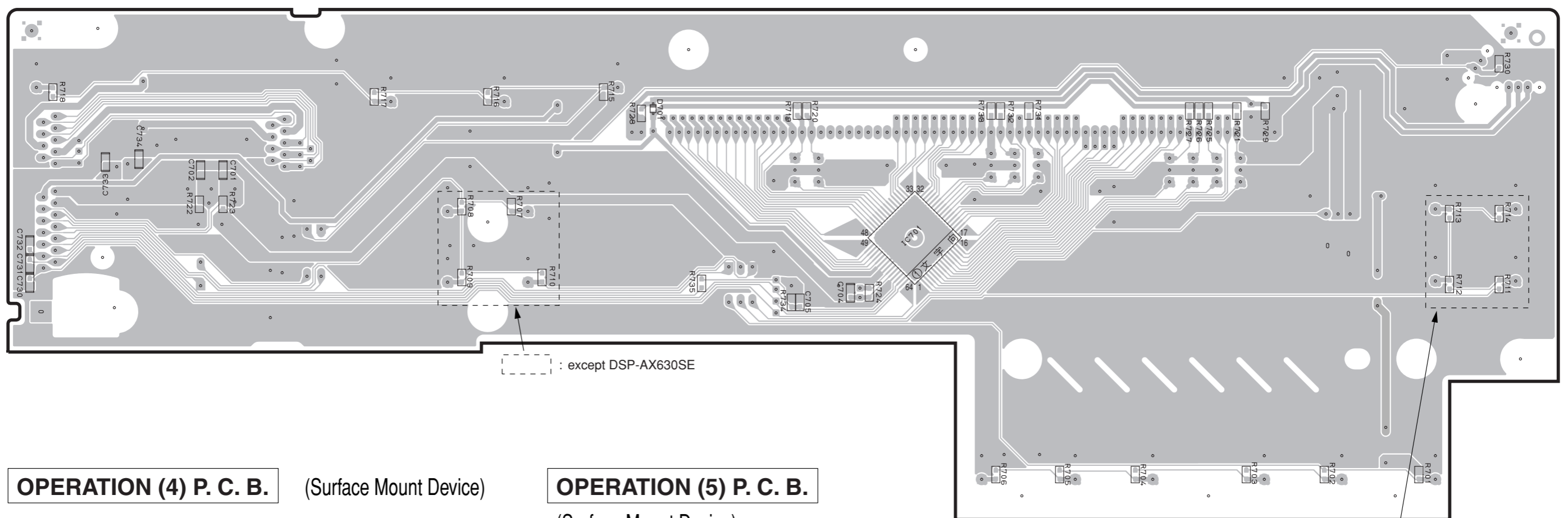
FUNCTION (1)

Circuit No.	J, U, C, R, T, K, A, L	B, G
R711-714	X	O

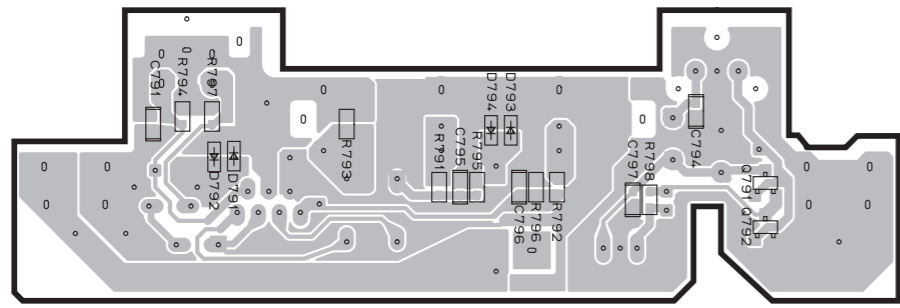
X: NOT USED
O: USED / APPLICABLE

1 ■ PRINTED CIRCUIT BOARD (Foil side)

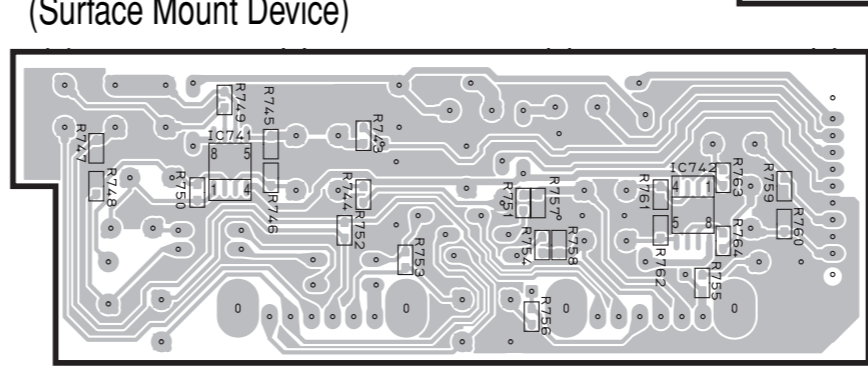
OPERATION (1) P. C. B. (Surface Mount Device)



OPERATION (4) P. C. B. (Surface Mount Device)



OPERATION (5) P. C. B. (Surface Mount Device)



: except DSP-AX630SE

6 • Semiconductor Location

Ref. No.	Location
D701	E2
D791	B5
D792	A5
D793	B5
D794	B5
IC701	F3
IC741	E5
IC742	F5
Q791	C5
Q792	C5

1 ■ PRINTED CIRCUIT BOARD (Foil side)

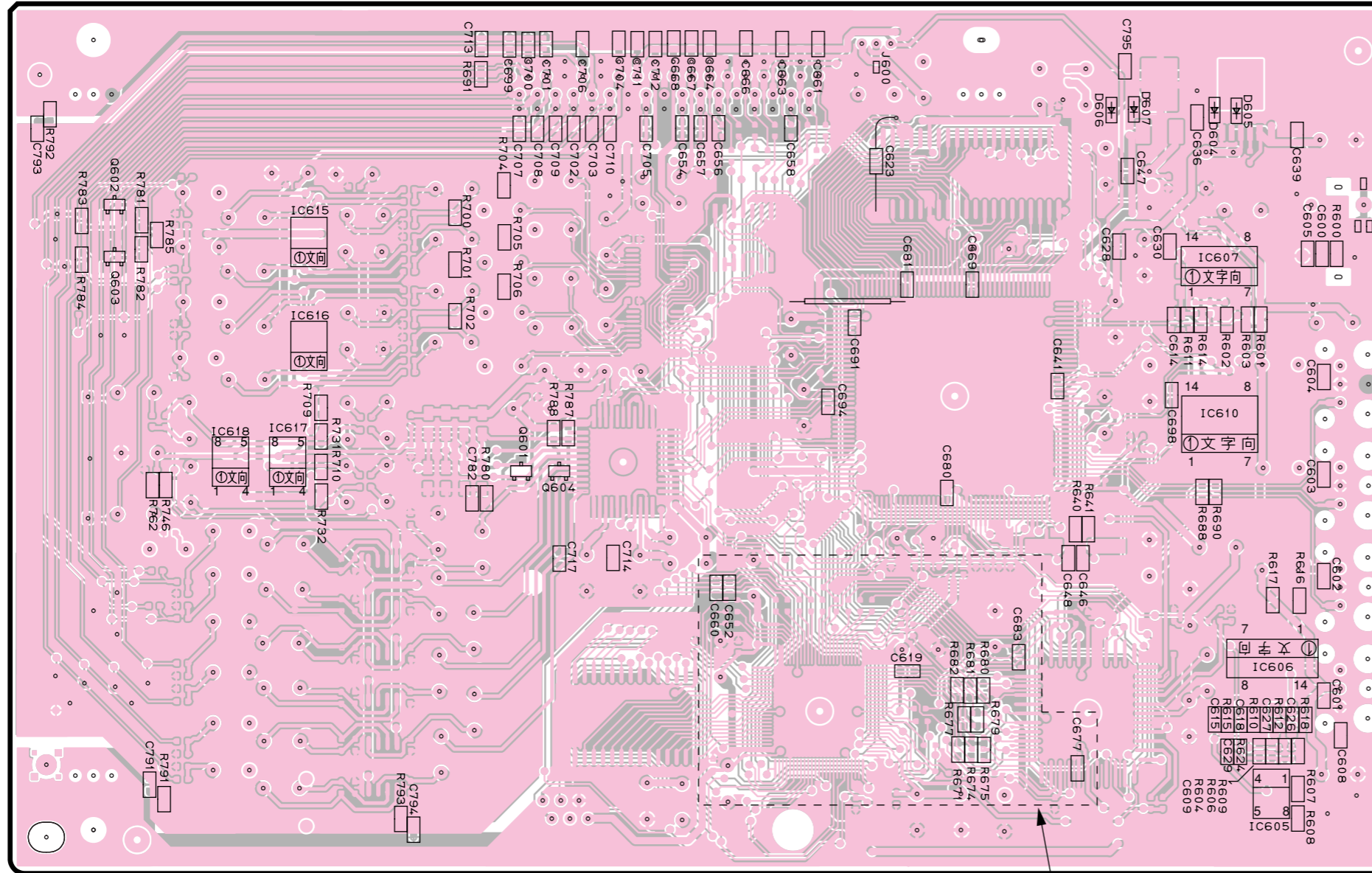
DSP P. C. B. (Surface Mount Device)

• Semiconductor Location

Ref. No.	Location
D604	F2
D605	F2
D606	F2
D607	F2
IC605	G5
IC606	G5
IC607	F3
IC610	F4
IC615	B3
IC616	B3
IC617	B4
IC618	B4
Q601	C4
Q602	A3
Q603	A3
Q604	C4

Circuit No.	J	U, C, R, T, K, A, B, G
IC612	X	○
J601	X	○
R668	X	○

X: NOT USED
○: USED / APPLICABLE

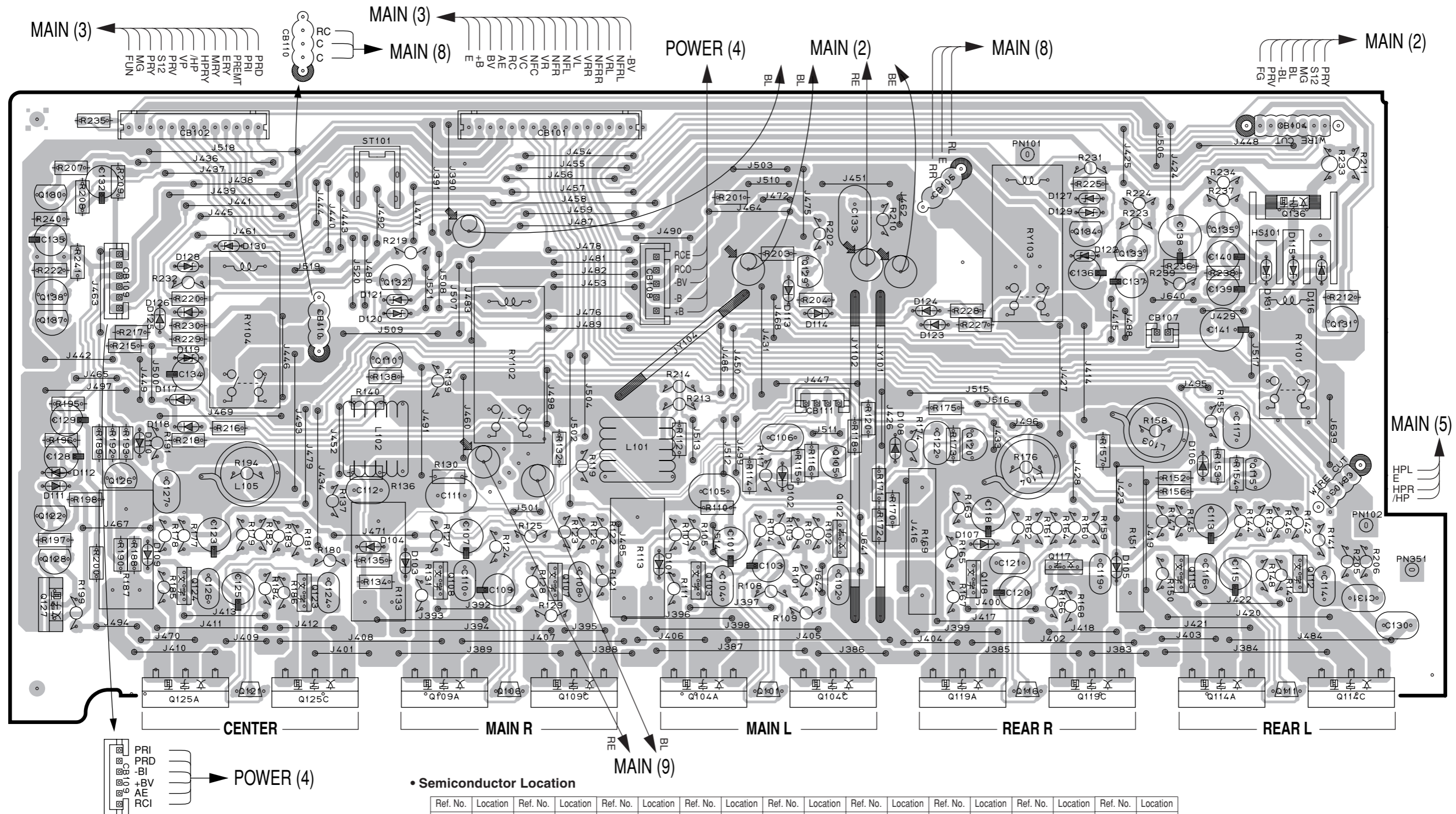


⋯ : J model only

1
2
3
4
5
6
7

PRINTED CIRCUIT BOARD (Foil side)

MAIN (1) P. C. B. (Lead Type Device)



• Semiconductor Location

Ref. No.	Location	Ref. No.	Location	Ref. No.	Location	Ref. No.	Location	Ref. No.	Location	Ref. No.	Location	Ref. No.	Location	Ref. No.	Location
D101	E5	D110	B4	D119	B4	D128	B3	Q105	F4	Q113	H5	Q120	G4	Q128	A5
D102	F4	D111	A4	D120	C3	D129	G3	Q106	D6	Q114A	H6	Q121	B6	Q129	F3
D103	C5	D112	A4	D121	C3	D130	B3	Q107	D5	Q114C	I6	Q122	A5	Q130	A3
D104	C5	D113	F3	D122	G3	D131	H3	Q108	D5	Q115	H4	Q123	C5	Q131	I3
D105	H5	D114	F3	D123	F3	Q101	E6	Q109A	D6	Q116	G6	Q124	B5	Q132	C3
D106	H4	D115	I3	D124	F3	Q102	F5	Q109C	D6	Q117	G5	Q125A	B6	Q133	H3
D107	G5	D116	I3	D125	B3	Q103	E5	Q110	C4	Q118	G5	Q125C	C6	Q134	G3
D108	F4	D117	B4	D126	B3	Q104A	E6	Q111	I6	Q119A	G6	Q126	B4	Q135	H3
D109	B5	D118	B4	D127	G3	Q104C	F6	Q112	I5	Q119C	G6	Q127	A5	Q136	I3

Circuit No.	J	U, C	R, T, K, A	B, G, L
C138-141	X	X	O	O
CB107	X	X	O	O
D131	X	X	O	O
HS101	X	X	O	O
Q135, 136	X	X	O	O
R233-239	X	X	O	O

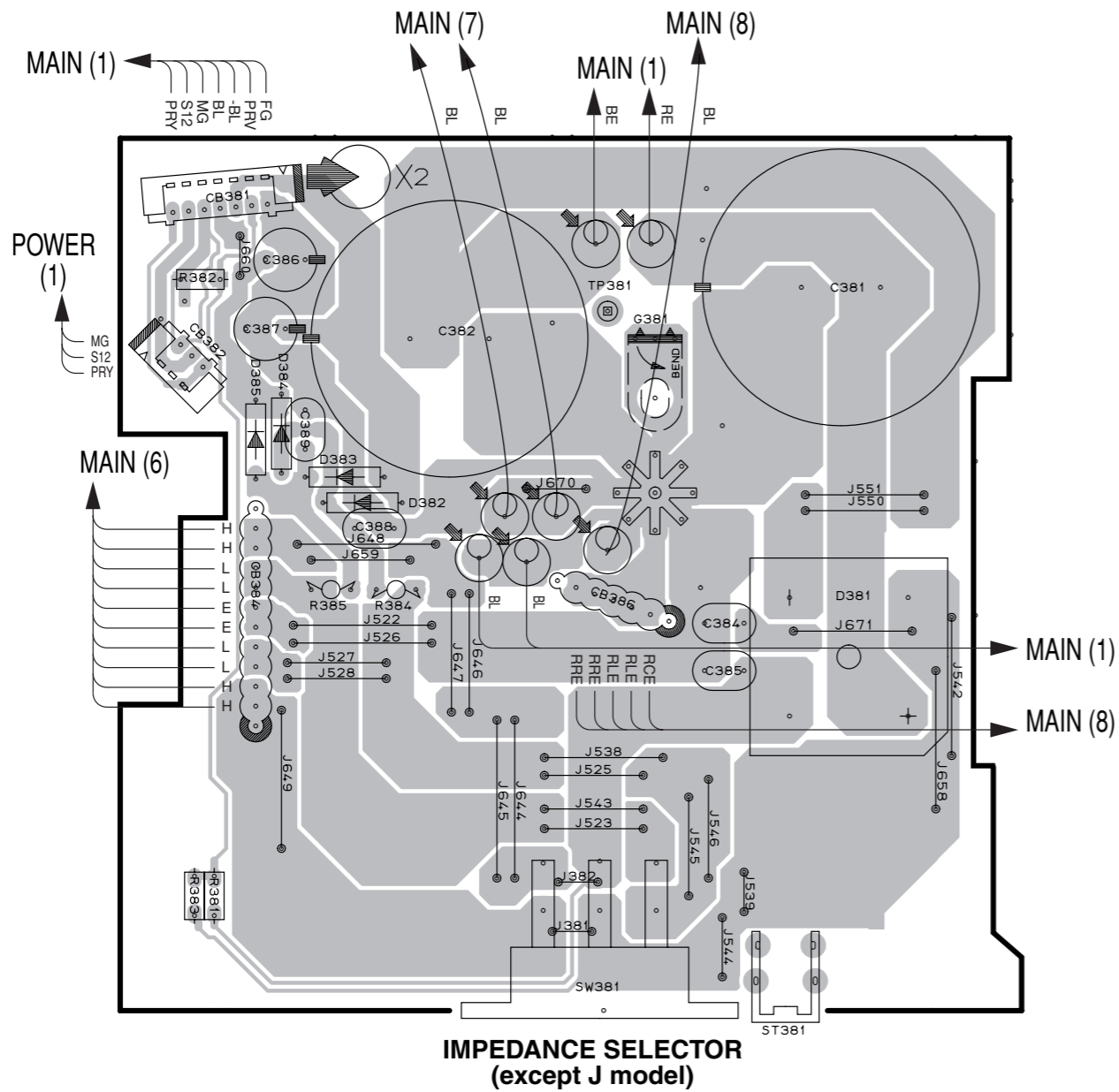
X: NOT USED
O: USED / APPLICABLE

Circuit No.	J	U, C	R, T, K, A	B, G, L
D253	X	O	O	O
J381, 382	O	X	X	X
Q251	X	O	O	O
R252, 253	X	O	O	O
SW381	X	O	O	O

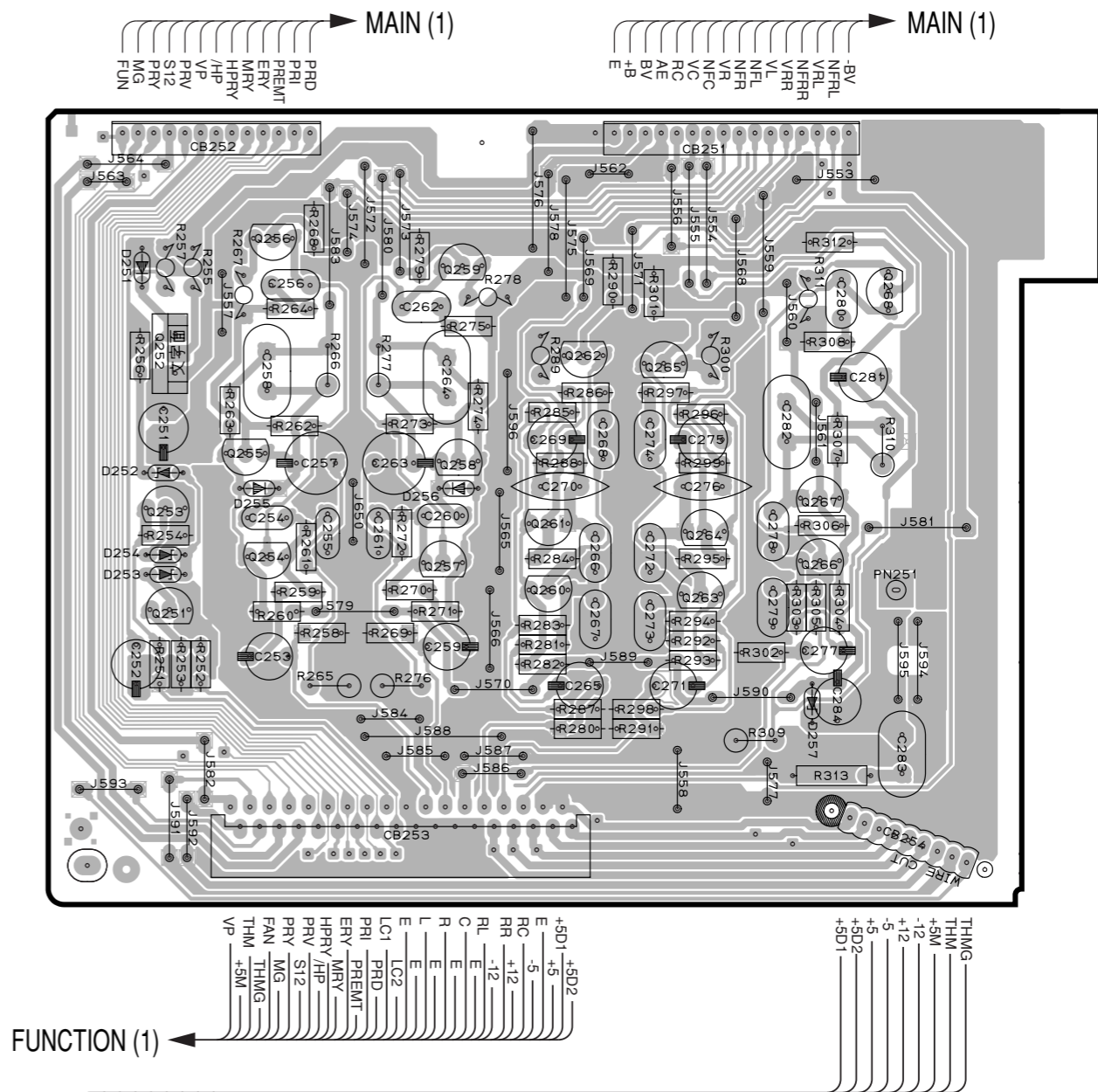
X: NOT USED
O: USED / APPLICABLE

1 ■ PRINTED CIRCUIT BOARD (Foil side)

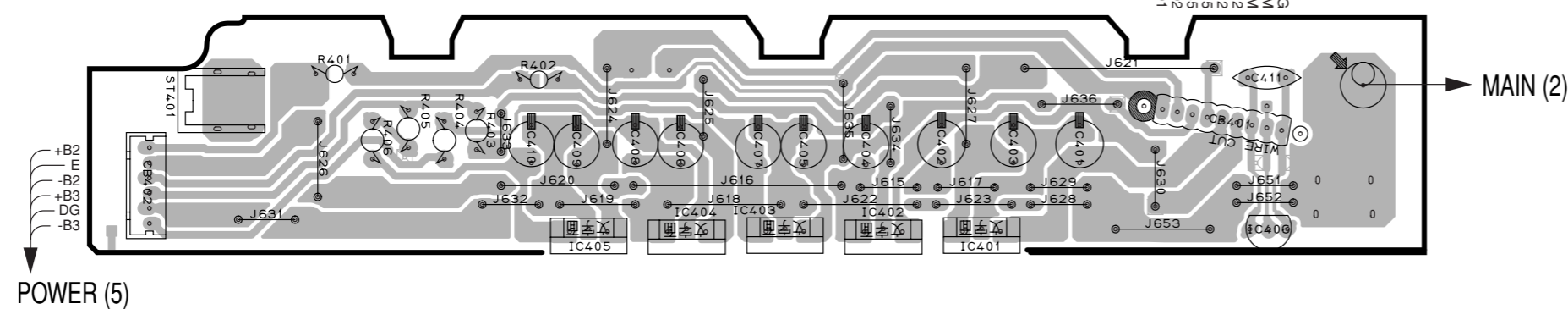
MAIN (2) P. C. B. (Lead Type Device)



MAIN (3) P. C. B. (Lead Type Device)



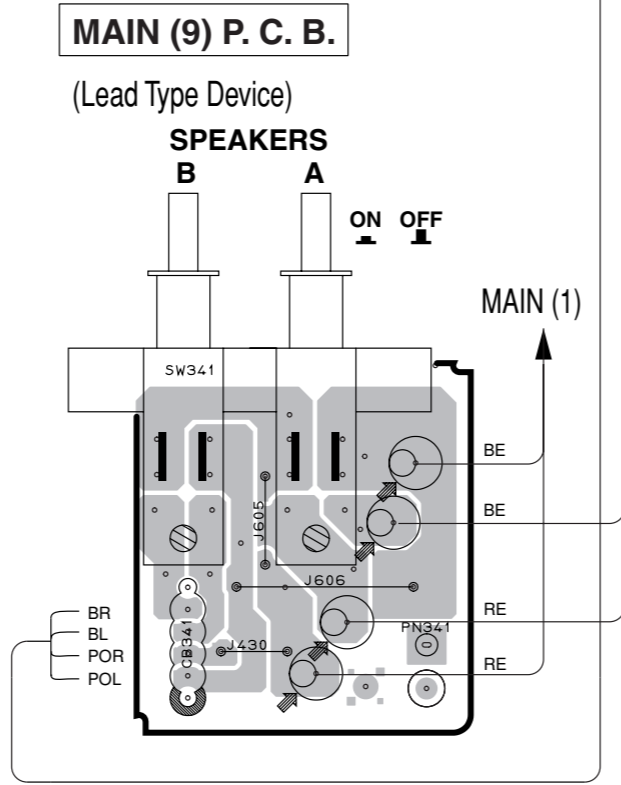
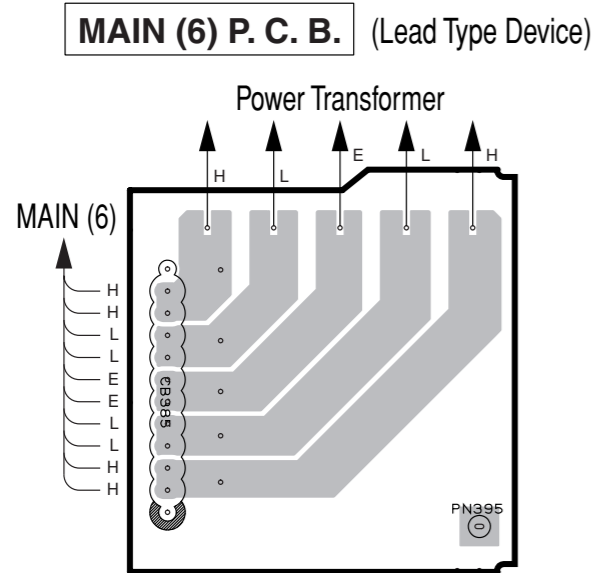
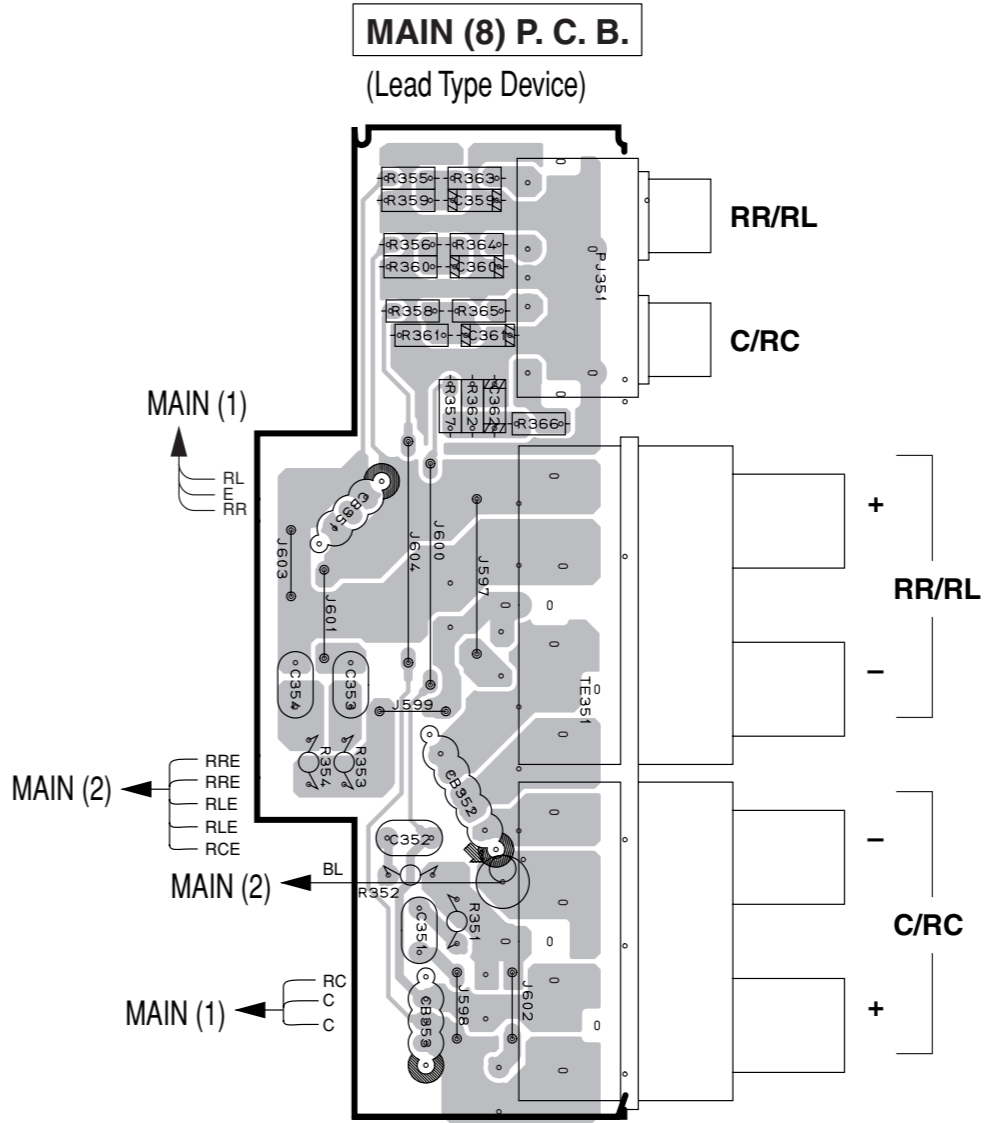
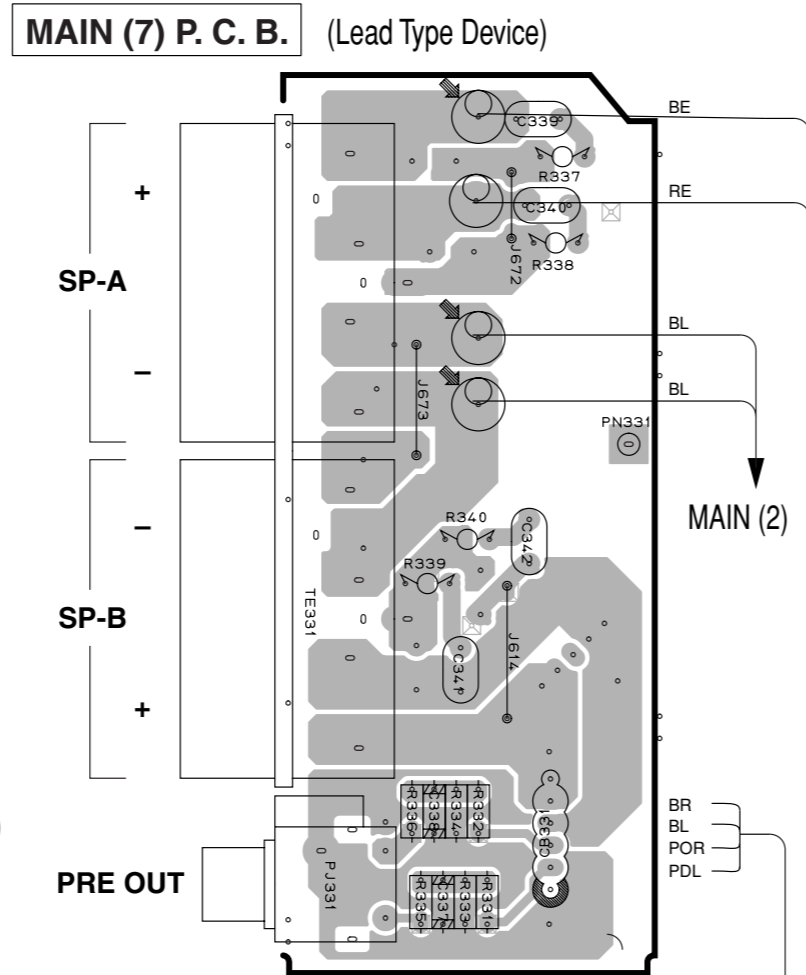
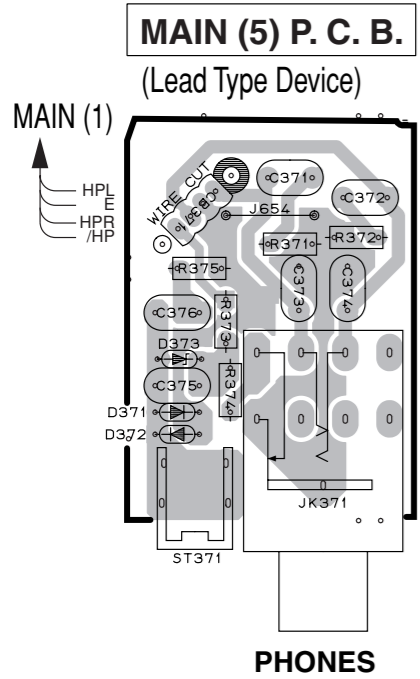
MAIN (4) P. C. B. (Lead Type Device)



• Semiconductor Location

Ref. No.	Location	Ref. No.	Location	Ref. No.	Location	Ref. No.	Location	Ref. No.	Location
D251	F3	D382	B3	IC406	F7	Q259	G3	Q268	I3
D252	F3	D383	B3	Q251	F4	Q260	G4		
D253	F4	D384	B3	Q252	F3	Q261	G4		
D253	F4	D385	B3	Q253	F3	Q262	H3		
D254	F3	IC401	E7	Q254	F4	Q263	H4		
D255	F3	IC402	E7	Q255	F3	Q264	H4		
D256	G3	IC403	D7	Q256	F2	Q265	H3		
D257	H4	IC404	D7	Q257	G4	Q266	H4		
D381	D4	IC405	C7	Q258	G3	Q267	H3		

1 ■ PRINTED CIRCUIT BOARD (Foil side)



• Semiconductor Location

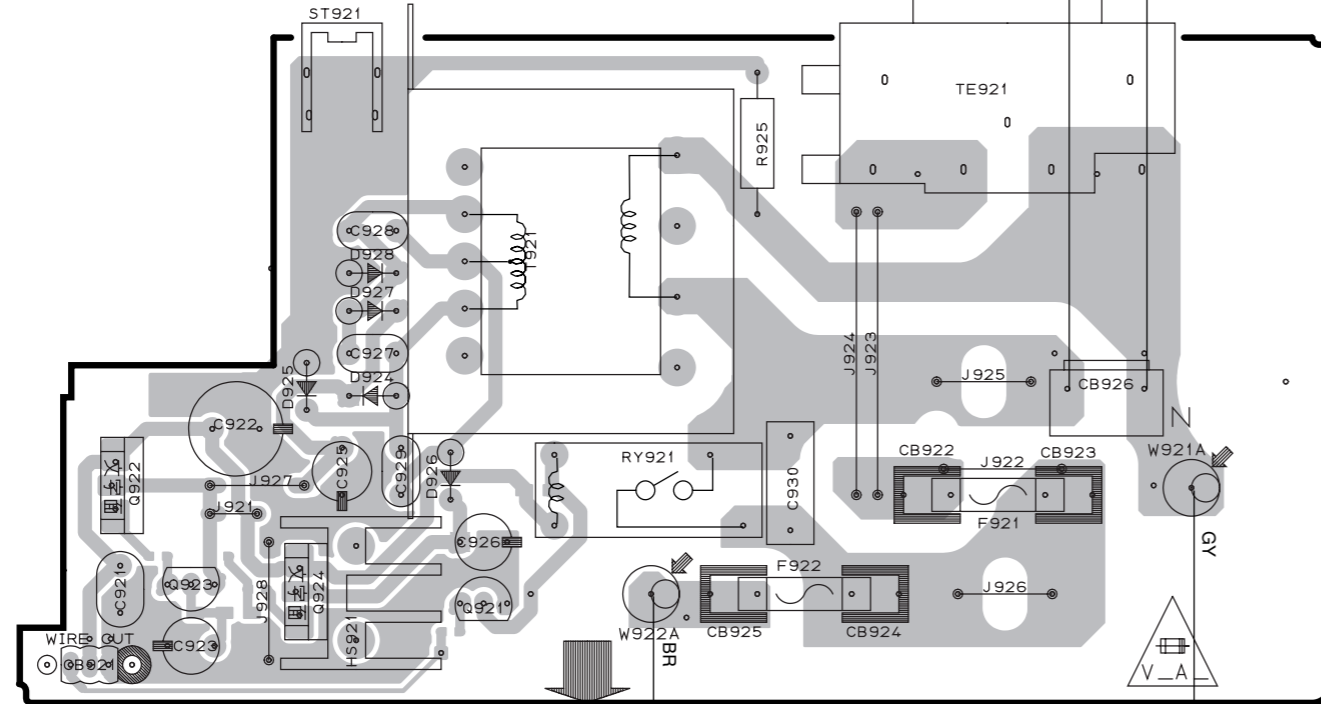
Ref. No.	Location
D371	A3
D372	A3
D373	A2

Circuit No.	J	U, C	R, T, K, A	B, G, L
C331-334, 355-358, 371-374, 376	X	X	O	O
R371, 372, 375	X	X	O	O

X: NOT USED
 O: USED / APPLICABLE

1 ■ PRINTED CIRCUIT BOARD (Foil side)

POWER (1) P. C. B. (Lead Type Device)



AC Power Cord

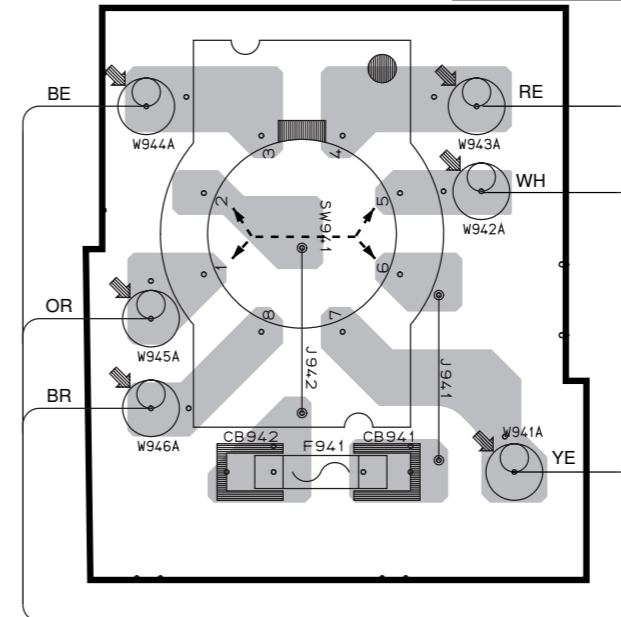
POWER (2) P. C. B.

(Lead Type Device)

R, T models

VOLTAGE SELECTOR

240V	1-2/5-6
220V	2-3/6-7
110V	3-4/7-8
120V	4-5/8-1



Circuit No.	J	U, C	R, T	K	A	B	G, L
C923, 926, 928, 929	X	X	O	X	X	X	X
C927	O	O	X	O	O	O	O
CB922, 923	X	X	X	X	X	X	O
CB941, 942	X	X	O	X	X	X	X
D922, 923, 925, 926	X	X	O	X	X	X	X
F921	X	X	X	X	X	X	O
F941	X	X	O	X	X	X	X
HS921	X	X	O	X	X	X	X
R922-924	X	X	O	X	X	X	X
SW941	X	X	O	X	X	X	X
TE921	O	O	O	X	O	O	O
J921	O	O	X	O	O	O	O
J922	O	O	O	X	O	O	X
J923, 941, 942	X	X	O	X	X	X	X
Q922, 924	X	X	O	X	X	X	X
R925	X	O	X	X	X	X	X
W941-946	X	X	O	X	X	X	X
W947	X	X	X	O	X	X	X

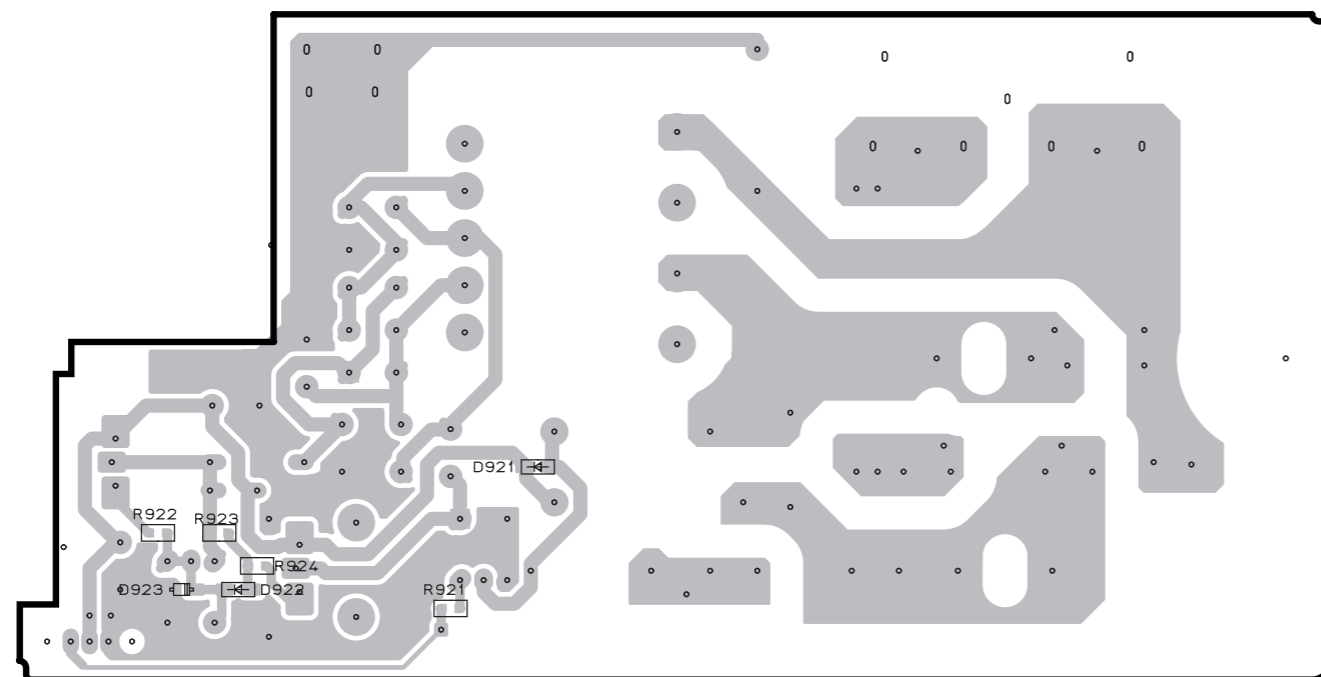
X: NOT USED
O: USED / APPLICABLE

• Semiconductor Location

Ref. No.	Location
D921	C6
D922	B7
D923	B7
D924	B3
D925	B3
D926	C3
D927	B3
D928	B3
Q921	C4
Q922	B3
Q923	B4
Q924	B4

MAIN (2)

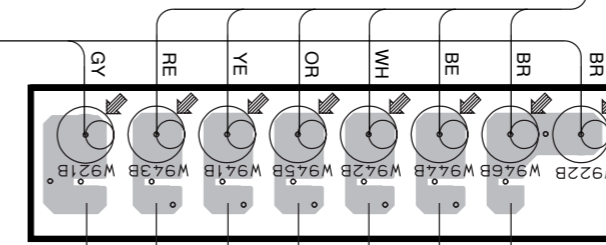
POWER (1) P. C. B. (Surface Mount Device)



POWER (3) P. C. B.

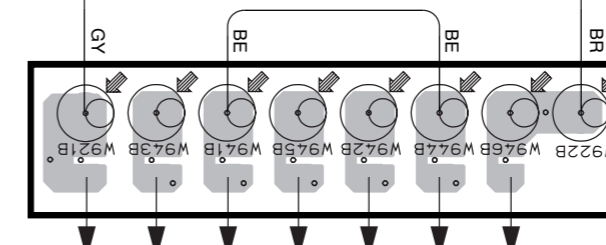
(Lead Type Device)

R, T models



Power Transformer

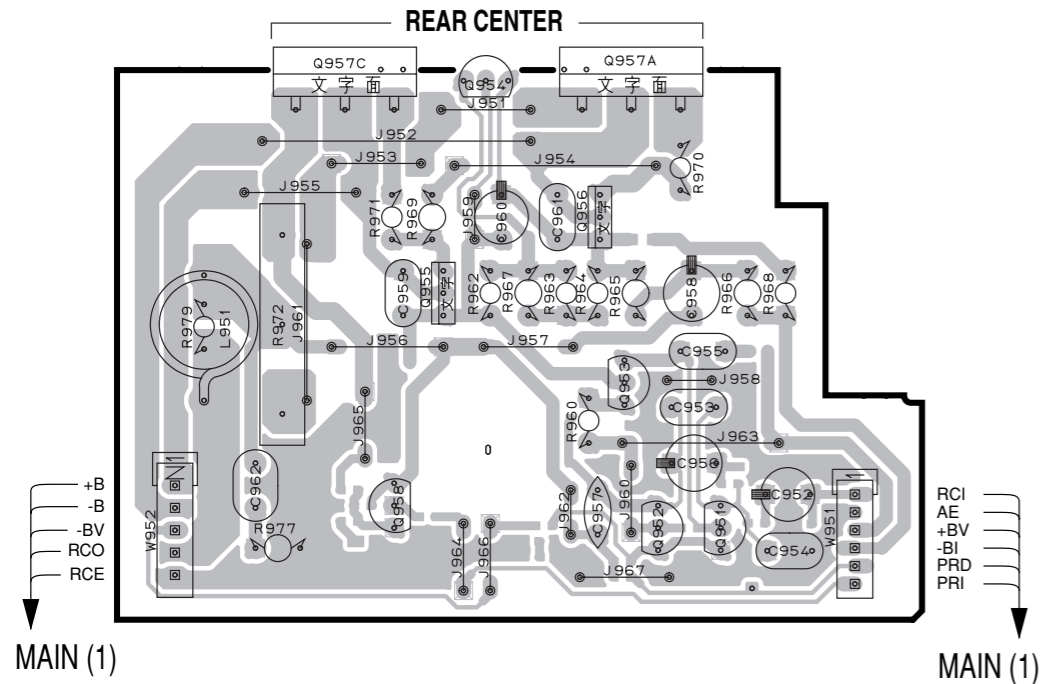
U, C, A, B, G, L, K, J models



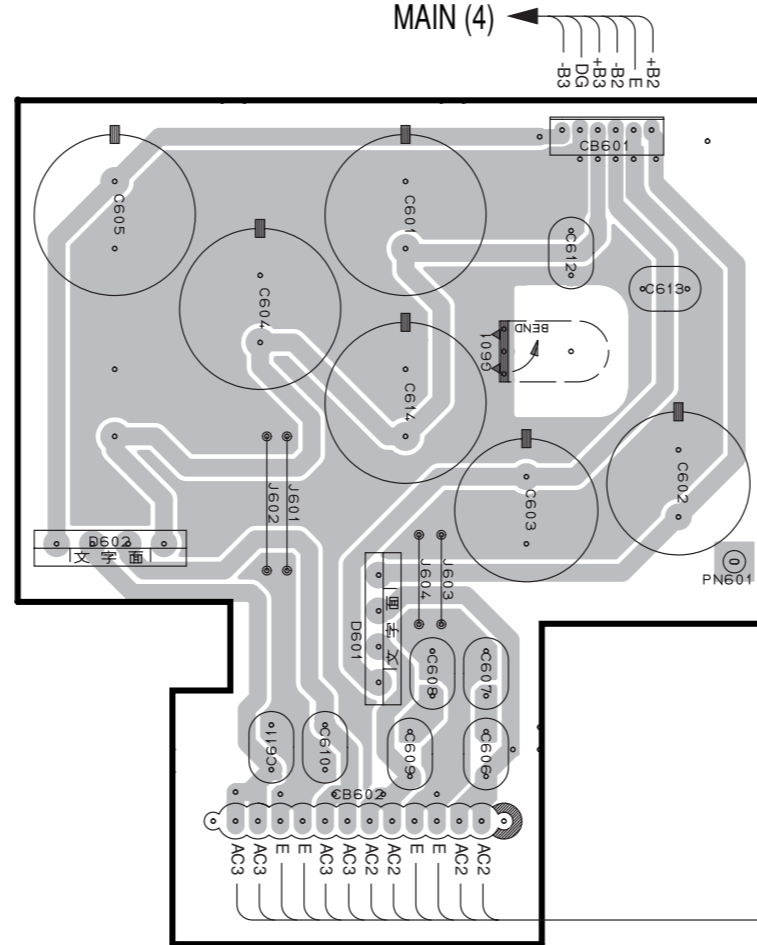
Power Transformer

PRINTED CIRCUIT BOARD (Foil side)

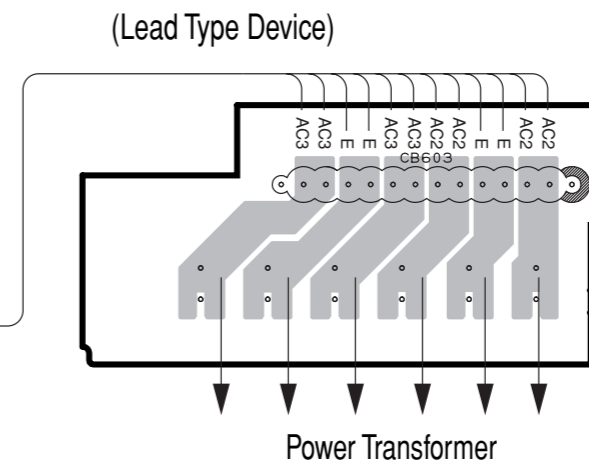
POWER (4) P. C. B. (Lead Type Device)



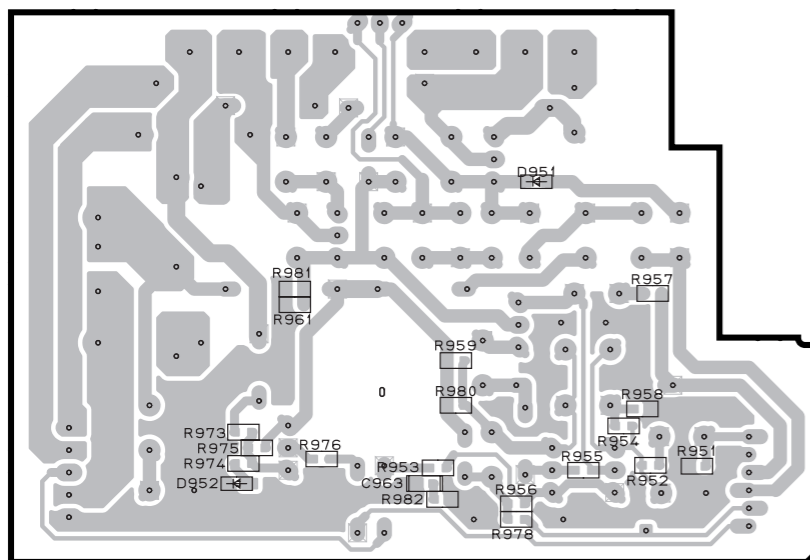
POWER (5) P. C. B. (Lead Type Device)



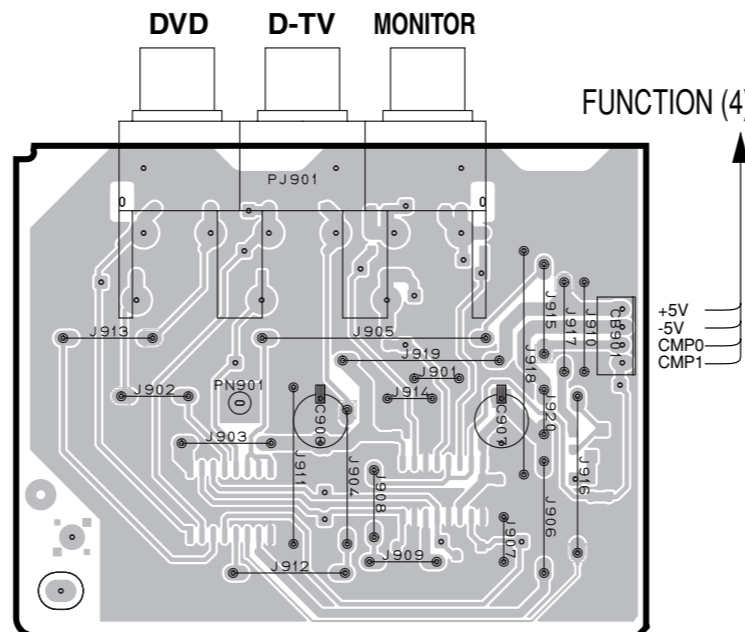
POWER (6) P. C. B. (Lead Type Device)



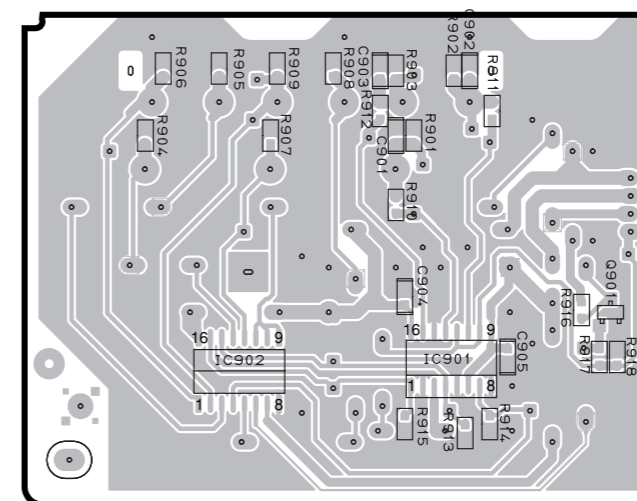
POWER (4) P. C. B. (Surface Mount Device)



POWER (8) P. C. B. (Lead Type Device)



POWER (8) P. C. B. (Surface Mount Device)



• Semiconductor Location

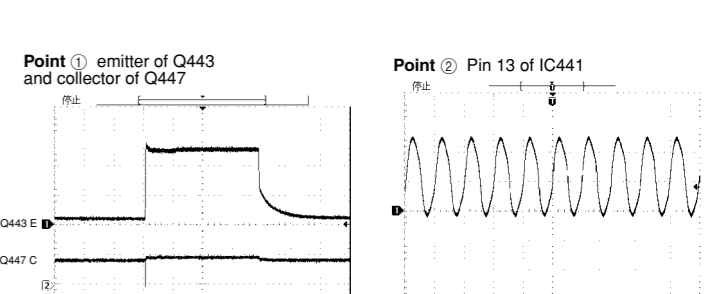
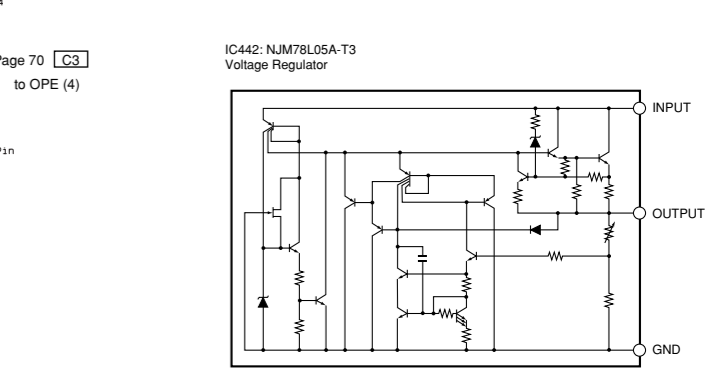
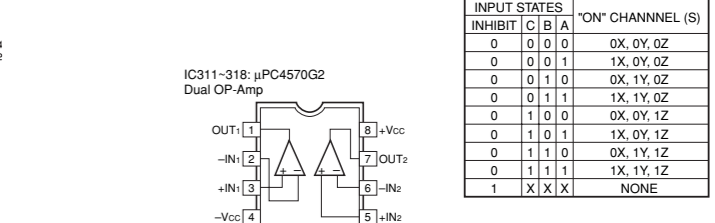
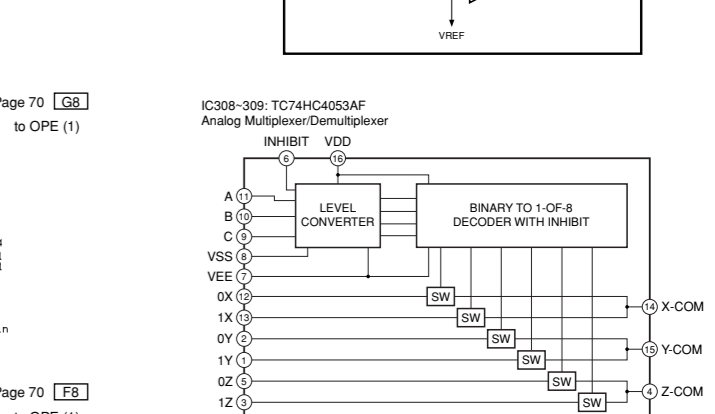
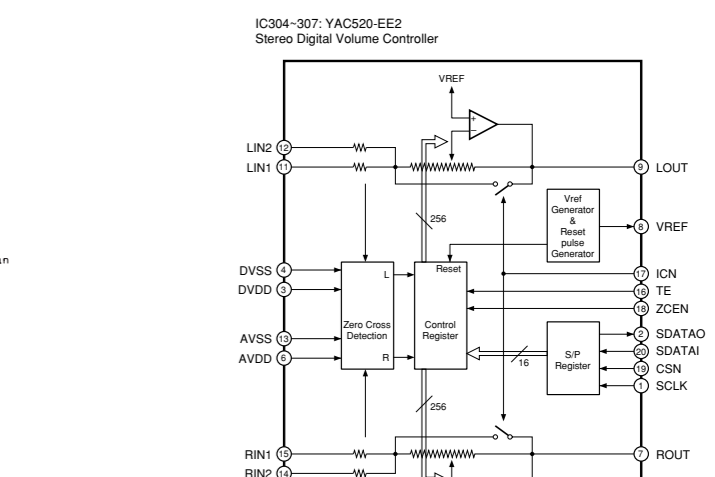
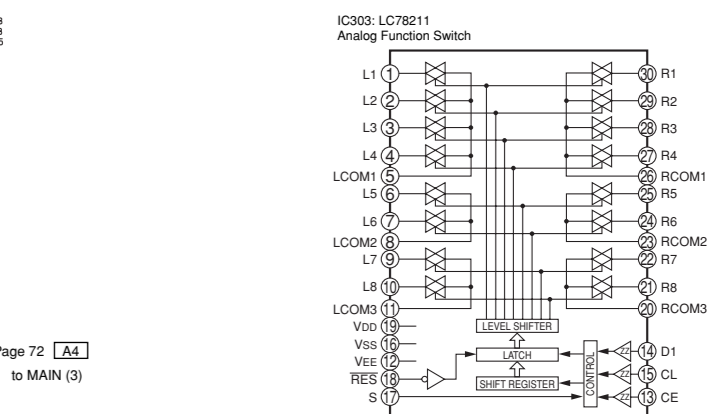
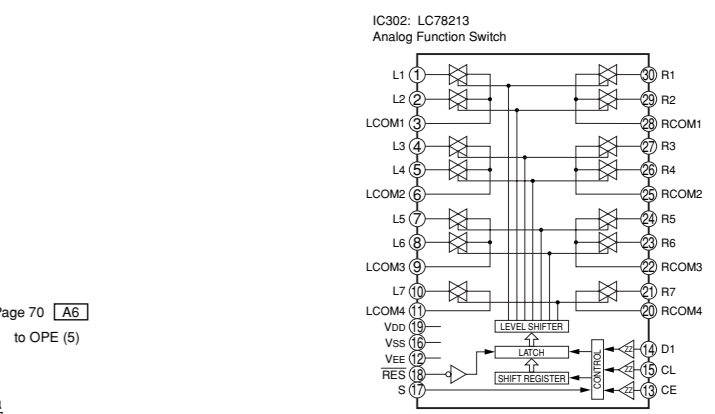
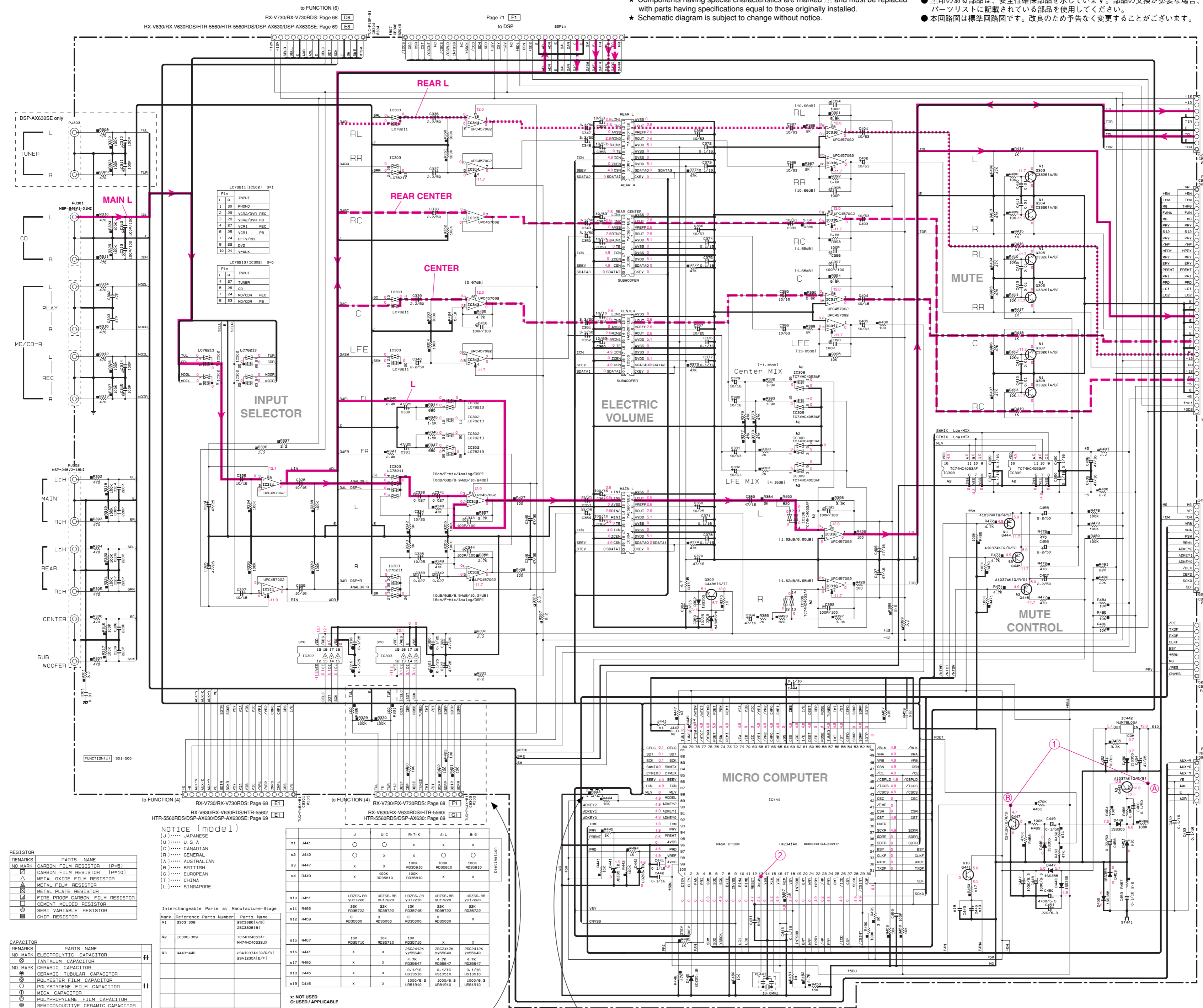
Ref. No.	Location
D601	E3
D602	E3
D951	C5
D952	B6
IC901	H7
IC902	H7
Q901	I6
Q951	C3
Q952	C3
Q953	C3
Q954	B2
Q955	B2
Q956	C2
Q957A	C2
Q957C	B2
Q958	B3

SCHEMATIC DIAGRAM (FUNCTION 1/2)

RX-V730/RX-V730RDS/RX-V630/RX-V630RDS
HTR-5560/HTR-5560RDS/DSP-AX630/DSP-AX630SE

* All voltages are measured with a 10MΩ/V DC electric volt meter.
* Components having special characteristics are marked with a triangle and must be replaced with parts having specifications equal to those originally installed.
* Schematic diagram is subject to change without notice.

● 電圧は、内部抵抗10MΩの電圧計で測定したものです。
● 三角形印のある部品は、安全性確保部品を示しています。部品の交換が必要な場合、パーツリストに記載されている部品を使用してください。
● 本回路図は標準回路図です。改良のため予告なく変更することがございます。



RESISTOR

REMARKS	PARTS NAME
NO MARK	CARBON FILM RESISTOR (P=5)
△	CARBON FILM RESISTOR (P=10)
□	METAL OXIDE FILM RESISTOR
◇	METAL FILM RESISTOR
○	METAL PLATE RESISTOR
▽	FILM PROOF CARBON FILM RESISTOR
■	CEMENT MOUNTED RESISTOR
●	SEMI-VARIABLE RESISTOR
◎	CHIP RESISTOR

CAPACITOR

REMARKS	PARTS NAME
NO MARK	ELECTROLYTIC CAPACITOR
□	TANTALUM CAPACITOR
○	CERAMIC CAPACITOR
◇	CERAMIC TUBULAR CAPACITOR
△	POLYESTER FILM CAPACITOR
◎	POLYSTYRENE FILM CAPACITOR
○	MICA CAPACITOR
◇	POLYPROPYLENE FILM CAPACITOR
●	SEMICONDUCTIVE CERAMIC CAPACITOR

NOTICE (model)

(J)..... JAPANESE
(U)..... U.S.A
(C)..... CANADIAN
(R)..... GENERAL
(A)..... AUSTRALIAN
(B)..... BRITISH
(G)..... EUROPEAN
(T)..... CHINA
(L)..... SINGAPORE

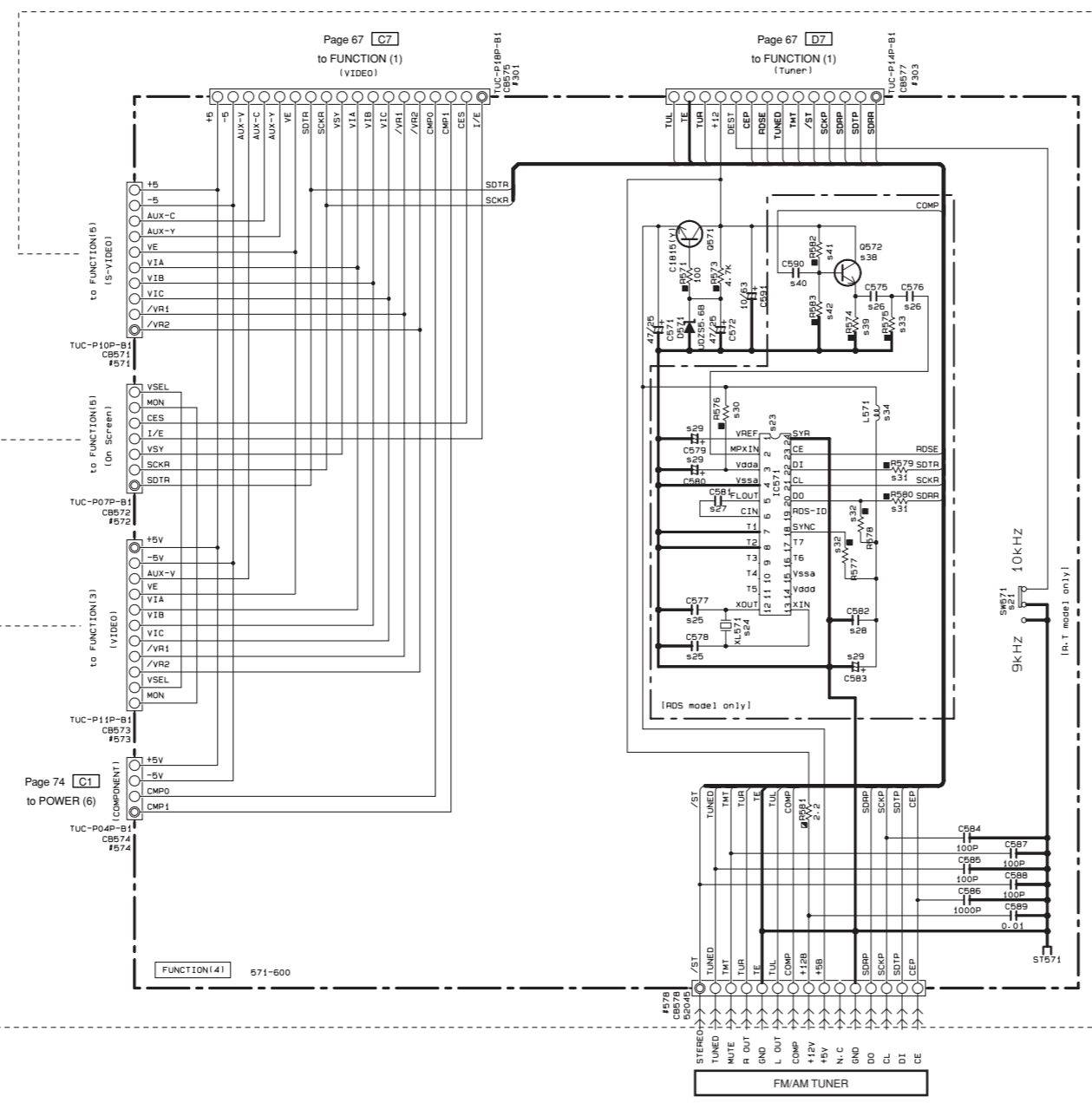
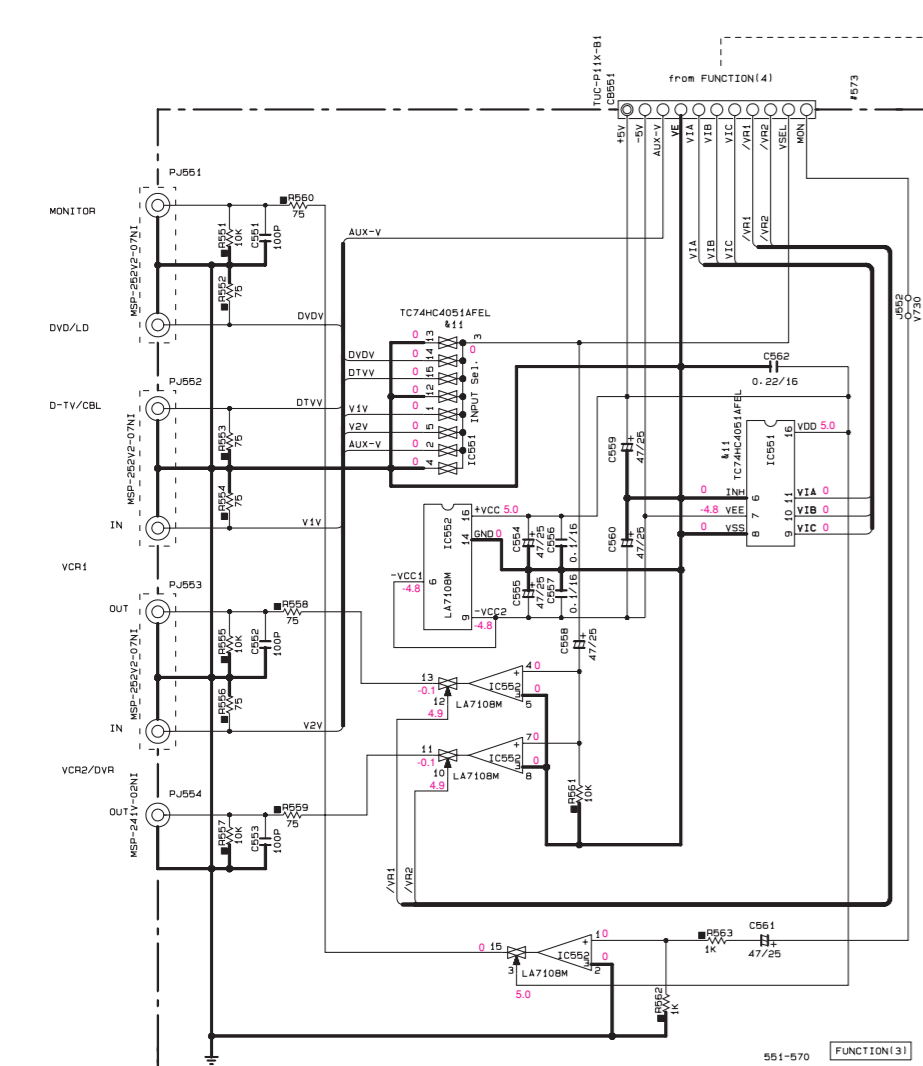
Interchangeable Parts at Manufacture-Stage

Max. Reference Parts Number	Parts Name
41	Q303-308 2SC3281A/R1 2SC3281B
42	IC308-309 TC74HC4053AF MH74HC4053JX
43	Q443-446 2SA1037A10/R/S1 2SA1128A1E/P1

	J	U.C	R.T.K	A-L	B.G
41	○	○	○	○	○
42	○	○	○	○	○
43	○	○	○	○	○
44	○	○	○	○	○
45	○	○	○	○	○
46	○	○	○	○	○
47	○	○	○	○	○
48	○	○	○	○	○
49	○	○	○	○	○
50	○	○	○	○	○
51	○	○	○	○	○
52	○	○	○	○	○
53	○	○	○	○	○
54	○	○	○	○	○
55	○	○	○	○	○
56	○	○	○	○	○
57	○	○	○	○	○
58	○	○	○	○	○
59	○	○	○	○	○
60	○	○	○	○	○
61	○	○	○	○	○
62	○	○	○	○	○
63	○	○	○	○	○
64	○	○	○	○	○
65	○	○	○	○	○
66	○	○	○	○	○
67	○	○	○	○	○
68	○	○	○	○	○
69	○	○	○	○	○
70	○	○	○	○	○
71	○	○	○	○	○
72	○	○	○	○	○
73	○	○	○	○	○
74	○	○	○	○	○
75	○	○	○	○	○
76	○	○	○	○	○
77	○	○	○	○	○
78	○	○	○	○	○
79	○	○	○	○	○
80	○	○	○	○	○
81	○	○	○	○	○
82	○	○	○	○	○
83	○	○	○	○	○
84	○	○	○	○	○
85	○	○	○	○	○
86	○	○	○	○	○
87	○	○	○	○	○
88	○	○	○	○	○
89	○	○	○	○	○
90	○	○	○	○	○
91	○	○	○	○	○
92	○	○	○	○	○
93	○	○	○	○	○
94	○	○	○	○	○
95	○	○	○	○	○
96	○	○	○	○	○
97	○	○	○	○	○
98	○	○	○	○	○
99	○	○	○	○	○
100	○	○	○	○	○

except DSP-AX630SE
RX-V730RDS: not used
DSP-AX630SE: 33K
other: 10K

SCHEMATIC DIAGRAM (FUNCTION 2/2) RX-V730/RX-V730RDS



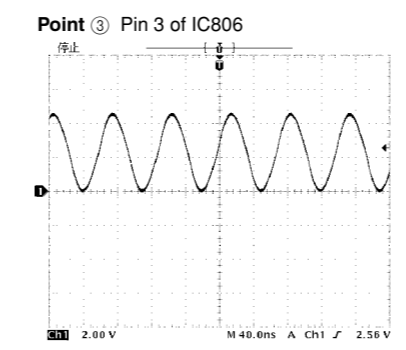
NOTICE (model)
(J)..... JAPANESE
(U)..... U.S.A
(C)..... CANADIAN
(R)..... GENERAL
(A)..... AUSTRALIAN
(B)..... BRITISH
(G)..... EUROPEAN
(T)..... CHINA
(L)..... SINGAPORE

RESISTOR

NO. MARK	PARTS NAME	RESISTANCE	TOLERANCE	TEMP. COEFF.
□	CARBON FILM RESISTOR (P=5)			
△	CARBON FILM RESISTOR (P=10)			
○	METAL OXIDE FILM RESISTOR			
◇	METAL FILM RESISTOR			
□	METAL PLATE RESISTOR			
○	FINE PROOF CARBON FILM RESISTOR			
□	CEMENT MOLDED RESISTOR			
◇	SEMI-VARIABLE RESISTOR			
●	CHIP RESISTOR			

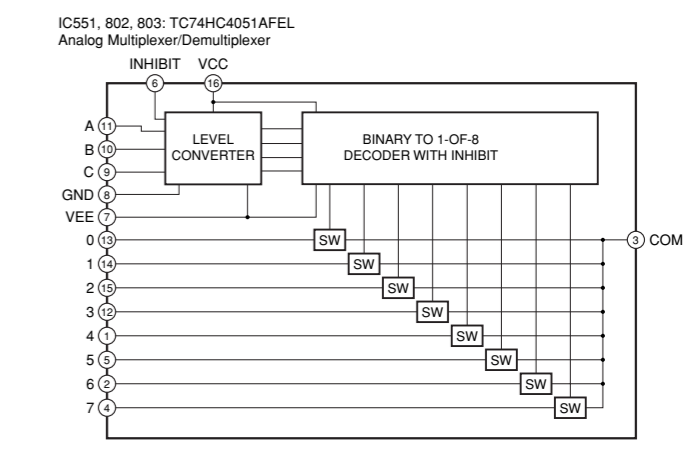
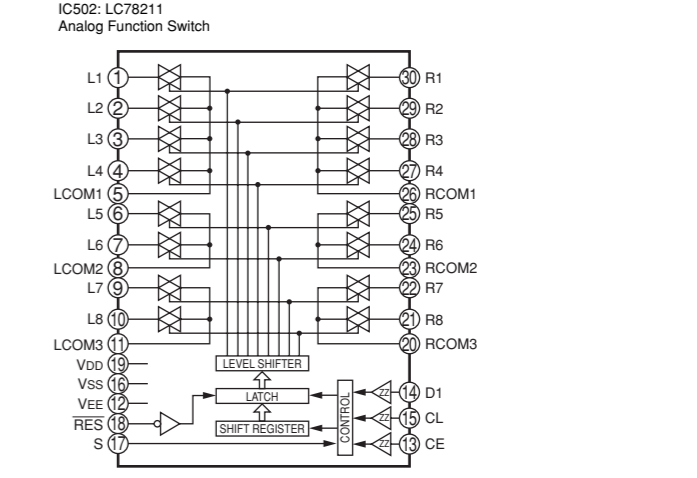
CAPACITOR

NO. MARK	PARTS NAME	CAPACITANCE	TOLERANCE	VOLTAGE
□	ELECTROLYTIC CAPACITOR			
○	TANTALUM CAPACITOR			
◇	CERAMIC TUBULAR CAPACITOR			
○	POLYESTER FILM CAPACITOR			
◇	POLYSTYRENE FILM CAPACITOR			
○	MICA CAPACITOR			
◇	POLYPROPYLENE FILM CAPACITOR			
●	SEMICONDUCTIVE CERAMIC CAPACITOR			



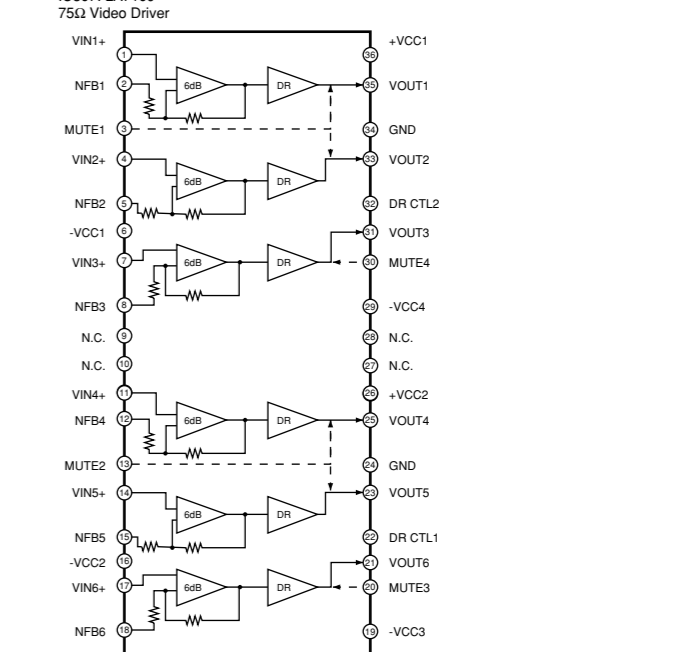
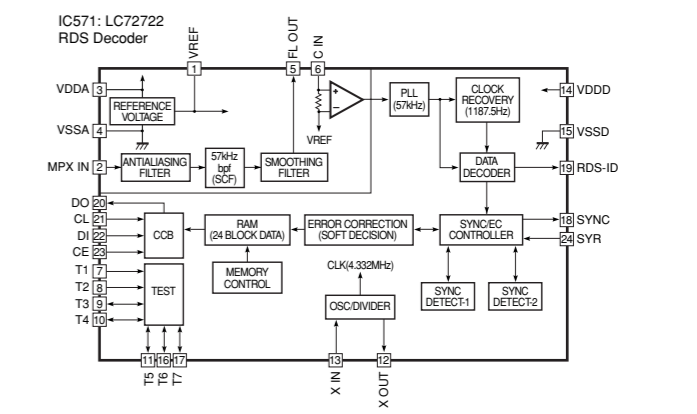
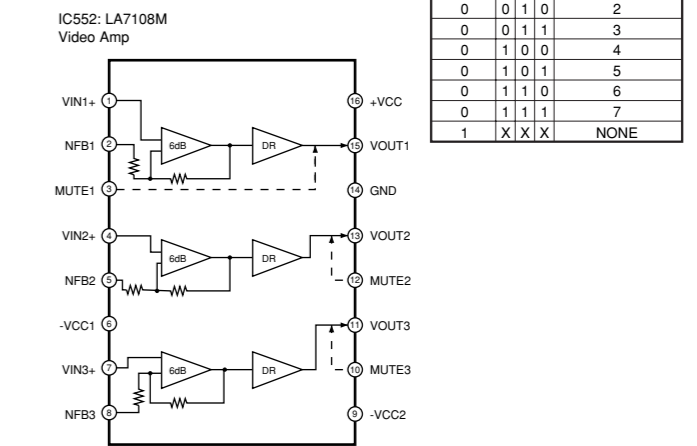
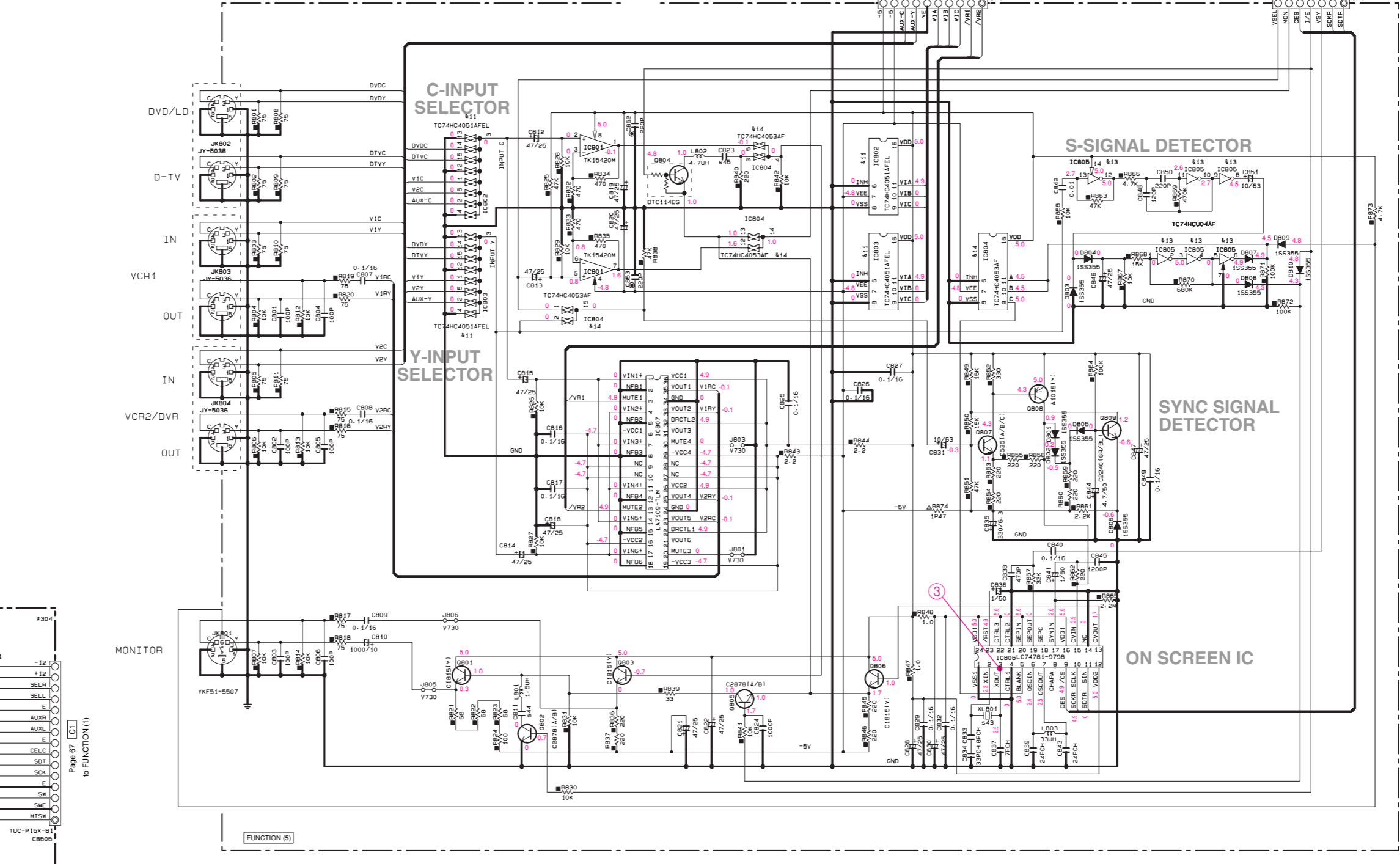
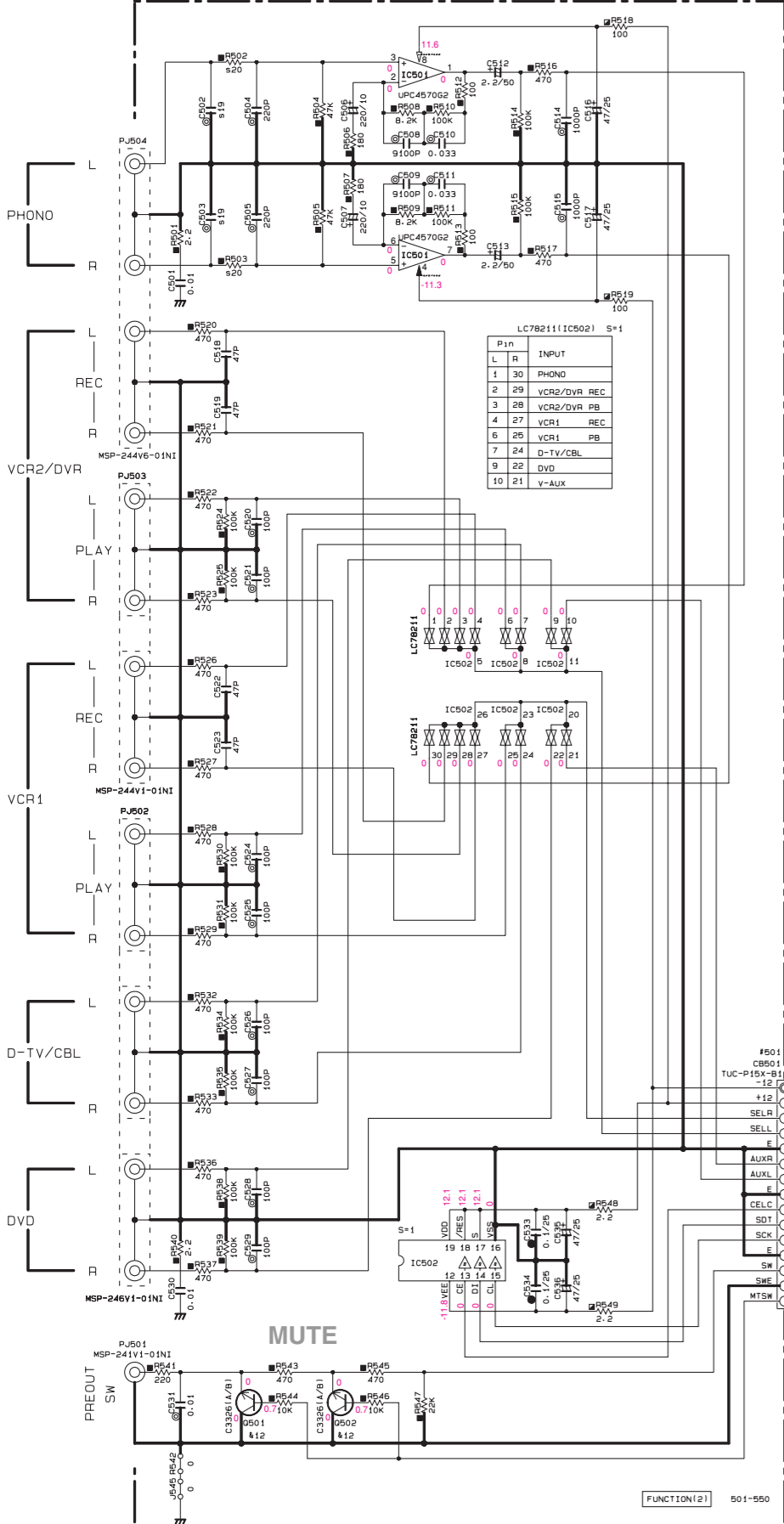
S	J-P-C-K	R-T	B-G	A-L	REMARKS
519	C500-503	X	X	100P	US05210
520	R002-503	47	47	US05447	US05447
521	S0571	X	X	2.2K	US05632
522	IC87	X	X	LC72722	X
523	KL571	X	X	4.333MHz	Y330300
526	C577-578	X	X	270P	US05710
529	C579-580-583	X	X	47.2P	US05847
530	R576	X	X	10K	US05910
531	R579-580	X	X	470	US05947
532	R577-578	X	X	10K	US05970
533	R575	X	X	20K	US05722
534	L571	X	X	220µH	X
538	U572	X	X	IC17402	X
539	R574	X	X	3.3K	US05633
540	C590	X	X	100P	US06010
541	R582	X	X	100K	US05810
542	R583	X	X	33K	US05733
543	XL801	14.31818MHz	14.31818MHz	7.73447MHz	7.73447MHz
544	CR11	1800P	1800P	800P	1800P
545	CR3	390P	390P	270P	270P

X: NOT USED
O: USED/APPLICABLE



INPUT STATES ON CHANNEL

INHIBIT	C	B	A	ON CHANNEL
0	0	0	0	0
0	0	0	1	1
0	0	1	0	2
0	0	1	1	3
0	1	0	0	4
0	1	0	1	5
0	1	1	0	6
0	1	1	1	7
1	X	X	X	NONE

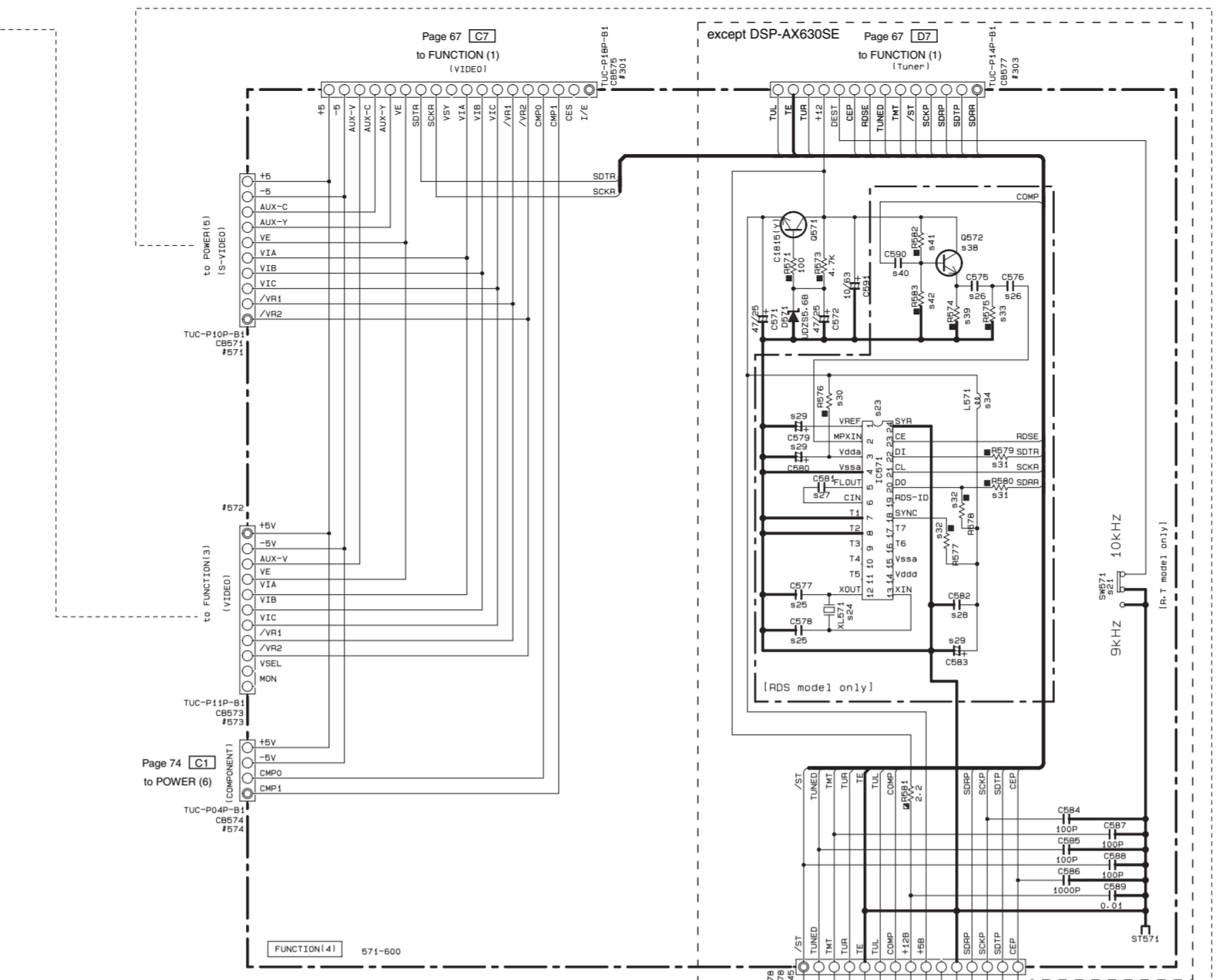
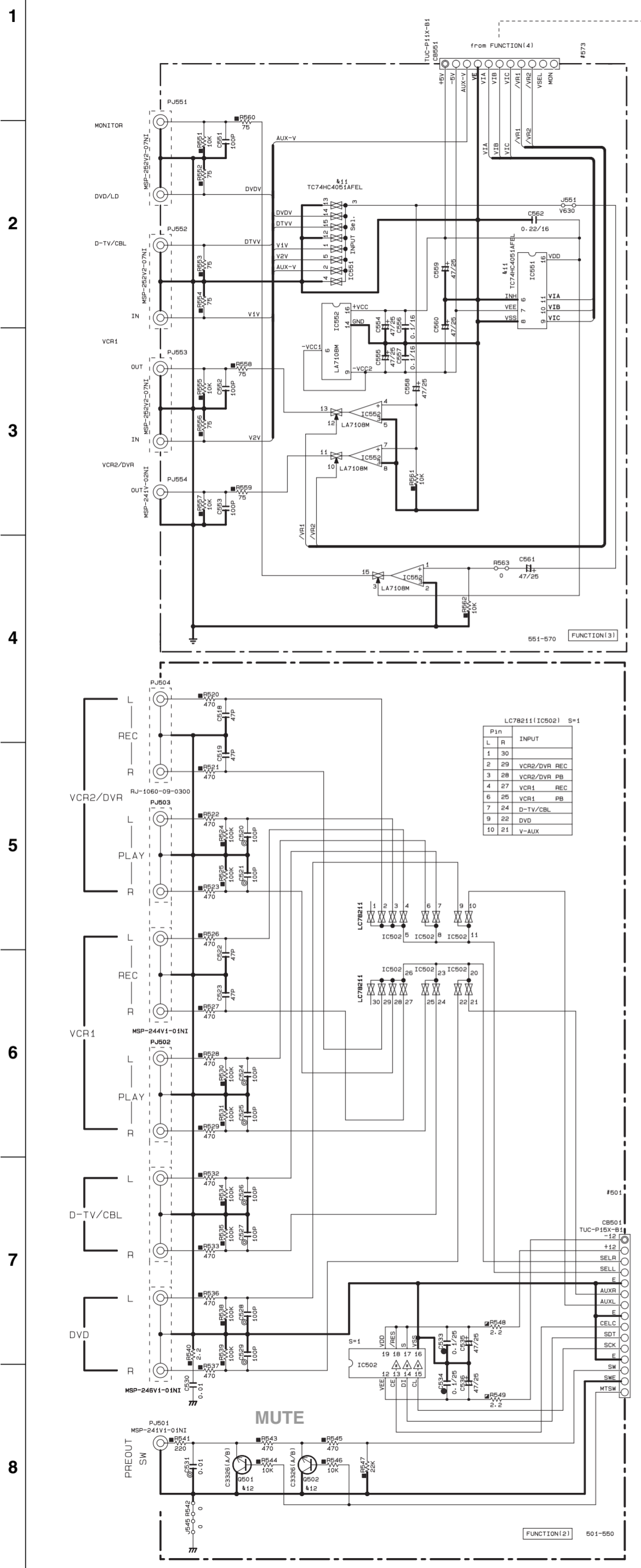


* All voltages are measured with a 10MΩ/V DC electric volt meter.
* Components having special characteristics are marked with a dot (·) and must be replaced with parts having specifications equal to those originally installed.
* Schematic diagram is subject to change without notice.

● 電圧は、内部抵抗10MΩの電圧計で測定したものです。
● 印のある部品は、安全性確保部品を示しています。部品の交換が必要な場合、パーツリストに記載されている部品を使用してください。
● 本回路図は標準回路図です。改良のため予告なく変更することがございます。

■ SCHEMATIC DIAGRAM (FUNCTION 2/2) RX-V630/RX-V630RDS/HTR-5560/HTR-5560RDS/DSP-AX630/DSP-AX630SE

RX-V730/RX-V730RDS/RX-V630/RX-V630RDS
HTR-5560/HTR-5560RDS/DSP-AX630/DSP-AX630SE



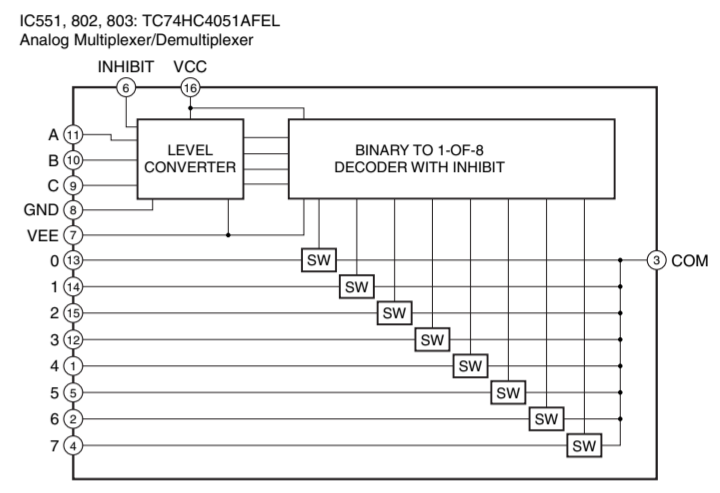
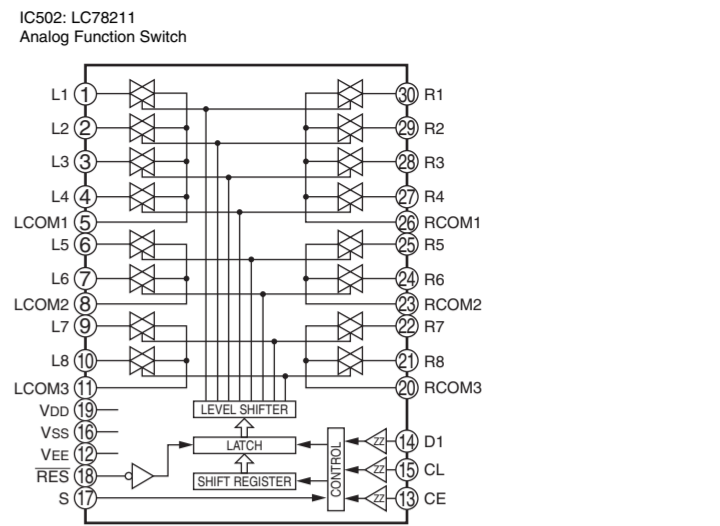
NOTICE (model)

- (J)..... JAPANESE
(U)..... U. S. A
(C)..... CANADIAN
(R)..... GENERAL
(A)..... AUSTRALIAN
(B)..... BRITISH
(G)..... EUROPEAN
(T)..... CHINA
(L)..... SINGAPORE
- | REMARKS | PARTS NAME |
|---------|---------------------------------|
| NO MARK | CARBON FILM RESISTOR (P=5) |
| □ | CARBON FILM RESISTOR (P=10) |
| △ | METAL OXIDE FILM RESISTOR |
| ◇ | METAL FILM RESISTOR |
| ○ | METAL CAPACITOR |
| ⊙ | FINE PROOF CARBON FILM RESISTOR |
| ⊚ | CEMENT MOLDED RESISTOR |
| ⊛ | SEMI VARIABLE RESISTOR |
| ■ | CHIP RESISTOR |
- | REMARKS | PARTS NAME |
|---------|----------------------------------|
| NO MARK | ELECTROLYTIC CAPACITOR |
| ⊗ | TANTALUM CAPACITOR |
| NO MARK | CERAMIC CAPACITOR |
| ⊙ | CERAMIC TUBULAR CAPACITOR |
| ⊚ | POLYESTER FILM CAPACITOR |
| ⊛ | POLYSTYRENE FILM CAPACITOR |
| ⊜ | MICA CAPACITOR |
| ⊝ | POLYPROPYLENE FILM CAPACITOR |
| ⊞ | SEMICONDUCTIVE CERAMIC CAPACITOR |

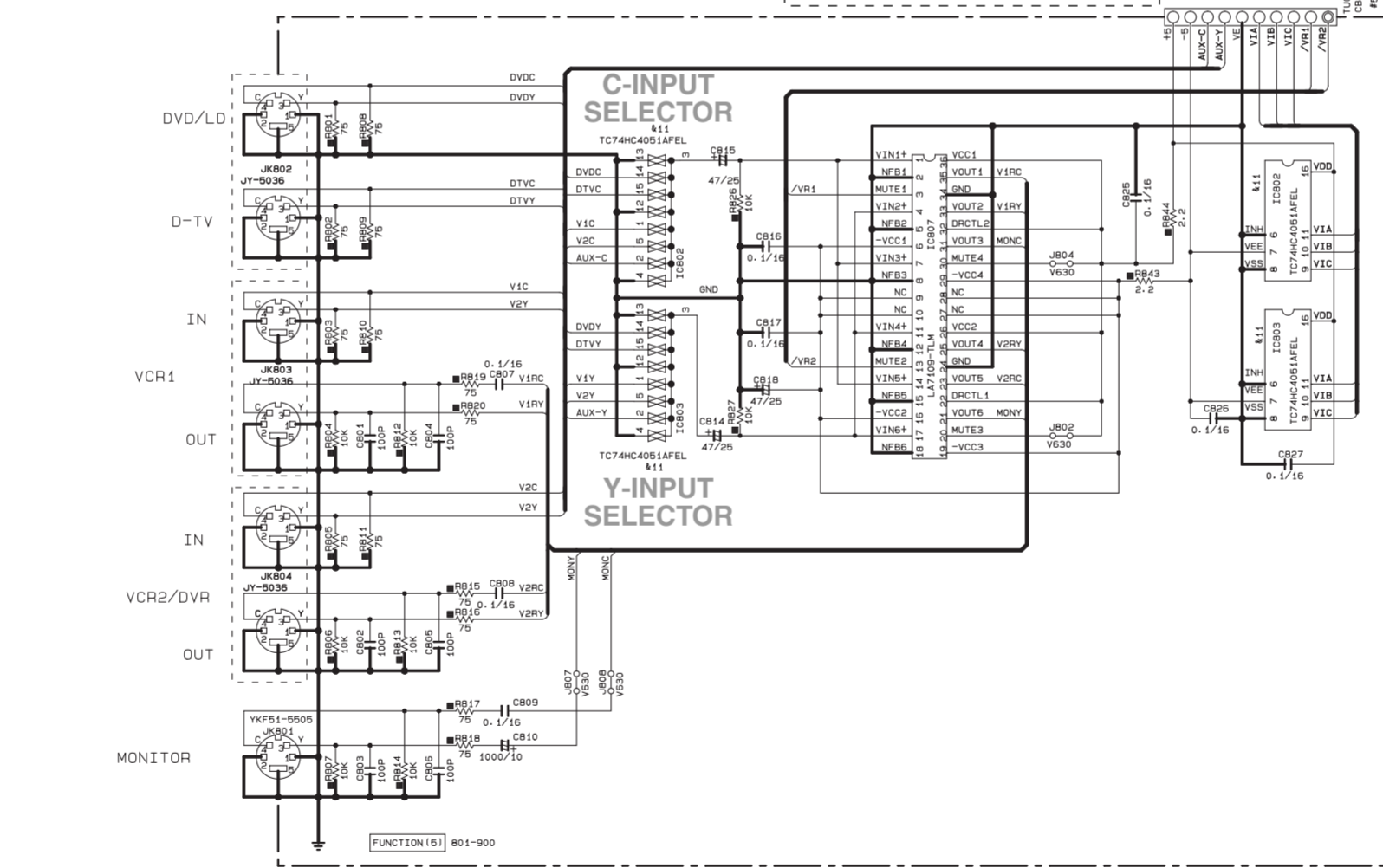
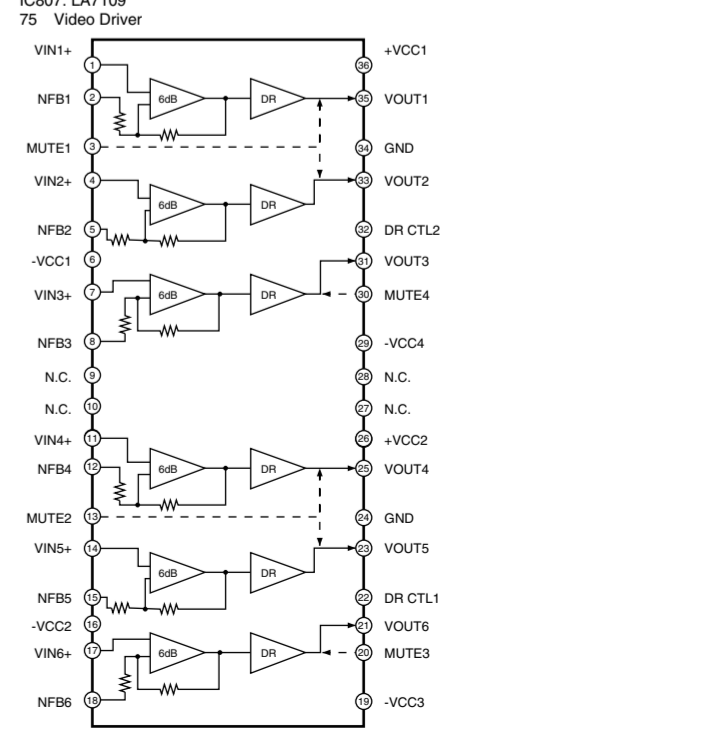
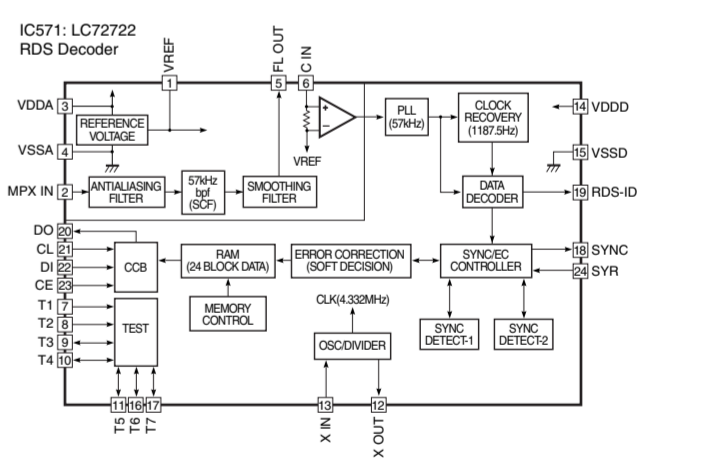
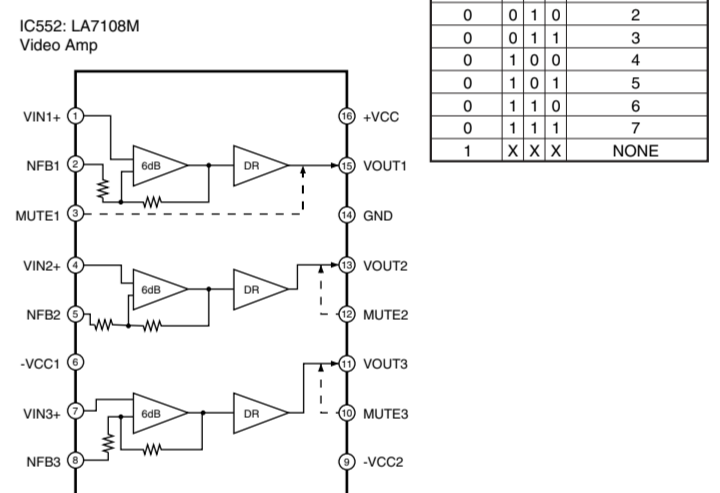
Interchangeable Parts at Manufacture-Stage

Mark	Reference Parts Number	Part's Name
⋈11	IC551.802.803	TC74HC4051AFEL
⋈12	9501.802	28C33261A/B1 28C33261B1

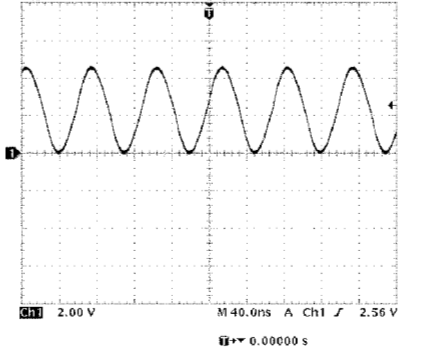
s	J-U-C-K	R-T	B-G	A-L
⋈21	SW71	X	RD294B V362430	X X
⋈22		X X	LC72722 V476110	X
⋈23	IC71	X X	33P US06233	X
⋈24	XL571	X X	4.33MHz V393090	X
⋈25	CS77.578	X X	87PCH V476110	X
⋈26	CS75.576	X X	33P US06233	X
⋈27	CS81	X X	950P US06256	X
⋈28	CS82	X X	0.1/16 US13510	X
⋈29	CS79.580-583	X X	47/25 UM84747	X
⋈30	R576	X X	100 RD35610	X
⋈31	R079.580	X X	470 RD35647	X
⋈32	R577.578	X X	10K RD35710	X
⋈33	R575	X X	22K RD35722	X
⋈34	L571	X X	220uH V489900	X
⋈38	9572	X X	IC17402	X
⋈39	R574	X X	3.3K RD35633	X
⋈40	CS90	X X	100P US06210	X
⋈41	R582	X X	100K RD35810	X
⋈42	R583	X X	33K RD35733	X



INHIBIT	C	B	A	'ON' CHANNEL
0	0	0	0	0
0	0	0	1	1
0	0	1	0	2
0	0	1	1	3
0	1	0	0	4
0	1	0	1	5
0	1	1	0	6
0	1	1	1	7
1	X	X	X	NONE



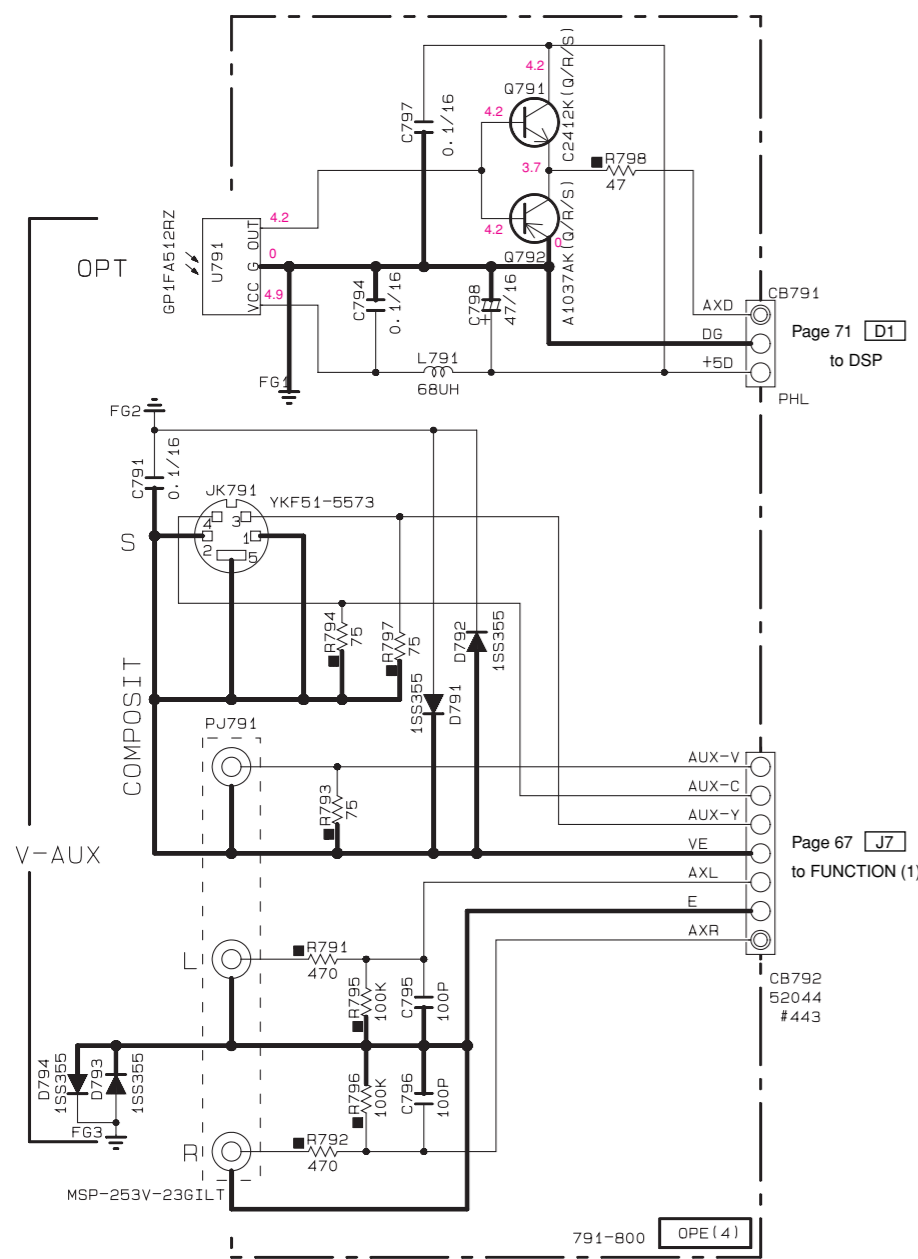
Point ③ Pin 3 of IC806



All voltages are measured with a 10M Ω DC electric volt meter. Components having special characteristics are marked with a triangle and must be replaced with parts having specifications equal to those originally installed. Schematic diagram is subject to change without notice.

- 電圧は、内部抵抗10M Ω の電圧計で測定したものです。
- 印のある部品は、安全性確保部品を示しています。部品の交換が必要な場合、パーツリストに記載されている部品を使用してください。
- 本回路図は標準回路図です。改良のため予告なく変更することがございます。

■ SCHEMATIC DIAGRAM (OPERATION)



RESISTOR

REMARKS	PARTS NAME
NO MARK	CARBON FILM RESISTOR (P=5)
□	CARBON FILM RESISTOR (P=10)
△	METAL OXIDE FILM RESISTOR
▲	METAL FILM RESISTOR
⊠	METAL PLATE RESISTOR
⊞	FIRE PROOF CARBON FILM RESISTOR
□	CEMENT MOLDED RESISTOR
⊞	SEMI VARIABLE RESISTOR
■	CHIP RESISTOR

CAPACITOR

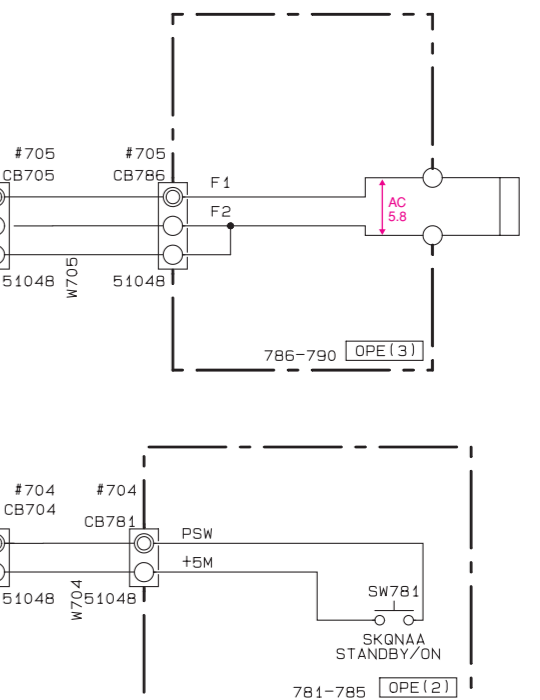
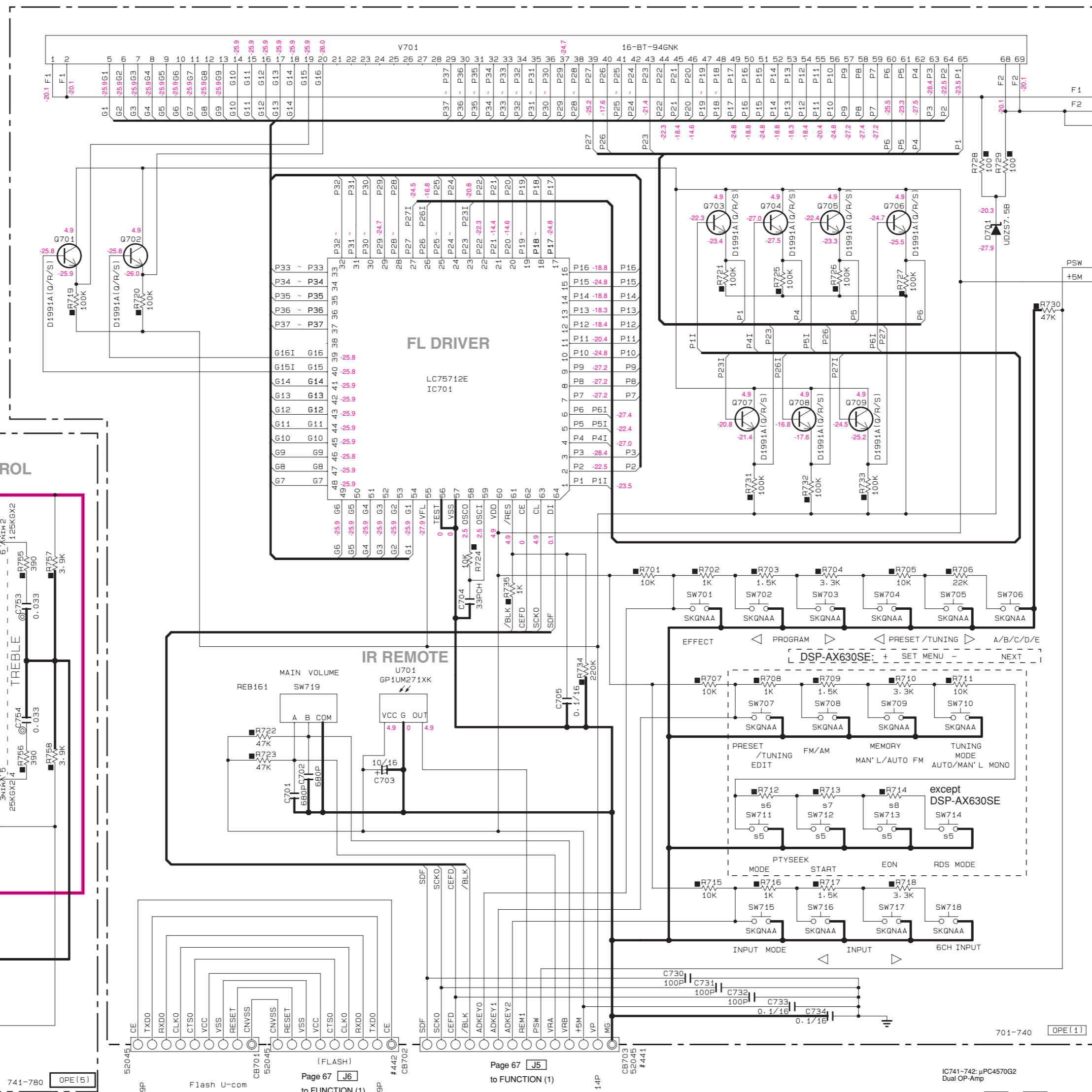
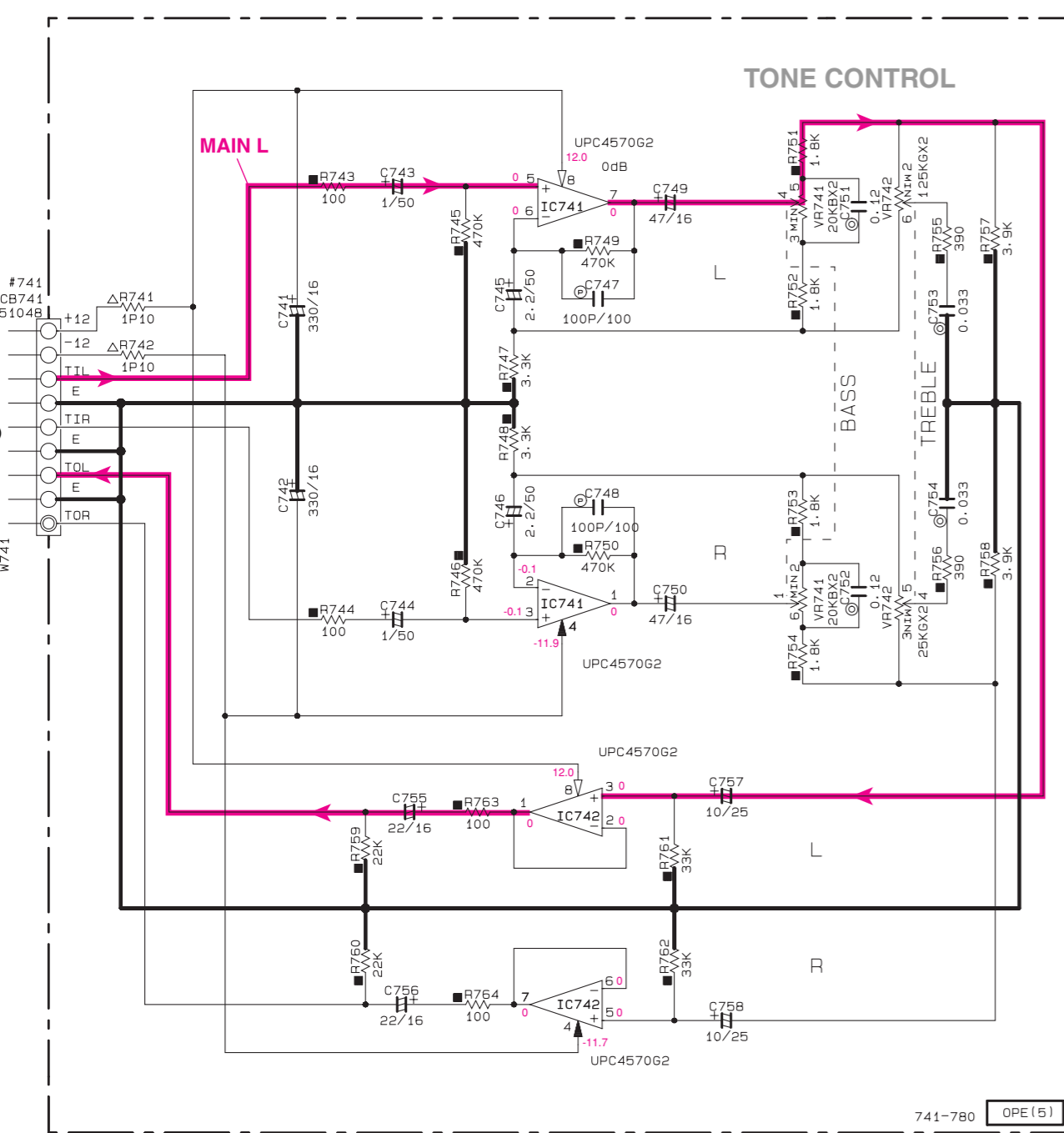
REMARKS	PARTS NAME
NO MARK	ELECTROLYTIC CAPACITOR
⊗	TANTALUM CAPACITOR
NO MARK	CERAMIC CAPACITOR
●	CERAMIC TUBULAR CAPACITOR
⊙	POLYESTER FILM CAPACITOR
○	POLYSTYRENE FILM CAPACITOR
⊖	MICA CAPACITOR
⊕	POLYPROPYLENE FILM CAPACITOR
⊞	SEMICONDUCTIVE CERAMIC CAPACITOR
⊙	POLYPHENYLENE SULFIDE FILM CAPACITOR

NOTICE (model)

(J)..... JAPANESE
(U)..... U.S.A
(C)..... CANADIAN
(R)..... GENERAL
(A)..... AUSTRALIAN
(B)..... BRITISH
(G)..... EUROPEAN
(T)..... CHINA
(L)..... SINGAPORE

★ All voltages are measured with a 10MΩ/V DC electric volt meter.
★ Components having special characteristics are marked !, and must be replaced with parts having specifications equal to those originally installed.
★ Schematic diagram is subject to change without notice.

● 電圧は、内部抵抗10MΩの電圧計で測定したものです。
● !印のある部品は、安全性確保部品を示しています。部品の交換が必要な場合、パーツリストに記載されている部品を使用してください。
● 本回路図は標準回路図です。改良のため予告なく変更することがございます。

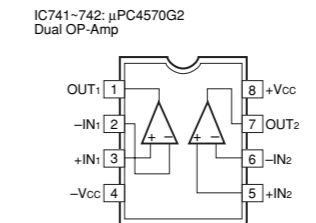
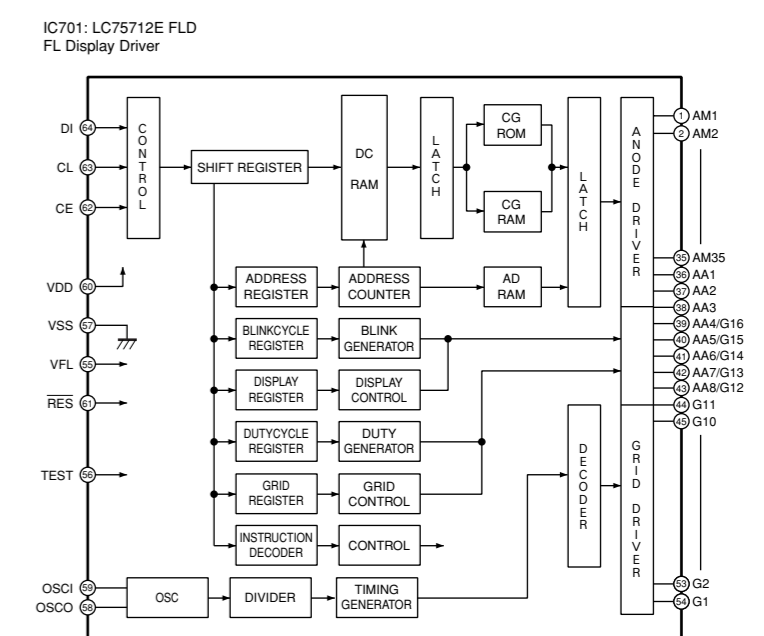


Mark	J-U-C-R-T K-A-L	B-G
s5	×	VV02030
s6	×	22K RD35722
s7	×	47K RD35747
s8	×	220K RD35822
s9		

×: NOT USED
○: USED / APPLICABLE

Interchangeable Parts at Manufacture-Stage

Mark	Reference Parts Number	Parts Name
&1		
&2		
&3		
&4		

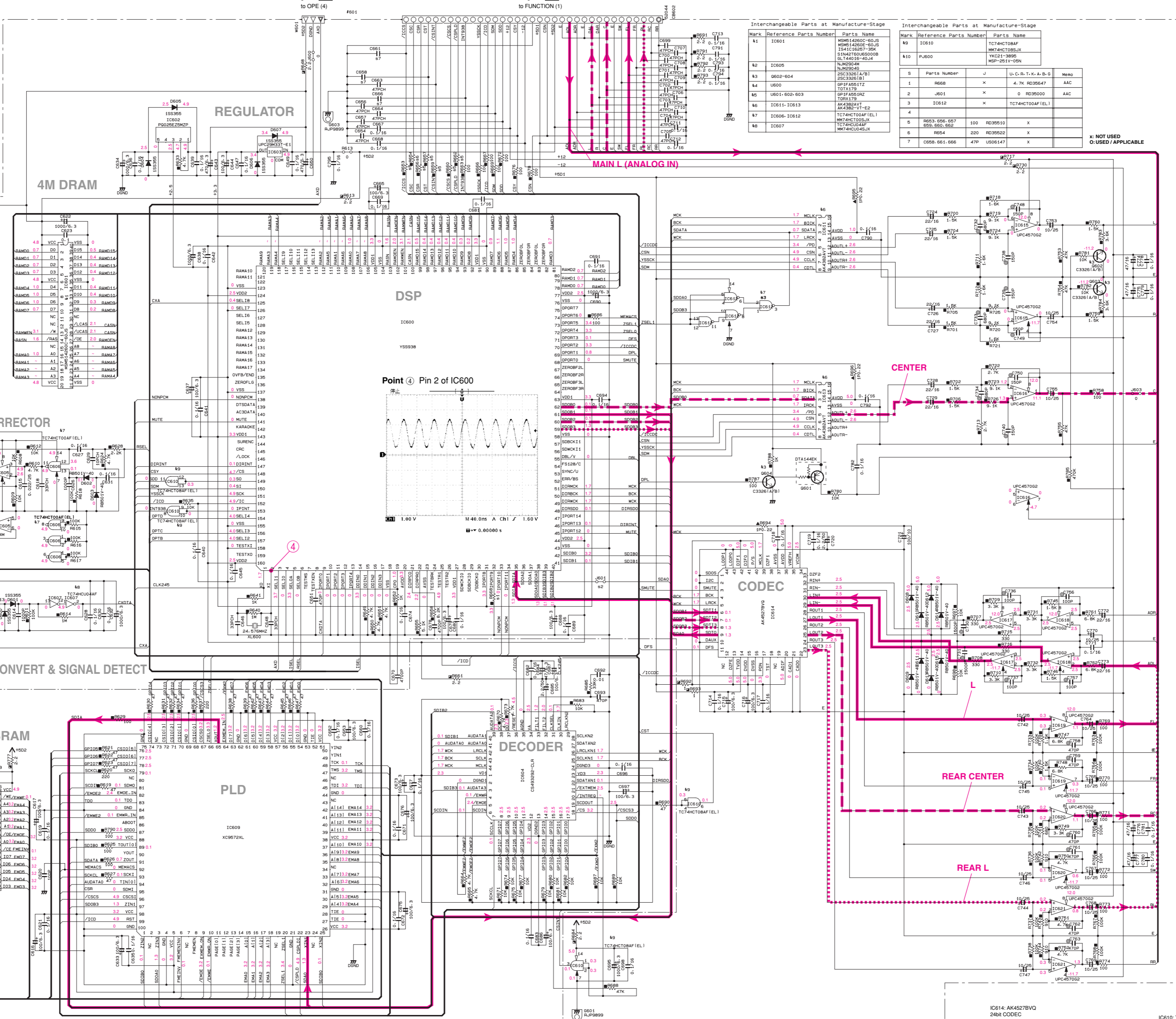


SCHEMATIC DIAGRAM (DSP)

RX-V730/RX-V730RDS/RX-V630/RX-V630RDS
HTR-5560/HTR-5560RDS/DSP-AX630/DSP-AX630SE

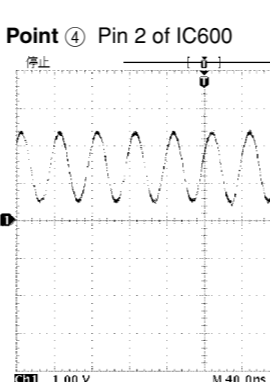
REMARKS	PARTS NAME
NO MARK	CARBON FILM RESISTOR (P=5)
□	CARBON FILM RESISTOR (P=10)
△	METAL OXIDE FILM RESISTOR
◇	METAL FILM RESISTOR
○	METAL PLATE RESISTOR
◎	FIRE PROOF CARBON FILM RESISTOR
⊙	CEMENT MOLDED RESISTOR
⊚	SEMI VARIABLE RESISTOR
⊛	CHIP RESISTOR

REMARKS	PARTS NAME
NO MARK	ELECTROLYTIC CAPACITOR
□	TANTALUM CAPACITOR
○	CERAMIC TUBULAR CAPACITOR
◇	POLYESTER FILM CAPACITOR
△	MICA CAPACITOR
◎	POLYPROPYLENE FILM CAPACITOR
⊙	SEMICONDUCTIVE CERAMIC CAPACITOR
⊚	POLYPHENYLENE SULFIDE FILM CAPACITOR



Page 70 [C2] to OPE (4)
Page 67 [E1] to FUNCTION (1)

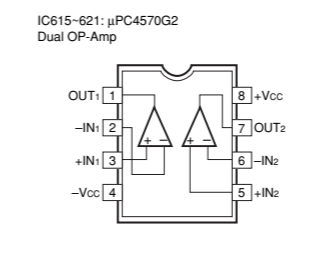
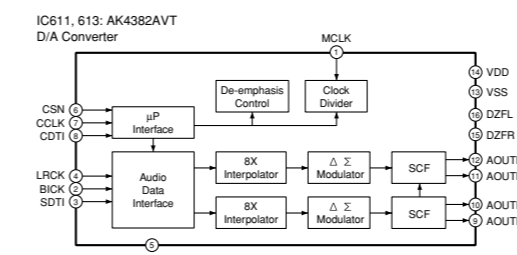
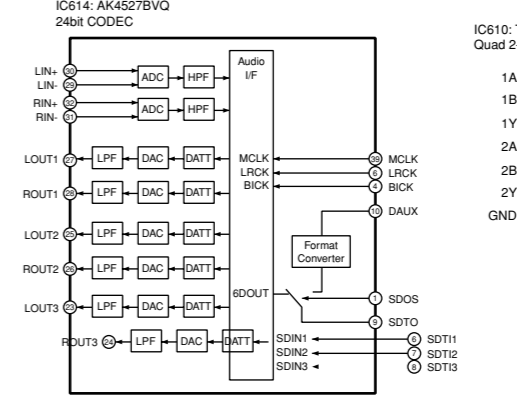
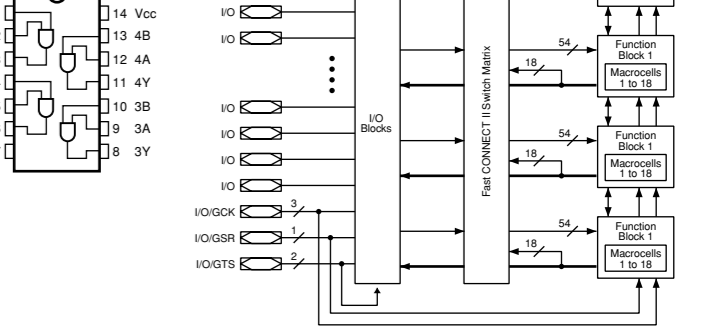
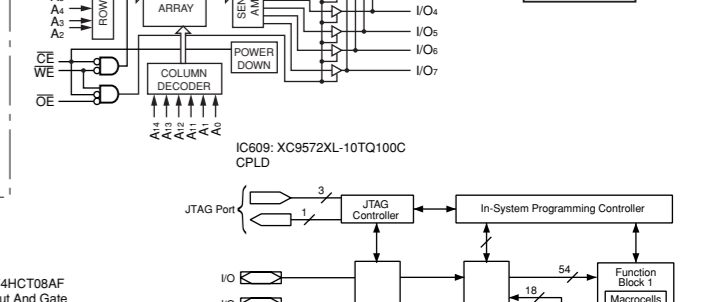
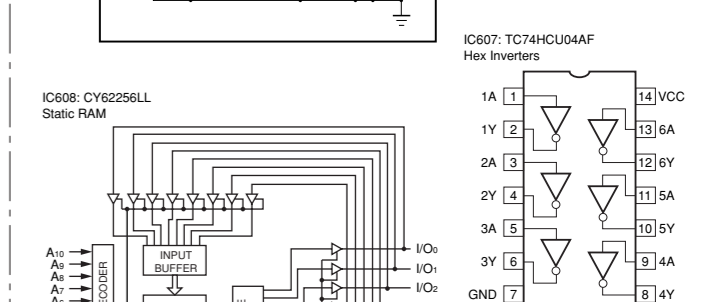
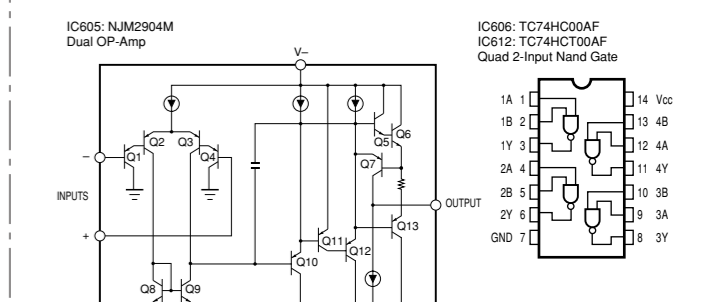
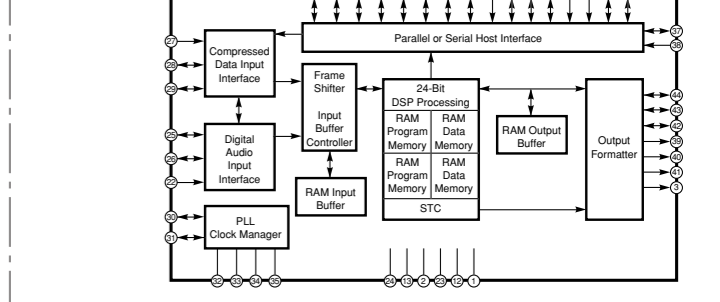
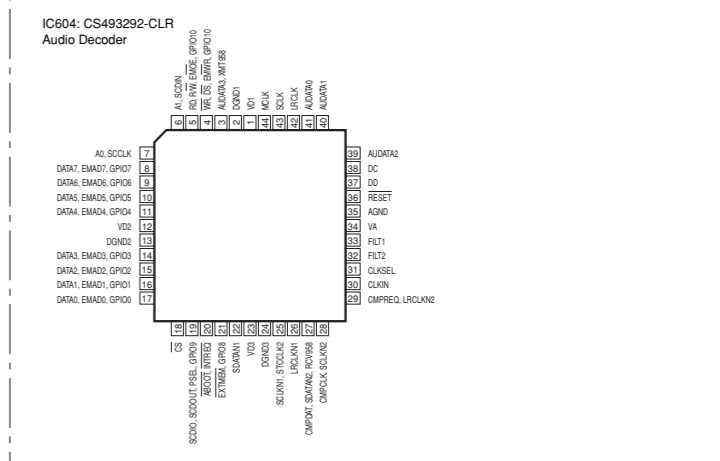
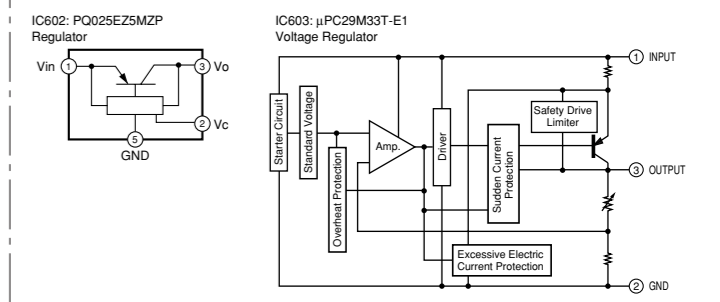
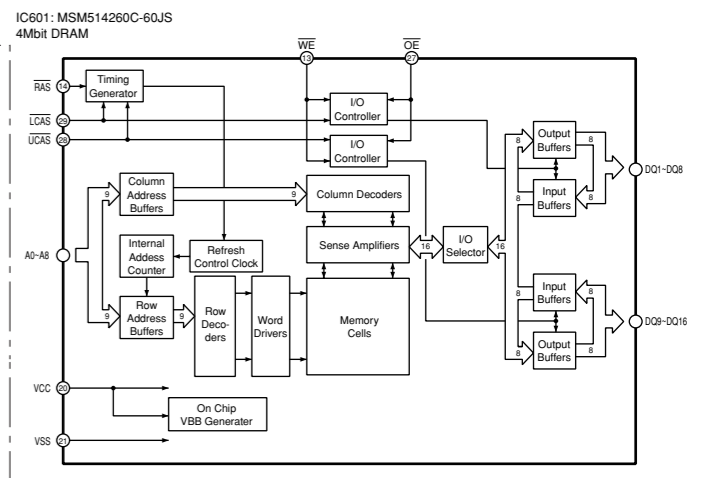
Mark	Reference Parts Number	Parts Name
41	IC601	MSM514260C-60J5 4Mb DRAM
42	IC606	MSM514260C-60J5 4Mb DRAM
43	9602-604	25C3281(L/B) 25C3281(B)
44	U600	GP1FA651Z 31M42150/650008 40J4
45	U601-602-603	GP1FA651Z 31M42150/650008 40J4
46	IC611-IC613	TC74HC10AF ELI AK4382-VF ELI
47	IC606-IC612	TC74HC10AF ELI AK4382-VF ELI
48	IC607	TC74HC10AF ELI AK4382-VF ELI



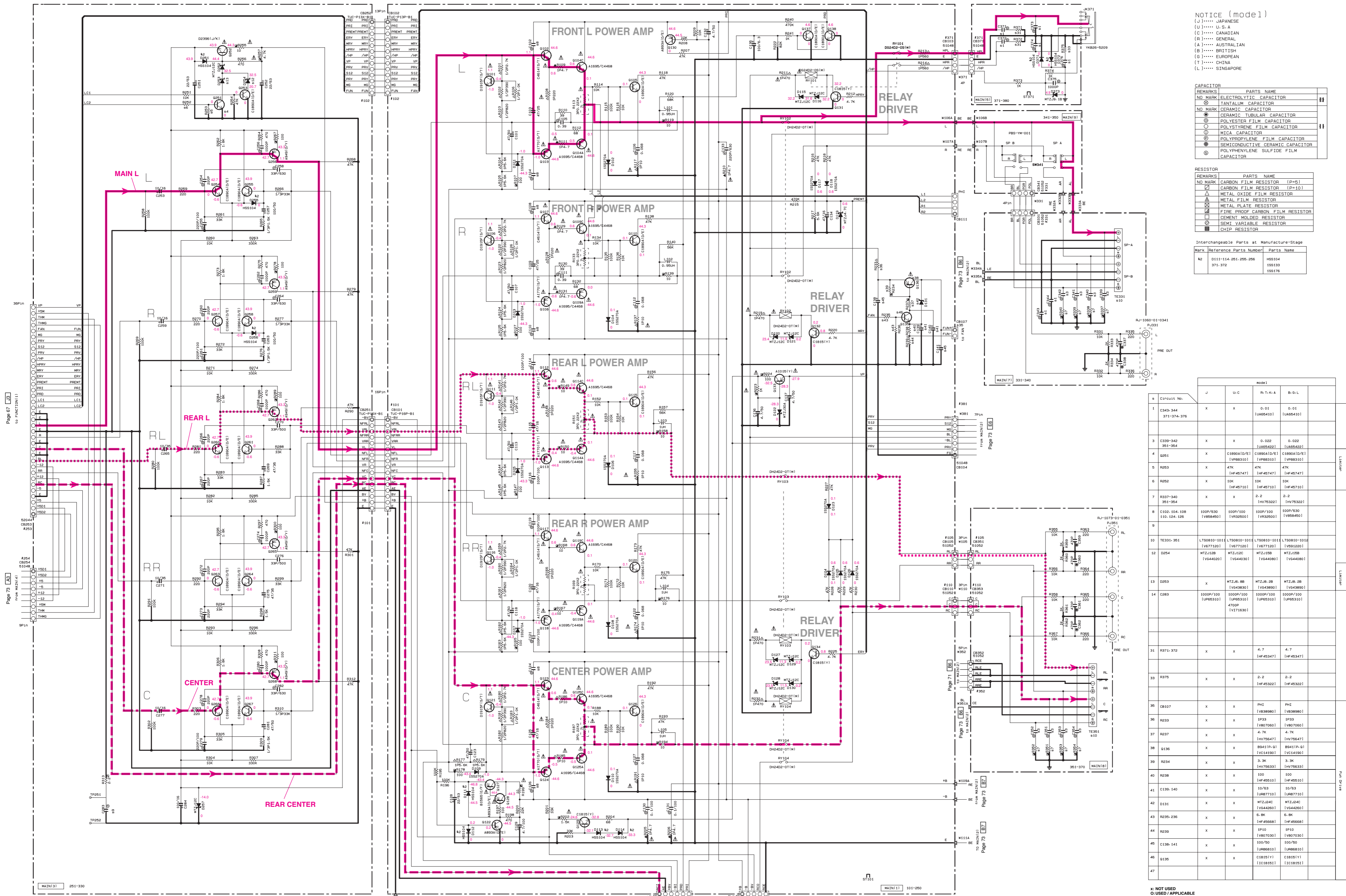
NOTICE (model)
(J)..... JAPANESE
(U)..... U.S.A
(C)..... CANADIAN
(R)..... GENERAL
(A)..... AUSTRALIAN
(B)..... BRITISH
(G)..... EUROPEAN
(T)..... CHINA
(L)..... SINGAPORE

★ All voltages are measured with a 10MΩ/V DC electric volt meter.
★ Components having special characteristics are marked with a star and must be replaced with parts having specifications equal to those originally installed.
★ Schematic diagram is subject to change without notice.

● 電圧は、内部抵抗10MΩの電圧計で測定したものです。
● 星印のある部品は、安全性確保部品を示しています。部品の交換が必要な場合、パーツリストに記載されている部品を使用してください。
● 本回路図は標準回路図です。改良のため予告なく変更することがございます。



■ SCHEMATIC DIAGRAM (MAIN 1/2)



NOTICE (model)

(J) JAPANESE
(U) U.S.A.
(C) CANADIAN
(A) AUSTRALIAN
(B) BRITISH
(G) EUROPEAN
(T) CHINA
(L) SINGAPORE

REMARKS	PARTS NAME
NO MARK	ELECTROLYTIC CAPACITOR
⊙	TANTALUM CAPACITOR
NO MARK	CERAMIC CAPACITOR
⊖	CERAMIC TUBULAR CAPACITOR
⊕	POLYESTER FILM CAPACITOR
○	POLYSTYRENE FILM CAPACITOR
◇	MICA CAPACITOR
⊗	POLYPROPYLENE FILM CAPACITOR
⊙	SEMICONDUCTIVE CERAMIC CAPACITOR
⊕	POLYPHENYLENE SULFIDE FILM CAPACITOR

REMARKS	PARTS NAME
NO MARK	CARBON FILM RESISTOR (P=5)
□	CARBON FILM RESISTOR (P=10)
△	METAL OXIDE FILM RESISTOR
▴	METAL FILM RESISTOR
▾	METAL PLATE RESISTOR
■	FIRE PROOF CARBON FILM RESISTOR
⊞	CEMENT MOLDED RESISTOR
⊞	SEMIVARIABLE RESISTOR
⊞	CHIP RESISTOR

Interchangeable Parts at Manufacture-Stage

Mark	Reference Parts Number	Parts Name
△	D111-114, 251, 256, 256	H55104
△	371-372	168133
		168178

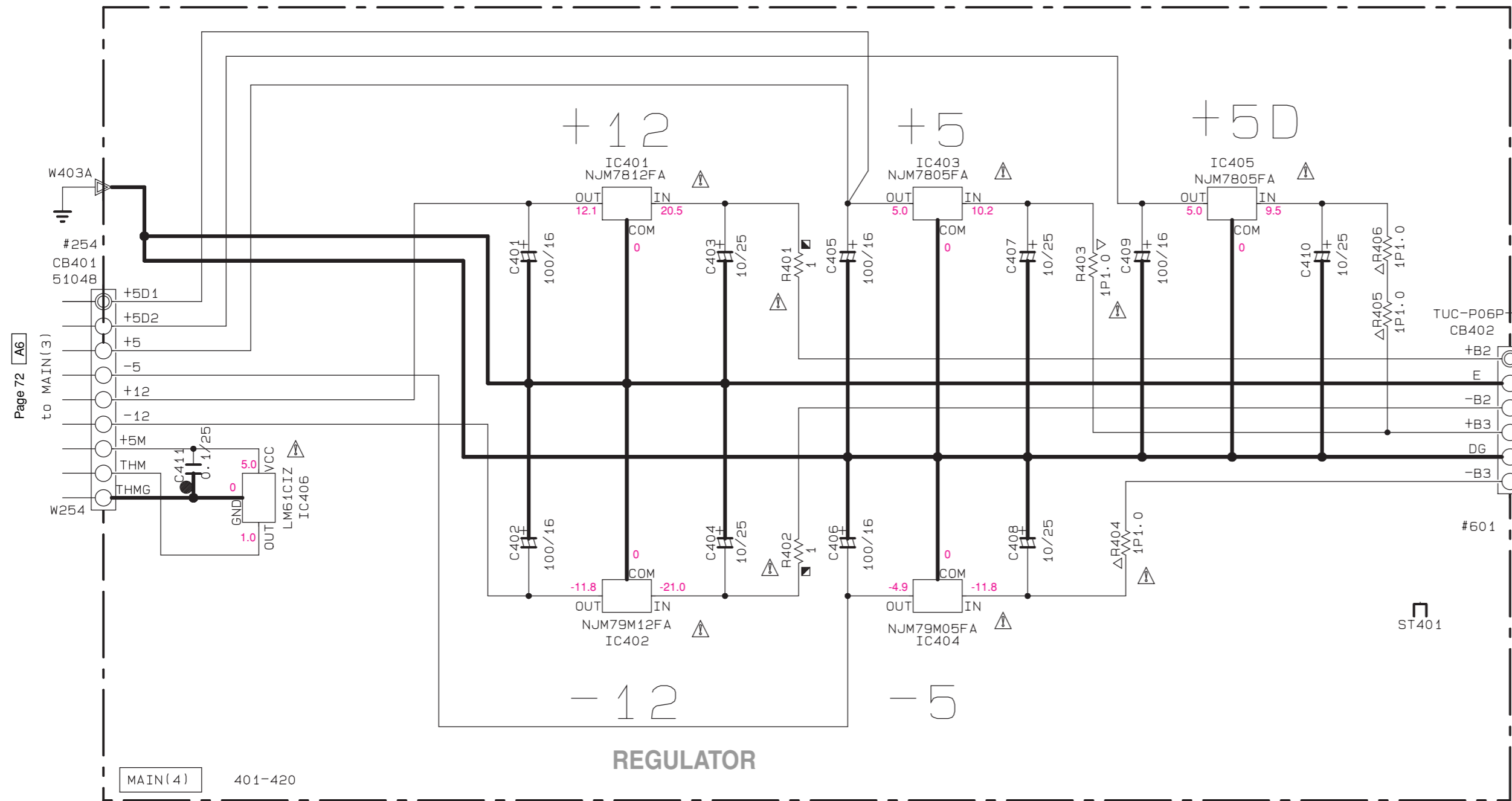
8	Circuit No.	J	U-C	B.T.C.A	B-G-L
1	C343-344 371-374-376	X	X	0-01 [U465410]	0-01 [U465410]
3	C339-342 391-394	X	X	0-022 [U465422]	0-022 [U465422]
4	Q251	X	C1094 [U7E] [V98310]	C1094 [U7E] [V98310]	C1094 [U7E] [V98310]
5	R253	X	47K [HF45747]	47K [HF45747]	47K [HF45747]
6	R252	X	10K [HF45710]	10K [HF45710]	10K [HF45710]
7	R337-340 351-354	X	X	2-2 [HV75322]	2-2 [HV75322]
8	C102, 104, 108 110, 124, 126	X	100P/630 [V98500]	100P/100 [V98200]	100P/630 [V98500]
9					
10	TE331-351	X	L70810-101 [V677120]	L70810-101 [V677120]	L70810-101 [V677120]
12	D254	X	MTZ15B [V644030]	MTZ15B [V644080]	MTZ15B [V644080]
13	D253	X	MTZ08-2B [V64390]	MTZ08-2B [V64390]	MTZ08-2B [V64390]
14	C283	X	1000P/100 [U96310]	1000P/100 [U96310]	1000P/100 [U96310]
31	R371-372	X	X	4.7 [HF45347]	4.7 [HF45347]
33	R375	X	X	2-2 [HF45322]	2-2 [HF45322]
35	CB107	X	X	PHI [V839980]	PHI [V839980]
36	R233	X	X	1P33 [V807060]	1P33 [V807060]
37	R237	X	X	4.7K [HV75647]	4.7K [HV75647]
38	I136	X	X	8841P-G1 [V744190]	8841P-G1 [V744190]
39	R234	X	X	3.3K [HV75633]	3.3K [HV75633]
40	R238	X	X	100 [HF45510]	100 [HF45510]
41	C139, 140	X	X	10/53 [UR87710]	10/53 [UR87710]
42	D131	X	X	MTZ04C [V644260]	MTZ04C [V644260]
43	R230-236	X	X	6.8K [HF45568]	6.8K [HF45568]
44	R239	X	X	5P10 [V807030]	5P10 [V807030]
45	C138, 141	X	X	100/50 [U966810]	100/50 [U966810]
46	I135	X	X	C18151Y1 [IC18151]	C18151Y1 [IC18151]

△ NOT USED
○ USED / APPLICABLE

* All voltages are measured with a 10MΩ/V DC electric volt meter.
* Components having special characteristics are marked with a triangle and must be replaced with parts having specifications equal to those originally installed.
* Schematic diagram is subject to change without notice.

● 電圧は、内部抵抗10MΩの電圧計で測定したものです。
● 三角形のある部品は、安全性確保部品を示しています。部品の交換が必要な場合、パーツリストに記載されている部品を使用してください。
● 本回路図は標準回路図です。改良のため予告なく変更することがございます。

SCHEMATIC DIAGRAM (MAIN 2/2)



RESISTOR

REMARKS	PARTS NAME
NO MARK	CARBON FILM RESISTOR (P=5)
□	CARBON FILM RESISTOR (P=10)
△	METAL OXIDE FILM RESISTOR
▲	METAL FILM RESISTOR
⊠	METAL PLATE RESISTOR
▨	FIRE PROOF CARBON FILM RESISTOR
□	CEMENT MOLDED RESISTOR
⊙	SEMI VARIABLE RESISTOR
■	CHIP RESISTOR

CAPACITOR

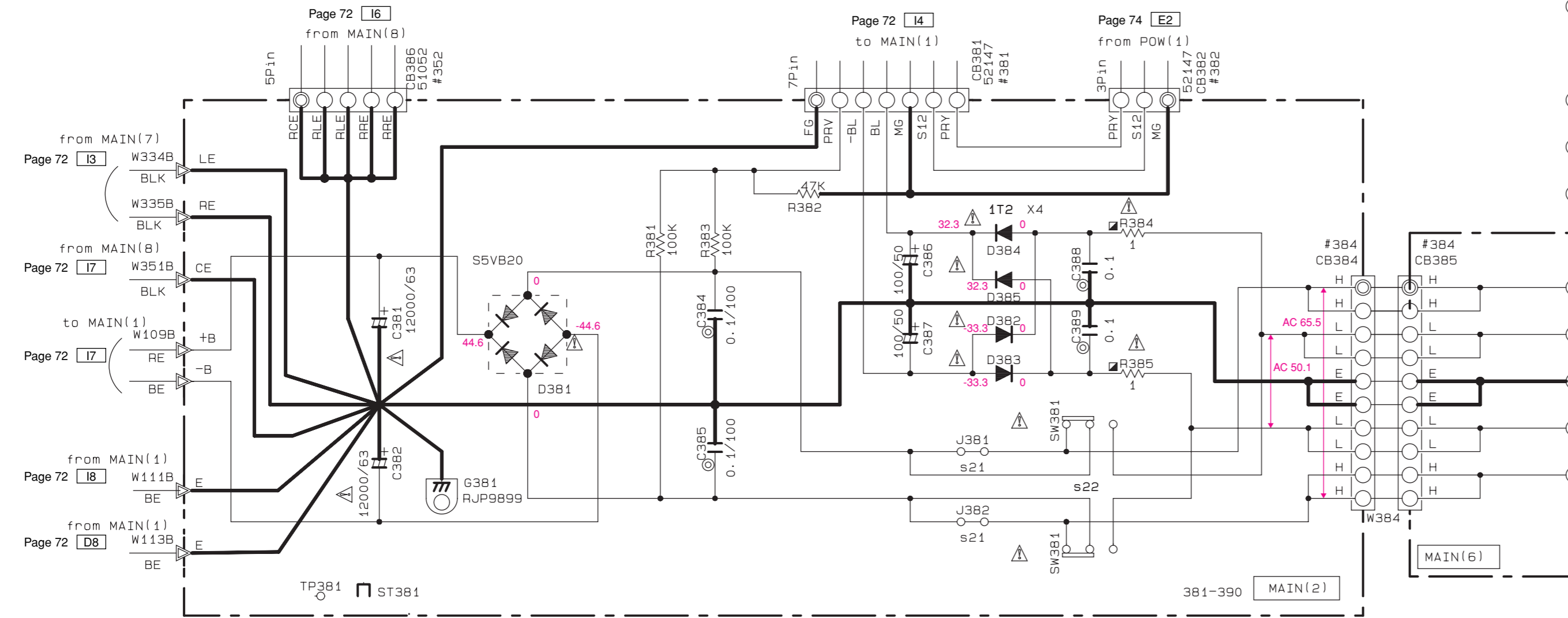
REMARKS	PARTS NAME
NO MARK	ELECTROLYTIC CAPACITOR
⊗	TANTALUM CAPACITOR
NO MARK	CERAMIC CAPACITOR
●	CERAMIC TUBULAR CAPACITOR
⊙	POLYESTER FILM CAPACITOR
○	POLYSTYRENE FILM CAPACITOR
⊖	MICA CAPACITOR
⊕	POLYPROPYLENE FILM CAPACITOR
⊗	SEMICONDUCTIVE CERAMIC CAPACITOR

NOTICE (model)

- (J)..... JAPANESE
- (U)..... U. S. A
- (C)..... CANADIAN
- (R)..... GENERAL
- (A)..... AUSTRALIAN
- (B)..... BRITISH
- (G)..... EUROPEAN
- (T)..... CHINA
- (L)..... SINGAPORE

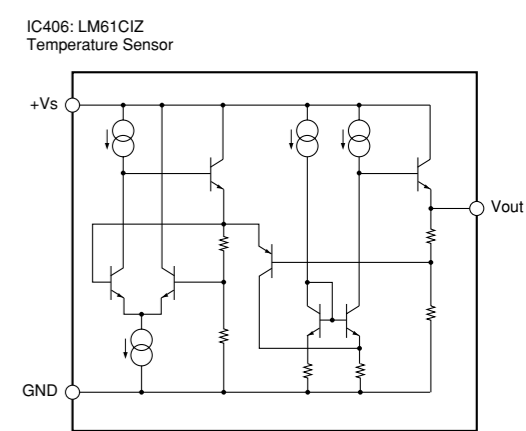
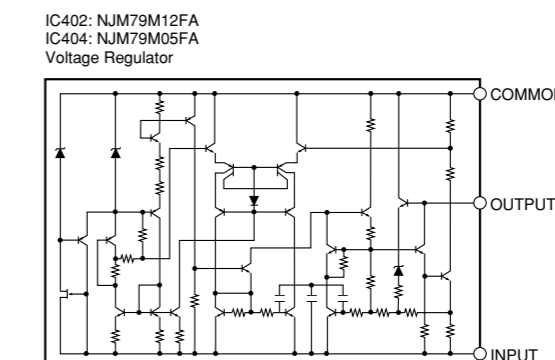
s	Circuit No.	J	U. C. R. T. K A. L. B. G
21	J381-382	0	X
22	SW381	X	SL13B- 022AMCS [V410420]

x: NOT USED
o: USED / APPLICABLE

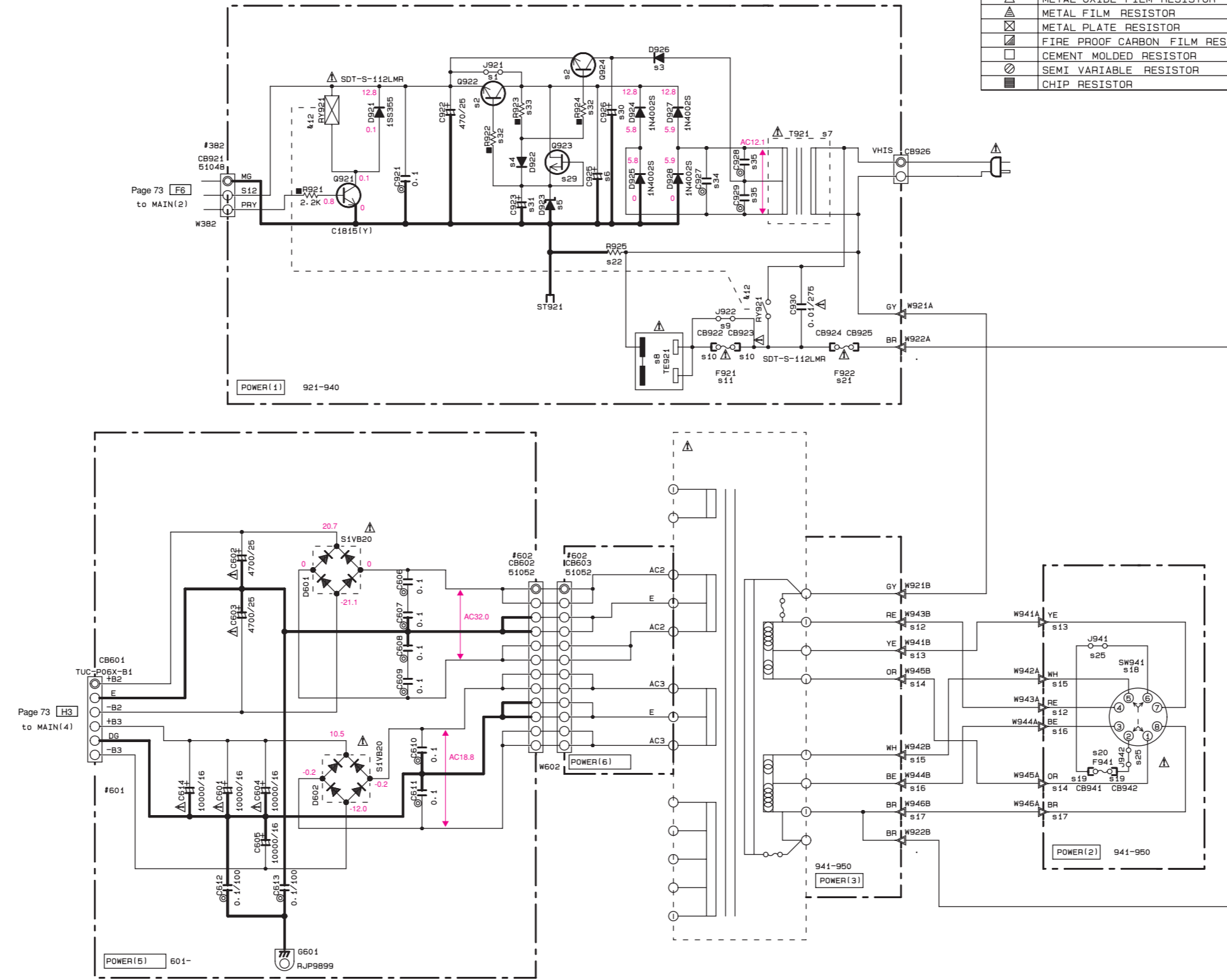
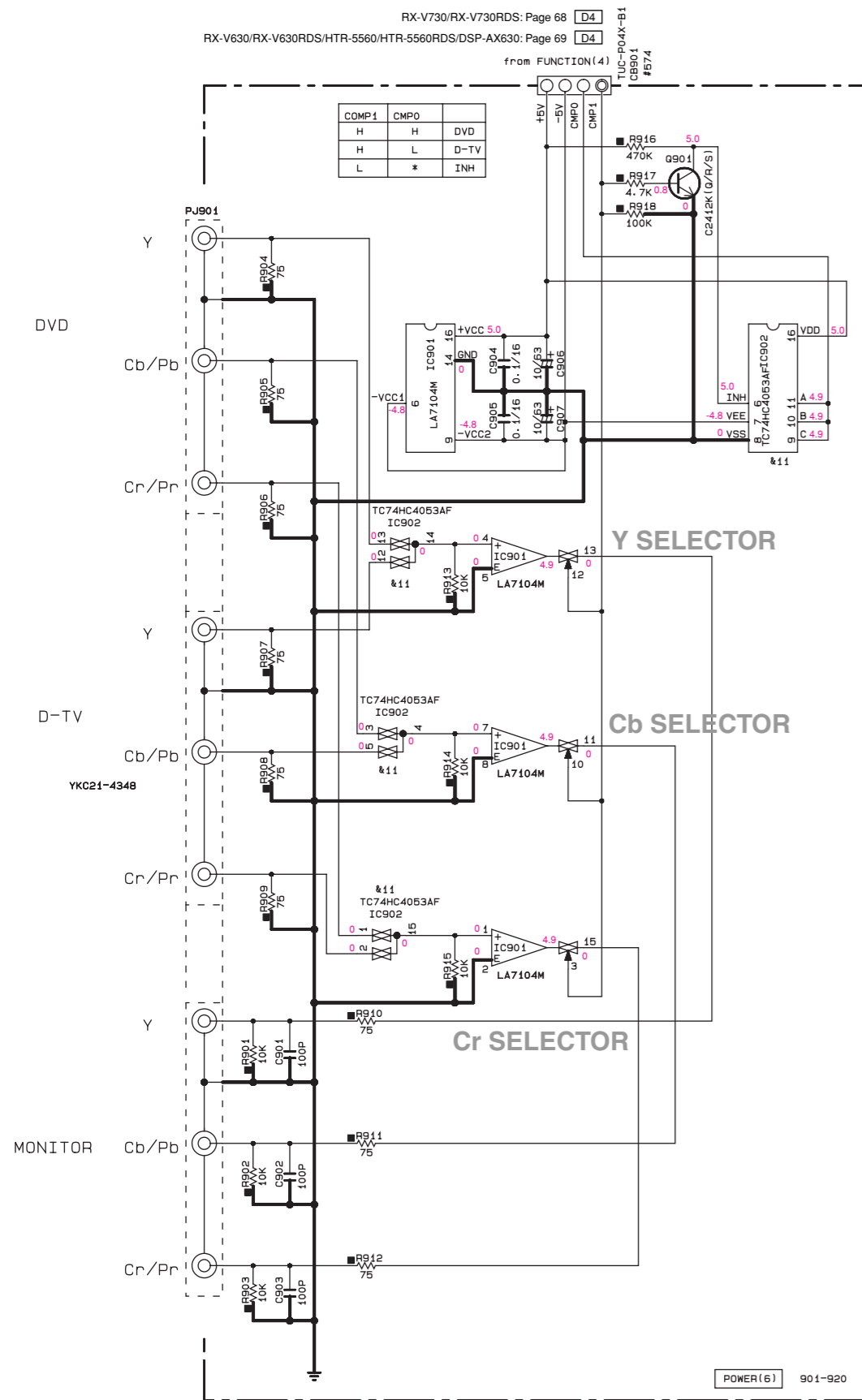


★ All voltages are measured with a 10MΩ/V DC electric volt meter.
★ Components having special characteristics are marked with a triangle and must be replaced with parts having specifications equal to those originally installed.
★ Schematic diagram is subject to change without notice.

● 電圧は、内部抵抗10MΩの電圧計で測定したものです。
● 印のある部品は、安全性確保部品を示しています。部品の交換が必要な場合、パーツリストに記載されている部品を使用してください。
● 本回路図は標準回路図です。改良のため予告なく変更することがございます。



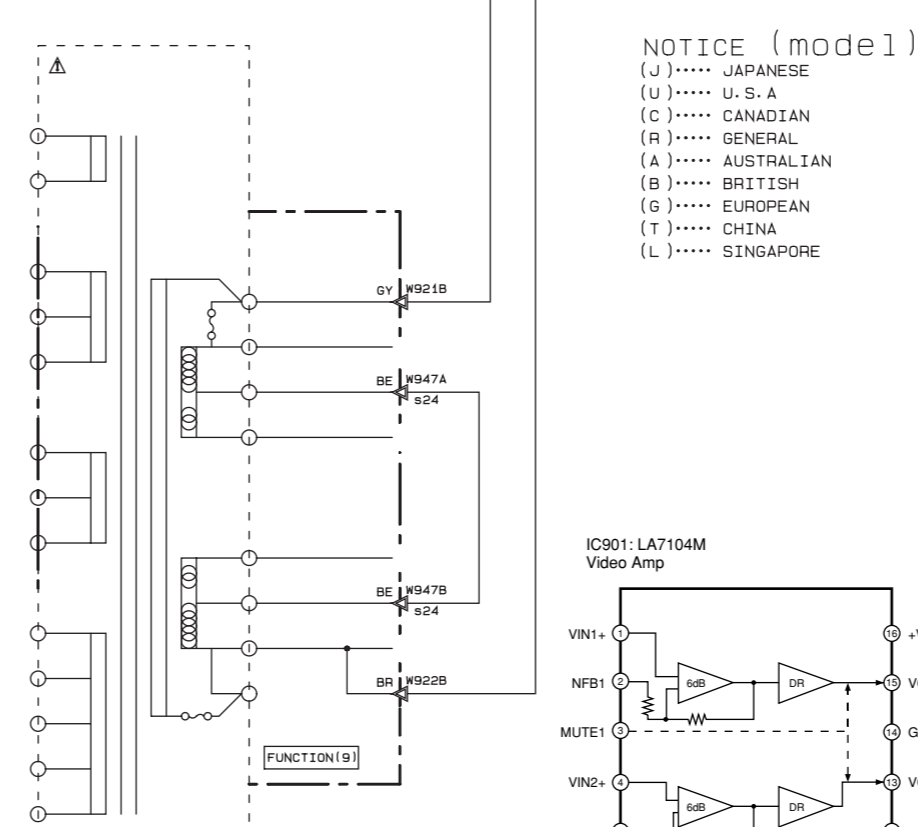
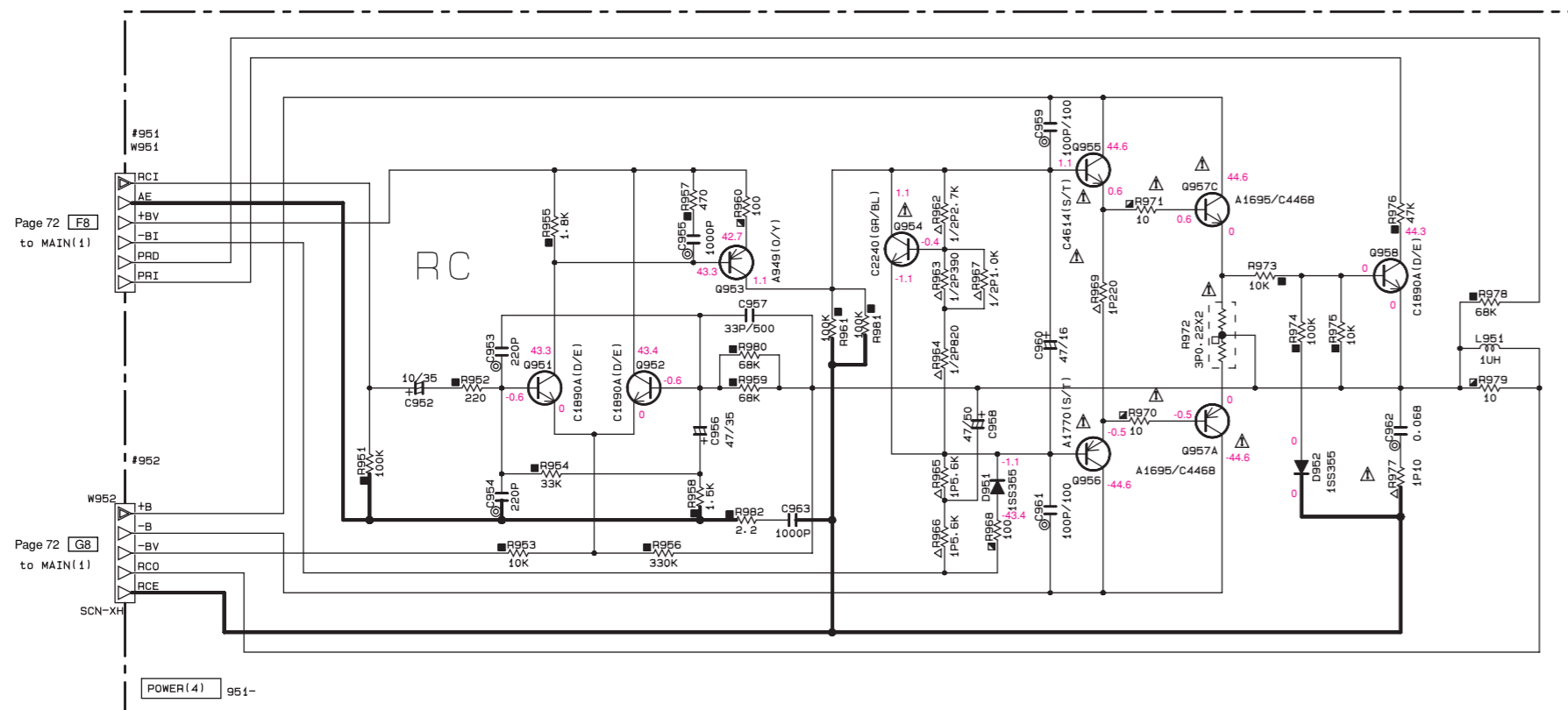
■ SCHEMATIC DIAGRAM (POWER)



REMARKS	PARTS NAME
NO MARK	CARBON FILM RESISTOR (P=5)
□	CARBON FILM RESISTOR (P=10)
△	METAL OXIDE FILM RESISTOR
▲	METAL FILM RESISTOR
▢	METAL PLATE RESISTOR
▣	FIRE PROOF CARBON FILM RESISTOR
▤	CEMENT MOLDED RESISTOR
⊕	SEMI VARIABLE RESISTOR
■	CHIP RESISTOR

	J	U-C	R-T	K	A	B	G-L
S1	J921	0	0	X	0	0	0
S2	Q922-924	X	X	D23961J/K1 VR51080	X	X	X
S3	D926	X	X	1N4002S VV30770	X	X	X
S4	D922	X	X	1S9395 V133290	X	X	X
S5	D923	X	X	UD2138 VU17290	X	X	X
S6	C926	X	X	10/100 UR99710	X	X	X
S7	T921	XW605	XW606	XW974	XW608	XW608	XW608
S8	TE921	VU54310	VU54310	V566740	X	VT91500	VU54330
S9	J922	0	0	0	X	0	0
S10	CB922-923	X	X	X	X	X	X
S11	F921	X	X	X	X	X	X
S12	W943	X	X	MHO2614	X	X	X
S13	W941	X	X	MHO4614	X	X	X
S14	W945	X	X	MHO3614	X	X	X
S15	W942	X	X	MHO9614	X	X	X
S16	W944	X	X	MHO6614	X	X	X
S17	W946	X	X	MHO1616	X	X	X
S18	SW941	X	X	V718230	X	X	X
S19	CB941-942	X	X	VP20650	X	X	X
S20	F941	X	X	T4AL250V KB00079	X	X	X
S21	F922	BA129V YS82330	BA129V YS82330	BA129V YS82330	T4AL250V KB00079	T4AL250V KB00079	T4AL250V KB00079
S22	R926	X	X	1/2PP2-2M VET3000	X	X	X
S23							
S24	W947	X	X	X	MHO6607	X	X
S25	J941-942	X	X	0	X	X	X
S26							
S27							
S28							
S29	Q923	X	X	K2471Y1 TE10262	X	X	X
S30	C926	X	X	10/50 UU14710	X	X	X
S31	C923	X	X	10/25 UU14710	X	X	X
S32	R922-924	X	X	100 RD36510	X	X	X
S33	R923	X	X	6.8K RD35768	X	X	X
S34	C927	0.01 UA65410	0.01 UA65410	X	0.01 UA65410	0.01 UA65410	0.01 UA65410
S35	C928-929	X	X	0.01 UA65410	X	X	X

X: NOT USED
O: USED/APPLICABLE



REMARKS	PARTS NAME
NO MARK	ELECTROLYTIC CAPACITOR
⊗	TANTALUM CAPACITOR
NO MARK	CERAMIC CAPACITOR
⊙	CERAMIC TUBULAR CAPACITOR
⊖	POLYESTER FILM CAPACITOR
⊕	MICA CAPACITOR
⊖	POLYPROPYLENE FILM CAPACITOR
⊕	SEMICONDUCTIVE CERAMIC CAPACITOR
⊖	POLYPHENYLENE SULFIDE FILM CAPACITOR

Interchangeable Parts at Manufacture-Stage

Mark	Reference Parts Number	Parts Name
⊕11	IC902	TC74HC4053AF MM74HC4053S.X
⊕12	RY921	SDT-S-112LMR D612D1-01M111 ALK321
⊕13		
⊕14		

INPUT STATES	ON* CHANNEL(S)
INHIBIT	C B A
0	0 0 0
0	0 0 1
0	0 1 0
0	0 1 1
0	1 0 0
0	1 0 1
0	1 1 0
0	1 1 1
1	X X X

* All voltages are measured with a 10MΩ/VC electric volt meter.
* Components having special characteristics are marked !, and must be replaced with parts having specifications equal to those originally installed.
* Schematic diagram is subject to change without notice.

● 電圧は、内部抵抗10MΩの電圧計で測定したものです。
● !印のある部品は、安全性確保部品を示しています。部品の交換が必要な場合、メーカーリストに記載されている部品を使用してください。
● 本回路図は標準回路図です。改良のため予告なく変更することがございます。

dest. K

PARTS LIST

■ ELECTRICAL PARTS

■ WARNING

- Components having special characteristics are marked \triangle and must be replaced with parts having specifications equal to those originally installed.
- Carbon resistors (1/6W or 1/4W) are not included in the ELECTRICAL PARTS List. For the parts No. of the carbon resistors, refer to last page.
- \triangle 印のある部分は、安全確保部品を示しています。部品の交換が必要な場合、パーツリストに記載されている部品を使用してください。
- 本機に使用しているカーボン抵抗は1/6Wまたは1/4Wです。このパーツリストには、記載しておりませんので、部品番号がHF45○○○○タイプまたは同等品を使用してください。
- 部品価格ランクは、予告なく変更することがあります。

ABBREVIATIONS IN THIS LIST ARE AS FOLLOWS:

C.A.EL.CHP	: CHIP ALUMI.ELECTROLYTIC CAP	L.EMIT	: LIGHT EMITTING MODULE
C.CE	: CERAMIC CAP	LED.DSPLY	: LED DISPLAY
C.CE.ARRAY	: CERAMIC CAP ARRAY	LED.INFRD	: LED,INFRARED
C.CE.CHP	: CHIP CERAMIC CAP	MODUL.RF	: MODULATOR,RF
C.CE.ML	: MULTILAYER CERAMIC CAP	PHOT.CPL	: PHOTO COUPLER
C.CE.M.CHP	: CHIP MULTILAYER CERAMIC CAP	PHOT.INTR	: PHOTO INTERRUPTER
C.CE.SAFY	: RECOGNIZED CERAMIC CAP	PHOT.RFLCT	: PHOTO REFLECTOR
C.CE.TUBLR	: CERAMIC TUBULAR CAP	PIN.TEST	: PIN,TEST POINT
C.CE.SMI	: SEMI CONDUCTIVE CERAMIC CAP	PLST.RIVET	: PLASTIC RIVET
C.EL	: ELECTROLYTIC CAP	R.ARRAY	: RESISTOR ARRAY
C.MICA	: MICA CAP	R.CAR.	: CARBON RESISTOR
C.ML.FLM	: MULTILAYER FILM CAP	R.CAR.CHP	: CHIP RESISTOR
C.MP	: METALLIZED PAPER CAP	R.CAR.FP	: FLAME PROOF CARBON RESISTOR
C.MYLAR	: MYLAR FILM CAP	R.FUS	: FUSABLE RESISTOR
C.MYLAR.ML	: MULTILAYER MYLAR FILM CAP	R.MTL.CHP	: CHIP METAL FILM RESISTOR
C.PAPER	: PAPER CAPACITOR	R.MTL.FLM	: METAL FILM RESISTOR
C.PLS	: POLYSTYRENE FILM CAP	R.MTL.OXD	: METAL OXIDE FILM RESISTOR
C.POL	: POLYESTER FILM CAP	R.MTL.PLAT	: METAL PLATE RESISTOR
C.POLY	: POLYETHYLENE FILM CAP	RSNR.CE	: CERAMIC RESONATOR
C.PP	: POLYPROPYLENE FILM CAP	RSNR.CRYS	: CRYSTAL RESONATOR
C.TNTL	: TANTALUM CAP	R.TW.CEM	: TWIN CEMENT FIXED RESISTOR
C.TNTL.CHP	: CHIP TANTALUM CAP	R.WW	: WIRE WOUND RESISTOR
C.TRIM	: TRIMMER CAP	SCR.BND.HD	: BIND HEAD B-TITE SCREW
CN	: CONNECTOR	SCR.BW.HD	: BW HEAD TAPPING SCREW
CN.BS.PIN	: CONNECTOR,BASE PIN	SCR.CUP	: CUP TITE SCREW
CN.CANNON	: CONNECTOR,CANNON	SCR.TERM	: SCREW TERMINAL
CN.DIN	: CONNECTOR,DIN	SCR.TR	: SCREW,TRANSISTOR
CN.FLAT	: CONNECTOR,FLAT CABLE	SUPRT.PCB	: SUPPORT,P.C.B.
CN.POST	: CONNECTOR,BASE POST	SURG.PRTCT	: SURGE PROTECTOR
COIL.MX.AM	: COIL,AM MIX	SW.TACT	: TACT SWITCH
COIL.AT.FM	: COIL,FM ANTENNA	SW.LEAF	: LEAF SWITCH
COIL.DT.FM	: COIL,FM DETECT	SW.LEVER	: LEVER SWITCH
COIL.MX.FM	: COIL,FM MIX	SW.MICRO	: MICRO SWITCH
COIL.OUTPT	: OUTPUT COIL	SW.PUSH	: PUSH SWITCH
DIOD.ARRAY	: DIODE ARRAY	SW.RT.ENC	: ROTARY ENCODER
DIODE.BRG	: DIODE BRIDGE	SW.RT.MTR	: ROTARY SWITCH WITH MOTOR
DIODE.CHP	: CHIP DIODE	SW.RT	: ROTARY SWITCH
DIODE.VAR	: VARACTOR DIODE	SW.SLIDE	: SLIDE SWITCH
DIOD.Z.CHP	: CHIP ZENER DIODE	TERM.SP	: SPEAKER TERMINAL
DIODE.ZENR	: ZENER DIODE	TERM.WRAP	: WRAPPING TERMINAL
DSCR.CE	: CERAMIC DISCRIMINATOR	THRMST.CHP	: CHIP THERMISTOR
FER.BEAD	: FERRITE BEADS	TR.CHP	: CHIP TRANSISTOR
FER.CORE	: FERRITE CORE	TR.DGT	: DIGITAL TRANSISTOR
FET.CHP	: CHIP FET	TR.DGT.CHP	: CHIP DIGITAL TRANSISTOR
FL.DSPLY	: FLUORESCENT DISPLAY	TRANS	: TRANSFORMER
FLTR.CE	: CERAMIC FILTER	TRANS.PULS	: PULSE TRANSFORMER
FLTR.COMB	: COMB FILTER MODULE	TRANS.PWR	: POWER TRANSFORMER ASS'Y
FLTR.LC.RF	: LC FILTER,EMI	TUNER.AM	: TUNER PACK,AM
GND.MTL	: GROUND PLATE	TUNER.FM	: TUNER PACK,FM
GND.TERM	: GROUND TERMINAL	TUNER.PK	: FRONT-ENDTUNER PACK
HOLDER.FUS	: FUSE HOLDER	VR	: ROTARY POTENTIOMETER
IC.PRTCT	: IC PROTECTOR	VR.MTR	: POTENTIOMETER WITH MOTOR
JUMPER.CN	: JUMPER CONNECTOR	VR.SW	: POTENTIOMETER WITH ROTARY SW
JUMPER.TST	: JUMPER,TEST POINT	VR.SLIDE	: SLIDE POTENTIOMETER
L.DTCT	: LIGHT DETECTING MODULE	VR.TRIM	: TRIMMER POTENTIOMETER

Note) Those parts marked with “#” are not included in the P.C.B. ass'y.

P.C.B. FUNCTION

Schm Ref.	PART NO.	Description	Remarks	Markets	部 品 名	Rank	
*	V8702200	P. C. B.	FUNCTION	V730	UC	P C B ファンクション	
*	V8702300	P. C. B.	FUNCTION	V730	RT	P C B ファンクション	
*	V8702400	P. C. B.	FUNCTION	V730	K	P C B ファンクション	
*	V8702500	P. C. B.	FUNCTION	V730	AL	P C B ファンクション	
*	V8702600	P. C. B.	FUNCTION	V730RDS	BG	P C B ファンクション	
*	V8702700	P. C. B.	FUNCTION	AX630	J	P C B ファンクション	28
*	V8702800	P. C. B.	FUNCTION	V630, 5560	UC	P C B ファンクション	
*	V8702900	P. C. B.	FUNCTION	V630, 5560	RT	P C B ファンクション	
*	V8703000	P. C. B.	FUNCTION	V630, 5560	K	P C B ファンクション	
*	V8703100	P. C. B.	FUNCTION	V630, 5560	AL	P C B ファンクション	
*	V8703200	P. C. B.	FUNCTION	V630RDS, 5560RDS	BG	P C B ファンクション	
*	V8703300	P. C. B.	FUNCTION	AX630SE	BG	P C B ファンクション	15
CB301	V7828500	SOCKET	18P TE TUC SERIES			コネクターソケット	
CB303	V7828100	SOCKET	14P TE TUC SERIES	except AX630SE		コネクターソケット	
CB304	V7826500	CN	15P TE TUC SERIES			コネクタープラグ	01
CB306	VQ048400	CN	35P			F F C コネクター	01
CB307	VK026800	CN. BS. PIN	9P			ワイヤートラップ	01
CB308	VQ048500	CN	36P TE			F F C コネクター	02
CB441	VF982200	CN. BS. PIN	14P			コネクター	02
CB443	VQ044300	CN. BS. PIN	7P			F F C コネクター	01
CB501	V7828200	SOCKET	15P TE TUC SERIES			コネクターソケット	
CB503	V7826500	CN	15P TE TUC SERIES			コネクタープラグ	01
CB505	V7828200	SOCKET	15P TE TUC SERIES			コネクターソケット	
CB551	V7827800	SOCKET	11P TE TUC SERIES			コネクターソケット	
CB571	V7826000	CN	10P TE TUC SERIES			コネクタープラグ	01
CB572	V7825700	CN	7P TE TUC SERIES			コネクタープラグ	
CB573	V7826100	CN	11P TE TUC SERIES			コネクタープラグ	01
CB574	V7825400	CN	4P TE TUC SERIES			コネクタープラグ	01
CB575	V7826800	CN	18P TE TUC SERIES			コネクタープラグ	
CB577	V7826400	CN	14P TE TUC SERIES	except AX630SE		コネクタープラグ	
CB578	VM859600	CN. BS. PIN	15P	except AX630SE		F F C コネクター	01
CB801	V7827700	SOCKET	10P TE TUC SERIES			コネクターソケット	
CB802	V7827400	SOCKET	7P TE TUC SERIES			コネクターソケット	
C301	US064100	C. CE. M. CHP	0. 01uF 50V			チップセラコン	01
C302	FG651470	C. CE	47pF 50V			セラコン	01
C303	FG651470	C. CE	47pF 50V			セラコン	01
C304	US062220	C. CE. CHP	220pF 50V			チップセラコン	01
C305	US062220	C. CE. CHP	220pF 50V			チップセラコン	01
C306	US062220	C. CE. CHP	220pF 50V			チップセラコン	01
C307	US062220	C. CE. CHP	220pF 50V			チップセラコン	01
C308	US062220	C. CE. CHP	220pF 50V			チップセラコン	01
C309	US062220	C. CE. CHP	220pF 50V			チップセラコン	01
C310	UA652100	C. MYLAR	100pF 50V	AX630SE	BG	マイラーコン	01
C311	UA652100	C. MYLAR	100pF 50V	AX630SE	BG	マイラーコン	01
C312	UT652100	C. PP	100pF 100V			P P コン	01
C313	UT652100	C. PP	100pF 100V			P P コン	01
C314	UA652100	C. MYLAR	100pF 50V			マイラーコン	01
C315	UA652100	C. MYLAR	100pF 50V			マイラーコン	01
C318	VD930900	C. CE. SMI	0. 1uF 25V			半導体セラコン	01
C319	VD930900	C. CE. SMI	0. 1uF 25V			半導体セラコン	01
C320	VD930900	C. CE. SMI	0. 1uF 25V			半導体セラコン	01
C321	VD930900	C. CE. SMI	0. 1uF 25V			半導体セラコン	01
C322	VG288800	C. EL	47uF 25V			ケミコン	01

* New Parts * 新規部品 (マーク#の部品は、基板に含まれません)

P.C.B. FUNCTION

Schm Ref.	PART NO.	Description	Remarks	Markets	部 品 名	Rank
C323	VG288800	C. EL	47uF	25V	ケミコン	01
C324	VG288800	C. EL	47uF	25V	ケミコン	01
C325	VG288800	C. EL	47uF	25V	ケミコン	01
C326	UU137100	C. EL	10uF	16V	ケミコン	01
C327	UU137100	C. EL	10uF	16V	ケミコン	01
C328	UU137100	C. EL	10uF	16V	ケミコン	01
C329	UU137100	C. EL	10uF	16V	ケミコン	01
C330	VG288800	C. EL	47uF	25V	ケミコン	01
C331	VG288800	C. EL	47uF	25V	ケミコン	01
C332	UA654270	C. MYLAR	0.027uF	50V	マイラーコン	01
C333	UA654270	C. MYLAR	0.027uF	50V	マイラーコン	01
C334	UU147100	C. EL	10uF	25V	ケミコン	01
C335	UU147100	C. EL	10uF	25V	ケミコン	01
C336	UR866220	C. EL	2.2uF	50V	ケミコン	01
C337	UR866220	C. EL	2.2uF	50V	ケミコン	01
C338	UR866220	C. EL	2.2uF	50V	ケミコン	01
C339	VG290600	C. EL	2.2uF	50V	ケミコン	01
C340	UR866220	C. EL	2.2uF	50V	ケミコン	01
C341	UA654270	C. MYLAR	0.027uF	50V	マイラーコン	01
C342	UA654270	C. MYLAR	0.027uF	50V	マイラーコン	01
C343	UT652100	C. PP	100pF	100V	PPコン	01
C344	UT652100	C. PP	100pF	100V	PPコン	01
C345	V4578900	C. EL	47uF	35V	ケミコン	
C346	V4578900	C. EL	47uF	35V	ケミコン	
C347	UR866330	C. EL	3.3uF	50V	ケミコン	01
C348	UR866330	C. EL	3.3uF	50V	ケミコン	01
C349	UR866330	C. EL	3.3uF	50V	ケミコン	01
C350	UR866330	C. EL	3.3uF	50V	ケミコン	01
C351	VG290700	C. EL	3.3uF	50V	ケミコン	01
C352	UR866330	C. EL	3.3uF	50V	ケミコン	01
C353	UU147330	C. EL	33uF	25V	ケミコン FW	
C354	UU147330	C. EL	33uF	25V	ケミコン FW	
C355	UR877100	C. EL	10uF	63V	ケミコン	01
C356	UR877100	C. EL	10uF	63V	ケミコン	01
C357	UR877100	C. EL	10uF	63V	ケミコン	01
C358	UR877100	C. EL	10uF	63V	ケミコン	01
C359	VG287200	C. EL	10uF	50V	ケミコン	01
C360	UR877100	C. EL	10uF	63V	ケミコン	01
C361	UU138100	C. EL	100uF	16V	ケミコン	01
C362	UU138100	C. EL	100uF	16V	ケミコン	01
C364	VN011900	C. EL	100uF	35V	ケミコン	01
C365	UR877100	C. EL	10uF	63V	ケミコン	01
C366	UR877100	C. EL	10uF	63V	ケミコン	01
C367	VG288500	C. EL	10uF	25V	ケミコン	01
C368	UU147100	C. EL	10uF	25V	ケミコン	01
C369	VG288500	C. EL	10uF	25V	ケミコン	01
C370	UU137470	C. EL	47uF	16V	ケミコン	01
C371	US135100	C. CE. CHP	0.1uF	16V	チップセラコン	01
C372	US135100	C. CE. CHP	0.1uF	16V	チップセラコン	01
C373	US135100	C. CE. CHP	0.1uF	16V	チップセラコン	01
C374	US135100	C. CE. CHP	0.1uF	16V	チップセラコン	01
C375	US135100	C. CE. CHP	0.1uF	16V	チップセラコン	01
C376	US135100	C. CE. CHP	0.1uF	16V	チップセラコン	01

* New Parts * 新規部品(マーク#の部品は、基板に含まれません)

P.C.B. FUNCTION

Schm Ref.	PART NO.	Description	Remarks	Markets	部 品 名	Rank	
C377	US135100	C. CE. CHP	0. 1uF	16V		チップセラコン	01
C378	US135100	C. CE. CHP	0. 1uF	16V		チップセラコン	01
C379	VG287200	C. EL	10uF	50V		ケミコン	01
C380	VG287200	C. EL	10uF	50V		ケミコン	01
C381	UR877100	C. EL	10uF	63V		ケミコン	01
C382	UR877100	C. EL	10uF	63V		ケミコン	01
C383	UU137470	C. EL	47uF	16V		ケミコン	01
C384	UU137470	C. EL	47uF	16V		ケミコン	01
C385	VG287200	C. EL	10uF	50V		ケミコン	01
C386	UR877100	C. EL	10uF	63V		ケミコン	01
C387	UR877100	C. EL	10uF	63V		ケミコン	01
C388	UR877100	C. EL	10uF	63V		ケミコン	01
C389	UR877100	C. EL	10uF	63V		ケミコン	01
C390	US135100	C. CE. CHP	0. 1uF	16V		チップセラコン	01
C391	US135100	C. CE. CHP	0. 1uF	16V		チップセラコン	01
C392	UT652100	C. PP	100pF	100V		P Pコン	01
C393	UT652100	C. PP	100pF	100V		P Pコン	01
C394	VQ645600	C. MYLAR	100pF	50V		マイラーコン	01
C395	VQ645600	C. MYLAR	100pF	50V		マイラーコン	01
C396	UA652100	C. MYLAR	100pF	50V		マイラーコン	01
C397	UT652100	C. PP	100pF	100V		P Pコン	01
C398	UA652100	C. MYLAR	100pF	50V		マイラーコン	01
C399	US135100	C. CE. CHP	0. 1uF	16V		チップセラコン	01
C400	US135100	C. CE. CHP	0. 1uF	16V		チップセラコン	01
C401	UR877100	C. EL	10uF	63V		ケミコン	01
C402	UR877100	C. EL	10uF	63V		ケミコン	01
C403	UR877100	C. EL	10uF	63V		ケミコン	01
C404	VG287200	C. EL	10uF	50V		ケミコン	01
C405	UR877100	C. EL	10uF	63V		ケミコン	01
C406	VG287500	C. EL	47uF	50V		ケミコン	01
C407	VG287500	C. EL	47uF	50V		ケミコン	01
C408	VG287500	C. EL	47uF	50V		ケミコン	01
C409	VG287500	C. EL	47uF	50V		ケミコン	01
C410	US064100	C. CE. M. CHP	0. 01uF	50V		チップセラコン	01
C411	US064100	C. CE. M. CHP	0. 01uF	50V		チップセラコン	01
C412	US064100	C. CE. M. CHP	0. 01uF	50V		チップセラコン	01
C413	US064100	C. CE. M. CHP	0. 01uF	50V		チップセラコン	01
C414	US064100	C. CE. M. CHP	0. 01uF	50V		チップセラコン	01
C415	US064100	C. CE. M. CHP	0. 01uF	50V		チップセラコン	01
C416	UT652100	C. PP	100pF	100V		P Pコン	01
C431	US062680	C. CE. M. CHP	680pF	50V		チップセラコン	01
C432	US135100	C. CE. CHP	0. 1uF	16V		チップセラコン	01
C433	US135100	C. CE. CHP	0. 1uF	16V		チップセラコン	01
C441	US135100	C. CE. CHP	0. 1uF	16V		チップセラコン	01
C442	US135100	C. CE. CHP	0. 1uF	16V		チップセラコン	01
C443	US135100	C. CE. CHP	0. 1uF	16V		チップセラコン	01
C444	US135100	C. CE. CHP	0. 1uF	16V		チップセラコン	01
C445	US135100	C. CE. CHP	0. 1uF	16V		チップセラコン	01
C445	US135100	C. CE. CHP	0. 1uF	16V	RTKALBG	チップセラコン	01
C446	UR819100	C. EL	1000uF	6. 3V	RTKALBG	ケミコン	01
C447	UR819100	C. EL	1000uF	6. 3V		ケミコン	01
C448	UR819100	C. EL	1000uF	6. 3V		ケミコン	01
C449	UR865100	C. EL	0. 1uF	50V		ケミコン	01

* New Parts * 新規部品(マーク#の部品は、基板に含まれません)

P.C.B. FUNCTION

Schm Ref.	PART NO.	Description	Remarks	Markets	部 品 名	Rank	
C450	VS672200	C. EL	4700uF	5. 5V		バックアップケミコン	02
C451	UR818220	C. EL	220uF	6. 3V		ケミコン	01
C452	UR877100	C. EL	10uF	63V		ケミコン	01
C453	US135100	C. CE. CHP	0. 1uF	16V		チップセラコン	01
C454	UR847470	C. EL	47uF	25V		ケミコン	01
C455	UR866220	C. EL	2. 2uF	50V		ケミコン	01
C456	UR866220	C. EL	2. 2uF	50V		ケミコン	01
C457	UR866220	C. EL	2. 2uF	50V		ケミコン	01
C458	UR865220	C. EL	0. 22uF	50V		ケミコン	01
C459	US062100	C. CE. M. CHP	100pF	50V		チップセラコン	01
C460	UR865100	C. EL	0. 1uF	50V		ケミコン	01
C501	US064100	C. CE. M. CHP	0. 01uF	50V	V730, V730RDS	チップセラコン	01
C502	UA652100	C. MYLAR	100pF	50V	V730, V730RDS	ALBG マイラーコン	01
C503	UA652100	C. MYLAR	100pF	50V	V730, V730RDS	ALBG マイラーコン	01
C504	UA652220	C. MYLAR	220pF	50V	V730, V730RDS	マイラーコン	01
C505	UA652220	C. MYLAR	220pF	50V	V730, V730RDS	マイラーコン	01
C506	UR828220	C. EL	220uF	10V	V730, V730RDS	ケミコン	01
C507	UR828220	C. EL	220uF	10V	V730, V730RDS	ケミコン	01
C508	UA653910	C. MYLAR	9100pF	50V	V730, V730RDS	マイラーコン	01
C509	UA653910	C. MYLAR	9100pF	50V	V730, V730RDS	マイラーコン	01
C510	UA654330	C. MYLAR	0. 033uF	50V	V730, V730RDS	マイラーコン	01
C511	UA654330	C. MYLAR	0. 033uF	50V	V730, V730RDS	マイラーコン	01
C512	UR866220	C. EL	2. 2uF	50V	V730, V730RDS	ケミコン	01
C513	UR866220	C. EL	2. 2uF	50V	V730, V730RDS	ケミコン	01
C514	UA653100	C. MYLAR	1000pF	50V	V730, V730RDS	マイラーコン	03
C515	UA653100	C. MYLAR	1000pF	50V	V730, V730RDS	マイラーコン	03
C516	VG288800	C. EL	47uF	25V	V730, V730RDS	ケミコン	01
C517	VG288800	C. EL	47uF	25V	V730, V730RDS	ケミコン	01
C518	FG651470	C. CE	47pF	50V		セラコン	01
C519	FG651470	C. CE	47pF	50V		セラコン	01
C520	UA652100	C. MYLAR	100pF	50V		マイラーコン	01
C521	UA652100	C. MYLAR	100pF	50V		マイラーコン	01
C522	FG651470	C. CE	47pF	50V		セラコン	01
C523	FG651470	C. CE	47pF	50V		セラコン	01
C524	UA652100	C. MYLAR	100pF	50V		マイラーコン	01
C525	UA652100	C. MYLAR	100pF	50V		マイラーコン	01
C526	UA652100	C. MYLAR	100pF	50V		マイラーコン	01
C527	UA652100	C. MYLAR	100pF	50V		マイラーコン	01
C528	UA652100	C. MYLAR	100pF	50V		マイラーコン	01
C529	UA652100	C. MYLAR	100pF	50V		マイラーコン	01
C530	US064100	C. CE. M. CHP	0. 01uF	50V		チップセラコン	01
C531	UA654100	C. MYLAR	0. 01uF	50V		マイラーコン	01
C532	US064100	C. CE. M. CHP	0. 01uF	50V		チップセラコン	01
C533	VD930900	C. CE. SMI	0. 1uF	25V		半導体セラコン	01
C534	VD930900	C. CE. SMI	0. 1uF	25V		半導体セラコン	01
C535	VG288800	C. EL	47uF	25V		ケミコン	01
C536	VG288800	C. EL	47uF	25V		ケミコン	01
C551	US062100	C. CE. M. CHP	100pF	50V		チップセラコン	01
C552	US062100	C. CE. M. CHP	100pF	50V		チップセラコン	01
C553	US062100	C. CE. M. CHP	100pF	50V		チップセラコン	01
C554	UR847470	C. EL	47uF	25V		ケミコン	01
C555	UR847470	C. EL	47uF	25V		ケミコン	01
C556	US135100	C. CE. CHP	0. 1uF	16V		チップセラコン	01

* New Parts * 新規部品(マーク#の部品は、基板に含まれません)

P.C.B. FUNCTION

Schm Ref.	PART NO.	Description	Remarks	Markets	部 品 名	Rank		
C557	US135100	C. CE. CHP	0. 1uF	16V		チップセラコン	01	
C558	UR847470	C. EL	47uF	25V		ケミコン	01	
C559	UR847470	C. EL	47uF	25V		ケミコン	01	
C560	UR847470	C. EL	47uF	25V		ケミコン	01	
C561	UR847470	C. EL	47uF	25V		ケミコン	01	
C562	US135220	C. CE. CHP	0. 22uF	16V		チップセラ (F)	01	
C571	UR847470	C. EL	47uF	25V	except AX630SE	ケミコン	01	
C572	UR847470	C. EL	47uF	25V	except AX630SE	ケミコン	01	
C575	US062330	C. CE. M. CHP	330pF	50V	except AX630SE	BG	チップセラコン	01
C576	US062330	C. CE. M. CHP	330pF	50V	except AX630SE	BG	チップセラコン	01
C577	VA761100	C. CE	27pF	50V	except AX630SE	BG	セラコン	01
C578	VA761100	C. CE	27pF	50V	except AX630SE	BG	セラコン	01
C579	UR847470	C. EL	47uF	25V	except AX630SE	BG	ケミコン	01
C580	UR847470	C. EL	47uF	25V	except AX630SE	BG	ケミコン	01
C581	US062560	C. CE. CHP	560pF	50V	except AX630SE	BG	チップセラ (S L)	01
C582	US135100	C. CE. CHP	0. 1uF	16V	except AX630SE	BG	チップセラコン	01
C583	UR847470	C. EL	47uF	25V	except AX630SE	BG	ケミコン	01
C584	US062100	C. CE. M. CHP	100pF	50V	except AX630SE		チップセラコン	01
C585	US062100	C. CE. M. CHP	100pF	50V	except AX630SE		チップセラコン	01
C586	US063100	C. CE. M. CHP	1000pF	50V	except AX630SE		チップセラコン	01
C587	US062100	C. CE. M. CHP	100pF	50V	except AX630SE		チップセラコン	01
C588	US062100	C. CE. M. CHP	100pF	50V	except AX630SE		チップセラコン	01
C589	US064100	C. CE. M. CHP	0. 01uF	50V	except AX630SE		チップセラコン	01
C590	US062100	C. CE. M. CHP	100pF	50V	except AX630SE	BG	チップセラコン	01
C591	UR877100	C. EL	10uF	63V	except AX630SE		ケミコン	01
C801	US062100	C. CE. M. CHP	100pF	50V			チップセラコン	01
C802	US062100	C. CE. M. CHP	100pF	50V			チップセラコン	01
C803	US062100	C. CE. M. CHP	100pF	50V			チップセラコン	01
C804	US062100	C. CE. M. CHP	100pF	50V			チップセラコン	01
C805	US062100	C. CE. M. CHP	100pF	50V			チップセラコン	01
C806	US062100	C. CE. M. CHP	100pF	50V			チップセラコン	01
C807	US135100	C. CE. CHP	0. 1uF	16V			チップセラコン	01
C808	US135100	C. CE. CHP	0. 1uF	16V			チップセラコン	01
C809	US135100	C. CE. CHP	0. 1uF	16V			チップセラコン	01
C810	UR829100	C. EL	1000uF	10V			ケミコン	01
C811	US062820	C. CE. CHP	820pF	50V	V730, V730RDS	ALBG	チップセラ (B)	01
C811	US063150	C. CE. M. CHP	1500pF	50V	V730	UCRTK	チップセラコン	01
C812	UR847470	C. EL	47uF	25V	V730, V730RDS		ケミコン	01
C813	UR847470	C. EL	47uF	25V	V730, V730RDS		ケミコン	01
C814	UR847470	C. EL	47uF	25V			ケミコン	01
C815	UR847470	C. EL	47uF	25V			ケミコン	01
C816	US135100	C. CE. CHP	0. 1uF	16V			チップセラコン	01
C817	US135100	C. CE. CHP	0. 1uF	16V			チップセラコン	01
C818	UR847470	C. EL	47uF	25V			ケミコン	01
C819	UR847470	C. EL	47uF	25V	V730, V730RDS		ケミコン	01
C820	UR847470	C. EL	47uF	25V	V730, V730RDS		ケミコン	01
C821	UR847470	C. EL	47uF	25V	V730, V730RDS		ケミコン	01
C822	UR847470	C. EL	47uF	25V	V730, V730RDS		ケミコン	01
C823	US062270	C. CE. M. CHP	270pF	50V	V730, V730RDS	ALBG	チップセラコン	01
C823	US062390	C. CE. CHP	390P	50V	V730	UCRTK	チップセラ (S L)	01
C824	US063100	C. CE. M. CHP	1000pF	50V			チップセラコン	01
C825	US135100	C. CE. CHP	0. 1uF	16V			チップセラコン	01
C826	US135100	C. CE. CHP	0. 1uF	16V			チップセラコン	01

* New Parts * 新規部品 (マーク#の部品は、基板に含まれません)

P.C.B. FUNCTION

Schm Ref.	PART NO.	Description	Remarks	Markets	部 品 名	Rank
C827	US135100	C. CE. CHP	0.1uF 16V		チップセラコン	01
C828	UR847470	C. EL	47uF 25V	V730, V730RDS	ケミコン	01
C829	US135100	C. CE. CHP	0.1uF 16V	V730, V730RDS	チップセラコン	01
C830	UR847470	C. EL	47uF 25V	V730, V730RDS	ケミコン	01
C831	UR877100	C. EL	10uF 63V	V730, V730RDS	ケミコン	01
C832	US135100	C. CE. CHP	0.1uF 16V	V730, V730RDS	チップセラコン	01
C833	US060800	C. CE. CHP	8pF 50V	V730, V730RDS	チップセラコン	01
C834	US061330	C. CE. M. CHP	33pF 50V	V730, V730RDS	チップセラコン	01
C835	UR818330	C. EL	330uF 6.3V		ケミコン	01
C836	UR866100	C. EL	1uF 50V	V730, V730RDS	ケミコン	01
C837	US060700	C. CE. CHP	7pF 50V	V730, V730RDS	チップセラコン	01
C838	US062470	C. CE. M. CHP	470pF 50V	V730, V730RDS	チップセラコン	01
C839	US061240	C. CE. CHP	24pF 50V	V730, V730RDS	チップセラ (C H)	01
C840	US135100	C. CE. CHP	0.1uF 16V	V730, V730RDS	チップセラコン	01
C841	UR866100	C. EL	1uF 50V	V730, V730RDS	ケミコン	01
C842	US064100	C. CE. M. CHP	0.01uF 50V		チップセラコン	01
C843	US061240	C. CE. CHP	24pF 50V	V730, V730RDS	チップセラ (C H)	01
C844	UR866470	C. EL	4.7uF 50V	V730, V730RDS	ケミコン	01
C845	US063120	C. CE. M. CHP	1200pF 50V	V730, V730RDS	チップセラコン	01
C846	UR847470	C. EL	47uF 25V	V730, V730RDS	ケミコン	01
C847	UR847470	C. EL	47uF 25V	V730, V730RDS	ケミコン	01
C848	US062120	C. CE. CHP	120pF 50V	V730, V730RDS	チップセラコン	01
C849	US135100	C. CE. CHP	0.1uF 16V		チップセラコン	01
C850	US062220	C. CE. CHP	220pF 50V	V730, V730RDS	チップセラコン	01
C851	UR877100	C. EL	10uF 63V		ケミコン	01
C852	US062220	C. CE. CHP	220pF 50V	V730, V730RDS	チップセラコン	01
C853	US062220	C. CE. CHP	220pF 50V	V730, V730RDS	チップセラコン	01
D302	VT332900	DIODE	1SS355		ダイオード	01
D303	VU993000	DIODE. ZENR	MA8056-M 5.6V		ツェナーダイオード	01
D441	VU171900	DIODE. ZENR	UDZ5.1B 5.1V		ツェナーダイオード	01
D442	VU171900	DIODE. ZENR	UDZ5.1B 5.1V		ツェナーダイオード	01
D445	VU171900	DIODE. ZENR	UDZ5.1B 5.1V		ツェナーダイオード	01
D446	VT332900	DIODE	1SS355		ダイオード	01
D447	VT332900	DIODE	1SS355		ダイオード	01
D448	VT332900	DIODE	1SS355		ダイオード	01
D449	VT332900	DIODE	1SS355		ダイオード	01
D450	VT332900	DIODE	1SS355		ダイオード	01
D451	VU172100	DIODE. ZENR	UDZS6.2B 6.2V	RTK	ツェナーダイオード	01
D451	VU172200	DIODE. ZENR	UDZ6.8B 6.8V	JUCALBG	ツェナーダイオード	01
D452	VT332900	DIODE	1SS355		ダイオード	01
D453	VT332900	DIODE	1SS355		ダイオード	01
D571	VU172000	DIODE. ZENR	UDZS5.6BTE-17 5.6V	except AX630SE	ツェナーダイオード	01
D801	VT332900	DIODE	1SS355	V730, V730RDS	ダイオード	01
D802	VT332900	DIODE	1SS355	V730, V730RDS	ダイオード	01
D803	VT332900	DIODE	1SS355	V730, V730RDS	ダイオード	01
D804	VT332900	DIODE	1SS355	V730, V730RDS	ダイオード	01
D805	VT332900	DIODE	1SS355	V730, V730RDS	ダイオード	01
D806	VT332900	DIODE	1SS355	V730, V730RDS	ダイオード	01
D807	VT332900	DIODE	1SS355	V730, V730RDS	ダイオード	01
D808	VT332900	DIODE	1SS355	V730, V730RDS	ダイオード	01
D809	VT332900	DIODE	1SS355	V730, V730RDS	ダイオード	01
D810	VT332900	DIODE	1SS355	V730, V730RDS	ダイオード	01
IC302	XP896A00	IC	LC78213		I C	04

* New Parts * 新規部品(マーク#の部品は、基板に含まれません)

P.C.B. FUNCTION

Schm Ref.	PART NO.	Description	Remarks	Markets	部 品 名	Rank	
IC303	XP894A00	IC	LC78211		IC	06	
IC304	XZ545A00	IC	YAC520-EE2		IC	04	
IC305	XZ545A00	IC	YAC520-EE2		IC	04	
IC306	XZ545A00	IC	YAC520-EE2		IC	04	
IC307	XZ545A00	IC	YAC520-EE2		IC	04	
IC308	XY879A00	IC	TC74HC4053AF (EL)		ロジック IC SOP	03	
IC309	XY879A00	IC	TC74HC4053AF (EL)		ロジック IC SOP	03	
IC311	XF291A00	IC	uPC4570G2		IC	03	
IC312	XF291A00	IC	uPC4570G2		IC	03	
IC313	XF291A00	IC	uPC4570G2		IC	03	
IC314	XF291A00	IC	uPC4570G2		IC	03	
IC315	XF291A00	IC	uPC4570G2		IC	03	
IC316	XF291A00	IC	uPC4570G2		IC	03	
IC317	XF291A00	IC	uPC4570G2		IC	03	
IC318	XF291A00	IC	uPC4570G2		IC	03	
IC441	X2341A00	IC	M30624MGA		マイコンマスクROM	08	
IC442	XJ757A00	IC	NJM78L05A-T3		IC	01	
IC501	XF291A00	IC	uPC4570G2	V730, V730RDS	IC	03	
IC502	XP894A00	IC	LC78211		IC	06	
IC551	XY549A00	IC	TC74HC4051AFEL		ロジック IC SOP	02	
IC552	XW911A00	IC	LA7108M VIDEO AMP		アンプ IC	04	
IC571	XY534A00	IC	LC72722	except AX630SE	BG	RDSデコーダ IC	06
IC801	XW939A00	IC	TK15420M VIDEO AMP	V730, V730RDS		アンプ IC SOP	03
IC802	XY549A00	IC	TC74HC4051AFEL			ロジック IC SOP	02
IC803	XY549A00	IC	TC74HC4051AFEL			ロジック IC SOP	02
IC804	XY879A00	IC	TC74HC4053AF (EL)	V730, V730RDS		ロジック IC SOP	03
IC805	XD598A00	IC	TC74HCU04AFEL INV	V730, V730RDS		ロジック IC	01
IC806	XZ060A00	IC	LC74781-9798		IC SDIP	05	
IC807	XY443A00	IC	LA7109 6CH		アンプ IC SOP	05	
JK801	VQ960400	CN. DIN	1P		1連S端子	02	
JK801	VU245200	CN. DIN	1P		DINコネクタ	02	
JK802	V5268700	JACK. DIN	JY-5036		DINコネクタ 2P		
JK803	V5268700	JACK. DIN	JY-5036		DINコネクタ 2P		
JK804	V5268700	JACK. DIN	JY-5036		DINコネクタ 2P		
L571	VU889500	COIL	220uH		円筒形固定コイル	01	
L801	V3233700	COIL	1.5uH		コイル 1.5UH		
L802	V6236000	COIL	4.7uH		コイル	01	
L803	V2726100	COIL	33uH		コイル	01	
PJ301	V7046800	JACK. PIN	MSP-246V1-01NI		ピンジャック 6P		
PJ302	V7190400	JACK. PIN	6P		ピンジャック 6P		
PJ303	V8502200	JACK. PIN	2P		ピンジャック 2P		
PJ501	V7189700	JACK. PIN	1P		ピンジャック 1P		
PJ502	V7046800	JACK. PIN	MSP-246V1-01NI		ピンジャック 6P		
PJ503	V7046700	JACK. PIN	MSP-244V1-01NI		ピンジャック 4P		
PJ504	V2895300	JACK. PIN	2P	630 series	ピンジャック	02	
PJ504	V8041300	JACK. PIN	4P	730 series	ピンジャック 4Pアース付		
PJ551	V7190000	JACK. PIN	2P		ピンジャック 2P		
PJ552	V7190000	JACK. PIN	2P		ピンジャック 2P		
PJ553	V7190000	JACK. PIN	2P		ピンジャック 2P		
PJ554	V7189800	JACK. PIN	1P		ピンジャック 1P		
PN301	V3750200	PIN	L=70		スタイルピン		
PN302	V3750200	PIN	L=70		スタイルピン		
PN501	V3750200	PIN	L=70		スタイルピン		

* New Parts * 新規部品 (マーク#の部品は、基板に含まれません)

P.C.B. FUNCTION

Schm Ref.	PART NO.	Description	Remarks	Markets	部 品 名	Rank
Q302	VP872700	TR	2SC4488 S, T		トランジスタ	01
Q303	VD303700	TR	2SC3326 A, B		トランジスタ	01
Q304	VD303700	TR	2SC3326 A, B		トランジスタ	01
Q305	VD303700	TR	2SC3326 A, B		トランジスタ	01
Q306	VD303700	TR	2SC3326 A, B		トランジスタ	01
Q307	VD303700	TR	2SC3326 A, B		トランジスタ	01
Q308	VD303700	TR	2SC3326 A, B		トランジスタ	01
Q441	VV556400	TR	2SC2412K Q, R, S		トランジスタ	01
Q443	VV556500	TR	2SA1037K Q, R, S		トランジスタ	01
Q444	VV556500	TR	2SA1037K Q, R, S		トランジスタ	01
Q445	VV556500	TR	2SA1037K Q, R, S		トランジスタ	01
Q446	VV556500	TR	2SA1037K Q, R, S		トランジスタ	01
Q447	VV556400	TR	2SC2412K Q, R, S		トランジスタ	01
Q501	VD303700	TR	2SC3326 A, B		トランジスタ	01
Q502	VD303700	TR	2SC3326 A, B		トランジスタ	01
Q571	iC1815I0	TR	2SC1815 Y	except AX630SE	トランジスタ	01
Q572	iC174020	TR	2SC1740S R, S	except AX630SE	トランジスタ	01
Q801	iC1815I0	TR	2SC1815 Y	V730, V730RDS	トランジスタ	01
Q802	iC287820	TR	2SC2878 A, B	V730, V730RDS	トランジスタ	01
Q803	iC1815I0	TR	2SC1815 Y	V730, V730RDS	トランジスタ	01
Q804	VD678700	TR. DGT	DTC114ES	V730, V730RDS	デジタルトランジスタ	01
Q805	iC287820	TR	2SC2878 A, B	V730, V730RDS	トランジスタ	01
Q806	iC1815I0	TR	2SC1815 Y	V730, V730RDS	トランジスタ	01
Q807	iC053540	TR	2SC535 A, B, C	V730, V730RDS	トランジスタ	01
Q808	iA1015I0	TR	2SA1015 Y	V730, V730RDS	トランジスタ	01
Q809	iC224030	TR	2SC2240 GR, BL	V730, V730RDS	トランジスタ	01
R332	HV753220	R. CAR. FP	2.2Ω 1/4W		不燃化カーボン抵抗	01
R333	HV753220	R. CAR. FP	2.2Ω 1/4W		不燃化カーボン抵抗	01
R336	HV753220	R. CAR. FP	2.2Ω 1/4W		不燃化カーボン抵抗	01
R337	HV753220	R. CAR. FP	2.2Ω 1/4W		不燃化カーボン抵抗	01
R366	HV753220	R. CAR. FP	2.2Ω 1/4W		不燃化カーボン抵抗	01
R367	HV753220	R. CAR. FP	2.2Ω 1/4W		不燃化カーボン抵抗	01
R370	HV753470	R. CAR. FP	4.7Ω 1/4W		不燃化カーボン抵抗	01
R398	HV753220	R. CAR. FP	2.2Ω 1/4W		不燃化カーボン抵抗	01
R399	HV753220	R. CAR. FP	2.2Ω 1/4W		不燃化カーボン抵抗	01
R400	HV753220	R. CAR. FP	2.2Ω 1/4W		不燃化カーボン抵抗	01
R401	HV753220	R. CAR. FP	2.2Ω 1/4W		不燃化カーボン抵抗	01
R518	HV755100	R. CAR. FP	100Ω 1/4W	V730, V730RDS	不燃化カーボン抵抗	01
R519	HV755100	R. CAR. FP	100Ω 1/4W	V730, V730RDS	不燃化カーボン抵抗	01
R548	HV753220	R. CAR. FP	2.2Ω 1/4W		不燃化カーボン抵抗	01
R549	HV753220	R. CAR. FP	2.2Ω 1/4W		不燃化カーボン抵抗	01
R581	HV753220	R. CAR. FP	2.2Ω 1/4W	V730, V730RDS	不燃化カーボン抵抗	01
R874	V8070700	R. MTL. FLM	47Ω 1W		金属被膜抵抗	
ST441	V4040500	SCR. TERM	M3		スクリュー/ターミナル	01
ST571	V4040500	SCR. TERM	M3		スクリュー/ターミナル	01
SW571	V3624300	SW. SLIDE	SS029-P022MJB-PA6	except AX630SE	スライドSW	
XL441	V7718300	RSNR. CE	CSTLS10MOG53-B0		セラミック振動子	02
XL571	V3930900	RSNR. CRY5	4.332MHz	except AX630SE	水晶振動子	05
XL801	VV949800	RSNR. CRY5	14.31818MHz		水晶振動子	03
XL801	VV949900	RSNR. CRY5	17.734475MHz		水晶振動子	03

*

* New Parts * 新規部品(マーク#の部品は、基板に含まれません)

P.C.B. OPERATION

Schm Ref.	PART NO.	Description	Remarks	Markets	部 品 名	Rank	
*	V8705000	P. C. B.	OPERATION	V730, V630, 5560	JUCRTKAL	P C B オペレーション	
*	V8705100	P. C. B.	OPERATION	V730, V630, 5560	BG	P C B オペレーション	
*	V8706200	P. C. B.	OPERATION	AX630SE	BG	P C B オペレーション	
CB703	VN394900	CN. BS. PIN	14P			F F C コネクター	01
CB704	Vi878000	CN. BS. PIN	2P			ケーブルホルダー	01
CB705	Vi878100	CN. BS. PIN	3P			ケーブルホルダー	01
CB741	Vi878700	CN. BS. PIN	9P			ケーブルホルダー	01
CB781	Vi878000	CN. BS. PIN	2P			ケーブルホルダー	01
CB786	Vi878100	CN. BS. PIN	3P			ケーブルホルダー	01
CB791	VB858200	CN. BS. PIN	3P			ベースピン	01
CB792	VQ044300	CN. BS. PIN	7P			F F C コネクター	01
C701	US062680	C. CE. M. CHP	680pF	50V		チップセラコン	01
C702	US062680	C. CE. M. CHP	680pF	50V		チップセラコン	01
C703	UR837100	C. EL	10uF	16V		ケミコン	01
C704	US061330	C. CE. M. CHP	33pF	50V		チップセラコン	01
C705	US135100	C. CE. CHP	0. 1uF	16V		チップセラコン	01
C730	US062100	C. CE. M. CHP	100pF	50V		チップセラコン	01
C731	US062100	C. CE. M. CHP	100pF	50V		チップセラコン	01
C732	US062100	C. CE. M. CHP	100pF	50V		チップセラコン	01
C733	US135100	C. CE. CHP	0. 1uF	16V		チップセラコン	01
C734	US135100	C. CE. CHP	0. 1uF	16V		チップセラコン	01
C741	VG287800	C. EL	330uF	16V		ケミコン	01
C742	VG287800	C. EL	330uF	16V		ケミコン	01
C743	UU166100	C. EL	1uF	50V		ケミコン	01
C744	UU166100	C. EL	1uF	50V		ケミコン	01
C745	UU166220	C. EL	2. 2uF	50V		ケミコン	01
C746	UU166220	C. EL	2. 2uF	50V		ケミコン	01
C747	UT652100	C. PP	100pF	100V		P P コン	01
C748	UT652100	C. PP	100pF	100V		P P コン	01
C749	UU137470	C. EL	47uF	16V		ケミコン	01
C750	UU137470	C. EL	47uF	16V		ケミコン	01
C751	UA655120	C. MYLAR	0. 12uF	50V		マイラーコン	01
C752	UA655120	C. MYLAR	0. 12uF	50V		マイラーコン	01
C753	UA654330	C. MYLAR	0. 033uF	50V		マイラーコン	01
C754	UA654330	C. MYLAR	0. 033uF	50V		マイラーコン	01
C755	UU137220	C. EL	22uF	16V		ケミコン	01
C756	UU137220	C. EL	22uF	16V		ケミコン	01
C757	UU147100	C. EL	10uF	25V		ケミコン	01
C758	UU147100	C. EL	10uF	25V		ケミコン	01
C791	US135100	C. CE. CHP	0. 1uF	16V		チップセラコン	01
C794	US135100	C. CE. CHP	0. 1uF	16V		チップセラコン	01
C795	US062100	C. CE. M. CHP	100pF	50V		チップセラコン	01
C796	US062100	C. CE. M. CHP	100pF	50V		チップセラコン	01
C797	US135100	C. CE. CHP	0. 1uF	16V		チップセラコン	01
C798	UR837470	C. EL	47uF	16V		ケミコン	01
D701	VU172300	DIODE. ZENR	UDZ7. 5B	7. 5V		ツェナーダイオード	01
D791	VT332900	DIODE	1SS355			ダイオード	01
D792	VT332900	DIODE	1SS355			ダイオード	01
D793	VT332900	DIODE	1SS355			ダイオード	01
D794	VT332900	DIODE	1SS355			ダイオード	01
IC701	XV160A00	IC	LC75712E	FLD		ロジック I C	フラット 07
IC741	XF291A00	IC	uPC4570G2			I C	03
IC742	XF291A00	IC	uPC4570G2			I C	03

* New Parts * 新規部品(マーク#の部品は、基板に含まれません)

P.C.B. OPERATION & P.C.B. DSP

Schm Ref.	PART NO.	Description	Remarks	Markets	部 品 名	Rank
JK791	V2589500	CN	1P		ミニD I Nコネクタ	02
L791	V2726500	COIL	68uH		コイル	01
PJ791	V7190100	JACK. PIN	3P		ピンジャック 3 P	
PN701	V3750200	PIN	L=70		スタイルピン	
PN791	V3750100	PIN	L=50		スタイルピン	
Q701	VV900500	TR	2SD1991A Q, R, S		トランジスタ	01
Q702	VV900500	TR	2SD1991A Q, R, S		トランジスタ	01
Q703	VV900500	TR	2SD1991A Q, R, S		トランジスタ	01
Q704	VV900500	TR	2SD1991A Q, R, S		トランジスタ	01
Q705	VV900500	TR	2SD1991A Q, R, S		トランジスタ	01
Q706	VV900500	TR	2SD1991A Q, R, S		トランジスタ	01
Q707	VV900500	TR	2SD1991A Q, R, S		トランジスタ	01
Q708	VV900500	TR	2SD1991A Q, R, S		トランジスタ	01
Q709	VV900500	TR	2SD1991A Q, R, S		トランジスタ	01
Q791	VV556400	TR	2SC2412K Q, R, S		トランジスタ	01
Q792	VV556500	TR	2SA1037K Q, R, S		トランジスタ	01
R741	V8070300	R. MTL. FLM	10Ω 1W		金属被膜抵抗	
R742	V8070300	R. MTL. FLM	10Ω 1W		金属被膜抵抗	
ST791	VN008600	SCR. TERM	8. 3x13		ネジ端子	01
ST792	VN008600	SCR. TERM	8. 3x13		ネジ端子	01
SW701	VV020300	SW. TACT	SKQNAA		タクト SW	01
SW702	VV020300	SW. TACT	SKQNAA		タクト SW	01
SW703	VV020300	SW. TACT	SKQNAA		タクト SW	01
SW704	VV020300	SW. TACT	SKQNAA		タクト SW	01
SW705	VV020300	SW. TACT	SKQNAA		タクト SW	01
SW706	VV020300	SW. TACT	SKQNAA		タクト SW	01
SW707	VV020300	SW. TACT	SKQNAA	except AX630SE	タクト SW	01
SW708	VV020300	SW. TACT	SKQNAA	except AX630SE	タクト SW	01
SW709	VV020300	SW. TACT	SKQNAA	except AX630SE	タクト SW	01
SW710	VV020300	SW. TACT	SKQNAA	except AX630SE	タクト SW	01
SW711	VV020300	SW. TACT	SKQNAA	except AX630SE BG	タクト SW	01
SW712	VV020300	SW. TACT	SKQNAA	except AX630SE BG	タクト SW	01
SW713	VV020300	SW. TACT	SKQNAA	except AX630SE BG	タクト SW	01
SW714	VV020300	SW. TACT	SKQNAA	except AX630SE BG	タクト SW	01
SW715	VV020300	SW. TACT	SKQNAA		タクト SW	01
SW716	VV020300	SW. TACT	SKQNAA		タクト SW	01
SW717	VV020300	SW. TACT	SKQNAA		タクト SW	01
SW718	VV020300	SW. TACT	SKQNAA		タクト SW	01
SW719	V6322700	SW. RT. ENC	REB161 (9X7) PVB		ロータリーエンコーダ	04
SW781	VV020300	SW. TACT	SKQNAA		タクト SW	01
U701	V8444900	L. DTCT	GP1UM271XK		リモコン受光ユニット	
U791	V7680700	CN. PHOT. SN	1P GP1FA512RZ		光ファイバ受信器	04
V701	V8270900	FL. DSPLY	16-BT-94GNK		蛍光表示管	
VR741	VP741800	VR	B20KΩ		二連ロータリーVR	02
VR742	VP741900	VR	G25KΩ		二連ロータリーVR	02
	V6880300	SHEET			シート/FL	
	V6007100	SPACER. FL	4. 6/10/32		スペーサ FL	
	V8701500	P. C. B.	DSP		P C B D S P	
	V8701600	P. C. B.	DSP		P C B D S P	
CB602	VQ046400	CN. BS. PIN	35P SE		F F Cコネクター	01

*

* New Parts * 新規部品(マーク#の部品は、基板に含まれません)

RX-V730/RX-V730RDS/RX-V630/RX-V630RDS
HTR-5560/HTR-5560RDS/DSP-AX630/DSP-AX630SE

P.C.B. DSP

Schm Ref.	PART NO.	Description	Remarks	Markets	部 品 名	Rank
C600	US061220	C. CE. M. CHP	22pF 50V		チップセラコン	01
C601	US135100	C. CE. CHP	0.1uF 16V		チップセラコン	01
C602	US135100	C. CE. CHP	0.1uF 16V		チップセラコン	01
C603	US135100	C. CE. CHP	0.1uF 16V		チップセラコン	01
C604	US135100	C. CE. CHP	0.1uF 16V		チップセラコン	01
C605	US135100	C. CE. CHP	0.1uF 16V		チップセラコン	01
C606	UR847220	C. EL	22uF 25V		ケミコン	01
C607	UR819100	C. EL	1000uF 6.3V		ケミコン	01
C608	US135100	C. CE. CHP	0.1uF 16V		チップセラコン	01
C609	US135100	C. CE. CHP	0.1uF 16V		チップセラコン	01
C610	US061100	C. CE. M. CHP	10pF 50V		チップセラコン	01
C611	US135100	C. CE. CHP	0.1uF 16V	J	チップセラコン	01
C612	UR818100	C. EL	100uF 6.3V	J	ケミコン	01
C613	US062220	C. CE. CHP	220pF 50V		チップセラコン	01
C614	US063100	C. CE. M. CHP	1000pF 50V		チップセラコン	01
C615	US044220	C. CE. M. CHP	0.022uF 25V		チップセラコン	01
C616	UR818100	C. EL	100uF 6.3V	J	ケミコン	01
C617	UR818100	C. EL	100uF 6.3V	J	ケミコン	01
C618	US061330	C. CE. M. CHP	33pF 50V		チップセラコン	01
C619	US135100	C. CE. CHP	0.1uF 16V	J	チップセラコン	01
C620	US062100	C. CE. M. CHP	100pF 50V	J	チップセラコン	01
C621	US135100	C. CE. CHP	0.1uF 16V	J	チップセラコン	01
C622	UR819100	C. EL	1000uF 6.3V		ケミコン	01
C623	US135100	C. CE. CHP	0.1uF 16V		チップセラコン	01
C626	US063100	C. CE. M. CHP	1000pF 50V		チップセラコン	01
C627	US135100	C. CE. CHP	0.1uF 16V		チップセラコン	01
C628	US135100	C. CE. CHP	0.1uF 16V		チップセラコン	01
C629	US061100	C. CE. M. CHP	10pF 50V		チップセラコン	01
C630	US135100	C. CE. CHP	0.1uF 16V		チップセラコン	01
C631	US135100	C. CE. CHP	0.1uF 16V		チップセラコン	01
C632	UR819100	C. EL	1000uF 6.3V		ケミコン	01
C633	UR818100	C. EL	100uF 6.3V	J	ケミコン	01
C634	UR819100	C. EL	1000uF 6.3V		ケミコン	01
C635	US135100	C. CE. CHP	0.1uF 16V	J	チップセラコン	01
C636	US135100	C. CE. CHP	0.1uF 16V		チップセラコン	01
C637	UR818100	C. EL	100uF 6.3V		ケミコン	01
C638	UR819100	C. EL	1000uF 6.3V		ケミコン	01
C639	US135100	C. CE. CHP	0.1uF 16V		チップセラコン	01
C640	US135100	C. CE. CHP	0.1uF 16V		チップセラコン	01
C641	US135100	C. CE. CHP	0.1uF 16V		チップセラコン	01
C642	US135100	C. CE. CHP	0.1uF 16V		チップセラコン	01
C643	UR818470	C. EL	470uF 6.3V		ケミコン	01
C644	UR818100	C. EL	100uF 6.3V		ケミコン	01
C645	US135100	C. CE. CHP	0.1uF 16V		チップセラコン	01
C646	US061330	C. CE. M. CHP	33pF 50V		チップセラコン	01
C647	US135100	C. CE. CHP	0.1uF 16V		チップセラコン	01
C648	US061330	C. CE. M. CHP	33pF 50V		チップセラコン	01
C649	US135100	C. CE. CHP	0.1uF 16V		チップセラコン	01
C650	UR818470	C. EL	470uF 6.3V		ケミコン	01
C651	US062470	C. CE. M. CHP	470pF 50V		チップセラコン	01
C652	US135100	C. CE. CHP	0.1uF 16V	J	チップセラコン	01
C653	UR818100	C. EL	100uF 6.3V	J	ケミコン	01
C654	US061470	C. CE. M. CHP	47pF 50V		チップセラコン	01

* New Parts * 新規部品(マーク#の部品は、基板に含まれません)

P.C.B. DSP

Schm Ref.	PART NO.	Description	Remarks	Markets	部 品 名	Rank	
C656	US061470	C. CE. M. CHP	47pF	50V		チップセラコン	01
C657	US061470	C. CE. M. CHP	47pF	50V		チップセラコン	01
C658	US061470	C. CE. M. CHP	47pF	50V	J	チップセラコン	01
C660	US135100	C. CE. CHP	0.1uF	16V	J	チップセラコン	01
C661	US061470	C. CE. M. CHP	47pF	50V	J	チップセラコン	01
C663	US061470	C. CE. M. CHP	47pF	50V		チップセラコン	01
C664	US061470	C. CE. M. CHP	47pF	50V		チップセラコン	01
C665	UR818100	C. EL	100uF	6.3V		ケミコン	01
C666	US061470	C. CE. M. CHP	47pF	50V	J	チップセラコン	01
C667	US135100	C. CE. CHP	0.1uF	16V		チップセラコン	01
C668	US135100	C. CE. CHP	0.1uF	16V		チップセラコン	01
C669	US135100	C. CE. CHP	0.1uF	16V		チップセラコン	01
C670	US063470	C. CE. CHP	4700pF	50V		チップセラコン	01
C671	US135100	C. CE. CHP	0.1uF	16V	J	チップセラコン	01
C672	US135100	C. CE. CHP	0.1uF	16V	J	チップセラコン	01
C673	UR818100	C. EL	100uF	6.3V	J	ケミコン	01
C674	US135100	C. CE. CHP	0.1uF	16V		チップセラコン	01
C675	UR818100	C. EL	100uF	6.3V	J	ケミコン	01
C676	UR818100	C. EL	100uF	6.3V	J	ケミコン	01
C677	US135100	C. CE. CHP	0.1uF	16V	J	チップセラコン	01
C678	US063470	C. CE. CHP	4700pF	50V		チップセラコン	01
C679	UR818100	C. EL	100uF	6.3V		ケミコン	01
C680	US135100	C. CE. CHP	0.1uF	16V		チップセラコン	01
C681	US135100	C. CE. CHP	0.1uF	16V		チップセラコン	01
C682	US135100	C. CE. CHP	0.1uF	16V	J	チップセラコン	01
C683	US135100	C. CE. CHP	0.1uF	16V	J	チップセラコン	01
C684	UR817470	C. EL	47uF	6.3V	J	ケミコン	01
C685	UR866220	C. EL	2.2uF	50V	J	ケミコン	01
C686	UR818100	C. EL	100uF	6.3V	J	ケミコン	01
C687	UR818100	C. EL	100uF	6.3V	J	ケミコン	01
C688	UR818100	C. EL	100uF	6.3V		ケミコン	01
C689	US135100	C. CE. CHP	0.1uF	16V		チップセラコン	01
C690	UR819100	C. EL	1000uF	6.3V		ケミコン	01
C691	US135100	C. CE. CHP	0.1uF	16V		チップセラコン	01
C692	US064100	C. CE. M. CHP	0.01uF	50V	J	チップセラコン	01
C693	US062470	C. CE. M. CHP	470pF	50V	J	チップセラコン	01
C694	US135100	C. CE. CHP	0.1uF	16V		チップセラコン	01
C695	UR819100	C. EL	1000uF	6.3V		ケミコン	01
C696	US135100	C. CE. CHP	0.1uF	16V	J	チップセラコン	01
C697	UR818100	C. EL	100uF	6.3V	J	ケミコン	01
C698	US135100	C. CE. CHP	0.1uF	16V		チップセラコン	01
C699	US061470	C. CE. M. CHP	47pF	50V		チップセラコン	01
C700	US061470	C. CE. M. CHP	47pF	50V		チップセラコン	01
C701	US061470	C. CE. M. CHP	47pF	50V		チップセラコン	01
C702	US061470	C. CE. M. CHP	47pF	50V		チップセラコン	01
C703	US061470	C. CE. M. CHP	47pF	50V		チップセラコン	01
C704	US061470	C. CE. M. CHP	47pF	50V		チップセラコン	01
C705	US061470	C. CE. M. CHP	47pF	50V		チップセラコン	01
C706	US061470	C. CE. M. CHP	47pF	50V		チップセラコン	01
C707	US061470	C. CE. M. CHP	47pF	50V		チップセラコン	01
C708	US061470	C. CE. M. CHP	47pF	50V		チップセラコン	01
C709	US061470	C. CE. M. CHP	47pF	50V		チップセラコン	01
C710	US061470	C. CE. M. CHP	47pF	50V		チップセラコン	01

* New Parts * 新規部品(マーク#の部品は、基板に含まれません)

P.C.B. DSP

Schm Ref.	PART NO.	Description	Remarks	Markets	部 品 名	Rank	
C711	US135100	C. CE. CHP	0. 1uF	16V		チップセラコン	01
C712	US135100	C. CE. CHP	0. 1uF	16V		チップセラコン	01
C713	US135100	C. CE. CHP	0. 1uF	16V		チップセラコン	01
C714	US135100	C. CE. CHP	0. 1uF	16V		チップセラコン	01
C715	UU118100	C. EL	100uF	6. 3V		ケミコン	01
C716	UU118100	C. EL	100uF	6. 3V		ケミコン	01
C717	US135100	C. CE. CHP	0. 1uF	16V		チップセラコン	01
C718	US135100	C. CE. CHP	0. 1uF	16V		チップセラコン	01
C719	US135100	C. CE. CHP	0. 1uF	16V		チップセラコン	01
C720	UU166220	C. EL	2. 2uF	50V		ケミコン	01
C721	UU128100	C. EL	100uF	10V		ケミコン	01
C724	UU137220	C. EL	22uF	16V		ケミコン	01
C725	UU137220	C. EL	22uF	16V		ケミコン	01
C726	UU137220	C. EL	22uF	16V		ケミコン	01
C727	UU137220	C. EL	22uF	16V		ケミコン	01
C728	UU137220	C. EL	22uF	16V		ケミコン	01
C729	UU137220	C. EL	22uF	16V		ケミコン	01
C730	UA653150	C. MYLAR	1500pF	50V		マイラーコン	01
C731	UA653150	C. MYLAR	1500pF	50V		マイラーコン	01
* C732	Vi715300	C. MYLAR	680pF	50V		マイラーコン	
* C733	Vi715300	C. MYLAR	680pF	50V		マイラーコン	
* C734	Vi715300	C. MYLAR	680pF	50V		マイラーコン	
C736	UA652100	C. MYLAR	100pF	50V		マイラーコン	01
C737	UA652100	C. MYLAR	100pF	50V		マイラーコン	01
C738	UA652150	C. MYLAR	150pF	50V		マイラーコン	01
C739	UA652150	C. MYLAR	150pF	50V		マイラーコン	01
C740	UA652150	C. MYLAR	150pF	50V		マイラーコン	01
C742	UU147100	C. EL	10uF	25V		ケミコン	01
C743	UU147100	C. EL	10uF	25V		ケミコン	01
C744	UU147100	C. EL	10uF	25V		ケミコン	01
C745	UU147100	C. EL	10uF	25V		ケミコン	01
C746	UU147100	C. EL	10uF	25V		ケミコン	01
C747	UU147100	C. EL	10uF	25V		ケミコン	01
C748	UA652150	C. MYLAR	150pF	50V		マイラーコン	01
C749	UA652150	C. MYLAR	150pF	50V		マイラーコン	01
C750	UA652150	C. MYLAR	150pF	50V		マイラーコン	01
C753	UU147100	C. EL	10uF	25V		ケミコン	01
C754	UU147100	C. EL	10uF	25V		ケミコン	01
C755	UU147100	C. EL	10uF	25V		ケミコン	01
C756	UA652100	C. MYLAR	100pF	50V		マイラーコン	01
C757	UA652100	C. MYLAR	100pF	50V		マイラーコン	01
C758	Vi715100	C. MYLAR	470pF	50V		マイラーコン	01
C759	Vi715100	C. MYLAR	470pF	50V		マイラーコン	01
C760	Vi715100	C. MYLAR	470pF	50V		マイラーコン	01
C761	Vi715100	C. MYLAR	470pF	50V		マイラーコン	01
C762	Vi715100	C. MYLAR	470pF	50V		マイラーコン	01
C763	Vi715100	C. MYLAR	470pF	50V		マイラーコン	01
C764	UU147100	C. EL	10uF	25V		ケミコン	01
C765	UU147100	C. EL	10uF	25V		ケミコン	01
C766	UU147100	C. EL	10uF	25V		ケミコン	01
C767	UU147100	C. EL	10uF	25V		ケミコン	01
C768	UU147100	C. EL	10uF	25V		ケミコン	01
C769	UU147100	C. EL	10uF	25V		ケミコン	01

* New Parts * 新規部品(マーク#の部品は、基板に含まれません)

P.C.B. DSP

Schm Ref.	PART NO.	Description	Remarks	Markets	部 品 名	Rank	
C770	UU147100	C. EL	10uF	25V		ケミコン	01
C771	US135100	C. CE. CHP	0.1uF	16V		チップセラコン	01
C772	UU137220	C. EL	22uF	16V		ケミコン	01
C773	UU137220	C. EL	22uF	16V		ケミコン	01
C774	UU137470	C. EL	47uF	16V		ケミコン	01
C775	UU137470	C. EL	47uF	16V		ケミコン	01
C776	UU137470	C. EL	47uF	16V		ケミコン	01
C777	UU137470	C. EL	47uF	16V		ケミコン	01
C778	US135100	C. CE. CHP	0.1uF	16V		チップセラコン	01
C779	US135100	C. CE. CHP	0.1uF	16V		チップセラコン	01
C780	US135100	C. CE. CHP	0.1uF	16V		チップセラコン	01
C781	US135100	C. CE. CHP	0.1uF	16V		チップセラコン	01
C782	US135100	C. CE. CHP	0.1uF	16V		チップセラコン	01
C790	US135100	C. CE. CHP	0.1uF	16V		チップセラコン	01
C791	US135100	C. CE. CHP	0.1uF	16V		チップセラコン	01
C792	US135100	C. CE. CHP	0.1uF	16V		チップセラコン	01
C793	US135100	C. CE. CHP	0.1uF	16V		チップセラコン	01
C794	US135100	C. CE. CHP	0.1uF	16V		チップセラコン	01
C795	US135100	C. CE. CHP	0.1uF	16V		チップセラコン	01
D600	VT332900	DIODE	1SS355			ダイオード	01
D601	VT332900	DIODE	1SS355			ダイオード	01
D602	VV220700	DIODE. SHOT	RB501V-40			ショットキーダイオード	01
D603	VV220700	DIODE. SHOT	RB501V-40			ショットキーダイオード	01
D604	VT332900	DIODE	1SS355			ダイオード	01
D605	VT332900	DIODE	1SS355			ダイオード	01
D606	VT332900	DIODE	1SS355			ダイオード	01
D607	VT332900	DIODE	1SS355			ダイオード	01
D608	VV220700	DIODE. SHOT	RB501V-40			ショットキーダイオード	01
D609	VV220700	DIODE. SHOT	RB501V-40			ショットキーダイオード	01
D610	VV220700	DIODE. SHOT	RB501V-40			ショットキーダイオード	01
D611	VV220700	DIODE. SHOT	RB501V-40			ショットキーダイオード	01
D612	VV220700	DIODE. SHOT	RB501V-40			ショットキーダイオード	01
D613	VV220700	DIODE. SHOT	RB501V-40			ショットキーダイオード	01
D614	VV220700	DIODE. SHOT	RB501V-40			ショットキーダイオード	01
D615	VV220700	DIODE. SHOT	RB501V-40			ショットキーダイオード	01
G601	V8880000	TERM. GND	M3.5	RJP9899		アース端子	
G602	V8880000	TERM. GND	M3.5	RJP9899		アース端子	
G603	V8880000	TERM. GND	M3.5	RJP9899		アース端子	
* IC600	X0238B00	IC	YSS938			IC	
IC601	XV077A00	IC	MSM514260C-60JS			メモリ IC 4M	07
IC602	XZ003A00	IC	PQ025EZ5MZP 2.5V			電源 IC QFP	03
IC603	XU965A00	IC	uPC29M33T-E1 3.3V			電源 IC	03
IC604	X0202A00	IC	CS493292-CLR		J	IC	
IC605	XR038A00	IC	NJM2904M OP AMP			IC	01
IC606	XY120A00	IC	TC74HCT00AF(EL) NA			ロジック IC SOP	01
IC607	XD660A00	IC	TC74HCU04AF-TP1			IC	01
IC608	XW433A00	IC	CY62256LL-70SNCT		J	メモリ IC 256K	05
IC609	X0318C00	IC	XC9572XL-10TQ100C		J	IC	08
IC610	XZ012A00	IC	TC74HCT08AF(EL)			ロジック IC SOP	01
IC611	X0661A00	IC	AK4382AVT			IC	
IC612	XY120A00	IC	TC74HCT00AF(EL) NA		UCRTRKALBG	ロジック IC SOP	01
IC613	X0661A00	IC	AK4382AVT			IC	
IC614	X0237A00	IC	AK4527BVQ			IC	

* New Parts * 新規部品(マーク#の部品は、基板に含まれません)

P.C.B. DSP & P.C.B. MAIN

Schm Ref.	PART NO.	Description	Remarks	Markets	部 品 名	Rank
IC615	XF291A00	IC	uPC4570G2		I C	03
IC616	XF291A00	IC	uPC4570G2		I C	03
IC617	XF291A00	IC	uPC4570G2		I C	03
IC618	XF291A00	IC	uPC4570G2		I C	03
IC619	XF291A00	IC	uPC4570G2		I C	03
IC620	XF291A00	IC	uPC4570G2		I C	03
IC621	XF291A00	IC	uPC4570G2		I C	03
L600	V2726500	COIL	68uH		コイル	01
L601	V2726500	COIL	68uH		コイル	01
L602	V2726500	COIL	68uH		コイル	01
PJ600	V4483900	JACK. PIN	YKC21-3895		ピンジャック 1 P	
Q601	VC124000	TR. DGT	DTA144EK		デジタルトランジスタ	03
Q602	VD303700	TR	2SC3326 A,B		トランジスタ	01
Q603	VD303700	TR	2SC3326 A,B		トランジスタ	01
Q604	VD303700	TR	2SC3326 A,B		トランジスタ	01
R613	HV753220	R. CAR. FP	2.2Ω 1/4W		不燃化カーボン抵抗	01
R648	HV753220	R. CAR. FP	2.2Ω 1/4W		不燃化カーボン抵抗	01
R661	HV753220	R. CAR. FP	2.2Ω 1/4W		不燃化カーボン抵抗	01
R684	HV753220	R. CAR. FP	2.2Ω 1/4W		不燃化カーボン抵抗	01
R692	HV753100	R. CAR. FP	1Ω 1/4W		不燃化カーボン抵抗	01
R693	HV753100	R. CAR. FP	1Ω 1/4W		不燃化カーボン抵抗	01
R694	VU224000	R. MTL. FLM	0.22Ω 1W		金属被膜抵抗	01
R695	VU224000	R. MTL. FLM	0.22Ω 1W		金属被膜抵抗	01
R696	VU224000	R. MTL. FLM	0.22Ω 1W		金属被膜抵抗	01
R717	HV753220	R. CAR. FP	2.2Ω 1/4W		不燃化カーボン抵抗	01
R730	HV753220	R. CAR. FP	2.2Ω 1/4W		不燃化カーボン抵抗	01
R777	HV753220	R. CAR. FP	2.2Ω 1/4W		不燃化カーボン抵抗	01
U600	V6022800	CN. FBRLINK	1P GP1FA551TZ		光ファイバデータリンク	03
U601	V5478200	CN. PHOT. SN	1P GP1FA551RZ		光ファイバ受信器	06
U602	V5478200	CN. PHOT. SN	1P GP1FA551RZ		光ファイバ受信器	06
U603	V5478200	CN. PHOT. SN	1P GP1FA551RZ		光ファイバ受信器	06
XL600	V3625700	RSNR. CRYST	24.576MHz		水晶振動子	03
	V8700000	P. C. B.	MAIN	J	P C B メイン	
	V8700100	P. C. B.	MAIN	UC	P C B メイン	
	V8700200	P. C. B.	MAIN	RTKA	P C B メイン	
	V8700300	P. C. B.	MAIN	BG	P C B メイン	
	V8700400	P. C. B.	MAIN	L	P C B メイン	
CB101	V7826600	CN	16P TE TUC SERIES		コネクタープラグ	01
CB102	V7826300	CN	13P TE TUC SERIES		コネクタープラグ	
CB103	Vi878200	CN. BS. PIN	4P		ケーブルホルダー	01
CB104	Vi878500	CN. BS. PIN	7P		ケーブルホルダー	01
CB105	VR428800	CN. BS. PIN	3P		ケーブルホルダー	01
CB107	VB389800	CN. BS. PIN	2P	RTKABGL	ベースピン	01
CB108	LB918050	CN. BS. PIN	5P		ベース付ポスト	01
CB109	VB390200	CN. BS. PIN	6P		コネクタベースポスト	01
CB110	VR428800	CN. BS. PIN	3P		ケーブルホルダー	01
CB111	VB390000	CN. BS. PIN	4P		ベースピン	01
CB251	V7828300	SOCKET	16P TE TUC SERIES		コネクターソケット	01
CB252	V7828000	SOCKET	13P TE TUC SERIES		コネクターソケット	
CB253	VQ046500	CN. BS. PIN	36P SE		F F C コネクター	01

*
*
*
*
*

* New Parts * 新規部品(マーク#の部品は、基板に含まれません)

P.C.B. MAIN

Schm Ref.	PART NO.	Description	Remarks	Markets	部 品 名	Rank
CB254	Vi878700	CN. BS. PIN	9P		ケーブルホルダー	01
CB331	VR428900	CN. BS. PIN	4P		ケーブルホルダー	01
CB341	VR428900	CN. BS. PIN	4P		ケーブルホルダー	01
CB351	VR428800	CN. BS. PIN	3P		ケーブルホルダー	01
CB352	VQ584700	CN. BS. PIN	5P		ケーブルホルダー	01
CB353	VR428800	CN. BS. PIN	3P		ケーブルホルダー	01
CB371	Vi878200	CN. BS. PIN	4P		ケーブルホルダー	01
CB381	VK025100	CN. BS. PIN	7P		ワイヤートラップ	01
CB382	VK024700	CN. BS. PIN	3P		ワイヤートラップ	01
CB384	VQ585200	CN. BS. PIN	10P		ケーブルホルダー	
CB385	VQ585200	CN. BS. PIN	10P		ケーブルホルダー	
CB386	VQ584700	CN. BS. PIN	5P		ケーブルホルダー	01
CB401	Vi878700	CN. BS. PIN	9P		ケーブルホルダー	01
CB402	V7825600	CN	6P TE TUC SERIES		コネクタープラグ	
C101	VG291200	C. EL	47uF 50V		ケミコン	01
* C102	V8584500	C. PP	100pF 630V	JBGL	P P コン	
C102	VR325000	C. MYLAR	100pF 100V	UCRTKA	マイラーコン	01
C103	VG288800	C. EL	47uF 25V		ケミコン	01
* C104	V8584500	C. PP	100pF 630V	JBGL	P P コン	
C104	VR325000	C. MYLAR	100pF 100V	UCRTKA	マイラーコン	01
C105	VK399200	C. MYLAR. ML	0.39uF 50V		積層マイラーコン	01
C106	UA354680	C. MYLAR	0.068uF 50V		マイラーコン	01
C107	VG291200	C. EL	47uF 50V		ケミコン	01
* C108	V8584500	C. PP	100pF 630V	JBGL	P P コン	
C108	VR325000	C. MYLAR	100pF 100V	UCRTKA	マイラーコン	01
C109	VG288800	C. EL	47uF 25V		ケミコン	01
* C110	V8584500	C. PP	100pF 630V	JBGL	P P コン	
C110	VR325000	C. MYLAR	100pF 100V	UCRTKA	マイラーコン	01
C111	VK399200	C. MYLAR. ML	0.39uF 50V		積層マイラーコン	01
C112	UA354680	C. MYLAR	0.068uF 50V		マイラーコン	01
C113	VG291200	C. EL	47uF 50V		ケミコン	01
C114	VR325000	C. MYLAR	100pF 100V		マイラーコン	01
C115	VG287500	C. EL	47uF 50V		ケミコン	01
C116	VR325000	C. MYLAR	100pF 100V		マイラーコン	01
C117	UA354680	C. MYLAR	0.068uF 50V		マイラーコン	01
C118	VG291200	C. EL	47uF 50V		ケミコン	01
C119	VR325000	C. MYLAR	100pF 100V		マイラーコン	01
C120	VG287500	C. EL	47uF 50V		ケミコン	01
C121	VR325000	C. MYLAR	100pF 100V		マイラーコン	01
C122	UA354680	C. MYLAR	0.068uF 50V		マイラーコン	01
C123	VG291200	C. EL	47uF 50V		ケミコン	01
* C124	V8584500	C. PP	100pF 630V	JBGL	P P コン	
C124	VR325000	C. MYLAR	100pF 100V	UCRTKA	マイラーコン	01
C125	UU137470	C. EL	47uF 16V		ケミコン	01
* C126	V8584500	C. PP	100pF 630V	JBGL	P P コン	
C126	VR325000	C. MYLAR	100pF 100V	UCRTKA	マイラーコン	01
C127	UA354680	C. MYLAR	0.068uF 50V		マイラーコン	01
C128	UU177220	C. EL	22uF 63V		ケミコン FW	
C129	UU196470	C. EL	4.7uF 100V		ケミコン FW	
C130	VT898000	C. MYLAR	0.1uF 100V		マイラーコン	
C131	VT898000	C. MYLAR	0.1uF 100V		マイラーコン	
C132	UR866470	C. EL	4.7uF 50V		ケミコン	01
C133	V8584600	C. PP	220pF 630V		P P コン	

* New Parts * 新規部品(マーク#の部品は、基板に含まれません)

P.C.B. MAIN

Schm Ref.	PART NO.	Description	Remarks	Markets	部 品 名	Rank	
C134	VG287500	C. EL	47uF	50V		ケミコン	01
C135	UR818100	C. EL	100uF	6.3V		ケミコン	01
C136	UR866470	C. EL	4.7uF	50V		ケミコン	01
C137	UR866470	C. EL	4.7uF	50V		ケミコン	01
C138	UR868100	C. EL	100uF	50V	RTKABGL	ケミコン	01
C139	UR877100	C. EL	10uF	63V	RTKABGL	ケミコン	01
C140	UR877100	C. EL	10uF	63V	RTKABGL	ケミコン	01
C141	UR868100	C. EL	100uF	50V	RTKABGL	ケミコン	01
C251	V2290000	C. EL	22uF	63V		ケミコン R A - 2	01
C252	V2290000	C. EL	22uF	63V		ケミコン R A - 2	01
C253	UU137100	C. EL	10uF	16V		ケミコン	01
C254	VQ462600	C. MYLAR	220pF	50V		マイラーコン	01
C255	UP652220	C. POL	220pF	100V		ポリエステルコン	01
C256	UA653100	C. MYLAR	1000pF	50V		マイラーコン	03
C257	VG291300	C. EL	100uF	50V		ケミコン	01
C258	V8584300	C. PP	33pF	630V		P P コン	
C259	UU137100	C. EL	10uF	16V		ケミコン	01
C260	VQ462600	C. MYLAR	220pF	50V		マイラーコン	01
C261	UP652220	C. POL	220pF	100V		ポリエステルコン	01
C262	UA653100	C. MYLAR	1000pF	50V		マイラーコン	03
C263	VG291300	C. EL	100uF	50V		ケミコン	01
C264	V8584300	C. PP	33pF	630V		P P コン	
C265	Vi578700	C. EL	10uF	50V		ケミコン	01
C266	UA652220	C. MYLAR	220pF	50V		マイラーコン	01
C267	UA652220	C. MYLAR	220pF	50V		マイラーコン	01
C268	UA653100	C. MYLAR	1000pF	50V		マイラーコン	03
C269	V4578900	C. EL	47uF	35V		ケミコン	
C270	VS696700	C. CE	33pF	500V		セラコン	01
C271	Vi578700	C. EL	10uF	50V		ケミコン	01
C272	UA652220	C. MYLAR	220pF	50V		マイラーコン	01
C273	UA652220	C. MYLAR	220pF	50V		マイラーコン	01
C274	UA653100	C. MYLAR	1000pF	50V		マイラーコン	03
C275	V4578900	C. EL	47uF	35V		ケミコン	
C276	VS696700	C. CE	33pF	500V		セラコン	01
C277	UU137100	C. EL	10uF	16V		ケミコン	01
C278	VQ462600	C. MYLAR	220pF	50V		マイラーコン	01
C279	UP652220	C. POL	220pF	100V		ポリエステルコン	01
C280	UA653100	C. MYLAR	1000pF	50V		マイラーコン	03
C281	VG291200	C. EL	47uF	50V		ケミコン	01
C282	V8584300	C. PP	33pF	630V		P P コン	
* C283	UP653100	C. PP	1000pF	100V		P P S コンデンサ	
C284	UU138100	C. EL	100uF	16V		ケミコン	01
C337	VF466900	C. CE. TUBLR	470pF	50V		円筒セラコン	01
C338	VF466900	C. CE. TUBLR	470pF	50V		円筒セラコン	01
C339	UA654220	C. MYLAR	0.022uF	50V	RTKABGL	マイラーコン	01
C340	UA654220	C. MYLAR	0.022uF	50V	RTKABGL	マイラーコン	01
C341	UA654220	C. MYLAR	0.022uF	50V	RTKABGL	マイラーコン	01
C342	UA654220	C. MYLAR	0.022uF	50V	RTKABGL	マイラーコン	01
C343	UA654100	C. MYLAR	0.01uF	50V	RTKABGL	マイラーコン	01
C344	UA654100	C. MYLAR	0.01uF	50V	RTKABGL	マイラーコン	01
C351	UA654220	C. MYLAR	0.022uF	50V	RTKABGL	マイラーコン	01
C352	UA654220	C. MYLAR	0.022uF	50V	RTKABGL	マイラーコン	01
C353	UA654220	C. MYLAR	0.022uF	50V	RTKABGL	マイラーコン	01

* New Parts * 新規部品(マーク#の部品は、基板に含まれません)

P.C.B. MAIN

Schm Ref.	PART NO.	Description	Remarks	Markets	部 品 名	Rank
C354	UA654220	C. MYLAR 0.022uF 50V		RTKABGL	マイラーコン	01
C359	VF466900	C. CE. TUBLR 470pF 50V			円筒セラコン	01
C360	VF466900	C. CE. TUBLR 470pF 50V			円筒セラコン	01
C361	VF466900	C. CE. TUBLR 470pF 50V			円筒セラコン	01
C362	VF466900	C. CE. TUBLR 470pF 50V			円筒セラコン	01
C371	UA654100	C. MYLAR 0.01uF 50V		RTKABGL	マイラーコン	01
C372	UA654100	C. MYLAR 0.01uF 50V		RTKABGL	マイラーコン	01
C373	UA654100	C. MYLAR 0.01uF 50V		RTKABGL	マイラーコン	01
C374	UA654100	C. MYLAR 0.01uF 50V		RTKABGL	マイラーコン	01
C375	UA653100	C. MYLAR 1000pF 50V			マイラーコン	03
C376	UA654100	C. MYLAR 0.01uF 50V		RTKABGL	マイラーコン	01
▲ C381	V2922200	C. EL 12000uF 63V			ケミコン	10
▲ C382	V2922200	C. EL 12000uF 63V			ケミコン	10
C384	VR325400	C. MYLAR 0.1uF 100V			マイラーコン	01
C385	VR325400	C. MYLAR 0.1uF 100V			マイラーコン	01
C386	VG291300	C. EL 100uF 50V			ケミコン	01
C387	VG291300	C. EL 100uF 50V			ケミコン	01
C388	UA655100	C. MYLAR 0.1uF 50V			マイラーコン	01
C389	UA655100	C. MYLAR 0.1uF 50V			マイラーコン	01
C401	VG287600	C. EL 100uF 25V			ケミコン	01
C402	VG287600	C. EL 100uF 25V			ケミコン	01
C403	VG288500	C. EL 10uF 25V			ケミコン	01
C404	VG288500	C. EL 10uF 25V			ケミコン	01
C405	UR838100	C. EL 100uF 16V			ケミコン	01
C406	UR838100	C. EL 100uF 16V			ケミコン	01
C407	UR847100	C. EL 10uF 25V			ケミコン	01
C408	UR847100	C. EL 10uF 25V			ケミコン	01
C409	UR838100	C. EL 100uF 16V			ケミコン	01
C410	UR847100	C. EL 10uF 25V			ケミコン	01
C411	VD930900	C. CE. SMI 0.1uF 25V			半導体セラコン	01
D101	VN008700	DIODE 1SS270A			ダイオード	01
D102	VN008700	DIODE 1SS270A			ダイオード	01
D103	VN008700	DIODE 1SS270A			ダイオード	01
D104	VN008700	DIODE 1SS270A			ダイオード	01
D105	VN008700	DIODE 1SS270A			ダイオード	01
D106	VN008700	DIODE 1SS270A			ダイオード	01
D107	VN008700	DIODE 1SS270A			ダイオード	01
D108	VN008700	DIODE 1SS270A			ダイオード	01
D109	VN008700	DIODE 1SS270A			ダイオード	01
D110	VN008700	DIODE 1SS270A			ダイオード	01
D111	VD631600	DIODE 1SS133, 176			ダイオード	01
D112	VD631600	DIODE 1SS133, 176			ダイオード	01
D113	VD631600	DIODE 1SS133, 176			ダイオード	01
D114	VD631600	DIODE 1SS133, 176			ダイオード	01
D115	VG440300	DIODE. ZENR MTZJ12C 12V			ツェナーダイオード	01
D116	VG440300	DIODE. ZENR MTZJ12C 12V			ツェナーダイオード	01
D117	VN008700	DIODE 1SS270A			ダイオード	01
D118	VN008700	DIODE 1SS270A			ダイオード	01
D119	VG437200	DIODE. ZENR MTZJ4.7C 4.7V			ツェナーダイオード	01
D120	VG440300	DIODE. ZENR MTZJ12C 12V			ツェナーダイオード	01
D121	VG440300	DIODE. ZENR MTZJ12C 12V			ツェナーダイオード	01
D122	VG443200	DIODE. ZENR MTZJ30A 30V			ツェナーダイオード	01
D123	VN008700	DIODE 1SS270A			ダイオード	01

* New Parts * 新規部品(マーク#の部品は、基板に含まれません)

P.C.B. MAIN

Schm Ref.	PART NO.	Description	Remarks	Markets	部 品 名	Rank
D124	VN008700	DIODE	1SS270A		ダイオード	01
D125	VN008700	DIODE	1SS270A		ダイオード	01
D126	VN008700	DIODE	1SS270A		ダイオード	01
D127	VG440300	DIODE. ZENR	MTZJ12C 12V		ツェナーダイオード	01
D128	VG440300	DIODE. ZENR	MTZJ12C 12V		ツェナーダイオード	01
D129	VG440300	DIODE. ZENR	MTZJ12C 12V		ツェナーダイオード	01
D130	VG440300	DIODE. ZENR	MTZJ12C 12V		ツェナーダイオード	01
D131	VG442600	DIODE. ZENR	MTZJ24C 24V		ツェナーダイオード	01
D251	VD631600	DIODE	1SS133, 176		ダイオード	01
D252	VG440300	DIODE. ZENR	MTZJ12C 12V		ツェナーダイオード	01
D253	VG438300	DIODE. ZENR	MTZJ6.8B 6.8V	UC	ツェナーダイオード	01
D253	VG438900	DIODE. ZENR	MTZJ8.2B 8.2V	RTKABGL	ツェナーダイオード	01
D254	VG440200	DIODE. ZENR	MTZJ12B 12V	J	ツェナーダイオード	01
D254	VG440300	DIODE. ZENR	MTZJ12C 12V	UC	ツェナーダイオード	01
D254	VG440800	DIODE. ZENR	MTZJ15B 15V	RTKABGL	ツェナーダイオード	01
D255	VD631600	DIODE	1SS133, 176		ダイオード	01
D256	VD631600	DIODE	1SS133, 176		ダイオード	01
D257	VG440300	DIODE. ZENR	MTZJ12C 12V		ツェナーダイオード	01
D371	VD631600	DIODE	1SS133, 176		ダイオード	01
D372	VD631600	DIODE	1SS133, 176		ダイオード	01
D373	VG439200	DIODE. ZENR	MTZJ9.1B 9.1V		ツェナーダイオード	01
▲ D381	VM702000	DIODE. BRG	S5VB20 3.5A 200V		ダイオード	04
▲ D382	VS997800	DIODE	1T2		ダイオード	01
▲ D383	VS997800	DIODE	1T2		ダイオード	01
▲ D384	VS997800	DIODE	1T2		ダイオード	01
▲ D385	VS997800	DIODE	1T2		ダイオード	01
G381	V8880000	TERM. GND	M3.5 RJP9899		アース端子	
▲ IC401	XJ608A00	IC	NJM7812FA		I C	02
▲ IC402	XD343A00	IC	NJM79M12FA		I C	03
▲ IC403	XJ607A00	IC	NJM7805FA 5V		I C	02
▲ IC404	XE436A00	IC	NJM79M05FA		I C	03
▲ IC405	XJ607A00	IC	NJM7805FA 5V		I C	02
▲ IC406	X0515A00	IC	LM61CIZ THERMAL		電源 I C	
JK371	V4164400	JACK. PHONE	YKB21-5209		ホンジャック	03
L101	VU038200	COIL	0.95uH		コイル	02
L102	VU038200	COIL	0.95uH		コイル	02
L103	V2604200	COIL	1uH		コイル	01
L104	V2604200	COIL	1uH		コイル	01
L105	V2604200	COIL	1uH		コイル	01
PJ331	V2802800	JACK. PIN	2P		ピンジャック	
PJ351	V2803000	JACK. PIN	4P		ピンジャック	
PN101	V3750200	PIN	L=70		スタイルピン	
PN102	V3750200	PIN	L=70		スタイルピン	
PN251	V3750200	PIN	L=70		スタイルピン	
PN252	V3750200	PIN	L=70		スタイルピン	
PN331	V3750200	PIN	L=70		スタイルピン	
PN341	V3750200	PIN	L=70		スタイルピン	
PN351	V3750200	PIN	L=70		スタイルピン	
PN395	V3750200	PIN	L=70		スタイルピン	
▲ Q101	VK432900	TR	2SD1915F S, T		トランジスタ	01
▲ Q102	V4096100	TR	2SC4614 S, T		トランジスタ	02
▲ Q103	V4096000	TR	2SA1770 S, T		トランジスタ	03
▲ Q104A	iX630850	TR	2SA1695 O, P, Y		トランジスタ	04

* New Parts * 新規部品(マーク#の部品は、基板に含まれません)

P.C.B. MAIN

Schm Ref.	PART NO.	Description	Remarks	Markets	部 品 名	Rank	
△	Q104C	iX630860	TR			トランジスタ	04
	Q105	VP883100	TR			トランジスタ	01
△	Q106	VK432900	TR			トランジスタ	01
△	Q107	V4096100	TR			トランジスタ	02
△	Q108	V4096000	TR			トランジスタ	03
△	Q109A	iX630850	TR			トランジスタ	04
△	Q109C	iX630860	TR			トランジスタ	04
	Q110	VP883100	TR			トランジスタ	01
△	Q111	VK432900	TR			トランジスタ	01
△	Q112	V4096100	TR			トランジスタ	02
△	Q113	V4096000	TR			トランジスタ	03
△	Q114A	iX630850	TR			トランジスタ	04
△	Q114C	iX630860	TR			トランジスタ	04
	Q115	VP883100	TR			トランジスタ	01
△	Q116	VK432900	TR			トランジスタ	01
△	Q117	V4096100	TR			トランジスタ	02
△	Q118	V4096000	TR			トランジスタ	03
△	Q119A	iX630850	TR			トランジスタ	04
△	Q119C	iX630860	TR			トランジスタ	04
	Q120	VP883100	TR			トランジスタ	01
△	Q121	VK432900	TR			トランジスタ	01
	Q122	VP883000	TR			トランジスタ	01
△	Q123	V4096100	TR			トランジスタ	02
△	Q124	V4096000	TR			トランジスタ	03
△	Q125A	iX630850	TR			トランジスタ	04
△	Q125C	iX630860	TR			トランジスタ	04
	Q126	VP883100	TR			トランジスタ	01
△	Q127	VS883300	TR			トランジスタ	02
△	Q128	VP883000	TR			トランジスタ	01
	Q129	iC1815I0	TR			トランジスタ	01
	Q130	VP883000	TR			トランジスタ	01
	Q131	iC1815I0	TR			トランジスタ	01
	Q132	iC1815I0	TR			トランジスタ	01
△	Q133	iA1015I0	TR			トランジスタ	01
	Q134	iC1815I0	TR			トランジスタ	01
	Q135	iC1815I0	TR		RTKABGL	トランジスタ	01
△	Q136	VC141900	TR		RTKABGL	トランジスタ	04
	Q137	VP883100	TR			トランジスタ	01
	Q138	VP883100	TR			トランジスタ	01
	Q251	VP883100	TR		UCRTKABGL	トランジスタ	01
△	Q252	VR510800	TR			トランジスタ	02
	Q253	VP883100	TR			トランジスタ	01
	Q254	VP883100	TR			トランジスタ	01
	Q255	VP883100	TR			トランジスタ	01
	Q256	V3966800	TR			トランジスタ	
	Q257	VP883100	TR			トランジスタ	01
	Q258	VP883100	TR			トランジスタ	01
	Q259	V3966800	TR			トランジスタ	
	Q260	VP883100	TR			トランジスタ	01
	Q261	VP883100	TR			トランジスタ	01
	Q262	V3966800	TR			トランジスタ	
	Q263	VP883100	TR			トランジスタ	01
	Q264	VP883100	TR			トランジスタ	01

* New Parts * 新規部品(マーク#の部品は、基板に含まれません)

P.C.B. MAIN

Schm Ref.	PART NO.	Description	Remarks	Markets	部 品 名	Rank
Q265	V3966800	TR	2SB949 0, Y		トランジスタ	
Q266	VP883100	TR	2SC1890A D, E		トランジスタ	01
Q267	VP883100	TR	2SC1890A D, E		トランジスタ	01
Q268	V3966800	TR	2SB949 0, Y		トランジスタ	
R101	HL006270	R. MTL. OXD	2. 7KΩ 1/2W		酸化金属被膜抵抗	
R102	HL005390	R. MTL. OXD	390Ω 1/2W		酸化金属被膜抵抗	
R103	HL005820	R. MTL. OXD	820Ω 1/2W		酸化金属被膜抵抗	
R104	V8072100	R. MTL. OXD	5. 6KΩ 1W		酸化金属被膜抵抗	
R105	V8072100	R. MTL. OXD	5. 6KΩ 1W		酸化金属被膜抵抗	
R106	HL006100	R. MTL. OXD	1KΩ 1/2W		酸化金属被膜抵抗	
R107	HV755100	R. CAR. FP	100Ω 1/4W		不燃化カーボン抵抗	01
▲ R108	V8071100	R. MTL. FLM	220Ω 1W		金属被膜抵抗	
▲ R109	V8070200	R. MTL. FLM	4. 7Ω 1W		金属被膜抵抗	
▲ R111	V8070200	R. MTL. FLM	4. 7Ω 1W		金属被膜抵抗	
▲ R113	V3873200	R. WW	0. 22Ω 3W		セメント抵抗	02
▲ R117	V8070300	R. MTL. FLM	10Ω 1W		金属被膜抵抗	
R119	HV754100	R. CAR. FP	10Ω 1/4W		不燃化カーボン抵抗	01
R121	HL006270	R. MTL. OXD	2. 7KΩ 1/2W		酸化金属被膜抵抗	
R122	HL005390	R. MTL. OXD	390Ω 1/2W		酸化金属被膜抵抗	
R123	HL005820	R. MTL. OXD	820Ω 1/2W		酸化金属被膜抵抗	
R124	V8072100	R. MTL. OXD	5. 6KΩ 1W		酸化金属被膜抵抗	
R125	V8072100	R. MTL. OXD	5. 6KΩ 1W		酸化金属被膜抵抗	
R126	HL006100	R. MTL. OXD	1KΩ 1/2W		酸化金属被膜抵抗	
R127	HV755100	R. CAR. FP	100Ω 1/4W		不燃化カーボン抵抗	01
▲ R128	V8071100	R. MTL. FLM	220Ω 1W		金属被膜抵抗	
▲ R129	V8070200	R. MTL. FLM	4. 7Ω 1W		金属被膜抵抗	
▲ R131	V8070200	R. MTL. FLM	4. 7Ω 1W		金属被膜抵抗	
▲ R133	V3873200	R. WW	0. 22Ω 3W		セメント抵抗	02
▲ R137	V8070300	R. MTL. FLM	10Ω 1W		金属被膜抵抗	
R139	HV754100	R. CAR. FP	10Ω 1/4W		不燃化カーボン抵抗	01
R141	HL006270	R. MTL. OXD	2. 7KΩ 1/2W		酸化金属被膜抵抗	
R142	HL005390	R. MTL. OXD	390Ω 1/2W		酸化金属被膜抵抗	
R143	HL005820	R. MTL. OXD	820Ω 1/2W		酸化金属被膜抵抗	
R144	V8072100	R. MTL. OXD	5. 6KΩ 1W		酸化金属被膜抵抗	
R145	V8072100	R. MTL. OXD	5. 6KΩ 1W		酸化金属被膜抵抗	
R146	HL006100	R. MTL. OXD	1KΩ 1/2W		酸化金属被膜抵抗	
R147	HV755100	R. CAR. FP	100Ω 1/4W		不燃化カーボン抵抗	01
▲ R148	V8071100	R. MTL. FLM	220Ω 1W		金属被膜抵抗	
▲ R149	HV754100	R. CAR. FP	10Ω 1/4W		不燃化カーボン抵抗	01
▲ R150	HV754100	R. CAR. FP	10Ω 1/4W		不燃化カーボン抵抗	01
▲ R151	VU981700	R. MTL. PLAT	0. 22Ω+0. 22 3W		金属板抵抗	02
▲ R155	V8070300	R. MTL. FLM	10Ω 1W		金属被膜抵抗	
R158	HV754100	R. CAR. FP	10Ω 1/4W		不燃化カーボン抵抗	01
R159	HL006270	R. MTL. OXD	2. 7KΩ 1/2W		酸化金属被膜抵抗	
R160	HL005390	R. MTL. OXD	390Ω 1/2W		酸化金属被膜抵抗	
R161	HL005820	R. MTL. OXD	820Ω 1/2W		酸化金属被膜抵抗	
R162	V8072100	R. MTL. OXD	5. 6KΩ 1W		酸化金属被膜抵抗	
R163	V8072100	R. MTL. OXD	5. 6KΩ 1W		酸化金属被膜抵抗	
R164	HL006100	R. MTL. OXD	1KΩ 1/2W		酸化金属被膜抵抗	
R165	HV755100	R. CAR. FP	100Ω 1/4W		不燃化カーボン抵抗	01
▲ R166	V8071100	R. MTL. FLM	220Ω 1W		金属被膜抵抗	
▲ R167	HV754100	R. CAR. FP	10Ω 1/4W		不燃化カーボン抵抗	01
▲ R168	HV754100	R. CAR. FP	10Ω 1/4W		不燃化カーボン抵抗	01

* New Parts * 新規部品(マーク#の部品は、基板に含まれません)

P.C.B. MAIN

Schm Ref.	PART NO.	Description	Remarks	Markets	部 品 名	Rank	
△	R169	VU981700	R. MTL. PLAT	0.22Ω+0.22 3W		金属板抵抗	02
△	R174	V8070300	R. MTL. FLM	10Ω 1W		金属被膜抵抗	
	R176	HV754100	R. CAR. FP	10Ω 1/4W		不燃化カーボン抵抗	01
	R177	V8072100	R. MTL. OXD	5.6KΩ 1W		酸化金属被膜抵抗	
	R178	HV755100	R. CAR. FP	100Ω 1/4W		不燃化カーボン抵抗	01
	R179	V8072100	R. MTL. OXD	5.6KΩ 1W		酸化金属被膜抵抗	
	R180	HL006270	R. MTL. OXD	2.7KΩ 1/2W		酸化金属被膜抵抗	
	R181	HL005390	R. MTL. OXD	390Ω 1/2W		酸化金属被膜抵抗	
	R182	HL005820	R. MTL. OXD	820Ω 1/2W		酸化金属被膜抵抗	
	R183	HL006100	R. MTL. OXD	1KΩ 1/2W		酸化金属被膜抵抗	
△	R184	V8071100	R. MTL. FLM	220Ω 1W		金属被膜抵抗	
△	R185	V8070300	R. MTL. FLM	10Ω 1W		金属被膜抵抗	
△	R186	V8070300	R. MTL. FLM	10Ω 1W		金属被膜抵抗	
△	R187	V3873200	R. WW	0.22Ω 3W		セメント抵抗	02
△	R191	V8070300	R. MTL. FLM	10Ω 1W		金属被膜抵抗	
	R194	HV754100	R. CAR. FP	10Ω 1/4W		不燃化カーボン抵抗	01
△	R199	HV754100	R. CAR. FP	10Ω 1/4W		不燃化カーボン抵抗	01
△	R202	HV756150	R. CAR. FP	1.5KΩ 1/4W		不燃化カーボン抵抗	01
△	R205	V8070200	R. MTL. FLM	4.7Ω 1W		金属被膜抵抗	
△	R206	V8070200	R. MTL. FLM	4.7Ω 1W		金属被膜抵抗	
△	R210	V8070200	R. MTL. FLM	4.7Ω 1W		金属被膜抵抗	
△	R211	V8071300	R. MTL. FLM	470Ω 1W		金属被膜抵抗	
	R213	V8071400	R. MTL. FLM	560Ω 1W		金属被膜抵抗	
	R214	V8071400	R. MTL. FLM	560Ω 1W		金属被膜抵抗	
△	R219	V8071300	R. MTL. FLM	470Ω 1W		金属被膜抵抗	
△	R223	HV756100	R. CAR. FP	1KΩ 1/4W		不燃化カーボン抵抗	01
△	R224	HV755100	R. CAR. FP	100Ω 1/4W		不燃化カーボン抵抗	01
△	R231	V8071300	R. MTL. FLM	470Ω 1W		金属被膜抵抗	
△	R232	V8071300	R. MTL. FLM	470Ω 1W		金属被膜抵抗	
*	R233	V8070600	R. MTL. FLM	33Ω 1W	RTKABGL	金属被膜抵抗	
	R234	HV756330	R. CAR. FP	3.3KΩ 1/4W	RTKABGL	不燃化カーボン抵抗	01
	R237	HV756470	R. CAR. FP	4.7KΩ 1/4W	RTKABGL	不燃化カーボン抵抗	01
	R239	V8070300	R. MTL. FLM	10Ω 1W	RTKABGL	金属被膜抵抗	
△	R255	HV754100	R. CAR. FP	10Ω 1/4W		不燃化カーボン抵抗	01
△	R257	HV756470	R. CAR. FP	4.7KΩ 1/4W		不燃化カーボン抵抗	01
	R267	HV755100	R. CAR. FP	100Ω 1/4W		不燃化カーボン抵抗	01
	R278	HV755100	R. CAR. FP	100Ω 1/4W		不燃化カーボン抵抗	01
	R289	HV755100	R. CAR. FP	100Ω 1/4W		不燃化カーボン抵抗	01
	R300	HV755100	R. CAR. FP	100Ω 1/4W		不燃化カーボン抵抗	01
	R311	HV755100	R. CAR. FP	100Ω 1/4W		不燃化カーボン抵抗	01
	R337	HV753220	R. CAR. FP	2.2Ω 1/4W	RTKABGL	不燃化カーボン抵抗	01
	R338	HV753220	R. CAR. FP	2.2Ω 1/4W	RTKABGL	不燃化カーボン抵抗	01
	R339	HV753220	R. CAR. FP	2.2Ω 1/4W	RTKABGL	不燃化カーボン抵抗	01
	R340	HV753220	R. CAR. FP	2.2Ω 1/4W	RTKABGL	不燃化カーボン抵抗	01
	R351	HV753220	R. CAR. FP	2.2Ω 1/4W	RTKABGL	不燃化カーボン抵抗	01
	R352	HV753220	R. CAR. FP	2.2Ω 1/4W	RTKABGL	不燃化カーボン抵抗	01
	R353	HV753220	R. CAR. FP	2.2Ω 1/4W	RTKABGL	不燃化カーボン抵抗	01
	R354	HV753220	R. CAR. FP	2.2Ω 1/4W	RTKABGL	不燃化カーボン抵抗	01
△	R384	HV753100	R. CAR. FP	1Ω 1/4W		不燃化カーボン抵抗	01
△	R385	HV753100	R. CAR. FP	1Ω 1/4W		不燃化カーボン抵抗	01
△	R401	HV753100	R. CAR. FP	1Ω 1/4W		不燃化カーボン抵抗	01
△	R402	HV753100	R. CAR. FP	1Ω 1/4W		不燃化カーボン抵抗	01
△	R403	V8070000	R. MTL. FLM	1Ω 1W		金属被膜抵抗	

* New Parts * 新規部品(マーク#の部品は、基板に含まれません)

P.C.B. MAIN & P.C.B. POWER

Schm Ref.	PART NO.	Description	Remarks	Markets	部 品 名	Rank
△	R404	V8070000 R. MTL. FLM	1Ω 1W		金属被膜抵抗	
	R405	V8070000 R. MTL. FLM	1Ω 1W		金属被膜抵抗	
	R406	V8070000 R. MTL. FLM	1Ω 1W		金属被膜抵抗	
△	RY101	VU566700 RELAY	DG24D2-OS/M		リレー 24V	05
△	RY102	VK438300 RELAY	DH24D2-OT/M2		リレー	04
△	RY103	VK438300 RELAY	DH24D2-OT/M2		リレー	04
△	RY104	VK438300 RELAY	DH24D2-OT/M2		リレー	04
	ST101	V4040500 SCR. TERM	M3		スクリュー/ターミナル	01
	ST371	V4040500 SCR. TERM	M3		スクリュー/ターミナル	01
	ST381	V4040500 SCR. TERM	M3		スクリュー/ターミナル	01
	ST401	V4040500 SCR. TERM	M3		スクリュー/ターミナル	01
	SW341	VV523900 SW. PUSH	PBS-YM-001		プッシュSW	03
△	SW381	V4104200 SW. SLIDE	SL13B-022-AMCS	UCRTKABGL	スライドSW	03
	TE331	V6771200 TERM. SP	8P LTS0810	JUCRTKA	スピーカターミナル 8P	
*	TE331	V5912200 TERM. SP	8P LTS0810	BGL	スピーカターミナル 8P	
	TE351	V6771200 TERM. SP	8P LTS0810	JUCRTKA	スピーカターミナル 8P	
*	TE351	V5912200 TERM. SP	8P LTS0810	BGL	スピーカターミナル 8P	
	TP381	VT969000 P.IN. TEST	IRS-2049		テストポイントピン	01
		V5995800 PLATE. GND			アースプレート	
*		V8705400 P. C. B.	POWER	J	P C B 集 成 パワー	
*		V8705500 P. C. B.	POWER	UC	P C B 集 成 パワー	
*		V8705600 P. C. B.	POWER	RT	P C B 集 成 パワー	
*		V8705700 P. C. B.	POWER	K	P C B 集 成 パワー	
*		V8705800 P. C. B.	POWER	A	P C B 集 成 パワー	
*		V8705900 P. C. B.	POWER	B	P C B 集 成 パワー	
*		V8706000 P. C. B.	POWER	GL	P C B 集 成 パワー	
	CB601	V7827300 SOCKET	6P TE TUC SERIES		コネクターソケット	
	CB602	VQ585400 CN. BS. PIN	12P TE		ケーブルホルダー	
	CB603	VQ585400 CN. BS. PIN	12P TE		ケーブルホルダー	
	CB901	V7827100 SOCKET	4P TE TUC SERIES		コネクターソケット	
	CB921	Vi878100 CN. BS. PIN	3P		ケーブルホルダー	01
	CB922	VP206500 HOLDER. FUS	EYF-52BCT	GL	ヒューズホルダー	01
	CB923	VP206500 HOLDER. FUS	EYF-52BCT	GL	ヒューズホルダー	01
	CB924	VP206500 HOLDER. FUS	EYF-52BCT		ヒューズホルダー	01
	CB925	VP206500 HOLDER. FUS	EYF-52BCT		ヒューズホルダー	01
	CB926	VG879900 CN. BS. PIN	2P		ベースピン	01
	CB941	VP206500 HOLDER. FUS	EYF-52BCT	RT	ヒューズホルダー	01
	CB942	VP206500 HOLDER. FUS	EYF-52BCT	RT	ヒューズホルダー	01
△	C601	UR73A100 C. EL	10000uF 16V		ケミコン	03
△	C602	UR749470 C. EL	4700uF 25V		ケミコン	05
△	C603	UR749470 C. EL	4700uF 25V		ケミコン	05
△	C604	UR73A100 C. EL	10000uF 16V		ケミコン	03
	C605	UR73A100 C. EL	10000uF 16V		ケミコン	03
	C606	VE326000 C. MYLAR. ML	0.1uF 50V		積層マイラーコン	01
	C607	VE326000 C. MYLAR. ML	0.1uF 50V		積層マイラーコン	01
	C608	VE326000 C. MYLAR. ML	0.1uF 50V		積層マイラーコン	01
	C609	VE326000 C. MYLAR. ML	0.1uF 50V		積層マイラーコン	01
	C610	VE326000 C. MYLAR. ML	0.1uF 50V		積層マイラーコン	01
	C611	VE326000 C. MYLAR. ML	0.1uF 50V		積層マイラーコン	01
	C612	VR324900 C. MYLAR	0.1uF 100V		マイラーコン	01

* New Parts * 新規部品(マーク#の部品は、基板に含まれません)

P.C.B. POWER

Schm Ref.	PART NO.	Description	Remarks	Markets	部 品 名	Rank	
C613	VR324900	C. MYLAR	0. 1uF	100V		マイラーコン	01
C614	UR73A100	C. EL	10000uF	16V		ケミコン	03
C901	US062100	C. CE. M. CHP	100pF	50V		チップセラコン	01
C902	US062100	C. CE. M. CHP	100pF	50V		チップセラコン	01
C903	US062100	C. CE. M. CHP	100pF	50V		チップセラコン	01
C904	US135100	C. CE. CHP	0. 1uF	16V		チップセラコン	01
C905	US135100	C. CE. CHP	0. 1uF	16V		チップセラコン	01
C906	UR877100	C. EL	10uF	63V		ケミコン	01
C907	UR877100	C. EL	10uF	63V		ケミコン	01
C921	UA655100	C. MYLAR	0. 1uF	50V		マイラーコン	01
C922	UR748470	C. EL	470uF	25V		ケミコン	
C923	UU147100	C. EL	10uF	25V	RT	ケミコン	01
C925	UR897100	C. EL	10uF	100V	RT	ケミコン	01
C926	UU167100	C. EL	10uF	50V	RT	ケミコン	01
C927	UA654100	C. MYLAR	0. 01uF	50V	JUCKABGL	マイラーコン	01
C928	UA654100	C. MYLAR	0. 01uF	50V	RT	マイラーコン	01
C929	UA654100	C. MYLAR	0. 01uF	50V	RT	マイラーコン	01
△ C930	V6185300	C. CE. SAFTY	0. 01uF	275V		規格認定コン	
C952	Vi578700	C. EL	10uF	50V		ケミコン	01
C953	UA652220	C. MYLAR	220pF	50V		マイラーコン	01
C954	UA652220	C. MYLAR	220pF	50V		マイラーコン	01
C955	UA653100	C. MYLAR	1000pF	50V		マイラーコン	03
C956	V4578900	C. EL	47uF	35V		ケミコン	
C957	VS696700	C. CE	33pF	500V		セラコン	01
C958	VG291200	C. EL	47uF	50V		ケミコン	01
C959	VR325000	C. MYLAR	100pF	100V		マイラーコン	01
C960	VG287500	C. EL	47uF	50V		ケミコン	01
C961	VR325000	C. MYLAR	100pF	100V		マイラーコン	01
C962	UA354680	C. MYLAR	0. 068uF	50V		マイラーコン	01
C963	US063100	C. CE. M. CHP	1000pF	50V		チップセラコン	01
△ D601	VQ379300	DIODE. BRG	S1VB20	1A 200V		ダイオード	02
△ D602	VQ379300	DIODE. BRG	S1VB20	1A 200V		ダイオード	02
D921	VT332900	DIODE	1SS355			ダイオード	01
D922	VT332900	DIODE	1SS355		RT	ダイオード	01
* D923	VU172900	DIODE. ZENR	UDZ 13B	TE-17 13V	RT	ツェナーダイオード	
D924	VV307700	DIODE	1N4002S			ダイオード	01
D925	VV307700	DIODE	1N4002S			ダイオード	01
D926	VV307700	DIODE	1N4002S		RT	ダイオード	01
D927	VV307700	DIODE	1N4002S			ダイオード	01
D928	VV307700	DIODE	1N4002S			ダイオード	01
D951	VT332900	DIODE	1SS355			ダイオード	01
D952	VT332900	DIODE	1SS355			ダイオード	01
△ F921	VT942900	FUSE	TH2. 5A	250V	GL	ヒューズ	01
△ F922	VS823300	FUSE	T8. 0A	125V	JUCRT	ヒューズ	02
F922	KB000790	FUSE	T4. 0A	250V	KABGL	ヒューズ	01
F941	KB000790	FUSE	T4. 0A	250V	RT	ヒューズ	01
G601	V8880000	TERM. GND	M3. 5	RJP9899		アース端子	
IC901	XZ177A00	IC	LA7104M	VIDEO AMP		アンプ IC SOP	04
IC902	XY879A00	IC	TC74HC4053AF	(EL)		ロジック IC SOP	03
L951	V2604200	COIL	1uH			コイル	01
PJ901	V8143900	JACK PIN	SHIELD	YKC21-4348		ピンジャック 9 P	04
PN601	V3750200	PIN	L=70			スタイルピン	
PN901	V3750200	PIN	L=70			スタイルピン	

* New Parts * 新規部品(マーク#の部品は、基板に含まれません)

P.C.B. POWER

Schm Ref.	PART NO.	Description	Remarks	Markets	部 品 名	Rank
Q901	VV556400	TR	2SC2412K Q, R, S		トランジスタ	01
Q921	iC181510	TR	2SC1815 Y		トランジスタ	01
Q922	VR510800	TR	2SD2396 J, K	RT	トランジスタ	02
Q923	iE102620	FET	2SK246 Y	RT	F E T	01
Q924	VR510800	TR	2SD2396 J, K	RT	トランジスタ	02
Q951	VP883100	TR	2SC1890A D, E		トランジスタ	01
Q952	VP883100	TR	2SC1890A D, E		トランジスタ	01
Q953	V3966800	TR	2SB949 O, Y		トランジスタ	
△ Q954	iC224030	TR	2SC2240 GR, BL		トランジスタ	01
△ Q955	V4096100	TR	2SC4614 S, T		トランジスタ	02
△ Q956	V4096000	TR	2SA1770 S, T		トランジスタ	03
△ Q957A	iX630850	TR	2SA1695 O, P, Y		トランジスタ	04
△ Q957C	iX630860	TR	2SC4468 O, P, Y		トランジスタ	04
Q958	VP883100	TR	2SC1890A D, E		トランジスタ	01
R925	V6730000	R. CAR.	2.2MΩ 1/2W	UC	放電抵抗	01
R960	HV755100	R. CAR. FP	100Ω 1/4W		不燃化カーボン抵抗	01
R962	HL006270	R. MTL. OXD	2.7KΩ 1/2W		酸化金属被膜抵抗	
R963	HL005390	R. MTL. OXD	390Ω 1/2W		酸化金属被膜抵抗	
R964	HL005820	R. MTL. OXD	820Ω 1/2W		酸化金属被膜抵抗	
R965	V8072100	R. MTL. OXD	5.6KΩ 1W		酸化金属被膜抵抗	
R966	V8072100	R. MTL. OXD	5.6KΩ 1W		酸化金属被膜抵抗	
R967	HL006100	R. MTL. OXD	1KΩ 1/2W		酸化金属被膜抵抗	
R968	HV755100	R. CAR. FP	100Ω 1/4W		不燃化カーボン抵抗	01
△ R969	V8071100	R. MTL. FLM	220Ω 1W		金属被膜抵抗	
△ R970	HV754100	R. CAR. FP	10Ω 1/4W		不燃化カーボン抵抗	01
△ R971	HV754100	R. CAR. FP	10Ω 1/4W		不燃化カーボン抵抗	01
△ R972	VU981700	R. MTL. PLAT	0.22Ω+0.22 3W		金属板抵抗	02
△ R977	V8070300	R. MTL. FLM	10Ω 1W		金属被膜抵抗	
R979	HV754100	R. CAR. FP	10Ω 1/4W		不燃化カーボン抵抗	01
△ RY921	V2712300	RELAY	DC SDT-S-112LMR		リレー 12V	05
ST921	V4040500	SCR. TERM	M3		スクリュー/ターミナル	01
* △ SW941	V7182300	VOLT. SELCT	R8140213	RT	電圧切替器	
△ T921	XW605A00	TRANS. PWR		J	電源トランス	04
* △ T921	XW606A00	TRANS. PWR		UC	電源トランス	
△ T921	XW974A00	TRANS. PWR		RT	電源トランス	05
* △ T921	XW608A00	TRANS. PWR		KABGL	電源トランス	
△ TE921	VU543100	OUTLET. AC	2P	JUC	A C アウトレット	03
△ TE921	V5867400	OUTLET. AC	2P AC-182-GB-11V	RT	A C アウトレット 2P	
△ TE921	VT915000	OUTLET. AC	2P	A	A C アウトレット	06
△ TE921	VU543300	OUTLET. AC	1P	B	A C アウトレット	05
△ TE921	VU543400	OUTLET. AC	2P	GL	A C アウトレット	05
△	EP600140	SCR. BND. HD	3x10 MFZN2BL	RT	バインドBタイトネジ	01

* New Parts * 新規部品(マーク#の部品は、基板に含まれません)

Chip Resistors

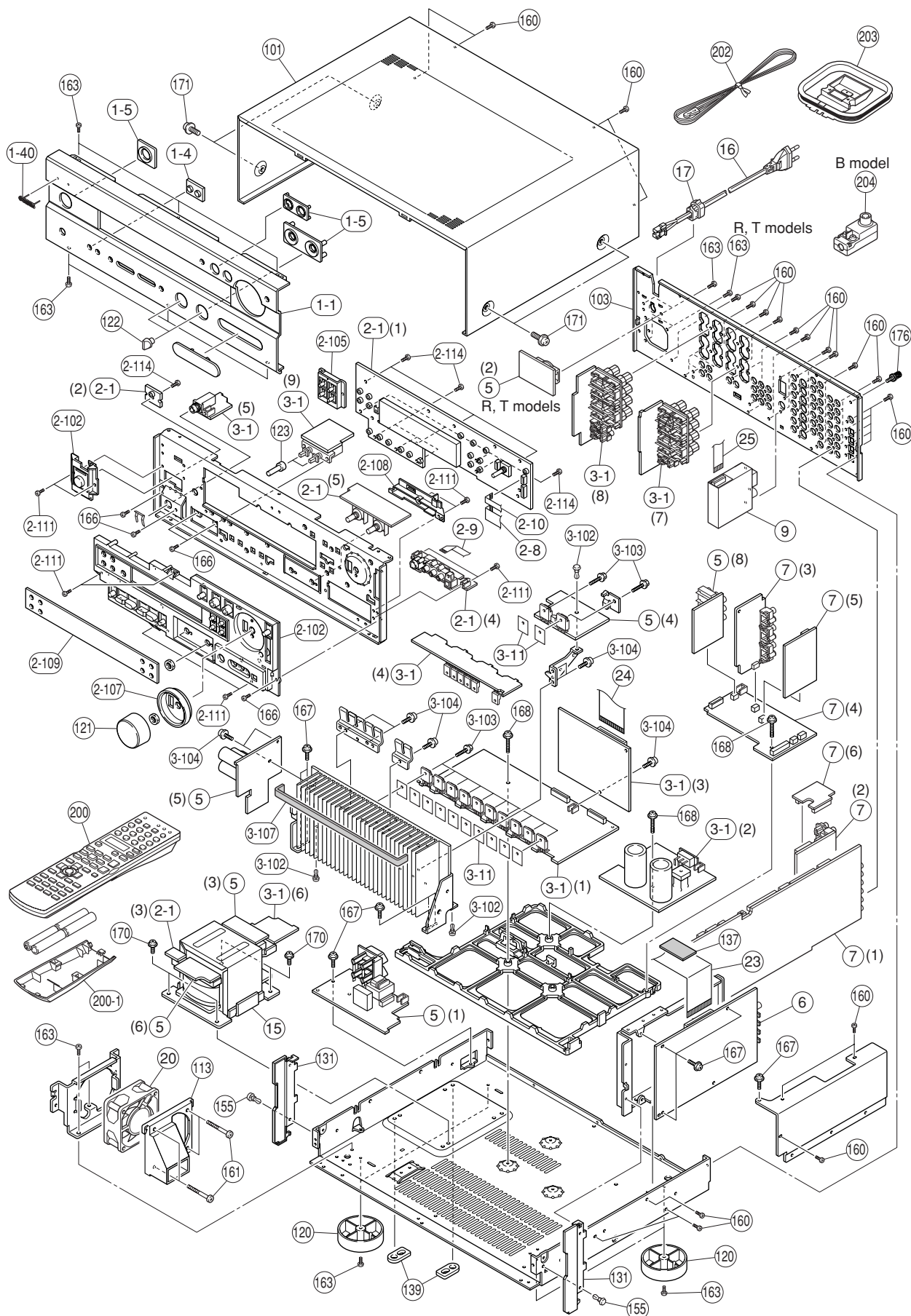
Schm Ref.	PART NO.	Description	Remarks	Markets	部 品 名	Rank	
	RD350000	R. CAR. CHP	0Ω	1/10W		チップ抵抗	01
	RD353220	R. CAR. CHP	2.2Ω	1/10W		チップ抵抗	01
	RD354470	R. CAR. CHP	47Ω	1/10W		チップ抵抗	01
	RD354750	R. CAR. CHP	75Ω	1/10W		チップ抵抗	01
	RD354820	R. CAR. CHP	82Ω	1/10W		チップ抵抗	01
	RD355100	R. CAR. CHP	100Ω	1/10W		チップ抵抗	01
	RD355220	R. CAR. CHP	220Ω	1/10W		チップ抵抗	01
	RD355330	R. CAR. CHP	330Ω	1/10W		チップ抵抗	01
	RD355390	R. CAR. CHP	390Ω	1/10W		チップ抵抗	01
	RD355470	R. CAR. CHP	470Ω	1/10W		チップ抵抗	01
	RD355680	R. CAR. CHP	680Ω	1/10W		チップ抵抗	01
	RD355820	R. CAR. CHP	820Ω	1/10W		チップ抵抗	01
	RD355910	R. CAR. CHP	910Ω	1/16W		チップ抵抗	01
	RD356100	R. CAR. CHP	1KΩ	1/10W		チップ抵抗	01
	RD356150	R. CAR. CHP	1.5KΩ	1/10W		チップ抵抗	01
	RD356160	R. CAR. CHP	1.6KΩ	1/10W		チップ抵抗	01
	RD356180	R. CAR. CHP	1.8KΩ	1/10W		チップ抵抗	01
	RD356200	R. CAR. CHP	2KΩ	1/10W		チップ抵抗	01
	RD356220	R. CAR. CHP	2.2KΩ	1/10W		チップ抵抗	01
	RD356240	R. CAR. CHP	2.4KΩ	1/10W		チップ抵抗	01
	RD356270	R. CAR. CHP	2.7KΩ	1/10W		チップ抵抗	01
	RD356330	R. CAR. CHP	3.3KΩ	1/10W		チップ抵抗	01
	RD356360	R. CAR. CHP	3.6KΩ	1/10W		チップ抵抗	01
	RD356390	R. CAR. CHP	3.9KΩ	1/10W		チップ抵抗	01
	RD356470	R. CAR. CHP	4.7KΩ	1/10W		チップ抵抗	01
	RD356510	R. CAR. CHP	5.1KΩ	1/10W		チップ抵抗	01
	RD356560	R. CAR. CHP	5.6KΩ	1/10W		チップ抵抗	01
	RD356680	R. CAR. CHP	6.8KΩ	1/10W		チップ抵抗	01
	RD356820	R. CAR. CHP	8.2KΩ	1/10W		チップ抵抗	01
	RD356910	R. CAR. CHP	9.1KΩ	1/10W		チップ抵抗	01
	RD357100	R. CAR. CHP	10KΩ	1/10W		チップ抵抗	01
	RD357150	R. CAR. CHP	15KΩ	1/10W		チップ抵抗	01
	RD357180	R. CAR. CHP	18KΩ	1/10W		チップ抵抗	01
	RD357220	R. CAR. CHP	22KΩ	1/10W		チップ抵抗	01
	RD357330	R. CAR. CHP	33KΩ	1/10W		チップ抵抗	01
	RD357470	R. CAR. CHP	47KΩ	1/10W		チップ抵抗	01
	RD357680	R. CAR. CHP	68KΩ	1/10W		チップ抵抗	01
	RD358100	R. CAR. CHP	100KΩ	1/10W		チップ抵抗	01
	RD358220	R. CAR. CHP	220KΩ	1/10W		チップ抵抗	01
	RD358330	R. CAR. CHP	330KΩ	1/10W		チップ抵抗	01
	RD358470	R. CAR. CHP	470KΩ	1/10W		チップ抵抗	01
	RD359100	R. CAR. CHP	1MΩ	1/10W		チップ抵抗	01

* New Parts * 新規部品(マーク#の部品は、基板に含まれません)

RX-V730/RX-V730RDS/RX-V630/RX-V630RDS
HTR-5560/HTR-5560RDS/DSP-AX630/DSP-AX630SE

RX-V730/RX-V730RDS

EXPLODED VIEW



RX-V730/RX-V730RDS

MECHANICAL PARTS

Schm Ref.	PART NO.	Description	Remarks	Markets	部 品 名	Rank
* 1-1	V8310100	FRONT PANEL	V730GD		フロントパネル	
* 1-1	V8310300	FRONT PANEL	V730RDSGD		フロントパネル	
* 1-1	V8310000	FRONT PANEL	V730BL		フロントパネル	
* 1-1	V8310200	FRONT PANEL	V730RDSBL		フロントパネル	
* 1-1	V8310400	FRONT PANEL	V730RDSTI		フロントパネル	
1-4	V6879800	ESCUTCHEON/D5			エスカッション/D 5	
1-5	V8316300	ESCUTCHEON	GD		エスカッション	
* 1-5	V8316200	ESCUTCHEON	BL		エスカッション	
* 1-5	V8316400	ESCUTCHEON	TI		エスカッション	
1-40	V6034200	EMBLEM	GD		エンブレム	03
1-40	V6034100	EMBLEM	BL, TI		エンブレム	
2-1	V8705000	P. C. B. ASS'Y	OPERATION	UCRKTAL	P C B オペレーション	
* 2-1	V8705100	P. C. B. ASS'Y	OPERATION	BG	P C B オペレーション	
2-8	MF114160	FLEXIBLE FLAT CABLE	14P 160mm		カード電線 C&C	03
2-9	MF107200	FLEXIBLE FLAT CABLE	7P 200mm		カード電線 C&C	02
2-10	MF109120	FLEXIBLE FLAT CABLE	9P 120mm P=1.25		カード電線 C&C	01
2-102	V8314000	BUTTONCASE	GD		ボタンケース	
* 2-102	V8313900	BUTTONCASE	BL		ボタンケース	
* 2-102	V8314100	BUTTONCASE	TI		ボタンケース	
* 2-105	V6874900	BUTTON/RDS	GD		ボタン/RDS	
* 2-105	V6874800	BUTTON/RDS	BL		ボタン/RDS	
* 2-105	V8540100	BUTTON/RDS	TI		ボタン/RDS	
2-107	V8315900	ESCUTCHEON, VOL	GD		エスカッション/VOL	
* 2-107	V8315800	ESCUTCHEON, VOL	BL		エスカッション/VOL	
* 2-107	V8316000	ESCUTCHEON, VOL	TI		エスカッション/VOL	
2-108	V8469400	SUPPORT/PJ			サポート/PJ	
2-109	V8316800	SHEET, WINDOW	GD, BL		シート/ウインドウ	
* 2-109	V8316900	SHEET, WINDOW	TI		シート/ウインドウ	
2-111	EP600250	BIND HEAD B-TITE SCREW	3x8 MFZN2Y		バインドBタイトネジ	01
2-114	EP630220	BIND HEAD P-TITE SCREW	3x8 MFZN2BL		バインドPタイトネジ	01
* 3-1	V8700100	P. C. B. ASS'Y	MAIN	UC	P C B メイン	
* 3-1	V8700200	P. C. B. ASS'Y	MAIN	RTKA	P C B メイン	
* 3-1	V8700300	P. C. B. ASS'Y	MAIN	BG	P C B メイン	
* 3-1	V8700400	P. C. B. ASS'Y	MAIN	L	P C B メイン	
3-11	VV849300	SHEET	19x24		シート/放熱	01
3-102	VQ368600	PUSH RIVET	P3555-B		プッシュリベット	01
3-103	VK173200	SCREW, TRANSISTOR	3x15 SP MFC2		スクリューTR	01
3-104	VT669300	PW HEAD B-TITE SCREW	3x8-8 MFC2		PWヘッドBタイトネジ	01
3-107	V5454200	DAMPER	2/10/260		ダンパー	
* 5	V8705500	P. C. B. ASS'Y	POWER	UC	P C B 集成 パワー	
* 5	V8705600	P. C. B. ASS'Y	POWER	RT	P C B 集成 パワー	
* 5	V8705700	P. C. B. ASS'Y	POWER	K	P C B 集成 パワー	
* 5	V8705800	P. C. B. ASS'Y	POWER	A	P C B 集成 パワー	
* 5	V8705900	P. C. B. ASS'Y	POWER	B	P C B 集成 パワー	
* 5	V8706000	P. C. B. ASS'Y	POWER	GL	P C B 集成 パワー	
* 6	V8701600	P. C. B. ASS'Y	DSP		P C B DSP	
* 7	V8702200	P. C. B. ASS'Y	FUNCTION	UC	P C B ファンクション	
* 7	V8702300	P. C. B. ASS'Y	FUNCTION	RT	P C B ファンクション	
* 7	V8702400	P. C. B. ASS'Y	FUNCTION	K	P C B ファンクション	
* 7	V8702500	P. C. B. ASS'Y	FUNCTION	AL	P C B ファンクション	
* 7	V8702600	P. C. B. ASS'Y	FUNCTION	BG	P C B ファンクション	
* 9	V7424300	AM/FM TUNER	FAE350-A10F	UCRKT	AM/FM チューナ	
* 9	V7424400	AM/FM TUNER	FAE404-E10F	ABGL	AM/FM チューナ	

* New Parts * 新規部品(マーク#の部品は、基板に含まれません)

RX-V730/RX-V730RDS

Schm Ref.	PART NO.	Description	Remarks	Markets	部 品 名	Rank	
* △	15	X2365A00	POWER TRANSFORMER		UC	電源トランス	
* △	15	X2545A00	POWER TRANSFORMER		RTK	電源トランス	
* △	15	X2422A00	POWER TRANSFORMER		A	電源トランス	
* △	15	X2366A00	POWER TRANSFORMER		BGL	電源トランス	
* △	16	V2363800	POWER CABLE	2m	UC	電源コード	
△	16	VZ542500	POWER CABLE	2m	RT	電源コード	05
* △	16	V8013000	POWER CABLE	2m	K	電源コード	
△	16	V2296800	POWER CABLE	2m	A	電源コード	
△	16	VV437300	POWER CABLE	2m	B	電源コード	08
△	16	VN363700	POWER CABLE	2m	GL	電源コード	04
	17	V2438700	CORD STOPPER	10P1		コードストッパー	02
	20	VV272500	DC FAN MOTOR	2410ML-05W-B20-L00	RTKABGL	D C ファンモーター	11
	23	MF135100	FLEXIBLE FLAT CABLE	35P 100mm P=1.25		カード電線 C & C	
	24	MF136120	FLEXIBLE FLAT CABLE	36p 120mm P=1.25		カード電線 C & C	02
	25	MF115120	FLEXIBLE FLAT CABLE	15P 120mm P=1.25		カード電線 C & C	
	101	V8301200	TOP COVER		GD	トップカバー	
* △	101	V8301000	TOP COVER		BL	トップカバー	
* △	101	V8301100	TOP COVER		TI	トップカバー	
* △	103	V8303100	REAR PANEL		RXV730	リヤパネル	
* △	103	V8303300	REAR PANEL		RXV730	リヤパネル	
* △	103	V8506400	REAR PANEL		RXV730	リヤパネル	
* △	103	V8303400	REAR PANEL		RXV730	リヤパネル	
* △	103	V8303700	REAR PANEL		RXV730RDS	リヤパネル	
* △	103	V8303800	REAR PANEL		RXV730RDS	リヤパネル	
* △	103	V8303500	REAR PANEL		RXV730	リヤパネル	
* △	113	V8586300	DIFFUSER		RTKABGL	ディフューザー	
	120	V0042500	LEG	D60xH21	GD	レッグ	03
	120	VS025000	LEG	D60xH21	BL, TI	レッグ	02
	121	V6002300	KNOB D43		GD	ノブ D 4 3	02
* △	121	V6002200	KNOB D43		BL	ノブ D 4 3	
* △	121	V7623800	KNOB D43		TI	ノブ D 4 3	
* △	122	V6001700	KNOB D15		GD	ノブ D 1 5	01
* △	122	V6001600	KNOB D15		BL	ノブ D 1 5	
* △	122	V7624400	KNOB D15		TI	ノブ D 1 5	
* △	123	V6876200	BUTTON/D5		GD	ボタン/D 5	
* △	123	V6876100	BUTTON/D5		BL	ボタン/D 5	
* △	123	V8540300	BUTTON/D5		TI	ボタン/D 5	
* △	131	V8316600	PLATE, SIDE		GD	プレート/サイド	
* △	131	V8316500	PLATE, SIDE		BL	プレート/サイド	
* △	131	V8316700	PLATE, SIDE		TI	プレート/サイド	
	137	V3422200	DAMPER			ダンパー	01
	139	V7616600	DAMPER			ダンパー	
	155	VQ368600	PUSH RIVET	P3555-B		プッシュリベット	01
	160	VN413300	BIND HEAD BONDING B-T. SCREW	3x8 MFZN2BL		ボンディングBタイトネジ	01
	161	VV220300	BIND HEAD B-TITE SCREW	3x30 MFZN2BL		バインドBタイトネジ	01
	163	EP600250	BIND HEAD B-TITE SCREW	3x8 MFZN2Y		バインドBタイトネジ	01
	166	EP630210	BIND HEAD S-TITE SCREW	3x6 MFZN2BL		バインドSタイトネジ	01
	167	VT669300	PW HEAD B-TITE SCREW	3x8-8 MFC2		PWヘッドBタイトネジ	01
	168	VT669400	PW HEAD B-TITE SCREW	3x15-8 MFC2		PWヘッドBタイトネジ	01
	170	21991500	PW HEAD S-TITE SCREW	4x8-10 MFC2BL		PWヘッドSタイトネジ	01
	171	VD069600	PW HEAD S-TITE SCREW	4x8-10 MFNI33	GD	PWヘッドSタイトネジ	01
	171	21991500	PW HEAD S-TITE SCREW	4x8-10 MFC2BL	BL	PWヘッドSタイトネジ	01
	171	VH313200	BW HEAD S-TITE SCREW	4x8-10 MFNI3BL	TI	BWヘッドSタイトネジ	01
	176	AA627310	GROUND TERMINAL			GNDターミナル	01

* New Parts * 新規部品(マーク#の部品は、基板に含まれません)

RX-V730/RX-V730RDS

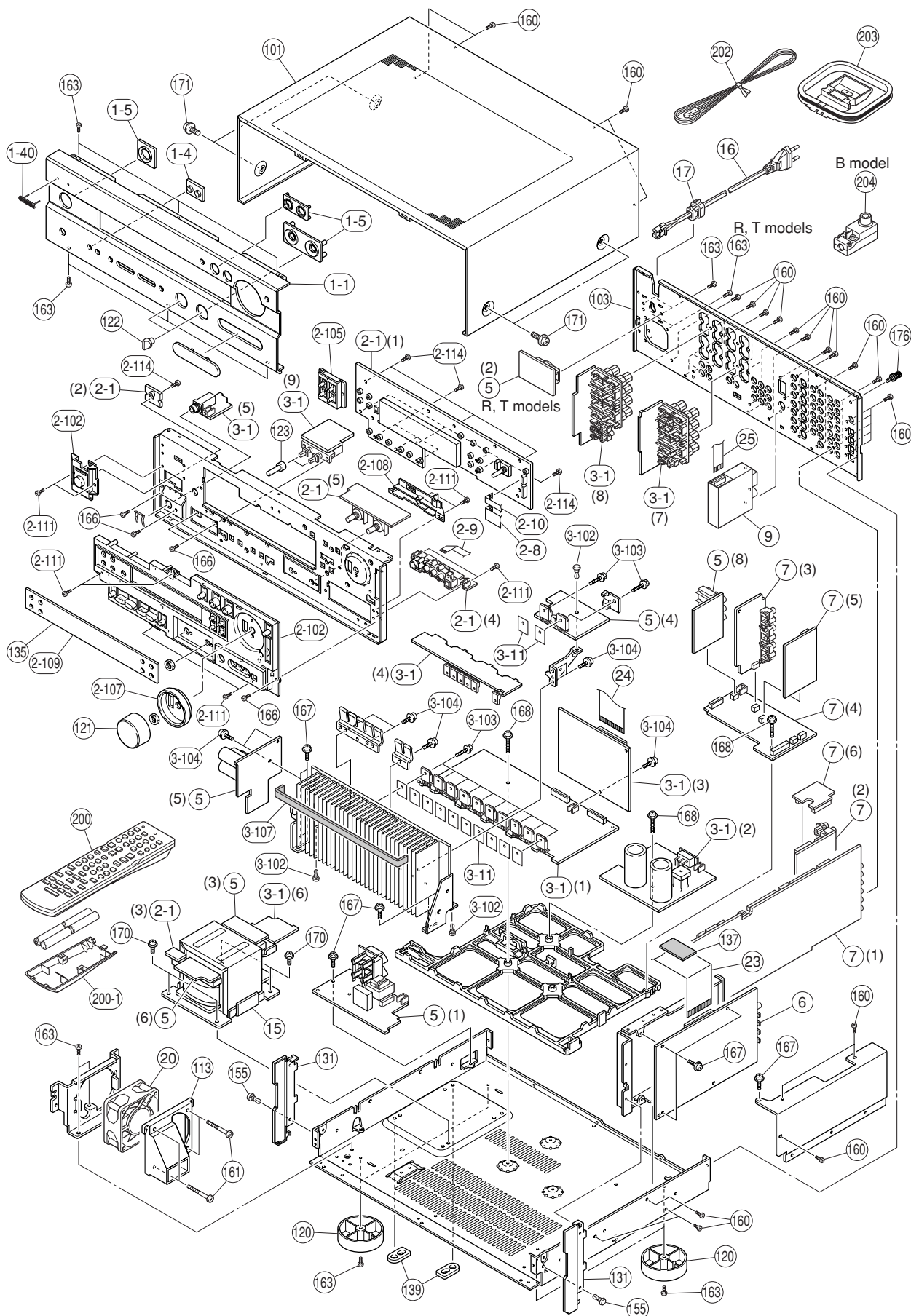
Schm Ref.	PART NO.	Description	Remarks	Markets	部 品 名	Rank	
		ACCESSORIES			付属品		
* 200	V8294700	REMOTE CONTROL	RAV232	BW0902	UCRTKAL	リモコン	
* 200	V8294800	REMOTE CONTROL	RAV233	BW0903	BG	リモコン	
200-1	AAX31620	BATTERY COVER	71-0900-02000	71-0900-02000		電池蓋	
202	V6267000	INDOOR FM ANTENNA	1.4m 1pc		UCRTK	F M簡易アンテナ	03
202	VQ147100	INDOOR FM ANTENNA	1.4m 1pc		ABGL	F M簡易アンテナ	02
203	VR248500	AM LOOP ANTENNA	1.0m 1pc			A Mループアンテナ	03
204	VE364900	ANTENNA ADAPTER	PAL 75-300Ω		B	整合器	03
		BATTERY, MANGANESE	UM-4NE (2PC)			マンガン電池 2 P C	

* New Parts * 新規部品(マーク#の部品は、基板に含まれません)

RX-V730/RX-V730RDS/RX-V630/RX-V630RDS
HTR-5560/HTR-5560RDS/DSP-AX630/DSP-AX630SE

RX-V630/RX-V630RDS/HTR-5560/HTR-5560RDS/DSP-AX630/DSP-AX630SE

EXPLODED VIEW



RX-V630/RX-V630RDS/HTR-5560/HTR-5560RDS/DSP-AX630/DSP-AX630SE

MECHANICAL PARTS

Schm Ref.	PART NO.	Description	Remarks	Markets	部 品 名	Rank		
*	1-1	V8311700	FRONT PANEL	V630GD		フロントパネル		
*	1-1	V8310800	FRONT PANEL	V630RDSGD		フロントパネル		
*	1-1	V8311600	FRONT PANEL	V630BL		フロントパネル		
*	1-1	V8310600	FRONT PANEL	V630RDSBL		フロントパネル		
*	1-1	V8310900	FRONT PANEL	V630RDSTI		フロントパネル		
*	1-1	V8311900	FRONT PANEL	5560GD		フロントパネル		
*	1-1	V8311800	FRONT PANEL	5560BL		フロントパネル		
*	1-1	V8312100	FRONT PANEL	5560RDSBL		フロントパネル		
*	1-1	V8312000	FRONT PANEL	5560TS		フロントパネル		
*	1-1	V8474100	FRONT PANEL	5560RDSTS		フロントパネル		
*	1-1	V8311000	FRONT PANEL	AX630GD		フロントパネル		
*	1-1	V8311200	FRONT PANEL	AX630SEGD		フロントパネル		
*	1-1	V8311100	FRONT PANEL	AX630SEBL		フロントパネル		
*	1-1	V8311300	FRONT PANEL	AX630SETI		フロントパネル		
*	1-4	V6879800	ESCUTCHEN/D5			エスカッション/D 5		
*	1-5	V8316300	ESCUTCHEON	V630GD, AX630GD		エスカッション		
*	1-5	V8316200	ESCUTCHEON	V630BL		エスカッション		
*	1-5	V8316400	ESCUTCHEON	V630TI		エスカッション		
*	1-5	V8316300	ESCUTCHEON	AX630SEGD		エスカッション		
*	1-5	V8316200	ESCUTCHEON	AX630SEBL		エスカッション		
*	1-5	V8316400	ESCUTCHEON	AX630SETI		エスカッション		
*	1-40	V6034200	EMBLEM	GD		エンブレム	03	
*	1-40	V6034100	EMBLEM	BL		エンブレム		
*	2-1	V8705000	P. C. B. ASS' Y	OPERATION	V630, 5560	JUCRTKAL	P C B オペレーション	
*	2-1	V8705100	P. C. B. ASS' Y	OPERATION	V630, 5560	BG	P C B オペレーション	
*	2-1	V8706200	P. C. B. ASS' Y	OPERATION	AX630SE	BG	P C B オペレーション	
*	2-8	MF114160	FLEXIBLE FLAT CABLE	14P 160mm			カード電線 C & C	03
*	2-9	MF107200	FLEXIBLE FLAT CABLE	7P 200mm			カード電線 C & C	02
*	2-10	MF109120	FLEXIBLE FLAT CABLE	9P 120mm P=1.25			カード電線 C & C	01
*	2-102	V8314000	BUTTONCASE	V630GD	JG		ボタンケース	
*	2-102	V8314700	BUTTONCASE	V630GD	RTKL		ボタンケース	
*	2-102	V8314600	BUTTONCASE	V630BL	UCRA		ボタンケース	
*	2-102	V8313900	BUTTONCASE	V630BL	BG		ボタンケース	
*	2-102	V8314100	BUTTONCASE	V630TI			ボタンケース	
*	2-102	V8314700	BUTTONCASE	5560GD			ボタンケース	
*	2-102	V8314800	BUTTONCASE	5560BL			ボタンケース	
*	2-102	V8314900	BUTTONCASE	5560TI			ボタンケース	
*	2-102	V8314300	BUTTONCASE	AX630SEGD			ボタンケース	
*	2-102	V8314200	BUTTONCASE	AX630SEBL			ボタンケース	
*	2-102	V8314400	BUTTONCASE	AX630SETI			ボタンケース	
*	2-105	V6874900	BUTTON/RDS	V630RDSGD			ボタン/R D S	
*	2-105	V6874800	BUTTON/RDS	V630RDSBL			ボタン/R D S	
*	2-105	V8540100	BUTTON/RDS	V630RDSTI			ボタン/R D S	
*	2-105	V8315500	BUTTON/RDS	5560RDSBL			ボタン/R D S	
*	2-105	V8315700	BUTTON/RDS	5560RDSTI			ボタン/R D S	
*	2-107	V8315900	ESCUTCHEON, VOL	V630GD, AX630GD			エスカッション/VOL	
*	2-107	V8315800	ESCUTCHEON, VOL	BL			エスカッション/VOL	
*	2-107	V8316000	ESCUTCHEON, VOL	TI, 5560GD			エスカッション/VOL	
*	2-108	V8469400	SUPPORT/PJ				サポート/P J	
*	2-109	V8316800	SHEET, WINDOW	AX630	J		シート/ウインドウ	
*	2-109	V8316900	SHEET, WINDOW	V630, V630RDS	UCRABGTKL		シート/ウインドウ	
*	2-109	V8317000	SHEET, WINDOW	AX630SE	BG		シート/ウインドウ	
*	2-111	EP600250	BIND HEAD B-TITE SCREW	3x8 MFZN2Y			バインドBタイトネジ	01
*	2-114	EP630220	BIND HEAD P-TITE SCREW	3x8 MFZN2BL			バインドPタイトネジ	01

* New Parts * 新規部品(マーク#の部品は、基板に含まれません)

RX-V630/RX-V630RDS/HTR-5560/HTR-5560RDS/DSP-AX630/DSP-AX630SE

Schm Ref.	PART NO.	Description	Remarks	Markets	部 品 名	Rank
* 3-1	V8700000	P.C.B. ASS'Y	MAIN		J PCB メイン	
* 3-1	V8700100	P.C.B. ASS'Y	MAIN	UC	PCB メイン	
* 3-1	V8700200	P.C.B. ASS'Y	MAIN	RTKA	PCB メイン	
* 3-1	V8700300	P.C.B. ASS'Y	MAIN	BG	PCB メイン	
* 3-1	V8700400	P.C.B. ASS'Y	MAIN	L	PCB メイン	
3-11	VV849300	SHEET	19x24		シート/放熱	01
3-102	VQ368600	PUSH RIVET	P3555-B		プッシュリベット	01
3-103	VK173200	SCREW, TRANSISTOR	3x15 SP MFC2		スクリューTR	01
3-104	VT669300	PW HEAD B-TITE SCREW	3x8-8 MFC2		PWヘッドBタイトネジ	01
3-107	V5454200	DAMPER	2/10/260		ダンパー	
* 5	V8705400	P.C.B. ASS'Y	POWER	J	PCB集成 パワー	
* 5	V8705500	P.C.B. ASS'Y	POWER	UC	PCB集成 パワー	
* 5	V8705600	P.C.B. ASS'Y	POWER	RT	PCB集成 パワー	
* 5	V8705700	P.C.B. ASS'Y	POWER	K	PCB集成 パワー	
* 5	V8705800	P.C.B. ASS'Y	POWER	A	PCB集成 パワー	
* 5	V8705900	P.C.B. ASS'Y	POWER	B	PCB集成 パワー	
* 5	V8706000	P.C.B. ASS'Y	POWER	GL	PCB集成 パワー	
* 6	V8701500	P.C.B. ASS'Y	DSP	J	PCB DSP	
* 6	V8701600	P.C.B. ASS'Y	DSP	UCRTKABGL	PCB DSP	
* 7	V8702700	P.C.B. ASS'Y	FUNCTION	AX630 J	PCB ファンクション	
* 7	V8702800	P.C.B. ASS'Y	FUNCTION	V630, 5560 UC	PCB ファンクション	
* 7	V8702900	P.C.B. ASS'Y	FUNCTION	V630, 5560 RT	PCB ファンクション	
* 7	V8703000	P.C.B. ASS'Y	FUNCTION	V630, 5560 K	PCB ファンクション	
* 7	V8703100	P.C.B. ASS'Y	FUNCTION	V630, 5560 AL	PCB ファンクション	
* 7	V8703200	P.C.B. ASS'Y	FUNCTION	V630, 5560 BG	PCB ファンクション	
* 7	V8703300	P.C.B. ASS'Y	FUNCTION	AX630SE BG	PCB ファンクション	
* 9	V7424200	AM/FM TUNER	FAE350-J10F	J	AM/FM チューナ	13
* 9	V7424300	AM/FM TUNER	FAE350-A10F	UCRTK	AM/FM チューナ	
* 9	V7424400	AM/FM TUNER	FAE404-E10F	ABGL	AM/FM チューナ	
* ⚠ 15	X2364A00	POWER TRANSFORMER		J	電源トランス	
* ⚠ 15	X2365A00	POWER TRANSFORMER		UC	電源トランス	
* ⚠ 15	X2545A00	POWER TRANSFORMER		RTK	電源トランス	
* ⚠ 15	X2422A00	POWER TRANSFORMER		A	電源トランス	
* ⚠ 15	X2366A00	POWER TRANSFORMER		BGL	電源トランス	
* ⚠ 16	V2723100	POWER CABLE	1.8m	J	電源コード	07
* ⚠ 16	V2363800	POWER CABLE	2m	UC	電源コード	
* ⚠ 16	VZ542500	POWER CABLE	2m	RT	電源コード	05
* ⚠ 16	V8013000	POWER CABLE	2m	K	電源コード	
* ⚠ 16	V2296800	POWER CABLE	2m	A	電源コード	
* ⚠ 16	VV437300	POWER CABLE	2m	B	電源コード	08
* ⚠ 16	VN363700	POWER CABLE	2m	GL	電源コード	04
17	V2438700	CORD STOPPER	10P1		コードストッパー	02
20	VV272500	DC FAN MOTOR	2410ML-05W-B20-L00		DCファンモーター	11
23	MF135100	FLEXIBLE FLAT CABLE	35P 100mm P=1.25		カード電線 C&C	
24	MF136120	FLEXIBLE FLAT CABLE	36p 120mm P=1.25		カード電線 C&C	
25	MF115120	FLEXIBLE FLAT CABLE	15P 120mm P=1.25		カード電線 C&C	02
* 101	V8301200	TOP COVER		GD	トップカバー	
* 101	V8301000	TOP COVER		BL	トップカバー	
* 101	V8301100	TOP COVER		TI	トップカバー	
* 103	V8307000	REAR PANEL		AX630 J	リヤパネル	
* 103	V8305400	REAR PANEL		RXV630 UC	リヤパネル	
* 103	V8305600	REAR PANEL		RXV630 RT	リヤパネル	
* 103	V8506500	REAR PANEL		RXV630 K	リヤパネル	
* 103	V8305700	REAR PANEL		RXV630 A	リヤパネル	

* New Parts * 新規部品(マーク#の部品は、基板に含まれません)

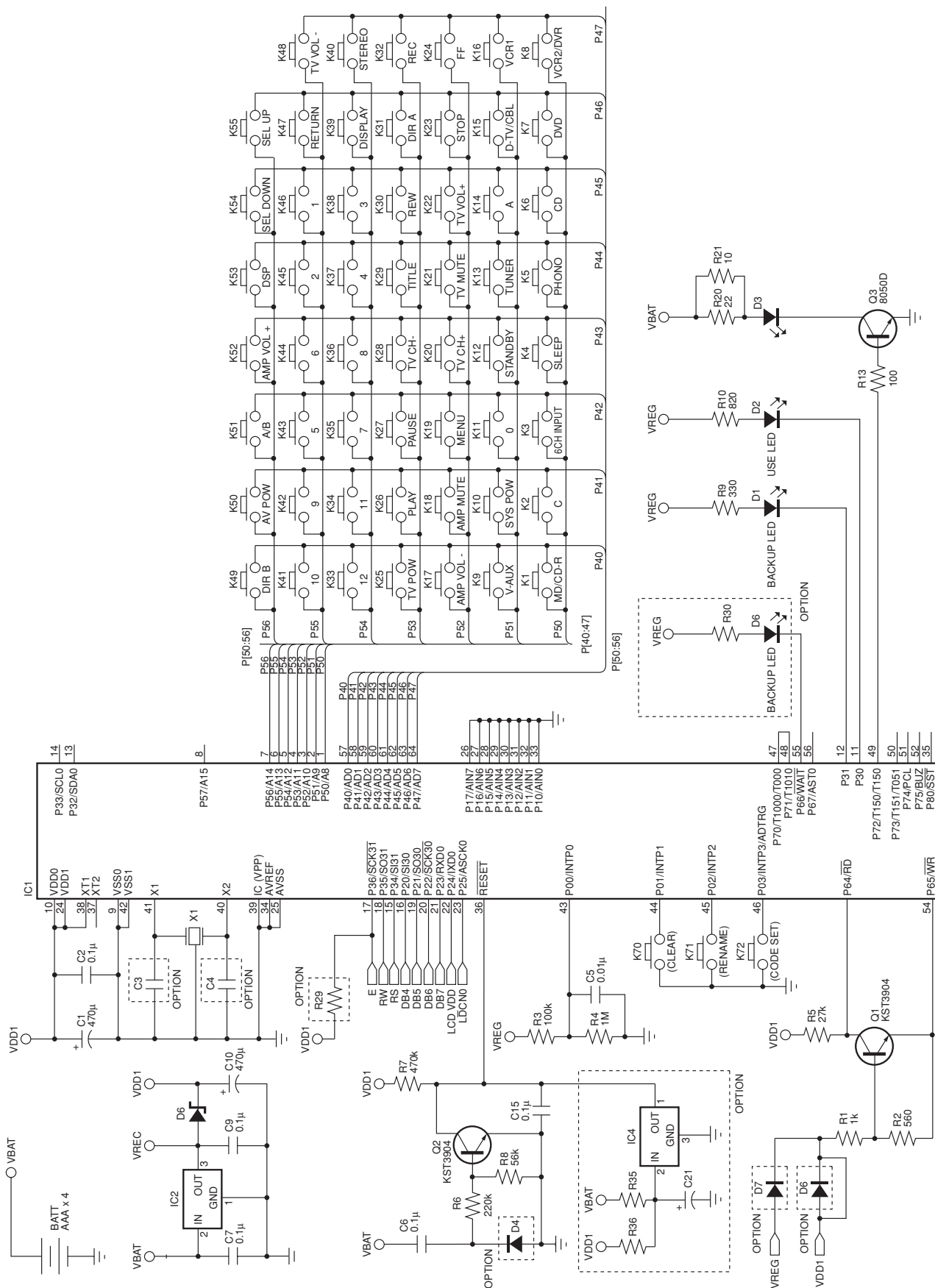
RX-V630/RX-V630RDS/HTR-5560/HTR-5560RDS/DSP-AX630/DSP-AX630SE

Schm Ref.	PART NO.	Description	Remarks	Markets	部 品 名	Rank	
*	103	V8306000 REAR PANEL		RXV630RDS	B	リヤパネル	
*	103	V8306100 REAR PANEL		RXV630RDS	G	リヤパネル	
*	103	V8305800 REAR PANEL		RXV630	L	リヤパネル	
*	103	V8306400 REAR PANEL		HTR5560	UC	リヤパネル	
*	103	V8306600 REAR PANEL		HTR5560	T	リヤパネル	
*	103	V8506600 REAR PANEL		HTR5560	K	リヤパネル	
*	103	V8306700 REAR PANEL		HTR5560	A	リヤパネル	
*	103	V8306900 REAR PANEL		HTR5560RDS	G	リヤパネル	
*	103	V8305200 REAR PANEL		AX630SE	B	リヤパネル	
*	103	V8305300 REAR PANEL		AX630SE	G	リヤパネル	
*	113	V8586300 DIFFUSER			RTKABGL	ディフューザー	
	120	V0042500 LEG	D60xH21	GD		レッグ	03
	120	VS025000 LEG	D60xH21	TI, V630AX630BL		レッグ	02
	120	VV544300 LEG	D60xH21	5560BL		レッグ (BK)	02
	121	V6002300 KNOB D43		GD		ノブ D43	02
	121	V6002200 KNOB D43		BL		ノブ D43	
*	121	V7623800 KNOB D43		TI		ノブ D43	
*	122	V6001700 KNOB D15		GD		ノブ D15	01
*	122	V6001600 KNOB D15		BL		ノブ D15	
*	122	V7624400 KNOB D15		TI		ノブ D15	
*	123	V6876200 BUTTON/D5		GD		ボタン/D5	
*	123	V6876100 BUTTON/D5		BL		ボタン/D5	
*	123	V8540300 BUTTON/D5		TI		ボタン/D5	
*	131	V8316600 PLATE, SIDE		V630GD, AX630SEGD		プレート/サイド	
*	131	V8316500 PLATE, SIDE		V630BL, AX630SEBL		プレート/サイド	
*	131	V8316700 PLATE, SIDE		V630TI, AX630SETI		プレート/サイド	
*	135	V8317300 SHEET, WINDOW		V630GD, V630BL	UCRTKAL	シート/ウインドウ	
*	135	V8317300 SHEET, WINDOW		5560GD, 5560TI	UC	シート/ウインドウ	
*	135	V8317400 SHEET, WINDOW		5560BL	UCA	シート/ウインドウ	
*	135	V8474700 SHEET, WINDOW		5560BL	G	シート/ウインドウ	
*	135	V8848100 SHEET, WINDOW		5560TI	G	シート/ウインドウ	
	137	V3422200 DAMPER				ダンパー	01
	139	V7616600 DAMPER				ダンパー	
	155	VQ368600 PUSH RIVET	P3555-B	V630, AX630		プッシュリベット	01
	160	VN413300 BIND HEAD BONDING B-T. SCREW	3x8 MFZN2BL			ボンディングBタイトネジ	01
	161	VV220300 BIND HEAD B-TITE SCREW	3x30 MFZN2BL			バインドBタイトネジ	01
	163	EP600250 BIND HEAD B-TITE SCREW	3x8 MFZN2Y			バインドBタイトネジ	01
	166	EP630210 BIND HEAD S-TITE SCREW	3x6 MFZN2BL			バインドSタイトネジ	01
	167	VT669300 PW HEAD B-TITE SCREW	3x8-8 MFC2			PWヘッドBタイトネジ	01
	168	VT669400 PW HEAD B-TITE SCREW	3x15-8 MFC2			PWヘッドBタイトネジ	01
	170	21991500 PW HEAD S-TITE SCREW	4x8-10 MFC2BL			PWヘッドSタイトネジ	01
	171	VD069600 PW HEAD S-TITE SCREW	4x8-10 MFNI33	GD		PWヘッドSタイトネジ	01
	171	21991500 PW HEAD S-TITE SCREW	4x8-10 MFC2BL	BL		PWヘッドSタイトネジ	01
	171	VH313200 BW HEAD S-TITE SCREW	4x8-10 MFNI3BL	TI		BWヘッドSタイトネジ	01
	200	V8295000 ACCESSORIES REMOTE CONTROL	RAV240	BW0910	JUCRTKAL	付属品 リモコン	
*	200	V8295100 REMOTE CONTROL	RAV241	BW0911	BG	リモコン	
	200-1	AAX34140 BATTERY COVER	71-0910-02000	71-0910-02000		電池蓋	
	202	V6267000 INDOOR FM ANTENNA	1.4m lpc		JUCRTK	F M簡易アンテナ	03
	202	VQ147100 INDOOR FM ANTENNA	1.4m lpc		ABGL	F M簡易アンテナ	02
	203	VR248500 AM LOOP ANTENNA	1.0m lpc			A Mループアンテナ	03
	204	VE364900 ANTENNA ADAPTER	PAL 75-300Ω		B	整合器	03
		BATTERY, MANGANESE	UM-4NE (2PC)			マンガン電池 2PC	

* New Parts * 新規部品(マーク#の部品は、基板に含まれません)

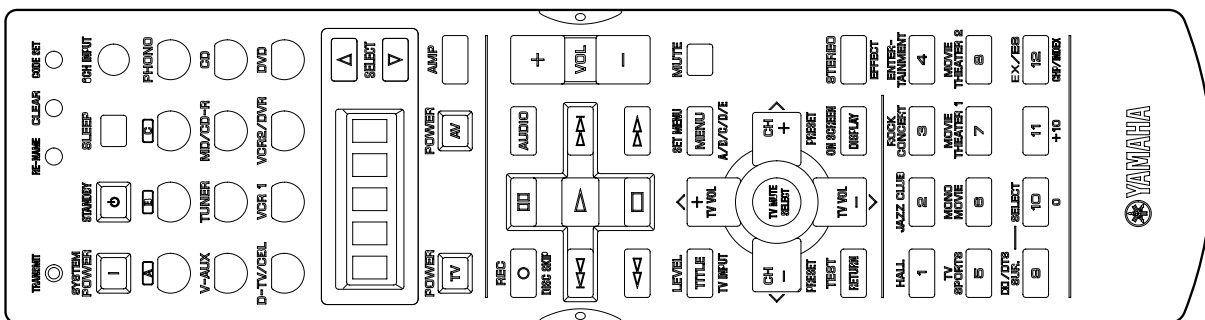
REMOTE CONTROL RAV232, RAV233 (RX-V730/RX-V730RDS)

SCHEMATIC DIAGRAM



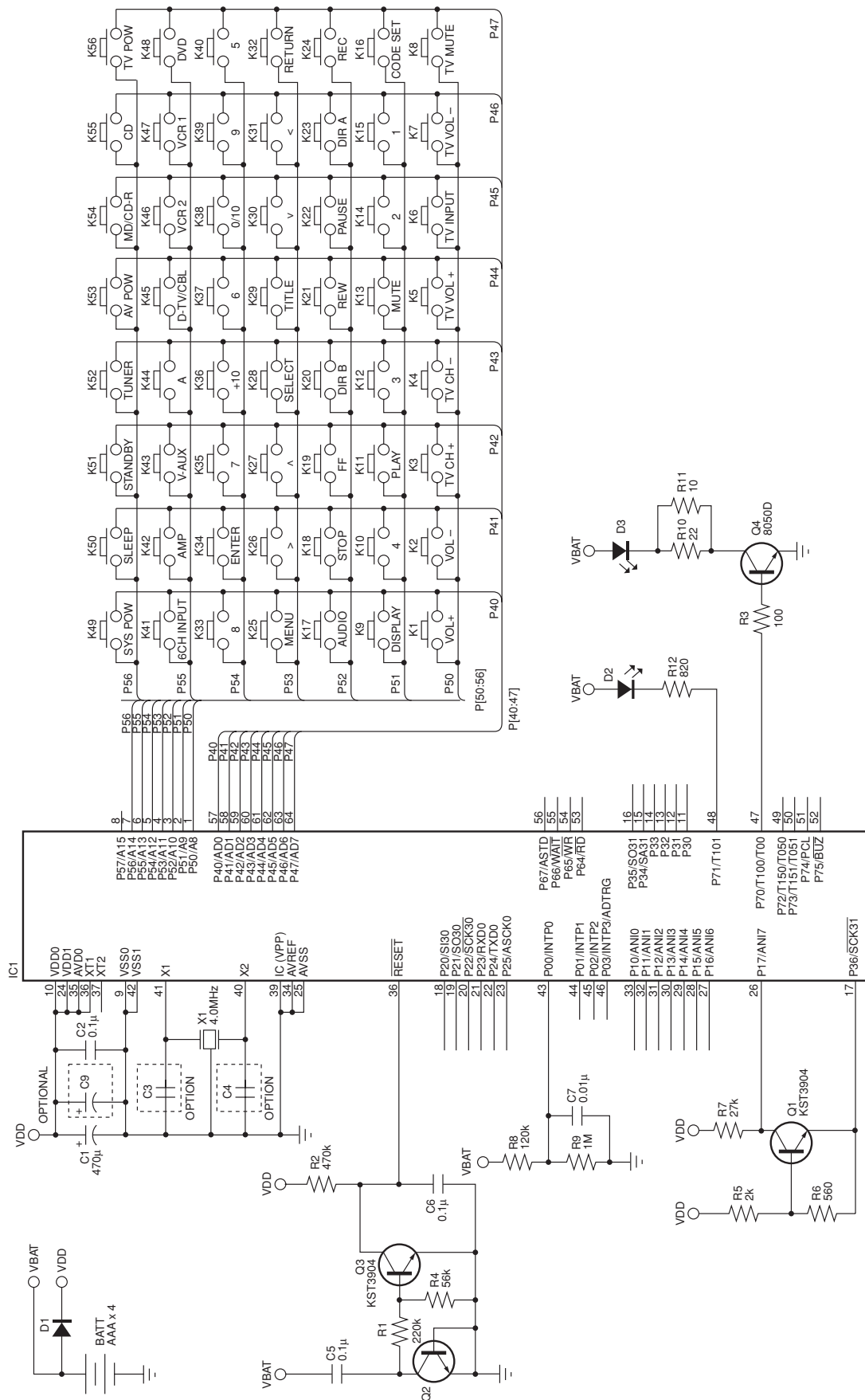
Key No.	Schematic Key No.	Function	Default Code
4	K10	SYSTEM POWER	7A-1D
5	K12	STANDBY	7A-1E
6	K4	SLEEP	7A-57
7	K3	6CH INPUT	7A-87
8	K14	A	-
9	K11	B	-
10	K2	C	-
11	K5	PHONO	7A-14
12	K9	VAUX	7A-55
13	K13	TUNER	7A-16
14	K1	MD/CD-R	7A-C9
15	K6	CD	7A-15
16	K15	D-TV/CBL	7A-54
17	K16	VCR 1	7A-0F
18	K8	VCR2/DVR	7A-13
19	K7	DVD	7A-C1
20	K55	A	-
21	K54	V	-
22	K25	POWER [TV]	-
23	K50	POWER [AV]	004-012
25	K32	REC [O]	-
26	K27	DD	004-046
27	K51	AUDIO	-
28	K31	PA	004-033
29	K26	DA	004-044
30	K49	DB	004-032
31	K30	DA	004-041
32	K23	DA	004-049
33	K24	DA	004-040
34	K52	VOL +	7A-1A
35	K17	VOL -	7A-1B
36	K29	LEVEL [TITLE]	004-113
37	K22	TV VOL +	004-088
38	K19	SET MENU [MENU]	004-084
39	K28	CH -	004-090
40	K21	TV MUTE SELECT	004-092
41	K20	CH +	004-091
42	K18	MUTE	7A-1C
43	K47	TEST [RETURN]	004-131
44	K48	TV VOL -	004-089
45	K39	ON SCREEN [DISPLAY]	004-015
46	K40	STEREO	7A-56
47	K46	1	004-001
48	K45	2	004-002
49	K38	3	004-003
50	K37	4	004-004
51	K43	5	004-005
52	K44	6	004-006
53	K35	7	004-007
54	K36	8	004-008
55	K42	9	004-009
56	K41	10	004-000
57	K34	11	004-120
58	K33	12	-

DVD	LD	CD		CD-R	MD	TAPE		TUNER		DSP
		Yamaha 1	Yamaha 2			Yamaha 1	Yamaha 2	Yamaha 1	Yamaha 2	
Yamaha 1	Yamaha	-	-	-	Yamaha 1	Yamaha 1	-	-	-	FIX
-	-	-	-	-	-	-	-	-	-	-
7C-80	-	-	-	-	-	-	-	-	-	-
7C-8B	-	7A-4F	79-4F	-	79-AF	7A-04	7F-04	-	-	-
7C-83	7C-5A	7A-09	79-55	7F-83	79-A9	-	-	-	-	-
7C-AD	7C-12	-	-	-	-	7A-06	7F-06	-	-	-
7C-B9	7C-02	7A-0B	79-04	7F-86	79-AB	7A-07	7F-07	-	-	-
7C-82	7C-05	7A-08	79-02	7F-82	79-A8	7A-00	7F-00	-	-	-
7C-BA	7C-03	7A-0A	79-07	7F-87	79-AE	7A-40	7F-08	-	-	-
7C-86	7C-06	7A-0D	79-05	7F-88	79-AC	7A-01	7F-01	-	-	-
7C-85	7C-5B	7A-09	79-56	7F-84	79-AA	7A-03	7F-03	-	-	-
7C-87	7C-07	7A-0C	79-06	7F-89	79-AD	7A-02	7F-02	-	-	-
-	-	-	-	-	7A-1B	-	-	-	-	-
-	-	-	-	-	7A-1B	-	-	-	-	-
7C-B1	-	-	-	-	-	-	-	-	-	7A-86
7C-B4	-	-	-	-	-	-	-	-	-	7A-88
7C-B2	-	-	-	-	-	-	-	7A-12	D1-0D	7A-9C
7C-B5	-	-	-	-	-	-	-	7A-11	7A-11	7A-53
7C-B8	-	-	-	-	-	-	-	-	-	-
7C-B6	-	-	-	-	-	-	-	7A-10	7A-10	7A-52
-	-	-	-	-	7A-1C	-	-	-	-	-
7C-B7	-	-	-	-	-	-	-	-	-	7A-85
7C-B3	-	-	-	-	-	-	-	-	-	7A-89
7C-A6	7C-13	79-0A	79-0A	7F-9E	79-A5	-	-	-	-	7A-C2
-	-	-	-	-	7A-56	-	-	-	-	-
7C-94	7C-17	79-11	79-11	7F-91	79-85	-	-	7A-E5	D1-0E	7A-88
7C-95	7C-18	79-12	79-12	7F-92	79-86	-	-	7A-E6	D1-0F	7A-89
7C-96	7C-19	79-13	79-13	7F-93	79-87	-	-	7A-E7	D1-10	7A-9A
7C-97	7C-1A	79-14	79-14	7F-94	79-88	-	-	7A-E8	D1-11	7A-8B
7C-98	7C-1B	79-15	79-15	7F-95	79-89	-	-	7A-E9	D1-12	7A-9C
7C-99	7C-1C	79-16	79-16	7F-96	79-8A	-	-	7A-EA	D1-13	7A-8D
7C-9A	7C-1D	79-17	79-17	7F-97	79-8B	-	-	7A-EB	D1-14	7A-8E
7C-9B	7C-1E	79-18	79-18	7F-98	79-8C	-	-	7A-EC	D1-15	7A-8F
7C-9C	7C-1F	79-19	79-19	7F-99	79-8D	-	-	-	-	7A-90
7C-93	7C-16	79-10	79-10	7F-90	79-8E	-	-	-	-	7A-96
7C-9D	7C-5D	79-1A	79-1A	7F-9A	79-8F	-	-	-	-	-
7C-9E	7C-15	79-0B	79-0B	7F-8A	-	-	-	-	-	7A-97



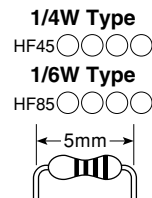
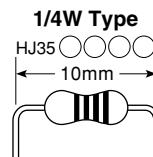
REMOTE CONTROL RAV240, RAV241 (RX-V630/RX-V630RDS/HTR-5560/HTR-5560RDS/DSP-AX630/DSP-AX630SE)

SCHEMATIC DIAGRAM



Parts List for Carbon Resistors

Value	1/4W Type Part No.	1/6W Type Part No.	Value	1/4W Type Part No.	1/6W Type Part No.
1.0 Ω	HJ35 3100	HF85 3100	10 kΩ	HF45 7100	HF45 7100
1.8 Ω	HJ35 3180	*	11 kΩ	HF45 7110	HF45 7110
2.2 Ω	HJ35 3220	HF85 3220	12 kΩ	HJ35 7120	HF85 7120
3.3 Ω	HJ35 3330	HF85 3330	13 kΩ	HF45 7130	HF45 7130
4.7 Ω	HJ35 3470	HF85 3470	15 kΩ	HF45 7150	HF45 7150
5.6 Ω	HJ35 3560	HF85 3560	18 kΩ	HF45 7180	HF45 7180
10 Ω	HF45 4100	HF45 4100	22 kΩ	HF45 7220	HF45 7220
15 Ω	HJ35 4150	HF85 4150	24 kΩ	HF45 7240	HF45 7240
22 Ω	HF45 4220	HF45 4220	27 kΩ	HJ35 7270	HF85 7270
27 Ω	HJ35 4270	HF85 4270	30 kΩ	HF45 7300	HF45 7300
33 Ω	HF45 4330	HF45 4330	33 kΩ	HF45 7330	HF45 7330
39 Ω	HJ35 4470	HF85 4390	36 kΩ	HF45 7360	HF45 7360
47 Ω	HF45 4470	HF45 4470	39 kΩ	HF45 7390	HF45 7390
56 Ω	HF45 4560	HF45 4560	47 kΩ	HF45 7470	HF45 7470
68 Ω	HF45 4680	HF45 4680	51 kΩ	HF45 7510	HF45 7510
75 Ω	HF45 4750	HF45 4750	56 kΩ	HF45 7560	HF45 7560
82 Ω	HF45 4820	HF45 4820	62 kΩ	HF45 7620	HF45 7620
91 Ω	HF45 4910	HF45 4910	68 kΩ	HF45 7680	HF45 7680
100 Ω	HF45 5100	HF45 5100	82 kΩ	HF45 7820	HF45 7820
110 Ω	HJ35 5110	HF85 5110	91 kΩ	HF45 7910	HF45 7910
120 Ω	HF45 5120	HF45 5120	100 kΩ	HF45 8100	HF45 8100
150 Ω	HF45 5150	HF45 5150	110 kΩ	HF45 8110	HF45 8110
160 Ω	HJ35 5160	*	120 kΩ	HF45 8120	HF45 8120
180 Ω	HF45 5180	HF45 5180	150 kΩ	HF45 8150	HF45 8150
200 Ω	HF45 5200	HF45 5200	180 kΩ	HF45 8180	HF45 8180
220 Ω	HF45 5220	HF45 5220	220 kΩ	HJ35 8220	HF85 8220
270 Ω	HF45 5270	HF45 5270	270 kΩ	HF45 8270	HF45 8270
330 Ω	HF45 5330	HF45 5330	300 kΩ	HF45 8300	HF45 8300
390 Ω	HF45 5390	HF45 5390	330 kΩ	HF45 8330	HF45 8330
430 Ω	HF45 5430	HF45 5430	390 kΩ	HJ35 8390	HF85 8390
470 Ω	HF45 5470	HF45 5470	470 kΩ	HF45 8470	HF45 8470
510 Ω	HF45 5510	HF45 5510	560 kΩ	HJ35 8560	HF85 8560
560 Ω	HF45 5560	HF45 5560	680 kΩ	HJ35 8680	HF85 8680
680 Ω	HF45 5680	HF45 5680	820 kΩ	HJ35 8820	HF85 8820
820 Ω	HF45 5820	HF45 5820	1.0 MΩ	HF45 9100	HF45 9100
910 Ω	HF45 5910	HF45 5910	1.2 MΩ	HJ35 9120	*
1.0 kΩ	HF45 6100	HF45 6100	1.5 MΩ	HJ35 9150	HF85 9150
1.2 kΩ	HF45 6120	HF45 6120	1.8 MΩ	HJ35 9180	HF85 9180
1.5 kΩ	HF45 6150	HF45 6150	2.2 MΩ	HJ35 9220	HF85 9220
1.8 kΩ	HF45 6180	HF45 6180	3.3 MΩ	HJ35 9330	HF85 9330
2.0 kΩ	HJ35 6200	HF85 6200	3.9 MΩ	HJ35 9390	*
2.2 kΩ	HF45 6220	HF45 6220	4.7 MΩ	HJ35 9470	HF85 9470
2.4 kΩ	HJ35 6240	HF85 6240			
2.7 kΩ	HF45 6270	HF45 6270			
3.0 kΩ	HF45 6300	HF45 6300			
3.3 kΩ	HF45 6330	HF45 6330			
3.6 kΩ	HJ35 6360	HF85 6360			
3.9 kΩ	HF45 6390	HF45 6390			
4.7 kΩ	HF45 6470	HF45 6470			
5.1 kΩ	HF45 6510	HF45 6510			
5.6 kΩ	HF45 6560	HF45 6560			
6.8 kΩ	HF45 6680	HF45 6680			
8.2 kΩ	HF45 6820	HF45 6820			
9.1 kΩ	HF45 6910	HF45 6910			



* : Not available