

AV RECEIVER/AV AMPLIFIER

RX-V540/RX-V540RDS/HTR-5650/HTR-5650RDS/DSP-AX540

RX-V440/RX-V440RDS/HTR-5640/HTR-5640RDS/DSP-AX440

SERVICE MANUAL

IMPORTANT NOTICE

This manual has been provided for the use of authorized YAMAHA Retailers and their service personnel. It has been assumed that basic service procedures inherent to the industry, and more specifically YAMAHA Products, are already known and understood by the users, and have therefore not been restated.

WARNING: Failure to follow appropriate service and safety procedures when servicing this product may result in personal injury, destruction of expensive components, and failure of the product to perform as specified. For these reasons, we advise all YAMAHA product owners that any service required should be performed by an authorized YAMAHA Retailer or the appointed service representative.

IMPORTANT: The presentation or sale of this manual to any individual or firm does not constitute authorization, certification or recognition of any applicable technical capabilities, or establish a principle-agent relationship of any form.

The data provided is believed to be accurate and applicable to the unit(s) indicated on the cover. The research, engineering, and service departments of YAMAHA are continually striving to improve YAMAHA products. Modifications are, therefore, inevitable and specifications are subject to change without notice or obligation to retrofit. Should any discrepancy appear to exist, please contact the distributor's Service Division.

WARNING: Static discharges can destroy expensive components. Discharge any static electricity your body may have accumulated by grounding yourself to the ground buss in the unit (heavy gauge black wires connect to this buss).

IMPORTANT: Turn the unit OFF during disassembly and part replacement. Recheck all work before you apply power to the unit.

CONTENTS

TO SERVICE PERSONNEL	2	AMP ADJUSTMENT / アンプ部調整	43
IMPEDANCE SELECTOR	2	DISPLAY DATA	44~45
FRONT PANELS	3~5	IC DATA	46~51
REAR PANELS	5~12	BLOCK DIAGRAM	52~53
REMOTE CONTROL PANELS	13	PRINTED CIRCUIT BOARD	54~75
SPECIFICATIONS / 参考仕様	14~17	PIN CONNECTION DIAGRAM	76
INTERNAL VIEW	17	SCHEMATIC DIAGRAM	77~88
DISASSEMBLY PROCEDURES / 分解手順	18~20	PARTS LIST	89~137
SELF DIAGNOSIS FUNCTION (DIAG) /		REMOTE CONTROL	138~139
自己診断機能 (ダイアグ)	21~42		



このサービスマニュアルは、エコマーク認定の再生紙を使用しています。
This Service Manual uses recycled paper.

100846

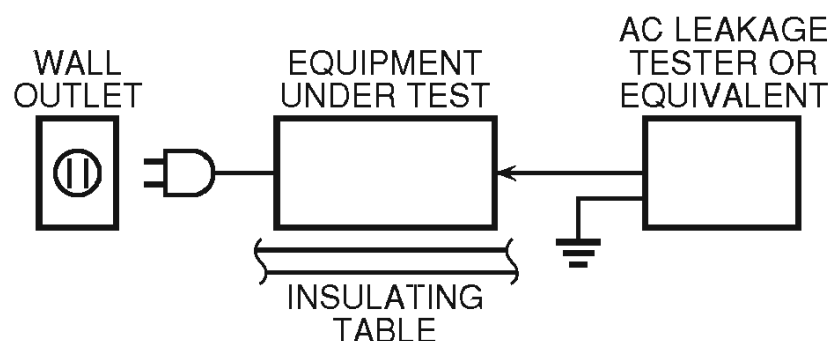


YAMAHA
YAMAHA CORPORATION
P.O.Box 1, Hamamatsu, Japan

RX-V540/RX-V540RDS/HTR-5650/HTR-5650RDS/DSP-AX540
RX-V440/RX-V440RDS/HTR-5640/HTR-5640RDS/DSP-AX440

■ TO SERVICE PERSONNEL

1. Critical Components Information
 Components having special characteristics are marked Δ and must be replaced with parts having specifications equal to those originally installed.
2. Leakage Current Measurement (For 120V Models Only)
 When service has been completed, it is imperative to verify that all exposed conductive surfaces are properly insulated from supply circuits.
 - Meter impedance should be equivalent to 1500 ohm shunted by $0.15\mu\text{F}$.



- Leakage current must not exceed 0.5mA.
- Be sure to test for leakage with the AC plug in both polarities.



“CAUTION”

“F701, 702: FOR CONTINUED PROTECTION AGAINST RISK OF FIRE, REPLACE ONLY WITH SAME TYPE 8A, 125V FUSE.”

CAUTION

F701, 702: REPLACE WITH SAME TYPE 8A, 125V FUSE.

ATTENTION

F701, 702: UTILISER UN FUSIBLE DE RECHANGE DE MEME TYPE DE 8A, 125V.

WARNING: CHEMICAL CONTENT NOTICE!

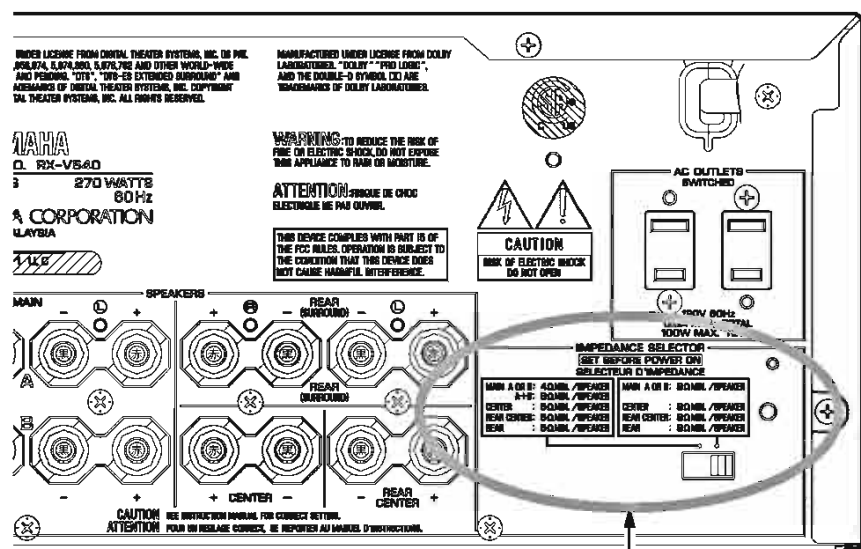
The solder used in the production of this product contains LEAD. In addition, other electrical/electronic and/or plastic (where applicable) components may also contain traces of chemicals found by the California Health and Welfare Agency (and possibly other entities) to cause cancer and/or birth defects or other reproductive harm.

DO NOT PLACE SOLDER, ELECTRICAL/ELECTRONIC OR PLASTIC COMPONENTS IN YOUR MOUTH FOR ANY REASON WHATSOEVER!

Avoid prolonged, unprotected contact between solder and your skin! When soldering, do not inhale solder fumes or expose eyes to solder/flux vapor!

If you come in contact with solder or components located inside the enclosure of this product, wash your hands before handling food.

■ IMPEDANCE SELECTOR

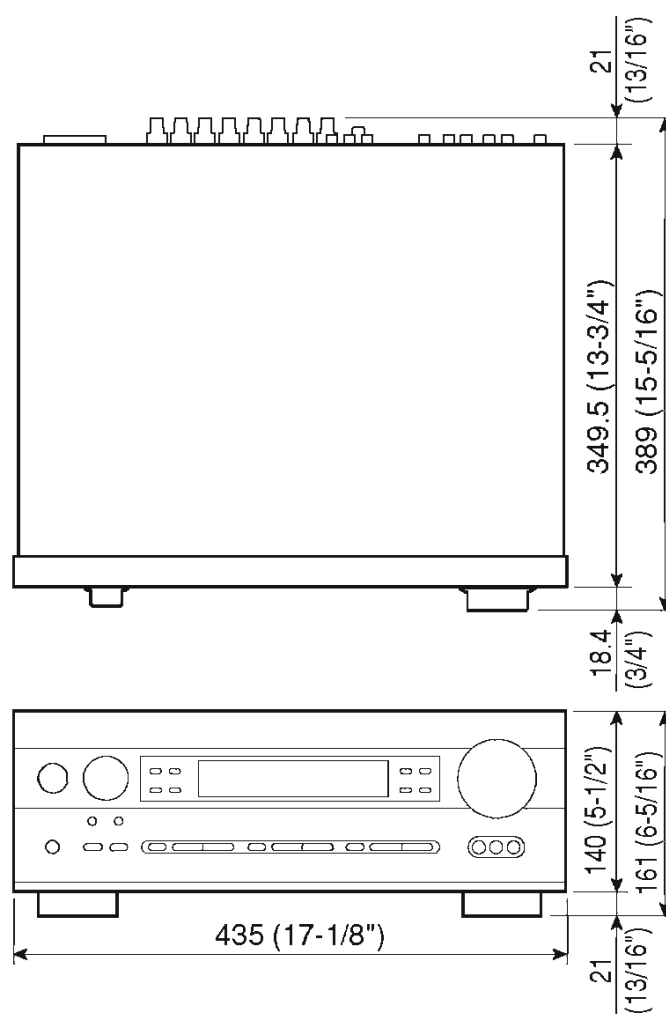


IMPEDANCE SELECTOR

WARNING:

Do not change the IMPEDANCE SELECTOR switch setting while the power to this unit is on, otherwise this unit may be damaged.

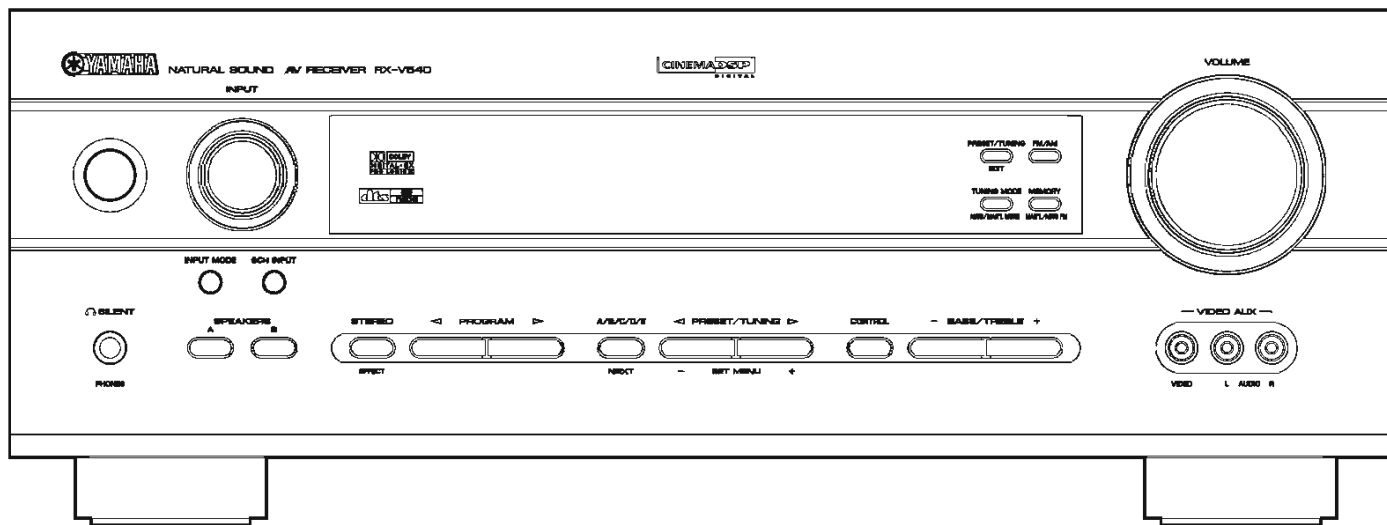
• DIMENSIONS / 寸法図



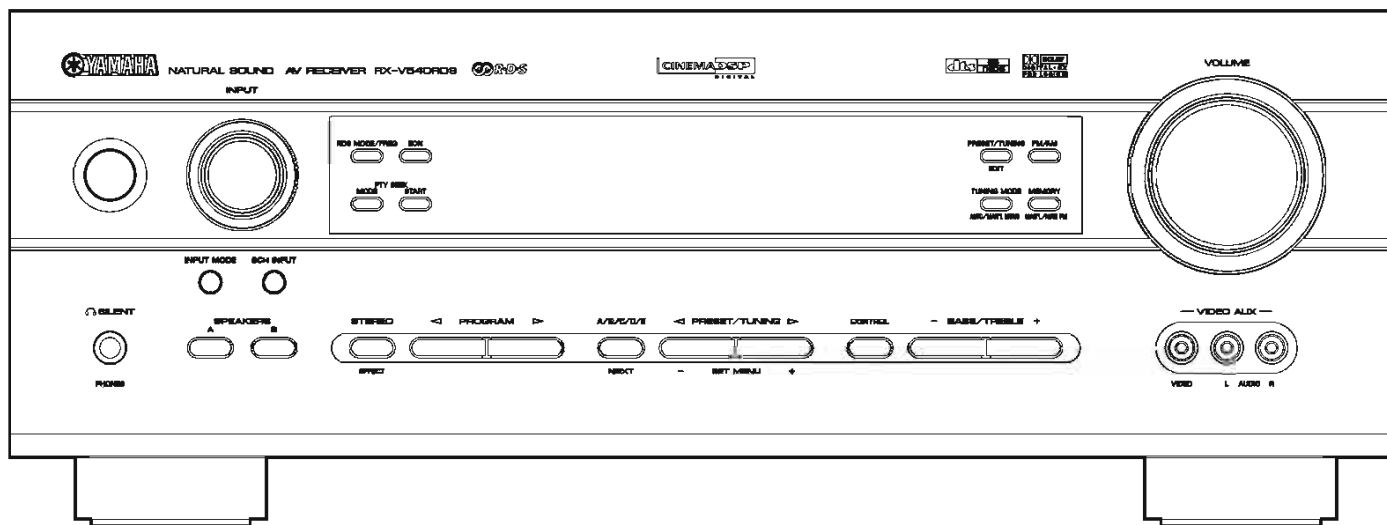
Unit : mm (inch)
 単位: mm (インチ)

FRONT PANELS

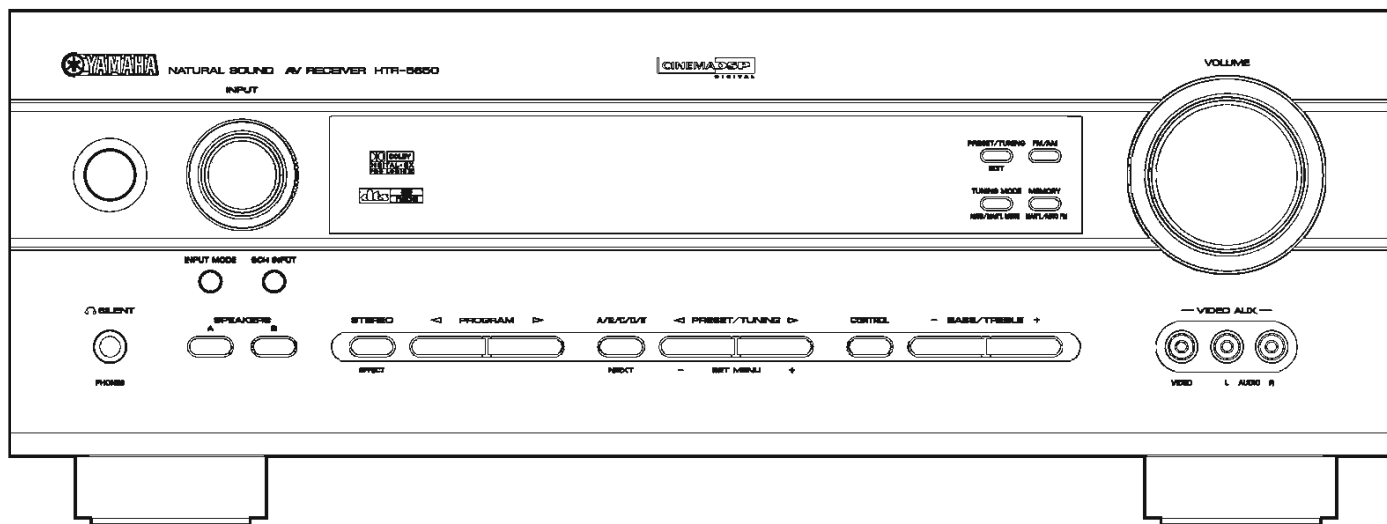
RX-V540 (U, C, A, L, R, T, K models)



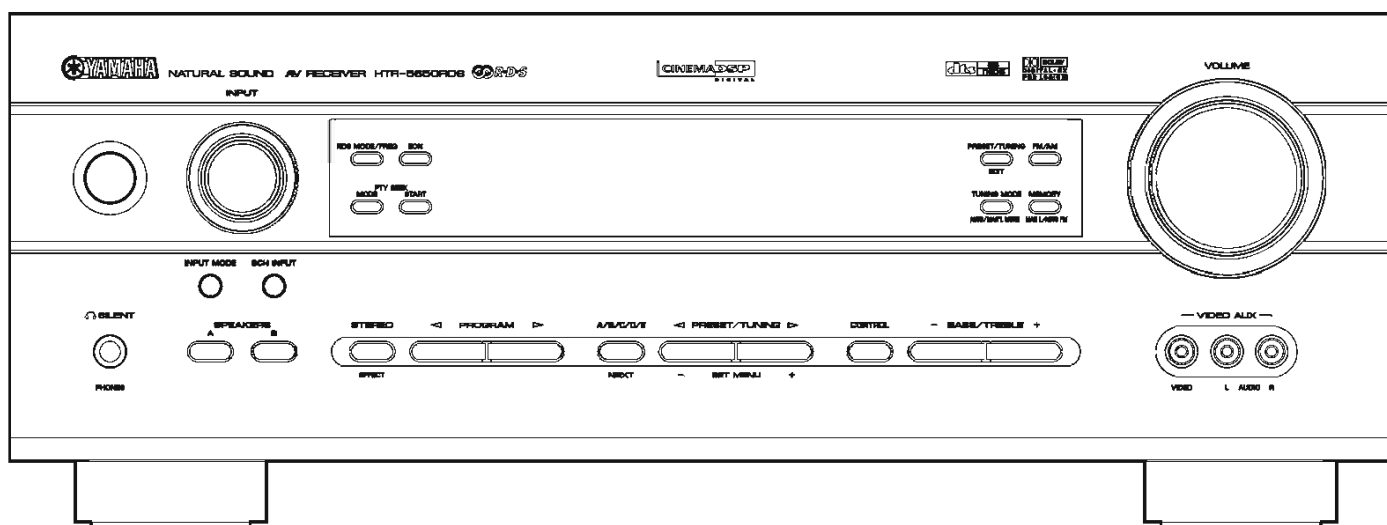
RX-V540RDS (B, G models)



HTR-5650 (U, C, A, T, K models)



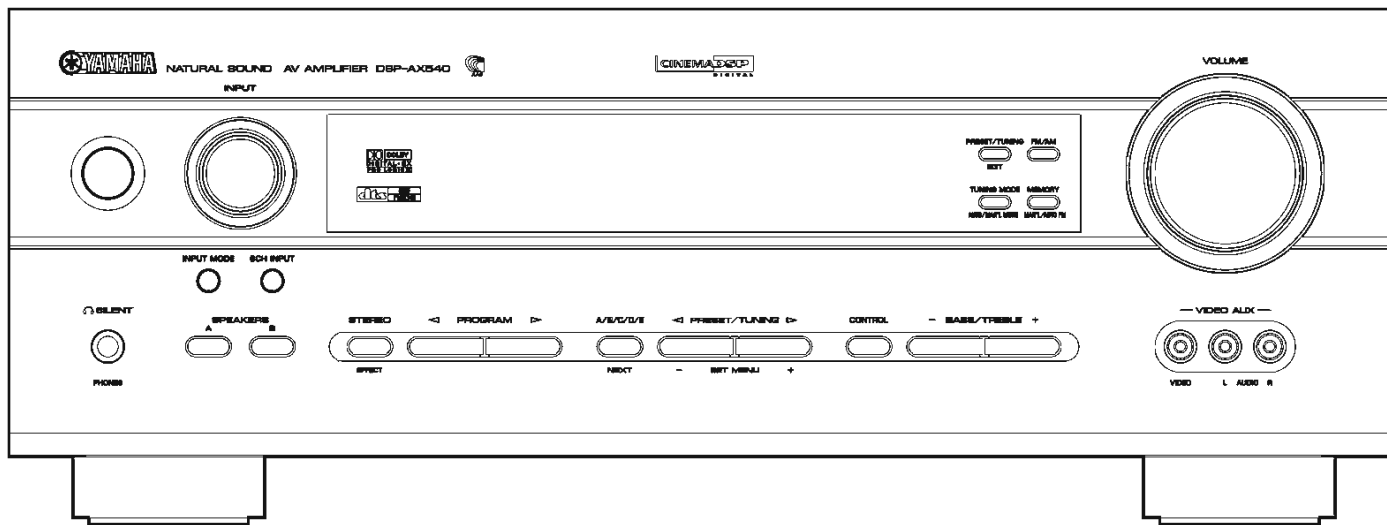
HTR-5650RDS (B, G models)



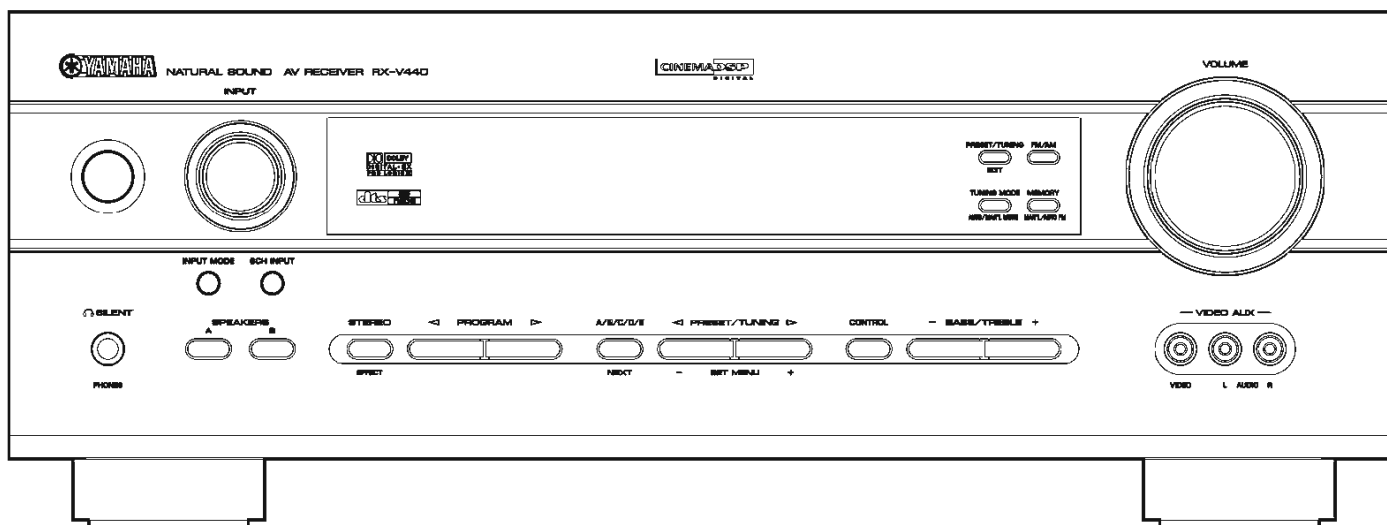
RX-V540/RX-V540RDS/HTR-5650/HTR-5650RDS/DSP-AX540
 RX-V440/RX-V440RDS/HTR-5640/HTR-5640RDS/DSP-AX440

RX-V540/RX-V540RDS/HTR-5650/HTR-5650RDS/DSP-AX540
 RX-V440/RX-V440RDS/HTR-5640/HTR-5640RDS/DSP-AX440

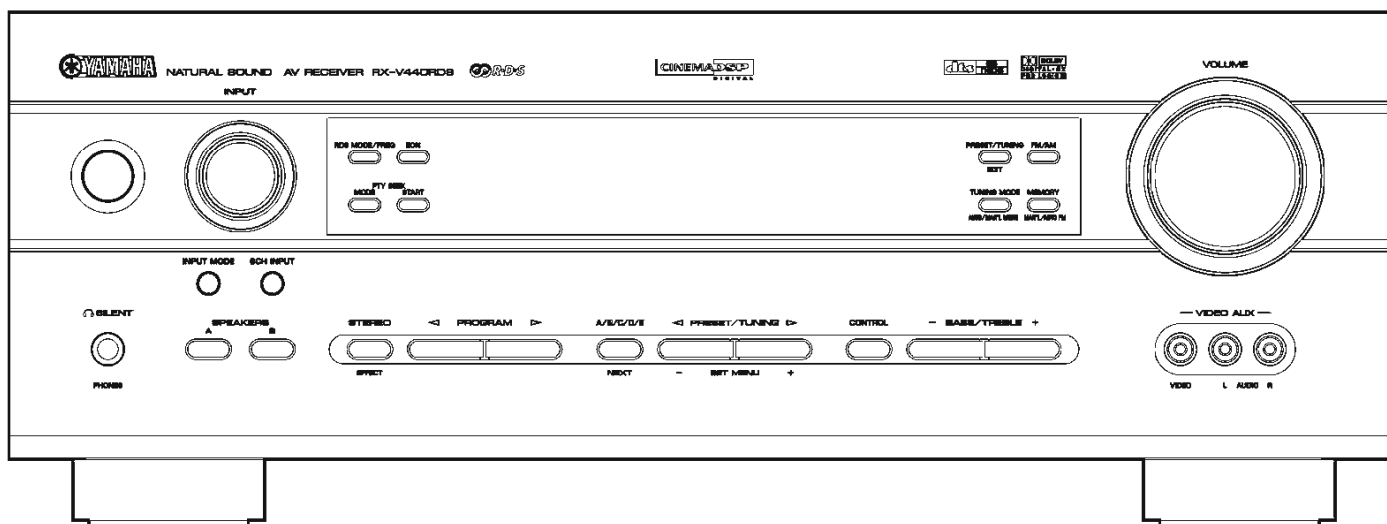
DSP-AX540 (J model)



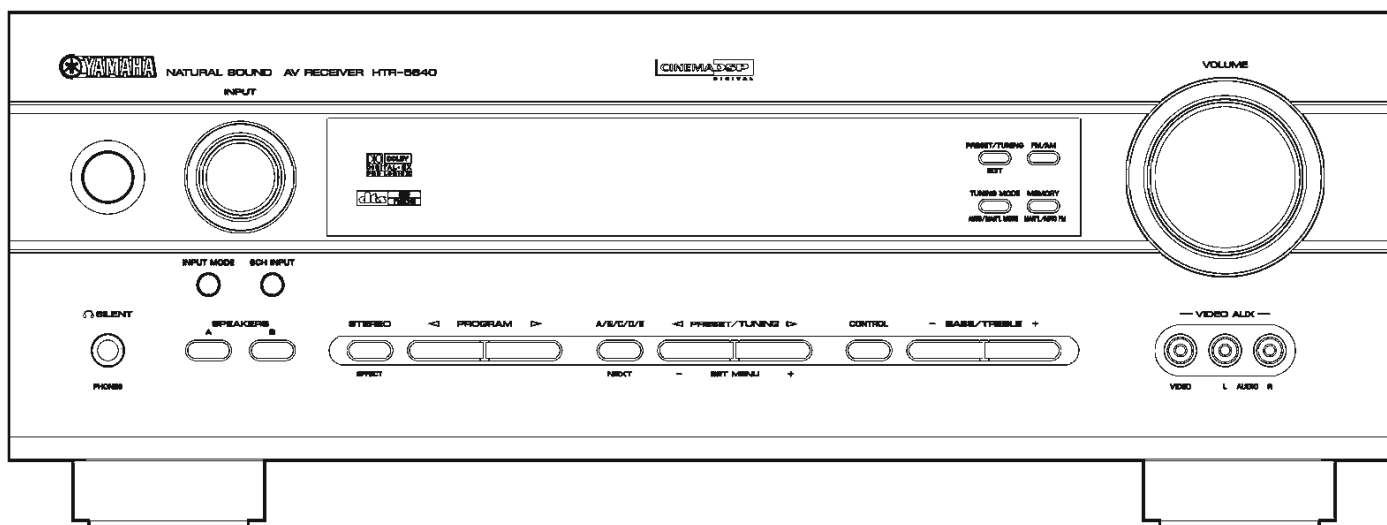
RX-V440 (U, C, A, L, R, T, K models)



RX-V440RDS (B, G models)

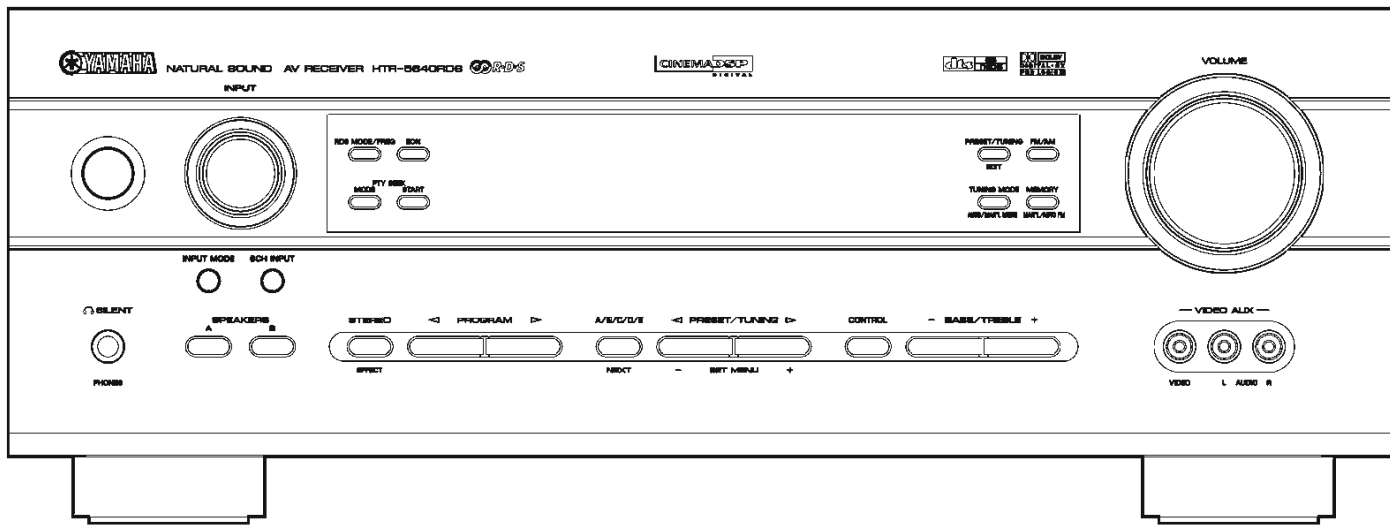


HTR-5640 (U, C, A, T, K models)

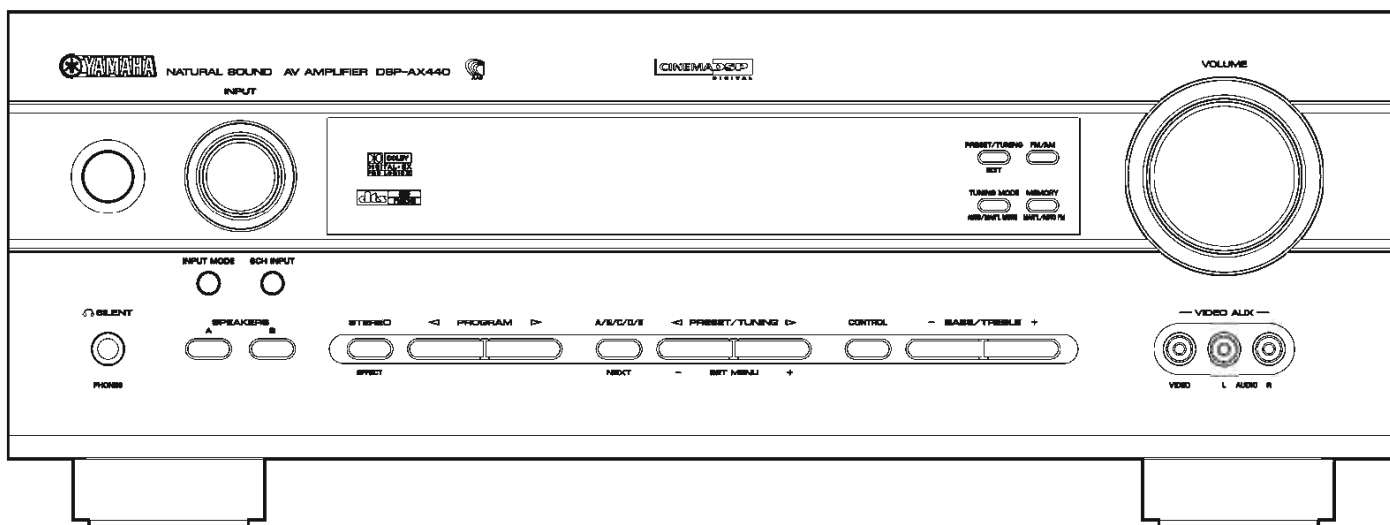


RX-V540/RX-V540RDS/HTR-5650/HTR-5650RDS/DSP-AX540
 RX-V440/RX-V440RDS/HTR-5640/HTR-5640RDS/DSP-AX440

HTR-5640RDS (B, G models)

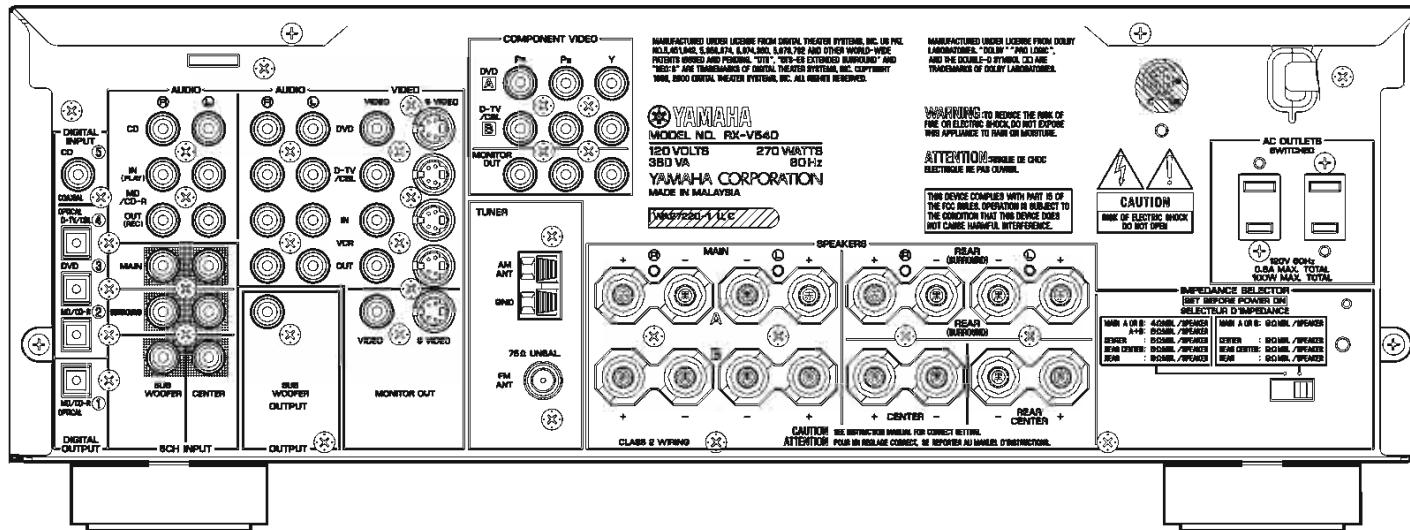


DSP-AX440 (J model)

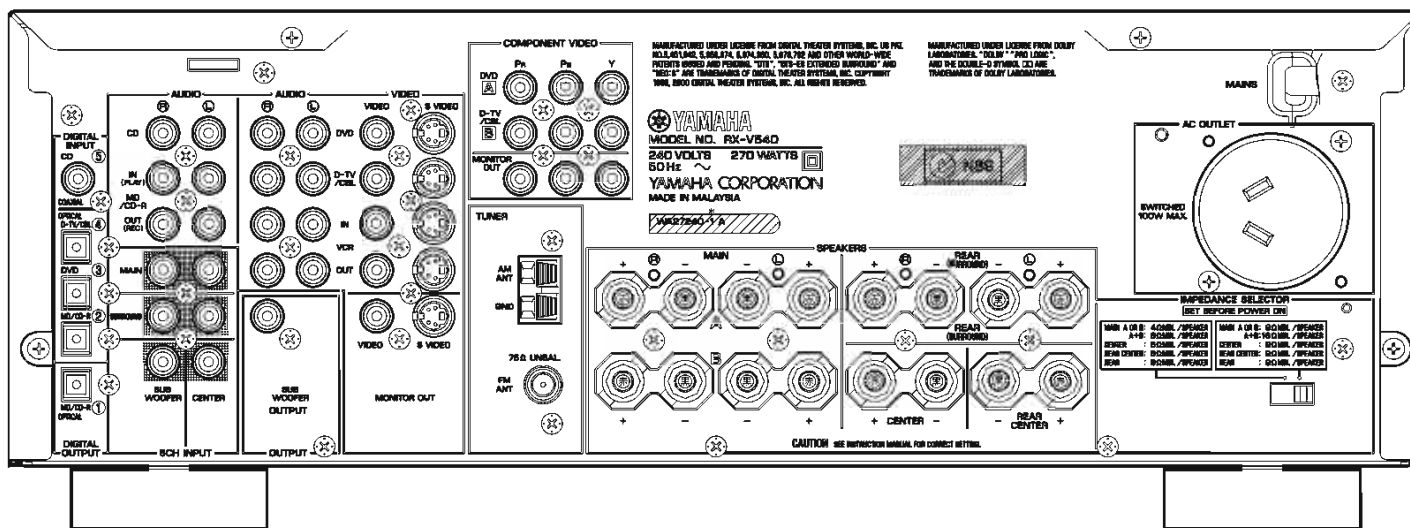


REAR PANELS

RX-V540 (U, C models)



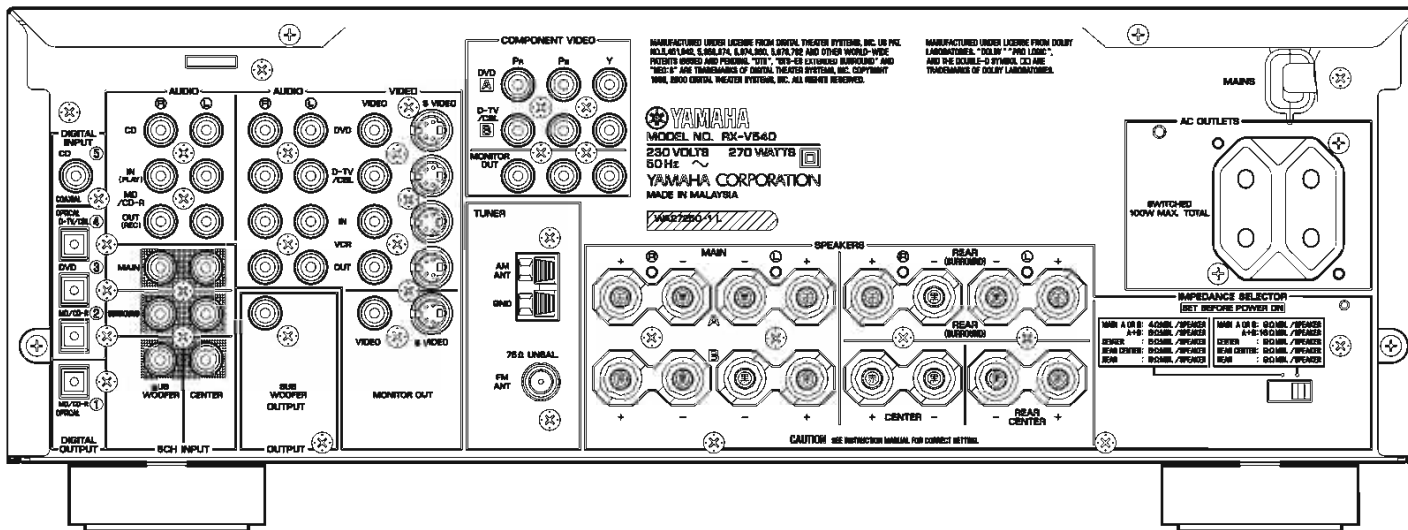
RX-V540 (A model)



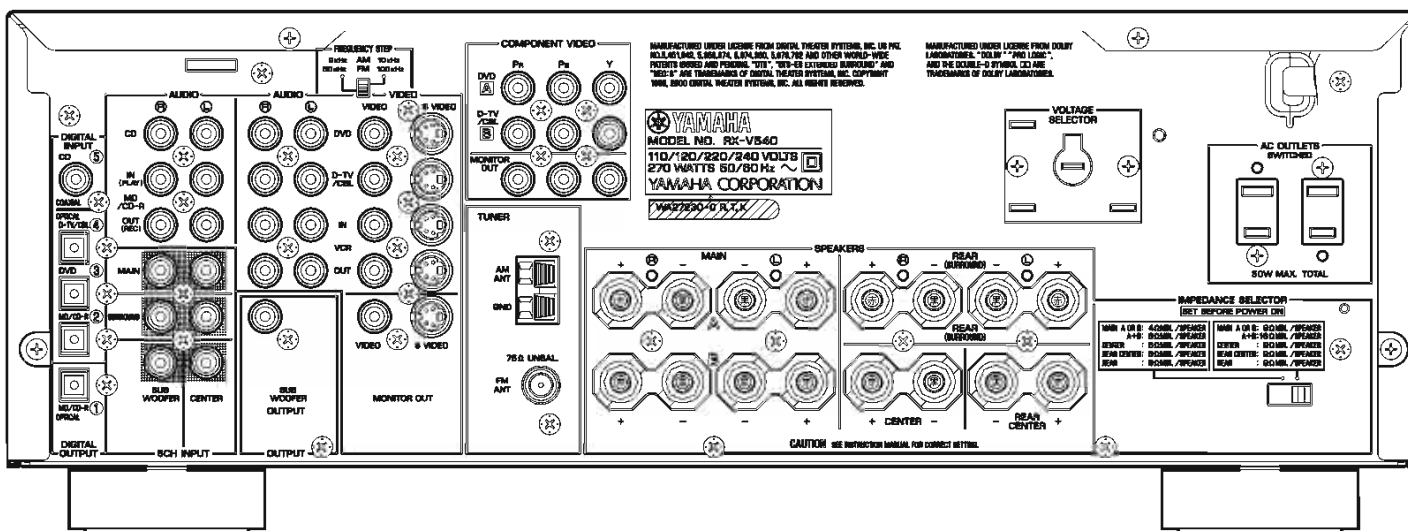
RX-V540/RX-V540RDS/HTR-5650/HTR-5650RDS/DSP-AX540
 RX-V440/RX-V440RDS/HTR-5640/HTR-5640RDS/DSP-AX440

RX-V540/RX-V540RDS/HTR-5650/HTR-5650RDS/DSP-AX540
 RX-V440/RX-V440RDS/HTR-5640/HTR-5640RDS/DSP-AX440

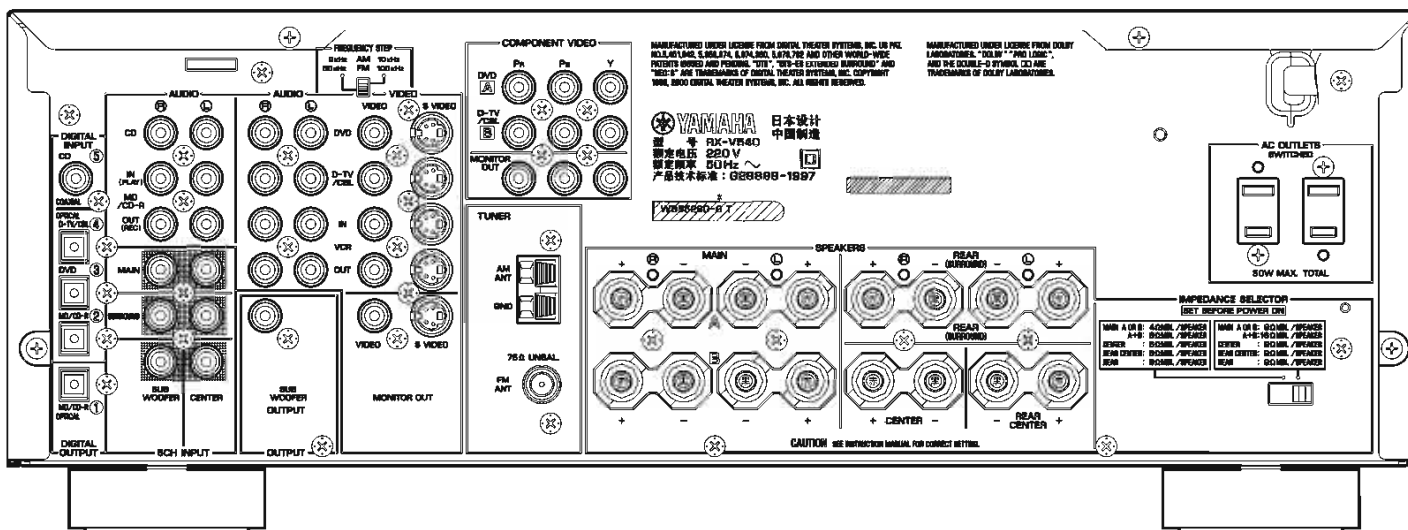
RX-V540 (L model)



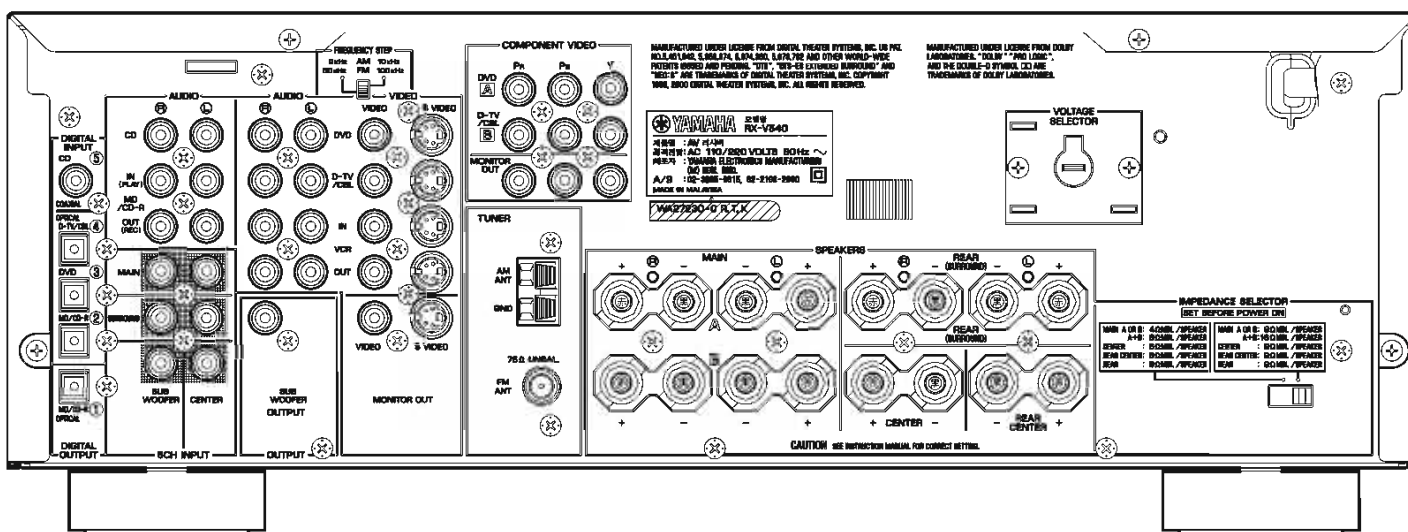
RX-V540 (R model)



RX-V540 (T model)

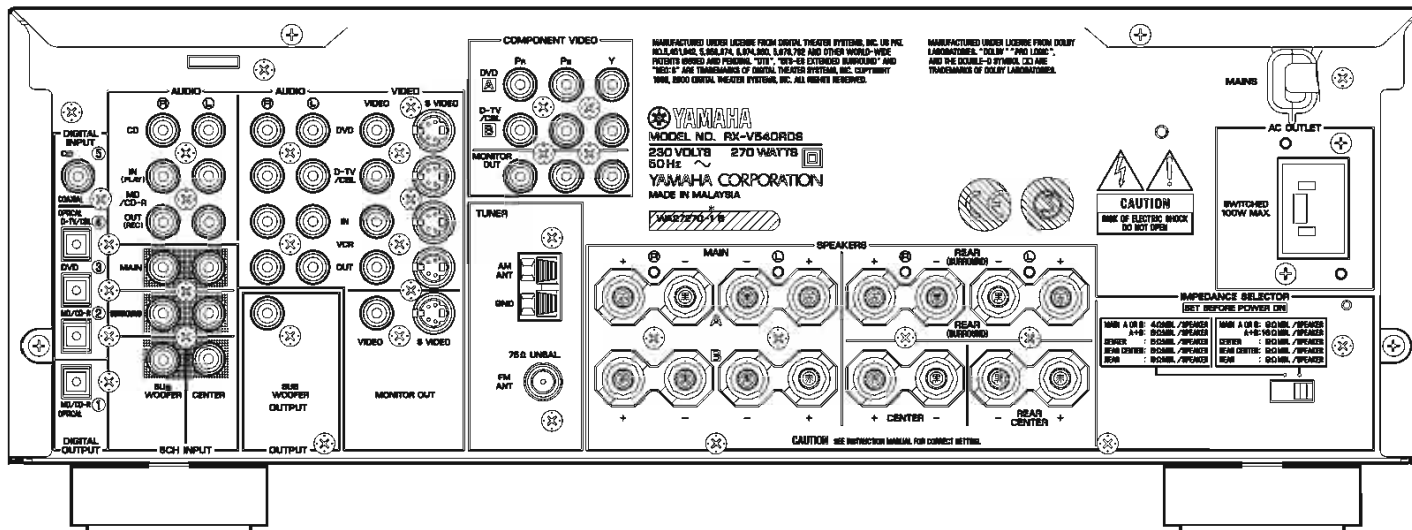


RX-V540 (K model)

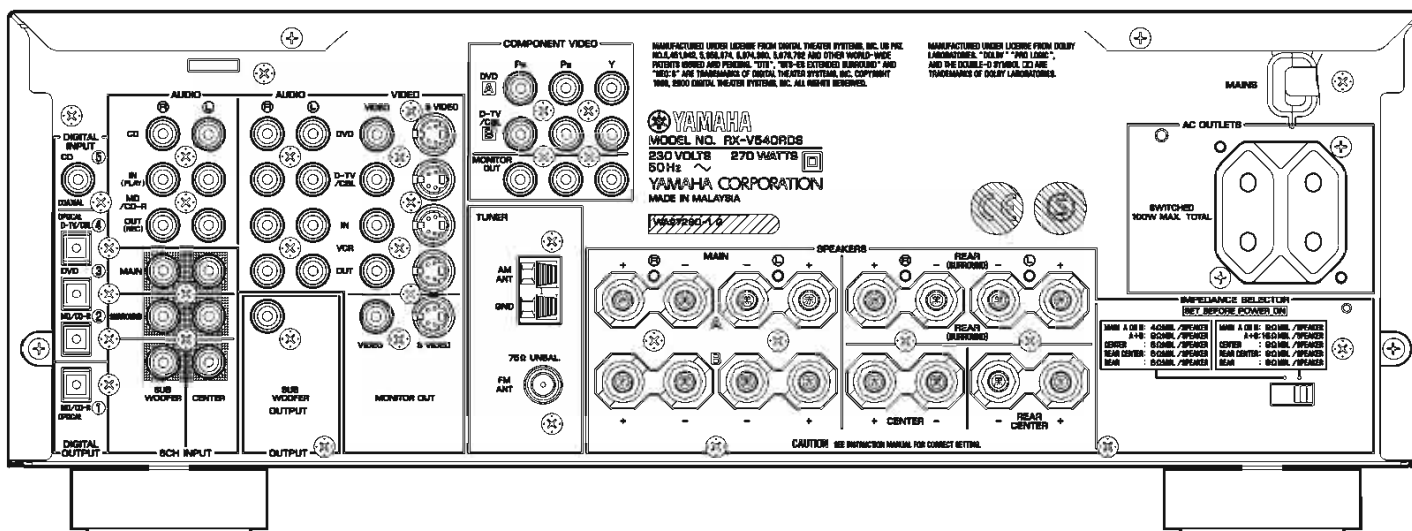


RX-V540/RX-V540RDS/HTR-5650/HTR-5650RDS/DSP-AX540
 RX-V440/RX-V440RDS/HTR-5640/HTR-5640RDS/DSP-AX440

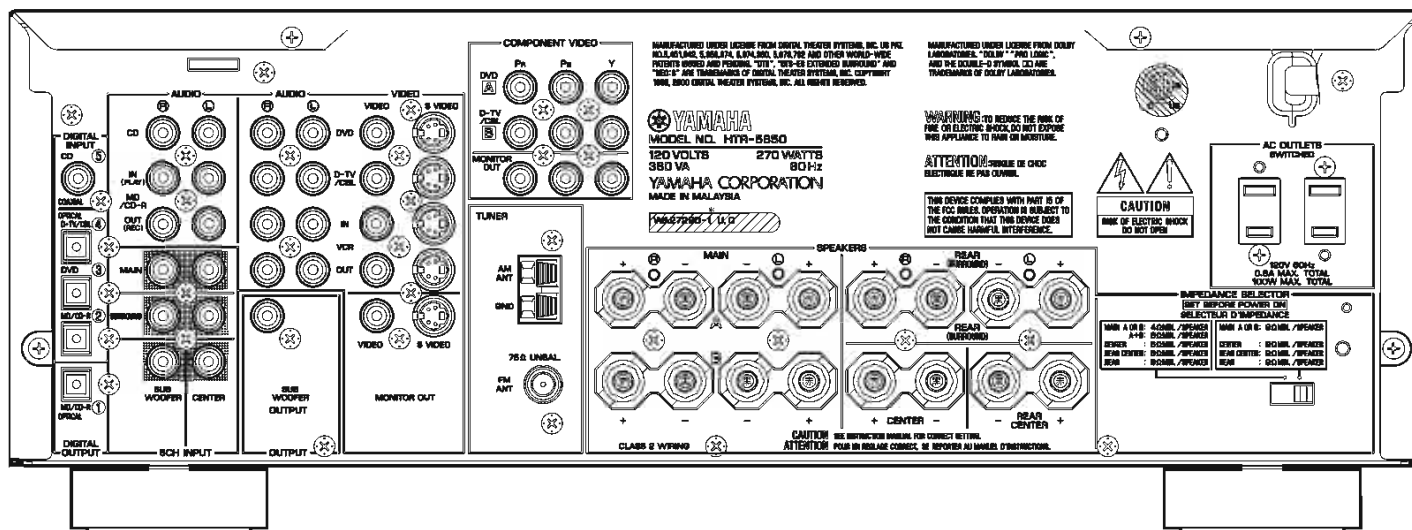
RX-V540RDS (B model)



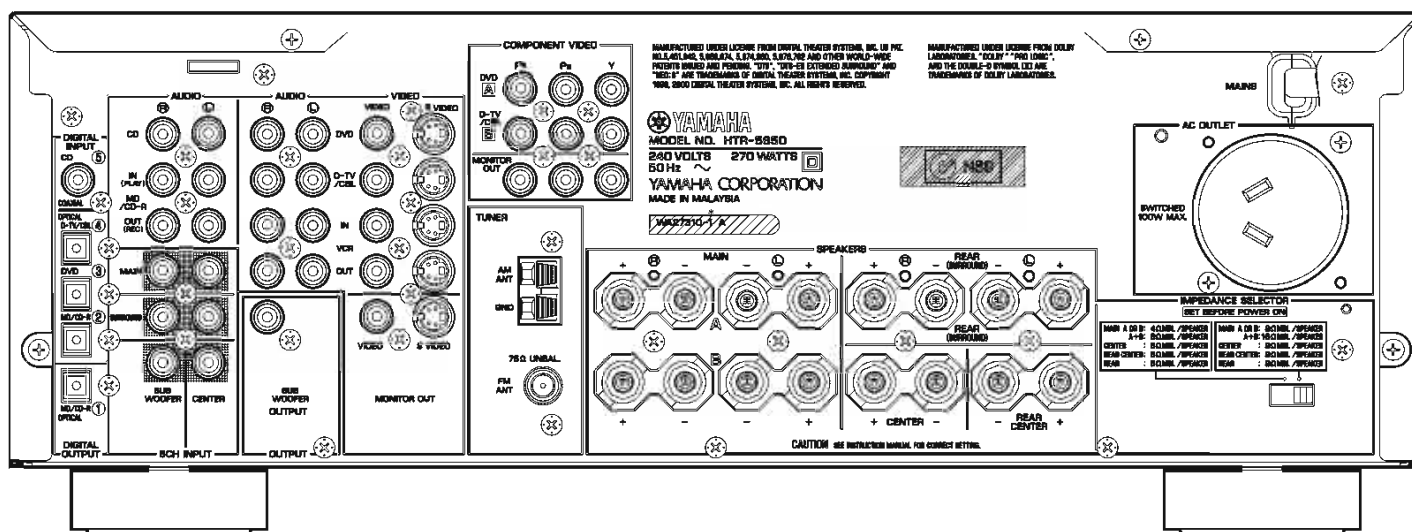
RX-V540RDS (G model)



HTR-5650 (U, C models)



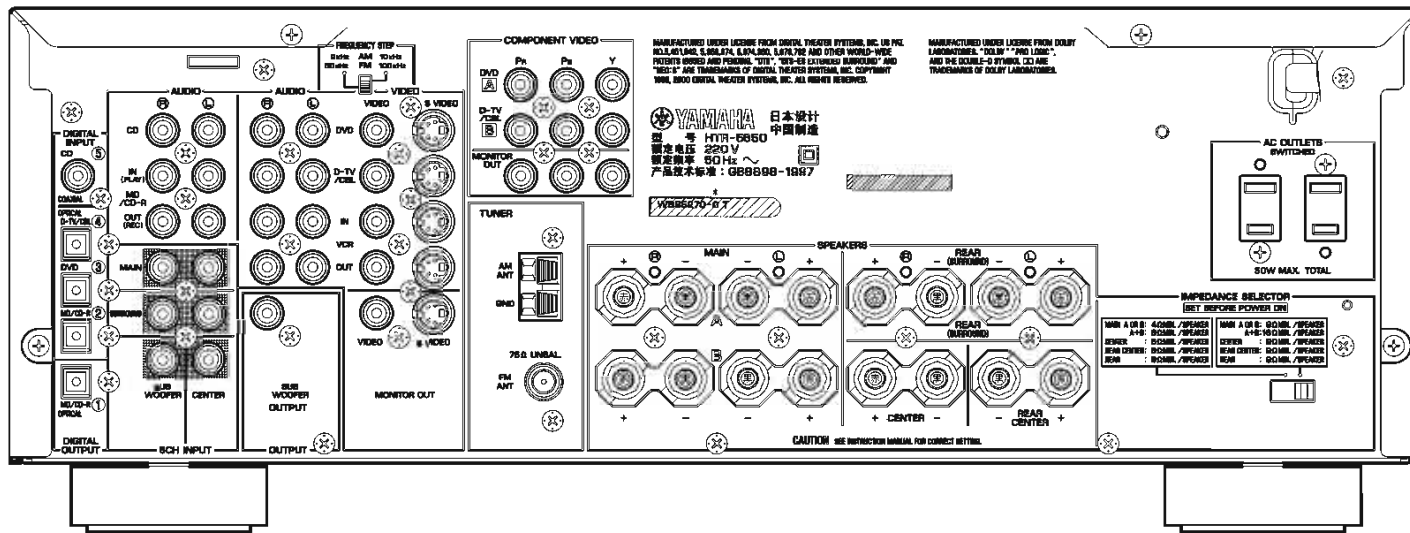
HTR-5650 (A model)



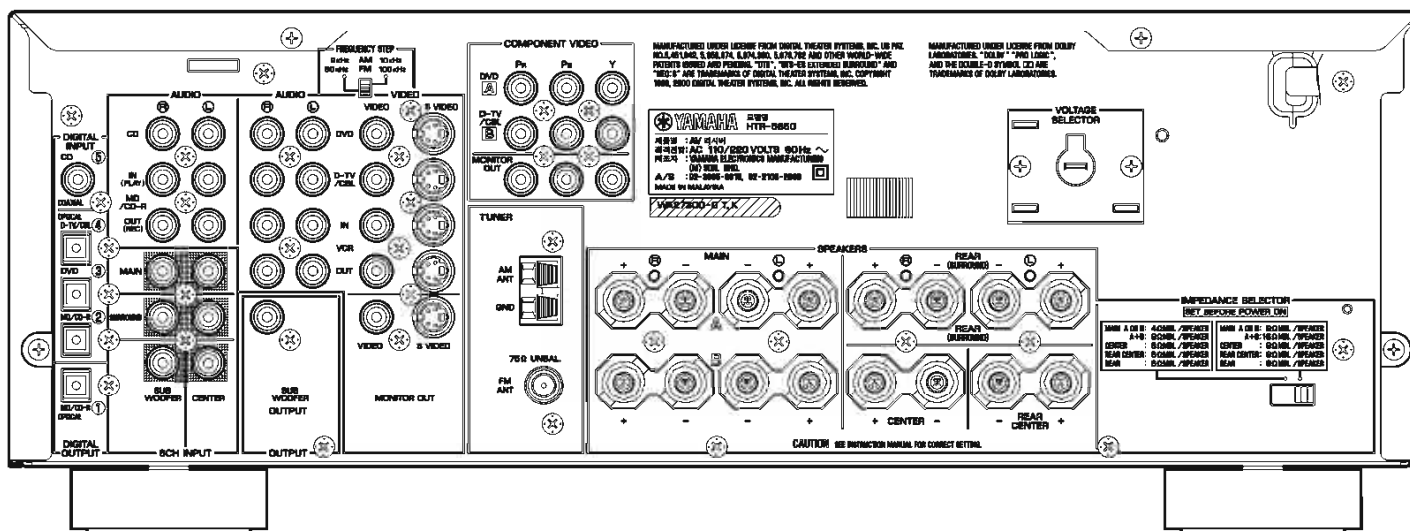
RX-V540/RX-V540RDS/HTR-5650/HTR-5650RDS/DSP-AX540
 RX-V440/RX-V440RDS/HTR-5640/HTR-5640RDS/DSP-AX440

RX-V540/RX-V540RDS/HTR-5650/HTR-5650RDS/DSP-AX540
 RX-V440/RX-V440RDS/HTR-5640/HTR-5640RDS/DSP-AX440

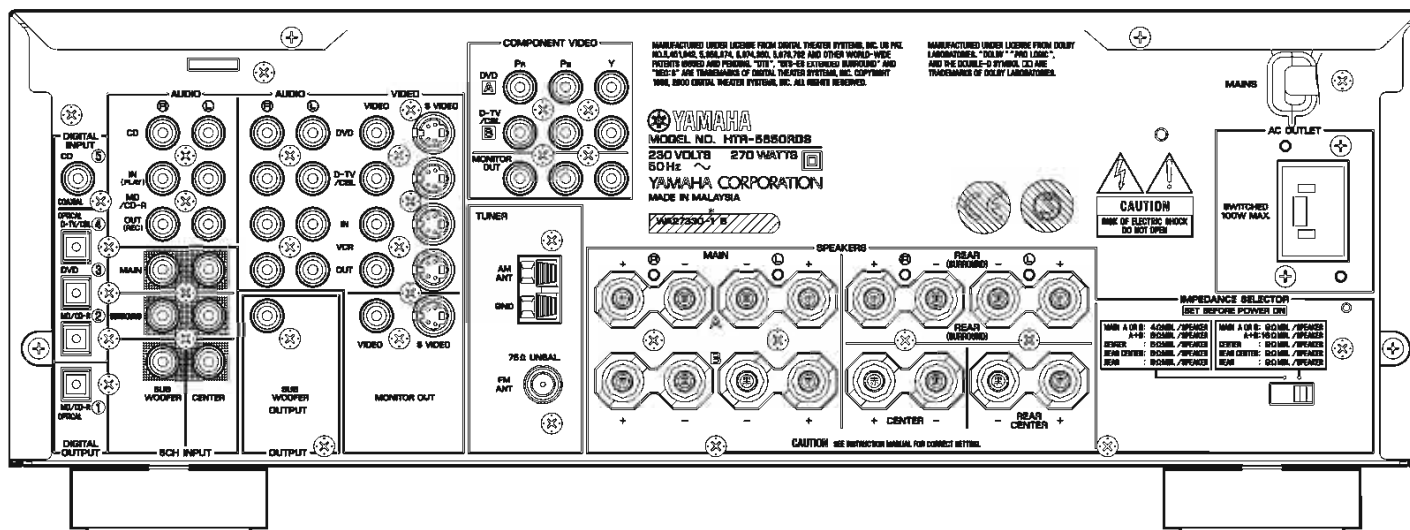
HTR-5650 (T model)



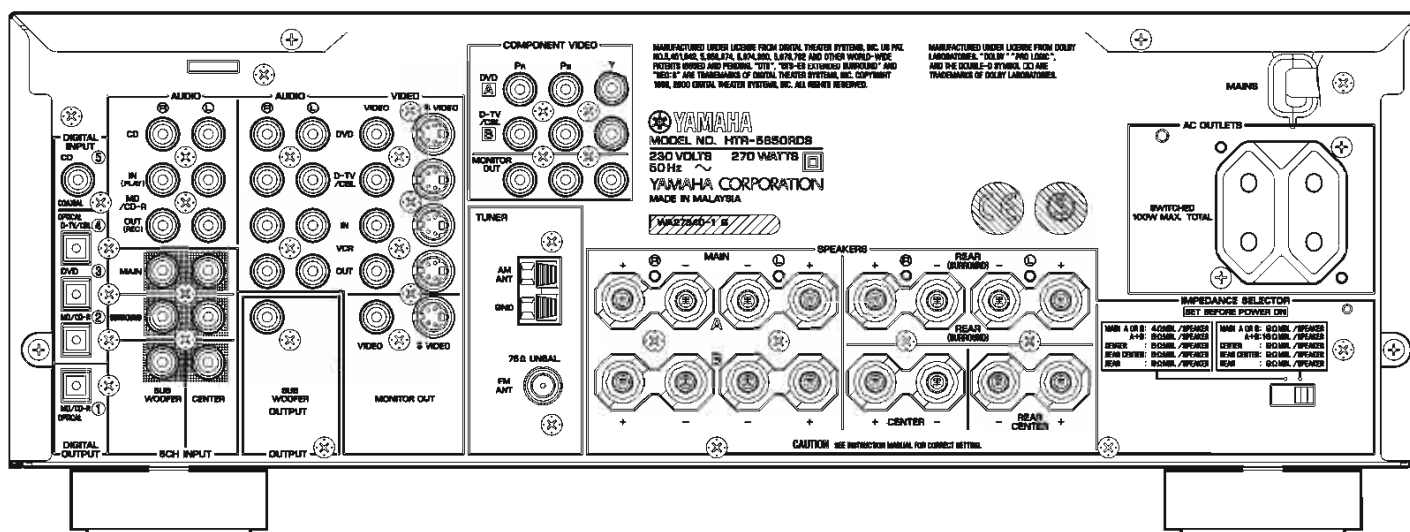
HTR-5650 (K model)



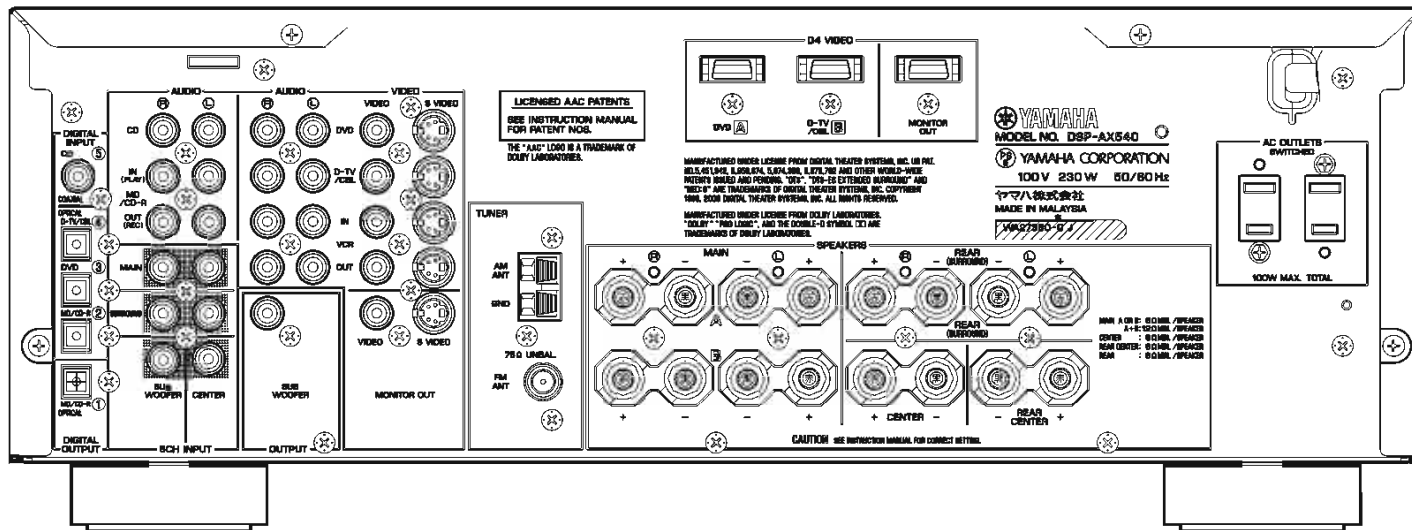
HTR-5650RDS (B model)



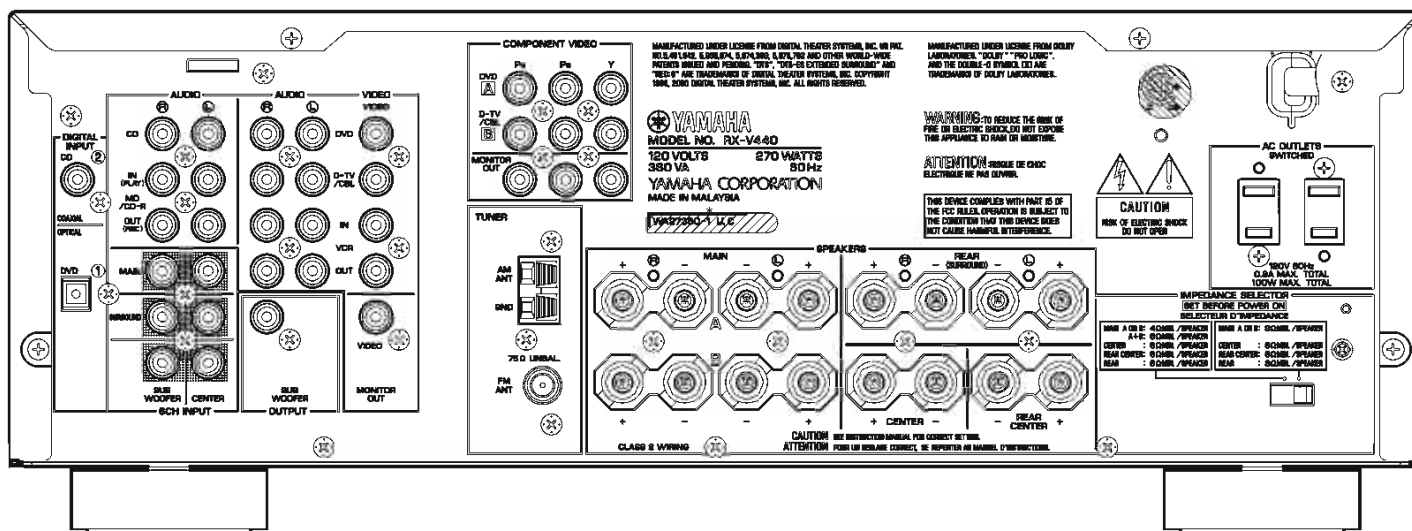
HTR-5650RDS (G model)



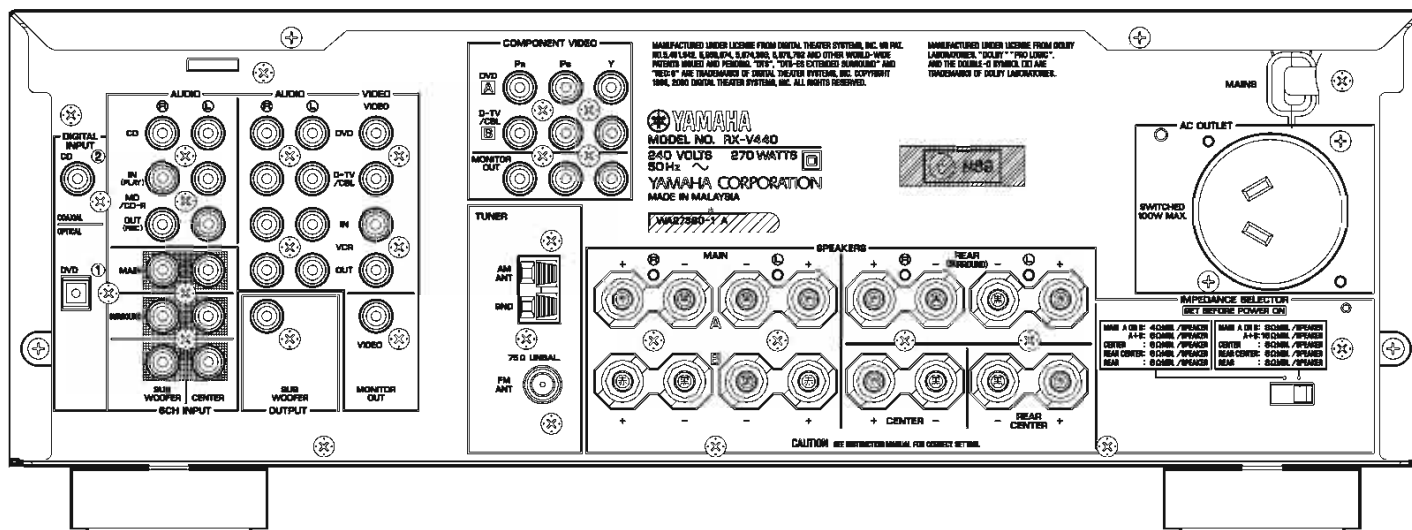
DSP-AX540 (J model)



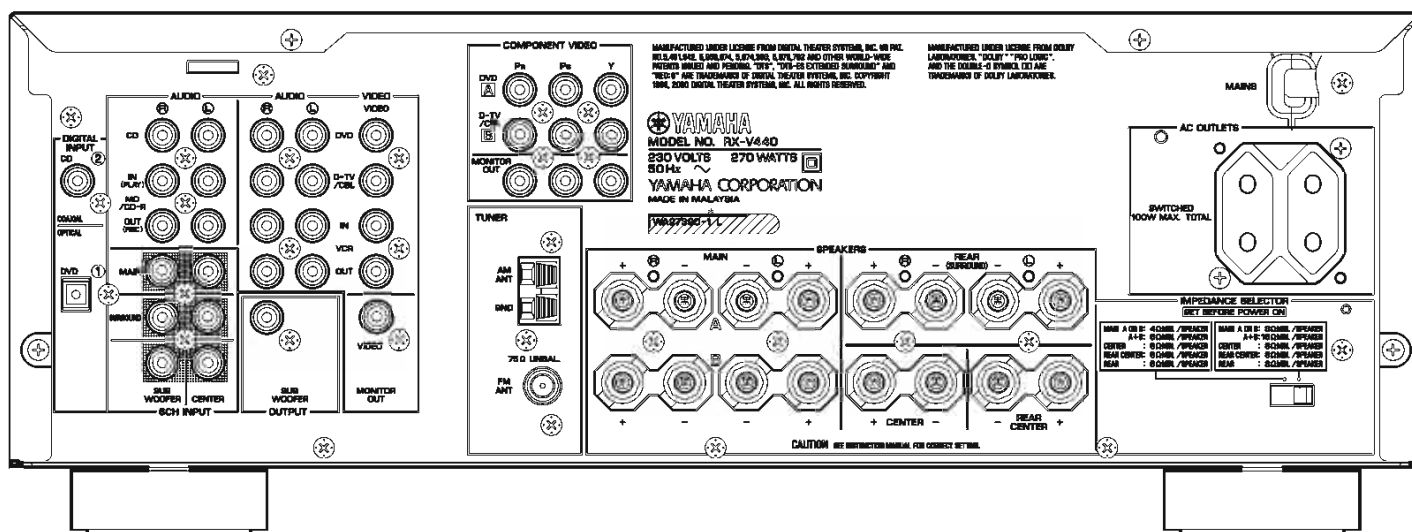
RX-V440 (U, C models)



RX-V440 (A model)



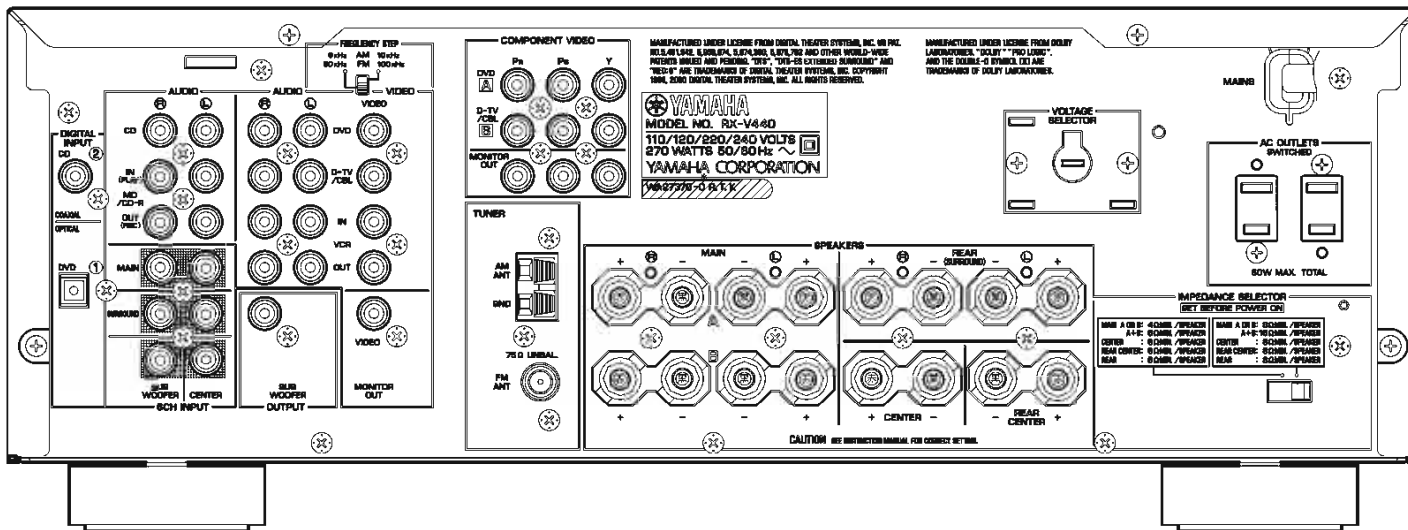
RX-V440 (L model)



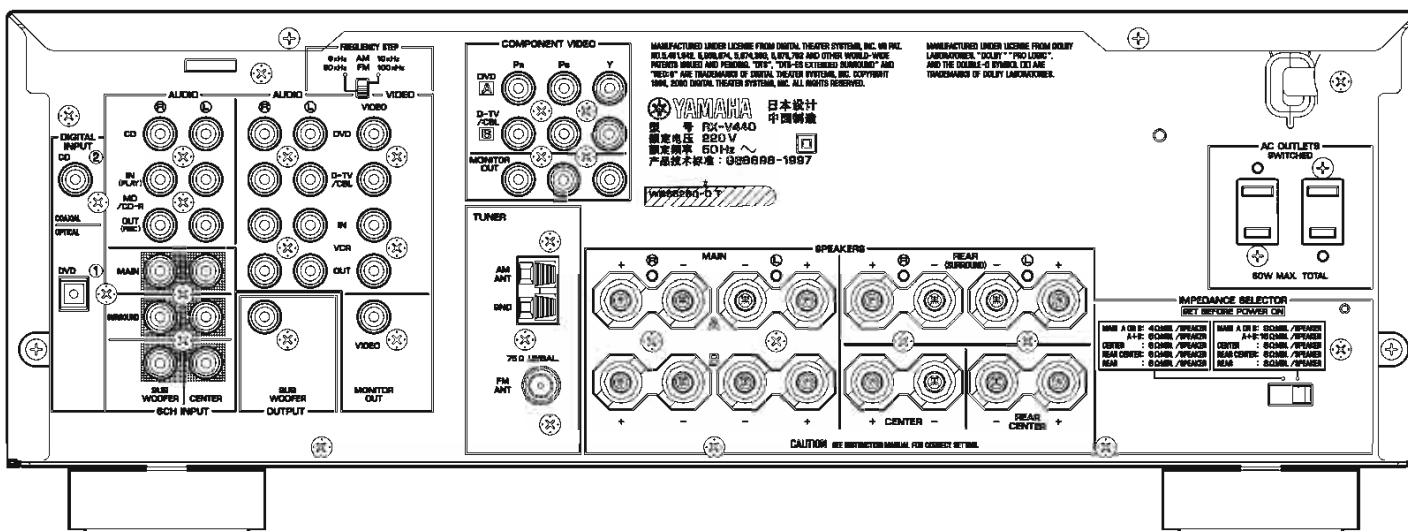
RX-V540/RX-V540RDS/HTR-5650/HTR-5650RDS/DSP-AX540
 RX-V440/RX-V440RDS/HTR-5640/HTR-5640RDS/DSP-AX440

RX-V540/RX-V540RDS/HTR-5650/HTR-5650RDS/DSP-AX540
 RX-V440/RX-V440RDS/HTR-5640/HTR-5640RDS/DSP-AX440

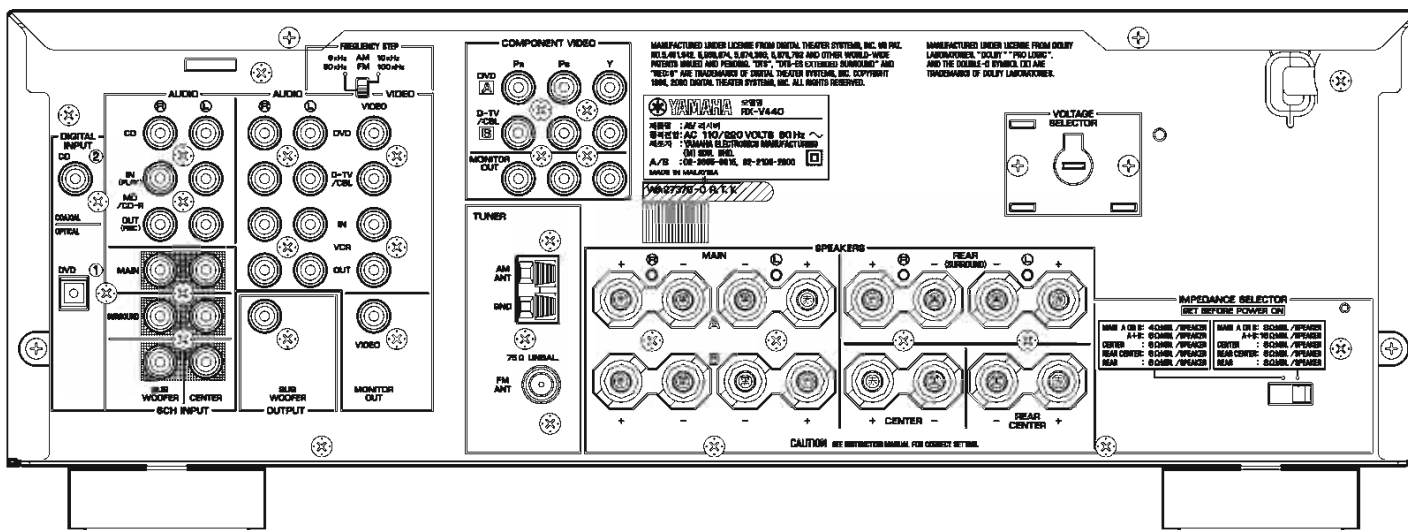
RX-V440 (R model)



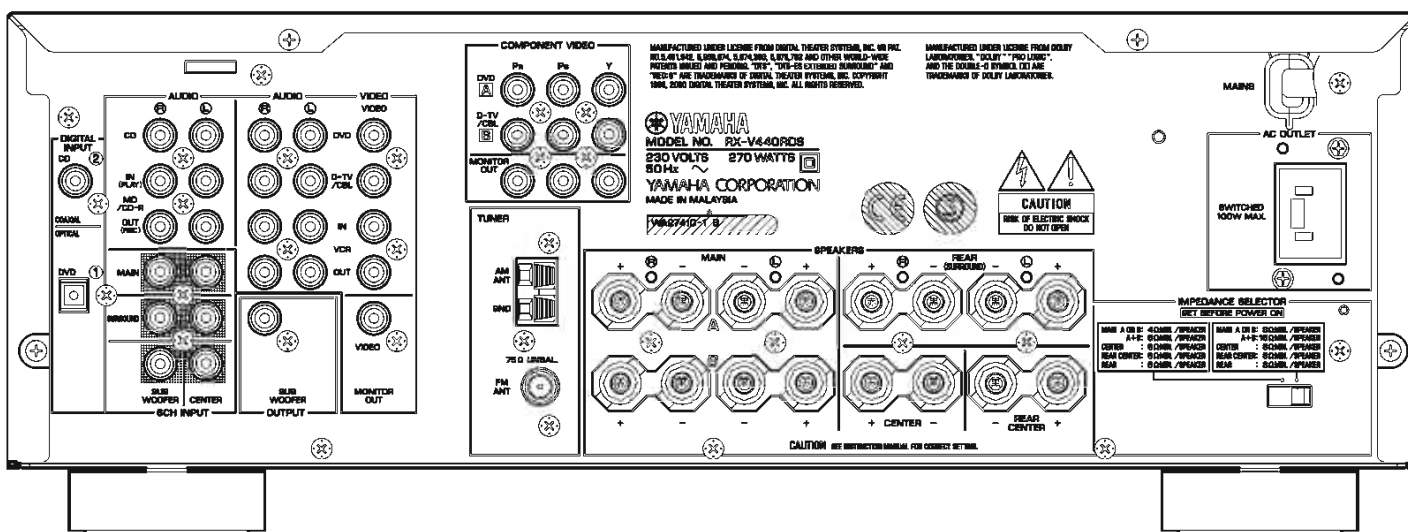
RX-V440 (T model)



RX-V440 (K model)

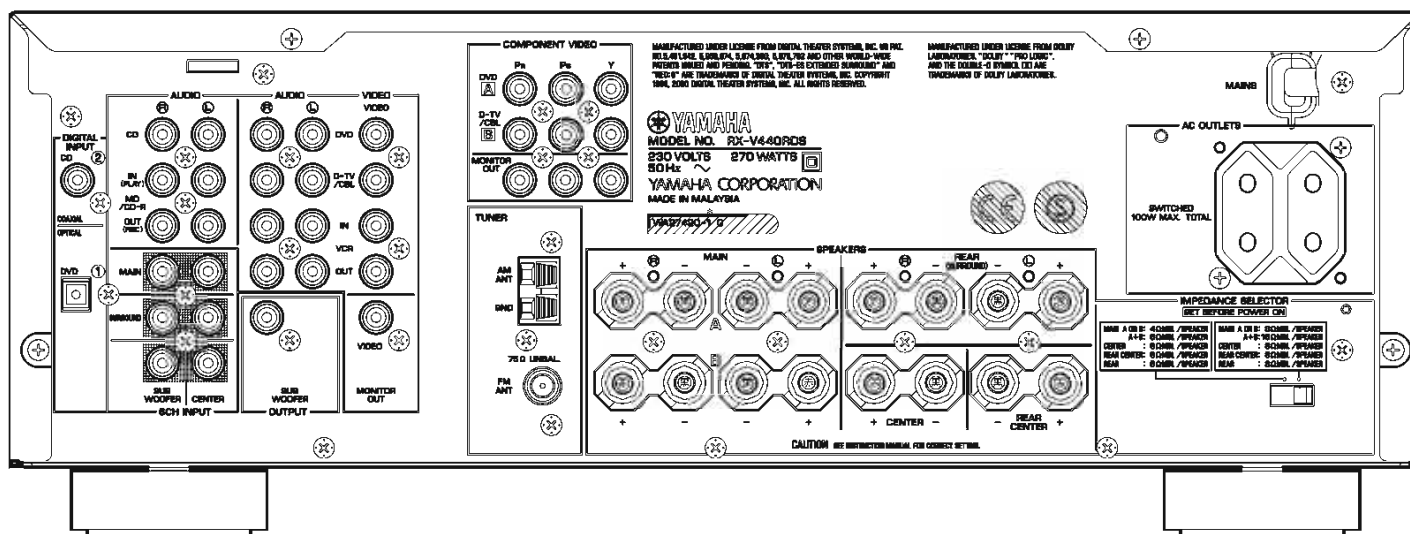


RX-V440RDS (B model)

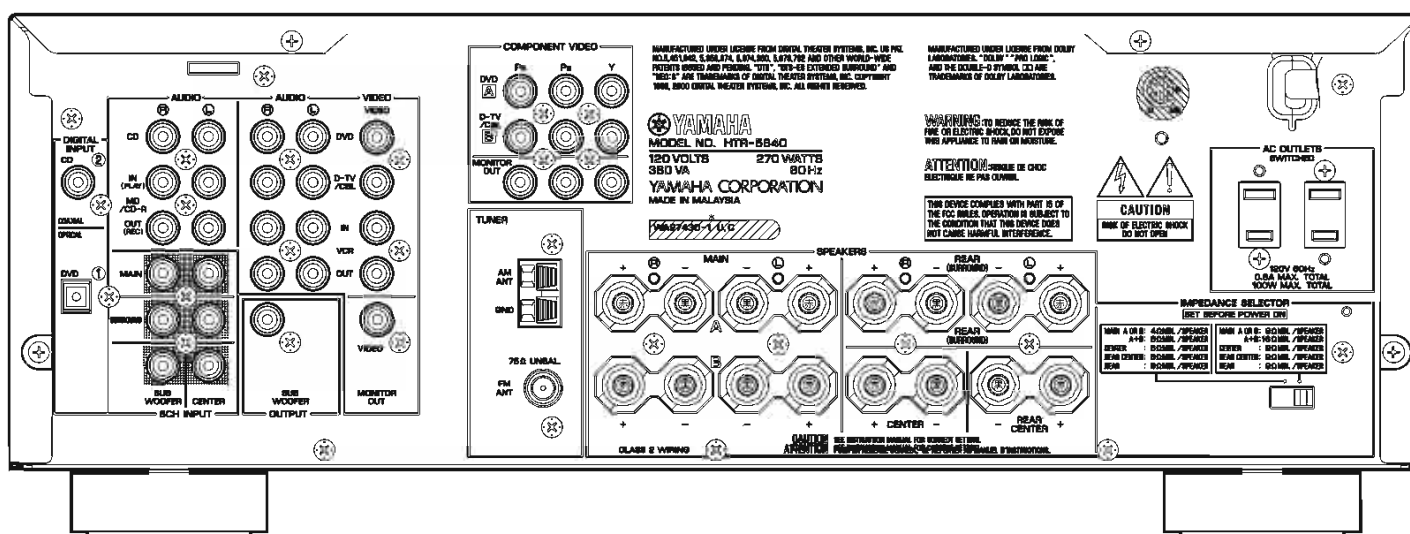


RX-V540/RX-V540RDS/HTR-5650/HTR-5650RDS/DSP-AX540
 RX-V440/RX-V440RDS/HTR-5640/HTR-5640RDS/DSP-AX440

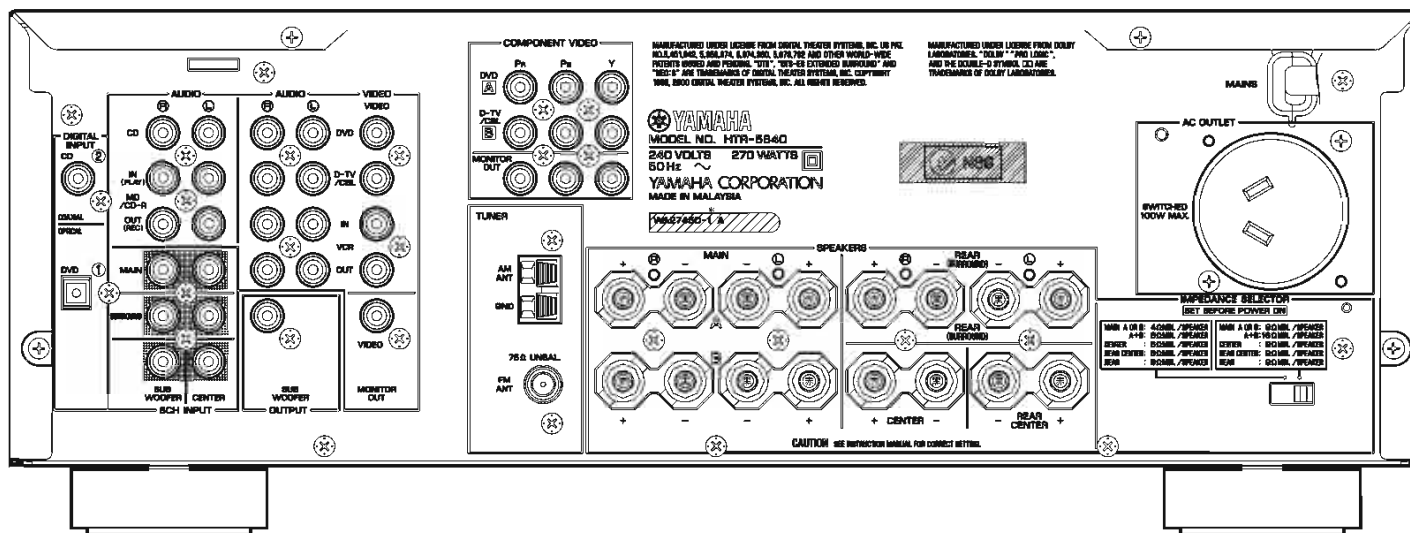
RX-V440RDS (G model)



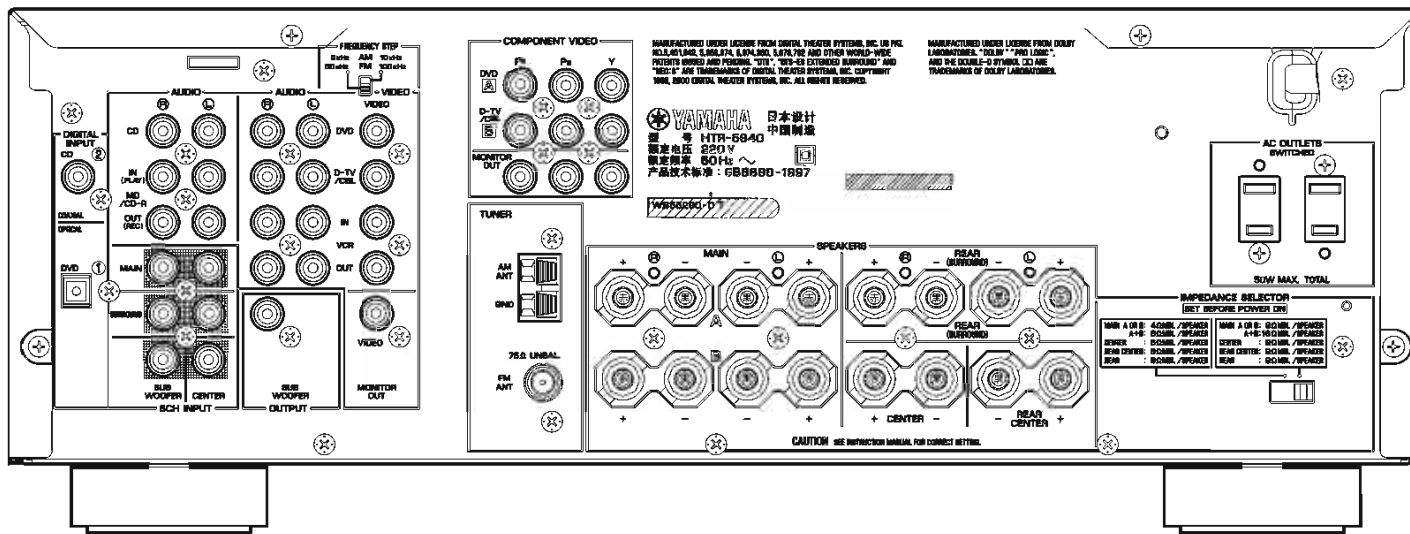
HTR-5640 (U, C models)



HTR-5640 (A model)



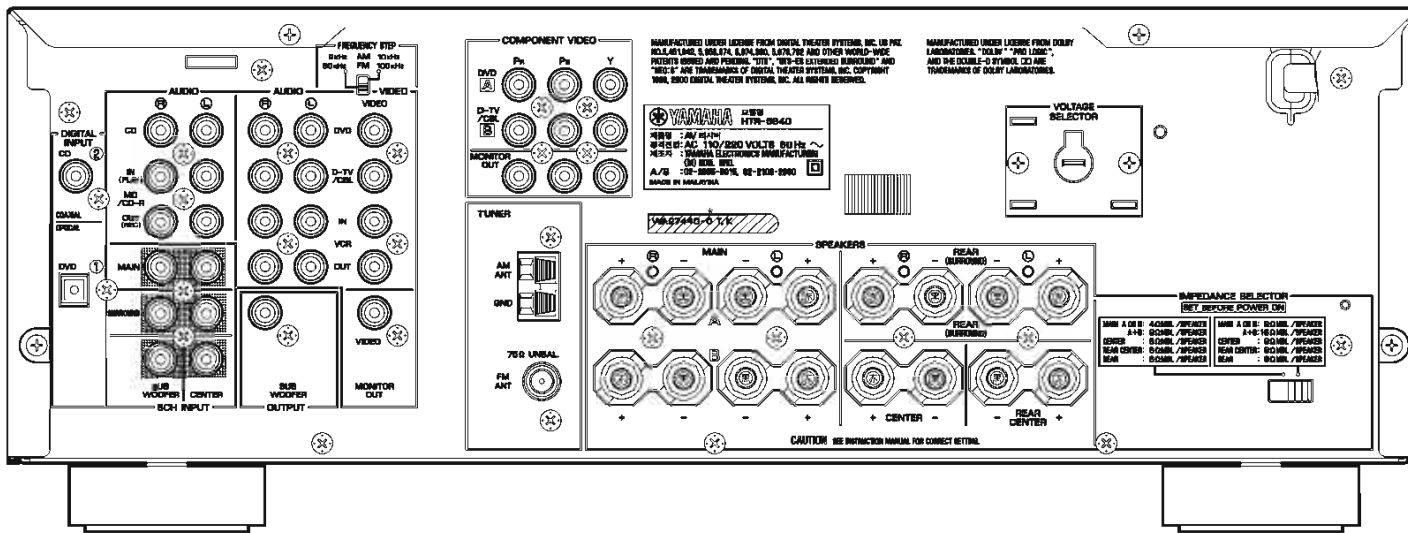
HTR-5640 (T model)



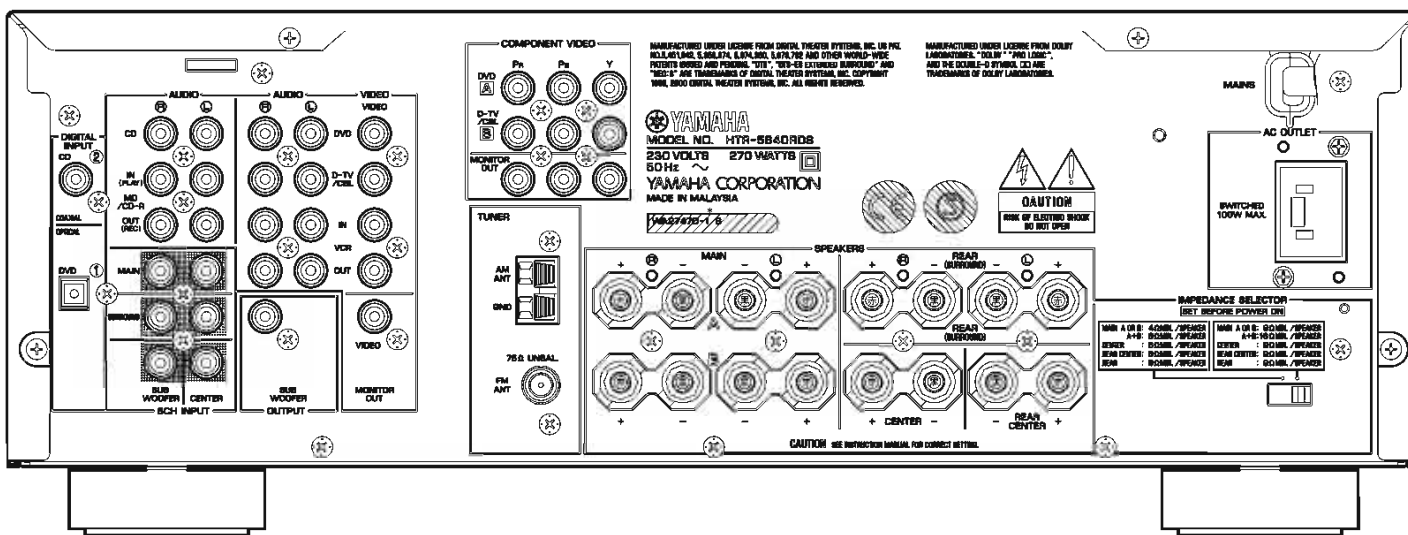
RX-V540/RX-V540RDS/HTR-5650/HTR-5650RDS/DSP-AX540
 RX-V440/RX-V440RDS/HTR-5640/HTR-5640RDS/DSP-AX440

RX-V540/RX-V540RDS/HTR-5650/HTR-5650RDS/DSP-AX540
 RX-V440/RX-V440RDS/HTR-5640/HTR-5640RDS/DSP-AX440

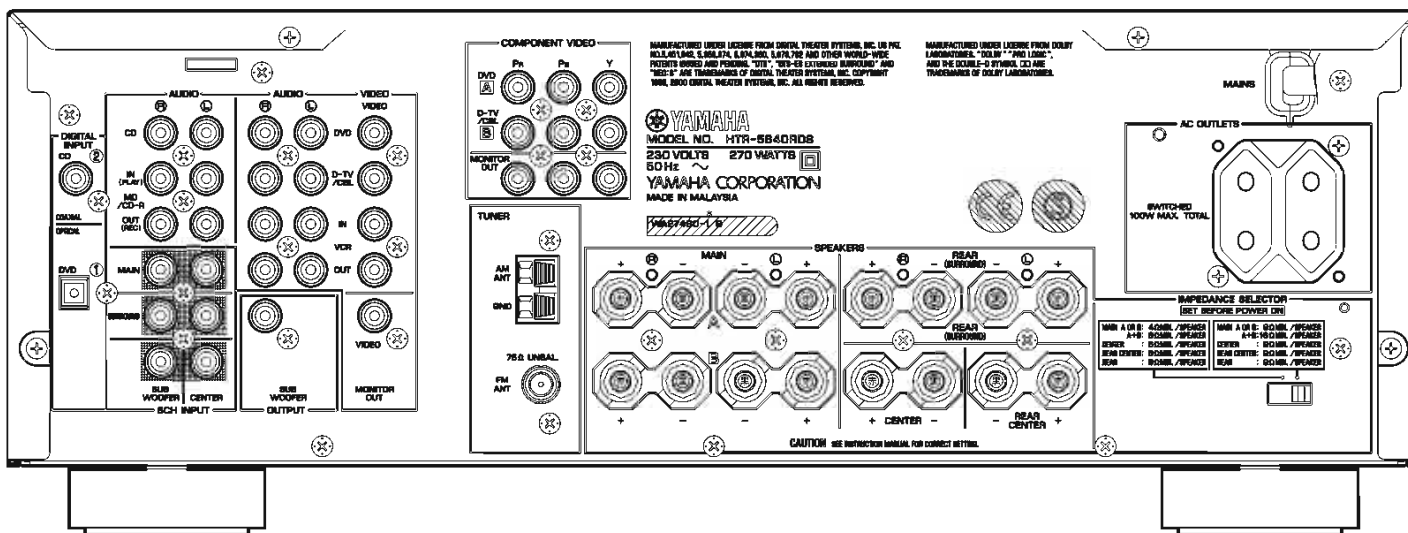
HTR-5640 (K model)



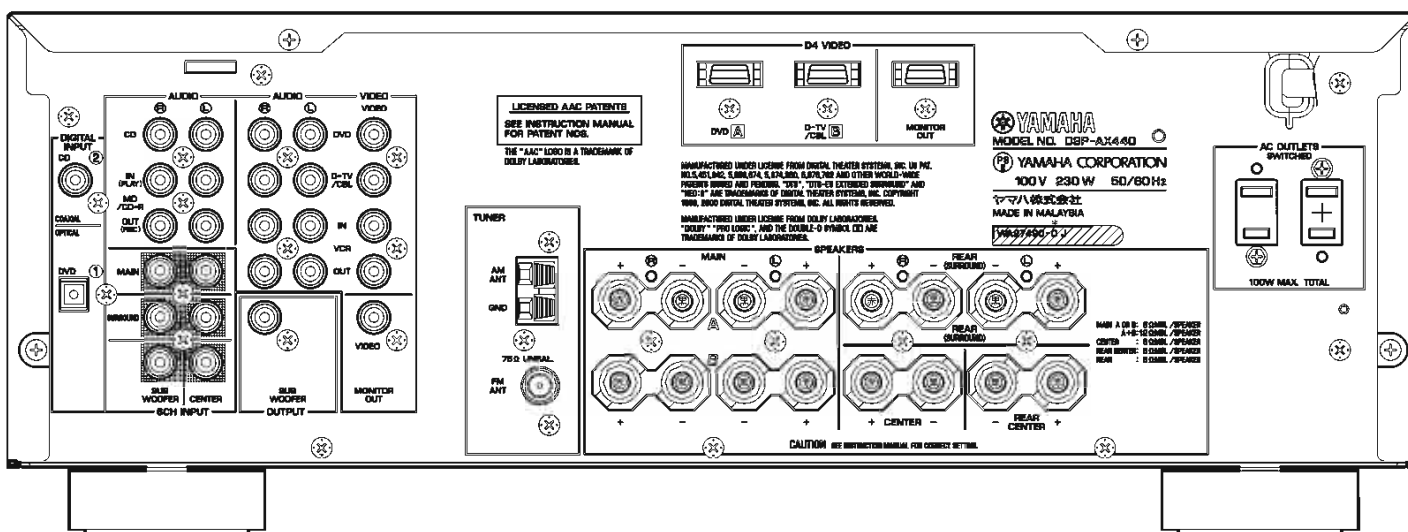
HTR-5640RDS (B model)



HTR-5640RDS (G model)



DSP-AX440 (J model)

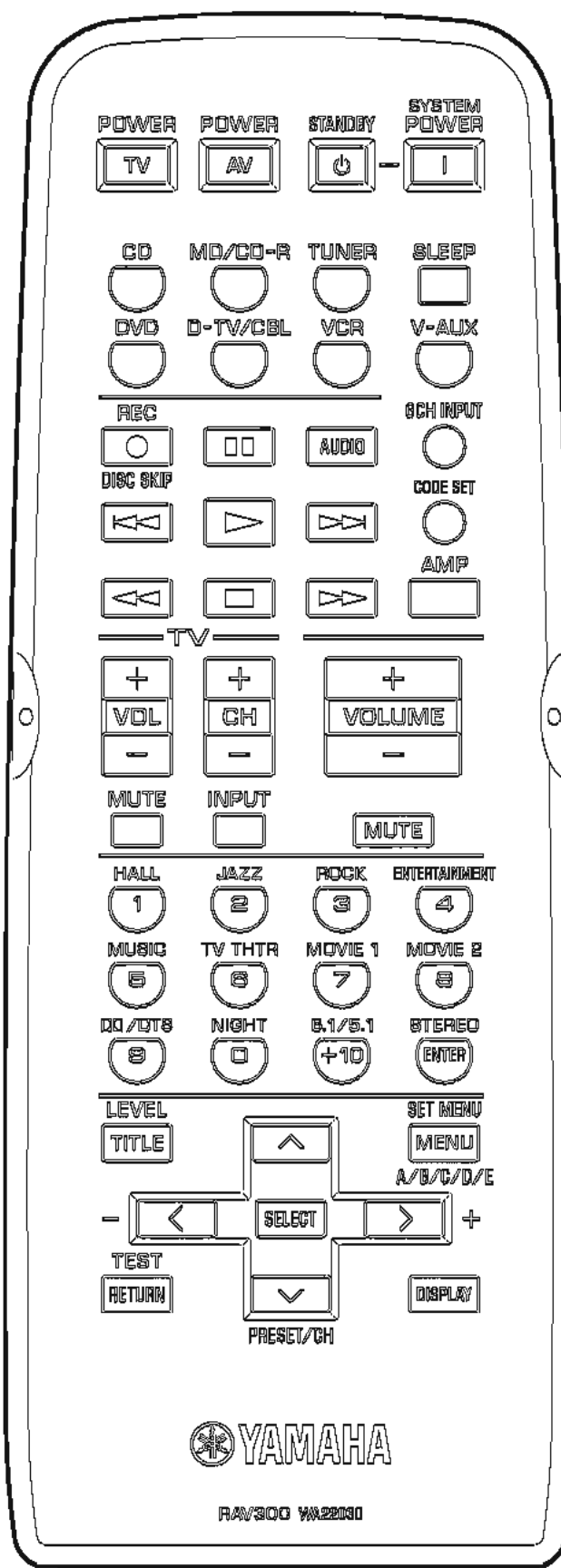
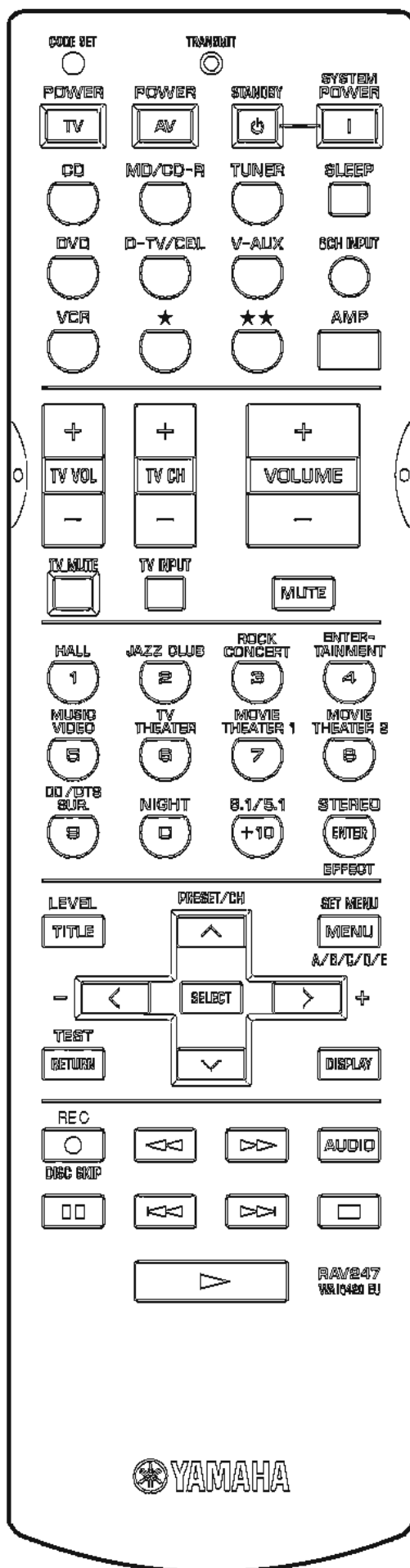
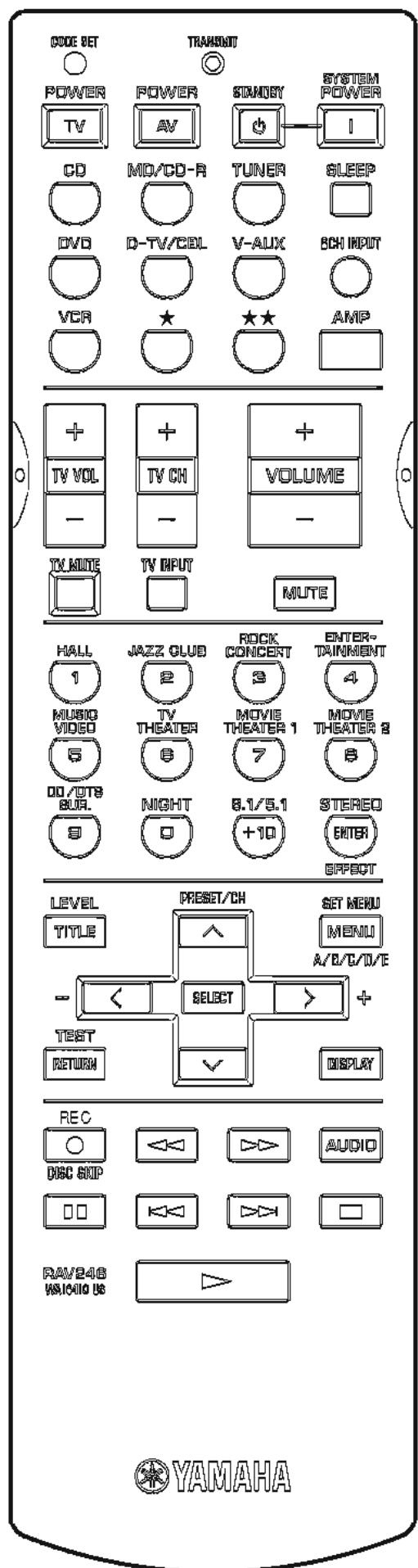


REMOTE CONTROL PANELS

RX-V540 (U, C, A, L, R, T, K models)
 HTR-5650 (U, C, A, T, K models)
 DSP-AX540 (J model)
 RX-V440 (U, C, A, L, R, T, K models)
 HTR-5640 (U, C, A, T, K models)
 DSP-AX440 (J model)

RX-V540RDS (B, G models)
 HTR-5650RDS (B, G models)

RX-V440RDS (B, G models)
 HTR-5640RDS (B, G models)



RX-V540/RX-V540RDS/HTR-5650/HTR-5650RDS/DSP-AX540
 RX-V440/RX-V440RDS/HTR-5640/HTR-5640RDS/DSP-AX440

■ SPECIFICATIONS / 参考仕様

■ Audio Section / オーディオ部

Minimum RMS Output Power (Power Amp. Section) / 定格出力 (パワーアンプ部)

[RX-V540/RX-V540RDS/HTR-5650/HTR-5650RDS/DSP-AX540]
 (20 Hz to 20 kHz)

MAIN L/R
 U, C models (0.06% THD, 8 ohms) (FTC) 80W + 80W
 A, B, G, L, R, T, K models (0.06% THD, 8 ohms) ... 70W + 70W
 J model (0.09% THD, 6 ohms) 80W + 80W

CENTER, REAR CENTER
 U, C models (0.06% THD, 8 ohms) (FTC) 80W + 80W
 A, B, G, L, R, T, K models (0.06% THD, 8 ohms) ... 70W + 70W
 J model (0.09% THD, 6 ohms) 80W + 80W

REAR L/R
 U, C models (0.06% THD, 8 ohms) (FTC) 80W + 80W
 A, B, G, L, R, T, K models (0.06% THD, 8 ohms) ... 70W + 70W
 J model (0.09% THD, 6 ohms) 80W + 80W

(1 kHz)
 MAIN L/R
 U, C models (0.7% THD, 8 ohms) (FTC) 95W + 95W
 R, T, K models (0.7% THD, 8 ohms) 85W + 85W

CENTER, REAR CENTER
 U, C models (0.7% THD, 8 ohms) (FTC) 95W + 95W
 R, T, K models (0.7% THD, 8 ohms) 85W + 85W

REAR L/R
 U, C models (0.7% THD, 8 ohms) (FTC) 95W + 95W
 R, T, K models (0.7% THD, 8 ohms) 85W + 85W

[RX-V440/RX-V440RDS/HTR-5640/HTR-5640RDS/DSP-AX440]
 (20 Hz to 20 kHz)

MAIN L/R
 U, C models (0.06% THD, 8 ohms) (FTC) 75W + 75W
 A, B, G, L, R, T, K models (0.06% THD, 8 ohms) ... 65W + 65W
 J model (0.09% THD, 6 ohms) 75W + 75W

CENTER, REAR CENTER
 U, C models (0.06% THD, 8 ohms) (FTC) 75W + 75W
 A, B, G, L, R, T, K models (0.06% THD, 8 ohms) ... 65W + 65W
 J model (0.09% THD, 6 ohms) 75W + 75W

REAR L/R
 U, C models (0.06% THD, 8 ohms) (FTC) 75W + 75W
 A, B, G, L, R, T, K models (0.06% THD, 8 ohms) ... 65W + 65W
 J model (0.09% THD, 6 ohms) 75W + 75W

(1 kHz)
 MAIN L/R
 U, C models (0.7% THD, 8 ohms) (FTC) 90W + 90W
 T, K, A, B, G models (0.7% THD, 8 ohms) 80W + 80W

CENTER, REAR CENTER
 U, C models (0.7% THD, 8 ohms) (FTC) 90W + 90W
 T, K, A, B, G models (0.7% THD, 8 ohms) 80W + 80W

REAR L/R
 U, C models (0.7% THD, 8 ohms) (FTC) 90W + 90W
 T, K, A, B, G models (0.7% THD, 8 ohms) 80W + 80W

Maximum Power / 実用最大出力 (EIAJ, 1kHz, 10% THD)

[RX-V540/RX-V540RDS/HTR-5650/HTR-5650RDS/DSP-AX540]

MAIN L/R
 R, T, K models (8 ohms) 100W + 100W
 J model (6 ohms) 110W + 110W

CENTER, REAR CENTER
 R, T, K models (8 ohms) 100W + 100W
 J model (6 ohms) 110W + 110W

REAR L/R
 R, T, K models (8 ohms) 100W + 100W
 J model (6 ohms) 110W + 110W

[RX-V440/RX-V440RDS/HTR-5640/HTR-5640RDS/DSP-AX440]

MAIN L/R
 R, T, K models (8 ohms) 95W + 95W
 J model (6 ohms) 100W + 100W

CENTER, REAR CENTER
 R, T, K models (8 ohms) 95W + 95W
 J model (6 ohms) 100W + 100W

REAR L/R
 R, T, K models (8 ohms) 95W + 95W
 J model (6 ohms) 100W + 100W

DIN Standard Output Power Per Channel / DINパワー [B, G, L models]

[RX-V540/RX-V540RDS/HTR-5650/HTR-5650RDS/DSP-AX540]
 (1 kHz, 0.7% THD, 4 ohms)

MAIN L/R 115W + 115W
 CENTER, REAR CENTER 115W + 115W
 REAR L/R 115W + 115W

[RX-V440/RX-V440RDS/HTR-5640/HTR-5640RDS/DSP-AX440]
 (1 kHz, 0.7% THD, 4 ohms)

MAIN L/R 110W + 110W
 CENTER, REAR CENTER 110W + 110W
 REAR L/R 110W + 110W

IEC Power / IECパワー [B, G, L models]

[RX-V540/RX-V540RDS/HTR-5650/HTR-5650RDS/DSP-AX540]
 1 kHz, 0.06% THD, 8 ohms 80W + 80W

[RX-V440/RX-V440RDS/HTR-5640/HTR-5640RDS/DSP-AX440]
 1 kHz, 0.06% THD, 8 ohms 75W + 75W

Dynamic Power Per Channel / ダイナミックパワー (IHF)

[RX-V540/RX-V540RDS/HTR-5650/HTR-5650RDS/DSP-AX540]
 U, C models (8/6/4/2 ohms) 100/125/160/200W
 A, B, G, L, R, T, K models (8/6/4/2 ohms) 90/110/145/180W
 J model (6/4/2 ohms) 110/145/180W

[RX-V440/RX-V440RDS/HTR-5640/HTR-5640RDS/DSP-AX440]
 U, C models (8/6/4/2 ohms) 95/120/150/190W
 A, B, G, L, R, T, K models (8/6/4/2 ohms) 85/105/140/170W
 J model (6/4/2 ohms) 105/140/170W

Dynamic Headroom / ダイナミックヘッドルーム
 U, C models (8 ohms) 1.0dB

Damping Factor / ダンピングファクタ
 20 Hz to 20 kHz, SPEAKER-A, 8 ohms 100 or more

Input Sensitivity / Input Impedance (入力感度/入力インピーダンス)
 CD, etc. 150 mV / 47 k-ohms

EXT. DECODER
 MAIN L/R, CENTER, SURROUND L/R, SUB WOOFER
 150 mV / 47 k-ohms

Maximum Input Signal Level / 最大許容入力
 (1 kHz, 0.5% THD, Effect On)
 CD, etc. 2.0V

Output Level / Output Impedance (出力電圧/出力インピーダンス)
 REC OUT 150 mV / 1.2 k-ohms
 SUB WOOFER (MAIN SP: Small) 4 V / 1.2 k-ohms

Headphone Jack Rated Output / Impedance (ヘッドフォン出力/出力インピーダンス)
 CD, etc. (1 kHz, 35 mV, 8 ohms) 150 mV / 100 ohms

Frequency Response / 周波数特性
 CD, etc. to MAIN L/R (10 Hz to 100 kHz) +0/-3.0dB

Total Harmonic Distortion / 全高調波歪率
 (20Hz to 20kHz, 40W, 8 ohms)
 CD, etc. (Effect Off) to MAIN L/R SP OUT 0.06% or less

Signal to Noise Ratio / 信号対雑音比 (IHF-A network)
 CD, etc. (Input shorted, EFFECT OFF) to MAIN L/R
 250mV 100dB or more

Residual Noise / 残留ノイズ (IHF-A network)
 MAIN L/R SP OUT 150µV or less

Channel Separation / チャンネルセパレーション
 (Vol -30 dB, Effect Off)
 CD, etc. (Input 5.1 k-ohms shorted, 1 kHz/10 kHz) ... 60 dB or more/45 dB or more

Tone Control Characteristics / トーンコントロール特性

BASS
 Boost/Cut ±10dB (60Hz)

TREBLE
 Boost/Cut ±10dB (20kHz)

Filter Characteristics / フィルター特性
 MAIN, REAR L/R SP Small (H.P.F.) 90Hz / 12dB oct.
 SUBWOOFER (L.P.F.) 90Hz / 18dB oct.

■ Video Section / ビデオ部

Video Signal Type / ビデオ信号方式

U, C, J models NTSC
 A, B, G, L models PAL
 R, T, K models NTSC or PAL

Video Signal Level / ビデオ信号
 1 Vp-p / 75 ohms

S-Video Signal Level / Sビデオ信号

[RX-V540/RX-V540RDS/HTR-5650/HTR-5650RDS/DSP-AX540]
 Y 1 Vp-p / 75 ohms
 C 0.286 Vp-p / 75 ohms

Component Signal Level / コンポーネントビデオ信号
 Y 1 Vp-p / 75 ohms
 Cb/Cr 0.7 Vp-p / 75 ohms

Maximum Input Level / 最大許容入力
 1.5 Vp-p

Signal to Noise Ratio / 信号対雑音比
 50 dB or more

Monitor Out Frequency Response / モニターアウト周波数帯域
[RX-V540/RX-V540RDS/HTR-5650/HTR-5650RDS/DSP-AX540]
Video Signal Level, S-Video Signal Level ... 5 Hz to 10 MHz, -3 dB
Component Video Signal Level [U, C, A, B, G, L, R, T, K models]
..... DC to 30 MHz, -3 dB
D4-Video Signal Level [J model] DC to 60 MHz, -3 dB

[RX-V440/RX-V440RDS/HTR-5640/HTR-5640RDS/DSP-AX440]
Video Signal Level 5 Hz to 10 MHz, -3 dB
Component Video Signal Level [U, C, A, B, G, L, R, T, K models]
..... 5 Hz to 30 MHz, -3 dB
D4-Video Signal Level [J model] DC to 60 MHz, -3 dB

■ FM Section / FM部

Tuning Range
U, C models 87.5 to 107.9 MHz
A, B, G, L, K models 87.5 to 108.0 MHz
R, T models 87.5 to 108.0 / 87.50 to 108.00 MHz
J model 76.0 to 90.0 MHz

50dB Quieting Sensitivity / 50dB SN感度 (IHF)
(1kHz, 100% Mod.)
Mono 2.0 μV (17.3 dBf)
Stereo 25 μV (39.2 dBf)

Usable Sensitivity / 実用感度 (IHF)
Mono 1.0 μV (11.2 dBf)

Selectivity / 選択度
at 400 kHz 70 dB

Signal to Noise Ratio / 信号対雑音比 (IHF)
Mono / Stereo 76 dB / 70 dB

Harmonic Distortion / 歪率
(1 kHz)
Mono/Stereo 0.2 / 0.3 %

Stereo Separation / ステレオセパレーション
1 kHz 42 dB

Frequency Response / 周波数特性
20 Hz to 15 kHz +0.5 / -2 dB

Antenna Input / アンテナ入力
..... 75 ohms unbalanced

■ AM Section / AM部

Tuning Range / 受信周波数範囲
U, C models 530 to 1,710 kHz
A, B, G, L, K, J models 531 to 1,611 kHz
R, T models 530 to 1,710 / 531 to 1,611 kHz

Usable Sensitivity / 実用感度
..... 300 μV/m

Antenna / アンテナ入力
..... Loop Antenna

■ General / 総合

Power Supply / 電源電圧
U, C models AC 120 V, 60 Hz
A model AC 240 V, 50 Hz
B, G, L models AC 230 V, 50 Hz
R model AC 110/120/220/240 V, 50/60 Hz
T model AC 220 V, 50 Hz
K model AC 220 V, 60 Hz
J model AC 100V, 50/60 Hz

Power Consumption / 消費電力
U, C models 270 W / 360 VA
A, B, G, L, R, T, K models 270 W
J model 220 W

Standby Power Consumption (reference data) / 待機電力(参考値)
U, C models 0.7 W
A, B, G, L models 0.8 W
J model 0.9 W

Maximum Power Consumption [R model]
(5ch Drive, 10% THD)
RX-V540 (R model) 550 W
RX-V440 (R model) 500 W

AC Outlets / ACアウトレット
2 switched outlets
U, C, G, L, J models 100 W max. total
R, T models 50 W max. total
1 switched outlet
A, B models 100W max.

Dimensions / 寸法 (W x H x D)
..... 435 x 161 x 390 mm (17-1/8" x 6-5/16" x 15-3/8")

Weight / 重量
..... 11.0 kg (24 lbs. 4 oz.)

Finish / 仕上げ

RX-V540 Gold color (L, R, T, K) models
Black color (U, C, A, R) models

RX-V440 Gold color (L, R, T, K) models
Black color (U, C, A, R) models
Silver color (L, R) models

RX-V540RDS/RX-V440RDS ... Gold color (G) model
Black color (B, G) models
Titanium color (B, G) models

HTR-5650 Gold color (T, K) models
Black color (U, C) models
Silver color (U, C, A) models

HTR-5640 Gold color (T, K) models
Black color (U, C) models
Silver color (U, C, A) models

HTR-5650RDS/HTR-5640RDS .. Black color (G) model
Silver color (B, G) models

DSP-AX540 Gold color (J) model
DSP-AX440 Gold color (J) model
Silver color (J) model

Accessories / 付属品

Remote Control, Batteries (Manganese Dry), Indoor FM Antenna, AM Loop Antenna, PAL 75/300 Socket [B model]

* Specifications are subject to change without notice due to product improvements.

※ 参考仕様および外観は予告なく変更されることがあります。

U U.S.A. model	C Canadian model
A Australian model	B British model
G European model	L Singapore model
R General model	T Chinese model
K Korean model	J Japanese model



Manufactured under license from Dolby Laboratories. "Dolby", "Pro Logic" and the double-D symbol are trademarks of Dolby Laboratories.

ドルビーラボラトリーズからの実施権に基づき製造されています。ドルビー、DOLBY、ドルビーデジタル、PRO LOGICおよびダブルD記号DDは、ドルビーラボラトリーズの商標です。



"DTS", "DTS-ES Extended Surround" and "Neo: 6" are trademarks of Digital Theater Systems, Inc.

DTS、DTS-ES ExtendedサラウンドおよびNeo:6はデジタルシアターシステムズの登録商標です。



AACロゴマークはドルビーラボラトリーズの商標です。

• Set Menu Table / セットメニュー

Category	Model		RX-V540/RX-V540RDS/HTR-5650/HTR-5650RDS/DSP-AX540		RX-V440/RX-V440RDS/HTR-5640/HTR-5640RDS/DSP-AX440		
	No.	MAIN MENU	SUB MENU	VALUE [INITIAL]	SUB MENU	VALUE [INITIAL]	
BASIC	1	SETUP	ROOM : S >M L	S/[M]/L	ROOM : S >M L	S/[M]/L	
			SUBWOOFER YES	[YES]/NONE	SUBWOOFER YES	[YES]/NONE	
			SPEAKERS 6spk	2/3/4/5/[6]	SPEAKERS 6spk	2/3/4/5/[6]	
			>SET CANCEL	[SET]/CANCEL	>SET CANCEL	[SET]/CANCEL	
			Check : Test Tone		Check : Test Tone		
			Check OK? Yes	[Yes]/No	Check OK? Yes	[Yes]/No	
	2	SP LEVEL	L ----- ----- R	[Center] ±10step	L ----- ----- R	[Center] ±10step	
			C ----- -----	[Center] ±10step	C ----- -----	[Center] ±10step	
			RL ----- -----	[Center] ±10step	RL ----- -----	[Center] ±10step	
			RC ----- -----	[Center] ±10step	RC ----- -----	[Center] ±10step	
			RR ----- -----	[Center] ±10step	RR ----- -----	[Center] ±10step	
			SWFR -----	[0dB] -40step	SWFR -----	[0dB] -40step	
SOUND	1	SPEAKER SET	1A CENTER SML	LRG/[SML]/NON	1A CENTER SML	LRG/[SML]/NON	
			1B MAIN LARGE	[LARGE]/SMALL	1B MAIN LARGE	[LARGE]/SMALL	
			1C REAR LR SML	LRG/[SML]/NON	1C REAR LR SML	LRG/[SML]/NON	
			1D REAR CT SML	LRG/[SML]/NON	1D REAR CT SML	LRG/[SML]/NON	
			1E BASS BOTH	MAIN/[BOTH]	1E BASS BOTH	MAIN/[BOTH]	
	2	SP DISTANCE	UNIT	meters(m)/feet(ft)	UNIT	meters(m)/feet(ft)	
			MAIN L/R 3.00m	0.3 to 24m [3.00m]/0.1m step	MAIN L/R 3.00m	0.3 to 24m [3.00m]/0.1m step	
			CENTER 3.00m	0.3 to 24m [3.00m]/0.1m step (Effective distance difference 1.5m)	CENTER 3.00m	0.3 to 24m [3.00m]/0.1m step (Effective distance difference 1.5m)	
			REAR LR 3.00m	0.3 to 24m [3.00m]/0.1m step	REAR LR 3.00m	0.3 to 24m [3.00m]/0.1m step	
			REAR CT 2.10m	0.3 to 24m [2.10m]/0.1m step (Effective distance difference 9m)	REAR CT 2.10m	0.3 to 24m [2.10m]/0.1m step (Effective distance difference 9m)	
			MAIN L/R 10.0	1 to 80feet [10.0feet]/0.5feet step	MAIN L/R 10.0	1 to 80feet [10.0feet]/0.5feet step	
			CENTER 10.0	1 to 80feet [10.0feet]/0.5feet step (Effective distance difference 5feet)	CENTER 10.0	1 to 80feet [10.0feet]/0.5feet step (Effective distance difference 5feet)	
			REAR LR 10.0	1 to 80feet [10.0feet]/0.5feet step	REAR LR 10.0	1 to 80feet [10.0feet]/0.5feet step	
	3	LFE LEVEL	SP LFE 0	-20dB to [0dB]/1dB step	SP LFE 0	-20dB to [0dB]/1dB step	
			HP LFE 0	-20dB to [0dB]/1dB step	HP LFE 0	-20dB to [0dB]/1dB step	
	4	D. RANGE	SP D.R > MAX	MIN/STD/[MAX]	SP D.R > MAX	MIN/STD/[MAX]	
			HP D.R > MAX	MIN/STD/[MAX]	HP D.R > MAX	MIN/STD/[MAX]	
	5	CENTER GEQ	100Hz - - 0	-6dB to +6dB [0dB]/1dB step	100Hz - - 0	-6dB to +6dB [0dB]/1dB step	
			300Hz - - 0	-6dB to +6dB [0dB]/1dB step	300Hz - - 0	-6dB to +6dB [0dB]/1dB step	
			1kHz - - 0	-6dB to +6dB [0dB]/1dB step	1kHz - - 0	-6dB to +6dB [0dB]/1dB step	
			3kHz - - 0	-6dB to +6dB [0dB]/1dB step	3kHz - - 0	-6dB to +6dB [0dB]/1dB step	
			10kHz - - 0	-6dB to +6dB [0dB]/1dB step	10kHz - - 0	-6dB to +6dB [0dB]/1dB step	
	6	HP TONE CTRL	HP BASS 0	-6dB to +3dB [0dB]/1dB step	HP BASS 0	-6dB to +3dB [0dB]/1dB step	
			HP TRBL 0	-6dB to +3dB [0dB]/1dB step	HP TRBL 0	-6dB to +3dB [0dB]/1dB step	
	INPUT	1	I/O ASSIGN	1A [A] CV INPUT 1	[DVD]	1A [A] CV INPUT 1	[DVD]
				1A [B] CV INPUT 2	[D-TV/CBL]	1A [B] CV INPUT 2	[D-TV/CBL]
				1B (1) OPTICAL OUT 1	[MD/CD-R]		
1C (2) OPTICAL IN 1				[MD/CD-R]			
1C (3) OPTICAL IN 2				[DVD]	1C (1) OPTICAL IN 1	[DVD]	
1C (4) OPTICAL IN 3				[D-TV/CBL]			
1D (5) COAXIAL IN 1				[CD]	1D (2) COAXIAL IN 1	[CD]	
2		INPUT MODE	2 >AUTO LAST	[AUTO]/LAST	2 >AUTO LAST	[AUTO]/LAST	
OPTION	1	DISPLAY SET	1 DIMMER 0	-4 to [0]/1 step	1 DIMMER 0	-4 to [0]/1 step	
			1 V→S CONV	[ON]/OFF (except RT models)			
	2	MEMORY GUARD	2 M GUARD OFF	[OFF]/ON	2 M GUARD OFF	[OFF]/ON	
	3	AUDIO MUTE	3 MUTE: MUTE	[MUTE]/-50dB/-20dB	3 MUTE: MUTE	[MUTE]/-50dB/-20dB	
	4	ZONE SET	4 SP B: MAIN	[MAIN]/ZONE B	4 SP B: MAIN	[MAIN]/ZONE B	
5	DUAL MONO (J Only)		[MAIN]/SUB/ALL		[MAIN]/SUB/ALL		

• The variable range of the parameter (Min/Max/Step) / パラメーターの可変範囲 (最小/最大/ステップ)

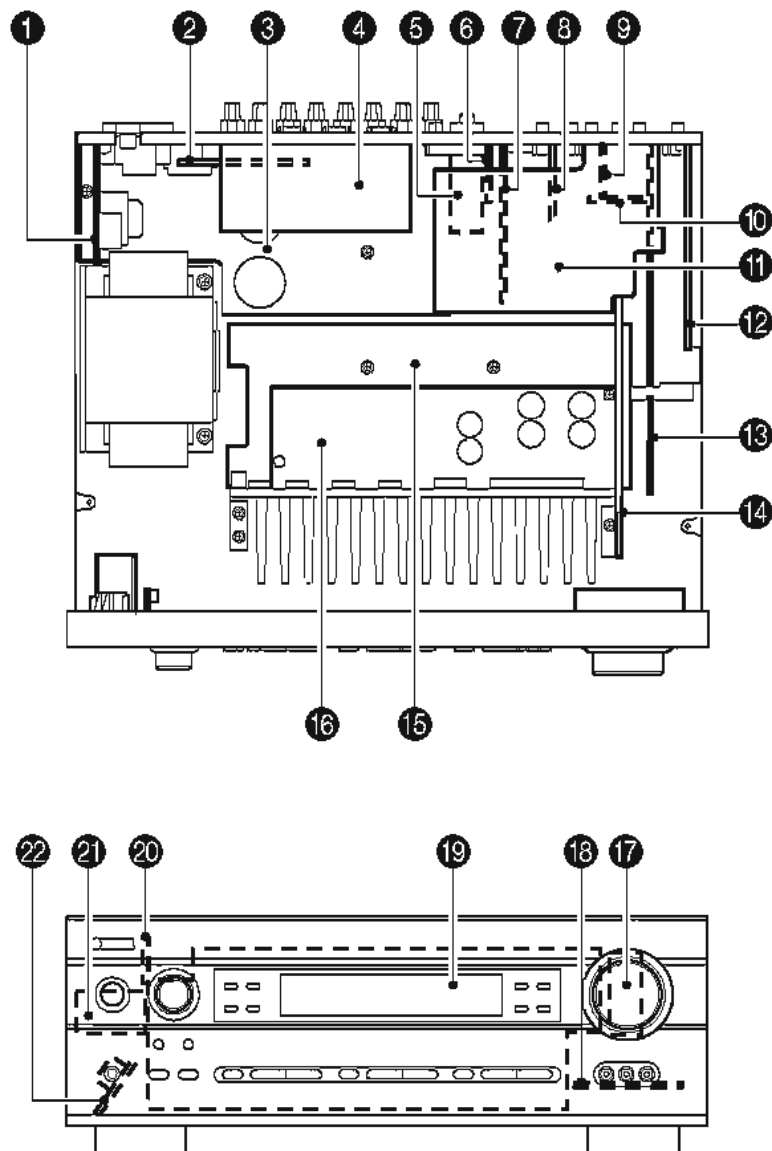
		Unit
DSP LEVEL	-6/+3/1	dB
DELAY	1/99/1	ms

6ch Stereo Parameter		Unit
CT LEVEL	0/100/1	%
RL LEVEL	0/100/1	%
RR LEVEL	0/100/1	%
RC LEVEL	0/100/1	%

Pro Logic II Music Parameter		Unit
PANORAMA	OFF/ON	
DIMENSIONS	-3/+3/1	
CT WIDTH	0/7/1	

DTS Neo:6 Music Parameter		Unit
C. IMAGE	0/0.5/0.1	

INTERNAL VIEW



- ① POWER (2) P.C.B.
- ② POWER (3) P.C.B. (R, K models only)
- ③ MAIN (2) P.C.B.
- ④ VIDEO P.C.B. (J model only)
- ⑤ Tuner
- ⑥ FUNCTION (7) P.C.B. (U, C, A, B, G, L, R, T, K models only)
- ⑦ FUNCTION (5) P.C.B. (RX-V540/RX-V540RDS/HTR-5650/HTR-5650RDS/DSP-AX540 only)
- ⑧ FUNCTION (6) P.C.B.
- ⑨ FUNCTION (2) P.C.B.
- ⑩ FUNCTION (3) P.C.B.
- ⑪ FUNCTION (4) P.C.B.
- ⑫ DSP P.C.B.
- ⑬ FUNCTION (1) P.C.B.
- ⑭ POWER (1) P.C.B.
- ⑮ MAIN (1) P.C.B.
- ⑯ MAIN (3) P.C.B.
- ⑰ OPERATION (3) P.C.B.
- ⑱ OPERATION (4) P.C.B.
- ⑲ OPERATION (1) P.C.B.
- ⑳ OPERATION (6) P.C.B.
- ㉑ OPERATION (2) P.C.B.
- ㉒ OPERATION (5) P.C.B.

RX-V540/RX-V540RDS/HTR-5650/HTR-5650RDS/DSP-AX540
 RX-V440/RX-V440RDS/HTR-5640/HTR-5640RDS/DSP-AX440

■ DISASSEMBLY PROCEDURES / 分解手順

(Remove parts in the order as numbered.)

Disconnect the power cable from the AC outlet.

(番号順に部品を取り外してください。)

AC電源コンセントから、電源コードを抜いてください。

1. Removal of Top Cover

- Remove 4 screws (①) and 4 screws (②). (Fig. 1)
- Slide the Top Cover rearward to remove it. (Fig. 1)

1. トップカバーの外し方

- ①のネジ4本、②のネジ4本を外します。(Fig. 1)
- トップカバーを後方へスライドさせ、取り外します。(Fig. 1)

2. Removal of Front Panel Unit

- Remove 5 screws (③) and then remove the Front Panel Unit. (Fig. 1)
- Loosen the harness fixture fixing the cable.
- Remove CB305, CB306, CB605 and CB612. (Fig. 1)

2. フロントパネルユニットの外し方

- ③のネジ5本を外し、フロントパネルユニットを取り外します。(Fig. 1)
- ケーブルを固定している束線止めをゆるめます。
- CB305、CB306、CB605、CB612を外します。(Fig. 1)

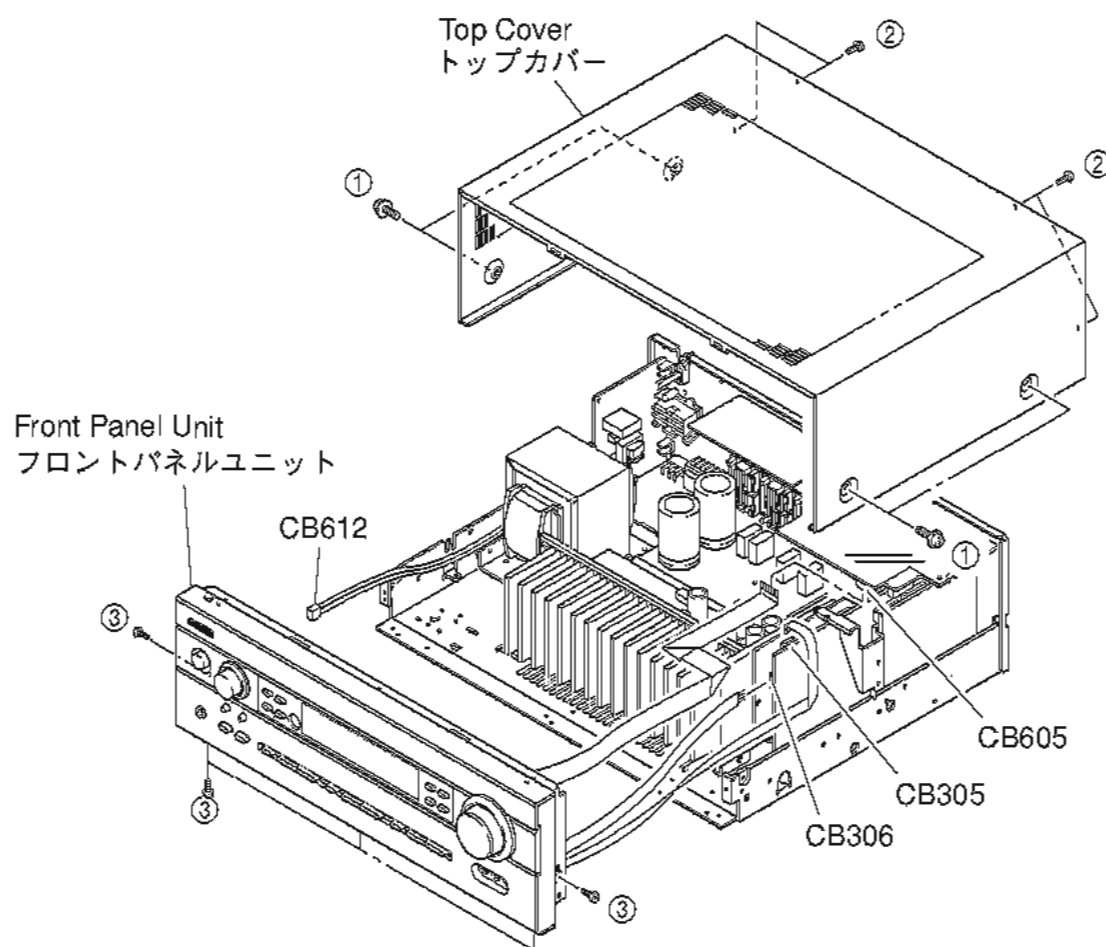


Fig. 1

3. Removal of DSP P.C.B.

- Remove 1 screw (④). (Fig. 2)
- Remove 6 screws (⑤). (Fig. 3)
- Remove CB602 and CB603. (Fig. 2)
- Remove the DSP P.C.B. with the Support/DSP. (Fig. 2)

3. DSP P.C.B.の外し方

- ④のネジ1本を外します。(Fig. 2)
- ⑤のネジ6本を外します。(Fig. 3)
- CB602、CB603を外します。(Fig. 2)
- DSP P.C.B.をサポート/DSPと共に取り外します。(Fig. 2)

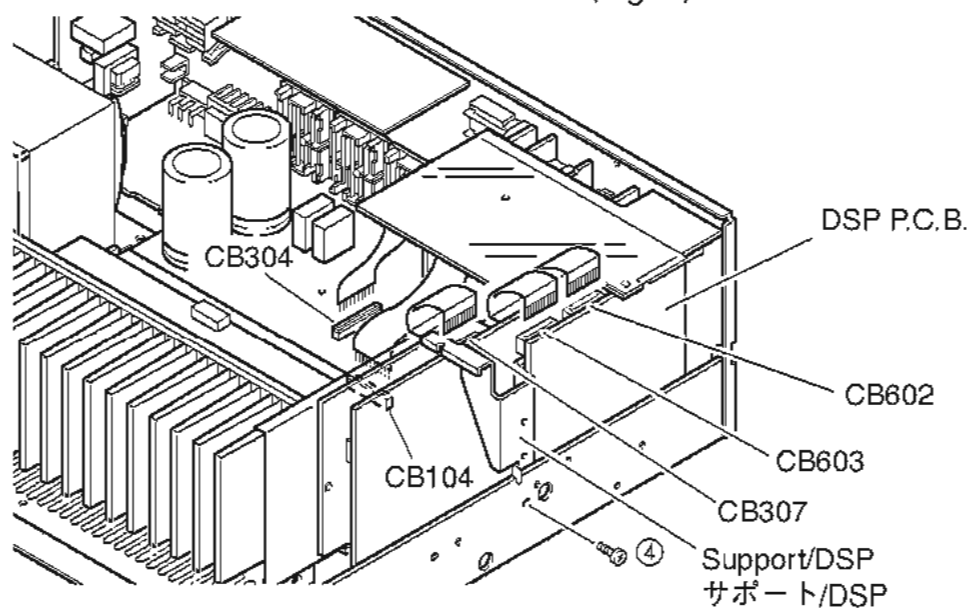


Fig. 2

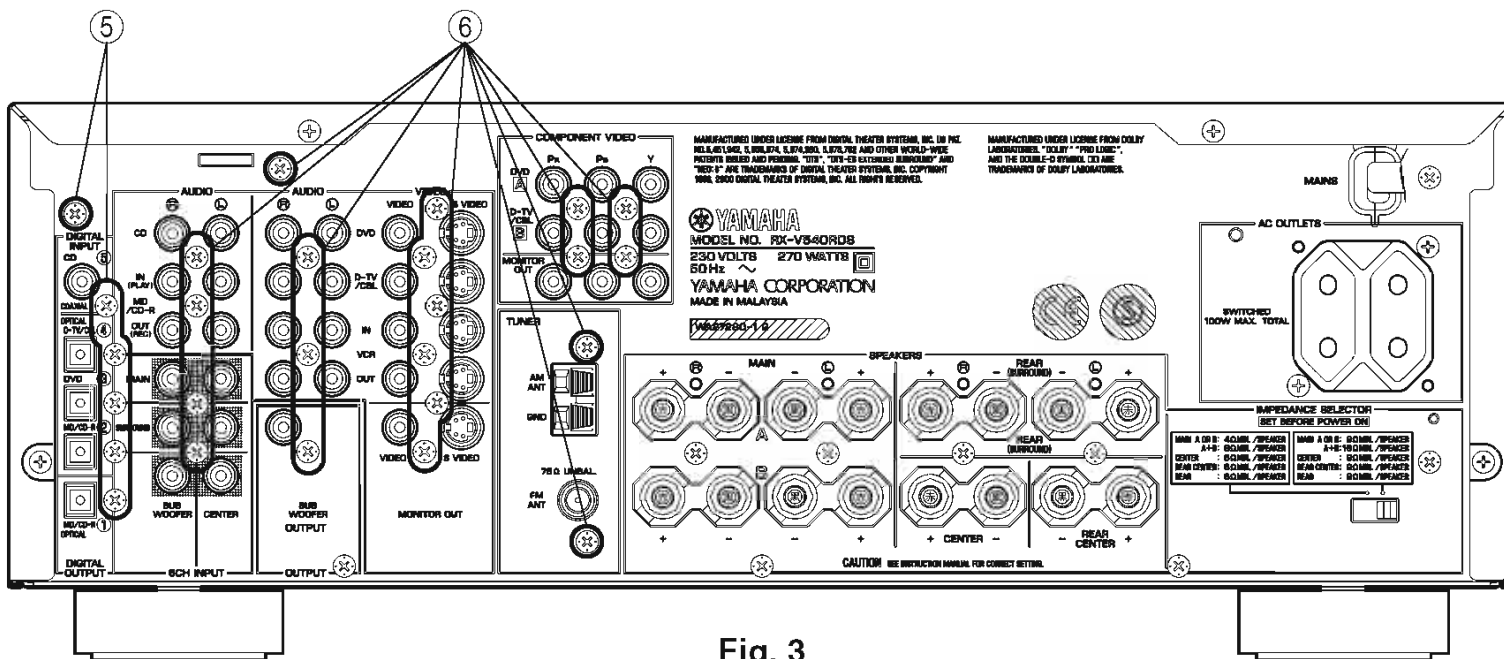


Fig. 3

4. Removal of FUNCTION (1) ~ (7) P.C.B.s and Tuner

- Remove CB104, CB304 and CB307. (Fig. 2)
- Remove 20 screws (⑥). (Fig. 3)
- Remove FUNCTION (1) ~ (7) P.C.B.s and the Tuner. (Fig. 4)

4. FUNCTION (1)~(6)、TUNERの外し方

- CB104、CB304、CB307を外します。(Fig. 2)
- ⑥のネジ20本を外します。(Fig. 3)
- FUNCTION (1)~(6)、TUNERを取り外します。(Fig. 4)

When checking the P.C.B.:

- Reconnect all cables (connectors) that have been disconnected. Be sure to use the extension cable for servicing for the following 2 sections.
 POWER (1) P.C.B. CB601 – FUNCTION (1) P.C.B. CB307:
 MF117200 (17P 200mm)
 DSP P.C.B. CB602 – FUNCTION (4) P.C.B. CB606:
 MF117200 (17P 200mm)
- When connecting the flat cable, use care for the polarity.
- The P.C.B. removed from the rear panel does not work because its grounding is loose. Be sure to connect the ground of each P.C.B. to the chassis or GND with a jumper wire or the like.

P.C.B.チェックをする場合には

- 外したケーブル(コネクタ)をすべて接続してください。ただし次の2区間は、サービス用延長ケーブルを使用してください。
 POWER (1) P.C.B. CB601 – FUNCTION (1) P.C.B. CB307:
 MF117200 (17P 200mm)
 DSP P.C.B. CB602 – FUNCTION (4) P.C.B. CB606:
 MF117200 (17P 200mm)
- フラットケーブルを接続する際、極性に注意してください。
- リアパネルから外したP.C.B.はアースが浮いて動作しませんので、各P.C.B.のアースをリード線等でシャーシまたはGNDに接続してください。

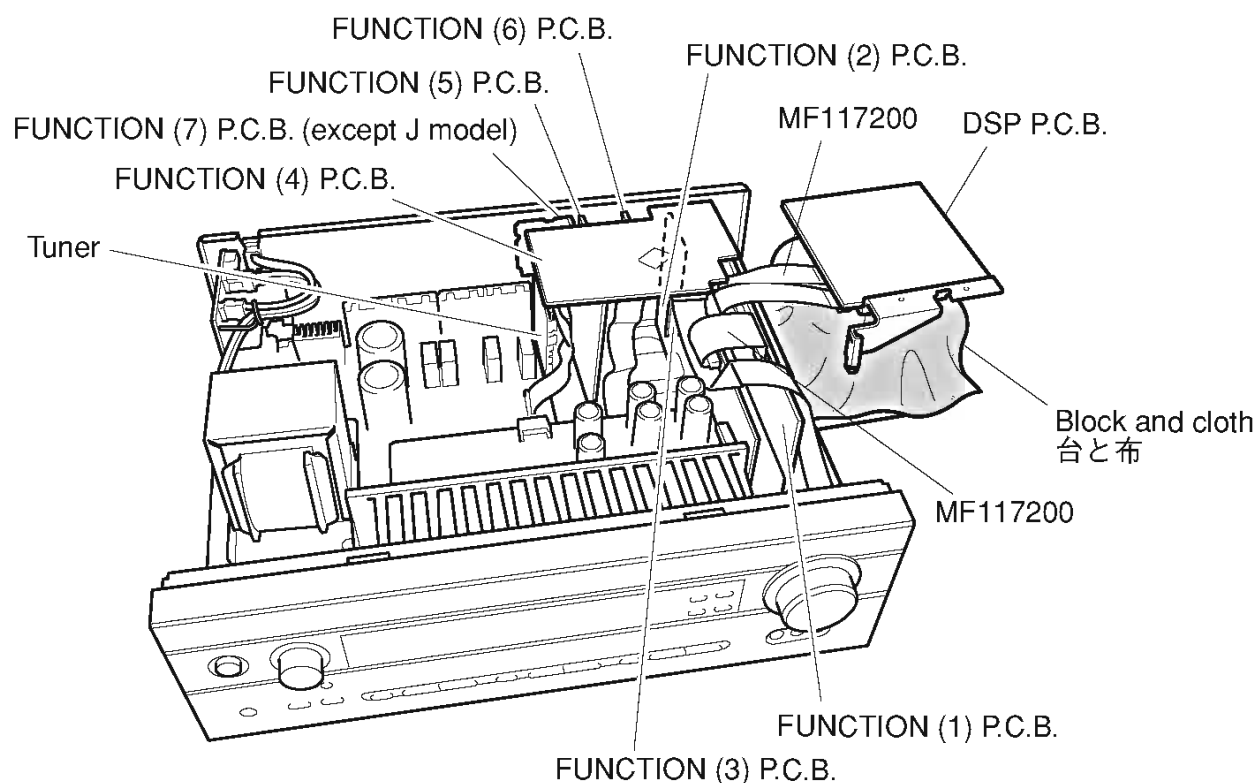


Fig. 4

RX-V540/RX-V540RDS/HTR-5650/HTR-5650RDS/DSP-AX540
 RX-V440/RX-V440RDS/HTR-5640/HTR-5640RDS/DSP-AX440

5. Removal of MAIN (1), MAIN (3) and POWER (1) P.C.B.s

- a. Remove CB307. (Fig. 5)
- b. Remove 2 screws (⑦) and 3 screws (⑧). (Fig. 5)
- c. Remove MAIN (1), (3) and POWER (1) P.C.B.s.. (Fig. 5)

5. MAIN (1)、MAIN (3)、POWER (1) P.C.B.の外し方

- a. CB307を外します。(Fig. 5)
- b. ⑦のネジ2本、⑧のネジ3本を外します。(Fig. 5)
- c. MAIN (1)、MAIN (3)、POWER (1) P.C.B.を取り外します。(Fig. 5)

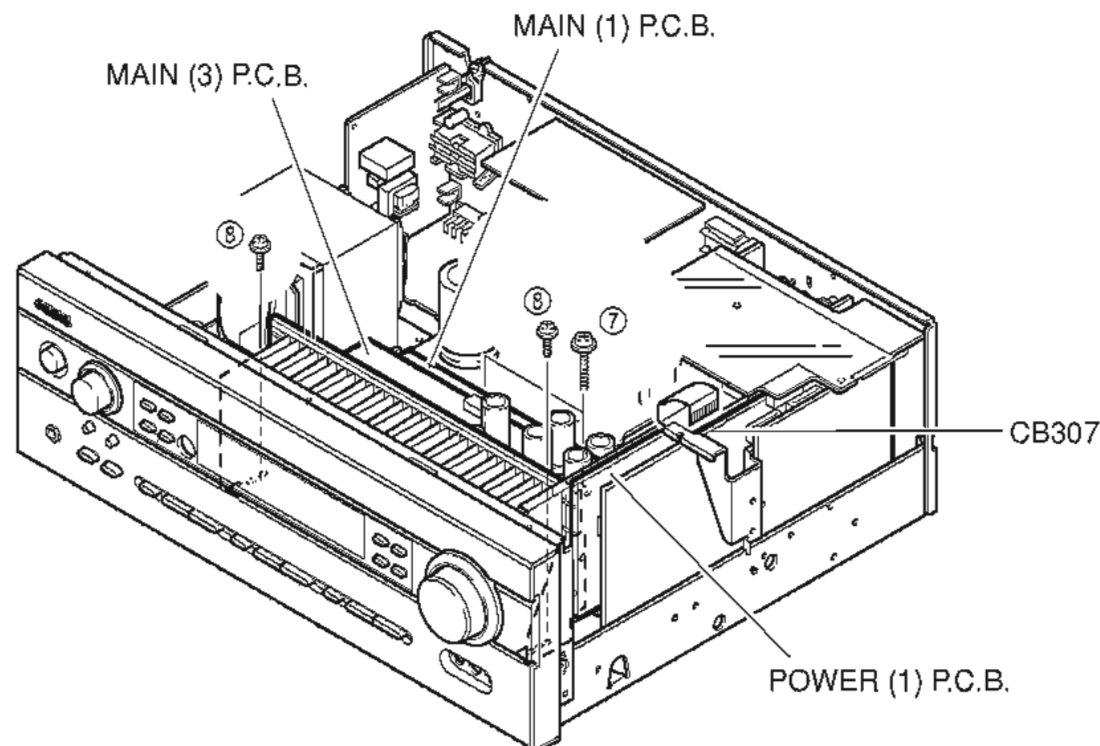


Fig. 5

When checking the P.C.B.:

- Reconnect all cables (connectors) that have been disconnected.
 Be sure to use the extension cable for servicing for the following section.
 POWER (1) P.C.B. CB601 – FUNCTION (1) P.C.B. CB307:
 MF117350 (17P 350mm)
- When connecting the flat cable, use care for the polarity.
- The P.C.B. removed from the rear panel does not work because its grounding is loose. Be sure to connect the ground of each P.C.B. to the chassis or GND with a jumper wire or the like.

P.C.B.チェックをする場合には

- 外したケーブル(コネクタ)をすべて接続してください。
 ただし次の区間は、サービス用延長ケーブルを使用してください。
 POWER (1) P.C.B. CB601 – FUNCTION (1) P.C.B. CB307:
 MF117350 (17P 350mm)
- フラットケーブルを接続する際、極性に注意してください。
- リアパネルから外したP.C.B.はアースが浮いて動作しませんので、各P.C.B.のアースをリード線等でシャーシまたはGNDに接続してください。

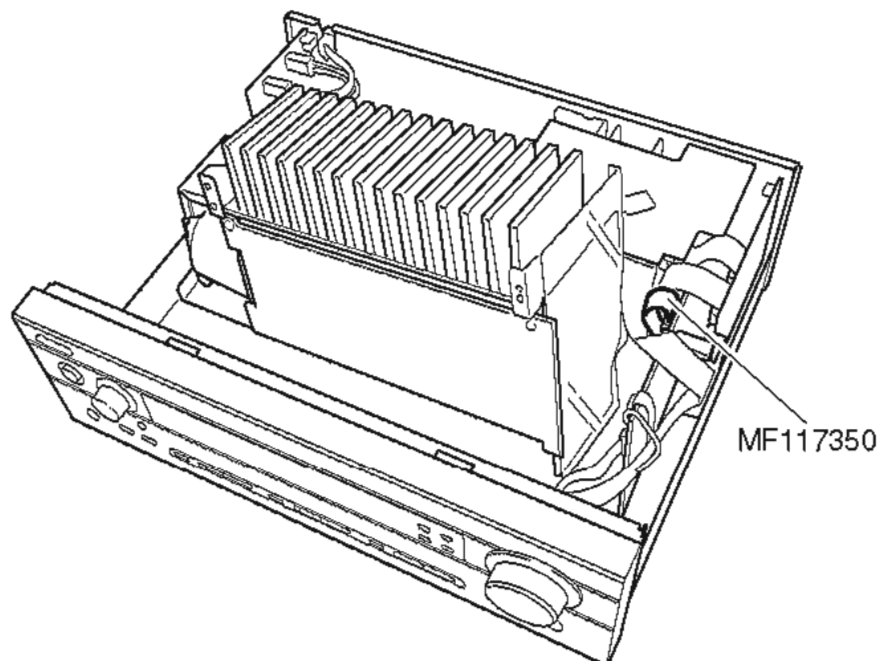


Fig. 6

■ SELF DIAGNOSIS FUNCTION (DIAG) / 自己診断機能 (ダイアグ)

There are 15 DIAG menu items, each of which has sub-menu items.

Listed in the table below are menu items and sub-menu items.

Note that not all menu items listed will apply to the models covered in this service manual.

本機には、検査、測定、不良個所の発見を目的にした自己診断機能(ダイアグ)があります。

ダイアグメニューは15個あり、そのそれぞれにサブメニューがあります。(ダイアグのメニュー操作は本体で行います。) 下表はメニュー一覧です。

No	DIAG menu	sub-menu
1	DSP THROUGH 1. ANALOG BYPAS	1. ANALOG BYPASS
		2. YSS 0dB
		3. YSS Front 0dB
		4. YSS FULL BIT
		5. YSS FULL BIT F
2	RAM THROUGH 2. RAM 0dB	RAM 0dB
3	PRO LOGIC / NEO6 3. PRO LOGIC I	1. PRO LOGIC I
		2. PRO LOGIC II
		3. Neo:6
4	SPEAKERS SET 4. MAIN: SML 0dB	1. MAIN: SMALL 0dB
		2. CENTER: NONE
		3. LFE/BASS: MAIN
		4. Front Mix: 5ch
		5. Rear Center power
		6. Tone Control Flat
		7. Tone Control +10dB
		8. Tone Control -10dB
5	MARGIN CHECK 5. MAIN 12dB	1. MAIN 12 dB margin
		2. MAIN 15 dB margin
6	OTHER INPUT 6. EXTERNAL DEC	EXTERNAL DECODER
7	DISPLAY CHECK 7. VFD CHECK	1. VFD CHECK (Initial display / 初期表示)
		2. VFD DISP OFF (All segments OFF / 全セグメント消灯)
		3. VFD DISP ALL (All segments ON 100% / 全セグメント点灯100%)
		4. VFD DIMMER (All segments ON 50% / 全セグメント点灯50%)
		5. CHECKED PATTERN (ON in lattice / 格子状点灯)
8	MANUAL TEST 8. TEST ALL	1. TEST ALL
		2. TEST MAIN L
		3. TEST CENTER
		4. TEST MAIN R
		5. TEST REAR R
		6. TEST REAR CENTER
		7. TEST REAR L
		8. TEST LFE
9	FACTORY PRESET 9. PRESET INHI	1. PRESET INHIBITED (memory initialization inhibited / メモリーの初期化禁止)
		2. PRESET RESERVED (memory initialized / メモリーの初期化)
10	AD DATA CHECK /FAN TEST DC: 98% PS: 38%	1. DC/PS (protection)
		2. THM/Fan (Not applied to these models / このモデルには適用されません)
		3. REC-OUT (Not applied to these models / このモデルには適用されません)
		4. IMP SW/POWER LIMIT
		5. K0/K1 (panel key)
		6. FAN DRIVE TEST: HIGH (Not applied to these models / このモデルには適用されません)
		7. FAN DRIVE TEST: MID (Not applied to these models / このモデルには適用されません)
		8. FAN DRIVE TEST: LOW (Not applied to these models / このモデルには適用されません)

RX-V540/RX-V540RDS/HTR-5650/HTR-5650RDS/DSP-AX540
RX-V440/RX-V440RDS/HTR-5640/HTR-5640RDS/DSP-AX440

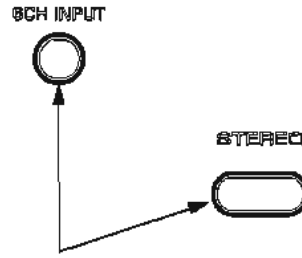
No	DIAG menu	sub-menu
11	IF STATUS IS1:440308C000	1. INSIDE STATUS 1 (5 Byte)
		2. INSIDE STATUS 2 (3 Byte)
		3. CHANNEL STATUS 1 (5 Byte)
		4. CHANNEL STATUS 2 (5 Byte)
		5. CHANNEL STATUS 3 (5 Byte)
		6. CHANNEL STATUS 4 (5 Byte)
		7. CHANNEL STATUS 5 (4 Byte)
		8. BSI (YSS) 1 (5 Byte)
		9. BSI (YSS) 2 (5 Byte)
		10. BSI (YSS) 3 (5 Byte)
		11. BSI (YSS) 4 (4 Byte)
		12. BSI (CS) 1 (5 Byte)
		13. BSI (CS) 2 (5 Byte)
		14. BSI (CS) 3 (5 Byte)
		15. BSI (CS) 4 (5 Byte)
		16. BSI (CS) 5 (1 Byte)
		17. YSS938-1 (5 Byte)
		18. YSS938-2 (5 Byte)
		19. YSS938-3 (4 Byte)
		20. SECOND DECODER (3 Byte)
		21. Mute Trigger (5 Byte)
12	DSP RAM CHECK YSS BUS:NoEr	1. YSS938 BUS CHECK 2. PLD/SRAM BUS CHECK
13	SD DL CODE RDV:XXXXXXXX	1. ROM DATA Version
		2. TOC Area 0
		3. TOC Area 1
		4. TOC Area 2
		5. TOC Area 3
		6. TOC Area 4
		7. TOC Area 5
		8. Sum check Area 0
		9. Sum check Area 1
		10. Sum check Area 2
		11. Sum check Area 3
		12. Sum check Area 4
		13. Sum check Area 5
14	SOFT SWITCH 14. SW :PCB	1. SW MODE 2. MODEL SETTING 3. TUNER DESTINATION 4. RDS EXIST 5. ZONE 2 EXIST 6. VIDEO FORMAT
15	ROM VERSION/CHECK SUM/ PORT VER. XXXXX	1. VERSION
		2. CHECK SUM ALL/PROGRAM
		3. PORT
		4. AAC PORT

RX-V540/RX-V540RDS/HTR-5650/HTR-5650RDS/DSP-AX540
 RX-V440/RX-V440RDS/HTR-5640/HTR-5640RDS/DSP-AX440

● Starting DIAG

Press the "STANDBY/ON" key while simultaneously pressing those two keys of the main unit as indicated in the figure below.

Keys of main unit / 本体キー



Turn on the power while pressing these keys.
これらのキーを同時に押しながら、パワーオンする。

● Starting DIAG in the protection cancel mode

If the protection function works and causes hindrance to trouble diagnosis, cancel the protection function as described below, and it will be possible to enter the DIAG mode. (The protection functions other than the excess current detect function will be disabled.)

Press the "STANDBY/ON" key while simultaneously pressing those two keys indicated in the figure above. At this time, keep pressing those two keys for 3 seconds or longer.

In this mode, the "SLEEP" segment of the FL display of the main unit flashes to indicate that the mode is DIAG mode with the protection functions disabled.

CAUTION!

Using this product with the protection function disabled may cause damage to itself. Use special care for this point when using this mode.

● Canceling DIAG

[1] Before canceling DIAG, execute setting for PRESET of DIAG menu No.9 (Memory initialization inhibited or Memory initialized).

* In order to keep the user memory stored, be sure to select PRESET INHIBITED (Memory initialization inhibited).

[2] Turn off the power by pressing the "STANDBY/ON" key of the main unit.

● ダイアグの起動

本体の下図に示すキーを同時に押しながら"STANDBY/ON"キーを押すと、ダイアグが起動します。

● プロテクション解除モードでの起動

プロテクションが動作することにより、故障箇所の診断に支障をきたすような場合は、次の方法によりプロテクションを解除した状態でダイアグモードに入ることができます。(過電流検出以外のプロテクション動作を解除する)

上図のキーを同時に押しながら"STANDBY/ON"キーを押します。このとき、上図のキーを3秒以上押し続けてください。

このモードでは本体FLの"SLEEP"セグメントが点滅し、プロテクションを解除した状態でのダイアグモードであることを知らせます。

注意!

プロテクションを解除した状態でのダイアグモードは、危険な状態でもプロテクションが作動しないため、動作させると、機器を破壊することがあります。このモードを使用する場合は十分注意してください。

● ダイアグの解除

① ダイアグを解除する前に、ダイアグメニューNo.9のFACTORY PRESET (メモリーの初期化禁止/またはメモリーの初期化)の設定をします。

※ ユーザーメモリーを保持したい場合は、必PRESET INHIBITED (メモリー初期化禁止)を選択してください。

② 本体の"STANDBY/ON"キーを押し、パワーオフにします。

RX-V540/RX-V540RDS/HTR-5650/HTR-5650RDS/DSP-AX540
RX-V440/RX-V440RDS/HTR-5640/HTR-5640RDS/DSP-AX440

● Display provided when DIAG started

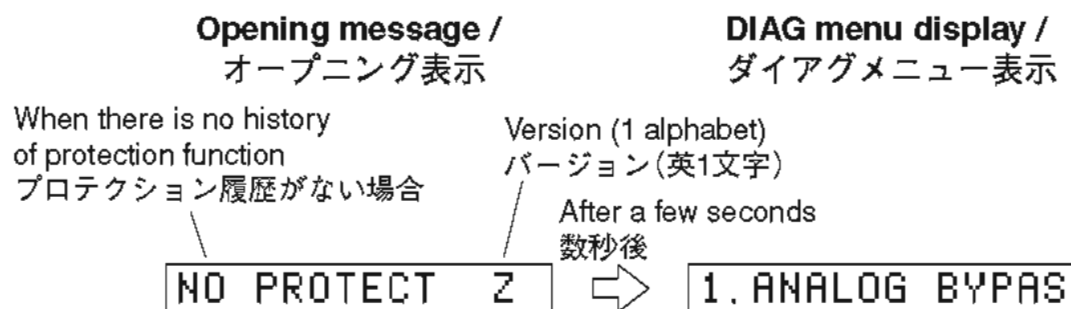
The FL display of the main unit displays the protection function history data and the version (1 alphabet) and the DIAG menu [sub-menu (ANALOG BYPASS) of DIAG menu No.1 DSP THROUGH] a few seconds later.

● ダイアグ起動時の表示

本体のFLディスプレイにプロテクション履歴情報とバージョン(英1文字)が表示され、数秒後にダイアグメニュー(No.1 DSP THROUGHのサブメニューANALOG BYPASS)になります。

When there is no history of protection function:

プロテクション履歴がない場合:



When there is a history of protection function:

プロテクション履歴がある場合:



Cause: An excessive current flowed through the power amplifier.

原因：パワーアンプに過電流が流れた。

Supplementary information: As current of the power transistor is detected, the abnormal channel can be identified by checking the current detect transistor.

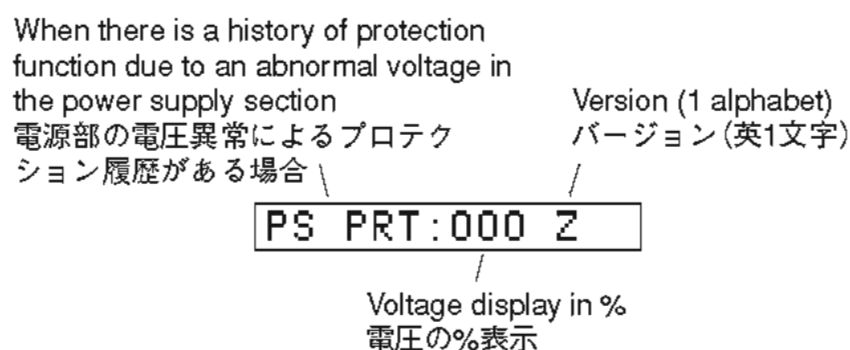
補足：パワートランジスタの電流を検出していますので、電流検出トランジスタをチェックすれば異常チャンネルが特定できます。

Turning on the power without correcting the abnormality will cause the protection function to work immediately and the power supply will instantly be shut off.

異常状態のままパワーオンすると、瞬時にプロテクションがかかり、すぐに電源が切れます。

Note)

- Applying the power to a unit without correcting the abnormality can be dangerous and cause additional circuit damage.
- The output transistors in each amplifier channel should be checked for damage before applying any power.
- Amplifier current should be monitored by measuring across the emitter resistors for each channel.



Cause: The voltage in the power supply section is abnormal.

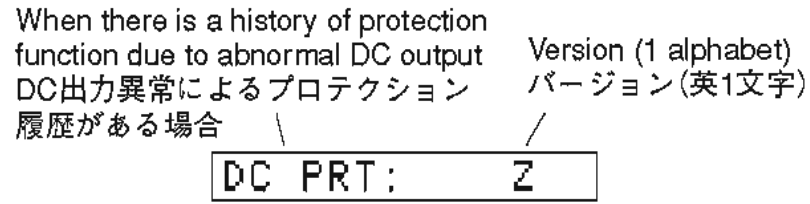
原因：電源部の電圧が異常。

Supplementary information: The abnormal voltage is displayed in % based on 5V as 100%.

補足：異常時の電圧の状態を、5Vを100%とした値で%表示します。

Turning on the power without correcting the abnormality will cause the protection function to work 1 second later and the power supply will be shut off.

異常状態のままパワーオンすると、1秒後にプロテクションがかかり、電源が切れます。

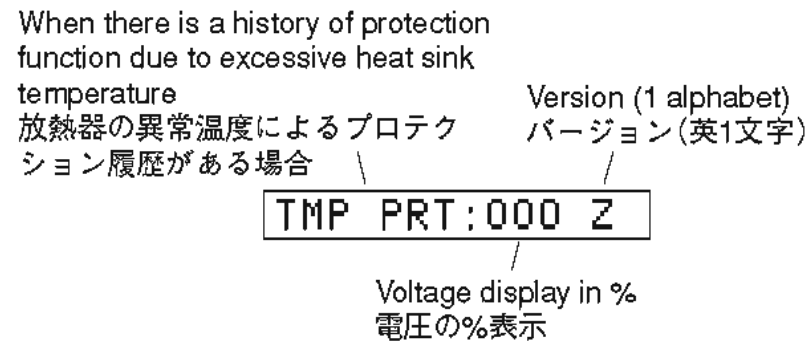


Cause: DC output of the power amplifier is abnormal.

Turning on the power without correcting the abnormality will cause the protection function to work 3 seconds later and the power supply will be shut off.

原因：パワーアンプのDC出力が異常。

異常状態のままパワーオンすると、3秒後にプロテクションがかかり、電源が切れます。



Cause: The temperature of the heat sink is excessive.

Supplementary information: The abnormal voltage is displayed in % based on 5V as 500%.

Turning on the power without correcting the abnormality will cause the protection function to work 1 second later and the power supply will be shut off.

原因：放熱器の温度が異常。

補足：異常時の電圧の状態を、5Vを500%とした値で%表示します。

異常状態のままパワーオンすると、1秒後にプロテクションがかかり、電源が切れます。

- * Additional causes of protection can be due to loose connections, associated components, CPU, etc.
- * For the protection voltage value, refer to DIAG menu No.10 described later.

※ 前記の異常原因の他に、コネクタのはずれやCPU周辺などに原因がある場合があります。

※ プロテクションの電圧値に関しては、後述のダイアグメニューNo.10を参照してください。

● History of protection function

When the protection function has worked, its history is stored in memory with a backup. Even if no abnormality is noted while servicing the unit, an abnormality which has occurred previously can be defined as long as the backup data has been stored.

The history of the protection function is cleared when DIAG is cancelled by selecting PRESET RESERVED (Memory initialized) of DIAG menu No.9 or when the backup data is erased.

● プロテクションの履歴

プロテクションが働いた場合、履歴をバックアップして記憶しています。サービスのときに異常が認められなくても、バックアップが残っていれば、お客様のところで起きた異常を区別できます。

プロテクションの履歴は、ダイアグメニューNo.9で PRESET RESERVED (メモリーの初期化)を選んでダイアグを解除した場合や、バックアップが消えたときにはクリアされます。

● Display during menu operation

During the DIAG operation, the function at work is indicated on the FL indicator. The contents displayed during the function operation are described in the later section on details of functions.

● メニュー動作中の表示

ダイアグ中、本体のFLディスプレイに動作中の機能が表示されます。機能動作中の表示内容については、後述の機能詳細で記述します。

RX-V540/RX-V540RDS/HTR-5650/HTR-5650RDS/DSP-AX540
RX-V440/RX-V440RDS/HTR-5640/HTR-5640RDS/DSP-AX440

● Operation procedure of DIAG menu and SUB-MENU

There are 15 MENU items, each of which has some SUB-MENU items.

DIAG menu selection

Main unit: Select the menu using ▷ (Forward) and ◁ (Reverse) keys of PRESET/TUNING.

SUB-MENU selection

Main unit: Select the sub-menu using ▷ (Forward) and ◁ (Reverse) keys of PROGRAM.

● ダイアグメニューとサブメニューの操作

ダイアグにはNo.1～15のメニューがあり、そのそれぞれにサブメニューがあります。

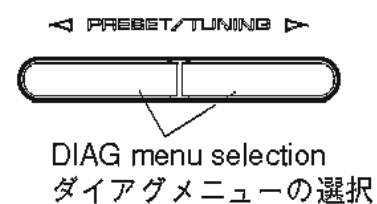
ダイアグメニューの選択

本体キーでの操作： PRESET/TUNING ▷ (順送り), ◁ (逆送り)キーで選択します。

サブメニューの選択

本体キーでの操作： PROGRAM ▷ (順送り), ◁ (逆送り)キーで選択します。

Keys of main unit / 本体キー



● Functions in DIAG mode

In addition to the DIAG menu items, functions as listed below are available.

- Input selection, 6CH input
 - Center/Rear/Rear Center/Sub-woofer level adjustment
 - Muting
 - Power on/off
 - Master volume
- * Functions related to the tuner and the set menu are not available.
- * It is possible to confirm Menu No.11 IF STATUS while keeping the signal process (operation status) of each DIAG menu by using the input mode key of the main unit.

● Initial settings used to start DIAG

The following initial settings are used when starting DIAG. When DIAG is canceled, these settings are restored to those before starting DIAG.

- Master volume: -40dB
- Input: DVD (6CH INPUT OFF)
- Effect level: 0dB
- Audio mute: OFF
- Speaker setting: LARGE / BASS OUT = BOTH
- DIAG menu: DSP THROUGH (1. ANALOG BYPASS)

● ダイアグ中の機能

ダイアグメニューの他に、以下の機能が動作します。

- インプット切り換え、6CHインプット
- センター、リア、リアセンター、サブウーファーレベル調整
- ミューティング
- パワーオン/オフ
- マスターボリューム

※ チューナー関連、セットメニュー関連は機能しません。

※ 本体のINPUT MODEキーにより、各ダイアグメニューの信号処理(動作状態)を維持したままメニューNo.11 “IF STATUS”の確認ができます。

● ダイアグ開始時の初期設定

ダイアグ開始時に以下のような設定になります。ダイアグ解除時にはダイアグ開始前の状態に戻ります。

- マスターボリューム：-40dB
- インプット：DVD (6CH INPUT オフ)
- エフェクトレベル：0dB
- オーディオミュート：オフ
- スピーカー設定：LARGE / BASS OUT = BOTH
- ダイアグメニュー：DSP THROUGH (1. ANALOG BYPASS)

● **Details of DIAG menu**

With full-bit output specified in some modes, it is possible to execute 0dBFS output without head margin in each channel.

1. DSP THROUGH

Main DSP of YSS938 is selected for MAIN L/R output.

ANALOG BYPASS

- The signal for L/R is output as it is without passing through the DSP section.

1. ANALOG BYPASS

Reference data

INPUT: DVD ANALOG

SWFR: 50Hz, Others: 1kHz

Input level	Volume	SPEAKER OUTPUT (1kHz)				SUBWOOFER OUTPUT (50Hz)
		MAIN L/R	CENTER	REAR CENTER	RL/RR	
Both ch, -20 dBm	-10 dB	+24.1 dBm	- ∞	- ∞	- ∞	- ∞

YSS 0dB

- The signal is output including the head margin.
 Head margin:
 Main L/R: 0dBFS, Center: -6dBFS,
 Rear Center: -6dBFS, RL/RR: -12dBFS,
 SWFR: Add L/R signal at -20dBFS.

1. YSS 0dB

Reference data

INPUT: DVD ANALOG

SWFR: 50Hz, Others: 1kHz

Input level	Volume	SPEAKER OUTPUT (1kHz)				SUBWOOFER OUTPUT (50Hz)
		MAIN L/R	CENTER	REAR CENTER	RL/RR	
Both ch, -20 dBm	-10 dB	+23.3 dBm	+14.0 dBm	+14.0 dBm	+13.9 dBm	+0.3 dBm

YSS Front 0dB

- The front CH signal including the head margin is output at the main CH.
 Head margin:
 Main L/R: 0dBFS, Center: -6dBFS,
 RL/RR: -12dBFS, SWFR: Add L/R signal at -20dBFS.

1. YSS Front0dB

Reference data

INPUT: DVD ANALOG

SWFR: 50Hz, Others: 1kHz

Input level	Volume	SPEAKER OUTPUT (1kHz)				SUBWOOFER OUTPUT (50Hz)
		MAIN L/R	CENTER	REAR CENTER	RL/RR	
Both ch, -20 dBm	-10 dB	+29.3 dBm	- ∞	- ∞	- ∞	- ∞

● **ダイアグメニュー詳細**

一部のモードでフルビット指定することで、各チャンネルのヘッドマージンを廃して0dBFS出力することが可能です。

1. DSP THROUGH

MAIN L/R出力にはYSS938のMain DSPが選択されます。

ANALOG BYPASS

- L/Rは、DSP部を通らずにそのまま出力されます。

YSS 0dB

- ヘッドマージンを含んで出力されます。
 ヘッドマージン:
 Main L/R: 0dBFS、Center: -6dBFS、
 Rear Center: -6dBFS、RL/RR: -12dBFS、
 SWFR: L/Rを-20dBfsにて加算

YSS Front 0dB

- ヘッドマージンを含んで、フロントCHがメインCHに出力されます。
 ヘッドマージン:
 Main L/R: 0dBFS、Center: -6dBFS、
 Rear Center: -6dBFS、RL/RR: -12dBFS、
 SWFR: L/Rを-20dBfsにて加算

RX-V540/RX-V540RDS/HTR-5650/HTR-5650RDS/DSP-AX540
 RX-V440/RX-V440RDS/HTR-5640/HTR-5640RDS/DSP-AX440

YSS FULL BIT

- The signal is output in digital full bit without including the head margin. The SWFR signal is output but not in digital full bit.

YSS FULL BIT

- ヘッドマージンを含まず、デジタルフルビットで出力されます。SWFRは出力されますが、デジタルフルビットではありません。

1. YSS FULL BIT

Reference data
 INPUT: DVD ANALOG
 SWFR: 50Hz, Others: 1kHz

Input level	Volume	SPEAKER OUTPUT (1kHz)				SUBWOOFER OUTPUT (50Hz)
		MAIN L/R	CENTER	REAR CENTER	RL/RR	
Both ch, -20 dBm	-10 dB	+23.3 dBm	+14.2 dBm	+14.2 dBm	+14.0 dBm	+0.3 dBm

YSS FULL BIT F

- The front CH signal is output in digital full bit at the main CH.

YSS FULL BIT F

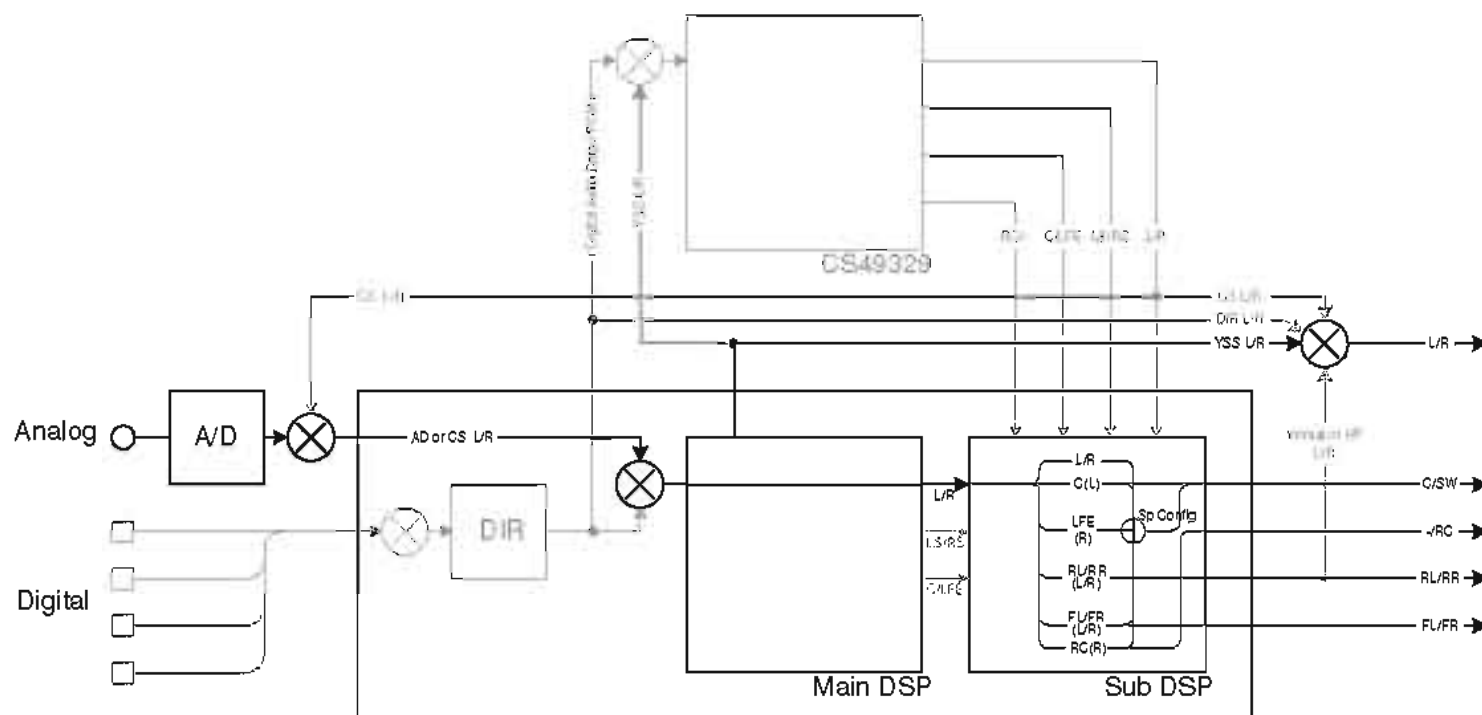
- フロントCHがメインCHに、デジタルフルビットで出力されます

1. FULL BIT F

Reference data
 INPUT: DVD ANALOG
 SWFR: 50Hz, Others: 1kHz

Input level	Volume	SPEAKER OUTPUT (1kHz)				SUBWOOFER OUTPUT (50Hz)
		MAIN L/R	CENTER	REAR CENTER	RL/RR	
Both ch, -20 dBm	-10 dB	+23.3 dBm	- ∞	- ∞	- ∞	- ∞

DSP THROUGH ~
 YSS (Analog)



(Shaded items not used in this example)

RX-V540/RX-V540RDS/HTR-5650/HTR-5650RDS/DSP-AX540
 RX-V440/RX-V440RDS/HTR-5640/HTR-5640RDS/DSP-AX440

2. RAM THROUGH

This function is for YSS938 only.
 Only the CT signal is output through the Sub DSP –
 DRAM.

2. RAM THROUGH

YSS938のみの動作です。
 CTのみがSub DSP – DRAM経由で出力されます。

RAM 0dB

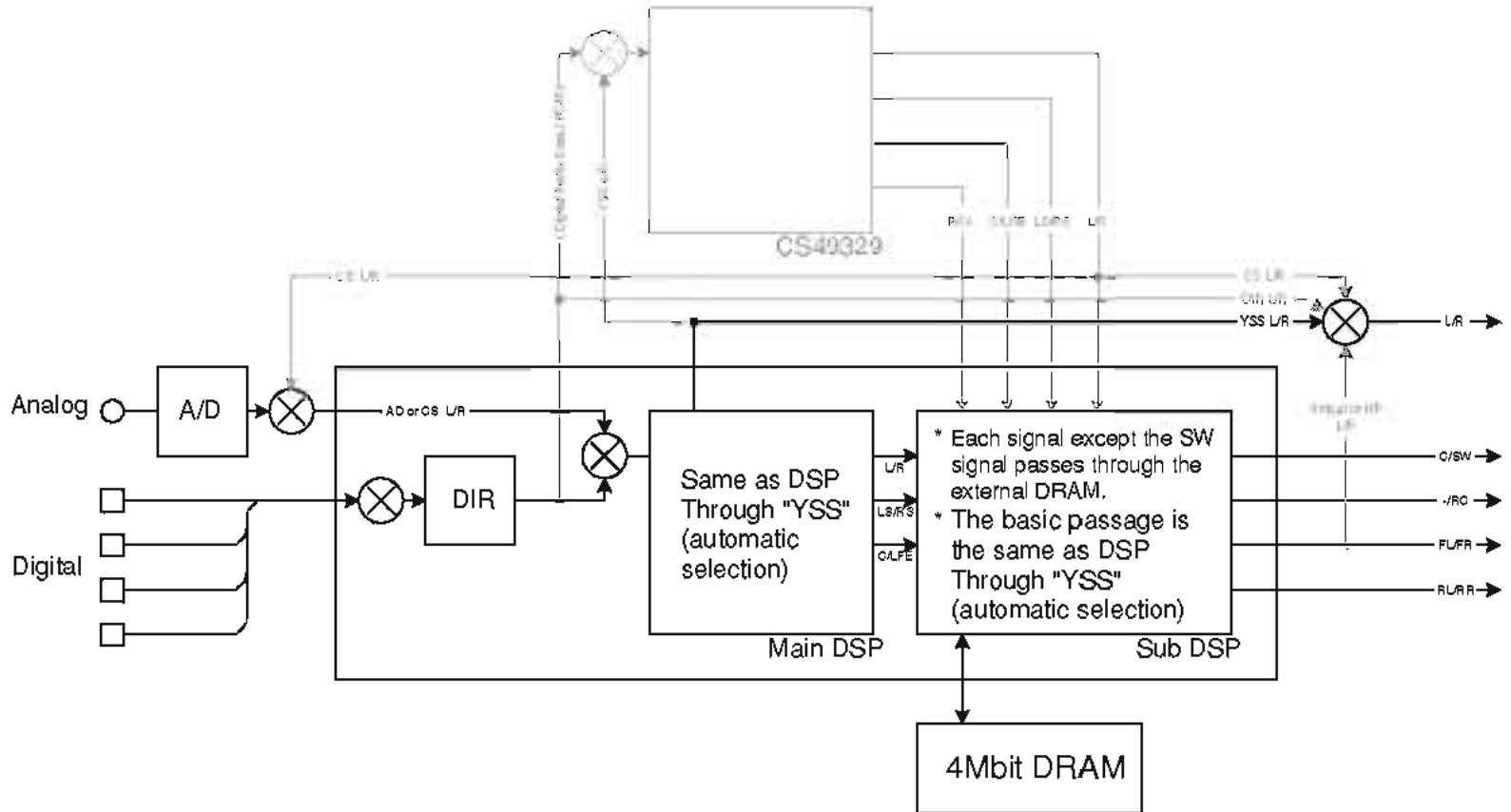
RAM 0dB

2. RAM 0dB

Reference data
 INPUT: DVD ANALOG
 SWFR: 50Hz, Others: 1kHz

Input level	Volume	SPEAKER OUTPUT (1kHz)				SUBWOOFER OUTPUT (50Hz)
		MAIN L/R	CENTER	REAR CENTER	RL/RR	
Both ch, -20 dBm	-10 dB	-∞	+8.2 dBm	-∞	-∞	-∞

RAM THROUGH ~
 (Auto)



(Shaded items not used in this example)

RX-V540/RX-V540RDS/HTR-5650/HTR-5650RDS/DSP-AX540
 RX-V440/RX-V440RDS/HTR-5640/HTR-5640RDS/DSP-AX440

3. PRO LOGIC

PRO LOGIC I

3. PRO LOGIC I

Reference data
 INPUT: DVD ANALOG
 SWFR: 50Hz, Others: 1kHz

Input level	Volume	SPEAKER OUTPUT (1kHz)				SUBWOOFER OUTPUT (50Hz)
		MAIN L/R	CENTER	REAR CENTER	RL/RR	
Each ch, -20 dBm	-10 dB	+23.5 dBm	- ∞	- ∞	- ∞	-9.5 dBm
Both ch, -20 dBm	-10 dB	- ∞	+17.1 dBm	- ∞	- ∞	- ∞

3. PRO LOGIC

PRO LOGIC I

PRO LOGIC II

3. PRO LOGIC II

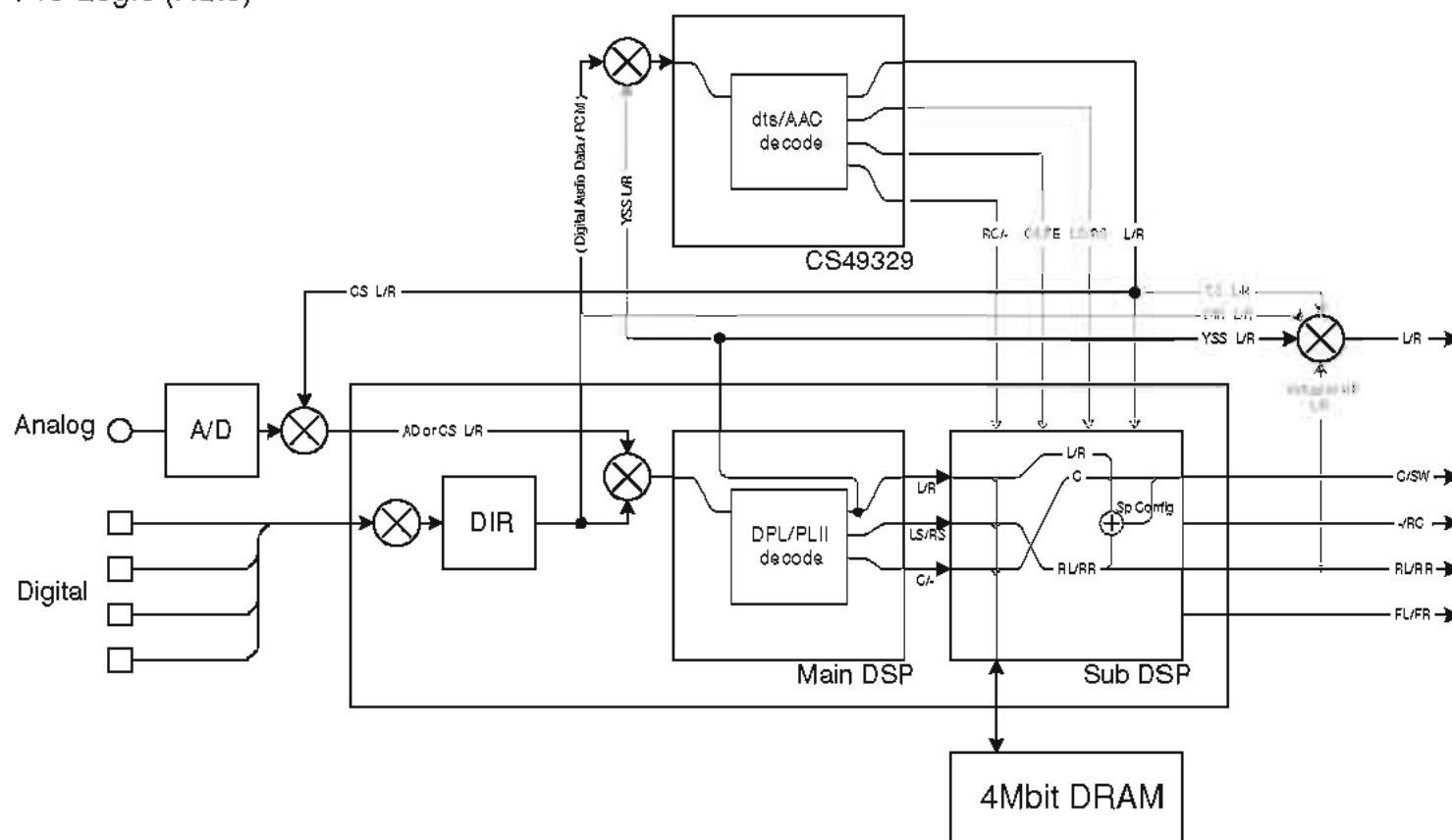
Reference data
 INPUT: DVD ANALOG
 SWFR: 50Hz, Others: 1kHz

Input level	Volume	SPEAKER OUTPUT (1kHz)				SUBWOOFER OUTPUT (50Hz)
		MAIN L/R	CENTER	REAR CENTER	RL/RR	
Each ch, -20 dBm	-10 dB	+23.5 dBm	- ∞	- ∞	- ∞	-9.5 dBm
Both ch, -20 dBm	-10 dB	- ∞	+17.1 dBm	- ∞	- ∞	- ∞

The L/C/R/RL/RR signals undergo the Pro-Logic processing and C/RL/RR signals are output through Sub DSP-DRAM. Main DSP is selected for MAIN L/R output. Using the sub-menu, it is possible to select PRO LOGIC I, II (Movie). The Auto Input Balance function is always off. When the Dolby Digital Multi input is used, the function is the same as in the Dolby Digital Normal mode. The LFE signal is not output when decoding in the PRO LOGIC I, II mode.

L/C/R/RL/RRはYSS938によりプロロジック処理され、C/RL/RRはSub DSP-DRAM経由で出力されます。MAIN L/R出力にはMain DSPが選択されます。サブメニューでPRO LOGIC I、II(Movie)を選択可能です。常時Auto Input Balance offです。
 AAC入力時はCS49329でデコード後、L/Rはプロロジック処理されます。(J modelのみ)
 Dolby Digital Multi入力時は、通常のDolby Digital Normalと同じ動作をします。PRO LOGIC I、IIデコード時は、LFEは出力されません。

Dolby Pro Logic (Auto)



(Shaded items not used in this example)

Neo:6

Neo:6

3. Neo:6

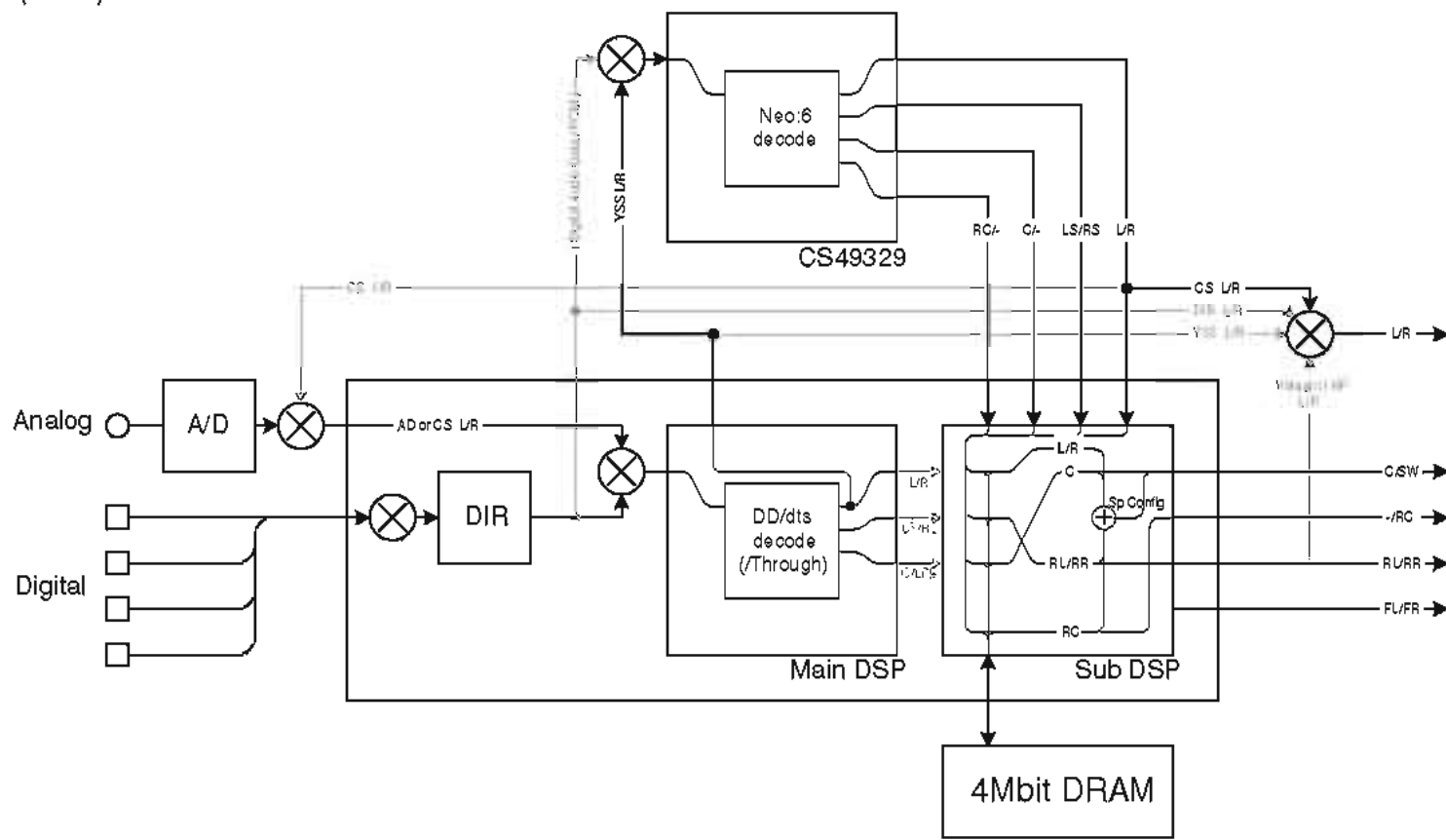
Reference data
 INPUT: DVD ANALOG
 SWFR: 50Hz, Others: 1kHz

Input level	Volume	SPEAKER OUTPUT (1kHz)				SUBWOOFER OUTPUT (50Hz)
		MAIN L/R	CENTER	REAR CENTER	RL/RR	
Each ch, -20 dBm	-10 dB	+23.5 dBm	-∞	-∞	-∞	-9.5 dBm
Both ch, -20 dBm	-10 dB	-∞	+17.1 dBm	-∞	-∞	-∞

L/C/R/RL/RC/RR signals are NEO:6 processed by CS49329 and C/RL/RC/RR signals are output through Sub DSP-DRAM. CS49329 is selected for the MAIN L/R output. The NEO:6 mode is fixed to Cinema 6ch. When DD/dts input is used, the signal is decoded by YSS-938 and then L/R signal is NEO:6 processed by CS49329. When AAC input is used, the signal is muted. When NEO:6 decoding is used, the LFE signal is not output.

L/C/R/RL/RC/RRはCS49329によりNEO:6処理され、C/RL/RC/RRはSub DSP-DRAM経由で出力されます。MAIN L/R出力にはCS49329が選択されます。NEO:6のモードはCinema 6ch固定です。DD/dts入力時はYSS-938でデコード後、L/RをCS49329でNEO:6処理。AAC入力時はミュートされます。NEO:6デコード時は、LFEは出力されません。

Neo:6 (Auto)



(Shaded items not used in this example)

RX-V540/RX-V540RDS/HTR-5650/HTR-5650RDS/DSP-AX540
 RX-V440/RX-V440RDS/HTR-5640/HTR-5640RDS/DSP-AX440

4. SPEAKERS SET

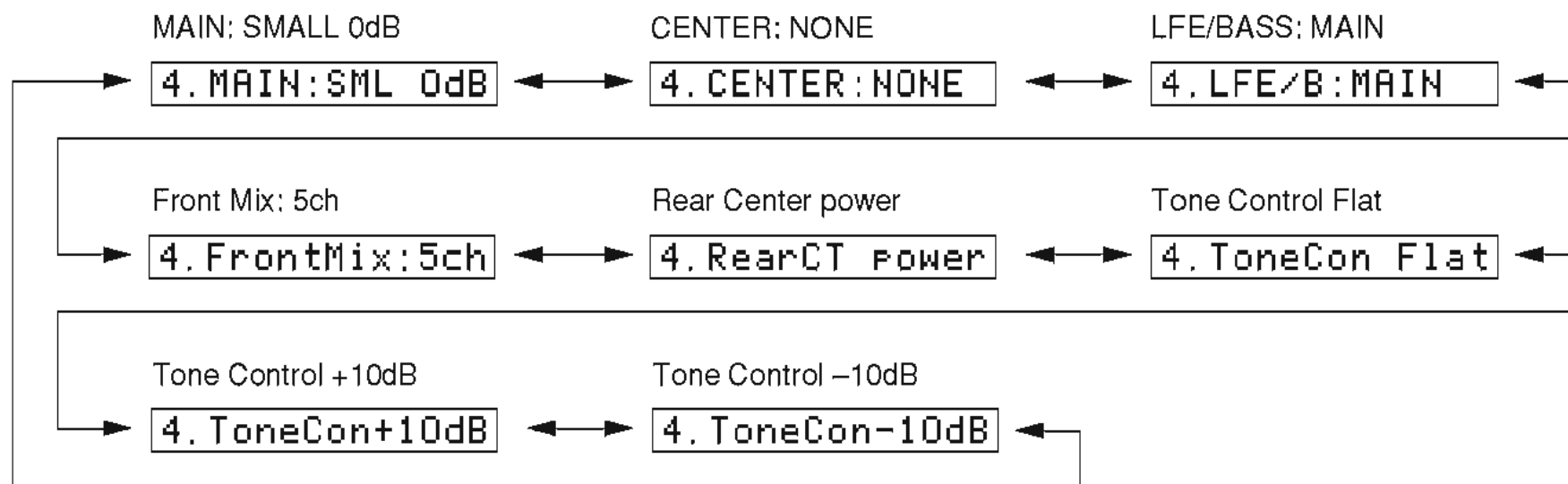
The input signal is automatically identified and switched in the priority order of dts → DOLBY DIGITAL → AAC → PCM AUDIO → Analog (A/D) according to the signal detection.

The signals output from the DSP block are the same as 1. DSP THROUGH; YSS 0dB.

4. SPEAKERS SET

入力は信号検出によって、dts → DOLBY DIGITAL → AAC → PCM AUDIO → アナログ(A/D)の優先順で自動判別切り換えされます。

DSP部からは、No.1 DSP THROUGHのYSS 0dBと同様の信号が出力されます。



The analog switch settings for each sub-menu are as shown in the table below.

各サブメニューにおけるアナログスイッチの設定は以下の通りです。

Sub-menu	CENTER SP	REAR SP	MAIN SP	MAIN LEVEL	LFE/BASS
1 MAIN: SMALL 0dB	LARGE	LARGE	SMALL	0dB	SWFR
2 CENTER: NONE	NONE	LARGE	LARGE	0dB	BOTH
3 LFE/BASS: MAIN	SMALL	SMALL	LARGE	0dB	MAIN
4 FRONT MIX: 5CH	LARGE	LARGE	LARGE	0dB	BOTH
5 REAR CENTER: POWER	LARGE	LARGE	LARGE	0dB	BOTH

- LARGE:** This mode is used with a speaker with high bass reproduction performance (a large unit). Full bandwidth signals are output.
- SMALL:** This mode is used with a speaker with low bass reproduction performance (a small unit). The signals of 90Hz or less are mixed into the channel specified by LFE/BASS.
- NONE:** This mode is used with no center speaker. The center content is reduced by 3dB and distributed to MAIN L/R.

- LARGE:** 低音再生能力の高い(ユニットの大きい)スピーカーを使用するモードです。全帯域が出力されます。
- SMALL:** 低音再生能力の低い(ユニットの小さい)スピーカーを使用するモードです。90Hz以下がLFE/BASSで指定したチャンネルにミックスされます。
- NONE:** スピーカーを使用しないモードです。センター成分は-3dBされて、MAIN L/Rに振り分けられます。

Sub-menu	Treble	Bass
6 Tone Control Flat	0 dB	0 dB
7 Tone Control +10dB	+10 dB	+10 dB
8 Tone Control -10dB	-10 dB	-10 dB

Reference data
 INPUT: DVD ANALOG (Both ch)

Sub-menu	Input level	Volume	SPEAKER OUTPUT (1kHz)				SUBWOOFER OUTPUT (50Hz)
			MAIN L/R	CENTER	REAR CENTER	RL/RR	
1 MAIN: SMALL 0dB	1kHz Both ch, -20 dBm	-10 dB	+23.5 dBm	- ∞	- ∞	- ∞	- ∞
2 CENTER: NONE	1kHz Both ch, -20 dBm	-10 dB	+11.0 dBm	+14.0 dBm	- ∞	- ∞	- ∞
3 LFE/BASS: MAIN	50Hz Both ch, -20 dBm	-10 dB	+26.0 dBm	- ∞	- ∞	- ∞	+7.5 dBm
4 Front Mix: 5ch	1kHz Both ch, -20 dBm	-10 dB	+23.3 dBm	- ∞	- ∞	- ∞	- ∞
5 Rear Center Power	1kHz Both ch, -20 dBm	-10 dB	- ∞	- ∞	+14.0 dBm	- ∞	- ∞
6 Tone Control Flat	1kHz Both ch, -20 dBm	-10 dB	+23.5 dBm	+14.0 dBm	+14.0 dBm	+13.9 dBm	+0.3 dBm
7 Tone Control +10dB	1kHz Both ch, -20 dBm	-10 dB	+25.5 dBm	+14.0 dBm	+14.0 dBm	+13.9 dBm	+0.3 dBm
8 Tone Control -10dB	1kHz Both ch, -20 dBm	-10 dB	+21.1 dBm	+14.0 dBm	+14.0 dBm	+13.9 dBm	+0.3 dBm

5. MARGIN CHECK

The signal is output including the head margin.

MAIN 12dB MARGIN

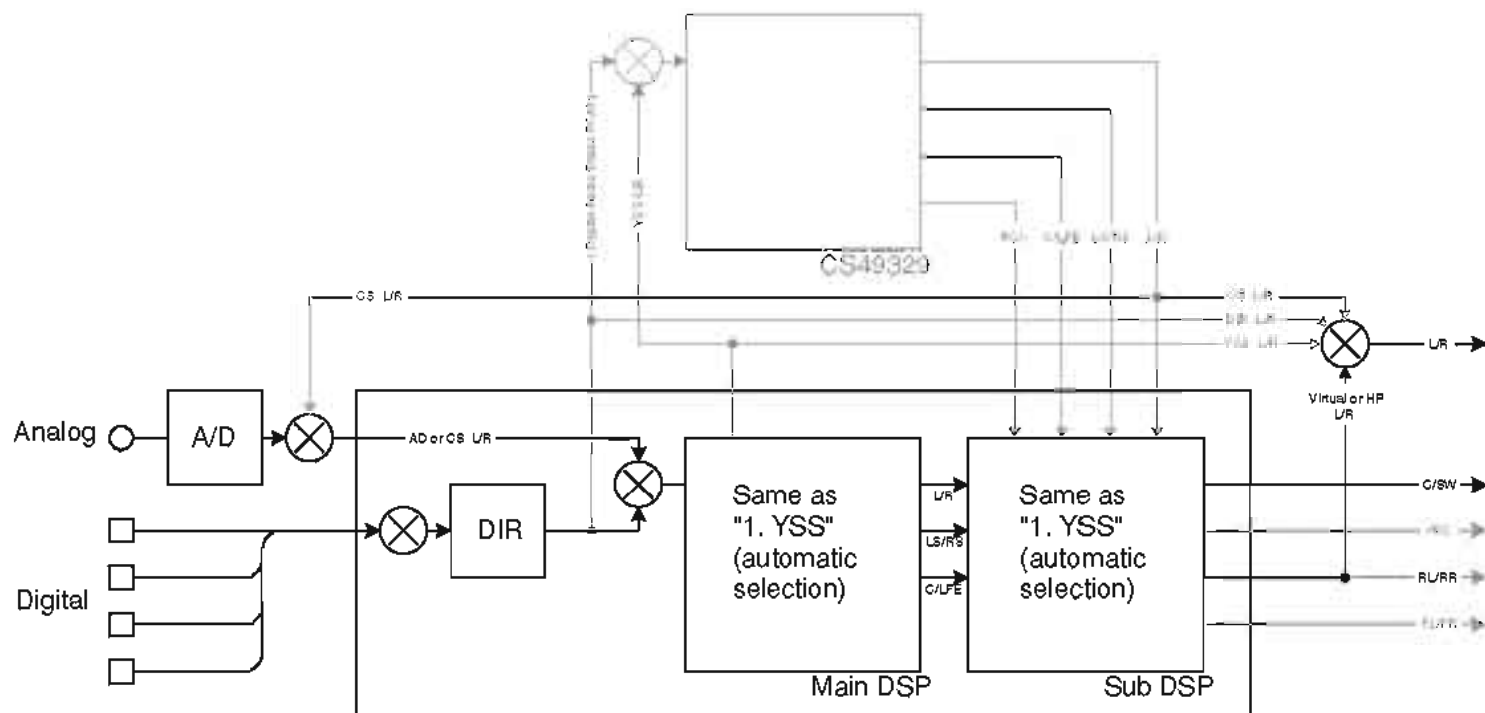
Reference data
 INPUT: DVD ANALOG
 SWFR: 50Hz, Others: 1kHz

Input level	Volume	SPEAKER OUTPUT (1kHz)				SUBWOOFER OUTPUT (50Hz)
		MAIN L/R	CENTER	REAR CENTER	RL/RR	
Both ch, -20 dBm	-10 dB	+14.2 dBm	- ∞	- ∞	- ∞	- ∞

MAIN 18dB MARGIN

Reference data
 INPUT: DVD ANALOG
 SWFR: 50Hz, Others: 1kHz

Input level	Volume	SPEAKER OUTPUT (1kHz)				SUBWOOFER OUTPUT (50Hz)
		MAIN L/R	CENTER	REAR CENTER	RL/RR	
Both ch, -20 dBm	-10 dB	+17.2 dBm	- ∞	- ∞	- ∞	- ∞



(Shaded items not used in this example)

RX-V540/RX-V540RDS/HTR-5650/HTR-5650RDS/DSP-AX540
 RX-V440/RX-V440RDS/HTR-5640/HTR-5640RDS/DSP-AX440

6. OTHER INPUT

The signal input through the 6CH INPUT terminals is output.

EXTERNAL DECODER

6. EXTERNAL DEC

Reference data

INPUT: 6CH INPUT

SWFR: 50Hz, Others: 1kHz

Input level	Volume	SPEAKER OUTPUT (1kHz)				SUBWOOFER OUTPUT (50Hz)
		MAIN L/R	CENTER	REAR CENTER	RL/RR	
Both ch, -20 dBm	-10 dB	+24.1 dBm	+15.2 dBm	-∞	+15.0 dBm	-6.9 dBm

7. DISPLAY CHECK

This program is used to check the FL display section. The display condition varies as shown below according to the sub-menu operation. The signals are processed using EFFECT OFF (The L/R signal is output using ANALOG MAIN BYPASS.)

Regarding internal/external synchronization selection of the image signals by the microprocessor control, the internal synchronization is selected when the initial display is provided and when all FL's light up and the external synchronization at any other time.

Also, except when the initial display is provided, 128 characters for confirmation of the OSD driver are displayed as the image output.

6. OTHER INPUT

6CH入力した信号が出力されます。

EXTERNAL DECODER

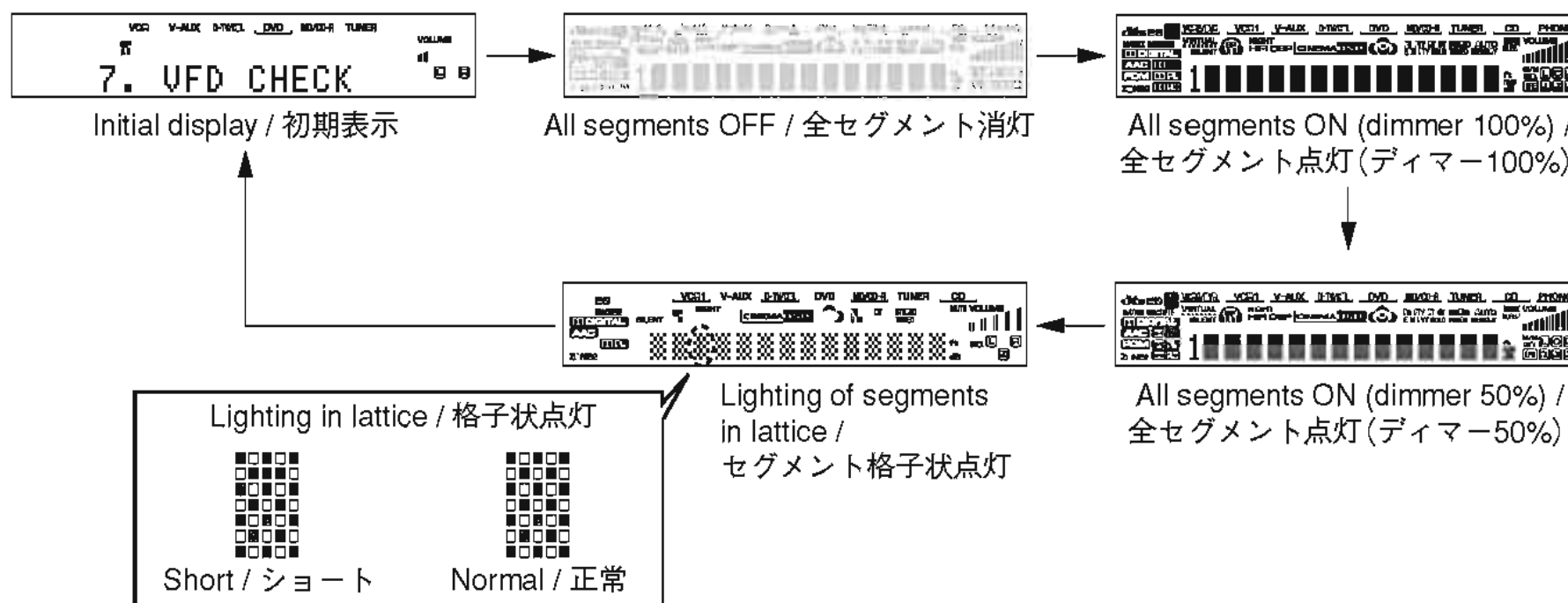
7. DISPLAY CHECK

FL表示部のチェックプログラムです。サブメニュー操作により、表示状態が以下のように変わります。

信号処理はEFFECT OFF (ANALOG MAIN BYPASSでL/Rを出力) です。

マイコン制御による映像信号の内部/外部同期切替は、初期表示とFL 全点灯時に内部同期となり、それ以外は強制外部同期となります。

また、初期表示以外で映像出力にOSDドライバ確認用128文字表示が出ます。



Segment conditions of the FL driver and the FL tube are checked by turning ON and OFF all segments. Next, the operation of the FL driver is checked by using the dimmer control. Then a short between segments next to each other is checked by turning ON and OFF all segments alternately (in lattice). (In the above example, the segments in the second row from the top are shorted.)

全セグメント消灯・全セグメント点灯によりFLドライバー、FL管のセグメントの不良を確認します。次に、ディマーコントロールによってFLドライバーの動作チェックを行います。さらに全セグメントを交互(格子状)に点灯/消灯することで、隣り合うセグメントのショートをチェックします。

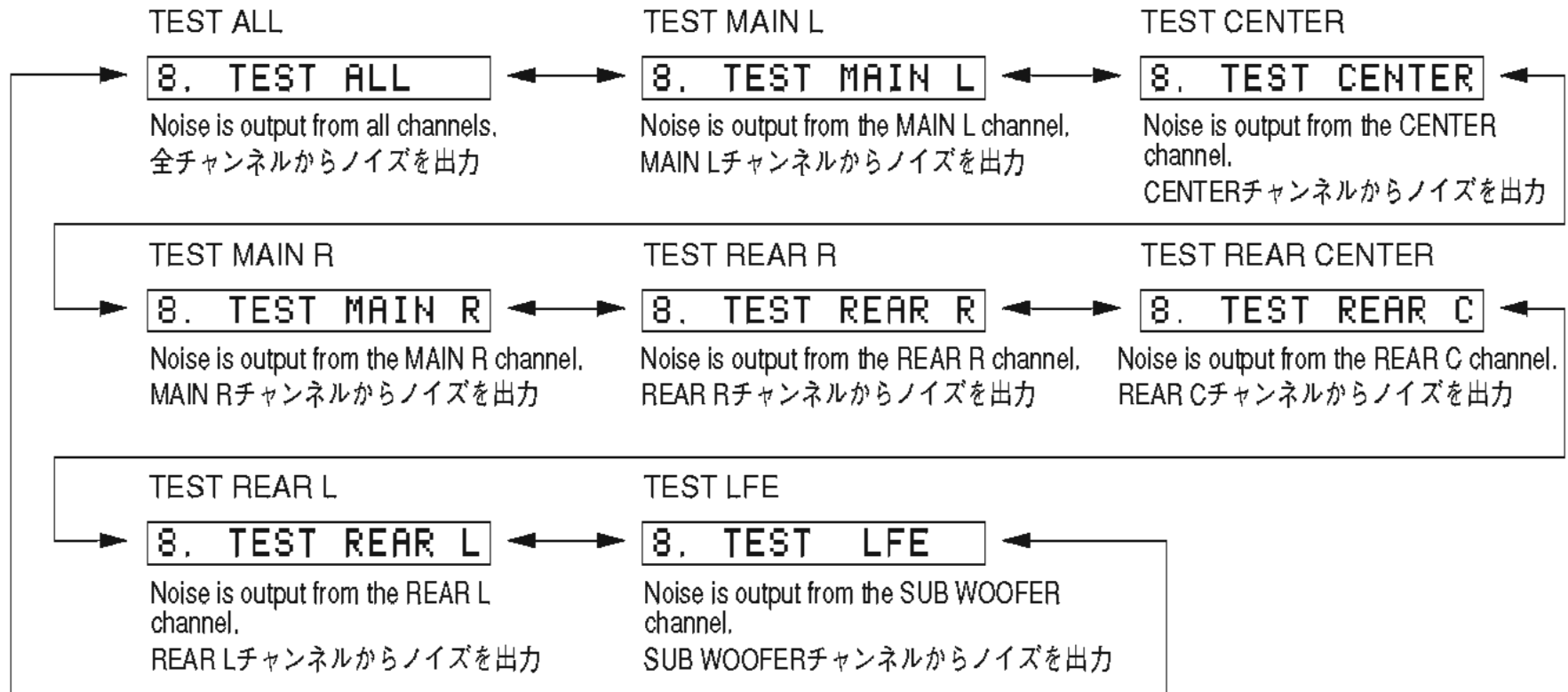
RX-V540/RX-V540RDS/HTR-5650/HTR-5650RDS/DSP-AX540
 RX-V440/RX-V440RDS/HTR-5640/HTR-5640RDS/DSP-AX440

8. MANUAL TEST

The noise generator built into the DSP outputs the test noise through the channels specified by the sub-menu. The noise frequency for LFE is 35 to 250 Hz. Other than that, the center frequency is 800Hz.

8. MANUAL TEST

DSP内蔵のノイズ発生回路によって、サブメニューで指定したチャンネルへテストノイズを出力します。LFE用のノイズ周波数は35~250Hz、それ以外は中心周波数800Hzとなります。



9. FACTORY PRESET

This menu is used to reserve and inhibit initialization of the back-up RAM. The signals are processed using EFFECT OFF. (The L/R signal is output using ANALOG MAIN BYPASS.)

9. FACTORY PRESET

バックアップ用RAM (音場プログラムのパラメーターやセットメニュー内容等)の初期化を予約/禁止します。信号処理はEFFECT OFFと同じです (ANALOG MAIN BYPASSで、L/Rを出力)。

9. PRESET INHI



9. PRESET RSRV

PRESET INHIBIT (Initialization inhibited) / **PRESET INHIBIT** (初期化禁止)

RAM initialization is not executed. Select this sub-menu to protect the values set by the user. RAMの初期化は行われません。ユーザーの設定値を保護するときは、こちらを選択してください。

PRESET RESERVED (Initialization reserved) / **PRESET RESERVED** (初期化予約)

Initialization of the back-up RAM is reserved. (Actually, initialization is executed the next time that the power is turned on.) Select this sub-menu to reset to the original factory settings or to reset the RAM.

バックアップRAMの初期化が予約されます。(実際に初期化されるのは、次回の電源投入時です。)工場出荷時やRAMをリセットしたいときは、こちらを選択してください。

CAUTION: Before setting to the PRESET RESERVED, write down the existing preset memory content of the Tuner in a table as shown below. (This is because setting to the PRESET RESERVED will cause the user memory content to be erased.)

注意：PRESET RESERVEDを選んで初期化をする前に、チューナーのユーザーメモリー内容を下表に書き写してください。(初期化をすると、ユーザーメモリーの内容は消えてしまいます。)

Preset group	P1	P2	P3	P4	P5	P6	P7	P8
A								
B								
C								
D								
E								

RX-V540/RX-V540RDS/HTR-5650/HTR-5650RDS/DSP-AX540
RX-V440/RX-V440RDS/HTR-5640/HTR-5640RDS/DSP-AX440

・ PRESET STATIONS / プリセット局

STATION		FM FACTORY PRESET DATA (MHz)		
PAGE	NO.	U, C	R, T, K, A, B, G, L	J
A/C/E	1	87.5	87.5	76.0
	2	90.1	90.1	83.0
	3	95.1	95.1	84.0
	4	98.1	98.1	86.0
	5	107.9	108.0	90.0
	6	88.1	88.1	78.0
	7	106.1	106.1	88.0
	8	107.9	108.0	82.1

STATION		AM FACTORY PRESET DATA (kHz)		
PAGE	NO.	U, C, R, T, K	A, B, G, L	J
B/D	1	630	630	630
	2	1080	1080	1080
	3	1440	1440	1440
	4	530	531	531
	5	1710	1611	1611
	6	900	900	900
	7	1350	1350	1350
	8	1400	1404	1404

10. AD DATA CHECK/FAN TEST

This menu is used to display the A/D conversion value of the terminals which detects panel keys of the main unit and protection functions in % using the sub-menu. During signal processing, the condition before execution is maintained.

When K0/K1 menu is selected, keys become non-operable due to detection of the values of all keys. However, it is possible to advance to the next sub-menu by turning the VOLUME of the main unit. When using this function, note that turning the VOLUME more than 2 clicks will cause the volume value to change.

* The figures in the diagram are given as reference only.

DC/PS (protection detection)

DC: DC protection value (Normal value: 7 to 100)
 If DC is out of the normal value range, the protection function works to turn off the power.

PS: Power supply voltage protection value (Normal value: 28 to 47)
 If PS is out of the normal value range, the protection function works to turn off the power.

DC: 98% PS: 38%

THM/Fan (temperature detection/fan drive level)

THM: 500% display of the voltage based on the temperature detected value. Reference voltage : 5V (Normal value: 30 to 147)
 Fan: Current fan drive level on the left and the past fan drive history on the right.
 (Not applied to these models.)

THM: 98%5Fan_/_

REC-OUT

Not applied to these models.

REC-OUT:

10. AD DATA CHECK/FAN TEST

本体パネルキー、プロテクションなどを検出している端子のA/D変換の値を、サブメニューで%表示します。信号処理は実行前の状態を維持します。

K0/K1のメニューにすると、全キーの値を検出するためキー操作はできなくなりますが、本体のVOLUMEを回すことにより、次のサブメニューに進めることができます。このとき2クリック以上回すと、ボリューム値が変化するので注意してください。

※図中の数値は参考例です。

DC/PS (プロテクションの検出)

DC: DCプロテクションの値(正常値7~100)
 DCは正常値を外れるとプロテクションが働き、電源オフされます。

PS: 電源電圧プロテクションの値(正常値28~47)
 PSは正常値を外れるとプロテクションが働き、電源オフされます。

THM/Fan (温度検出/ファン駆動レベル)

THM: 温度検出値で電圧の500%表示、基準電圧は5V (正常値30~147)
 Fan: 左側は現在のファン駆動レベル、右側は過去のファン駆動履歴
 (このモデルには適用されません。)

REC-OUT

このモデルには適用されません。

IMP SW/POWER LIMIT (Impedance/power limiter detection)

IMP: 8 or 4 ohm impedance switch setting
PL: Power limiter detection value

The voltage value of pin No. 91 of IC601 is displayed, using 5V/256 as standard.
When the power is turned on, the impedance of the speaker being connected is automatically detected, using the input voltage value of pin No. 91 of IC601.

Input voltage value	0 - 490mV	491mV - 5V
Impedance of speaker	4 ohms	8 ohms

The port output is controlled by using the input voltage value of pin No. 91 of IC601.
When higher than VthH, the port output is changed from L to H.
When lower than VthL, the port output is changed from H to L.

Impedance	PORT	VthL	VthH
8/6 ohms	No.87	2.85V	3.37V
4 ohms	No.88	1.95V	2.47V

IMP SW/POWER LIMIT (インピーダンス/パワーリミッターの検出)

IMP: インピーダンスSW検出の値
PL: パワーリミッター検出の値

IC601 91ピンの電圧値を5V/256を基準にして表示します。
IC601 91ピンの入力電圧値により、ポート出力を制御します。
VthHを越えた場合、ポート出力をLからHにします。
VthLを下回った場合、ポート出力をHからLにします。

PORT	VthL	VthH
No.87	2.53V	3.05V

IMP:8 PL:55%

K0/K1 (Panel key of main unit)

A/D of the key fails to function properly when the standard value is deviated. In this case, check the constant of partial pressure resistor, solder condition, etc. Refer to table 1.

K0/K1 (本体パネルキー)

キーのA/Dは基準値から外れると、正常な動きをしません。Table 1をご覧になり、各キーの分圧抵抗の定数、ハンダ不良等の確認をしてください。

K0:100%K1:100%

[Table 1]

Display (%)	K0	K1
0 - 6	SP A	INPUT MODE
7 - 13	SP B	6CH INPUT
14 - 21	STEREO	EDIT PRESET
22 - 31	◀ PROGRAM	FM/AM
32 - 41	PROGRAM ▶	TUNING MODE
42 - 53	PRESET PAGE	MEMORY
54 - 63	◀ PRESET/TUNING	PTY SEEK MODE
64 - 72	PRESET/TUNING ▶	PTY SEEK START
73 - 80	TONE SELECT	EON
81 - 88	TONE DOWN	RDS MODE
89 - 95	TONE UP	-

FAN DRIVE TEST (For models so equipped)

HIGH (Not applied to these models.)

FAN DRIVE TEST (ファン駆動テスト)

HIGH: ファン駆動強(このモデルには適用されません。)

FAN TEST:HIGH

FAN DRIVE TEST (For models so equipped)

MID (Not applied to these models.)

FAN DRIVE TEST (ファン駆動テスト)

MID: ファン駆動中(このモデルには適用されません。)

FAN TEST:MID

FAN DRIVE TEST (For models so equipped)

LOW (Not applied to these models.)

FAN DRIVE TEST (ファン駆動テスト)

LOW: ファン駆動弱(このモデルには適用されません。)

FAN TEST:LOW

RX-V540/RX-V540RDS/HTR-5650/HTR-5650RDS/DSP-AX540
RX-V440/RX-V440RDS/HTR-5640/HTR-5640RDS/DSP-AX440

11. IF STATUS (Input function status)

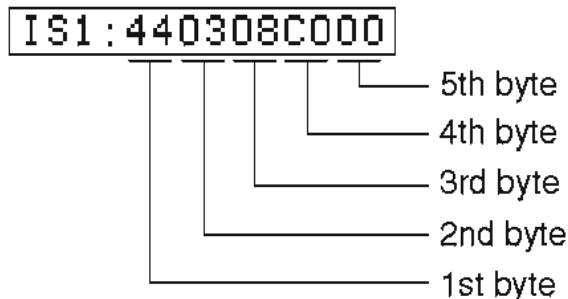
Using the sub-menu, the status data is displayed one after another in the hexadecimal notation.

During signal processing, the status before execution of this menu is maintained.

* Numeric values in the figure example are for reference.

IS1, 2 (Internal status):

Indicates the status information of the microprocessor.



<1st byte> Digital input/output setting value
 Upper 4 bits: REC OUT selected /
 lower 4 bits: INPUT selected

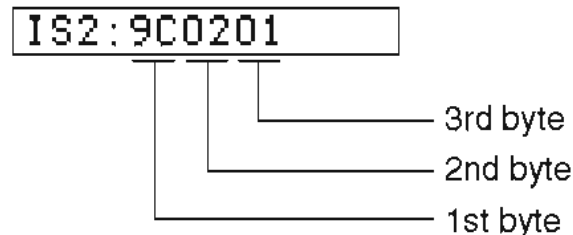
11. IF STATUS

サブメニュー操作により、以下のステータス情報を順次16進数で表示します。信号処理は、本メニュー実行前の状態を維持します。

※図中の数値は参考例です。

IS 1, 2 (内部ステータス):

マイコンのステータス情報を表示します。



<第1バイト>デジタル入出力設定値
 上位4bit REC OUT選択 /
 下位4bit INPUT選択

Value	Choice	Preset name
0	NONE	
1	OPTA	V-AUX
2	OPTB	MD/CD-R
3	OPTC	DVD
4	OPTD	D-TV/CBL
8	COAXA	CD

<2nd byte> Fs information of reproduction signal

<第2バイト>再生信号のFs情報

Display	00	01	02	03	04	05	06	0A	0B	0C	0D
Fs (kHz)	Analog	32	44.1	48	64	88.2	96	Unknown NRM	Unknown DBL	Unknown QUAD	Not defined

<3rd byte> Audio code mode information of reproduction signal

<第3バイト>再生信号のオーディオコードモード情報

Display	00	01	02	03	04	05	06	07	08	09	0A	0B	0C	0D
Audio Code	1+1	1/0	2/0	3/0	2/1	3/1	2/2	3/2	2/3	3/3	OVER 6.1	MULTI MONO	MULTI PCE	Unknown

<4th byte> Format information of reproduction signal

<第4バイト>再生信号のフォーマット情報

*1: Analog processing used for digital reproduction is not possible because of a commercial bit or 4-ch audio reason.

*1: 業務用ビットや4chオーディオなどの理由で、デジタル再生できずアナログ処理されます。

Display	Signal format
00	Analog (Unlock)
01	Incorrect digital (*1)
10	PCM Audio
20	Digital Data
21	IEC1937 Data
22	None PCM
23	Unknown
50	dts
51	Red dts
54	dts-ES MATRIX
58	dts-ES DISCRETE
5C	dts-ES (Both flag)
60	AAC
C0	Dolby Digital
C1	D.D. Karaoke
C4	D.D.6.1 (D.D.EX)

<5th byte> Signal processing status information
*2: With digital signals other than 32kHz, 44.1kHz and 48kHz, through processing method is used for reproducible signals.

<第5バイト>信号処理ステータス情報
*2: 32kHz、44.1kHz、48kHz以外のデジタル信号の場合、再生可能な信号についてはスルー処理されます。

bit7	MUTE request	bit3	-
bit6	Red dts flashing	bit2	Through & bypass (*2)
bit5	6.1/EX processing	bit1	-
bit4	FULL MUTE (ON: 1)	bit0	dts analog mute

CS1-5: Indicates channel status information of the input signal (IEC60958).

CS 1-5: 入力信号のIEC60958チャンネルステータス情報を表示します。

CS1:0299000200 ----- CS5:00000000

BY1-4: Indicates information of the bit stream included in the DOLBY DIGITAL signal.

BY1-4: DOLBY DIGITAL信号に含まれるビットストリームインフォメーション情報を表示します。

BY1:1E40E1301B ----- BY4:01FFFFFF

BS1-5: Indicates information of the bit stream included in the dts signal.

BS1-5: dts信号に含まれるビットストリームインフォメーション情報を表示します。

BS1:000070FFFF ----- BS5:C4

YS1-3: Indicates device status information of YSS938 (IC601).

YS1-3: YSS938 (IC601)のデバイスステータス情報を表示します

* The numeric value in the figure is an example for reference.

※ 図中数値は参考例です。

YS1:FE02004F97

Byte No.	Function
1	YSS MUTE Reg
2	YSS MODE Reg
3	YSS IPORT BIT 7-0
4	YSS IPORT BIT 14-8
5	YSS OPORT

YS2:0101418000

Byte No.	Function
1	IEC 1937 Preamble Pc
2	Data Stream Reg
3	Status Reg
4	YSS ZERO Reg
5	MIREG

YS3:1A41803D

Byte No.	Function
1	DIR Status
2	DIR fs
3	DIR fs count
4	YSS ZEROBF

SD: CS49329 Unsolicited Messages (AUTODETECT_RESPONSE)

SD: CS49329 Unsolicited Messages (AUTODETECT_RESPONSE)

SD : 000001

MTT: Mute Trigger

MTT: Mute Trigger

MTT : 002000007

Byte No.	Function
1	Mute condition
2	Factor of the last mute
3	Error count of YSS938-FSCNT
4	Mute count by YSS938-FSCNT
5	Error factor of down load of CS49329

RX-V540/RX-V540RDS/HTR-5650/HTR-5650RDS/DSP-AX540
RX-V440/RX-V440RDS/HTR-5640/HTR-5640RDS/DSP-AX440

12. DSP RAM CHECK

This menu is used to self-diagnose whether or not the bus connection for the YSS938 and the external RAM is made properly.

During signal processing, the status before execution of this menu is maintained.

The address bus and the data bus are checked and the connection condition is displayed.

When no error is detected, "NoEr" appears on display.

YSS938 Bus Check

YSS BUS:NoEr

Display	Description
WAIT	Bus is being checked.
NoEr	No error detected.
DATA	Data bus shorted or open.
RSCS	/RAS or /CAS shorted, or open.
ADDR	Address bus shorted or open.

PLD/SRAM BUS CHECK

SD BUS:None

Display	Description
WAIT	Bus is being checked.
None	No error detected.
EDxx	Data bus shorted or open. (XX: 00-07)
EAXx	Address bus shorted or open. (XX: 00-0E)

13. SD DL CODE

This menu is used to display the data version of the FLASH ROM, TOC information and sum calculated value for the second decoder.

RDV

Displays the data version.

RDV:XXXXXXXX

TA 0-5

Displays the TOC information.

TA0:0502629A ----- TA5:FFFFFFFF

SA 0-5

Displays the sum calculated value.

SA0:984E984E ----- SA5:FFFFFFFF

12. DSP RAM CHECK

YSS938と外付けRAMとのバス接続の正否を自己診断します。

信号処理は、このメニューを実行する前の状態を維持します。

アドレスバス、データバスのチェックを行い、接続正否を表示します。

エラーが検出されなかった場合は、“NoEr”と表示されます。

YSS938 BUS CHECK

PLD/SRAM BUS CHECK

13. SD DL CODE

2ndデコーダ用FLASH ROMのデータバージョン、TOC情報およびサム算出値を表示します。

RDV

データバージョンを表示します。

TA 0-5

TOC情報を表示します。

SA 0-5

サム算出値を表示します。

14. SOFT SW

This menu is used to switch the function settings on P.C.B. through the software so as to activate the product.

The protection function follows the P.C.B. settings. When connected to AC or in the maker preset state, the unit is initialized to the P.C. B. setting. Display of each function after initialization varies depending on settings on P.C.B. The operation mode can be changed by selecting the sub-menu and then using the EFFECT key. With SOF selected for the SW mode, the settings become effective.

SW MODE: PCB or SOFT can be selected.

14. SW : PCB

MODEL SETTING: V440, V540, AX640, V640 or V740 can be selected.

14. MODEL : V540

TUNER DESTINATION: J, UC, ALG or R can be selected.

14. DEST : UC

RDS: NOT or EXIST can be selected.

14. RDS : NOT

ZONE2: NOT or EXIST can be selected.

14. ZONE2 : NOT

VIDEO FORMAT: NTSC or PAL can be selected.
(J model only)

14. VIDEO : PAL

14. SOFT SW

P.C.B.上の機能設定をソフト的に切り替えて、製品を動作させる機能です。

プロテクション機能は、P.C.B.の設定に従います。AC接続またはメーカープリセットで、P.C.B.の設定に初期化されます。初期化後の各機能の表示は、P.C.B.上の設定によります。操作は、サブメニューを選んだ後、EFFECTキーで切り替えます。SWモードをSOFTにすると、設定が有効になります。

SW MODE : PCBまたはSOFTを選択できます。

MODEL SETTING : V440、V540、AX640、V640、V740のいずれかを選択できます。

TUNER DESTINATION : J、UC、ALG、Rのいずれかを選択できます。

RDS : NOTまたはEXISTを選択できます。

ZONE2 : NOTまたはEXISTを選択できます。

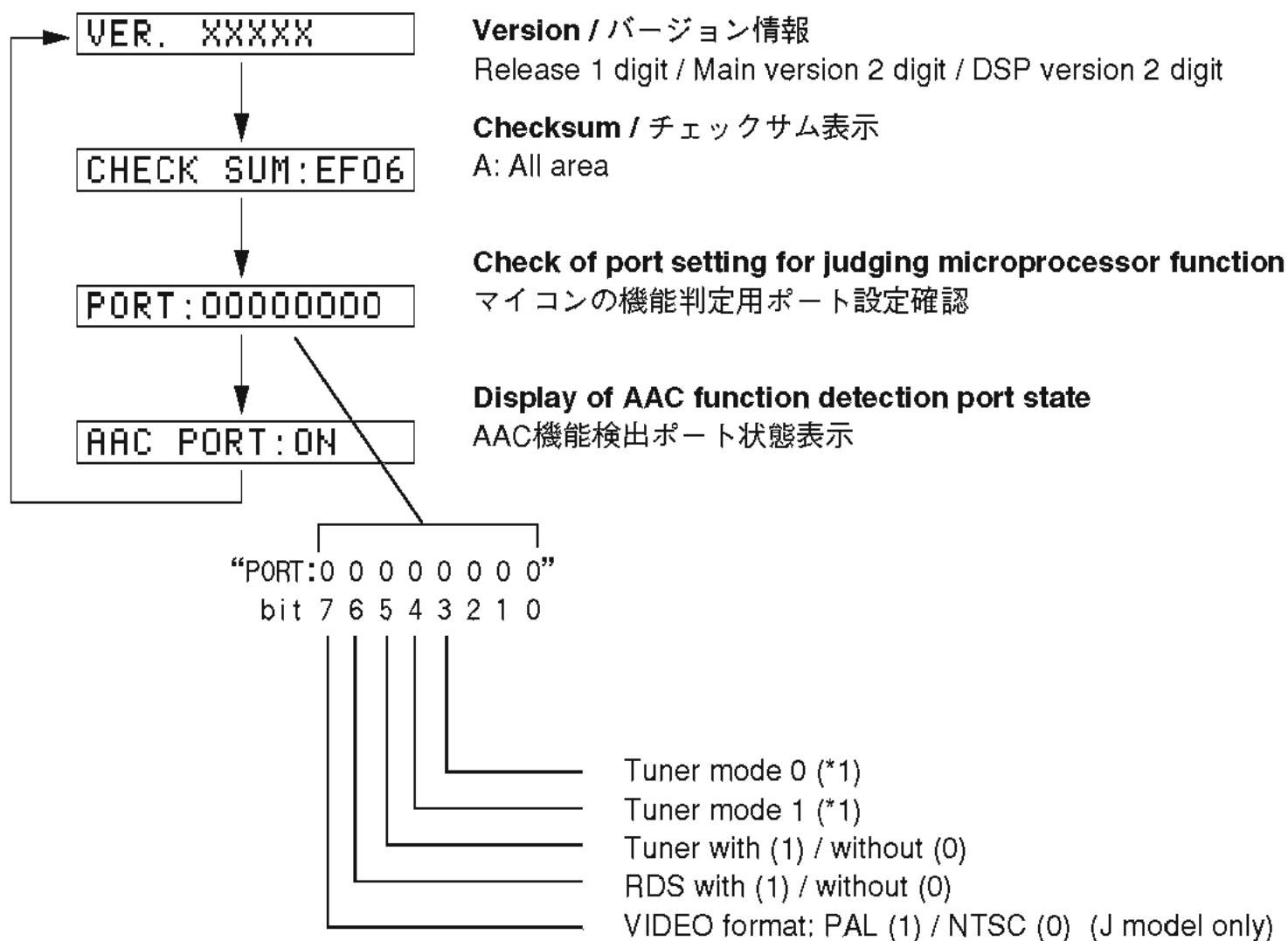
VIDEO FORMAT : NTSCまたはPALを選択できます。
(Jモデルのみに適用)

15. MICROPROCESSOR INFORMATION

The version, checksum and the port specified by the microprocessor are displayed. The signal is processed using EFFECT OFF. The checksum is obtained by adding the data at every 8 bits for each program area and expressing the result as a 4-figure hexadecimal data.

15. マイコン情報

サブメニューは4つあります。
 プログラムのバージョン、チェックサム、マイコンの指定ポートを表示します。
 信号はエフェクトOFFです。チェックサムは、プログラムエリア別にデータを8ビットごとに加算していき、4桁の16進データで現したものです。



*1

Type	Tuner mode		Port 3 (type 2)	Frequency range	
	1	0		FM	AM
0	0	0	—	76.0-90.0MHz / 100kHz	531-1611kHz / 9kHz
1	1	0	—	87.5-108.0MHz / 50kHz	531-1611kHz / 9kHz
2	0	1	—	87.5-107.9MHz / 200kHz	530-1710kHz / 10kHz
3	1	1	Low	87.5-108.0MHz / 100kHz	530-1710kHz / 10kHz
			High	87.5-108.0MHz / 50kHz	531-1611kHz / 9kHz

■ AMP ADJUSTMENT / アンプ部調整

Confirmation of Idling Current of Main (1) P. C. B.

- Right after power is turned on, confirm that the voltage across the terminals of R164 (Main Lch), R168 (Main Rch), R181 (Center), R175 (Rear Lch), R177 (Rear Rch), R416 (Rear Cch) are between 0.1mV and 10.0mV.
- If it exceeds 10.0mV, open (cutoff) R109 (Main Lch), R116 (Main Rch), R136 (Center), R122 (Rear Lch), R129 (Rear Rch), R403 (Rear Cch) and reconfirm the voltage.

Attention

If the Idle current exceeds 10.0mV after an amplifier repair, first check for a defective component before cutting the bias resistor.

- Confirm that the voltage is 0.2mV ~ 15.0mV after 60 minutes.

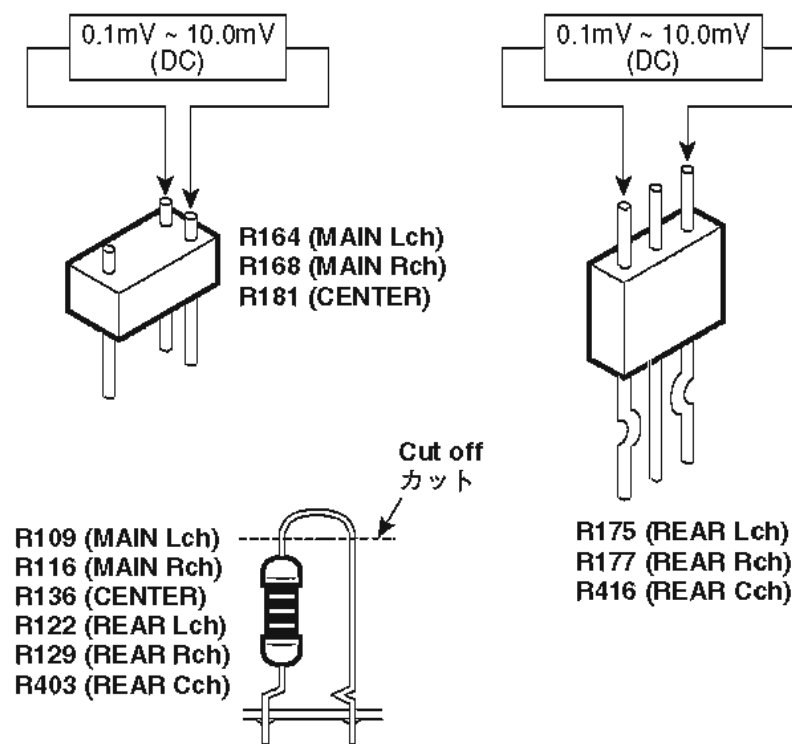
メイン(1)基板のアイドリング電流の確認

- 電源投入直後、R164 (MAIN Lch)、R168 (MAIN Rch)、R181 (CENTER)、R175 (REAR Lch)、R177 (REAR Rch)、R416 (REAR Cch)の端子間電圧を測定し、0.1mVから10.0mVの間であることを確認してください。
- 電圧が10mVを超えている場合は、R109 (MAIN Lch)、R116 (MAIN Rch)、R136 (CENTER)、R122 (REAR Lch)、R129 (REAR Rch)、R403 (REAR Cch)をカットし、電圧を再確認してください。

注意

パワーアンプ修理後に10.0mVを超えている場合は、抵抗をカットする前に故障箇所を調べてください。

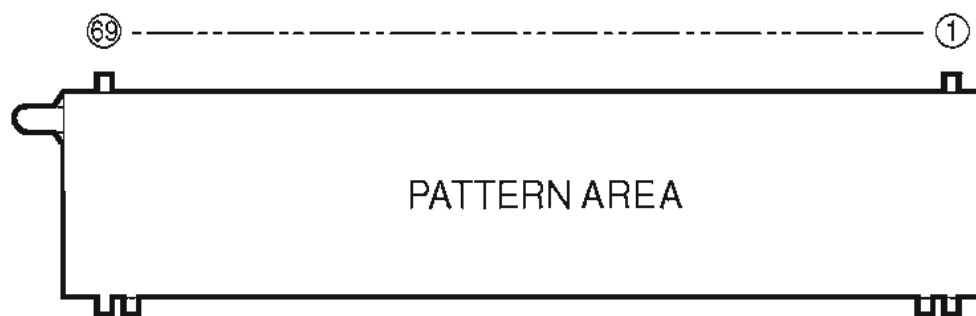
- 60分後、電圧が0.2mV～15.0mVであることを確認してください。



RX-V540/RX-V540RDS/HTR-5650/HTR-5650RDS/DSP-AX540
 RX-V440/RX-V440RDS/HTR-5640/HTR-5640RDS/DSP-AX440

■ DISPLAY DATA

● V501 : HNA-16MM43 (WA531200)



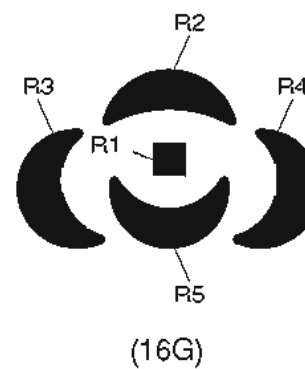
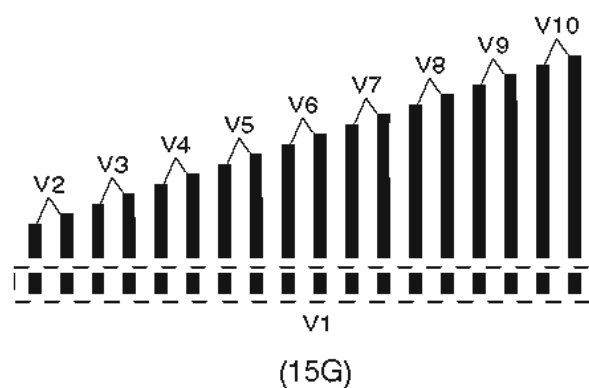
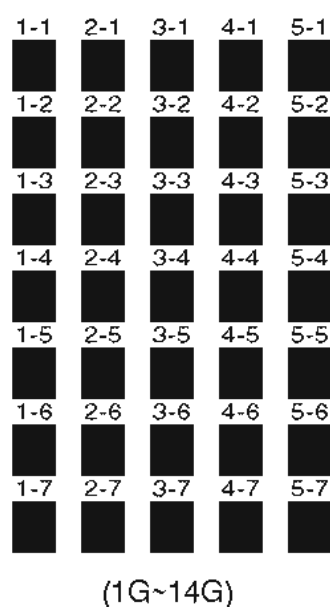
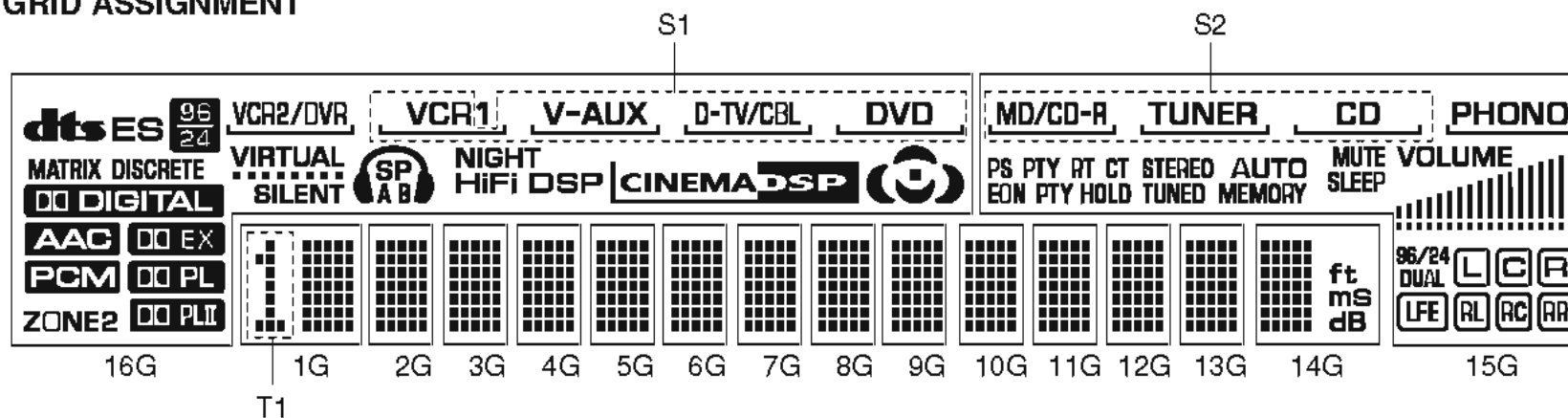
● PIN CONNECTION

Pin No.	69	68	67	66	65	64	63	62	61	60	59	58	57	56	55	54	53	52	51	50	49	48	47	46	45	44	43	42	41	40	39	38	37	36	35
Connection	F2	F2	NP	NP	P1	P2	P3	P4	P5	P6	P7	P8	P9	P10	P11	P12	P13	P14	P15	P16	P17	P18	P19	P20	P21	P22	P23	P24	P25	P26	P27	P28	P29	P30	P31


Pin No.	34	33	32	31	30	29	28	27	26	25	24	23	22	21	20	19	18	17	16	15	14	13	12	11	10	9	8	7	6	5	4	3	2	1
Connection	P32	P33	P34	P35	P36	P37	P38	NX	NX	NX	NX	NX	NX	NX	16G	15G	14G	13G	12G	11G	10G	9G	8G	7G	6G	5G	4G	3G	2G	1G	NP	NP	F1	F1

Note : 1) F1, F2 Filament 2) NP No pin 3) G1 ~ 16 Grid 4) NX No extened 5) P1 ~ 38 Anode

● GRID ASSIGNMENT



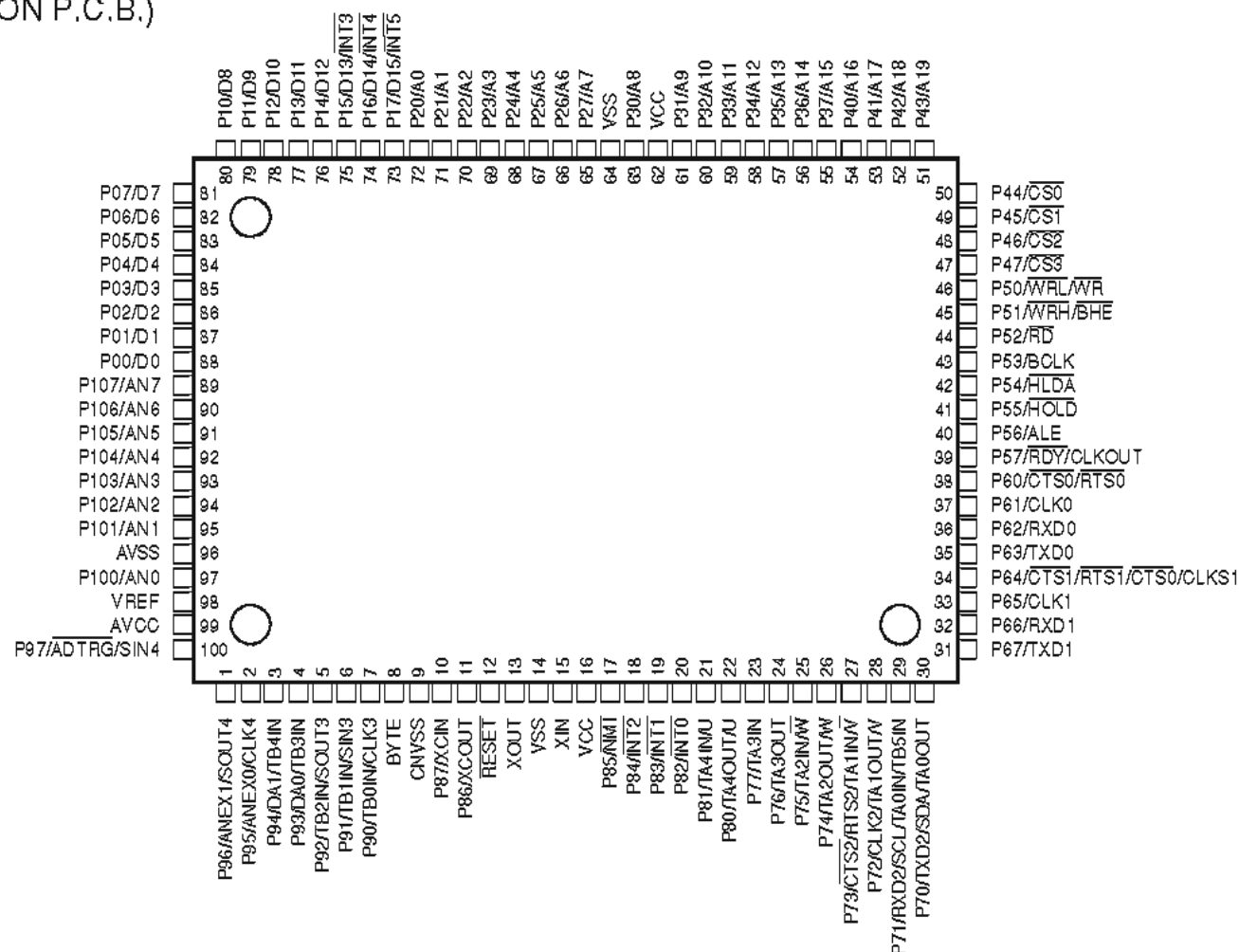
● ANODE CONNECTION

	16G	15G	14G	13G~2G	1G
P1	dt	S2	1-1	1-1	1-1
P2	ES	PHONO	2-1	2-1	2-1
P3	MATRIX	<u>(MD/CD-R)</u>	3-1	3-1	3-1
P4	DISCRETE	<u>(TUNER)</u>	4-1	4-1	4-1
P5		<u>(CD)</u>	5-1	5-1	5-1
P6	DD DIGITAL	<u>(PHONO)</u>	1-2	1-2	1-2
P7	DD EX	PS	2-2	2-2	2-2
P8	DD PL	PTY	3-2	3-2	3-2
P9	DD PLII	RT	4-2	4-2	4-2
P10	AAC	CT	5-2	5-2	5-2
P11	PCM	EON	1-3	1-3	1-3
P12	ZONE2	PTY HOLD	2-3	2-3	2-3
P13	VIRTUAL	STEREO	3-3	3-3	3-3
P14	SILENT	AUTO	4-3	4-3	4-3
P15		TUNED	5-3	5-3	5-3
P16	SP	MEMORY	1-4	1-4	1-4
P17	A	MUTE	2-4	2-4	2-4
P18	B	SLEEP	3-4	3-4	3-4
P19	HIFI DSP	VOLUME	4-4	4-4	4-4
P20	CINEMA DSP	V1	5-4	5-4	5-4
P21	R1	V2	1-5	1-5	1-5
P22	R2	V3	2-5	2-5	2-5
P23	R3	V4	3-5	3-5	3-5
P24	R4	V5	4-5	4-5	4-5
P25	R5	V6	5-5	5-5	5-5
P26	S1	V7	1-6	1-6	1-6
P27	<u>VCR2/DVR</u>	V8	2-6	2-6	2-6
P28	<u>(VCR) 1</u>	V9	3-6	3-6	3-6
P29	<u>(VCR2/DVR)</u>	V10	4-6	4-6	4-6
P30	<u>(VCR1)</u>	96/24	5-6	5-6	5-6
P31	<u>(V-AUX)</u>	DUAL	1-7	1-7	1-7
P32	<u>(D-TV/CBL)</u>	LFE	2-7	2-7	2-7
P33	<u>(DVD)</u>	L	3-7	3-7	3-7
P34	NIGHT	C	4-7	4-7	4-7
P35	-	F	5-7	5-7	5-7
P36	-	RL	ft	-	T1
P37	-	RC	ms	-	-
P38	-	RR	dB	-	-

RX-V540/RX-V540RDS/HTR-5650/HTR-5650RDS/DSP-AX540
 RX-V440/RX-V440RDS/HTR-5640/HTR-5640RDS/DSP-AX440

IC DATA

IC601: M3062VMGP (FUNCTION P.C.B.)
 16bit μ -COM (Main CPU)



No.	Port No.	Function name	I/O	Detail of function
1	SOUT4	DTFD	SO	FL Driver TxD
2	CLK4	CKFD	SCK	FL Driver CLOCK
3	P94	/BLK	O	FL Driver OFF
4	P93	ISA	I	Input Select Rotary A
5	SOUT3	SDM	SO	YSS938 TxD
6	SIN3	SDD	SI	YSS938 RxD
7	CLK3	YSSCK	SCK	YSS938 CLOCK
8	BYTE	BYTE	VSS	Vss: when single chip mode is used
9	CNV _{ss}	CNV _{ss}	Vss/Vcc	Vss: when single chip mode is used, Vcc: when flash writing is used
10	P87	CSY	O	YSS938 CE
11	P86	/ICD	O	YSS938/DA/AD/CODEC/DEM
12	RESET	RESET	I	Reset
13	Xout	Xout		Oscillator Out
14	Vss	Vss	Vss	μ -COM Ground
15	Xin	Xin	16MHz	Oscillator in
16	Vcc	Vcc	Vcc (BU)	μ -COM power supply, +5V
17	NMI	NMI	Vcc (BU)	Connect to Vcc because it is unused.
18	INT2	INT938	INT	YSS928 IPINT/MUTE/DIR
19	INT1	PSW	INT	Standby SW Input
20	INT0	REM1	INT	Remote Control Input
21	P81	ISB	I	Input Select Rotary B
22	TA4out	FAN	O	Fan Control
23	P77	/HP	I (IPU)	Headphone Detect
24	P76	VRA	I (IPU)	Volume Rotary A
25	P75	VRB	I (IPU)	Volume Rotary B
26	P74	CSN	O	Chip Select for DAC
27	P73	/ICCDK	O	CODEC Reset
28	CLK2		SCK	Open
29	P71		O (External PU)	Open
30	TXD2		SO (External PU)	Open
31	TXD1	TXDF	FLASH	Flash ROM Serial Write Data Transmission
32	RXD1	RXDF	FLASH	Flash ROM Serial Write Data Reception
33	CLK1	CLKF	FLASH	Flash ROM Serial Clock
34	P64	BSY	FLASH	Flash BUSY Signal Output
35	TXD0	CSR	SO	CS493x RxD
36	RXD0	CST	SI	CS493x TxD
37	CLK0	CSC	SCK	CS493x Clock
38	P60	/CEEEP	O	EEPROM CE
39	P57	SDTR	O	RDS/OSD TxD
40	P56	SDRR	SI/I (IPU)	CS493x RxD
41		/EMP	GND	For Flash Writing (LO)
42	P54	SCKR	SCK	RDS/OSD Clock
43	P53	/CSCS	O	CS493x CS

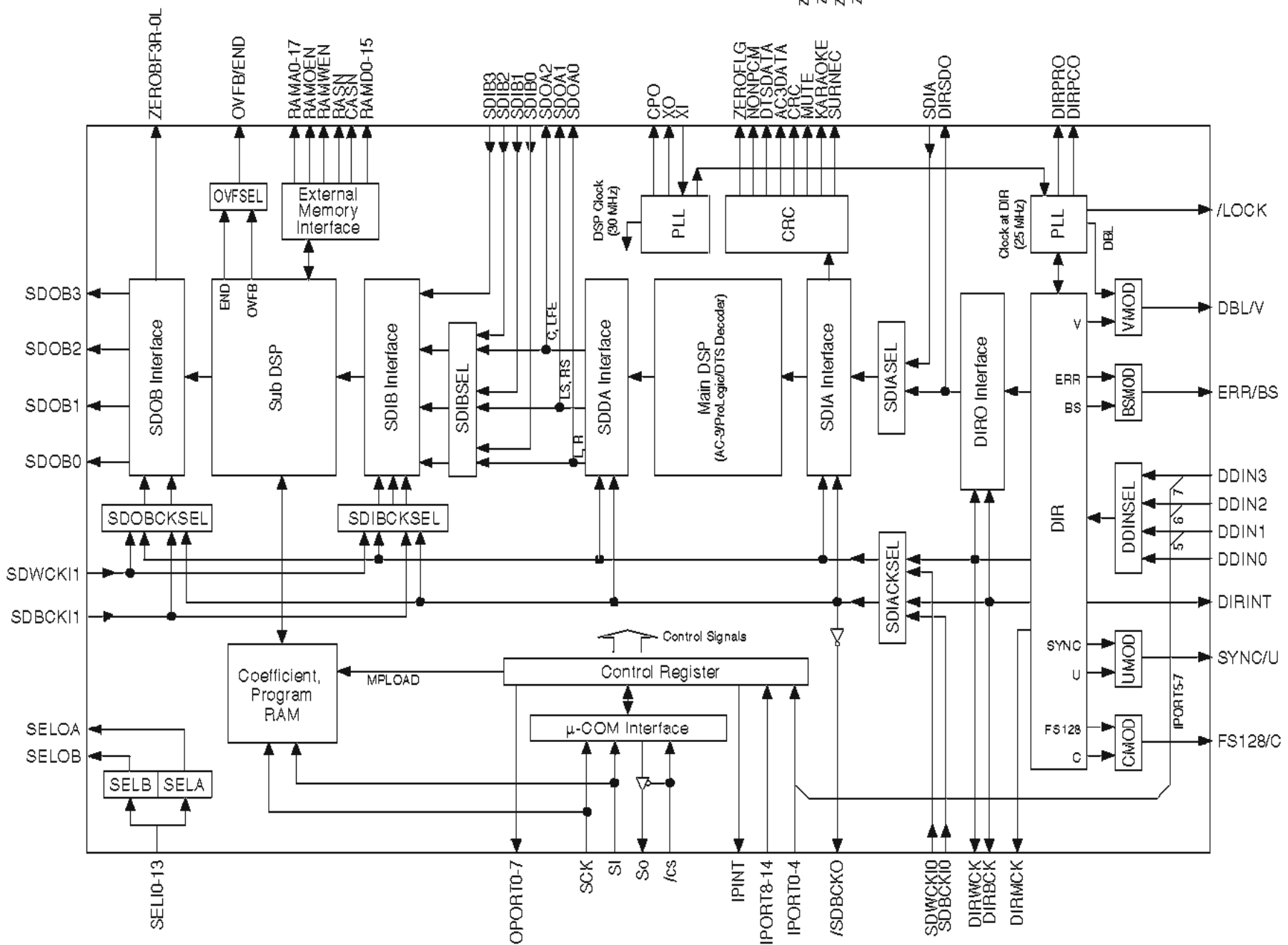
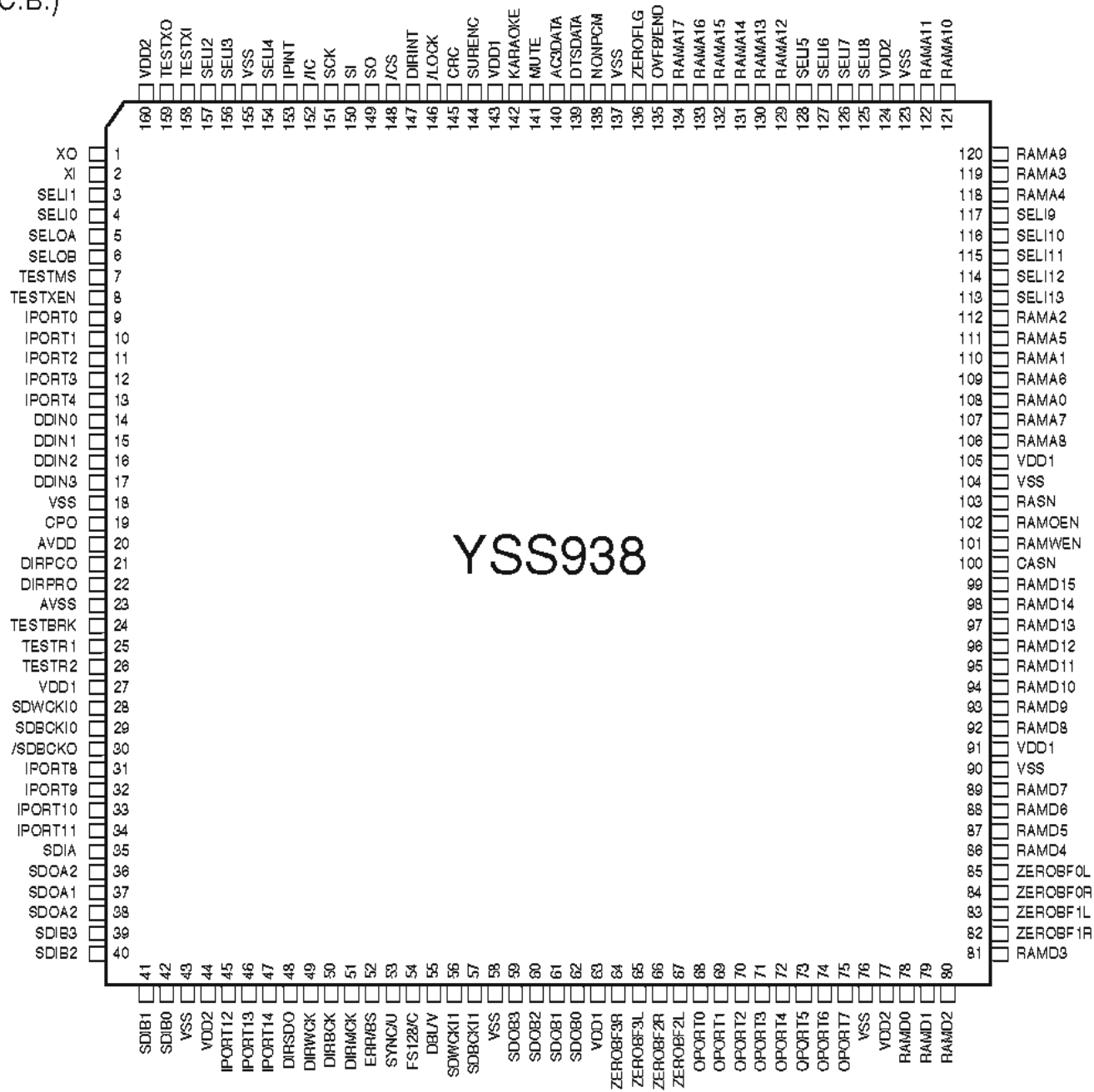
IC601: M3062VMGP (FUNCTION P.C.B.)
16bit μ -COM (Main CPU)

No.	Port No.	Function name	I/O	Detail of function
44	P52	/ICCS	O	CS493x Reset
45	P51	/CSPLD	O	Digital External Control IC CE
46		/CE	I	For Flash Writing (HI)
47	P47	CSINT	I/O	CS-DSP INT/ABOOT
48	P46	/FMT	O	Mute Main/Rear, Pre Out
49	P45		O	Open
50	P44	/HPMT	O	Headphone Mute Output
51	P43	/MTSW	O	Mute LFE
52	P42	/SWMIX	O	SW Mix
53	P41	/FMIX	O	CT Mix
54	P40	GAIN	O	
55	P37		O/I	Open
56	P36	HPF	O	HPF
57	P35	MODE	O	Mode
58	P34	CKBD	O	Clock Line for BD38xx System Control
59	P33	DTBD	O	Data Line for BD38xx System Control
60	P32	VIA	O	Video Selector A
61	P31	VIB	O	Video Selector B
62	Vcc	Vcc	Vcc (BU)	Microprocessor Power Supply, +5V
63	P30		O	Open
64	Vss	Vss	Vss	Microprocessor Ground
65	P27	/VR1	O	Video Rec Out Selector 1
66	P26		O	Open
67	P25	CMP0	O	Component Selector 2
68	P24	CMP1	O	Component Selector 1
69	P23	YCSEP	O	Y/C Separation Select
70	P22		O/I	Open
71	P21		O	Open
72	P20	RDSE	O/I	RDS Enble, RDS Present/Absent
73	P17	CEP/TUN1	O/I	PLL IC Enable/Destination Discriminate 1
74	INT4	PDET	INT	Power Down Detect INT
75	INT3		INT	Open
76	P14	SCKP/TUN0	O/I	PLL IC Clock/Destination Discriminate 0
77	P13	SDTP	O	PLL IC TxD
78	P12	SDRP	I (IPU)	OLL IC RxD
79	P11	TUNED	I (IPU)	Tuned
80	P10	/ST	I (IPU)	Tuner/ST
81	P07	TMT	O	Tuner Mute
82	P06	PRY	O	Power Relay Output
83	P05	ERY	O	Effect SP Relay Output
84	P04	MBRY	O	Main B SP Relay Output
85	P03	MARY	O	Main A SP Relay Output
86	P02	PRI	I	Protection Excess Current Detect
87	P01	RIMA	O	Power Limiter A
88	P00	RIMB	O	Power Limiter B
89	AN7	MODEL	AD	Connection Discriminate
90	AN6	PRD	AD	Protection DC Detect
91	AN5	PREMT	AD	Power Limiter Detect
92	AN4	THM	AD	Temperature Detect
93	AN3		AD	Open
94	AN2	ADKEY0	AD	Key AD Input 0
95	AN1	ADKEY1	AD	Key AD Input 1
96	Avss	Avss	Vss	AD Ground
97	AN0	PRV	AD	Protection Power Supply Voltage Detect
98	Vref	Vref	(+5v)	AD Reference
99	Avcc	Avcc	Vcc (BU)	AD Power Supply
100	P97	CEFD	O	FL Driver CE

RX-V540/RX-V540RDS/HTR-5650/HTR-5650RDS/DSP-AX540
RX-V440/RX-V440RDS/HTR-5640/HTR-5640RDS/DSP-AX440

RX-V540/RX-V540RDS/HTR-5650/HTR-5650RDS/DSP-AX540
RX-V440/RX-V440RDS/HTR-5640/HTR-5640RDS/DSP-AX440

IC601 : YSS938 (DSP P.C.B.)
 DSP



RX-V540/RX-V540RDS/HTR-5650/HTR-5650RDS/DSP-AX540
 RX-V440/RX-V440RDS/HTR-5640/HTR-5640RDS/DSP-AX440

IC601 : YSS938 (DSP P.C.B.)
DSP

No.	Name	I/O	Function
1	XO	O	Crystal oscillator connecting terminal
2	XI	I	Crystal oscillator connecting terminal (24.576MHz)
3	SELI1	I+	Built-in selector input 1 (AXD)
4	SELI0	I+	Built-in selector input 0 (GND)
5	SELOA	O+	Built-in selector output A (ISEL)
6	SELOB	O+	Built-in selector output B (RSEL)
7	TESTMS	I+	Test terminal (unconnected)
8	TESTXEN	I+	Test terminal (unconnected)
9	IPOINT0	I+	General purpose input terminal (CXDTA)
10	IPOINT1	I+	General purpose input terminal (CXDTB)
11	IPOINT2	I+	General purpose input terminal
12	IPOINT3	I+	General purpose input terminal
13	IPOINT4	I+	General purpose input terminal
14	DDIN0	Is	DIR: Digital audio interface data input terminal 0 (ISEL)
15	DDIN1	Is	DIR: Digital audio interface data input terminal 1/General purpose input terminal (Pull down)
16	DDIN2	Is	DIR: Digital audio interface data input terminal 2/General purpose input terminal (Pull down)
17	DDIN3	Is	DIR: Digital audio interface data input terminal 3/General purpose input terminal (Pull down)
18	VSS		Ground terminal
19	CPO	A	PLL filter connecting terminal
20	AVDD		+3.3V power terminal (for DIR)
21	DIRPCO	A	DIR: PLL filter connecting terminal
22	DIRPRO	A	DIR: PLL filter connecting terminal
23	AVSS		Ground terminal (for DIR)
24	TESTBRK	I+	Test terminal (unconnected)
25	TESTR1	I+	PLL initialization signal input terminal for DSP (/ICD)
26	TESTR2	I+	Test terminal (unconnected)
27	VDD1		+3.3V power terminal (for terminal section)
28	SDWCKI0	I+	Word clock input terminal for SDIA, SDOA, SDIB, SDOB interface (WCKG)
29	SDBCKI0	I+	Bit clock input terminal for SDIA, SDOA, SDIB, SDOB interface (BCKG)
30	/SDBCK0	O	DIRBCK or SDBCKI0 invert clock output terminal (Unconnected)
31	IPOINT8	I+	IPINT general purpose input terminal
32	IPOINT9	I+	IPINT general purpose input terminal (NONPCM)
33	IPOINT10	I+	IPINT general purpose input terminal (NONPCM)
34	IPOINT11	I+	IPINT general purpose input terminal (MUTE)
35	SDIA	I	AC-3/DTS bit stream (or PCM) data input terminal to Main DSP (SDIA)
36	SDOA2	O	PCM output terminal from Main DSP (C/LFE output)
37	SDOA1	O	PCM output terminal from Main DSP (LS/RS output)
38	SDOA0	O	PCM output terminal from Main DSP (L/R output)
39	SDIB3	I+	PCM input terminal 3 to Sub DSP
40	SDIB2	I+	PCM input terminal 2 to Sub DSP
41	SDIB1	I+	PCM input terminal 1 to Sub DSP
42	SDIB0	I+	PCM input terminal 0 to Sub DSP
43	VSS		Ground terminal
44	VDD2		+2.5V power terminal (for internal circuit)
45	IPOINT12	I+	IPINT general purpose input terminal (DIRINT)
46	IPOINT13	I+	IPINT general purpose input terminal (DBL)
47	IPOINT14	I+	IPINT general purpose input terminal (DBL)
48	DIRSDO	O	AC-3/DTS bit stream (or PCM) data output terminal from DIR
49	DIRWCK	O	DIR: Serial data word clock (fs) output terminal (WCK)
50	DIRBCK	O	DIR: Serial data bit clock (64fs) output terminal (BCK)
51	DIRMCK	O	DIR: Serial data master clock (256fs or 128fs) output terminal (MCK)
52	ERR/BS	O	DIR: Data error detect output/block start output terminal (Unconnected)
53	SYNC/U	O	DIR: Serial data synchronous timing output/user data output terminal (Unconnected)
54	FS128/C	O	DIR: Serial data master clock 128fs output/channel status output terminal (FS128)
55	DBL/V	O	DIR: Double rate clock output/validity flag output terminal (DBL)

RX-V540/RX-V540RDS/HTR-5650/HTR-5650RDS/DSP-AX540
RX-V440/RX-V440RDS/HTR-5640/HTR-5640RDS/DSP-AX440

RX-V540/RX-V540RDS/HTR-5650/HTR-5650RDS/DSP-AX540
RX-V440/RX-V440RDS/HTR-5640/HTR-5640RDS/DSP-AX440

IC601 : YSS938 (DSP P.C.B.)
 DSP

No.	Name	I/O	Function	
56	SDWCKI1	I+	Word clock input terminal for SDIB, SDOB interface	(WCKG)
57	SDBCKI1	I+	Bit clock input terminal for SDIB, SDOB interface	(BCKG)
58	VSS		Ground terminal	
59	SDOB3	O	PCM output terminal from Sub DSP	
60	SDOB2	O	PCM output terminal from Sub DSP	
61	SDOB1	O	PCM output terminal from Sub DSP	
62	SDOB0	O	PCM output terminal from Sub DSP	
63	VDD1		+3.3V power terminal (for terminal section)	
64	ZEROBF3R	O+	SDOB3 Rch zero flag output terminal	(ZF3R)
65	ZEROBF3L	O+	SDOB3 Lch zero flag output terminal	(ZF3L)
66	ZEROBF2R	O+	SDOB2 Rch zero flag output terminal	(ZF2R)
67	ZEROBF2L	O+	SDOB2 Lch zero flag output terminal	(ZF2L)
68	OPORT0	O	General purpose output terminal	(/RINH1)
69	OPORT1	O	General purpose output terminal	(/RINH2)
70	OPORT2	O	General purpose output terminal	(/ICDA)
71	OPORT3	O	General purpose output terminal	(/ICAD)
72	OPORT4	O	General purpose output terminal	(DPS)
73	OPORT5	O	General purpose output terminal	(RST)
74	OPORT6	O	General purpose output terminal	(ERROR)
75	OPORT7	O	General purpose output terminal	(/PRST)
76	VSS		Ground terminal	
77	VDD2		+2.5V power terminal (for internal circuit)	
78	RAMD0	I+/O	Sub DSP: External memory data terminal 0	
79	RAMD1	I+/O	Sub DSP: External memory data terminal 1	
80	RAMD2	I+/O	Sub DSP: External memory data terminal 2	
81	RAMD3	I+/O	Sub DSP: External memory data terminal 3	
82	ZEROBF1R	O+	SDOB1 Rch zero flag output terminal	(ZF1R)
83	ZEROBF1L	O+	SDOB1 Lch zero flag output terminal	(ZF1L)
84	ZEROBF0R	O+	SDOB0 Rch zero flag output terminal	(ZF0R)
85	ZEROBF0L	O+	SDOB0 Lch zero flag output terminal	(ZF0L)
86	RAMD4	I+/O	Sub DSP: External memory data terminal 4	
87	RAMD5	I+/O	Sub DSP: External memory data terminal 5	
88	RAMD6	I+/O	Sub DSP: External memory data terminal 6	
89	RAMD7	I+/O	Sub DSP: External memory data terminal 7	
90	VSS		Ground terminal	
91	VDD1		+3.3V power terminal (for terminal section)	
92	RAMD8	I+/O	Sub DSP: External memory data terminal 8	
93	RAMD9	I+/O	Sub DSP: External memory data terminal 9	
94	RAMD10	I+/O	Sub DSP: External memory data terminal 10	
95	RAMD11	I+/O	Sub DSP: External memory data terminal 11	
96	RAMD12	I+/O	Sub DSP: External memory data terminal 12	
97	RAMD13	I+/O	Sub DSP: External memory data terminal 13	
98	RAMD14	I+/O	Sub DSP: External memory data terminal 14	
99	RAMD15	I+/O	Sub DSP: External memory data terminal 15	
100	CASN	O	Sub DSP: Column address strobe output terminal for external DRAM	
101	RAMWEN	O	Sub DSP: Write enable terminal for external memory	
102	RAMOEN	O	Sub DSP: Output enable terminal for external memory	
103	RASN	O	Sub DSP: Low address strobe output terminal for external DRAM	
104	VSS		Ground terminal	
105	VDD1		+3.3V power terminal (for terminal section)	
106	RAMA8	O	Sub DSP: External memory address terminal 8	
107	RAMA7	O	Sub DSP: External memory address terminal 7	
108	RAMA0	O	Sub DSP: External memory address terminal 0	
109	RAMA6	O	Sub DSP: External memory address terminal 6	
110	RAMA1	O	Sub DSP: External memory address terminal 1	

IC601 : YSS938 (DSP P.C.B.)
 DSP

No.	Name	I/O	Function
111	RAMA5	O	Sub DSP: External memory address terminal 5
112	RAMA2	O	Sub DSP: External memory address terminal 2
113	SEL13	I+	Built-in selector input 13 (Unconnected)
114	SEL12	I+	Built-in selector input 12
115	SEL11	I+	Built-in selector input 11 (Unconnected)
116	SEL10	I+	Built-in selector input 10 (Unconnected)
117	SEL9	I+	Built-in selector input 9 (CXB)
118	RAMA4	O	Sub DSP: External memory address terminal 4
119	RAMA3	O	Sub DSP: External memory address terminal 3
120	RAMA9	O	Sub DSP: External memory address terminal 9 (Unconnected)
121	RAMA10	O	Sub DSP: External memory address terminal 10 (Unconnected)
122	RAMA11	O	Sub DSP: External memory address terminal 11 (Unconnected)
123	VSS		Ground terminal
124	VDD2		+2.5V power terminal (for internal circuit)
125	SEL8	I+	Built-in selector input 8 (CXA)
126	SEL7	I+	Built-in selector input 7 (GND)
127	SEL6	I+	Built-in selector input 6 (OPTF)
128	SEL5	I+	Built-in selector input 5 (Unconnected)
129	RAMA12	O	Sub DSP: External memory address terminal 12 (Unconnected)
130	RAMA13	O	Sub DSP: External memory address terminal 13 (Unconnected)
131	RAMA14	O	Sub DSP: External memory address terminal 14 (Unconnected)
132	RAMA15	O	Sub DSP: External memory address terminal 15 (Unconnected)
133	RAMA16	O	Sub DSP: External memory address terminal 16 (Unconnected)
134	RAMA17	O	Sub DSP: External memory address terminal 17 (Unconnected)
135	OVFB/END	O	Sub DSP: Overflow/program end detect terminal (Unconnected)
136	ZEROF LG	O	Main DSP: Zero flag output terminal (Unconnected)
137	VSS		Ground terminal
138	NONPCM	O	Main DSP: Non-PCM data detect terminal
139	DTSDATA	O	Main DSP: DTS data detect terminal (Unconnected)
140	AC3DATA	O	Main DSP: AC3 data detect terminal (Unconnected)
141	MUTE	O	Main DSP: Auto mute detect terminal
142	KARAOKE	O	Main DSP: AC3 KARAOKE data detect terminal (Unconnected)
143	VDD1		+3.3V power terminal (for terminal section)
144	SURENC	O	Main DSP: AC-3 2/0 mode Dolby surround encode input detect terminal (Unconnected)
145	CRC	O	Main DSP: AC3 CRC error detect terminal (Unconnected)
146	/LOCK	O	DIF: PLL lock detect terminal (Unconnected)
147	DIRINT	O	DIF: Interrupt output terminal
148	/CS	I+	Microprocessor interface chip select input terminal (CSY)
149	SO	O+	Microprocessor interface data output terminal (SDDY)
150	SI	I+	Microprocessor interface data input terminal (SDMYB)
151	SCK	I+	Microprocessor interface clock input terminal (SCKYB)
152	/IC	I+	Initial clear input terminal (ICYP)
153	IPINT	O+	Interrupt output terminal by IPORT 8-14
154	SEL4	I+	Built-in selector input 4 (OPTD)
155	VSS		Ground terminal
156	SEL3	I+	Built-in selector input 3 (OPTC)
157	SEL2	I+	Built-in selector input 2 (OPTB)
158	TESTXI	I	Test terminal (should be always connected to VSS)
159	TESTXO	O	Test terminal (Unconnected)
160	VDD2		+2.5V power terminal (for internal circuit)

I+: Schmidt trigger input terminal
 I+: Input terminal with pull-up resistor
 O: Digital output terminal
 O+: 3-state digital output terminal
 A: Analog terminal

BLOCK DIAGRAM (1/2)

• See page 77-78 → SCHEMATIC DIAGRAM

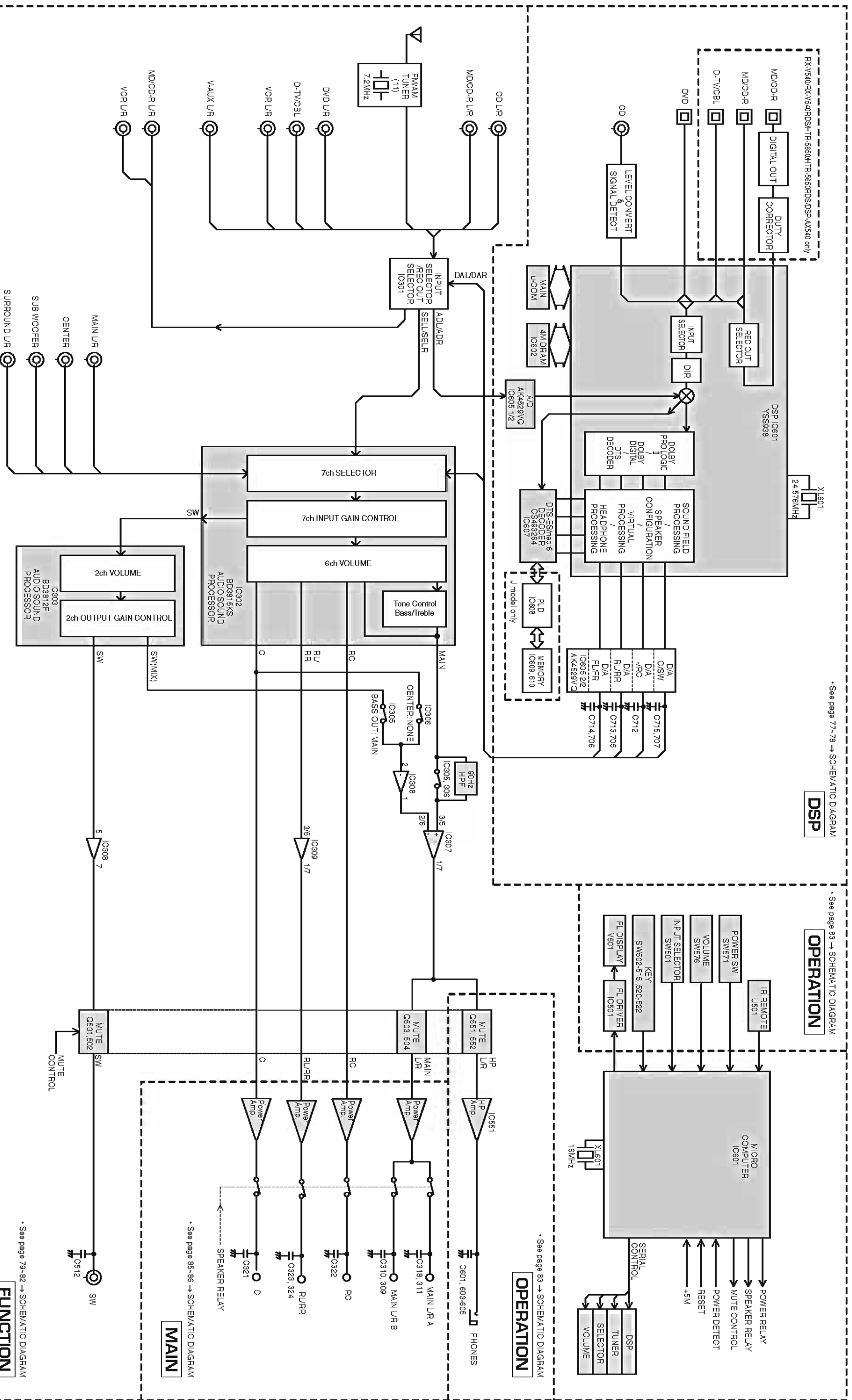
• See page 83 → SCHEMATIC DIAGRAM

• See page 79-82 → SCHEMATIC DIAGRAM

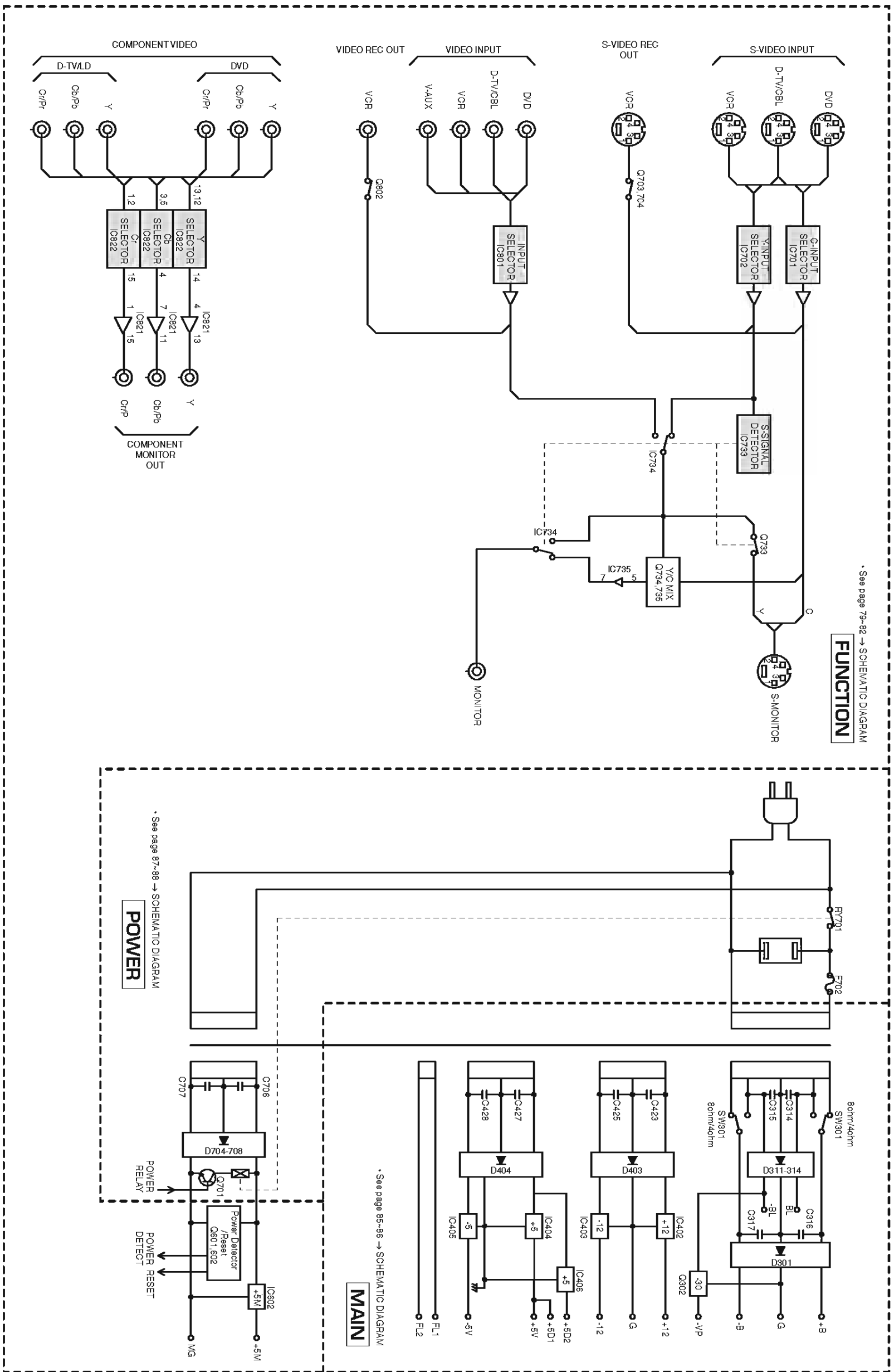
DSP

OPERATION

MAIN



■ BLOCK DIAGRAM (2/2)



RX-V540/RX-V540RDS/HTR-5650/HTR-5650RDS/DSP-AX540
 RX-V440/RX-V440RDS/HTR-5640/HTR-5640RDS/DSP-AX440

RX-V540/RX-V540RDS/HTR-5650/HTR-5650RDS/DSP-AX540
 RX-V440/RX-V440RDS/HTR-5640/HTR-5640RDS/DSP-AX440

PRINTED CIRCUIT BOARD (Foil side)

RX-V540/RX-V540RDS/HTR-5650/HTR-5650RDS/DSP-AX540

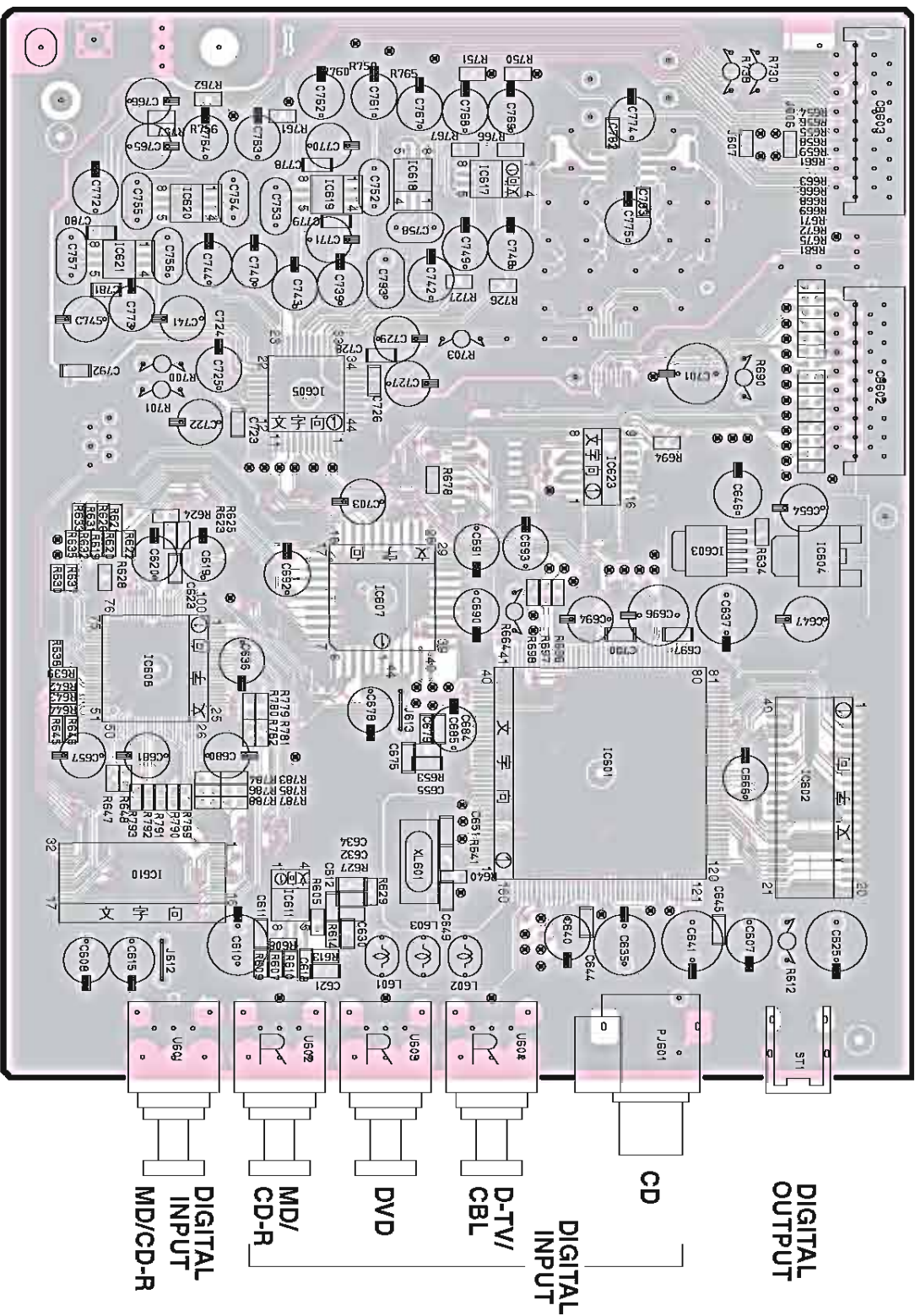
DSP P.C.B. (Lead Type Device)

FUNCTION (1) FUNCTION (4)

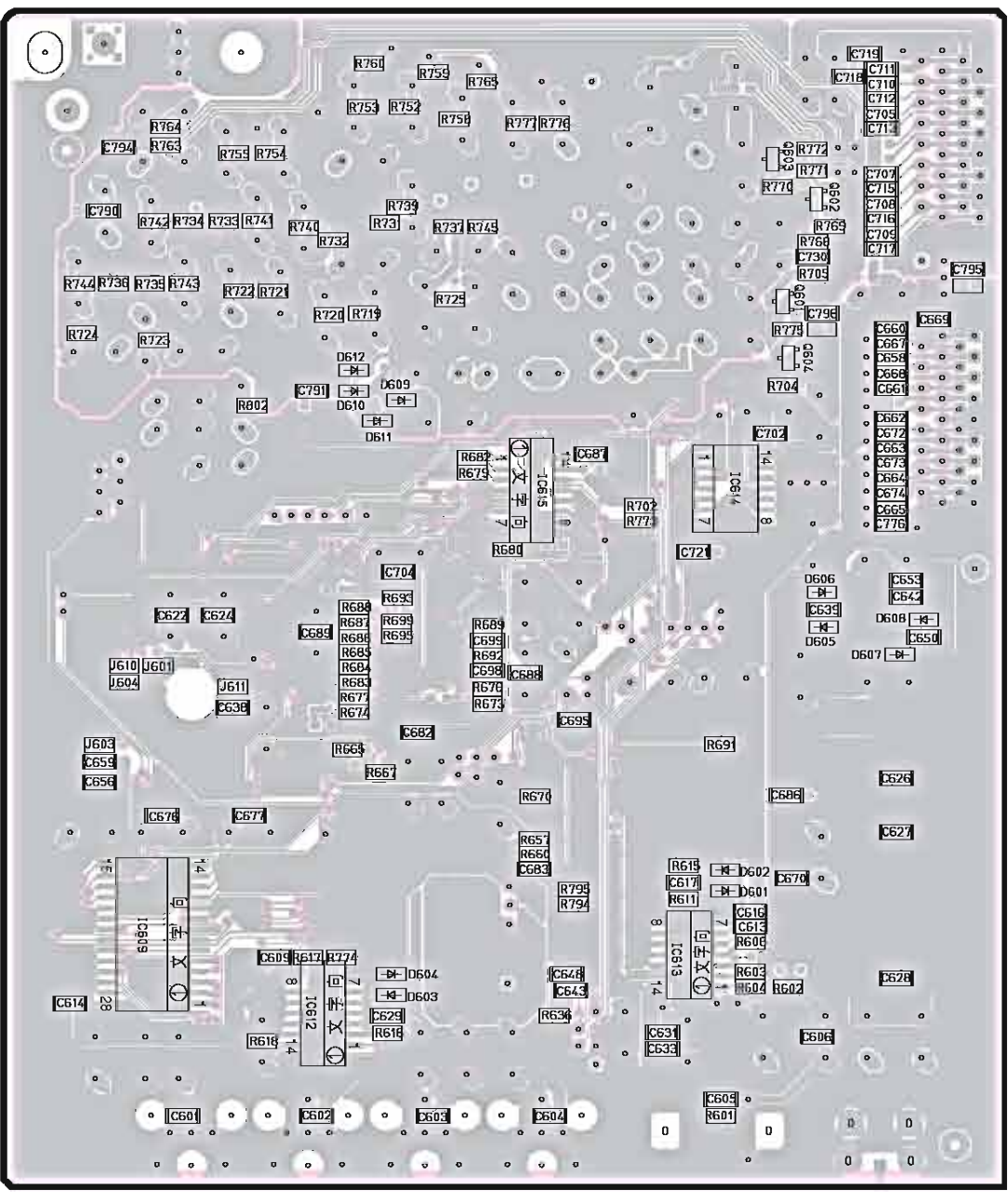
+12
-12
RC
RL
FL
FR
SW
C
L
E
ADR

SDD
CSY
INT938
ACDC
CST
CSCLK
ACCS
CSINT

SDM
YSSCK
ACD
CSN
DGND
CSR
CSCS
ACSPLD
DGND



DSP P.C.B. (Surface Mount Device)



Semiconductor Location

Ref. No.	Location	Ref. No.	Location	Ref. No.	Location	Ref. No.	Location	Ref. No.	Location	Ref. No.	Location	Ref. No.	Location
D601	I3	D607	I3	IC601	D4	IC608	C5	IC614	H3	IC621	B6		
D602	I3	D608	H3	IC602	D3	IC609	J6	IC615	H4	IC623	C4		
D603	J5	D609	H5	IC603	C3	IC610	D5	IC617	A4	Q601	G3		
D604	J5	D610	H5	IC604	C3	IC611	E5	IC618	B4	Q602	G3		
D605	H3	D611	H5	IC605	B5	IC612	J5	IC619	B5	Q603	G3		
D606	H3	D612	G5	IC607	C5	IC613	J4	IC620	B5	Q604	G3		

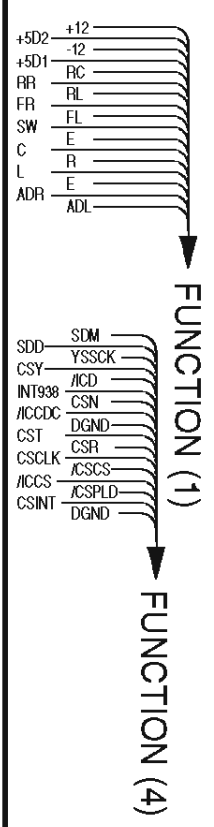
Circle No.	J	U, C, R, T, K, A, B, G
F735	X	O

X: NOT USED
 O: USED/APPLICABLE

A B C D E F G H I J

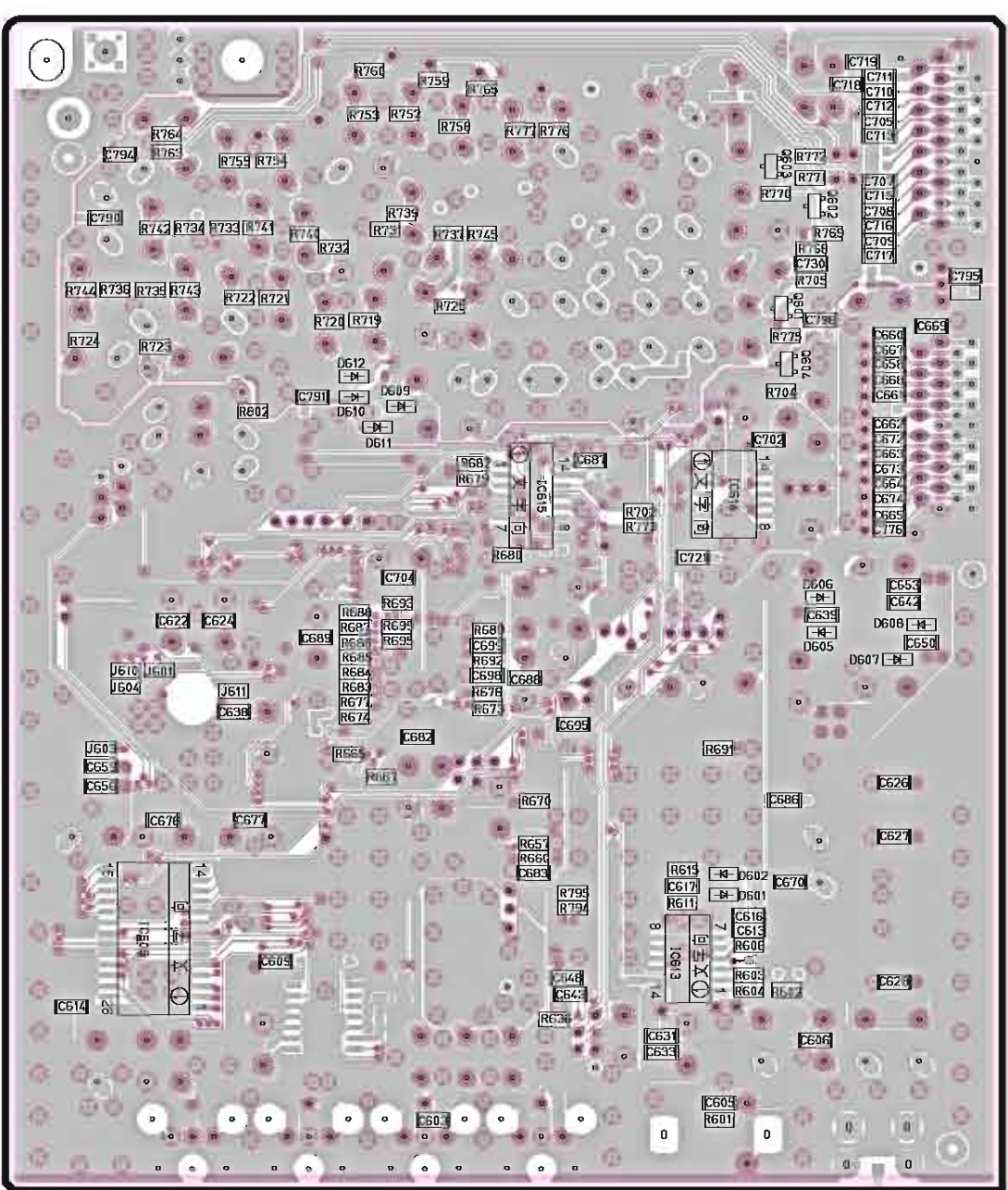
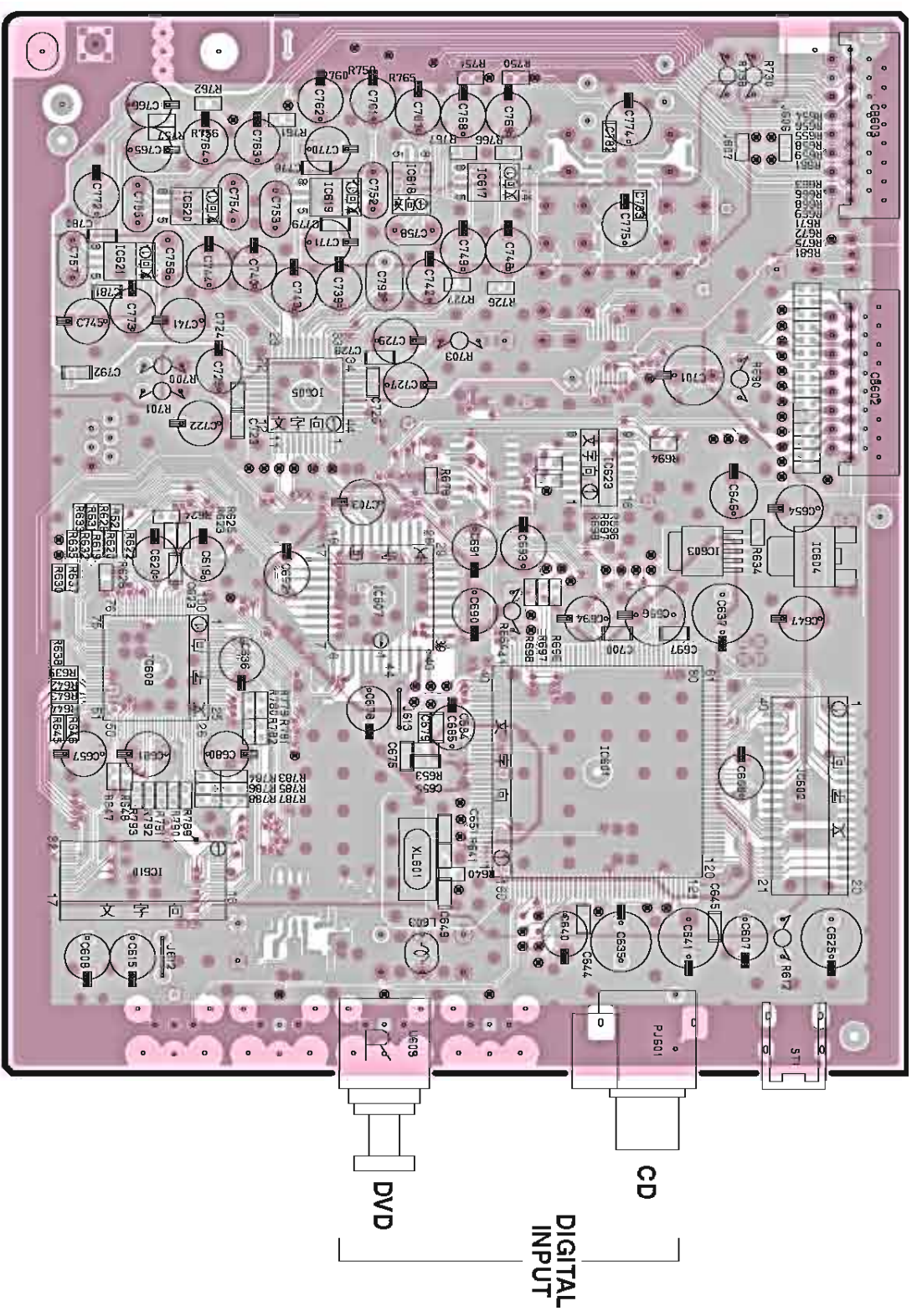
1 ■ PRINTED CIRCUIT BOARD (Foil side)

DSP P. C. B. (Lead Type Device)



RX-V440/RX-V440RDS/HTR-5640/HTR-5640RDS/DSP-AX440

DSP P. C. B. (Surface Mount Device)



DIGITAL INPUT



• Semiconductor Location

Ref. No.	Location	Ref. No.	Location	Ref. No.	Location	Ref. No.	Location	Ref. No.	Location	Ref. No.	Location
D801	I3	D609	H5	IC803	C3	IC610	D5	IC619	B5	Q803	G3
D602	I3	D610	H5	IC804	C3	IC613	J4	IC620	B5	Q804	G3
D605	H3	D611	H5	IC805	B5	IC614	H3	IC621	B6		
D606	H3	D612	G5	IC807	C5	IC615	H4	IC623	C4		
D607	H3	IC801	D4	IC808	C5	IC617	A4	Q801	G3		
D608	H3	IC802	D3	IC809	J6	IC618	A4	Q802	G3		

Circuit No.	J	U.C.R.T.K.A.B.A.G
E755	X	O

X: NOT USED
O: USED / APPLICABLE

PRINTED CIRCUIT BOARD (Foil side)

RX-V540/RX-V540RDS/HTR-5650/HTR-5650RDS/DSP-AX540

FUNCTION (1) P.C.B.
 (Lead Type Device)

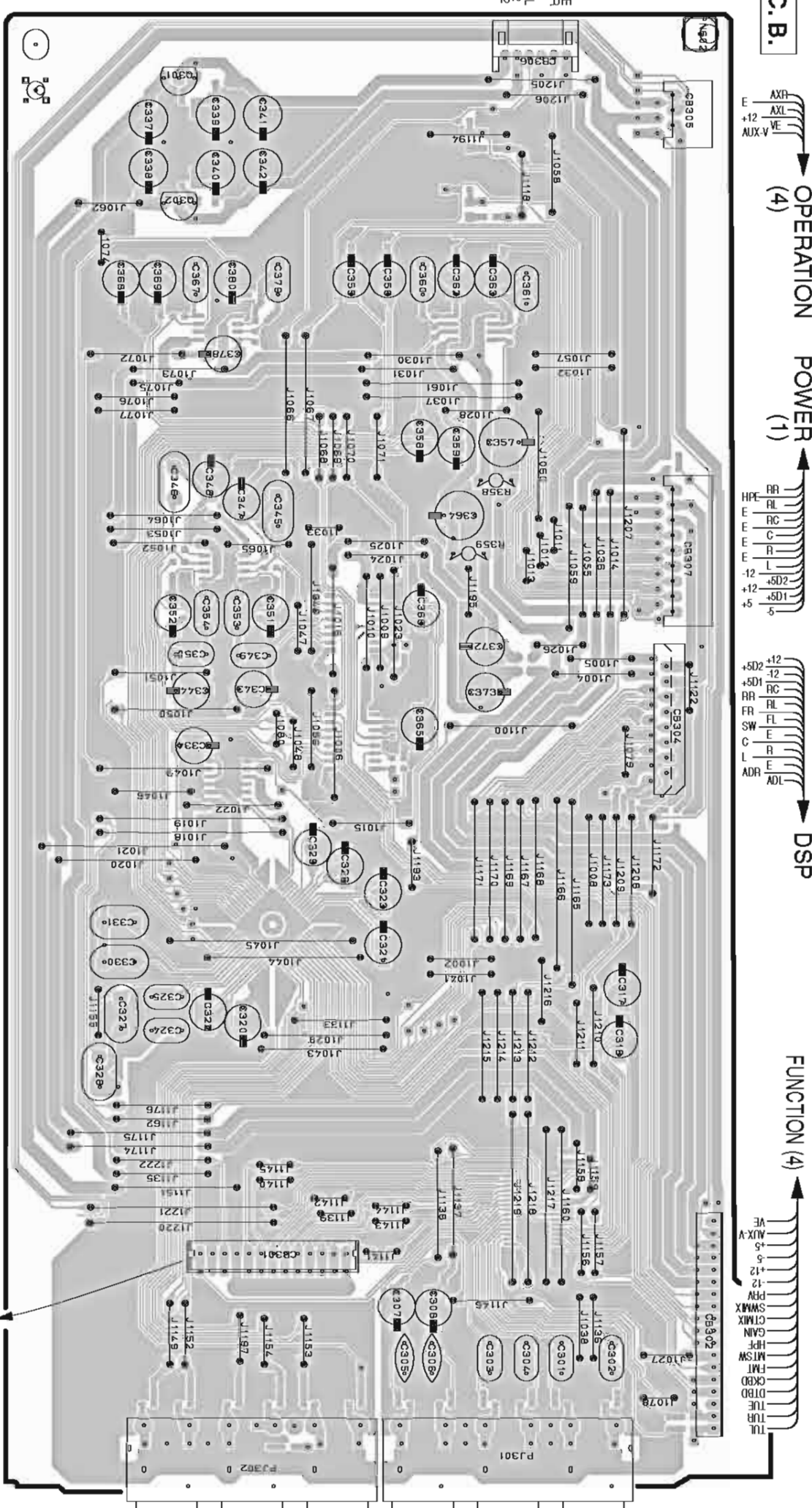
OPERATION (4)

POWER (1)

DSP

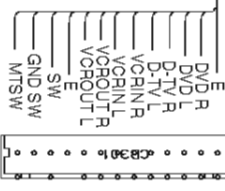
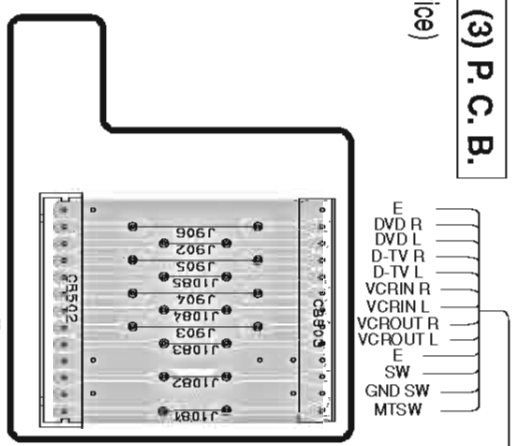
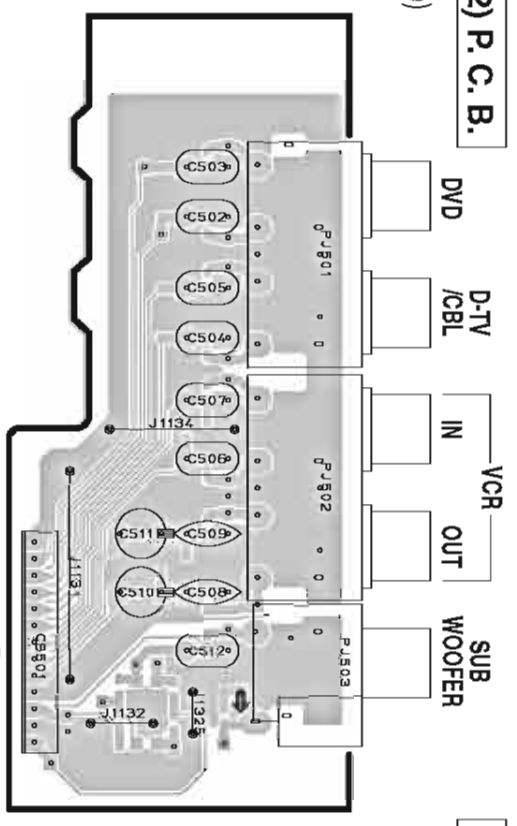
FUNCTION (4)

OPERATION (1)



FUNCTION (2) P.C.B.
 (Lead Type Device)

FUNCTION (3) P.C.B.
 (Lead Type Device)



- CD
- IN (PLAY)
- OUT (REC)
- MD/CD-R
- MAIN
- SURROUND INPUT
- CENTER/ SUB WOOFER

Semiconductor Location

Ref No	Location
C301	C4
C302	C4

A

B

C

D

E

F

G

H

I

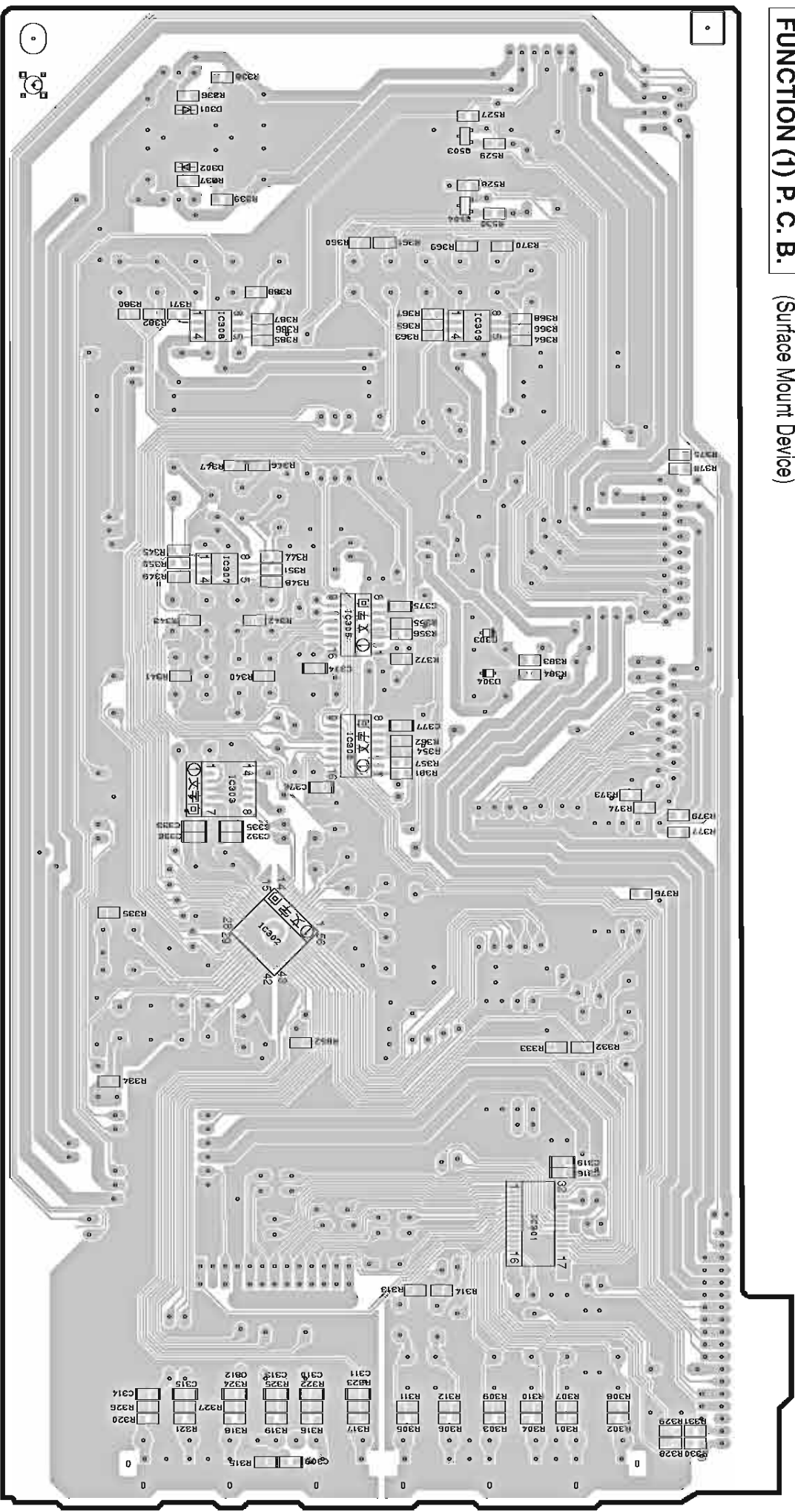
J

PRINTED CIRCUIT BOARD (Foil side)

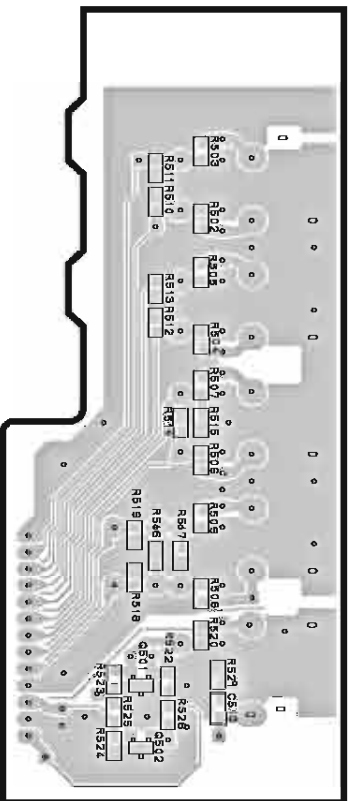
RX-V540/RX-V540RDS/HTR-5650/HTR-5650RDS/DSP-AX540

RX-V540/RX-V540RDS/HTR-5650/HTR-5650RDS/DSP-AX540
RX-V440/RX-V440RDS/HTR-5640/HTR-5640RDS/DSP-AX440

FUNCTION (1) P. C. B. (Surface Mount Device)



FUNCTION (2) P. C. B. (Surface Mount Device)



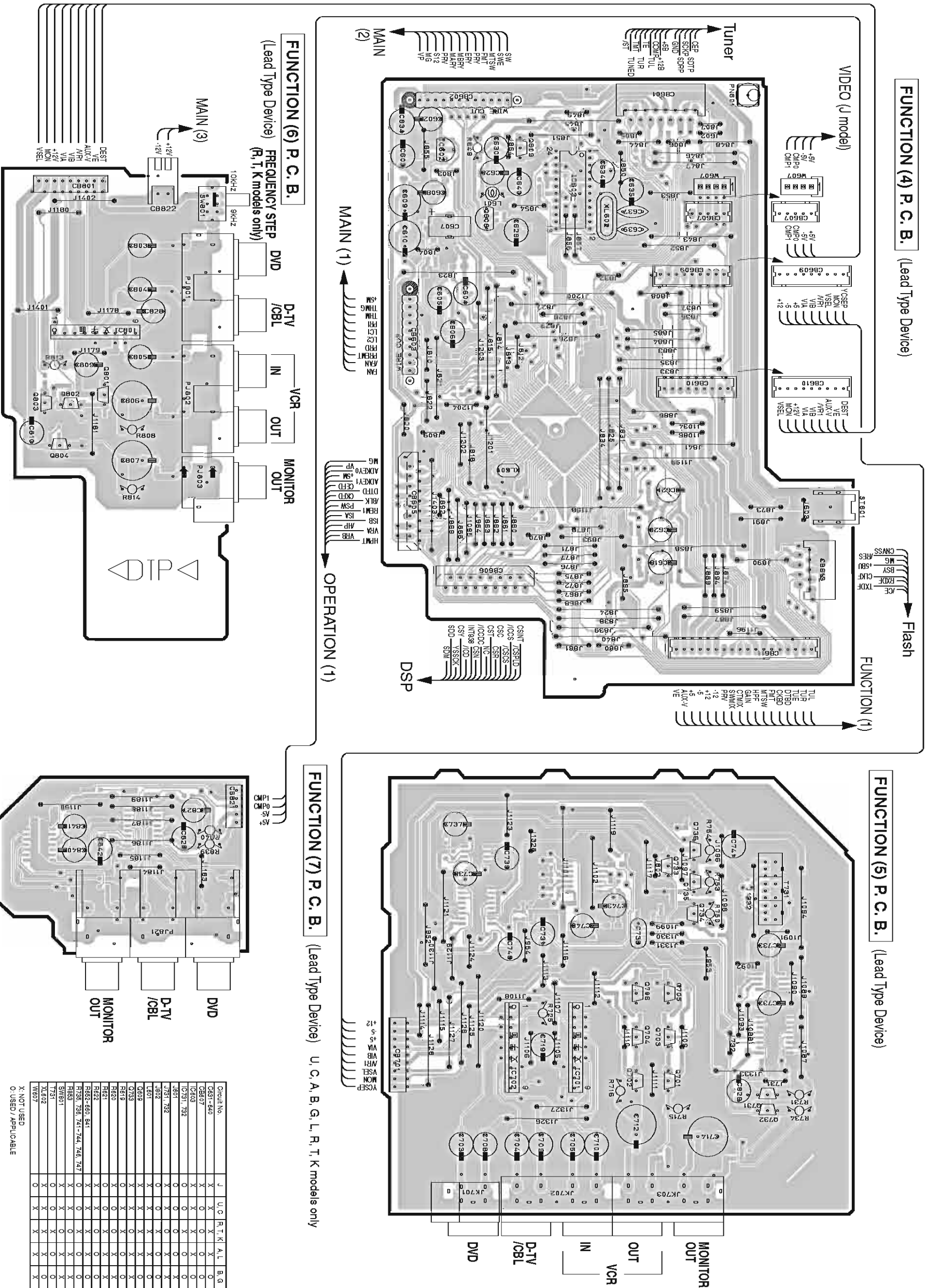
Semiconductor Location

Ref. No.	Location	Ref. No.	Location
D301	C4	IC306	F3
D302	C4	IC307	E4
D303	F3	IC308	D4
D304	F3	IC309	D3
IC301	H3	Q501	E6
IC302	G4	Q502	F6
IC303	F4	Q503	C3
IC305	F3	Q504	D3

RX-V540/RX-V540RDS/HTR-5650/HTR-5650RDS/DSP-AX540
 RX-V440/RX-V440RDS/HTR-5640/HTR-5640RDS/DSP-AX440

PRINTED CIRCUIT BOARD (Foil side)

RX-V540/RX-V540RDS/HTR-5650/HTR-5650RDS/DSP-AX540



Semiconductor Location

Ref No.	Location
IC602	C4
IC603	C4
IC701	I3
IC702	I4
IC801	D7
Q608	C4
Q609	C4
Q701	I3
Q703	I3
Q704	I3
Q705	I3
Q706	I3
Q731	I2
Q732	I2
Q733	H3
Q734	H3
Q735	H3
Q736	H3
Q801	E7
Q802	E7
Q803	E7
Q804	E7

FUNCTION (6) P. C. B. (Lead Type Device) R, I, K models only

FUNCTION (5) P. C. B. (Lead Type Device)

FUNCTION (7) P. C. B. (Lead Type Device) U, C, A, B, G, L, R, T, K models only

Circuit No.	U	C	R	T	K	A	L	B	G
CS1-640	X	X	X	X	X	X	X	X	X
CS607	X	X	X	X	X	X	X	X	X
CS608	X	X	X	X	X	X	X	X	X
CS701	X	X	X	X	X	X	X	X	X
CS702	X	X	X	X	X	X	X	X	X
CS703	X	X	X	X	X	X	X	X	X
CS704	X	X	X	X	X	X	X	X	X
CS705	X	X	X	X	X	X	X	X	X
CS706	X	X	X	X	X	X	X	X	X
CS731	X	X	X	X	X	X	X	X	X
CS732	X	X	X	X	X	X	X	X	X
CS733	X	X	X	X	X	X	X	X	X
CS734	X	X	X	X	X	X	X	X	X
CS735	X	X	X	X	X	X	X	X	X
CS736	X	X	X	X	X	X	X	X	X
CS801	X	X	X	X	X	X	X	X	X
CS802	X	X	X	X	X	X	X	X	X
CS803	X	X	X	X	X	X	X	X	X
CS804	X	X	X	X	X	X	X	X	X

X: NOT USED
 O: USED / APPLICABLE

A

B

C

D

E

F

G

H

I

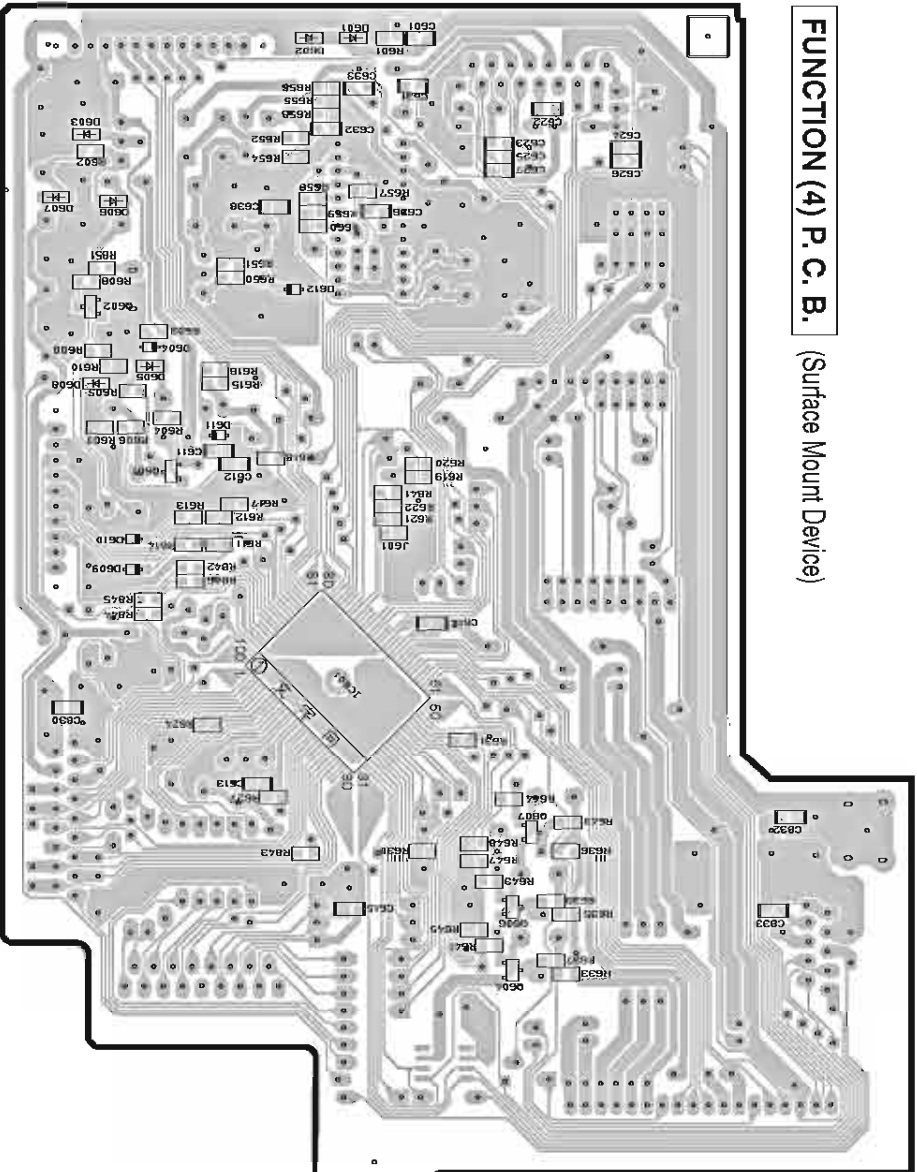
J

1 ■ PRINTED CIRCUIT BOARD (Foil side)

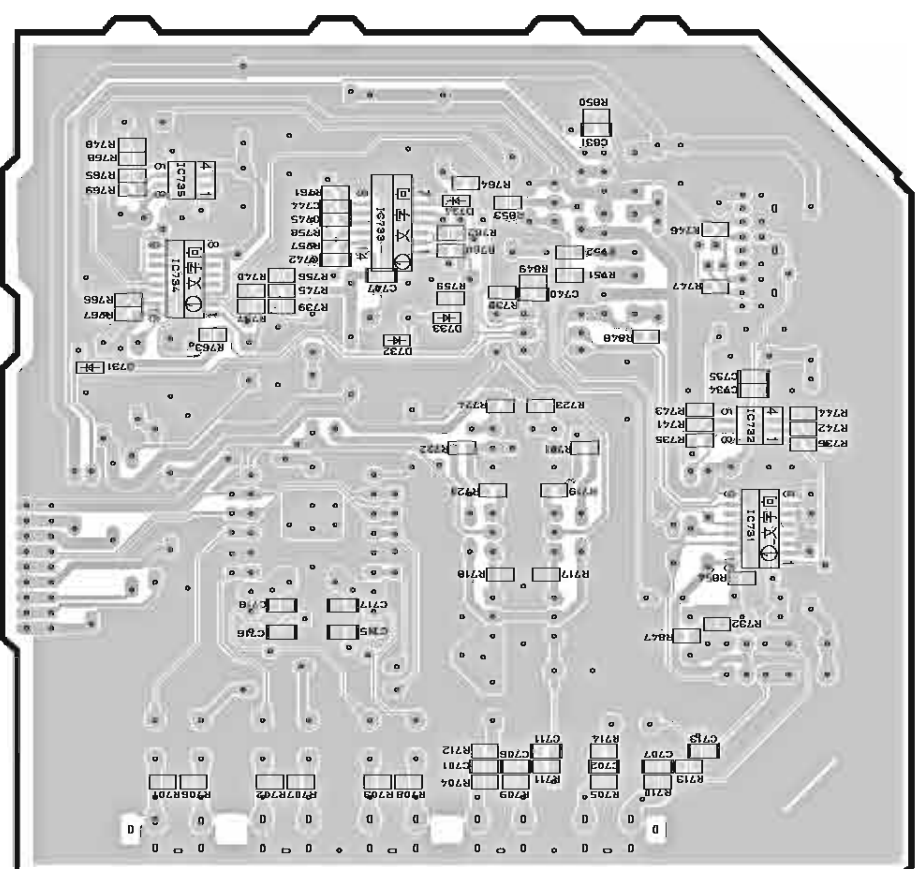
RX-V540/RX-V540RDS/HTR-5650/HTR-5650RDS/DSP-AX540

RX-V540/RX-V540RDS/HTR-5650/HTR-5650RDS/DSP-AX540
RX-V440/RX-V440RDS/HTR-5640/HTR-5640RDS/DSP-AX440

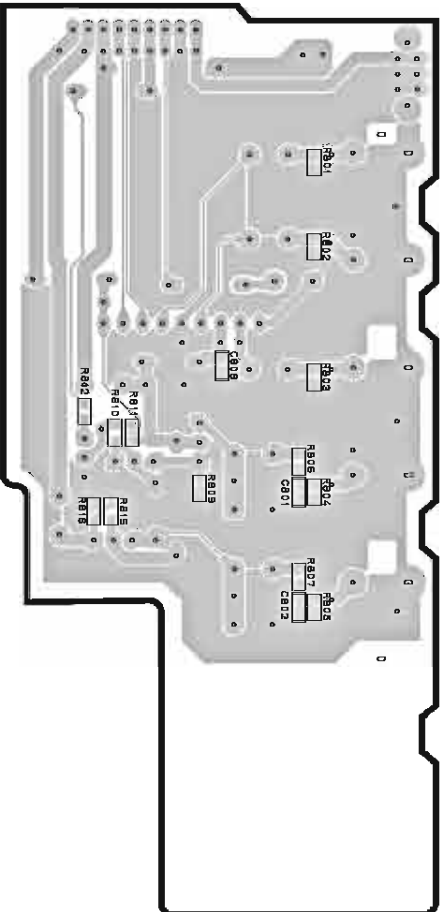
FUNCTION (4) P. C. B. (Surface Mount Device)



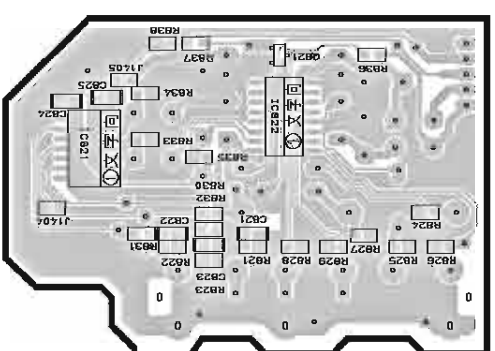
FUNCTION (5) P. C. B. (Surface Mount Device)



FUNCTION (6) P. C. B. (Surface Mount Device)



FUNCTION (7) P. C. B. (Surface Mount Device)



Circuit No.	J	U	C	R	T	K	A	L	B	G
Q631~640	X	X	X	X	X	X	X	X	X	X
Q607	X	X	X	X	X	X	X	X	X	X
Q603	X	X	X	X	X	X	X	X	X	X
Q731~732	X	X	X	X	X	X	X	X	X	X
J751, 752	X	X	X	X	X	X	X	X	X	X
J801	X	X	X	X	X	X	X	X	X	X
Q605	X	X	X	X	X	X	X	X	X	X
Q733	X	X	X	X	X	X	X	X	X	X
Q735	X	X	X	X	X	X	X	X	X	X
Q619	X	X	X	X	X	X	X	X	X	X
Q620	X	X	X	X	X	X	X	X	X	X
Q621	X	X	X	X	X	X	X	X	X	X
Q622	X	X	X	X	X	X	X	X	X	X
Q601	X	X	X	X	X	X	X	X	X	X
Q801	X	X	X	X	X	X	X	X	X	X
Q802	X	X	X	X	X	X	X	X	X	X
Q804	X	X	X	X	X	X	X	X	X	X
Q806	X	X	X	X	X	X	X	X	X	X
Q807	X	X	X	X	X	X	X	X	X	X
Q821	X	X	X	X	X	X	X	X	X	X
Q821	X	X	X	X	X	X	X	X	X	X

X: NOT USED
O: USED / APPLICABLE

• Semiconductor Location

Ref. No.	Location
D601	B4
D602	B4
D603	B4
D604	C4
D605	C4
D606	B4
D607	B5
D608	C4
D609	D4
D610	D4
D611	C4
D612	C4
D731	G4
D732	G3
D733	G3
D734	G3
D801	D4
D802	H2
D803	G2
D804	G3
D805	G4
D806	G6
D807	G6
D808	C4
D809	C5
D810	E3
D811	E3
D812	E3
D813	F6

7

6

5

4

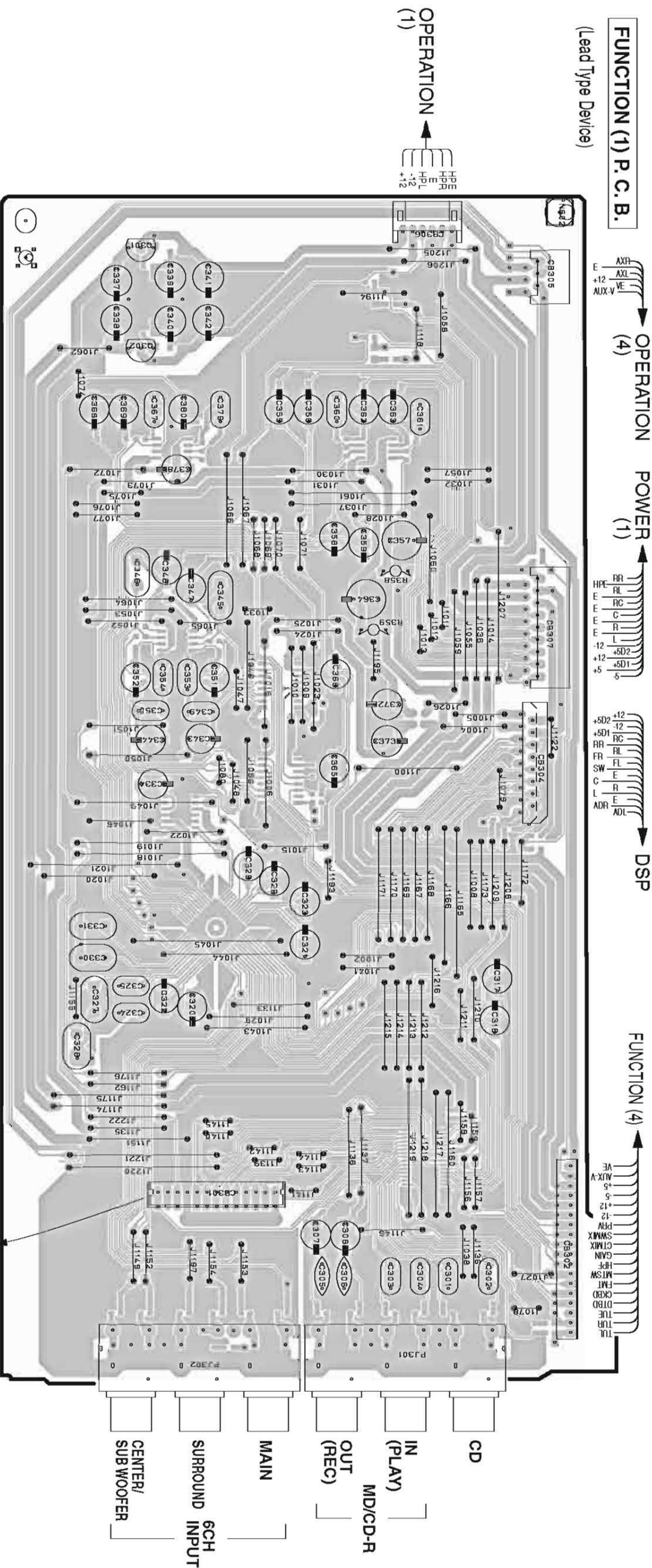
3

2

1

PRINTED CIRCUIT BOARD (Foil side)

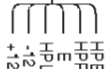
RX-V440/RX-V440RDS/HTR-5640/HTR-5640RDS/OSP-AX440



FUNCTION (1) P.C.B.

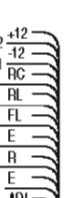
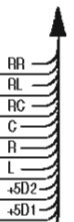
(Lead Type Device)

OPERATION (1)



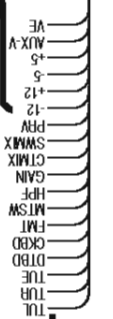
OPERATION (4)

POWER (1)



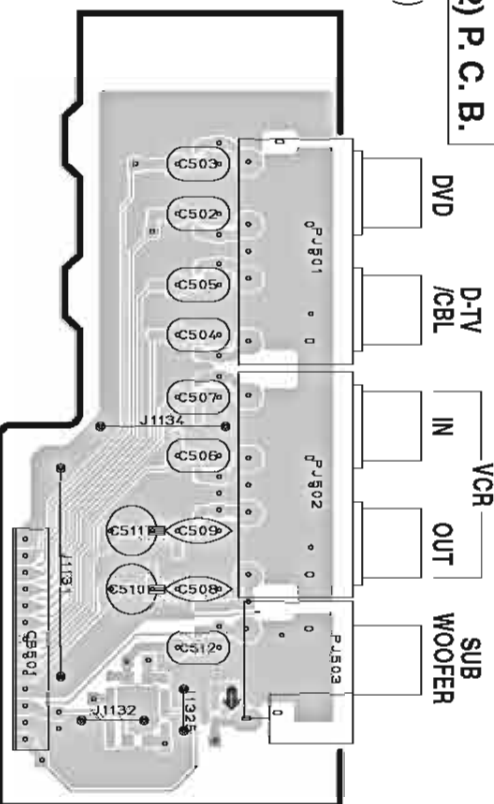
DSP

FUNCTION (4)



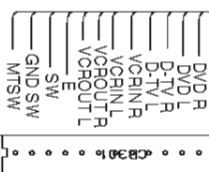
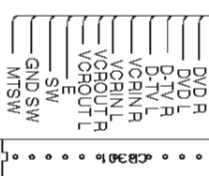
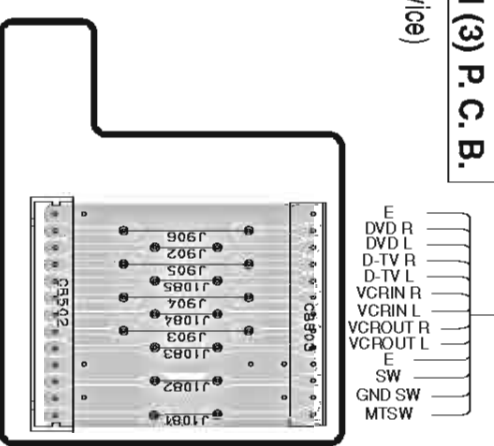
FUNCTION (2) P.C.B.

(Lead Type Device)



FUNCTION (3) P.C.B.

(Lead Type Device)



Semiconductor Location

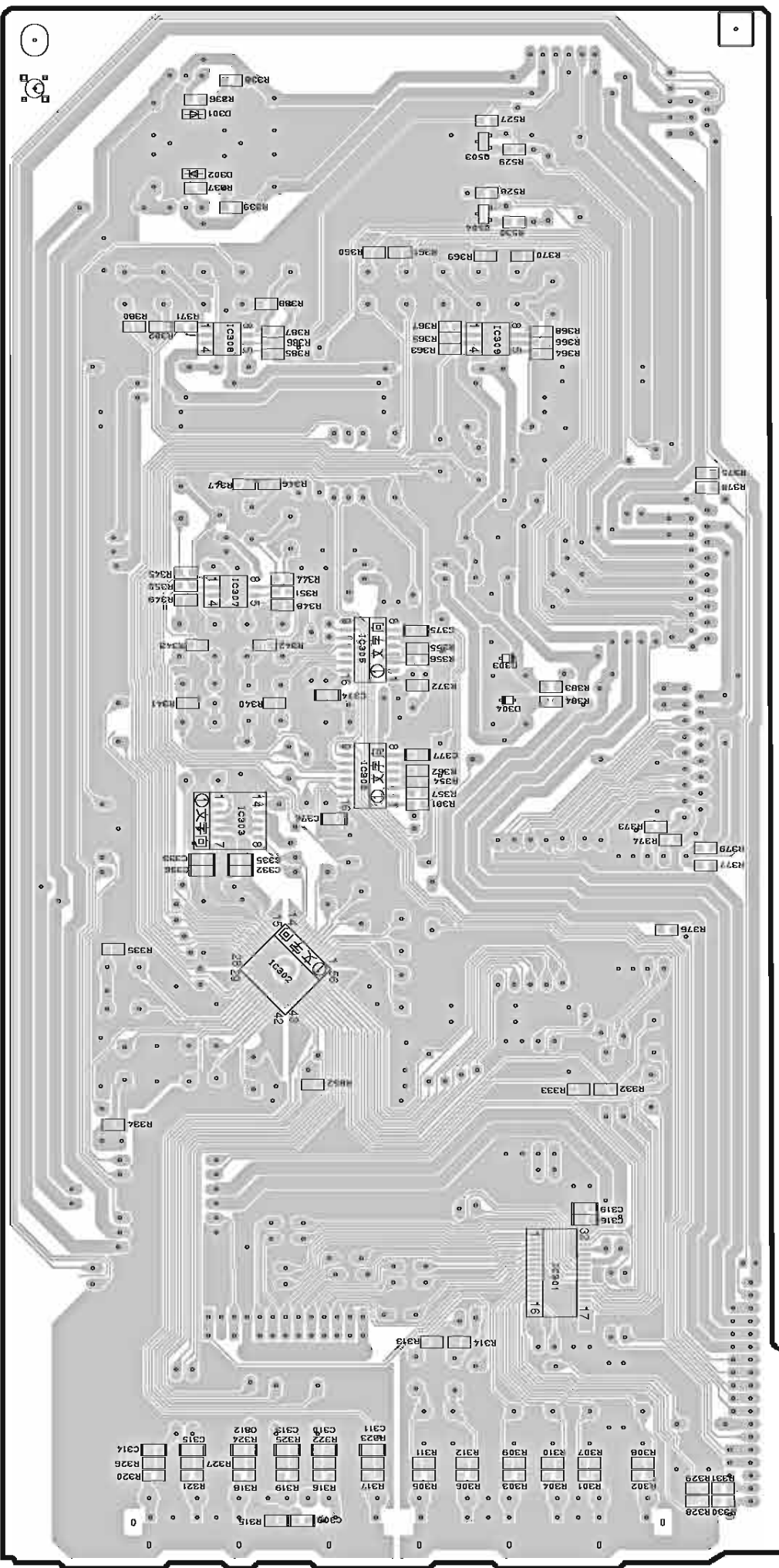
Ref No	Location
C301	C4
C302	C4

1 ■ PRINTED CIRCUIT BOARD (Foil side)

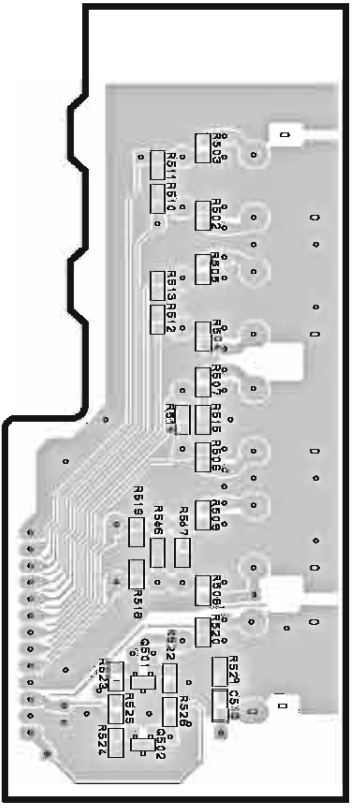
RX-V440/RX-V440RDS/HTR-5640/HTR-5640RDS/DSP-AX440

RX-V540/RX-V540RDS/HTR-5650/HTR-5650RDS/DSP-AX540
 RX-V440/RX-V440RDS/HTR-5640/HTR-5640RDS/DSP-AX440

FUNCTION (1) P. C. B. (Surface Mount Device)



FUNCTION (2) P. C. B. (Surface Mount Device)



• Semiconductor Location

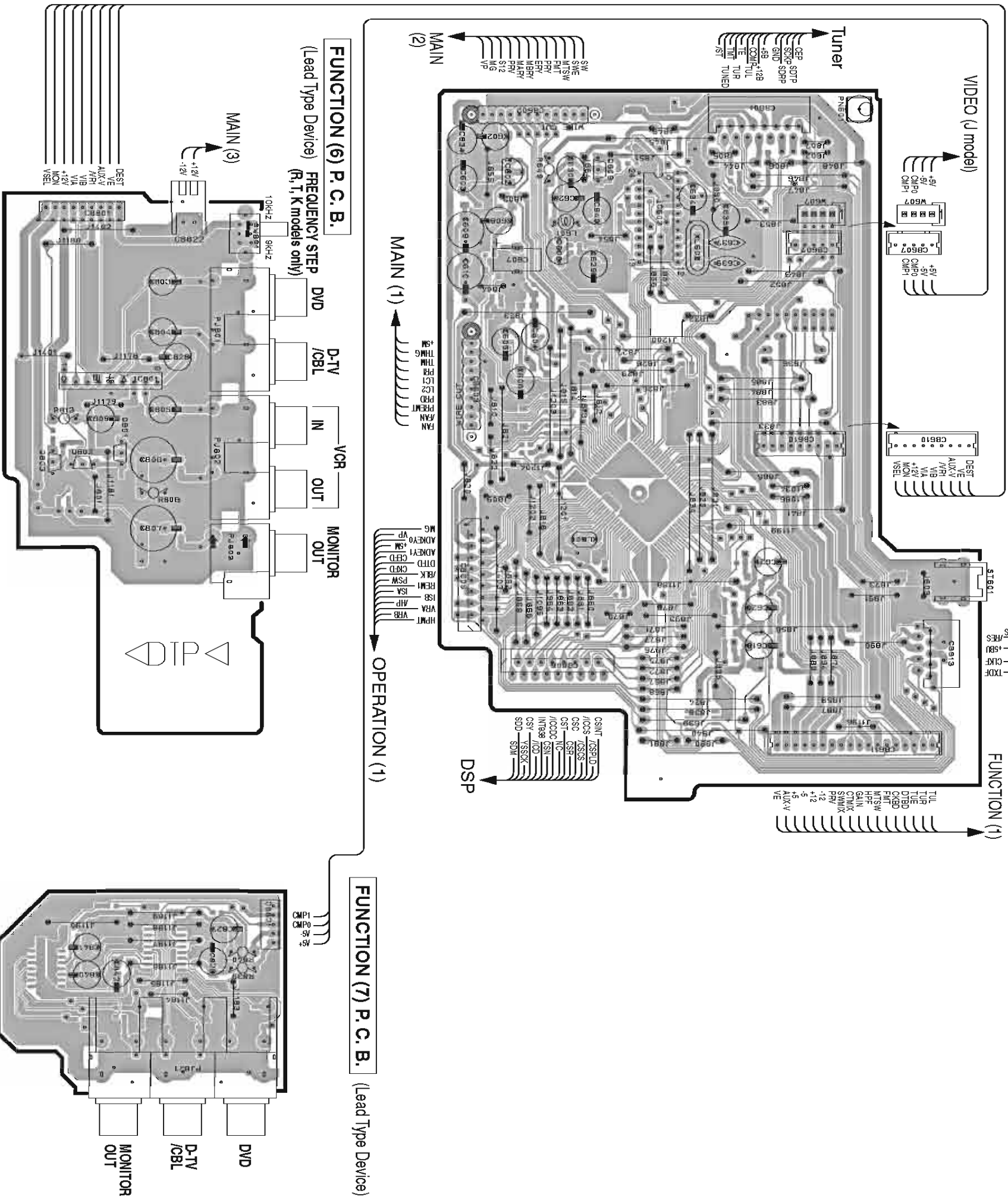
Ref. No.	Location	Ref. No.	Location
D301	C4	IC306	F3
D302	D4	IC307	E4
D303	F3	IC308	D4
D304	F3	IC309	D3
IC301	H3	Q501	F6
IC302	G4	Q502	F6
IC303	F4	Q503	C3
IC305	F3	Q504	D3

RX-V540/RX-V540RDS/HTR-5650/HTR-5650RDS/DSP-AX540
 RX-V440/RX-V440RDS/HTR-5640/HTR-5640RDS/DSP-AX440

PRINTED CIRCUIT BOARD (Foil side)

RX-V440/RX-V440RDS/HTR-5640/HTR-5640RDS/DSP-AX440

FUNCTION (4) P.C.B. (Lead Type Device)



Semiconductor Location

Ref. No.	Location
IC802	C4
IC803	C4
IC801	D7
Q608	C4
Q609	C4
Q801	E7
Q802	E7
Q803	E7

Symbol No.	J	U	C	R	T	K	A	L	B	G
Q801-640	X	X	X	X	X	X	X	X	X	X
Q807	X	X	X	X	X	X	X	X	X	X
IC803	X	X	X	X	X	X	X	X	X	X
J601	X	X	X	X	X	X	X	X	X	X
J602	X	X	X	X	X	X	X	X	X	X
Q609	X	X	X	X	X	X	X	X	X	X
J601	X	X	X	X	X	X	X	X	X	X
Q609	X	X	X	X	X	X	X	X	X	X
R819	X	X	X	X	X	X	X	X	X	X
R821	X	X	X	X	X	X	X	X	X	X
R820	X	X	X	X	X	X	X	X	X	X
R822-880, 841	X	X	X	X	X	X	X	X	X	X
SW801	X	X	X	X	X	X	X	X	X	X
W807	X	X	X	X	X	X	X	X	X	X
KL802	X	X	X	X	X	X	X	X	X	X

X: NOT USED
 O: USED / APPLICABLE

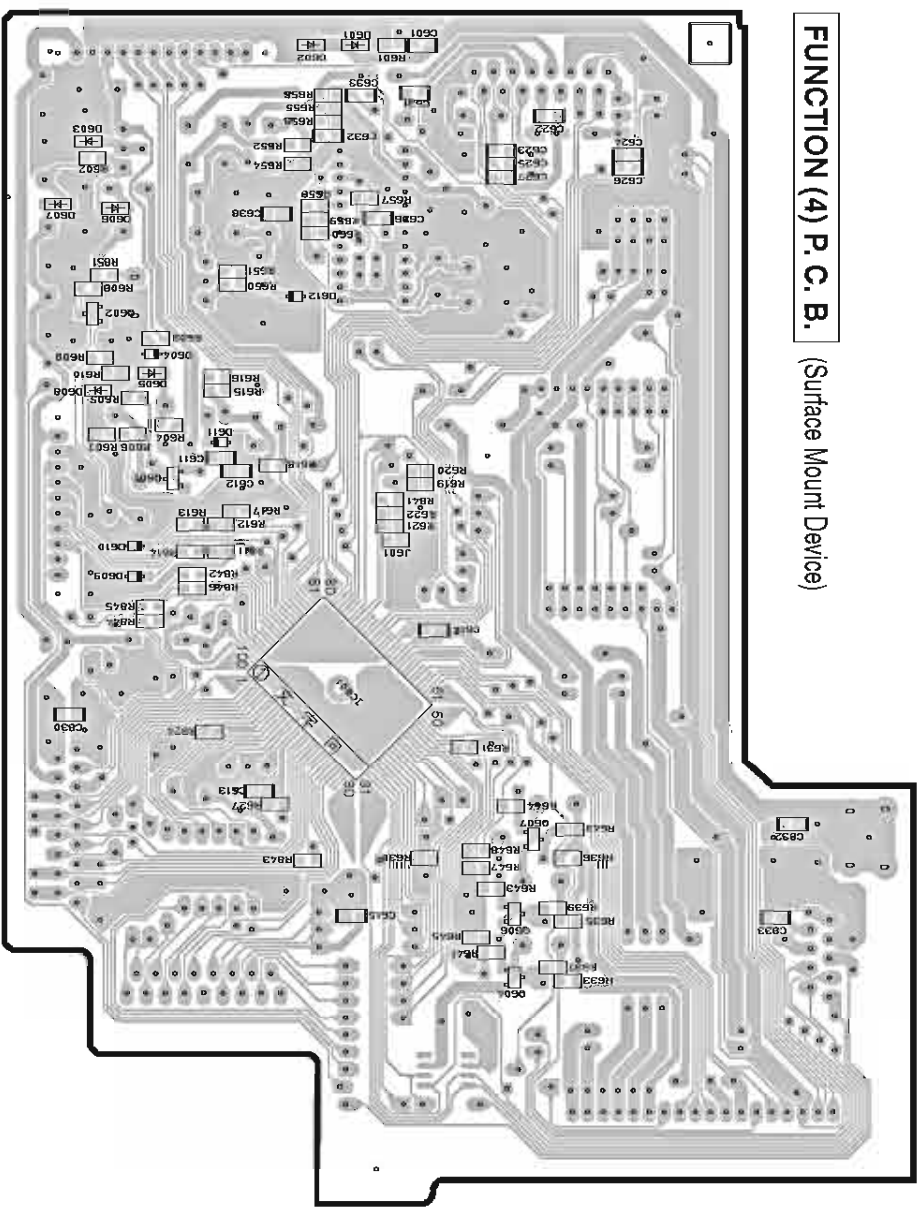
A B C D E F G H I J

1 ■ PRINTED CIRCUIT BOARD (Foil side)

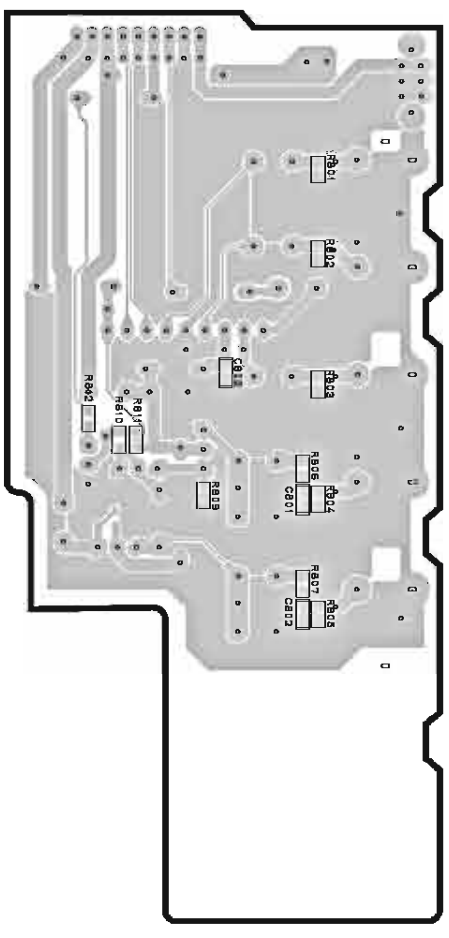
RX-V440/RX-V440RDS/HTR-5640/HTR-5640RDS/DSP-AX440

RX-V540/RX-V540RDS/HTR-5650/HTR-5650RDS/DSP-AX540
 RX-V440/RX-V440RDS/HTR-5640/HTR-5640RDS/DSP-AX440

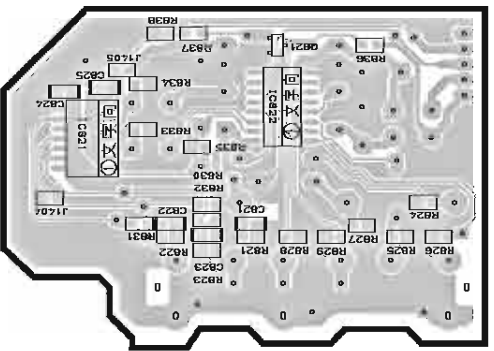
FUNCTION (4) P. C. B. (Surface Mount Device)



FUNCTION (6) P. C. B. (Surface Mount Device)



FUNCTION (7) P. C. B. (Surface Mount Device)



Drawn No.	J	U	C	R	T	K	A	L	B	G
Q851-d40	X	X	X	X	X	X	X	X	X	X
Q857	X	X	X	X	X	X	X	X	X	X
Q803	X	X	X	X	X	X	X	X	X	X
J801	X	X	X	X	X	X	X	X	X	X
J802	X	X	X	X	X	X	X	X	X	X
J805	X	X	X	X	X	X	X	X	X	X
R819	X	X	X	X	X	X	X	X	X	X
R820	X	X	X	X	X	X	X	X	X	X
R821	X	X	X	X	X	X	X	X	X	X
R822	X	X	X	X	X	X	X	X	X	X
R852-d40, 841	X	X	X	X	X	X	X	X	X	X
SW801	X	X	X	X	X	X	X	X	X	X
WB07	X	X	X	X	X	X	X	X	X	X
AL802	X	X	X	X	X	X	X	X	X	X

X: NOT USED
 O: USED / APPLICABLE

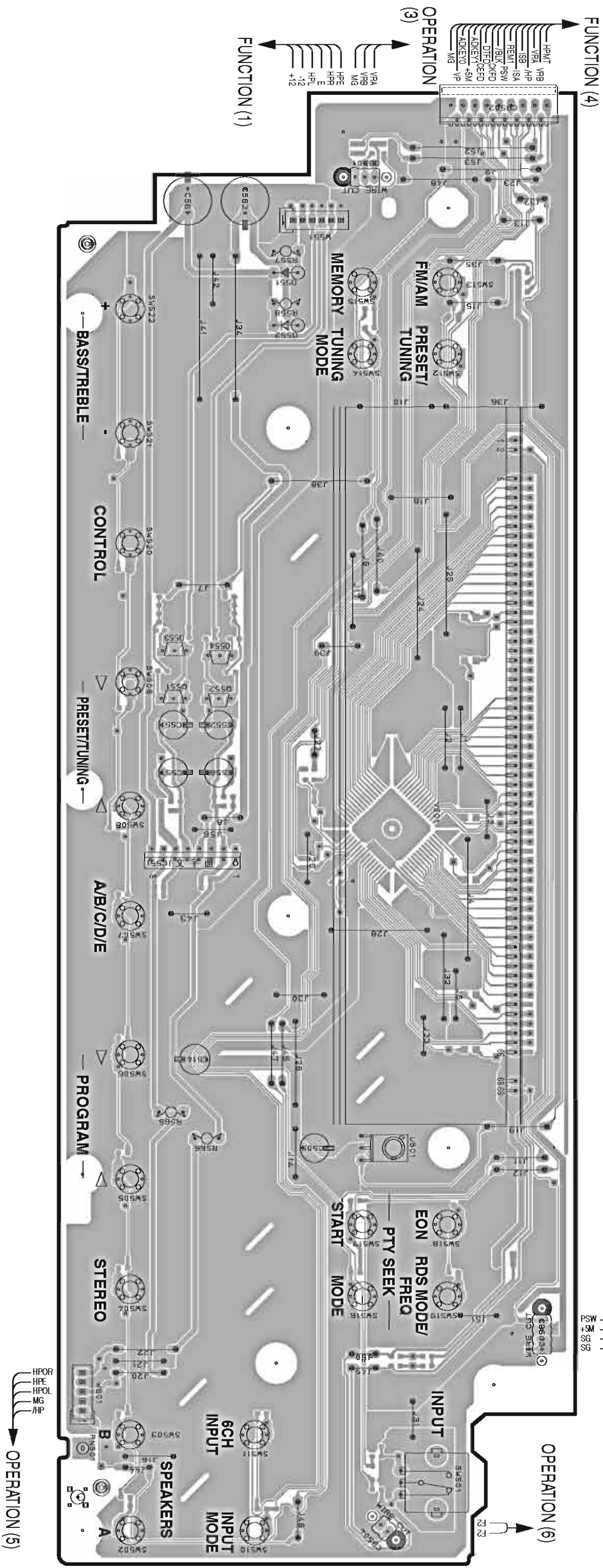
• Semiconductor Location

Ref. No	Location
D601	B3
D602	B4
D603	B4
D604	C4
D605	C4
D606	B4
D607	B4
D608	C4
D609	D4
D610	D4
D611	C4
D612	C4
IC601	D3
IC821	G6
IC822	G6
Q801	C4
Q802	C4
Q804	E3
Q806	E3
Q807	E3
Q821	F6

RX-V540/RX-V540RDS/HTR-5650/HTR-5650RDS/DSP-AX540
 RX-V440/RX-V440RDS/HTR-5640/HTR-5640RDS/DSP-AX440

PRINTED CIRCUIT BOARD (Foil side)

OPERATION (1) P. C. B. (Lead Type Device)



Circuit No.	J.U.C.R.T.K.A.L.	B/G
R524-827	X	0
SW516-819	X	0

X: NOT USED
 O: USED/APPLICABLE

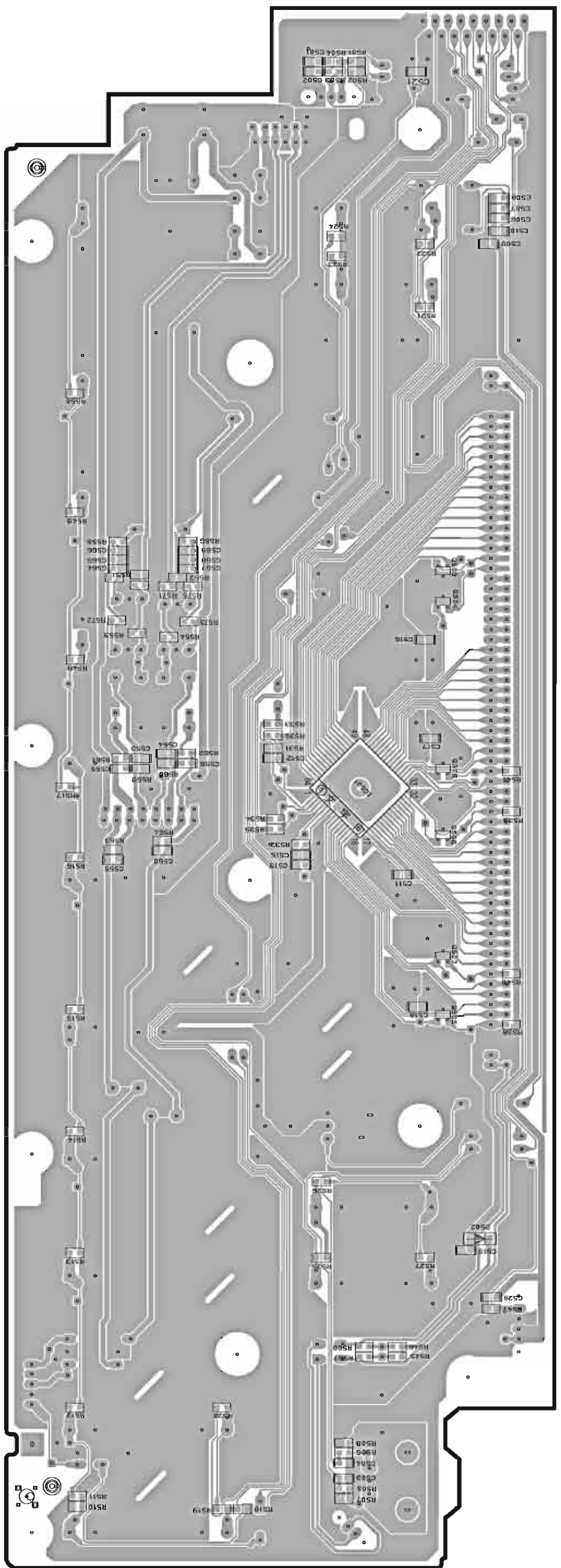
Semiconductor Location

Ref. No.	Location
D551	B4
D552	C4
IC551	F4
Q551	E4
Q552	E4

A B C D E F G H I J

1 ■ PRINTED CIRCUIT BOARD (Foil side)
 OPERATION (1) P. C. B. (Surface Mount Device)

RX-V540/RX-V540RDS/HTR-5650/HTR-5650RDS/DSP-AX540
 RX-V440/RX-V440RDS/HTR-5640/HTR-5640RDS/DSP-AX440



Circuit No.	J U O R T K A L	B G
R524-527	X	0
SWS1-519	X	0

X: NOT USED
 O: USED / APPLICABLE

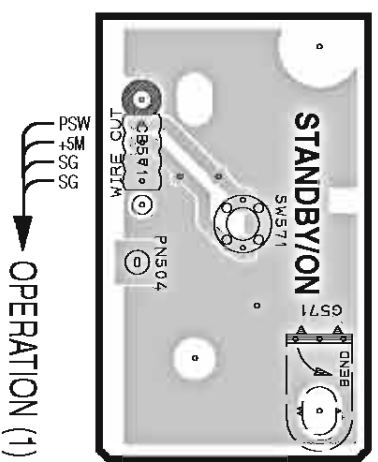
• Semiconductor Location

Ref. No.	Location
D502	H2
IC501	F3
Q503	E2
Q504	E2
Q505	G2
Q506	F2
Q507	G2
Q508	F2

PRINTED CIRCUIT BOARD (Foil side)

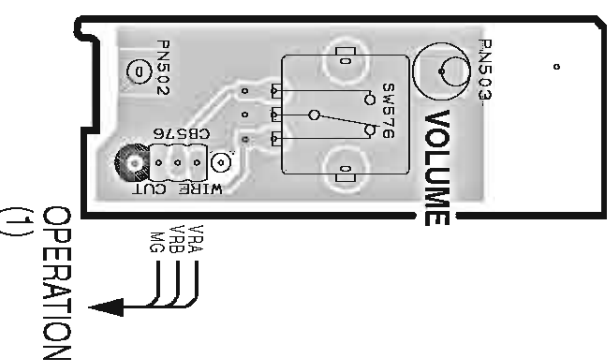
OPERATION (2) P. C. B.

(Lead Type Device)



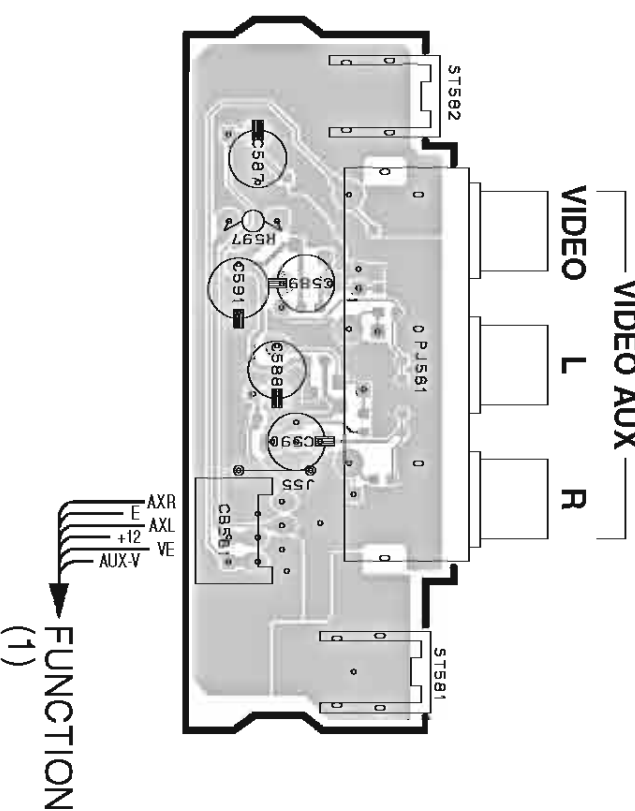
OPERATION (3) P. C. B.

(Lead Type Device)



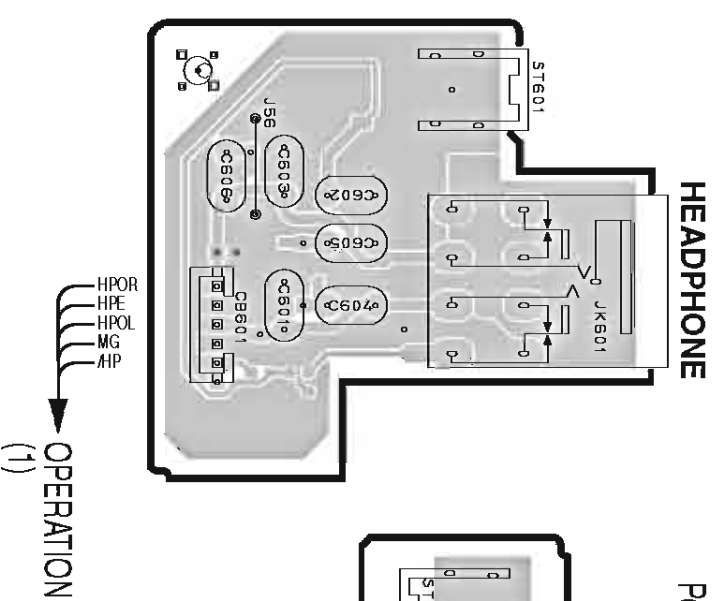
OPERATION (4) P. C. B.

(Lead Type Device)



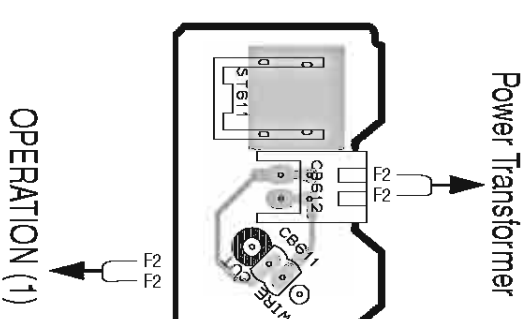
OPERATION (5) P. C. B.

(Lead Type Device)



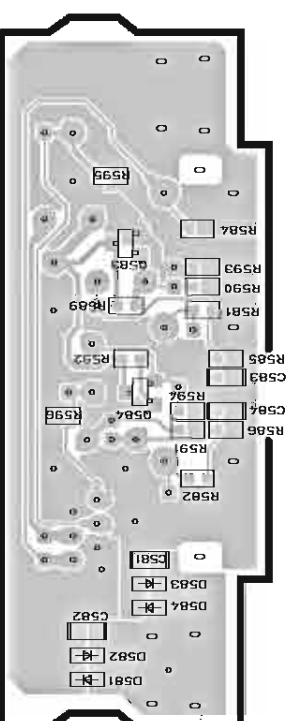
OPERATION (6) P. C. B.

(Lead Type Device)



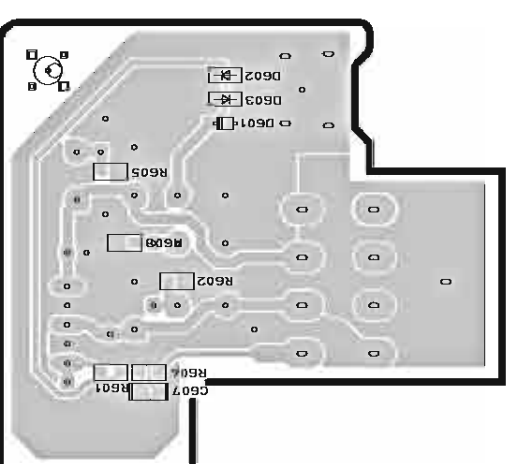
OPERATION (4) P. C. B.

(Surface Mount Device)



OPERATION (5) P. C. B.

(Surface Mount Device)



Circuit No.	J.U.C.R.T.K.A.L.	B.G.
1821-437	X	O
SW576-519	X	O

X: NOT USED
 O: USED / APPLICABLE

Semiconductor Location

Ref. No.	Location
D581	G5
D582	G5
D583	F5
D584	F5
D601	H6
D602	G6
D603	G6
D583	E5
C584	F5

A

B

C

D

E

F

G

H

I

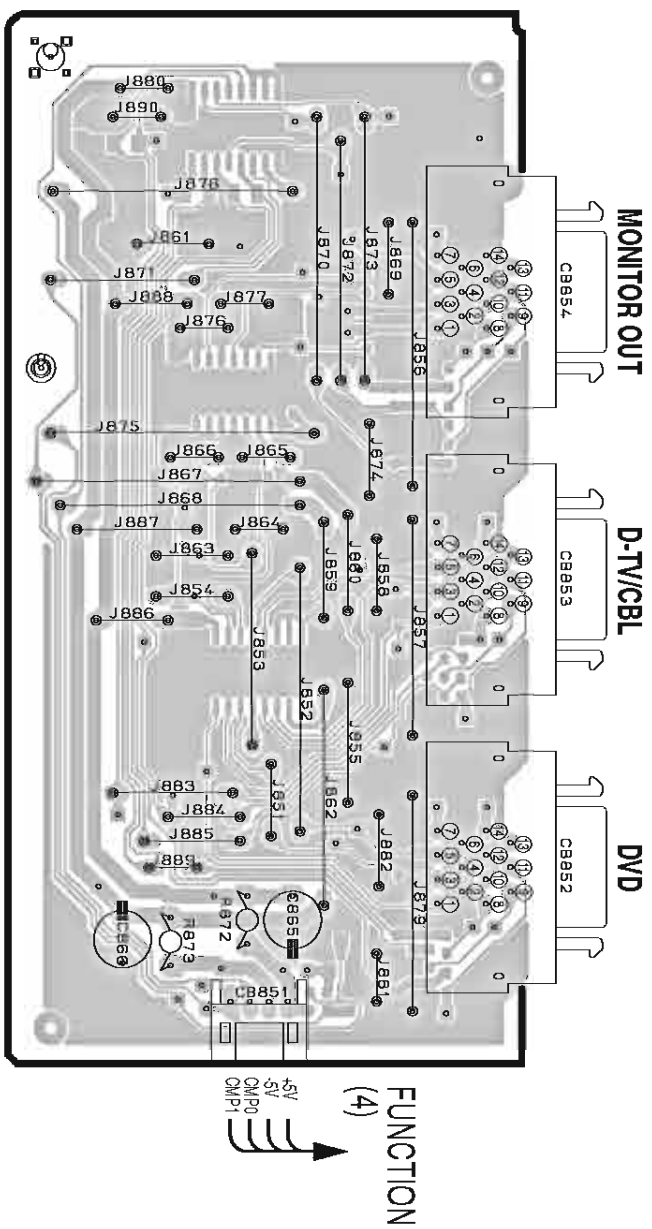
J

RX-V540/RX-V540RDS/HTR-5650/HTR-5650RDS/DSP-AX540
RX-V440/RX-V440RDS/HTR-5640/HTR-5640RDS/DSP-AX440

1 ■ PRINTED CIRCUIT BOARD (Foil side)

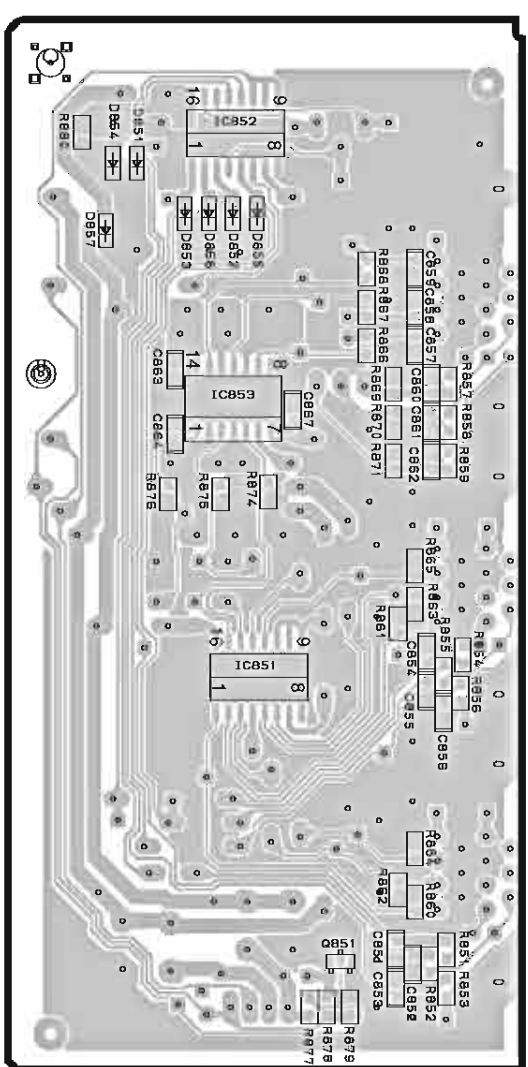
VIDEO P. C. B. (Lead Type Device)

J model



VIDEO P. C. B. (Surface Mount Device)

J model



• Semiconductor Location

Ref. No.	Location
D851	F3
D852	G3
D853	G3
D854	G3
D855	G3
D856	G3
D857	G3
IC851	H3
IC852	F3
IC853	G3
Q851	I3

7

6

5

4

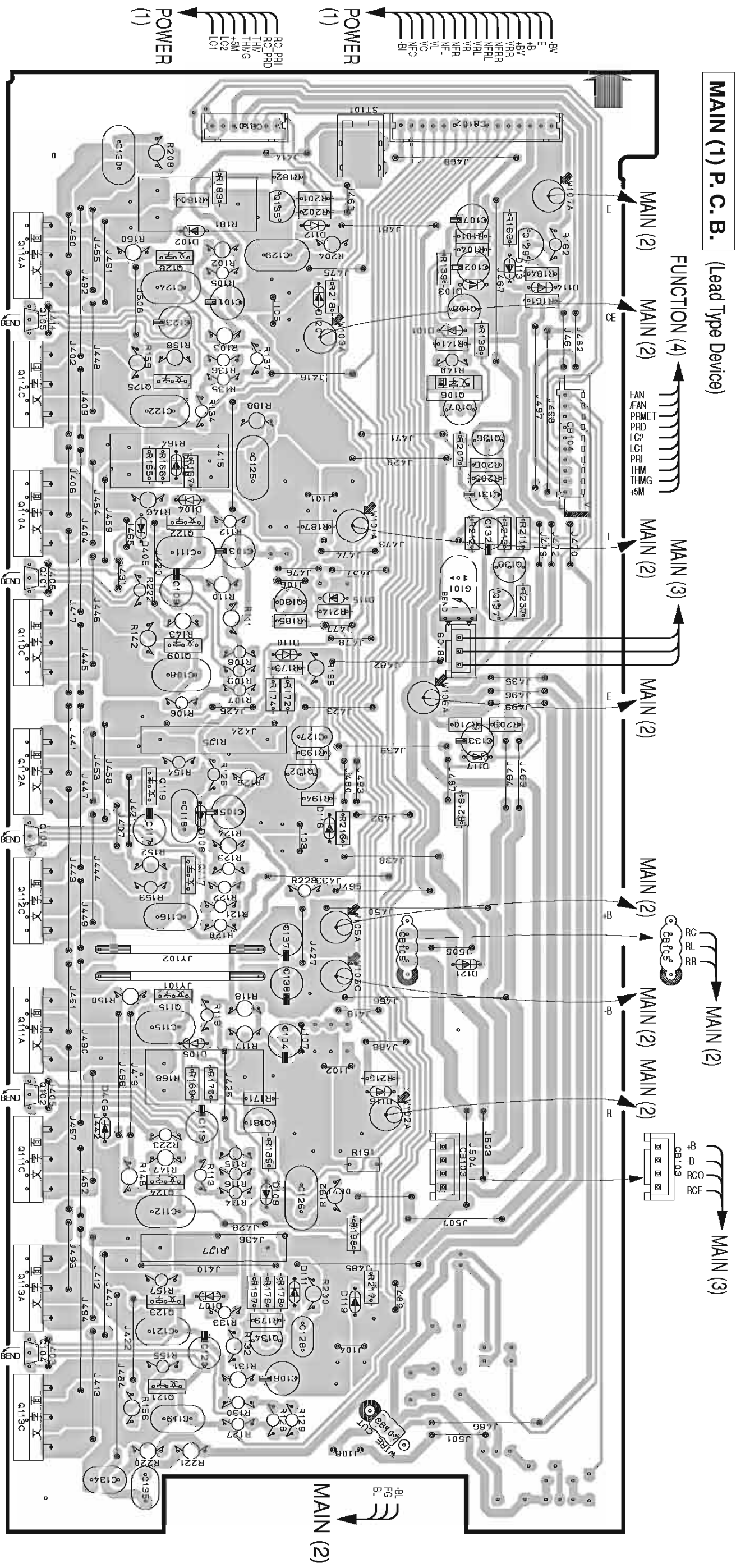
3

2

1

PRINTED CIRCUIT BOARD (Foil side)

RX-V540/RX-V540RDS/HTR-5650/HTR-5650RDS/DSP-AX540



MAIN (1) P.C.B. (Lead Type Device)

MAIN (2) MAIN (2) MAIN (2) MAIN (2)

FUNCTION (4)

MAIN (3) MAIN (2)

MAIN (2)

MAIN (2)

MAIN (2)

MAIN (2)

MAIN (2)

MAIN (2)

MAIN (2)

MAIN (2)

MAIN (2)

MAIN (2)

Circuit No.	J	U/C	R/T	A/K	B/L
C336, 308-311, 313, 318-320	X	X	X	X	X
322-324, 326-328	O	X	X	X	X
330, 302, 305, 306	X	X	X	X	X
F332, 334, 336-338	X	X	X	X	X
SW301	X	O	O	O	O

X: NOT USED
 O: USED / APPLICABLE

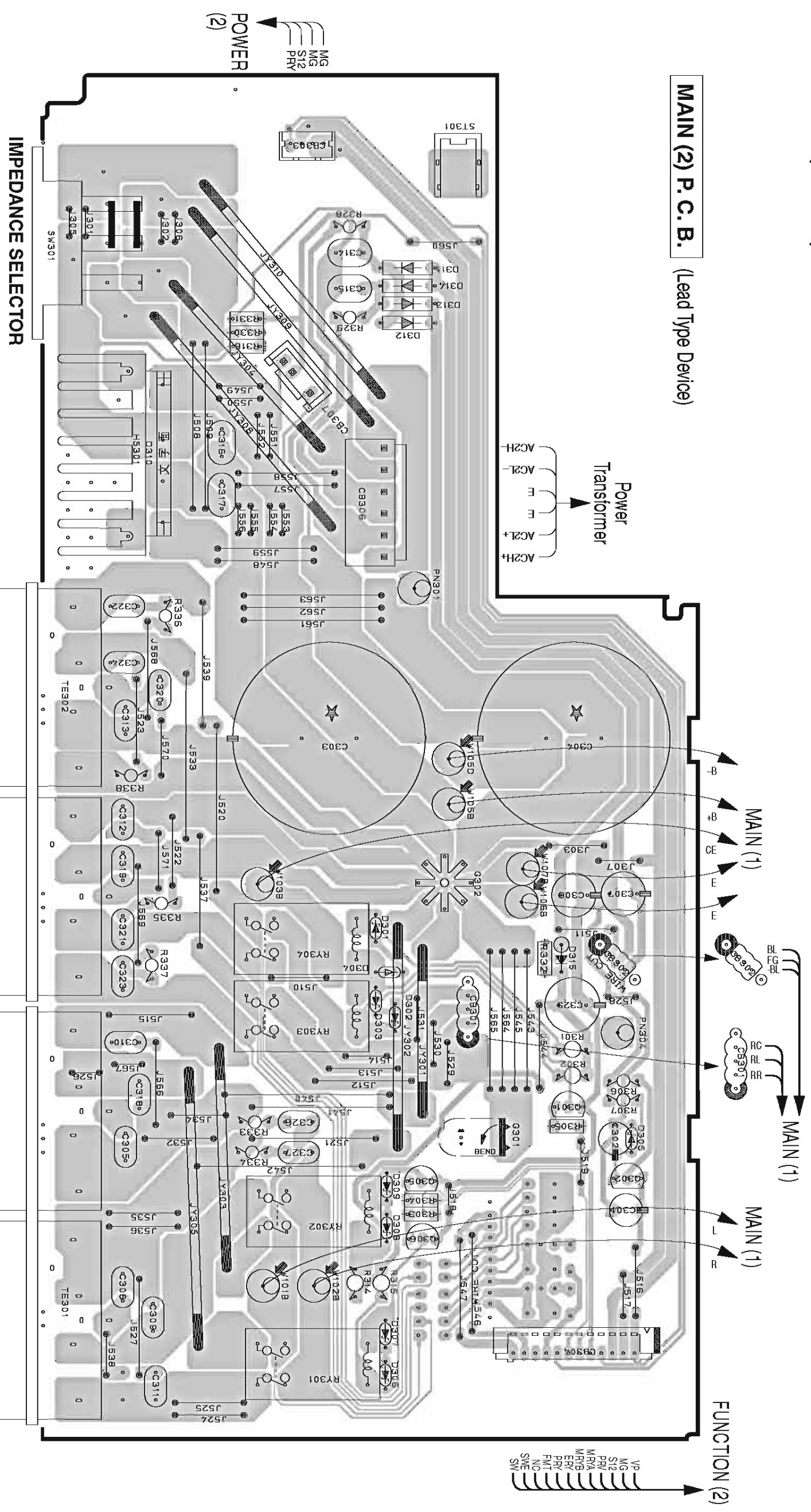
Semiconductor Location

Part No.	Location	Part No.	Location	Part No.	Location	Part No.	Location	Part No.	Location	Part No.	Location	Part No.	Location
D101	C3	D110	E4	D119	I4	Q105	C6	Q112A	F6	Q121	I5	Q132	F4
D102	B5	D111	I4	D120	C4	Q106	C3	Q112C	F6	Q122	D5	Q134	I4
D103	C3	D112	B4	D121	G3	Q107	C3	Q113A	I6	Q123	I5	Q135	B4
D104	D5	D113	C3	D405	D5	Q108	C3	Q113C	J6	Q124	H5	Q136	D3
D105	G5	D114	C3	D406	H5	Q109	H5	Q114A	C6	Q125	C5	Q137	E3
D106	F5	D115	E4	Q101	D6	Q110A	D6	Q114C	C6	Q126	C5	Q138	D3
D107	I5	D116	H4	Q102	H6	Q110C	E6	Q115	G5	Q128	C5		
D108	D5	D117	F3	Q103	F6	Q111A	G6	Q117	F5	Q130	E4		
D109	H4	D118	F4	Q104	I6	Q111C	H6	Q119	F5	Q131	H4		

1 ■ PRINTED CIRCUIT BOARD (Foil side)

RX-V540/RX-V540RDS/HTR-5650/HTR-5650RDS/DSP-AX540

RX-V540/RX-V540RDS/HTR-5650/HTR-5650RDS/DSP-AX540
 RX-V440/RX-V440RDS/HTR-5640/HTR-5640RDS/DSP-AX440



• Semiconductor Location

Ref. No.	Location	Ref. No.	Location	Ref. No.	Location
D301	G4	D308	I4	D315	G3
D302	H4	D309	I4	Q301	H3
D303	G4	D310	D5	Q302	H2
D304	G4	D311	C4	Q305	H3
D305	H2	D312	C4	Q306	I3
D306	J4	D313	C4		
D307	I4	D314	C4		

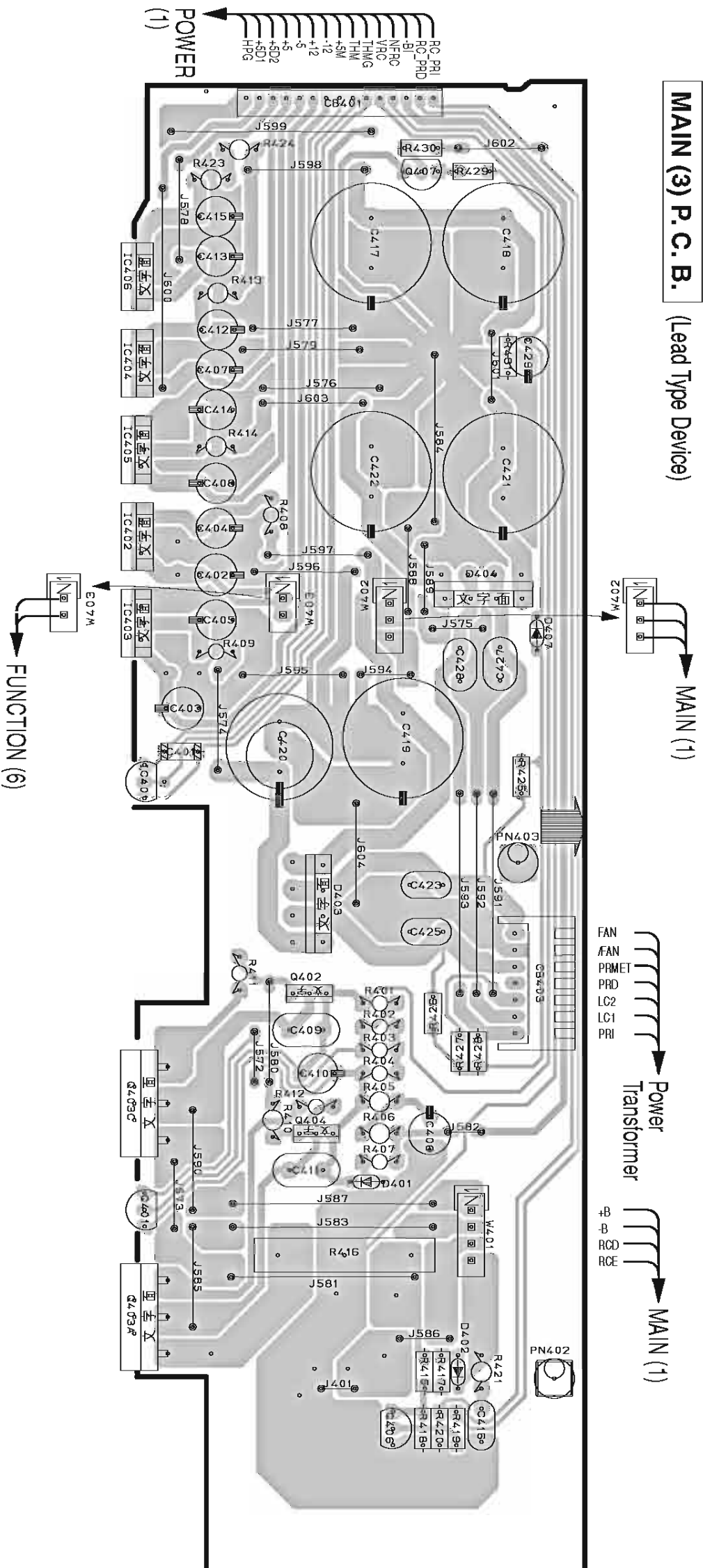
Circuit No.	J	U	C	R	T	A	K	B	A	L
0306-308-311-313-318-337	X	X	X	X	X	X	X	X	X	X
321-324-326-328	X	X	X	X	X	X	X	X	X	X
321-322-326-328	X	X	X	X	X	X	X	X	X	X
333-334-336-338	X	X	X	X	X	X	X	X	X	X
SW301	X	X	X	X	X	X	X	X	X	X

X: NOT USED
 O: USED / APPLICABLE

RX-V540/RX-V540RDS/HTR-5650/HTR-5650RDS/DSP-AX540
 RX-V440/RX-V440RDS/HTR-5640/HTR-5640RDS/DSP-AX440

PRINTED CIRCUIT BOARD (Foil side)

RX-V540/RX-V540RDS/HTR-5650/HTR-5650RDS/DSP-AX540



MAIN (3) P. C. B. (Lead Type Device)

MAIN (1)

Power Transformer
 FAN
 FAN
 PRMET
 PRD
 LC2
 LC1
 PRI
 +B
 RCD
 RCE

POWER (1)
 RQ_PRI
 RQ_PSD
 BI
 NFRG
 VRC
 THMG
 THM
 +5M
 +12
 -5
 +5D2
 +5D1
 HPG

Circuit No.	J	U	C	R	T	A	K	B	L
0638 308-311 313 318-320	X	X	X	X	O	O	O	O	O
822-824 824-828	O	X	X	X	X	O	O	O	X
1507 302 308 309	X	X	X	X	O	O	O	O	O
1533 324 336-338	X	X	O	O	O	O	O	O	O
SW507	X	O	O	O	O	O	O	O	O

X: NOT USED
 O: USED / APPLICABLE

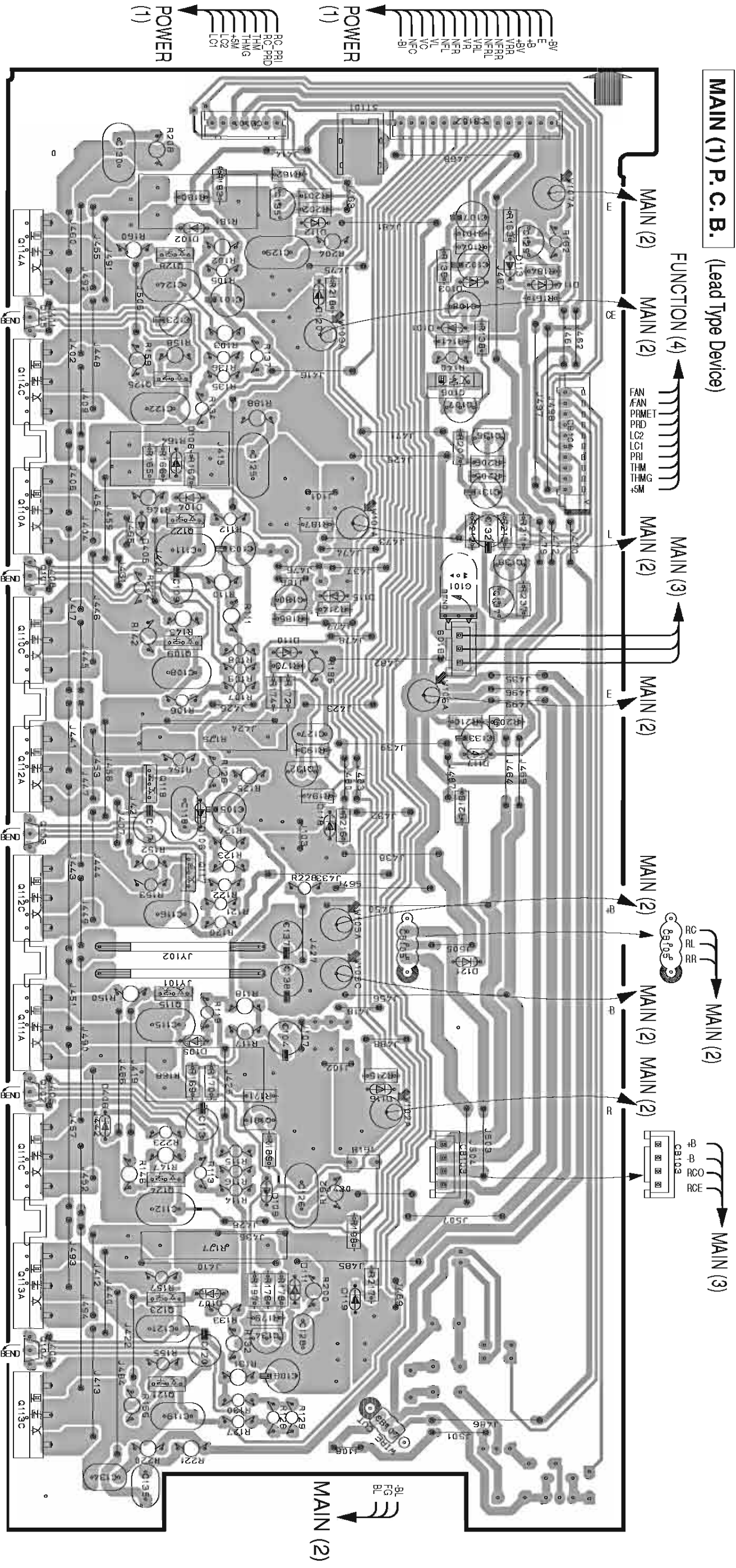
Semiconductor Location

Ref. No.	Location	Ref. No.	Location
D401	G3	IC405	C4
D402	H3	IC406	B4
D403	E3	Q401	G4
D404	D3	Q402	F3
D407	D2	Q403A	G4
IC401	E4	Q403C	F4
IC402	D4	Q404	G3
IC403	D4	Q406	H3
IC404	C4	Q407	B3

1 ■ PRINTED CIRCUIT BOARD (Foil side)

RX-V440/RX-V440RDS/HTR-5640/HTR-5640RDS/DSP-AX440

RX-V540/RX-V540RDS/HTR-5650/HTR-5650RDS/DSP-AX540
 RX-V440/RX-V440RDS/HTR-5640/HTR-5640RDS/DSP-AX440



MAIN (1) P. C. B. (Lead Type Device)

FUNCTION (4)

MAIN (2) MAIN (2)

MAIN (2)

MAIN (2)

MAIN (2)

MAIN (2)

MAIN (2)

MAIN (2)

MAIN (2)

POWER (1)

POWER (1)

Circuit No.	J	U	C	R	T	A	K	B	L
0306_308_309-311_313	X	X	X	O	O	O	O	O	O
318-320_322-326_327_328	O	X	X	X	X	X	X	X	X
J501_302_305_306	X	X	X	O	O	O	O	O	O
R333_334_336-338	X	X	O	O	O	O	O	O	O
SW501	X	O	O	O	O	O	O	O	O

X: NOT USED
 O: USED/APPLICABLE

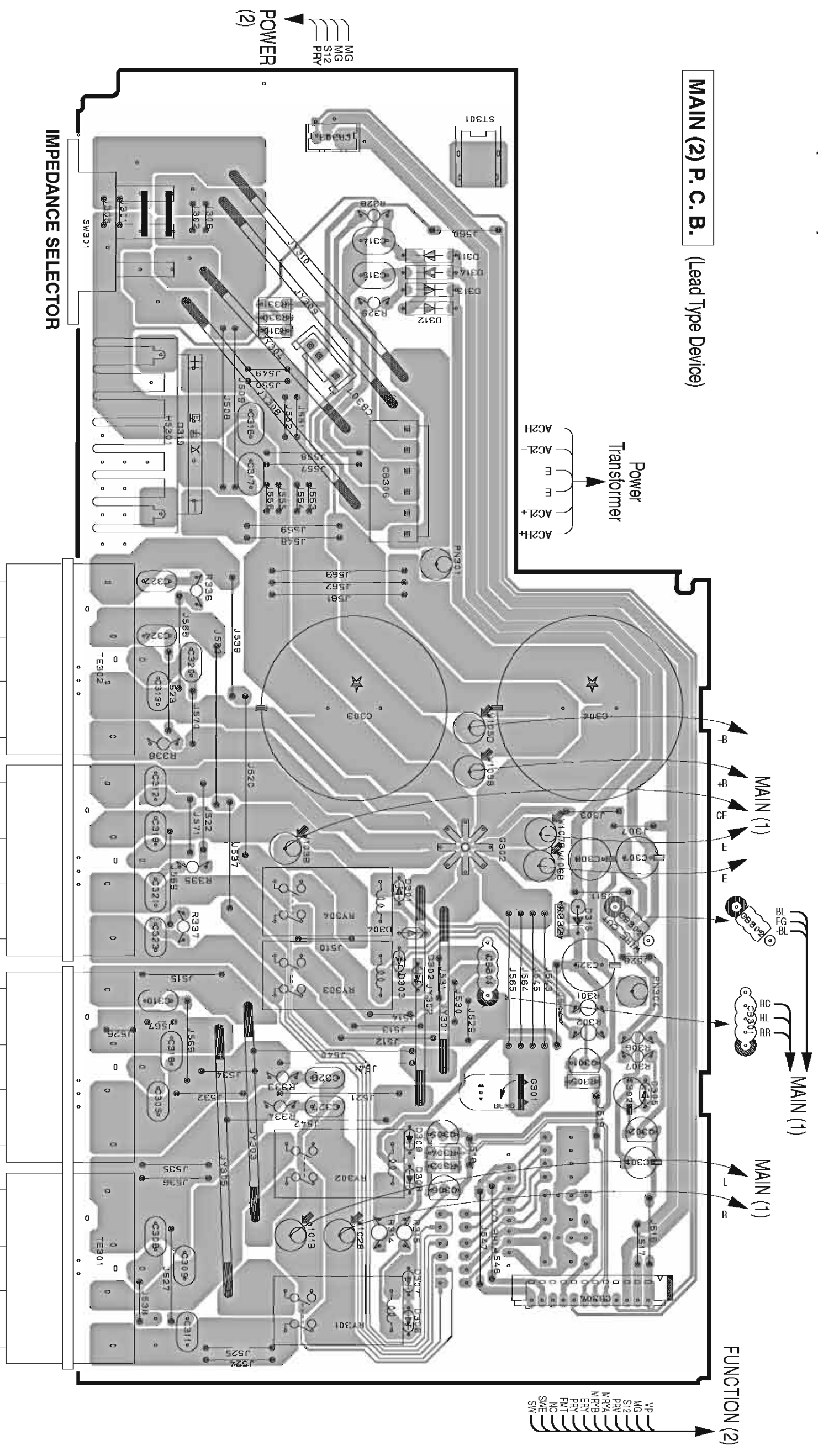
• Semiconductor Location

Ref. No.	Location	Ref. No.	Location	Ref. No.	Location	Ref. No.	Location	Ref. No.	Location	Ref. No.	Location	Ref. No.	Location
D101	C3	D110	E4	D119	I4	Q105	C6	Q112A	F6	Q121	I5	Q132	F4
D102	B5	D111	I4	D120	C4	Q106	C3	Q112C	F6	Q122	D5	Q134	I4
D103	C3	D112	B4	D121	G3	Q107	C3	Q113A	I6	Q123	I5	Q135	B4
D104	D5	D113	C3	D405	D5	Q108	C3	Q113C	J6	Q124	H5	Q136	D3
D105	G5	D114	C3	D406	H5	Q109	E5	Q114A	C6	Q125	C5	Q137	E3
D106	F5	D115	E4	Q101	D6	Q110A	D6	Q114C	C6	Q128	C5	Q138	D3
D107	I5	D116	H4	Q102	H6	Q110C	E6	Q115	G5	Q129	B3		
D108	D5	D117	F3	Q103	F6	Q111A	G6	Q117	F5	Q130	E4		
D109	H4	D118	F4	Q104	I6	Q111C	H6	Q119	F5	Q131	H4		

RX-V540/RX-V540RDS/HTR-5650/HTR-5650RDS/DSP-AX540
 RX-V440/RX-V440RDS/HTR-5640/HTR-5640RDS/DSP-AX440

PRINTED CIRCUIT BOARD (Foil side)

RX-V440/RX-V440RDS/HTR-5640/HTR-5640RDS/DSP-AX440



Semiconductor Location

Ref. No.	Location	Ref. No.	Location	Ref. No.	Location
D301	G4	D308	I4	D315	G3
D302	H4	D309	I4	Q301	H3
D303	G4	D310	D5	Q302	H2
D304	G4	D311	C4	Q305	H3
D305	H2	D312	C4	Q306	I3
D306	J4	D313	C4		
D307	I4	D314	C4		

Output No.	J	U	C	R	T	A	K	B	G	L
C306, 308, 309-311, 313, 314-320, 322-328, 327, 329	X	X	X	X	X	X	X	X	X	X
J301, 302, 305, 306	O	X	X	X	X	X	X	X	X	X
R303, 304, 306-309	X	X	X	X	X	X	X	X	X	X
SW301	X	X	X	X	X	X	X	X	X	X

X: NOT USED
 O: USED/APPLICABLE

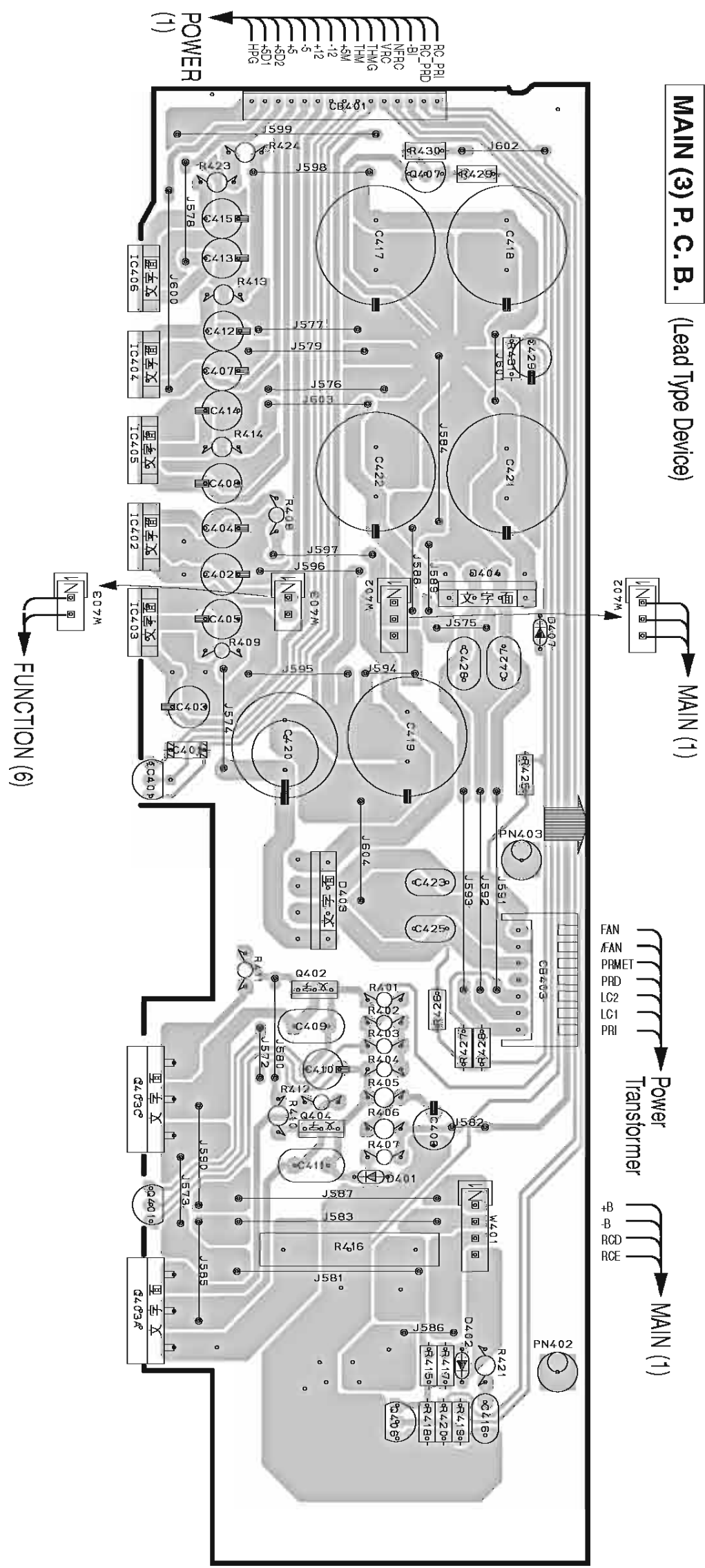
A B C D E F G H I J

1 ■ PRINTED CIRCUIT BOARD (Foil side)

MAIN (3) P. C. B. (Lead Type Device)

RX-V440/RX-V440RDS/HTR-5640/HTR-5640RDS/DSP-AX440

RX-V540/RX-V540RDS/HTR-5650/HTR-5650RDS/DSP-AX540
 RX-V440/RX-V440RDS/HTR-5640/HTR-5640RDS/DSP-AX440



Circuit No.	J	U	C	R	T	A	K	S	G	L
CS08 308 308-311 313	X	X	X	O	O	O	O	O	O	O
318-320 322-325 327 328	O	X	X	X	X	X	X	X	X	X
301 302 305 306	X	X	X	O	O	O	O	O	O	O
ES33 334 337-338	X	X	O	O	O	O	O	O	O	O
SW501	X	O	O	O	O	O	O	O	O	O

X: NOT USED
 O: USED / APPL. CABLE

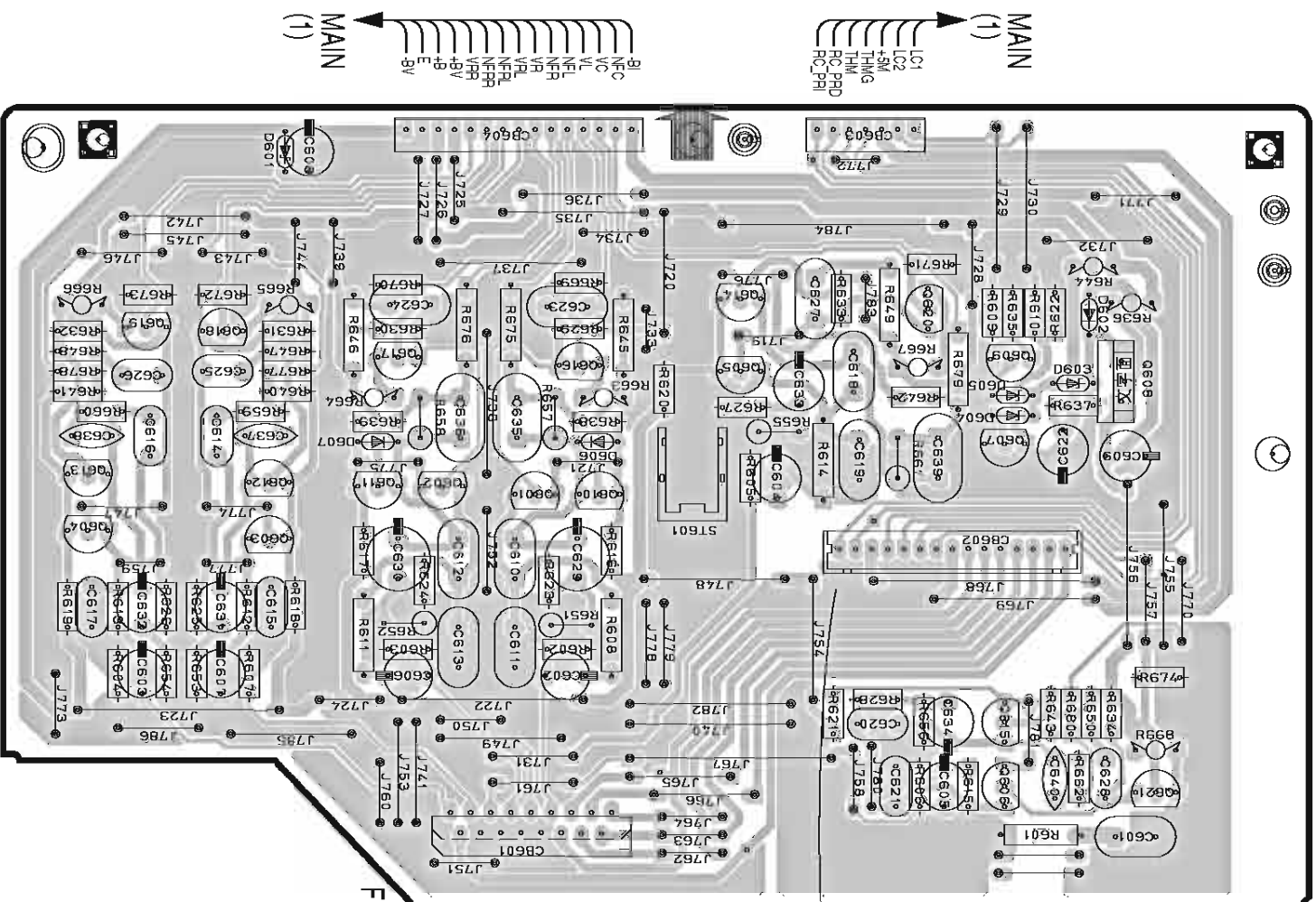
• Semiconductor Location

Ref. No.	Location	Ref. No.	Location
D401	G3	IC405	C4
D402	H3	IC406	B4
D403	E3	Q401	G4
D404	D3	Q402	F3
D407	D2	Q403A	G4
IC401	E4	Q403C	F4
IC402	D4	Q404	G3
IC403	D4	Q406	H3
IC404	C4	Q407	B3

RX-V540/RX-V540RDS/HTR-5650/HTR-5650RDS/DSP-AX540
 RX-V440/RX-V440RDS/HTR-5640/HTR-5640RDS/DSP-AX440

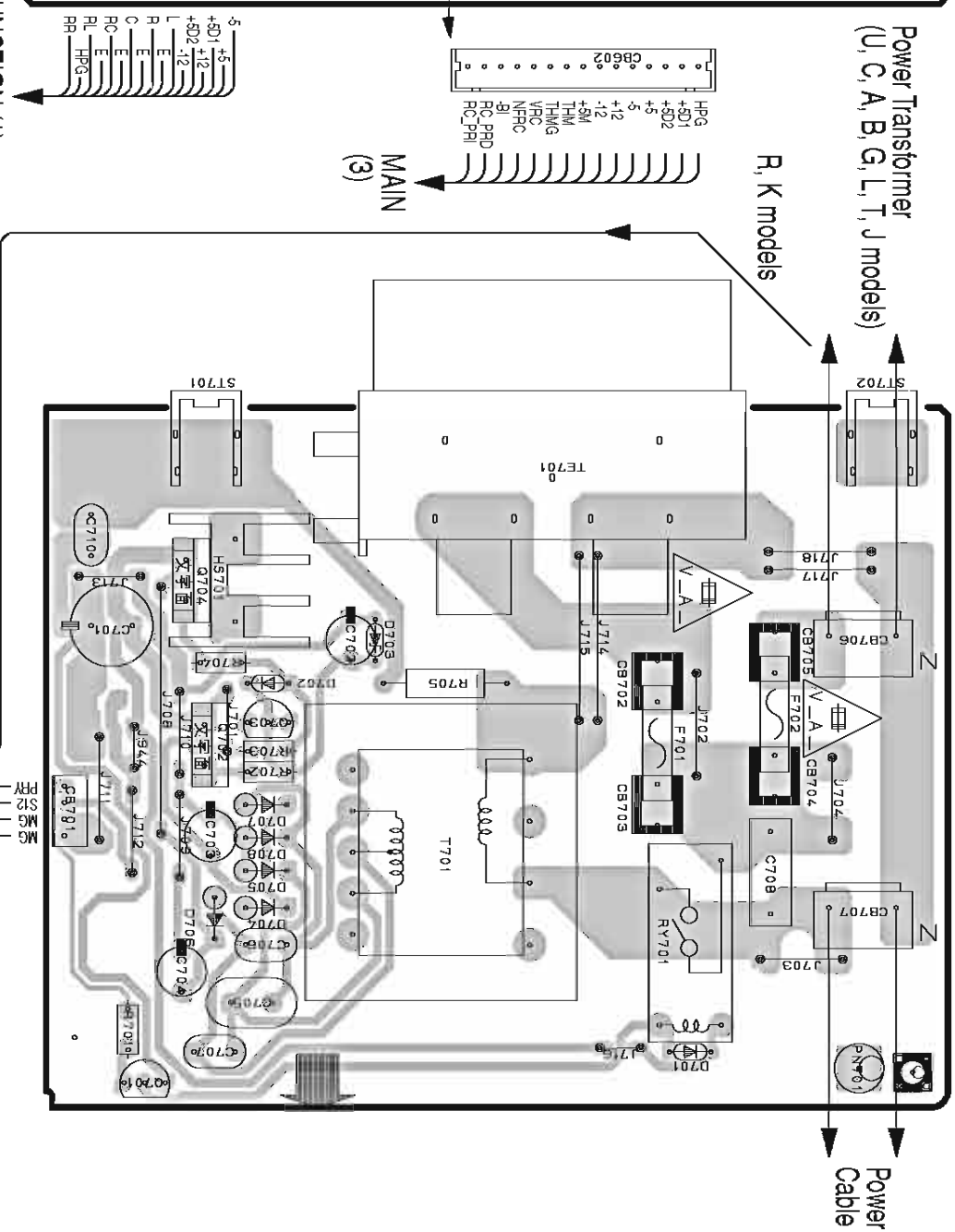
PRINTED CIRCUIT BOARD (Foil side)

POWER (1) P. C. B. (Lead Type Device)



RX-V540/RX-V540RDS/HTR-5650/HTR-5650RDS/DSP-AX540

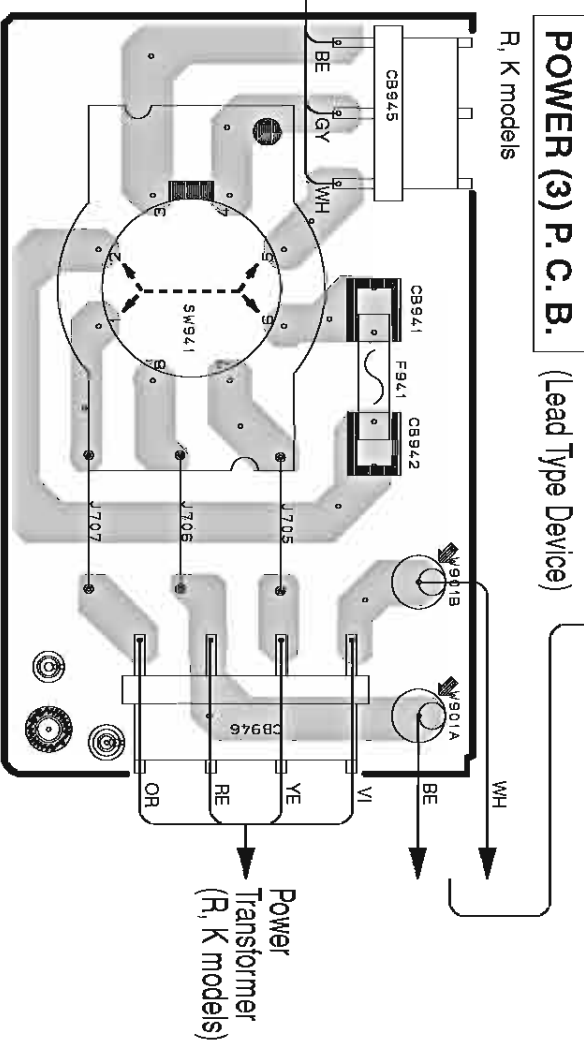
POWER (2) P. C. B. (Lead Type Device)



Power Transformer (U, C, A, B, G, L, T, J models)
 R, K models

VOLTAGE SELECTOR

240V	1-2/5-6
220V	2-3/6-7
110V	3-4/7-8
120V	4-5/8-1



Semiconductor Location

Ref. No.	Location
D601	A5
D602	B2
D603	B3
D604	B3
D605	B3
D606	B4
D607	B5
D701	H3
D702	G4
D703	F4
D704	G4
D705	G4
D706	G4
D707	G4
D708	G4
Q601	C5
Q602	C5
Q603	C6
Q604	C6
Q605	B4
Q606	D3
Q607	B3
Q608	B2
Q609	B3
Q610	C4
Q611	C5
Q612	C6
Q613	C6
Q614	B4
Q615	C3
Q616	B4
Q617	B5
Q618	B6
Q619	B6
Q620	B3
Q621	D2
Q701	H5
Q702	G4
Q703	G4
Q704	F4

Circuit No.	J	U, C	F, T, K	A	B	G, L
C702-704, 706, 707	X	X	O	X	O	O
C705	X	O	O	X	O	O
CB941, 942	X	O	X	X	X	X
CB943, 944, 945, 946	X	O	X	X	X	X
D604	X	O	O	O	O	O
D702, 703, 706	X	O	X	X	X	X
F701	X	O	X	X	X	X
F702	X	O	X	X	X	X
F703	X	O	X	X	X	X
F704	X	O	X	X	X	X
F705	X	O	X	X	X	X
F706	X	O	X	X	X	X
F707	X	O	X	X	X	X
F708	X	O	X	X	X	X
F709	X	O	X	X	X	X
F710	X	O	X	X	X	X
F711	X	O	X	X	X	X
F712	X	O	X	X	X	X
F713	X	O	X	X	X	X
F714	X	O	X	X	X	X
F715	X	O	X	X	X	X
F716	X	O	X	X	X	X
F717	X	O	X	X	X	X
F718	X	O	X	X	X	X
F719	X	O	X	X	X	X
F720	X	O	X	X	X	X
F721	X	O	X	X	X	X
F722	X	O	X	X	X	X
F723	X	O	X	X	X	X
F724	X	O	X	X	X	X
F725	X	O	X	X	X	X
F726	X	O	X	X	X	X
F727	X	O	X	X	X	X
F728	X	O	X	X	X	X
F729	X	O	X	X	X	X
F730	X	O	X	X	X	X
F731	X	O	X	X	X	X
F732	X	O	X	X	X	X
F733	X	O	X	X	X	X
F734	X	O	X	X	X	X
F735	X	O	X	X	X	X
F736	X	O	X	X	X	X
F737	X	O	X	X	X	X
F738	X	O	X	X	X	X
F739	X	O	X	X	X	X
F740	X	O	X	X	X	X
F741	X	O	X	X	X	X
F742	X	O	X	X	X	X
F743	X	O	X	X	X	X
F744	X	O	X	X	X	X
F745	X	O	X	X	X	X
F746	X	O	X	X	X	X
F747	X	O	X	X	X	X
F748	X	O	X	X	X	X
F749	X	O	X	X	X	X
F750	X	O	X	X	X	X
F751	X	O	X	X	X	X
F752	X	O	X	X	X	X
F753	X	O	X	X	X	X
F754	X	O	X	X	X	X
F755	X	O	X	X	X	X
F756	X	O	X	X	X	X
F757	X	O	X	X	X	X
F758	X	O	X	X	X	X
F759	X	O	X	X	X	X
F760	X	O	X	X	X	X
F761	X	O	X	X	X	X
F762	X	O	X	X	X	X
F763	X	O	X	X	X	X
F764	X	O	X	X	X	X
F765	X	O	X	X	X	X
F766	X	O	X	X	X	X
F767	X	O	X	X	X	X
F768	X	O	X	X	X	X
F769	X	O	X	X	X	X
F770	X	O	X	X	X	X
F771	X	O	X	X	X	X
F772	X	O	X	X	X	X
F773	X	O	X	X	X	X
F774	X	O	X	X	X	X
F775	X	O	X	X	X	X
F776	X	O	X	X	X	X
F777	X	O	X	X	X	X
F778	X	O	X	X	X	X
F779	X	O	X	X	X	X
F780	X	O	X	X	X	X
F781	X	O	X	X	X	X
F782	X	O	X	X	X	X
F783	X	O	X	X	X	X
F784	X	O	X	X	X	X
F785	X	O	X	X	X	X
F786	X	O	X	X	X	X
F787	X	O	X	X	X	X
F788	X	O	X	X	X	X
F789	X	O	X	X	X	X
F790	X	O	X	X	X	X
F791	X	O	X	X	X	X
F792	X	O	X	X	X	X
F793	X	O	X	X	X	X
F794	X	O	X	X	X	X
F795	X	O	X	X	X	X
F796	X	O	X	X	X	X
F797	X	O	X	X	X	X
F798	X	O	X	X	X	X
F799	X	O	X	X	X	X
F800	X	O	X	X	X	X

X: NOT USED
 O: USED / APPLICABLE

1 ■ PRINTED CIRCUIT BOARD (Foil side)

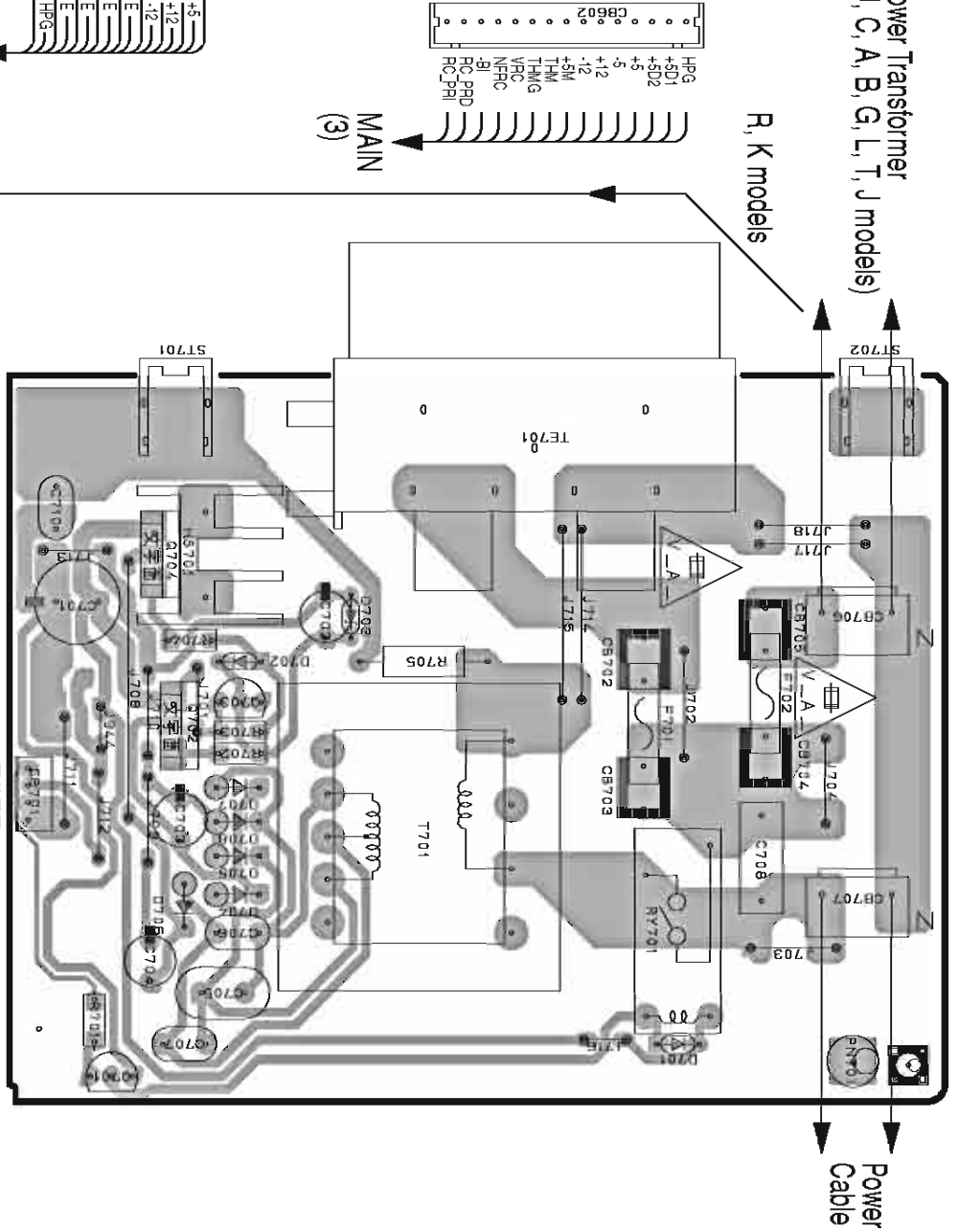
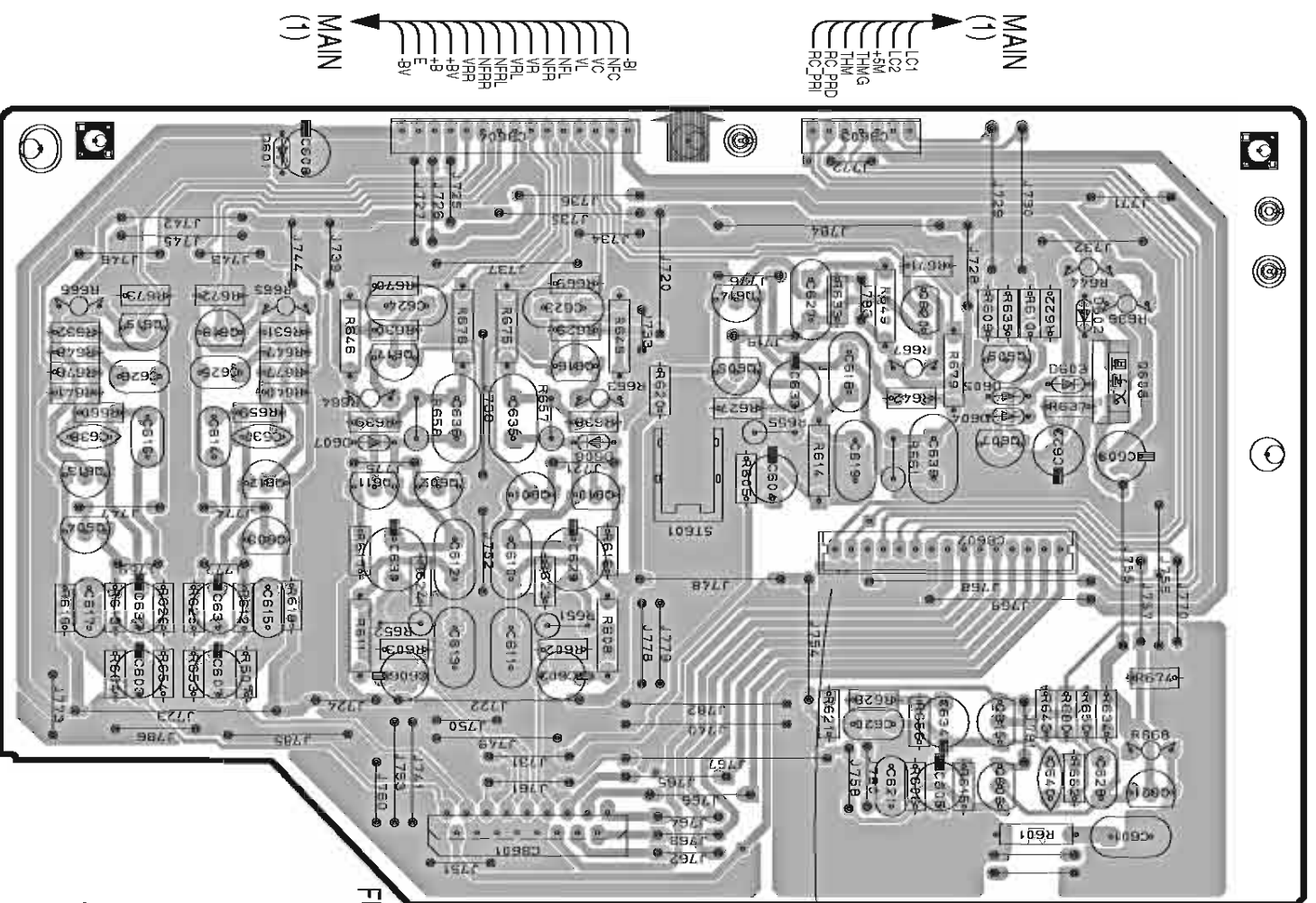
RX-V440/RX-V440RDS/HTR-5640/HTR-5640RDS/DSP-AX440

POWER (1) P. C. B. (Lead Type Device)

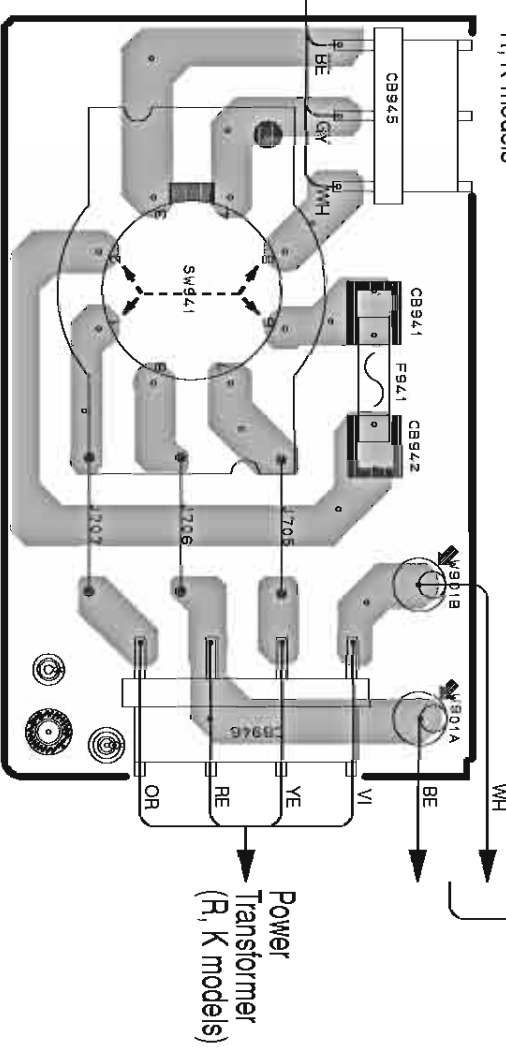
POWER (2) P. C. B. (Lead Type Device)

• Semiconductor Location

Ref. No.	Location
D601	A5
D602	B2
D603	B3
D604	B3
D605	B3
D606	B4
D607	B5
D701	H3
D702	G4
D703	F4
D704	G4
D705	G4
D706	G4
D707	G4
D708	G4
D801	C5
D802	C5
D803	C6
D804	C6
D805	B4
D806	D3
D807	B3
D808	B2
D809	B3
D810	C4
D811	C5
D812	C6
D813	C6
D814	B4
D815	C3
D816	B4
D817	B5
D818	B6
D819	B6
D820	B3
D821	D2
Q701	H5
Q702	G4
Q703	G4
Q704	F4



POWER (3) P. C. B. (Lead Type Device)



Circuit No.	J	U, C	R, T, K	A	B	G, L
OT32-704, 708, 707	X	X	O	X	O	O
OT36	X	O	O	X	O	O
CB702, 703	X	O	X	X	O	O
CB941, 942, 945, 948	X	O	O	X	O	O
D804	X	O	O	X	O	O
D702, 703, 708	X	O	O	X	O	O
F701	X	O	X	X	O	O
F701	O	O	X	X	O	O
J701	O	O	X	X	O	O
J702	O	O	X	X	O	O
OT32-704	X	O	O	X	O	O
PH10, 822	X	O	O	X	O	O
PH32-704	X	O	O	X	O	O
R705	X	O	X	X	O	O
SW941	X	O	X	X	O	O
WS01	X	O	O	X	X	X

X: NOT USED
O: USED/APPLICABLE

■ PIN CONNECTION DIAGRAM

• ICs

LM61CIZ 	NUM78L05A-T3 	NUM7805FA NUM7812FA 	NUM79M05FA NUM79M12FA 	μP C29M33T-E-1 	PQ025E25M2P 	NUM2068MD NUM290AM TK15420M μPC4570G2
NUM4556AL 	LA7956 	74LCX07SJX BD3812F NUM2581M 	MM74HCU04 TC74HC T00AF TC74HC T09AF TC74HC U04AF 	LA7104M 	TC74HC153AF 	
TC74HC4053AF 	LC72722 	CY62256LL 	BD3841FS MX23C4000TC-10 	MSM514260E-60JS 		
AK4529VQ 	CS439264-CL CS439292-CLR 	BD3815KS 	M66003-0101FP 			
M3603A00 	XC9572XL-10TQ100C 	YSS938 				

• Diodes

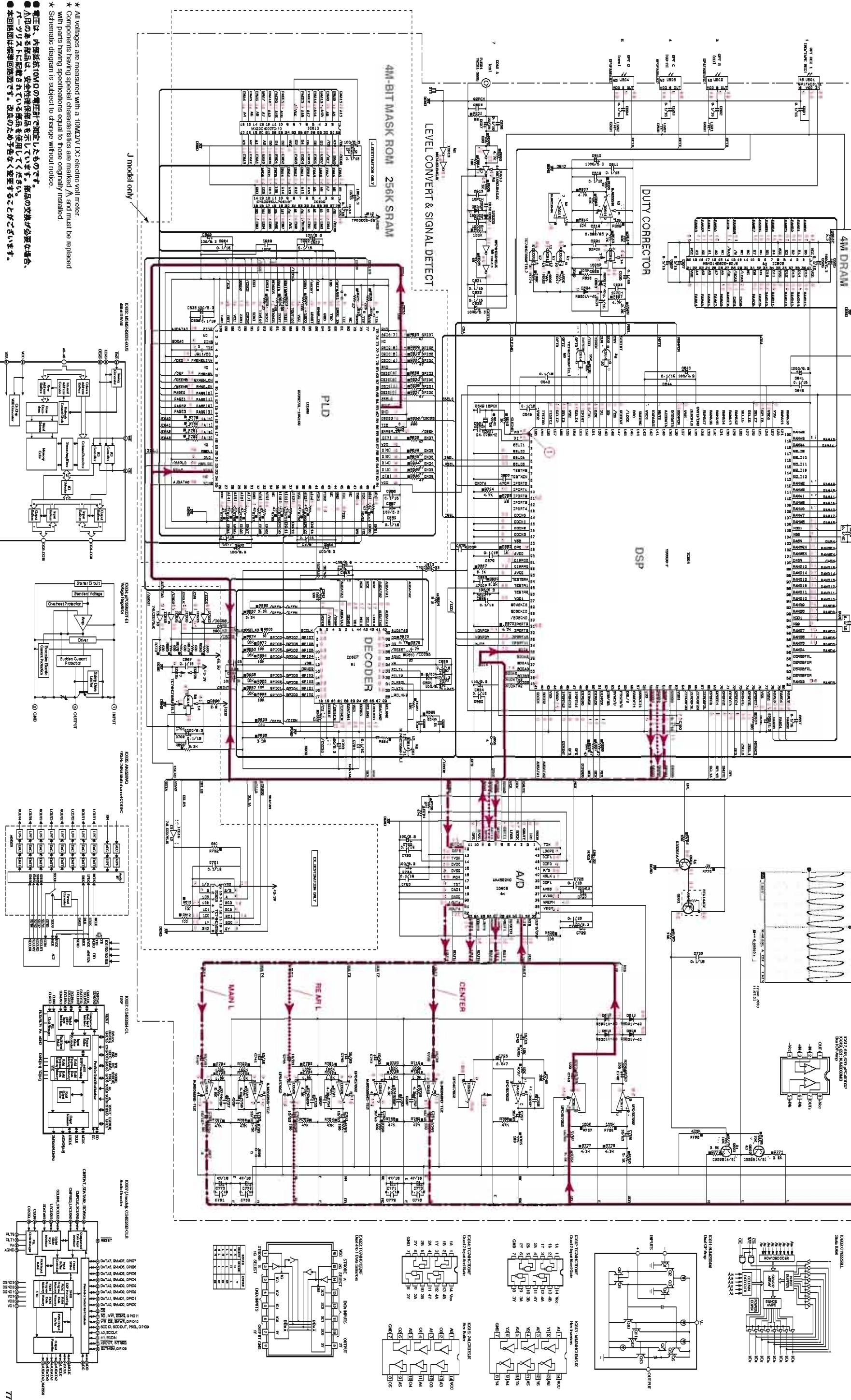
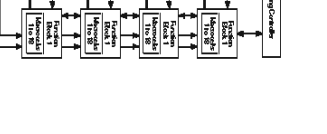
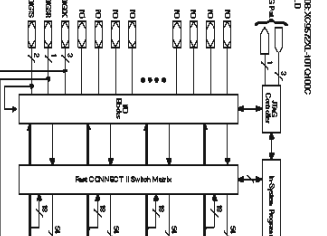
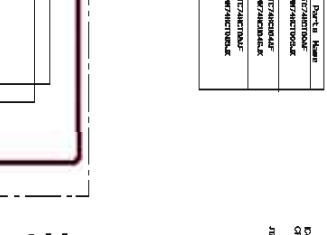
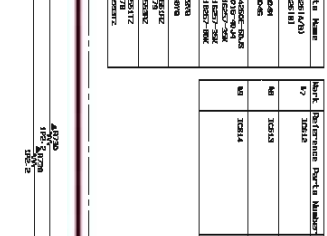
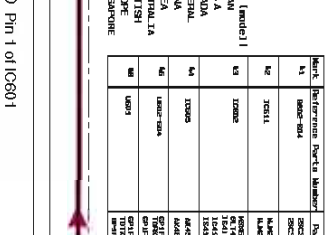
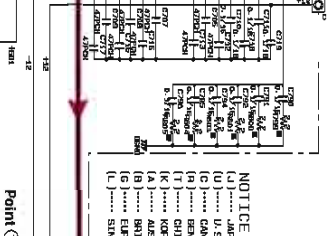
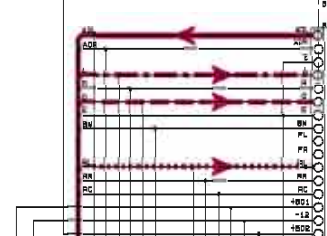
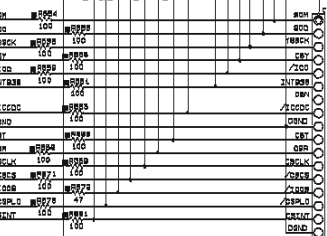
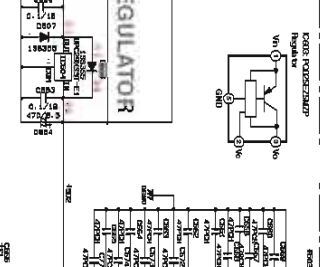
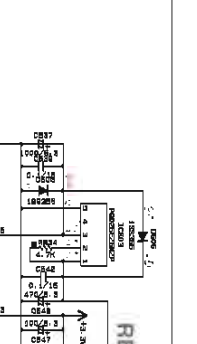
1N4002S 1SS133 1SS176 1SS244 1SS270A 1T2 	MTZJ2.4B MTZJ4.7C MTZJ5.1C MTZJ9.1B MTZJ12.0C MTZJ13.0A MTZJ30.0A 	1SS355 MA8075-H RB501V-40 RLZ6.2B UDZ6.1B UDZ6.8B UDZ55.6BTE-17 UDZ56.2B UDZ59.1B 	Anode Cathode 	Cathode Anode
TS6P03G 		KBP103G 		

• Transistors

2SA893A 2SA1015 2SB949 2SC1815 2SC1890A 2SC2240 	2SC1740S 2SD1915F 	2SB1274 2SD2396 	2SA1695 2SC4468
2SA1037K 2SC2412K 2SC3326 DTA144EK 	2SA1708 2SC4488 	2SK246 	

RESISTOR	VALUE	MARK
NO MARK	CARBON FILM RESISTOR (F-5)	
△	METAL OXIDE FILM RESISTOR (F-10)	
□	METAL FILM RESISTOR	
○	FILM RESISTOR	
◇	FILM RESISTOR	
◎	FILM RESISTOR	
①	TEMPERATURE COMPENSATED FILM RESISTOR	
②	TEMPERATURE COMPENSATED FILM RESISTOR	
③	TEMPERATURE COMPENSATED FILM RESISTOR	
④	TEMPERATURE COMPENSATED FILM RESISTOR	
⑤	TEMPERATURE COMPENSATED FILM RESISTOR	
⑥	TEMPERATURE COMPENSATED FILM RESISTOR	
⑦	TEMPERATURE COMPENSATED FILM RESISTOR	
⑧	TEMPERATURE COMPENSATED FILM RESISTOR	
⑨	TEMPERATURE COMPENSATED FILM RESISTOR	
⑩	TEMPERATURE COMPENSATED FILM RESISTOR	
⑪	TEMPERATURE COMPENSATED FILM RESISTOR	
⑫	TEMPERATURE COMPENSATED FILM RESISTOR	
⑬	TEMPERATURE COMPENSATED FILM RESISTOR	
⑭	TEMPERATURE COMPENSATED FILM RESISTOR	
⑮	TEMPERATURE COMPENSATED FILM RESISTOR	
⑯	TEMPERATURE COMPENSATED FILM RESISTOR	
⑰	TEMPERATURE COMPENSATED FILM RESISTOR	
⑱	TEMPERATURE COMPENSATED FILM RESISTOR	
⑲	TEMPERATURE COMPENSATED FILM RESISTOR	
⑳	TEMPERATURE COMPENSATED FILM RESISTOR	
㉑	TEMPERATURE COMPENSATED FILM RESISTOR	
㉒	TEMPERATURE COMPENSATED FILM RESISTOR	
㉓	TEMPERATURE COMPENSATED FILM RESISTOR	
㉔	TEMPERATURE COMPENSATED FILM RESISTOR	
㉕	TEMPERATURE COMPENSATED FILM RESISTOR	
㉖	TEMPERATURE COMPENSATED FILM RESISTOR	
㉗	TEMPERATURE COMPENSATED FILM RESISTOR	
㉘	TEMPERATURE COMPENSATED FILM RESISTOR	
㉙	TEMPERATURE COMPENSATED FILM RESISTOR	
㉚	TEMPERATURE COMPENSATED FILM RESISTOR	
㉛	TEMPERATURE COMPENSATED FILM RESISTOR	
㉜	TEMPERATURE COMPENSATED FILM RESISTOR	
㉝	TEMPERATURE COMPENSATED FILM RESISTOR	
㉞	TEMPERATURE COMPENSATED FILM RESISTOR	
㉟	TEMPERATURE COMPENSATED FILM RESISTOR	
㊱	TEMPERATURE COMPENSATED FILM RESISTOR	
㊲	TEMPERATURE COMPENSATED FILM RESISTOR	
㊳	TEMPERATURE COMPENSATED FILM RESISTOR	
㊴	TEMPERATURE COMPENSATED FILM RESISTOR	
㊵	TEMPERATURE COMPENSATED FILM RESISTOR	
㊶	TEMPERATURE COMPENSATED FILM RESISTOR	
㊷	TEMPERATURE COMPENSATED FILM RESISTOR	
㊸	TEMPERATURE COMPENSATED FILM RESISTOR	
㊹	TEMPERATURE COMPENSATED FILM RESISTOR	
㊺	TEMPERATURE COMPENSATED FILM RESISTOR	
㊻	TEMPERATURE COMPENSATED FILM RESISTOR	
㊼	TEMPERATURE COMPENSATED FILM RESISTOR	
㊽	TEMPERATURE COMPENSATED FILM RESISTOR	
㊾	TEMPERATURE COMPENSATED FILM RESISTOR	
㊿	TEMPERATURE COMPENSATED FILM RESISTOR	

IC	FUNCTION	MARK
1	REGULATOR	7805
2	REGULATOR	7805
3	REGULATOR	7805
4	REGULATOR	7805
5	REGULATOR	7805
6	REGULATOR	7805
7	REGULATOR	7805
8	REGULATOR	7805
9	REGULATOR	7805
10	REGULATOR	7805
11	REGULATOR	7805
12	REGULATOR	7805
13	REGULATOR	7805
14	REGULATOR	7805
15	REGULATOR	7805
16	REGULATOR	7805
17	REGULATOR	7805
18	REGULATOR	7805
19	REGULATOR	7805
20	REGULATOR	7805
21	REGULATOR	7805
22	REGULATOR	7805
23	REGULATOR	7805
24	REGULATOR	7805
25	REGULATOR	7805
26	REGULATOR	7805
27	REGULATOR	7805
28	REGULATOR	7805
29	REGULATOR	7805
30	REGULATOR	7805
31	REGULATOR	7805
32	REGULATOR	7805
33	REGULATOR	7805
34	REGULATOR	7805
35	REGULATOR	7805
36	REGULATOR	7805
37	REGULATOR	7805
38	REGULATOR	7805
39	REGULATOR	7805
40	REGULATOR	7805
41	REGULATOR	7805
42	REGULATOR	7805
43	REGULATOR	7805
44	REGULATOR	7805
45	REGULATOR	7805
46	REGULATOR	7805
47	REGULATOR	7805
48	REGULATOR	7805
49	REGULATOR	7805
50	REGULATOR	7805
51	REGULATOR	7805
52	REGULATOR	7805
53	REGULATOR	7805
54	REGULATOR	7805
55	REGULATOR	7805
56	REGULATOR	7805
57	REGULATOR	7805
58	REGULATOR	7805
59	REGULATOR	7805
60	REGULATOR	7805
61	REGULATOR	7805
62	REGULATOR	7805
63	REGULATOR	7805
64	REGULATOR	7805
65	REGULATOR	7805
66	REGULATOR	7805
67	REGULATOR	7805
68	REGULATOR	7805
69	REGULATOR	7805
70	REGULATOR	7805
71	REGULATOR	7805
72	REGULATOR	7805
73	REGULATOR	7805
74	REGULATOR	7805
75	REGULATOR	7805
76	REGULATOR	7805
77	REGULATOR	7805
78	REGULATOR	7805
79	REGULATOR	7805
80	REGULATOR	7805
81	REGULATOR	7805
82	REGULATOR	7805
83	REGULATOR	7805
84	REGULATOR	7805
85	REGULATOR	7805
86	REGULATOR	7805
87	REGULATOR	7805
88	REGULATOR	7805
89	REGULATOR	7805
90	REGULATOR	7805
91	REGULATOR	7805
92	REGULATOR	7805
93	REGULATOR	7805
94	REGULATOR	7805
95	REGULATOR	7805
96	REGULATOR	7805
97	REGULATOR	7805
98	REGULATOR	7805
99	REGULATOR	7805
100	REGULATOR	7805



●電圧は、内部抵抗10MΩの電圧計で測定したものです。
●A印のある部品は、安全性能部品を示しています。部品の交換が必要な場合、Aマークと記載されている部品を使用してください。
●本回路図は標準回路図です。改良のため予告なく変更することがあります。

* All voltages are measured with a 10MΩV DC electric volt meter.
* Components having special characteristics are marked A and must be replaced with parts having specifications equal to those originally installed.
* Schematic diagram is subject to change without notice.

●電圧は、内部抵抗10MΩの電圧計で測定したものです。
●A印のある部品は、安全性能部品を示しています。部品の交換が必要な場合、Aマークと記載されている部品を使用してください。
●本回路図は標準回路図です。改良のため予告なく変更することがあります。

* All voltages are measured with a 10MΩV DC electric volt meter.
* Components having special characteristics are marked A and must be replaced with parts having specifications equal to those originally installed.
* Schematic diagram is subject to change without notice.

●電圧は、内部抵抗10MΩの電圧計で測定したものです。
●A印のある部品は、安全性能部品を示しています。部品の交換が必要な場合、Aマークと記載されている部品を使用してください。
●本回路図は標準回路図です。改良のため予告なく変更することがあります。

* All voltages are measured with a 10MΩV DC electric volt meter.
* Components having special characteristics are marked A and must be replaced with parts having specifications equal to those originally installed.
* Schematic diagram is subject to change without notice.

●電圧は、内部抵抗10MΩの電圧計で測定したものです。
●A印のある部品は、安全性能部品を示しています。部品の交換が必要な場合、Aマークと記載されている部品を使用してください。
●本回路図は標準回路図です。改良のため予告なく変更することがあります。

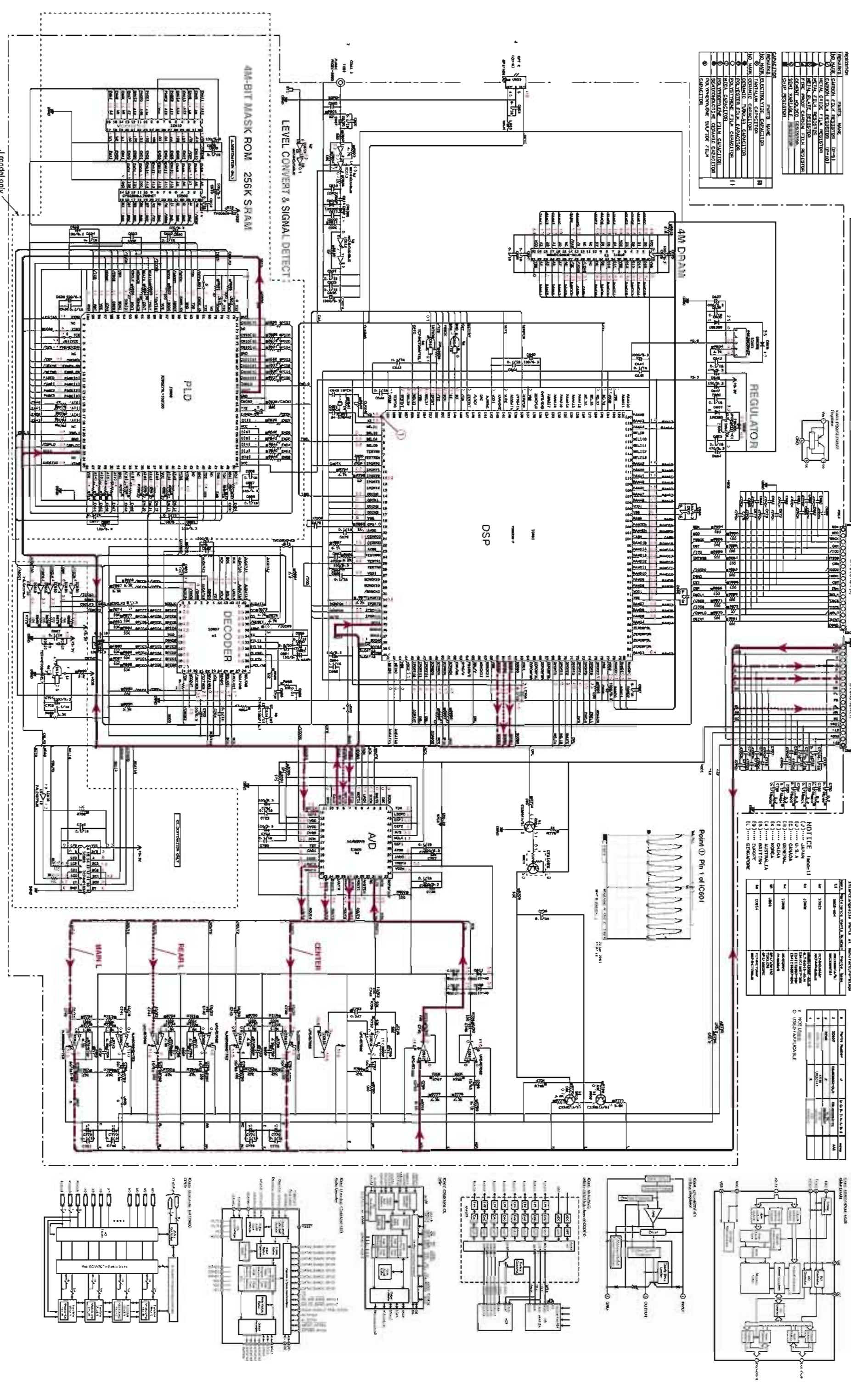
* All voltages are measured with a 10MΩV DC electric volt meter.
* Components having special characteristics are marked A and must be replaced with parts having specifications equal to those originally installed.
* Schematic diagram is subject to change without notice.

●電圧は、内部抵抗10MΩの電圧計で測定したものです。
●A印のある部品は、安全性能部品を示しています。部品の交換が必要な場合、Aマークと記載されている部品を使用してください。
●本回路図は標準回路図です。改良のため予告なく変更することがあります。

* All voltages are measured with a 10MΩV DC electric volt meter.
* Components having special characteristics are marked A and must be replaced with parts having specifications equal to those originally installed.
* Schematic diagram is subject to change without notice.

SCHEMATIC DIAGRAM (DSP) RX-V440/RX-V440RDS/HTR-5640/HTR-5640RDS/DSP-AX440

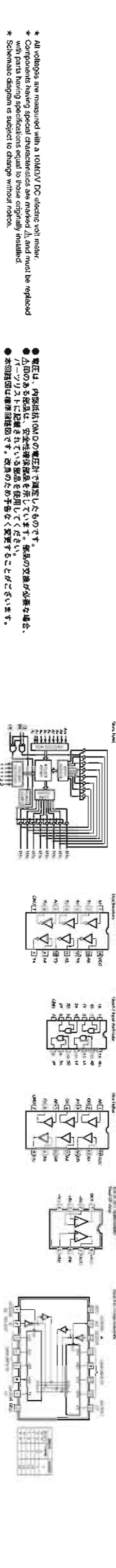
RESISTOR	PARTS NAME	VALUE
R1	CARBON FILM RESISTOR (1/4W)	10K
R2	CARBON FILM RESISTOR (1/4W)	100K
R3	CARBON FILM RESISTOR (1/4W)	100K
R4	CARBON FILM RESISTOR (1/4W)	100K
R5	CARBON FILM RESISTOR (1/4W)	100K
R6	CARBON FILM RESISTOR (1/4W)	100K
R7	CARBON FILM RESISTOR (1/4W)	100K
R8	CARBON FILM RESISTOR (1/4W)	100K
R9	CARBON FILM RESISTOR (1/4W)	100K
R10	CARBON FILM RESISTOR (1/4W)	100K
R11	CARBON FILM RESISTOR (1/4W)	100K
R12	CARBON FILM RESISTOR (1/4W)	100K
R13	CARBON FILM RESISTOR (1/4W)	100K
R14	CARBON FILM RESISTOR (1/4W)	100K
R15	CARBON FILM RESISTOR (1/4W)	100K
R16	CARBON FILM RESISTOR (1/4W)	100K
R17	CARBON FILM RESISTOR (1/4W)	100K
R18	CARBON FILM RESISTOR (1/4W)	100K
R19	CARBON FILM RESISTOR (1/4W)	100K
R20	CARBON FILM RESISTOR (1/4W)	100K
R21	CARBON FILM RESISTOR (1/4W)	100K
R22	CARBON FILM RESISTOR (1/4W)	100K
R23	CARBON FILM RESISTOR (1/4W)	100K
R24	CARBON FILM RESISTOR (1/4W)	100K
R25	CARBON FILM RESISTOR (1/4W)	100K
R26	CARBON FILM RESISTOR (1/4W)	100K
R27	CARBON FILM RESISTOR (1/4W)	100K
R28	CARBON FILM RESISTOR (1/4W)	100K
R29	CARBON FILM RESISTOR (1/4W)	100K
R30	CARBON FILM RESISTOR (1/4W)	100K
R31	CARBON FILM RESISTOR (1/4W)	100K
R32	CARBON FILM RESISTOR (1/4W)	100K
R33	CARBON FILM RESISTOR (1/4W)	100K
R34	CARBON FILM RESISTOR (1/4W)	100K
R35	CARBON FILM RESISTOR (1/4W)	100K
R36	CARBON FILM RESISTOR (1/4W)	100K
R37	CARBON FILM RESISTOR (1/4W)	100K
R38	CARBON FILM RESISTOR (1/4W)	100K
R39	CARBON FILM RESISTOR (1/4W)	100K
R40	CARBON FILM RESISTOR (1/4W)	100K
R41	CARBON FILM RESISTOR (1/4W)	100K
R42	CARBON FILM RESISTOR (1/4W)	100K
R43	CARBON FILM RESISTOR (1/4W)	100K
R44	CARBON FILM RESISTOR (1/4W)	100K
R45	CARBON FILM RESISTOR (1/4W)	100K
R46	CARBON FILM RESISTOR (1/4W)	100K
R47	CARBON FILM RESISTOR (1/4W)	100K
R48	CARBON FILM RESISTOR (1/4W)	100K
R49	CARBON FILM RESISTOR (1/4W)	100K
R50	CARBON FILM RESISTOR (1/4W)	100K
R51	CARBON FILM RESISTOR (1/4W)	100K
R52	CARBON FILM RESISTOR (1/4W)	100K
R53	CARBON FILM RESISTOR (1/4W)	100K
R54	CARBON FILM RESISTOR (1/4W)	100K
R55	CARBON FILM RESISTOR (1/4W)	100K
R56	CARBON FILM RESISTOR (1/4W)	100K
R57	CARBON FILM RESISTOR (1/4W)	100K
R58	CARBON FILM RESISTOR (1/4W)	100K
R59	CARBON FILM RESISTOR (1/4W)	100K
R60	CARBON FILM RESISTOR (1/4W)	100K
R61	CARBON FILM RESISTOR (1/4W)	100K
R62	CARBON FILM RESISTOR (1/4W)	100K
R63	CARBON FILM RESISTOR (1/4W)	100K
R64	CARBON FILM RESISTOR (1/4W)	100K
R65	CARBON FILM RESISTOR (1/4W)	100K
R66	CARBON FILM RESISTOR (1/4W)	100K
R67	CARBON FILM RESISTOR (1/4W)	100K
R68	CARBON FILM RESISTOR (1/4W)	100K
R69	CARBON FILM RESISTOR (1/4W)	100K
R70	CARBON FILM RESISTOR (1/4W)	100K
R71	CARBON FILM RESISTOR (1/4W)	100K
R72	CARBON FILM RESISTOR (1/4W)	100K
R73	CARBON FILM RESISTOR (1/4W)	100K
R74	CARBON FILM RESISTOR (1/4W)	100K
R75	CARBON FILM RESISTOR (1/4W)	100K
R76	CARBON FILM RESISTOR (1/4W)	100K
R77	CARBON FILM RESISTOR (1/4W)	100K
R78	CARBON FILM RESISTOR (1/4W)	100K
R79	CARBON FILM RESISTOR (1/4W)	100K
R80	CARBON FILM RESISTOR (1/4W)	100K
R81	CARBON FILM RESISTOR (1/4W)	100K
R82	CARBON FILM RESISTOR (1/4W)	100K
R83	CARBON FILM RESISTOR (1/4W)	100K
R84	CARBON FILM RESISTOR (1/4W)	100K
R85	CARBON FILM RESISTOR (1/4W)	100K
R86	CARBON FILM RESISTOR (1/4W)	100K
R87	CARBON FILM RESISTOR (1/4W)	100K
R88	CARBON FILM RESISTOR (1/4W)	100K
R89	CARBON FILM RESISTOR (1/4W)	100K
R90	CARBON FILM RESISTOR (1/4W)	100K
R91	CARBON FILM RESISTOR (1/4W)	100K
R92	CARBON FILM RESISTOR (1/4W)	100K
R93	CARBON FILM RESISTOR (1/4W)	100K
R94	CARBON FILM RESISTOR (1/4W)	100K
R95	CARBON FILM RESISTOR (1/4W)	100K
R96	CARBON FILM RESISTOR (1/4W)	100K
R97	CARBON FILM RESISTOR (1/4W)	100K
R98	CARBON FILM RESISTOR (1/4W)	100K
R99	CARBON FILM RESISTOR (1/4W)	100K
R100	CARBON FILM RESISTOR (1/4W)	100K



Point ① Pin 1 of IC801

NO.	FUNCTION	TEST POINT
1	POWER	TP1
2	GROUND	TP2
3	DATA	TP3
4	DATA	TP4
5	DATA	TP5
6	DATA	TP6
7	DATA	TP7
8	DATA	TP8
9	DATA	TP9
10	DATA	TP10
11	DATA	TP11
12	DATA	TP12
13	DATA	TP13
14	DATA	TP14
15	DATA	TP15
16	DATA	TP16
17	DATA	TP17
18	DATA	TP18
19	DATA	TP19
20	DATA	TP20
21	DATA	TP21
22	DATA	TP22
23	DATA	TP23
24	DATA	TP24
25	DATA	TP25
26	DATA	TP26
27	DATA	TP27
28	DATA	TP28
29	DATA	TP29
30	DATA	TP30

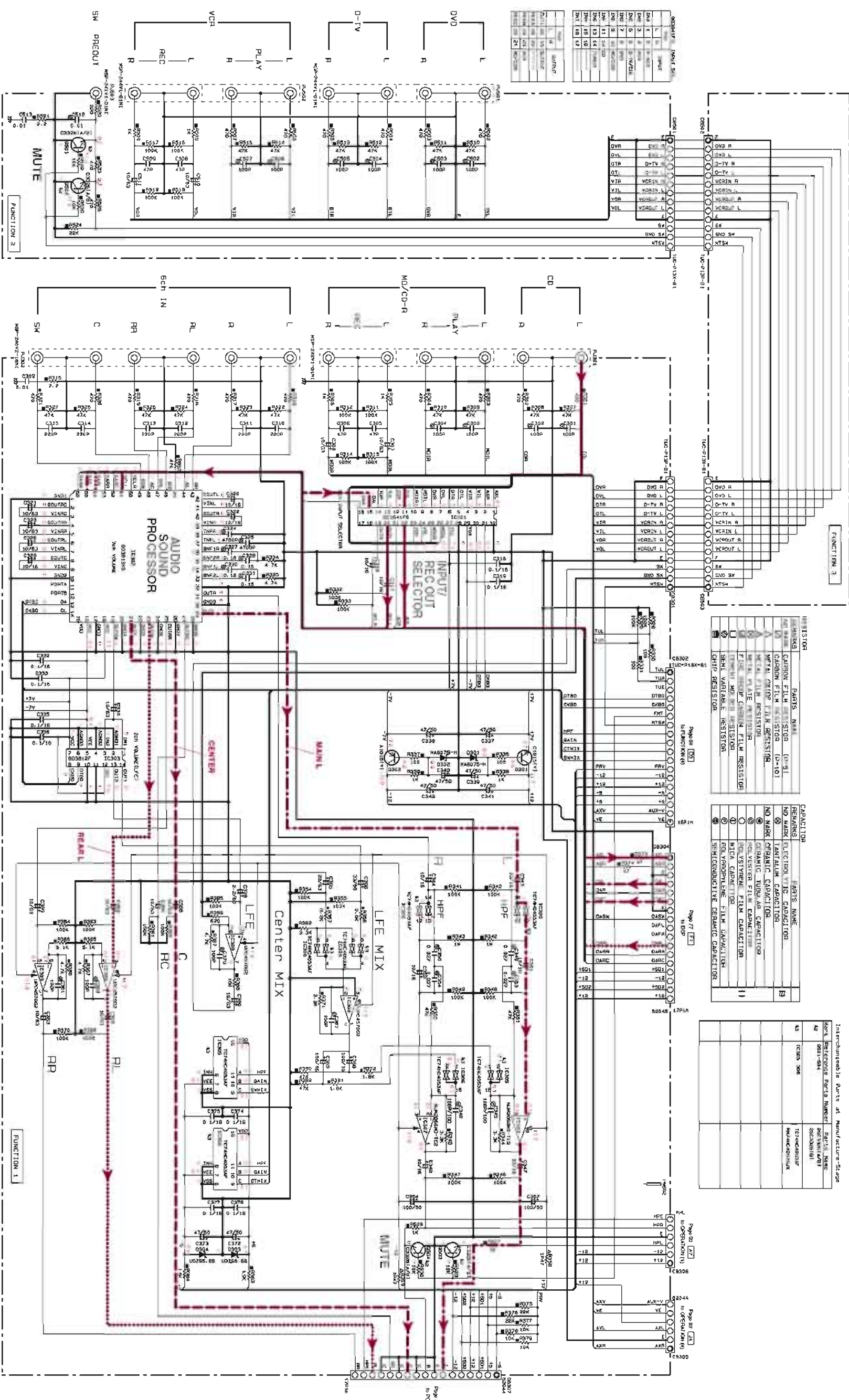
NO.	FUNCTION	TEST POINT
1	POWER	TP1
2	GROUND	TP2
3	DATA	TP3
4	DATA	TP4
5	DATA	TP5
6	DATA	TP6
7	DATA	TP7
8	DATA	TP8
9	DATA	TP9
10	DATA	TP10
11	DATA	TP11
12	DATA	TP12
13	DATA	TP13
14	DATA	TP14
15	DATA	TP15
16	DATA	TP16
17	DATA	TP17
18	DATA	TP18
19	DATA	TP19
20	DATA	TP20
21	DATA	TP21
22	DATA	TP22
23	DATA	TP23
24	DATA	TP24
25	DATA	TP25
26	DATA	TP26
27	DATA	TP27
28	DATA	TP28
29	DATA	TP29
30	DATA	TP30



* All voltages are measured with a 10kΩV DC electric volt meter.
 * Components having special characteristics are marked Δ and must be replaced with parts having specifications equal to those originally installed.
 * Schematic diagram is subject to change without notice.

● 電圧は、内部抵抗10kΩの電圧計で測定したものです。
 ● Δ印のある部品は、特殊な特性を有する部品であり、同等の交換が必要な場合、メーカーに同等の部品を入手してください。
 ● 本回路図は仕様変更の可能性があります。改良のため予告なく変更することがございます。

SCHEMATIC DIAGRAM (FUNCTION 1/2) RX-V540/RX-V540RDS/HTR-5650/HTR-5650RDS/DSP-AX540



RESISTORS

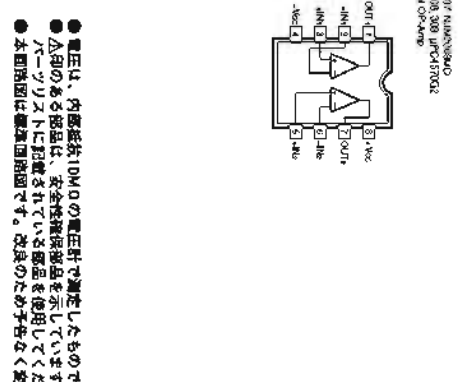
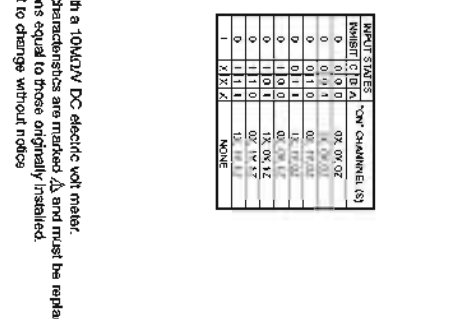
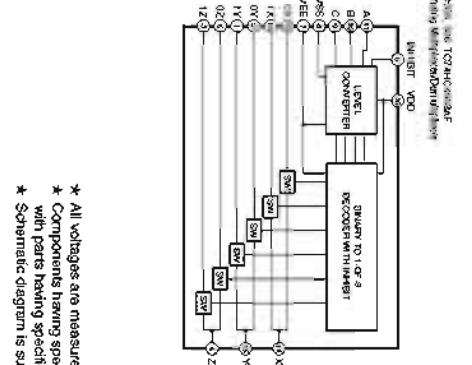
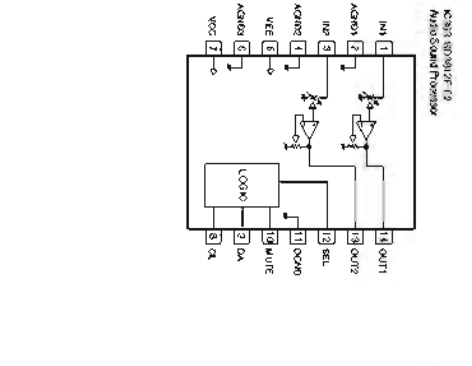
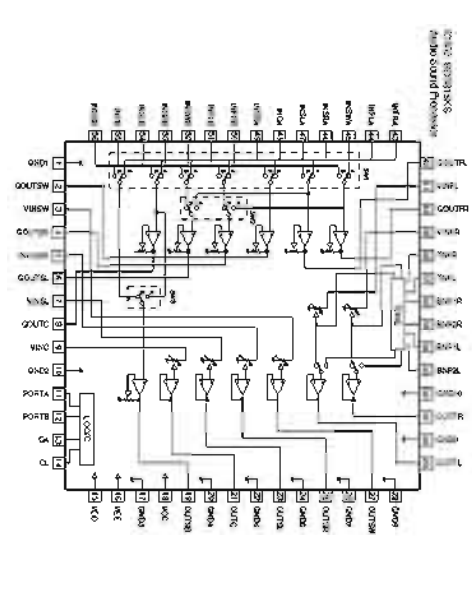
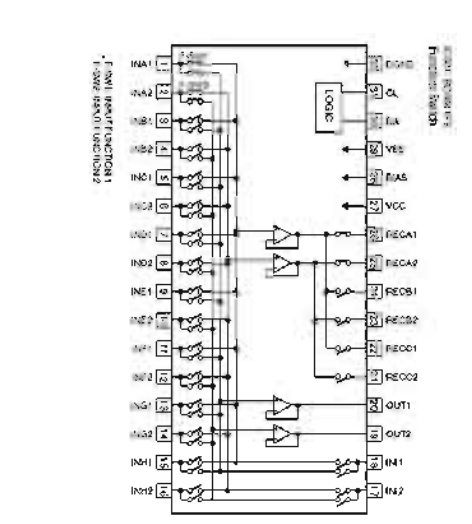
REMARKS	PARTS NAME
NO MARK	CARBON FILM RESISTOR (D-10)
△	CARBON FILM RESISTOR (D-10)
△	NETAL FILM RESISTOR
△	NETAL STATE RESISTOR
△	FILM THICK CARBON FILM RESISTOR
△	TEMPERATURE SENSITIVE RESISTOR
△	SHUNT VARIABLE RESISTOR
△	CHIP RESISTOR

CAPACITORS

REMARKS	PARTS NAME
NO MARK	ELECTROLYTIC CAPACITOR
△	TANTALUM CAPACITOR
△	CERAMIC TUBULAR CAPACITOR
△	NON-VESTER FILM CAPACITOR
△	MICA CAPACITOR
△	POLYPROPYLENE FILM CAPACITOR
△	SHIMODUCITIVE CERAMIC CAPACITOR

Interchangeable Parts at Manufacturer's Stage

SOFT	REFERENCE PARTS NUMBER	PARTS NAME
RE	5001-204	SCHEMATIC
U	CE03A 300	



INPUT STATES (SP CHANNEL) (S)

INPUT	STATE	SP CHANNEL (S)
0	0	0X 0V 0Z
1	1	0X 0V 0Z
2	2	0X 0V 0Z
3	3	0X 0V 0Z
4	4	0X 0V 0Z
5	5	0X 0V 0Z
6	6	0X 0V 0Z
7	7	0X 0V 0Z
8	8	0X 0V 0Z
9	9	0X 0V 0Z
10	10	0X 0V 0Z
11	11	0X 0V 0Z
12	12	0X 0V 0Z
13	13	0X 0V 0Z
14	14	0X 0V 0Z
15	15	0X 0V 0Z
16	16	0X 0V 0Z
17	17	0X 0V 0Z
18	18	0X 0V 0Z
19	19	0X 0V 0Z
20	20	0X 0V 0Z
21	21	0X 0V 0Z
22	22	0X 0V 0Z
23	23	0X 0V 0Z
24	24	0X 0V 0Z
25	25	0X 0V 0Z
26	26	0X 0V 0Z
27	27	0X 0V 0Z
28	28	0X 0V 0Z
29	29	0X 0V 0Z
30	30	0X 0V 0Z
31	31	0X 0V 0Z
32	32	0X 0V 0Z
33	33	0X 0V 0Z
34	34	0X 0V 0Z
35	35	0X 0V 0Z
36	36	0X 0V 0Z
37	37	0X 0V 0Z
38	38	0X 0V 0Z
39	39	0X 0V 0Z
40	40	0X 0V 0Z
41	41	0X 0V 0Z
42	42	0X 0V 0Z
43	43	0X 0V 0Z
44	44	0X 0V 0Z
45	45	0X 0V 0Z
46	46	0X 0V 0Z
47	47	0X 0V 0Z
48	48	0X 0V 0Z
49	49	0X 0V 0Z
50	50	0X 0V 0Z
51	51	0X 0V 0Z
52	52	0X 0V 0Z
53	53	0X 0V 0Z
54	54	0X 0V 0Z
55	55	0X 0V 0Z
56	56	0X 0V 0Z
57	57	0X 0V 0Z
58	58	0X 0V 0Z
59	59	0X 0V 0Z
60	60	0X 0V 0Z
61	61	0X 0V 0Z
62	62	0X 0V 0Z
63	63	0X 0V 0Z
64	64	0X 0V 0Z
65	65	0X 0V 0Z
66	66	0X 0V 0Z
67	67	0X 0V 0Z
68	68	0X 0V 0Z
69	69	0X 0V 0Z
70	70	0X 0V 0Z
71	71	0X 0V 0Z
72	72	0X 0V 0Z
73	73	0X 0V 0Z
74	74	0X 0V 0Z
75	75	0X 0V 0Z
76	76	0X 0V 0Z
77	77	0X 0V 0Z
78	78	0X 0V 0Z
79	79	0X 0V 0Z
80	80	0X 0V 0Z
81	81	0X 0V 0Z
82	82	0X 0V 0Z
83	83	0X 0V 0Z
84	84	0X 0V 0Z
85	85	0X 0V 0Z
86	86	0X 0V 0Z
87	87	0X 0V 0Z
88	88	0X 0V 0Z
89	89	0X 0V 0Z
90	90	0X 0V 0Z
91	91	0X 0V 0Z
92	92	0X 0V 0Z
93	93	0X 0V 0Z
94	94	0X 0V 0Z
95	95	0X 0V 0Z
96	96	0X 0V 0Z
97	97	0X 0V 0Z
98	98	0X 0V 0Z
99	99	0X 0V 0Z
100	100	0X 0V 0Z

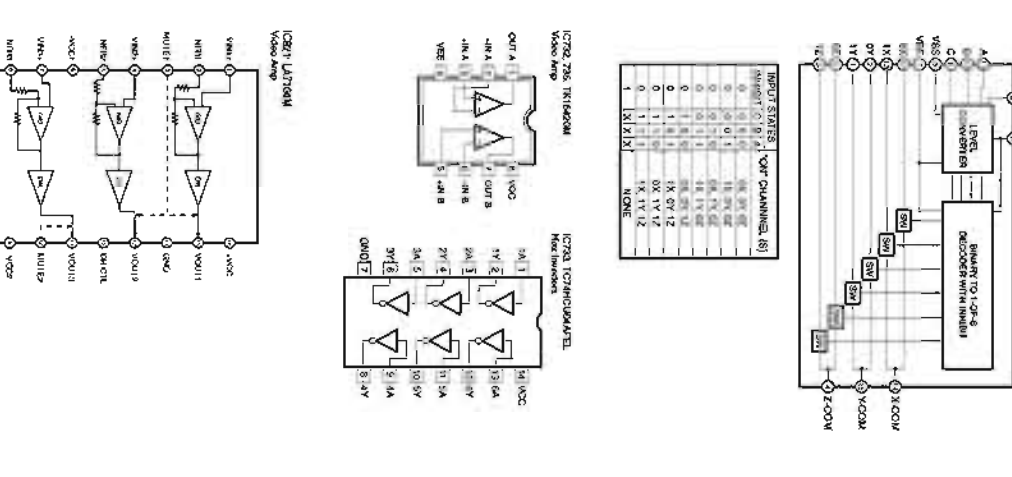
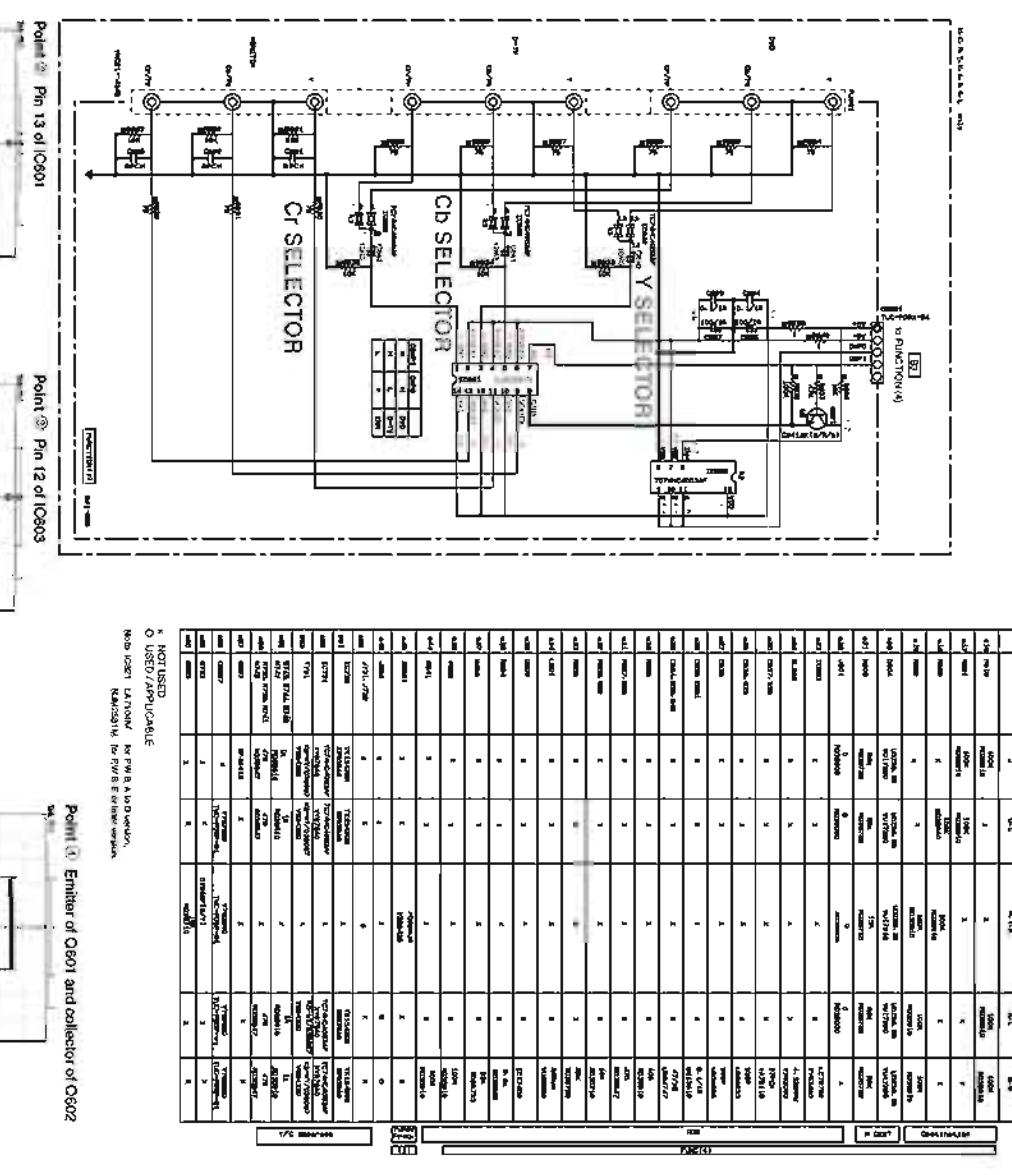
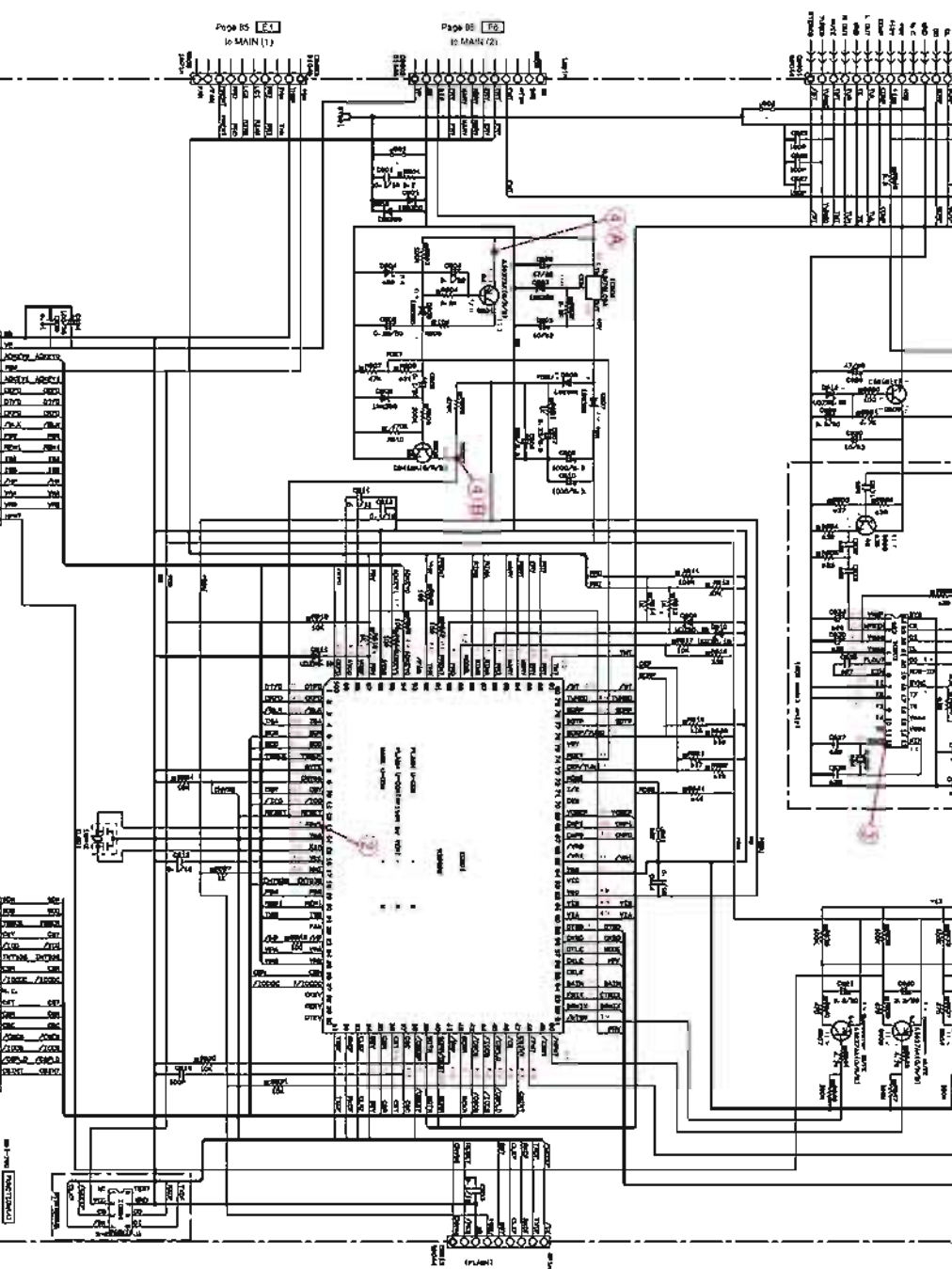
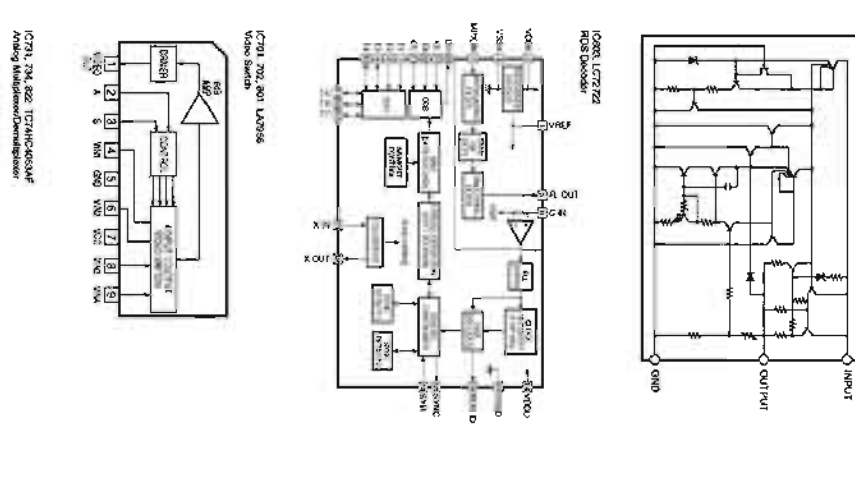
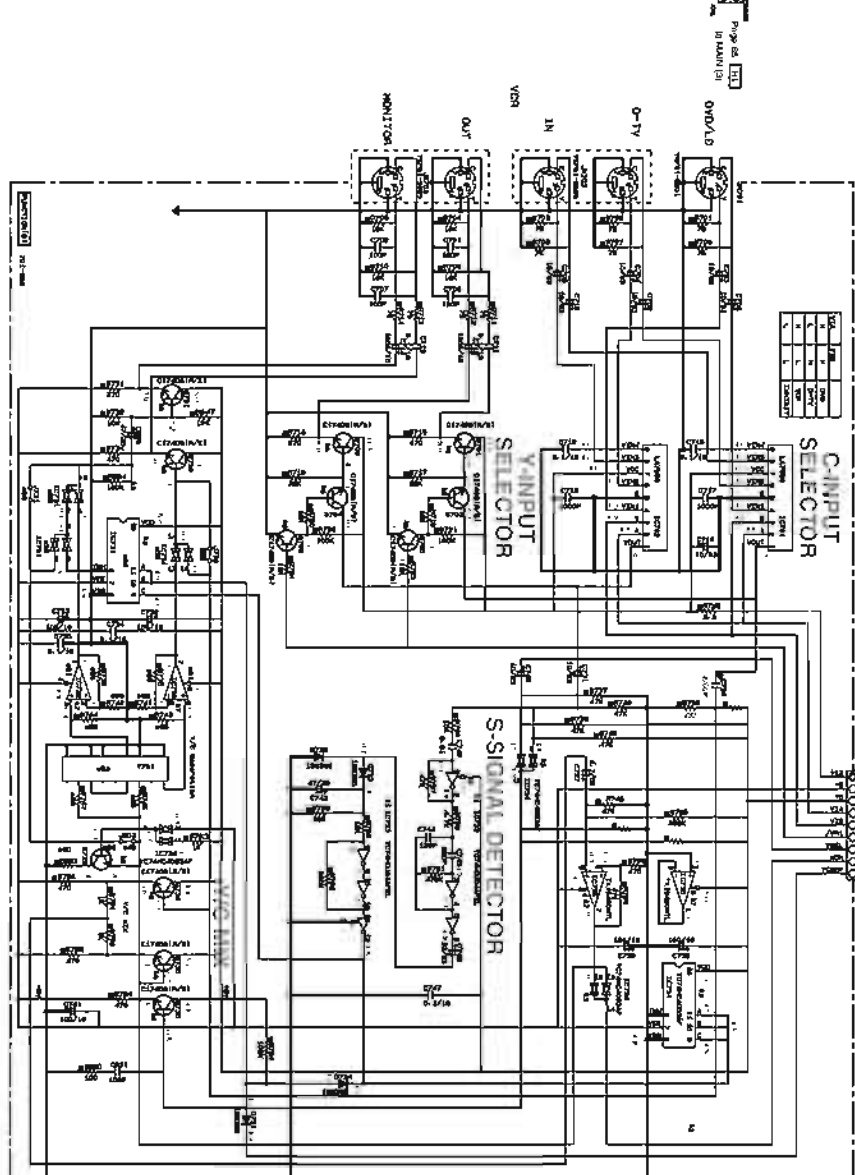
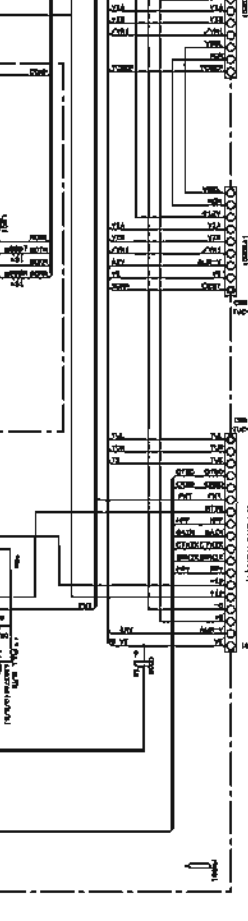
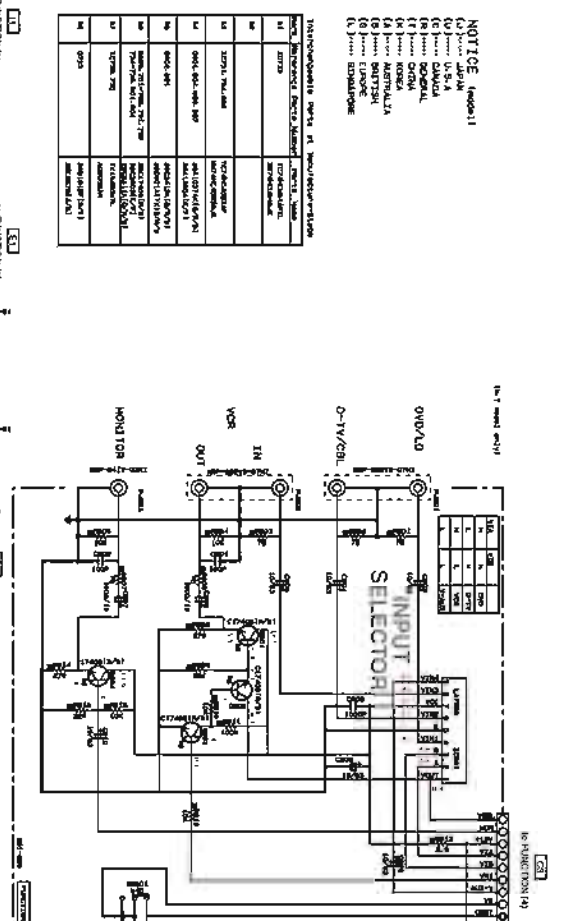
* All voltages are measured with a 10MΩV DC electric volt meter.
* Components having special characteristics are marked with a triangle and must be replaced with parts having specifications equal to those originally installed.
* Schematic diagram is subject to change without notice.

POSITIONS

1	VIDEO
2	VIDEO
3	VIDEO
4	VIDEO
5	VIDEO
6	VIDEO
7	VIDEO
8	VIDEO
9	VIDEO
10	VIDEO
11	VIDEO
12	VIDEO
13	VIDEO
14	VIDEO
15	VIDEO
16	VIDEO
17	VIDEO
18	VIDEO
19	VIDEO
20	VIDEO
21	VIDEO
22	VIDEO
23	VIDEO
24	VIDEO
25	VIDEO
26	VIDEO
27	VIDEO
28	VIDEO
29	VIDEO
30	VIDEO
31	VIDEO
32	VIDEO
33	VIDEO
34	VIDEO
35	VIDEO
36	VIDEO
37	VIDEO
38	VIDEO
39	VIDEO
40	VIDEO
41	VIDEO
42	VIDEO
43	VIDEO
44	VIDEO
45	VIDEO
46	VIDEO
47	VIDEO
48	VIDEO
49	VIDEO
50	VIDEO
51	VIDEO
52	VIDEO
53	VIDEO
54	VIDEO
55	VIDEO
56	VIDEO
57	VIDEO
58	VIDEO
59	VIDEO
60	VIDEO
61	VIDEO
62	VIDEO
63	VIDEO
64	VIDEO
65	VIDEO
66	VIDEO
67	VIDEO
68	VIDEO
69	VIDEO
70	VIDEO
71	VIDEO
72	VIDEO
73	VIDEO
74	VIDEO
75	VIDEO
76	VIDEO
77	VIDEO
78	VIDEO
79	VIDEO
80	VIDEO
81	VIDEO
82	VIDEO
83	VIDEO
84	VIDEO
85	VIDEO
86	VIDEO
87	VIDEO
88	VIDEO
89	VIDEO
90	VIDEO
91	VIDEO
92	VIDEO
93	VIDEO
94	VIDEO
95	VIDEO
96	VIDEO
97	VIDEO
98	VIDEO
99	VIDEO
100	VIDEO

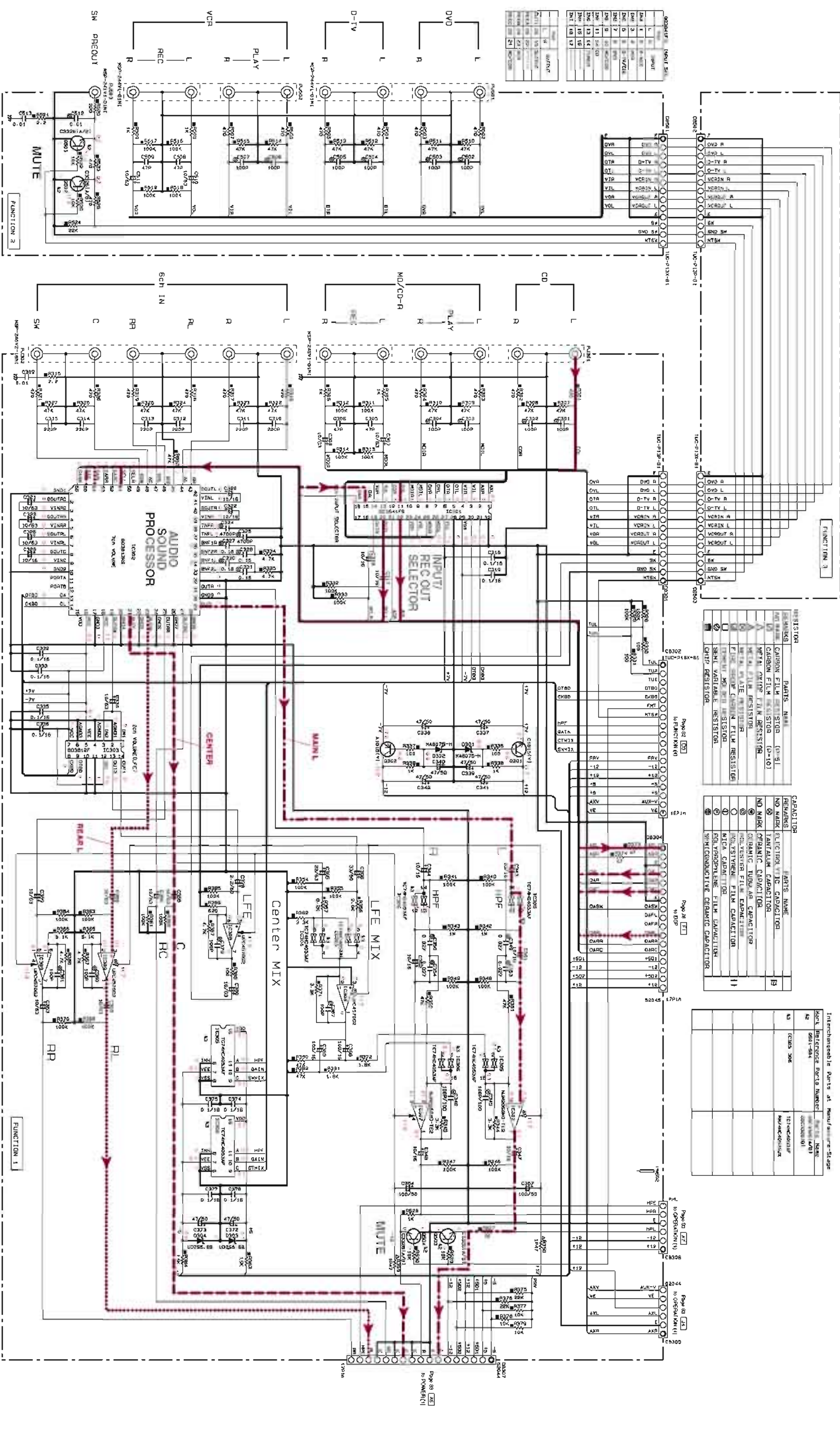
NOTICE (Model)

①... JAPAN
 ②... CHINA
 ③... CHINA
 ④... CHINA
 ⑤... CHINA
 ⑥... CHINA
 ⑦... CHINA
 ⑧... CHINA
 ⑨... CHINA
 ⑩... CHINA
 ⑪... CHINA
 ⑫... CHINA
 ⑬... CHINA
 ⑭... CHINA
 ⑮... CHINA
 ⑯... CHINA
 ⑰... CHINA
 ⑱... CHINA
 ⑲... CHINA
 ⑳... CHINA
 ㉑... CHINA
 ㉒... CHINA
 ㉓... CHINA
 ㉔... CHINA
 ㉕... CHINA
 ㉖... CHINA
 ㉗... CHINA
 ㉘... CHINA
 ㉙... CHINA
 ㉚... CHINA
 ㉛... CHINA
 ㉜... CHINA
 ㉝... CHINA
 ㉞... CHINA
 ㉟... CHINA
 ㊱... CHINA
 ㊲... CHINA
 ㊳... CHINA
 ㊴... CHINA
 ㊵... CHINA
 ㊶... CHINA
 ㊷... CHINA
 ㊸... CHINA
 ㊹... CHINA
 ㊺... CHINA
 ㊻... CHINA
 ㊼... CHINA
 ㊽... CHINA
 ㊾... CHINA
 ㊿... CHINA



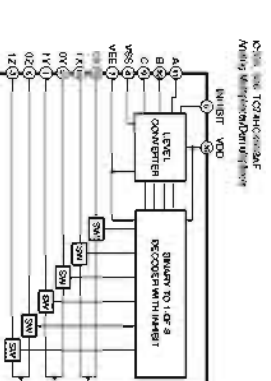
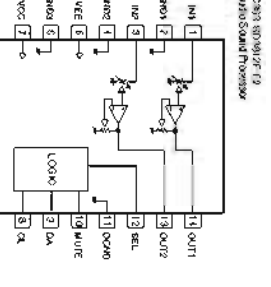
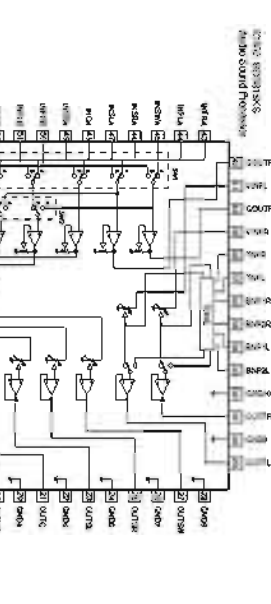
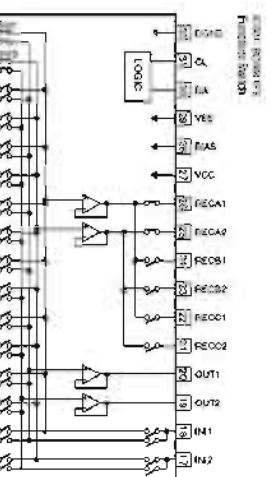
SCHEMATIC DIAGRAM (FUNCTION 1/2) RX-V440/RX-V440RDS/HTR-5640/HTR-5640RDS/DSP-AX440

RX-V540/RX-V540RDS/HTR-5650/HTR-5650RDS/DSP-AX540
RX-V440/RX-V440RDS/HTR-5640/HTR-5640RDS/DSP-AX440

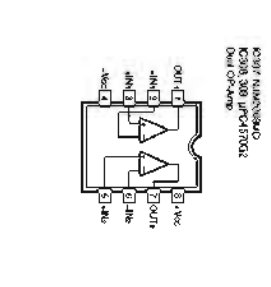


RESISTORS	PARTS NAME	REMARKS
①	CARBON FILM RESISTOR (1/4W)	
②	CARBON FILM RESISTOR (1/4W)	
③	METAL FILM RESISTOR	
④	PRECISION CARBON FILM RESISTOR	
⑤	TEMPERATURE COMPENSATED CARBON FILM RESISTOR	
⑥	PRECISION CARBON FILM RESISTOR	
⑦	PRECISION CARBON FILM RESISTOR	
⑧	PRECISION CARBON FILM RESISTOR	
⑨	PRECISION CARBON FILM RESISTOR	
⑩	PRECISION CARBON FILM RESISTOR	
⑪	PRECISION CARBON FILM RESISTOR	
⑫	PRECISION CARBON FILM RESISTOR	
⑬	PRECISION CARBON FILM RESISTOR	
⑭	PRECISION CARBON FILM RESISTOR	
⑮	PRECISION CARBON FILM RESISTOR	
⑯	PRECISION CARBON FILM RESISTOR	
⑰	PRECISION CARBON FILM RESISTOR	
⑱	PRECISION CARBON FILM RESISTOR	
⑲	PRECISION CARBON FILM RESISTOR	
⑳	PRECISION CARBON FILM RESISTOR	
㉑	PRECISION CARBON FILM RESISTOR	
㉒	PRECISION CARBON FILM RESISTOR	
㉓	PRECISION CARBON FILM RESISTOR	
㉔	PRECISION CARBON FILM RESISTOR	
㉕	PRECISION CARBON FILM RESISTOR	
㉖	PRECISION CARBON FILM RESISTOR	
㉗	PRECISION CARBON FILM RESISTOR	
㉘	PRECISION CARBON FILM RESISTOR	
㉙	PRECISION CARBON FILM RESISTOR	
㉚	PRECISION CARBON FILM RESISTOR	
㉛	PRECISION CARBON FILM RESISTOR	
㉜	PRECISION CARBON FILM RESISTOR	
㉝	PRECISION CARBON FILM RESISTOR	
㉞	PRECISION CARBON FILM RESISTOR	
㉟	PRECISION CARBON FILM RESISTOR	
㊱	PRECISION CARBON FILM RESISTOR	
㊲	PRECISION CARBON FILM RESISTOR	
㊳	PRECISION CARBON FILM RESISTOR	
㊴	PRECISION CARBON FILM RESISTOR	
㊵	PRECISION CARBON FILM RESISTOR	
㊶	PRECISION CARBON FILM RESISTOR	
㊷	PRECISION CARBON FILM RESISTOR	
㊸	PRECISION CARBON FILM RESISTOR	
㊹	PRECISION CARBON FILM RESISTOR	
㊺	PRECISION CARBON FILM RESISTOR	
㊻	PRECISION CARBON FILM RESISTOR	
㊼	PRECISION CARBON FILM RESISTOR	
㊽	PRECISION CARBON FILM RESISTOR	
㊾	PRECISION CARBON FILM RESISTOR	
㊿	PRECISION CARBON FILM RESISTOR	

CAPACITORS	PARTS NAME	REMARKS
①	NON POLAR ELECTROLYTIC CAPACITOR	
②	POLYMER FILM CAPACITOR	
③	POLYMER FILM CAPACITOR	
④	POLYMER FILM CAPACITOR	
⑤	POLYMER FILM CAPACITOR	
⑥	POLYMER FILM CAPACITOR	
⑦	POLYMER FILM CAPACITOR	
⑧	POLYMER FILM CAPACITOR	
⑨	POLYMER FILM CAPACITOR	
⑩	POLYMER FILM CAPACITOR	
⑪	POLYMER FILM CAPACITOR	
⑫	POLYMER FILM CAPACITOR	
⑬	POLYMER FILM CAPACITOR	
⑭	POLYMER FILM CAPACITOR	
⑮	POLYMER FILM CAPACITOR	
⑯	POLYMER FILM CAPACITOR	
⑰	POLYMER FILM CAPACITOR	
⑱	POLYMER FILM CAPACITOR	
⑲	POLYMER FILM CAPACITOR	
⑳	POLYMER FILM CAPACITOR	
㉑	POLYMER FILM CAPACITOR	
㉒	POLYMER FILM CAPACITOR	
㉓	POLYMER FILM CAPACITOR	
㉔	POLYMER FILM CAPACITOR	
㉕	POLYMER FILM CAPACITOR	
㉖	POLYMER FILM CAPACITOR	
㉗	POLYMER FILM CAPACITOR	
㉘	POLYMER FILM CAPACITOR	
㉙	POLYMER FILM CAPACITOR	
㉚	POLYMER FILM CAPACITOR	
㉛	POLYMER FILM CAPACITOR	
㉜	POLYMER FILM CAPACITOR	
㉝	POLYMER FILM CAPACITOR	
㉞	POLYMER FILM CAPACITOR	
㉟	POLYMER FILM CAPACITOR	
㊱	POLYMER FILM CAPACITOR	
㊲	POLYMER FILM CAPACITOR	
㊳	POLYMER FILM CAPACITOR	
㊴	POLYMER FILM CAPACITOR	
㊵	POLYMER FILM CAPACITOR	
㊶	POLYMER FILM CAPACITOR	
㊷	POLYMER FILM CAPACITOR	
㊸	POLYMER FILM CAPACITOR	
㊹	POLYMER FILM CAPACITOR	
㊺	POLYMER FILM CAPACITOR	
㊻	POLYMER FILM CAPACITOR	
㊼	POLYMER FILM CAPACITOR	
㊽	POLYMER FILM CAPACITOR	
㊾	POLYMER FILM CAPACITOR	
㊿	POLYMER FILM CAPACITOR	



SPKTR STATES	SPK CHANNEL (CH)
0	0X 0X 0X
1	0X 0X 0X
2	0X 0X 0X
3	0X 0X 0X
4	0X 0X 0X
5	0X 0X 0X
6	0X 0X 0X
7	0X 0X 0X
8	0X 0X 0X
9	0X 0X 0X
A	0X 0X 0X
B	0X 0X 0X
C	0X 0X 0X
D	0X 0X 0X
E	0X 0X 0X
F	0X 0X 0X
G	0X 0X 0X
H	0X 0X 0X
I	0X 0X 0X
J	0X 0X 0X
K	0X 0X 0X
L	0X 0X 0X
M	0X 0X 0X
N	0X 0X 0X
O	0X 0X 0X
P	0X 0X 0X
Q	0X 0X 0X
R	0X 0X 0X
S	0X 0X 0X
T	0X 0X 0X
U	0X 0X 0X
V	0X 0X 0X
W	0X 0X 0X
X	0X 0X 0X
Y	0X 0X 0X
Z	0X 0X 0X

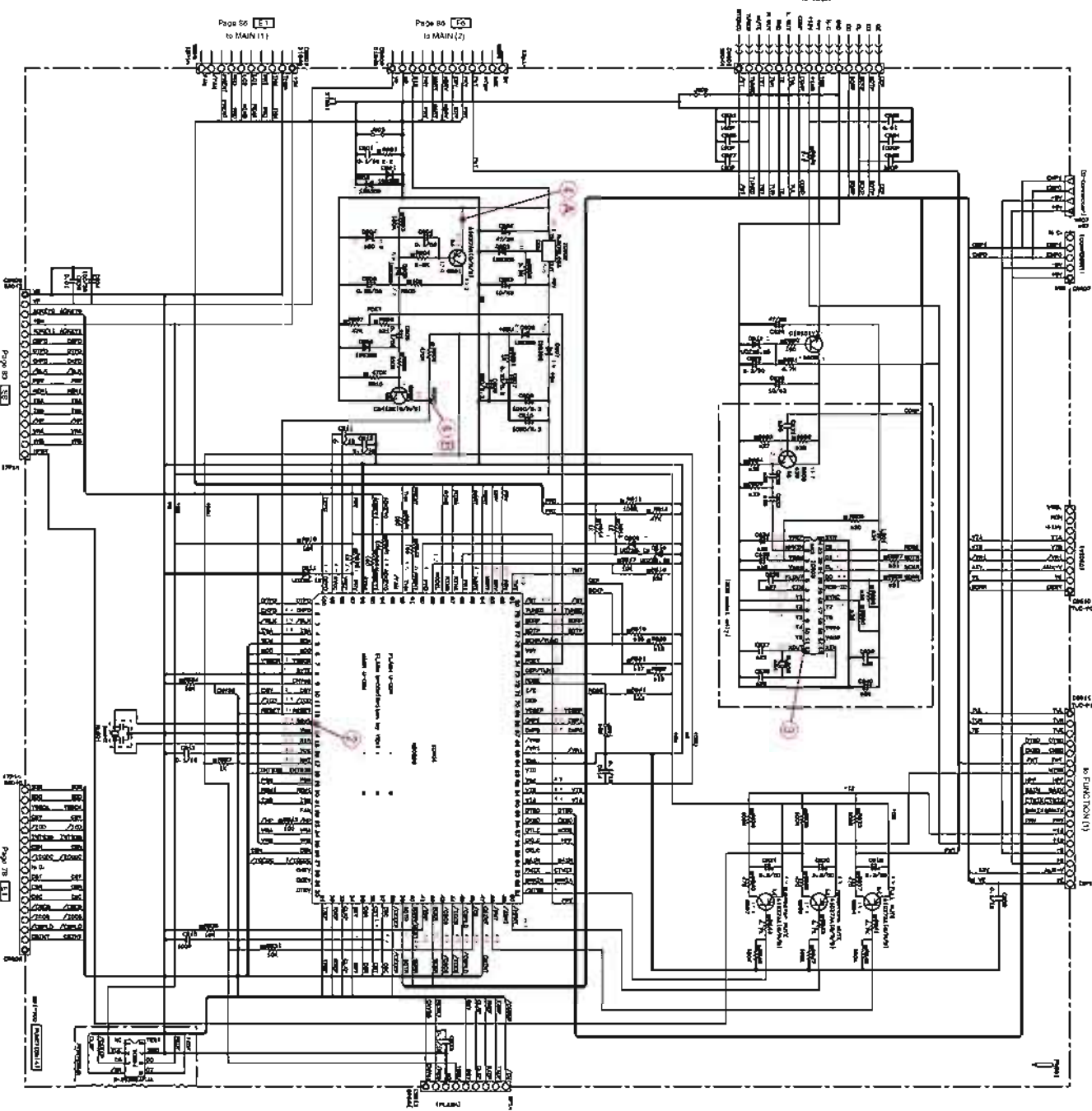
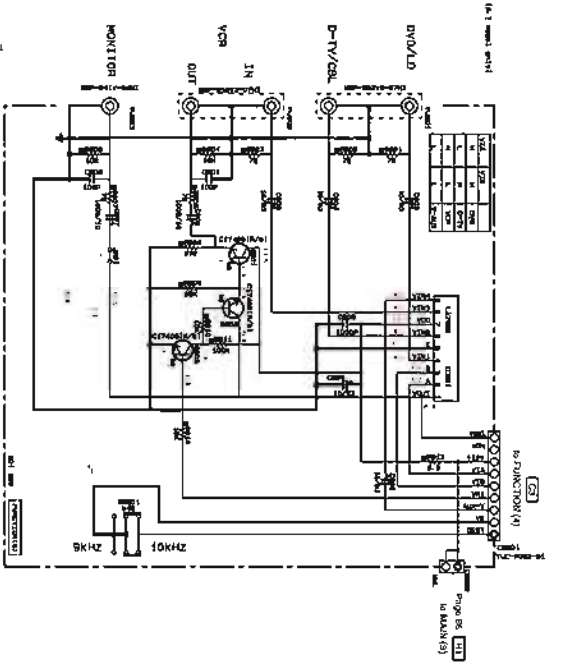


●電圧は、内部抵抗10MΩの電圧計で測定したものです。
▲印のある部品は、安全性能規格を示しています。部品の交換が必要の場合、メーカーに付属されている部品を使用してください。
●本図面は機内図面です。改修のため予告なく変更することがあります。

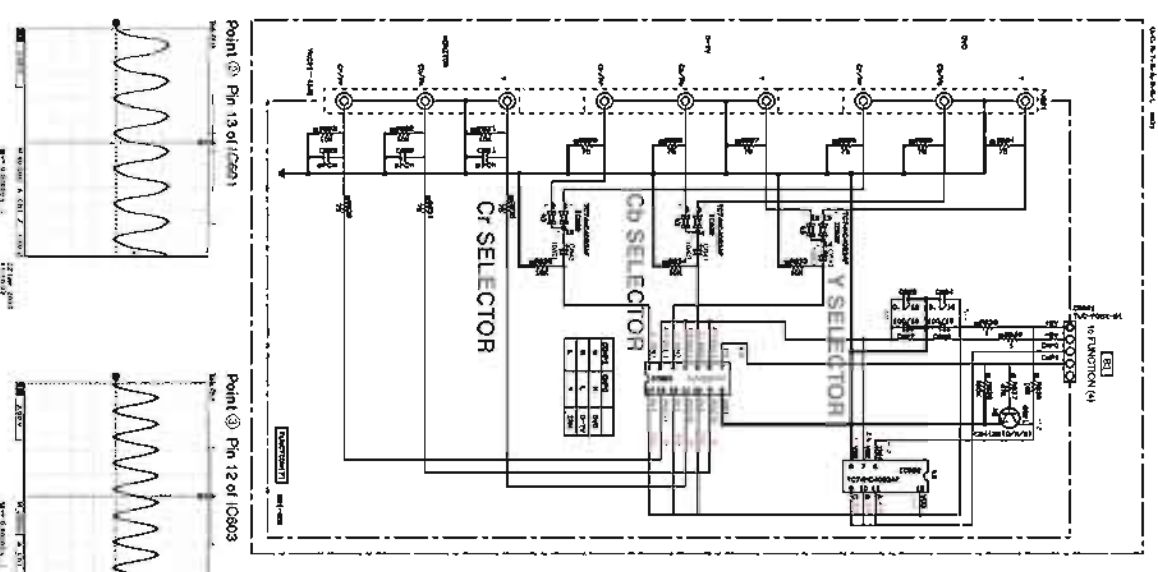
FUNCTION	PART NAME	QTY
REVERSE POLARITY PROTECTION	DIODE	1
REVERSE POLARITY PROTECTION	DIODE	1
REVERSE POLARITY PROTECTION	DIODE	1
REVERSE POLARITY PROTECTION	DIODE	1
REVERSE POLARITY PROTECTION	DIODE	1
REVERSE POLARITY PROTECTION	DIODE	1
REVERSE POLARITY PROTECTION	DIODE	1
REVERSE POLARITY PROTECTION	DIODE	1
REVERSE POLARITY PROTECTION	DIODE	1
REVERSE POLARITY PROTECTION	DIODE	1

FUNCTION	PART NAME	QTY
REVERSE POLARITY PROTECTION	DIODE	1
REVERSE POLARITY PROTECTION	DIODE	1
REVERSE POLARITY PROTECTION	DIODE	1
REVERSE POLARITY PROTECTION	DIODE	1
REVERSE POLARITY PROTECTION	DIODE	1
REVERSE POLARITY PROTECTION	DIODE	1
REVERSE POLARITY PROTECTION	DIODE	1
REVERSE POLARITY PROTECTION	DIODE	1
REVERSE POLARITY PROTECTION	DIODE	1
REVERSE POLARITY PROTECTION	DIODE	1

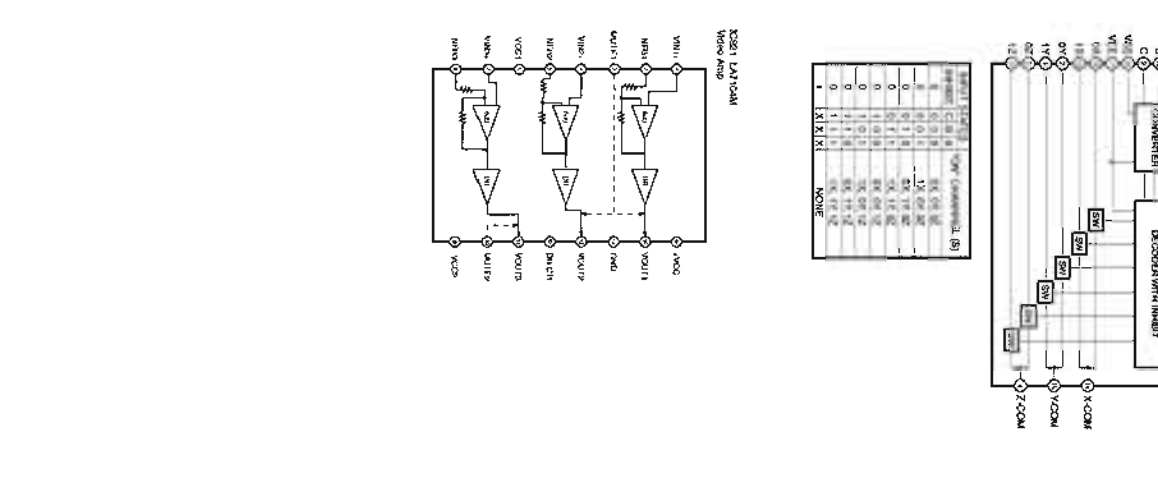
NOTICE (local)
 1. ...
 2. ...
 3. ...
 4. ...
 5. ...
 6. ...
 7. ...
 8. ...
 9. ...
 10. ...



* All voltages are measured with a 10MΩ/V DC electric volt meter.
 * Components having special characteristics are marked Δ and must be replaced with parts having specifications equal to those originally installed.
 * Schematic diagram is subject to change without notice.



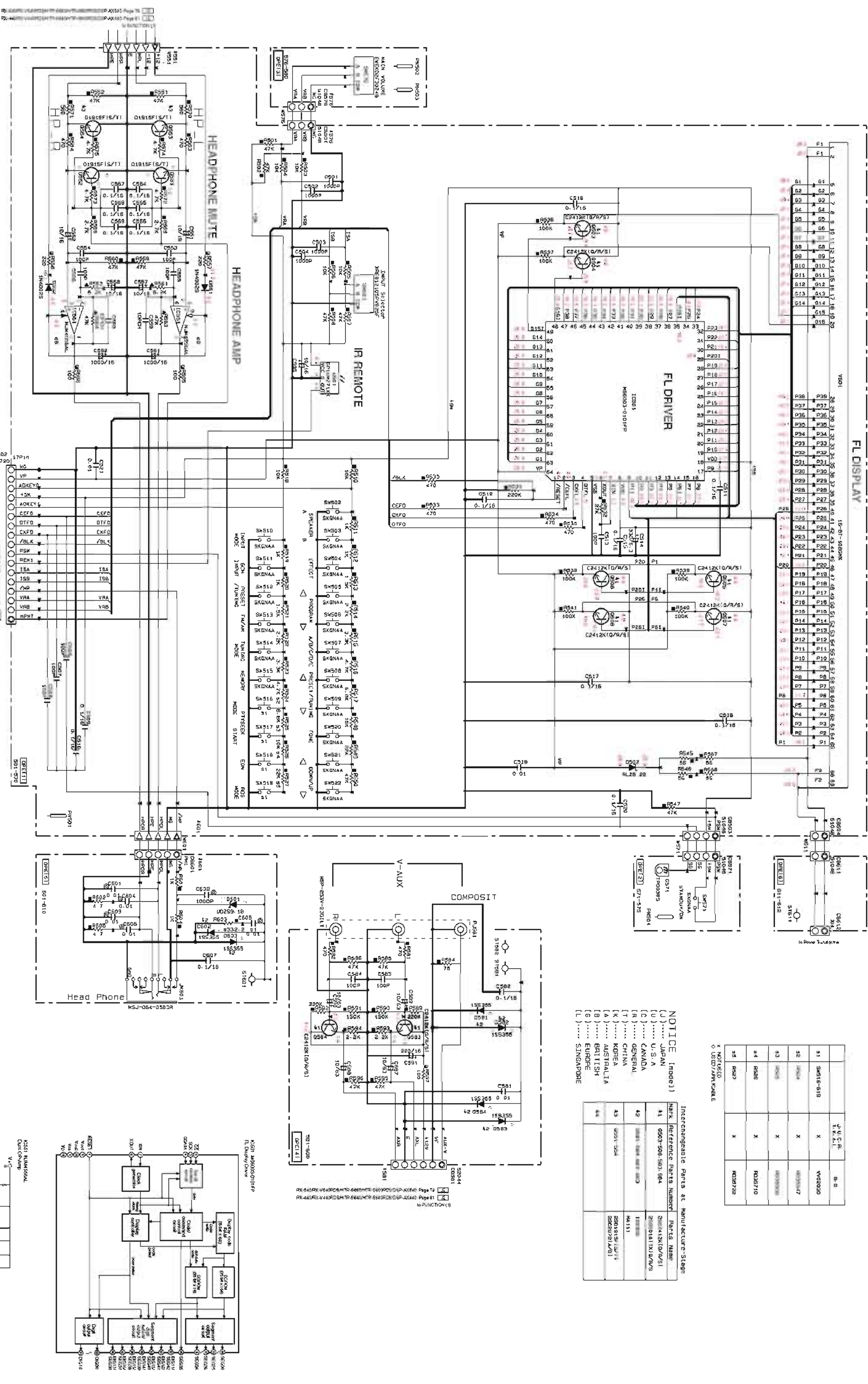
NO.	REF. DESIGN.	QTY	UNIT	DESCRIPTION	REMARKS
1	10K	1	RES	10KΩ	
2	100K	1	RES	100KΩ	
3	1M	1	RES	1MΩ	
4	10M	1	RES	10MΩ	
5	100M	1	RES	100MΩ	
6	1K	1	RES	1KΩ	
7	10K	1	RES	10KΩ	
8	100K	1	RES	100KΩ	
9	1M	1	RES	1MΩ	
10	10M	1	RES	10MΩ	
11	100M	1	RES	100MΩ	
12	1K	1	RES	1KΩ	
13	10K	1	RES	10KΩ	
14	100K	1	RES	100KΩ	
15	1M	1	RES	1MΩ	
16	10M	1	RES	10MΩ	
17	100M	1	RES	100MΩ	
18	1K	1	RES	1KΩ	
19	10K	1	RES	10KΩ	
20	100K	1	RES	100KΩ	
21	1M	1	RES	1MΩ	
22	10M	1	RES	10MΩ	
23	100M	1	RES	100MΩ	
24	1K	1	RES	1KΩ	
25	10K	1	RES	10KΩ	
26	100K	1	RES	100KΩ	
27	1M	1	RES	1MΩ	
28	10M	1	RES	10MΩ	
29	100M	1	RES	100MΩ	
30	1K	1	RES	1KΩ	
31	10K	1	RES	10KΩ	
32	100K	1	RES	100KΩ	
33	1M	1	RES	1MΩ	
34	10M	1	RES	10MΩ	
35	100M	1	RES	100MΩ	
36	1K	1	RES	1KΩ	
37	10K	1	RES	10KΩ	
38	100K	1	RES	100KΩ	
39	1M	1	RES	1MΩ	
40	10M	1	RES	10MΩ	
41	100M	1	RES	100MΩ	
42	1K	1	RES	1KΩ	
43	10K	1	RES	10KΩ	
44	100K	1	RES	100KΩ	
45	1M	1	RES	1MΩ	
46	10M	1	RES	10MΩ	
47	100M	1	RES	100MΩ	
48	1K	1	RES	1KΩ	
49	10K	1	RES	10KΩ	
50	100K	1	RES	100KΩ	
51	1M	1	RES	1MΩ	
52	10M	1	RES	10MΩ	
53	100M	1	RES	100MΩ	
54	1K	1	RES	1KΩ	
55	10K	1	RES	10KΩ	
56	100K	1	RES	100KΩ	
57	1M	1	RES	1MΩ	
58	10M	1	RES	10MΩ	
59	100M	1	RES	100MΩ	
60	1K	1	RES	1KΩ	
61	10K	1	RES	10KΩ	
62	100K	1	RES	100KΩ	
63	1M	1	RES	1MΩ	
64	10M	1	RES	10MΩ	
65	100M	1	RES	100MΩ	
66	1K	1	RES	1KΩ	
67	10K	1	RES	10KΩ	
68	100K	1	RES	100KΩ	
69	1M	1	RES	1MΩ	
70	10M	1	RES	10MΩ	
71	100M	1	RES	100MΩ	
72	1K	1	RES	1KΩ	
73	10K	1	RES	10KΩ	
74	100K	1	RES	100KΩ	
75	1M	1	RES	1MΩ	
76	10M	1	RES	10MΩ	
77	100M	1	RES	100MΩ	
78	1K	1	RES	1KΩ	
79	10K	1	RES	10KΩ	
80	100K	1	RES	100KΩ	
81	1M	1	RES	1MΩ	
82	10M	1	RES	10MΩ	
83	100M	1	RES	100MΩ	
84	1K	1	RES	1KΩ	
85	10K	1	RES	10KΩ	
86	100K	1	RES	100KΩ	
87	1M	1	RES	1MΩ	
88	10M	1	RES	10MΩ	
89	100M	1	RES	100MΩ	
90	1K	1	RES	1KΩ	
91	10K	1	RES	10KΩ	
92	100K	1	RES	100KΩ	
93	1M	1	RES	1MΩ	
94	10M	1	RES	10MΩ	
95	100M	1	RES	100MΩ	
96	1K	1	RES	1KΩ	
97	10K	1	RES	10KΩ	
98	100K	1	RES	100KΩ	
99	1M	1	RES	1MΩ	
100	10M	1	RES	10MΩ	



* All voltages are measured with a 10MΩ/V DC electric volt meter.
 * Components having special characteristics are marked Δ and must be replaced with parts having specifications equal to those originally installed.
 * Schematic diagram is subject to change without notice.

SCHEMATIC DIAGRAM (OPERATION)

RX-V540/RX-V540R/DS/HT-R-5650/HT-R-5650R/DS/OSP-AX540
RX-V440/RX-V440R/DS/HT-R-5640/HT-R-5640R/DS/OSP-AX440



Part No.	Part Name	Quantity	Remarks
31	5S16-515	X	
32	5S16-517	X	
33	5S16-518	X	
34	5S16-519	X	
35	5S16-520	X	

Interchangeable Parts at Manufacturer's Stage

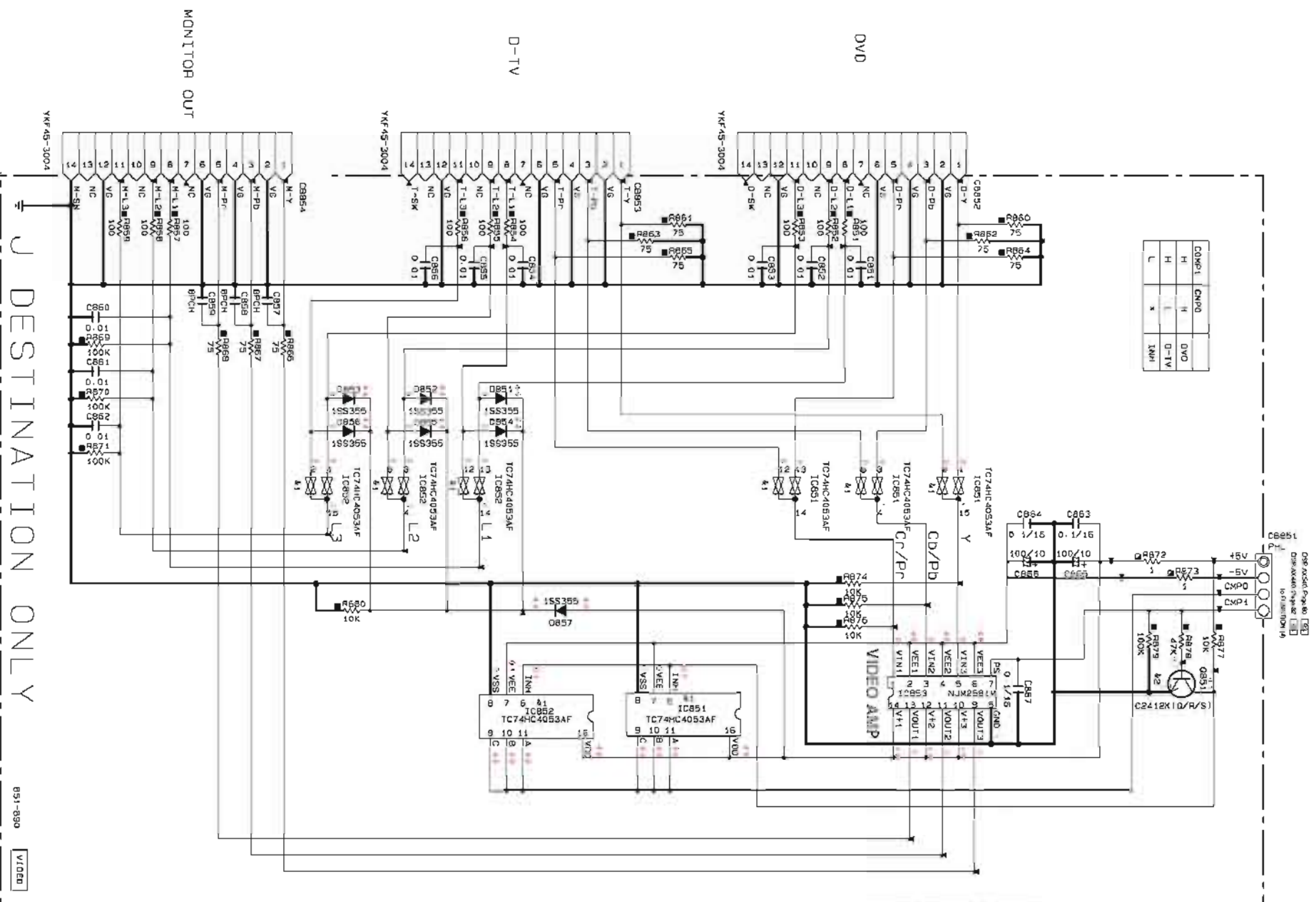
Part No.	Part Name	Quantity	Remarks
41	5S16-500-503-504	2	
42	5S16-500-505-506	2	
43	5S16-500-507-508	2	
44	5S16-500-509-510	2	

RESISTOR	PARTS NAME
①	CARBON FILM RESISTOR (1/4W)
②	METAL OXIDE FILM RESISTOR
③	METAL STATE RESISTOR
④	FINE PITCH CARBON FILM RESISTOR
⑤	PREMOUNT MOUNTED RESISTOR
⑥	HI-VARIABLE RESISTOR
⑦	CHIP RESISTOR

CAPACITOR	PARTS NAME
①	NO MARK ELECTROLYTIC CAPACITOR
②	NO MARK TANTALUM CAPACITOR
③	NO MARK CERAMIC CAPACITOR
④	CERAMIC TUBULAR CAPACITOR
⑤	POLYESTER FILM CAPACITOR
⑥	POLYSTYRENE FILM CAPACITOR
⑦	MICA CAPACITOR
⑧	POLYPROPYLENE FILM CAPACITOR
⑨	SEMICONDUCTIVE CERAMIC CAPACITOR
⑩	POLYPHENYLENE SULFIDE FILM CAPACITOR

* All voltages are measured with a 10MΩ/V DC electric voltmeter.
 * Components having special characteristics are marked Δ and must be replaced with parts having specifications equal to those originally installed.
 * Schematic diagram is subject to change without notice.

● 電圧は、内装抵抗10MΩの電圧計で測定したものです。
 ● 特殊な特性のある部品は、△印を付し、必ず同等の部品で交換してください。
 ● 本図面は仕様変更の可能性があります。変更のため予告なく変更することがあります。



DESTINATION ONLY

951-880 VIDEO

NOTICE (mode11)
 (J)..... JAPAN
 (U)..... U.S.A
 (C)..... CANADA
 (R)..... GENERAL
 (T)..... CHINA
 (K)..... KOREA
 (A)..... AUSTRALIA
 (B)..... BRITISH
 (G)..... EUROPE
 (L)..... SINGAPORE

RESISTOR

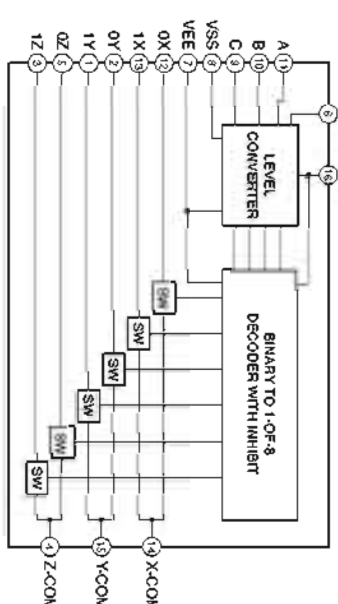
REMARKS	PARTS NAME	(P=10)
NO MARK	CARBON FILM RESISTOR	
Δ	CARBON FILM RESISTOR (P=10)	
△	METAL OXIDE FILM RESISTOR	
□	METAL FILM RESISTOR	
⊠	METAL PLATE RESISTOR	
⊞	FIRE PROOF CARBON FILM RESISTOR	
⊚	CEMENT MOLDED RESISTOR	
⊙	SEMI VARIABLE RESISTOR	
⊛	CHIP RESISTOR	

CAPACITOR

REMARKS	PARTS NAME
NO MARK	ELECTROLYTIC CAPACITOR
⊗	TANTALUM CAPACITOR
NO MARK	CERAMIC CAPACITOR
⊙	CERAMIC TUBULAR CAPACITOR
○	POLYESTER FILM CAPACITOR
○	POLYSTYRENE FILM CAPACITOR
⊖	MICA CAPACITOR
⊕	POLYPROPYLENE FILM CAPACITOR
⊖	SEMICONDUCTIVE CERAMIC CAPACITOR

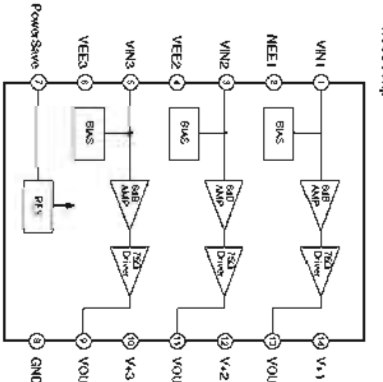
Interchangeable Parts at Manufacture-Stage

Mark	Reference Part's Number	Part's Name
41	IC851, 852	TC74HC4053AF NM74HC4052LX
42	0851	C2412K10/R/S1 0801410/R/S1



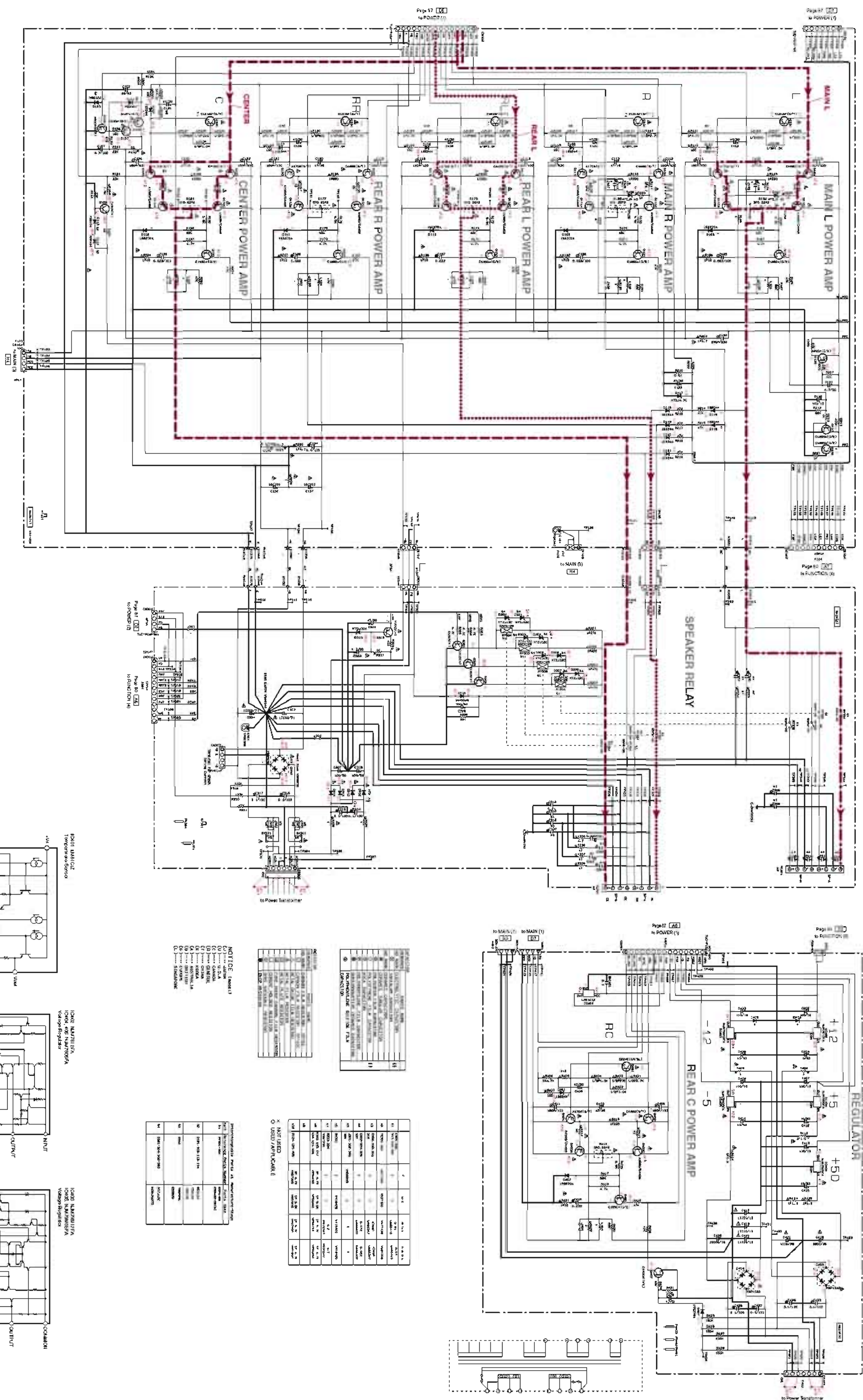
INPUT STATES "ON" CHANNEL (S)

INHIBIT	C	B	A	"ON" CHANNEL (S)
0	0	0	0	0X 0Y 0Z
0	0	0	1	1X 0Y 0Z
0	0	1	0	0X 1Y 0Z
0	0	1	1	1X 1Y 0Z
0	1	0	0	0X 0Y 1Z
0	1	0	1	1X 0Y 1Z
0	1	1	0	0X 1Y 1Z
0	1	1	1	1X 1Y 1Z
1	X	X	X	NONE



* All voltages are measured with a 10MΩ/V DC electric volt meter
 * Components having special characteristics are marked Δ and must be replaced with parts having specifications equal to those originally installed
 * Schematic diagram is subject to change without notice.

●電圧は、内部抵抗10MΩの電圧計で測定したものです。
 ●△印のある部品は、特殊性を有する部品を示しています。部品の交換が必要の場合、パターン上に記載されている部品を使用してください。
 ●本回路図は随時変更されます。変更のため予告なく変更することがあります。



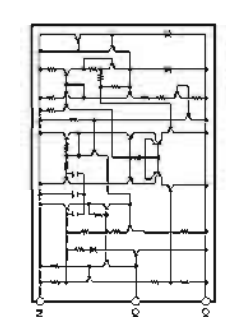
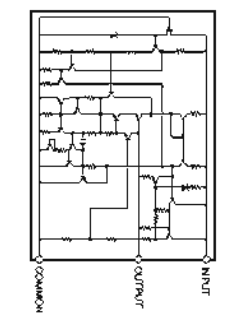
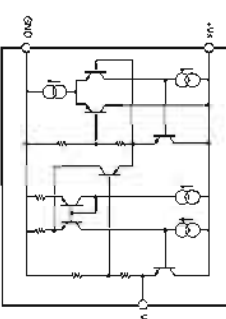
NOTICE (PARTS)

- ① Power U.S.A.
- ② Power CANADA
- ③ Power CHINA
- ④ Power KOREA
- ⑤ Power JAPAN
- ⑥ Power EUROPE
- ⑦ Power INDIA
- ⑧ Power AUSTRALIA
- ⑨ Power SOUTH AFRICA
- ⑩ Power MEXICO
- ⑪ Power BRAZIL
- ⑫ Power OTHER

NOTICE (PARTS)

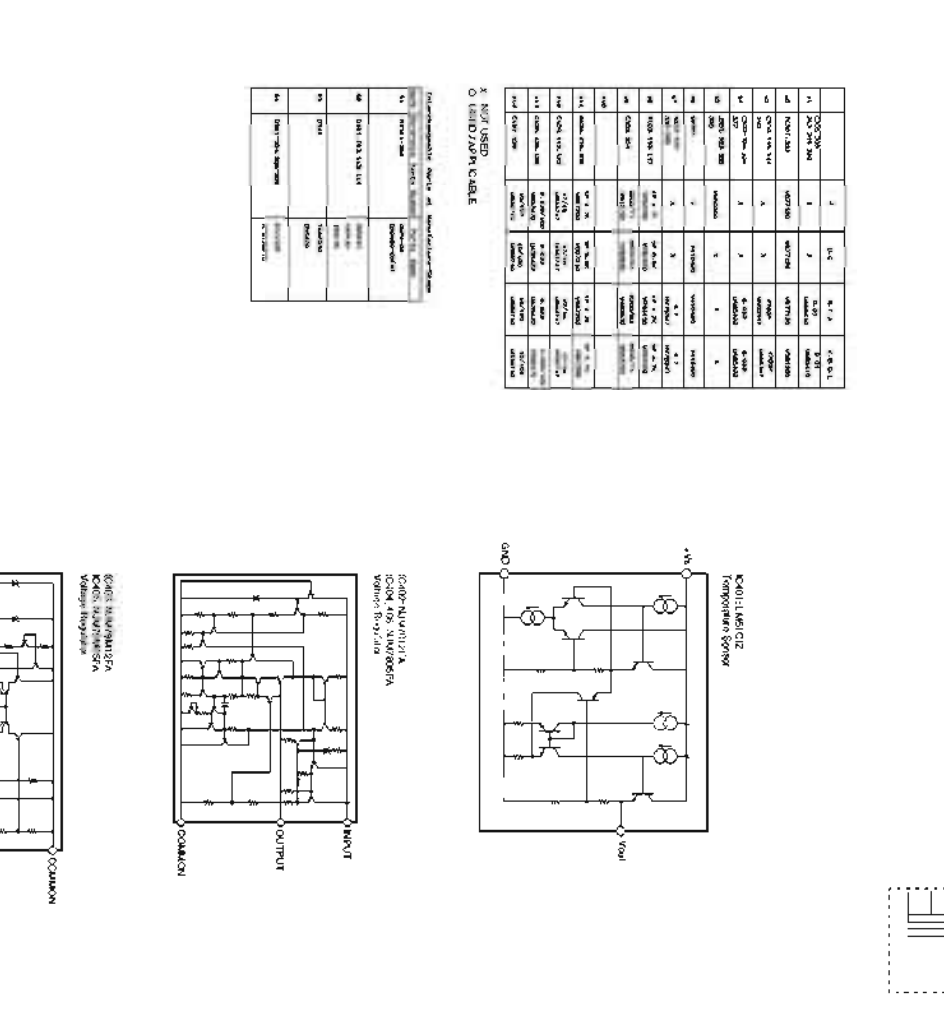
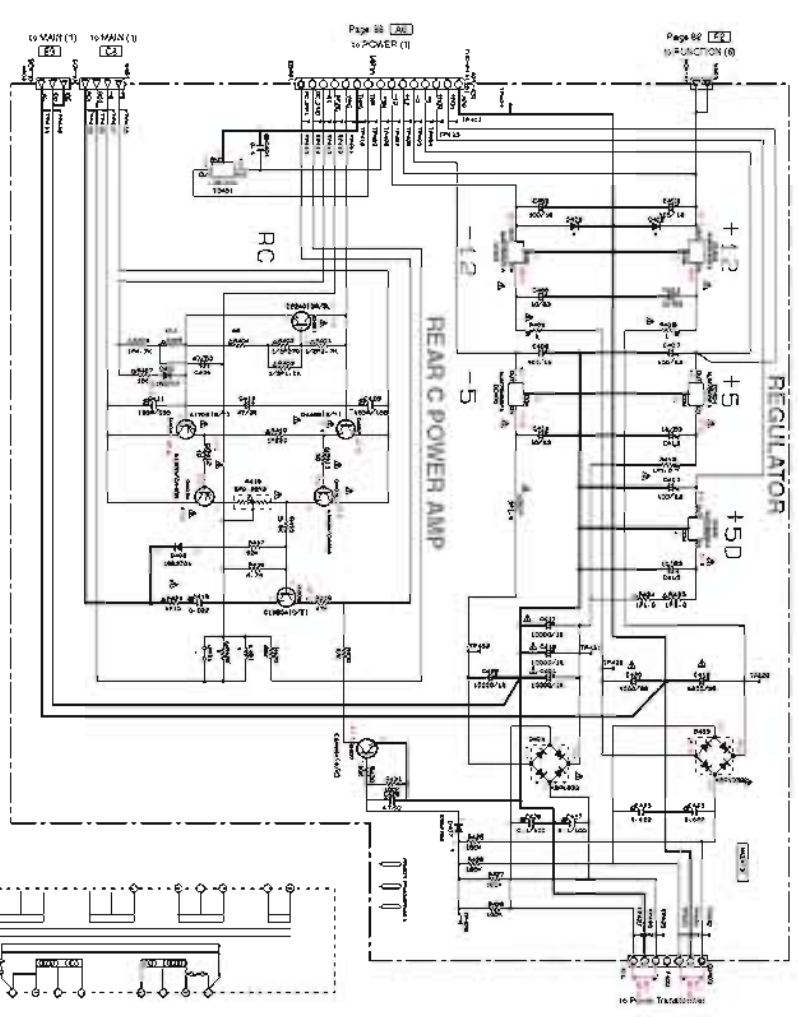
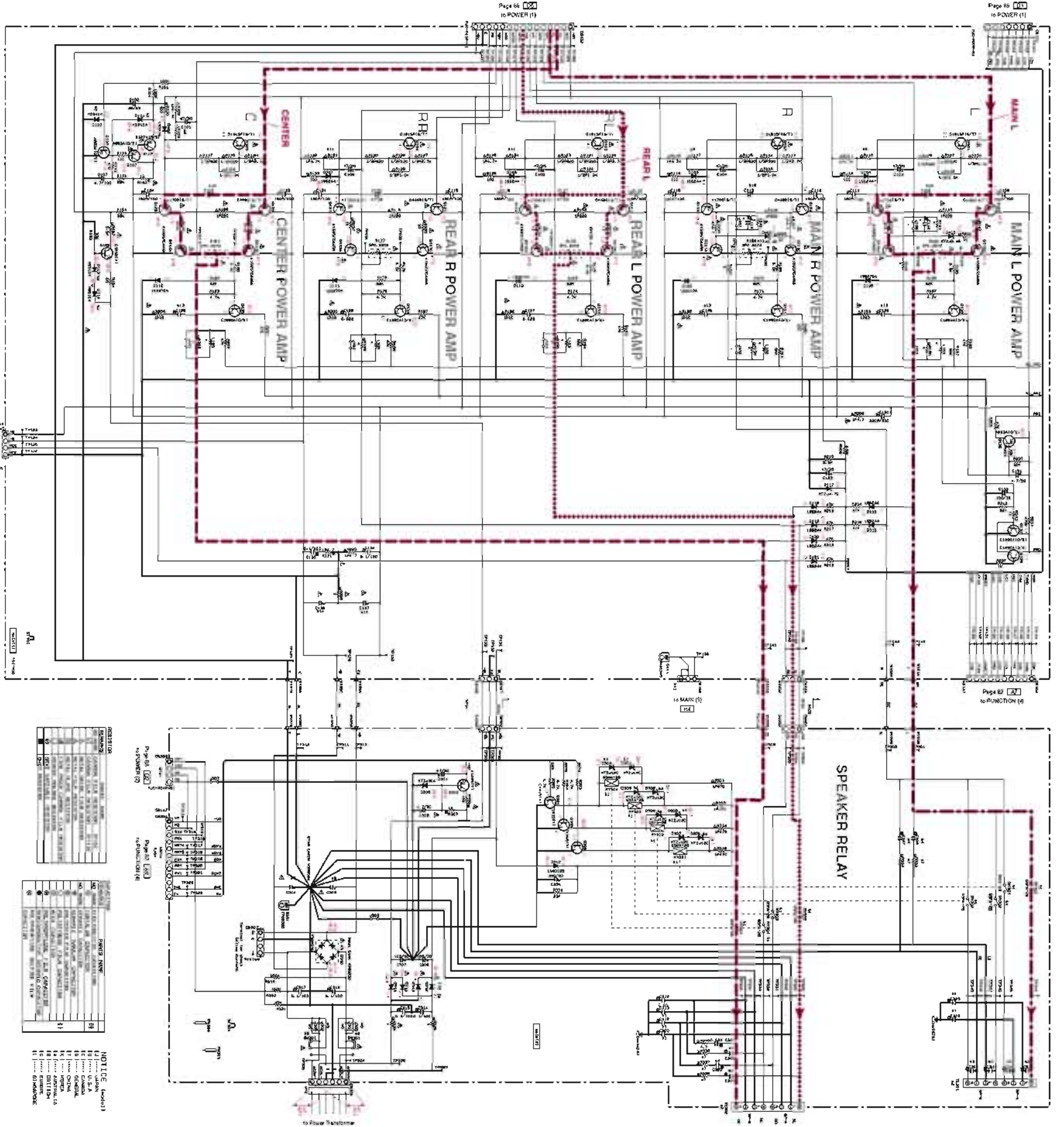
① USED PARTS AVAILABLE

NO.	DESCRIPTION	QTY.	REMARKS
1	RESISTOR	1	10K
2	RESISTOR	1	100K
3	RESISTOR	1	1M
4	RESISTOR	1	10M
5	RESISTOR	1	100M
6	RESISTOR	1	1K
7	RESISTOR	1	10K
8	RESISTOR	1	100K
9	RESISTOR	1	1M
10	RESISTOR	1	10M
11	RESISTOR	1	100M
12	RESISTOR	1	1K
13	RESISTOR	1	10K
14	RESISTOR	1	100K
15	RESISTOR	1	1M
16	RESISTOR	1	10M
17	RESISTOR	1	100M
18	RESISTOR	1	1K
19	RESISTOR	1	10K
20	RESISTOR	1	100K
21	RESISTOR	1	1M
22	RESISTOR	1	10M
23	RESISTOR	1	100M
24	RESISTOR	1	1K
25	RESISTOR	1	10K
26	RESISTOR	1	100K
27	RESISTOR	1	1M
28	RESISTOR	1	10M
29	RESISTOR	1	100M
30	RESISTOR	1	1K
31	RESISTOR	1	10K
32	RESISTOR	1	100K
33	RESISTOR	1	1M
34	RESISTOR	1	10M
35	RESISTOR	1	100M
36	RESISTOR	1	1K
37	RESISTOR	1	10K
38	RESISTOR	1	100K
39	RESISTOR	1	1M
40	RESISTOR	1	10M
41	RESISTOR	1	100M
42	RESISTOR	1	1K
43	RESISTOR	1	10K
44	RESISTOR	1	100K
45	RESISTOR	1	1M
46	RESISTOR	1	10M
47	RESISTOR	1	100M
48	RESISTOR	1	1K
49	RESISTOR	1	10K
50	RESISTOR	1	100K
51	RESISTOR	1	1M
52	RESISTOR	1	10M
53	RESISTOR	1	100M
54	RESISTOR	1	1K
55	RESISTOR	1	10K
56	RESISTOR	1	100K
57	RESISTOR	1	1M
58	RESISTOR	1	10M
59	RESISTOR	1	100M
60	RESISTOR	1	1K
61	RESISTOR	1	10K
62	RESISTOR	1	100K
63	RESISTOR	1	1M
64	RESISTOR	1	10M
65	RESISTOR	1	100M
66	RESISTOR	1	1K
67	RESISTOR	1	10K
68	RESISTOR	1	100K
69	RESISTOR	1	1M
70	RESISTOR	1	10M
71	RESISTOR	1	100M
72	RESISTOR	1	1K
73	RESISTOR	1	10K
74	RESISTOR	1	100K
75	RESISTOR	1	1M
76	RESISTOR	1	10M
77	RESISTOR	1	100M
78	RESISTOR	1	1K
79	RESISTOR	1	10K
80	RESISTOR	1	100K
81	RESISTOR	1	1M
82	RESISTOR	1	10M
83	RESISTOR	1	100M
84	RESISTOR	1	1K
85	RESISTOR	1	10K
86	RESISTOR	1	100K
87	RESISTOR	1	1M
88	RESISTOR	1	10M
89	RESISTOR	1	100M
90	RESISTOR	1	1K
91	RESISTOR	1	10K
92	RESISTOR	1	100K
93	RESISTOR	1	1M
94	RESISTOR	1	10M
95	RESISTOR	1	100M
96	RESISTOR	1	1K
97	RESISTOR	1	10K
98	RESISTOR	1	100K
99	RESISTOR	1	1M
100	RESISTOR	1	10M



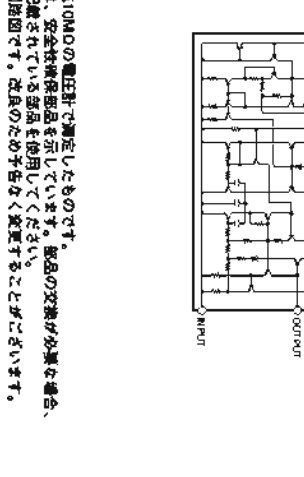
* All voltages are measured with a 10MΩ/V DC electric volt meter.
* Components having special characteristics are marked Δ and must be replaced with parts having specifications equal to those originally installed.
* Schematic diagram is subject to change without notice.

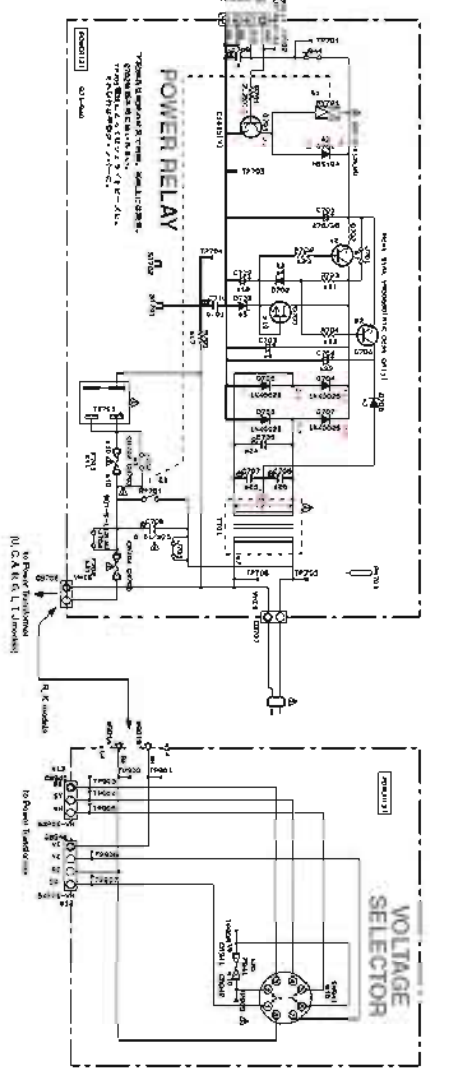
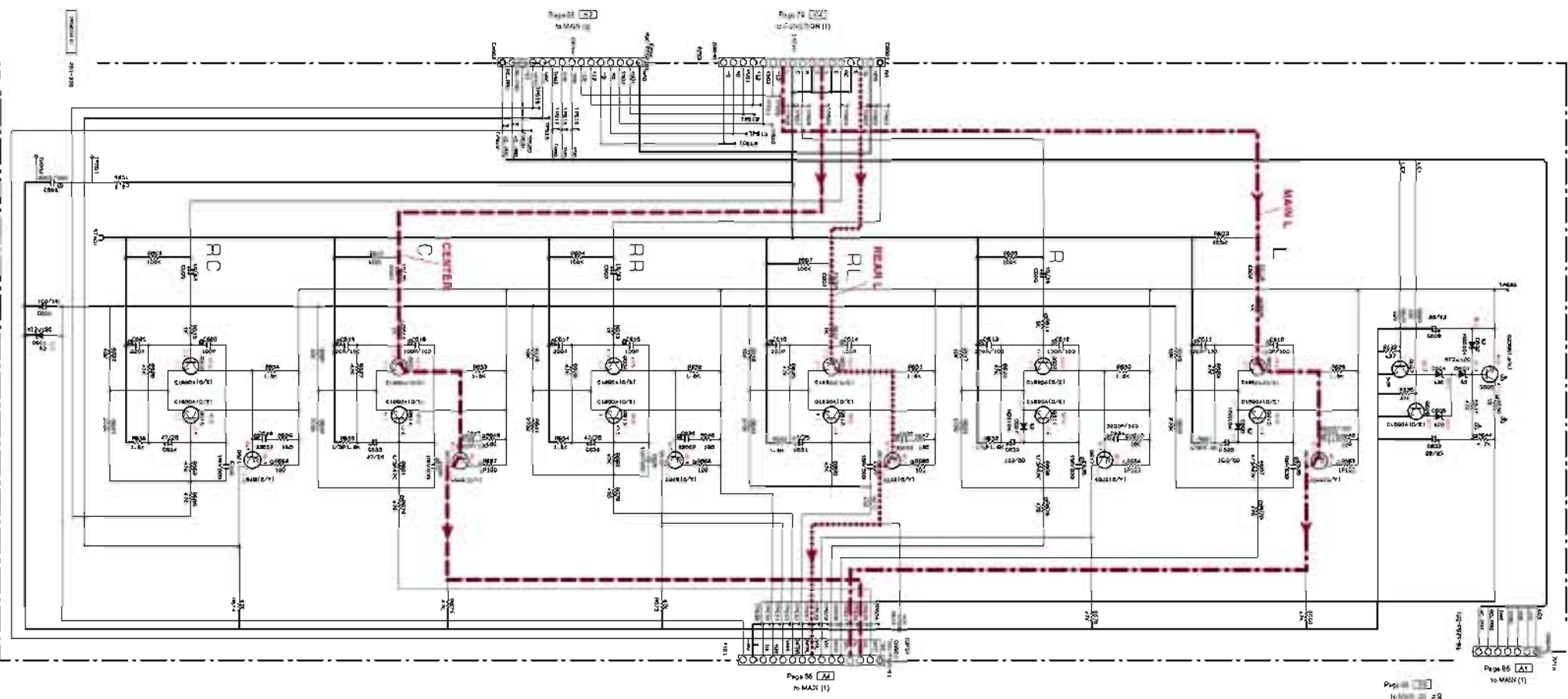
● 電圧は、内抵抗10MΩの電圧計で測定したものです。
● Δ印のある部品は、安全性確保部品を示しています。部品の交換が必要な場合、パーツリストに記載されている部品を使用してください。
● 本図面図は構成回路図です。変更のため予告なく変更することがあります。



●電圧は、内部抵抗10MΩの電圧計で測定したものです。
 ●△印のある部品は、安全検査部品を示しています。部品の交換が可能な場合、
 △マーク入りの部品を使用してください。
 ●本回路図は修正回路図です。改良のため予告なく変更することがあります。

* All voltages are measured with a 10MΩV DC electric volt meter.
 * Components having special characteristics are marked Δ and must be replaced with parts having specifications equal to those originally installed.
 * Schematic diagram is subject to change without notice.





RESISTOR VALUE

RESISTOR VALUE	RESISTOR VALUE
100Ω	100kΩ
1kΩ	1MΩ
10kΩ	10MΩ
100kΩ	100MΩ
1MΩ	1000MΩ

RESISTOR VALUE

RESISTOR VALUE	RESISTOR VALUE
100Ω	100kΩ
1kΩ	100kΩ
10kΩ	100kΩ
100kΩ	100kΩ
1MΩ	100kΩ

Interconnection Table

POINT	RESISTOR VALUE	RESISTOR VALUE
1	100Ω	100kΩ
2	1kΩ	100kΩ
3	10kΩ	100kΩ
4	100kΩ	100kΩ
5	1MΩ	100kΩ

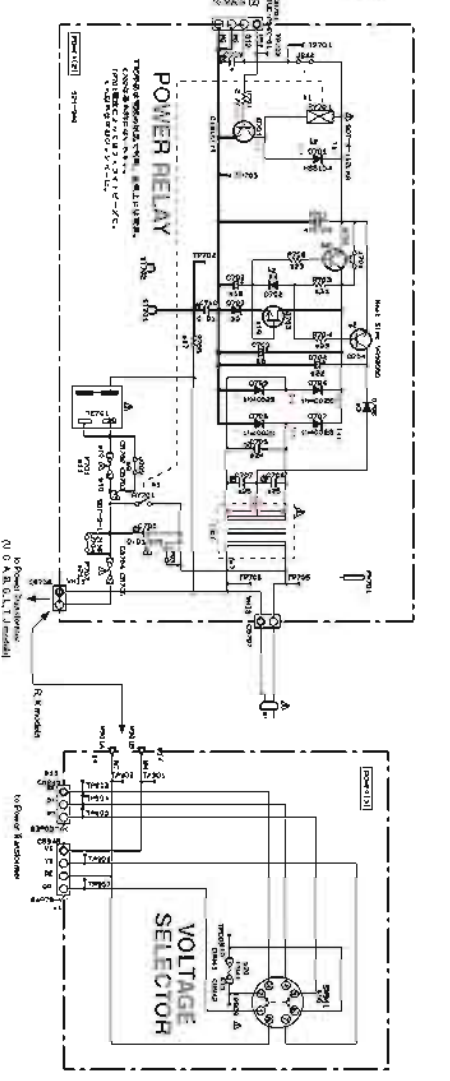
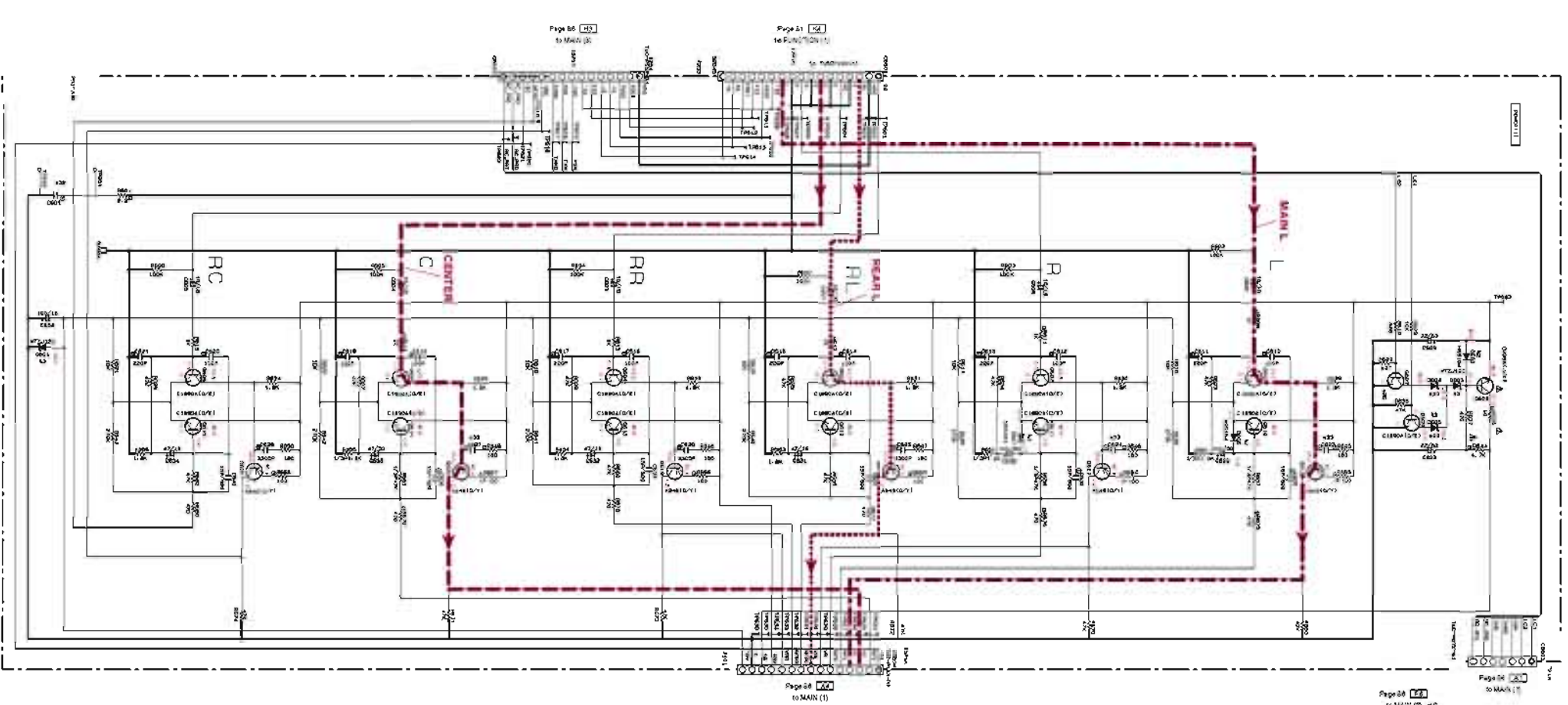
NOTICE: JAPAN
(J) ... JAPAN
(U) ... U.S.A.
(C) ... CANADA
(M) ... MEXICO
(K) ... KOREA
(A) ... ARGENTINA
(S) ... SWITZERLAND
(L) ... SWITZERLAND

Interconnection Table

POINT	RESISTOR VALUE	RESISTOR VALUE	RESISTOR VALUE	RESISTOR VALUE	RESISTOR VALUE	RESISTOR VALUE	RESISTOR VALUE
1	100Ω	100kΩ	100kΩ	100kΩ	100kΩ	100kΩ	100kΩ
2	1kΩ	100kΩ	100kΩ	100kΩ	100kΩ	100kΩ	100kΩ
3	10kΩ	100kΩ	100kΩ	100kΩ	100kΩ	100kΩ	100kΩ
4	100kΩ	100kΩ	100kΩ	100kΩ	100kΩ	100kΩ	100kΩ
5	1MΩ	100kΩ	100kΩ	100kΩ	100kΩ	100kΩ	100kΩ

* All voltages are measured with a 10MΩ/V DC electric volt meter.
* Components having special characteristics are marked Δ and must be replaced with parts having specifications equal to those originally installed.
* Schematic diagram is subject to change without notice.

● 電圧は、内蔵抵抗10MΩの電圧計で測定したものです。
● 特殊な性能のある部品は、△印を付し、必ず同等の部品で交換してください。
● 回路図は、仕様変更を伴う場合があります。



IN SYSTEM PARTS LIST

NO.	QTY	DESCRIPTION	UNIT
1	1	POWER RELAY	RELAY
2	1	VOLTAGE SELECTOR	SELECTOR
3	1	RELAY	RELAY
4	1	RELAY	RELAY
5	1	RELAY	RELAY
6	1	RELAY	RELAY
7	1	RELAY	RELAY
8	1	RELAY	RELAY
9	1	RELAY	RELAY
10	1	RELAY	RELAY
11	1	RELAY	RELAY
12	1	RELAY	RELAY
13	1	RELAY	RELAY
14	1	RELAY	RELAY
15	1	RELAY	RELAY
16	1	RELAY	RELAY
17	1	RELAY	RELAY
18	1	RELAY	RELAY
19	1	RELAY	RELAY
20	1	RELAY	RELAY
21	1	RELAY	RELAY
22	1	RELAY	RELAY
23	1	RELAY	RELAY
24	1	RELAY	RELAY
25	1	RELAY	RELAY
26	1	RELAY	RELAY
27	1	RELAY	RELAY
28	1	RELAY	RELAY
29	1	RELAY	RELAY
30	1	RELAY	RELAY
31	1	RELAY	RELAY
32	1	RELAY	RELAY
33	1	RELAY	RELAY
34	1	RELAY	RELAY
35	1	RELAY	RELAY
36	1	RELAY	RELAY
37	1	RELAY	RELAY
38	1	RELAY	RELAY
39	1	RELAY	RELAY
40	1	RELAY	RELAY
41	1	RELAY	RELAY
42	1	RELAY	RELAY
43	1	RELAY	RELAY
44	1	RELAY	RELAY
45	1	RELAY	RELAY
46	1	RELAY	RELAY
47	1	RELAY	RELAY
48	1	RELAY	RELAY
49	1	RELAY	RELAY
50	1	RELAY	RELAY
51	1	RELAY	RELAY
52	1	RELAY	RELAY
53	1	RELAY	RELAY
54	1	RELAY	RELAY
55	1	RELAY	RELAY
56	1	RELAY	RELAY
57	1	RELAY	RELAY
58	1	RELAY	RELAY
59	1	RELAY	RELAY
60	1	RELAY	RELAY
61	1	RELAY	RELAY
62	1	RELAY	RELAY
63	1	RELAY	RELAY
64	1	RELAY	RELAY
65	1	RELAY	RELAY
66	1	RELAY	RELAY
67	1	RELAY	RELAY
68	1	RELAY	RELAY
69	1	RELAY	RELAY
70	1	RELAY	RELAY
71	1	RELAY	RELAY
72	1	RELAY	RELAY
73	1	RELAY	RELAY
74	1	RELAY	RELAY
75	1	RELAY	RELAY
76	1	RELAY	RELAY
77	1	RELAY	RELAY
78	1	RELAY	RELAY
79	1	RELAY	RELAY
80	1	RELAY	RELAY
81	1	RELAY	RELAY
82	1	RELAY	RELAY
83	1	RELAY	RELAY
84	1	RELAY	RELAY
85	1	RELAY	RELAY
86	1	RELAY	RELAY
87	1	RELAY	RELAY
88	1	RELAY	RELAY
89	1	RELAY	RELAY
90	1	RELAY	RELAY
91	1	RELAY	RELAY
92	1	RELAY	RELAY
93	1	RELAY	RELAY
94	1	RELAY	RELAY
95	1	RELAY	RELAY
96	1	RELAY	RELAY
97	1	RELAY	RELAY
98	1	RELAY	RELAY
99	1	RELAY	RELAY
100	1	RELAY	RELAY

NOTES:
 0. USEV/APP. SCHEM.

● 電圧は、内部抵抗10MΩの電圧計で測定したものです。
 ● 矢印のある部品は、安全検査部品を示しています。部品の交換が必要の場合、パーツリストに添付されている部品を使用してください。
 ● 本回路図は修正回路図です。点検のため予告なく変更することがあります。

* All voltages are measured with a 10MΩ DC electric voltmeter.
 * Components having special characteristics are marked Δ and must be replaced with parts having specifications equal to those originally installed.
 * Schematic diagram is subject to change without notice.

PARTS LIST

■ ELECTRICAL PARTS

■ WARNING

● Components having special characteristics are marked \triangle and must be replaced with parts having specifications equal to those originally installed.

● \triangle 印のある部分は、安全確保部品を示しています。部品の交換が必要な場合、パーツリストに記載されている部品を使用してください。

● 部品価格ランクは、予告なく変更することがあります。

ABBREVIATIONS IN THIS LIST ARE AS FOLLOWS:

C.A.EL.CHP	: CHIP ALUMI.ELECTROLYTIC CAP	L.EMIT	: LIGHT EMITTING MODULE
C.CE	: CERAMIC CAP	LED.DSPLY	: LED DISPLAY
C.CE.ARRAY	: CERAMIC CAP ARRAY	LED.INFRD	: LED,INFRARED
C.CE.CHP	: CHIP CERAMIC CAP	MODUL.RF	: MODULATOR,RF
C.CE.ML	: MULTILAYER CERAMIC CAP	PHOT.CPL	: PHOTO COUPLER
C.CE.M.CHP	: CHIP MULTILAYER CERAMIC CAP	PHOT.INTR	: PHOTO INTERRUPTER
C.CE.SAFTY	: RECOGNIZED CERAMIC CAP	PHOT.RFLCT	: PHOTO REFLECTOR
C.CE.TUBLR	: CERAMIC TUBULAR CAP	PIN.TEST	: PIN,TEST POINT
C.CE.SMI	: SEMI CONDUCTIVE CERAMIC CAP	PLST.RIVET	: PLASTIC RIVET
C.EL	: ELECTROLYTIC CAP	R.ARRAY	: RESISTOR ARRAY
C.MICA	: MICA CAP	R.CAR.	: CARBON RESISTOR
C.ML.FLM	: MULTILAYER FILM CAP	R.CAR.CHP	: CHIP RESISTOR
C.MP	: METALLIZED PAPER CAP	R.CAR.FP	: FLAME PROOF CARBON RESISTOR
C.MYLAR	: MYLAR FILM CAP	R.FUS	: FUSABLE RESISTOR
C.MYLAR.ML	: MULTILAYER MYLAR FILM CAP	R.MTL.CHP	: CHIP METAL FILM RESISTOR
C.PAPER	: PAPER CAPACITOR	R.MTL.FLM	: METAL FILM RESISTOR
C.PLS	: POLYSTYRENE FILM CAP	R.MTL.OXD	: METAL OXIDE FILM RESISTOR
C.POL	: POLYESTER FILM CAP	R.MTL.PLAT	: METAL PLATE RESISTOR
C.POLY	: POLYETHYLENE FILM CAP	RSNR.CE	: CERAMIC RESONATOR
C.PP	: POLYPROPYLENE FILM CAP	RSNR.CRYS	: CRYSTAL RESONATOR
C.TNTL	: TANTALUM CAP	R.TW.CEM	: TWIN CEMENT FIXED RESISTOR
C.TNTL.CHP	: CHIP TANTALUM CAP	R.WW	: WIRE WOUND RESISTOR
C.TRIM	: TRIMMER CAP	SCR.BND.HD	: BIND HEAD B-TITE SCREW
CN	: CONNECTOR	SCR.BW.HD	: BW HEAD TAPPING SCREW
CN.BS.PIN	: CONNECTOR,BASE PIN	SCR.CUP	: CUP TITE SCREW
CN.CANNON	: CONNECTOR,CANNON	SCR.TERM	: SCREW TERMINAL
CN.DIN	: CONNECTOR,DIN	SCR.TR	: SCREW,TRANSISTOR
CN.FLAT	: CONNECTOR,FLAT CABLE	SUPRT.PCB	: SUPPORT,P.C.B.
CN.POST	: CONNECTOR,BASE POST	SURG.PRTCT	: SURGE PROTECTOR
COIL.MX.AM	: COIL,AM MIX	SW.TACT	: TACT SWITCH
COIL.AT.FM	: COIL,FM ANTENNA	SW.LEAF	: LEAF SWITCH
COIL.DT.FM	: COIL,FM DETECT	SW.LEVER	: LEVER SWITCH
COIL.MX.FM	: COIL,FM MIX	SW.MICRO	: MICRO SWITCH
COIL.OUTPT	: OUTPUT COIL	SW.PUSH	: PUSH SWITCH
DIOD.ARRAY	: DIODE ARRAY	SW.RT.ENC	: ROTARY ENCODER
DIODE.BRG	: DIODE BRIDGE	SW.RT.MTR	: ROTARY SWITCH WITH MOTOR
DIODE.CHP	: CHIP DIODE	SW.RT	: ROTARY SWITCH
DIODE.VAR	: VARACTOR DIODE	SW.SLIDE	: SLIDE SWITCH
DIOD.Z.CHP	: CHIP ZENER DIODE	TERM.SP	: SPEAKER TERMINAL
DIODE.ZENR	: ZENER DIODE	TERM.WRAP	: WRAPPING TERMINAL
DSCR.CE	: CERAMIC DISCRIMINATOR	THRMST.CHP	: CHIP THERMISTOR
FER.BEAD	: FERRITE BEADS	TR.CHP	: CHIP TRANSISTOR
FER.CORE	: FERRITE CORE	TR.DGT	: DIGITAL TRANSISTOR
FET.CHP	: CHIP FET	TR.DGT.CHP	: CHIP DIGITAL TRANSISTOR
FL.DSPLY	: FLUORESCENT DISPLAY	TRANS	: TRANSFORMER
FLTR.CE	: CERAMIC FILTER	TRANS.PULS	: PULSE TRANSFORMER
FLTR.COMB	: COMB FILTER MODULE	TRANS.PWR	: POWER TRANSFORMER ASS'Y
FLTR.LC.RF	: LC FILTER,EMI	TUNER.AM	: TUNER PACK,AM
GND.MTL	: GROUND PLATE	TUNER.FM	: TUNER PACK,FM
GND.TERM	: GROUND TERMINAL	TUNER.PK	: FRONT-ENDTUNER PACK
HOLDER.FUS	: FUSE HOLDER	VR	: ROTARY POTENTIOMETER
IC.PRTCT	: IC PROTECTOR	VR.MTR	: POTENTIOMETER WITH MOTOR
JUMPER.CN	: JUMPER CONNECTOR	VR.SW	: POTENTIOMETER WITH ROTARY SW
JUMPER.TST	: JUMPER,TEST POINT	VR.SLIDE	: SLIDE POTENTIOMETER
L.DTCT	: LIGHT DETECTING MODULE	VR.TRIM	: TRIMMER POTENTIOMETER

Note) Those parts marked with “#” are not included in the P.C.B. ass'y.

RX-V540/RX-V540RDS/HTR-5650/HTR-5650RDS/DSP-AX540
 RX-V440/RX-V440RDS/HTR-5640/HTR-5640RDS/DSP-AX440

RX-V540/RX-V540RDS/HTR-5650/HTR-5650RDS/DSP-AX540

P.C.B. DSP

Schm Ref.	PART NO.	Description	Remarks	Markets	部 品 名	Rank	
*	WA704200	P. C. B.	DSP	540, 5650	J	P C B D S P	
*	WA704300	P. C. B.	DSP	540, 5650	UCRTKABGL	P C B D S P	
CB602	VF982300	CN. BS. PIN	17P	540, 5650		F F C コネクター	01
CB603	VF982300	CN. BS. PIN	17P	540, 5650		F F C コネクター	01
C601	US135100	C. CE. CHP	0.1uF 16V	540, 5650		チップセラコン	01
C602	US135100	C. CE. CHP	0.1uF 16V	540, 5650		チップセラコン	01
C603	US135100	C. CE. CHP	0.1uF 16V	540, 5650		チップセラコン	01
C604	US135100	C. CE. CHP	0.1uF 16V	540, 5650		チップセラコン	01
C605	US061220	C. CE. M. CHP	22pF 50V	540, 5650		チップセラコン	01
C606	US135100	C. CE. CHP	0.1uF 16V	540, 5650		チップセラコン	01
C607	UR847220	C. EL	22uF 25V	540, 5650		ケミコン	01
C608	UR818100	C. EL	100uF 6.3V	540, 5650	J	ケミコン	01
C609	US135100	C. CE. CHP	0.1uF 16V	540, 5650	J	チップセラコン	01
C610	UR819100	C. EL	1000uF 6.3V	540, 5650		ケミコン	01
C611	US135100	C. CE. CHP	0.1uF 16V	540, 5650		チップセラコン	01
C612	US135100	C. CE. CHP	0.1uF 16V	540, 5650		チップセラコン	01
C613	US061100	C. CE. M. CHP	10pF 50V	540, 5650		チップセラコン	01
C614	US135100	C. CE. CHP	0.1uF 16V	540, 5650	J	チップセラコン	01
C615	UR818100	C. EL	100uF 6.3V	540, 5650	J	ケミコン	01
C616	US062220	C. CE. CHP	220pF 50V	540, 5650		チップセラコン	01
C617	US063100	C. CE. M. CHP	1000pF 50V	540, 5650		チップセラコン	01
C618	US044220	C. CE. M. CHP	0.022uF 25V	540, 5650		チップセラコン	01
C619	UR818100	C. EL	100uF 6.3V	540, 5650	J	ケミコン	01
C620	UR818100	C. EL	100uF 6.3V	540, 5650	J	ケミコン	01
C621	US061330	C. CE. M. CHP	33pF 50V	540, 5650		チップセラコン	01
C622	US135100	C. CE. CHP	0.1uF 16V	540, 5650	J	チップセラコン	01
C623	US062100	C. CE. M. CHP	100pF 50V	540, 5650	J	チップセラコン	01
C624	US135100	C. CE. CHP	0.1uF 16V	540, 5650	J	チップセラコン	01
C625	UR819100	C. EL	1000uF 6.3V	540, 5650		ケミコン	01
C626	US135100	C. CE. CHP	0.1uF 16V	540, 5650		チップセラコン	01
C627	US135100	C. CE. CHP	0.1uF 16V	540, 5650		チップセラコン	01
C628	US135100	C. CE. CHP	0.1uF 16V	540, 5650		チップセラコン	01
C629	US063100	C. CE. M. CHP	1000pF 50V	540, 5650		チップセラコン	01
C630	US135100	C. CE. CHP	0.1uF 16V	540, 5650		チップセラコン	01
C631	US135100	C. CE. CHP	0.1uF 16V	540, 5650		チップセラコン	01
C632	US061100	C. CE. M. CHP	10pF 50V	540, 5650		チップセラコン	01
C633	US135100	C. CE. CHP	0.1uF 16V	540, 5650		チップセラコン	01
C634	US135100	C. CE. CHP	0.1uF 16V	540, 5650		チップセラコン	01
C635	UR819100	C. EL	1000uF 6.3V	540, 5650		ケミコン	01
C636	UR818100	C. EL	100uF 6.3V	540, 5650	J	ケミコン	01
C637	UR819100	C. EL	1000uF 6.3V	540, 5650		ケミコン	01
C638	US135100	C. CE. CHP	0.1uF 16V	540, 5650	J	チップセラコン	01
C639	US135100	C. CE. CHP	0.1uF 16V	540, 5650		チップセラコン	01
C640	UR818100	C. EL	100uF 6.3V	540, 5650		ケミコン	01
C641	UR819100	C. EL	1000uF 6.3V	540, 5650		ケミコン	01
C642	US135100	C. CE. CHP	0.1uF 16V	540, 5650		チップセラコン	01
C643	US135100	C. CE. CHP	0.1uF 16V	540, 5650		チップセラコン	01
C644	US135100	C. CE. CHP	0.1uF 16V	540, 5650		チップセラコン	01
C645	US135100	C. CE. CHP	0.1uF 16V	540, 5650		チップセラコン	01
C646	UR818470	C. EL	470uF 6.3V	540, 5650		ケミコン	01
C647	UR818100	C. EL	100uF 6.3V	540, 5650		ケミコン	01
C648	US135100	C. CE. CHP	0.1uF 16V	540, 5650		チップセラコン	01
C649	US061180	C. CE. CHP	18pF 50V	540, 5650		チップセラコン	01

* New Parts * 新規部品(マーク#の部品は、基板に含まれません)

RX-V540/RX-V540RDS/HTR-5650/HTR-5650RDS/DSP-AX540
 RX-V440/RX-V440RDS/HTR-5640/HTR-5640RDS/DSP-AX440

RX-V540/RX-V540RDS/HTR-5650/HTR-5650RDS/DSP-AX540

P.C.B. DSP

Schm Ref.	PART NO.	Description	Remarks	Markets	部品名	Rank	
C650	US135100	C. CE. CHP	0.1uF 16V	540,5650		チップセラコン	01
C651	US061180	C. CE. CHP	18pF 50V	540,5650		チップセラコン	01
C653	US135100	C. CE. CHP	0.1uF 16V	540,5650		チップセラコン	01
C654	UR818470	C. EL	470uF 6.3V	540,5650		ケミコン	01
C655	US062470	C. CE. M. CHP	470pF 50V	540,5650		チップセラコン	01
C656	US135100	C. CE. CHP	0.1uF 16V	540,5650	J	チップセラコン	01
C657	UR818100	C. EL	100uF 6.3V	540,5650	J	ケミコン	01
C658	US061470	C. CE. M. CHP	47pF 50V	540,5650		チップセラコン	01
C659	US135100	C. CE. CHP	0.1uF 16V	540,5650	J	チップセラコン	01
C660	US061470	C. CE. M. CHP	47pF 50V	540,5650		チップセラコン	01
C661	US061470	C. CE. M. CHP	47pF 50V	540,5650		チップセラコン	01
C662	US061470	C. CE. M. CHP	47pF 50V	540,5650		チップセラコン	01
C663	US061470	C. CE. M. CHP	47pF 50V	540,5650		チップセラコン	01
C664	US061470	C. CE. M. CHP	47pF 50V	540,5650		チップセラコン	01
C665	US061470	C. CE. M. CHP	47pF 50V	540,5650		チップセラコン	01
C666	UR818100	C. EL	100uF 6.3V	540,5650		ケミコン	01
C667	US061470	C. CE. M. CHP	47pF 50V	540,5650		チップセラコン	01
C668	US061470	C. CE. M. CHP	47pF 50V	540,5650		チップセラコン	01
C669	US061470	C. CE. M. CHP	47pF 50V	540,5650		チップセラコン	01
C670	US135100	C. CE. CHP	0.1uF 16V	540,5650		チップセラコン	01
C672	US061470	C. CE. M. CHP	47pF 50V	540,5650		チップセラコン	01
C673	US061470	C. CE. M. CHP	47pF 50V	540,5650		チップセラコン	01
C674	US061470	C. CE. M. CHP	47pF 50V	540,5650		チップセラコン	01
C675	US063470	C. CE. CHP	4700pF 50V	540,5650		チップセラコン	01
C676	US135100	C. CE. CHP	0.1uF 16V	540,5650	J	チップセラコン	01
C677	US135100	C. CE. CHP	0.1uF 16V	540,5650	J	チップセラコン	01
C678	UR818100	C. EL	100uF 6.3V	540,5650		ケミコン	01
C679	US135100	C. CE. CHP	0.1uF 16V	540,5650		チップセラコン	01
C680	UR818100	C. EL	100uF 6.3V	540,5650	J	ケミコン	01
C681	UR818100	C. EL	100uF 6.3V	540,5650	J	ケミコン	01
C682	US135100	C. CE. CHP	0.1uF 16V	540,5650		チップセラコン	01
C683	US063470	C. CE. CHP	4700pF 50V	540,5650		チップセラコン	01
C684	UR818100	C. EL	100uF 6.3V	540,5650		ケミコン	01
C685	US135100	C. CE. CHP	0.1uF 16V	540,5650		チップセラコン	01
C686	US135100	C. CE. CHP	0.1uF 16V	540,5650		チップセラコン	01
C687	US135100	C. CE. CHP	0.1uF 16V	540,5650	UCRTKABGL	チップセラコン	01
C688	US135100	C. CE. CHP	0.1uF 16V	540,5650		チップセラコン	01
C689	US135100	C. CE. CHP	0.1uF 16V	540,5650		チップセラコン	01
C690	UR817470	C. EL	47uF 6.3V	540,5650		ケミコン	01
C691	UR866220	C. EL	2.2uF 50V	540,5650		ケミコン	01
C692	UR818100	C. EL	100uF 6.3V	540,5650		ケミコン	01
C693	UR818100	C. EL	100uF 6.3V	540,5650		ケミコン	01
C694	UR818100	C. EL	100uF 6.3V	540,5650		ケミコン	01
C695	US135100	C. CE. CHP	0.1uF 16V	540,5650		チップセラコン	01
C696	UR819100	C. EL	1000uF 6.3V	540,5650		ケミコン	01
C697	US135100	C. CE. CHP	0.1uF 16V	540,5650		チップセラコン	01
C698	US064100	C. CE. M. CHP	0.01uF 50V	540,5650		チップセラコン	01
C699	US062470	C. CE. M. CHP	470pF 50V	540,5650		チップセラコン	01
C700	US135100	C. CE. CHP	0.1uF 16V	540,5650		チップセラコン	01
C701	UR819100	C. EL	1000uF 6.3V	540,5650	UCRTKABGL	ケミコン	01
C702	US135100	C. CE. CHP	0.1uF 16V	540,5650	UCRTKABGL	チップセラコン	01
C703	UR818100	C. EL	100uF 6.3V	540,5650		ケミコン	01
C704	US135100	C. CE. CHP	0.1uF 16V	540,5650		チップセラコン	01

* New Parts * 新規部品(マーク#の部品は、基板に含まれません)

RX-V540/RX-V540RDS/HTR-5650/HTR-5650RDS/DSP-AX540
 RX-V440/RX-V440RDS/HTR-5640/HTR-5640RDS/DSP-AX440

RX-V540/RX-V540RDS/HTR-5650/HTR-5650RDS/DSP-AX540

P.C.B. DSP

Schm Ref.	PART NO.	Description	Remarks	Markets	部 品 名	Rank
C705	US061470	C. CE. M. CHP	47pF 50V	540, 5650	チップセラコン	01
C707	US061470	C. CE. M. CHP	47pF 50V	540, 5650	チップセラコン	01
C708	US061470	C. CE. M. CHP	47pF 50V	540, 5650	チップセラコン	01
C709	US061470	C. CE. M. CHP	47pF 50V	540, 5650	チップセラコン	01
C710	US135100	C. CE. CHP	0.1uF 16V	540, 5650	チップセラコン	01
C711	US135100	C. CE. CHP	0.1uF 16V	540, 5650	チップセラコン	01
C712	US061470	C. CE. M. CHP	47pF 50V	540, 5650	チップセラコン	01
C713	US061470	C. CE. M. CHP	47pF 50V	540, 5650	チップセラコン	01
C715	US061470	C. CE. M. CHP	47pF 50V	540, 5650	チップセラコン	01
C716	US061470	C. CE. M. CHP	47pF 50V	540, 5650	チップセラコン	01
C717	US061470	C. CE. M. CHP	47pF 50V	540, 5650	チップセラコン	01
C718	US135100	C. CE. CHP	0.1uF 16V	540, 5650	チップセラコン	01
C719	US135100	C. CE. CHP	0.1uF 16V	540, 5650	チップセラコン	01
C721	US135100	C. CE. CHP	0.1uF 16V	540, 5650	チップセラコン	01
C722	UU118100	C. EL	100uF 6.3V	540, 5650	ケミコン	01
C723	US135100	C. CE. CHP	0.1uF 16V	540, 5650	チップセラコン	01
C724	UU118100	C. EL	100uF 6.3V	540, 5650	ケミコン	01
C725	US135100	C. CE. CHP	0.1uF 16V	540, 5650	チップセラコン	01
C726	US135100	C. CE. CHP	0.1uF 16V	540, 5650	チップセラコン	01
C727	UU118220	C. EL	220uF 6.3V	540, 5650	ケミコン	01
C728	US135100	C. CE. CHP	0.1uF 16V	540, 5650	チップセラコン	01
C729	UU118100	C. EL	100uF 6.3V	540, 5650	ケミコン	01
C730	US135100	C. CE. CHP	0.1uF 16V	540, 5650	チップセラコン	01
C739	UU137100	C. EL	10uF 16V	540, 5650	ケミコン	01
C740	UR877100	C. EL	10uF 63V	540, 5650	ケミコン	01
C741	UU137100	C. EL	10uF 16V	540, 5650	ケミコン	01
C742	UR877100	C. EL	10uF 63V	540, 5650	ケミコン	01
C743	UR877100	C. EL	10uF 63V	540, 5650	ケミコン	01
C744	UR877100	C. EL	10uF 63V	540, 5650	ケミコン	01
C745	UU137100	C. EL	10uF 16V	540, 5650	ケミコン	01
C748	UR877100	C. EL	10uF 63V	540, 5650	ケミコン	01
C749	UR877100	C. EL	10uF 63V	540, 5650	ケミコン	01
C752	UA652680	C. MYLAR	680pF 50V	540, 5650	マイラーコン	01
C753	UA652680	C. MYLAR	680pF 50V	540, 5650	マイラーコン	01
C754	UA652680	C. MYLAR	680pF 50V	540, 5650	マイラーコン	01
C755	UA652680	C. MYLAR	680pF 50V	540, 5650	マイラーコン	01
C756	UA652470	C. MYLAR	470pF 50V	540, 5650	マイラーコン	01
C757	UA652470	C. MYLAR	470pF 50V	540, 5650	マイラーコン	01
C758	UA653390	C. MYLAR	3900pF 50V	540, 5650	マイラーコン	01
C761	UR337100	C. EL	10uF 16V	540, 5650	ケミコン A S F	03
C762	UR877100	C. EL	10uF 63V	540, 5650	ケミコン	01
C763	UR877100	C. EL	10uF 63V	540, 5650	ケミコン	01
C764	UR877100	C. EL	10uF 63V	540, 5650	ケミコン	01
C765	UR337100	C. EL	10uF 16V	540, 5650	ケミコン A S F	03
C766	UR337100	C. EL	10uF 16V	540, 5650	ケミコン A S F	03
C767	UR877100	C. EL	10uF 63V	540, 5650	ケミコン	01
C768	UR877100	C. EL	10uF 63V	540, 5650	ケミコン	01
C769	UR877100	C. EL	10uF 63V	540, 5650	ケミコン	01
C770	UR337470	C. EL	47uF 16V	540, 5650	ケミコン A S F	03
C771	UR337470	C. EL	47uF 16V	540, 5650	ケミコン A S F	03
C772	UR337470	C. EL	47uF 16V	540, 5650	ケミコン A S F	03
C773	UR337470	C. EL	47uF 16V	540, 5650	ケミコン A S F	03
C776	US061470	C. CE. M. CHP	47pF 50V	540, 5650	チップセラコン	01

* New Parts * 新規部品(マーク#の部品は、基板に含まれません)

RX-V540/RX-V540RDS/HTR-5650/HTR-5650RDS/DSP-AX540
 RX-V440/RX-V440RDS/HTR-5640/HTR-5640RDS/DSP-AX440

RX-V540/RX-V540RDS/HTR-5650/HTR-5650RDS/DSP-AX540

P.C.B. DSP

Schm Ref.	PART NO.	Description	Remarks	Markets	部品名	Rank	
C778	US135100	C. CE. CHP	0.1uF 16V	540,5650		チップセラコン	01
C779	US135100	C. CE. CHP	0.1uF 16V	540,5650		チップセラコン	01
C780	US135100	C. CE. CHP	0.1uF 16V	540,5650		チップセラコン	01
C781	US135100	C. CE. CHP	0.1uF 16V	540,5650		チップセラコン	01
C790	US135100	C. CE. CHP	0.1uF 16V	540,5650		チップセラコン	01
C791	US135100	C. CE. CHP	0.1uF 16V	540,5650		チップセラコン	01
C792	US135100	C. CE. CHP	0.1uF 16V	540,5650		チップセラコン	01
C793	UA654470	C. MYLAR	0.047uF 50V	540,5650		マイラーコン	01
C794	US135100	C. CE. CHP	0.1uF 16V	540,5650		チップセラコン	01
C795	US135100	C. CE. CHP	0.1uF 16V	540,5650		チップセラコン	01
C796	US135100	C. CE. CHP	0.1uF 16V	540,5650		チップセラコン	01
D601	VT332900	DIODE	1SS355	540,5650		ダイオード	01
D602	VT332900	DIODE	1SS355	540,5650		ダイオード	01
D603	W220700	DIODE. SHOT	RB501V-40	540,5650		ショットキーダイオード	01
D604	W220700	DIODE. SHOT	RB501V-40	540,5650		ショットキーダイオード	01
D605	VT332900	DIODE	1SS355	540,5650		ダイオード	01
D606	VT332900	DIODE	1SS355	540,5650		ダイオード	01
D607	VT332900	DIODE	1SS355	540,5650		ダイオード	01
D608	VT332900	DIODE	1SS355	540,5650		ダイオード	01
D609	W220700	DIODE. SHOT	RB501V-40	540,5650		ショットキーダイオード	01
D610	W220700	DIODE. SHOT	RB501V-40	540,5650		ショットキーダイオード	01
D611	W220700	DIODE. SHOT	RB501V-40	540,5650		ショットキーダイオード	01
D612	W220700	DIODE. SHOT	RB501V-40	540,5650		ショットキーダイオード	01
IC601	X0238B00	IC	YSS938	540,5650		IC	13
IC602	XV077B00	IC	MSM514260E-60JS	540,5650		メモリ IC 4M	07
IC603	XZ003A00	IC	P0025EZ5M2P 2.5V	540,5650		電源 IC QFP	03
IC604	XU965A00	IC	uPC29M33T-E1 3.3V	540,5650		電源 IC	03
* IC605	X3820A00	IC	AK4529V0	540,5650		IC	
* IC607	X3473A00	IC	CS493292-CLR	540,5650	J	IC	15
* IC607	X3939A00	IC	CS493264-CL	540,5650	UCRTKABGL	IC	
* IC608	X4075A00	IC	XC9572XL-100100C	540,5650	J	IC	07
IC609	X4318A00	IC	CY62256LL-70SNCT	540,5650	J	メモリ IC 256K	05
* IC610	X3938A00	IC	MX23C4000TC-10	540,5650	J	メモリ IC 4M	05
IC611	XR038A00	IC	NJM2904M OP AMP	540,5650		IC	01
IC612	XY120A00	IC	TC74HCT00AF(EL) NA	540,5650		ロジック IC SOP	01
* IC613	XY070A00	IC	MM74HCU04SJX INVER	540,5650		ロジック IC SOP	01
IC614	XZ012A00	IC	TC74HCT08AF(EL)	540,5650	UCRTKABGL	ロジック IC SOP	01
* IC615	X4074A00	IC	74LCX07SJX BUFFER	540,5650	UCRTKABGL	ロジック IC	
IC617	XF291A00	IC	uPC4570G2	540,5650		IC	03
IC618	XF291A00	IC	uPC4570G2	540,5650		IC	03
IC619	X3505A00	IC	NJM2068MD-TE2	540,5650		アンプ IC SOP	02
IC620	XF291A00	IC	uPC4570G2	540,5650		IC	03
IC621	X3505A00	IC	NJM2068MD-TE2	540,5650		アンプ IC SOP	02
IC623	XR042A00	IC	TC74HC153AF	540,5650	UCRTKABGL	IC	02
L601	V2726500	COIL	68uH	540,5650		コイル	01
L602	V2726500	COIL	68uH	540,5650		コイル	01
L603	V2726500	COIL	68uH	540,5650		コイル	01
PJ601	V4483900	JACK. PIN	YKC21-3895	540,5650		ピンジャック 1P	
Q601	VC124000	TR. DGT	DTA144EK	540,5650		デジタルトランジスタ	03
Q602	VD303700	TR	2SC3326 A, B	540,5650		トランジスタ	01
Q603	VD303700	TR	2SC3326 A, B	540,5650		トランジスタ	01
Q604	VD303700	TR	2SC3326 A, B	540,5650		トランジスタ	01
R612	HV753220	R. CAR. FP	2.2Ω 1/4W	540,5650		不燃化カーボン抵抗	01

* New Parts * 新規部品(マーク#の部品は、基板に含まれません)

RX-V540/RX-V540RDS/HTR-5650/HTR-5650RDS/DSP-AX540
 RX-V440/RX-V440RDS/HTR-5640/HTR-5640RDS/DSP-AX440

RX-V540/RX-V540RDS/HTR-5650/HTR-5650RDS/DSP-AX540

P.C.B. DSP

Schm Ref.	PART NO.	Description	Remarks	Markets	部 品 名	Rank
R664	HV753220	R. CAR. FP 2.2Ω 1/4W	540, 5650		不燃化カーボン抵抗	01
R690	HV753220	R. CAR. FP 2.2Ω 1/4W	540, 5650		不燃化カーボン抵抗	01
R700	VP939500	R. MTL. FLM 1Ω 1W	540, 5650		金属被膜抵抗	01
R701	VP939500	R. MTL. FLM 1Ω 1W	540, 5650		金属被膜抵抗	01
R703	VU224000	R. MTL. FLM 0.22Ω 1W	540, 5650		金属被膜抵抗	01
R730	VP939600	R. MTL. FLM 2.2Ω 1W	540, 5650		金属被膜抵抗	
R738	VP939600	R. MTL. FLM 2.2Ω 1W	540, 5650		金属被膜抵抗	
ST1	V4040500	SCR. TERM M3	540, 5650		スクリュー/ターミナル	01
U601	V6022800	CN. FBRLINK 1P GP1FA551TZ	540, 5650		光ファイバデータリンク	03
U602	V5478200	CN. PHOT. SN 1P GP1FA551RZ	540, 5650		光ファイバ受信器	06
U603	V5478200	CN. PHOT. SN 1P GP1FA551RZ	540, 5650		光ファイバ受信器	06
U604	V5478200	CN. PHOT. SN 1P GP1FA551RZ	540, 5650		光ファイバ受信器	06
XL601	V3625700	RSNR. CRYST 24.576MHz	540, 5650		水晶振動子	03
	WA704400	P. C. B. DSP	440, 5640	J	P C B D S P	
	WA704500	P. C. B. DSP	440, 5640	UCRTKABGL	P C B D S P	
CB602	VF982300	CN. BS. PIN 17P	440, 5640		F F Cコネクタ	01
CB603	VF982300	CN. BS. PIN 17P	440, 5640		F F Cコネクタ	01
C603	US135100	C. CE. CHP 0.1uF 16V	440, 5640		チップセラコン	01
C605	US061220	C. CE. M. CHP 22pF 50V	440, 5640		チップセラコン	01
C606	US135100	C. CE. CHP 0.1uF 16V	440, 5640		チップセラコン	01
C607	UR847220	C. EL 22uF 25V	440, 5640		ケミコン	01
C608	UR818100	C. EL 100uF 6.3V	440, 5640	J	ケミコン	01
C609	US135100	C. CE. CHP 0.1uF 16V	440, 5640	J	チップセラコン	01
C613	US061100	C. CE. M. CHP 10pF 50V	440, 5640		チップセラコン	01
C614	US135100	C. CE. CHP 0.1uF 16V	440, 5640	J	チップセラコン	01
C615	UR818100	C. EL 100uF 6.3V	440, 5640	J	ケミコン	01
C616	US062220	C. CE. CHP 220pF 50V	440, 5640		チップセラコン	01
C617	US063100	C. CE. M. CHP 1000pF 50V	440, 5640		チップセラコン	01
C619	UR818100	C. EL 100uF 6.3V	440, 5640	J	ケミコン	01
C620	UR818100	C. EL 100uF 6.3V	440, 5640	J	ケミコン	01
C622	US135100	C. CE. CHP 0.1uF 16V	440, 5640	J	チップセラコン	01
C623	US062100	C. CE. M. CHP 100pF 50V	440, 5640	J	チップセラコン	01
C624	US135100	C. CE. CHP 0.1uF 16V	440, 5640	J	チップセラコン	01
C625	UR819100	C. EL 1000uF 6.3V	440, 5640		ケミコン	01
C626	US135100	C. CE. CHP 0.1uF 16V	440, 5640		チップセラコン	01
C627	US135100	C. CE. CHP 0.1uF 16V	440, 5640		チップセラコン	01
C628	US135100	C. CE. CHP 0.1uF 16V	440, 5640		チップセラコン	01
C631	US135100	C. CE. CHP 0.1uF 16V	440, 5640		チップセラコン	01
C633	US135100	C. CE. CHP 0.1uF 16V	440, 5640		チップセラコン	01
C635	UR819100	C. EL 1000uF 6.3V	440, 5640		ケミコン	01
C636	UR818100	C. EL 100uF 6.3V	440, 5640	J	ケミコン	01
C637	UR819100	C. EL 1000uF 6.3V	440, 5640		ケミコン	01
C638	US135100	C. CE. CHP 0.1uF 16V	440, 5640	J	チップセラコン	01
C639	US135100	C. CE. CHP 0.1uF 16V	440, 5640		チップセラコン	01
C640	UR818100	C. EL 100uF 6.3V	440, 5640		ケミコン	01
C641	UR819100	C. EL 1000uF 6.3V	440, 5640		ケミコン	01
C642	US135100	C. CE. CHP 0.1uF 16V	440, 5640		チップセラコン	01
C643	US135100	C. CE. CHP 0.1uF 16V	440, 5640		チップセラコン	01
C644	US135100	C. CE. CHP 0.1uF 16V	440, 5640		チップセラコン	01
C645	US135100	C. CE. CHP 0.1uF 16V	440, 5640		チップセラコン	01

* New Parts * 新規部品(マーク#の部品は、基板に含まれません)

RX-V540/RX-V540RDS/HTR-5650/HTR-5650RDS/DSP-AX540
 RX-V440/RX-V440RDS/HTR-5640/HTR-5640RDS/DSP-AX440

RX-V440/RX-V440RDS/HTR-5640/HTR-5640RDS/DSP-AX440

P.C.B. DSP

Schm Ref.	PART NO.	Description	Remarks	Markets	部 品 名	Rank	
C646	UR818470	C. EL	470uF 6.3V	440, 5640		ケミコン	01
C647	UR818100	C. EL	100uF 6.3V	440, 5640		ケミコン	01
C648	US135100	C. CE. CHP	0.1uF 16V	440, 5640		チップセラコン	01
C649	US061180	C. CE. CHP	18pF 50V	440, 5640		チップセラコン	01
C650	US135100	C. CE. CHP	0.1uF 16V	440, 5640		チップセラコン	01
C651	US061180	C. CE. CHP	18pF 50V	440, 5640		チップセラコン	01
C653	US135100	C. CE. CHP	0.1uF 16V	440, 5640		チップセラコン	01
C654	UR818470	C. EL	470uF 6.3V	440, 5640		ケミコン	01
C655	US062470	C. CE. M. CHP	470pF 50V	440, 5640		チップセラコン	01
C656	US135100	C. CE. CHP	0.1uF 16V	440, 5640	J	チップセラコン	01
C657	UR818100	C. EL	100uF 6.3V	440, 5640	J	ケミコン	01
C658	US061470	C. CE. M. CHP	47pF 50V	440, 5640		チップセラコン	01
C659	US135100	C. CE. CHP	0.1uF 16V	440, 5640	J	チップセラコン	01
C660	US061470	C. CE. M. CHP	47pF 50V	440, 5640		チップセラコン	01
C661	US061470	C. CE. M. CHP	47pF 50V	440, 5640		チップセラコン	01
C662	US061470	C. CE. M. CHP	47pF 50V	440, 5640		チップセラコン	01
C663	US061470	C. CE. M. CHP	47pF 50V	440, 5640		チップセラコン	01
C664	US061470	C. CE. M. CHP	47pF 50V	440, 5640		チップセラコン	01
C665	US061470	C. CE. M. CHP	47pF 50V	440, 5640		チップセラコン	01
C666	UR818100	C. EL	100uF 6.3V	440, 5640		ケミコン	01
C667	US061470	C. CE. M. CHP	47pF 50V	440, 5640		チップセラコン	01
C668	US061470	C. CE. M. CHP	47pF 50V	440, 5640		チップセラコン	01
C669	US061470	C. CE. M. CHP	47pF 50V	440, 5640		チップセラコン	01
C670	US135100	C. CE. CHP	0.1uF 16V	440, 5640		チップセラコン	01
C672	US061470	C. CE. M. CHP	47pF 50V	440, 5640		チップセラコン	01
C673	US061470	C. CE. M. CHP	47pF 50V	440, 5640		チップセラコン	01
C674	US061470	C. CE. M. CHP	47pF 50V	440, 5640		チップセラコン	01
C675	US063470	C. CE. CHP	4700pF 50V	440, 5640		チップセラコン	01
C676	US135100	C. CE. CHP	0.1uF 16V	440, 5640	J	チップセラコン	01
C677	US135100	C. CE. CHP	0.1uF 16V	440, 5640	J	チップセラコン	01
C678	UR818100	C. EL	100uF 6.3V	440, 5640		ケミコン	01
C679	US135100	C. CE. CHP	0.1uF 16V	440, 5640		チップセラコン	01
C680	UR818100	C. EL	100uF 6.3V	440, 5640	J	ケミコン	01
C681	UR818100	C. EL	100uF 6.3V	440, 5640	J	ケミコン	01
C682	US135100	C. CE. CHP	0.1uF 16V	440, 5640		チップセラコン	01
C683	US063470	C. CE. CHP	4700pF 50V	440, 5640		チップセラコン	01
C684	UR818100	C. EL	100uF 6.3V	440, 5640		ケミコン	01
C685	US135100	C. CE. CHP	0.1uF 16V	440, 5640		チップセラコン	01
C686	US135100	C. CE. CHP	0.1uF 16V	440, 5640		チップセラコン	01
C687	US135100	C. CE. CHP	0.1uF 16V	440, 5640	UCRTKABGL	チップセラコン	01
C688	US135100	C. CE. CHP	0.1uF 16V	440, 5640		チップセラコン	01
C689	US135100	C. CE. CHP	0.1uF 16V	440, 5640		チップセラコン	01
C690	UR817470	C. EL	47uF 6.3V	440, 5640		ケミコン	01
C691	UR866220	C. EL	2.2uF 50V	440, 5640		ケミコン	01
C692	UR818100	C. EL	100uF 6.3V	440, 5640		ケミコン	01
C693	UR818100	C. EL	100uF 6.3V	440, 5640		ケミコン	01
C694	UR818100	C. EL	100uF 6.3V	440, 5640		ケミコン	01
C695	US135100	C. CE. CHP	0.1uF 16V	440, 5640		チップセラコン	01
C696	UR819100	C. EL	1000uF 6.3V	440, 5640		ケミコン	01
C697	US135100	C. CE. CHP	0.1uF 16V	440, 5640		チップセラコン	01
C698	US064100	C. CE. M. CHP	0.01uF 50V	440, 5640		チップセラコン	01
C699	US062470	C. CE. M. CHP	470pF 50V	440, 5640		チップセラコン	01
C700	US135100	C. CE. CHP	0.1uF 16V	440, 5640		チップセラコン	01

* New Parts * 新規部品(マーク#の部品は、基板に含まれません)

RX-V540/RX-V540RDS/HTR-5650/HTR-5650RDS/DSP-AX540
 RX-V440/RX-V440RDS/HTR-5640/HTR-5640RDS/DSP-AX440

RX-V440/RX-V440RDS/HTR-5640/HTR-5640RDS/DSP-AX440

P.C.B. DSP

Schm Ref.	PART NO.	Description	Remarks	Markets	部 品 名	Rank
C701	UR819100	C. EL 1000uF 6.3V	440,5640	UCRTKABGL	ケミコン	01
C702	US135100	C. CE. CHP 0.1uF 16V	440,5640	UCRTKABGL	チップセラコン	01
C703	UR818100	C. EL 100uF 6.3V	440,5640		ケミコン	01
C704	US135100	C. CE. CHP 0.1uF 16V	440,5640		チップセラコン	01
C705	US061470	C. CE. M. CHP 47pF 50V	440,5640		チップセラコン	01
C707	US061470	C. CE. M. CHP 47pF 50V	440,5640		チップセラコン	01
C708	US061470	C. CE. M. CHP 47pF 50V	440,5640		チップセラコン	01
C709	US061470	C. CE. M. CHP 47pF 50V	440,5640		チップセラコン	01
C710	US135100	C. CE. CHP 0.1uF 16V	440,5640		チップセラコン	01
C711	US135100	C. CE. CHP 0.1uF 16V	440,5640		チップセラコン	01
C712	US061470	C. CE. M. CHP 47pF 50V	440,5640		チップセラコン	01
C713	US061470	C. CE. M. CHP 47pF 50V	440,5640		チップセラコン	01
C715	US061470	C. CE. M. CHP 47pF 50V	440,5640		チップセラコン	01
C716	US061470	C. CE. M. CHP 47pF 50V	440,5640		チップセラコン	01
C717	US061470	C. CE. M. CHP 47pF 50V	440,5640		チップセラコン	01
C718	US135100	C. CE. CHP 0.1uF 16V	440,5640		チップセラコン	01
C719	US135100	C. CE. CHP 0.1uF 16V	440,5640		チップセラコン	01
C721	US135100	C. CE. CHP 0.1uF 16V	440,5640	UCRTKABGL	チップセラコン	01
C722	UU118100	C. EL 100uF 6.3V	440,5640		ケミコン	01
C723	US135100	C. CE. CHP 0.1uF 16V	440,5640		チップセラコン	01
C724	UU118100	C. EL 100uF 6.3V	440,5640		ケミコン	01
C725	US135100	C. CE. CHP 0.1uF 16V	440,5640		チップセラコン	01
C726	US135100	C. CE. CHP 0.1uF 16V	440,5640		チップセラコン	01
C727	UU118100	C. EL 100uF 6.3V	440,5640		ケミコン	01
C728	US135100	C. CE. CHP 0.1uF 16V	440,5640		チップセラコン	01
C729	UU118100	C. EL 100uF 6.3V	440,5640		ケミコン	01
C730	US135100	C. CE. CHP 0.1uF 16V	440,5640		チップセラコン	01
C739	UU137100	C. EL 10uF 16V	440,5640		ケミコン	01
C740	UR877100	C. EL 10uF 63V	440,5640		ケミコン	01
C741	UU137100	C. EL 10uF 16V	440,5640		ケミコン	01
C742	UR877100	C. EL 10uF 63V	440,5640		ケミコン	01
C743	UR877100	C. EL 10uF 63V	440,5640		ケミコン	01
C744	UR877100	C. EL 10uF 63V	440,5640		ケミコン	01
C745	UU137100	C. EL 10uF 16V	440,5640		ケミコン	01
C748	UR877100	C. EL 10uF 63V	440,5640		ケミコン	01
C749	UR877100	C. EL 10uF 63V	440,5640		ケミコン	01
C752	UA652680	C. MYLAR 680pF 50V	440,5640		マイラーコン	01
C753	UA652680	C. MYLAR 680pF 50V	440,5640		マイラーコン	01
C754	UA652680	C. MYLAR 680pF 50V	440,5640		マイラーコン	01
C755	UA652680	C. MYLAR 680pF 50V	440,5640		マイラーコン	01
C756	UA652470	C. MYLAR 470pF 50V	440,5640		マイラーコン	01
C757	UA652470	C. MYLAR 470pF 50V	440,5640		マイラーコン	01
C758	UA653390	C. MYLAR 3900pF 50V	440,5640		マイラーコン	01
C761	UR337100	C. EL 10uF 16V	440,5640		ケミコン A S F	03
C762	UR877100	C. EL 10uF 63V	440,5640		ケミコン	01
C763	UR877100	C. EL 10uF 63V	440,5640		ケミコン	01
C764	UR877100	C. EL 10uF 63V	440,5640		ケミコン	01
C765	UR337100	C. EL 10uF 16V	440,5640		ケミコン A S F	03
C766	UR337100	C. EL 10uF 16V	440,5640		ケミコン A S F	03
C767	UR877100	C. EL 10uF 63V	440,5640		ケミコン	01
C768	UR877100	C. EL 10uF 63V	440,5640		ケミコン	01
C769	UR877100	C. EL 10uF 63V	440,5640		ケミコン	01
C770	UR337470	C. EL 47uF 16V	440,5640	J	ケミコン A S F	03

* New Parts * 新規部品(マーク#の部品は、基板に含まれません)

RX-V540/RX-V540RDS/HTR-5650/HTR-5650RDS/DSP-AX540
 RX-V440/RX-V440RDS/HTR-5640/HTR-5640RDS/DSP-AX440

RX-V440/RX-V440RDS/HTR-5640/HTR-5640RDS/DSP-AX440

P.C.B. DSP

Schm Ref.	PART NO.	Description	Remarks	Markets	部 品 名	Rank
* C770	WB301700	C. EL 47uF 16V	440, 5640	UCRTKABGL	ケミコン	
C771	UR337470	C. EL 47uF 16V	440, 5640	J	ケミコン A S F	03
* C771	WB301700	C. EL 47uF 16V	440, 5640	UCRTKABGL	ケミコン	
C772	UR337470	C. EL 47uF 16V	440, 5640	J	ケミコン A S F	03
* C772	WB301700	C. EL 47uF 16V	440, 5640	UCRTKABGL	ケミコン	
C773	UR337470	C. EL 47uF 16V	440, 5640	J	ケミコン A S F	03
* C773	WB301700	C. EL 47uF 16V	440, 5640	UCRTKABGL	ケミコン	
C776	US061470	C. CE. M. CHP 47pF 50V	440, 5640		チップセラコン	01
C778	US135100	C. CE. CHP 0.1uF 16V	440, 5640		チップセラコン	01
C779	US135100	C. CE. CHP 0.1uF 16V	440, 5640		チップセラコン	01
C780	US135100	C. CE. CHP 0.1uF 16V	440, 5640		チップセラコン	01
C781	US135100	C. CE. CHP 0.1uF 16V	440, 5640		チップセラコン	01
C790	US135100	C. CE. CHP 0.1uF 16V	440, 5640		チップセラコン	01
C791	US135100	C. CE. CHP 0.1uF 16V	440, 5640		チップセラコン	01
C792	US135100	C. CE. CHP 0.1uF 16V	440, 5640		チップセラコン	01
C793	UA654470	C. MYLAR 0.047uF 50V	440, 5640		マイラーコン	01
C794	US135100	C. CE. CHP 0.1uF 16V	440, 5640		チップセラコン	01
C795	US135100	C. CE. CHP 0.1uF 16V	440, 5640		チップセラコン	01
C796	US135100	C. CE. CHP 0.1uF 16V	440, 5640		チップセラコン	01
D601	VT332900	DIODE 1SS355	440, 5640		ダイオード	01
D602	VT332900	DIODE 1SS355	440, 5640		ダイオード	01
D605	VT332900	DIODE 1SS355	440, 5640		ダイオード	01
D606	VT332900	DIODE 1SS355	440, 5640		ダイオード	01
D607	VT332900	DIODE 1SS355	440, 5640		ダイオード	01
D608	VT332900	DIODE 1SS355	440, 5640		ダイオード	01
D609	WV220700	DIODE. SHOT RB501V-40	440, 5640		ショットキーダイオード	01
D610	WV220700	DIODE. SHOT RB501V-40	440, 5640		ショットキーダイオード	01
D611	WV220700	DIODE. SHOT RB501V-40	440, 5640		ショットキーダイオード	01
D612	WV220700	DIODE. SHOT RB501V-40	440, 5640		ショットキーダイオード	01
IC601	X0238B00	IC YSS938	440, 5640		IC	13
IC602	XV077B00	IC MSM514260E-60JS	440, 5640		メモリ IC 4M	07
IC603	XZ003A00	IC P0025EZ5M2P 2.5V	440, 5640		電源 IC QFP	03
IC604	XU965A00	IC uPC29M33T-E1 3.3V	440, 5640		電源 IC	03
* IC605	X3820A00	IC AK4529VQ	440, 5640		IC	
IC607	X3473A00	IC CS493292-CLR	440, 5640	J	IC	15
* IC607	X3939A00	IC CS493264-CL	440, 5640	UCRTKABGL	IC	
* IC608	X4075A00	IC XC9572XL-10Q100C	440, 5640	J	IC	07
IC609	X4318A00	IC CY62256LL-70SNCT	440, 5640	J	メモリ IC 256K	05
* IC610	X3938A00	IC MX23C4000TC-10	440, 5640	J	メモリ IC 4M	05
* IC613	XY070A00	IC MM74HCU04SJX INVER	440, 5640		ロジック IC SOP	01
IC614	XZ012A00	IC TC74HCT08AF (EL)	440, 5640	UCRTKABGL	ロジック IC SOP	01
* IC615	X4074A00	IC 74LCX07SJX BUFFER	440, 5640	UCRTKABGL	ロジック IC	
IC617	XF291A00	IC uPC4570G2	440, 5640		IC	03
IC618	XF291A00	IC uPC4570G2	440, 5640		IC	03
IC619	X3505A00	IC NJM2068MD-TE2	440, 5640		アンプ IC SOP	02
IC620	XF291A00	IC uPC4570G2	440, 5640		IC	03
IC621	X3505A00	IC NJM2068MD-TE2	440, 5640		アンプ IC SOP	02
IC623	XR042A00	IC TC74HC153AF	440, 5640	UCRTKABGL	IC	02
L603	V2726500	COIL 68uH	440, 5640		コイル	01
PJ601	V4483900	JACK. PIN YKC21-3895	440, 5640		ピンジャック 1P	
Q601	VC124000	TR. DGT DTA144EK	440, 5640		デジタルトランジスタ	03
Q602	VD303700	TR 2SC3326 A, B	440, 5640		トランジスタ	01
Q603	VD303700	TR 2SC3326 A, B	440, 5640		トランジスタ	01

* New Parts * 新規部品(マーク#の部品は、基板に含まれません)

RX-V540/RX-V540RDS/HTR-5650/HTR-5650RDS/DSP-AX540
 RX-V440/RX-V440RDS/HTR-5640/HTR-5640RDS/DSP-AX440

RX-V440/RX-V440RDS/HTR-5640/HTR-5640RDS/DSP-AX440

P.C.B. DSP & P.C.B. FUNCTION

Schm Ref.	PART NO.	Description	Remarks	Markets	部品名	Rank		
Q604	VD303700	TR	2SC3326 A,B	440,5640		トランジスタ	01	
R612	HV753220	R. CAR. FP	2.2Ω 1/4W	440,5640		不燃化カーボン抵抗	01	
R664	HV753220	R. CAR. FP	2.2Ω 1/4W	440,5640		不燃化カーボン抵抗	01	
R690	HV753220	R. CAR. FP	2.2Ω 1/4W	440,5640		不燃化カーボン抵抗	01	
R700	VP939500	R. MTL. FLM	1Ω 1W	440,5640		金属被膜抵抗	01	
R701	VP939500	R. MTL. FLM	1Ω 1W	440,5640		金属被膜抵抗	01	
R703	VU224000	R. MTL. FLM	0.22Ω 1W	440,5640		金属被膜抵抗	01	
R730	VP939600	R. MTL. FLM	2.2Ω 1W	440,5640		金属被膜抵抗	01	
R738	VP939600	R. MTL. FLM	2.2Ω 1W	440,5640		金属被膜抵抗	01	
ST1	V4040500	SCR. TERM	M3	440,5640		スクリュー/ターミナル	01	
U603	V5478200	CN. PHOT. SN	1P GP1FA551RZ	440,5640		光ファイバ受信器	06	
XL601	V3625700	RSNR. CRYST	24.576MHz	440,5640		水晶振動子	03	
*	WA707000	P. C. B.	FUNCTION	540,5650	J	P C B ファンクション		
*	WA707100	P. C. B.	FUNCTION	540,5650	UC	P C B ファンクション		
*	WA707200	P. C. B.	FUNCTION	540,5650	RK	P C B ファンクション		
*	WB225700	P. C. B.	FUNCTION	540,5650	T	P C B ファンクション		
*	WA707300	P. C. B.	FUNCTION	540,5650	AL	P C B ファンクション		
*	WA707400	P. C. B.	FUNCTION	540,5650	BG	P C B ファンクション		
*	CB301	V7826300	CN	13P TE TUC SERIES	540,5650	JUCRKABGL	コネクタープラグ	
*	CB301	VQ963400	CN	13P TE	540,5650	T	ウエハー	
*	CB302	V7828500	SOCKET	18P TE TUC SERIES	540,5650	JUCRKABGL	コネクタースocket	
*	CB302	VQ962100	CN	18P SE	540,5650	T	ハウジング	
	CB304	VM973500	CN. BS. PIN	17P	540,5650		F F Cコネクタ	01
	CB305	VQ044200	CN. BS. PIN	6P	540,5650		F F Cコネクタ	01
	CB306	VB858500	CN. BS. PIN	6P	540,5650		ベースピン	01
	CB307	VF982300	CN. BS. PIN	17P	540,5650		F F Cコネクタ	01
*	CB501	V7828000	SOCKET	13P SE TUC SERIES	540,5650	JUCRKABGL	コネクタースocket	
*	CB501	VQ961600	CN	13P SE	540,5650	T	ハウジング	
*	CB502	V7826300	CN	13P TE TUC SERIES	540,5650	JUCRKABGL	コネクタープラグ	
*	CB502	VQ963400	CN	13P TE	540,5650	T	ウエハー	
*	CB503	V7828000	SOCKET	13P SE TUC SERIES	540,5650	JUCRKABGL	コネクタースocket	
*	CB503	VQ961600	CN	13P SE	540,5650	T	ウエハー	
	CB601	VM929900	CN. BS. PIN	15P	540,5650		F P Cコネクタ	01
	CB602	Vi879000	CN. BS. PIN	12P	540,5650		ケーブルホルダ	01
	CB603	Vi878800	CN. BS. PIN	10P	540,5650		ケーブルホルダ	01
	CB605	VM973500	CN. BS. PIN	17P	540,5650		F F Cコネクタ	01
	CB606	VM973500	CN. BS. PIN	17P	540,5650		F F Cコネクタ	01
*	CB607	V7825500	CN	5P TE TUC SERIES	540,5650	UCRKABGL	コネクタープラグ	01
*	CB607	VQ962600	CN	5P TE	540,5650	T	ウエハー	
*	CB609	V7825900	CN	9P TE TUC SERIES	540,5650	JUCRKABGL	コネクタープラグ	
*	CB609	VQ963000	CN	9P TE	540,5650	T	ウエハー	
*	CB610	V7825900	CN	9P TE TUC SERIES	540,5650	JUCRKABGL	コネクタープラグ	
*	CB610	VQ963000	CN	9P TE	540,5650	T	ウエハー	
*	CB611	V7826800	CN	18P TE TUC SERIES	540,5650	JUCRKABGL	コネクタープラグ	
*	CB611	VQ963900	CN	18P TE	540,5650	T	ウエハー	
	CB613	VQ044400	CN. BS. PIN	9P	540,5650		F F Cコネクタ	01
*	CB701	V7827600	SOCKET	9P SE TUC SERIES	540,5650	JUCRKABGL	コネクタースocket	
*	CB701	VQ961200	CN	9P SE	540,5650	T	ハウジング	
*	CB801	V7827600	SOCKET	9P SE TUC SERIES	540,5650	JUCRKABGL	コネクタースocket	
*	CB801	VQ961200	CN	9P SE	540,5650	T	ハウジング	

* New Parts * 新規部品(マーク#の部品は、基板に含まれません)

RX-V540/RX-V540RDS/HTR-5650/HTR-5650RDS/DSP-AX540
 RX-V440/RX-V440RDS/HTR-5640/HTR-5640RDS/DSP-AX440

RX-V540/RX-V540RDS/HTR-5650/HTR-5650RDS/DSP-AX540

P.C.B. FUNCTION

Schm Ref.	PART NO.	Description	Remarks	Markets	部品名	Rank	
* CB821	V7827200	SOCKET	5P TE TUC SERIES	540, 5650	UCRKABGL	コネクタソケット	
CB821	VQ960800	CN	5P SE	540, 5650	T	ハウジング	
CB822	LB919020	CN. BS. PIN	2P	540, 5650		ベース付ポスト	01
C301	UA652100	C. MYLAR	100pF 50V	540, 5650		マイラーコン	01
C302	UA652100	C. MYLAR	100pF 50V	540, 5650		マイラーコン	01
C303	UA652100	C. MYLAR	100pF 50V	540, 5650		マイラーコン	01
C304	UA652100	C. MYLAR	100pF 50V	540, 5650		マイラーコン	01
C305	FG651470	C. CE	47pF 50V	540, 5650		セラコン	01
C306	FG651470	C. CE	47pF 50V	540, 5650		セラコン	01
C307	UR877100	C. EL	10uF 63V	540, 5650		ケミコン	01
C308	UR877100	C. EL	10uF 63V	540, 5650		ケミコン	01
C309	US064100	C. CE. M. CHP	0.01uF 50V	540, 5650		チップセラコン	01
C310	US062220	C. CE. CHP	220pF 50V	540, 5650		チップセラコン	01
C311	US062220	C. CE. CHP	220pF 50V	540, 5650		チップセラコン	01
C312	US062220	C. CE. CHP	220pF 50V	540, 5650		チップセラコン	01
C313	US062220	C. CE. CHP	220pF 50V	540, 5650		チップセラコン	01
C314	US062220	C. CE. CHP	220pF 50V	540, 5650		チップセラコン	01
C315	US062220	C. CE. CHP	220pF 50V	540, 5650		チップセラコン	01
C316	US135100	C. CE. CHP	0.1uF 16V	540, 5650		チップセラコン	01
C317	UU137100	C. EL	10uF 16V	540, 5650		ケミコン	01
C318	UU137100	C. EL	10uF 16V	540, 5650		ケミコン	01
C319	US135100	C. CE. CHP	0.1uF 16V	540, 5650		チップセラコン	01
C320	UU137100	C. EL	10uF 16V	540, 5650		ケミコン	01
C321	UR877100	C. EL	10uF 63V	540, 5650		ケミコン	01
C322	UU137100	C. EL	10uF 16V	540, 5650		ケミコン	01
C323	UR877100	C. EL	10uF 63V	540, 5650		ケミコン	01
C324	UA653470	C. MYLAR	4700pF 50V	540, 5650		マイラーコン	01
C325	UA653470	C. MYLAR	4700pF 50V	540, 5650		マイラーコン	01
C326	UR877100	C. EL	10uF 63V	540, 5650		ケミコン	01
C327	VE326300	C. MYLAR. ML	0.18uF 50V	540, 5650		積層マイラーコン	01
C328	UA655150	C. MYLAR	0.15uF 50V	540, 5650		マイラーコン	01
C329	UU137100	C. EL	10uF 16V	540, 5650		ケミコン	01
C330	VE326300	C. MYLAR. ML	0.18uF 50V	540, 5650		積層マイラーコン	01
C331	UA655150	C. MYLAR	0.15uF 50V	540, 5650		マイラーコン	01
C332	US135100	C. CE. CHP	0.1uF 16V	540, 5650		チップセラコン	01
C333	US135100	C. CE. CHP	0.1uF 16V	540, 5650		チップセラコン	01
C334	UR877100	C. EL	10uF 63V	540, 5650		ケミコン	01
C335	US135100	C. CE. CHP	0.1uF 16V	540, 5650		チップセラコン	01
C336	US135100	C. CE. CHP	0.1uF 16V	540, 5650		チップセラコン	01
C337	VG291200	C. EL	47uF 50V	540, 5650		ケミコン	01
C338	VG291200	C. EL	47uF 50V	540, 5650		ケミコン	01
C339	VG291200	C. EL	47uF 50V	540, 5650		ケミコン	01
C340	VG291200	C. EL	47uF 50V	540, 5650		ケミコン	01
C341	VG291200	C. EL	47uF 50V	540, 5650		ケミコン	01
C342	VG291200	C. EL	47uF 50V	540, 5650		ケミコン	01
C343	UU137100	C. EL	10uF 16V	540, 5650		ケミコン	01
C344	UU137100	C. EL	10uF 16V	540, 5650		ケミコン	01
C345	UT652100	C. PP	100pF 100V	540, 5650		PPコン	01
C346	UT652100	C. PP	100pF 100V	540, 5650		PPコン	01
C347	UR337100	C. EL	10uF 16V	540, 5650		ケミコン A S F	03
C348	UR337100	C. EL	10uF 16V	540, 5650		ケミコン A S F	03
C349	UA654270	C. MYLAR	0.027uF 50V	540, 5650		マイラーコン	01
C350	UA654270	C. MYLAR	0.027uF 50V	540, 5650		マイラーコン	01

* New Parts * 新規部品(マーク#の部品は、基板に含まれません)

RX-V540/RX-V540RDS/HTR-5650/HTR-5650RDS/DSP-AX540
 RX-V440/RX-V440RDS/HTR-5640/HTR-5640RDS/DSP-AX440

RX-V540/RX-V540RDS/HTR-5650/HTR-5650RDS/DSP-AX540

P.C.B. FUNCTION

Schm Ref.	PART NO.	Description	Remarks	Markets	部 品 名	Rank
C351	UU137100	C. EL	10uF 16V	540, 5650	ケミコン	01
C352	UU137100	C. EL	10uF 16V	540, 5650	ケミコン	01
C353	UA654270	C. MYLAR	0.027uF 50V	540, 5650	マイラーコン	01
C354	UA654270	C. MYLAR	0.027uF 50V	540, 5650	マイラーコン	01
C355	UR877100	C. EL	10uF 63V	540, 5650	ケミコン	01
C356	UR877100	C. EL	10uF 63V	540, 5650	ケミコン	01
C357	VG291300	C. EL	100uF 50V	540, 5650	ケミコン	01
C358	UR877100	C. EL	10uF 63V	540, 5650	ケミコン	01
C359	UR877100	C. EL	10uF 63V	540, 5650	ケミコン	01
C360	UA652100	C. MYLAR	100pF 50V	540, 5650	マイラーコン	01
C361	UA652100	C. MYLAR	100pF 50V	540, 5650	マイラーコン	01
C362	UR877100	C. EL	10uF 63V	540, 5650	ケミコン	01
C363	UR877100	C. EL	10uF 63V	540, 5650	ケミコン	01
C364	VG291300	C. EL	100uF 50V	540, 5650	ケミコン	01
C365	UR877220	C. EL	22uF 63V	540, 5650	ケミコン	01
C366	UR867330	C. EL	33uF 50V	540, 5650	ケミコン	01
C367	UA652100	C. MYLAR	100pF 50V	540, 5650	マイラーコン	01
C368	UR838100	C. EL	100uF 16V	540, 5650	ケミコン	01
C369	UR838100	C. EL	100uF 16V	540, 5650	ケミコン	01
C372	VG291200	C. EL	47uF 50V	540, 5650	ケミコン	01
C373	VG291200	C. EL	47uF 50V	540, 5650	ケミコン	01
C374	US135100	C. CE. CHP	0.1uF 16V	540, 5650	チップセラコン	01
C375	US135100	C. CE. CHP	0.1uF 16V	540, 5650	チップセラコン	01
C376	US135100	C. CE. CHP	0.1uF 16V	540, 5650	チップセラコン	01
C377	US135100	C. CE. CHP	0.1uF 16V	540, 5650	チップセラコン	01
C378	UR866220	C. EL	2.2uF 50V	540, 5650	ケミコン	01
C379	UA652100	C. MYLAR	100pF 50V	540, 5650	マイラーコン	01
C380	UR877100	C. EL	10uF 63V	540, 5650	ケミコン	01
C502	UA652100	C. MYLAR	100pF 50V	540, 5650	マイラーコン	01
C503	UA652100	C. MYLAR	100pF 50V	540, 5650	マイラーコン	01
C504	UA652100	C. MYLAR	100pF 50V	540, 5650	マイラーコン	01
C505	UA652100	C. MYLAR	100pF 50V	540, 5650	マイラーコン	01
C506	UA652100	C. MYLAR	100pF 50V	540, 5650	マイラーコン	01
C507	UA652100	C. MYLAR	100pF 50V	540, 5650	マイラーコン	01
C508	FG651470	C. CE	47pF 50V	540, 5650	セラコン	01
C509	FG651470	C. CE	47pF 50V	540, 5650	セラコン	01
C510	UR877100	C. EL	10uF 63V	540, 5650	ケミコン	01
C511	UR877100	C. EL	10uF 63V	540, 5650	ケミコン	01
C512	UA654100	C. MYLAR	0.01uF 50V	540, 5650	マイラーコン	01
C513	US064100	C. CE. M. CHP	0.01uF 50V	540, 5650	チップセラコン	01
C601	US135100	C. CE. CHP	0.1uF 16V	540, 5650	チップセラコン	01
C602	UR847470	C. EL	47uF 25V	540, 5650	ケミコン	01
C603	UR877100	C. EL	10uF 63V	540, 5650	ケミコン	01
C604	UR865100	C. EL	0.1uF 50V	540, 5650	ケミコン	01
C605	UR865220	C. EL	0.22uF 50V	540, 5650	ケミコン	01
C606	UR865100	C. EL	0.1uF 50V	540, 5650	ケミコン	01
* C607	WB165500	C. EL	0.33F 5.5V	540, 5650	ゴールドキャパシタ	
C608	UR818220	C. EL	220uF 6.3V	540, 5650	ケミコン	01
C609	UR819100	C. EL	1000uF 6.3V	540, 5650	ケミコン	01
C610	UR819100	C. EL	1000uF 6.3V	540, 5650	ケミコン	01
C611	US135100	C. CE. CHP	0.1uF 16V	540, 5650	チップセラコン	01
C612	US135100	C. CE. CHP	0.1uF 16V	540, 5650	チップセラコン	01
C613	US135100	C. CE. CHP	0.1uF 16V	540, 5650	チップセラコン	01

* New Parts * 新規部品(マーク#の部品は、基板に含まれません)

RX-V540/RX-V540RDS/HTR-5650/HTR-5650RDS/DSP-AX540
 RX-V440/RX-V440RDS/HTR-5640/HTR-5640RDS/DSP-AX440

RX-V540/RX-V540RDS/HTR-5650/HTR-5650RDS/DSP-AX540

P.C.B. FUNCTION

Schm Ref.	PART NO.	Description	Remarks	Markets	部 品 名	Rank	
C614	US135100	C. CE. CHP	0.1uF 16V	540, 5650		チップセラコン	01
C615	US062100	C. CE. M. CHP	100pF 50V	540, 5650		チップセラコン	01
C618	UR866220	C. EL	2.2uF 50V	540, 5650		ケミコン	01
C620	UR866220	C. EL	2.2uF 50V	540, 5650		ケミコン	01
C621	UR866220	C. EL	2.2uF 50V	540, 5650		ケミコン	01
C622	US064100	C. CE. M. CHP	0.01uF 50V	540, 5650		チップセラコン	01
C623	US062100	C. CE. M. CHP	100pF 50V	540, 5650		チップセラコン	01
C624	US063100	C. CE. M. CHP	1000pF 50V	540, 5650		チップセラコン	01
C625	US062100	C. CE. M. CHP	100pF 50V	540, 5650		チップセラコン	01
C626	US062100	C. CE. M. CHP	100pF 50V	540, 5650		チップセラコン	01
C627	US062100	C. CE. M. CHP	100pF 50V	540, 5650		チップセラコン	01
C628	UR847470	C. EL	47uF 25V	540, 5650		ケミコン	01
C629	UR866220	C. EL	2.2uF 50V	540, 5650		ケミコン	01
C630	UR877100	C. EL	10uF 63V	540, 5650		ケミコン	01
C631	US135100	C. CE. CHP	0.1uF 16V	540, 5650	BG	チップセラコン	01
C632	US062330	C. CE. M. CHP	330pF 50V	540, 5650	BG	チップセラコン	01
C633	US062330	C. CE. M. CHP	330pF 50V	540, 5650	BG	チップセラコン	01
C634	UR847470	C. EL	47uF 25V	540, 5650	BG	ケミコン	01
C635	UR847470	C. EL	47uF 25V	540, 5650	BG	ケミコン	01
C636	US062560	C. CE. CHP	560pF 50V	540, 5650	BG	チップセラ (S L	01
C637	VA761100	C. CE	27pF 50V	540, 5650	BG	セラコン	01
C638	US135100	C. CE. CHP	0.1uF 16V	540, 5650	BG	チップセラコン	01
C639	VA761100	C. CE	27pF 50V	540, 5650	BG	セラコン	01
C640	UR847470	C. EL	47uF 25V	540, 5650	BG	ケミコン	01
C701	US062100	C. CE. M. CHP	100pF 50V	540, 5650		チップセラコン	01
C702	US062100	C. CE. M. CHP	100pF 50V	540, 5650		チップセラコン	01
C703	UR877100	C. EL	10uF 63V	540, 5650		ケミコン	01
C704	UR877100	C. EL	10uF 63V	540, 5650		ケミコン	01
C705	UR877100	C. EL	10uF 63V	540, 5650		ケミコン	01
C706	US062100	C. CE. M. CHP	100pF 50V	540, 5650		チップセラコン	01
C707	US062100	C. CE. M. CHP	100pF 50V	540, 5650		チップセラコン	01
C708	UR877100	C. EL	10uF 63V	540, 5650		ケミコン	01
C709	UR877100	C. EL	10uF 63V	540, 5650		ケミコン	01
C710	UR877100	C. EL	10uF 63V	540, 5650		ケミコン	01
C711	US135100	C. CE. CHP	0.1uF 16V	540, 5650		チップセラコン	01
C712	UR829100	C. EL	1000uF 10V	540, 5650		ケミコン	01
C713	US135100	C. CE. CHP	0.1uF 16V	540, 5650		チップセラコン	01
C714	UR829100	C. EL	1000uF 10V	540, 5650		ケミコン	01
C715	US135100	C. CE. CHP	0.1uF 16V	540, 5650		チップセラコン	01
C716	US135100	C. CE. CHP	0.1uF 16V	540, 5650		チップセラコン	01
C717	US063100	C. CE. M. CHP	1000pF 50V	540, 5650		チップセラコン	01
C718	US063100	C. CE. M. CHP	1000pF 50V	540, 5650		チップセラコン	01
C719	UR877100	C. EL	10uF 63V	540, 5650		ケミコン	01
C731	UR877100	C. EL	10uF 63V	540, 5650		ケミコン	01
C732	UR828100	C. EL	100uF 10V	540, 5650		ケミコン	01
C733	UR828100	C. EL	100uF 10V	540, 5650		ケミコン	01
C734	US135100	C. CE. CHP	0.1uF 16V	540, 5650		チップセラコン	01
C735	US135100	C. CE. CHP	0.1uF 16V	540, 5650		チップセラコン	01
C736	UA653220	C. MYLAR	2200pF 50V	540, 5650		マイラーコン	01
C737	UR866470	C. EL	4.7uF 50V	540, 5650		ケミコン	01
C738	UR828100	C. EL	100uF 10V	540, 5650		ケミコン	01
C739	UR828100	C. EL	100uF 10V	540, 5650		ケミコン	01
C741	UR828100	C. EL	100uF 10V	540, 5650		ケミコン	01

* New Parts * 新規部品(マーク#の部品は、基板に含まれません)

RX-V540/RX-V540RDS/HTR-5650/HTR-5650RDS/DSP-AX540
 RX-V440/RX-V440RDS/HTR-5640/HTR-5640RDS/DSP-AX440

RX-V540/RX-V540RDS/HTR-5650/HTR-5650RDS/DSP-AX540

P.C.B. FUNCTION

Schm Ref.	PART NO.	Description	Remarks	Markets	部 品 名	Rank	
C742	US064100	C. CE. M. CHP	0.01uF 50V	540, 5650		チップセラコン	01
C743	UR847470	C. EL	47uF 25V	540, 5650		ケミコン	01
C744	US062120	C. CE. CHP	120pF 50V	540, 5650		チップセラコン	01
C745	US062220	C. CE. CHP	220pF 50V	540, 5650		チップセラコン	01
C746	UR877100	C. EL	10uF 63V	540, 5650		ケミコン	01
C747	US135100	C. CE. CHP	0.1uF 16V	540, 5650		チップセラコン	01
C748	UR877100	C. EL	10uF 63V	540, 5650		ケミコン	01
C801	US062100	C. CE. M. CHP	100pF 50V	540, 5650		チップセラコン	01
C802	US062100	C. CE. M. CHP	100pF 50V	540, 5650		チップセラコン	01
C803	UR877100	C. EL	10uF 63V	540, 5650		ケミコン	01
C804	UR877100	C. EL	10uF 63V	540, 5650		ケミコン	01
C805	UR877100	C. EL	10uF 63V	540, 5650		ケミコン	01
C806	UR829100	C. EL	1000uF 10V	540, 5650		ケミコン	01
C807	UR829100	C. EL	1000uF 10V	540, 5650		ケミコン	01
C808	US063100	C. CE. M. CHP	1000pF 50V	540, 5650		チップセラコン	01
C809	UR877100	C. EL	10uF 63V	540, 5650		ケミコン	01
C810	UR877100	C. EL	10uF 63V	540, 5650		ケミコン	01
C821	US062100	C. CE. M. CHP	100pF 50V	540, 5650	UCRTKABGL	チップセラコン	01
C822	US062100	C. CE. M. CHP	100pF 50V	540, 5650	UCRTKABGL	チップセラコン	01
C823	US062100	C. CE. M. CHP	100pF 50V	540, 5650	UCRTKABGL	チップセラコン	01
C824	US135100	C. CE. CHP	0.1uF 16V	540, 5650	UCRTKABGL	チップセラコン	01
C825	US135100	C. CE. CHP	0.1uF 16V	540, 5650	UCRTKABGL	チップセラコン	01
C826	UR828100	C. EL	100uF 10V	540, 5650	UCRTKABGL	ケミコン	01
C827	UR828100	C. EL	100uF 10V	540, 5650	UCRTKABGL	ケミコン	01
C828	UR877100	C. EL	10uF 63V	540, 5650		ケミコン	01
C829	UR847470	C. EL	47uF 25V	540, 5650		ケミコン	01
C830	US064100	C. CE. M. CHP	0.01uF 50V	540, 5650		チップセラコン	01
C831	US062100	C. CE. M. CHP	100pF 50V	540, 5650		チップセラコン	01
C832	US135100	C. CE. CHP	0.1uF 16V	540, 5650		チップセラコン	01
C833	US135100	C. CE. CHP	0.1uF 16V	540, 5650		チップセラコン	01
C834	UR858100	C. EL	100uF 35V	540, 5650		ケミコン	01
C840	UR877100	C. EL	10uF 63V	540, 5650		ケミコン	01
C841	UR877100	C. EL	10uF 63V	540, 5650		ケミコン	01
C842	UR877100	C. EL	10uF 63V	540, 5650		ケミコン	01
D301	VU994300	DIODE. ZENR	MA8075-H 7.7V	540, 5650		ツェナーダイオード	
D302	VU994300	DIODE. ZENR	MA8075-H 7.7V	540, 5650		ツェナーダイオード	
D303	VU172000	DIODE. ZENR	UDZS5.6BTE-17 5.6V	540, 5650		ツェナーダイオード	01
D304	VU172000	DIODE. ZENR	UDZS5.6BTE-17 5.6V	540, 5650		ツェナーダイオード	01
D601	VT332900	DIODE	1SS355	540, 5650		ダイオード	01
D602	VT332900	DIODE	1SS355	540, 5650		ダイオード	01
D603	VT332900	DIODE	1SS355	540, 5650		ダイオード	01
D604	VU172100	DIODE. ZENR	UDZS6.2B 6.2V	540, 5650	RTK	ツェナーダイオード	01
D604	VU172200	DIODE. ZENR	UDZ6.8B 6.8V	540, 5650	JUCABGL	ツェナーダイオード	01
D605	VT332900	DIODE	1SS355	540, 5650		ダイオード	01
D606	VT332900	DIODE	1SS355	540, 5650		ダイオード	01
D607	VT332900	DIODE	1SS355	540, 5650		ダイオード	01
D608	VT332900	DIODE	1SS355	540, 5650		ダイオード	01
D609	VU171900	DIODE. ZENR	UDZ5.1B 5.1V	540, 5650		ツェナーダイオード	01
D610	VU171900	DIODE. ZENR	UDZ5.1B 5.1V	540, 5650		ツェナーダイオード	01
D611	VU171900	DIODE. ZENR	UDZ5.1B 5.1V	540, 5650		ツェナーダイオード	01
D612	VU172000	DIODE. ZENR	UDZS5.6BTE-17 5.6V	540, 5650		ツェナーダイオード	01
D731	VT332900	DIODE	1SS355	540, 5650		ダイオード	01
D732	VT332900	DIODE	1SS355	540, 5650		ダイオード	01

* New Parts * 新規部品(マーク#の部品は、基板に含まれません)

RX-V540/RX-V540RDS/HTR-5650/HTR-5650RDS/DSP-AX540
 RX-V440/RX-V440RDS/HTR-5640/HTR-5640RDS/DSP-AX440

RX-V540/RX-V540RDS/HTR-5650/HTR-5650RDS/DSP-AX540

P.C.B. FUNCTION

Schm Ref.	PART NO.	Description	Remarks	Markets	部品名	Rank
D733	VT332900	DIODE	1SS355	540,5650		ダイオード 01
D734	VT332900	DIODE	1SS355	540,5650		ダイオード 01
* IC301	X3547A00	IC	BD3841FS	540,5650		IC
* IC302	X3546A00	IC	BD3815KS	540,5650		IC
* IC303	X3545A00	IC	BD3812F-E2	540,5650		IC
IC305	XY879A00	IC	TC74HC4053AF(EL)	540,5650		ロジックIC SOP 03
IC306	XY879A00	IC	TC74HC4053AF(EL)	540,5650		ロジックIC SOP 03
IC307	X3505A00	IC	NJM2068MD-TE2	540,5650		アンプIC SOP 02
IC308	XF291A00	IC	uPC4570G2	540,5650		IC 03
IC309	XF291A00	IC	uPC4570G2	540,5650		IC 03
* IC601	X3605A00	IC. CPU	M3062VMGP	540,5650		IC
IC602	XJ757A00	IC	NJM78L05A-T3	540,5650		IC 01
IC603	XY534A00	IC	LC72722	540,5650	BG	RDSデコーダIC 06
IC701	XH436A00	IC	LA7956	540,5650		IC 03
IC702	XH436A00	IC	LA7956	540,5650		IC 03
IC731	XY879A00	IC	TC74HC4053AF(EL)	540,5650	JUCABGL	ロジックIC SOP 03
IC732	XW939A00	IC	TK15420M VIDEO AMP	540,5650	JUCABGL	アンプIC SOP 03
IC733	XD598A00	IC	TC74HCU04AFEL INV	540,5650		ロジックIC 01
IC734	XY879A00	IC	TC74HC4053AF(EL)	540,5650		ロジックIC SOP 03
IC735	XW939A00	IC	TK15420M VIDEO AMP	540,5650		アンプIC SOP 03
IC801	XH436A00	IC	LA7956	540,5650		IC 03
IC821	XZ177A00	IC	LA7104M VIDEO AMP	540,5650	UCRTKABGL	アンプIC SOP 04
IC821	X2904A00	IC	NJM2581M	540,5650	UCRTKABGL	IC
IC822	XY879A00	IC	TC74HC4053AF(EL)	540,5650	UCRTKABGL	ロジックIC SOP 03
JK701	VS867300	CN	4P YKF51-5501	540,5650		ミニDINコネクタ 03
JK702	V9273500	CN. DIN	2P YKF51-5605	540,5650		DINコネクタ2P
JK703	V9273500	CN. DIN	2P YKF51-5605	540,5650		DINコネクタ2P
L601	VU889500	COIL	220uH	540,5650	BG	円筒形固定コイル 01
PJ301	V7046800	JACK. PIN	MSP-246V1-01NI	540,5650		ピンジャック 6P
PJ302	V7190400	JACK. PIN	6P	540,5650		ピンジャック 6P
PJ501	V7046700	JACK. PIN	MSP-244V1-01NI	540,5650		ピンジャック 4P
PJ502	V7046700	JACK. PIN	MSP-244V1-01NI	540,5650		ピンジャック 4P
PJ503	V7189700	JACK. PIN	1P	540,5650		ピンジャック 1P 01
PJ801	V7190000	JACK. PIN	2P	540,5650		ピンジャック 2P
PJ802	V7190000	JACK. PIN	2P	540,5650		ピンジャック 2P
PJ803	V7189800	JACK. PIN	1P	540,5650		ピンジャック 1P
PJ821	V8143900	JACK. PIN	SHIELD YKC21-4348	540,5650	UCRTKABGL	ピンジャック 9P 04
PN601	V9637500	PIN	L=70 #18	540,5650		スタイルピン
PN602	V9637500	PIN	L=70 #18	540,5650		スタイルピン
Q301	iC181510	TR	2SC1815 Y	540,5650		トランジスタ 01
Q302	iA101510	TR	2SA1015 Y	540,5650		トランジスタ 01
Q501	VD303700	TR	2SC3326 A, B	540,5650		トランジスタ 01
Q502	VD303700	TR	2SC3326 A, B	540,5650		トランジスタ 01
Q503	VD303700	TR	2SC3326 A, B	540,5650		トランジスタ 01
Q504	VD303700	TR	2SC3326 A, B	540,5650		トランジスタ 01
Q601	WV556500	TR	2SA1037K Q, R, S	540,5650		トランジスタ 01
Q602	WV556400	TR	2SC2412K Q, R, S	540,5650		トランジスタ 01
Q604	WV556500	TR	2SA1037K Q, R, S	540,5650		トランジスタ 01
Q606	WV556500	TR	2SA1037K Q, R, S	540,5650		トランジスタ 01
Q607	WV556500	TR	2SA1037K Q, R, S	540,5650		トランジスタ 01
Q608	iC181510	TR	2SC1815 Y	540,5650		トランジスタ 01
Q609	iC174020	TR	2SC1740S R, S	540,5650	BG	トランジスタ 01
Q701	iC174020	TR	2SC1740S R, S	540,5650		トランジスタ 01

* New Parts * 新規部品(マーク#の部品は、基板に含まれません)

RX-V540/RX-V540RDS/HTR-5650/HTR-5650RDS/DSP-AX540
 RX-V440/RX-V440RDS/HTR-5640/HTR-5640RDS/DSP-AX440

RX-V540/RX-V540RDS/HTR-5650/HTR-5650RDS/DSP-AX540

P.C.B. FUNCTION

Schm Ref.	PART NO.	Description	Remarks	Markets	部 品 名	Rank	
Q702	iC174020	TR	2SC1740S R, S	540, 5650		トランジスタ	01
Q703	iC174020	TR	2SC1740S R, S	540, 5650		トランジスタ	01
Q704	iC174020	TR	2SC1740S R, S	540, 5650		トランジスタ	01
Q705	iC174020	TR	2SC1740S R, S	540, 5650		トランジスタ	01
Q706	iC174020	TR	2SC1740S R, S	540, 5650		トランジスタ	01
Q731	iC174020	TR	2SC1740S R, S	540, 5650		トランジスタ	01
Q732	iC174020	TR	2SC1740S R, S	540, 5650		トランジスタ	01
Q733	VK432900	TR	2SD1915F S, T	540, 5650	RTK	トランジスタ	01
Q734	iC174020	TR	2SC1740S R, S	540, 5650		トランジスタ	01
Q735	iC174020	TR	2SC1740S R, S	540, 5650		トランジスタ	01
Q736	iC174020	TR	2SC1740S R, S	540, 5650		トランジスタ	01
Q801	iC174020	TR	2SC1740S R, S	540, 5650		トランジスタ	01
Q802	iC174020	TR	2SC1740S R, S	540, 5650		トランジスタ	01
Q803	iC174020	TR	2SC1740S R, S	540, 5650		トランジスタ	01
Q804	iC174020	TR	2SC1740S R, S	540, 5650		トランジスタ	01
Q821	VV556400	TR	2SC2412K Q, R, S	540, 5650	UCRTKABGL	トランジスタ	01
Q821	VV556400	TR	2SC2412K Q, R, S	540, 5650		トランジスタ	01
R358	VP940200	R. MTL. OXD	47Ω 1W	540, 5650		酸化金属被膜抵抗	01
R359	VP940200	R. MTL. OXD	47Ω 1W	540, 5650		酸化金属被膜抵抗	01
R649	HV753220	R. CAR. FP	2.2Ω 1/4W	540, 5650		不燃化カーボン抵抗	01
R715	HV755470	R. CAR. FP	470Ω 1/4W	540, 5650		不燃化カーボン抵抗	01
R716	HV755270	R. CAR. FP	270Ω 1/4W	540, 5650		不燃化カーボン抵抗	01
R725	HV753220	R. CAR. FP	2.2Ω 1/4W	540, 5650		不燃化カーボン抵抗	01
R731	HV755270	R. CAR. FP	270Ω 1/4W	540, 5650		不燃化カーボン抵抗	01
R734	HV755470	R. CAR. FP	470Ω 1/4W	540, 5650		不燃化カーボン抵抗	01
R750	HV755470	R. CAR. FP	470Ω 1/4W	540, 5650		不燃化カーボン抵抗	01
R753	HV755470	R. CAR. FP	470Ω 1/4W	540, 5650		不燃化カーボン抵抗	01
R754	HV755470	R. CAR. FP	470Ω 1/4W	540, 5650		不燃化カーボン抵抗	01
R808	HV755270	R. CAR. FP	270Ω 1/4W	540, 5650		不燃化カーボン抵抗	01
R813	HV753220	R. CAR. FP	2.2Ω 1/4W	540, 5650		不燃化カーボン抵抗	01
R814	HV755270	R. CAR. FP	270Ω 1/4W	540, 5650		不燃化カーボン抵抗	01
R839	HV753100	R. CAR. FP	1Ω 1/4W	540, 5650	RTKALBG	不燃化カーボン抵抗	01
R840	HV753100	R. CAR. FP	1Ω 1/4W	540, 5650	RTKALBG	不燃化カーボン抵抗	01
ST601	V4040500	SCR. TERM	M3	540, 5650		スクリュー/ターミナル	01
* SW801	V3624300	SW. SLIDE	SS029-P022MJB-PA6	540, 5650	RTK	スライドSW	
* T731	V9243200	COIL	K5-MT/035067	540, 5650	JUC	ビデオコイルパック	04
* T731	V9243300	COIL	K5-MT/036067	540, 5650	ABGL	ビデオコイルパック	
* XL601	WA674700	RSNR. CE	16MHz CSTLS16M0X51	540, 5650		セラミック振動子	
* XL602	V3930900	RSNR. CRYST	4.332MHz	540, 5650	BG	水晶振動子	05
* WA707500		P. C. B.	FUNCTION	440, 5640	J	P C B ファンクション	
* WA707600		P. C. B.	FUNCTION	440, 5640	UC	P C B ファンクション	
* WA707700		P. C. B.	FUNCTION	440, 5640	RK	P C B ファンクション	
* WB225800		P. C. B.	FUNCTION	440, 5640	T	P C B ファンクション	
* WA707800		P. C. B.	FUNCTION	440, 5640	AL	P C B ファンクション	
* WA707900		P. C. B.	FUNCTION	440, 5640	BG	P C B ファンクション	
* CB301	V7826300	CN	13P TE TUC SERIES	440, 5640	JUCRKABGL	コネクタープラグ	
* CB301	VQ963400	CN	13P TE	440, 5640	T	ウエハー	
* CB302	V7828500	SOCKET	18P TE TUC SERIES	440, 5640	JUCRKABGL	コネクタースocket	
* CB302	VQ962100	CN	18P SE	440, 5640	T	ハウジング	
* CB304	VM973500	CN. BS. PIN	17P	440, 5640		F F C コネクター	01

* New Parts * 新規部品(マーク#の部品は、基板に含まれません)

RX-V540/RX-V540RDS/HTR-5650/HTR-5650RDS/DSP-AX540
 RX-V440/RX-V440RDS/HTR-5640/HTR-5640RDS/DSP-AX440

RX-V440/RX-V440RDS/HTR-5640/HTR-5640RDS/DSP-AX440

P.C.B. FUNCTION

Schm Ref.	PART NO.	Description	Remarks	Markets	部品名	Rank	
CB305	VQ044200	CN. BS. PIN	6P	440, 5640		F F C コネクタ	01
CB306	VB858500	CN. BS. PIN	6P	440, 5640		ベースピン	01
CB307	VF982300	CN. BS. PIN	17P	440, 5640		F F C コネクタ	01
CB501	V7828000	SOCKET	13P SE TUC SERIES	440, 5640	JUCRKABGL	コネクタソケット	
* CB501	VQ961600	CN	13P SE	440, 5640	T	ハウジング	
CB502	V7826300	CN	13P TE TUC SERIES	440, 5640	JUCRKABGL	コネクタプラグ	
* CB502	VQ963400	CN	13P TE	440, 5640	T	ウエハー	
CB503	V7828000	SOCKET	13P SE TUC SERIES	440, 5640	JUCRKABGL	コネクタソケット	
* CB503	VQ961600	CN	13P SE	440, 5640	T	ウエハー	
CB601	VM929900	CN. BS. PIN	15P	440, 5640		F P C コネクタ	01
CB602	Vi 879000	CN. BS. PIN	12P	440, 5640		ケーブルホルダー	01
CB603	Vi 878800	CN. BS. PIN	10P	440, 5640		ケーブルホルダー	01
CB605	VM973500	CN. BS. PIN	17P	440, 5640		F F C コネクタ	01
CB606	VM973500	CN. BS. PIN	17P	440, 5640		F F C コネクタ	01
CB607	V7825500	CN	5P TE TUC SERIES	440, 5640	UCRKABGL	コネクタプラグ	01
* CB607	VQ962600	CN	5P TE	440, 5640	T	ウエハー	
* CB610	V7825900	CN	9P TE TUC SERIES	440, 5640	JUCRKABGL	コネクタプラグ	
* CB610	VQ963000	CN	9P TE	440, 5640	T	ウエハー	
CB611	V7826800	CN	18P TE TUC SERIES	440, 5640	JUCRKABGL	コネクタプラグ	
* CB611	VQ963900	CN	18P TE	440, 5640	T	ウエハー	
CB613	VQ044400	CN. BS. PIN	9P	440, 5640		F F C コネクタ	01
* CB801	V7827600	SOCKET	9P SE TUC SERIES	440, 5640	JUCRKABGL	コネクタソケット	
* CB801	VQ961200	CN	9P SE	440, 5640	T	ハウジング	
CB821	V7827200	SOCKET	5P TE TUC SERIES	440, 5640	UCRKABGL	コネクタソケット	
* CB821	VQ960800	CN	5P SE	440, 5640	T	ハウジング	
CB822	LB919020	CN. BS. PIN	2P	440, 5640		ベース付ポスト	01
C301	UA652100	C. MYLAR	100pF 50V	440, 5640		マイラーコン	01
C302	UA652100	C. MYLAR	100pF 50V	440, 5640		マイラーコン	01
C303	UA652100	C. MYLAR	100pF 50V	440, 5640		マイラーコン	01
C304	UA652100	C. MYLAR	100pF 50V	440, 5640		マイラーコン	01
C305	FG651470	C. CE	47pF 50V	440, 5640		セラコン	01
C306	FG651470	C. CE	47pF 50V	440, 5640		セラコン	01
C307	UR877100	C. EL	10uF 63V	440, 5640		ケミコン	01
C308	UR877100	C. EL	10uF 63V	440, 5640		ケミコン	01
C309	US064100	C. CE. M. CHP	0.01uF 50V	440, 5640		チップセラコン	01
C310	US062220	C. CE. CHP	220pF 50V	440, 5640		チップセラコン	01
C311	US062220	C. CE. CHP	220pF 50V	440, 5640		チップセラコン	01
C312	US062220	C. CE. CHP	220pF 50V	440, 5640		チップセラコン	01
C313	US062220	C. CE. CHP	220pF 50V	440, 5640		チップセラコン	01
C314	US062220	C. CE. CHP	220pF 50V	440, 5640		チップセラコン	01
C315	US062220	C. CE. CHP	220pF 50V	440, 5640		チップセラコン	01
C316	US135100	C. CE. CHP	0.1uF 16V	440, 5640		チップセラコン	01
C317	UU137100	C. EL	10uF 16V	440, 5640		ケミコン	01
C318	UU137100	C. EL	10uF 16V	440, 5640		ケミコン	01
C319	US135100	C. CE. CHP	0.1uF 16V	440, 5640		チップセラコン	01
C320	UU137100	C. EL	10uF 16V	440, 5640		ケミコン	01
C321	UR877100	C. EL	10uF 63V	440, 5640		ケミコン	01
C322	UU137100	C. EL	10uF 16V	440, 5640		ケミコン	01
C323	UR877100	C. EL	10uF 63V	440, 5640		ケミコン	01
C324	UA653470	C. MYLAR	4700pF 50V	440, 5640		マイラーコン	01
C325	UA653470	C. MYLAR	4700pF 50V	440, 5640		マイラーコン	01
C326	UR877100	C. EL	10uF 63V	440, 5640		ケミコン	01
C327	VE326300	C. MYLAR. ML	0.18uF 50V	440, 5640		積層マイラーコン	01

* New Parts * 新規部品(マーク#の部品は、基板に含まれません)

RX-V540/RX-V540RDS/HTR-5650/HTR-5650RDS/DSP-AX540
 RX-V440/RX-V440RDS/HTR-5640/HTR-5640RDS/DSP-AX440

RX-V440/RX-V440RDS/HTR-5640/HTR-5640RDS/DSP-AX440

P.C.B. FUNCTION

Schm Ref.	PART NO.	Description	Remarks	Markets	部 品 名	Rank
C328	UA655150	C. MYLAR	0.15uF 50V	440,5640	マイラーコン	01
C329	UU137100	C. EL	10uF 16V	440,5640	ケミコン	01
C330	VE326300	C. MYLAR. ML	0.18uF 50V	440,5640	積層マイラーコン	01
C331	UA655150	C. MYLAR	0.15uF 50V	440,5640	マイラーコン	01
C332	US135100	C. CE. CHP	0.1uF 16V	440,5640	チップセラコン	01
C333	US135100	C. CE. CHP	0.1uF 16V	440,5640	チップセラコン	01
C334	UR877100	C. EL	10uF 63V	440,5640	ケミコン	01
C335	US135100	C. CE. CHP	0.1uF 16V	440,5640	チップセラコン	01
C336	US135100	C. CE. CHP	0.1uF 16V	440,5640	チップセラコン	01
C337	VG291200	C. EL	47uF 50V	440,5640	ケミコン	01
C338	VG291200	C. EL	47uF 50V	440,5640	ケミコン	01
C339	VG291200	C. EL	47uF 50V	440,5640	ケミコン	01
C340	VG291200	C. EL	47uF 50V	440,5640	ケミコン	01
C341	VG291200	C. EL	47uF 50V	440,5640	ケミコン	01
C342	VG291200	C. EL	47uF 50V	440,5640	ケミコン	01
C343	UU137100	C. EL	10uF 16V	440,5640	ケミコン	01
C344	UU137100	C. EL	10uF 16V	440,5640	ケミコン	01
C345	UT652100	C. PP	100pF 100V	440,5640	PPコン	01
C346	UT652100	C. PP	100pF 100V	440,5640	PPコン	01
C347	UR337100	C. EL	10uF 16V	440,5640	ケミコン A S F	03
C348	UR337100	C. EL	10uF 16V	440,5640	ケミコン A S F	03
C349	UA654270	C. MYLAR	0.027uF 50V	440,5640	マイラーコン	01
C350	UA654270	C. MYLAR	0.027uF 50V	440,5640	マイラーコン	01
C351	UU137100	C. EL	10uF 16V	440,5640	ケミコン	01
C352	UU137100	C. EL	10uF 16V	440,5640	ケミコン	01
C353	UA654270	C. MYLAR	0.027uF 50V	440,5640	マイラーコン	01
C354	UA654270	C. MYLAR	0.027uF 50V	440,5640	マイラーコン	01
C355	UR877100	C. EL	10uF 63V	440,5640	ケミコン	01
C356	UR877100	C. EL	10uF 63V	440,5640	ケミコン	01
C357	VG291300	C. EL	100uF 50V	440,5640	ケミコン	01
C358	UR877100	C. EL	10uF 63V	440,5640	ケミコン	01
C359	UR877100	C. EL	10uF 63V	440,5640	ケミコン	01
C360	UA652100	C. MYLAR	100pF 50V	440,5640	マイラーコン	01
C361	UA652100	C. MYLAR	100pF 50V	440,5640	マイラーコン	01
C362	UR877100	C. EL	10uF 63V	440,5640	ケミコン	01
C363	UR877100	C. EL	10uF 63V	440,5640	ケミコン	01
C364	VG291300	C. EL	100uF 50V	440,5640	ケミコン	01
C365	UR877220	C. EL	22uF 63V	440,5640	ケミコン	01
C366	UR867330	C. EL	33uF 50V	440,5640	ケミコン	01
C367	UA652100	C. MYLAR	100pF 50V	440,5640	マイラーコン	01
C368	UR838100	C. EL	100uF 16V	440,5640	ケミコン	01
C369	UR838100	C. EL	100uF 16V	440,5640	ケミコン	01
C372	VG291200	C. EL	47uF 50V	440,5640	ケミコン	01
C373	VG291200	C. EL	47uF 50V	440,5640	ケミコン	01
C374	US135100	C. CE. CHP	0.1uF 16V	440,5640	チップセラコン	01
C375	US135100	C. CE. CHP	0.1uF 16V	440,5640	チップセラコン	01
C376	US135100	C. CE. CHP	0.1uF 16V	440,5640	チップセラコン	01
C377	US135100	C. CE. CHP	0.1uF 16V	440,5640	チップセラコン	01
C378	UR866220	C. EL	2.2uF 50V	440,5640	ケミコン	01
C379	UA652100	C. MYLAR	100pF 50V	440,5640	マイラーコン	01
C380	UR877100	C. EL	10uF 63V	440,5640	ケミコン	01
C502	UA652100	C. MYLAR	100pF 50V	440,5640	マイラーコン	01
C503	UA652100	C. MYLAR	100pF 50V	440,5640	マイラーコン	01

* New Parts * 新規部品(マーク#の部品は、基板に含まれません)

RX-V540/RX-V540RDS/HTR-5650/HTR-5650RDS/DSP-AX540
 RX-V440/RX-V440RDS/HTR-5640/HTR-5640RDS/DSP-AX440

RX-V440/RX-V440RDS/HTR-5640/HTR-5640RDS/DSP-AX440

P.C.B. FUNCTION

Schm Ref.	PART NO.	Description	Remarks	Markets	部 品 名	Rank
C504	UA652100	C. MYLAR	100pF 50V	440, 5640	マイラーコン	01
C505	UA652100	C. MYLAR	100pF 50V	440, 5640	マイラーコン	01
C506	UA652100	C. MYLAR	100pF 50V	440, 5640	マイラーコン	01
C507	UA652100	C. MYLAR	100pF 50V	440, 5640	マイラーコン	01
C508	FG651470	C. CE	47pF 50V	440, 5640	セラコン	01
C509	FG651470	C. CE	47pF 50V	440, 5640	セラコン	01
C510	UR877100	C. EL	10uF 63V	440, 5640	ケミコン	01
C511	UR877100	C. EL	10uF 63V	440, 5640	ケミコン	01
C512	UA654100	C. MYLAR	0.01uF 50V	440, 5640	マイラーコン	01
C513	US064100	C. CE. M. CHP	0.01uF 50V	440, 5640	チップセラコン	01
C601	US135100	C. CE. CHP	0.1uF 16V	440, 5640	チップセラコン	01
C602	UR847470	C. EL	47uF 25V	440, 5640	ケミコン	01
C603	UR877100	C. EL	10uF 63V	440, 5640	ケミコン	01
C604	UR865100	C. EL	0.1uF 50V	440, 5640	ケミコン	01
C605	UR865220	C. EL	0.22uF 50V	440, 5640	ケミコン	01
C606	UR865100	C. EL	0.1uF 50V	440, 5640	ケミコン	01
* C607	WB165500	C. EL	0.33F 5.5V	440, 5640	ゴールドキャパシタ	
C608	UR818220	C. EL	220uF 6.3V	440, 5640	ケミコン	01
C609	UR819100	C. EL	1000uF 6.3V	440, 5640	ケミコン	01
C610	UR819100	C. EL	1000uF 6.3V	440, 5640	ケミコン	01
C611	US135100	C. CE. CHP	0.1uF 16V	440, 5640	チップセラコン	01
C612	US135100	C. CE. CHP	0.1uF 16V	440, 5640	チップセラコン	01
C613	US135100	C. CE. CHP	0.1uF 16V	440, 5640	チップセラコン	01
C614	US135100	C. CE. CHP	0.1uF 16V	440, 5640	チップセラコン	01
C615	US062100	C. CE. M. CHP	100pF 50V	440, 5640	チップセラコン	01
C618	UR866220	C. EL	2.2uF 50V	440, 5640	ケミコン	01
C620	UR866220	C. EL	2.2uF 50V	440, 5640	ケミコン	01
C621	UR866220	C. EL	2.2uF 50V	440, 5640	ケミコン	01
C622	US064100	C. CE. M. CHP	0.01uF 50V	440, 5640	チップセラコン	01
C623	US062100	C. CE. M. CHP	100pF 50V	440, 5640	チップセラコン	01
C624	US063100	C. CE. M. CHP	1000pF 50V	440, 5640	チップセラコン	01
C625	US062100	C. CE. M. CHP	100pF 50V	440, 5640	チップセラコン	01
C626	US062100	C. CE. M. CHP	100pF 50V	440, 5640	チップセラコン	01
C627	US062100	C. CE. M. CHP	100pF 50V	440, 5640	チップセラコン	01
C628	UR847470	C. EL	47uF 25V	440, 5640	ケミコン	01
C629	UR866220	C. EL	2.2uF 50V	440, 5640	ケミコン	01
C630	UR877100	C. EL	10uF 63V	440, 5640	ケミコン	01
C631	US135100	C. CE. CHP	0.1uF 16V	440, 5640	BG チップセラコン	01
C632	US062330	C. CE. M. CHP	330pF 50V	440, 5640	BG チップセラコン	01
C633	US062330	C. CE. M. CHP	330pF 50V	440, 5640	BG チップセラコン	01
C634	UR847470	C. EL	47uF 25V	440, 5640	BG ケミコン	01
C635	UR847470	C. EL	47uF 25V	440, 5640	BG ケミコン	01
C636	US062560	C. CE. CHP	560pF 50V	440, 5640	BG チップセラ (S L)	01
C637	VA761100	C. CE	27pF 50V	440, 5640	BG セラコン	01
C638	US135100	C. CE. CHP	0.1uF 16V	440, 5640	BG チップセラコン	01
C639	VA761100	C. CE	27pF 50V	440, 5640	BG セラコン	01
C640	UR847470	C. EL	47uF 25V	440, 5640	BG ケミコン	01
C801	US062100	C. CE. M. CHP	100pF 50V	440, 5640	チップセラコン	01
C802	US062100	C. CE. M. CHP	100pF 50V	440, 5640	チップセラコン	01
C803	UR877100	C. EL	10uF 63V	440, 5640	ケミコン	01
C804	UR877100	C. EL	10uF 63V	440, 5640	ケミコン	01
C805	UR877100	C. EL	10uF 63V	440, 5640	ケミコン	01
C806	UR829100	C. EL	1000uF 10V	440, 5640	ケミコン	01

* New Parts * 新規部品(マーク#の部品は、基板に含まれません)

RX-V540/RX-V540RDS/HTR-5650/HTR-5650RDS/DSP-AX540
 RX-V440/RX-V440RDS/HTR-5640/HTR-5640RDS/DSP-AX440

RX-V440/RX-V440RDS/HTR-5640/HTR-5640RDS/DSP-AX440

P.C.B. FUNCTION

Schm Ref.	PART NO.	Description	Remarks	Markets	部 品 名	Rank		
C807	UR829100	C. EL	1000uF 10V	440, 5640		ケミコン	01	
C808	US063100	C. CE. M. CHP	1000pF 50V	440, 5640		チップセラコン	01	
C809	UR877100	C. EL	10uF 63V	440, 5640		ケミコン	01	
C821	US062100	C. CE. M. CHP	100pF 50V	440, 5640	UCRTKABGL	チップセラコン	01	
C822	US062100	C. CE. M. CHP	100pF 50V	440, 5640	UCRTKABGL	チップセラコン	01	
C823	US062100	C. CE. M. CHP	100pF 50V	440, 5640	UCRTKABGL	チップセラコン	01	
C824	US135100	C. CE. CHP	0. 1uF 16V	440, 5640	UCRTKABGL	チップセラコン	01	
C825	US135100	C. CE. CHP	0. 1uF 16V	440, 5640	UCRTKABGL	チップセラコン	01	
C826	UR828100	C. EL	100uF 10V	440, 5640	UCRTKABGL	ケミコン	01	
C827	UR828100	C. EL	100uF 10V	440, 5640	UCRTKABGL	ケミコン	01	
C828	UR877100	C. EL	10uF 63V	440, 5640		ケミコン	01	
C830	US064100	C. CE. M. CHP	0. 01uF 50V	440, 5640		チップセラコン	01	
C832	US135100	C. CE. CHP	0. 1uF 16V	440, 5640		チップセラコン	01	
C833	US135100	C. CE. CHP	0. 1uF 16V	440, 5640		チップセラコン	01	
C834	UR858100	C. EL	100uF 35V	440, 5640		ケミコン	01	
C840	UR877100	C. EL	10uF 16V	440, 5640		ケミコン	01	
C841	UR877100	C. EL	10uF 16V	440, 5640		ケミコン	01	
C842	UR877100	C. EL	10uF 16V	440, 5640		ケミコン	01	
D301	VU994300	DIODE. ZENR	MA8075-H 7. 7V	440, 5640		ツェナーダイオード		
D302	VU994300	DIODE. ZENR	MA8075-H 7. 7V	440, 5640		ツェナーダイオード		
D303	VU172000	DIODE. ZENR	UDZS5. 6BTE-17 5. 6V	440, 5640		ツェナーダイオード	01	
D304	VU172000	DIODE. ZENR	UDZS5. 6BTE-17 5. 6V	440, 5640		ツェナーダイオード	01	
D601	VT332900	DIODE	1SS355	440, 5640		ダイオード	01	
D602	VT332900	DIODE	1SS355	440, 5640		ダイオード	01	
D603	VT332900	DIODE	1SS355	440, 5640		ダイオード	01	
D604	VU172100	DIODE. ZENR	UDZS6. 2B 6. 2V	440, 5640	RTK	ツェナーダイオード	01	
D604	VU172200	DIODE. ZENR	UDZ6. 8B 6. 8V	440, 5640	JUCABGL	ツェナーダイオード	01	
D605	VT332900	DIODE	1SS355	440, 5640		ダイオード	01	
D606	VT332900	DIODE	1SS355	440, 5640		ダイオード	01	
D607	VT332900	DIODE	1SS355	440, 5640		ダイオード	01	
D608	VT332900	DIODE	1SS355	440, 5640		ダイオード	01	
D609	VU171900	DIODE. ZENR	UDZ5. 1B 5. 1V	440, 5640		ツェナーダイオード	01	
D610	VU171900	DIODE. ZENR	UDZ5. 1B 5. 1V	440, 5640		ツェナーダイオード	01	
D611	VU171900	DIODE. ZENR	UDZ5. 1B 5. 1V	440, 5640		ツェナーダイオード	01	
D612	VU172000	DIODE. ZENR	UDZS5. 6BTE-17 5. 6V	440, 5640		ツェナーダイオード	01	
*	IC301	X3547A00	IC	BD3841FS	440, 5640	IC		
*	IC302	X3546A00	IC	BD3815KS	440, 5640	IC		
*	IC303	X3545A00	IC	BD3812F-E2	440, 5640	IC		
	IC305	XY879A00	IC	TC74HC4053AF (EL)	440, 5640	ロジックIC SOP	03	
	IC306	XY879A00	IC	TC74HC4053AF (EL)	440, 5640	ロジックIC SOP	03	
	IC307	X3505A00	IC	NJM2068MD-TE2	440, 5640	アンプIC SOP	02	
	IC308	XF291A00	IC	uPC4570G2	440, 5640	IC	03	
	IC309	XF291A00	IC	uPC4570G2	440, 5640	IC	03	
*	IC601	X3605A00	IC. CPU	M3062VMGP	440, 5640	IC		
	IC602	XJ757A00	IC	NJM78L05A-T3	440, 5640	IC	01	
	IC603	XY534A00	IC	LC72722	440, 5640	BG	RDSデコーダIC	06
	IC801	XH436A00	IC	LA7956	440, 5640		IC	03
	IC821	XZ177A00	IC	LA7104M VIDEO AMP	440, 5640	UCRTKABGL	アンプIC SOP	04
	IC821	X2904A00	IC	NJM2581M	440, 5640	UCRTKABGL	IC	
	IC822	XY879A00	IC	TC74HC4053AF (EL)	440, 5640	UCRTKABGL	ロジックIC SOP	03
L601	VU889500	COIL	220uH	440, 5640	BG	円筒形固定コイル	01	
L601	VU889500	COIL	220uH	440, 5640		円筒形固定コイル	01	
PJ301	V7046800	JACK. PIN	MSP-246V1-01NI	440, 5640		ピンジャック 6P		

* New Parts * 新規部品(マーク#の部品は、基板に含まれません)

RX-V540/RX-V540RDS/HTR-5650/HTR-5650RDS/DSP-AX540
 RX-V440/RX-V440RDS/HTR-5640/HTR-5640RDS/DSP-AX440

P.C.B. FUNCTION & P.C.B. OPERATION

Schm Ref.	PART NO.	Description	Remarks	Markets	部 品 名	Rank	
PJ302	V7190400	JACK. PIN	6P	440, 5640		ピンジャック 6 P	
PJ501	V7046700	JACK. PIN	MSP-244V1-01NI	440, 5640		ピンジャック 4 P	
PJ502	V7046700	JACK. PIN	MSP-244V1-01NI	440, 5640		ピンジャック 4 P	
PJ503	V7189700	JACK. PIN	1P	440, 5640		ピンジャック 1 P	01
PJ801	V7190000	JACK. PIN	2P	440, 5640		ピンジャック 2 P	
PJ802	V7190000	JACK. PIN	2P	440, 5640		ピンジャック 2 P	
PJ803	V7189800	JACK. PIN	1P	440, 5640		ピンジャック 1 P	
PJ821	V8143900	JACK PIN	SHIELD YKC21-4348	440, 5640	UCRTKABGL	ピンジャック 9 P	04
PN601	V9637500	PIN	L=70 #18	440, 5640		スタイルピン	
PN602	V9637500	PIN	L=70 #18	440, 5640		スタイルピン	
Q301	iC181510	TR	2SC1815 Y	440, 5640		トランジスタ	01
Q302	iA101510	TR	2SA1015 Y	440, 5640		トランジスタ	01
Q501	VD303700	TR	2SC3326 A, B	440, 5640		トランジスタ	01
Q502	VD303700	TR	2SC3326 A, B	440, 5640		トランジスタ	01
Q503	VD303700	TR	2SC3326 A, B	440, 5640		トランジスタ	01
Q504	VD303700	TR	2SC3326 A, B	440, 5640		トランジスタ	01
Q601	WV556500	TR	2SA1037K Q, R, S	440, 5640		トランジスタ	01
Q602	WV556400	TR	2SC2412K Q, R, S	440, 5640		トランジスタ	01
Q604	WV556500	TR	2SA1037K Q, R, S	440, 5640		トランジスタ	01
Q606	WV556500	TR	2SA1037K Q, R, S	440, 5640		トランジスタ	01
Q607	WV556500	TR	2SA1037K Q, R, S	440, 5640		トランジスタ	01
Q608	iC181510	TR	2SC1815 Y	440, 5640		トランジスタ	01
Q609	iC174020	TR	2SC1740S R, S	440, 5640	BG	トランジスタ	01
Q801	iC174020	TR	2SC1740S R, S	440, 5640		トランジスタ	01
Q802	iC174020	TR	2SC1740S R, S	440, 5640		トランジスタ	01
Q803	iC174020	TR	2SC1740S R, S	440, 5640		トランジスタ	01
Q821	WV556400	TR	2SC2412K Q, R, S	440, 5640	UCRTKABGL	トランジスタ	01
R358	VP940200	R. MTL. OXD	47Ω 1W	440, 5640		酸化金属被膜抵抗	01
R359	VP940200	R. MTL. OXD	47Ω 1W	440, 5640		酸化金属被膜抵抗	01
R649	HV753220	R. CAR. FP	2.2Ω 1/4W	440, 5640		不燃化カーボン抵抗	01
R808	HV755270	R. CAR. FP	270Ω 1/4W	440, 5640		不燃化カーボン抵抗	01
R813	HV753220	R. CAR. FP	2.2Ω 1/4W	440, 5640		不燃化カーボン抵抗	01
R839	HV753100	R. CAR. FP	1Ω 1/4W	440, 5640	UCRTKABGL	不燃化カーボン抵抗	01
R840	HV753100	R. CAR. FP	1Ω 1/4W	440, 5640	UCRTKABGL	不燃化カーボン抵抗	01
ST601	V4040500	SCR. TERM	M3	440, 5640		スクリュー/ターミナル	01
* SW801	V3624300	SW. SLIDE	SS029-P022MJB-PA6	440, 5640	RTK	スライドSW	
* XL601	WA674700	RSNR. CE	16MHz CSTLS16MOX51	440, 5640		セラミック振動子	
XL602	V3930900	RSNR. CRY	4.332MHz	440, 5640	BG	水晶振動子	05
* WA708400		P. C. B.	OPERATION		JUCRTKAL	P C B オペレーション	
* WA708500		P. C. B.	OPERATION		BG	P C B オペレーション	
* CB501	Vi878100	CN. BS. PIN	3P			ケーブルホルダー	01
CB502	WA005400	CN	17P BE 52492SERIES			F F Cコネクター	
CB503	Vi878200	CN. BS. PIN	4P			ケーブルホルダー	01
CB504	Vi878000	CN. BS. PIN	2P			ケーブルホルダー	01
CB571	Vi878200	CN. BS. PIN	4P			ケーブルホルダー	01
CB576	Vi878100	CN. BS. PIN	3P			ケーブルホルダー	01
CB581	V0044200	CN. BS. PIN	6P			F F Cコネクター	01
CB601	VB390100	CN. BS. PIN	5P			ベースピン	01
CB611	Vi878000	CN. BS. PIN	2P			ケーブルホルダー	01
CB612	LB919020	CN. BS. PIN	2P			ベース付ポスト	01

* New Parts * 新規部品(マーク#の部品は、基板に含まれません)

RX-V540/RX-V540RDS/HTR-5650/HTR-5650RDS/DSP-AX540
 RX-V440/RX-V440RDS/HTR-5640/HTR-5640RDS/DSP-AX440

P.C.B. OPERATION

Schm Ref.	PART NO.	Description	Remarks	Markets	部 品 名	Rank
C501	US063100	C. CE. M. CHP	1000pF 50V		チップセラコン	01
C502	US063100	C. CE. M. CHP	1000pF 50V		チップセラコン	01
C503	US063100	C. CE. M. CHP	1000pF 50V		チップセラコン	01
C504	US063100	C. CE. M. CHP	1000pF 50V		チップセラコン	01
C505	UM397100	C. EL	10uF 16V		ケミコン	01
C506	US062100	C. CE. M. CHP	100pF 50V		チップセラコン	01
C507	US062100	C. CE. M. CHP	100pF 50V		チップセラコン	01
C508	US062100	C. CE. M. CHP	100pF 50V		チップセラコン	01
C509	US135100	C. CE. CHP	0.1uF 16V		チップセラコン	01
C510	US135100	C. CE. CHP	0.1uF 16V		チップセラコン	01
C511	US135100	C. CE. CHP	0.1uF 16V		チップセラコン	01
C512	US135100	C. CE. CHP	0.1uF 16V		チップセラコン	01
C513	US062100	C. CE. M. CHP	100pF 50V		チップセラコン	01
C514	UR818330	C. EL	330uF 6.3V		ケミコン	01
C515	US135100	C. CE. CHP	0.1uF 16V		チップセラコン	01
C516	US135100	C. CE. CHP	0.1uF 16V		チップセラコン	01
C517	US135100	C. CE. CHP	0.1uF 16V		チップセラコン	01
C518	US135100	C. CE. CHP	0.1uF 16V		チップセラコン	01
C519	US064100	C. CE. M. CHP	0.01uF 50V		チップセラコン	01
C520	US135100	C. CE. CHP	0.1uF 16V		チップセラコン	01
C521	US064100	C. CE. M. CHP	0.01uF 50V		チップセラコン	01
C551	UM397100	C. EL	10uF 16V		ケミコン	01
C552	UM397100	C. EL	10uF 16V		ケミコン	01
C553	US062100	C. CE. M. CHP	100pF 50V		チップセラコン	01
C554	US062100	C. CE. M. CHP	100pF 50V		チップセラコン	01
C555	US062100	C. CE. M. CHP	100pF 50V		チップセラコン	01
C556	US062100	C. CE. M. CHP	100pF 50V		チップセラコン	01
C557	UM397100	C. EL	10uF 16V		ケミコン	01
C558	UM397100	C. EL	10uF 16V		ケミコン	01
C559	US061100	C. CE. M. CHP	10pF 50V		チップセラコン	01
C560	US061100	C. CE. M. CHP	10pF 50V		チップセラコン	01
C561	UR839100	C. EL	1000uF 16V		ケミコン	01
C562	UR839100	C. EL	1000uF 16V		ケミコン	01
C564	US135100	C. CE. CHP	0.1uF 16V		チップセラコン	01
C565	US135100	C. CE. CHP	0.1uF 16V		チップセラコン	01
C566	US135100	C. CE. CHP	0.1uF 16V		チップセラコン	01
C567	US135100	C. CE. CHP	0.1uF 16V		チップセラコン	01
C568	US135100	C. CE. CHP	0.1uF 16V		チップセラコン	01
C569	US135100	C. CE. CHP	0.1uF 16V		チップセラコン	01
C581	US064100	C. CE. M. CHP	0.01uF 50V		チップセラコン	01
C582	US135100	C. CE. CHP	0.1uF 16V		チップセラコン	01
C583	US062100	C. CE. M. CHP	100pF 50V		チップセラコン	01
C584	US062100	C. CE. M. CHP	100pF 50V		チップセラコン	01
C587	UR877100	C. EL	10uF 63V		ケミコン	01
C588	UR877100	C. EL	10uF 63V		ケミコン	01
C589	UR877100	C. EL	10uF 63V		ケミコン	01
C590	UR877100	C. EL	10uF 63V		ケミコン	01
C591	UR838220	C. EL	220uF 16V		ケミコン	01
C601	UA654100	C. MYLAR	0.01uF 50V		マイラーコン	01
C602	UA653100	C. MYLAR	1000pF 50V		マイラーコン	03
C603	UA654100	C. MYLAR	0.01uF 50V		マイラーコン	01
C604	UA654100	C. MYLAR	0.01uF 50V		マイラーコン	01
C605	UA654100	C. MYLAR	0.01uF 50V		マイラーコン	01

* New Parts * 新規部品(マーク#の部品は、基板に含まれません)

RX-V540/RX-V540RDS/HTR-5650/HTR-5650RDS/DSP-AX540
 RX-V440/RX-V440RDS/HTR-5640/HTR-5640RDS/DSP-AX440

P.C.B. OPERATION

Schm Ref.	PART NO.	Description	Remarks	Markets	部 品 名	Rank
C606	UA654100	C. MYLAR	0.01uF 50V		マイラーコン	01
C607	US135100	C. CE. CHP	0.1uF 16V		チップセラコン	01
* D502	W658700	DIODE. ZENR	RLZ6.2B 6.2V		ツェナーダイオード	
D551	W307700	DIODE	1N4002S		ダイオード	01
D552	W307700	DIODE	1N4002S		ダイオード	01
D581	VT332900	DIODE	1SS355		ダイオード	01
D582	VT332900	DIODE	1SS355		ダイオード	01
D583	VT332900	DIODE	1SS355		ダイオード	01
D584	VT332900	DIODE	1SS355		ダイオード	01
D601	VU172500	DIODE. ZENR	UDZS9.1B		ツェナーダイオード	01
D602	VT332900	DIODE	1SS355		ダイオード	01
D603	VT332900	DIODE	1SS355		ダイオード	01
G571	VR463400	TERM. GND	D3.5		アース端子	01
IC501	X2874A00	IC	M66003-0101FP FLD		アンプIC	08
IC551	XP844A00	IC	NJM4556AL		IC	02
JK601	V9408200	JACK. PHONE	MSJ-064-05B GR		ホーンジャック	
PJ581	V7190100	JACK. PIN	3P		ピンジャック 3P	
PN501	V3750200	PIN	L=70		スタイルピン	
PN502	V3750200	PIN	L=70		スタイルピン	
PN503	V9637500	PIN	L=70 #18		スタイルピン	
PN504	V3750200	PIN	L=70		スタイルピン	
Q503	W556400	TR	2SC2412K Q, R, S		トランジスタ	01
Q504	W556400	TR	2SC2412K Q, R, S		トランジスタ	01
Q505	W556400	TR	2SC2412K Q, R, S		トランジスタ	01
Q506	W556400	TR	2SC2412K Q, R, S		トランジスタ	01
Q507	W556400	TR	2SC2412K Q, R, S		トランジスタ	01
Q508	W556400	TR	2SC2412K Q, R, S		トランジスタ	01
Q551	VK432900	TR	2SD1915F S, T		トランジスタ	01
Q552	VK432900	TR	2SD1915F S, T		トランジスタ	01
Q553	VK432900	TR	2SD1915F S, T		トランジスタ	01
Q554	VK432900	TR	2SD1915F S, T		トランジスタ	01
Q583	W556400	TR	2SC2412K Q, R, S		トランジスタ	01
Q584	W556400	TR	2SC2412K Q, R, S		トランジスタ	01
R557	HV755220	R. CAR. FP	220Ω 1/4W		不燃化カーボン抵抗	01
R558	HV755220	R. CAR. FP	220Ω 1/4W		不燃化カーボン抵抗	01
R565	HV755100	R. CAR. FP	100Ω 1/4W		不燃化カーボン抵抗	01
R566	HV755100	R. CAR. FP	100Ω 1/4W		不燃化カーボン抵抗	01
R597	HV755100	R. CAR. FP	100Ω 1/4W		不燃化カーボン抵抗	01
* ST581	WA246200	SCR. TERM	3.5		スクリューターミナル	
* ST582	WA246200	SCR. TERM	3.5		スクリューターミナル	
* ST601	WA246200	SCR. TERM	3.5		スクリューターミナル	
* ST611	WA246200	SCR. TERM	3.5		スクリューターミナル	
SW501	V9266400	SW. RT. ENC	XREB12105PVB25F		ロータリーエンコーダ	02
SW502	W020300	SW. TACT	SKQNAA		タクトSW	01
SW503	W020300	SW. TACT	SKQNAA		タクトSW	01
SW504	W020300	SW. TACT	SKQNAA		タクトSW	01
SW505	W020300	SW. TACT	SKQNAA		タクトSW	01
SW506	W020300	SW. TACT	SKQNAA		タクトSW	01
SW507	W020300	SW. TACT	SKQNAA		タクトSW	01
SW508	W020300	SW. TACT	SKQNAA		タクトSW	01
SW509	W020300	SW. TACT	SKQNAA		タクトSW	01
SW510	W020300	SW. TACT	SKQNAA		タクトSW	01
SW511	W020300	SW. TACT	SKQNAA		タクトSW	01

* New Parts * 新規部品(マーク#の部品は、基板に含まれません)

RX-V540/RX-V540RDS/HTR-5650/HTR-5650RDS/DSP-AX540
 RX-V440/RX-V440RDS/HTR-5640/HTR-5640RDS/DSP-AX440

P.C.B. OPERATION & P.C.B. VIDEO

Schm Ref.	PART NO.	Description	Remarks	Markets	部 品 名	Rank
SW512	VV020300	SW. TACT	SKQNAA		タクトSW	01
SW513	VV020300	SW. TACT	SKQNAA		タクトSW	01
SW514	VV020300	SW. TACT	SKQNAA		タクトSW	01
SW515	VV020300	SW. TACT	SKQNAA		タクトSW	01
SW516	VV020300	SW. TACT	SKQNAA	BG	タクトSW	01
SW517	VV020300	SW. TACT	SKQNAA	BG	タクトSW	01
SW518	VV020300	SW. TACT	SKQNAA	BG	タクトSW	01
SW519	VV020300	SW. TACT	SKQNAA	BG	タクトSW	01
SW520	VV020300	SW. TACT	SKQNAA		タクトSW	01
SW521	VV020300	SW. TACT	SKQNAA		タクトSW	01
SW522	VV020300	SW. TACT	SKQNAA		タクトSW	01
SW571	VV020300	SW. TACT	SKQNAA		タクトSW	01
SW576	V9281300	SW. RT. ENC	EVEKD2F3024B		ロータリーエンコーダ	02
U501	V8444900	L. DTCT	GP1UM271XK		リモコン受光ユニット	04
* V501	WA531200	FL. DSPLY	HNA-16MM43		蛍光表示管	
	V6880300	SHEET			シート/FL	
	V6007100	SPACER. FL	4.6/10/32		スペーサ FL	
*	WA709000	P. C. B.	VIDEO	J	P C B ビデオ	
CB851	VB858300	CN. BS. PIN	4P	J	コネクタベースポスト	01
CB852	V7684100	CM	14P SE YKF SERIES	J	D端子コネクタ	
CB853	V7684100	CM	14P SE YKF SERIES	J	D端子コネクタ	
CB854	V7684100	CM	14P SE YKF SERIES	J	D端子コネクタ	
C851	US064100	C. CE. M. CHP	0.01uF 50V	J	チップセラコン	01
C852	US064100	C. CE. M. CHP	0.01uF 50V	J	チップセラコン	01
C853	US064100	C. CE. M. CHP	0.01uF 50V	J	チップセラコン	01
C854	US064100	C. CE. M. CHP	0.01uF 50V	J	チップセラコン	01
C855	US064100	C. CE. M. CHP	0.01uF 50V	J	チップセラコン	01
C856	US064100	C. CE. M. CHP	0.01uF 50V	J	チップセラコン	01
C857	US060800	C. CE. CHP	8pF 50V	J	チップセラコン	01
C858	US060800	C. CE. CHP	8pF 50V	J	チップセラコン	01
C859	US060800	C. CE. CHP	8pF 50V	J	チップセラコン	01
C860	US064100	C. CE. M. CHP	0.01uF 50V	J	チップセラコン	01
C861	US064100	C. CE. M. CHP	0.01uF 50V	J	チップセラコン	01
C862	US064100	C. CE. M. CHP	0.01uF 50V	J	チップセラコン	01
C863	US135100	C. CE. CHP	0.1uF 16V	J	チップセラコン	01
C864	US135100	C. CE. CHP	0.1uF 16V	J	チップセラコン	01
C865	UR828100	C. EL	100uF 10V	J	ケミコン	01
C866	UR828100	C. EL	100uF 10V	J	ケミコン	01
C867	US135100	C. CE. CHP	0.1uF 16V	J	チップセラコン	01
D851	VT332900	DIODE	1SS355	J	ダイオード	01
D852	VT332900	DIODE	1SS355	J	ダイオード	01
D853	VT332900	DIODE	1SS355	J	ダイオード	01
D854	VT332900	DIODE	1SS355	J	ダイオード	01
D855	VT332900	DIODE	1SS355	J	ダイオード	01
D856	VT332900	DIODE	1SS355	J	ダイオード	01
D857	VT332900	DIODE	1SS355	J	ダイオード	01
IC851	XY879A00	IC	TC74HC4053AF(EL)	J	ロジックIC SOP	03
IC852	XY879A00	IC	TC74HC4053AF(EL)	J	ロジックIC SOP	03
IC853	X2904A00	IC	NJM2581M VIDEO AMP	J	アンプIC SOP	06
Q851	VV556400	TR	2SC2412K Q, R, S	J	トランジスタ	01

* New Parts * 新規部品(マーク#の部品は、基板に含まれません)

RX-V540/RX-V540RDS/HTR-5650/HTR-5650RDS/DSP-AX540

P.C.B. VIDEO & P.C.B. MAIN

Schm Ref.	PART NO.	Description	Remarks	Markets	部品名	Rank	
R872	HV753100	R. CAR. FP	1Ω 1/4W		J	不燃化カーボン抵抗	01
R873	HV753100	R. CAR. FP	1Ω 1/4W		J	不燃化カーボン抵抗	01
*	WA700400	P. C. B.	MAIN	540, 5650	J	P C B メイン	
*	WA700500	P. C. B.	MAIN	540, 5650	UC	P C B メイン	
*	WA700600	P. C. B.	MAIN	540, 5650	RA	P C B メイン	
*	WB224900	P. C. B.	MAIN	540, 5650	T	P C B メイン	
*	WA700700	P. C. B.	MAIN	540, 5650	KBGL	P C B メイン	
CB101	V7825700	CN	7P TE TUC SERIES	540, 5650	JUCRKABGL	コネクタープラグ	
CB101	VQ962800	CN	7P TE	540, 5650	T	ウエハー	
CB102	V7826500	CN	15P TE TUC SERIES	540, 5650	JUCRKABGL	コネクタープラグ	01
CB102	VQ963600	CN	15P TE	540, 5650	T	ウエハー	
CB103	LB918040	CN. BS. PIN	4P	540, 5650		ベース付ポスト	01
CB104	VF728200	CN. BS. PIN	10P	540, 5650		コネクタ	01
CB105	VR428800	CN. BS. PIN	3P	540, 5650		ケーブルホルダー	01
CB107	Vi878100	CN. BS. PIN	3P	540, 5650		ケーブルホルダー	01
CB109	VL844700	CN. BS. PIN	3P	540, 5650		ベース付ポスト	01
CB301	VR428800	CN. BS. PIN	3P	540, 5650		ケーブルホルダー	01
CB302	Vi878100	CN. BS. PIN	3P	540, 5650		ケーブルホルダー	01
CB303	V7825400	CN	4P TE TUC SERIES	540, 5650	JUCRKABGL	コネクタープラグ	01
CB303	VQ962500	CN	4P TE	540, 5650	T	ウエハー	
CB304	VK025600	CN. BS. PIN	12P	540, 5650		ワイヤートラップ	01
CB306	LB932060	CN. BS. PIN	6P	540, 5650		ベースポスト	01
CB307	WB127100	CN. BS. PIN	3P TE XH	540, 5650		ベースツキポスト	
CB401	V7828200	SOCKET	15P TE TUC SERIES	540, 5650	JUCRKABGL	コネクタースOCKET	
CB401	VQ961800	CN	15P SE	540, 5650	T	ハウジング	
CB403	LB919070	CN. BS. PIN	7P	540, 5650		ベース付ポスト	01
C101	VG291200	C. EL	47uF 50V	540, 5650		ケミコン	01
C102	UU177220	C. EL	22uF 63V	540, 5650		ケミコン F W	
C103	VG291200	C. EL	47uF 50V	540, 5650		ケミコン	01
C104	VG291200	C. EL	47uF 50V	540, 5650		ケミコン	01
C105	UR867470	C. EL	47uF 50V	540, 5650		ケミコン	01
C106	UR867470	C. EL	47uF 50V	540, 5650		ケミコン	01
C107	UU196470	C. EL	4.7uF 100V	540, 5650		ケミコン F W	
C108	V8638300	C. PP	150pF 630V	540, 5650		P P コン	
C109	UR337470	C. EL	47uF 16V	540, 5650		ケミコン A S F	03
C111	V8638300	C. PP	150pF 630V	540, 5650		P P コン	
C112	V8638300	C. PP	150pF 630V	540, 5650		P P コン	
C113	UR337470	C. EL	47uF 16V	540, 5650		ケミコン A S F	03
C115	V8638300	C. PP	150pF 630V	540, 5650		P P コン	
C116	UT652150	C. PP	150pF 100V	540, 5650		P P コン	01
C117	UR847470	C. EL	47uF 25V	540, 5650		ケミコン	01
C118	UT652150	C. PP	150pF 100V	540, 5650		P P コン	01
C119	UT652150	C. PP	150pF 100V	540, 5650		P P コン	01
C120	UR847470	C. EL	47uF 25V	540, 5650		ケミコン	01
C121	UT652150	C. PP	150pF 100V	540, 5650		P P コン	01
C122	V8638300	C. PP	150pF 630V	540, 5650		P P コン	
C123	UR337470	C. EL	47uF 16V	540, 5650		ケミコン A S F	03
C124	V8638300	C. PP	150pF 630V	540, 5650		P P コン	
C125	UT654220	C. PP	0.022uF 100V	540, 5650		P P コン	01
C126	UT654220	C. PP	0.022uF 100V	540, 5650		P P コン	01

* New Parts * 新規部品(マーク#の部品は、基板に含まれません)

RX-V540/RX-V540RDS/HTR-5650/HTR-5650RDS/DSP-AX540
 RX-V440/RX-V440RDS/HTR-5640/HTR-5640RDS/DSP-AX440

RX-V540/RX-V540RDS/HTR-5650/HTR-5650RDS/DSP-AX540

P.C.B. MAIN

Schm Ref.	PART NO.	Description	Remarks	Markets	部 品 名	Rank
C127	UA654220	C. MYLAR	0.022uF 50V	540,5650	マイラーコン	01
C128	UA654220	C. MYLAR	0.022uF 50V	540,5650	マイラーコン	01
* C129	UT654220	C. PP	0.022uF 100V	540,5650	PPコン	01
C130	V8584600	C. PP	220pF 630V	540,5650	PPコン	
C131	UR866470	C. EL	4.7uF 50V	540,5650	ケミコン	01
C132	UR838100	C. EL	100uF 16V	540,5650	ケミコン	01
C133	UR847470	C. EL	47uF 25V	540,5650	ケミコン	01
C134	VR324900	C. MYLAR	0.1uF 100V	540,5650	マイラーコン	01
C135	VR324900	C. MYLAR	0.1uF 100V	540,5650	マイラーコン	01
△ C137	UR397100	C. EL	10uF 100V	540,5650	ケミコン A S F	03
△ C138	UR397100	C. EL	10uF 100V	540,5650	ケミコン A S F	03
C301	UR867470	C. EL	47uF 50V	540,5650	ケミコン	01
△ C302	UR866470	C. EL	4.7uF 50V	540,5650	ケミコン	01
* △ C303	WA744300	C. EL	10000uF 71V	540,5650	ケミコン	
* △ C304	WA744300	C. EL	10000uF 71V	540,5650	ケミコン	
C305	UA654100	C. MYLAR	0.01uF 50V	540,5650	RTKABGL マイラーコン	01
C306	VG291300	C. EL	100uF 50V	540,5650	ケミコン	01
C307	VG291300	C. EL	100uF 50V	540,5650	ケミコン	01
C308	UA654100	C. MYLAR	0.01uF 50V	540,5650	RTKABGL マイラーコン	01
C309	UA653470	C. MYLAR	4700pF 50V	540,5650	RTKABGL マイラーコン	01
C310	UA653470	C. MYLAR	4700pF 50V	540,5650	RTKABGL マイラーコン	01
C311	UA653470	C. MYLAR	4700pF 50V	540,5650	RTKABGL マイラーコン	01
C312	UA654100	C. MYLAR	0.01uF 50V	540,5650	マイラーコン	01
C313	UA654100	C. MYLAR	0.01uF 50V	540,5650	RTKABGL マイラーコン	01
C314	VR324900	C. MYLAR	0.1uF 100V	540,5650	マイラーコン	01
C315	VR324900	C. MYLAR	0.1uF 100V	540,5650	マイラーコン	01
C316	VR324900	C. MYLAR	0.1uF 100V	540,5650	マイラーコン	01
C317	VR324900	C. MYLAR	0.1uF 100V	540,5650	マイラーコン	01
C318	UA653470	C. MYLAR	4700pF 50V	540,5650	RTKABGL マイラーコン	01
C319	UA654100	C. MYLAR	0.01uF 50V	540,5650	RTKABGL マイラーコン	01
C320	UA654100	C. MYLAR	0.01uF 50V	540,5650	RTKABGL マイラーコン	01
C321	UA654220	C. MYLAR	0.022uF 50V	540,5650	マイラーコン	01
C322	UA654220	C. MYLAR	0.022uF 50V	540,5650	RTKABGL マイラーコン	01
C323	UA654220	C. MYLAR	0.022uF 50V	540,5650	RTKABGL マイラーコン	01
C324	UA654220	C. MYLAR	0.022uF 50V	540,5650	RTKABGL マイラーコン	01
* C325	WB307500	C. EL	330uF 50V	540,5650	ケミコン	
C326	UA654220	C. MYLAR	0.022uF 50V	540,5650	RTKABGL マイラーコン	01
C327	UA654220	C. MYLAR	0.022uF 50V	540,5650	RTKABGL マイラーコン	01
C401	VD930900	C. CE. SMI	0.1uF 25V	540,5650	半導体セラコン	01
C402	UR838100	C. EL	100uF 16V	540,5650	ケミコン	01
C403	UR838100	C. EL	100uF 16V	540,5650	ケミコン	01
C404	UR877100	C. EL	10uF 63V	540,5650	ケミコン	01
C405	UR877100	C. EL	10uF 63V	540,5650	ケミコン	01
C406	UR867470	C. EL	47uF 50V	540,5650	ケミコン	01
C407	UR838100	C. EL	100uF 16V	540,5650	ケミコン	01
C408	UR838100	C. EL	100uF 16V	540,5650	ケミコン	01
C409	UT652150	C. PP	150pF 100V	540,5650	PPコン	01
C410	UR847470	C. EL	47uF 25V	540,5650	ケミコン	01
C411	UT652150	C. PP	150pF 100V	540,5650	PPコン	01
C412	UR877100	C. EL	10uF 63V	540,5650	ケミコン	01
C413	UR838100	C. EL	100uF 16V	540,5650	ケミコン	01
C414	UR877100	C. EL	10uF 63V	540,5650	ケミコン	01
C415	UR877100	C. EL	10uF 63V	540,5650	ケミコン	01

* New Parts * 新規部品(マーク#の部品は、基板に含まれません)

RX-V540/RX-V540RDS/HTR-5650/HTR-5650RDS/DSP-AX540
 RX-V440/RX-V440RDS/HTR-5640/HTR-5640RDS/DSP-AX440

RX-V540/RX-V540RDS/HTR-5650/HTR-5650RDS/DSP-AX540

P.C.B. MAIN

Schm Ref.	PART NO.	Description	Remarks	Markets	部 品 名	Rank
	C416	UA654220 C. MYLAR	0.022uF 50V	540, 5650	マイラーコン	01
* △	C417	WB302800 C. EL	10000uF 16V	540, 5650	ケミコン	
* △	C418	WB302800 C. EL	10000uF 16V	540, 5650	ケミコン	
* △	C419	WB304400 C. EL	6800uF 25V	540, 5650	ケミコン	
* △	C420	WB333600 C. EL	1000uF 25V	540, 5650	ケミコン	
* △	C421	WB302800 C. EL	10000uF 16V	540, 5650	ケミコン	
* △	C422	WB302800 C. EL	10000uF 16V	540, 5650	ケミコン	
	C423	VR324900 C. MYLAR	0.1uF 100V	540, 5650	マイラーコン	01
	C425	VR324900 C. MYLAR	0.1uF 100V	540, 5650	マイラーコン	01
	C427	VR324900 C. MYLAR	0.1uF 100V	540, 5650	マイラーコン	01
	C428	VR324900 C. MYLAR	0.1uF 100V	540, 5650	マイラーコン	01
	C429	UR866470 C. EL	4.7uF 50V	540, 5650	ケミコン	01
	D101	VD631600 DIODE	1SS133, 176	540, 5650	ダイオード	01
	D102	WA180300 DIODE	1SS244	540, 5650	ダイオード	01
	D103	VD631600 DIODE	1SS133, 176	540, 5650	ダイオード	01
	D104	WA180300 DIODE	1SS244	540, 5650	ダイオード	01
	D105	WA180300 DIODE	1SS244	540, 5650	ダイオード	01
	D106	WA180300 DIODE	1SS244	540, 5650	ダイオード	01
	D107	WA180300 DIODE	1SS244	540, 5650	ダイオード	01
	D108	VN008700 DIODE	1SS270A	540, 5650	ダイオード	01
	D109	VN008700 DIODE	1SS270A	540, 5650	ダイオード	01
	D110	VN008700 DIODE	1SS270A	540, 5650	ダイオード	01
	D111	VN008700 DIODE	1SS270A	540, 5650	ダイオード	01
	D112	VN008700 DIODE	1SS270A	540, 5650	ダイオード	01
	D113	VD631600 DIODE	1SS133, 176	540, 5650	ダイオード	01
	D114	VD631600 DIODE	1SS133, 176	540, 5650	ダイオード	01
	D115	WA180300 DIODE	1SS244	540, 5650	ダイオード	01
	D116	WA180300 DIODE	1SS244	540, 5650	ダイオード	01
	D117	VG437200 DIODE. ZENR	MTZJ4.7C 4.7V	540, 5650	ツェナーダイオード	01
	D118	WA180300 DIODE	1SS244	540, 5650	ダイオード	01
	D119	WA180300 DIODE	1SS244	540, 5650	ダイオード	01
	D120	WA180300 DIODE	1SS244	540, 5650	ダイオード	01
	D121	WA180300 DIODE	1SS244	540, 5650	ダイオード	01
	D301	VG440300 DIODE. ZENR	MTZJ12C 12V	540, 5650	ツェナーダイオード	01
	D302	VG440300 DIODE. ZENR	MTZJ12C 12V	540, 5650	ツェナーダイオード	01
	D303	VG440300 DIODE. ZENR	MTZJ12C 12V	540, 5650	ツェナーダイオード	01
	D304	VG440300 DIODE. ZENR	MTZJ12C 12V	540, 5650	ツェナーダイオード	01
	D305	VG443200 DIODE. ZENR	MTZJ30A 30V	540, 5650	ツェナーダイオード	01
	D306	VG440300 DIODE. ZENR	MTZJ12C 12V	540, 5650	ツェナーダイオード	01
	D307	VG440300 DIODE. ZENR	MTZJ12C 12V	540, 5650	ツェナーダイオード	01
	D308	VG440300 DIODE. ZENR	MTZJ12C 12V	540, 5650	ツェナーダイオード	01
	D309	VG440300 DIODE. ZENR	MTZJ12C 12V	540, 5650	ツェナーダイオード	01
* △	D310	WA653200 DIODE. BRG	TS6P03G 6.0A 200V	540, 5650	ダイオードブリッジ	
△	D311	VS997800 DIODE	1T2	540, 5650	ダイオード	01
△	D312	VS997800 DIODE	1T2	540, 5650	ダイオード	01
△	D313	VS997800 DIODE	1T2	540, 5650	ダイオード	01
△	D314	VS997800 DIODE	1T2	540, 5650	ダイオード	01
	D315	VV307700 DIODE	1N4002S	540, 5650	ダイオード	01
	D401	WA180300 DIODE	1SS244	540, 5650	ダイオード	01
	D402	VN008700 DIODE	1SS270A	540, 5650	ダイオード	01
* △	D403	WA653100 DIODE. BRG	KBP103G 1.0A 200V	540, 5650	ダイオードブリッジ	
* △	D404	WA653100 DIODE. BRG	KBP103G 1.0A 200V	540, 5650	ダイオードブリッジ	
* △	D405	VG435500 DIODE. ZENR	MTZJ2.4B 2.4V	540, 5650	ツェナーダイオード	

* New Parts * 新規部品(マーク#の部品は、基板に含まれません)

RX-V540/RX-V540RDS/HTR-5650/HTR-5650RDS/DSP-AX540
 RX-V440/RX-V440RDS/HTR-5640/HTR-5640RDS/DSP-AX440

RX-V540/RX-V540RDS/HTR-5650/HTR-5650RDS/DSP-AX540

P.C.B. MAIN

Schm Ref.	PART NO.	Description	Remarks	Markets	部 品 名	Rank
* D406	VG435500	DIODE.ZENR	MTZJ2.4B 2.4V	540,5650	ツェナーダイオード	
D407	VN008700	DIODE	1SS270A	540,5650	ダイオード	01
G101	VR463400	TERM.GND	D3.5	540,5650	アース端子	01
G301	VR463400	TERM.GND	D3.5	540,5650	アース端子	01
G302	V5995800	PLATE.GND		540,5650	アースプレート	
IC401	X0515A00	IC	LM61CIZ THERMAL	540,5650	電源IC	
△ IC402	XJ608A00	IC	NJM7812FA	540,5650	IC	02
△ IC403	XD343A00	IC	NJM79M12FA	540,5650	IC	03
△ IC404	XJ607A00	IC	NJM7805FA 5V	540,5650	IC	02
△ IC405	XE436A00	IC	NJM79M05FA	540,5650	IC	03
△ IC406	XJ607A00	IC	NJM7805FA 5V	540,5650	IC	02
PN301	V9637500	PIN	L=70 #18	540,5650	スタイルピン	
PN304	V9637500	PIN	L=70 #18	540,5650	スタイルピン	
PN401	V9637500	PIN	L=70 #18	540,5650	スタイルピン	
PN402	V9637500	PIN	L=70 #18	540,5650	スタイルピン	
PN403	V9637500	PIN	L=70 #18	540,5650	スタイルピン	
△ Q101	VK432900	TR	2SD1915F S,T	540,5650	トランジスタ	01
△ Q102	VK432900	TR	2SD1915F S,T	540,5650	トランジスタ	01
△ Q103	VK432900	TR	2SD1915F S,T	540,5650	トランジスタ	01
△ Q104	VK432900	TR	2SD1915F S,T	540,5650	トランジスタ	01
△ Q105	VK432900	TR	2SD1915F S,T	540,5650	トランジスタ	01
△ Q106	VC614000	TR	2SB1274 Q,R,S	540,5650	トランジスタ	02
△ Q107	VP883000	TR	2SA893A D,E	540,5650	トランジスタ	01
Q108	VP883000	TR	2SA893A D,E	540,5650	トランジスタ	01
△ Q109	VP872700	TR	2SC4488 S,T	540,5650	トランジスタ	01
△ Q110A	iX630850	TR	2SA1695 O,P,Y	540,5650	トランジスタ	04
△ Q110C	iX630860	TR	2SC4468 O,P,Y	540,5650	トランジスタ	04
△ Q111A	iX630850	TR	2SA1695 O,P,Y	540,5650	トランジスタ	04
△ Q111C	iX630860	TR	2SC4468 O,P,Y	540,5650	トランジスタ	04
△ Q112A	iX630850	TR	2SA1695 O,P,Y	540,5650	トランジスタ	04
△ Q112C	iX630860	TR	2SC4468 O,P,Y	540,5650	トランジスタ	04
△ Q113A	iX630850	TR	2SA1695 O,P,Y	540,5650	トランジスタ	04
△ Q113C	iX630860	TR	2SC4468 O,P,Y	540,5650	トランジスタ	04
△ Q114A	iX630850	TR	2SA1695 O,P,Y	540,5650	トランジスタ	04
△ Q114C	iX630860	TR	2SC4468 O,P,Y	540,5650	トランジスタ	04
△ Q115	VP872600	TR	2SA1708 S,T	540,5650	トランジスタ	01
△ Q117	VP872700	TR	2SC4488 S,T	540,5650	トランジスタ	01
△ Q119	VP872600	TR	2SA1708 S,T	540,5650	トランジスタ	01
△ Q121	VP872700	TR	2SC4488 S,T	540,5650	トランジスタ	01
△ Q122	VP872600	TR	2SA1708 S,T	540,5650	トランジスタ	01
△ Q123	VP872600	TR	2SA1708 S,T	540,5650	トランジスタ	01
△ Q124	VP872700	TR	2SC4488 S,T	540,5650	トランジスタ	01
△ Q125	VP872700	TR	2SC4488 S,T	540,5650	トランジスタ	01
△ Q128	VP872600	TR	2SA1708 S,T	540,5650	トランジスタ	01
Q129	iC181510	TR	2SC1815 Y	540,5650	トランジスタ	01
Q130	VP883100	TR	2SC1890A D,E	540,5650	トランジスタ	01
Q131	VP883100	TR	2SC1890A D,E	540,5650	トランジスタ	01
Q132	VP883100	TR	2SC1890A D,E	540,5650	トランジスタ	01
Q134	VP883100	TR	2SC1890A D,E	540,5650	トランジスタ	01
Q135	VP883100	TR	2SC1890A D,E	540,5650	トランジスタ	01
Q136	VP883000	TR	2SA893A D,E	540,5650	トランジスタ	01
Q137	VP883100	TR	2SC1890A D,E	540,5650	トランジスタ	01
Q138	VP883100	TR	2SC1890A D,E	540,5650	トランジスタ	01

* New Parts * 新規部品(マーク#の部品は、基板に含まれません)

RX-V540/RX-V540RDS/HTR-5650/HTR-5650RDS/DSP-AX540
 RX-V440/RX-V440RDS/HTR-5640/HTR-5640RDS/DSP-AX440

RX-V540/RX-V540RDS/HTR-5650/HTR-5650RDS/DSP-AX540

P.C.B. MAIN

Schm Ref.	PART NO.	Description	Remarks	Markets	部品名	Rank
	Q301	iC181510 TR	2SC1815 Y	540, 5650		トランジスタ 01
△	Q302	iA101510 TR	2SA1015 Y	540, 5650		トランジスタ 01
	Q305	iC181510 TR	2SC1815 Y	540, 5650		トランジスタ 01
	Q306	iC181510 TR	2SC1815 Y	540, 5650		トランジスタ 01
△	Q401	iC224030 TR	2SC2240 GR, BL	540, 5650		トランジスタ 01
△	Q402	VP872700 TR	2SC4488 S, T	540, 5650		トランジスタ 01
△	Q403A	iX630850 TR	2SA1695 O, P, Y	540, 5650		トランジスタ 04
△	Q403C	iX630860 TR	2SC4468 O, P, Y	540, 5650		トランジスタ 04
△	Q404	VP872600 TR	2SA1708 S, T	540, 5650		トランジスタ 01
	Q406	VP883100 TR	2SC1890A D, E	540, 5650		トランジスタ 01
	Q407	VP883100 TR	2SC1890A D, E	540, 5650		トランジスタ 01
	R102	VP941500 R. MTL. OXD	4.7KΩ 1W	540, 5650		酸化金属被膜抵抗 01
	R103	VP941500 R. MTL. OXD	4.7KΩ 1W	540, 5650	JRTKABGL	酸化金属被膜抵抗 01
	R103	VP941600 R. MTL. OXD	5.6KΩ 1W	540, 5650	UC	酸化金属被膜抵抗 01
	R105	HV755100 R. CAR. FP	100Ω 1/4W	540, 5650		不燃化カーボン抵抗 01
	R106	HL006270 R. MTL. OXD	2.7KΩ 1/2W	540, 5650		酸化金属被膜抵抗
*	R107	HL005330 R. MTL. OXD	330Ω 1/2W	540, 5650		酸化金属被膜抵抗
	R108	HL005820 R. MTL. OXD	820Ω 1/2W	540, 5650		酸化金属被膜抵抗
	R109	HL006100 R. MTL. OXD	1KΩ 1/2W	540, 5650		酸化金属被膜抵抗
	R110	VP941500 R. MTL. OXD	4.7KΩ 1W	540, 5650	JRTKABGL	酸化金属被膜抵抗 01
	R110	VP941600 R. MTL. OXD	5.6KΩ 1W	540, 5650	UC	酸化金属被膜抵抗 01
	R111	VP941500 R. MTL. OXD	4.7KΩ 1W	540, 5650		酸化金属被膜抵抗 01
	R112	HV755100 R. CAR. FP	100Ω 1/4W	540, 5650		不燃化カーボン抵抗 01
	R113	HL006270 R. MTL. OXD	2.7KΩ 1/2W	540, 5650		酸化金属被膜抵抗
*	R114	HL005330 R. MTL. OXD	330Ω 1/2W	540, 5650		酸化金属被膜抵抗
	R115	HL005820 R. MTL. OXD	820Ω 1/2W	540, 5650		酸化金属被膜抵抗
	R116	HL006100 R. MTL. OXD	1KΩ 1/2W	540, 5650		酸化金属被膜抵抗
	R117	VP941500 R. MTL. OXD	4.7KΩ 1W	540, 5650	JRTKABGL	酸化金属被膜抵抗 01
	R117	VP941600 R. MTL. OXD	5.6KΩ 1W	540, 5650	UC	酸化金属被膜抵抗 01
	R118	VP941500 R. MTL. OXD	4.7KΩ 1W	540, 5650		酸化金属被膜抵抗 01
	R119	HV755100 R. CAR. FP	100Ω 1/4W	540, 5650		不燃化カーボン抵抗 01
	R120	HL006270 R. MTL. OXD	2.7KΩ 1/2W	540, 5650		酸化金属被膜抵抗
*	R121	HL005330 R. MTL. OXD	330Ω 1/2W	540, 5650		酸化金属被膜抵抗
	R122	HL006100 R. MTL. OXD	1KΩ 1/2W	540, 5650		酸化金属被膜抵抗
	R123	HL005820 R. MTL. OXD	820Ω 1/2W	540, 5650		酸化金属被膜抵抗
	R124	V8072000 R. MTL. OXD	4.7KΩ 1W	540, 5650	JRTKABGL	酸化金属被膜抵抗
	R124	V8072100 R. MTL. OXD	5.6KΩ 1W	540, 5650	UC	酸化金属被膜抵抗
	R125	V8072000 R. MTL. OXD	4.7KΩ 1W	540, 5650		酸化金属被膜抵抗
	R126	HV755100 R. CAR. FP	100Ω 1/4W	540, 5650		不燃化カーボン抵抗 01
	R127	HL006270 R. MTL. OXD	2.7KΩ 1/2W	540, 5650		酸化金属被膜抵抗
*	R128	HL005330 R. MTL. OXD	330Ω 1/2W	540, 5650		酸化金属被膜抵抗
	R129	HL006100 R. MTL. OXD	1KΩ 1/2W	540, 5650		酸化金属被膜抵抗
	R130	HL005820 R. MTL. OXD	820Ω 1/2W	540, 5650		酸化金属被膜抵抗
	R131	V8072000 R. MTL. OXD	4.7KΩ 1W	540, 5650	JRTKABGL	酸化金属被膜抵抗
	R131	V8072100 R. MTL. OXD	5.6KΩ 1W	540, 5650	UC	酸化金属被膜抵抗
	R132	V8072000 R. MTL. OXD	4.7KΩ 1W	540, 5650		酸化金属被膜抵抗
	R133	HV755100 R. CAR. FP	100Ω 1/4W	540, 5650		不燃化カーボン抵抗 01
	R134	HL006270 R. MTL. OXD	2.7KΩ 1/2W	540, 5650		酸化金属被膜抵抗
*	R135	HL005330 R. MTL. OXD	330Ω 1/2W	540, 5650		酸化金属被膜抵抗
	R136	HL006100 R. MTL. OXD	1KΩ 1/2W	540, 5650		酸化金属被膜抵抗
	R137	HL005820 R. MTL. OXD	820Ω 1/2W	540, 5650		酸化金属被膜抵抗
△	R140	HV754100 R. CAR. FP	10Ω 1/4W	540, 5650		不燃化カーボン抵抗 01
△	R142	VP939700 R. MTL. FLM	4.7Ω 1W	540, 5650		金属被膜抵抗 01

* New Parts * 新規部品(マーク#の部品は、基板に含まれません)

RX-V540/RX-V540RDS/HTR-5650/HTR-5650RDS/DSP-AX540
 RX-V440/RX-V440RDS/HTR-5640/HTR-5640RDS/DSP-AX440

RX-V540/RX-V540RDS/HTR-5650/HTR-5650RDS/DSP-AX540

P.C.B. MAIN

Schm Ref.	PART NO.	Description	Remarks	Markets	部品名	Rank	
△	R143	VP940600 R. MTL. OXD	220Ω 1W	540, 5650		酸化金属被膜抵抗	01
△	R146	VP939700 R. MTL. FLM	4.7Ω 1W	540, 5650		金属被膜抵抗	01
△	R147	VP939700 R. MTL. FLM	4.7Ω 1W	540, 5650		金属被膜抵抗	01
△	R148	VP940600 R. MTL. OXD	220Ω 1W	540, 5650		酸化金属被膜抵抗	01
△	R150	VP939700 R. MTL. FLM	4.7Ω 1W	540, 5650		金属被膜抵抗	01
△	R152	V8071100 R. MTL. FLM	220Ω 1W	540, 5650		金属被膜抵抗	
△	R153	HV754100 R. CAR. FP	10Ω 1/4W	540, 5650		不燃化カーボン抵抗	01
△	R154	HV754100 R. CAR. FP	10Ω 1/4W	540, 5650		不燃化カーボン抵抗	01
△	R155	HV754100 R. CAR. FP	10Ω 1/4W	540, 5650		不燃化カーボン抵抗	01
△	R156	V8071100 R. MTL. FLM	220Ω 1W	540, 5650		金属被膜抵抗	
△	R157	HV754100 R. CAR. FP	10Ω 1/4W	540, 5650		不燃化カーボン抵抗	01
△	R158	VP939800 R. MTL. OXD	10Ω 1W	540, 5650		酸化金属被膜抵抗	01
△	R159	VP940600 R. MTL. OXD	220Ω 1W	540, 5650		酸化金属被膜抵抗	01
△	R160	VP939800 R. MTL. OXD	10Ω 1W	540, 5650		酸化金属被膜抵抗	01
△	R162	HV756150 R. CAR. FP	1.5KΩ 1/4W	540, 5650		不燃化カーボン抵抗	01
△	R164	V3873200 R. WW	0.22Ω 3W	540, 5650		セメント抵抗	02
△	R168	V3873200 R. WW	0.22Ω 3W	540, 5650		セメント抵抗	02
* △	R175	WB279900 R. WW	RGC55C 0.22+0.22	540, 5650		セメント抵抗	
* △	R177	WB279900 R. WW	RGC55C 0.22+0.22	540, 5650		セメント抵抗	
△	R181	V3873200 R. WW	0.22Ω 3W	540, 5650		セメント抵抗	02
△	R188	VP939800 R. MTL. OXD	10Ω 1W	540, 5650		酸化金属被膜抵抗	01
△	R192	VP939800 R. MTL. OXD	10Ω 1W	540, 5650		酸化金属被膜抵抗	01
△	R196	V8070300 R. MTL. FLM	10Ω 1W	540, 5650		金属被膜抵抗	
△	R200	V8070300 R. MTL. FLM	10Ω 1W	540, 5650		金属被膜抵抗	
△	R204	VP939800 R. MTL. OXD	10Ω 1W	540, 5650		酸化金属被膜抵抗	01
△	R208	VP939700 R. MTL. FLM	4.7Ω 1W	540, 5650		金属被膜抵抗	01
△	R220	VP939700 R. MTL. FLM	4.7Ω 1W	540, 5650		金属被膜抵抗	01
△	R221	VP939700 R. MTL. FLM	4.7Ω 1W	540, 5650		金属被膜抵抗	01
	R222	HV754100 R. CAR. FP	10Ω 1/4W	540, 5650		不燃化カーボン抵抗	01
	R223	HV754100 R. CAR. FP	10Ω 1/4W	540, 5650		不燃化カーボン抵抗	01
△	R228	HV753100 R. CAR. FP	1Ω 1/4W	540, 5650		不燃化カーボン抵抗	01
	R301	VP940800 R. MTL. OXD	470Ω 1W	540, 5650		酸化金属被膜抵抗	01
	R302	VP940800 R. MTL. OXD	470Ω 1W	540, 5650		酸化金属被膜抵抗	01
△	R306	HV755100 R. CAR. FP	100Ω 1/4W	540, 5650		不燃化カーボン抵抗	01
	R307	HV756100 R. CAR. FP	1KΩ 1/4W	540, 5650		不燃化カーボン抵抗	01
	R314	VP940800 R. MTL. OXD	470Ω 1W	540, 5650		酸化金属被膜抵抗	01
	R315	VP940800 R. MTL. OXD	470Ω 1W	540, 5650		酸化金属被膜抵抗	01
	R328	HV753100 R. CAR. FP	1Ω 1/4W	540, 5650		不燃化カーボン抵抗	01
△	R329	HV753100 R. CAR. FP	1Ω 1/4W	540, 5650		不燃化カーボン抵抗	01
	R333	HV753470 R. CAR. FP	4.7Ω 1/4W	540, 5650	RTKABGL	不燃化カーボン抵抗	01
	R334	HV753470 R. CAR. FP	4.7Ω 1/4W	540, 5650	RTKABGL	不燃化カーボン抵抗	01
	R336	HV753470 R. CAR. FP	4.7Ω 1/4W	540, 5650	RTKABGL	不燃化カーボン抵抗	01
	R337	HV753470 R. CAR. FP	4.7Ω 1/4W	540, 5650	RTKABGL	不燃化カーボン抵抗	01
	R338	HV753470 R. CAR. FP	4.7Ω 1/4W	540, 5650	RTKABGL	不燃化カーボン抵抗	01
	R401	HL006270 R. MTL. OXD	2.7KΩ 1/2W	540, 5650		酸化金属被膜抵抗	
*	R402	HL005270 R. MTL. OXD	270Ω 1/2W	540, 5650		酸化金属被膜抵抗	
	R403	HL006100 R. MTL. OXD	1KΩ 1/2W	540, 5650		酸化金属被膜抵抗	
	R404	HL006100 R. MTL. OXD	1KΩ 1/2W	540, 5650		酸化金属被膜抵抗	
	R405	V8072000 R. MTL. OXD	4.7KΩ 1W	540, 5650	JRTKABGL	酸化金属被膜抵抗	
	R405	V8072100 R. MTL. OXD	5.6KΩ 1W	540, 5650	UC	酸化金属被膜抵抗	
	R406	V8072000 R. MTL. OXD	4.7KΩ 1W	540, 5650		酸化金属被膜抵抗	
	R407	HV755100 R. CAR. FP	100Ω 1/4W	540, 5650		不燃化カーボン抵抗	01
△	R408	HV753100 R. CAR. FP	1Ω 1/4W	540, 5650		不燃化カーボン抵抗	01

* New Parts * 新規部品(マーク#の部品は、基板に含まれません)

RX-V540/RX-V540RDS/HTR-5650/HTR-5650RDS/DSP-AX540
 RX-V440/RX-V440RDS/HTR-5640/HTR-5640RDS/DSP-AX440

RX-V440/RX-V440RDS/HTR-5640/HTR-5640RDS/DSP-AX440

P.C.B. MAIN

Schm Ref.	PART NO.	Description	Remarks	Markets	部品名	Rank
△	R409	HV753100 R. CAR. FP	1Ω 1/4W	540, 5650		不燃化カーボン抵抗 01
△	R410	V8071100 R. MTL. FLM	220Ω 1W	540, 5650		金属被膜抵抗
△	R411	HV754100 R. CAR. FP	10Ω 1/4W	540, 5650		不燃化カーボン抵抗 01
△	R412	HV754100 R. CAR. FP	10Ω 1/4W	540, 5650		不燃化カーボン抵抗 01
△	R413	V8070000 R. MTL. FLM	1Ω 1W	540, 5650		金属被膜抵抗
△	R414	V8070000 R. MTL. FLM	1Ω 1W	540, 5650		金属被膜抵抗
* △	R416	WB279900 R. WW	RGC55C 0.22+0.22	540, 5650		セメント抵抗
△	R421	V8070300 R. MTL. FLM	10Ω 1W	540, 5650		金属被膜抵抗
	R423	V8070000 R. MTL. FLM	1Ω 1W	540, 5650		金属被膜抵抗
	R424	V8070000 R. MTL. FLM	1Ω 1W	540, 5650		金属被膜抵抗
*	RY301	WA544800 RELAY	DC G5PA-28	540, 5650		リレー 24V
*	RY302	WA544800 RELAY	DC G5PA-28	540, 5650		リレー 24V
*	RY303	WA544800 RELAY	DC G5PA-28	540, 5650		リレー 24V
*	RY304	WA544800 RELAY	DC G5PA-28	540, 5650		リレー 24V
	ST101	V4040500 SCR. TERM	M3	540, 5650		スクリュー/ターミナル 01
	ST301	V4040500 SCR. TERM	M3	540, 5650		スクリュー/ターミナル 01
△	SW301	V4104200 SW. SLIDE	SL13B-022-AMCS	540, 5650	UCRTKABGL	スライドSW 03
*	TE301	V5912200 TERM. SP	8P LTS0810	540, 5650	KBGL	スピーカターミナル 8P
	TE301	V6771200 TERM. SP	8P LTS0810	540, 5650	JUCRTA	スピーカターミナル 8P 06
*	TE302	V5912200 TERM. SP	8P LTS0810	540, 5650	KBGL	スピーカターミナル 8P
	TE302	V6771200 TERM. SP	8P LTS0810	540, 5650	JUCRTA	スピーカターミナル 8P 06
		EP600140 SCR. BND. HD	3x10 MFZN2BL	540, 5650		バインドBタイトネジ 01
*		WA700800 P. C. B.	MAIN	440, 5640	J	PCB メイン
*		WA700900 P. C. B.	MAIN	440, 5640	UC	PCB メイン
*		WA701000 P. C. B.	MAIN	440, 5640	RA	PCB メイン
*		WB225000 P. C. B.	MAIN	440, 5640	T	PCB メイン
*		WA701100 P. C. B.	MAIN	440, 5640	KBGL	PCB メイン
*	CB101	V7825700 CN	7P TE TUC SERIES	440, 5640	JUCRKABGL	コネクタプラグ
	CB101	VQ962800 CN	7P TE	440, 5640	T	ウエハー
*	CB102	V7826500 CN	15P TE TUC SERIES	440, 5640	JUCRKABGL	コネクタプラグ 01
	CB102	VQ963600 CN	15P TE	440, 5640	T	ウエハー
	CB103	LB918040 CN. BS. PIN	4P	440, 5640		ベース付ポスト 01
	CB104	VF728200 CN. BS. PIN	10P	440, 5640		コネクタ 01
	CB105	VR428800 CN. BS. PIN	3P	440, 5640		ケーブルホルダー 01
	CB107	Vi878100 CN. BS. PIN	3P	440, 5640		ケーブルホルダー 01
	CB109	VL844700 CN. BS. PIN	3P	440, 5640		ベース付ポスト 01
	CB301	VR428800 CN. BS. PIN	3P	440, 5640		ケーブルホルダー 01
	CB302	Vi878100 CN. BS. PIN	3P	440, 5640		ケーブルホルダー 01
	CB303	V7825400 CN	4P TE TUC SERIES	440, 5640	JUCRKABGL	コネクタプラグ 01
*	CB303	VQ962500 CN	4P TE	440, 5640	T	ウエハー
	CB304	VK025600 CN. BS. PIN	12P	440, 5640		ワイヤートラップ 01
	CB306	LB932060 CN. BS. PIN	6P	440, 5640		ベースポスト 01
*	CB307	WB127100 CN. BS. PIN	3P TE XH	440, 5640		ベースツキポスト
	CB401	V7828200 SOCKET	15P TE TUC SERIES	440, 5640	JUCRKABGL	コネクタソケット
*	CB401	VQ961800 CN	15P SE	440, 5640	T	ハウジング
*	CB403	LB919070 CN. BS. PIN	7P	440, 5640		ベース付ポスト 01
	C101	VG291200 C. EL	47uF 50V	440, 5640		ケミコン 01
	C102	UR877220 C. EL	22uF 63V	440, 5640		ケミコン 01
	C103	VG291200 C. EL	47uF 50V	440, 5640		ケミコン 01
	C104	VG291200 C. EL	47uF 50V	440, 5640		ケミコン 01

* New Parts * 新規部品(マーク#の部品は、基板に含まれません)

RX-V540/RX-V540RDS/HTR-5650/HTR-5650RDS/DSP-AX540
RX-V440/RX-V440RDS/HTR-5640/HTR-5640RDS/DSP-AX440

RX-V440/RX-V440RDS/HTR-5640/HTR-5640RDS/DSP-AX440

P.C.B. MAIN

Schm Ref.	PART NO.	Description	Remarks	Markets	部 品 名	Rank
C105	UR867470	C.EL 47uF 50V	440,5640		ケミコン	01
C106	UR867470	C.EL 47uF 50V	440,5640		ケミコン	01
C107	UR896470	C.EL 4.7uF 100V	440,5640		ケミコン	01
C108	UT652150	C.PP 150pF 100V	440,5640		PPコン	01
C109	UR337470	C.EL 47uF 16V	440,5640	JKBGL	ケミコン A S F	03
C109	UR837470	C.EL 47uF 16V	440,5640	UCRTA	ケミコン	01
C111	UT652150	C.PP 150pF 100V	440,5640		PPコン	01
C112	UT652150	C.PP 150pF 100V	440,5640		PPコン	01
C113	UR337470	C.EL 47uF 16V	440,5640	JKBGL	ケミコン A S F	03
C113	UR837470	C.EL 47uF 16V	440,5640	UCRTA	ケミコン	01
C115	UT652150	C.PP 150pF 100V	440,5640		PPコン	01
C116	UT652150	C.PP 150pF 100V	440,5640		PPコン	01
C117	UR847470	C.EL 47uF 25V	440,5640		ケミコン	01
C118	UT652150	C.PP 150pF 100V	440,5640		PPコン	01
C119	UT652150	C.PP 150pF 100V	440,5640		PPコン	01
C120	UR847470	C.EL 47uF 25V	440,5640		ケミコン	01
C121	UT652150	C.PP 150pF 100V	440,5640		PPコン	01
C122	UT652150	C.PP 150pF 100V	440,5640		PPコン	01
C123	UR337470	C.EL 47uF 16V	440,5640	JKBGL	ケミコン A S F	03
C123	UR837470	C.EL 47uF 16V	440,5640	UCRTA	ケミコン	01
C124	UT652150	C.PP 150pF 100V	440,5640		PPコン	01
* C125	UA354220	C.MYLAR 0.022uF 50V	440,5640	UCRTA	マイラーコン	
* C125	VR324700	C.MYLAR 0.022uF 100V	440,5640	JKBGL	マイラーコン	
* C126	UA354220	C.MYLAR 0.022uF 50V	440,5640	UCRTA	マイラーコン	
* C126	VR324700	C.MYLAR 0.022uF 100V	440,5640	JKBGL	マイラーコン	
* C127	UA354220	C.MYLAR 0.022uF 50V	440,5640		マイラーコン	
* C128	UA354220	C.MYLAR 0.022uF 50V	440,5640		マイラーコン	
* C129	UA354220	C.MYLAR 0.022uF 50V	440,5640	UCRTA	マイラーコン	
* C129	VR324700	C.MYLAR 0.022uF 100V	440,5640	JKBGL	マイラーコン	
C130	V8584600	C.PP 220pF 630V	440,5640		PPコン	
C131	UR866470	C.EL 4.7uF 50V	440,5640		ケミコン	01
C132	UR838100	C.EL 100uF 16V	440,5640		ケミコン	01
C133	UR847470	C.EL 47uF 25V	440,5640		ケミコン	01
C134	VR324900	C.MYLAR 0.1uF 100V	440,5640		マイラーコン	01
C135	VR324900	C.MYLAR 0.1uF 100V	440,5640		マイラーコン	01
△ C137	UR397100	C.EL 10uF 100V	440,5640	JKBGL	ケミコン A S F	03
△ C137	UR897100	C.EL 10uF 100V	440,5640	UCRTA	ケミコン	01
△ C138	UR397100	C.EL 10uF 100V	440,5640	JKBGL	ケミコン A S F	03
△ C138	UR897100	C.EL 10uF 100V	440,5640	UCRTA	ケミコン	01
C301	UR867470	C.EL 47uF 50V	440,5640		ケミコン	01
△ C302	UR866470	C.EL 4.7uF 50V	440,5640		ケミコン	01
△ C303	V4926300	C.EL 8200uF 63V	440,5640	UCRTA	ケミコン	
* △ C303	WB127200	C.EL 8200uF 71V	440,5640	JKBGL	ケミコン	
* △ C303	WB127200	C.EL 8200uF 71V	440,5640		ケミコン	
* △ C304	V4926300	C.EL 8200uF 63V	440,5640	UCRTA	ケミコン	
* C304	WB127200	C.EL 8200uF 71V	440,5640	JKBGL	ケミコン	
C305	UA654100	C.MYLAR 0.01uF 50V	440,5640	RTKABGL	マイラーコン	01
C306	VG291300	C.EL 100uF 50V	440,5640		ケミコン	01
C307	VG291300	C.EL 100uF 50V	440,5640		ケミコン	01
C308	UA654100	C.MYLAR 0.01uF 50V	440,5640	RTKABGL	マイラーコン	01
C309	UA653470	C.MYLAR 4700pF 50V	440,5640	RTKABGL	マイラーコン	01
C310	UA653470	C.MYLAR 4700pF 50V	440,5640	RTKABGL	マイラーコン	01
C311	UA653470	C.MYLAR 4700pF 50V	440,5640	RTKABGL	マイラーコン	01

* New Parts * 新規部品(マーク#の部品は、基板に含まれません)

RX-V540/RX-V540RDS/HTR-5650/HTR-5650RDS/DSP-AX540
 RX-V440/RX-V440RDS/HTR-5640/HTR-5640RDS/DSP-AX440

RX-V440/RX-V440RDS/HTR-5640/HTR-5640RDS/DSP-AX440

P.C.B. MAIN

Schm Ref.	PART NO.	Description	Remarks	Markets	部品名	Rank	
C312	UA654100	C. MYLAR	0.01uF 50V	440, 5640		マイラーコン	01
C313	UA654100	C. MYLAR	0.01uF 50V	440, 5640	RTKABGL	マイラーコン	01
C314	VR324900	C. MYLAR	0.1uF 100V	440, 5640		マイラーコン	01
C315	VR324900	C. MYLAR	0.1uF 100V	440, 5640		マイラーコン	01
C316	VR324900	C. MYLAR	0.1uF 100V	440, 5640		マイラーコン	01
C317	VR324900	C. MYLAR	0.1uF 100V	440, 5640		マイラーコン	01
C318	UA653470	C. MYLAR	4700pF 50V	440, 5640	RTKABGL	マイラーコン	01
C319	UA654100	C. MYLAR	0.01uF 50V	440, 5640	RTKABGL	マイラーコン	01
C320	UA654100	C. MYLAR	0.01uF 50V	440, 5640	RTKABGL	マイラーコン	01
C320	UA654100	C. MYLAR	0.01uF 50V	440, 5640		マイラーコン	01
C321	UA654220	C. MYLAR	0.022uF 50V	440, 5640		マイラーコン	01
C322	UA654220	C. MYLAR	0.022uF 50V	440, 5640	RTKABGL	マイラーコン	01
C323	UA654220	C. MYLAR	0.022uF 50V	440, 5640	RTKABGL	マイラーコン	01
C324	UA654220	C. MYLAR	0.022uF 50V	440, 5640	RTKABGL	マイラーコン	01
* C325	WB307500	C. EL	330uF 50V	440, 5640		ケミコン	
C326	UA654220	C. MYLAR	0.022uF 50V	440, 5640	RTKABGL	マイラーコン	01
C327	UA654220	C. MYLAR	0.022uF 50V	440, 5640	RTKABGL	マイラーコン	01
C401	VD930900	C. CE. SMI	0.1uF 25V	440, 5640		半導体セラコン	01
C402	UR838100	C. EL	100uF 16V	440, 5640		ケミコン	01
C403	UR838100	C. EL	100uF 16V	440, 5640		ケミコン	01
C404	UR877100	C. EL	10uF 63V	440, 5640		ケミコン	01
C405	UR877100	C. EL	10uF 63V	440, 5640		ケミコン	01
C406	UR867470	C. EL	47uF 50V	440, 5640		ケミコン	01
C407	UR838100	C. EL	100uF 16V	440, 5640		ケミコン	01
C408	UR838100	C. EL	100uF 16V	440, 5640		ケミコン	01
C409	UT652150	C. PP	150pF 100V	440, 5640		PPコン	01
C410	UR847470	C. EL	47uF 25V	440, 5640		ケミコン	01
C411	UT652150	C. PP	150pF 100V	440, 5640		PPコン	01
C412	UR877100	C. EL	10uF 63V	440, 5640		ケミコン	01
C413	UR838100	C. EL	100uF 16V	440, 5640		ケミコン	01
C414	UR877100	C. EL	10uF 63V	440, 5640		ケミコン	01
C415	UR877100	C. EL	10uF 63V	440, 5640		ケミコン	01
* C416	UA354220	C. MYLAR	0.022uF 50V	440, 5640		マイラーコン	
* △ C417	WB302800	C. EL	10000uF 16V	440, 5640		ケミコン	
* △ C418	WB302800	C. EL	10000uF 16V	440, 5640		ケミコン	
* △ C419	WB304400	C. EL	6800uF 25V	440, 5640		ケミコン	
* △ C420	WB333600	C. EL	1000uF 25V	440, 5640		ケミコン	
* △ C421	WB302800	C. EL	10000uF 16V	440, 5640		ケミコン	
* C422	WB302800	C. EL	10000uF 16V	440, 5640		ケミコン	
* C423	UA354220	C. MYLAR	0.022uF 50V	440, 5640		マイラーコン	
* C425	UA354220	C. MYLAR	0.022uF 50V	440, 5640		マイラーコン	
C427	VR324900	C. MYLAR	0.1uF 100V	440, 5640		マイラーコン	01
C428	VR324900	C. MYLAR	0.1uF 100V	440, 5640		マイラーコン	01
C429	UR866470	C. EL	4.7uF 50V	440, 5640		ケミコン	01
D101	VD631600	DIODE	1SS133, 176	440, 5640		ダイオード	01
D102	WA180300	DIODE	1SS244	440, 5640		ダイオード	01
D103	VD631600	DIODE	1SS133, 176	440, 5640		ダイオード	01
D104	WA180300	DIODE	1SS244	440, 5640		ダイオード	01
D105	WA180300	DIODE	1SS244	440, 5640		ダイオード	01
D106	WA180300	DIODE	1SS244	440, 5640		ダイオード	01
D107	WA180300	DIODE	1SS244	440, 5640		ダイオード	01
D108	VN008700	DIODE	1SS270A	440, 5640		ダイオード	01
D109	VN008700	DIODE	1SS270A	440, 5640		ダイオード	01

* New Parts * 新規部品(マーク#の部品は、基板に含まれません)

RX-V540/RX-V540RDS/HTR-5650/HTR-5650RDS/DSP-AX540
 RX-V440/RX-V440RDS/HTR-5640/HTR-5640RDS/DSP-AX440

RX-V440/RX-V440RDS/HTR-5640/HTR-5640RDS/DSP-AX440

P.C.B. MAIN

Schm Ref.	PART NO.	Description	Remarks	Markets	部 品 名	Rank
D110	VN008700	DIODE	1SS270A	440,5640	ダイオード	01
D111	VN008700	DIODE	1SS270A	440,5640	ダイオード	01
D112	VN008700	DIODE	1SS270A	440,5640	ダイオード	01
D113	VD631600	DIODE	1SS133,176	440,5640	ダイオード	01
D114	VD631600	DIODE	1SS133,176	440,5640	ダイオード	01
D115	WA180300	DIODE	1SS244	440,5640	ダイオード	01
D116	WA180300	DIODE	1SS244	440,5640	ダイオード	01
D117	VG437200	DIODE. ZENR	MTZJ4.7C 4.7V	440,5640	ツェナーダイオード	01
D118	WA180300	DIODE	1SS244	440,5640	ダイオード	01
D119	WA180300	DIODE	1SS244	440,5640	ダイオード	01
D120	WA180300	DIODE	1SS244	440,5640	ダイオード	01
D121	WA180300	DIODE	1SS244	440,5640	ダイオード	01
D301	VG440300	DIODE. ZENR	MTZJ12C 12V	440,5640	ツェナーダイオード	01
D302	VG440300	DIODE. ZENR	MTZJ12C 12V	440,5640	ツェナーダイオード	01
D303	VG440300	DIODE. ZENR	MTZJ12C 12V	440,5640	ツェナーダイオード	01
D304	VG440300	DIODE. ZENR	MTZJ12C 12V	440,5640	ツェナーダイオード	01
D305	VG443200	DIODE. ZENR	MTZJ30A 30V	440,5640	ツェナーダイオード	01
D306	VG440300	DIODE. ZENR	MTZJ12C 12V	440,5640	ツェナーダイオード	01
D307	VG440300	DIODE. ZENR	MTZJ12C 12V	440,5640	ツェナーダイオード	01
D308	VG440300	DIODE. ZENR	MTZJ12C 12V	440,5640	ツェナーダイオード	01
D309	VG440300	DIODE. ZENR	MTZJ12C 12V	440,5640	ツェナーダイオード	01
* △ D310	WA653200	DIODE. BRG	TS6P03G 6.0A 200V	440,5640	ダイオードブリッジ	
△ D311	VS997800	DIODE	1T2	440,5640	ダイオード	01
△ D312	VS997800	DIODE	1T2	440,5640	ダイオード	01
△ D313	VS997800	DIODE	1T2	440,5640	ダイオード	01
△ D314	VS997800	DIODE	1T2	440,5640	ダイオード	01
D315	VV307700	DIODE	1N4002S	440,5640	ダイオード	01
D401	WA180300	DIODE	1SS244	440,5640	ダイオード	01
D402	VN008700	DIODE	1SS270A	440,5640	ダイオード	01
* △ D403	WA653100	DIODE. BRG	KBP103G 1.0A 200V	440,5640	ダイオードブリッジ	
* △ D404	WA653100	DIODE. BRG	KBP103G 1.0A 200V	440,5640	ダイオードブリッジ	
* D405	VG435500	DIODE. ZENR	MTZJ2.4B 2.4V	440,5640	ツェナーダイオード	
* D406	VG435500	DIODE. ZENR	MTZJ2.4B 2.4V	440,5640	ツェナーダイオード	
D407	VN008700	DIODE	1SS270A	440,5640	ダイオード	01
G101	VR463400	TERM. GND	D3.5	440,5640	アース端子	01
G301	VR463400	TERM. GND	D3.5	440,5640	アース端子	01
G302	V5995800	PLATE. GND		440,5640	アースプレート	
IC401	X0515A00	IC	LM61CIZ THERMAL	440,5640	電源IC	
△ IC402	XJ608A00	IC	NJM7812FA	440,5640	IC	02
△ IC403	XD343A00	IC	NJM79M12FA	440,5640	IC	03
△ IC404	XJ607A00	IC	NJM7805FA 5V	440,5640	IC	02
△ IC405	XE436A00	IC	NJM79M05FA	440,5640	IC	03
△ IC406	XJ607A00	IC	NJM7805FA 5V	440,5640	IC	02
PN301	V9637500	PIN	L=70 #18	440,5640	スタイルピン	
PN304	V9637500	PIN	L=70 #18	440,5640	スタイルピン	
PN401	V9637500	PIN	L=70 #18	440,5640	スタイルピン	
PN402	V9637500	PIN	L=70 #18	440,5640	スタイルピン	
PN403	V9637500	PIN	L=70 #18	440,5640	スタイルピン	
△ Q101	VK432900	TR	2SD1915F S,T	440,5640	トランジスタ	01
△ Q102	VK432900	TR	2SD1915F S,T	440,5640	トランジスタ	01
△ Q103	VK432900	TR	2SD1915F S,T	440,5640	トランジスタ	01
△ Q104	VK432900	TR	2SD1915F S,T	440,5640	トランジスタ	01
△ Q105	VK432900	TR	2SD1915F S,T	440,5640	トランジスタ	01

* New Parts * 新規部品(マーク#の部品は、基板に含まれません)

RX-V540/RX-V540RDS/HTR-5650/HTR-5650RDS/DSP-AX540
 RX-V440/RX-V440RDS/HTR-5640/HTR-5640RDS/DSP-AX440

RX-V440/RX-V440RDS/HTR-5640/HTR-5640RDS/DSP-AX440

P.C.B. MAIN

Schm Ref.	PART NO.	Description	Remarks	Markets	部 品 名	Rank
△ Q106	VC614000	TR 2SB1274 O, R, S	440, 5640		トランジスタ	02
△ Q107	VP883000	TR 2SA893A D, E	440, 5640		トランジスタ	01
Q108	VP883000	TR 2SA893A D, E	440, 5640		トランジスタ	01
△ Q109	VP872700	TR 2SC4488 S, T	440, 5640		トランジスタ	01
△ Q110A	iX630850	TR 2SA1695 O, P, Y	440, 5640		トランジスタ	04
△ Q110C	iX630860	TR 2SC4468 O, P, Y	440, 5640		トランジスタ	04
△ Q111A	iX630850	TR 2SA1695 O, P, Y	440, 5640		トランジスタ	04
△ Q111C	iX630860	TR 2SC4468 O, P, Y	440, 5640		トランジスタ	04
△ Q112A	iX630850	TR 2SA1695 O, P, Y	440, 5640		トランジスタ	04
△ Q112C	iX630860	TR 2SC4468 O, P, Y	440, 5640		トランジスタ	04
△ Q113A	iX630850	TR 2SA1695 O, P, Y	440, 5640		トランジスタ	04
△ Q113C	iX630860	TR 2SC4468 O, P, Y	440, 5640		トランジスタ	04
△ Q114A	iX630850	TR 2SA1695 O, P, Y	440, 5640		トランジスタ	04
△ Q114C	iX630860	TR 2SC4468 O, P, Y	440, 5640		トランジスタ	04
△ Q115	VP872600	TR 2SA1708 S, T	440, 5640		トランジスタ	01
△ Q117	VP872700	TR 2SC4488 S, T	440, 5640		トランジスタ	01
△ Q119	VP872600	TR 2SA1708 S, T	440, 5640		トランジスタ	01
△ Q121	VP872700	TR 2SC4488 S, T	440, 5640		トランジスタ	01
△ Q122	VP872600	TR 2SA1708 S, T	440, 5640		トランジスタ	01
△ Q123	VP872600	TR 2SA1708 S, T	440, 5640		トランジスタ	01
△ Q124	VP872700	TR 2SC4488 S, T	440, 5640		トランジスタ	01
△ Q125	VP872700	TR 2SC4488 S, T	440, 5640		トランジスタ	01
△ Q128	VP872600	TR 2SA1708 S, T	440, 5640		トランジスタ	01
Q129	iC181510	TR 2SC1815 Y	440, 5640		トランジスタ	01
Q130	VP883100	TR 2SC1890A D, E	440, 5640		トランジスタ	01
Q131	VP883100	TR 2SC1890A D, E	440, 5640		トランジスタ	01
Q132	VP883100	TR 2SC1890A D, E	440, 5640		トランジスタ	01
Q134	VP883100	TR 2SC1890A D, E	440, 5640		トランジスタ	01
Q135	VP883100	TR 2SC1890A D, E	440, 5640		トランジスタ	01
Q136	VP883000	TR 2SA893A D, E	440, 5640		トランジスタ	01
Q137	VP883100	TR 2SC1890A D, E	440, 5640		トランジスタ	01
Q138	VP883100	TR 2SC1890A D, E	440, 5640		トランジスタ	01
Q301	iC181510	TR 2SC1815 Y	440, 5640		トランジスタ	01
△ Q302	iA101510	TR 2SA1015 Y	440, 5640		トランジスタ	01
Q305	iC181510	TR 2SC1815 Y	440, 5640		トランジスタ	01
Q306	iC181510	TR 2SC1815 Y	440, 5640		トランジスタ	01
△ Q401	iC224030	TR 2SC2240 GR, BL	440, 5640		トランジスタ	01
△ Q402	VP872700	TR 2SC4488 S, T	440, 5640		トランジスタ	01
△ Q403A	iX630850	TR 2SA1695 O, P, Y	440, 5640		トランジスタ	04
△ Q403C	iX630860	TR 2SC4468 O, P, Y	440, 5640		トランジスタ	04
△ Q404	VP872600	TR 2SA1708 S, T	440, 5640		トランジスタ	01
Q406	VP883100	TR 2SC1890A D, E	440, 5640		トランジスタ	01
Q407	VP883100	TR 2SC1890A D, E	440, 5640		トランジスタ	01
R102	VP941500	R. MTL. OXD 4.7KΩ 1W	440, 5640		酸化金属被膜抵抗	01
R103	VP941500	R. MTL. OXD 4.7KΩ 1W	440, 5640		酸化金属被膜抵抗	01
R103	VP941500	R. MTL. OXD 4.7KΩ 1W	440, 5640	JRTKABGL	酸化金属被膜抵抗	01
R103	VP941600	R. MTL. OXD 5.6KΩ 1W	440, 5640	UC	酸化金属被膜抵抗	01
R105	HV755100	R. CAR. FP 100Ω 1/4W	440, 5640		不燃化カーボン抵抗	01
R106	HL006270	R. MTL. OXD 2.7KΩ 1/2W	440, 5640		酸化金属被膜抵抗	
* R107	HL005330	R. MTL. OXD 330Ω 1/2W	440, 5640		酸化金属被膜抵抗	
R108	HL005820	R. MTL. OXD 820Ω 1/2W	440, 5640		酸化金属被膜抵抗	
R109	HL006100	R. MTL. OXD 1KΩ 1/2W	440, 5640		酸化金属被膜抵抗	
R110	VP941500	R. MTL. OXD 4.7KΩ 1W	440, 5640		酸化金属被膜抵抗	01

* New Parts * 新規部品(マーク#の部品は、基板に含まれません)

RX-V540/RX-V540RDS/HTR-5650/HTR-5650RDS/DSP-AX540
 RX-V440/RX-V440RDS/HTR-5640/HTR-5640RDS/DSP-AX440

RX-V440/RX-V440RDS/HTR-5640/HTR-5640RDS/DSP-AX440

P.C.B. MAIN

Schm Ref.	PART NO.	Description	Remarks	Markets	部品名	Rank
R110	VP941500	R. MTL. OXD 4.7KΩ 1W	440,5640	JRTKABGL	酸化金属被膜抵抗	01
R110	VP941600	R. MTL. OXD 5.6KΩ 1W	440,5640	UC	酸化金属被膜抵抗	01
R111	VP941500	R. MTL. OXD 4.7KΩ 1W	440,5640		酸化金属被膜抵抗	01
R112	HV755100	R. CAR. FP 100Ω 1/4W	440,5640		不燃化カーボン抵抗	01
R113	HL006270	R. MTL. OXD 2.7KΩ 1/2W	440,5640		酸化金属被膜抵抗	
* R114	HL005330	R. MTL. OXD 330Ω 1/2W	440,5640		酸化金属被膜抵抗	
R115	HL005820	R. MTL. OXD 820Ω 1/2W	440,5640		酸化金属被膜抵抗	
R116	HL006100	R. MTL. OXD 1KΩ 1/2W	440,5640		酸化金属被膜抵抗	
R117	VP941500	R. MTL. OXD 4.7KΩ 1W	440,5640	JRTKABGL	酸化金属被膜抵抗	01
R117	VP941600	R. MTL. OXD 5.6KΩ 1W	440,5640	UC	酸化金属被膜抵抗	01
R118	VP941500	R. MTL. OXD 4.7KΩ 1W	440,5640		酸化金属被膜抵抗	01
R119	HV755100	R. CAR. FP 100Ω 1/4W	440,5640		不燃化カーボン抵抗	01
R120	HL006270	R. MTL. OXD 2.7KΩ 1/2W	440,5640		酸化金属被膜抵抗	
* R121	HL005330	R. MTL. OXD 330Ω 1/2W	440,5640		酸化金属被膜抵抗	
R122	HL006100	R. MTL. OXD 1KΩ 1/2W	440,5640		酸化金属被膜抵抗	
R123	HL005820	R. MTL. OXD 820Ω 1/2W	440,5640		酸化金属被膜抵抗	
R124	V8072000	R. MTL. OXD 4.7KΩ 1W	440,5640	JRTKABGL	酸化金属被膜抵抗	
R124	V8072100	R. MTL. OXD 5.6KΩ 1W	440,5640	UC	酸化金属被膜抵抗	
R125	V8072000	R. MTL. OXD 4.7KΩ 1W	440,5640		酸化金属被膜抵抗	
R126	HV755100	R. CAR. FP 100Ω 1/4W	440,5640		不燃化カーボン抵抗	01
R127	HL006270	R. MTL. OXD 2.7KΩ 1/2W	440,5640		酸化金属被膜抵抗	
* R128	HL005330	R. MTL. OXD 330Ω 1/2W	440,5640		酸化金属被膜抵抗	
R129	HL006100	R. MTL. OXD 1KΩ 1/2W	440,5640		酸化金属被膜抵抗	
R130	HL005820	R. MTL. OXD 820Ω 1/2W	440,5640		酸化金属被膜抵抗	
R131	V8072000	R. MTL. OXD 4.7KΩ 1W	440,5640	JRTKABGL	酸化金属被膜抵抗	
R131	V8072100	R. MTL. OXD 5.6KΩ 1W	440,5640	UC	酸化金属被膜抵抗	
R132	V8072000	R. MTL. OXD 4.7KΩ 1W	440,5640		酸化金属被膜抵抗	
R133	HV755100	R. CAR. FP 100Ω 1/4W	440,5640		不燃化カーボン抵抗	01
R134	HL006270	R. MTL. OXD 2.7KΩ 1/2W	440,5640		酸化金属被膜抵抗	
* R135	HL005330	R. MTL. OXD 330Ω 1/2W	440,5640		酸化金属被膜抵抗	
R136	HL006100	R. MTL. OXD 1KΩ 1/2W	440,5640		酸化金属被膜抵抗	
R137	HL005820	R. MTL. OXD 820Ω 1/2W	440,5640		酸化金属被膜抵抗	
△ R140	HV754100	R. CAR. FP 10Ω 1/4W	440,5640		不燃化カーボン抵抗	01
△ R142	VP939700	R. MTL. FLM 4.7Ω 1W	440,5640		金属被膜抵抗	01
△ R143	VP940600	R. MTL. OXD 220Ω 1W	440,5640		酸化金属被膜抵抗	01
△ R146	VP939700	R. MTL. FLM 4.7Ω 1W	440,5640		金属被膜抵抗	01
△ R147	VP939700	R. MTL. FLM 4.7Ω 1W	440,5640		金属被膜抵抗	01
R148	VP940600	R. MTL. OXD 220Ω 1W	440,5640		酸化金属被膜抵抗	01
△ R150	VP939700	R. MTL. FLM 4.7Ω 1W	440,5640		金属被膜抵抗	01
△ R152	V8071100	R. MTL. FLM 220Ω 1W	440,5640		金属被膜抵抗	
△ R153	HV754100	R. CAR. FP 10Ω 1/4W	440,5640		不燃化カーボン抵抗	01
△ R154	HV754100	R. CAR. FP 10Ω 1/4W	440,5640		不燃化カーボン抵抗	01
△ R155	HV754100	R. CAR. FP 10Ω 1/4W	440,5640		不燃化カーボン抵抗	01
△ R156	V8071100	R. MTL. FLM 220Ω 1W	440,5640		金属被膜抵抗	
△ R157	HV754100	R. CAR. FP 10Ω 1/4W	440,5640		不燃化カーボン抵抗	01
△ R158	VP939800	R. MTL. OXD 10Ω 1W	440,5640		酸化金属被膜抵抗	01
△ R159	VP940600	R. MTL. OXD 220Ω 1W	440,5640		酸化金属被膜抵抗	01
△ R160	VP939800	R. MTL. OXD 10Ω 1W	440,5640		酸化金属被膜抵抗	01
△ R162	HV756150	R. CAR. FP 1.5KΩ 1/4W	440,5640		不燃化カーボン抵抗	01
△ R164	V3873200	R. WW 0.22Ω 3W	440,5640		セメント抵抗	02
△ R168	V3873200	R. WW 0.22Ω 3W	440,5640		セメント抵抗	02
* △ R175	WB279900	R. WW RGC55C 0.22+0.22	440,5640		セメント抵抗	
* △ R177	WB279900	R. WW RGC55C 0.22+0.22	440,5640		セメント抵抗	

* New Parts * 新規部品(マーク#の部品は、基板に含まれません)

RX-V540/RX-V540RDS/HTR-5650/HTR-5650RDS/DSP-AX540
 RX-V440/RX-V440RDS/HTR-5640/HTR-5640RDS/DSP-AX440

RX-V440/RX-V440RDS/HTR-5640/HTR-5640RDS/DSP-AX440

P.C.B. MAIN

Schm Ref.	PART NO.	Description	Remarks	Markets	部品名	Rank
△	R181	V3873200 R. WW	0.22Ω 3W	440, 5640		セメント抵抗 02
△	R188	VP939800 R. MTL. OXD	10Ω 1W	440, 5640		酸化金属被膜抵抗 01
△	R192	VP939800 R. MTL. OXD	10Ω 1W	440, 5640		酸化金属被膜抵抗 01
△	R196	V8070300 R. MTL. FLM	10Ω 1W	440, 5640		金属被膜抵抗
△	R200	V8070300 R. MTL. FLM	10Ω 1W	440, 5640		金属被膜抵抗
△	R204	VP939800 R. MTL. OXD	10Ω 1W	440, 5640		酸化金属被膜抵抗 01
△	R208	VP939700 R. MTL. FLM	4.7Ω 1W	440, 5640		金属被膜抵抗 01
△	R220	VP939700 R. MTL. FLM	4.7Ω 1W	440, 5640		金属被膜抵抗 01
	R221	VP939700 R. MTL. FLM	4.7Ω 1W	440, 5640		金属被膜抵抗 01
	R222	HV754100 R. CAR. FP	10Ω 1/4W	440, 5640		不燃化カーボン抵抗 01
	R223	HV754100 R. CAR. FP	10Ω 1/4W	440, 5640		不燃化カーボン抵抗 01
△	R228	HV753100 R. CAR. FP	1Ω 1/4W	440, 5640		不燃化カーボン抵抗 01
	R301	VP940800 R. MTL. OXD	470Ω 1W	440, 5640		酸化金属被膜抵抗 01
	R302	VP940800 R. MTL. OXD	470Ω 1W	440, 5640		酸化金属被膜抵抗 01
△	R306	HV755100 R. CAR. FP	100Ω 1/4W	440, 5640		不燃化カーボン抵抗 01
	R307	HV756100 R. CAR. FP	1KΩ 1/4W	440, 5640		不燃化カーボン抵抗 01
	R314	VP940800 R. MTL. OXD	470Ω 1W	440, 5640		酸化金属被膜抵抗 01
	R315	VP940800 R. MTL. OXD	470Ω 1W	440, 5640		酸化金属被膜抵抗 01
	R328	HV753100 R. CAR. FP	1Ω 1/4W	440, 5640		不燃化カーボン抵抗 01
△	R329	HV753100 R. CAR. FP	1Ω 1/4W	440, 5640		不燃化カーボン抵抗 01
	R333	HV753470 R. CAR. FP	4.7Ω 1/4W	440, 5640	RTKABGL	不燃化カーボン抵抗 01
	R334	HV753470 R. CAR. FP	4.7Ω 1/4W	440, 5640	RTKABGL	不燃化カーボン抵抗 01
	R336	HV753470 R. CAR. FP	4.7Ω 1/4W	440, 5640	RTKABGL	不燃化カーボン抵抗 01
	R337	HV753470 R. CAR. FP	4.7Ω 1/4W	440, 5640	RTKABGL	不燃化カーボン抵抗 01
	R338	HV753470 R. CAR. FP	4.7Ω 1/4W	440, 5640	RTKABGL	不燃化カーボン抵抗 01
	R401	HL006270 R. MTL. OXD	2.7KΩ 1/2W	440, 5640		酸化金属被膜抵抗
*	R402	HL005270 R. MTL. OXD	270Ω 1/2W	440, 5640		酸化金属被膜抵抗
	R403	HL006100 R. MTL. OXD	1KΩ 1/2W	440, 5640		酸化金属被膜抵抗
	R404	HL006100 R. MTL. OXD	1KΩ 1/2W	440, 5640		酸化金属被膜抵抗
	R405	V8072000 R. MTL. OXD	4.7KΩ 1W	440, 5640	RTKABGL	酸化金属被膜抵抗
	R405	V8072100 R. MTL. OXD	5.6KΩ 1W	440, 5640	UC	酸化金属被膜抵抗
	R406	V8072000 R. MTL. OXD	4.7KΩ 1W	440, 5640		酸化金属被膜抵抗
	R407	HV755100 R. CAR. FP	100Ω 1/4W	440, 5640		不燃化カーボン抵抗 01
△	R408	HV753100 R. CAR. FP	1Ω 1/4W	440, 5640		不燃化カーボン抵抗 01
△	R409	HV753100 R. CAR. FP	1Ω 1/4W	440, 5640		不燃化カーボン抵抗 01
△	R410	V8071100 R. MTL. FLM	220Ω 1W	440, 5640		金属被膜抵抗
△	R411	HV754100 R. CAR. FP	10Ω 1/4W	440, 5640		不燃化カーボン抵抗 01
△	R412	HV754100 R. CAR. FP	10Ω 1/4W	440, 5640		不燃化カーボン抵抗 01
△	R413	V8070000 R. MTL. FLM	1Ω 1W	440, 5640		金属被膜抵抗
△	R414	V8070000 R. MTL. FLM	1Ω 1W	440, 5640		金属被膜抵抗
*	R416	WB279900 R. WW	RGC55C 0.22+0.22	440, 5640		セメント抵抗
△	R421	V8070300 R. MTL. FLM	10Ω 1W	440, 5640		金属被膜抵抗
	R423	V8070000 R. MTL. FLM	1Ω 1W	440, 5640		金属被膜抵抗
	R424	V8070000 R. MTL. FLM	1Ω 1W	440, 5640		金属被膜抵抗
*	RY301	WA544800 RELAY	DC G5PA-28	440, 5640		リレー 24V
*	RY302	WA544800 RELAY	DC G5PA-28	440, 5640		リレー 24V
*	RY303	WA544800 RELAY	DC G5PA-28	440, 5640		リレー 24V
*	RY304	WA544800 RELAY	DC G5PA-28	440, 5640		リレー 24V
	ST101	V4040500 SCR. TERM	M3	440, 5640		スクリュー/ターミナル 01
	ST301	V4040500 SCR. TERM	M3	440, 5640		スクリュー/ターミナル 01
△	SW301	V4104200 SW. SLIDE	SL13B-022-AMCS	440, 5640	UCRTKABGL	スライドSW 03
*	TE301	V5912200 TERM. SP	8P LTS0810	440, 5640	KBGL	スピーカターミナル 8P
	TE301	V6771200 TERM. SP	8P LTS0810	440, 5640	JUCRTA	スピーカターミナル 8P 06

* New Parts * 新規部品(マーク#の部品は、基板に含まれません)

RX-V540/RX-V540RDS/HTR-5650/HTR-5650RDS/DSP-AX540
RX-V440/RX-V440RDS/HTR-5640/HTR-5640RDS/DSP-AX440

RX-V540/RX-V540RDS/HTR-5650/HTR-5650RDS/DSP-AX540

P.C.B. MAIN & P.C.B. POWER

Schm Ref.	PART NO.	Description	Remarks	Markets	部 品 名	Rank	
* TE302	V5912200	TERM. SP	8P LTS0810	440,5640	KBGL	スピーカターミナル 8P	
TE302	V6771200	TERM. SP	8P LTS0810	440,5640	JUCRTA	スピーカターミナル 8P	06
	EP600140	SCR. BND. HD	3x10 MFZN2BL	440,5640		バインドBタイトネジ	01
* WA702600	P. C. B.	POWER	540,5650	J	P C B パワー		
* WA702700	P. C. B.	POWER	540,5650	UC	P C B パワー		
* WA702800	P. C. B.	POWER	540,5650	RK	P C B パワー		
* WB225100	P. C. B.	POWER	540,5650	T	P C B パワー		
* WA702900	P. C. B.	POWER	540,5650	A	P C B パワー		
* WA703000	P. C. B.	POWER	540,5650	B	P C B パワー		
* WA703100	P. C. B.	POWER	540,5650	GL	P C B パワー		
CB601	VM973500	CN. BS. PIN	17P	540,5650		FFCコネクタ	01
CB602	V7826500	CN	15P TE TUC SERIES	540,5650	JUCRKABGL	コネクタプラグ	01
* CB602	VQ963600	CN	15P TE	540,5650	T	ウエハー	
CB603	V7827400	SOCKET	7P TE TUC SERIES	540,5650	JUCRKABGL	コネクタソケット	
* CB603	VQ961000	CN	7P SE	540,5650	T	ハウジング	
CB604	V7828200	SOCKET	15P TE TUC SERIES	540,5650	JUCRKABGL	コネクタソケット	
* CB604	VQ961800	CN	15P SE	540,5650	T	ハウジング	
CB701	V7827100	SOCKET	4P TE TUC SERIES	540,5650	JUCRKABGL	コネクタソケット	
* CB701	VQ960700	CN	4P SE	540,5650	T	ハウジング	
CB702	VP206500	HOLDER. FUS	EYF-52BCT	540,5650	UCGL	ヒューズホルダー	01
CB703	VP206500	HOLDER. FUS	EYF-52BCT	540,5650	UCGL	ヒューズホルダー	01
CB704	VP206500	HOLDER. FUS	EYF-52BCT	540,5650		ヒューズホルダー	01
CB705	VP206500	HOLDER. FUS	EYF-52BCT	540,5650		ヒューズホルダー	01
CB706	VG879900	CN. BS. PIN	2P	540,5650		ベースピン	01
CB707	VG879900	CN. BS. PIN	2P	540,5650		ベースピン	01
CB941	VP206500	HOLDER. FUS	EYF-52BCT	540,5650	RTK	ヒューズホルダー	01
CB942	VP206500	HOLDER. FUS	EYF-52BCT	540,5650	RTK	ヒューズホルダー	01
* CB945	V9377800	CN. BS. PIN	3P SE VH SERIES	540,5650	RTK	ベース付ポスト	
* CB946	V9377900	CN. BS. PIN	4P SE VH SERIES	540,5650	RTK	ベース付ポスト	
C601	V8584600	C. PP	220pF 630V	540,5650		PPコン	
C602	UU137100	C. EL	10uF 16V	540,5650		ケミコン	01
C603	UR877100	C. EL	10uF 63V	540,5650		ケミコン	01
C604	UU137100	C. EL	10uF 16V	540,5650		ケミコン	01
C605	UR877100	C. EL	10uF 63V	540,5650		ケミコン	01
C606	UU137100	C. EL	10uF 16V	540,5650		ケミコン	01
C607	UR877100	C. EL	10uF 63V	540,5650		ケミコン	01
C608	UU138100	C. EL	100uF 16V	540,5650		ケミコン	01
C609	V2290000	C. EL	22uF 63V	540,5650		ケミコン RA-2	01
C610	UT652100	C. PP	100pF 100V	540,5650		PPコン	01
C611	UT652220	C. PP	220pF 100V	540,5650		PPコン	01
C612	UT652100	C. PP	100pF 100V	540,5650		PPコン	01
C613	UT652220	C. PP	220pF 100V	540,5650		PPコン	01
C614	UA652100	C. MYLAR	100pF 50V	540,5650		マイラーコン	01
C615	UA652220	C. MYLAR	220pF 50V	540,5650		マイラーコン	01
C616	UA652100	C. MYLAR	100pF 50V	540,5650		マイラーコン	01
C617	UA652220	C. MYLAR	220pF 50V	540,5650		マイラーコン	01
C618	UT652100	C. PP	100pF 100V	540,5650		PPコン	01
C619	UT652220	C. PP	220pF 100V	540,5650		PPコン	01
C620	UA652100	C. MYLAR	100pF 50V	540,5650		マイラーコン	01
C621	UA652220	C. MYLAR	220pF 50V	540,5650		マイラーコン	01

* New Parts * 新規部品(マーク#の部品は、基板に含まれません)

RX-V540/RX-V540RDS/HTR-5650/HTR-5650RDS/DSP-AX540
 RX-V440/RX-V440RDS/HTR-5640/HTR-5640RDS/DSP-AX440

RX-V540/RX-V540RDS/HTR-5650/HTR-5650RDS/DSP-AX540

P.C.B. POWER

Schm Ref.	PART NO.	Description	Remarks	Markets	部品名	Rank
	C622	V2290000 C. EL	22uF 63V	540, 5650		ケミコン R A - 2 01
*	C623	UT653330 C. PP	3300pF 100V	540, 5650		PPコン 03
*	C624	UT653330 C. PP	3300pF 100V	540, 5650		PPコン 03
	C625	UA653330 C. MYLAR	3300pF 50V	540, 5650		マイラーコン 01
	C626	UA653330 C. MYLAR	3300pF 50V	540, 5650		マイラーコン 01
*	C627	UT653330 C. PP	3300pF 100V	540, 5650		PPコン 03
	C628	UA653330 C. MYLAR	3300pF 50V	540, 5650		マイラーコン 01
	C629	VG291300 C. EL	100uF 50V	540, 5650		ケミコン 01
	C630	VG291300 C. EL	100uF 50V	540, 5650		ケミコン 01
	C631	UR847470 C. EL	47uF 25V	540, 5650		ケミコン 01
	C632	UR847470 C. EL	47uF 25V	540, 5650		ケミコン 01
	C633	VG291200 C. EL	47uF 50V	540, 5650		ケミコン 01
	C634	UR847470 C. EL	47uF 25V	540, 5650		ケミコン 01
	C635	FU451150 C. MICA	15pF 500V	540, 5650		マイカコン 01
	C636	FU451150 C. MICA	15pF 500V	540, 5650		マイカコン 01
*	C637	WA970200 C. CE	15pF 500V	540, 5650		セラコン (CH) 01
*	C638	WA970200 C. CE	15pF 500V	540, 5650		セラコン (CH) 01
	C639	FU451150 C. MICA	15pF 500V	540, 5650		マイカコン 01
*	C640	WA970200 C. CE	15pF 500V	540, 5650		セラコン (CH) 01
	C701	VG289200 C. EL	470uF 25V	540, 5650		ケミコン 01
	C702	UR847100 C. EL	10uF 25V	540, 5650	RTK	ケミコン 01
	C703	UR897100 C. EL	10uF 100V	540, 5650	RTK	ケミコン 01
	C704	UR867100 C. EL	10uF 50V	540, 5650	RTK	ケミコン 01
	C705	VL884600 C. PP	0.01uF 100V	540, 5650	JUCABGL	PPコン 01
	C706	UA654100 C. MYLAR	0.01uF 50V	540, 5650	RTK	マイラーコン 01
	C707	UA654100 C. MYLAR	0.01uF 50V	540, 5650	RTK	マイラーコン 01
△	C708	V6185300 C. CE. SAFTY	0.01uF 275V	540, 5650		規格認定コン 01
	C710	UA654100 C. MYLAR	0.01uF 50V	540, 5650		マイラーコン 01
	D601	VG440300 DIODE. ZENR	MTZJ12C 12V	540, 5650		ツェナーダイオード 01
	D602	VD631600 DIODE	1SS133, 176	540, 5650		ダイオード 01
	D603	VG440300 DIODE. ZENR	MTZJ12C 12V	540, 5650		ツェナーダイオード 01
	D604	VG437500 DIODE. ZENR	MTZJ5.1C 5.1V	540, 5650	UCRTKABGL	ツェナーダイオード 01
	D605	VG439200 DIODE. ZENR	MTZJ9.1B 9.1V	540, 5650	J	ツェナーダイオード 01
	D605	VG440300 DIODE. ZENR	MTZJ12C 12V	540, 5650	UCRTKABGL	ツェナーダイオード 01
	D606	VD631600 DIODE	1SS133, 176	540, 5650		ダイオード 01
	D607	VD631600 DIODE	1SS133, 176	540, 5650		ダイオード 01
	D701	VD631600 DIODE	1SS133, 176	540, 5650		ダイオード 01
	D702	VD631600 DIODE	1SS133, 176	540, 5650	RTK	ダイオード 01
	D703	VG440400 DIODE. ZENR	MTZJ13A 13V	540, 5650	RTK	ツェナーダイオード 01
	D704	W307700 DIODE	1N4002S	540, 5650		ダイオード 01
	D705	W307700 DIODE	1N4002S	540, 5650		ダイオード 01
	D706	W307700 DIODE	1N4002S	540, 5650	RTK	ダイオード 01
	D707	W307700 DIODE	1N4002S	540, 5650		ダイオード 01
	D708	W307700 DIODE	1N4002S	540, 5650		ダイオード 01
△	F701	VS823300 FUSE	T8A 125V	540, 5650	UC	ヒューズ 02
△	F701	VT942900 FUSE	T2.5A 250V	540, 5650	GL	ヒューズ 01
△	F702	KB000790 FUSE	T4.0A 250V	540, 5650	ABGL	ヒューズ 01
△	F702	VS823300 FUSE	T8A 125V	540, 5650	JUCRK	ヒューズ 02
△	F702	WB507100 FUSE	8A 125V	540, 5650	T	ヒューズ 01
	F941	KB000790 FUSE	T4.0A 250V	540, 5650	RTK	ヒューズ 01
	PN701	V9637500 PIN	L=70 #18	540, 5650		スタイルピン 01
	Q601	VP883100 TR	2SC1890A D, E	540, 5650		トランジスタ 01
	Q602	VP883100 TR	2SC1890A D, E	540, 5650		トランジスタ 01

* New Parts * 新規部品(マーク#の部品は、基板に含まれません)

RX-V540/RX-V540RDS/HTR-5650/HTR-5650RDS/DSP-AX540
 RX-V440/RX-V440RDS/HTR-5640/HTR-5640RDS/DSP-AX440

RX-V540/RX-V540RDS/HTR-5650/HTR-5650RDS/DSP-AX540

P.C.B. POWER

Schm Ref.	PART NO.	Description	Remarks	Markets	部 品 名	Rank	
Q603	VP883100	TR	2SC1890A D, E	540, 5650		トランジスタ	01
Q604	VP883100	TR	2SC1890A D, E	540, 5650		トランジスタ	01
Q605	VP883100	TR	2SC1890A D, E	540, 5650		トランジスタ	01
Q606	VP883100	TR	2SC1890A D, E	540, 5650		トランジスタ	01
Q607	VP883100	TR	2SC1890A D, E	540, 5650		トランジスタ	01
Q607	VP883100	TR	2SC1890A D, E	540, 5650	UCRTKABGL	トランジスタ	01
△ Q608	VR510800	TR	2SD2396 J, K	540, 5650		トランジスタ	02
Q609	VP883100	TR	2SC1890A D, E	540, 5650		トランジスタ	01
Q610	VP883100	TR	2SC1890A D, E	540, 5650		トランジスタ	01
Q611	VP883100	TR	2SC1890A D, E	540, 5650		トランジスタ	01
Q612	VP883100	TR	2SC1890A D, E	540, 5650		トランジスタ	01
Q613	VP883100	TR	2SC1890A D, E	540, 5650		トランジスタ	01
Q614	VP883100	TR	2SC1890A D, E	540, 5650		トランジスタ	01
Q615	VP883100	TR	2SC1890A D, E	540, 5650		トランジスタ	01
Q616	V3966800	TR	2SB949 O, Y	540, 5650		トランジスタ	02
Q617	V3966800	TR	2SB949 O, Y	540, 5650		トランジスタ	02
Q618	V3966800	TR	2SB949 O, Y	540, 5650		トランジスタ	02
Q619	V3966800	TR	2SB949 O, Y	540, 5650		トランジスタ	02
Q620	V3966800	TR	2SB949 O, Y	540, 5650		トランジスタ	02
Q621	V3966800	TR	2SB949 O, Y	540, 5650		トランジスタ	02
Q701	iC181510	TR	2SC1815 Y	540, 5650		トランジスタ	01
Q702	VR510800	TR	2SD2396 J, K	540, 5650	RTK	トランジスタ	02
Q703	iE102620	FET	2SK246 Y	540, 5650	RTK	F E T	01
Q704	VR510800	TR	2SD2396 J, K	540, 5650	RTK	トランジスタ	02
△ R636	HV754100	R. CAR. FP	10Ω 1/4W	540, 5650		不燃化カーボン抵抗	01
△ R644	HV756470	R. CAR. FP	4.7KΩ 1/4W	540, 5650		不燃化カーボン抵抗	01
R663	VP940400	R. MTL. OXD	100Ω 1W	540, 5650		酸化金属被膜抵抗	01
R664	VP940400	R. MTL. OXD	100Ω 1W	540, 5650		酸化金属被膜抵抗	01
R665	HV755100	R. CAR. FP	100Ω 1/4W	540, 5650		不燃化カーボン抵抗	01
R666	HV755100	R. CAR. FP	100Ω 1/4W	540, 5650		不燃化カーボン抵抗	01
R667	VP940400	R. MTL. OXD	100Ω 1W	540, 5650		酸化金属被膜抵抗	01
R668	HV755100	R. CAR. FP	100Ω 1/4W	540, 5650		不燃化カーボン抵抗	01
R705	V6730000	R. CAR.	2.2MΩ 1/2W	540, 5650	UC	放電抵抗	01
△ RY701	V2712300	RELAY	DC SDT-S-112LMR	540, 5650		リレー 12V	05
ST601	V4040500	SCR. TERM	M3	540, 5650		スクリュー/ターミナル	01
ST701	V4040500	SCR. TERM	M3	540, 5650		スクリュー/ターミナル	01
ST702	V4040500	SCR. TERM	M3	540, 5650		スクリュー/ターミナル	01
* △ SW941	V7182300	VOLT. SELCT	R8140213	540, 5650	RK	電圧切替器	
* △ T701	XW605A00	TRANS. PWR		540, 5650	J	電源トランス	04
* △ T701	XW606A00	TRANS. PWR		540, 5650	UC	電源トランス	
* △ T701	XW608A00	TRANS. PWR		540, 5650	ABGL	電源トランス	
△ T701	XW974A00	TRANS. PWR		540, 5650	RTK	電源トランス	05
△ TE701	V5867400	OUTLET. AC	2P AC-182-GB-11V	540, 5650	RTK	ACアウトレット 2P	
△ TE701	VT915000	OUTLET. AC	1P	540, 5650	A	ACアウトレット	06
△ TE701	VU543100	OUTLET. AC	2P	540, 5650	JUC	ACアウトレット	03
△ TE701	VU543300	OUTLET. AC	1P	540, 5650	B	ACアウトレット	05
△ TE701	VU543400	OUTLET. AC	2P	540, 5650	GL	ACアウトレット	05
	EP600140	SCR. BND. HD	3x10 MFZN2BL	540, 5650	RTK	バインドBタイトネジ	01

* New Parts * 新規部品(マーク#の部品は、基板に含まれません)

RX-V540/RX-V540RDS/HTR-5650/HTR-5650RDS/DSP-AX540
 RX-V440/RX-V440RDS/HTR-5640/HTR-5640RDS/DSP-AX440

RX-V440/RX-V440RDS/HTR-5640/HTR-5640RDS/DSP-AX440

P.C.B. POWER

Schm Ref.	PART NO.	Description	Remarks	Markets	部 品 名	Rank		
*	WA703200	P. C. B.	POWER	440, 5640	J	P C B パワー		
*	WA703300	P. C. B.	POWER	440, 5640	UC	P C B パワー		
*	WA703400	P. C. B.	POWER	440, 5640	RK	P C B パワー		
*	WB225300	P. C. B.	POWER	440, 5640	T	P C B パワー		
*	WA703500	P. C. B.	POWER	440, 5640	A	P C B パワー		
*	WA703600	P. C. B.	POWER	440, 5640	B	P C B パワー		
*	WA703700	P. C. B.	POWER	440, 5640	GL	P C B パワー		
	CB601	VM973500	CN. BS. PIN	17P	440, 5640		F F C コネクター	01
	CB602	V7826500	CN	15P TE TUC SERIES	440, 5640	JUCRKABGL	コネクタープラグ	01
*	CB602	VQ963600	CN	15P TE	440, 5640	T	ウエハー	
	CB603	V7827400	SOCKET	7P TE TUC SERIES	440, 5640	JUCRKABGL	コネクターソケット	
*	CB603	VQ961000	CN	7P SE	440, 5640	T	ハウジング	
	CB604	V7828200	SOCKET	15P TE TUC SERIES	440, 5640	JUCRKABGL	コネクターソケット	
*	CB604	VQ961800	CN	15P SE	440, 5640	T	ハウジング	
	CB701	V7827100	SOCKET	4P TE TUC SERIES	440, 5640	JUCRKABGL	コネクターソケット	
*	CB701	VQ960700	CN	4P SE	440, 5640	T	ハウジング	
	CB702	VP206500	HOLDER. FUS	EYF-52BCT	440, 5640	UCGL	ヒューズホルダー	01
	CB703	VP206500	HOLDER. FUS	EYF-52BCT	440, 5640	UCGL	ヒューズホルダー	01
	CB704	VP206500	HOLDER. FUS	EYF-52BCT	440, 5640		ヒューズホルダー	01
	CB705	VP206500	HOLDER. FUS	EYF-52BCT	440, 5640		ヒューズホルダー	01
	CB706	VG879900	CN. BS. PIN	2P	440, 5640		ベースピン	01
	CB707	VG879900	CN. BS. PIN	2P	440, 5640		ベースピン	01
	CB941	VP206500	HOLDER. FUS	EYF-52BCT	440, 5640	RTK	ヒューズホルダー	01
	CB942	VP206500	HOLDER. FUS	EYF-52BCT	440, 5640	RTK	ヒューズホルダー	01
*	CB945	V9377800	CN. BS. PIN	3P SE VH SERIES	440, 5640	RTK	ベース付ポスト	
*	CB946	V9377900	CN. BS. PIN	4P SE VH SERIES	440, 5640	RTK	ベース付ポスト	
	C601	UA652220	C. MYLAR	220pF 50V	440, 5640	UCRTKA	マイラーコン	01
	C601	V8584600	C. PP	220pF 630V	440, 5640	JBGL	P P コン	
	C602	UU137100	C. EL	10uF 16V	440, 5640		ケミコン	01
	C603	UR837100	C. EL	10uF 16V	440, 5640		ケミコン	01
	C604	UU137100	C. EL	10uF 16V	440, 5640		ケミコン	01
	C605	UR837100	C. EL	10uF 16V	440, 5640		ケミコン	01
	C606	UU137100	C. EL	10uF 16V	440, 5640		ケミコン	01
	C607	UR837100	C. EL	10uF 16V	440, 5640		ケミコン	01
	C608	UU138100	C. EL	100uF 16V	440, 5640		ケミコン	01
	C609	UR877220	C. EL	22uF 63V	440, 5640		ケミコン	01
	C610	UA652100	C. MYLAR	100pF 50V	440, 5640		マイラーコン	01
	C611	UA652220	C. MYLAR	220pF 50V	440, 5640		マイラーコン	01
	C612	UA652100	C. MYLAR	100pF 50V	440, 5640		マイラーコン	01
	C613	UA652220	C. MYLAR	220pF 50V	440, 5640		マイラーコン	01
	C614	UA652100	C. MYLAR	100pF 50V	440, 5640		マイラーコン	01
	C615	UA652220	C. MYLAR	220pF 50V	440, 5640		マイラーコン	01
	C616	UA652100	C. MYLAR	100pF 50V	440, 5640		マイラーコン	01
	C617	UA652220	C. MYLAR	220pF 50V	440, 5640		マイラーコン	01
	C618	UA652100	C. MYLAR	100pF 50V	440, 5640		マイラーコン	01
	C619	UA652220	C. MYLAR	220pF 50V	440, 5640		マイラーコン	01
	C620	UA652100	C. MYLAR	100pF 50V	440, 5640		マイラーコン	01
	C621	UA652220	C. MYLAR	220pF 50V	440, 5640		マイラーコン	01
	C622	UR877220	C. EL	22uF 63V	440, 5640		ケミコン	01
	C623	UA653330	C. MYLAR	3300pF 50V	440, 5640	UCRTKA	マイラーコン	01
*	C623	UT653330	C. PP	3300pF 100V	440, 5640	JBGL	P P コン	03
	C624	UA653330	C. MYLAR	3300pF 50V	440, 5640	UCRTKA	マイラーコン	01
*	C624	UT653330	C. PP	3300pF 100V	440, 5640	JBGL	P P コン	03

* New Parts * 新規部品(マーク#の部品は、基板に含まれません)

RX-V540/RX-V540RDS/HTR-5650/HTR-5650RDS/DSP-AX540
 RX-V440/RX-V440RDS/HTR-5640/HTR-5640RDS/DSP-AX440

RX-V440/RX-V440RDS/HTR-5640/HTR-5640RDS/DSP-AX440

P.C.B. POWER

Schm Ref.	PART NO.	Description	Remarks	Markets	部 品 名	Rank
	C625	UA653330 C. MYLAR	3300pF 50V	440, 5640		マイラーコン 01
	C626	UA653330 C. MYLAR	3300pF 50V	440, 5640		マイラーコン 01
	C627	UA653330 C. MYLAR	3300pF 50V	440, 5640	UCRTKA	マイラーコン 01
*	C627	UT653330 C. PP	3300pF 100V	440, 5640	JBGL	P P コン 03
	C628	UA653330 C. MYLAR	3300pF 50V	440, 5640		マイラーコン 01
	C629	VG291300 C. EL	100uF 50V	440, 5640		ケミコン 01
	C630	VG291300 C. EL	100uF 50V	440, 5640		ケミコン 01
	C631	UR837470 C. EL	47uF 16V	440, 5640		ケミコン 01
	C632	UR837470 C. EL	47uF 16V	440, 5640		ケミコン 01
	C633	VG291200 C. EL	47uF 50V	440, 5640		ケミコン 01
	C634	UR837470 C. EL	47uF 16V	440, 5640		ケミコン 01
	C635	FU451150 C. MICA	15pF 500V	440, 5640		マイカコン 01
	C636	FU451150 C. MICA	15pF 500V	440, 5640		マイカコン 01
*	C637	WA970200 C. CE	15pF 500V	440, 5640		セラコン (C H)
*	C638	WA970200 C. CE	15pF 500V	440, 5640		セラコン (C H)
	C639	FU451150 C. MICA	15pF 500V	440, 5640		マイカコン 01
*	C640	WA970200 C. CE	15pF 500V	440, 5640		セラコン (C H)
*	C701	WB303800 C. EL	470uF 25V	440, 5640		ケミコン
	C702	UR847100 C. EL	10uF 25V	440, 5640	RTK	ケミコン 01
	C703	UR897100 C. EL	10uF 100V	440, 5640	RTK	ケミコン 01
	C704	UR867100 C. EL	10uF 50V	440, 5640	RTK	ケミコン 01
	C705	UA654100 C. MYLAR	0.01uF 50V	440, 5640	UCA	マイラーコン 01
	C705	VL884600 C. PP	0.01uF 100V	440, 5640	JBGL	P P コン
	C706	UA654100 C. MYLAR	0.01uF 50V	440, 5640	RTK	マイラーコン 01
	C707	UA654100 C. MYLAR	0.01uF 50V	440, 5640	RTK	マイラーコン 01
	C707	UA654100 C. MYLAR	0.01uF 50V	440, 5640		マイラーコン 01
△	C708	V6185300 C. CE. SAFTY	0.01uF 275V	440, 5640		規格認定コン
	C710	UA654100 C. MYLAR	0.01uF 50V	440, 5640		マイラーコン 01
	D601	VG440300 DIODE. ZENR	MTZJ12C 12V	440, 5640		ツェナーダイオード 01
	D602	VD631600 DIODE	1SS133, 176	440, 5640		ダイオード 01
	D603	VG440300 DIODE. ZENR	MTZJ12C 12V	440, 5640		ツェナーダイオード 01
	D604	VG437500 DIODE. ZENR	MTZJ5. 1C 5. 1V	440, 5640	UCRTKABGL	ツェナーダイオード 01
	D605	VG439200 DIODE. ZENR	MTZJ9. 1B 9. 1V	440, 5640	J	ツェナーダイオード 01
	D605	VG440300 DIODE. ZENR	MTZJ12C 12V	440, 5640	UCRTKABGL	ツェナーダイオード 01
	D606	VD631600 DIODE	1SS133, 176	440, 5640		ダイオード 01
	D607	VD631600 DIODE	1SS133, 176	440, 5640		ダイオード 01
	D701	VD631600 DIODE	1SS133, 176	440, 5640		ダイオード 01
	D702	VD631600 DIODE	1SS133, 176	440, 5640	RTK	ダイオード 01
	D703	VG440400 DIODE. ZENR	MTZJ13A 13V	440, 5640	RTK	ツェナーダイオード 01
	D704	VV307700 DIODE	1N4002S	440, 5640		ダイオード 01
	D705	VV307700 DIODE	1N4002S	440, 5640		ダイオード 01
	D706	VV307700 DIODE	1N4002S	440, 5640	RTK	ダイオード 01
	D707	VV307700 DIODE	1N4002S	440, 5640		ダイオード 01
	D708	VV307700 DIODE	1N4002S	440, 5640		ダイオード 01
△	F701	VS823300 FUSE	T8A 125V	440, 5640	UC	ヒューズ 02
△	F701	VT942900 FUSE	T2. 5A 250V	440, 5640	GL	ヒューズ 01
△	F702	KB000790 FUSE	T4. 0A 250V	440, 5640	ABGL	ヒューズ 01
△	F702	VS823300 FUSE	T8A 125V	440, 5640	JUCRK	ヒューズ 02
△	F702	WB507100 FUSE	8A 125V	440, 5640	T	ヒューズ
	F941	KB000790 FUSE	T4. 0A 250V	440, 5640	RTK	ヒューズ 01
	PN701	V9637500 PIN	L=70 #18	440, 5640		スタイルピン
	Q601	VP883100 TR	2SC1890A D, E	440, 5640		トランジスタ 01
	Q602	VP883100 TR	2SC1890A D, E	440, 5640		トランジスタ 01

* New Parts * 新規部品(マーク#の部品は、基板に含まれません)

RX-V440/RX-V440RDS/HTR-5640/HTR-5640RDS/DSP-AX440

P.C.B. POWER

Schm Ref.	PART NO.	Description	Remarks	Markets	部品名	Rank	
Q603	VP883100	TR	2SC1890A D, E	440, 5640		トランジスタ	01
Q604	VP883100	TR	2SC1890A D, E	440, 5640		トランジスタ	01
Q605	VP883100	TR	2SC1890A D, E	440, 5640		トランジスタ	01
Q606	VP883100	TR	2SC1890A D, E	440, 5640		トランジスタ	01
Q607	VP883100	TR	2SC1890A D, E	440, 5640	UCRTKABGL	トランジスタ	01
△ Q608	VR510800	TR	2SD2396 J, K	440, 5640		トランジスタ	02
Q609	VP883100	TR	2SC1890A D, E	440, 5640		トランジスタ	01
Q610	VP883100	TR	2SC1890A D, E	440, 5640		トランジスタ	01
Q611	VP883100	TR	2SC1890A D, E	440, 5640		トランジスタ	01
Q612	VP883100	TR	2SC1890A D, E	440, 5640		トランジスタ	01
Q613	VP883100	TR	2SC1890A D, E	440, 5640		トランジスタ	01
Q614	VP883100	TR	2SC1890A D, E	440, 5640		トランジスタ	01
Q615	VP883100	TR	2SC1890A D, E	440, 5640		トランジスタ	01
Q616	V3966800	TR	2SB949 O, Y	440, 5640		トランジスタ	02
Q617	V3966800	TR	2SB949 O, Y	440, 5640		トランジスタ	02
Q618	V3966800	TR	2SB949 O, Y	440, 5640		トランジスタ	02
Q619	V3966800	TR	2SB949 O, Y	440, 5640		トランジスタ	02
Q620	V3966800	TR	2SB949 O, Y	440, 5640		トランジスタ	02
Q621	V3966800	TR	2SB949 O, Y	440, 5640		トランジスタ	02
Q701	iC181510	TR	2SC1815 Y	440, 5640		トランジスタ	01
Q702	VR510800	TR	2SD2396 J, K	440, 5640	RTK	トランジスタ	02
Q703	iE102620	FET	2SK246 Y	440, 5640	RTK	F E T	01
Q704	VR510800	TR	2SD2396 J, K	440, 5640	RTK	トランジスタ	02
△ R636	HV754100	R. CAR. FP	10Ω 1/4W	440, 5640		不燃化カーボン抵抗	01
△ R644	HV756470	R. CAR. FP	4.7KΩ 1/4W	440, 5640		不燃化カーボン抵抗	01
R663	VP940400	R. MTL. OXD	100Ω 1W	440, 5640		酸化金属被膜抵抗	01
R664	VP940400	R. MTL. OXD	100Ω 1W	440, 5640		酸化金属被膜抵抗	01
R665	HV755100	R. CAR. FP	100Ω 1/4W	440, 5640		不燃化カーボン抵抗	01
R666	HV755100	R. CAR. FP	100Ω 1/4W	440, 5640		不燃化カーボン抵抗	01
R667	VP940400	R. MTL. OXD	100Ω 1W	440, 5640		酸化金属被膜抵抗	01
R668	HV755100	R. CAR. FP	100Ω 1/4W	440, 5640		不燃化カーボン抵抗	01
R705	V6730000	R. CAR.	2.2MΩ 1/2W	440, 5640	UC	放電抵抗	01
△ RY701	V2712300	RELAY	DC SDT-S-112LMR	440, 5640		リレー 12V	05
ST601	V4040500	SCR. TERM	M3	440, 5640		スクリュー/ターミナル	01
ST701	V4040500	SCR. TERM	M3	440, 5640		スクリュー/ターミナル	01
ST702	V4040500	SCR. TERM	M3	440, 5640		スクリュー/ターミナル	01
* △ SW941	V7182300	VOLT. SELECT	R8140213	440, 5640	RK	電圧切替器	
* △ T701	XW605A00	TRANS. PWR		440, 5640	J	電源トランス	04
* △ T701	XW606A00	TRANS. PWR		440, 5640	UC	電源トランス	
* △ T701	XW608A00	TRANS. PWR		440, 5640	ABGL	電源トランス	
△ T701	XW974A00	TRANS. PWR		440, 5640	RTK	電源トランス	05
△ TE701	V5867400	OUTLET. AC	2P AC-182-GB-11V	440, 5640	RTK	ACアウトレット 2P	
△ TE701	VT915000	OUTLET. AC	1P	440, 5640	A	ACアウトレット	06
△ TE701	VU543100	OUTLET. AC	2P	440, 5640	JUC	ACアウトレット	03
△ TE701	VU543300	OUTLET. AC	1P	440, 5640	B	ACアウトレット	05
△ TE701	VU543400	OUTLET. AC	2P	440, 5640	GL	ACアウトレット	05
△	EP600140	SCR. BND. HD	3x10 MFZN2BL	440, 5640	RTK	バインドBタイトネジ	01

* New Parts * 新規部品(マーク#の部品は、基板に含まれません)

RX-V540/RX-V540RDS/HTR-5650/HTR-5650RDS/DSP-AX540
RX-V440/RX-V440RDS/HTR-5640/HTR-5640RDS/DSP-AX440

Chip Resistors

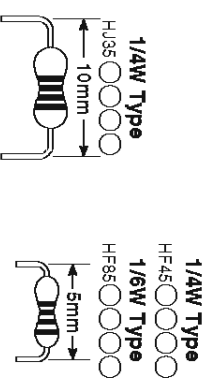
Schm Ref.	PART NO.	Description	Remarks	Markets	部 品 名	Rank
	RD350000	R. CHP 0Ω 1/16W	5%, 1.6x0.8		チップ抵抗	01
	RD353220	R. CHP 2.2Ω 1/16W	5%, 1.6x0.8		チップ抵抗	01
	RD353470	R. CHP 4.7Ω 1/16W	5%, 1.6x0.8		チップ抵抗	01
	RD354470	R. CHP 47Ω 1/16W	5%, 1.6x0.8		チップ抵抗	01
*	RD354560	R. CHP 56Ω 1/16W	5%, 1.6x0.8		チップ抵抗	01
	RD354750	R. CHP 75Ω 1/16W	5%, 1.6x0.8		チップ抵抗	01
	RD354820	R. CHP 82Ω 1/16W	5%, 1.6x0.8		チップ抵抗	01
	RD355100	R. CHP 100Ω 1/16W	5%, 1.6x0.8		チップ抵抗	01
	RD355220	R. CHP 220Ω 1/16W	5%, 1.6x0.8		チップ抵抗	01
	RD355330	R. CHP 330Ω 1/16W	5%, 1.6x0.8		チップ抵抗	01
	RD355470	R. CHP 470Ω 1/16W	5%, 1.6x0.8		チップ抵抗	01
	RD355680	R. CHP 680Ω 1/16W	5%, 1.6x0.8		チップ抵抗	01
	RD356100	R. CHP 1KΩ 1/16W	5%, 1.6x0.8		チップ抵抗	01
	RD356150	R. CHP 1.5KΩ 1/16W	5%, 1.6x0.8		チップ抵抗	01
	RD356220	R. CHP 2.2KΩ 1/16W	5%, 1.6x0.8		チップ抵抗	01
	RD356330	R. CHP 3.3KΩ 1/16W	5%, 1.6x0.8		チップ抵抗	01
	RD356360	R. CHP 3.6KΩ 1/16W	5%, 1.6x0.8		チップ抵抗	01
	RD356430	R. CHP 4.3KΩ 1/16W	5%, 1.6x0.8		チップ抵抗	01
	RD356470	R. CHP 4.7KΩ 1/16W	5%, 1.6x0.8		チップ抵抗	01
	RD356510	R. CHP 5.1KΩ 1/16W	5%, 1.6x0.8		チップ抵抗	01
	RD356680	R. CHP 6.8KΩ 1/16W	5%, 1.6x0.8		チップ抵抗	01
	RD356820	R. CHP 8.2KΩ 1/16W	5%, 1.6x0.8		チップ抵抗	01
	RD357100	R. CHP 10KΩ 1/16W	5%, 1.6x0.8		チップ抵抗	01
	RD357150	R. CHP 15KΩ 1/16W	5%, 1.6x0.8		チップ抵抗	01
	RD357180	R. CHP 18KΩ 1/16W	5%, 1.6x0.8		チップ抵抗	01
	RD357220	R. CHP 22KΩ 1/16W	5%, 1.6x0.8		チップ抵抗	01
	RD357270	R. CHP 27KΩ 1/16W	5%, 1.6x0.8		チップ抵抗	01
	RD357330	R. CHP 33KΩ 1/16W	5%, 1.6x0.8		チップ抵抗	01
	RD357470	R. CHP 47KΩ 1/16W	5%, 1.6x0.8		チップ抵抗	01
	RD358100	R. CHP 100KΩ 1/16W	5%, 1.6x0.8		チップ抵抗	01
	RD358150	R. CHP 150KΩ 1/16W	5%, 1.6x0.8		チップ抵抗	01
	RD358220	R. CHP 220KΩ 1/16W	5%, 1.6x0.8		チップ抵抗	01
	RD358470	R. CHP 470KΩ 1/16W	5%, 1.6x0.8		チップ抵抗	01
	RD358680	R. CHP 680KΩ 1/16W	5%, 1.6x0.8		チップ抵抗	01
	RD359100	R. CHP 1MΩ 1/16W	5%, 1.6x0.8		チップ抵抗	01
*	RF355620	R. CHP 620Ω 1/16W	0.5%, 1.6x0.8		チップ抵抗	01
	RF356150	R. CHP 1.5KΩ 1/16W	0.5%, 1.6x0.8		チップ抵抗	01
	RF356180	R. CHP 1.8KΩ 1/16W	0.5%, 1.6x0.8		チップ抵抗	01
	RF356200	R. CHP 2KΩ 1/16W	0.5%, 1.6x0.8		チップ抵抗	01
	RF356330	R. CHP 3.3KΩ 1/16W	0.5%, 1.6x0.8		チップ抵抗	01
*	RF356430	R. CHP 4.3KΩ 1/16W	0.5%, 1.6x0.8		チップ抵抗	01
	RF356470	R. CHP 4.7KΩ 1/16W	0.5%, 1.6x0.8		チップ抵抗	01
	RF356510	R. CHP 5.1KΩ 1/16W	0.5%, 1.6x0.8		チップ抵抗	01
*	RF356680	R. CHP 6.8KΩ 1/16W	0.5%, 1.6x0.8		チップ抵抗	01
*	RF356820	R. CHP 8.2KΩ 1/16W	0.5%, 1.6x0.8		チップ抵抗	01
	RF357100	R. CHP 10KΩ 1/16W	0.5%, 1.6x0.8		チップ抵抗	01
*	RF357390	R. CHP 39KΩ 1/16W	0.5%, 1.6x0.8		チップ抵抗	01
	RF357470	R. CHP 47KΩ 1/16W	0.5%, 1.6x0.8		チップ抵抗	01

* New Parts * 新規部品(マーク#の部品は、基板に含まれません)

RX-V540/RX-V540RDS/HTR-5650/HTR-5650RDS/DSP-AX540
 RX-V440/RX-V440RDS/HTR-5640/HTR-5640RDS/DSP-AX440

Parts List for Carbon Resistors

Value	1/4W Type Part No.	1/6W Type Part No.	Value	1/4W Type Part No.	1/6W Type Part No.
1.0 Ω	HJ35 3100	HF85 3100	10 kΩ	HF45 7100	HF45 7100
1.8 Ω	HJ35 3180	*	11 kΩ	HF45 7110	HF45 7110
2.2 Ω	HJ35 3220	HF85 3220	12 kΩ	HJ35 7120	HF85 7120
3.3 Ω	HJ35 3330	HF85 3330	13 kΩ	HF45 7130	HF45 7130
4.7 Ω	HJ35 3470	HF85 3470	15 kΩ	HF45 7150	HF45 7150
5.6 Ω	HJ35 3560	HF85 3560	18 kΩ	HF45 7180	HF45 7180
10 Ω	HF45 4100	HF45 4100	22 kΩ	HF45 7220	HF45 7220
15 Ω	HJ35 4150	HF85 4150	24 kΩ	HF45 7240	HF45 7240
22 Ω	HF45 4220	HF45 4220	27 kΩ	HJ35 7270	HF85 7270
27 Ω	HJ35 4270	HF85 4270	30 kΩ	HF45 7300	HF45 7300
33 Ω	HF45 4330	HF45 4330	33 kΩ	HF45 7330	HF45 7330
39 Ω	HJ35 4470	HF85 4390	36 kΩ	HF45 7360	HF45 7360
47 Ω	HF45 4470	HF45 4470	39 kΩ	HF45 7390	HF45 7390
56 Ω	HF45 4560	HF45 4560	47 kΩ	HF45 7470	HF45 7470
68 Ω	HF45 4680	HF45 4680	51 kΩ	HF45 7510	HF45 7510
75 Ω	HF45 4750	HF45 4750	56 kΩ	HF45 7560	HF45 7560
82 Ω	HF45 4820	HF45 4820	62 kΩ	HF45 7620	HF45 7620
91 Ω	HF45 4910	HF45 4910	68 kΩ	HF45 7680	HF45 7680
100 Ω	HF45 5100	HF45 5100	82 kΩ	HF45 7820	HF45 7820
110 Ω	HJ35 5110	HF85 5110	91 kΩ	HF45 7910	HF45 7910
120 Ω	HF45 5120	HF45 5120	100 kΩ	HF45 8100	HF45 8100
150 Ω	HF45 5150	HF45 5150	110 kΩ	HF45 8110	HF45 8110
160 Ω	HJ35 5160	*	120 kΩ	HF45 8120	HF45 8120
180 Ω	HF45 5180	HF45 5180	150 kΩ	HF45 8150	HF45 8150
200 Ω	HF45 5200	HF45 5200	160 kΩ	HF45 8160	HF45 8160
220 Ω	HF45 5220	HF45 5220	220 kΩ	HJ35 8220	HF85 8220
270 Ω	HF45 5270	HF45 5270	270 kΩ	HF45 8270	HF45 8270
330 Ω	HF45 5330	HF45 5330	300 kΩ	HF45 8300	HF45 8300
390 Ω	HF45 5390	HF45 5390	390 kΩ	HF45 8390	HF45 8390
430 Ω	HF45 5430	HF45 5430	390 kΩ	HJ35 8390	HF85 8390
470 Ω	HF45 5470	HF45 5470	470 kΩ	HF45 8470	HF45 8470
510 Ω	HF45 5510	HF45 5510	560 kΩ	HJ35 8560	HF85 8560
560 Ω	HF45 5560	HF45 5560	680 kΩ	HJ35 8680	HF85 8680
680 Ω	HF45 5680	HF45 5680	820 kΩ	HF45 8820	HF85 8820
820 Ω	HF45 5820	HF45 5820	1.0 MΩ	HF45 9100	HF45 9100
910 Ω	HF45 5910	HF45 5910	1.2 MΩ	HJ35 9120	*
1.0 kΩ	HF45 6100	HF45 6100	1.5 MΩ	HJ35 9150	HF85 9150
1.2 kΩ	HF45 6120	HF45 6120	1.8 MΩ	HJ35 9180	HF85 9180
1.5 kΩ	HF45 6150	HF45 6150	2.2 MΩ	HJ35 9220	HF85 9220
1.8 kΩ	HF45 6180	HF45 6180	3.3 MΩ	HJ35 9330	HF85 9330
2.0 kΩ	HJ35 6200	HF85 6200	3.9 MΩ	HJ35 9390	*
2.2 kΩ	HF45 6220	HF45 6220	4.7 MΩ	HJ35 9470	HF85 9470
2.4 kΩ	HJ35 6240	HF85 6240			
2.7 kΩ	HF45 6270	HF45 6270			
3.0 kΩ	HF45 6300	HF45 6300			
3.3 kΩ	HF45 6330	HF45 6330			
3.6 kΩ	HJ35 6360	HF85 6360			
3.9 kΩ	HF45 6390	HF45 6390			
4.7 kΩ	HF45 6470	HF45 6470			
5.1 kΩ	HF45 6510	HF45 6510			
5.6 kΩ	HF45 6560	HF45 6560			
6.8 kΩ	HF45 6680	HF45 6680			
8.2 kΩ	HF45 6820	HF45 6820			
9.1 kΩ	HF45 6910	HF45 6910			

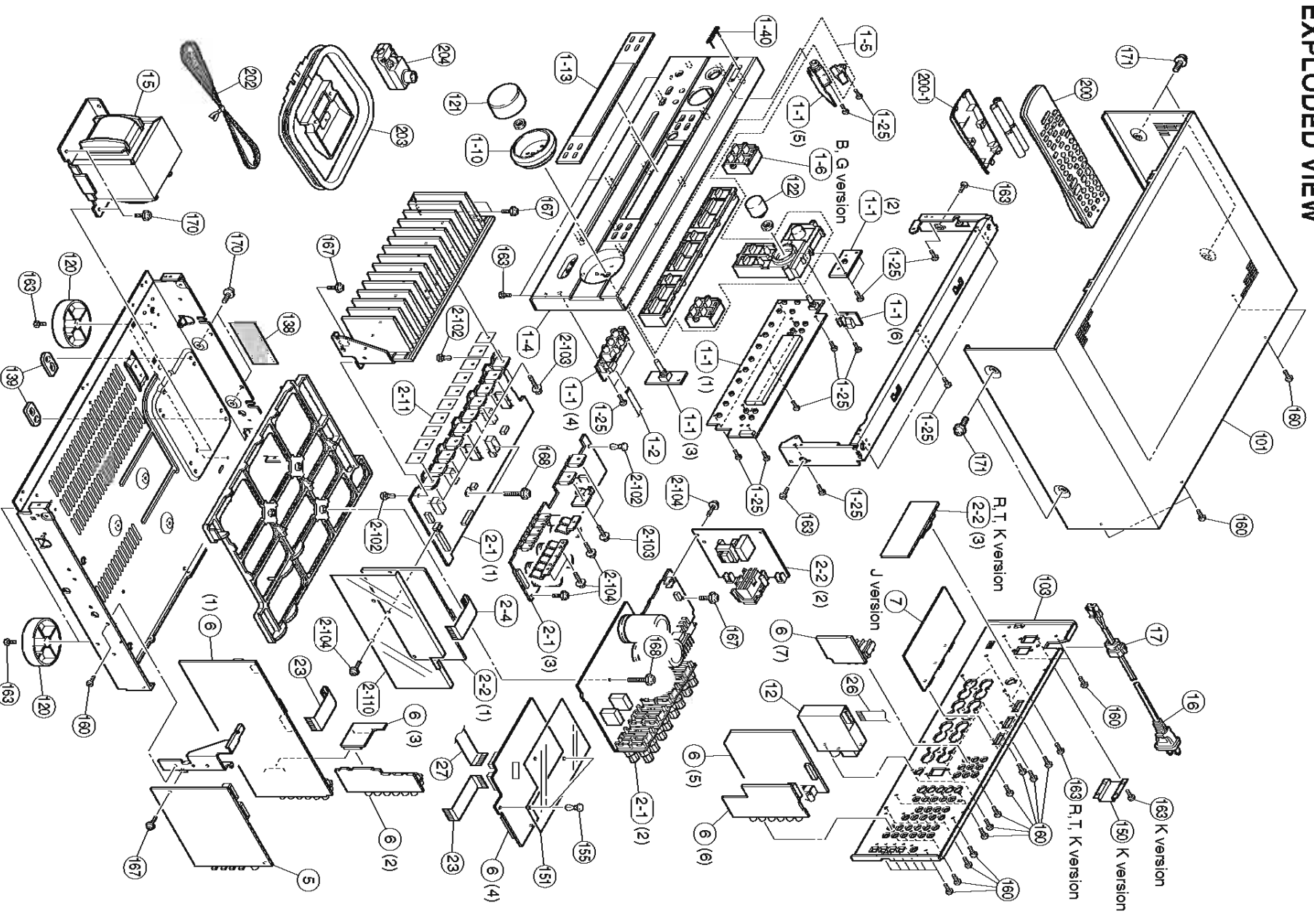


* : Not available

RX-V540/RX-V540RDS/HTR-5650/HTR-5650RDS/DSP-AX540
 RX-V440/RX-V440RDS/HTR-5640/HTR-5640RDS/DSP-AX440

RX-V540/RX-V540RDS/HTR-5650/HTR-5650RDS/DSP-AX540

EXPLODED VIEW



MECHANICAL PARTS

RX-V540/RX-V540RDS/HTR-5650/HTR-5650RDS/DSP-AX540

Ref.	Schm PART NO.	Description	Operation	Remarks	Markets	部 品 名	Rank
1-1	WA708400	P.C.B. ASS'Y	OPERATION		JUCRITAL	P.C.B. オペレーション	
1-1	WA708500	P.C.B. ASS'Y	OPERATION		BG	P.C.B. オペレーション	
1-2	MF106180	FLEXIBLE FLAT CABLE	6P 180mm P=1.25			カード電線 C&C	02
1-4	WA283600	FRONT PANEL		AX540GD	J	フロントパネル	
1-4	WA282200	FRONT PANEL		V540GD	RKL	フロントパネル	
1-4	WA292200	FRONT PANEL		V540GD	T	フロントパネル	
1-4	WA292500	FRONT PANEL		V540RDS3D	G	フロントパネル	
1-4	WA278800	FRONT PANEL		V540BL	UCRA	フロントパネル	
1-4	WA279200	FRONT PANEL		V540RDSBL	BG	フロントパネル	
1-4	WA292600	FRONT PANEL		V540RDSSTI	BG	フロントパネル	
1-4	WA292900	FRONT PANEL		5650GD	K	フロントパネル	
1-4	WA293700	FRONT PANEL		5650GD	T	フロントパネル	
1-4	WA279600	FRONT PANEL		5650BL	UC	フロントパネル	
1-4	WA290100	FRONT PANEL		5650RDSBL	G	フロントパネル	
1-4	WA283000	FRONT PANEL		5650SI	UCA	フロントパネル	
1-4	WA283500	FRONT PANEL		5650RDSSTI	BG	フロントパネル	
1-5	WA473600	BUTTONCASE		V540GD, 5650GD		ボタンケース	
1-5	WA286300	BUTTONCASE		V540BL		ボタンケース	
1-5	WA473700	BUTTONCASE		V540RDSSTI		ボタンケース	
1-5	WA286600	BUTTONCASE		5650BL		ボタンケース	
1-5	WA681000	BUTTONCASE		5650SI		ボタンケース	
1-6	WA287200	BUTTON/RDS		V540RDS3D		ボタン/RDS	
1-6	WA287100	BUTTON/RDS		V540/5650RDSBL		ボタン/RDS	
1-6	WA287300	BUTTON/RDS		V540RDSSTI		ボタン/RDS	
1-6	WA750100	BUTTON/RDS		5650RDSSTI		ボタン/RDS	
1-10	WA297500	ESCUTCHEON/VOL		V540GD		エスカッション/VOL	
1-10	WA287400	ESCUTCHEON/VOL		V540BL, 5650BL		エスカッション/VOL	
1-10	WA287600	ESCUTCHEON/VOL		V540TI, 5650GD		エスカッション/VOL	
1-10	WA750300	ESCUTCHEON/VOL		5650SI		エスカッション/VOL	
1-13	WA290500	SHEET, WINDOW		540, 5650GDSI	JUCRITAL	シート/ウインドウ	
1-13	WA290800	SHEET, WINDOW		V540RDS	BG	シート/ウインドウ	
1-13	WA290700	SHEET, WINDOW		5650BL	UC	シート/ウインドウ	
1-13	WA291000	SHEET, WINDOW		5650RDSBL	G	シート/ウインドウ	
1-25	EP630220	BLIND HEAD P-TITE SCREW	3x8			バインドヘッドネジ	01
1-40	V6034200	EMBLEM		V540GD, 5650GD, BL, V540BLTI, 5650SI		エンブレム	03
2-1	WA700400	P.C.B. ASS'Y	MAIN		J	P.C.B. メイン	
2-1	WA700500	P.C.B. ASS'Y	MAIN		UC	P.C.B. メイン	
2-1	WA700600	P.C.B. ASS'Y	MAIN		RA	P.C.B. メイン	
2-1	WB224900	P.C.B. ASS'Y	MAIN		T	P.C.B. メイン	
2-1	WA700700	P.C.B. ASS'Y	MAIN		KB3L	P.C.B. メイン	
2-2	WA702600	P.C.B. ASS'Y	POWER		J	P.C.B. パワー	
2-2	WA702700	P.C.B. ASS'Y	POWER		UC	P.C.B. パワー	
2-2	WA702800	P.C.B. ASS'Y	POWER		RK	P.C.B. パワー	
2-2	WB226100	P.C.B. ASS'Y	POWER		T	P.C.B. パワー	
2-2	WA702900	P.C.B. ASS'Y	POWER		A	P.C.B. パワー	
2-2	WA703000	P.C.B. ASS'Y	POWER		B	P.C.B. パワー	
2-4	MF117070	FLEXIBLE FLAT CABLE	17P 70mm P=1.25		GL	カード電線 C&C	
2-11	VV849300	SHEET	19x24			シート/放熱	01
2-102	VO368600	PUSH RIVET	P3555-B			プッシュリベット	01
2-103	VK173200	SCREW, TRANSISTOR	3x1.5 SP MFC2			スクリーンター	01
2-104	VT669300	PN HEAD B-TITE SCREW	3x8-8 MFC2			PWヘッドBタイトネジ	01
2-110	WA744400	SHEET				シート/バリク	01

* New Parts * 新部品 (マ-ク#の部品は、基板に含まれません)

RX-V540/RX-V540RDS/HTR-5650/HTR-5650RDS/DSP-AX540

RX-V540/RX-V540RDS/HTR-5650/HTR-5650RDS/DSP-AX540

Schm Ref.	PART NO.	Description	Remarks	Markets	部 品 名	Rank
*	5	WA704200	P.C.B. ASSY	J	P C B D S P	
*	5	WA704300	P.C.B. ASSY	J	P C B D S P	
*	6	WA707000	P.C.B. ASSY	J	P C B D S P	
*	6	WA707100	P.C.B. ASSY	J	P C B D S P	
*	6	WA707200	P.C.B. ASSY	J	P C B D S P	
*	6	WA707300	P.C.B. ASSY	J	P C B D S P	
*	6	WA707400	P.C.B. ASSY	J	P C B D S P	
*	7	WA709000	P.C.B. ASSY	J	P C B D S P	
*	12	V6792200	AM/FM TUNER	J	AM/FM チューナ	13
*	12	V6792300	AM/FM TUNER	J	AM/FM チューナ	
*	12	V6792400	AM/FM TUNER	J	AM/FM チューナ	
*	15	X3914A00	POWER TRANSFORMER	J	電源トランス	
*	15	X3915A00	POWER TRANSFORMER	J	電源トランス	
*	15	X3916A00	POWER TRANSFORMER	J	電源トランス	
*	15	X3917A00	POWER TRANSFORMER	J	電源トランス	
*	15	X3918A00	POWER TRANSFORMER	J	電源トランス	
*	16	V2339000	POWER CABLE	J	電源コード	07
*	16	VN363200	POWER CABLE	J	電源コード	
*	16	WB120600	POWER CABLE	J	電源コード	04
*	16	VB013000	POWER CABLE	J	電源コード	
*	16	V2296900	POWER CABLE	J	電源コード	
*	16	VV437300	POWER CABLE	J	電源コード	08
*	17	VN363700	CORO STOPPER	J	電源コード	04
*	23	MF117070	FLEXIBLE FLAT CABLE	J	コードストッパー	02
*	26	MF115070	FLEXIBLE FLAT CABLE	J	カード電線 C&C	
*	27	MF117350	FLEXIBLE FLAT CABLE	J	カード電線 C&C	
*	101	WA291800	TOP COVER	J	トップカバー	
*	101	WA291900	TOP COVER	J	トップカバー	
*	101	WA291700	TOP COVER	J	トップカバー	
*	101	WA291900	TOP COVER	J	トップカバー	
*	103	WA273500	REAR PANEL	J	リヤパネル	
*	103	WA272200	REAR PANEL	J	リヤパネル	
*	103	WA272300	REAR PANEL	J	リヤパネル	
*	103	WA272400	REAR PANEL	J	リヤパネル	
*	103	WA272700	REAR PANEL	J	リヤパネル	
*	103	WA272800	REAR PANEL	J	リヤパネル	
*	103	WA272500	REAR PANEL	J	リヤパネル	
*	103	WA272900	REAR PANEL	J	リヤパネル	
*	103	WA273000	REAR PANEL	J	リヤパネル	
*	103	WA273100	REAR PANEL	J	リヤパネル	
*	103	WA273300	REAR PANEL	J	リヤパネル	
*	103	WA273400	REAR PANEL	J	リヤパネル	
*	120	V0042500	LEG	J	レッグ	03
*	120	V5025000	LEG	J	レッグ	02
*	120	VV544300	LEG	J	レッグ (B,K)	02
*	121	V9120000	KNOB D47	J	ノブ D 4 7	
*	121	V9119800	KNOB D47	J	ノブ D 4 7	
*	121	V9120200	KNOB D47	J	ノブ D 4 7	
*	121	WA750500	KNOB D47	J	ノブ D 4 7	
*	122	WA289800	KNOB D24	J	ノブ D 2 4	
*	122	WA289700	KNOB D24	J	ノブ D 2 4	

* New Parts * 新規部品(ローグ#の部品は、基板に含まれません)

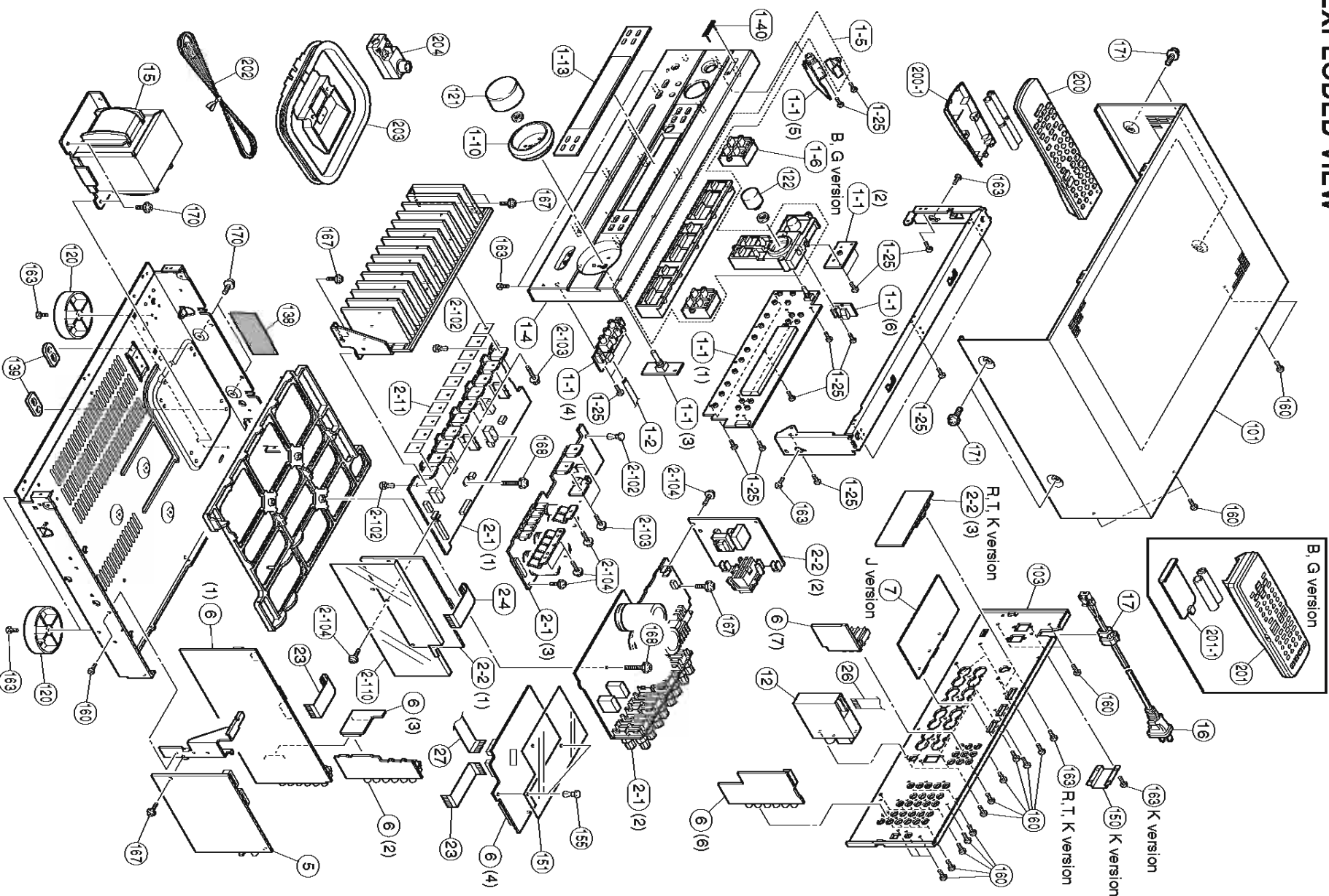
Schm Ref.	PART NO.	Description	Remarks	Markets	部 品 名	Rank
*	122	WA289900	KNOB D24	V540TI	ノブ D 2 4	
*	122	WA750400	KNOB D24	5650SI	ノブ D 2 4	
*	138	V3198100	DAMPER		ダンパー	01
*	139	V7616600	DAMPER		ダンパー	
*	150	V8466300	COVER/AC OUTLETS		カバー/ACプラグレット	
*	151	WB106900	BARRIER/TOP		バリヤ/トップ	
*	155	V0369600	PUSH RIVET		プッシュリベット	01
*	160	VN413300	BIND HEAD BONDING B-T. SCREW		ボンディングBタイトネジ	01
*	163	EP600250	BIND HEAD B-TITE SCREW		バインドBタイトネジ	01
*	167	VT669300	PW HEAD B-TITE SCREW		PWヘッドBタイトネジ	01
*	168	VT669400	PW HEAD B-TITE SCREW		PWヘッドBタイトネジ	01
*	170	WA247600	SCREW/TRANS #3		スクリュートランス#3	01
*	171	V0069600	PW HEAD S-TITE SCREW		PWヘッドSタイトネジ	01
*	171	21991500	PW HEAD S-TITE SCREW		PWヘッドSタイトネジ	01
*	200	WA164100	ACCESSORIES		付属品	
*	200	WA164200	REMOTE CONTROL		リモコン	
*	200-1	AA334140	BATTERY COVER		電池蓋	05
*	202	V8267000	INDOOR FM ANTENNA		F M 簡易アンテナ	03
*	202	VQ147100	INDOOR FM ANTENNA		F M 簡易アンテナ	02
*	203	VR248500	AM LOOP ANTENNA		A M ループアンテナ	03
*	204	VE364900	ANTENNA ADAPTER BATTERY, MANGANESE		整合器	
*					アンテナアダプター	03

* New Parts * 新規部品(ローグ#の部品は、基板に含まれません)

RX-V540/RX-V540RDS/HTR-5650/HTR-5650RDS/DSP-AX540
 RX-V440/RX-V440RDS/HTR-5640/HTR-5640RDS/DSP-AX440

RX-V440/RX-V440RDS/HTR-5640/HTR-5640RDS/DSP-AX440

EXPLODED VIEW



MECHANICAL PARTS

Ref.	Part No.	Description	Operation	Remarks	Markets	部品名	Rank
1-1	WA709400	P.C.B. ASS'Y	OPERATION		JUCRITAL	P C B オペレーション	
1-1	WA708500	P.C.B. ASS'Y	OPERATION		BG	P C B オペレーション	
1-2	MF106180	FLEXIBLE FLAT CABLE	6P 180mm P=1.25			カーダ電線 C&C	02
1-4	WA265100	FRONT PANEL		AX440GD	J	フロントパネル	
1-4	WA293900	FRONT PANEL		V440GD	RKL	フロントパネル	
1-4	WA294100	FRONT PANEL		V440GD	T	フロントパネル	
1-4	WA294100	FRONT PANEL		V440RDS3D	G	フロントパネル	
1-4	WA293600	FRONT PANEL		V440BL	UCRA	フロントパネル	
1-4	WA290900	FRONT PANEL		V440RDSBL	BG	フロントパネル	
1-4	WA284200	FRONT PANEL		V440RDSSTI	BG	フロントパネル	
1-4	WA610900	FRONT PANEL		AX440SI	J	フロントパネル	
1-4	WA658500	FRONT PANEL		V440SI	RL	フロントパネル	
1-4	WA294500	FRONT PANEL		5640GD	K	フロントパネル	
1-4	WA293900	FRONT PANEL		5640GD	T	フロントパネル	
1-4	WA291300	FRONT PANEL		5640BL	UC	フロントパネル	
1-4	WA281700	FRONT PANEL		5640RDSBL	G	フロントパネル	
1-4	WA284600	FRONT PANEL		5640RDS	UC	フロントパネル	
1-4	WA284900	FRONT PANEL		5640SI	UCA	フロントパネル	
1-5	WA473600	BUTTONCASE		V440GD, 5640GD	BG	ボタンケース	
1-5	WA296300	BUTTONCASE		V440BL		ボタンケース	
1-5	WA473700	BUTTONCASE		V440RDSSTI		ボタンケース	
1-5	WA661000	BUTTONCASE		V440SI, 5640SI		ボタンケース	
1-5	WA296600	BUTTONCASE		5640BL		ボタンケース	
1-6	WA287200	BUTTON/RDS		V440RDS3D		ボタン/RDS	
1-6	WA287100	BUTTON/RDS		V440/5640 RDSBL		ボタン/RDS	
1-6	WA297300	BUTTON/RDS		V440RDSSTI		ボタン/RDS	
1-6	WA750100	BUTTON/RDS		5640RDSSTI		ボタン/RDS	
1-10	WA287500	ESCUTCHEON/VOL		V440GD		エスカッション/VOL	
1-10	WA287400	ESCUTCHEON/VOL		V440BL, 5640BL		エスカッション/VOL	
1-10	WA287600	ESCUTCHEON/VOL		V440TI, 5640GD		エスカッション/VOL	
1-10	WA750300	ESCUTCHEON/VOL		V440SI, 5640SI		エスカッション/VOL	
1-13	WA290500	SHEET, WINDOW		V440, 5640GDSI	JUCRITAL	シート/ウインドウ	
1-13	WA290800	SHEET, WINDOW		V440RDS	BG	シート/ウインドウ	
1-13	WA290700	SHEET, WINDOW		5640BL	UC	シート/ウインドウ	
1-13	WA291000	SHEET, WINDOW		5640RDSBL	G	シート/ウインドウ	
1-25	EP630220	BLIND HEAD P-TITE SCREW	3x8	V440GD, 5640GD, 5640RDS, 5640SI		ブラインドヘッドネジ	01
1-40	V6034200	EMBLEM		V440GDS, 5640GDS		エンブレム	03
1-40	V6034100	EMBLEM		V440GDS, 5640GDS		エンブレム	
2-1	WA700800	P.C.B. ASS'Y	MAIN		J	PCB メイン	
2-1	WA700900	P.C.B. ASS'Y	MAIN		UC	PCB メイン	
2-1	WA701000	P.C.B. ASS'Y	MAIN		RA	PCB メイン	
2-1	WA225000	P.C.B. ASS'Y	MAIN		T	PCB メイン	
2-1	WA701100	P.C.B. ASS'Y	MAIN		KBSL	PCB メイン	
2-2	WA703200	P.C.B. ASS'Y	POWER		J	PCB メイン	
2-2	WA703300	P.C.B. ASS'Y	POWER		UC	PCB メイン	
2-2	WA703400	P.C.B. ASS'Y	POWER		RK	PCB メイン	
2-2	WA228300	P.C.B. ASS'Y	POWER		T	PCB メイン	
2-2	WA703500	P.C.B. ASS'Y	POWER		A	PCB メイン	
2-2	WA703600	P.C.B. ASS'Y	POWER		B	PCB メイン	
2-2	WA703700	P.C.B. ASS'Y	POWER		GL	PCB メイン	
2-4	MF117070	FLEXIBLE FLAT CABLE	17P 70mm P=1.25			カーダ電線 C&C	
2-11	VW849300	PUSH RIVET	19x24			シート/放熱	01
2-102	V0368600	SCREEN, TRANSISTOR	3x15 SP MFC2			シート/放熱	01
2-103	VK173200	SCREEN, TRANSISTOR	3x15 SP MFC2			シート/放熱	01

* New Parts * 新部品 (ロー#の部品は、基板に含まれません)

RX-V440/RX-V440RDS/HTR-5640RDS/DSP-AX440

Schm Ref.	PART NO.	Description	Remarks	Markets	部品名	Rank
* 2-104	VT689300	PM HEAD B-TITE SCREW			PWヘッドBタイトネジ	01
* 2-110	WA744400	SHEET		J	シート/バリア	
* 5	WA704400	P.C.B. ASSY Y		J	P C B D S P	
* 5	WA704500	P.C.B. ASSY Y		J	P C B D S P	
* 6	WA707500	P.C.B. ASSY Y		J	P C B D S P	
* 6	WA707800	P.C.B. ASSY Y		J	P C B D S P	
* 6	WA707700	P.C.B. ASSY Y		J	P C B D S P	
* 6	WB225900	P.C.B. ASSY Y		J	P C B D S P	
* 6	WA707800	P.C.B. ASSY Y		J	P C B D S P	
* 6	WA707900	P.C.B. ASSY Y		J	P C B D S P	
* 7	WA709000	P.C.B. ASSY Y		J	P C B D S P	
* 12	V6782200	AM/FM TUNER		J	AM/FM チューナ	13
* 12	V6782300	AM/FM TUNER		J	AM/FM チューナ	
* 12	V6782400	AM/FM TUNER		J	AM/FM チューナ	
* 15	X3914A00	POWER TRANSFORMER		J	電源トランス	
* 15	X3915A00	POWER TRANSFORMER		J	電源トランス	
* 15	X3916A00	POWER TRANSFORMER		J	電源トランス	
* 15	X3917A00	POWER TRANSFORMER		J	電源トランス	
* 15	X3918A00	POWER TRANSFORMER		J	電源トランス	
* 16	V2723100	POWER CABLE		J	電源コード	07
* 16	V2363900	POWER CABLE		J	電源コード	
* 16	VN363200	POWER CABLE		J	電源コード	
* 16	WB120500	POWER CABLE		J	電源コード	
* 16	V8013000	POWER CABLE		J	電源コード	
* 16	V2296900	POWER CABLE		J	電源コード	
* 16	V437300	POWER CABLE		J	電源コード	
* 16	VN363700	POWER CABLE		J	電源コード	
* 17	V2439700	CORD STOPPER		J	コードストッパー	02
* 23	MF117070	FLEXIBLE FLAT CABLE		J	カード電線 C&C	
* 26	MF115070	FLEXIBLE FLAT CABLE		J	カード電線 C&C	
* 27	MF117350	FLEXIBLE FLAT CABLE		J	カード電線 C&C	
* 101	WA291800	TOP COVER		J	トップカバー	
* 101	WA798900	TOP COVER		J	トップカバー	
* 101	WA291700	TOP COVER		J	トップカバー	
* 101	WA291900	TOP COVER		J	トップカバー	
* 103	WA274900	REAR PANEL		J	リヤパネル	
* 103	WA273600	REAR PANEL		J	リヤパネル	
* 103	WA273700	REAR PANEL		J	リヤパネル	
* 103	WA273800	REAR PANEL		J	リヤパネル	
* 103	WA274100	REAR PANEL		J	リヤパネル	
* 103	WA274200	REAR PANEL		J	リヤパネル	
* 103	WA273900	REAR PANEL		J	リヤパネル	
* 103	WA274300	REAR PANEL		J	リヤパネル	
* 103	WA274400	REAR PANEL		J	リヤパネル	
* 103	WA274500	REAR PANEL		J	リヤパネル	
* 103	WA274700	REAR PANEL		J	リヤパネル	
* 103	WA274900	REAR PANEL		J	リヤパネル	
* 120	VO042500	LEG		J	レッグ	03
* 120	VS025000	LEG		J	レッグ	02
* 120	VV544300	LEG		J	レッグ (B K)	02
* 121	V9120000	KNOB D47		J	ノブ D 4 7	
* 121	V9119800	KNOB D47		J	ノブ D 4 7	
* 121	V9120200	KNOB D47		J	ノブ D 4 7	
* 121	WA750500	KNOB D47		J	ノブ D 4 7	

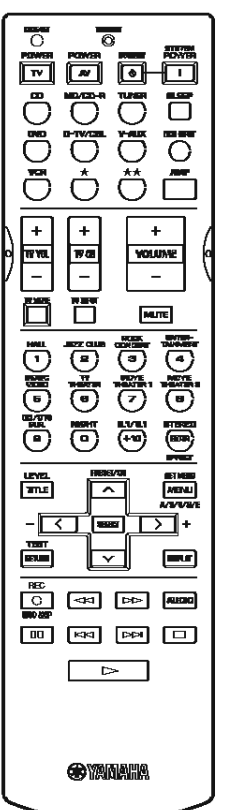
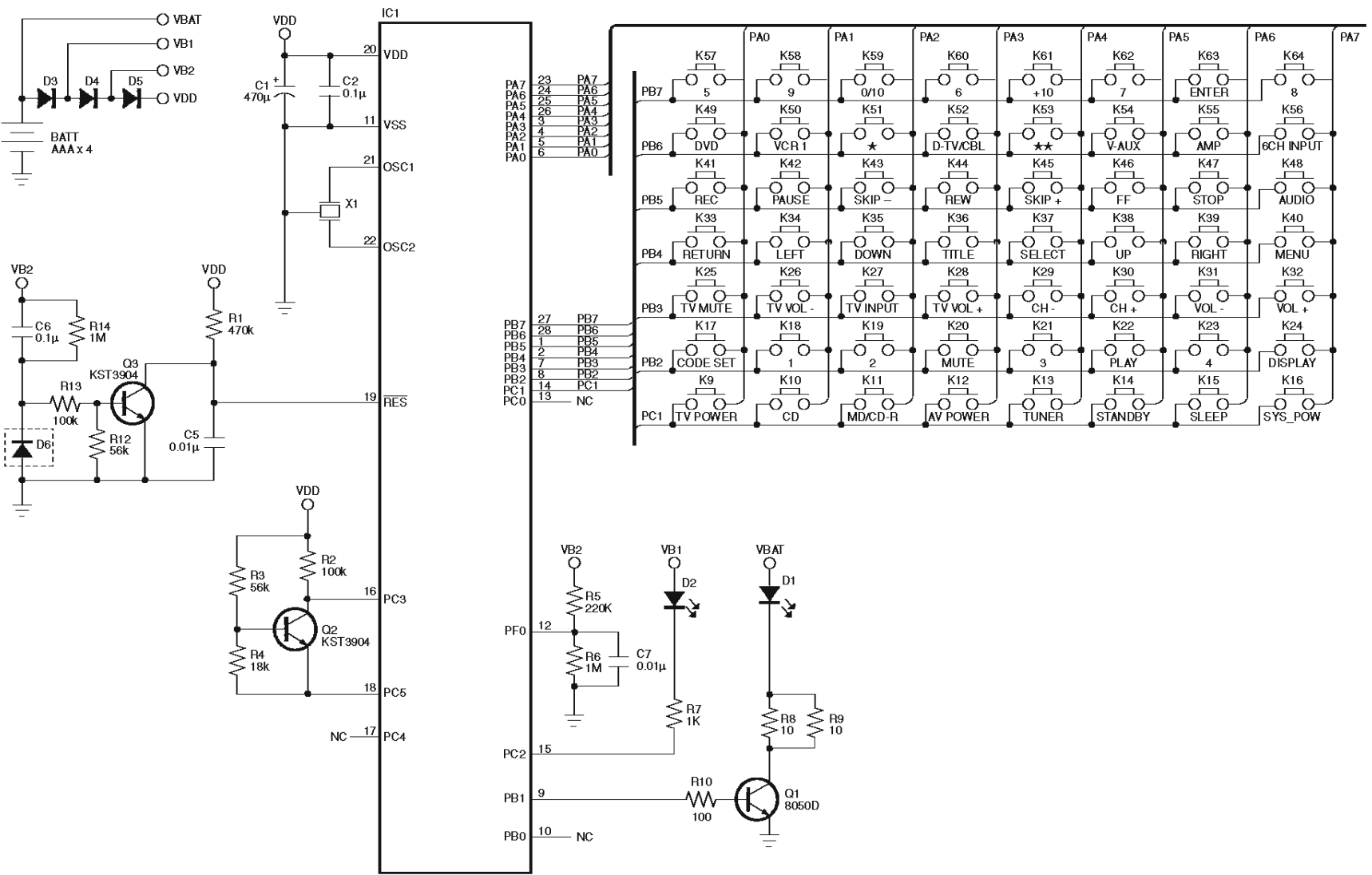
* New Parts * 新規部品(ローグ#の部品は、基板に含まれません)

RX-V440/RX-V440RDS/HTR-5640RDS/DSP-AX440

Schm Ref.	PART NO.	Description	Remarks	Markets	部品名	Rank
* 122	WA289800	KNOB D24		J	ノブ D 2 4	
* 122	WA289700	KNOB D24		J	ノブ D 2 4	
* 122	WA289900	KNOB D24		J	ノブ D 2 4	
* 122	WA750400	KNOB D24		J	ノブ D 2 4	
* 138	V3198100	DAMPER		J	ダンパー	
* 139	V7616600	DAMPER		J	ダンパー	
* 150	V9466300	COVER/AC OUTLETS		J	カバー/ACアクトレット	
* 151	WB106900	BARRIER/TOP		J	バリア/トップ	
* 155	VO368600	PUSH RIVET		J	プッシュリベット	
* 160	VN413300	BIND HEAD BONDING B-T. SCREW		J	ボンドヘッドBタイトネジ	
* 163	EP600280	BIND HEAD B-TITE SCREW		J	バインドヘッドタイトネジ	
* 167	V7669300	PM HEAD B-TITE SCREW		J	PWヘッドBタイトネジ	
* 168	V7669400	PM HEAD B-TITE SCREW		J	PWヘッドBタイトネジ	
* 170	WA247800	SCREW/TRANS #S		J	スクリーントランス#S	
* 171	VD069600	PM HEAD S-TITE SCREW		J	PWヘッドSタイトネジ	
* 171	21991500	PM HEAD S-TITE SCREW		J	PWヘッドSタイトネジ	
* 200	WA164100	ACCESSORIES		J	付属品	
* 200-1	AA34140	REMOTE CONTROL		J	リモコン	05
* 201	WA220300	REMOTE CONTROL		J	リモコン	
* 201-1	AA346580	BATTERY COVER		J	電池蓋	03
* 202	V6267000	INDOOR FM ANTENNA		J	FM簡易アンテナ	03
* 202	VO147100	INDOOR FM ANTENNA		J	FM簡易アンテナ	02
* 203	VR248500	AM LOOP ANTENNA		J	AMループアンテナ	03
* 204	VE364900	ANTENNA ADAPTER BATTERY, MANGANESE BATTERY		J	整合器 2P C 乾電池	03

* New Parts * 新規部品(ローグ#の部品は、基板に含まれません)

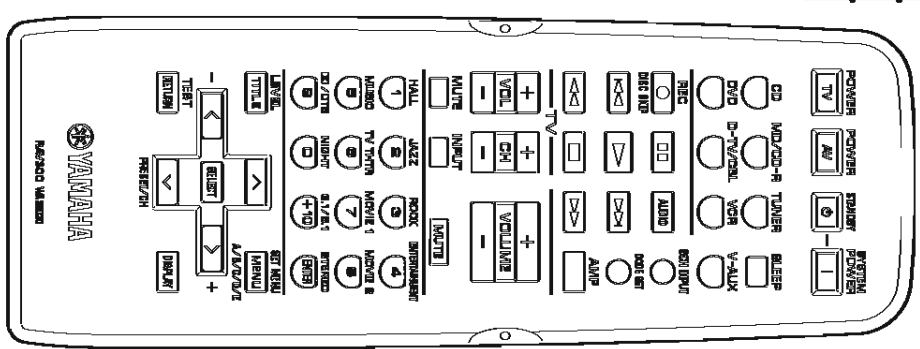
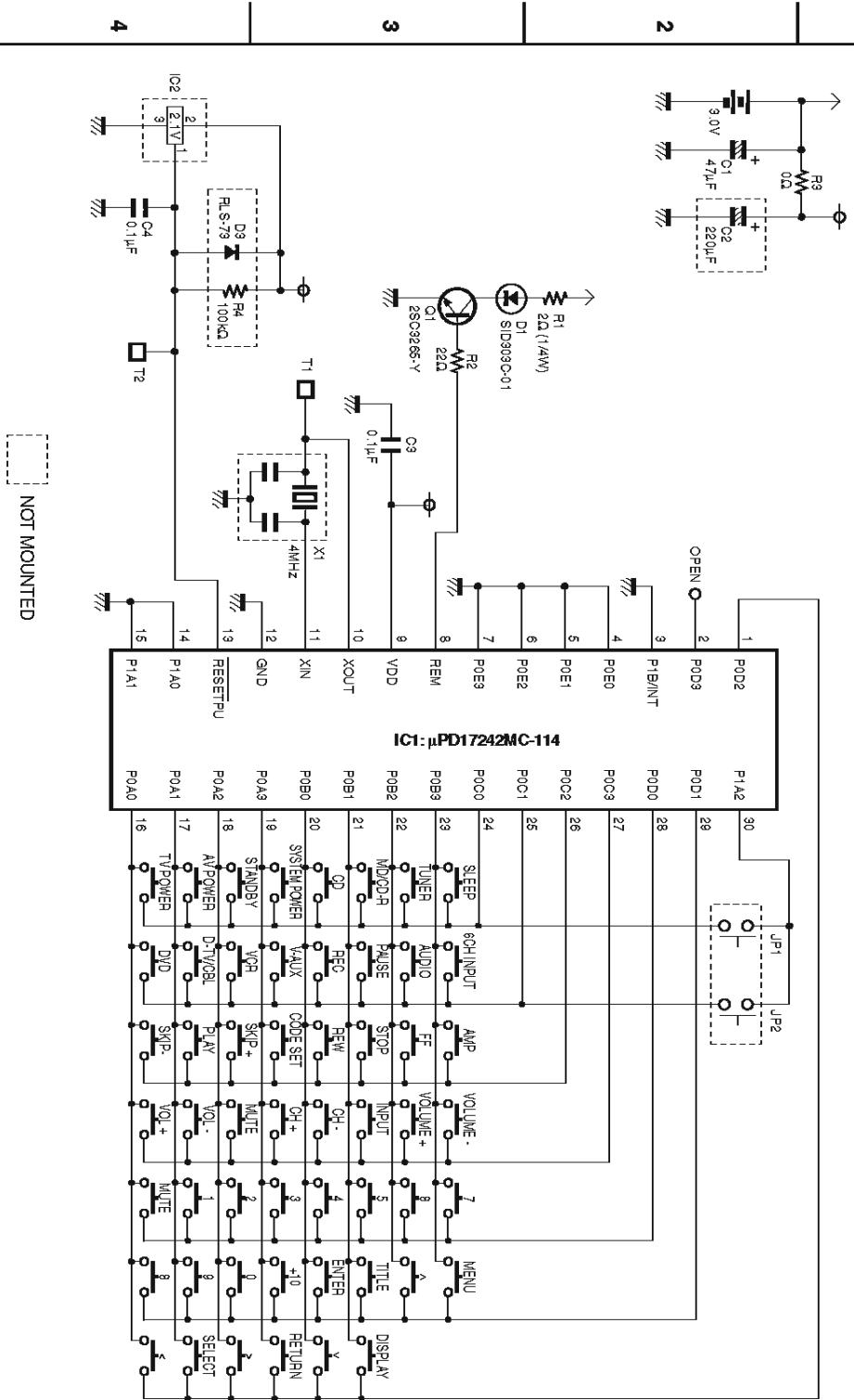
REMOTE CONTROL RAV246 (RX-V540/HTR-5650/DSP-AX540/RX-V440)
HTR-5640/DSP-AX440), RAV247 (RX-V540RDS/HTR-5650RDS)
SCHEMATIC DIAGRAM



Key No.	Schematic Key No.	Function	YPC	ZONE2			DVD			LD	CD	CD-R	MD	TAPE		TUNER		AMP		
				MAIN	ZONE2	SYSTEM	Yamaha1	Yamaha3	Yamaha4					Yamaha	Yamaha1	Yamaha2	Yamaha1		Yamaha2	Yamaha1
1	K17	CODE SET	-	-	-	-	-	-	-	-	-	-	-	-	-	-	-	-		
2	K9	TV POWER	-	-	-	-	-	-	-	-	-	-	-	-	-	-	-	-		
3	K12	AV POWER	-	-	-	-	7C-80	004.012	048.012	-	-	-	-	79-B5	-	-	-	-		
4	K14	STANDBY	7A-1E	7E-7F	7E-BB	7A-1E	-	-	-	-	-	-	-	-	-	-	-	-		
5	K16	SYSTEM POWER	7A-1D	7E-7E	7E-BA	7A-1D	-	-	-	-	-	-	-	-	-	-	-	-		
6	K10	CD	7A-15	7A-15	7A-D1	-	-	-	-	-	-	-	-	-	-	-	-	-		
7	K11	MD/CD-R	7A-C9	7A-C9	7A-CF	-	-	-	-	-	-	-	-	-	-	-	-	-		
8	K13	TUNER	7A-16	7A-16	7A-D2	-	-	-	-	-	-	-	-	-	-	-	-	-		
9	K15	SLEEP	7A-57	7A-57	-	-	-	-	-	-	-	-	-	-	-	-	-	-		
10	K49	DVD	7A-C1	7A-C1	7A-CD	-	-	-	-	-	-	-	-	-	-	-	-	-		
11	K52	D-TV/CBL	7A-54	7A-54	7A-D9	-	-	-	-	-	-	-	-	-	-	-	-	-		
12	K54	V-AUX	7A-55	7A-55	7A-D8	-	-	-	-	-	-	-	-	-	-	-	-	-		
13	K56	6CH INPUT	7A-87	7A-87	-	-	-	-	-	-	-	-	-	-	-	-	-	-		
14	K50	VCR	7A-0F	7A-0F	7A-D6	-	-	-	-	-	-	-	-	-	-	-	-	-		
15	K51	*	7A-13	7A-13	7A-D7	-	-	-	-	-	-	-	-	-	-	-	-	-		
16	K53	**	-	-	-	-	-	-	-	-	-	-	-	-	-	-	-	-		
17	K55	AMP	-	-	-	-	-	-	-	-	-	-	-	-	-	-	-	-		
18	K28	TV VOL +	-	-	-	-	-	-	-	-	-	-	-	-	-	-	-	-		
19	K30	TV CH +	-	-	-	-	-	-	-	-	-	-	-	-	-	-	-	-		
20	K32	VOLUME +	7A-1A	7A-1A	-	-	-	-	-	-	-	-	7A-1A	-	-	-	-	-		
21	K26	TV VOL -	-	-	-	-	-	-	-	-	-	-	-	-	-	-	-	-		
22	K29	TV CH -	-	-	-	-	-	-	-	-	-	-	-	-	-	-	-	-		
23	K31	VOLUME -	7A-1B	7A-1B	-	-	-	-	-	-	-	-	7A-1B	-	-	-	-	-		
24	K25	TV MUTE	-	-	-	-	-	-	-	-	-	-	-	-	-	-	-	-		
25	K27	TV INPUT	-	-	-	-	-	-	-	-	-	-	-	-	-	-	-	-		
26	K20	MUTE	7A-1C	7A-1C	7A-DC	-	-	-	-	-	-	-	7A-1C	-	-	-	-	-		
27	K18	1	-	-	-	-	7C-94	004.001	048.001	7C-17	79-11	79-11	7F-91	79-85	79-B7	-	7A-E5	D1-0E	7A-88	
28	K19	2	-	-	-	-	7C-95	004.002	048.002	7C-18	79-12	79-12	7F-92	79-86	79-B8	-	7A-E6	D1-0F	7A-89	
29	K21	3	-	-	-	-	7C-96	004.003	048.003	7C-19	79-13	79-13	7F-93	79-87	79-B9	-	7A-E7	D1-10	7A-8A	
30	K23	4	-	-	-	-	7C-97	004.004	048.004	7C-1A	79-14	79-14	7F-94	79-88	79-BA	-	7A-E8	D1-11	7A-8B	
31	K57	5	-	-	-	-	7C-98	004.005	048.005	7C-1B	79-15	79-15	7F-95	79-89	79-BB	-	7A-E9	D1-12	7A-8C	
32	K60	6	-	-	-	-	7C-99	004.006	048.006	7C-1C	79-16	79-16	7F-96	79-8A	79-BC	-	7A-EA	D1-13	7A-8D	
33	K62	7	-	-	-	-	7C-9A	004.007	048.007	7C-1D	79-17	79-17	7F-97	79-8B	79-BD	-	7A-EB	D1-14	7A-8E	
34	K64	8	-	-	-	-	7C-9B	004.008	048.008	7C-1E	79-18	79-18	7F-98	79-8C	79-BE	-	7A-EC	D1-15	7A-8F	
35	K58	9	-	-	-	-	7C-9C	004.009	048.009	7C-1F	79-19	79-19	7F-99	79-8D	79-BF	-	-	-	7A-90	
36	K59	0	-	-	-	-	7C-93	004.000	048.000	7C-18	79-10	79-10	7F-90	79-8E	79-C0	-	-	-	7A-96	
37	K61	+10	-	-	-	-	7C-9D	004.120	-	7C-5D	79-1A	79-1A	7F-9A	79-8F	79-BF	-	-	-	7A-97	
38	K63	ENTER	-	-	-	-	7C-9E	-	-	7C-15	79-0B	79-0B	7F-9A	-	-	-	-	-	7A-56	
39	K36	TITLE	-	-	-	-	7C-B1	004.113	048.200	-	-	-	-	-	-	-	-	-	7A-96	
40	K38	^	-	-	-	-	7C-B4	004.088	048.088	-	-	-	-	-	-	-	7A-10	7A-10	7A-98	
41	K40	MENU	-	-	-	-	7C-B2	004.084	048.084	-	-	-	-	-	-	-	7A-12	-	7A-9C	
42	K34	<	-	-	-	-	7C-B5	004.090	048.090	-	-	-	-	-	-	-	-	-	7A-53	
43	K37	SELECT	-	-	-	-	7C-B8	004.092	048.092	-	-	-	-	-	-	-	-	-	-	
44	K39	>	-	-	-	-	7C-B6	004.091	048.091	-	-	-	-	-	-	-	-	-	7A-52	
45	K33	RETURN	-	-	-	-	7C-B7	004.131	048.131	-	-	-	-	-	-	-	D1-0D	-	7A-95	
46	K35	v	-	-	-	-	7C-B3	004.089	048.089	-	-	-	-	-	-	-	7A-11	7A-11	7A-99	
47	K24	DISPLAY	-	-	-	-	7C-A6	004.015	048.015	7C-13	79-0A	79-0A	7F-9E	79-A5	79-A5	-	-	-	7A-C2	
48	K41	REC	-	-	-	-	7C-9D	004.127	048.055	-	7A-4F	79-4F	-	79-AF	79-B1	7A-04	7F-04	-	-	
49	K44	REW	-	-	-	-	7C-96	004.041	048.041	7C-06	7A-0D	79-05	7F-88	79-AC	79-AC	7A-01	7F-01	-	-	
50	K46	FF	-	-	-	-	7C-87	004.040	048.040	7C-07	7A-0C	79-06	7F-89	79-AD	79-AD	7A-02	7F-02	-	-	
51	K48	AUDIO	-	-	-	-	7C-AD	004.078	048.078	7C-12	-	-	-	-	-	-	7A-06	7F-06	-	-
52	K42	PAUSE	-	-	-	-	7C-83	004.048	048.048	7C-5A	7A-09	79-55	7F-83	79-A9	79-A9	-	-	-	-	
53	K43	SKIP -	-	-	-	-	7C-B9	004.033	048.033	7C-02	7A-0B	79-04	7F-86	79-AB	79-AB	7A-07	7F-07	-	-	
54	K45	SKIP +	-	-	-	-	7C-BA	004.032	048.032	7C-03	7A-0A	79-07	7F-87	79-AE	79-AE	7A-04	7F-08	-	-	
55	K47	STOP	-	-	-	-	7C-85	004.049	048.049	7C-5B	7A-09	79-56	7F-84	79-AA	79-AA	7A-03	7F-03	-	-	
56	K22	PLAY	-	-	-	-	7C-82	004.044	048.044	7C-05	7A-08	79-02	7F-82	79-A8	79-A8	7A-00	7F-00	-	-	

REMOTE CONTROL RAV300 (RX-V440RDS/HTR-5640RDS)

SCHEMATIC DIAGRAM



Key No.	Function	CODE								
		AMP	CD	MD	CD-R	TUNER	DVD (P)	DVD (Y)	DVD (M)	DVD-R (P)
1	TV POWER	-	-	-	-	-	-	-	-	-
2	AV POWER	-	-	-	-	-	7F-80	-	-	-
3	STANDBY	7A-1E	-	-	-	-	-	-	-	AA-5A
4	SYSTEM POWER	7A-1D	-	-	-	-	-	-	-	-
5	CD	7A-15	-	-	-	-	-	-	-	-
6	MD/CD-R	7A-C9	-	-	-	-	-	-	-	-
7	TUNER	7A-18	-	-	-	-	-	-	-	-
8	SLEEP	7A-57	-	-	-	-	-	-	-	-
9	DVD	7A-C1	-	-	-	-	-	-	-	-
10	D-TV/CBL	7A-54	-	-	-	-	-	-	-	-
11	VCR	7A-0F	-	-	-	-	-	-	-	-
12	V-AUX	7A-55	-	-	-	-	-	-	-	-
13	REC. DISC SKIP	-	7A-4F	-	79-4F	-	-	-	-	55-56
14	PAUSE	-	7A-09	-	79-A9	-	7F-93	-	-	AA-8A
15	AUDIO	-	-	-	-	-	-	-	-	95-A6
16	6CH INPUT	7A-87	-	-	-	-	-	-	-	-
17	SKIP -	-	7A-0B	-	79-AB	-	7F-96	-	-	6A-9A
18	PLAY	-	7A-08	-	79-A8	-	7F-82	-	-	AA-9A
19	SKIP +	-	7A-0A	-	79-AE	-	7F-87	-	-	AA-9A
20	CODE SET	-	-	-	-	-	-	-	-	-
21	REW	-	7A-0D	-	79-AC	-	7F-88	-	-	69-9A
22	STOP	-	7A-09	-	79-AA	-	7F-84	-	-	6A-5A
23	FF	-	7A-0C	-	79-AD	-	7F-99	-	-	AA-9A
24	AMP	-	-	-	-	-	-	-	-	-
25	TV VOL +	-	-	-	-	-	-	-	-	-
26	TV VOL -	-	-	-	-	-	-	-	-	-
27	TV MUTE	-	-	-	-	-	-	-	-	-
28	TV CH +	-	-	-	-	-	-	-	-	-
29	TV CH -	-	-	-	-	-	-	-	-	-
30	TV INPUT	-	-	-	-	-	-	-	-	-
31	VOLUME +	7A-1A	-	-	-	-	-	-	-	-
32	VOLUME -	7A-1B	-	-	-	-	-	-	-	-
33	MUTE	7A-1C	-	-	-	-	-	-	-	-
34	1	7A-88	-	79-11	-	79-85	-	7F-91	-	6A-AA
35	2	7A-89	-	79-12	-	79-86	-	7F-92	-	9A-AA
36	3	7A-8A	-	79-13	-	79-87	-	7F-93	-	7A-E7
37	4	7A-8B	-	79-14	-	79-88	-	7F-94	-	7A-E8
38	5	7A-8C	-	79-15	-	79-89	-	7F-95	-	66-AA
39	6	7A-8D	-	79-16	-	79-8A	-	7F-96	-	96-AA
40	7	7A-8E	-	79-17	-	79-8B	-	7F-97	-	56-AA
41	8	7A-8F	-	79-18	-	79-8C	-	7F-98	-	AA-AA
42	9	7A-90	-	79-19	-	79-8D	-	7F-99	-	69-AA
43	0	7A-95	-	79-10	-	79-8E	-	7F-90	-	AA-AA
44	+10	7A-97	-	79-1A	-	79-8F	-	7F-9A	-	AA-AA
45	ENTER	7A-56	-	79-0B	-	-	-	7F-8A	-	AA-AA
46	TITLE	7A-86	-	-	-	-	-	-	-	9B-2B
47	^	7A-98	-	-	-	-	-	7A-10	-	AA-66
48	MENU	7A-9C	-	-	-	-	-	7A-12	-	AA-66
49	<	7A-53	-	-	-	-	-	99-66	-	AA-66
50	SELECT	-	-	-	-	-	-	-	-	AA-66
51	>	7A-52	-	-	-	-	-	59-66	-	AA-66
52	RETURN	7A-85	-	-	-	-	-	5A-A9	-	AA-66
53	v	7A-99	-	-	-	-	-	7A-11	-	AA-66
54	DISPLAY	-	79-0A	-	79-A5	-	7F-9E	-	-	92-22

RX-V540/RX-V540RDS/HTR-5650/HTR-5650RDS/DSP-AX540
RX-V440/RX-V440RDS/HTR-5640/HTR-5640RDS/DSP-AX440

