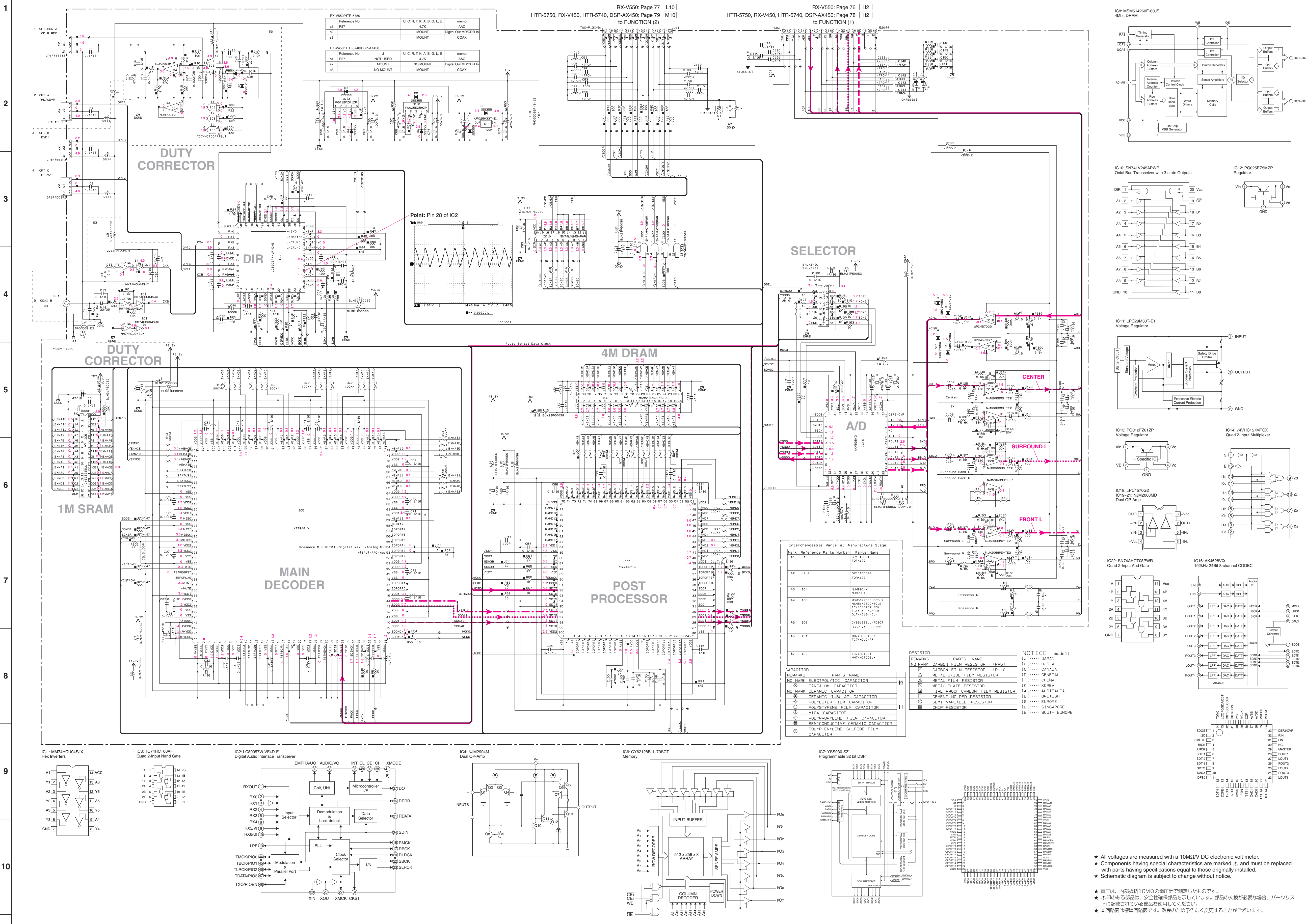


■ SCHEMATIC DIAGRAM (DSP)

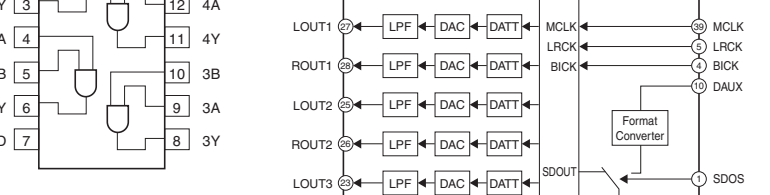
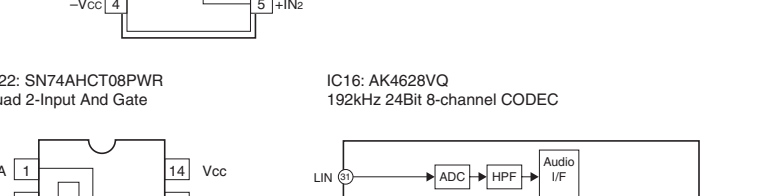
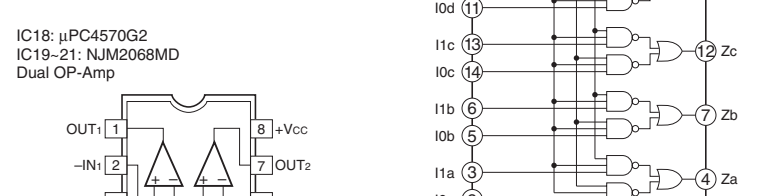
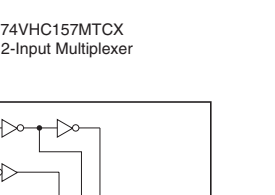
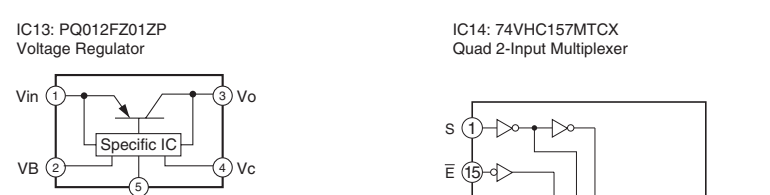
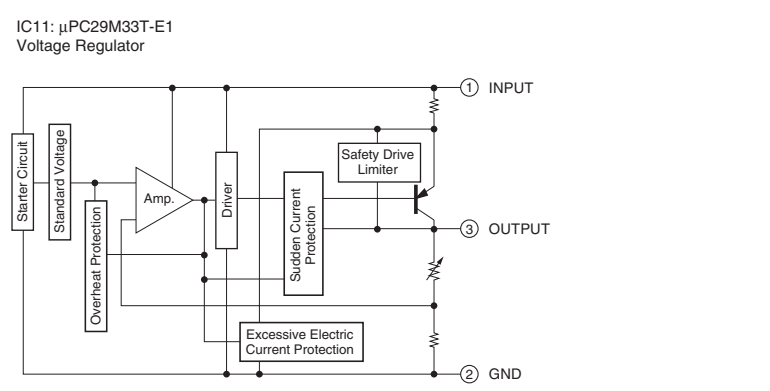
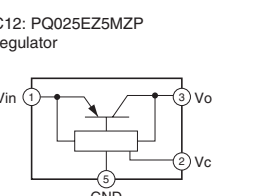
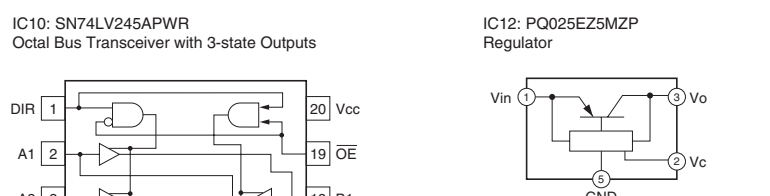
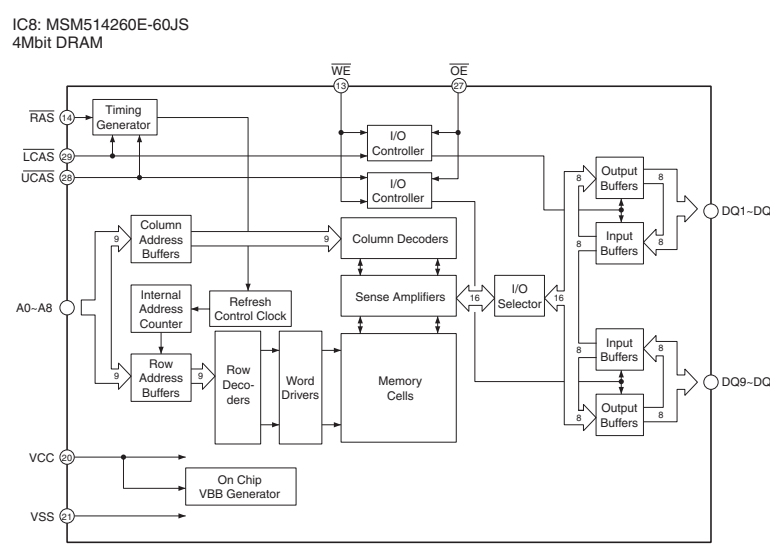


Reference No.	U.C.R.T.K.A.B.G.L.E	memo
s1	RS7	4.7K ANAC
s2		MOUNT Digital Out MDCCDR In
s3		MOUNT COAX

Reference No.	U.C.R.T.K.A.B.G.L.E	memo
s1	RS7	NOT USED 4.7K
s2		MOUNT NO MOUNT
s3		MOUNT NO MOUNT Digital Out MDCCDR In
		COAX

RX-V550: Page 77 [L10]
HTR-5750, RX-V450, HTR-5740, DSP-AX450: Page 79 [M10]
to FUNCTION (2)

RX-V550: Page 76 [H2]
HTR-5750, RX-V450, HTR-5740, DSP-AX450: Page 78 [H2]
to FUNCTION (1)



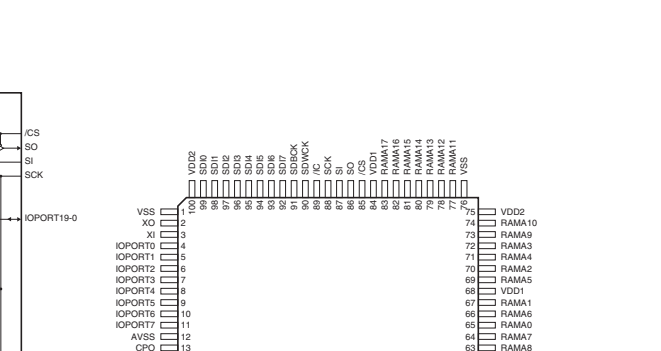
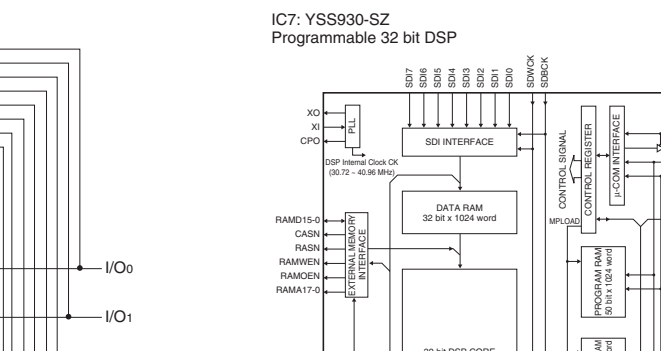
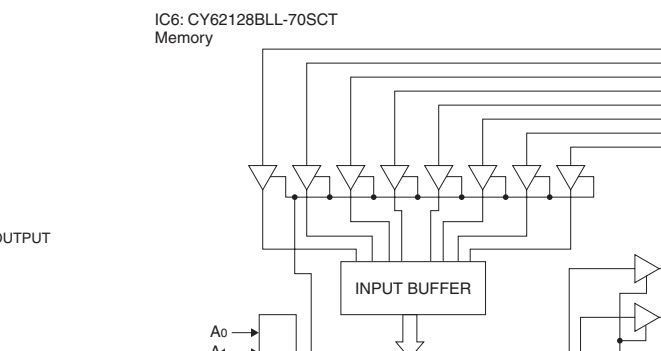
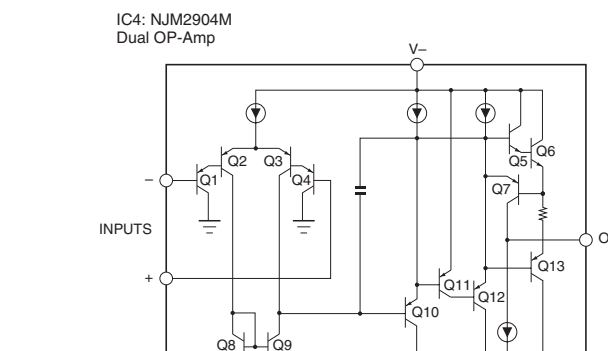
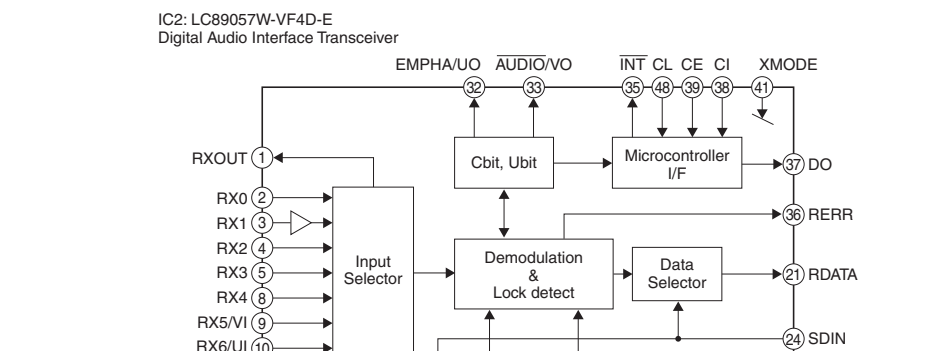
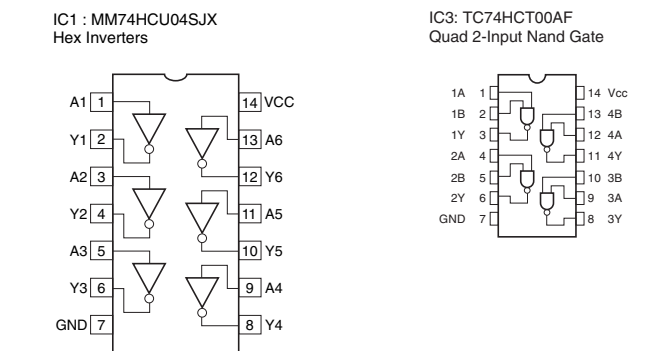
Interchangeable Parts at Manufacture-Stage

Part	Reference Parts Number	Parts Name
s1	U1-4	GRF45832Z T0A139
s3	IC4	NM2904M NM2904M
s4	IC8	MSM514280E-60JSX MSM514280E-60JSX IC416280E-60K IC416280E-60K
s5	IC6	CH2128BL-705CT BS62L11028C-52
s6	IC1	MM74HC04SX TC74HC04F
s7	IC3	TC74HC100AF MM74HC100J

REMARKS (model)

REMARKS	PARTS NAME
NO MARK	CARBON FILM RESISTOR (P=5)
△	CARBON FILM RESISTOR (P=10)
□	METAL OXIDE FILM RESISTOR
◇	METAL FILM RESISTOR
○	FINE-PROOF CARBON FILM RESISTOR
◎	CERMENT MOLDED RESISTOR
①	POLYESTER FILM CAPACITOR
②	POLYSTYRENE FILM CAPACITOR
③	MICA CAPACITOR
④	POLYPROPYLENE FILM CAPACITOR
⑤	SEMICONDUCTIVE CERAMIC CAPACITOR
⑥	POLYBENYLENE SULFIDE FILM CAPACITOR

REMARKS (model)
(J)..... JAPAN
(U)..... U.S.A
(C)..... CANADA
(G)..... GENERAL
(T)..... CHINA
(K)..... KOREA
(A)..... AUSTRALIA
(B)..... BRITISH
(L)..... EUROPE
(S)..... SINGAPORE
(E)..... SOUTH EUROPE



★ All voltages are measured with a 10MΩ/V DC electronic volt meter.
★ Components having special characteristics are marked with a star, and must be replaced with parts having specifications equal to those originally installed.
★ Schematic diagram is subject to change without notice.

★ 電圧は、内部抵抗10MΩの電圧計で測定したものです。
★ 1印のある部品は、安全性確保部品を示しています。部品の交換が必要な場合、パーツリストに記載されている部品を使用してください。
★ 本回路図は標準回路図です。改良のため予告なく変更することがございます。

SCHEMATIC DIAGRAM (FUNCTION 1/2) RX-V550

	U-C	R	T	K	A	B-G-E	L
91	PJ752	MSP-246V1-01NI V704670	MSP-244V1-01NI V704670	MSP-244V1-01NI V704670	MSP-244V1-01NI V704670	MSP-246V1-01NI V704670	MSP-244V1-01NI V704670
92	0751-752 754-755	C33261A/B1 V030370	X	X	X	C33261A/B1 V030370	X
93	C754-755	47P F665147	X	X	X	47P F665147	X
94	C767-768	10/16 URB3710	X	X	X	10/16 URB3710	X
95	R760-761	100 RD39510	X	X	X	100 RD39510	X
96	R779-780	220 RD39522	X	X	X	220 RD39522	X
97	R782-783	1K RD39610	X	X	X	1K RD39610	X
98	R771-774	10K RD39710	X	X	X	10K RD39710	X
99	R788-789	100K RD39810	X	X	X	100K RD39810	X
100	IC302	BD3841FS X3547AD	X	X	X	BD3841FS X3547AD	X
101	C328-329	0.1/16 US13910	X	X	X	0.1/16 US13910	X
102	C772	0.01 US06410	X	X	X	0.01 US06410	X
103	R791	2-2 RD35322	X	X	X	2-2 RD35322	X
104	R785-786	2-2K RD35622	X	X	X	2-2K RD35622	X

× NOT USED
○ USED/APPLICABLE

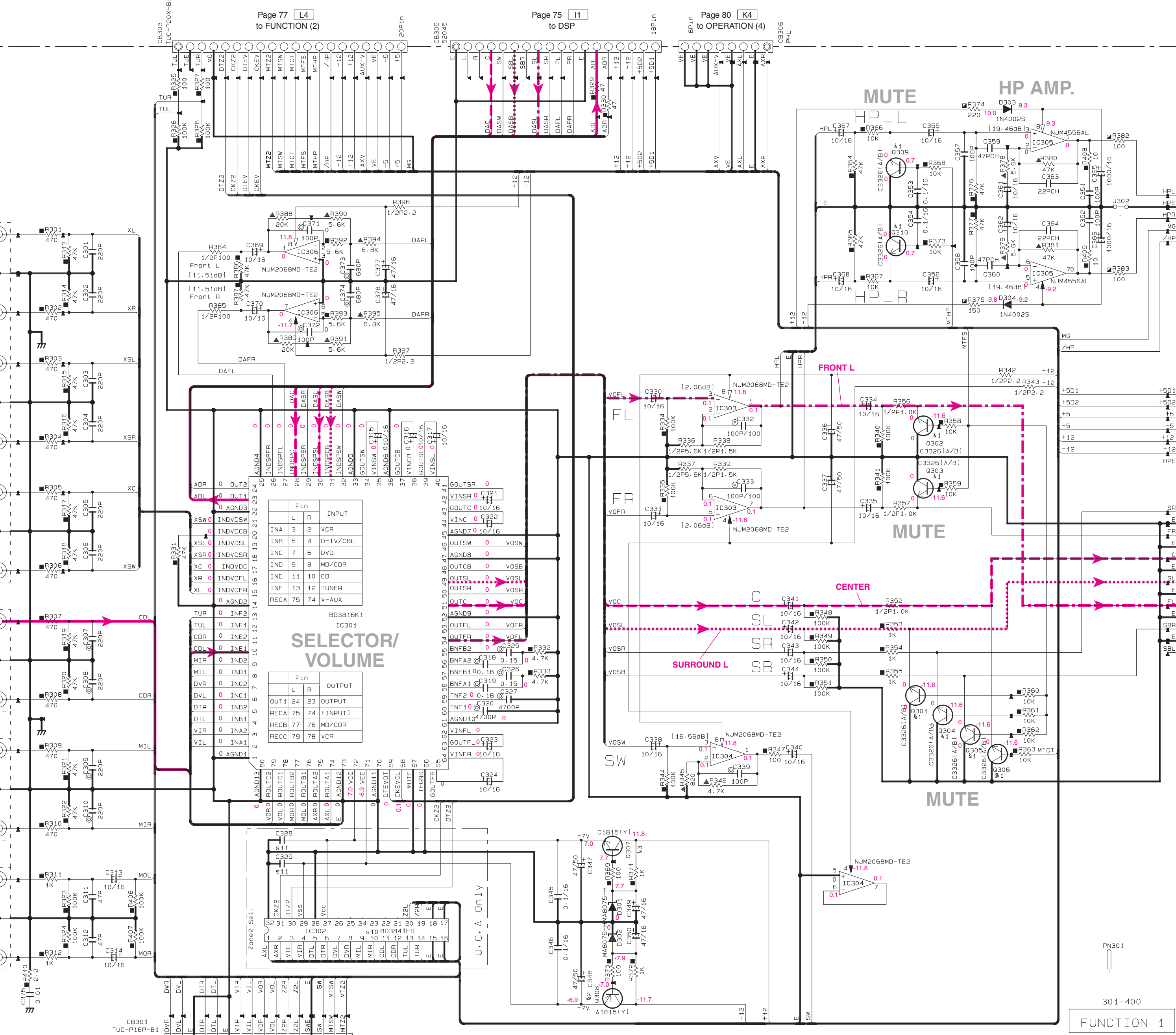
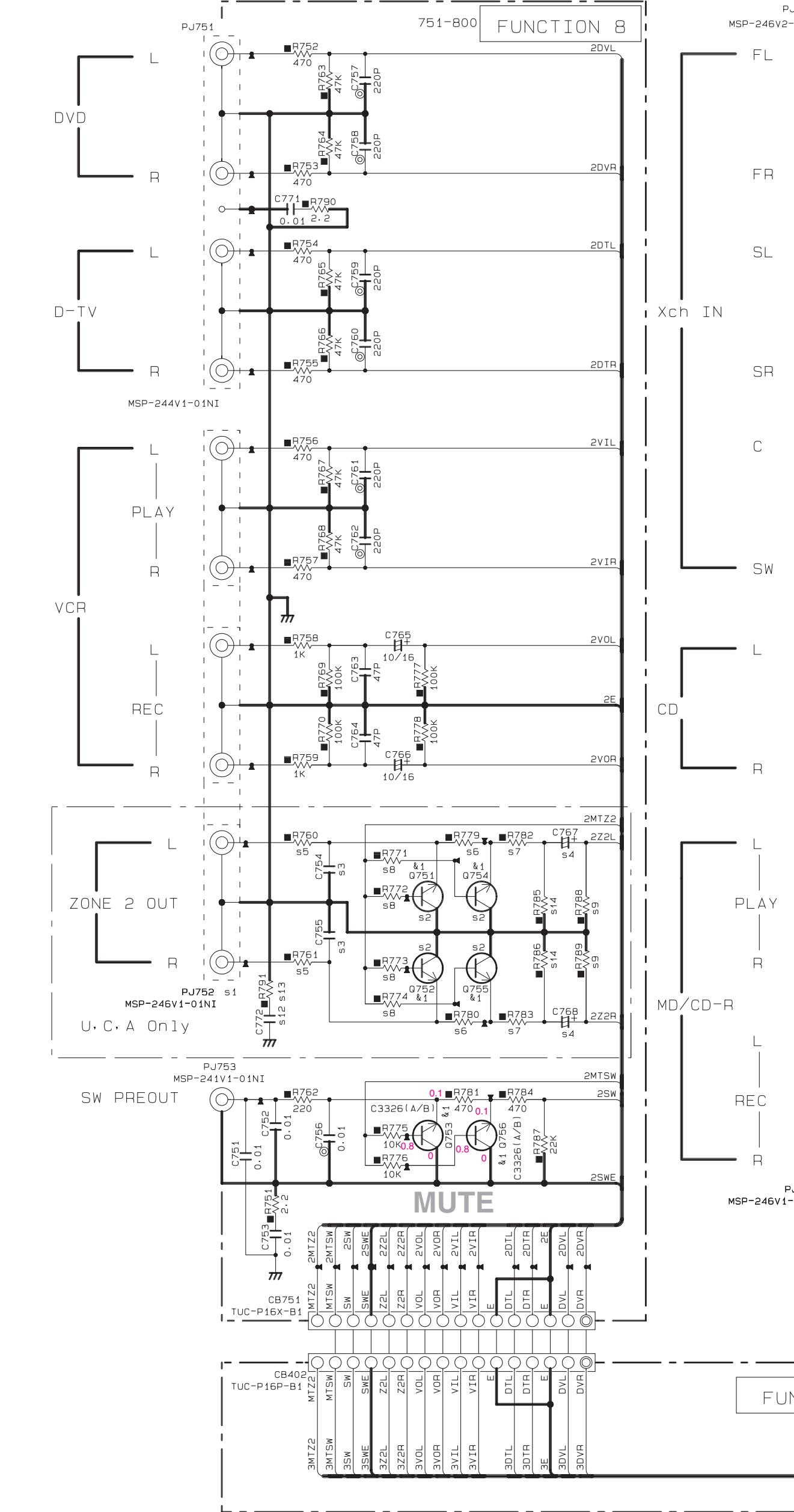
NOTICE (mode1)
(J)..... JAPAN
(U)..... U.S.A
(C)..... CANADA
(A)..... GENERAL
(T)..... CHINA
(K)..... KOREA
(A)..... AUSTRALIA
(B)..... BRITISH
(G)..... EUROPE
(L)..... SINGAPORE
(E)..... SOUTH EUROPE

Interchangeable Parts at Manufacture-Stage

Mark	Reference Parts Number	Parts Name
k1	0301-306.309.310 751-756	2SC33261A/B1 SSD3744A1 2SC33261B1 2SC5938A1A/B1
k2	0308	2SA10151Y1 KTA1266
k3	0307	2SC18151Y1 KTC3198

REMARKS	PARTS NAME
NO MARK	CARBON FILM RESISTOR (P=5)
⊠	CARBON FILM RESISTOR (P=10)
⊡	METAL OXIDE FILM RESISTOR
⊢	METAL FILM RESISTOR
⊣	METAL PLATE RESISTOR
⊤	FIRE PROOF CARBON FILM RESISTOR
⊥	CEMENT MOLDED RESISTOR
⊦	SEMI VARIABLE RESISTOR
⊧	CHIP RESISTOR

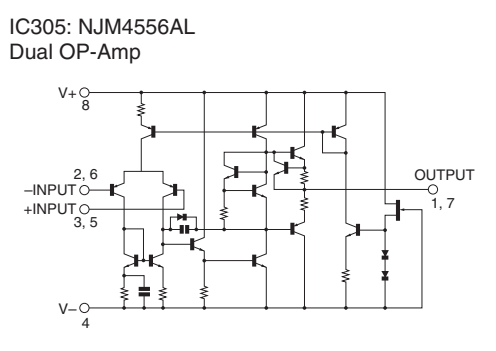
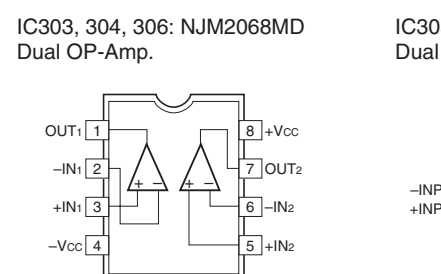
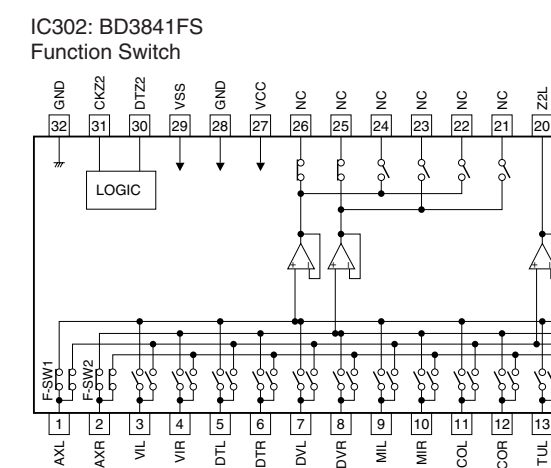
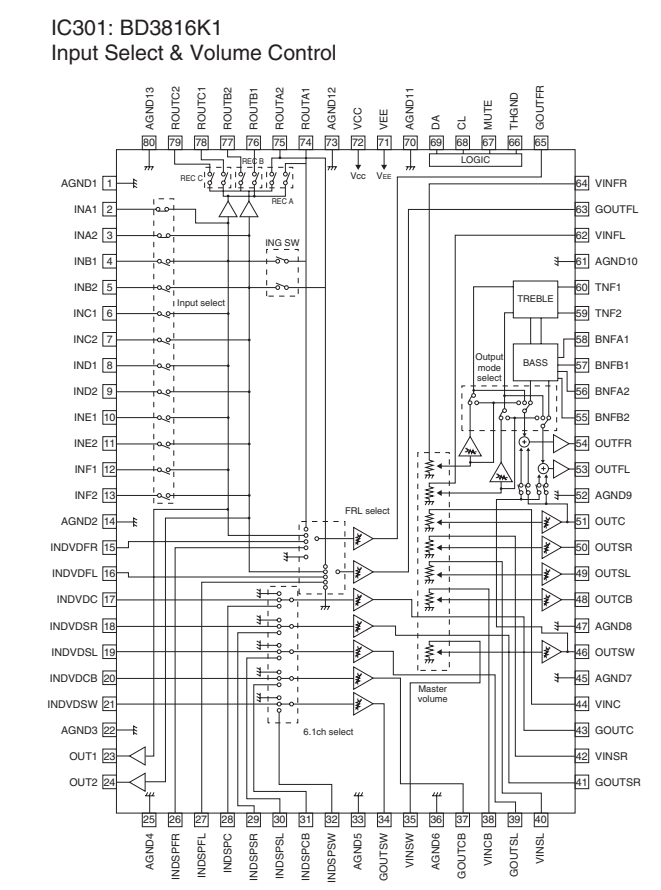
REMARKS	PARTS NAME
NO MARK	ELECTROLYTIC CAPACITOR
⊗	TANTALUM CAPACITOR
NO MARK	CERAMIC CAPACITOR
⊙	CERAMIC TUBULAR CAPACITOR
⊚	POLYESTER FILM CAPACITOR
⊛	POLYSTYRENE FILM CAPACITOR
⊜	MICA CAPACITOR
⊝	POLYPROPYLENE FILM CAPACITOR
⊞	SEMICONDUCTIVE CERAMIC CAPACITOR



Page 80 [H8] to OPERATION (1)

Page 83 [A1] to POWER (1)

Page 83 [A2] to POWER (1)



★ All voltages are measured with a 10MΩ/V DC electronic volt meter.
★ Components having special characteristics are marked ⊠, and must be replaced with parts having specifications equal to those originally installed.
★ Schematic diagram is subject to change without notice.

★ 電圧は、内部抵抗10MΩの電圧計で測定したものです。
★ ⊠印のある部品は、安全性確保部品を示しています。部品の交換が必要な場合、パーツリストに記載されている部品を使用してください。
★ 本回路図は標準回路図です。改良のため予告なく変更することがございます。

F-SW1: INPUT FUNCTION 1
F-SW2: INPUT FUNCTION 2

RESISTOR		CAPACITOR	
REMARKS	PARTS NAME	REMARKS	PARTS NAME
NO MARK	CARBON FILM RESISTOR (D=5)	NO MARK	ELECTROLYTIC CAPACITOR
△	CARBON FILM RESISTOR (D=10)	○	TANTALUM CAPACITOR
□	METAL FILM RESISTOR	NO MARK	CERAMIC CAPACITOR
◇	METAL OXIDE FILM RESISTOR	○	CERAMIC TUBULAR CAPACITOR
▽	FIRE-PROOF CARBON FILM RESISTOR	○	POLYESTER FILM CAPACITOR
□	CEMENT MOLDED RESISTOR	○	POLYSTYRENE FILM CAPACITOR
○	SEMI-VARIABLE RESISTOR	○	MICA CAPACITOR
■	CHIP RESISTOR	○	POLYPROPYLENE FILM CAPACITOR
		○	SEMICONDUCTIVE CERAMIC CAPACITOR
		○	CHIP RESISTOR

Interchangeable Parts at Manufacture-Stage

Mark	Reference Parts Number	Parts Name
411	IC607-608	TK15420M/L
412	IC609	TC74HC4053AF
413	IC603-606-701	TC74HC4053AF
414	Q502-Q506	2SA1037AK(D/P/S1)
415	Q701	2SC2412G(D/P/S1)
416	D481-483-501-503-511	1S5355
417	Q482-509	2SC1448CA
418	Q614	2SA10125(V)
419	Q508-601-608-610-612	2SC17405(R/S1)
420	Q507	2SC3311A(S1/S1)
421		KT3198

NOTICE (mode)

(J)..... JAPAN
 (U)..... U.S.A.
 (C)..... CANADA
 (R)..... GENERAL
 (T)..... CHINA
 (K)..... KOREA
 (A)..... AUSTRALIA
 (B)..... BRITISH
 (G)..... EUROPE
 (L)..... SINGAPORE
 (E)..... SOUTH EUROPE

Tuner / VIDEO

U-C	R	T	X	A	B-G-E	L
416	R549	X	X	X	X	X
417	R553	X	X	X	X	X
418	R552	X	X	X	X	X
419	R555	X	X	X	X	X
420	R561	X	X	X	X	X
421	R562	X	X	X	X	X

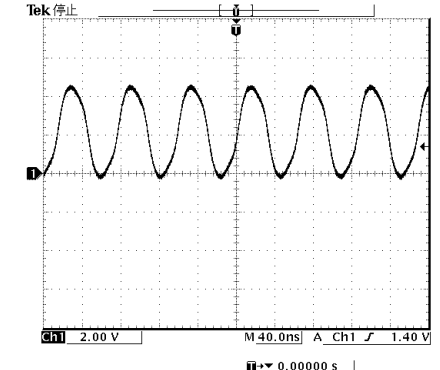
Zone2

U-C	R	T	X	A	B-G-E	L
443	Q503	X	X	X	X	X
444	C512	X	X	X	X	X
445	R566	X	X	X	X	X
446	R571	X	X	X	X	X
447	R577	X	X	X	X	X

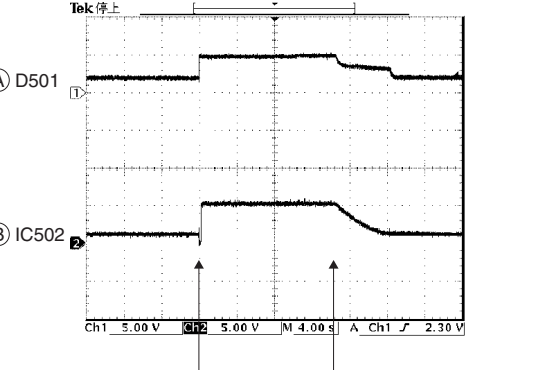
RDS

U-C	R	T	X	A	B-G-E	L
423	IC503	X	X	X	X	X
424	AL502	X	X	X	X	X
425	C531-533	X	X	X	X	X
426	C526-527	X	X	X	X	X
427	C530	X	X	X	X	X
428	C505-530	X	X	X	X	X
429	C528-529-534	X	X	X	X	X
430	R553	X	X	X	X	X
431	R554-555	X	X	X	X	X
432	R556-557	X	X	X	X	X
433	R562	X	X	X	X	X
434	L501	X	X	X	X	X
435	Q506	X	X	X	X	X
436	R551	X	X	X	X	X
437	R550	X	X	X	X	X
438	R561-569	X	X	X	X	X
439	Q501	X	X	X	X	X

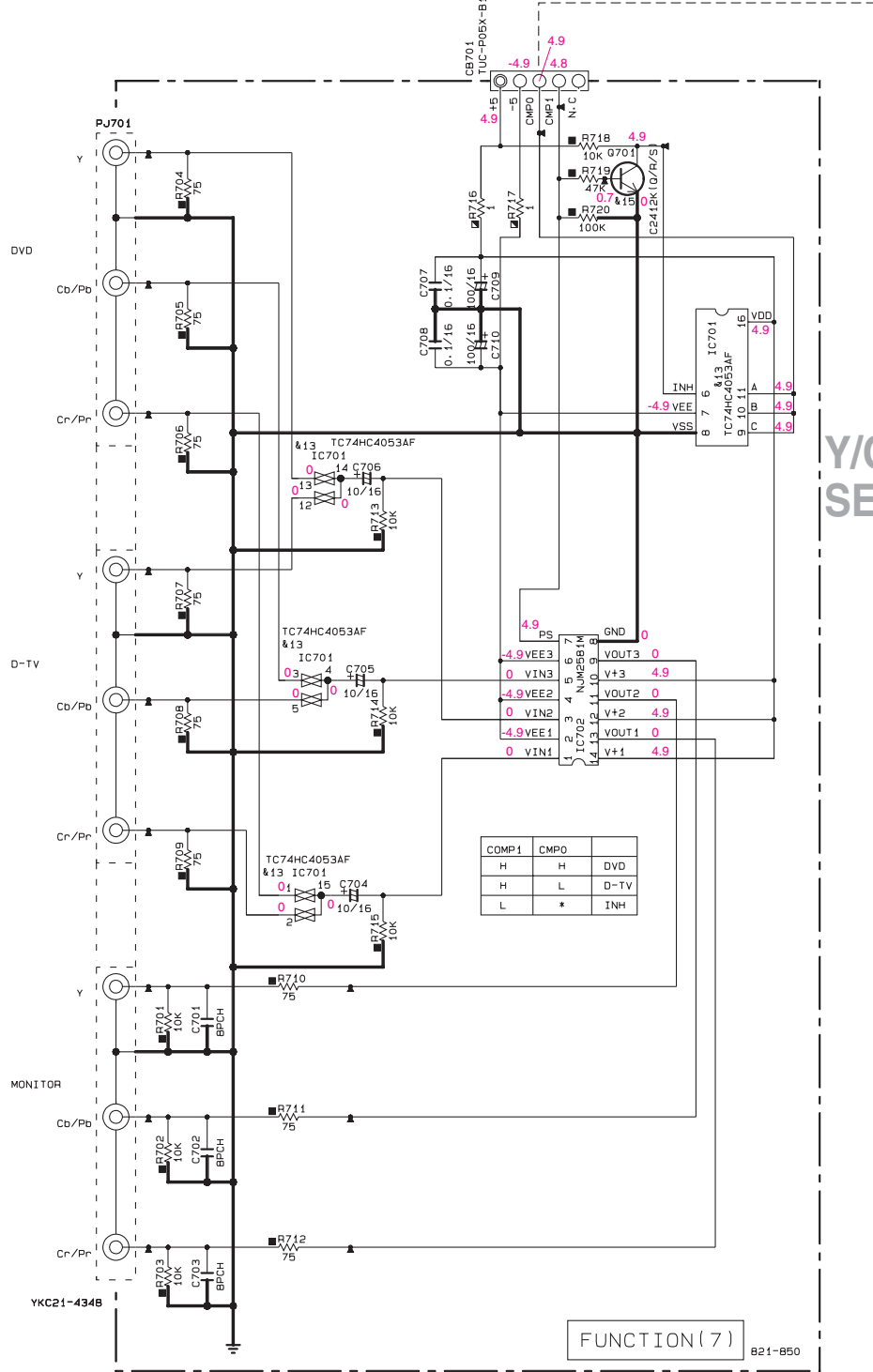
Point ① Pin 13 of IC502



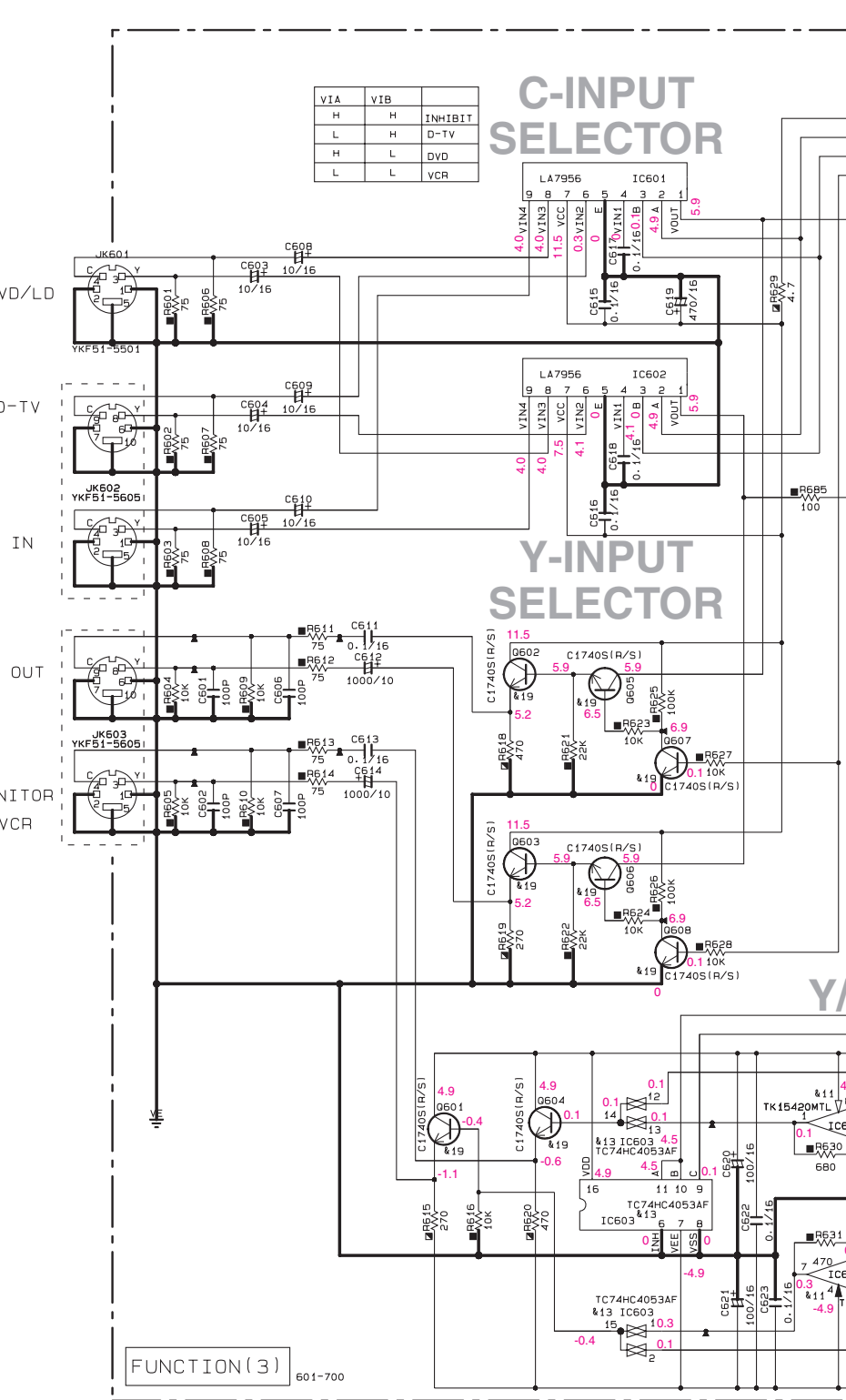
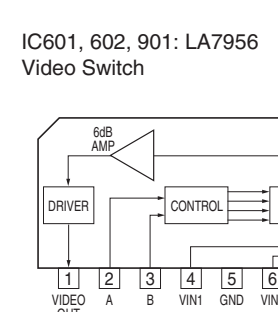
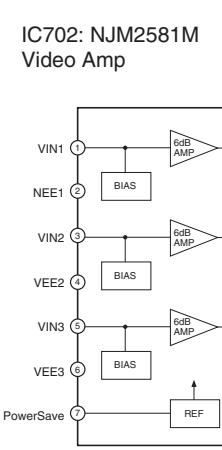
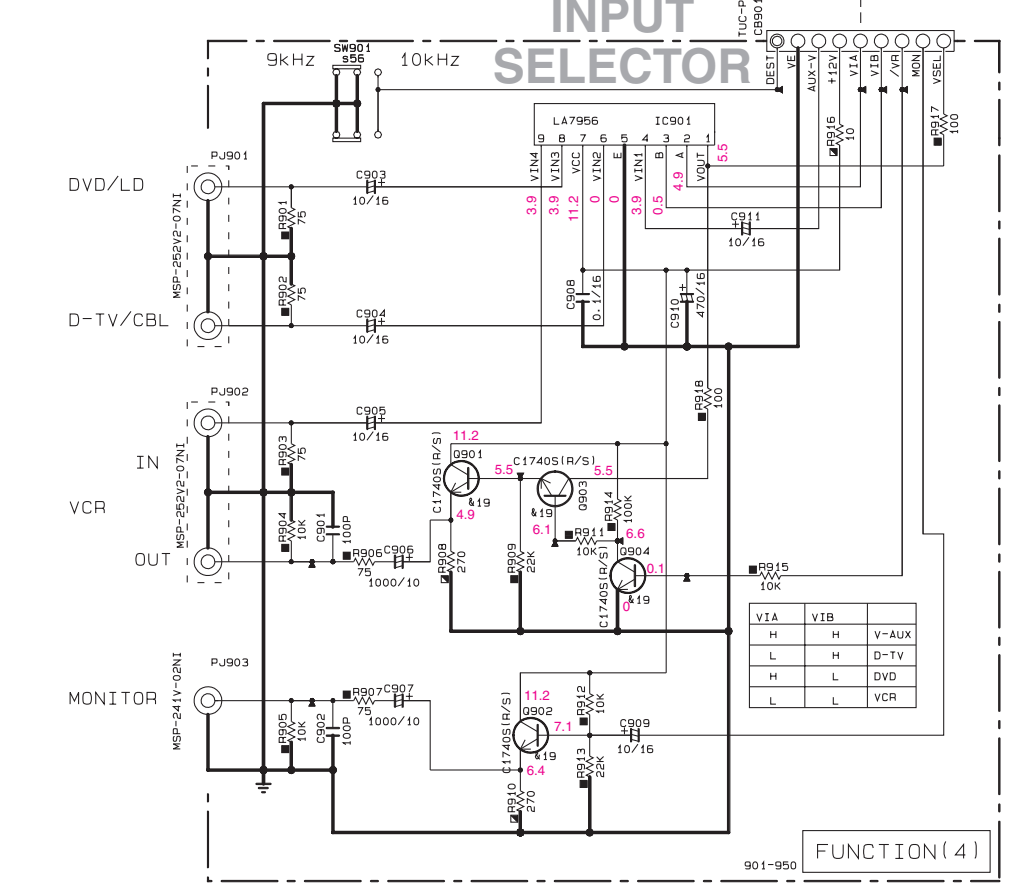
Point ② Cathode of D501 and Pin 12 of IC502



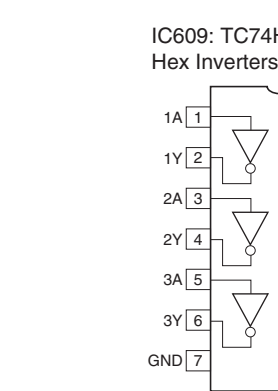
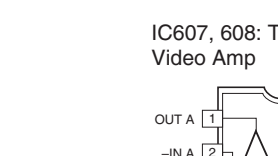
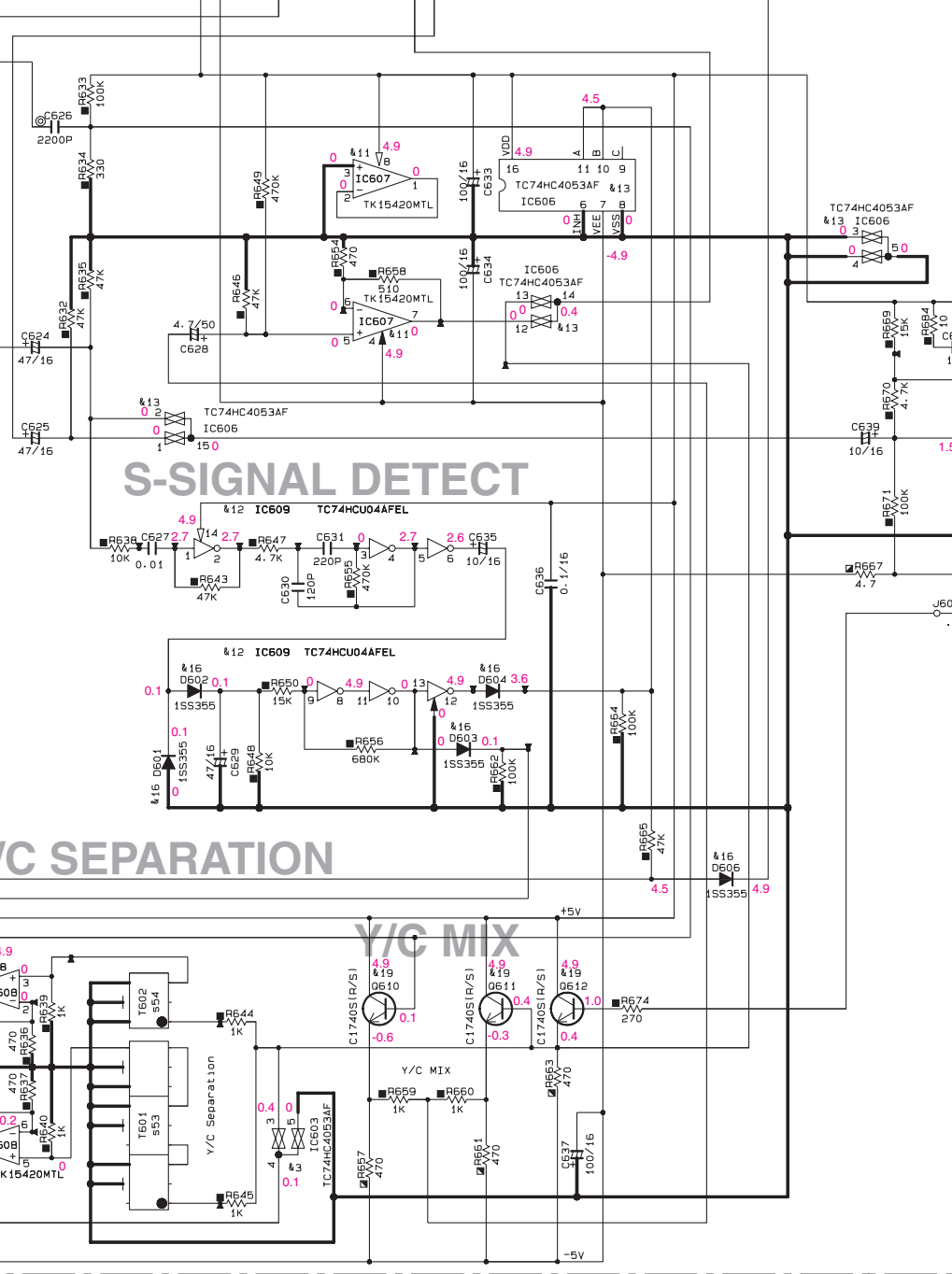
POWER ON (Connect the power cable)
 POWER OFF (Disconnect the power cable)



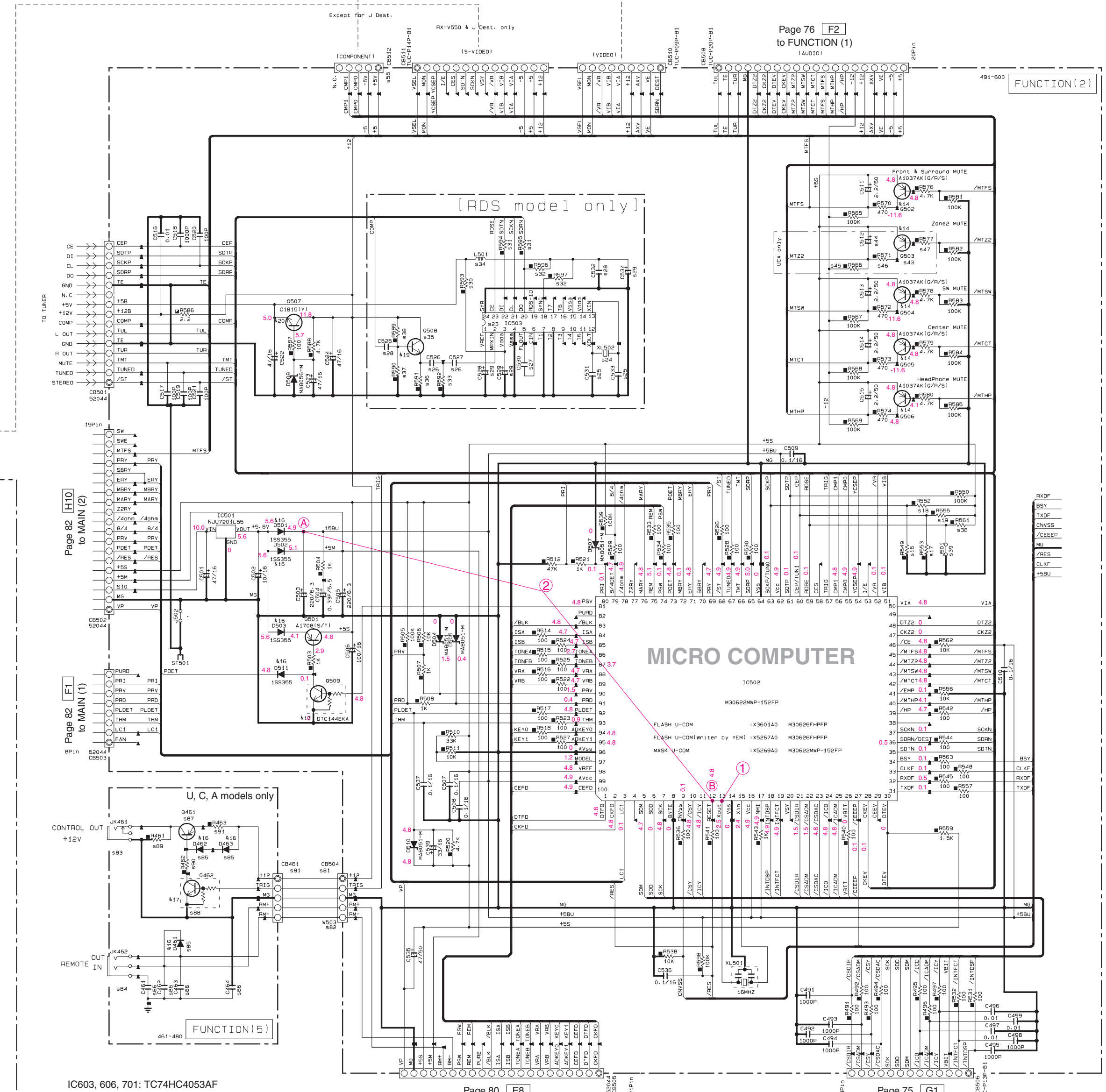
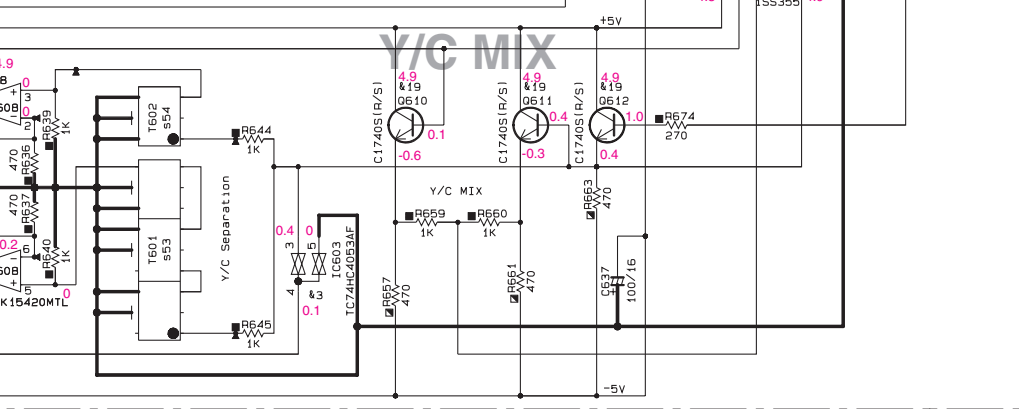
Y/Cb/Cr SELECTOR



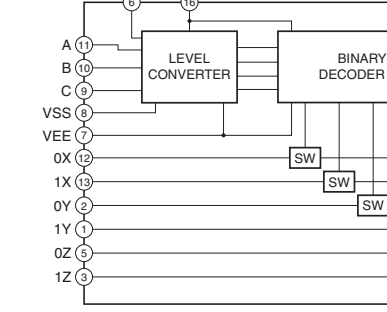
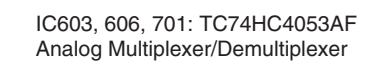
C-INPUT SELECTOR



Y/C SEPARATION



MICRO COMPUTER



INPUT STATES

INHIBIT	CI	CA	ON CHANNEL (S)
0	0	0	0X.0Y.0Z
0	0	1	1X.0Y.0Z
0	1	0	0X.1Y.0Z
0	1	1	1X.1Y.0Z
0	1	0	0X.0Y.1Z
0	1	1	1X.0Y.1Z
0	1	1	0X.1Y.1Z
0	1	1	1X.1Y.1Z
1	X	X	NONE

* All voltages are measured with a 10MΩV DC electronic volt meter.
 * Components having special characteristics are marked 1, and must be replaced with parts having specifications equal to those originally installed.
 * Schematic diagram is subject to change without notice.

* 電圧は、内部抵抗10MΩの電圧計で測定したものです。
 * 1印のある部品は、安全性確保部品を示しています。部品の交換が必要な場合、パーツリストに記載されている部品を使用してください。
 * 本回路図は標準回路図です。改良のため予告なく変更することがございます。

Interchangeable Parts at Manufacture-Stage

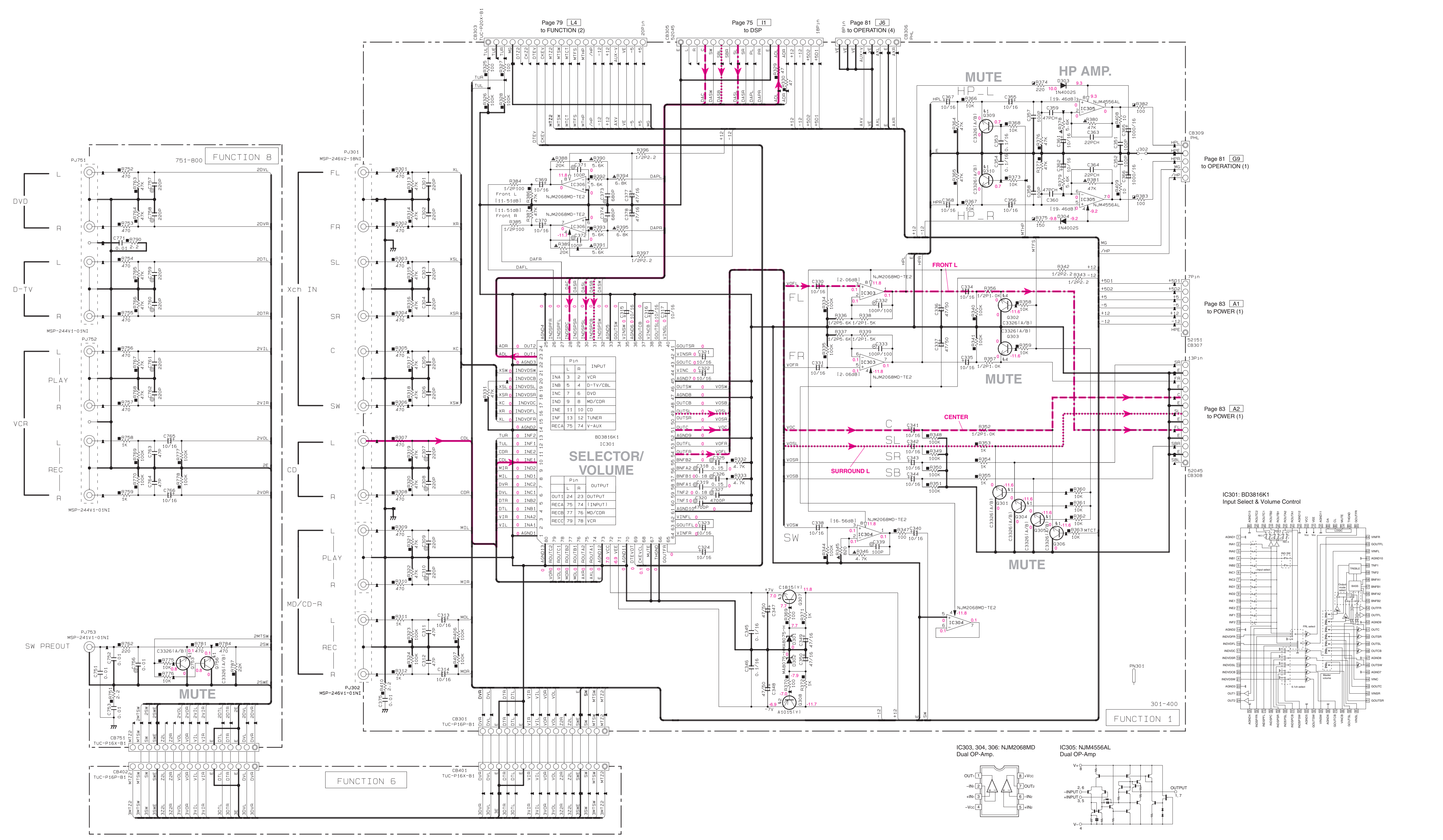
Mark	Reference Parts Number	Parts Name
⊠	0301-306, 309, 310, 753, 756	2SC3326(A/B) 2SC3274(A) 2SC3326(B) 2SC9938(A/B)
⊡	0308	2SA1015(V) KTA1266
⊢	0307	2SC1815(V) KTC3198

RESISTOR

REMARKS	PARTS NAME
NO MARK	CARBON FILM RESISTOR (P=5)
⊠	CARBON FILM RESISTOR (P=10)
⊡	METAL OXIDE FILM RESISTOR
⊢	METAL FILM RESISTOR
⊣	METAL PLATE RESISTOR
⊤	FIRE PROOF CARBON FILM RESISTOR
⊥	CEMENT MOLDED RESISTOR
⊦	SEMI VARIABLE RESISTOR
⊧	CHIP RESISTOR

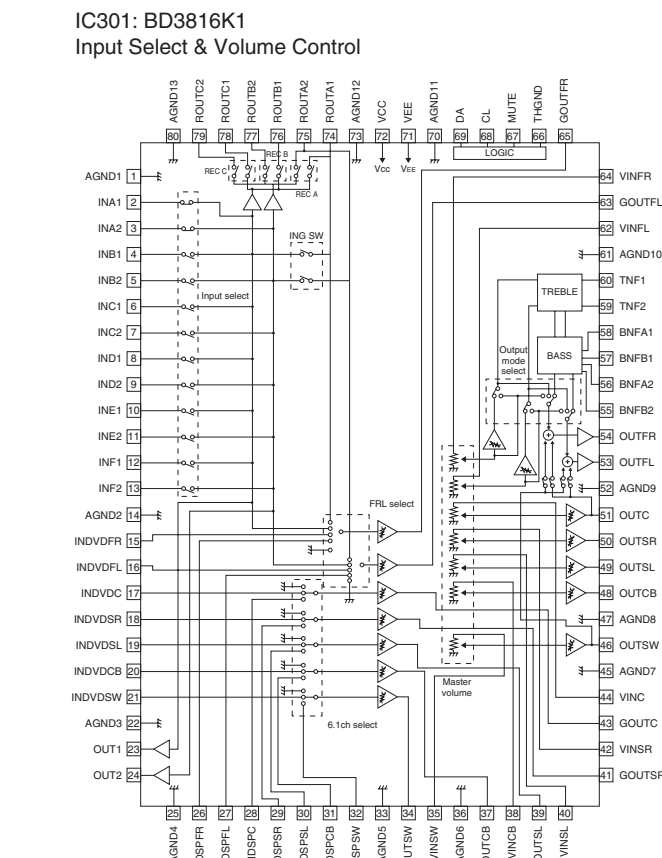
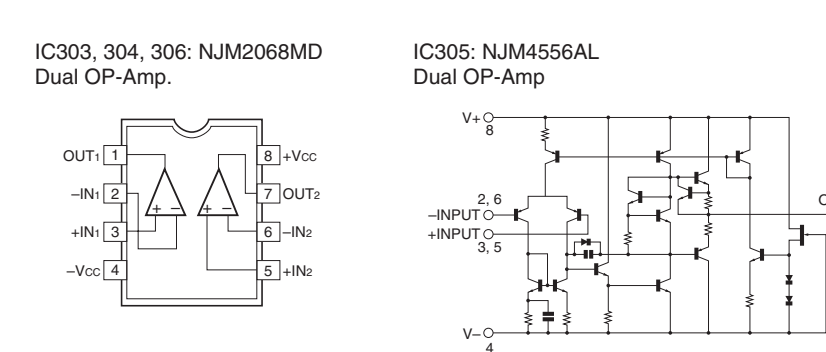
CAPACITOR

REMARKS	PARTS NAME
NO MARK	ELECTROLYTIC CAPACITOR
⊠	TANTALUM CAPACITOR
NO MARK	CERAMIC CAPACITOR
⊡	CERAMIC TUBULAR CAPACITOR
⊢	POLYESTER FILM CAPACITOR
⊣	POLYSTYRENE FILM CAPACITOR
⊤	MICA CAPACITOR
⊥	POLYPROPYLENE FILM CAPACITOR
⊦	SEMICONDUCTIVE CERAMIC CAPACITOR



★ All voltages are measured with a 10MΩ/V DC electronic volt meter.
 ★ Components having special characteristics are marked ⊠, and must be replaced with parts having specifications equal to those originally installed.
 ★ Schematic diagram is subject to change without notice.

★ 電圧は、内部抵抗10MΩの電圧計で測定したものです。
 ★ ⊠印のある部品は、安全性確保部品を示しています。部品の交換が必要な場合、パーツリストに記載されている部品を使用してください。
 ★ 本回路図は標準回路図です。改良のため予告なく変更することがございます。



REMARKS	PARTS NAME	CAPACITOR	PARTS NAME
NO MARK	CARBON FILM RESISTOR (D=5)	NO MARK	ELECTROLYTIC CAPACITOR
△	CARBON FILM RESISTOR (D=10)	△	TANTALUM CAPACITOR
□	METAL OXIDE FILM RESISTOR	○	CERAMIC CAPACITOR
◇	METAL FILM RESISTOR	○	CERAMIC TUBULAR CAPACITOR
◇	METAL PLATE RESISTOR	○	POLYESTER FILM CAPACITOR
◇	FIRE-PROOF CARBON FILM RESISTOR	○	POLYETHYLENE FILM CAPACITOR
◇	CEMENT MOLDED RESISTOR	○	MICA CAPACITOR
○	SEMI-VARIABLE RESISTOR	○	POLYPROPYLENE FILM CAPACITOR
■	CHIP RESISTOR	○	SEMICONDUCTIVE CERAMIC CAPACITOR

Mark	Reference Parts Number	Parts Name
411	IC007-608	TK15420M
412	IC009	TC74HC4046EL
413	IC701-603-608	TC74HC4053AF
414	0500-504-906	MP64C4053AF
415	0701	05C2412(R/S)
416	0501-503-511-601-604	1S335
417	0509	05C14484
418	0614	05A10195(V)
419	0508-601-608-810-612	20C174051(R/S)
420	0507	05C131415(R/S)
421		KTC3158

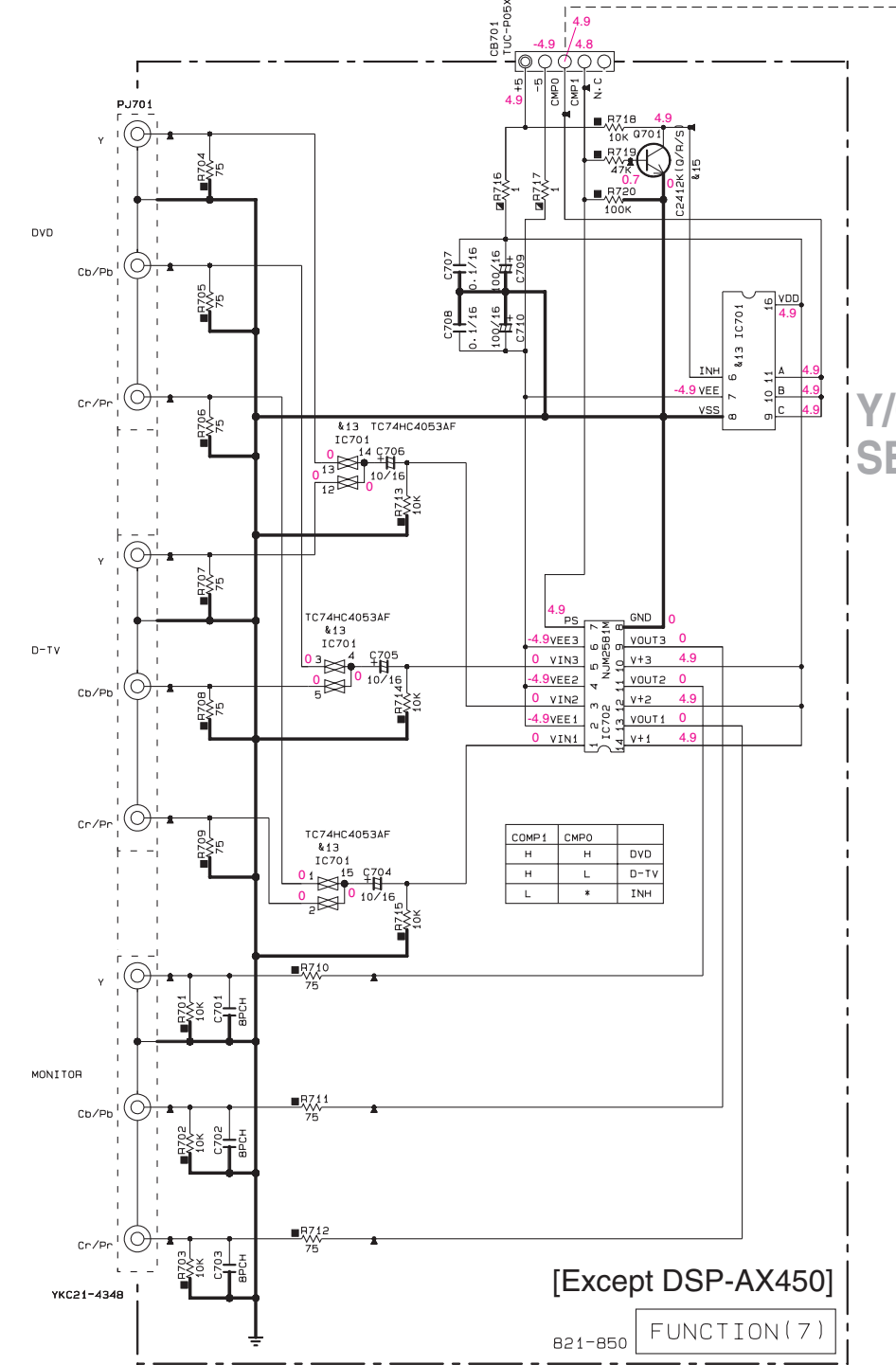
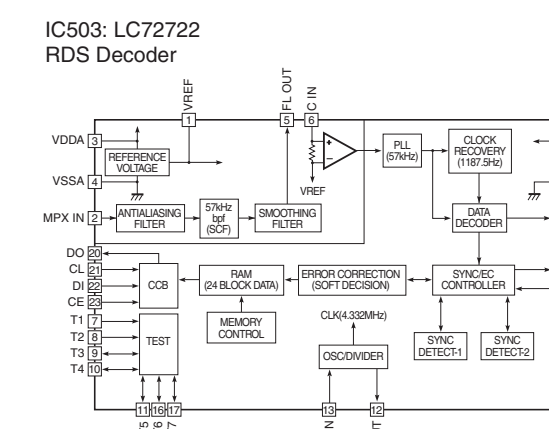
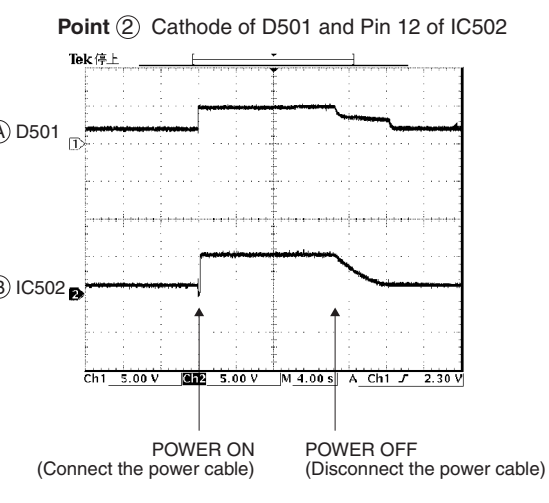
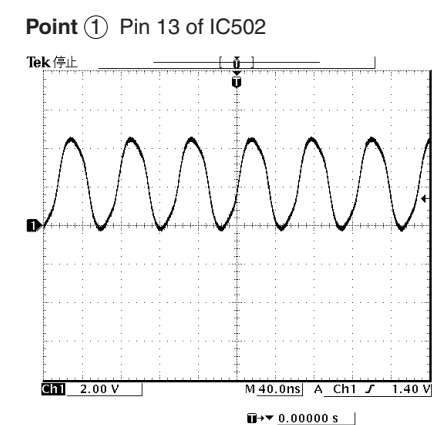
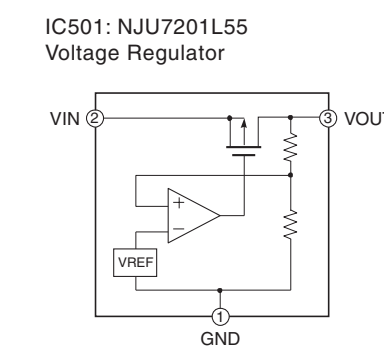
NOTICE (model)
 (J)..... JAPAN
 (U)..... U.S.A.
 (C)..... CANADA
 (R)..... GENERAL
 (T)..... CHINA
 (K)..... KOREA
 (A)..... AUSTRALIA
 (B)..... BRITISH
 (G)..... EUROPE
 (L)..... SINGAPORE
 (E)..... SOUTH EUROPE

Tuner / VIDEO

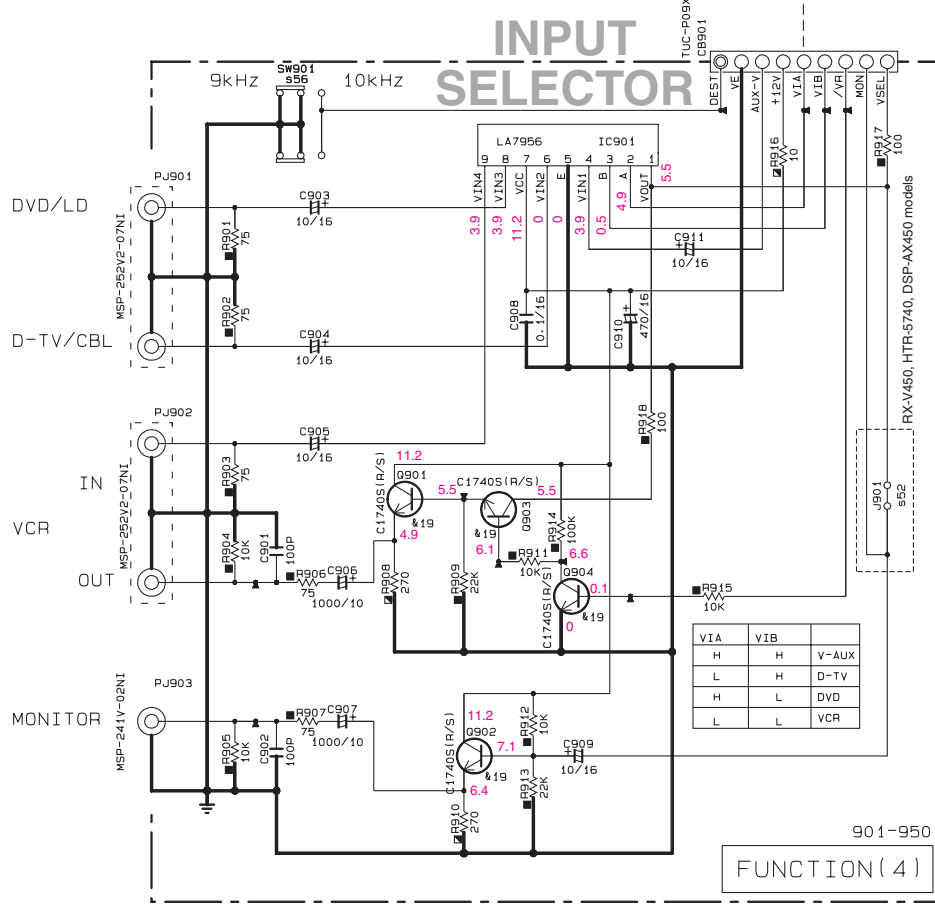
HTR-5750	UC	T	K	A	B-G-E
416 RS49	100K	X	100K	100K	100K
417 RS53	100K	RD35810	100K	RD35810	RD35810
418 RS52	100K	RD35810	X	X	X
419 RS55	X	100K	100K	100K	100K
420 CB111	X	X	X	X	X
426 SW901	X	X	X	X	X
427 WS13	X	X	X	X	X
428 CB12	V78250	V78250	V78250	V78250	
432 T801	WC71660	WC71670	WC71680	WC71670	
434 T802	WC71660	WC71680	WC71680	WC71680	

RDS

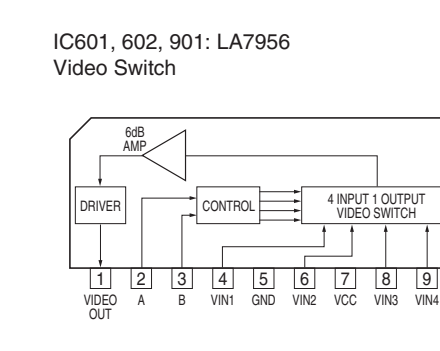
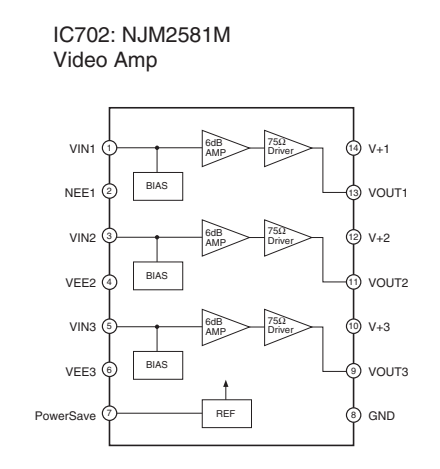
RX-V450/HTR-5740/DSP-AX450	J	U-C	R-L	T	K	A	B-G-E
423 IC503	X	X	X	X	X	X	LC121200M x028240 V33200
424 LS102	X	X	X	X	X	X	4.33000 V33200
425 CS31-533	X	X	X	X	X	X	0.7000 V33200
426 CS06-527	X	X	X	X	X	X	0.1000 V33200
427 CS30	X	X	X	X	X	X	0.028233 V33200
428 CS05-532	X	X	X	X	X	X	0.1000 V33200
429 CS08-509	X	X	X	X	X	X	0.1000 V33200
430 RS93	X	X	X	X	X	X	100 V33200
431 RS94-595	X	X	X	X	X	X	100 V33200
432 RS96-597	X	X	X	X	X	X	10K V33200
433 RS50	X	X	X	X	X	X	20K V33200
434 LS01	X	X	X	X	X	X	4.33000 V33200
435 OS08	X	X	X	X	X	X	0.1000 V33200
436 RS91	X	X	X	X	X	X	3.3K V33200
437 RS90	X	X	X	X	X	X	33K V33200
438 RS61-589	X	X	X	X	X	X	100K V33200
439 JS01	0	0	0	0	0	0	X



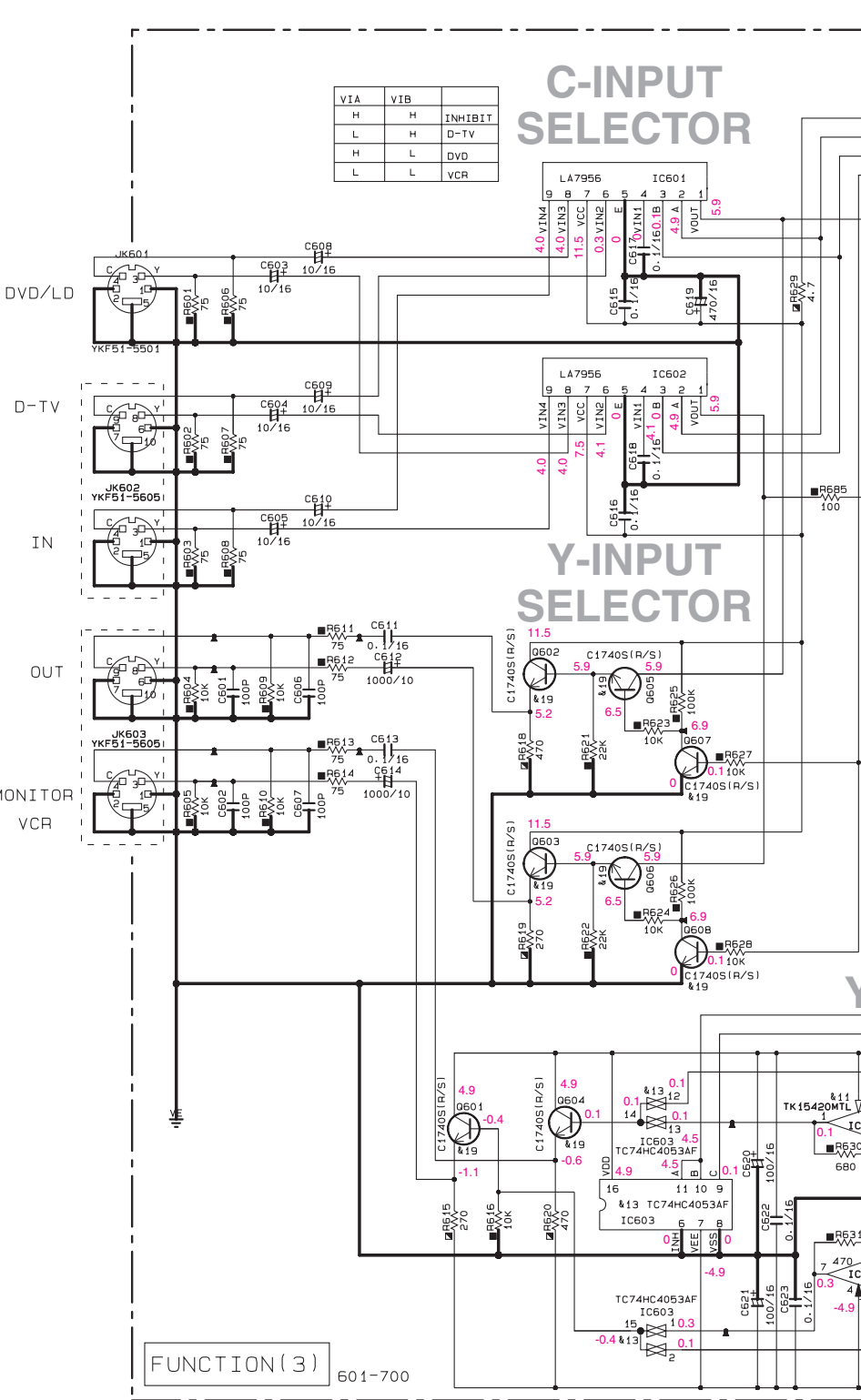
Y/Cb/Cr SELECTOR



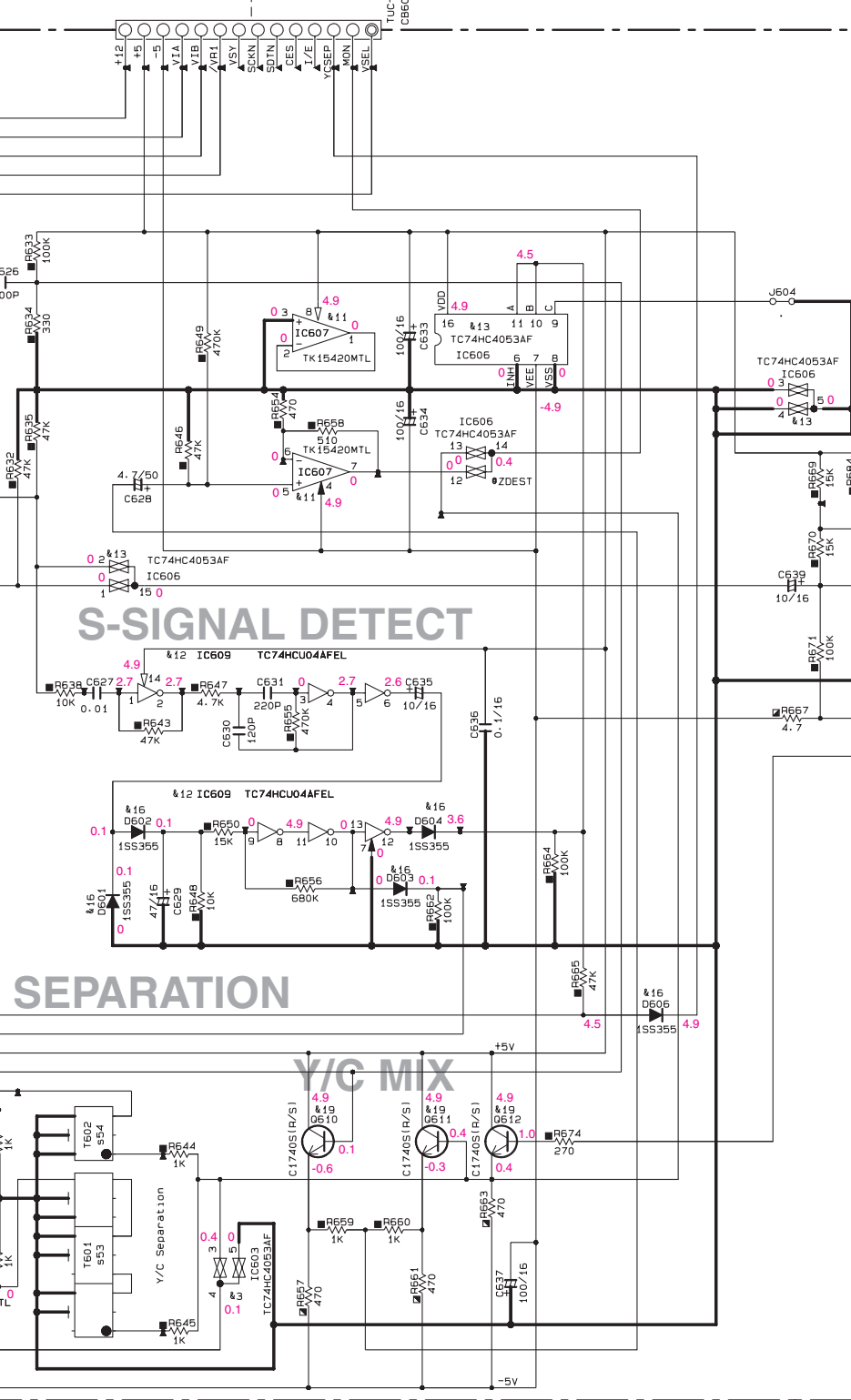
INPUT SELECTOR



IC601, 602, 901: LA7956 Video Switch

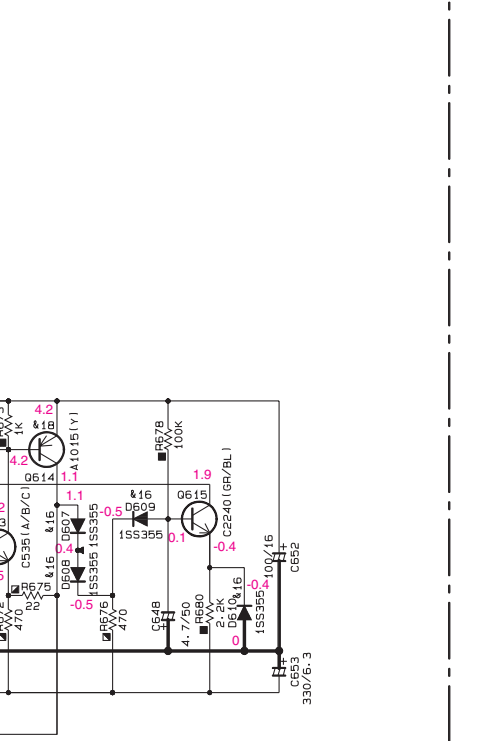


C-INPUT SELECTOR

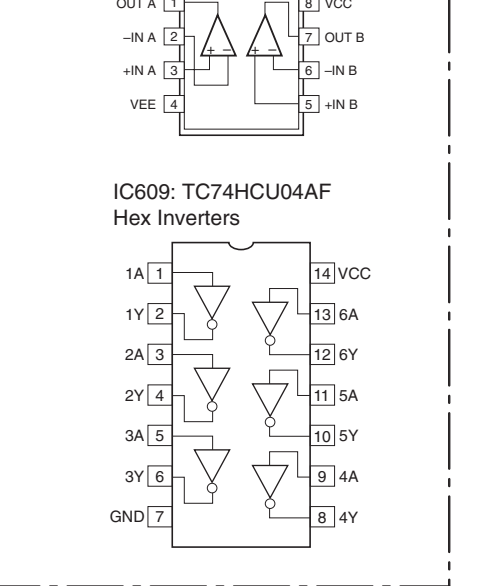


Y-INPUT SELECTOR

[HTR-5750, DSP-AX450 only]

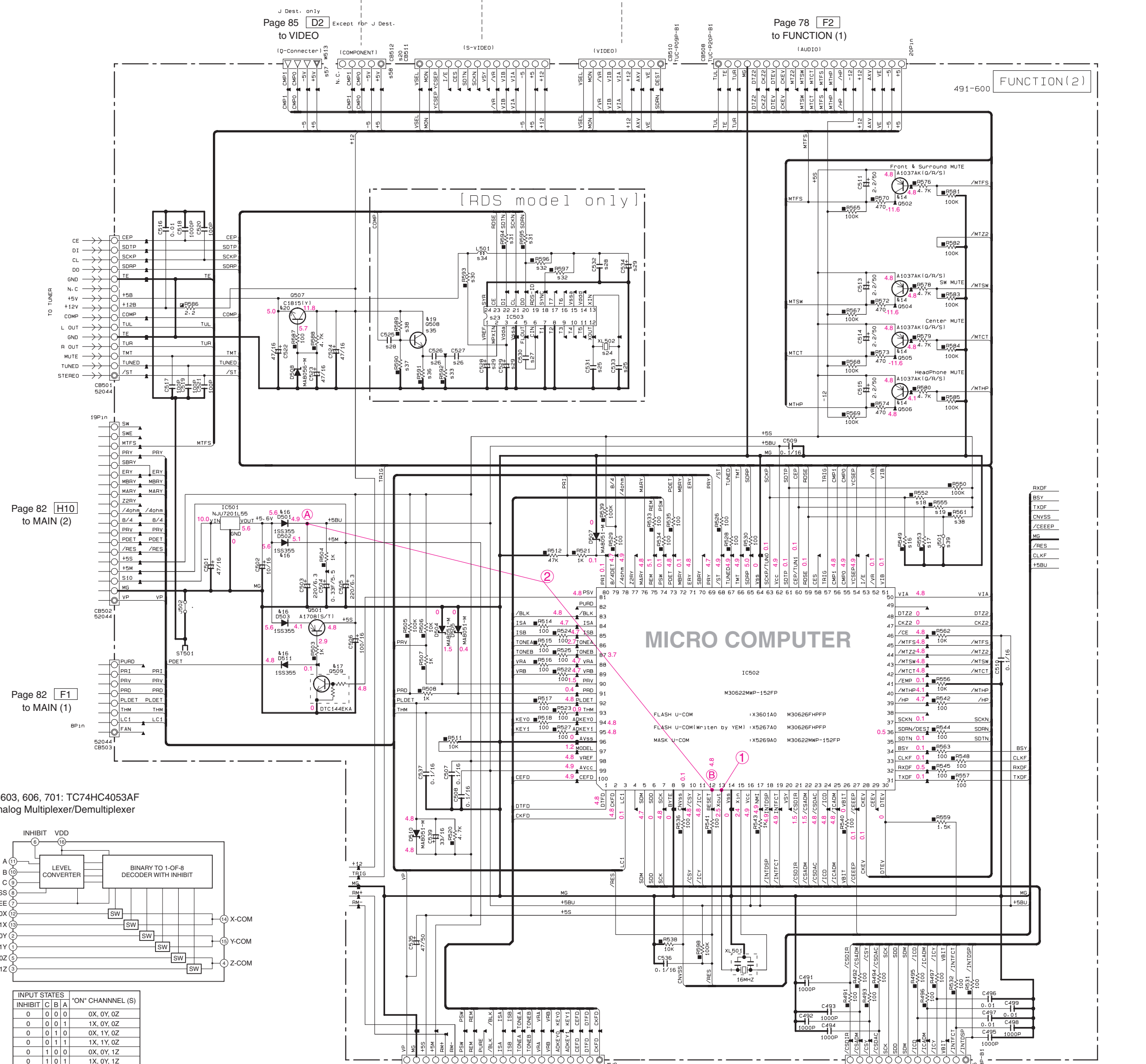


S-SIGNAL DETECT



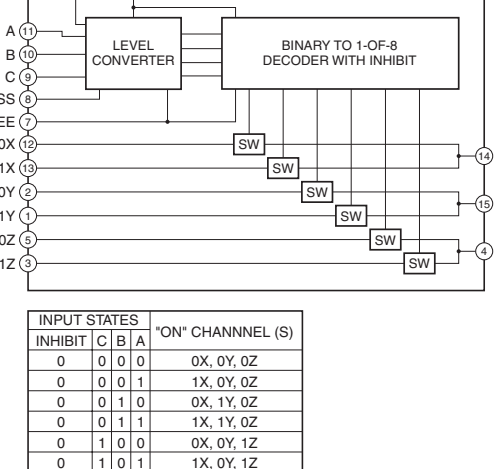
Y/C SEPARATION

Y/C MIX



MICRO COMPUTER

IC603, 606, 701: TC74HC4053AF Analog Multiplexer/Demultiplexer



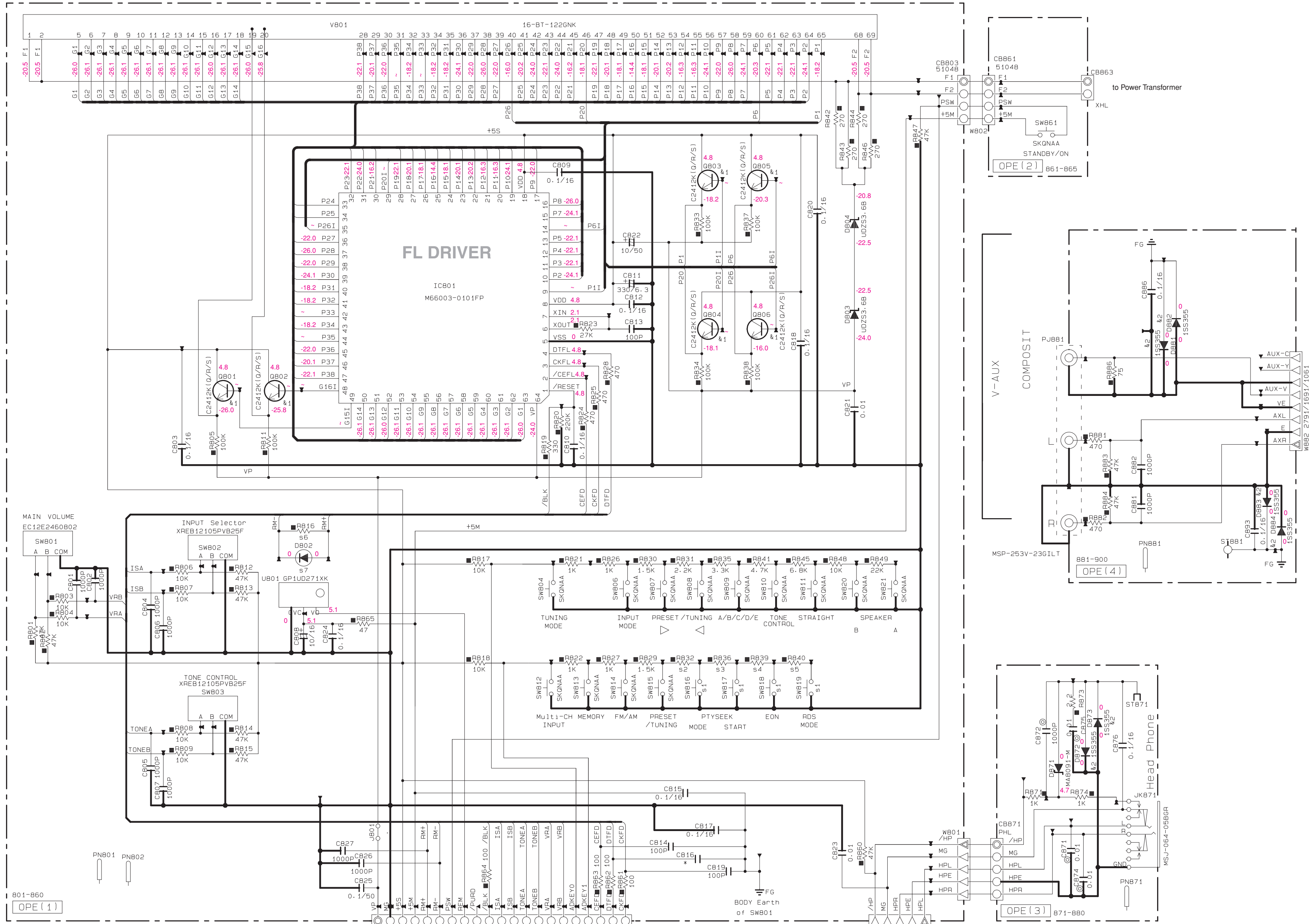
* All voltages are measured with a 10MΩV DC electronic voltmeter.
 * Components having special characteristics are marked !, and must be replaced with parts having specifications equal to those originally installed.
 * Schematic diagram is subject to change without notice.

* 電圧は、内部抵抗10MΩの電圧計で測定したものです。
 * !印のある部品は、安全性確保部品を示しています。部品の交換が必要な場合、パーツリストに記載されている部品を使用してください。
 * 本回路図は標準回路図です。改良のため予告なく変更することがございます。

SCHEMATIC DIAGRAM (OPERATION) RX-V550

FL DISPLAY

FL DRIVER



REMARKS	PARTS NAME	
NO MARK	ELECTROLYTIC CAPACITOR	⊕
⊗	TANTALUM CAPACITOR	⊗
NO MARK	CERAMIC CAPACITOR	
●	CERAMIC TUBULAR CAPACITOR	●
⊙	POLYESTER FILM CAPACITOR	⊙
○	POLYSTYRENE FILM CAPACITOR	○
⊖	MICA CAPACITOR	⊖
⊕	POLYPROPYLENE FILM CAPACITOR	⊕
⊗	SEMICONDUCTIVE CERAMIC CAPACITOR	⊗
⊙	POLYPHENYLENE SULFIDE FILM CAPACITOR	⊙

REMARKS	PARTS NAME	
NO MARK	CARBON FILM RESISTOR (P=5)	
⊠	CARBON FILM RESISTOR (P=10)	⊠
△	METAL OXIDE FILM RESISTOR	△
▴	METAL FILM RESISTOR	▴
⊠	METAL PLATE RESISTOR	⊠
⊠	FIRE PROOF CARBON FILM RESISTOR	⊠
⊠	CEMENT MOLDED RESISTOR	⊠
⊠	SEMI VARIABLE RESISTOR	⊠
⊠	CHIP RESISTOR	⊠

		R-T-K-L	U-C-A	B-G-E	
s1	SW816 - 819	X	X		VV02030
s2	R832	X	X		2.2K RD35622
s3	R836	X	X		3.3K RD35633
s4	R839	X	X		4.7K RD35647
s5	R840	X	X		6.8K RD35668
s6	R816	X			10K RD35710 X
s7	DB02	X			SIR-505ST V259820 X

X: NOT USED
O: USED / APPLICABLE

Interchangeable Parts at Manufacture-Stage

Mark	Reference Parts Number	Parts Name
⊕1	0801-806	2SC2412K1(Q/R/S) 2SD601A(Q/R/S)
⊕2	0872-873-881-884	1SS355 MA111
⊕3		
⊕4		
⊕5		
⊕6		
⊕7		

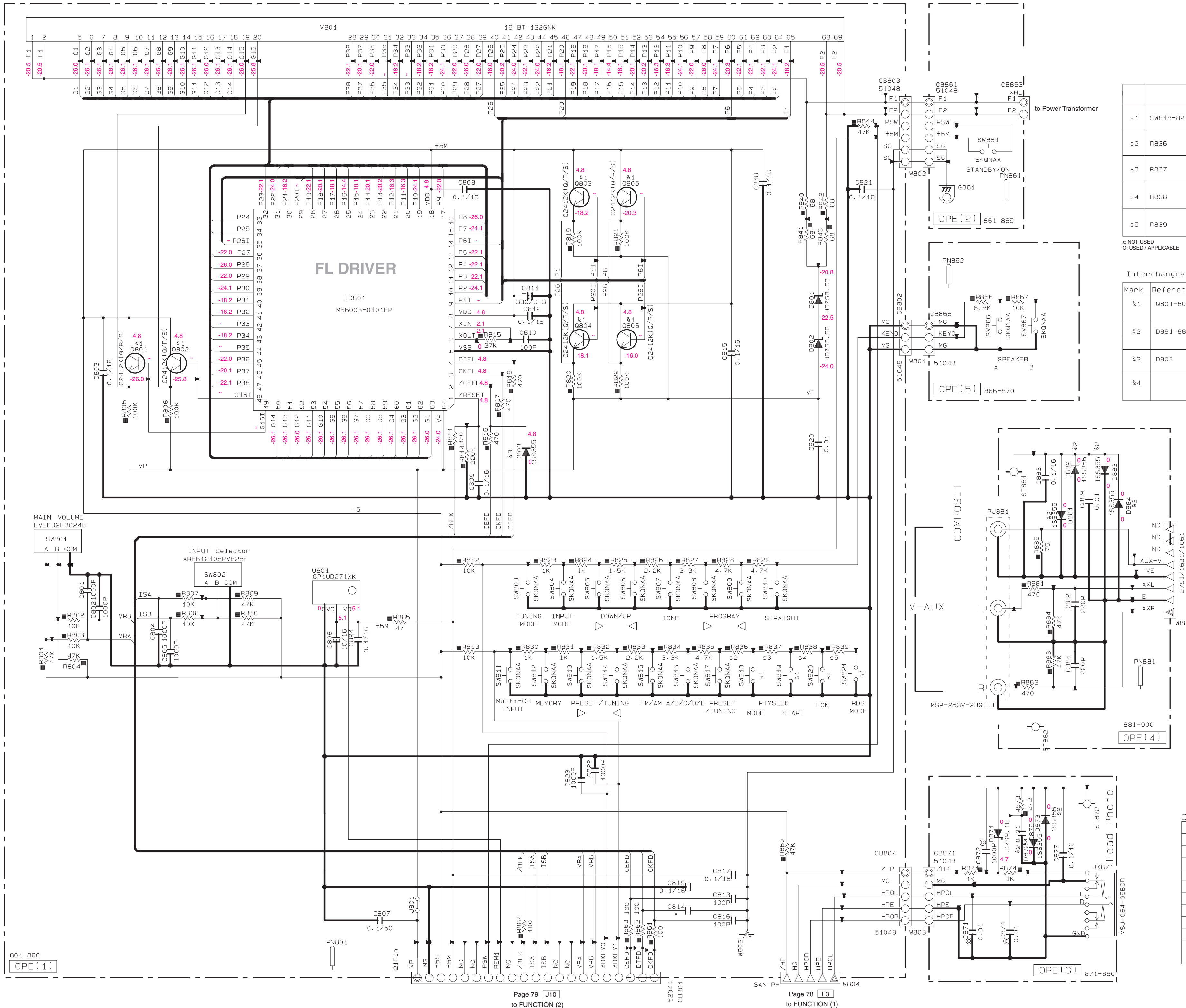
NOTICE (model)

- (J)..... JAPAN
- (U)..... U. S. A
- (C)..... CANADA
- (R)..... GENERAL
- (T)..... CHINA
- (K)..... KOREA
- (A)..... AUSTRALIA
- (B)..... BRITISH
- (G)..... EUROPE
- (L)..... SINGAPORE
- (E)..... SOUTH EUROPE

* All voltages are measured with a 10MQ/V DC electronic volt meter.
* Components having special characteristics are marked ⊕ and must be replaced with parts having specifications equal to those originally installed.
* Schematic diagram is subject to change without notice.

* 電圧は、内部抵抗10MQの電圧計で測定したものです。
* ⊕印のある部品は、安全性確保部品を示しています。部品の交換が必要な場合、パーツリストに記載されている部品を使用してください。
* 本回路図は標準回路図です。改良のため予告なく変更することがございます。

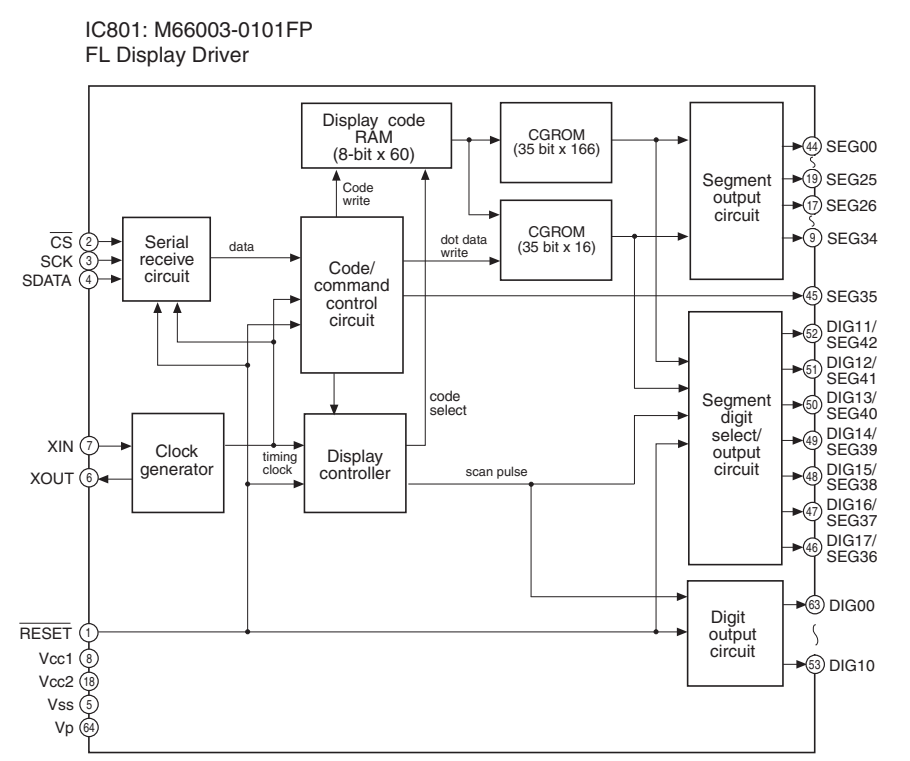
FL DISPLAY



	J. U. C. R. T. K. A. L.	B. G. E.	
S1	SWB18-B21	X	VV02030
S2	RB36	X	RD35647
S3	RB37	X	RD35668
S4	RB38	X	RD35710
S5	RB39	X	RD35722

Interchangeable Parts at Manufacture-Stage

Mark	Reference Parts Number	Parts Name
&1	Q801-806	2SC2412K10/R/S1 2SD601A(TX)10/R/S
&2	D881-884, 872, 873	1SS355
&3	D803	MA111
&4		MA111



NOTICE (mode1)
 (J)..... JAPAN
 (U)..... U.S. A
 (C)..... CANADA
 (R)..... GENERAL
 (T)..... CHINA
 (K)..... KOREA
 (A)..... AUSTRALIA
 (B)..... BRITISH
 (L)..... EUROPE
 (G)..... SINGAPORE
 (E)..... SOUTH EUROPE

RESISTOR

REMARKS	PARTS NAME
NO MARK	CARBON FILM RESISTOR (P=5)
□	CARBON FILM RESISTOR (P=10)
△	METAL OXIDE FILM RESISTOR
▲	METAL FILM RESISTOR
⊠	METAL PLATE RESISTOR
■	FIRE PROOF CARBON FILM RESISTOR
□	CEMENT MOLDED RESISTOR
⊖	SEMI VARIABLE RESISTOR
■	CHIP RESISTOR

CAPACITOR

REMARKS	PARTS NAME
NO MARK	ELECTROLYTIC CAPACITOR
⊗	TANTALUM CAPACITOR
NO MARK	CERAMIC CAPACITOR
●	CERAMIC TUBULAR CAPACITOR
⊙	POLYESTER FILM CAPACITOR
○	POLYSTYRENE FILM CAPACITOR
⊖	MICA CAPACITOR
⊕	POLYPROPYLENE FILM CAPACITOR
⊗	SEMICONDUCTIVE CERAMIC CAPACITOR
⊙	POLYPHENYLENE SULFIDE FILM CAPACITOR

* All voltages are measured with a 10MΩ/V DC electronic volt meter.
 * Components having special characteristics are marked ♯, and must be replaced with parts having specifications equal to those originally installed.
 * Schematic diagram is subject to change without notice.

* 電圧は、内部抵抗10MΩの電圧計で測定したものです。
 * ♯印のある部品は、安全性確保部品を示しています。部品の交換が必要な場合、パーツリストに記載されている部品を使用してください。
 * 本回路図は標準回路図です。改良のため予告なく変更することがございます。

SCHEMATIC DIAGRAM (MAIN)

Page 83 [F10] to POWER (1)

Page 83 [E10] to POWER (1)

Page 83 [E10] to POWER (1)

RX-V550: Page 77 [H7]
HTR-5750, RX-V450, HTR-5740,
DSP-AX450: Page 79 [H6]
to FUNCTION (2)

Page 83 [K3] to POWER (1)

Page 84 [A4] to SUBTRANS

RX-V550: Page 77 [H6]
HTR-5750, RX-V450, HTR-5740,
DSP-AX450: Page 79 [H7]
to FUNCTION (2)

RESISTOR		CAPACITOR	
REMARKS	PARTS NAME	REMARKS	PARTS NAME
NO MARK	CARBON FILM RESISTOR (P-K)	NO MARK	ELECTROLYTIC CAPACITOR
⊖	CARBON FILM RESISTOR (P-K)	⊖	TANTALUM CAPACITOR
⊖	METAL FILM RESISTOR	⊖	CERAMIC CAPACITOR
⊖	METAL FILM RESISTOR	⊖	CERAMIC TUBULAR CAPACITOR
⊖	METAL FILM RESISTOR	⊖	POLYESTER FILM CAPACITOR
⊖	FINE PITCH CARBON FILM RESISTOR	⊖	POLYSTYRENE FILM CAPACITOR
⊖	CEMENT MOUNTED RESISTOR	⊖	MICA CAPACITOR
⊖	SEMI VARIABLE RESISTOR	⊖	POLYPROPYLENE FILM CAPACITOR
⊖	TEMP. RESISTOR	⊖	SEMICONDUCTIVE CERAMIC CAPACITOR
		⊖	POLYPHENYLENE SULFIDE FILM CAPACITOR

NOTICE (page 1)

(J)..... JAPAN
(U)..... U.S.A.
(C)..... CANADA
(R)..... GENERAL
(T)..... CHINA
(K)..... KOREA
(A)..... AUSTRALIA
(B)..... BRITISH
(G)..... EUROPE
(E)..... SINGAPORE
(E)..... SOUTH EUROPE

Interchangeable Parts at Manufacture Stage

Part No.	Interchangeable Part No.	Part Name
41	RY121-124-125	052422-051W1 66P4-28
42	D133	158203-PC1 05500
43	D1-14-251	H5334 H5333 J55176
44	D1	0581749/P1 2581661E/P1

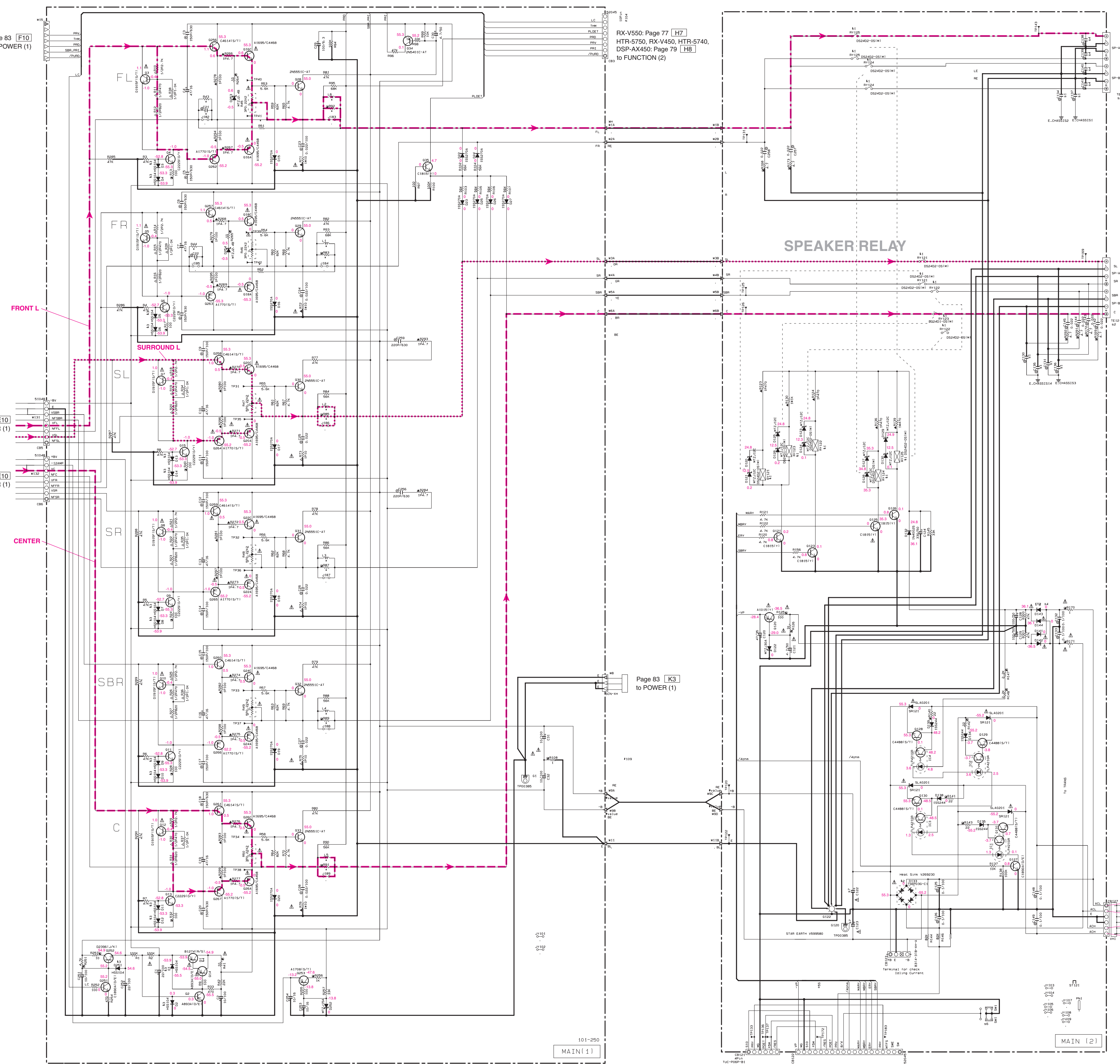
RX-V550/HTR-5750

Part No.	Interchangeable Part No.	Part Name
51	C136-131-134-137	UCC X 6.0 6.0
52	TE150-121	W03190 W03190 W03190 W03190
54	C136-141	X 430P UM5347 UM5347
56	SW1	S5029-PC20M/B Y06249 Y06249 Y06249
57	C132-123	800071 800071 W03190 W03190

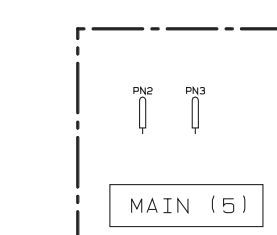
RX-V550/HTR-5740/DSP-AX450

Part No.	Interchangeable Part No.	Part Name
51	C136-131-134-137	X X 6.0 6.0
52	TE150-121	W03190 W03190 W03190 W03190
54	C136-141	X X 430P UM5347
56	SW1	X S5029-PC20M/B Y06249 Y06249 Y06249
57	C132-123	800071 800071 W03190 W03190

X: NOT USED
O: USED/APPLICABLE

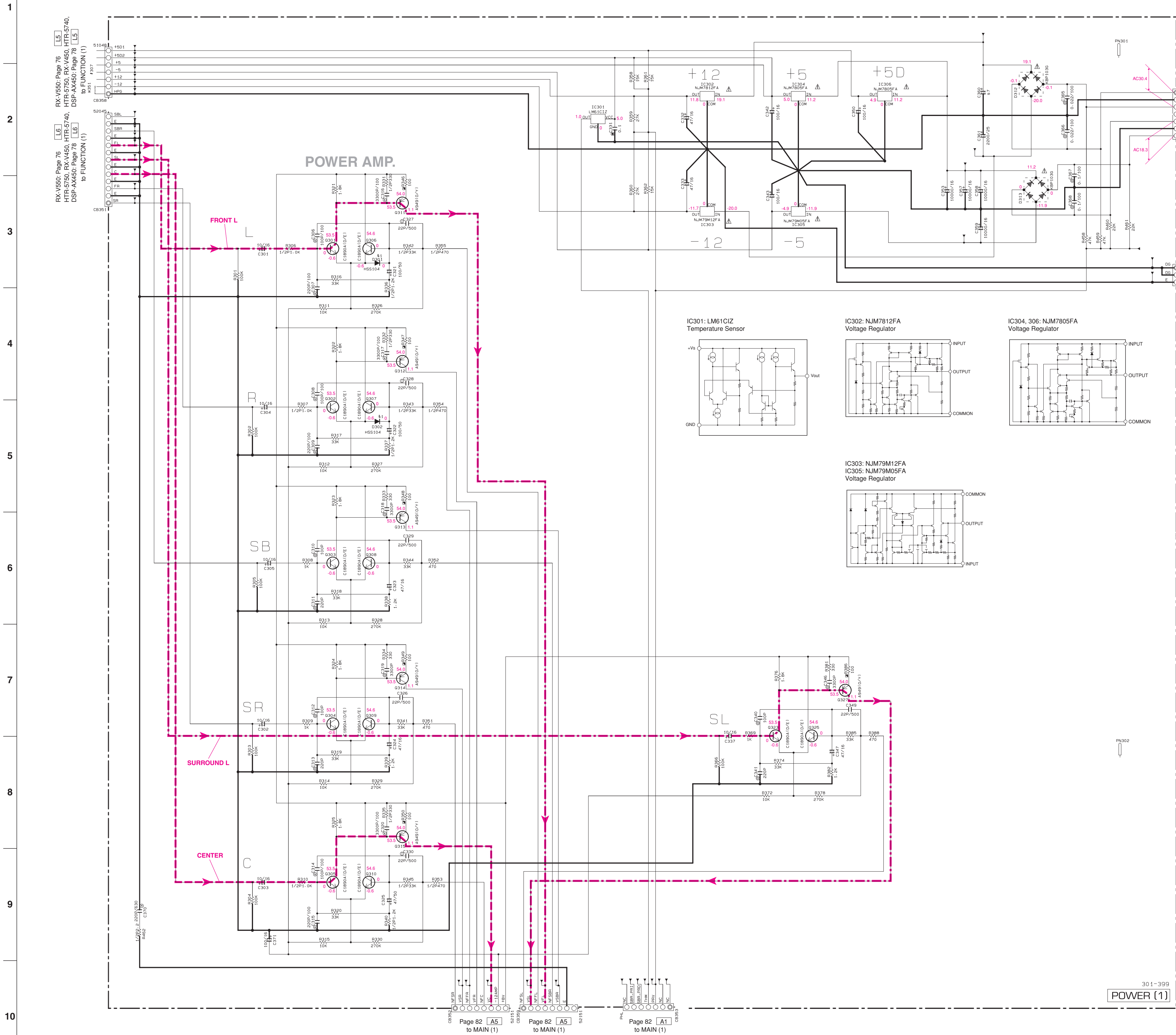


to Power Transformer



- * All voltages are measured with a 10MΩ/V DC electronic volt meter.
- * Components having special characteristics are marked with ! and must be replaced with parts having specifications equal to those originally installed.
- * Schematic diagram is subject to change without notice.
- * 電圧は、内部抵抗10MΩの電圧計で測定したものです。
- * !印のある部品は、安全性確保部品を示しています。部品の交換が必要な場合、パーツリストに記載されている部品を使用してください。
- * 本回路図は標準回路図です。改良のため予告なく変更することがございます。

SCHEMATIC DIAGRAM (POWER)



RESISTOR

REMARKS	PARTS NAME
NO MARK	CARBON FILM RESISTOR (D=5)
□	CARBON FILM RESISTOR (D=10)
△	METAL OXIDE FILM RESISTOR
⊠	METAL FILM RESISTOR
⊞	METAL PLATE RESISTOR
⊚	FIRE PROOF CARBON FILM RESISTOR
⊛	CEMENT MOUNTED RESISTOR
⊜	SEMI-VARIABLE RESISTOR
⊝	CHIP RESISTOR

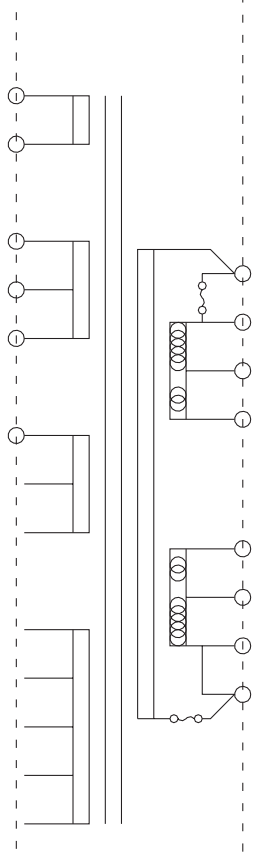
Interchangeable Parts at Manufacture-Stage

Mark	Reference Parts Number	Parts Name
41	0301-302	HSS104 15813 158176

CAPACITOR

REMARKS	PARTS NAME
⊖	ELECTROLYTIC CAPACITOR
⊕	TANTALUM CAPACITOR
NO MARK	CERAMIC CAPACITOR
⊙	CERAMIC TUBULAR CAPACITOR
⊚	POLYESTER FILM CAPACITOR
⊛	POLYSTYRENE FILM CAPACITOR
⊜	MICA CAPACITOR
⊝	POLYPROPYLENE FILM CAPACITOR
⊞	SEMICONDUCTIVE CERAMIC CAPACITOR
⊚	POLYPHENYLENE SULFIDE FILM CAPACITOR

NOTICE (mode1)
(J)..... JAPAN
(U)..... U.S.A
(C)..... CANADA
(R)..... GENERAL
(T)..... CHINA
(K)..... KOREA
(A)..... AUSTRALIA
(B)..... BRITISH
(E)..... EUROPE
(L)..... SINGAPORE
(S)..... SOUTH EUROPE



RX-550HTR5750

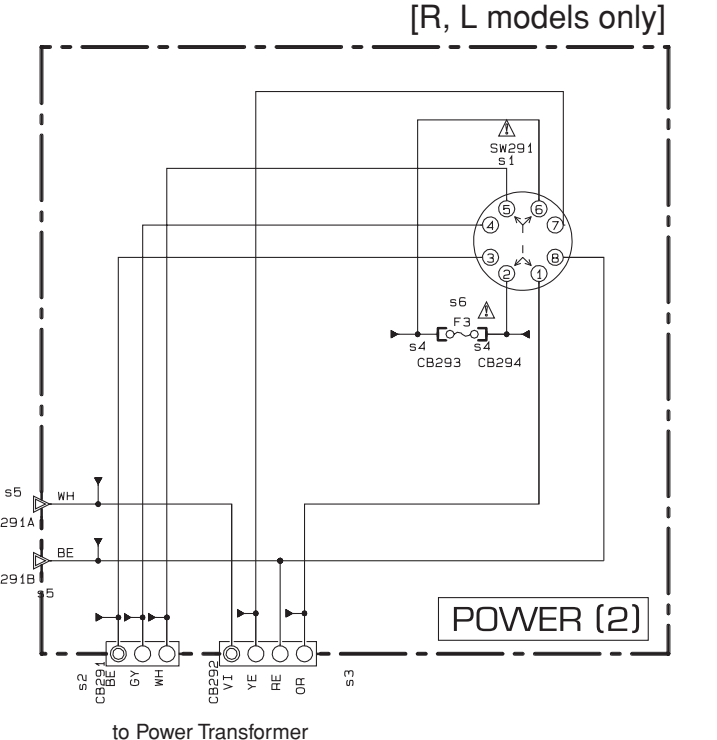
	U.C.T.K (WC82949)	R (WC82950)	L (WD07280)	A.B.G.E (WC82955)
s1	SW291	X	W848370	W007370
s2	CR291	X	V937780	V937780
s3	CR292	X	V937790	V937790
s4	CR293, 294	X	WC029070	WC029070
s5	W291	X	V941190	V941190
s6	F3	X	T4AL250V	T4AL250V
s7	C360	6800/25	6800/25	6800/25

RX-V450HTR-5740/DSP-AX450

	U.C.T.K (WC83970)	R (WC83980)	L (WD07290)	A.B.G.E (WC83990)
s1	SW291	X	W848370	W007370
s2	CR291	X	V937780	V937780
s3	CR292	X	V937790	V937790
s4	CR293, 294	X	VP20650	VP20650
s5	W291	X	V941190	V941190
s6	F3	X	T4AL250V	T4AL250V
s7	C360	4700/25	4700/25	4700/25

⊖: NOT USED
⊙: USED, APPLICABLE

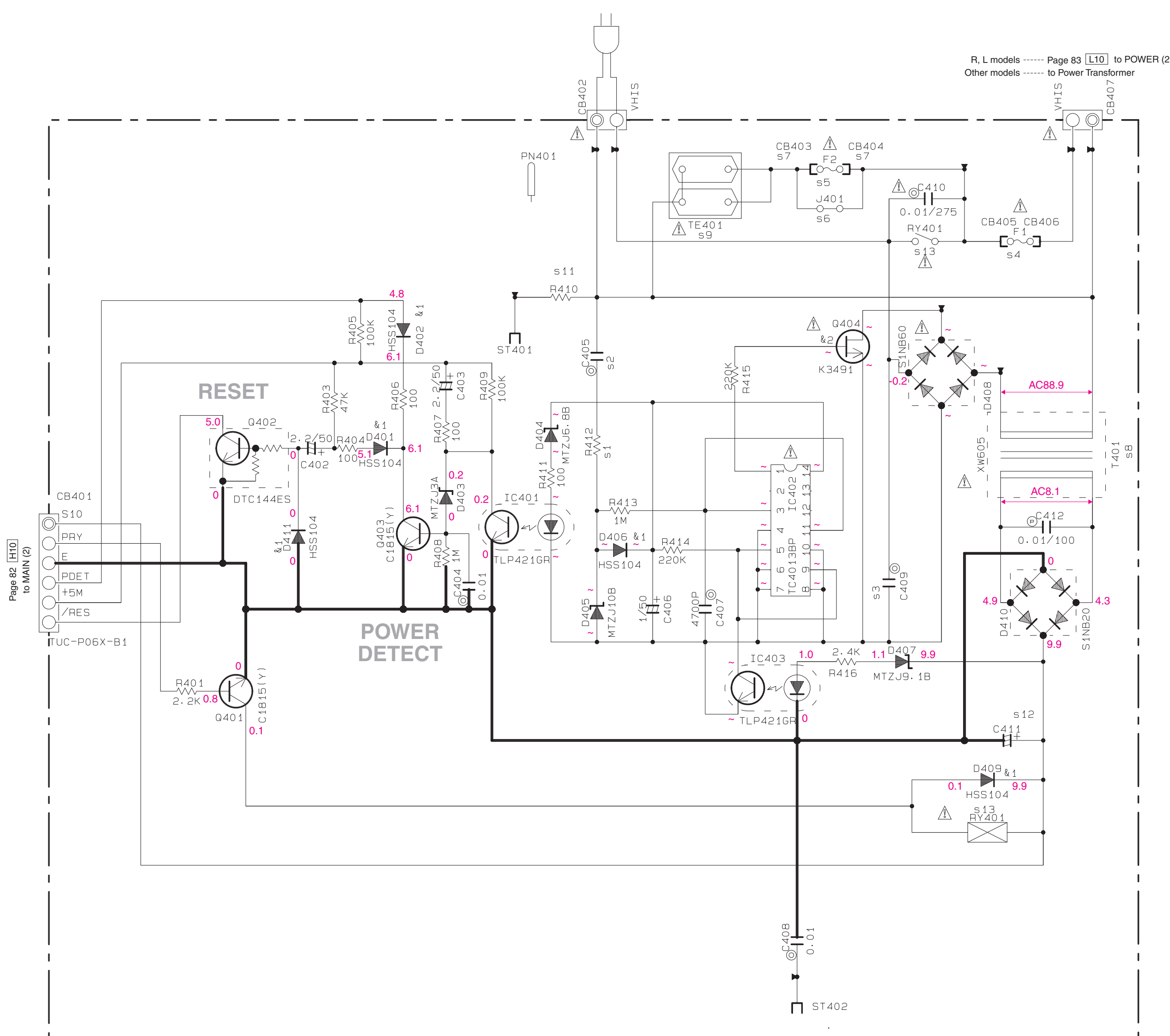
Page 84 G2 to SUBTRANS



301-399 POWER (1)

* All voltages are measured with a 10MΩ/V DC electronic volt meter.
* Components having special characteristics are marked with a triangle and must be replaced with parts having specifications equal to those originally installed.
* Schematic diagram is subject to change without notice.

* 電圧は、内部抵抗10MΩの電圧計で測定したものです。
* 三角形のある部品は、安全性確保部品を示しています。部品の交換が必要な場合、パーツリストに記載されている部品を使用してください。
* 本回路図は標準回路図です。改良のため予告なく変更することがございます。



R, L models Page 83 [L10] to POWER (2)
 Other models to Power Transformer

S1	Part	X5330				X5331			
		J	U. C	R	L	T. K	A	B	G. E
S1	R412	39K HF45739	22K HF45722	2.2K HF45622	2.2K HF45622	2.2K HF45622	2.2K HF45622	2.2K HF45622	
S2	C405	0.047/400	0.047/400	0.022/630	0.022/630	0.022/630	0.022/630	0.022/630	
S3	C409	0.1/400	0.1/400	0.047/630	0.047/630	0.047/630	0.047/630	0.047/630	
S4	F1	8A125V VS82330	8A125V VS82330	8A125V VS82330	8A125V VS82330	T4.0A250V KB00079	T4.0A250V KB00079	T4.0A250V KB00079	
S5	F2	X	8A125V VS82330	X	X	X	X	T2.5AH250V VT94290	
S6	J401	0	X	0	0	0	0	X	
S7	CB403-404	X	0	X	X	X	X	0	
S8	T401	XW605	XW606	XV444	XV444	XW608	XW608	XW608	
S9	TE401	VU54310	VU54310	V586740	VU54340	V586740	VT91500	VU54330	
S10									
S11	R410	X	1/2P2.2M V673000	X	X	X	X	X	
S12	C411	3300/16	3300/16	3300/50	3300/50	3300/16	3300/16	3300/16	
S13	RY401	SDT-S-112LMR DG12D1-0[M]-II ALKS321	DLS12D1-0[M]	SDT-S-112LMR DG12D1-0[M]-II ALKS321	SDT-S-112LMR DG12D1-0[M]-II ALKS321	SDT-S-112LMR DG12D1-0[M]-II ALKS321	SDT-S-112LMR DG12D1-0[M]-II ALKS321	SDT-S-112LMR DG12D1-0[M]-II ALKS321	

X: NOT USED
 O: USED / APPLICABLE

Interchangeable Parts at Manufacture-Stage

Mark	Reference Parts Number	Parts Name
&1	D401-402-406-409-411	HSS104 1SS133 1SS176
&2	Q404	2SK3850 2SK3491
&3		
&4		

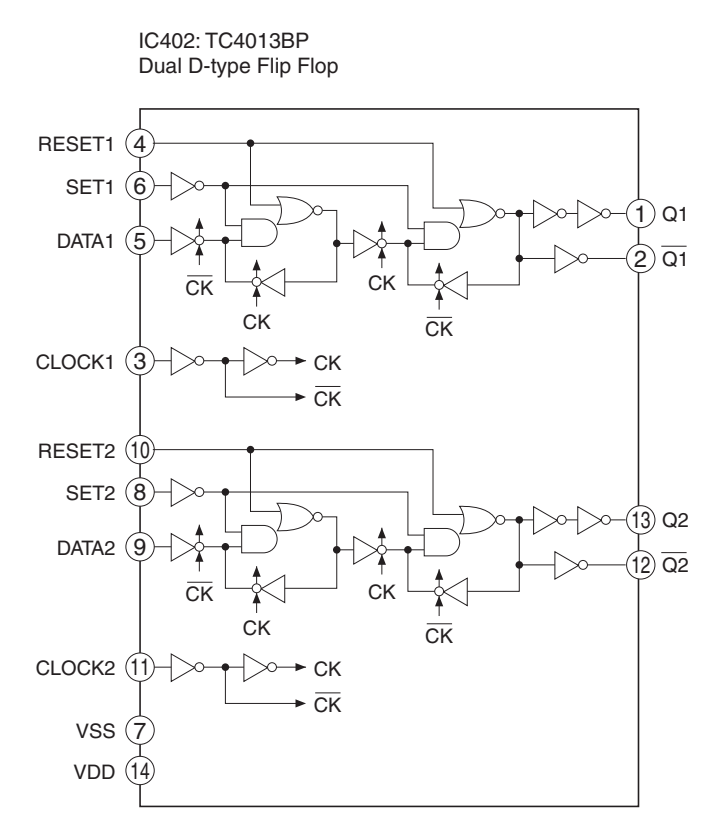
NOTICE (model)
 (J)..... JAPAN
 (U)..... U. S. A
 (C)..... CANADA
 (R)..... GENERAL
 (T)..... CHINA
 (K)..... KOREA
 (A)..... AUSTRALIA
 (B)..... BRITISH
 (G)..... EUROPE
 (L)..... SINGAPORE
 (E)..... SOUTH EUROPE

RESISTOR

REMARKS	PARTS NAME
NO MARK	CARBON FILM RESISTOR (P=5)
☒	CARBON FILM RESISTOR (P=10)
△	METAL OXIDE FILM RESISTOR
▲	METAL FILM RESISTOR
☒	METAL PLATE RESISTOR
☒	FIRE PROOF CARBON FILM RESISTOR
☐	CEMENT MOLDED RESISTOR
⊙	SEMI VARIABLE RESISTOR
■	CHIP RESISTOR

CAPACITOR

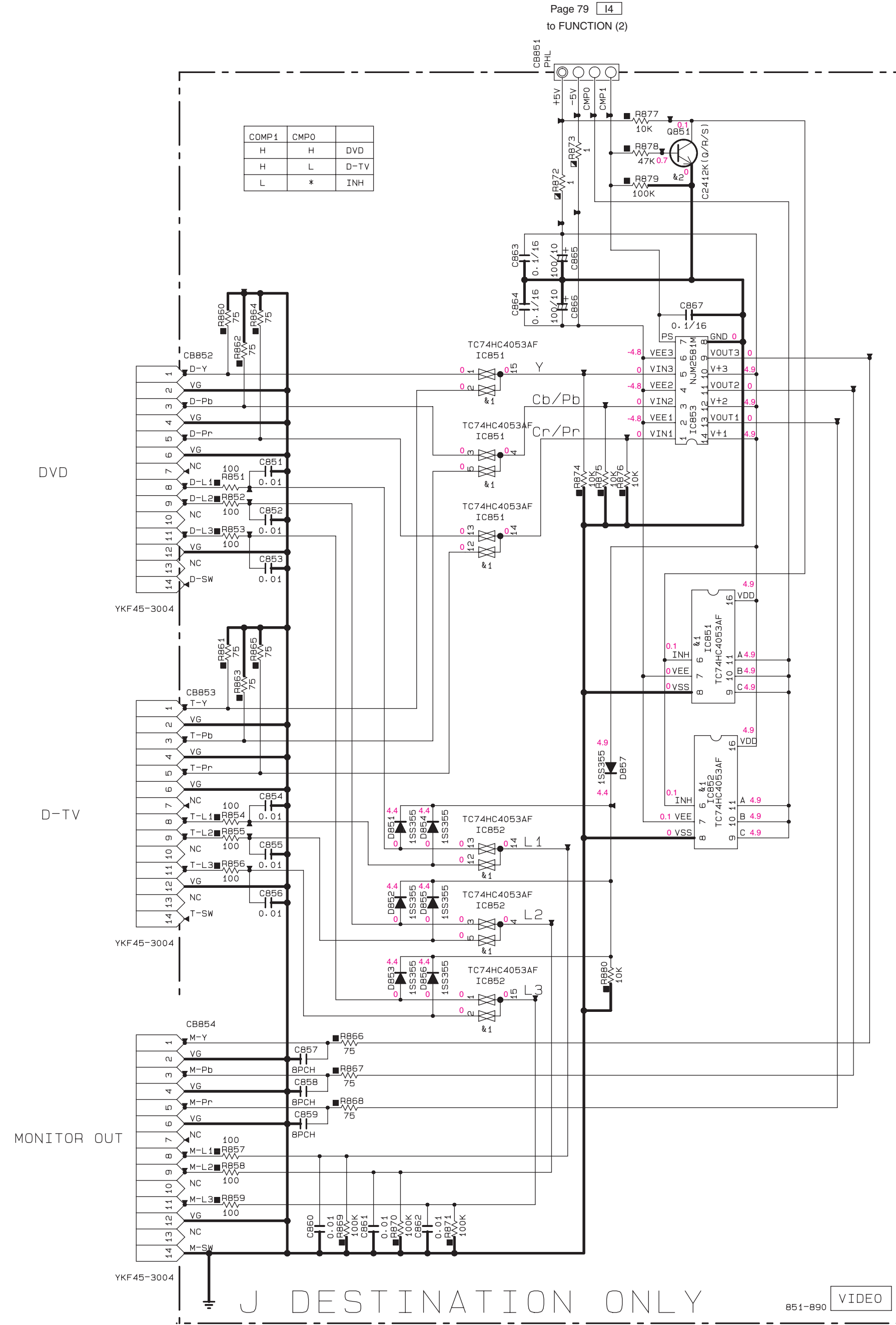
REMARKS	PARTS NAME
NO MARK	ELECTROLYTIC CAPACITOR
⊗	TANTALUM CAPACITOR
NO MARK	CERAMIC CAPACITOR
●	CERAMIC TUBULAR CAPACITOR
⊙	POLYESTER FILM CAPACITOR
○	POLYSTYRENE FILM CAPACITOR
⊖	MICA CAPACITOR
⊕	POLYPROPYLENE FILM CAPACITOR
⊗	SEMICONDUCTIVE CERAMIC CAPACITOR
Ⓢ	POLYPHENYLENE SULFIDE FILM CAPACITOR



* All voltages are measured with a 10MQ/V DC electronic volt meter.
 * Components having special characteristics are marked △ and must be replaced with parts having specifications equal to those originally installed.
 * Schematic diagram is subject to change without notice.

* 電圧は、内部抵抗10MQの電圧計で測定したものです。
 * △印のある部品は、安全性確保部品を示しています。部品の交換が必要な場合、パーツリストに記載されている部品を使用してください。
 * 本回路図は標準回路図です。改良のため予告なく変更することがございます。

Page 79 14
to FUNCTION (2)



NOTICE (model)
(J)..... JAPAN

RESISTOR

REMARKS	PARTS NAME
NO MARK	CARBON FILM RESISTOR (P=5)
□	CARBON FILM RESISTOR (P=10)
△	METAL OXIDE FILM RESISTOR
⊠	METAL FILM RESISTOR
⊡	METAL PLATE RESISTOR
⊞	FIRE PROOF CARBON FILM RESISTOR
⊞	CEMENT MOLDED RESISTOR
⊞	SEMI VARIABLE RESISTOR
⊞	CHIP RESISTOR

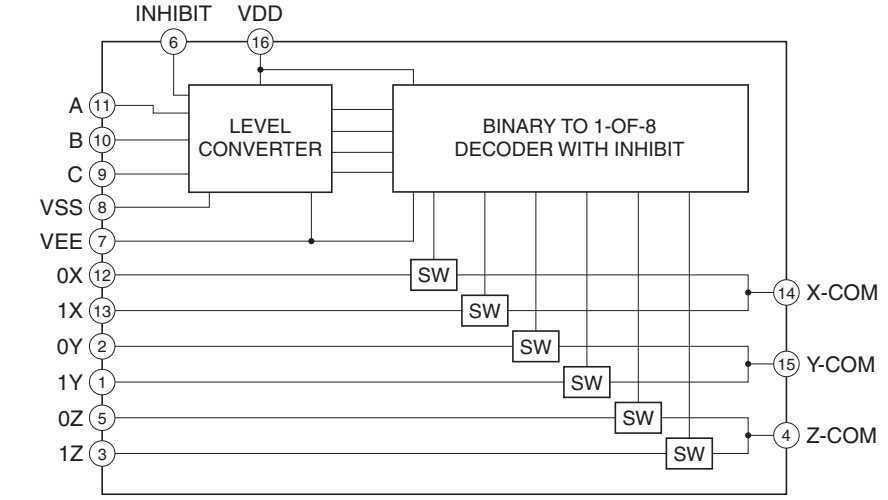
CAPACITOR

REMARKS	PARTS NAME
NO MARK	ELECTROLYTIC CAPACITOR
⊗	TANTALUM CAPACITOR
NO MARK	CERAMIC CAPACITOR
●	CERAMIC TUBULAR CAPACITOR
⊙	POLYESTER FILM CAPACITOR
○	POLYSTYRENE FILM CAPACITOR
⊖	MICA CAPACITOR
⊖	POLYPROPYLENE FILM CAPACITOR
⊖	SEMICONDUCTIVE CERAMIC CAPACITOR

Interchangeable Parts at Manufacture-Stage

Mark	Reference Parts Number	Parts Name
k1	IC851, 852	TC74HC4053AF MM74HC4053SUX
k2	Q851	C2412K1G/R/S) D601A1G/R/S)

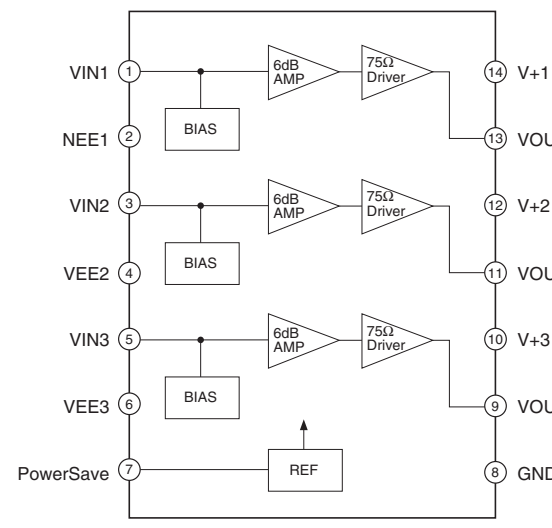
IC851, 852: TC74HC4053AF
Analog Multiplexer/Demultiplexer



INPUT STATES

INHIBIT	C	B	A	'ON' CHANNEL (S)
0	0	0	0	0X, 0Y, 0Z
0	0	0	1	1X, 0Y, 0Z
0	0	1	0	0X, 1Y, 0Z
0	0	1	1	1X, 1Y, 0Z
0	1	0	0	0X, 0Y, 1Z
0	1	0	1	1X, 0Y, 1Z
0	1	1	0	0X, 1Y, 1Z
0	1	1	1	1X, 1Y, 1Z
1	X	X	X	NONE

IC853: NJM2581M
Video Amp



* All voltages are measured with a 10MQV DC electronic volt meter.
* Components having special characteristics are marked !, and must be replaced with parts having specifications equal to those originally installed.
* Schematic diagram is subject to change without notice.

* 電圧は、内部抵抗10MQの電圧計で測定したものです。
* 上印のある部品は、安全性確保部品を示しています。部品の交換が必要な場合、パーツリストに記載されている部品を使用してください。
* 本回路図は標準回路図です。改良のため予告なく変更することがございます。