

AV RECEIVER/AV AMPLIFIER RX-V659/HTR-5960 DSP-AX759/DSP-AX759SE SERVICE MANUAL

IMPORTANT NOTICE

This manual has been provided for the use of authorized YAMAHA Retailers and their service personnel. It has been assumed that basic service procedures inherent to the industry, and more specifically YAMAHA Products, are already known and understood by the users, and have therefore not been restated.

WARNING: Failure to follow appropriate service and safety procedures when servicing this product may result in personal injury, destruction of expensive components, and failure of the product to perform as specified. For these reasons, we advise all YAMAHA product owners that any service required should be performed by an authorized YAMAHA Retailer or the appointed service representative.

IMPORTANT: The presentation or sale of this manual to any individual or firm does not constitute authorization, certification or recognition of any applicable technical capabilities, or establish a principle-agent relationship of any form.

The data provided is believed to be accurate and applicable to the unit(s) indicated on the cover. The research, engineering, and service departments of YAMAHA are continually striving to improve YAMAHA products. Modifications are, therefore, inevitable and specifications are subject to change without notice or obligation to retrofit. Should any discrepancy appear to exist, please contact the distributor's Service Division.

WARNING: Static discharges can destroy expensive components. Discharge any static electricity your body may have accumulated by grounding yourself to the ground buss in the unit (heavy gauge black wires connect to this buss).

IMPORTANT: Turn the unit OFF during disassembly and part replacement. Recheck all work before you apply power to the unit.

■ CONTENTS


TO SERVICE PERSONNEL	2-3	DISPLAY DATA	44-45
FRONT PANELS	3-5	IC DATA	46-55
REAR PANELS	5-8	PIN CONNECTION DIAGRAM	56-57
REMOTE CONTROL PANELS	9	BLOCK DIAGRAMS	59-61
SPECIFICATIONS / 参考仕様	10-12	PRINTED CIRCUIT BOARDS	62-78
INTERNAL VIEW	13	SCHEMATIC DIAGRAMS	79-89
DISASSEMBLY PROCEDURES / 分解手順	14-17	REPLACEMENT PARTS LIST	91-120
SELF DIAGNOSIS FUNCTION (DIAG) / 自己診断機能(ダイアグ)	18-42	REMOTE CONTROL	121
AMP ADJUSTMENT / アンプ部調整	43	ADVANCED SETUP	122

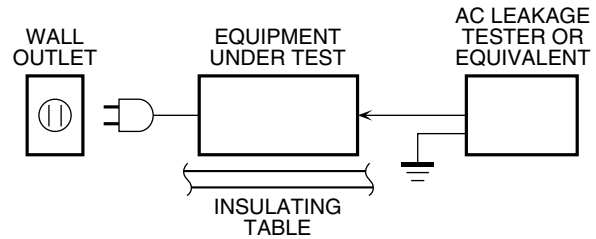


このサービスマニュアルは、エコマーク認定の再生紙を使用しています。
This Service Manual uses recycled paper.



■ TO SERVICE PERSONNEL

1. Critical Components Information
 Components having special characteristics are marked  and must be replaced with parts having specifications equal to those originally installed.
2. Leakage Current Measurement (For 120V Models Only)
 When service has been completed, it is imperative to verify that all exposed conductive surfaces are properly insulated from supply circuits.
 - Meter impedance should be equivalent to 1500 ohms shunted by 0.15μF.
 - Leakage current must not exceed 0.5mA.



- Be sure to test for leakage with the AC plug in both polarities.



“CAUTION”

“F651, 652: FOR CONTINUED PROTECTION AGAINST RISK OF FIRE, REPLACE ONLY WITH SAME TYPE 10A, 125V FUSE.”

CAUTION

F651, 652: REPLACE WITH SAME TYPE 10A, 125V FUSE.

ATTENTION

F651, 652: UTILISER UN FUSIBLE DE RECHANGE DE MEME TYPE DE 10A, 125V.

WARNING: CHEMICAL CONTENT NOTICE!

The solder used in the production of this product contains LEAD. In addition, other electrical/electronic and/or plastic (where applicable) components may also contain traces of chemicals found by the California Health and Welfare Agency (and possibly other entities) to cause cancer and/or birth defects or other reproductive harm.

DO NOT PLACE SOLDER, ELECTRICAL/ELECTRONIC OR PLASTIC COMPONENTS IN YOUR MOUTH FOR ANY REASON WHATSOEVER!

Avoid prolonged, unprotected contact between solder and your skin! When soldering, do not inhale solder fumes or expose eyes to solder/flux vapor!

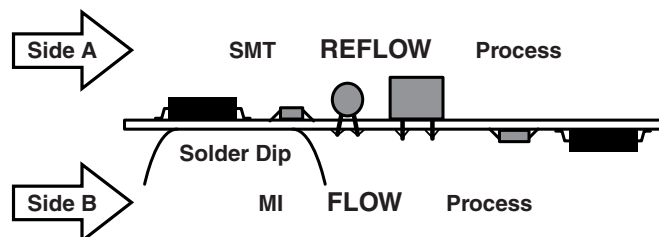
If you come in contact with solder or components located inside the enclosure of this product, wash your hands before handling food.

About Lead Free Solder / 無鉛ハンダについて

The P.C.B.s installed in this unit are soldered using the following solder.

本機に搭載されている基板のハンダ付けに使用されているハンダは下記の通りです。

	SIDE A / A面	SIDE B / B面
DSP P.C.B.	lead free solder / 無鉛ハンダ	lead free solder / 無鉛ハンダ
OPERATION P.C.B.	—	lead free solder / 無鉛ハンダ
MAIN P.C.B.	—	lead free solder / 無鉛ハンダ
POWER P.C.B.	—	lead free solder / 無鉛ハンダ
SUBTRANS P.C.B.	—	lead free solder / 無鉛ハンダ
VIDEO P.C.B.	lead free solder / 無鉛ハンダ	lead free solder / 無鉛ハンダ



RX-V659/HTR-5960
 DSP-AX759/DSP-AX759SE

Among some types of lead free solder currently available, it is recommended to use one of the following types for the repair work.

- Sn + Ag + Cu (tin + silver + copper)
- Sn + Cu (tin + copper)
- Sn + Zn + Bi (tin + zinc + bismuth)

無鉛ハンダにはいくつかの種類がありますが、修理時には下記のような無鉛ハンダの使用を推奨します。

- ・ Sn+Ag+Cu(錫+銀+銅)
- ・ Sn+Cu(錫+銅)
- ・ Sn+Zn+Bi(錫+亜鉛+ビスマス)

Caution:

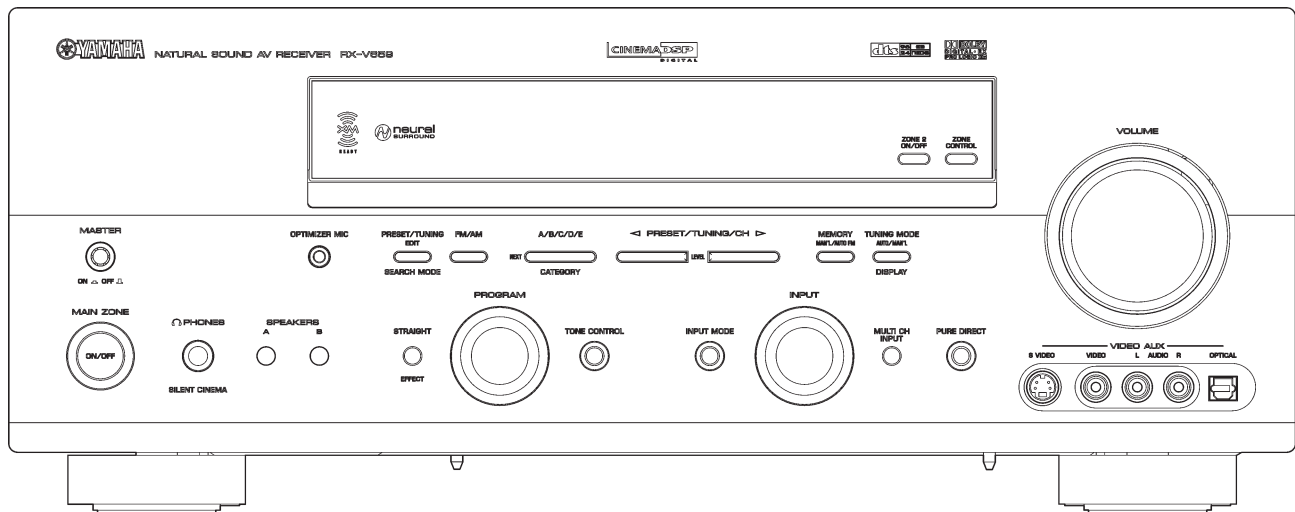
1. As the melting point temperature of the lead free solder is about 30°C to 40°C (50°F to 70°F) higher than that of the lead solder, be sure to use a soldering iron suitable to each solder.
2. If lead solder must be used, be sure to remove lead free solder from each terminal section of the parts to be replaced and from the area around it completely before soldering, or make sure that the lead free solder and lead solder melt together fully.

注意:

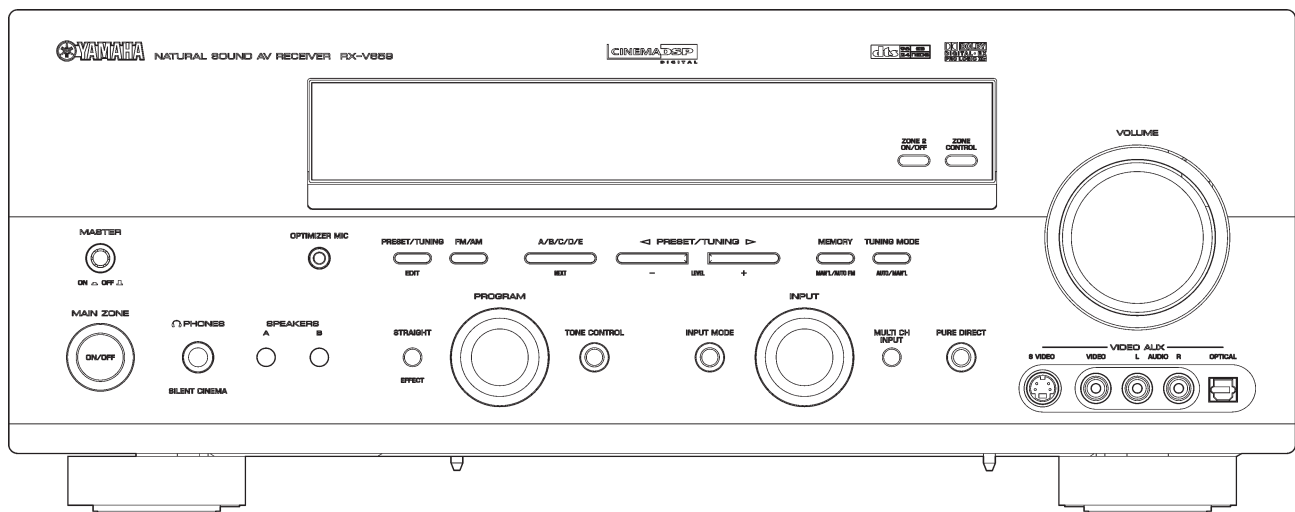
1. 無鉛ハンダの融点温度は通常の鉛入りハンダに比べ30～40°C程度高くなっていますので、それぞれのハンダに合ったハンダごてをご使用ください。
2. 鉛入りハンダを使わざるを得ない場合は、あらかじめ交換する部品端子部やその周辺部の無鉛ハンダをすべて取り除くか、あるいは無鉛ハンダと鉛入りハンダが十分に溶けた状態となるようにハンダ付けしてください。

■ **FRONT PANELS**

RX-V659 (U, C models)

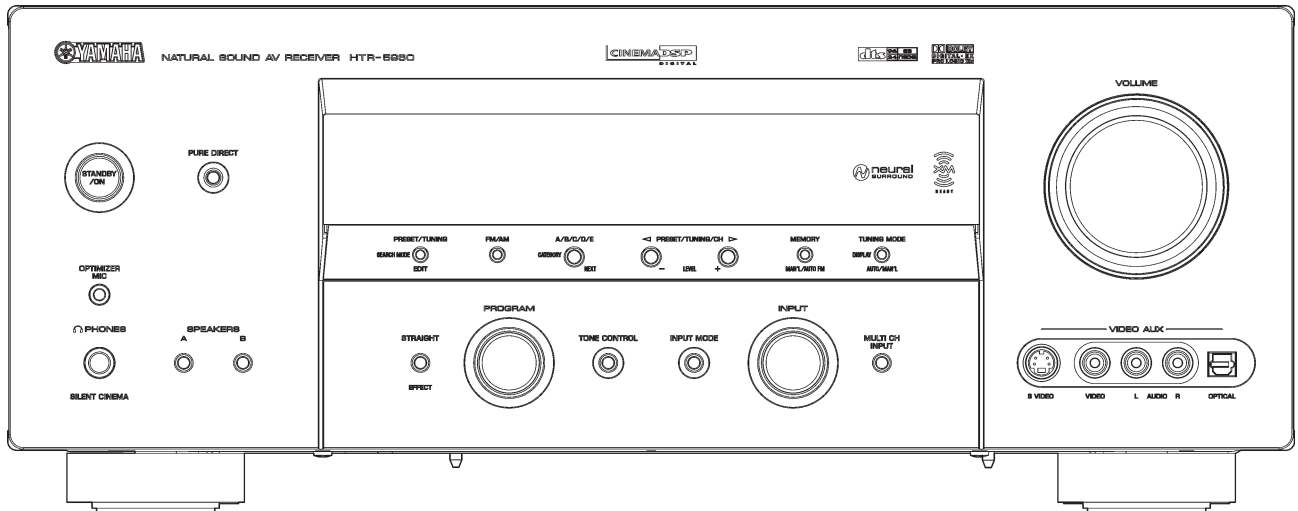


RX-V659 (R, T, K, A, G, E, L models)

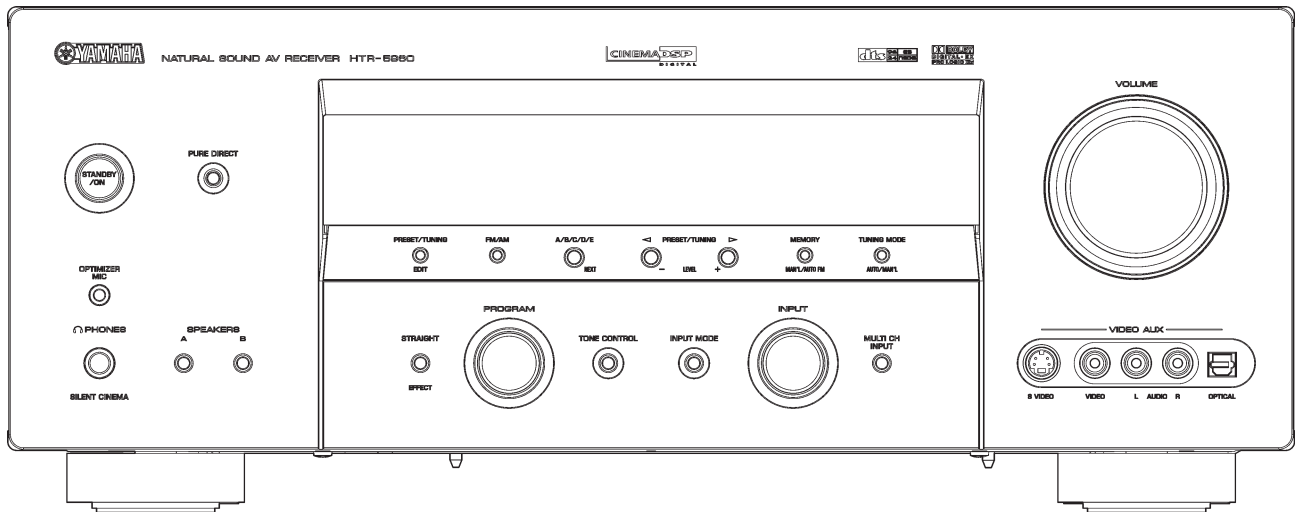


RX-V659/HTR-5960
 DSP-AX759/DSP-AX759SE

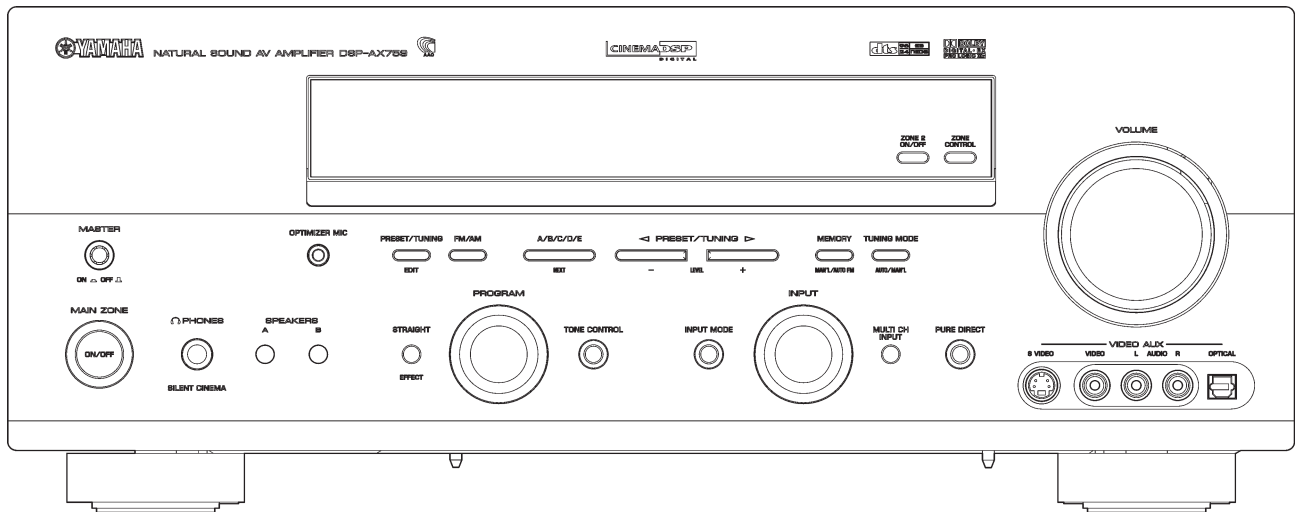
HTR-5960 (U, C models)



HTR-5960 (A model)

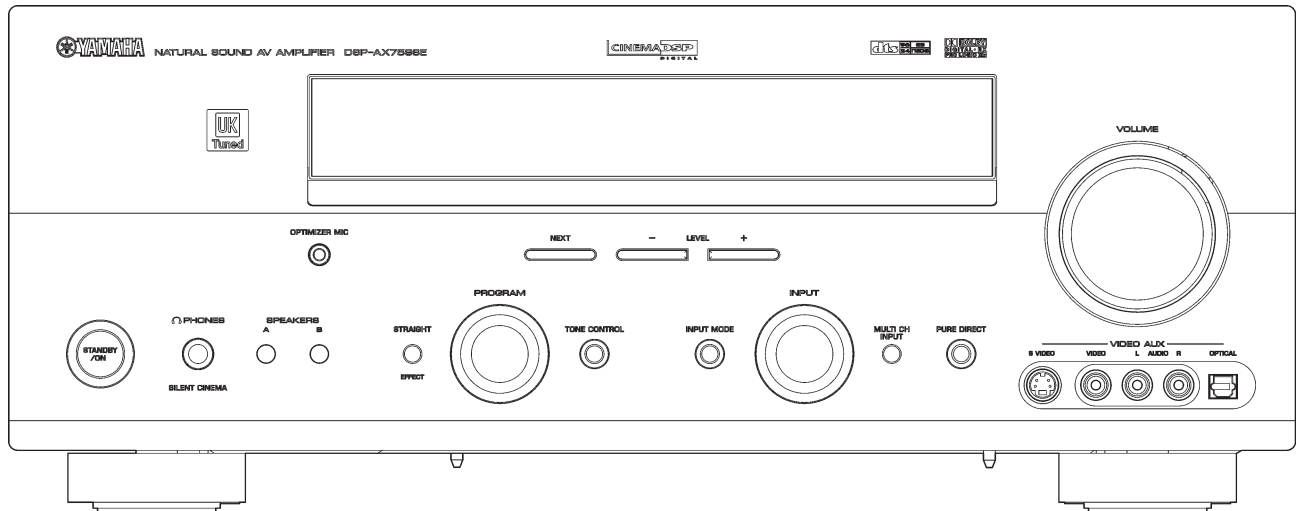


DSP-AX759 (J model)



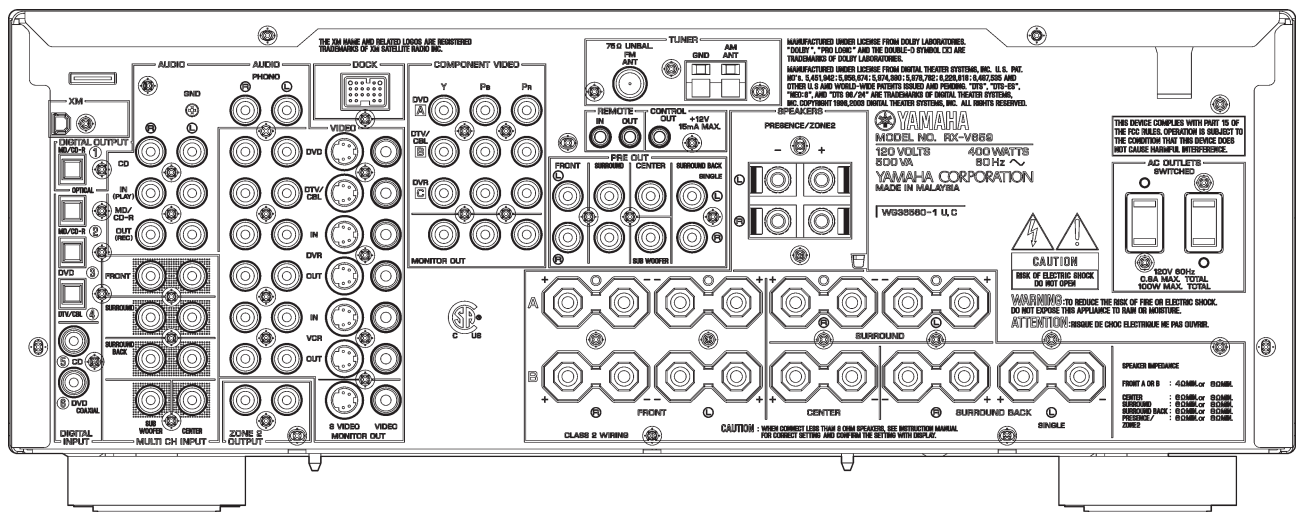
RX-V659/HTR-5960
 DSP-AX759/DSP-AX759SE

DSP-AX759SE (B model)

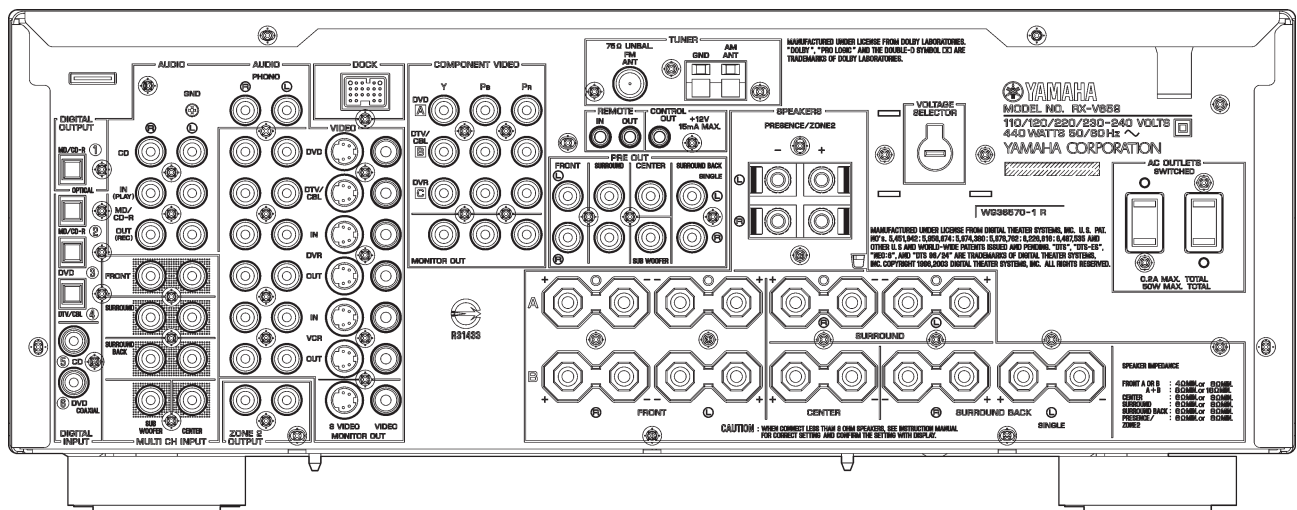


REAR PANELS

RX-V659 (U, C models)

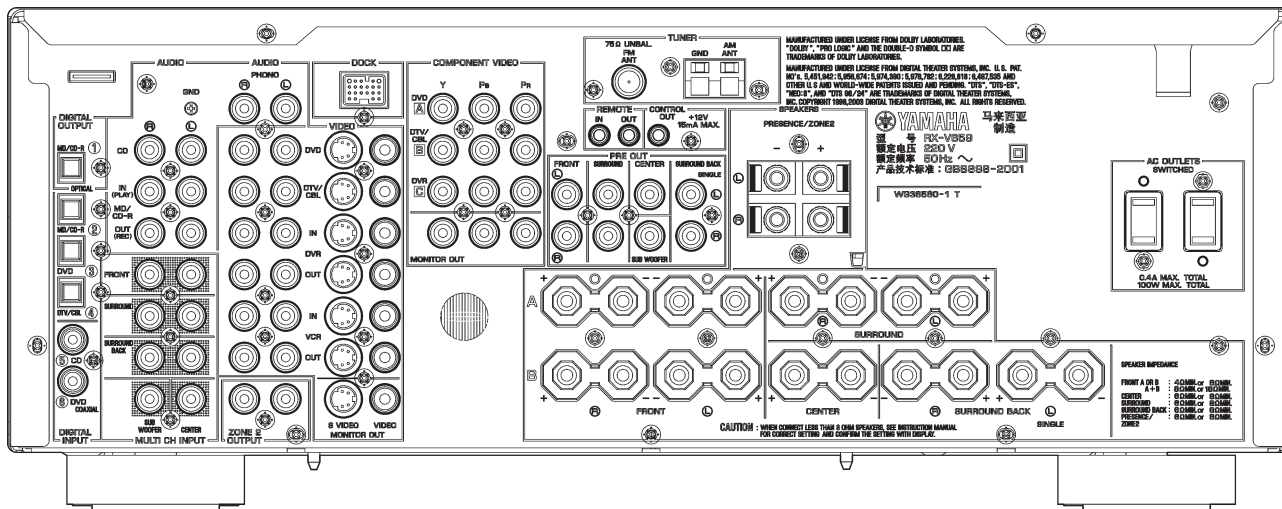


RX-V659 (R model)

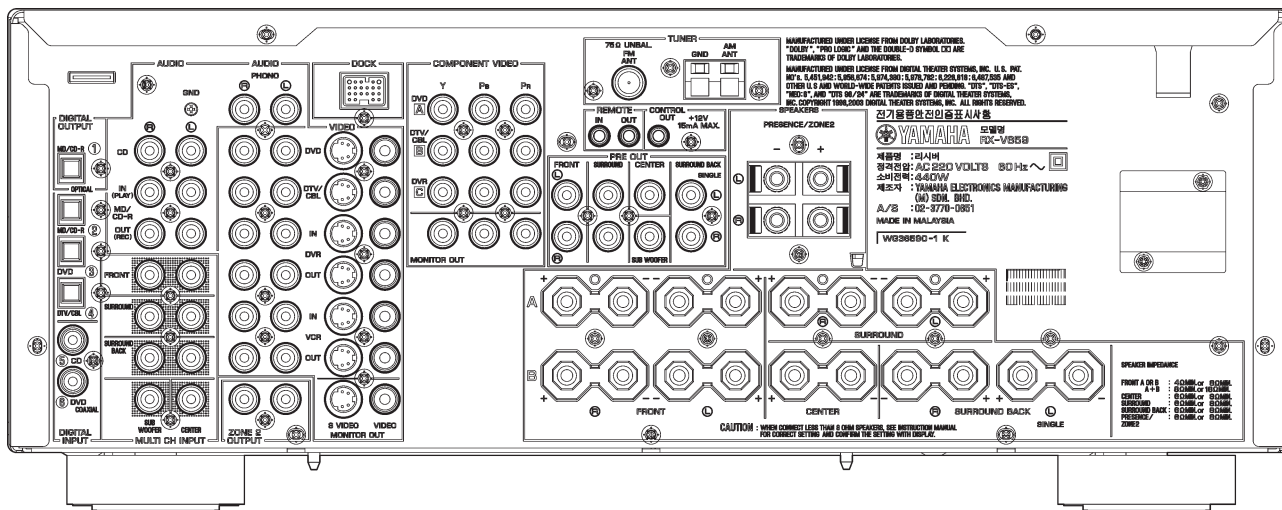


RX-V659/HTR-5960
 DSP-AX759/DSP-AX759SE

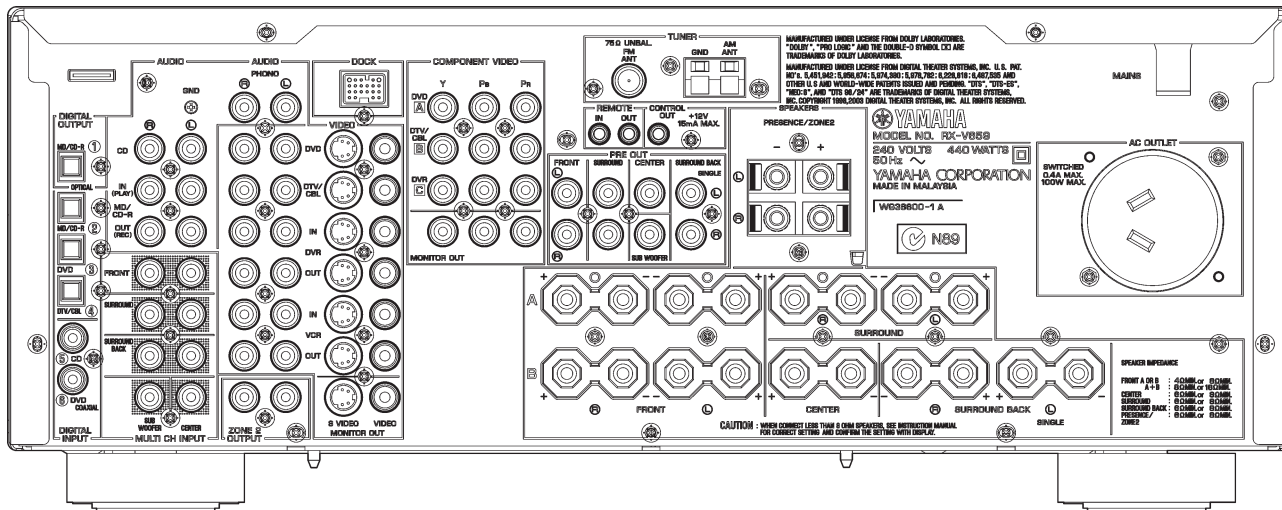
RX-V659 (T model)



RX-V659 (K model)

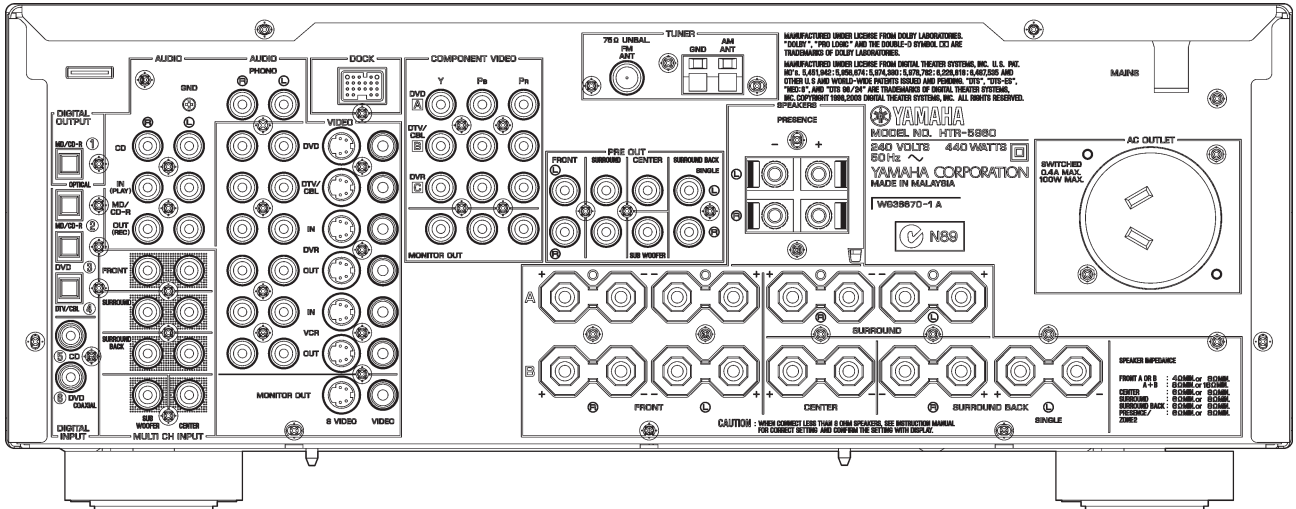


RX-V659 (A model)

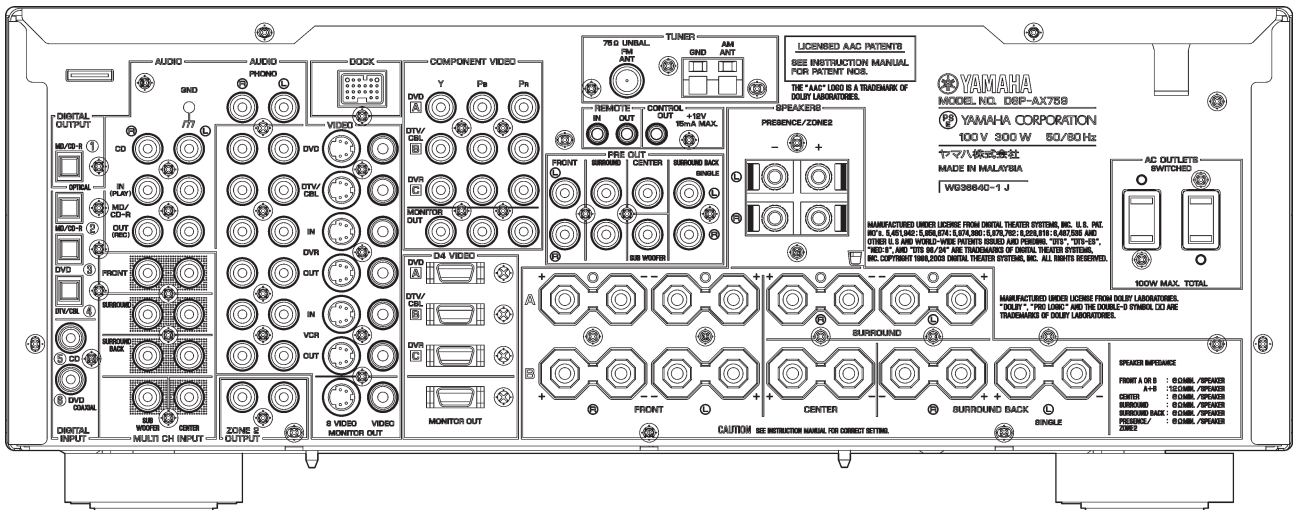


RX-V659/HTR-5960
 DSP-AX759/DSP-AX759SE

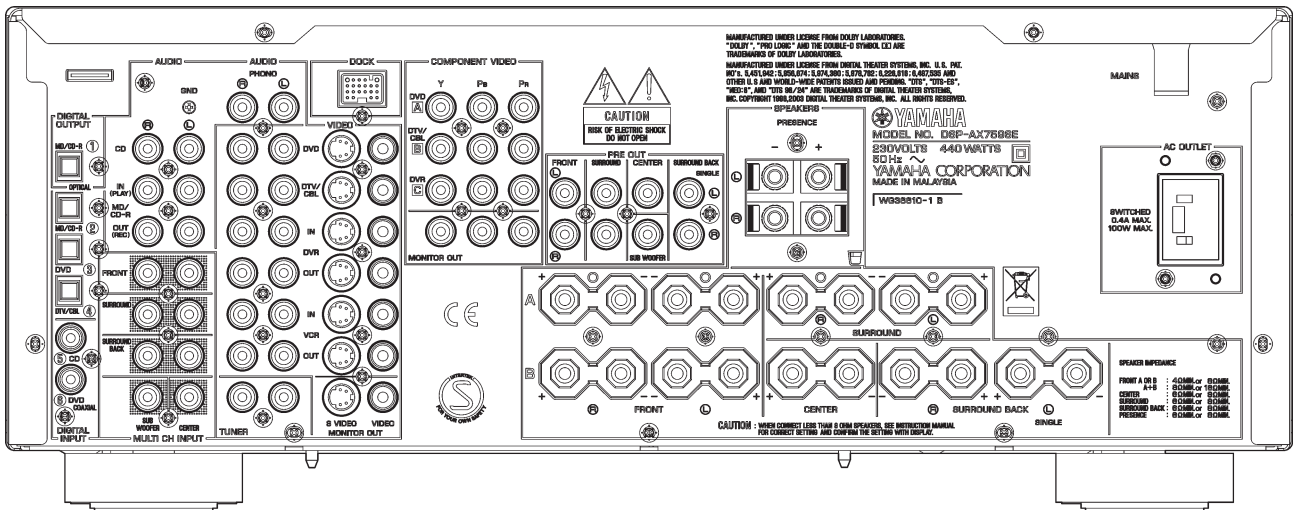
HTR-5960 (A model)



DSP-AX759 (J model)



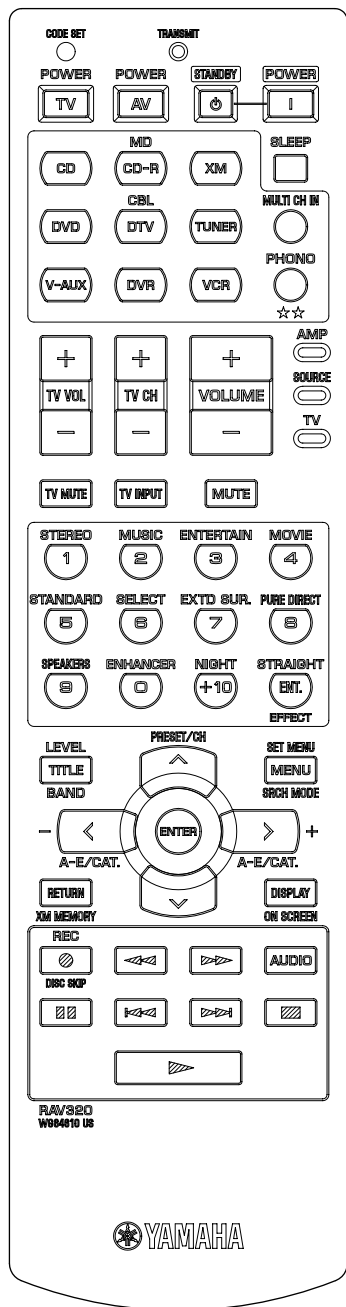
DSP-AX759SE (B model)



RX-V659/HTR-5960
 DSP-AX759/DSP-AX759SE

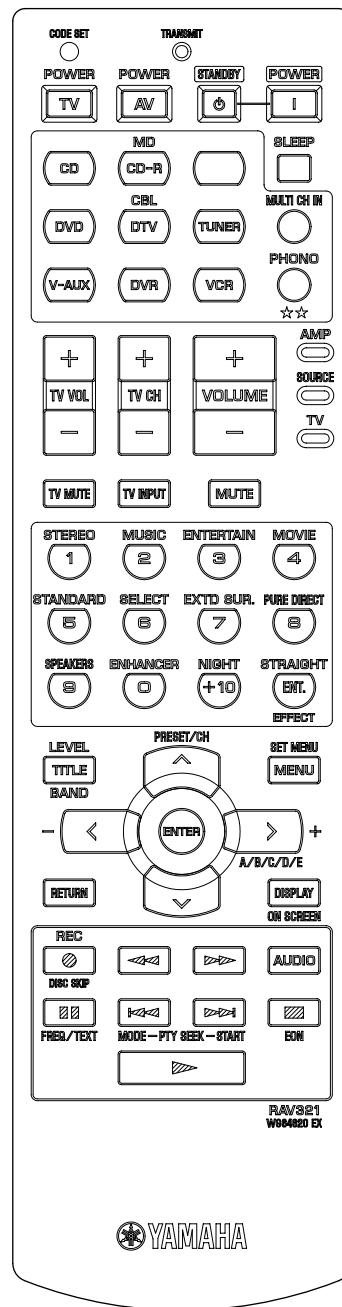
REMOTE CONTROL PANELS

RAV320



RX-V659 (U, C models)
 HTR-5960 (U, C models)

RAV321



RX-V659 (R, T, K, A, G, E, L models)
 HTR-5960 (A model)
 DSP-AX759 (J model)
 DSP-AX759SE (B model)

■ SPECIFICATIONS / 参考仕様

■ Audio Section / オーディオ部

Minimum RMS Output Power (Power Amp. Section) / 定格出力 (パワーアンプ部)

[RX-V659/DSP-AX759SE]

(20 Hz to 20 kHz, 0.06 % THD, 8 ohms)

FRONT L/R	100 W + 100 W
CENTER	100 W
SURROUND L/R	100 W + 100 W
SURROUND BACK L/R	100 W + 100 W

[HTR-5960]

(1 kHz, 0.7 % THD, 8 ohms)

FRONT L/R	115 W + 115 W
CENTER	115 W
SURROUND L/R	115 W + 115 W
SURROUND BACK L/R	115 W + 115 W

[DSP-AX759]

(20 Hz to 20 kHz, 0.09 % THD, 6 ohms)

FRONT L/R	100 W + 100 W
CENTER	100 W
SURROUND L/R	100 W + 100 W
SURROUND BACK L/R	100 W + 100 W

Maximum Power / 実用最大出力 (EIAJ) (1 kHz, 10 % THD)

[RX-V659/HTR-5960] (R, T, K, L models)

FRONT L/R (8 ohms)	140 W
CENTER (8 ohms)	140 W
SURROUND L/R (8 ohms)	140 W
SURROUND BACK L/R (8 ohms)	140 W

[DSP-AX759]

FRONT L/R (6 ohms)	140 W
CENTER (6 ohms)	140 W
SURROUND L/R (6 ohms)	140 W
SURROUND BACK L/R (6 ohms)	140 W

Maximum Power Per Channel / MAX/パワー

(Sp impedance set: 8 ohms minimum/1 kHz, 0.7 % THD 4ohms)

[RX-V659/DSP-AX759SE] (B, G, E, L models)

FRONT L/R	150 W + 150 W
CENTER	150 W
SURROUND L/R	150 W + 150 W
SURROUND BACK L/R	150 W + 150 W

IEC Power / IECパワー (1 kHz, 0.06 % THD 8ohms)

[RX-V659/DSP-AX759SE] (B, G, E, L models)

FRONT L/R	110 W + 110 W
-----------------	---------------

Dynamic Power Per Channel / ダイナミックパワー (IHF)

[RX-V659/HTR-5960/DSP-AX759SE]

FRONT L/R (8/6/4/2 ohms)	135/170/200/245 W
--------------------------------	-------------------

[DSP-AX759]

FRONT L/R (8/6/4/2 ohms)	-/140/170/215 W
--------------------------------	-----------------

Dynamic Headroom / ダイナミックヘッドルーム (8 ohms)

[RX-V659/HTR-5960] (U, C models)

.....	1.30 dB
-------	---------

Damping Factor / ダンピングファクタ

FRONT L/R (20 Hz to 20 kHz, SPEAKER-A 8ohms)	120 or more
---	-------------

Input Sensitivity/Input Impedance / 入力感度/入力インピーダンス

PHONO (MM)	3.5 mV / 47 k-ohms
CD, etc.	200 mV / 47 k-ohms
MULTI CH IN	
FRONT L/R, CENTER, SURROUND L/R, SURROUND BACK L/R, SUBWOOFER	
.....	200 mV / 47 k-ohms

Maximum Input Signal Level / 最大許容入力

(1 kHz, 0.1% THD)	
PHONO (MM)	60 mV or more
(1 kHz, 0.5% THD)	
CD, etc. (Effect on)	2.3 V or more

Output Level/Output Impedance / 出力電圧/出力インピーダンス

REC OUT	200 mV / 1.2 k-ohms
PRE OUT	2 V / 1.2 k-ohms
SUBWOOFER (2ch STEREO & FRONT SP: Small)	
.....	4 V / 1.7 k-ohms

[RX-V659/DSP-AX759]

ZONE2 OUT	200 mV / 1.2 k-ohms
-----------------	---------------------

Headphone Jack Rated Output/Impedance / ヘッドフォン出力/出力インピーダンス

CD, etc. (1 kHz, 50 mV, 8 ohms)	150 mV / 100 ohms
---------------------------------------	-------------------

Frequency Response / 周波数特性

CD, etc. to FRONT L/R (10 Hz to 100 kHz)	+0/-3.0 dB
--	------------

RIAA Equalization Deviation / RIAA偏差値 (50 W, 8 ohms)

PHONO (MM)	0 ± 0.5 dB
------------------	------------

Total Harmonic Distortion / 全高調波歪率

(20 to 20 kHz, 1 V)	
PHONO (MM) to REC OUT	0.02 % or less
(20 to 20 kHz, 50 W/8 ohms)	
CD, etc. (2ch STEREO) to FRONT L/R SP OUT	0.06 % or less

Signal to Noise Ratio / 信号対雑音比 (IHF-A Network)

CD, etc. (Input shorted) SP OUT	
250 mV	100 dB or more
PHONO (MM) (Input shorted) REC OUT	
(U, C, R, T models)	
5 mV	86 dB or more
(K, A, B, G, E, L models)	
5 mV	81 dB or more
(J model)	
2.5 mV	80 dB or more

Residual Noise / 残留ノイズ (IHF-A Network)

FRONT L/R SP OUT	150 μV or less
------------------------	----------------

Channel Separation / チャンネルセパレーション

PHONO (Input shorted, 1 kHz/10 kHz)	
.....	60 dB or more/55 dB or more
CD, etc. (Input 5.1 k-ohms shorted, 1 kHz/10 kHz)	
.....	60 dB or more/45 dB or more

Tone Control Characteristics / トーンコントロール特性

BASS	
Boost/Cut	±6 dB (50 Hz)
Turnover frequency	350 Hz
TREBLE	
Boost/Cut	±6 dB (20 kHz)
Turnover frequency	3.5 kHz

Filter Characteristics / フィルター特性

FRONT L/R, CENTER, SURROUND L/R, SURROUND BACK L/R	
SP Small (H.P.F.)	
.....	fc= 40/60/80/90/100/110/120/160/200 Hz / 12 dB/oct.
SUBWOOFER (L.P.F.)	
.....	fc= 40/60/80/90/100/110/120/160/200 Hz / 24 dB/oct.

■ Video Section / ビデオ部

Video Signal Type (Gray Back) / ビデオ信号方式 (グレイバック)

U, C, R, K, J models	NTSC
T, A, B, G, E, L models	PAL

Video Signal Type (Video Conversion) / ビデオ信号方式 (ビデオコンバージョン)

U, C, R, T, K, A, B, G, E, L, J models	NTSC/PAL
--	----------

Composite Video Signal Level / コンポジットビデオ信号

.....	1 Vp-p / 75 ohms
-------	------------------

S-Video Signal Level / Sビデオ信号

Y	1 Vp-p / 75 ohms
C	0.286 Vp-p / 75 ohms

Component Signal Level / コンポーネントビデオ信号

Y	1 Vp-p / 75 ohms
Cb/Cr	0.7 Vp-p / 75 ohms

D4-Video Signal Level / D4端子ビデオ信号 (J model)

Y	1 Vp-p / 75 ohms
Cb/Cr	0.7 Vp-p / 75 ohms

Video Maximum Input Level / ビデオ最大許容入力

VIDEO CONV. OFF	1.5 Vp-p or more
-----------------------	------------------

Signal to Noise Ratio / 信号対雑音比

.....	50 dB or more
-------	---------------

Monitor Out Frequency Response / モニターアウト周波数帯域 (VIDEO CONV. OFF)

Component video signal level	5 Hz to 60 MHz, -3 dB
D4-video signal level (J model)	5 Hz to 60 MHz, -3 dB

■ FM Section / FM部

Tuning Range / 受信周波数範囲
 U, C models 87.5 to 107.9 MHz
 R, L models 87.5 to 108.0 / 87.50 to 108.00 MHz
 T, K, A, B, G, E models 87.50 to 108.00 MHz
 J model 76.0 to 90.0 MHz

50 dB Quieting Sensitivity / 50 dB SN感度 (IHF) (1 kHz, 100 % Mod.)
 Mono / Stereo 2.0 μV (17.3 dBf) / 25 μV (39.2 dBf)

Usable Sensitivity / 実用感度 (IHF)
 Mono 1.0 μV (11.2 dBf)

Selectivity / 選択度 (at 400 kHz) 70 dB

Signal to Noise Ratio / 信号対雑音比 (IHF)
 Mono / Stereo 76 dB / 70 dB

Harmonic Distortion / 歪率 (1 kHz)
 Mono/Stereo 0.2 / 0.3 %

Stereo Separation / ステレオセパレーション
 1 kHz 42 dB

Frequency Response / 周波数特性
 20 Hz to 15 kHz +0.5 / -2 dB

Antenna Input / アンテナ入力 75 ohms unbalanced

■ AM Section / AM部

Tuning Range / 受信周波数範囲
 U, C models 530 to 1,710 kHz
 R, L models 530 to 1,710 / 531 to 1,611 kHz
 T, K, A, B, G, E, J models 531 to 1,611 kHz

Usable Sensitivity / 実用感度 300 μV/m

Antenna / アンテナ入力 Loop antenna

■ General / 総合

Power Supply / 電源電圧
 U, C models AC 120 V, 60 Hz
 R model AC 110/120/220/230-240 V, 50/60 Hz
 T model AC 220 V, 50 Hz
 K model AC 220 V, 60 Hz
 A model AC 240 V, 50 Hz
 B, G, E models AC 230 V, 50 Hz
 L model AC 220/230-240 V, 50/60 Hz
 J model AC 100V, 50/60 Hz

Power Consumption / 消費電力
 U, C models 400 W / 500 VA
 R, T, K, A, B, G, E, L models 440 W
 J model 300 W

Standby Power Consumption (reference data) / 待機時消費電力 (参考値)
 0.1 W

Maximum Power Consumption (R model)
 6ch drive, 10 % THD 850 W

AC Outlets / ACアウトレット
 2 Switched outlets
 U, C, T, J models 100 W max. total
 R, G, E, L models 50 W max. total
 1 Switched outlet
 A, B models 100 W max.

Dimensions / 寸法 (W x H x D)
[RX-V659/DSP-AX759/DSP-AX759SE]
 435 x 171 x 421 mm (17-1/8" x 6-3/4" x 16-9/16")
[HTR-5960]
 435 x 171 x 419 mm (17-1/8" x 6-3/4" x 16-1/2")

Weight / 質量
[RX-V659/DSP-AX759/DSP-AX759SE]
 12.3 kg (27 lbs. 1 oz.)
[HTR-5960]
 11.8 kg (26 lbs.)

Finish / 仕上げ

[RX-V659]
 Gold color R, T, K models
 Black color U, C, R, A, G, E models
 Titanium color C, R, K, G, E, L models

[HTR-5960]
 Black color U, C models
 Silver color U, C, A models

[DSP-AX759]
 Gold color J model

[DSP-AX759SE]
 Black color B model
 Titanium color B model

Accessories / 付属品

Remote control x 1, Batteries x 2, Indoor FM antenna x 1 (U, C, R, T, K, A, G, E, L, J models), AM loop antenna x 1 (U, C, R, T, K, A, G, E, L, J models), Optimizer microphone x 1

* Specifications are subject to change without notice due to product improvements.

※ 参考仕様および外観は予告なく変更されることがあります。

U U.S.A. model	C Canadian model
R General model	T Chinese model
K Korean model	A Australian model
B British model	G European model
E South European model	L Singapore model
J Japanese model	



Manufactured under license from Dolby Laboratories. "Dolby", "Pro Logic", and the double-D symbol are trademarks of Dolby Laboratories.

ドルビーラボラトリーズからの実施権により製造されています。「ドルビー」、「PRO LOGIC」、「Surround EX」およびダブルD記号は、ドルビーラボラトリーズの商標です。



Manufactured under license from Digital Theater Systems, Inc. "DTS", "DTS-ES", "NEO:6", and "DTS 96/24" are trademarks of Digital Theater Systems, Inc. Copyright 1996, 2003 Digital Theater Systems, Inc. All right reserved.

DTS、DTS-ES Extended Surround、NEO:6およびDTS96/24はデジタルシアターシステムズの登録商標です。

iPod®

"iPod" is a trademark of Apple Computer, Inc., registered in the U.S. and other countries.

iPodは、米国およびその他の国々で登録されたApple Computer, Inc.の商標または登録商標です。

SILENT™ CINEMA

"SILENT CINEMA" is a trademark of YAMAHA CORPORATION.

「サイレントシネマ SILENT CINEMA」はヤマハ株式会社の登録商標です。



The XM name and related logos are registered trademarks of XM Satellite Radio Inc.

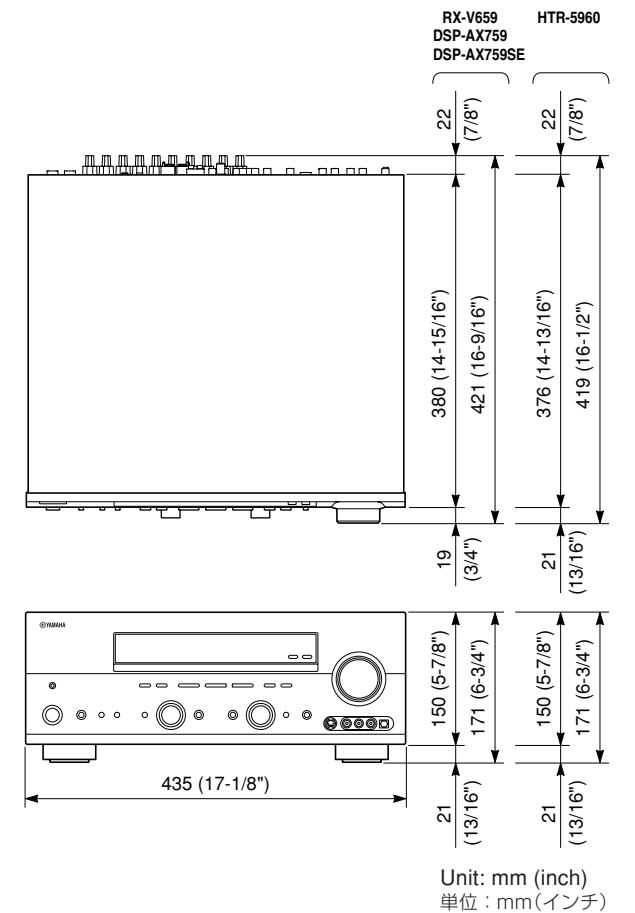


Neural Surround™ name and related logos are trademarks owned by Neural Audio Corporation.



AACロゴマークはドルビーラボラトリーズの商標です。

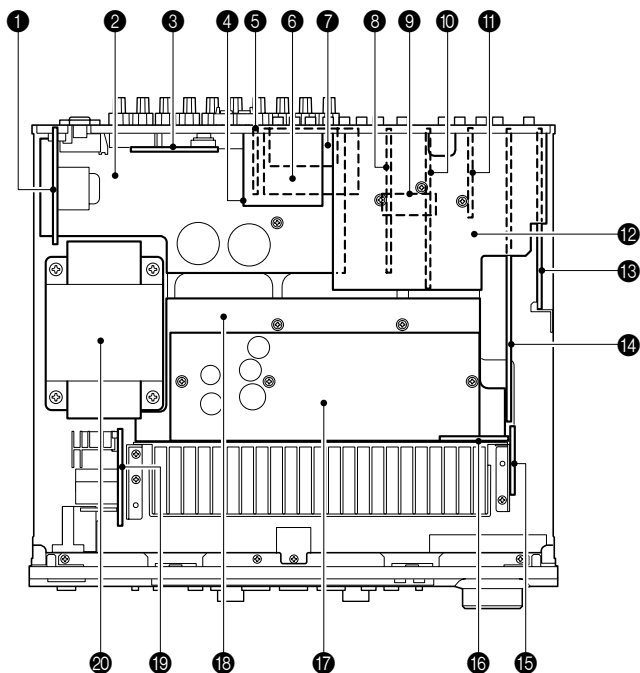
• DIMENSIONS / 寸法図



Unit: mm (inch)
単位: mm (インチ)

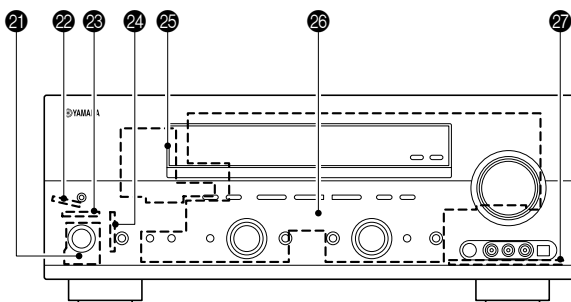
CATEGORY	MAIN MENU	SUB MENU	SELECT MENU	VALUE [INITIAL]
AUTO SETUP			SET UP : AUTO WIRING : CHECK DISTANCE : CHECK SIZE : CHECK EQ : NATURAL LEVEL : CHECK START	[AUTO] / RELOAD [CHECK] / SKIP [CHECK] / SKIP [CHECK] / SKIP [NATURAL] / FLAT / FRONT / SKIP [CHECK] / SKIP
MANUAL SETUP	1 SOUND MENU	A) SPEAKER SET	FRONT : LARGE CENTER : SML SURROUND L/R : SML SURROUND BACK L/R : SMLx1 PRESENCE : NONE LFE/BASS OUT : BOTH CROSS OVER : 80Hz SUBWOOFER PHASE : NORMAL PRIORITY : SB FL FR C SL SR SBL SBR SWFR PL PR	SMALL / [LARGE] NONE / [SML] / LRG NONE / [SML] / LRG NONE / [SMLx1] / SMLx2 / LRGx1 / LRGx2 [NONE] / YES SWFR / FRONT / [BOTH] 40 / 60 / [80] / 100 / 110 / 120 / 160 / 200 Hz [NORMAL] / REVERSE PRNS / [SB]
		B) SPEAKER LEVEL		-10dB to +10dB [CENTER 0dB], 0.5dB step
		C) SP DISTANCE	UNIT FRONT L : 10.0ft FRONT R : 10.0ft CENTER : 10.0ft SURRE L : 10.0ft SURRE R : 10.0ft SBL : 7.0ft SBR : 7.0ft SWFR : 10.0ft PRES L : 10.0ft PRES R : 10.0ft FRONT L : 3.00m FRONT R : 3.00m CENTER : 3.00m SURRE L : 3.00m SURRE R : 3.00m SBL : 2.10m SBR : 2.10m SWFR : 3.00m PRES L : 3.00m PRES R : 3.00m	feet / meters feet: 1.0 to 80.0 ft [10.0ft], 0.5 ft step meters: 0.30 to 24.00 m [3.00m], 0.10 m step
		D) EQUALIZER	SELECT : GEQ 100Hz 0dB 300Hz 0dB 1kHz 0dB 3kHz 0dB 10kHz 0dB TEST : OFF SPEAKER LFE : 0dB HEADPHONE LFE : 0dB	AUTO PEQ / [GEQ] / EQ OFF -6.0 dB to +6.0 dB [0.0 dB], 0.5 dB step
		E) LFE LEVEL		[OFF] / ON -20 dB to 0 dB [0 dB], 1 dB step -20 dB to 0 dB [0 dB], 1 dB step
		F) DYNAMIC RANGE	SPEAKER HEADPHONE MUTING TYPE : FULL AUDIO DELAY : 0ms TONE BYPASS : AUTO DUAL MONO : MAIN	MIN / STD / [MAX] MIN / STD / [MAX] [FULL] / -20 dB 0 ms to 160 ms, 1 ms step [AUTO] / OFF [MAIN] / SUB / ALL (J model)
		G) AUDIO SET	CMPNT-V INPUT [A] CMPNT-V INPUT [B] CMPNT-V INPUT [C] OPTICAL OUT (1) OPTICAL IN (2) OPTICAL IN (3) OPTICAL IN (4) COAXIAL IN (5) COAXIAL IN (6)	[DVD] / DTV/CBL / V-AUX / VCR / DVR DVD / [DTV/CBL] / V-AUX / VCR / DVR DVD / DTV/CBL / V-AUX / VCR / [DVR] PHONO / CD / [MD/CD-R] / DVD / DTV/CBL / V-AUX / VCR / DVR PHONO / CD / [MD/CD-R] / DVD / DTV/CBL / V-AUX / VCR / DVR PHONO / CD / MD/CD-R / [DVD] / DTV/CBL / V-AUX / VCR / DVR PHONO / CD / MD/CD-R / DVD / [DTV/CBL] / V-AUX / VCR / DVR PHONO [CD] / MD/CD-R / DVD / DTV/CBL / V-AUX / VCR / DVR PHONO / CD / MD/CD-R / [DVD] / DTV/CBL / V-AUX / VCR / DVR [AUTO] / LAST
	2 INPUT MENU	A) I/O ASSIGNMENT		[DVD] / DTV/CBL / V-AUX / VCR / DVR DVD / [DTV/CBL] / V-AUX / VCR / DVR DVD / DTV/CBL / V-AUX / VCR / [DVR] PHONO / CD / [MD/CD-R] / DVD / DTV/CBL / V-AUX / VCR / DVR PHONO / CD / [MD/CD-R] / DVD / DTV/CBL / V-AUX / VCR / DVR PHONO / CD / MD/CD-R / [DVD] / DTV/CBL / V-AUX / VCR / DVR PHONO / CD / MD/CD-R / DVD / [DTV/CBL] / V-AUX / VCR / DVR PHONO [CD] / MD/CD-R / DVD / DTV/CBL / V-AUX / VCR / DVR PHONO / CD / MD/CD-R / [DVD] / DTV/CBL / V-AUX / VCR / DVR [AUTO] / LAST
		B) INPUT MODE		PHONO / CD / MD/CD-R / DVD / DTV/CBL / V-AUX / VCR / DVR
		C) INPUT RENAME		PHONO / CD / MD/CD-R / DVD / DTV/CBL / V-AUX / VCR / DVR
		D) VOLUME TRIM		-6.0dB to +6.0dB [0dB] 0.5dB step PHONO / CD / MD/CD-R / DVD / DTV/CBL / V-AUX / VCR / DVR -4 to 0 [0], 1 step OFF / [ON] -5 to +5 [0], 1 step OFF / [AUTO] [OFF] / ON
	3 OPTION MENU	A) DISPLAY SET	DIMMER : 0 VIDEO CONV. : ON OSD SHIFT : 0 GRAY BACK : AUTO MEMORY GUARD : OFF	STEREO / MUSIC / ENTERTAINMENT / MOVIE THEATER / STANDARD [FRONT] / ZONE B INT / [EXT] (RX-V659/DSP-AX759 models) [10S] / 30S / OFF 0% to 100 % / [NONE] [CONT] / ONCE
		B) MEMORY GUARD		
		C) PARAM. INI		
		D) MULTI ZONE SET	SP B : FRONT ZONE2 AMP : EXT XM DISPLAY : 10S XM ANTENNA : NONE SCROLL : CONT	
		E) XM RADIO SET (U model)		

INTERNAL VIEW



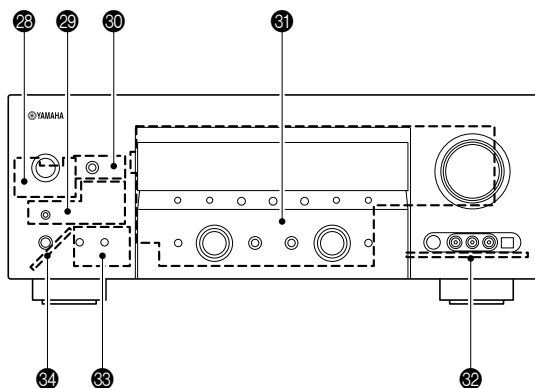
- ① SUBTRANS (3) P.C.B.
- ② MAIN (2) P.C.B.
- ③ SUBTRANS (5) P.C.B. (R, L models)
- ④ FM/AM TUNER
(U, C, R, T, K, A, G, E, L, J models)
- ⑤ MAIN (4) P.C.B.
- ⑥ MAIN (3) P.C.B.
- ⑦ SUBTRANS (6) P.C.B.
(U, C, R, T, K, A, G, E, L, J models)
- ⑧ SUBTRANS (2) P.C.B.
- ⑨ SUBTRANS (7) P.C.B.
- ⑩ VIDEO (2) P.C.B.
- ⑪ VIDEO (3) P.C.B.
- ⑫ VIDEO (1) P.C.B.
- ⑬ DSP P.C.B.
- ⑭ SUBTRANS (1) P.C.B.
- ⑮ POWER (2) P.C.B.
- ⑯ MAIN (5) P.C.B.
- ⑰ POWER (1) P.C.B.
- ⑱ MAIN (1) P.C.B.
- ⑲ SUBTRANS (4) P.C.B.
- ⑳ Power Transformer

• RX-V659, DSP-AX759, DSP-AX759SE



- ⑳ OPERATION (2) P.C.B.
- ㉑ OPERATION (6) P.C.B. (B model)
- ㉒ OPERATION (6) P.C.B.
(U, C, R, T, K, A, G, E, L, J models)
- ㉓ OPERATION (3) P.C.B.
- ㉔ OPERATION (4) P.C.B.
- ㉕ OPERATION (1) P.C.B.
- ㉖ OPERATION (5) P.C.B.

• HTR-5960



- ㉗ OPERATION (2) P.C.B.
- ㉘ OPERATION (6) P.C.B.
- ㉙ OPERATION (7) P.C.B.
- ㉚ OPERATION (1) P.C.B.
- ㉛ OPERATION (4) P.C.B.
- ㉜ OPERATION (5) P.C.B.
- ㉝ OPERATION (3) P.C.B.

RX-V659/DSP-AX759/DSP-AX759SE

DISASSEMBLY PROCEDURES / 分解手順

(Remove parts in the order as numbered.)
Disconnect the power cable from the AC outlet.

(番号順に部品を取り外してください。)
AC電源コンセントから、電源コードを抜いてください。

1. Removal of Top Cover

- a. Remove 4 screws (①), 4 screws (②) and 1 screw (③). (Fig. 1)
- b. Slide the Top Cover rearward to remove it. (Fig. 1)

1. トップカバーの外し方

- a. ①のネジ4本、②のネジ4本、③のネジ1本を外します。(Fig. 1)
- b. トップカバーを後方へスライドさせ、取り外します。(Fig. 1)

2. Removal of Front Panel Unit

- a. Remove 2 Knobs. (Fig. 1)
- b. Remove 1 screw (④) and then remove the Support Top. (Fig. 1)
- c. Remove 6 screws (⑤). (Fig. 1)
- d. Remove the Front Panel Unit. (Fig. 1)

2. フロントパネルユニットの外し方

- a. ノブを2個取り外します。(Fig. 1)
- b. ④のネジ1本を外し、サポートトップを取り外します。(Fig. 1)
- c. ⑤のネジ6本を外します。(Fig. 1)
- d. フロントパネルユニットを取り外します。(Fig. 1)

3. Removal of Plate Side

- a. Remove 2 push rivets (⑥). (Fig. 1)
- b. Remove the Plate Side L/R. (Fig. 1)

3. プレートサイドL/Rの外し方

- a. ⑥のプッシュリベット2本を外します。(Fig. 1)
- b. プレートサイドL/Rを取り外します。(Fig. 1)

4. Removal of Sub Chassis Unit

- a. Remove 2 screws (⑦) and then slide the Sub Chassis Unit forward. (Fig. 1)
- b. Loosen the harness fixture fixing the cable. (Fig. 1)
- c. Remove CB502, CB533, CB606, CB609 and CB775. (Fig. 1)
- d. Remove the Sub Chassis Unit. (Fig. 1)

4. サブシャーシユニットの外し方

- a. ⑦のネジ2本を外し、サブシャーシユニットを前方に引き出します。(Fig. 1)
- b. ケーブルを固定している束線止めをゆるめめます。
- c. CB502、CB533、CB606、CB609、CB775を外します。(Fig. 1)
- d. サブシャーシユニットを取り外します。(Fig. 1)

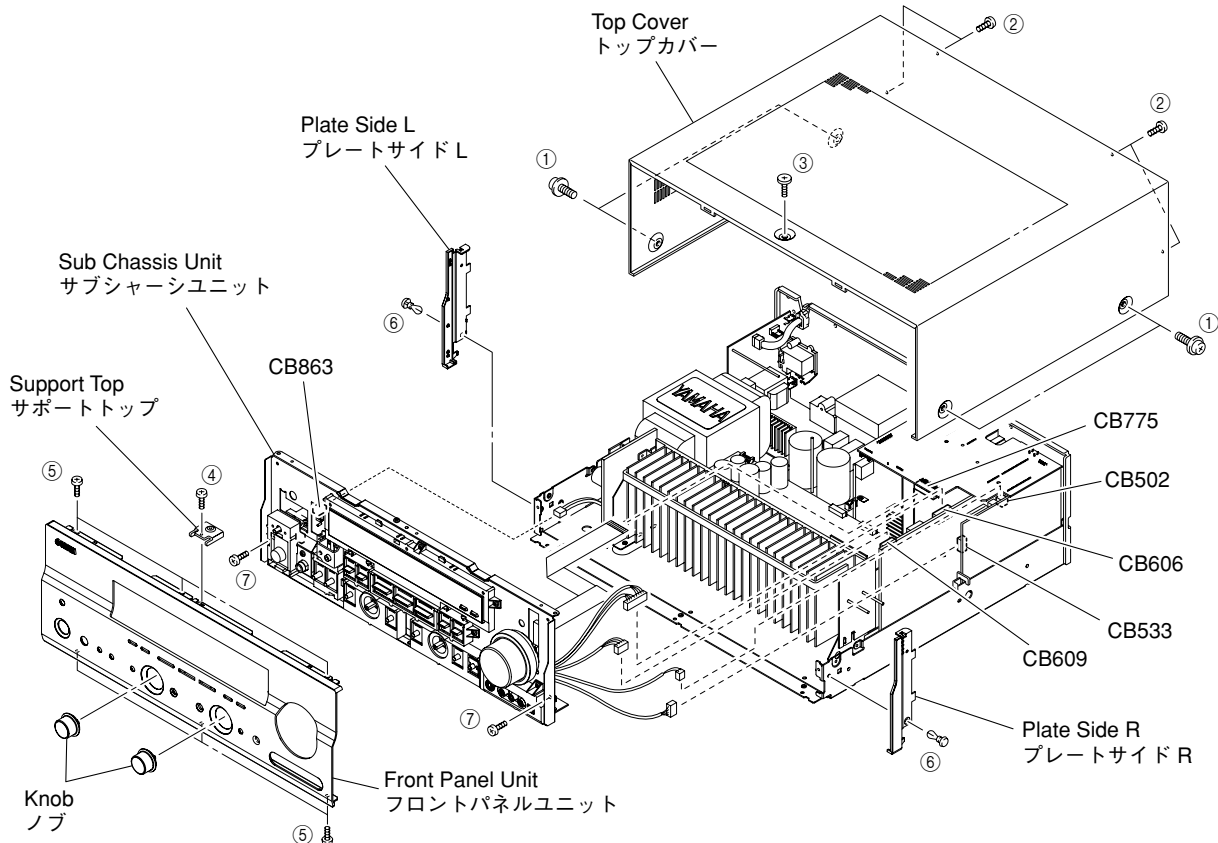


Fig. 1

5. Removal of DSP, VIDEO (1)-(3) and SUBTRANS (1), (2), (7) P.C.B.s

- Remove 1 screw (⑧) and 1 screw (⑨). (Fig. 3)
- Remove the Support/DSP. (Fig. 2)
- Remove 26 screws (U, C models)/25 screws (R, T, K, A, B, G, E, L models) (⑩). (Fig. 3)
- Remove CB302, CB357, CB607, CB608, CB763, CB770, CB771, CB773 and CB774. (Fig. 2)
- Remove the DSP, VIDEO (1)-(3) and SUBTRANS (1), (2), (7) P.C.B.s. (Fig. 3)

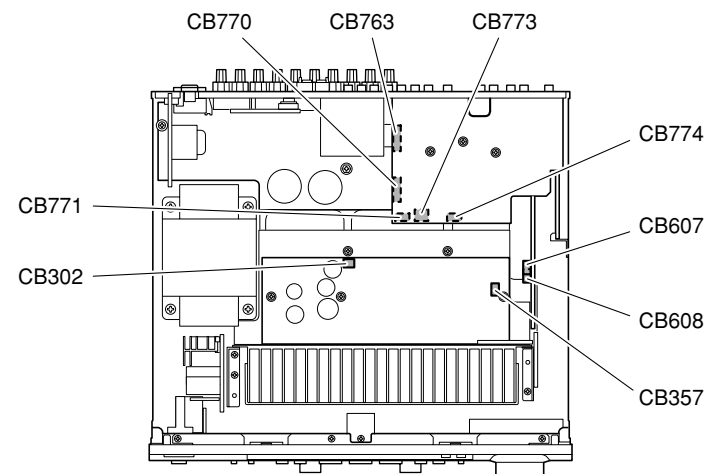


Fig. 2

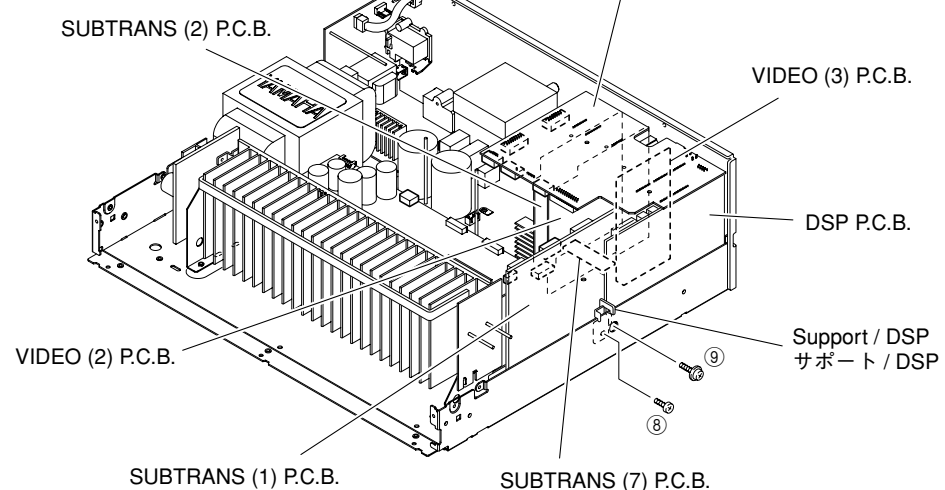


Fig. 3

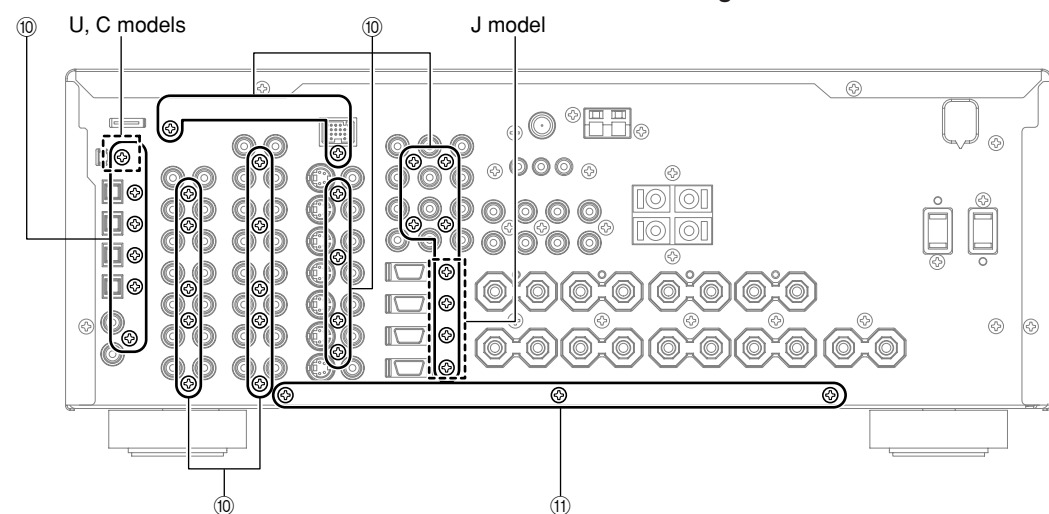


Fig. 4

5. DSP, VIDEO(1)~(3)、SUBTRANS(1)、(2)、(7) P.C.B.の外し方

- ⑧のネジ1本、⑨のネジ1本を外します。(Fig. 3)
- サポート/DSPを取り外します。(Fig. 2)
- ⑩のネジ29本を外します。(Fig. 4)
- CB302、CB357、CB607、CB608、CB763、CB770、CB771、CB773、CB774を外します。(Fig. 2)
- DSP、VIDEO(1)~(3)、SUBTRANS(1)、(2)、(7) P.C.B.を取り外します。(Fig. 3)

6. Operation check of MAIN (2) P.C.B.

When checking the P.C.B.:

- Reconnect all cables (connectors) that have been disconnected.
- When connecting the flat cable, use care for the polarity.
- The P.C.B. removed from the chassis does not work because its grounding is loose. Be sure to connect the ground of each P.C.B. to the chassis or GND with a ground lead or the like.

- Remove the Top Cover. (Fig. 1)
- Remove 1 screw (⑧). (Fig. 3)
- Remove 3 screws (⑩). (Fig. 4)
- Remove 1 screw (⑫), 1 screw (⑬) and 1 screw (⑭).
- Loosen the harness fixture fixing the cable.
- Holding the rear panel, raise the MAIN (2) P.C.B. so that its bottom face can be seen. (Fig. 6)
- Put an insulating sheet under the P.C.B. before performing any checks for proper operation.

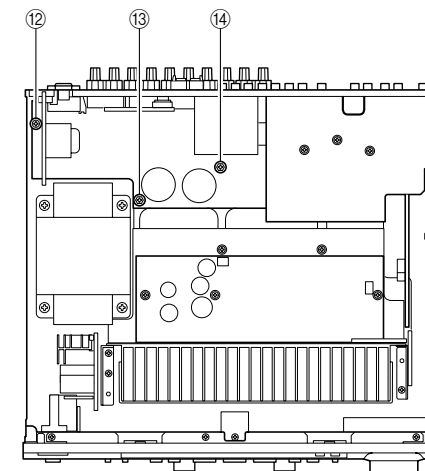


Fig. 5

6. MAIN(2)P.C.B.の動作チェック

P.C.B.チェックをする場合には

- 外したケーブル(コネクタ)をすべて接続してください。
- フラットケーブルを接続する際、極性に注意してください。
- シャーシから外したP.C.B.はアースが浮いて動作しませんので、各P.C.B.のアースをアース線等でシャーシまたはGNDに接続してください。

- トップカバーを取り外します。(Fig. 1)
- ⑧のネジ1本を外します。(Fig. 3)
- ⑩のネジ3本を外します。(Fig. 4)
- ⑫のネジ1本、⑬のネジ1本、⑭のネジ1本を外します。(Fig. 5)
- ケーブルを固定している束線止めをゆるめます。
- リアパネルを持ち上げて、MAIN(2)P.C.B.の裏側が見えるように起こします。(Fig. 6)
- ショート防止のために絶縁シート等をP.C.B.の下に入れます。

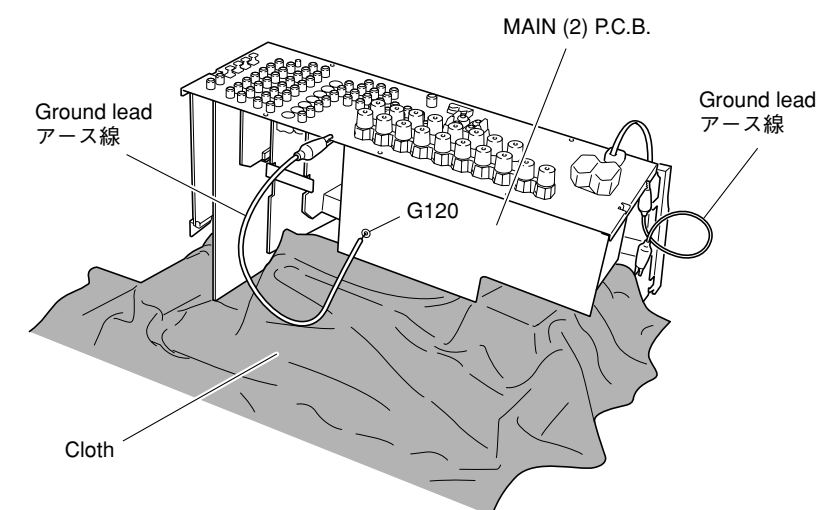


Fig. 6

7. Removal of MAIN (1), (5), POWER (1), (2) and SUBTRANS (4) P.C.B.s

- Remove connector CB354 CB691 (U, C models)/CB692 (R, T, K, A, B, G, E, L, J models). (Fig. 7)
- Remove 2 screws (15). (Fig. 7)
 - * Arrow marks (→) are printed to identify the screws (15) to be removed.
- Remove 2 screws (16) and 2 screws (17). (Fig. 7)
- Remove the MAIN (1), (5), POWER (1), (2) and SUBTRANS (4) P.C.B.s. (Fig. 7)

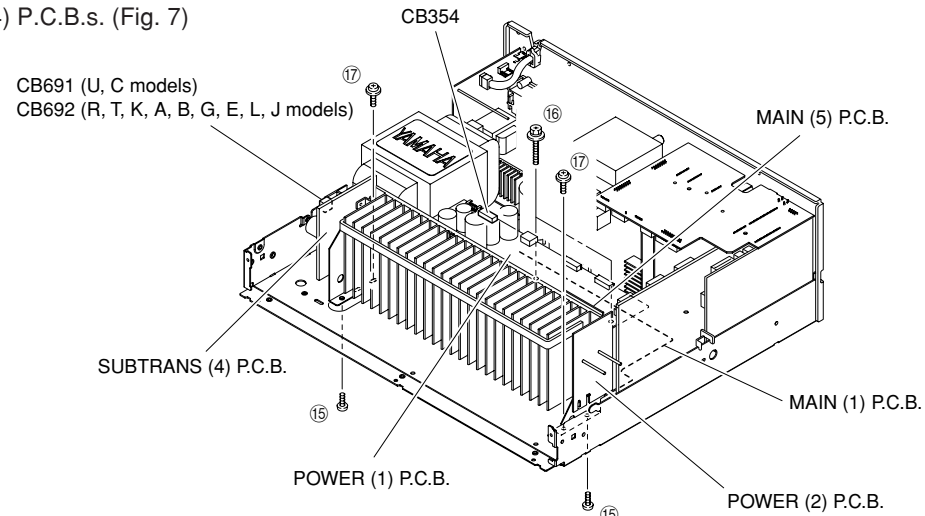


Fig. 7

7. MAIN(1)、(5)、POWER(1)、(2)、SUBTRANS(4) P.C.B.の外し方

- CB354、CB692を外します。(Fig. 7)
- 15のネジ2本を外します。(Fig. 7)
 - * 取り外すネジ(15)の箇所には矢印(→)が印刷されています。
- 16のネジ2本、17のネジ2本を外します。(Fig. 7)
- MAIN(1)、(5)、POWER(1)、(2)、SUBTRANS(4) P.C.B.を取り外します。(Fig. 7)

When checking the P.C.B.:

- Put a Cloth over the equipment. Put the MAIN (1), (5), POWER (1), (2) and SUBTRANS (4) P.C.B.s together with the heat sink upright on the Cloth and check them. (Fig. 8)
- Reconnect all cables (connectors) that have been disconnected.
- When connecting the flat cable, use care for the polarity.
- The P.C.B. removed from the chassis does not work because its grounding is loose. Be sure to connect the ground of each P.C.B. to the chassis or GND with a ground lead or the like.

P.C.B.チェックをする場合には

- 布を敷きます。その上にMAIN(1)、(5)、POWER(1)、(2)、SUBTRANS(4) P.C.B.をヒートシンクと一緒に立ててチェックします。(Fig. 8)
- 外したケーブル(コネクタ)をすべて接続してください。
- フラットケーブルを接続する際、極性に注意してください。
- シャーシから外したP.C.B.はアースが浮いて動作しませんので、各P.C.B.のアースをアース線等でシャーシまたはGNDに接続してください。

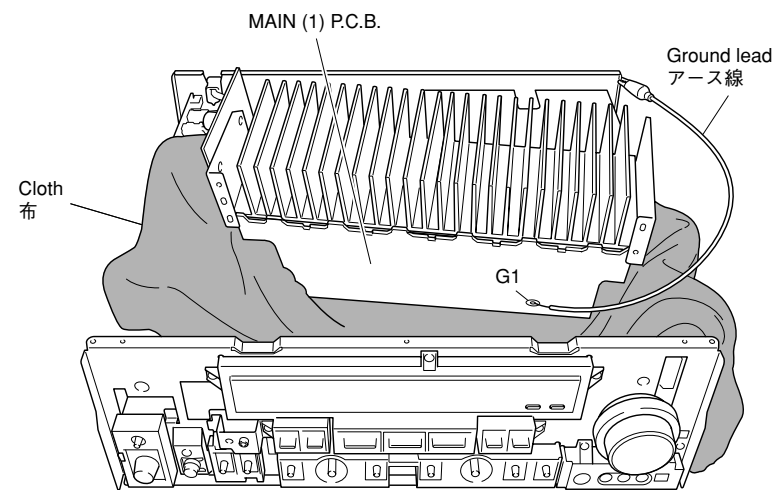


Fig. 8

HTR-5960

DISASSEMBLY PROCEDURES

(Remove parts in the order as numbered.)
Disconnect the power cable from the AC outlet.

1. Removal of Top Cover

- Remove 4 screws (1), 4 screws (2) and 1 screw (3). (Fig. 1)
- Slide the Top Cover rearward to remove it. (Fig. 1)

2. Removal of Front Panel Unit

- Remove 7 screws (4), 1 screw (5) and then slide the Front Panel Unit forward. (Fig. 1)
- Loosen the harness fixture fixing the cable.
- Remove CB502, CB533, CB606, CB609, CB775 and CB863. (Fig. 1)
- Remove the Front Panel Unit. (Fig. 1)

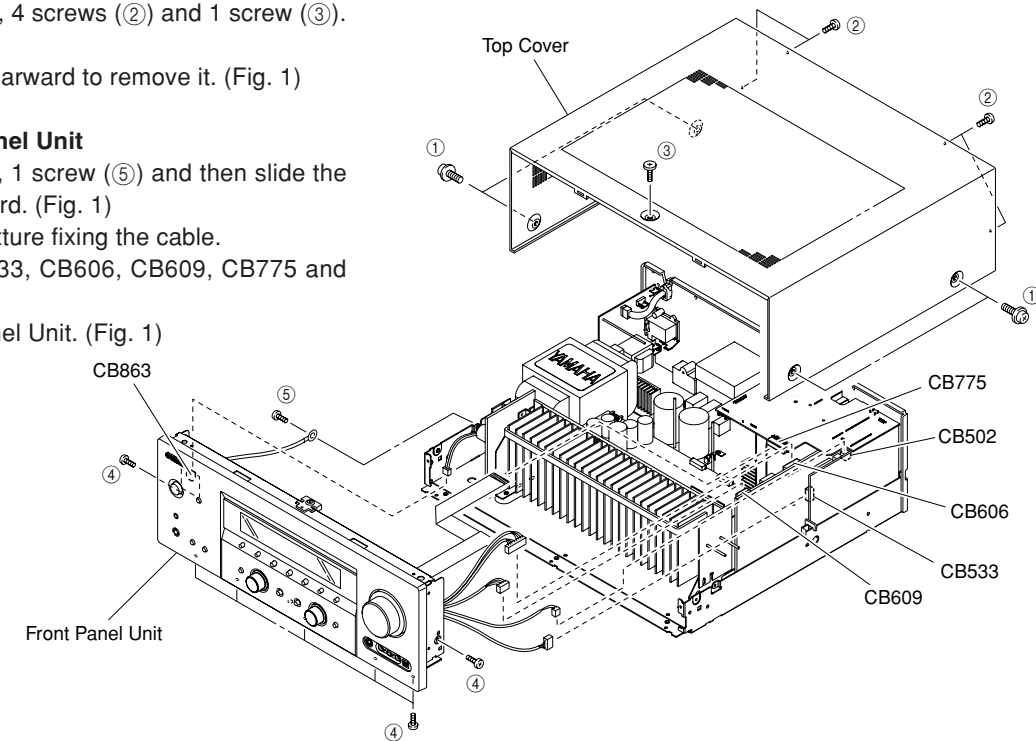


Fig. 1

3. Removal of DSP, VIDEO (1)-(3) and SUBTRANS (1), (2), (7) P.C.B.s

- Remove 1 screw (6) and 1 screw (7). (Fig. 3)
- Remove 25 screws (U, C models)/24 screws (A model) (8). (Fig. 4)
- Remove the Support/DSP. (Fig. 3)
- Remove CB302, CB357, CB607, CB608, CB763, CB770, CB771, CB773 and CB774. (Fig. 2)
- Remove the DSP, VIDEO (1)-(3) and SUBTRANS (1), (2), (7) P.C.B.s. (Fig. 3)

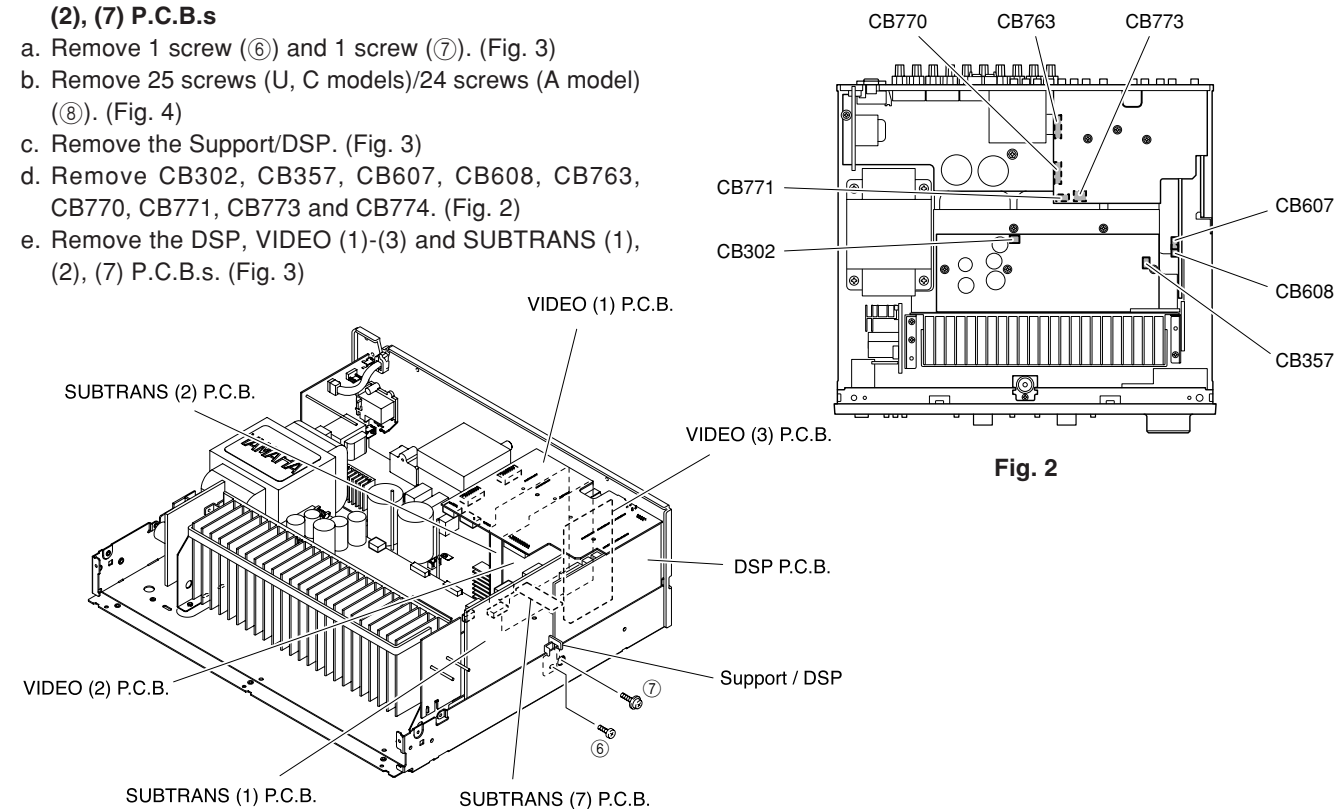


Fig. 3

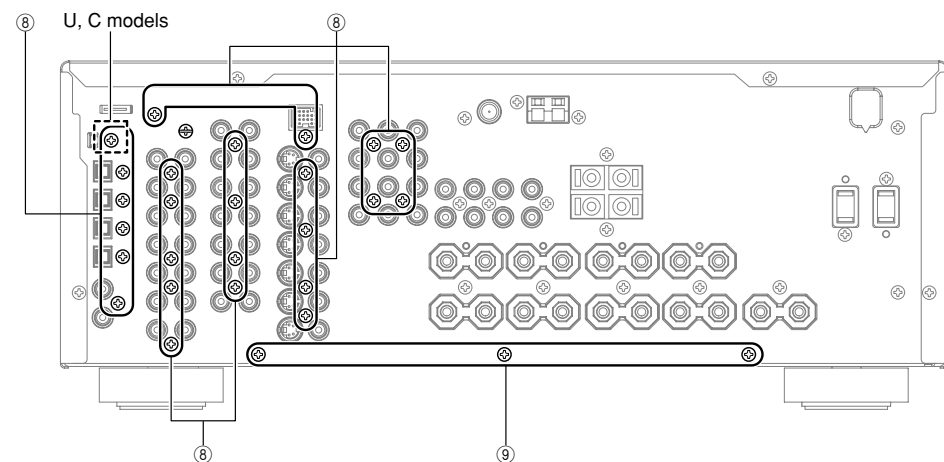


Fig. 4

When checking the P.C.B.:

- Reconnect all cables (connectors) that have been disconnected.
- When connecting the flat cable, use care for the polarity.
- The P.C.B. removed from the chassis does not work because its grounding is loose. Be sure to connect the ground of each P.C.B. to the chassis or GND with a ground lead or the like.

4. Operation check of MAIN (2) P.C.B.

- Remove the Top Cover. (Fig. 1)
- Remove 1 screw (6). (Fig. 3)
- Remove 3 screws (9). (Fig. 4)
- Remove 1 screw (10), 1 screw (11) and 1 screw (12).
- Loosen the harness fixture fixing the cable.
- Holding the rear panel, raise the MAIN (2) P.C.B. so that its bottom face can be seen. (Fig. 6)
- Put an insulating sheet under the P.C.B. before performing any checks for proper operation.

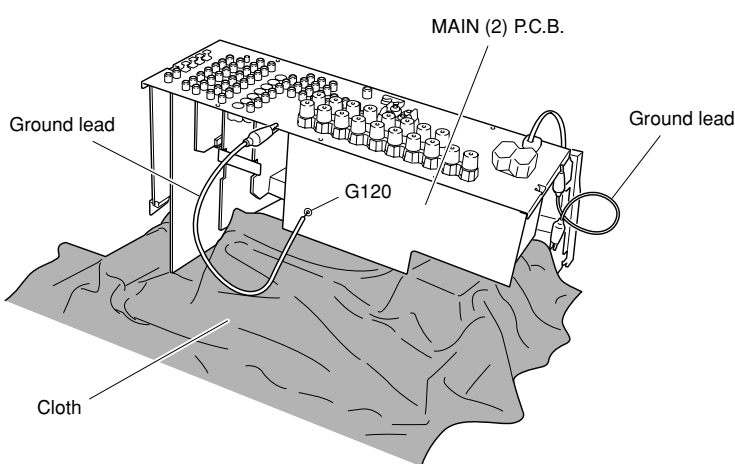


Fig. 6

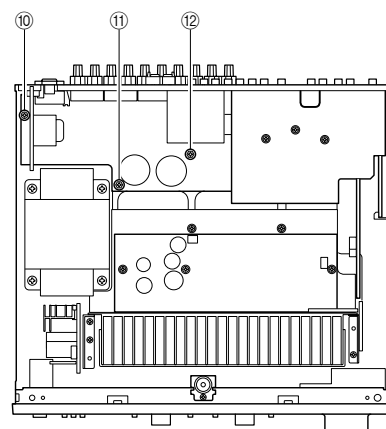


Fig. 5

5. Removal of MAIN (1), (5), POWER (1), (2) and SUBTRANS (4) P.C.B.s

- Remove connector CB354 and CB691 (U, C models)/ CB692 (R, T, K, A, B, G, E, L, J models). (Fig. 7)
- Remove 2 screws (13). (Fig. 7)
 - * Arrow marks (→) are printed to identify the screws (13) to be removed.
- Remove 2 screws (14) and 2 screws (15). (Fig. 7)
- Remove the MAIN (1), (5), POWER (1), (2) and SUBTRANS (4) P.C.B.s. (Fig. 7)

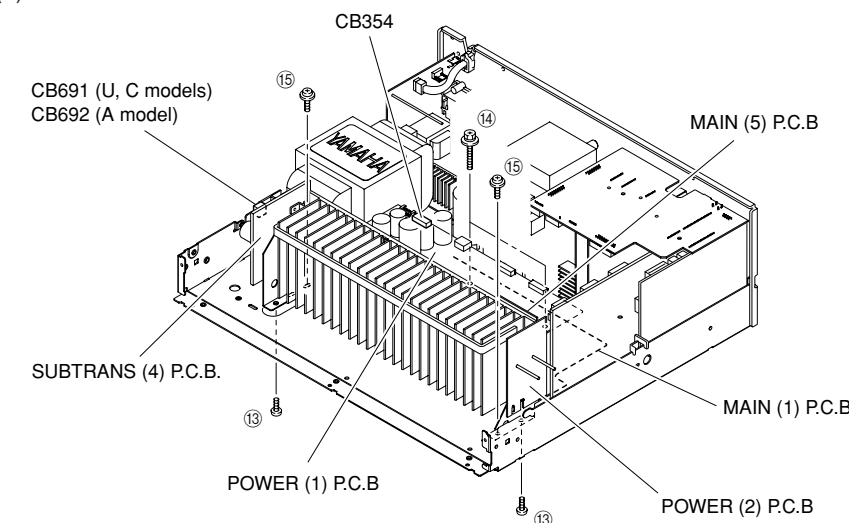


Fig. 7

When checking the P.C.B.:

- Put a Cloth over the equipment. Put the MAIN (1), (5), POWER (1), (2) and SUBTRANS (4) P.C.B.s together with the heat sink upright on the Cloth and check them. (Fig. 8)
- Reconnect all cables (connectors) that have been disconnected.
- When connecting the flat cable, use care for the polarity.
- The P.C.B. removed from the chassis does not work because its grounding is loose. Be sure to connect the ground of each P.C.B. to the chassis or GND with a ground lead or the like.

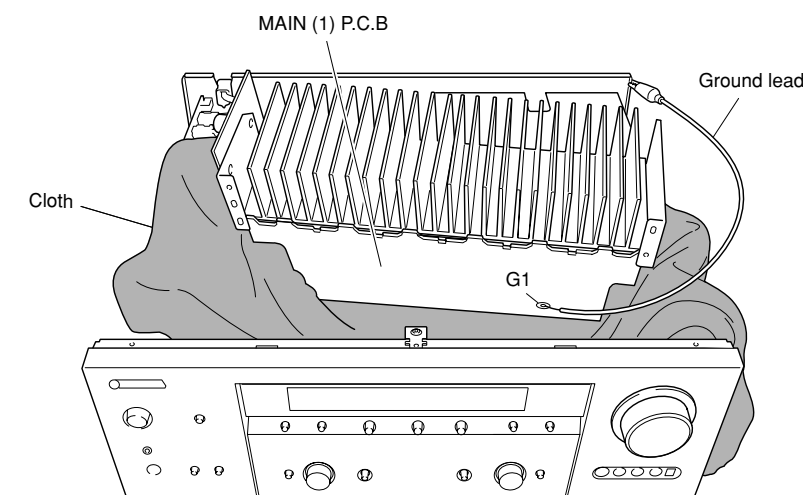


Fig. 8

■ SELF DIAGNOSIS FUNCTION (DIAG) / 自己診断機能 (ダイヤグ)

This unit has self diagnosis functions that are intended for inspection, measurement and location of faulty point.

There are 23 DIAG menu items, each of which has sub-menu items.

Listed in the table below are menu items and sub-menu items.

Note that not all menu items listed will apply to the models covered in this service manual.

本機には、検査、測定、不良個所の発見を目的にした自己診断機能(ダイヤグ)があります。

ダイヤグメニューは23個あり、そのそれぞれにサブメニューがあります。(ダイヤグのメニュー操作は本体で行います。) 下表はメニュー一覧です。

下表の全メニュー項目が、このサービスマニュアル記載のモデルに適用されるとは限りません。

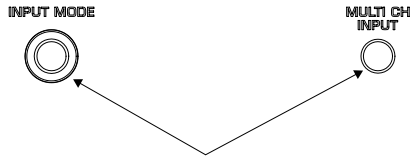
No.	MAIN MENU	SUB MENU
1	BYPASS	1. ANALOG BYPASS
2	RAM THR	1. DSP BYPASS 2. RAM MARGIN 2. RAM FULL BIT
3	PRO LOGIC	1. Pro Logic
4	SPEAKERS SET	1. FRONT : SMALL 0dB 2. CENTER : NONE 3. LFE/B : FRNT 4. Pres Mix : 5ch 5. Front GAIN 1 6. Front GAIN 2 7. Zone2 Amp ON
5	XCH-INPUT	1. XCH_INPUT_6 2. XCH_INPUT_8 3. LIMIT SET (Not applied to these models / このモデルには適用されません)
6	MIC CHECK	1. MIC CHECK --dB
7	DISPLAY CHECK	1. STRAIGHT (Initial display) 2. VFD DISP OFF / OSD OFF 3. VFD DISP ALL / OSD CHARACTER PATTERN 4. VFD DIMMER / OSD CHARACTER PATTERN 5. CHECK PATTERN / OSD CHARACTER PATTERN
8	MANUAL TEST	1. TEST ALL 2. TEST FRNT L 3. TEST CENTER 4. TEST FRNT R 5. TEST SURR R 6. TEST SB R 7. TEST SB L 8. TEST SURR L 9. TEST PRES L 10. TEST PRES R 11. TEST LFE
9	FACTORY PRESET	1. PRESET INHI (memory initialization inhibited) 2. PRESET RSRV (memory initialized)
10	AD DATA CHECK	1. PS1/PS2 2. DC/TH 3. IMP SW/POWER LIMITER DISP 4. PANEL KEY
11	VIDEO	1. I2C Read Check 2. DIGITAL THR CVBS 3. DIGITAL THR Y/C 4. ANALOG BYPASS 5. TEST PATTERN 6. LOOP BACK CVBS (Not applied to these models / このモデルには適用されません) 7. LOOP BACK Y/C (Not applied to these models / このモデルには適用されません)
12	XM STATUS (U,C models)	1. 1k -1dB / 44.1k 2. 1k -61dB / 44.1k 3. Mute / 44.1k 4. XM Tone / 44.1k 5. ISO Tone / 44.1k 6. 1k -1dB / 32k 7. 1k -61dB / 32k 8. Mute / 32k

No.	MAIN MENU	SUB MENU
		9. XM Tone / 32k 10. ISO Tone / 32k 11. XM / DT Bus Power : OFF
13	iPod	1. DOCK : OK/NG
16	IF STATUS	1. DSP STATUS (5Byte) 2. DECODE MODE (2Byte) (Not applied to these models / このモデルには適用されません) 3. DIR INFO (5Byte) (Not applied to these models / このモデルには適用されません) 4. Pc (2Byte) (Not applied to these models / このモデルには適用されません) 5. CHS 1 (5Byte) (Not applied to these models / このモデルには適用されません) 6. CHS 2 (1Byte) (Not applied to these models / このモデルには適用されません) 7. DEC INFO (5Byte) (Not applied to these models / このモデルには適用されません) 8. BSI 1 (5Byte) (Not applied to these models / このモデルには適用されません) 9. BSI 2 (5Byte) (Not applied to these models / このモデルには適用されません) 10. BSI 3 (5Byte) (Not applied to these models / このモデルには適用されません) 11. BSI 4 (5Byte) (Not applied to these models / このモデルには適用されません) 12. BSI 5 (5Byte) (Not applied to these models / このモデルには適用されません) 13. BSI 6 (5Byte) (Not applied to these models / このモデルには適用されません) 14. BSI 7 (5Byte) (Not applied to these models / このモデルには適用されません) 15. BSI 8 (1Byte) (Not applied to these models / このモデルには適用されません) 16. Mute Trigger (5Byte) (Not applied to these models / このモデルには適用されません) 17. Digital Info (5Byte) (Not applied to these models / このモデルには適用されません)
17	DSP BUS CHECK	1. TI (DSP) BUS CHECK 2. RDS IC CHECK
18	SWFR CUT OFF (Not applied to these models / このモデルには適用されません)	1. L CUT OFF 2. H CUT OFF
19	PROTECTION SETTING (Not applied to these models / このモデルには適用されません)	1. PS L 2. PS H 3. DC L 4. DC H 5. TEMP 6. PL_J_8_L 7. PL_J_8_H 8. PL_U_8_L 9. PL_U_8_H 10. PL_U_N_L 11. PL_U_N_H 12. PL_G_8_L 13. PL_G_8_H 14. PL_G_N_L 15. PL_G_N_H
20	PROTECTION HISTORY	1. HISTORY 1 2. HISTORY 2 3. HISTORY 3 4. HISTORY 4
21	SOFT SW	1. SW MODE : PCB/MODEL/FNC 2. MODEL : 759SE-5935 3. DEST. : J/U/C/R/T/K/A/B/GE/L 4. TUNER DEST : J/UC/ATKBG/RL 5. TUNER TYPE : NRM/RDS/XM 6. VIDEO FORMAT : NTSC/PAL 7. ZONE2 EXIST : EXIST/NOT 8. AAC EXIST : EXIST/NOT 9. TUNER EXIST : EXIST/NOT 10. ZONE2 AMP EXIST : EXIST/NOT 11. OSD EXIST : EXIST/NOT 12. YPAO EXIST : EXIST/NOT
22	ROM VER / SUM / PORT	1. MICROPROCESSOR VERSION 2. SUM ALL / PROGRAM 3. OPE / DSP / XM VERSION 4. PORT 5. TI (DSP) FLASH VERSION 6. TI (DSP) FLASH SUM 7. EEPROM SUM
23	TI (DSP) BOOT (Not applied to these models / このモデルには適用されません)	1. TI (DSP) FLASH BOOT

• Starting DIAG

Press the “MASTER ON/OFF” (RX-V659/DSP-AX759 models) / “STANDBY/ON” (DSP-AX759SE/HTR-5960 model) key while simultaneously pressing those two keys of the main unit as indicated in the figure below.

Keys of main unit / 本体キー



Turn on the power while pressing these keys.
これらのキーを同時に押しながら、パワーオンする。

● ダイアグの起動

本体の下図に示すキーを同時に押しながら“MASTER ON/OFF”キーを押すと、ダイアグが起動します。



RX-V659/
DSP-AX759 models



DSP-AX759SE/
HTR-5960 models

• Starting DIAG in the protection cancel mode

If the protection function works and causes hindrance to trouble diagnosis, cancel the protection function as described below, and it will be possible to enter the DIAG mode. (The protection functions other than the excess current detect function will be disabled.)

Press the “MASTER ON/OFF” (RX-V659/DSP-AX759 models) / “STANDBY/ON” (DSP-AX759SE/HTR-5960 model) key while simultaneously pressing those two keys indicated in the figure above. At this time, keep pressing those two keys for 3 seconds or longer.

In this mode, the “SLEEP” segment of the FL display of the main unit flashes to indicate that the mode is DIAG mode with the protection functions disabled.

CAUTION!

Using this product with the protection function disabled may cause damage to itself. Use special care for this point when using this mode.

● プロテクション解除モードでの起動

プロテクションが動作することにより、故障箇所の診断に支障をきたすような場合は、次の方法によりプロテクションを解除した状態でダイアグモードに入ることができます。(過電流検出以外のプロテクション動作を解除する)

上図のキーを同時に押しながら“MASTER ON/OFF”キーを押します。このとき、上図のキーを3秒以上押し続けてください。このモードでは本体FLの“SLEEP”セグメントが点滅し、プロテクションを解除した状態でのダイアグモードであることを知らせます。

注意！

プロテクションを解除した状態でのダイアグモードは、危険な状態でもプロテクションが作動しないため、動作させると、機器を破壊することがあります。このモードを使用する場合は十分注意してください。

• Canceling DIAG

- ① Before canceling DIAG, execute setting for FACTORY PRESET of DIAG menu No.9 (Memory initialization inhibited or Memory initialized).
 - * In order to keep the user memory stored, be sure to select PRESET INHIBITED (Memory initialization inhibited).
- ② Turn off the power by pressing the “MASTER ON/OFF” (RX-V659/DSP-AX759 models) / “STANDBY/ON” (DSP-AX759SE/HTR-5960 model) key of the main unit.

● ダイアグの解除

- ① ダイアグを解除する前に、ダイアグメニューNo.9のFACTORY PRESET (メモリーの初期化禁止/またはメモリーの初期化)の設定をします。
 - ※ ユーザーメモリーを保持したい場合は、必ずPRESET INHIBITED(メモリー初期化禁止)を選択してください。
- ② 本体の“MASTER ON/OFF”キーを押し、パワーオフにします。

● Display provided when DIAG started

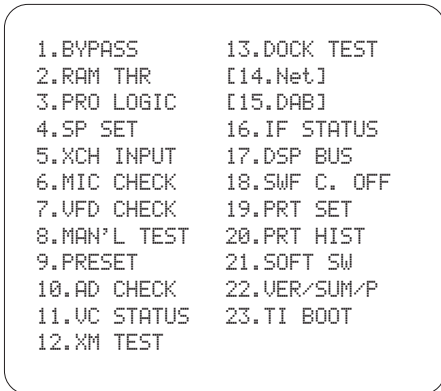
When the monitor is connected, DIAGNOSTIC MENU appears on its screen as shown in the figure.

On the FL display of the main unit, an opening message (including the version and the protection history) appears for a few seconds followed by the diagnostic menu display (1. ANALOG BYPASS).

● ダイアグ起動時の表示

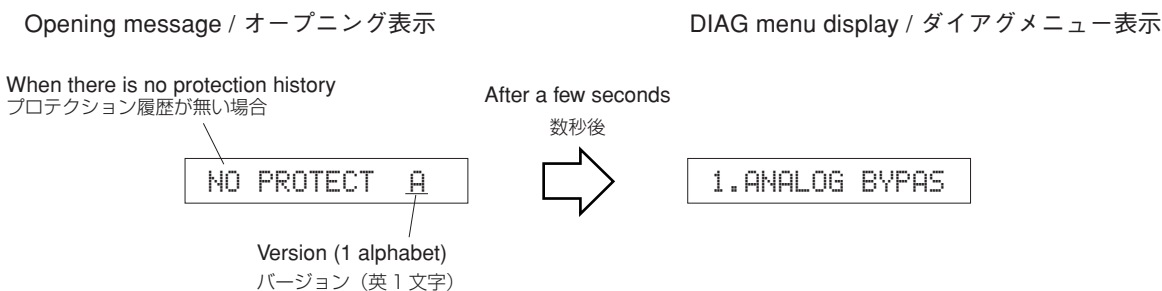
モニターを接続してある場合は、モニターの画面に図のようにダイアグメニューが表示されます。

本体FLディスプレイには、オープニング(プロテクション履歴/バージョン)が表示され、数秒後にダイアグメニュー表示(1. ANALOG BYPASS)となります。



When there is no history of protection function:

プロテクション履歴が無い場合：



When there is a history of protection function:

プロテクション履歴がある場合：

The FL display appears as shown below depending on the type of the protection function.

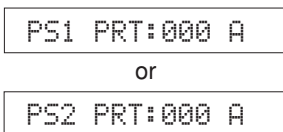
プロテクションの種類によって下記の表示が現れます。

The protection function worked due to excessive current through the amplifier. Causes could be a short at the speaker terminal or a defect in the amplifier. The protection function activates immediately to turn off the power, with no history display at turn-on, if the amplifier is defective.



スピーカーをショートさせた時などが原因で、プロテクションが働いたことを示します。

The protection function worked due to a defect or overload in the power supply. If the power is turned on with the abnormality unsolved, the protection function works in about 1 second to turn off the power.



電源電圧による原因で、プロテクションが働いたことを示します。異常状態のままパワーオンすると、約1秒後にプロテクションが掛かり、電源が切れます。

The protection function worked due to a DC voltage appearing at the speaker terminal. A cause could be a defect in the amplifier. If the power is turned on with the abnormality unsolved, the protection function works in about 3 seconds to turn off the power.



アンプの故障でスピーカーに直流電圧が掛かるなどが原因で、プロテクションが働いたことを示します。異常状態のままパワーオンすると、約3秒後にプロテクションが掛かり、電源が切れます。

The protection function worked due to the temperature limit being exceeded. Causes could be poor ventilation or a defect related to the thermal sensor. If the power is turned on with the abnormality unsolved, the protection function works in about 1 second to turn off the power.

TMP PRT:000 A

温度制限を越えた原因で、プロテクションが働いたことを示します。異常状態のままパワーオンすると、約1秒後にプロテクションが掛かり、電源が切れます。

For detection of each protection function (except I-PROTECT) , refer to DIAG MENU No.10 AD DATA.

各プロテクションの検出に関しては、後述のダイアグメニュー No. 10 AD DATAを参照してください。

History of protection function

When the protection function has worked, its history is stored in memory with a backup. Even if no abnormality is noted while servicing the unit, an abnormality which has occurred previously can be defined as long as the backup data has been stored.

The history of the protection function is cleared when DIAG is cancelled by selecting PRESET RESERVED (Memory initialized) of DIAG menu No.9 or when the backup data is erased.

プロテクションの履歴

プロテクションが働いた場合、履歴をバックアップして記憶しています。サービスのときに異常が認められなくても、バックアップが残っていれば、お客様のところで起きた異常を区別できます。

ダイアグメニュー No.9 で PRESET RESERVED (メモリーの初期化) を選んでダイアグを解除した場合、またはバックアップが消えた場合に、プロテクションの履歴はクリアされます。

● Display during menu operation

During the DIAG operation, the menu list described in the section of the startup screen appears on the monitor screen and the function at work is indicated on the FL indicator. The contents displayed during the function operation are described later in the "Details of DIAG menu" section.

● メニュー動作中の表示

ダイアグ中、モニター画面には起動画面の項で説明したメニュー一覧が表示されます。本体のFL ディスプレイには動作中の機能が表示されます。機能動作中の表示内容については、後述の機能詳細で記述します。

● Operation procedure of DIAG menu and SUB-MENU

There are 23 MENU items, each of which has some SUB-MENU items.

● ダイアグメニューとサブメニューの操作

ダイアグにはNo.1～23のメニューがあり、そのそれぞれにサブメニューがあります。

DIAG menu selection

Main unit: Select the menu using the PROGRAM knob.

ダイアグメニューの選択

本体キーでの操作：PROGRAMツマミで選択します。

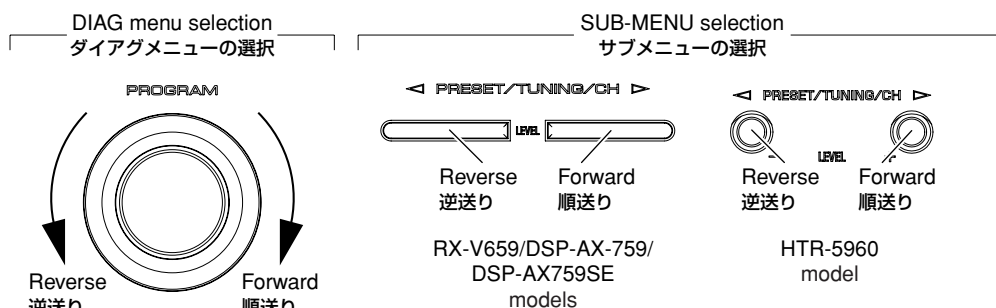
SUB-MENU selection

Main unit: Select the sub-menu using ▷ (Forward) and ◁ (Reverse) keys of PRESET/TUNING.

サブメニューの選択

本体キーでの操作：PRESET/TUNING ▷ (順送り)、◁ (逆送り)キーで選択します。

Keys of main unit / 本体キー



● Functions in DIAG mode

In addition to the DIAG menu items, functions as listed below are available.

- Input selection
 - Center/Rear/Rear Center/Sub-woofer level adjustment
 - Speaker relay control of A and B
 - Muting
 - Power on/off
 - Master volume
- * Functions related to the tuner and the set menu are not available.
- * It is possible to confirm Menu No.16 IF STATUS while keeping the signal process (operation status) of each DIAG menu by using the INPUT MODE key of the main unit.

● Initial settings used to start DIAG

The following settings are used when starting DIAG.

When DIAG is canceled, these settings are restored to those before starting DIAG.

- Master volume: -20 dB
- Input: DVD (MULTI CH INPUT OFF)
- Effect level: 0 dB
- Audio mute: OFF
- Speaker relay of A and B: ON
- Speaker setting: LARGE / BASS OUT = SWFR
- DIAG menu: BYPASS (1. ANALOG BYPASS)

● ダイアグ中の機能

ダイアグメニューの他に、以下の機能が動作します。

- ・ インプット切り換え
- ・ センター、リア、リアセンター、サブウーファーレベル調整
- ・ スピーカーリレーA/B
- ・ ミューティング
- ・ パワーオン/オフ
- ・ マスターボリューム

※ チューナー関連、セットメニュー関連は機能しません。

※ 本体のINPUT MODEキーにより、各ダイアグメニューの信号処理(動作状態)を維持したままメニューNo.16 "IF STATUS"の確認ができます。

● ダイアグ開始時の初期設定

ダイアグ開始時に以下のような設定になります。ダイアグ解除時にはダイアグ開始前の状態に戻ります。

- ・ マスターボリューム：-20 dB
- ・ インプット：DVD (MULTI CH INPUT オフ)
- ・ エフェクトレベル：0 dB
- ・ オーディオミュート：オフ
- ・ スピーカーリレーA/B：ON
- ・ スピーカー設定：LARGE / BASS OUT = SWFR
- ・ ダイアグメニュー：BYPASS (1. ANALOG BYPASS)

● Details of DIAG menu

● ダイアグメニュー詳細

1. BYPASS

Using the sub-menu, it is possible to select analog bypass output or DSP bypass output.

1. BYPASS

サブメニューによりANALOG BYPASS/DSP BYPASSが選択可能です。

ANALOG BYPASS

ANALOG BYPASS

1. ANALOG BYPAS

Reference data

INPUT: DVD ANALOG

SUBWOOFER OUTPUT: 50 Hz, Others: 1 kHz

Input level	Volume	SPEAKERS OUT				SUBWOOFER OUTPUT
		FRONT L/R	CENTER	SURROUND L/R	SURROUND BACK L/R	
Both ch, -20 dBm	+6.5 dB	+13.0 dBm	- ∞	- ∞	- ∞	- ∞

DSP BYPASS

DSP BYPASS

1. DSP BYPASS

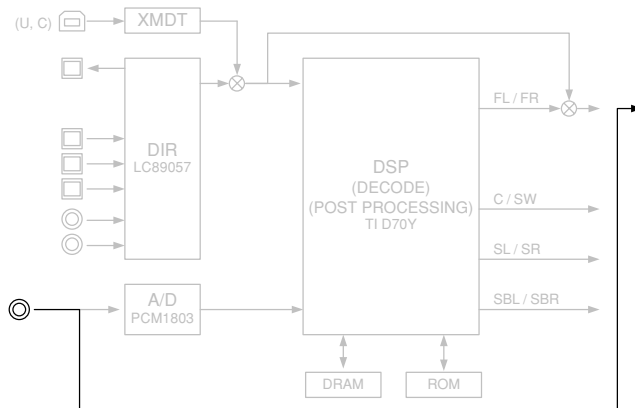
Reference data

INPUT: DVD ANALOG

SUBWOOFER OUTPUT: 50 Hz, Others: 1 kHz

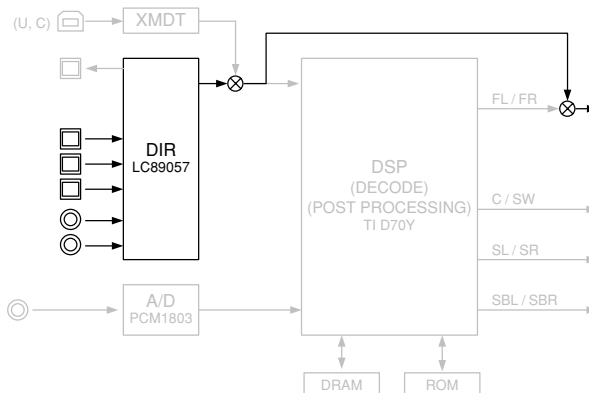
Input level	Volume	SPEAKERS OUT				SUBWOOFER OUTPUT
		FRONT L/R	CENTER	SURROUND L/R	SURROUND BACK L/R	
Both ch, -20 dBm	+6.5 dB	+13.0 dBm	- ∞	- ∞	- ∞	- ∞

ANALOG BYPASS



(Shaded items not used in this example)

DSP BYPASS



(Shaded items not used in this example)

2. RAM THROUGH

Using the sub-menu, it is possible to select margin output or full-bit output.

RAM MARGIN

Following head margin is reserved.

FRONT	CENTER	SURROUND	SURROUND BACK	SUBWOOFER
+15.0 dB	+13.5 dB	+9.0 dB	+7.5 dB	+21.0 dB

2. RAM MARGIN

Reference data

INPUT: DVD ANALOG

SUBWOOFER OUTPUT: 50 Hz, Others: 1 kHz

Input level	Volume	SPEAKERS OUT				SUBWOOFER OUTPUT
		FRONT L/R	CENTER	SURROUND L/R	SURROUND BACK L/R	
Both ch, -20 dBm	+6.5 dB	+12.5 dBm	+12.5 dBm	+12.5 dBm	+12.5 dBm	+0.5 dBm

RAM FULL BIT

No head margin is reserved except SW.

FRONT	CENTER	SURROUND	SURROUND BACK	SUBWOOFER
0 dB	0 dB	0 dB	0 dB	+21 dB

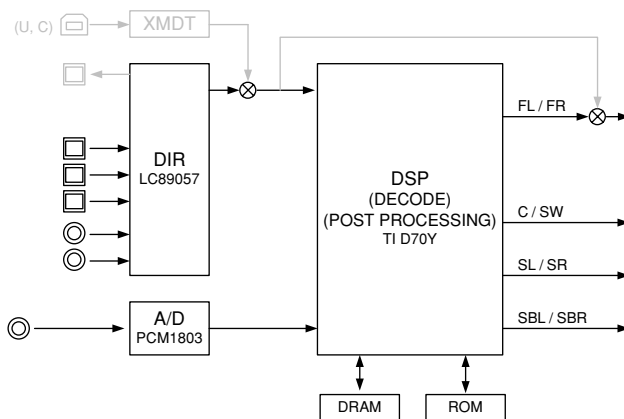
2. RAM FULL BIT

Reference data

INPUT: DVD ANALOG

SUBWOOFER OUTPUT: 50 Hz, Others: 1 kHz

Input level	Volume	SPEAKERS OUT				SUBWOOFER OUTPUT
		FRONT L/R	CENTER	SURROUND L/R	SURROUND BACK L/R	
Both ch, -20 dBm	+6.5 dB	+12.5 dBm	+12.5 dBm	+12.5 dBm	+12.5 dBm	+0.5 dBm



(Shaded items not used in this example)

When input source is stereo, signal is assigned as below.

2ch信号入力時、以下のように信号を振り分けて出力します。

- Front L → Center / Surround L / Surround Back L, R
- Front R → Surround R
- Front L +10 dB → SWFR

2. RAM THROUGH

サブメニューによりMARGIN/Full Bitが選択可能です。

RAM MARGIN

以下のヘッドマージンを取ります。

RAM FULL BIT

SW以外のヘッドマージンを取りません。

3. PRO LOGIC

Dolby PRO LOGIC is applied to input stereo source.

3. PRO LOGIC

入力2ch信号にDolby PRO LOGIC処理を行います。

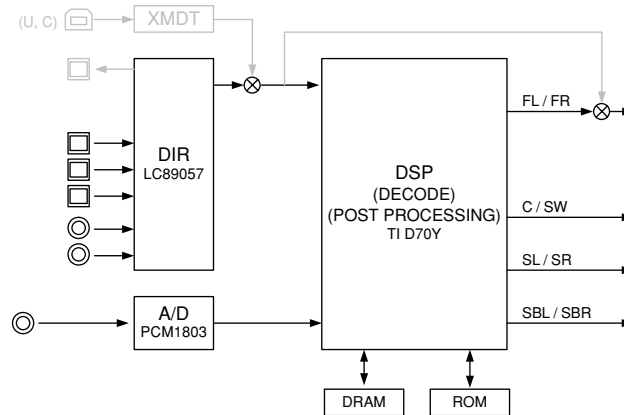
3. PRO LOGIC

Reference data

INPUT: DVD ANALOG

SUBWOOFER OUTPUT: 50 Hz, Others: 1 kHz

Input level	Volume	SPEAKERS OUT				SUBWOOFER OUTPUT
		FRONT L/R	CENTER	SURROUND L/R	SURROUND BACK L/R	
Each ch, -20 dBm	+6.5 dB	+12.5 dBm	- ∞	- ∞	- ∞	- ∞
Both ch, -20 dBm	+6.5 dB	- ∞	+15.5 dBm	- ∞	- ∞	- ∞



(Shaded items not used in this example)

4. SPEAKERS SET

The analog switch settings for each sub-menu are as shown in the table below.

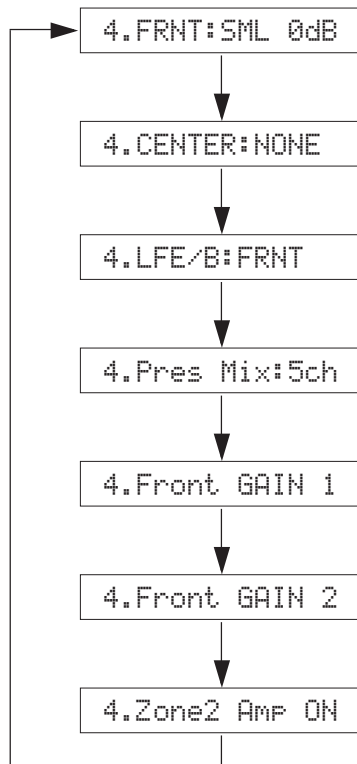
4. SPEAKERS SET

各サブメニューにおけるアナログスイッチの設定は以下の通りです。

Sub-menu	FRONT L/R	CENTER	SUR. L/R	SUR.B L/R	LFE/BASS
1 FRNT: SML 0 dB	SMALL	LARGE	LARGE	LARGE	SWFR
2 CENTER: NONE	LARGE	NONE	LARGE	LARGE	SWFR
3 LFE/B: FRNT	LARGE	SMALL	SMALL	SMALL	FRONT
4 Pre Mix: 5ch	LARGE	LARGE	LARGE	LARGE	SWFR
5 Front GAIN 1	LARGE	LARGE	LARGE	LARGE	SWFR
6 Front GAIN 2	LARGE	LARGE	LARGE	LARGE	SWFR
7 Zone2 Amp ON	LARGE	LARGE	LARGE	NONE	SWFR

- LARGE:** This mode is used with a speaker with high bass reproduction performance (a large unit). Full bandwidth signals are output.
- SMALL:** This mode is used with a speaker with low bass reproduction performance (a small unit). The signals of 80 Hz or less are mixed into the channel specified by LFE/BASS.
- NONE:** This mode is used with no center speaker. The center content is reduced by 3 dB and distributed to FRONT L/R.
- SWFR:** LFE of 5.1ch signal or LFE/BASS lower than 90Hz is output through SUBWOOFER OUT.
- FRONT:** LFE of 5.1ch signal or LFE/BASS lower than 90Hz is distributed to FRONT L/R.

- LARGE :** 低音再生能力の高い(ユニットの大きい)スピーカーを使用するモードです。全帯域が出力されます。
- SMALL :** 低音再生能力の低い(ユニットの小さい)スピーカーを使用するモードです。80 Hz以下がLFE/BASSで指定したチャンネルにミックスされます。
- NONE :** スピーカーを使用しないモードです。センター成分は-3 dBされて、FRONT L/R に振り分けられます。
- SWFR :** 5.1ch信号のLFEまたは90Hz以下のLFE/BASSがSUBWOOFER OUTに出力されます。
- FRONT :** 5.1ch信号のLFEまたは90Hz以下のLFE/BASSをFRONT L/Rに振り分けます。



Reference data

INPUT: DVD ANALOG (Both ch)

SUBWOOFER OUTPUT: 50 Hz, Others: 1 kHz

	Sub-menu	Input level	Volume	SPEAKER OUT				ZONE2/ PRESENCE	SUBWOOFER OUTPUT
				FRONT L/R	CENTER	SURROUND L/R	SURROUND BACK L/R		
1	FRONT: SML 0dB	Both ch, -20 dBm	+6.5 dB	+12.5 dBm	+12.5 dBm	+12.5 dBm	+12.5 dBm	- ∞	+3.5 dBm
2	CENTER: NONE	Both ch, -20 dBm	+6.5 dB	+9.5 dBm	- ∞	- ∞	- ∞	- ∞	-0.5 dBm
3	LFE/B: FRNT (1 kHz)	Both ch, -20 dBm	+6.5 dB	- ∞	+12.5 dBm	+12.5 dBm	+12.5 dBm	- ∞	- ∞
	LFE/B: FRNT (50 Hz)	Both ch, -20 dBm	+6.5 dB	+25.0 dBm	+12.5 dBm	+12.5 dBm	+12.5 dBm	- ∞	- ∞
4	Pres Mix: 5ch	Both ch, -20 dBm	+6.5 dB	+18.5 dBm	+12.5 dBm	+17.0 dBm	- ∞	- ∞	-0.5 dBm
5	Front GAIN 1	Both ch, -20 dBm	+6.5 dB	+12.0 dBm	+12.5 dBm	+12.5 dBm	+12.5 dBm	- ∞	-0.5 dBm
6	Front GAIN 2	Both ch, -20 dBm	+6.5 dB	+18.5 dBm	+12.5 dBm	+12.5 dBm	+12.5 dBm	- ∞	-0.5 dBm
7	Zone2 Amp ON	Both ch, -20 dBm	+6.5 dB	+12.5 dBm	+12.5 dBm	+12.5 dBm	- ∞	+12.5 dBm	-0.5 dBm

5. XCH INPUT

The signal input through the multi ch input is output.
The speaker impedance can be selected.

XCH INPUT_6 (ohms)

5.XCH INPUT_6

Reference data

INPUT: MULTI CH INPUT

SUBWOOFER OUTPUT: 50 Hz, Others: 1 kHz

Input level	Volume	SPEAKERS OUT				SUBWOOFER OUTPUT
		FRONT L/R	CENTER	SURROUND L/R	SURROUND BACK L/R	
Both ch, -20 dBm	+6.5 dB	+13.0 dBm	+12.5 dBm	+12.5 dBm	+12.5 dBm	-8.5 dBm

5. XCH INPUT

マルチCH入力された信号が出力されます。
6オーム、8オームが選択されます。

XCH INPUT_6(ohms)

XCH INPUT_8 (ohms)

5.XCH INPUT_8

Reference data

INPUT: MULTI CH INPUT

SUBWOOFER OUTPUT: 50 Hz, Others: 1 kHz

Input level	Volume	SPEAKERS OUT				SUBWOOFER OUTPUT
		FRONT L/R	CENTER	SURROUND L/R	SURROUND BACK L/R	
Both ch, -20 dBm	+6.5 dB	+13.0 dBm	+12.5 dBm	+12.5 dBm	+12.5 dBm	-8.5 dBm

XCH INPUT_8(ohms)

LIMIT SET

Not applied to these models.

XXXXXXXXXXXX__

LIMIT SET

このモデルには適用されません。

6. MIC CHECK

The signal input through the microphone is output via A/D-D/A.
"dB" display function is not mounted.

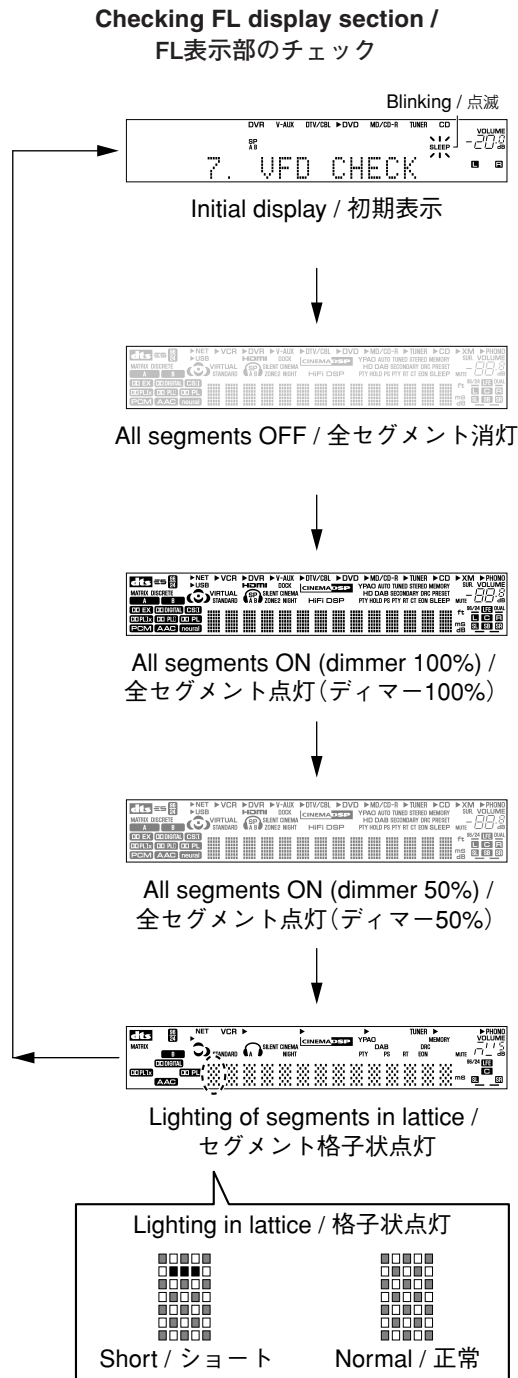
6.MIC CHK --dB

6. MIC CHECK

マイク入力された信号をA/D-D/A経由で出力します。
dB表示は機能しません。

7. DISPLAY CHECK

This program is used to check the FL display section and video control section. The display condition varies as shown below according to the sub-menu operation. The signal route is STRAIGHT.



Segment conditions of the FL driver and the FL tube are checked by turning ON and OFF all segments. Next, the operation of the FL driver is checked by using the dimmer control. Then a short between segments next to each other is checked by turning ON and OFF all segments alternately (in lattice). (In the above example, the segments in the second row from the top are shorted.)

7. DISPLAY CHECK

FL表示部と映像制御部のチェックプログラムです。サブメニュー操作により、表示状態が以下のように変わります。信号処理はSTRAIGHTです。

全セグメント消灯・全セグメント点灯によりFLドライバー、FL管のセグメントの不良を確認します。次に、ディマーコントロールによってFLドライバーの動作チェックを行います。さらに全セグメントを交互(格子状)に点灯/消灯することで、隣り合うセグメントのショートをチェックします。(上図の例では、上から2行目のセグメントがショートしています。)

8. MANUAL TEST

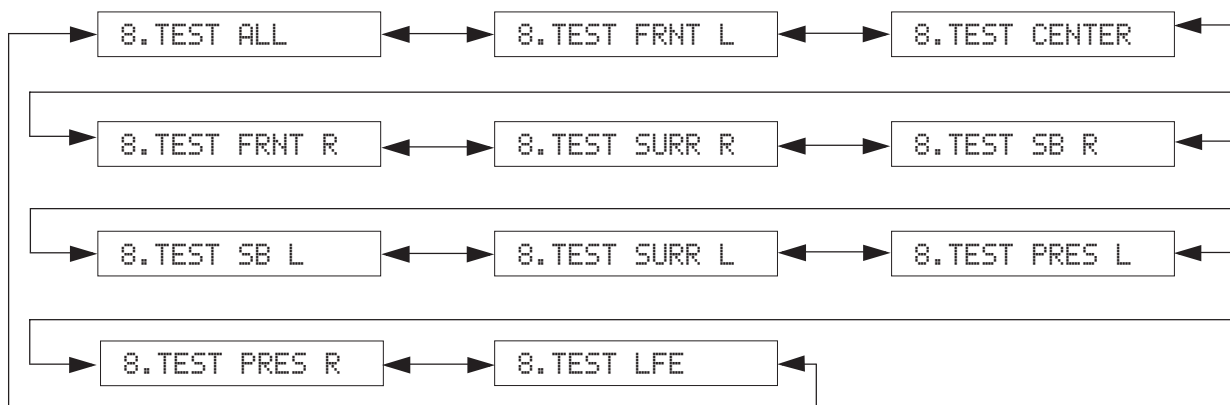
The test noise based THX is output to the channel specified by the sub-menu from the DSP.

The noise frequency for LFE is 35 to 250 Hz. Other than that, the center frequency is 800 Hz.

8. MANUAL TEST

DSPからサブメニューで指定したチャンネルへTHX準拠のテストノイズを出力します。

LFE用のノイズ周波数は35～250 Hz、それ以外は中心周波数800 Hzとなります。

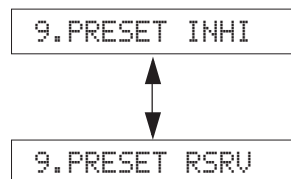


9. FACTORY PRESET

This menu is used to reserve/inhibit initialization of the backup RAM (Parameters and set menu contents, etc. of the sound field program).

9. FACTORY PRESET

バックアップ用RAM (音場プログラムのパラメーターやセットメニュー内容など)の初期化を予約/禁止します。



PRESET INHIBIT (Initialization inhibited) / PRESET INHIBIT (初期化禁止)

RAM initialization is not executed. Select this sub-menu to protect the values set by the user.

Note: The protection history will not be erased using PRESET INHIBIT.

RAMの初期化は行われません。ユーザーの設定値を保護するときは、こちらを選択してください。

PRESET RESERVED (Initialization reserved) / PRESET RESERVED (初期化予約)

Initialization of the back-up RAM is reserved. (Actually, initialization is executed the next time that the power is turned on.) Select this sub-menu to reset to the original factory settings or to reset the RAM. Use PRESET RESERVED to erase the protection history.

バックアップRAMの初期化が予約されます。(実際に初期化されるのは、次回の電源投入時です。)工場出荷時やRAMをリセットしたいときは、こちらを選択してください。

CAUTION: Before setting to the PRESET RESERVED, write down the existing preset memory. Content of the Tuner in a table as shown below. (This is because setting to the PRESET RESERVED will cause ALL user memory contents to be erased.)

注意：PRESET RESERVEDを選んで初期化をする前に、チューナーのユーザーメモリー内容を下表に書き写してください。(初期化をすると、ユーザーメモリーの内容は消えてしまいます。)

Preset group	P1	P2	P3	P4	P5	P6	P7	P8
A								
B								
C								
D								
E								

• PRESET STATIONS / プリセット局

STATION		FM FACTORY PRESET DATA (MHz)		
PAGE	NO.	U, C	R, T, K, A, B, G, E, L	J
A/C/E	1	87.5	87.50	76.0
	2	90.1	90.10	83.0
	3	95.1	95.10	84.0
	4	98.1	98.10	86.0
	5	107.9	108.00	90.0
	6	88.1	88.10	78.0
	7	106.1	106.10	88.0
	8	107.9	108.00	82.1

STATION		AM FACTORY PRESET DATA (kHz)		
PAGE	NO.	U, C, R, T, K	A, B, G, E, L	J
B/D	1	630	630	630
	2	1080	1080	1080
	3	1440	1440	1440
	4	530	531	531
	5	1710	1611	1611
	6	900	900	900
	7	1350	1350	1350
	8	1400	1404	1404

10. AD DATA CHECK

This menu is used to display the A/D conversion value of the Microprocessor which detects panel keys of the main unit and protection functions in using the sub-menu. During audio signal processing, the condition before execution is maintained.

When K0/K1 menu is selected, keys become non-operable due to detection of the values of all keys. However, it is possible to advance to the next sub-menu by turning the VOLUME of the main unit. When using this function, note that turning the VOLUME more than 1 click would cause the volume value to change.

* The figures in the diagram are given as reference only.

PS1/PS2 (Power supply voltage protection detection)

Power supply voltage protection value (Normal value: PS1: 32 to 58, PS2: 31 to 55)

PS1: Detects ±5V, +5i and +5S.

PS2: Detects ±12V, +5D and +3.3D.

* If PS is out of the normal value range, the protection function works to turn off the power.

(Reference voltage: 5V=100%)

```
PS1:039 2:044
```

DC/TH (protection detection/temperature detection)

DC: DC detect protection value (Normal value: 5 to 36)

* If DC is out of the normal value range, the protection function works to turn off the power.

(Reference voltage: 5V=100%)

TH: Detects the temperature of the heat sink.

Temperature detected value

(Normal value: 9 to 177) U, C, T, K, A, G, E, J models

(Normal value: 9 to 167) R, L models

(Reference voltage: 5V=255)

```
DC:007 TH098
```

10. AD DATA CHECK

本機パネルキー、プロテクションなどを検出しているMicroprocessorのA/D変換の値を、サブメニューで表示します。オーディオ信号処理は実行前の状態を維持します。

K0/K1のメニューにすると、全キーの値を検出するためキー操作はできなくなりますが、本機のVOLUMEを回すことにより、次のサブメニューに進めることができます。このとき1クリック以上回すと、ボリューム値が変化するので注意してください。

※ 図中の数値は参考例です。

PS1/PS2 (電源電圧プロテクションの検出)

プロテクションの値(正常値 PS1: 32~58, PS2: 31~55)

PS1 : ±5V, +5i, +5Sを検出しています。

PS2 : ±12V, +5D, +3.3Dを検出しています。

※ PSは正常値を外れるとプロテクションが働き、電源オフされます。

(基準電圧 : 5V=100%)

DC/TH (プロテクションの検出/温度検出)

DC : DC検出プロテクションの値(正常値5~36)

※ DCは正常値を外れるとプロテクションが働き、電源オフされます。

(基準電圧 : 5V=100%)

TH : ヒートシンクの温度を検出しています。

温度検出値

(正常値: 9~177)

(基準電圧 : 5V=255)

RX-V659/HTR-5960
DSP-AX759/DSP-AX759SE

IMP SW/POWER LIMIT (impedance/power limiter detection)

IMP: Not applied to these models.

PL: Power limiter detection value

The voltage value of pin No. 123 of IC762 is displayed, using 5V/256 as standard.

The port (No. 6) output is controlled by using the input voltage value of pin No. 123 of IC762.

IMP:8 PL:245

IMP SW/POWER LIMIT (インピーダンス/パワーリミッターの検出)

IMP: このモデルには適用されません。

PL: パワーリミッター検出の値

IC762 123ピンの入力電圧値を5V/256を基準にして表示します。IC762 123ピンの入力電圧値により、ポート(6ピン)を制御します。

PANEL KEY (K0/K1)

(Panel key of main unit) [Remote control code: -]

A/D of the key fails to function properly when the standard value is deviated by ± 8 . In this case, check the constant of partial pressure resistor, solder condition, etc. Refer to table.

(Reference voltage: 5V=100 %)

K0:100 K1:100

PANEL KEY (K0/K1)

(本機パネルキー)

キーのA/Dは基準値から ± 8 を外れると、正常な動きをしません。下表をご覧になり、各キーの分圧抵抗の定数、ハンダ不良等の確認をしてください。

(基準電圧: 5V=100 %)

RX-V659/DSP-AX759

Display (%)	K0	K1
0 - 6	MAIN ZONE ON/OFF	ZONE2 ON/OFF
7 - 13	—	—
14 - 21	—	—
22 - 31	—	ZONE CONTROL
32 - 41	INPUT MODE	MULTI CH INPUT
42 - 53	STRAIGHT	FM/AM
54 - 63	TONE CONTROL	A/B/C/D/E
64 - 72	PRESET/TUNING	◁ PRESET
73 - 80	SPEAKERS B	PRESET ▷
81 - 88	SPEAKERS A	MEMORY
89 - 95	PURE DIRECT	TUNING MODE
96 - 100	KEY OFF	KEY OFF

DSP-AX759SE

Display (%)	K0	K1
0 - 6	—	—
7 - 13	—	—
14 - 21	—	—
22 - 31	—	—
32 - 41	INPUT MODE	MULTI CH INPUT
42 - 53	STRAIGHT	—
54 - 63	TONE CONTROL	NEXT
64 - 72	—	LEVEL -
73 - 80	SPEAKERS B	LEVEL +
81 - 88	SPEAKERS A	—
89 - 95	PURE DIRECT	—
96 - 100	KEY OFF	KEY OFF

HTR-5960

Display (%)	K0	K1
0 - 6	—	—
7 - 13	—	—
14 - 21	—	—
22 - 31	—	—
32 - 41	INPUT MODE	MULTI CH INPUT
42 - 53	STRAIGHT	FM/AM
54 - 63	TONE CONTROL	A/B/C/D/E
64 - 72	PRESET/TUNING	◁ PRESET
73 - 80	SPEAKERS B	PRESET ▷
81 - 88	SPEAKERS A	MEMORY
89 - 95	PURE DIRECT	TUNING MODE
96 - 100	KEY OFF	KEY OFF

11. VIDEO

The image signal is converted and output as follows.

I2C

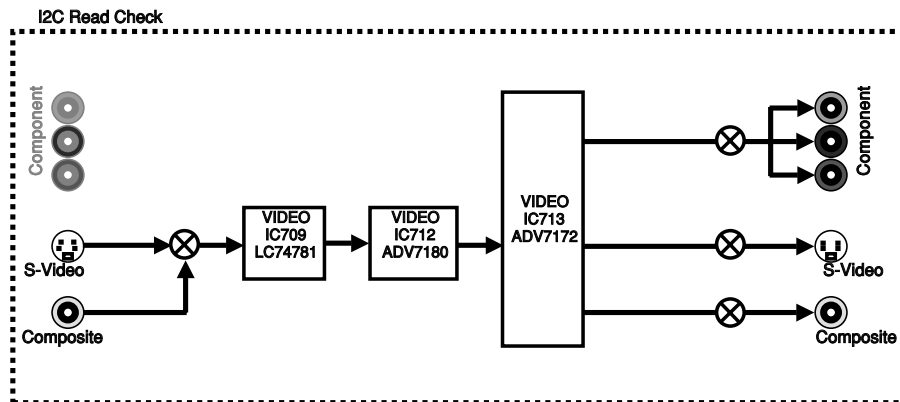
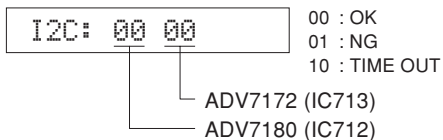
Perform the read/write check between the microprocessor and ADV7180 (IC712) as well as ADV7172 (IC713).

11. VIDEO

映像信号が以下のように変換され、出力されます。

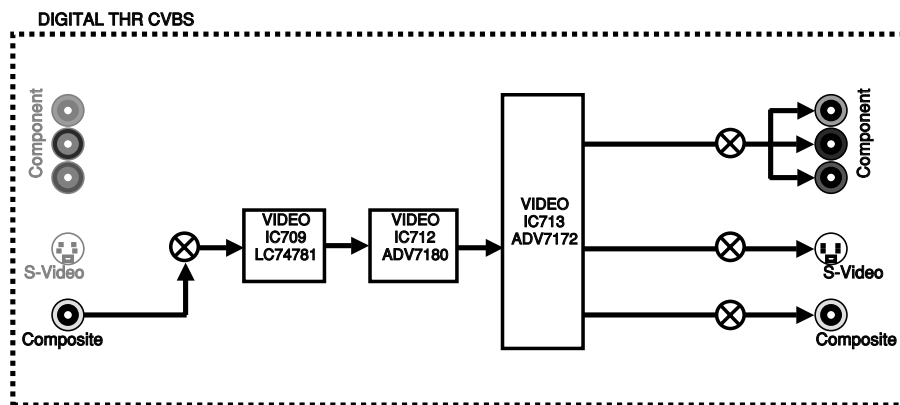
I2C

マイコンとADV7180(IC712)、およびADV7172(IC713)間のリード/ライトのチェックを行います。



DIGITAL THR CVBS

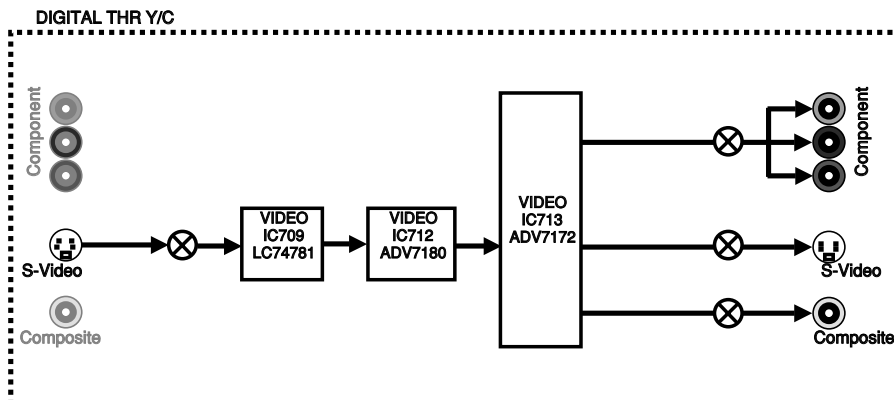
DIGITAL THR CVBS



DIGITAL THR Y/C

DIGITAL THR Y/C

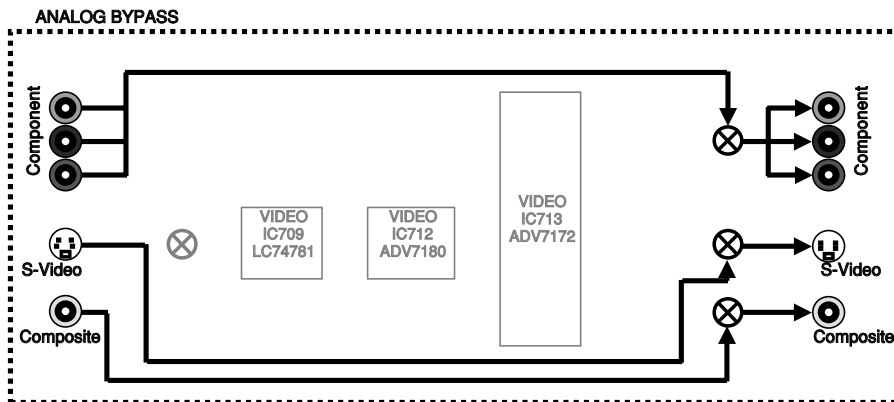
DIGITAL Y/C



ANALOG BYPASS

ANALOG BYPASS

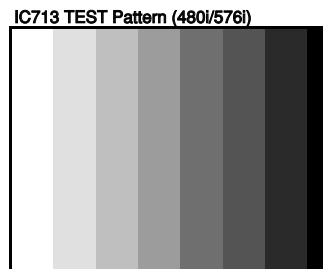
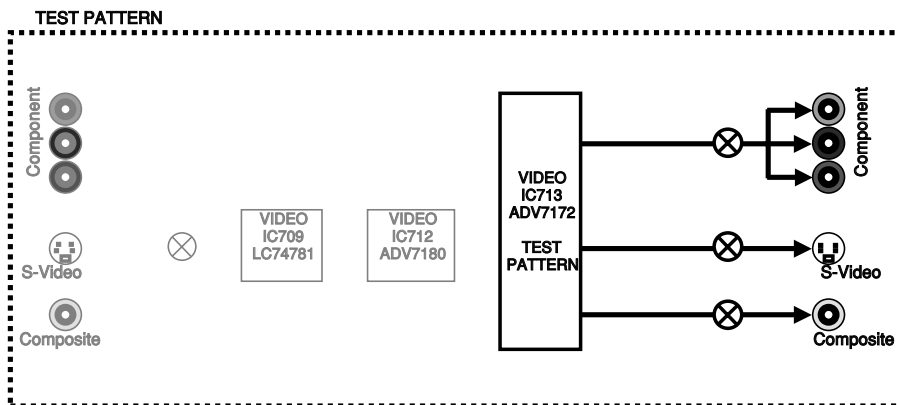
ANALOG BYPASS



TEST PATTERN

TEST PATTERN

TEST PATTERN



RX-V659/HTR-5960
 DSP-AX759/DSP-AX759SE

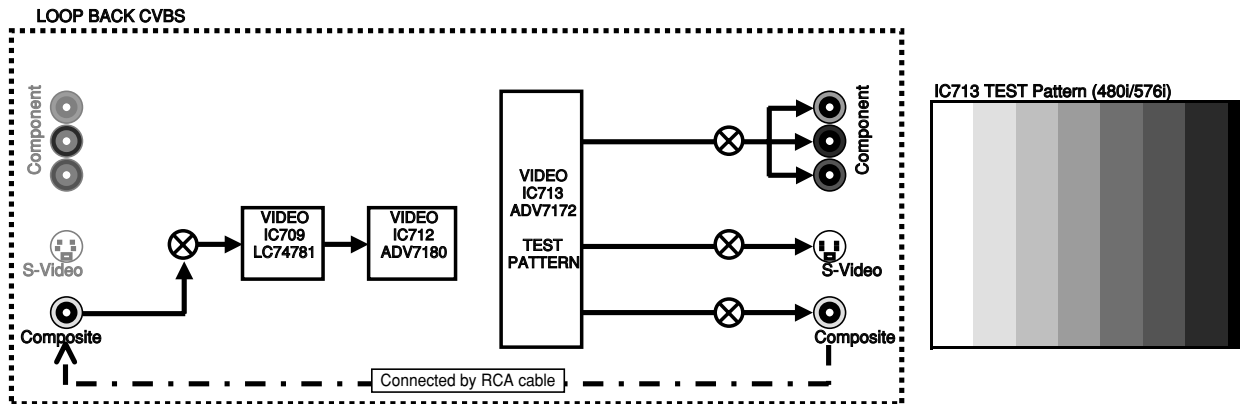
LOOP BACK CVBS

Not applied to these models.

LOOP BACK CVBS

このモデルには適用されません。

LPBK CVBS OK



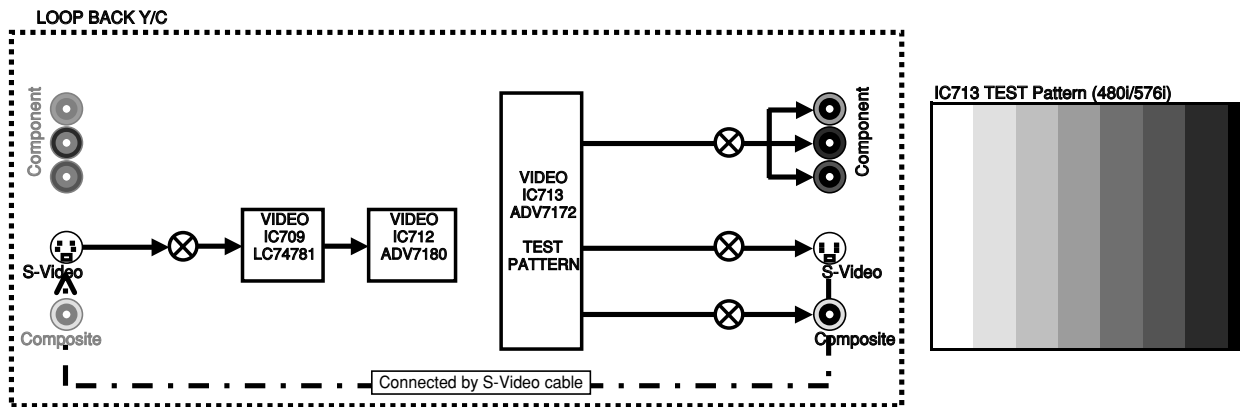
LOOP BACK Y/C

Not applied to these models.

LOOP BACK Y/C

このモデルには適用されません。

LPBK Y/C OK



RX-V659/HTR-5960
 DSP-AX759/DSP-AX759SE

12. XM STATUS (U, C models)

Perform the output check of XM Radio Antenna connected to the XM terminal.

1k -1dB/44.1k

The test tone (1kHz, -1dB/44.1kHz) is output.

1k - 1dB/44

1k -61dB/44.1k

The test tone (1kHz, -61dB/44.1kHz) is output.

1k -61dB/44

Mute /44.1k

Nothing is output.

Mute /44

XM Tone/44.1k

The XM tone (44.1kHz) is output.

XM Tone/44

ISO Tone/44.1k

The ISO tone (44.1kHz) is output.

ISO Tone/44

1k -1dB/32k

The test tone (1kHz, -1dB/32kHz) is output.

1k - 1dB/32

1k -61dB/32k

The test tone (1kHz, -61dB/32kHz) is output.

1k -61dB/32

12. XM STATUS(U, C models)

XM端子に接続された、XM Radio Antennaの出力チェックを行います。

1k -1dB/44.1k

テストトーン(1kHz、-1dB/44.1kHz)を出力します。

1k -61dB/44.1k

テストトーン(1kHz、-61dB/44.1kHz)を出力します。

Mute /44.1k

何も出力されません。

XM Tone/44.1k

XMトーン(44.1kHz)を出力します。

ISO Tone/44.1k

ISOトーン(44.1kHz)を出力します。

1k -1dB/32k

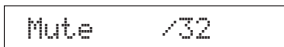
テストトーン(1kHz、-1dB/32kHz)を出力します。

1k -61dB/32k

テストトーン(1kHz、-61dB/32kHz)を出力します。

Mute /32k

Nothing is output.



Mute /32k

何も出力されません。

XM Tone/32k

The XM tone (32kHz) is output.

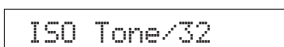


XM Tone/32k

XMトーン(32kHz)を出力します。

ISO Tone/32k

The ISO tone (32kHz) is output.

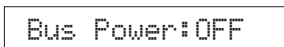


ISO Tone/32k

ISOトーン(32kHz)を出力します。

XM/DT Bus Power: OFF

The power of XM module is turned off.



XM/DT Bus Power: OFF

XMモジュールの電源をOFFします。

13. iPod

This menu is used to test the DOCK connector without the iPod itself. After turning off the power, short between pins No. 14 (TX) and No. 18 (RX), between pins No. 1 (PWR) and No. 17 (ACCPOW) and between pins No. 4 (iPDET) and No. 8 (DGND). (Make sure that the power is turned off when shorting pins.)

Start the DIAG function and select the menu.

The check result is displayed according to the following display specifications.

13. iPod

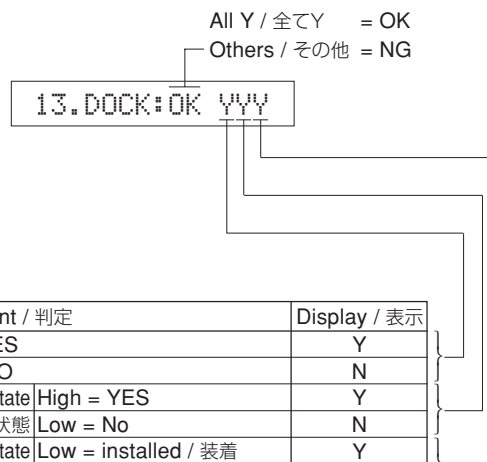
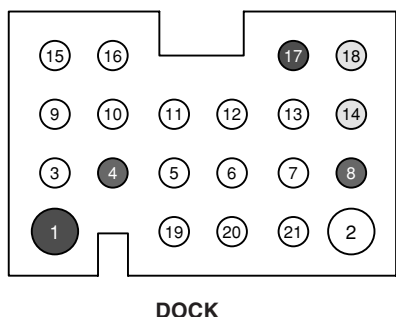
iPod本体無しで、DOCKコネクタの検査を行うメニューです。パワーオフ状態にしてから、DOCKコネクタの14ピン(TX)と18ピン(RX)、1ピン(PWR)と17ピン(ACCPOW)、4ピン(iPDET)と8ピン(DGND)をショートさせます。(ショートさせる時は、必ず電源を切ってください。)

ダイグを起動してメニューを選択します。

下記表示仕様に従って、チェック結果が表示されます。

Note) Be sure to return the shorted locations to their original state.

注) ショート箇所は、必ず元に戻してください。



Check item / チェック項目	Judgment / 判定	Display / 表示
Is UART loop pack check result OK? / UARTループバックチェック結果はOK?	YES	Y
	NO	N
Is detect function of iPod Accessory Power OK? / iPod Accessory Powerの検出機能はOK?	IC 672 (VIDEO P.C.B.) pin No. 45 state High = YES	Y
	IC672(VIDEO P.C.B.)45pinの状態 Low = No	N
Is detect function of iPod installation to DOCK OK? / DOCKへのiPod装着の検出機能はOK?	IC 672 (VIDEO P.C.B.) pin No. 44 state Low = installed / 装着	Y
	IC672(VIDEO P.C.B.)44pinの状態 High = not installed / 非装着	N

16. IF STATUS (Input function status)

Using the sub-menu, the status data is displayed one after another in the hexadecimal notation.

During signal processing, the status before execution of this menu is maintained.

* Numeric values in the figure example are for reference.

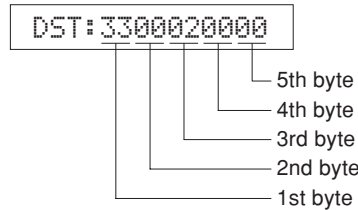
DST: DSP status

16. IF STATUS

サブメニュー操作により、以下のステータス情報を順次16進数で表示します。信号処理は、本メニュー実行前の状態を維持します。

※図中の数値は参考例です。

DST : DSPステータス



<1st byte> Digital input/output setting value
Upper 4 bits: REC OUT selected /
lower 4 bits: INPUT selected

<第1バイト> デジタル入出力設定値
上位4 bit REC OUT選択 /
下位4 bit INPUT選択

Value	Choice	Preset name
0	NONE	-
1	OPT FRONT	-
2	OPT 1	MD/CD-R
3	OPT 2	DVD
4	OPT 3	DTV/CBL
8	COAX 1	CD
9	COAX 2	DVD

<2nd byte> / <第2バイト>
Fs information of reproduction signal /
再生信号のFs情報

Display	Fs (kHz)
00	Analog
01	32 kHz
02	44.1 kHz
03	48 kHz
04	64 kHz
05	88.2 kHz
06	96 kHz
07	128 kHz
08	176.4 kHz
09	192 kHz
0A	Unknown NRM
0B	Unknown DBL
0C	Unknown QUAD
0D	Unknown
0E	Undefined

<3rd byte> / <第3バイト>
Audio code mode information of
reproduction signal /
再生信号のオーディオコードモード情報

Display	Audio code
00	1+1
01	1/0
02	2/0
03	3/0
04	2/1
05	3/1
06	2/2
07	3/2
08	2/3
09	3/3
0A	3/4
0B	over 6.1
0C	Milti-Mono
0D	Milti-PCE
0E	Unknown
0F	Undefined

<4th byte> / <第4バイト>
Format information of reproduction signal /
再生信号のフォーマット情報

Display	Signal format
00	Analog
01	Err
10	PCM Audio
20	Digital Data
21	IEC1937
22	None PCM
23	Unknown
50	dts
51	dts-CD
52	dts 96/24
54	dts-ES (Matrix)
58	dts-ES (Discrete)
5C	dts-ES (Both)
60	AAC
C0	Dolby Digital
C1	Dolby Digital Karaoke
C4	Dolby Digital EX
FF	Undefined

<5th byte> / <第5バイト>

Signal processing status information /
 信号処理ステータス情報

bit	Fs (kHz)
bit 7	Digital mute
bit 6	—
bit 5	6.1 (7.1) processing
bit 4	Analog mute
bit 3	—
bit 2	PCM through
bit 1	—
bit 0	dts analog mute

DMD: Decoder mode information
 Not applied to these models.

DMD: デコーダー情報
 このモデルには適用されません。

DMD:03C00000

DIF: DIR information
 Not applied to these models.

DIF: DIR情報
 このモデルには適用されません。

DIF:0001000600

PC: Preamble C information
 Not applied to these models.

PC: Preamble C情報
 このモデルには適用されません。

PC :0000

CS1, 2: Channel status information
 Not applied to these models.

CS1、2: チャンネルステータス情報
 このモデルには適用されません。

CS1:000000000000

CS2:00

DEI: Decoder information
 Not applied to these models.

DEI: デコーダー情報
 このモデルには適用されません。

DEI:0808000600

BS1-8: Bit stream information
 Not applied to these models.

BS1-8: ビットストリーム情報
 このモデルには適用されません。

BS1:000000000000

BS8:00

MTT: Mute trigger
 Not applied to these models.

MTT: Mute trigger
 このモデルには適用されません。

MTT:0018001820

DGI: Digital information
Not applied to these models.

DGI : DIGITAL系情報
このモデルには適用されません。

DGI:EE6464F95E

17. DSP BUS CHECK

This menu is used to self-diagnose whether or not the bus connection for the TI (DA70Y) and the external ROM/RAM is made properly.
When no error is detected, "NoEr" appears on display.

17. DSP BUS CHECK

TI(DA70Y)と外付けROM/RAMとのバス接続の正否を自己診断します。
エラーが検出されなかった場合は、“NoEr”と表示されます。

TI BUS:NoEr

No error detected.
不良検出なし

or

TI BUS:Boot

When this indication is displayed with in seconds or displayed alternately “NoEr” and “Boot”, it is highly possible that there are errors.
数秒間この状態、またはNoErと交互に表示される場合、異常が発生している可能性があります。

↑

RDS IC:OK

No applied to these models.
このモデルは適用されません。

or

RDS IC:NG

18. SWFR CUT OFF

Not applied to these models.

18. SWFR CUT OFF

このモデルには適用されません。

18.LFE LPF 200

←→

18.LFE HPF THR

19. PROTECTION SETTING

Not applied to these models.

19. PROTECTION SETTING

このモデルには適用されません。

PS_Lo: 0043

—————

PL_6_N_H:0154

20. PROTECTION HISTORY

Four protection histories are display.

20. PROTECTION HISTORY

過去のプロテクション履歴を4つまで表示します。

20-1:NoPRT

—————

20-4:NoPRT

21. SOFT SW

Note) Changing the function setting may hinder the proper operation.

This menu is used to switch the function settings on P.C.B. through the software so as to activate the product.

The protection function follows the P.C.B. settings. When connected to AC or in the maker preset state, the unit is initialized to the P.C. B. setting. Display of each function after initialization varies depending on settings on P.C.B. The operation mode can be changed by selecting the sub-menu and then using the STRAIGHT key.

SW MODE: PCB, MODEL or FNC can be selected.

21.SW :PCB

MODEL SETTING: 759SE, V659, H5960, V559, H5950, V459 or H5935 can be selected. (SW MODE: Selectable when MODEL has been selected.)

21.MODEL:V559

DESTINATION: J, U, C, R, T, K, A, B, G (E) or L can be selected. (SW MODE: Selectable when MODEL has been selected.)

21.DEST :G

TUNER DESTINATION: J, UC, ABG or RL can be selected. (SW MODE: Selectable when FNC has been selected.)

21.TuDst:ABG

TUNER TYPE: NRM, RDS or XM can be selected. (SW MODE: Selectable when FNC has been selected.)

21.TuDyp:RDS

VIDEO FORMAT: NTSC or PAL can be selected. (SW MODE: Selectable when FNC has been selected.)

21.VIDED:PAL

21. SOFT SW

注) 機能設定を変更した場合、正常に動作しないことがあります。

P.C.B.上の機能設定をソフト的に切り替えて、製品を動作させる機能です。

プロテクション機能は、P.C.B.の設定にしがいます。AC接続またはメーカープリセットで、P.C.B.の設定に初期化されます。初期化後の各機能の表示は、P.C.B.上の設定によります。操作は、サブメニューを選んだ後、STRAIGHTキーで切り替えま

SW MODE : PCB、MODELまたはFNCを選択できます。

MODEL SETTING : 759SE、V659、H5960、V559、H5950、V459、H5935のいずれかを選択できます。(SW MODE : MODEL時選択できます。)

DESTINATION : J、U、C、R、T、K、A、B、G(E)、Lのいずれかを選択できます。(SW MODE : MODEL時選択できます。)

TUNER DESTINATION : J、UC、ABG、RLのいずれかを選択できます。(SW MODE : FNC時選択できます。)

TUNER TYPE : NRM、RDS、XMのいずれかを選択できます。(SW MODE : FNC時選択できます。)

VIDEO FORMAT : NTSCまたはPALを選択できます。(SW MODE : FNC時選択できます。)

ZONE2: NOT or EXIST can be selected. (SW MODE: Selectable when FNC has been selected.)

ZONE2 : NOTまたはEXISTを選択できます。(SW MODE : FNC時選択できます。)

21.ZONE2:EXIST

AAC: NOT or EXIST can be selected. (SW MODE: Selectable when FNC has been selected.)

AAC : NOTまたはEXISTを選択できます。(SW MODE : FNC時選択できます。)

21.AAC :NOT

TUNER: NOT or EXIST can be selected. (SW MODE: Selectable when FNC has been selected.)

TUNER : NOTまたはEXISTを選択できます。(SW MODE : FNC時選択できます。)

21.TUNER:EXIST

ZONE2 AMP: NOT or EXIST can be selected. (SW MODE: Selectable when FNC has been selected.)

ZONE2 AMP : NOTまたはEXISTを選択できます。(SW MODE : FNC時選択できます。)

21.Z2AMP:NOT

OSD: NOT or EXIST can be selected. (SW MODE: Selectable when FNC has been selected.)

OSD : NOTまたはEXISTを選択できます。(SW MODE : FNC時選択できます。)

21.OSD :EXIST

YPAO: NOT or EXIST can be selected. (SW MODE: Selectable when FNC has been selected.)

YPAO : NOTまたはEXISTを選択できます。(SW MODE : FNC時選択できます。)

21.YPAO :NOT

22. SOFTWARE VERSION

The version, checksum and the port specified by the microprocessor are displayed. The signal is processed using EFFECT OFF. The checksum is obtained by adding the data at every 16 bits for each program area and expressing the result as a 4-figure hexadecimal data.

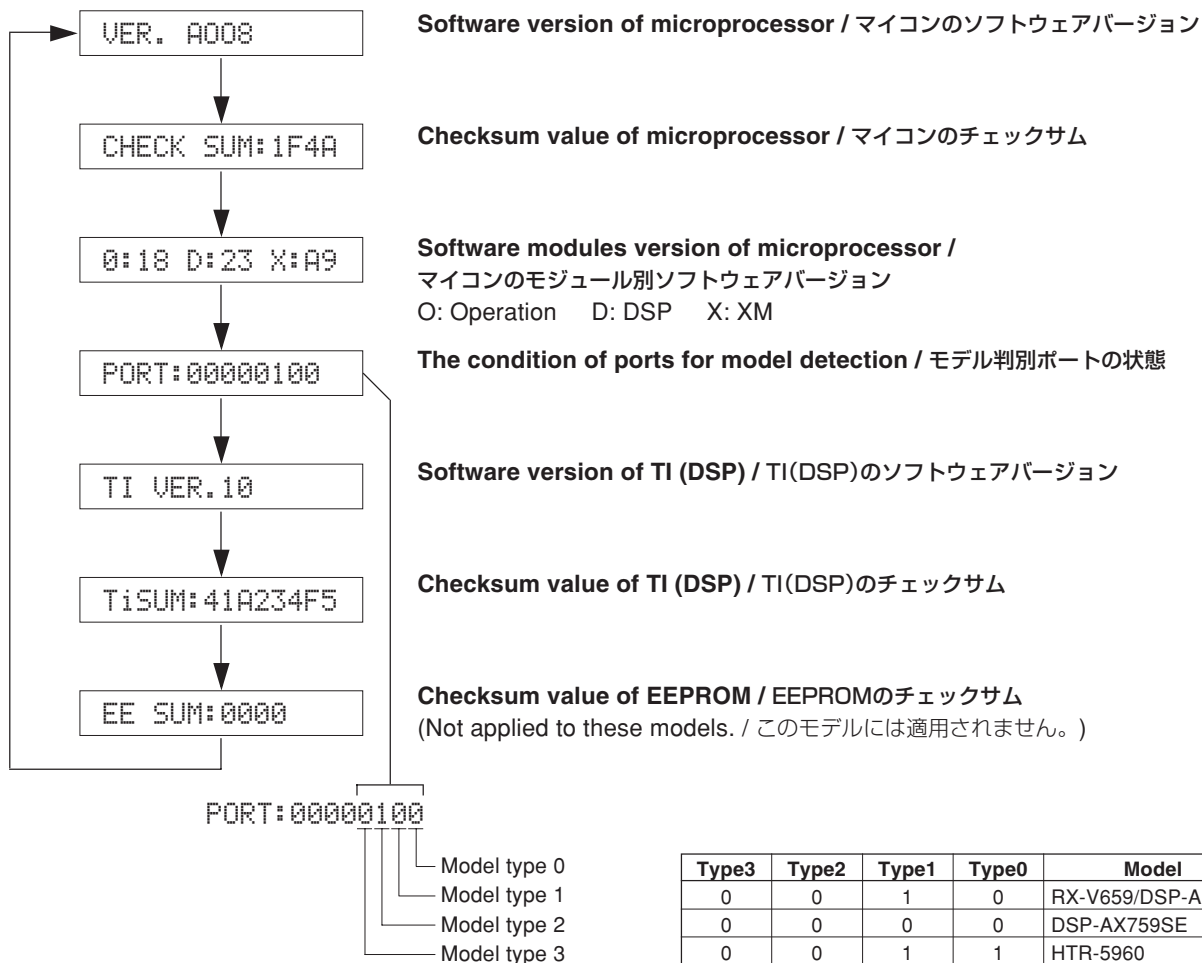
* Numeric values in the figure example are for reference.

22. SOFTWARE VERSION

ソフトウェアのバージョン、チェックサム、マイコンの指定ポートを表示します。

信号はエフェクトOFFです。チェックサムは、プログラムエリア別にデータを16ビットごとに加算していき、4桁の16進データで現したものです。

※図中の数値は参考例です。



23. TI (DSP) BOOT

The rewriting mode of TI (DSP) software.
 (Not applied to these models.)

23. TI(DSP)BOOT

TI(DSP)のソフトウェア書き換えモードです。
 (このモデルには適用されません。)

23.TI BOOT ?

■ AMP ADJUSTMENT / アンプ部調整

● CONFIRMATION OF IDLING CURRENT

1. Immediately after the power is turned on, measure the voltage across resistor terminals in the column "A" in the table below and confirm that the measured value is between 0.1 mV and 10.0 mV.
2. If the measured voltage exceeds 10.0 mV, open (cutoff) the resistor in the column "B" in the table below and reconfirm the voltage.

Attention:

If the idling current exceeds 10.0 mV after a power amplifier repair, check for a defective component before cutting the resistor.

3. Confirm that the voltage is between 0.2 mV and 15.0 mV after 60 minutes.

● アイドリング電流確認

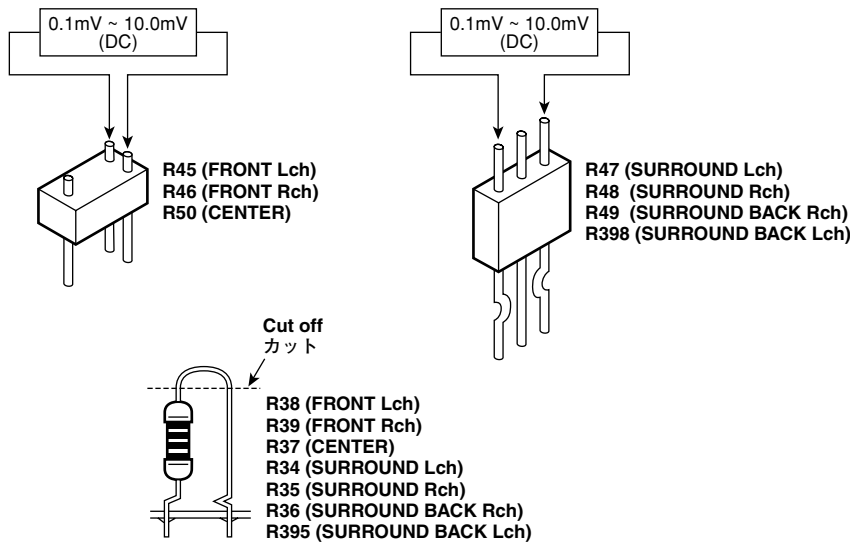
1. 電源投入直後、下表のA欄の抵抗の端子間電圧を測定し、0.1 mV～10.0 mVであることを確認してください。
2. 電圧が10 mVを越えている場合は、下表のB欄の抵抗をカットし、電圧を再確認してください。

注意：

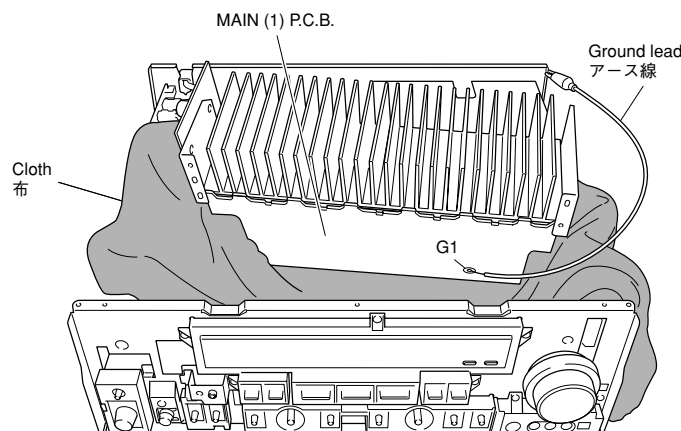
パワーアンプ修理後に10.0 mVを超えている場合は、抵抗をカットする前に故障箇所を調べてください。

3. 60分後、電圧が0.2 mV～15.0 mVであることを確認してください。

P.C.B.	A	CHANNEL	B
MAIN (1) P.C.B.	R45	FRONT L ch	R38
	R46	FRONT R ch	R39
	R50	CENTER	R37
	R47	SURROUND L ch	R34
	R48	SURROUND R ch	R35
	R49	SURROUND BACK R ch	R36
POWER (1) P.C.B.	R398	SURROUND BACK L ch	R395

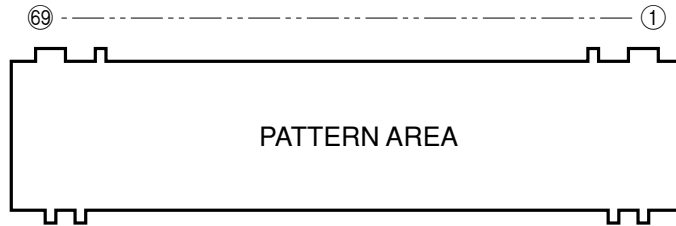


<Position for Adjusting MAIN (1) P.C.B.>



■ DISPLAY DATA

● V801 : 17-BT-26GNK (WG473900)



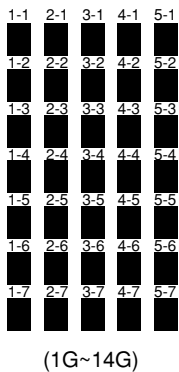
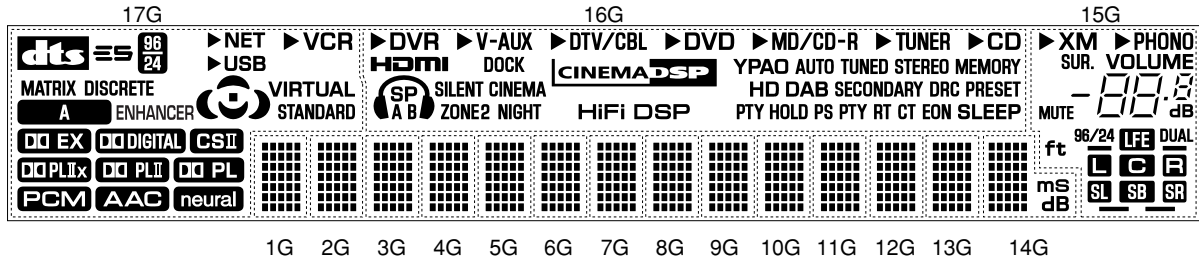
● PIN CONNECTION

Pin No.	69	68	67	66	65	64	63	62	61	60	59	58	57	56	55	54	53	52	51	50	49	48	47	46	45	44	43	42	41	40	39	38	37	36	35
Connection	F2	NX	NP	NP	P1	P2	P3	P4	P5	P6	P7	P8	P9	P10	P11	P12	P13	P14	P15	P16	P17	P18	P19	P20	P21	P22	P23	P24	P25	P26	P27	P28	P29	P30	P31

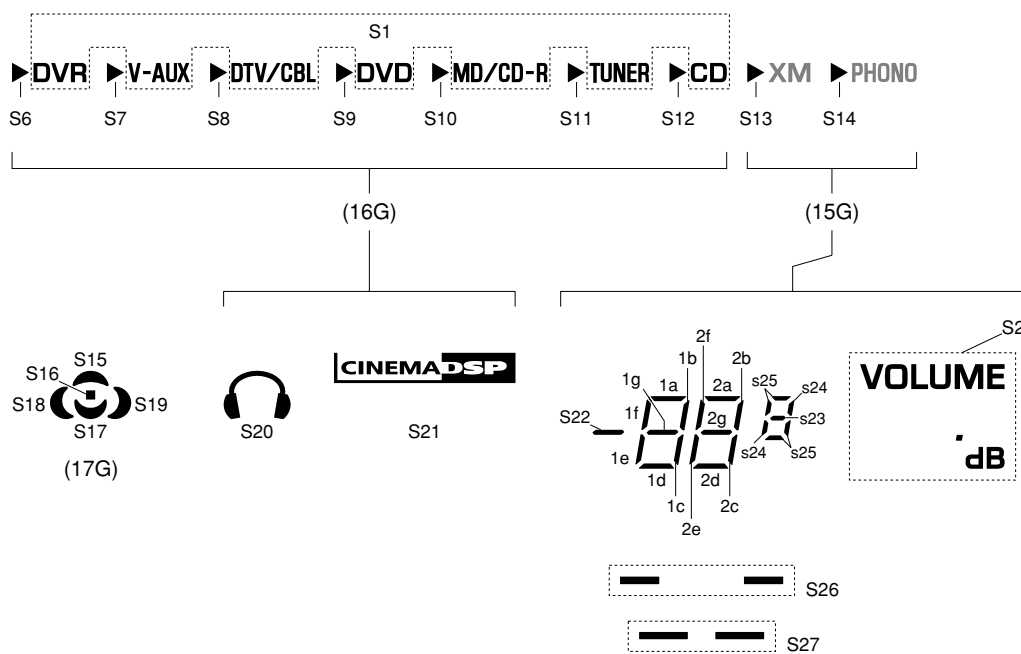
Pin No.	34	33	32	31	30	29	28	27	26	25	24	23	22	21	20	19	18	17	16	15	14	13	12	11	10	9	8	7	6	5	4	3	2	1
Connection	P32	P33	P34	P35	P36	P37	NX	NX	NX	NX	NX	NX	NX	17G	16G	15G	14G	13G	12G	11G	10G	9G	8G	7G	6G	5G	4G	3G	2G	1G	NP	NP	NX	F1

Note : 1) F1, F2 Filament pin 2) NP No pin 3) NX No extend pin 4) 1G~17G Grid pin

● GRID ASSIGNMENT



(1G~14G)

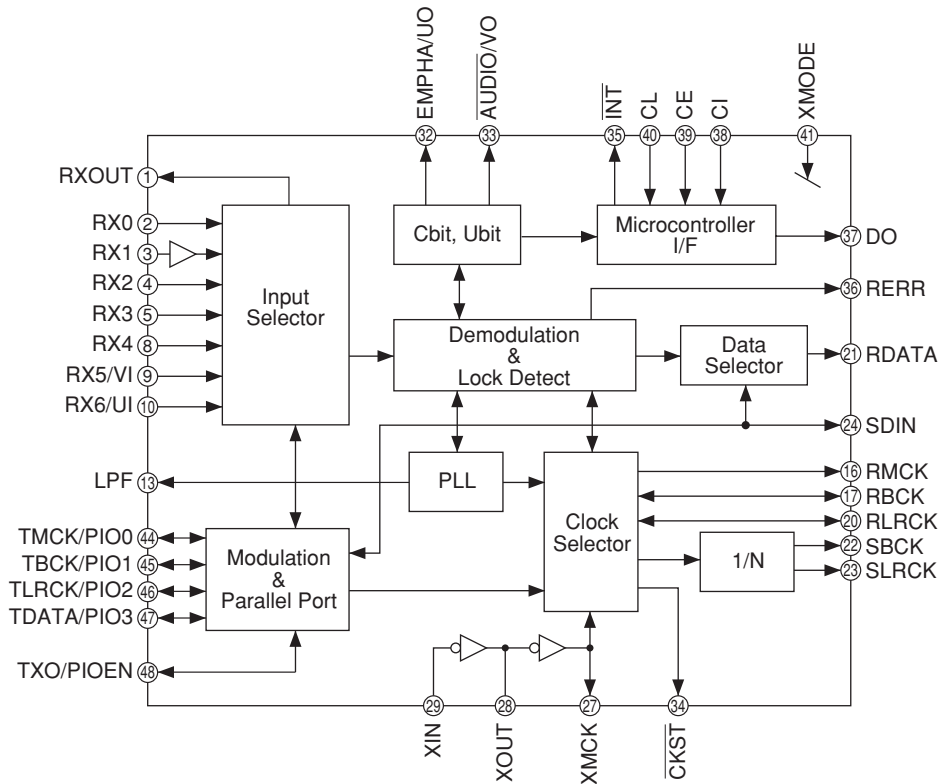
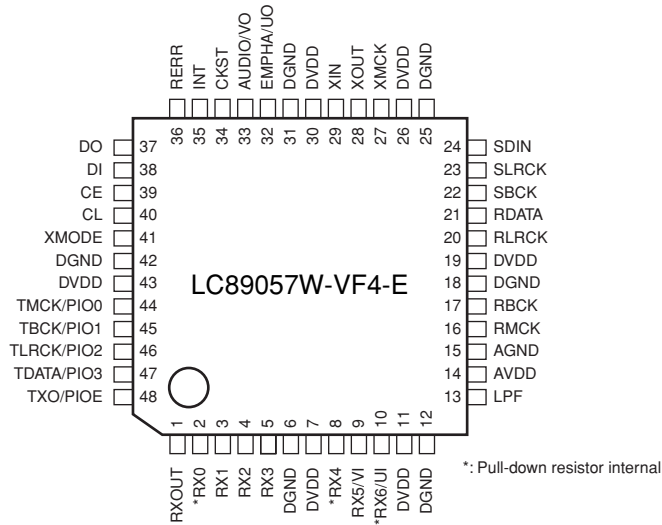


● ANODE CONNECTION

	1G~13G	14G	15G	16G	
1P	1-1	1-1	S2	S1	dts
2P	2-1	2-1	S26	S6	ES
3P	3-1	3-1	S27	S7	MATRIX
4P	4-1	4-1	S22	S8	DISCRETE
5P	5-1	5-1	1a	S9	96 24
6P	1-2	1-2	1b	S10	A
7P	2-2	2-2	1c	S11	ENHANCER
8P	3-2	3-2	1d	S12	DD EX
9P	4-2	4-2	1e	HDMI	DD DIGITAL
10P	5-2	5-2	1f	S20	CST
11P	1-3	1-3	1g	SP	DD PLIX
12P	2-3	2-3	2a	A	DD PLI
13P	3-3	3-3	2b	B	DD PL
14P	4-3	4-3	2c	SILENT CINEMA	PCM
15P	5-3	5-3	2d	ZONE2	AAC
16P	1-4	1-4	2e	NIGHT	neural
17P	2-4	2-4	2f	DOCK	NET
18P	3-4	3-4	2g	S21	USB
19P	4-4	4-4	S23	HiFi DSP	VCR
20P	5-4	5-4	S24	YPAO	
21P	1-5	1-5	S25	AUTO	
22P	2-5	2-5	XM	TUNED	
23P	3-5	3-5	PHONO	STEREO	
24P	4-5	4-5	S13	MEMORY	
25P	5-5	5-5	S14	HD	
26P	1-6	1-6	SUR.	DAB	
27P	2-6	2-6	MUTE	SECONDARY	
28P	3-6	3-6	DUAL	DRC	VIRTUAL
29P	4-6	4-6	96/24	PRESET	STANDARD
30P	5-6	5-6	ft	PTY HOLD	
31P	1-7	1-7	LFE	HOLD	
32P	2-7	2-7	L	PS	
33P	3-7	3-7	C	PTY	
34P	4-7	4-7	R	RT	
35P	5-7	5-7	SL	CT	
36P	-	ms	SB	EON	
37P	-	dB	SR	SLEEP	

IC DATA

IC504 : LC89057W-VF4-E (DSP P.C.B)
 Digital Audio Interface Transceiver



RX-V659/HTR-5960
 DSP-AX759/DSP-AX759SE

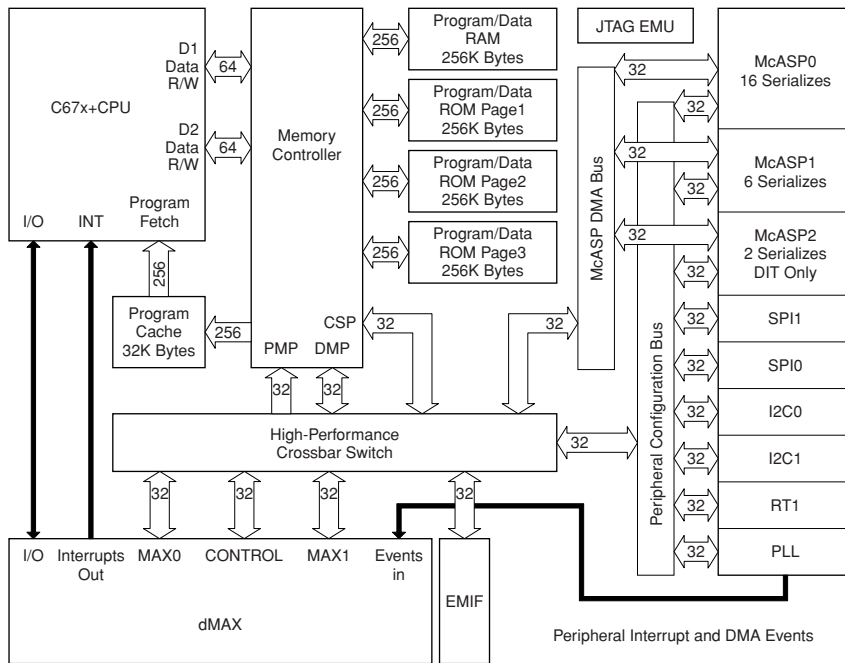
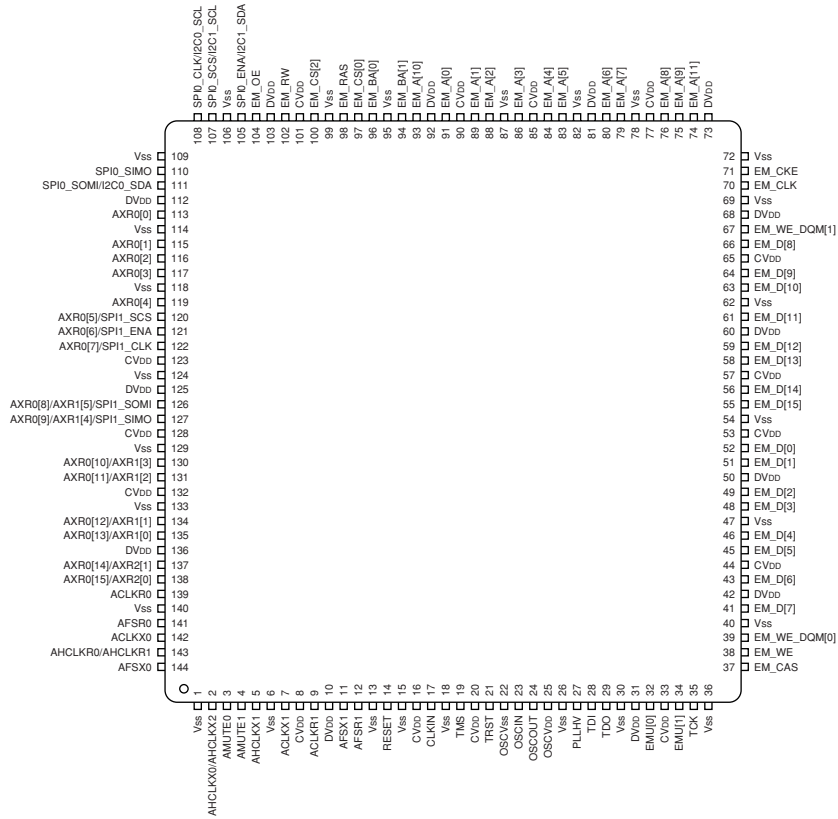
IC504 : LC89057W-VF4-E (DSP P.C.B)
Digital Audio Interface Transceiver

No.	Name	I/O	Function
1	RXOUT	O	Input bi-phase selection data output pin
2	RX0	Is	TTL-compatible digital data input pin
3	RX1	I	Coaxial-compatible digital data input pin with built-in amplifier
4	RX2	Is	TTL-compatible digital data input pin
5	RX3	Is	TTL-compatible digital data input pin
6	DGND		Digital GND
7	DVDD		Digital power supply
8	RX4	Is	TTL-compatible digital data input pin
9	RX5/VI	Is	TTL-compatible digital data / Validity flag input pin for modulation
10	RX6/UI	Is	TTL-compatible digital data / User data input pin for modulation
11	DVDD		PLL digital power supply
12	DGND		PLL digital GND
13	LPF	O	PLL loop filter connection pin
14	ACDD		PLL analog power supply
15	AGND		PLL analog GND
16	RMCK	O	R system clock output pin (256fs, 512fs, XIN, VCO)
17	RBCK	O/I	R bit clock input/output pin
18	DGND		Digital GND
19	DVDD		Digital power supply
20	RLRCK	O/I	R LR clock input/output pin (fs)
21	RDATA	O	Serial audio data input pin
22	SBCK	O	S bit clock output pin (32fs, 64fs, 128fs)
23	SLRCK	O	S LR clock output pin (fs/s, fs, 2fs)
24	SDIN	Is	Serial audio data input pin
25	DGND		Digital GND
26	DVDD		Digital power supply
27	XMCK	O	Oscillation amplifier output pin
28	XOUT	O	Crystal resonator connection output pin
29	XIN	I	Crystal resonator connection, external supply clock input pin (24.576 MHz or 12.288 MHz)
30	DVDD		Digital power supply
31	DGND		Digital GND
32	EMPHA/UO	I/O	Emphasis information / U data output / Chip address setting pin
33	AUDIO/VO	I/O	Non-PCM output / V flag output / Chip address setting pin
34	CKST	I/O	Clock switch transition period signal / Demodulation master or slave function switch pin
35	INT	I/O	Microcontroller interrupt output / Modulation or general-purpose I/O switch pin
36	RERR	O	PLL clock error, data error flag output
37	DO	O	Microcontroller I/F read data output pin (3-state)
38	DI	Is	Microcontroller I/F write data input pin
39	CE	Is	Microcontroller I/F chip enable input pin
40	CL	Is	Microcontroller I/F clock input pin
41	XMODE	Is	System reset input pin
42	DGND		Digital GND
43	DVDD		Digital power supply
44	TMCK/PIO0	I/O	Modulation 256fs system clock input / General-purpose I/O input/output pin
45	TMCK/PIO1	I/O	Modulation 64fs bit clock input / General-purpose I/O input/output pin
46	TLRCK/PIO2	I/O	Modulation fs clock input / General-purpose I/O input/output pin
47	TLRCK/PIO3	I/O	Modulation serial audio data input / General-purpose I/O input/output pin
48	TXO/PIOEN	O/I	Modulation data output / General-purpose I/O enable input pin

- 1) Input/output I or O = -0.3 to 3.6V, Is = -0.3 to 5.5V
- 2) Pins 32 and 33 are latch address setting input pins when pin 41 = "L".
- 3) Pin 34 is a demodulation function master or slave setting input pin when pin 41 = "L".
- 4) Pin 35 is a modulation function or general-purpose I/O function switch setting input pin when pin 41 = "L".
- 5) Perform ON/OFF for all power supplies with the same timing as a latch-up countermeasure.

IC506 : D70YE101RFP250 (DSP P.C.B)
 Decoder/Post Processor

* No replacement part available. / サービス部品供給なし



RX-V659/HTR-5960
DSP-AX759/DSP-AX759SE

IC506 : D70YE101RFP250 (DSP P.C.B)
Decoder/Post Processor

PIN NO.	SIGNAL NAME	TYPE ⁽¹⁾	PULL ⁽²⁾	GPIO ⁽³⁾	DESCRIPTION
1	Ground(Vss)				
2	AHCLKX0/AHCLKX2	IO	-	Y	McASP0 and McASP2 Transmit Master Clock
3	AMUTE0	IO	-	Y	McASP0 MUTE Output
4	AMUTE1	IO	-	Y	McASP1 MUTE Output
5	AHCLKX1	IO	-	Y	McASP1 Transmit Master Clock
6	Ground(Vss)				
7	ACLKX1	IO	-	Y	McASP1 Transmit Bit Clock
8	Core Supply (CVpp)				
9	ACLKR1	IO	-	Y	McASP1Receive Bit Clock
10	IO Supply (DVpp)				
11	AFSX1	IO	-	Y	McASP1 Transmit Frame Sync (L/R Clock)
12	AFSR1	IO	-	Y	McASP1Receive Frame Sync (L/R Clock)
13	Ground(Vss)				
14	RESET	IO	-	N	Device reset pin
15	Ground(Vss)				
16	Core Supply (CVpp)				
17	CLKIN	IO	-	N	Alternate clock input (3.3-V LVCMOS Input)
18	Ground(Vss)				
19	TMS	IO	IPU	N	Test mode Select
20	Core Supply (CVpp)				
21	TRST	IO	IPU	N	Test Reset
22	OSCVss	PWR	-	N	Oscillator Vss tap point (for filter only)
23	OSCIN	IO	-	N	1.2-V Oscillator Input
24	OSCOUT	O	-	N	1.2-V Oscillator Output
25	OSCVpp	PWR	-	N	Oscillator 1.2-V Vpp tap point (for filter only)
26	Ground(Vss)				
27	PLLHV	PWR	-	N	PLL 3.3-V Supply Input (requires external filter)
28	TDI	IO	IPU	N	Test Data In
29	TDO	OZ	IPU	N	Test Data Out
30	Ground(Vss)				
31	IO Supply (DVpp)				
32	EMU[0]	IO	IPU	N	Emulation Pin 0
33	Core Supply (CVpp)				
34	EMU[1]	IO	IPU	N	Emulation Pin 1
35	TCK	IO	IPU	N	Test Clock
36	Ground(Vss)				
37	EM_CAS	O	-	N	SDRAM Column Address Strobe
38	EM_WE	O	-	N	SDRAM Write Enable
39	EM_WE_DQM[0]	O	-	N	Write Enable or Byte Enable for EM_D[7:0]
40	Ground(Vss)				
41	EM_D[7]	IO	-	N	EMIF Data Bus [lower 16 Bits]
42	IO Supply (DVpp)				
43	EM_D[6]	IO	-	N	EMIF Data Bus [lower 16 Bits]
44	Core Supply (CVpp)				
45	EM_D[5]	IO	-	N	EMIF Data Bus [lower 16 Bits]
46	EM_D[4]	IO	-	N	EMIF Data Bus [lower 16 Bits]
47	Ground(Vss)				
48	EM_D[3]	IO	-	N	EMIF Data Bus [lower 16 Bits]
49	EM_D[2]	IO	-	N	EMIF Data Bus [lower 16 Bits]
50	IO Supply (DVpp)				
51	EM_D[1]	IO	-	N	EMIF Data Bus [lower 16 Bits]
52	EM_D[0]	IO	-	N	EMIF Data Bus [lower 16 Bits]
53	Core Supply (CVpp)				
54	Ground(Vss)				
55	EM_D[15]	IO	-	N	EMIF Data Bus [lower 16 Bits]

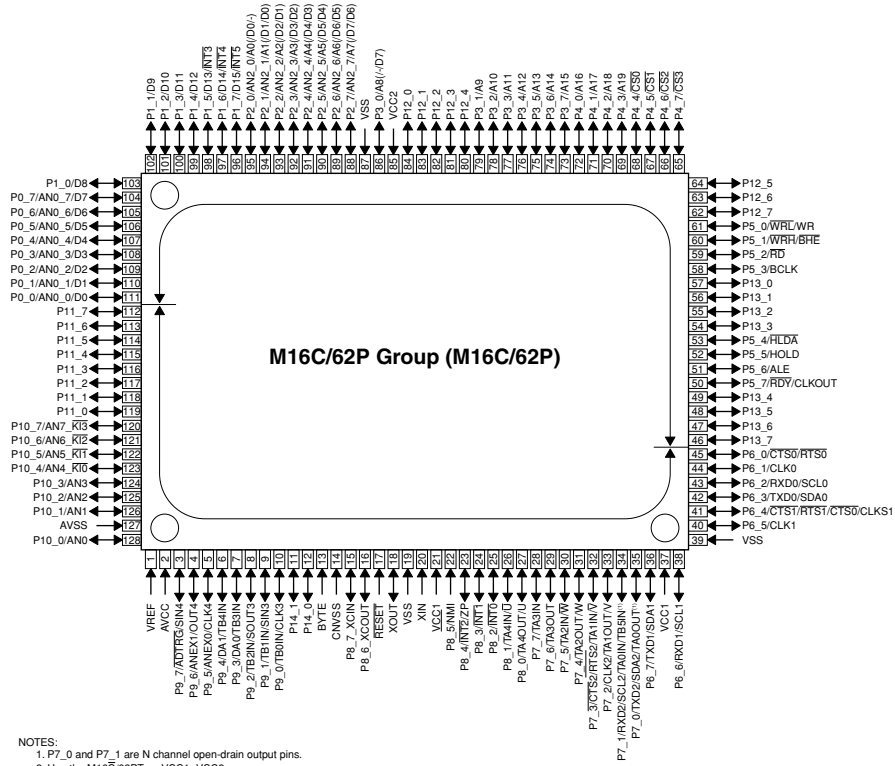
IC506 : D70YE101RFP250 (DSP P.C.B)
Decoder/Post Processor

PIN NO.	SIGNAL NAME	TYPE ⁽¹⁾	PULL ⁽²⁾	GPIO ⁽³⁾	DESCRIPTION
56	EM_D[14]	IO	-	N	EMIF Data Bus [lower 16 Bits]
57	Core Supply (CVpp)				
58	EM_D[13]	IO	-	N	EMIF Data Bus [lower 16 Bits]
59	EM_D[12]	IO	-	N	EMIF Data Bus [lower 16 Bits]
60	IO Supply (DVpp)				
61	EM_D[11]	IO	-	N	EMIF Data Bus [lower 16 Bits]
62	Ground(Vss)				
63	EM_D[10]	IO	-	N	EMIF Data Bus [lower 16 Bits]
64	EM_D[9]	IO	-	N	EMIF Data Bus [lower 16 Bits]
65	Core Supply (CVpp)				
66	EM_D[8]	IO	-	N	EMIF Data Bus [lower 16 Bits]
67	EM_WE_DQM[1]	O	-	N	Write Enable or Byte Enable for EM_D[15:8]
68	IO Supply (DVpp)				
69	Ground(Vss)				
70	EM_CLK	O	-	N	SDRAM Clock
71	EM_CKE	O	-	N	SDRAM Clock Enable
72	Ground(Vss)				
73	IO Supply (DVpp)				
74	EM_A[11]	O	-	N	EMIF Address Bus
75	EM_A[9]	O	-	N	EMIF Address Bus
76	EM_A[8]	O	-	N	EMIF Address Bus
77	Core Supply (CVpp)				
78	Ground(Vss)				
79	EM_A[7]	O	-	N	EMIF Address Bus
80	EM_A[6]	O	-	N	EMIF Address Bus
81	IO Supply (DVpp)				
82	Ground(Vss)				
83	EM_A[5]	O	-	N	EMIF Address Bus
84	EM_A[4]	O	-	N	EMIF Address Bus
85	Core Supply (CVpp)				
86	EM_A[3]	O	-	N	EMIF Address Bus
87	Ground(Vss)				
88	EM_A[2]	O	-	N	EMIF Address Bus
89	EM_A[1]	O	-	N	EMIF Address Bus
90	Core Supply (CVpp)				
91	EM_A[0]	O	-	N	EMIF Address Bus
92	IO Supply (DVpp)				
93	EM_A[10]	O	-	N	EMIF Address Bus
94	EM_BA[1]	O	-	N	SDRAM Bank Adress and Asynchronous Memory LOW-Order Address
95	Ground(Vss)				
96	EM_BA[0]	O	-	N	SDRAM Bank Adress and Asynchronous Memory LOW-Order Address
97	EM_CS[0]	O	-	N	SDRAM Chip Select
98	EM_RAS	O	-	N	SDRAM Row Address Strobe
99	Ground(Vss)				
100	EM_CS[2]	O	-	N	Asynchronous Memory Chip Slect
101	Core Supply (CVpp)				
102	EM_RW	O	-	N	Asynchronou Memory Read/not Write
103	IO Supply (DVpp)				
104	EM_OE	O	-	N	SDRAM Output Enable
105	SPI0_ENA/I2C1_SDA	IO	-	Y	SPI0 Enable (Ready) or I2c1 Serial Data
106	Ground(Vss)				
107	SPI0_SCS/I2C1_SCL	IO	-	Y	SPI0 Slave Chip Select or I2c1 Serial Clock
108	SPI0_CLK/I2C0_SCL	IO	-	Y	SPI0 Serial Clock or I2c0 Serial Clock
109	Ground(Vss)				
110	SPI0_SIMO	IO	-	Y	SPI0 Data Pin Slave In Master Out

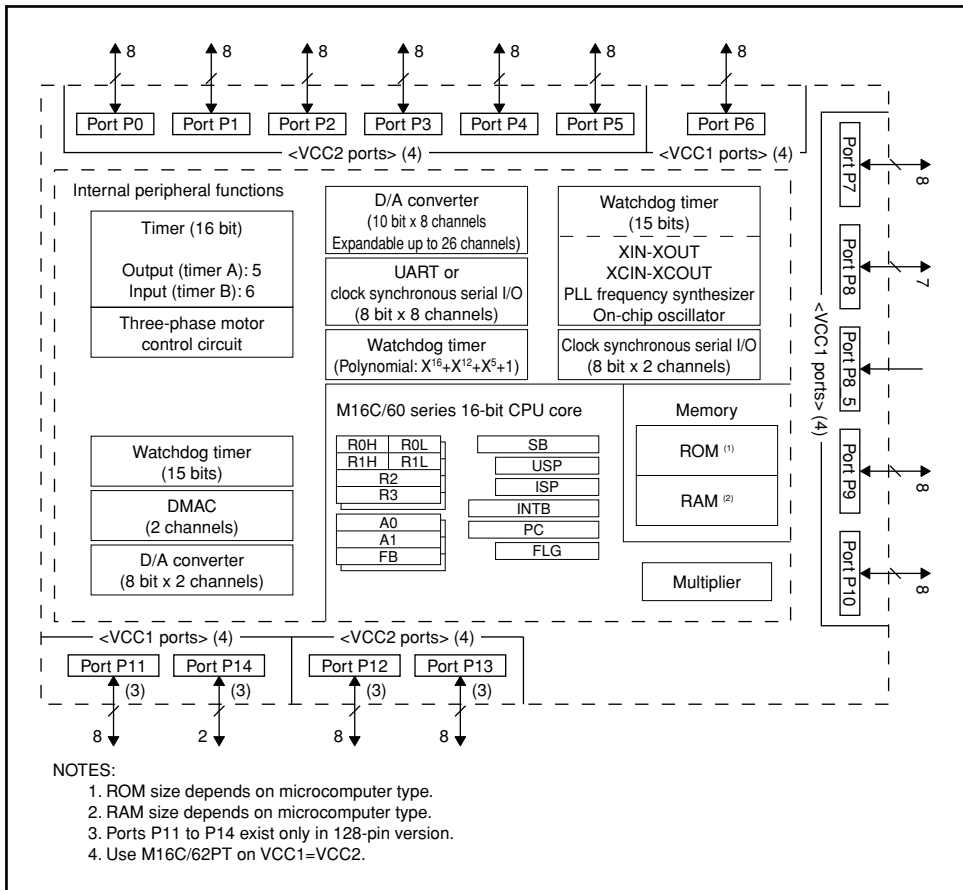
IC506 : D70YE101RFP250 (DSP P.C.B)
Decoder/Post Processor

PIN NO.	SIGNAL NAME	TYPE ⁽¹⁾	PULL ⁽²⁾	GPIO ⁽³⁾	DESCRIPTION
111	SPI0_SOMI/I2C0_SDA	IO	-	Y	SPI0 Data Pin Slave Out Master In or I2C0 Serial Data
112	IO Supply (DVpp)				
113	AXR0[0]	IO	-	Y	McASP0 Serial Data 0
114	Ground(Vss)				
115	AXR0[1]	IO	-	Y	McASP0 Serial Data 1
116	AXR0[2]	IO	-	Y	McASP0 Serial Data 2
117	AXR0[3]	IO	-	Y	McASP0 Serial Data 3
118	Ground(Vss)				
119	AXR0[4]	IO	-	Y	McASP0 Serial Data 4
120	AXR0[5]/SOI1_SCS	IO	-	Y	McASP0 Serial Data 5 or SPI1 Slave Chip Select
121	AXR0[6]/SPI1_ENA	IO	-	Y	McASP0 Serial Data 6 or SPI1 Enable (Ready)
122	AXR0[7]/SPI1_CLK	IO	-	Y	McASP0 Serial Data 7 or SPI1 Serial Clock
123	Core Supply (CVpp)				
124	Ground(Vss)				
125	IO Supply (DVpp)				
126	AXR0[8]/AXR1[5]/SPI1_SOMI	IO	-	Y	McASP0 Serial Data 8 or McASP1 Serial Data 5 or SPI1 Data Pin Slave Out Master In
127	AXR0[9]/AXR1[4]/SPI1_SIMO	IO	-	Y	McASP0 Serial Data 9 or McASP1 Serial Data 4 or SPI1 Data Pin Slave In Master Out
128	Core Supply (CVpp)				
129	Ground(Vss)	IO	-	Y	
130	AXR0[10]/AXR1[3]	IO	-	Y	McASP0 Serial Data 10 or McASP1 Serial Data 3
131	AXR0[11]/AXR1[2]				McASP0 Serial Data 11 or McASP1 Serial Data 2
132	Core Supply (CVpp)				
133	Ground(Vss)	IO	-	Y	
134	AXR0[12]/AXR1[1]	IO	-	Y	McASP0 Serial Data 12 or McASP1 Serial Data 1
135	AXR0[13]/AXR1[0]				McASP0 Serial Data 13 or McASP1 Serial Data 0
136	IO Supply (DVpp)	IO	-	Y	
137	AXR0[14]/AXR2[1]	IO	-	Y	McASP0 Serial Data 14 or McASP2 Serial Data 1
138	AXR0[15]/AXR2[0]	IO	-	Y	McASP0 Serial Data 15 or McASP2 Serial Data 0
139	ACLKR0				McASP0 Receive bit Clock
140	Ground(Vss)	IO	-	Y	
141	AFSR0	IO	-	Y	McASP0 Receive Frame Sync (L/R Clock)
142	ACLKX0	IO	-	Y	McASP0 Transmit Bit Clock
143	AHCLKR0/AHCLKR1	IO	-	Y	McASP0 and McASP1 Receive Master Clock
144	AFSX0				McASP0 Transmit Frame Sync (L/R Clock)

IC762 : M30625MHP-A98GP (VIDEO P.C.B.)
 Microprocessor



NOTES:
 1. P7_0 and P7_1 are N channel open-drain output pins.
 2. Use the M16C/62PT on VCC1=VCC2.



NOTES:
 1. ROM size depends on microcomputer type.
 2. RAM size depends on microcomputer type.
 3. Ports P11 to P14 exist only in 128-pin version.
 4. Use M16C/62PT on VCC1=VCC2.

RX-V659/HTR-5960
 DSP-AX759/DSP-AX759SE

IC762 : M30625MHP-A98GP (VIDEO P.C.B.)
Microprocessor

No.	Port Name	Terminal Name	I/O				Function
			PowerOn	Pure Direct	Standby	Sleep	
1	Vref	Vref	MCU		MCU	MCU	AD reference
2	Avcc	Vvcc	MCU		MCU	MCU	AD power supply
3	P97/Adtrg/Sin4	CEFD	O		O	O	FL Driver CE
		MOD0			I		MODEL distinction 0
4	P96/ANEX1/SOUT4	DTFD	SO		O	O	FL Driver TxD
5	P95/ANEX0/CLK4	CKFD	SO		O	O	FL Driver CLOCK
6	P94/DA1/TB4in	LC	DA		O	O	Limiter control output
7	P93/DA0/TB3in	XMPWR	O		O	O	XM/DT BUS POWER CONTROL (U model)
8	P92/TB2in/SOUT3	SDM	SO		O	O	Serial data output to DIR, TI (D70Y), DAC / DIR: 4M, LSBF/TI: 1M, MSBF
9	P91/TB1in/SIN3	SDD	SI		O	O	Serial data input from DIR, TI (D70Y)
10	P90/TB0in/CLK3	SCK	SO		O	O	Serial clock output to DIR, TI (D70Y) DAC
11	P141	/ICCNV	O	O	O	O	Reset I2C device of CONV
12	P140	NW_RST	O		O	O	
13	BYTE	BYTE	MCU		MCU	MCU	Vss : When single chip mode is used
14	CNVss	CNVss	MCU		MCU	MCU	Vss : When single chip mode is used, Vcc : When flash writing is used
15	P87/Xcin	MUTETI	O		O	O	MUTE of TI decoder DSP D70Y (HI=MUTE)
16	P86/Xcout	/TIBUSY	I		O	O	TI BUSY detection / CDDA writing DATA input
17	/RESET	/RES	MCU		MCU	MCU	Reset
18	Xout	Xout	MCU		MCU	MCU	Oscillation output
19	Vss	Vss	MCU		MCU	MCU	Ground for microprocessor
20	Xin	Xin	MCU		MCU	MCU	Oscillation input
21	Vcc1	Vcc	MCU		MCU	MCU	Power supply +5V for microprocessor
22	P85/NMI	NMI	MCU		MCU	MCU	No used, connect Vss
23	P84/INT2	/INTTI	IRQ		O	O	Interrupt of TI decoder DSP D70Y
24	P83/INT1	/INTDIR	IRQ		O	O	Interrupt of DIR
25	P82/INT0	/VSY	IRQ	O	O	O	Interrupt of Vertical sync Pulse
26	P81/TA4in/U	/CSDIR	O		O	O	Chip enable of DIR
27	P80/TA4out/U	/CSTI	O		O	O	Chip enable of TI decoder DSP D70Y
28	P77/TA3in	/CSDAC	O		O	O	Chip enable of DAC (2ch/8ch common)
29	P76/TA3out	/ICDIR	O		O	O	DIR reset
30	P75/TA2in/W	/ICTI	O		O	O	Reset of TI decoder DSP D70Y
31	P74/TA2out/W	/SPIRDY	I		O	O	TI D70Y Serial Ready / WCK input for CDDA writing
32	P73/CTS2/RTS2/TA1in/V	/CEEEP	O		O	O	EEPROM CE
33	P72/CLK2/TA1out/V	FET	O		O	O	Control of flash writing
34	P71/RXD2/SCL2/TA0in/TB5in	DRXM	SI		O	O	XMDT IC RxDU (U model)
35	P70/TXD2/SDA2/TA0out	DTXM	SO		O	O	XMDT IC TxDU
36	P67/TXD1/SDA1	SDA	SO	I	I	I	IIC data I/O for VIDEO
		TXDF	SO				Data transmission terminal of AF220
37	Vcc1	Vcc	MCU		MCU	MCU	Power supply +5V for microprocessor
38	P66/RXD1/SCL1	SCL	SO	I	I	I	IIC clock I/O for VIDEO, Clock speed: 100kHz
		RXDF	SO				Flash ROM RxD
39	Vss	Vss	MCU		MCU	MCU	Ground for microprocessor
40	P65/CLK1	N.C.	O		O	O	
		CLKF	SO				Clock transmission terminal signal output for AF220
41	P64/CTS1/RTS1/CTS0/CLKS1	BSY	O				BUSY signal output for AF220
42	P63/TXD0/SDA0	TXDi	SO		O	O	serial data output for iPod
		TXDNW	SO		O	O	
43	P62/RXD0/SCL0	RXDi	SI		O	O	Serial data input for iPod
		RXDNW	SI		O	O	
44	P61/CLK0	iPDET	I		O	O	iPod detection
45	P60/CTS0/RTS0	iPAP	I		O	O	iPod accessories power detection
46	P137	Z2RY	O		O	O	Zone2 relay output
		YST	O		O	O	
47	P136	/4ohm	O		O	O	IMPEDANCE control / ±B voltage control
48	P135	SBRY	O		O	O	SURROUND BACK SP relay output
49	P134	SPC	O		O	O	CENTER and SURROUND SP relay output
50	P57/RDY/CLKout	SPB	O		O	O	FRONT B SP relay output

IC762 : M30625MHP-A98GP (VIDEO P.C.B.)
Microprocessor

No.	Port Name	Terminal Name	I/O				Function
			PowerOn	Pure Direct	Standby	Sleep	
51	P56/ALE	SPA	O		O	O	FRONT A SP relay output
52	P55/HOLD	/EMP	I				For FLASH writing (LO)
53	P54/HLDA	PRI	I		O	O	Protection overcurrent detection
54	P133	PSV	O		O	O	Power Save
55	P132	PRY	O		O	O	Power relay output
56	P131	MASTER	I		O	O	MASTER ON/OFF
57	P130	/BLK	O		O	O	FL Driver turning off
58	P53/BCLK	ISA	I		O	O	INPUT Selector Rotary A
59	P52/RD	ISB	I		O	O	INPUT Selector Rotary B
60	P51/WRH/BHE	TONEA	I		O	O	Tone Control Rotary A
61	P50/WRL/WR	/CE	I				For FLASH writing (HI)
62	P127	TONEB	I		O	O	Tone Control Rotary B
63	P126	VRA	I		O	O	Volume Rotary A
64	P125	VRB	I		O	O	Volume Rotary B
65	P47/CS3	VIA	O	O	O	O	VIDEO Selector A
66	P46/CS2	VIB	O	O	O	O	VIDEO Selector B
67	P45/CS1	VIC	O	O	O	O	VIDEO Selector C
68	P44/CS0	S/V	O	O	O	O	OSD input S/Composite change
69	P43/A19	/CES	O	O	O	O	
		MOD1	I				MODEL distinction 1
70	P42/A18	SVIDD	I	O	O	O	S-Video Signal Detector
71	P41/A17	BYPASS	O	O	O	O	VIDEO Bypass/ conversion change
72	P40/A16	/INTCNV	I	O	O	O	Interrupt request of VIDEO DEC/ENC IC
73	P37/A15	/VR1	O	O	O	O	VIDEO Rec Out 1 MUTE
74	P36/A14	/VR2	O	O	O	O	VIDEO Rec Out 2 MUTE
75	P35/A13	/PURD	O		O	I	PureDirect LED/VIDEO Power OFF
76	P34/A12	/MON	O	O	O	O	VIDEO Mon Out MUTE
77	P33/A11	CPNTD	I	O	O	O	Component Signal Detector (DVD)
78	P32/A10	CMP0	O	O	O	O	Component Selector 0
79	P31/A9	CMP1	O	O	O	O	Component Selector 1
80	P124	CBYPASS	O	O	O	O	Component Bypass/Conversion change
81	P123	/CNONE	O	O	O	O	Component MonOut MUTE
82	P122	TRIG	O		O	O	DC TRIGGER input
83	P121	TMT	O		O	O	TUNER MUTE
84	P120	SDRN	I		O	O	RDS RxDBG
85	Vcc2	Vcc	MCU		MCU	MCU	Power supply +5V for microprocessor
86	P30/A8	SCKN	O		O	O	RDS IC Clock (G, E models)
			O	O	O	O	OSD IC Clock (U, C, R, T, K, A, B, L, J models)
87	Vss	Vss	MCU		MCU	MCU	Ground for micro-processor
88	P27/A7	SDTN	O		O	O	RDS IC TxD (G, E models)
			O	O	O	O	OSD IC TxD (U, C, R, T, K, A, B, L, J models)
89	P26/A6	RDSE	O		O	O	RDS Enable (G, E models)
		/ICXM	O		O	O	DABIC IC reset (U model)
90	P25/A5	SCKP	O		O	O	PLL IC Clock
91	P24/A4	SDTP	O		O	O	PLL IC TxD
92	P23/A3	CEP	O		O	O	PLL IC Enable
93	P22/A2	SDRP	I+		O	O	PLL IC RxD
94	P21/A1	/ST	I+		O	O	TUNER /ST
95	P20/A0	TUNED	I+		O	O	TUNED
96	P17/D15/INT5	PDET	IRQ		IRQ	O	Power Down DETECT INT
97	P16/D14/INT4	/PSW	IRQ		IRQ	O	Interrupt MASTER / MAIN / Zone2 Power SW
98	P15/D13/INT3	REM	IRQ		IRQ	O	Remote Control input
99	P14/D12	/HP	I		O	O	HEAD PHONE detection
100	P13/D11	/MTHP	O		O	O	HEAD PHONE MUTE input
101	P12/D10	/MTFS	O		O	O	MUTE Front/Surround, PreOUT
102	P11/D9	/MTCT	O		O	O	MUTE Center
103	P10/D8	/MTSW	O		O	O	MUTE SW
104	P07/D7	/MTZ2	O		O	O	Zone 2 MUTER
105	P06/D6	CKEV	O		O	O	Electron volume IC Clock

IC762 : M30625MHP-A98GP (VIDEO P.C.B.)
Microprocessor

No.	Port Name	Terminal Name	I/O				Function
			PowerOn	Pure Direct	Standby	Sleep	
106	P05/D5	DTEV	O		O	O	Electron volume IC DATA
107	P04/D4	CKZ2	O		O	O	Zone2 Selector (BD3841) Clock (R model)
108	P03/D3	DTZ2	O		O	O	Zone2 Selector (BD3841) DATA (R model)
109	P02/D2	N.C.	O		O	O	
110	P01/D1	N.C.	O		O	O	
111	P00/D0	CKEX	O		O	O	EX. INPUT Selector Clock
112	P117	DTEX	O		O	O	EX. INPUT Selector DATA
113	P116	CKBD	O		O	O	INPUT Selector (BD3841) Clock
114	P115	DTBD	O		O	O	BD3841 DATA / INPUT Selector & Zone2 Selector
		MOD2			I		MODEL distinction 2
115	P114	DTSEL	O		O	O	Selector IC DATA
116	P113	CKSEL	O		O	O	Selector IC Clock
117	P112	CESEL	O		O	O	Selector IC Enable
		MOD4			I		
118	P111	ICEV	O		O	O	Electron volume reset
119	P110	CEEV	O		O	O	
		MOD3			I		MODEL distinction
120	P107/AN7/KI3	PRV2	AD		O	O	
121	P106/AN6/KI2	PRV1	AD		O	O	AD protection power-supply voltage detection
122	P105/AN5/KI1	PRD	AD		O	O	AD protection DC detection
123	P104/AN4/KI0	PLDET	AD		O	O	AD POWER LIMITTER detection
124	P103/AN3	THM	AD		O	O	AD temperature detection
125	P102/AN2	ADKEY0	AD		O	O	AD Key 0
126	P101/AN1	ADKEY1	AD		O	O	AD Key 1
127	Avss	Avss	MCU		MCU	MCU	Ground for AD
128	P100/AN0	DEST	AD		O	O	AD model detection

RX-V659/DSP-AX759

Key Input(A-D) Pull-Up Resistance 10 k-Ohms

Ohm	+0.0k	+1.0k	+1.0k	+1.5k	+2.2k	+3.3k	+4.7k	+4.7k	+6.8k	+10.0k	+22.0k
V	~0.3	~0.7	~1.0	~1.5	~2.0	~2.6	~3.1	~3.4	~3.7	~4.0	~4.4
ADKEY0 94pin/AN2	MAIN/ZONE ON/OFF	-	-	-	INPUT MODE	STRAIGHT	TONE CONTROL	PRESET/TUNING	SPEAKER B	SPEAKER A	PURE DIRECT
ADKEY1 95pin/AN1	ZONE2 ON/OFF	-	-	ZONE CONTROL	MULTI CH INPUT	FM/AM	A/B/C/D/E	PRESET/TUNING <	PRESET/TUNING >	MEMORY	TUNING MODE

DSP-AX759SE

Key Input(A-D) Pull-Up Resistance 10 k-Ohms

Ohm	+0.0k	+1.0k	+1.0k	+1.5k	+2.2k	+3.3k	+4.7k	+4.7k	+6.8k	+10.0k	+22.0k
V	~0.3	~0.7	~1.0	~1.5	~2.0	~2.6	~3.1	~3.4	~3.7	~4.0	~4.4
ADKEY0 94pin/AN2	MAIN/ZONE ON/OFF	-	-	-	INPUT MODE	STRAIGHT	TONE CONTROL	-	SPEAKER B	SPEAKER A	PURE DIRECT
ADKEY1 95pin/AN1	ZONE2 ON/OFF	-	-	-	MULTI CH INPUT	-	NEXT	LEVEL -	LEVEL +	-	-

HTR-5960

Key Input(A-D) Pull-Up Resistance 10 k-Ohms

Ohm	+0.0k	+1.0k	+1.0k	+1.5k	+2.2k	+3.3k	+4.7k	+4.7k	+6.8k	+10.0k	+22.0k
V	~0.3	~0.7	~1.0	~1.5	~2.0	~2.6	~3.1	~3.4	~3.7	~4.0	~4.4
ADKEY0 94pin/AN2	-	-	-	-	INPUT MODE	STRAIGHT	TONE CONTROL	PRESET/TUNING	SPEAKER B	SPEAKER A	PURE DIRECT
ADKEY1 95pin/AN1	-	-	-	-	MULTI CH INPUT	FM/AM	A/B/C/D/E	PRESET/TUNING <	PRESET/TUNING >	MEMORY	TUNING MODE

MODEL Distinction Port / モデル判別ポート

Pin	Function	Name	RX-V659/DSP-AX759	DSP-AX759SE	HTR-5960
3	P97/Adtrg/Sin4	CEFD/MOD0	0	0	1
69	P43/A19	CES/MOD1	1	0	1
114	P115	DTBD/MOD2	0	0	0

Destination for AD Port / 仕向け先判別ポート

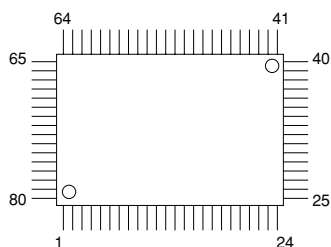
Pull-Up Resistance 10 k-Ohms

Ohm	0.0k	1.2k	2.7k	4.7k	6.8k	10.0k	15.0k	27.0k	47.0k	100.0k	∞
V	0-0.2	0.3-0.8	0.9-1.3	1.4-1.8	1.8-2.2	2.3-2.7	2.8-3.3	3.4-3.8	3.9-4.3	4.4-4.7	4.8-5.0
A-D (5V=255)	0-13	14-40	41-68	69-92	93-115	116-140	141-170	171-198	199-221	222-244	245-255
DEST 128pin	J	U, C	-	R	T	K	A	-	G, E	L	-

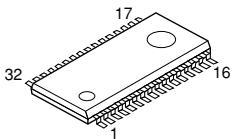
PIN CONNECTION DIAGRAM

ICs

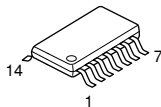
BD3816K1



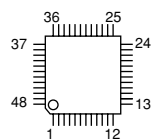
BD3841FS



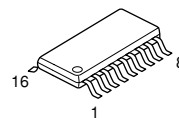
TC74HC4051AFEL
 TC74HC4052AF
 MM74HC4053AF
 NJM2581M



F2602E-01
 YAC523-EVR2



LA7106M-TLM-E
 PCM1780DBQR
 PCM1781DBQR
 PCM1803DBR



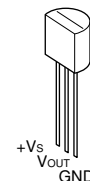
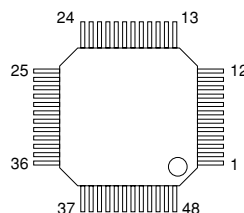
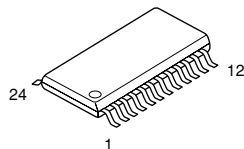
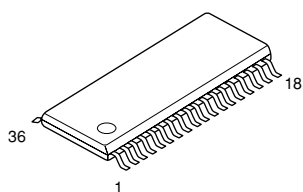
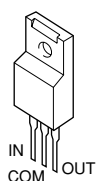
BD3816K1

LA73050-TLM-E

LC72722PM
 LC74781JM-9798

LC89057W-VF4A-E

LM61CIZ THERMAL



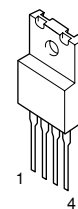
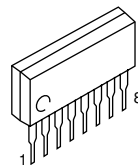
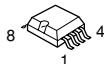
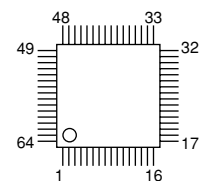
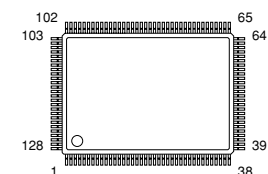
M30625MHP-A98GP

M66003-0131FP

NE5532DR OP AMP

NJM2068LD
 NJM2068MD-TE2
 NJM4556AL

NJM2388F05 5.0V
 NJM2388F33



NJM2581M VIDEO AMP

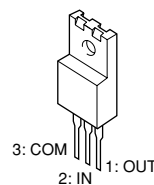
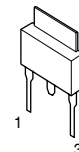
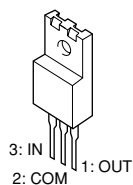
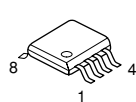
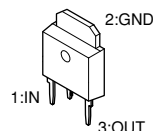
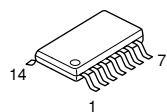
NJM2885DL1-18
 NJM2885DL1-33

NJM4565M (TE1)

NJM7812FA

NJM78M05DL1A (TE1)

NJM7805FA 5V
 NJM79M05FA
 NJM79M12FA



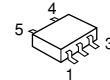
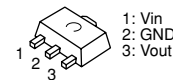
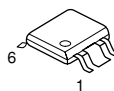
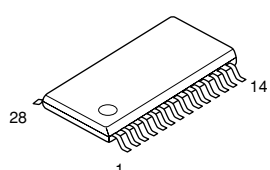
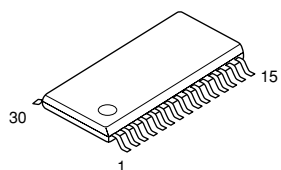
NJU7311AM
 NJU7312AM
 NJU7313AM

PCM1680DBQR

R1172S121D-E2-F

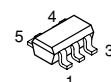
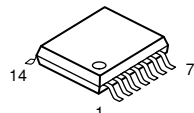
RH5RE58AA-T1-FA

SN74AHC1G08DCKR

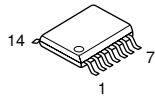


SN74AHCT08PWR

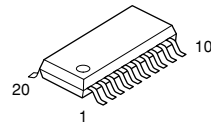
SN74AHCT1G32DCKR



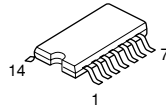
SN74LV157APWR
SN74LVU04APWR



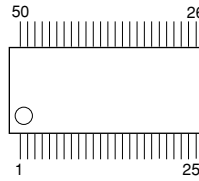
SN74LV245APWR TRAN



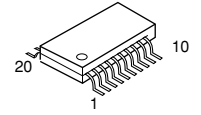
TC4013BP FF
TC74VHCU04FT INVER



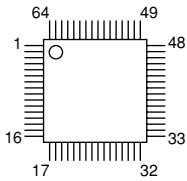
W9816G6CH-7 SDRAM



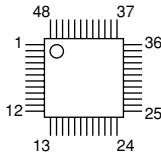
YAC520-EE2



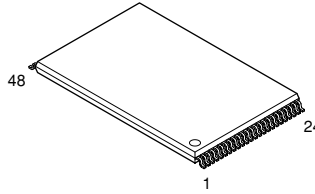
ADV7180



ADV7172



MBM29LV400BC-70



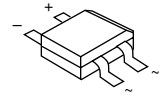
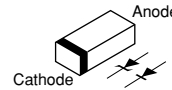
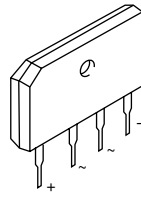
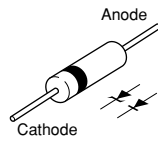
• Diodes

1N4002S
1SS133,176
1SS270A
1SS355
1SS380
1T2
MTZJ13A 13V
MTZJ15A 15V
MTZJ15B 15V
MTZJ2.4B 2.4V
MTZJ27B 27V
MTZJ30A 30V
MTZJ5.1C 5.1V
RB441Q-40 T-77
RB441Q-40 T-77

D2SBA20 1.5A 200V
D5SB20 5A 200V

MA8030-L 2.9V
MA8051-M 5.1V
MA8056-M 5.6V
MA8068-L 6.6V
MA8068-M 6.8V
MA8075-H 7.7V
MA8091-M 9.1V
MA8100-M 10V
RB500V-40
RB501V-40
UDZ 3.6BTE-17 3.6V
UDZ5.1B 5.1V

S1NB20 1A 200V
S1NB60 1.0A 600V



• Transistors

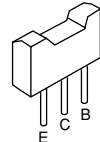
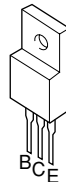
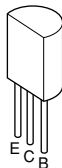
2SA1015 Y
2SA933S Q,R
2SA949 O,Y
2SC1740S QRS
2SC1815 Y
2SC1890A D,E
2SC2229 O,Y
2SC2240 GR,BL

2SC3326 A,B
2SC3837K T146 N,P
2SC3906K T146 R,S

2SB1257
2SB1274 Q,R,S

2SA1695 O,P,Y
2SC4468 O,P,Y
2SD1915F S,T
2SD2014
2SK2158-T2B-A
2SK246 Y
2SK3288
2SK3850

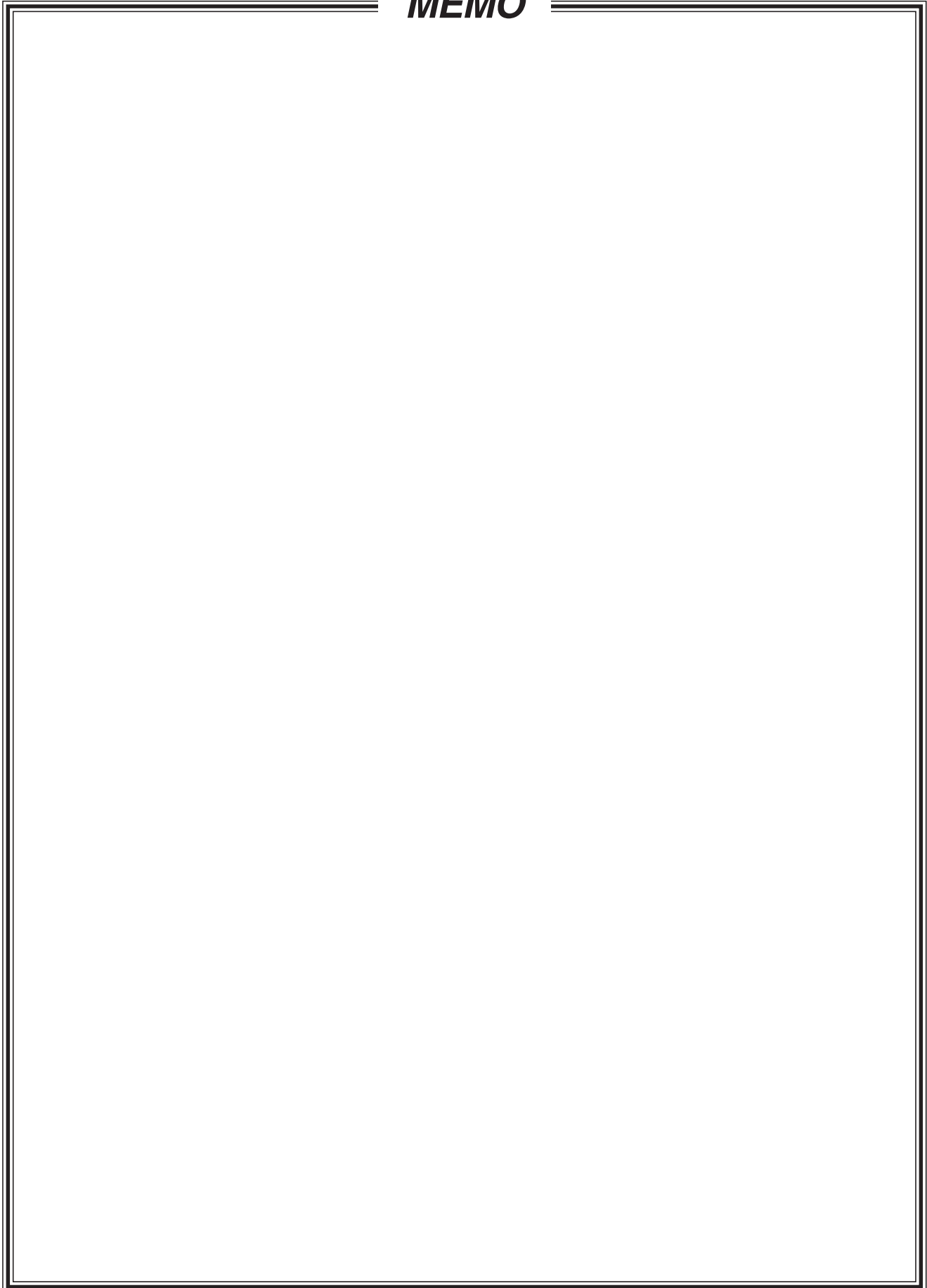
2SA1708 S,T
2SA1770 S,T
2SC4488 S,T
2SC4614 S,T
2SD1938F S,T



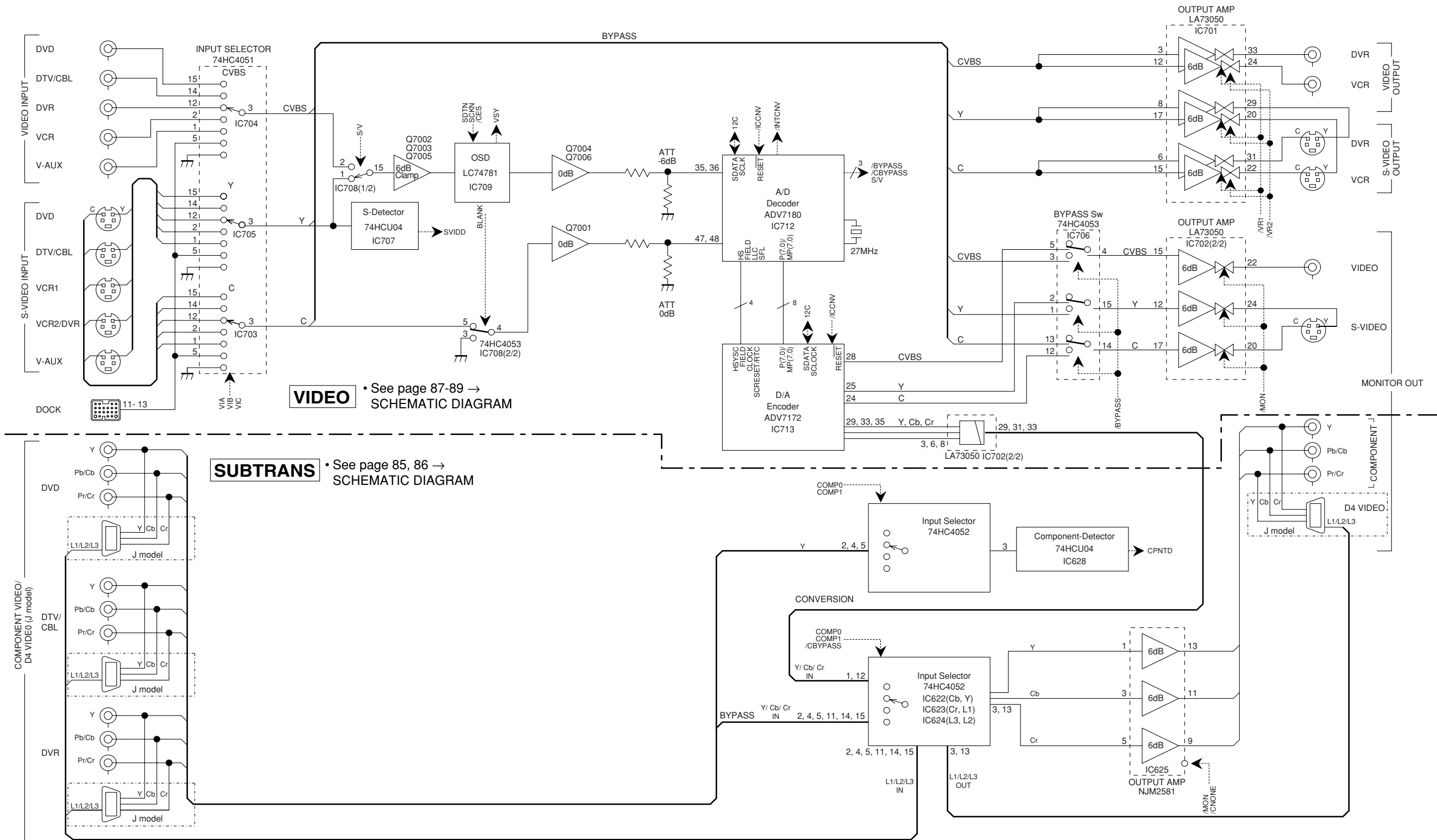
2SA1037K Q,R,S
2SC2412K Q,R,S
DTA114ES
DTC114EKA
DTC114ES
DTC124EKA
DTC144ES



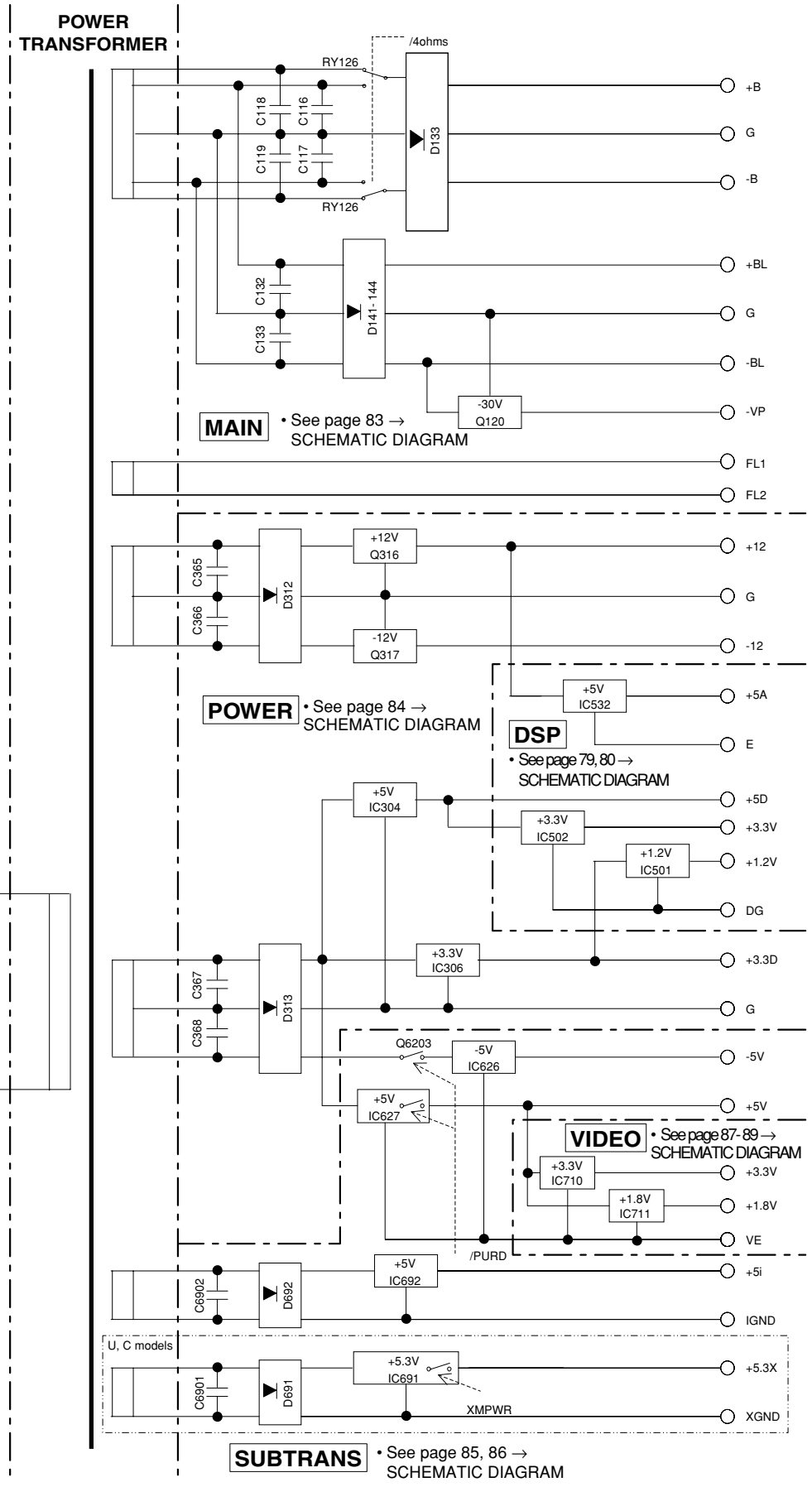
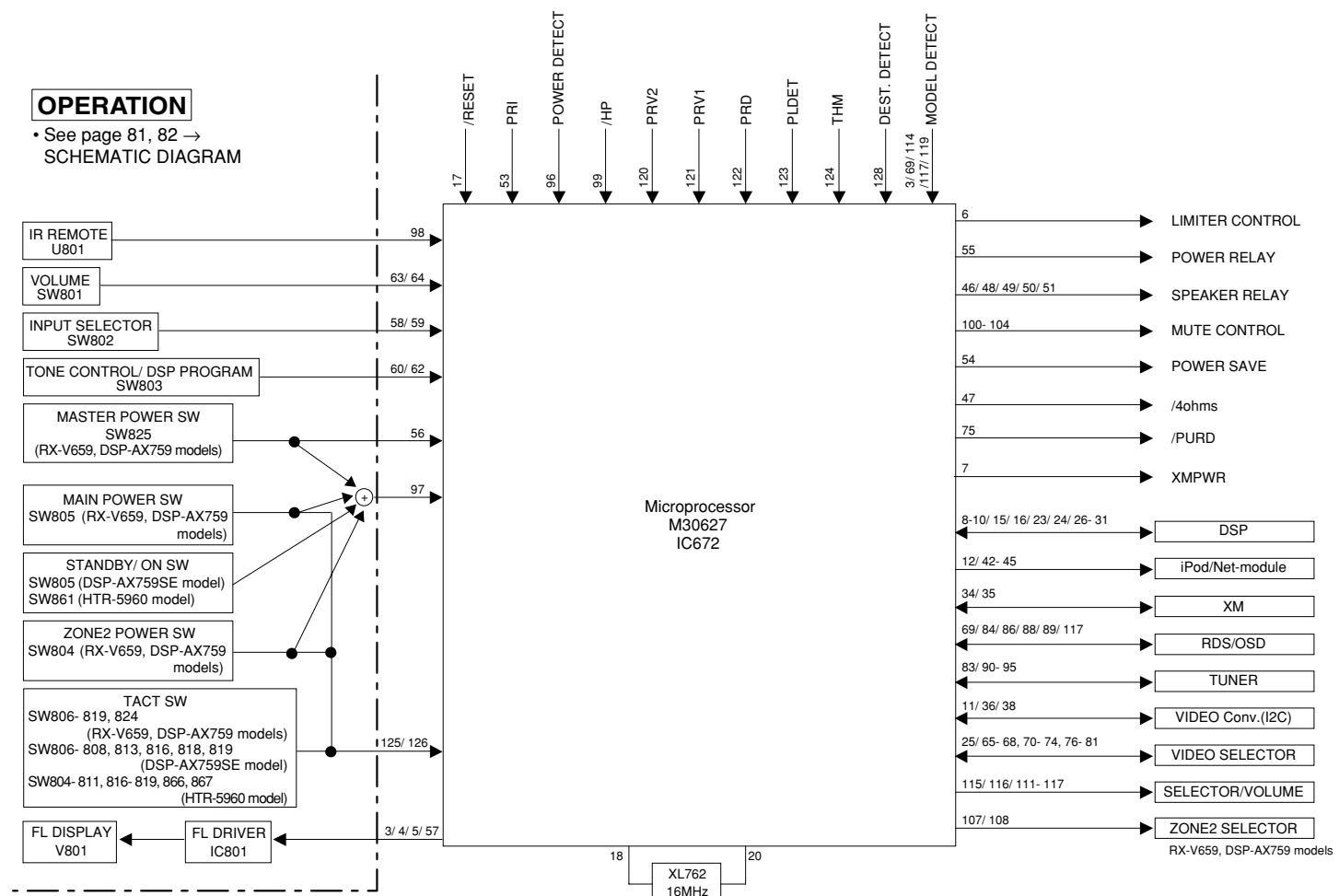
MEMO



VIDEO BLOCK DIAGRAM



CONTROL/POWER BLOCK DIAGRAM



PRINTED CIRCUIT BOARDS

DSP P.C.B. (Side A)

Lead Free Solder Used

DIGITAL OUTPUT

DIGITAL INPUT

OPTICAL

COAXIAL

XM (U, C models)

MD/CD-R ①

MD/CD-R ②

DVD ③

DTV/CBL ④

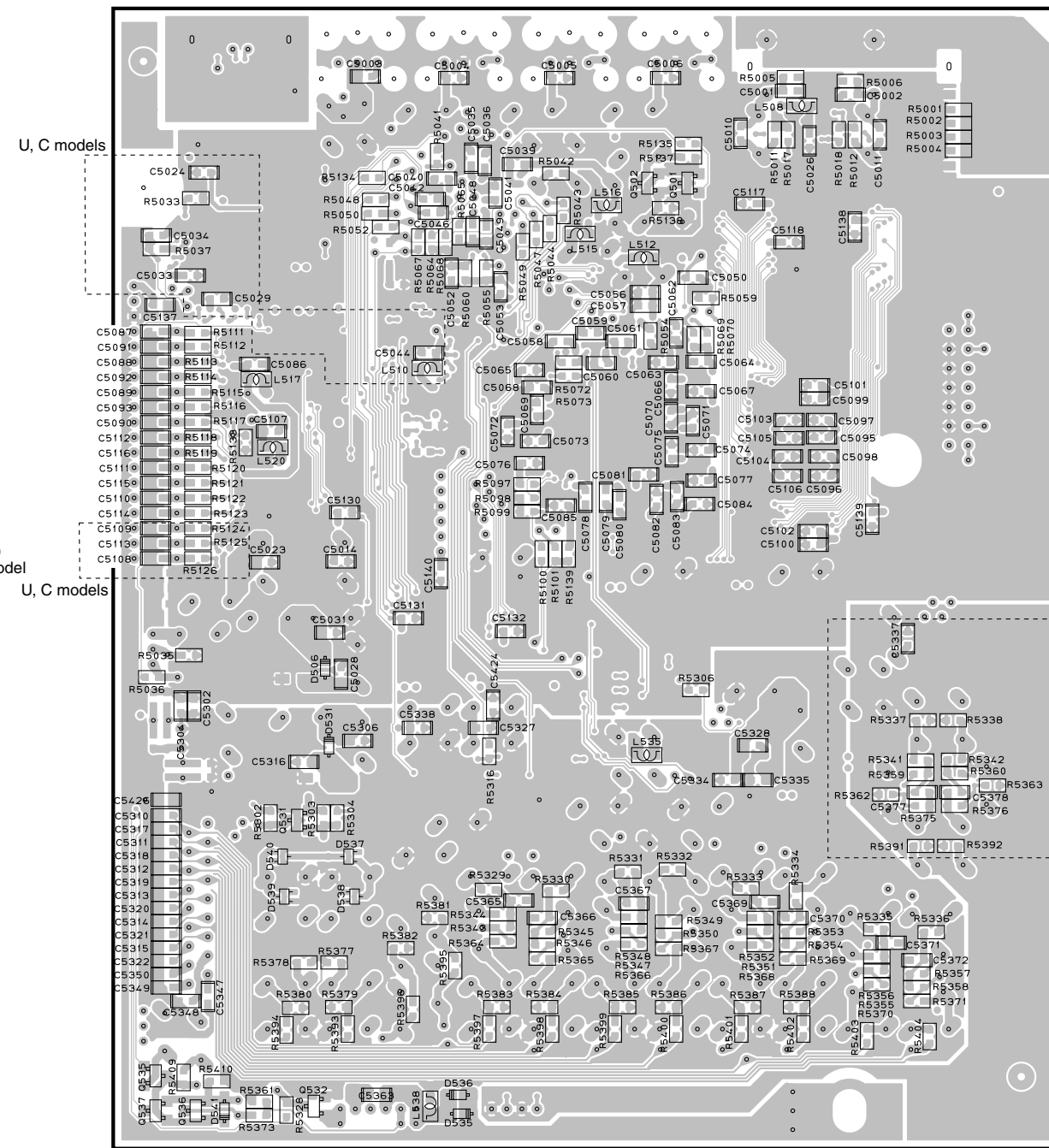
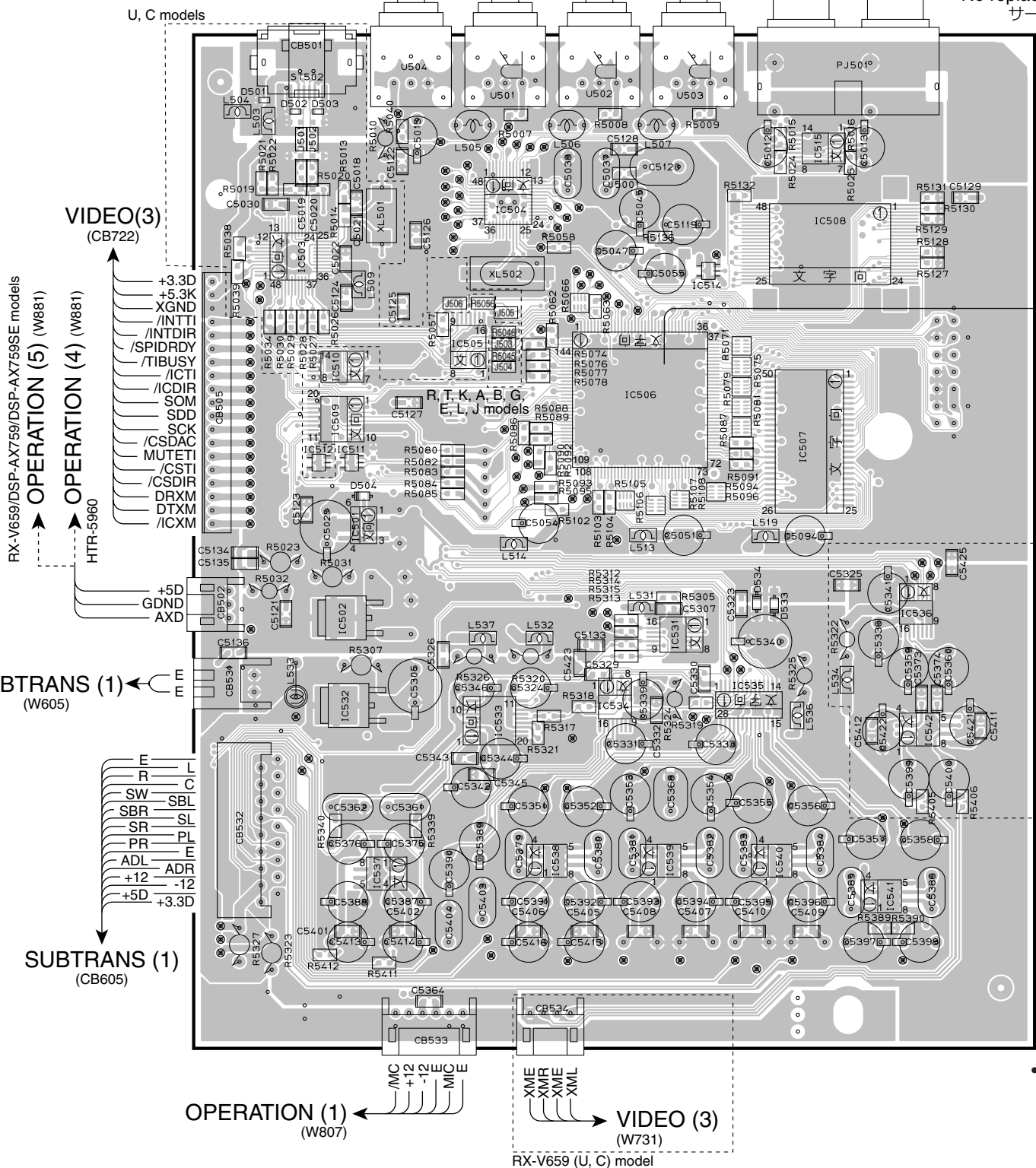
CD ⑤

DVD ⑥

No replacement part available. / サービス部品供給なし

DSP P.C.B. (Side B)

Lead Free Solder Used



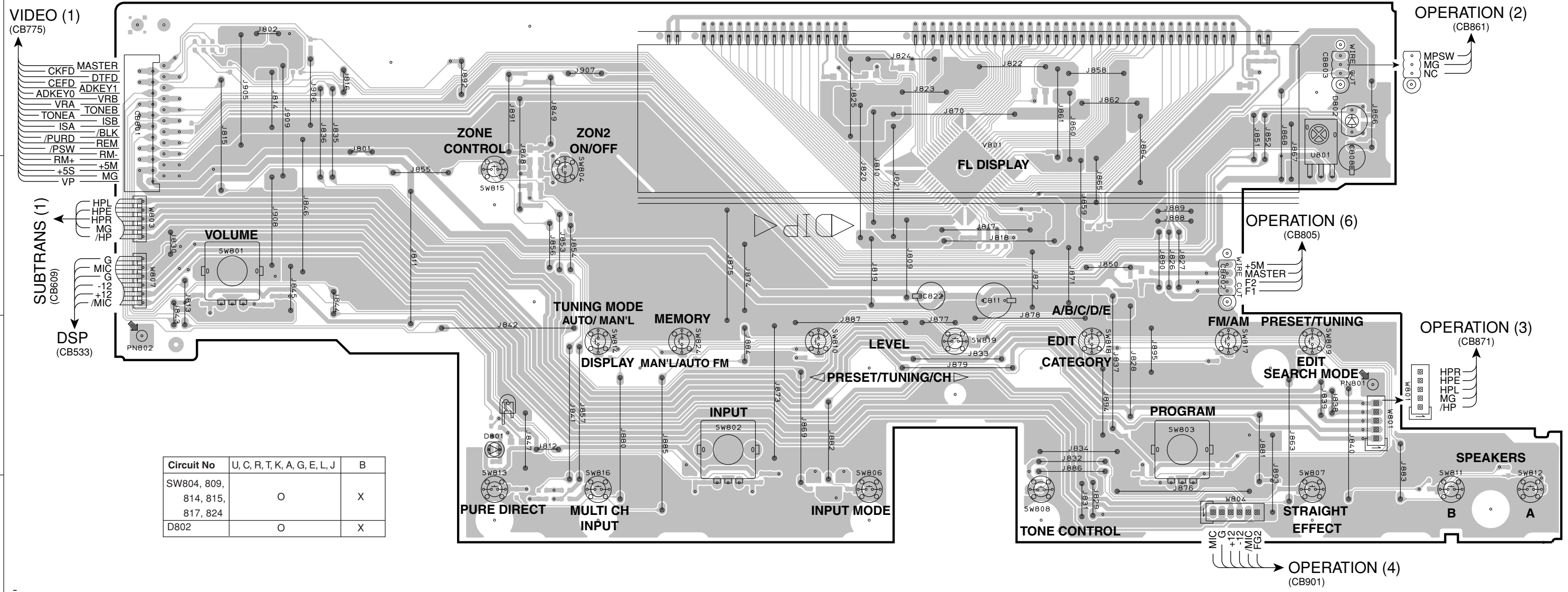
Semiconductor Location

Ref no.	Location	Ref no.	Location	Ref no.	Location	Ref no.	Location	Ref no.	Location	Ref no.	Location	Ref no.	Location	Ref no.	Location	Ref no.	Location		
D501	B2	D531	G5	D537	G5	IC501	B4	IC506	D4	IC511	B4	IC532	B5	IC537	C6	IC542	E5	Q535	F6
D502	B2	D533	D5	D538	G6	IC502	B5	IC507	D4	IC512	B4	IC533	C5	IC538	C6	Q501	H3	Q536	F6
D503	B2	D534	D5	D539	G6	IC503	B3	IC508	D3	IC514	D3	IC534	D5	IC539	D6	Q502	H3	Q537	F6
D504	B4	D535	G6	D540	G5	IC504	C3	IC509	B4	IC515	D3	IC535	D5	IC540	D6	Q531	G5		
D506	G5	D536	G6	D541	G6	IC505	C3	IC510	B3	IC531	D5	IC536	E5	IC541	E6	Q532	G6		

RX-V659/DSP-AX759/DSP-AX759SE

OPERATION (1) P.C.B. (Side A)

1
2
3
4
5
6
7



Circuit No	U, C, R, T, K, A, G, E, L, J	B
SW804, 809, 814, 815, 817, 824	O	X
D802	O	X

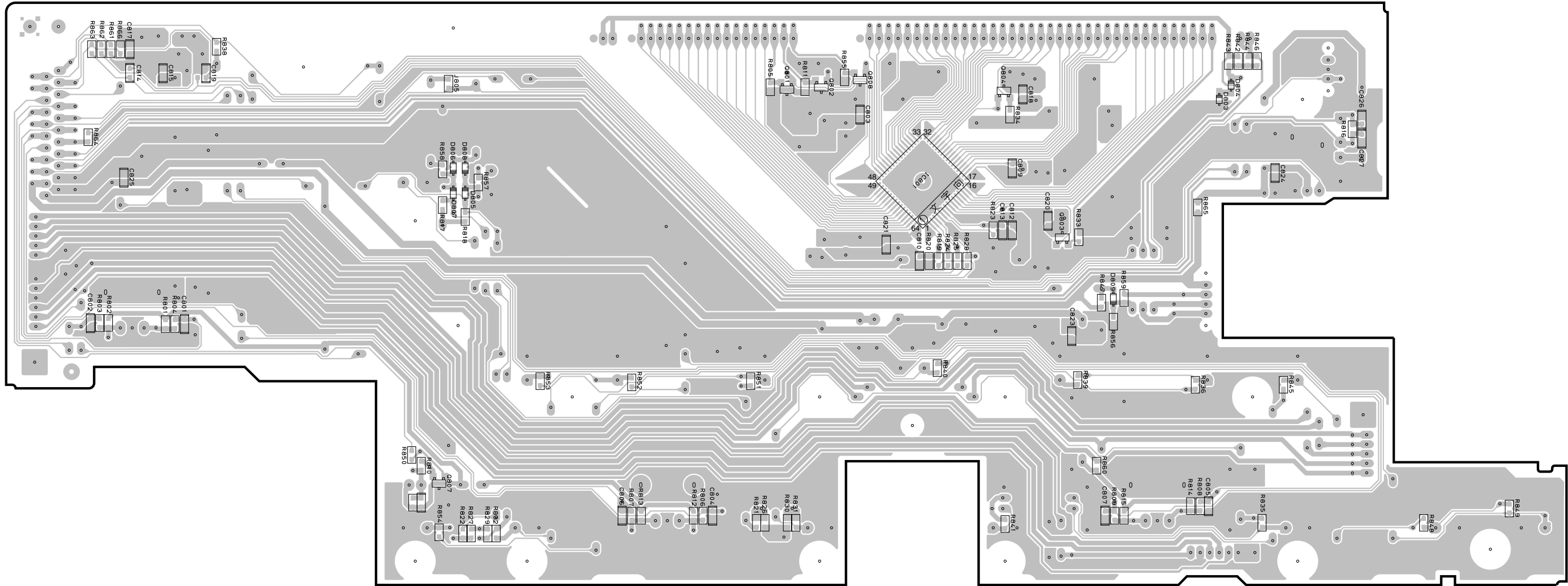
• Semiconductor Location

Ref no.	Location
D801	D5
D802	I3

RX-V659/DSP-AX759/DSP-AX759SE

OPERATION (1) P.C.B. (Side B)

Lead Free Solder Used



Circuit No.	U, C, R, T, K, A, G, E, L, J	B
D805- 809	O	X
R856- 859	O	X
J805	X	O
R838	X	O
R816	O	X
R852, 853	O	X

• **Semiconductor Location**

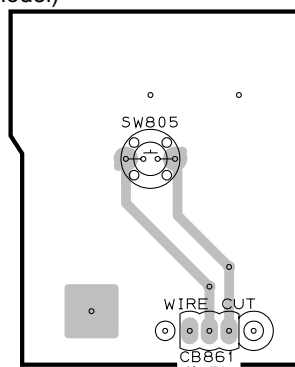
Ref no.	Location	Ref no.	Location
D803	H3	Q801	F2
D804	H2	Q802	F2
D805	D3	Q803	G3
D806	D3	Q804	G2
D807	D3	Q807	D5
D808	D3	Q808	F2
D809	H4	Q901	D5
IC801	F3		

RX-V659/DSP-AX759/DSP-AX759SE

OPERATION (2) P.C.B.

(Side A)

MAIN ZONE
(U, C, R, T, K, A, G, E, L, J models)
STANDBY/ON
(B model)

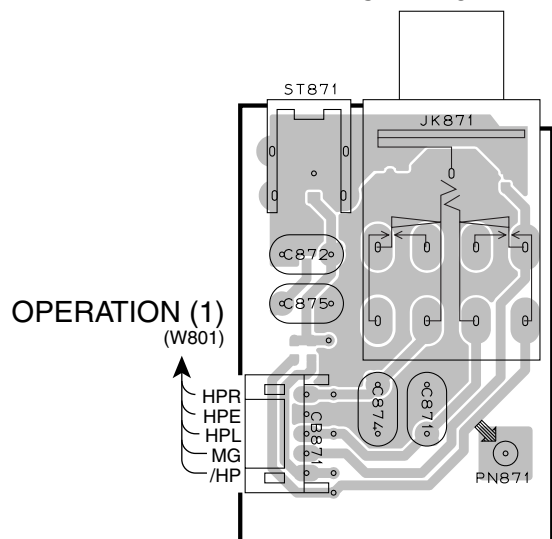


OPERATION (1)
(CB803)

OPERATION (3) P.C.B.

(Side A)

**PHONES
SILENT CINEMA**

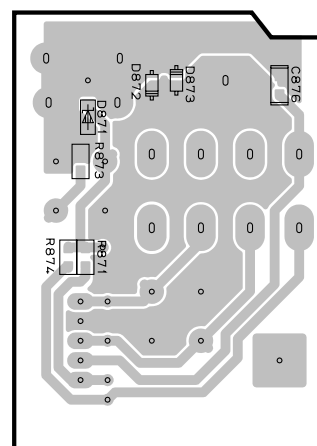


OPERATION (1)
(W801)

OPERATION (3) P.C.B.

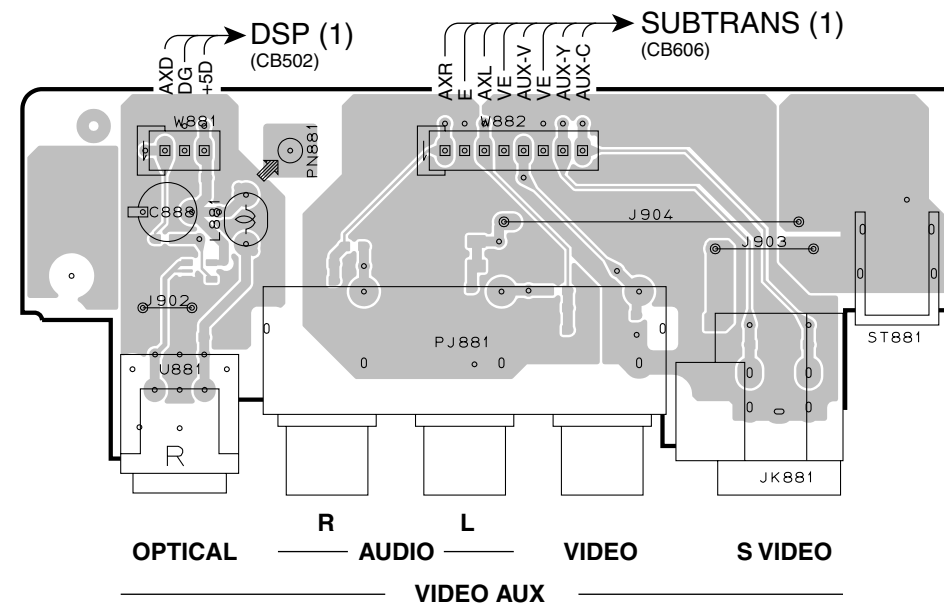
(Side B)

Lead Free Solder Used



OPERATION (5) P.C.B.

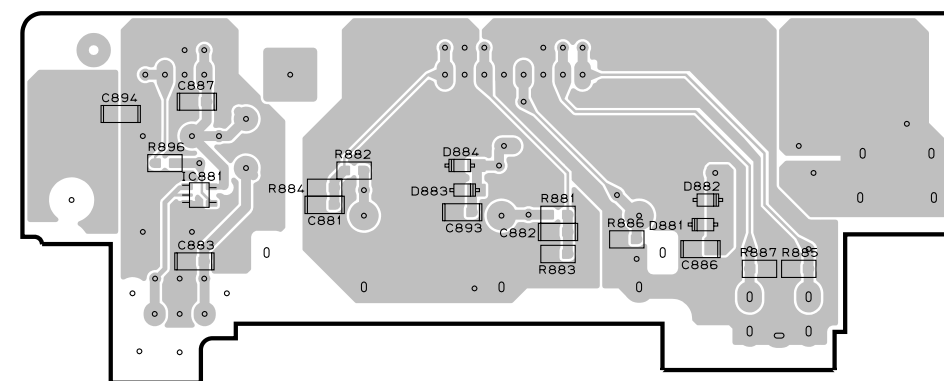
(Side A)



OPERATION (5) P.C.B.

(Side B)

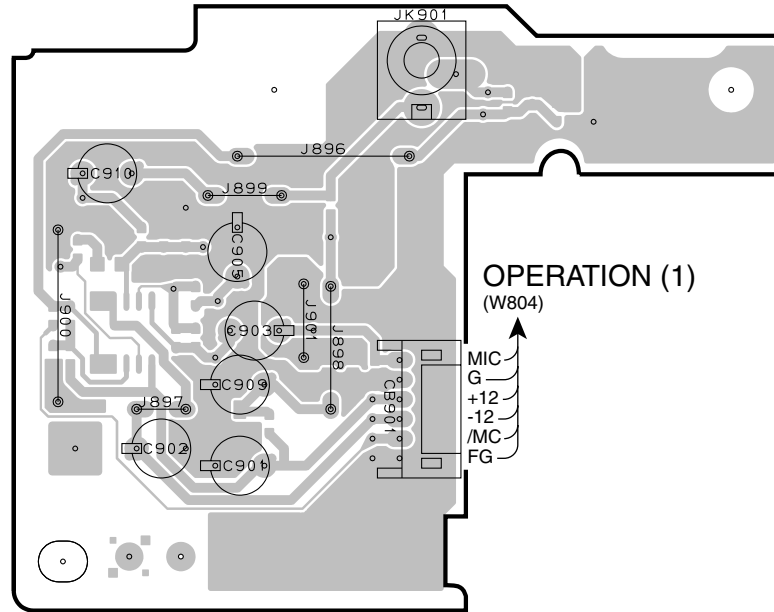
Lead Free Solder Used



OPERATION (4) P.C.B.

(Side A)

OPTIMIZER MIC

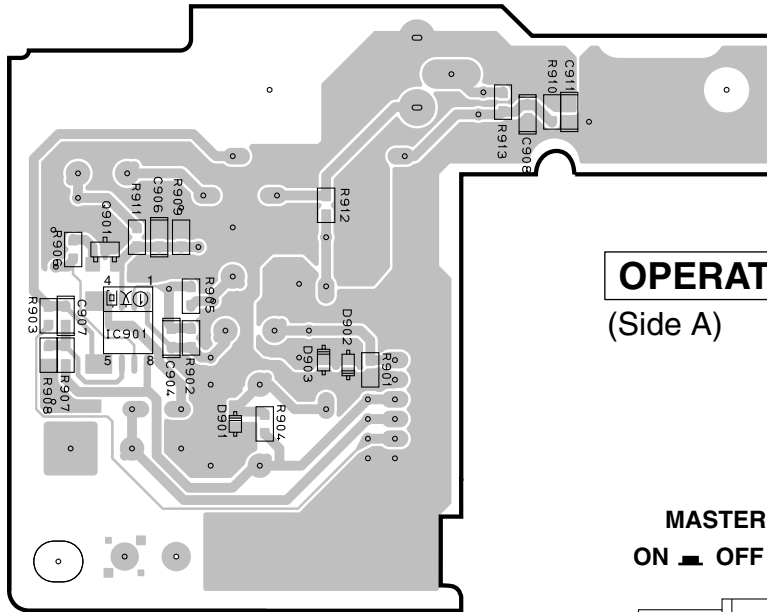


OPERATION (1)
(W804)

OPERATION (4) P.C.B.

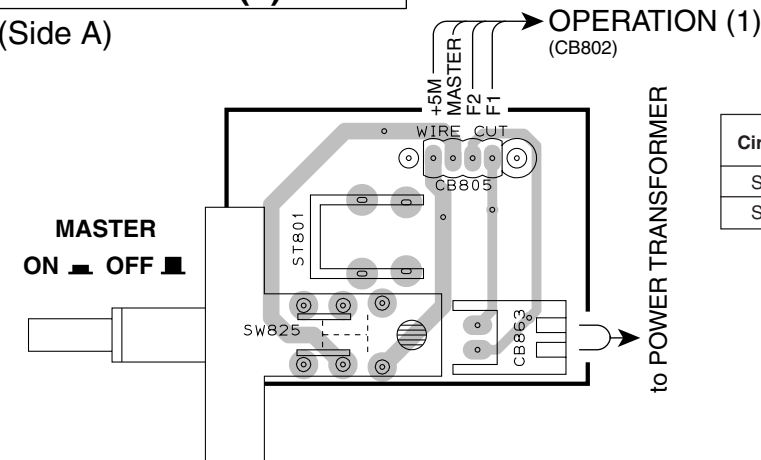
(Side B)

Lead Free Solder Used



OPERATION (6) P.C.B.

(Side A)



OPERATION (1)
(CB802)

Circuit No.	U, C, R, T, K, A, G, E, L, J	B
SW825	O	X
ST801	X	O

• Semiconductor Location

Ref no.	Location
D871	E3
D872	E3
D873	E3
D881	I5
D882	I5
D883	H4
D884	H4
D901	E6
D902	E6
D903	E6
IC881	G5
IC901	D6
Q901	D5

HTR-5960

OPERATION (1) P.C.B. (Side A)

VIDEO (1)
(CB775)

- MASTER
- CKFD
- DTFD
- CEFD
- ADKEY1
- ADKEY0
- VRB
- VRA
- TONEB
- TONEA
- ISB
- ISA
- /BLK
- /PURD
- REM
- /PSW
- RM-
- RM+
- +5M
- +5S
- MG
- VP

VOLUME

DSP
(CB533)

SUBTRANS (1)
(CB609)

TUNING MODE
DISPLAY

MEMORY
MAN'L/AUTO FM

PRESET/TUNING/CH
LEVEL

A/B/C/D/E
CATEGORY

FM/AM PRESET/TUNING
SEARCH MODE
EDIT

MULTI CH
INPUT

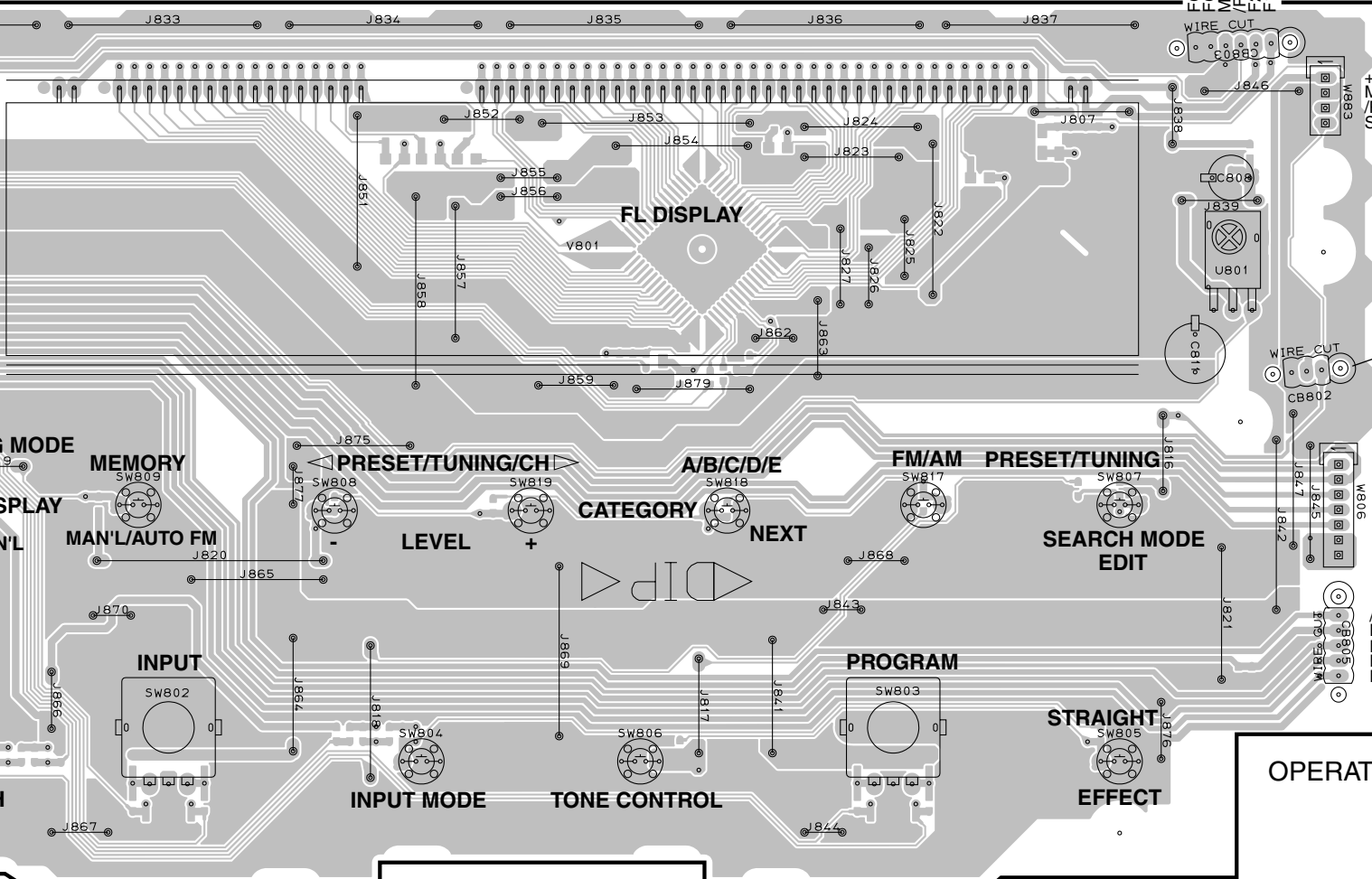
INPUT

INPUT MODE

TONE CONTROL

PROGRAM

STRAIGHT
EFFECT



OPERATION (2)
(CB861)

OPERATION (7)
(CB806)

OPERATION (5)
(CB866)

OPERATION (6)
(CB901)

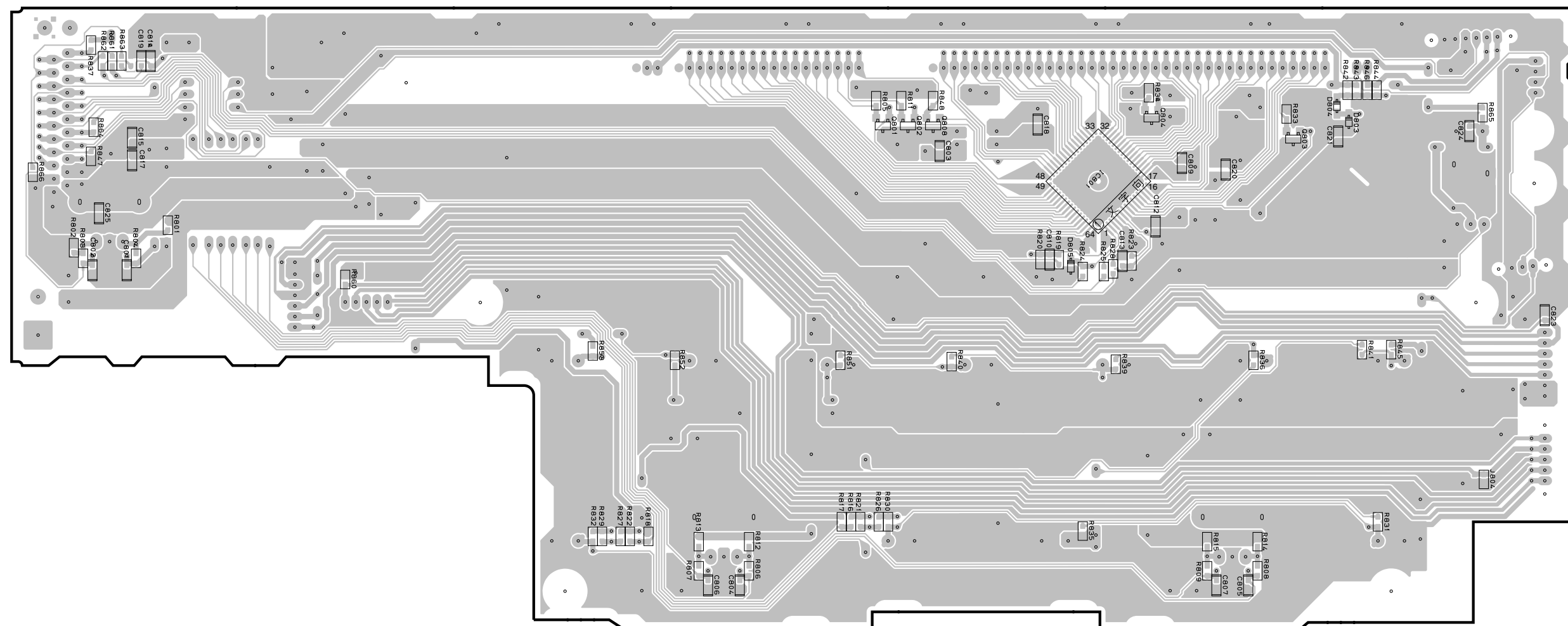
OPERATION (3)
(CB871)

- MIC
- G
- +12
- 12
- MIC
- FG
- FG

- /HP
- MG
- HPL
- HPE
- HPR

HTR-5960

OPERATION (1) P.C.B. (Side B) Lead Free Solder Used

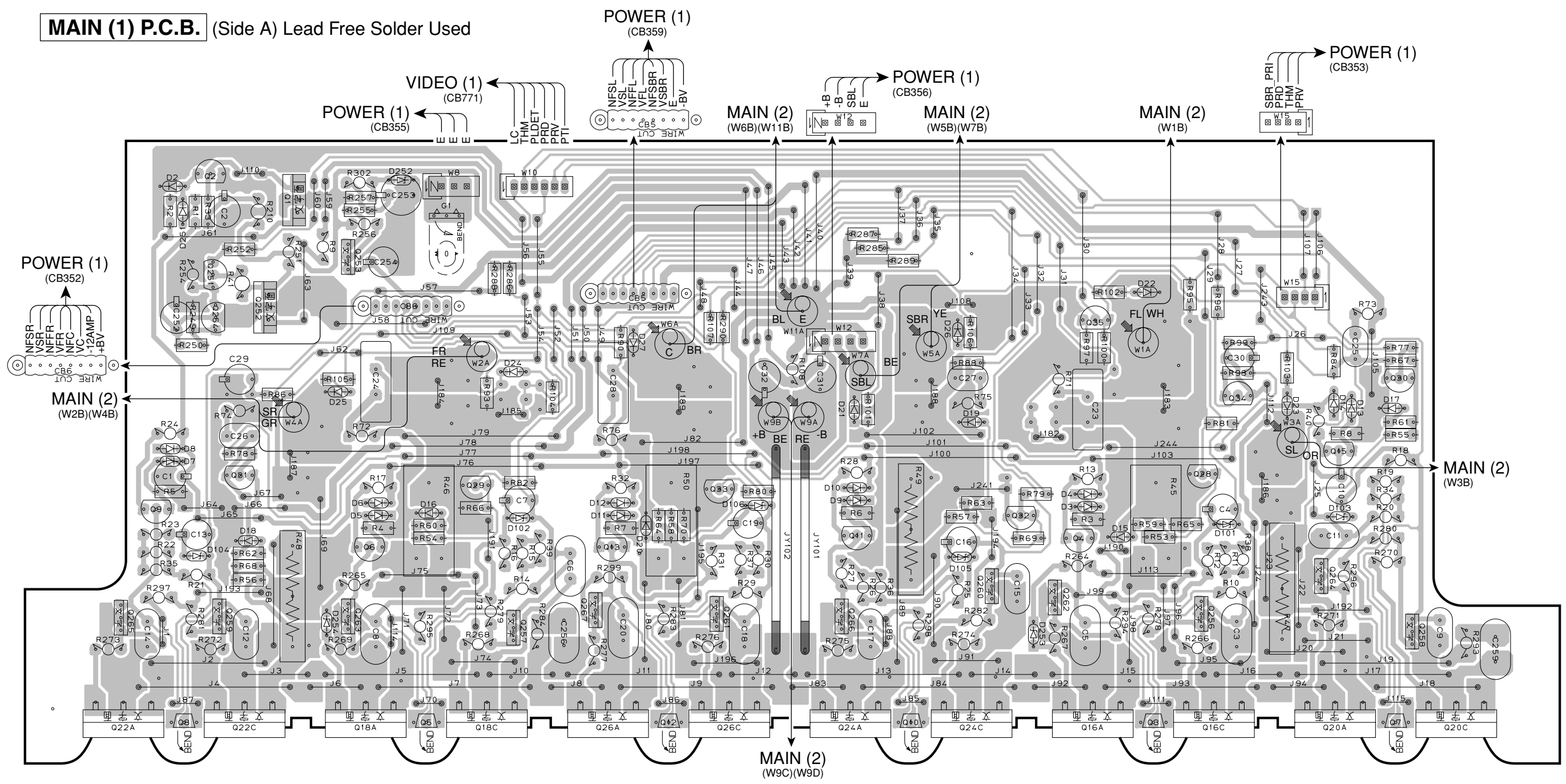


• Semiconductor Location

Ref no.	Location
D803	H3
D804	H3
D805	G4
IC801	G3
Q801	F3
Q802	F3
Q803	H3
Q804	G3
Q808	F3

1
2
3
4
5
6
7

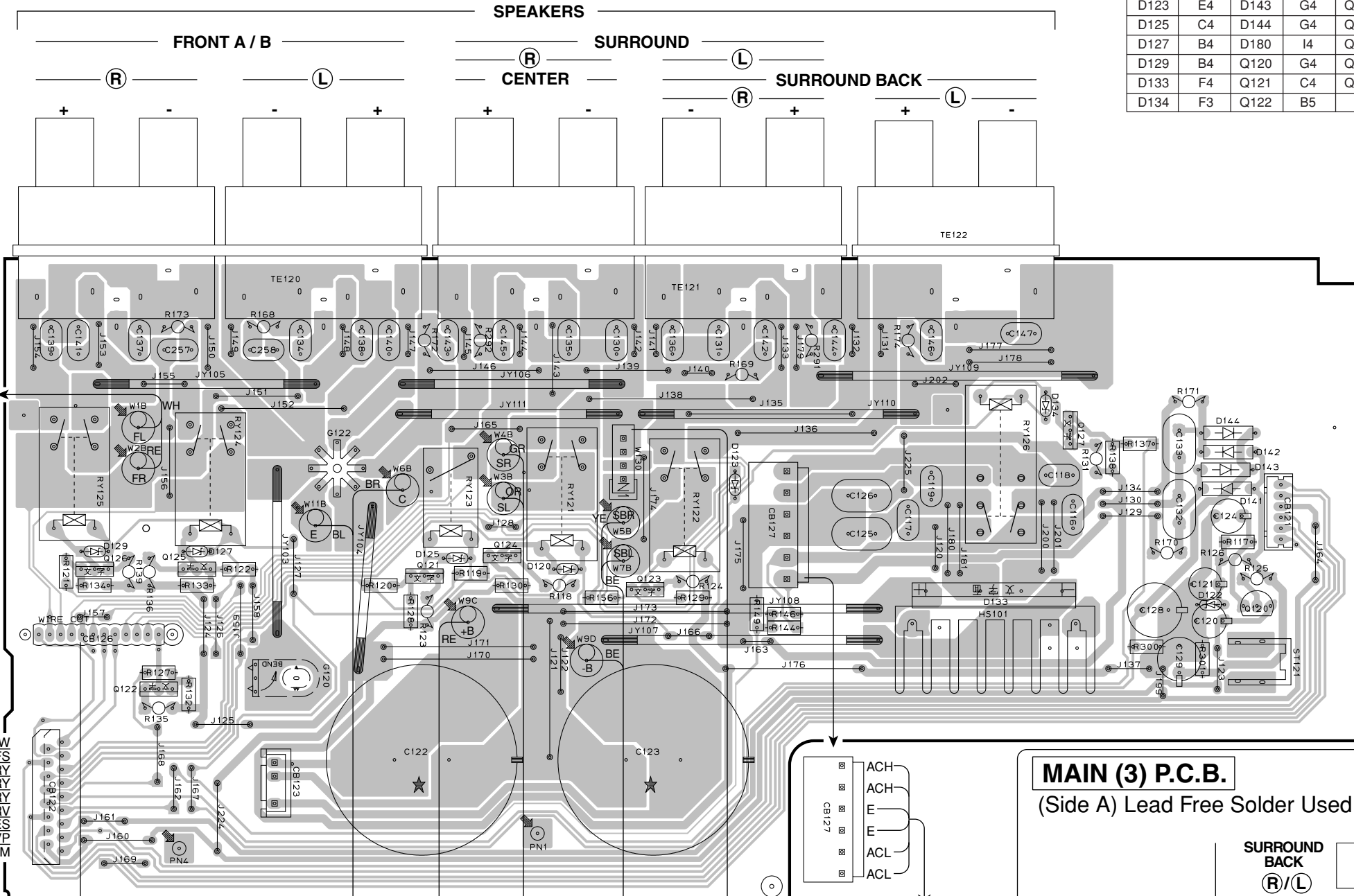
MAIN (1) P.C.B. (Side A) Lead Free Solder Used



• Semiconductor Location

Ref no.	Location	Ref no.	Location	Ref no.	Location	Ref no.	Location	Ref no.	Location	Ref no.	Location	Ref no.	Location	Ref no.	Location
D2	B2	D13	I4	D24	D3	D252	C2	Q9	B4	Q20C	I6	Q32	G4	Q259	B5
D3	G4	D14	I4	D25	C4	D253	G5	Q10	F6	Q22A	A6	Q33	E4	Q260	G5
D4	G4	D15	G4	D26	F3	D254	C5	Q11	F4	Q22C	B6	Q34	H4	Q261	E5
D5	C4	D16	C4	D27	D3	Q1	B1	Q12	E6	Q24A	F6	Q35	G3	Q262	G5
D6	C4	D17	I4	D101	H4	Q2	B2	Q13	D5	Q24C	F6	Q251	B3	Q263	C5
D7	B4	D18	B4	D102	D4	Q3	G6	Q15	I4	Q26A	D6	Q252	B3	Q264	H5
D8	B4	D19	F4	D103	I4	Q4	G4	Q16A	G6	Q26C	E6	Q253	C3	Q265	A5
D9	F4	D20	E4	D104	B5	Q5	C6	Q16C	H6	Q28	H4	Q254	B3	Q266	F5
D10	F4	D21	F4	D105	F5	Q6	C5	Q18A	C6	Q29	D4	Q256	H5	Q267	D5
D11	D4	D22	G3	D106	E4	Q7	I6	Q18C	D6	Q30	I4	Q257	D5		
D12	D4	D23	H4	D251	B3	Q8	B6	Q20A	H6	Q31	B4	Q258	I5		

MAIN (2) P.C.B. (Side A) Lead Free Solder Used

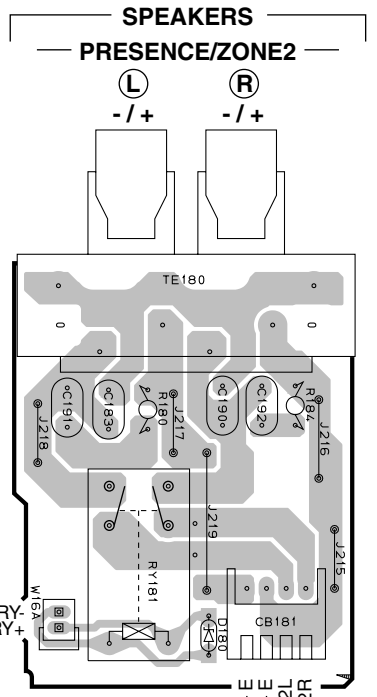


• **Semiconductor Location**

Ref no.	Location	Ref no.	Location	Ref no.	Location
D120	D4	D141	G4	Q123	D4
D122	G4	D142	G4	Q124	C4
D123	E4	D143	G4	Q125	B4
D125	C4	D144	G4	Q126	B4
D127	B4	D180	I4	Q127	F4
D129	B4	Q120	G4	Q180	H7
D133	F4	Q121	C4	Q181	H6
D134	F3	Q122	B5		

MAIN (4) P.C.B.

(Side A) Lead Free Solder Used



SUBTRANS (3) (CB661)

MAIN (1) (W1A)(W2A)

VIDEO (1) (CB770)

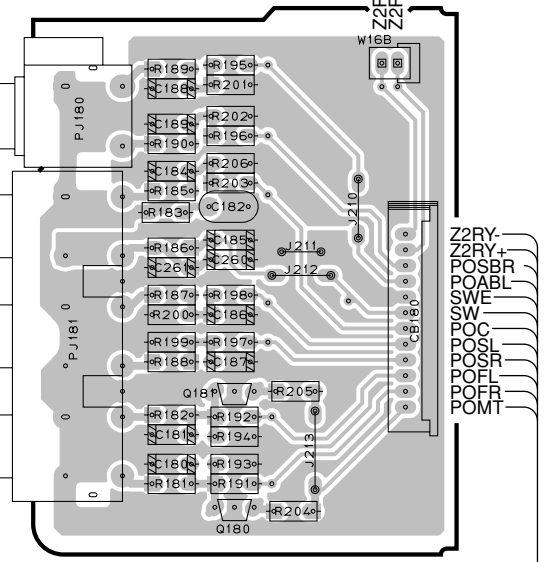
MAIN (1) MAIN (1) MAIN (1) MAIN (1)
(W6A)(W11A) (W9A) (W3A)(W4A) (W5A)(W7A)(W9B)

to POWER TRANSFORMER

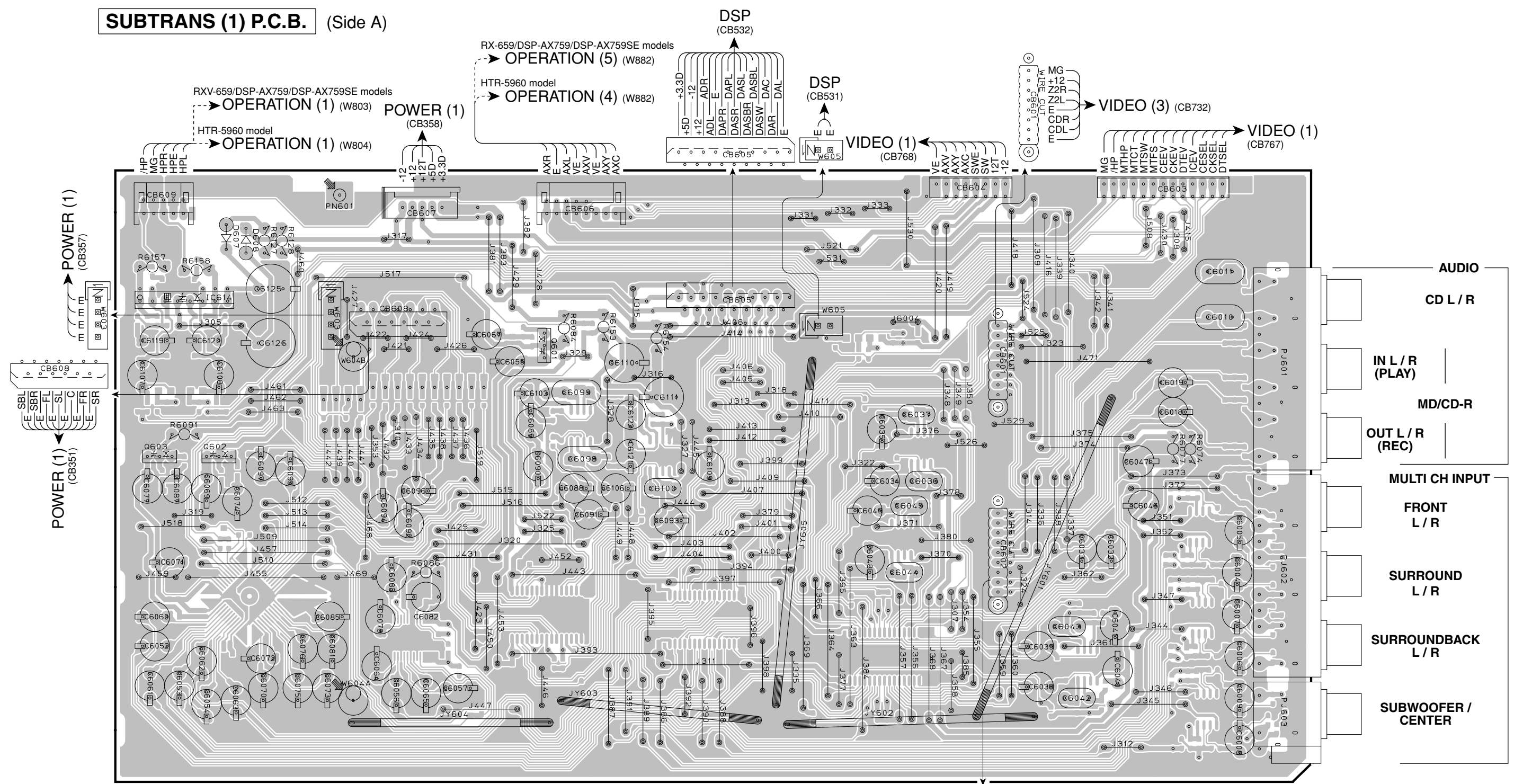
MAIN (3) P.C.B.

(Side A) Lead Free Solder Used

SURROUND BACK (R/L)
CENTER/SUBWOOFER (R/L)
PRE OUT
SURROUND (R/L)
FRONT (R/L)



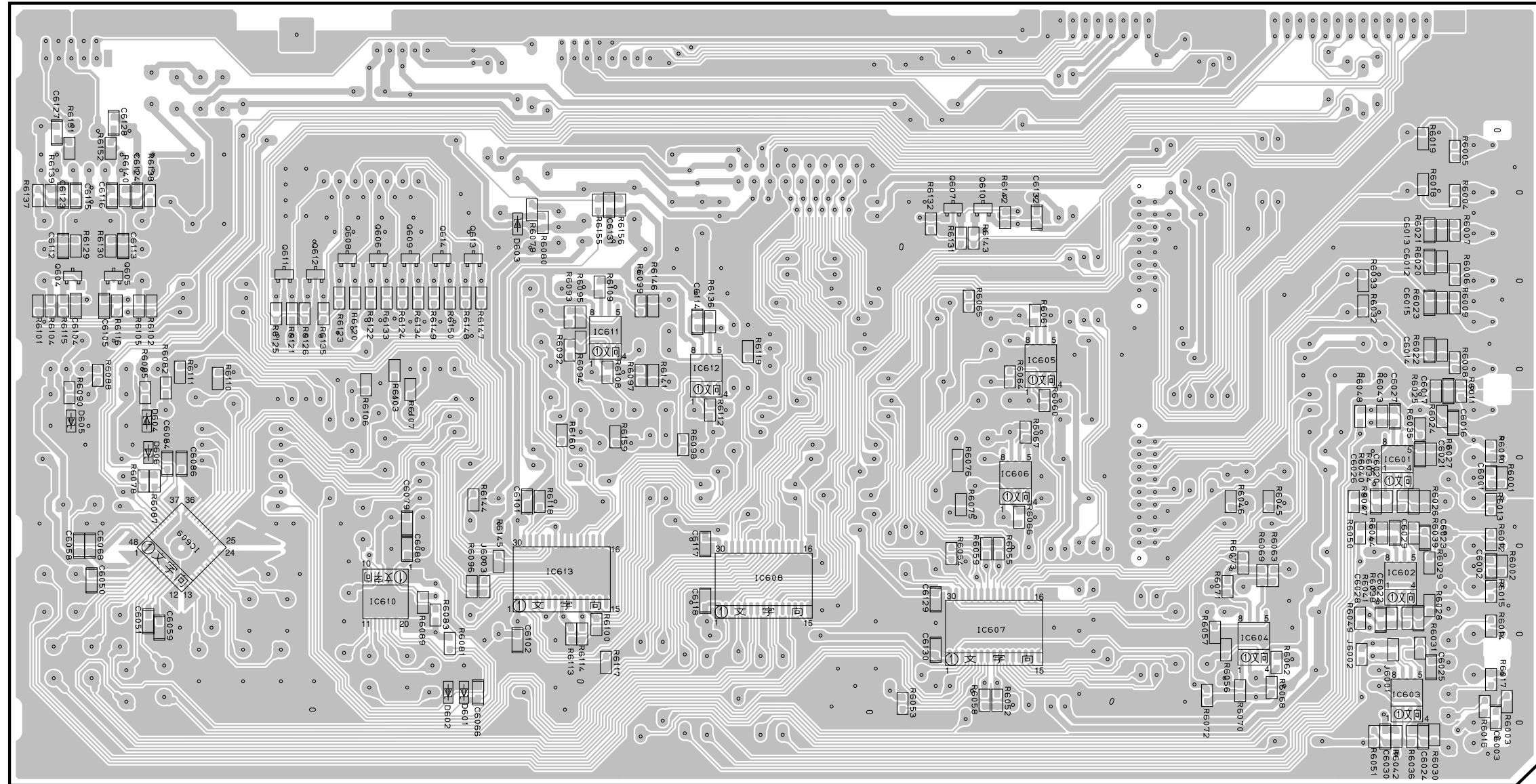
SUBTRANS (1) P.C.B. (Side A)



• Semiconductor Location

Ref no.	Location
D607	B3
D608	B3
IC614	B3
Q601	D3
Q602	B4
Q603	B4

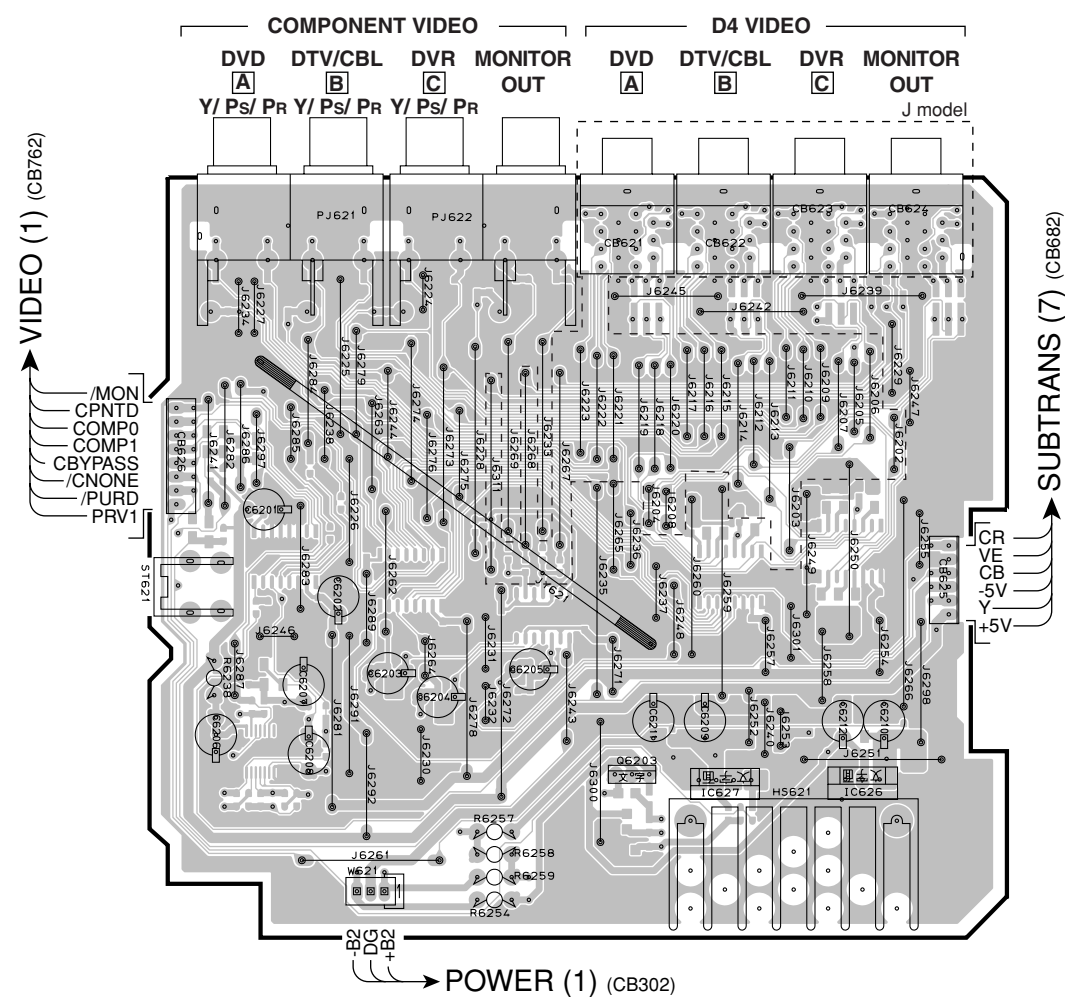
SUBTRANS (1) P.C.B. (Side B) Lead Free Solder Used



• **Semiconductor Location**

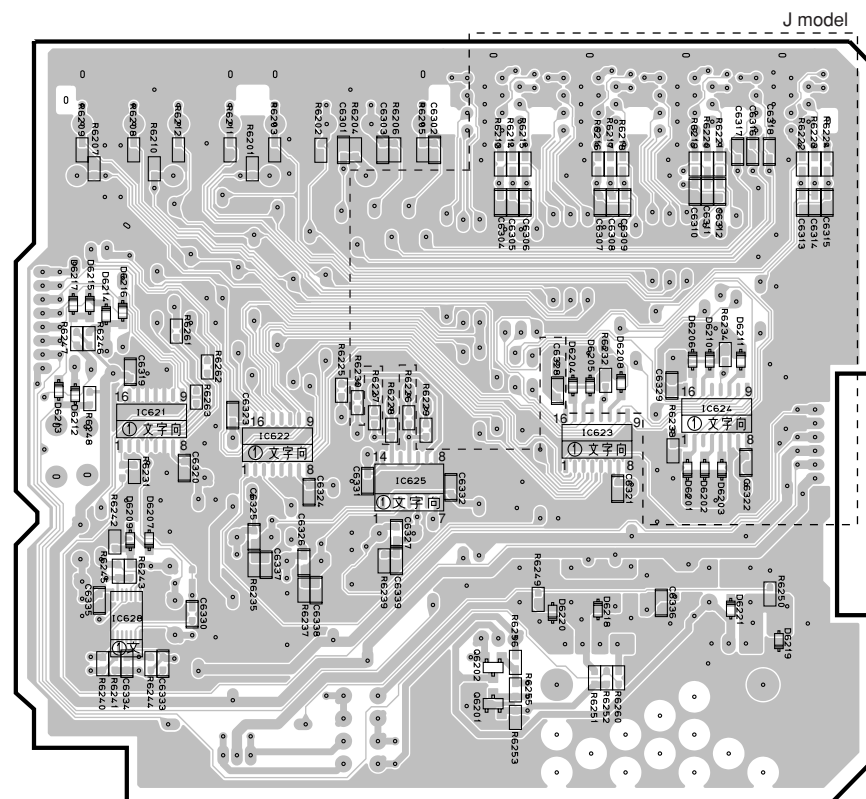
Ref no.	Location	Ref no.	Location	Ref no.	Location	Ref no.	Location	Ref no.	Location
D601	D6	IC601	H5	IC607	F5	IC613	D5	Q609	C4
D602	C6	IC602	H5	IC608	E5	Q604	B4	Q610	F3
D603	D3	IC603	H6	IC609	B5	Q605	B4	Q611	C4
D604	B4	IC604	G5	IC610	C5	Q606	C4	Q612	C4
D605	B4	IC605	F4	IC611	D4	Q607	F3	Q613	D4
D606	B4	IC606	F5	IC612	E4	Q608	C4	Q614	C4

SUBTRANS (2) P.C.B. (Side A)

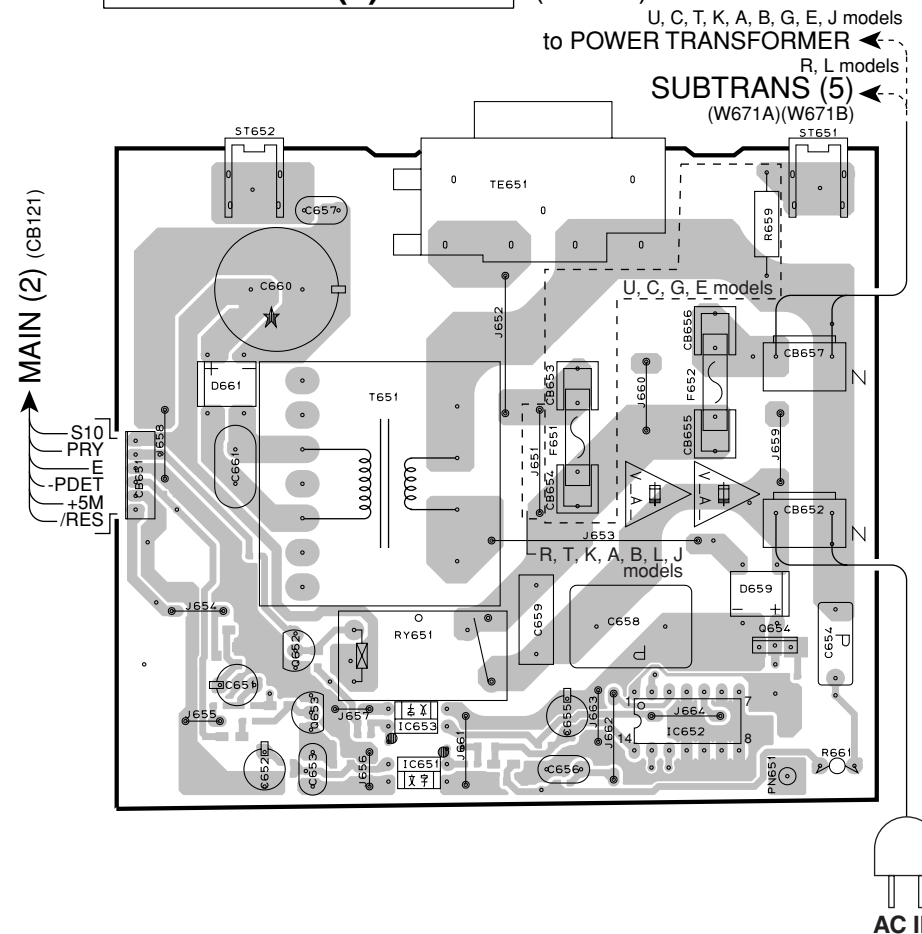


SUBTRANS (2) P.C.B. (Side B)

Lead Free Solder Used

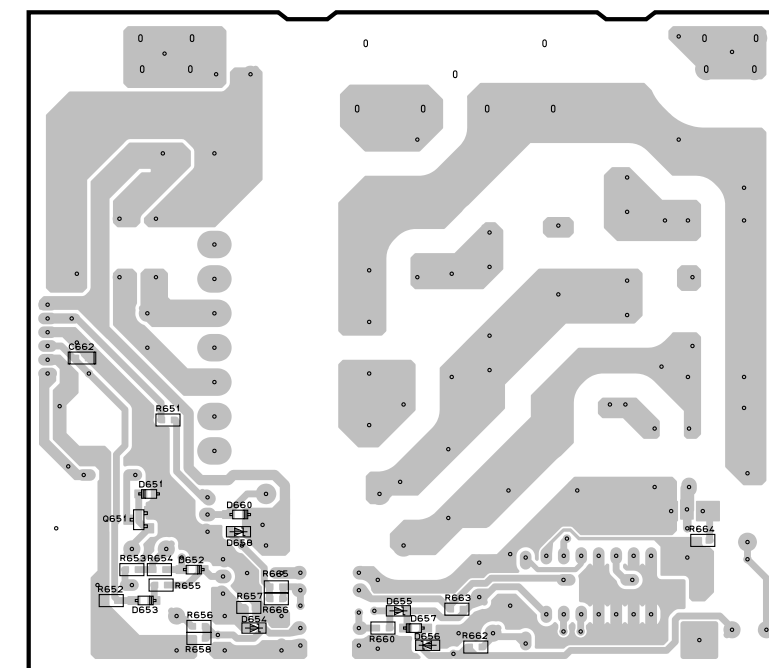


SUBTRANS (3) P.C.B. (Side A)



SUBTRANS (3) P.C.B. (Side B)

Lead Free Solder Used



• Semiconductor Location

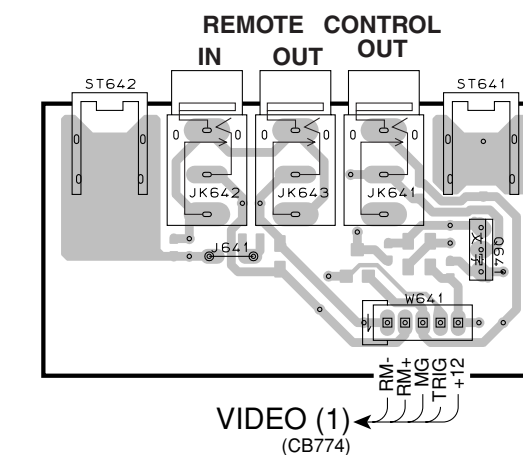
Ref no.	Location	Ref no.	Location	Ref no.	Location
D651	H7	D6207	E4	IC623	F4
D652	H7	D6208	F3	IC624	G3
D653	H7	D6209	E4	IC625	F4
D654	H7	D6210	G3	IC626	D4
D655	I7	D6211	G3	IC627	C4
D656	I7	D6212	E3	IC628	E4
D657	I7	D6213	E3	IC651	I4
D658	H7	D6214	E3	IC652	J4
D659	J3	D6215	E3	IC653	I4
D660	H7	D6216	E3	Q651	H7
D661	H3	D6217	E3	Q652	H4
D6201	G4	D6218	F4	Q653	H4
D6202	G4	D6219	G4	Q654	J4
D6203	G4	D6220	F4	Q6201	F4
D6204	F3	D6221	G4	Q6202	F4
D6205	F3	IC621	E3	Q6203	C4
D6206	G3	IC622	E4		

SUBTRANS (4) P.C.B. (Side A)

SUBTRANS (4) P.C.B. (Side B)

SUBTRANS (6) P.C.B. (Side A)

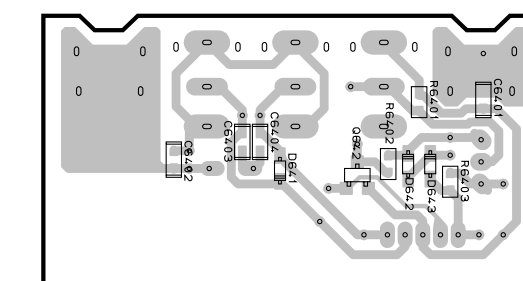
RX-V659/DSP-AX759 models



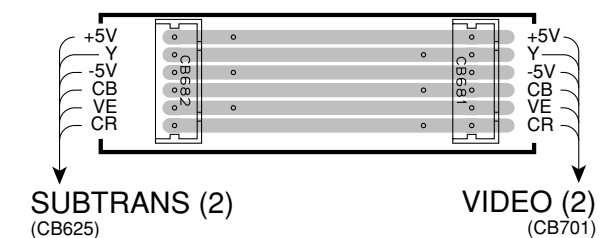
SUBTRANS (6) P.C.B. (Side B)

Lead Free Solder Used

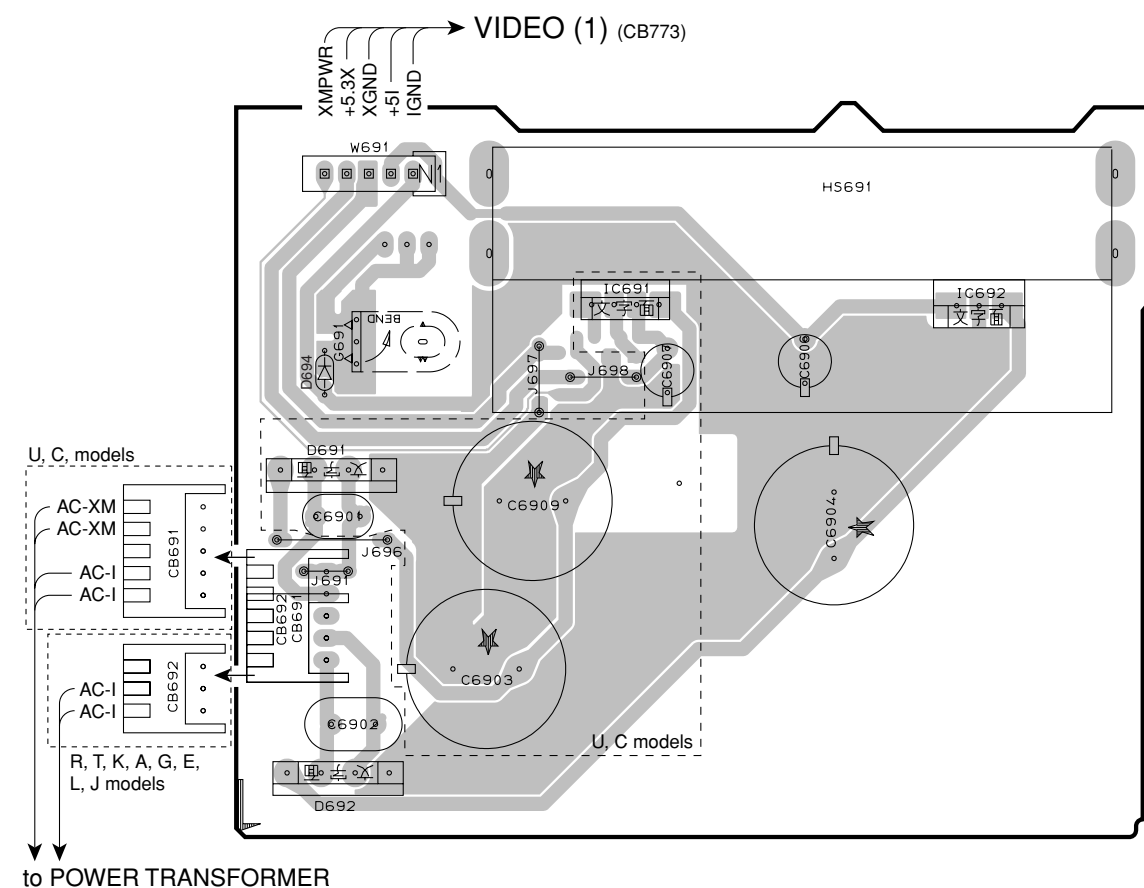
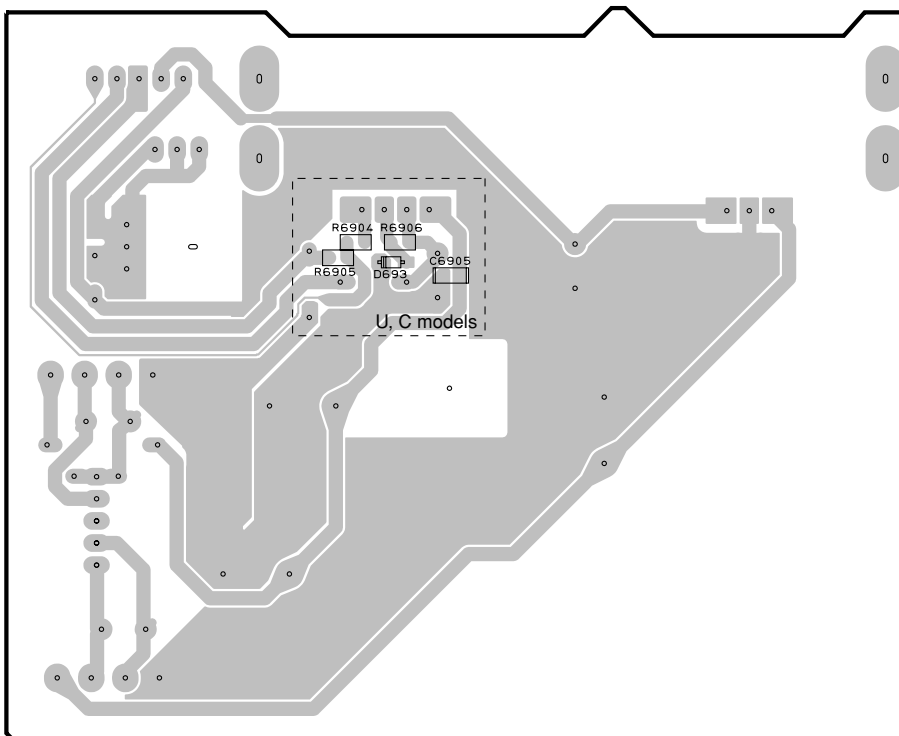
RX-V659/DSP-AX759 models



SUBTRANS (7) P.C.B. (Side A)



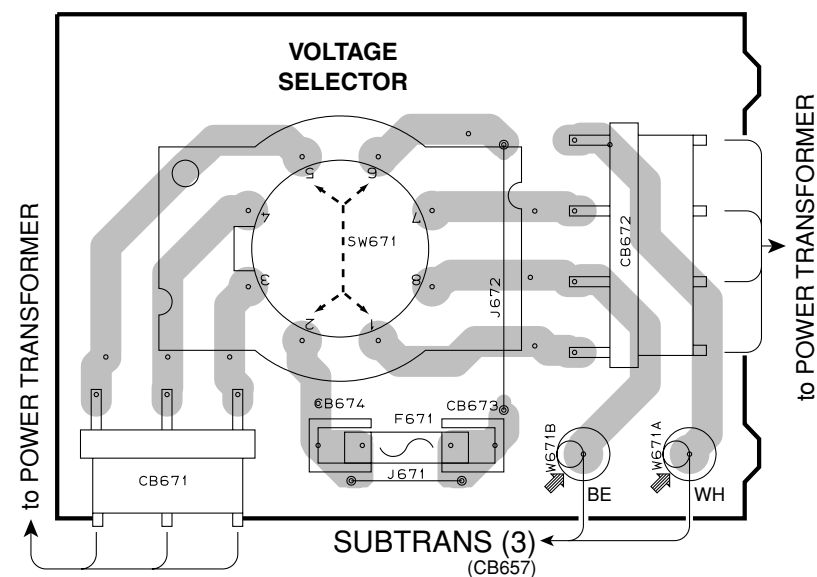
Lead Free Solder Used



U, C, models
AC-XM
AC-XM
AC-I
AC-I
AC-I
AC-I
R, T, K, A, G, E,
L, J models
to POWER TRANSFORMER

SUBTRANS (5) P.C.B. (Side A)

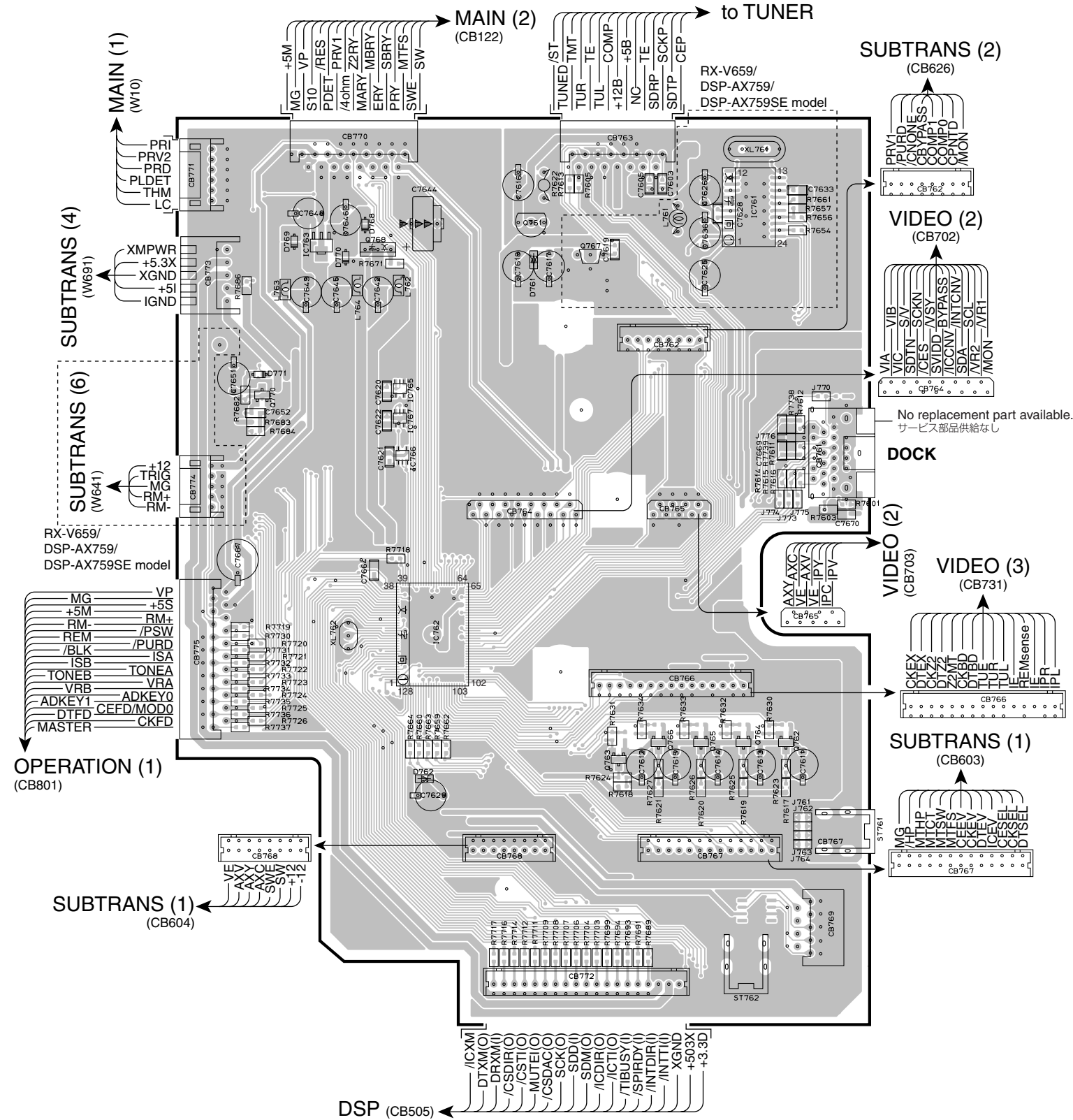
R, L models



Ref no.	Location	Ref no.	Location
D641	I4	D693	F3
D642	J4	IC691	C2
D643	J4	IC692	D2
D691	B3	Q641	J2
D692	B4	Q642	I4

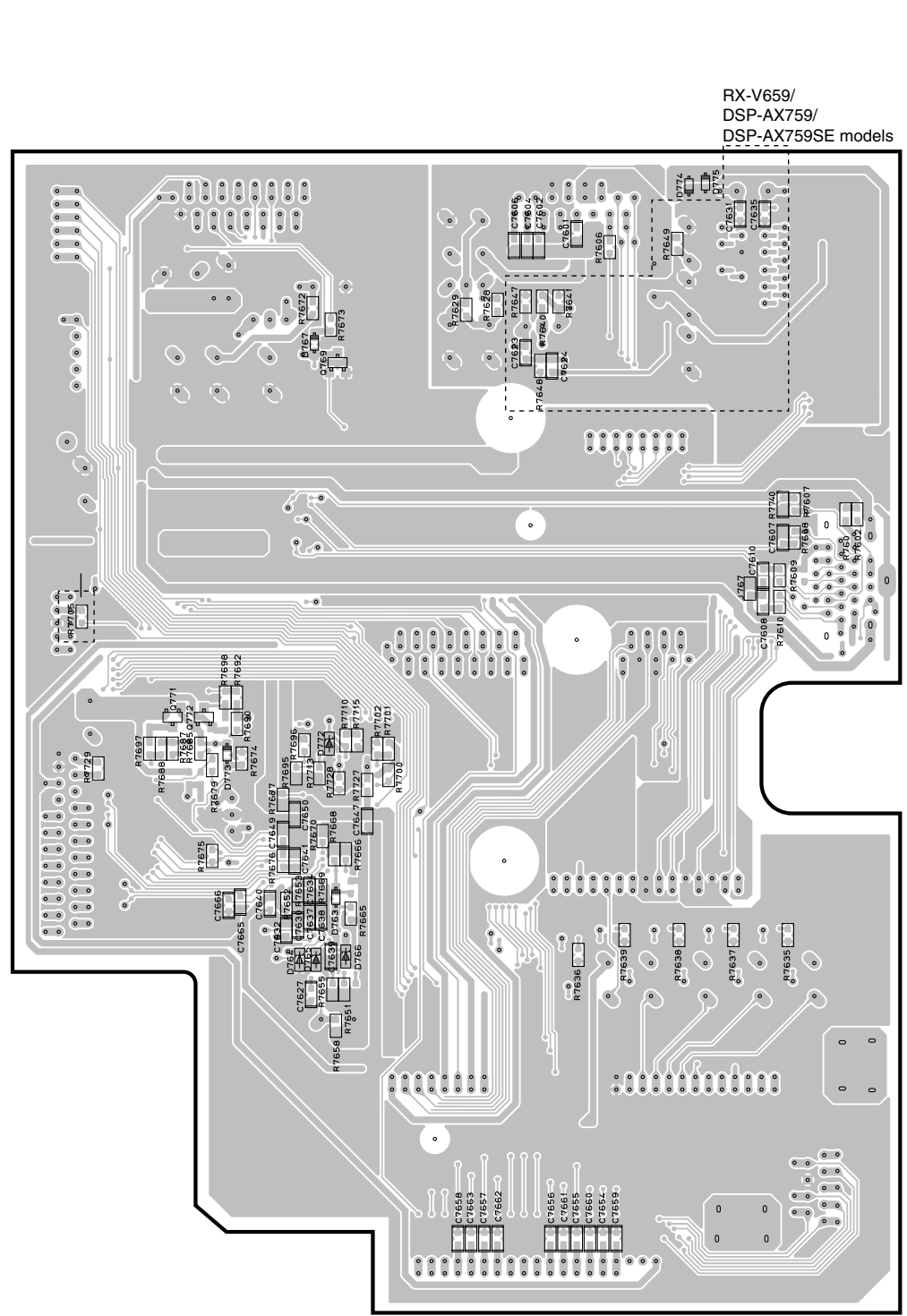
VIDEO (1) P.C.B. (Side A)

Lead Free Solder Used



VIDEO (1) P.C.B. (Side B)

Lead Free Solder Used



Circuit No.	RX-V659/DSP-AX759/DSP-AX759SE model	HTR-5960 model
C7612	O	X
Q763	O	X
R7618, 7624, 7631, 7636, 7702, 7705	O	X

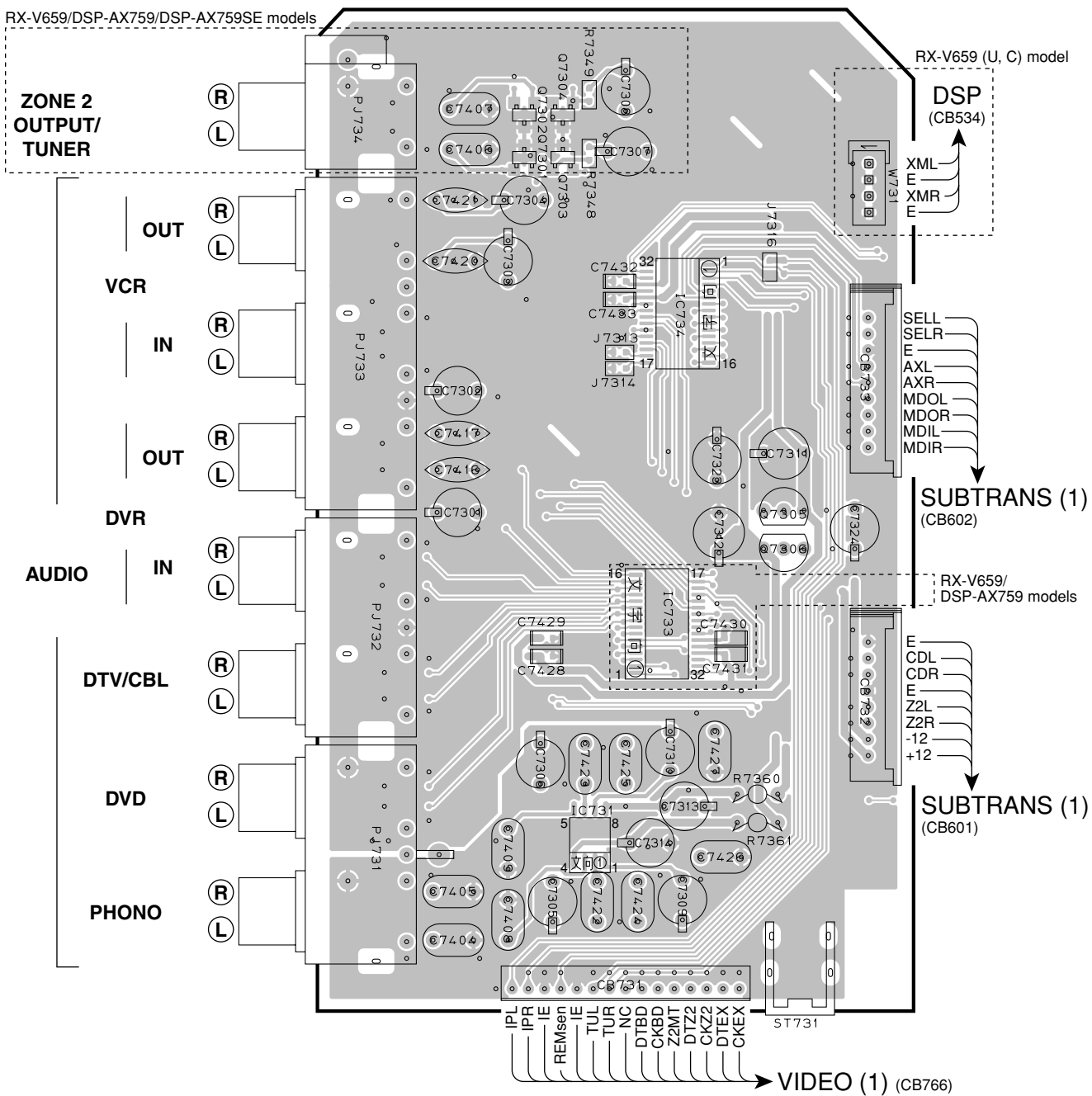
X: NOT USED
O: USED/APPLICABLE

• Semiconductor Location

Ref no.	Location
D761	C3
D762	C6
D763	G5
D764	G5
D765	G5
D766	G5
D767	G3
D768	B3
D769	B3
D770	B3
D771	B4
D772	G5
D773	G5
D774	I3
D775	I3
IC761	D3
IC762	C5
IC763	B3
IC765	C4
IC766	C4
IC767	C4
Q761	C3
Q762	D5
Q763	D5
Q764	D5
Q767	D3
Q768	C3
Q769	G3
Q770	B4
Q771	G4
Q772	G4

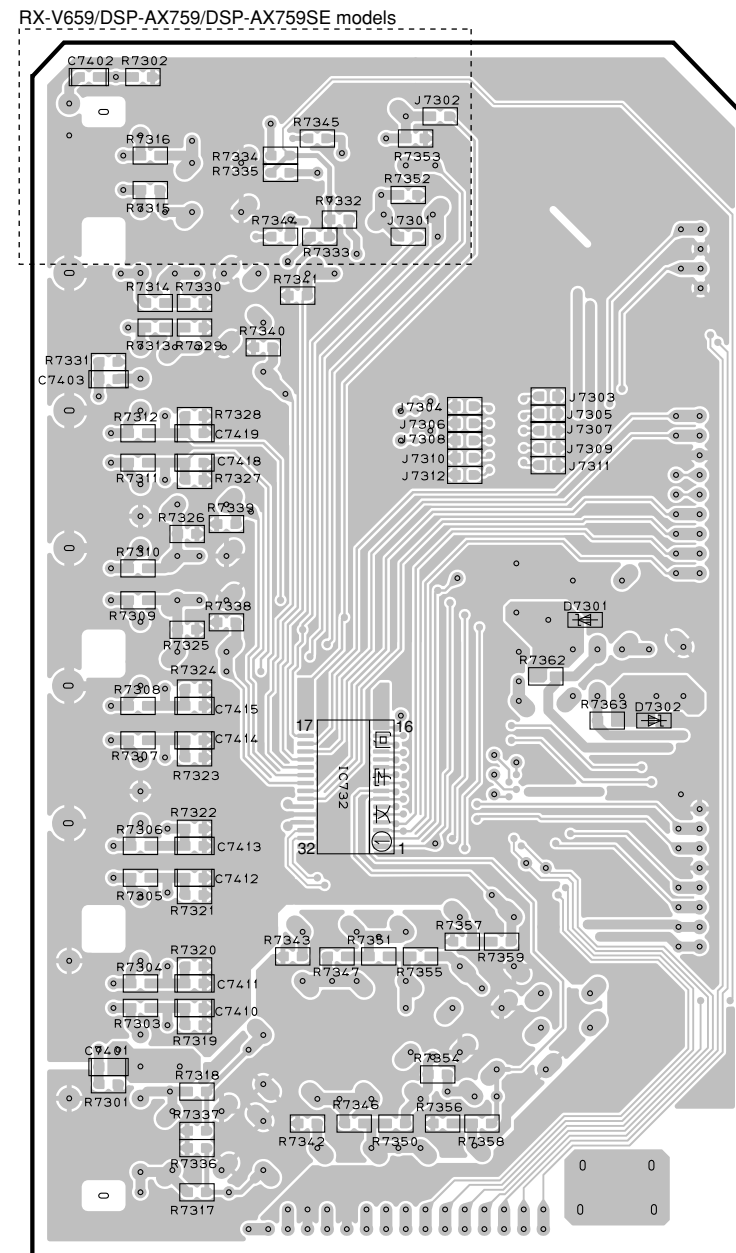
VIDEO (3) P.C.B. (Side A)

Lead Free Solder Used



VIDEO (3) P.C.B. (Side B)

Lead Free Solder Used



• Semiconductor Location

Ref no.	Location
D7301	H4
D7302	H4
IC731	C5
IC732	G4
IC733	D4
IC734	D3
Q7301	C3
Q7302	C2
Q7303	C3
Q7304	C2
Q7305	D4
Q7306	D4

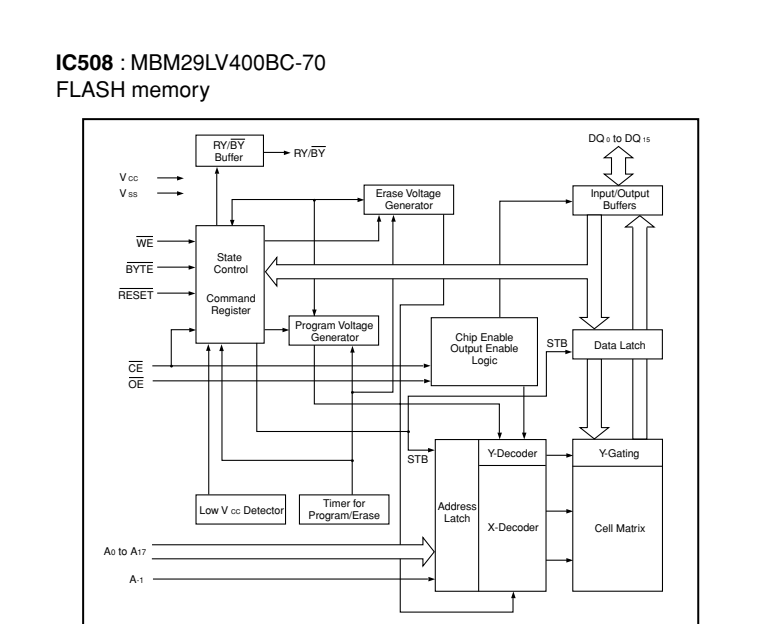
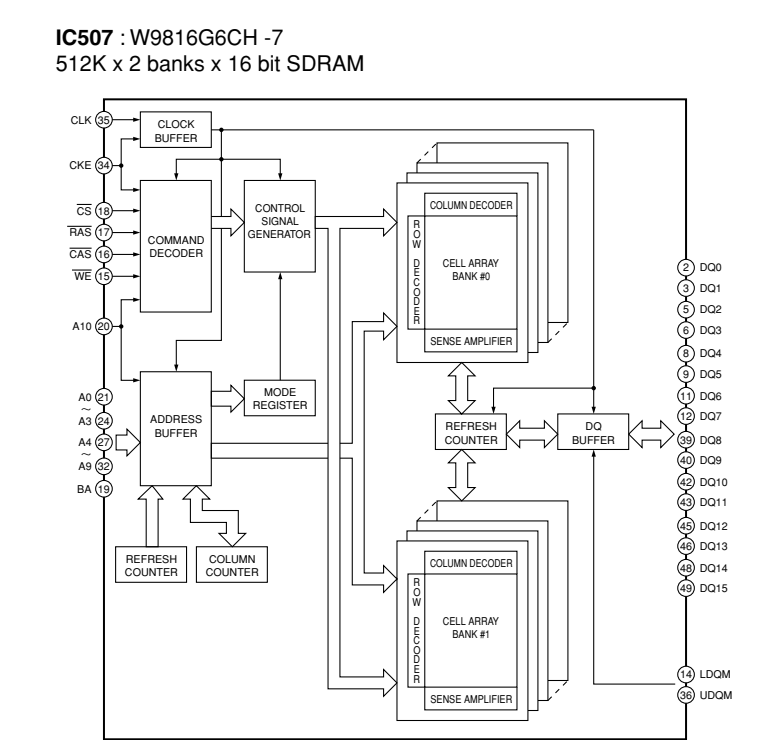
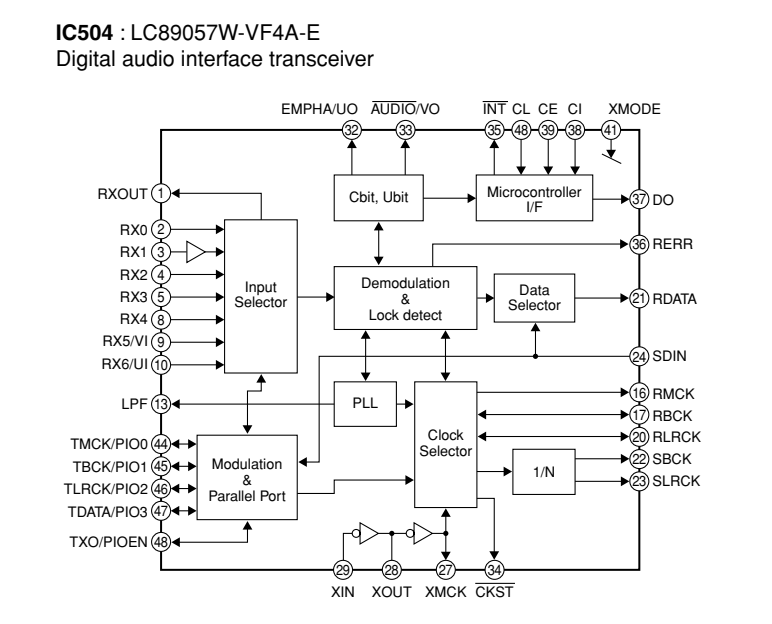
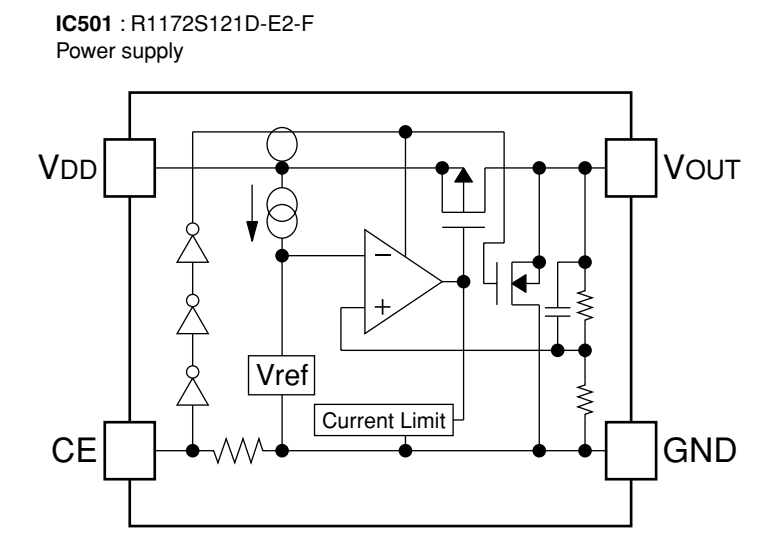
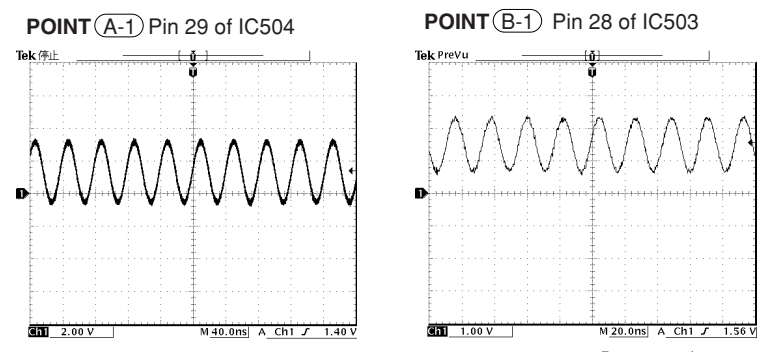
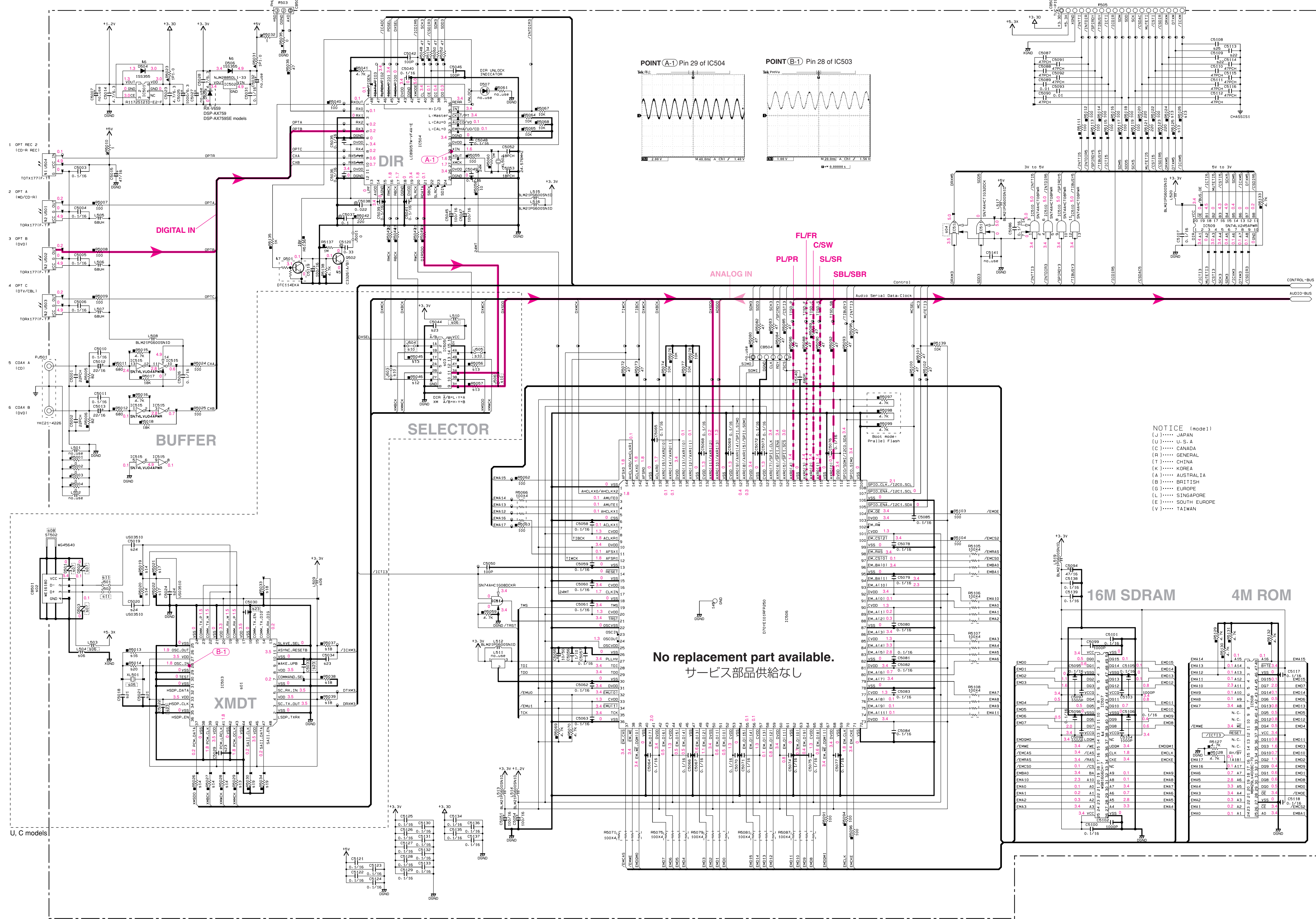
SCHEMATIC DIAGRAMS
DSP 1/2

DSP

RX-V659/DSP-AX759/DSP-AX759-SE: Page 81
to OPERATION (5)_W881

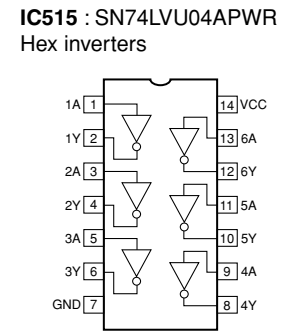
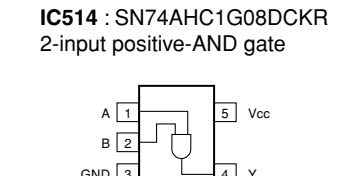
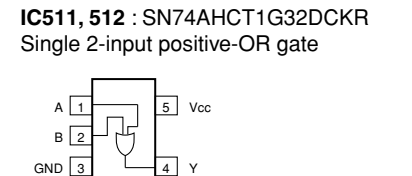
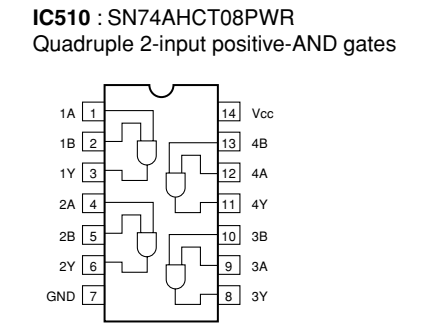
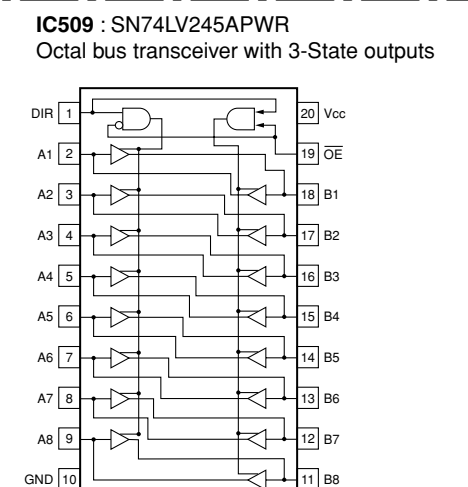
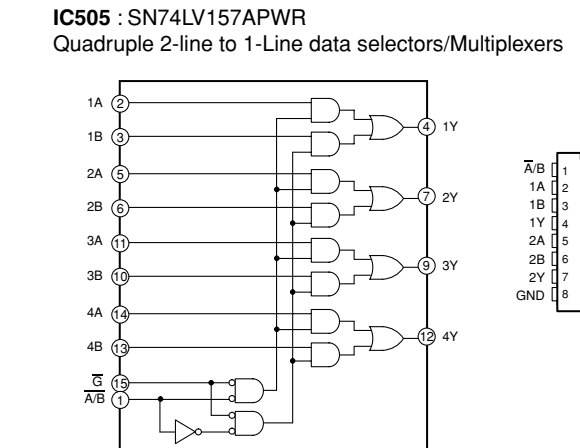
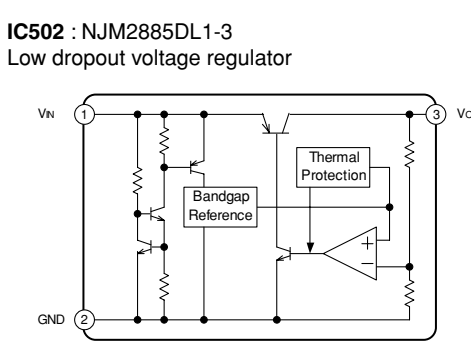
HTR-5960: Page 82
to OPERATION (4)_W881

Page 87 [F8]
to VIDEO (1)_CB772



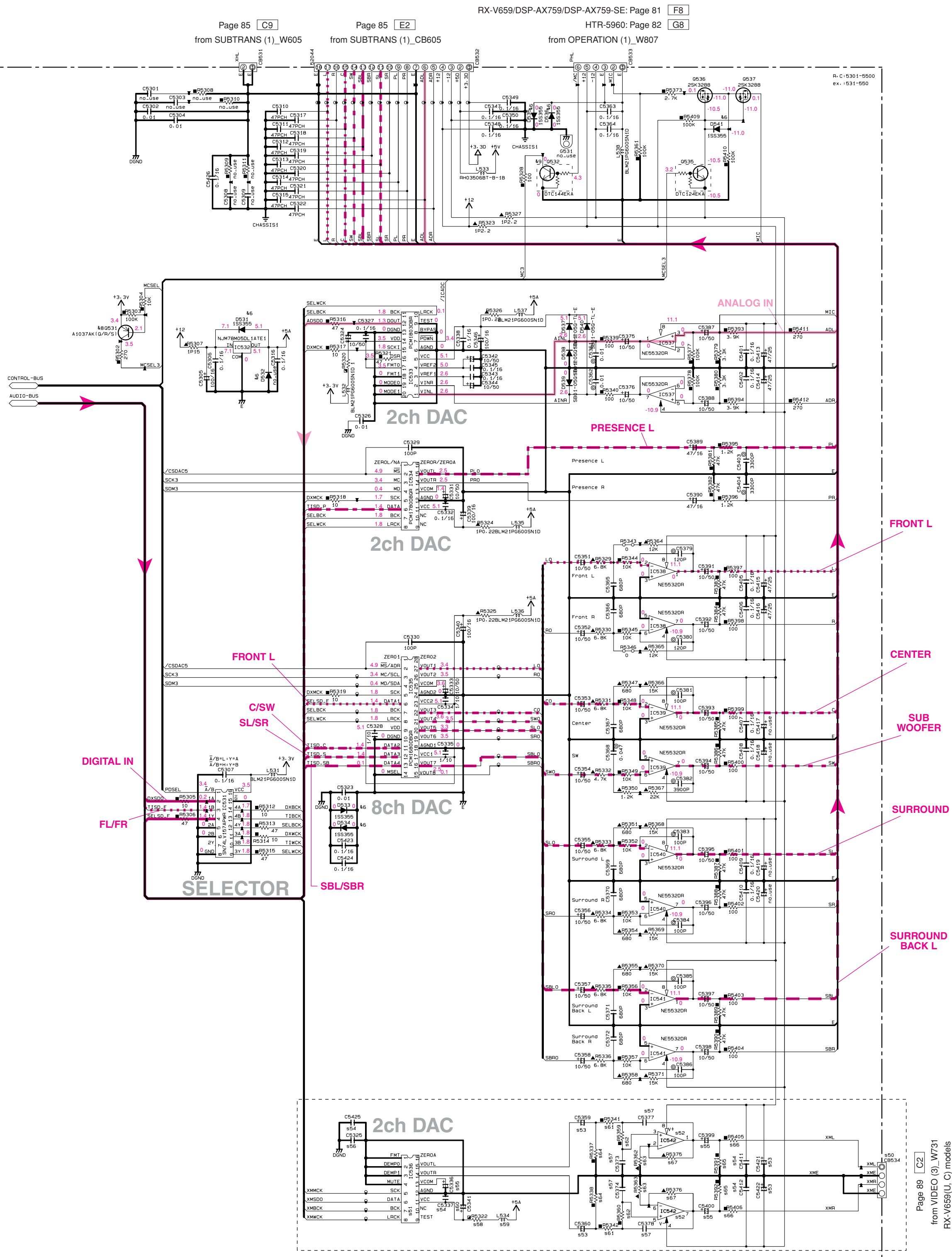
No replacement part available.
サービス部品供給なし

NOTICE (model)
(J) JAPAN
(U) U.S.A
(C) CANADA
(R) GENERAL
(T) CHINA
(K) KOREA
(A) AUSTRALIA
(B) BISTISH
(G) EUROPE
(L) SINGAPORE
(E) SOUTH EUROPE
(V) TAIWAN



- * All voltages are measured with a 10M Ω DC electronic volt meter.
- * Components having special characteristics are marked Δ , and must be replaced with parts having specifications equal to those originally installed.
- * Schematic diagram is subject to change without notice.
- 電圧は、内部抵抗10M Ω の電圧計で測定したものです。
- Δ 印のある部品は、安全な確保部品を示しています。部品の交換が必要な場合、パーツリストに記載されている部品を使用してください。
- 本回路図は標準回路図です。改良のため予告なく変更することがございます。

DSP



Interchangeable Parts at Manufacture-Stage

Mark	Reference Parts Number	Parts Name
K1	U504	TOT1771(F1) OPFAY600NF
K2	U501-503	108K4171(F1) OPFAY600NF
K3		
K4	IC507	MS1680CAM-C1800P8108 SN74LV157APWR
K5	Q502	2SC3328(A) 2SC3328(B) 2SD2744(K1) 2SD1931(F1)ST
K6	D504-506-531-533-536-541	1S5305 M4111 M55160-RTK/P DT1148XA KRC1025-RTK/P 2SA1037A(L)P(S) 2SA1032A(E)P1 DT1148XA KRC1045-RTK/P
K7	Q501	DT1148XA KRC1025-RTK/P
K8	Q531	2SA1037A(L)P(S) 2SA1032A(E)P1
K9	Q532	DT1148XA KRC1045-RTK/P

CAPACITOR

REMARKS	PARTS NAME
NO MARK	ELECTROLYTIC CAPACITOR
⊗	TANTALUM CAPACITOR
⊙	CERAMIC CAPACITOR
⊚	CERAMIC TUBULAR CAPACITOR
⊛	POLYESTER FILM CAPACITOR
⊜	POLYSTYRENE FILM CAPACITOR
⊝	MICA CAPACITOR
⊞	POLYPROPYLENE FILM CAPACITOR
⊟	SEMICONDUCTIVE CERAMIC CAPACITOR
⊠	POLYPHENYLENE SULFIDE FILM CAPACITOR

RESISTOR

REMARKS	PARTS NAME
NO MARK	CARBON FILM RESISTOR (P=5)
△	CARBON FILM RESISTOR (P=10)
□	METAL OXIDE FILM RESISTOR
◇	METAL FILM RESISTOR
⊞	METAL PLATE RESISTOR
⊟	FIRE PROOF CARBON FILM RESISTOR
⊠	CEMENT MOLDED RESISTOR
⊡	SEMI-VARIABLE RESISTOR
⊢	CHIP RESISTOR

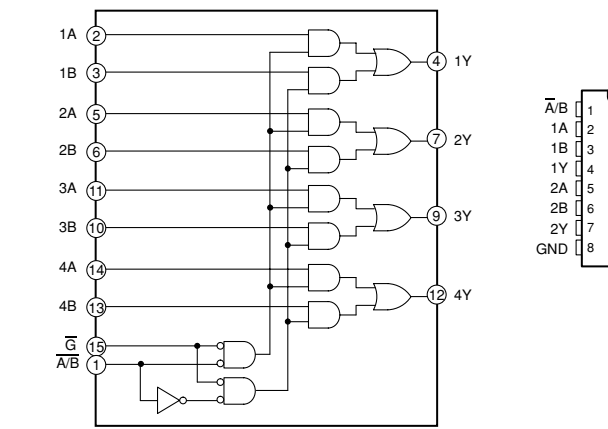
NOTICE (model)

- (J)..... JAPAN
- (U)..... U.S.A
- (C)..... CANADA
- (R)..... GENERAL
- (T)..... CHINA
- (K)..... KOREA
- (A)..... AUSTRALIA
- (B)..... BRITISH
- (E)..... EUROPE
- (L)..... SINGAPORE
- (V)..... SOUTH EUROPE
- (Y)..... TAIWAN

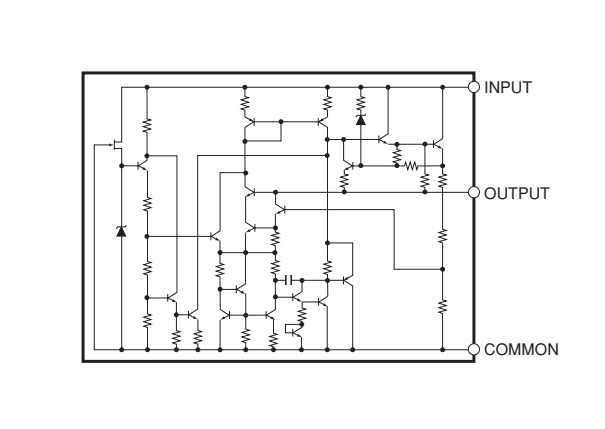
Destination Part List

DESTINATION	Part List	RX-V659	RX-V659	HTR5960
504	LOC	X	X	X
51	IC503	X	X	X
52	Q501	X	X	X
53	IC506	X	X	X
54	IC512	X	X	X
55	KL501	X	X	X
56	L510	X	X	X
57	Q502	X	X	X
58	ST502	X	X	X
59	Q504	X	X	X
60	Q505	X	X	X
61	Q502	X	X	X
62	Q504	X	X	X
63	Q505	X	X	X
64	R5019	X	X	X
65	R5018	X	X	X
66	R5017	X	X	X
67	R5016	X	X	X
68	R5015	X	X	X
69	R5014	X	X	X
70	R5013	X	X	X
71	R5012	X	X	X
72	R5011	X	X	X
73	R5010	X	X	X
74	R5009	X	X	X
75	R5008	X	X	X
76	R5007	X	X	X
77	R5006	X	X	X
78	R5005	X	X	X
79	R5004	X	X	X
80	R5003	X	X	X
81	R5002	X	X	X
82	R5001	X	X	X
83	C5031	X	X	X
84	C5030	X	X	X
85	C5029	X	X	X
86	C5028	X	X	X
87	C5027	X	X	X
88	C5026	X	X	X
89	C5025	X	X	X
90	C5024	X	X	X
91	IC506	X	X	X
92	IC542	X	X	X
93	Q542	X	X	X
94	C5412	X	X	X
95	C5411	X	X	X
96	C5410	X	X	X
97	C5378	X	X	X
98	Q5362	X	X	X
99	Q534	X	X	X
100	R5341	X	X	X
101	R5340	X	X	X
102	R5339	X	X	X
103	R5338	X	X	X
104	R5337	X	X	X
105	R5336	X	X	X
106	R5335	X	X	X
107	R5334	X	X	X
108	R5333	X	X	X
109	R5332	X	X	X
110	R5331	X	X	X
111	R5330	X	X	X
112	R5329	X	X	X
113	R5328	X	X	X
114	R5327	X	X	X
115	R5326	X	X	X
116	R5325	X	X	X
117	R5324	X	X	X
118	R5323	X	X	X
119	R5322	X	X	X
120	R5321	X	X	X
121	R5320	X	X	X
122	R5319	X	X	X
123	R5318	X	X	X
124	R5317	X	X	X
125	R5316	X	X	X
126	R5315	X	X	X
127	R5314	X	X	X
128	R5313	X	X	X
129	R5312	X	X	X
130	R5311	X	X	X
131	R5310	X	X	X
132	R5309	X	X	X
133	R5308	X	X	X
134	R5307	X	X	X
135	R5306	X	X	X
136	R5305	X	X	X
137	R5304	X	X	X
138	R5303	X	X	X
139	R5302	X	X	X
140	R5301	X	X	X

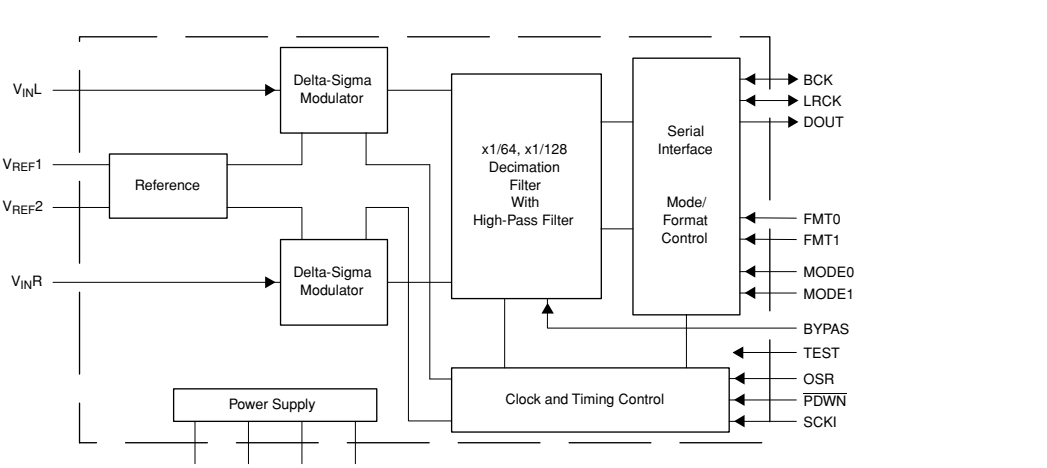
IC531 : SN74LV157APWR
Quadruple 2-line to 1-line data selectors/ Multiplexers



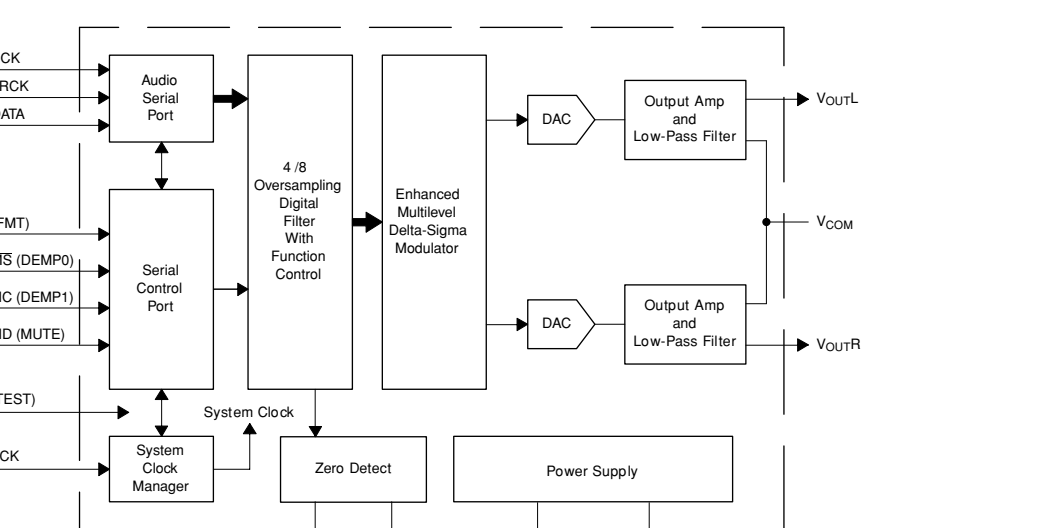
IC532 : NJM78M05DL1A
Voltage regulator



IC533 : PCM1803DBR
Stereo A/D converter

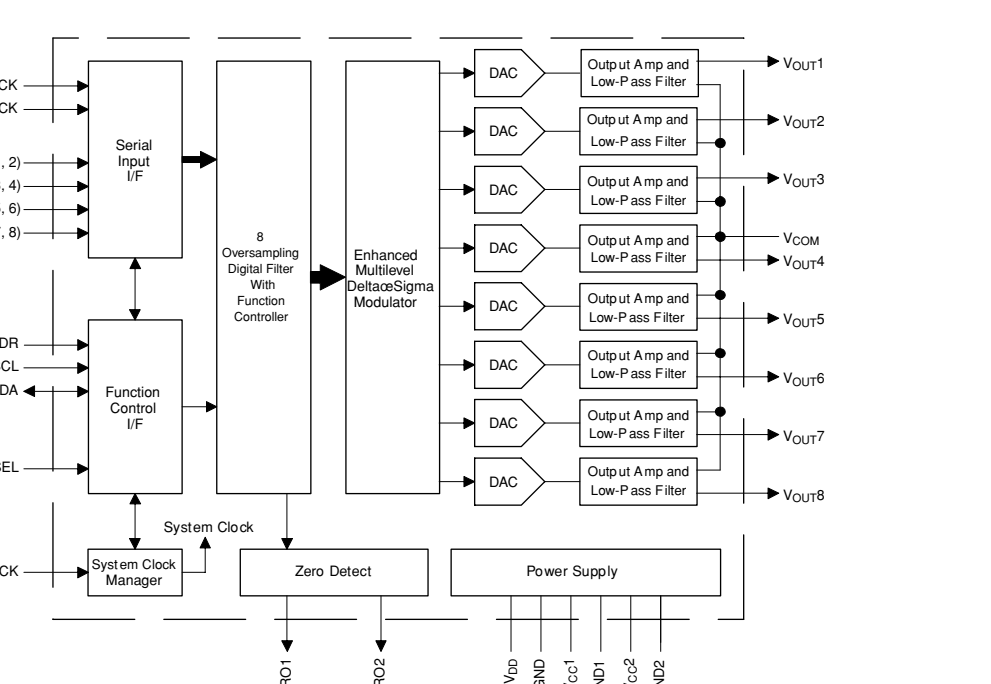


IC534 : PCM1780BQR
IC536 : PCM1781BQR
Audio digital-to-analog converter

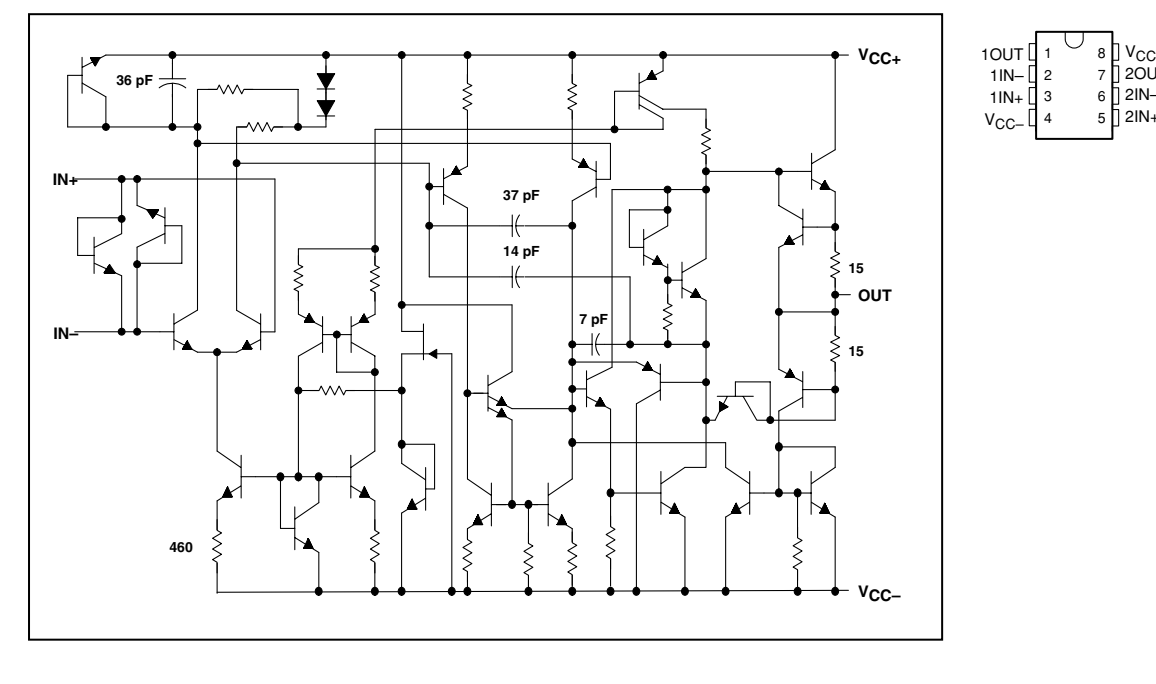


(1) Open-drain output for the PCM1782
NOTE: Signal names in parentheses () are for the PCM1781.

IC535 : PCM1680BQR
Audio digital-to-analog converter

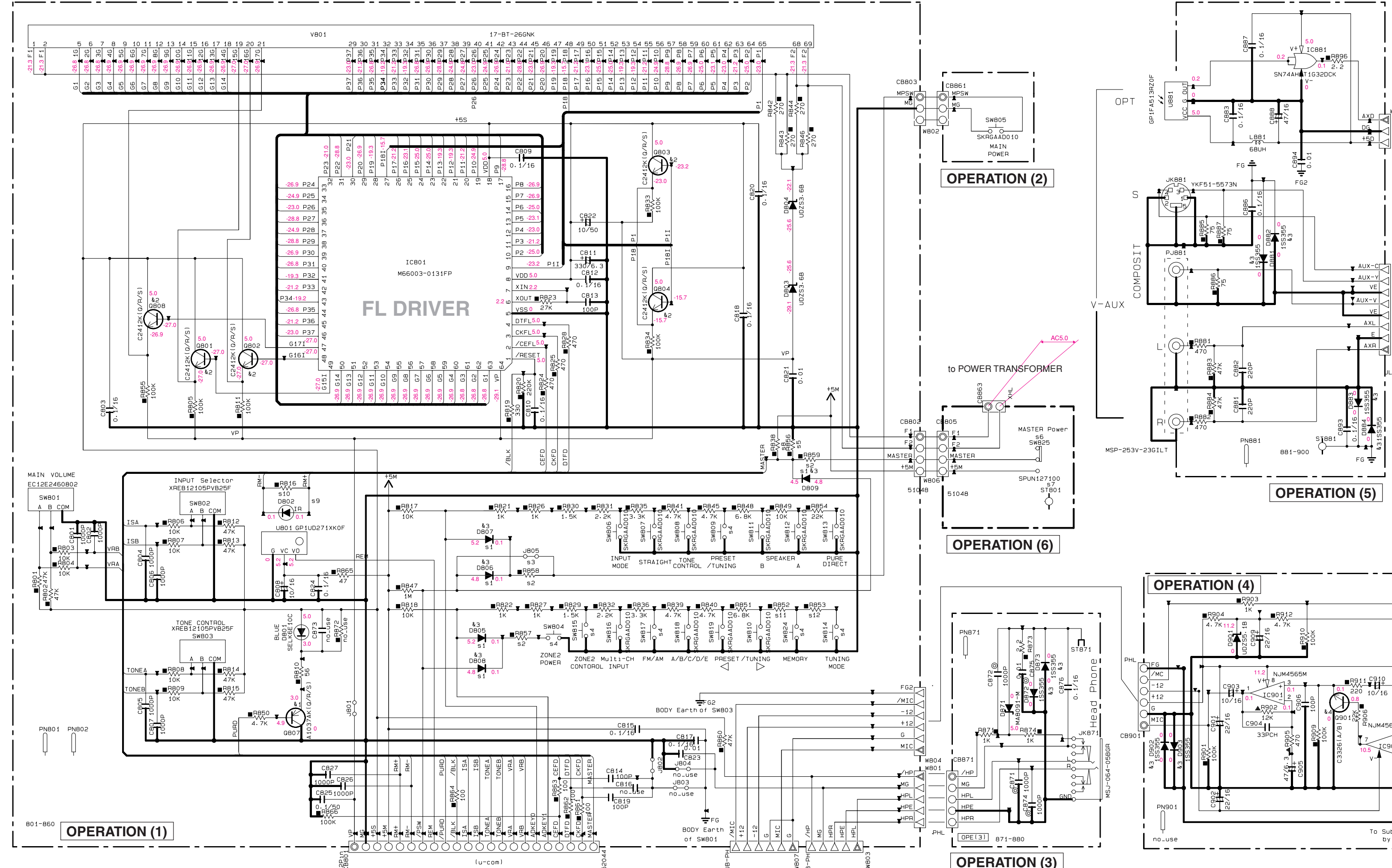


IC537-541,542 : NE5532DR
Dual low-noise operational amplifier



● 電圧は、内部抵抗10MΩの電圧計で測定したものです。
★ All voltages are measured with a 10MΩ/V DC electronic volt meter.
● 1印のある部品は、安全性確保部品を示しています。部品の交換が必要な場合、パーツリストに記載されている部品を使用してください。
★ Components having special characteristics are marked 1 and must be replaced with parts having specifications equal to those originally installed.
● 本回路図は標準回路図です。改良のため予告なく変更することがございます。
★ Schematic diagram is subject to change without notice.

OPERATION RX-V659/DSP-AX-759/DSP-AX759SE



CAPACITOR

REMARKS	PARTS NAME	
NO MARK	ELECTROLYTIC CAPACITOR	H
⊗	TANTALUM CAPACITOR	H
NO MARK	CERAMIC CAPACITOR	
⊙	CERAMIC TUBULAR CAPACITOR	
⊖	POLYESTER FILM CAPACITOR	
○	POLYSTYRENE FILM CAPACITOR	
⊕	MICA CAPACITOR	
⊗	POLYPROPYLENE FILM CAPACITOR	
⊖	SEMICONDUCTIVE CERAMIC CAPACITOR	
⊙	POLYPHENYLENE SULFIDE FILM CAPACITOR	

RESISTOR

REMARKS	PARTS NAME	
NO MARK	CARBON FILM RESISTOR (P=5)	
□	CARBON FILM RESISTOR (P=10)	
△	METAL OXIDE FILM RESISTOR	
▲	METAL FILM RESISTOR	
⊗	METAL PLATE RESISTOR	
■	FIRE PROOF CARBON FILM RESISTOR	
□	CEMENT MOLDED RESISTOR	
⊗	SEMI VARIABLE RESISTOR	
■	CHIP RESISTOR	

NOTICE (model)

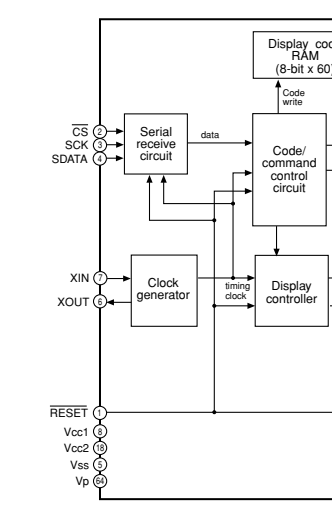
Reference No.	U.S.A.	JAPAN	EUROPE	OTHER	B
s1	DB05 - 809	VT33990	183365	x	
s2	RB57 - 899	RD39510	100	x	
s3	JB05	x	RD35000	o	
s4	814-815,817,824	WD48310	x		
s5	RB56	x	RD35710	x	
s6	SW825	WF87590	x		
s7	ST801	x	WA24620		
s8	RB38	x	RD35610		
s9	DB02	V259820	x		
s10	RB16	RD35710	10K	x	
s11	RB52	RD35710	10K	x	
s12	RB53	RD35722	22K	x	

Interchangeable Parts at Manufacture-Stage

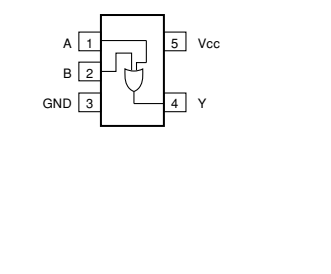
Mark	Reference	Parts Number	Parts Name
41	QB07	25410374K (D/R/S)	254123541E/P/1
42	QB01-804-808	25C2412K (D/R/S)	25B8018R/4B (L/R/S)
43	DB05-809-872-873	183365	M4111
44	QB01	KDS160-RTK/P	25C33261A/B1
45			25D2704K
46			
47			

Page 87 [H2] to VIDEO (1)_CB775
 Page 80 [E2] to DSP_CB533
 Page 85 [H5] to SUBTRANS (1)_CB609

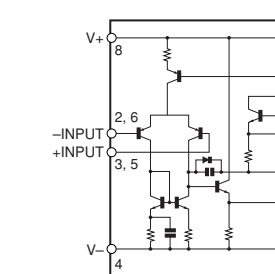
IC801 : M66003-0131FP
FL display driver



IC881 : SN74AHC1G32DCKR
Single 2-input positive-OR gate

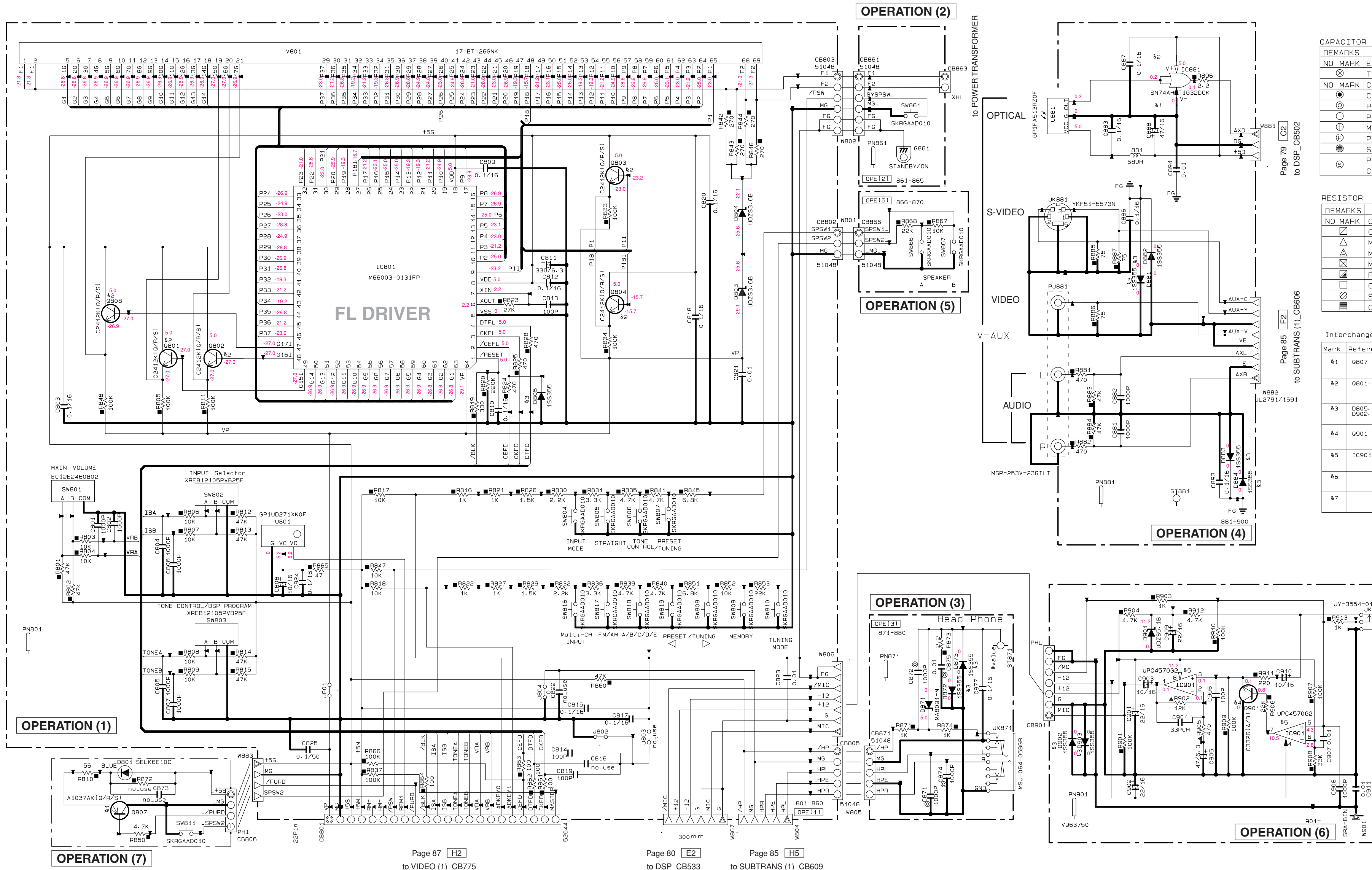


IC901 : NJM4565M
Dual operational amplifier



★ All voltages are measured with a 10M Ω DC electronic volt meter.
 ★ Components having special characteristics are marked Δ and must be replaced with parts having specifications equal to those originally installed.
 ★ Schematic diagram is subject to change without notice.
 ● 電圧は、内部抵抗10M Ω の電圧計で測定したものです。
 ● Δ 印のある部品は、安全性確保部品を示しています。部品の交換が必要な場合、パーツリストに記載されている部品を使用してください。
 ● 本回路図は標準回路図です。改良のため予告なく変更することがございます。

OPERATION HTR-5960



CAPACITOR

REMARKS	PARTS NAME
NO MARK	ELECTROLYTIC CAPACITOR
⊗	TANTALUM CAPACITOR
NO MARK	CERAMIC CAPACITOR
⊙	CERAMIC TUBULAR CAPACITOR
○	POLYESTER FILM CAPACITOR
○	POLYSTYRENE FILM CAPACITOR
○	MICA CAPACITOR
○	POLYPROPYLENE FILM CAPACITOR
⊙	SEMICONDUCTIVE CERAMIC CAPACITOR
⊙	POLYPHENYLENE SULFIDE FILM CAPACITOR

RESISTOR

REMARKS	PARTS NAME
NO MARK	CARBON FILM RESISTOR (P=5)
△	CARBON FILM RESISTOR (P=10)
△	METAL OXIDE FILM RESISTOR
△	METAL FILM RESISTOR
△	METAL PLATE RESISTOR
△	FIRE PROOF CARBON FILM RESISTOR
△	CEMENT MOLDED RESISTOR
△	SEMI VARIABLE RESISTOR
△	CHIP RESISTOR

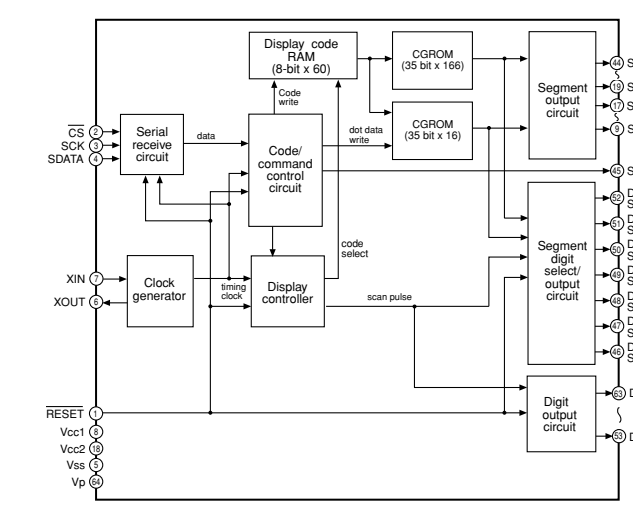
Interchangeable Parts at Manufacture-Stage

Mark	Reference Parts Number	Parts Name
k1	0807	25A1037AK1G/R/S1
k2	0801-804-808	25A1235A1E/F1
k3	0805-873-873-881-884	25C2412K1G/R/S1
k4	0901	25C33261A/B1
k5	IC901	UPC4570G2-T1-A
k6		UPC4570G2-E1-A
k7		

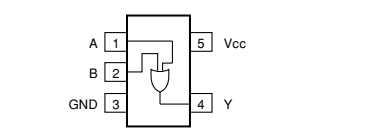
NOTICE (model)

(J)..... JAPAN
 (U)..... U.S.A
 (C)..... CANADA
 (R)..... GENERAL
 (T)..... CHINA
 (K)..... KOREA
 (A)..... AUSTRALIA
 (B)..... BRITISH
 (G)..... EUROPE
 (L)..... SINGAPORE
 (E)..... SOUTH EUROPE
 (V)..... TAIWAN

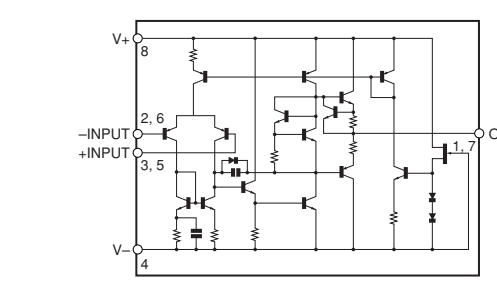
IC801 : M66003-0131FP
FL display driver



IC881 : SN74AHT1G32DCKR
Single 2-input positive-OR gate

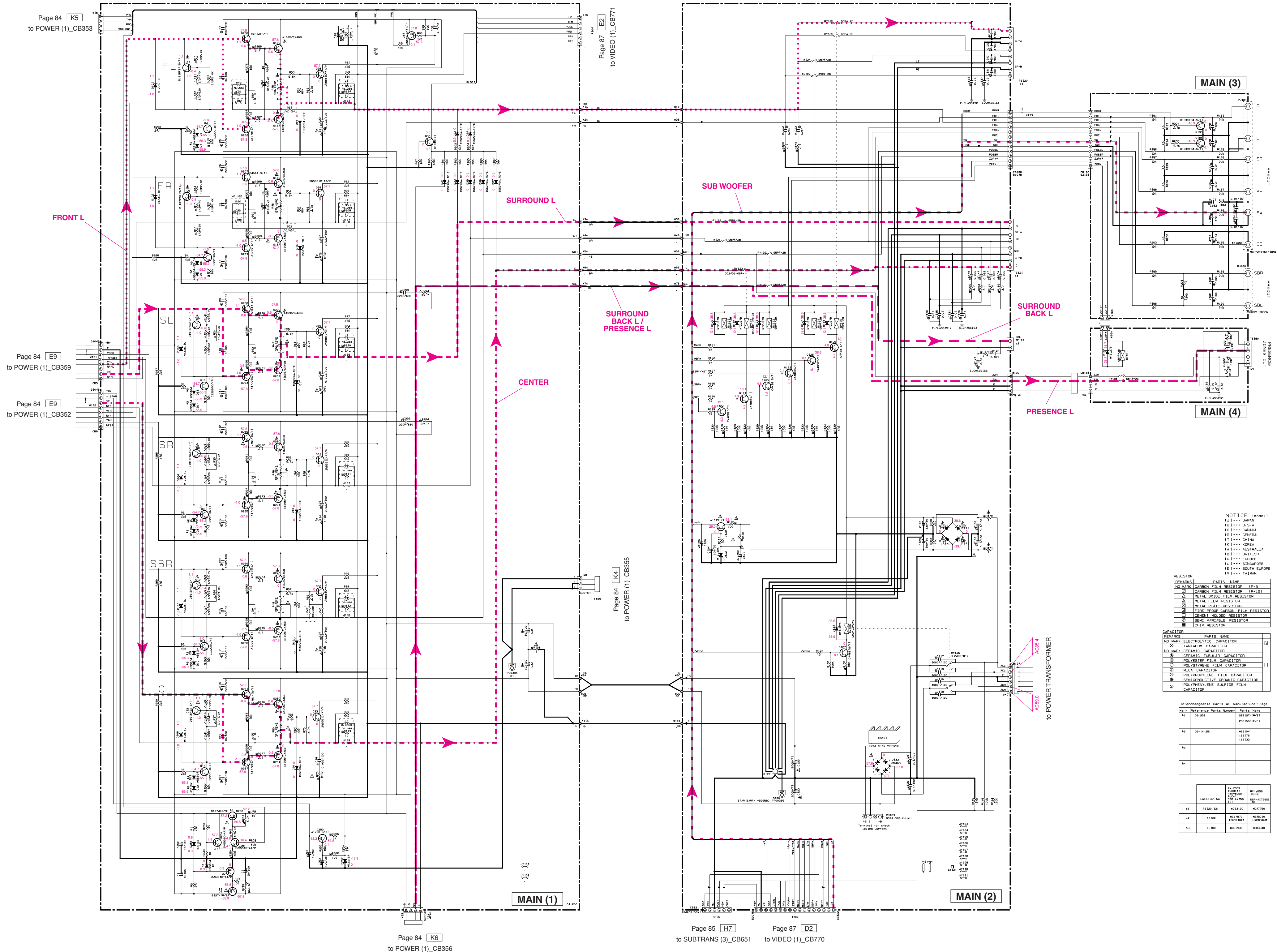


IC901 : NJM4558M
Dual operational amplifier



★ All voltages are measured with a 10MΩ/V DC electronic volt meter.
 ★ Components having special characteristics are marked with a triangle (▲) and must be replaced with parts having specifications equal to those originally installed.
 ★ Schematic diagram is subject to change without notice.
 ● 電圧は、内部抵抗10MΩの電圧計で測定したものです。
 ● 印のある部品は、安全性確保部品を示しています。部品の交換が必要な場合、パーツリストに記載されている部品を使用してください。
 ● 本回路図は標準回路図です。改良のため予告なく変更することがございます。

MAIN



* All voltages are measured with a 10MΩ/V DC electronic volt meter.
 * Components having special characteristics are marked with a triangle (▲) and must be replaced with parts having specifications equal to those originally installed.
 * Schematic diagram is subject to change without notice.

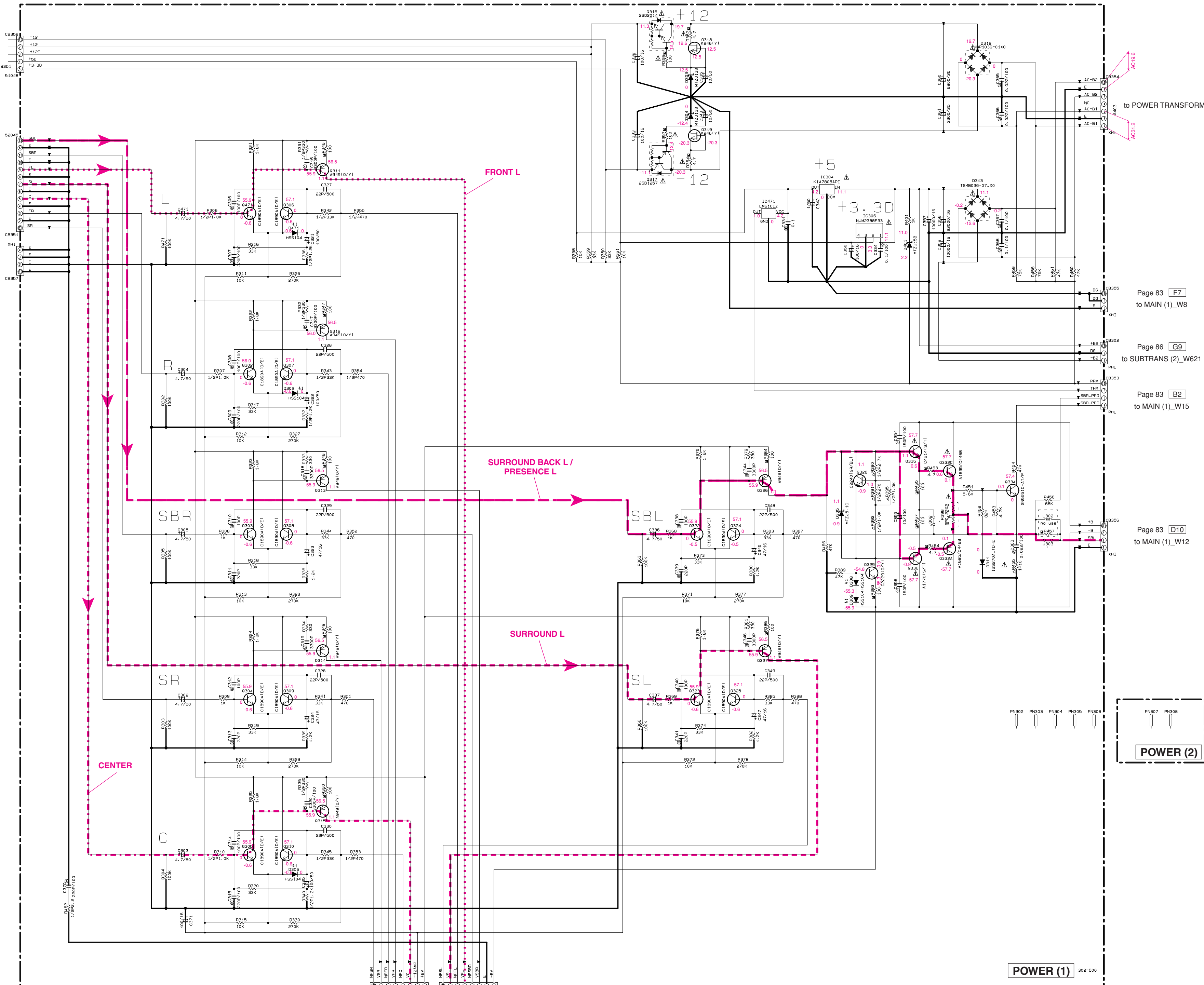
● 電圧は、内部抵抗10MΩの電圧計で測定したものです。
 ● ▲印のある部品は、安全性確保部品を示しています。部品の交換が必要な場合、パーツリストに記載されている部品を使用してください。
 ● 本回路図は標準回路図です。改良のため予告なく変更することがございます。

POWER

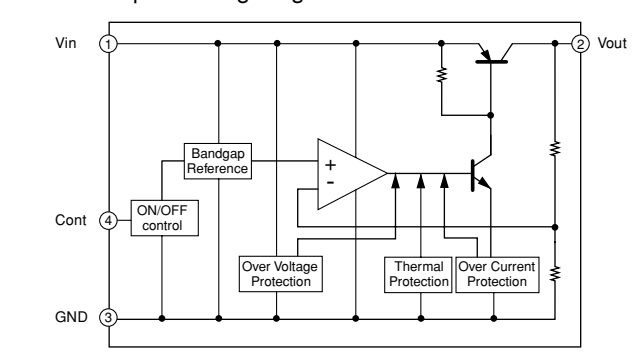
Page 82 [H3]
to SUBTRANS (1)_CB607

Page 85 [H3]
to SUBTRANS (1)_CB608

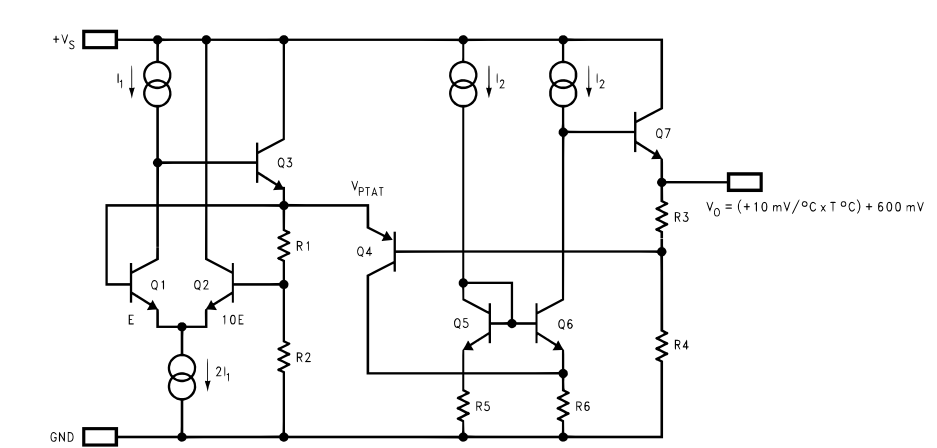
Page 85 [H4]
to SUBTRANS (1)_W603



IC306 : NJM2388F
Low dropout voltage regulator with ON/OFF control



IC471: LM61C1Z
Temperature sensor



Page 83 [F7]
to MAIN (1)_W8

Page 86 [G9]
to SUBTRANS (2)_W621

Page 83 [B2]
to MAIN (1)_W15

Page 83 [D10]
to MAIN (1)_W12

REMARKS	PARTS NAME
NO MARK	CARBON FILM RESISTOR (P=8)
△	CARBON FILM RESISTOR (P=10)
▲	METAL OXIDE FILM RESISTOR
▴	METAL FILM RESISTOR
□	METAL PLATE RESISTOR
◇	FILM PROOF CARBON FILM RESISTOR
■	CEMENT MOLDED RESISTOR
○	SEMI VARIABLE RESISTOR
⊖	CHIP RESISTOR

REMARKS	PARTS NAME
NO MARK	ELECTROLYTIC CAPACITOR
⊖	TANTALUM CAPACITOR
⊙	CERAMIC CAPACITOR
⊚	CERAMIC TUBULAR CAPACITOR
⊖	POLYESTER FILM CAPACITOR
⊙	POLYSTYRENE FILM CAPACITOR
⊚	MICA CAPACITOR
⊖	POLYPROPYLENE FILM CAPACITOR
⊙	SEMICONDUCTIVE CERAMIC CAPACITOR
⊚	POLYPHENYLENE SULFIDE FILM CAPACITOR

NOTICE (model)
(J)..... JAPAN
(U)..... U.S.A.
(C)..... CANADA
(R)..... GENERAL
(T)..... CHINA
(K)..... KOREA
(A)..... AUSTRALIA
(B)..... BRITISH
(G)..... EUROPE
(L)..... SINGAPORE
(E)..... SOUTH EUROPE
(V)..... TAIWAN

Mark	Reference Parts Number	Part's Name
41	0300-306-308-309-471	H8104 155133 155176

Location No	RX-V659 HTR-5960 DSP-AX759 LJ1	RX-V659 HTR-5960 DSP-AX759SE LJ1
s1	C302-305-336 231-471	10/90 W60710 4.750 360647
s2		
s3		

★ All voltages are measured with a 10MΩ/V DC electronic volt meter.
★ Components having special characteristics are marked with a triangle and must be replaced with parts having specifications equal to those originally installed.
★ Schematic diagram is subject to change without notice.

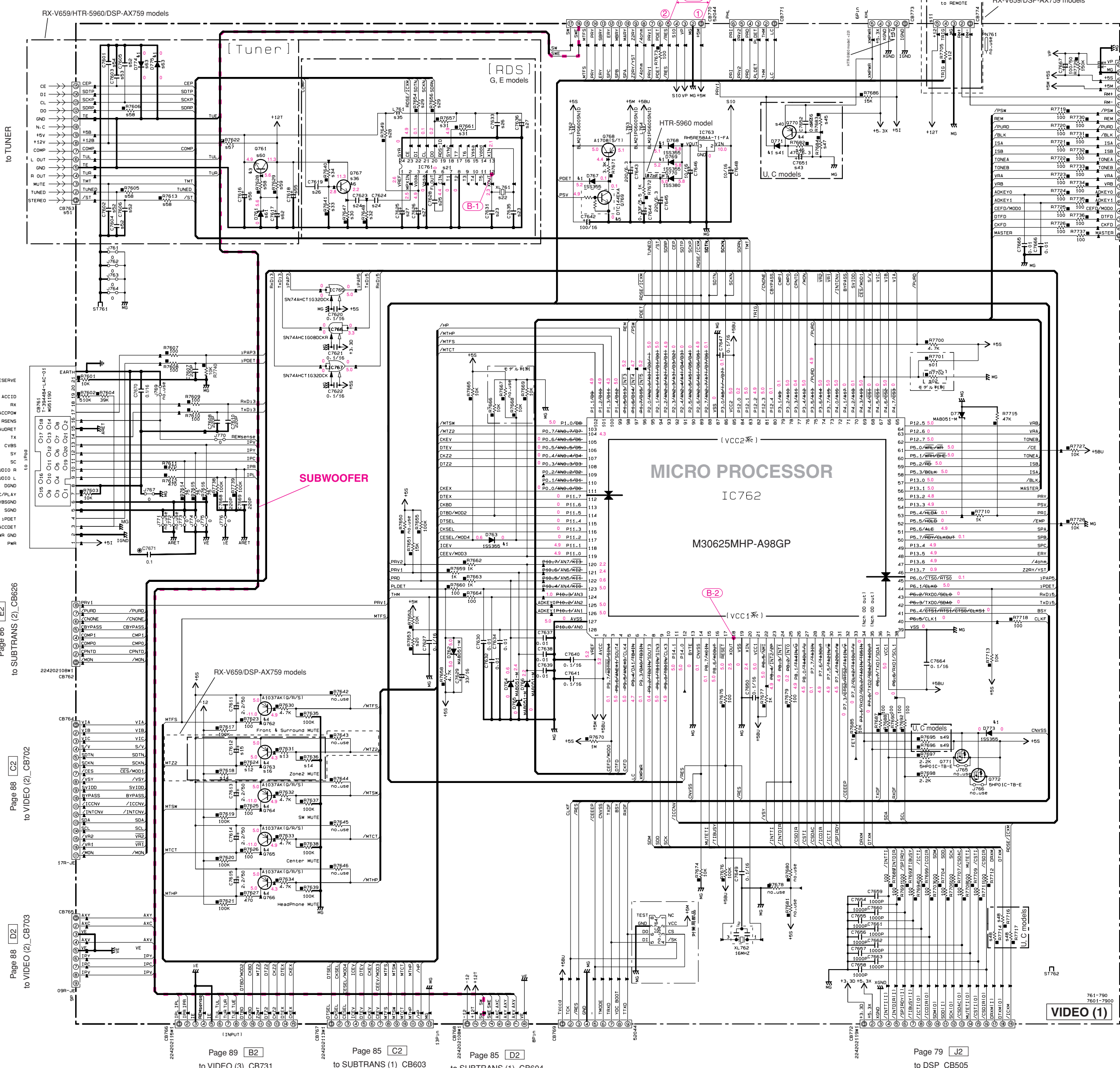
● 電圧は、内部抵抗10MΩの電圧計で測定したものです。
● 印のある部品は、安全性確保部品を示しています。部品の交換が必要な場合、パーツリストに記載されている部品を使用してください。
● 本回路図は標準回路図です。改良のため予告なく変更することがございます。

Page 83 [B5]
to MAIN (1)_CB6

Page 83 [B5]
to MAIN (1)_CB5

VIDEO 1/3

RX-V659/DSP-AX759/DSP-AX759-SE: Page 81 [D8] HTR-5960: Page 82 [D8] to OPERATION (1)_CB801



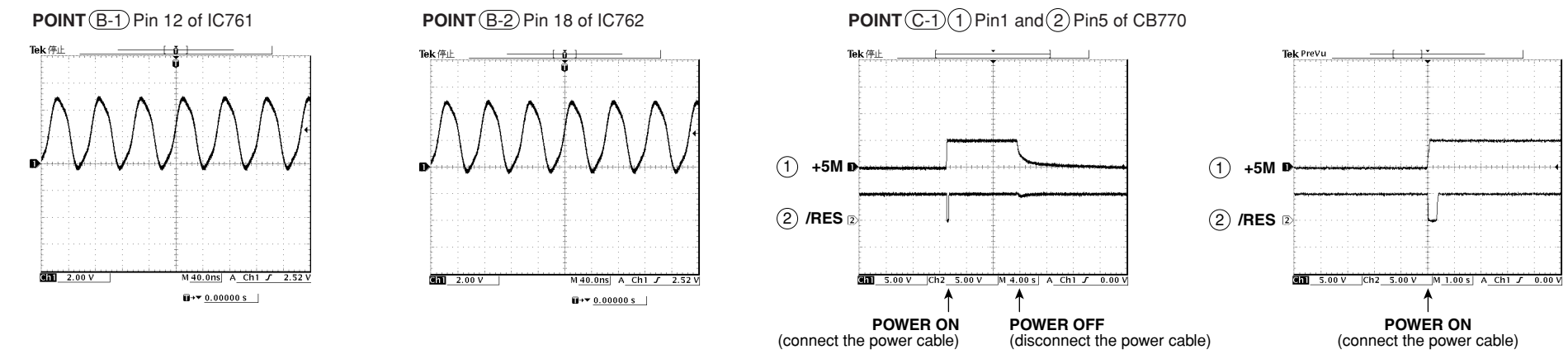
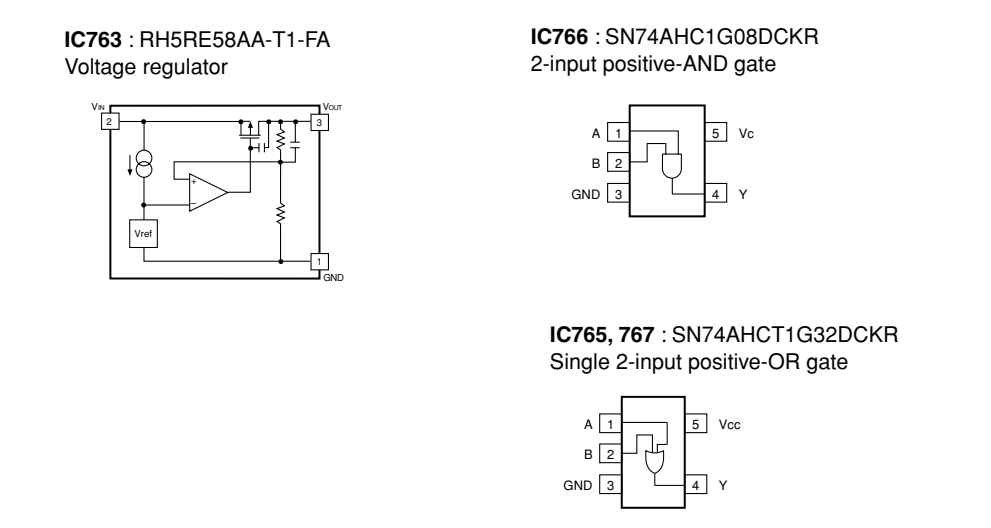
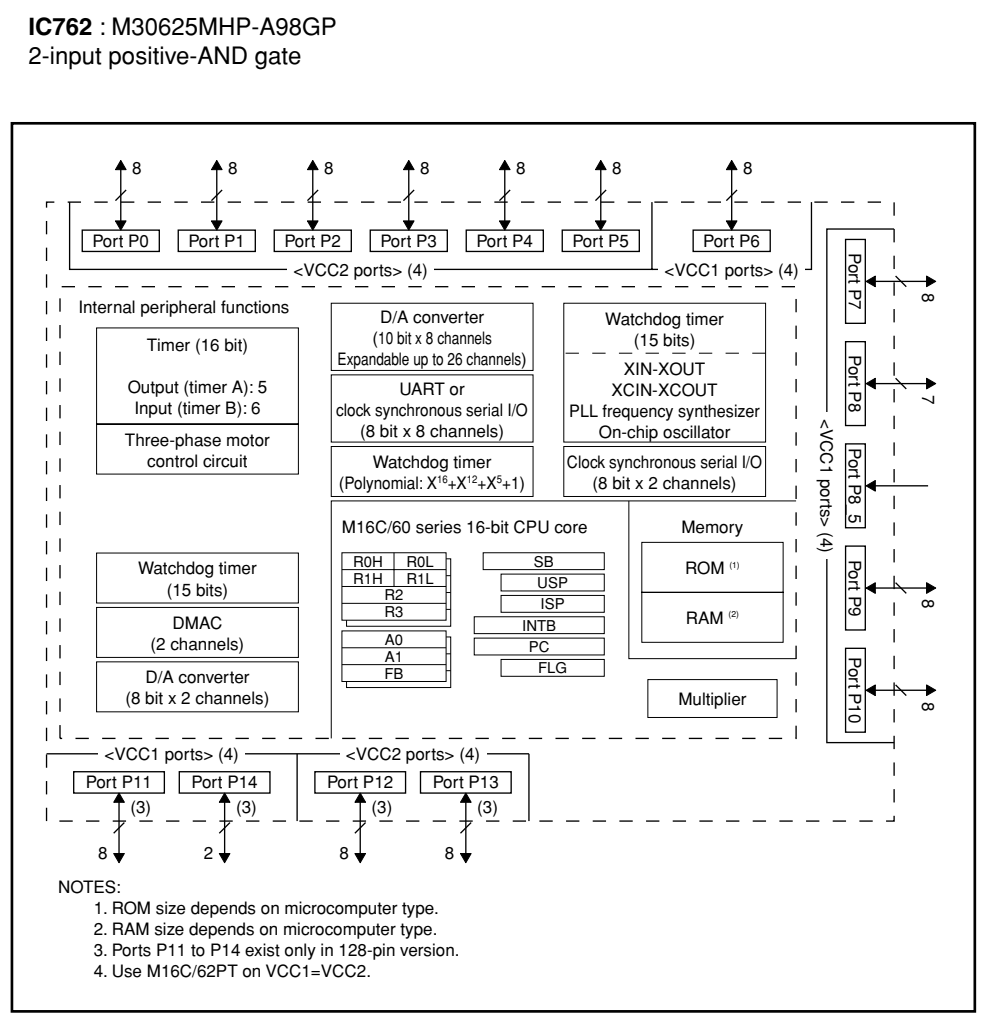
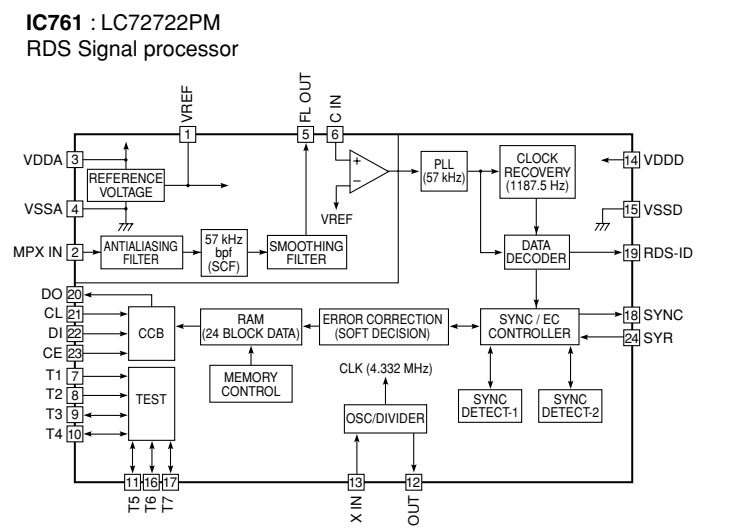
Interchangeable Parts at Manufacture Stage table with columns for Mark, Reference Parts Number, and Parts Name.

RESISTOR table with columns for Remarks, Parts Name, and various resistor types like Carbon Film Resistor, Metal Oxide Film Resistor, etc.

CAPACITOR table with columns for Remarks, Parts Name, and various capacitor types like Electrolytic Capacitor, Ceramic Capacitor, etc.

NOTICE (model) table listing countries and regions such as JAPAN, U.S.A., CANADA, GENERAL, CHINA, KOREA, AUSTRALIA, BRITISH, EUROPE, SINGAPORE, SOUTH EUROPE, and TAIWAN.

Pin List table with columns for Pin No., Loc., and various pin names like VCC, GND, and signal pins.



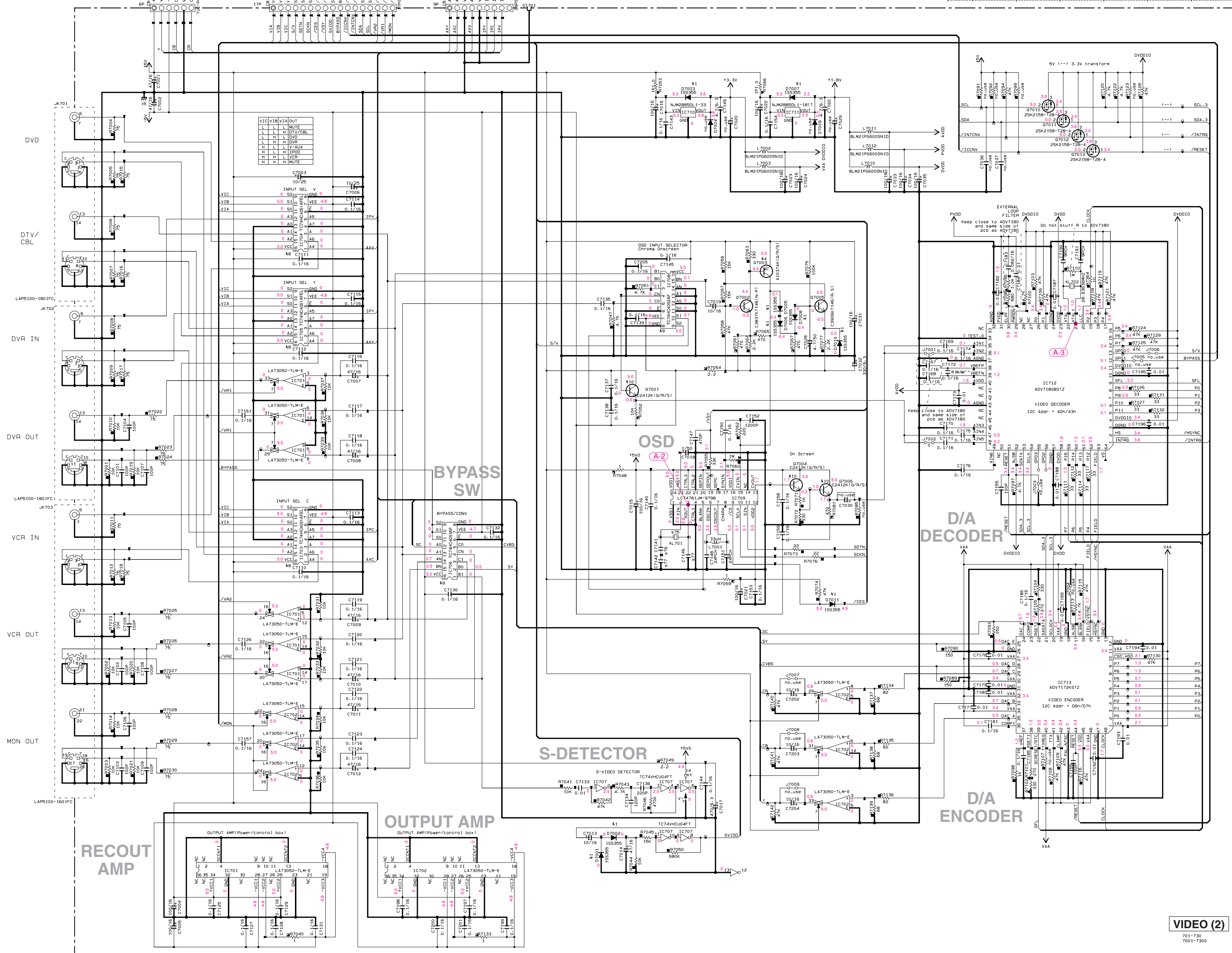
* All voltages are measured with a 10MΩ/V DC electronic volt meter. * Components having special characteristics are marked ! and must be replaced with parts having specifications equal to those originally installed. * Schematic diagram is subject to change without notice.

Page 86 [I5] to SUBTRANS (7)_CB681

Page 87 [A6] to VIDEO (1)_CB764

Page 87 [A8] to VIDEO (1)_CB765

LOC	DESTINATION PART LIST	RX-V659	RX-V659	RX-V659	RX-V659	RX-V659	RX-V659	RX-V659	RX-V659
575	AL701	DSP-44759	RX-V659HTR5960	RX-V659	RX-V659	RX-V659	RX-V659HTR5960	DSP-AX759SE	RX-V659
576	CT145	US56000 SPCH	US56000 SPCH	US56000 SPCH	US56000 SPCH	US56000 SPCH	US56000 SPCH	US56000 SPCH	US56000 SPCH
577	CT146	US56000 SPCH	US56000 SPCH	US56000 SPCH	US56000 SPCH	US56000 SPCH	US56000 SPCH	US56000 SPCH	US56000 SPCH



NOTICE (model)
 (J)..... JAPAN
 (U)..... U.S.A
 (C)..... CANADA
 (G)..... GENERAL
 (T)..... CHINA
 (K)..... KOREA
 (A)..... AUSTRALIA
 (B)..... BRITISH
 (G)..... EUROPE
 (L)..... SINGAPORE
 (E)..... SOUTH EUROPE
 (V)..... TAIWAN

RESISTOR

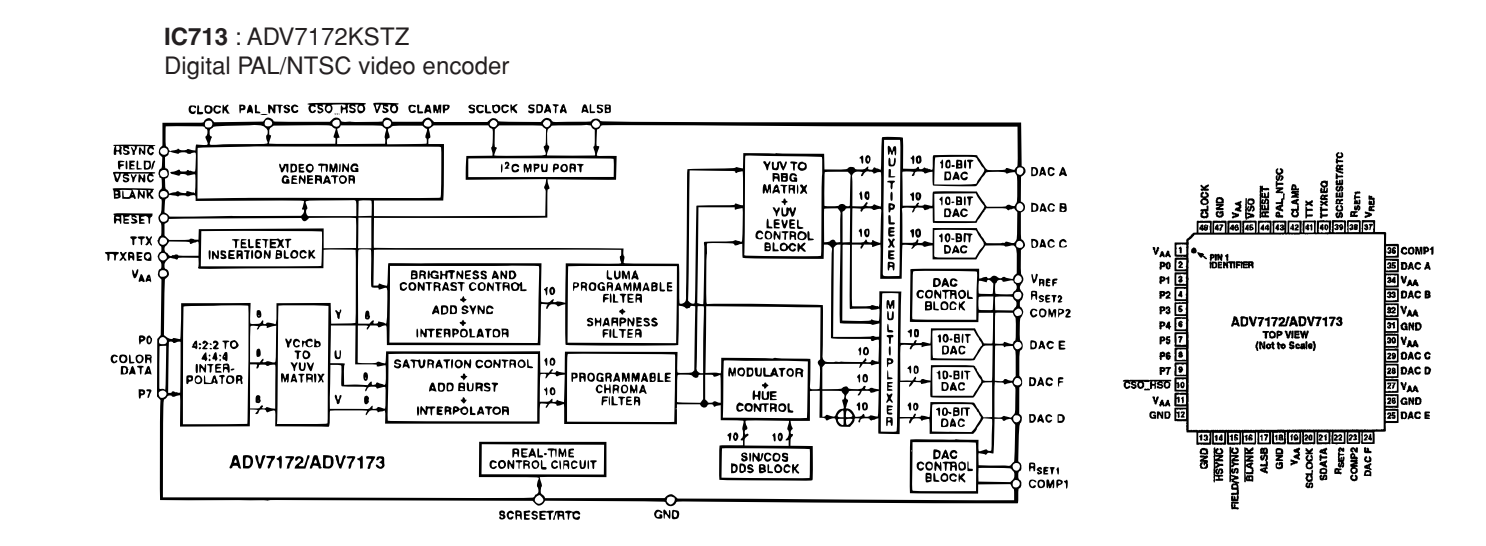
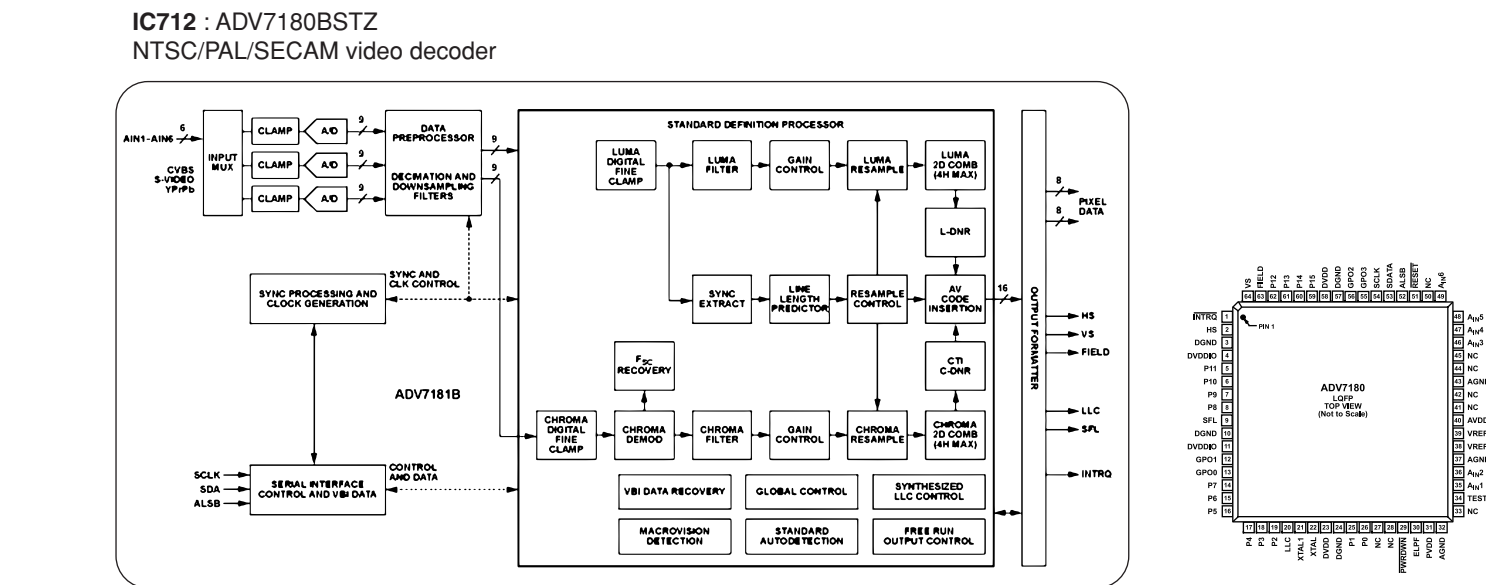
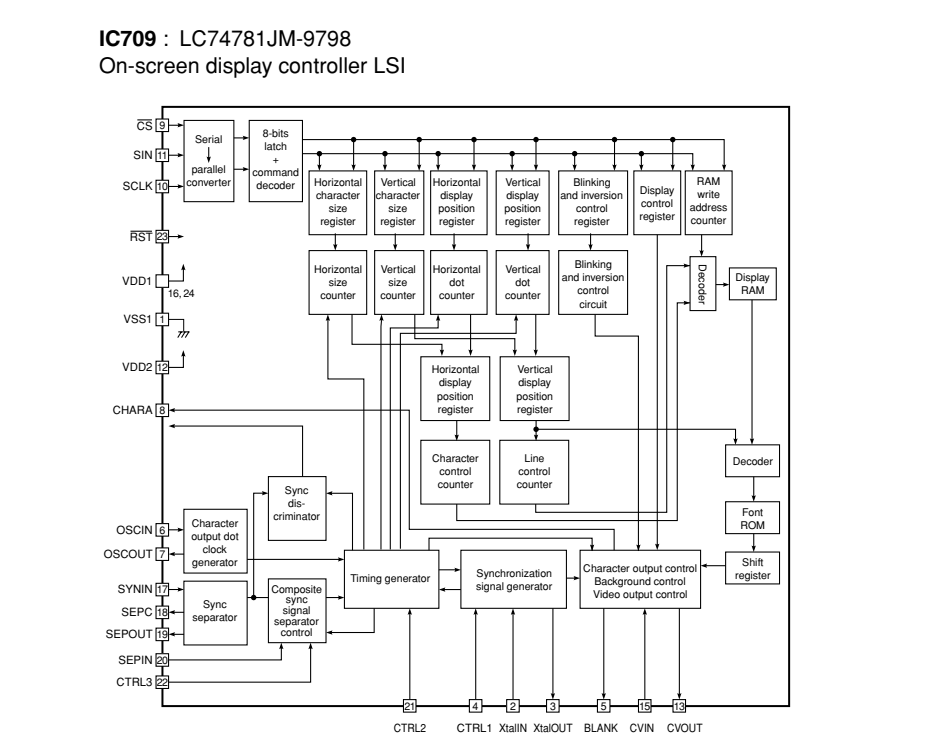
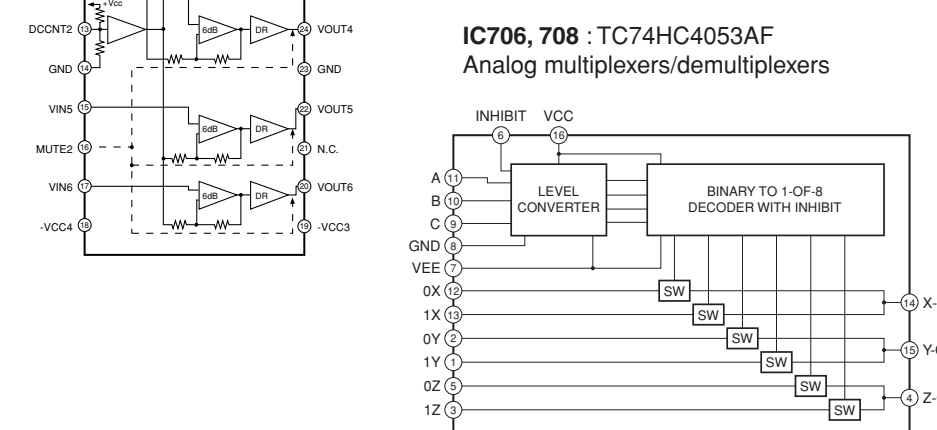
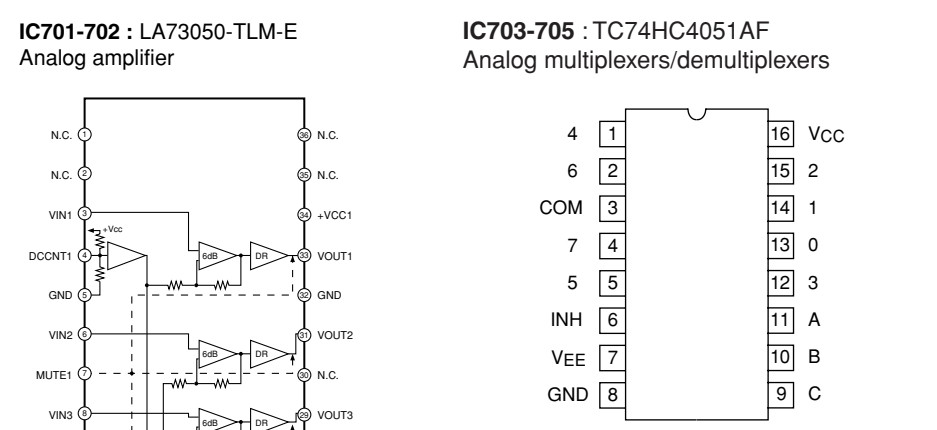
REMARKS	PARTS NAME
NO MARK	CARBON FILM RESISTOR (P=5)
NO MARK	CARBON FILM RESISTOR (P=10)
NO MARK	METAL OXIDE FILM RESISTOR
NO MARK	METAL FILM RESISTOR
NO MARK	METAL PLATE RESISTOR
NO MARK	FINE-PROOF CARBON FILM RESISTOR
NO MARK	CEMENT MOLDED RESISTOR
NO MARK	SEMI-VARIABLE RESISTOR
NO MARK	CHIP RESISTOR

CAPACITOR

REMARKS	PARTS NAME
NO MARK	ELECTROLYTIC CAPACITOR
NO MARK	TANTALUM CAPACITOR
NO MARK	CERAMIC TUBULAR CAPACITOR
NO MARK	POLYESTER FILM CAPACITOR
NO MARK	POLYSTYRENE FILM CAPACITOR
NO MARK	MICA CAPACITOR
NO MARK	POLYPROPYLENE FILM CAPACITOR
NO MARK	SEMICONDUCTIVE CERAMIC CAPACITOR

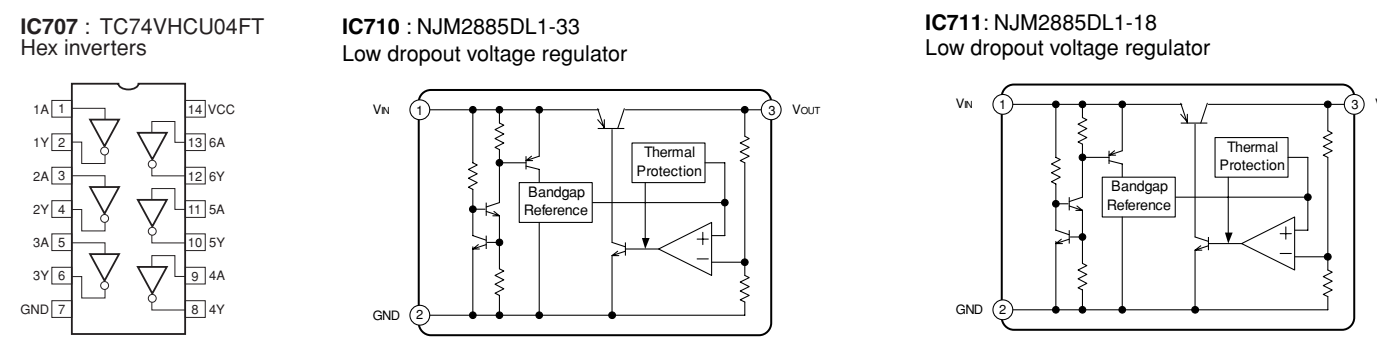
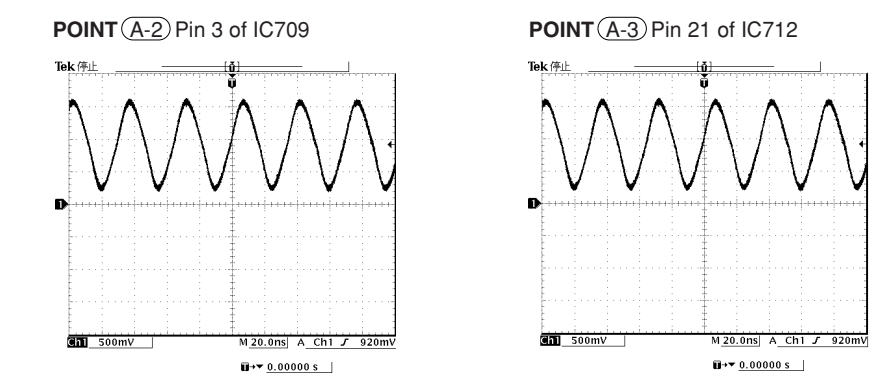
Interchangeable Parts at Manufacture-Stage

Part No.	Reference Part Number	Part Name
41	07001-7003-7006-7006	ISS395
	7010-7011	M4151
42		
43		
44	07003	2S41037AK(G/R/S)
		2S41293A1(E/F)
45		
46		
47		
48	IC703-705	HW74HC4051A(L,N,L)
		TC74HC4051AF(E,L,F)
49	IC706-708	HW74HC4053A(L,N,L)
		TC74HC4053AF(E,L,F)
50	07001-7004-7006	2SC2412K1(G/R/S)
		2SM619A(L,N,L)(R/S)



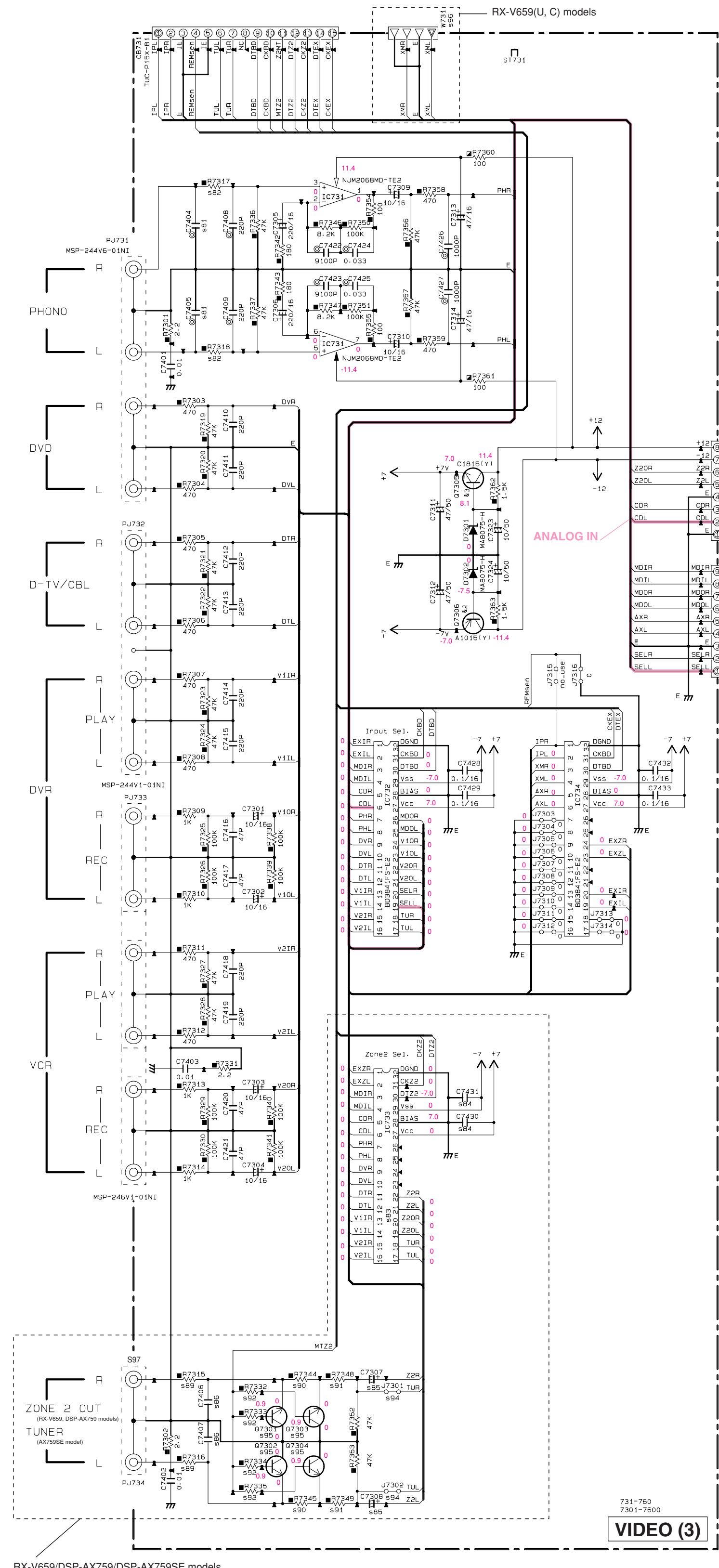
★ All voltages are measured with a 10MΩ/V DC electronic volt meter.
 ★ Components having special characteristics are marked with a triangle (▲), and must be replaced with parts having specifications equal to those originally installed.
 ★ Schematic diagram is subject to change without notice.

● 電圧は、内部抵抗10MΩの電圧計で測定したものです。
 ● ▲印のある部品は、安全性確保部品を示しています。部品の交換が必要な場合、パーツリストに記載されている部品を使用してください。
 ● 本回路図は標準回路図です。改良のため予告なく変更することがございます。



VIDEO 3/3

Page 87 B8 to VIDEO (1)_CB766
Page 80 F9 to DSP_CB534



Page 85 B3 to SUBTRANS (1)_CB601

Page 85 B3 to SUBTRANS (1)_CB602

IMPLEMENTATION:
AUDIO WITH VIDEO IN/OUT
INPUT SELECTOR
ZONE SELECTOR
TUNER INPUT
PHONO EQUALIZER

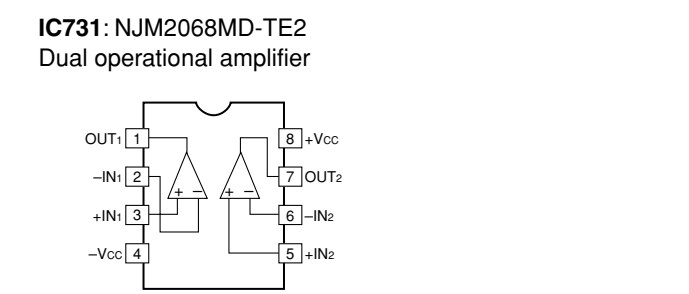
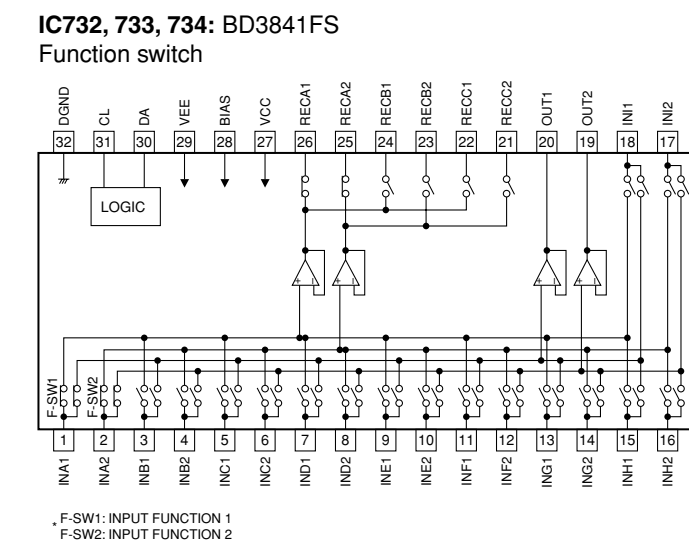
Destination Part List table with columns for Part No., Loc, DSP-AX759, RX-V659, RX-V659, TX-V659, RX-V659, RX-V659/HTR5960, DSP-AX759SE, RX-V659, RX-V659, HTR-5960, HTR-5960.

RESISTOR table with columns for Remarks, Parts Name, and values like NO MARK, CARBON FILM RESISTOR, METAL OXIDE FILM RESISTOR, etc.

CAPACITOR table with columns for Remarks, Parts Name, and values like NO MARK, ELECTROLYTIC CAPACITOR, TANTALUM CAPACITOR, CERAMIC CAPACITOR, etc.

NOTICE (model)
(J)..... JAPAN
(U)..... U. S. A
(C)..... CANADA
(A)..... GENERAL
(T)..... CHINA
(K)..... KOREA
(A)..... AUSTRALIA
(B)..... BRITISH
(G)..... EUROPE
(L)..... SINGAPORE
(E)..... SOUTH EUROPE
(V)..... TAIWAN

Interchangeable Parts at Manufacture-Stage table with columns for Mark, Reference Parts Number, and Parts Name.



* All voltages are measured with a 10MΩ/V DC electronic volt meter.
* Components having special characteristics are marked with a triangle and must be replaced with parts having specifications equal to those originally installed.
* Schematic diagram is subject to change without notice.
● 電圧は、内部抵抗10MΩの電圧計で測定したものです。
● 印のある部品は、安全性確保部品を示しています。部品の交換が必要な場合、パーツリストに記載されている部品を使用してください。
● 本回路図は標準回路図です。改良のため予告なく変更することがございます。

■ REPLACEMENT PARTS LIST

• ELECTRICAL COMPONENT PARTS

WARNING

- Components having special characteristics are marked \triangle and must be replaced with parts having specifications equal to those originally installed.
- \triangle 印のある部分は、安全確保部品を示しています。部品の交換が必要な場合、パーツリストに記載されている部品を使用してください。
- 部品価格ランクは、予告なく変更することがあります。

ABBREVIATIONS IN THIS LIST ARE AS FOLLOWS:

C.A.EL.CHP	: CHIP ALUMI.ELECTROLYTIC CAP	L.EMIT	: LIGHT EMITTING MODULE
C.CE	: CERAMIC CAP	LED.DSPLY	: LED DISPLAY
C.CE.ARRAY	: CERAMIC CAP ARRAY	LED.INFRD	: LED,INFRARED
C.CE.CHP	: CHIP CERAMIC CAP	MODUL.RF	: MODULATOR,RF
C.CE.ML	: MULTILAYER CERAMIC CAP	PHOT.CPL	: PHOTO COUPLER
C.CE.M.CHP	: CHIP MULTILAYER CERAMIC CAP	PHOT.INTR	: PHOTO INTERRUPTER
C.CE.SAFTY	: RECOGNIZED CERAMIC CAP	PHOT.RFLCT	: PHOTO REFLECTOR
C.CE.TUBLR	: CERAMIC TUBULAR CAP	PIN.TEST	: PIN,TEST POINT
C.CE.SMI	: SEMI CONDUCTIVE CERAMIC CAP	PLST.RIVET	: PLASTIC RIVET
C.EL	: ELECTROLYTIC CAP	R.ARRAY	: RESISTOR ARRAY
C.MICA	: MICA CAP	R.CAR.	: CARBON RESISTOR
C.ML.FLM	: MULTILAYER FILM CAP	R.CAR.CHP	: CHIP RESISTOR
C.MP	: METALLIZED PAPER CAP	R.CAR.FP	: FLAME PROOF CARBON RESISTOR
C.MYLAR	: MYLAR FILM CAP	R.FUS	: FUSABLE RESISTOR
C.MYLAR.ML	: MULTILAYER MYLAR FILM CAP	R.MTL.CHP	: CHIP METAL FILM RESISTOR
C.PAPER	: PAPER CAPACITOR	R.MTL.FLM	: METAL FILM RESISTOR
C.PLS	: POLYSTYRENE FILM CAP	R.MTL.OXD	: METAL OXIDE FILM RESISTOR
C.POL	: POLYESTER FILM CAP	R.MTL.PLAT	: METAL PLATE RESISTOR
C.POLY	: POLYETHYLENE FILM CAP	RSNR.CE	: CERAMIC RESONATOR
C.PP	: POLYPROPYLENE FILM CAP	RSNR.CRYS	: CRYSTAL RESONATOR
C.TNTL	: TANTALUM CAP	R.TW.CEM	: TWIN CEMENT FIXED RESISTOR
C.TNTL.CHP	: CHIP TANTALUM CAP	R.CEMENT	: CEMENT RESISTOR
C.TRIM	: TRIMMER CAP	SCR.BND.HD	: BIND HEAD B-TIGHT SCREW
CN	: CONNECTOR	SCR.BW.HD	: BW HEAD TAPPING SCREW
CN.BS.PIN	: CONNECTOR,BASE PIN	SCR.CUP	: CUP TIGHT SCREW
CN.CANNON	: CONNECTOR,CANNON	SCR.TERM	: SCREW TERMINAL
CN.DIN	: CONNECTOR,DIN	SCR.TR	: SCREW,TRANSISTOR
CN.FLAT	: CONNECTOR,FLAT CABLE	SUPRT.PCB	: SUPPORT,P.C.B.
CN.POST	: CONNECTOR,BASE POST	SURG.PRTCT	: SURGE PROTECTOR
COIL.MX.AM	: COIL,AM MIX	SW.TACT	: TACT SWITCH
COIL.AT.FM	: COIL,FM ANTENNA	SW.LEAF	: LEAF SWITCH
COIL.DT.FM	: COIL,FM DETECT	SW.LEVER	: LEVER SWITCH
COIL.MX.FM	: COIL,FM MIX	SW.MICRO	: MICRO SWITCH
COIL.OUTPT	: OUTPUT COIL	SW.PUSH	: PUSH SWITCH
DIOD.ARRAY	: DIODE ARRAY	SW.RT.ENC	: ROTARY ENCODER
DIODE.BRG	: DIODE BRIDGE	SW.RT.MTR	: ROTARY SWITCH WITH MOTOR
DIODE.CHP	: CHIP DIODE	SW.RT	: ROTARY SWITCH
DIODE.VAR	: VARACTOR DIODE	SW.SLIDE	: SLIDE SWITCH
DIOD.Z.CHP	: CHIP ZENER DIODE	TERM.SP	: SPEAKER TERMINAL
DIODE.ZENR	: ZENER DIODE	TERM.WRAP	: WRAPPING TERMINAL
DSCR.CE	: CERAMIC DISCRIMINATOR	THRMST.CHP	: CHIP THERMISTOR
FER.BEAD	: FERRITE BEADS	TR.CHP	: CHIP TRANSISTOR
FER.CORE	: FERRITE CORE	TR.DGT	: DIGITAL TRANSISTOR
FET.CHP	: CHIP FET	TR.DGT.CHP	: CHIP DIGITAL TRANSISTOR
FL.DSPLY	: FLUORESCENT DISPLAY	TRANS	: TRANSFORMER
FLTR.CE	: CERAMIC FILTER	TRANS.PULS	: PULSE TRANSFORMER
FLTR.COMB	: COMB FILTER MODULE	TRANS.PWR	: POWER TRANSFORMER ASS'Y
FLTR.LC.RF	: LC FILTER,EMI	TUNER.AM	: TUNER PACK,AM
GND.MTL	: GROUND PLATE	TUNER.FM	: TUNER PACK,FM
GND.TERM	: GROUND TERMINAL	TUNER.PK	: FRONT-ENDTUNER PACK
HOLDER.FUS	: FUSE HOLDER	VR	: ROTARY POTENTIOMETER
IC.PRTCT	: IC PROTECTOR	VR.MTR	: POTENTIOMETER WITH MOTOR
JUMPER.CN	: JUMPER CONNECTOR	VR.SW	: POTENTIOMETER WITH ROTARY SW
JUMPER.TST	: JUMPER,TEST POINT	VR.SLIDE	: SLIDE POTENTIOMETER
L.DTCT	: LIGHT DETECTING MODULE	VR.TRIM	: TRIMMER POTENTIOMETER

P.C.B. DSP

Ref. No.	Part No.	Description	Remarks	Markets	部 品 名	Rank		
*	WG809000	P. C. B.	DSP	759, 659, 5960	JRTKABGEL	P C B D S P		
*	WG809100	P. C. B.	DSP	659	UC	P C B D S P		
*	WG809200	P. C. B.	DSP	5960	UC	P C B D S P		
*	CB501	WE161800	CN. BS. PIN	4P	UC	シリアルバスコネクタ		
	CB502	VB858200	CN. BS. PIN	3P		ベースピン	01	
*	CB505	V7828600	SOCKET	19P SE		コネクタソケット		
	CB531	LB919020	CN. BS. PIN	2P		ベース付ポスト	01	
	CB532	VQ044800	CN. BS. PIN	18P		F F Cコネクタ	01	
	CB533	VB858500	CN. BS. PIN	6P		ベースピン	01	
	CB534	VB858300	CN. BS. PIN	4P	659	UC	コネクタベースポスト	01
	C5001-5002	US061220	C. CE. CHP	22pF 50V B		チップセラコン	01	
	C5003-5006	US135100	C. CE. CHP	0.1uF 16V		チップセラコン	01	
	C5010-5011	US135100	C. CE. CHP	0.1uF 16V		チップセラコン	01	
	C5012-5013	UR837220	C. EL	22uF 16V		ケミコン	01	
*	C5014	WG251600	C. CE. CHP	4.7uF 6.3V		チップセラ		
	C5015	UR237470	C. EL	47uF 16V		ケミコン		
	C5018	US060500	C. CE. CHP	5pF 50V B	UC	チップセラコン	01	
	C5019-5020	US035100	C. CE. CHP	0.1uF 16V B	UC	チップセラコン	01	
	C5021	US060500	C. CE. CHP	5pF 50V B	UC	チップセラコン	01	
	C5022	US135100	C. CE. CHP	0.1uF 16V	UC	チップセラコン	01	
*	C5023	WG251600	C. CE. CHP	4.7uF 6.3V		チップセラ		
	C5024	US035100	C. CE. CHP	0.1uF 16V B	UC	チップセラコン	01	
	C5025	UR219100	C. EL	1000uF 6.3V		ケミコン		
	C5026	US135100	C. CE. CHP	0.1uF 16V		チップセラコン	01	
*	C5028	WG251600	C. CE. CHP	4.7uF 6.3V		チップセラ		
	C5029-5030	US135100	C. CE. CHP	0.1uF 16V	UC	チップセラコン	01	
	C5031	US135100	C. CE. CHP	0.1uF 16V		チップセラコン	01	
	C5033-5034	US135100	C. CE. CHP	0.1uF 16V	UC	チップセラコン	01	
	C5035-5036	US135100	C. CE. CHP	0.1uF 16V		チップセラコン	01	
	C5037	VR168300	C. MYLAR	0.1uF 50V		マイラーコン	01	
	C5038	UA654220	C. MYLAR	0.022uF 50V J		マイラーコン	01	
	C5039-5041	US135100	C. CE. CHP	0.1uF 16V		チップセラコン	01	
	C5042	US062100	C. CE. CHP	100pF 50V B		チップセラコン	01	
	C5044	US135100	C. CE. CHP	0.1uF 16V	UC	チップセラコン	01	
	C5045	UR238100	C. EL	100uF 16V		ケミコン		
	C5046	US062100	C. CE. CHP	100pF 50V B		チップセラコン	01	
	C5047	UR238100	C. EL	100uF 16V		ケミコン		
	C5048-5049	US135100	C. CE. CHP	0.1uF 16V		チップセラコン	01	
	C5050	US062100	C. CE. CHP	100pF 50V B		チップセラコン	01	
	C5051	UR238100	C. EL	100uF 16V		ケミコン		
	C5052-5053	US061180	C. CE. CHP	18pF 50V B		チップセラコン	01	
	C5054	UR238100	C. EL	100uF 16V		ケミコン		
	C5055	UR267100	C. EL	10uF 50V		ケミコン		
	C5056	US126100	C. CE. CHP	1uF 10V		チップセラコン	01	
	C5057-5086	US135100	C. CE. CHP	0.1uF 16V		チップセラコン	01	
	C5087-5088	US061470	C. CE. CHP	47pF 50V B		チップセラコン	01	
	C5089	US064100	C. CE. CHP	0.01uF 50V B		チップセラコン	01	
	C5090-5092	US061470	C. CE. CHP	47pF 50V B		チップセラコン	01	
	C5093	US064100	C. CE. CHP	0.01uF 50V B		チップセラコン	01	
	C5094	UR237470	C. EL	47uF 16V		ケミコン		
	C5095-5096	US135100	C. CE. CHP	0.1uF 16V		チップセラコン	01	
	C5097-5099	US063100	C. CE. CHP	1000pF 50V B		チップセラコン	01	
	C5100-5101	US135100	C. CE. CHP	0.1uF 16V		チップセラコン	01	
	C5102-5104	US063100	C. CE. CHP	1000pF 50V B		チップセラコン	01	
	C5105-5107	US135100	C. CE. CHP	0.1uF 16V		チップセラコン	01	
	C5108	US064100	C. CE. CHP	0.01uF 50V B	UC	チップセラコン	01	
	C5109	US061470	C. CE. CHP	47pF 50V B	UC	チップセラコン	01	
	C5110-5112	US061470	C. CE. CHP	47pF 50V B		チップセラコン	01	
	C5113	US061470	C. CE. CHP	47pF 50V B	UC	チップセラコン	01	

* New Parts * 新規部品

P.C.B. DSP

Ref. No.	Part No.	Description	Remarks	Markets	部 品 名	Rank
C5114-5116	US061470	C. CE. CHP	47pF 50V B		チップセラコン	01
C5117-5118	US135100	C. CE. CHP	0.1uF 16V		チップセラコン	01
C5119	UR238100	C. EL	100uF 16V		ケミコン	
C5120	VR169000	C. MYLAR	0.33uF 50V		マイラーコン	01
C5121-5139	US135100	C. CE. CHP	0.1uF 16V		チップセラコン	01
C5140	US062680	C. CE. CHP	680pF 50V B		チップセラコン	01
C5302	US064100	C. CE. CHP	0.01uF 50V B		チップセラコン	01
C5304	US064100	C. CE. CHP	0.01uF 50V B		チップセラコン	01
C5305	UU238100	C. EL	100uF 16V		ケミコン	01
C5306-5307	US135100	C. CE. CHP	0.1uF 16V		チップセラコン	01
C5310-5315	US061470	C. CE. CHP	47pF 50V B		チップセラコン	01
C5316	US135100	C. CE. CHP	0.1uF 16V		チップセラコン	01
C5317-5322	US061470	C. CE. CHP	47pF 50V B		チップセラコン	01
C5323	US064100	C. CE. CHP	0.01uF 50V B		チップセラコン	01
C5324	UU267100	C. EL	10uF 50V		ケミコン FW	01
C5325	US064100	C. CE. CHP	0.01uF 50V B	659	チップセラコン	01
C5326	US064100	C. CE. CHP	0.01uF 50V B		チップセラコン	01
C5327	US135100	C. CE. CHP	0.1uF 16V		チップセラコン	01
C5328	US126100	C. CE. CHP	1uF 10V		チップセラコン	01
C5329-5330	US062100	C. CE. CHP	100pF 50V B		チップセラコン	01
C5331	UU267100	C. EL	10uF 50V		ケミコン FW	01
C5332	US135100	C. CE. CHP	0.1uF 16V		チップセラコン	01
C5333	UU267100	C. EL	10uF 50V		ケミコン FW	01
C5334-5335	US126100	C. CE. CHP	1uF 10V		チップセラコン	01
C5336	UR867100	C. EL	10uF 50V	659	ケミコン	01
C5337	US135100	C. CE. CHP	0.1uF 16V	659	チップセラコン	01
C5338	US135100	C. CE. CHP	0.1uF 16V		チップセラコン	01
C5339-5340	UU238100	C. EL	100uF 16V		ケミコン	01
C5341	UR838100	C. EL	100uF 16V	659	ケミコン	01
C5342	UU267100	C. EL	10uF 50V		ケミコン FW	01
C5343	US135100	C. CE. CHP	0.1uF 16V		チップセラコン	01
C5344	UU267100	C. EL	10uF 50V		ケミコン FW	01
C5345	US135100	C. CE. CHP	0.1uF 16V		チップセラコン	01
C5346	UU238100	C. EL	100uF 16V		ケミコン	01
C5347-5350	US135100	C. CE. CHP	0.1uF 16V		チップセラコン	01
C5351-5358	UR267100	C. EL	10uF 50V		ケミコン	
C5359-5360	UR837470	C. EL	47uF 16V	659	ケミコン	01
C5362	UA654100	C. MYLAR	0.01uF 50V J		マイラーコン	01
C5363-5364	US135100	C. CE. CHP	0.1uF 16V		チップセラコン	01
C5365-5367	US062680	C. CE. CHP	680pF 50V B		チップセラコン	01
C5368	UA654470	C. MYLAR	0.047uF 50V J		マイラーコン	01
C5369-5372	US062680	C. CE. CHP	680pF 50V B		チップセラコン	01
C5373-5374	US163100	C. CE. CHP	1000pF 50V	659	チップセラコン	01
C5375-5376	UR267100	C. EL	10uF 50V		ケミコン	
C5377-5378	US163100	C. CE. CHP	1000pF 50V	659	チップセラコン	01
C5379-5380	UA652120	C. MYLAR	120pF 50V J		マイラーコン	
C5381	UA652100	C. MYLAR	100pF 50V J		マイラーコン	01
C5382	UA653390	C. MYLAR	3900pF 50V J		マイラーコン	01
C5383-5386	UA652100	C. MYLAR	100pF 50V J		マイラーコン	01
C5387-5388	UR267100	C. EL	10uF 50V		ケミコン	
C5389-5390	UR837470	C. EL	47uF 16V		ケミコン	01
C5391-5398	UR267100	C. EL	10uF 50V		ケミコン	
C5399-5400	UR867100	C. EL	10uF 50V	659	ケミコン	01
C5401-5402	US135100	C. CE. CHP	0.1uF 16V		チップセラコン	01
C5403-5404	UA653330	C. MYLAR	3300pF 50V J		マイラーコン	01
C5405-5410	US135100	C. CE. CHP	0.1uF 16V		チップセラコン	01
C5411-5412	US135100	C. CE. CHP	0.1uF 16V	659	チップセラコン	01
C5413-5416	UU247470	C. EL	47uF 25V		ケミコン FW	01
C5421-5422	UR837470	C. EL	47uF 16V	659	ケミコン	01

* New Parts * 新規部品

P.C.B. DSP

Ref. No.	Part No.	Description	Remarks	Markets	部 品 名	Rank
C5423-5424	US135100	C. CE. CHP	0.1uF 16V		チップセラコン	01
C5425	US135100	C. CE. CHP	0.1uF 16V	659	チップセラコン	01
C5426	US135100	C. CE. CHP	0.1uF 16V		チップセラコン	01
D501-503	WE674800	DIODE	AVRL161A1R1NTB		チップバリスタ	01
D504	VT332900	DIODE	1SS355		ダイオード	01
D506	VT332900	DIODE	1SS355		ダイオード	01
D531	VT332900	DIODE	1SS355		ダイオード	01
D533-536	VT332900	DIODE	1SS355		ダイオード	01
D537-540	WB081800	DIODE	SB01-05Q		ショットキーダイオード	
D541	VT332900	DIODE	1SS355		ダイオード	01
* IC501	X7195A00	IC	R1172S121D-E2-F		電源IC	
* IC502	X6869A00	IC	NJM2885DL1-33		電源IC	03
IC503	X6227B00	IC	F2602E-01		CPU/周辺IC	
IC504	X6989A00	IC	LC89057W-VF4A-E		IC	07
IC505	X6123A00	IC	SN74LV157APWR		ロジックIC	02
IC507	X2590B00	IC	W9816GGCH-7 SDRAM		メモリIC 16M	06
IC508	X7577A00	IC	S29AL004 D70TF1020		メモリIC 4M	
IC509	X3693A00	IC	SN74LV245APWR TRAN		ロジックIC	
IC510	X3824A00	IC	SN74AHCT08PWR		ロジックIC	01
IC511	X2080A00	IC	SN74AHCT1G32DCKR		ロジックIC	01
IC512	X2080A00	IC	SN74AHCT1G32DCKR		ロジックIC	01
IC514	X3833A00	IC	SN74AHC1G08DCKR		ロジックIC	01
IC515	X3936A00	IC	SN74LVU04APWR		ロジックIC	
IC531	X6123A00	IC	SN74LV157APWR		ロジックIC	02
IC532	XS534A00	IC	NJM78M05DL1A (TE1)		電源IC	02
* IC533	X7357A00	IC	PCM1803DBR		IC	
* IC534	X7356A00	IC	PCM1780DBOR		IC	
* IC535	X7355A00	IC	PCM1680DBOR		IC	
* IC536	X7375A00	IC	PCM1781DBOR	659	IC	
IC537-541	X5482A00	IC	NE5532DR OP AMP		アンプIC	
IC542	X5482A00	IC	NE5532DR OP AMP	659	アンプIC	
J501-502		R. CHP	0Ω 1/16W J		チップ抵抗	
J503-506		R. CHP	0Ω 1/16W J		JRTKABGEL チップ抵抗	
PJ501	V5715300	JACK. PIN	2P OR/OR		ピンジャック	02
Q501	VV655400	TR. DGT	DTC114EKA		デジタルトランジスタ	01
Q502	VD303700	TR	2SC3326 A, B		トランジスタ	01
Q531	VV556500	TR	2SA1037K Q, R, S		トランジスタ	01
Q532	VV655700	TR. DGT	DTC144EKA		デジタルトランジスタ	01
Q535	VV655500	TR. DGT	DTC124EKA		デジタルトランジスタ	01
Q536-537	WC631700	FET	2SK3288		FET	
R5010	HV753100	R. CAR. FP	1Ω 1/4W		不燃化カーボン抵抗	01
R5013		R. CHP	470Ω 1/16W J		チップ抵抗	
R5014		R. CHP	1MΩ 1/16W J		チップ抵抗	
R5019-5020		R. CHP	100Ω 1/16W J		チップ抵抗	
R5021-5022		R. CHP	1KΩ 1/16W J		チップ抵抗	
R5023	V8070000	R. MTL. FLM	1Ω 1W		金属被膜抵抗	01
R5026-5028		R. CHP	100Ω 1/16W J		チップ抵抗	
R5029		R. CHP	47Ω 1/16W J		チップ抵抗	
R5030		R. CHP	470KΩ 1/16W J		チップ抵抗	
R5031	V8070000	R. MTL. FLM	1Ω 1W		金属被膜抵抗	01
R5032	HV753100	R. CAR. FP	1Ω 1/4W		不燃化カーボン抵抗	01
R5033		R. CHP	100KΩ 1/16W J		チップ抵抗	
R5034		R. CHP	470KΩ 1/16W J		チップ抵抗	
R5037-5039		R. CHP	100KΩ 1/16W J		チップ抵抗	
R5045		R. CHP	47Ω 1/16W J		チップ抵抗	
R5046		R. CHP	22Ω 1/16W J		チップ抵抗	
R5056-5057		R. CHP	47Ω 1/16W J		チップ抵抗	
R5124-5126		R. CHP	47Ω 1/16W J		チップ抵抗	
R5307	V8070400	R. MTL. FLM	15Ω 1W		金属被膜抵抗	

* New Parts * 新規部品

P.C.B. DSP & P.C.B. OPERATION

Ref. No.	Part No.	Description	Remarks	Markets	部 品 名	Rank
R5320	HV753100	R. CAR. FP	1Ω 1/4W		不燃化カーボン抵抗	01
R5322	HV753100	R. CAR. FP	1Ω 1/4W	659	不燃化カーボン抵抗	01
R5323	V8070100	R. MTL. FLM	2.2Ω 1W		金属被膜抵抗	01
R5324-5326	VU224000	R. MTL. FLM	0.22Ω 1W		金属被膜抵抗	01
R5327	V8070100	R. MTL. FLM	2.2Ω 1W		金属被膜抵抗	01
R5337-5338		R. CHP	10KΩ 1/16W J	659	チップ抵抗	
R5341-5342		R. CHP	3.9KΩ 1/16W J	659	チップ抵抗	
R5359-5360		R. CHP	2.7KΩ 1/16W J	659	チップ抵抗	
R5362-5363		R. MTL. CHP	3.3KΩ 1/16W D	659	チップ金属被膜抵抗	
R5375-5376		R. MTL. CHP	1.5KΩ 1/16W D	659	チップ金属被膜抵抗	
R5391-5392		R. CHP	47KΩ 1/16W J	659	チップ抵抗	
R5405-5406		R. CHP	1KΩ 1/16W J	659	チップ抵抗	
* U501-503	WE715700	L. DTCT	1P TORX177 (F, T)		光受信モジュール	
* U504	WE715800	L. DTCT	1P TOTX177 (F, T)		送信モジュール	
* XL501	WE436500	RSNR. CRYST	45.1584MHz	UC	水晶振動子	
XL502	V3625700	RSNR. CRYST	24.576MHz		水晶振動子	03
	WG796300	P. C. B.	OPERATION	759, 659	P C B オペレーション	
	WG796400	P. C. B.	OPERATION	759	B P C B オペレーション	
	WG796500	P. C. B.	OPERATION	5960	UCA P C B オペレーション	
CB801	VQ045200	CN. BS. PIN	22P		F F C コネクタ	01
CB806	VB390000	CN. BS. PIN	4P	5960	ベースピン	01
CB863	LB919020	CN. BS. PIN	2P		ベース付ポスト	01
CB871	VB858400	CN. BS. PIN	5P		ベースピン	01
CB901	VB858500	CN. BS. PIN	6P		ベースピン	01
C801-802	US063100	C. CE. CHP	1000pF 50V B		チップセラコン	01
C803	US135100	C. CE. CHP	0.1uF 16V		チップセラコン	01
C804-807	US063100	C. CE. CHP	1000pF 50V B		チップセラコン	01
C808	UM397100	C. EL	10uF 16V		ケミコン	01
C809-810	US135100	C. CE. CHP	0.1uF 16V		チップセラコン	01
C811	UM388330	C. EL	330uF 6.3V		ケミコン	01
C812	US135100	C. CE. CHP	0.1uF 16V		チップセラコン	01
C813-814	US062100	C. CE. CHP	100pF 50V B		チップセラコン	01
C815	US135100	C. CE. CHP	0.1uF 16V		チップセラコン	01
C817-818	US135100	C. CE. CHP	0.1uF 16V		チップセラコン	01
C819	US062100	C. CE. CHP	100pF 50V B		チップセラコン	01
C820	US135100	C. CE. CHP	0.1uF 16V		チップセラコン	01
C821	US064100	C. CE. CHP	0.01uF 50V B		チップセラコン	01
C822	UM417100	C. EL	10uF 50V	759, 659	ケミコン	01
C823	US064100	C. CE. CHP	0.01uF 50V B		チップセラコン	01
C824	US135100	C. CE. CHP	0.1uF 16V		チップセラコン	01
C825	US065100	C. CE. CHP	0.1uF 50V B		チップセラコン	01
C826-827	US063100	C. CE. CHP	1000pF 50V B	759, 659	チップセラコン	01
C871-872	UA653100	C. MYLAR	1000pF 50V J		マイラーコン	03
C874	UA653100	C. MYLAR	1000pF 50V J		マイラーコン	03
C875	UA654100	C. MYLAR	0.01uF 50V J		マイラーコン	01
C876	US135100	C. CE. CHP	0.1uF 16V	759, 659	チップセラコン	01
C877	US135100	C. CE. CHP	0.1uF 16V	5960	チップセラコン	01
C881-882	US062220	C. CE. CHP	220pF 50V B		チップセラコン	01
C883	US135100	C. CE. CHP	0.1uF 16V		チップセラコン	01
C886-887	US135100	C. CE. CHP	0.1uF 16V		チップセラコン	01
C888	UR837470	C. EL	47uF 16V		ケミコン	01
C893	US135100	C. CE. CHP	0.1uF 16V		チップセラコン	01
C894	US064100	C. CE. CHP	0.01uF 50V B		チップセラコン	01
C901-902	UM397220	C. EL	22uF 25V		ケミコン	01
C903	UM397100	C. EL	10uF 16V		ケミコン	01
C904	US061330	C. CE. CHP	33pF 50V B		チップセラコン	01

* New Parts * 新規部品

P.C.B. OPERATION

Ref. No.	Part No.	Description	Remarks	Markets	部 品 名	Rank
C905	UM387470	C. EL	47uF 16V		ケミコン	01
C906	US062100	C. CE. CHP	100pF 50V B		チップセラコン	01
C907	US064100	C. CE. CHP	0.01uF 50V B		チップセラコン	01
C908	US063100	C. CE. CHP	1000pF 50V B		チップセラコン	01
C909	UM397220	C. EL	22uF 25V		ケミコン	01
C910	UM397100	C. EL	10uF 16V		ケミコン	01
C911	US064100	C. CE. CHP	0.01uF 50V B		チップセラコン	01
* D801	WG760400	LED	SELK6E10C BLUE		L E D	
D802	V2598200	LED	S1R-505ST		L E D	
D803-804	VU171500	DIODE. ZENR	UDZ 3.6BTE-17 3.6V		ツェナーダイオード	01
D805-809	VT332900	DIODE	1SS355	759, 659	ダイオード	01
D871	VU995000	DIODE. ZENR	MA8091-M 9.1V		ツェナーダイオード	
D872-873	VT332900	DIODE	1SS355		ダイオード	01
D881-884	VT332900	DIODE	1SS355		ダイオード	01
D901	VU171900	DIODE. ZENR	UDZ5.1B 5.1V		ツェナーダイオード	01
D902-903	VT332900	DIODE	1SS355		ダイオード	01
IC801	X6386A00	IC	M66003-0131FP		I C	07
IC881	X2080A00	IC	SN74AHCT1G32DCKR		ロジック I C	01
* IC901	X7378A00	IC	NJM4565M(Te1)		アンプ I C	
J805		R. CHP	0Ω 1/16W J	759	チップ抵抗	
JK871	V9408200	JACK. PHONE	MSJ-064-05B GR		ホーンジャック	03
JK881	V2589500	CN. DIN	1P		ミニ D I N コネクタ	02
JK901	WC814400	JACK. MNI	JY-3554-01-130		ミニジャック	
PJ881	V7190100	JACK. PIN	3P		ピンジャック	
PN801-802	V9637500	PIN	L=70 #18		スタイルピン	
PN861	V9637500	PIN	L=70 #18	5960	スタイルピン	
PN871	V9637500	PIN	L=70 #18		スタイルピン	
PN881	V9637500	PIN	L=70 #18		スタイルピン	
PN901	V9637500	PIN	L=70 #18	5960	スタイルピン	
Q801-804	VV556400	TR	2SC2412K Q, R, S		トランジスタ	01
Q807	VV556500	TR	2SA1037K Q, R, S		トランジスタ	01
Q808	VV556400	TR	2SC2412K Q, R, S		トランジスタ	01
Q901	VD303700	TR	2SC3326 A, B		トランジスタ	01
R816		R. CHP	10KΩ 1/16W J	759, 659	チップ抵抗	
R837		R. CHP	100KΩ 1/16W J	5960	チップ抵抗	
R838		R. CHP	100KΩ 1/16W J	759	チップ抵抗	
R849		R. CHP	10KΩ 1/16W J	759, 659	チップ抵抗	
R852		R. CHP	10KΩ 1/16W J		チップ抵抗	
R853		R. CHP	22KΩ 1/16W J		チップ抵抗	
R854		R. CHP	22KΩ 1/16W J	759, 659	チップ抵抗	
R855		R. CHP	100KΩ 1/16W J	759, 659	チップ抵抗	
R856		R. CHP	10KΩ 1/16W J	759, 659	チップ抵抗	
R857-859		R. CHP	100Ω 1/16W J	759, 659	チップ抵抗	
R867		R. CHP	10KΩ 1/16W J	5960	チップ抵抗	
R868		R. CHP	22KΩ 1/16W J	5960	チップ抵抗	
ST801	WA246200	SCR. TERM	3.5	759	スクリューターミナル	
ST871	V4040500	SCR. TERM	M3		スクリューターミナル	01
ST881	WA246200	SCR. TERM	3.5		スクリューターミナル	
SW801	V9597100	SW. RT. ENC	EC12E2460802		ロータリーエンコーダ	04
SW802-803	V9266400	SW. RT. ENC	XREB12105PVB25F		ロータリーエンコーダ	02
SW804	WD483100	SW. TACT	SKRGAAD010		タクト SW	01
SW805-808	WD483100	SW. TACT	SKRGAAD010		タクト SW	01
SW809	WD483100	SW. TACT	SKRGAAD010		タクト SW	01
SW810	WD483100	SW. TACT	SKRGAAD010		タクト SW	01
SW811-813	WD483100	SW. TACT	SKRGAAD010	759, 659	タクト SW	01
SW814-815	WD483100	SW. TACT	SKRGAAD010	759, 659	タクト SW	01
SW816	WD483100	SW. TACT	SKRGAAD010		タクト SW	01
SW817	WD483100	SW. TACT	SKRGAAD010		タクト SW	01
SW818-819	WD483100	SW. TACT	SKRGAAD010		タクト SW	01

* New Parts * 新規部品

P.C.B. OPERATION & P.C.B. MAIN

Ref. No.	Part No.	Description	Remarks	Markets	部 品 名	Rank	
SW824	WD483100	SW. TACT	SKRGAAD010	759, 659	JUCRTKAGEL	タクト SW	01
SW825	WF875900	SW. PUSH	SPUN127100	759, 659	JUCRTKAGEL	ブッシュ SW	05
SW861	WD483100	SW. TACT	SKRGAAD010	5960		タクト SW	01
SW866-867	WD483100	SW. TACT	SKRGAAD010	5960		タクト SW	01
U801	V8210200	L. DTCT	GP1UD271XK			リモコン受光ユニット	03
U881	WB547900	CN. PHOT. SN	1P GP1FA513RZOF			光ファイバー受信器	03
V801	WG473900	FL. DSPLY	17-BT-XXGNK			蛍光表示管	
	V6880300	SHEET				シート/FL	
	V6007100	SPACER. FL	4.6/10/32			スペーサ FL	
	WG793600	P. C. B.	MAIN		JUCRTA	P C B メイン	
	WG793700	P. C. B.	MAIN		KBGEL	P C B メイン	
CB121	V7825600	CN	6P TE TUC SERIES			コネクタプラグ	
CB122	VM973500	CN. BS. PIN	17P			FFCコネクタ	01
CB123	WB127100	CN. BS. PIN	3P TE XH			ベース付ポスト	
CB127	LB932060	CN. BS. PIN	6P			ベースポスト	01
CB180	VK027100	CN. BS. PIN	12P			ワイヤートラップ	01
CB181	LB919040	CN. BS. PIN	4P			ベース付ポスト	01
C1-2	UU297100	C. EL	10uF 100V			ケミコン FW	01
C3	WE100700	C. PP	150pF 630V			P Pコン	02
C4	UU397100	C. EL	10uF 100V			ケミコン RA 3	
C5-6	WE100700	C. PP	150pF 630V			P Pコン	02
C7	UU397100	C. EL	10uF 100V			ケミコン RA 3	
C8	WE100700	C. PP	150pF 630V			P Pコン	02
C9	UT952150	C. PP	150pF 100V			P Pコン	01
C10	UU397100	C. EL	10uF 100V			ケミコン RA 3	
C11-12	UT952150	C. PP	150pF 100V			P Pコン	01
C13	UU397100	C. EL	10uF 100V			ケミコン RA 3	
C14-15	UT952150	C. PP	150pF 100V			P Pコン	01
C16	UU397100	C. EL	10uF 100V			ケミコン RA 3	
C17	UT952150	C. PP	150pF 100V			P Pコン	01
C18	WE100700	C. PP	150pF 630V			P Pコン	02
C19	UU397100	C. EL	10uF 100V			ケミコン RA 3	
C20	WE100700	C. PP	150pF 630V			P Pコン	02
C23-24	UT954220	C. PP	0.022uF 100V			P Pコン	01
C25-27	VR324700	C. MYLAR	0.022uF 100V			マイラーコン	
C28	UT954220	C. PP	0.022uF 100V			P Pコン	01
C29	UR818100	C. EL	100uF 6.3V			ケミコン	01
C30	UR866470	C. EL	4.7uF 50V			ケミコン	01
C31-32	UR397100	C. EL	10uF 100V			ケミコン	03
C116-119	WA747600	C. MYLAR	1000pF 100V			マイラーコン	01
C120	UR067470	C. EL	47uF 50V			ケミコン	01
C121	UR066470	C. EL	4.7uF 50V			ケミコン	01
C122-123	WE586400	C. EL	12000uF 71V			ケミコン	08
C124	UR058100	C. EL	100uF 35V			ケミコン	01
C125-126	VR324900	C. MYLAR	0.1uF 100V			マイラーコン	01
C128	UU368330	C. EL	330uF 50V			ケミコン RA 3	
C129	UU368100	C. EL	100uF 50V			ケミコン RA 3	01
C130-131	UA654100	C. MYLAR	0.01uF 50V J			マイラーコン	01
C132-133	VR324900	C. MYLAR	0.1uF 100V			マイラーコン	01
C134-137	UA654100	C. MYLAR	0.01uF 50V J			マイラーコン	01
C138-141	UA653470	C. MYLAR	4700pF 50V J			マイラーコン	01
C142-146	UA654220	C. MYLAR	0.022uF 50V J			マイラーコン	01
C147	UA654100	C. MYLAR	0.01uF 50V J			マイラーコン	01
C180-181	VF466900	C. CE. TUBLR	470pF 50V			円筒セラコン	01
C182-183	UA654100	C. MYLAR	0.01uF 50V J			マイラーコン	01
C184-189	VF466900	C. CE. TUBLR	470pF 50V			円筒セラコン	01

* New Parts * 新規部品

P.C.B. MAIN

Ref. No.	Part No.	Description	Remarks	Markets	部 品 名	Rank
C190	UA654100	C. MYLAR	0.01uF 50V J		マイラーコン	01
C191-192	UA654220	C. MYLAR	0.022uF 50V J		マイラーコン	01
C252	UU297100	C. EL	10uF 100V		ケミコン FW	01
* C253	UR358100	C. EL	100uF 35V		ケミコン A S F	
C254	UU267100	C. EL	10uF 50V		ケミコン FW	01
C256	WE100900	C. PP	220pF 630V		P Pコン	
C257-258	UA654220	C. MYLAR	0.022uF 50V J		マイラーコン	01
C259	WE100900	C. PP	220pF 630V		P Pコン	
C260-261	VF467300	C. CE. TUBLR	0.01uF 16V		円筒セラコン	01
D2-9	VD631600	DIODE	1SS133, 176		ダイオード	01
D10-14	VD631600	DIODE	1SS133, 176		ダイオード	01
D15-19	VN008700	DIODE	1SS270A		ダイオード	01
D20-27	VN008700	DIODE	1SS270A		ダイオード	01
D101-106	VG437500	DIODE. ZENR	MTZJ5. 1C 5. 1V		ツェナーダイオード	01
D120	VG442900	DIODE. ZENR	MTZJ27B 27V		ツェナーダイオード	01
D122	VG443200	DIODE. ZENR	MTZJ30A 30V		ツェナーダイオード	01
D123	VG442900	DIODE. ZENR	MTZJ27B 27V		ツェナーダイオード	01
D125	VG442900	DIODE. ZENR	MTZJ27B 27V		ツェナーダイオード	01
D127	VG442900	DIODE. ZENR	MTZJ27B 27V		ツェナーダイオード	01
D129	VG442900	DIODE. ZENR	MTZJ27B 27V		ツェナーダイオード	01
△ D133	VN011400	DIODE. BRG	D5SB20 5A 200V		ダイオード	03
D134	VG442900	DIODE. ZENR	MTZJ27B 27V		ツェナーダイオード	01
△ D141-144	VS997800	DIODE	1T2		ダイオード	01
D180	VG442900	DIODE. ZENR	MTZJ27B 27V		ツェナーダイオード	01
D251	VD631600	DIODE	1SS133, 176		ダイオード	01
D252	VG440700	DIODE. ZENR	MTZJ15A 15V		ツェナーダイオード	
D253-254	VG435500	DIODE. ZENR	MTZJ2. 4B 2. 4V		ツェナーダイオード	01
G122	V5995800	PLATE. GND			アースプレート	
PJ180	VJ695600	JACK. PIN	2P		ピンジャック	01
PJ181	WC753900	JACK. PIN	6P		ピンジャック	
PN1	V9637500	PIN	L=70 #18		スタイルピン	
PN4	V9637500	PIN	L=70 #18		スタイルピン	
Q1	VC614000	TR	2SB1274 O, R, S		トランジスタ	02
Q2	WC397700	TR	2N5401C-AT		トランジスタ	
△ Q3	VK432900	TR	2SD1915F S, T		トランジスタ	01
△ Q4	VR325600	TR	2SC2229 O, Y		トランジスタ	01
△ Q5	VK432900	TR	2SD1915F S, T		トランジスタ	01
△ Q6	VR325600	TR	2SC2229 O, Y		トランジスタ	01
△ Q7-8	VK432900	TR	2SD1915F S, T		トランジスタ	01
△ Q9	VR325600	TR	2SC2229 O, Y		トランジスタ	01
△ Q10	VK432900	TR	2SD1915F S, T		トランジスタ	01
△ Q11	VR325600	TR	2SC2229 O, Y		トランジスタ	01
△ Q12	VK432900	TR	2SD1915F S, T		トランジスタ	01
△ Q13	VR325600	TR	2SC2229 O, Y		トランジスタ	01
△ Q15	VR325600	TR	2SC2229 O, Y		トランジスタ	01
△ Q16A	iX630850	TR	2SA1695 O, P, Y		トランジスタ	04
△ Q16C	iX630860	TR	2SC4468 O, P, Y		トランジスタ	04
△ Q18A	iX630850	TR	2SA1695 O, P, Y		トランジスタ	04
△ Q18C	iX630860	TR	2SC4468 O, P, Y		トランジスタ	04
△ Q20A	iX630850	TR	2SA1695 O, P, Y		トランジスタ	04
△ Q20C	iX630860	TR	2SC4468 O, P, Y		トランジスタ	04
△ Q22A	iX630850	TR	2SA1695 O, P, Y		トランジスタ	04
△ Q22C	iX630860	TR	2SC4468 O, P, Y		トランジスタ	04
△ Q24A	iX630850	TR	2SA1695 O, P, Y		トランジスタ	04
△ Q24C	iX630860	TR	2SC4468 O, P, Y		トランジスタ	04
△ Q26A	iX630850	TR	2SA1695 O, P, Y		トランジスタ	04
△ Q26C	iX630860	TR	2SC4468 O, P, Y		トランジスタ	04
Q28-29	WC398400	TR	2N5551C-AT		トランジスタ	
Q30-33	WC398400	TR	2N5551C-AT		トランジスタ	

* New Parts * 新規部品

P.C.B. MAIN

Ref. No.	Part No.	Description	Remarks	Markets	部 品 名	Rank
Q34	WC397700	TR	2N5401C-AT		トランジスタ	
Q35	iC181510	TR	2SC1815 Y		トランジスタ	01
△ Q120	iA101510	TR	2SA1015 Y		トランジスタ	01
Q121-127	VP872700	TR	2SC4488 S,T		トランジスタ	01
Q180-181	VK432900	TR	2SD1915F S,T		トランジスタ	01
Q251	WC398400	TR	2N5551C-AT		トランジスタ	
Q252	VC614000	TR	2SB1274 Q,R,S		トランジスタ	02
Q253	VP872600	TR	2SA1708 S,T		トランジスタ	01
Q254	WC398400	TR	2N5551C-AT		トランジスタ	
Q256-261	V4096100	TR	2SC4614 S,T		トランジスタ	02
△ Q262-267	V4096000	TR	2SA1770 S,T		トランジスタ	03
R9	HV754100	R. CAR. FP	10Ω 1/4W		不燃化カーボン抵抗	01
R10	HL006270	R. MTL. OXD	2.7KΩ 1/2W		酸化金属被膜抵抗	
R11	HL005470	R. MTL. OXD	470Ω 1/2W		酸化金属被膜抵抗	
R12	HL005820	R. MTL. OXD	820Ω 1/2W		酸化金属被膜抵抗	
R13	HV755100	R. CAR. FP	100Ω 1/4W		不燃化カーボン抵抗	01
R14	HL006270	R. MTL. OXD	2.7KΩ 1/2W		酸化金属被膜抵抗	
R15	HL005470	R. MTL. OXD	470Ω 1/2W		酸化金属被膜抵抗	
R16	HL005820	R. MTL. OXD	820Ω 1/2W		酸化金属被膜抵抗	
R17	HV755100	R. CAR. FP	100Ω 1/4W		不燃化カーボン抵抗	01
R18	HL006270	R. MTL. OXD	2.7KΩ 1/2W		酸化金属被膜抵抗	
R19	HL005470	R. MTL. OXD	470Ω 1/2W		酸化金属被膜抵抗	
R20	HL005820	R. MTL. OXD	820Ω 1/2W		酸化金属被膜抵抗	
R21	HL006270	R. MTL. OXD	2.7KΩ 1/2W		酸化金属被膜抵抗	
R22	HL005470	R. MTL. OXD	470Ω 1/2W		酸化金属被膜抵抗	
R23	HL005820	R. MTL. OXD	820Ω 1/2W		酸化金属被膜抵抗	
R24	HV755100	R. CAR. FP	100Ω 1/4W		不燃化カーボン抵抗	01
R25	HL006270	R. MTL. OXD	2.7KΩ 1/2W		酸化金属被膜抵抗	
R26	HL005470	R. MTL. OXD	470Ω 1/2W		酸化金属被膜抵抗	
R27	HL005820	R. MTL. OXD	820Ω 1/2W		酸化金属被膜抵抗	
R28	HV755100	R. CAR. FP	100Ω 1/4W		不燃化カーボン抵抗	01
R29	HL006270	R. MTL. OXD	2.7KΩ 1/2W		酸化金属被膜抵抗	
R30	HL005470	R. MTL. OXD	470Ω 1/2W		酸化金属被膜抵抗	
R31	HL005820	R. MTL. OXD	820Ω 1/2W		酸化金属被膜抵抗	
R32	HV755100	R. CAR. FP	100Ω 1/4W		不燃化カーボン抵抗	01
R34-39	HL006100	R. MTL. OXD	1KΩ 1/2W		酸化金属被膜抵抗	
R40	HV755100	R. CAR. FP	100Ω 1/4W		不燃化カーボン抵抗	01
R41	V8072100	R. MTL. OXD	5.6KΩ 1W		酸化金属被膜抵抗	
△ R45-46	V3873200	R. CEMENT	0.22Ω 3W		セメント抵抗	02
* △ R47-49	WG471300	R. WW	0.22Ω+0.22Ω		セメント抵抗	
△ R50	V3873200	R. CEMENT	0.22Ω 3W		セメント抵抗	02
△ R71-76	VP939800	R. MTL. OXD	10Ω 1W		酸化金属被膜抵抗	01
R108	HV753100	R. CAR. FP	1Ω 1/4W		不燃化カーボン抵抗	01
R118	HV755180	R. CAR. FP	180Ω 1/4W		不燃化カーボン抵抗	01
R123	HV755470	R. CAR. FP	470Ω 1/4W		不燃化カーボン抵抗	01
R124	HV755180	R. CAR. FP	180Ω 1/4W		不燃化カーボン抵抗	01
△ R125	HV755100	R. CAR. FP	100Ω 1/4W		不燃化カーボン抵抗	01
△ R126	HV756100	R. CAR. FP	1KΩ 1/4W		不燃化カーボン抵抗	01
R131	HV755180	R. CAR. FP	180Ω 1/4W		不燃化カーボン抵抗	01
R135-136	HV755180	R. CAR. FP	180Ω 1/4W		不燃化カーボン抵抗	01
R139	HV755180	R. CAR. FP	180Ω 1/4W		不燃化カーボン抵抗	01
R168-169	HV753470	R. CAR. FP	4.7Ω 1/4W		不燃化カーボン抵抗	01
△ R170-171	HV753100	R. CAR. FP	1Ω 1/4W		不燃化カーボン抵抗	01
R172-174	HV753470	R. CAR. FP	4.7Ω 1/4W		不燃化カーボン抵抗	01
R180	HV753470	R. CAR. FP	4.7Ω 1/4W		不燃化カーボン抵抗	01
R184	HV753470	R. CAR. FP	4.7Ω 1/4W		不燃化カーボン抵抗	01
R210	V8072000	R. MTL. OXD	4.7KΩ 1W		酸化金属被膜抵抗	
R251	HV756470	R. CAR. FP	4.7KΩ 1/4W		不燃化カーボン抵抗	01
R254	HV755560	R. CAR. FP	560Ω 1/4W		不燃化カーボン抵抗	01

* New Parts * 新規部品

P.C.B. MAIN & P.C.B. POWER

Ref. No.	Part No.	Description	Remarks	Markets	部 品 名	Rank	
R256	HV756100	R. CAR. FP	1KΩ 1/4W		不燃化カーボン抵抗	01	
R264-265	HV754100	R. CAR. FP	10Ω 1/4W		不燃化カーボン抵抗	01	
R266-277	HV753470	R. CAR. FP	4.7Ω 1/4W		不燃化カーボン抵抗	01	
R278-283	HV755100	R. CAR. FP	100Ω 1/4W		不燃化カーボン抵抗	01	
R284	VQ322800	R. MTL. OXD	4.7Ω 1W		酸化金属被膜抵抗	02	
R291-292	HV753470	R. CAR. FP	4.7Ω 1/4W		不燃化カーボン抵抗	01	
R293	VQ322800	R. MTL. OXD	4.7Ω 1W		酸化金属被膜抵抗	02	
R294-299	HV755100	R. CAR. FP	100Ω 1/4W		不燃化カーボン抵抗	01	
R302	HV755100	R. CAR. FP	100Ω 1/4W		不燃化カーボン抵抗	01	
RY121-122	WA544800	RELAY	DC G5PA-28		リレー 2 4 V	04	
RY123	V5178900	RELAY	DC DQ24D1-0S(M)		リレー 2 4 V		
RY124-125	WA544800	RELAY	DC G5PA-28		リレー 2 4 V	04	
RY126	WE648700	RELAY	DC DH24D2-0-Q		リレー 2 4 V	06	
RY181	WA544800	RELAY	DC G5PA-28		リレー 2 4 V	04	
ST121	V4040500	SCR. TERM	M3		スクリュー/ターミナル	01	
TE120	WC631900	TERM. SP	LTS0810-1017FM	JUCRTA	スピーカーターミナル	06	
*	TE120	WD477500	TERM. SP	LTS0810-1015FM	KBGEL	スピーカーターミナル	
*	TE121	WC631900	TERM. SP	LTS0810-1017FM	JUCRTA	スピーカーターミナル	06
*	TE121	WD477500	TERM. SP	LTS0810-1015FM	KBGEL	スピーカーターミナル	
*	TE122	WC678700	TERM. SP	LTS0210-3009FM	JUCRTA	スピーカーターミナル	04
*	TE122	WE480300	TERM. SP	LTS0210-3012FM	KBGEL	スピーカーターミナル	
*	TE180	WDO39300	TERM. SP	LQR2411-0001FM	JUCRTA	スピーカーターミナル	04
*	TE180	WDO39400	TERM. SP	LQR2411-0003FM	KBGEL	スピーカーターミナル	
	WE774200	SCR. BND. HD	3x10 MFZN2W3		バインドBタイトネジ	01	
*	WG793800	P. C. B.	POWER	JUCRTA	P C B パワー		
*	WG793900	P. C. B.	POWER	KBGEL	P C B パワー		
CB302	VB858200	CN. BS. PIN	3P		ベースピン	01	
CB351	VM923600	CN. BS. PIN	13P		F F Cコネクタ	01	
CB352	VK026700	CN. BS. PIN	8P		ワイヤートラップ	01	
CB353	VB858300	CN. BS. PIN	4P		コネクタベースポスト	01	
CB354	LB919070	CN. BS. PIN	7P		ベース付ポスト	01	
CB355	LB918030	CN. BS. PIN	3P		ベース付ポスト	01	
CB356-357	LB918040	CN. BS. PIN	4P		ベース付ポスト	01	
CB359	VK026700	CN. BS. PIN	8P		ワイヤートラップ	01	
C302	UR067100	C. EL	10uF 50V	JUCRTA	ケミコン	01	
C302	UR066470	C. EL	4.7uF 50V	KBGEL	ケミコン	01	
C303	UR067100	C. EL	10uF 50V	JUCRTA	ケミコン	01	
C303	UR066470	C. EL	4.7uF 50V	KBGEL	ケミコン	01	
C304	UR067100	C. EL	10uF 50V	JUCRTA	ケミコン	01	
C304	UR066470	C. EL	4.7uF 50V	KBGEL	ケミコン	01	
C305	UR067100	C. EL	10uF 50V	JUCRTA	ケミコン	01	
C305	UR066470	C. EL	4.7uF 50V	KBGEL	ケミコン	01	
C306	UT952100	C. PP	100pF 100V		P Pコン		
C307	UT952220	C. PP	220pF 100V		P Pコン		
C308	UT952100	C. PP	100pF 100V		P Pコン		
C309	UT952220	C. PP	220pF 100V		P Pコン		
C310	UA652100	C. MYLAR	100pF 50V J		マイラーコン	01	
C311	UA652220	C. MYLAR	220pF 50V J		マイラーコン	01	
C312	UA652100	C. MYLAR	100pF 50V J		マイラーコン	01	
C313	UA652220	C. MYLAR	220pF 50V J		マイラーコン	01	
C314	UT952100	C. PP	100pF 100V		P Pコン		
C315	UT952220	C. PP	220pF 100V		P Pコン		
△ C316-317	UT953330	C. PP	3300pF 100V		P Pコン	01	
C318-319	UA653330	C. MYLAR	3300pF 50V J		マイラーコン	01	
C320	UT953330	C. PP	3300pF 100V		P Pコン	01	
C321-322	UU368100	C. EL	100uF 50V		ケミコン RA 3	01	

* New Parts * 新規部品

P.C.B. POWER

Ref. No.	Part No.	Description	Remarks	Markets	部 品 名	Rank
C323-324	UU337470	C. EL	47uF 16V		ケミコン RA 3	01
C325	UU368100	C. EL	100uF 50V		ケミコン RA 3	01
* C326-330	WG211700	C. CE	22pF 500V		セラコン	
C331	VJ599100	C. CE. TUBLR	0.1uF 50V		円筒セラコン	01
C332-333	UU238100	C. EL	100uF 16V		ケミコン	01
C334	VR324900	C. MYLAR	0.1uF 100V		マイラーコン	01
C335	UR267100	C. EL	10uF 50V		ケミコン	
C336	UR067100	C. EL	10uF 50V	JUCRTA	ケミコン	01
C336	UR066470	C. EL	4.7uF 50V	KBGEL	ケミコン	01
C337	UR067100	C. EL	10uF 50V	JUCRTA	ケミコン	01
C337	UR066470	C. EL	4.7uF 50V	KBGEL	ケミコン	01
C338	UA652100	C. MYLAR	100pF 50V J		マイラーコン	01
C339	UA652220	C. MYLAR	220pF 50V J		マイラーコン	01
C340	UA652100	C. MYLAR	100pF 50V J		マイラーコン	01
C341	UA652220	C. MYLAR	220pF 50V J		マイラーコン	01
C342	UR066100	C. EL	1uF 50V		ケミコン	01
C343	UR267100	C. EL	10uF 50V		ケミコン	
C344	UA653330	C. MYLAR	3300pF 50V J		マイラーコン	01
C345	UU337470	C. EL	47uF 16V		ケミコン RA 3	01
C346	UA653330	C. MYLAR	3300pF 50V J		マイラーコン	01
C347	UU337470	C. EL	47uF 16V		ケミコン RA 3	01
* C348-349	WG211700	C. CE	22pF 500V		セラコン	
C350	UR038100	C. EL	100uF 16V		ケミコン	
C354	UT952150	C. PP	150pF 100V		PPコン	01
* C355	UU397100	C. EL	10uF 100V		ケミコン RA 3	
C356	UT952150	C. PP	150pF 100V		PPコン	01
C357	UR03A100	C. EL	10000uF 16V		ケミコン	
* C358	WF657100	C. EL	22000uF 16V		ケミコン	
C359	UR03A100	C. EL	10000uF 16V		ケミコン	
C360	UU249680	C. EL	6800uF 25V		ケミコン FW	04
C361	UU249330	C. EL	3300uF 25V		ケミコン FW	04
C363	VR324700	C. MYLAR	0.022uF 100V		マイラーコン	
C365-366	VR324700	C. MYLAR	0.022uF 100V		マイラーコン	
C367-368	VR324900	C. MYLAR	0.1uF 100V		マイラーコン	01
C370	UT952220	C. PP	220pF 100V		PPコン	
C371	UU238100	C. EL	100uF 16V		ケミコン	01
C471	UR067100	C. EL	10uF 50V	JUCRTA	ケミコン	01
C471	UR066470	C. EL	4.7uF 50V	KBGEL	ケミコン	01
D302	VD631600	DIODE	1SS133, 176		ダイオード	01
D303-304	VG440500	DIODE. ZENR	MTZJ13B 13V		ツェナーダイオード	01
D305	VG437500	DIODE. ZENR	MTZJ5.1C 5.1V		ツェナーダイオード	01
D306	VD631600	DIODE	1SS133, 176		ダイオード	01
D308-309	VD631600	DIODE	1SS133, 176		ダイオード	01
D311	VN008700	DIODE	1SS270A		ダイオード	01
△ D312	WA653100	DIODE. BRG	KBP103G 1.0A 200V		ダイオードブリッジ	02
* △ D313	WF300200	DIODE. BRG	TS4B03G C2		ダイオードブリッジ	
D401	VG440800	DIODE. ZENR	MTZJ15B 15V		ツェナーダイオード	01
D471	VD631600	DIODE	1SS133, 176		ダイオード	01
△ IC304	X4928A00	IC	K1A7805API 5V		電源 IC	02
△ IC306	X6248A00	IC	NJM2388F33		電源 IC	04
△ IC471	X0515A00	IC	LM61C1Z THERMAL		電源 IC	03
PN302-308	V9637500	PIN	L=70 #18		スタイルピン	
Q302-310	VP883100	TR	2SC1890A D,E		トランジスタ	01
Q311-315	V3966800	TR	2SA949 O, Y		トランジスタ	02
Q316	WF691400	TR	2SD2014		トランジスタ	03
Q317	WF691300	TR	2SB1257		トランジスタ	03
Q318-319	iE102620	FET	2SK246 Y		F E T	01
Q322-325	VP883100	TR	2SC1890A D,E		トランジスタ	01
Q326-327	V3966800	TR	2SA949 O, Y		トランジスタ	02

* New Parts * 新規部品

P.C.B. POWER & P.C.B. SUBTRANS

Ref. No.	Part No.	Description	Remarks	Markets	部 品 名	Rank	
	Q328	iC224030 TR	2SC2240 GR, BL		トランジスタ	01	
	Q329	VR325600 TR	2SC2229 O, Y		トランジスタ	01	
⚠	Q332A	iX630850 TR	2SA1695 O, P, Y		トランジスタ	04	
⚠	Q332C	iX630860 TR	2SC4468 O, P, Y		トランジスタ	04	
	Q334	WC398400 TR	2N5551C-AT		トランジスタ		
⚠	Q335	V4096100 TR	2SC4614 S, T		トランジスタ	02	
⚠	Q336	V4096000 TR	2SA1770 S, T		トランジスタ	03	
	Q471	VP883100 TR	2SC1890A D, E		トランジスタ	01	
	R306-307	HF356100 R. CAR	1KΩ 1/2W		カーボン抵抗		
	R310	HF356100 R. CAR	1KΩ 1/2W		カーボン抵抗		
	R331-332	HF355330 R. CAR	330Ω 1/2W		カーボン抵抗		
	R335	HF355330 R. CAR	330Ω 1/2W		カーボン抵抗		
	R336-337	HF356120 R. CAR	1.2KΩ 1/2W		カーボン抵抗		
	R340	HF356120 R. CAR	1.2KΩ 1/2W		カーボン抵抗		
	R342-343	HF357330 R. CAR	33KΩ 1/2W		カーボン抵抗		
	R345	HF357330 R. CAR	33KΩ 1/2W		カーボン抵抗		
	R346-350	HV755100 R. CAR. FP	100Ω 1/4W		不燃化カーボン抵抗	01	
	R353-355	HF355470 R. CAR	470Ω 1/2W		カーボン抵抗		
⚠	R356-357	HV755100 R. CAR. FP	100Ω 1/4W		不燃化カーボン抵抗	01	
⚠	R362	HV753470 R. CAR. FP	4.7Ω 1/4W		不燃化カーボン抵抗	01	
⚠	R364	HV753470 R. CAR. FP	4.7Ω 1/4W		不燃化カーボン抵抗	01	
	R384	HV755100 R. CAR. FP	100Ω 1/4W		不燃化カーボン抵抗	01	
	R386	HV755100 R. CAR. FP	100Ω 1/4W		不燃化カーボン抵抗	01	
	R390	HL006270 R. MTL. OXD	2.7KΩ 1/2W		酸化金属被膜抵抗		
	R391	HL005270 R. MTL. OXD	270Ω 1/2W		酸化金属被膜抵抗		
	R392	HL006100 R. MTL. OXD	1KΩ 1/2W		酸化金属被膜抵抗		
	R393	HV755100 R. CAR. FP	100Ω 1/4W		不燃化カーボン抵抗	01	
	R395	HL006100 R. MTL. OXD	1KΩ 1/2W		酸化金属被膜抵抗		
⚠	R398	WB279900 R. CEMENT	0.22+0.22Ω		セメント抵抗		
⚠	R455	VP939800 R. MTL. OXD	10Ω 1W		酸化金属被膜抵抗	01	
	R462	HF353220 R. CAR	2.2Ω 1/2W		カーボン抵抗		
	R463-464	HV753470 R. CAR. FP	4.7Ω 1/4W		不燃化カーボン抵抗	01	
	R465	HV755100 R. CAR. FP	100Ω 1/4W		不燃化カーボン抵抗	01	
	R467	HV755100 R. CAR. FP	100Ω 1/4W		不燃化カーボン抵抗	01	
* * * * * * * * * *		WG794000 P. C. B.	SUBTRANS	759	J	P C B サブトランス	
		WG794100 P. C. B.	SUBTRANS	659	UC	P C B サブトランス	
		WG794200 P. C. B.	SUBTRANS	659	R	P C B サブトランス	
		WG794300 P. C. B.	SUBTRANS	659	TK	P C B サブトランス	
		WG794400 P. C. B.	SUBTRANS	659	A	P C B サブトランス	
		WG794500 P. C. B.	SUBTRANS	759	B	P C B サブトランス	
		WG794600 P. C. B.	SUBTRANS	659	GE	P C B サブトランス	
		WG794700 P. C. B.	SUBTRANS	659	L	P C B サブトランス	
		WG794800 P. C. B.	SUBTRANS	5960	UC	P C B サブトランス	
		WG794900 P. C. B.	SUBTRANS	5960	A	P C B サブトランス	
	CB603	V7828000 SOCKET	13P SE TUC SERIES			コネクタースOCKET	
	CB604	V7827500 SOCKET	8P SE TUC SERIES			コネクタースOCKET	
	CB605	VP573800 CN. BS. PIN	18P			F F Cコネクタ	01
	CB606	VB858700 CN. BS. PIN	8P			ベースピン	01
	CB607	VK026400 CN. BS. PIN	5P			ワイヤートラップ	01
	CB608	VM923600 CN. BS. PIN	13P			F F Cコネクタ	01
	CB609	VB858400 CN. BS. PIN	5P			ベースピン	01
	CB621-624	WD398400 CN. DIN	14P YKF45-3011		J	D I Nコネクタ	05
	CB625	V7827300 SOCKET	6P TE TUC SERIES			コネクタースOCKET	
	CB626	V7827500 SOCKET	8P SE TUC SERIES			コネクタースOCKET	
	CB651	V7827300 SOCKET	6P TE TUC SERIES			コネクタースOCKET	
⚠	CB652	VG879900 CN. BS. PIN	2P			ベースピン	01

* New Parts * 新規部品

P.C.B. SUBTRANS

Ref. No.	Part No.	Description	Remarks	Markets	部 品 名	Rank	
	CB653-654	WC050700 CLIP.FUSE	EYF-52BCY		UCGE	ヒューズクリップ	01
	CB655-656	WC050700 CLIP.FUSE	EYF-52BCY			ヒューズクリップ	01
△	CB657	VG879900 CN.BS.PIN	2P			ベースピン	01
*	CB671	V9377800 CN.BS.PIN	3P SE VH SERIES	RL		ベース付ポスト	
*	CB672	V9377900 CN.BS.PIN	4P	RL		ベース付ポスト	
	CB673-674	WC050700 CLIP.FUSE	EYF-52BCY	R		ヒューズクリップ	01
	CB681-682	V7825600 CN	6P TE TUC SERIES			コネクタプラグ	
	CB691	LB919050 CN.BS.PIN	5P	UC		ベース付ポスト	01
	CB692	LB919030 CN.BS.PIN	3P	JRTKABGEL		ベース付ポスト	01
	C651-652	UR866220 C.EL	2.2uF 50V			ケミコン	01
	C653	UA654100 C.MYLAR	0.01uF 50V J			マイラーコン	01
	C654	WB687100 C.POL.MTL	0.047uF 400V	JUC		メタライズドポリコン	01
	C654	WC041600 C.PP	0.022uF 630V	RTKABGEL		PPコン	01
	C655	UR866100 C.EL	1uF 50V			ケミコン	01
	C656	UA653470 C.MYLAR	4700pF 50V J			マイラーコン	01
	C657	UA653100 C.MYLAR	1000pF 50V J			マイラーコン	03
	C658	WB696300 C.POL.MTL	0.1uF 400V	JUC		メタライズドポリコン	
*	C658	WD257600 C.PP	0.047uF 800V	RTKABGEL		PPコン	
△	C659	V6185300 C.CE.SAFETY	0.01uF 275V			規格認定コン	
	C660	UU249330 C.EL	3300uF 25V	JUCTKABGEL		ケミコン FW	04
*	C660	WD047300 C.EL	3300uF 50V	R		ケミコン KMQ	
	C661	WE102900 C.PP	0.01uF 100V			PPコン	
	C662	US064100 C.CE.CHP	0.01uF 50V B			チップセラコン	01
	C6001-6003	US135100 C.CE.CHP	0.1uF 16V			チップセラコン	01
	C6004-6009	UR267100 C.EL	10uF 50V			ケミコン	
	C6010-6011	UT952220 C.PP	220pF 100V			PPコン	
	C6012-6013	US062220 C.CE.CHP	220pF 50V B			チップセラコン	01
	C6014-6015	US061470 C.CE.CHP	47pF 50V B			チップセラコン	01
	C6016-6017	US062220 C.CE.CHP	220pF 50V B			チップセラコン	01
	C6018-6019	UR267100 C.EL	10uF 50V			ケミコン	
	C6020-6025	US062220 C.CE.CHP	220pF 50V B			チップセラコン	01
	C6026-6030	US062100 C.CE.CHP	100pF 50V B			チップセラコン	01
	C6032-6035	UR267100 C.EL	10uF 50V			ケミコン	
	C6036-6037	UA652100 C.MYLAR	100pF 50V J			マイラーコン	01
	C6038-6039	UR267100 C.EL	10uF 50V			ケミコン	
	C6040-6041	UU238100 C.EL	100uF 16V			ケミコン	01
	C6042-6043	UA652100 C.MYLAR	100pF 50V J			マイラーコン	01
	C6044-6045	UA652820 C.MYLAR	820pF 50V J			マイラーコン	01
	C6046-6047	UU367470 C.EL	47uF 50V			ケミコン RA 3	01
	C6048-6049	UR267100 C.EL	10uF 50V			ケミコン	
	C6050-6051	US135100 C.CE.CHP	0.1uF 16V			チップセラコン	01
	C6052-6054	UR266470 C.EL	4.7uF 50V			ケミコン	
	C6055	UU238100 C.EL	100uF 16V			ケミコン	01
	C6056-6057	UR266330 C.EL	3.3uF 50V			ケミコン	
	C6058-6059	US135100 C.CE.CHP	0.1uF 16V			チップセラコン	01
	C6060-6063	UR266470 C.EL	4.7uF 50V			ケミコン	
	C6064-6065	UR267100 C.EL	10uF 50V			ケミコン	
	C6066	US062680 C.CE.CHP	680pF 50V B			チップセラコン	01
	C6067	UR267100 C.EL	10uF 50V			ケミコン	
	C6068	US135100 C.CE.CHP	0.1uF 16V			チップセラコン	01
	C6069	UU238100 C.EL	100uF 16V			ケミコン	01
	C6070	UR267330 C.EL	33uF 50V			ケミコン	01
	C6071	UR267100 C.EL	10uF 50V			ケミコン	
	C6072-6073	UR267330 C.EL	33uF 50V			ケミコン	01
	C6074	UR267100 C.EL	10uF 50V			ケミコン	
	C6075-6076	UR267330 C.EL	33uF 50V			ケミコン	01
	C6077	UU238100 C.EL	100uF 16V			ケミコン	01
	C6078	UR267100 C.EL	10uF 50V			ケミコン	
	C6079-6080	US135100 C.CE.CHP	0.1uF 16V			チップセラコン	01

* New Parts * 新規部品

P.C.B. SUBTRANS

Ref. No.	Part No.	Description	Remarks	Markets	部 品 名	Rank
C6081	UR267330	C. EL	33uF 50V		ケミコン	01
C6082	UU257470	C. EL	47uF 35V		ケミコン FW	01
C6083	UU238100	C. EL	100uF 16V		ケミコン	01
C6084	US062100	C. CE. CHP	100pF 50V B		チップセラコン	01
C6085	UR267330	C. EL	33uF 50V		ケミコン	01
C6086	US135100	C. CE. CHP	0.1uF 16V		チップセラコン	01
C6087-6097	UR267100	C. EL	10uF 50V		ケミコン	
C6098-6099	UT952100	C. PP	100pF 100V		PPコン	
C6100	UA653330	C. MYLAR	3300pF 50V J		マイラーコン	01
C6101-6102	US135100	C. CE. CHP	0.1uF 16V		チップセラコン	01
C6103	UR267100	C. EL	10uF 50V		ケミコン	
C6104-6105	US135100	C. CE. CHP	0.1uF 16V		チップセラコン	01
C6106-6109	UR267100	C. EL	10uF 50V		ケミコン	
C6110-6111	UU368100	C. EL	100uF 50V		ケミコン RA 3	01
C6112-6113	US062100	C. CE. CHP	100pF 50V B		チップセラコン	01
C6114-6116	US061470	C. CE. CHP	47pF 50V B		チップセラコン	01
C6117-6118	US135100	C. CE. CHP	0.1uF 16V		チップセラコン	01
C6119-6122	UR267100	C. EL	10uF 50V		ケミコン	
C6123-6124	US061220	C. CE. CHP	22pF 50V B		チップセラコン	01
* C6125-6126	UU339100	C. EL	1000uF 16V		ケミコン RA 3	
C6127-6128	US062100	C. CE. CHP	100pF 50V B		チップセラコン	01
C6129-6130	US135100	C. CE. CHP	0.1uF 16V		チップセラコン	01
C6131	US145100	C. CE. CHP	0.1uF 25V		チップセラコン	01
C6132	US064100	C. CE. CHP	0.01uF 50V B		チップセラコン	01
C6201-6202	UR267100	C. EL	10uF 50V		ケミコン	
C6203-6205	UR837470	C. EL	47uF 16V		ケミコン	01
C6206	UR267100	C. EL	10uF 50V		ケミコン	
C6207	UR837470	C. EL	47uF 16V		ケミコン	01
C6208	UR267100	C. EL	10uF 50V		ケミコン	
C6209	UR238100	C. EL	100uF 16V		ケミコン	
C6210-6211	UR266100	C. EL	1uF 50V		ケミコン	
C6212	UR238100	C. EL	100uF 16V		ケミコン	
C6301-6303	US060800	C. CE. CHP	8pF 50V B		チップセラコン	01
C6304-6315	US064100	C. CE. CHP	0.01uF 50V B	J	チップセラコン	01
C6316-6318	US060800	C. CE. CHP	8pF 50V B	J	チップセラコン	01
C6319-6321	US135100	C. CE. CHP	0.1uF 16V		チップセラコン	01
C6322	US135100	C. CE. CHP	0.1uF 16V	J	チップセラコン	01
C6323-6328	US135100	C. CE. CHP	0.1uF 16V		チップセラコン	01
C6329	US135100	C. CE. CHP	0.1uF 16V	J	チップセラコン	01
C6330	US064100	C. CE. CHP	0.01uF 50V B		チップセラコン	01
C6331-6332	US135100	C. CE. CHP	0.1uF 16V		チップセラコン	01
C6333	US061220	C. CE. CHP	22pF 50V B		チップセラコン	01
C6334	US062560	C. CE. CHP	560pF 50V B		チップセラコン	01
C6335	US135100	C. CE. CHP	0.1uF 16V		チップセラコン	01
C6336	US064100	C. CE. CHP	0.01uF 50V B		チップセラコン	01
C6337-6339	US061220	C. CE. CHP	22pF 50V B		チップセラコン	01
C6401-6404	US064100	C. CE. CHP	0.01uF 50V B	759, 659	JUCRTKAGEL	01
C6901	VE326000	C. MYLAR	0.1uF 50V		UC	01
C6902	VR325400	C. MYLAR	0.1uF 100V			01
* C6903	WG601900	C. EL	10000uF 16V		UC	
* C6904	WG602000	C. EL	15000uF 16V			
C6905	US135100	C. CE. CHP	0.1uF 16V		UC	01
C6906	UR066100	C. EL	1uF 50V			01
C6907	UR237470	C. EL	47uF 16V		UC	
* C6909	WG601900	C. EL	10000uF 16V		UC	
D601-603	VU993000	DIODE. ZENR	MA8056-M 5.6V			01
D604-605	VU993700	DIODE. ZENR	MA8068-L 6.6V			
D606	VU993000	DIODE. ZENR	MA8056-M 5.6V			01
D607-608	VV307700	DIODE	1N4002S			01

* New Parts * 新規部品

P.C.B. SUBTRANS

Ref. No.	Part No.	Description	Remarks	Markets	部 品 名	Rank	
D641-643	VT332900	DIODE	1SS355	759, 659	JUCRTKAGEL	ダイオード	01
D651-653	VT332900	DIODE	1SS355			ダイオード	01
D654	VU990500	DIODE. ZENR	MA8030-L 2.9V			ツェナーダイオード	01
D655	VU993800	DIODE. ZENR	MA8068-M 6.8V			ツェナーダイオード	01
D656	VU995400	DIODE. ZENR	MA8100-M 10V			ツェナーダイオード	01
D657	VT332900	DIODE	1SS355			ダイオード	01
D658	VU995000	DIODE. ZENR	MA8091-M 9.1V			ツェナーダイオード	01
△ D659	V4756800	DIODE	S1NB60 1.0A 600V			D i スタック	01
D660	VT332900	DIODE	1SS355			ダイオード	01
D661	VR253700	DIODE. BRG	S1NB20 1A 200V			D I プリッジ X 4	02
△ D691	WA653100	DIODE. BRG	KBP103G 1.0A 200V	UC		ダイオードブリッジ	02
△ D692	WA653100	DIODE. BRG	KBP103G 1.0A 200V	UC		ダイオードブリッジ	02
D693	V2376600	DIODE. SHOT	RB500V-40	UC		ショットキーダイオード	01
D694	VG435500	DIODE. ZENR	MTZJ2. 4B 2.4V			ツェナーダイオード	01
D6201-6206	VT332900	DIODE	1SS355	J		ダイオード	01
D6207	VT332900	DIODE	1SS355			ダイオード	01
D6208	VT332900	DIODE	1SS355	J		ダイオード	01
D6209	VT332900	DIODE	1SS355			ダイオード	01
D6210-6211	VT332900	DIODE	1SS355	J		ダイオード	01
D6212-6217	VT332900	DIODE	1SS355			ダイオード	01
D6218-6219	VV220700	DIODE. SHOT	RB501V-40			ショットキーダイオード	01
D6220-6221	VT332900	DIODE	1SS355			ダイオード	01
* △ F651	WG410800	FUSE	10A 125V	UC		ヒューズ	01
△ F651	VT942900	FUSE	T2. 5A 250V	GE		ヒューズ	01
* △ F652	WG410800	FUSE	10A 125V	JUCR		ヒューズ	02
△ F652	KB000780	FUSE	T5A 250V	TKABGEL		ヒューズ	02
△ F671	KB000780	FUSE	T5A 250V	R		ヒューズ	02
IC601-606	X3505A00	IC	NJM2068MD-TE2			アンプ I C	02
IC607	X5045A00	IC	NJU7312AM			アナログ I C	
IC608	X5043A00	IC	NJU7313AM			アナログ I C	
IC609	X4325A00	IC	YAC523-EVR2			I C, アナログ	06
IC610	XZ545A00	IC	YAC520-EE2			I C	04
IC611-612	X3505A00	IC	NJM2068MD-TE2			アンプ I C	02
IC613	X5044A00	IC	NJU7311AM			アナログ I C	05
IC614	XP844A00	IC	NJM4556AL			I C	02
IC621-623	XS790A00	IC	TC74HC4052AF			ロジック I C	
IC624	XS790A00	IC	TC74HC4052AF	J		ロジック I C	
IC625	X2904A00	IC	NJM2581M VIDEO AMP			アンプ I C	06
IC626	XE436A00	IC	NJM79M05FA			I C	03
* IC627	X6143A00	IC	NJM2388F05 5.0V			電源 I C	
IC628	XZ509A00	IC	TC74VHC04FT INVER			ロジック I C	01
IC651	V8100500	PHOT. CPL	TLP421 GR			フォトカブラ	01
△ IC652	iG001180	IC	TC4013BP FF			ロジック I C	05
IC653	V8100500	PHOT. CPL	TLP421 GR			フォトカブラ	01
* IC691	X6143A00	IC	NJM2388F05 5.0V	UC		電源 I C	
IC692	X4928A00	IC	KIA7805AP1 5V			電源 I C	02
JK641-643	V9435700	JACK. MNI	MSJ-035-12APC	759, 659	JUCRTKAGEL	モノラル ミニジャック	01
PJ601-602	V7046800	JACK. PIN	6P MSP-246V1-01N1			ピンジャック	
PJ603	V9392100	JACK. PIN	2P MSP-242V1-02N1F			ピンジャック	
PJ621-622	WD442700	JACK. PIN	6P LPR6520-M610FC			ピンジャック	04
PN601	V9637500	PIN	L=70 #18			スタイルピン	
PN651	V9637500	PIN	L=70 #18			スタイルピン	
Q601-602	VP872700	TR	2SC4488 S, T			トランジスタ	01
Q603	VP872600	TR	2SA1708 S, T			トランジスタ	01
Q604-606	VD303700	TR	2SC3326 A, B			トランジスタ	01
Q607	VZ725900	TR	2SD1938F S, T			トランジスタ	01
Q608-609	VD303700	TR	2SC3326 A, B			トランジスタ	01
Q610	VZ725900	TR	2SD1938F S, T			トランジスタ	01
Q611-614	VD303700	TR	2SC3326 A, B			トランジスタ	01

* New Parts * 新規部品

P.C.B. SUBTRANS & P.C.B. VIDEO

Ref. No.	Part No.	Description	Remarks	Markets	部 品 名	Rank	
Q641	VP872600	TR	2SA1708 S,T	759, 659	JUCRTKAGEL	トランジスタ	01
Q642	VV655700	TR.DGT	DTC144EKA	759, 659	JUCRTKAGEL	デジタルトランジスタ	01
Q651	VV655700	TR.DGT	DTC144EKA			デジタルトランジスタ	01
Q652-653	iC181510	TR	2SC1815 Y			トランジスタ	01
Q654	WC741200	FET	2SK3850			F E T	
Q6201	VV556500	TR	2SA1037K Q, R, S			トランジスタ	01
Q6202	VV556400	TR	2SC2412K Q, R, S			トランジスタ	01
Q6203	VP872700	TR	2SC4488 S,T			トランジスタ	01
R659	V6730000	R. CAR.	2.2MΩ 1/2W		UC	放電抵抗	01
R661	HF356220	R. CAR	2.2KΩ 1/2W			カーボン抵抗	
R6074	HV753220	R. CAR. FP	2.2Ω 1/4W			不燃化カーボン抵抗	01
R6077	HV753220	R. CAR. FP	2.2Ω 1/4W			不燃化カーボン抵抗	01
R6084	HV754470	R. CAR. FP	47Ω 1/4W			不燃化カーボン抵抗	01
R6086	HV753470	R. CAR. FP	4.7Ω 1/4W			不燃化カーボン抵抗	01
R6091	HV754470	R. CAR. FP	47Ω 1/4W			不燃化カーボン抵抗	01
R6127-6128	HV755220	R. CAR. FP	220Ω 1/4W			不燃化カーボン抵抗	01
R6153-6154	HV753220	R. CAR. FP	2.2Ω 1/4W			不燃化カーボン抵抗	01
R6157-6158	HV755100	R. CAR. FP	100Ω 1/4W			不燃化カーボン抵抗	01
R6213-6224		R. CHP	100Ω 1/16W J		J	チップ抵抗	
R6228-6230		R. CHP	75Ω 1/16W J		J	チップ抵抗	
R6232-6234		R. CHP	10KΩ 1/16W J		J	チップ抵抗	
R6238	HV753220	R. CAR. FP	2.2Ω 1/4W			不燃化カーボン抵抗	01
R6254	VP939700	R. MTL. FLM	4.7Ω 1W			金属被膜抵抗	01
R6257-6259	WB784200	R. MTL. FLM	1.5Ω 1W			金属被膜抵抗	
R6401		R. CHP	100KΩ 1/16W J	759, 659	JUCRTKAGEL	チップ抵抗	
R6402		R. CHP	10KΩ 1/16W J	759, 659	JUCRTKAGEL	チップ抵抗	
R6403		R. CHP	27Ω 1/16W J	759, 659	JUCRTKAGEL	チップ抵抗	
R6904		R. CHP	1KΩ 1/16W J		UC	チップ抵抗	
R6905		R. CHP	4.7KΩ 1/16W J		UC	チップ抵抗	
R6906		R. CHP	1KΩ 1/16W J		UC	チップ抵抗	
△ RY651	V6434900	RELAY	DC DLS12D1-0(M)			リレー 12V TV-8	03
△ ST641-642	V4040500	SCR. TERM	M3	759, 659	JUCRTKAGEL	スクリュー/ターミナル	01
△ ST651-652	V4040500	SCR. TERM	M3			スクリュー/ターミナル	01
* △ SW671	WB493700	VOLT. SELCT	R8140246		R	電圧切替器	
* △ SW671	WD073700	VOLT. SELCT	R8140254		L	電圧切替器	
* △ T651	XW605A00	TRANS. PWR			J	電源トランス	04
* △ T651	XW606A00	TRANS. PWR			UC	電源トランス	
* △ T651	X6351A00	TRANS. PWR			R	電源トランス	
* △ T651	XW608A00	TRANS. PWR			TKABGEL	電源トランス	
△ TE651	VU543100	OUTLET. AC	2P		JUC	A Cアウトレット	03
△ TE651	V5867400	OUTLET. AC	2P AC-182-GB-11V		RTK	A Cアウトレット	
△ TE651	VT915000	OUTLET. AC	1P		A	A Cアウトレット	06
△ TE651	VU543300	OUTLET. AC	1P		B	A Cアウトレット	05
△ TE651	VU543400	OUTLET. AC	2P		GEL	A Cアウトレット	05
△ TE651	WE774200	SCR. BND. HD	3x10 MFZN2W3			バインドBタイトネジ	01
* * * * *	WG795200	P. C. B.	VIDEO	759	J	P C B ビデオ	
* * * * *	WG795300	P. C. B.	VIDEO	659	UC	P C B ビデオ	
* * * * *	WG795400	P. C. B.	VIDEO	659	R	P C B ビデオ	
* * * * *	WG795500	P. C. B.	VIDEO	659	T	P C B ビデオ	
* * * * *	WG795600	P. C. B.	VIDEO	659	K	P C B ビデオ	
* * * * *	WG795700	P. C. B.	VIDEO	659	A	P C B ビデオ	
* * * * *	WG795800	P. C. B.	VIDEO	759	B	P C B ビデオ	
* * * * *	WG795900	P. C. B.	VIDEO	659	GE	P C B ビデオ	
* * * * *	WG796000	P. C. B.	VIDEO	659	L	P C B ビデオ	
* * * * *	WG796100	P. C. B.	VIDEO	5960	UC	P C B ビデオ	
* * * * *	WG796200	P. C. B.	VIDEO	5960	A	P C B ビデオ	

* New Parts * 新規部品

P.C.B. VIDEO

Ref. No.	Part No.	Description	Remarks	Markets	部 品 名	Rank
* CB701	V7827300	SOCKET	6P TE TUC SERIES		コネクタースOCKET	
CB702	V8875400	CN	17P SE		J Eコネクタープラグ	02
CB703	V8809800	CN	9P SE		J Eコネクタープラグ	01
CB731	V7828200	SOCKET	15P TE TUC SERIES		コネクタースOCKET	
CB732	VK026700	CN. BS. PIN	8P		ワイヤートラップ	01
CB733	VK026800	CN. BS. PIN	9P		ワイヤートラップ	01
CB762	V7825800	CN	8P TE TUC SERIES		コネクタープラグ	
CB763	VM929900	CN. BS. PIN	15P		F P Cコネクタ-	01
* CB764	V8875700	CN	17P TE		J Eコネクタ-	02
CB765	V8810200	CN	9P TE		J Eコネクタ-	02
CB766	V7826500	CN	15P TE TUC SERIES		コネクタープラグ	01
CB767	V7826300	CN	13P TE TUC SERIES		コネクタープラグ	
CB768	V7825800	CN	8P TE TUC SERIES		コネクタープラグ	
CB769	VQ044400	CN. BS. PIN	9P		F F Cコネクタ-	01
CB770	VF982300	CN. BS. PIN	17P		F F Cコネクタ-	01
CB771	VB858500	CN. BS. PIN	6P		ベースピン	01
* CB772	V7826900	CN	19P TE		コネクタープラグ	
CB773	LB919050	CN. BS. PIN	5P		ベース付ポスト	01
CB774	VB858400	CN. BS. PIN	5P	759, 659	JUCRTKAGEL ベースピン	01
CB775	VQ045200	CN. BS. PIN	22P		F F Cコネクタ-	01
C7001-7002	UR837470	C. EL	47uF 16V		ケミコン	01
C7003	UR847100	C. EL	10uF 25V		ケミコン	01
C7004-7005	UR238100	C. EL	100uF 16V		ケミコン	
C7006	UR847100	C. EL	10uF 25V		ケミコン	01
C7007-7012	UR837470	C. EL	47uF 16V		ケミコン	01
C7013	UR837100	C. EL	10uF 16V		ケミコン	01
C7014	UR837470	C. EL	47uF 16V		ケミコン	01
C7015-7016	UR238100	C. EL	100uF 16V		ケミコン	
C7017	UR218470	C. EL	470uF 6.3V		ケミコン	
C7018	UR866100	C. EL	1uF 50V		ケミコン	01
C7019	UR837100	C. EL	10uF 16V		ケミコン	01
C7021-7024	UR238100	C. EL	100uF 16V		ケミコン	
C7028	UR866470	C. EL	4.7uF 50V		ケミコン	01
C7031	UR238100	C. EL	100uF 16V		ケミコン	
C7032	UR218330	C. EL	330uF 6.3V		ケミコン	
C7033-7035	UR238100	C. EL	100uF 16V		ケミコン	
C7101-7109	US062100	C. CE. CHP	100pF 50V B		チップセラコン	01
C7110-7132	US135100	C. CE. CHP	0.1uF 16V		チップセラコン	01
C7133	US064100	C. CE. CHP	0.01uF 50V B		チップセラコン	01
C7134	US062120	C. CE. CHP	120pF 50V B		チップセラコン	01
C7135	US135100	C. CE. CHP	0.1uF 16V		チップセラコン	01
C7136	US062220	C. CE. CHP	220pF 50V B		チップセラコン	01
C7137-7140	US135100	C. CE. CHP	0.1uF 16V		チップセラコン	01
C7141	US060500	C. CE. CHP	5pF 50V		JUCRK チップセラコン	01
C7141	US060300	C. CE. CHP	3pF 50V B		TABGEL チップセラコン	01
C7142	US060800	C. CE. CHP	8pF 50V		JUCRK チップセラコン	01
C7142	US060300	C. CE. CHP	3pF 50V		TABGEL チップセラコン	01
C7143	US035100	C. CE. CHP	0.1uF 16V B		チップセラコン	01
C7144-7145	US135100	C. CE. CHP	0.1uF 16V		チップセラコン	01
C7146	US060800	C. CE. CHP	8pF 50V		JUCRK チップセラコン	01
C7146	US060300	C. CE. CHP	3pF 50V B		TABGEL チップセラコン	01
C7147	US062470	C. CE. CHP	470pF 50V B		チップセラコン	01
C7148	US061240	C. CE. CHP	24pF 50V B		チップセラコン	01
* C7149	WG251600	C. CE. CHP	4.7uF 6.3V		チップセラ	
C7150	US135100	C. CE. CHP	0.1uF 16V		チップセラコン	01
C7151	US061240	C. CE. CHP	24pF 50V B		チップセラコン	01
C7152	US063120	C. CE. CHP	1200pF 50V B		チップセラコン	01
C7153	US135100	C. CE. CHP	0.1uF 16V		チップセラコン	01
C7154	US035100	C. CE. CHP	0.1uF 16V B		チップセラコン	01

* New Parts * 新規部品

P.C.B. VIDEO

Ref. No.	Part No.	Description	Remarks	Markets	部 品 名	Rank
C7155-7156	US062100	C. CE. CHP	100pF 50V B		チップセラコン	01
C7157-7159	US135100	C. CE. CHP	0.1uF 16V		チップセラコン	01
* C7160	WG251600	C. CE. CHP	4.7uF 6.3V		チップセラ	
C7161	US135100	C. CE. CHP	0.1uF 16V		チップセラコン	01
C7167-7172	US135100	C. CE. CHP	0.1uF 16V		チップセラコン	01
C7173	US064100	C. CE. CHP	0.01uF 50V B		チップセラコン	01
C7174-7176	US135100	C. CE. CHP	0.1uF 16V		チップセラコン	01
C7177-7180	US064100	C. CE. CHP	0.01uF 50V B		チップセラコン	01
C7181	US135100	C. CE. CHP	0.1uF 16V		チップセラコン	01
C7182	US064100	C. CE. CHP	0.01uF 50V B		チップセラコン	01
C7183	US034820	C. CE. CHP	0.082uF 16V K		チップセラコン	01
C7184	US064100	C. CE. CHP	0.01uF 50V B		チップセラコン	01
C7185-7186	US135100	C. CE. CHP	0.1uF 16V		チップセラコン	01
C7187-7189	US064100	C. CE. CHP	0.01uF 50V B		チップセラコン	01
C7190-7191	US060900	C. CE. CHP	9pF 50V B		チップセラコン	01
C7192-7196	US064100	C. CE. CHP	0.01uF 50V B		チップセラコン	01
C7197-7201	US135100	C. CE. CHP	0.1uF 16V		チップセラコン	01
C7202-7204	UR837100	C. EL	10uF 16V		ケミコン	01
C7205	US135100	C. CE. CHP	0.1uF 16V		チップセラコン	01
C7301-7304	UR237100	C. EL	10uF 16V		ケミコン	
C7305-7306	UR238220	C. EL	220uF 16V		ケミコン	01
C7307-7308	UR237100	C. EL	10uF 16V	759, 659	JUCRTKAGEL ケミコン	
C7309-7310	UR237100	C. EL	10uF 16V		ケミコン	
C7311-7312	UU367470	C. EL	47uF 50V		ケミコン R A 3	01
C7313-7314	UU337470	C. EL	47uF 16V		ケミコン R A 3	01
C7323-7324	UU367100	C. EL	10uF 50V		ケミコン R A 3	01
C7401-7403	US064100	C. CE. CHP	0.01uF 50V B		チップセラコン	01
C7404	UA652220	C. MYLAR	220pF 50V J		KABGEL マイラーコン	01
C7405	UA652220	C. MYLAR	220pF 50V J		KA マイラーコン	01
C7406	FG651470	C. CE	47pF 50V	759, 659	JUCRTAL セラコン	01
C7406	UA652470	C. MYLAR	470pF 50V	659	KGE マイラーコン	01
C7406	UA652220	C. MYLAR	220pF 50V J	759	B マイラーコン	01
C7407	FG651470	C. CE	47pF 50V	759, 659	JUCRTAL セラコン	01
C7407	UA652470	C. MYLAR	470pF 50V	659	KGE マイラーコン	01
C7407	UA652220	C. MYLAR	220pF 50V J	759	B マイラーコン	01
C7408-7409	UA652220	C. MYLAR	220pF 50V J		マイラーコン	01
C7410-7415	US062220	C. CE. CHP	220pF 50V B		チップセラコン	01
C7416-7417	FG651470	C. CE	47pF 50V		セラコン	01
C7418-7419	US062220	C. CE. CHP	220pF 50V B		チップセラコン	01
C7420-7421	FG651470	C. CE	47pF 50V		セラコン	01
C7422-7423	UA653910	C. MYLAR	9100pF 50V J		マイラーコン	01
C7424-7425	UA654330	C. MYLAR	0.033uF 50V J		マイラーコン	01
C7426-7427	UA653100	C. MYLAR	1000pF 50V J		マイラーコン	03
C7428-7429	US135100	C. CE. CHP	0.1uF 16V		チップセラコン	01
C7430-7431	US135100	C. CE. CHP	0.1uF 16V	759, 659	JUCRTKAGEL チップセラコン	01
C7432-7433	US135100	C. CE. CHP	0.1uF 16V		チップセラコン	01
C7601	US064100	C. CE. CHP	0.01uF 50V B		JUCRTKAGEL チップセラコン	01
C7602	US062100	C. CE. CHP	100pF 50V B		JUCRTKAGEL チップセラコン	01
C7603	US063100	C. CE. CHP	1000pF 50V B		JUCRTKAGEL チップセラコン	01
C7604-7606	US062100	C. CE. CHP	100pF 50V B		JUCRTKAGEL チップセラコン	01
C7607-7608	US062220	C. CE. CHP	220pF 50V B		チップセラコン	01
C7610	US062220	C. CE. CHP	220pF 50V B		チップセラコン	01
C7611	UR866220	C. EL	2.2uF 50V		ケミコン	01
C7612	UR866220	C. EL	2.2uF 50V	759, 659	JUCRTKAGEL ケミコン	01
C7613-7615	UR866220	C. EL	2.2uF 50V		ケミコン	01
C7616-7617	UR237470	C. EL	47uF 16V		JUCRTKAGEL ケミコン	
C7618	UR237100	C. EL	10uF 16V		JUCRTKAGEL ケミコン	
C7619	US135100	C. CE. CHP	0.1uF 16V		GE チップセラコン	01
C7620-7622	US035100	C. CE. CHP	0.1uF 16V B		チップセラコン	01

* New Parts * 新規部品

P.C.B. VIDEO

Ref. No.	Part No.	Description	Remarks	Markets	部 品 名	Rank	
C7623-7624	US062330	C. CE. CHP	330pF 50V B		GE	チップセラコン	01
C7625-7626	UR837470	C. EL	47uF 16V		GE	ケミコン	01
C7627	US135100	C. CE. CHP	0.1uF 16V			チップセラコン	01
C7628	US062560	C. CE. CHP	560pF 50V B		GE	チップセラコン	01
C7629	UR837330	C. EL	33uF 16V			ケミコン	01
C7630	US064100	C. CE. CHP	0.01uF 50V B			チップセラコン	01
C7631	US061270	C. CE. CHP	27pF 50V B		GE	チップセラコン	01
C7632	US064100	C. CE. CHP	0.01uF 50V B			チップセラコン	01
C7633	US135100	C. CE. CHP	0.1uF 16V		GE	チップセラコン	01
C7634	US064100	C. CE. CHP	0.01uF 50V B			チップセラコン	01
C7635	US061270	C. CE. CHP	27pF 50V B		GE	チップセラコン	01
C7636	UR837470	C. EL	47uF 16V		GE	ケミコン	01
C7637-7639	US064100	C. CE. CHP	0.01uF 50V B			チップセラコン	01
C7640-7641	US135100	C. CE. CHP	0.1uF 16V			チップセラコン	01
C7642	UR038100	C. EL	100uF 16V			ケミコン	
C7643	UR818220	C. EL	220uF 6.3V			ケミコン	01
C7644	WB165500	C. EL	0.33F 5.5V			ゴールドキャパシタ	
C7645	UR818220	C. EL	220uF 6.3V			ケミコン	01
C7646	UR037100	C. EL	10uF 16V			ケミコン	01
C7647	US135100	C. CE. CHP	0.1uF 16V			チップセラコン	01
C7648	UR037100	C. EL	10uF 16V			ケミコン	01
C7649-7650	US135100	C. CE. CHP	0.1uF 16V			チップセラコン	01
C7651	UR218470	C. EL	470uF 6.3V		UC	ケミコン	
C7652	US035100	C. CE. CHP	0.1uF 16V B		UC	チップセラコン	01
C7654-7663	US063100	C. CE. CHP	1000pF 50V B			チップセラコン	01
C7664	US135100	C. CE. CHP	0.1uF 16V			チップセラコン	01
C7665-7666	US064100	C. CE. CHP	0.01uF 50V B			チップセラコン	01
C7667	UR068100	C. EL	100uF 50V			ケミコン	01
C7668-7669	US062220	C. CE. CHP	220pF 50V B			チップセラコン	01
C7670-7671	US135100	C. CE. CHP	0.1uF 16V			チップセラコン	01
D761	VU993000	DIODE. ZENR	MA8056-M 5.6V		JUCRTKAGEL	ツェナーダイオード	01
D762	VU992600	DIODE. ZENR	MA8051-M 5.1V			ツェナーダイオード	01
D763	VT332900	DIODE	1SS355			ダイオード	01
D764-766	VU992600	DIODE. ZENR	MA8051-M 5.1V			ツェナーダイオード	01
D767-769	VT332900	DIODE	1SS355			ダイオード	01
D770	VV833200	DIODE	1SS380			ダイオード	01
D771	VT332900	DIODE	1SS355		UC	ダイオード	01
D772	VU992600	DIODE. ZENR	MA8051-M 5.1V			ツェナーダイオード	01
D773	VT332900	DIODE	1SS355			ダイオード	01
D774-775	VT332900	DIODE	1SS355		JUCRTKAGEL	ダイオード	01
D7001-7003	VT332900	DIODE	1SS355			ダイオード	01
D7005-7008	VT332900	DIODE	1SS355			ダイオード	01
D7010-7011	VT332900	DIODE	1SS355			ダイオード	01
D7301-7302	VU994300	DIODE. ZENR	MA8075-H 7.7V			ツェナーダイオード	
IC701-702	X6742A00	IC	LA73050-TLM-E			アンプ IC	04
IC703-705	XY549A00	IC	TC74HC4051AF			ロジック IC	
IC706	XY879A00	IC	TC74HC4053AF			ロジック IC	
IC707	XZ509A00	IC	TC74VHC04FT INVER			ロジック IC	01
IC708	XY879A00	IC	TC74HC4053AF			ロジック IC	
IC709	X5597A00	IC	LC74781JM-9798			IC アナログ	07
IC710	X6869A00	IC	NJM2885DL1-33			電源 IC	03
IC711	X6868A00	IC	NJM2885DL1-18			電源 IC	03
IC712	X7325A00	IC	ADV7180BSTZ			IC	
IC713	X6671A00	IC	ADV7172KSTZ			IC	
IC731	X3505A00	IC	NJM2068MD-TE2			アンプ IC	02
IC732	X3547A00	IC	BD3841FS			IC	06
IC733	X3547A00	IC	BD3841FS	759, 659	JUCRTKAGEL	IC	06
IC734	X3547A00	IC	BD3841FS			IC	06
IC761	X0082A00	IC	LC72722PM		GE	IC	

* New Parts * 新規部品

P.C.B. VIDEO

Ref. No.	Part No.	Description	Remarks	Markets	部 品 名	Rank
*	IC762	X7361A00 IC. CPU	M30G25MHP-A98GP	MASK ROM		IC CPU
	IC763	X5886A00 IC	RH5RE58AA-T1-FA			電源IC
	IC765	X2080A00 IC	SN74AHCT1G32DCKR			ロジックIC
	IC766	X3833A00 IC	SN74AHC1G08DCKR			ロジックIC
	IC767	X2080A00 IC	SN74AHCT1G32DCKR			ロジックIC
	J7301-7302	R. CHP	0Ω 1/16W J	759	B	チップ抵抗
	JK701-702	WD396100 JACK. PIN	LAP5100-1801FC			ピンジャック+S
	JK703	WD396300 JACK. PIN	LAP5100-1601FC			ピンジャック+S
	PJ731	V8041300 JACK. PIN	4P			ピンジャック
	PJ732	V7046700 JACK. PIN	4P MSP-244V1-01NI			ピンジャック
	PJ733	V7046800 JACK. PIN	6P MSP-246V1-01NI			ピンジャック
	PJ734	V8502200 JACK. PIN	2P MSP-242V3-01NI	759, 659		ピンジャック
	Q761	iC181510 TR	2SC1815 Y		JUCRTKAGEL	トランジスタ
	Q762	VV556500 TR	2SA1037K Q, R, S			トランジスタ
	Q763	VV556500 TR	2SA1037K Q, R, S	759, 659	JUCRTKAGEL	トランジスタ
	Q764-766	VV556500 TR	2SA1037K Q, R, S			トランジスタ
	Q767	iC174020 TR	2SC1740S ORS		GE	トランジスタ
	Q768	VP872600 TR	2SA1708 S, T			トランジスタ
	Q769	VV655700 TR. DGT	DTC144EKA			デジタルトランジスタ
	Q770	VV556500 TR	2SA1037K Q, R, S		UC	トランジスタ
	Q771-772	WF767900 FET	5HP01C-TB-E			F E T
	Q7001	VV556400 TR	2SC2412K Q, R, S			トランジスタ
	Q7002	WF550000 TR	2SC3837K T146 N, P			トランジスタ
	Q7003	VV556500 TR	2SA1037K Q, R, S			トランジスタ
	Q7004	VV556400 TR	2SC2412K Q, R, S			トランジスタ
	Q7005	WF549900 TR	2SC3906K T146 R, S			トランジスタ
	Q7006	VV556400 TR	2SC2412K Q, R, S			トランジスタ
	Q7010-7013	WG261200 FET	2SK2158-T2B-A			F E T
	Q7301-7304	VZ725900 TR	2SD1938F S, T	759, 659	JUCRTKAGEL	トランジスタ
	Q7305	iC181510 TR	2SC1815 Y			トランジスタ
	Q7306	iA101510 TR	2SA1015 Y			トランジスタ
	R7040	HV753100 R. CAR. FP	1Ω 1/4W			不燃化カーボン抵抗
	R7048	HV753100 R. CAR. FP	1Ω 1/4W			不燃化カーボン抵抗
	R7049	HV753220 R. CAR. FP	2.2Ω 1/4W			不燃化カーボン抵抗
	R7052	HV757100 R. CAR. FP	10KΩ 1/4W			不燃化カーボン抵抗
	R7053	V8070000 R. MTL. FLM	1Ω 1W			金属被膜抵抗
	R7054	HV753220 R. CAR. FP	2.2Ω 1/4W			不燃化カーボン抵抗
	R7059	HV753100 R. CAR. FP	1Ω 1/4W			不燃化カーボン抵抗
	R7061	HV755470 R. CAR. FP	470Ω 1/4W			不燃化カーボン抵抗
	R7065	HV755470 R. CAR. FP	470Ω 1/4W			不燃化カーボン抵抗
	R7066	V8070000 R. MTL. FLM	1Ω 1W			金属被膜抵抗
	R7067	HV755470 R. CAR. FP	470Ω 1/4W			不燃化カーボン抵抗
	R7081	HV755470 R. CAR. FP	470Ω 1/4W			不燃化カーボン抵抗
	R7133	HV753100 R. CAR. FP	1Ω 1/4W			不燃化カーボン抵抗
	R7315	R. CHP	100Ω 1/16W J	759, 659	JUCRTKAGEL	チップ抵抗
	R7315	R. CHP	1KΩ 1/16W J	759	B	チップ抵抗
	R7316	R. CHP	100Ω 1/16W J	759, 659	JUCRTKAGEL	チップ抵抗
	R7316	R. CHP	1KΩ 1/16W J	759	B	チップ抵抗
	R7317	R. CHP	47Ω 1/16W J		JUCRT	チップ抵抗
	R7317	R. CHP	2.2KΩ 1/16W J		KABGEL	チップ抵抗
	R7318	R. CHP	47Ω 1/16W J		JUCRT	チップ抵抗
	R7318	R. CHP	2.2KΩ 1/16W J		KABGEL	チップ抵抗
	R7332-7335	R. CHP	10KΩ 1/16W J	759, 659	JUCRTKAGEL	チップ抵抗
	R7344	R. CHP	150Ω 1/16W J	759, 659	JUCRTKAGEL	チップ抵抗
	R7344	R. CHP	0Ω 1/16W J	759	B	チップ抵抗
	R7345	R. CHP	150Ω 1/16W J	759, 659	JUCRTKAGEL	チップ抵抗
	R7345	R. CHP	0Ω 1/16W J	759	B	チップ抵抗
	R7348	R. CHP	1KΩ 1/16W J	759, 659	JUCRTKAGEL	チップ抵抗
	R7348	R. CHP	0Ω 1/16W J	759	B	チップ抵抗

* New Parts * 新規部品

P.C.B. VIDEO

Ref. No.	Part No.	Description	Remarks	Markets	部 品 名	Rank	
R7349		R. CHP	1KΩ 1/16W J	759, 659	JUCRTKAGEL	チップ抵抗	
R7349		R. CHP	0Ω 1/16W J	759	B	チップ抵抗	
R7352-7353		R. CHP	47KΩ 1/16W J	759, 659		チップ抵抗	
R7360-7361	HV755100	R. CAR. FP	100Ω 1/4W			不燃化カーボン抵抗	01
R7605-7606		R. CHP	100Ω 1/16W J		JUCRTKAGEL	チップ抵抗	
R7613		R. CHP	100Ω 1/16W J		JUCRTKAGEL	チップ抵抗	
R7618		R. CHP	100KΩ 1/16W J	759, 659	JUCRTKAGEL	チップ抵抗	
R7622	HV753220	R. CAR. FP	2.2Ω 1/4W		JUCRTKAGEL	不燃化カーボン抵抗	01
R7624		R. CHP	100Ω 1/16W J	759, 659	JUCRTKAGEL	チップ抵抗	
R7628		R. CHP	100Ω 1/16W J		JUCRTKAGEL	チップ抵抗	
R7629		R. CHP	4.7KΩ 1/16W J		JUCRTKAGEL	チップ抵抗	
R7631		R. CHP	4.7KΩ 1/16W J	759, 659	JUCRTKAGEL	チップ抵抗	
R7636		R. CHP	100KΩ 1/16W J	759, 659	JUCRTKAGEL	チップ抵抗	
R7640		R. CHP	100KΩ 1/16W J		GE	チップ抵抗	
R7641		R. CHP	33KΩ 1/16W J		GE	チップ抵抗	
R7647		R. CHP	3.3KΩ 1/16W J		GE	チップ抵抗	
R7648		R. CHP	22KΩ 1/16W J		GE	チップ抵抗	
R7649		R. CHP	100Ω 1/16W J		GE	チップ抵抗	
R7653		R. CHP	0Ω 1/16W J		J	チップ抵抗	
R7653		R. CHP	1.2KΩ 1/16W J		UC	チップ抵抗	
R7653		R. CHP	4.7KΩ 1/16W J		R	チップ抵抗	
R7653		R. CHP	6.8KΩ 1/16W J		T	チップ抵抗	
R7653		R. CHP	10KΩ 1/16W J		K	チップ抵抗	
R7653		R. CHP	15KΩ 1/16W J		A	チップ抵抗	
R7653		R. CHP	47KΩ 1/16W J		BGE	チップ抵抗	
R7653		R. CHP	100KΩ 1/16W J		L	チップ抵抗	
R7654		R. CHP	470Ω 1/16W J		GE	チップ抵抗	
R7656		R. CHP	470Ω 1/16W J		GE	チップ抵抗	
R7657		R. CHP	10KΩ 1/16W J		GE	チップ抵抗	
R7661		R. CHP	10KΩ 1/16W J		GE	チップ抵抗	
R7682		R. CHP	47KΩ 1/16W J		UC	チップ抵抗	
R7683		R. CHP	10KΩ 1/16W J		UC	チップ抵抗	
R7684		R. CHP	100KΩ 1/16W J		UC	チップ抵抗	
R7695-7696		R. CHP	1.5KΩ 1/16W J		UC	チップ抵抗	
R7701		R. CHP	100KΩ 1/16W J		JUCRTKAGEL	チップ抵抗	
R7702		R. CHP	100KΩ 1/16W J		B	チップ抵抗	
R7705		R. CHP	100Ω 1/16W J	759, 659	JUCRTKAGEL	チップ抵抗	
R7714		R. CHP	100Ω 1/16W J		UC	チップ抵抗	
R7716-7717		R. CHP	100Ω 1/16W J		UC	チップ抵抗	
ST701	V4040500	SCR. TERM	M3			スクリュー/ターミナル	01
ST731	V4040500	SCR. TERM	M3			スクリュー/ターミナル	01
ST761-762	V4040500	SCR. TERM	M3			スクリュー/ターミナル	01
XL701	WD280800	RSNR. CRY	14.31818MHz SMD-49		JUCRK	水晶振動子	
XL701	WD280900	RSNR. CRY	17.734475MHz		TABGEL	水晶振動子	03
XL702	VZ772700	RSNR. CRY	28.63636MHz			水晶振動子	03
XL761	V3930900	RSNR. CRY	4.332MHz		GE	水晶振動子	05
XL762	WA674700	RSNR. CE	16MHz CSTLS16M0X51			セラミック振動子	

* New Parts * 新規部品

Chip Resistors

- The chip resistor is not supplied as a replacement part.
 * When a chip resistor is necessary, use the following part.
 AAX60720: CHIP RESISTOR SAMPLE BOOK

- チップ抵抗はサービス部品として供給しません。
 ※ チップ抵抗が必要な場合は、下記の部品をご利用ください。
 AAX60720: CHIP RESISTOR SAMPLE BOOK

Ref. No.	Part No.	Description	Remarks	Markets	部 品 名	Rank
	R. CHP	0Ω	1/16W J		チップ抵抗	
	R. CHP	2.2Ω	1/16W J		チップ抵抗	
	R. CHP	10Ω	1/16W J		チップ抵抗	
	R. CHP	22Ω	1/16W J		チップ抵抗	
	R. CHP	27Ω	1/16W J		チップ抵抗	
	R. CHP	33Ω	1/16W J		チップ抵抗	
	R. CHP	47Ω	1/16W J		チップ抵抗	
	R. CHP	56Ω	1/16W J		チップ抵抗	
	R. CHP	68Ω	1/16W J		チップ抵抗	
	R. CHP	75Ω	1/16W J		チップ抵抗	
	R. CHP	82Ω	1/16W J		チップ抵抗	
	R. CHP	100Ω	1/16W J		チップ抵抗	
	R. CHP	150Ω	1/16W J		チップ抵抗	
	R. CHP	180Ω	1/16W J		チップ抵抗	
	R. CHP	220Ω	1/16W J		チップ抵抗	
	R. CHP	270Ω	1/16W J		チップ抵抗	
	R. CHP	330Ω	1/16W J		チップ抵抗	
	R. CHP	470Ω	1/16W J		チップ抵抗	
	R. CHP	680Ω	1/16W J		チップ抵抗	
	R. CHP	1KΩ	1/16W J		チップ抵抗	
	R. CHP	1.2KΩ	1/16W J		チップ抵抗	
	R. CHP	1.5KΩ	1/16W J		チップ抵抗	
	R. CHP	2.2KΩ	1/16W J		チップ抵抗	
	R. CHP	2.7KΩ	1/16W J		チップ抵抗	
	R. CHP	3.3KΩ	1/16W J		チップ抵抗	
	R. CHP	3.9KΩ	1/16W J		チップ抵抗	
	R. CHP	4.7KΩ	1/16W J		チップ抵抗	
	R. CHP	6.8KΩ	1/16W J		チップ抵抗	
	R. CHP	8.2KΩ	1/16W J		チップ抵抗	
	R. CHP	10KΩ	1/16W J		チップ抵抗	
	R. CHP	15KΩ	1/16W J		チップ抵抗	
	R. CHP	18KΩ	1/16W J		チップ抵抗	
	R. CHP	22KΩ	1/16W J		チップ抵抗	
	R. CHP	27KΩ	1/16W J		チップ抵抗	
	R. CHP	33KΩ	1/16W J		チップ抵抗	
	R. CHP	39KΩ	1/16W F		チップ抵抗	
	R. CHP	47KΩ	1/16W J		チップ抵抗	
	R. CHP	100KΩ	1/16W J		チップ抵抗	
	R. CHP	150KΩ	1/16W J		チップ抵抗	
	R. CHP	220KΩ	1/16W J		チップ抵抗	
	R. CHP	470KΩ	1/16W J		チップ抵抗	
	R. CHP	510KΩ	1/16W		チップ抵抗	
	R. CHP	680KΩ	1/16W J		チップ抵抗	
	R. CHP	1MΩ	1/16W J		チップ抵抗	
	R. MTL. CHP	270Ω	1/16W D		チップ金属被膜抵抗	
	R. MTL. CHP	330Ω	1/16W D		チップ金属被膜抵抗	
	R. MTL. CHP	390Ω	1/16W D		チップ金属被膜抵抗	
	R. MTL. CHP	470Ω	1/16W D		チップ金属被膜抵抗	
	R. MTL. CHP	680Ω	1/16W D		チップ金属被膜抵抗	
	R. MTL. CHP	1.0KΩ	1/16W D		チップ金属被膜抵抗	
	R. MTL. CHP	1.2KΩ	1/16W D		チップ金属被膜抵抗	
	R. MTL. CHP	1.5KΩ	1/16W D		チップ金属被膜抵抗	
	R. MTL. CHP	2.7KΩ	1/16W D		チップ金属被膜抵抗	
	R. MTL. CHP	3.3KΩ	1/16W D		チップ金属被膜抵抗	
	R. MTL. CHP	4.3KΩ	1/16W D		チップ金属被膜抵抗	

* New Parts * 新規部品

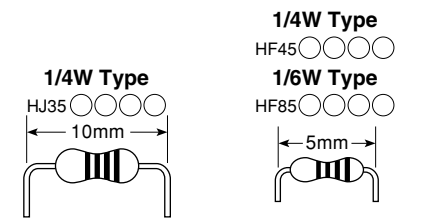
Chip Resistors

Ref. No.	Part No.	Description	Remarks	Markets	部 品 名	Rank
		R. MTL. CHP 4.7KΩ 1/16W D			チップ金属被膜抵抗	
		R. MTL. CHP 5.6KΩ 1/16W D			チップ金属被膜抵抗	
		R. MTL. CHP 6.8KΩ 1/16W D			チップ金属被膜抵抗	
		R. MTL. CHP 11KΩ 1/16W D			チップ金属被膜抵抗	
		R. MTL. CHP 12KΩ 1/16W D			チップ金属被膜抵抗	
		R. MTL. CHP 15KΩ 1/16W D			チップ金属被膜抵抗	
		R. MTL. CHP 22KΩ 1/16W D			チップ金属被膜抵抗	
		R. MTL. CHP 30KΩ 1/16W D			チップ金属被膜抵抗	
		R. MTL. CHP 47KΩ 1/16W D			チップ金属被膜抵抗	

* New Parts * 新規部品

Carbon Resistors

Value	1/4W Type Part No.	1/6W Type Part No.	Value	1/4W Type Part No.	1/6W Type Part No.
1.0 Ω	HJ35 3100	HF85 3100	10 kΩ	HF45 7100	HF45 7100
1.8 Ω	HJ35 3180	*	11 kΩ	HF45 7110	HF45 7110
2.2 Ω	HJ35 3220	HF85 3220	12 kΩ	HJ35 7120	HF85 7120
3.3 Ω	HJ35 3330	HF85 3330	13 kΩ	HF45 7130	HF45 7130
4.7 Ω	HJ35 3470	HF85 3470	15 kΩ	HF45 7150	HF45 7150
5.6 Ω	HJ35 3560	HF85 3560	18 kΩ	HF45 7180	HF45 7180
10 Ω	HF45 4100	HF45 4100	22 kΩ	HF45 7220	HF45 7220
15 Ω	HJ35 4150	HF85 4150	24 kΩ	HF45 7240	HF45 7240
22 Ω	HF45 4220	HF45 4220	27 kΩ	HJ35 7270	HF85 7270
27 Ω	HJ35 4270	HF85 4270	30 kΩ	HF45 7300	HF45 7300
33 Ω	HF45 4330	HF45 4330	33 kΩ	HF45 7330	HF45 7330
39 Ω	HJ35 4470	HF85 4390	36 kΩ	HF45 7360	HF45 7360
47 Ω	HF45 4470	HF45 4470	39 kΩ	HF45 7390	HF45 7390
56 Ω	HF45 4560	HF45 4560	47 kΩ	HF45 7470	HF45 7470
68 Ω	HF45 4680	HF45 4680	51 kΩ	HF45 7510	HF45 7510
75 Ω	HF45 4750	HF45 4750	56 kΩ	HF45 7560	HF45 7560
82 Ω	HF45 4820	HF45 4820	62 kΩ	HF45 7620	HF45 7620
91 Ω	HF45 4910	HF45 4910	68 kΩ	HF45 7680	HF45 7680
100 Ω	HF45 5100	HF45 5100	82 kΩ	HF45 7820	HF45 7820
110 Ω	HJ35 5110	HF85 5110	91 kΩ	HF45 7910	HF45 7910
120 Ω	HF45 5120	HF45 5120	100 kΩ	HF45 8100	HF45 8100
150 Ω	HF45 5150	HF45 5150	110 kΩ	HF45 8110	HF45 8110
160 Ω	HJ35 5160	*	120 kΩ	HF45 8120	HF45 8120
180 Ω	HF45 5180	HF45 5180	150 kΩ	HF45 8150	HF45 8150
200 Ω	HF45 5200	HF45 5200	180 kΩ	HF45 8180	HF45 8180
220 Ω	HF45 5220	HF45 5220	220 kΩ	HJ35 8220	HF85 8220
270 Ω	HF45 5270	HF45 5270	270 kΩ	HF45 8270	HF45 8270
330 Ω	HF45 5330	HF45 5330	300 kΩ	HF45 8300	HF45 8300
390 Ω	HF45 5390	HF45 5390	330 kΩ	HF45 8330	HF45 8330
430 Ω	HF45 5430	HF45 5430	390 kΩ	HJ35 8390	HF85 8390
470 Ω	HF45 5470	HF45 5470	470 kΩ	HF45 8470	HF45 8470
510 Ω	HF45 5510	HF45 5510	560 kΩ	HJ35 8560	HF85 8560
560 Ω	HF45 5560	HF45 5560	680 kΩ	HJ35 8680	HF85 8680
680 Ω	HF45 5680	HF45 5680	820 kΩ	HJ35 8820	HF85 8820
820 Ω	HF45 5820	HF45 5820	1.0 MΩ	HF45 9100	HF45 9100
910 Ω	HF45 5910	HF45 5910	1.2 MΩ	HJ35 9120	*
1.0 kΩ	HF45 6100	HF45 6100	1.5 MΩ	HJ35 9150	HF85 9150
1.2 kΩ	HF45 6120	HF45 6120	1.8 MΩ	HJ35 9180	HF85 9180
1.5 kΩ	HF45 6150	HF45 6150	2.2 MΩ	HJ35 9220	HF85 9220
1.8 kΩ	HF45 6180	HF45 6180	3.3 MΩ	HJ35 9330	HF85 9330
2.0 kΩ	HJ35 6200	HF85 6200	3.9 MΩ	HJ35 9390	*
2.2 kΩ	HF45 6220	HF45 6220	4.7 MΩ	HJ35 9470	HF85 9470
2.4 kΩ	HJ35 6240	HF85 6240			
2.7 kΩ	HF45 6270	HF45 6270			
3.0 kΩ	HF45 6300	HF45 6300			
3.3 kΩ	HF45 6330	HF45 6330			
3.6 kΩ	HJ35 6360	HF85 6360			
3.9 kΩ	HF45 6390	HF45 6390			
4.7 kΩ	HF45 6470	HF45 6470			
5.1 kΩ	HF45 6510	HF45 6510			
5.6 kΩ	HF45 6560	HF45 6560			
6.8 kΩ	HF45 6680	HF45 6680			
8.2 kΩ	HF45 6820	HF45 6820			
9.1 kΩ	HF45 6910	HF45 6910			



* : Not available

• OVERALL ASS'Y **RX-V659/DSP-AX759/DSP-AX759SE**

Ref. No.	Part No.	Description	Remarks	Markets	部 品 名	Rank	
*	2-1	WG793600	P.C.B. ASS'Y		JUCRTA	P C B メイン	
*	2-1	WG793700	P.C.B. ASS'Y		KBGEL	P C B メイン	
*	5	WG809000	P.C.B. ASS'Y		JRTKABGEL	P C B D S P	
*	5	WG809100	P.C.B. ASS'Y		UC	P C B D S P	
*	6	WG795200	P.C.B. ASS'Y		J	P C B ビデオ	
*	6	WG795300	P.C.B. ASS'Y		UC	P C B ビデオ	
*	6	WG795400	P.C.B. ASS'Y		R	P C B ビデオ	
*	6	WG795500	P.C.B. ASS'Y		T	P C B ビデオ	
*	6	WG795600	P.C.B. ASS'Y		K	P C B ビデオ	
*	6	WG795700	P.C.B. ASS'Y		A	P C B ビデオ	
*	6	WG795800	P.C.B. ASS'Y		B	P C B ビデオ	
*	6	WG795900	P.C.B. ASS'Y		GE	P C B ビデオ	
*	6	WG796000	P.C.B. ASS'Y		L	P C B ビデオ	
*	7	WG794000	P.C.B. ASS'Y		J	P C B サブトランス	
*	7	WG794100	P.C.B. ASS'Y		UC	P C B サブトランス	
*	7	WG794200	P.C.B. ASS'Y		R	P C B サブトランス	
*	7	WG794300	P.C.B. ASS'Y		TK	P C B サブトランス	
*	7	WG794400	P.C.B. ASS'Y		A	P C B サブトランス	
*	7	WG794500	P.C.B. ASS'Y		B	P C B サブトランス	
*	7	WG794600	P.C.B. ASS'Y		GE	P C B サブトランス	
*	7	WG794700	P.C.B. ASS'Y		L	P C B サブトランス	
	14	V6782200	AM/FM TUNER		J	AM/FMチューナー	13
*	14	V6782300	AM/FM TUNER		UCRTL	AM/FMチューナー	
*	14	V6782400	AM/FM TUNER		KAGE	AM/FMチューナー	
*	15	X7505A00	POWER TRANSFORMER		J	電源トランス	
*	15	X7506A00	POWER TRANSFORMER		UC	電源トランス	
*	15	X7507A00	POWER TRANSFORMER		RL	電源トランス	
*	15	X7508A00	POWER TRANSFORMER		TK	電源トランス	
*	15	X7509A00	POWER TRANSFORMER		A	電源トランス	
*	15	X7510A00	POWER TRANSFORMER		BGE	電源トランス	
	16	WF723000	POWER CABLE	2m	J	電源コード	05
*	16	V2727500	POWER CABLE	2m	UC	電源コード	
*	16	WC992700	POWER CABLE	2m	R	電源コード	
*	16	WB120600	POWER CABLE	2m	T	電源コード	
*	16	WC753000	POWER CABLE	2m	K	電源コード	
*	16	WC743700	POWER CABLE	2m	A	電源コード	
*	16	WF723100	POWER CABLE	2m	B	電源コード	
	16	VN363600	POWER CABLE	2m	GEL	電源コード	
	17	V2438700	CORD STOPPER	10P1		コードストッパー	02
	25	MF118070	FLEXIBLE FLAT CABLE	18P 70mm P=1.25		カード電線 C & C	02
	26	MF115140	FLEXIBLE FLAT CABLE	15P 140mm P=1.25	JUCRTKAGEL	カード電線 C & C	03
	27	MF113060	FLEXIBLE FLAT CABLE	13P 60mm P=1.25		カード電線 C & C	01
*	101	WG740700	TOP COVER	GD		トップカバー	
*	101	WG740600	TOP COVER	BL		トップカバー	
*	101	WG740800	TOP COVER	TI		トップカバー	
*	103	WG366400	REAR PANEL		J	リアパネル	
*	103	WG365600	REAR PANEL		UC	リアパネル	
*	103	WG365700	REAR PANEL		R	リアパネル	
*	103	WG365900	REAR PANEL		K	リアパネル	
*	103	WG365800	REAR PANEL		T	リアパネル	
*	103	WG365900	REAR PANEL		K	リアパネル	
*	103	WG366000	REAR PANEL		A	リアパネル	
*	103	WG366100	REAR PANEL		B	リアパネル	
*	103	WG366200	REAR PANEL		GE	リアパネル	

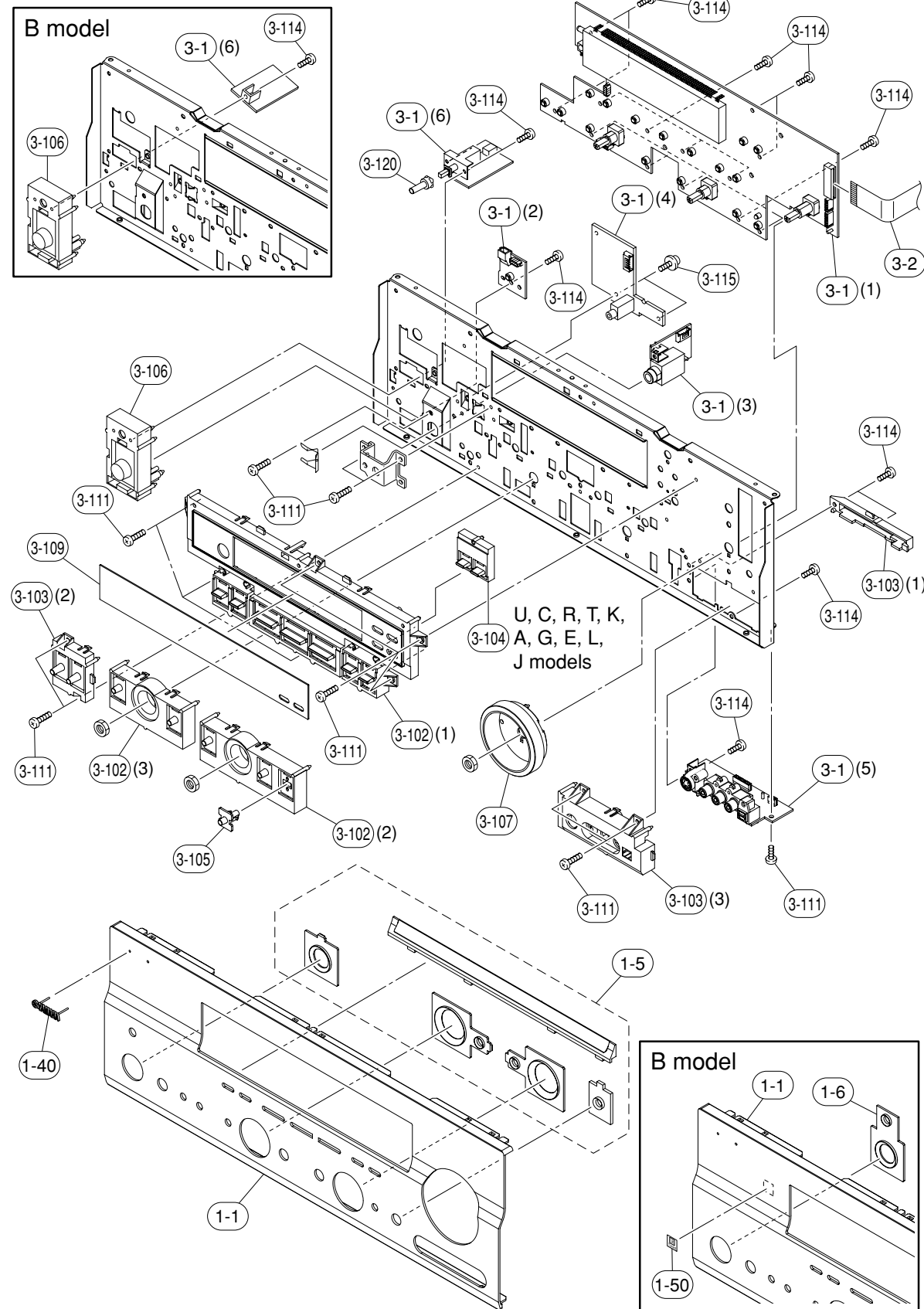
* New Parts * 新規部品

Ref. No.	Part No.	Description	Remarks	Markets	部 品 名	Rank		
*	103	WG366300	REAR PANEL		L	リアパネル		
	120	V0042500	LEG	D60xH21	GD	レッグ	03	
	120	VS025000	LEG	D60xH21	BL, TI	レッグ	02	
*	121	WG375500	KNOB D50	VOLUME	GD	ノブD50		
*	121	WG375400	KNOB D50	VOLUME	BL	ノブD50		
*	121	WG375600	KNOB D50	VOLUME	TI	ノブD50		
*	122	WG375800	KNOB D21.5	PROGRAM, INPUT	GD	ノブD21.5		
*	122	WG375700	KNOB D21.5	PROGRAM, INPUT	BL	ノブD21.5		
*	122	WG375900	KNOB D21.5	PROGRAM, INPUT	TI	ノブD21.5		
*	131	WG975100	PLATE SIDE		GD	プレートサイド		
*	131	WG975000	PLATE SIDE		BL	プレートサイド		
*	131	WG975200	PLATE SIDE		TI	プレートサイド		
	138	V3198100	DAMPER	GUARD		ダンパー	01	
	139	WC879000	DAMPER			ダンパー		
*	150	V8466300	COVER AC OUTLETS		K	カバー/ACアウトレット		
	155	VQ368600	PUSH RIVET	P3555-B		プッシュリベット	01	
	160	WE774100	BIND HEAD BONDING B-T. SCREW	3x8 MFZN2B3		ボンディングBタイトネジ	01	
	163	WE774300	BIND HEAD B-TIGHT SCREW	3x8 MFZN2W3		バインドBタイトネジ	01	
	167	WF002600	PW HEAD B-TIGHT SCREW	3x8 MFZN2W3		PWヘッドBタイトネジ	01	
	168	WH010900	SCREW IC	3x20 MFZN2W3		スクリュー IC	01	
	170	WE774700	BIND HEAD S-TIGHT SCREW	4x10 MFZN2W3		バインドSタイトネジ	01	
	171	VD069600	PW HEAD S-TIGHT SCREW	4x8-10 MFN133	GD, TI	PWヘッドSタイトネジ	01	
	171	VH313200	PW HEAD S-TIGHT SCREW	4x8-10 MFN13BL	BL	PWヘッドSタイトネジ	01	
	172	WE200400	DISH HEAD B-TIGHT SCREW	3x6 MFN133	GD, TI	DISH Bタイトネジ	01	
	172	WE200500	DISH HEAD B-TIGHT SCREW	3x6 MFN13BL	BL	DISH Bタイトネジ	01	
	173	VB770200	PW HEAD P-TIGHT SCREW	3x10-8 MFC2		PWヘッド Pタイトネジ	01	
	176	AA627310	GROUND TERMINAL			GNDターミナル	01	
	180	VU590000	BINDING TIE	CBTD001B		インシュロックタイ	01	
			ACCESSORIES			付属品		
*	200	WG646200	REMOTE CONTROL	RAV321	EUR7661KBO	JRTKABGEL	リモコン	
*	200	WG646100	REMOTE CONTROL	RAV320	EUR7661KAO	UC	リモコン	
*	200-1	AAX76600	BATTERY COVER		UR76EC6103A		電池蓋	
	202	V6267000	INDOOR FM ANTENNA	1.4m 1pc		JUCRTL	F M簡易アンテナ	03
	202	VQ147100	INDOOR FM ANTENNA	1.4m 1pc		KAGE	F M簡易アンテナ	02
	203	VR248500	AM LOOP ANTENNA	1.0m 1pc			A Mループアンテナ	03
	204	WB699600	OPTIMIZER MICROPHONE	6m 1pc			オプティマイザーマイク	09
			BATTERY	SUM-3N 2pcs			乾電池 2 P C S	

* New Parts * 新規部品

• FRONT PANEL UNIT & SUB CHASSIS UNIT

RX-V659/DSP-AX759/DSP-AX759SE



• FRONT PANEL UNIT & SUB CHASSIS UNIT

RX-V659/DSP-AX759/DSP-AX759SE

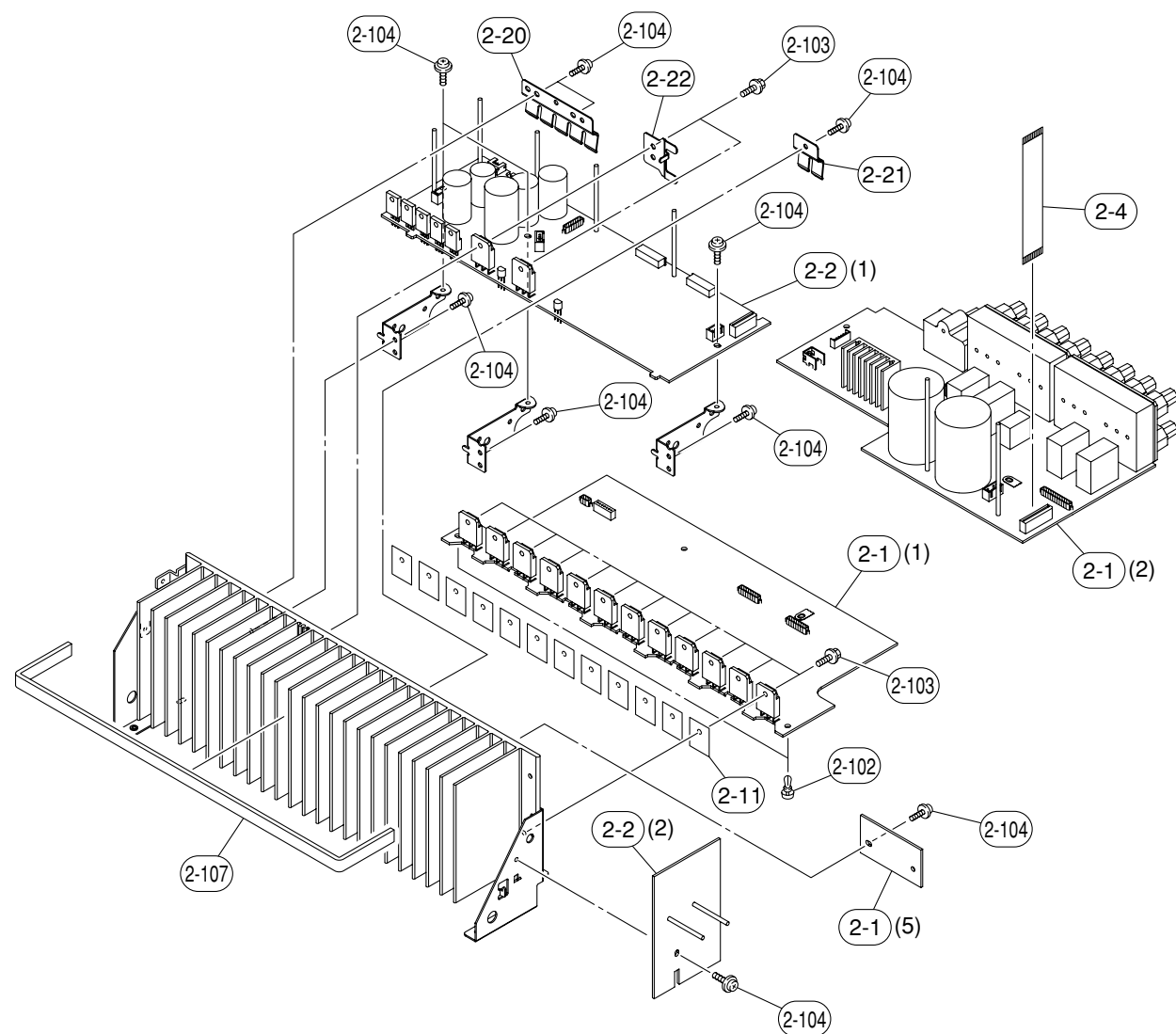
Ref. No.	Part No.	Description	Remarks	Markets	部品名	Rank	
* 1-1	WG371500	FRONT PANEL		AX759GD	J	フロントパネル	
* 1-1	WG371300	FRONT PANEL		V659GD	RTK	フロントパネル	
* 1-1	WG370800	FRONT PANEL		V659BL	UC	フロントパネル	
* 1-1	WG370900	FRONT PANEL		V659BL	RAGE	フロントパネル	
* 1-1	WG371000	FRONT PANEL		AX759SEBL	B	フロントパネル	
* 1-1	WG371800	FRONT PANEL		V659TI	C	フロントパネル	
* 1-1	WG371900	FRONT PANEL		V659TI	CRKSEL	フロントパネル	
* 1-1	WG372000	FRONT PANEL		AX759SETI	B	フロントパネル	
* 1-5	WG478300	ESCUTCHEON 657		GD		エスカッション 6 5 7	
* 1-5	WG478200	ESCUTCHEON 657		V659BL	UCRAGE	エスカッション 6 5 7	
* 1-5	WF155800	ESCUTCHEON 657		AX759SEBL	B	エスカッション 6 5 7	
* 1-5	WG478400	ESCUTCHEON 657		V659TI	CRKSEL	エスカッション 6 5 7	
* 1-5	WF156000	ESCUTCHEON 657		AX759SETI	B	エスカッション 6 5 7	
* 1-6	WG374600	ESCUTCHEON 659		GD		エスカッション 6 5 9	
* 1-6	WG374500	ESCUTCHEON 659		V659BL	UCRAGE	エスカッション 6 5 9	
* 1-6	WG374700	ESCUTCHEON 659		V659TI	CRKSEL	エスカッション 6 5 9	
* 1-40	V6034200	EMBLEM		GD		エンブレム	03
* 1-40	V6034100	EMBLEM		BL, TI		エンブレム	03
* 1-50	WE765700	BADGE			B	バッジ	
* 3-1	WG796300	P.C.B. ASS'Y	OPERATION		JUCRTKAGEL	P C B オペレーション	
* 3-1	WG796400	P.C.B. ASS'Y	OPERATION		B	P C B オペレーション	
* 3-2	MF122350	FLEXIBLE FLAT CABLE	22P 350mm P=1.25			カード電線 C & C	
* 3-102	WC490900	BUTTONCASE 650		GD		ボタンケース 6 5 0	
* 3-102	WC490800	BUTTONCASE 650		V659BL	UCRAGE	ボタンケース 6 5 0	
* 3-102	WC491100	BUTTONCASE 650		AX759SEBL	B	ボタンケース 6 5 0	
* 3-102	WC491000	BUTTONCASE 650		V659TI	CRKSEL	ボタンケース 6 5 0	
* 3-102	WC491300	BUTTONCASE 650		AX759SETI	B	ボタンケース 6 5 0	
* 3-103	WE185700	BUTTON 650		GD		ボタン 6 5 0	01
* 3-103	WE185600	BUTTON 650		BL		ボタン 6 5 0	
* 3-103	WE185800	BUTTON 650		TI		ボタン 6 5 0	
* 3-104	WE182400	BUTTON ZONE2				ボタン/Z O N E 2	
* 3-105	WC504300	LENS BUTTON				レンズ/ボタン	01
* 3-106	WG374300	BUTTON MAIN	MAIN ZONE	GD		ボタン/メイン	
* 3-106	WG374200	BUTTON MAIN	MAIN ZONE	V659BL	UCRAGE	ボタン/メイン	
* 3-106	WG374400	BUTTON MAIN	MAIN ZONE	V659TI	CRKSEL	ボタン/メイン	
* 3-106	WG466500	BUTTON STANDBY	STANDBY/ON	AX759SEBL	B	ボタン/スタンバイ	
* 3-106	WG466600	BUTTON STANDBY	STANDBY/ON	AX759SETI	B	ボタン/スタンバイ	
* 3-107	WG375200	ESCUTCHEON VOL		GD		エスカッションVOL	
* 3-107	WG375100	ESCUTCHEON VOL		BL		エスカッションVOL	
* 3-107	WG375300	ESCUTCHEON VOL		SI		エスカッションVOL	
* 3-109	WG542600	SHEET WINDOW			JRTKAGEL	シート/ウインドウ	
* 3-109	WG542500	SHEET WINDOW			UC	シート/ウインドウ	
* 3-109	WC495200	SHEET WINDOW			B	シート/ウインドウ	
* 3-111	WE774300	BIND HEAD B-TIGHT SCREW	3x8 MFZN2W3			バインドBタイトネジ	01
* 3-114	WE774800	BIND HEAD P-TIGHT SCREW	3x8 MFZN2W3			バインドPタイトネジ	01
* 3-115	WF002600	PW HEAD B-TIGHT SCREW	3x8 MFZN2W3			PWヘッドBタイトネジ	01
* 3-120	V6876200	BUTTON D5	MASTER ON/OFF	GD		ボタン/D 5	
* 3-120	V6876100	BUTTON D5	MASTER ON/OFF	V659BL	UCRAGE	ボタン/D 5	
* 3-120	V8540300	BUTTON D5	MASTER ON/OFF	V659TI	CRKSEL	ボタン/D 5	

* New Parts * 新規部品

1 • AMP UNIT

RX-V659/DSP-AX759/DSP-AX759SE

HTR-5960



• AMP UNIT

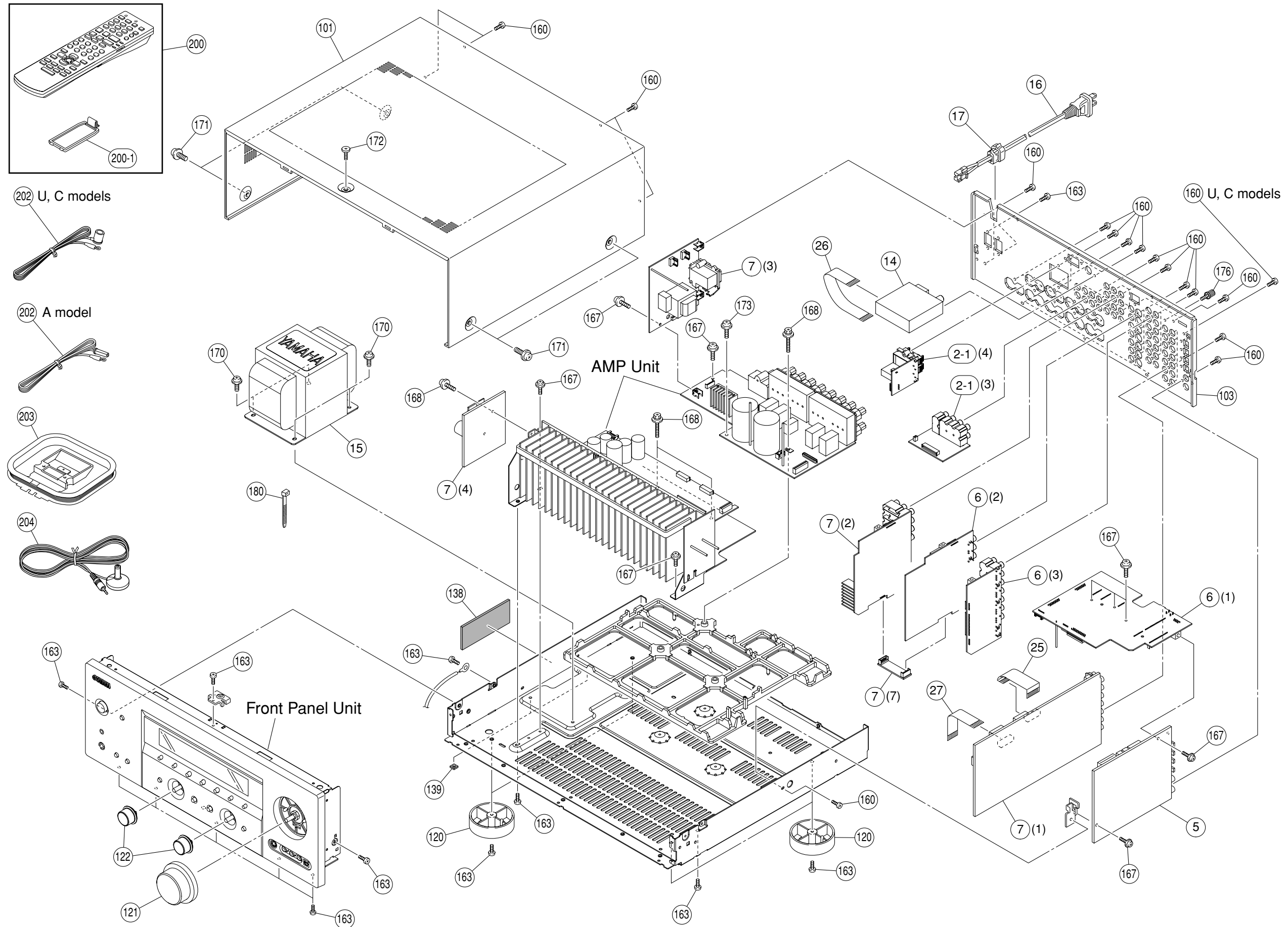
RX-V659/DSP-AX759/DSP-AX759SE

HTR-5960

Ref. No.	Part No.	Description	Remarks	Markets	部品名	Rank
* 2-1	WG793600	P.C.B. ASS'Y	MAIN	JUCRTA	P C B メイン	
* 2-1	WG793700	P.C.B. ASS'Y	MAIN	KBGEL	P C B メイン	
* 2-2	WG793800	P.C.B. ASS'Y	POWER	JUCRTA	P C B パワー	
* 2-2	WG793900	P.C.B. ASS'Y	POWER	KBGEL	P C B パワー	
2-4	MF117140	FLEXIBLE FLAT CABLE	17P 140mm P=1.25		カード電線 C & C	01
2-11	VV849300	RADIATION SHEET	19x24		シート/放熱	01
2-20	WC656000	SUPPORT TR 5P			サポート/TR 5 P	
2-21	V2673000	SUPPORT TR 2P			サポート/TR 2 P	01
2-22	WB297600	SUPPORT TR 1P			サポート/TR 1 P	02
2-102	VQ368600	PUSH RIVET	P3555-B		プッシュリベット	01
2-103	VK173200	SCREW TRANSISTOR	3x15 SP MFC2		スクリューTR	01
2-104	WFO02600	PW HEAD B-TIGHT SCREW	3x8 MFZN2W3		PWヘッドBタイトネジ	01
2-107	WC879400	DAMPER	2x10x360		ダンパー	

* New Parts * 新規部品

• OVERALL ASS'Y HTR-5960



• OVERALL ASS'Y HTR-5960

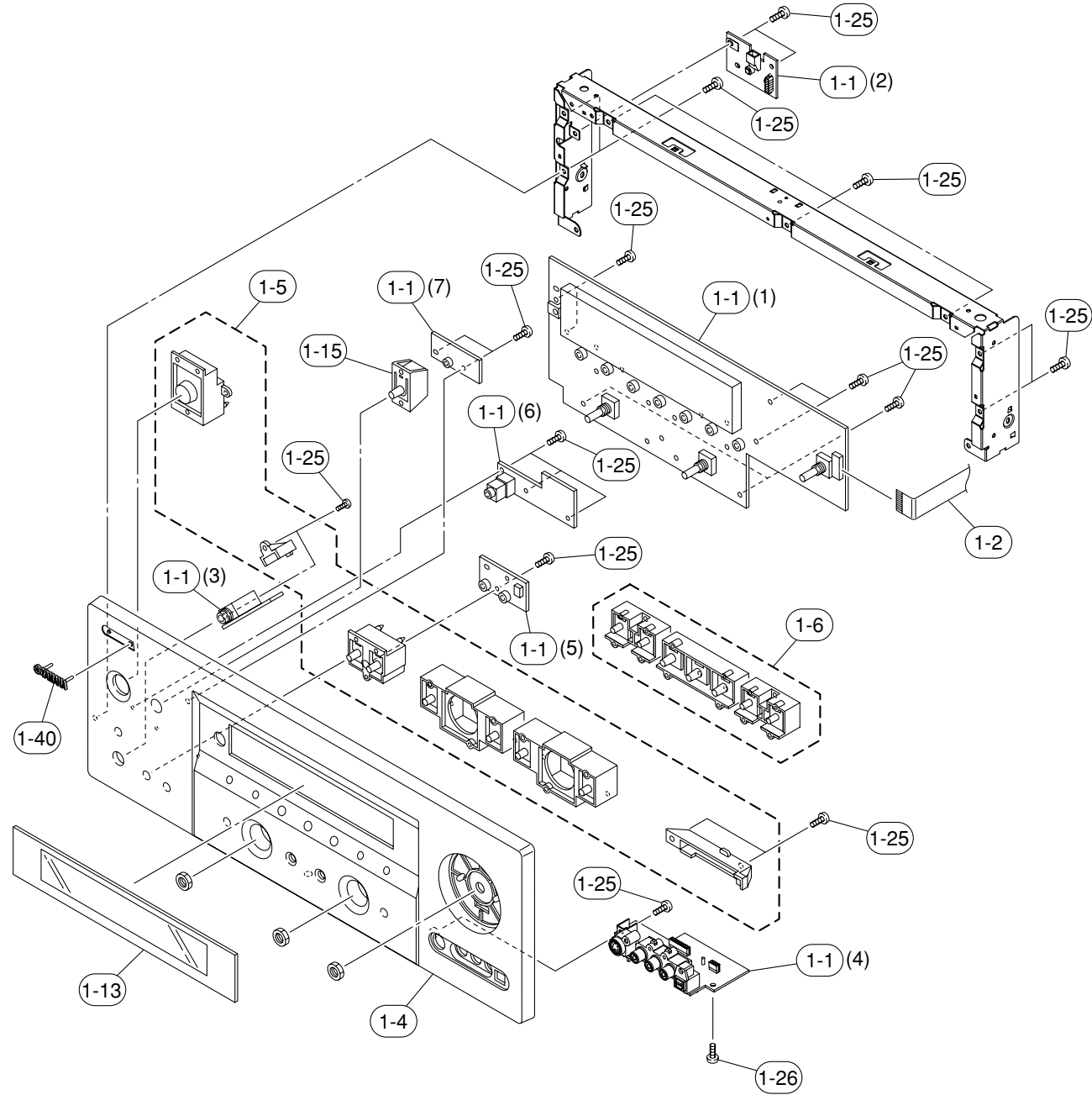
Ref. No.	Part No.	Description	Remarks	Markets
*	2-1	WG793600	P. C. B. ASS' Y	MAIN
*	5	WG809200	P. C. B. ASS' Y	DSP
*	5	WG809000	P. C. B. ASS' Y	DSP
*	6	WG796100	P. C. B. ASS' Y	VIDEO
*	6	WG796200	P. C. B. ASS' Y	VIDEO
*	7	WG794800	P. C. B. ASS' Y	SUBTRANS
*	7	WG794900	P. C. B. ASS' Y	SUBTRANS
*	14	V6782300	AM/FM TUNER	TFCE1U115A
*	14	V6782400	AM/FM TUNER	TFCE1E317A
*	△	15	X7506A00	POWER TRANSFORMER
*	△	15	X7509A00	POWER TRANSFORMER
*	△	16	V2727500	POWER CABLE
*	△	16	WC743700	POWER CABLE
	17	V2438700	CORD STOPPER	
	25	MF118070	FLEXIBLE FLAT CABLE	
	26	MF115140	FLEXIBLE FLAT CABLE	
	27	MF113060	FLEXIBLE FLAT CABLE	
	101	WG740600	TOP COVER	
	101	WG605600	TOP COVER	
	103	WG366600	REAR PANEL	
	103	WG366700	REAR PANEL	
	120	VV544300	LEG	
	120	VS025000	LEG	
*	121	WG442600	KNOB D48	
*	121	WG442900	KNOB D48	
*	122	WG443200	KNOB D23	
*	122	WG443500	KNOB D23	
	138	V3198100	DAMPER	
	139	WC879000	DAMPER	
	160	WE774100	BIND HEAD BONDING B-T. SCREW	
	163	WE774300	BIND HEAD B-TIGHT SCREW	
	167	WF002600	PW HEAD B-TIGHT SCREW	
	168	WH010900	SCREW IC	
	170	WE774700	BIND HEAD S-TIGHT SCREW	
	171	VH313200	PW HEAD S-TIGHT SCREW	
	171	VD069600	PW HEAD S-TIGHT SCREW	
	172	WE200500	DISH HEAD B-TIGHT SCREW	
	172	WE200400	DISH HEAD B-TIGHT SCREW	
	173	VB770200	PW HEAD P-TIGHT SCREW	
	176	AA627310	GROUND TERMINAL	
	180	VU590000	BINDING TIE	
			ACCESSORIES	
*	200	WG646100	REMOTE CONTROL	
*	200	WG646200	REMOTE CONTROL	
*	200-1	AAX76600	BATTERY COVER	
	202	V6267000	INDOOR FM ANTENNA	

* New Parts

Ref. No.	Part No.	Description	Remarks	Markets
202	VQ147100	INDOOR FM ANTENNA	1.4m 1pc	A
203	VR248500	AM LOOP ANTENNA	1.0m 1pc	
204	WB699600	OPTIMIZER MICROPHONE	6m 1pc	
		BATTERY	SUM-3N 2pcs	

* New Parts

• FRONT PANEL UNIT HTR-5960



• FRONT PANEL UNIT HTR-5960

Ref. No.	Part No.	Description	Remarks	Markets
* 1-1	WG796500	P. C. B. ASS' Y	OPERATION	
* 1-2	MF122350	FLEXIBLE FLAT CABLE	22P 350mm P=1.25	
* 1-4	WG372400	FRONT PANEL ASS' Y		BL
* 1-4	WG372700	FRONT PANEL ASS' Y		SI UC
* 1-4	WG372800	FRONT PANEL ASS' Y		SI A
* 1-5	WG633900	BUTTONCASE 5960		BL
* 1-5	WG634100	BUTTONCASE 5960		SI
* 1-6	WG373700	BUTTON TUNER 5960		BL
* 1-6	WG373900	BUTTON TUNER 5960		SI
* 1-13	WG467800	SHEET WINDOW		BL
* 1-13	WG374100	SHEET WINDOW		SI UC
* 1-13	WG374000	SHEET WINDOW		SI A
	1-15	WF121100	BUTTON LENS	
	1-25	WE774800	BIND HEAD P-TIGHT SCREW	3x8 MFZN2W3
	1-26	WE774300	BIND HEAD B-TIGHT SCREW	3x8 MFZN2W3
	1-40	V6034200	EMBLEM	BL
	1-40	V6034100	EMBLEM	SI

* New Parts

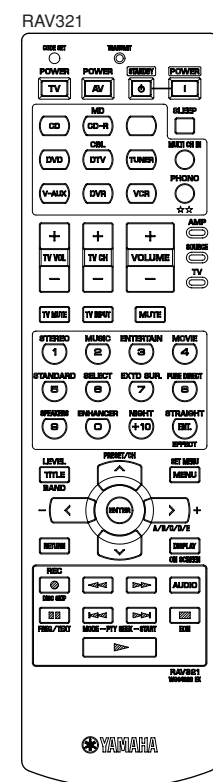
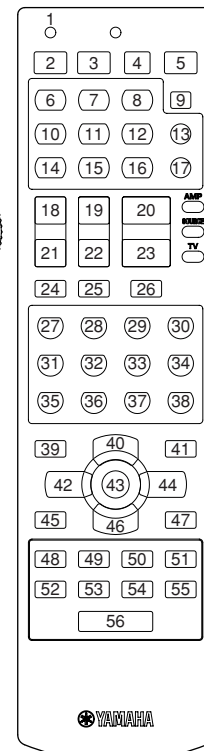
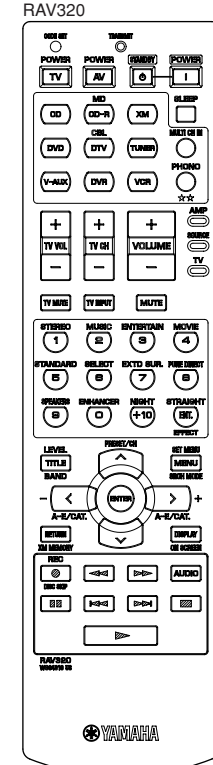
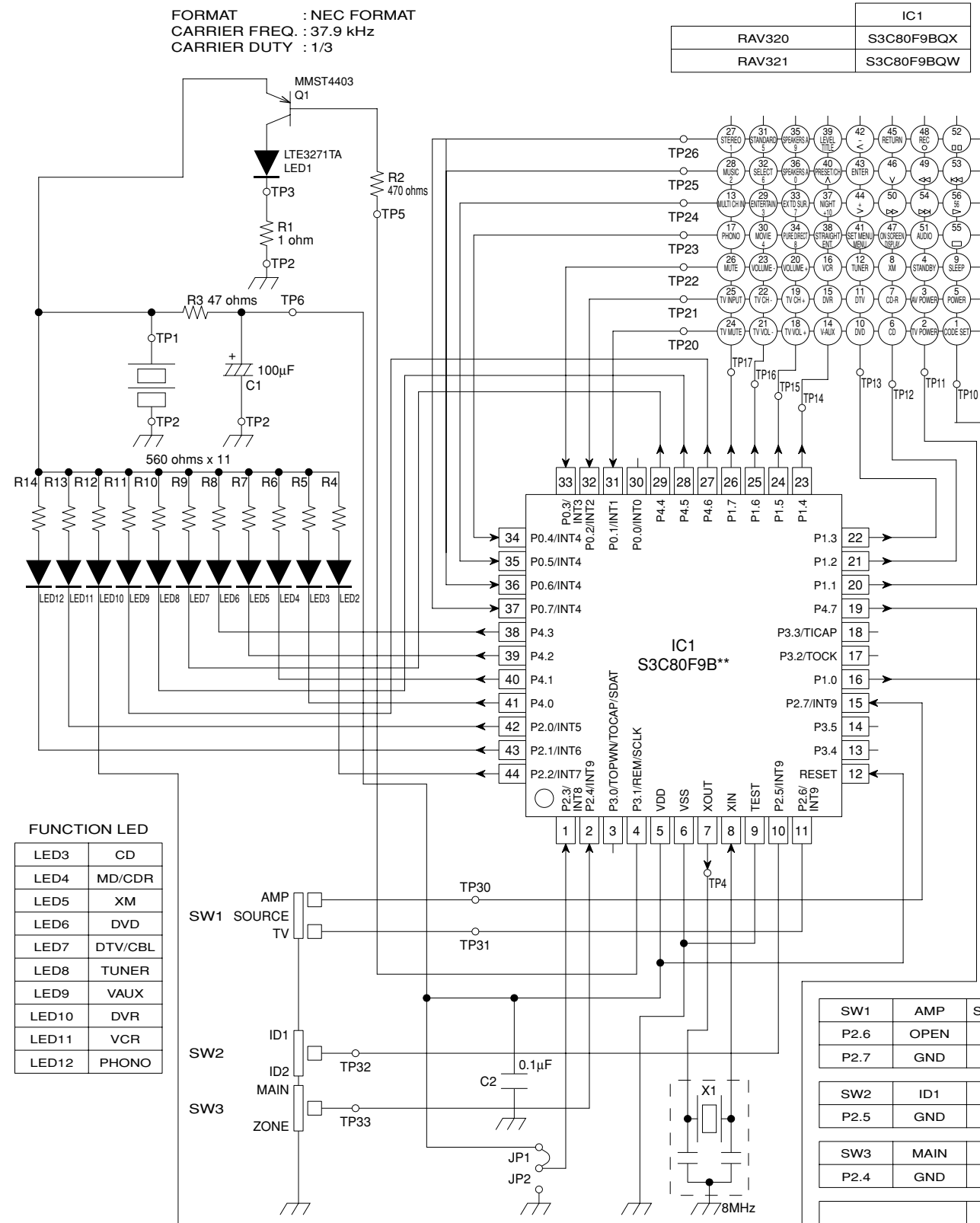
REMOTE CONTROL RAV320: RX-V659 (U, C models), HTR-5960 (U, C models)
RAV321: RX-V659 (R, T, K, A, G, E, L models), HTR-5960 (A model), DSP-AX759 (J model), DSP-AX759SE (B model)

• SCHEMATIC DIAGRAM

• PANELS

• KEY LAYOUT

• KEY CODE



Key No.	Key Label	YAMAHA						UNIVERSAL
		RCV [00001]	DVD [40539]	DVD-R [51544]	D-TUNER [81916]	D-TUNER [81918]	CD [61907]	MD [70888]
1	CODE SET							
2	TV POWER							
3	AV POWER		004-012	048-012				----
4	STANDBY							
5	POWER		7E-7F					
6	CD		7A-15					
7	CD-R (MD)		7A-C9					
8	XM		7A-B4					
9	SLEEP		7A-57					
10	DVD		7A-C1					
11	DTV (CBL)		7A-54					
12	TUNER		7A-16					
13	(MULTI CH IN)		7A-87					
14	V-AUX		7A-55					
15	DVR		7A-13					
16	VCR		7A-0F					
17	(PHONO / ☆☆)		7A-14					
18	+ (TV VOL)							
19	+ (TV CH)							
20	+ (VOLUME)		7A-1A					
21	- (TV VOL)							
22	- (TV CH)							
23	- (VOLUME)		7A-1B					
24	TV MUTE							
25	TV INPUT							
26	MUTE		7A-1C					
27	1 (STEREO)		7A-88	004-001	048-001	7A-E5	7A-61	79-11
28	2 (MUSIC)		7A-89	004-002	048-002	7A-E6	7A-62	79-12
29	3 (ENTERTAIN)		7A-8A	004-003	048-003	7A-E7	7A-63	79-13
30	4 (MOVIE)		7A-8B	004-004	048-004	7A-E8	7A-64	79-14
31	5 (STANDARD)		7A-8D	004-005	048-005	7A-E9	7A-65	79-15
32	6 (SELECT)		7A-96	004-006	048-006	7A-EA	7A-66	79-16
33	7 (EXTD SUR.)		7A-97	004-007	048-007	7A-EB	7A-67	79-17
34	8 (PURE DIRECT)		7A-DD	004-008	048-008	7A-EC	7A-68	79-18
35	9 (SPEAKERS)		7A-9A	004-009	048-009	7A-B1	7A-69	79-19
36	0 (ENHANCER)		7A-94	004-000	048-000	7A-B2	7A-60	79-10
37	+10 (NIGHT)		7A-95	004-120				79-1A
38	ENT. (STRAIGHT / EFFECT)		7A-56	-----		7A-B3	7A-BF	79-0B
39	TITLE (LEVEL / BAND)		7A-86	004-113	048-200	7A-AE	7A-70	
40	^ (PRESET / CH)		7A-98	004-088	048-088	7A-10	7A-6A	
41	MENU (SET MENU)		7A-9C	004-084	048-084	7A-AB	7A-6D	
42	< (-)		7A-53	004-090	048-090	7A-AC	7A-6E	
43	ENTER		7A-DE	004-092	048-092	7A-AD	7A-6F	
44	> (+ / A/B/C/D/E)		7A-52	004-091	048-091	7A-12	7A-6C	
45	RETURN		7A-AA	004-131	048-131	7A-AF	7A-71	
46	✓		7A-99	004-089	048-089	7A-11	7A-6B	
47	DISPLAY (ON SCREEN)		7A-C2	004-015	048-015	7A-B0	7A-72	79-0A
48	□ (REC / DISC SKIP)			004-127	048-055			7A-4F
49	◀			004-041	048-041			7A-0D
50	▶			004-040	048-040			7A-0C
51	AUDIO			004-078	048-078			7A-0E
52	▢ (FREQ/TEXT)			004-048	048-048	7A-4A	-----	7A-09
53	◀▶ (MODE-PTY)			004-033	048-033	7A-A6	-----	7A-0B
54	▶▶ (SEEK-START)			004-032	048-032	7A-A7	-----	7A-0A
55	◻ (EON)			004-049	048-049	7A-A5	-----	7A-09
56	▷			004-044	048-044			7A-08

SW1	AMP	SOURCE	TV
P2.6	OPEN	OPEN	GND
P2.7	GND	OPEN	OPEN

SW2	ID1	ID2
P2.5	GND	OPEN

SW3	MAIN	ZONE
P2.4	GND	OPEN

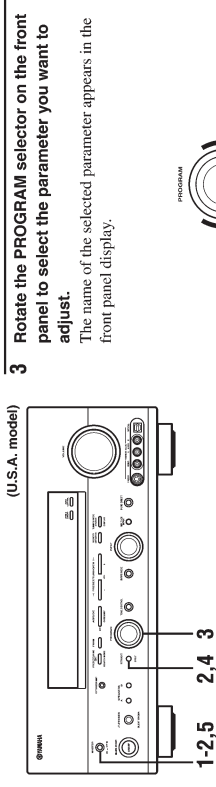
	JP1	JP2	
SW2, SW3 (no used)	ON	OFF	SW2, SW3 (no used)
SW2, SW3 (used)	OFF	ON	
P2, 3	VDD	GND	

ADVANCED SETUP

This unit has additional menus that are displayed in the front panel display. The advanced setup menu offers additional operations to adjust and customize the way this unit operates. Change the initial settings (indicated in bold under each parameter) to reflect the needs of your listening environment.

Notes

- The settings you make are reflected next time you press MASTER ON/OFF inward to the ON position to turn on this unit (see page 31).
- Only MASTER ON/OFF, STRAIGHT (EFFECT) and the PROGRAM selector are effective while you are using the advanced setup menu.
- All the other operations cannot be made while you are using the advanced setup menu.
- The advanced setup menu is only available in the front panel display.



- 1 Press **MASTER ON/OFF** on the front panel to release it outward to the **OFF** position to turn off this unit.



- 2 Press and hold **STRAIGHT (EFFECT)** on the front panel and then press **MASTER ON/OFF** inward to the **ON** position to turn on this unit.

This unit turns on, and the advanced setup menu appears in the front panel display.

While holding



- 5 Press **MASTER ON/OFF** on the front panel to release it outward to the **OFF** position to save the new setting and turn off this unit.



※

The settings you made are reflected next time you turn on this unit.

ADVANCED OPERATION

- 4 Press **STRAIGHT (EFFECT)** on the front panel repeatedly to change the selected parameter setting.



- 3 Rotate the **PROGRAM** selector on the front panel to select the parameter you want to adjust.

The name of the selected parameter appears in the front panel display.



Currently selected parameter



Currently selected parameter setting

ADVANCED SETUP

- **Speaker impedance** SP IMP. Use this feature to set the speaker impedance of this unit so that it matches that of your speakers.

- Choices: **8GMIN**, 6GMIN
- Select "8GMIN" to set the speaker impedance to 8 Ω.
- Select "6GMIN" to set the speaker impedance to 6 Ω.

SP IMP.	Speaker	Impedance level
8GMIN	Front	If you use one set (A or B), the impedance of each speaker must be 8 Ω or higher.
	Center	If you use two sets (A and B), the impedance of each speaker must be 16 Ω or higher.*
	Surround	The impedance of each speaker must be 8 Ω or higher.
	Surround back	
6GMIN	Front	If you use one set (A or B), the impedance of each speaker must be 4 Ω or higher.
	Center	If you use two sets (A and B), the impedance of each speaker must be 8 Ω or higher.
	Surround	The impedance of each speaker must be 6 Ω or higher.
	Surround back	

* The Canada model cannot use two separate speaker systems (A and B) simultaneously when "SP IMP." is set to "8GMIN".

- **Factory presets** PRESET Use this feature to reset all the parameters of this unit to the initial factory settings.

- Choices: **CANCEL**, RESET
- Select "CANCEL" not to reset any parameters of this unit.
- Select "RESET" to reset the parameters of this unit.

Notes

- This setting completely resets all the parameters of this unit including the "SET MENU" parameters. However, the advanced setup menu parameters will not be initialized.
- The initial factory settings are activated next time you turn on this unit.

- **Remote control AMP ID** REMOTE AMP Use this feature to set the AMP ID of this unit for remote control recognition.

- Choices: **ID1**, ID2
- Select "ID1" when the remote control AMP ID library code is set to "00001".
- Select "ID2" when the remote control AMP ID library code is set to "00002".

Note

You need to set the corresponding remote control AMP library code for the remote control.

- **Remote control TUNER ID** REMOTE TUN Use this feature to set the TUNER ID of this unit for remote control recognition.

- Choices: **ID1**, ID2
- Select "ID1" when the remote control TUNER ID library code is set to "81916".
- Select "ID2" when the remote control TUNER ID library code is set to "81917".

Note

You need to set the corresponding remote control TUNER library code for the remote control.

- **Remote control XM ID** REMOTE XM (U.S.A. model only) Use this feature to set the XM ID of this unit for remote control recognition.

- Choices: **ID1**, ID2
- Select "ID1" when the remote control XM ID library code is set to "81918".
- Select "ID2" when the remote control XM ID library code is set to "81919".

Note

You need to set the corresponding remote control XM library code for the remote control.

- **Tuner frequency step** TU (Asia and General models only) Use this feature to set the tuner frequency step according to the frequency spacing in your area.

- Choices: **AM10/FM100**, AM9/FM50
- Select "AM10/FM100" for North, Central and South America.
- Select "AM9/FM50" for all other areas.

本機の設定を変更する (ADVANCED SETUP)

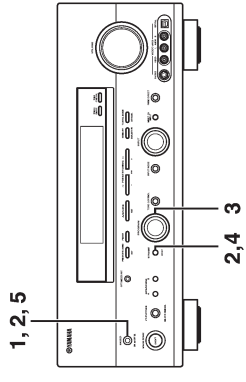
ADVANCED SETUPにより、本機の設定を初期設定に戻したり、リモコンIDを変更することができます。

ご注意

- ADVANCED SETUPの操作をしているあいだは、本機から音が出なくなりません。
- ADVANCED SETUPの操作をはじめると、本体のMASTER ON / OFFスイッチ、STRAIGHT / EFFECTキー、PROGRAMセレクター以外は機能しません。

ADVANCED SETUPの操作手順

本体フロントパネルで操作します。

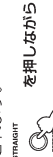


- 1 **MASTER ON / OFF**スイッチを押して、本機の電源をオフにする。



- 2 **STRAIGHT / EFFECT**キーを押しながら、もう1度 **MASTER ON / OFF**スイッチを押す。

本機の電源がオンになり、フロントパネルディスプレイにADVANCED SETUPのメニューが表示されます。



- 3 **PROGRAM**セレクターを回して設定したいメニューを選ぶ。

詳しくは右記の「ADVANCED SETUPのメニューと項目」をご覧ください。



- **REMOTE AMP** (アンプ用リモコンID)

本体のアンプ用リモコンIDをリモコンのアンプライブラリーコードの設定に合わせて切り替えます。

選択項目: ID1, ID2

初期設定: ID1

ID1: アンプライブラリーコードが「00001」に設定されているときに選びます。

ID2: アンプライブラリーコードが「00002」に設定されているときに選びます。

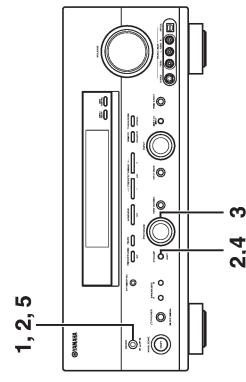
ご注意

リモコンのライブラリーコードの設定も合わせてご確認ください。詳しくは、「ライブラリーコードを変更する」をご覧ください。

すべての設定を初期設定に戻す

変更したセットメニューの設定や音場プログラム/AMパラメーター、登録 (プリセット) されたFM / AM放送局などをすべて初期設定に戻すことができます。

本体フロントパネルで操作します。



- 1 本機の電源をオフにする。



- 2 **STRAIGHT / EFFECT**キーを押しながら、**MASTER ON / OFF**スイッチを押す。

本機の電源がオンになり、フロントパネルディスプレイにADVANCED SETUPのメニューが表示されます。



を押しながら

視聴空間をより細かく設定する (セッティング)

- 3 **PROGRAM**セレクターを回して、PRESETを選ぶ。



- 4 **STRAIGHT / EFFECT**キーを押して、PRESET - CANCELまたはPRESET - RESETを選ぶ。



CANCEL: 初期設定に戻しません。

RESET: すべての設定を初期設定に戻します。

- 5 **MASTER ON / OFF**スイッチを押す。



「CANCEL」を選んだ場合は初期設定に戻らずに、本機の電源はそのままとフになります。「RESET」を選んだ場合は、すべての設定が初期設定に戻り、本機の電源はオフになります。