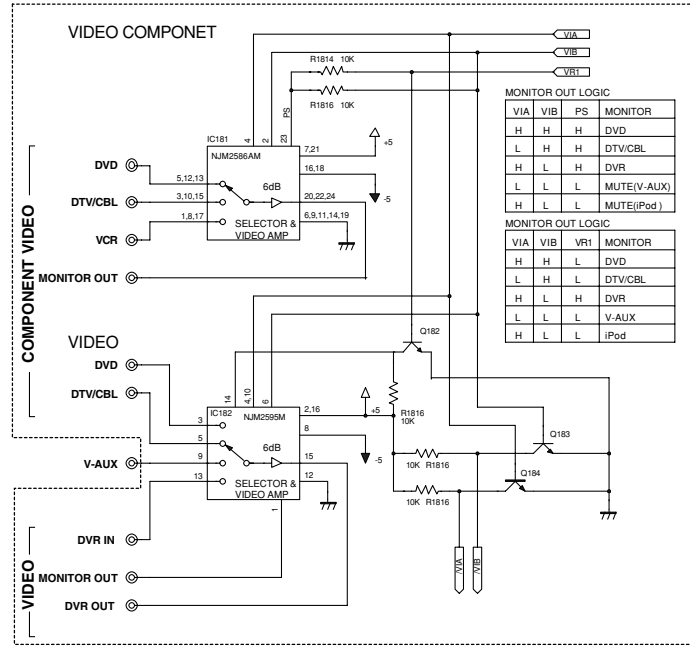


BLOCK DIAGRAMS

VIDEO, AUDIO and Power Supply Sections

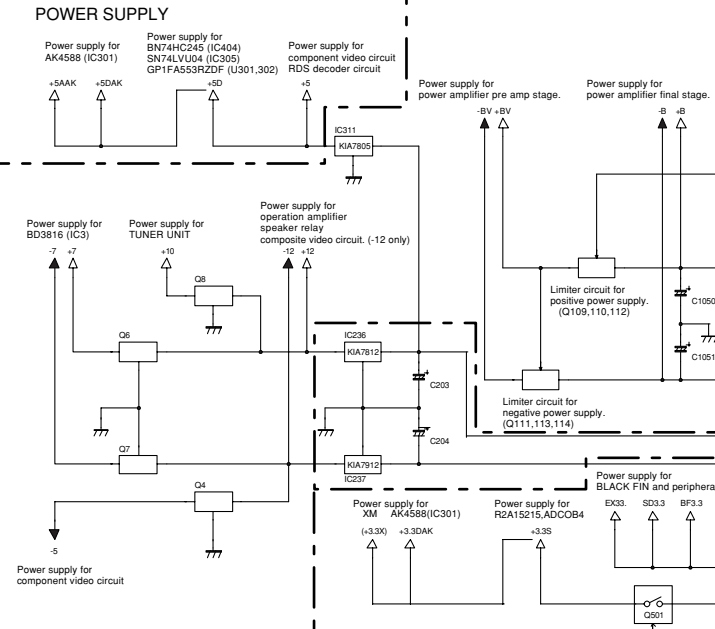
OPERATION

• See page 79, 80 → SCHEMATIC DIAGRAM



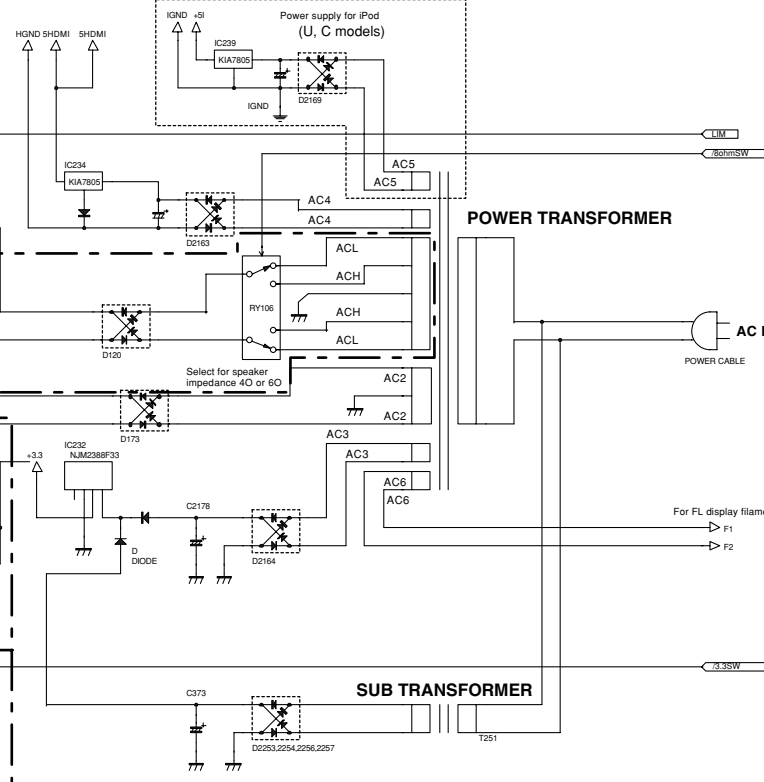
DSP

• See page 73-78 → SCHEMATIC DIAGRAM



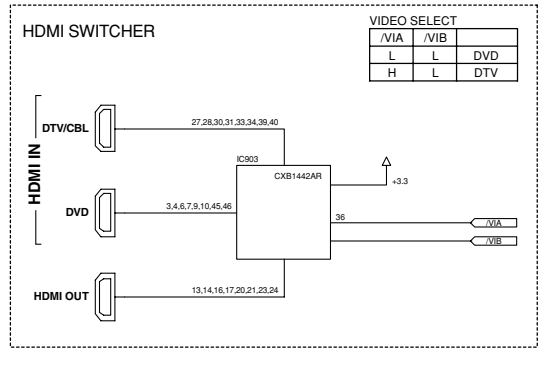
OPERATION

• See page 79, 80 → SCHEMATIC DIAGRAM



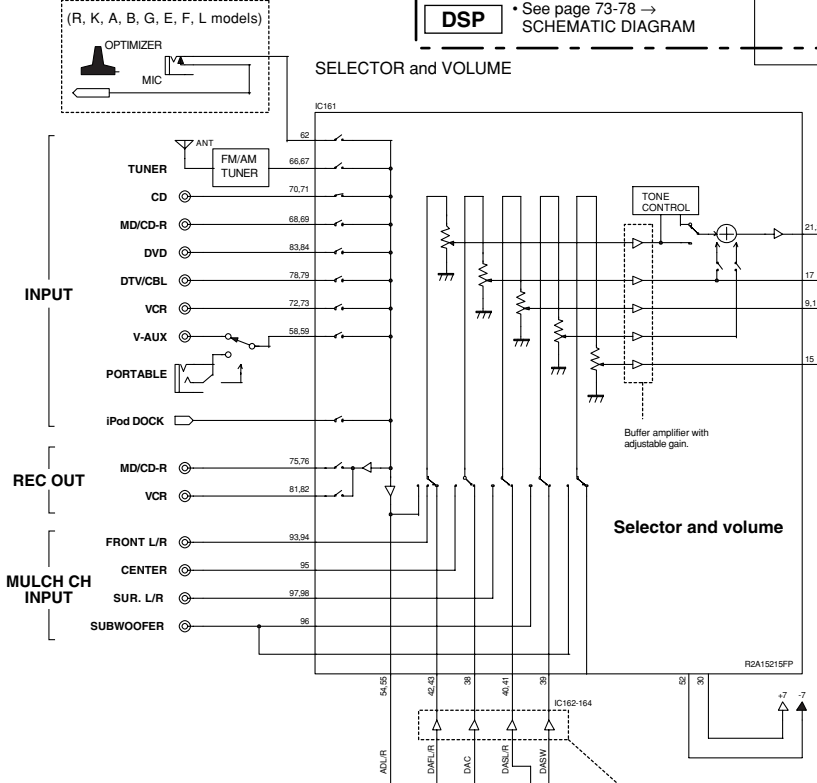
HDMI

• See page 83 → SCHEMATIC DIAGRAM



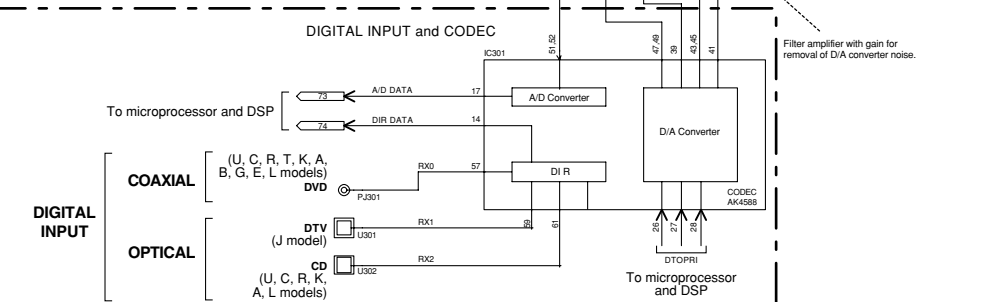
DSP

• See page 73-78 → SCHEMATIC DIAGRAM



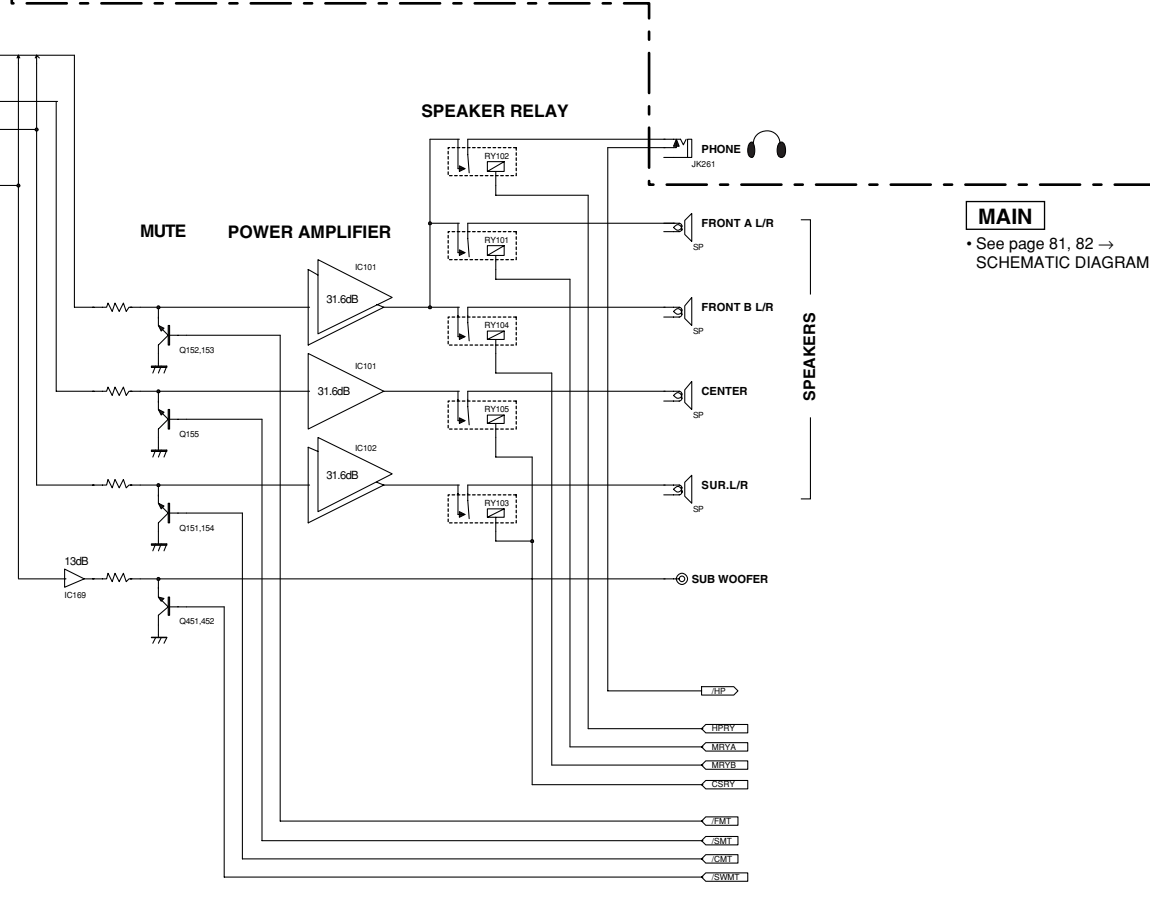
DSP

• See page 73-78 → SCHEMATIC DIAGRAM



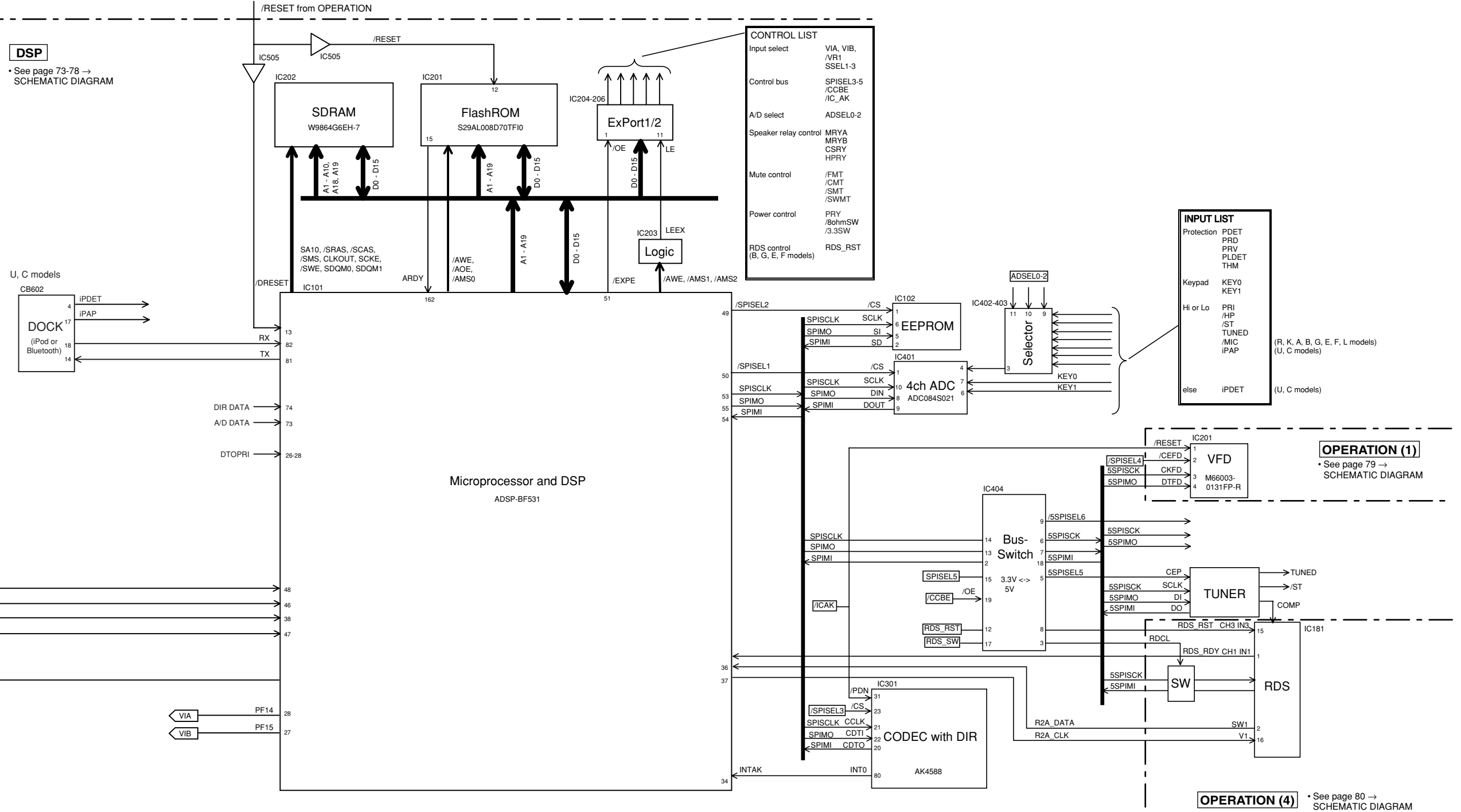
MAIN

• See page 81, 82 → SCHEMATIC DIAGRAM



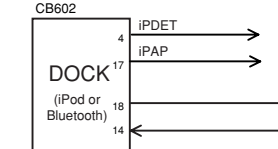
Control Sections

OPERATION • See page 79, 80 → SCHEMATIC DIAGRAM



DSP
• See page 73-78 → SCHEMATIC DIAGRAM

U, C models

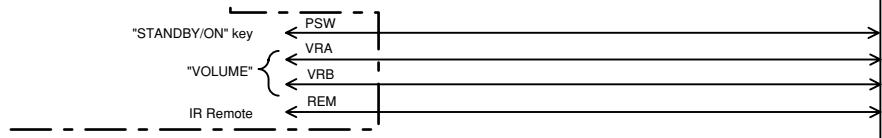


CONTROL LIST	
Input select	VIA, VIB, /VR1, SSEL1-3
Control bus	SPISEL3-5, /CCBE, /IC_AK
A/D select	ADSEL0-2
Speaker relay control	MRYA, MRYB, CSRY, HPRY
Mute control	/FMT, /CMT, /SMT, /SWMT
Power control	PRY, /BohmSW, /3.3SW
RDS control (B, G, E, F models)	RDS_RST

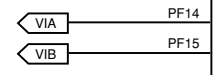
INPUT LIST	
Protection	PDET, PRD, PRV, PLDET, THM
Keypad	KEY0, KEY1
Hi or Lo	PRI, /HP, /ST, TUNED, /MIC, IPAP
else	IPDET

(R, K, A, B, G, E, F, L models)
(U, C models)

OPERATION
• See page 79, 80 → SCHEMATIC DIAGRAM



MAIN
• See page 81, 82 → SCHEMATIC DIAGRAM

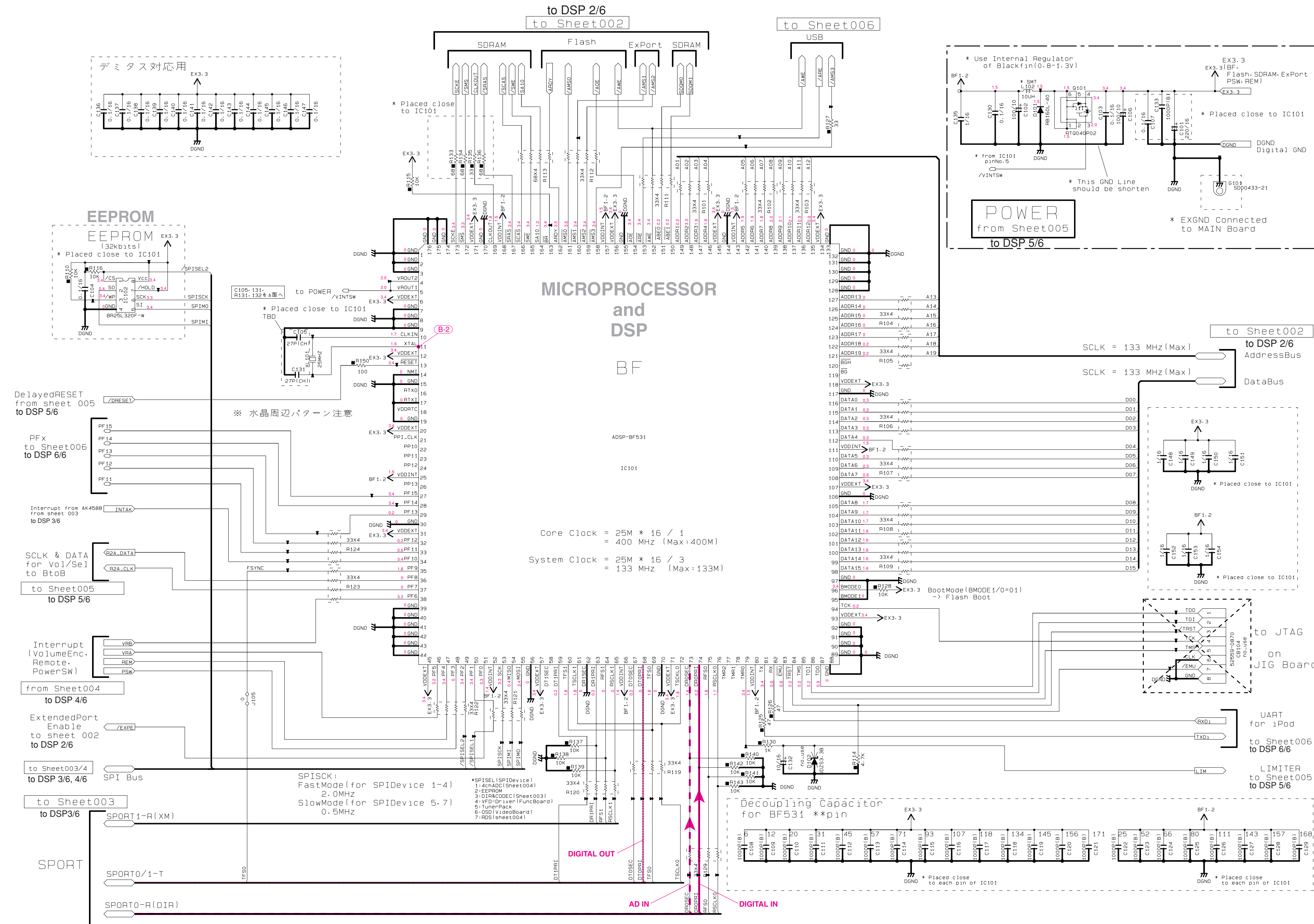


OPERATION (1)
• See page 79 → SCHEMATIC DIAGRAM

OPERATION (4) • See page 80 → SCHEMATIC DIAGRAM

1
2
3
4
5
6
7

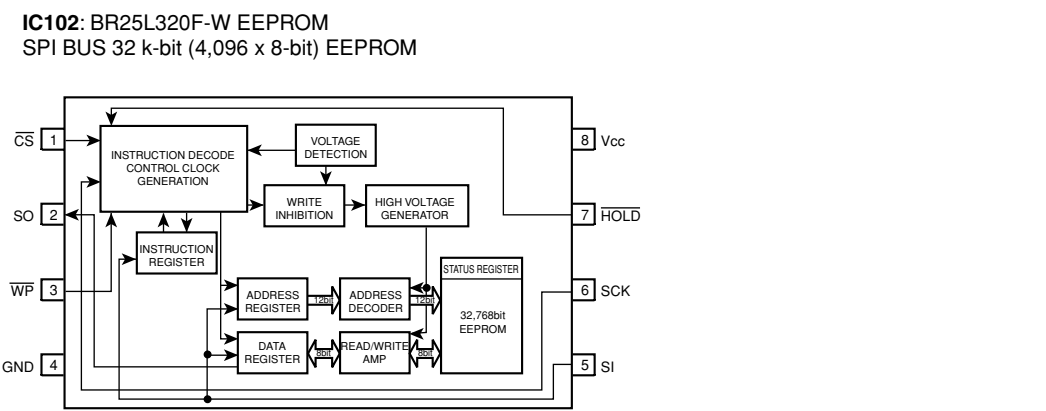
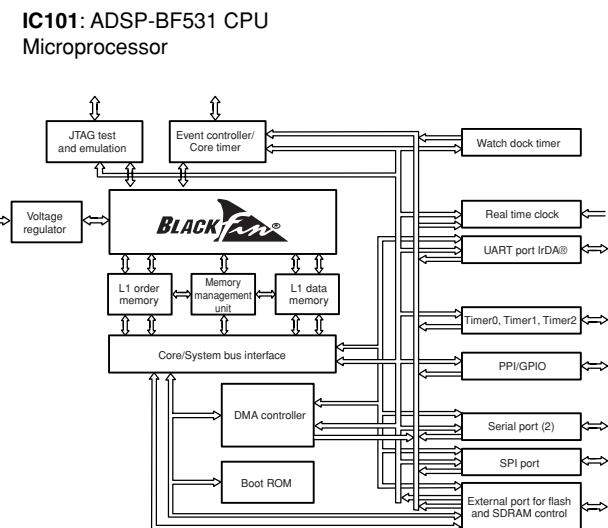
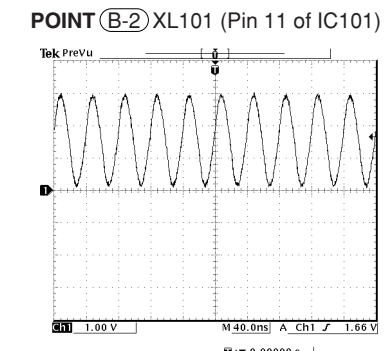
SCHEMATIC DIAGRAMS
DSP 1/6



REMARKS	PARTS_NAME
NO MARK	CARBON FILM RESISTOR (P=5)
□	CARBON FILM RESISTOR (P=10)
△	METAL OXIDE FILM RESISTOR
▲	METAL FILM RESISTOR
⊠	METAL PLATE RESISTOR
⊞	FIRE PROOF CARBON FILM RESISTOR
⊞	CEMENT MOLDED RESISTOR
⊞	SEMI VARIABLE RESISTOR
■	CHIP RESISTOR

REMARKS	PARTS_NAME
NO MARK	ELECTROLYTIC CAPACITOR
⊗	TANTALUM CAPACITOR
○	CERAMIC CAPACITOR
●	CERAMIC TUBULAR CAPACITOR
⊙	POLYESTER FILM CAPACITOR
⊚	POLYSTYRENE FILM CAPACITOR
⊛	MICA CAPACITOR
⊜	POLYPROPYLENE FILM CAPACITOR
⊝	SEMICONDUCTIVE CERAMIC CAPACITOR
⊞	POLYPHENYLENE SULFIDE FILM CAPACITOR

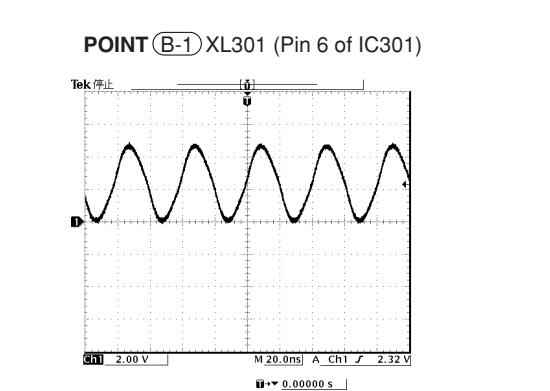
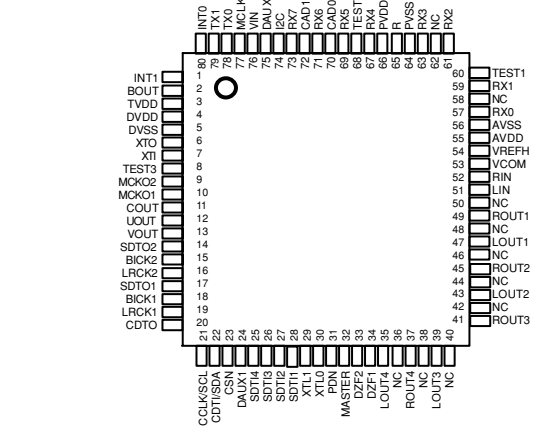
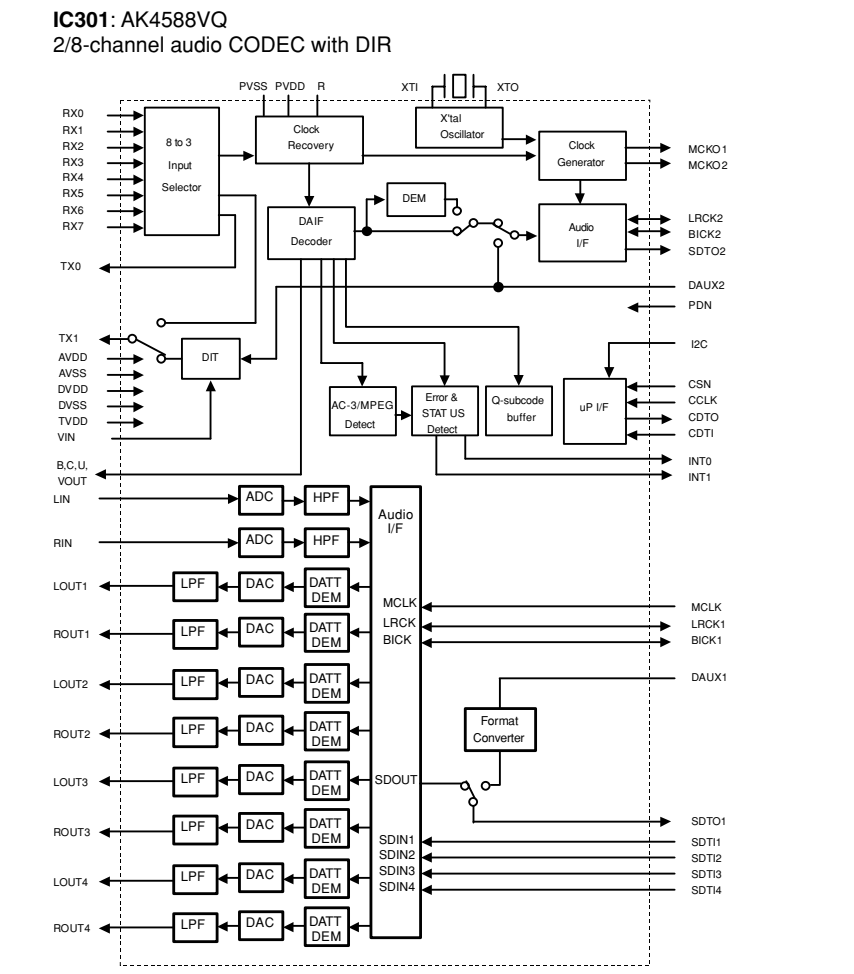
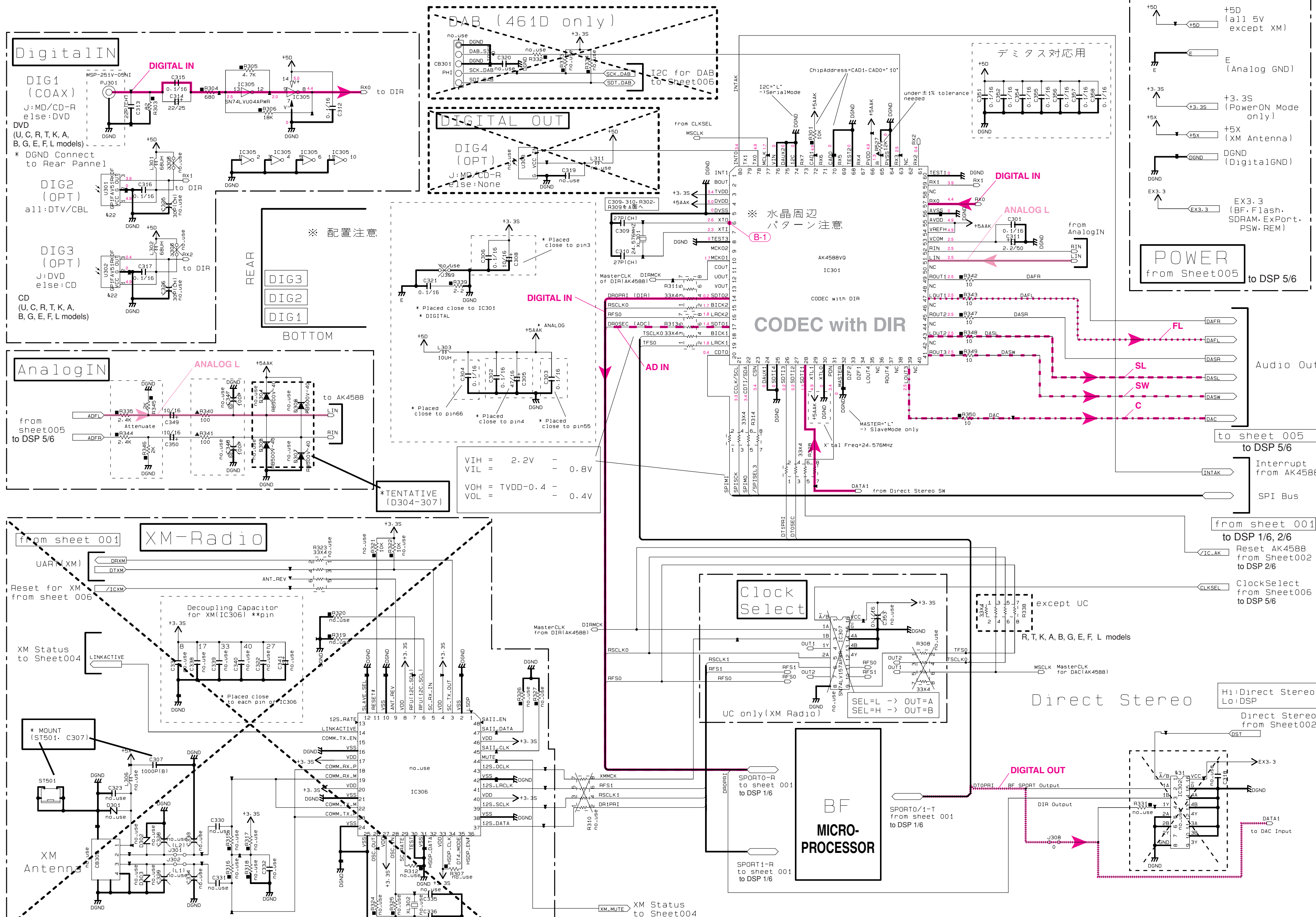
NOTICE (mode))
(J)..... JAPAN
(U)..... U.S.A
(C)..... CANADA
(R)..... GENERAL
(T)..... CHINA
(K)..... KOREA
(A)..... AUSTRALIA
(B)..... BRITISH
(G)..... EUROPE
(L)..... SINGAPORE
(E)..... SOUTH EUROPE
(V)..... TAIWAN
(F)..... RUSSIAN



* All voltages are measured with a 10MQ/V DC electronic voltmeter.
* Components having special characteristics are marked .! and must be replaced with parts having specifications equal to those originally installed.
* Schematic diagram is subject to change without notice.

Interchangeable Parts at Manufacture-Stage

Mark	Reference Parts Number	Parts Name
422	U301-U302	JSR1165 GP1F4V51R0F



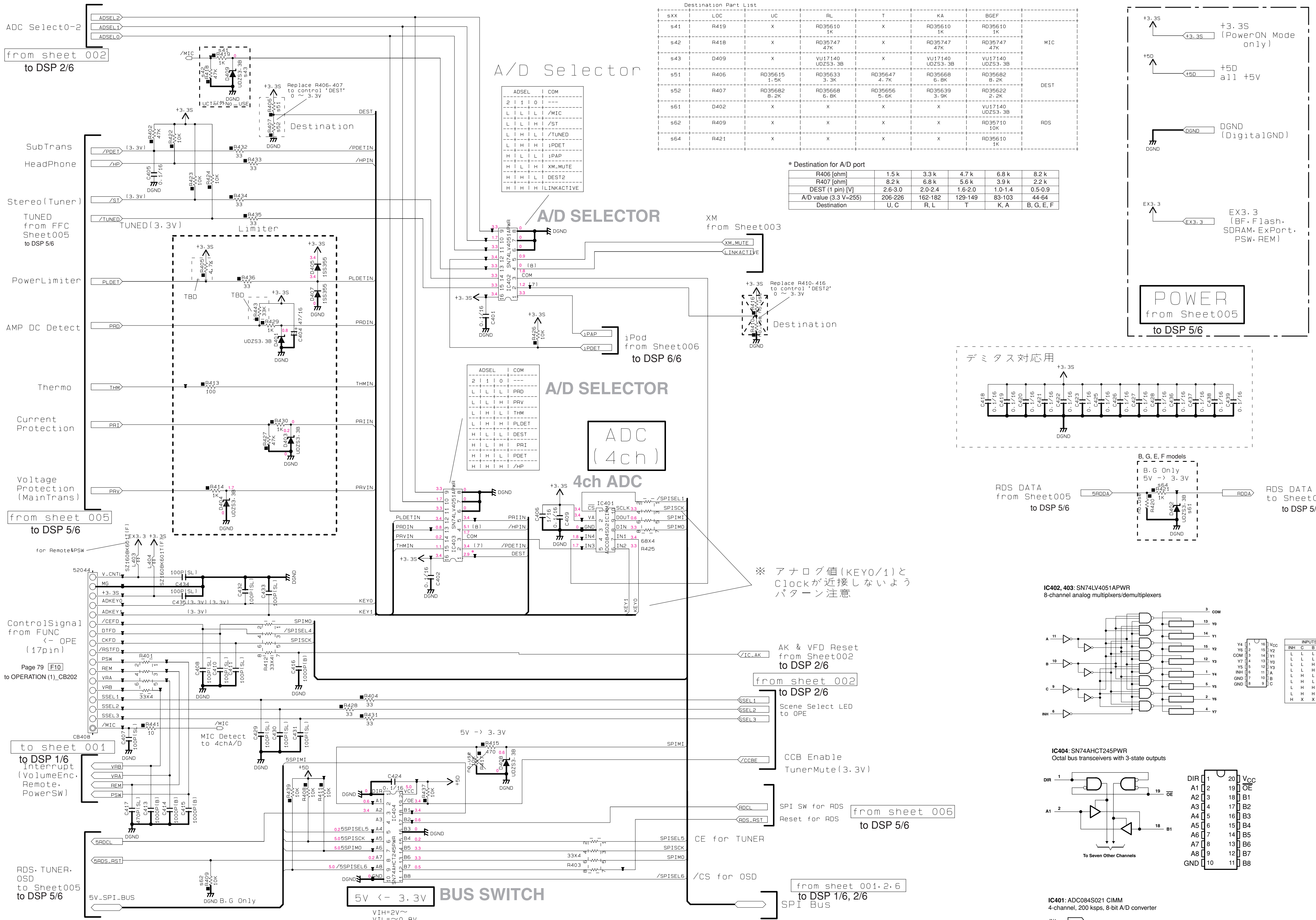
REMARKS	PARTS NAME	REMARKS	PARTS NAME
NO MARK	CARBON FILM RESISTOR (P=5)	NO MARK	CERAMIC CAPACITOR
NO MARK	CARBON FILM RESISTOR (P=10)	NO MARK	ELECTROLYTIC CAPACITOR
NO MARK	METAL OXIDE FILM RESISTOR	NO MARK	TANTALUM CAPACITOR
NO MARK	METAL FILM RESISTOR	NO MARK	CERAMIC TUBULAR CAPACITOR
NO MARK	METAL PLATE CARBON FILM RESISTOR	NO MARK	POLYESTER FILM CAPACITOR
NO MARK	FIRE-PROOF CARBON FILM RESISTOR	NO MARK	POLYSTYRENE FILM CAPACITOR
NO MARK	CEMENT MOUNTED RESISTOR	NO MARK	MICA CAPACITOR
NO MARK	SEMI-VARIABLE RESISTOR	NO MARK	POLYPROPYLENE FILM CAPACITOR
NO MARK	CHIP RESISTOR	NO MARK	SEMICONDUCTIVE CERAMIC CAPACITOR
		NO MARK	POLYPHENYLENE SULFIDE FILM CAPACITOR

NOTICE (mode1)

(J)..... JAPAN
 (U)..... U.S.A
 (C)..... CANADA
 (R)..... GENERAL
 (I)..... CHINA
 (K)..... KOREA
 (A)..... AUSTRALIA
 (B)..... BRITISH
 (G)..... EUROPE
 (L)..... SINGAPORE
 (E)..... SOUTH EUROPE
 (V)..... TAIWAN
 (F)..... RUSSIAN

* All voltages are measured with a 10MΩ/V DC electronic voltmeter.
 * Components having special characteristics are marked !, and must be replaced with parts having specifications equal to those originally installed.
 * Schematic diagram is subject to change without notice.

DSP 4/6

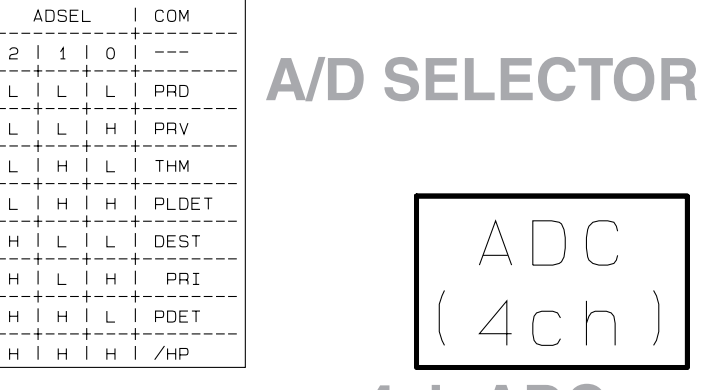
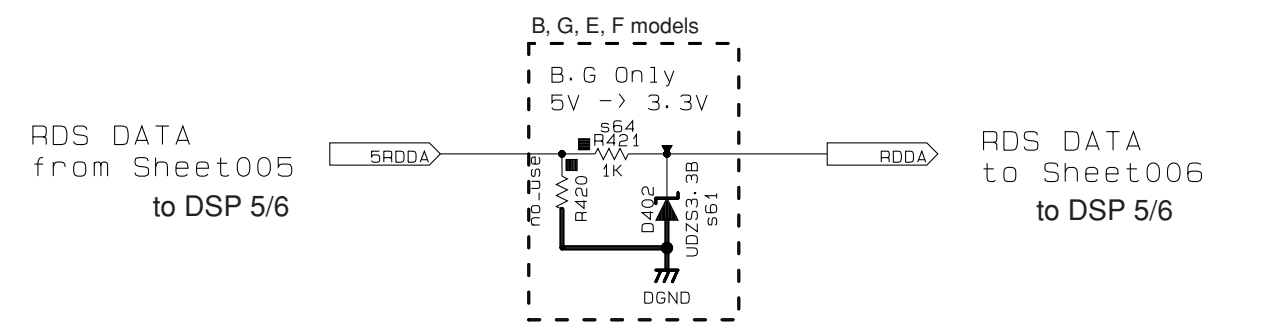
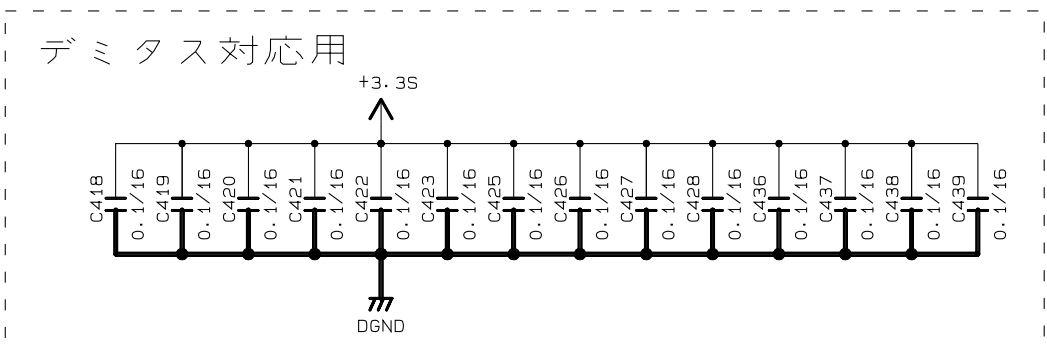
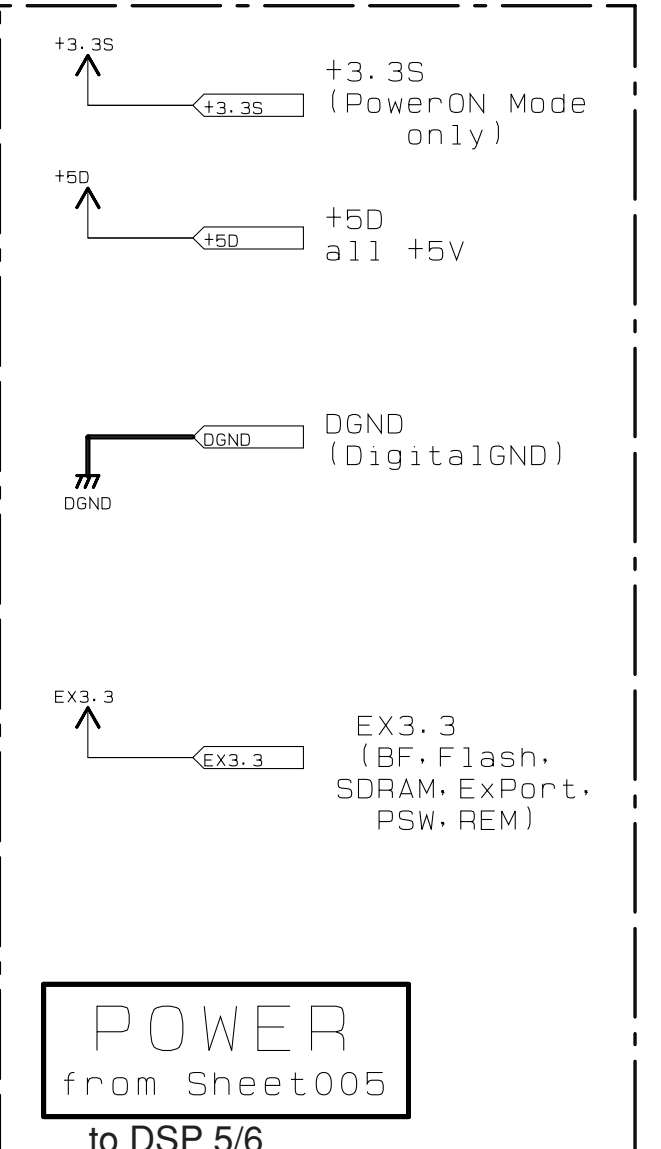


Destination Part List

SXX	LOC	UC	RL	T	KA	BGEF
s41	R419	X	RD35610 1K	X	RD35610 1K	RD35610 1K
s42	R418	X	RD35747 47K	X	RD35747 47K	RD35747 47K
s43	D409	X	VU17140 UOZ53.3B	X	VU17140 UOZ53.3B	VU17140 UOZ53.3B
s51	R406	RD35615 1.5K	RD35633 3.3K	RD35647 4.7K	RD35668 6.8K	RD35682 8.2K
s52	R407	RD35682 8.2K	RD35668 6.8K	RD35656 5.6K	RD35639 3.9K	RD35622 2.2K
s61	D402	X	X	X	X	VU17140 UOZ53.3B
s62	R409	X	X	X	X	RD35710 10K
s64	R421	X	X	X	X	RD35610 1K

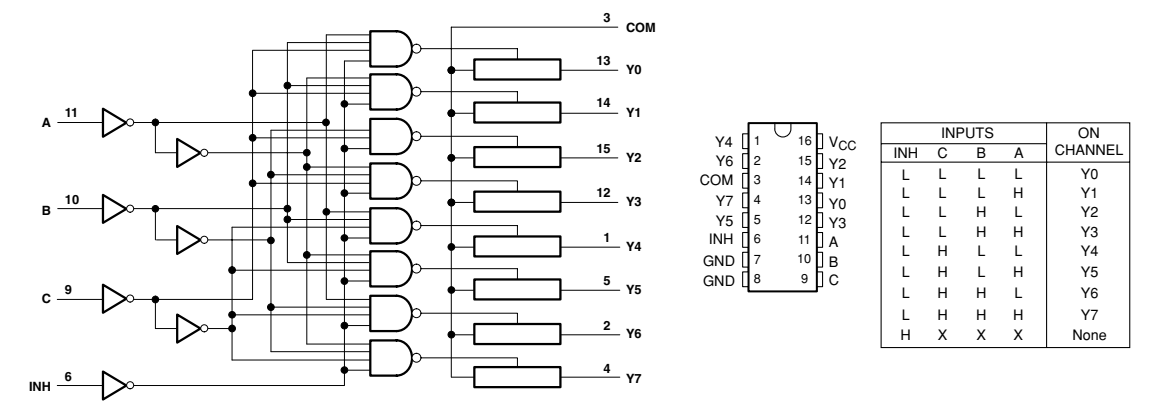
* Destination for A/D port

R406 (ohm)	1.5k	3.3k	4.7k	6.8k	8.2k
R407 (ohm)	8.2k	6.8k	5.6k	3.9k	2.2k
DEST (1 pin[V])	2.6-3.0	2.0-2.4	1.6-2.0	1.0-1.4	0.5-0.9
A/D value (3.3V=255)	206-226	162-182	129-149	83-103	44-64
Destination	U, C	R, L	T	K, A	B, G, E, F

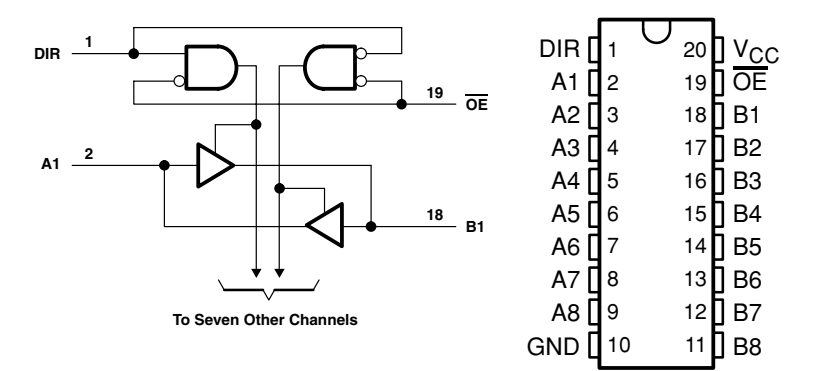


※ アナログ値(KEY0/1)とClockが近接しないようパターン注意

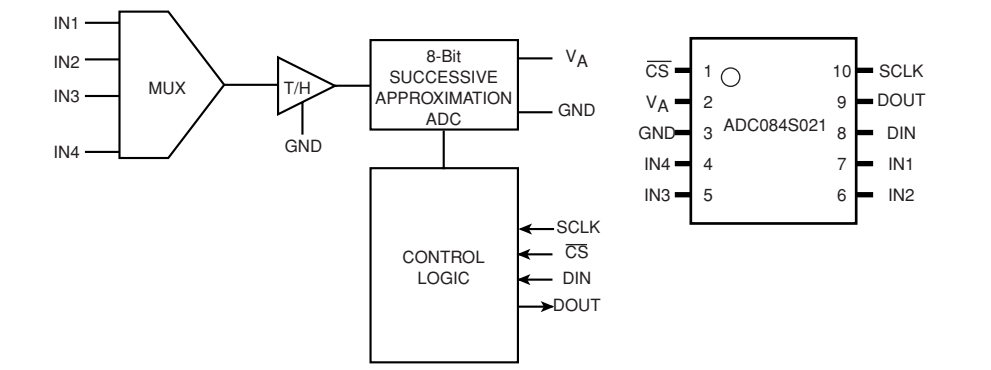
IC402, 403: SN74LV4051APWR 8-channel analog multiplexers/demultiplexers



IC404: SN74AHCT245PWR Octal bus transceivers with 3-state outputs



IC401: ADC084S021 CIMM 4-channel, 200 ksps, 8-bit A/D converter



RESISTOR

REMARKS	PARTS_NAME
NO MARK	CARBON FILM RESISTOR (P=5)
□	CARBON FILM RESISTOR (P=10)
△	METAL OXIDE FILM RESISTOR
▲	METAL FILM RESISTOR
□	METAL PLATE RESISTOR
□	FIRE PROOF CARBON FILM RESISTOR
□	CEMENT MOLDED RESISTOR
□	SEM1 VARIABLE RESISTOR
■	CHIP RESISTOR

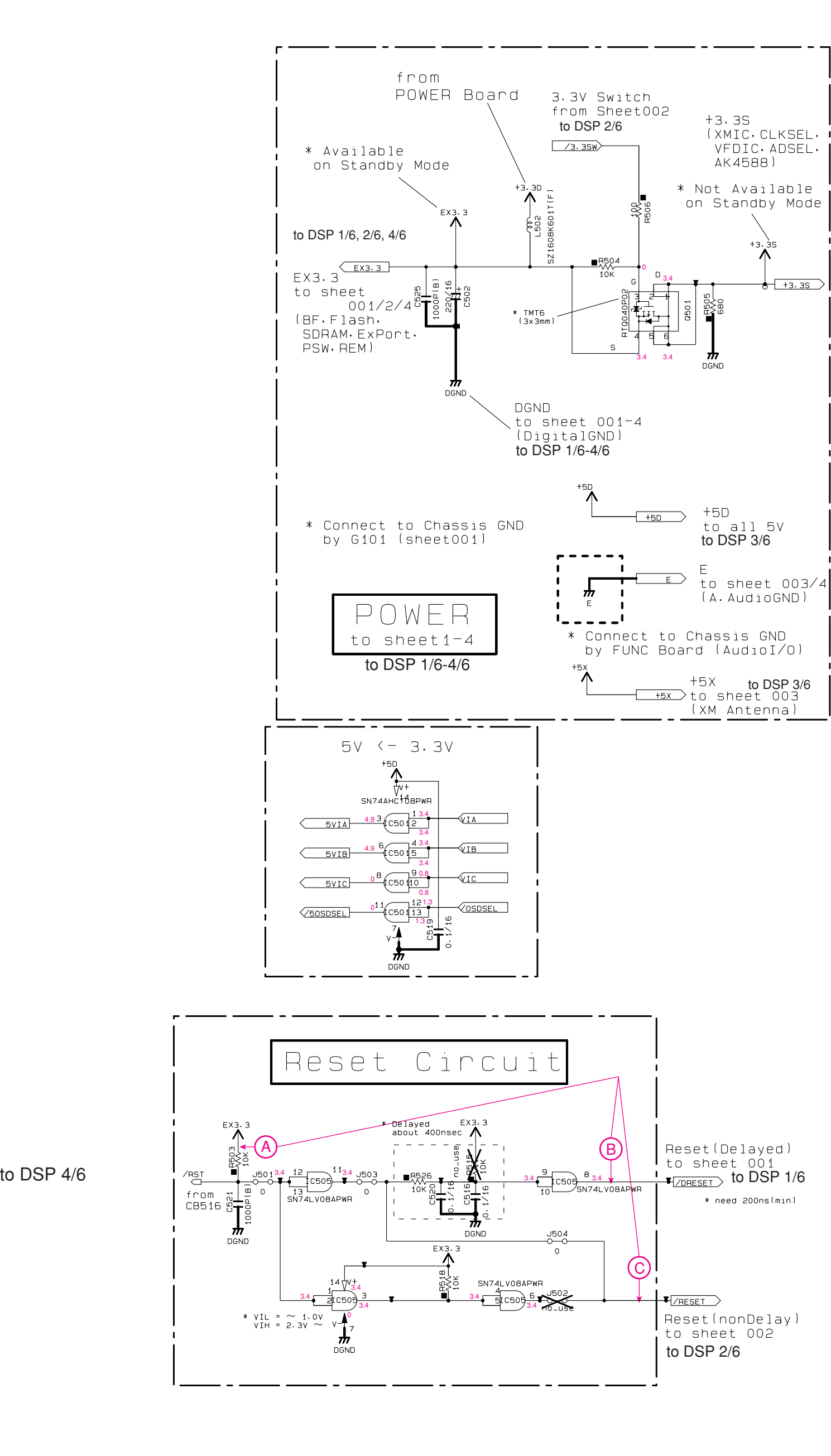
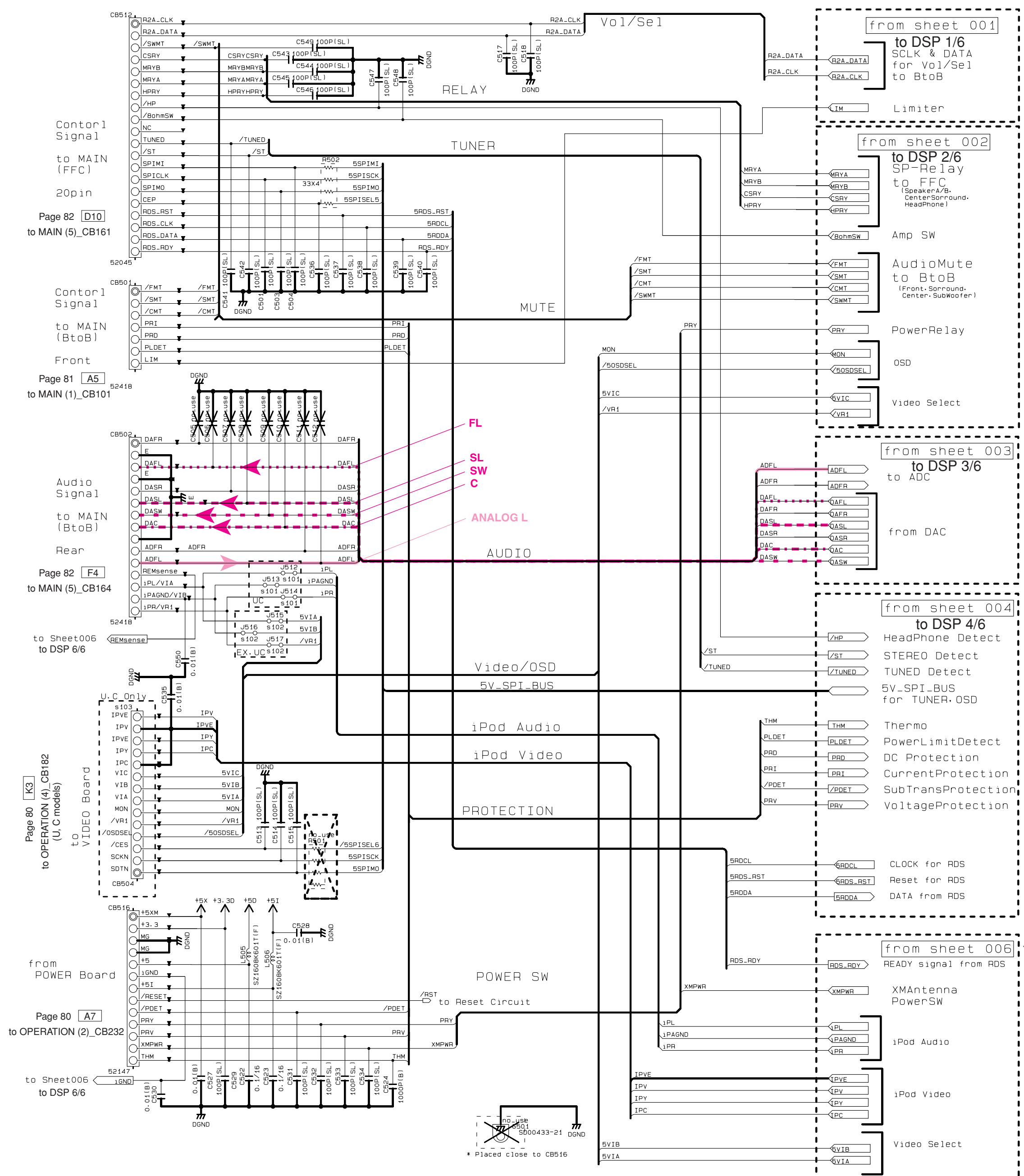
CAPACITOR

REMARKS	PARTS_NAME
NO MARK	ELECTROLYTIC CAPACITOR
⊗	TANTALUM CAPACITOR
NO MARK	CERAMIC CAPACITOR
⊙	CERAMIC TUBULAR CAPACITOR
△	POLYESTER FILM CAPACITOR
○	POLYSTYRENE FILM CAPACITOR
□	MICA CAPACITOR
⊙	POLYPROPYLENE FILM CAPACITOR
⊙	SEMICONDUCTIVE CERAMIC CAPACITOR
⊙	POLYPHENYLENE SULFIDE FILM CAPACITOR

NOIICE (mode1)
 (J)..... JAPAN
 (U)..... U.S.A
 (C)..... CANADA
 (R)..... GENERAL
 (T)..... CHINA
 (K)..... KOREA
 (A)..... AUSTRALIA
 (B)..... BRITISH
 (G)..... EUROPE
 (L)..... SINGAPORE
 (E)..... SOUTH EUROPE
 (V)..... TAIWAN
 (F)..... RUSSIAN

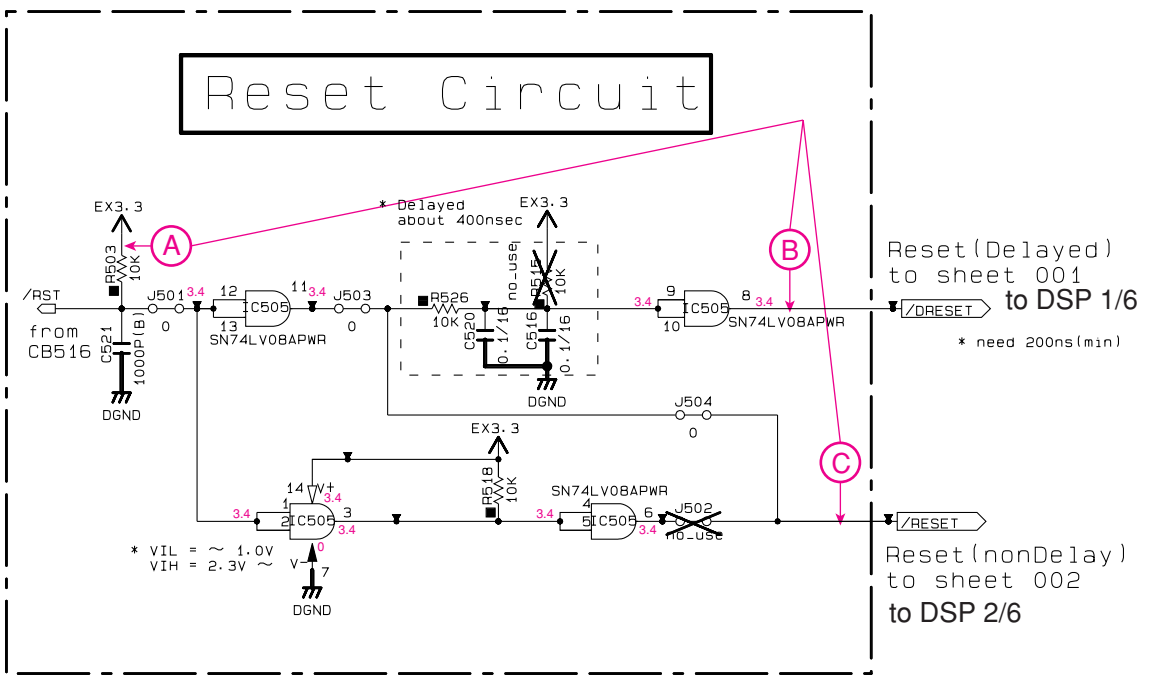
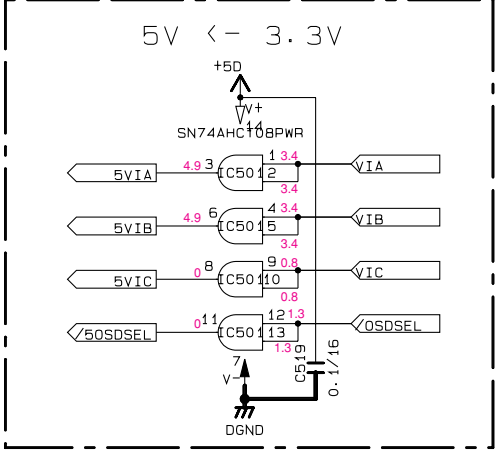
* All voltages are measured with a 10MΩ/V DC electronic voltmeter.
 * Components having special characteristics are marked ! and must be replaced with parts having specifications equal to those originally installed.
 * Schematic diagram is subject to change without notice.

DSP 5/6



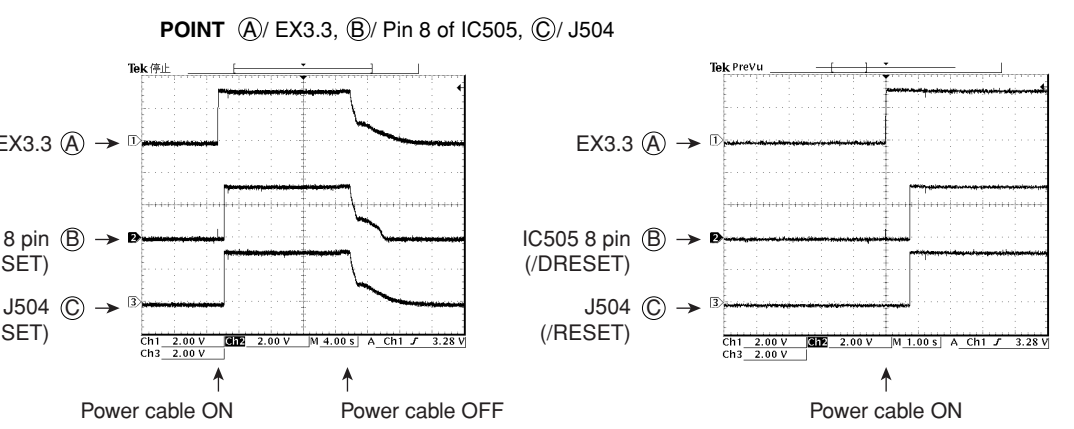
Destination Part List

sxx	LOC	UC	RL	T	KA	BOEF
s101	J514	RD35000	X	X	X	X
	J512	0				
	J513	0				
s102	J517	X	RD35000	0	RD35000	0
	J518	0				
	J519	0				
s103	CB504	VN39490	X	X	X	X
		52045				



IC501: SN74AHC10BWPWR
Quaduple 2-input positive-AND gates

IC505: SN74LV08APWR
Quaduple 2-input positive-AND gate



REMARKS	PARTS NAME
NO MARK	CARBON FILM RESISTOR (P=5)
□	CARBON FILM RESISTOR (P=10)
△	METAL OXIDE FILM RESISTOR
▲	METAL FILM RESISTOR
⊠	METAL PLATE RESISTOR
⊞	FIRE PROOF CARBON FILM RESISTOR
⊞	CEMENT MOLDED RESISTOR
⊞	SEMI VARIABLE RESISTOR
■	CHIP RESISTOR

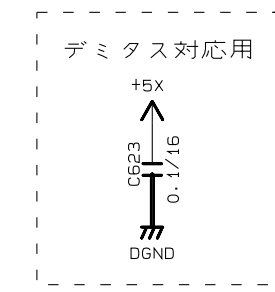
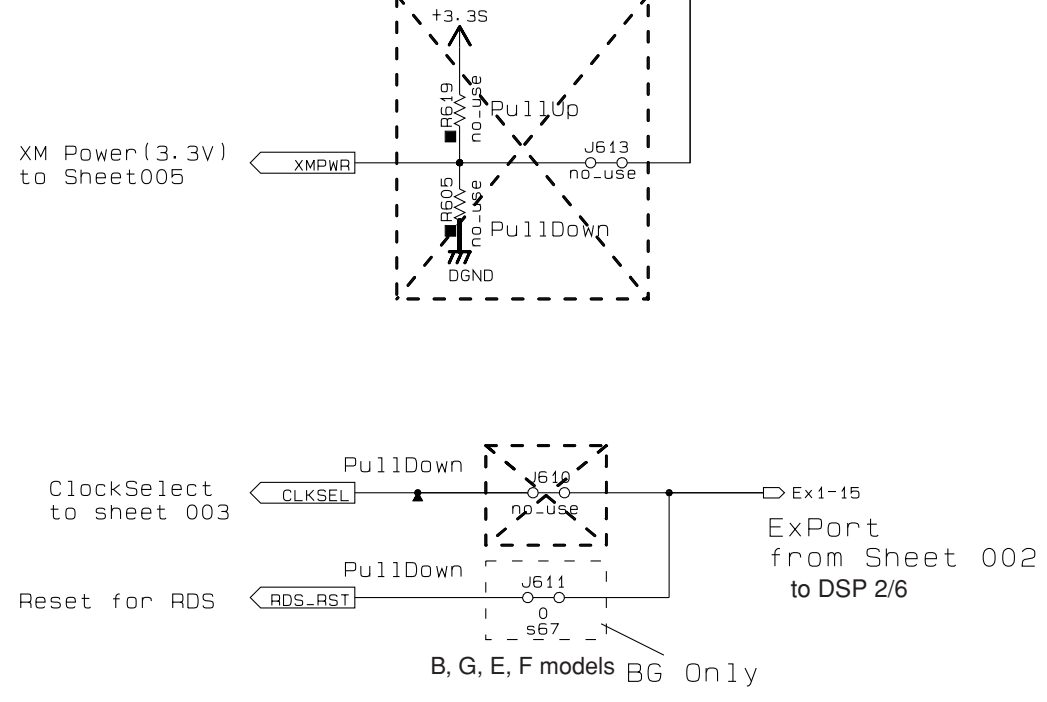
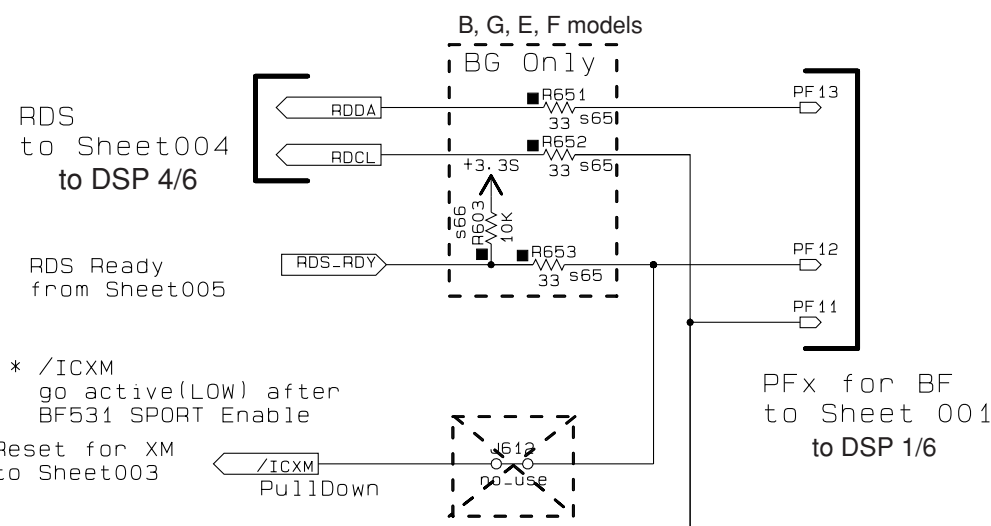
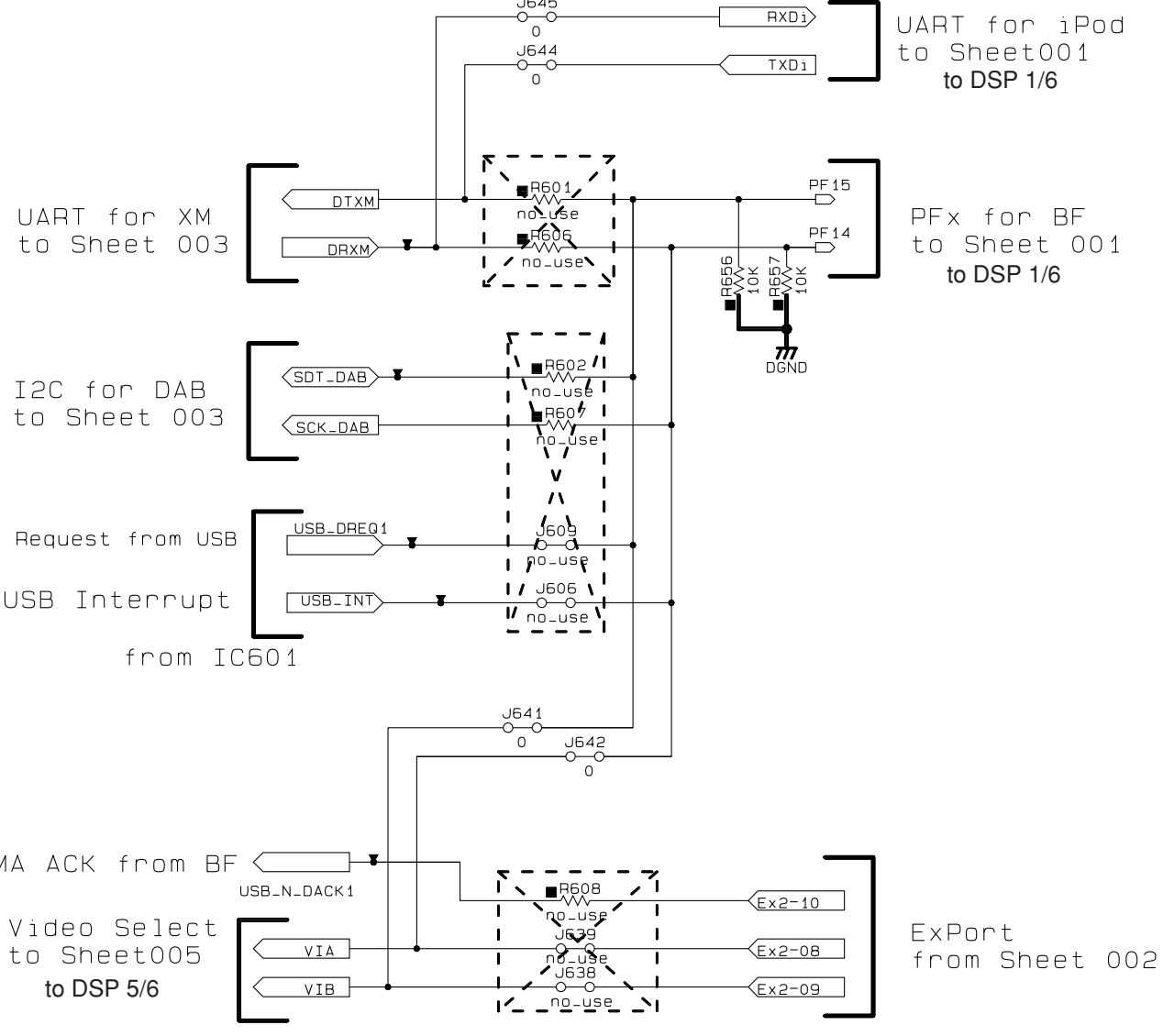
REMARKS	PARTS NAME
NO MARK	ELECTROLYTIC CAPACITOR
⊗	TANTALUM CAPACITOR
NO MARK	CERAMIC CAPACITOR
⊙	CERAMIC TUBULAR CAPACITOR
⊚	POLYESTER FILM CAPACITOR
○	POLYSTYRENE FILM CAPACITOR
⊘	MICA CAPACITOR
⊙	POLYPROPYLENE FILM CAPACITOR
⊙	SEMICONDUCTIVE CERAMIC CAPACITOR
⊙	POLYPHENYLENE SULFIDE FILM CAPACITOR

NOTICE (model)
 (J)..... JAPAN
 (U)..... U.S.A
 (C)..... CANADA
 (R)..... GENERAL
 (T)..... CHINA
 (K)..... KOREA
 (A)..... AUSTRALIA
 (B)..... BRITISH
 (G)..... EUROPE
 (L)..... SINGAPORE
 (E)..... SOUTH EUROPE
 (V)..... TAIWAN
 (F)..... RUSSIAN

* All voltages are measured with a 10MΩ/V DC electronic voltmeter.
 * Components having special characteristics are marked ! and must be replaced with parts having specifications equal to those originally installed.
 * Schematic diagram is subject to change without notice.

DSP 6/6

Destination Circuit

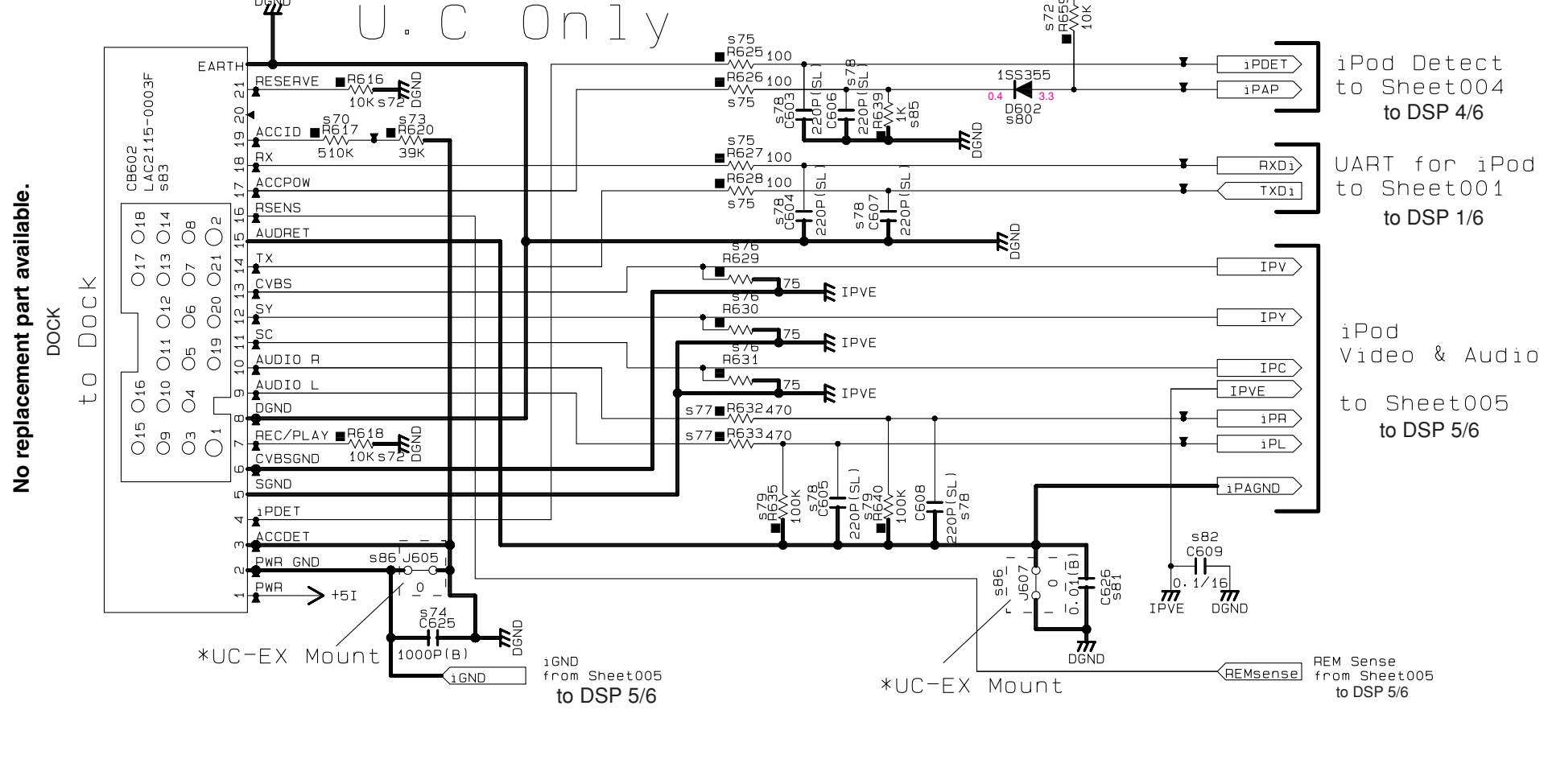


Destination Part List

sXX	LOC	UC	RL	T	KA	BGEF	sXX	LOC	UC	RL	T	KA	BGEF
s65	R652 R653 R651	X	X	X	X	RD35433 33	s77	R632 R633	RD35547 470	X	X	X	X
s66	R603	X	X	X	X	RD36710 10K	s78	C606 C607 C608 C605 C604 C603	US06222 220P(SL)	X	X	X	X
s67	J611	X	X	X	X	RD35000 0	s79	R640 R635	RD35810 100K	X	X	X	X
s70	R617	RF45851 510K	X	X	X	X	s80	D602	VT33290 1SS355	X	X	X	X
s72	R616 R618 R629	RD35710 10K	X	X	X	X	s81	C626	US06410 0.1/16	X	X	X	X
s73	R620	RF45739 39K	X	X	X	X	s82	C609	US13910	X	X	X	X
s74	C625	US06310 1000P(B)	X	X	X	X	s83	CB602	WM45380 LAC215-0003F	X	X	X	X
s75	R627 R628 R626	RD35510 100	X	X	X	X	s85	R639	RD35610 1K	X	X	X	X
s76	R629 R631 R630	RD35475 75	X	X	X	X	s86	J605 J607	X RD35000 0	RD35000 0	RD35000 0	RD35000 0	RD35000 0

iPod (U, C models)

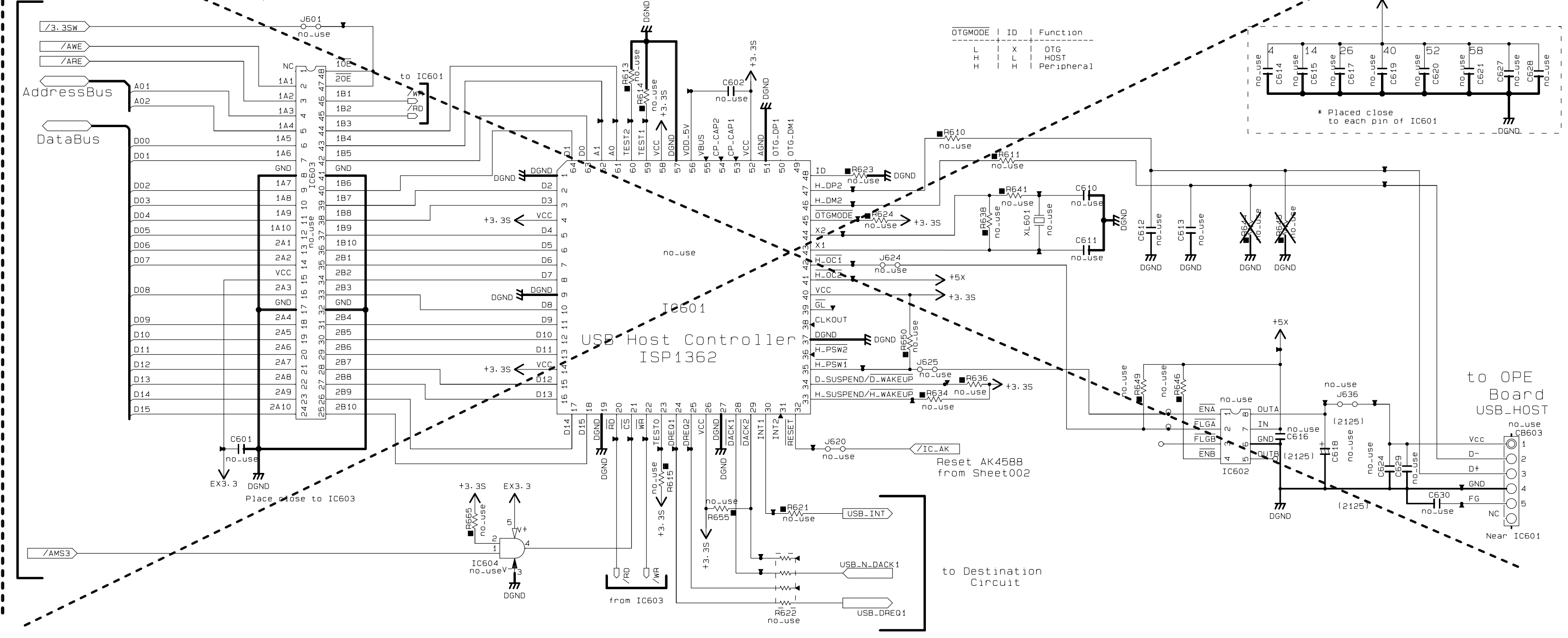
18pin:Rx for uCOM
14pin:Tx for uCOM



No replacement part available.

*UC-EX Mount

USB



RESISTOR

REMARKS	PARTS NAME
NO MARK	CARBON FILM RESISTOR (P=5)
□	CARBON FILM RESISTOR (P=10)
△	METAL OXIDE FILM RESISTOR
▲	FILM RESISTOR
⊠	METAL PLATE RESISTOR
⊞	FIRE PROOF CARBON FILM RESISTOR
⊞	CEMENT MOLDED RESISTOR
⊞	SEMI VARIABLE RESISTOR
■	CHIP RESISTOR

CAPACITOR

REMARKS	PARTS NAME
NO MARK	ELECTROLYTIC CAPACITOR
⊞	TANTALUM CAPACITOR
NO MARK	CERAMIC CAPACITOR
●	CERAMIC TUBULAR CAPACITOR
⊙	POLYESTER FILM CAPACITOR
○	POLYSTYRENE FILM CAPACITOR
○	MICA CAPACITOR
⊙	POLYPROPYLENE FILM CAPACITOR
⊙	SEMICONDUCTIVE CERAMIC CAPACITOR
⊙	POLYPHENYLENE SULFIDE FILM CAPACITOR

NOTICE (model)

(J)..... JAPAN
(U)..... U.S.A
(C)..... CANADA
(A)..... GENERAL
(T)..... CHINA
(K)..... KOREA
(A)..... AUSTRALIA
(B)..... BRITISH
(G)..... EUROPE
(L)..... SINGAPORE
(E)..... SOUTH EUROPE
(V)..... TAIWAN
(F)..... RUSSIAN

* All voltages are measured with a 10MΩ/V DC electronic voltmeter.
 * Components having special characteristics are marked † and must be replaced with parts having specifications equal to those originally installed.
 * Schematic diagram is subject to change without notice.

OPERATION 1/2

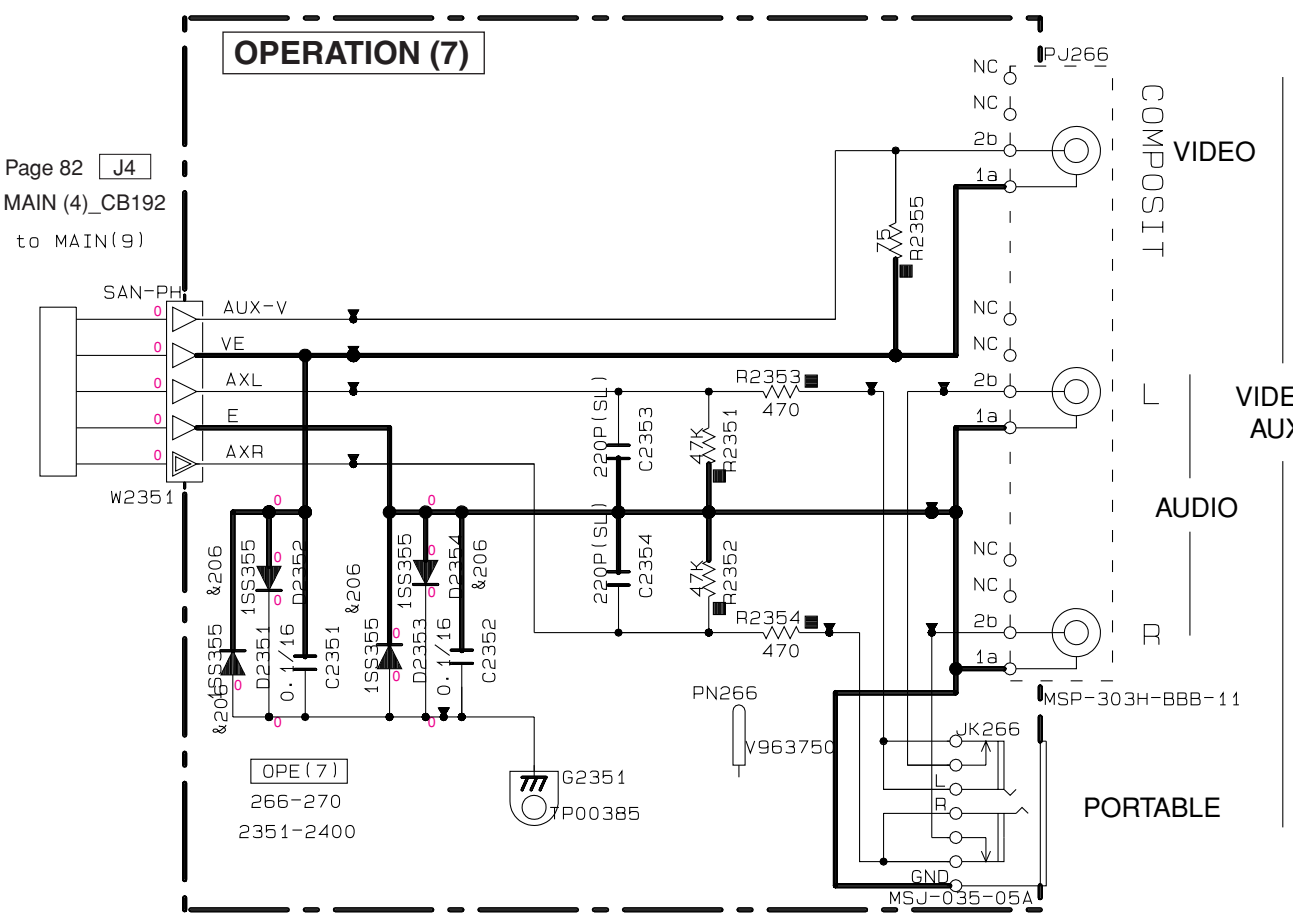
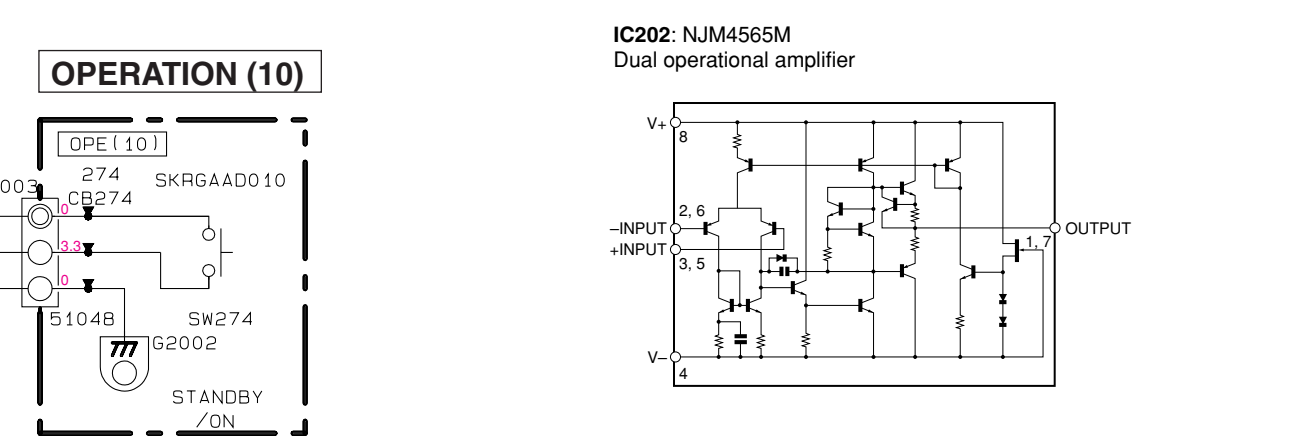
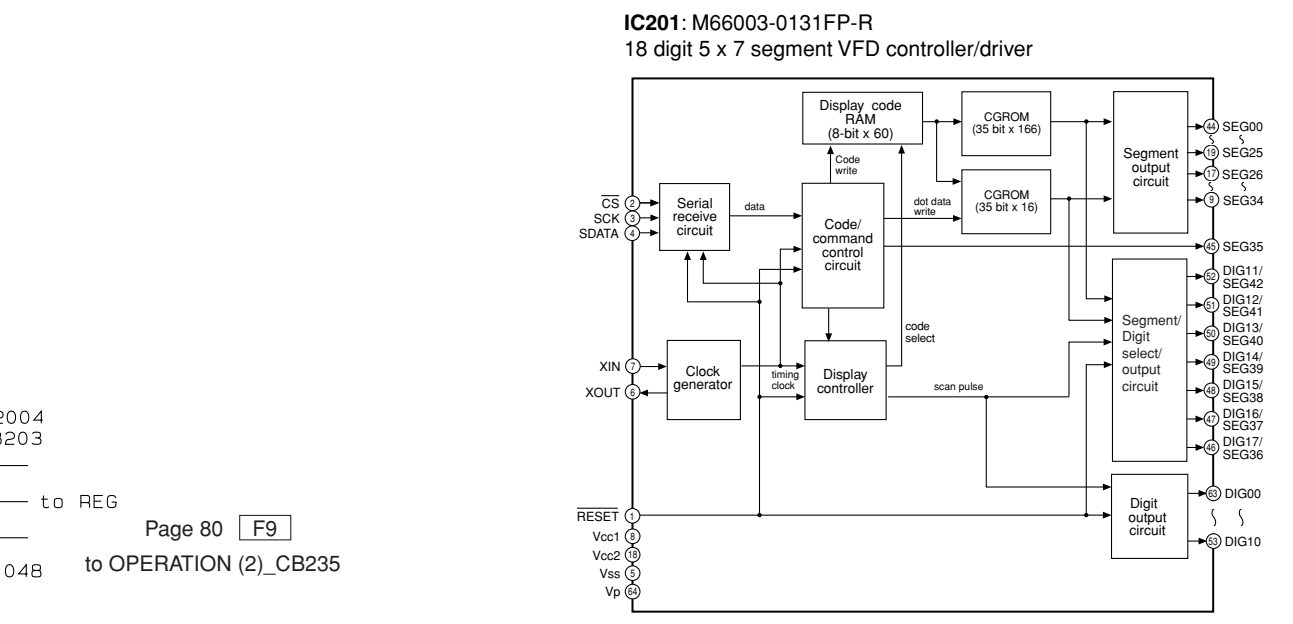
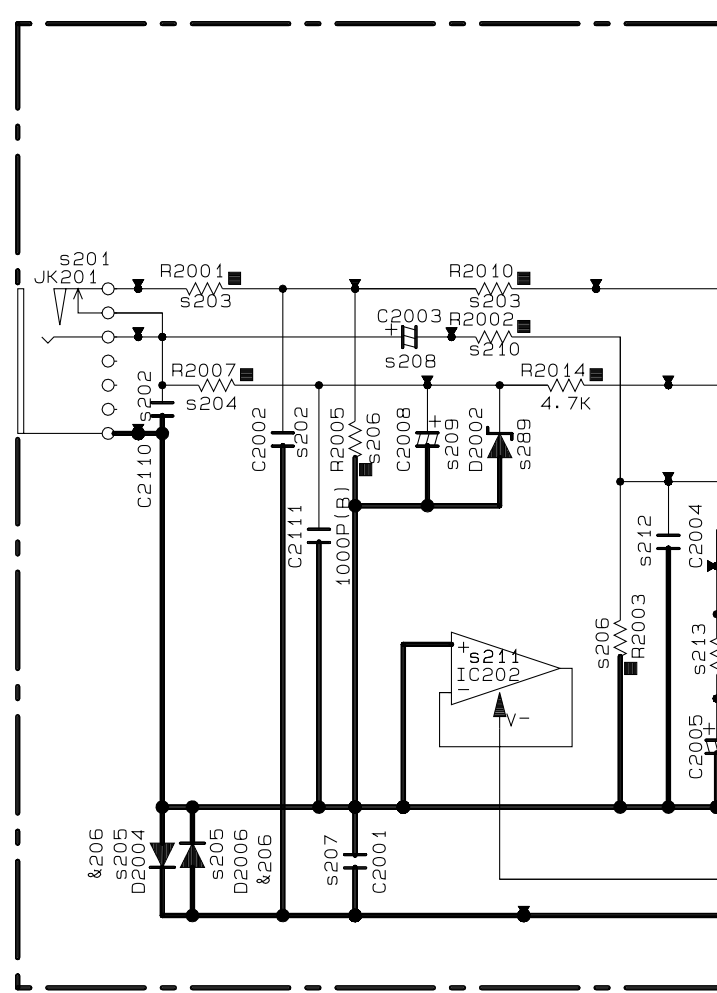
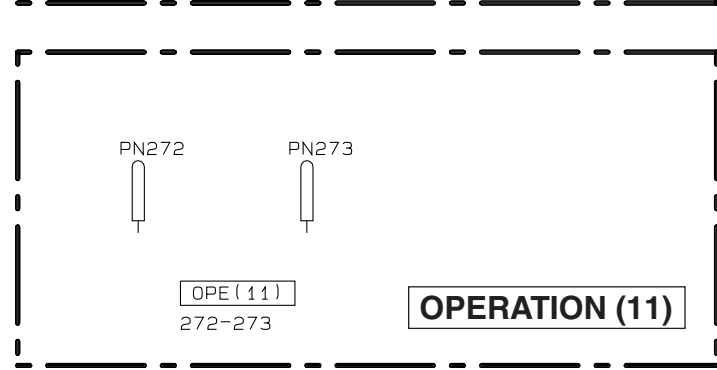
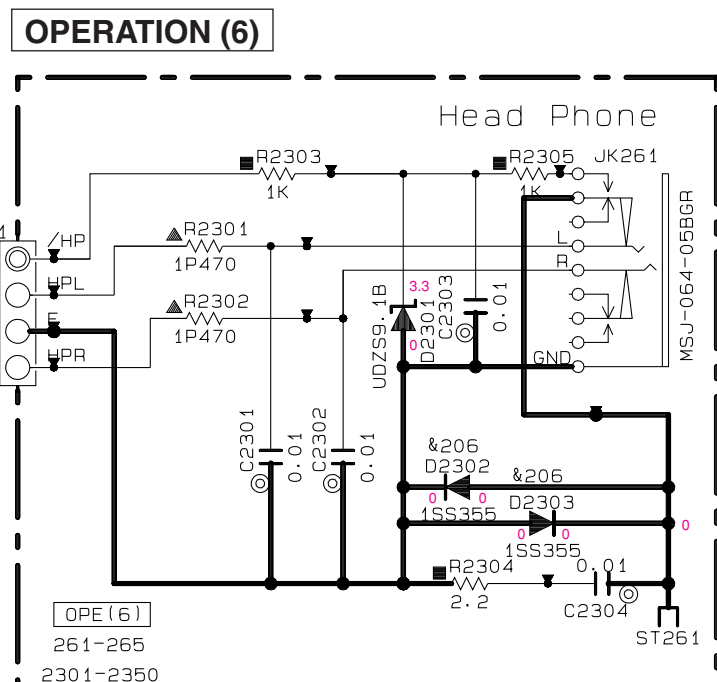
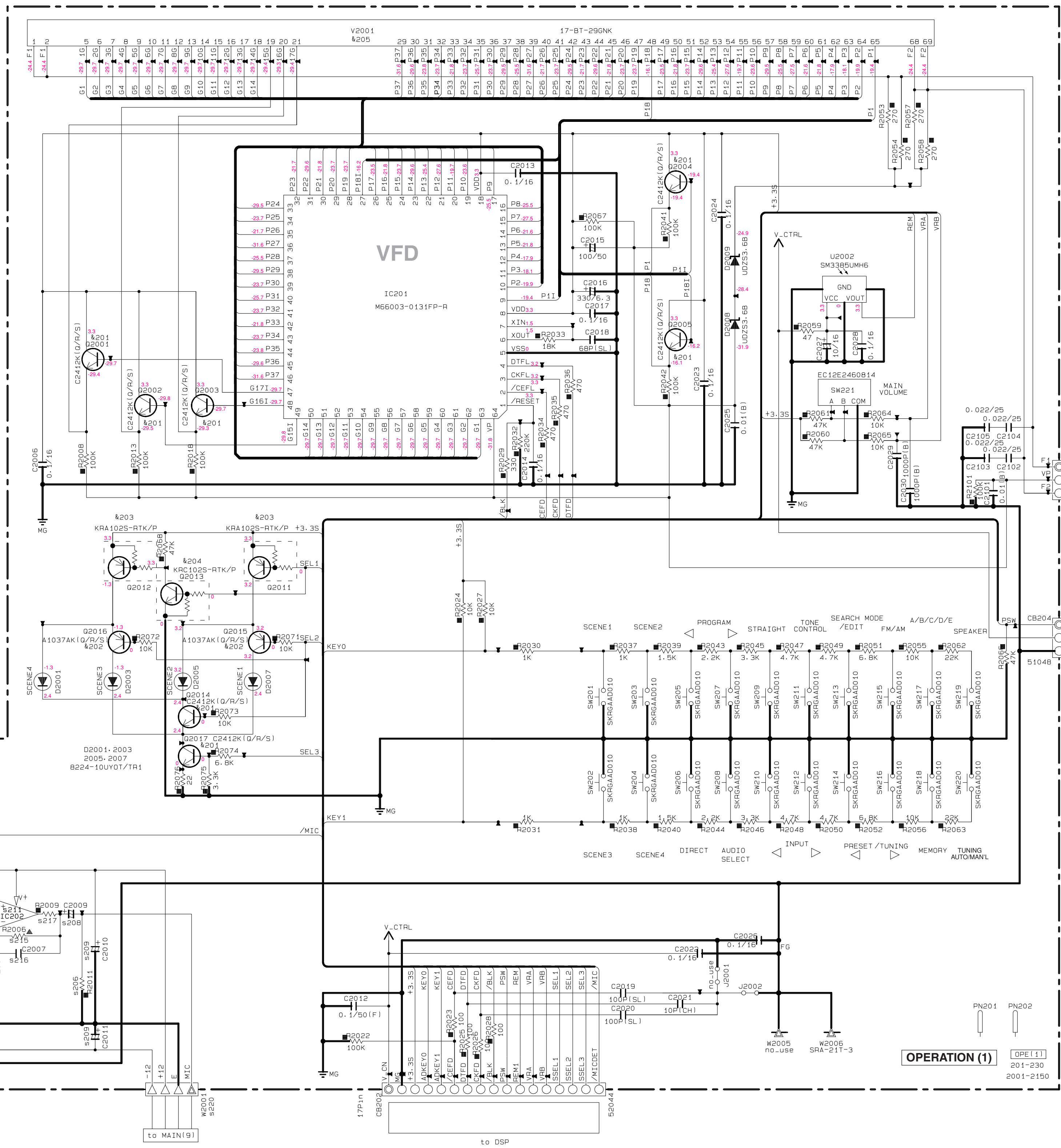
REMARKS	PARTS NAME
NO MARK	CARBON FILM RESISTOR (P=5)
☑	CARBON FILM RESISTOR (P=10)
△	METAL OXIDE FILM RESISTOR
▲	METAL FILM RESISTOR
⊗	METAL PLATE RESISTOR
⊠	FIRE PROOF CARBON FILM RESISTOR
□	CEMENT MOLDED RESISTOR
⊕	SEMI VARIABLE RESISTOR
■	CHIP RESISTOR

REMARKS	PARTS NAME
NO MARK	ELECTROLYTIC CAPACITOR
⊗	TANTALUM CAPACITOR
NO MARK	CERAMIC CAPACITOR
●	CERAMIC TUBULAR CAPACITOR
◎	POLYESTER FILM CAPACITOR
○	POLYSTYRENE FILM CAPACITOR
⊖	MICA CAPACITOR
⊕	POLYPROPYLENE FILM CAPACITOR
⊗	SEMICONDUCTIVE CERAMIC CAPACITOR
⊙	POLYPHENYLENE SULFIDE FILM CAPACITOR

Interchangeable Parts at Manufacture-Stage

Mark	Reference Parts Number	Parts Name
⊗201	02001-2005-2014-2017	25C2412K10/R/S 25D0601ARL/ABL10/R/S K1C38755-Y-GR-RTK/P
⊗202	02015-2016	25A1037AK10/R/S KTA1504S-Y-GR-RTK/P
⊗203	02011-2012	DTA114EKA KRA102S-RTK/P
⊗204	Q2013	DTC114EKA KRC102S-RTK/P
⊗205	V2001	17-B1-29GNK HNA-17MM04T
⊗206	Q2004-2006-2302-2303 Q2351-2354	1S5355 MA111

NOTICE (mode1)
 (J)..... JAPAN
 (U)..... U.S.A
 (C)..... CANADA
 (R)..... GENERAL
 (T)..... CHINA
 (K)..... KOREA
 (A)..... AUSTRALIA
 (B)..... BRITISH
 (G)..... EUROPE
 (L)..... SINGAPORE
 (E)..... SOUTH EUROPE
 (V)..... TAIWAN
 (F)..... RUSSIAN

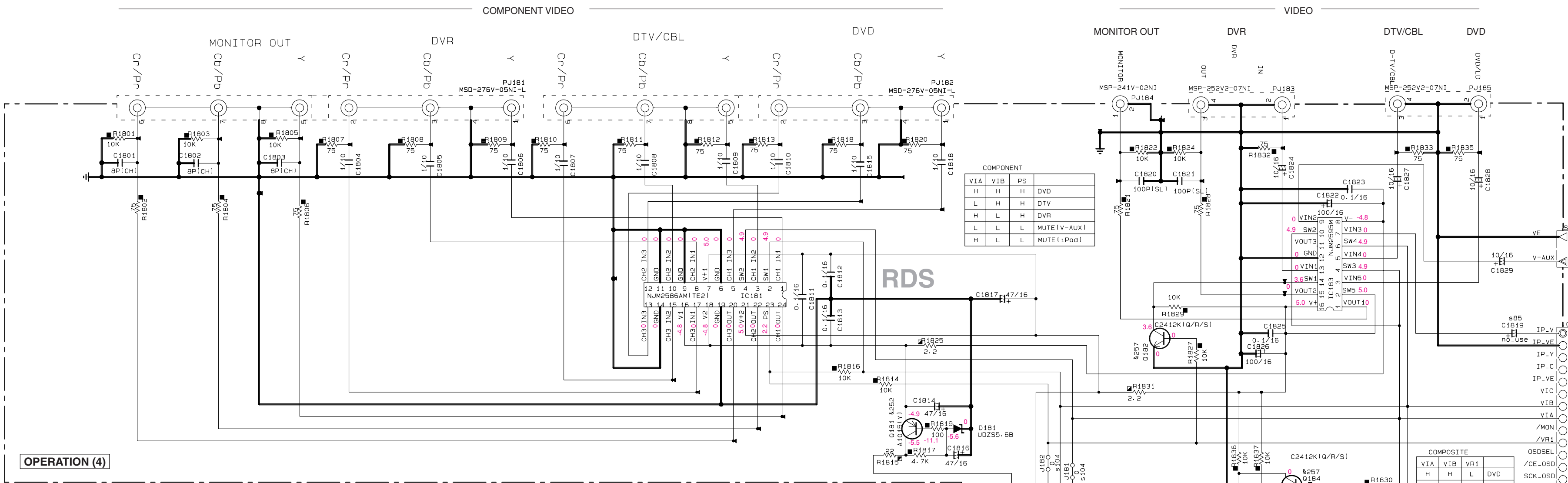


Page 82 I4 to MAIN (4) CB191 (R, K, A, B, G, E, F, L models)

Page 76 C7 to DSP CB408

* All voltages are measured with a 10MΩ/V DC electronic voltmeter.
 * Components having special characteristics are marked !, and must be replaced with parts having specifications equal to those originally installed.
 * Schematic diagram is subject to change without notice.

OPERATION 2/2



Destination Part List

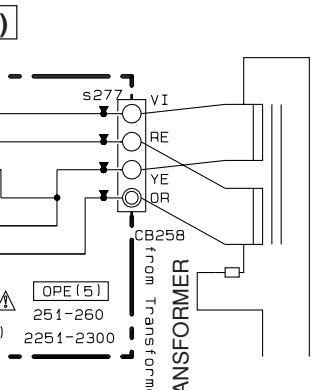
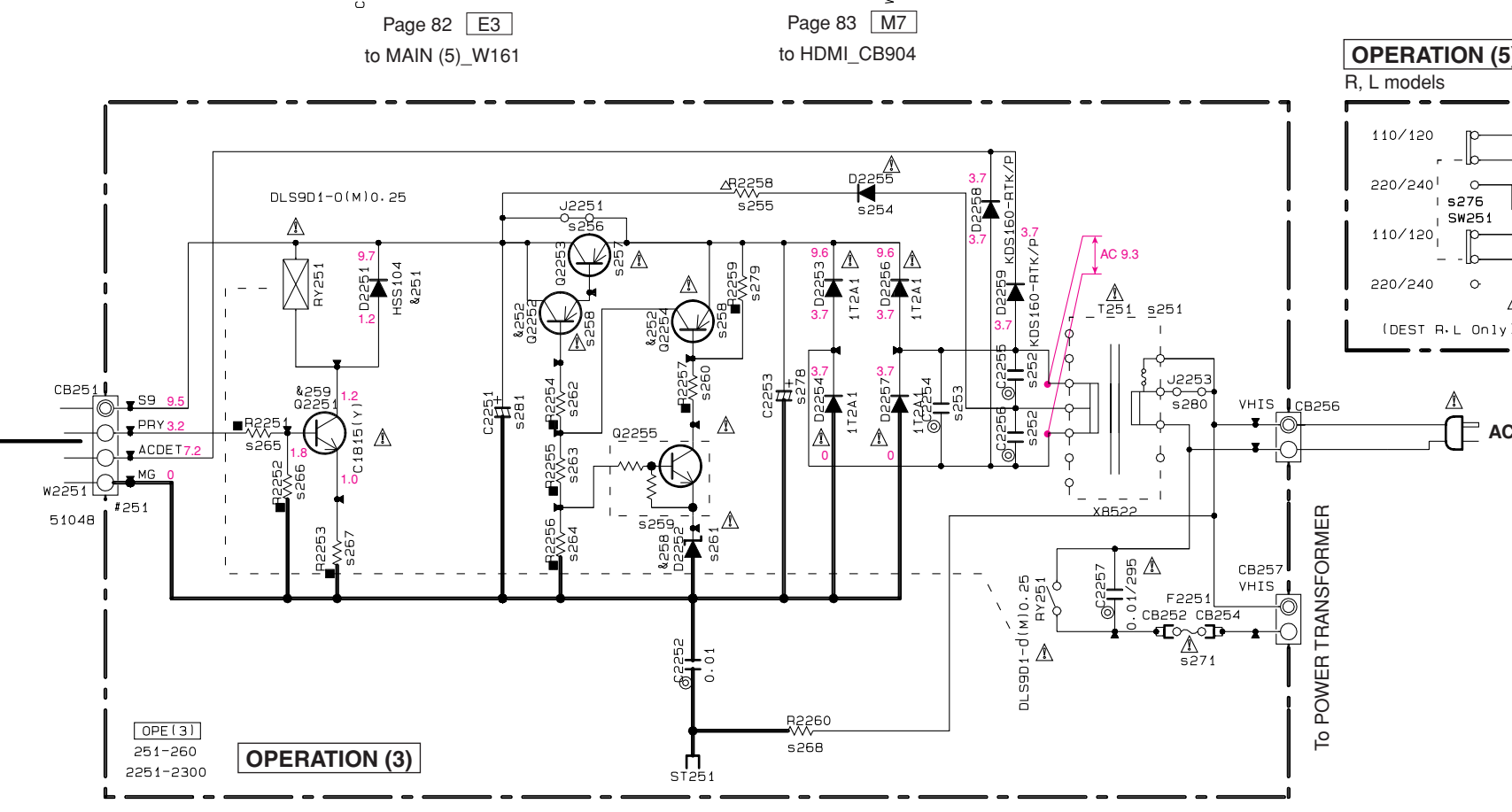
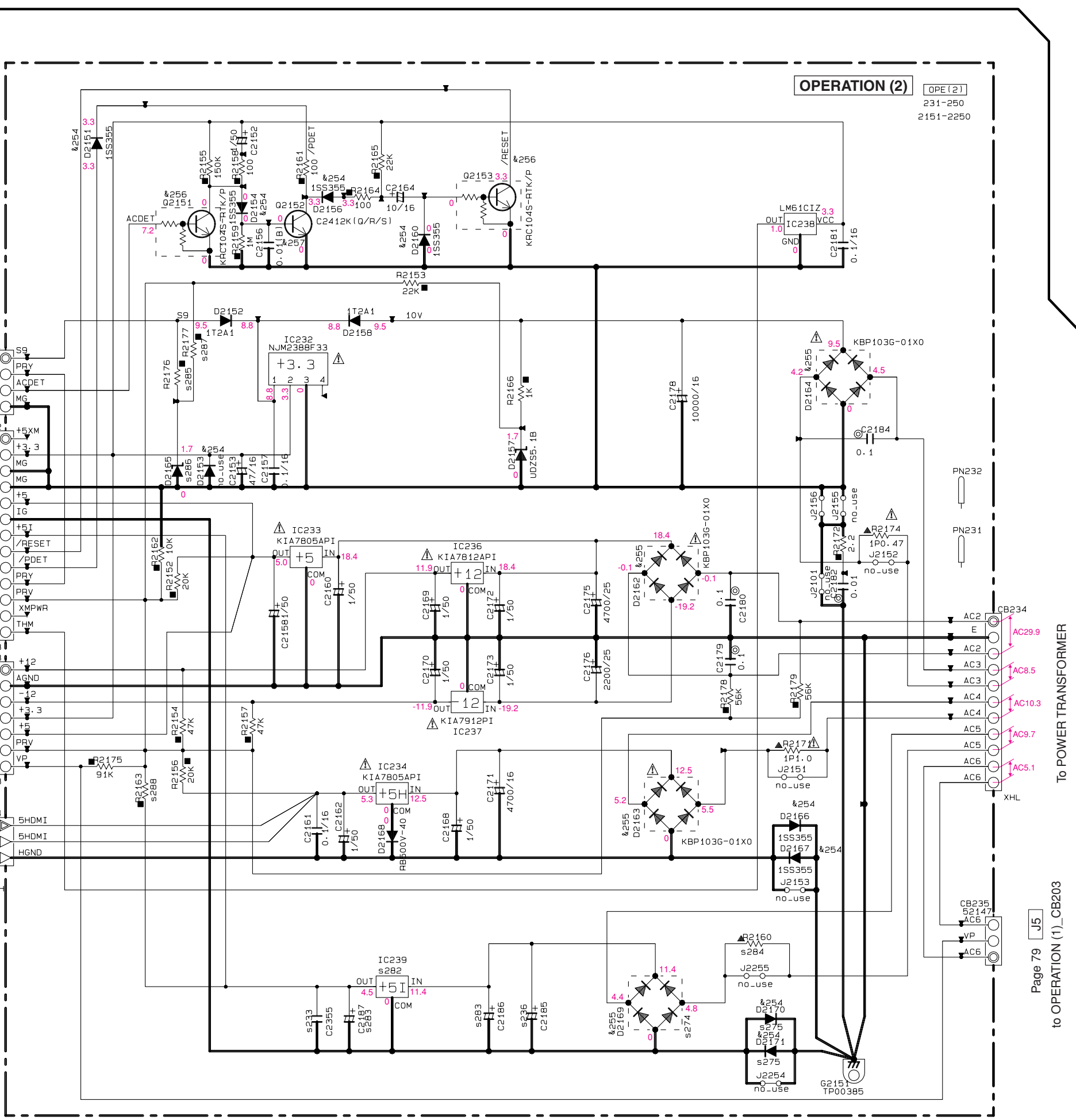
SXX	LOC	UC	RL	T	KABEF
985	C1819	UR83710 10/16	X	X	X
9103	C1822	VF98220 50/4	X	X	X
9104	J181	J181	RD35000 0	RD35000 0	RD35000 0
9201	W201	X	MSJ-2800C-AG	X	MSJ-2800C-AG
9202	C2002	X	US06310 100P/181	X	US06310 100P/181
9203	R2010	X	RD35810 1K	X	RD35810 1K
9204	R2007	X	RD35647 4.7K	X	RD35647 4.7K
9205	D2006	X	V133290 15S355	X	V133290 15S355
9206	R2005	X	RD35810 100K	X	RD35810 100K
9207	C2001	X	US06410 0.01181	X	US06410 0.01181
9208	C2003	X	UM39710 10/16	X	UM39710 10/16
9209	C2008	X	UM39722 22/16	X	UM39722 22/16
9210	R2002	X	RD35522 100K	X	RD35522 100K
9211	IC202	X	V133290 NLM466M	X	V133290 NLM466M
9212	C2004	X	US06210 100P/181	X	US06210 100P/181
9213	R2004	X	RF35547 470	X	RF35547 470
9214	C2005	X	UM39747 47/6.3	X	UM39747 47/6.3
9215	R2006	X	RF35712 12K	X	RF35712 12K

Destination Part List

SXX	LOC	UC	RL	T	KABEF
9216	C2007	X	US06133 33P/181	X	US06133 33P/181
9217	R2009	X	RD35682 8.2K	X	RD35682 8.2K
9220	W2001	X	MF40410	X	MF40410
9233	C2355	X	US13510 0.1/16	X	US13510 0.1/16
9236	C2185	X	UR73947 4700/16	X	UR73947 4700/16
9251	T251	X	X852340 X8523	X	X852340 X8523
9252	C2256	X	WJ60500 0.01	X	WJ60500 0.01
9253	C2254	X	WJ60500 0.01	X	WJ60500 0.01
9254	D2255	X	V999780 11241	X	V999780 11241
9255	R2258	X	V75790 2P47	X	V75790 2P47
9256	J2251	X	VN50000	X	VN50000
9257	D2253	X	U97260 A170815/1	X	U97260 A170815/1
9258	D2252	X	I10151 I10151/1	X	I10151 I10151/1
9259	D2255	X	KRC1045-RTK/P	X	KRC1045-RTK/P
9260	R2257	X	RD35747 47K	X	RD35747 47K
9261	D2252	X	V643700 WZ14-7A	X	V643700 WZ14-7A
9262	R2254	X	RD35610 1K	X	RD35610 1K
9263	R2255	X	RD35722 22K	X	RD35722 22K
9264	R2256	X	RD35647 4.7K	X	RD35647 4.7K

Destination Part List

SXX	LOC	UC	RL	T	KABEF
9265	R2251	X	RD35647 4.7K	X	RD35647 4.7K
9266	R2252	X	RD35810 100K	X	RD35810 100K
9267	R2253	X	RD35433 33	X	RD35433 33
9268	R2260	X	V673000 1/2R2-2M	X	V673000 1/2R2-2M
9271	F2251	X	W93310 15AL250V	X	W93310 15AL250V
9274	D2169	X	W8510	X	W8510
9275	D2171	X	VT33290 15S355	X	VT33290 15S355
9276	SW251	X	V207550 SL14-224MF	X	V207550 SL14-224MF
9277	CB258	X	X93790 84P75-VH	X	X93790 84P75-VH
9278	C2253	X	UR87110 10/100	X	UR87110 10/100
9279	R2259	X	RD35810 100K	X	RD35810 100K
9280	J2253	X	VN50000	X	VN50000
9281	C2251	X	UR74922 2200/25	X	UR74922 2200/25
9282	IC239	X	X492840 KIA7805API	X	X492840 KIA7805API
9283	C2187	X	UR86510 1/50	X	UR86510 1/50
9284	R2160	X	WJ60240 1P1.0	X	WJ60240 1P1.0
9285	R2176	X	RD35610 1K	X	RD35610 1K
9286	D2165	X	VU17190 UOZ55-1B	X	VU17190 UOZ55-1B
9287	R2177	X	RD35722 22K	X	RD35722 22K
9288	R2163	X	RD35720 20K	X	RD35720 20K
9289	D2002	X	VU17190 UOZ55-1B	X	VU17190 UOZ55-1B



RESISTOR

REMARKS	PARTS NAME
NO MARK	CARBON FILM RESISTOR (P=5)
□	CARBON FILM RESISTOR (P=10)
△	METAL OXIDE FILM RESISTOR
◇	METAL FILM RESISTOR
⊠	METAL PLATE RESISTOR
⊞	FIRE PROOF CARBON FILM RESISTOR
⊞	CEMENT MOLDED RESISTOR
⊞	SEMI VARIABLE RESISTOR
⊞	CHIP RESISTOR

CAPACITOR

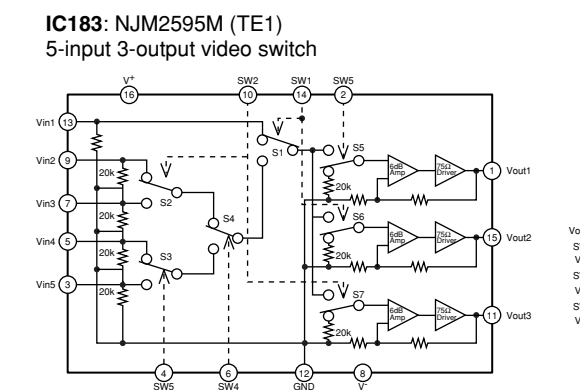
REMARKS	PARTS NAME
NO MARK	ELECTROLYTIC CAPACITOR
⊞	TANTALUM CAPACITOR
NO MARK	CERAMIC CAPACITOR
⊞	CERAMIC TUBULAR CAPACITOR
⊞	POLYESTER FILM CAPACITOR
⊞	POLYSTYRENE FILM CAPACITOR
⊞	MICA CAPACITOR
⊞	POLYPROPYLENE FILM CAPACITOR
⊞	SEMICONDUCTIVE CERAMIC CAPACITOR

Interchangeable Parts at Manufacture-Stage

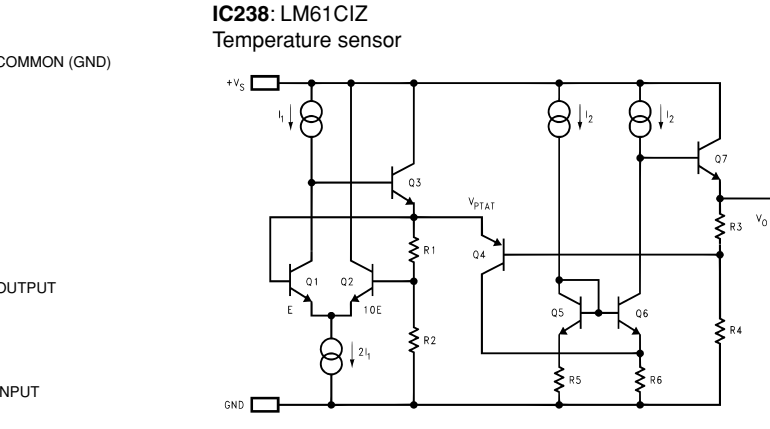
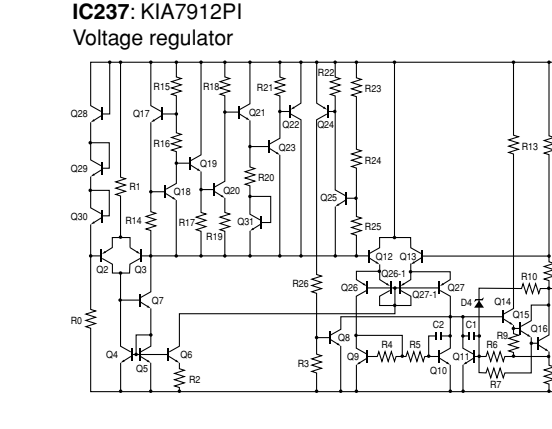
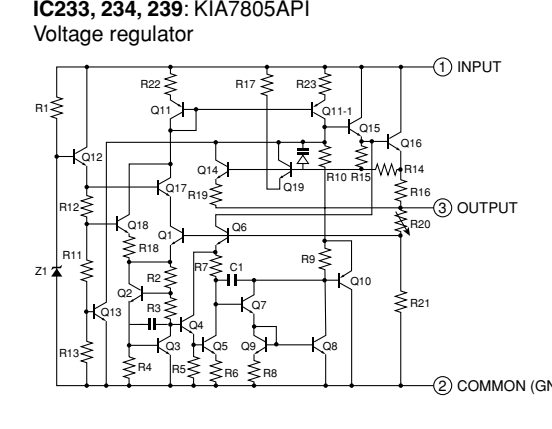
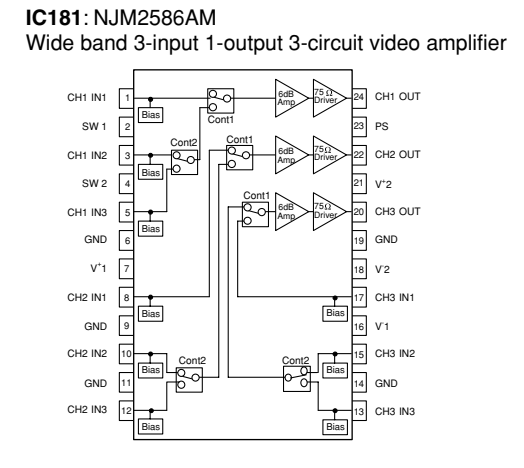
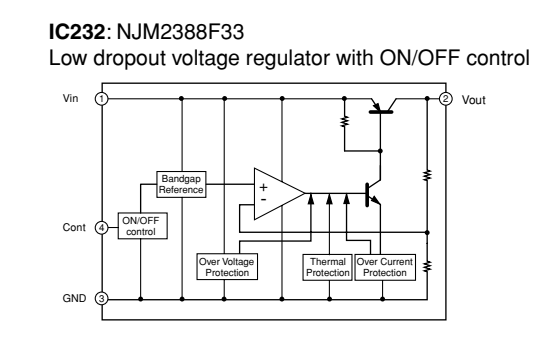
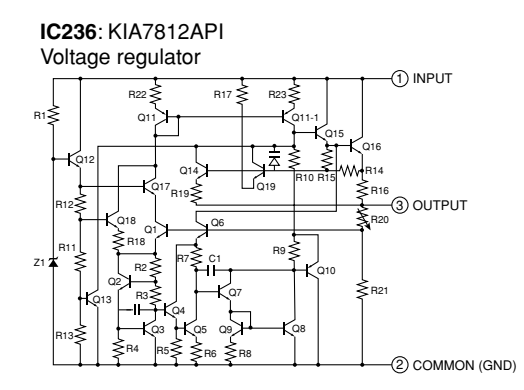
Mark	Reference Parts Number	Parts Name
4251	D2251	HSS104
		ISS133
		ISS176
4252	0181-2252-2254	2S410151V1
		KTA12661V1
		2S410151V
4254	Q2151-2154-2156-2160	15S355
	2166-2167-2170-2171	MA111
4255	D2162-2164-2169	KBP1036-01X0
		RS103
4256	Q2151-2153	DT144EXA
		KRC1045-RTK/P
4257	0182-184-2152	MT2J4-7A
		GD2J4-7A
4258	D2252	MT2J4-7A
		GD2J4-7A
4259	Q2251	2SC18151V1
		K1C318B
		2SC1815Y

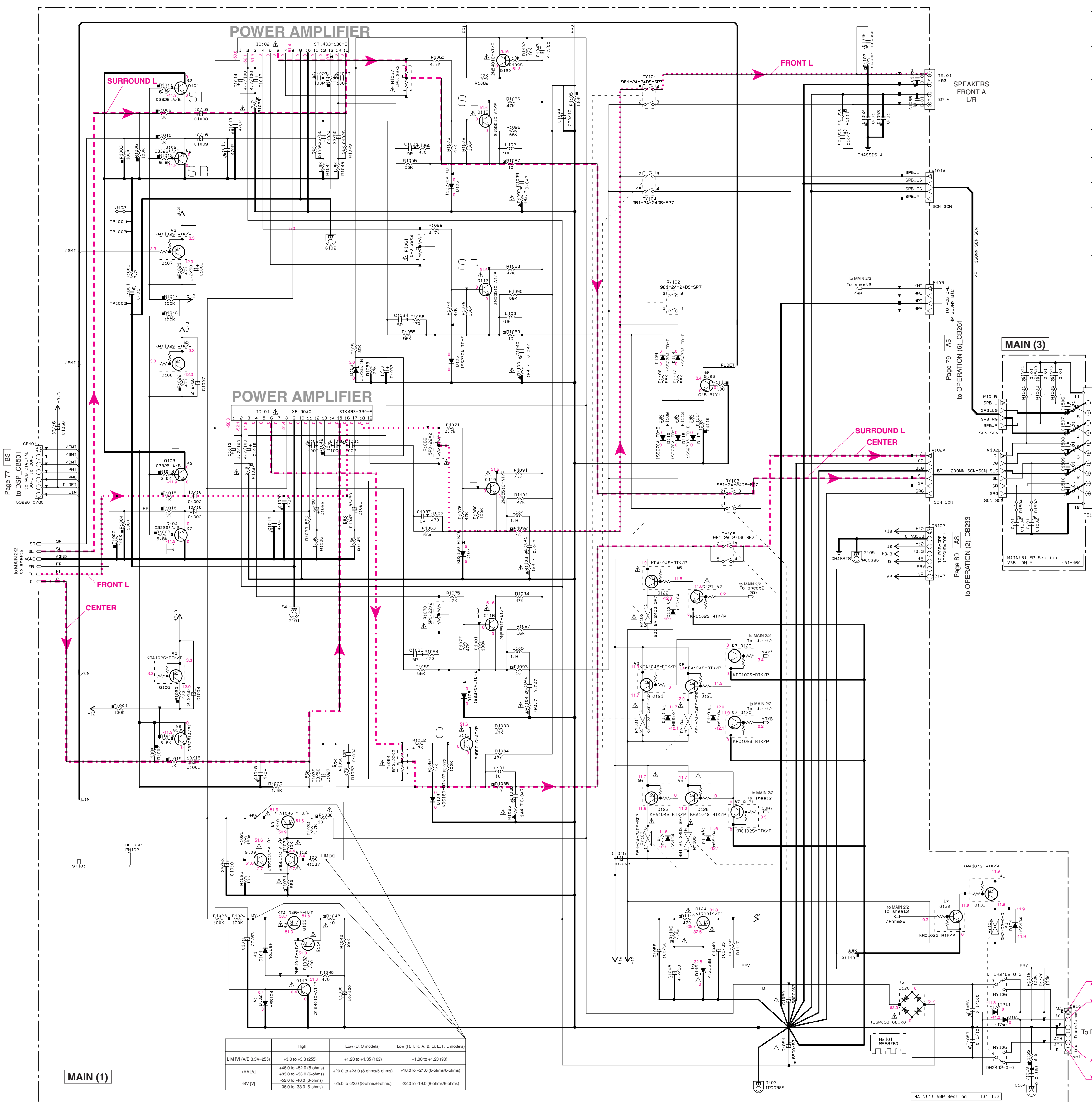
NOTICE (model)

(J)..... JAPAN
 (U)..... U.S.A
 (R)..... CANADA
 (G)..... GENERAL
 (T)..... CHINA
 (K)..... KOREA
 (A)..... AUSTRALIA
 (B)..... BRITISH
 (G)..... EUROPE
 (L)..... SINGAPORE
 (E)..... SOUTH EUROPE
 (V)..... TAIWAN
 (F)..... RUSSIAN



* All voltages are measured with a 10MΩ/V DC electronic voltmeter.
 * Components having special characteristics are marked with a triangle and must be replaced with parts having specifications equal to those originally installed.
 * Schematic diagram is subject to change without notice.





Interchangeable Parts at Manufacture-Stage

Mark	Reference Parts Number	Parts Name
41	D102-111-113 118-119-121	H55104 1S5133 1S5176
42	G101-105	2SC3361A/B1 2SC3361B1 2SC9981A/B1 2SD1938F1S/F1 2SD2794K
43	G10-111	2SR12741R/F1 2SR16651E/F1 KT1046-Y-U/D
44	D120	T56P030-08-X0 R5603M-B-C-J80
45	G106-108	KRA102S-RTK/P DTA114EXA
46	G121-123-125-126-133	KRA104S-RTK/P DTA144EXA
47	G127-129-132	KRC102S-RTK/P DTC114EXA
48	G128	2SC18151+1 KTC198B Y+AT
49	D116	HTZJ33B GDZJ33B

REMARKS

RESISTOR

REMARKS	PARTS NAME
NO MARK	CARBON FILM RESISTOR (P=5)
□	CARBON FILM RESISTOR (P=10)
△	METAL OXIDE FILM RESISTOR
▲	METAL FILM RESISTOR
■	METAL PLATE RESISTOR
⊠	FIRE PROOF CARBON FILM RESISTOR
⊞	CEMENT MOLDED RESISTOR
⊚	SEMI VARIABLE RESISTOR
⊙	CHIP RESISTOR

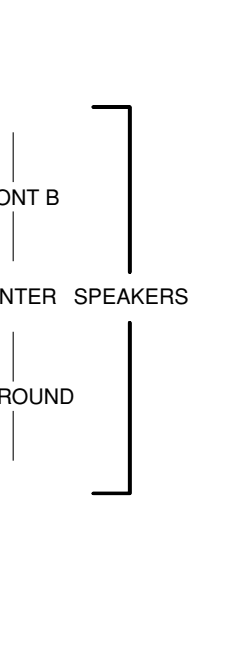
NOTICE (mode1)

(J)..... JAPAN
(U)..... U.S.A
(C)..... CANADA
(R)..... CHINA
(K)..... KOREA
(A)..... AUSTRALIA
(B)..... BRITISH
(G)..... EUROPE
(L)..... SINGAPORE
(E)..... SOUTH EUROPE
(V)..... TAIWAN
(F)..... RUSSIAN

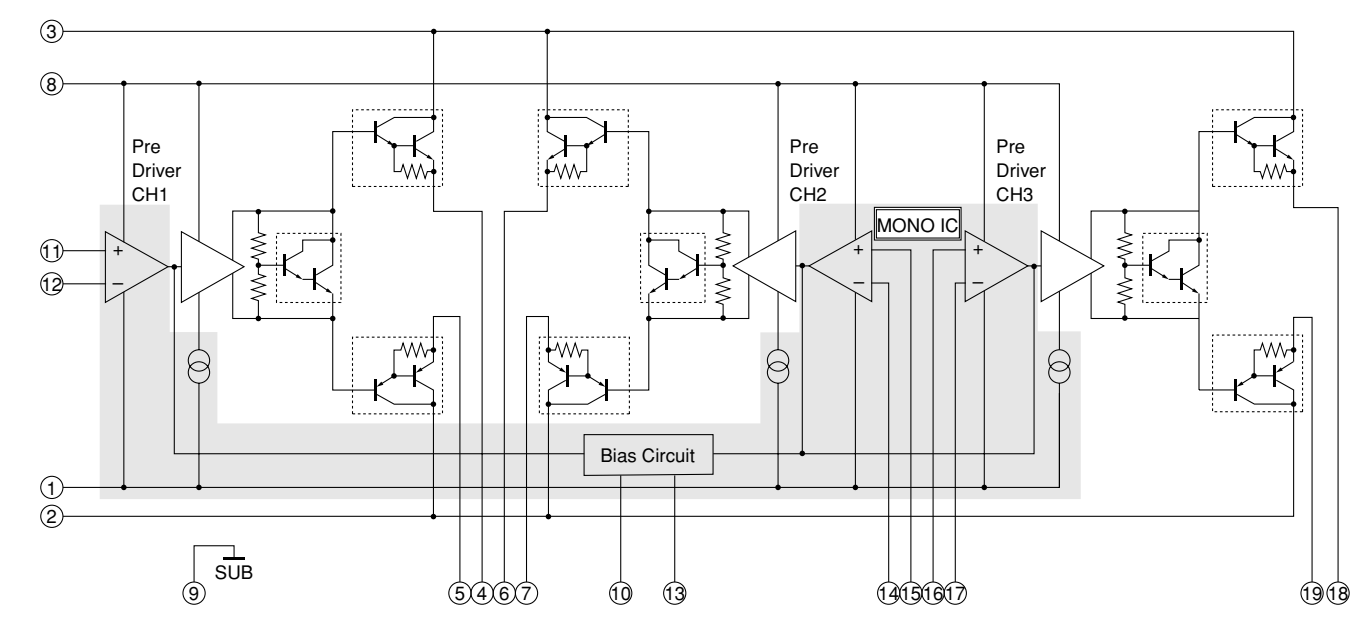
CAPACITOR

REMARKS	PARTS NAME
⊗	ELECTROLYTIC CAPACITOR
⊙	TANTALUM CAPACITOR
NO MARK	CERAMIC CAPACITOR
●	POLYESTER FILM CAPACITOR
○	POLYSTYRENE FILM CAPACITOR
⊖	MICA CAPACITOR
⊕	POLYPROPYLENE FILM CAPACITOR
⊙	SEMICONDUCTIVE CERAMIC CAPACITOR
⊗	POLYPHENYLENE SULFIDE FILM CAPACITOR

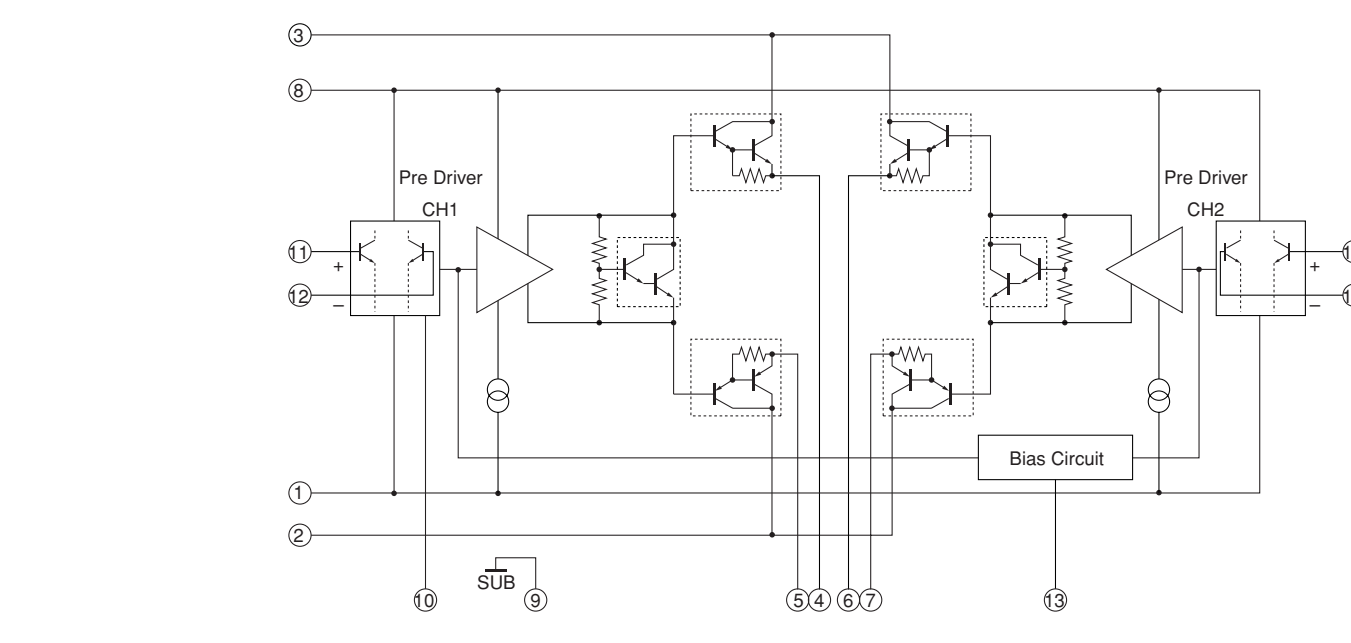
MAIN (3)



IC101: STK433-330-E
3-channel AF power amplifier, stand-by circuit built-in



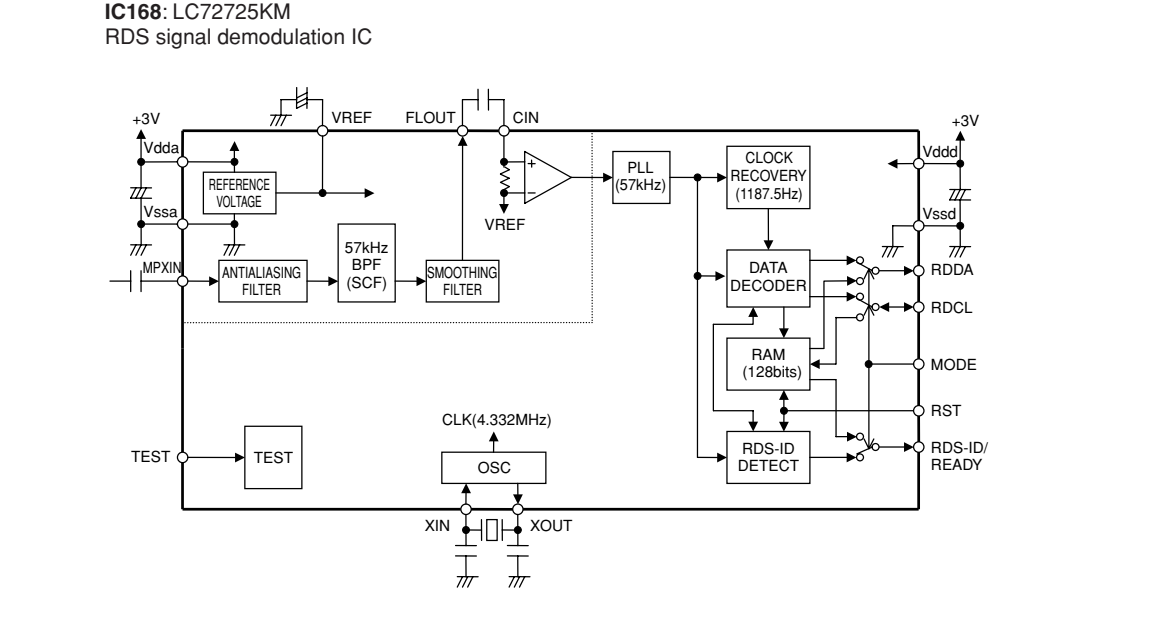
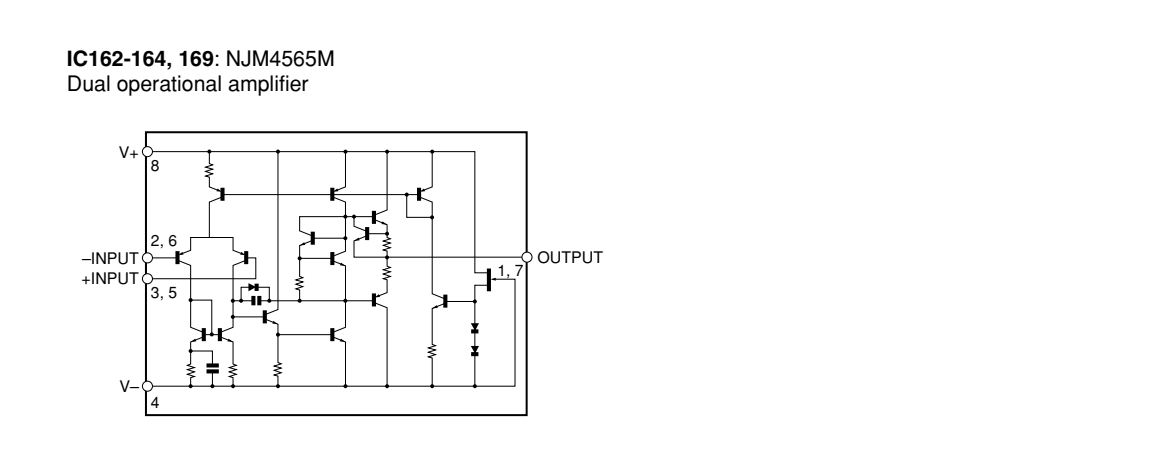
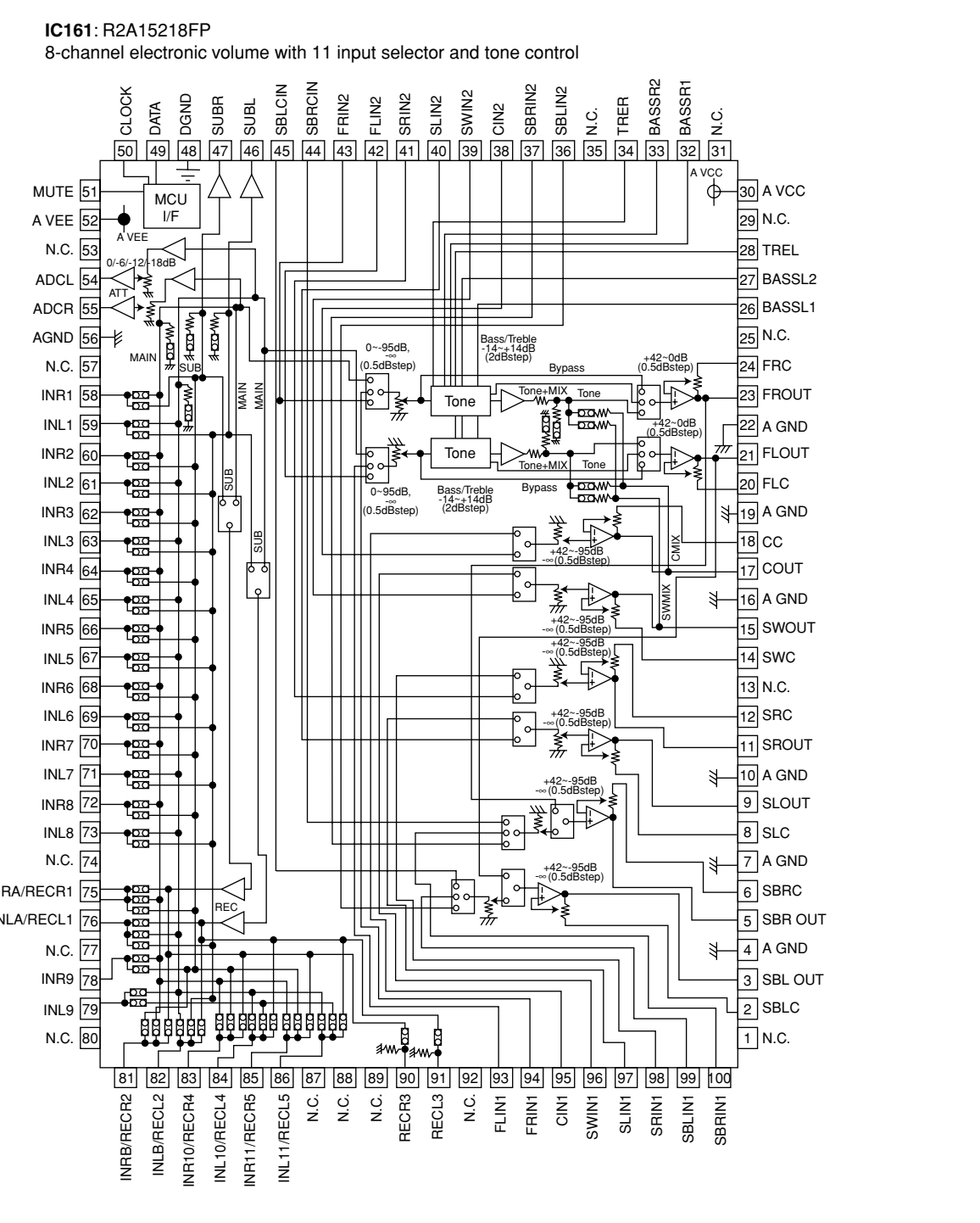
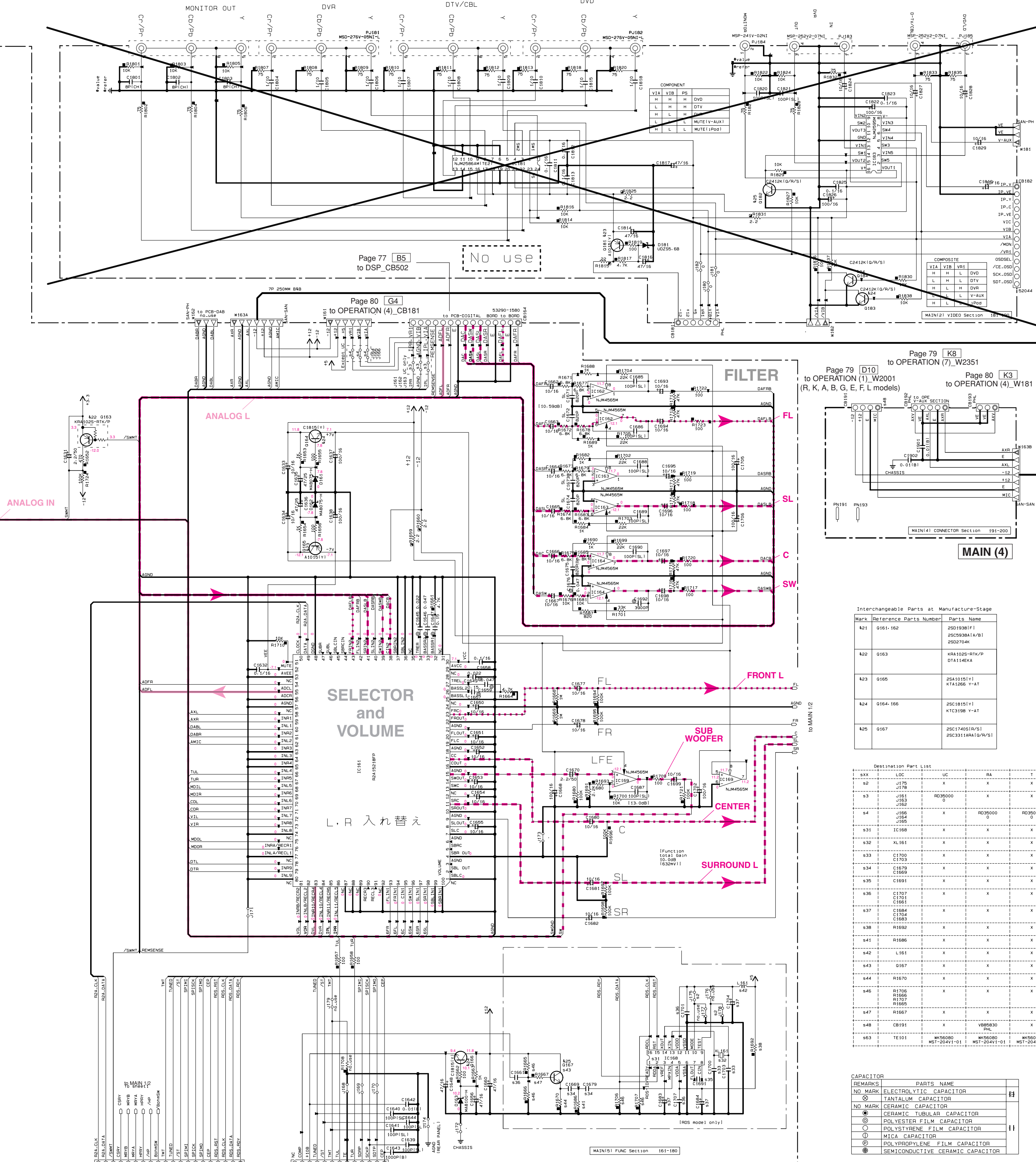
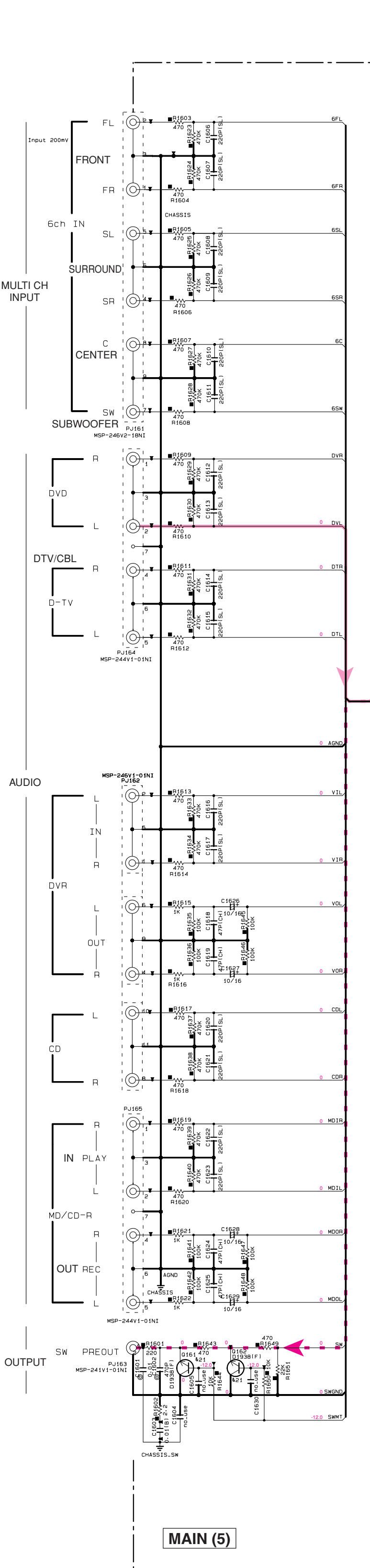
IC102: STK433-130-E
2-channel AF power amplifier, stand-by circuit built-in



	High	Low (L, C models)	Low (R, T, K, A, B, G, E, F, L models)
LM [V] (A/D 3.3V±25%)	+3.0 to +3.3 (25%)	+1.20 to +1.35 (10%)	+1.00 to +1.20 (9%)
+8V [V]	+46.0 to +52.0 (8-ohms)	+20.0 to +23.0 (8-ohms/6-ohms)	+18.0 to +21.0 (8-ohms/6-ohms)
-8V [V]	+33.0 to +36.0 (8-ohms)	-25.0 to -23.0 (8-ohms/6-ohms)	-22.0 to -19.0 (8-ohms/6-ohms)
-18V [V]	+52.0 to +6.0 (8-ohms)	-25.0 to -23.0 (8-ohms/6-ohms)	-22.0 to -19.0 (8-ohms/6-ohms)

* All voltages are measured with a 10MQ/V DC electronic voltmeter.
* Components having special characteristics are marked !, and must be replaced with parts having specifications equal to those originally installed.
* Schematic diagram is subject to change without notice.

MAIN 2/2



Interchangeable Parts at Manufacture Stage

Mark	Reference Parts Number	Parts Name
421	0161-162	2SD1938(I) 2SC928(A) (V) 2SD2704
422	0163	HA1029-RTK/P DT114EXA
423	0165	2SA1015(V) 2SA1286 (V+)
424	0164-166	2SC1815(V) 2SC1219B (V+)
425	0167	2SC1740(B) (V) 2SC1314(B) (V) (V)

Destination Part List

MARK	LOC	UC	RA	T	NL	REF
42	J776	X	X	X	X	RD9000
43	U161	RD9000	X	X	X	RD9000
44	U162	RD9000	X	X	X	RD9000
45	U163	RD9000	X	X	X	RD9000
46	U164	RD9000	X	X	X	RD9000
47	U165	RD9000	X	X	X	RD9000
48	U166	RD9000	X	X	X	RD9000
49	U167	RD9000	X	X	X	RD9000
50	U168	RD9000	X	X	X	RD9000
51	U169	RD9000	X	X	X	RD9000
52	U170	RD9000	X	X	X	RD9000
53	U171	RD9000	X	X	X	RD9000
54	U172	RD9000	X	X	X	RD9000
55	U173	RD9000	X	X	X	RD9000
56	U174	RD9000	X	X	X	RD9000
57	U175	RD9000	X	X	X	RD9000
58	U176	RD9000	X	X	X	RD9000
59	U177	RD9000	X	X	X	RD9000
60	U178	RD9000	X	X	X	RD9000
61	U179	RD9000	X	X	X	RD9000
62	U180	RD9000	X	X	X	RD9000
63	U181	RD9000	X	X	X	RD9000
64	U182	RD9000	X	X	X	RD9000
65	U183	RD9000	X	X	X	RD9000
66	U184	RD9000	X	X	X	RD9000
67	U185	RD9000	X	X	X	RD9000
68	U186	RD9000	X	X	X	RD9000
69	U187	RD9000	X	X	X	RD9000
70	U188	RD9000	X	X	X	RD9000
71	U189	RD9000	X	X	X	RD9000
72	U190	RD9000	X	X	X	RD9000
73	U191	RD9000	X	X	X	RD9000
74	U192	RD9000	X	X	X	RD9000
75	U193	RD9000	X	X	X	RD9000
76	U194	RD9000	X	X	X	RD9000
77	U195	RD9000	X	X	X	RD9000
78	U196	RD9000	X	X	X	RD9000
79	U197	RD9000	X	X	X	RD9000
80	U198	RD9000	X	X	X	RD9000
81	U199	RD9000	X	X	X	RD9000
82	U200	RD9000	X	X	X	RD9000
83	U201	RD9000	X	X	X	RD9000
84	U202	RD9000	X	X	X	RD9000
85	U203	RD9000	X	X	X	RD9000
86	U204	RD9000	X	X	X	RD9000
87	U205	RD9000	X	X	X	RD9000
88	U206	RD9000	X	X	X	RD9000
89	U207	RD9000	X	X	X	RD9000
90	U208	RD9000	X	X	X	RD9000
91	U209	RD9000	X	X	X	RD9000
92	U210	RD9000	X	X	X	RD9000
93	U211	RD9000	X	X	X	RD9000
94	U212	RD9000	X	X	X	RD9000
95	U213	RD9000	X	X	X	RD9000
96	U214	RD9000	X	X	X	RD9000
97	U215	RD9000	X	X	X	RD9000
98	U216	RD9000	X	X	X	RD9000
99	U217	RD9000	X	X	X	RD9000
100	U218	RD9000	X	X	X	RD9000

CAPACITOR

REMARKS	PARTS NAME	II
NO MARK	ELECTROLYTIC CAPACITOR	II
NO MARK	TANTALUM CAPACITOR	II
NO MARK	CERAMIC CAPACITOR	II
NO MARK	CERAMIC TUBULAR CAPACITOR	II
NO MARK	POLYESTER FILM CAPACITOR	II
NO MARK	POLYSTYRENE FILM CAPACITOR	II
NO MARK	MICA CAPACITOR	II
NO MARK	POLYPROPYLENE FILM CAPACITOR	II
NO MARK	SEMICONDUCTIVE CERAMIC CAPACITOR	II

RESISTOR

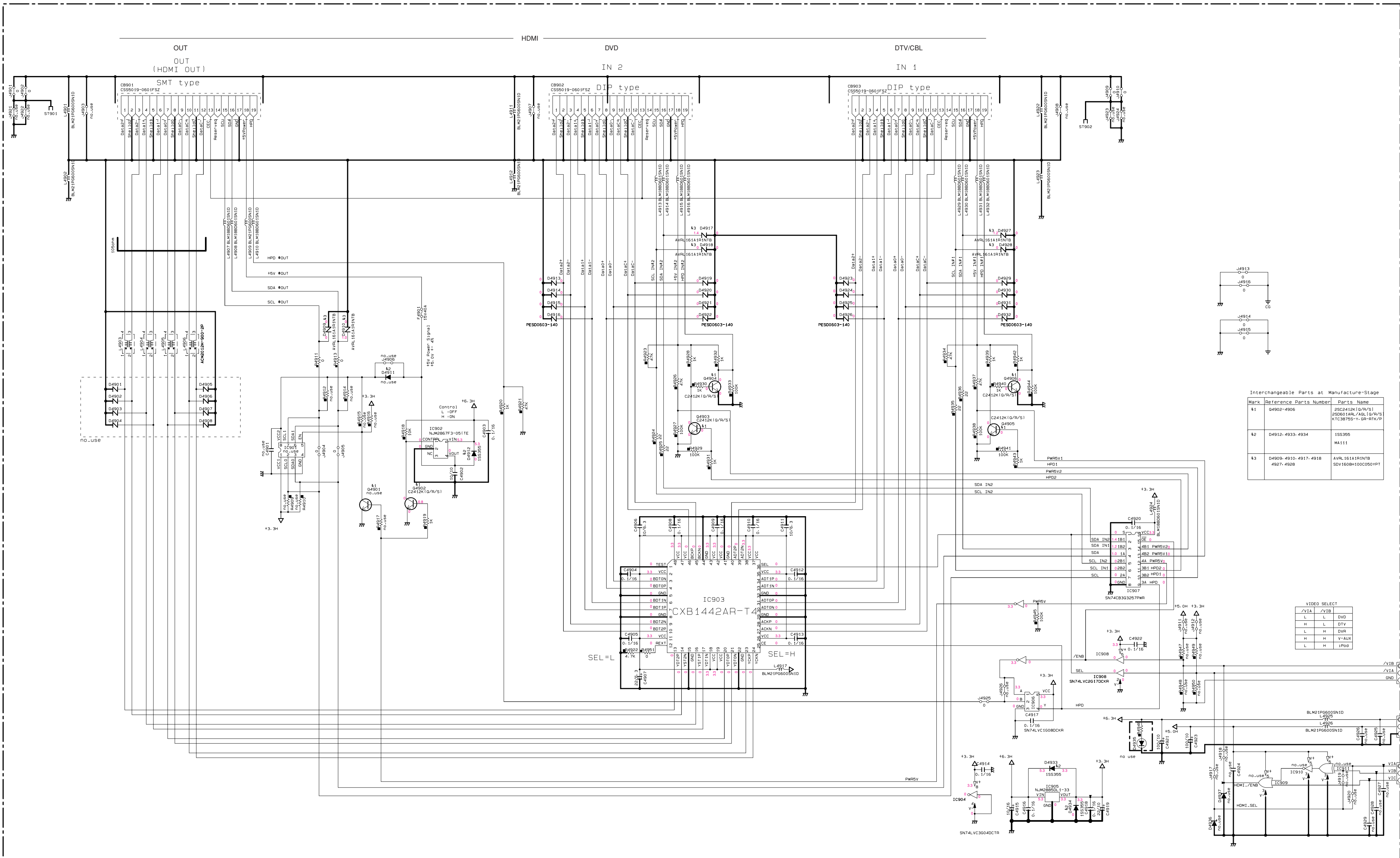
REMARKS	PARTS NAME
NO MARK	CARBON FILM RESISTOR (P=5)
NO MARK	CARBON FILM RESISTOR (P=10)
NO MARK	METAL OXIDE FILM RESISTOR
NO MARK	METAL FILM RESISTOR
NO MARK	METAL PLATE RESISTOR
NO MARK	FINE-PROOF CARBON FILM RESISTOR
NO MARK	CEMENT MOLDED RESISTOR
NO MARK	SEMI-VARIABLE RESISTOR
NO MARK	CHIP RESISTOR

NOTICE (model)

(J) JAPAN
(U) U.S.A.
(C) CANADA
(R) GENERAL
(T) CHINA
(K) KOREA
(A) AUSTRALIA
(B) BRITISH
(G) EUROPE
(L) SINGAPORE
(E) SOUTH EUROPE
(V) TAIWAN
(F) RUSSIAN

* All voltages are measured with a 10MΩ/V DC electronic voltmeter.
 * Components having special characteristics are marked with a triangle and must be replaced with parts having specifications equal to those originally installed.
 * Schematic diagram is subject to change without notice.

HDMI



Interchangeable Parts at Manufacture-Stage

Mark	Reference Parts Number	Parts Name
41	04902-4906	ESC6412K1G/R/S1 P20601ARL700,1G/R/S1 KTC307505-V-GS-R14/P
42	04912-4933-4934	ISS395 MA111
43	04909-4910-4917-4918 4927-4928	AVL16141R1N7B SDV1609H100C050VPT

VIDEO SELECT

VIA	V1B	BVD
L	L	DTV
H	L	DTV
L	H	DVR
H	H	V-AUX
L	H	1P00

Page 80 14
to OPERATION (4)_W182

Page 80 1A8
to OPERATION (2)_W2154

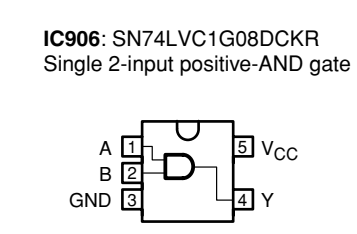
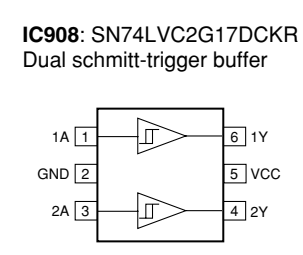
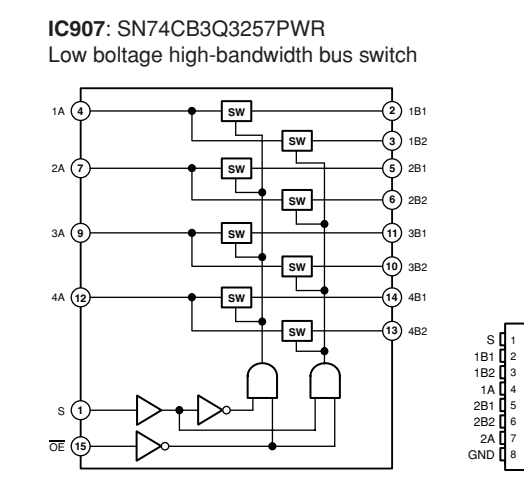
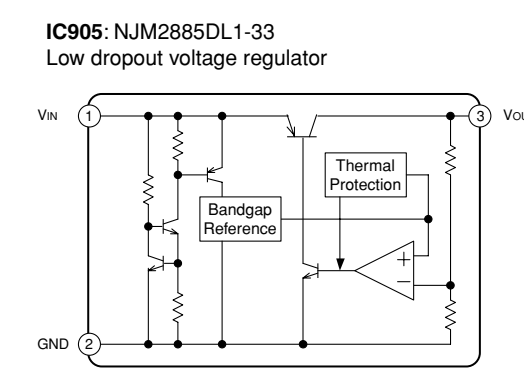
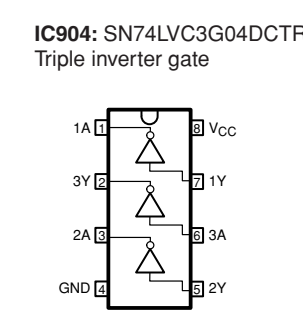
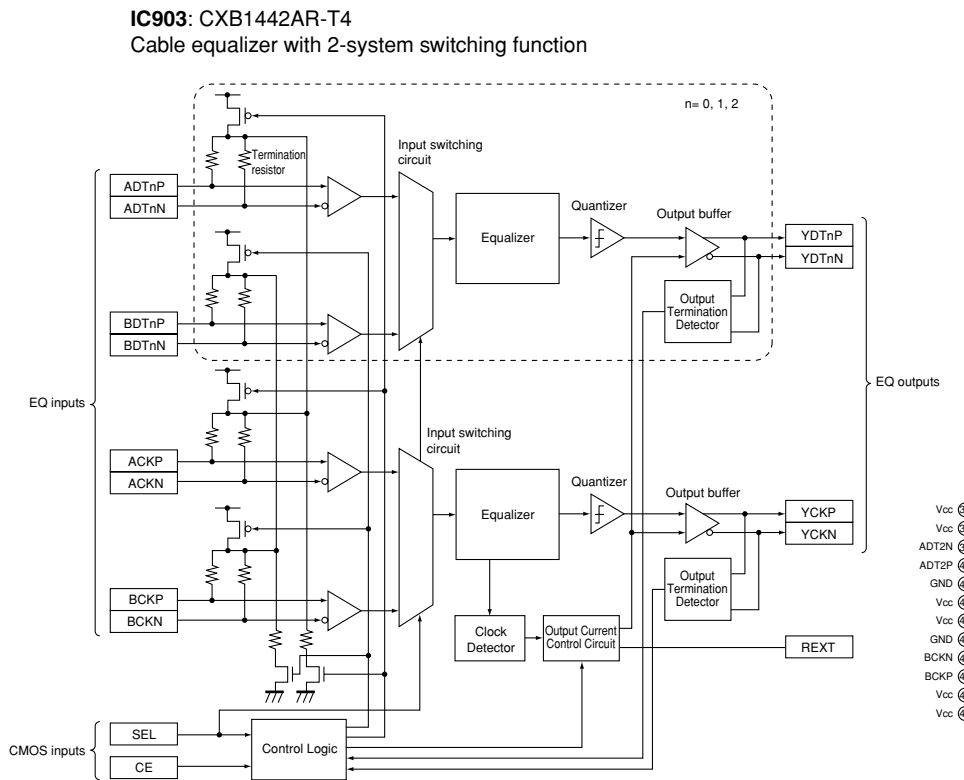
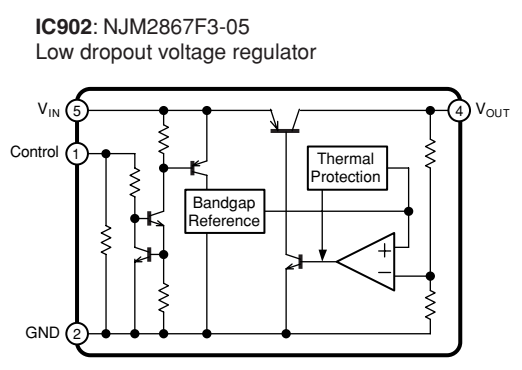
RESISTOR

REMARKS	PARTS NAME
NO MARK	CARBON FILM RESISTOR (P=5)
⊠	CARBON FILM RESISTOR (P=10)
△	METAL OXIDE FILM RESISTOR
▲	METAL FILM RESISTOR
⊞	METAL PLATE RESISTOR
⊞	FIRE-PROOF CARBON FILM RESISTOR
⊞	CEMENT MOLDED RESISTOR
⊞	SEMI-VARIABLE RESISTOR
⊞	CHIP RESISTOR

CAPACITOR

REMARKS	PARTS NAME
NO MARK	ELECTROLYTIC CAPACITOR
⊞	TANTALUM CAPACITOR
⊞	CERAMIC CAPACITOR
⊞	CERAMIC TUBULAR CAPACITOR
⊞	POLYESTER FILM CAPACITOR
⊞	POLYSTYRENE FILM CAPACITOR
⊞	MICA CAPACITOR
⊞	POLYPROPYLENE FILM CAPACITOR
⊞	SEMICONDUCTIVE CERAMIC CAPACITOR
⊞	POLYPHENYLENE SULFIDE FILM CAPACITOR

NOTICE (mode1)
 (J)..... JAPAN
 (U)..... U.S.A
 (C)..... CANADA
 (R)..... GENERAL
 (T)..... CHINA
 (K)..... KOREA
 (A)..... AUSTRALIA
 (B)..... BRITISH
 (G)..... EUROPE
 (L)..... SINGAPORE
 (E)..... SOUTH EUROPE
 (V)..... TAIWAN
 (F)..... RUSSIAN



* All voltages are measured with a 10MΩ/V DC electronic voltmeter.
 * Components having special characteristics are marked !, and must be replaced with parts having specifications equal to those originally installed.
 * Schematic diagram is subject to change without notice.